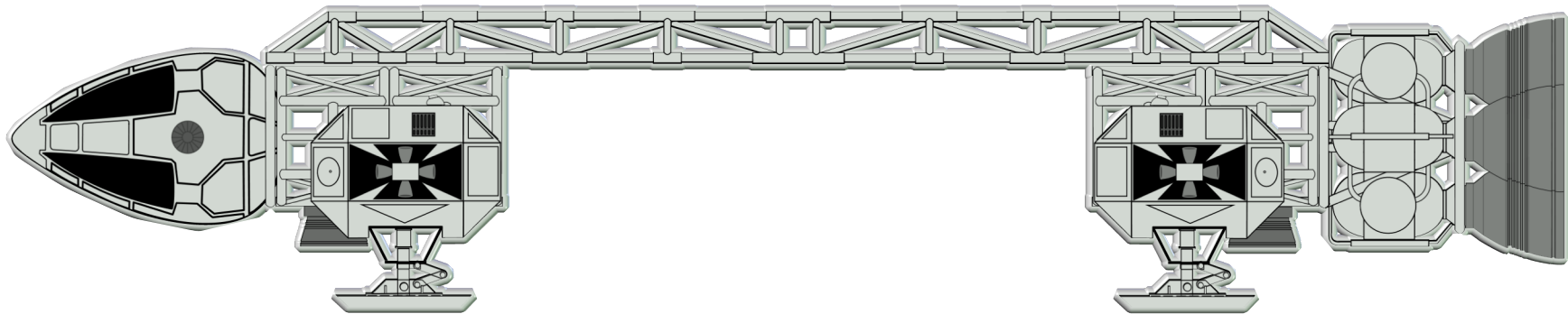


BOOKLET OF GENERAL PLANS FOR MODIFYING THE AIRFIX/AMT/MPC EAGLE TRANSPORTER PLASTIC MODEL KIT



1:87 Scaled Eagle Transporter (MPC rework)	
Designed by: Brian Johnson	Date: May 15, 2014
Scale 1:1	Sheet: 1
Draft: #004	of 15
Drawn by: Colin Omilusik	
Scale Model Technologies	

Hi there and welcome to the SMT Transporter 2 booklet of plans.

What are these and why do I need them? Well you don't need them but it makes modeling this subject a bit easier if you want it to resemble the large studio miniatures.

First let's talk size. The MPC/AMT kits scale is listed as 1/76 and is correct from a 1/87 scale pilot viewpoint. The problem is the 44" Eagle and 1/24 Gemini pilots were not the same scale to each other!

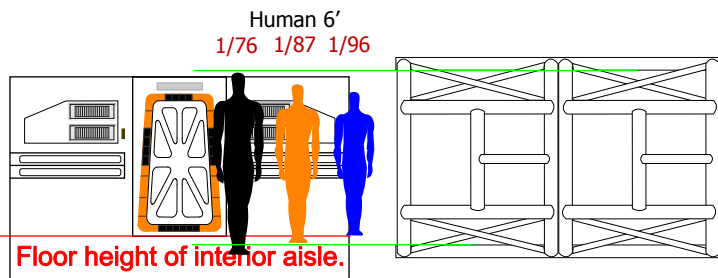
But in reality for me it scales more to 1/87 scale with a 1/96 scale pilot. And in fact the set scaled out at 1/87 fits not only the command head but also the pod. I created the interiors in my Eagle diorama at this scale.

How did I conclude this you ask?

The problem is the 44" miniature is not a 1/24 scale model of the Eagle Transporter. The pilots were chosen for their ability to look good when viewed in the model. Because of the use of the 1/24 Gemini pilots most assume that is the Eagle ships scale.

However based on this premise a 44" model = 1/24 scale, a 22" model = 1/48 scale and a 11" model = 1/96.

The Airfix/MPC kit is then 1/87 based on the 44" (1/24) scale idea. I concluded this by taking the 44" measurements to full size. Then from full size scaling backwards, reaching a basically 12" model at 1/87 scale based on pilot size.

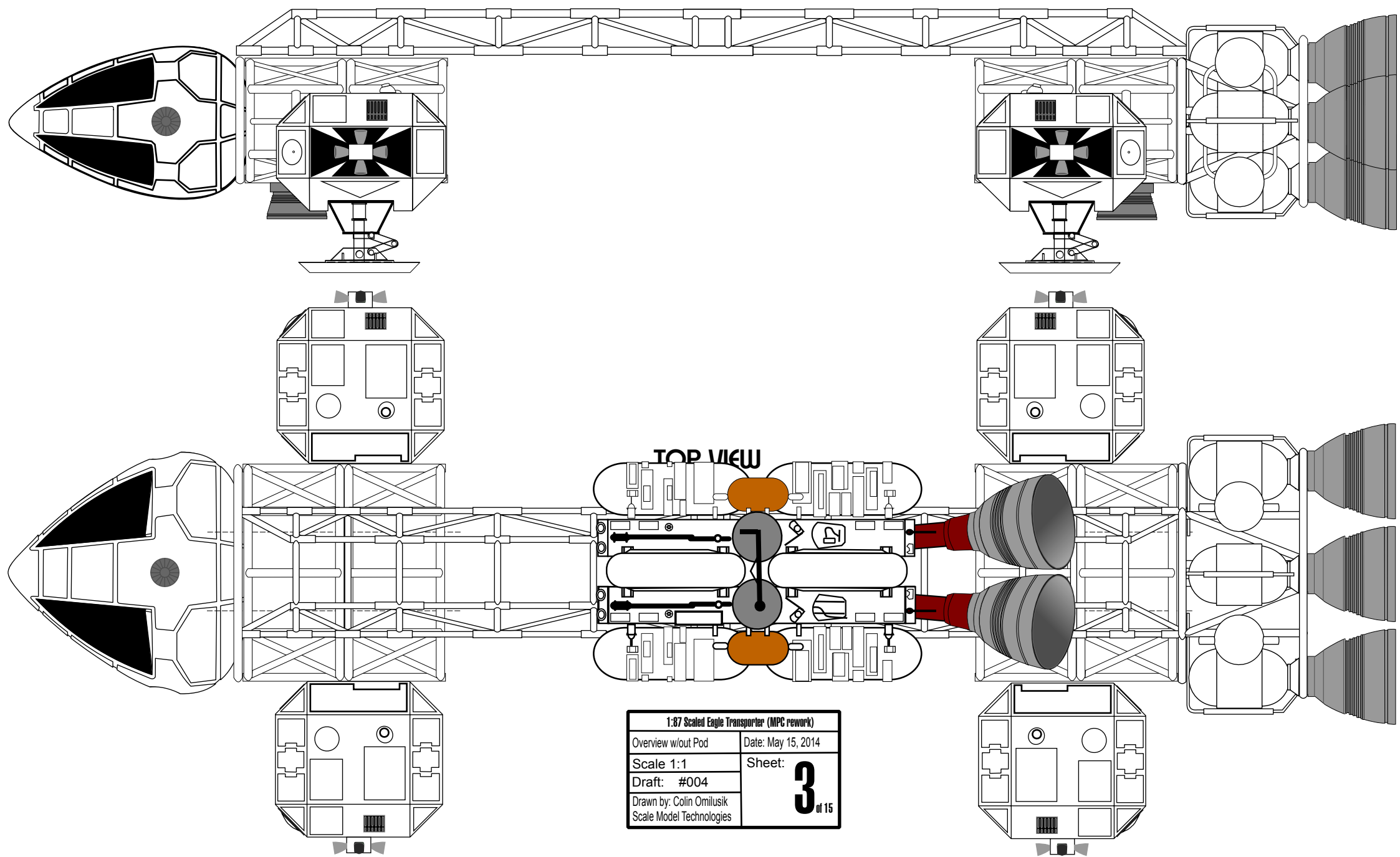


But as you can see a 1/76 scaled human would not fit without constantly being crouched over (which is not how they walk in the full size set). The 1/87 scaled human comes closer but really doesn't leave much room for floors/ceilings and all the good stuff we humans need in space. The 1/96 scale human fits fine however and creates about 19cm of floor and ceiling thickness.

However as many full size sets and miniatures never really scale to each other, take it all with a grain a salt and enjoy the model at whatever scale you feel good about!

These plans are 1:1 scale for the MPC Eagle. I have given some measurements as guidelines, but really these plans are scaled to just layout and build parts without having to constantly scale parts.

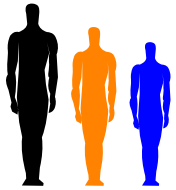
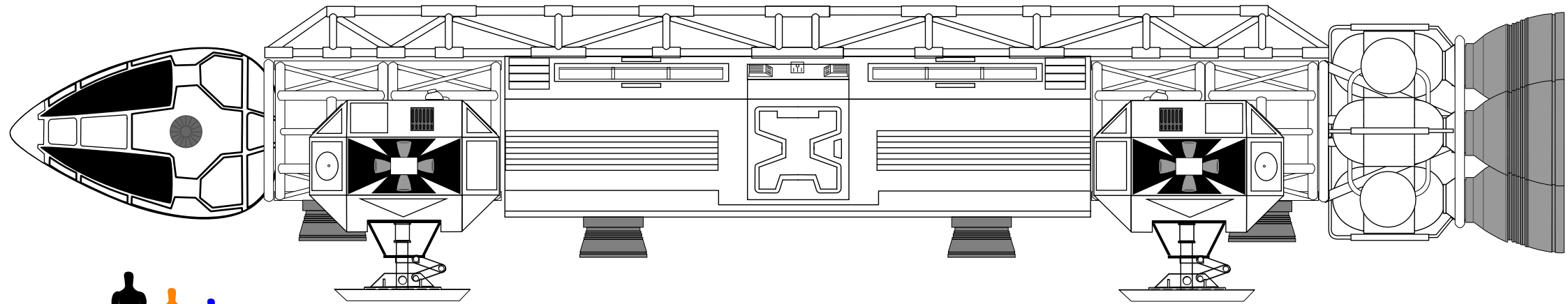
1:87 Scaled Eagle Transporter (MPC rework)	
Designed by: Brian Johnson	Date: May 15, 2014
Scale 1:1	Sheet:
Draft: #004	2 of 15
Drawn by: Colin Omilusik Scale Model Technologies	



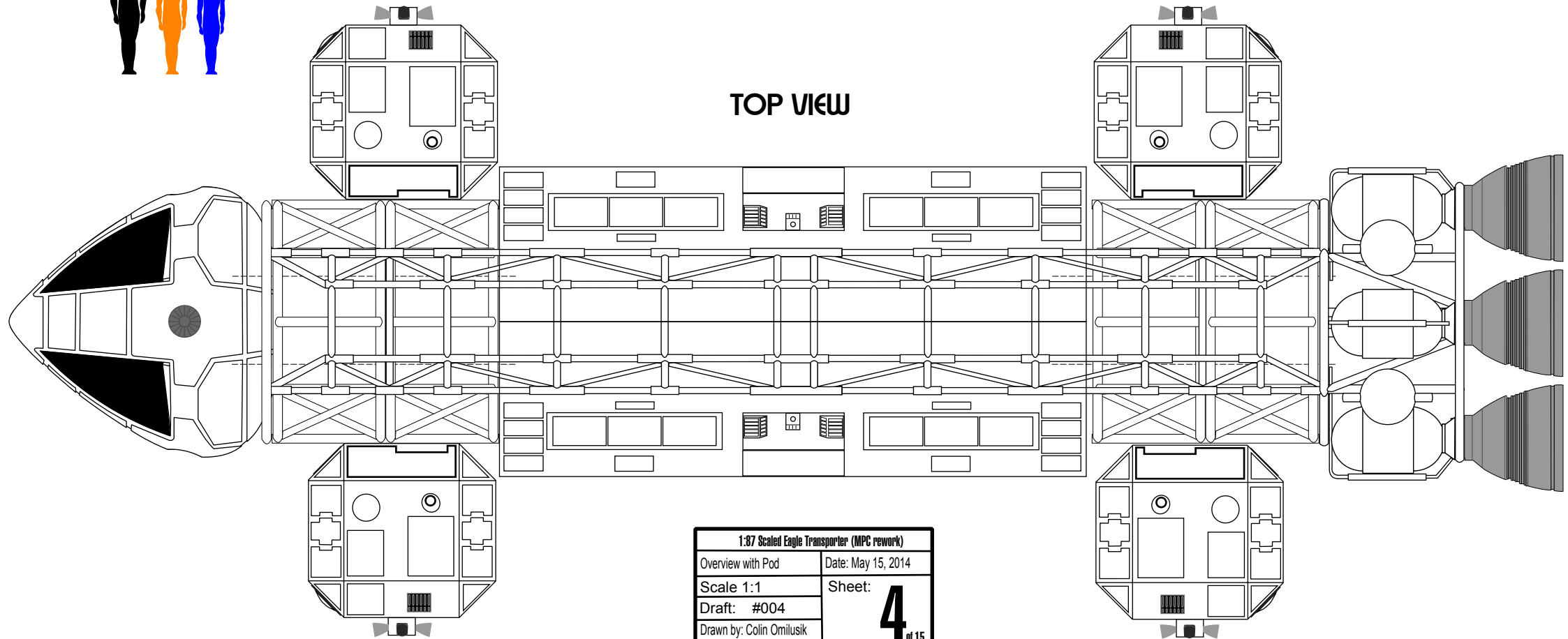
TOP VIEW

1:87 Scaled Eagle Transporter (MPC rework)	
Overview w/out Pod	Date: May 15, 2014
Scale 1:1	Sheet:
Draft: #004	3 of 15
Drawn by: Colin Omilusik Scale Model Technologies	

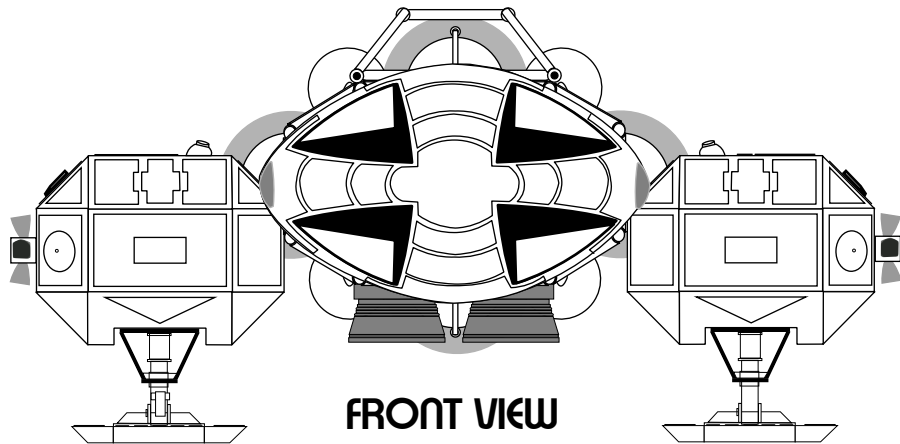
SIDE VIEW



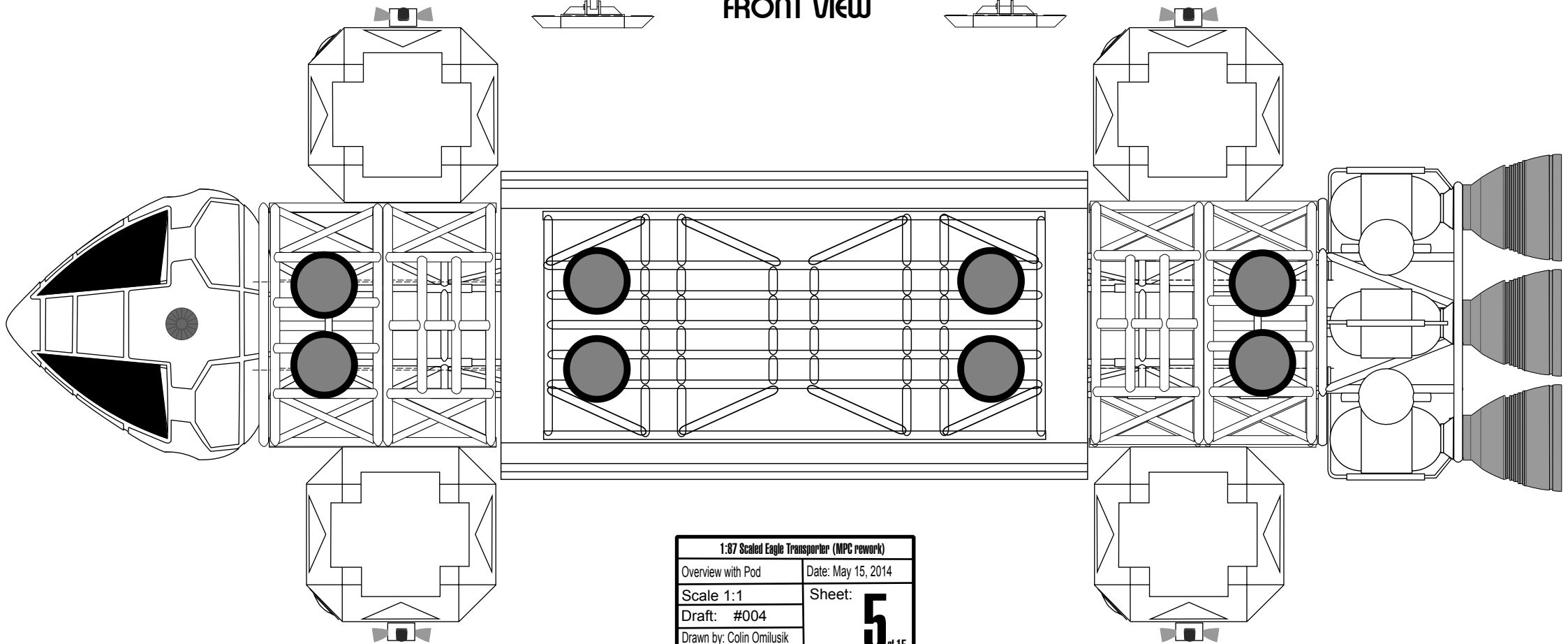
TOP VIEW



1:87 Scaled Eagle Transporter (MPC rework)	
Overview with Pod	Date: May 15, 2014
Scale 1:1	Sheet: 4
Draft: #004	of 15
Drawn by: Colin Omilusik Scale Model Technologies	

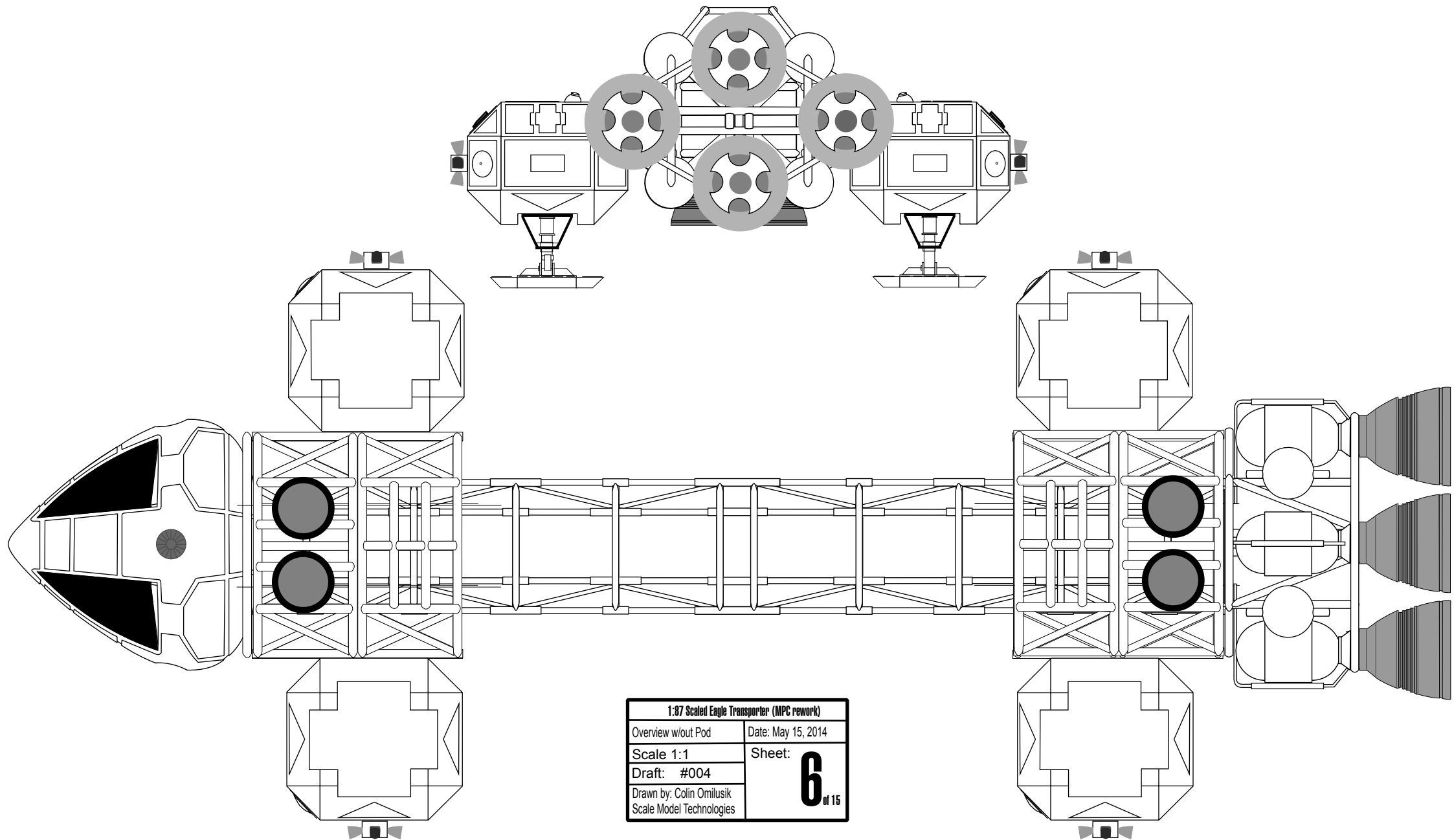


FRONT VIEW

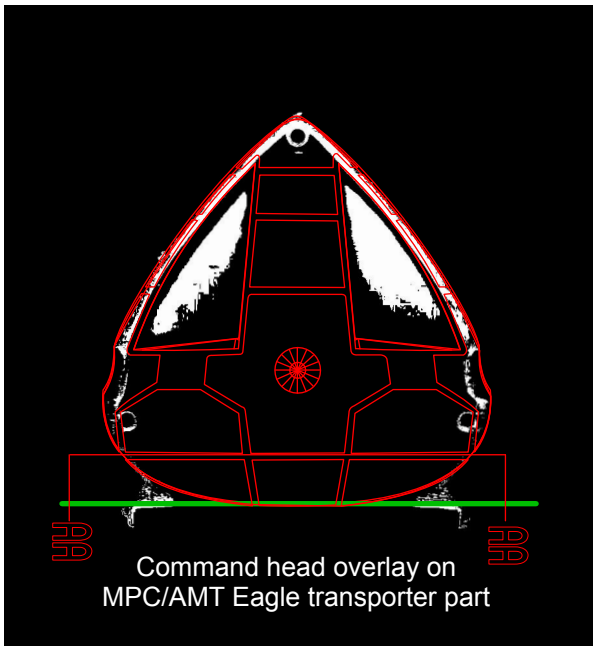


1:87 Scaled Eagle Transporter (MPC rework)	
Overview with Pod	Date: May 15, 2014
Scale 1:1	Sheet:
Draft: #004	5 of 15
Drawn by: Colin Omilusik Scale Model Technologies	

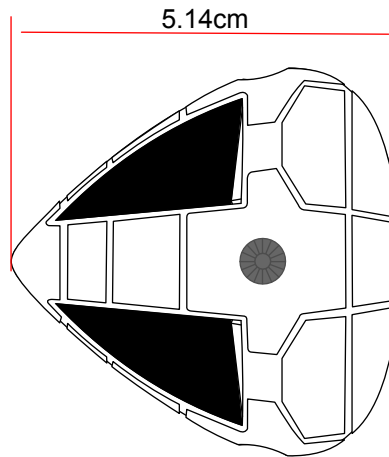
REAR VIEW



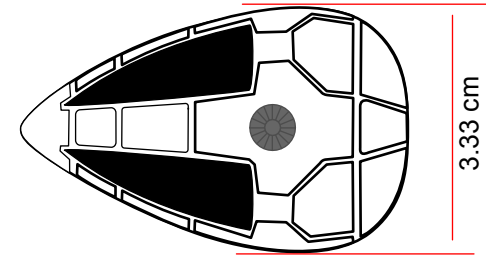
1:87 Scaled Eagle Transporter (MPC rework)	
Overview w/out Pod	Date: May 15, 2014
Scale 1:1	Sheet:
Draft: #004	6 of 15
Drawn by: Colin Omitusik	
Scale Model Technologies	



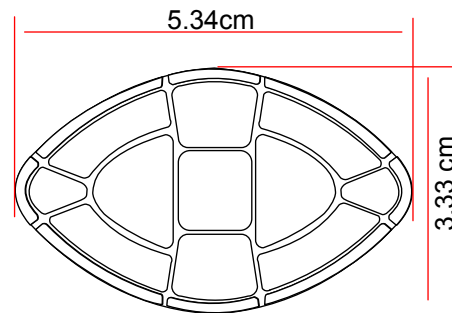
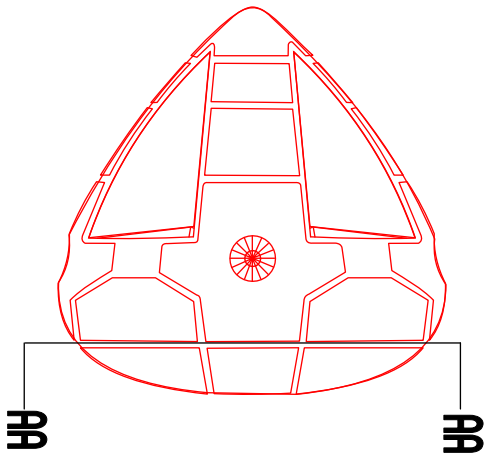
TOP VIEW



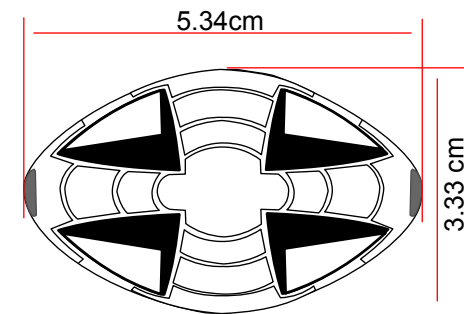
SIDE VIEW



.63cm dia.



REAR VIEW



FRONT VIEW

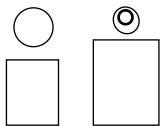
If creating a corrected rear for the command head cut along section AA.

I drilled out the thruster nozzle sections and filled with putty to create a smooth depression.

I then created chrome thrusters to complete the look.

1:87 Scaled Eagle Transporter (MPC rework)	
Command Head	Date: May 15, 2014
Scale 1:1	Sheet: 7
Draft: #004	of 15
Drawn by: Colin Omilusik Scale Model Technologies	

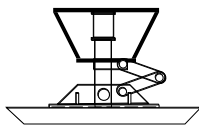
Top detail



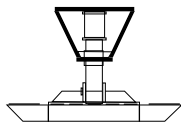
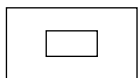
Front slope detail



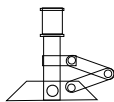
Lower triangle detail



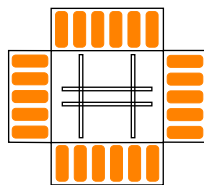
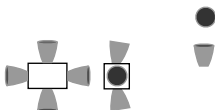
front/Rear pod detail



Side of pod detail

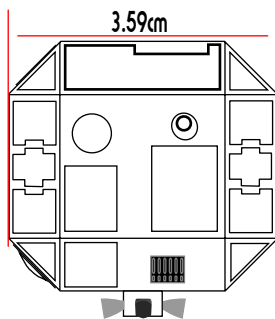


Thruster detail

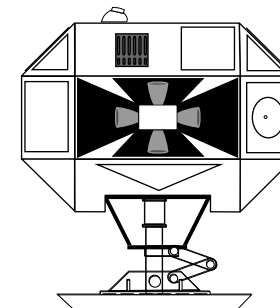
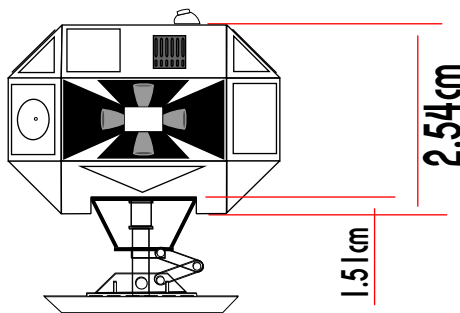
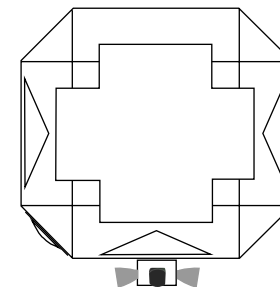


This is the correct 6x5 pattern used on the Eagle feet.

TOP VIEW



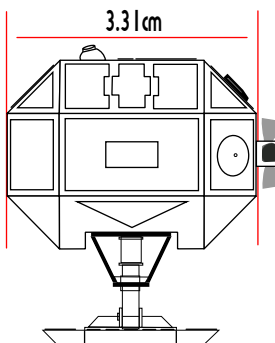
BOTTOM VIEW



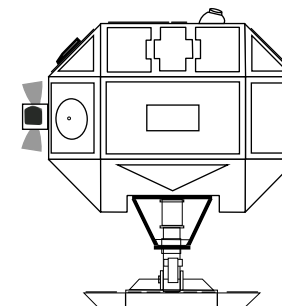
SIDE VIEW (POD FRONT LEFT & REAR RIGHT)

SIDE VIEW (POD REAR LEFT & FRONT RIGHT)

3.31cm



FRONT VIEW

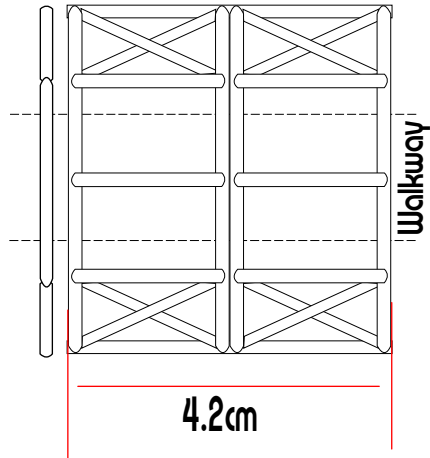


REAR VIEW

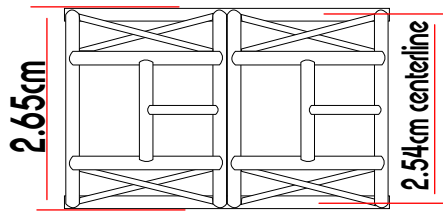
1:87 Scaled Eagle Transporter (MPC rework)	
Fuel Pods	Date: May 15, 2014
Scale 1:1	Sheet: 8
Draft: #004	of 15
Drawn by: Colin Ormilusik Scale Model Technologies	

Main tubing - 1/4 inch on 44 inch studio model) should be 1.8 mm tubing.
 Secondary tubing - 3/16 inch on 44 inch studio model) should be 1.3 mm tubing.

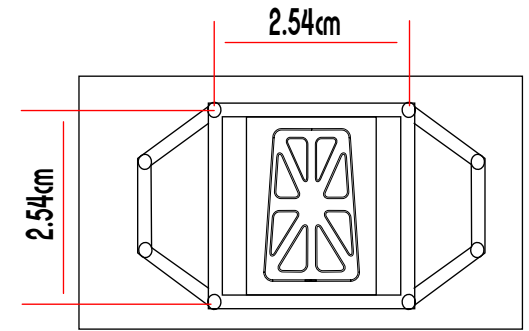
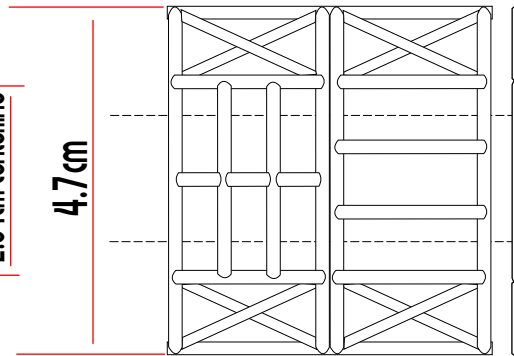
TOP VIEW



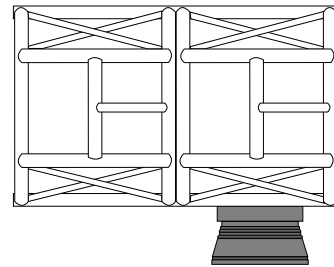
SIDE VIEW



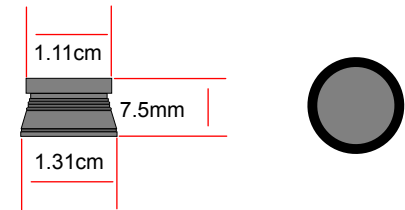
BOTTOM VIEW



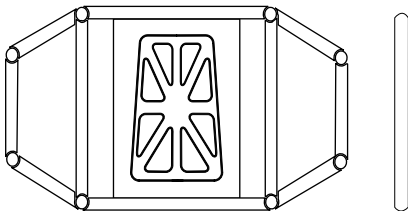
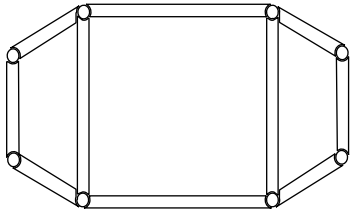
THRUSTER LOCATION



THRUSTER

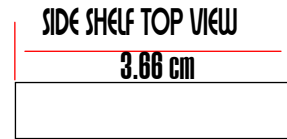


FRONT VIEW WALKWAY CAGE

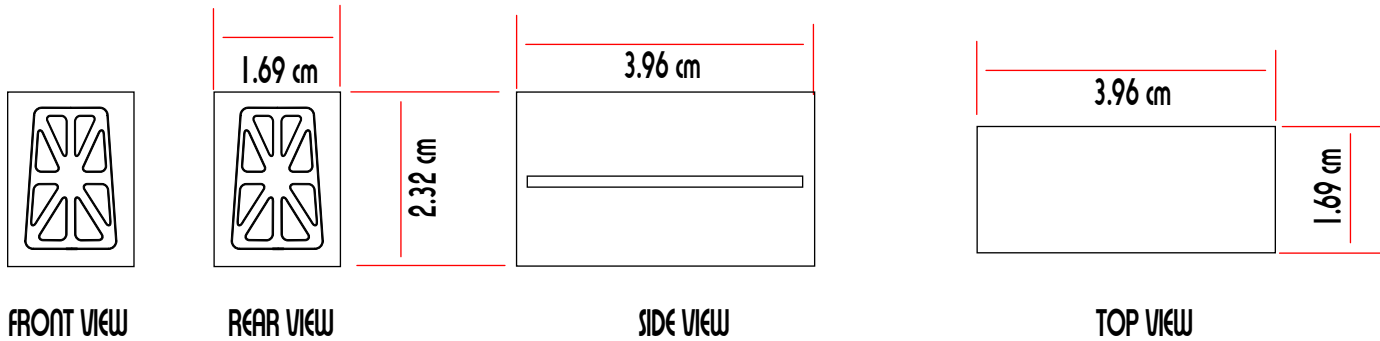


1:87 Scaled Eagle Transporter (MPC rework)	
Cage front & rear	Date: May 15, 2014
Scale 1:1	Sheet: 9 of 15
Draft: #004	
Drawn by: Colin Omilusik Scale Model Technologies	

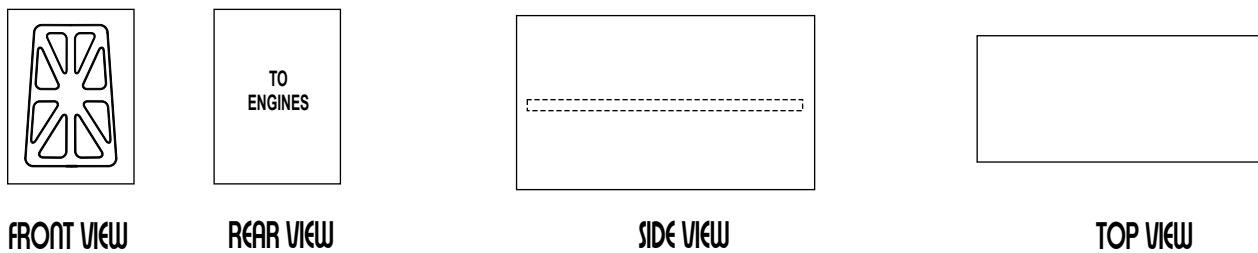
SIDE SHELVES OVERVIEW



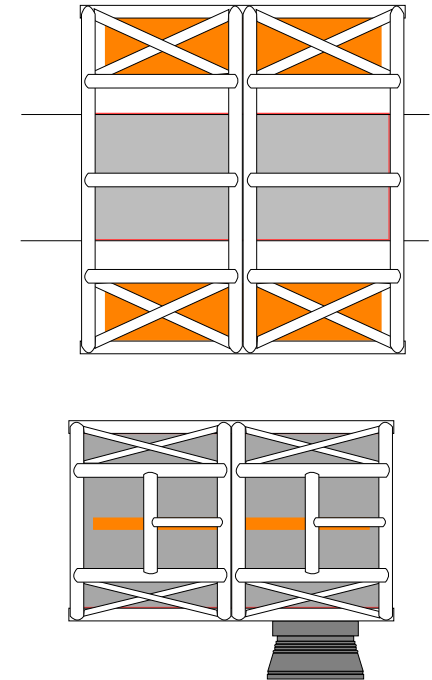
FRONT CAGE OVERVIEW



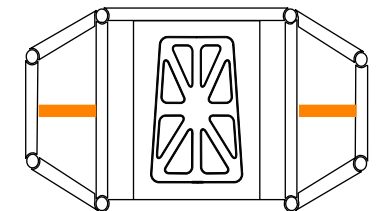
REAR CAGE OVERVIEW



GENERAL CAGE WALKWAY AND SHELVES OVERVIEW

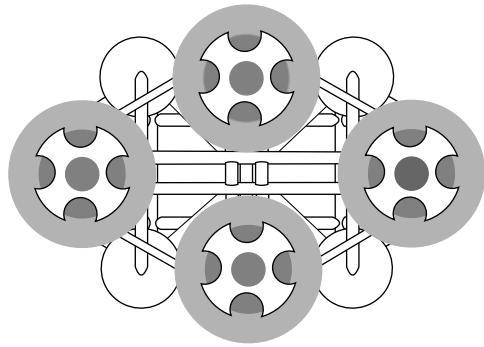


Red outline w/grey fill denotes walkway
Orange denotes walkway shelf

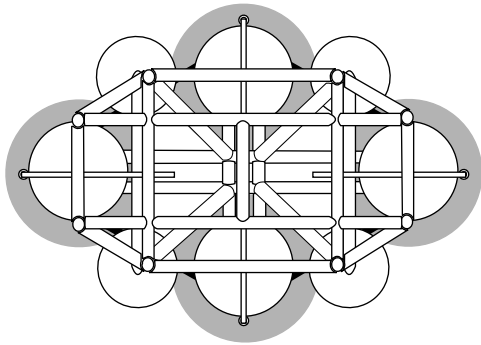


**Shelves DO NOT
touch walkway walls!**

1:87 Scaled Eagle Transporter (MPC rework)	
Walkway/Shelf Assembly	Date: May 15, 2014
Scale 1:1	Sheet:
Draft: #004	10 of 15
Drawn by: Colin Omilusik Scale Model Technologies	

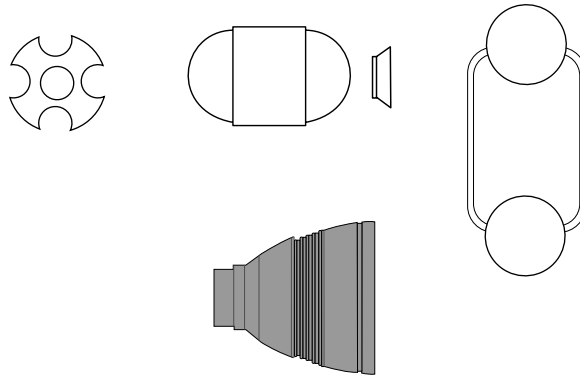
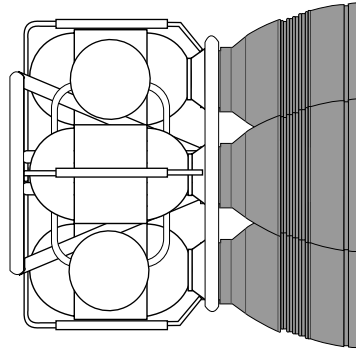


**REAR VIEW COMPLETE
ENGINE ASSEMBLY**

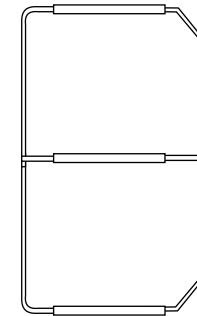


**AFT VIEW COMPLETE
ENGINE ASSEMBLY**

**SIDE VIEW COMPLETE
ENGINE ASSEMBLY**

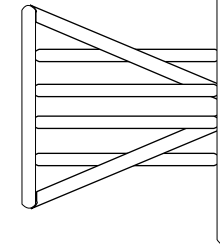


ENGINE PIPING SIDE VIEW



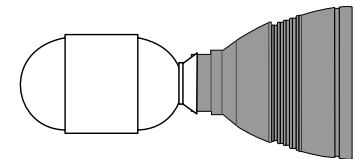
2.79 cm

**CAGE
TO
ENGINE**



FWD

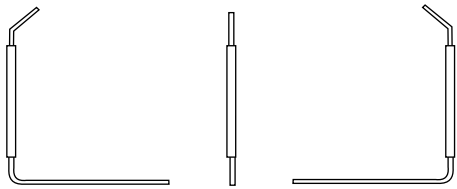
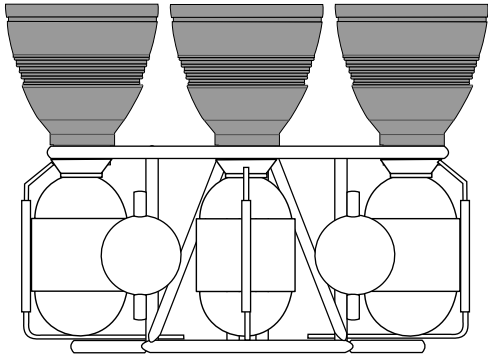
SIDE VIEW



Engine framing is
1.8mm tubing.
Engine Piping is
1.1mm and .6mm

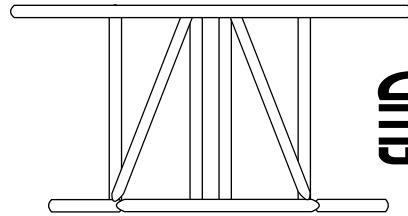
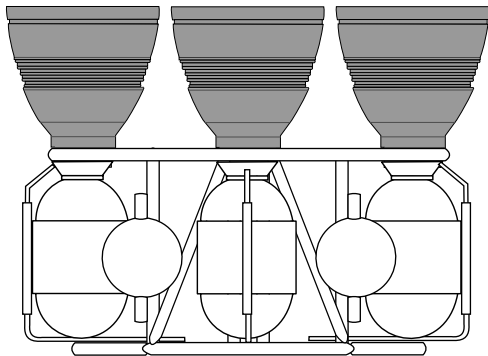
1:87 Scaled Eagle Transporter (MPC rework)	
Engine Assembly	Date: May 15, 2014
Scale 1:1	Sheet:
Draft: #004	11
Drawn by: Colin Omilusik Scale Model Technologies	of 15

TOP VIEW



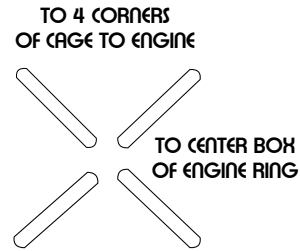
ENGINE PIPING TOP & BOTTOM VIEW

BOTTOM VIEW



CAGE TO ENGINE

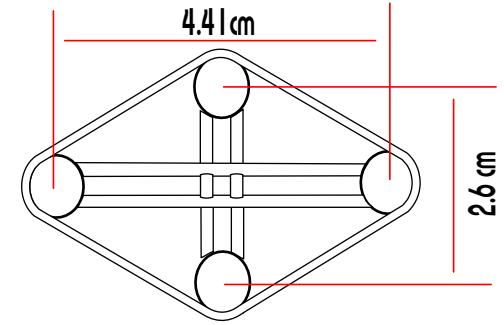
FLUID



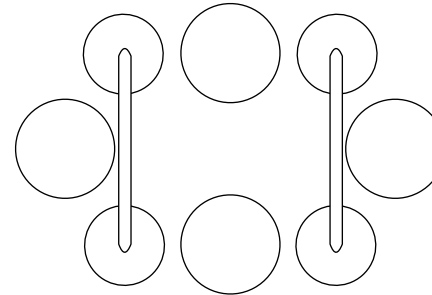
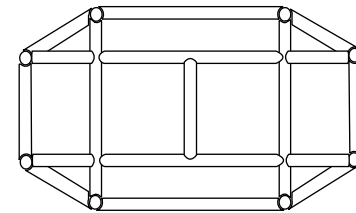
TO 4 CORNERS
OF CAGE TO ENGINE

TO CENTER BOX
OF ENGINE RING

ENGINE RING



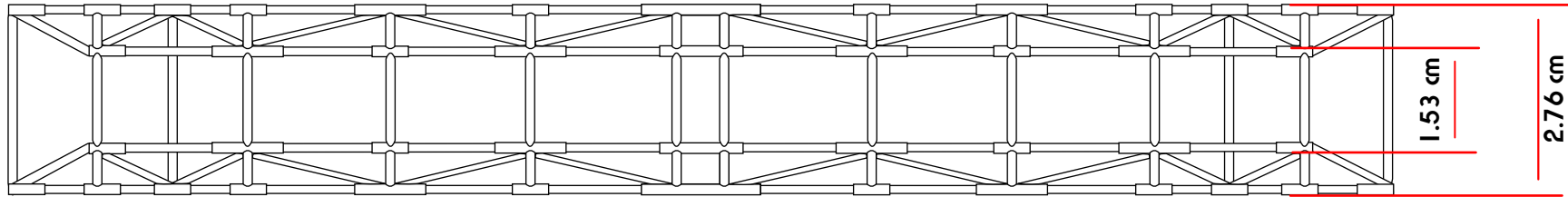
CAGE TO ENGINE



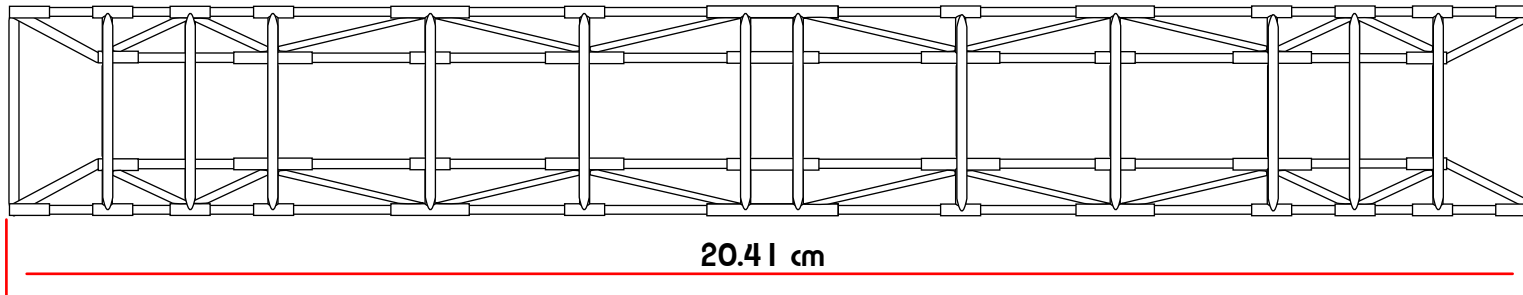
ENGINE LAYOUT SPACING
REAR VIEW

1:87 Scaled Eagle Transporter (MPC rework)	
Engine Assembly	Date: May 15, 2014
Scale 1:1	Sheet:
Draft: #004	12 of 15
Drawn by: Colin Ormilusik Scale Model Technologies	

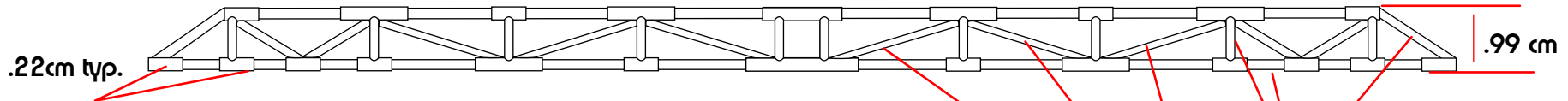
TOP VIEW



BOTTOM VIEW



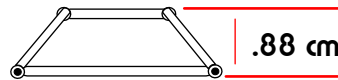
SIDE VIEW



Tubing sizes based on the 44 inch model

- 3/16 inch is .13cm
- 1/4 inch is .18cm
- 5/16 inch is .22cm

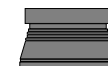
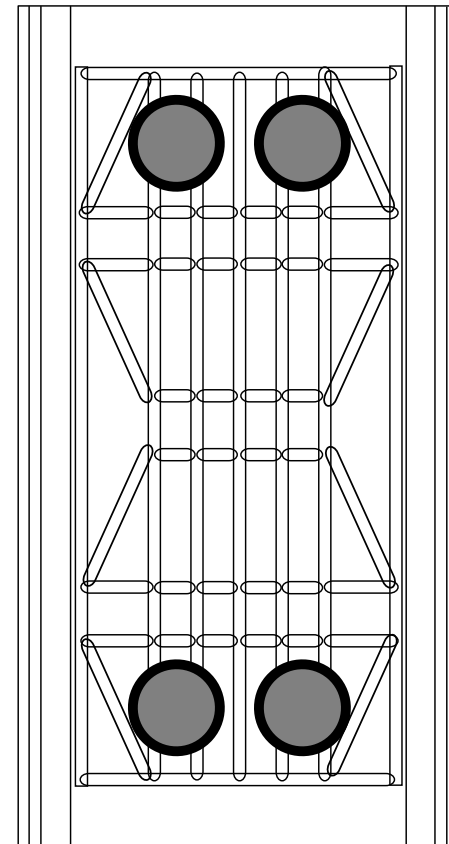
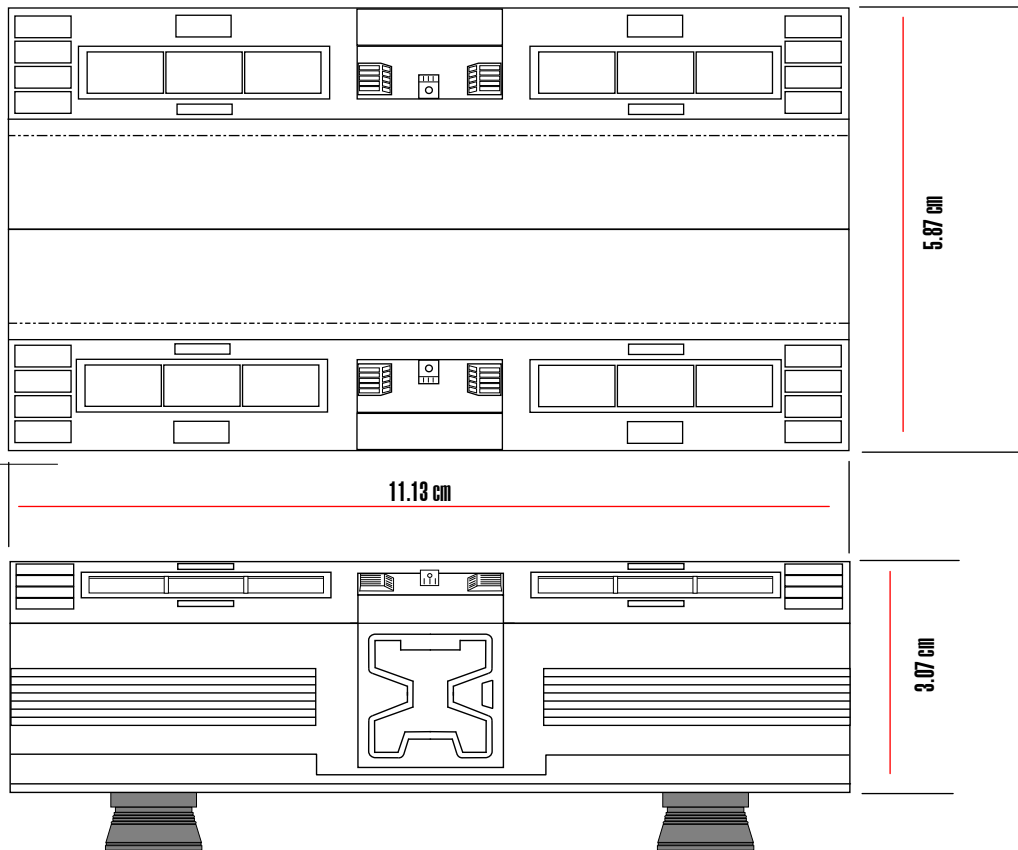
FRONT/REAR VIEW



.18cm typ.

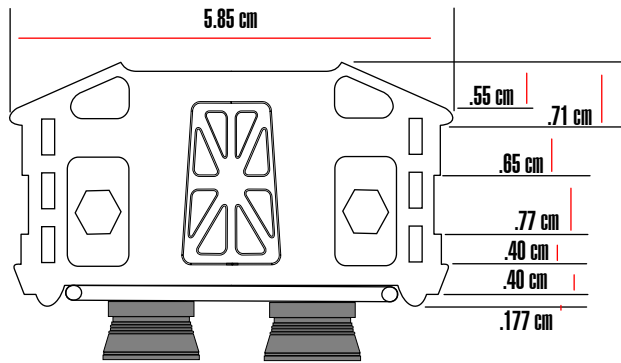
.13cm typ.

1:87 Scaled Eagle Transporter (MPC rework)	
Engine Assembly	Date: May 15, 2014
Scale 1:1	Sheet:
Draft: #004	13 of 15
Drawn by: Colin Omilusik Scale Model Technologies	

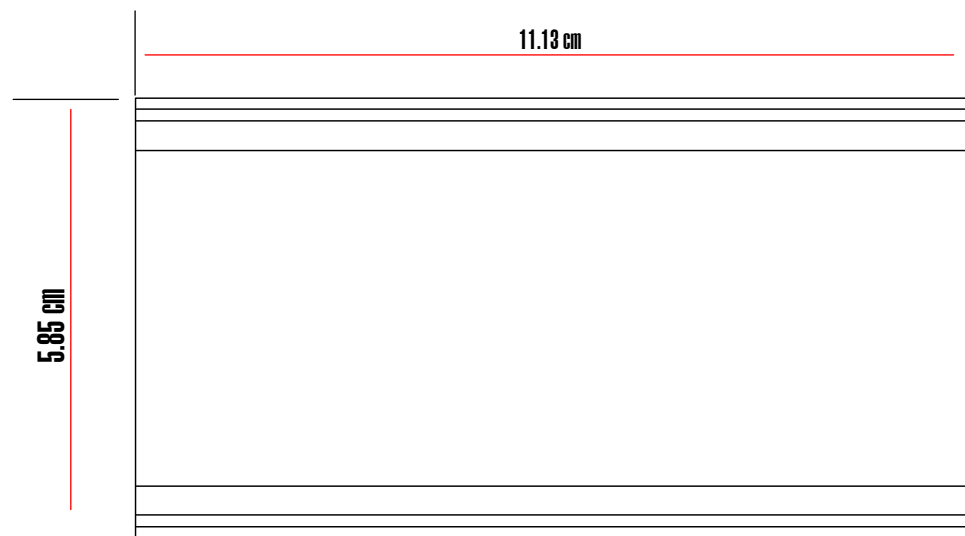
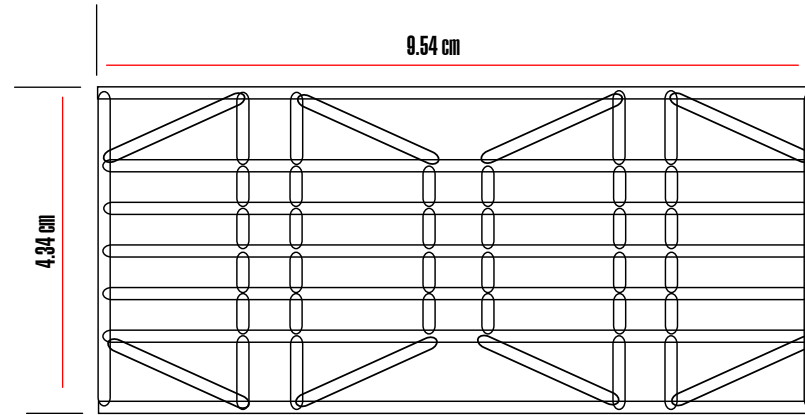
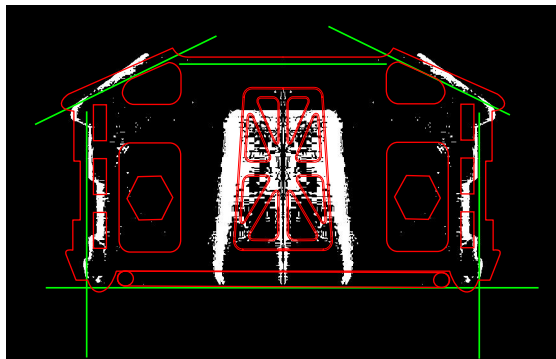


See page 7 for thruster detail.

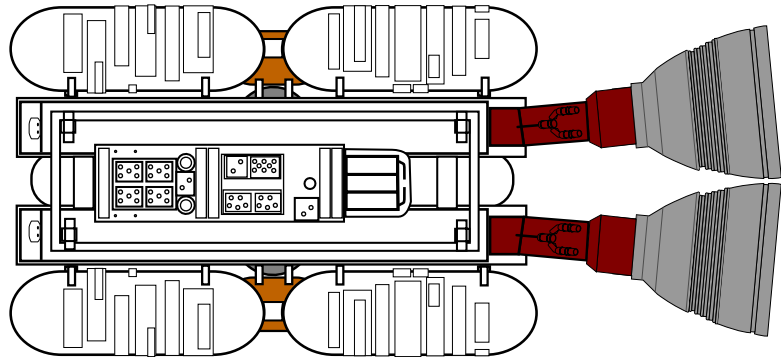
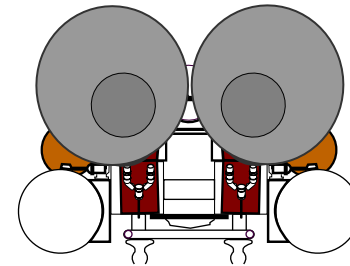
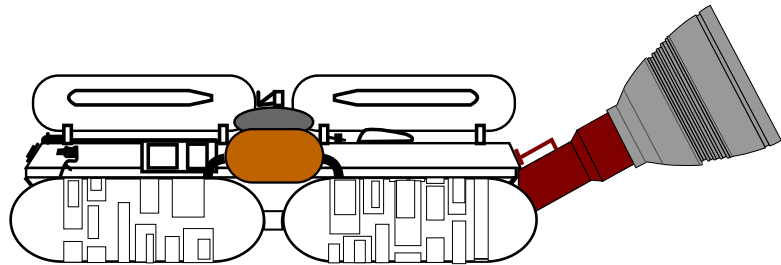
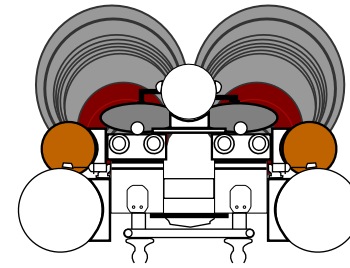
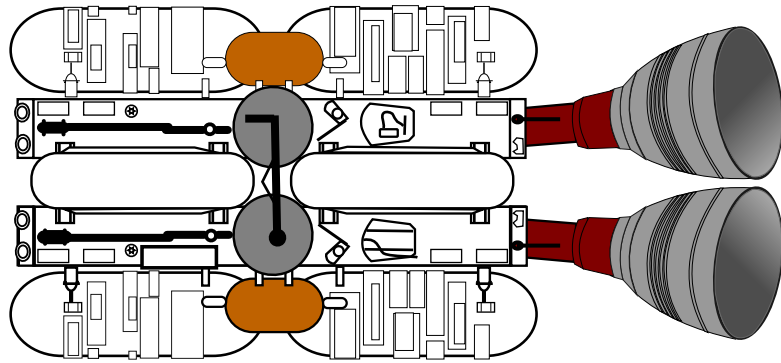
1:87 Scaled Eagle Transporter (MPC rework)	
Engine Assembly	Date: May 15, 2014
Scale 1:1	Sheet:
Draft: #004	14
Drawn by: Colin Omilusik Scale Model Technologies	of 15



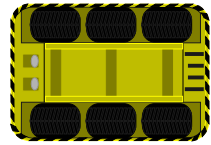
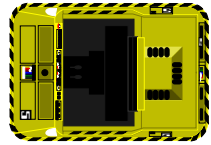
Silhouette of AMT/MPC Transporter pod.
In green the corrected angle of the pod
roofline following the MPC pod lines.
In red the true outline of the 44" pod
reduced to 1/87 scale.



1:87 Scaled Eagle Transporter (MPC rework)	
Engine Assembly	Date: May 15, 2014
Scale 1:1	Sheet:
Draft: #004	15 of 15
Drawn by: Colin Ornilusik Scale Model Technologies	



1:87 Scaled spine type booster	
Spine type booster	Date: May 15, 2014
Scale 1:1	Sheet: 1
Draft: #004	of 1
Drawn by: Colin Ornilusik Scale Model Technologies	



1:87 Scaled Moon Transport	
Surface Transport	Date: Jan 25, 2015
Scale 1:1	Sheet: 1 of 1
Draft: #002	
Drawn by: Colin Omilusik Scale Model Technologies	