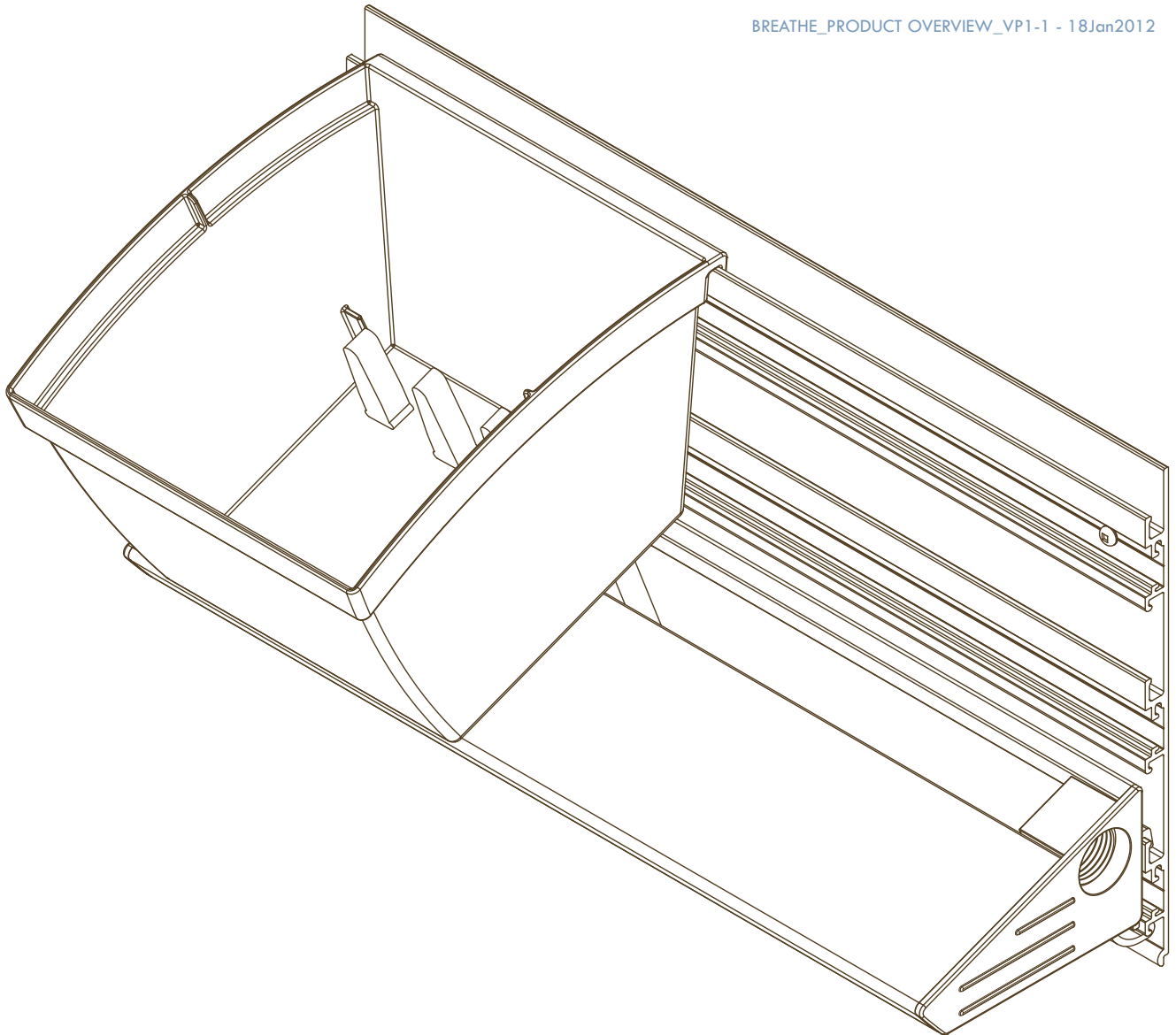


DIRTT PRODUCT OVERVIEW

WALL ACCESSORIES BREATHE LIVING WALL

BREATHE_PRODUCT OVERVIEW_VP1-1 - 18Jan2012



DIRTT

1 Breathe Living Wall Assembly

DIRTT brings its sustainable, modular, flexible approach to the world of Living Walls with Breathe. This DIRTT system is a way for everyone to introduce living plants into their interiors to take advantage of the beauty, air cleaning attributes and kick of extra oxygen plants provide, all without using up precious real estate.

Breathe is designed to allow plant pot modules to cantilever into the patented DIRTT support extrusions. Plants are easily added, moved and removed without disrupting adjacent plants. A straightforward plumbing system is also integrated with Breathe making watering simple. The self-contained pipes and troughs use gravity to send water through the system. Wicks in each pot allow all plant species to absorb what they need. After the last pot, any remaining water is captured – standing water is not an issue for the plants or the occupants of the building. Each pot literally contains the plants to limit diseases and allow for easy removal, inspection or reconfiguration.

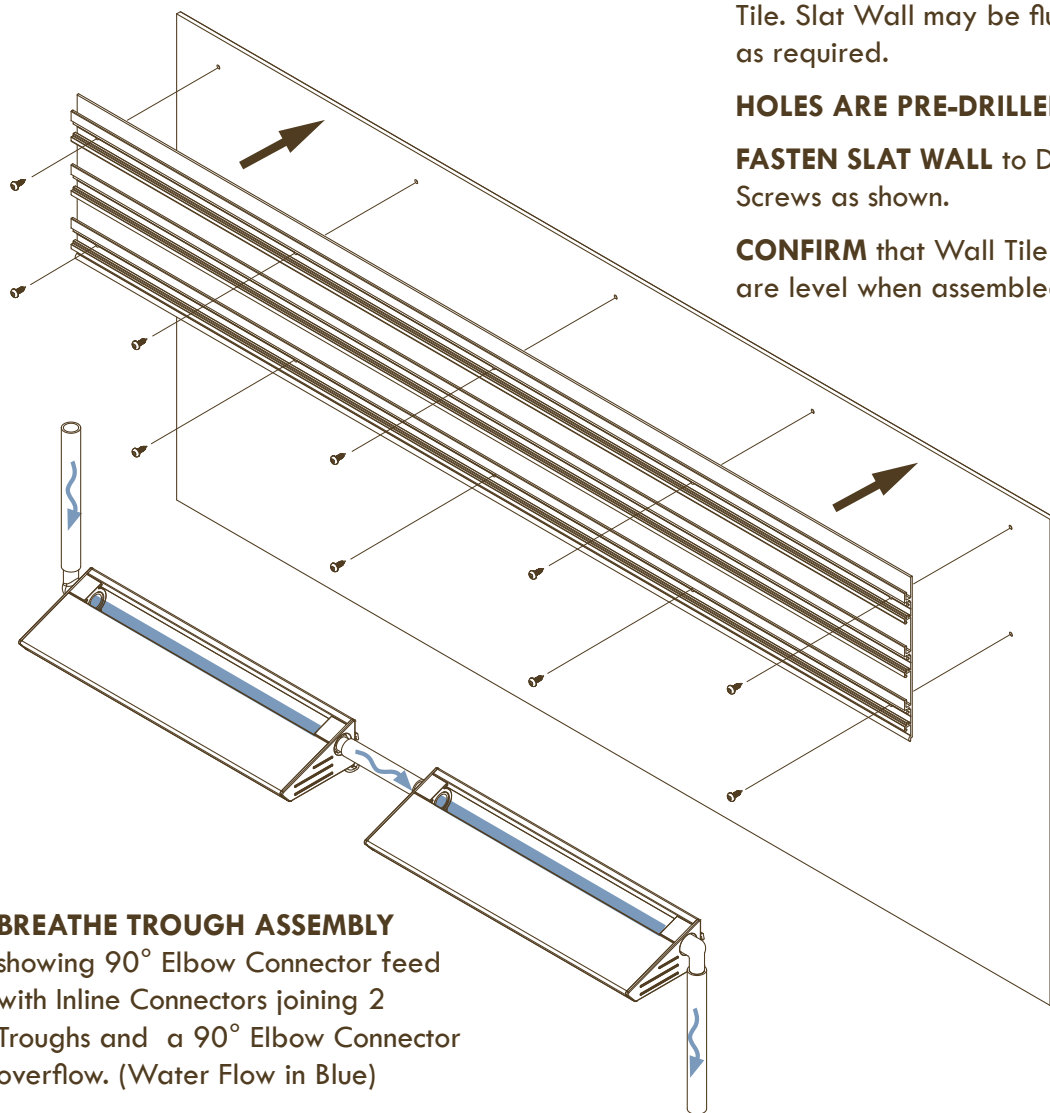
Breathe™ Living Wall - Patent Pending

ALLOW SPACE FROM EACH END of the DIRTT Wall Tile. Slat Wall may be flush with top of Tile or spaced as required.

HOLES ARE PRE-DRILLED on Slat for fasteners.

FASTEN SLAT WALL to DIRTT Wall Tile using Wood Screws as shown.

CONFIRM that Wall Tile and Breathe Slat Assembly are level when assembled.

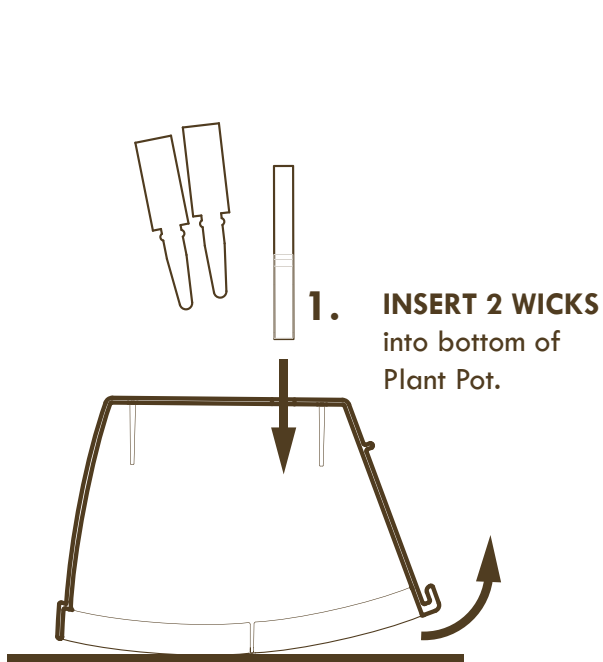


DETAIL - BREATHE SLAT WALL ASSEMBLY attached to DIRTT Wall Tile.

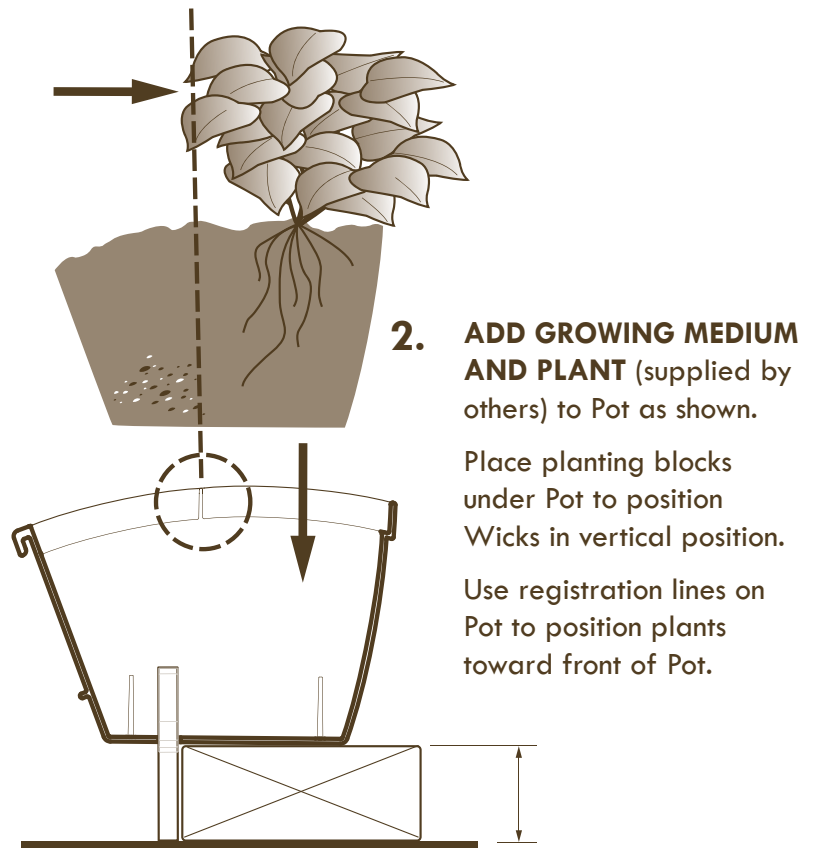
BASE BUILDING INSTALL: The Slats can also be attached to base building structures.

BREATHE TROUGH ASSEMBLY showing 90° Elbow Connector feed with Inline Connectors joining 2 Troughs and a 90° Elbow Connector overflow. (Water Flow in Blue)

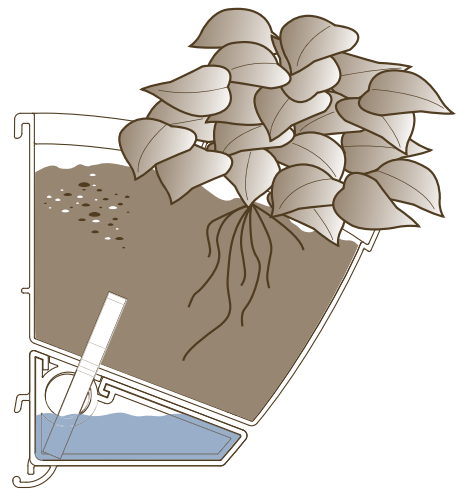
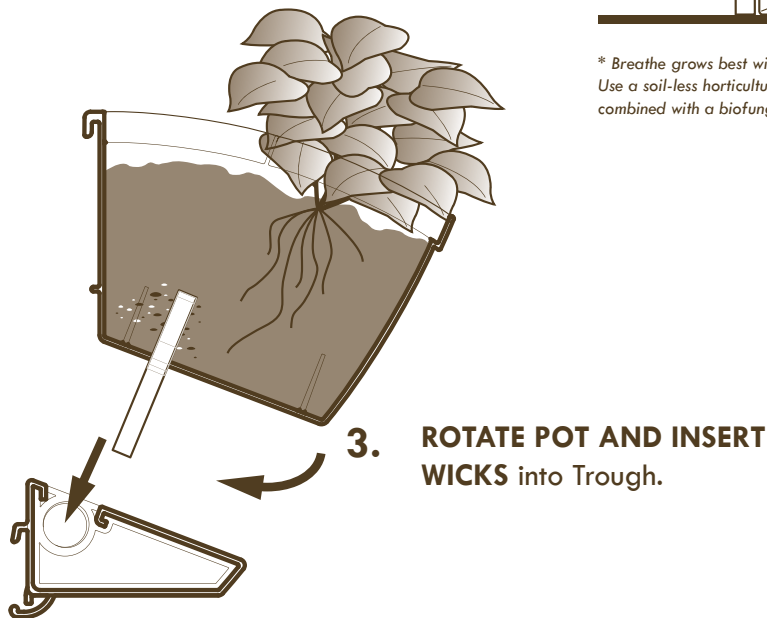
2 Plant Pot Assembly



NOTE Two wicks per pot is recommended. This can vary dependent upon each plant's water requirements.

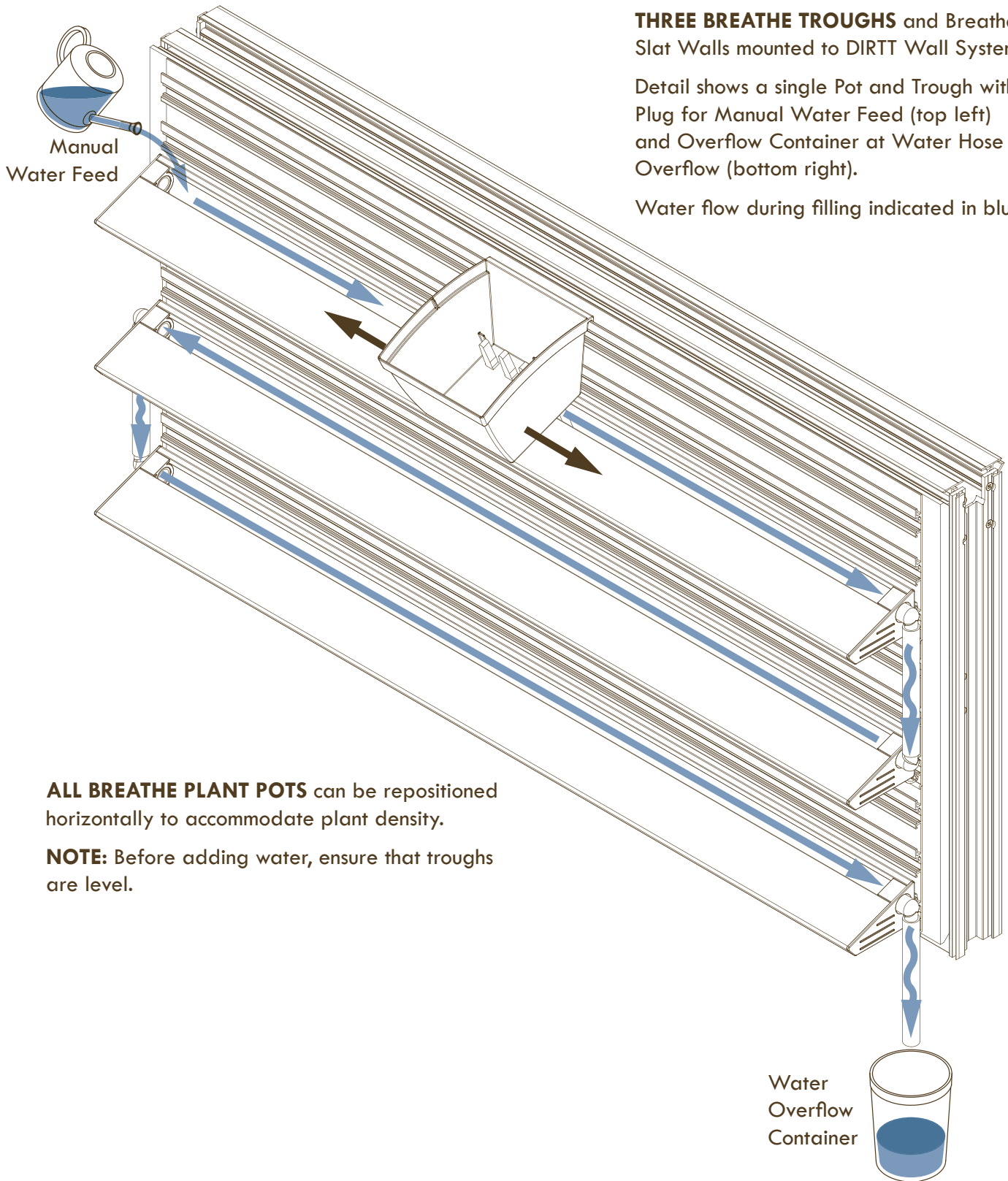


** Breathe grows best with a professional, general purpose potting medium - not dirt. Use a soil-less horticultural growth medium (COM) designed for your specific plants, combined with a biofungicide to prevent root disease.*



BEFORE ADDING WATER ensure that Water Troughs are level.

3 Assembled Breathe Living Wall - Watering



THREE BREATHE TROUGHS and Breathe Slat Walls mounted to DIRTT Wall System.

Detail shows a single Pot and Trough with Plug for Manual Water Feed (top left) and Overflow Container at Water Hose Overflow (bottom right).

Water flow during filling indicated in blue.

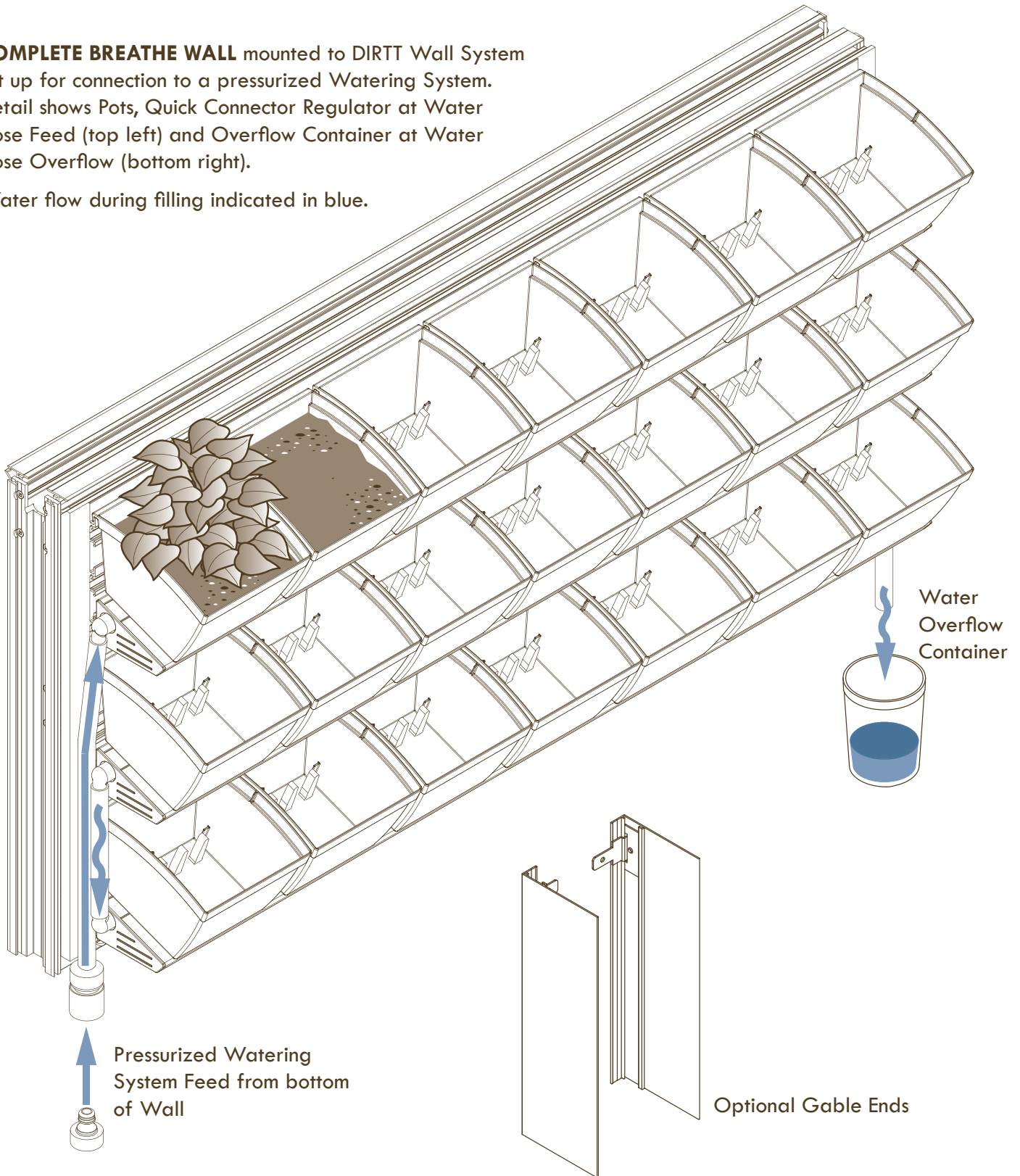
ALL BREATHE PLANT POTS can be repositioned horizontally to accommodate plant density.

NOTE: Before adding water, ensure that troughs are level.

4 Assembled Breathe Living Wall - with Pressurized Watering System

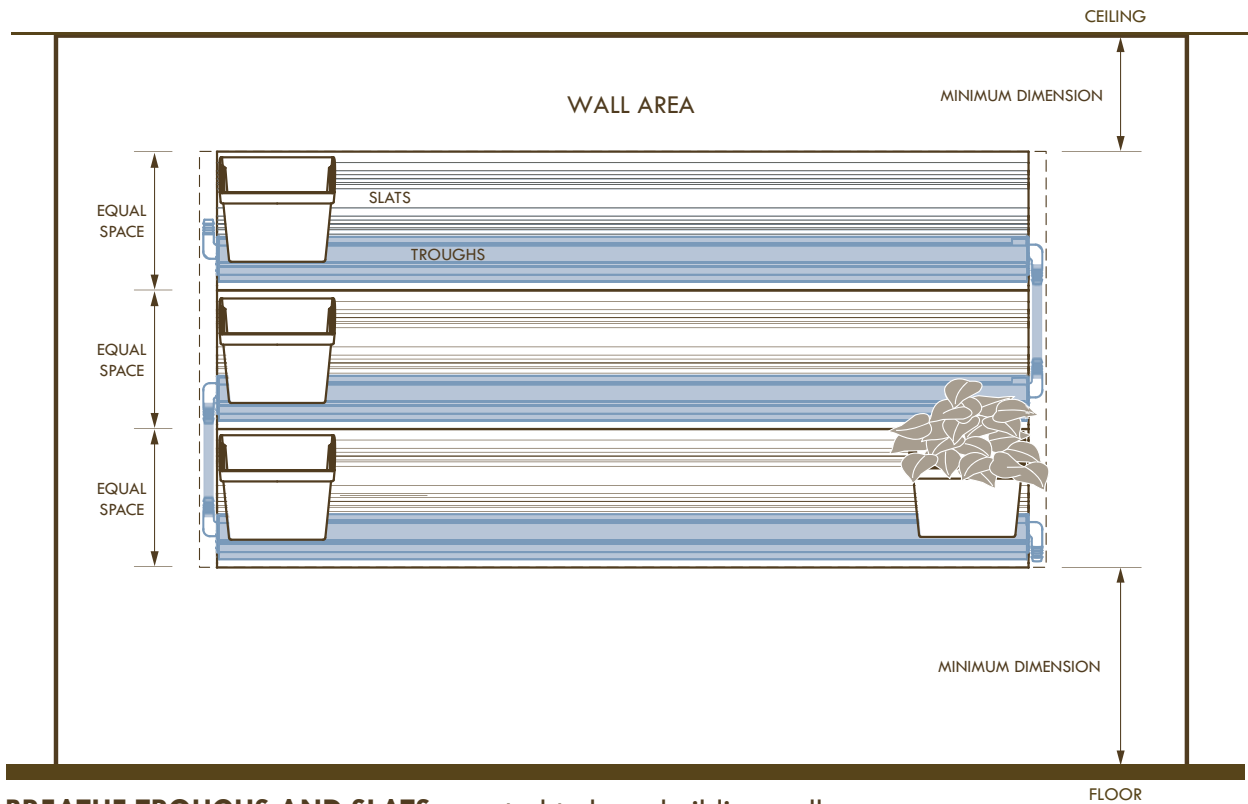
COMPLETE BREATHE WALL mounted to DIRTT Wall System set up for connection to a pressurized Watering System. Detail shows Pots, Quick Connector Regulator at Water Hose Feed (top left) and Overflow Container at Water Hose Overflow (bottom right).

Water flow during filling indicated in blue.

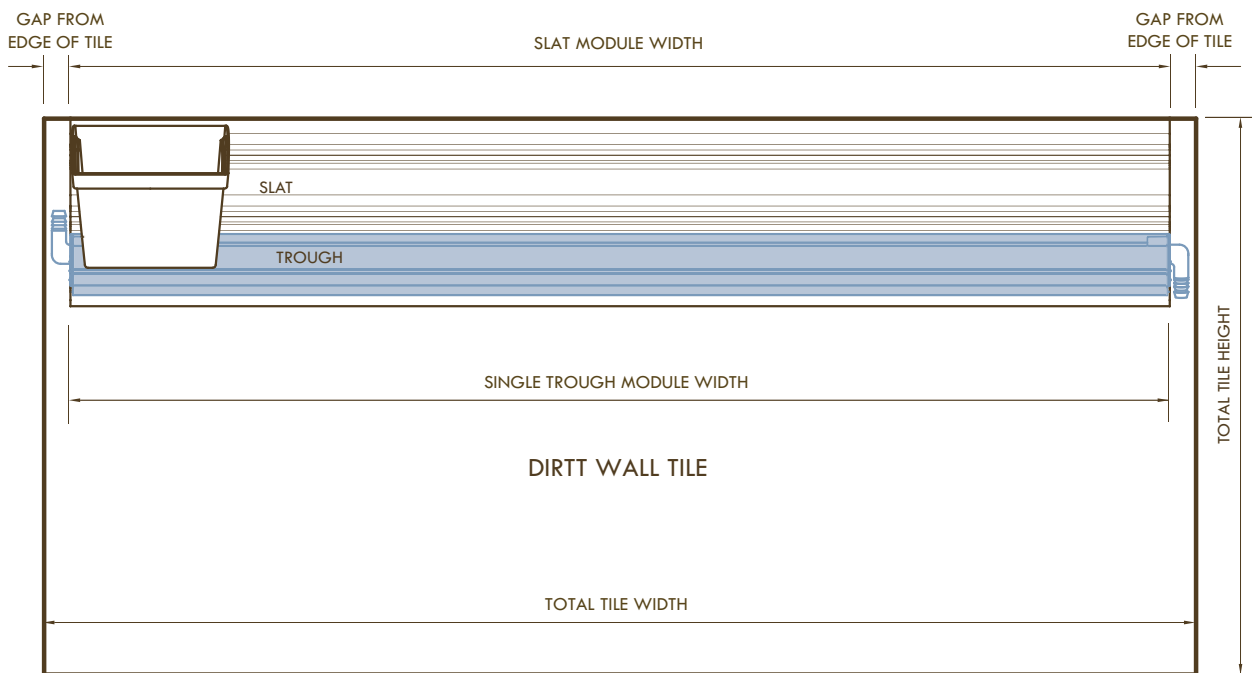


5

Assembled Breathe - Wall Dimensions



BREATHE TROUGHS AND SLATS mounted to base building wall.



BREATHE TROUGHS AND SLATS mounted to Tile on DIRTT Wall System.