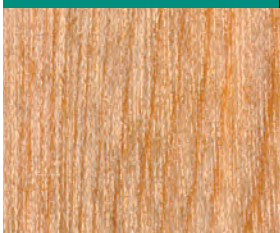
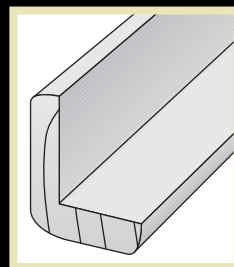
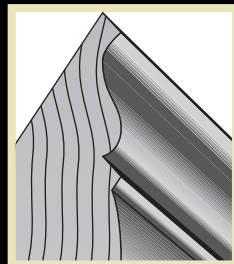
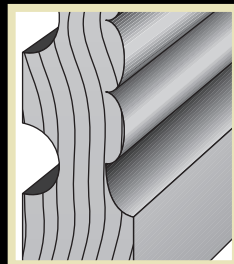


# Builders Supply Co., Inc.

# Trim Catalog





**Coffman**  
**Simpson**  
**Therma Tru**  
**Lynden Door**  
**Menzner**  
**HB&G**  
**Lianga Pacific, Inc.**  
**Masonite**  
**Iron a Way**  
**Teton Sales**  
**Hager**  
**LE Johnson**



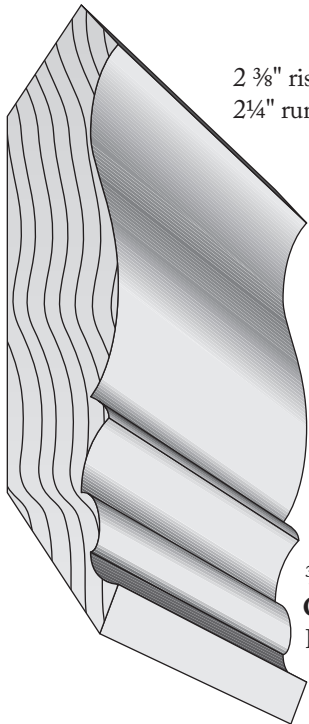


# Contents

Crown Mouldings.....	2
Chair Rail.....	5
Decorative Mouldings.....	8
Molding.....	7
Mull Centers.....	8
Base Boards.....	9
Casings.....	13
Base Shoes.....	17
Coves.....	18
Quarter Rounds.....	19
Corner Blocks.....	20
Radius Base Blocks.....	20
Door Stops.....	21
Jambs.....	22
T & G Stock.....	26
Newels.....	27
Box Newels.....	29
Stair Accessories.....	30
Balusters.....	31
Forged Balusters.....	33
Rail, Shoe & Fillet.....	34
Fittings.....	36
Nosings.....	40
S4S Lumber.....	42
S4S Veneered Boards.....	44
Miscellaneous Parts.....	46
Iron-A-Way.....	48
Door Frames.....	49
Columns.....	51
Doors.....	52

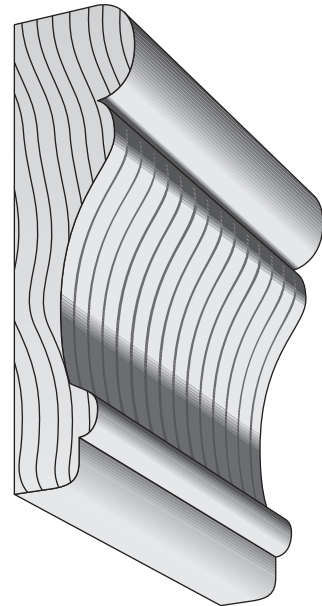


# Crown Mouldings

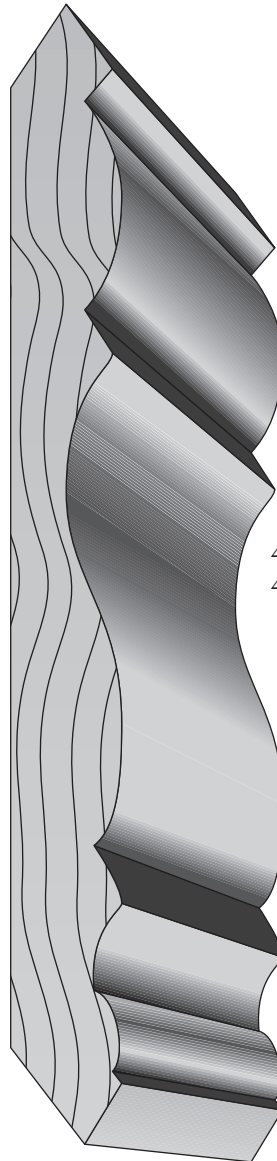


2 3/8" rise  
2 1/4" run

7/8" x 2 1/2"  
ADM 651  
W/W  
Crown



3/4" x 3 1/4"  
Oak  
Poplar  
Maple  
Crown



4 1/4" rise  
4 1/4" run



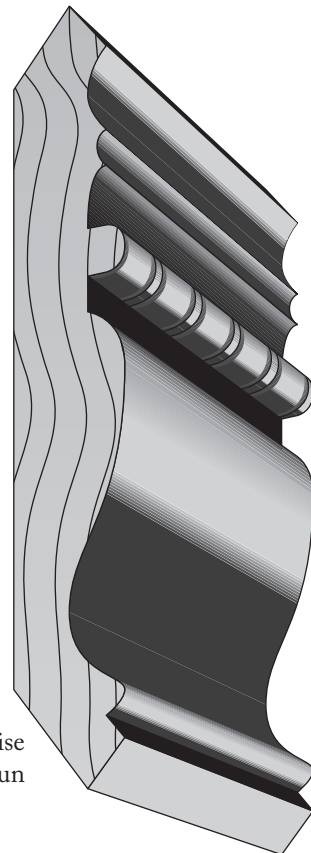
3/4" x 4 1/4"  
Poplar  
Maple  
Crown

3" rise  
3" run

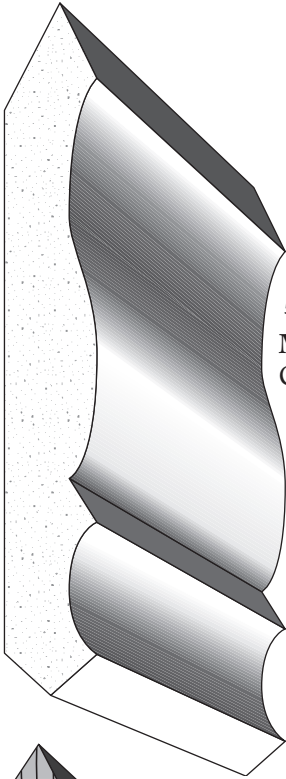
3/4" x 6"  
Oak  
Poplar  
Maple  
Crown

3/4" x 4 1/8"  
ADM 453  
Oak  
Crown

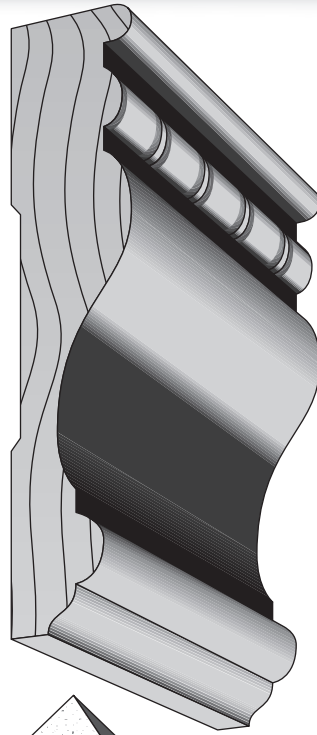
3" rise  
2 3/4" run



# Crown Mouldings



7/8" x 3 1/4"  
ADM 151  
Oak  
Crown

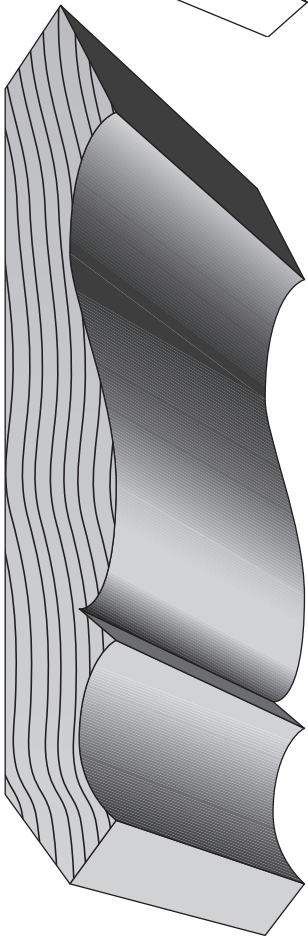


7/8" x 7"  
MDF #75  
Crown

5/8" x 3 5/8"  
MDF  
Crown

3" rise  
2 1/4" run

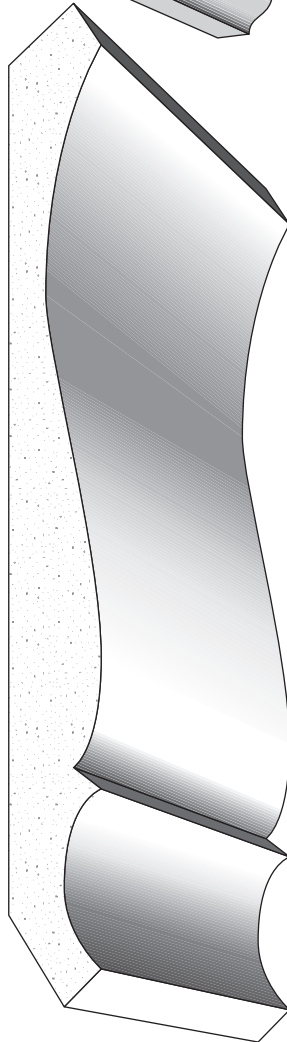
5" rise  
5 1/8" run



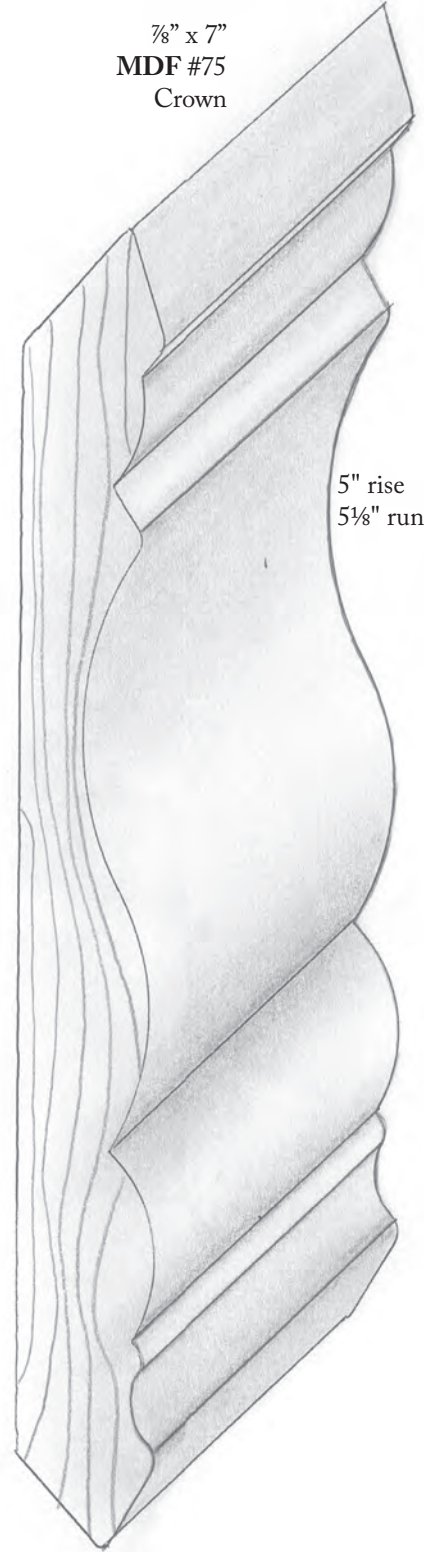
5/8" x 5 1/4"  
MDF  
Crown

3/4" x 4 5/8"  
Oak  
Crown

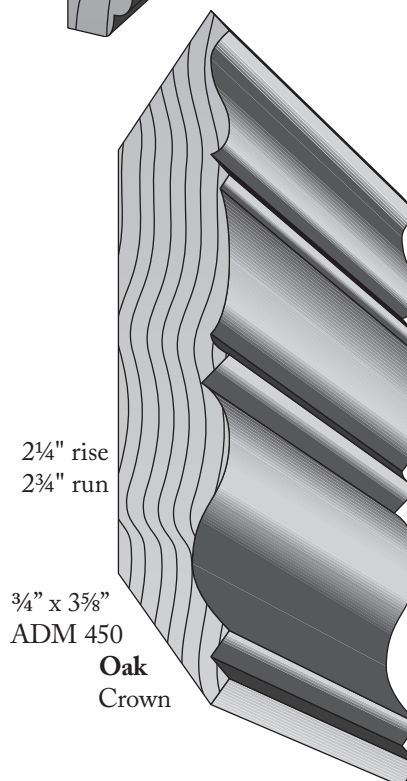
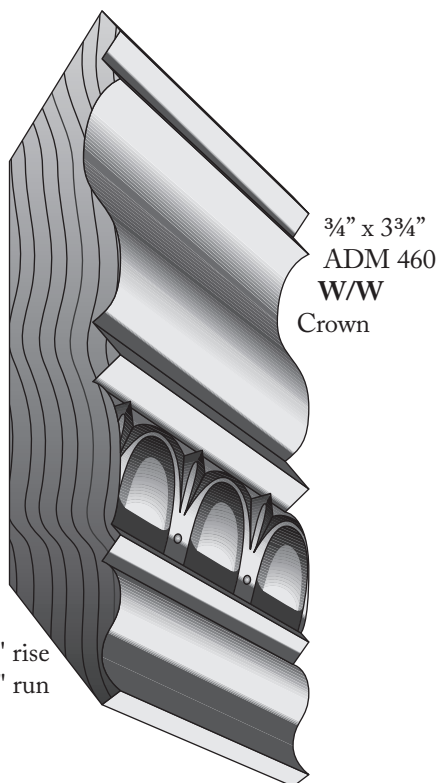
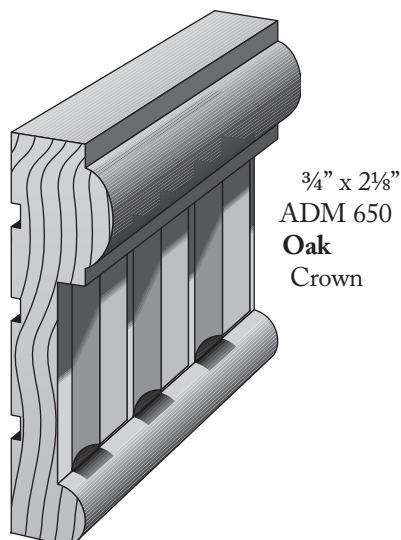
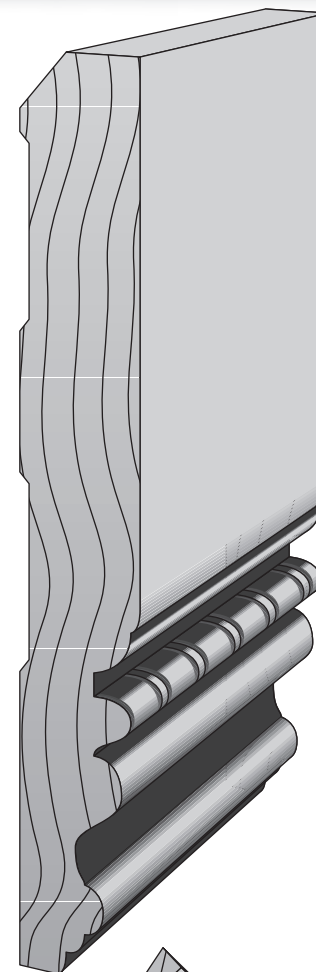
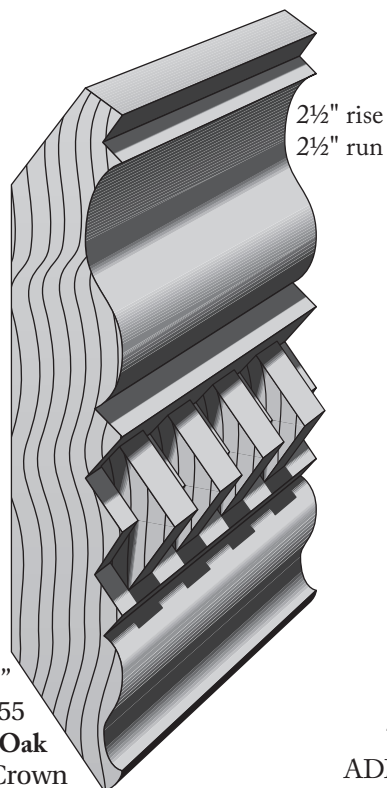
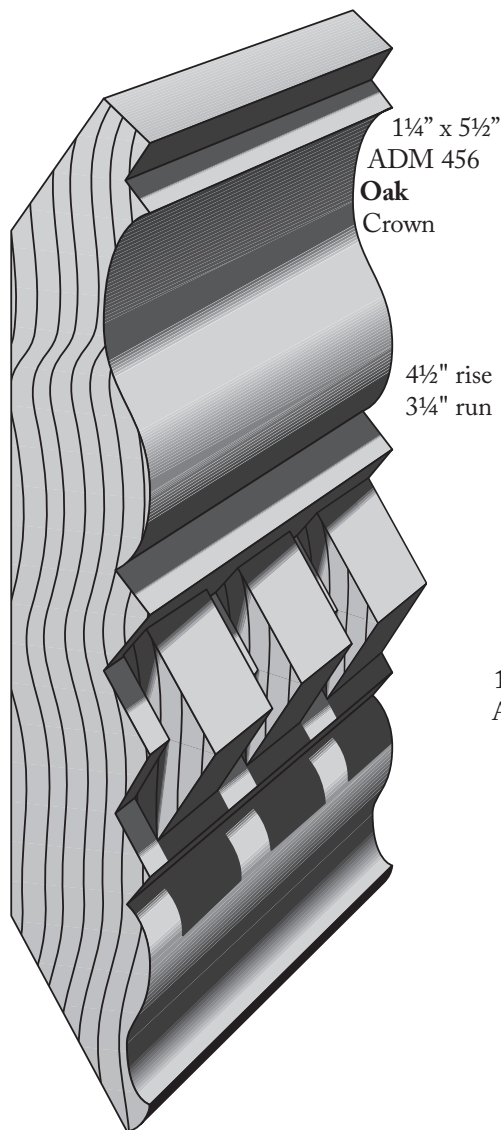
3 1/4" rise  
3 1/4" run



4 1/4" rise  
3 1/4" run

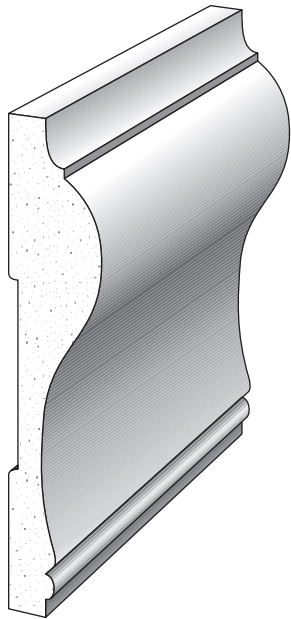


# Crown Mouldings

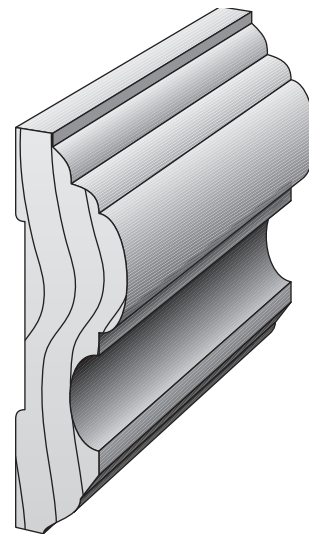




# Chair Rail



$\frac{3}{4}$ " x  $2\frac{5}{8}$ "  
**MDF**  
Chair Rail

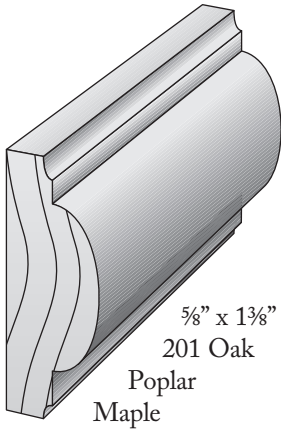


$\frac{3}{4}$ " x  $2\frac{1}{8}$ "  
**Oak**  
**Poplar**  
**Maple**  
Chair Rail

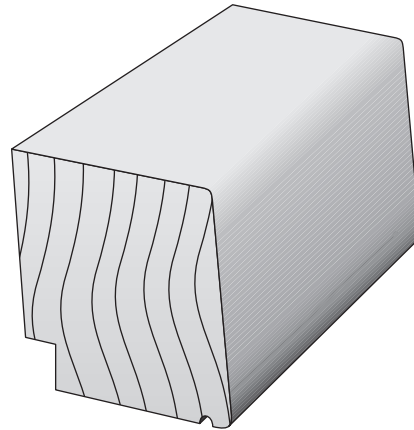




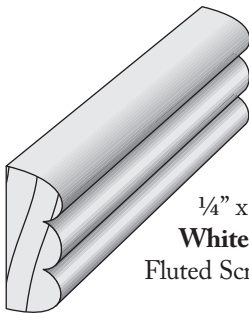
# Decorative Moulding



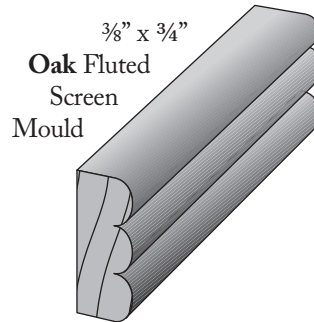
$\frac{5}{8}$ " x  $1\frac{3}{8}$ "  
201 Oak  
Poplar  
Maple



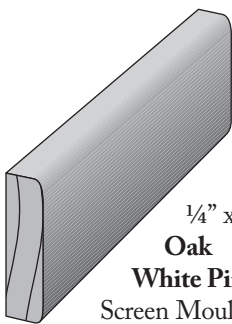
$1\frac{1}{2}$ " x  $1\frac{1}{4}$ "  
**White Pine**  
Sill Extender



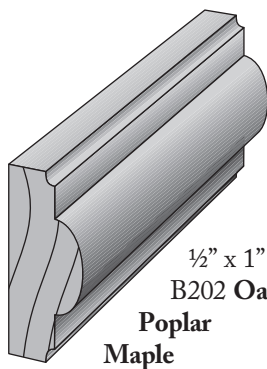
$\frac{1}{4}$ " x  $\frac{3}{4}$ "  
**White Pine**  
Fluted Screen Mould



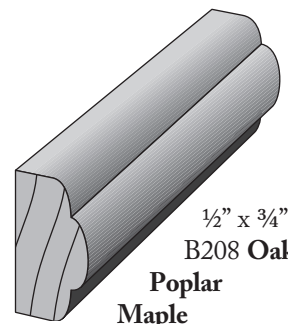
$\frac{3}{8}$ " x  $\frac{3}{4}$ "  
**Oak Fluted**  
Screen  
Mould



$\frac{1}{4}$ " x  $\frac{3}{4}$ "  
**Oak**  
**White Pine**  
Screen Mould



$\frac{1}{2}$ " x 1"  
B202 Oak  
**Poplar**  
**Maple**

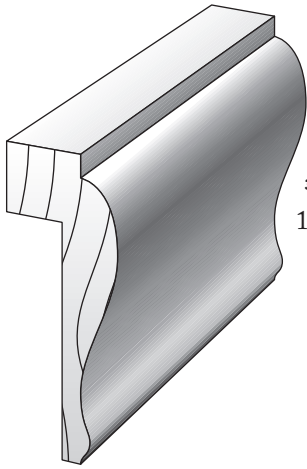


$\frac{1}{2}$ " x  $\frac{3}{4}$ "  
B208 Oak  
**Poplar**  
**Maple**

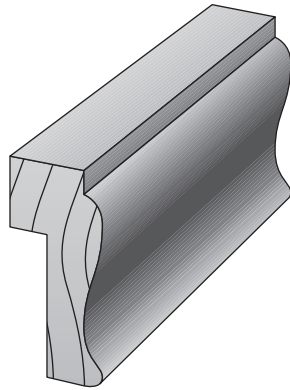




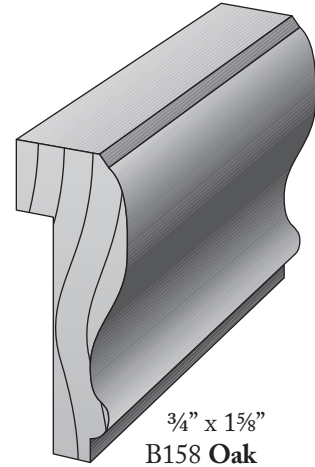
# Mouldings



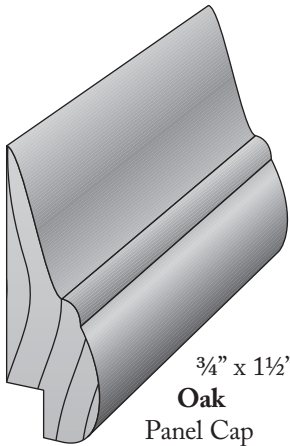
$\frac{3}{4}$ " x  $1\frac{3}{8}$ "  
138 Pine



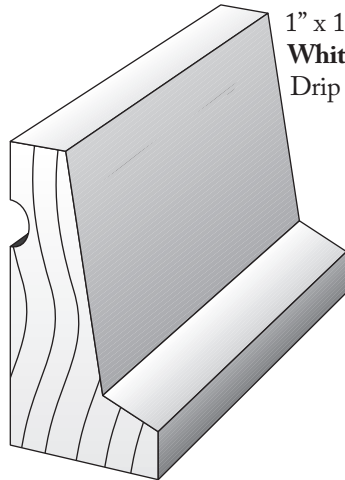
$\frac{5}{8}$ " x  $1\frac{1}{8}$ "  
711 Oak  
Poplar  
Maple



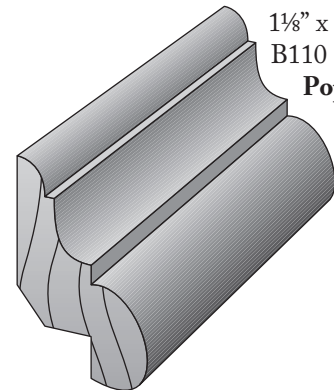
$\frac{3}{4}$ " x  $1\frac{1}{8}$ "  
B158 Oak



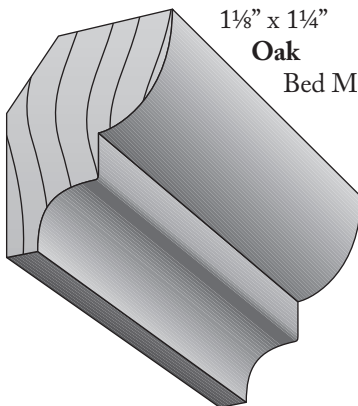
$\frac{3}{4}$ " x  $1\frac{1}{2}$ "  
Oak  
Panel Cap



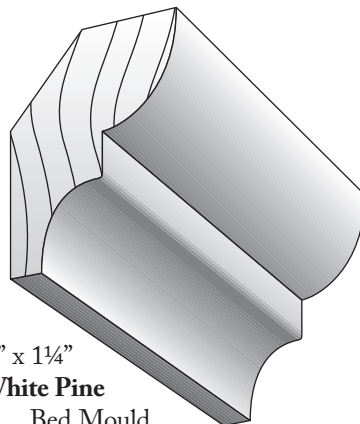
1" x  $1\frac{1}{8}$ "  
White Pine  
Drip Cap



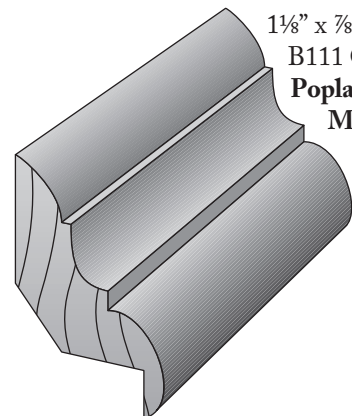
$1\frac{1}{8}$ " x  $\frac{7}{8}$ "  
B110 Oak  
Poplar  
Maple



$1\frac{1}{8}$ " x  $1\frac{1}{4}$ "  
Oak  
Bed Mould



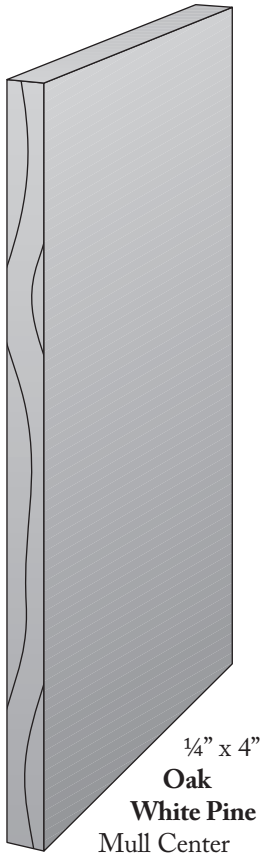
$1\frac{1}{8}$ " x  $1\frac{1}{4}$ "  
White Pine  
Bed Mould



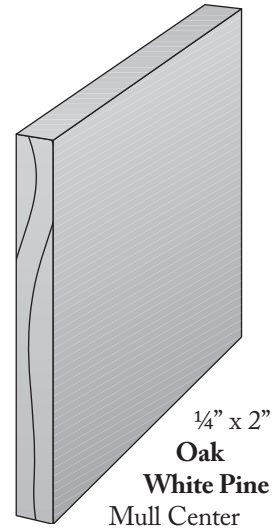
$1\frac{1}{8}$ " x  $\frac{7}{8}$ "  
B111 Oak  
Poplar  
Maple



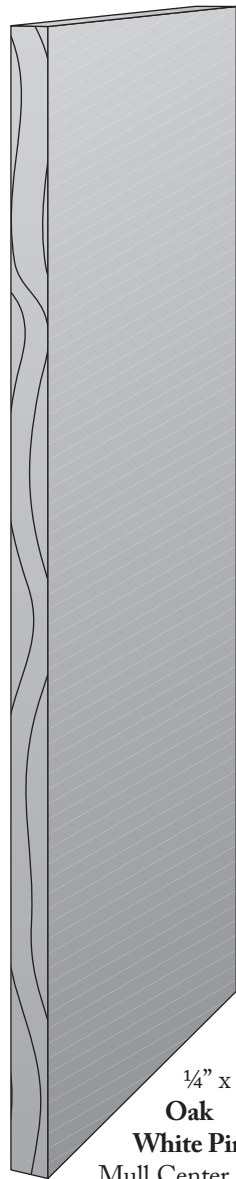
# Mull Centers



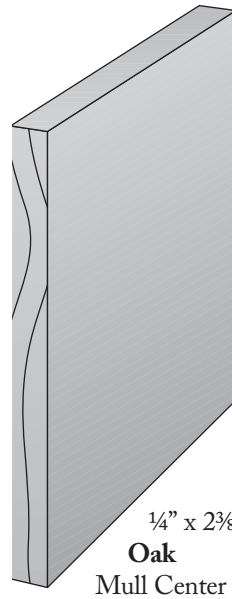
$\frac{1}{4}'' \times 4''$   
**Oak**  
**White Pine**  
Mull Center



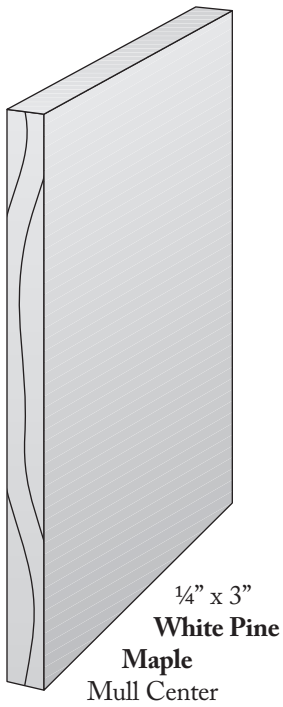
$\frac{1}{4}'' \times 2''$   
**Oak**  
**White Pine**  
Mull Center



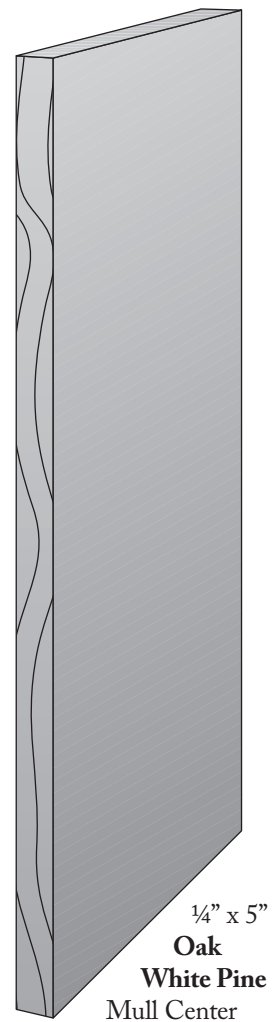
$\frac{1}{4}'' \times 6''$   
**Oak**  
**White Pine**  
Mull Center



$\frac{1}{4}'' \times 2\frac{3}{8}''$   
**Oak**  
Mull Center



$\frac{1}{4}'' \times 3''$   
**White Pine**  
**Maple**  
Mull Center

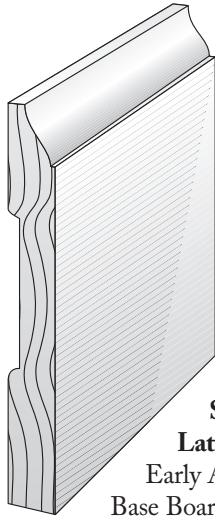


$\frac{1}{4}'' \times 5''$   
**Oak**  
**White Pine**  
Mull Center

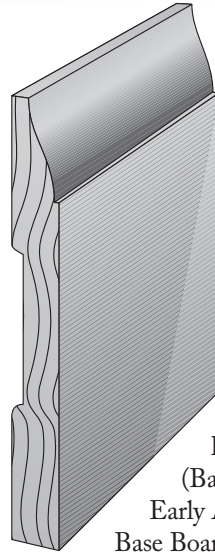




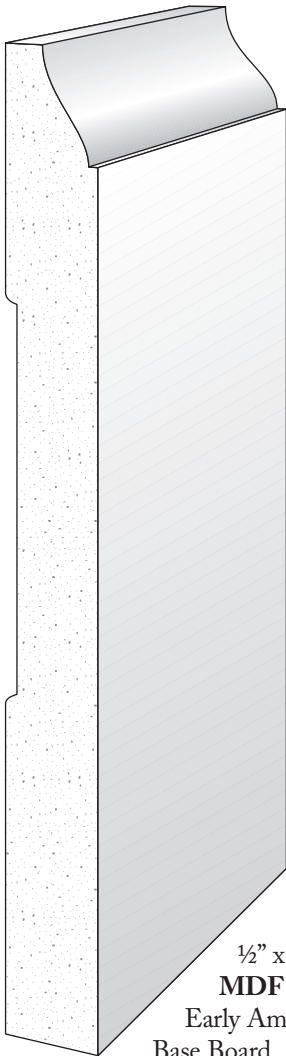
# Base Board



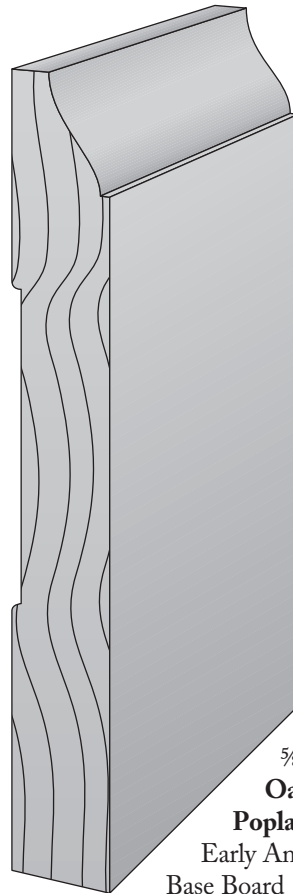
$\frac{3}{8}$ " x 3"  
**Dura White**  
**Summer Beige**  
**Latte Beige**  
Early American  
Base Board



$\frac{3}{8}$ " x 2 $\frac{3}{4}$ "  
**Golden Oak**  
**Royal Oak**  
(Base Coat Print)  
Early American  
Base Board



$\frac{1}{2}$ " x 5 $\frac{1}{4}$ "  
**MDF**  
Early American  
Base Board

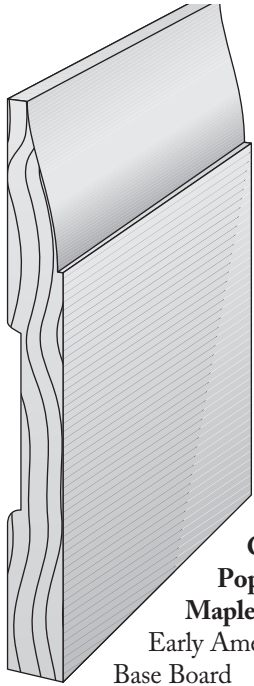


$\frac{5}{8}$ " x 4 $\frac{1}{4}$ "  
**Oak**  
**Poplar**  
Early American  
Base Board

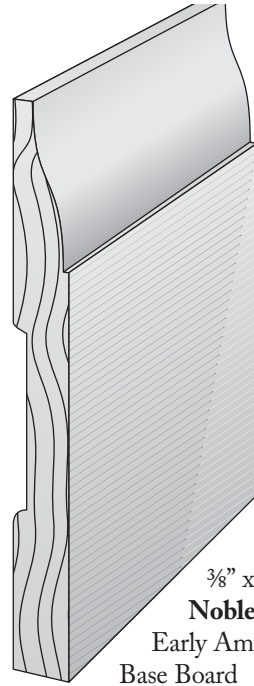




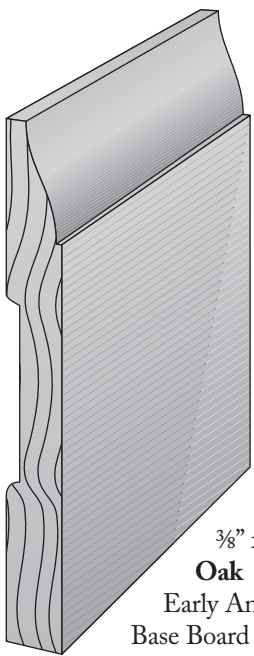
# Base Board



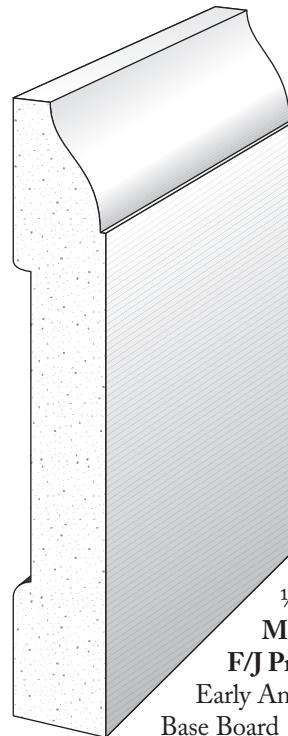
$\frac{3}{8}$ " x 3"  
**Oak**  
**Poplar**  
**Maple**  
Early American  
Base Board



$\frac{3}{8}$ " x 3"  
**Noble Fir**  
Early American  
Base Board



$\frac{3}{8}$ " x 2 $\frac{3}{4}$ "  
**Oak**  
Early American  
Base Board

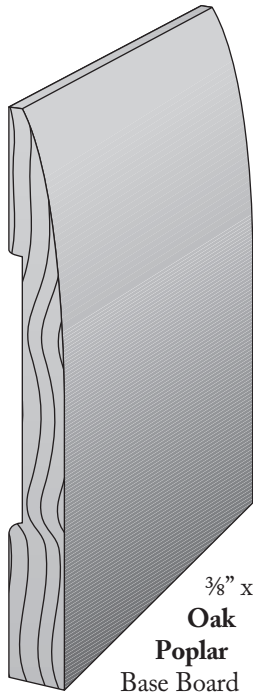


$\frac{1}{2}$ " x 3 $\frac{1}{4}$ "  
**MDF**  
**F/J Primed**  
Early American  
Base Board

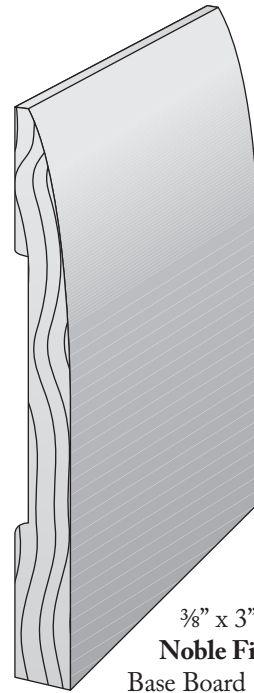




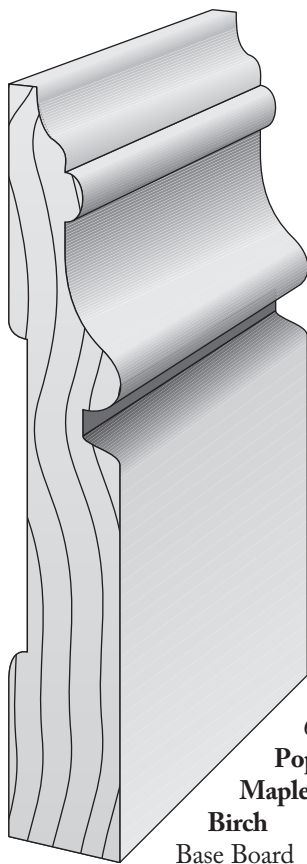
# Base Board



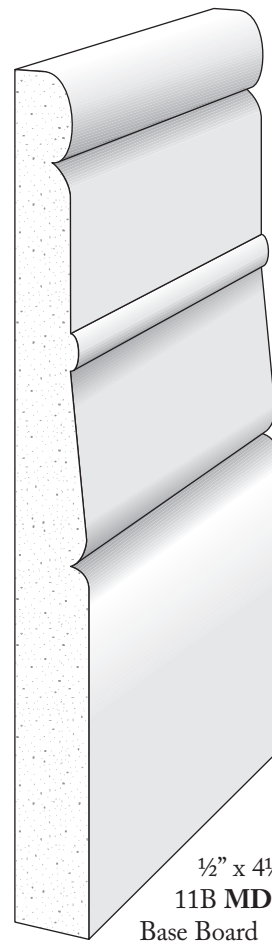
$\frac{3}{8}$ " x 3"  
**Oak**  
**Poplar**  
Base Board



$\frac{3}{8}$ " x 3"  
**Noble Fir**  
Base Board



$\frac{3}{4}$ " x 4"  
604 **Oak**  
**Poplar**  
**Maple**  
**Birch**  
Base Board

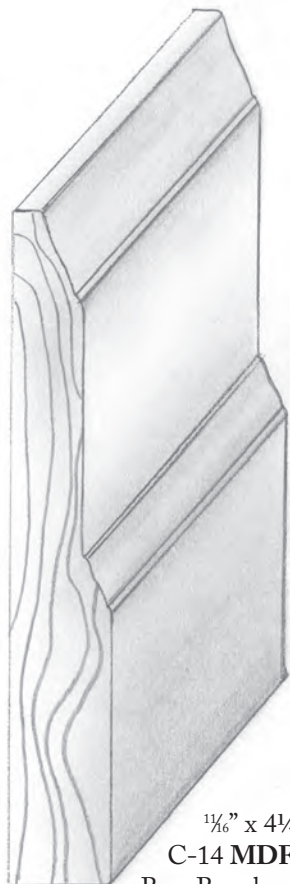


$\frac{1}{2}$ " x 4 $\frac{1}{2}$ "  
11B **MDF**  
Base Board

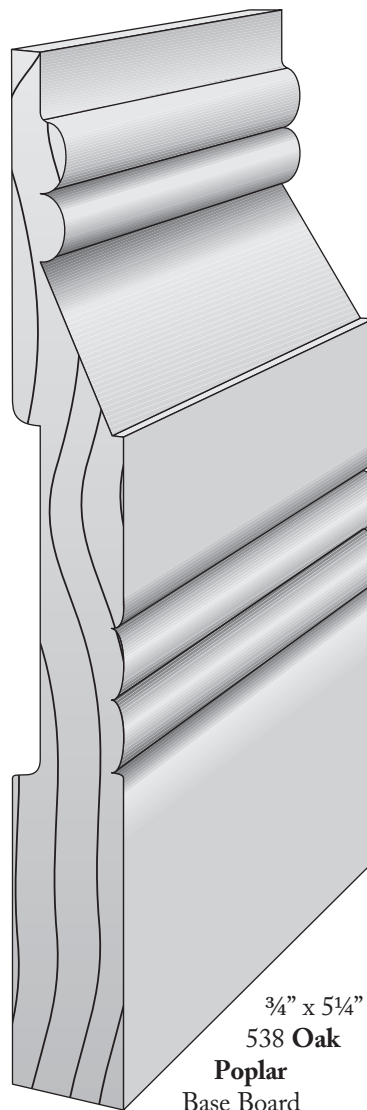




# Base Board



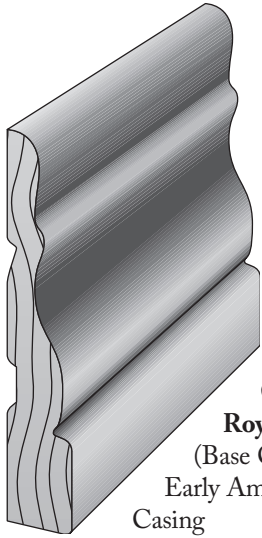
$\frac{1}{16}'' \times 4\frac{1}{4}''$   
**C-14 MDF**  
Base Board



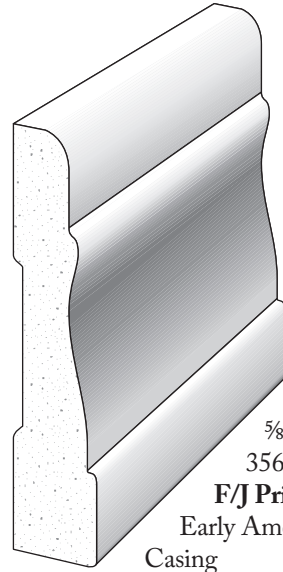
$\frac{3}{4}'' \times 5\frac{1}{4}''$   
**538 Oak**  
**Poplar**  
Base Board



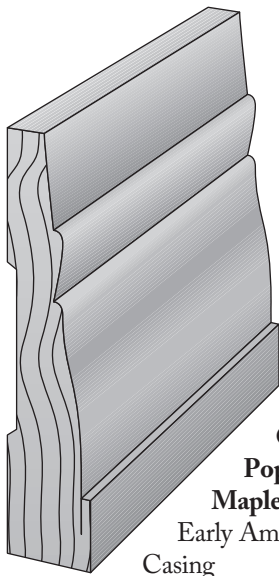
# Casings



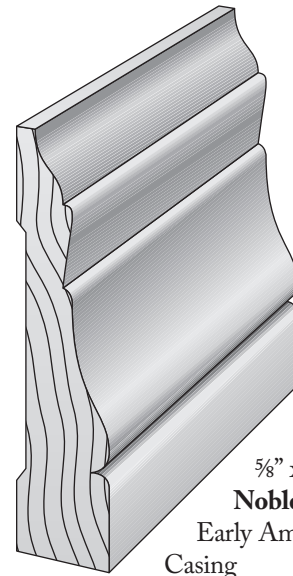
$\frac{5}{8}$ " x  $2\frac{1}{4}$ "  
**Golden Oak**  
**Royal Oak**  
(Base Coat Print)  
Early American  
Casing



$\frac{5}{8}$ " x  $2\frac{1}{4}$ "  
**356 MDF**  
**F/J Primed**  
Early American  
Casing

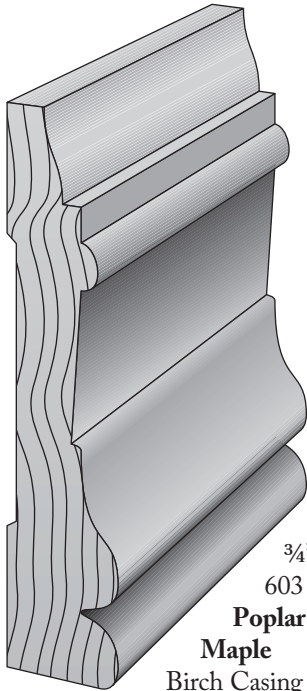


$\frac{5}{16}$ " x  $2\frac{1}{4}$ "  
**Oak**  
**Poplar**  
**Maple**  
Early American  
Casing

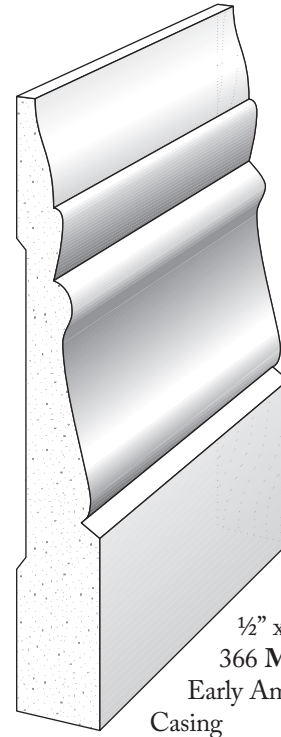


$\frac{5}{8}$ " x  $2\frac{1}{4}$ "  
**Noble Fir**  
Early American  
Casing

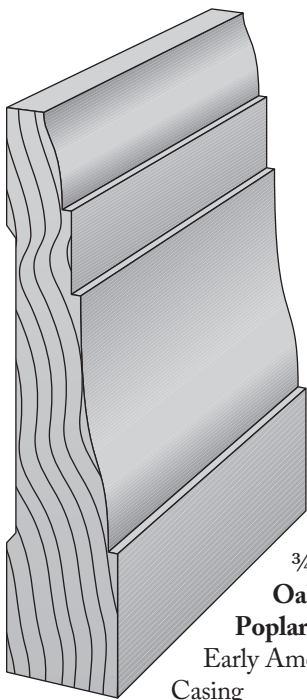
# Casings



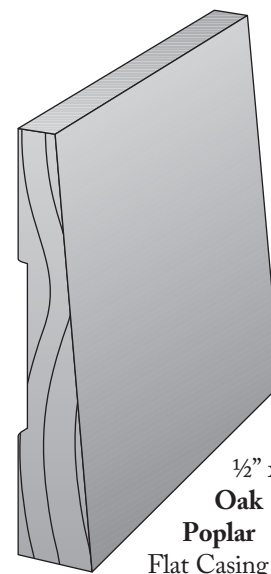
3/4" x 3"  
603 Oak  
Poplar  
Maple  
Birch Casing



1/2" x 3 1/4"  
366 MDF  
Early American  
Casing



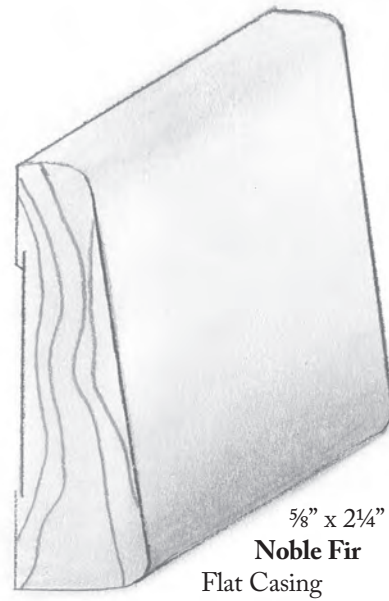
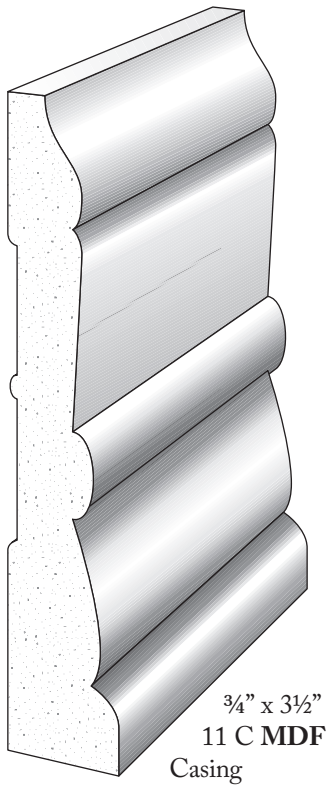
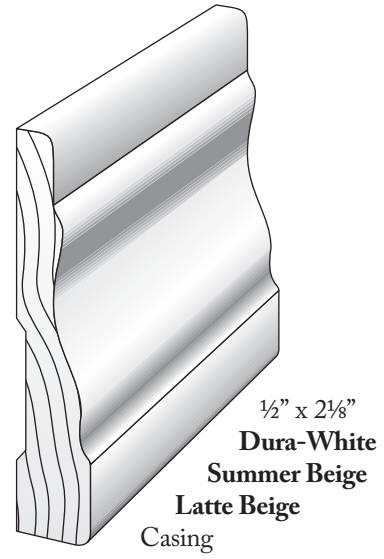
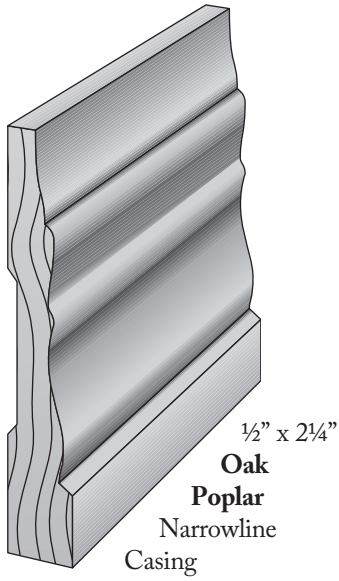
3/4" x 3"  
Oak  
Poplar  
Early American  
Casing



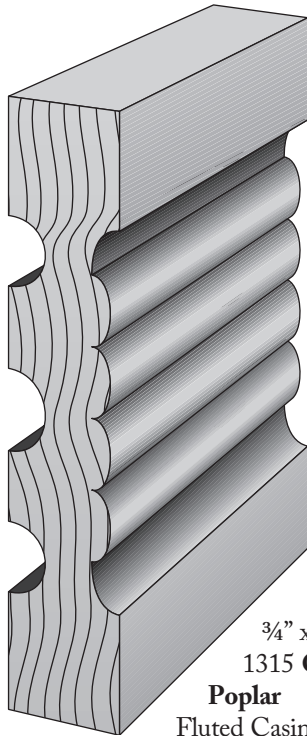
1/2" x 2 1/4"  
Oak  
Poplar  
Flat Casing



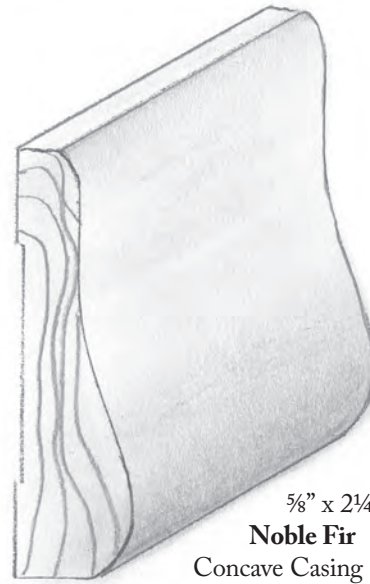
# Casings



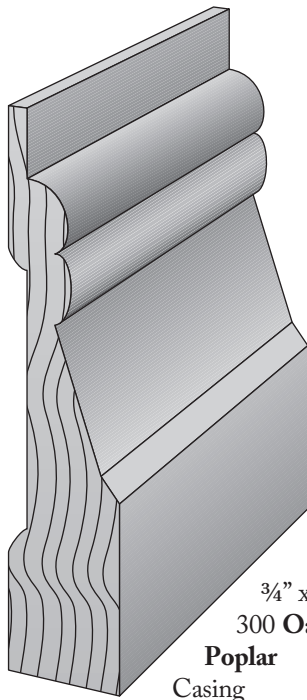
# Casings



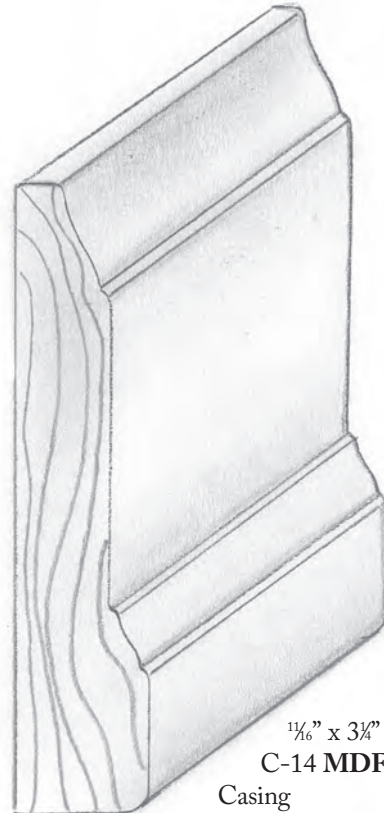
$\frac{3}{4}$ " x  $3\frac{1}{4}$ "  
1315 Oak  
**Poplar**  
Fluted Casing



$\frac{5}{8}$ " x  $2\frac{1}{4}$ "  
**Noble Fir**  
Concave Casing



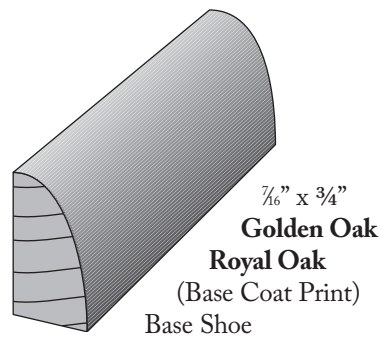
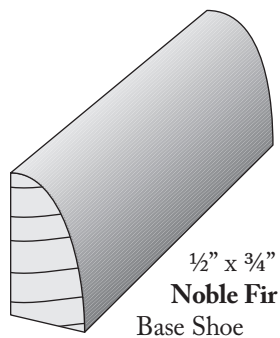
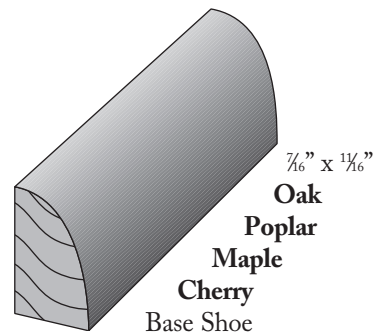
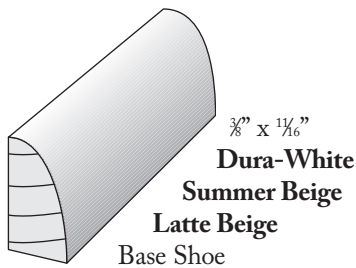
$\frac{3}{4}$ " x 3"  
300 Oak  
**Poplar**  
Casing



$\frac{1}{16}$ " x  $3\frac{1}{4}$ "  
**C-14 MDF**  
Casing

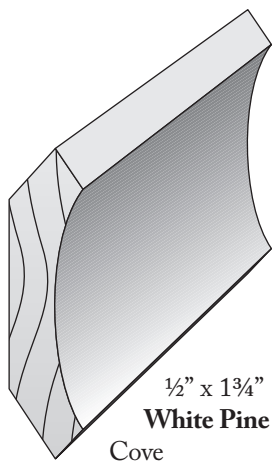


# Base Shoes

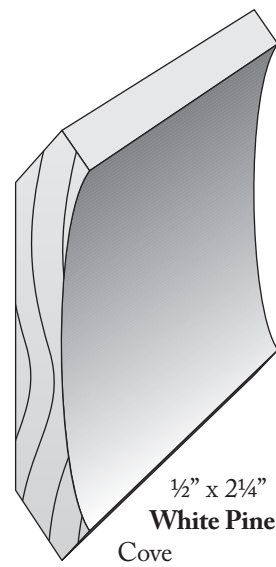




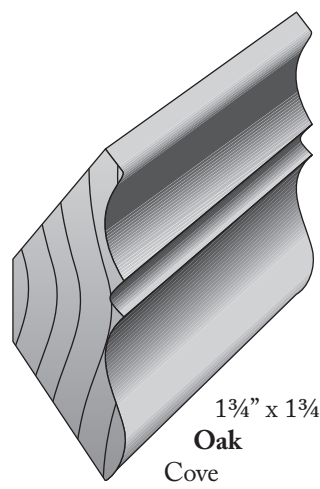
# Coves



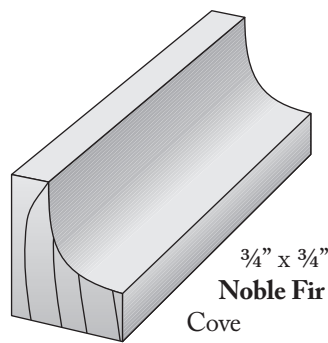
$\frac{1}{2}'' \times 1\frac{3}{4}''$   
**White Pine**  
Cove



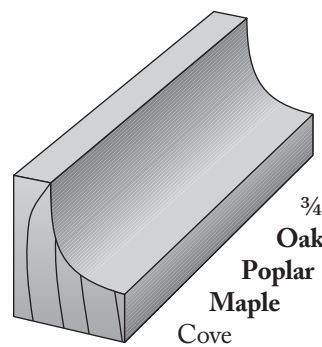
$\frac{1}{2}'' \times 2\frac{1}{4}''$   
**White Pine**  
Cove



$1\frac{3}{4}'' \times 1\frac{3}{4}''$   
**Oak**  
Cove



$\frac{3}{4}'' \times \frac{3}{4}''$   
**Noble Fir**  
Cove

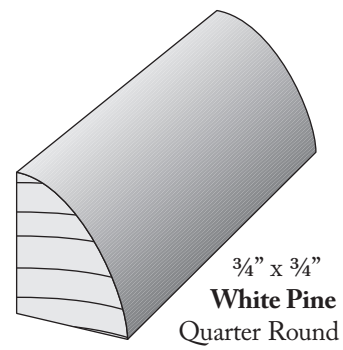
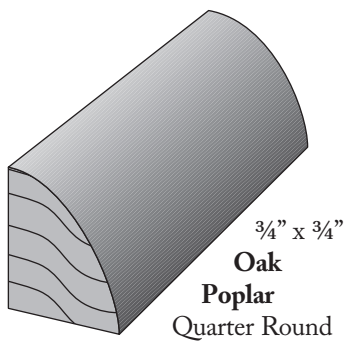
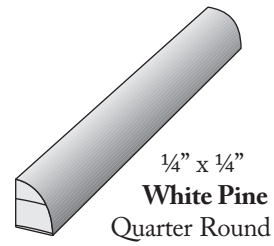
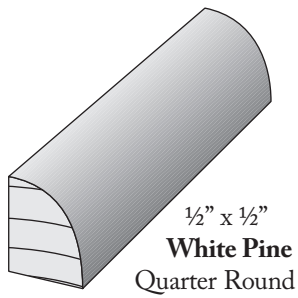


$\frac{3}{4}'' \times \frac{3}{4}''$   
**Oak**  
**Poplar**  
**Maple**  
Cove



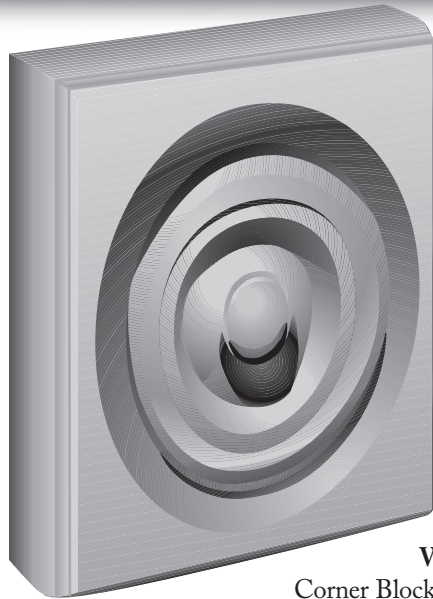


# Quarter Rounds





# Corner Blocks



$\frac{3}{4}$ " x  $2\frac{3}{4}$ "  
Oak  
W/W  
Corner Block



$\frac{3}{4}$ " x  $3\frac{1}{2}$ "  
Oak / W/W  
Corner Block

# Radius Base Blocks

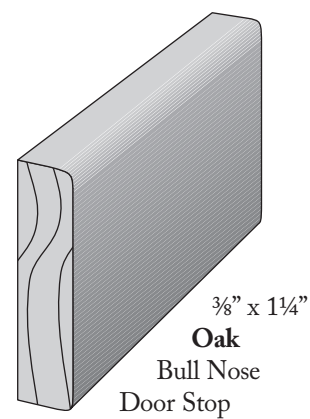
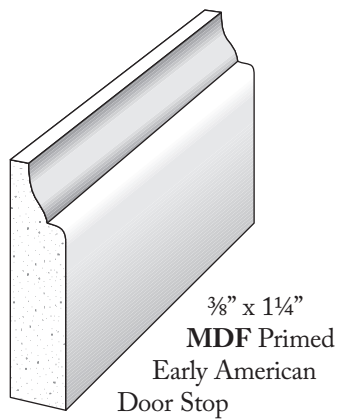
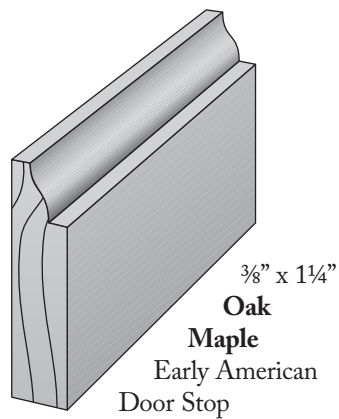
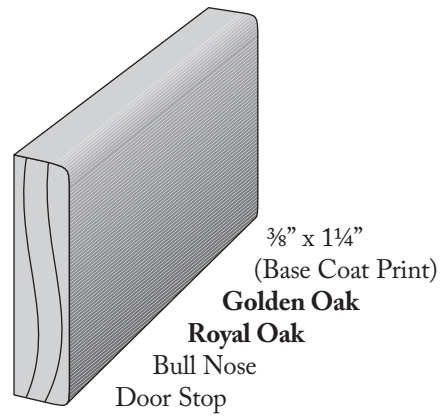
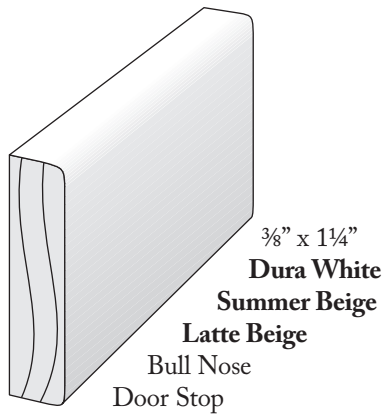


$\frac{1}{2}$ " x  $3\frac{1}{2}$ "  
Oak  
Poplar  
Radius Base  
Block



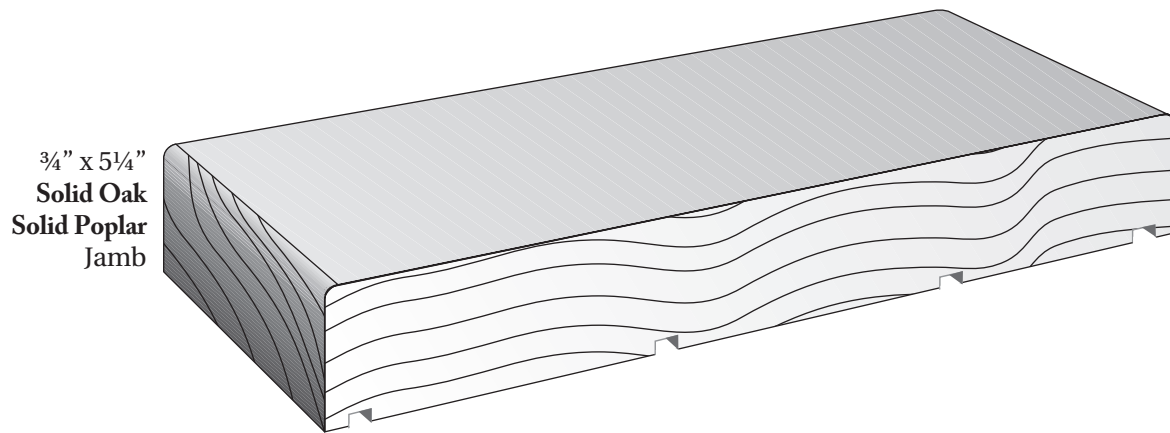
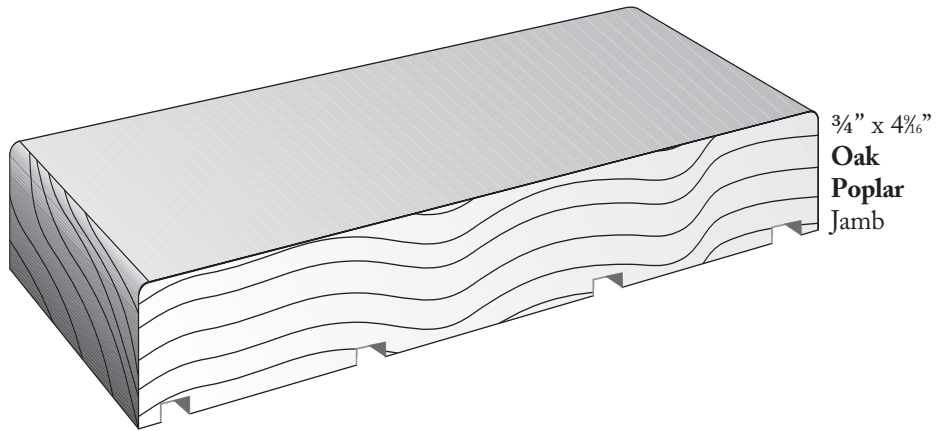


# Door Stops





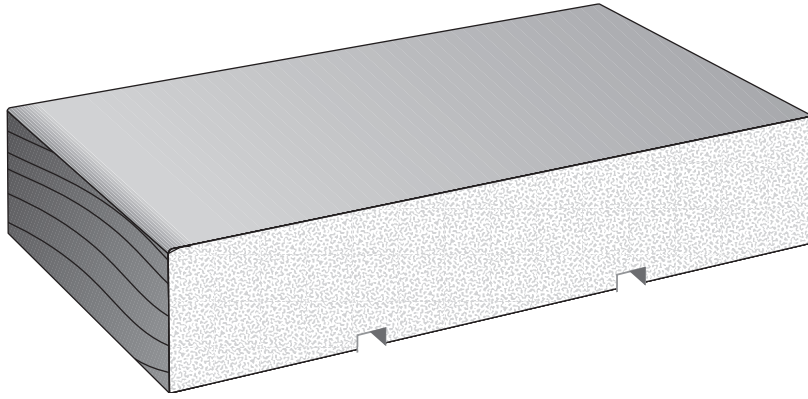
# Jambs





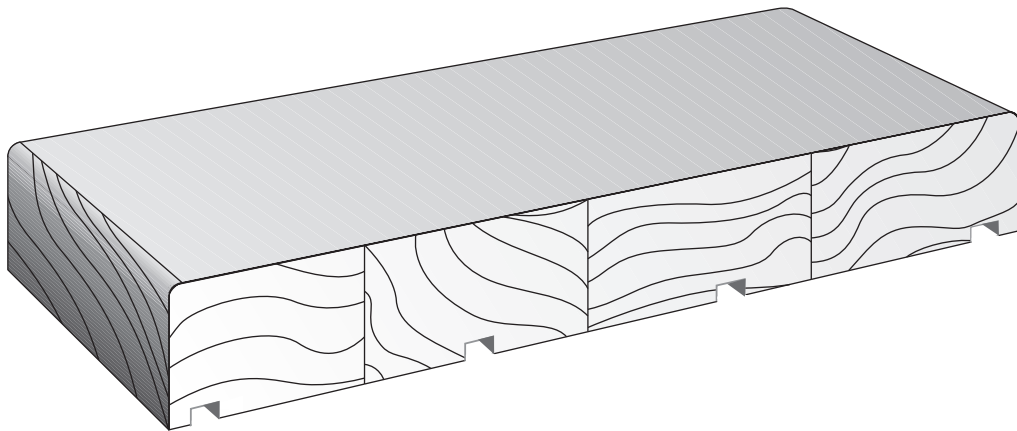


# Jambs



$\frac{1}{16}$ " x  $\frac{4}{16}$ "  
**Golden Oak/Royal Oak**  
(Base Coat Print)  
Jamb

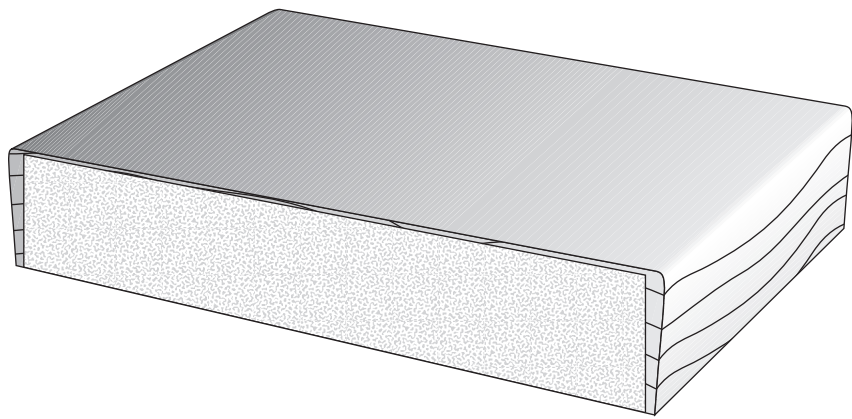
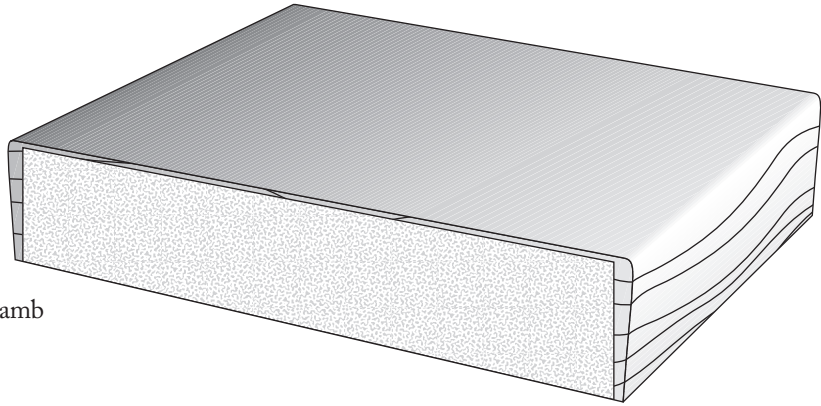
$\frac{1}{16}$ " x  $\frac{4}{16}$ "  
Painted **Dura-White**  
**Summer Beige**  
**Latte Beige**





# Jambs

$\frac{1}{16}$ " x  $4\frac{1}{16}$ "  
**Oak Veneer**  
**Birch Veneer**  
**Maple Veneer**  
**Cherry Veneer**  
 Veneer Jamb



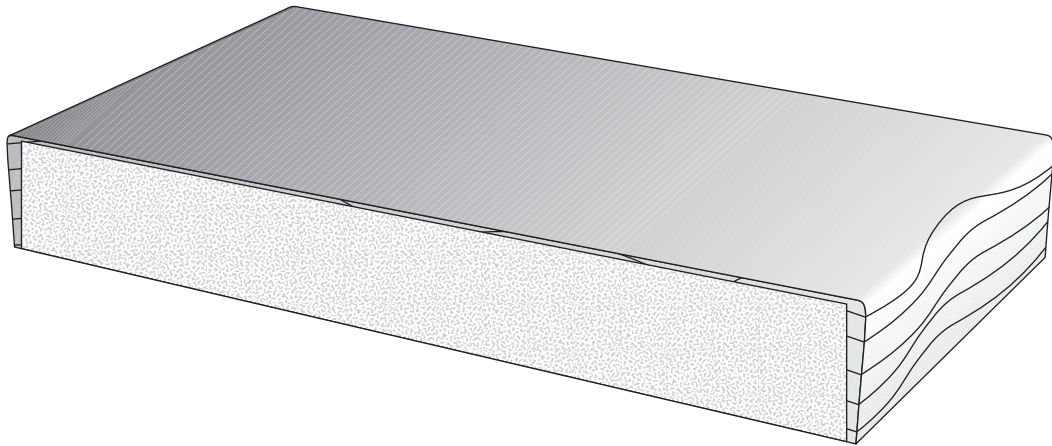
$\frac{1}{16}$ " x  $4\frac{13}{16}$ "  
**Oak Veneer**  
**Birch Veneer**  
 Veneer Jamb



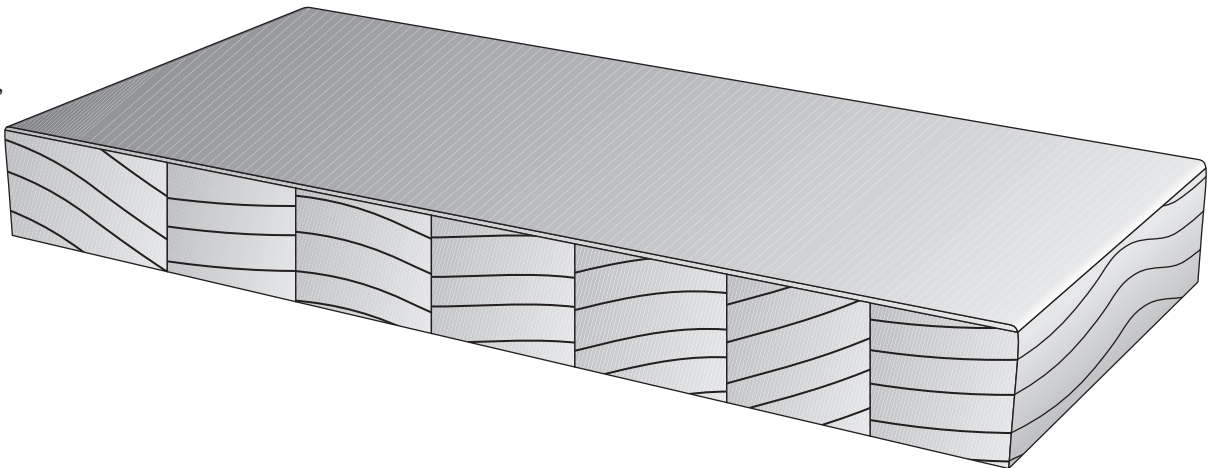


# Jambs

$\frac{1}{16}'' \times 6\frac{1}{16}''$   
**Oak Veneer**  
**Birch Veneer**  
**Maple Veneer**  
Veneer Jamb

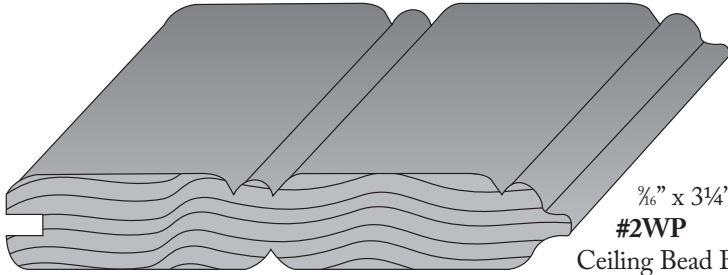


$\frac{1}{16}'' \times 7\frac{1}{2}''$   
**Trimable**  
**Oak Veneer**  
**Birch Veneer**  
Veneer Jamb

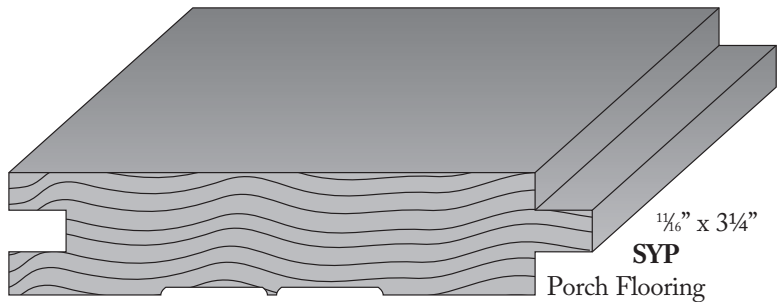




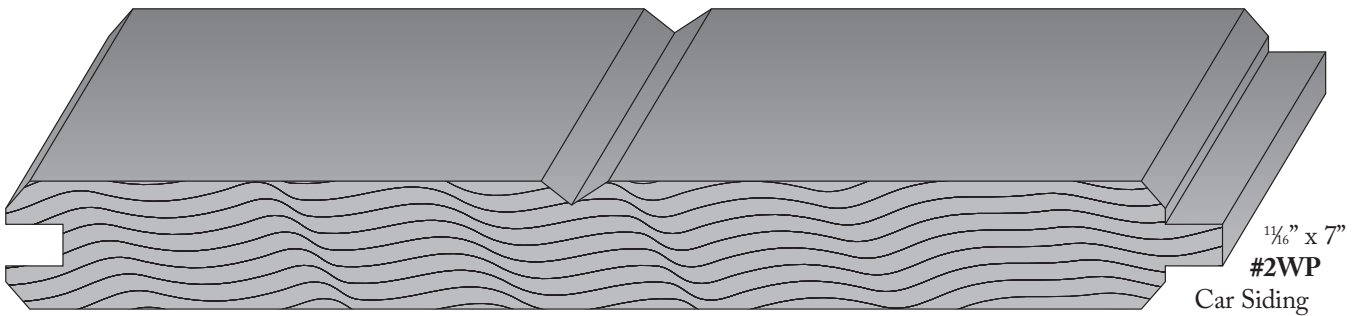
# T & G Stock



$\frac{1}{16}$ " x  $3\frac{1}{4}$ "  
**#2WP**  
Ceiling Bead Board



$\frac{1}{16}$ " x  $3\frac{1}{4}$ "  
**SYP**  
Porch Flooring

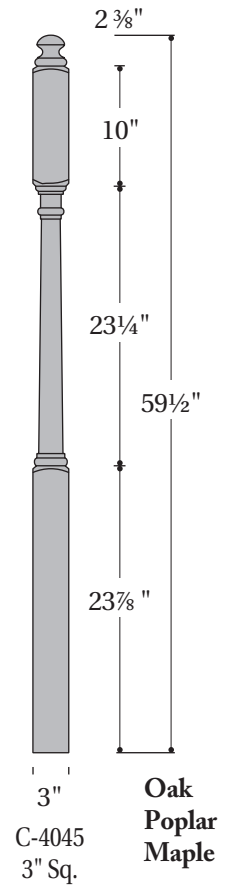
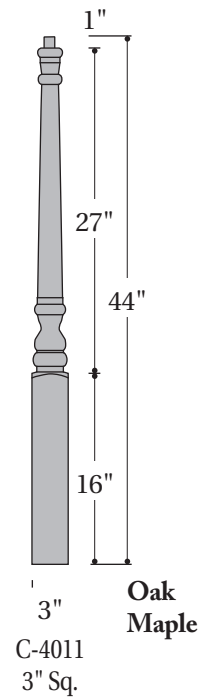
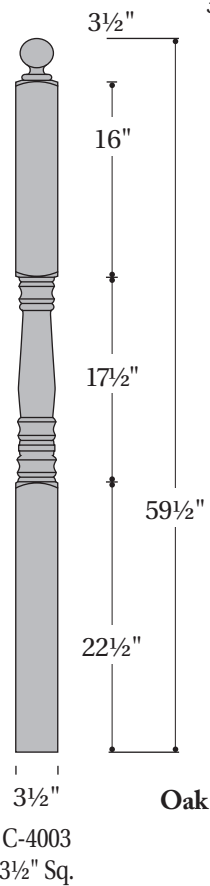
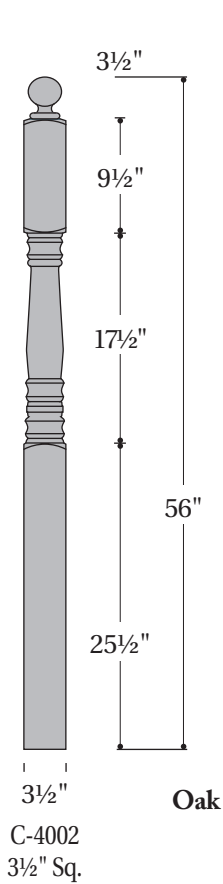
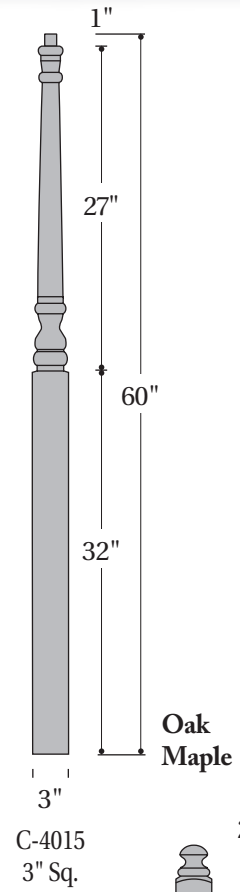
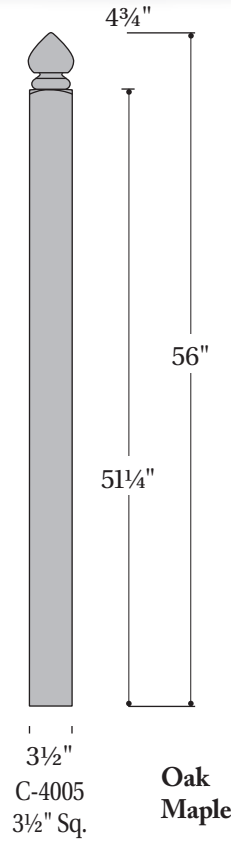
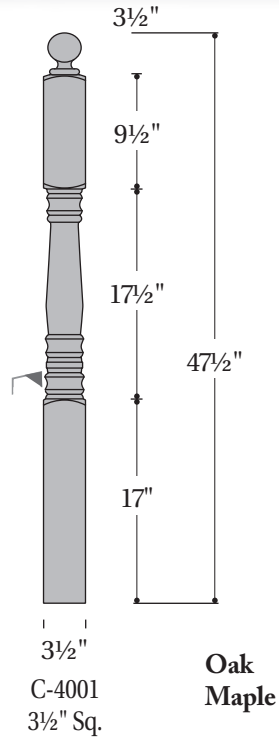
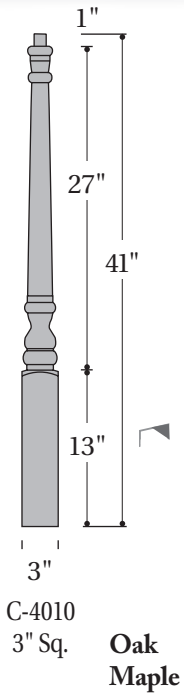


$\frac{1}{16}$ " x 7"  
**#2WP**  
Car Siding

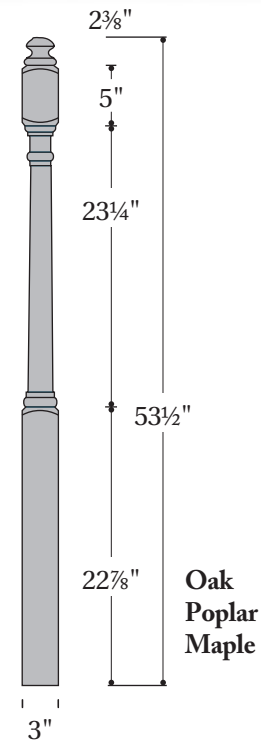




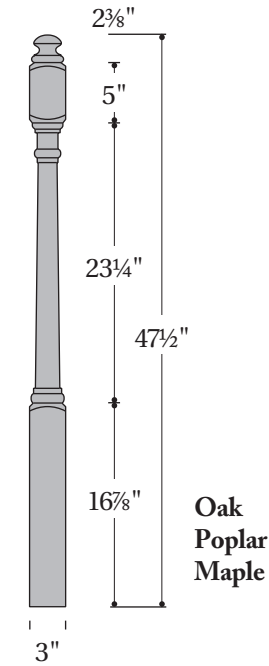
# Newels



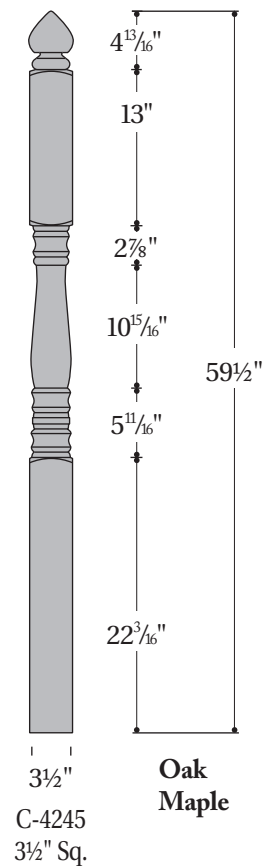
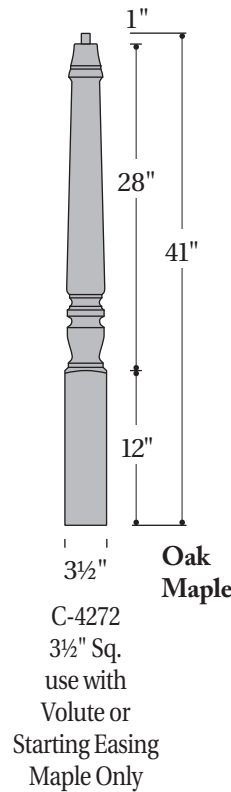
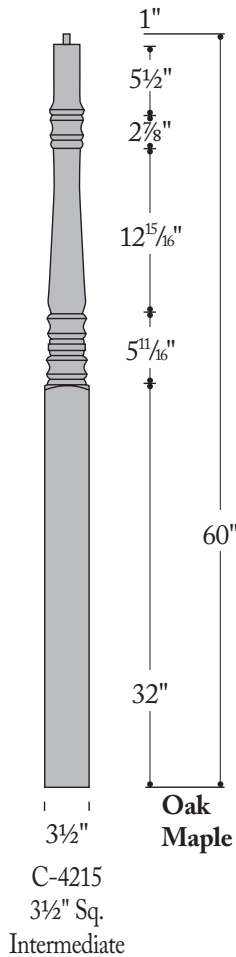
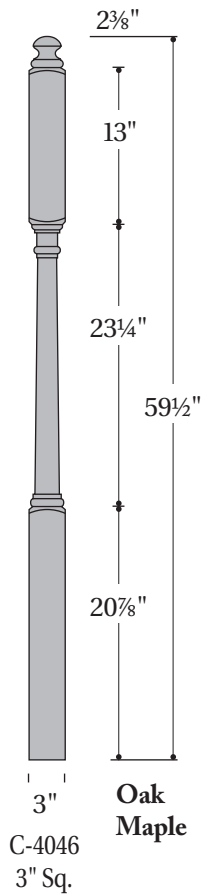
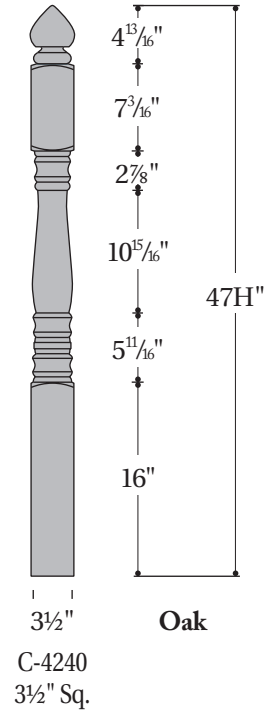
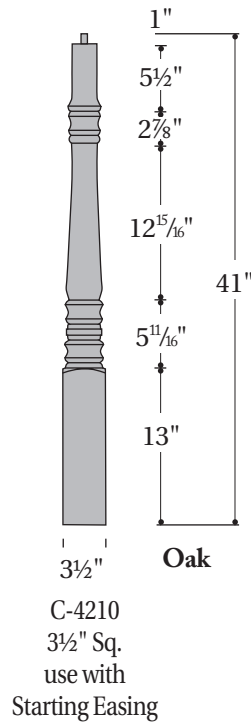
# Newels



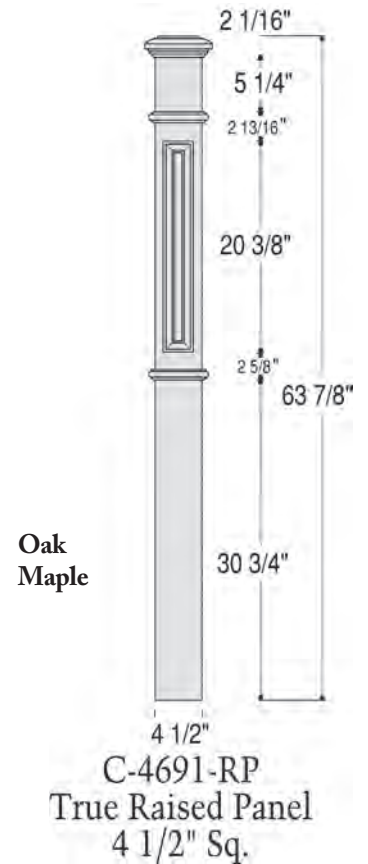
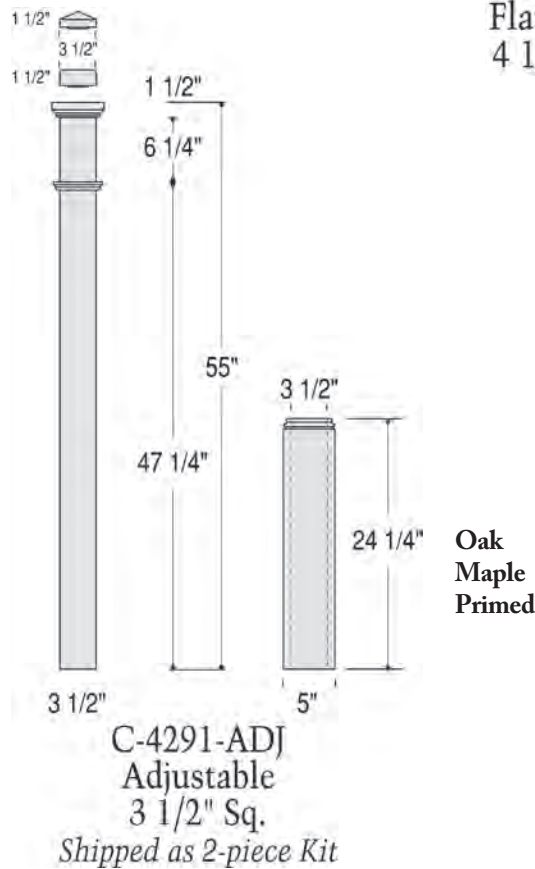
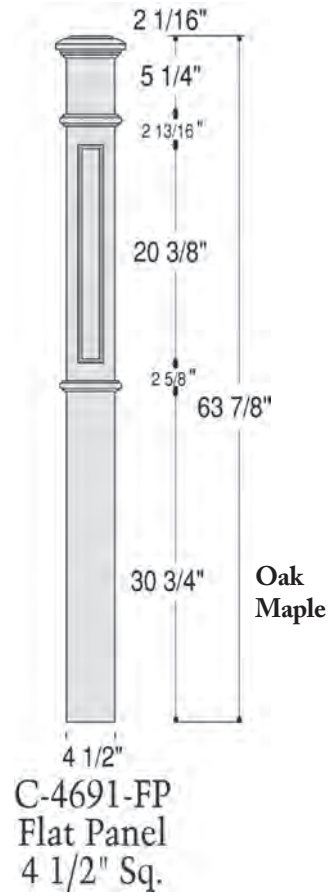
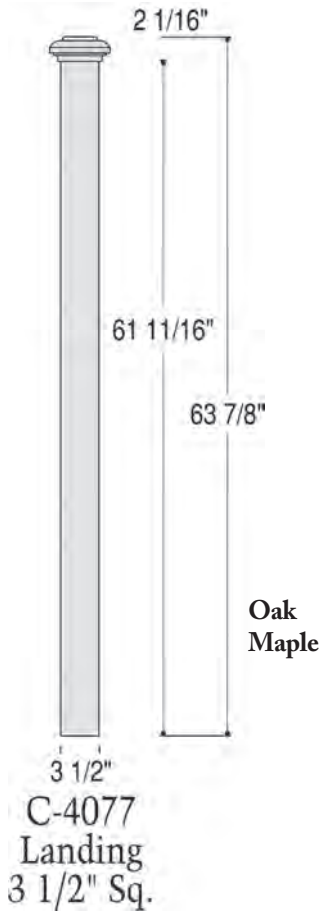
C-4042  
3" Sq.



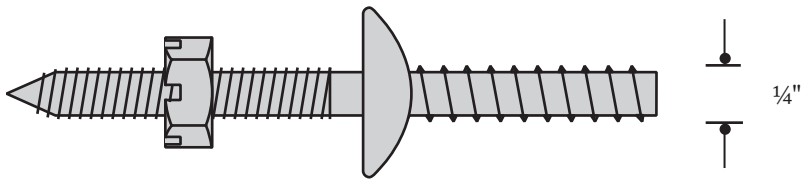
C-4040  
3" Sq.



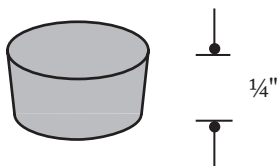
# Box Newels



# Stair Accessories

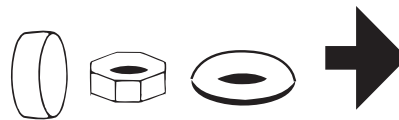


C-3001  
3 1/2" Rail Bolt

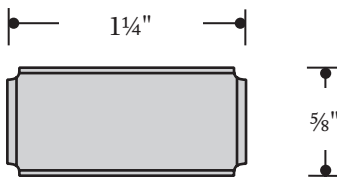


C-3000  
Rail Plug  
1" Diameter

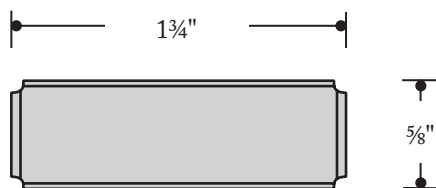
Oak  
Maple



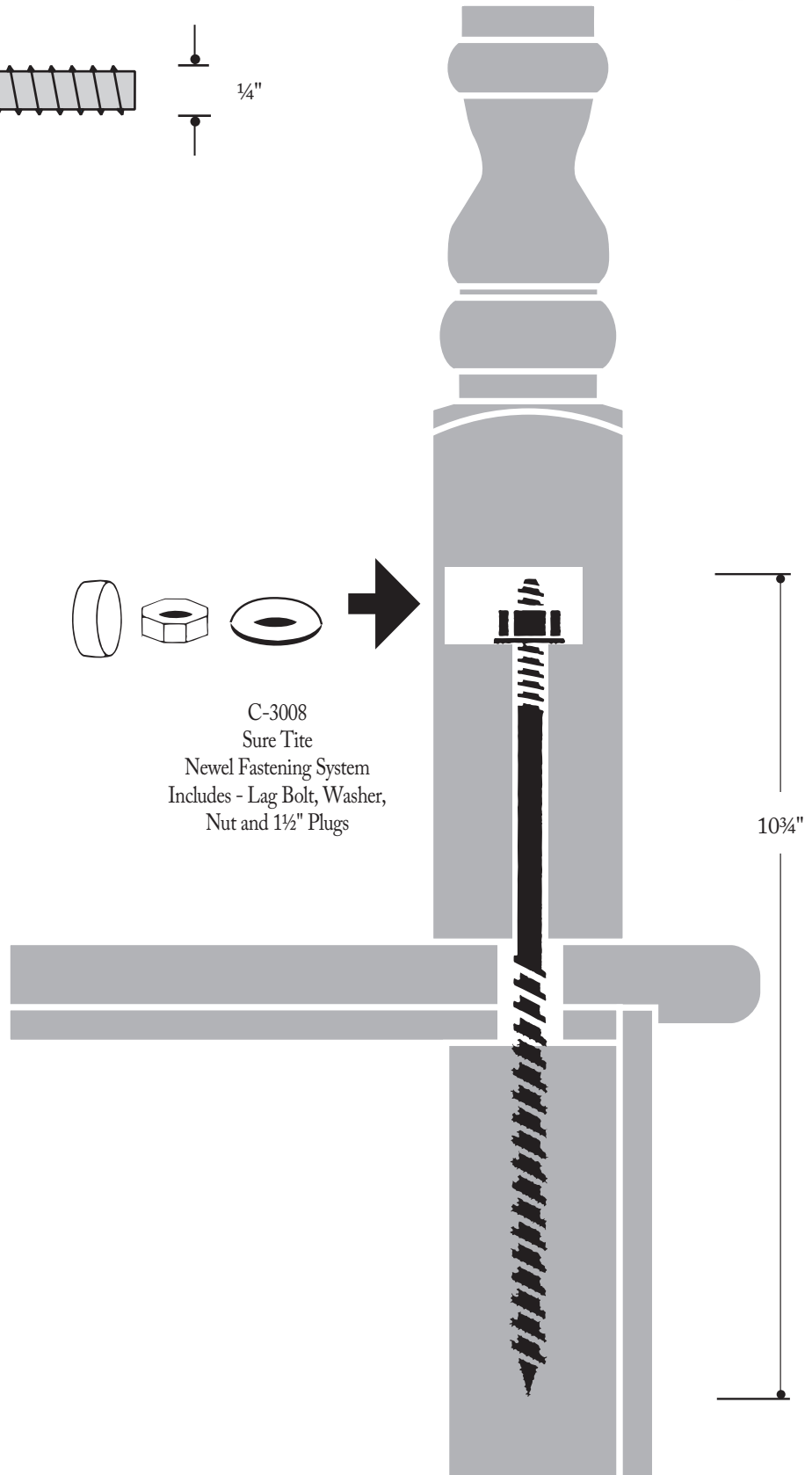
C-3008  
Sure Tite  
Newel Fastening System  
Includes - Lag Bolt, Washer,  
Nut and 1 1/2" Plugs



C-3003  
1 1/4" Clamp Nail

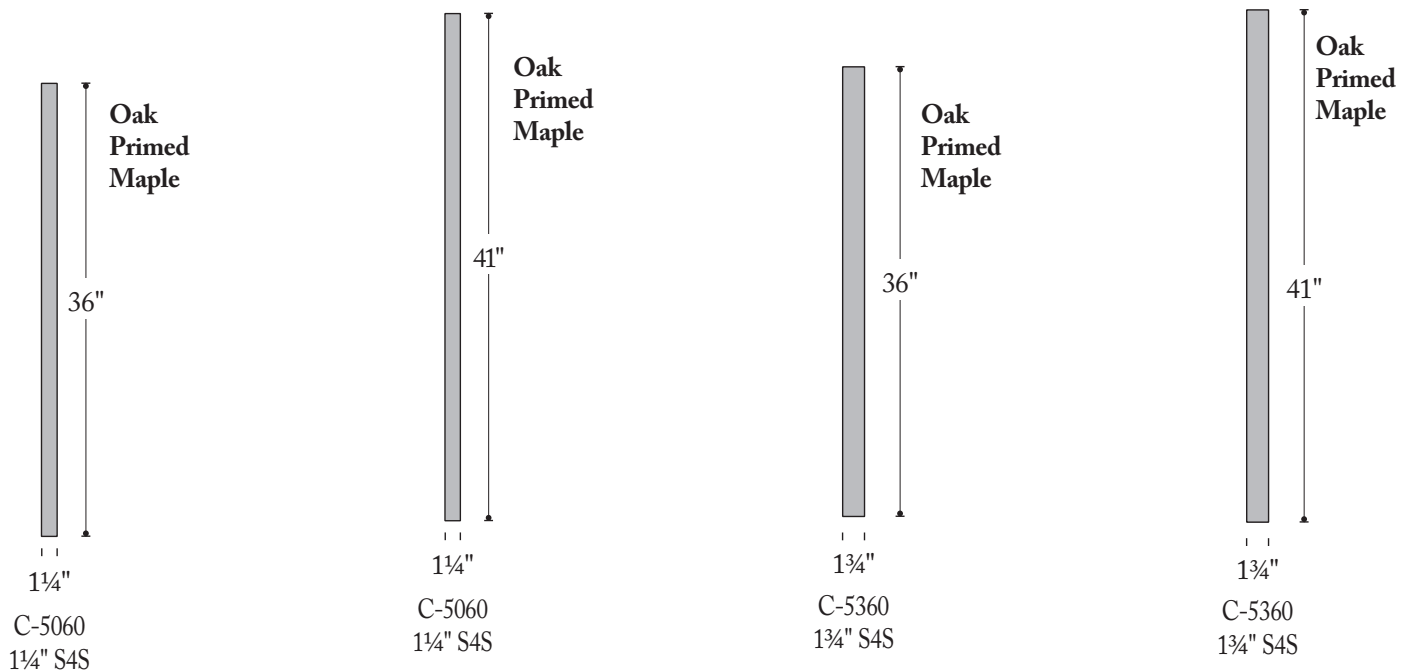
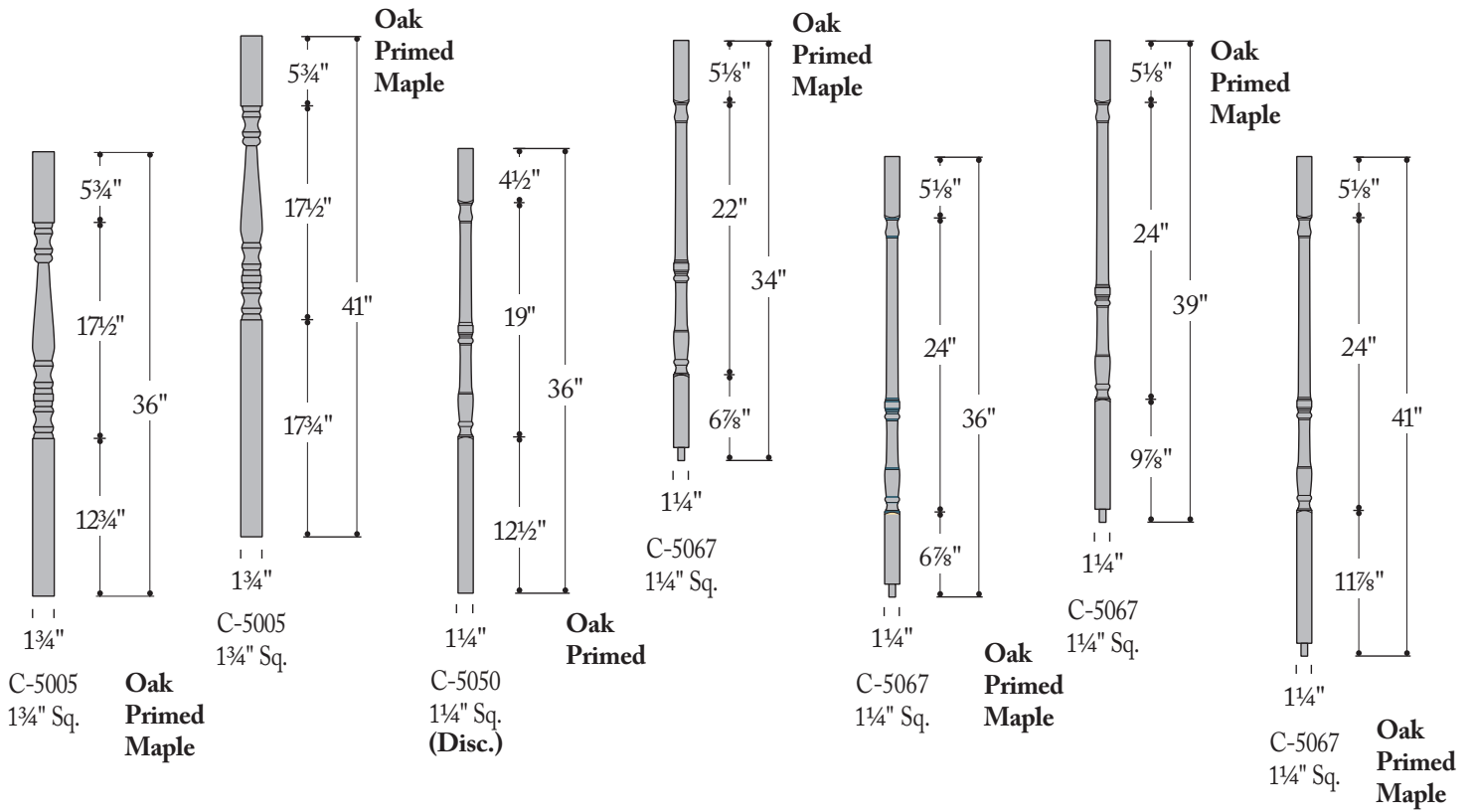


C-3004  
1 3/4" Clamp Nail

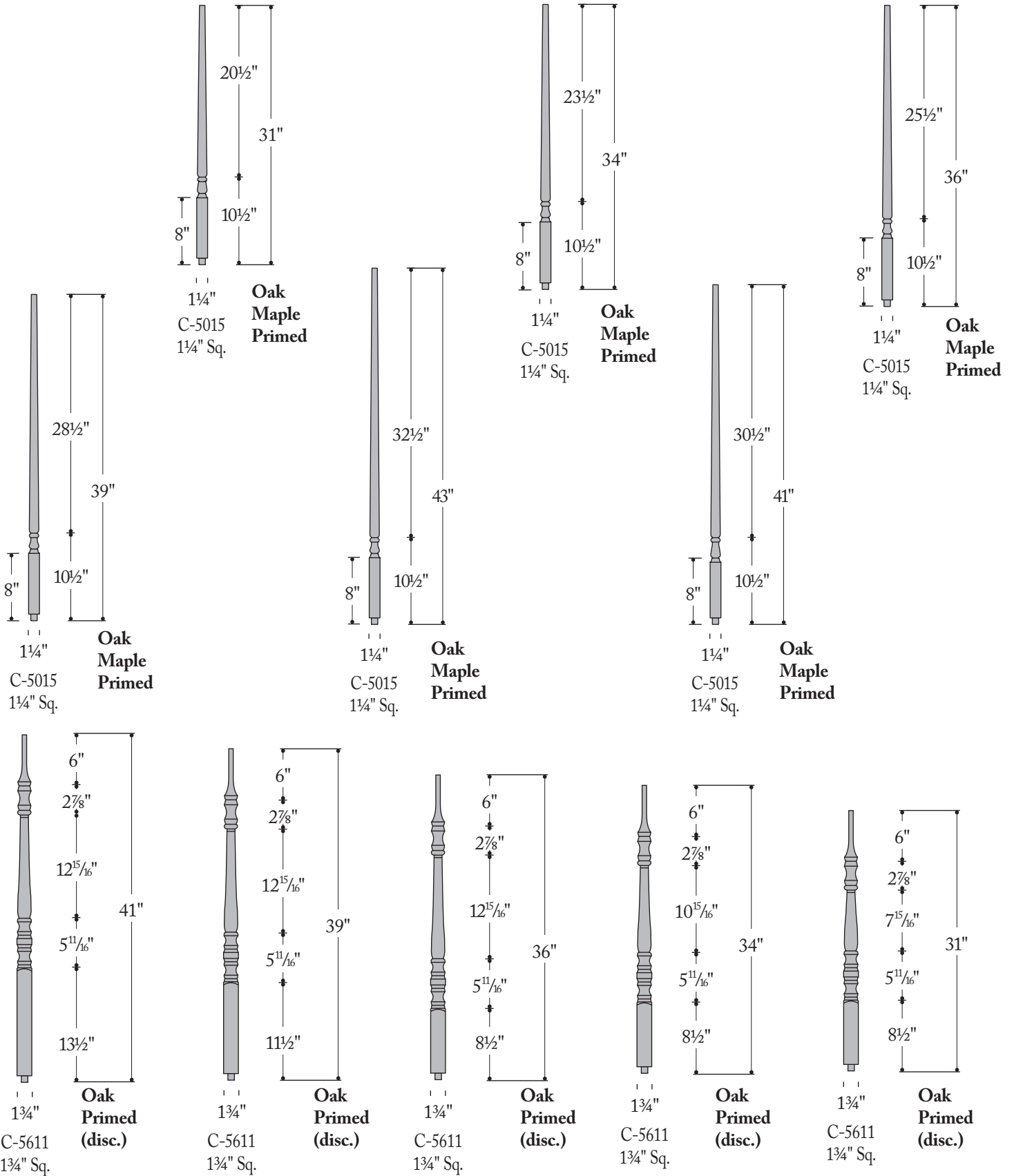




# Balusters



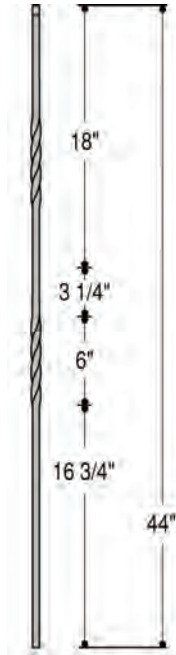
# Balusters



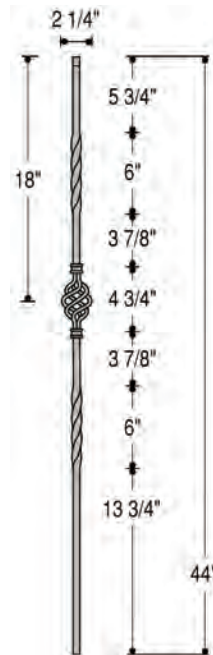
# Forged Balusters



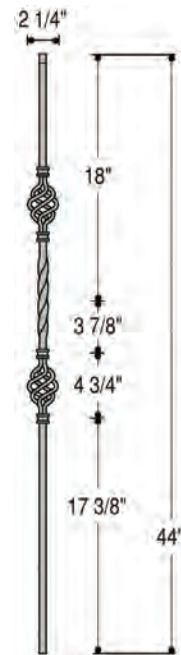
2550  
1 1/2" Matte black  
Satin black  
Powder coat  
oil rubbed copper



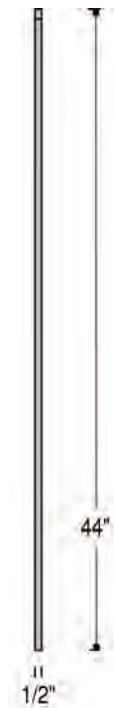
2551  
1 1/2" Matte black  
Satin black  
Powder coat  
oil rubbed copper



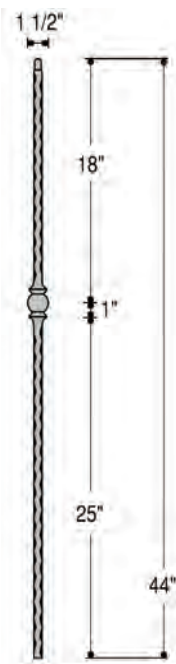
2552  
2 1/4" Matte black  
Satin black  
Powder coat  
oil rubbed copper



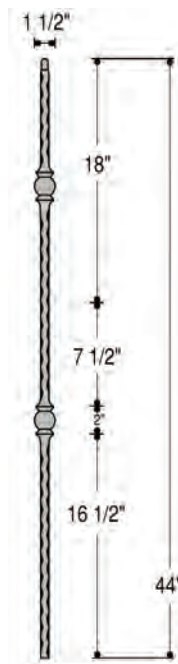
2553  
2 1/4" Matte black  
Satin black  
Powder coat  
oil rubbed copper



2555  
1 1/2" Matte black  
Satin black  
Powder coat  
oil rubbed copper



2990  
1 1/2" oil rubbed copper

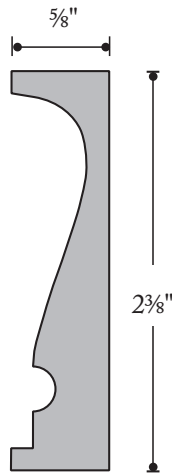


2991  
1 1/2" oil rubbed copper

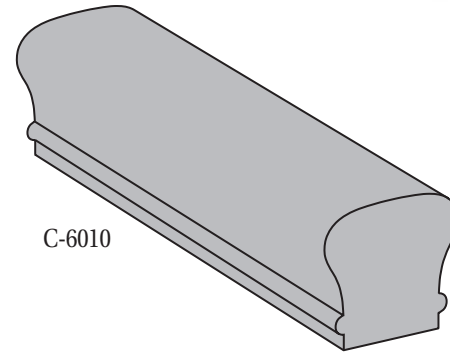


2995  
9/16" oil rubbed copper

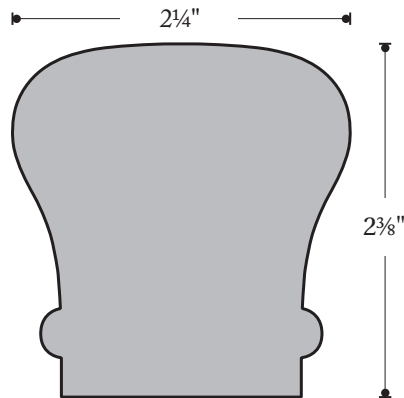
# Rail, Shoe & Fillet



C-6015  
Bending Mould

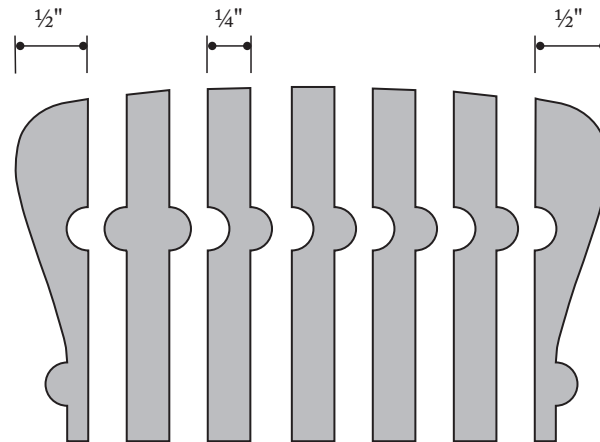


C-6010

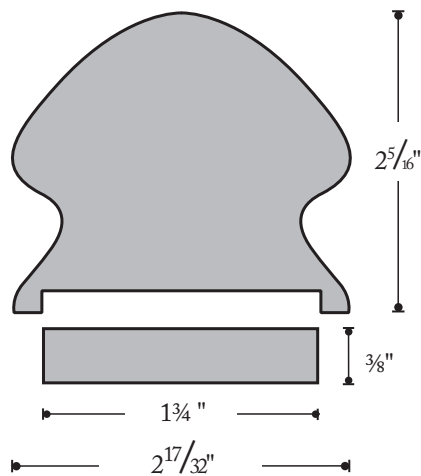


6010

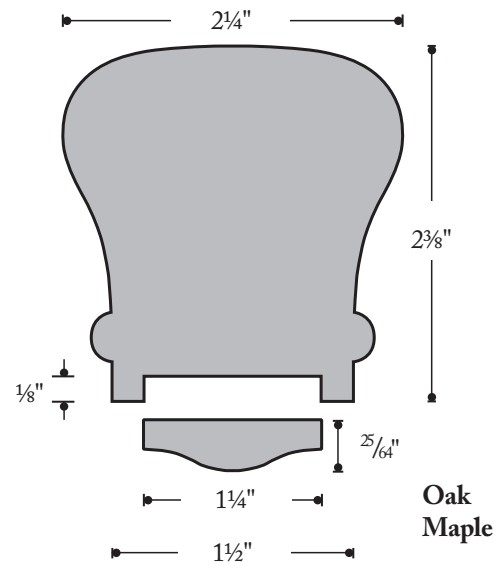
Oak  
Poplar  
Maple  
Cherry  
Beech



C-6016 Bending Rail



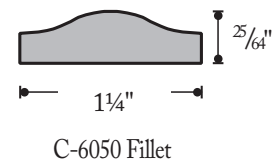
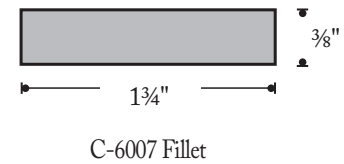
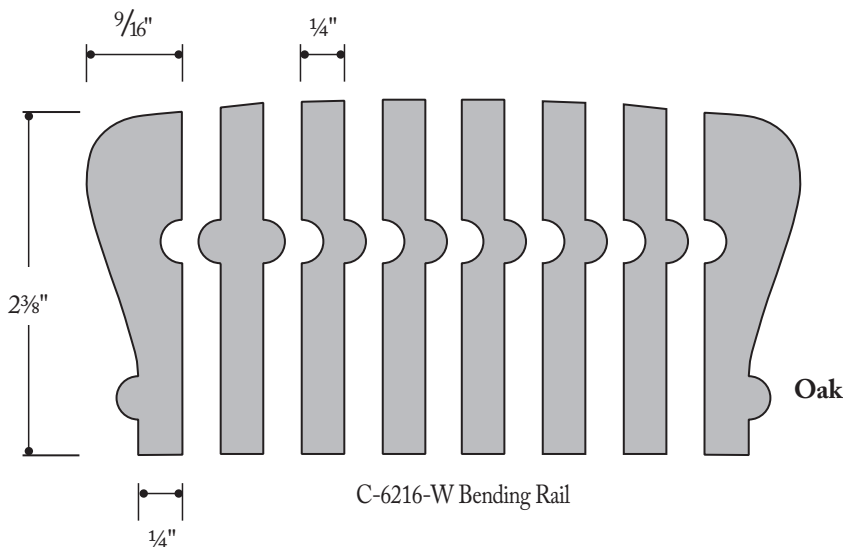
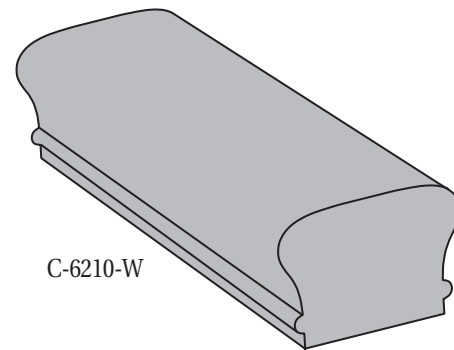
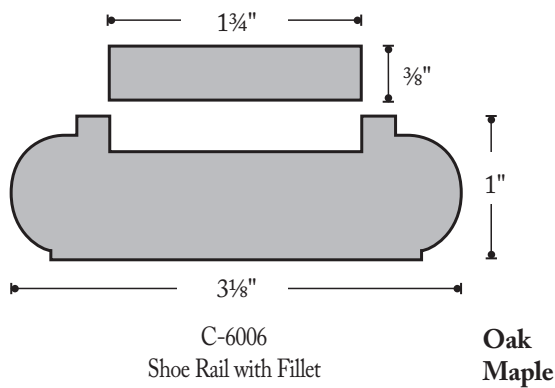
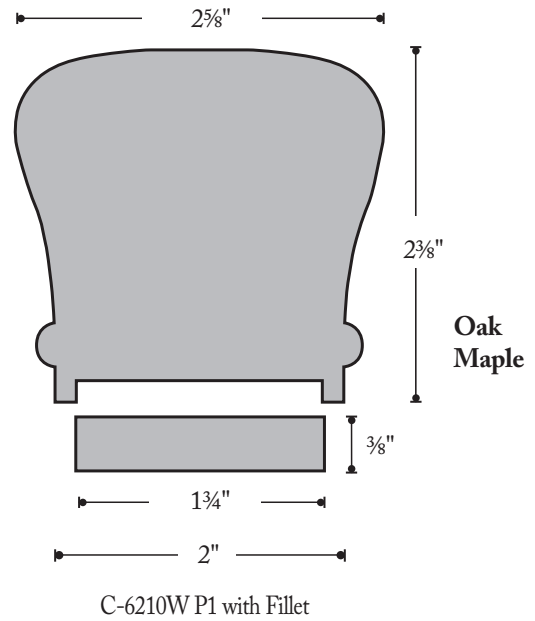
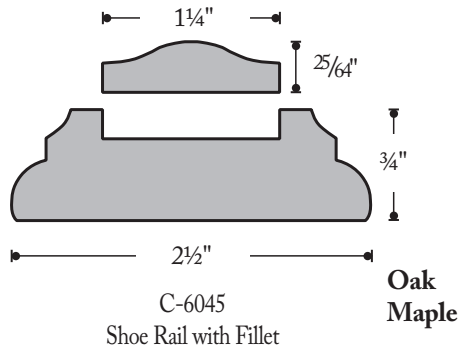
C-6005 P1  
1 3/4" Plow with Fillet



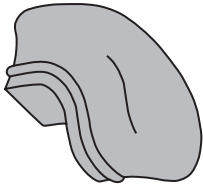
C-6010 P with Fillet

Oak  
Maple

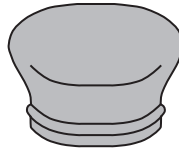
# Rail, Shoe & Fillet



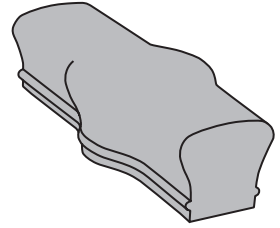
# Fittings



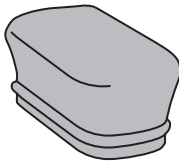
C-7001 Rail Drop  
N/S



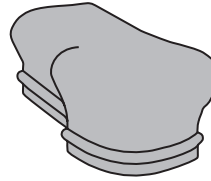
C-7018 & C-7218-W  
Newel Cap  
Oak



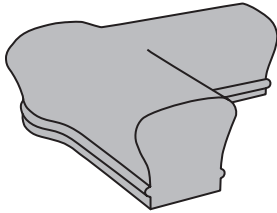
C-7020 & C-7220-W  
Tandem Cap  
Oak  
Maple (7020)



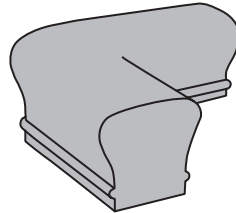
C-7009  
Returned End  
Oak



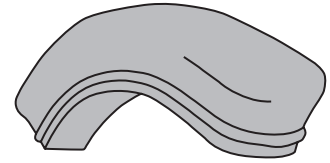
C-7019 & C-7219-W  
Opening Cap  
Oak  
Maple (7019)



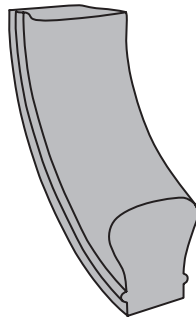
C-7021 & C-7221-W  
Quarterturn Cap 90°  
Oak  
Maple (7021)



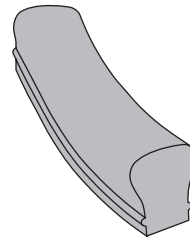
C-7011 & C-7211-W  
Level Quarterturn 90°  
Oak  
Maple (7011)



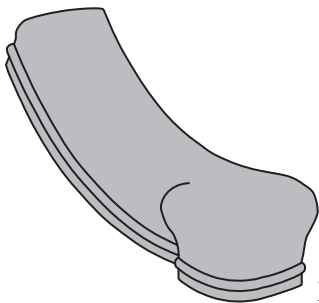
C-7016 & C-7216-W  
Over Easing Returned End  
Oak



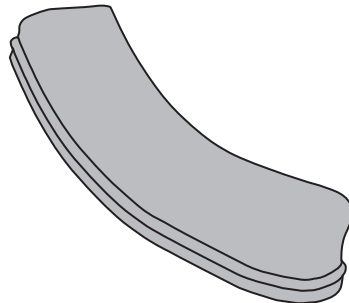
7014S & 7214S-W  
Up Easing 90°



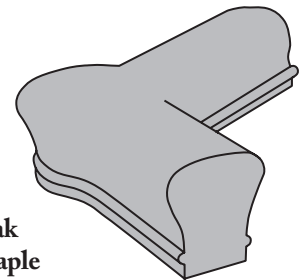
C-7012S & C-7212S-W  
Up Easing  
Oak  
Maple (7012)



C-7010 & C-7210-W  
Starting Easing With Cap  
Oak  
Maple (7010)



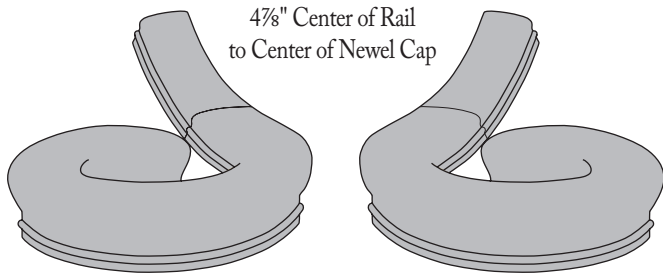
C-7015 & C-7215-W  
Starting Easing Returned End  
Oak



Oak  
Maple  
C-7022 Cap 45°

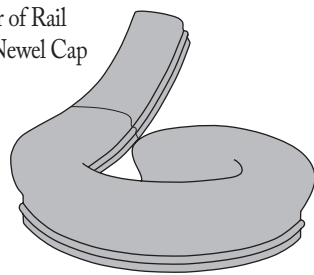


# Fittings

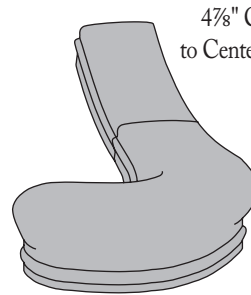


4 7/8" Center of Rail  
to Center of Newel Cap

C-7030 & C-7230-W  
Left Hand Volute  
**Oak**  
**Maple (7030)**

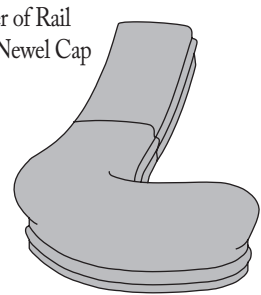


C-7035 & C-7235-W  
Right Hand Volute  
**Oak**  
**Maple (7030)**

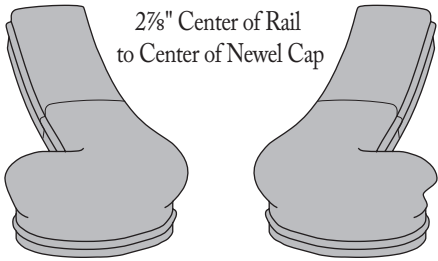


4 7/8" Center of Rail  
to Center of Newel Cap

C-7040 & C-7240-W  
Left Hand Turnout  
**Oak**  
**Maple (7040)**

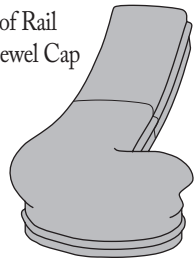


C-7045 & C-7245-W  
Right Hand Turnout  
**Oak**  
**Maple (7045)**

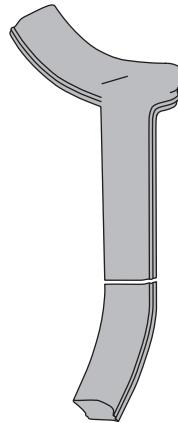


2 7/8" Center of Rail  
to Center of Newel Cap

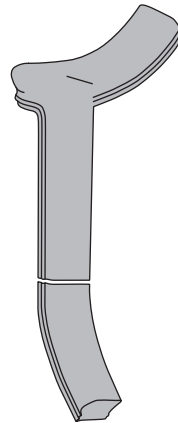
C-7041  
Left Hand Turnout  
**Oak**



C-7046 & C-7246-W  
Right Hand Turnout  
**Oak**

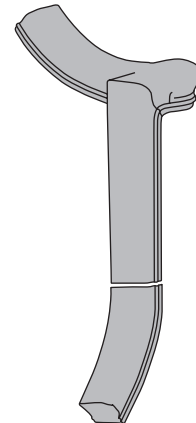


C-7050  
Left Hand  
**Oak**

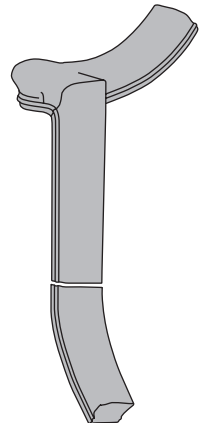


C-7055 & C-7255-W  
Right Hand  
**Oak**

2 Riser No Cap 90°

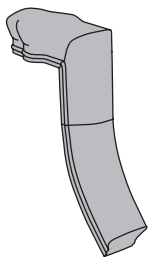


C-7060  
Left Hand  
**Oak**

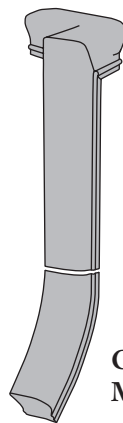


C-7065  
Right Hand  
**Oak**

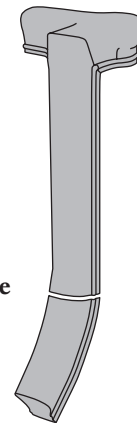
2 Riser With Cap 90°



C-7088 & C-7288-W  
1 Riser with  
Tandem Cap  
**Oak**  
**Maple (7088)**

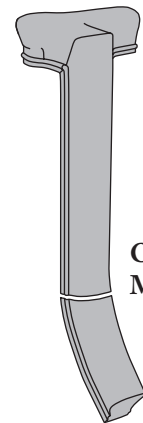


C-7071 & C-7271-W  
Left Hand  
2 Riser No Cap 90°  
**Oak**  
**Maple (7071)**



**Oak**  
**Maple**

C-7081  
Left Hand



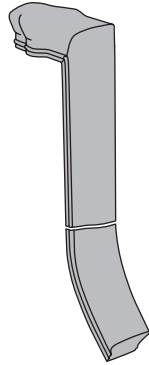
**Oak**  
**Maple**

C-7086  
Right Hand

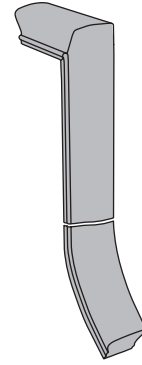
2 Riser With Cap 90°



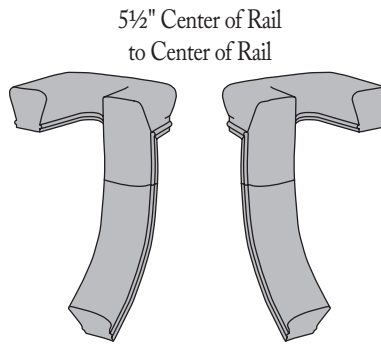
# Fittings



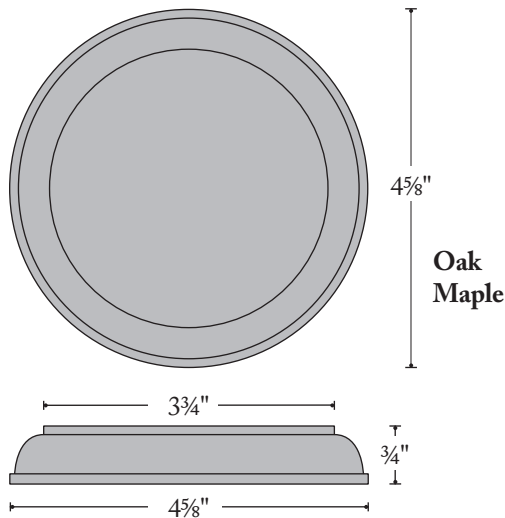
C-7089 & C-7289-W  
2 Riser with  
Tandem Cap  
**Oak**  
**Maple (7089)**



C-7099 & C-7299-W  
2 Riser No Cap  
**Oak**  
**Maple (7099)**

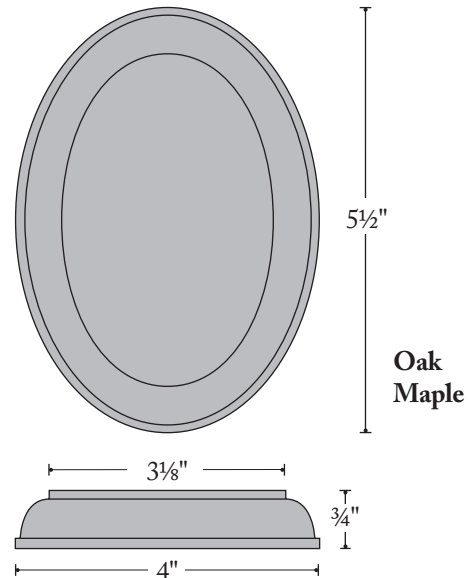


C-7090 & C-7290-W C-7095 & C-7295-W  
Left Hand Right Hand  
1 Riser Landing Return No Cap 180  
**Oak** **Oak**



C-7317 Rosette

**Oak**  
**Maple**

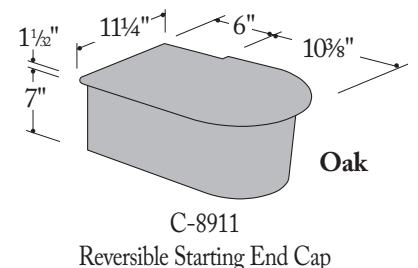
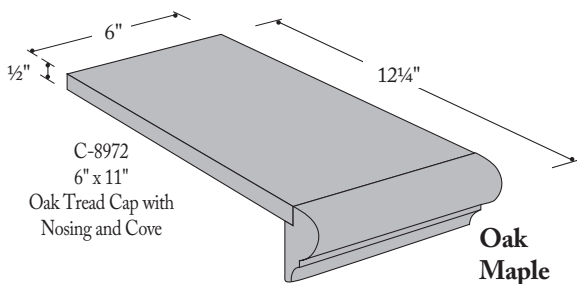
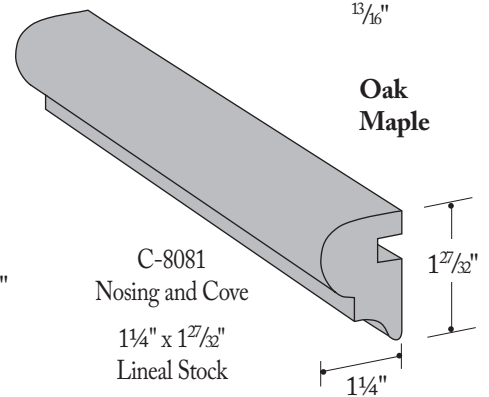
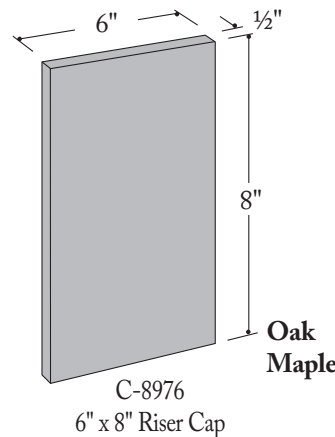
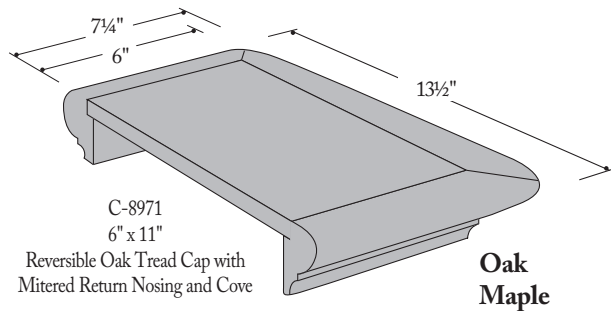
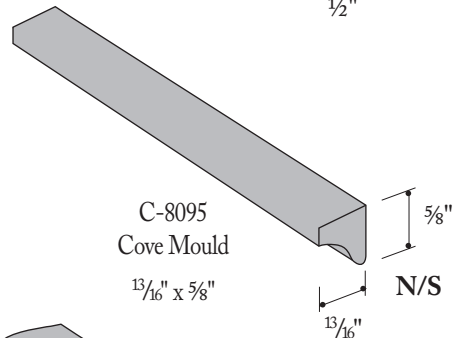
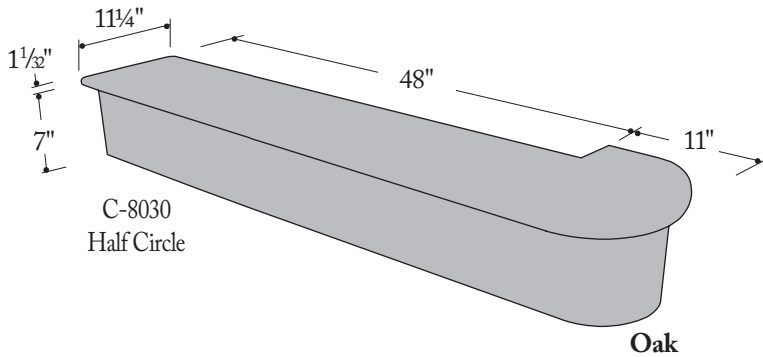
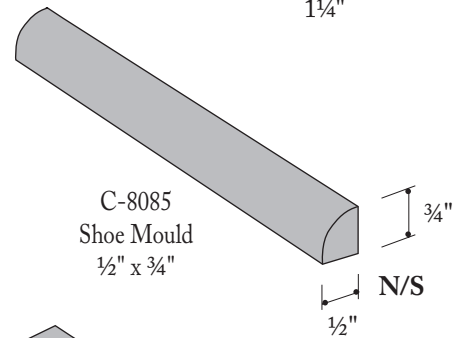
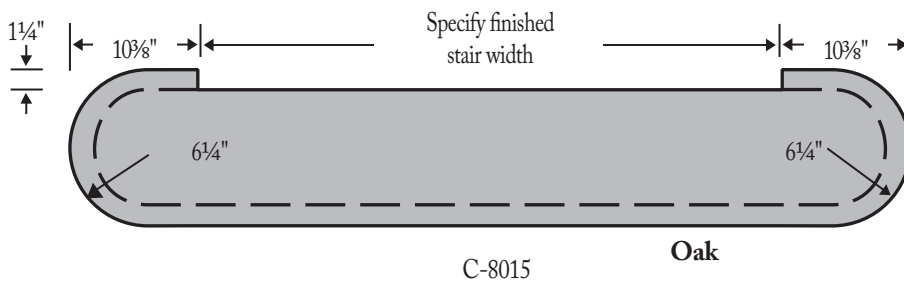
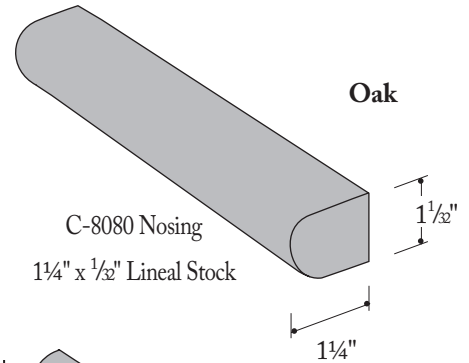
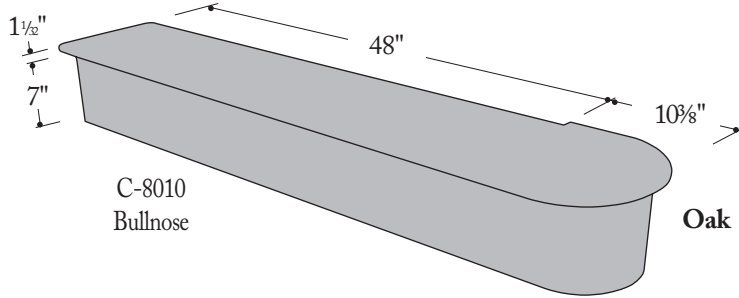


C-7337 Rosette

**Oak**  
**Maple**

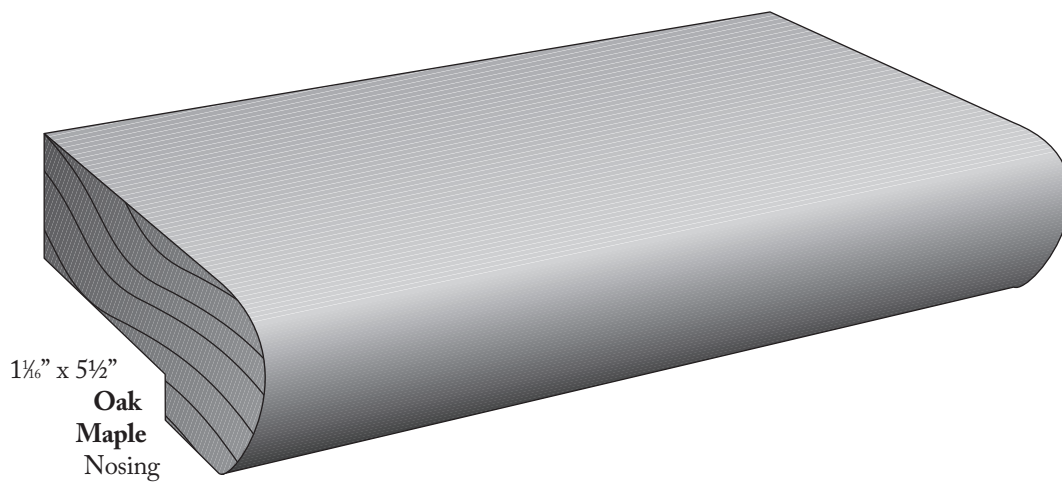
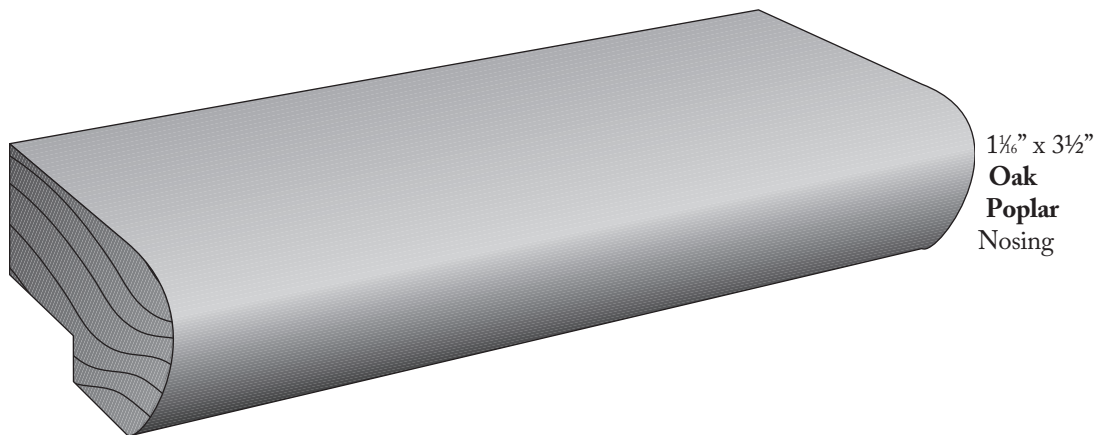


# Fittings

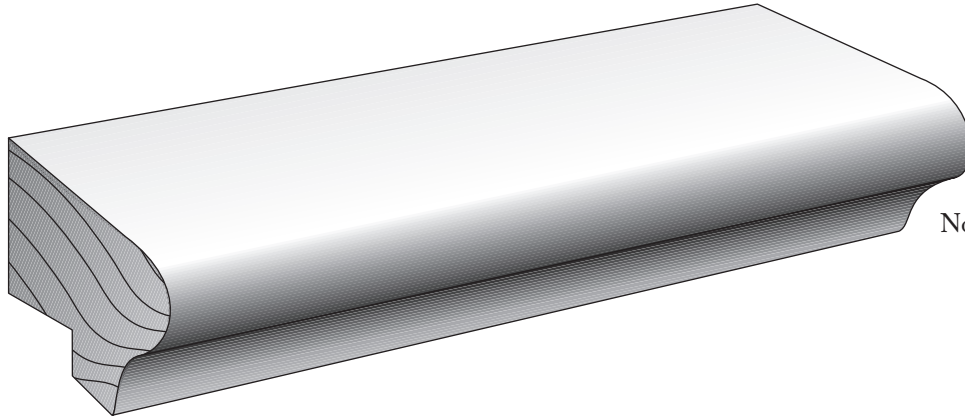




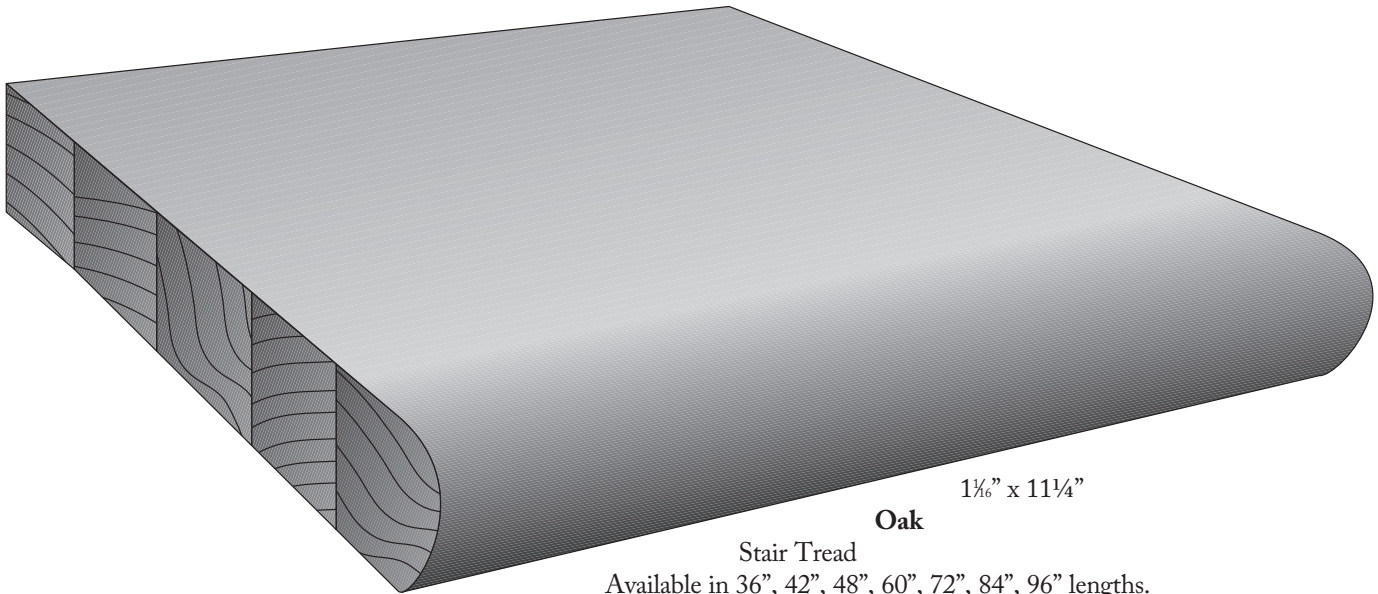
# Nosings



# Nosings



1 1/8" x 2 3/4"  
**Poplar**  
Nosing



1 1/8" x 11 1/4"

**Oak**

Stair Tread

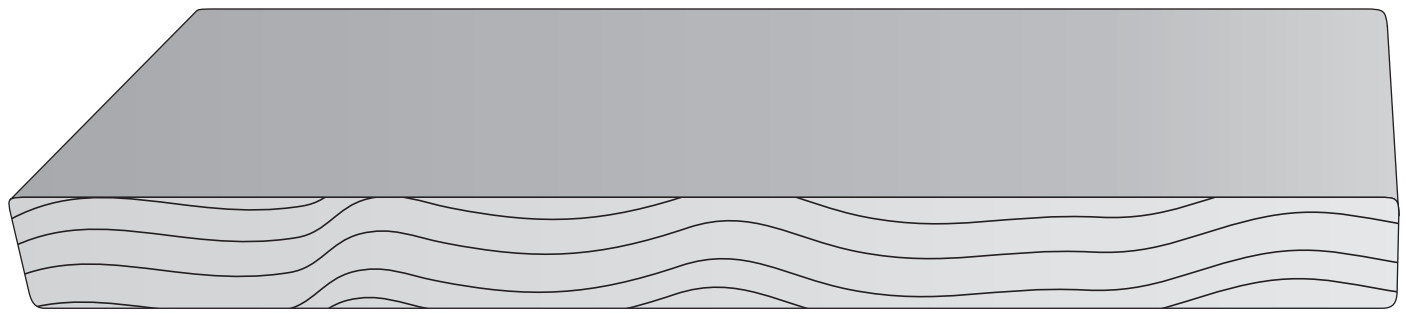
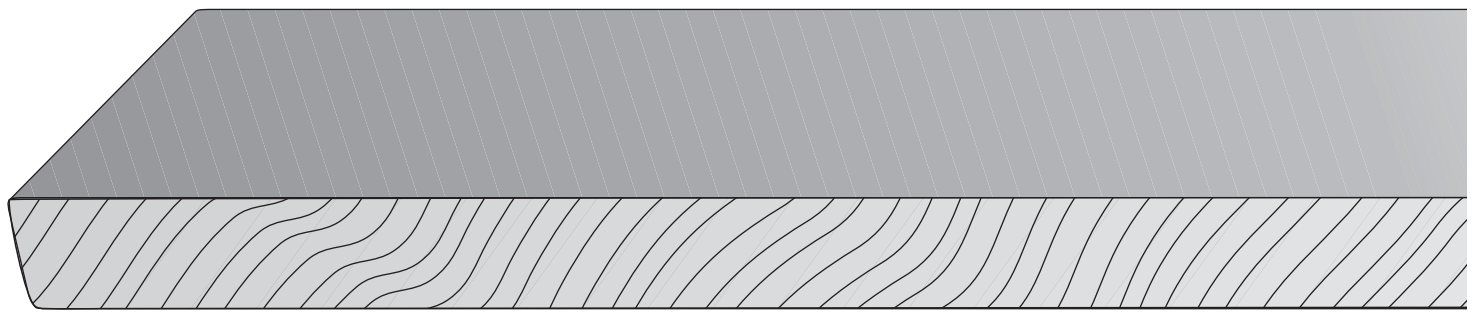
Available in 36", 42", 48", 60", 72", 84", 96" lengths.

**Maple**

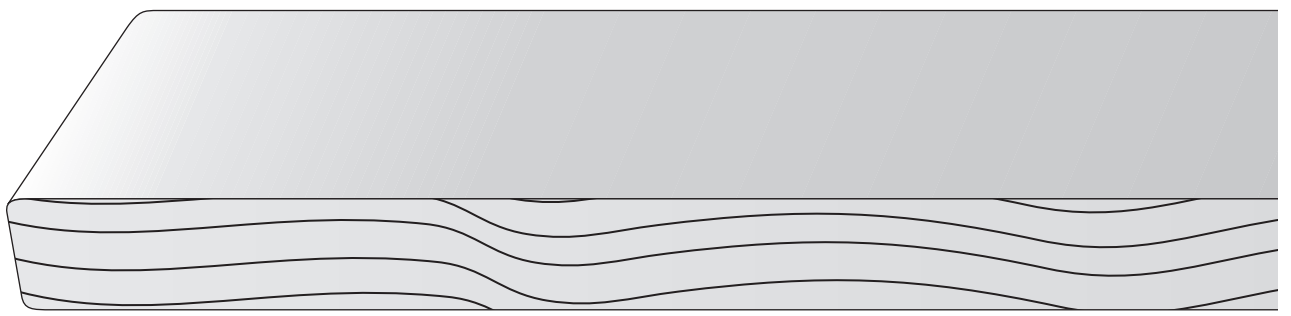
Available in 48" length.



# S4S Lumber



**1x8 S4S**  
3/4" x 7 1/4"

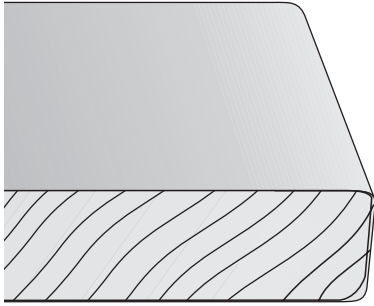


**1x12 S4S**  
3/4" x 11 1/4"

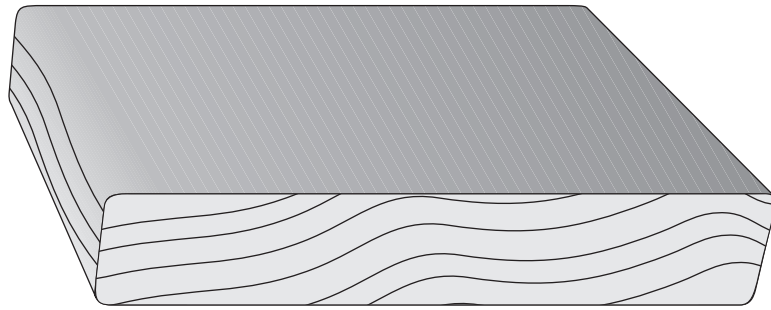




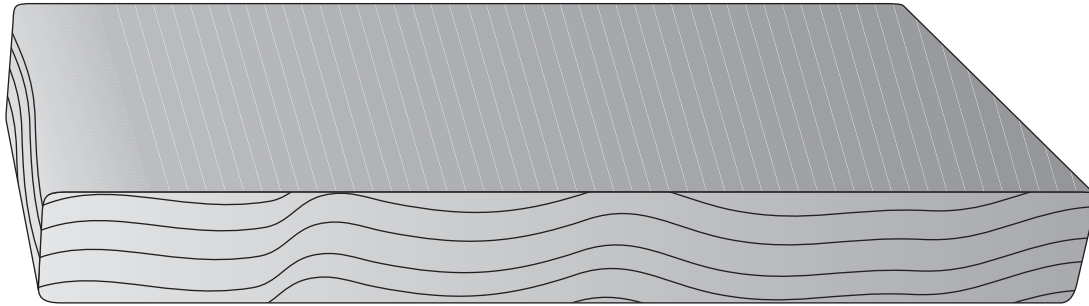
# S4S Lumber



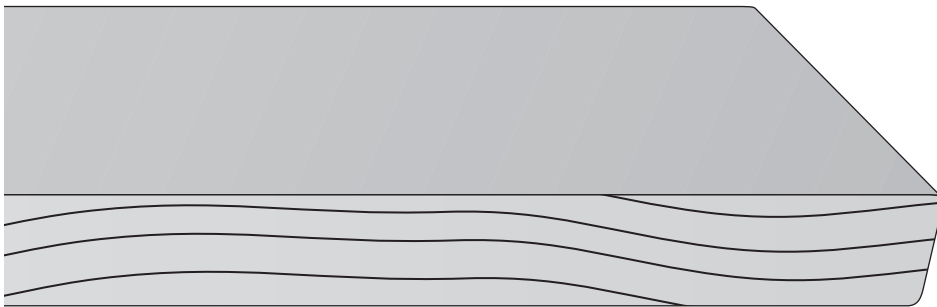
**1x10 S4S**  
3/4" x 9 1/4"



**1x4 S4S**  
3/4" x 3 1/2"

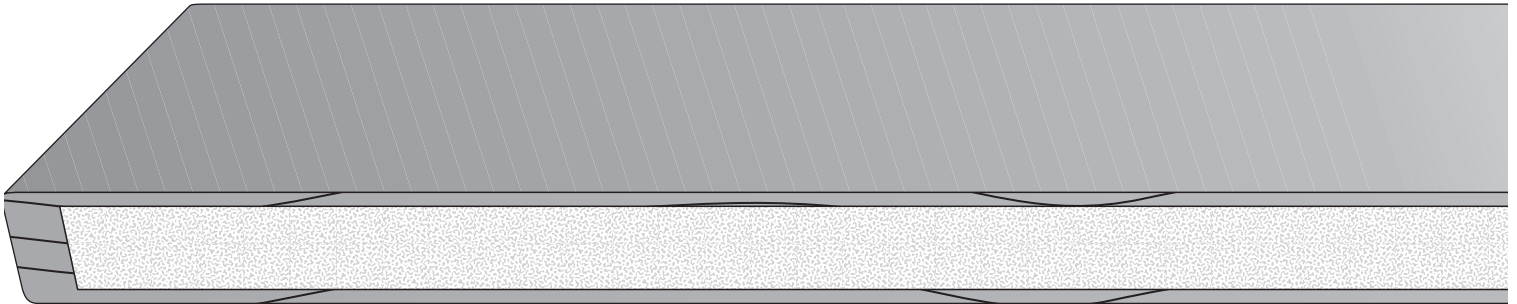


**1x6 S4S**  
3/4" x 5 1/2"





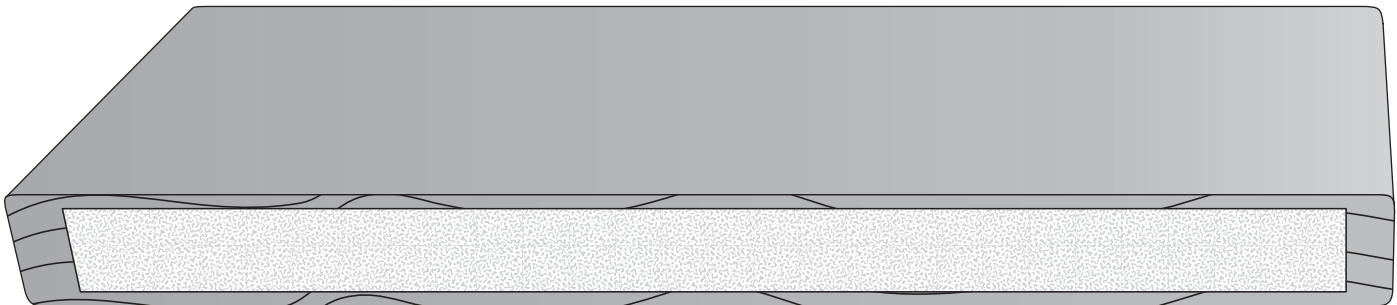
# S4S Veneered Boards



**1x12**

$\frac{3}{4}$ " x 11 $\frac{1}{4}$ " †

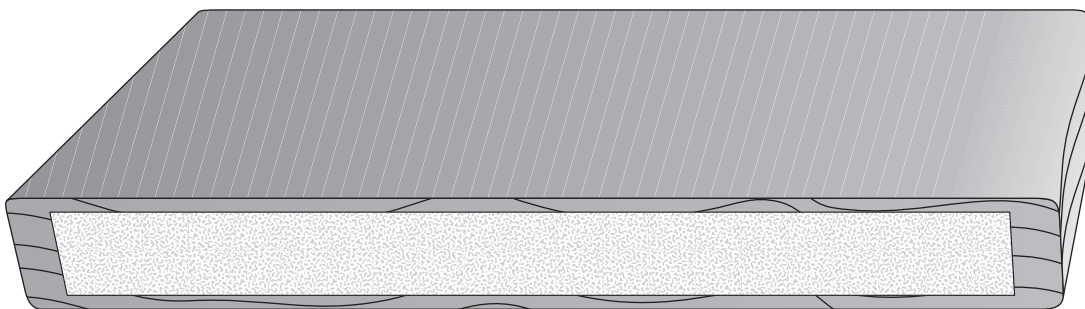
S4S Veneered Board



**1x8**

$\frac{3}{4}$ " x 7 $\frac{1}{4}$ " \*

S4S Veneered Board



**1x6**

$\frac{3}{4}$ " x 5 $\frac{1}{2}$ " \*

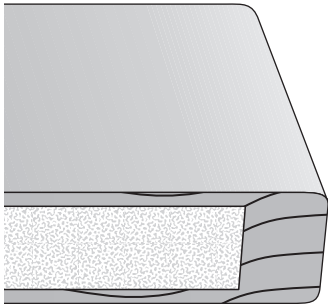
S4S Veneered Board

\* Available in 12's and 16's

† Available in 16's Only



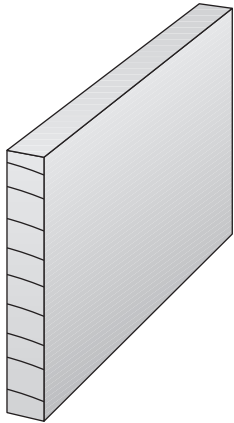
# S4S Veneered Boards



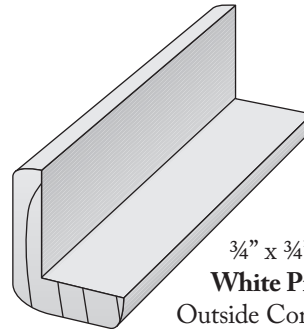
Nominal	Actual Size	Pine	Poplar	Oak	Maple	MDF 16'
1x4	3/4" x 3 1/2"	<b>X</b>	<b>X</b>	<b>X</b>	<b>X</b>	<b>X</b>
1x6	3/4" x 5 1/2"	<b>X</b>	<b>X</b>	<b>X</b>	<b>X</b>	<b>X</b>
1x8	3/4" x 7 1/4"	<b>X</b>	<b>X</b>	<b>X</b>	<b>X</b>	<b>X</b>
1x10	3/4" x 9 1/4"	<b>X</b>	<b>X</b>	<b>X</b>	<b>X</b>	
1x12	3/4" x 11 3/4"	<b>X</b>	<b>X</b>	<b>X</b>	<b>X</b>	<b>X</b>

Nominal	Actual Size	Oak	Maple
1x6-12'	3/4" x 3 1/2"	<b>X</b>	
1x6-16'	3/4" x 5 1/2"	<b>X</b>	
1x8-12'	3/4" x 7 1/4"	<b>X</b>	
1x8-16'	3/4" x 9 1/4"	<b>X</b>	
1x12-16'	3/4" x 11 1/4"	<b>X</b>	<b>X</b>

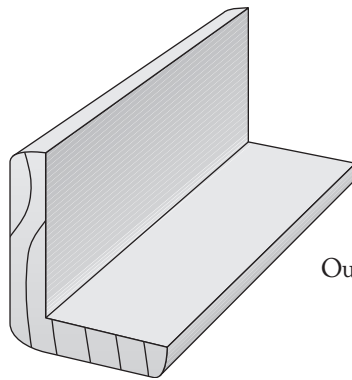
# Miscellaneous Parts



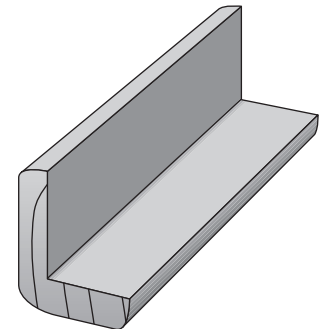
$\frac{1}{4}$ " x  $1\frac{3}{8}$ "  
**White Pine**  
Lattice



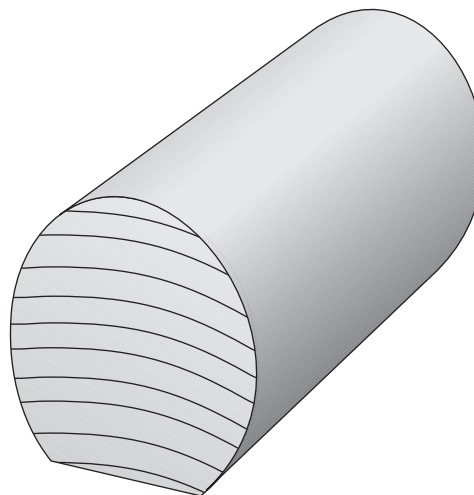
$\frac{3}{4}$ " x  $\frac{3}{4}$ "  
**White Pine**  
Outside Corner



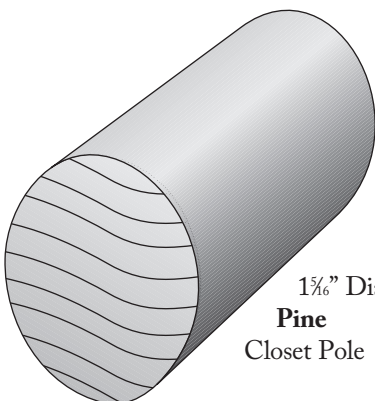
$1\frac{1}{8}$ " x  $1\frac{1}{8}$ "  
**White Pine**  
Outside Corner



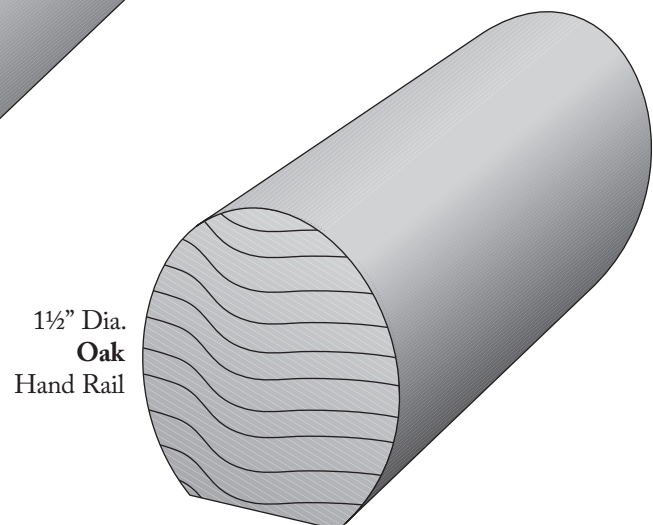
$\frac{3}{4}$ " x  $\frac{3}{4}$ "  
**Oak**  
Outside  
Corner



$1\frac{1}{2}$ " Dia.  
**Pine**  
Hand Rail



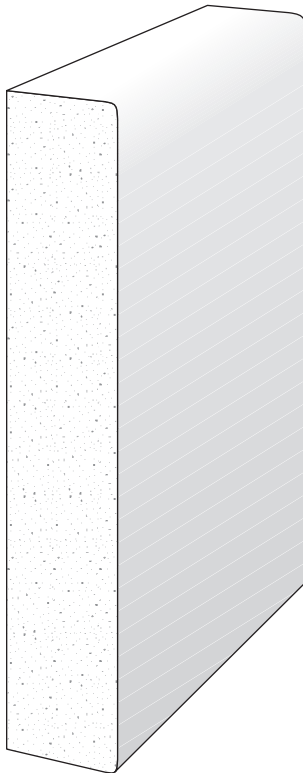
$1\frac{1}{8}$ " Dia.  
**Pine**  
Closet Pole



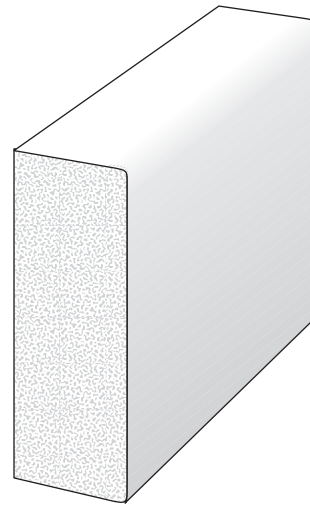
$1\frac{1}{2}$ " Dia.  
**Oak**  
Hand Rail



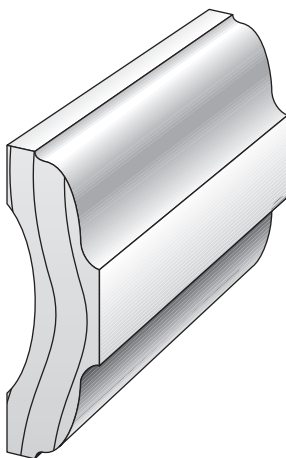
# Miscellaneous Parts



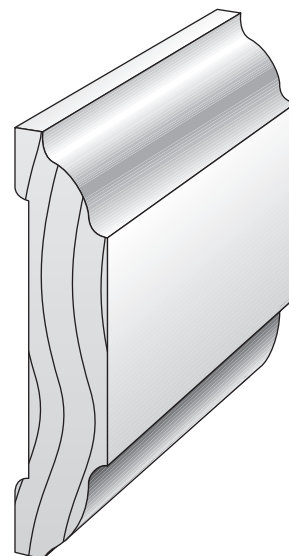
**1x4**  
3/4" x 3 1/2"  
MDF  
Board



**1x2**  
3/4" x 1 1/2"  
MDF  
Board



3/4" x 1 3/4"  
**Pine**  
O.G. Batten



5/8" x 2 1/4"  
**Pine**  
O.G. Batten



# Iron-A-Way



A-46 with Oak or Maple Raised Panel Door.  
(46" board)



E-342 with Oak or Maple Raised Panel Door and Light.  
(42" board)



E-342 Swivel Oak or Maple Raised Panel Door and Light.  
(42" board)

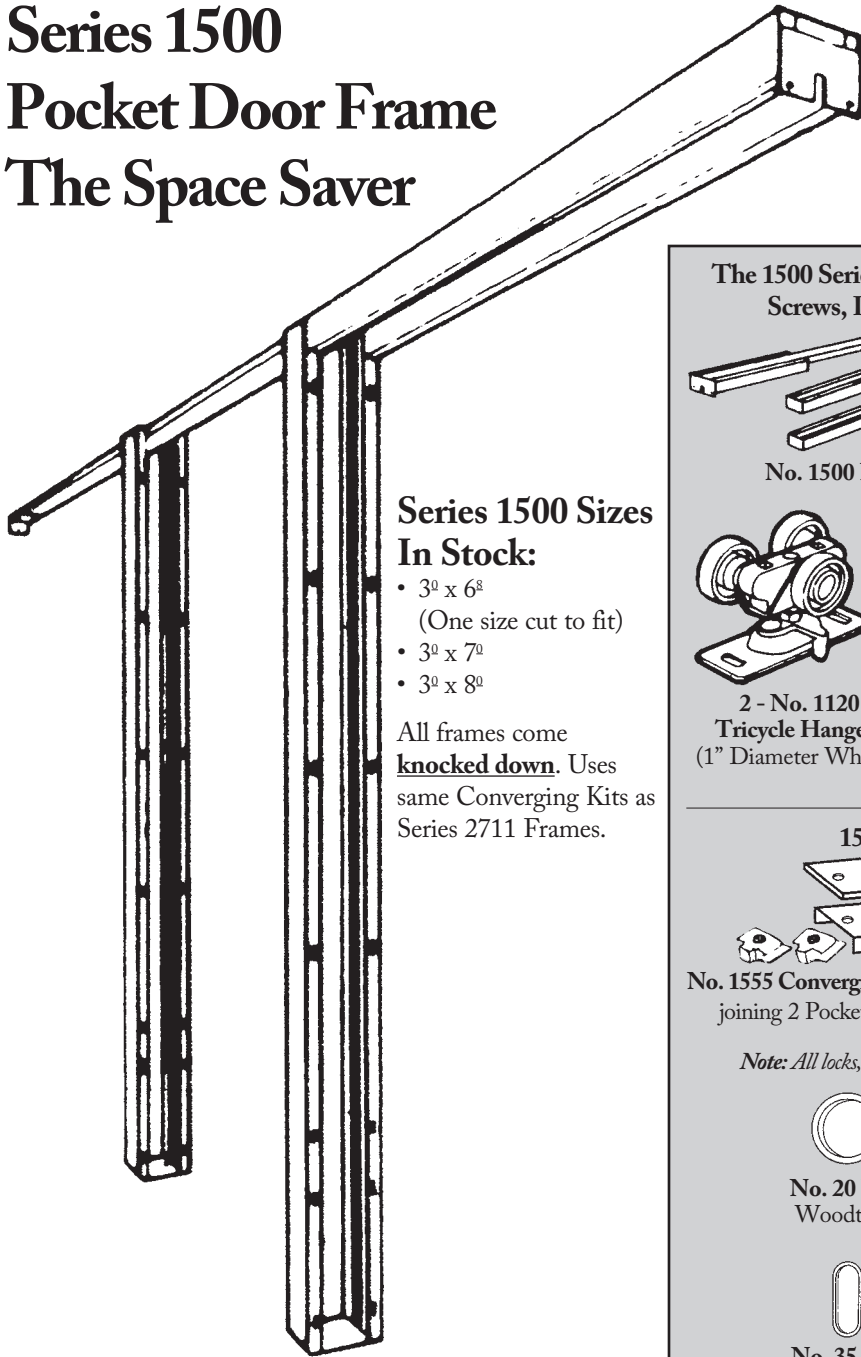


NE-342 with Birch Flush Door.  
(42" board)



# Pocket Frame

## Series 1500 Pocket Door Frame The Space Saver



### Series 1500 Sizes In Stock:

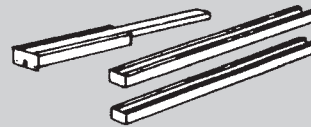
- 3<sup>0</sup> x 6<sup>8</sup>  
(One size cut to fit)
- 3<sup>0</sup> x 7<sup>0</sup>
- 3<sup>0</sup> x 8<sup>0</sup>

All frames come **knocked down**. Uses same Converging Kits as Series 2711 Frames.

### Series 1500 Features:

- Strong Stiffeners
- Removable Track
- Tricycle Hangers
- Self-Adjusting Floor Anchors

The 1500 Series Door Frame Standard Hardware Includes Screws, Instructions & These Additional Items:



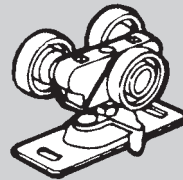
No. 1500 Frame



No. 1550  
Door Guides



No. 100 Track



2 - No. 1120  
Tricycle Hangers  
(1" Diameter Wheels)

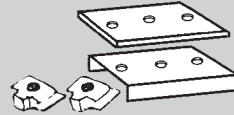


No. 1513  
Door Stop



No. 1712  
Adjustable  
Wrench

### 1500 Series Optional Accessories:



No. 1555 Converging Door Kit. For joining 2 Pocket Door Frames



No. 1575 Adaptor Kit. Use with 11" doors.

*Note: All locks, latches, and pulls furnished in seven decorator finishes.*



No. 20 Pull  
Woodtone



No. 21 Pull



No. 30 Pull



No. 35 Pull



No. 40 Pull



No. 150 Edge Pull  
(US3 Finish Only)

*Note: These locks & latches for 1K" door only.*



No. 1501 Passage  
Door Latch

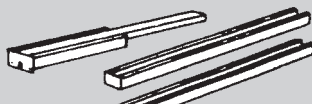


No. 1521 Suncrest  
Privacy Door Lock  
(With emergency release)

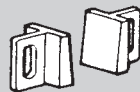
# Pocket Frame

## Series 2711 Pocket Door Frame (Assembled)

The 2711 Series Door Frame Standard Hardware Includes  
Screws, Instructions & These Additional Items:



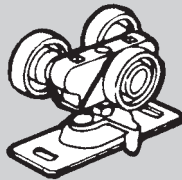
No. 2711 Frame



No. 1550  
Door Guides  
(Woodtone)



No. 111 Track



2 - No. 1020  
Tricycle Hangers  
(1" Diameter Wheels)

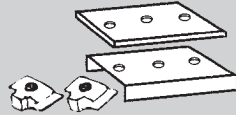


No. 1513  
Door Stop



No. 1712  
Adjustable  
Wrench

### 2711 Series Optional Accessories:



No. 1555 Converging Door Kit. For  
joining 2 Pocket Door Frames



No. 1575 Adaptor Kit.  
Use with 11" doors.

*Note: All locks, latches, and pulls furnished in seven decorator finishes.*



No. 20 Pull  
Woodtone



No. 21 Pull



No. 30 Pull



No. 35 Pull



No. 40 Pull



No. 150 Edge Pull  
(US3 Finish Only)

*Note: These locks & latches for 1K" door only.*



No. 1501 Passage  
Door Latch



No. 1521 Suncrest  
Privacy Door Lock  
(With emergency release)

### Series 2711 Sizes In Stock:

- 2<sup>0</sup> x 6<sup>8</sup>
- 2<sup>4</sup> x 6<sup>8</sup>
- 2<sup>6</sup> x 6<sup>8</sup>
- 2<sup>8</sup> x 6<sup>8</sup>
- 3<sup>0</sup> x 6<sup>8</sup>

All frames come  
**assembled**. Uses same  
Converging Kits as  
Series 1500 Frames.

### Series 2711 Features:

- Steel Nailer Brackets
- Removable Track
- Steel Stiffener
- Protected Shipping

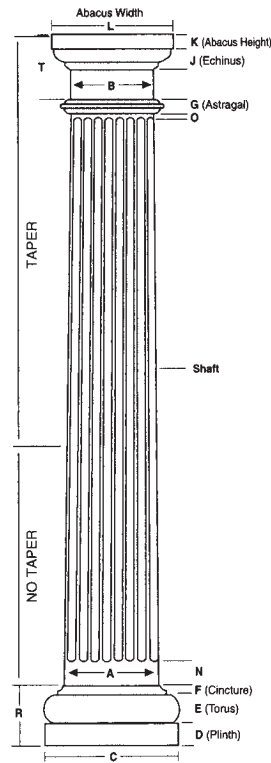
# Columns



Plain stocked,  
Fluted  
special  
ordered.

COL. SIZE	A	B	C	D	E	F	G	J	K	L	O	N	R	T	LENGTH AVAIL (ft)
6"	5 $\frac{3}{8}$ "	4 $\frac{3}{8}$ "	9"	1 $\frac{1}{16}$ "	1 $\frac{1}{16}$ "	$\frac{3}{16}$ "	$\frac{3}{4}$ "	1 $\frac{1}{4}$ "	1 $\frac{3}{8}$ "	8"	1"	6 $\frac{1}{4}$ "	3 $\frac{1}{16}$ "	4 $\frac{7}{16}$ "	6,8
8"	7 $\frac{3}{8}$ "	6 $\frac{1}{4}$ "	10 $\frac{1}{2}$ "	1 $\frac{7}{8}$ "	1 $\frac{3}{4}$ "	$\frac{3}{4}$ "	$\frac{3}{4}$ "	1 $\frac{1}{4}$ "	1 $\frac{1}{2}$ "	9 $\frac{1}{4}$ "	$\frac{1}{2}$ "	2 $\frac{1}{4}$ "	4 $\frac{3}{8}$ "	4 $\frac{1}{2}$ "	5,6,8,9,10
10"	9 $\frac{5}{8}$ "	8 $\frac{1}{8}$ "	13 $\frac{3}{8}$ "	2 $\frac{3}{8}$ "	2 $\frac{1}{8}$ "	$\frac{3}{4}$ "	$\frac{3}{4}$ "	1 $\frac{1}{4}$ "	1 $\frac{3}{4}$ "	11 $\frac{1}{4}$ "	$\frac{5}{8}$ "	2 $\frac{1}{4}$ "	5 $\frac{1}{4}$ "	5"	8,9,10,12
12"	11 $\frac{1}{8}$ "	9 $\frac{3}{8}$ "	16 $\frac{1}{2}$ "	2 $\frac{7}{8}$ "	2 $\frac{3}{8}$ "	$\frac{7}{8}$ "	1 $\frac{3}{16}$ "	1 $\frac{3}{4}$ "	2 $\frac{1}{4}$ "	13 $\frac{3}{4}$ "	$\frac{3}{4}$ "	2 $\frac{5}{8}$ "	6 $\frac{1}{8}$ "	5 $\frac{3}{4}$ "	6,8,9,10,12,14,16,18
14"	13 $\frac{3}{8}$ "	11 $\frac{1}{8}$ "	19 $\frac{1}{2}$ "	3 $\frac{3}{8}$ "	3 $\frac{3}{8}$ "	1 $\frac{1}{8}$ "	$\frac{7}{8}$ "	2"	2 $\frac{7}{8}$ "	17"	$\frac{7}{8}$ "	2 $\frac{5}{8}$ "	7 $\frac{1}{8}$ "	7"	8,9,10,12,14,16,18
16"	15 $\frac{1}{4}$ "	13 $\frac{3}{8}$ "	22 $\frac{1}{2}$ "	4"	3 $\frac{1}{2}$ "	1 $\frac{1}{8}$ "	1"	2 $\frac{1}{4}$ "	3"	19 $\frac{1}{4}$ "	1"	3"	8 $\frac{1}{8}$ "	8"	8,10,12,14,16,18,20
18"	17 $\frac{1}{2}$ "	15 $\frac{3}{8}$ "	24 $\frac{3}{8}$ "	4"	4"	1 $\frac{1}{8}$ "	1 $\frac{1}{8}$ "	2 $\frac{3}{4}$ "	3 $\frac{1}{8}$ "	22 $\frac{3}{8}$ "	1 $\frac{1}{4}$ "	10 $\frac{3}{4}$ "	9 $\frac{1}{8}$ "	8 $\frac{7}{8}$ "	10,12,14,16,18,20,22,24,26
20"	19 $\frac{1}{2}$ "	17 $\frac{3}{16}$ "	27"	4 $\frac{3}{4}$ "	4 $\frac{1}{2}$ "	2"	1 $\frac{1}{16}$ "	2 $\frac{7}{8}$ "	3 $\frac{3}{8}$ "	24 $\frac{1}{16}$ "	1 $\frac{1}{4}$ "	10 $\frac{3}{4}$ "	11 $\frac{1}{4}$ "	9"	18,20,22,24
22"	21 $\frac{1}{8}$ "	19 $\frac{1}{4}$ "	30 $\frac{1}{4}$ "	5 $\frac{3}{8}$ "	4 $\frac{7}{8}$ "	2"	1 $\frac{1}{8}$ "	3"	3 $\frac{3}{4}$ "	27 $\frac{1}{2}$ "	1 $\frac{1}{4}$ "	10 $\frac{3}{4}$ "	12 $\frac{1}{4}$ "	10 $\frac{1}{4}$ "	16,18,20,22,24,26
24"	23 $\frac{3}{8}$ "	21 $\frac{1}{4}$ "	33 $\frac{1}{2}$ "	5 $\frac{7}{8}$ "	5 $\frac{1}{4}$ "	2 $\frac{3}{16}$ "	2 $\frac{3}{16}$ "	3 $\frac{1}{2}$ "	4 $\frac{1}{16}$ "	30 $\frac{1}{2}$ "	1 $\frac{1}{4}$ "	10 $\frac{3}{4}$ "	13 $\frac{3}{16}$ "	11 $\frac{1}{16}$ "	14,16,18,20,22,24,26,28,30
26"	26"	22 $\frac{3}{4}$ "	35"	6 $\frac{1}{4}$ "	5 $\frac{5}{8}$ "	2 $\frac{3}{4}$ "	2"	3"	4 $\frac{3}{8}$ "	31 $\frac{1}{2}$ "	1 $\frac{1}{4}$ "	10 $\frac{3}{4}$ "	14 $\frac{3}{8}$ "	11 $\frac{7}{8}$ "	20,22,24,26
28"	28"	24 $\frac{1}{8}$ "	38"	6 $\frac{3}{4}$ "	6"	2 $\frac{1}{4}$ "	2 $\frac{1}{8}$ "	3 $\frac{1}{4}$ "	4 $\frac{1}{4}$ "	33 $\frac{3}{8}$ "	1 $\frac{1}{4}$ "	10 $\frac{3}{4}$ "	15 $\frac{1}{2}$ "	11 $\frac{3}{4}$ "	20,22,24,26,28
30"	29 $\frac{3}{8}$ "	26 $\frac{1}{2}$ "	41 $\frac{1}{8}$ "	6 $\frac{1}{2}$ "	5 $\frac{7}{8}$ "	2 $\frac{1}{2}$ "	3 $\frac{1}{16}$ "	4"	4 $\frac{3}{8}$ "	38 $\frac{3}{4}$ "	1 $\frac{1}{4}$ "	10 $\frac{3}{4}$ "	14 $\frac{7}{8}$ "	14 $\frac{7}{8}$ "	20,22,24,26,28,30
36"	36"	30 $\frac{3}{8}$ "	48 $\frac{3}{4}$ "	8 $\frac{3}{4}$ "	7 $\frac{3}{4}$ "	3 $\frac{3}{8}$ "	2"	4 $\frac{1}{4}$ "	6 $\frac{1}{4}$ "	42 $\frac{3}{4}$ "	1 $\frac{1}{4}$ "	10 $\frac{3}{4}$ "	20 $\frac{1}{8}$ "	13 $\frac{3}{8}$ "	20,22,24,26,28,30

\*There may be a variance of up to 1/4" in all dimensions. Fluted columns available in all diameters. Plain ROUND PermaCast® columns can be trimmed at least 24" with the following exceptions 6"x 6'-8', 14"x 9'-12', 16"x 8'-16', 18"x10'-6'



Rounded Fluted Column  
With Tuscan Cap & Base

## Round & Square PermaCast Load Bearing Specifications

Split columns are not load bearing

Col. Dia.	Structural Load
6"	8,000 lbs. Max
8"	10,000 lbs. Max
10"	14,000 lbs. Max
12"	18,000 lbs. Max
14"	20,000 lbs. Max
16"	20,000 lbs. Max
18"	20,000 lbs. Max
22"	20,000 lbs. Max
24"	20,000 lbs. Max
30"	20,000 lbs. Max

## Available Column Sizes: (Plain Columns Only)

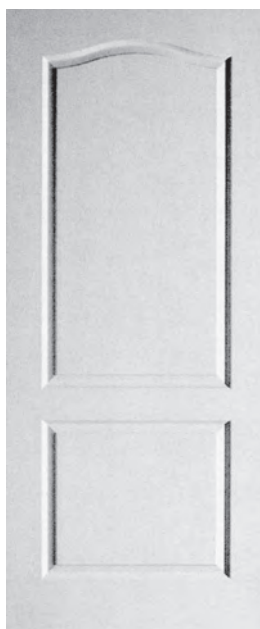
8"x8'	12"x8'
8"x10'	12"x10'
10"x8'	12"x12'
10"x10'	12"x14'
10"x12'	12"x16'



# Doors



**Caiman®**  
Smooth Surface, Primed  
Molded Hard Board



**Cremona®**  
Smooth Surface, Primed  
Molded Hard Board



6-Panel, Smooth or  
Textured Primed Molded  
Hard Board



**CraftMaster™ Mesa**  
Textured, Pre-finished  
Molded Hard Board



**Golden Oak**  
Pre-Finished Hard Board



**Lauan Wood Veneer**



**Red Oak Wood Veneer**



**Birch Wood Veneer**



**Chesapeake Oak**  
Pre-Finished Hard Board





# Notes

---

---

---

---

---

---

---

---

---

---

---

---

---

---

---

---

---

---

---

---

---

---

---

---

---

---

---

---

---

---





# **Builders Supply Co., Inc.**

**5701 South 72nd Street**

**Omaha, Nebraska 68127**

**(402) 331-4500 • (800) 642-8944**

**FAX: (402) 592-6649**

**[www.builderssupplyco.com](http://www.builderssupplyco.com)**

**E-mail: [trim@builderssupplyco.com](mailto:trim@builderssupplyco.com)**

0511

