

BUSH HOG[®]

LAND MAINTENANCE REPAIR PARTS MANUAL

**MODEL: 280 SERIES
SECTION: 59**



BUSH HOG[®]

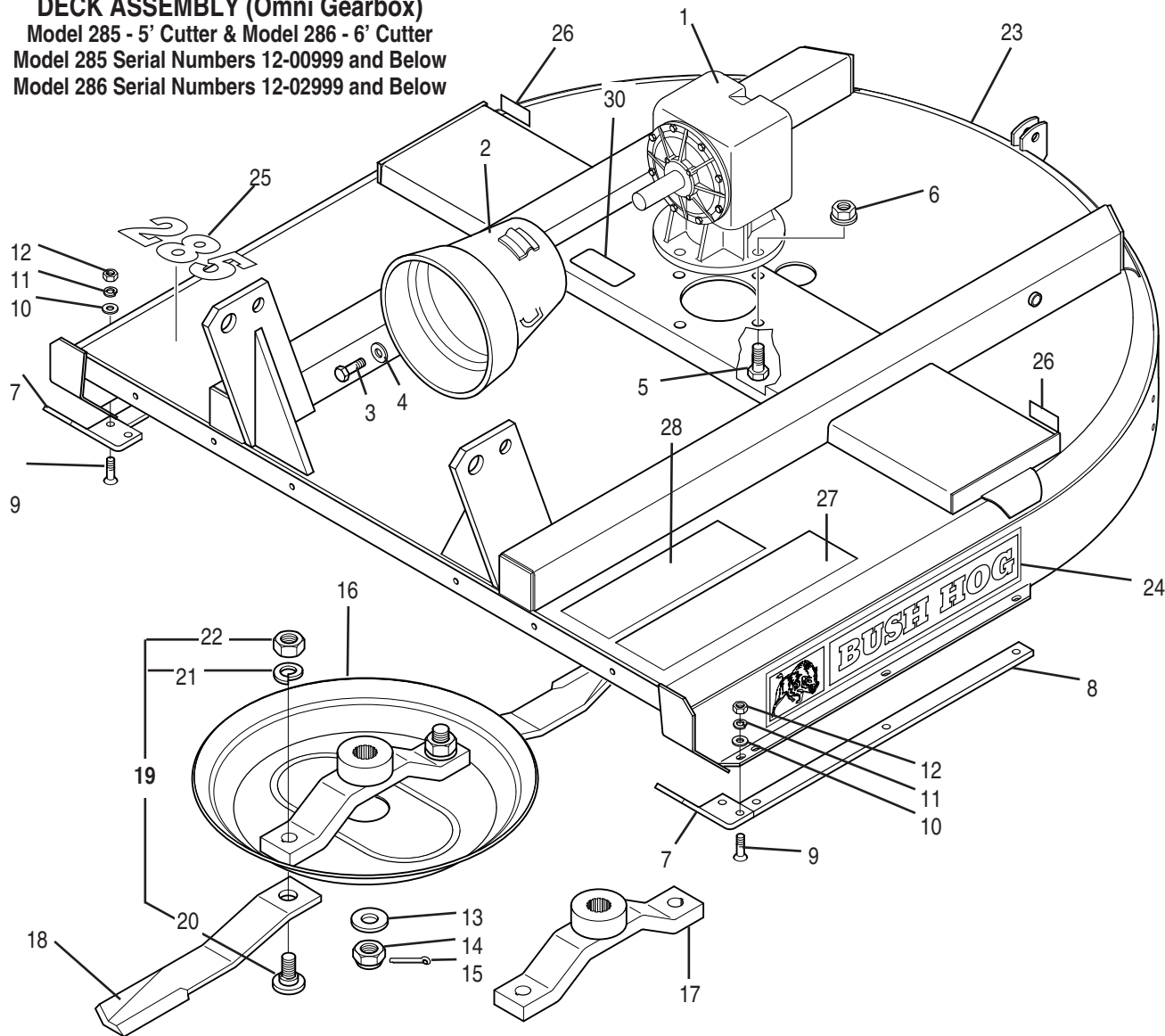
2501 Griffin Ave. • Selma, AL 36703
(334) 872 6261 • (334) 874 2700
Parts Ordering 1 800 304 2836
Fax 1 800 572 1784
www.bushhog.com

280 SERIES ROTARY CUTTER MODELS 285, 286, 287

ALPHABETICAL INDEX

CONTENTS	PAGE
Base Assembly, Model 285 (Serial Numbers 12-00999 and Below)	59-1-1
(Serial Numbers 12-01000 and Above).....	59-1-2
Base Assembly, Model 286 (Serial Numbers 12-02999 and Below)	59-1-1
(Serial Numbers 12-03000 and Above).....	59-1-2
Base Assembly, Model 287 (Serial Numbers 12-01499 and Below)	59-1-3
(Serial Numbers 12-01500 and Above).....	59-1-4
Blade & Blade Holder Assembly, Model 285 (Serial Numbers 12-00999 and Below)	59-1-1
(Serial Numbers 12-01000 and Above).....	59-1-2
Blade & Blade Holder Assembly, Model 286 (Serial Numbers 12-02999 and Below)	59-1-1
(Serial Numbers 12-03000 and Above).....	59-1-2
Blade & Blade Holder Assembly, Model 287 (Serial Numbers 12-01499 and Below)	59-1-3
(Serial Numbers 12-01500 and Above).....	59-1-4
Chain, Safety.....	59-2-1
Deflector, Safety.....	59-2-2
Driveshaft Assemblies	59-4-1 through 59-4-7
Decals.....	See Base Assemblies
Frame, Tailwheel Single.....	59-5-3
Frame, Tailwheel Dual	59-5-4
Gearbox Assembly, Comer, Model 285, 540 RPM (Serial Numbers 12-01000 and Above).....	59-3-4
Model 286, 540 RPM (Serial Numbers 12-03000 and Above).....	59-3-2
Model 287, 540 RPM (Serial Numbers 12-01500 and Above).....	59-3-2
Model 1287, 1000 RPM (Serial Numbers 12-01500 and Above).....	59-3-3
Gearbox Assembly, Omni, Model 285 (Serial Numbers 12-00999 and Below)	59-3-1
Model 286 (Serial Numbers 12-02999 and Below)	59-3-1
Model 287 (Serial Numbers 12-01499 and Below)	59-3-1
Hitch, 3 Point Lift	59-5-1
Hitch, Quick	59-5-2, 59-5-3
Hitch, Semi-Mount.....	59-5-1
Hydraulic Bundle	59-6-1
Hydraulic Cylinder	59-6-2
Ratchet Assembly	59-5-4
Tailwheel Assembly (Old Style)	59-5-3
Tailwheel Assembly (New Style).....	59-5-5

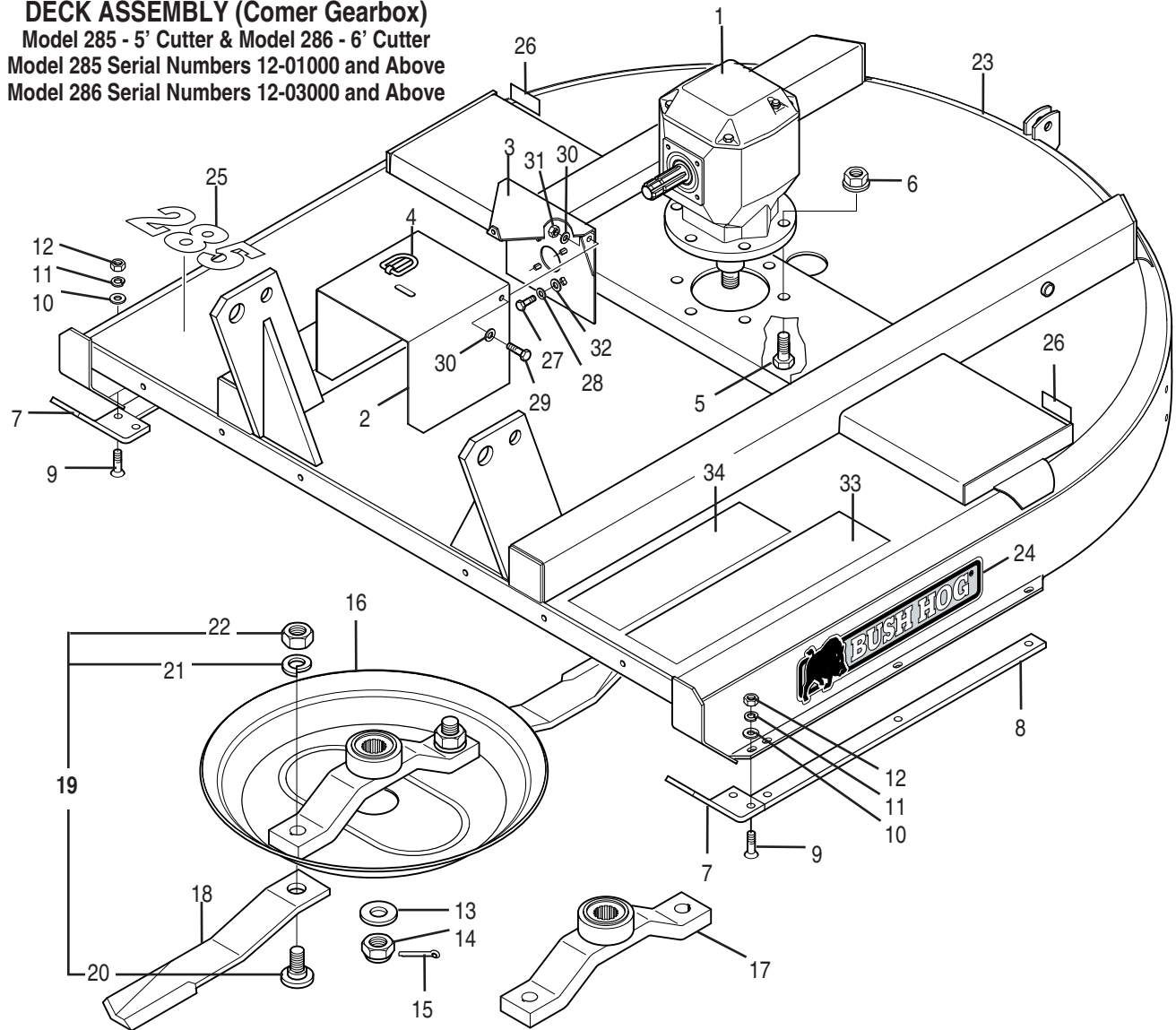
DECK ASSEMBLY (Omni Gearbox)
 Model 285 - 5' Cutter & Model 286 - 6' Cutter
 Model 285 Serial Numbers 12-00999 and Below
 Model 286 Serial Numbers 12-02999 and Below



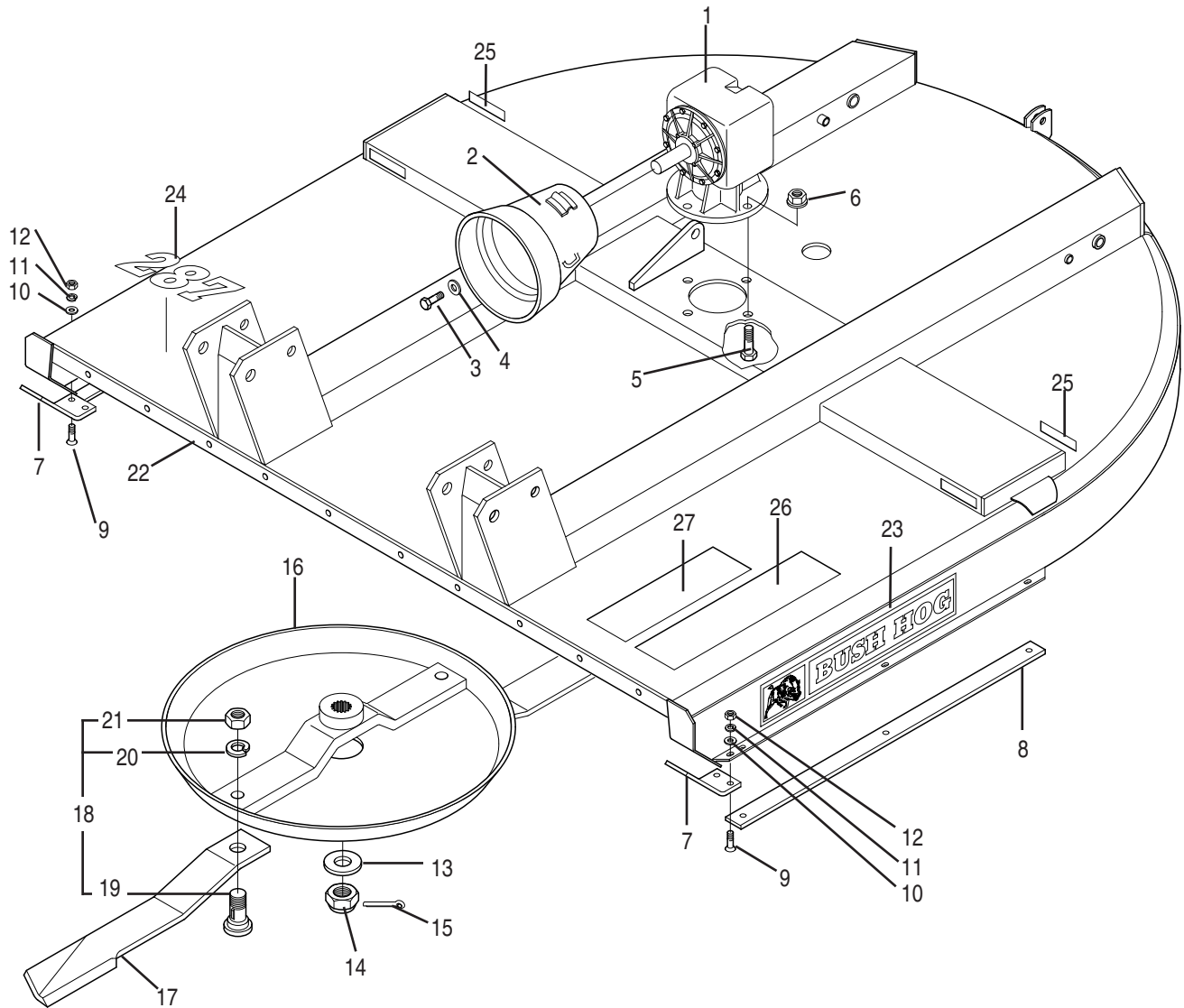
REF. NO.	5' PART NO.	6' PART NO.	QTY.	DESCRIPTION
1	70985	70986	1	Gearbox Assembly
2	81592	81592	1	Shield Assembly
3	—	—	1	Capscrew 5/16" x 5/8" Gr.5
4	—	—	1	Flatwasher 5/16"
5	—	—	4	Capscrew 3/4" x 2" Gr.5
6	20299	20299	4	Locknut 3/4" Flanged
7	50040387	50040387	2	Front Skid
8	50040390	50040389	2	Rear Skid
9	03161212	03161212	12	Plow Bolt 3/8" x 1-1/4"
10	—	—	12	Flatwasher
11	—	—	12	Lockwasher
12	—	—	12	Hex Nut 3/8"
13	70077	70077	1	Flatwasher
14	88873	88873	1	Castle Nut 1" - 14UNC
15	81648	81648	1	Cotter Pin 5 x 50
16	50056681	97037	1	Blade Pan Weldment

REF. NO.	5' PART NO.	6' PART NO.	QTY.	DESCRIPTION
17	98246	—	1	Blade Bar
18	7555	7556	2	Uplift Bar (Std.)
	6739	6740	2	Double Edge Blade (Opt.)
19	63607	63607	2	Blade Bolt Kit
20	7919	7919	2	Blade Bolt
21	20322	20322	2	Lockwasher 1-1/8"
22	252	252	2	Jam Nut 1-1/8"
23	95357	95619	1	Deck Assembly, Red
	50058025	50058031	1	Deck Assembly, Orange
	50058026	50058032	1	Deck Assembly, Green
	50058027	50058033	1	Deck Assembly, Blue
	97088	97089	1	Decal Kit
24	60321	61321	2	Bush Hog Decal
25	96447	96448	1	Model Decal
26	50031213	50031213	2	Red Reflector
27	50029417	50029417	1	Sheet Decal
28	50029419	50029419	1	Sheet Decal

DECK ASSEMBLY (Comer Gearbox)
 Model 285 - 5' Cutter & Model 286 - 6' Cutter
 Model 285 Serial Numbers 12-01000 and Above
 Model 286 Serial Numbers 12-03000 and Above



REF. NO.	5' PART NO.	6' PART NO.	QTY.	DESCRIPTION	REF. NO.	5' PART NO.	6' PART NO.	QTY.	DESCRIPTION
1	50058005	50058009	1	Gearbox Assembly, Red	19	63607	63607	2	Blade Bolt Kit
	50058006	50058010	1	Gearbox Assembly, Orange	20	7919	7919	2	Blade Bolt
	50058007	50058011	1	Gearbox Assembly, Green	21	20322	20322	2	Lockwasher 1-1/8"
	50058008	50058012	1	Gearbox Assembly, Blue	22	252	252	2	Jam Nut 1-1/8"
2	95549	95549	1	Cover	23	99823	99824	1	Deck Assembly, Red
3	95548	95548	1	Shield Weldment		50058028	50058034	1	Deck Assembly, Orange
4	69391	69391	1	Lynch Pin		50058029	50058035	1	Deck Assembly, Green
5			6	Capscrew 3/4" x 2-1/4" Gr.5		50058030	50058036	1	Deck Assembly, Blue
6	20299	20299	6	Locknut 3/4" Flanged		97088	97089	1	Decal Kit
7	50040387	50040387	2	Front Skid	24	50061049	50061049	2	Bush Hog Decal
8	50040390	50040389	2	Rear Skid	25	96447	96448	1	Model Decal
9	03161212	03161212	2	Plow Bolt 3/8" x 1-1/4"	26	50031213	50031213	2	Red Reflector
10			12	Flatwasher 3/8"	27	44215	44215	4	Capscrew
11			12	Lockwasher 3/8"				2	M8 x 1.25 x 15
12			12	Hex Nut 3/8"				4	Lockwasher M8
13	70077	70077	1	Flatwasher 1"	28	44311	44311	2	Capscrew 3/8" x 1-1/4"
14	88873	88873	1	Castle Nut 1" - 14UNC	29			4	Flatwasher 3/8"
15	81648	81648	1	Cotter Pin 5 x 50	30			2	Locknut 3/8"
16	50056681	98739	1	Blade Pan	31			2	Locknut 3/8"
17			1	Blade Bar	32	44216	44216	4	Flatwasher M8
18	7555	7556	2	Uplift Blade (Std.)	33	50029417	50029417	1	Sheet Decal
	6739	6740	2	Double Edge Blade (Opt.)	34	50029419	50029419	1	Sheet Decal

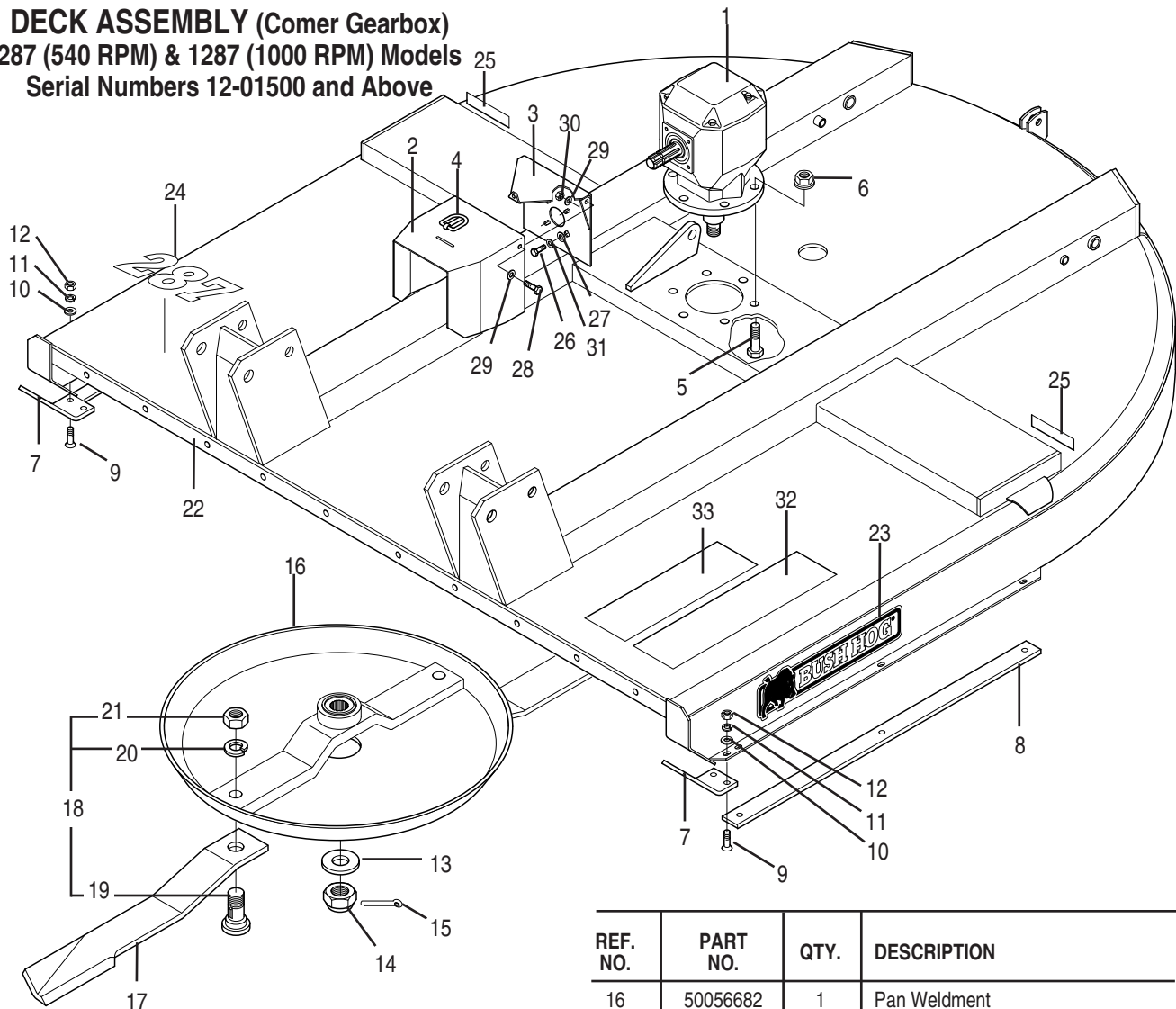


DECK ASSEMBLY (Omni Gearbox)
Model 287 - 7' Cutter
Serial Numbers 12-01499 and Below

REF. NO.	PART NO.	QTY.	DESCRIPTION
1	70986	1	Gearbox Assembly
2	81592	1	Shield Assembly
3	44215	1	Cap screw 5/16" x 5/8" Gr.5
4	44216	1	Flatwasher 5/16"
5	—	4	Cap screw 3/4" x 2" Gr.5
6	20299	4	Locknut 3/4" Flanged
7	50040387	2	Front Skid
8	50040388	2	Rear Skid
9	03161212	12	Plow Bolt 3/8" x 1-1/4"
10	—	12	Flatwasher 3/8"
11	—	12	Lockwasher 3/8"
12	—	12	Hex Nut 3/8"
13	70077	1	Flatwasher
14	88873	1	Castle Nut 1"- 14UNC
15	81648	1	Cotter Pin 5 x 50

REF. NO.	PART NO.	QTY.	DESCRIPTION
16	97041	1	Pan Weldment
17	7557	2	Uplift Blades (Std.)
	6741	2	Double Edge Blade (Opt.)
18	63607	2	Blade Bolt Kit
19	7919	1	Blade Bolt
20	20322	1	Lockwasher 1-1/8"
21	252	1	Jam Nut 1-1/8"
22	95371	1	Deck Assembly, Red
	50058037	1	Deck Assembly, Orange
	50058038	1	Deck Assembly, Green
	50058039	1	Deck Assembly, Blue
	97090	1	Decal Kit (287)
23	60321	2	Bush Hog Decal
24	96449	1	Model Decal 287
25	53316	2	Red Reflector
26	50029417	1	Sheet Decal
27	50029419	1	Sheet Decal

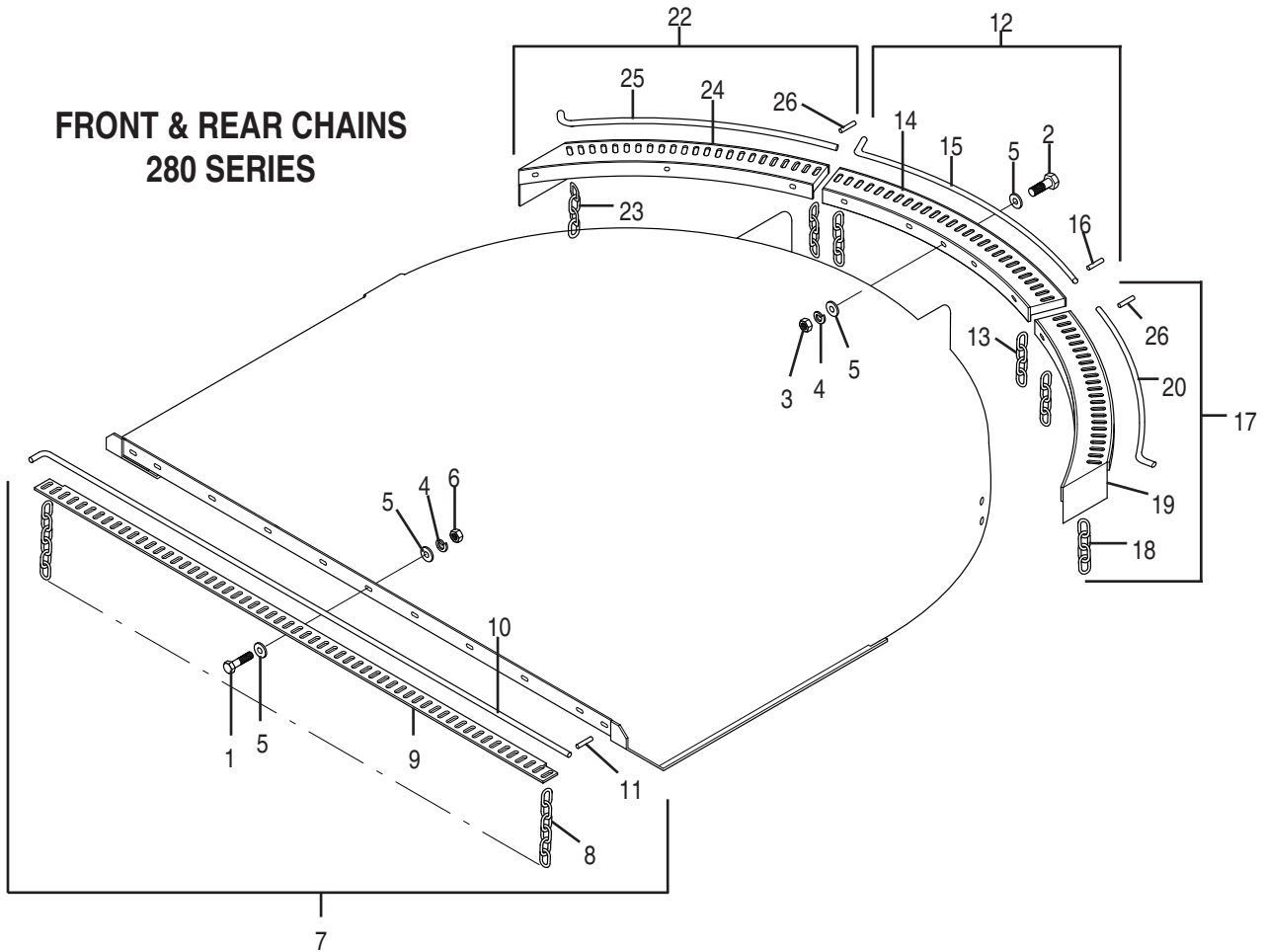
DECK ASSEMBLY (Comer Gearbox)
287 (540 RPM) & 1287 (1000 RPM) Models
Serial Numbers 12-01500 and Above



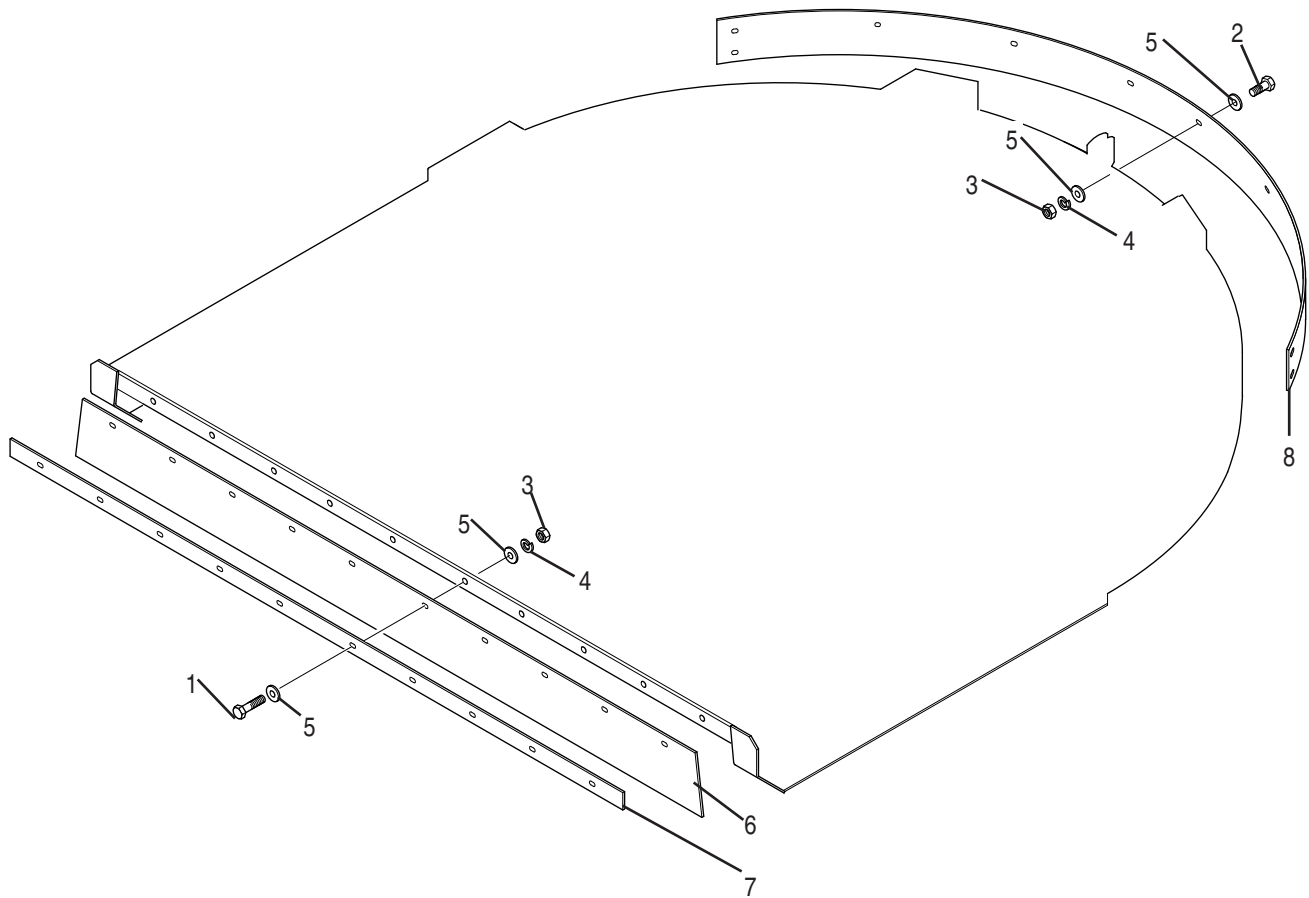
REF. NO.	PART NO.	QTY.	DESCRIPTION
1	50058013	1	Gearbox (540 RPM), Red
	50058014	1	Gearbox (540 RPM), Orange
	50058015	1	Gearbox (540 RPM), Green
	50058016	1	Gearbox (540 RPM), Blue
	50058017	1	Gearbox (1000 RPM), Red
	50058018	1	Gearbox (1000 RPM), Orange
	50058019	1	Gearbox (1000 RPM), Green
	50058020	1	Gearbox (1000 RPM), Blue
2	50024364	1	Cover
3	95548	1	Base Weldment
4	69391	1	Lynch Pin
5	—	4	Capscrew 3/4" x 2-1/4" Gr.5
6	20299	4	Locknut 3/4" Flanged
7	50040387	2	Front Skid
8	50040388	2	Rear Skid
9	03161212	12	Plow Bolt 3/8" x 1-1/4"
10	—	12	Flatwasher 3/8"
11	—	12	Lockwasher 3/8"
12	—	12	Hex Nut 3/8"
13	70077	1	Flatwasher
14	70076	1	Castle Nut 1"- 14UNC
15	81648	1	Cotter Pin 5 x 50

REF. NO.	PART NO.	QTY.	DESCRIPTION
16	50056682	1	Pan Weldment
17	7557	2	Uplift Blades (Std.)
	6741	2	Double Edge Blade (Opt.)
18	63607	2	Blade Bolt Kit
19	7919	1	Blade Bolt
20	20322	1	Lockwasher 1-1/8"
21	252	1	Jam Nut 1-1/8"
22	99825	1	Deck Assembly (540 RPM), Red
	50058040	1	Deck Assembly (540 RPM), Orange
	50058041	1	Deck Assembly (540 RPM), Green
	50058042	1	Deck Assembly (540 RPM), Blue
	99826	1	Deck Assembly (1000 RPM), Red
	50058043	1	Deck Assembly (1000 RPM), Orange
	50058044	1	Deck Assembly (1000 RPM), Green
	50058045	1	Deck Assembly (1000 RPM), Blue
	97090	1	Decal Kit (287)
23	50061049	1	Bush Hog Decal
24	96449	1	Model Decal 287
25	50031214	2	Red Reflector
26	90560	4	Capscrew M8 x 1.25 x 15
27	44311	4	Flatwasher M8
28	—	2	Capscrew 3/8" x 1-1/4"
29	—	4	Flatwasher 3/8"
30	—	2	Locknut 3/8"
31	44216	4	Lockwasher M8
32	50029417	1	Sheet Decal, 540 RPM
	50029418	1	Sheet Decal, 1000 RPM
33	50029419	1	Sheet Decal

**FRONT & REAR CHAINS
280 SERIES**



Ref. No.	Part No.			Qty.			Description
	5' 285	6' 286	7' 287	5' 285	6' 286	7' 287	
1	—	—	—	6	8	10	Capscrew 3/8" x 3" Gr.5
2	—	—	—	10	10	10	Capscrew 3/8" x 1-1/4" Gr.5
3	—	—	—	16	10	20	Locknut 3/8"
4	—	—	—	16	18	20	Lockwasher 3/8"
5	—	—	—	32	36	40	Flatwasher 3/8"
6	—	—	—	—	8	—	Hex Nut 3/8"
7	50035454	50050447	50018923	1	1	1	Front Chain Assembly
8	50017211	50050406	50017211	49	59	69	Chain, 6 Link
9	50035453	50037833	95751	1	1	1	Front Mount Bracket
10	50018915	50018916	50018917	1	1	1	Front Retainer Rod
11	50017210	15662	50017210	1	1	1	Pin .125 x 1.25
12	50032198	50035403	50018933	1	1	1	Center Rear Chain Assembly
13	50018912	50018912	50018912	19	23	27	Chain, 4 Link
14	50032199	50035402	97124	1	1	1	Center Mount Bracket
15	50018918	50018919	50018920	1	1	1	Center Retainer Rod
16	50017210	50017210	50017210	1	1	1	Spirol Pin .125 x 1.25
17	50018925	50018929	50018932	1	1	1	L.H.Rear Chain Assy.
18	50018912	50018912	50018912	15	20	23	Chain, 4 Link
19	97140	95947	97122	1	1	1	L.H. Bracket
20	50018921	50018914	50018913	1	1	1	Retaining Rod
21	50017210	50017210	50017210	1	1	1	Spirol Pin .125 x 1.25
22	50018926	50018928	50018931	1	1	1	R.H.Rear Chain Assy.
23	50018912	50018912	50018912	15	20	23	Chain, 4 Link
24	97141	95948	97123	1	1	1	R.H. Bracket
25	50018921	50018914	50018913	1	1	1	Retaining Rod
26	50017210	50017210	50017210	1	1	1	Spirol Pin .125 x 1.25



**FRONT & REAR DEFLECTORS
280 SERIES**

Ref. No.	Part No.			Qty.			Description
	5' 285	6' 286	7' 287	5' 285	6' 286	7' 287	
1	—	—	—	6	8	10	Capscrew 3/8" x 3-1/2" Gr.5
2	—	—	—	10	10	10	Capscrew 3/8" x 1" Gr.5
3	—	—	—	16	18	20	Hex Nut 3/8"
4	—	—	—	16	18	20	Lockwasher 3/8"
5	—	—	—	32	36	40	Flatwasher 3/8"
6	99790	99792	99794	1	1	1	Belting
7	99789	99791	99793	1	1	1	Belting Clamp
8	50017881	50017895	50017043	1	1	1	Rear Band

70985 GEARBOX ASSEMBLY (540 RPM)

Manufactured by Omni

For Models 285 - 5' and 286 - 6' Cutter

285 Models Serial Numbers 12-00999 and Below

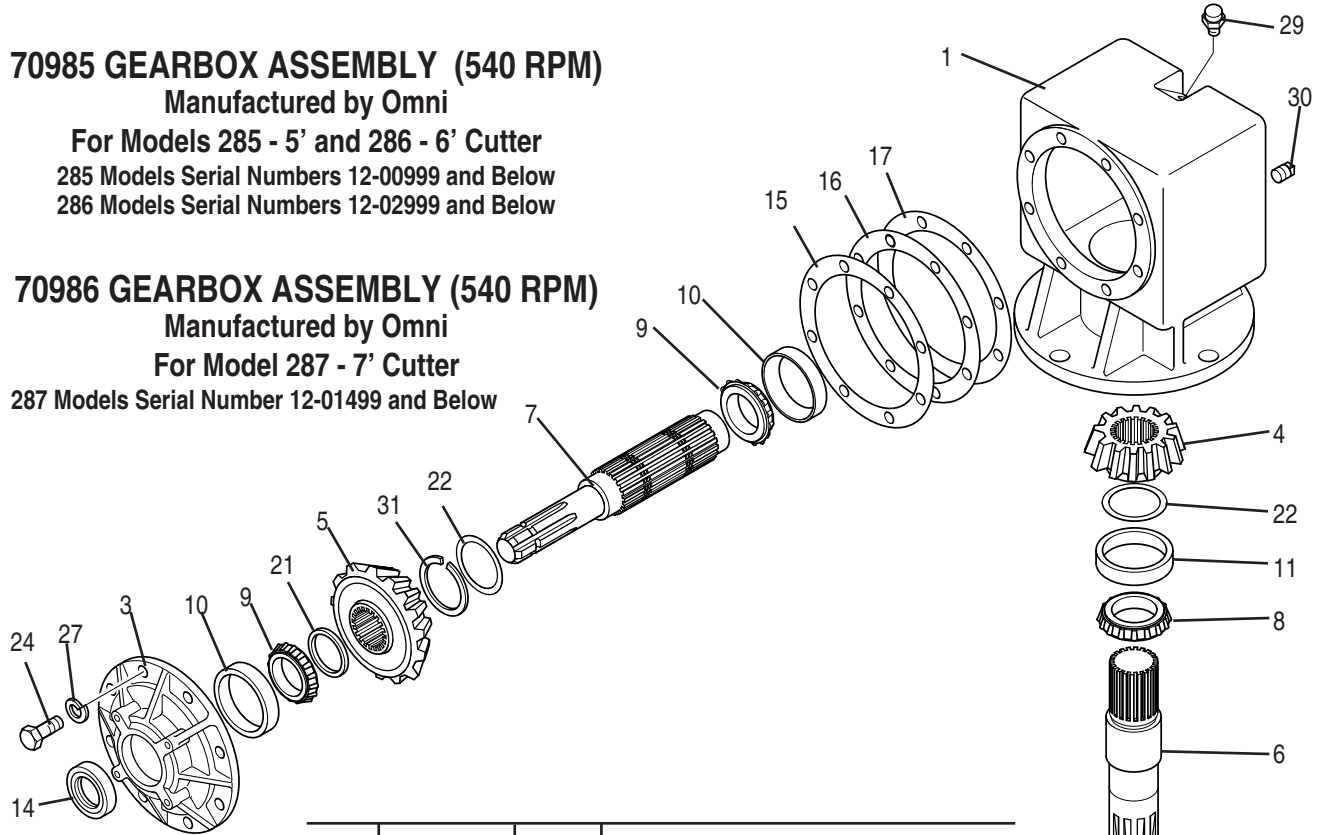
286 Models Serial Numbers 12-02999 and Below

70986 GEARBOX ASSEMBLY (540 RPM)

Manufactured by Omni

For Model 287 - 7' Cutter

287 Models Serial Number 12-01499 and Below



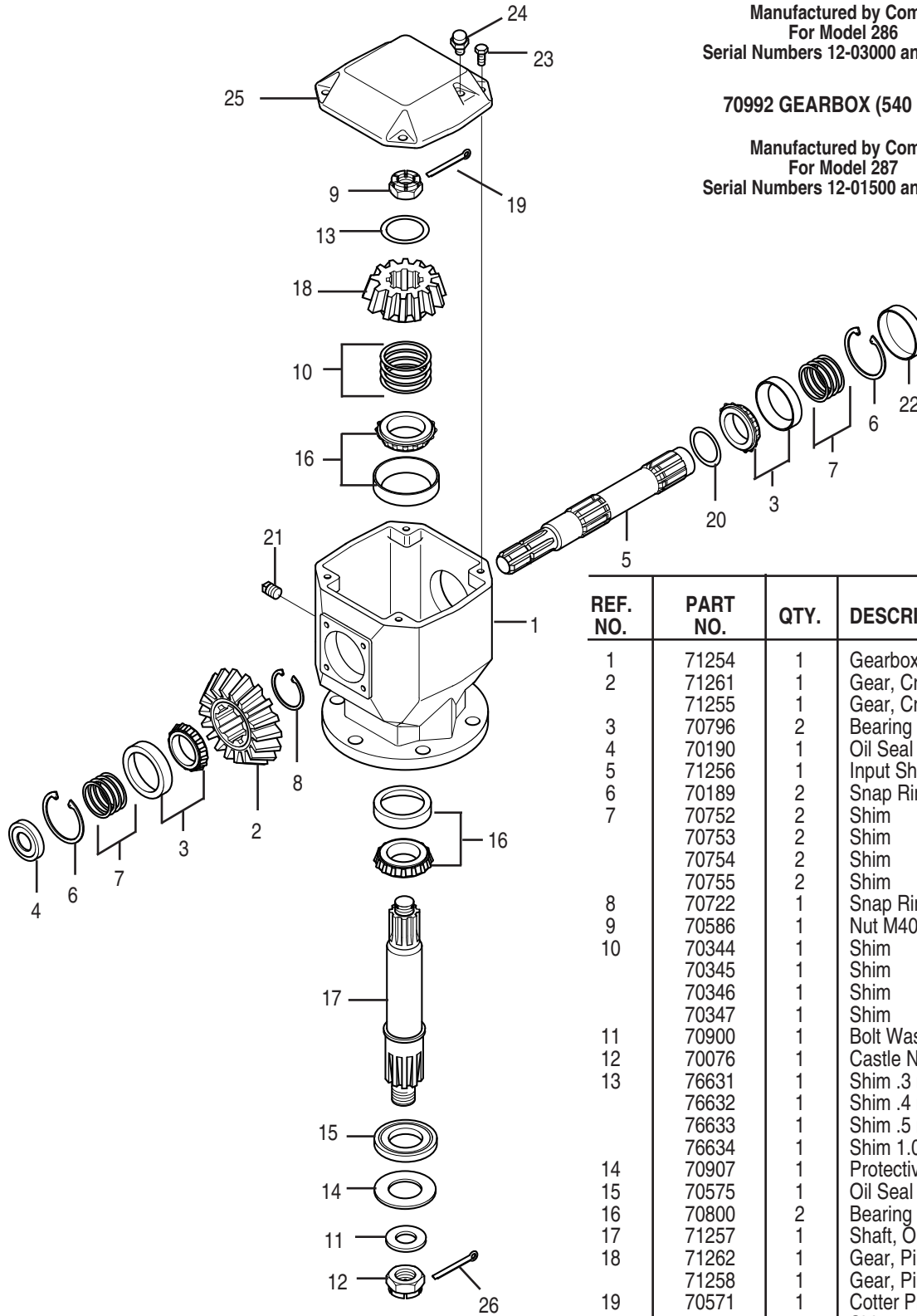
REF. NO.	PART NO.	QTY.	DESCRIPTION
1	97432	1	Housing
2	97433	1	Cap, Output
3	88869	1	Cap, Input
4	88867	1	Pinion Gear 13 Teeth for 70985 Assy.
	88871	1	Pinion Gear 14 Teeth for 70986 Assy.
5	88866	1	Input Gear 19Teeth for 70985 Assy.
	88872	1	Input Gear 17 Teeth for 70986 Assy.
6	97434	1	Shaft, Output
7	97435	1	Shaft Input
8	361008	2	Bearing Cone
9	2161013	2	Bearing Cone
10	2161012	2	Bearing Cup
11	88863	1	Bearing Cup
12	88862	1	Bearing Cup
13	88861	1	Seal, 2 Lip
14	88860	1	Seal ,2 Lip
15	88859	A/R	Gasket, .30mm Input Cap
16	88858	A/R	Gasket, .15mm Input Cap
17	88857	A/R	Gasket, .10mm Input Cap
18	97436	A/R	Gasket, .30mm Output Cap
19	97437	A/R	Gasket, .15mm Output Cap
20	97438	A/R	Gasket, .10mm Output Cap
21	88853	1	Spacer for 70985 Assy.
	97440	1	Spacer for 70986 Assy.
22	97439	A/R	Shim .25mm
23	81648	1	Cotter Pin 5mm x 50mm
24	1161212	8	Capscrew 3/8" x 1 1/4" Gr.5
25	15093	4	Capscrew 1/2" x 1 1/2" Gr. 5
26	88873	1	Castle Nut, Flanged 1"-14
27	15812	8	Lockwasher 3/8"
28	15806	4	Lockwasher 1/2"
29	88851	1	Breather Plug 1/2"-14 NPTF
30	88852	1	Pipe Plug 1/8"- 27NPTF
31	88850	1	Retaining Ring

70991 GEARBOX (540 RPM)

Manufactured by Comer
For Model 286
Serial Numbers 12-03000 and Above

70992 GEARBOX (540 RPM)

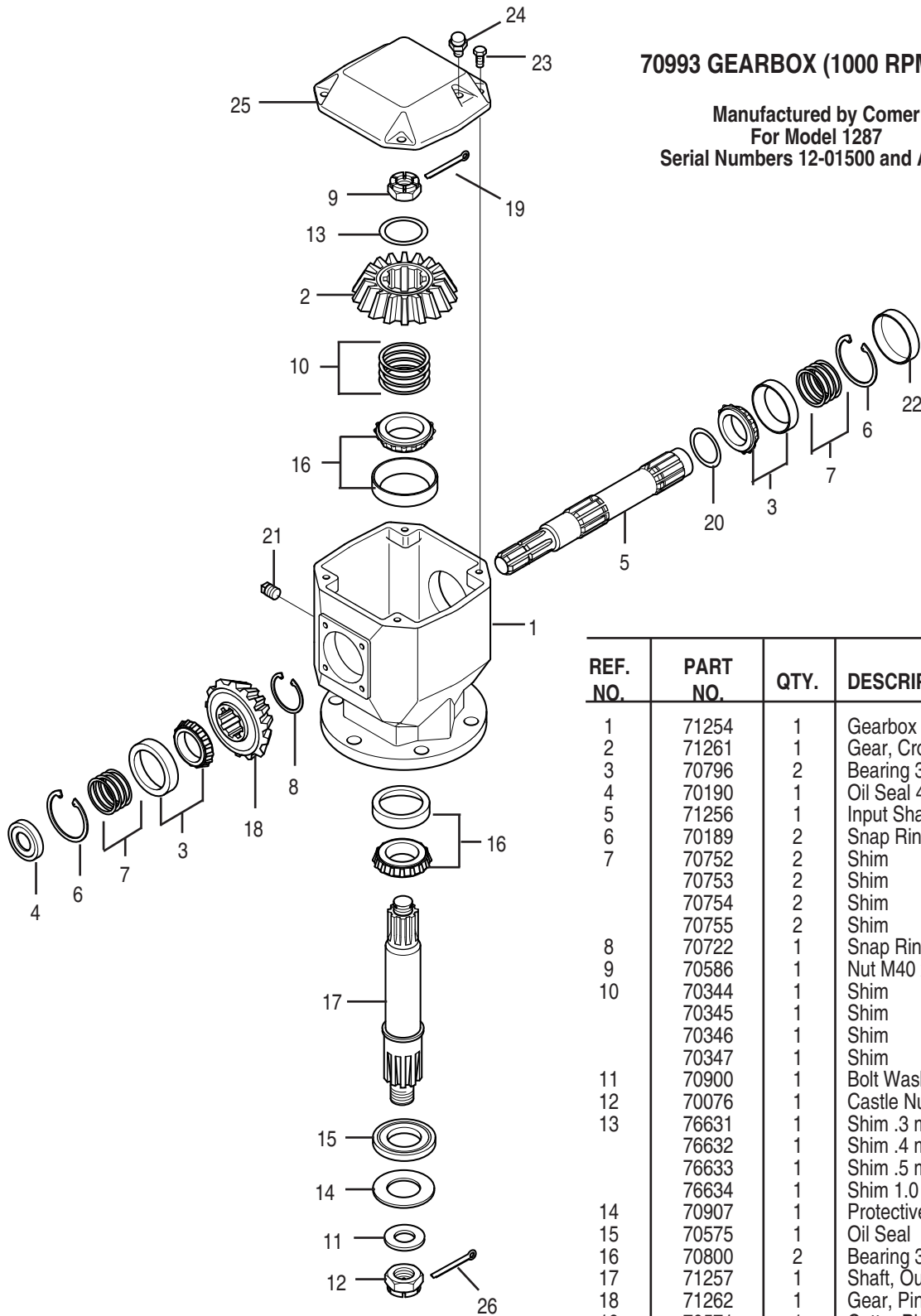
Manufactured by Comer
For Model 287
Serial Numbers 12-01500 and Above



REF. NO.	PART NO.	QTY.	DESCRIPTION
1	71254	1	Gearbox Housing
2	71261	1	Gear, Crown 19 Teeth (70991)
	71255	1	Gear, Crown 22 Teeth (70992)
3	70796	2	Bearing 30209
4	70190	1	Oil Seal 45 x 85 x 10
5	71256	1	Input Shaft 1-3/8" - 6 spline
6	70189	2	Snap Ring
7	70752	2	Shim
	70753	2	Shim
	70754	2	Shim
	70755	2	Shim
8	70722	1	Snap Ring
9	70586	1	Nut M40 x 1.5
10	70344	1	Shim
	70345	1	Shim
	70346	1	Shim
	70347	1	Shim
11	70900	1	Bolt Washer
12	70076	1	Castle Nut M30 x 2
13	76631	1	Shim .3 mm
	76632	1	Shim .4 mm
	76633	1	Shim .5 mm
	76634	1	Shim 1.0 mm
14	70907	1	Protective Washer
15	70575	1	Oil Seal
16	70800	2	Bearing 30210
17	71257	1	Shaft, Output
18	71262	1	Gear, Pinion 13 Teeth (70991)
	71258	1	Gear, Pinion 18 Teeth (70992)
19	70571	1	Cotter Pin
20	70740	1	Shim
21	70292	1	Plug, Gas 3/8"
22	70725	1	Cap
23	70326	4	Bolt, M8 x 16
24	80538	1	Oil Level Plug
25	71259	1	Cover
26	15473	1	Cotter pin

70993 GEARBOX (1000 RPM) RED

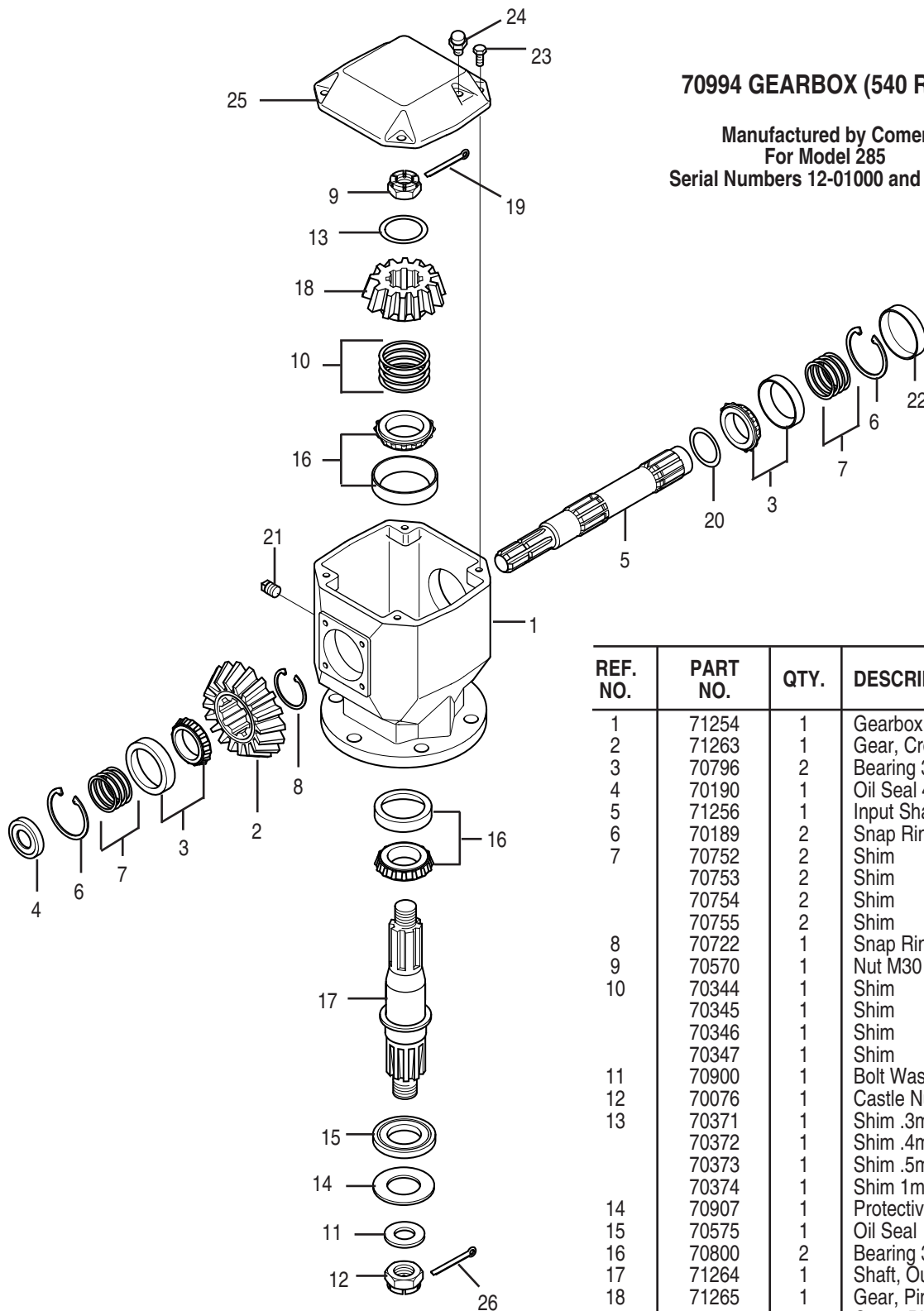
Manufactured by Comer
For Model 1287
Serial Numbers 12-01500 and Above



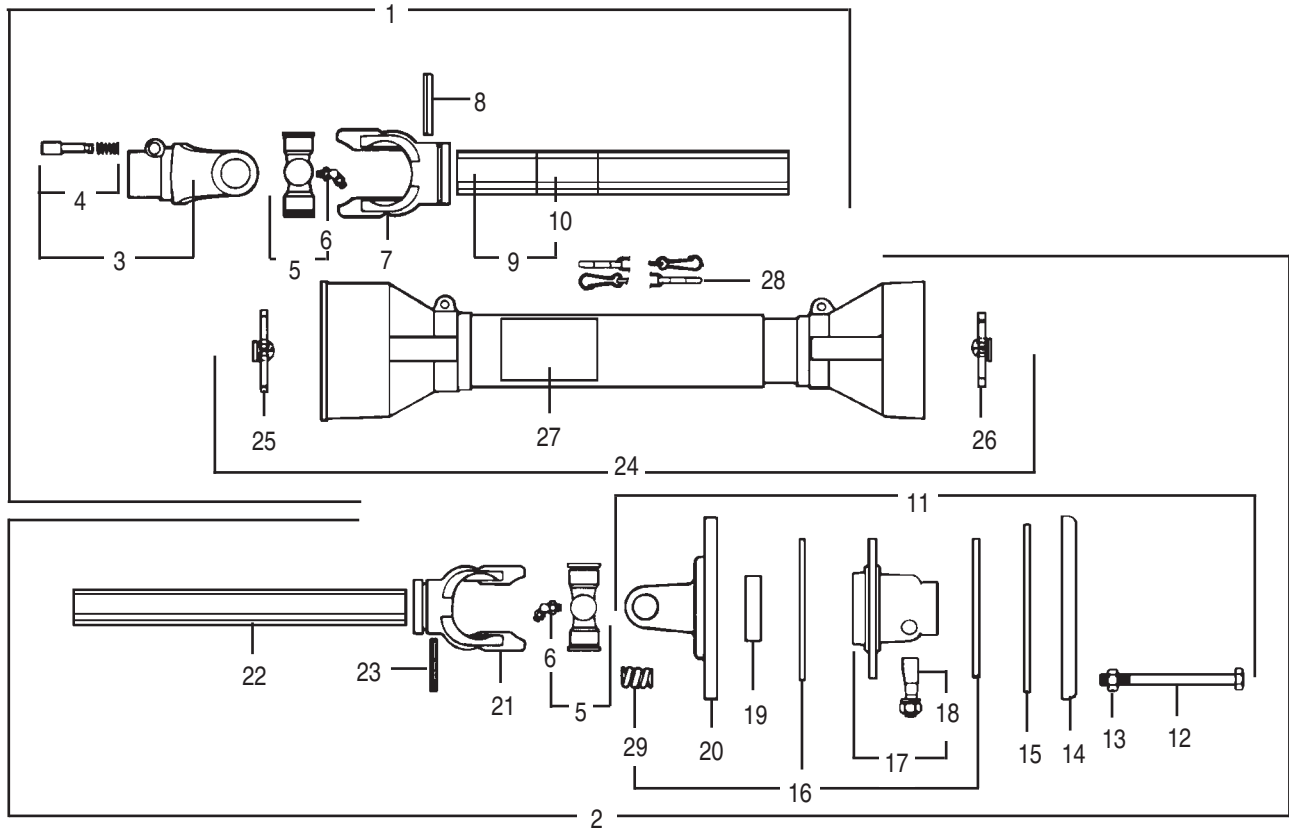
REF. NO.	PART NO.	QTY.	DESCRIPTION
1	71254	1	Gearbox Housing
2	71261	1	Gear, Crown 19 Teeth
3	70796	2	Bearing 30209
4	70190	1	Oil Seal 45 x 85 x 10
5	71256	1	Input Shaft 1-3/8" - 6
6	70189	2	Snap Ring
7	70752	2	Shim
	70753	2	Shim
	70754	2	Shim
	70755	2	Shim
8	70722	1	Snap Ring
9	70586	1	Nut M40 x 1.5
10	70344	1	Shim
	70345	1	Shim
	70346	1	Shim
	70347	1	Shim
11	70900	1	Bolt Washer
12	70076	1	Castle Nut M30 x 2
13	76631	1	Shim .3 mm
	76632	1	Shim .4 mm
	76633	1	Shim .5 mm
	76634	1	Shim 1.0 mm
14	70907	1	Protective Washer
15	70575	1	Oil Seal
16	70800	2	Bearing 30210
17	71257	1	Shaft, Output
18	71262	1	Gear, Pinion 13 Teeth
19	70571	1	Cotter Pin
20	70740	1	Shim
21	70292	1	Plug, Gas 3/8"
22	70725	1	Cap
23	70326	4	Bolt, M8 x 16
24	80538	1	Oil Level Plug
25	71259	1	Cover
26	15473	1	Cotter Pin

70994 GEARBOX (540 RPM)

Manufactured by Comer
For Model 285
Serial Numbers 12-01000 and Above



REF. NO.	PART NO.	QTY.	DESCRIPTION
1	71254	1	Gearbox Housing
2	71263	1	Gear, Crown 22 Teeth
3	70796	2	Bearing 30209
4	70190	1	Oil Seal 45 x 85 x 10
5	71256	1	Input Shaft 1-3/8" - 6
6	70189	2	Snap Ring
7	70752	2	Shim
	70753	2	Shim
	70754	2	Shim
	70755	2	Shim
8	70722	1	Snap Ring
9	70570	1	Nut M30 x 1.5
10	70344	1	Shim
	70345	1	Shim
	70346	1	Shim
	70347	1	Shim
11	70900	1	Bolt Washer
12	70076	1	Castle Nut M30 x 2
13	70371	1	Shim .3mm
	70372	1	Shim .4mm
	70373	1	Shim .5mm
	70374	1	Shim 1mm
14	70907	1	Protective Washer
15	70575	1	Oil Seal
16	70800	2	Bearing 30210
17	71264	1	Shaft, Output
18	71265	1	Gear, Pinion 12 Teeth
19	70571	1	Cotter Pin
20	70740	1	Shim
21	70292	1	Plug, Gas 3/8"
22	70725	1	Cap
23	70326	4	Bolt, M8 x 16
24	80538	1	Oil Level Plug
25	71259	1	Cover
26	15473	1	Cotter Pin



88609 DRIVESHAFT ASSEMBLY (540 RPM) MODEL 285-5' (Mfd. by Binacchi)

Replaced by 50034235 Driveshaft (Binacchi)

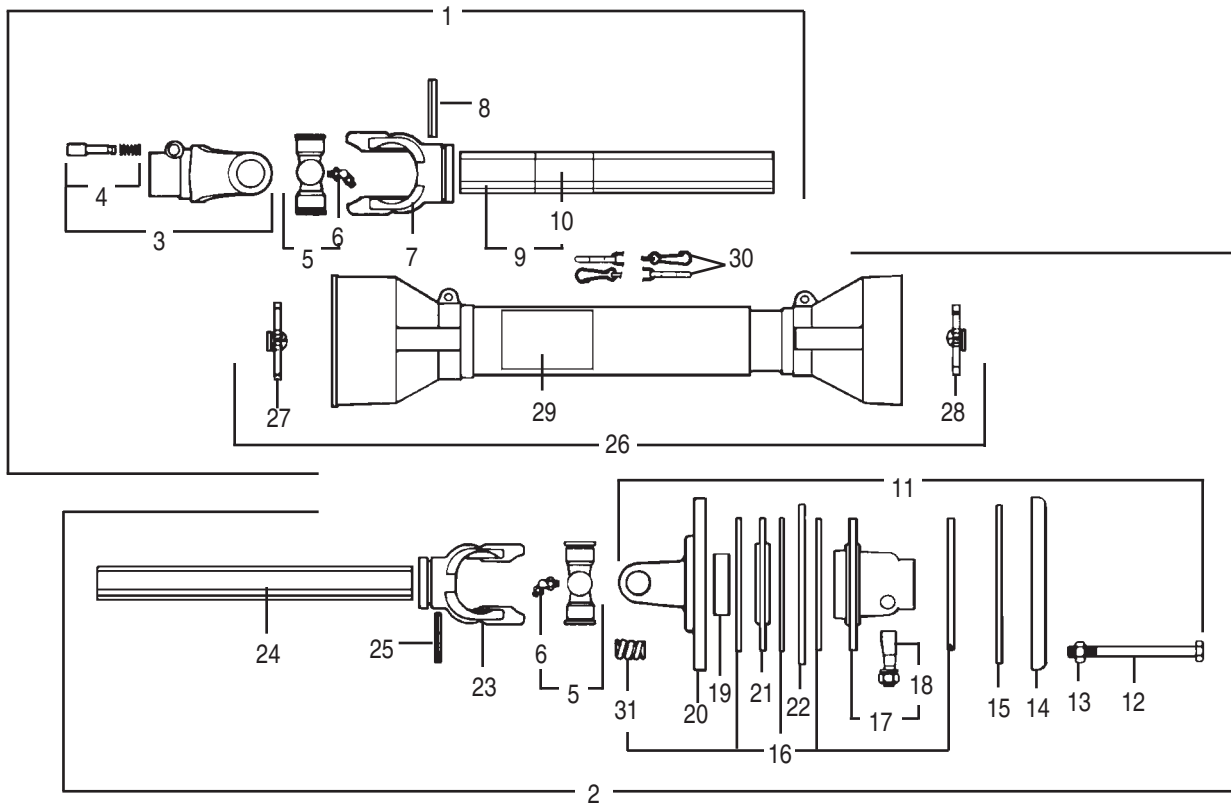
Replaced by 50063607 Driveshaft (B&P)

88610 DRIVESHAFT ASSEMBLY (540 RPM) MODEL 286-6' (Mfd. by Binacchi)

Replaced by 50034236 Driveshaft (Binacchi)

Replaced by 50063608 Driveshaft (B&P)

REF. NO.	PART NO.	QTY.	DESCRIPTION	REF. NO.	PART NO.	QTY.	DESCRIPTION
1	50035275	1	Front Half, Complete (285)	16	91562	1	Torque Limiter Kit
	50035270	1	Front Half, Complete (286)	17	86585	1	Brake Lining Sup. Kit w/Pivot
2	50035276	1	Rear Half, Complete (285)	18	90938	1	Pivot Assy.
	50035271	1	Rear Half, Complete (286)			1	Flatwasher M12
3	50049549	1	Tractor Yoke 1-3/8" - 6 Spline			1	Hex Nut M12 x 1.75
4	63945	1	Q.D. Pin Kit	19	64828	1	Bushing
5	64610	2	Cross Bearing Kit	20	64646	1	Flange
6	63956	2	Grease Fitting	21	66109	1	Yoke, Inner Tube
7	66112	1	Yoke, Outer Tube	22	66961	1	Inner Tube (285-5')
8	66113	1	Flexible Pin		66976	1	Inner Tube (286-6')
9	66960	1	Outer Tube (275-5')	23	66110	1	Flexible Pin
	68998	1	Outer Tube (276-6')	24	90029	1	Shield Assembly (285-5')
10	78786	1	Danger Decal		90032	1	Shield Assembly (286-6')
11	86673	1	Torque Limiter	25	90025	1	Shield Bearing, Outer Shield
12	44155	8	Capscrew M10 x 1.5 x 85	26	90026	1	Shield Bearing, Inner Shield
13	44154	8	Locknut M10 x 1.5	27	78608	1	Danger Decal
14	64641	1	Pressure Plate	28	64814	2	Safety Chain
15	64642	1	Inner Plate	29	64657	8	Spring



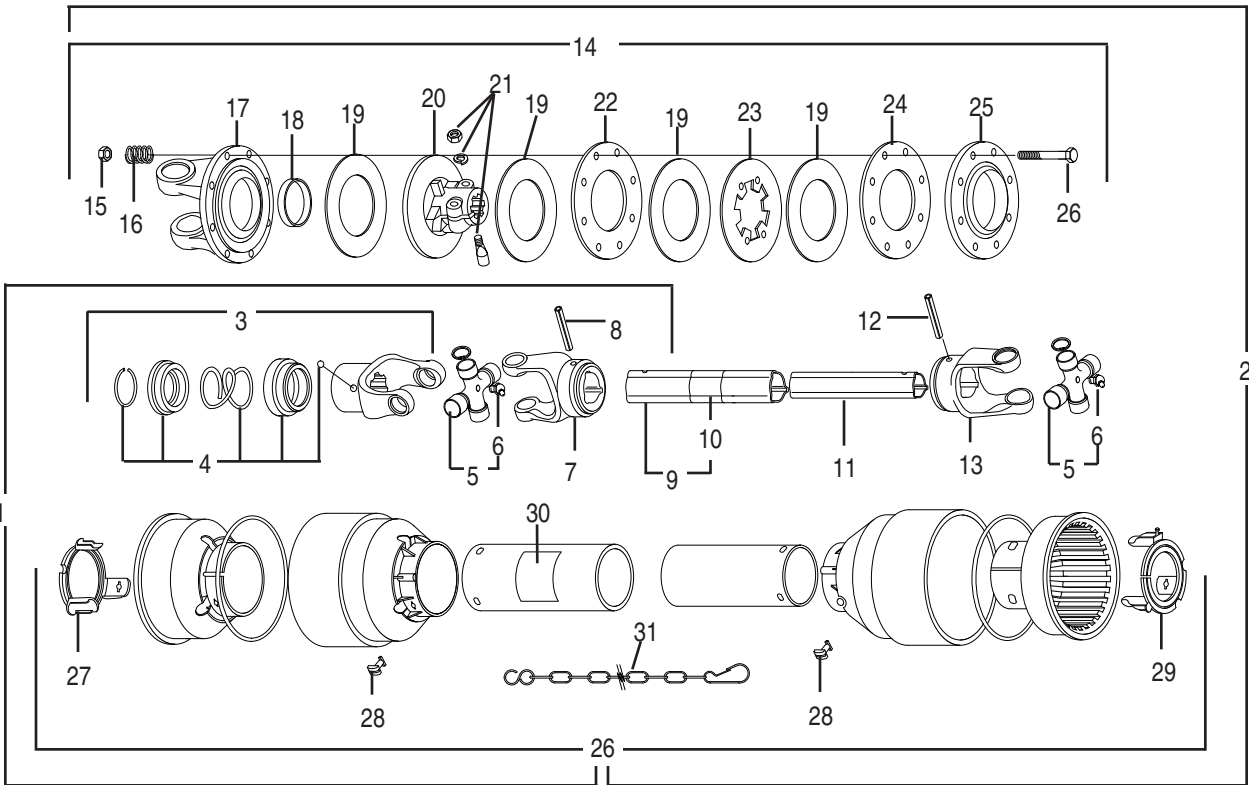
88611 DRIVELINE ASSEMBLY (540 RPM) MODEL 287-7'

(Mfd. by Binacchi)

Replaced by: 50034237 Driveshaft Assy. (Mfd. by Binacchi)

Replaced by: 76743 Driveshaft Assy. (Mfd. by Comer/EG)

REF. NO.	PART NO.	QTY.	DESCRIPTION	REF. NO.	PART NO.	QTY.	DESCRIPTION
1	90272	1	Front Half, Complete	17	86570	1	Hub w/Pivot
2	90273	1	Rear Half, Complete	18	90938	1	Pivot Assy.
3	64660	1	Tractor Yoke 1-3/8" - 6 Spline			1	Flatwasher M12
4	63945	1	Q.D. Pin Kit			1	Hex Nut M12 x 1.75
5	64663	2	Cross Bearing Kit	19	64828	1	Bushing
6	63956	2	Grease Fitting	20	64655	1	Flange
7	66865	1	Yoke, Outer Tube	21	64654	1	Brake Lining Support
8	66866	1	Flexible Pin	22	64650	1	Inner Plate
9	67006	1	Outer Tube	23	66870	1	Yoke, Inner Tube
10	78786	1	Danger Decal	24	66868	1	Inner Tube
11	86567	1	Torque Limiter	25	66869	1	Flexible Pin
12	44159	8	Capscrew M10 x 100	26	90274	1	Shield Assy.
13	44154	8	Locknut M10	27	90270	1	Shield Bearing - Outer Shield
14	64649	1	Pressure Plate	28	50050676	1	Shield Bearing - Inner Shield
15	64650	1	Inner Plate	29	78608	1	Danger Decal
16	91563	1	Torque Limiter Kit	30	64814	2	Safety Chain
				31	64657	8	Spring



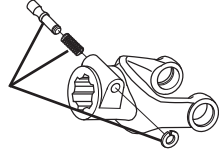
76753 DRIVELINE ASSEMBLY (1000 RPM)

Mfd. by Comer/EG

Used on Model 1287

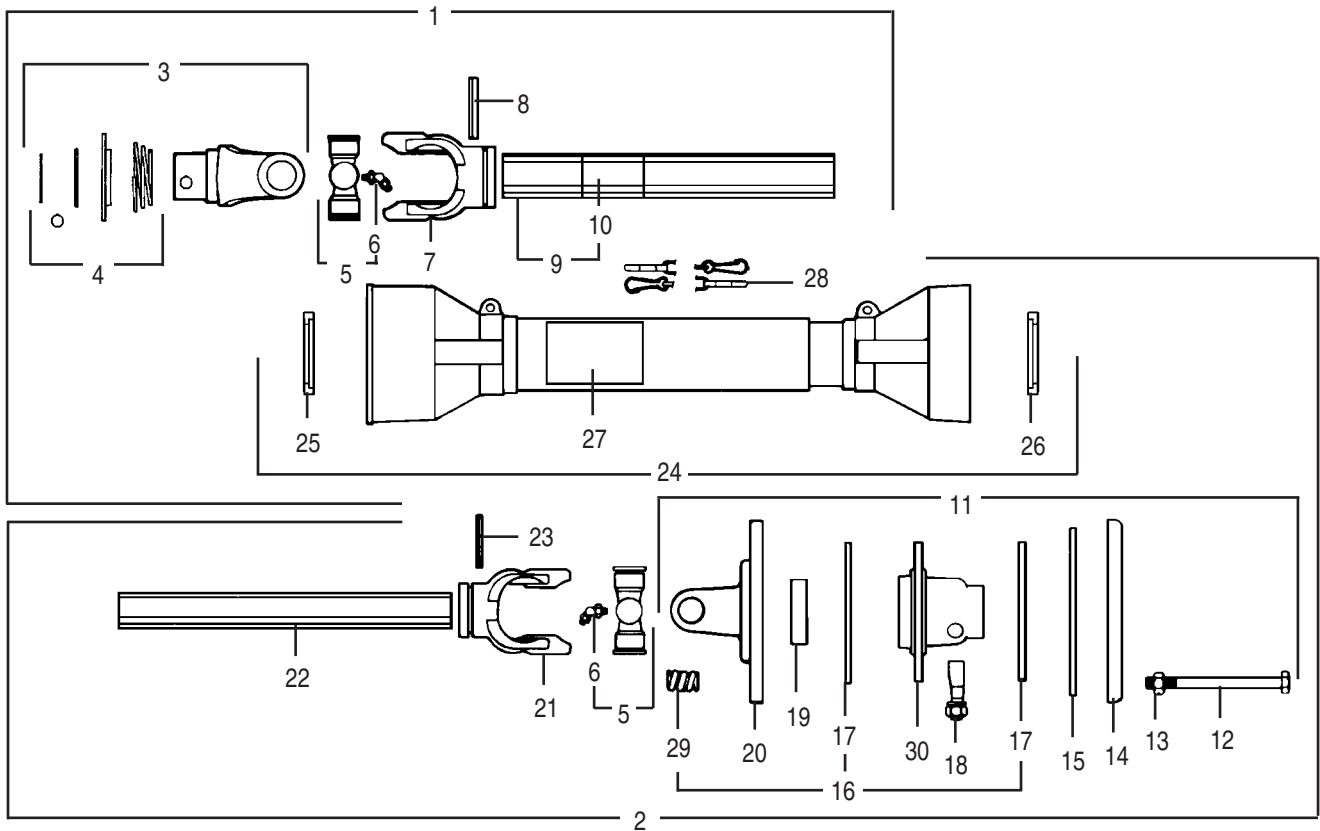
Replaces 93070 Driveshaft

REF. NO.	PART NO.	QTY.	DESCRIPTION
1	76832	1	Outer Half w/Shield
2	76121	1	Inner Half w/Shield
3	76804	1	Complete Collar Yoke
4	50017480	1	Ball Collar Kit 1-3/8"
5	64663	2	Cross Bearing Kit
6	63956	2	Grease Fitting
7	66865	1	Outer Yoke
8	66866	1	Roll Pin Outer Yoke
9	67006	1	Outer Tube
10	78786	1	Danger Decal
11	66868	1	Inner Tube
12	66869	1	Roll Pin Inner Tube
13	66870	1	Inner Yoke
14	76154	1	Slip Clutch Assy.
15	44342	8	Hex Nut M10 x 1.5
16	76080	8	Spring
17	76164	1	Flange
18	76082	1	Bushing
19	76083	4	Lining
20	76165	1	Support
21	76064	1	Taper Pin Kit
22	76085	1	Inner Plate

76062 Push Pin Set 

Note: Some early driveshafts were shipped with push pins on the tractor yoke end. Order 76062 push pin set to replace pin. Order 76804 for complete yoke replacement.

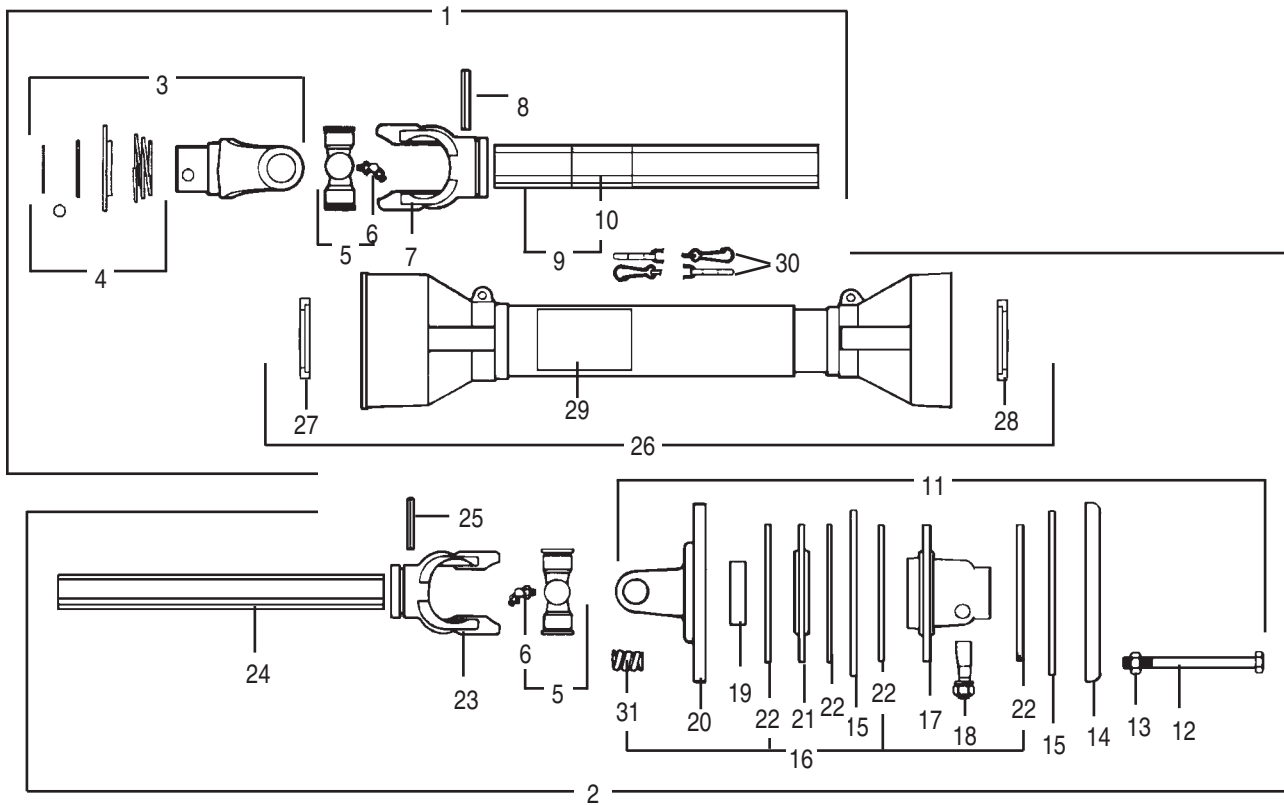
REF. NO.	PART NO.	QTY.	DESCRIPTION
23	76197	1	Intermediate Plate
24	76086	1	Pressure Plate
25	44159	8	Capscrew, M10 x 1.5 x 100
26	76150	1	Complete Shield
27	76057	1	Outer Bearing
28	87992	6	Shield Bolt
29	76059	1	Inner Bearing
30	78608	1	Danger Decal
31	64814	2	Safety Chain



50034235 DRIVESHAFT ASSEMBLY W/ CLUTCH
 1-3/8" – 6 Spline, 540 RPM, Mfd. by Binacchi
 REPLACED BY 50063607 Driveshaft Assy. (Mfd. By B&P)
 Used on Model 285-5'

50034236 DRIVESHAFT ASSEMBLY W/ CLUTCH
 1-3/8" – 6 Spline, 540 RPM, Mfd. by Binacchi
 REPLACED BY 50063608 Driveshaft Assy. (Mfd. By B&P)
 Used on Model 286-6'

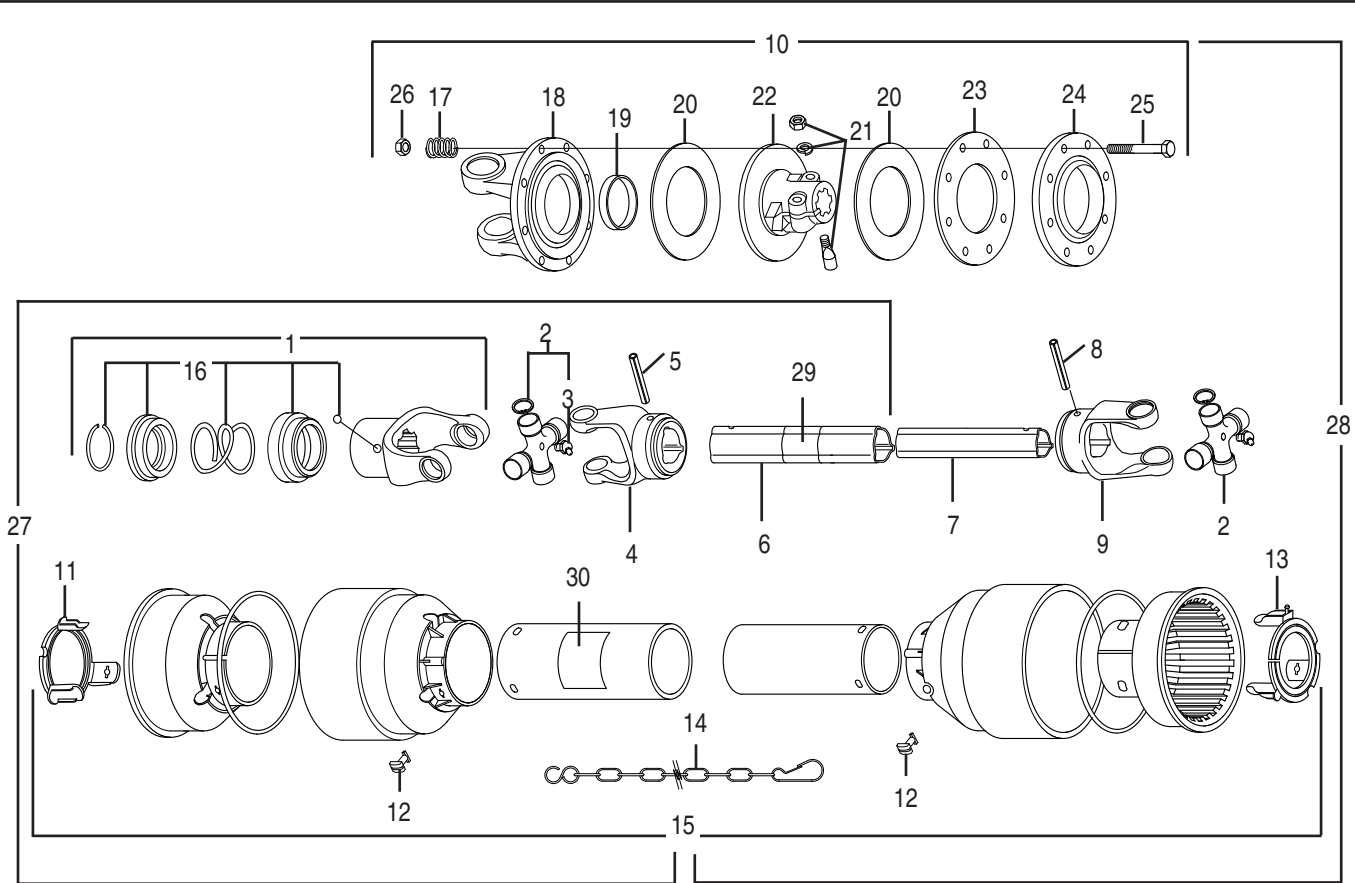
REF. NO.	PART NO.	QTY.	DESCRIPTION	REF. NO.	PART NO.	QTY.	DESCRIPTION
1	50035275	1	Front Half, Complete (285)	17	91560	1	Lining
	50035270	1	Front Half, Complete (286)	18	90938	1	Pivot Assy.
2	50035276	1	Rear Half, Complete (285)		—	1	Flatwasher M12
	50035271	1	Rear Half, Complete (286)		—	1	Hex Nut M12 x 1.75
3	50035273	1	Complete Collar Yoke	19	64828	1	Bushing
4	50042833	1	Ball Collar Kit	20	64646	1	Flange
5	64610	2	Cross Bearing Kit	21	66109	1	Yoke, Inner Tube
6	63956	2	Grease Fitting	22	66961	1	Inner Tube (285)
7	66112	1	Yoke, Outer Tube		66976	1	Inner Tube (286)
8	66113	1	Flexible Pin	23	66110	1	Flexible Pin
9	66960	1	Outer Tube (275)	24	50035277	1	Shield Assembly (285)
	68998	1	Outer Tube (276)		50035272	1	Shield Assembly (286)
10	78786	1	Danger Decal	25	90025	1	Shield Bearing, Outer Shield
11	86673	1	Torque Limiter	26	90026	1	Shield Bearing, Inner Shield
12	44155	8	Capscrew M10 x 1.5 x 85	27	78608	1	Danger Decal
13	44154	8	Locknut M10 x 1.5	28	64814	2	Safety Chain
14	64641	1	Pressure Plate	29	64657	8	Spring
15	64642	1	Inner Plate	30	86585	1	Hub
16	91562	1	Torque Limiter Kit				



50034237 DRIVESHAFT ASSEMBLY W/ CLUTCH
 540 RPM, 1-3/8" – 6 Spline, Mfd. by Binacchi
 REPLACED BY 76743 Driveshaft Assy. (Mfd. By Comer/EG)
 Used on Model 287 – 7'

50034279 DRIVESHAFT ASSEMBLY W/ CLUTCH
 1000 RPM, 1-3/8" – 21 Spline, Mfd. by Binacchi
 Used on Model 1287

REF. NO.	PART NO.	QTY.	DESCRIPTION	REF. NO.	PART NO.	QTY.	DESCRIPTION
1	50035278	1	Front Half, Complete (540 RPM)	16	91563	1	Torque Limiter Kit
	50035284	1	Front Half, Complete (1000 RPM)	17	86570	1	Hub w/Pivot
2	50035279	1	Rear Half, Complete (540 RPM)	18	90938	1	Tapered Pin Kit
	50035288	1	Rear Half, Complete (1000 RPM)	19	64828	1	Bushing
3	50035289	1	Complete Collar Yoke	20	64655	1	Flange
4	50042833	1	Ball Collar Kit	21	64654	1	Brake Lining Support
5	64663	2	Cross Bearing Kit	22	91561	4	Lining
6	63956	2	Grease Fitting	23	66870	1	Yoke, Inner Tube
7	66865	1	Yoke, Outer Tube	24	66868	1	Inner Tube
8	66866	1	Flexible Pin	25	66869	1	Flexible Pin
9	67006	1	Outer Tube	26	50035280	1	Shield Assy.
10	78786	1	Danger Decal	27	90270	1	Shield Bearing - Outer Shield
11	86567	1	Torque Limiter	28	50050676	1	Shield Bearing - Inner Shield
12	44159	8	Capscrew M10 x 100	29	78608	1	Danger Decal
13	44154	8	Locknut M10	30	64814	2	Safety Chain
14	64649	1	Pressure Plate	31	64657	8	Spring
15	64650	2	Inner Plate				



76741 DRIVESHAFT W/ SLIP CLUTCH

Mfr: Comer / EG
Model: 285

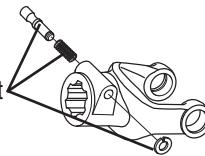
Supersession: Replaces 92958 Driveshaft,
Replaced by 50053134 Driveshaft

76742 DRIVESHAFT W/ SLIP CLUTCH

Mfr: Comer / EG
Model: 286

Supersession: Replaced by 50053132 Driveshaft

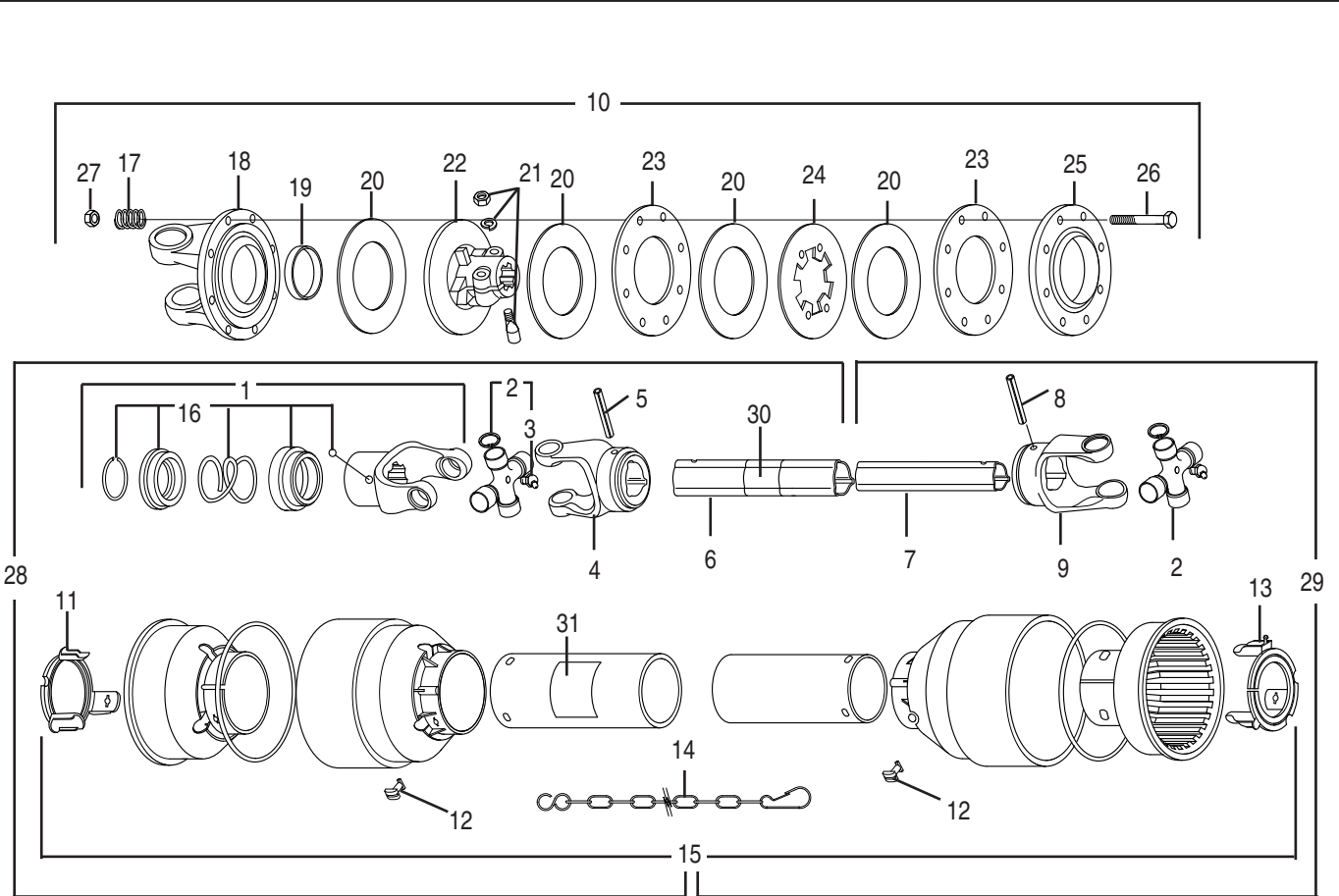
76062 Push Pin Set



Note (76742 Driveshaft): Some early driveshafts were shipped with push pins on the tractor yoke end. Order 76062 Push Pin Set to replace pin. For complete yoke replacement, order 76801 Collar Yoke.

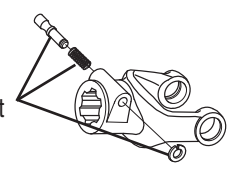
REF. NO.	PART NO.	QTY.	DESCRIPTION
1	76801	1	Complete Collar Yoke
2	64610	2	Cross Journal Set
3	63956	2	Grease Nipple
4	66112	1	Outer Yoke
5	66869	1	Roll Pin for Outer Tube
6	66960	1	Outer Tube (76741)
	68998	1	Outer Tube (76742)
7	66961	1	Inner Tube (76741)
	76185	1	Inner Tube (76742)
8	66110	1	Roll Pin for Inner Tube
9	66109	1	Inner Yoke
10	76076	1	Complete Disc Clutch
11	87995	1	Guard Retaining Collar, Outer
12	87992	6	Bolt
13	87993	1	Guard Retaining Collar, Inner
14	64814	2	Safety Chain
15	76148	1	Complete Shield (76741)
	76147	1	Complete Shield (76742)

REF. NO.	PART NO.	QTY.	DESCRIPTION
16	50017480	1	Ball Collar Kit 1-3/8"
17	76080	8	Spring
18	76081	1	Flanged Yoke
19	76082	1	Bushing
20	76083	2	Lining Ring
21	76064	1	Tapered Pin Set 1-3/8"
22	76084	1	Clutch Support
23	76085	1	Inner Plate
24	76086	1	Pressure Plate
25	44155	8	Capscrew M10 x 1.5 x 85
26	44154	8	Lock Nut M10 x 1.5
27	76922	1	Half Female Shaft w/ Shield (76741)
	76837	1	Half Female Shaft w/ Shield (76742)
28	76118	1	Half Male Shaft w/ Shield (76741)
	76117	1	Half Male Shaft w/ Shield (76742)
29	78786	1	Danger Decal, Outer Tube
30	78608	1	Danger Decal, Outer Shield



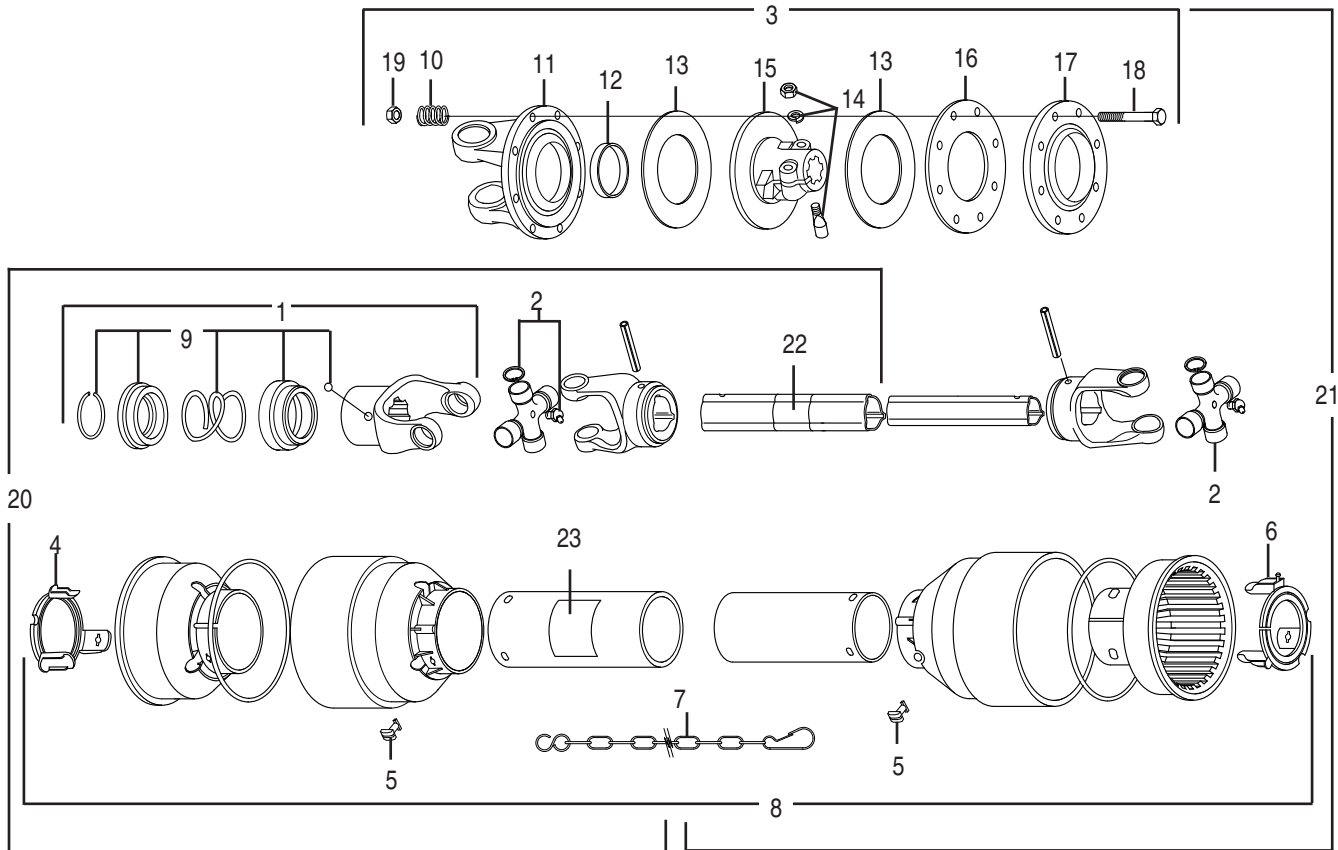
76743 DRIVESHAFT W/ SLIP CLUTCH
 Manufactured by Comer / EG
 Used on Model 287

REF. NO.	PART NO.	QTY.	DESCRIPTION
1	76802	1	Ball Collar Yoke
2	64663	2	Cross Journal Set
3	63956	2	Grease Nipple
4	66865	1	Outer Yoke
5	66866	1	Roll Pin for Outer Tube
6	67006	1	Outer Tube
7	66868	1	Inner Tube
8	66869	1	Roll Pin for Inner Tube
9	66870	1	Inner Yoke
10	76154	1	Complete Disc Clutch
11	76057	1	Guard Retaining Collar, Outer
12	87992	6	Bolt
13	76059	1	Guard Retaining Collar, Inner
14	64814	2	Safety Chain
15	76150	1	Complete Shield
16	50017480	1	Ball Collar Kit 1-3/8"
17	76080	8	Spring
18	76164	1	Flanged Yoke
19	76082	1	Bushing
20	76083	4	Lining Ring
21	76064	1	Tapered Pin Set 1-3/8"
22	76165	1	Clutch Support
23	76085	2	Inner Plate

76062 Push Pin Set 

Note: Some early driveshafts were shipped with push pins on the tractor yoke end. Order 76062 push pin set to replace pin. Order 76802 for complete yoke replacement.

REF. NO.	PART NO.	QTY.	DESCRIPTION
24	76197	1	Intermediate Plate
25	76086	1	Pressure Plate
26	44159	8	Capscrew M10 x 1.5 x 100
27	44154	8	Lock Nut M10 x 1.5
28	76814	1	Half Female Shaft w/ Shield
29	76121	1	Half Male Shaft w/ Shield
30	78786	1	Danger Decal, Outer Tube
31	78608	1	Danger Decal, Outer Shield

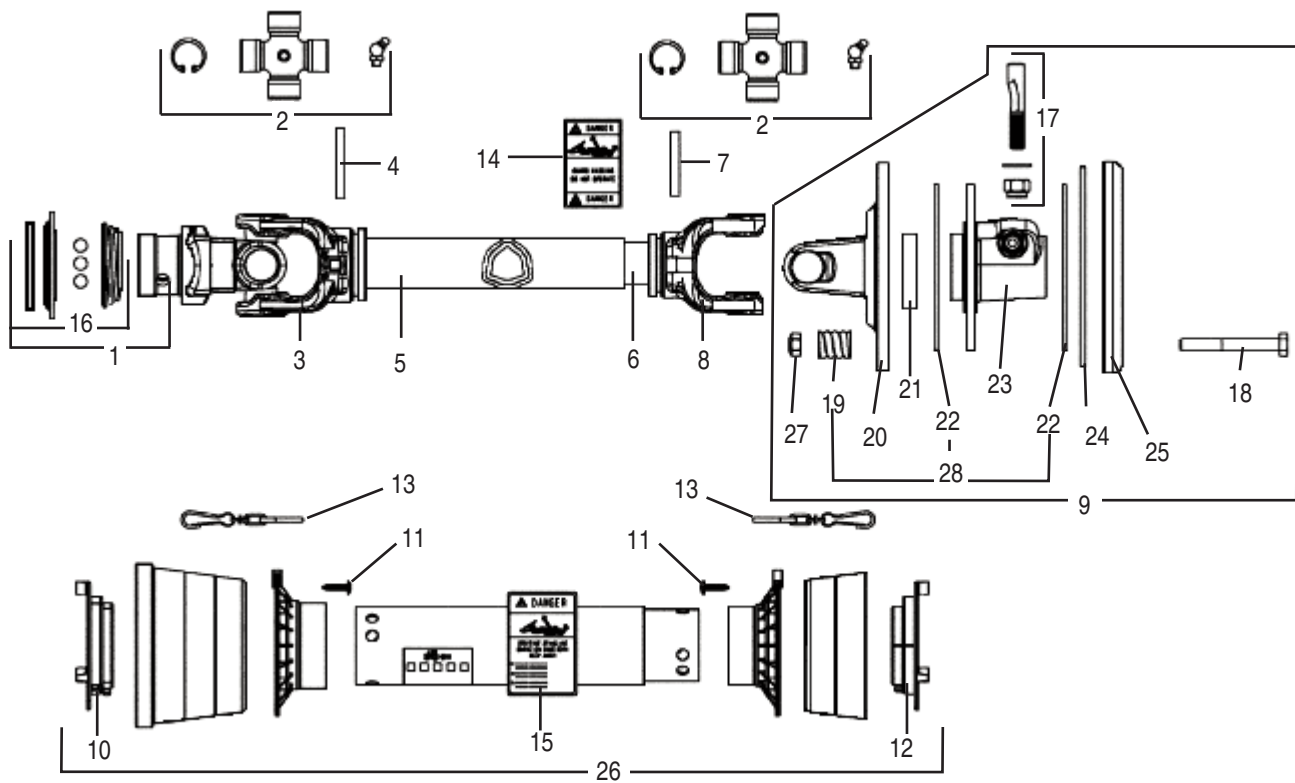


50053134 DRIVESHAFT W/ SLIP CLUTCH
540 RPM, 1-3/8" 6 SPLINE
 Mfr: Comer
 Model: 285
 Supersession: Replaces 76741 Driveshaft

50053132 DRIVESHAFT W/ SLIP CLUTCH
540 RPM, 1-3/8" 6 SPLINE
 Mfr: Comer
 Model: 286
 Supersession: Replaces 76742 Driveshaft

REF. NO.	PART NO.	QTY.	DESCRIPTION
1	76801	1	Complete Collar Yoke
2	64610	2	Cross Journal Set
3	76076	1	Complete Disc Clutch
4	50053169	1	Guard Retaining Collar, Outer
5	50050289	6	Bolt
6	50053240	1	Guard Retaining Collar, Inner
7	64814	2	Safety Chain
8	50053253	1	Complete Shield (50053134)
	50053249	1	Complete Shield (50053132)
9	50017480	1	Ball Collar Kit 1-3/8"
10	76080	8	Spring
11	76081	1	Flanged Yoke
12	76082	1	Bushing

REF. NO.	PART NO.	QTY.	DESCRIPTION
13	76083	2	Lining Ring
14	76064	1	Tapered Pin Set 1-3/8"
15	76084	1	Clutch Support
16	76085	1	Inner Plate
17	76086	1	Pressure Plate
18	44155	8	Capscrew M10 x 1.5 x 85
19	44154	8	Lock Nut M10 x 1.5
20	50053254	1	Half Female Shaft w/ Shield (50053134)
	50053250	1	Half Female Shaft w/ Shield (50053132)
21	50053255	1	Half Male Shaft w/ Shield (50053134)
	50053251	1	Half Male Shaft w/ Shield (50053132)
22	78786	1	Danger Decal, Outer Tube
23	78608	1	Danger Decal, Outer Shield

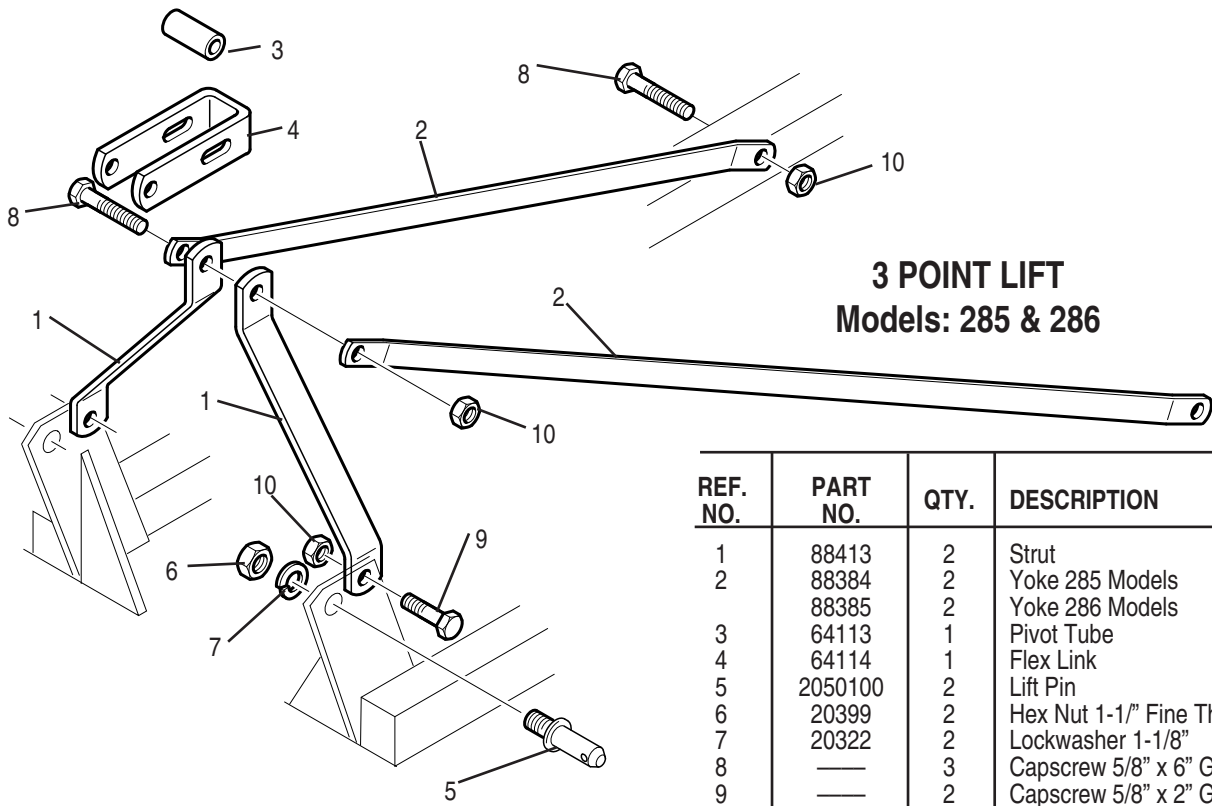


50063607 DRIVESHAFT ASSY.
 Used On: 285
 (Replaces the 50034235 Driveshaft Assy.)
 Mfd. by Bondioli & Pavesi
 B & P Size 5 - ASAE Size 4
 540 RPM

50063608 DRIVESHAFT ASSY.
 Used On : 286
 (Replaces the 50034236 Driveshaft Assy.)
 Mfd. by Bondioli & Pavesi
 B & P Size 5 - ASAE Size 4
 540 RPM

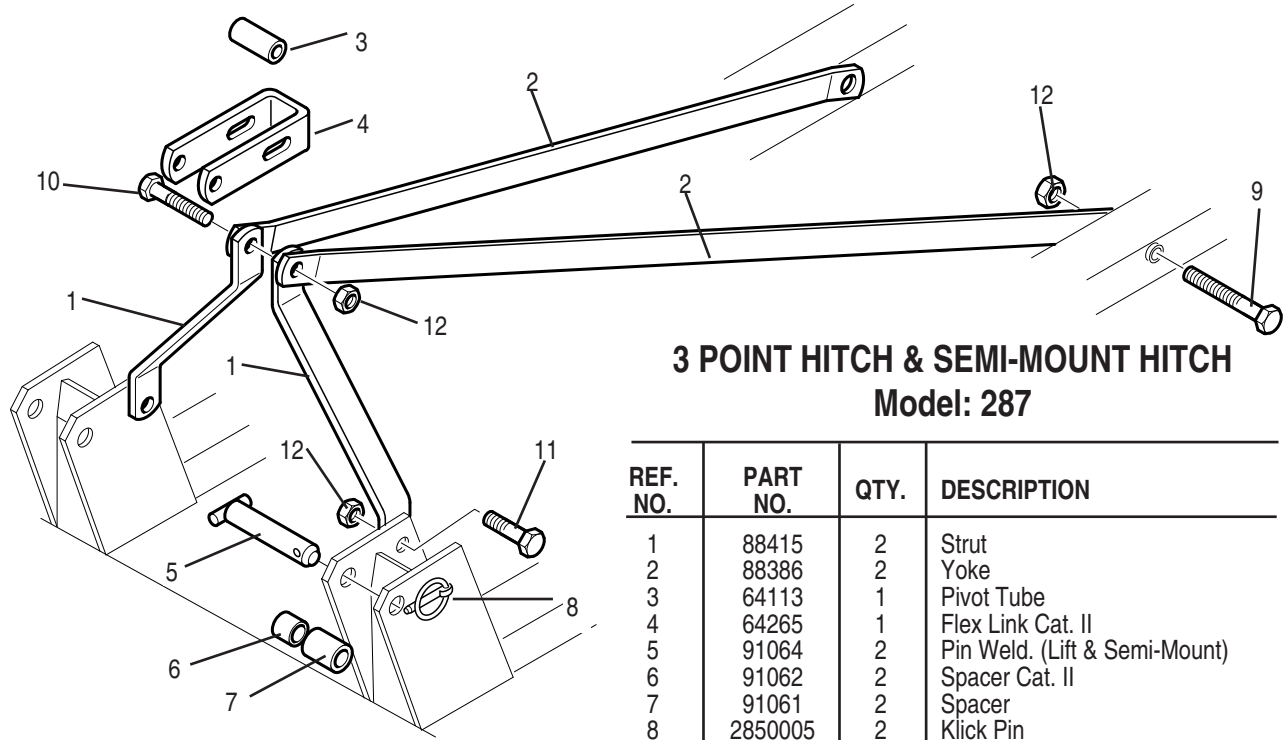
REF. NO.	PART NO.	QTY.	DESCRIPTION
1	50050660	1	Complete Collar Yoke
2	50064881	2	Cross Bearing Kit
3	66112	1	Yoke for Outer Tube
4	71397	1	Roll Pin, Outer Tube
5	50064883	1	Outer Tube
6	50064884	1	Inner Tube
7	66110	1	Roll Pin, Inner Tube
8	66109	1	Yoke for Inner Tube
9	N/A	1	Order Complete Driveline Assy.
10	50064888	1	Outer Shield Bearing
11	71404	6	Self Tapping Screw
12	50064889	1	Inner Shield Bearing
13	50064890	2	Chain, Shield
14	78786	1	Danger Decal, Outer Tube
15	78608	1	Danger Decal, Outer Shield Tube
16	50064891	1	Ball Collar Repair Kit
17	90938	1	Taper Pin Kit
18	44155	8	Capscrew M10 x 1.5 x 85 Gr. 8.8
19	50056451	8	Spring
20	50064173	1	Flange Yoke
21	64828	1	Bushing #4 Clutch
22	50042344	2	Lining, 77 x 141 x 3.2MM
23	N/A	1	Order Complete Driveline Assy.
24	50063437	1	Inner Plate
25	64649	1	Pressure Plate
26	50064897	1	Shield Assy. Complete
27	44154	8	Locknut, M10 x 1.5
28	50065271	1	Torque Limiter Repair Kit

REF. NO.	PART NO.	QTY.	DESCRIPTION
1	50050660	1	Complete Collar Yoke
2	50064881	2	Cross Bearing Kit
3	66112	1	Yoke for Outer Tube
4	71397	1	Roll Pin, Outer Tube
5	68998	1	Outer Tube
6	50064898	1	Inner Tube
7	66110	1	Roll Pin, Inner Tube
8	66109	1	Yoke for Inner Tube
9	N/A	1	Order Complete Driveline Assy.
10	50064888	1	Outer Shield Bearing
11	71404	6	Self Tapping Screw
12	50064889	1	Inner Shield Bearing
13	50064890	2	Chain, Shield
14	78786	1	Danger Decal, Outer Tube
15	78608	1	Danger Decal, Outer Shield Tube
16	50064891	1	Ball Collar Repair Kit
17	90938	1	Taper Pin Kit
18	44155	8	Capscrew M10 x 1.5 x 85 Gr. 8.8
19	50056451	8	Spring 7mm
20	N/A	1	Order Complete Driveline Assy.
21	64828	1	Bushing #4 Clutch
22	50042344	2	Lining, 77 x 141 x 3.2MM
23	N/A	1	Order Complete Driveline Assy.
24	50063437	1	Inner Plate
25	64649	1	Pressure Plate
26	50064901	1	Shield Assy. Complete
27	44154	8	Locknut, M10 x 1.5
28	50065271	1	Torque Limiter Repair Kit



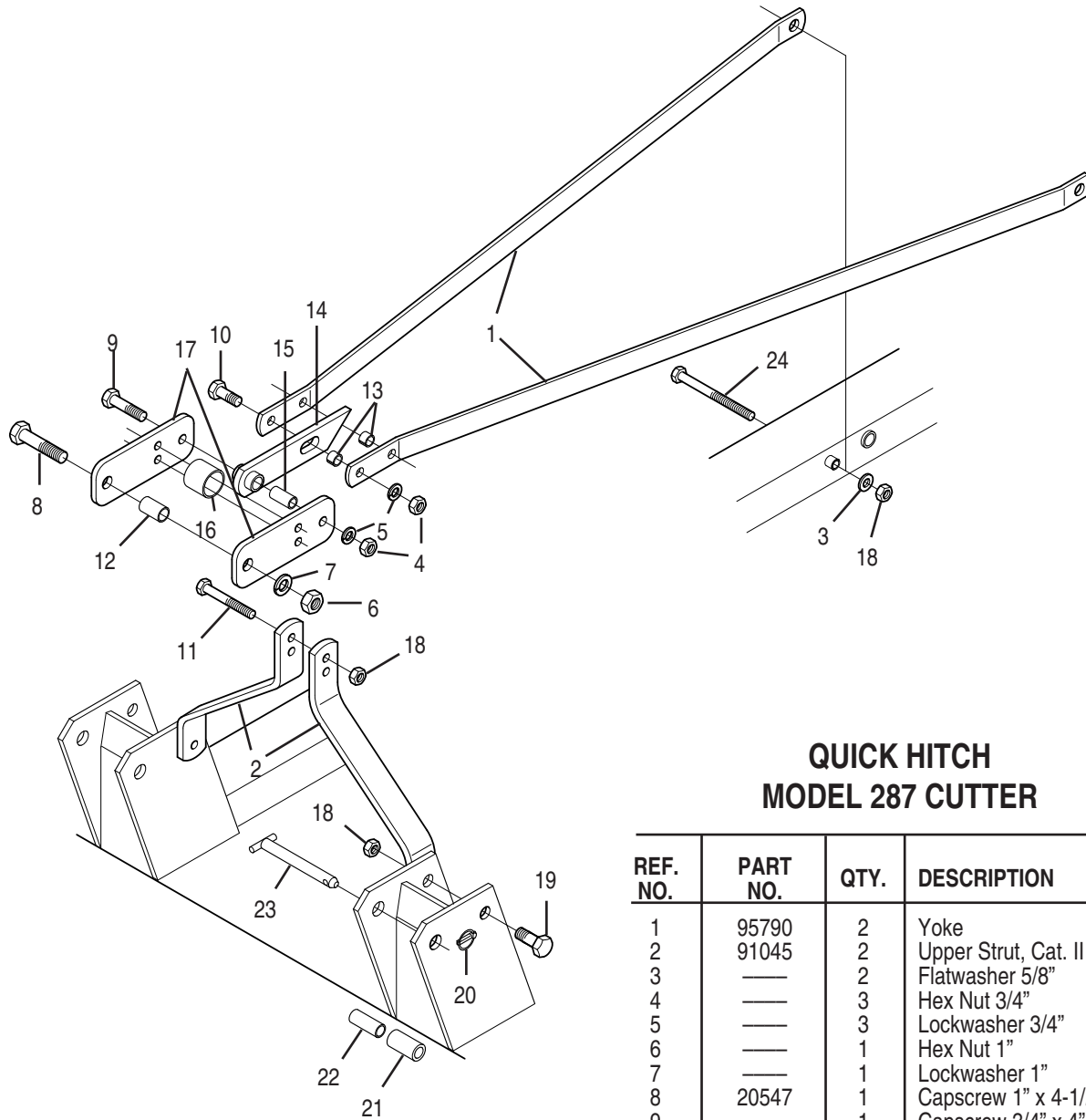
3 POINT LIFT
Models: 285 & 286

REF. NO.	PART NO.	QTY.	DESCRIPTION
1	88413	2	Strut
2	88384	2	Yoke 285 Models
	88385	2	Yoke 286 Models
3	64113	1	Pivot Tube
4	64114	1	Flex Link
5	2050100	2	Lift Pin
6	20399	2	Hex Nut 1-1/8" Fine Thread
7	20322	2	Lockwasher 1-1/8"
8	—	3	Cap screw 5/8" x 6" Gr.5
9	—	2	Cap screw 5/8" x 2" Gr.5
10	15598	5	Locknut 5/8"



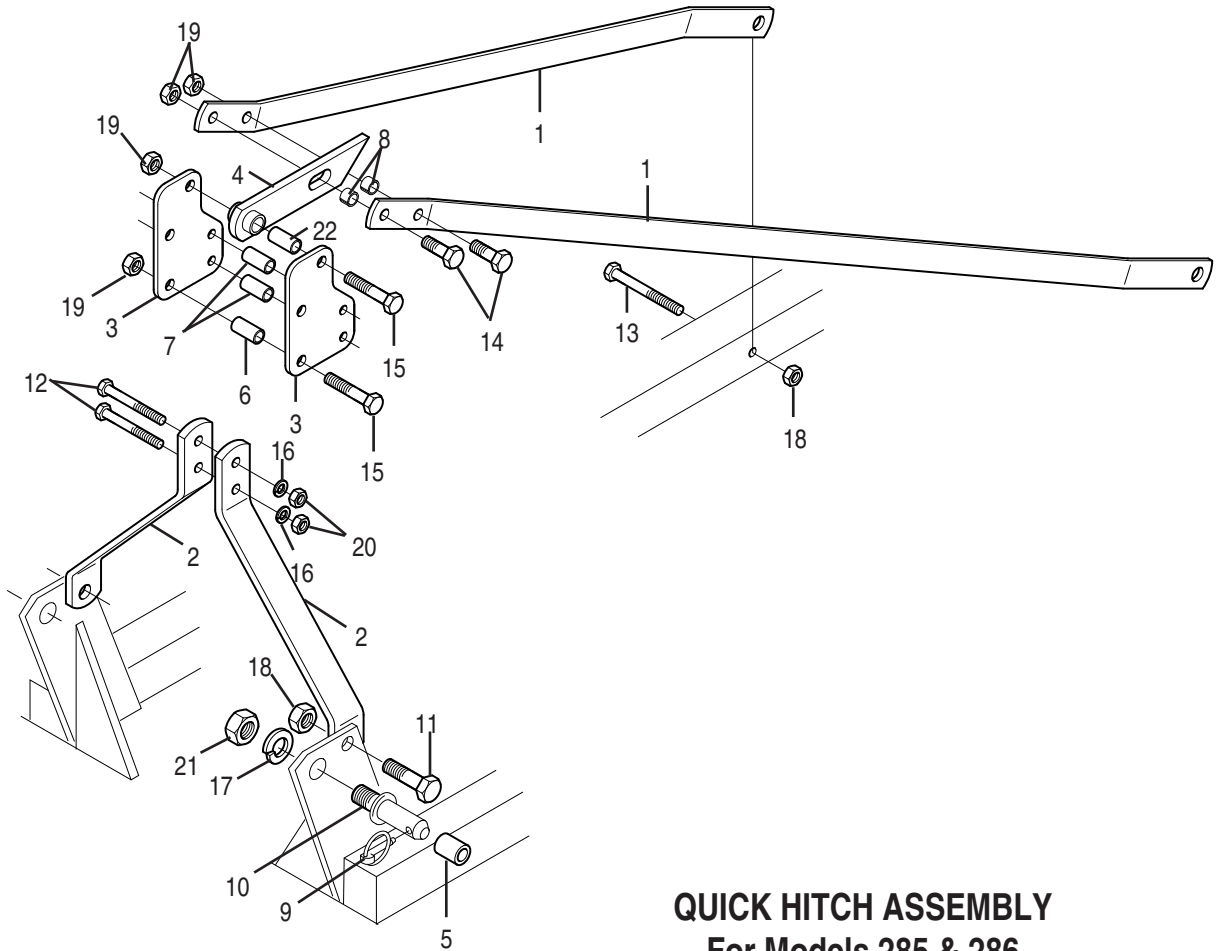
3 POINT HITCH & SEMI-MOUNT HITCH
Model: 287

REF. NO.	PART NO.	QTY.	DESCRIPTION
1	88415	2	Strut
2	88386	2	Yoke
3	64113	1	Pivot Tube
4	64265	1	Flex Link Cat. II
5	91064	2	Pin Weld. (Lift & Semi-Mount)
6	91062	2	Spacer Cat. II
7	91061	2	Spacer
8	2850005	2	Klick Pin
9	20118	2	Cap screw 5/8" x 8" Gr.5
10	—	2	Cap screw 5/8" x 6" Gr.5
11	—	2	Cap screw 5/8" x 2" Gr.5
12	15598	5	Locknut 5/8"



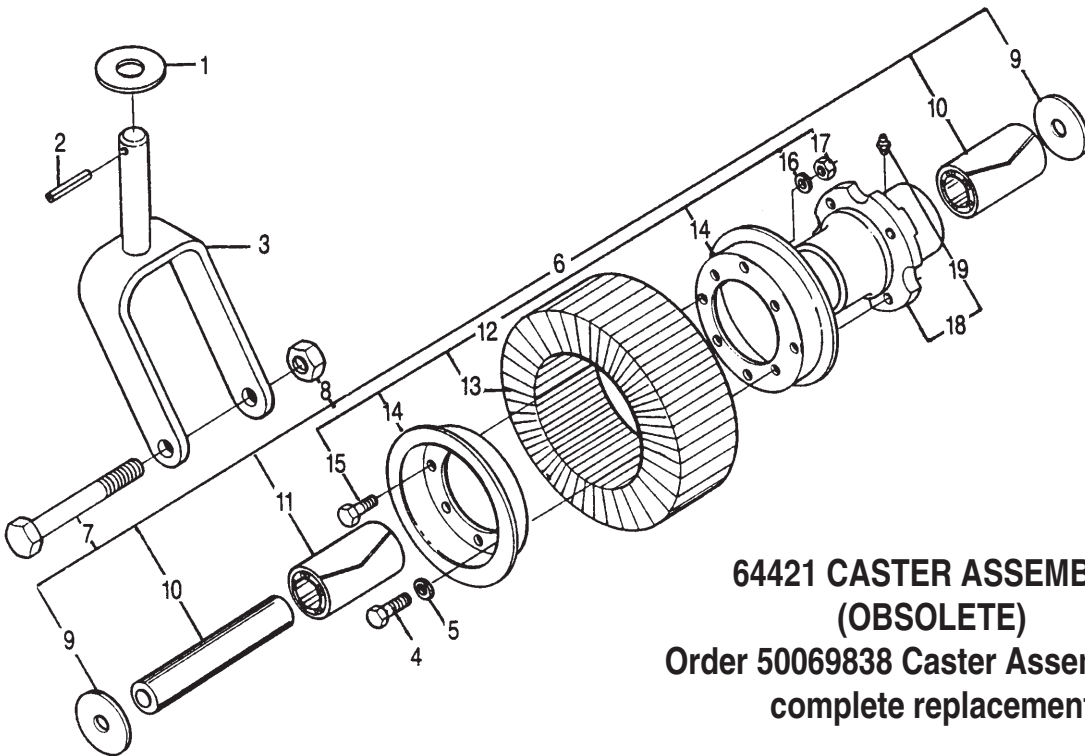
**QUICK HITCH
MODEL 287 CUTTER**

REF. NO.	PART NO.	QTY.	DESCRIPTION
1	95790	2	Yoke
2	91045	2	Upper Strut, Cat. II
3	—	2	Flatwasher 5/8"
4	—	3	Hex Nut 3/4"
5	—	3	Lockwasher 3/4"
6	—	1	Hex Nut 1"
7	—	1	Lockwasher 1"
8	20547	1	Capscrew 1" x 4-1/2" Gr.5
9	—	1	Capscrew 3/4" x 4" Gr.5
10	—	2	Capscrew 3/4" x 2-1/2" Gr.5
11	—	2	Capscrew 5/8" x 5-1/2" Gr.5
12	6404018	1	Bushing
13	82006	2	Bushing
14	81999	1	Pivot Arm
15	82000	1	Bushing
16	91048	1	Spacer Bushing
17	91047	2	Top Plate
18	—	6	Locknut 5/8"
19	—	2	Capscrew 5/8" x 2" Gr.5
20	2850005	2	Klick Pin
21	91061	2	Spacer
22	91062	2	Spacer, Cat. II
23	91064	2	Pin Weldment
24	20234	2	Capscrew 5/8" x 8" Gr.5



QUICK HITCH ASSEMBLY
For Models 285 & 286

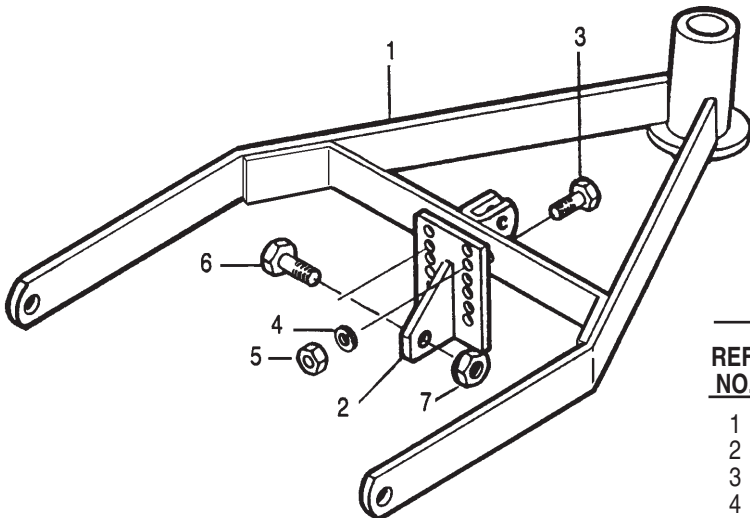
REF. NO.	PART NO.	QTY.	DESCRIPTION
1	50033674	2	Yoke, Model 285 (Shown)
	50033668	2	Yoke, Model 286
2	50033661	2	Cat. I Upper Strut
3	50033663	2	Top Plate
4	81999	1	Pivot Arm Weldment
5	50033673	2	Cat. I Quick Hitch Bottom Bushing
6	50033665	1	Cat. I Quick Hitch Top Bushing
7	50033664	2	Hitch Spacer Bushing
8	82006	2	Wear Bushing
9	2850005	2	Lynch Pin
10	2050100	2	Lift Pin 7/8"
11	—	2	Capscrew 5/8" x 2"
12	—	2	Capscrew 5/8" x 5"
13	20923	2	Capscrew 5/8" x 6"
14	—	2	Capscrew 3/4" x 2-1/2"
15	—	2	Capscrew 3/4" x 4"
16	—	2	Lockwasher 5/8"
17	20322	2	Lockwasher 1-1/8"
18	15598	4	Locknut 5/8"
19	20638	4	Locknut 3/4"
20	—	2	Hex Nut 5/8"
21	20399	2	Hex Nut 1-1/8" NF
22	82000	1	Spacer, Mast



**64421 CASTER ASSEMBLY
(OBSOLETE)**
Order 50069838 Caster Assembly for
complete replacement

REF. NO.	PART NO.	QTY.	DESCRIPTION
1	11778	1	Flatwasher
2	19427	1	Roll Pin 1/2" x 2-1/4"
3	64910	1	Fork Weldment
4	—	4	Capscrew 1/2" x 1" Gr.5
5	—	4	Lockwasher 1/2"
6	88920	1	Bearing Repair Kit
7	20946	1	Capscrew 3/4" x 8" Gr.5
8	15591	1	Locknut, Toplock 3/4" - 10
9	12261	2	Wear Washer
10	12263	1	Spacer Tube
11	12250	2	Roller Bearings

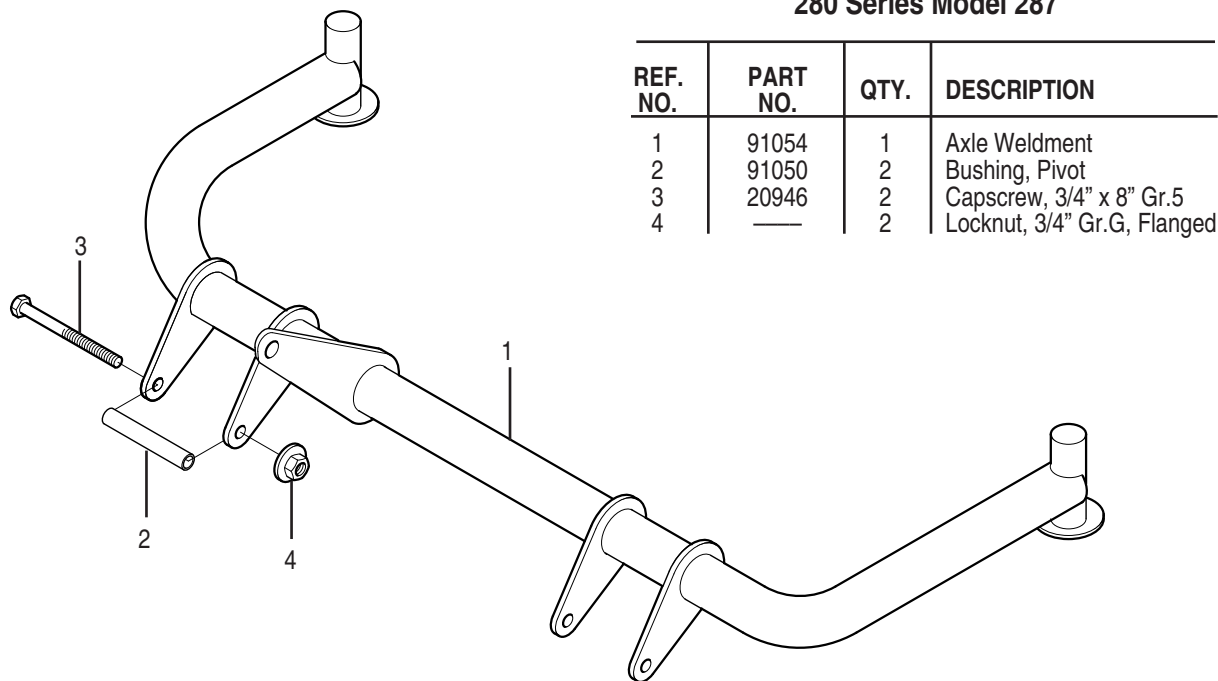
REF. NO.	PART NO.	QTY.	DESCRIPTION
12	500BH	1	Tire Assembly
13	N/A	1	Solid Tire (Order Ref No.12)
14	N/A	2	Wheel Flange (Order Ref No.12)
15	—	4	Capscrew 3/8" x 1" Gr.5
16	—	4	Lockwasher 3/8"
17	—	4	Hex Nut 3/8'
18	12268	1	Hub Assembly
19	449BH	1	Grease Fitting



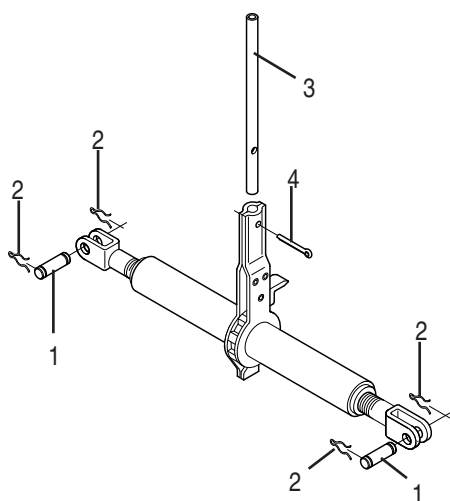
**SINGLE TAILWHEEL BRACKET
FOR 280 SERIES
MODELS 285, 286 & 287**

REF. NO.	PART NO.	QTY.	DESCRIPTION
1	88345	1	Tailwheel Frame
2	88343	1	Adjusting Bracket
3	—	2	Capscrew 1/2" x 1-3/4" Gr.5
4	—	2	Lockwasher 1/2"
5	—	2	Hex Nut 1/2"
6	—	1	Capscrew 5/8" x 2" Gr.5
7	15598	1	Locknut 5/8"

DUAL TAILWHEEL MOUNT 280 Series Model 287

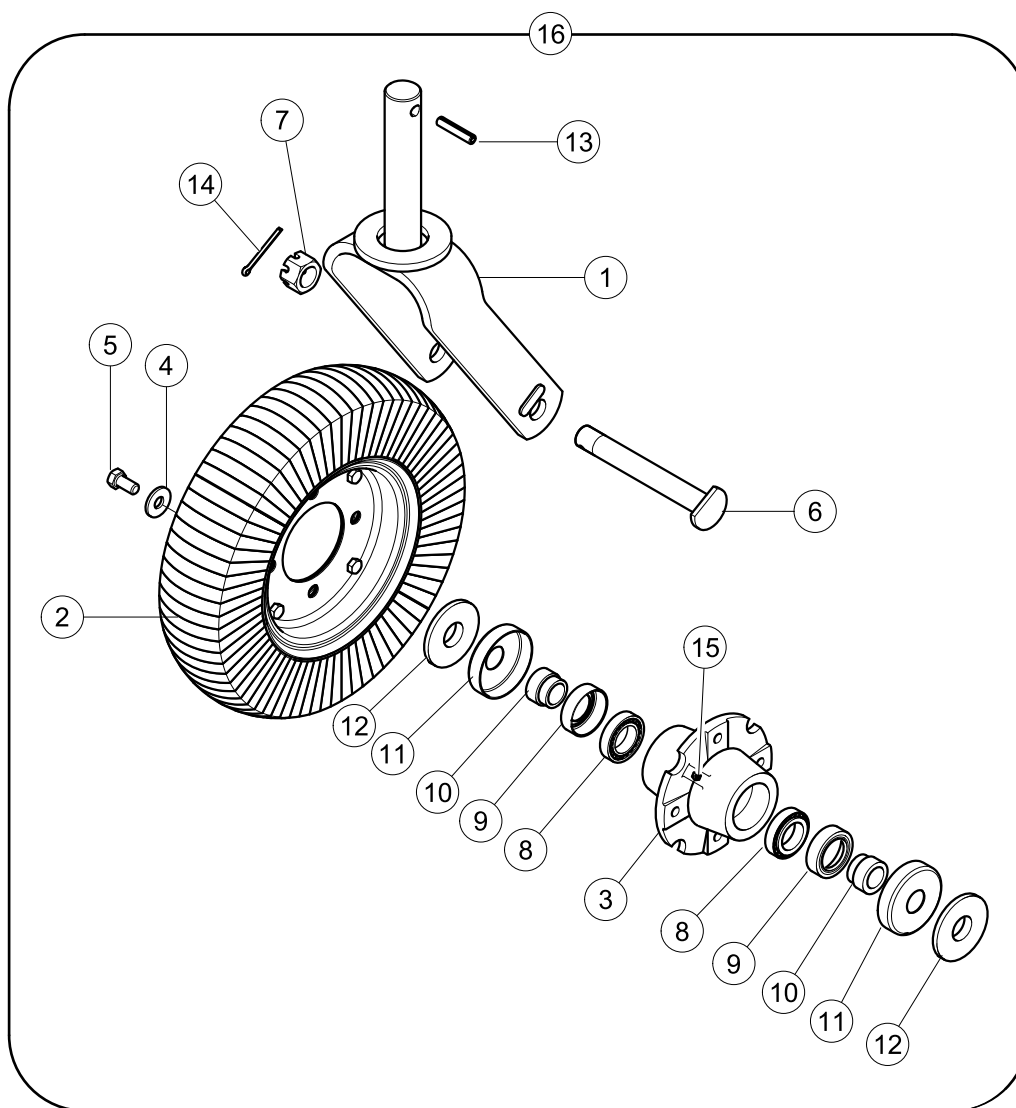


REF. NO.	PART NO.	QTY.	DESCRIPTION
1	91054	1	Axle Weldment
2	91050	2	Bushing, Pivot
3	20946	2	Capscrew, 3/4" x 8" Gr.5
4	—	2	Locknut, 3/4" Gr.G, Flanged

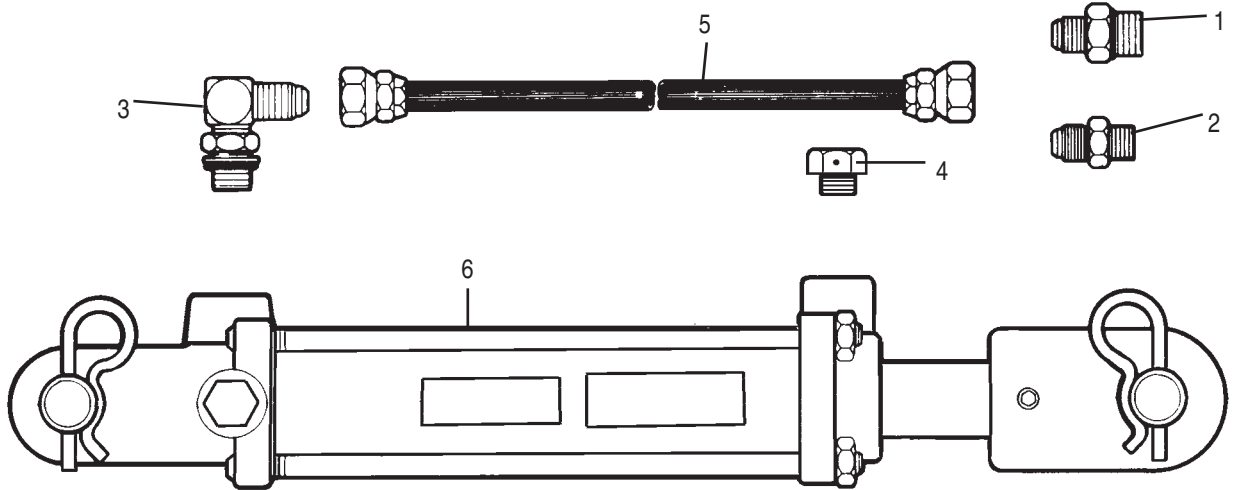


1817 RATCHET ASSEMBLY

REF. NO.	PART NO.	QTY.	DESCRIPTION
1	50028265	2	Pin
2	50028264	4	Clip Pin
3	11810	1	Handle
4	15474	1	Cotter Pin

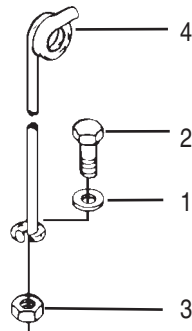


Ref. No.	Part No.	Description	Qty. Req'd.
1	50069839	Fork Assy.	1
2	500BH	Tire Assy.	1
3	50068522	Hub Casting	1
4	-----	Flatwasher M12	4
5	44204BH	Capscrew M12 1.75x 25	4
6	50067488	Axle Bolt	1
7	50067496	Hex Nut Slotted M24 x 2	1
8	50068521	Bearing Assy, Tapered	2
9	50068525	Seal	2
10	50068523	Bushing	2
11	50068520	Cap, Protective	2
12	50068524	Washer	2
13	50067495	Roll Pin M10 x 50	1
14	-----	Cotter Pin 3/16" x 2	1
15	449BH	Grease Fitting	1
16	50069838	Caster Assembly	1



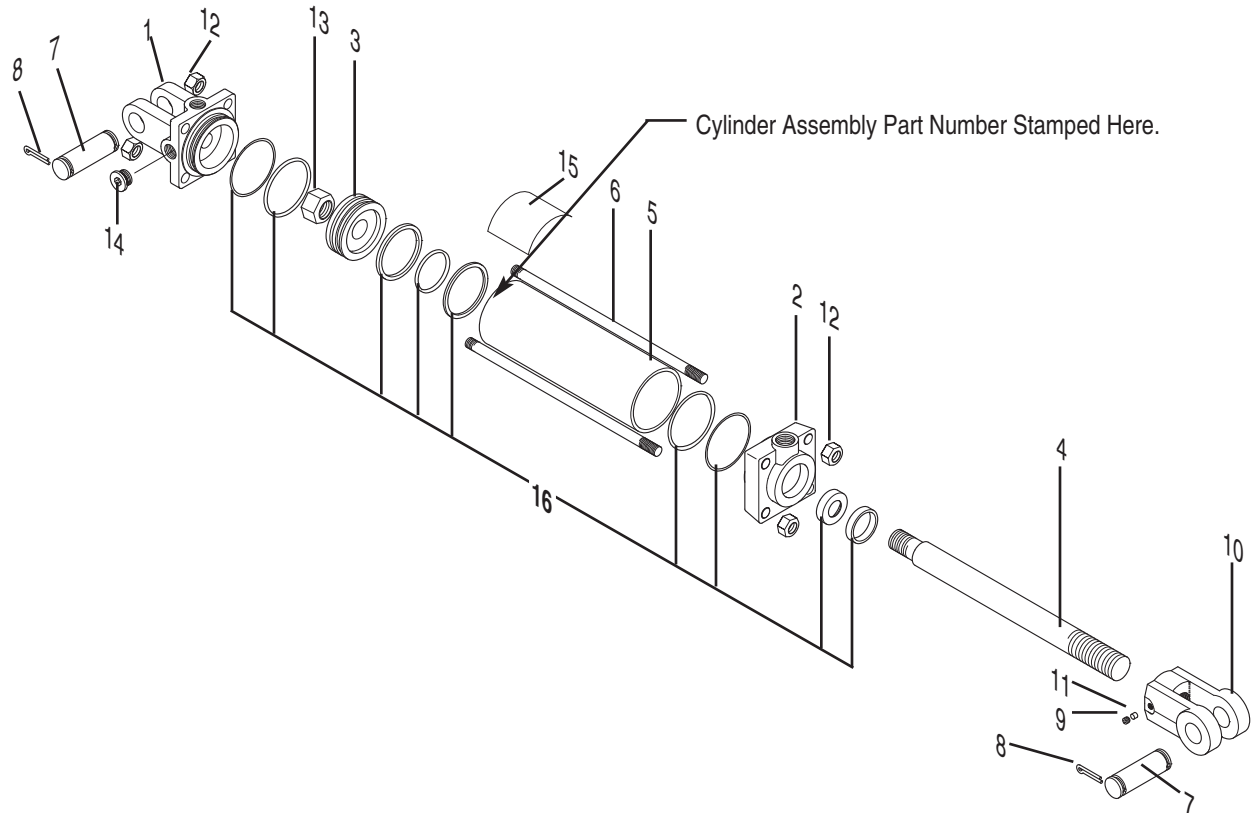
64830 HYDRAULIC BUNDLE

REF. NO.	PART NO.	QTY.	DESCRIPTION
1	53340	1	Adaptor 9/16" JIC to 3/4" SAE
2	24-6-434	1	Adaptor 9/16" JIC to 1/2" NPT
3	14-40-98	1	90° Elbow 3/4" ORB to 9/16" JIC
4	50047240	1	Breather Plug
5	62427	1	Hydraulic Hose 144"
6	50017492	1	Hydraulic Cylinder Assy. (See Next Page)
7	63451	1	Stop Collar Kit



HOSE HOLDER

REF. NO.	PART NO.	QTY.	DESCRIPTION
1	—	1	Flatwasher 1/2"
2	—	1	Capscrew 1/2" - 2" Gr. 5
3	15554	1	Locknut 1/2"
4	12031	1	Hose Holder



50017492 HYDRAULIC CYLINDER

(Was Part No. 95398)

Manufactured by Monarch

2" Bore X 8" Stroke 1.125" Rod Dia.

3/4" - 16 ORB Ports

REF. NO.	PART NO.	QTY.	DESCRIPTION
1	95458	1	Clevis Cap
2	95457	1	Rod Cap
3	95460	1	Piston
4	95459	1	Rod 1.125" Dia.
5	95454	1	Cylinder Tube
6	95455	4	Tie Rod
7	95425	2	Pin 1" Dia.
8	21020614	4	Cotter Pin 3/16" x 1 1/2"
9	95433	1	Thread Lock
10	95456	1	Rod Clevis 1.125" x 1"
11	95422	1	Set Screw 3/8" x 1/2 Knurled
12	20363	8	Hex Nut 3/8"
13	95452	1	Hex Nut 3/4" UNF
14	95435	1	Plug 3/4"
15	95423	1	Caution Decal
16	50017620	1	Seal Kit



BUSH HOG[®]

2501 Griffin Ave. • Selma, AL 36703
(334) 872 6261 • (334) 874 2700
Parts Ordering 1 800 304 2836
Fax 1 800 572 1784
www.bushhog.com