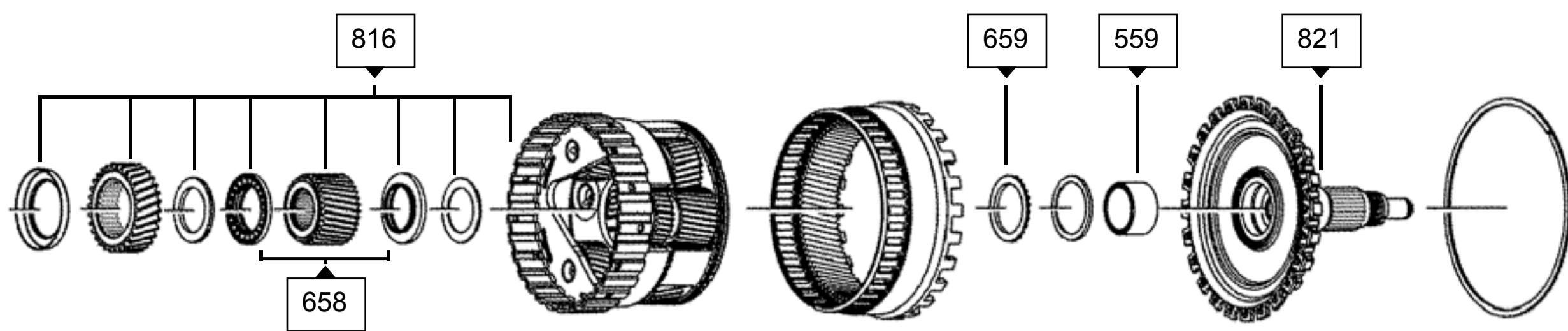
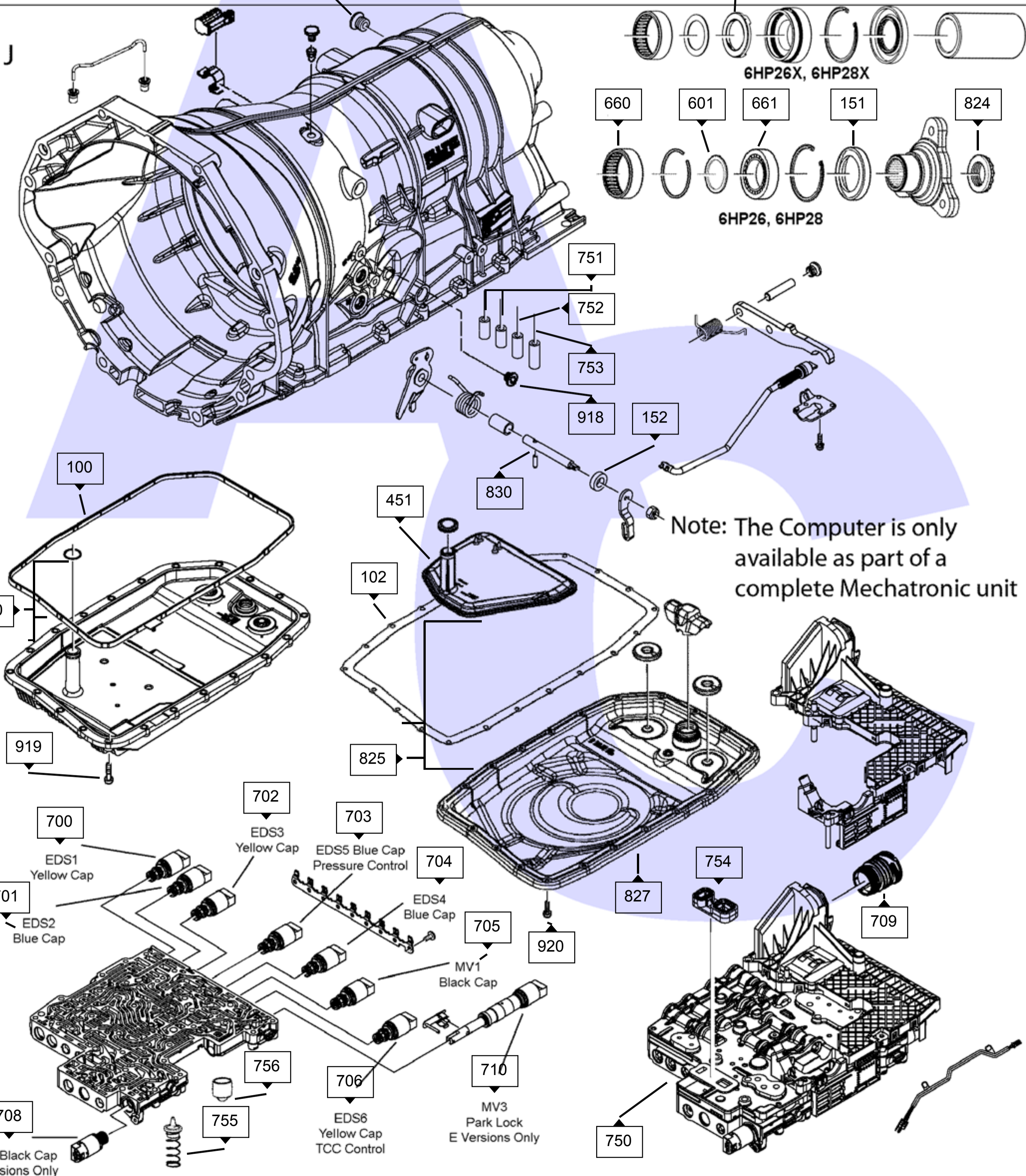
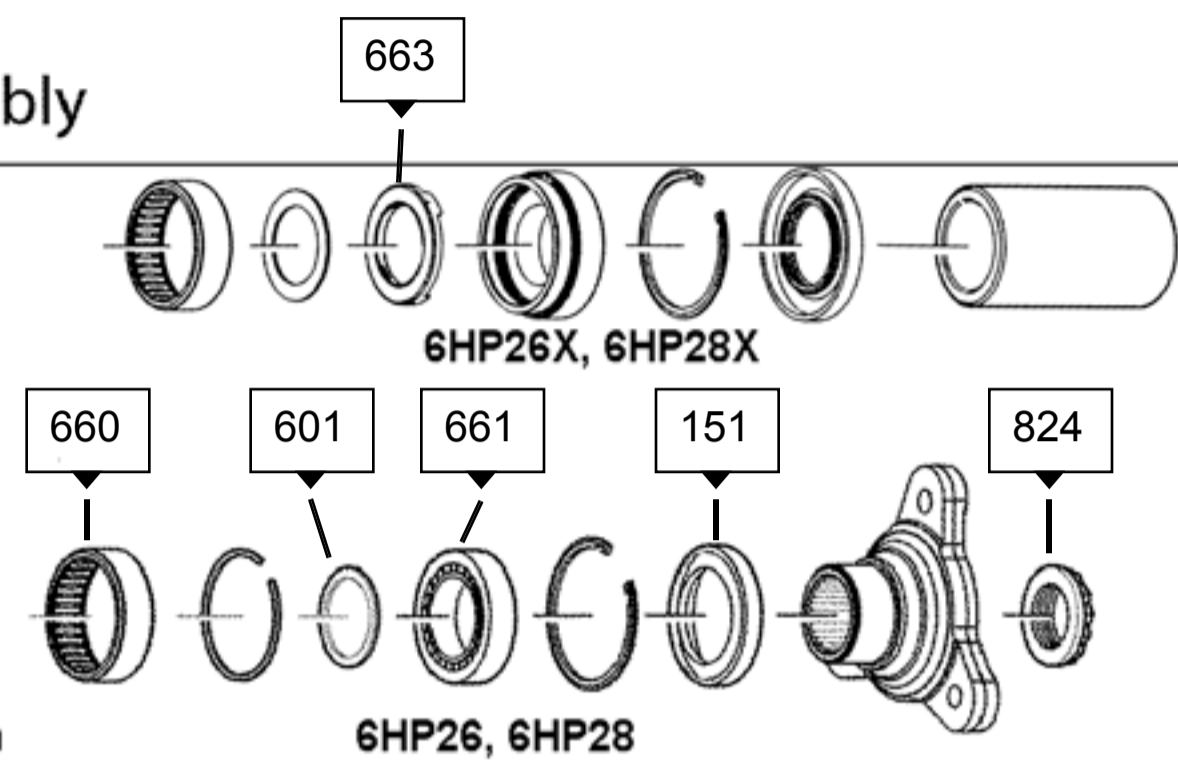


H



J

923 **Rear Planetary Assembly**



Bearings (000174)

REF	DESCRIPTION	QUANTITY	PART NO
650	6HP26 PUMP NEEDLE BRG (TC NECK)	1	6HP26.BE01
660	6HP26 NEEDLE BRG (OUTPUT SHAFT)	1	6HP26.BE02
661	6HP26 OUTPUT ROLLER BEARING	1	6HP26.BE03
663	6HP26X/6HP28X REAR OUTPUT TRUST BEARING	1	6HP26.TOR07

Bushing Kits (000185)

REF	DESCRIPTION	QUANTITY	PART NO
	# 6HP26/28 BUSHING KIT BRONZE (14 piece kit)	1	6HP26.BK01
	# 6HP26/28 12 PIECE BUSH KIT (SEE MEMO)	1	6HP26.BK02

Books & Manuals N (000265)

REF	DESCRIPTION	QUANTITY	PART NO
	6HP26 BMW CD-ROM REPAIR MANUAL (ENGLISH)	1	6HP26.MAN01
	6HP26 MANUAL ATSG AUDI/JAG/BMW	1	6HP26.MAN02
	6HP26 TECHNICAL MANUAL ZF	1	6HP26.MAN04
	6HP21-28 2ND GENERATION ATGS MANUAL	1	6HP28.MAN01

Bushings (000180)

REF	DESCRIPTION	QUANTITY	PART NO
	6HP19/21/26/28 E CLUTCH (INPUT/OUTPUT) SHAFT BUSH SET OF 6	1	6HP26.BK03
	6HP28 BUSHING SUNGEAR 28.7MM	1	6HP28.BUS02
	6HP28 BUSHING SUNGEAR 28.08MM SPLINE SIDE	1	6HP28.BUS03
550	6HP26 BUSHING STATOR FRONT - 26 OD x 23 ID x 16.5	1	6HP26.BUS02
551	6HP26 BUSHING STATOR REAR 29x26x15.9	1	6HP26.BUS03
551	6HP26 BUSHING STATOR REAR 33x30x18.8 BRONZE	1	6HP26.BUS04
551	6HP26 BUSHING STATOR REAR 31x28x16.5	1	6HP26.BUS05
551	6HP26 BUSHING STATOR REAR 29x26x15.9 SONNAX	1	6HP26.BUS13
552	6HP19/21/26/28 BUSHING A CLUTCH DRUM LARGE 63 x 60 x 7.9	1	6HP26.BUS07
553	6HP19/21/26/28 BUSHING A CLUTCH DRUM SMALL 53 x 50 x 7.4	1	6HP26.BUS08
554 / 559	6HP19/21/26/28 BUSHING E CLUTCH HUB PILOT BUSH 20 x 17 x 10	1	6HP26.BUS12
555 / 556	6HP26.BUSHING A CLUTCH HUB SMALL BORE 27 x 24 x 11 .5	1	6HP26.BUS09
555 / 556	6HP26.BUSHING A CLUTCH HUB LARGE BORE 28 x 25 x 11.5	1	6HP26.BUS10
557 / 558	# 6HP26.BUSHING B CLUTCH HUB 37 x 34 x 11.5	1	6HP26.BUS11

Electrical Parts (000250)

REF	DESCRIPTION	QUANTITY	PART NO
	# 6HP19/26/32 SOL KIT SEE CODES E-SHIFT-3Y 3BLU 1BLK + PARK	1	6HP19.SOL01
	# 6HP19/26/32 SOLENOID KIT 3 BLU - 3 YW- 1 BLK M-SHIFT	1	6HP19.SOL02
	# 6HP21/28 SOLENOID KIT 3 YW - 2 BLU - 2 OR M-SHIFT	1	6HP19.SOL04
	# USE 6HP19.SOL04 + 6HP26.SOL02 & SOL05 # 6HP GEN2 E-SHIFT	1	6HP19.SOL05
	# 6HP19/26 EXTERNAL CAPACITOR - Not ZF, Land Rover only	1	6HP26.ELE02
700 / 702 / 706	# SOLENOID EDS 1 3 & 6 6HP26 YELLOW CAP	1	6HP26.SOL03
705 / 708	# 6HP26 MV1 & MV2 SHIFT SOLENOID BLACK CAP	1	6HP26.SOL02
709	# 6HP19/26 MECHATRONIC - CASE CONNECTOR PLUG	1	6HP26.ELE01

Filters (000150)

REF	DESCRIPTION	QUANTITY	PART NO
	6HP26 ZF OILPAN W/FILTER & GASKET KIT - OEM (ALTERNATIVE)	1	6HP26.PAN04
450	# 6HP26/28 PLASTIC PAN/FILTER/GASKET KIT JAG/BMW/R ROVER	1	6HP26.PAN01
450	# 6HP26 JAG/BMW OIL PAN/FILTER AFTERMARKET	1	6HP26.PAN11
451	# 6HP26/32 FILTER X5 ONLY 1068 020 011/018 OEM	1	6HP26.FIL02
451	# 6HP26/32 FILTER X5 ONLY 1068 020 011/018 AM	1	6HP26.FIL12
451	6HP26/32 FILTER - X5 ONLY 1068 020 011/018 AM - ALTERNATIVE	1	6HP26.FIL13

Friction Plate Kits (000135)

REF	DESCRIPTION	QUANTITY	PART NO
	#FRICTION KIT 6HP26/26X/A/A61 CHECK CODES(MP10)	1	6HP26.FRK01
	# FRICTION KIT 6HP26/X/A/A61 CHECK CODES (MP10)	1	6HP26.FRK02
	**** USE 6HP26.FRK02 **** # FRICTION KIT 6HP26/26X/28/28X	1	6HP26.FRK03
	# FRICTION KIT 6HP26 - CHECK CODES	1	6HP26.FRK04
	6HP26 FRICTION KIT ALLOMATIC	1	6HP26.FRK11
	6HP26 FRICITON KIT	1	6HP26.FRK51

Friction Plates (000130)

REF	DESCRIPTION	QUANTITY	PART NO
250 / 254	# 6HP26 A/D FRICTIONS 1.59mm 30 teeth 187mm o/d (TAN)	4-7	6HP26.FRP01
250 / 254	# 6HP26 FRICTION A/D CLUTCH 1.6mm (waffled TAN)	4-7	6HP26.FRP07
250 / 254	6HP26 A(FORWARD)/ D(LOW/REVERSE) FRICTION 02-09 - AM	1	6HP26.FRP11
251	# 6HP26 E FRIC SEE CODES AM - CAN USE 6HP26.FRP26	6	6HP26.FRP06
251	6HP26 E-FRICTION (OVERDRIVE - HIGH ENERGY) 02-09 - AM	1	6HP26.FRP16
252 / 253	# 6HP26 B/ C FRIC 2.13mm 30 teeth 187mm o/d (DARK)	4-5	6HP26.FRP03
252 / 253	6HP26 B(DIRECT)/ C(INTERMEDIATE) FRICTION 02-09 -AM	1	6HP26.FRP13

Gasket & Seal Kits (000115)

REF	DESCRIPTION	QUANTITY	PART NO
	# 6HP26 SUB KIT VALVE BODY PARTS	1	6HP26.GK01

Gaskets (000120)

REF	DESCRIPTION	QUANTITY	PART NO
101	5HP18/19/24 PUMP BOLT WASHER (CHECK QUANTITY)	9-14	5HP18.GAS04
100	# 6HP26 RUBBER PAN GASKET	1	6HP26.GAS01
100	6HP26/28/32 PAN GASKET RUBBER - OEM	1	6HP26.GAS04
102	# 6HP26 PAPER PAN GASKET FOR METAL PAN	1	6HP26.GAS02
102	6HP26 PAPER PAN GASKET TRANSTEC	1	6HP26.GAS03
102	6HP26 FARPAK PAN GASKET	1	6HP26.GAS10
102	# 6HP26 STEEL PAN GASKET (***) NOT SUITABLE FOR OEM PAN (***)	1	6HP26.GAS52
102	# 6HP32X OIL PAN GASKET (steel pan)	1	6HP32.GAS01

Hard Parts (000240)

REF	DESCRIPTION	QUANTITY	PART NO
	USE 6HP26.DRU01 E CLUTCH INPUT DRUM - CHECK BOX CODE	1	6HP26.DRU07
	6HP26 SHAFT PUMP STATOR	1	6HP26.PUM08
	6HP26 REPAIR PACK (AO51)	1	6HP26.REP01
	6HP26 REPAIR PACK (AO52)	1	6HP26.REP02
800	# 6HP21/6HP28 SHORT PUMP ASSEMBLY	1	6HP21.PUM01
800	# JAG/BMW SHORT PUMP	1	6HP26.PUM01
800	# 6HP26 PUMP CHECK CODES	1	6HP26.PUM03
800	# 6HP28 PUMP BODY W/GEARS CHECK BOX CODE	1	6HP26.PUM05
800	6HP28 PUMP BODY AND GEARS - CHECK BOX CODE	1	6HP28.PUM01
802	6HP26 PUMP STATOR	1	6HP26.PUM06
802	# 6HP26 PUMP STATOR	1	6HP26.PUM07
802	# 6HP26 PUMP STATOR (check box code)	1	6HP26.PUM09
802	6HP28/28X/28AF STATOR ASSEMBLY	1	6HP28.PUM03
803	6HP26 PUMP CENTERING PLATE	1	6HP26.PUM04
804	6HP26 A CLUTCH DRUM	1	6HP26.DRU05
805	# 6HP26 FRONT PLANETRY KIT	1	6HP26.PLK01
805	# 6HP26 FRONT PLANET KIT	1	6HP26.PLK03
807	# 6HP26 DRUM INPUT E CLUTCH 6 PLATE - 24.5mm Shaft	1	6HP26.DRU01
807	6HP26 DRUM INPUT E CLUTCH 7 PLATE - 30mm Shaft	1	6HP26.DRU02
807	# 6HP26/28/X E CLUTCH DRUM 6 PL - 30mm Shaft grooved spline	1	6HP26.DRU06
812	6HP26/X/A/28/X/A B CLUTCH DRUM	1	6HP26.DRU09
815	6HP26 DRUM C BRAKE 4 PLATE CHECK BOX CODE	1	6HP26.DRU04
815	# 6HP26/28 DRUM C BRAKE 5 PLATE CHECK BOX CODE	1	6HP26.DRU08
816	6HP26 REAR PLANETRY KIT INC SUN GEARS	1	6HP26.PLK02
821	6HP26 OUTPUT SHAFT 2WD CHECK CODES	1	6HP26.SH01
821	# 6HP26 OUTPUT SHAFT LAND ROVER ONLY	1	6HP26.SH02
821	# 6HP26 OUTPUT SHAFT LAND ROVER ONLY	1	6HP26.SH03
821	# 6HP26 OUTPUT SHAFT LAND ROVER ONLY	1	6HP26.SH04
821	# 6HP26X/28X OUTPUT SHAFT LAND ROVER ONLY	1	6HP26.SH05
825	# 6HP26 METAL PAN/ FILTER KIT DISCOVERY 3/4 BMW X3/X5	1	6HP26.PAN02
825	# 6HP26 METAL PAN KIT (AM) R/R BMW X5	1	6HP26.PAN12
827	6HP26 STEEL SUMP PAN	1	6HP26.PAN03
827	PURCHASE PART NUMBER ONLY FOR 6HP26.PAN12	1	6HP26.PAN62
830	6HP26X/28X SELECTOR SHAFT (CHECK CODES)	1	6HP26.SEL01

Metal Clad Seals (000125)

REF	DESCRIPTION	QUANTITY	PART NO
150	# PUMP SEAL JAG BMW 4HP18/20/5HP19/6HP26	1	6HP26.MCS01
151	# 6HP26 REAR SEAL (RWD) 44 X 72 X 8	1	6HP26.MCS02
151	6HP19X/21X/26X/28X EXTENSION SEAL 4WD 39 x 72 x 8	1	6HP26.MCS03
152	# 3HP/4HP22/5HP18/5HP30 SELECTOR SHAFT SEAL (MP X10)	1	3HP22.MCS03

Overhaul Kits (000110)

REF	DESCRIPTION	QUANTITY	PART NO
	# 6HP26/28 O/H BMW/JAGUAR/FORD OEM 2001-	1	6HP26.OHK01
	# 6HP26 O/H KIT TRANSTEC 2001- (NOT 6HP28)	1	6HP26.OHK02
	# 6HP26/28 COMBO KIT TRANSTEC	1	6HP26.OHK03
	6HP28 OVERHAUL KIT - 04 UP	1	6HP26.OHK04
	6HP26 OVERHAUL KIT BMW/JAGUAR - AM - 2001-	1	6HP26.OHK11

Pistons (000221)

REF	DESCRIPTION	QUANTITY	PART NO
170	6HP26 A CLUTCH PISTON JAG/BMW	1	6HP26.PIS01
170	6HP26 A CLUTCH PISTON FORD FALCON 175 CODE	1	6HP26.PIS03
171	6HP26 A CLUTCH DAMPER PISTON JAG/BMW	1	6HP26.PIS02
171	6HP26 A DAMPER PISTON FORD FALCON 175 CODE	1	6HP26.PIS04
172	6HP26 E CLUTCH PISTON 39mm CHECK CODE	1	6HP26.PIS05
172	6HP26 E CLUTCH PISTON 34mm (CHECK CODE)	1	6HP26.PIS09
173	6HP26 E DAMPER PISTON CHECK CODES	1	6HP26.PIS06
174	6HP26 B DAMPER PISTON	1	6HP26.PIS07
177	6HP26 D CLUTCH PISTON (6 PLATE)	1	6HP26.PIS10
177	6HP26 D CLUTCH PISTON (7 PLATE)	1	6HP26.PIS11
178	6HP26 D DAMPER PISTON	1	6HP26.PIS08

Pressure Plates (000144)

REF	DESCRIPTION	QUANTITY	PART NO
401	6HP26 E CLUTCH PRESSURE PLATE	1	6HP26.PP02
402	6HP26 B CLUTCH PRESSURE PLATE 4MM	1	6HP26.PP03
403	6HP26 C BRAKE PRESSURE PLATE 3.9MM	1	6HP26.PP01

Sealing Rings & O-Rings (000190)

REF	DESCRIPTION	QUANTITY	PART NO
141	5HP19 SEAL F CLH INNER/E CLH DAMPER OUTER	1	5HP19.OR09
139	5HP19.A CLUTCH PISTON INNER O-RING	1	5HP19.OR16
202	5HP19 INPUT SHAFT SSR 25 X 23 X 2 (MP X10)	1-3	5HP19.SSR03
	*** USE 5HP24.OR03 *** 6HP26 E CLUTCH PISTON INNER ORING	1	6HP26.OR03
128	6HP26 E CLUTCH PISTON OUTER ORING MP10	1	6HP26.OR04
120	4HP24 PUMP O-RING	1	4HP24.OR01
121	PUMP BODY O RING	1	5HP18.OR02
123 / 138	6HP26 O-RING A CLUTCH & B CLUTCH OUTER	1	6HP26.OR09
123	6HP28 SEAL A CLUTCH PISTON OUTER	1	6HP28A.OR02
124	4HP22 F CLUTCH INNER	1	4HP22.OR07
125 / 137	5HP24 D CLUTCH OUTER ORING / 6HP26 C CLUTCH OUTER	1	5HP24.OR10
125	6HP28 SEAL A CLUTCH DAMPER OUTER	1	6HP28A.OR04
129	6HP19/6HP19A/21 E CLUTCH PISTON OUTER ORING MP10	1	6HP19.OR06
133 / 135	6HP26/6HP28 B CLUTCH ORING PISTON+DAMPER OUTER	1	6HP26.OR06
134	4HP14 O RING BRAKE BAND SERVO CYL COVER	1	4HP14.OR06
136	6HP26 C CLUTCH INNER ORING	1	6HP26.OR08
136	6HP28 LIP SEAL C CLUTCH INNER	1	6HP28A.OR08
137	6HP28 LIP SEAL C CLUTCH OUTER	1	6HP28A.OR07
138	6HP28 LIP SEAL D CLUTCH OUTER	1	6HP28A.OR06
200	6HP19/26 SHAFT SEALING RING (REAR OF PUMP) 56.3 x 60 x 2.5	1	6HP26.SSR01
201	6HP19/26 SHAFT SEALING RING (REAR OF PUMP) 52 x 56 x 2.5	1	6HP26.SSR02
202	6HP26/28 INPUT SHAFT SEALING RING 28MM DIA	3	6HP26.SSR05
203	6HP26 SHAFT SEALING RING B CLUTCH DRUM (2 PER BOX)	2	6HP26.SSR03

Small Hard Parts (000220)

REF	DESCRIPTION	QUANTITY	PART NO
	4HP20/5HP18/19/24/30/8HP45/70 CASE PLUG (M10 x 1)	1	4HP20.PLU01
756	# VALVE BODY PISTON ACCUMULATOR (LATE STYLE)	3-7	5HP19.ACC02
756	VALVE BODY PISTON ACCUMULATOR (LATE STYLE) AM	3-7	5HP19.ACC52
	6HP26/28/8HP45/70/9HP48 CASE BREATHER	1	6HP26.BRE01
	6HP26/28 CASE TO BELLHOUSING BREATHER PIPE	1	6HP26.BRE02
	PLASTIC BREATHER CAP	1	6HP26.CAP01
	6HP26 TORX SCREW M6X24 (Per 24 screws)	1	6HP26.NUT05
	6HP26 OIL FEEDER - LUBE TRANSFER HOUSING	1	6HP26.TU05
410	6HP26 A CLUTCH DIAPHRAGM SPRING	1	6HP26.DIA01
411	6HP26 E DIAPHRAGM SPRING	1	6HP26.DIA02
412	6HP26 B DIAPHRAGM SPRING	1	6HP26.DIA03
414	6HP26 D CLUTCH DIAPHRAGM SPRING	1	6HP26.DIA04
431	6HP28 K RING CLIP	1	6HP28A.RET01
432 / 436 / 439	6HP26 CIRCLIP CLUTCH A/ B/ C 2.20 mm	1	6HP26.CIR01
432 / 436 / 439	6HP26 CIRCLIP CLUTCH A/ B/ C 2.40 mm	1	6HP26.CIR02
432 / 436 / 439	6HP26 CIRCLIP CLUTCH A B C 2.60 mm	1	6HP26.CIR03
432 / 436 / 439	6HP26 CIRCLIP CLUTCH A/ B/ C 2.80 mm	1	6HP26.CIR04
432 / 436 / 439	6HP26 CIRCLIP CLUTCH A B C 3.00 mm	1	6HP26.CIR05
432 / 436 / 439	6HP26 CIRCLIP CLUTCH A/ B/ C 3.20 mm	1	6HP26.CIR06
432 / 436 / 439	6HP26 CIRCLIP CLUTCH A B C 3.40 mm	1	6HP26.CIR07
432 / 436 / 439	6HP26 CIRCLIP CLUTCH A/ B/ C 3.60 mm	1	6HP26.CIR08
432 / 436 / 439	6HP26 CIRCLIP CLUTCH A B C 3.80 mm	1	6HP26.CIR09
432 / 436 / 439	6HP26 CIRCLIP CLUTCH A/ B/C 4.00 mm	1	6HP26.CIR10
432 / 436 / 439	6HP26 CIRCLIP CLUTCH A B C 4.20 mm	1	6HP26.CIR11
432 / 436 / 439	6HP26 CIRCLIP CLUTCH A B C 4.40 mm	1	6HP26.CIR12
432 / 436 / 439	6HP26 CIRCLIP CLUTCH A B C 4.60 mm	1	6HP26.CIR13
433	6HP26/26A/28/32 FRONT PLANET TO (A) CLUTCH RETAINING CLIP	1	6HP26.RET01
435	5HP24 A CLUTCH SEL CIRCLIP 3.0MM (MP X10)	1	5HP24.CIR01
435	5HP24 A CLUTCH CIRCLIP 1.8MM (MP X10)	1	5HP24.CIR04
435	5HP24 A CLUTCH CIRCLIP 2.0MM (MP X10)	1	5HP24.CIR05
435	5HP24 A CIRCLIP 2.2MM (MP X10) ALSO FITS 6HP26 E CLUTCH	1	5HP24.CIR06
435	5HP24 A SEL CIRCLIP 2.40MM (MP X10)	1	5HP24.CIR07
435	5HP24 A SEL CIRCLIP 2.60MM (MP X10)	1	5HP24.CIR08
435	5HP24 A SEL CIRCLIP 3.20MM (MP X10)	1	5HP24.CIR10
435	5HP24 A SEL CIRCLIP 3.40MM (MP X10)	1	5HP24.CIR11
435	5HP24 A SEL CIRCLIP 3.60MM (MP X10)	1	5HP24.CIR12
435	5HP24 A CLUTCH CIRCLIP 2.8mm (mp10)	1	5HP24.CIR16
600	6HP19/26/32 SELECTIVE SHIM (BACK OF PUMP) 4.6MM	1	6HP26.SHIM11
751	6HP19A/26 VB - MAIN CASE TUBE 25.9mm long (2 per trans)	1-2	6HP26.TU01
752	6HP26/32 VB - MAIN CASE TUBE 31.4mm long	1	6HP26.TU02
753	6HP26/32 VB - MAIN CASE TUBE 40.7mm long	1	6HP26.TU03
754	# 6HP26/28/32 VB - LATE MAIN CASE ADAPTER WITH KEY	1	6HP26.TU04
754	# 6HP26/32 VB - EARLY MAIN CASE ADAPTER WITHOUT KEY	1	6HP26.TU06
806	6HP26 FRONT PLANET OIL DAM (3 GEAR PLANET)	1	6HP26.DAM01
806	6HP26 FRONT PLANET OIL DAM (4 GEAR PLANET)	1	6HP26.DAM02
813	6HP26/26A/26X C CLUTCH DIAPHRAGM RETAINER SNAP RING	1	6HP26.RET02
824	6HP19/26 NUT OUPUT SHAFT	1	6HP26.NUT03
900	6HP26/28 PUMP BOLT & WASHER M6 x 22mm (1 per unit)	1	6HP26.NUT04
901	# 6HP19/26 PUMP BOLT WITH WASHER M6 x 52mm	11-13	6HP19.NUT01
919	# 6HP19/26 BOLT PLASTIC PAN (modified Torx 40) (21)	21-24	6HP26.NUT01
920	# 6HP26 METAL SUMP PAN BOLTS (M6x22.5)	21	6HP26.NUT02

Specials & Oils (000260)

REF	DESCRIPTION	QUANTITY	PART NO
	6HP26 / 6HP28 SERVICE KIT	1	6HP26.SERKIT
	# ZF LIFEGUARD 6 1ltr Bottle (RWD+R/ROVER/X5) yellow	1	OIL.53
	# ZF LIFEGUARD 6 (20LTR) (RWD + R/ROVER/X5) yellow	1	OIL.54
	# ZF LIFE GUARD 6 (209 LTR) (RWD + R/ROVER/X5) yellow	1	OIL.55
	# ZF LIFEGUARD 6 1000 lts (not available from ZF UK)	1	OIL.56
	# ZF LIFEGUARD 6+ (1 LTR) (VW/AUDI 2WD & 4WD) blue	1	OIL.58

Steel Plate Kits (000145)

REF	DESCRIPTION	QUANTITY	PART NO
	STEEL KIT 6HP26/26X/28/28X CHECK CODES	1	6HP26.STK01
	STEEL KIT 6HP26/26X/28/28X CHECK CODES	1	6HP26.STK02

Steel Plates (000140)

REF	DESCRIPTION	QUANTITY	PART NO
300 / 305 / 307 / 308	6HP26 A CLLUTCH WAVY STEEL FORD FALCON 175 CODE 0.90mm	1	6HP26.STP11
301 / 306 / 310 / 400	6HP26 A CLUTCH STEEL 3MM	4-5	6HP26.STP01
302	6HP26 E CLUTCH WAVY STEEL	1	6HP26.STP07
302	# 6HP26 E CLUTCH WAVY STEEL - CHECK BOX CODE	1	6HP26.STP12
303	# 6HP26 E CLUTCH STEEL (3.00MM)	6	6HP26.STP02
303	6HP26 STEEL PLATE E CLUTCH 2.4mm	7	6HP26.STP04
304 / 309 / 310	6HP26 B + D CLUTCH STEEL 2.1MM	4-7	6HP26.STP03
305 / 307	6HP26 B WAVY STEEL 1.10mm	1	6HP26.STP08

Torque Converter Parts (000320)

REF	DESCRIPTION	QUANTITY	PART NO
	CONV L/U LINING 9.725x 8.250x .045 HTS	1	Z-B45070HTS
	CONV. ZF SPRAG 18 ELEMENTS	1	Z-BW-SP-4
	CONV. 6HP26/19 IMPELLER HUB PROCESS 90 45mm D	1	Z-FS-90-10G
	# CONV. L/U PLATE 6HP26 260MM	1	Z-FS-CP-56BW
	CONV. TRUST BEARING ZF 63.4 mm OD 38 mm ID 4.6 mm	1	Z-FS-N-4
	CONVERTER 6HP19/26 BALL BRG FRONT 47 mm OD 35 mm ID 7mm	1	Z-FS-N-5
	CONV LIP SEAL F&S	1	Z-FS-O-27V
	CONV.CLAD SEAL ZF	1	Z-FS-O-2V
	CONVERTER 6HP26 RETAINER REPAIR RING	1	Z-FS-WS-2
	# 1-3/4 DIAMETER TC NECK COVER (BLACK)	1	Z-MI-HC-B
	CONV 6HP26 280.. LOCKUP PLATE W/FRIC.	1	Z-ZF-CP-1
	CONV. 6HP26 280MM LOCK UP W/FRIC	1	Z-ZF-CP-2
	CONV. CLUTCH PLATE 230.1mm 20 FLAT TABS	1	Z-ZF-CP-5
	CONV. 6HP26 280mm LINING 24TH	1	Z-ZF-CP-6
	CONV. 6HP STEEL PLATE 7.57x5.703x0.108	1	Z-ZF-CP-7
	CONV. 6HP26 INNER STATOR RACE, 260mm/275mm (38TEETH)	1	Z-ZF-HR-2
	CONV. 6HP26 O-RING INNER DIA 255MM	1	Z-ZF-O-6V

Torque Converters N (000300)

REF	DESCRIPTION	QUANTITY	PART NO
		1	
	# JAGUAR R/ROVER 4.2 V8 G74 Z54 Q76 J65 B84	1	6HP26.TC01
	JAGUAR SACHS 6HP26 G74 Z54 Q76 J65, b84	1	6HP26.TC01A
	# 6HP26 JAG J93 J76 N62 D65 B74 STAMP	1	6HP26.TC02
	# 6HP26 JAG N62 J76 N62 STAMP	1	6HP26.TC02A
	# 6HP26 JAG/ 4.4 V8 RANGE ROVER/BMW TC H65 L76 D85 S62	1	6HP26.TC03
	6HP26 JAG TC H65 L76 D85 S62	1	6HP26.TC03A
	# K76 B85 P62 F65 3.0 V6 S Type Jaguar	1	6HP26.TC04
	K76 B85 3.0 V6 S Type Jaguar	1	6HP26.TC04A
	# JAGUAR C85 G65 2.5 3.0 3.5 V8	1	6HP26.TC05
	JAGUAR C85 G65 2.5 3.0 3.5 V8	1	6HP26.TC05A
	# JAG 2.7 V6 S72	1	6HP26.TC06
	# JAGUAR/LANDROVER V6 2.7 Y85 (Replaces F77)	1	6HP26.TC07
	JAGUAR V6 2.7 F77 Y85 SACHS REMAN	1	6HP26.TC07A
	# L/ROVER 4.0 V6 N84	1	6HP26.TC08
	# L/ROVER 3.6 V8 Y94	1	6HP26.TC09
	# L/ROVER 3.6 V8 Y94 - SACHS REMAN	1	6HP26.TC09A
	# BMW Z83 Y73 P65 V74 L93	1	6HP26.TC10
	6HP26 CONVERTER	1	6HP26.TC100
	BMW L93 L62 Z74	1	6HP26.TC10A
	# BMW K93 K62	1	6HP26.TC11
	BMW K93 K62	1	6HP26.TC11A
	# BMW Y74	1	6HP26.TC12
	BMW Y74 P65 V74 Z83	1	6HP26.TC12A
	# BMW Z73	1	6HP26.TC13
	# BMW F85 H76	1	6HP26.TC14
	BMW F85 H76 SACHS CONVERTER	1	6HP26.TC14A
	# BMW G85 (can use 6HP26.TC34)	1	6HP26.TC15
	# BMW K65	1	6HP26.TC16
	# BMW N65 U74	1	6HP26.TC17
	6HP26 CONVERTER Y83	1	6HP26.TC17A
	# BMW C82	1	6HP26.TC18
	6HP26 CONVERTER BMW C82	1	6HP26.TC18A
	# BMW J85	1	6HP26.TC19
	# 6HP26A AUDI 4.2 V8 F93	1	6HP26.TC20
	6HP26A AUDI 4.2 V8 F93	1	6HP26.TC20A
	# 6HP26A 3.7 V8 G93	1	6HP26.TC21
	6HP26A 3.7 V8 G93	1	6HP26.TC21A
	# 6HP26A 4.0 V8 U92 F66 L74	1	6HP26.TC22
	6HP26A 4.0 V8 U92 F66 L74	1	6HP26.TC22A
	# 6HP26A (engine type W12) V92	1	6HP26.TC23
	6HP26A CONVERTER (ENGINE TYPE W12) V92	1	6HP26.TC23A
	# 6HP26A 4.2 V8 S94	1	6HP26.TC24
	# 6HP26A 5.2 V10 Q94	1	6HP26.TC25
	6HP26 CONVERTER 5.2 V10 Q94 SACHS	1	6HP26.TC25A
	6HP26 CONVERTER K63 J74	1	6HP26.TC26
	6HP26 CONVERTER K63 J74	1	6HP26.TC26A
	6HP26 CONVERTER Z83 D82	1	6HP26.TC29
	# BMW CONVERTER L62 L93 Z74 V73	1	6HP26.TC30
	6HP26 SACHS JAGUAR J93 L93	1	6HP26.TC30A
	# 6HP26 BMW 535 H85 P92	1	6HP26.TC31
	USE 6HP26.TC01 6HP26 CONVERTER JAGUAR B84	1	6HP26.TC32
	6HP26 CONVERTER JAGUAR/RANGE ROVER 4.2 B84	1	6HP26.TC32A
	6HP28 CONVERTER V102 BMW 3.0D	1	6HP26.TC33
	6HP26 BMW N85 J85	1	6HP26.TC34
	6HP26 BMW N85 J85 SACHS TORQUE	1	6HP26.TC34A
	6HP26 CONVERTER Z92	1	6HP26.TC35A
	6HP26A CONVERTER BENTLEY W12 ENGINE CODE L110	1	6HP26.TC40
	6HP26A CONVERTER BENTLEY W12 ENGINE CODE L110	1	6HP26.TC40A
	*** USE 6HP26.TC40 *** L110	1	6HP26.TC41
	MASERATI 6HP26 CONVERTER L85	1	6HP26.TC42
	# 6HP26 CONVERTER (NEW) L62 - NEW 6HP26.TC30	1	6HP26.TC50
	6HP26 CONVERTOR BMW 735i K93	1	6HP26.TC51
	6HP26 CONVERTER K74	1	6HP26.TC52
	# 6HP26 CONVERTER Jaguar V6 (NEW) J76 J93	1	6HP26.TC53
	6HP26 CONVERTER (V74) Z83	1	6HP26.TC54
	6HP26 CONVERTER L74 OEM	1	6HP26.TC55
	FORD 6R60 JAGUAR 4.2 SUPERCHARGED J65	1	6HP26.TC56
	# 6HP26 BMW Y83	1	6HP26.TC57
	# 6HP26 TORQUE CONVERTER	1	6HP26.TC58
	6HP26 CONVERTER OEM B84	1	6HP26.TC59
	6HP26 CONVERTER OEM B85	1	6HP26.TC60
	6HP26 Converter N107 Jag 3.0D	1	6HP26.TC62
	6HP26 FORD FALCON TC Y84	1	6HP26.TC63
	6HP26 CONVERTER V83	1	6HP26.TC64
	6HP26 CONVERTER S98	1	6HP26.TC65
	*** USE 6HP26.TC33 *** 6HP28 CONVERTER V102	1	6HP28.TC01
	6HP28 CONVERTER V102	1	6HP28.TC01A
	*** USE 6HP26.TC62 *** 6HP28 CONVERTER N107	1	6HP28.TC02
	6HP28 CONVERTER N107	1	6HP28.TC02A
	6HP28 CONVERTER D126 / J116	1	6HP28.TC03
	6HP28 CONVERTER D126 / J116	1	6HP28.TC03A
	6HP28 CONVERTER P121	1	6HP28.TC04
	6HP28 CONVERTER P121	1	6HP28.TC04A
	6HP28 CONVERTER S121	1	6HP28.TC05
	6HP28 CONVERTER S121	1	6HP28.TC05A
	6HP28 CONVERTER B110 RANGE ROVER 5.0 SUPERCHARGED	1	6HP28.TC06
	6HP28 CONVERTER K110 AUDI RS6 V10 5.0L TFSI	1	6HP28.TC07
	6HP28 CONVERTER K110 AUDI RS6 V10 5.0L TFSI sachs	1	6HP28.TC07A
	6HP28AF N114 CODES 1084 030 011/ 021 AUDI V6 TDI	1	6HP28.TC08
	6HP28/28X A110 JAG/LAND ROVER 5.0L V8 N/A	1	6HP28.TC09

Transmission Tools N (000280)

REF	DESCRIPTION	QUANTITY	PART NO
	6HP19/12/26/28/32/34 SOLENOID VACUUM TEST KIT (SET OF 3)	1	6HP19.TOOL02
	TESTER PLATE FOR TOOL.139	1	6HP26.TOOL01
	6HP19/6HP26 KIT BUSHING INSTALL TOOL	1	6HP26.TOOL02
	# 6HP26 / 6HP28 BUSHING INSTALLER KIT (8 PIECE)	1	6HP26.TOOL03
	SONNAX VACUUM TEST STAND KIT	1	TOOL.220

Valve Body N (000241)

REF	DESCRIPTION	QUANTITY	PART NO
750	VALVE BODY ASSY/ MECHATRONIC OEM	1	6HP26.VB01
750	6HP26 VALVEBODY - HYDRAULIC REMANUFACTURED	1	6HP26.VB01D
750	6HP28 VALVE BODY ZF REMAN EXCHANGE	1	6HP28.VB01
750	6HP28 VALVEBODY - HYDRAULIC REMANUFACTURED	1	6HP28.VB01D

Valve Body Parts (000262)

REF	DESCRIPTION	QUANTITY	PART NO
	# 6HP GEN1 VALVE KIT PRESS. REG. OVERSIZED (not 053 plate)	1	6HP19.VA01
	6HP GEN1 SLEEVE PRESS. REG. (not for 053 VB plate)	1	6HP19.VA03
	6HP GEN1 END PLUG KIT 13 + 17 mm	1	6HP19.VA04
	6HP GEN1 INTERNAL END PLUG KIT 12mm	1	6HP19.VA05
	6HP GEN1 BOOST VALVE & SLEEVE	1	6HP19.VA06
	# 6HP GEN1 & GEN2 ACCUMULATOR PISTON & SPRING	1	6HP19.VA07
	6HP GEN1 VALVE KIT LUB. CONTROL	1	6HP19.VA08
	6HP GEN1 VALVE KIT SOL. PRESS. REG.	1	6HP19.VA10
	6HP GEN1 & GEN2 VALVE CONV. RELEASE REG. KIT	1	6HP19.VA13
	6HP GEN1 VALVE BYPASS CLUTCH CONTROL	1	6HP19.VA15
	6HP GEN1 OVERSIZED CLUTCH D1/E CONTROL VALVE KIT	1	6HP19.VA17
	6HP GEN1 OVERSIZED CLUTCH A CONTROL VALVE KIT	1	6HP19.VA18
	6HP GEN1 SLEEVE PRESS. REG. (use with 053 VB plate only)	1	6HP19.VA24
	6HP GEN1 END PLUG KIT 13 + 17 mm (053 VB plate only)	1	6HP19.VA25
	6HP26 OVERSIZED E LATCH VALVE KIT (short 4.6mm centre spool)	1	6HP19.VA26
	# 6HP19/26/32 6R60 VALVE BODY PLUG KIT GEN 1 ZIP KIT	1	6HP19.ZIP01
	# 6HP19/21/26/28/34 VB PLUG KIT (GEN 2 ZIP KIT)	1	6HP19.ZIP02
	# 6HP21/6HP28 GEN2 VB PLATE A063 OEM	1	6HP21.SP01
	# 6HP21/6HP28 GEN2 VB PLATE A065 OEM	1	6HP21.SP02
	6HP21/6HP28 GEN2 VB PLATE A063 AM	1	6HP21.SP51
	6HP21/6HP28 GEN2 VB PLATE A065 AM	1	6HP21.SP52
	6HP GEN2 CLUTCH A & E CONTROL BOOST VALVE & SLEEVE KIT	1	6HP21.VA01
	6HP GEN2 PRESSURE REGULATOR SLEEVE	1	6HP21.VA02
	6HP GEN.2 OVERSIZED CLUTCH A & E CONTROL VALVE KIT	1	6HP21.VA03
	6HP GEN2 O-RINGED END PLUG KIT (13 & 15 mm)	1	6HP21.VA05
	6HP GEN2 O-RINGED END PLUG KIT 7x (12mm) small	1	6HP21.VA06
	6HP GEN2 OVERSIZE BYPASS CLUTCH CONTROL VALVE KIT	1	6HP21.VA07
	6HP GEN2 OVERSIZED A CLUTCH & E CLUTCH CONTROL VALVE KIT	1	6HP21.VA09
	6HP GEN2 OVERSIZED LUBRICATION CONTROL VALVE KIT	1	6HP21.VA11
	6HP GEN2 OVERSIZED POSITION VALVE KIT	1	6HP21.VA13
	6HP GEN2 OVERSIZED SHIFT VALVE 3 KIT	1	6HP21.VA15
	6HP GEN2 OVERSIZED SOLENOID PRESS. REG. VALVE KIT	1	6HP21.VA17
	6HP GEN2 VALVE KIT PRESS. REG.	1	6HP21.VA19
	# 6HP19/26 GEN1 VB PLATE A052/B052 OEM	1	6HP26.SP01
	# 6HP19/26 GEN1 VB PLATE A035/ B035 OEM	1	6HP26.SP02
	# 6HP19/26 GEN1 VB PLATE A051/B051 OEM	1	6HP26.SP03
	# 6HP19/26 GEN1 VB PLATE A047 B047 OEM	1	6HP26.SP04
	6HP19/26 GEN1 VB PLATE 053 OEM	1	6HP26.SP05
	6HP19/26 GEN1 VB PLATE A052/B052 SONNAX	1	6HP26.SP31
	6HP19/26 GEN1 VB PLATE A052/B052 AM	1	6HP26.SP51
	6HP19/26 GEN1 VB PLATE A035/B035 AM	1	6HP26.SP52
	6HP19/26 GEN1 VB PLATE A051/B051 AM	1	6HP26.SP53
	6HP19/26 GEN1 VB PLATE A047/B047 AM	1	6HP26.SP54
	6HP19/26 GEN1 VB PLATE A053/B053 AM	1	6HP26.SP55
	6HP26/19/6R60 VALVE BODY PLUG KIT	1	6HP26.VA02
755	6HP26 VALVE BODY SPRING W/CAP	2	6HP26.VA01
902	6HP21/28 PUMP RELIEF VALVE IN STATOR	1	6HP28.VA01

Valve Body Tools N (000263)

REF	DESCRIPTION	QUANTITY	PART NO
	TOOL FOR 6HP19.VA01	1	6HP19.VA02
	TOOL FOR 6HP19.VA08	1	6HP19.VA09
	TOOL FOR 6HP19.VA10 & 6HP21.VA17	1	6HP19.VA11
	TOOL FOR 6HP19.VA17 6HP19.VA18	1	6HP19.VA12
	TOOL FOR 6HP19.VA13	1	6HP19.VA14
	TOOL FOR 6HP19.VA15	1	6HP19.VA16
	TOOL FOR 6HP19.VA26	1	6HP19.VA27
	TOOL KIT FOR 6HP21.VA03	1	6HP21.VA04
	TOOL KIT FOR 6HP21.VA07	1	6HP21.VA08
	TOOL KIT FOR 6HP21.VA09	1	6HP21.VA10
	TOOL KIT FOR 6HP21.VA11	1	6HP21.VA12
	TOOL KIT FOR 6HP21.VA13	1	6HP21.VA14
	TOOL KIT FOR 6HP21.VA15	1	6HP21.VA16
	TOOL.KIT FOR 6HP21.VA19	1	6HP21.VA20
	AG4 VALVE BODY REPAIR/ REAMING FIXTURE TOOL	1	AG4.VA05
	HYDRAULIC TRANSMISSION TESTER	1	TOOL.139

Washers, Torringtons & Shims (000170)

REF	DESCRIPTION	QUANTITY	PART NO
600	6HP19/26/32 SELECTIVE SHIM (BACK OF PUMP) 2.6MM	1	6HP26.SHIM01
600	6HP19/26/32 SELECTIVE SHIM (BACK OF PUMP) 2.8MM	1	6HP26.SHIM02
600	6HP19/26/32 SELECTIVE SHIM (BACK OF PUMP) 3.0MM	1	6HP26.SHIM03
600	6HP19/26/32 SELECTIVE SHIM (BACK OF PUMP) 3.2MM	1	6HP26.SHIM04
600	6HP19/26/32 SELECTIVE SHIM (BACK OF PUMP) 3.4MM	1	6HP26.SHIM05
600	6HP19/26/32 SELECTIVE SHIM (BACK OF PUMP) 3.6MM	1	6HP26.SHIM06
600	6HP19/26/32 SELECTIVE SHIM (BACK OF PUMP) 3.8MM	1	6HP26.SHIM07
600	6HP19/26/32 SELECTIVE SHIM (BACK OF PUMP) 4.0MM	1	6HP26.SHIM08
600	6HP19/26/32 SELECTIVE SHIM (BACK OF PUMP) 4.2MM	1	6HP26.SHIM09
600	6HP19/26/32 SELECTIVE SHIM (BACK OF PUMP) 4.4MM	1	6HP26.SHIM10
600	6HP19/26/32 SELECTIVE SHIM (BACK OF PUMP) 4.8MM	1	6HP26.SHIM12
601	6HP19/26/32 SELECTIVE SHIM (OUTPUT SHAFT) 1.2MM	1	6HP26.SHIM13
601	6HP19/26/32 SELECTIVE SHIM (OUTPUT SHAFT) 1.4MM	1	6HP26.SHIM14
601	6HP19/26/32 SELECTIVE SHIM (OUTPUT SHAFT) 1.6MM	1	6HP26.SHIM15
601	6HP19/26/32 SELECTIVE SHIM (OUTPUT SHAFT) 1.8MM	1	6HP26.SHIM16
601	6HP19/26/32 SELECTIVE SHIM (OUTPUT SHAFT) 2.0MM	1	6HP26.SHIM17
601	6HP19/26/32 SELECTIVE SHIM (OUTPUT SHAFT) 2.2MM	1	6HP26.SHIM18
601	6HP19/26/32 SELECTIVE SHIM (OUTPUT SHAFT) 2.4MM	1	6HP26.SHIM19
601	6HP19/26/32 SELECTIVE SHIM (OUTPUT SHAFT) 2.6MM	1	6HP26.SHIM20
601	6HP19/26/32 SELECTIVE SHIM (OUTPUT SHAFT) 2.8MM	1	6HP26.SHIM21
601	6HP19/26/32 SELECTIVE SHIM (OUTPUT SHAFT) 1.0MM	1	6HP26.SHIM22
651 / 653	# 6HP19/26 TORRINGTON	1	6HP26.TOR01
652	6HP26/32 E CLUTCH - INTER SHAFT	1	6HP26.TOR02
655	6HP26 BETWEEN SUN GEAR SHAFTS	1	6HP26.TOR03
657	6HP26 BETWEEN D BRAKE DRUM - REAR SUN GEAR	1	6HP26.TOR05
658	6HP26 BETWEEN SUNGEARS AND REAR PLANET (2 PER BOX)	2	6HP26.TOR04
659	6HP26 BETWEEN REAR PLANET - OUTPUT SHAFT	1	6HP26.TOR06