

AHEAD OF THE FLOW[®]





Electronic Data Interchange (EDI) makes it possible to trade business documents at the speed of light. This technology cuts the cost of each transaction by eliminating the manual labor and paperwork involved in traditional order taking. This amounts to cost-savings, increased accuracy and better use of resources.

With EDI, you can trade:

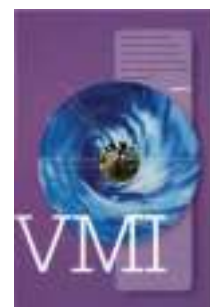
- Purchase orders
- PO Acknowledgements
- Invoices
- Product activity data
- Advanced ship notices
- Remittance advice



Vendor Managed Inventory (VMI), a sophisticated service for automated inventory management, reduces your overhead by transferring inventory management, order entry and forecasting to NIBCO. This is an on-going, interactive partnership with NIBCO.

Through automation, VMI brings results:

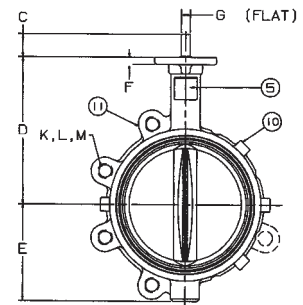
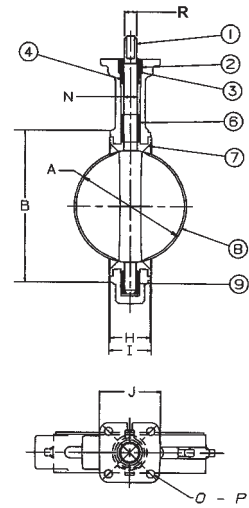
- Improves customer service
- Optimum inventory efficiencies
- Better forecasting
- Cuts transaction costs
- Peace of mind
- Relief from day-to-day management







CONFORMS TO MSS SP-67 • U.S. Coast Guard "Category A"
 • LISTED BY IAPMO R&T FOR COMPLIANCE WITH SECTION
 116875 OF THE CALIFORNIA HEALTH AND SAFETY CODE
 • VERMONT ACT 193



Size	Capscrew/Stud Data						Lug Weight		Wafer Weight				
	In.	mm.	B.C.	Dia.	Dia.	No.	Dia.	Length	Length	M B.C.	Lbs.	Kg.	Lbs.
2	50	3.25	.437	.437	4	5/8-11unc			4 3/4	7	3.2	5.5	2.5
2 1/2	65	3.25	.437	.500	4	5/8-11unc			5 1/2	9	4.1	7.5	3.4
3	80	3.25	.437	.500	4	5/8-11unc			6	9.5	4.3	8	3.6
4	100	3.25	.437	.562	8	5/8-11unc			7 1/2	15	6.8	11	5.0
5	125	3.25	.437	.656	8	3/4-10unc			8 1/2	21	9.5	15	6.8
6	150	3.25	.437	.656	8	3/4-10unc			9 1/2	24	10.9	18	8.2
8	200	3.25	.437	.781	8	3/4-10unc			11 3/4	34	15.4	28	12.7
10	250	5.00	.562	1.000	12	7/8-9unc			14 1/4	62	28.1	45.5	20.7
12	300	5.00	.562	1.062	12	7/8-9unc			17	90	40.9	70	31.8

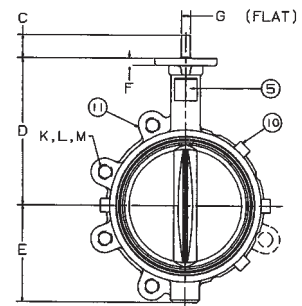
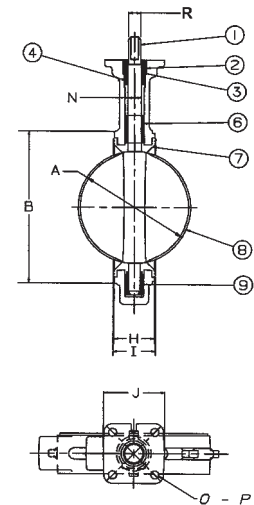
CONFORMS TO MSS SP-67
U.S. Coast Guard "Category A"

DIMENSIONS — WEIGHTS

Size		A	B	C	D	E	F	G	Metal	Rubber	J	N
In.	mm.							Flat	H	I	Square	Dia.
2	50	2.53	4.00	1.25	5.38	2.88	.38	.312	1.688	1.812	3.25	.500
2½	65	2.90	4.69	1.25	5.88	3.27	.38	.370	1.812	1.938	3.25	.562
3	80	3.15	5.12	1.25	6.12	3.40	.38	.370	1.812	1.938	3.25	.562
4	100	4.09	6.12	1.25	6.88	4.00	.38	.403	2.062	2.188	3.25	.625
5	125	5.13	7.25	1.25	7.38	4.75	.38	.496	2.188	2.312	3.25	.750
6	150	6.13	8.25	1.25	8.00	5.29	.38	.496	2.188	2.312	3.25	.750
8	200	8.13	10.41	1.25	9.25	6.50	.50	.560	2.375	2.500	3.25	.875
10	250	10.13	12.52	1.25	10.50	8.00	.50	.686	2.688	2.812	4.75	1.125
12	300	12.13	15.00	1.25	12.00	9.25	.50	.748	3.000	3.125	4.75	1.250

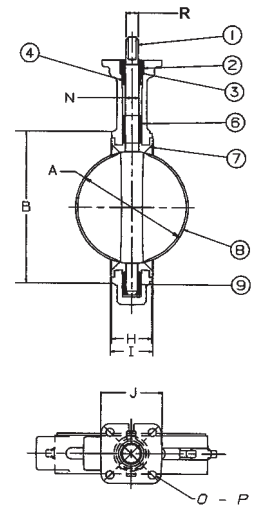
Capscrew/Stud Data

Size		O	P	R	K	L	Wafer Length	Lug Length	M	Lug Weight		Wafer Weight	
In.	mm.	B.C.	Dia.	Dia.	No.	Dia.			B.C.	Lbs.	Kg.	Lbs.	Kg.
2	50	3.25	.437	.437	4	5/8-11unc			4¾	7	3.2	5.5	2.5
2½	65	3.25	.437	.500	4	5/8-11unc			5½	9	4.1	7.5	3.4
3	80	3.25	.437	.500	4	5/8-11unc			6	9.5	4.3	8	3.6
4	100	3.25	.437	.562	8	5/8-11unc			7½	15	6.8	11	5.0
5	125	3.25	.437	.656	8	¾-10unc			8½	21	9.5	15	6.8
6	150	3.25	.437	.656	8	¾-10unc			9½	24	10.9	18	8.2
8	200	3.25	.437	.781	8	¾-10unc			11¾	34	15.4	28	12.7
10	250	5.00	.562	1.000	12	7/8-9unc			14¾	62	28.1	45.5	20.7
12	300	5.00	.562	1.062	12	7/8-9unc			17	90	40.9	70	31.8

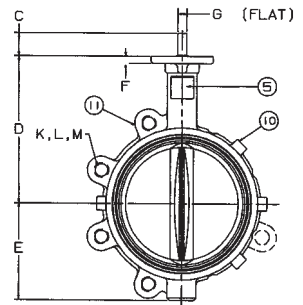


For actuated service where a lower torque is required use NIBCO Fig. No. WDLXXX-0 or LDLXXX-0 series, sizes 2" thru 12" only. Maximum pressure rating of 100 PSI for wet application and 50 PSI for dry application

NOT RECOMMENDED
FOR STEAM SERVICE

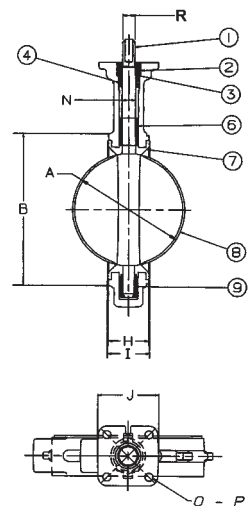


Capscrew/Stud Data



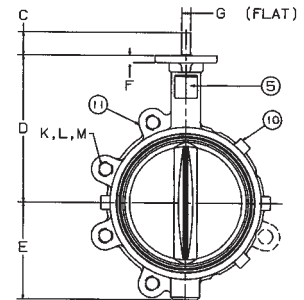
DIMENSIONS — WEIGHTS

Size		A	B	C	D	E	F	G	Metal	Rubber	J	N
In.	Mm.							Flat	H	I	Square	Dia.
2	50	2.53	4.00	1.25	5.38	2.88	.38	.312	1.688	1.812	3.25	.500
2½	65	2.90	4.69	1.25	5.88	3.27	.38	.370	1.812	1.938	3.25	.562
3	80	3.15	5.12	1.25	6.12	3.40	.38	.370	1.812	1.938	3.25	.562
4	100	4.09	6.12	1.25	6.88	4.00	.38	.403	2.062	2.188	3.25	.625
5	125	5.13	7.25	1.25	7.38	4.75	.38	.496	2.188	2.312	3.25	.750
6	150	6.13	8.25	1.25	8.00	5.29	.38	.496	2.188	2.312	3.25	.750
8	200	8.13	10.41	1.25	9.25	6.50	.50	.560	2.375	2.500	3.25	.875
10	250	10.13	12.52	1.25	10.50	8.00	.50	.686	2.688	2.812	4.75	1.125
12	300	12.13	15.00	1.25	12.00	9.25	.50	.748	3.000	3.125	4.75	1.250



Capscrew/Stud Data

Size	O	P	R	K	L	Wafer Length	Lug Length	M	Lug Weight		Wafer Weight	
									B.C.	Lbs.	Kg.	Lbs.
2	50	3.25	.437	.437	4	5/8-11unc		4¾	7	3.2	5.5	2.5
2½	65	3.25	.437	.500	4	5/8-11unc		5½	9	4.1	7.5	3.4
3	80	3.25	.437	.500	4	5/8-11unc		6	9.5	4.3	8	3.6
4	100	3.25	.437	.562	8	5/8-11unc		7½	15	6.8	11	5.0
5	125	3.25	.437	.656	8	¾-10unc		8½	21	9.5	15	6.8
6	150	3.25	.437	.656	8	¾-10unc		9½	24	10.9	18	8.2
8	200	3.25	.437	.781	8	¾-10unc		11¾	34	15.4	28	12.7
10	250	5.00	.562	1.000	12	7/8-9unc		14¼	62	28.1	45.5	20.7
12	300	5.00	.562	1.062	12	7/8-9unc		17	90	40.9	70	31.8

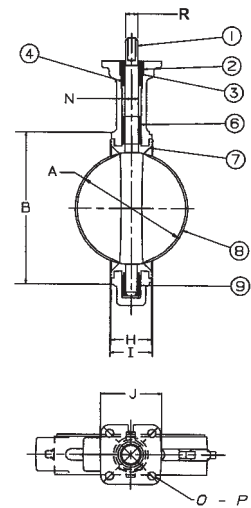


NOT RECOMMENDED
FOR STEAM SERVICE

CONFORMS TO MSS SP-67
U.S. Coast Guard "Category A"

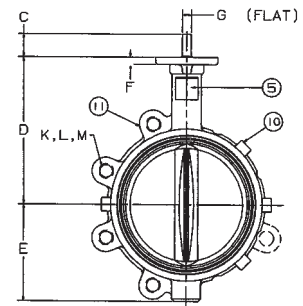
DIMENSIONS — WEIGHTS

Size		A	B	C	D	E	F	G	Metal	Rubber	J	N
In.	mm.							Flat	H	I	Square	Dia.
2	50	2.53	4.00	1.25	5.38	2.88	.38	.312	1.688	1.812	3.25	.500
2½	65	2.90	4.69	1.25	5.88	3.27	.38	.370	1.812	1.938	3.25	.562
3	80	3.15	5.12	1.25	6.12	3.40	.38	.370	1.812	1.938	3.25	.562
4	100	4.09	6.12	1.25	6.88	4.00	.38	.403	2.062	2.188	3.25	.625
5	125	5.13	7.25	1.25	7.38	4.75	.38	.496	2.188	2.312	3.25	.750
6	150	6.13	8.25	1.25	8.00	5.29	.38	.496	2.188	2.312	3.25	.750
8	200	8.13	10.41	1.25	9.25	6.50	.50	.560	2.375	2.500	3.25	.875
10	250	10.13	12.52	1.25	10.50	8.00	.50	.686	2.688	2.812	4.75	1.125
12	300	12.13	15.00	1.25	12.00	9.25	.50	.748	3.000	3.125	4.75	1.250



Capscrew/Stud Data

Size		O	P	R	K	L	Wafer	Lug	M	Lug Weight		Wafer Weight	
In.	mm.	B.C.	Dia.	Dia.	No.	Dia.	Length	Length	B.C.	Lbs.	Kg.	Lbs.	Kg.
2	50	3.25	.437	.437	4	5/8-11unc			4¾	7	3.2	5.5	2.5
2½	65	3.25	.437	.500	4	5/8-11unc			5½	9	4.1	7.5	3.4
3	80	3.25	.437	.500	4	5/8-11unc			6	9.5	4.3	8	3.6
4	100	3.25	.437	.562	8	5/8-11unc			7½	15	6.8	11	5.0
5	125	3.25	.437	.656	8	¾-10unc			8½	21	9.5	15	6.8
6	150	3.25	.437	.656	8	¾-10unc			9½	24	10.9	18	8.2
8	200	3.25	.437	.781	8	¾-10unc			11¼	34	15.4	28	12.7
10	250	5.00	.562	1.000	12	7/8-9unc			14¼	62	28.1	45.5	20.7
12	300	5.00	.562	1.062	12	7/8-9unc			17	90	40.9	70	31.8



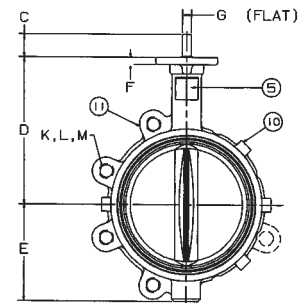
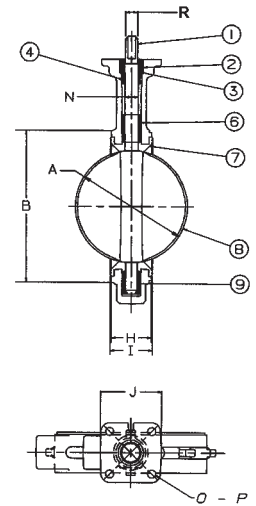
NOT RECOMMENDED
FOR STEAM SERVICE

CONFORMS TO MSS SP-67
U.S. Coast Guard "Category A"

DIMENSIONS — WEIGHTS

Size		A	B	C	D	E	F	G	Metal	Rubber	J	N
In.	mm.							Flat	H	I	Square	Dia.
2	50	2.53	4.00	1.25	5.38	2.88	.38	.312	1.688	1.812	3.25	.500
2½	65	2.90	4.69	1.25	5.88	3.27	.38	.370	1.812	1.938	3.25	.562
3	80	3.15	5.12	1.25	6.12	3.40	.38	.370	1.812	1.938	3.25	.562
4	100	4.09	6.12	1.25	6.88	4.00	.38	.403	2.062	2.188	3.25	.625
5	125	5.13	7.25	1.25	7.38	4.75	.38	.496	2.188	2.312	3.25	.750
6	150	6.13	8.25	1.25	8.00	5.29	.38	.496	2.188	2.312	3.25	.750
8	200	8.13	10.41	1.25	9.25	6.50	.50	.560	2.375	2.500	3.25	.875
10	250	10.13	12.52	1.25	10.50	8.00	.50	.686	2.688	2.812	4.75	1.125
12	300	12.13	15.00	1.25	12.00	9.25	.50	.748	3.000	3.125	4.75	1.250

Size		Capscrew/Stud Data						Lug Weight		Wafer Weight			
In.	mm.	O	P	R	K	L	Wafer Length	Lug Length	M	Lbs.	Kg.	Lbs.	Kg.
		B.C.	Dia.	Dia.	No.	Dia.			B.C.				
2	50	3.25	.437	.437	4	5/8-11unc			4¾	7	3.2	5.5	2.5
2½	65	3.25	.437	.500	4	5/8-11unc			5½	9	4.1	7.5	3.4
3	80	3.25	.437	.500	4	5/8-11unc			6	9.5	4.3	8	3.6
4	100	3.25	.437	.562	8	5/8-11unc			7½	15	6.8	11	5.0
5	125	3.25	.437	.656	8	¾-10unc			8½	21	9.5	15	6.8
6	150	3.25	.437	.656	8	¾-10unc			9½	24	10.9	18	8.2
8	200	3.25	.437	.781	8	¾-10unc			11¼	34	15.4	28	12.7
10	250	5.00	.562	1.000	12	7/8-9unc			14¼	62	28.1	45.5	20.7
12	300	5.00	.562	1.062	12	7/8-9unc			17	90	40.9	70	31.8



For actuated service where a lower torque is required use NIBCO Fig. No. WDLXXX-0 or LDLXXX-0 series, sizes 2" thru 12" only. Maximum pressure rating of 100 PSI for wet application and 50 PSI for dry application

NOT RECOMMENDED
FOR STEAM SERVICE

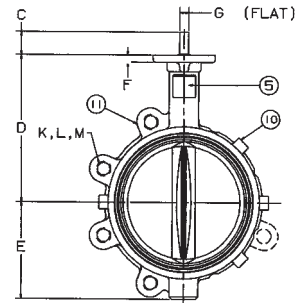
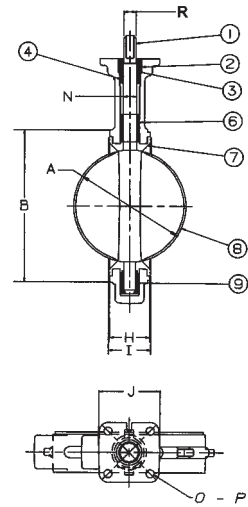
CONFORMS TO MSS SP-67
U.S. Coast Guard "Category A"

DIMENSIONS — WEIGHTS

Size		A	B	C	D	E	F	G	Metal	Rubber	J	N
In.	mm.							Flat	H	I	Square	Dia.
2	50	2.53	4.00	1.25	5.38	2.88	.38	.312	1.688	1.812	3.25	.500
2½	65	2.90	4.69	1.25	5.88	3.27	.38	.370	1.812	1.938	3.25	.562
3	80	3.15	5.12	1.25	6.12	3.40	.38	.370	1.812	1.938	3.25	.562
4	100	4.09	6.12	1.25	6.88	4.00	.38	.403	2.062	2.188	3.25	.625
5	125	5.13	7.25	1.25	7.38	4.75	.38	.496	2.188	2.312	3.25	.750
6	150	6.13	8.25	1.25	8.00	5.29	.38	.496	2.188	2.312	3.25	.750
8	200	8.13	10.41	1.25	9.25	6.50	.50	.560	2.375	2.500	3.25	.875
10	250	10.13	12.52	1.25	10.50	8.00	.50	.686	2.688	2.812	4.75	1.125
12	300	12.13	15.00	1.25	12.00	9.25	.50	.748	3.000	3.125	4.75	1.250

Capscrew/Stud Data

Size	In. mm.	O B.C.	P Dia.	R Dia.	K No.	L Dia.	Wafer Length	Lug Length	M B.C.	Lug Weight		Wafer Weight	
										Lbs.	Kg.	Lbs.	Kg.
2	50	3.25	.437	.437	4	5/8-11unc			4¾	7	3.2	5.5	2.5
2½	65	3.25	.437	.500	4	5/8-11unc			5½	9	4.1	7.5	3.4
3	80	3.25	.437	.500	4	5/8-11unc			6	9.5	4.3	8	3.6
4	100	3.25	.437	.562	8	5/8-11unc			7½	15	6.8	11	5.0
5	125	3.25	.437	.656	8	¾-10unc			8½	21	9.5	15	6.8
6	150	3.25	.437	.656	8	¾-10unc			9½	24	10.9	18	8.2
8	200	3.25	.437	.781	8	¾-10unc			11¾	34	15.4	28	12.7
10	250	5.00	.562	1.000	12	7/8-9unc			14¼	62	28.1	45.5	20.7
12	300	5.00	.562	1.062	12	7/8-9unc			17	90	40.9	70	31.8



For actuated service where a lower torque is required use NIBCO Fig. No. WDLXXX-0 or LDLXXX-0 series, sizes 2" thru 12" only. Maximum pressure rating of 100 PSI for wet application and 50 PSI for dry application

250 Ib. WWP UL/FM Butterfly Valves

Fire Protection Valve • Wafer or Lug Style Body • Molded in Seat •
Accepts internal supervisory switches

250 PSI/17.2 Bar Non-Shock Cold Water

CONFORMS TO MSS SP-67 • UL/ULC LISTED • FMRC APPROVED

- UL LISTED FOR INDOOR AND OUTDOOR SERVICE
- APPROVED BY NEW YORK CITY MEA 9-97-E, VOL.2 WHEN ASSEMBLED WITH APPROPRIATE NYC INDICATOR FLAG
- CALIFORNIA STATE FIRE MARSHAL LISTING NO. 7770-1243:104
- U.S. Coast Guard "Category A"

WD3510-8**

Wafer
(4" Shown)

LD3510-8**

Lug
(Not Shown)

** -8 version has two factory mounted internal supervisory switches. 2" thru 8" uses switch TS-3. 10" thru 12" uses switch TS-1.
-4 version less switches.

Note: Wafer body will mate with ANSI or ISO flanges. O.D. of wafer body notched to fit ISO bolt circle.
Lug body available with ISO flange dimensions and metric bolt hole threads.
For dead-end service use lug style (rated 200 PSI for this service).

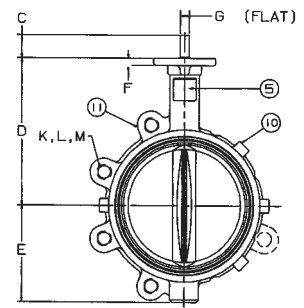
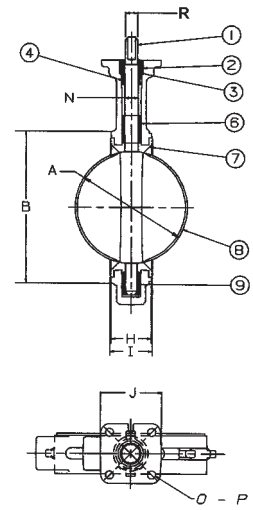
Size	Dimensions								Flange/Stud Data				Weight						
	K		M		N		P		Dia.	Wafer	Lug	BC		Lug	Wafer				
In. mm.	In.	mm.	In.	mm.	In.	mm.	In.	mm.	No.	In. mm.	In. mm.	In. mm.	mm.	Lbs.	Kg.	Lbs.	Kg.		
2	50	3.54	90	5.82	148	2.13	54	5.9	150	4	5/8	16		4.75	121	23	11	21	10
2½	65	3.54	90	5.82	148	2.13	54	5.9	150	4	5/8	16		5.50	140	25	11	24	11
3	80	3.54	90	5.82	148	2.13	54	5.9	150	4	5/8	16		6.00	152	26	12	24	11
4	100	3.54	90	5.82	148	2.13	54	5.9	150	8	5/8	16		7.50	191	31	14	27	12
5	125	3.54	90	7.64	194	2.13	54	5.9	150	8	¾	20		8.50	216	37	17	31	14
6	150	3.54	90	7.64	194	2.13	54	5.9	150	8	¾	20		9.50	241	40	18	34	15
8	200	3.54	90	7.91	201	2.13	54	9.8	250	8	¾	20		11.75	298	55	25	49	22
10	250	3.98	101	9.49	241	3.03	77	11.8	300	12	7/8	22		14.25	362	95	43	78	35
12	300	3.98	101	9.49	241	3.03	77	11.8	300	12	7/8	22		17.00	432	123	56	103	47

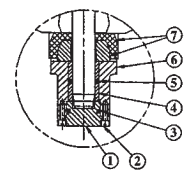
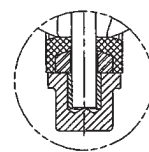
(10" Shown)

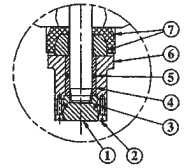
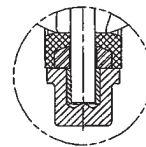
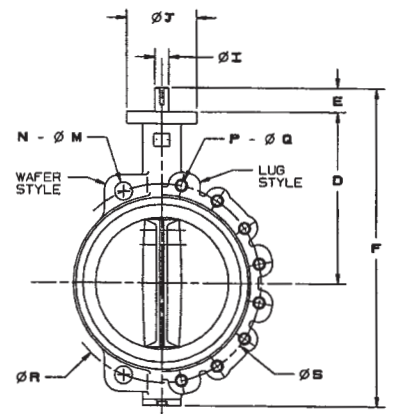


DIMENSIONS — WEIGHTS

Size													
In. mm.	A	B	C	D	E	F	G Flat	Metal H	Rubber I	J Square	N Dia.		
2 50	2.53	4.00	1.25	5.38	2.88	.38	.312	1.688	1.812	3.25	.500		
2½ 65	2.90	4.69	1.25	5.88	3.27	.38	.370	1.812	1.938	3.25	.562		
3 80	3.15	5.12	1.25	6.12	3.40	.38	.370	1.812	1.938	3.25	.562		
4 100	4.09	6.12	1.25	6.88	4.00	.38	.403	2.062	2.188	3.25	.625		
5 125	5.13	7.25	1.25	7.38	4.75	.38	.496	2.188	2.312	3.25	.750		
6 150	6.13	8.25	1.25	8.00	5.29	.38	.496	2.188	2.312	3.25	.750		
8 200	8.13	10.41	1.25	9.25	6.50	.50	.560	2.375	2.500	3.25	.875		
10 250	10.13	12.52	1.25	10.50	8.00	.50	.686	2.688	2.812	4.75	1.125		
12 300	12.13	15.00	1.25	12.00	9.25	.50	.748	3.000	3.125	4.75	1.250		

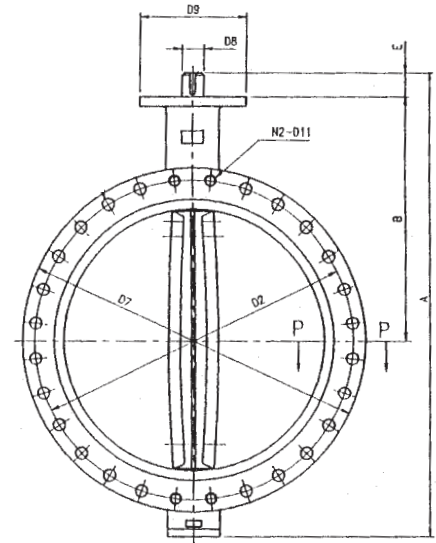






MATERIAL LIST

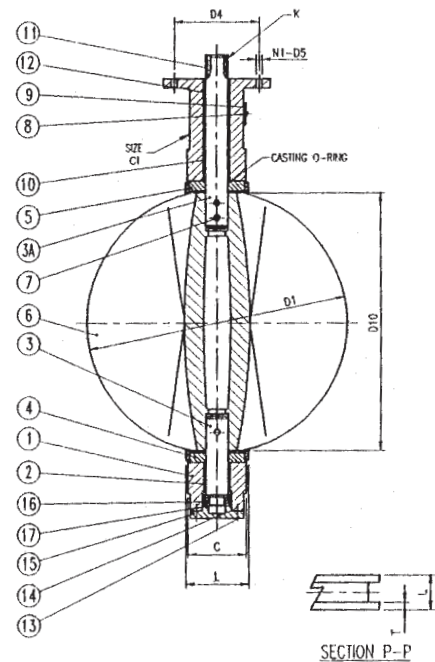
PART	SPECIFICATION
1. Body	Ductile Iron ASTM A536
2. Bushing	Bronze ASTM B584 Grade C83600
3. Lower Stem	Stainless Steel ASTM A582 Type 416 Stainless Steel ASTM A276 Type 316SS
3a. Upper Stem	Stainless Steel ASTM A582 Type 416 Stainless Steel ASTM A276 Type 316SS
4. Seat Back Ring	Phenolic Resin, Aluminum B26 30" - 36" eight set screws in backing 42" - 48" ten set screws in backing
5. Seat	Rubber - BUNA (NBR) Rubber - EPDM
6. Disc	Aluminum Bronze ASTM B148 C95400 Ductile Iron ASTM A536 65-45-12 (Nickel Plated) Stainless Steel ASTM A351 Grade CF8M
7. Taper Pin(3)	Stainless Steel ASTM A582 Type 416 or ASTM A564
8. Rivet	Steel
9. Nameplate	Aluminum
10. Bushing	Bronze ASTM B584 C83600
11. Flat Key	Steel ASTM A108 1045
12. Bushing	Bronze ASTM B584 C83600
13. Socket Bolt	Steel ASTM A307
14. O-Ring	Rubber BUNA (NBR)
15. Bottom Plate	Steel ASTM A108 1035
16. Thrust Bearing	Bearing Steel
17. Washer	Steel



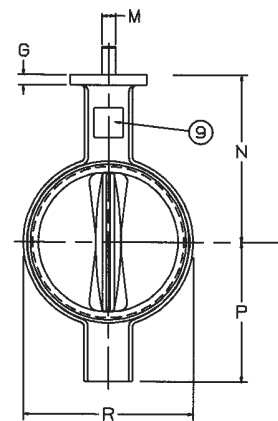
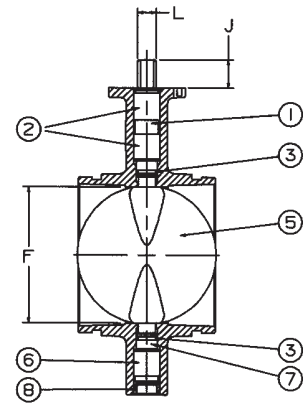
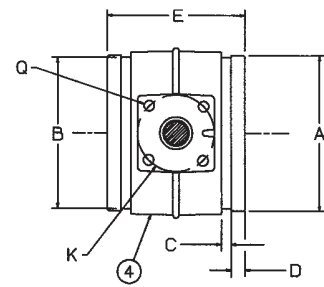
DIMENSIONS — WEIGHTS

Size	D1	D2	D4	D5	D7	D8	D9	D10	D11	
30	750	29.30	36.00	10.00	0.71	38.74	2.50	11.81	28.56	1¼-7UNC
36	900	34.04	42.75	10.00	0.71	46.00	2.95	11.81	33.09	1½-6UNC
42	1050	40.55	49.50	10.00	0.71	53.00	3.74	11.81	39.33	1½-6UNC
48	1200	45.67	56.00	11.75	0.87	59.50	4.13	13.78	44.35	1½-6UNC

Size	C	L	A	B	E	N1	N2	T	K	Key Size	Lug Weight	Lbs.	Kg.
30	750	6.57	6.81	50.63	26.00	2.60	8	28	2.12	.71 x 2.50	926	420	
36	900	8.00	8.31	58.82	28.35	4.65	8	32	2.38	.79 x 3.94	1482	660	
42	1050	9.88	10.28	70.28	33.78	5.91	8	36	2.62	.98 x 5.51	1971	896	
48	1200	10.88	11.26	76.96	37.04	5.91	8	44	2.75	1.10 x 5.51	2816	1280	

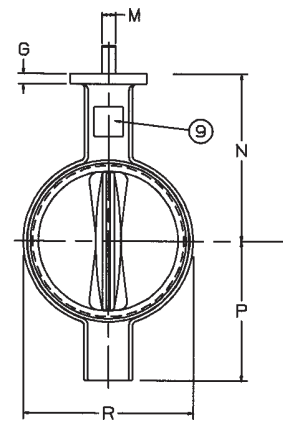
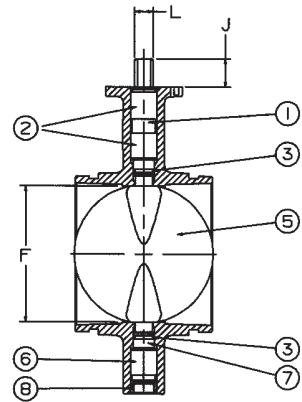
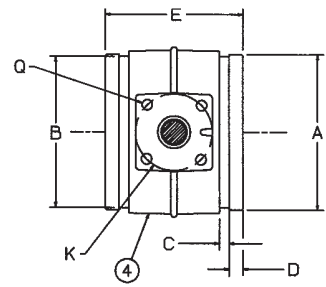


CONFORMS TO MSS SP-67

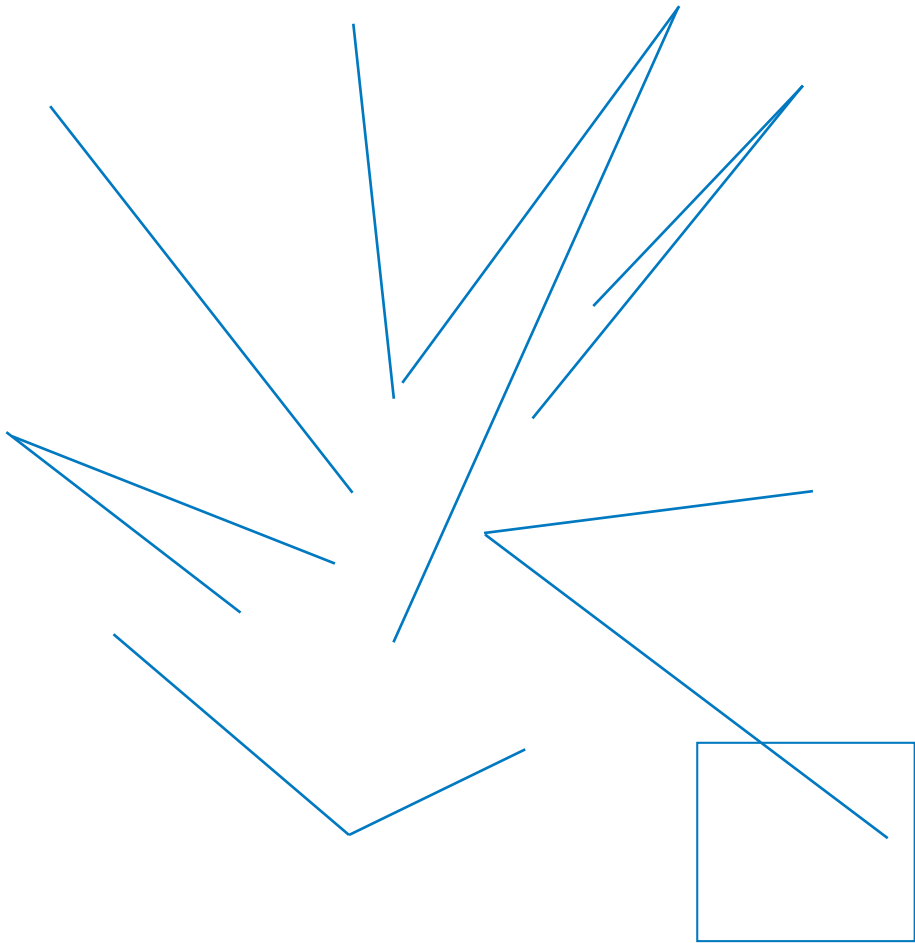


NOT RECOMMENDED
FOR STEAM SERVICE

CONFORMS TO MSS SP-67



NOT RECOMMENDED
FOR STEAM SERVICE

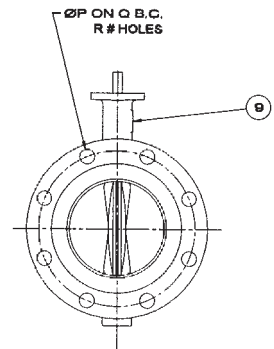
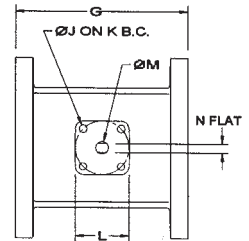
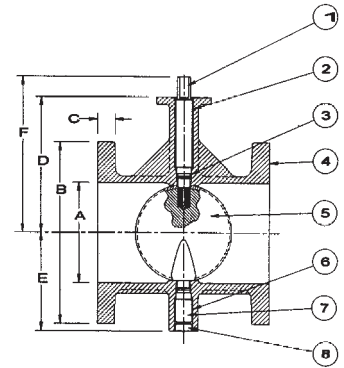


DIMENSIONS — WEIGHTS

Size		A	B	C	D	E	F	G	J
In.	mm.								
2	50	2.11	6.0	0.62	5.69	3.16	6.94	7.00	0.437
2½	6	2.59	7.0	0.69	5.78	3.25	7.03	7.50	0.437
3	80	3.07	7.5	0.75	5.99	3.54	7.24	8.00	0.437
4	100	4.03	9.0	0.94	6.99	4.35	8.24	9.00	0.437
5	125	5.05	10.0	0.94	7.47	4.85	8.72	10.00	0.437
6	150	6.07	11.0	1.00	8.28	5.94	9.53	10.50	0.437
8	200	7.98	13.5	1.12	9.25	6.87	10.50	11.50	0.437
10	250	10.02	16.0	1.19	11.03	9.18	12.28	13.00	0.562
12	300	12.00	19.0	1.25	12.01	10.16	13.26	14.00	0.562

Size		Weight								
In.	mm.	K	L	M	N	P	Q	R	Lbs.	Kg.
2	50	3.25	3.25	0.50	0.37	0.75	4.75	4	16.5	7.5
2½	65	3.25	3.25	0.50	0.37	0.75	5.50	4	24	10.9
3	80	3.25	3.25	0.50	0.37	0.75	6.00	4	28	12.7
4	100	3.25	3.25	0.66	0.50	0.75	7.50	8	44	20.0
5	125	3.25	3.25	0.66	0.50	0.88	8.50	8	53	24.1
6	150	3.25	3.25	0.78	0.56	0.88	9.50	8	65	30.0
8	200	3.25	3.25	0.78	0.56	0.88	11.75	8	94	42.7
10	250	5.00	4.75	1.06	0.75	1.00	14.25	12	155	70.4
12	300	5.00	4.75	1.06	0.75	1.00	17.00	12	214	97.6

NOT RECOMMENDED
FOR STEAM SERVICE



285 PSI Flanged End Butterfly Valves

- Polyamide Coated Ductile Iron Body • Extended Neck • Cold Form Stem Drive
- Elastomer Encapsulated Disc • Flanged Ends • Max. Temp. 200°F with EPDM only
- ASME B16.50 Face-to-face dimensions

Patent Pending

Sizes 2" through 12"

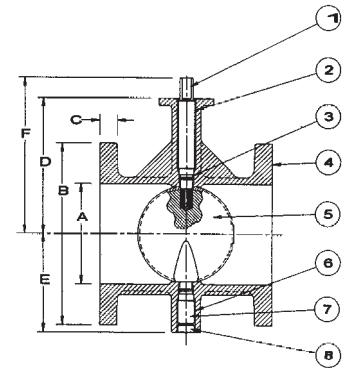
MATERIAL LIST SPECIFICATION

PART	SPECIFICATION
1. Upper Stem	Stainless Steel, ASTM A582 Type 416
2. Upper Bushing	PTFE over Porous Bronze, Steel Backed
3. "O" Ring	EPDM or BUNA-N
4. Body	Ductile Iron ASTM A536 with Polyamide Coating
5. Disc	Ductile Iron ASTM A395 with EPDM or BUNA-N Encapsulation
6. Lower Bushing	PTFE over Porous Bronze, Steel Backed
7. Lower Stem	Stainless Steel, ASTM A582 Type 416
8. Dust Plug	PVC
9. Nameplate	Aluminum

Class 150 ends are standard. PN10, PN16 available.
 Sizes 2" through 8", 285 psi - 10" to 12", 200 psi
 Polyamide coating has NSF certification

FD-57*5-0

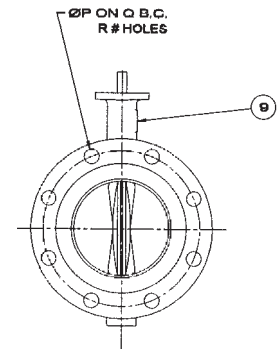
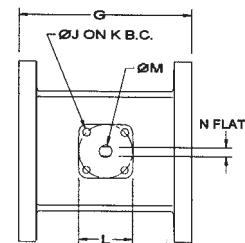
*Optional disc
 EPDM (6)
 or BUNA (7)



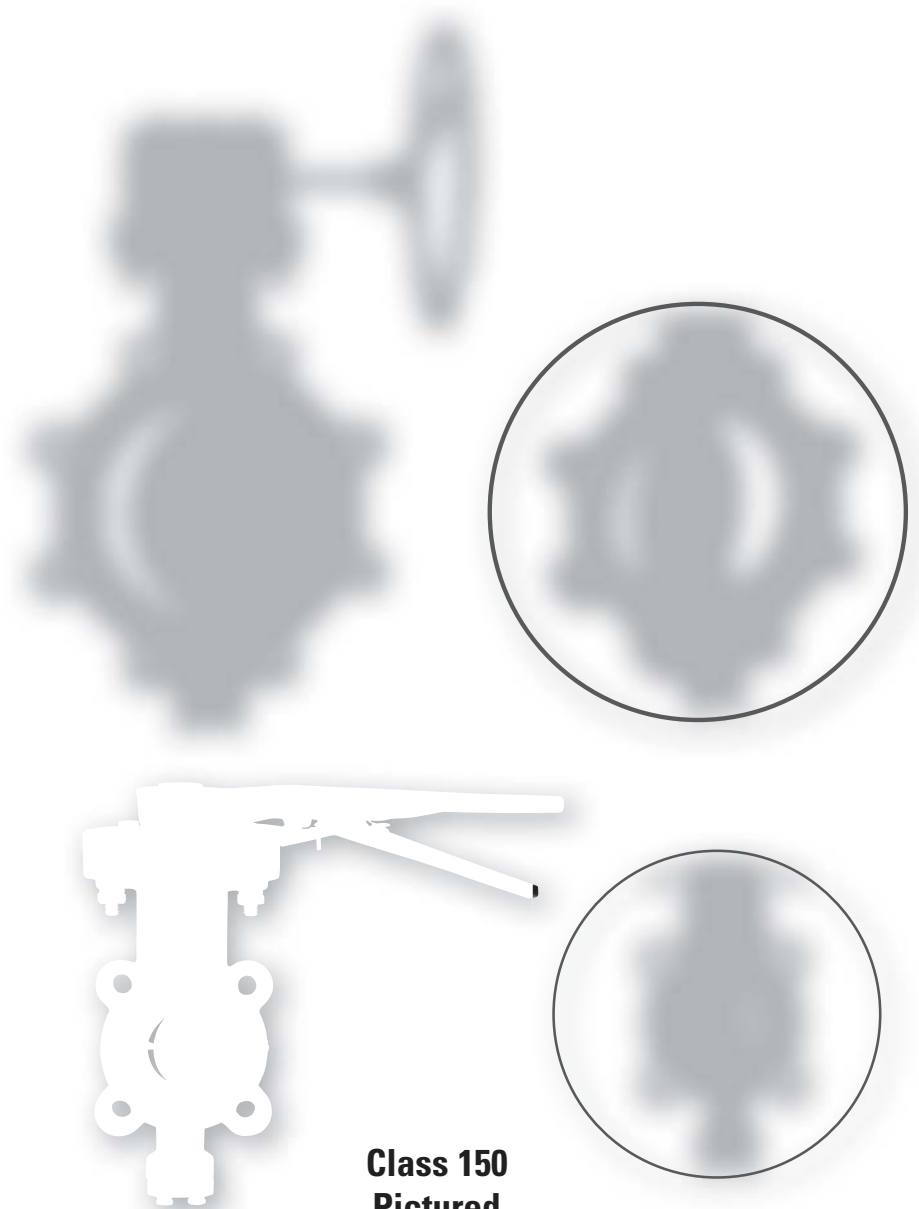
DIMENSIONS — WEIGHTS

Size		A	B	C	D	E	F	G	H
In.	mm.								
2	50	2.11	6.0	0.62	5.69	3.16	6.94	7.00	3.62
2½	65	2.59	7.0	0.69	5.78	3.25	7.03	7.50	4.12
3	80	3.07	7.5	0.75	5.99	3.54	7.24	8.00	5.00
4	100	4.03	9.0	0.94	6.99	4.35	8.24	9.00	6.19
5	125	5.05	10.0	0.94	7.47	4.85	8.72	10.00	7.31
6	150	6.07	11.0	1.00	8.28	5.94	9.53	10.50	8.50
8	200	7.98	13.5	1.12	9.25	6.87	10.50	11.50	10.62
10	250	10.02	16.0	1.19	11.03	9.18	12.28	13.00	12.75
12	300	12.00	19.0	1.25	12.01	10.16	13.26	14.00	15.00

Size		Weight									
In.	mm.	J	K	L	M	N	P	Q	R	Lbs.	Kg.
2	50	0.437	3.25	3.25	0.50	0.37	0.75	4.75	4	16	7.3
2½	65	0.437	3.25	3.25	0.50	0.37	0.75	5.50	4	23	10.4
3	80	0.437	3.25	3.25	0.50	0.37	0.75	6.00	4	27	12.3
4	100	0.437	3.25	3.25	0.66	0.50	0.75	7.50	8	43	19.5
5	125	0.437	3.25	3.25	0.66	0.50	0.88	8.50	8	52	23.6
6	150	0.437	3.25	3.25	0.78	0.56	0.88	9.50	8	65	29.5
8	200	0.437	3.25	3.25	0.78	0.56	0.88	11.75	8	93	42.2
10	250	0.562	5.00	4.75	1.06	0.75	1.00	14.25	12	154	69.9
12	300	0.562	5.00	4.75	1.06	0.75	1.00	17.00	12	210	95.3



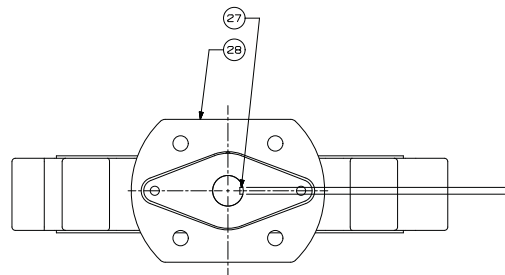
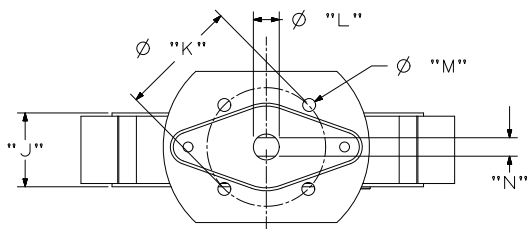
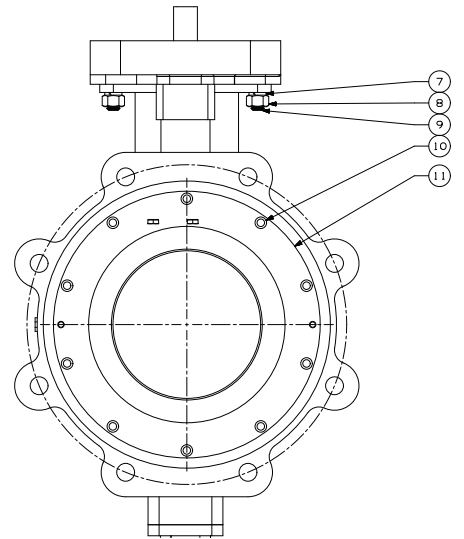
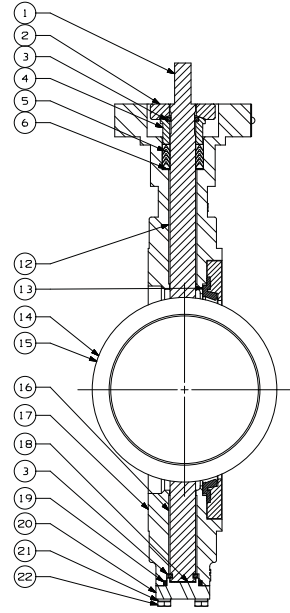
NOT RECOMMENDED
 FOR STEAM SERVICE

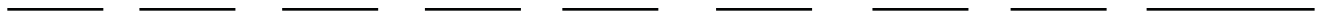
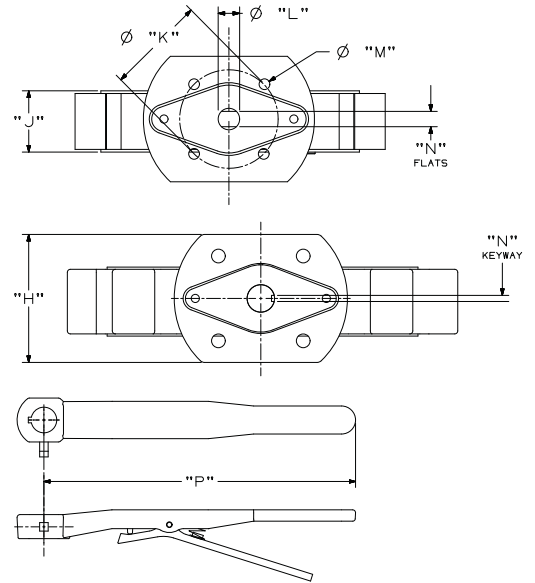
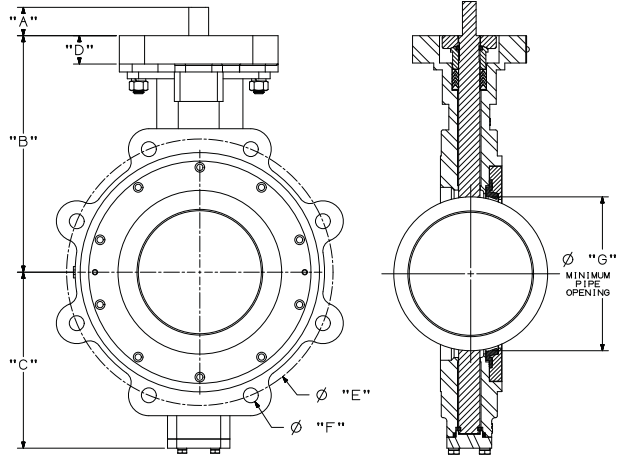


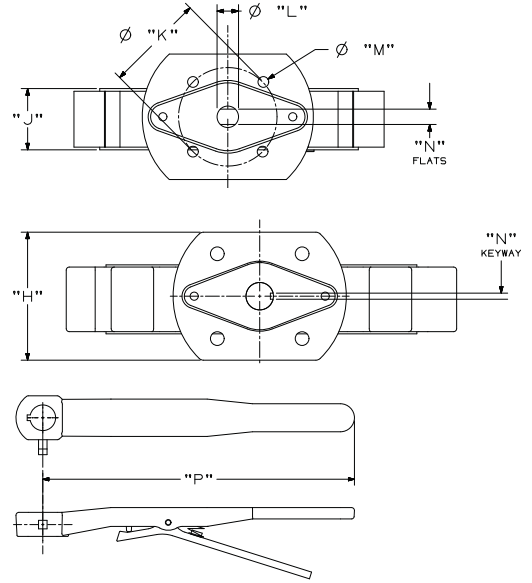
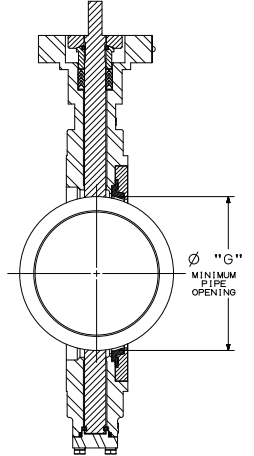
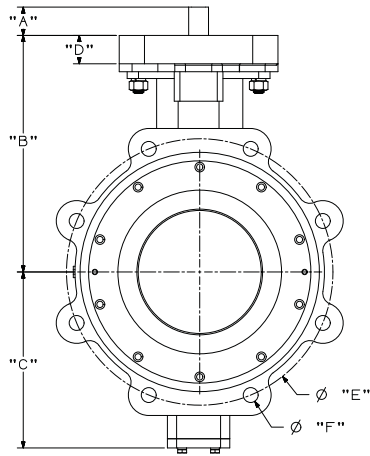
**Class 150
Pictured**

FEATURES

- Powder coated epoxy finish
- One-piece stem
- Direct mount actuation
- Live loaded adjustable packing with unique flush-mounted packing gland
- Integrally cast disc-stop
- Dual offset design
- Blow-out proof stem
- Bi-directional dead end service
(Arrow on body indicates preferred flow)
- Maximum operating temperature 400°F at 100 psi
- 100% production tested per MSS SP-68







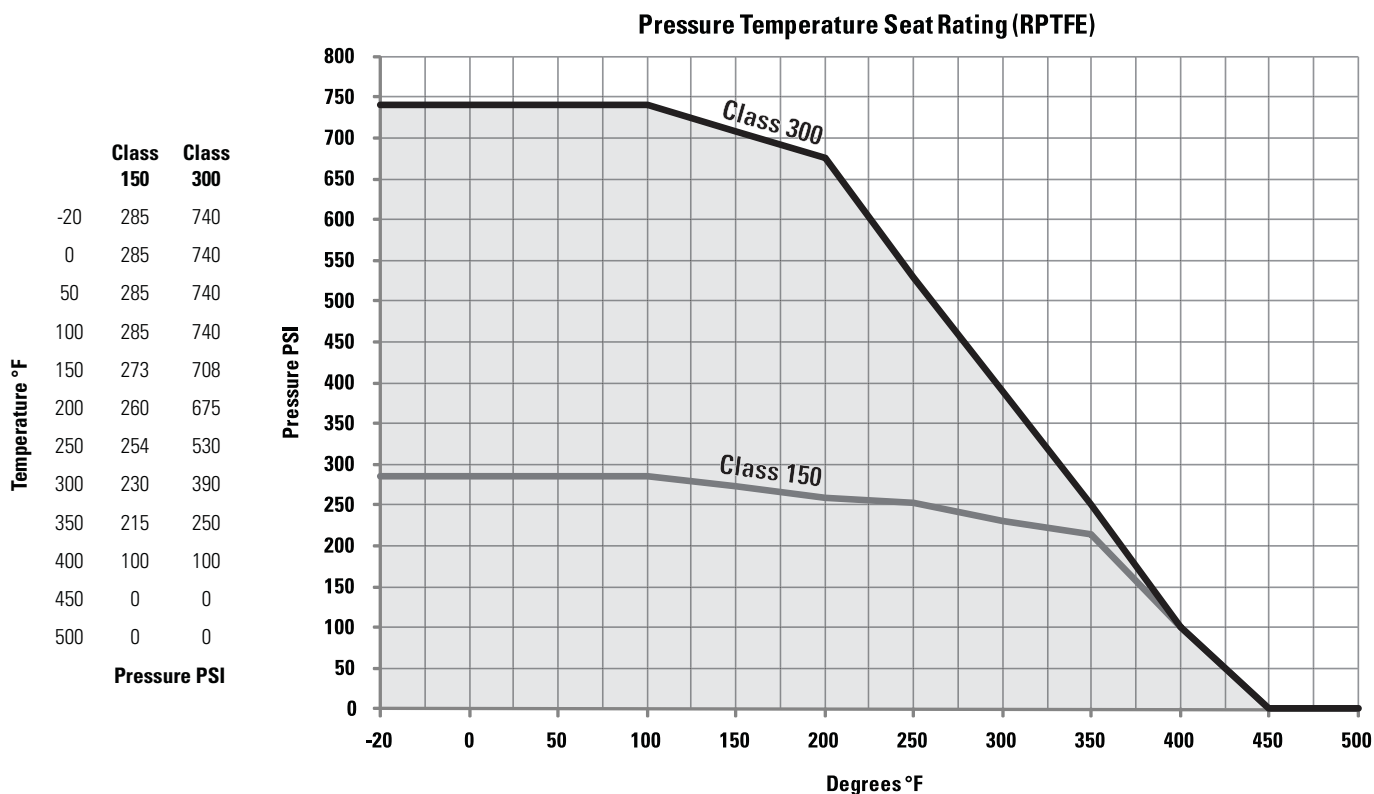
CLASS 150 HPBFV 6800 Series Flow Data

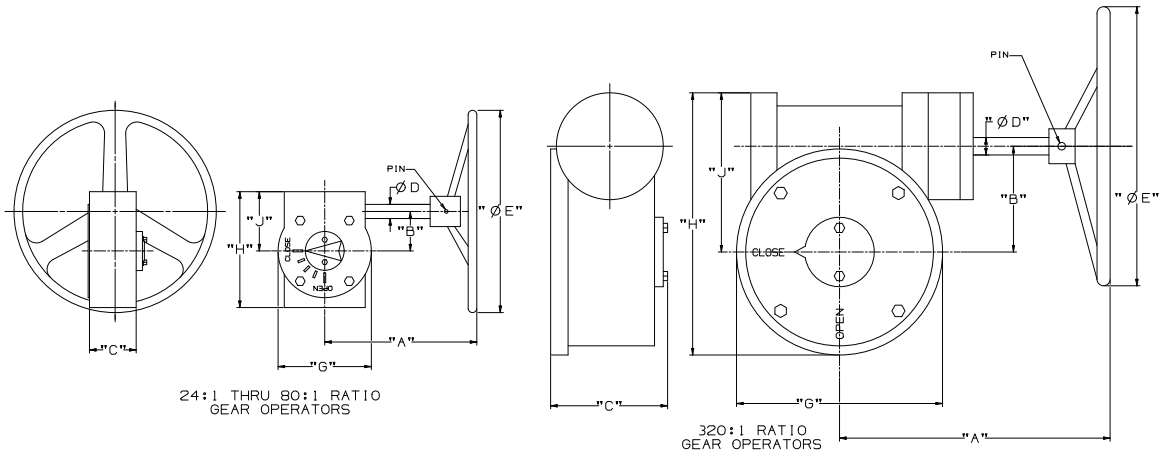
Valv Size	Cv Rating	DISC OPEN - Degrees								
		10°	20°	30°	40°	50°	60°	70°	80°	90°
2"	92	2	6	13	20	30	43	72	81	92
2½"	150	3	11	21	33	50	71	117	132	150
3"	260	5	18	36	57	86	122	203	230	260
4"	460	9	32	64	101	152	216	360	405	460
5"	760	15	53	106	167	251	357	595	670	760
6"	1150	23	81	161	253	380	540	897	1015	1150
8"	2100	42	147	295	462	695	987	1640	1850	2100
10"	3200	64	225	450	705	1056	1505	2496	2816	3200
12"	4700	94	330	660	1035	1551	2210	3666	4136	4700
14"	5800	116	406	815	1276	1915	2726	4525	5105	5800
16"	8000	160	560	1120	1760	2640	3760	6240	7040	8000
18"	10500	210	735	1470	2310	3465	4935	8190	9240	10500
20"	14000	280	980	1960	3080	4620	6580	10920	12320	14000
24"	21000	420	1470	2940	4620	6930	9870	16380	18480	21000

CLASS 300 HPBFV 7800 Series Flow Data

Valve Size	Cv Rating	DISC OPEN - Degrees								
		10°	20°	30°	40°	50°	60°	70°	80°	90°
2"	92	2	6	13	20	30	43	72	81	92
2½"	150	3	11	21	33	50	71	117	132	150
3"	260	5	18	36	57	86	122	203	230	260
4"	460	9	32	65	101	152	216	360	405	460
5"	760	15	53	106	167	251	357	595	670	760
6"	1150	23	81	161	253	380	540	987	1015	1150
8"	1900	38	133	266	418	627	895	1485	1675	1900
10"	2800	56	196	392	616	925	1316	2185	2465	2800
12"	4100	82	287	575	905	1355	1930	3200	3610	4100

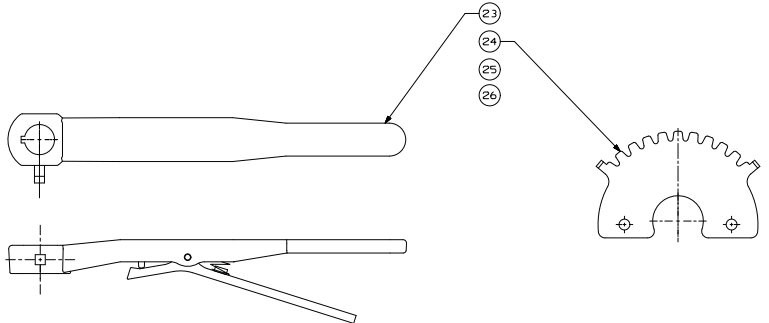
Cv = Flow in U.S. Gallons per minute of 60°F water with a 1 psi pressure drop across valve

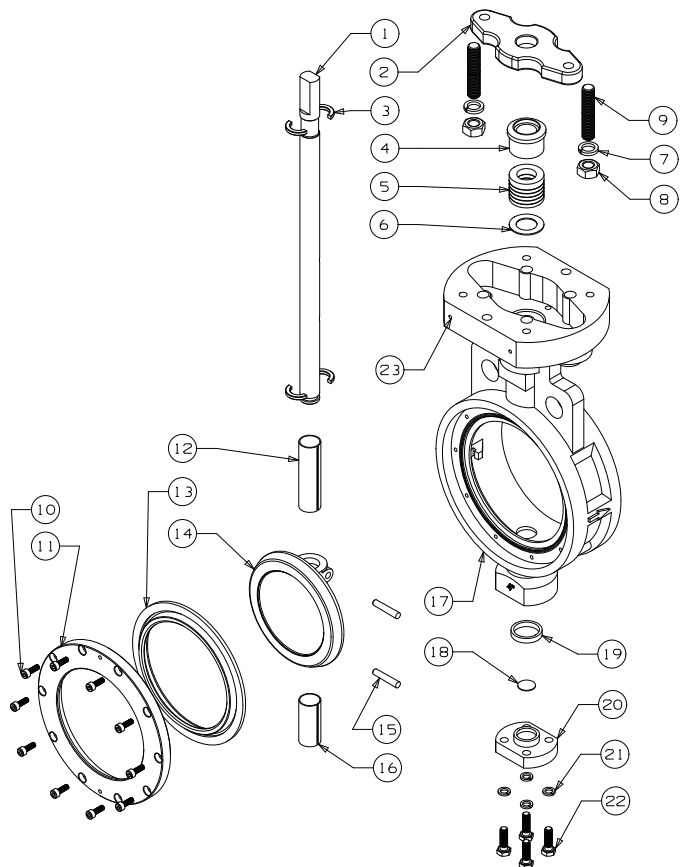




DESCRIPTION		QUANTITY		REMARKS	

DESCRIPTION		QUANTITY		REMARKS	



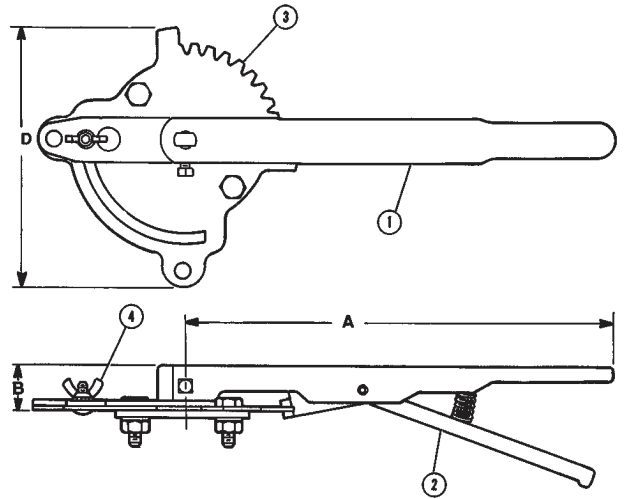
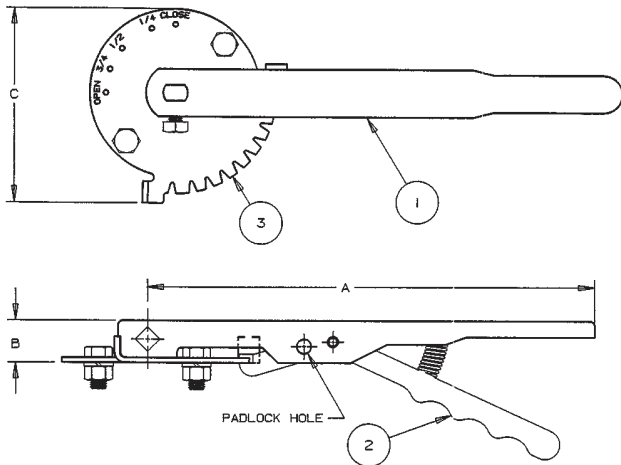


Options and Accessories Index

Page

Operators

Lever-Lock.....	41
Gear	42
Stem Extensions, Silicone Free Issue.....	43



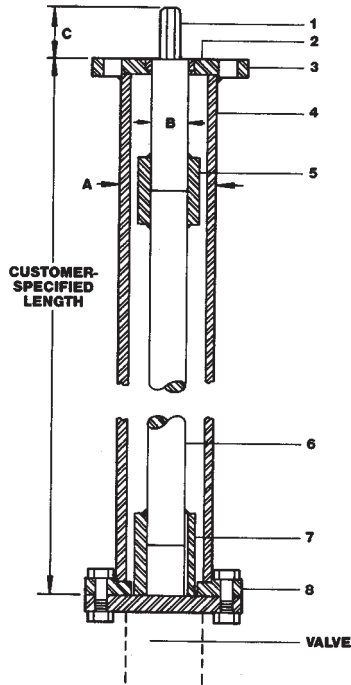
MATERIAL LIST

PART	SPECIFICATION
1. Handle	Polymer Coated Iron
2. Lever-Lock	Zinc Plated Steel
3. Throttle Plate	Zinc Plated Steel

DIMENSIONS AND TORQUE OUTPUT

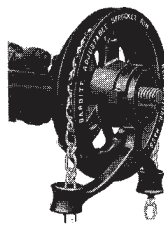
LD/WD Valve Size	FC/FD GD Valve Size	Lever (STD)	Throttle Plate (STD)	Throttle Plate/ Infinite Pos. Kit	Dimensions				Torque Rated Output in Inch-Pounds	
					A	B	C	D	At 60 pounds Pull	At 100 pounds Pull
2"		T115106PP	T115138PP	T114840FG	10½	1	4⅝	6⅜	540 In-Lbs.	900 In-Lbs.
2½" - 3"	2", 2½", 3"	T115107PP	T115138PP	T114841FG	10½	1	4⅝	6⅜	540 In-Lbs.	900 In-Lbs.
4"		T115108PP	T115138PP	T114842FG	10½	1	4⅝	6⅜	540 In-Lbs.	900 In-Lbs.
	4" - 5"	T118446PP	T115138PP	T114843FG	10½	1	4⅝	6⅜	540 In-Lbs.	900 In-Lbs.
5" - 6"		T115109PP	T115138PP	T114843FG	13¾	1	4⅝	6⅜	735 In-Lbs.	1225 In-Lbs.
8"	6"	T115110PP	T115138PP	T114844FG	13¾	1	4⅝	6⅜	735 In-Lbs.	1225 In-Lbs.

*Not recommended for 8", 10" and 12" valves



Adjustable Sprocket Rim

The Babbitt Adjustable Sprocket Rim will provide for remote operation of butterfly valves in high, normally out-of-reach locations. When ordering specify either the sprocket and chain number or the NIBCO valve figure number and size. The chain length must also be specified. (Chain length is determined by Height x 2 + 2 ft.)



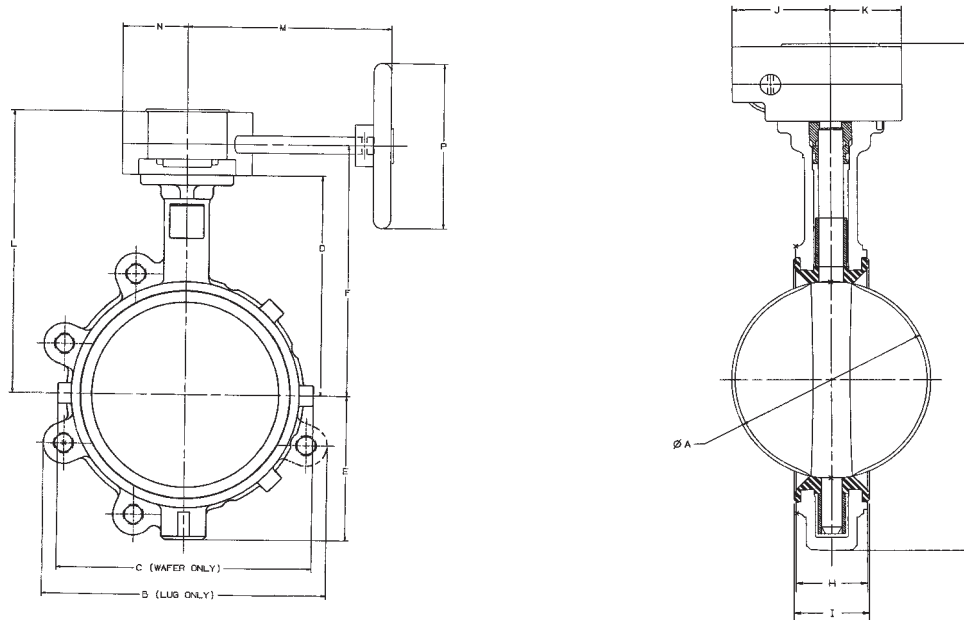
DIMENSIONS - SPECIFICATIONS

Size No.	Dia. of Sprocket Wheel in Inches	Weight in Lbs.	Dia. of HDWL Rim Will Fit	Chain Size No.	Chain Weight per 100' in Lbs.	Butterfly Valve Size
1	5 ⁷ / ₈	4	4 ¹ / ₈ to 5 ⁷ / ₈	1/0	17 ¹ / ₂	—
1 ¹ / ₂	7 ¹ / ₂	5	6 to 7 ¹ / ₂	1/0	17 ¹ / ₂	2-6"
2	9	8	7 ³ / ₄ to 9	1/0	17 ¹ / ₂	—
2 ¹ / ₂	12 ¹ / ₂	15	9 ¹ / ₄ to 12 ¹ / ₂	4/0	30	8-16", 20", 24"
3	15 ¹ / ₂	21	12 ³ / ₄ to 15 ¹ / ₂	4/0	30	—
3 ¹ / ₂	19	25	15 ³ / ₄ to 19	4/0	30	18", 30"- 48"
4	22	34	19 ¹ / ₄ to 22	5/0	35	—

No Silicone Used - Silicone Free Issue

All butterfly valves may incorporate the use of silicone in either grease or aerosol form during the assembly. LD/WD/GD series butterfly valves can be special ordered as "Assemble-Dry" without test." These valves will be assembled not using silicone in the form of grease or aerosol spray.

Note: Even though provisions are made to assemble valves and not incorporate the use of silicone lubricants, the potential for it to be present as air-borne particles prevents us from certifying that our valves are 100% silicone free



Typical LD/WD2000-5 and LD1000-5

DIMENSIONS

Valve Size	A	B (Lug)	C (Wafer)	D	E	F	G	H (Metal)	I (Rubber)	J	K	L	M	N	P
2"	2.5	4.6	4.9	5.4	2.9	6.9	11.1	1.69	1.81	2.9	2.13	8.2	7.64	2.12	5.91
2½"	2.9	5.6	5.6	5.9	3.3	7.4	12.0	1.81	1.94	2.9	2.13	8.7	7.64	2.12	5.91
3"	3.1	6.1	6.1	6.1	3.4	7.6	12.3	1.81	1.94	2.9	2.13	8.9	7.64	2.12	5.91
4"	4.1	8.3	7.0	6.9	4.0	8.4	13.7	2.06	2.19	2.9	2.13	9.7	7.64	2.12	5.91
5"	5.1	9.4	8.3	7.4	4.8	8.9	15.0	2.19	2.31	2.9	2.13	10.2	7.64	2.12	5.91
6"	6.1	10.3	9.3	8.0	5.3	9.5	16.1	2.19	2.31	2.9	2.13	10.8	7.64	2.12	5.91
8"	8.1	13.4	11.6	9.3	6.5	10.8	18.5	2.38	2.5	2.9	2.13	12.0	9.53	2.12	9.84
10"	10.1	15.5	14.3	10.5	8.0	12.3	21.8	2.69	2.81	3.9	3.03	13.8	11.54	3.03	9.84
12"	12.1	18.3	16.8	12.0	9.3	13.8	24.6	3.00	3.13	3.9	3.03	15.3	11.54	3.03	9.84
14"	13.1	-	20.6	14.5	10.5	16.3	28.3	3.01	3.13	4.3	3.15	17.8	12.87	3.14	11.81
16"	15.3	-	22.3	15.7	11.7	17.9	31.7	3.38	3.54	6.3	3.94	20.0	13.58	4.92	11.81
18"	17.3	-	25.2	16.6	12.4	18.8	33.3	4.12	4.29	6.3	3.94	20.9	15.04	4.92	15.75
20"	19.4	-	27.4	18.9	13.7	21.3	37.8	5.14	5.31	6.5	4.92	24.1	18.11	4.92	11.81
24"	23.3	-	31.5	22.1	17.5	24.5	44.8	5.98	6.14	6.5	4.92	27.3	18.11	4.92	11.81

100 years at all levels



World Headquarters



Elkhart, Indiana

Metal Valves and Fittings



Blytheville, Arkansas



McAllen, Texas



Nacogdoches, Texas



Stuarts Draft, Virginia

Plastic Pipe, Valves, and Fittings



Greensboro, Georgia



Goshen, Indiana



Lebanon, Ohio

Industrial Plastics



Charlestown, Indiana

International



Reynosa, Mexico



Lodz, Poland

U.S. Distribution Centers



Elkhart, Indiana

Global Offices



Elkhart, Indiana



Lodz, Poland

*Denotes U.S. and International Direct Shipping Locations

FEATURING NIBCO® SYSTEMS

NIBCO® PEX Piping Systems • NIBCO® Press System®

C-BFV-0910



CHEMTROL®

Thermoplastic pipe, valves and fittings in PVC, Corzan® CPVC, polypropylene and PVDF Kynar® • Pneumatic and electric actuation systems



AHEAD OF THE FLOW®