



PEDERSOLI DAVIDE & C. S.n.c.

PRODUZIONE ARMI ANTICHE E ACCESSORI

25063 GARDONE V.T. (BS) – ITALY
Via Artigiani, 57 – P. O. Box 150
Tel. 030.8915000 – fax 030.8911019
www.davide-pedersoli.com



WARNINGS AND INSTRUCTIONS MANUAL

SPRINGFIELD TRAPDOOR

by Davide Pedersoli

.45-70



**IMPORTANT!
READ THESE WARNINGS AND INSTRUCTIONS
BEFORE USING FIREARM!**

© Copyright 2011



FOR YOUR SAFETY AND THE SAFETY OF OTHERS, this owner's manual contains important warnings, instructions and safety procedures which must be understood **BEFORE** using this firearm. Read the **ENTIRE MANUAL** and if you do not understand any part of it or the operation of your rifle, stop and seek professional firearms instruction. You can get a copy of this manual from: **Daive Pedersoli & C. Via Artigiani, 57 - 25063 Gardone VT (Brescia) Italy customerservice@davidopedersoli.com** upon request.

Record the serial number of your firearm (located on the receiver):

and a description of it:

Make a copy of this manual, proof of purchase/sales record for safekeeping in a secure safe or fireproof container. Such proof is necessary if the firearm is damaged, stolen or sent in for warranty repair.

WARNINGS AND INSTRUCTION MANUAL

PLEASE READ THESE INSTRUCTIONS

Index:

Pag. 4.....	WARNINGS
Pag. 8.....	BASIC PARTS OF YOUR RIFLE
Pag. 9.....	IMPORTANT NOTES ABOUT HISTORICAL FIREARM DESIGN
Pag.10.....	SINGLE SET TRIGGER
Pag.12.....	LOADING AND UNLOADING YOUR RIFLE
Pag.16.....	DISASSEMBLY AND RE-ASSEMBLY OF YOUR RIFLE
Pag.17.....	EXPLODED VIEW
Pag.28.....	MANUFACTURER'S WARNING
Pag.29.....	WARRANTY

WARNINGS

YOU RISK PERSONAL INJURY OR DEATH BY HANDLING THIS FIREARM

Before handling any firearm, make sure you know the safety procedures and most importantly, keep the firearm pointed in a safe direction.

Before handling this firearm, read, understand and follow the instructions in this manual. Always keep this manual with the firearm. If you lend, give or sell this firearm, be sure the manual goes with it. If there is anything you do not understand, seek advice from someone qualified in safe handling of firearms. You must ALWAYS obey the following warnings, instructions and safety procedures:

1. Always keep the muzzle pointed in a safe direction.
2. Firearms should be unloaded and secured when not actually in use.
3. Don't rely on your firearm's safety.
4. Be sure of your target and what's beyond it.
5. Use only proper ammunition matching the precise caliber of your specific rifle.
6. If your rifle fails to fire when the trigger is pulled, handle with care.
7. Always wear ear and eye protection when shooting.
8. Be sure the barrel is clear of obstructions before shooting.
9. Don't alter or modify your firearm and have it serviced regularly.
10. Learn the mechanical and handling characteristics of your rifle.
11. Shoot sober!

FOLLOWING THESE SAFETY RULES CAN SAVE YOUR LIFE OR THE LIFE OF SOMEONE ELSE

TYPE OF AMMUNITION TO BE USED

It is suggested that high quality commercially manufactured ammunition be used in this firearm. Avoid military surplus or old ammunition as it may not fire with sufficient force to expel the projectile from the barrel. **The use of reloaded, high pressure or hand-loaded ammunition can be dangerous and will void the warranty.**

LEAD WARNING: The actual firearm does not contain any lead; however, it does fire ammunition which contains lead or lead compounds known to cause cancer, birth defects, reproductive toxicity, and other serious physical injury. Those who discharge a firearm, stand near someone who discharges a firearm or clean firearms are hereby warned of the dangers presented by lead and lead compounds and should take protective health measures. Avoid exposure to lead while handling and wash your hands after contact. Proper air ventilation is absolutely necessary when shooting indoor.

NOTICE

RIFLES ARE CLASSIFIED AS FIREARMS OR DANGEROUS WEAPONS and are sold with the specific understanding that the manufacturer is not responsible in any manner whatsoever for their safe handling or resale under local laws and regulations.

Davide Pedersoli & C. shall not be responsible in any manner whatsoever for malfunctioning of the firearm, for physical injury or for property damage resulting in whole or in part from **(1)** intentional or negligent discharge, **(2)** improper or careless handling, **(3)** unauthorized modifications and/or alteration of the internal/safety mechanisms, **(4)** defective, improper, high pressure, hand-loaded, or reloaded ammunition, **(5)** corrosion and/or lack of proper maintenance **(6)** neglect, or **(7)** other influences beyond our direct and immediate control. This limitation applies regardless of whether liability is asserted on the basis of contract, negligence or strict liability (including any failure to warn). Under no circumstance shall the manufacturer be liable for incidental or consequential damages, such as loss of use of property, commercial loss and loss of earnings or profits.

Get competent firearms instruction in safe handling before using this firearm. Please ask your dealer for

names of qualified instructors near you. All guns are extremely dangerous if carelessly handled or used. Remember that the firearm user is the primary “safety” and that reliance on any mechanical safety device should never replace safe handling procedures.

This firearm **WILL FIRE** if a cartridge is in the chamber and the trigger is pulled while the hammer is cocked.

DO NOT LOAD THIS RIFLE UNTIL YOU UNDERSTAND HOW IT OPERATES. KEEP this rifle unloaded at all times except when you are ready to fire and are sure of your target.

FOLLOWING THESE SAFETY RULES CAN SAVE YOUR LIFE OR THE LIFE OF SOMEONE ELSE

ALWAYS carry this rifle in a case or original box **UNLOADED**.

NEVER point this rifle at anything that is not your intended target even if the rifle is unloaded. When loading, unloading, cleaning or handling, always be sure the muzzle is pointed in a safe direction and always keep your finger off the trigger.

NEVER assume any gun is unloaded. Before handling, check to make sure the chamber is empty. See Unloading Instructions. Make sure you know that this or any firearm is fully unloaded before displaying or handling it. When handling any firearm, keep your fingers away from the trigger at all times until you intend to fire.

Get instructions from a competent firearms instructor before using this or any firearm. Learn from a professional how to handle, load, unload, operate, fire and care for your gun.

NEVER PLAY with your firearm. It is not a toy and can be a very dangerous weapon that can cause serious personal injury or death.

ALWAYS keep the gun pointed in a safe direction. Treat every gun as if it is loaded all the time. **NEVER** point any firearm (loaded or unloaded) at any person or anything you do not intend to shoot. Always keep your gun unloaded until ready to use and make sure that it is unloaded before cleaning.

Keep your finger **OFF** the trigger until you are actually aiming at the target and ready to shoot. Learn to rest your finger outside of the trigger guard.

NEVER rely on a gun’s “safety” to protect you from unsafe gun handling. A safety is only a mechanical device, not a substitute for using common sense and following gun safety procedures.

NEVER leave a gun unattended or where it could fall.

Store guns and ammunition separately and beyond the reach of children. Make sure that they are properly secured so untrained individuals and children will be denied access to your guns and ammunition.

Test your gun’s operation and safeties only at a shooting range while the firearm is pointed in a safe direction.

Know your target and what is beyond. Ask yourself what your projectile will hit if it misses the target or passes through the intended target. Remember, a fired projectile can travel over a mile (including a ricochet) and is capable of going through walls. Never shoot at hard flat surfaces or water . . . bullets ricochet.

Guns and alcohol or drugs do not mix. Don’t take any alcoholic beverages and/or drugs before or during shooting activities.

FOLLOWING THESE SAFETY RULES CAN SAVE YOUR LIFE OR THE LIFE OF SOMEONE ELSE

NEVER pull a gun toward you by the muzzle. Don’t climb a tree, cross a ditch or fence with a loaded gun.

ALWAYS empty guns before entering a house, car, truck, boat, RV, camp or any building.

When receiving a gun, always open the action and check to make sure the chamber is unloaded.

NEVER accept anyone’s word that a gun is “unloaded” or “empty.” You should immediately open the action and check to make sure it is unloaded.

Be careful with **ALL** ammunition. Even “blank” cartridges are deadly at close range due to the muzzle blast. Make sure your ammunition is new and in good clean condition. Do **NOT** oil or grease ammunition as this may damage the cartridge primer. Do **NOT** tamper with or alter the standard factory ammunition.

Keep firearms unloaded when not actually in use. Load the gun only when on the range preparing to fire and

unload it before leaving the range.

NEVER put your hand over the muzzle of a gun.

ALWAYS WEAR protective shooting glasses and hearing protection when using firearms.

Spectators should be at least 5 ft behind and away from the shooter while the shooter is loading, shooting and unloading. Spectators should wear eye and ear protection and avoid distracting those shooting their firearms.

NEVER drop your gun. If you do drop it, unload it and check it for proper function before using it again.

DO NOT alter or modify your gun. Don't try to change your gun's trigger pull, because it may affect sear engagement and thereby cause accidental firing.

DO NOT remove any internal safety or safety device on the firearm. Safety mechanisms are designed to help protect you from personal injury or death.

Properly maintain and keep your gun clean. Keep it in a dry place away from other metals and water. If your gun shows sign of corrosion or improper operation, have it serviced by a qualified gunsmith. Keep the muzzle pointed in a safe direction when loading and unloading your gun. Never point the muzzle at anyone.

If a gun fails to fire when the trigger is pulled, keep it pointed in a safe direction 60 seconds. Sometimes slow primer ignition will cause a "hang fire" and the cartridge will go off after a short pause. If it still fails to fire, keep the muzzle pointed in a safe direction and avoid exposure to the breech, as you attempt to unload your firearm.

NEVER let water, snow, mud or other material enter the barrel. Always be sure the barrel is free of any obstruction.

Use the correct ammunition for your firearm. (See Ammunition Warning).

Teach children: **1. NOT** to touch guns, bullets, cartridges, shells, flares or any explosive device and **2.** That if they discover such a dangerous item or weapon, they must immediately report its location to their parents, school teacher or police.

Remember a firearm has the capability of taking your life or the life of someone else. Be careful with your firearm - an accident is almost always the result of not following basic safety rules.

If you are carrying a loaded gun in the field, never follow a companion.

NEVER cross obstacles such as fences or streams with a loaded gun.

NEVER run with a loaded gun.

DO NOT smoke while handling, loading or shooting any ammunition, especially black powder. Keep black powder in a closed container at all times, closing again the container after each and every use.

USED FIREARMS - Firearms are sometimes altered to work incorrectly, or parts may be removed, lost or replaced with incorrect parts. If you got your firearm as a used gun, **BEFORE USING IT** you should take it to a good gunsmith who knows DAVIDE PEDERSOLI firearms, and have him examine it.

WRITE Davide Pedersoli & C. concerning any items or circumstances that you do not understand and which might relate to your safety and the operation of your firearm at:

**DAVIDE PEDERSOLI & C. – Via Artigiani, 57 – 25063 Gardone VT (Brescia) Italy
customerservice@davidepedersoli.com.**



POTENTIAL OBSTRUCTIONS

BEFORE LOADING or firing a rifle, examine the bore and the firing chamber to be certain they are clean and free of any obstruction. Even a heavy coat of oil, grease, snow or water may result in damage to the firearm and injury to the shooter and/or persons near the firearm. A misfire or unusual sound upon firing is a signal to cease firing and to examine the chamber and bore. If there is any obstruction, clear the obstruction and clean the bore and chamber before firing.

Any bore obstruction, even if it is only partly blocked, may cause the gun to blow up if it is fired, or may cause damage to the gun such as a bulged barrel. To avoid injury or death to the shooter or bystanders, check the barrels before shooting or if a shot does not sound normal.



Always keep the muzzle pointed in a safe direction! Never attempt to load or unload any firearm inside a vehicle, building or other confined space (except a properly constructed shooting range). Enclosed areas frequently offer no completely safe direction in which to point the firearm. If an accidental discharge occurs, there is great risk of death, personal injury or property damage. Before loading, always clean all, grease and oil from the bores and chambers, and check to be certain that no obstructions are in the barrel. Any foreign matter in the barrels could result in a bulged or burst barrel or other damage to the firearm and could cause serious injury to the shooter or to others.



If there is any reason to suspect that a projectile is obstructing the barrel, immediately unload the firearm (See Unloading Instructions) and check the chamber and the bore. A projectile or some other matter may be lodged some distance down the barrel where it can not easily be seen. Check the bore by using a cleaning rod to pass through the barrel. If a blockage is in the bore, **DO NOT ATTEMPT TO SHOOT IT OUT WITH ANOTHER CARTRIDGE, OR BLOW IT OUT WITH A BLANK CARTRIDGE OR A CARTRIDGE FROM WHICH THE BULLET HAS BEEN REMOVED. SUCH TECHNIQUE(S) CAN GENERATE EXCESSIVE PRESSURE, DAMAGE THE FIREARM AND CAUSE SERIOUS PERSONAL INJURY.** If the blockage can be removed with a cleaning rod, clean any unburned powder grains from the bore, chambers and mechanism before resuming shooting. If the blockage can not be dislodged by tapping it with a cleaning rod, take the firearm to a gunsmith.



EYE AND EAR PROTECTION

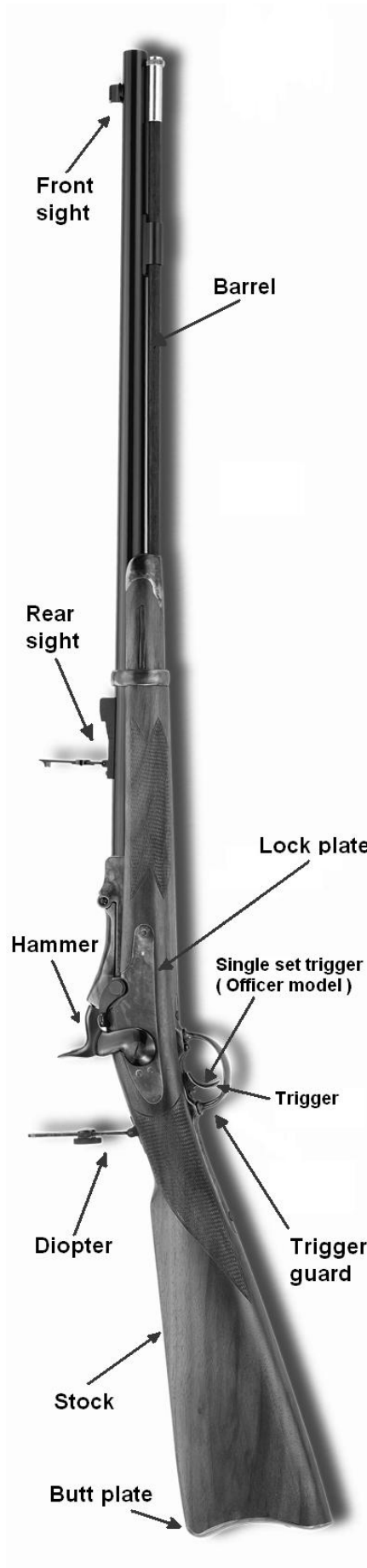
When shooting, full eye and ear protection is mandatory at all times. Shooters and spectators must wear shooting glasses and hearing protection to prevent eye injury and hearing loss. Vision and hearing impairment can occur with only one moment of non-protection.



MECHANICAL MALFUNCTIONS

STOP SHOOTING IMMEDIATELY AND UNLOAD YOUR FIREARM if your firearm develops: a mechanical malfunction; binding or stoppage; spitting powder/gas; a punctured cartridge primer; a bulged or ruptured cartridge case; or a sound on firing does not sound quite right. Do **NOT** try one more shot but unload your firearm and take it and the ammunition to a qualified gunsmith for examination or send the firearm back to your dealer for examination. Do not assume that the rifle is empty merely because you checked the chamber. You must also check the bore for any obstruction inside the barrel.

BASIC PARTS OF YOUR RIFLE



IMPORTANT NOTES ABOUT HISTORICAL FIREARM DESIGN

Davide Pedersoli manufactures replicas of famous historical firearms. All Davide Pedersoli firearms are manufactured using leading edge technology and high quality modern materials. The firearms are faithful reproductions of firearms originally designed in the nineteenth century; if you choose to own or use a reproduction of a historical firearm you should be aware that Davide Pedersoli manufactures these guns not as state of the art firearms, but as reproductions for collectors. It is vital that the user be familiar with his firearm and possible safety risks that may be present in the design. Most significantly, the user should realize that the designs of safeties - or even the presence of adequate safeties - vary significantly on historical designs and do not offer the protection against accidental discharge that modern firearms safeties offer. Similarly, any firearm that is designed to be fired using black powder or a black powder substitute has risks not found in modern cartridge firearms. Black powder is a dangerous explosive and has to be used and handled with extreme caution. The slightest miscalculation or carelessness with a black powder firearm can result in serious injuries to the user

BEFORE YOU USE YOUR GUN FOR THE FIRST TIME



WARNING: ALWAYS MAKE SURE THE FIREARM IS UNLOADED AND POINTED IN A SAFE DIRECTION.

- When ready to use your firearm for the first time, clean and remove all excess factory lubricant using a good quality gun solvent.
- Lightly lubricate all moving contact points with a good quality gun lubricant
- Thoroughly clean the bore, and remove all excess solvent with clean, dry patches replacing them as often as necessary until they come out clean and dry.
- A slight film of gun oil should be left in the barrel during long periods of storage, however, the cleaning procedure **MUST** be repeated before shooting the firearm.
- **THE BARREL MUST ALWAYS BE CLEAN AND DRY BEFORE SHOOTING.**

AMMUNITION WARNING

1. Use only factory loaded ammunition for the caliber specified on the firearms barrel. Use of different caliber ammunition may cause serious personal injury to you and people around you.
2. If your firearm has "BLACK POWDER ONLY" stamped on the barrel you should **ONLY USE GOOD QUALITY COMMERCIAL BLACK POWDER or A GOOD QUALITY COMMERCIAL BLACK POWDER SUBSTITUTE.**
3. Your gun has been designed for ammunition of a specific gauge or caliber do not alter the barrel, chamber, caliber or gauge for which your gun was designed.
4. Be sure you never mix ammunition.
5. Use only ammunition specifically recommended for your firearm.
6. Do not re-utilize unexploded ammunition.

Davide Pedersoli rifles are stronger than their original versions due in part to improved steels as well as changes made to strengthen the original design and to add safety features. However you must always follow the safety rules, including the use of correct charges and their maximum developed pressure.

Davide Pedersoli rifles are manufactured in Italy and, according to Italian Law, are proof tested at the National Firing Proof House according to the rules imposed by C.I.P. (International Proof Commission). Proper marks of the tests are stamped both on the barrel and the receiver of the rifle.

Commercial cartridges Pmax pressure is measured in BAR in Europe and PSI in the USA, and it is the maximum pressure NEVER TO BE EXCEEDED during the use of the gun.

You can obtain the equivalent maximum pressure value of the commercial cartridge measured in P.S.I. by multiplying the BAR value x 14,5037.

The list below complies with the C.I.P. charts, and shows the maximum pressure allowed for commercial cartridges to be used with Davide Pedersoli guns, in the various calibers. The below mentioned data is presented in BAR and PSI values.

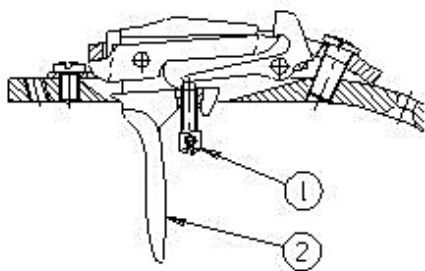
! WARNING: IN NO CASE SHOULD THE CARTRIDGES EXCEED SUCH VALUES OR THOSE SET FOR THE SPECIFIC MODEL RECOMMENDATIONS.

CALIBERS	PRESSURE BAR	PRESSURE C.U.P. / P.S.I
.45-70 Gvt	2000	29007

SINGLE SET TRIGGER

Your rifle may come with an adjustable single set trigger.

! THE TRIGGER PULL MUST NEVER BE SET TO LESS THAN 3 LBS



Picture 1: SINGLE SET TRIGGER

HOW TO “SET” SINGLE SET TRIGGER

You ‘set’ the trigger by pushing it forward. At this point you can release the fully cocked hammer by applying a light pressure to the trigger.

! WARNING: AN IMPROPERLY ADJUSTED SET TRIGGER MAY RELEASE THE FULLY COCKED HAMMER DUE TO A STRONG IMPACT TO THE MECHANISM. PROPERLY ADJUSTED SET TRIGGERS WILL NOT RELEASE THE COCKED HAMMER WITHOUT PULLING THE FIRING TRIGGER. READ CAREFULLY THE INSTRUCTIONS BELOW ON HOW TO PROPERLY MAKE TRIGGER ADJUSTMENTS.

! WARNING: MAKE CERTAIN THE GUN IS UNLOADED BEFORE MAKING ANY ADJUSTMENTS.

SINGLE SET TRIGGER ADJUSTMENT

Point your firearm in a safe direction, make sure it is unloaded and put the hammer in the half cock position.

1. The adjustment screw (#1) is located behind the trigger and controls the tension on the main spring (see picture 1).
2. Turn screw #1 in a clockwise direction to reduce the pressure required to release the trigger.
3. When making adjustments on screw #1 always move the screw in $\frac{1}{4}$ to $\frac{1}{2}$ turn increments and recheck your results before making more adjustments.

Adjustment screws should be checked periodically to verify they are not loose due to shot vibrations.

! WARNING: THE TRIGGER WILL RELEASE THE HAMMER EVEN IF THE TRIGGER HAS NOT BEEN “SET”.


**! WARNING: SET TRIGGERS SHOULD NOT BE ADJUSTED FOR LESS THAN 3 LBS TRIGGER RELEASE PRESURE.
IF THE SET TRIGGER IS ADJUSTED FOR A TOO SHORT AND LIGHT RELEASE, A STRONG IMPACT OR A STRONG VIBRATION MAY CAUSE A FULLY COCKED HAMMER TO FALL AND FIRE.**

 **WARNING: AFTER YOU ADJUST THE SINGLE SET TRIGGER, AND BEFORE YOU SHOOT YOUR FIREARM, YOU MUST MAKE THE FOLLOWING SAFETY TESTS.**

SET TRIGGER SAFETY TEST

1. Make certain the gun is **UNLOADED**, without any cartridge in the chamber and pointed in a safe direction.
2. Place the hammer in the half-cock position and insert a fired/empty cartridge case, so the firing pin will have something to strike against.
3. Fully cock the hammer, then “set” the trigger as explained above.
4. Now, with the gun pointing upwards, knock the butt sharply, several times, against a wood surface, make sure you protect the stock in a proper way. Repeat this impact test several times.
5. The hammer must not be released by the impacts to the butt stock. If the hammer remains in full cocked position, your trigger setting is normal and safe.
6. If the hammer does fall during this impact test, you must change the adjustment of the front, rear or both triggers in order to obtain a proper safe setting.

CAUTION: If you allow others to shoot your pistol or rifle, we suggest letting them try the set triggers before allowing live ammunition to be fired. The light trigger pressure can be a surprise to many shooters who have not had previous experience with a set trigger system. The hammer does not have to be cocked to allow this trigger practice. Just “set” the rear trigger and allow the new shooter to experience the light trigger pull.

 **WARNING: NEVER TAMPER WITH THE TRIGGER PULL ADJUSTMENT MECHANISM IN ORDER TO ALTER THE MINIMUM SETTINGS OF THIS OR ANY OTHER FIREARM'S TRIGGER PULL NEVER ATTEMPT IN ANY WAY TO MODIFY OR ALTER THE SEAR ENGAGEMENT OR ANY OTHER TRIGGER ASSEMBLY COMPONENT.**

LOADING AND UNLOADING YOUR RIFLE

⚠ WARNING: NEVER LOAD OR UNLOAD THIS FIREARM WITH THE HAMMER FULLY COCKED, ALWAYS PUT THE HAMMER AT HALF-COCK.

HAMMER POSITIONS

CARBINE, RIFLE AND LONG RANGE MODELS

These models have FOUR hammer positions:

1. **Fired position.** Hammer at rest on the breech, touching the firing pin. Breech block cannot be opened (see picture 2).
2. **Safe position.** First “click” when pulling the hammer back. Breech block cannot be opened (see figure 3).
3. **Half cock position.** Second “click” when pulling the hammer back. Always use this position to open the breech (see figure 4).
4. **Full cock position.** Third “click” when pulling the hammer back. Use ONLY when ready to safely fire the rifle (see picture 5).



Picture 2. Fired position



Picture 3. Safe position



Picture 4. Half Cock Position



Picture 5. Full cock position

OFFICER MODEL

This model has THREE hammer positions:

1. **Fired position.** Hammer at rest on the breech, touching the firing pin. Breech block cannot be opened (see figure 6).



Picture 6. Fired position

2. **Half cock position.** Second “click” when pulling the hammer back. Always use this position to open the breech (see picture 7).



Picture 7. Half-cock position

3. **Full cock position.** To be used only when ready to safely fire the rifle. See picture 8.

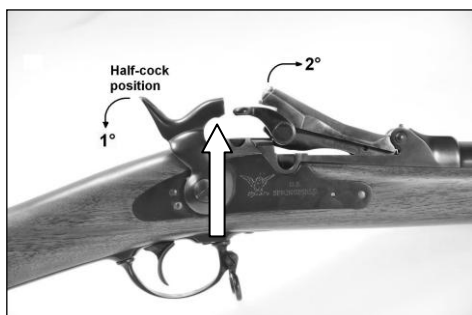


Picture 8. Full-cock position

LOADING YOUR RIFLE

⚠ WARNING: NEVER LOAD OR UNLOAD THIS FIREARM WITH THE HAMMER FULLY COCKED, ALWAYS PUT THE HAMMER AT HALF-COCK.

1. Point the muzzle downrange in a safe direction BEFORE attempting to load and fire the rifle.
2. Do not load the rifle until you are ready to shoot safely. Before loading your rifle check the barrel for possible obstructions. To do this, first place the hammer in the half-cock position (see picture 9).
3. Press the breech lever up (see picture 9) and continue pushing until the action is fully opened (see picture 10)



Picture 9



Picture 10

4. Look into the chamber to make sure there are no obstructions in the barrel.
5. Clean the barrel with a cotton patch to remove any oil or grease residues.
6. Point the muzzle downrange in a safe direction.
7. Carefully insert one cartridge of the proper caliber into the breech (see picture 11).



Picture 11

8. Close the action by pushing down the breech block; make sure the locking block is solidly engaged (see picture 12).



Picture 12

⚠ WARNING: DO NOT FORCE THE CARTRIDGE DURING CHAMBERING. THE CARTRIDGE SHOULD ALWAYS SLIDE EASILY INTO THE CHAMBER. DO NOT LOAD DIFFERENT CALIBER AMMUNITION THAN WHAT IS MARKED ON THE BARREL OF YOUR RIFLE.

1. If a cartridge doesn't slide easily in the chamber, remove it and check the cartridge chamber to make sure it is not obstructed or ruined.
2. Check the cartridge to make sure it is of correct caliber and dimension.
3. Do not use ammunition with a protruding primer; you risk accidentally shooting the ammo when closing the breech block.
4. You are now ready to fire the rifle.

UNLOADING YOUR SPRINGFIELD TRAPDOOR RIFLE

1. After firing, put the hammer in half cock position.
2. Open the action as instructed above and the spent round will be extracted from the chamber.
3. Pull the spent case out.
4. Always keep the muzzle pointed in a safe direction.

⚠ WARNING: IF THE RIFLE'S CHAMBER IS NOT CLEANED REGULARLY, THE EXTRACTOR CAN GET STUCK AND WILL NOT EXTRACT THE CASE. REMEMBER TO CLEAN THE GUN REGULARLY.

UNLOADING A LIVE ROUND

⚠ WARNING: EXTREME CARE MUST BE TAKEN WHEN RETURNING A FULLY COCKED HAMMER TO THE HALF COCK POSITION IF YOU HAVE A LOADED ROUND IN THE CHAMBER.

1. If you decide not to shoot a loaded round keep your fingers off the trigger area and keep the muzzle pointed in a safe direction.
2. Get a firm grasp of the hammer spur with your thumb and pull slightly rearward (see picture 13)
3. Pull the front trigger, while keeping control of the hammer, and gently ease the hammer forward all the way down.



Picture 13

4. Release pressure on the trigger and immediately pull the hammer slowly back and into the half cock position. (see picture 14).
5. Once the hammer is in the half cock position, open the action and remove the live round.



Picture 14

Practice this procedure without live ammunition until you have mastered this procedure

FIRING YOUR RIFLE

1. Point the rifle downrange toward your target and fully cock the hammer (see picture 15).



Picture 15

2. While pointing at your target, if your rifle has a Set Trigger, slowly push the trigger forward to "set" it (see picture 16).



Picture 16

3. While pointing at your target, slowly pull the trigger until your rifle fires (see picture 17).



Picture 17

DISASSEMBLY AND RE-ASSEMBLY OF YOUR RIFLE

TO CLEAN YOUR RIFLE

1. Point your firearm in a safe direction and put the hammer in the half cock position.
2. Open the action as instructed above.
3. **If shooting modern rounds (smokeless powder).** Use a good quality gun cleaning solvent to clean the inside of the receiver, chamber, barrel and block.
4. Oil sparingly all moving parts and close breech block.
5. Oil sparingly all surfaces of the rifle.
6. **If shooting black powder cartridges.** Black powder residue is highly hygroscopic (attracts moisture) and will rust your gun if not properly cleaned and oiled after shooting.
7. Use a good quality Black Powder Cleaning Solution to clean the inside of the receiver, chamber, barrel and block. Use only non-synthetic cloth patches.
8. Oil sparingly all parts and reassemble.
9. Oil sparingly all surfaces of the rifle.

ORDINARY AND EXTRAORDINARY MAINTENANCE

- Before attempting any kind of maintenance verify that the gun is unloaded and pointed in a safe direction.
- **Ordinary maintenance** means all the steps the owner should follow to keep the gun in good service before and after shooting.
- **Extraordinary maintenance** implies the change of broken or worn parts and disassembling the gun. Only authorized personnel or qualified gunsmiths should disassemble the gun or attempt to repair it.
- Avoid excessive oil.
- Check that the mechanism of the firearm is smooth; if you notice the mechanism getting hard you should take your gun to a qualified gunsmith .
- Don't use pure silicone or lanoline.
- Always inspect your gun and take it to a qualified gunsmith for inspection, after long periods of storage.
- If you need to order parts you must indicate purchase date, serial number, the exact model and the caliber of your gun and the item ref. of the part you need.
- If you have any doubt about a problem with your gun, DON'T USE IT, have it inspected by a qualified gunsmith.
- Improper use or actions may cause serious injury and/or death to yourself and/or any bystanders.
- **Always use this, and any firearm, with care and respect to avoid any incident or event that may cause injury to you or others.**

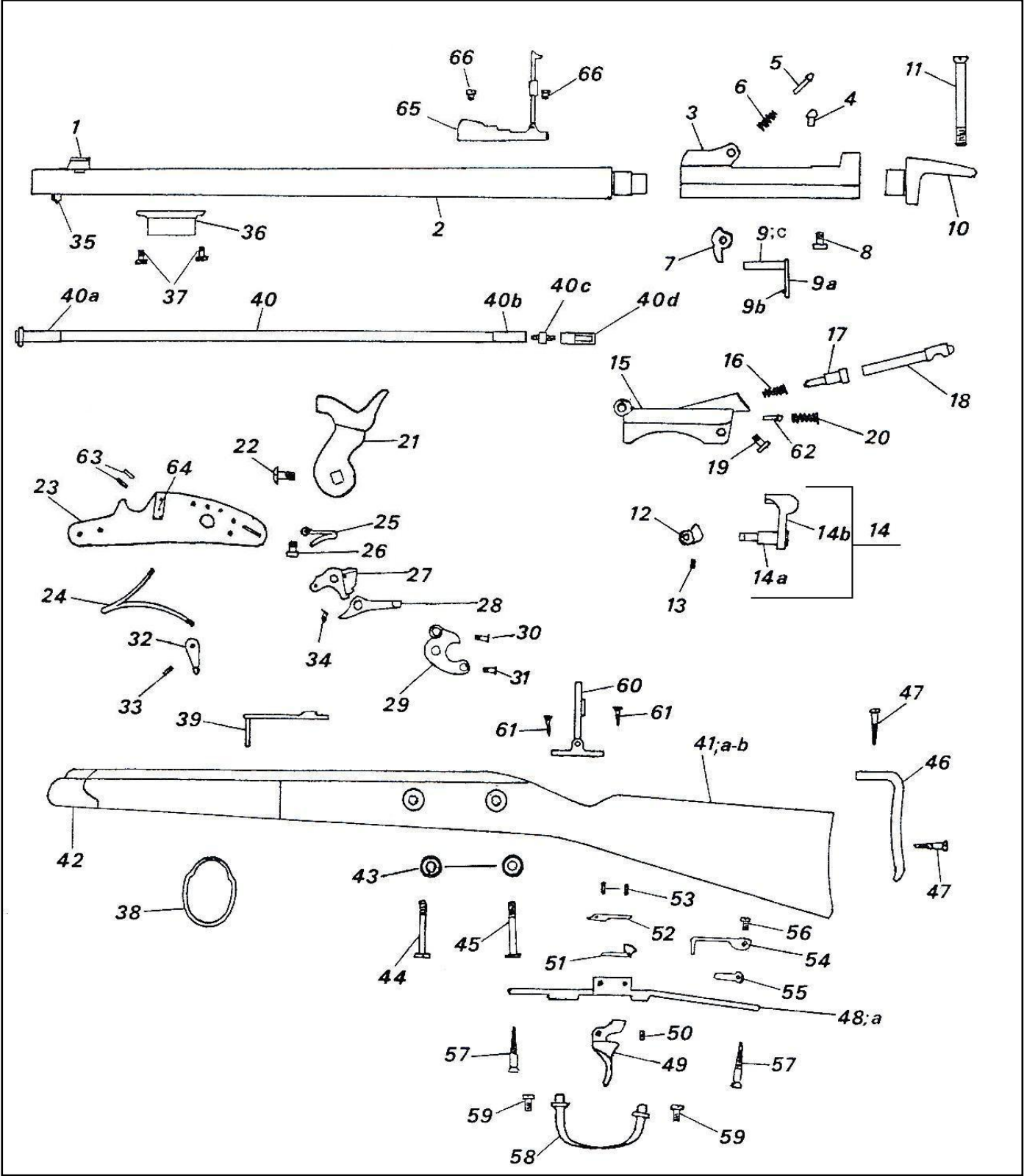
MALFUNCTIONS

The proper function of your firearm is directly related to care and maintenance and to the ammunition used. Your firearm has been designed to function with high quality ammunition produced to commercial standards. Some of the more common types of malfunctions which may occur are as follows:

- **MISFIRE:** a failure of the cartridge to ignite when the hammer falls.
CAUTION: if this occurs, keep the firearm pointed in a safe direction, wait 60 seconds, remove the cartridge from the chamber and dispose of it properly. **Do not re-utilize unexploded ammunitions.**
CAUSE: The most common cause of misfire is faulty ammunition.
- **FAILURE TO EXTRACT OR EJECT:** a fired case is not fully extracted from the chamber or ejected from the gun.
CAUTION: If this occurs, keep the firearm pointed in a safe direction; clear the gun by opening the action and removing any cartridge or cartridge case manually. Check the unloading procedures in this manual.
CAUSE: The most common causes are black powder fouling or black powder and oil residues in the chamber or on the extractor slides, improperly loaded or sized cartridges. If any of the above problems cannot be corrected by cleaning the mechanism or by the use of another brand of ammunition, the firearm should be sent, unloaded, to a qualified gunsmith with a full description of the problem. Do not attempt to make repairs or modifications since these should only be done by a qualified gunsmith

EXPLODED VIEW

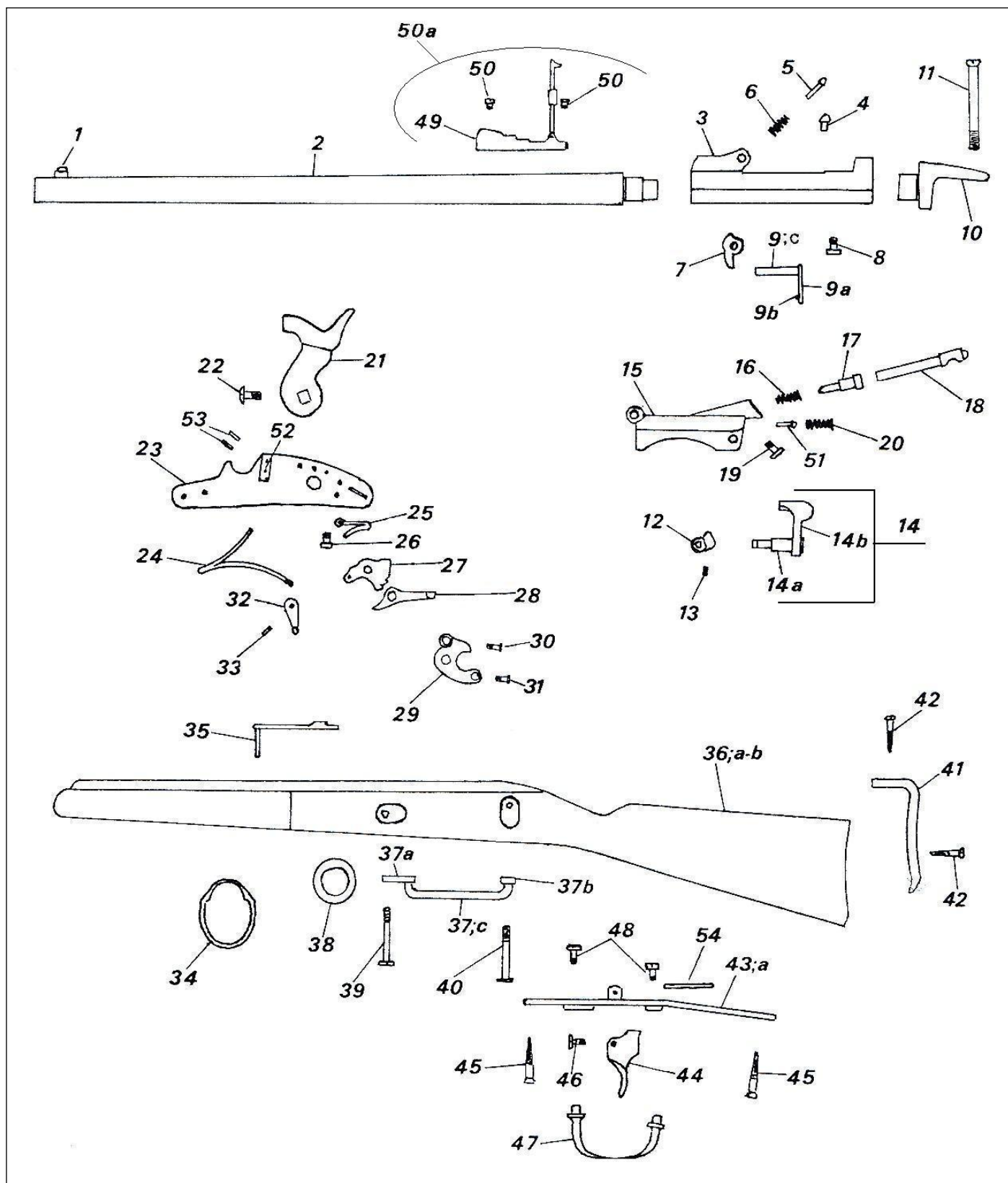
OFFICIER MODEL



Nomenclatura		List	
No.	Italiano	English	Codice / Reference
1	Mirino	Front sight	0800003764
2	Canna	Barrel	0800002628
3	Bascula	Receiver	0800002295
4	Perno alzo cartuccia	Ejector stud	0800004336
5	Perno recupero estrattore	Extractor-retractor pin	0800004337
6	Molla perno recupero estrattore	Extractor-retractor pin spring	0800003756
7	Estrattore	Extractor	0800002816
8	Vite perno alzo cartuccia	Ejector screw	M70AFC5561
9	Perno blocco chiusura	Breech block stud	0800004338
9a	Piastrina perno cerniera	Hinge pin plate	0800004353
9b	Piolo fermo rotazione perno cerniera	Hinge check pin	0800004352
9c	Cerniera completa	Hinge assembled	080G004338
10	Codetta	Tang	0800002413
11	Vite codetta	Tang screw	M70AFM5562
12	Camma chiusura	Cam latch	0800002422
13	Grano camma chiusura	Cam latch screw	M700ST5563
14	Blocco chiusura completo	Breech block, assembled	080G003525
14a	Perno leva apertura	Thumb piece pin	0800004351
14b	Leva apertura blocco chiusura	Thumb piece	0800003525
15	Blocco chiusura	Breech block	0800002296
16	Molla percussore	Firing pin spring	0800003757
17	Percussore	Firing pin	0800004339
18	Percussore posteriore	Rear firing pin	0800004340
19	Vite percussore posteriore	Rear firing pin screw	M70AFC5564
20	Molla perno recupero camma chiusura	Cam latch spring	0800003765
21	Cane	Hammer	0800002423
22	Vite cane	Hammer screw	M70AFC0228
23	Cartella	Lock plate	0800002428
24	Molla cane	Mainspring	0800003759
25	Molla leva scatto	Sear spring	0800003760
26	Vite molla leva scatto	Sear spring screw	M70AFC5566
27	Noce	Tumbler	0800003925
28	Leva scatto	Sear	0800003526
29	Braghetta	Bridle	0800002297
30	Vite braghetta	Bridle screw	M70AFM0231
31	Vite leva scatto	Sear screw	M70SPC5567
32	Tirantino	Stirrup	0800004946
33	Vite tirantino	Stirrup screw	M70AFM0234
34	Farfallina	Fly	0800002915
35	Perno fermo bacchetta	Ramrod pin	M70SPC5565
36	Portabacchetta	Thimble	0800004341
37	Vite fissaggio portabacchetta	Thimble screw	M70PFM5425
38	Fascetta	Band	0800002972
39	Molla fascetta	Band spring	0800003761
40	Bacchetta completa	Ramrod, assembled	0800002298
40a	Puntale anteriore bacchetta	Front ramrod tip	0800004342
40b	Puntale posteriore bacchetta	Rear ramrod tip	0800004213
40c	Riduzione per filettatura	Double ended screw	USA537
40d	Portastraccio con asola	Jag	USA533
41	Calcio	Stock	0800003529
41a	Calcio finito	Stock finished	080003529A
41b	Calcio completo	Stock with spares	080003529B
42	Puntale calcio	Forend cap	0800004345
43	Rosetta calcio	Side screw washer	M70RON5568
44	Vite anteriore cartella	Front lock plate screw	M70AFM5569
45	Vite posteriore cartella	Rear lock plate screw	M70AFM5569
46	Calciolo	Butt plate	0800002453
47	Vite calciolo	Butt plate screw	M70LFM5402
48	Sottoguardia	Trigger plate	0800004705
48a	Sottoguardia completo	Trigger plate, assembled	080004705B
49	Grilletto	Trigger	0800003221
50	Vite regolazione stecher	Set trigger adjusting screw	M70SPC5570

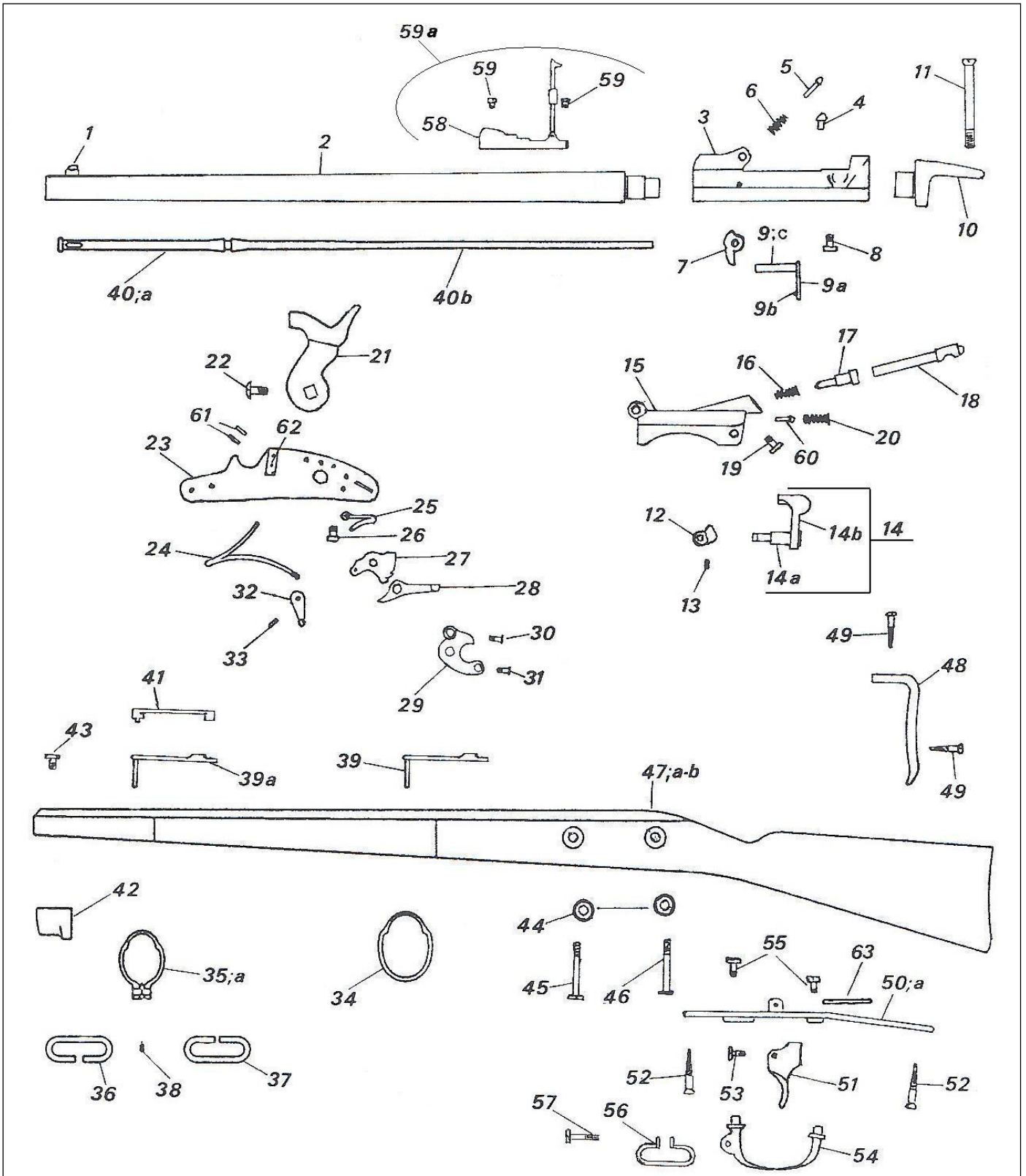
Nomenclatura		List	
No.	Italiano	English	Codice / Reference
51	Dente aggancio stecher	Set trigger ratchet	0800002716
52	Leva scatto stecher	Set trigger lever	0800003431
53	Vite micro stecher	Set trigger screw	M700ST5571
54	Molla scatto stecher	Set trigger spring	0800003762
55	Molla recupero dente aggancio	Set trigger ratchet spring	0800003763
56	Vite fermo molla recupero e armamento	Set triggers spring screw	M70AFM5572
57	Vite sottoguardia	Trigger plate screw	M70LFC5392
58	Guardamano	Trigger guard	0800003222
59	Vite fissaggio guardamano	Trigger guard screw	M70AFC0191
60	Diottra completa	Diopter (assembled)	USA459
61	Vite fissaggio diottra	Diopter screw	M70LFC5285
62	Perno recupero camma chiusa	Cam latch pin	0800004348
63	Copiglia zocchetto fermo molla cane	Mainspring catch pin	M70COP5576
64	Zocchetto fermo molla cane	Mainspring catch	0800005297
65	Tacca di mira con alzo	Rear sight	USA437
66	Vite fissaggio tacca di mira	Rear sight screw	M70AFC5575

CARBINE MODEL



No.	Nomenclatura		Codice / Reference
	Italiano	English	
1	Mirino	Front sight	0800003755
2	Canna	Barrel	0800002626
3	Bascula	Receiver	0800002295
4	Perno alzo cartuccia	Ejector stud	0800004336
5	Perno recupero estrattore	Extractor-retractor pin	0800004337
6	Molla perno recupero estrattore	Extractor-retractor pin spring	0800003756
7	Estrattore	Extractor	0800002816
8	Vite perno alzo cartuccia	Ejector screw	M70AFC5561
9	Perno blocco chiusura	Breech block stud	0800004338
9a	Piastrina perno cerniera	Hinge pin plate	0800004353
9b	Piolo fermo rotazione perno cerniera	Hinge check pin	0800004352
9c	Cerniera completa	Hinge assembled	080G004338
10	Codetta	Tang	0800002413
11	Vite codetta	Tang screw	M70AFM5562
12	Camma chiusura	Cam latch	0800002422
13	Grano camma chiusura	Cam latch screw	M700ST5563
14	Blocco chiusura completo	Breech block, assembled	080G003525
14a	Perno leva apertura	Thumb piece pin	0800004351
14b	Leva apertura blocco chiusura	Thumb piece	0800003525
15	Blocco chiusura	Breech block	0800002296
16	Molla percussore	Firing pin spring	0800003757
17	Percussore	Firing pin	0800004339
18	Percussore posteriore	Rear firing pin	0800004340
19	Vite percussore posteriore	Rear firing pin screw	M70AFC5564
20	Molla perno recupero camma chiusura	Cam latch spring	0800003765
21	Cane	Hammer	0800002423
22	Vite cane	Hammer screw	M70AFC0228
23	Cartella	Lock plate	0800002428
24	Molla cane	Mainspring	0800003759
25	Molla leva scatto	Sear spring	0800003760
26	Vite molla leva scatto	Sear spring screw	M70AFC5566
27	Noce	Tumbler	0800003924
28	Leva scatto	Sear	0800003526
29	Braghetta	Bridle	0800002297
30	Vite braghetta	Bridle screw	M70AFM0231
31	Vite leva scatto	Sear screw	M70SPC5567
32	Tirantino	Stirrup	0800004946
33	Vite tirantino	Stirrup screw	M70AFM0234
34	Fascetta	Band	0800002972
35	Molla fascetta	Band spring	0800003761
36	Calcio	Stock	0800003527
36a	Calcio finito	Stock finished	080003527A
36b	Calcio completo	Stock with spares	080003527B
37	Cavallotto	Saddle ring bar	0800002431
37a	Piastrina anteriore cavallotto	Front plate saddle ring bar	0800004349
37b	Piastrina posteriore cavallotto	Rear plate saddle ring bar	0800004350
37c	Cavallotto completo	Saddle ring bar, assembled	080002431B
38	Anello sella	Saddle ring	0800000250
39	Vite anteriore cartella	Front lock plate screw	M70AFM5569
40	Vite posteriore cartella	Rear lock plate screw	M70AFM5569
41	Calciolo	Butt plate	0800002453
42	Vite calciolo	Butt plate screw	M70LFM5402
43	Sottoguardia	Trigger plate	0800004704
43a	Sottoguardia completo	Trigger plate, assembled	080004704B
44	Grilletto	Trigger	0800003220
45	Vite sottoguardia	Trigger plate screw	M70LFC5392
46	Vite grilletto	Trigger screw	M70AFM0187
47	Guardamano	Trigger guard	0800003222
48	Vite fissaggio guardamano	Trigger guard screw	M70AFC0191
49	Tacca di mira	Rear sight	0800004947
50	Vite fissaggio tacca di mira	Rear sight screw	M70AFC5575
50a	Tacca di mira con alzo	Rear sight	036U437000
51	Perno recupero camma chiusura	Cam latch pin	0800004348
52	Zocchetto fermo molla cane	Mainspring catch	0800005297
53	Copiglia zocchetto	Mainspring catch pin	M70COP5576
54	Molla grilletto	Trigger spring	0800003678

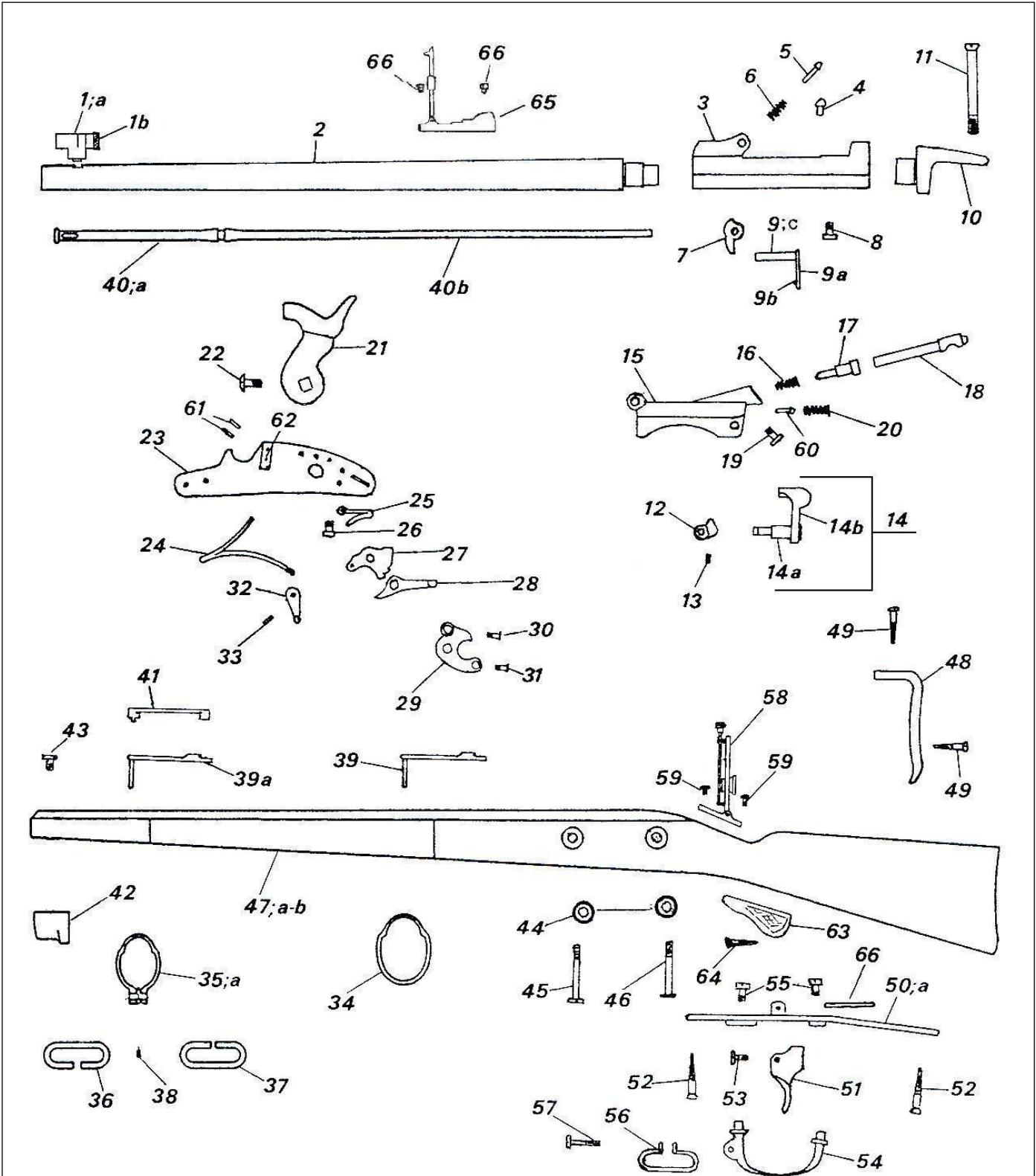
RIFLE MODEL



	Nomenclatura		List	
No.	Italiano		English	Codice / Reference
1	Mirino		Front sight	0800003755
2	Canna		Barrel	0800002627
3	Bascula		Receiver	0800002295
4	Perno alzo cartuccia		Ejector stud	0800004336
5	Perno recupero estrattore		Extractor-retractor pin	0800004337
6	Molla perno recupero estrattore		Extractor-retractor pin spring	0800003756
7	Estrattore		Extractor	0800002816
8	Vite perno alzo cartuccia		Ejector screw	M70AFC5561
9	Perno blocco chiusura		Breech block stud	0800004338
9a	Piastrina perno cerniera		Hinge pin plate	M880004353
9b	Piolo fermo rotazione perno cerniera		Hinge check pin	0800004352
9c	Cerniera completa		Hinge assembled	080G004338
10	Codetta		Tang	0800002413
11	Vite codetta		Tang screw	M70AFM5562
12	Camma chiusura		Cam latch	0800002422
13	Grano camma chiusura		Cam latch screw	M700ST5563
14	Blocco chiusura completo		Breech block, assembled	080G003525
14a	Perno leva apertura		Thumb piece pin	0800004351
14b	Leva apertura blocco chiusura		Thumb piece	0800003525
15	Blocco chiusura		Breech block	0800002296
16	Molla percussore		Firing pin spring	0800003757
17	Percussore		Firing pin	0800004339
18	Percussore posteriore		Rear firing pin	0800004340
19	Vite percussore posteriore		Rear firing pin screw	M70AFC5564
20	Molla perno recupero camma chiusura		Cam latch spring	0800003765
21	Cane		Hammer	0800002423
22	Vite cane		Hammer screw	M70AFC0228
23	Cartella		Lock plate	0800002428
24	Molla cane		Mainspring	0800003759
25	Molla leva scatto		Sear spring	0800003760
26	Vite molla leva scatto		Sear spring screw	M70AFC5566
27	Noce		Tumbler	0800003924
28	Leva scatto		Sear	0800003526
29	Braghetta		Bridle	0800002297
30	Vite braghetta		Bridle screw	M70AFM0231
31	Vite leva scatto		Sear screw	M70SPC5567
32	Tirantino		Stirrup	0800004946
33	Vite tirantino		Stirrup screw	M70AFM0234
34	Fascetta posteriore		Rear band	0800002972
35	Fascetta anteriore		Front band	0800002973
35a	Fascetta anteriore completa		Front band, assembled	080002973B
36	Maglietta aperta		Open swivel	0800002075
37	Maglietta chiusa		Closed swivel	0800002076
38	Grano fissaggio magliette		Rear swivel screw	M700ST5573
39	Molla fascetta posteriore		Rear band spring	0800003761
39a	Molla fascetta anteriore		Front band spring	0800003758
40	Bacchetta completa		Ramrod, assembled	080002299B
40a	Parte anteriore bacchetta		Front ramrod section	0800002299
40b	Parte posteriore bacchetta		Rear ramrod section	0800002300
41	Piastrina fermo bacchetta		Ramrod stop	0800004346
42	Puntale calcio		Forend cap	0800004344
43	Vite puntale calcio		Forend cap screw	M70AFC5574
44	Rosetta calcio		Side screw washer	M70RON5568
45	Vite anteriore cartella		Front lock plate screw	M70AFM5569
46	Vite posteriore cartella		Rear lock plate screw	M70AFM5569
47	Calcio		Stock	0800003528
47a	Calcio finito		Stock finished	080003528A
47b	Calcio completo		Stock with spares	080003528B
48	Calciolo		Butt plate	0800002453
49	Vite calciolo		Butt plate screw	M70LFM5402
50	Sottoguardia		Trigger plate	0800004704
51	Sottoguardia completo		Trigger plate, assembled	080004704B

Nomenclatura		List	
No.	Italiano	English	Codice / Reference
51	Grilletto	Trigger	0800003220
52	Vite sottoguardia	Trigger plate screw	M70LFC5392
53	Vite grilletto	Trigger screw	M70AFM0187
54	Guardamano	Trigger guard	0800003223
55	Vite fissaggio guardamano	Trigger guard screw	M70AFC0191
56	Portacinghia posteriore	Rear swivel	0800004294
57	Vite portacinghia	Rear swivel screw	M70AFM0536
58	Tacca di mira con alzo	Rear sight	0800004948
59	Vite fissaggio tacca di mira	Rear sight screw	M70AFC5575
59a	Tacca di mira con alzo	Rear sight	036U434000
60	Perno recupero camma chiusra	Cam latch pin	0800004348
61	Copiglia zocchetto	Mainspring catch pin	M70COP5576
62	Zocchetto fermo molla cane	Mainspring catch	0800005297
63	Molla grilletto	Trigger spring	0800003678

LONG RANGE RIFLE MODEL



	Nomenclatura	List	
No.	Italiano	English	Codice Reference
1	Mirino a tunnel completo	Tunnel front sight	USA455
1a	Tunnel mirino	Sight's tunnel	0800004944
1b	Tappo mirino	Sight's plug	0800004945
2	Canna	Barrel	0800002623
3	Bascula	Receiver	0800002295
4	Perno alzo cartuccia	Ejector stud	0800004336
5	Perno recupero estrattore	Extractor-retractor pin	0800004337
6	Molla perno recupero estrattore	Extractor-retractor pin spring	0800003756
7	Estrattore	Extractor	0800002816
8	Vite perno alzo cartuccia	Ejector screw	M70AFC5561
9	Perno blocco chiusura	Breech block stud	0800004338
9a	Piastrina perno cerniera	Hinge pin plate	0800004353
9b	Piolo fermo rotazione perno cerniera	Hinge check pin	0800004352
9c	Cerniera completa	Hinge assembled	080G004338
10	Codetta	Tang	0800002413
11	Vite codetta	Tang screw	M70AFM5562
12	Camma chiusura	Cam latch	0800002422
13	Grano camma chiusura	Cam latch screw	M700ST5563
14	Blocco chiusura completo	Breech block, assembled	080G003525
14a	Perno leva apertura	Thumb piece pin	0800004351
14b	Leva apertura blocco chiusura	Thumb piece	0800003525
15	Blocco chiusura	Breech block	0800002296
16	Molla percussore	Firing pin spring	0800003757
17	Percussore	Firing pin	0800004339
18	Percussore posteriore	Rear firing pin	0800004340
19	Vite percussore posteriore	Rear firing pin screw	M70AFC5564
20	Molla perno recupero camma chiusura	Cam latch spring	0800003765
21	Cane	Hammer	0800002423
22	Vite cane	Hammer screw	M70AFC0228
23	Cartella	Lock plate	0800002428
24	Molla cane	Mainspring	0800003759
25	Molla leva scatto	Sear spring	0800003760
26	Vite molla leva scatto	Sear spring screw	M70AFC5566
27	Noce	Tumbler	0800003924
28	Leva scatto	Sear	0800003526
29	Braghetta	Bridle	0800002297
30	Vite braghetta	Bridle screw	M70AFM0231
31	Vite leva scatto	Sear screw	M70SPC5567
32	Tirantino	Stirrup	0800004946
33	Vite tirantino	Stirrup screw	M70AFM0234
34	Fascetta posteriore	Rear band	0800002972
35	Fascetta anteriore	Front band	0800002973
35a	Fascetta anteriore completa	Front band, assembled	080002973B
36	Maglietta aperta	Open swivel	0800002075
37	Maglietta chiusa	Closed swivel	0800002076
38	Grano fissaggio magliette	Rear swivel screw	M700ST5573
39	Molla fascetta posteriore	Rear band spring	0800003761
39a	Molla fascetta anteriore	Front band spring	0800003758
40	Bacchetta completa	Ramrod, assembled	080002299B
40a	Parte anteriore bacchetta	Front ramrod section	0800002299
40b	Parte posteriore bacchetta	Rear ramrod section	0800002300
41	Piastrina fermo bacchetta	Ramrod stop	0800004346
42	Puntale calcio	Forend cap	0800004344
43	Vite puntale calcio	Forend cap screw	M70AFC5574
44	Rosetta calcio	Side screw washer	M70RON5568
45	Vite anteriore cartella	Front lock plate screw	M70AFM5569
46	Vite posteriore cartella	Rear lock plate screw	M70AFM5569
47	Calcio	Stock	0800003528
47a	Calcio finito	Stock finished	080003528A
47b	Calcio completo	Stock with spares	080003528B
48	Calciolo	Butt plate	0800002453
49	Vite calciolo	Butt plate screw	M70LFM5402
50	Sottoguardia	Trigger plate	0800004704
50a	Sottoguardia completo	Trigger plate, assembled	080004704B

	Nomenclatura		List	
No.	Italiano		English	Codice / Reference
51	Grilletto		Trigger	0800003220
52	Vite sottoguardia		Trigger plate screw	M70LFC5392
53	Vite grilletto		Trigger screw	M70AFM0187
54	Guardamano		Trigger guard	0800003223
55	Vite fissaggio guardamano		Trigger guard screw	M70AFC0191
56	Portacinghia posteriore		Rear swivel	0800004294
57	Vite portacinghia		Rear swivel screw	M70AFM0536
58	Diottra completa		Diopter (assembled)	USA454
59	Vite fissaggio diottra		Diopter screw	M70APC5579
60	Perno recupero camma chiusra		Cam latch pin	0800004348
61	Copiglia zocchetto		Mainspring catch pin	M70COP5576
62	Zocchetto fermo molla cane		Mainspring catch	0800005297
63	Impugnatura a pistola		Pistol grip	0800003201
64	Vite fissaggio impugnatura a pistola		Pistol grip screw	M70LFM5219
65	Tacca di mira		Rear sight	036U434000
66	Molla grilletto		Trigger spring	0800003678

MANUFACTURER'S WARNING

This firearm was manufactured to properly perform with the original parts as designed. It is your duty to make sure any parts you buy are correctly installed and that neither replacements nor originals are altered or changed. Your gun is a complex tool with many parts that must relate correctly to other parts for safe and accurate operation. Putting a gun together wrong or with modified parts can result in a damaged gun, or personal injury or death to you or others. Always let a qualified gunsmith work on your gun or at least, check any work not performed by a gunsmith. Firearms safety is your primary concern. **THE GUN OWNER MUST ACCEPT FULL RESPONSIBILITY FOR THE CORRECT REASSEMBLY AND FUNCTIONING OF THE FIREARM AFTER ANY DISASSEMBLY OR REPLACEMENT OF PARTS.**

TO CLEAN AND MAINTAIN YOUR RIFLE

- A) Follow procedures for unloading rifle as described previously.
- B) Follow procedures for disassembly of rifle as described previously.
- C) Materials needed to clean this rifle are: a cleaning rod, cotton bore patches, brass bore brush, powder solvent or, if using black powder a black powder solvent, a small soft brush and good quality gun oil.

WARNING: Lead or lead compounds are known to cause cancer, birth defects, reproductive toxicity, and other serious physical injury. Those who clean firearms should take protective measures to avoid contact or exposure to such chemicals.

- D) Using the bore brush with powder solvent or, if using black powder a black powder solvent, scrub the interior of the barrel and chambers to remove any powder and lead residue in the bore. Always and lastly, swab the interior of the barrels with cotton patch with gun oil to coat and protect the bore and chambers from rust and corrosion.
- E) Any powder fouling on the firing wall, barrel, etc. can be easily cleaned with a brush and powder solvent.
- F) All external surfaces should be wiped down with a light coat of rust preventative. Avoid using too much oil as powder, dust or other foreign material may get trapped in the oil. This could lead to congealed deposits which may interfere with the safe and reliable operation of the rifle.
- G) **USE CAUTION** while using solvents in gun bore cleaning. Prolonged or excess contact with solvents can damage the gun's bluing and finish. Be sure to wipe away all excess solvent and then lubricate with oil.
- H) A gun should be cleaned after firing. In addition, external parts should be wiped with an oiled cloth after handling. A light oil is ordinarily all that is necessary in cleaning if the gun has not been fired or fired very little. If a gun is used frequently, it must be cleaned after each firing and regularly serviced by a professional gunsmith. If the gun has been stored, remove all excess oil and/or grease before firing. Always check to be sure that no cleaning patch or other obstruction remains in the bore or chambers before firing.

DANGER - AMMUNITION WARNING

Firearms may be damaged and serious personal injury or death to the shooter or bystanders may result from any condition which contributes to the generation of excessive pressure or uncontrolled release of gas within the firearm. Such adverse conditions can be caused by bore or chamber obstruction, propellant powder overloads or by defective, incorrect or improperly loaded and assembled cartridge components. Even the strongest firearm can be blown up as a result of excessive pressure. It is extremely dangerous to use a cartridge whose pressure is greater than that developed by cartridges loaded to industry standards.

AMMUNITION (CARTRIDGES) NOTICE

We specifically disclaim responsibility for any damage, personal injury or death occurring in connection with or as the result of the use of Pedersoli rifles with faulty, non standard, remanufactured, hand-loaded or reloaded ammunition, or with cartridges other than factory cartridges for which the firearm was originally chambered.

LUBRICATION WARNING

Firing a rifle with oil, grease or any other material even partially obstructing the bore may result in damage to the rifle and personal injury to the shooter and those nearby. Do not spray or apply lubricants directly on ammunition. If the primer or powder charge of a cartridge is affected by the lubricant, they may not fully ignite yet the energy from the primer and/or powder may be sufficient to push the projectile or wad into the bore where it may become lodged. Firing a subsequent cartridge into the obstructed bore will damage the rifle and may cause personal injury to the shooter and those nearby. Use lubricants properly. You are responsible for the proper care and maintenance of your firearm and ammunition.

WARRANTY

This firearm is warranted to the original retail customer for Life from date of purchase against defects in material and workmanship. All parts and labour or replacement **at our option** are covered. Wood Stock and Wood Forend are not covered by this Lifetime Warranty. The warranty on the wood stock and forend is 60 days from purchase and only covers manufactured and material defects. **Transportation to and from our repair facilities**, government fees, damage caused by failure to perform normal maintenance, damage due to use of high velocity, high pressure, reloaded or other non-standard ammunition, or any unauthorized repair, modification, misuse, abuse, or alteration of the product is not covered by this Limited Warranty.

Any implied warranties, including the implied warranties of merchantability and fitness for a particular purpose, are limited to 1 year from date of original retail purchase. Consequential or incidental damages and/or expenses, or any other expenses are not covered by this warranty.

To obtain warranty performance send us the Warranty Coupon that you can find in the next page and contact Davide Pedersoli & C.

WARNING - ALTERATIONS OR MODIFICATIONS

Altering or modifying parts and/or internal safeties is dangerous and will void the warranty. This rifle was manufactured to perform properly with the original parts as designed. It is your duty to make sure any parts you buy are made for this firearm and are installed correctly and that neither the replacements nor originals are altered or changed. Your gun is a complex precision tool with many parts that must relate correctly to other parts in order for proper and safe operation. Putting a gun together wrong or with incorrect or modified parts can result in a damaged gun, danger, and personal injury or death to you and others through malfunction. Always have a qualified gunsmith work on your gun or at least check any work not performed by a gunsmith.

YOUR OWNER'S MANUAL

Always keep this manual with your firearm. Make sure you understand all the warnings, operation instructions and safety procedures. When you lend, give or sell the firearm, be sure this manual goes with it. You can get a copy of this manual from Davide Pedersoli & C. upon request; contact us at customerservice@davidepedersoli.com.

⚠ WARNING

Children are attracted to and can operate firearms that can cause severe injuries or death.

Prevent child access by always keeping guns locked away and unloaded when not in use. If you keep a loaded firearm where a child obtains and improperly uses it, you may be fined or sent to prison.

⚠ ADVERTENCIA

A los niños les atraen las armas de fuego y pueden hacerlas funcionar. Ellos pueden causarse lesiones graves y la muerte.

Evite que los niños tengan acceso a las armas de fuego guardándolas siempre con llave y descargadas cuando no las esté utilizando. Si usted tiene un arma de fuego cargada en un lugar en que un niño tiene acceso a ella y la usa indebidamente le pueden dar una multa y enviarlo a la cárcel.

MANUFACTURER



**PEDERSOLI DAVIDE & C
25063 / 57 Artigiani ST.
Gardone Val Trompia , BS – Italy
www.davide-pedersoli.com**

WARRANTY COUPON

To get the Lifetime Warranty you must send us data of you and of your firearm, you can:

fill the part below and send it to:

**Davide Pedersoli & C.
Via Artigiani, 57
25063 Gardone VT (Brescia) Italy**

or

send an e-mail to: **customerservice@davidepedersoli.com** with the information requested below.

NAME:.....
SURNAME:.....
ADDRESS.....
POST CODE.....CITY.....
COUNTRY.....
MODEL

SERIAL NUMBER.....
DATE AND PLACE OF PURCHASE.....