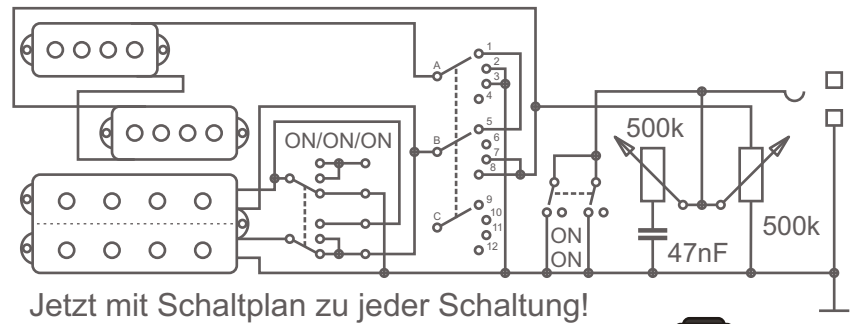
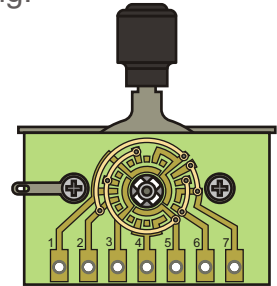


wiring diagrams



Jetzt mit Schaltplan zu jeder Schaltung!

Cadfaels
nicht mehr ganz so



kleine Sammlung von Schaltplänen

Version 4.27

WITH
GERMAN
ENGLISH
DICTIONARY
NOW!

Passive Schaltungen für E-Bässe

sowie einige aktive Schaltungen

- Historische Schaltungen
- Umbauten & Eigenbauten
- Modifikationen
- Grundlagen & Theorie
- Pläne selbst entwerfen

Inhaltsverzeichnis



- | | | | |
|----------|--------------------|---------------------------------------|--|
| 1 | Deckblatt | | |
| 2 | Inhaltsverzeichnis | | |
| 6 | Vorwort | | |
| 8 | 1 | Historische Schaltungen | |
| 9 | 1.1.101 | Fender Precision Bass 1951 - 56 | |
| 10 | 1.1.103 | Fender Precision Bass 1952 - 53 | |
| 11 | 1.1.106 | Fender Precision Bass 1954 | |
| 12 | 1.1.108 | Fender Precision Bass 1955 - 56 | |
| 13 | 1.1.121 | Fender Precision Bass '51 2003 | |
| 14 | 1.1.124 | Fender Precision Bass OPB'54 1983 | |
| 15 | 1.1.131 | Fender Prec. Bass Mike Dirnt 2004 | |
| 16 | 1.1.141 | Fender La Cabronita Porrado 2011 | |
| 17 | 1.1.144 | Fender Cabronita Bass 2013 | |
| 18 | 1.1.151 | Fender Precision Bass 1957 - 1973 | |
| 19 | 1.1.156 | Fender Precision Bass 1973 - 1985 | |
| 20 | 1.1.161 | Fender Precision TBX Control 1989 | |
| 21 | 1.1.166 | Fender Precision Bass Std. 1999 | |
| 22 | 1.1.168 | Fender Precision Bass Am. Std. 2004 | |
| 23 | 1.1.171 | Fender Precision Bass HWY1 2005 | |
| 24 | 1.1.181 | Fender P-Bass JR 2004 | |
| 25 | 1.1.186 | Fender PB-555 Bass 1984 - 1987 | |
| 26 | 1.1.191 | Fender Precision Bass Blacktop 2011 | |
| 27 | 1.1.201 | Fender PJ Bass Special 1980s | |
| 28 | 1.1.206 | Fender PJ-555 Bass 1984 | |
| 29 | 1.1.207 | Fender PJ-535 Bass 1984 | |
| 30 | 1.1.211 | Fender JP-90 Bass 1990 | |
| 31 | 1.1.241 | Fender PJ Bass Super 55 Pickups | |
| 32 | 1.1.251 | Fender PJ Bass Tony Franklin 2007 | |
| 33 | 1.1.261 | Fender PJ Bass Duff McKagan | |
| 34 | 1.1.271 | Fender PJ Frank Bello J-Bass 2005 | |
| 35 | 1.1.281 | Fender Jazz Bass Mark Hoppus 2002 | |
| 36 | 1.1.300 | Fender Jazz Bass Prototyp 1959 | |
| 37 | 1.1.301 | Fender Jazz Bass 1960 - 1962 (1) | |
| 38 | 1.1.303 | Fender Jazz Bass 1960 - 1962 (2) | |
| 39 | 1.1.311 | Fender Jazz Bass 1963 (Standard) | |
| 40 | 1.1.316 | Fender Jazz Bass 1975 (auch 1966) | |
| 41 | 1.1.321 | Fender Jazz Bass 2000 | |
| 42 | 1.1.331 | Fender Jazz Bass Am. Std. 2004 | |
| 43 | 1.1.341 | Fender Jazz Bass HWY1 2005 | |
| 44 | 1.1.361 | Fender Jazz Bass Super 55 Pickups | |
| 45 | 1.1.371 | Fender Jazz Bass Mod. Player 2011 | |
| 46 | 1.1.381 | Fender Jazz Bass Blacktop 2011 | |
| 47 | 1.1.401 | Fender Mustang Bass 1966 - 81 | |
| 48 | 1.1.411 | Fender Mustang Bass (Reissue) 1998 | |
| 49 | 1.1.421 | Fender Mustang Bass (P. Shop) 2013 | |
| 50 | 1.1.426 | Fender Mustang Bass PJ 2013 | |
| 51 | 1.1.451 | Fender MusicMaster Bass 1970 - 81 | |
| 52 | 1.1.471 | Fender Bullet Bass 1982 - 83 | |
| 53 | 1.1.501 | Fender Telecaster I Bass 1968 - 72 | |
| 54 | 1.1.503 | Fender Telecaster I Bass 1968 | |
| 55 | 1.1.521 | Fender Telecaster II Bass 1972 - 75 | |
| 56 | 1.1.536 | Fender Telecaster Bass M. Pl. 2011 | |
| 57 | 1.1.651 | Fender Bass V 1965 - 70 | |
| 58 | 1.1.661 | Fender Bass VI 1961 - 75 | |
| 59 | 1.1.666 | Fender Bass VI Pawn Shop 2013 | |
| 60 | 1.1.731 | Fender P.S. Reverse Jaguar 2012 | |
| 61 | 1.1.741 | Fender La Cabronita Boracho 2012 | |
| 62 | 1.1.771 | Fender Roscoe Beck Bass 2004 | |
| 63 | 1.1.811 | Fender Coronado I Bass 1966 - 70 | |
| 64 | 1.1.821 | Fender Coronado II Bass 1966 -72 | |
| 65 | 1.1.823 | Fender Coronado Bass Mod. P. 2013 | |
| 66 | 1.1.853 | Fender Starcaster Bass Mod. P. 2013 | |
| 67 | 1.1.921 | Fender Performer Bass FB-555 1982 | |
| 68 | 1.1.951 | Fender Dimension Bass Mod. P. 2013 | |
| 69 | 1.2.111 | Squier CV 50's P-Bass 04.2008 | |
| 70 | 1.2.113 | Squier CV 50's P-Bass 09.2008 | |
| 71 | 1.2.131 | Squier Mike Dirnt P-Bass 2005 | |
| 72 | 1.2.141 | Squier VM Cabronita Bass MN 2013 | |
| 73 | 1.2.156 | Squier Affinity Series P-Bass 2008 | |
| 74 | 1.2.161 | Squier CV 60's P-Bass 04.2008 | |
| 75 | 1.2.163 | Squier CV 60's P-Bass 09.2008 | |
| 76 | 1.2.171 | Squier VM Precision Bass RN 2006 | |
| 77 | 1.2.175 | Squier VM Precision Bass MN 2010 | |
| 78 | 1.2.181 | Squier Pete Wentz P-Bass 2007 | |
| 79 | 1.2.201 | Squier PJ555 Bass 1983 | |
| 80 | 1.2.211 | Squier Standard P-Bass Special 1999 | |
| 81 | 1.2.231 | Squier Affinity Series P-Bass PJ 2013 | |
| 82 | 1.2.271 | Squier Frank Bello J-Bass 2007 | |
| 83 | 1.2.302 | Squier JB-355 Jazz Bass Japan 1985 | |
| 84 | 1.2.305 | Squier Affinity Series J-Bass V 2008 | |
| 85 | 1.2.311 | Squier Standard Jazz Bass 2001 | |
| 86 | 1.2.321 | Squier CV 60's Jazz Bass 2008 | |
| 87 | 1.2.331 | Squier Vint. Mod. Jazz Bass 2006 | |
| 88 | 1.2.333 | Squier Vint. Mod. Jazz Bass 2009 | |
| 89 | 1.2.341 | Squier VM Fretless Jazz Bass 2006 | |
| 90 | 1.2.411 | Squier Mustang Bass 2011 | |
| 91 | 1.2.431 | Squier Mustang Bass Mike Way 2012 | |
| 92 | 1.2.451 | Squier MusicMaster Bass 1997 | |
| 93 | 1.2.461 | Squier Bronco Bass 1999 | |
| 94 | 1.2.526 | Squier Vint. Mod. P-Bass TB 2007 | |
| 95 | 1.2.551 | Squier VM Telecaster Bass 2012 (1) | |
| 96 | 1.2.552 | Squier VM Telecaster Bass 2012 (2) | |
| 97 | 1.2.556 | Squier Telecaster Bass Special 2012 | |
| 98 | 1.2.661 | Squier Bass VI 2013 | |
| 99 | 1.2.711 | Squier Vint. Mod. Jaguar Bass 2010 | |
| 100 | 1.2.721 | Squier VM Jaguar Bass Sp. SS 2011 | |
| 101 | 1.2.791 | Squier MB-4 2003 | |
| 102 | 1.2.911 | G&L L-1000 Bass 1980 | |
| 103 | 1.2.921 | G&L L-2000 Bass 1980 | |
| 104 | 1.2.951 | G&L L-5000 Bass 1989 | |
| 105 | 1.2.961 | G&L SB-1 Bass 1982 | |
| 106 | 1.2.963 | G&L SB-1 Bass 1984 | |

Inhaltsverzeichnis



- | | | | | | |
|-----|---------|-------------------------------------|-----|---------|---------------------------------------|
| 107 | 1.2.971 | G&L SB-2 Bass 1982 | 159 | 1.5.741 | Epiphone EB-1 2000 |
| 108 | 1.2.973 | G&L SB-2 Bass 1984 | 160 | 1.3.751 | Epiphone EB-3 2004 |
| 109 | 1.2.975 | G&L SB-2 Bass 1987 | 161 | 1.3.776 | Epiphone Nikki Sixx Bass 2008 |
| 110 | 1.2.981 | G&L Legacy / L-100 Bass 1993 | 162 | 1.4.151 | Danelectro 3612 Shorthorn 1956 |
| 111 | 1.3.101 | Gibson EB-0 Bass 1959 | 163 | 1.4.161 | Danelectro 4423 Longhorn 1959 |
| 112 | 1.3.106 | Gibson EB-0F Bass 1962 | 164 | 1.4.166 | Danelectro Longhorn Bass 2006 |
| 113 | 1.3.111 | Gibson EB-1 Bass 1972 | 165 | 1.4.251 | Gretsch G6119B Broadkaster Bass |
| 114 | 1.3.121 | Gibson EB-2 Bass 1960 | 166 | 1.4.261 | Gretsch G6073 Bass (mit Tone Sw.) |
| 115 | 1.3.124 | Gibson EB-2D Bass 1966 | 167 | 1.4.266 | Gretsch G6072 Bass (mit Stand-By Sw.) |
| 116 | 1.3.127 | Gibson EB-2 Double Stereo B. 1966 | 168 | 1.4.301 | Guild Starfire Bass II (Reissue 1993) |
| 117 | 1.3.131 | Gibson EB-3 Bass 1961 | 169 | 1.4.351 | Harmony H22 Bass 1961 |
| 118 | 1.3.135 | Gibson EB-3 Bass 1972 | 170 | 1.4.361 | Harmony H25 Bass 1966 |
| 119 | 1.3.141 | Gibson EB-4 Bass 1973 | 171 | 1.4.451 | Kramer The Duke 1981 |
| 120 | 1.3.151 | Gibson EB Bass 2012 | 172 | 1.4.511 | Peavey T40 Bass 1981 |
| 121 | 1.3.211 | Gibson SB-200/-300/-400 Bass | 173 | 1.4.521 | Peavey T45 Bass 1981 |
| 122 | 1.3.221 | Gibson SB-350/-450 Bass 1975 | 174 | 1.4.611 | Rickenbacker 3001 Bass |
| 123 | 1.3.231 | Gibson SG Bass (1) | 175 | 1.4.621 | Rickenbacker 4001 Bass |
| 124 | 1.3.233 | Gibson SG Bass (2) | 176 | 1.4.624 | Rickenbacker 4001C64 Bass |
| 125 | 1.3.241 | Gibson SG-Z Bass 2000 | 177 | 1.4.627 | Rickenbacker 4003 Bass |
| 126 | 1.3.301 | Gibson Thunderbird II Bass 1963 | 178 | 1.4.631 | Rickenbacker 4004 Bass |
| 127 | 1.3.311 | Gibson Thunderbird IV Bass 1963 | 179 | 1.4.721 | Schecter Diamond J 2006 |
| 128 | 1.3.313 | Gibson Thunderbird IV Bass 1976 | 180 | 1.4.731 | Schecter Diamond P 2012 |
| 129 | 1.3.317 | Gibson Thunderbird IV Bass 2012 | 181 | 1.4.741 | Schecter Model T 2006 |
| 130 | 1.3.321 | Gibson Nikki Sixx Bass | 182 | 1.4.801 | B.C. Rich Virgin NT Bass 2011 |
| 131 | 1.3.351 | Gibson L9-S Ripper Bass 1973 | 183 | 1.4.861 | Godin Shifter 4 Bass 2011 |
| 132 | 1.3.352 | Gibson L9-S Ripper Bass 1973 | 184 | 1.5.114 | Burns Bison Bass (Reissue 2001) |
| 133 | 1.3.361 | Gibson Grabber G1 Bass 1975 | 185 | 1.5.117 | Burns Bison Guitar (Modifikation) |
| 134 | 1.3.366 | Gibson Grabber II Bass 2012 | 186 | 1.5.124 | Burns Marquee Bass (Reissue 2000) |
| 135 | 1.3.371 | Gibson Grabber G3 Bass 1975 | 187 | 1.5.134 | Burns Shadows Bass (Reissue 1993) |
| 136 | 1.3.376 | Gibson Grabber G3 70s T. Bass 2012 | 188 | 1.5.137 | Burns Shadows Bass 1964 (RI 2006) |
| 137 | 1.3.381 | Gibson RD Standard Bass 1977 | 189 | 1.5.161 | VOX V204 Bassmaster Bass 1961 |
| 138 | 1.3.386 | Gibson Krist Novoselic RD Bass 2011 | 190 | 1.5.171 | VOX V224 Mark IV Bass 1965 |
| 139 | 1.3.411 | Gibson Victory Standard 1981 | 191 | 1.5.181 | VOX V284 Stinger Bass 1968 |
| 140 | 1.3.416 | Gibson Victory Custom 1982 | 192 | 1.5.201 | Hagstrom C1 Bass 1965 |
| 141 | 1.3.421 | Gibson Flying V Bass 1981 | 193 | 1.5.211 | Hagstrom H8 Bass 1967 |
| 142 | 1.3.426 | Gibson Flying V Bass 2012 | 194 | 1.5.221 | Hagstrom Swede Bass 1971 |
| 143 | 1.3.431 | Gibson Explorer Bass 1984 | 195 | 1.5.301 | Jolana Iris Bass 1973 |
| 144 | 1.3.436 | Gibson Explorer Bass 2012 | 196 | 1.5.351 | Musima Migma Bass |
| 145 | 1.3.511 | Gibson Les Paul "Recording" Bass | 197 | 1.5.411 | Framus 5/165 Strato de Luxe 1963 |
| 146 | 1.3.521 | Gibson Les Paul Triumph Bass | 198 | 1.5.412 | Framus 5/165 Strato de Luxe 1963 |
| 147 | 1.3.541 | Gibson Les Paul Signature Bass | 199 | 1.5.421 | Framus 5/150 Star Bass 1966 |
| 148 | 1.3.551 | Gibson Les Paul Deluxe Bass | 200 | 1.6.441 | Framus 5/150 Vint. Star Bass 2012 |
| 149 | 1.3.561 | Gibson Les Paul Standard Bass | 201 | 1.5.511 | Höfner 185 Bass 1964 (und 1962) |
| 150 | 1.3.571 | Gibson LP Std. Oversized Bass 2012 | 202 | 1.5.514 | Höfner 185-3 Bass 1972 |
| 151 | 1.3.581 | Gibson LP Junior DC Bass 2011 | 203 | 1.5.517 | Höfner MP 185 Bass 1973 |
| 152 | 1.3.601 | Gibson Midtown Bass 2012 | 204 | 1.5.521 | Höfner E1 Schaltung |
| 153 | 1.3.701 | Epiphone Newport EBS 1961/65 | 205 | 1.5.531 | Höfner E2 500/1 Bass |
| 154 | 1.3.706 | Epiphone Newport Deluxe EBD 1961 | 206 | 1.5.611 | Le Fay 4x6 "3A Wiring" |
| 155 | 1.3.711 | Epiphone Rivoli Bass EB 232 1965 | 207 | 1.5.621 | Le Fay 4x6 "4A Wiring" |
| 156 | 1.3.716 | Epiphone Rivoli Bass 1999 | 208 | 1.5.651 | Maruszczyk Elwood Bass 2010 |
| 157 | 1.3.721 | Epiphone Jack Casady Bass 1997 | 209 | 1.5.661 | Maruszczyk Mr. Tee Bass 2011 |
| 158 | 1.5.731 | Epiphone EB-0 2004 | 210 | 1.5.701 | Rockinger Tele PJ Bass 1984 |

Inhaltsverzeichnis



- | | | | | | |
|-----|---------|-----------------------------------|----------------|---------------------------|---------------------------------|
| 211 | 1.5.751 | Rockbass Streamer Standard Single | 263 | 1.7.351 | Yamaha SBV-500 Bass 2000 |
| 212 | 1.5.756 | Rockbass Streamer Standard | 264 | 1.7.361 | Yamaha SBVJ1 Bass 2003 |
| 213 | 1.5.761 | Rockbass Corvette Basic | 265 | 1.7.381 | Yamaha RBX270 Bass 2001 |
| 214 | 1.5.766 | Rockbass Corvette \$\$ | 266 | 1.7.511 | Weltron E Bass 1970 |
| 215 | 1.7.781 | Warwick Star Bass II | 267 | 1.7.551 | Aria A-200 Bass 1972 |
| 216 | 1.6.011 | Ibanez Bässe 1961-67 | 268 | 1.7.561 | Aria Pro II PB-600D Bass 1977 |
| 217 | 1.6.021 | Ibanez Bässe 1971-77 | 269 | 1.7.571 | Aria Pro II SB-700 Bass 1979 |
| 218 | 1.6.031 | Ibanez 2353L Bass 1970 | 270 | 1.7.581 | Aria Pro II TSB-550 Bass 1980 |
| 219 | 1.6.041 | Ibanez 2353L/DX Bass 1973 | 271 | 1.7.606 | Teisco KB-2 Bass 1967 |
| 220 | 1.6.051 | Ibanez 2366B Bass 1973 | 272 | 1.7.611 | Teisco NB-4 Bass 1968 |
| 221 | 1.6.061 | Ibanez 2369B-W Bass 1974 | 273 | 1.7.621 | Teisco TB-64 Bass VI 1968 |
| 222 | 1.6.071 | Ibanez 2030 Bass 1969 | 274 | 1.7.651 | Kawai Z-II•B Bass |
| 223 | 1.6.076 | Ibanez 2365B Bass 1975 | 275 | 1.7.711 | Johnson JB-M5 (MM-Kopie) 2008 |
| 224 | 1.6.101 | Ibanez 2354B Bass 1973 | | | |
| 225 | 1.6.171 | Ibanez 2388B Bass 1973 | 276 1.9 | Aktive Schaltungen | |
| 226 | 1.6.201 | Ibanez MC 800 Bass 1979 | 277 | 1.9.011 | Fender Elite I Bass 1983 |
| 227 | 1.6.211 | Ibanez MC 824 Bass 1980 | 278 | 1.9.021 | Fender Elite II Bass 1983 |
| 228 | 1.6.221 | Ibanez RS 824 Bass 1980 | 279 | 1.9.022 | Fender Elite II Bass 1983 (2) |
| 229 | 1.6.231 | Ibanez BL-700 Bass 1980 | 280 | 1.9.051 | Fender Jaguar Bass |
| 230 | 1.6.241 | Ibanez RB 650 Bass 1984 | 281 | 1.9.055 | Fender Jaguar Bass Troy Sanders |
| 231 | 1.6.251 | Ibanez RB 820 Bass 1983 | 282 | 1.9.071 | Fender Jazz Bass 24 2008 |
| 232 | 1.6.256 | Ibanez RB 850 Bass 1985 | 283 | 1.9.121 | Squier Deluxe Active Jazz Bass |
| 233 | 1.6.271 | Ibanez RD 300 Bass 2004 | 284 | 1.9.151 | MusicMan 25 StingRay Bass 1976 |
| 234 | 1.6.301 | Ibanez ICB300 Bass 1995 | 285 | 1.9.153 | MusicMan 25 StingRay Bass 1977 |
| 235 | 1.6.321 | Ibanez ATK 100 Bass 1995 | 286 | 1.9.156 | MusicMan 25 StingRay Bass 1982 |
| 236 | 1.6.351 | Ibanez GAXB 150 Bass 2004 | 287 | 1.9.161 | MusicMan 35 StingRay Bass 1987 |
| 237 | 1.6.401 | Ibanez GATK 20 Bass 2011 | 288 | 1.9.211 | G&L L-1500 / L-1505 Bass |
| 238 | 1.6.431 | Ibanez JTBK 200 Bass 2008 | 289 | 1.9.221 | G&L L-2000 / L-2500 / ASAT Bass |
| 239 | 1.6.436 | Ibanez JTBK 300 Bass 2010 | 290 | 1.9.311 | Ibanez SRX 400 Bass 2006 |
| 240 | 1.6.451 | Ibanez AGB 140 Bass 2004 | 291 | 1.9.321 | Ibanez ATK 300 Bass 1995 |
| 241 | 1.6.456 | Ibanez AGB 200 Bass 2007 | 292 | 1.9.331 | Ibanez BTB 200 Bass 2005 |
| 242 | 1.6.521 | Cimar EB-1 Bass 1975 | 293 | 1.9.351 | Ibanez EDB 405 Bass 2006 |
| 243 | 1.6.541 | Cimar 1952 Bass 1976 | 294 | 1.9.411 | aguilar OBP-1 + AG J4-60S (1) |
| 244 | 1.6.561 | Cimar 2065 Bass 1979 | 295 | 1.9.414 | aguilar OBP-1 + On/Off (2) |
| 245 | 1.6.581 | Cimar 2072 Bass 1982 | 296 | 1.9.417 | aguilar OBP-1 + On/Off (3) |
| 246 | 1.6.711 | Maya PB Electronic Bass 1974 | 297 | 1.9.421 | aguilar OBP-2 + AG J4-70S |
| 247 | 1.6.721 | Maya 239 Electronic Bass 1974 | 298 | 1.9.551 | Cort Curbow 4/5 Bass 2009 |
| 248 | 1.6.749 | Maya Bass Umbau 1979 | 299 | 1.9.561 | Cort GB34A Bass 2009 |
| 249 | 1.6.821 | Sakai Triumph Bass 1972 | 300 | 1.9.571 | Cort T34 Bass 2009 |
| 250 | 1.7.011 | Yamaha Serien ab 1966 | 301 | 1.9.581 | Cort T74 Bass 2009 |
| 251 | 1.7.031 | Yamaha SB-5A Bass 1968 | 302 | 1.9.601 | Schecter Stiletto Custom-4 2006 |
| 252 | 1.7.041 | Yamaha SB-55 Bass 1973 | 303 | 1.9.661 | Kramer D-1 Bass |
| 253 | 1.7.051 | Yamaha SB-500 Bass 1976 | 304 | 1.9.711 | Spector Lenge 4 Classic |
| 254 | 1.7.061 | Yamaha SB-500S Bass 1981 | 305 | 1.9.716 | Spector Tone Pump Jr. Vol./Bal. |
| 255 | 1.7.101 | Yamaha Serien ab 1976 | 306 | 1.9.721 | Spector Euro 4 LX |
| 256 | 1.7.111 | Yamaha PB400 Bass 1976 | 307 | 1.9.731 | Spector Tone Pump 2x Volume |
| 257 | 1.7.131 | Yamaha JB500R Bass 1984 | 308 | 1.9.736 | Spector Tone Pump Vol./Balance |
| 258 | 1.7.201 | Yamaha BB-1200 Bass 1977 | 309 | 1.9.751 | Seymour Duncan BMP-1 |
| 259 | 1.7.211 | Yamaha BB-2000 Bass 1978 | | | |
| 260 | 1.7.221 | Yamaha BB-3000 Bass 1982 | | | |
| 261 | 1.7.301 | Yamaha Attitude 65 Bass 1991 | | | |
| 262 | 1.7.311 | Yamaha Attitude Ltd. 2 Bass 2006 | | | |

Inhaltsverzeichnis



310 2 Umbauten und Eigenbauten

- 311 2.1.011 1 PU, Nur Resonanzkorrektur (1)
- 312 2.1.012 1 PU, Nur Resonanzkorrektur (2)
- 313 2.1.013 2 PUs, Nur Resonanzkorrektur (3)
- 314 2.1.051 1 PU, P-Schaltung fast ohne Kabel
- 315 2.1.101 2 PUs, VV, Neck + Bridge Volume
- 316 2.1.121 2 PUs, VV, Master + Bridge Volume
- 317 2.1.123 2 PUs, VV, Master / Normal
- 318 2.1.131 2 PUs, VT, Master + Tone
- 319 2.1.141 2 PUs, VVV, Master + PU Volume (1)
- 320 2.1.143 2 PUs, VVV, Master + PU Volume (2)
- 321 2.1.151 2 PUs, VVT, Master / Normal
- 322 2.1.161 2 PUs, VVT, zublendb. Bridge PU (1)
- 323 2.1.162 2 PUs, VVT, zublendb. Bridge PU (2)
- 324 2.1.201 2 PUs, VT, Lautstärkeangleichung (1)
- 325 2.1.211 2 PUs, VT, Lautstärkeangleichung (2)
- 326 2.1.241 2 PUs, VVTT, moderne Les Paul
- 327 2.1.301 1 MM, Spulenblende (1)
- 328 2.1.302 1 MM, Spulenblende (2)
- 329 2.1.303 1 MM, Spulenblende (3)
- 330 2.1.321 2 PUs, Pickupblende seriell (1)
- 331 2.1.323 2 PUs, Pickupblende seriell (1)
- 332 2.1.401 2 PUs, VVT, parallel / seriell (1)
- 333 2.1.402 2 PUs, VVT, parallel / seriell (2)
- 334 2.1.403 2 PUs, VVT, parallel / seriell (3)
- 335 2.1.501 2 PUs, VBT, Balance Poti
- 335 2.1.551 2 PUs, VBT, Balance Poti + seriell (1)
- 337 2.1.552 2 PUs, VBT, Balance Poti + seriell (2)
- 338 2.1.553 2 PUs, VBT, Balance Poti + seriell (3)
- 339 2.1.571 2 PUs, VBT, Balance oder Dreiweg
- 340 2.1.581 3 PUs, VBT, Balance und Dreiweg
- 341 2.2.011 2 PUs, 1x Mini-Dreiweg, parallel
- 342 2.2.051 2 PUs, 1x Mini-Dreiweg, par./ser. (1)
- 343 2.2.052 2 PUs, 1x Mini-Dreiweg, par./ser. (2)
- 344 2.2.101 2 PUs, 1x Mini-Dreiweg, seriell (1)
- 345 2.2.102 2 PUs, 1x Mini-Dreiweg, seriell (2)
- 346 2.2.103 2 PUs, 1x Mini-Dreiweg, seriell (3)
- 347 2.2.111 2 PUs, 1x Mini-Dreiweg, par./N./ser.
- 348 2.2.113 2 PUs, 1x Mini-Dreiweg, par./B./ser.
- 349 2.2.121 1 MM, 1x Mini-Dreiweg, seriell + kill
- 350 2.2.301 3 PUs, 1x Mini-Dreiweg, A/B/C
- 351 2.2.321 3 PUs, 1x Mini-Dreiweg, parallel
- 352 2.2.326 3 PUs, 1x Mini-Dreiweg, par. + ser.
- 353 2.2.341 3 PUs, 3x Mini-Dreiweg, 1980s Style
- 354 2.2.361 3 PUs, 3x Mini-Dreiweg, Big Al Style
- 355 2.2.363 3 PUs, 3x Mini-Dreiweg, JPJ Al Style
- 356 2.2.401 2 PUs, Humbucker, je seriell/parallel
- 357 2.2.421 1 MM, Coil Sel. + Potis Out (DiMarzio)
- 358 2.2.422 1 MM, Coil Sel. + Potis Out (Ibanez)
- 359 2.2.431 2 MM, 1x Mini-Dreiweg, Mitte B+C
- 360 2.2.432 2 MM, 1x Mini-Dreiweg, Mitte A+C
- 361 2.2.433 2 MM, 1x Mini-Dreiweg, Mitte A+D
- 362 2.2.441 2 PUs, Coil Sel. + Mini-Dreiweg
- 363 2.2.501 2 PUs, nur mit Schaltern (1)
- 364 2.2.502 2 PUs, nur mit Schaltern (2)
- 365 2.2.601 2 PUs, Out-of-Phase (aguilar A-HC)
- 366 2.2.611 2 PUs, Out-of-Phase (parallel/seriell)
- 367 2.2.701 2 MM, 4P3T Schalter
- 368 2.2.771 1 MM, 4P3T Schalter, Dummy Coil
- 369 2.2.931 1 PU, Triple Coil P-Pickup
- 370 2.3.311 2 PUs, 4x3 Drehsch. 3 St., parallel
- 371 2.3.321 2 PUs, 4x3 Drehsch. 3 St., seriell
- 372 2.3.411 2 PUs, 3x4 Drehsch. 4 St., par./ser.
- 373 2.3.431 2 PUs, 3x4 Drehsch. 4 St., Piezo (1)
- 374 2.3.432 2 PUs, 3x4 Drehsch. 4 St., Piezo (2)
- 375 2.3.441 2 PUs, 3x4 Drehsch. 4 St., V. 10/7
- 376 2.3.461 2 PUs, 3x4 Drehsch. 4 St., 2 P-PUs
- 377 2.3.471 2 PUs, 3x4 Drehsch. 4 St., JM-PUs
- 378 2.3.491 2 PUs, 3x4 Drehsch. 4 St., 4 LEDs
- 379 2.3.492 2 PUs, 3x4 Drehsch. 4 St., 3 LEDs
- 380 2.3.541 2 PUs, 4x5 Drehsch. 5 St., HiCut
- 381 2.3.551 2 PUs, 4x5 Drehsch. 5 St., JJ-HBs
- 382 2.3.581 2 PUs, 2x6 Drehsch. 5 Stellungen
- 383 2.3.621 2 PUs, 2x6 Drehsch. 6 St., V. 10/7
- 384 2.3.651 2 PUs, 4x6 Drehsch. 6 St., 2 P-PUs
- 385 2.4.311 2 PUs, Lever Dreiweg + Coil-Split
- 386 2.4.321 2 PUs, Lever Dreiweg + seriell
- 387 2.4.321 2 PUs, Lever Dreiweg seriell
- 388 2.4.381 2 PUs, Lever Megaswitch T
- 389 2.4.386 2 PUs, Lever Schaller 103SF
- 390 2.4.411 2 PUs, Lever Vierweg (inkl. seriell)
- 391 2.4.421 2 PUs, Lever Vierweg (inkl. Kill 1)
- 392 2.4.426 2 PUs, Lever Vierweg (inkl. Kill 2)
- 393 2.4.451 2 PUs, Lever Vierweg (Vol. 10/7)
- 394 2.4.471 1 MM, Lever Vierwegscharter
- 395 2.4.511 2 PUs, Lever Fünfweg
- 396 2.4.515 2 PUs, Lever Fünfweg + LEDs
- 397 2.4.531 2 PUs, Lever Megaswitch S
- 398 2.4.541 2 PUs, Lever Megaswitch E+
- 399 2.4.551 2 MM, Lever 5-Way-Superswitch
- 400 2.4.561 2 MM, Lever Megaswitch E
- 401 2.4.571 2 MM, Lever Megaswitch P
- 402 2.4.581 2 MM, Lever Megaswitch S
- 403 2.4.711 1 PU, Toggle Sw., M.V. + M. Tone
- 404 2.4.721 2 PUs, Toggle Sw., M.V. + 2x Tone
- 405 2.4.731 2 PUs, Toggle Sw., S1 (seriell)
- 406 2.4.751 3 PUs, Toggle Sw., A/B/C (1)
- 407 2.4.752 3 PUs, Toggle Sw., A/B/C (2)
- 408 2.4.811 2 PUs, Schiebeschalter
- 409 2.4.821 2 PUs, Schiebeschalter
- 410 2.4.831 3 PUs, Schiebeschalter (1)
- 411 2.4.832 3 PUs, Schiebeschalter (2)
- 412 2.4.836 3 PUs, Schiebeschalter, seriell (3)
- 413 2.4.837 3 PUs, Schiebeschalter, seriell (4)

Inhaltsverzeichnis



- 414 2.4.861 3 PUs, Schiebeschalter, Bass VI
- 415 2.5.051 1 PU, Klang, Tone Poti an/aus (P/P)
- 416 2.5.101 1 PU, Klang Mini-Dreiweg (1)
- 417 2.5.111 1 PU, Klang Mini-Dreiweg (2)
- 418 2.5.121 1 PU, Klang Mini-Dreiweg (3)
- 419 2.5.131 1 PU, Klang Mini-Dreiweg (4)
- 420 2.5.211 1 PU, Klang Lever Dreiweg (1)
- 421 2.5.221 1 PU, Klang Lever Dreiweg (2)
- 422 2.5.231 1 PU, Klang Lever Dreiweg (3)
- 423 2.5.241 1 PU, Klang Lever Vierweg
- 424 2.5.301 1 PU, Klang Lever Triple Coil
- 425 2.5.501 2 PUs, C-Switch
- 426 2.5.511 2 PUs, C-Switch Eigenbau
- 427 2.5.521 1 PU, C-Switch regelbar (1)
- 428 2.5.525 1 PU, C-Switch regelbar (2)
- 429 2.7.111 Mono-/Stereo Schaltung (1 Buchse)
- 430 2.7.121 Mono-/Stereo Schaltung (2 Mono)
- 431 2.8.101 Einfache Schaltung mit Pre-Amp
- 432 2.8.201 Einfache Schaltung mit EMG PA2
- 433 2.8.221 Aktive Schaltung mit EMG PA2
- 434 2.8.551 Fender Jaguar Bass Umbau (1)
- 435 2.8.552 Fender Jaguar Bass Umbau (2)
- 436 2.9.621 Cadicaster Bass PM
- 437 2.9.641 Cadicaster Bass JPJJ

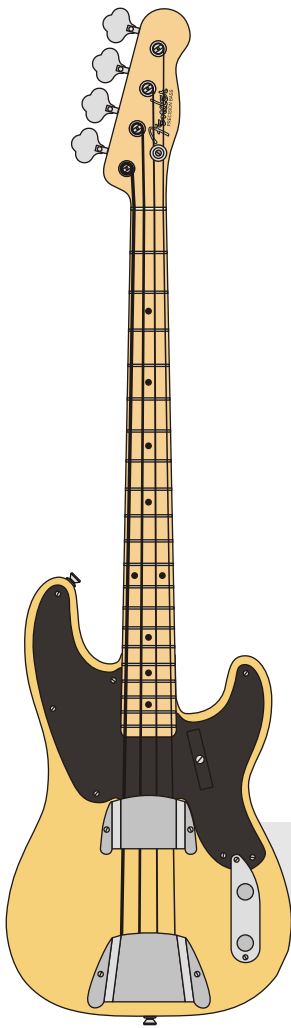
- 438 3 Theorie / Do it Yourself**
- 439 3.1 Tonabnehmer / Pickups**
- 439 3.1.1 Single Coil Pickups
- 440 3.1.2 Humbucker
- 440 3.1.2.1 Humbucking-Prinzip
- 443 3.1.2.2 Klassische Humbucker
- 443 3.1.2.3 Sidewinder Humbucker
- 444 3.1.2.4 Split Coil Humbucker
- 444 3.1.2.5 Single Coil Humbucking
- 445 3.1.2.6 Stacked "Single Coil" Humbucker
- 445 3.1.2.7 Weitere "Single Coil" Humbucker
- 446 3.1.3 Kabelfarben der Hersteller
- 447 3.1.3.1 Anschlüsse von Pickups
- 448 3.1.4 Maße von Pickups
- 451 3.1.5 Befestigung von Pickups
- 452 3.2 Potentiometer**
- 452 3.2.1 Poti-Kennlinien
- 452 3.2.1.1 Poti-Kennung
- 453 3.2.2 Poti-Bauformen
- 454 3.2.3 Volume Potis
- 456 3.2.4 Tone Potis (Hi Cut und Low Cut Filter)
- 459 3.2.5 Potis historischer Instrumente

- 460 3.3 Widerstände & Kondensatoren**
- 461 3.3.1 Reihen- und Parallelschaltung
- 463 3.4 Schalter**
- 463 3.4.1 Schalter - Taster (Öffner - Schließer)
- 463 3.4.2 Toggle Switch
- 464 3.4.3 Lever Switch "Fender Schalter"
- 467 3.4.4 Minischalter
- 468 3.4.5 Drehschalter
- 469 3.4.6 Sonstige Schalter - Schiebeschalter
- 469 3.5 Kabel und Abschirmung**
- 469 3.5.1 Abschirmung
- 470 3.5.2 Saitenerdung
- 471 3.5.3 Masse ist Masse
- 472 3.6 Klinkenbuchsen**
- 473 3.7 Schaltungen**
- 474 3.7.1 Pickup-Wahl
- 479 3.7.2 Out-of-Phase-Schaltungen
- 480 3.7.3 Mute- und Kill-Schaltungen
- 480 3.7.4 Umgehung von Potis
- 480 3.7.5 Tonwahlschalter
- 481 3.7.6 Humbucker schalten

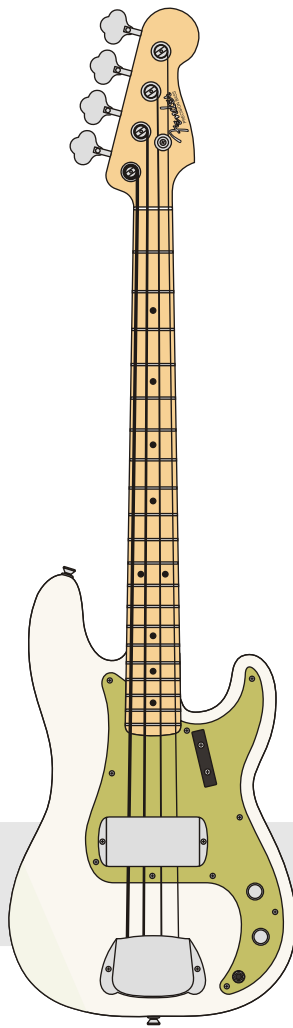
- 484 4 Passiv - Aktiv**
- 484 4.1 Tonabnehmer** (hoch-/niederohmig)
- 485 4.2 Passive Schaltungen**
- 487 4.3 Gemischte Schaltungen**
- 493 4.4 Aktive Schaltungen**
- 495 4.5 Parametrik**
- 496 4.6 Stromversorgung**

- 497 5 Eigene Schaltpläne**

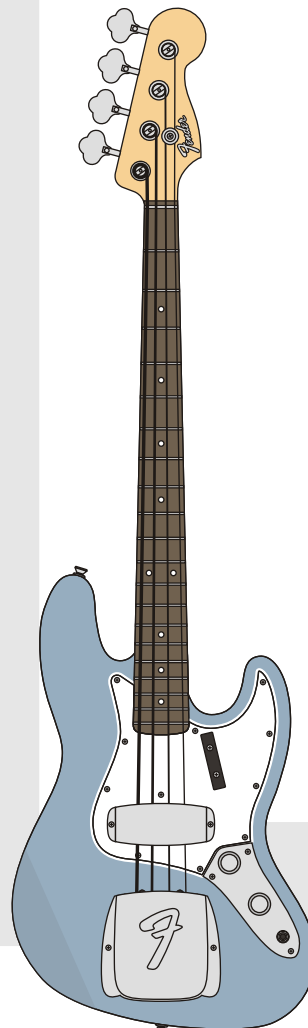
- 499 6 Anhang**
- 499 6.1 Änderungsindex**
- 501 6.2 DICTIONARY GERMAN-ENGLISH**
- 503 6.3 Rechtshinweise**
- 503 6.4 Nachwort / Danksagung**



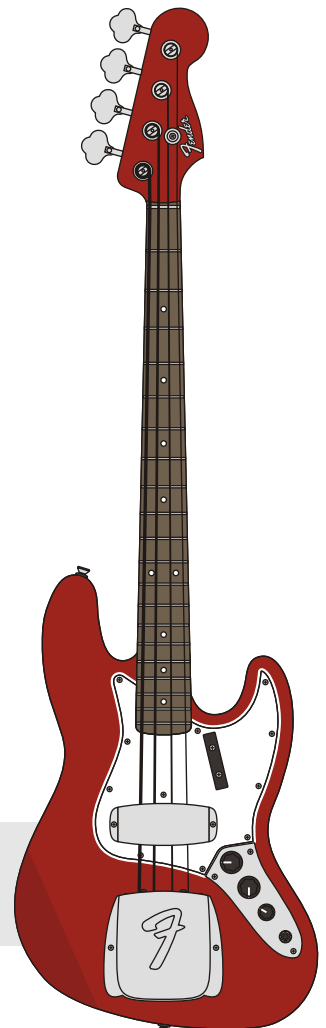
Precision 1952



Precision 1958



Jazz Bass 1961



Jazz Bass 1964

Vorwort

Wer glaubt, hier das Werk eines Profis aus der Musikbranche, eines Instrumentenbauers oder Elektroniklers vor sich zu haben, der irrt! An dieser Stelle muss betont werden, dass ich lediglich ein interessierter Laie bin! Ich beschäftige mich zwar seit über 30 Jahren mit Gitarren- und Bassschaltungen, betreibe das aber als Hobby und Amateur.

Mir fehlt das Hintergrundwissen eines Elektroniklers. Daher beruhen viele Aussagen auf meinen Erfahrungen und Versuchen. Fachleute mögen mir den ein oder anderen Fehler in der Darstellung bei den Schaltplänen oder falsche Ausdrücke im Theorieteil verzeihen.

Selbstverständlich ist nicht alles hier auf meinem Mist gewachsen. Viele Schaltpläne und Verdrahtungen habe ich aus dem Internet, von Herstellerseiten, privaten Websites oder aus Foren. Soweit möglich sind die meisten Schaltungen aber von mir gegengeprüft worden.

Da ich kein Fachmann bin, kann ich keinerlei Gewähr für die Richtigkeit meiner Aussagen übernehmen. Ich bitte daher, die Inhalte dieses Nachschlagewerks als persönliche Meinung eines Amateurs zu werten.

Viel Spaß
Andreas Kühn

Cadfael

Einige Schaltungen im Umbauteil sind als "**Top Tipps**" markiert. Sie sind meiner Meinung nach besonders empfehlenswert. Es gibt aber gute Gründe, sich für eine der andere Schaltungen zu entscheiden!



1 Historische Schaltungen

Das erste Kapitel dieser Sammlung beschäftigt sich mit "historischen Schaltungen". Damit sind nicht nur Schaltungen von "Vintage Bässen" aus dem vorherigen Jahrhundert gemeint, sondern auch Schaltungen von aktuellen Modellen. Gemeinsam ist all diesen Schaltungen, dass es "unverbastelte Schaltungen ab Werk" sind.

Soweit möglich, wurden die Inhalte thematisch gegliedert und zur schnelleren Einordnung farblich unterlegt. Es kann allerdings zu Überschneidungen zwischen den einzelnen Themengebieten kommen.

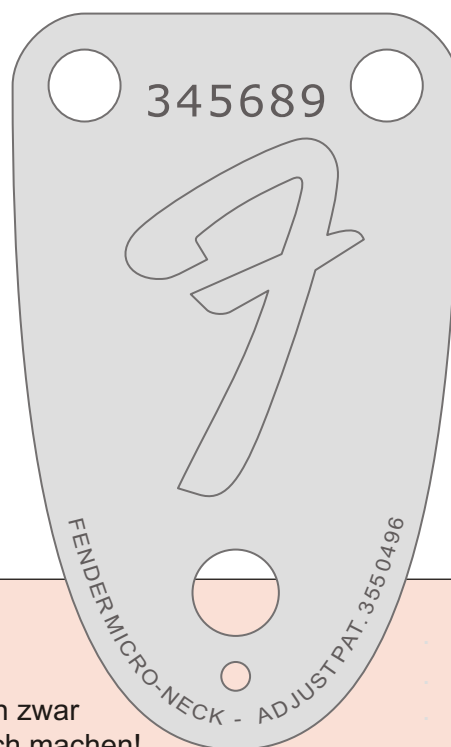
Die Schaltpläne der Bässe (Diagramme auf blaugrauem Hintergrund) stimmen zwar mit den Originalen überein, bei den "Ansichtszeichnungen" kann es jedoch zu leichten Abweichungen von der realen Verdrahtung eines Original-Basses kommen.

Die Potis bei (alten) Höfner Bässen sehen zum Beispiel anders aus. Zudem wurde manchmal ein Kabel an eine andere (ebenfalls schaltechnisch korrekte) Stelle gezeichnet, um die Überschaubarkeit der Gesamtübersicht zu wahren.

Wie die Schaltpläne zum "Ur-Precision" zeigen, gibt es selbst bei einer so simplen Schaltung viele Möglichkeiten der Verdrahtung. Im Verlauf der Jahre und Jahrzehnte haben sich auch bei anderen Modellen Schaltungen und Werte von Bauteilen immer wieder geändert.

Daher sollte man keine der hier gezeigten Schaltungen als die "einzig historisch korrekte Version" ansehen. Es sind vielmehr immer Momentaufnahmen.

Schaltpläne
Bauteile
Eigenschaft von Bauteilen
Anmerkungen zur Schaltung
Zusatzbemerkungen
Begleittexte zur Historie
Wichtige Hinweise



ACHTUNG!

Bastelarbeiten an (wertvollen) alten Bässen

Bei Bastelarbeiten an (wertvollen) alten Bässen sollte man zwar soviel wie nötig, aber trotzdem immer so wenig wie möglich machen!

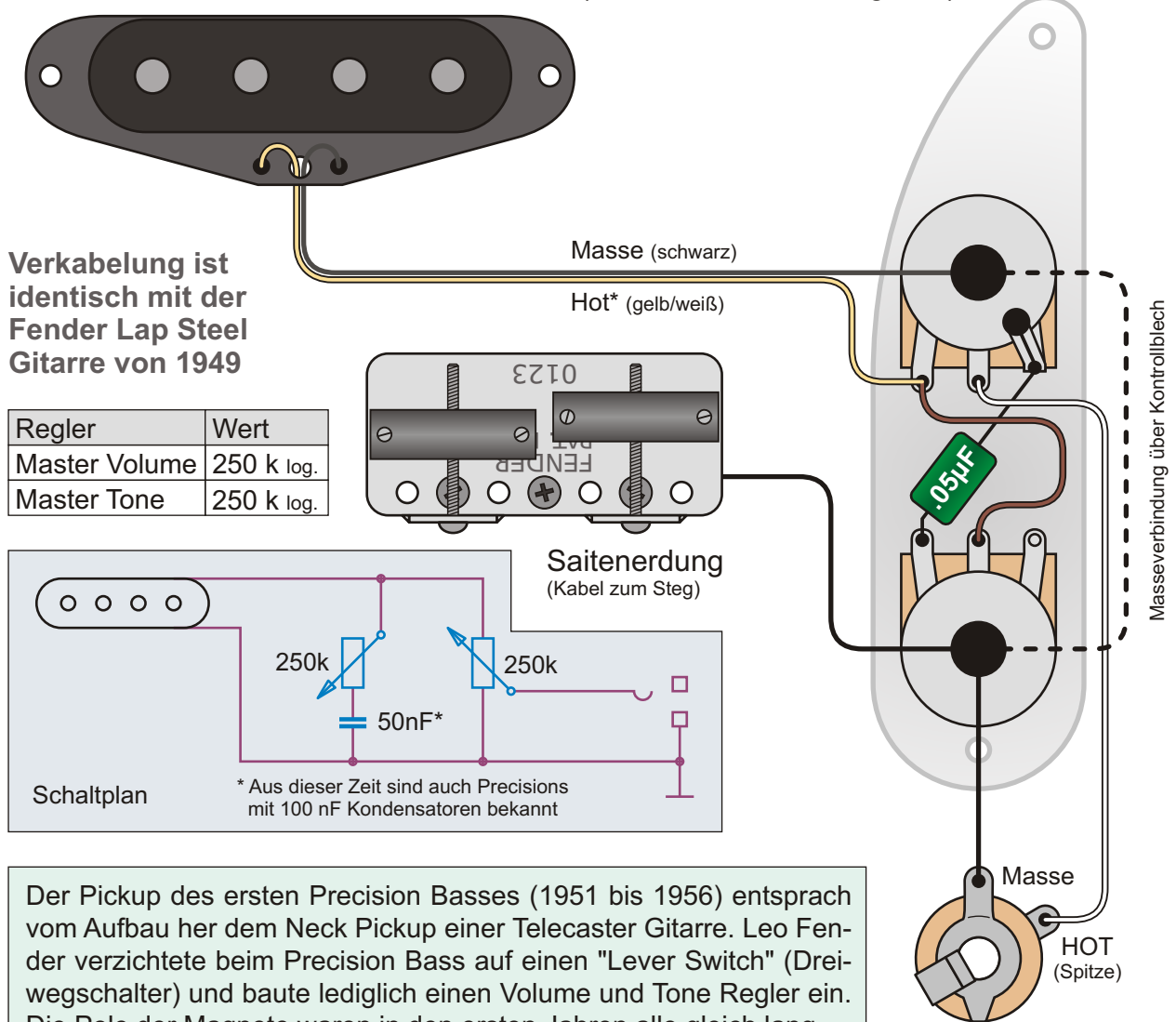
Muss man Teile ersetzen, sollte man unbedingt jedes auch noch so kleine und vermeintlich unbedeutende Teil aufbewahren (mit Verweis wozu es gehört). Das gilt auch, wenn das Teil eindeutig defekt oder unbrauchbar ist. Sind alle Originalteile vorhanden, steigert das den Wert eines historischen Instruments.

Bei Lötarbeiten an historischen Instrumenten ist immer darauf achten, die Datumsangaben auf Potis und anderen Teilen nicht voll- / zuzulöten! Ansonsten gehen wichtige Datierungshilfen verloren, was eine spätere Datierung erschwert und einen möglichen Verkaufspreis deutlich mindern kann. Näheres zur Datierung von Potis in Kapitel 3.2.5.

Arbeiten und Restaurierungen an wirklich wertvollen Bässen sollten nur geübte Bastler mit entsprechenden historischen Kenntnissen durchführen. Ein Jazz Bass von 1961 ist nicht das passende Objekt für Erstversuche im Löten!

Benennung	Historische Bassschaltungen		Nummer
			1
Bemerkungen / Besonderheiten	gezeichnet von	gezeichnet am	Seite
	Cadfael	02.09.17	8

*Kabel des Hot-Pickup kann (ab 1955?) auch zum mittleren Kontakt des Tone-Potis gehen. (braunes Kabel bleibt gleich).



Der Pickup des ersten Precision Basses (1951 bis 1956) entsprach vom Aufbau her dem Neck Pickup einer Telecaster Gitarre. Leo Fender verzichtete beim Precision Bass auf einen "Lever Switch" (Dreiwegschalter) und baute lediglich einen Volume und Tone Regler ein. Die Pole der Magnete waren in den ersten Jahren alle gleich lang.

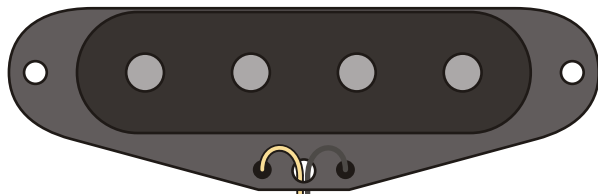
Der Fender Precision Bass 1951 bis 1956

1951 brachte Leo Fender mit seinem Precision Bass den ersten E-Bass in "Großserie" auf den Markt. Gegenüber Kontrabässen wurde das saubere Greifen von Tönen durch die, von Gitarren übernommenen, Bundstäbchen wesentlich erleichtert. Daher sein Name "Precision" (Präzision) Bass. Zudem war der Precision Bass wesentlich leichter, transportabler sowie in Gitarrenhaltung spielbar. Wichtigstes Kaufargument war jedoch, dass der P-Bass mit seinem massiven Korpus und dem Tonabnehmer kaum anfällig für Rückkopplungen war. So konnte er einfacher verstärkt und lauter gespielt werden.

Die Kopfplatte des Precision Basses war an die Kopfplatte der Telecaster Gitarre (1950) angelehnt, die Korpusform des P-Basses war jedoch neu. Leo Fender hatte entdeckt, dass Instrumente weniger kopflastig sind, wenn sich die Gurtbefestigung auf Höhe des 12. Bundes befindet. Diese neue Korpusform griff Fender ein paar Jahre später bei der Konstruktion der Stratocaster Gitarre wieder auf. Obwohl die Strat diese Form populär und unsterblich machte, handelt es sich bei ihr um die verkleinerte Form eines Precision Basses.

Benennung	Fender® Precision® Bass 1951 - 1956		Historische Bassschaltungen	Nummer
			gezeichnet von	1.1.101
Bemerkungen / Besonderheiten			gezeichnet am	Seite
			Cadfael	02.09.17 9

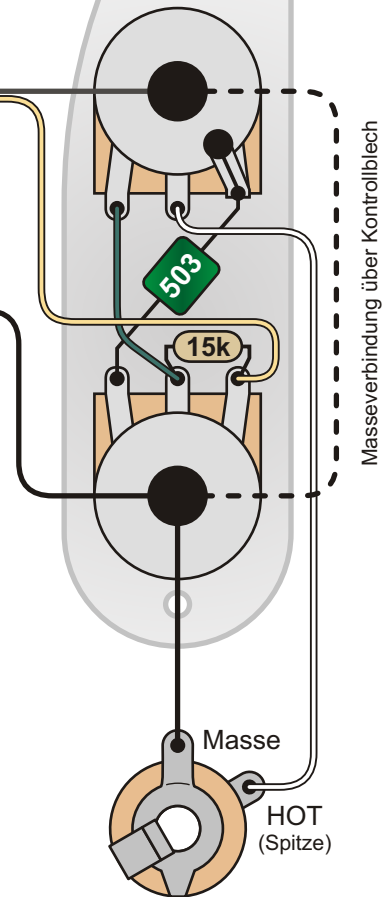
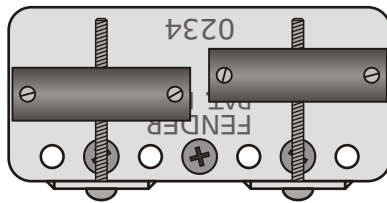
Fender
PRECISION BASS



Masse (schwarz)

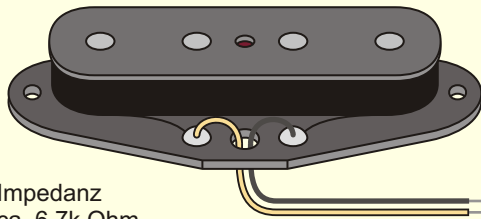
Hot (weiß/gelb)

Saitenreiter von 1951-54
aus dunkler Pressfaser,
keine Federn an
Verstellschrauben

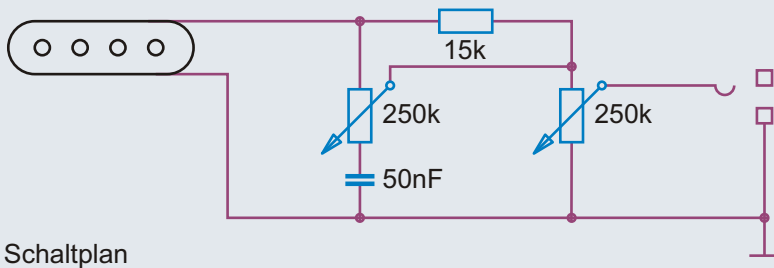
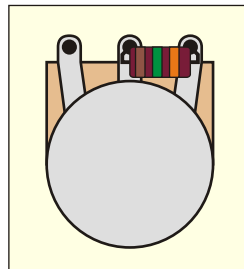


Masseverbindung über Kontrollblech

Precision Bass Pickup 1951-54
mit "Flat Pole Pieces"



Impedanz
ca. 6,7k Ohm



Schaltplan

Regler	Wert
Master Volume	250 k log.
Master Tone	250 k log.

Bei sehr vielen Precision Bässen von 1952 bis 1953 ist ein zusätzlicher 15k Ohm Widerstand an das Tone-Poti gelötet. Soweit derzeit bekannt, hatten die ersten Precision Bässe von 1951 diesen Widerstand am Tone-Poti nicht. Der Pickup, mit einem ungefähren Widerstand von 6,7k Ohm, ist bei dieser Variante nicht an das Volume Poti, sondern an das Tone Poti bzw. den Widerstand gelötet. Bei den Precision Bässe dieser Jahrgänge waren alle vier Pole Pieces noch gleich hoch und bündig mit der Deckplatte. Die HOT-Kabel zum Pickup waren meistens gelb, die Kabel zur Buchse weiß und das Verbindungskabel grün oder rot-braun.

Benennung **Fender® Precision® Bass von 1952 - 53**

Historische
Bassschaltungen

Nummer
1.1.103

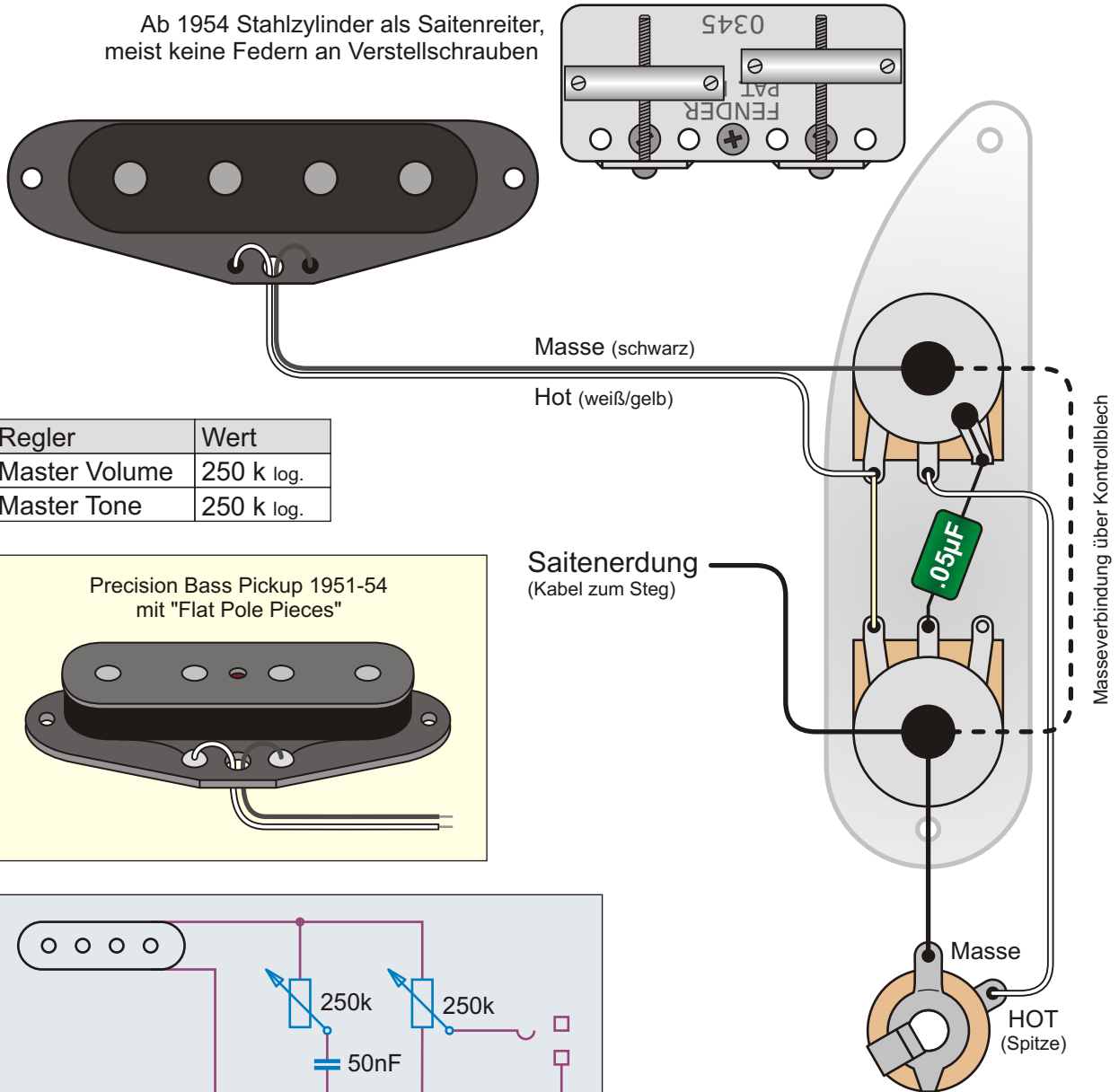
Bemerkungen / Besonderheiten

gezeichnet von
Cadfael

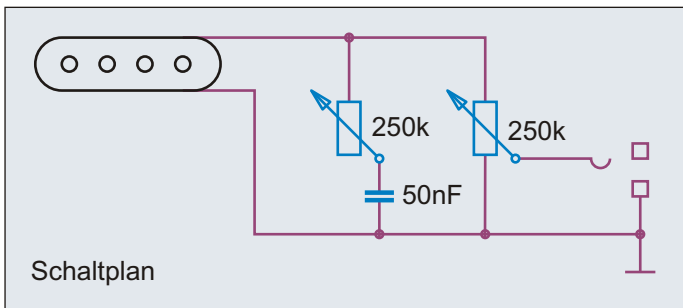
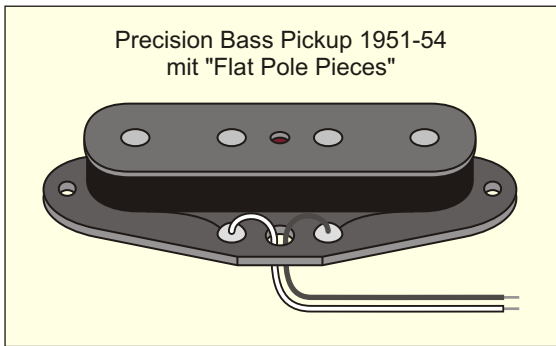
gezeichnet am
23.11.18

Seite
10

Ab 1954 Stahlzylinder als Saitenreiter,
meist keine Federn an Verstellerschrauben



Regler	Wert
Master Volume	250 k log.
Master Tone	250 k log.



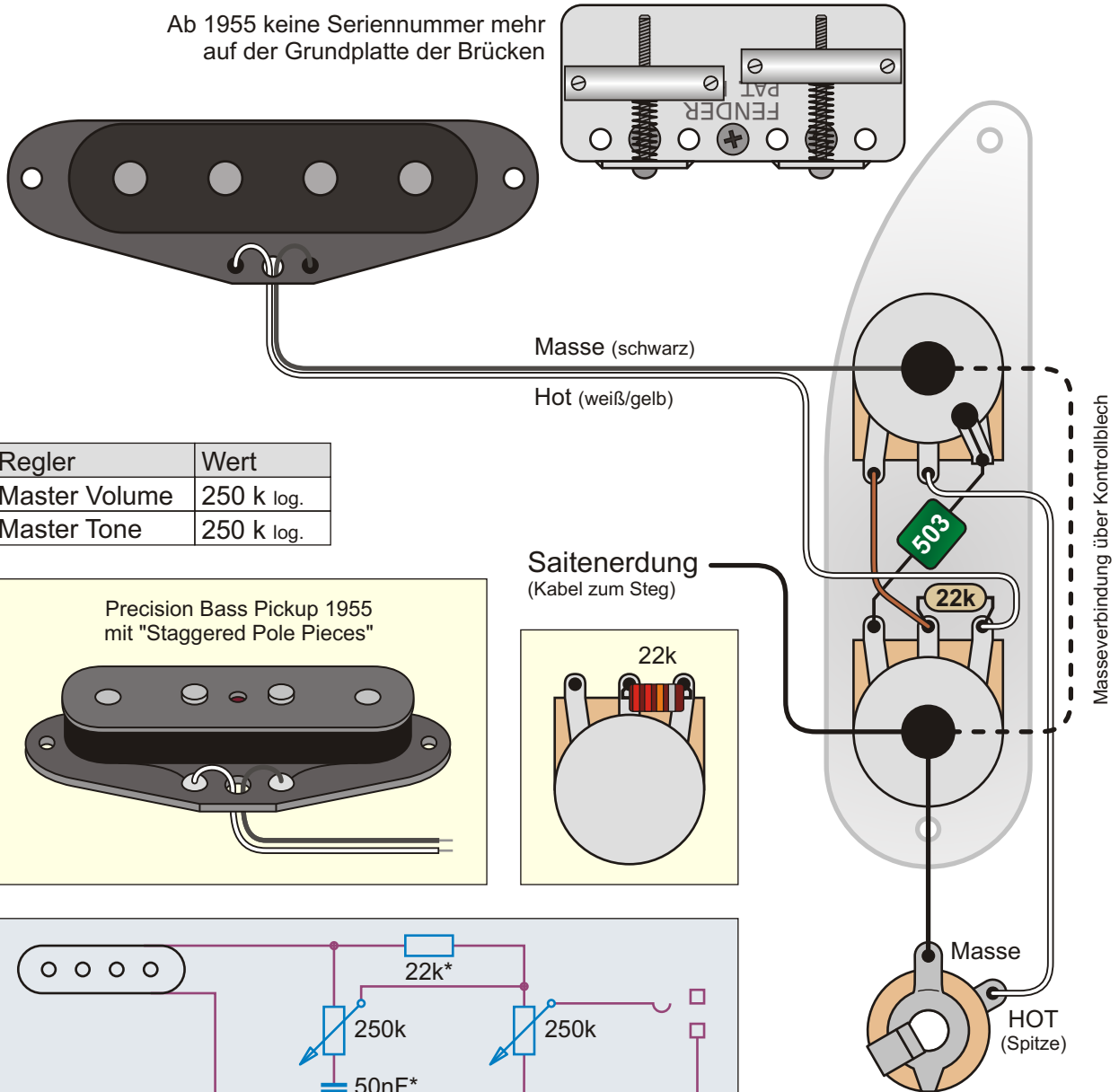
In einigen Precision Bässen von 1954 taucht diese Verdrahtungsvariante des Tone Potis auf. Ob 1954 die Mehrheit nach diesem Muster oder nach dem Muster von 1951 verdrahtet wurde, kann zur Zeit nicht gesagt werden. Es gibt 1954 vielleicht sogar noch mehr Varianten.

Der Fender Precision Bass ab 1954

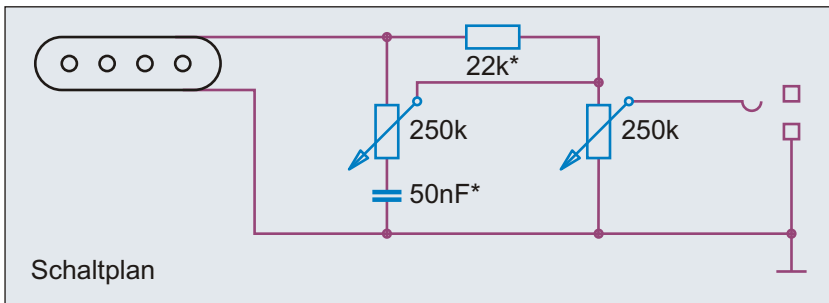
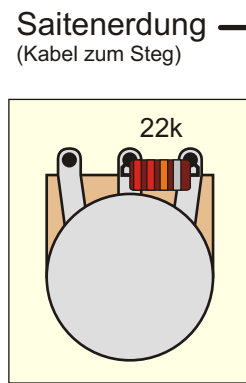
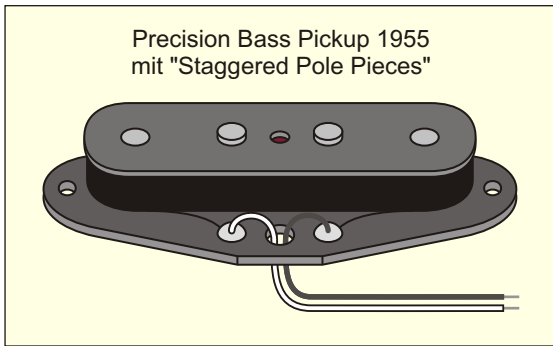
Hatten die Precision Bässe von 1951 bis 1954 noch einen flachen "Slab Body", brachte Leo Fender ab 1954 seine Precision Bässe mit dem neuen "Contour Body" heraus. Die Bodys erhielten dafür eine Ausbuchtung auf der Rückseite sowie eine Abschrägung für den rechten Arm. Zudem wurden die Ecken rundherum stärker angerundet. Als Holz verwendete man weiterhin Esche für den Body. Die Standard-Farbe des Bodys wechselte von "Butterscotch Blonde" zu "Two Tone Sunburst". Während die Bässe in Blonde ein schwarzes Pickguard aus Bakelit hatten, bekamen die Sunburst Bässe ein einschichtiges, weißes Kunststoff-Pickguard.

Benennung	Fender® Precision® Bass von 1954		Historische Bassschaltungen	Nummer
			1.1.106	
Bemerkungen / Besonderheiten	gezeichnet von	gezeichnet am	Seite	
	Cadfael	02.09.17	11	

Ab 1955 keine Seriennummer mehr auf der Grundplatte der Brücken



Regler	Wert
Master Volume	250 k log.
Master Tone	250 k log.



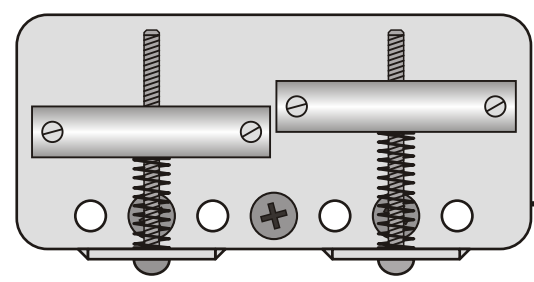
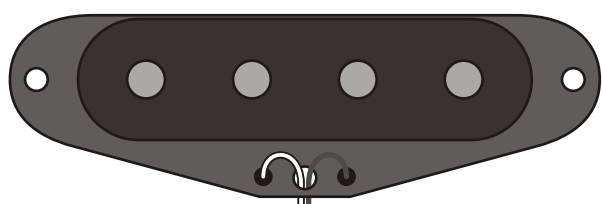
* Ein Precision von 1955 mit 330k Widerstand und 10nF Kondensator ist bekannt. Da scheint ein Praktikant bei Fender geübt zu haben?

Mittlerweile sind mehrere Precision Bässe von 1955 und 1956 aufgetaucht, die so verkabelt sind. Ob der Widerstand in dieser Zeit jedoch die Regel war, bleibt unbekannt. Es sind auch 1955er Precisions mit der "Verkabelung von 1951-56" bekannt. Es ist im Grunde die leicht abgewandelte Schaltung von 1952-1953. Statt des 15k wurde hier aber ein 22k Widerstand verbaut. Wichtige Neuerung 1955, war die Einführung von **Pickups mit "Staggered Pole Pieces"**, bei denen die inneren beiden Pole Pieces für die A- und D-Saite weiter herausragen als die beiden äußeren Pole Pieces für E- und G-Saite. Damit folgen die Pole Pieces dem Radius des Griffbretts und nehmen so die Saiten etwas ausgewogener ab.

Der Fender Precision Bass ab 1955

Ab 1955 waren Sunburst Bässe standardmäßig aus Erle, Bässe in Blond aus Esche.

Benennung	Fender® Precision® Bass von 1955 - 56		Historische Bassschaltungen	Nummer
				1.1.108
Bemerkungen / Besonderheiten	gezeichnet von	gezeichnet am	Seite	
	Cadfael	23.11.18	12	



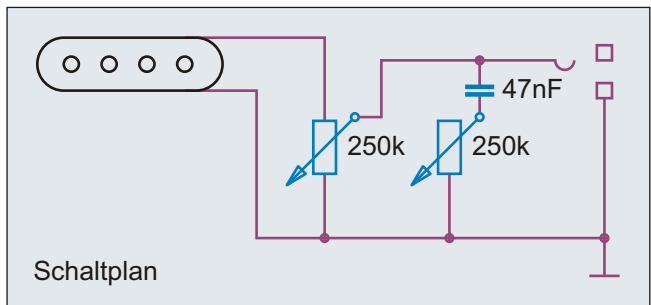
Masse (schwarz)

Hot (weiß)

Saitenerdung
(Kabel zum Steg)

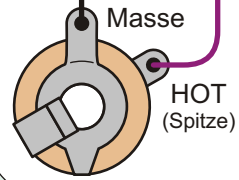
47nF

Masseverbindung über Kontrollblech



Schaltplan

Regler	Wert
Volume	250 k log.
Tone	250 k log.

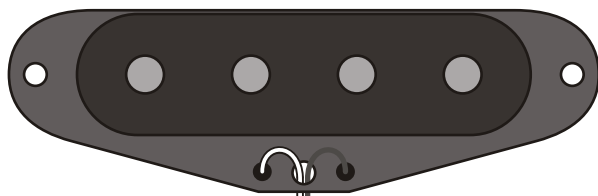


Die Verkabelung des japanischen Fender '51 Precision Bass Reissues von 2003 entspricht zwar keinem der historischen Vorbilder, ist dafür aber äußerst ökonomisch aufgebaut. Bei beiden Potis ist der rechte Kontakt an Masse gelegt, der Kondensator verbindet beide Schleifer. So ist kein zusätzliches Verbindungskabel zur notwendig. Neben den Kabeln zur Klinkenbuchse gibt es nur noch das Erdungskabel zum Steg.

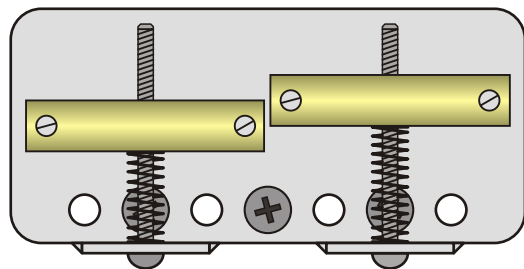
Bei späteren "P51" Japan-Reissues ist der Kondensator nicht am Schleifer des Volume Potis, sondern am "linken Kontakt" (zusammen mit "Hot des Pickups") angelötet. Diese Variante ist eher zu empfehlen. Sie findet sich unter der Nummer 2.1.051 in dieser Sammlung.

Der Fender '51 Precision Bass aus Japan
Im Jahr 2003 brachte Fender Japan die Kopie eines 1951er Precision Basses als "Reissue" auf den Markt. Allerdings nahmen es die japanischen Konstrukteure bei vielen Details nicht so genau. Der Bass weist, nicht nur in der Verkabelung, eine ganze Reihe von kleinen Unterschieden gegenüber seinem historischen Vorbild auf. Trotzdem ein toller und schöner Bass!

Benennung	Fender® '51 Precision Bass® (Reissue)		Historische Bassschaltungen	Nummer
Bemerkungen / Besonderheiten	Crafted in Japan, seit 2003 (für Japan seit 2002)		gezeichnet von	gezeichnet am
			Cadfael	02.09.17
				Seite
				13



E912345



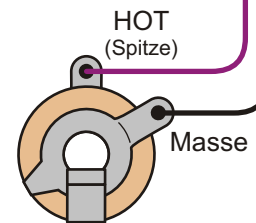
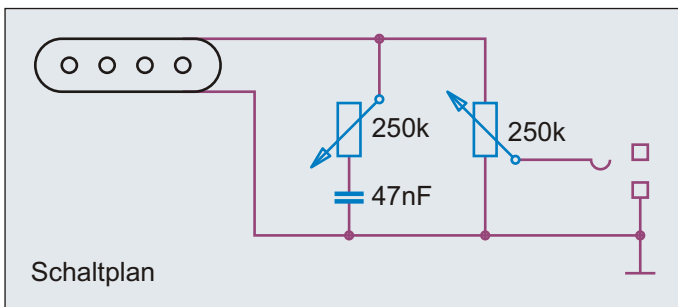
Masse (schwarz)

Hot (weiß)

Saitenerdung
(Kabel zum Steg)

47nF

Regler	Wert
Master Volume	250 k log.
Master Tone	250 k log.



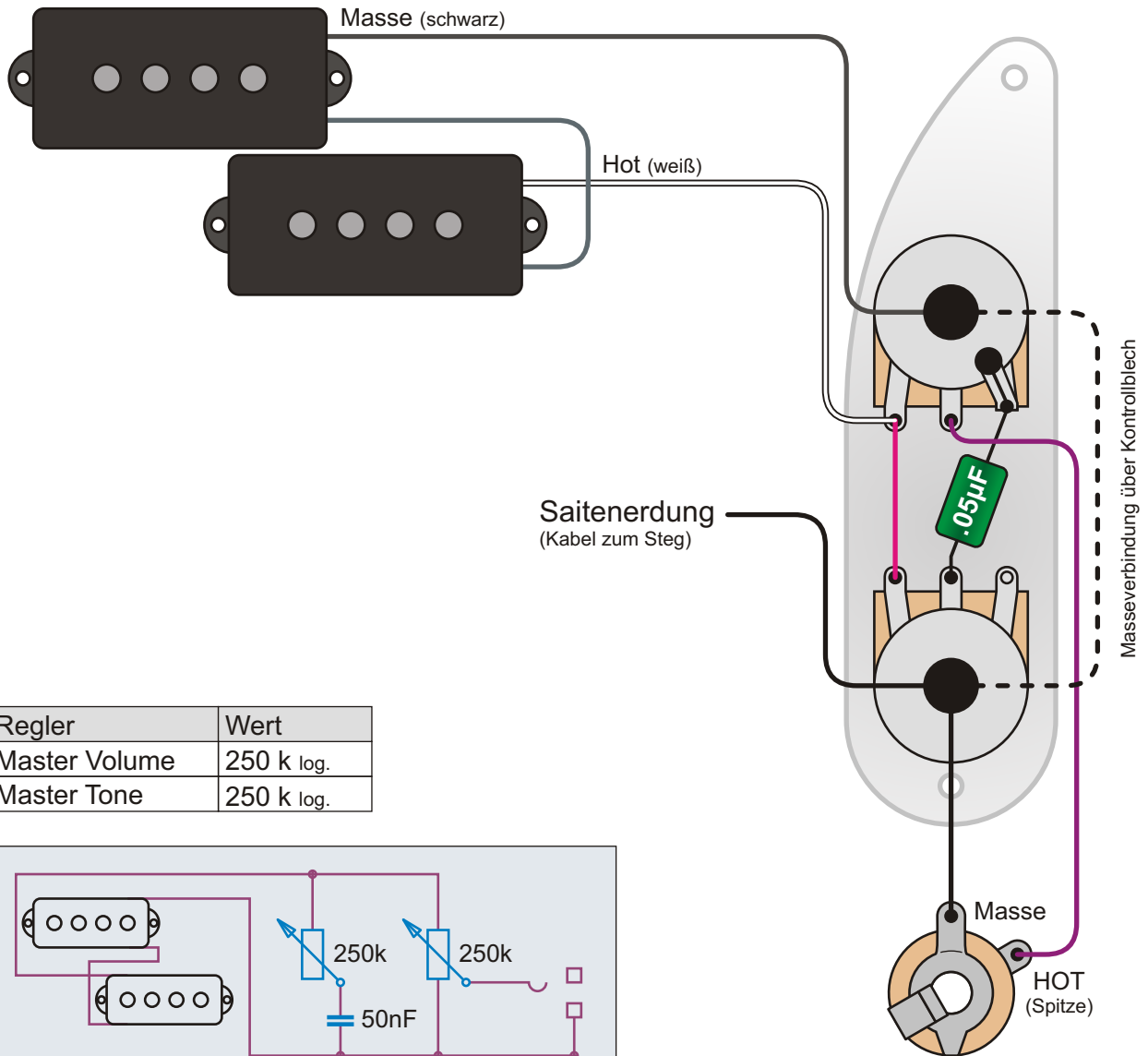
Masseverbindung zusätzlich über Kontrollblech

Als Pickup besaß der OPB'54-75 Precision Bass einen "OPB PU" aus japanischer Fertigung. Die Schaltung orientiert sich, im Gegensatz zu vielen liebevollen Details des Bodys, nicht am Vorbild von 1954. Stattdessen hat der Bass eine eher konventionelle, "moderne" Verkabelung.

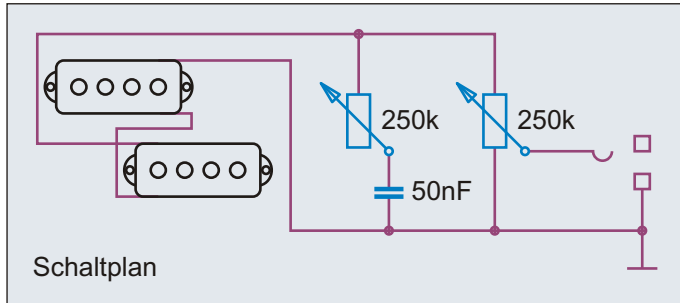
Der Fender Precision Bass OPB'54-75

1983 brachte Fender den in Japan produzierten OBP'54-75 auf den Markt. Wie der Name bereits sagt, handelt es sich nicht um die Kopie eines Precision Basses von 1951, sondern von 1954. Die Body-Rundungen des Basses fallen im Gegensatz zum 51er Modell größer aus, wodurch auch das Pickguard etwas kleiner ist. Zudem hat der OPB'54, wie sein Vorbild, einen konturierten Body mit Schräge für den rechten Arm. Das "75" im Namen steht für den damaligen Listenpreis von 75.000 Yen - eine in Japan sehr verbreitete Methode der Benennung. Die beiden Saitenreiter waren beim OPB'54 aus Messing gefertigt. Angeboten wurde der OPB'54 in den Farben Blond (BLD) und Two Tone Sunburst (T).

Benennung	Fender® Precision® Bass OPB'54-75		Historische Bassschaltungen	Nummer
Bemerkungen / Besonderheiten	Made in Japan, 1983 - 1985 (oder später)		gezeichnet von	gezeichnet am
			Cadfael	02.09.17
				Seite
				14



Regler	Wert
Master Volume	250 k log.
Master Tone	250 k log.

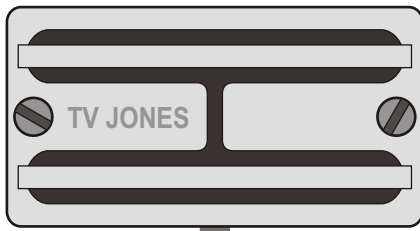


Beim Mike Dirnt Bass haben wir es mit der Schaltung zu tun, wie sie auch in einigen Precision Bässen von 1954 zu finden ist. Diese Verdrahtung des Kondensators findet man auch in anderen Instrumenten, die in Mexiko hergestellt wurden (z.B. bei der Nashville Telecaster). Ansonsten ist dies eine Standard-Verdrahtung.

Der Fender Mike Dirnt Precision Bass

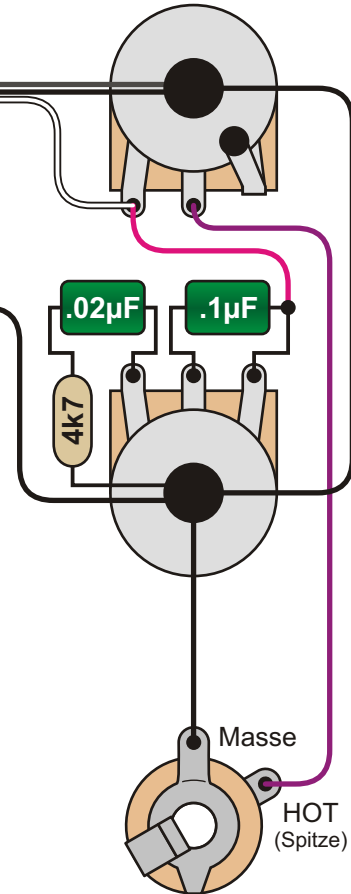
Der Mike Dirnt Bass gehört zu den "Fender Artist Modellen", die Kopien von Fender Instrumenten mehr oder weniger bekannter Künstler sind. Daher kann man nicht von historischer Korrektheit sprechen. Häuse mit Palisandergriffbrett hat es beim "Ur-Precision" von 1951-56 nie gegeben. Es wurden aber einige "Ur-Precisions" und auch Telecaster Bässe nachträglich von ihren Besitzern mit Split Coil P-Bass Pickups ausgestattet. Was beim Mike Dirnt Bass dann aber fehlen würde, ist die "alte Tasche" des vorherigen Pickups.

Benennung Fender® Mike Dirnt Prec. Bass®	Historische Bassschaltungen		Nummer 1.1.131
	gezeichnet von Cadfael	gezeichnet am 02.09.17	Seite 15
Bemerkungen / Besonderheiten Made in Mexico, seit 2004			



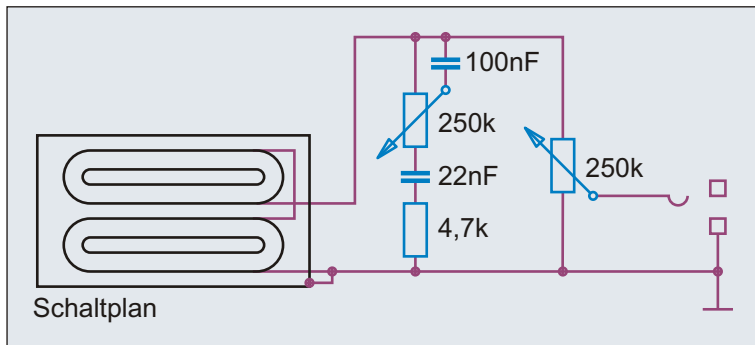
Masse (schwarz)
Hot (weiß)

Saitenerdung
(Kabel zum Steg)



Bauteile	Wert
Master Volume	250 k log.
Master Tone	250 k log.
Widerstand	4,7 k Ohm
Kondensator	0,1 µF
Kondensator	0,02 µF

Pickup
TV Jones Thunderblade / Thunder'Tron™

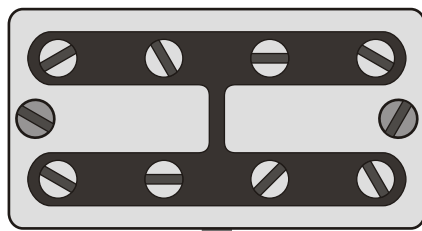


Neben dem TV Jones Thunderblade bzw. Thunder'Tron™ Pickup verfügt der La Cabronita "Porrazo" Bass über eine "Greasebucket™" Tonblende und einen Volume Regler.

Der Fender La Cabronita "Porrazo" Precision Bass von 2011

Basis des La Cabronita Basses bildet ein 1951er Precision Bass. Die Potis sind jedoch ohne Kontrollblech von hinten eingelassen und das Pickguard hat eine andere, wesentlich kleinere Form. Als Pickup dient ein TV Jones Humbucker, die Brücke ist eine "High Mass Vintage" Bridge mit vier Saitenreitern. Die Fender Cabronita Instrumente erinnern an eine Mischung aus Fender und Danelectro Instrumenten. Der "Porrazo" Precision Bass hat eine gewisse Ähnlichkeit mit dem Precision, den Dusty Hill (ZZ Top) im April 1980 im Rockpalast spielte.

Benennung	Fender® La Cabronita™ "Porrazo" Prec.		Historische Bassschaltungen	Nummer
				1.1.141
Bemerkungen / Besonderheiten	Made in USA, Custom Shop, seit 2011 (2009)		gezeichnet von	gezeichnet am
			Cadfael	02.09.17
			Seite	16



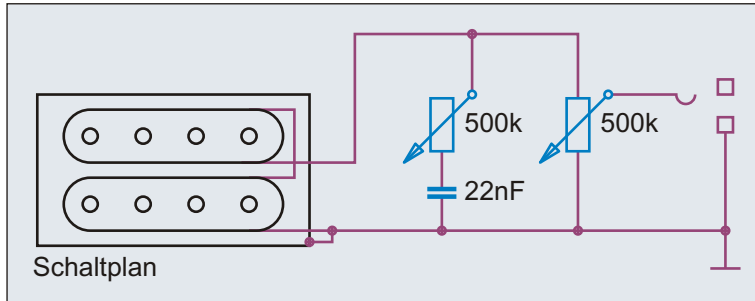
Masse (weiß)

Hot (rot)

Saitenerdung
(Kabel zum Steg)

22nF

Regler	Wert
Master Volume	500 k log.
Master Tone	500 k log.



HOT
(Spitze)

Masse

Im mexikanischen Fender Cabronita Precision Bass ist ein Fender Fideli'Tron™ Bass Humbucker verbaut, der vermutlich nicht so knurrig wie ein TV Jones Thunderblade bzw. der Thunder'Tron™ Humbucker ist. Dafür hat der Fideli'Tron™ aber mehr Punch. Das Tone Poti ist etwas anders verkabelt, als es für Fender Instrumente aus Mexiko typisch ist.

Der Fender Cabronita Precision Bass von 2013

Basis des Cabronita Basses bildet, wie beim La Cabronita "Porrazzo", ein 51er Precision Bass. Die Potis sind jedoch ohne Kontrollblech von hinten eingelassen und das Pickguard hat eine andere, wesentlich kleinere Form. Als Pickup dient ein Fender Fideli'Tron™ Bass Humbucker, die Brücke ist eine Fender "Hi-Mass" Bridge mit vier Saitenreitern. Der Erle Body des Fender Cabronita Basses ist, bis auf eine Abschrägung auf der Vorderseite, nicht konturiert. Der einteilige Ahornhals, mit P'51 Kopfplatte hat die Halsmaße des "modernen" Precision Basses.

Benennung **Fender® Cabronita Precision Bass®**

Historische
Bassschaltungen

Nummer
1.1.144

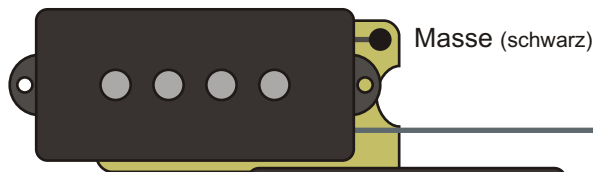
Bemerkungen / Besonderheiten

Made in Mexico, 2013 - 2016

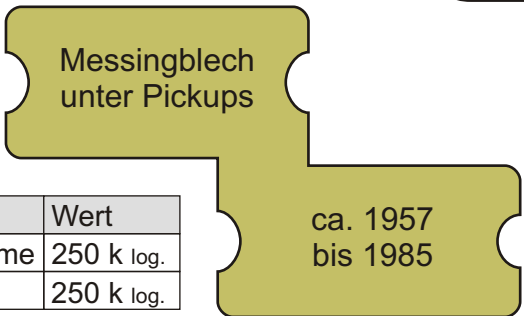
gezeichnet von
Cadfael

gezeichnet am
02.09.17

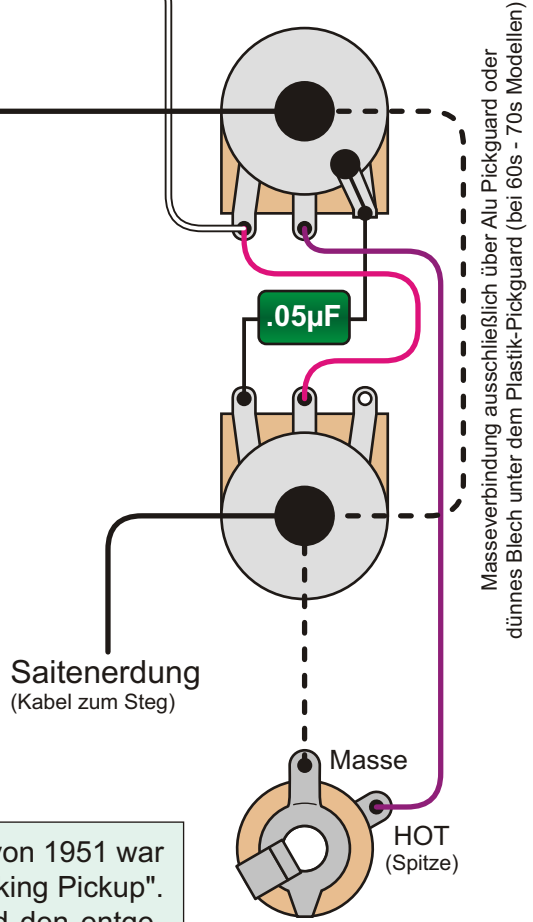
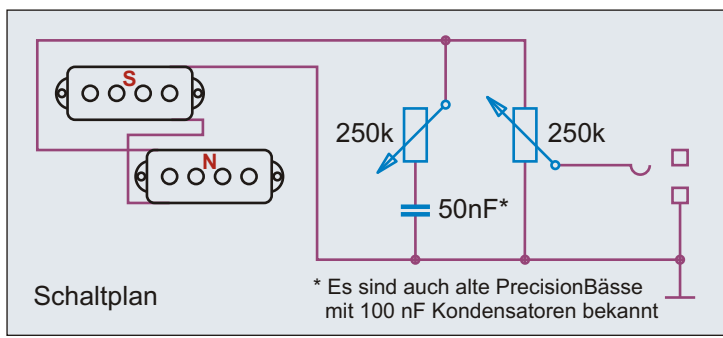
Seite
17



Die Masseleitung des Pickups ist an das Messingblech unter dem Pickup gelötet. Das Messingblech ist dann über ein Kabel mit Masse (Potgehäuse) verbunden.



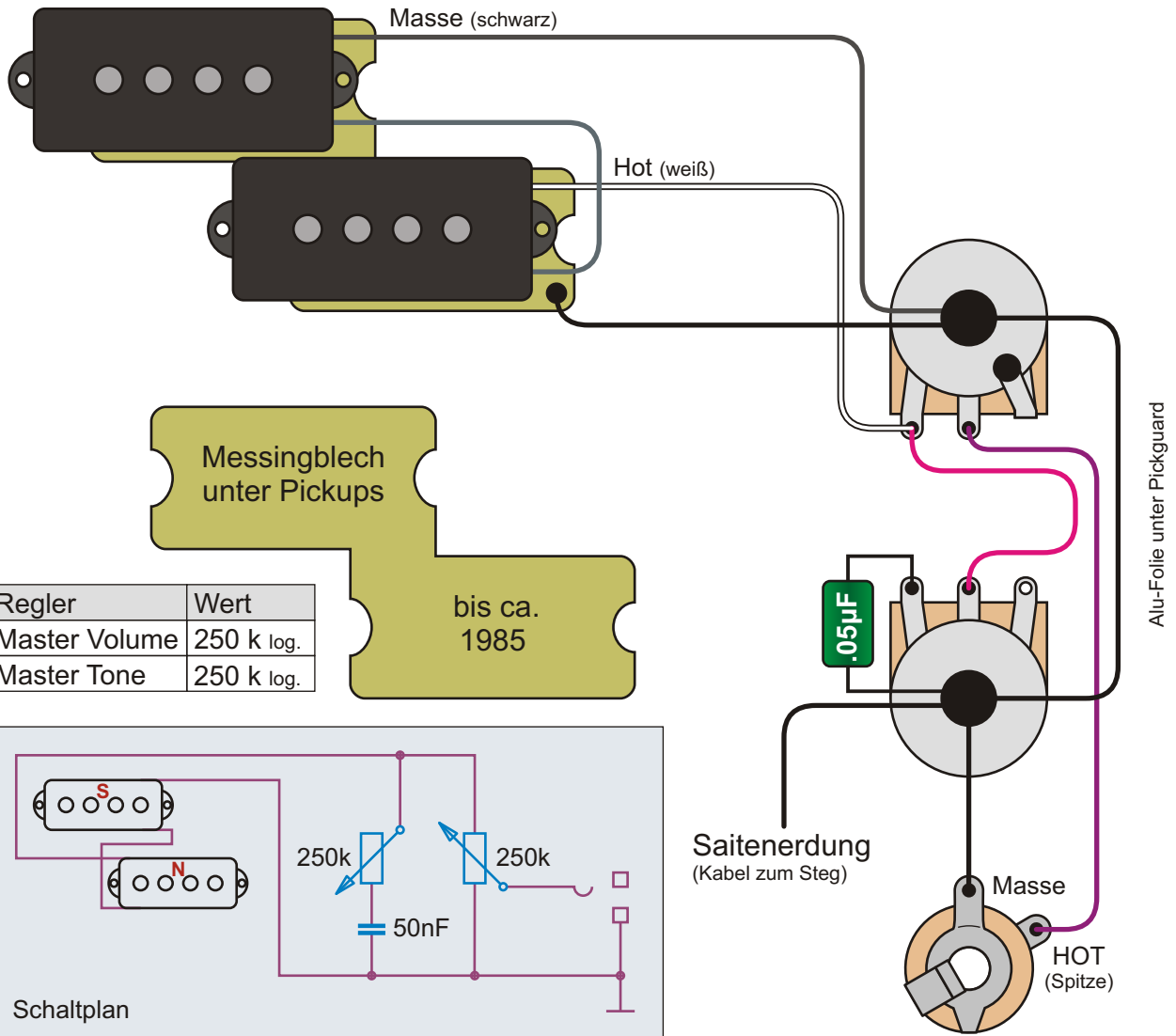
Regler	Wert
Master Volume	250 k log.
Master Tone	250 k log.



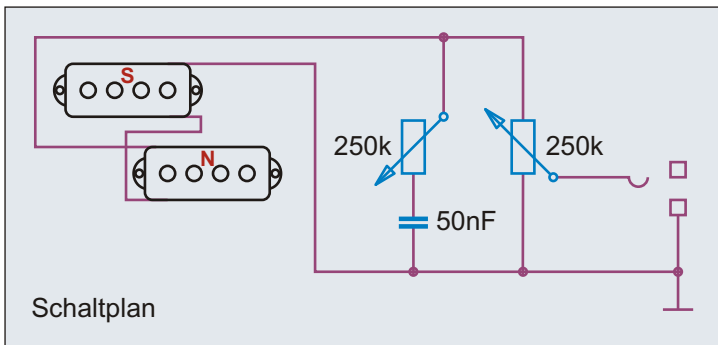
Die wichtigste Änderung gegenüber dem Ur-Precision von 1951 war bei der Elektrik der nun zweigeteilte "Split Coil Humbucking Pickup". Mit seinen beiden gegenläufig gewickelten Spulen und den entgegengesetzt gepolten Magnet-Quartetten ermöglichte der neue Pickup eine effektive Brummunterdrückung. Näheres in Kapitel 3.1.23.

Der Precision Bass ab 1957
 Im April 1954 erweiterte Leo Fender seine Modellpalette um die Stratocaster Gitarre, bei deren Design er die Korpusform des Precision Basses aufgriff. Die Stratocaster kam sehr gut bei den Kunden an. Es mag am neuen Tremolo gelegen haben, an den drei Pickups oder daran, dass Rock'n'Roll Helden, wie Buddy Holly, die Stratocaster berühmt machten. 1957 kam der überarbeitete Precision Bass auf den Markt. Die verchromte Kontrollplatte wurde durch ein durchgehendes Pickguard ersetzt, dessen geschwungene Form an die Stratocaster erinnert. Der Steg erhielt einen Saitenreiter pro Saite. Die Form der P-Bass Kopfplatte wurde an die Form der Kopfplatte der erfolgreichen Stratocaster angeglichen. Obwohl auch der Precision Bass von 1957 durch die Jahrzehnte leichten Modellpflegeaktionen unterworfen wurde, blieb er die letzten 60 Jahre weitgehend unverändert. Kein Bass ist so berühmt und so oft kopiert worden, wie er.

Benennung	Fender® Precision® Bass 1957 - 1973		Historische Bassschaltungen	Nummer
				1.1.151
Bemerkungen / Besonderheiten	gezeichnet von	gezeichnet am	Seite	
	Cadfael	02.09.17	18	



Regler	Wert
Master Volume	250 k log.
Master Tone	250 k log.



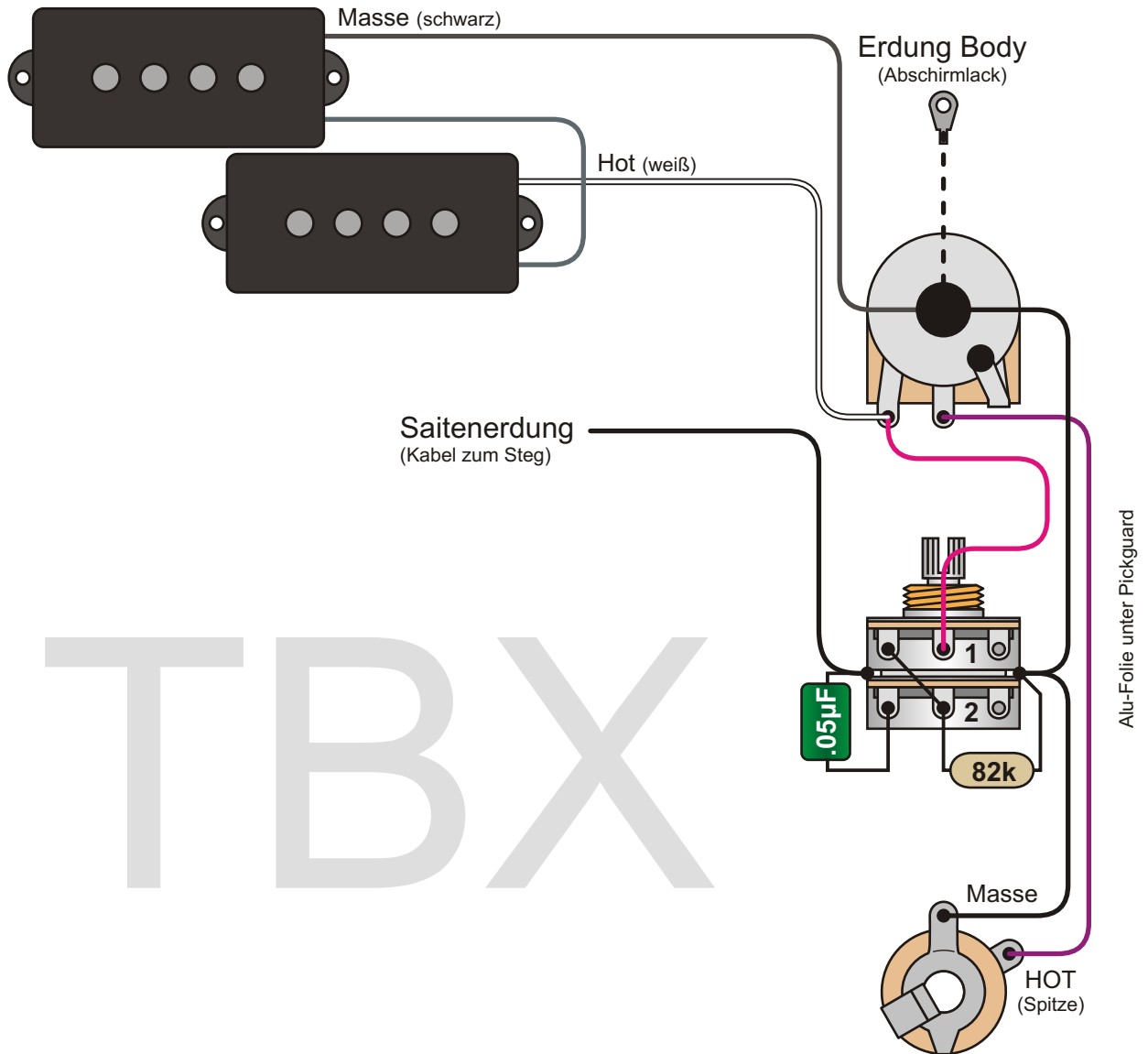
Anfang der 1970er Jahre verschwand das massive Aluminiumblech unter dem Pickguard - wohl aus Kostengründen. Es wurde durch eine Klebefolie aus Aluminium ersetzt. Um 1973 herum änderte sich zudem die Lötposition des Tone Kondensators (nicht mehr an Vol.).

Aus dieser Zeit kann es durchaus Bässe mit anderer Verdrahtung geben!

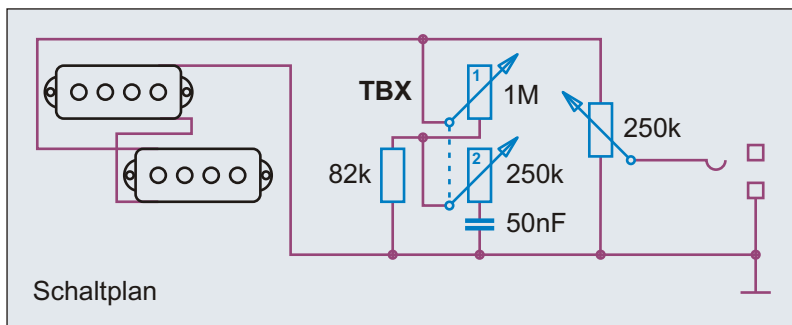
Precision Bässe der 1970er

In den ersten Jahren nach dem Verkauf der Firma Fender an den CBS Konzern (1965) blieben die Precision Bässe zunächst weitgehend unverändert. Es wurden weiterhin ausschließlich Modelle mit Palisandergriffbrett angeboten. Es mag am guten Erfolg der neuen Fender Telecaster Bässe ab 1968 gelegen haben, dass man sich Anfang der 1970er Jahre entschied, nach zehn Jahren wieder Precision Bässe mit One Piece Maple Neck in das Programm aufzunehmen. Typische 1970er Jahre Fender Bässe sind an ihrer dicken Lackierung zu erkennen, die man sich sogar unter dem Namen "Fender Thick-Skin® High Gloss Finish" patentieren ließ. Dieser Lack war wesentlich unempfindlicher, als die vorher eingesetzten Nitro- und Acryllacke mit abschließender Nitro-Klarlackierung.

Benennung	Fender® Precision® Bass 1973 - 1985		Historische Bassschaltungen	Nummer
				1.1.156
Bemerkungen / Besonderheiten	gezeichnet von	gezeichnet am	Seite	
	Cadfael	02.09.17	19	



TBX

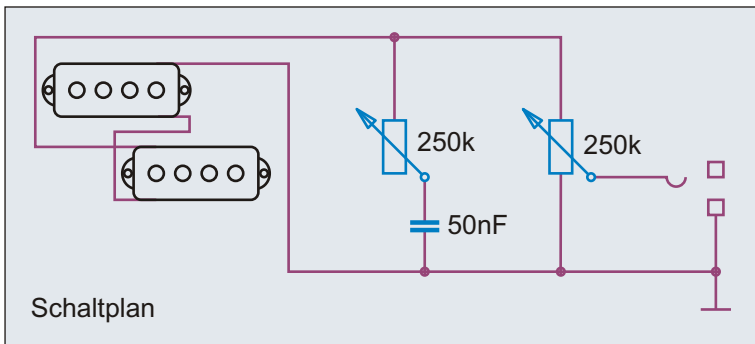
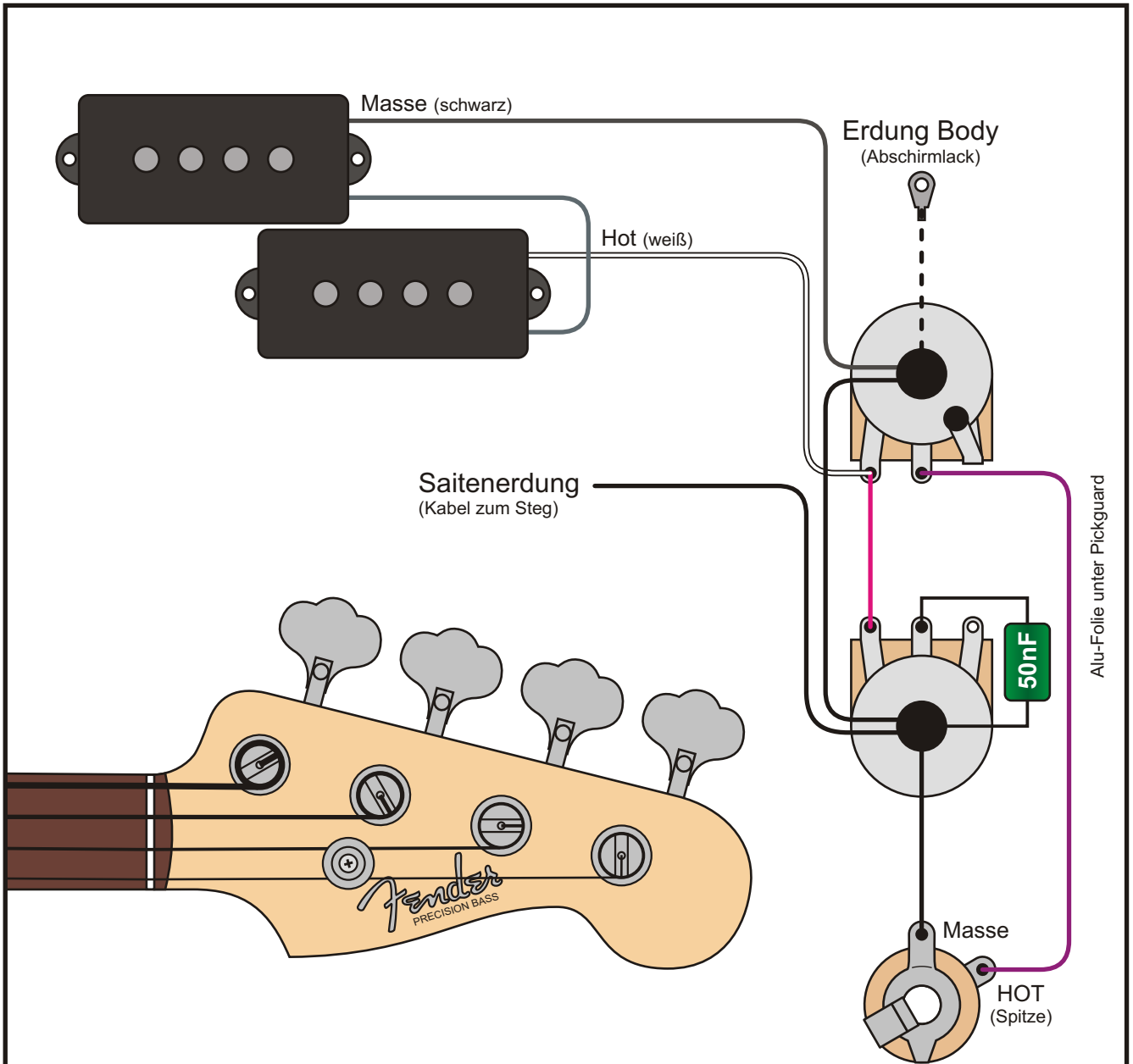


Kein normales Balance-Poti!
Schaltung funktioniert nur mit
original Fender TBX Poti!

Regler	Wert
Master Volume	250 k log.
TBX Tone	Ebene 1 1 M lin.
	Ebene 2 250 k log.

Da für die TBX Tone Control ein ganz besonders ausgelegtes Poti benötigt wird, kann man diese Schaltung nicht einfach mit überall erhältlichen Komponenten nachbauen. Das Poti ist kein handelsübliches Balance Poti bzw. Poti mit zwei Ebenen. Den original TBX-Bausatz von Fender gibt es allerdings bereits für ca. 15 Euro im Musikhandel zu erwerben.

Benennung	Fender® Precision® Bass TBX Control		Historische Bassschaltungen	Nummer 1.1.161
Bemerkungen / Besonderheiten	ab Mitte der 1980er Jahre		gezeichnet von Cadfael	gezeichnet am 02.09.17 Seite 20



Regler	Wert
Master Volume	250 k log.
Master Tone	250 k log.

Seit den 1980er Jahren hat es zahlreiche Variationen des Precision Basses gegeben. Dabei konnte sich die Verkabelung der Elektronik streng an historische Vorbilder halten oder leicht davon abweichen. Es gibt vermutlich auch Arbeiter, die ihre eigene Methode mit haben einfließen lassen. Beim Standard Precision Bass von 1999 ist der Kondensator am Schleifer des Tone Potis angelötet. Die Masseverbindung findet nicht alleine über die Alu-Folie statt.

Benennung **Fender® Std. Precision® Bass 1999**

Historische
Bassschaltungen

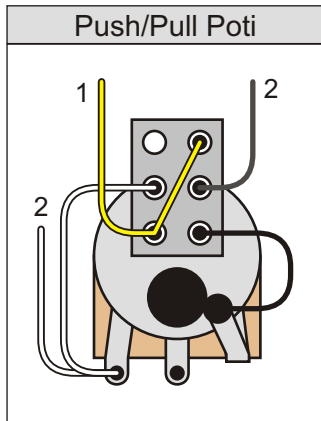
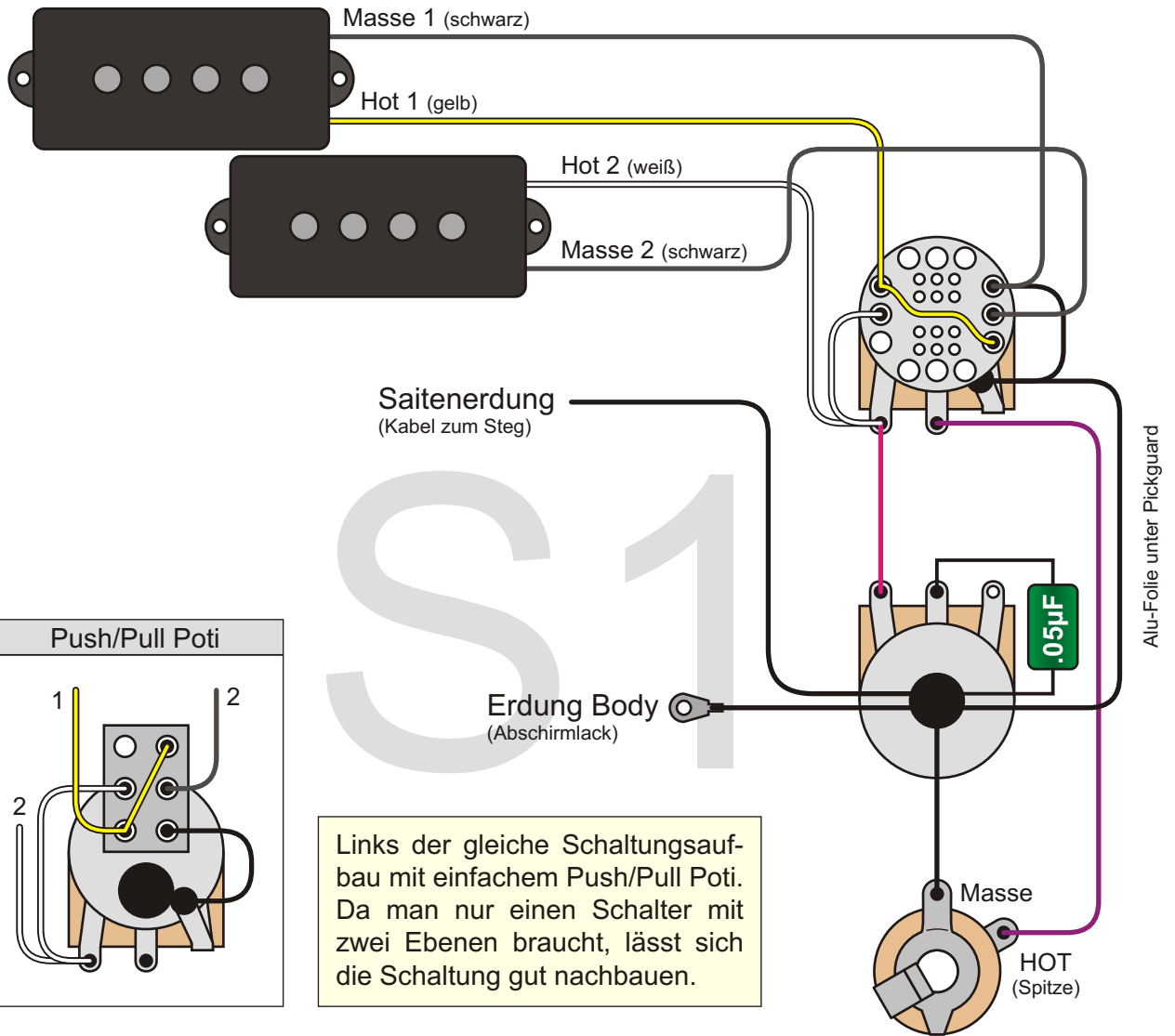
Nummer
1.1.166

Bemerkungen / Besonderheiten

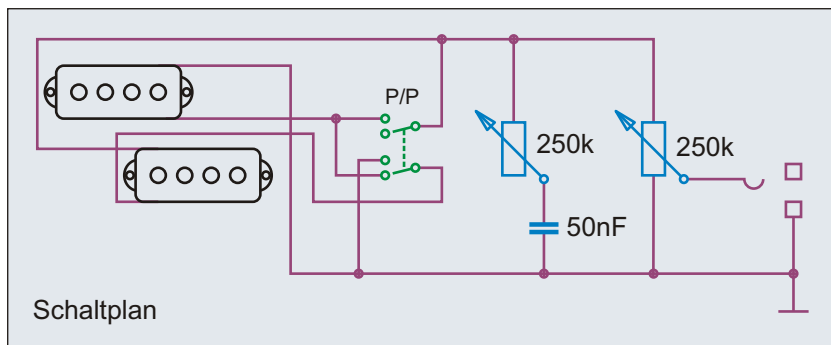
gezeichnet von
Cadfael

gezeichnet am
02.09.17

Seite
21



Links der gleiche Schaltungsaufbau mit einfachem Push/Pull Poti. Da man nur einen Schalter mit zwei Ebenen braucht, lässt sich die Schaltung gut nachbauen.

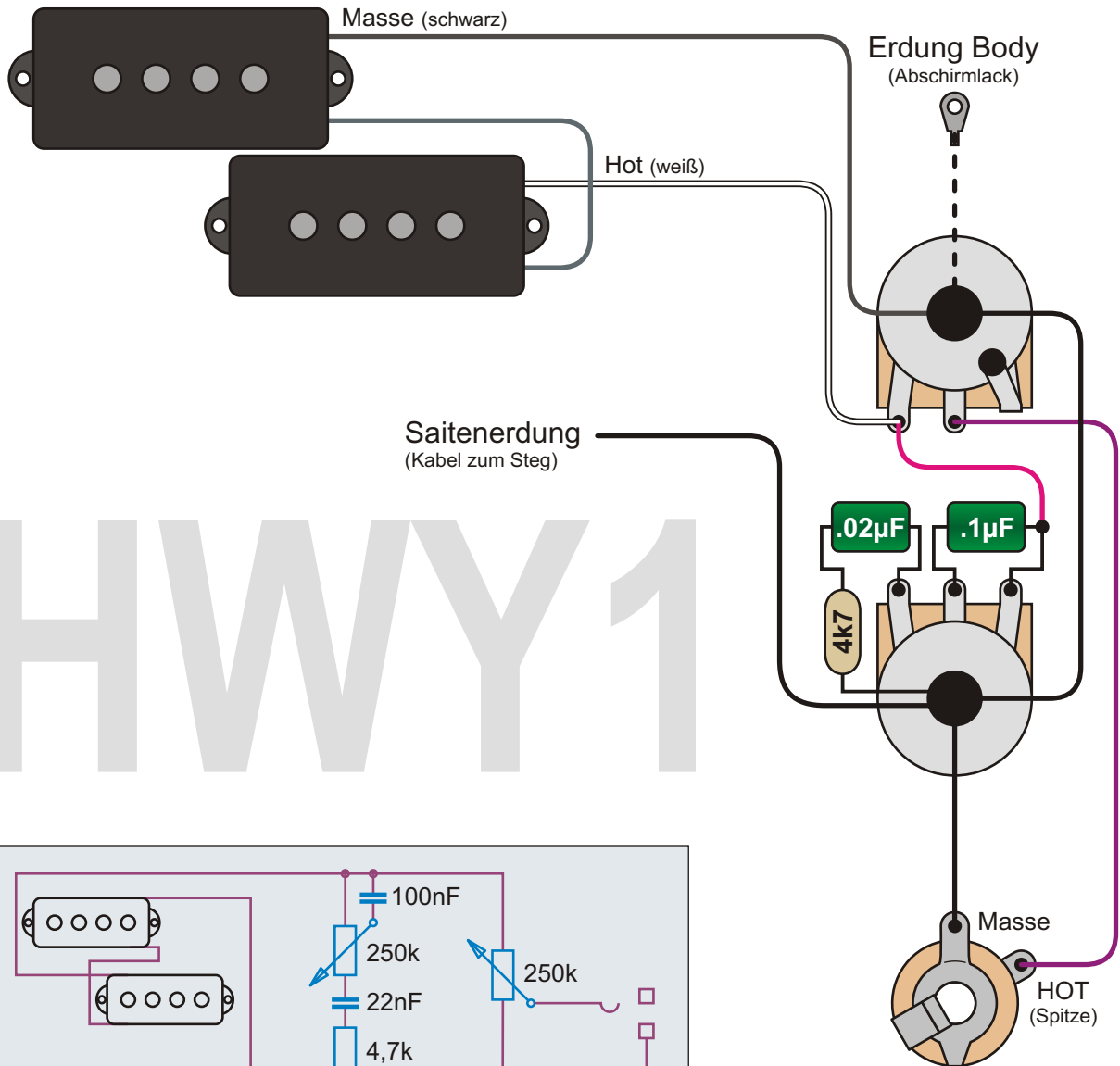


S1 Position	Spulen
unten	seriell
oben	parallel

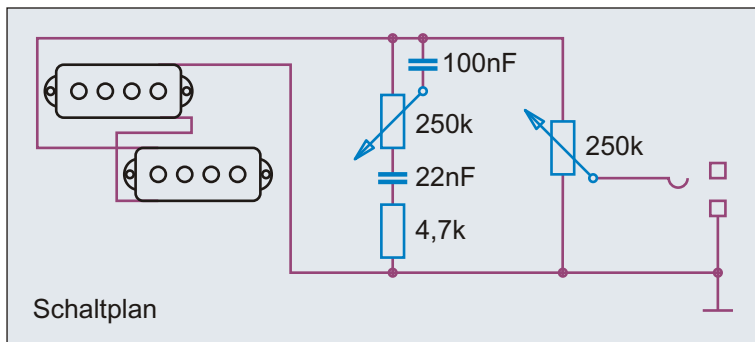
Regler	Wert
Master Volume	250 k log.
Master Tone	250 k log.

Der American Precision Bass von 2004 ist mit einem "S1 Switch" ausgestattet. Mit diesem Push/Push Poti kann man die beiden Spulen des Split Coil Humbuckers wahlweise in Reihe (Volume Poti unten) oder parallel (Volume Poti oben) betreiben. Was beim Jazz Bass durchaus Sinn macht, ist beim Precision Bass eher "seltsam" zu nennen. Der Sound wird bei der Parallelschaltung viel zu dünn und leise. Der S1 Switch wird beim Precision Bass vermutlich kaum je von einem Bassisten wirklich genutzt worden sein...

Benennung Fender® Am. Std. Precision® Bass 2004	Historische Bassschaltungen		Nummer 1.1.168
	gezeichnet von Cadfael	gezeichnet am 02.09.17	Seite 22
Bemerkungen / Besonderheiten American Precision Bass mit S-1 Switch			



HWY 1



Schaltplan

Der Fender Highway1 Precision Bass

Die Highway 1 Modelle von Fender sind preiswerte Bässe, Made in USA. Sie heben sich beispielsweise durch ihre Lackierung mit Nitrolack von den normalen Bässen, Made in Mexico, ab. Der Halseinstellstab und die Brückenkonstruktion sind ebenfalls anders.

Der Highway 1 Precision Bass von 2005 hat nicht die übliche, einfache Klangregelung mittels Kondensator. Bei ihm besteht die Blende aus zwei Kondensatoren plus einem Widerstand. Die Idee der "Greasebucket™" Schaltung ist allerdings nichts neues. In den G&L Bässen der 1980er Jahre findet sich eine zumindest sehr ähnliche Konstruktion der Tonblende.

Bauteile	Wert
Master Volume	250 k log.
Master Tone	250 k log.
Widerstand	4,7 k Ohm
Kondensator	0,1 µF
Kondensator	0,02 µF

Benennung **Fender® Highway1™ Precision® 2005**

Historische
Bassschaltungen

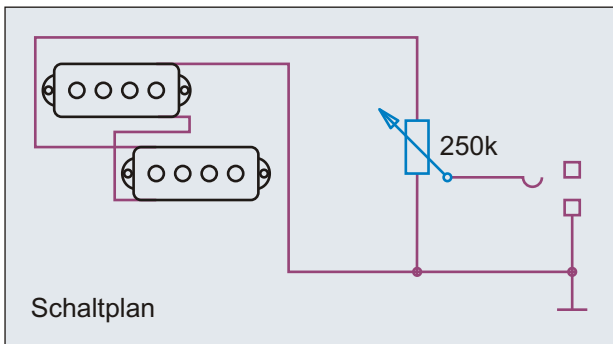
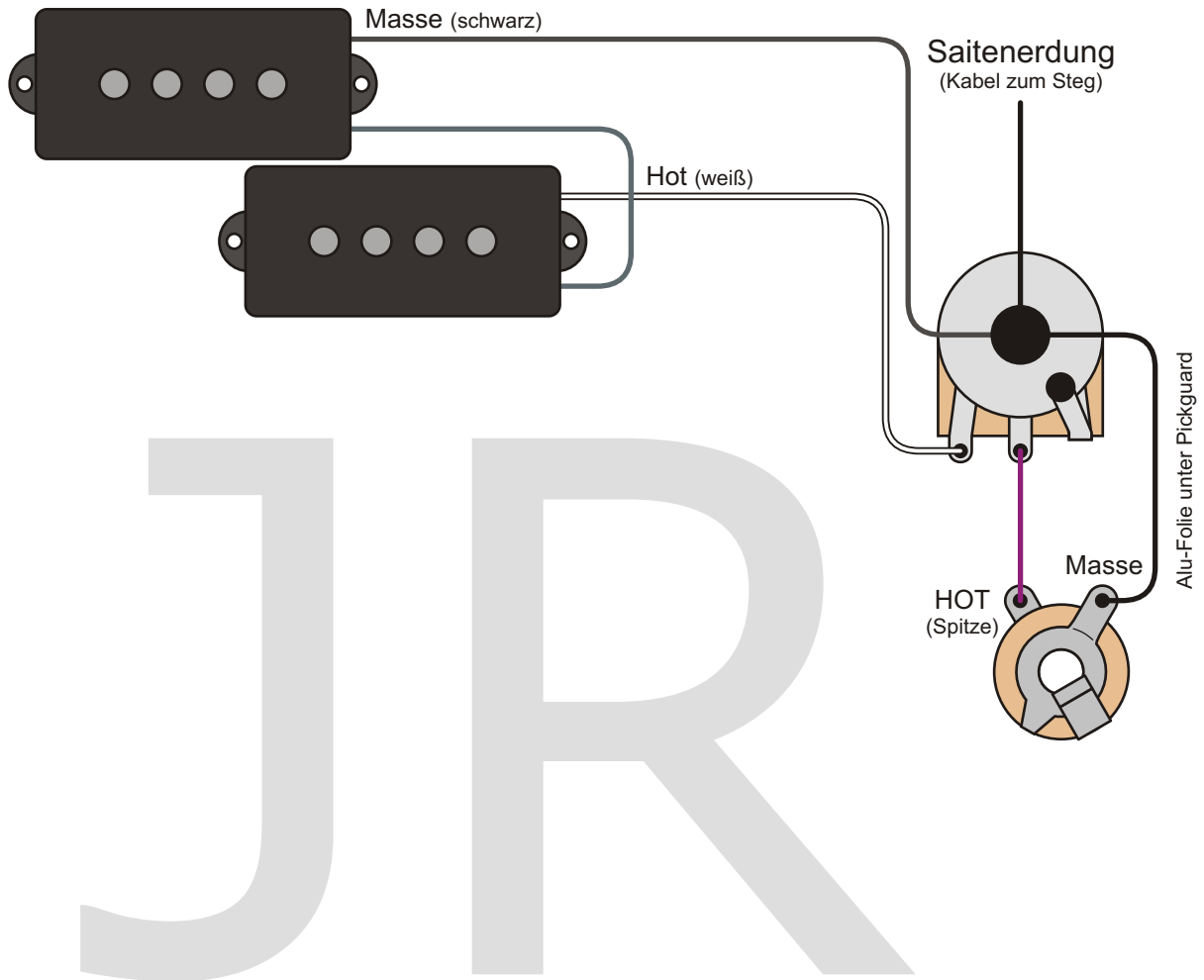
Nummer
1.1.171

Bemerkungen / Besonderheiten

gezeichnet von
Cadfael

gezeichnet am
02.09.17

Seite
23



Farben
■ 06 - Black
■ 58 - Torino Red

Regler	Wert
Master Volume	250 k log.

Der Fender P-Bass JR (Junior)

Der Fender P-Bass Junior ist ein Short Scale Bass für junge Einsteiger. Er verfügt lediglich über einen Pickup, eine Klinkenbuchse und einen Lautstärkereger. Warum Einsteiger keine Klangregelung benötigen, wird wohl für immer das Geheimnis Fenders bleiben. Der Bass hat nicht die typischen offenen Fender Mechaniken, sondern gekapselte Mechaniken. Lieferbar war der P-Bass JR bzw. Junior in den Farben Black und Torino Red.

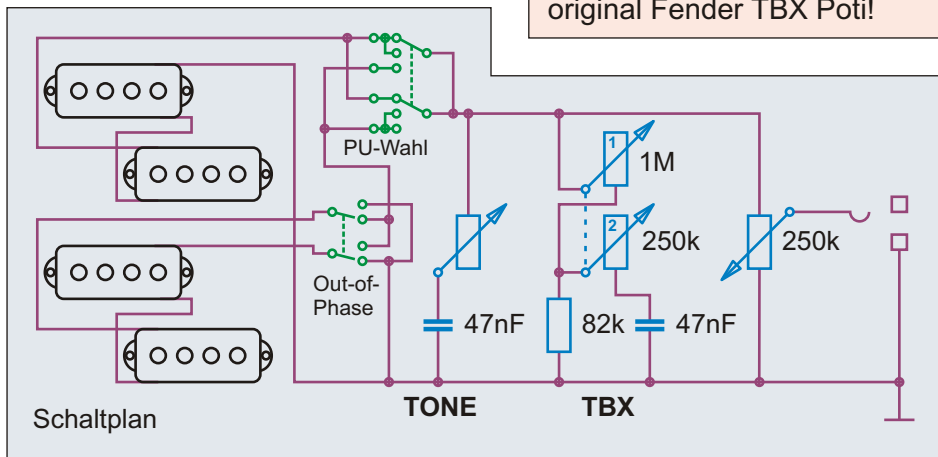
Benennung Fender® P-Bass JR® Bass 2004	Historische Bassschaltungen		Nummer 1.1.181
	gezeichnet von Cadfael	gezeichnet am 02.09.17	Seite 24
Bemerkungen / Besonderheiten			

BOXER SERIES

Regler	Wert	
Master Volume	250 k log.	
Master Tone	250 k log.	
TBX Tone	Ebene 1	1 M lin.
	Ebene 2	250 k log.

BOXER

Kein normales Balance-Poti!
Schaltung funktioniert nur mit original Fender TBX Poti!



Schaltplan

TONE

TBX

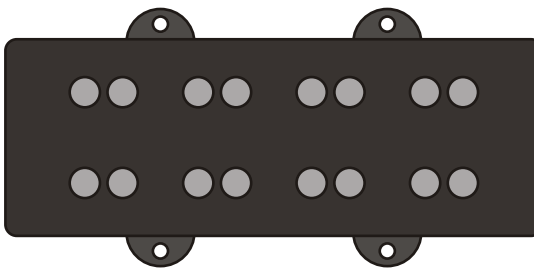
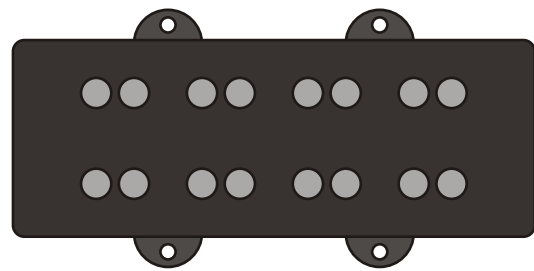
Der Bass verfügt sowohl über einen normalen Tone Regler, als auch über eine Fender TBX Tone Control.

Der Fender PB-555 Bass 1984

Zur in Japan gefertigten "Boxer Serie" gehörte auch der PB-555. Er hatte den Body eines P-Basses, aber kein Pickguard. Markant sind seine vier, um ca. 15 Grad gedrehten P-Spulen. Mit dem oberen Schalter kann man zwischen den Spulenpaaren wählen, mit dem unteren sind die Paare in Mittelstellung "Out-of-Phase" (gegenphasig) zu einander - ein Klang, der in den 1980er Jahren beliebt war. Die Kopfplatte des Basses war schwarz lackiert. 1985 kam zusätzlich die PB-555 FL Fretless-Version, ohne Bundstäbchen, hinzu.

Benennung	Fender® PB-555 Bass 1984		Historische Bassschaltungen	Nummer
				1.1.186
Bemerkungen / Besonderheiten	Boxer Serie, Made in Japan, 1984 - 1987		gezeichnet von	gezeichnet am
			Cadfael	02.09.17
			Seite	25

Idee, Recherche, Autor, Zeichnungen, Grafiken, Diagramme, Layout und Design: Andreas "Cadfael" Kühn - Nutzung ausschließlich zu privaten, nicht kommerziellen Zwecken und auf eigene Gefahr! Alle Angaben ohne Gewähr, Irrtümer vorbehalten!



Masse

Hot

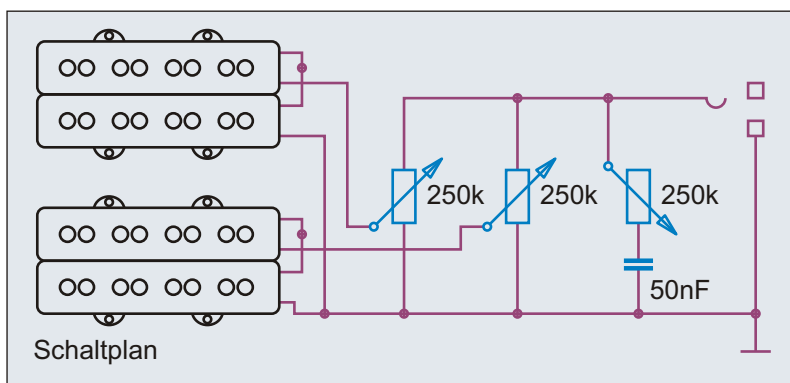
Masse

Hot

Saitenerdung
(Kabel zum Steg)

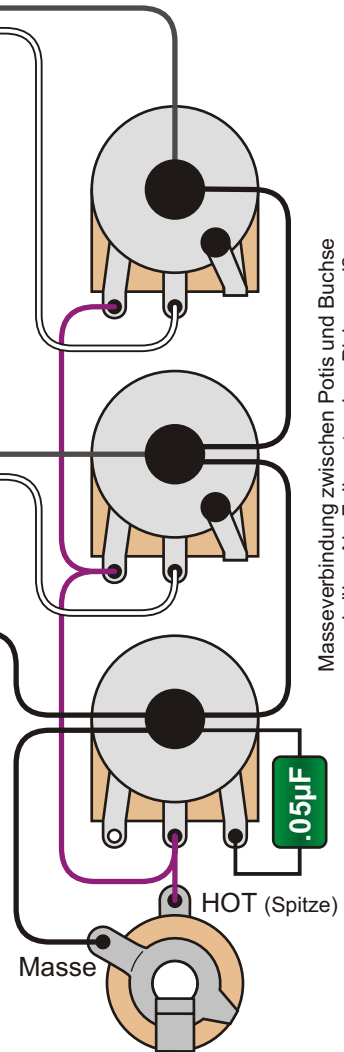
Masseverbindung zwischen Potis und Buchse
auch über Alu-Folie unter dem Pickguard?

Impedanz	Wert
Neck Pickup	8,45 K Ohm
Bridge Pickup	9,20 K Ohm



Schaltplan

Die Schaltung entspricht weitgehend der Schaltung eines Fender PJ-Basses bzw. der Standardschaltung von Jazz Bässen (ab 1963); also mit zwei Volume Potis und einem Tone Poti. Die vier Adern pro Pickup werden leider nicht nach draußen geführt.



.05µF

HOT (Spitze)

Masse

Regler	Wert
Volumes und Tone	250 k log.

Der Fender Precision Bass Blacktop

Im Jahr 2011 brachte Fender unter der Serienbezeichnung "Blacktop" mehrere Gitarren- und Bassmodelle auf dem Markt. Gemeinsam ist allen Modellen, dass sie "heißer" als die Standardmodelle sind. Der Blacktop Precision Bass ist mit zwei "Doppel-J" Humbucking Pickups ausgerüstet, die etwas einem MusicMan Stingray Pickup ähneln.

Benennung **Fender® Prec. Bass® Blacktop™ 2011**

Historische
Bassschaltungen

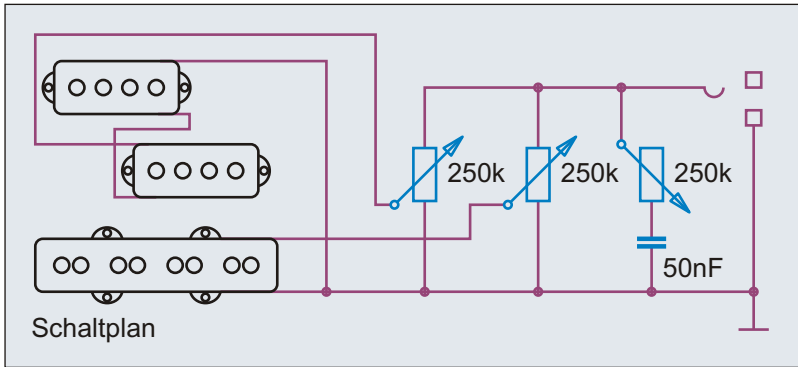
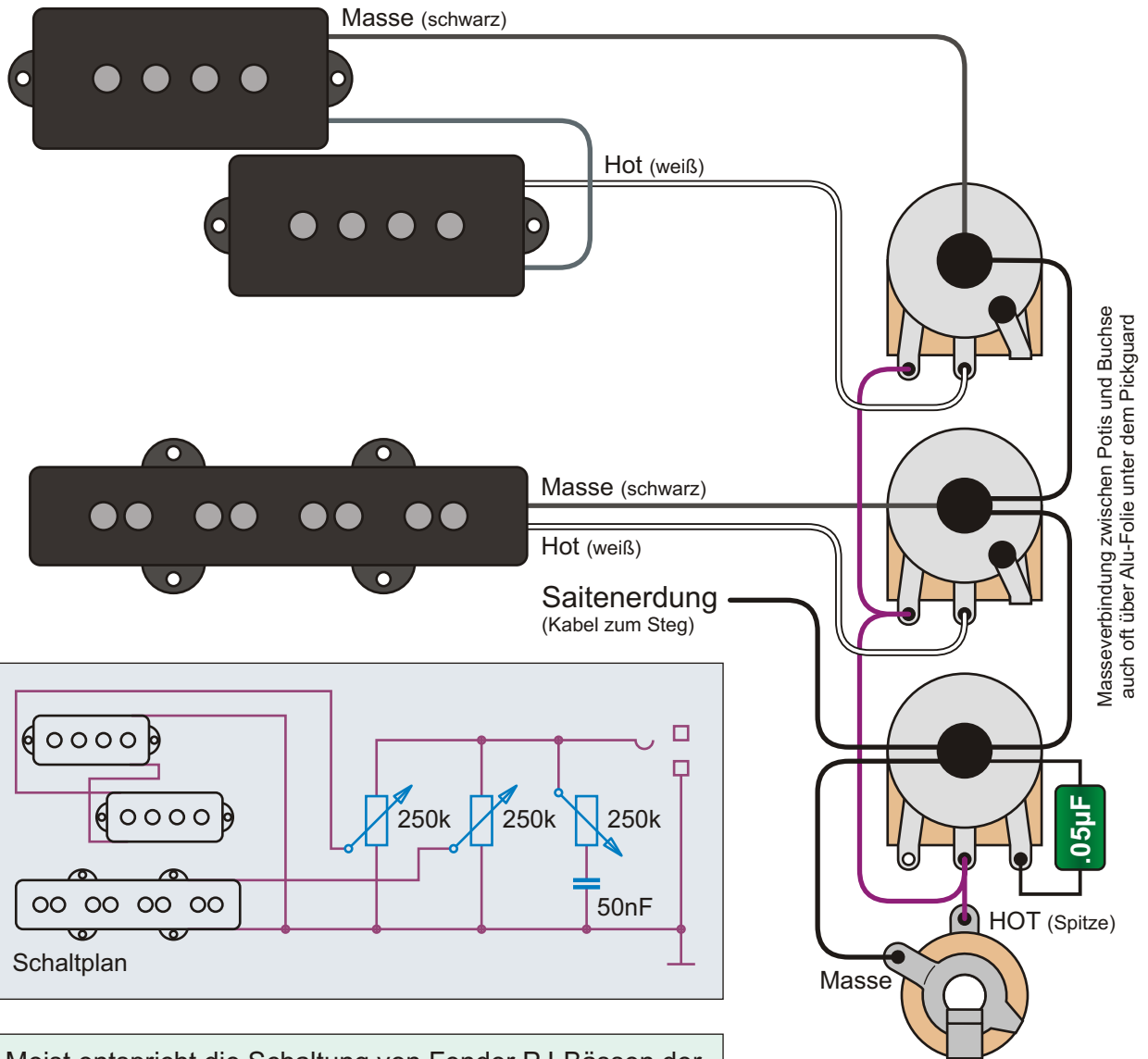
Nummer
1.1.191

Bemerkungen / Besonderheiten

gezeichnet von
Cadfael

gezeichnet am
02.09.17

Seite
26

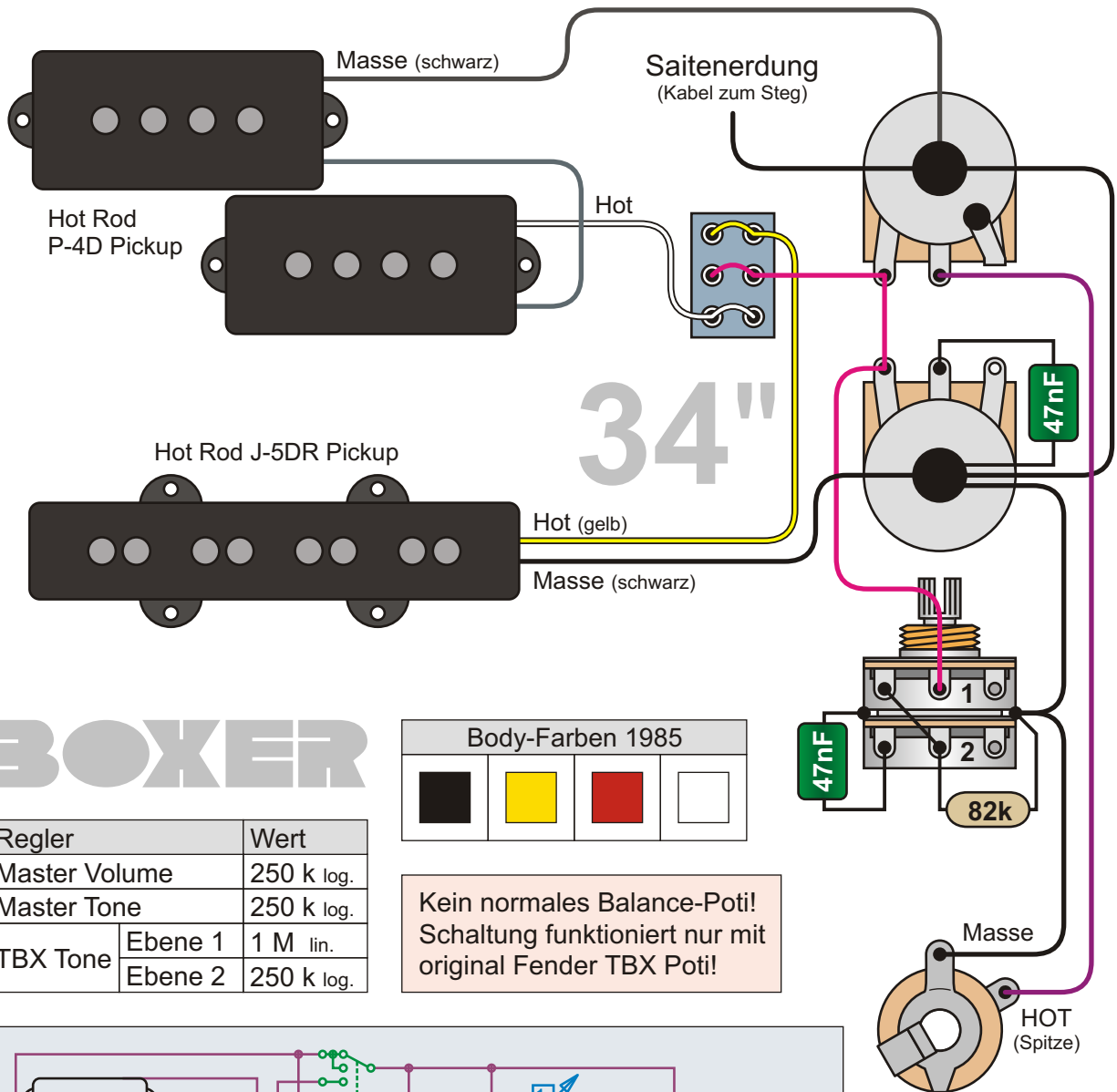


Meist entspricht die Schaltung von Fender PJ-Bässen der Standardschaltung von Jazz Bässen (ab 1963); also mit zwei Volume Potis und ein Tone Poti.

Regler	Wert
Volumes und Tone	250 k log.

Der Fender PJ-Bass / Precision Bass Special / Hot Rodded Precision
 Ende der 1970er, Anfang der 1980er Jahre brach unter Gitarristen / Bassisten eine Umbau- und Bastelwelle aus, die in abgeschwächter Form bis zum heutigen Tag anhält. Hersteller wie DiMarzio oder Seymour Duncan brachten bezahlbare Ersatz-Pickups auf den Markt. Firmen wie Schecter, Charvel oder Rockinger kopierten nicht einfach nur alte Fender Bässe, sie boten auch Kopien mit neuen und manchmal ausgefallenen Pickup-Konstellationen an. Sehr beliebt war es, dem Precision Bass einen zusätzlichem Jazz Bass Pickup in der Stegposition zu spendieren. Obwohl sich die Firma Fender lange sträubte, bot sie schließlich ebenfalls einen "Precision Bass Special" mit Jazz Bass Pickup ab Werk an. Fender ist aber nie dazu übergegangen den PJ-Bass bzw. Precision Bass Special fest in sein Standardprogramm aufzunehmen. Er taucht in verschiedenen Varianten immer mal wieder auf und verschwindet dann wieder.

Benennung Fender® PJ Bass® Special 1980s		Historische Bassschaltungen	Nummer 1.1.201
Bemerkungen / Besonderheiten sowie Deluxe P-Bass Special 1999 / Hot Rodded (Am.) P-Bass 2000		gezeichnet von Cadfael	gezeichnet am 02.09.17 Seite 27

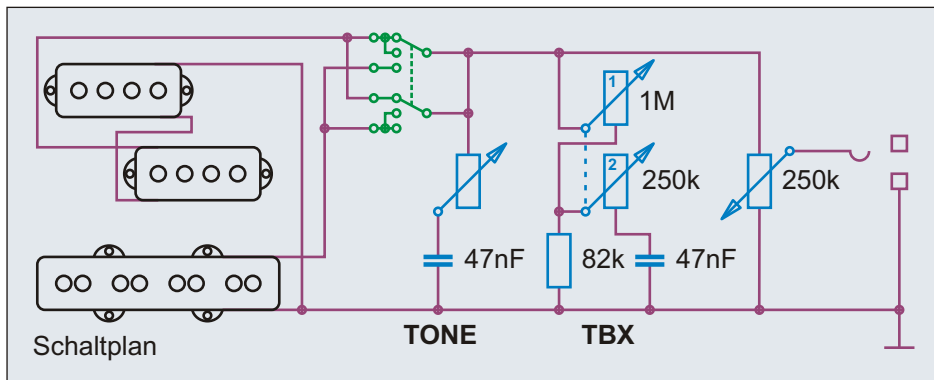


BOXER

Body-Farben 1985			

Regler	Wert	
Master Volume	250 k log.	
Master Tone	250 k log.	
TBX Tone	Ebene 1	1 M lin.
	Ebene 2	250 k log.

Kein normales Balance-Poti!
Schaltung funktioniert nur mit original Fender TBX Poti!



Der Bass verfügt sowohl über einen normalen Tone Regler, als auch über eine Fender TBX Tone Control.

Der Fender PJ-555 Bass 1984

Bereits 1983 wurde in Japan der Squier PJ555 Bass ohne Pickguard und mit lackierter Kopfplatte eingeführt. 1984 brachte man unter dem Fender (Boxer) Label den sehr ähnlich aussehenden PJ-555 Bass heraus. Er hatte jedoch einen Wahlschalter, Master Volume, Tone und eine zusätzliche Fender TBX-Control. Die Kopfplatten der PJ-555 Bässe wurden nicht, wie bei den Squier PJ555 Bässen, in Farbe des Bodys lackiert, sondern grundsätzlich schwarz.

Benennung **Fender® PJ-555 Bass 1984**

Historische
Bassschaltungen

Nummer
1.1.206

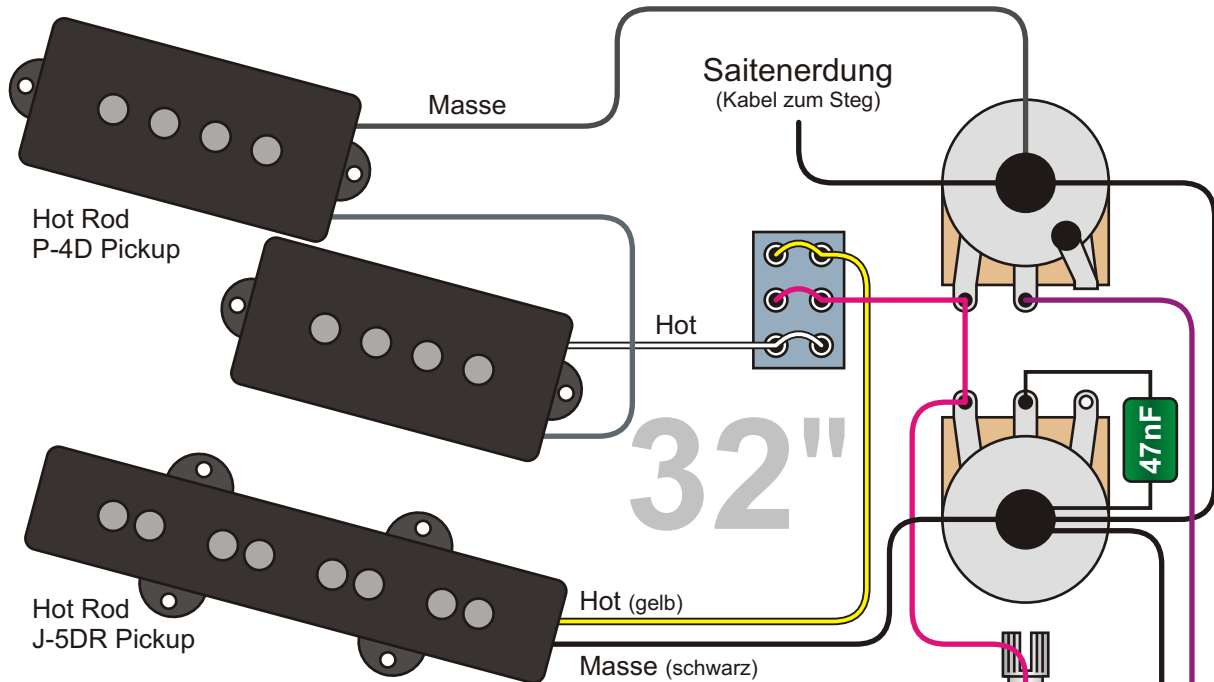
Bemerkungen / Besonderheiten

Boxer Serie, Made in Japan, 1984 - 1987

gezeichnet von
Cadfael

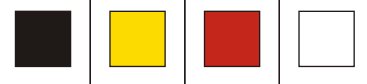
gezeichnet am
02.09.17

Seite
28



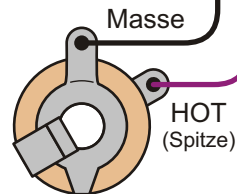
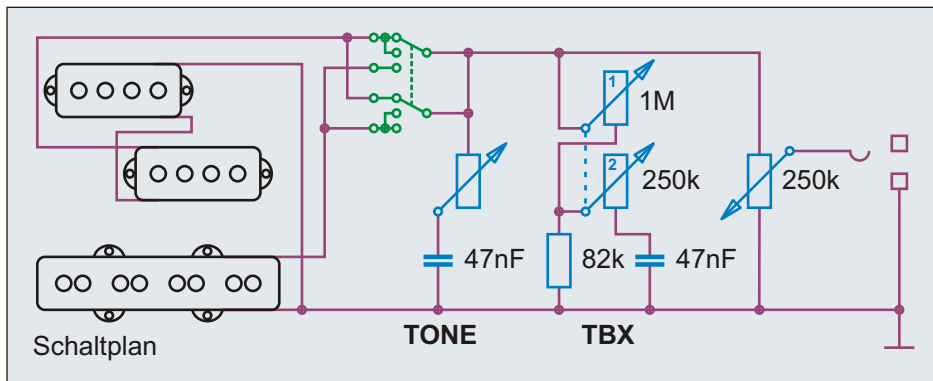
BOXER

Body-Farben 1985



Regler	Wert
Master Volume	250 k log.
Master Tone	250 k log.
TBX Tone	Ebene 1 1 M lin.
	Ebene 2 250 k log.

Kein normales Balance-Poti!
Schaltung funktioniert nur mit original Fender TBX Poti!



Der Bass verfügt sowohl über einen normalen Tone Regler, als auch über eine Fender TBX Tone Control.

Der Fender PJ-535 Bass 1984

Zusammen mit dem in Japan gefertigten Fender (Boxer) PJ-555 Bass kam 1984 der PJ-535 Bass auf den Markt. Er hatte die gleichen Fender Hot Rod P-4D und J-5DR Pickups wie der PJ-555 an Bord. Im Gegensatz zum PJ-555 waren die Pickups beim PJ-535 aber nicht "normal, gerade" eingebaut, sondern mit einer Schräge von 15 Grad. Der PJ-535 hatte keine 864 mm (34") Long Scale Mensur, sondern eine 812 mm (32") Medium Scale Mensur. Beide Modelle hatten die gleiche Elektronik an Bord und waren in den gleichen Farben erhältlich.

Benennung **Fender® PJ-535 Bass 1984**

Historische
Bassschaltungen

Nummer
1.1.207

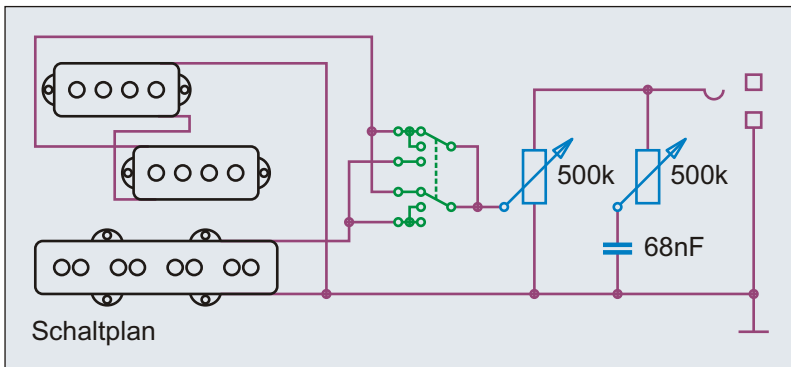
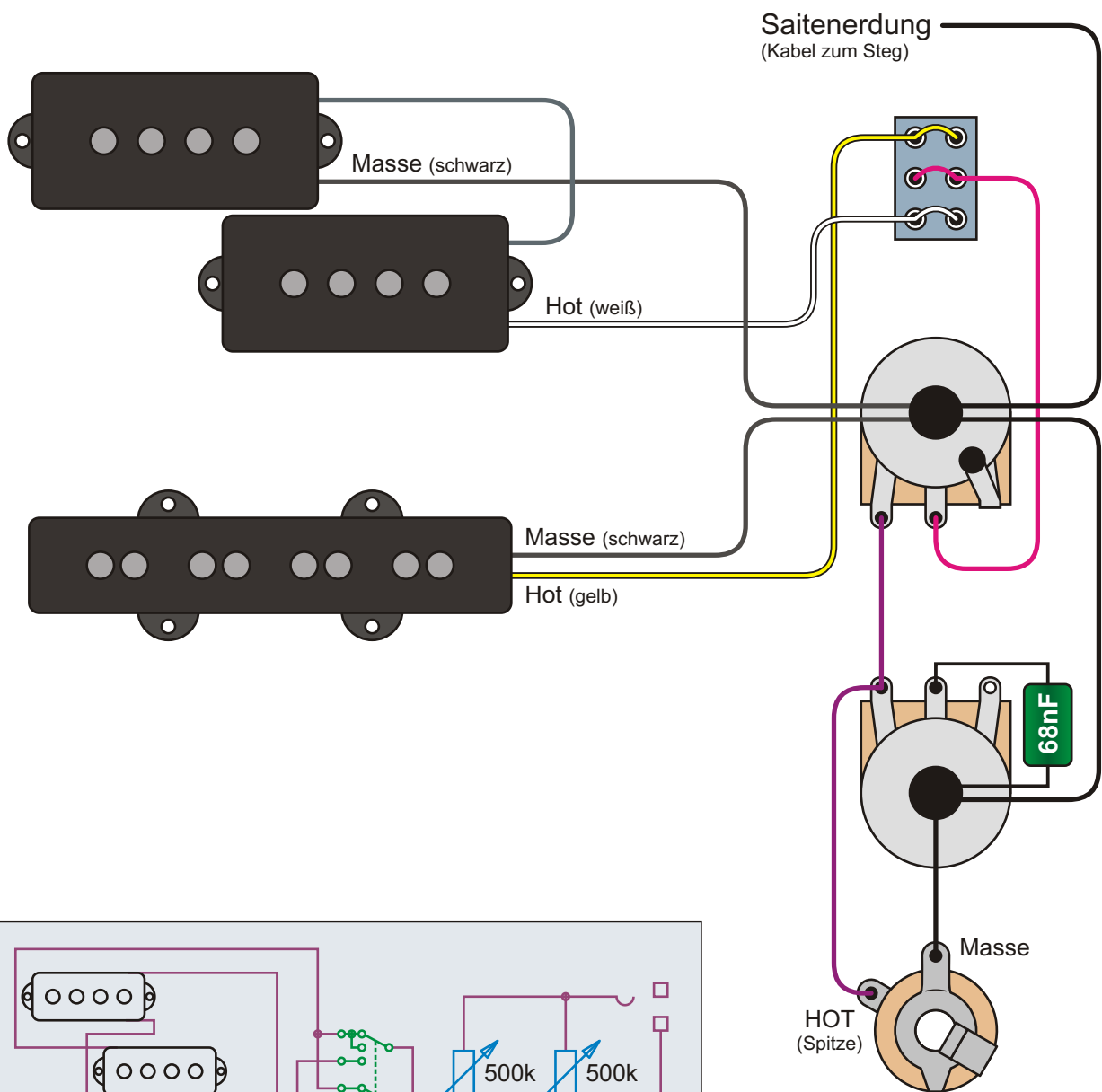
Bemerkungen / Besonderheiten

Boxer Serie, Made in Japan, 1984 - 1987

gezeichnet von
Cadfael

gezeichnet am
02.09.17

Seite
29



Ungewöhnlich für einen Fender Bass, hat der JP-90 einen Minischalter (On/On/On) zur Tonabnehmerwahl. Obwohl der JP-90 nur einen Lautstärkeregler hat, geht HOT von der Klinkenbuchse nicht zum Schleifer. Zudem werden keine 250k Potis eingesetzt.

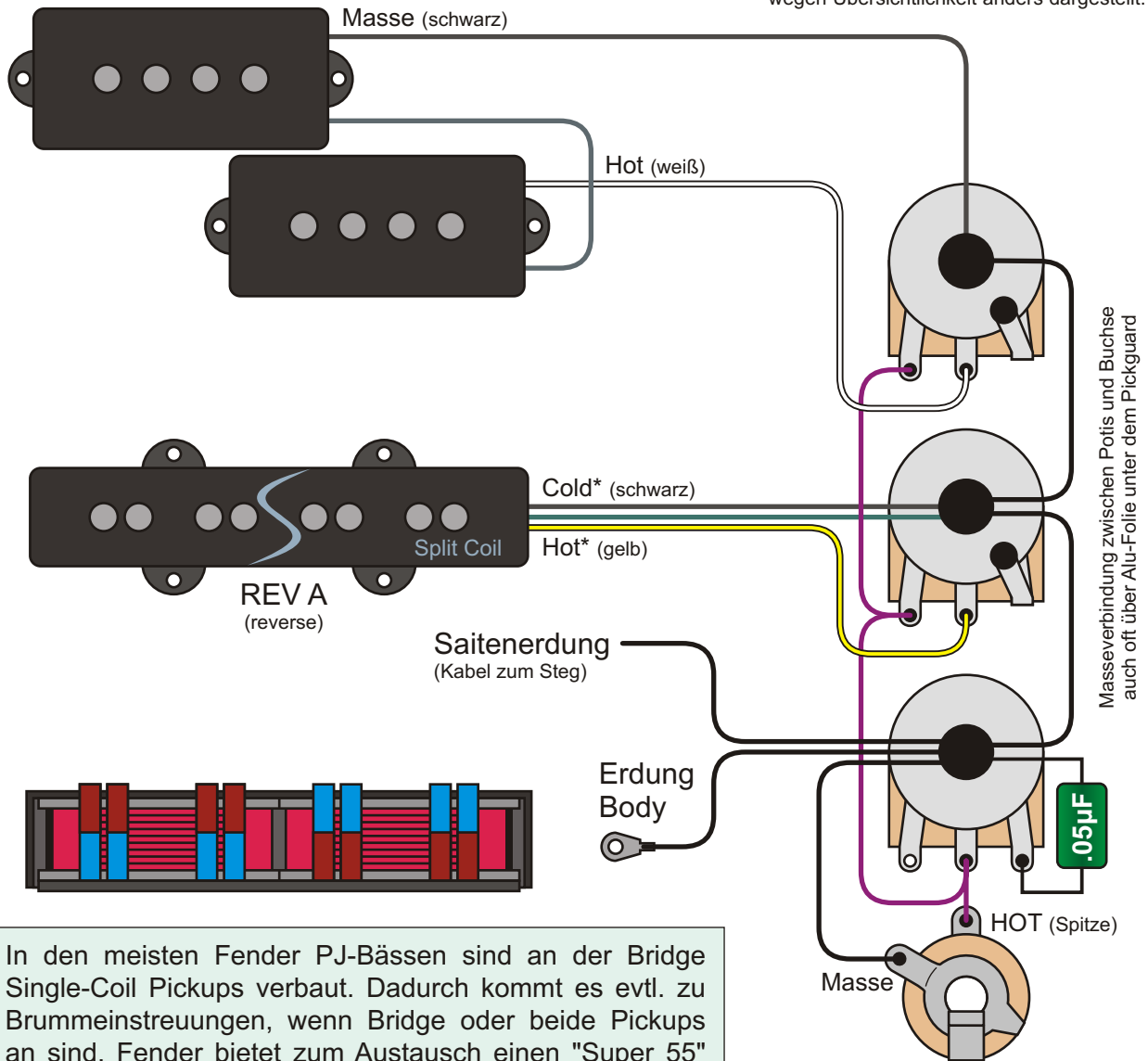
Regler	Wert
Volume	500 k lin.
Tone	500 k log.

Der Fender JP-90 Bass

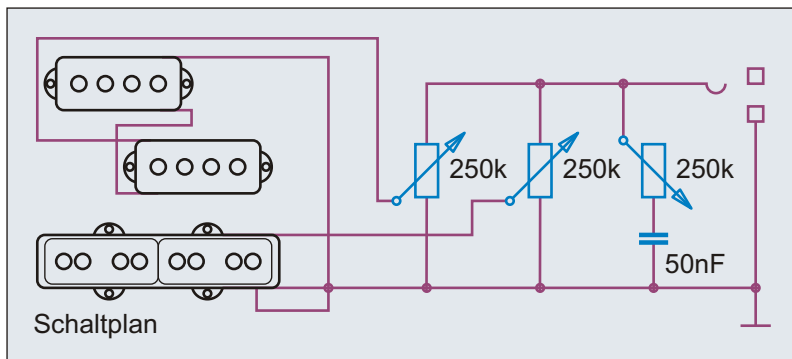
Anfang der 1990er Jahre brachte Fender USA den JP-90 Bass auf den Markt. Er ist von Hals und Body her stark an den Fender Jazz Bass angelehnt und fällt neben der PJ-Bestückung durch sein futuristisches Pickguard auf, das etwas an Gibson Pickguards erinnert.

Benennung Fender® JP-90 Bass 1990	Historische Bassschaltungen		Nummer 1.1.211
	gezeichnet von Cadfael	gezeichnet am 02.09.17	Seite 30
Bemerkungen / Besonderheiten			

*Die schwarze Ader des Super 55 liegt zum Steg hin, die gelbe Ader zum Hals hin. Hier wegen Übersichtlichkeit anders dargestellt.



In den meisten Fender PJ-Bässen sind an der Bridge Single-Coil Pickups verbaut. Dadurch kommt es evtl. zu Brummeinstreuungen, wenn Bridge oder beide Pickups an sind. Fender bietet zum Austausch einen "Super 55" Split-Coil Noiseless™ J-Pickup an. Die beiden Spulen des Super 55 sind nebeneinander angebracht und "reverse" gewickelt. Sollte der Sound dünn werden, wenn P- und J-Pickup beide an sind, sollte man das schwarze und gelbe Kabel des Super 55 tauschen. Grün bleibt an Masse.



Achtung!

Die Steckkontakte an den Pickups sind relativ fragil und können leicht abbrechen!

Regler	Wert
Neck Volume	250 k log.
Bridge Volume	250 k log.
Master Tone	250 k log.

Benennung **Fender® PJ Bass, Super 55 Split-Coil**

Historische Bassschaltungen

Nummer 1.1.241

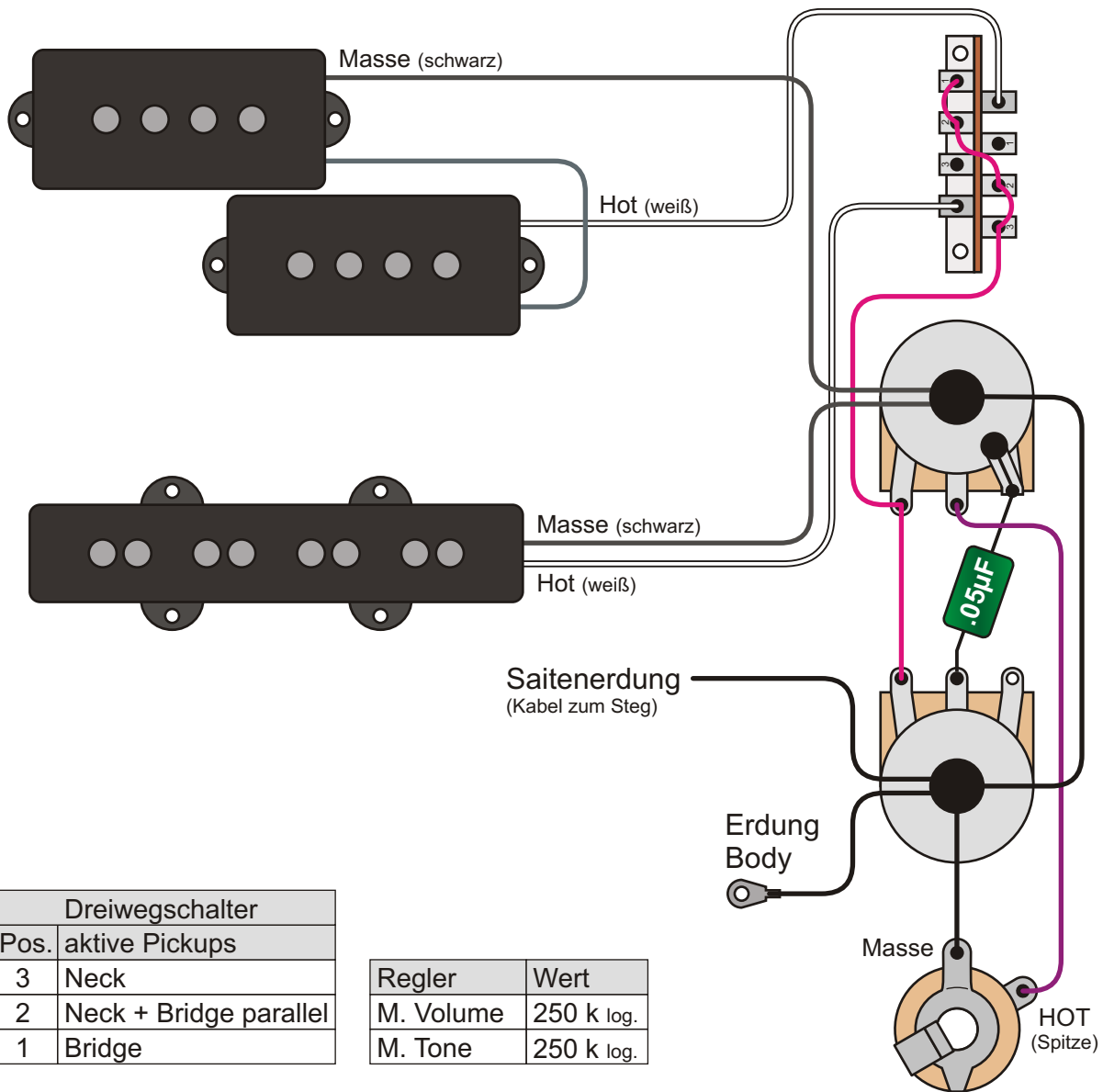
Bemerkungen / Besonderheiten

Fender® Super 55 Split-Coil Noiseless™ Jazz Bass® Bridge HB

gezeichnet von Cadfael

gezeichnet am 02.09.17

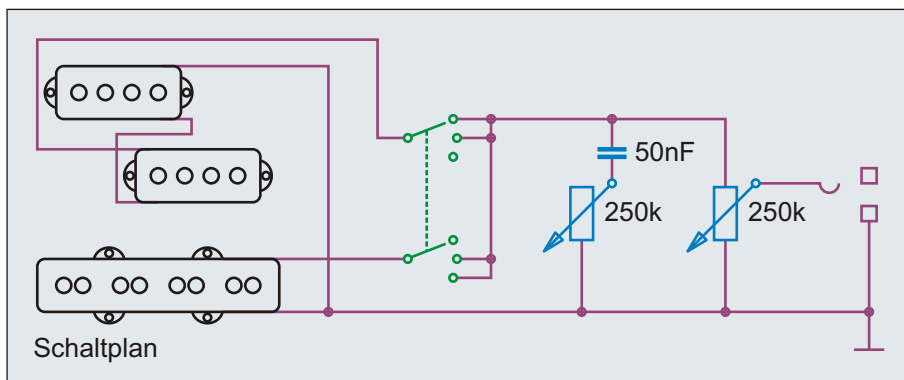
Seite 31



Dreiwegschalter	
Pos.	aktive Pickups
3	Neck
2	Neck + Bridge parallel
1	Bridge

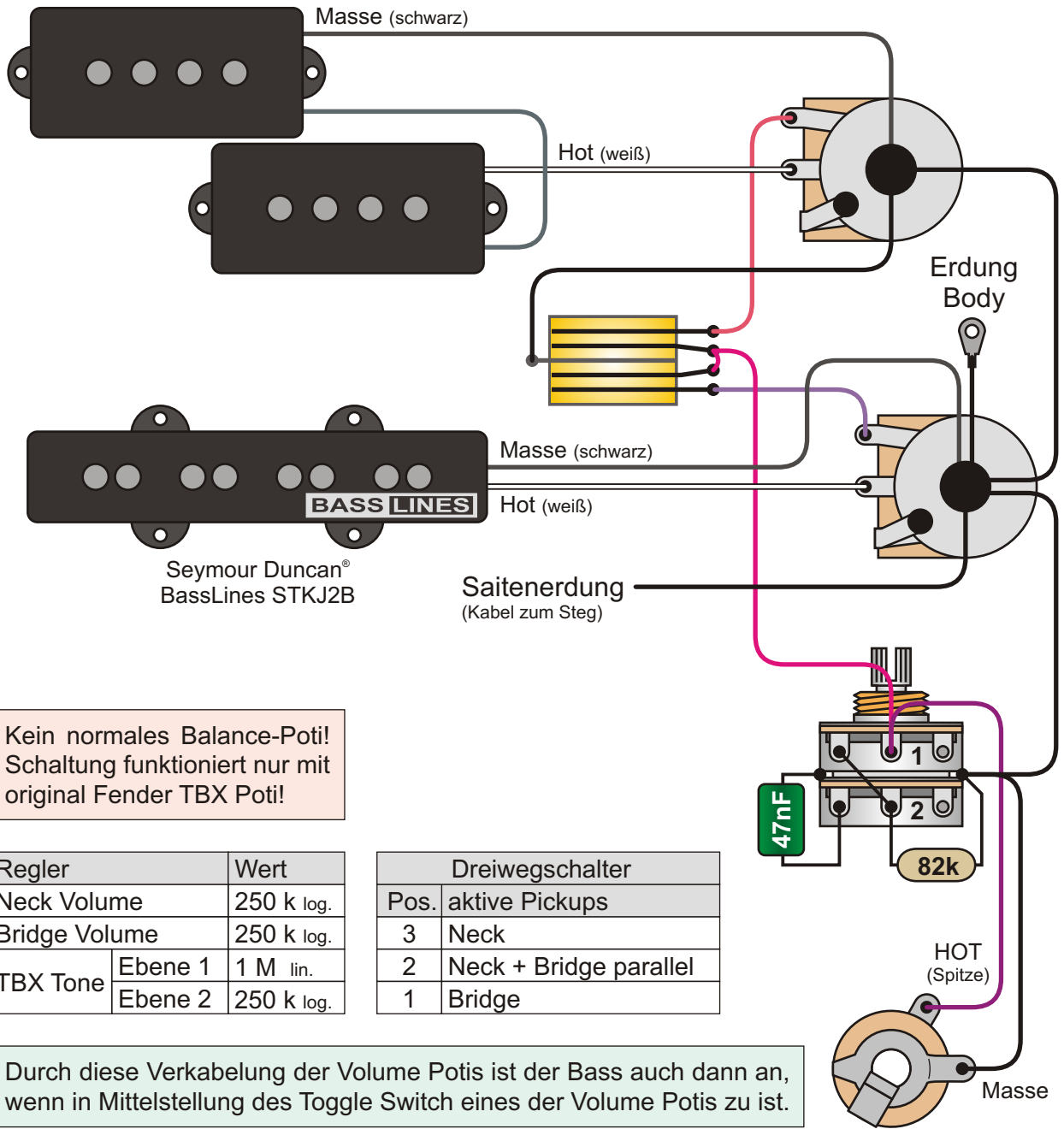
Regler	Wert
M. Volume	250 k log.
M. Tone	250 k log.

Wie der Name des Tony Franklin Basses bereits aussagt, gehört er zur Familie der PJ-Bässe. Außergewöhnlich für einen Fender Bass, aber nicht minder sinnvoll und effektiv, ist sein "Lever Switch" Dreiwegschalter; schnell, sicher in der Bedienung und übersichtlich.



Meine Meinung:
 Sehr schade, dass Fender und Squier nicht den Mut haben, mehr PJ Bässe mit Lever Switch auf den Markt zu bringen. Ein Mexico Standard PJ mit Lever Switch würde seine Käufer bestimmt finden!

Benennung Fender® PJ Bass® Tony Franklin (2007)		Historische Bassschaltungen	Nummer 1.1.251
Bemerkungen / Besonderheiten		gezeichnet von Cadfael	gezeichnet am 02.09.17
		Seite 32	

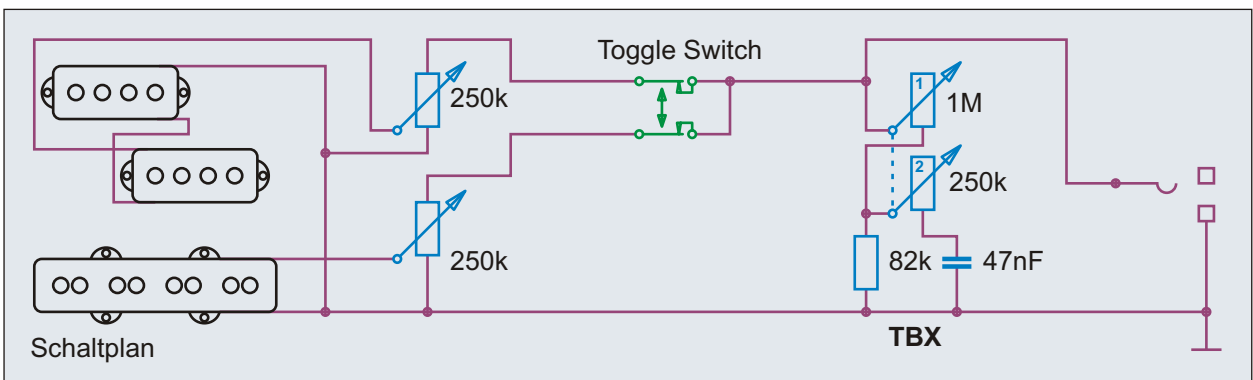


Kein normales Balance-Poti!
Schaltung funktioniert nur mit original Fender TBX Poti!

Regler	Wert	
Neck Volume	250 k log.	
Bridge Volume	250 k log.	
TBX Tone	Ebene 1	1 M lin.
	Ebene 2	250 k log.

Dreiwegschalter	
Pos.	aktive Pickups
3	Neck
2	Neck + Bridge parallel
1	Bridge

Durch diese Verkabelung der Volume Potis ist der Bass auch dann an, wenn in Mittelstellung des Toggle Switch eines der Volume Potis zu ist.

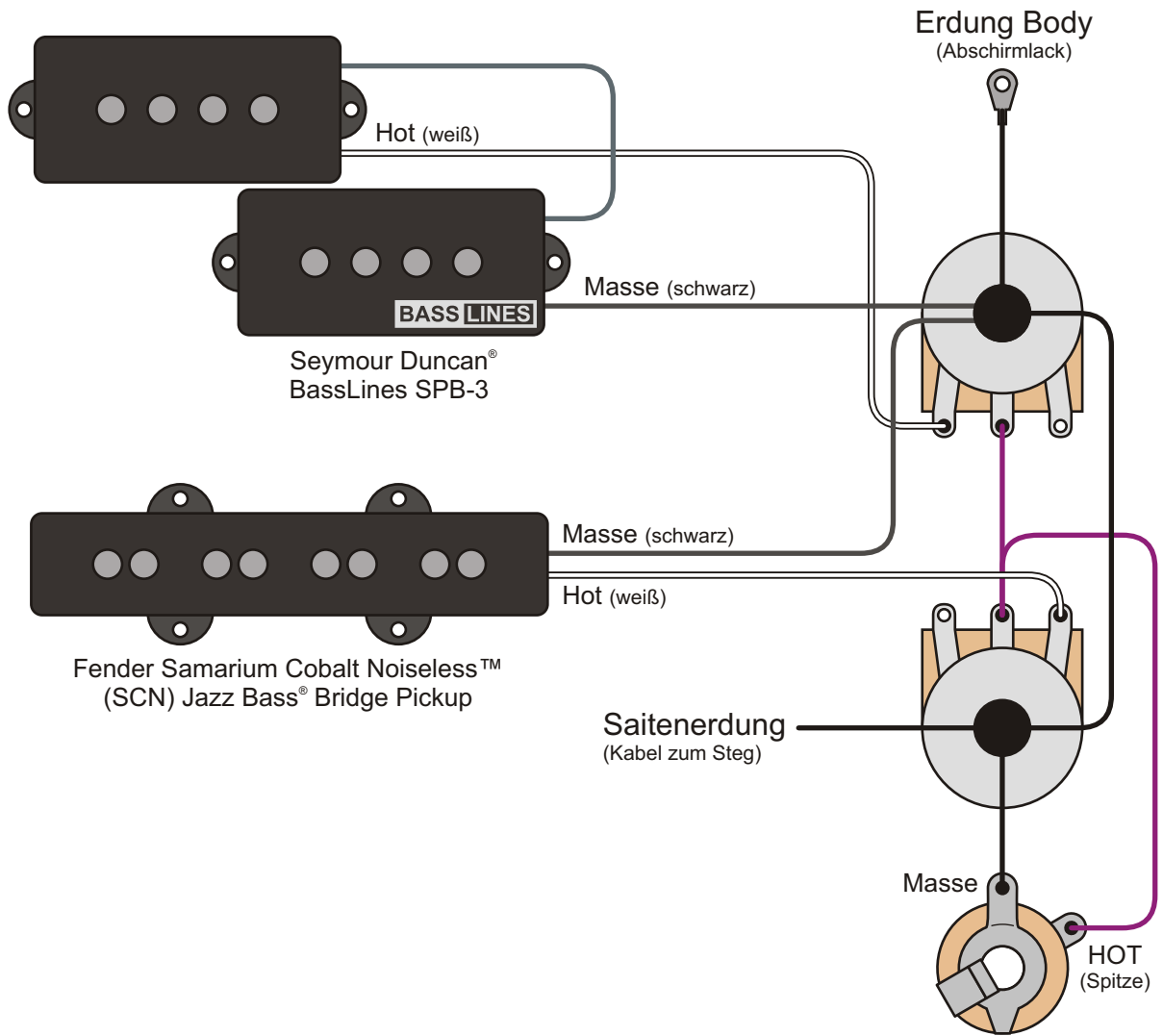


Benennung **Fender® P(J) Bass® Duff McKagan**

Historische Bassschaltungen Nummer 1.1.261

Bemerkungen / Besonderheiten

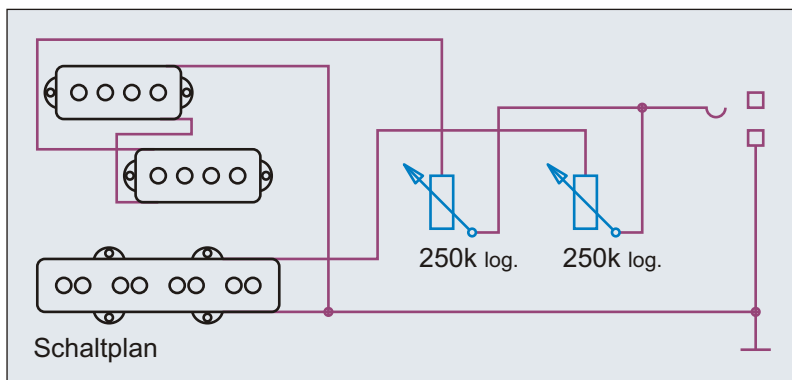
gezeichnet von **Cadfael** gezeichnet am **02.09.17** Seite **33**



Der Squier Frank Bello Jazz Bass

Der Frank Bello Jazz Bass gehört zur "Artist Series" von Fender. Er ist einer der wenigen Jazz Bässe im Programm von Fender/Squier mit PJ Pickup-Bestückung. Die Frank Bello Version von Fender weist in seiner Elektronik große Unterschiede zum Frank Bello Modell von Squier auf.

Der Frank Bello Bass hat keinen Tone Regler, sondern lediglich zwei Volume Regler; einen pro Pickup. Damit der Bass nicht kurzgeschlossen ist, sobald eines der beiden Volume Potis zu ist, hat man das "rechte" Bein der Volume Potis nicht an Masse angeschlossen; eine sehr ungewöhnliche Methode. Beim Squier Frank Bello Bass ging man einen anderen Weg.



Regler	Wert
Neck Volume	250 k log.
Bridge Volume	250 k log.

Benennung **Fender® PJ - Frank Bello Bass® (2005)**

Historische
Bassschaltungen

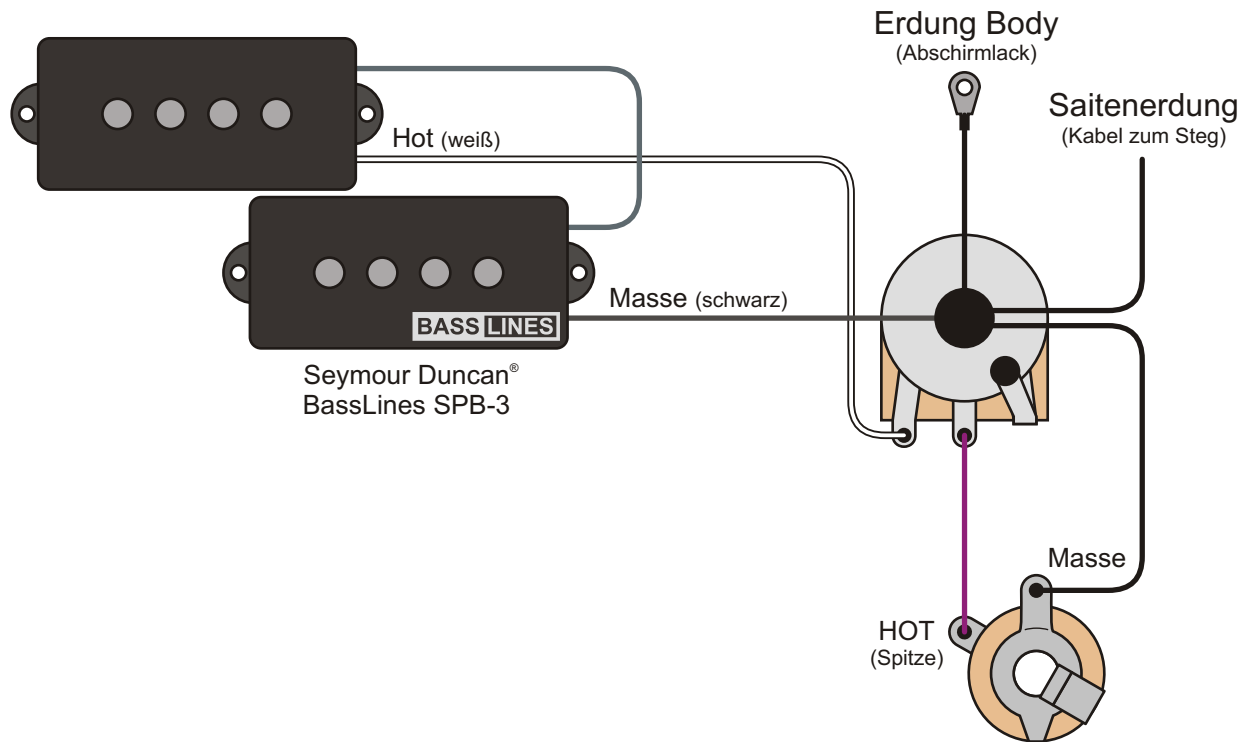
Nummer
1.1.271

Bemerkungen / Besonderheiten

gezeichnet von
Cadfael

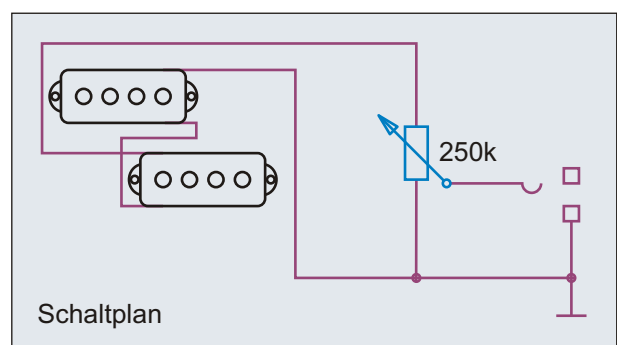
gezeichnet am
02.09.17

Seite
34



Regler	Wert
Volume	250 k log.

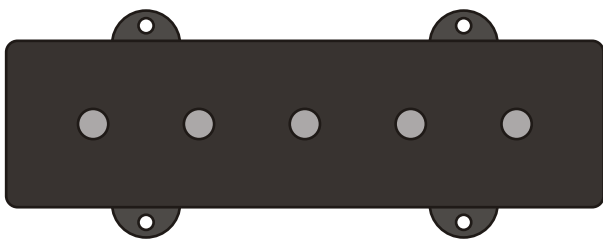
Die Ausstattung des Mark Hoppus Basses mit einem einzigen Precision Bass Pickup aus dem Hause Seymour Duncan und einem Lautstärkereger kann man als spartanisch bezeichnen. Aber solange es einen guten und brauchbaren Sound gibt ist das besser als zehn unbrauchbare Sounds. Der Mark Hoppus Jazz Bass ein einteiliges Pickguard ohne Kontrollplatte.



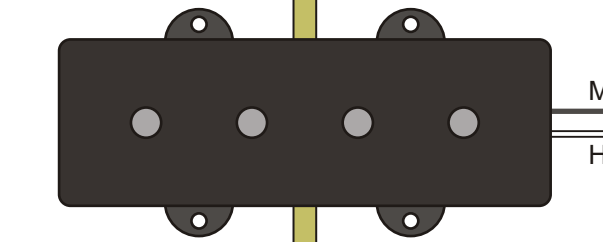
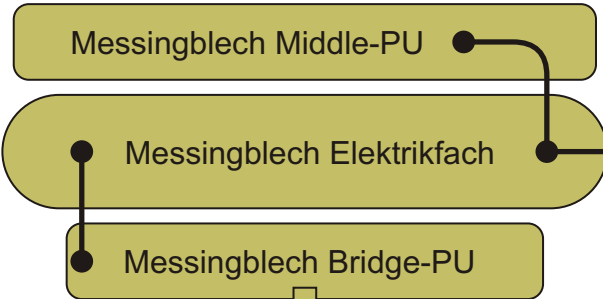
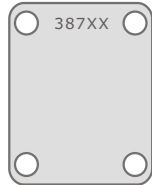
Der Squier Mark Hoppus Jazz Bass

Der Mark Hoppus Jazz Bass hat den Hals eines Precision Basses mit 41,3 mm Sattelbreite inklusive "Precision Bass" Logo. Er gehört aber trotzdem zur Jazz Bass Familie. Auch die Bestückung des Mark Hoppus Bass es mit einem einzigen P-Pickup ist sehr ungewöhnlich.

Benennung	Fender® Mark Hoppus Jazz Bass® (2002)		Historische Bassschaltungen	Nummer
				1.1.281
Bemerkungen / Besonderheiten	gezeichnet von	gezeichnet am	Seite	
	Cadfael	02.09.17	35	

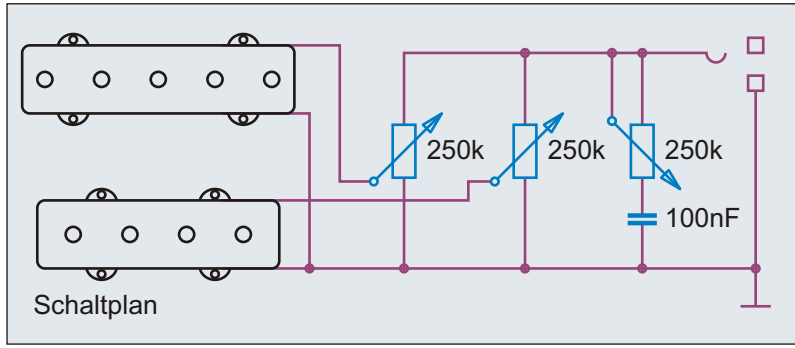
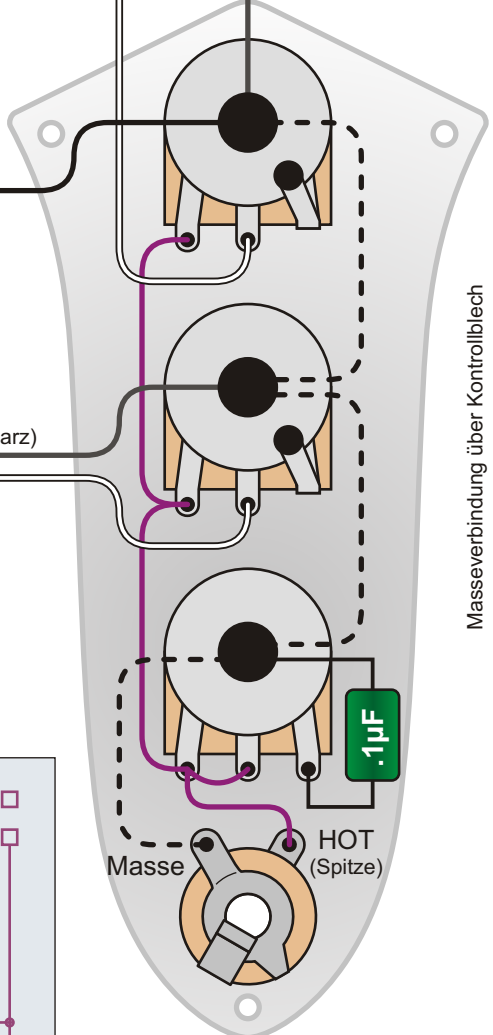


Masse (schwarz)
Hot (weiß)



Masse (schwarz)
Hot (weiß)

Saitenerdung
(Messingstreifen zum Steg)



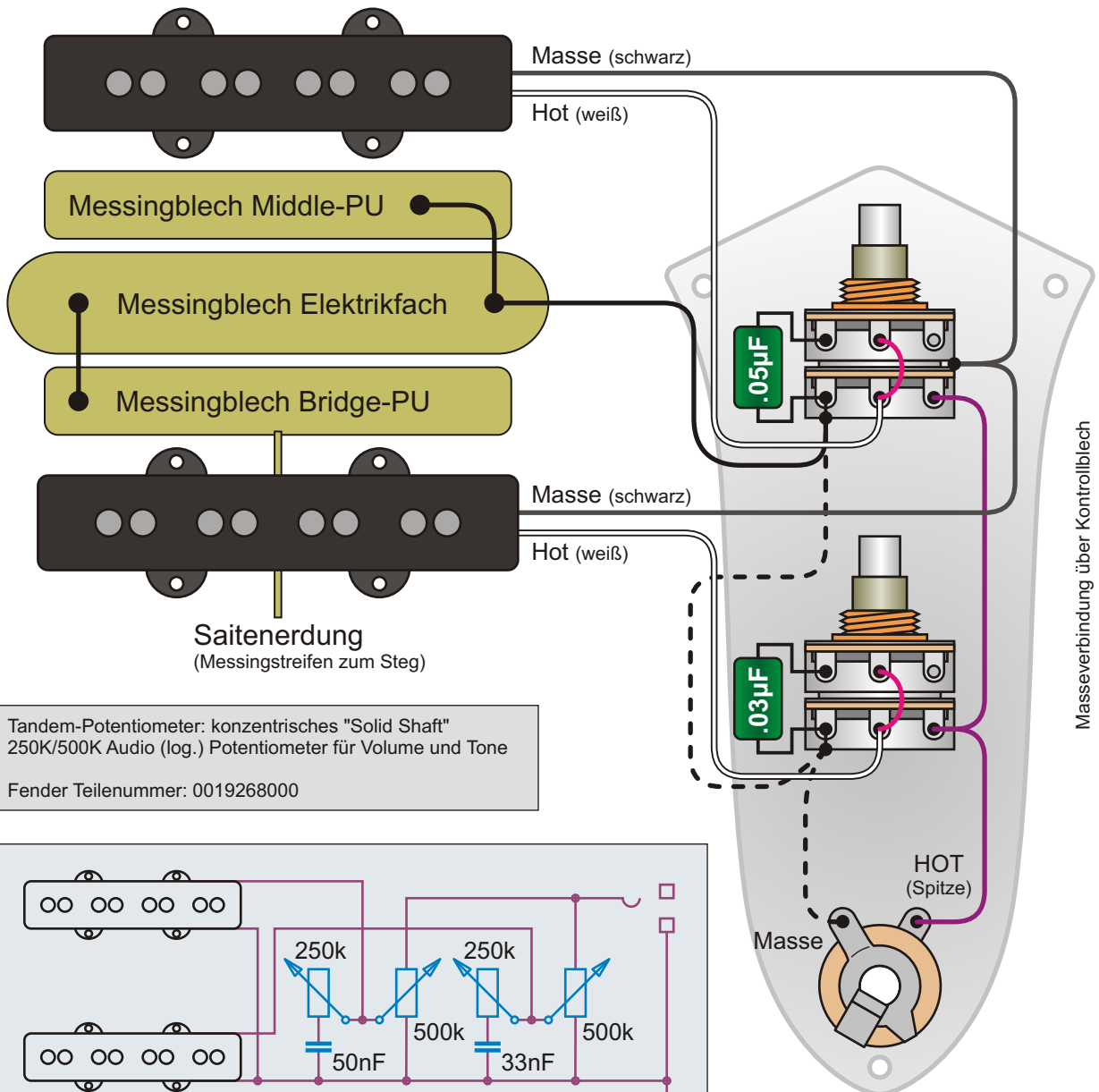
Jeder Pickup hat, wie beim 1963er Jazz Bass, seinen eigenen Volume-Regler. Einen Wahlschalter gibt es nicht. Zusammen teilen sie sich einen Klangregler, die leicht anders verkabelt ist, als beim 1963er Serienmodell. Auch hier sind die Volume Potis "falsch herum" angelötet.

Regler	Wert
Neck Volume	250 k log.
Bridge Volume	250 k log.
Master Tone	250 k log.

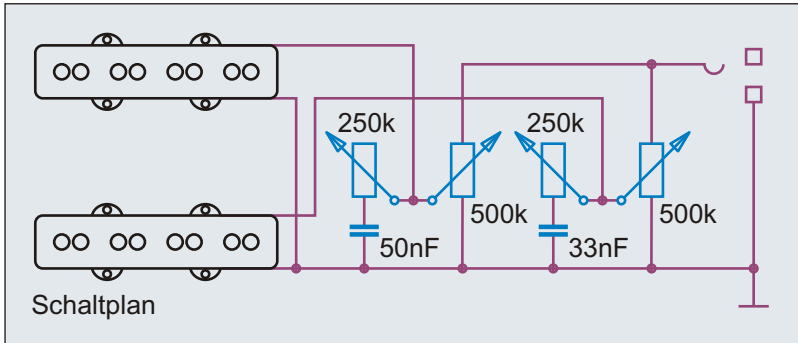
Fender Jazz Bass Prototyp von 1959

Aller Wahrscheinlichkeit nach handelt es sich wirklich um den Jazz Bass Prototyp von 1959. Da Leo Fender bei Gitarren mit Pickups experimentierte, die sieben Pole Pieces hatten, sind die fünf Pole Pieces des Mittel-Pickups ein mögliches Experiment (der Sound wird weniger direkt). Wie das 1963er Serienmodell hat der 1959er keine individuell einstellbaren Dämpfer.

Benennung	Fender® Jazz Bass® Prototyp 1959		Historische Bassschaltungen	Nummer
			1.1.300	
Bemerkungen / Besonderheiten	gezeichnet von	gezeichnet am	Seite	
	Cadfael	02.09.17	36	



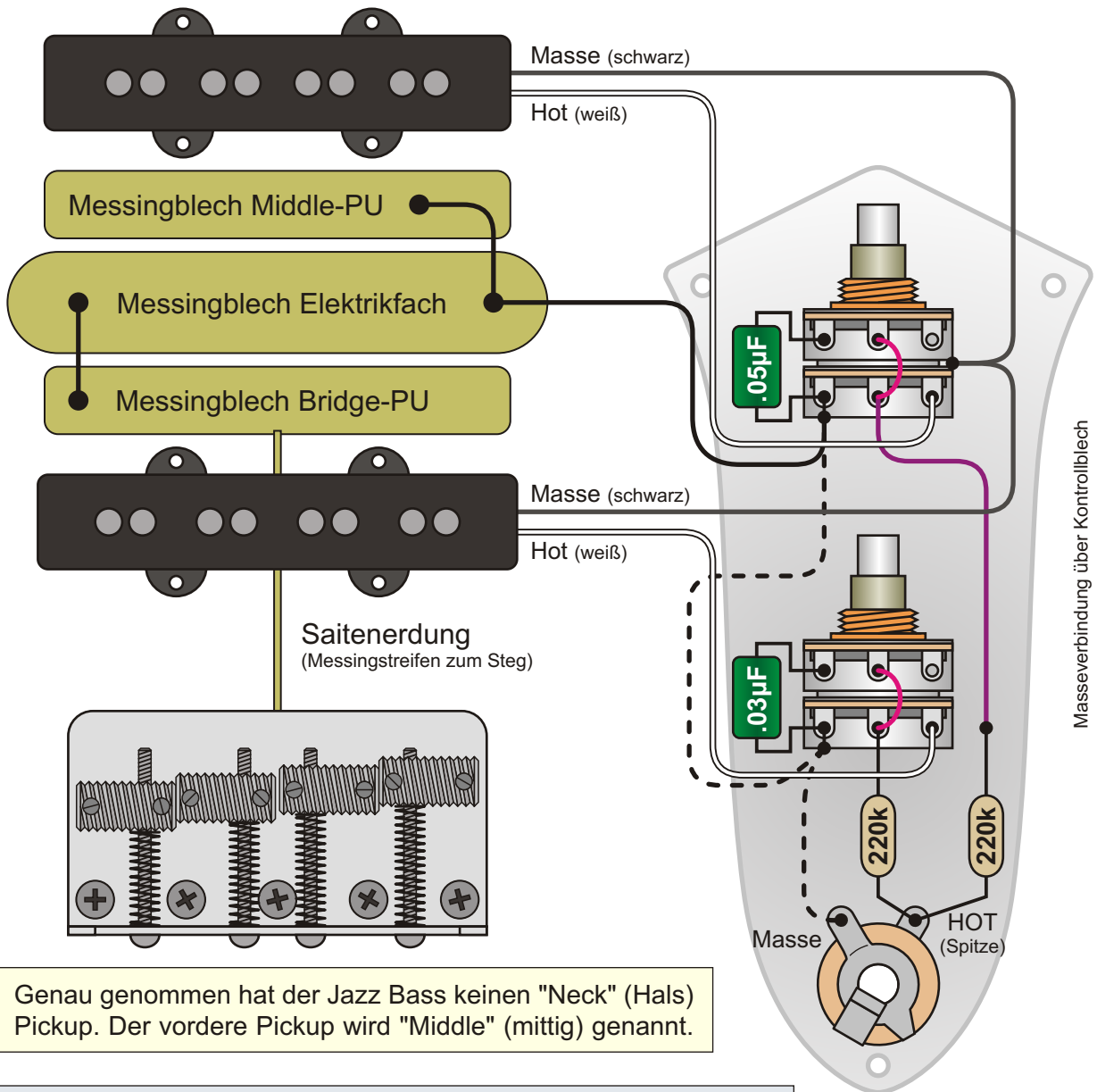
Tandem-Potentiometer: konzentrisches "Solid Shaft"
 250K/500K Audio (log.) Potentiometer für Volume und Tone
 Fender Teilenummer: 0019268000



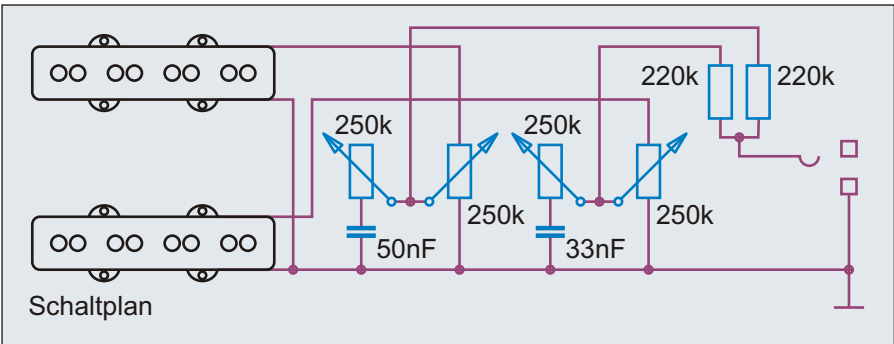
Normalerweise werden bei zugeordnetem Volume Regler Masse und Hot miteinander kurzgeschlossen (siehe z.B. Precision Bass 1957 Schaltung). Beim Jazz Bass hätte der Kurzschluss jedoch zur Folge, dass beide Pickups "tot" sind, sobald eines der beiden Poti ganz zugeordnet ist. Damit das nicht geschieht, sind die Volume Potis "falsch herum" angeschlossen. So liegt immer der Widerstand des Potis zwischen Masse und HOT. Näheres dazu in Kapitel 3.2.3.

Der Fender Jazz Bass von 1960 bis 1962
 1960 gelang Leo Fender nach dem Precision Bass mit dem Jazz Bass der nächste große Wurf. Die ersten Jazz Bass Serienmodelle hatten nicht die seit Jahrzehnten bekannten drei Regler, sondern zwei Tandem-Potis. So hatte jeder Tonabnehmer seinen eigenen Volume- und Tone-Regler. Einen Wahlschalter für die Tonabnehmer gab es nicht.

Benennung	Fender® Jazz Bass® 1960 - 1962 (1)		Historische Bassschaltungen	Nummer
			gezeichnet von	1.1.301
Bemerkungen / Besonderheiten			gezeichnet am	Seite
			Cadfael	02.09.17 37

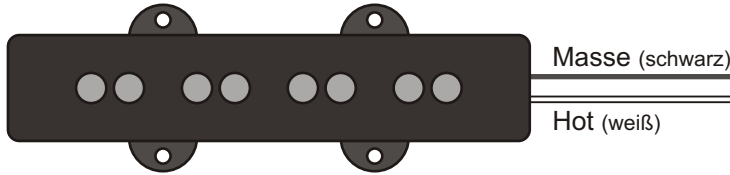
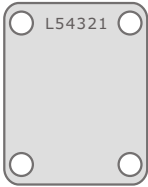


Genau genommen hat der Jazz Bass keinen "Neck" (Hals) Pickup. Der vordere Pickup wird "Middle" (mittig) genannt.

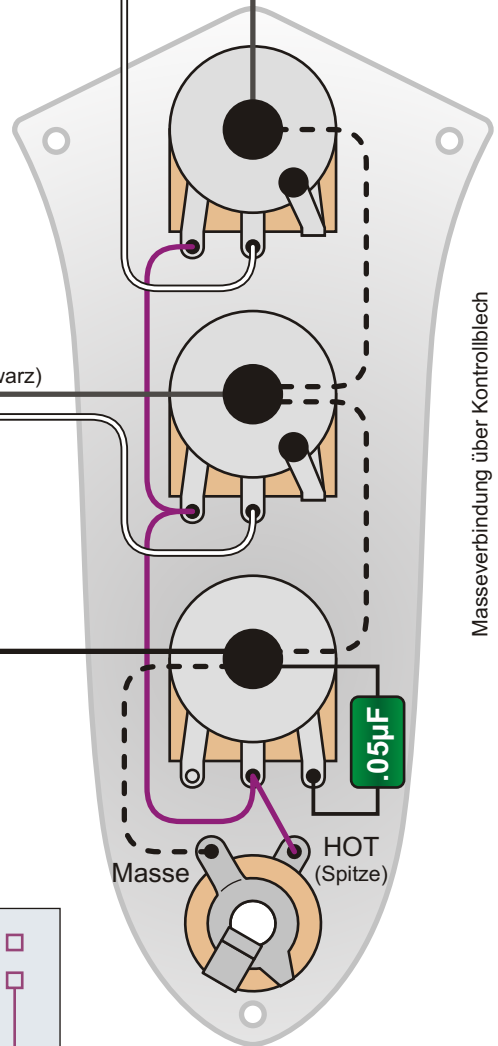
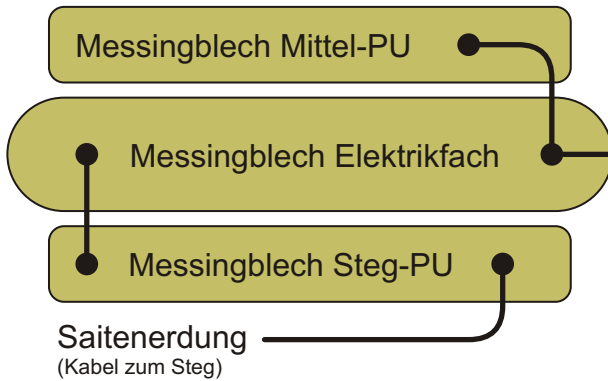
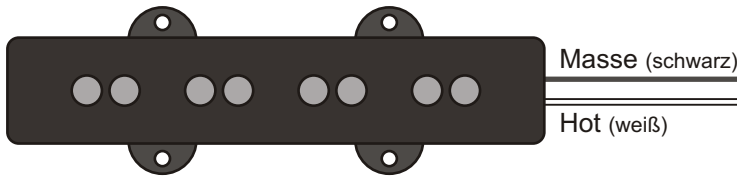


Es gibt noch eine zweite Variante der 1960-1962 Jazz Bass Schaltung. Dabei hängen die Scheifer der Volume Regler an HOT. Um einen Kurzschluss zu verhindern, wenn eines der Potis zuge dreht ist, sind zwischen HOT und die beiden Schleifer der Volume Regler 220k Widerstände gelötet. Aus heutiger Sicht ist vermutlich die erste Variante vorzuziehen.

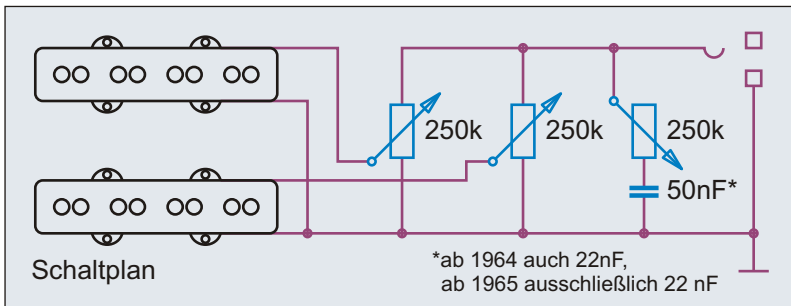
Benennung	Fender® Jazz Bass® 1960 - 1962 (2)		Historische Bassschaltungen	Nummer
Bemerkungen / Besonderheiten	gezeichnet von	gezeichnet am	Seite	
	Cadfael	02.09.17	38	



Bei vielen Jazz Bässen findet die Masseverbindung der Potis ausschließlich über die verchromte Kontrollplatte statt. Alle Jazz Bässe der "CBS-Zeit" haben zur Minderung von Brummeinstreuungen mit Masse verbundene Messingbleche unter den Pickups und unter der Elektrik.



Masseverbindung über Kontrollblech



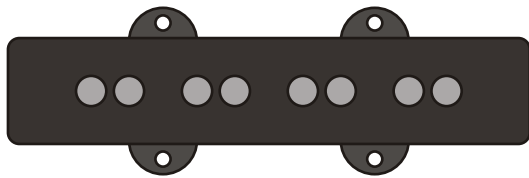
Regler	Wert
Neck Volume	250 k log.
Bridge Volume	250 k log.
Master Tone	250 k log.

Jeder Pickup hat seinen eigenen Volume-Regler. Einen Wahlschalter gibt es nicht. Zusammen teilen sie sich einen Klangregler. Auch hier sind die Volume Potis "falsch herum" angelötet.

Der Fender Jazz Bass von 1963

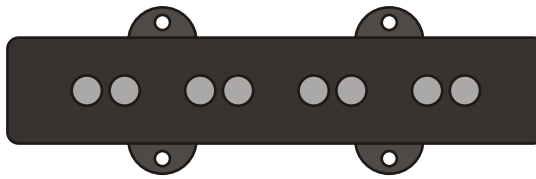
1962 war ein Übergangsjahr bei den Jazz Bässen. Ab 1963 gab es nur noch den Jazz Bass mit drei Reglern, wie ihn wohl (fast) jeder Bassist kennt. Nach dem Precision Bass 1957 ist der 1963er Jazz Bass der meist bekannte, gebaute und kopierte Bass aller Zeiten. Trotz seines Namens "Jazz" Bass, findet man ihn in allen Musikrichtungen - von Volksmusik bis Metal.

Benennung Fender® Jazz Bass® 1963	Historische Bassschaltungen		Nummer 1.1.311
	gezeichnet von Cadfael	gezeichnet am 02.09.17	Seite 39
Bemerkungen / Besonderheiten			



Masse (schwarz)
Hot (weiß)

Bei vielen Jazz Bässen findet die Masse-
verbindung der Potis ausschließlich über
die verchromte Kontrollplatte statt.
Alle Jazz Bässe der "CBS-Zeit" haben zur
Minderung von Brummeinstreuungen mit
Masse verbundene Messingbleche unter
den Pickups und unter der Elektrik.



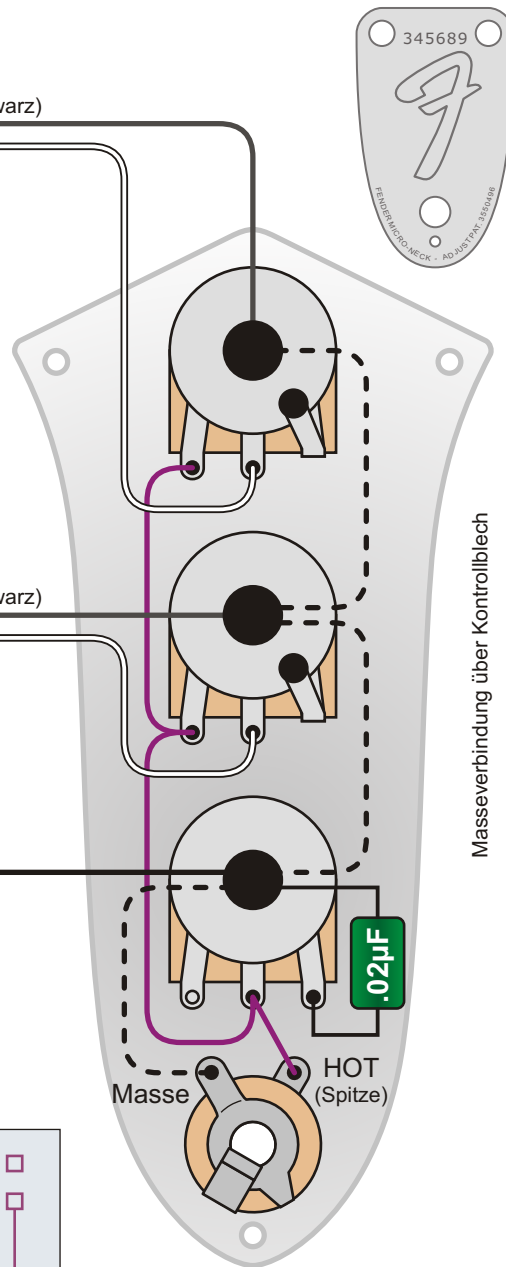
Masse (schwarz)
Hot (weiß)

Messingblech Mittel-PU

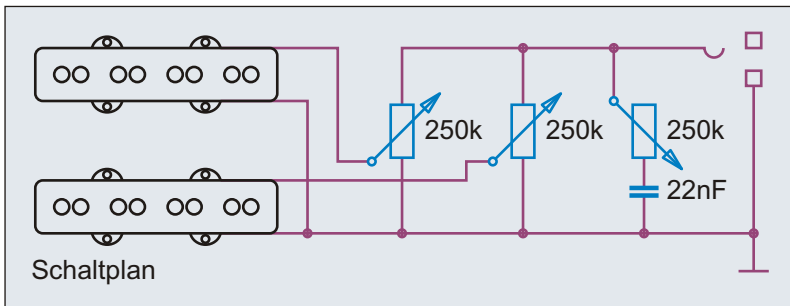
Messingblech Elektrikfach

Messingblech Steg-PU

Saitenerdung
(Kabel zum Steg)



Masseverbindung über Kontrollblech



Schaltplan

Regler	Wert
Neck Volume	250 k log.
Bridge Volume	250 k log.
Master Tone	250 k log.

Einziger Unterschied ist hier der 22 nF Tone Kondensator. Anzumerken sein, dass auch die Telecaster Bässe jener Zeit Kondensatoren mit solch einer geringen Kapazität hatten.

Der Fender Jazz Bass von 1975

Optisch gab es bereits Mitte / Ende der 1960er Jahre einige Änderungen beim Jazz Bass, wie die Einführung von "Block Inlays" zur Bundmarkierung. Mitte der 1970er Jahre wanderte der Steg Pickup näher zum Steg, was seinen Klang noch drahtiger machte. Zudem stellte man die Standardholzsorte für den Body von Erle auf Esche Bässen um - wie in Fenders Frühzeit.

Benennung **Fender® Jazz Bass® 1975**

Historische
Bassschaltungen

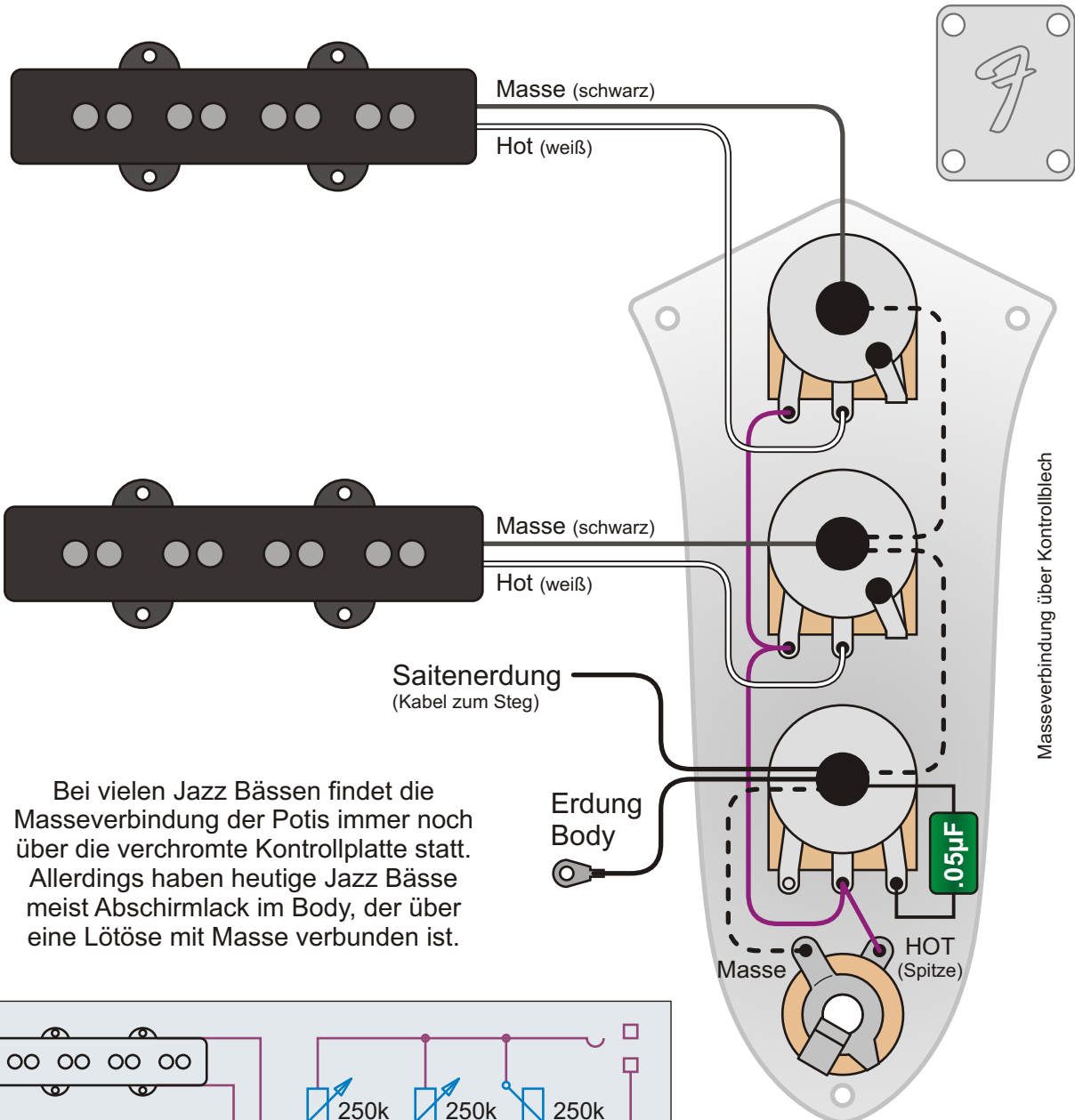
Nummer
1.1.316

Bemerkungen / Besonderheiten

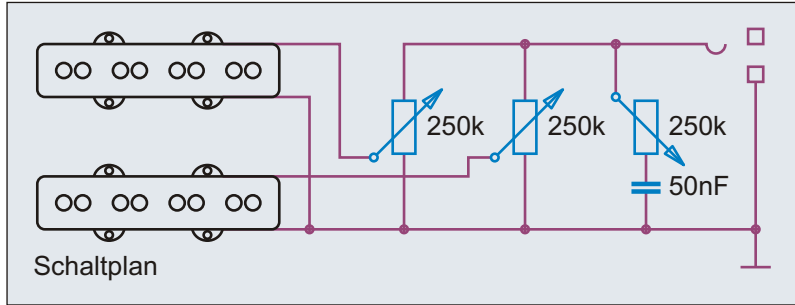
gezeichnet von
Cadfael

gezeichnet am
02.09.17

Seite
40



Bei vielen Jazz Bässen findet die Masseverbindung der Potis immer noch über die verchromte Kontrollplatte statt. Allerdings haben heutige Jazz Bässe meist Abschirmlack im Body, der über eine Lötöse mit Masse verbunden ist.

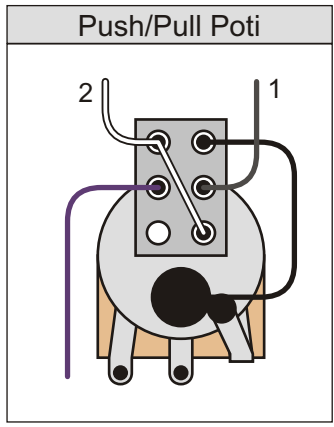
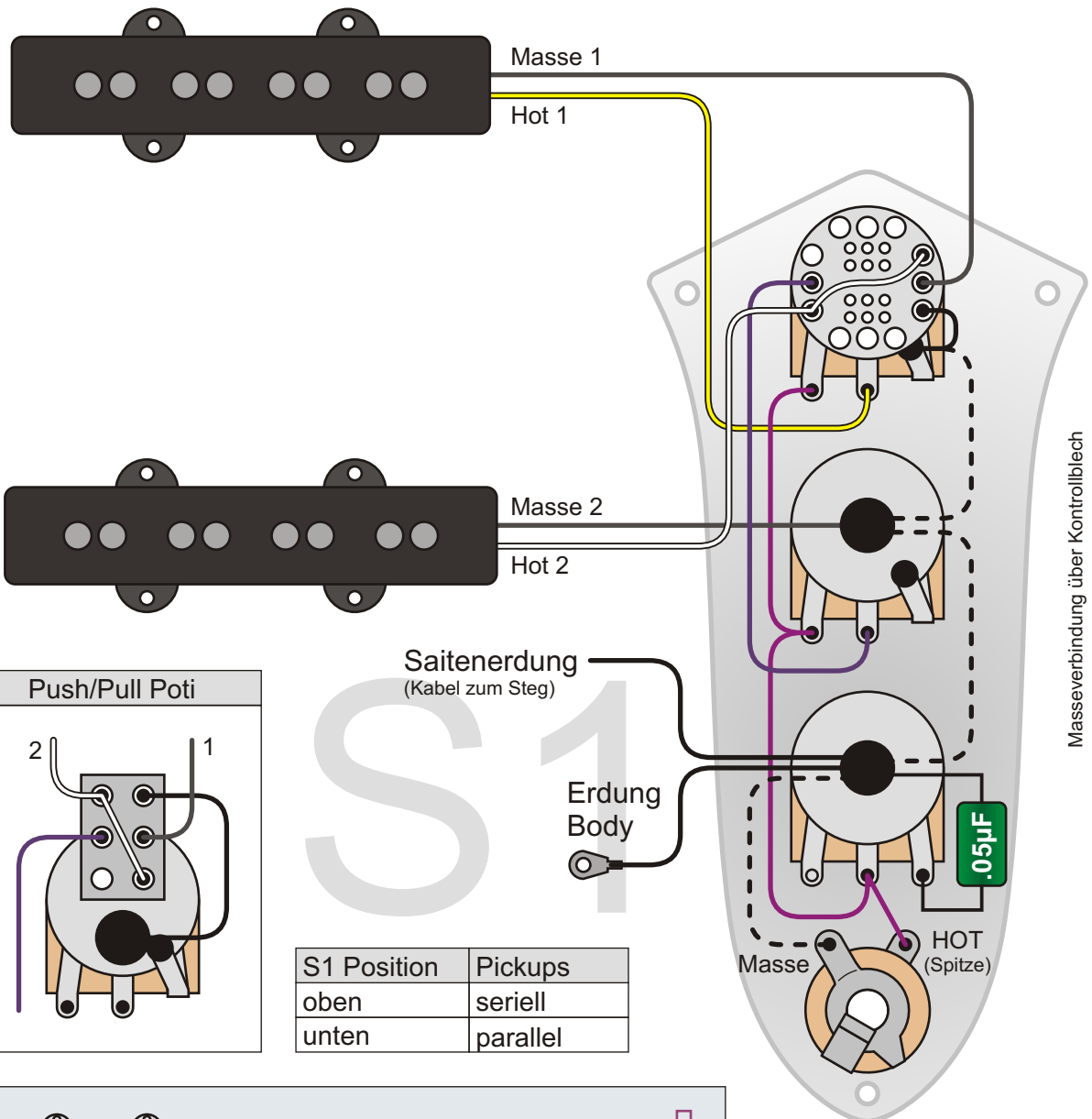


Regler	Wert
Neck Volume	250 k log.
Bridge Volume	250 k log.
Master Tone	250 k log.

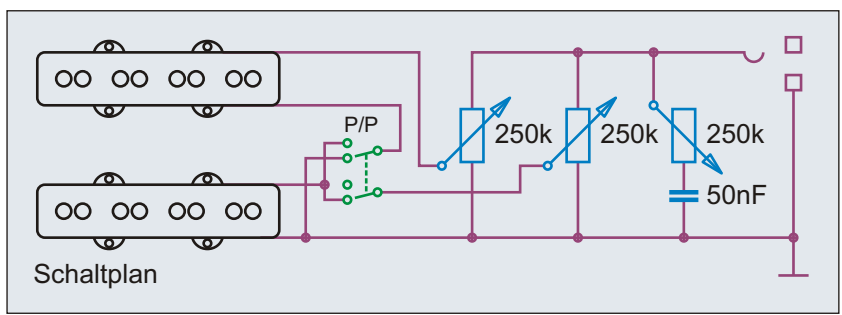
Der 2000er Jazz Bass Standard hat - wie die 63er Version - wieder einen 50 nF Kondensator. Dafür sind die geerdeten Messingbleche (auch bei Reissue Modellen) lange verschwunden.

Der Fender Jazz Bass im neuen Jahrtausend
Mittlerweile gibt es viele Versionen und Varianten des Fender Jazz Bass mit mehr oder weniger großen Unterschieden und Abweichungen. Alle Reissue Modelle weisen - zumindest für den Fachmann - deutlich zu erkennende Unterschiede zum Original auf. Sie stimmen mit keinem Bass einer bestimmten Zeit genau überein.

Benennung Fender® Jazz Bass® 2000	Historische Bassschaltungen		Nummer 1.1.321
	gezeichnet von Cadfael	gezeichnet am 02.09.17	Seite 41
Bemerkungen / Besonderheiten			



S1 Position	Pickups
oben	seriell
unten	parallel

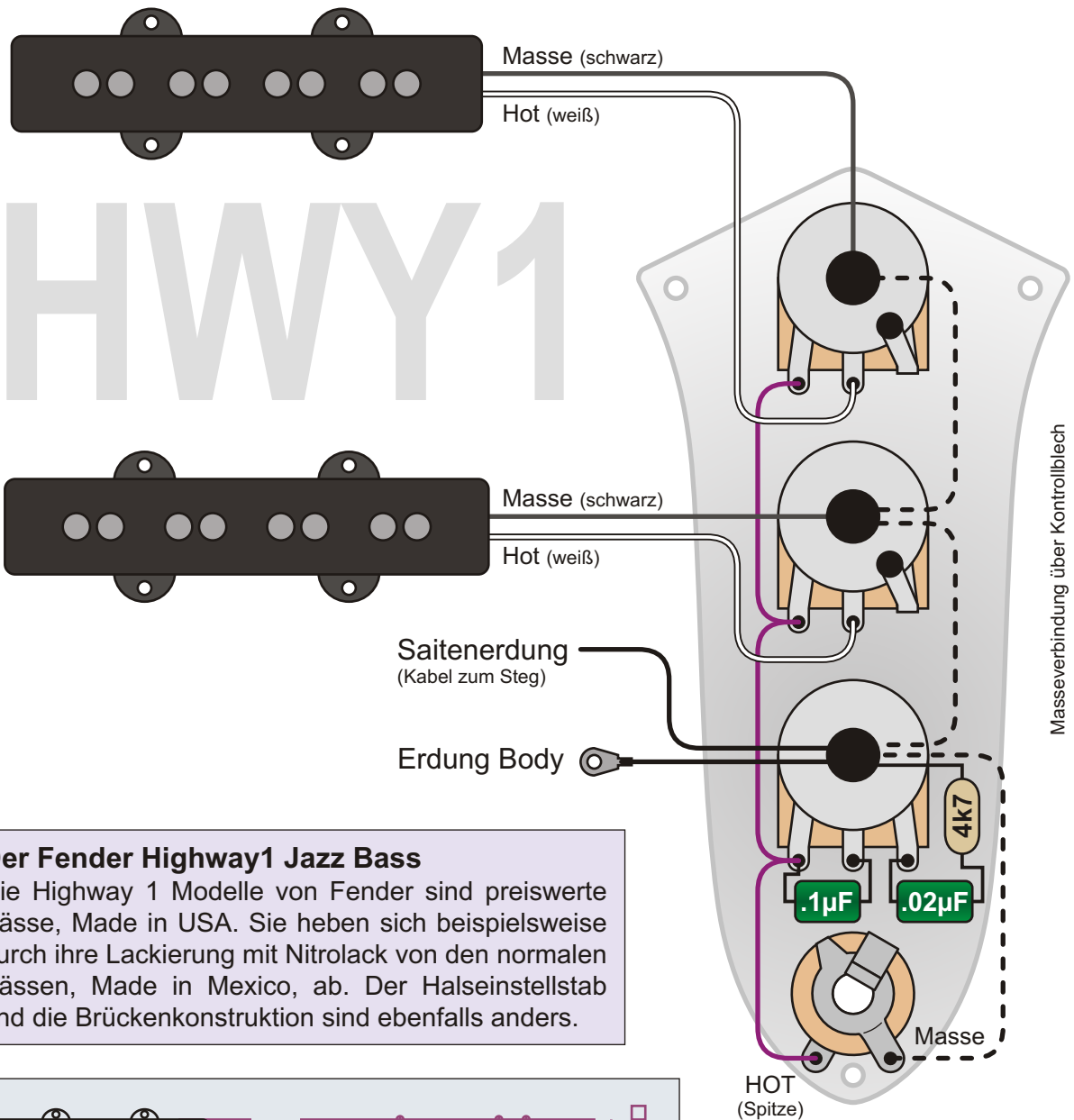


Regler	Wert
Neck Volume (S1)	250 k log.
Bridge Volume	250 k log.
Master Tone	250 k log.

Der Fender American Jazz Bass von 2004 ist mit einem "S1 Switch" ausgestattet. Mit diesem Push/Pull Poti kann man die beiden Pickups des Jazz Bass wahlweise parallel (Volume Poti unten) oder in Reihe (Volume Poti oben) betreiben. Diese Schaltung macht beim Jazz Bass durchaus Sinn, beim Precision Bass ist das Ergebnis eher "seltsam" zu nennen. Der Sound des Jazz Bass wird bei der Reihenschaltung einiges lauter und fetter. Statt des S1 Schalters kann man auch ein normales Push/Pull Poti einsetzen.

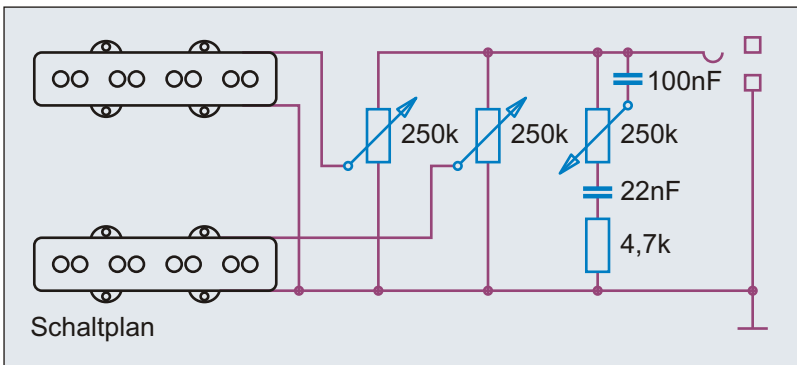
Benennung Fender® Am. Std. Jazz Bass® 2004	Historische Bassschaltungen		Nummer 1.1.331
	gezeichnet von Cadfael	gezeichnet am 02.09.17	Seite 42
Bemerkungen / Besonderheiten American Jazz Bass mit S-1 Switch			

Idee, Recherche, Autor, Zeichnungen, Grafiken, Diagramme, Layout und Design: Andreas "Cadfael" Kühn - Nutzung ausschließlich zu privaten, nicht kommerziellen Zwecken und auf eigene Gefahr! Alle Angaben ohne Gewähr, Irrtümer vorbehalten!



Der Fender Highway1 Jazz Bass

Die Highway 1 Modelle von Fender sind preiswerte Bässe, Made in USA. Sie heben sich beispielsweise durch ihre Lackierung mit Nitrolack von den normalen Bässen, Made in Mexico, ab. Der Halseinstellstab und die Brückenkonstruktion sind ebenfalls anders.



Schaltplan

Bauteile	Wert
Neck Volume (S1)	250 k log.
Bridge Volume	250 k log.
Master Tone	250 k log.
Widerstand	4,7 k Ohm
Kondensator	0,1 µF
Kondensator	0,02 µF

Der Highway 1 Jazz Bass von 2005 hat nicht die übliche, einfache Klangregelung mittels Kondensator. Bei ihm besteht die Blende aus zwei Kondensatoren plus einem Widerstand. Die Idee ist allerdings nichts neues. In G&L Bässen der 1980er Jahre findet sich eine zumindest sehr ähnliche Konstruktion der Tonblende.

Benennung **Fender® Highway1 Jazz Bass® 2005**

Historische Bassschaltungen

Nummer 1.1.341

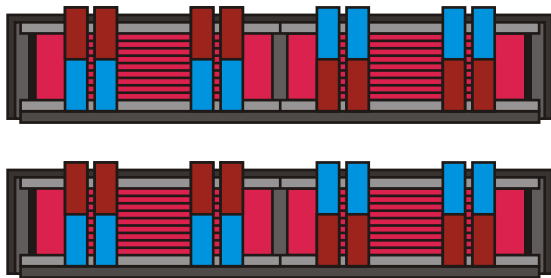
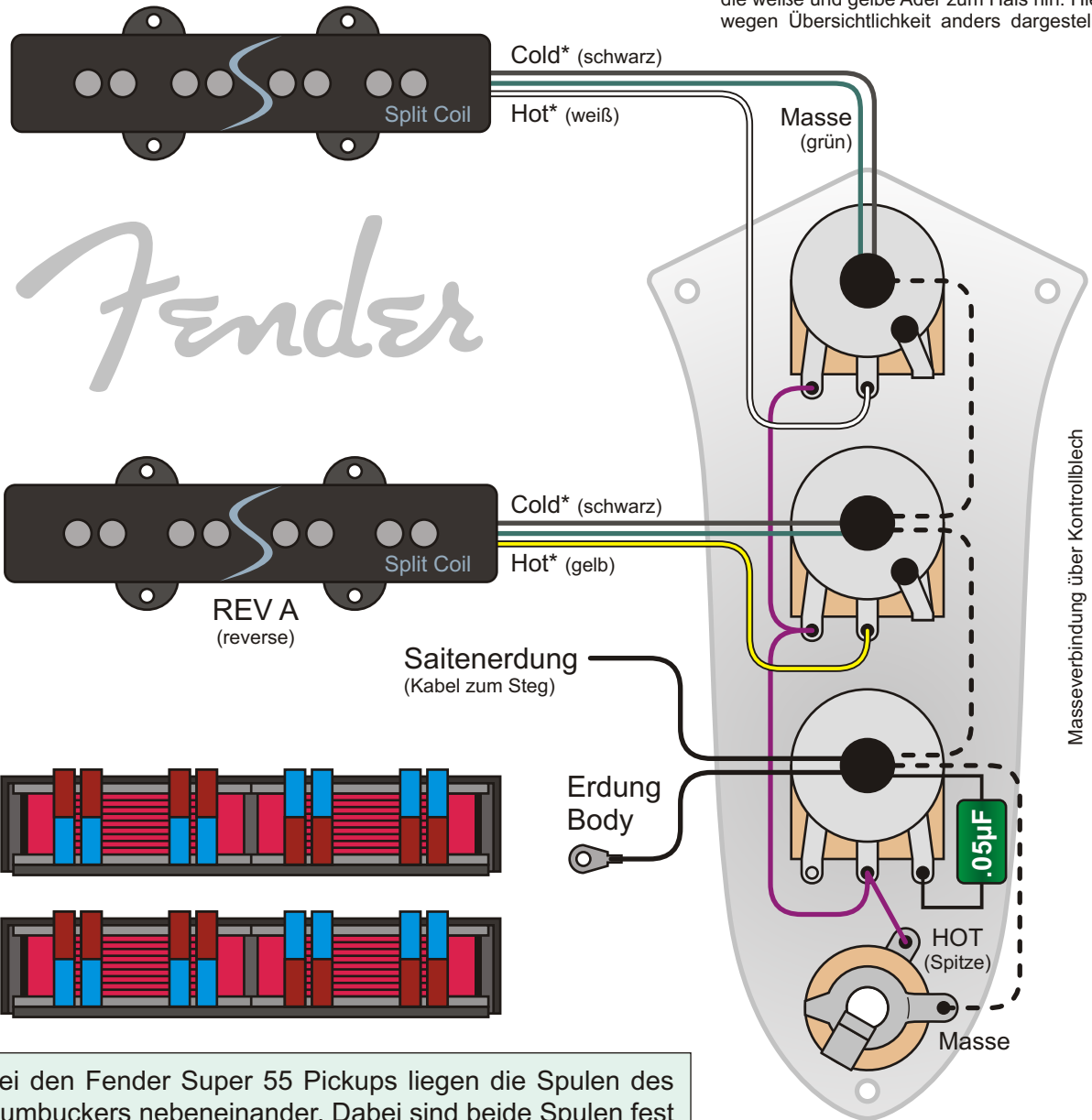
Bemerkungen / Besonderheiten

gezeichnet von Cadfael

gezeichnet am 02.09.17

Seite 43

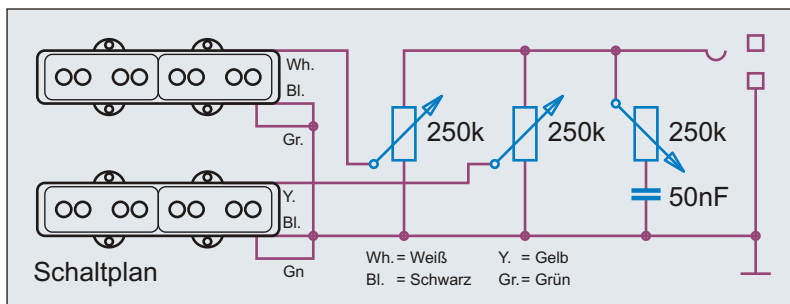
*Die schwarzen Adern liegen zum Steg hin, die weiße und gelbe Ader zum Hals hin. Hier wegen Übersichtlichkeit anders dargestellt.



Bei den Fender Super 55 Pickups liegen die Spulen des Humbuckers nebeneinander. Dabei sind beide Spulen fest seriell miteinander verbunden. Schwarz und Weiß (Gelb) bilden die Ein- und Ausgänge der Spulen, Grün ist für die Erdung zuständig. Will man beide J-Pickups seriell zueinander schalten, sollten also beide grünen Adern an Masse (dem Potgehäuse) bleiben.

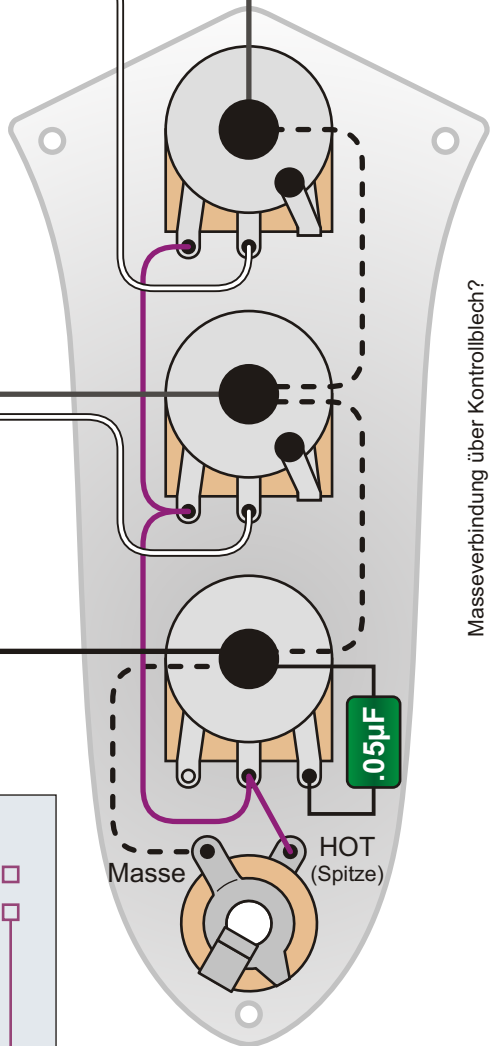
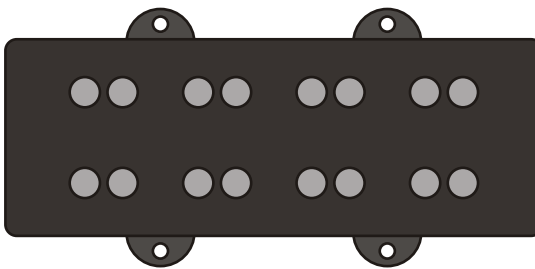
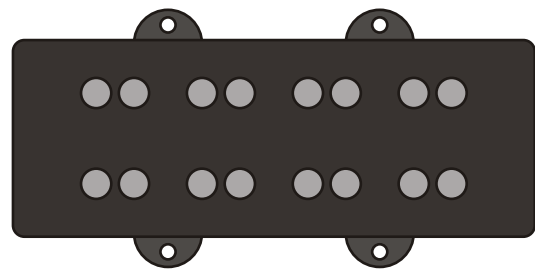
Achtung!

Die Steckkontakte an den Pickups sind relativ fragil und können leicht abbrechen!



Regler	Wert
Neck Volume	250 k log.
Bridge Volume	250 k log.
Master Tone	250 k log.

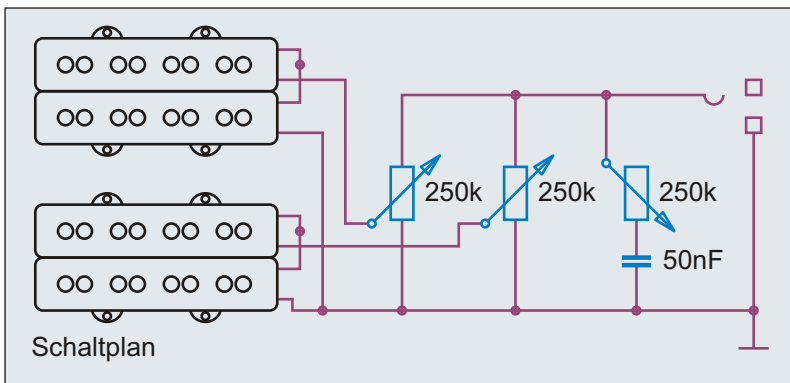
Benennung	Fender® Super 55 Split-Coil Jazz Bass®		Historische Bassschaltungen	Nummer
Bemerkungen / Besonderheiten	Fender® Super 55 Split-Coil Noiseless™ Jazz Bass® Humbucker		gezeichnet von	gezeichnet am
			Cadfael	02.09.17
				Seite
				44



Masseverbindung über Kontrollblech?

Impedanz	Wert
Neck Pickup	8,45 K Ohm
Bridge Pickup	9,20 K Ohm

Saitenerdung
(Kabel zum Steg)



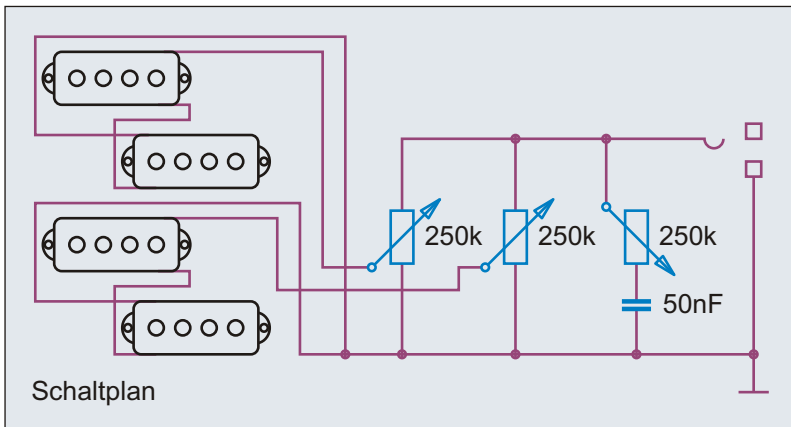
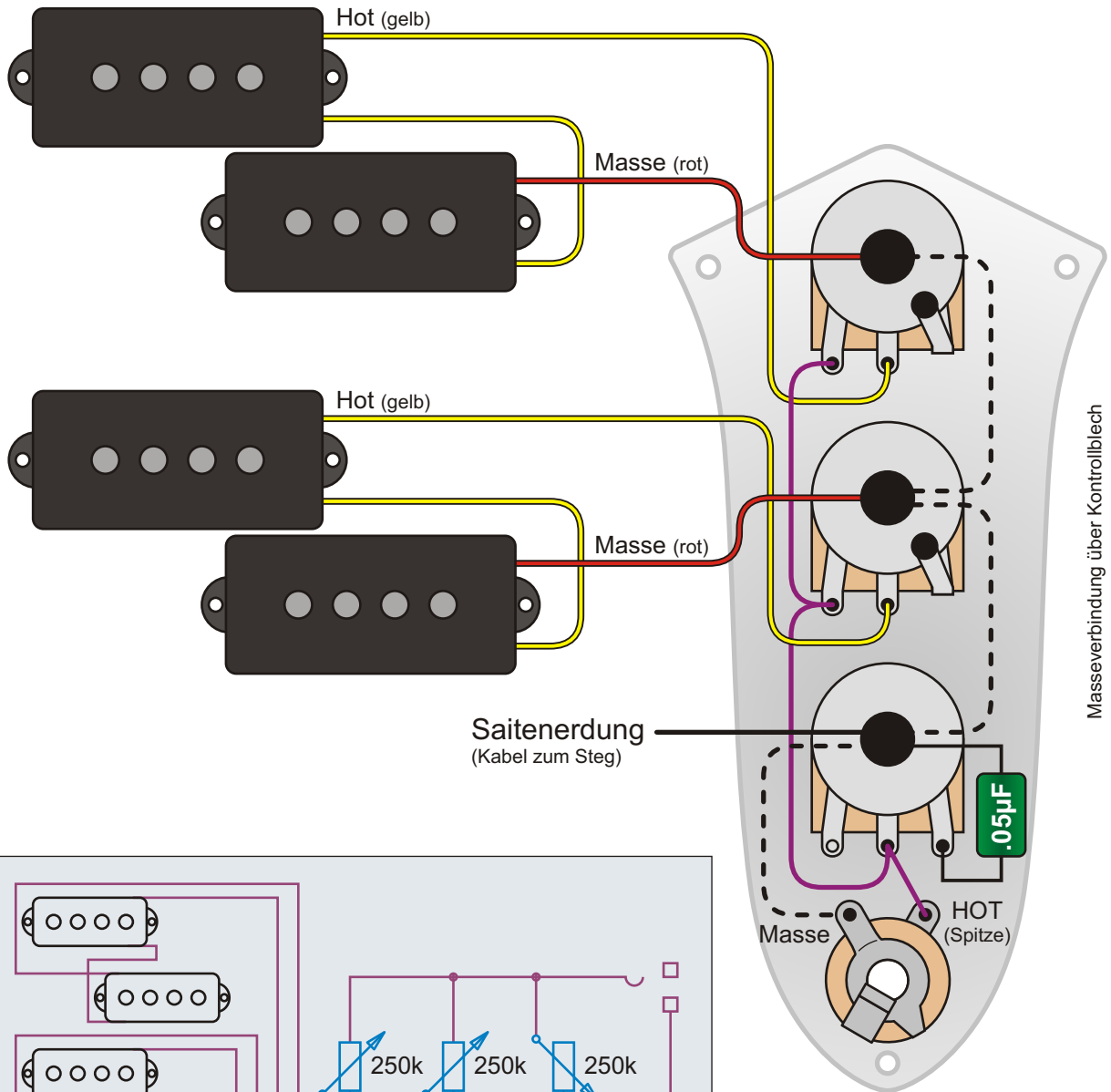
Die Schaltung entspricht der Standardschaltung eines Fender Jazz Bass (ab 1963); also mit zwei Volume Potis und einem Tone Poti. Die vier Adern pro "Doppel-J" Pickup werden leider nicht nach draußen geführt.

Regler	Wert
Neck Volume	250 k log.
Bridge Volume	250 k log.
Master Volume	250 k log.

Der Fender Modern Player Jazz Bass

Im Jahr 2011 brachte Fender unter der Serienbezeichnung "Modern Player" mehrere Gitarren- und Bassmodelle auf dem Markt. Der Modern Player Jazz Bass ist vermutlich mit den beiden gleichen "Doppel-J" Humbucking Pickups ausgerüstet wie der "Blacktop Precision Bass".

Benennung	Fender® Modern Player Jazz Bass® 2011		Historische Bassschaltungen	Nummer
				1.1.371
Bemerkungen / Besonderheiten	gezeichnet von	gezeichnet am	Seite	
	Cadfael	02.09.17	45	



Die Schaltung entspricht der Schaltung eines Fender Jazz Bass; also mit zwei Volume Potis und einem Tone Poti. Lediglich die zwei Precision Pickups sind ungewöhnlich.

Regler	Wert
Neck Volume	250 k log.
Bridge Volume	250 k log.
Master Volume	250 k log.

Der Fender Jazz Bass Blacktop

Im Jahr 2011 brachte Fender unter der Serienbezeichnung "Blacktop" mehrere Gitarren- und Bassmodelle auf dem Markt. Gemeinsam ist allen Modellen, dass sie "heißer" als die Standardmodelle sind. Der Blacktop Jazz Bass ist mit zwei P-Bass Pickups ausgerüstet.

Benennung **Fender® Jazz Bass® Blacktop™ 2011**

Historische
Bassschaltungen

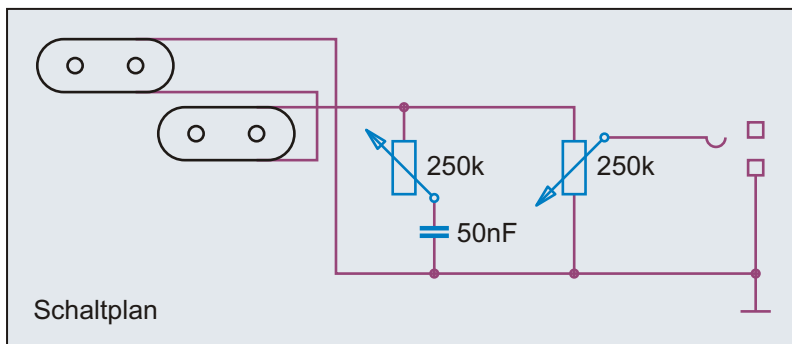
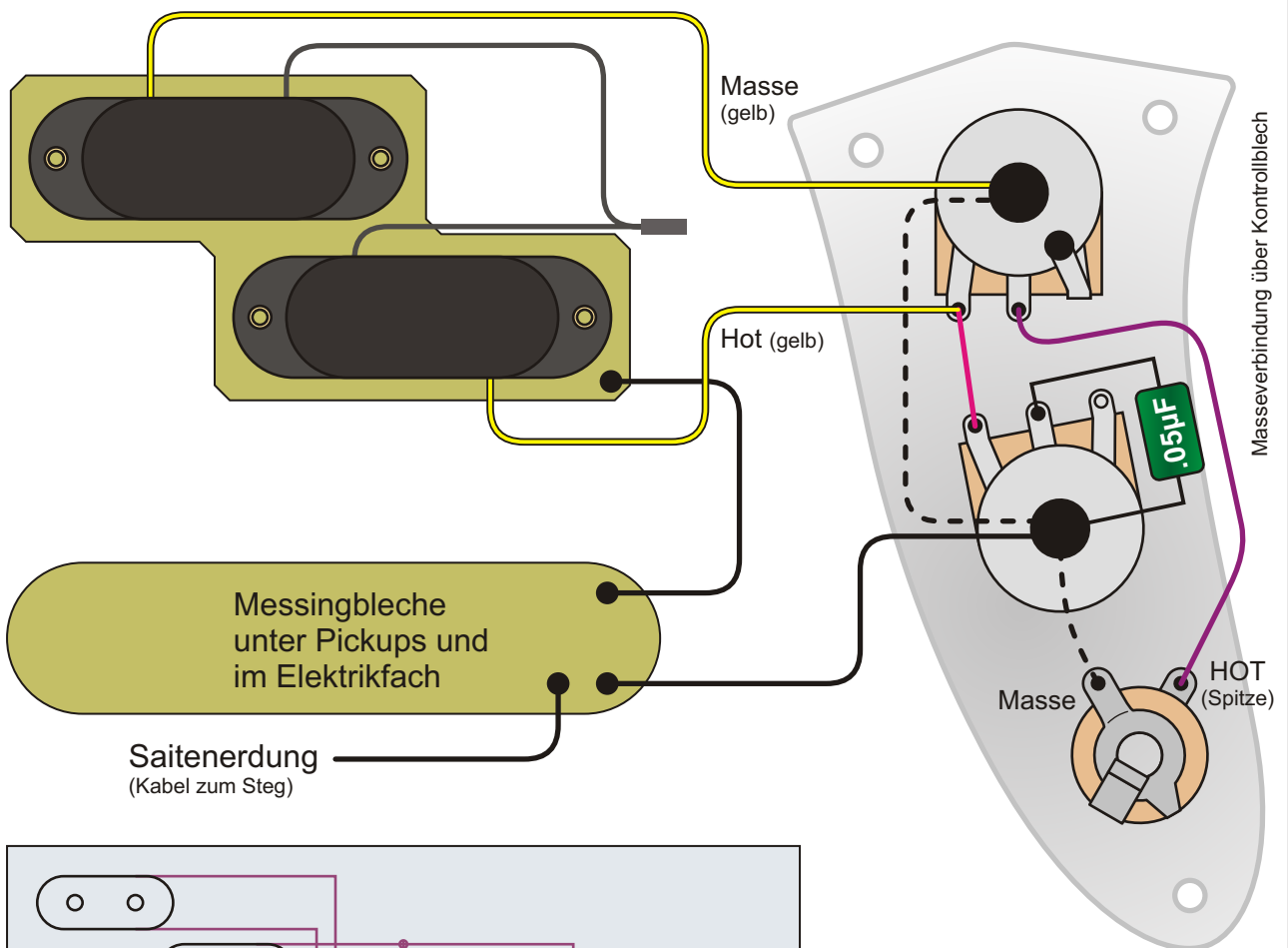
Nummer
1.1.381

Bemerkungen / Besonderheiten

gezeichnet von
Cadfael

gezeichnet am
02.09.17

Seite
46

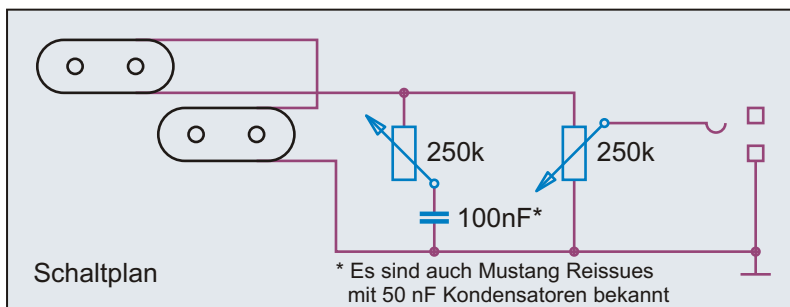
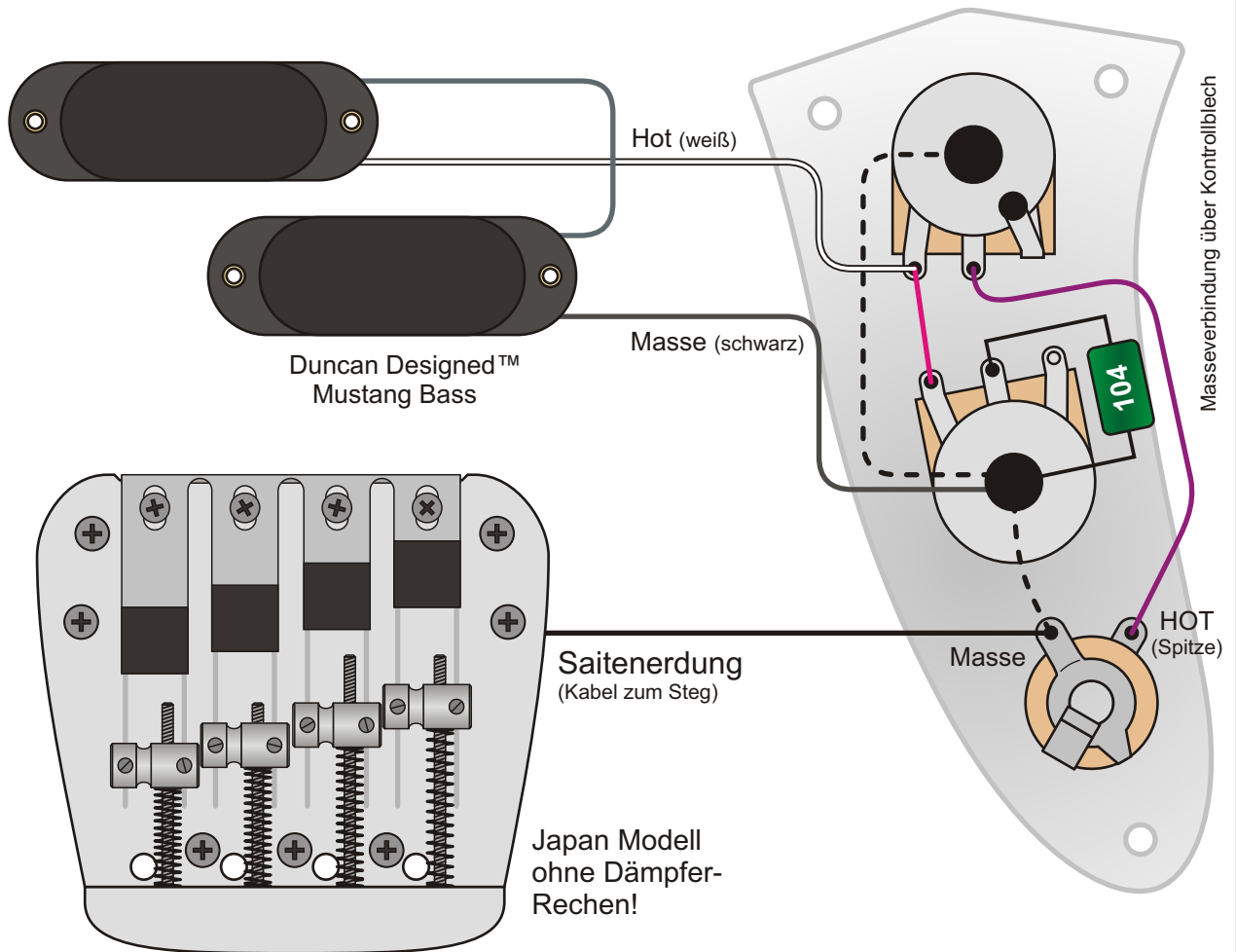


Regler	Wert
Master Volume	250 k log.
Master Tone	250 k log.

Die Schaltung des Fender Mustang Basses entspricht weitgehend der Schaltung des Fender Precision Basses von 1957. Auch der Mustang Bass wurde mit einem Split Coil Pickup ausgerüstet, der einen Humbucking-Effekt erzeugt. Allerdings hat der Mustang Split Coil Pickup im Gegensatz zum Precision Bass Pickup nur einen Magneten pro Saite. Wie die Jazz Bässe jener Zeit, hatten auch alle Mustangs, zur Minderung von Brummeinstreuungen, mit Masse verbundene Messingbleche unter den Pickups und auf dem Boden des Elektrikfachs. Von 1966 bis zur Mitte der 1970er Jahre wurden 250 k log. Potis (CTS und Stackpole) mit Vollachse verbaut. Darauf folgte eine ca. ein bis zwei Jahre andauernde Periode, in der die Mustang Bässe Potis mit Riffelachse und die Potiknöpfe der Stratocaster erhielten.

Der Fender CBS Mustang Bass von 1966 bis 1981
 Bezüglich der genaueren Historie des Mustang Bass verweise ich auch mein 30 Seiten umfassendes Nachschlagewerk "Die Geschichte des Fender Mustang Bass, 1966 bis 2009". Der Mustang war der letzte Bass, den Leo Fender für das Unternehmen Fender konstruierte.

Benennung Fender® Mustang® Bass 1966 - 1981	Historische Bassschaltungen		Nummer 1.1.401
	gezeichnet von Cadfael	gezeichnet am 02.09.17	Seite 47
Bemerkungen / Besonderheiten			



Regler	Wert
Master Volume	250 k log.
Master Tone	250 k log.

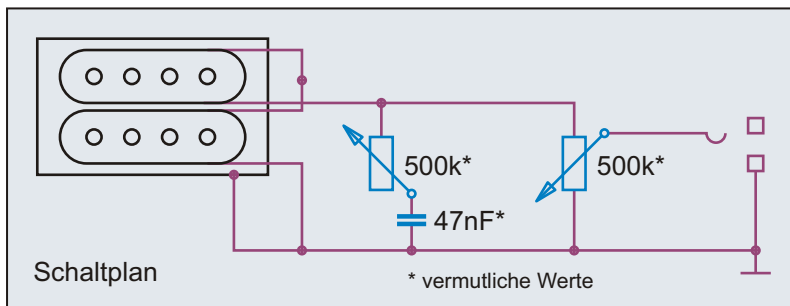
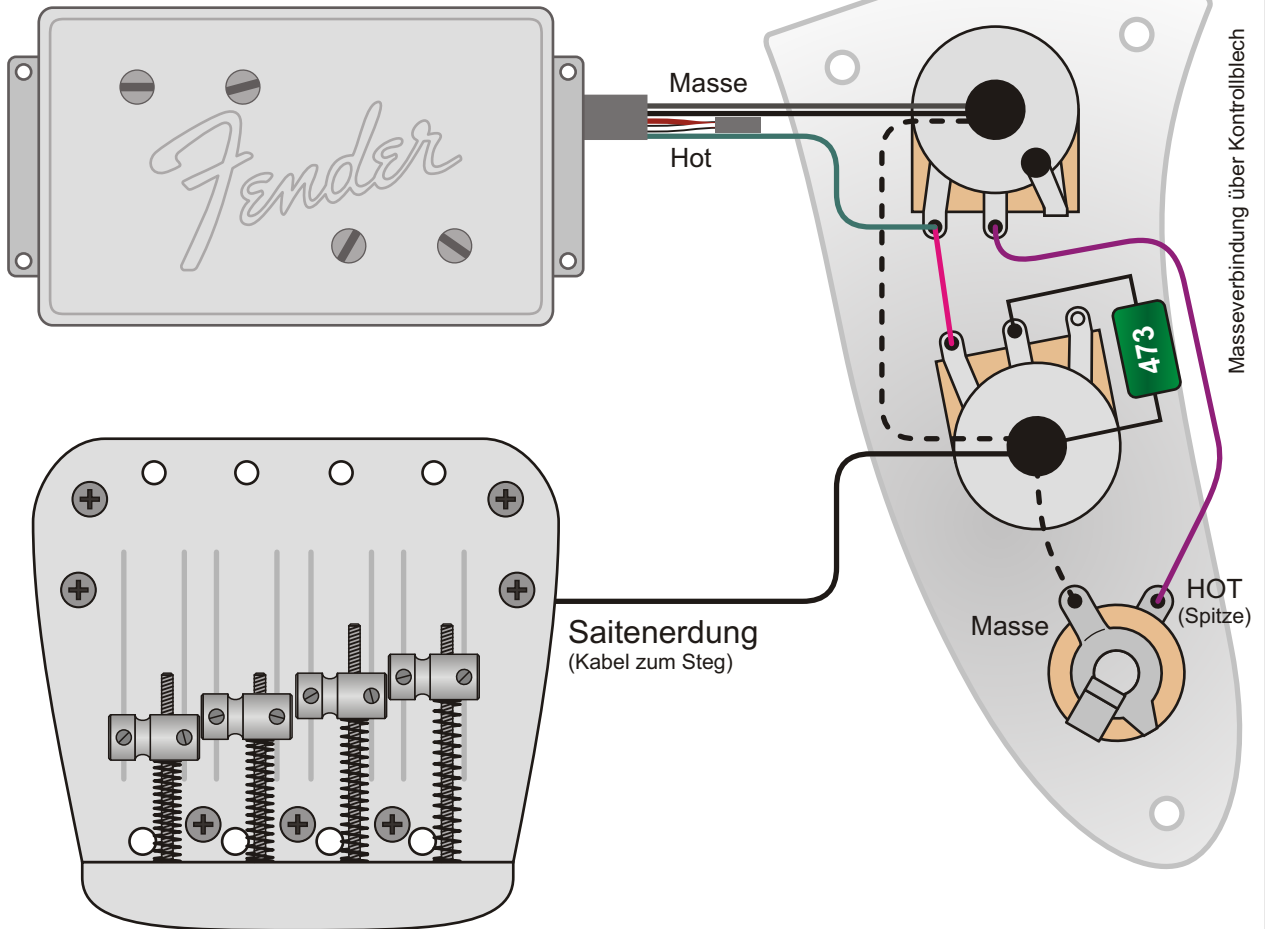
Die Tonabnehmer des Mustang Bass Reissues werden von Seymour Duncan für Fender Japan hergestellt. Die Potis kommen vom Hersteller Alpha. Es sind Potis mit Riffelachse und nicht mit Vollachse wie beim Original. Die "Jazz Bass Potiknöpfe" werden einfach aufgesteckt und nicht seitlich angeschraubt, wie beim historischen Vorbild.

Der Fender Mustang Bass seit 1998 (Reissue, Crafted in Japan)

Bezüglich der genaueren Historie des Mustang Bass verweise ich auch mein 30 Seiten umfassendes Nachschlagewerk "Die Geschichte des Fender Mustang Bass, 1966 bis 2009". Der Mustang war der letzte Bass, den Leo Fender für das Unternehmen Fender konstruierte.

Benennung	Fender® Mustang® Bass (Crafted in Japan)		Historische Bassschaltungen	Nummer
Bemerkungen / Besonderheiten	Reissue Modell seit 1998		gezeichnet von	gezeichnet am
			Cadfael	02.09.17
				Seite
				48

Fender Designed™
Wide Range Humbucking Pickup



Regler	Wert
Master Volume	500 k log.
Master Tone	500 k log.

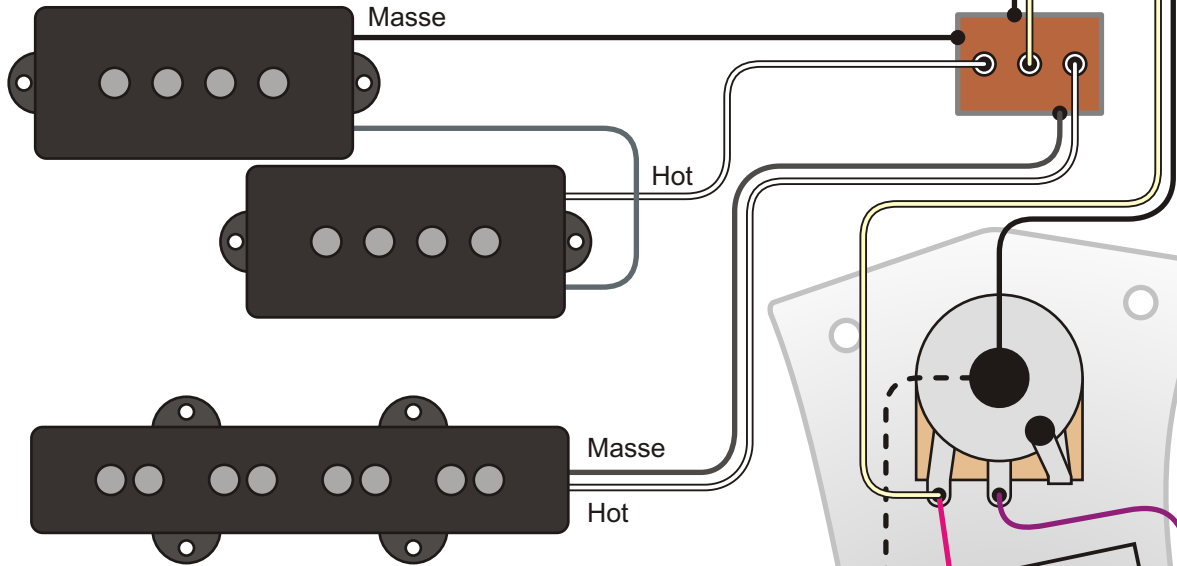
Der Fender Mustang Pawn Shop Bass besitzt einen Fender Designed Humbucker. Ansonsten dürfte es sich um eine gewöhnliche, einfache Schaltung handeln, zu der es nicht viel zu sagen gibt. Die Werte der Potis und des Kondensators sind derzeit nicht bekannt.

Der Fender Mustang Bass Pawn Shop seit 2013

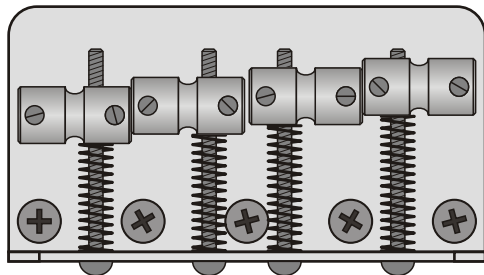
Mit der Pawn Shop Variante bietet Fender einen weiteren Mustang Bass an. Im Gegensatz zum Modell aus Japan, das 2013 noch immer angeboten wird, hat das Hals des Pawn Shop seinen Einstellstab an der Kopfplatte. Zumindest in den Farben Sunburst und Candy Apple Red gibt es Vorbilder. Das "Competition Modell" in Olympic White ist hingegen frei erfunden.

Benennung	Fender® Mustang® Bass (Pawn Shop)		Historische Bassschaltungen	Nummer
Bemerkungen / Besonderheiten	Pawn Shop seit 2013		gezeichnet von	gezeichnet am
			Cadfael	02.09.17
				Seite
				49

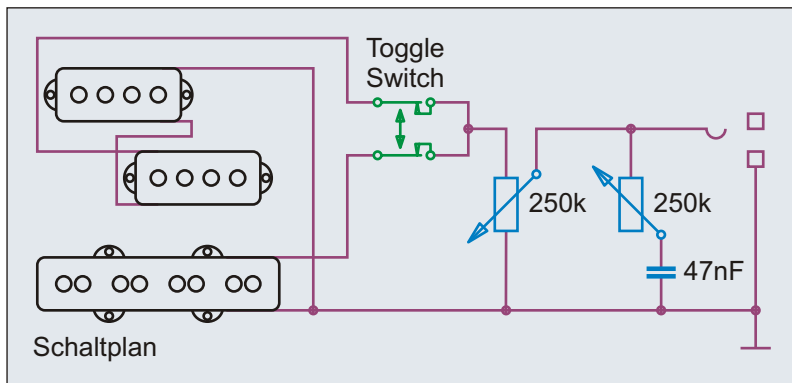
Vintage-Style Split Single-Coil Precision Bass



Vintage-Style Single-Coil Jazz Bass



Saitenerdung
(Kabel zum Steg)



Dreiwegschalter	
Pos.	aktive Pickups
3	Neck
2	Neck + Bridge parallel
1	Bridge

Der Fender Mustang PJ Bass ist, wie der Name schon sagt, mit Fender PJ Puckups ausgestattet. Der Toggle Switch Wahlschalter ist für ein Fender Instrument sehr ungewöhnlich. Die Werte der Potis und des Kondensators sind derzeit nicht bekannt.

Der Fender Mustang Bass PJ 2017

Vintage Fans bekommen bei diesem Bass Bauchschmerzen. Nicht nur die PJ-Pickups und der Toggle Switch. Auch die Fender Standard Brücke wird nicht das Herz erfreuen. Trotzdem hat dieser Mustang Bass seine Berechtigung auf dem Markt. Hauptsache, er gefällt!

Masseverbindung über Kontrollblech

Benennung **Fender® Mustang® Bass PJ**

Historische
Bassschaltungen

Nummer
1.1.426

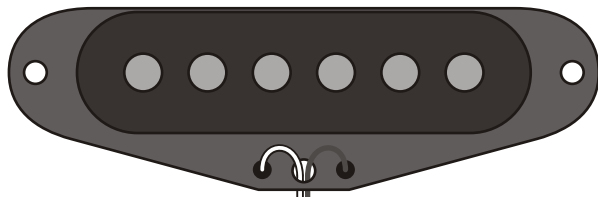
Bemerkungen / Besonderheiten

Modell 2017

gezeichnet von
Cadfael

gezeichnet am
02.09.17

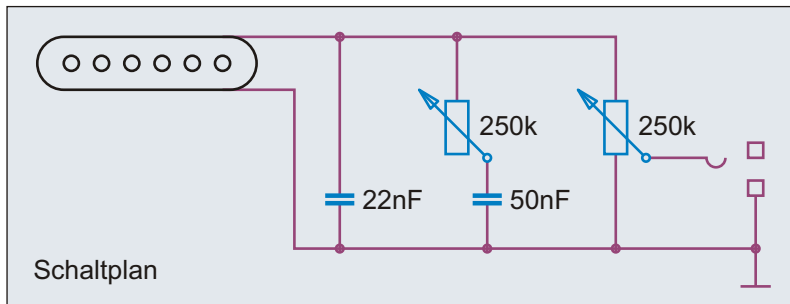
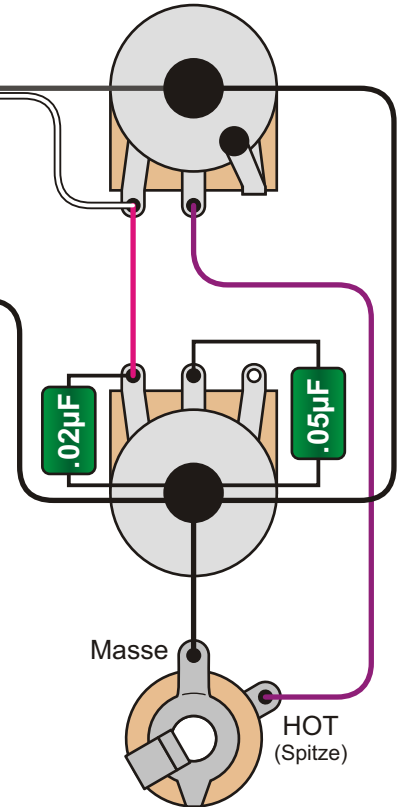
Seite
50



Masse (schwarz)

Hot (weiß)

Saitenerdung
(Kabel zum Steg)



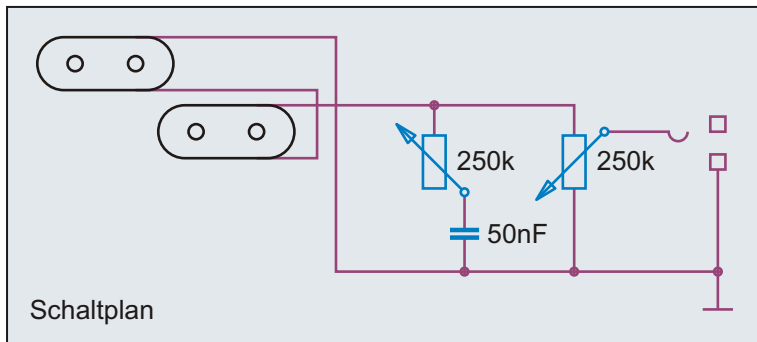
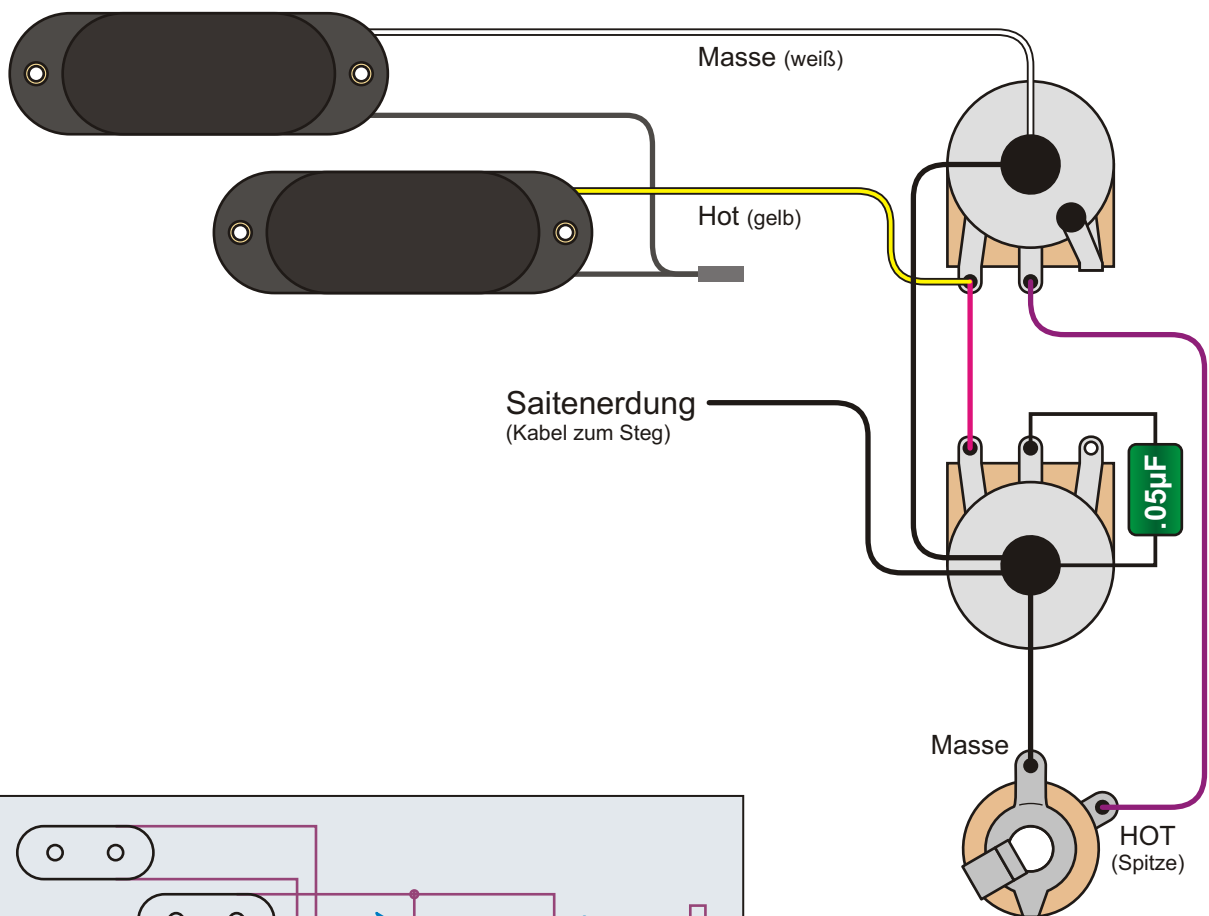
Regler	Wert
Master Volume	250 k log.
Master Tone	250 k log.

Der Fender MusicMaster Bass hatte im Original einen Gitarren Single Coil Pickup mit sechs Pole Pieces. Daher lagen die Pole Pieces nicht genau unter den Saiten. Manche Quellen behaupten, es sei ein Strat Pickup gewesen. Die Impedanz legt aber nahe, dass es der Pickup einer Duo-Sonic II, vermutlich aber eher der Mustang Gitarre war. Auf vielen Bildern ist ein zusätzlicher 22nF Kondensator zu sehen, der immer aktiv ist und die Höhen dämpft.

Der Fender MusicMaster Bass

Der Fender MusicMaster Bass war ein Short Scale Bass mit einer kurzen 762 mm Mensur. Es war die Billigversion des Fender Mustang Basses. Das betraf nicht nur den Pickup (der aus einer Gitarre stammte), sondern auch die Mechaniken, den Steg und die Kontrollplatte. Zudem sind die MusicMaster Bässe berüchtigt für verzogene Hälse.

Benennung	Fender® MusicMaster® Bass 1970 - 81		Historische Bassschaltungen	Nummer
				1.1.451
Bemerkungen / Besonderheiten	gezeichnet von	gezeichnet am	Seite	
	Cadfael	02.09.17	51	



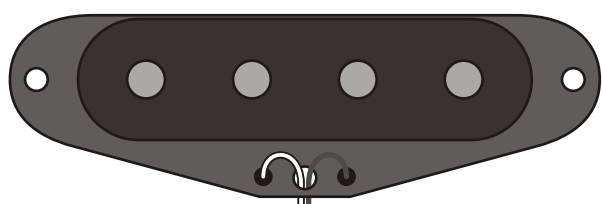
Regler	Wert
Master Volume	250 k log.
Master Tone	250 k log.

Der Split Coil Pickup des Fender Bullet Basses erinnert stark an den Mustang Bass Pickup. Es könnte sich bei ihm sogar um einen baugleichen Pickup handeln. Das Elektrikfach ist beim Bullet sehr großflächig ausgefräst. Alle Elemente der Elektrik wurden auf dem Pickguard montiert. Einzig das Erdungskabel zum Steg verbindet die Elektrik mit dem Body. Die Verkabelung unter dem Pickup sieht etwas "amateurhaft" aus. Da der Bullet die Potiknöpfe der Stratocaster bekam, wurden bei ihm Potis mit Riffelachse eingesetzt.

Der Fender Bullet Bass von 1982 bis 1983

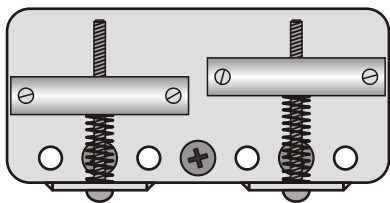
Der Bullet Bass war äußerst kurz im Fender Programm. Er ersetzte damals den in die Jahre gekommenen Fender Mustang Bass. Der Bullet Bass war als Long Scale Bass B-34 mit 864 mm Mensur oder als Short Scale Bass B-30 mit 762 mm Mensur erhältlich. Die Form der Kopfplatte war an die des Precision 51 angelehnt, der Body und das Pickguard erinnerten an die Form eines Precision 57 Basses.

Benennung	Fender® Bullet® Bass 1982 - 1983		Historische Bassschaltungen	Nummer 1.1.471
Bemerkungen / Besonderheiten	gezeichnet von Cadfael	gezeichnet am 02.09.17	Seite 52	



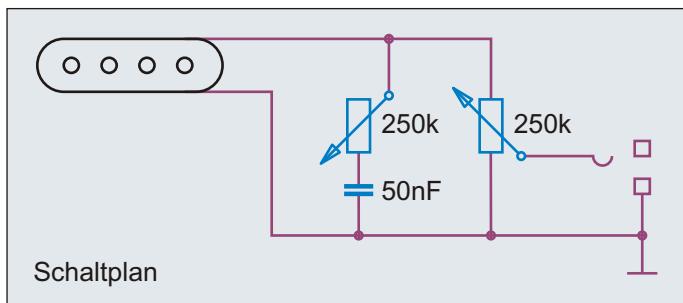
Masse (schwarz)

Hot (weiß)

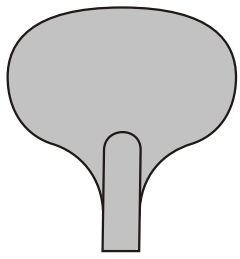


Saitenerdung
(Kabel zum Steg)

Regler	Wert
Master Volume	250 k log.
Master Tone	250 k log.



Schaltplan



Stimmwirbel 1968

Masse

HOT (Spitze)

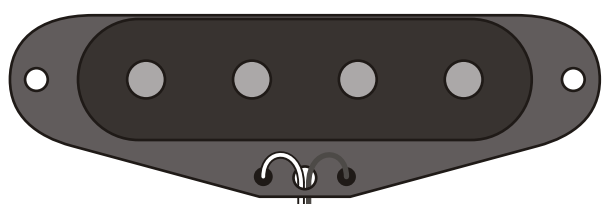
Masseverbindung über Kontrollblech

Obwohl viele Fender Bässe jener Zeit Messingplatten zur Abschirmung gegen Einstreuungen unter den Pickups und auf dem Boden des Elektrifachs hatten, erhielt der Telecaster Bass (entsprechend dem historischen Vorbild) keine solche Platten. Dabei wäre es wegen des Single Coils gerade hier sinnvoll gewesen. Die Werte von Potis und Kondensator wurden ebenfalls vom Precision 1951 übernommen.

Der Fender Telecaster (I) Bass von 1968 bis 1972

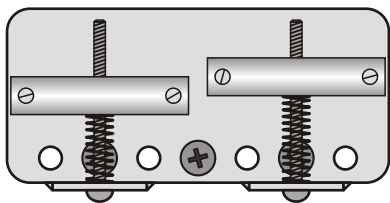
Den Fender CBS Telecaster Bass kann man als erstes Fender "Reissue Modell" bezeichnen, denn er kopierte bereits 1968 den Precision Bass von 1951. Gegenüber dem Vorbild weist er nur einige kleine Abweichungen auf. Heutige "Classic" Modelle haben meist mehr Fehler.

Benennung	Fender® Telecaster® (I) Bass 1968 - 72		Historische Bassschaltungen	Nummer
				1.1.501
Bemerkungen / Besonderheiten	gezeichnet von	gezeichnet am	Seite	
	Cadfael	02.09.17	53	



Masse (schwarz)

Hot (weiß)

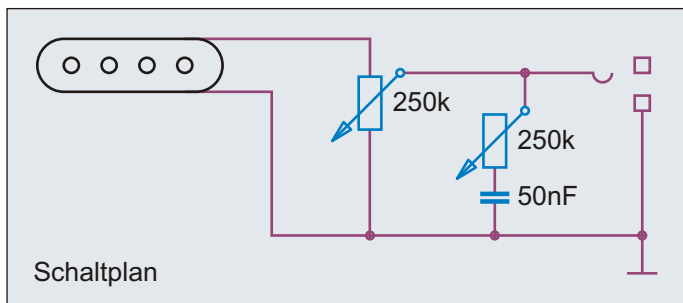


Saitenerdung
(Kabel zum Steg)

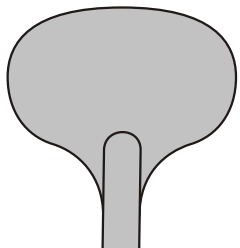
.05µF

Masseverbindung über Kontrollblech

Regler	Wert
Master Volume	250 k log.
Master Tone	250 k log.



Schaltplan



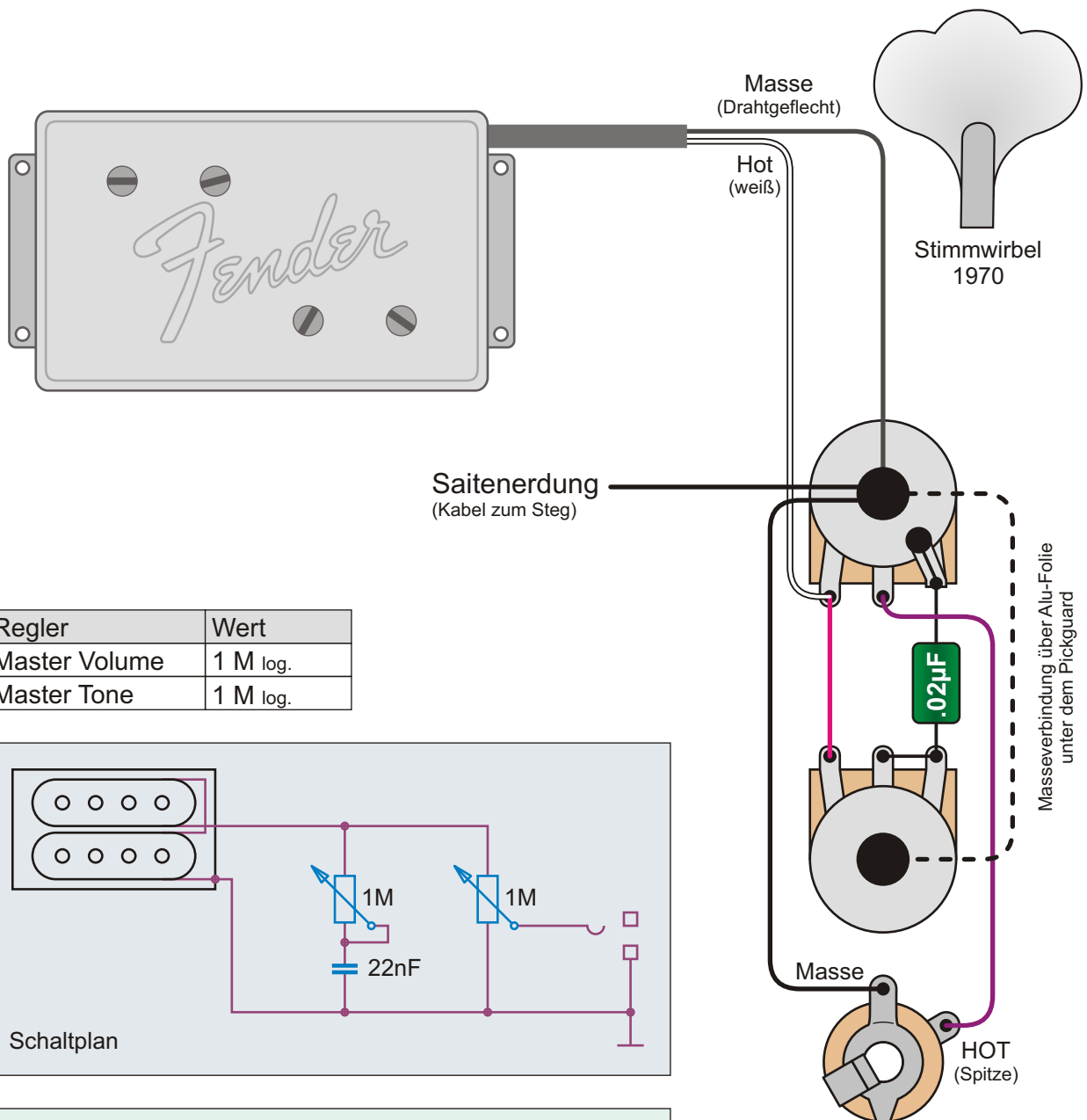
Stimmwirbel 1968

Vom August 1968 ist ein Telecaster I Bass mit abweichender Verkabelung bekannt. Bei ihm hängt das Tone Poti nicht zwischen Pickup und Volume Poti, wie üblich, sondern zwischen Volume Poti und Klinkenbuchse. Es kann sich dabei zwar um eine nachträgliche Änderung handeln, vermutlich war der Bass aber bereits original so verkabelt.

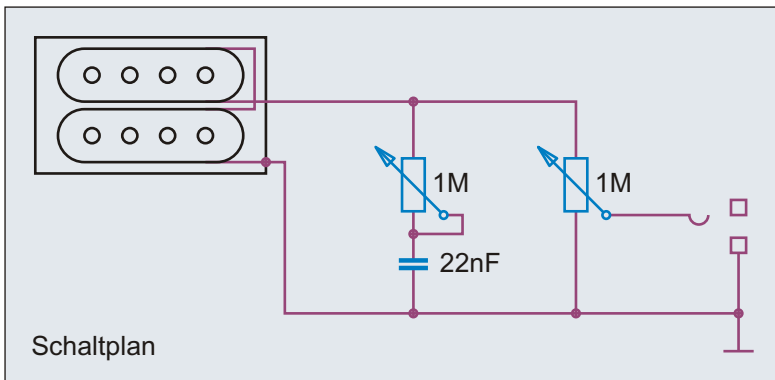
Der Fender Telecaster (I) Bass von 1968

Die allerersten Fender CBS Telecaster Bässe von Ende 1967 hatten noch keinen einteiligen Ahornhals, da es noch keine Fertigungsmaschinen dafür gab. Also wurde das Griffbrett wie bei Hälsen mit Palisandergriffbrett aufgeleimt. Diesen Bässen fehlt der typische "Skunkstripe" (Stinktierreifen) auf der Halsrückseite. Der einteilige Ahornhals wurde 1968 eingeführt.

Benennung Fender® Telecaster® (I) Bass 1968	Historische Bassschaltungen		Nummer 1.1.503
	gezeichnet von Cadfael	gezeichnet am 02.09.17	Seite 54
Bemerkungen / Besonderheiten vom Standard abweichende Verkabelung von 1968			



Regler	Wert
Master Volume	1 M log.
Master Tone	1 M log.



Größter Unterschied zum Vorgängermodell war der neue Telecaster Humbucker, der sehr nah am Hals platziert ist. Der genaue Aufbau des Telecaster Humbuckers ist in Kapitel 3.1.22 beschrieben. Was neben den ungewöhnlichen 1 Mega Ohm Potis auffällt, ist die Anbringung des Tone Kondensators.

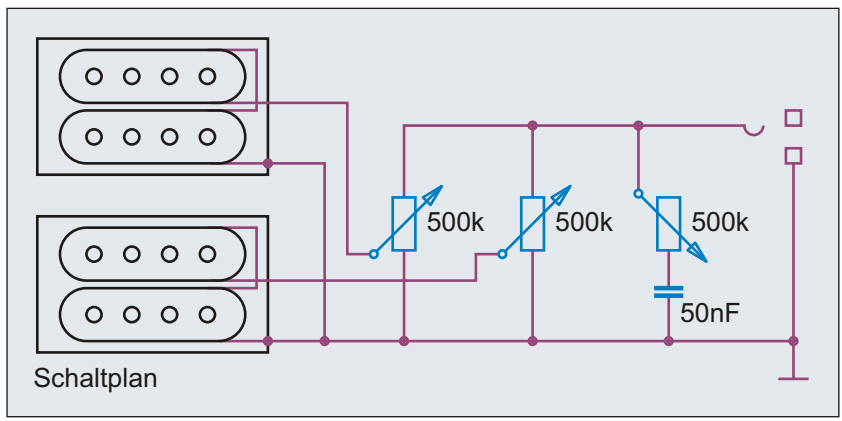
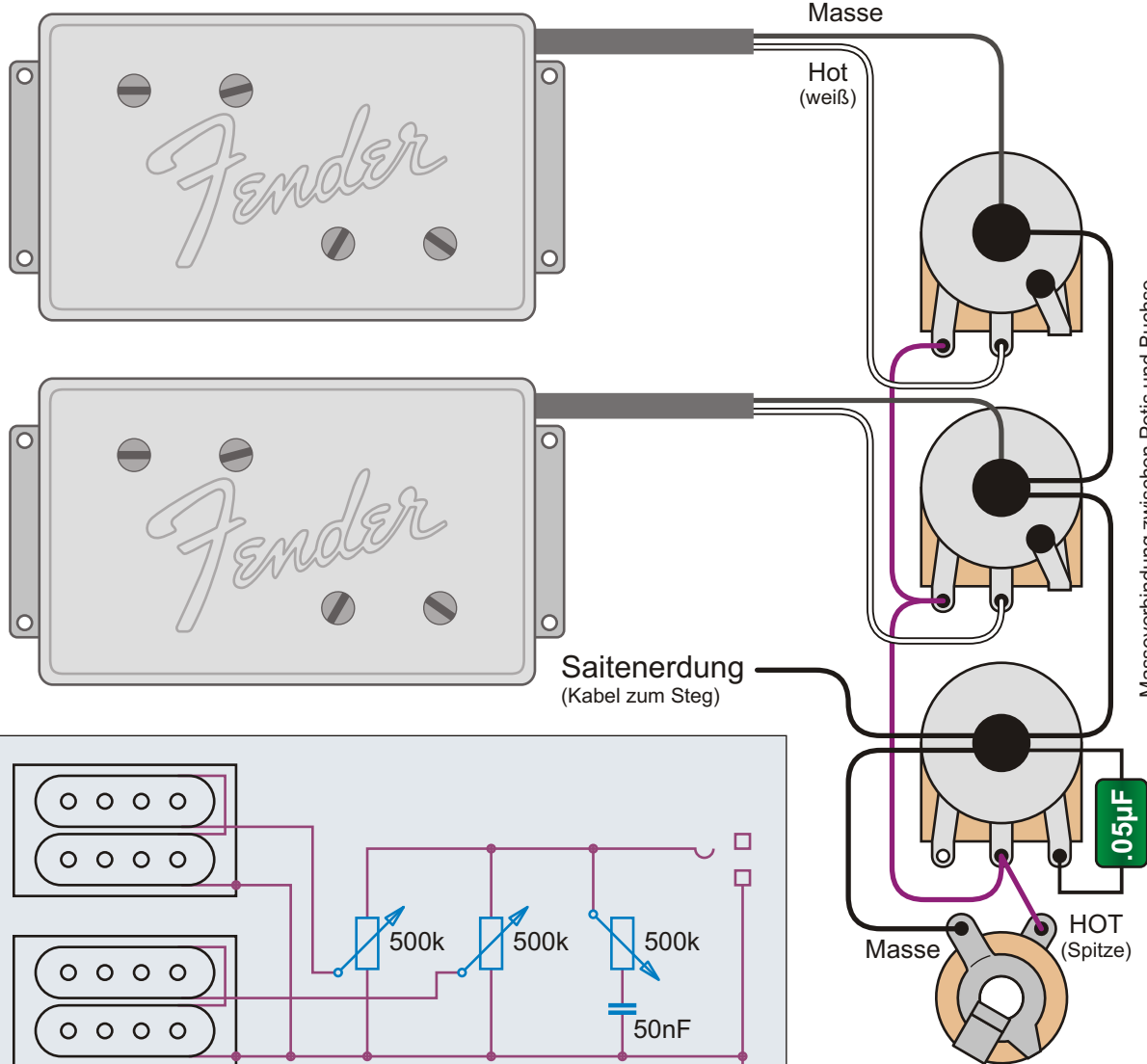
Der Fender Telecaster II Bass

1972 brachte Fender CBS eine neue Version des Telecaster Basses heraus, den Telecaster II Bass. Orientierte sich der erste Telecaster Bass noch stark am historischen Vorbild, bekam der Telecaster II Bass ein Pickguard, das an die Telecaster Deluxe und Thinline II Gitarren von 1972 erinnert. Der Telecaster II Bass erhielt sogar die gleichen Poti- und Kondensator-Werte wie die Telecaster Deluxe Gitarre.

Der neue Telecaster Bass war in den 1970er Jahren äußerst populär und wurde von vielen Bassisten nicht nur bei TV-Auftritten gespielt. Bekannteste Telecaster II Bass Spielerin dürfte vermutlich Suzi Quatro sein, die mit ihrem massigen Telecaster II Bass noch kleiner wirkte.

Benennung	Fender® Telecaster® (II) Bass 1972 - 75		Historische Bassschaltungen	Nummer
				1.1.521
Bemerkungen / Besonderheiten	gezeichnet von	gezeichnet am	Seite	
	Cadfael	02.09.17	55	

Fender Designed™
Wide Range Humbucking Pickups

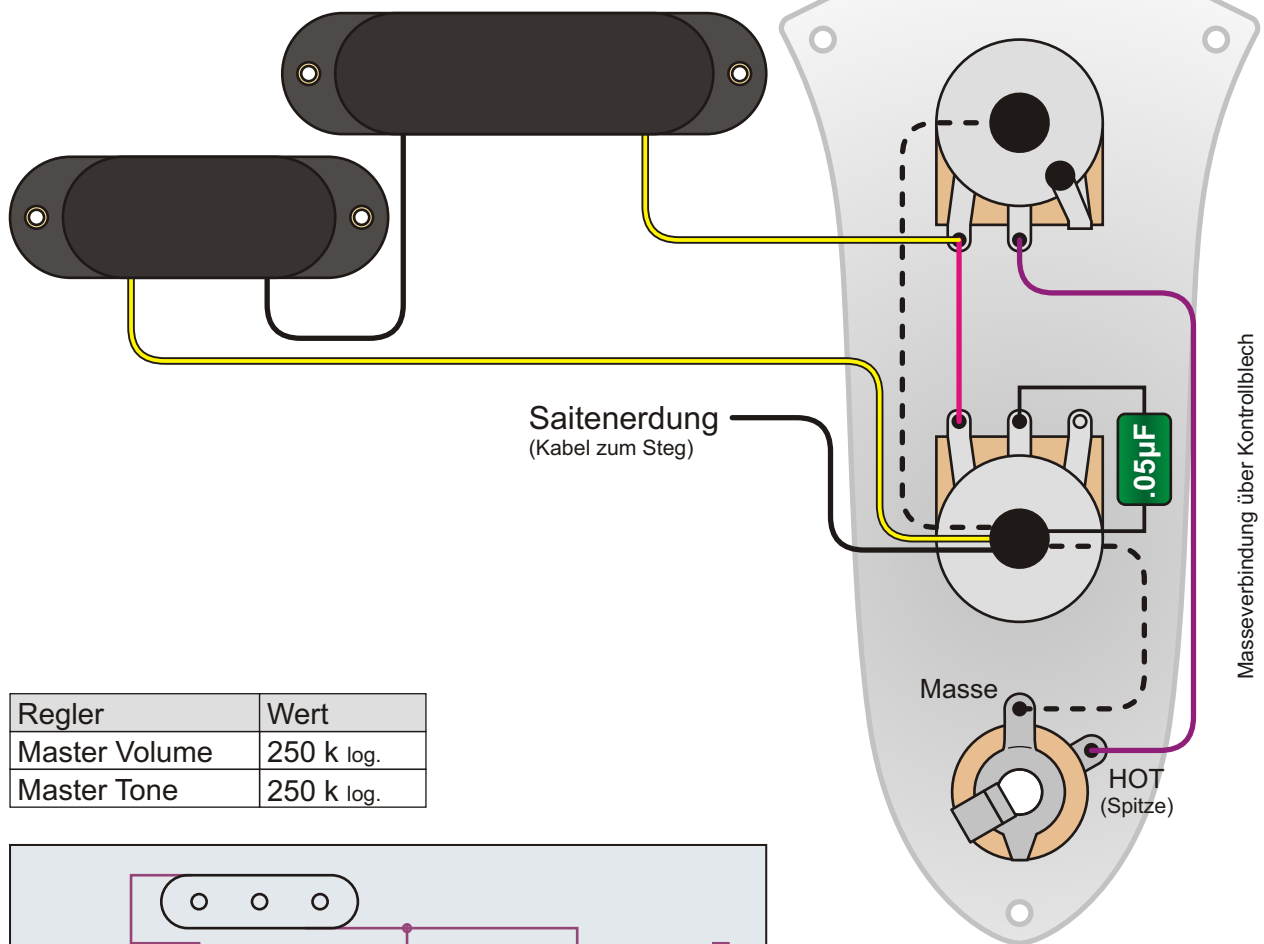


Die Schaltung entspricht weitgehend der Standardschaltung eines Fender Jazz Bass (ab 1963); also mit zwei Volume Potis und einem Tone Poti. Vermutlich werden alle vier Adern pro "Doppel-J" Pickup nach draußen geführt.

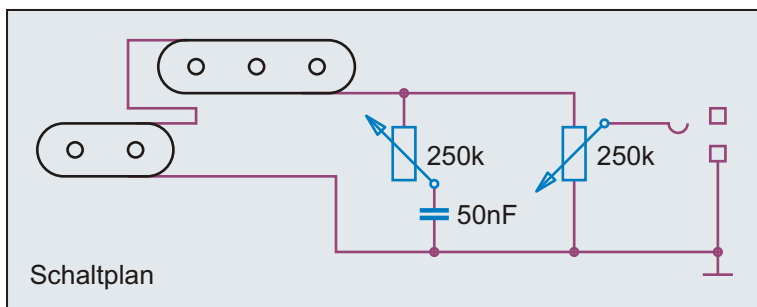
Regler	Wert
Neck Volume	500 k log.
Bridge Volume	500 k log.
Master Volume	500 k log.

Der Fender Modern Player Telecaster Bass
 Im Jahr 2011 brachte Fender unter der Serienbezeichnung "Modern Player" mehrere Gitarren- und Bassmodelle auf dem Markt. Der Modern Player Telecaster Bass ist die erste Telecaster Serien Bass nach 36 Jahren. Im Gegensatz zu seinen Vorgängern ist sein Body aus Erle und konturiert. Zudem werden die Saiten nicht durch den Body geführt. Dieser Telecaster Bass ist auch nicht (White) "Blond", sondern Butterscotch Blonde (oder 2-Tone Sunburst). Der hintere "Seth Lover" Telecaster Pickup sitzt in einem Pickup-Rahmen.

Benennung	Fender® Telecaster Bass® Modern Player	Historische Bassschaltungen	Nummer	1.1.536
Bemerkungen / Besonderheiten	vermutlicher Aufbau! Fotos und/oder Pläne liegen derzeit nicht vor.	gezeichnet von	gezeichnet am	Seite
		Cadfael	02.09.17	56



Regler	Wert
Master Volume	250 k log.
Master Tone	250 k log.

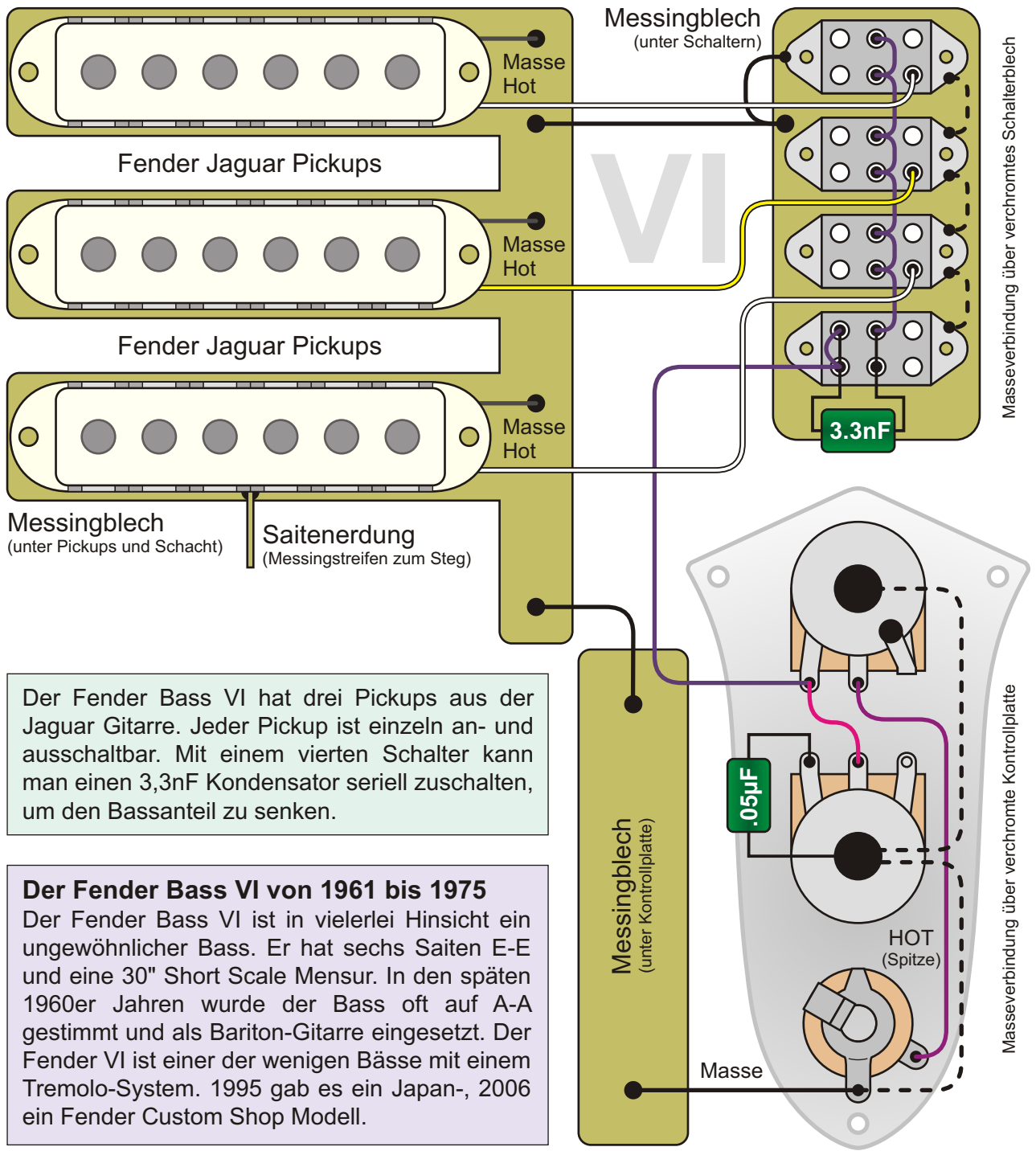


Im Grunde haben wir es hier mit der Schaltung des Mustang Basses zu tun. Während die untere Spule die beiden tiefen Saiten abnimmt, nimmt die obere breitere Spule die drei höheren Saiten ab. Damit sehen die Pickups genauso exotisch aus, wie der ganze Bass ...

Der Fender Bass V von 1965 bis 1970

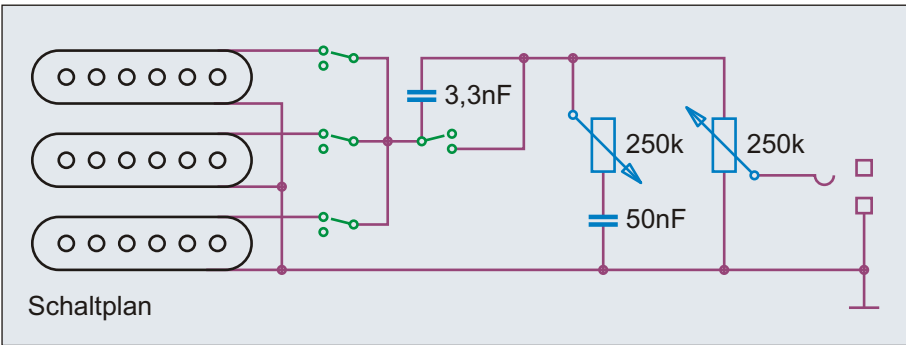
Der Bass V ist ein echter Exot - aber der erste fünfsaitige Serien-Bass der Welt. Er hat einen langen Body und kurzen Hals mit nur 15 Bündeln. Wie bei einem herkömmlichen Viersaiter E-Bass wird die tiefste Saite auf E gestimmt. Die fünfte Saite wird auf C gestimmt (bei Gitarren ist es H). Sinn dieser Basskonstruktion war es, auf kürzerem Weg von den tiefen zu den hohen Tönen zu gelangen. Kommerziell gesehen war der Bass V ein Flop. Es wurden nur ca. 200 Bässe gebaut. Trotzdem gibt es berühmte Bass V Spieler wie John Paul Jones von Led Zeppelin oder C.F. Turner von Bachman Turner Overdrive. Auch James Jamerson soll den Bass V gespielt haben.

Benennung	Fender® Bass V® 1965 - 1970		Historische Bassschaltungen	Nummer
			gezeichnet von	1.1.651
Bemerkungen / Besonderheiten			gezeichnet am	Seite
			Cadfael	57



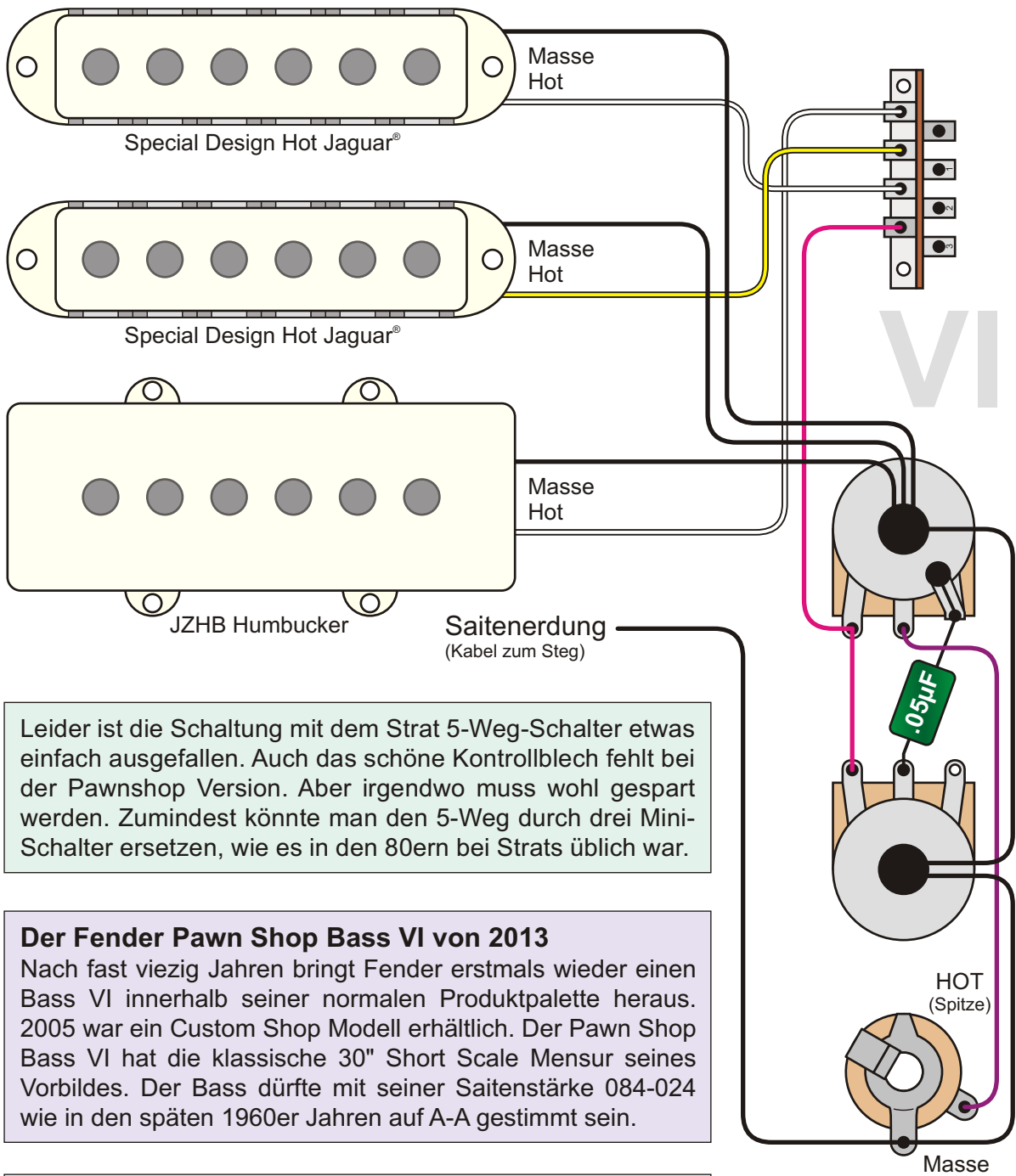
Der Fender Bass VI hat drei Pickups aus der Jaguar Gitarre. Jeder Pickup ist einzeln an- und ausschaltbar. Mit einem vierten Schalter kann man einen 3,3nF Kondensator seriell zuschalten, um den Bassanteil zu senken.

Der Fender Bass VI von 1961 bis 1975
 Der Fender Bass VI ist in vielerlei Hinsicht ein ungewöhnlicher Bass. Er hat sechs Saiten E-E und eine 30" Short Scale Mensur. In den späten 1960er Jahren wurde der Bass oft auf A-A gestimmt und als Bariton-Gitarre eingesetzt. Der Fender VI ist einer der wenigen Bässe mit einem Tremolo-System. 1995 gab es ein Japan-, 2006 ein Fender Custom Shop Modell.



Schalterblech	
High	On On On
Regler	Wert
M. Volume	250 k log.
M. Tone	250 k log.

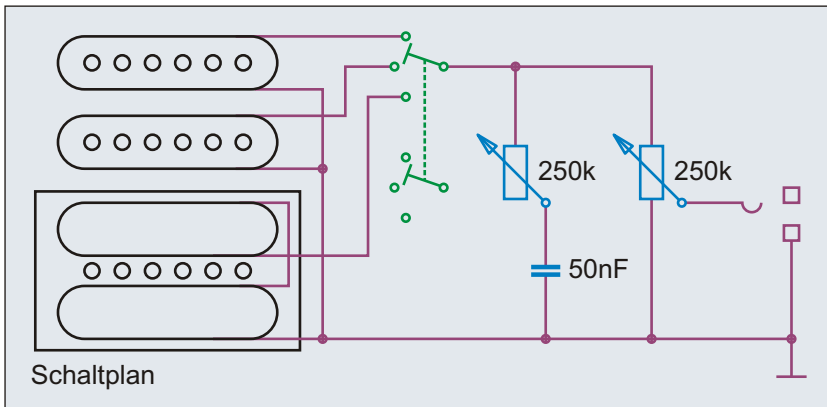
Benennung Fender® Bass VI® 1961-75 / 1995 / 2006	Historische Bassschaltungen		Nummer 1.1.661
	gezeichnet von Cadfael	gezeichnet am 02.09.17	Seite 58
Bemerkungen / Besonderheiten			



Leider ist die Schaltung mit dem Strat 5-Weg-Schalter etwas einfach ausgefallen. Auch das schöne Kontrollblech fehlt bei der Pawnshop Version. Aber irgendwo muss wohl gespart werden. Zumindest könnte man den 5-Weg durch drei Mini-Schalter ersetzen, wie es in den 80ern bei Strats üblich war.

Der Fender Pawn Shop Bass VI von 2013

Nach fast viezig Jahren bringt Fender erstmals wieder einen Bass VI innerhalb seiner normalen Produktpalette heraus. 2005 war ein Custom Shop Modell erhältlich. Der Pawn Shop Bass VI hat die klassische 30" Short Scale Mensur seines Vorbildes. Der Bass dürfte mit seiner Saitenstärke 084-024 wie in den späten 1960er Jahren auf A-A gestimmt sein.



Position	aktive Pickups
5	Neck
4	Neck + Middle
3	Middle
2	Bridge + Middle
1	Bridge

Benennung **Fender® Bass VI® Pawn Shop™ 2013**

Historische
Bassschaltungen

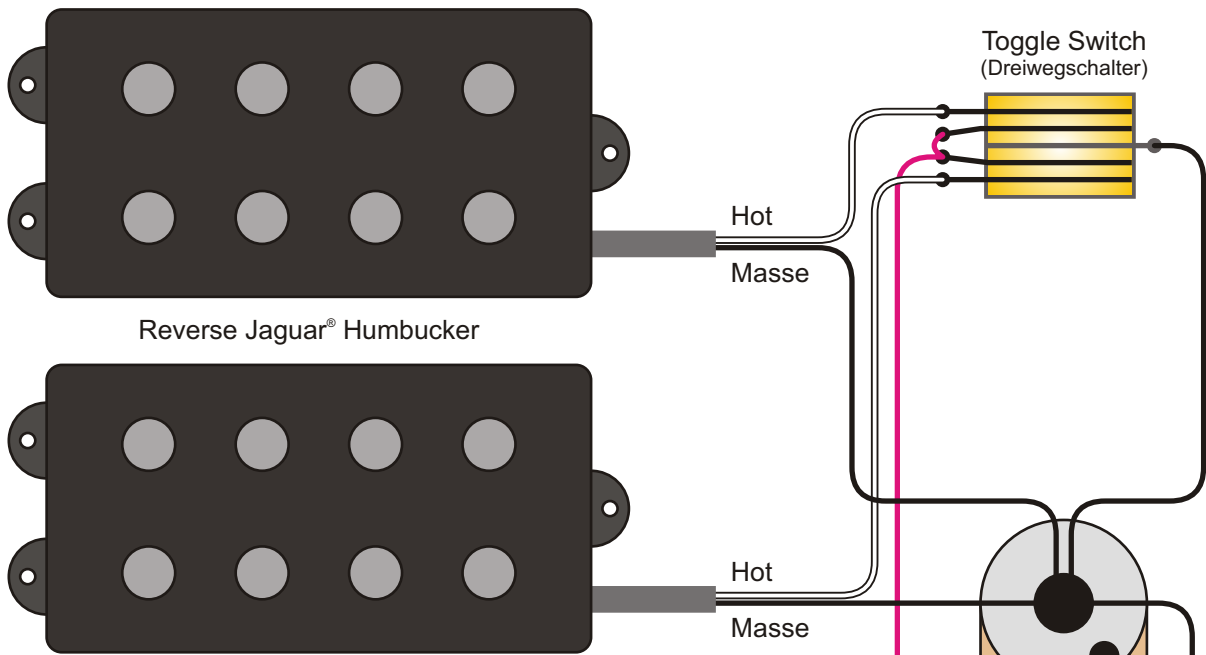
Nummer
1.1.666

Bemerkungen / Besonderheiten

gezeichnet von
Cadfael

gezeichnet am
02.09.17

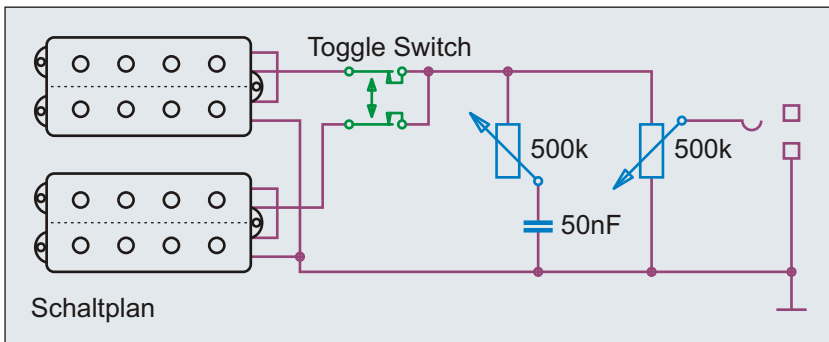
Seite
59



Toggle Switch	
Position	aktive Pickups
3	Neck
2	Neck + Bridge parallel
1	Bridge

Saitenerdung
(Kabel zum Steg)

Die beiden Pickups des Pawn Shop Reverse Jaguar Basses haben das Aussehen von MusicMan Pickups. Der Bass verfügt über einen Toggle Switch am unteren Horn des Body sowie einen Master Volume und einen Master Tone Regler.



Schaltplan

PAWN
SHOP

Der Fender Pawn Shop Reverse Jaguar Bass von 2012

Der Pawn Shop Jaguar hat einen "reverse", also gespiegelten Jaguar Bass Body. Auch der Ahornhals, mit den Maßen und der Kopfplatte eines modernen Precision Basses, ist reverse ausgelegt. Der Body des Basses ist aus Erle gefertigt. Vom La Cabronita Boracho Bass unterscheiden den Jaguar nicht nur die Form der Kopfplatte und die Pickups, sondern auch die Form des Pickguards, das beim Reverse Jaguar um einiges größer ausfällt.

Benennung **Fender® P.S. Reverse Jaguar Bass®**

Historische
Bassschaltungen

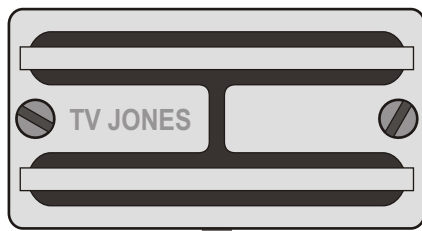
Nummer
1.1.731

Bemerkungen / Besonderheiten

gezeichnet von
Cadfael

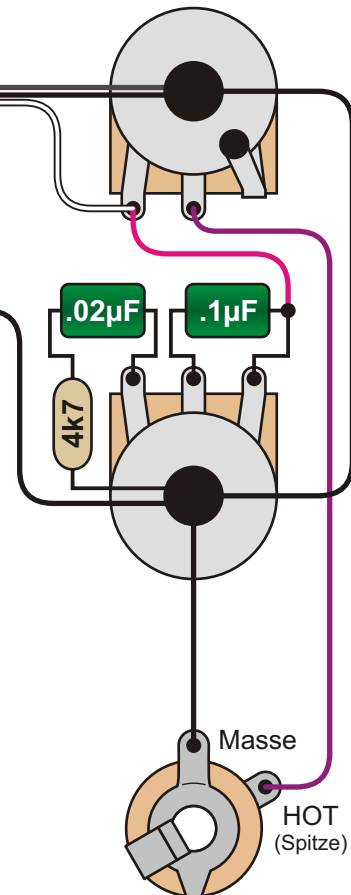
gezeichnet am
02.09.17

Seite
60



Masse (schwarz)
Hot (weiß)

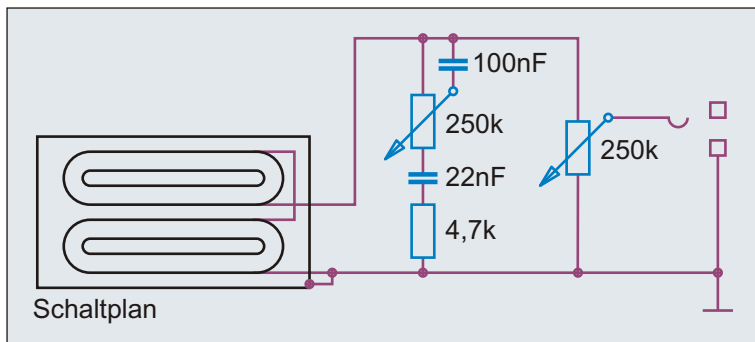
Saitenerdung
(Kabel zum Steg)



Bauteile	Wert
Master Volume	250 k log.
Master Tone	250 k log.
Widerstand	4,7 k Ohm
Kondensator	0,1 µF
Kondensator	0,02 µF

Pickup

TV Jones Thunderblade / Thunder'Tron™



Neben dem TV Jones Thunderblade bzw. Thunder'Tron™ Pickup verfügt der La Cabronita "Boracho" Bass über eine "Greasebucket™" Tonblende und einen Volume Regler.

Der Fender La Cabronita "Boracho" Bass von 2012

Nach dem La Cabronita "Porrazo" Bass, auf Basis eines Precision Basses von 1951, brachte Fender 2012 den La Cabronita "Boracho" ("Alkoholiker") Bass heraus. Dieser Bass hat die gleiche Elektronik, den gleichen TV Jones Thunderblade Pickup und den gleichen Precision 51 Hals wie der "Porrazo". Der Body des Basses hingegen entspricht am ehesten dem Body eines "Reverse Jaguar" Basses, wodurch leichte Ähnlichkeit mit einem Gibson Thunderbird entsteht. Diesen Eindruck verschafft die Form des kleinen Pickguards.

Benennung **Fender® La Cabronita™ Boracho Bass**

Historische
Bassschaltungen

Nummer
1.1.741

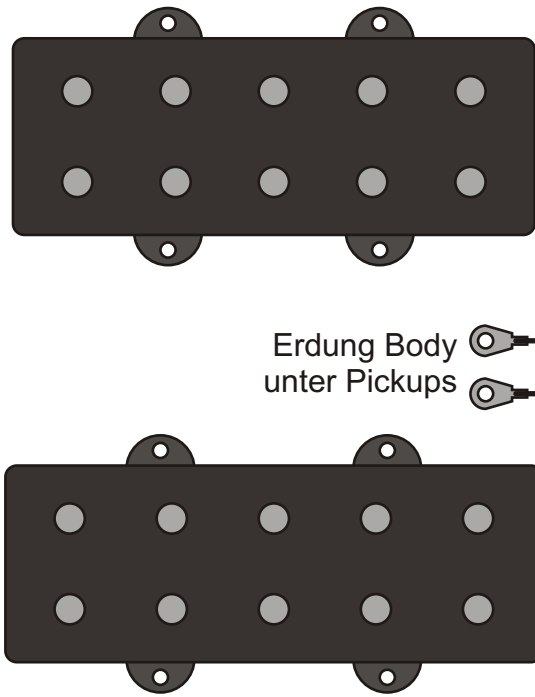
Bemerkungen / Besonderheiten

Made in USA, Custom Shop, 2012 Limited Collection

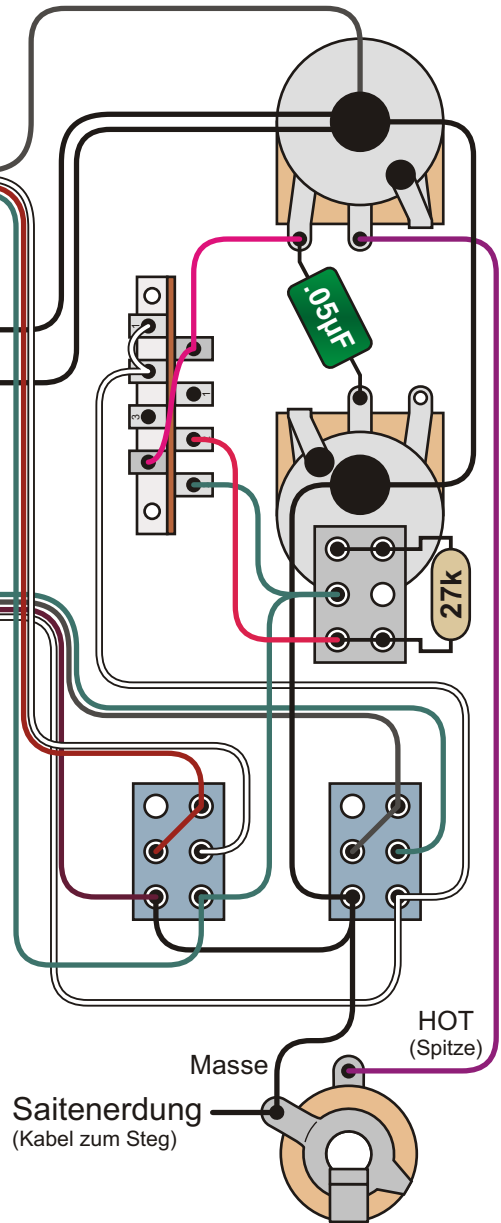
gezeichnet von
Cadfael

gezeichnet am
02.09.17

Seite
61



Erdung Body
unter Pickups

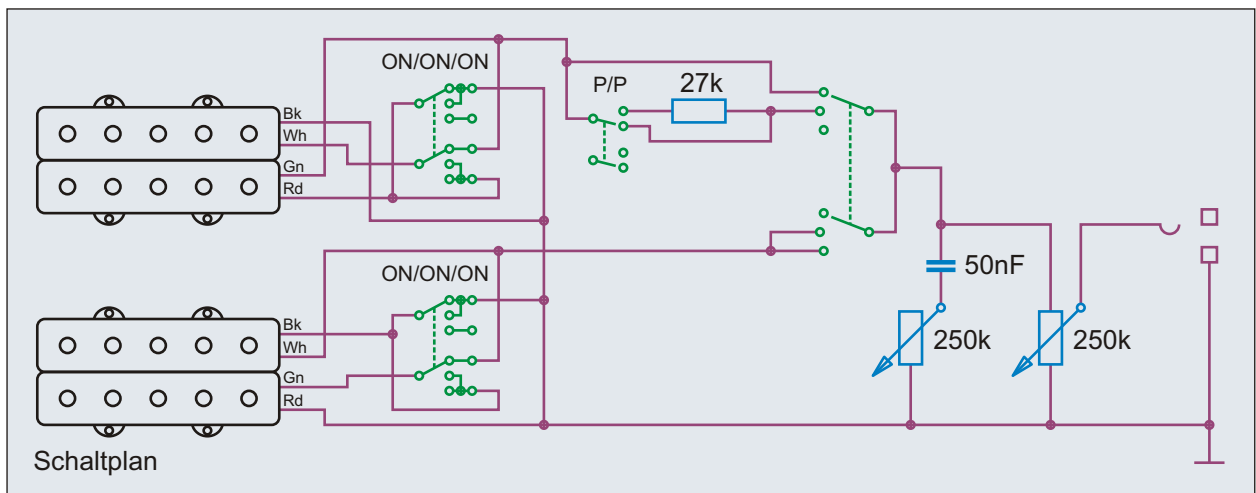


Dreiwegschalter	
Pos.	aktive Pickups
3	Neck
2	Neck + Bridge
1	Bridge

Minischalter je Pickup	
ON/ON/ON	Spulen
unten	seriell
mittig	SC (innen)
oben	parallel

Pos.	Push/Pull Poti
unten	normal Neck
oben	Widerst. seriell

Regler	Wert
Master Volume	250 k log.
Master Tone	250 k log.



Schaltplan

Benennung **Fender® Roscoe Beck Bass® IV 2004**

Historische
Bassschaltungen

Nummer
1.1.771

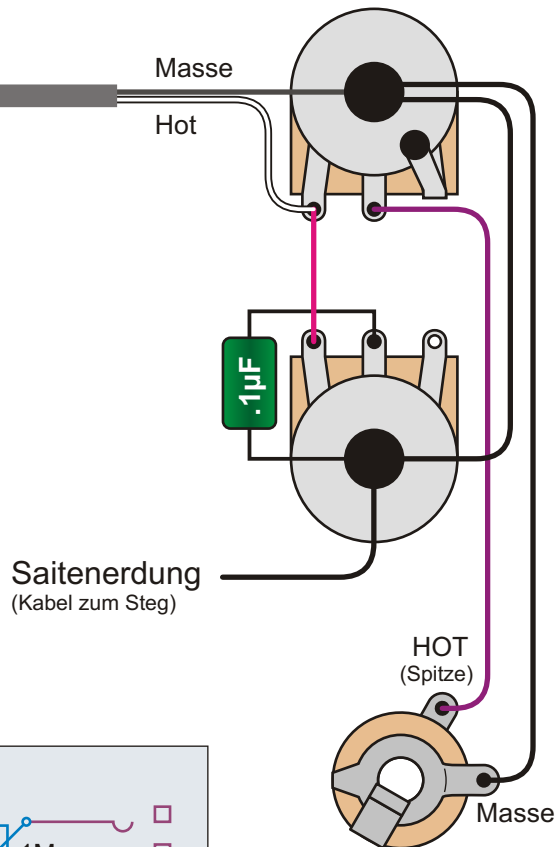
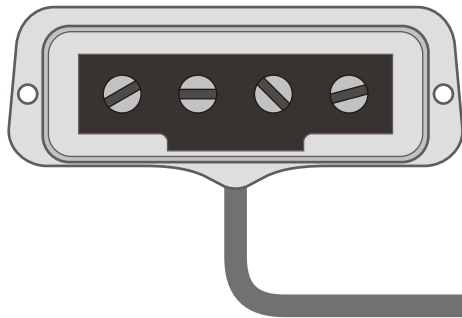
Bemerkungen / Besonderheiten

gezeichnet von
Cadfael

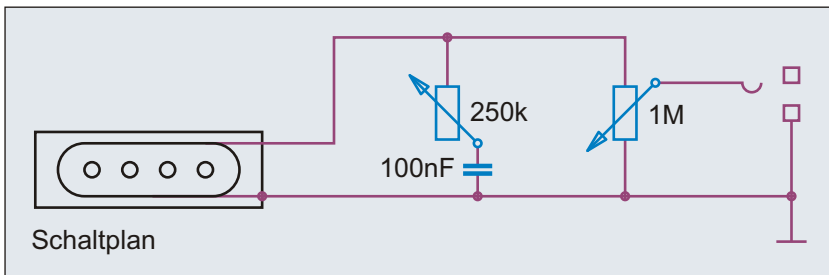
gezeichnet am
02.09.17

Seite
62

Fender®



Die Schaltung des Coronado I Basses ist sehr konventionell. Der Coronado I hat nur einen Single Coil Pickup, der in der Nähe des Halses montiert ist. Dies war der erste Pickup, der nicht aus dem eigenen Hause stammte, sondern für Fender vom Hersteller DeArmond entwickelt / gebaut wurde.



Regler	Wert
Neck Volume	1 M log.
Neck Tone	250 k lin.

Der Fender Coronado I von 1966 bis 1970

Nachdem Leo Fender seine Firma verkauft hatte, überlegte sich der neue Besitzer CBS, wie man den Marktanteil auf dem Gitarren- und Bassmarkt erhöhen könne. Dabei entschloss man sich, eine "Hollow Body" Serie zu bauen, um diese von Gibson und Guild dominierte Nische anzugreifen. Gestaltet wurde die Coronado Serie vom ehemaligen Rickenbacker Designer Roger Rossmeisl, der bereits seit 1962 bei Fender arbeitete. Der Bass besitzt einen angeschraubten Short Scale Hals. Er war sowohl in der Sonderlackierung "Antigua", wie auch in "Wildwood" (Buche, der man während des Wachstums Farbe eingespritzt hatte) erhältlich.

Benennung **Fender® Conronado I Bass 1966 - 1970**

Historische
Bassschaltungen

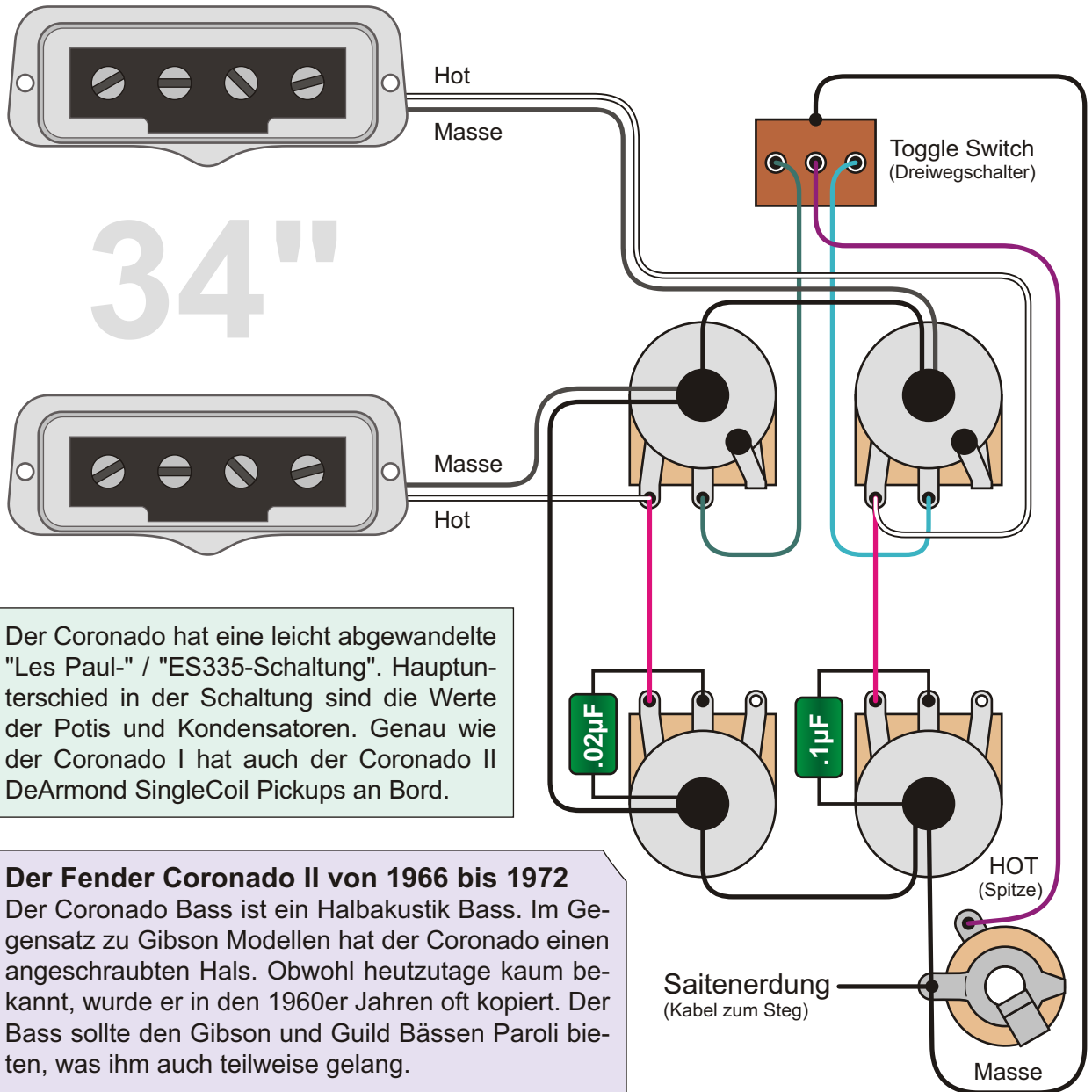
Nummer
1.1.811

Bemerkungen / Besonderheiten

gezeichnet von
Cadfael

gezeichnet am
02.09.17

Seite
63



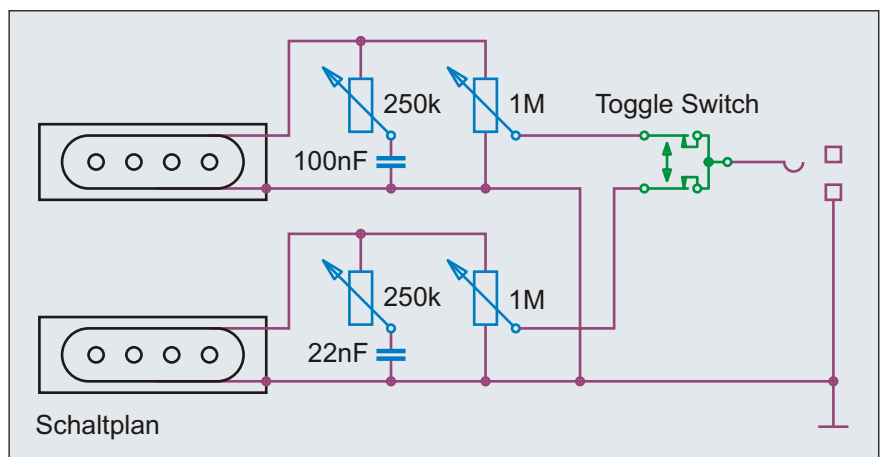
Der Coronado hat eine leicht abgewandelte "Les Paul-" / "ES335-Schaltung". Hauptunterschied in der Schaltung sind die Werte der Potis und Kondensatoren. Genau wie der Coronado I hat auch der Coronado II DeArmond SingleCoil Pickups an Bord.

Der Fender Coronado II von 1966 bis 1972

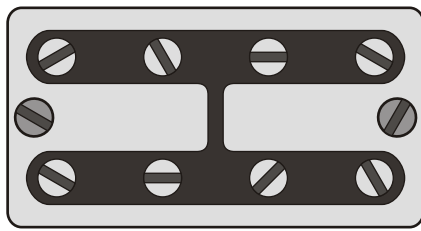
Der Coronado Bass ist ein Halbakustik Bass. Im Gegensatz zu Gibson Modellen hat der Coronado einen angeschraubten Hals. Obwohl heutzutage kaum bekannt, wurde er in den 1960er Jahren oft kopiert. Der Bass sollte den Gibson und Guild Bässen Paroli bieten, was ihm auch teilweise gelang.

Toggle Switch	
Pos.	aktive Pickups
1	Neck
2	Neck + Bridge par.
3	Bridge

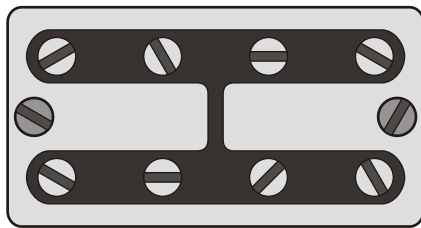
Regler	Wert
Neck Vol.	1 M log.
Neck Tone	250 k lin.
Bridge Vol.	1 M log.
Bridge Tone	250 k lin.



Benennung	Fender® Coronado II Bass 1966 - 1972		Historische Bassschaltungen	Nummer 1.1.821
	Bemerkungen / Besonderheiten		gezeichnet von Cadfael	gezeichnet am 02.09.17
			Seite 64	



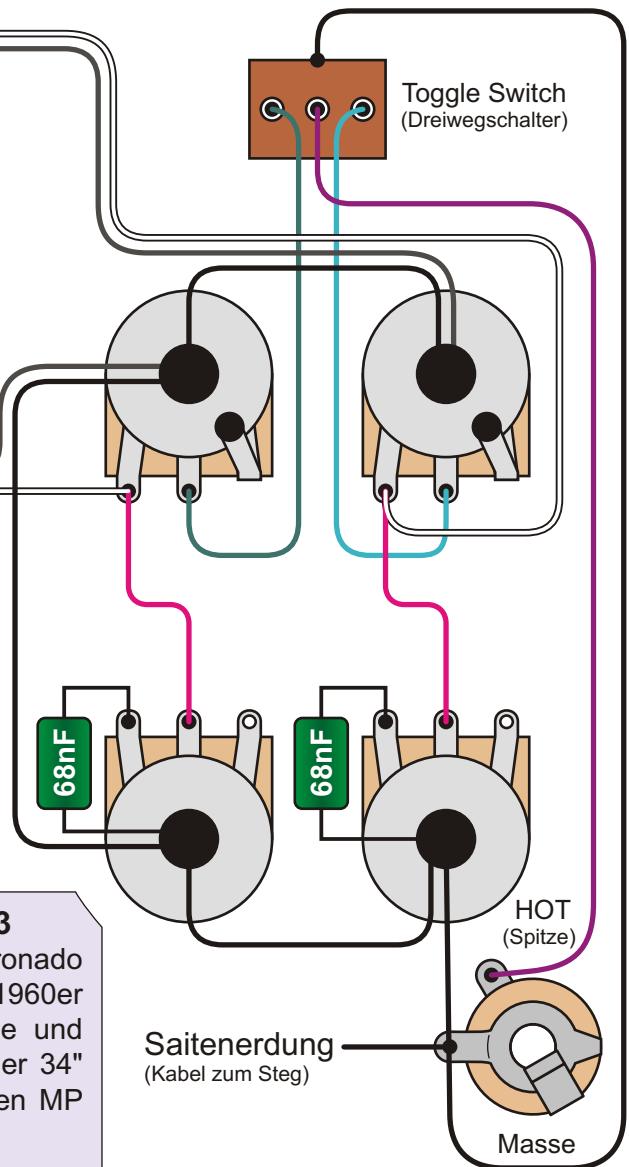
30"



Dem Coronado Modern Player Version 2013 wurden zwei Fideli'Tron™ Humbucker verpasst. Sieht schön aus, aber der klassisch knurrige SingleCoil Sound des Coronado II ging dabei verloren. Trotzdem sind die Fideli'Tron™ nicht die schlechteste Wahl.

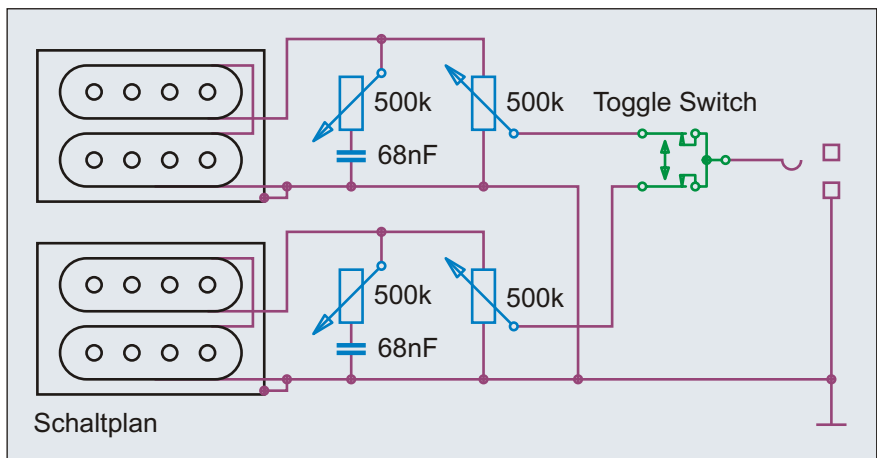
Der Fender Coronado Bass MP von 2013

Auf den ersten Blick ähnelt der Fender Coronado Modern Player Bass seinem Vorbild aus den 1960er Jahren sehr. Doch nicht nur Pickups, Bridge und Saitenaufhängung sind total anders. Statt einer 34" Mensur, wie beim Original, hat man der neuen MP Version eine 30" Short Scale Mensur verpasst!



Toggle Switch	
Pos.	aktive Pickups
1	Neck
2	Neck + Bridge par.
3	Bridge

Regler	Wert
Neck Vol.	500 k lin.
Neck Tone	500 k log.
Bridge Vol.	500 k lin.
Bridge Tone	500 k log.



Benennung **Fender® Coronado Bass MP 2013**

Historische Bassschaltungen

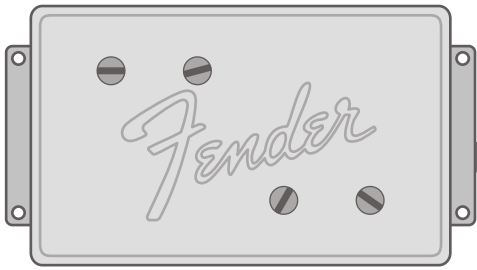
Nummer 1.1.823

Bemerkungen / Besonderheiten
Modern Player Serie

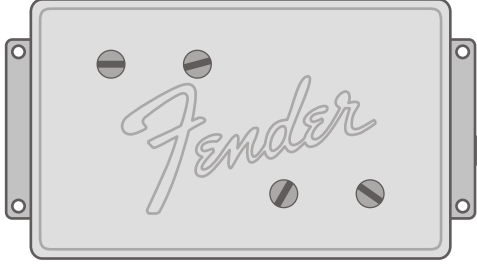
gezeichnet von
Cadfael

gezeichnet am
02.09.17

Seite
65

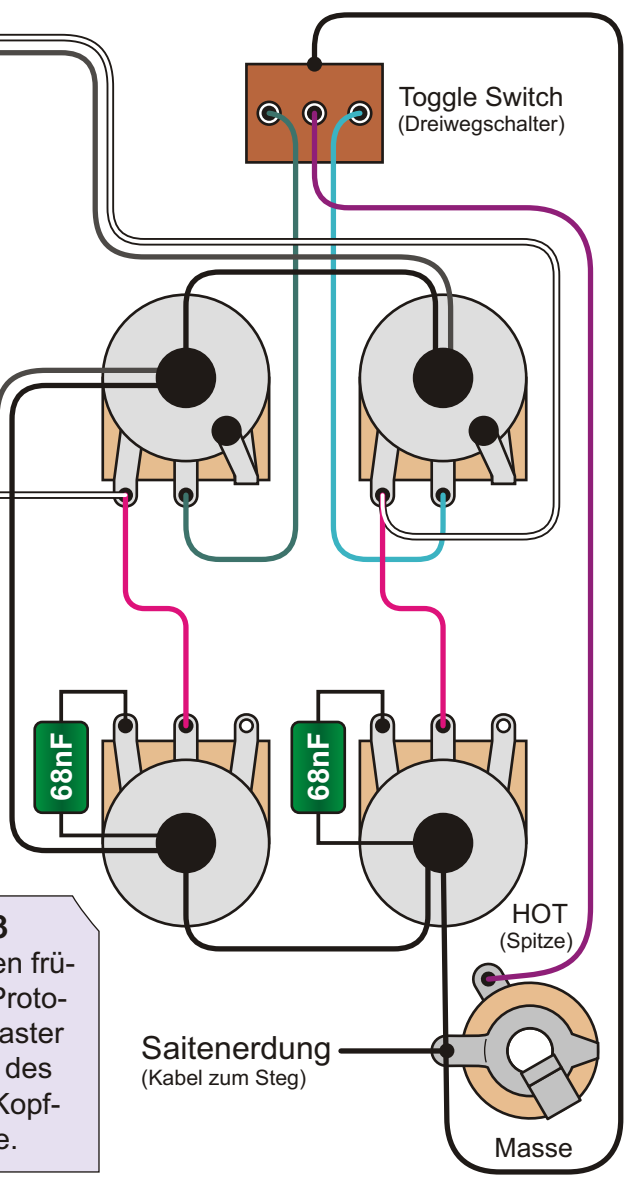


30"



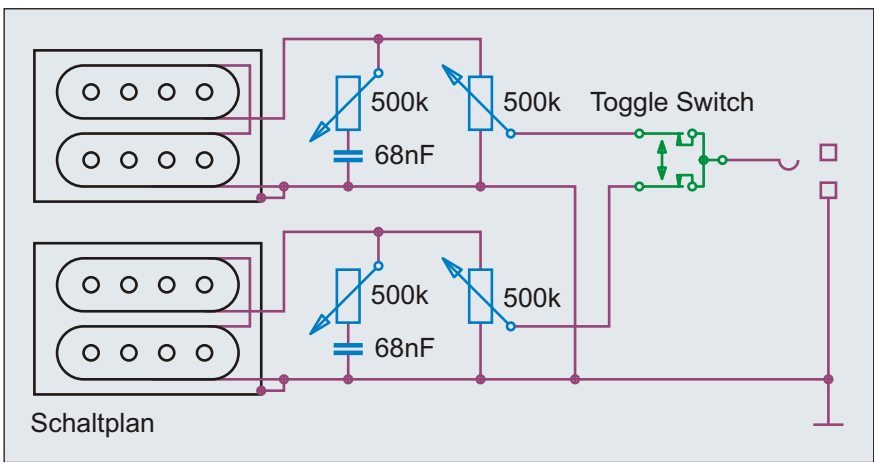
Dem Starcaster Bass zwei "Wide Range" Humbucker einzupflanzen entspricht dem Vorbild des Prototyps. Die Werte von Potis und Kondensatoren hingegen sind eher der modernen und effektiven Produktion des 21. Jahrhunderts geschuldet.

Der Fender Coronado Bass MP von 2013
 Der Fender Starcaster Bass kam bei CBS in den frühen 1970er Jahren nie über das Stadium des Prototyps hinaus. Nun verwirklicht Fender den Starcaster Bass als Modern Player Modell. Die Kopfplatte des Starcaster erinnert (wie beim Prototyp) an die Kopfplatte der frühen Ibanez Blazer/Roadster Bässe.



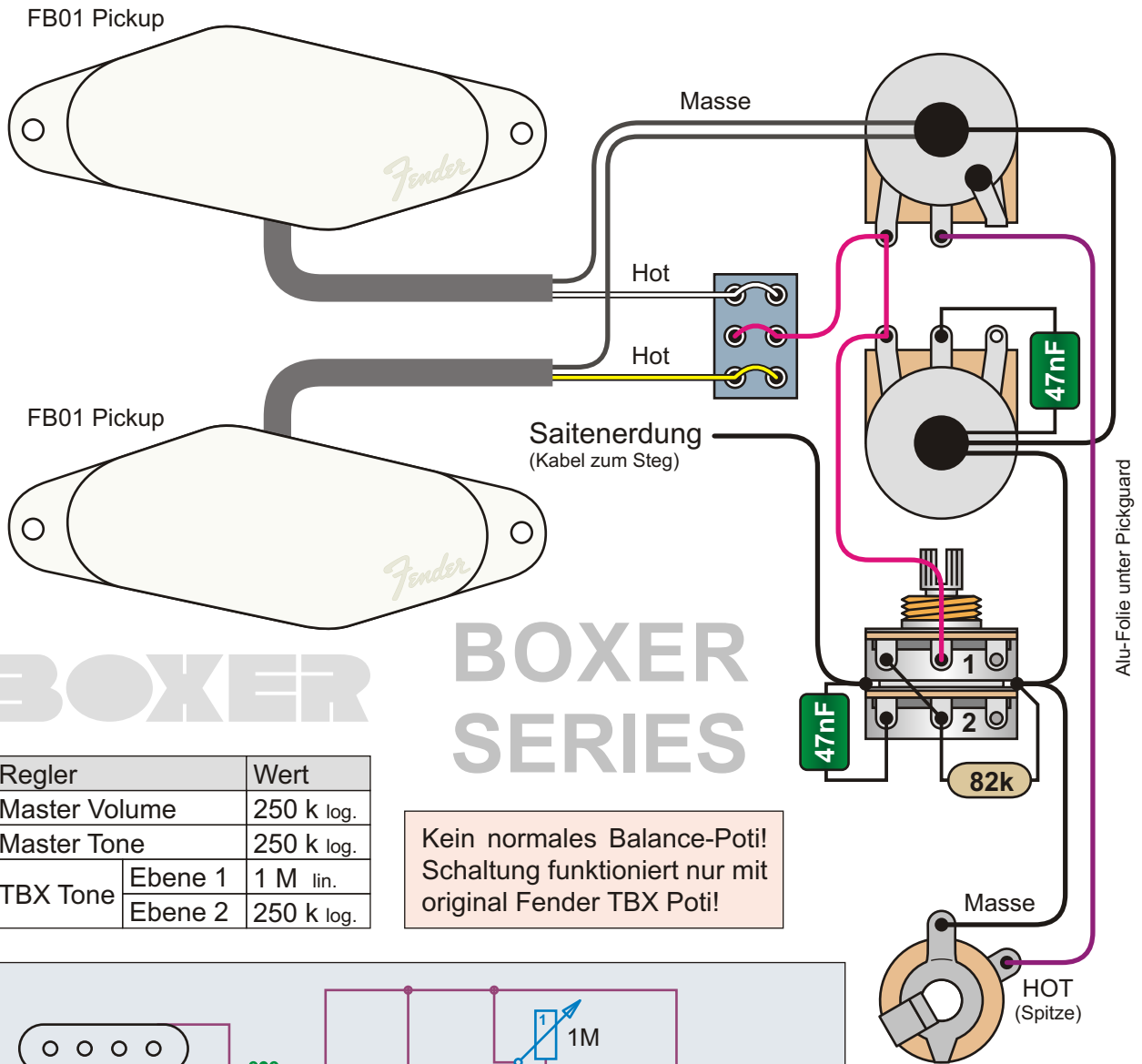
Toggle Switch	
Pos.	aktive Pickups
1	Neck
2	Neck + Bridge par.
3	Bridge

Regler	Wert
Neck Vol.	500 k lin.
Neck Tone	500 k log.
Bridge Vol.	500 k lin.
Bridge Tone	500 k log.



Benennung	Fender® Starcaster® Bass MP 2013		Historische Bassschaltungen	Nummer 1.1.853
	Bemerkungen / Besonderheiten		gezeichnet von	gezeichnet am
Modern Player Serie		Cadfael	02.09.17	Seite 66

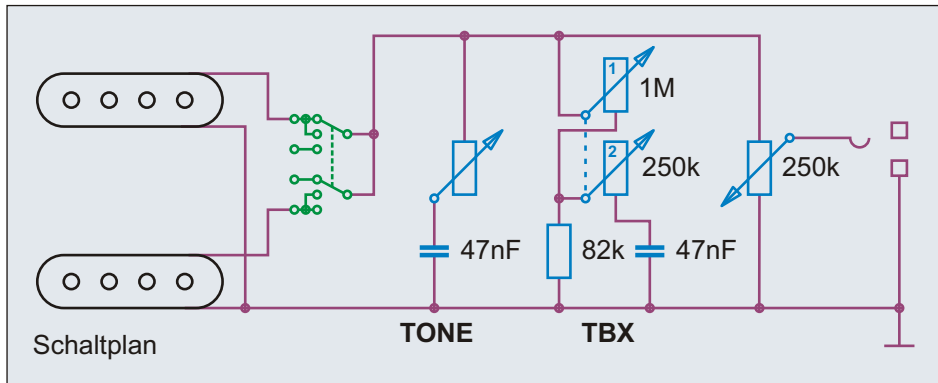
Idee, Recherche, Autor, Zeichnungen, Grafiken, Diagramme, Layout und Design: Andreas "Cadfael" Kühn - Nutzung ausschließlich zu privaten, nicht kommerziellen Zwecken und auf eigene Gefahr! Alle Angaben ohne Gewähr, Irrtümer vorbehalten!



BOXER SERIES

Regler	Wert	
Master Volume	250 k log.	
Master Tone	250 k log.	
TBX Tone	Ebene 1	1 M lin.
	Ebene 2	250 k log.

Kein normales Balance-Pot!
Schaltung funktioniert nur mit original Fender TBX Poti!



Der Bass verfügt sowohl über einen normalen Tone Regler, als auch über eine Fender TBX Tone Control.

Der Fender FB-555 Performer Bass 1985
Zu den untypischsten Fender Bässen gehört wohl der in Japan gefertigte Performer Bass von 1985. Das Design dieses exotischsten Basses stammte von John Page. Der FB-555 hat eine 34" Mensur und 24 Bünde. Er wurde in fünf verschiedenen Farben angeboten. Es sollen nur wenige hundert Modelle gefertigt worden sein, bevor es zu Auseinandersetzungen wegen des Copyrights kam. Angeblich sollen sogar Bässe gekauft worden sein, nur um sie zur zerstören. Der Bass mit seinem Erle Body und dünnen Hals erfreut sich zunehmender Beliebtheit.

Benennung	Fender® FB-555 Performer Bass 1985		Historische Bassschaltungen	Nummer
Bemerkungen / Besonderheiten	Boxer Serie, Made in Japan, 1985		gezeichnet von	gezeichnet am
			Cadfael	02.09.17
				Seite
				67

Idee, Recherche, Autor, Zeichnungen, Grafiken, Diagramme, Layout und Design: Andreas "Cadfael" Kühn - Nutzung ausschließlich zu privaten, nicht kommerziellen Zwecken und auf eigene Gefahr! Alle Angaben ohne Gewähr, Irrtümer vorbehalten!

Fender® Triplebucker™ Bass Pickup



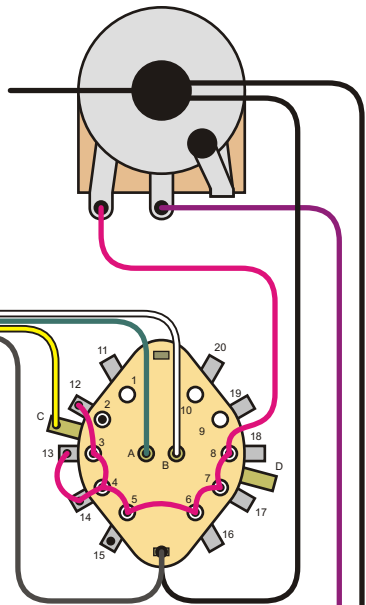
Saitenerdung
(Kabel zum Steg)

HOT (3x)

Masse

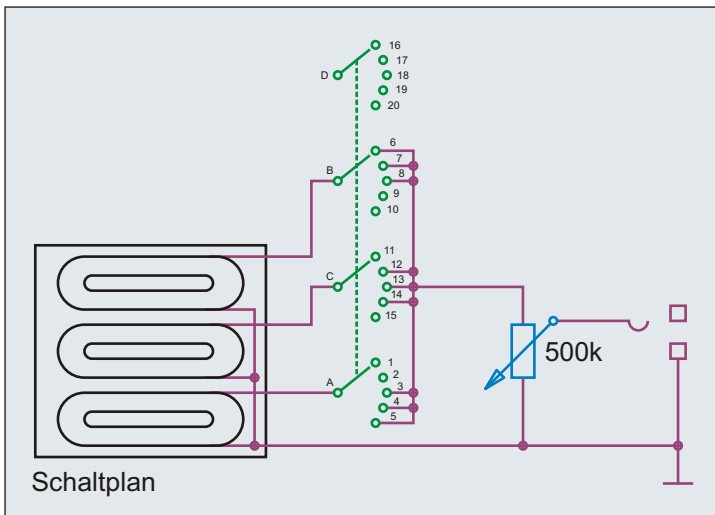
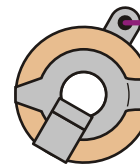
VORAUSSICHTLICHE VERKABELUNG!

Kabelfarben entsprechen nicht den
Farben der Fender Originalschaltung!



HOT
(Spitze)

Masse



Position	Coils / Spulen
5	Front
4	Front + Middle
3	Front + Middle + Rear
2	Rear + Middle
1	Rear

In der Modern Player Variante des Dimension Basses befindet sich ein Fender Triplebucker™ Bass Pickup. Auf den ersten Blick ähnelt dieser Pickup den Pickups der Ibanez ATK-Bässe. Allerdings befindet sich in der Mitte keine Dummy-Spule, sondern ein vollwertiger SingleCoil. Wie die drei Spulen des Modern Player Dimension Basses genau verkabelt und verschaltet sind, ist derzeit noch unbekannt. Bei den Skizzen handelt es sich also um Mutmaßungen!

Der Fender Modern Player Dimension Bass 2013

Die Dimension Bässe von 2013 haben die Kopfplatte des Precision Basses. Der Body ähnelt zumindest stark einem Precision Bass. Auffällig ist das Pickguard der Dimension Bässe, das einer Thinline Telecaster oder Epiphone Wiltshire Gitarre entliehen sein könnte. Der Halseinstellstab ist vom Body her zugänglich - ungewöhnlicherweise von oben (vom Griffbrett) aus.

Benennung **Fender® Dimension™ MP Bass 2013**

Umbauten &
Eigenbauten

Nummer
1.1.921

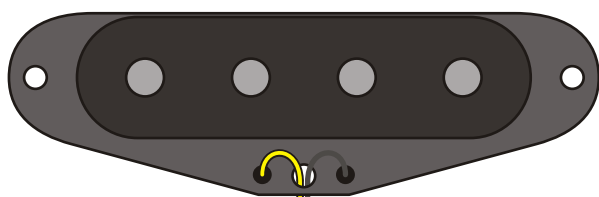
Bemerkungen / Besonderheiten
Modern Player Serie

gezeichnet von
Cadfael

gezeichnet am
02.09.17

Seite
68

007-4927-000



Squier

Masse (schwarz)

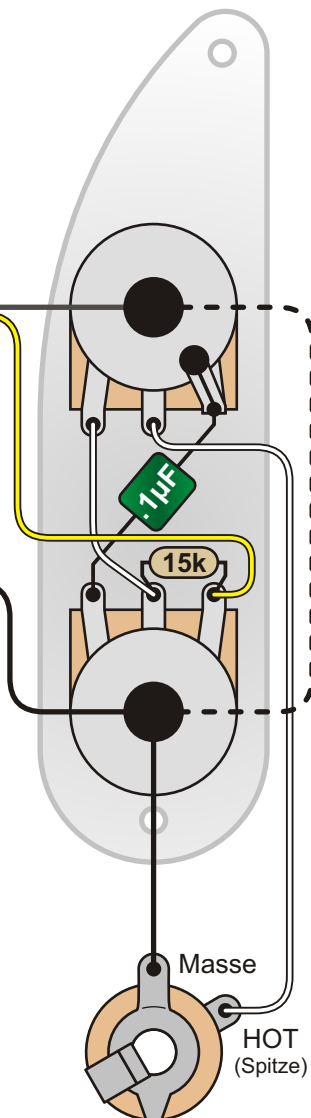
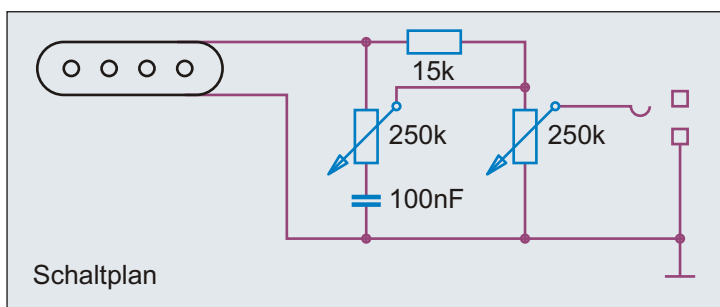
Hot (gelb)

Saitenerdung
(Kabel zum Steg)

Masseverbindung über Kontrollblech

Regler	Wert	Artikel-Nr.
Master Volume	250 k log.	007-7349-000
Master Tone	250 k log.	007-7349-000

Widerstand



Masse

HOT
(Spitze)

Zum Squier Classic Vibe 50's P-Bass gibt es zwei unterschiedliche offizielle Schaltungspläne. Diese Schaltung ist vom April 2008. Bis auf den Wert des Kondensators entspricht diese Verkabelung exakt der Schaltung vieler Precision Bässe von 1952 bis 1953. Zu dem konturierten Body des Squier CV50s (eigentlich eher ein P54) hätte eher eine Schaltung von 1955 mit 22k statt 15k Widerstand gepasst - aber auch so war die Wiederbelebung einer original Precision Schaltung sehr lobenswert! Leider war dies wohl nur die Schaltung für den Prototyp.

Der Squier Classic Vibe 50's P-Bass

Der Squier Classic Vibe 50's Precision Bass ist die wunderschöne Anlehnung an "späte Ur-Precision Bässe"; also zwischen 1954 und 1956. Die Cadillac Farbe "Lake Placid Blue" gab es bei Fender zwar erst ab 1958, es sind aber Ur-Precisions mit sehr ähnlichem Farbton als Sonderlackierung bekannt. Der Farbton ist also historisch gesehen nicht völlig falsch. Seit 2011 gab es auch einen CV 50's P-Bass im Farbton Natur.

Benennung **Squier® Classic Vibe 50's P-Bass® (1)**

Historische
Bassschaltungen

Nummer
1.2.111

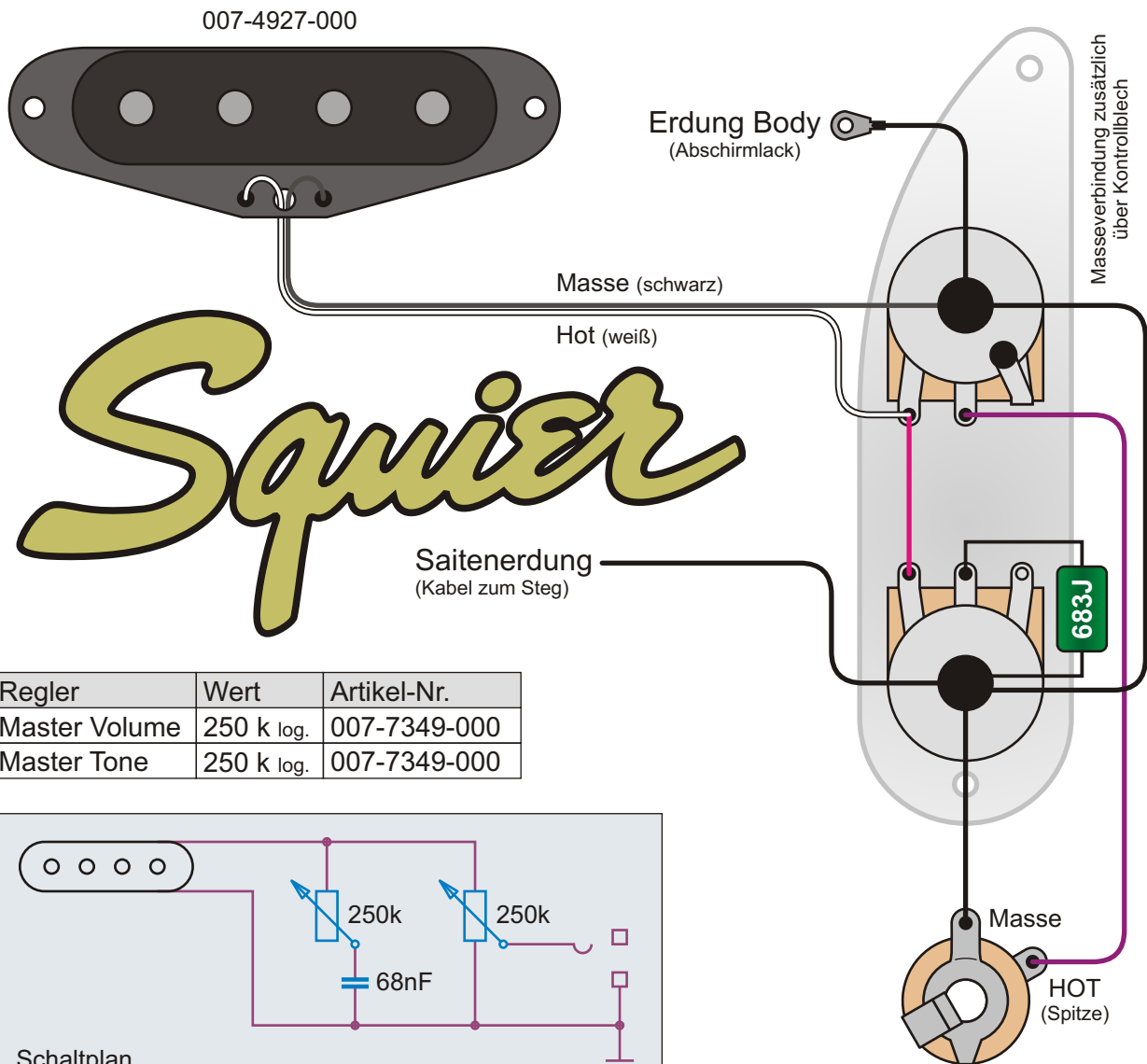
Bemerkungen / Besonderheiten

April 2008

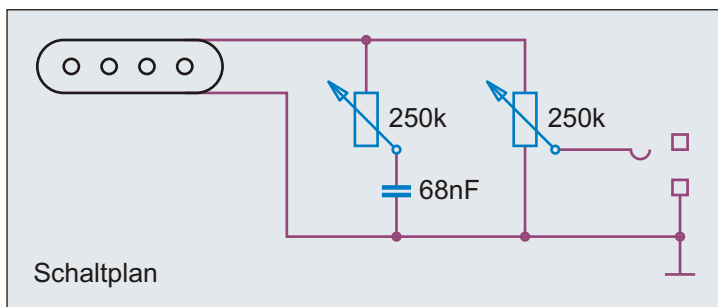
gezeichnet von
Cadfael

gezeichnet am
02.09.17

Seite
69



Regler	Wert	Artikel-Nr.
Master Volume	250 k log.	007-7349-000
Master Tone	250 k log.	007-7349-000

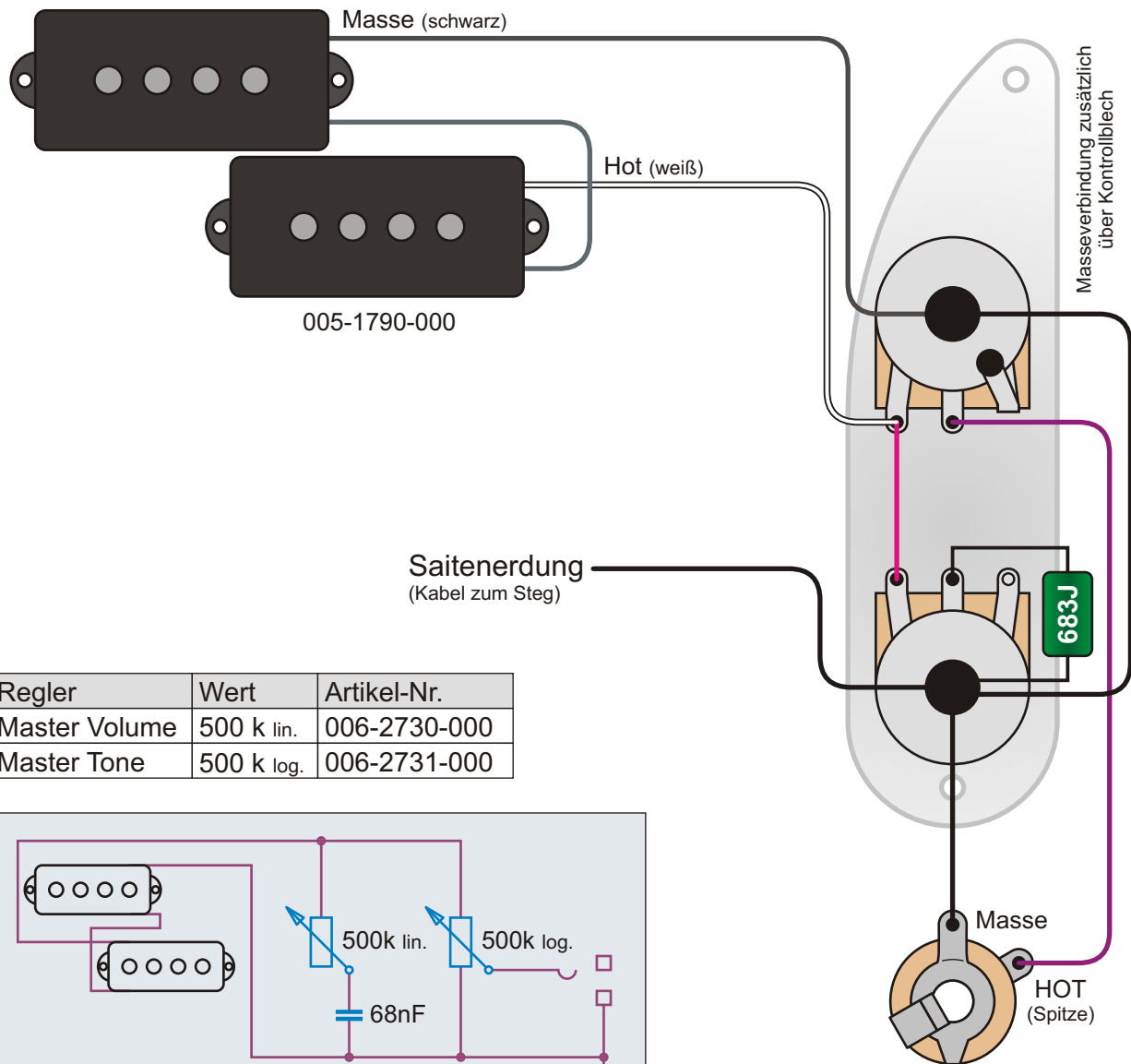


Im September 2008 wurde die Schaltung des CV 50's geändert. Vermutlich wusste die Konstruktionsabteilung bei Squier aber nicht, dass es 1954 einige Precision Bässe gab, die genauso verkabelt waren. Allerdings wurde 1954 die "Masse-Seite" des Kondensators nicht an das Gehäuse des Tone-Potis gelötet, sondern ging zum Volume-Poti. Der Wert des Kondensators ist historisch nicht korrekt. Hier hätte ein 47 nF Kondensator hin gehört. Wer sich über die "683" auf dem Kondensator wundert, sollte sich das Kapitel 3.3 anschauen.

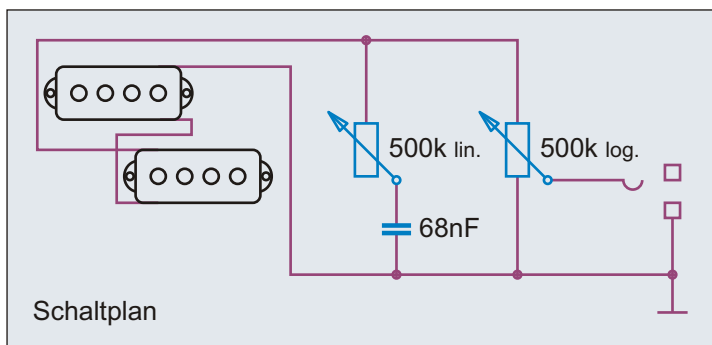
Der Squier Classic Vibe 50's P-Bass

Der Squier Classic Vibe 50's Precision Bass ist die wunderschöne Anlehnung an "späte Ur-Precision Bässe"; also zwischen 1954 und 1956. Die Cadillac Farbe "Lake Placid Blue" gab es bei Fender zwar erst ab 1958, es sind aber Ur-Precisions mit sehr ähnlichem Farbton als Sonderlackierung bekannt. Der Farbton ist also historisch gesehen nicht völlig falsch. Seit 2011 gab es auch einen CV 50's P-Bass im Farbton Natur.

Benennung	Squier® Classic Vibe 50's P-Bass® (2)		Historische Bassschaltungen	Nummer
				1.2.113
Bemerkungen / Besonderheiten	September 2008		gezeichnet von	gezeichnet am
			Cadfael	02.09.17
			Seite	70



Regler	Wert	Artikel-Nr.
Master Volume	500 k lin.	006-2730-000
Master Tone	500 k log.	006-2731-000

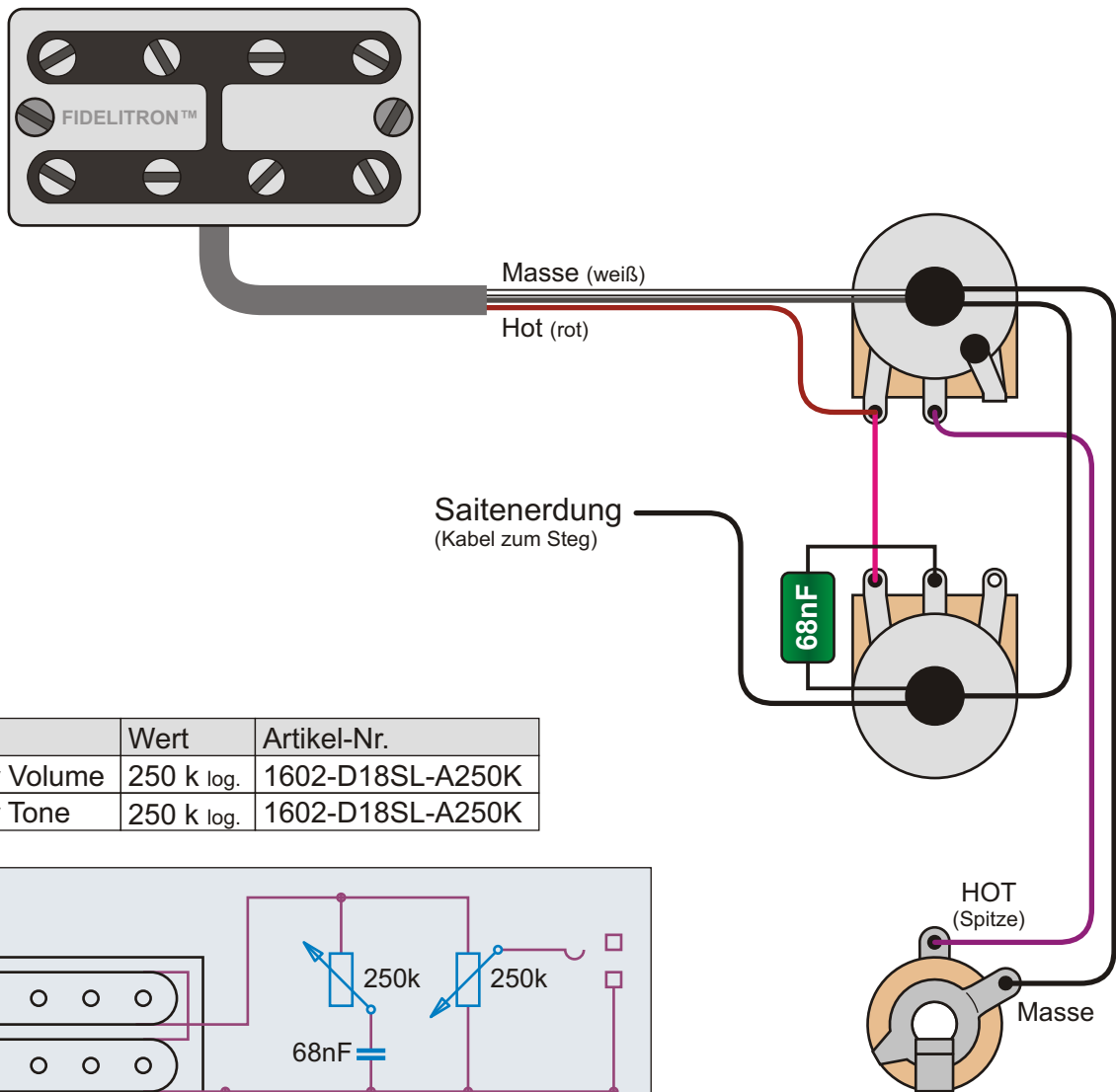


Beim Mike Dirnt Bass haben wir es mit der Schaltung zu tun, wie sie auch in einigen Fender Precision Bässen von 1954 zu finden ist. Allerdings wurde 1954 die "Masse-Seite" des Kondensators nicht an das Gehäuse des Tone Potis gelötet, sondern ging zum Volume Poti. Wert und Verdrahtung des Kondensators finden sich auch in anderen Squier Instrumenten.

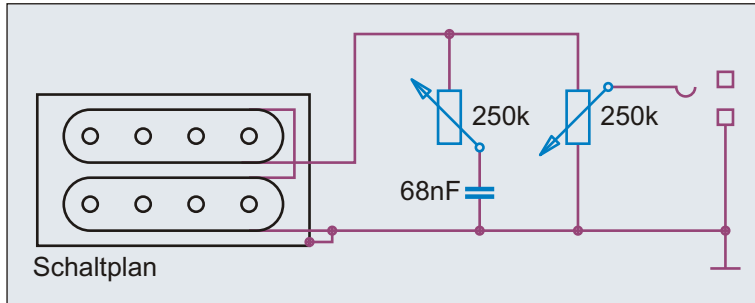
Der Squier Mike Dirnt Precision Bass

Der Mike Dirnt Bass gehört zu den "Squier Artist Modellen". Daher kann man hier nicht von historischer Korrektheit sprechen. Häuse mit Palisandergriffbrett hat es beim "Ur-Precision" nie gegeben. Hingegen wurden einige "Ur-Precisions" und auch Telecaster Bässe nachträglich von ihren Besitzern mit Split Coil P-Bass Pickups ausgestattet. Im Gegensatz zur Fender Variante des Mike Dirnt Basses hat das Squier Modell die einfachere, "normale" Precision Bass Blechwinkel-Brücke. Die Schaltungen der Dirnt Bässe sind leicht unterschiedlich.

Benennung	Squier® Mike Dirnt P-Bass®		Historische Bassschaltungen	Nummer 1.2.131
Bemerkungen / Besonderheiten	seit 2005		gezeichnet von Cadfael	gezeichnet am 02.09.17 Seite 71



Regler	Wert	Artikel-Nr.
Master Volume	250 k log.	1602-D18SL-A250K
Master Tone	250 k log.	1602-D18SL-A250K

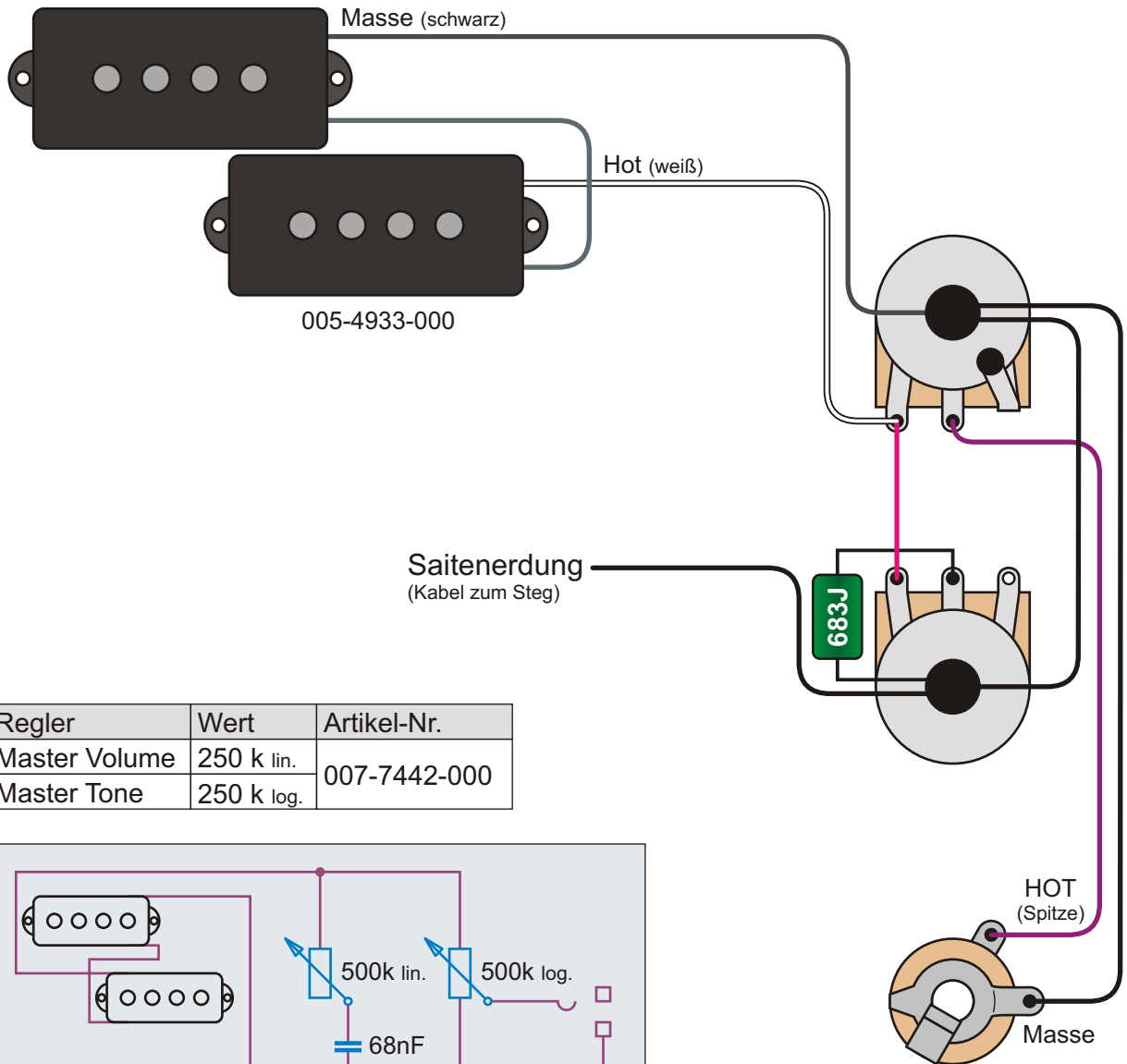


Im Squier VM Cabronita Precision Bass ist der gleiche Fender Fideli'Tron™ Bass Humbucker verbaut wie im Fender Mexican Cabronita (siehe 1.1.144). Squier setzt aber auf 250k statt 500k Potis und auf einen Kondensator mit mehr Kapazität. Das Tone Poti ist auch anders angeschlossen als beim Halbbruder aus Mexiko. Viele Wege führen nach Rom ...

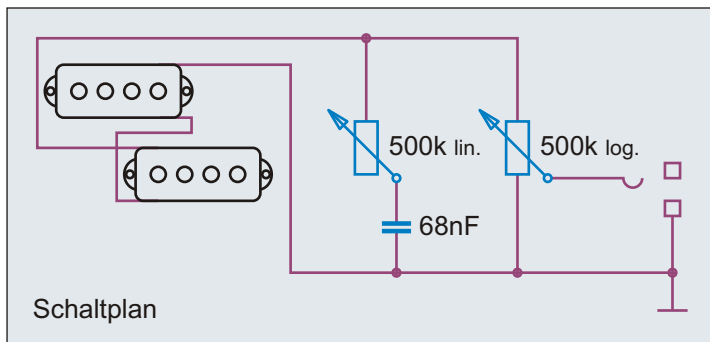
Der Squier Vintage Modified Cabronita Precision Bass von 2013

Basis des Cabronita Basses bildet, wie beim La Cabronita "Porrazo", ein 51er Precision Bass. Die Potis sind jedoch ohne Kontrollblech von hinten eingelassen und das Pickguard hat eine andere, wesentlich kleinere Form. Als Pickup dient ein Fender Fideli'Tron™ Bass Humbucker, die Brücke ist eine massive Squier VM Bridge mit vier Saitenreitern. Der Body des Squier VM Cabronita Basses ist sowohl auf Vorderseite als auch auf der Rückseite konturiert. Der einteilige Ahornhals mit Precision 51 Kopfplatte hat die Maße des "modernen" Precision Basses.

Benennung	Squier® VM Cabronita Precision Bass®	Historische Bassschaltungen	Nummer
Bemerkungen / Besonderheiten	Vintage Modified, Modell 2013	gezeichnet von	1.2.141
		Cadfael	gezeichnet am
			02.09.17
			Seite
			72



Regler	Wert	Artikel-Nr.
Master Volume	250 k lin.	007-7442-000
Master Tone	250 k log.	

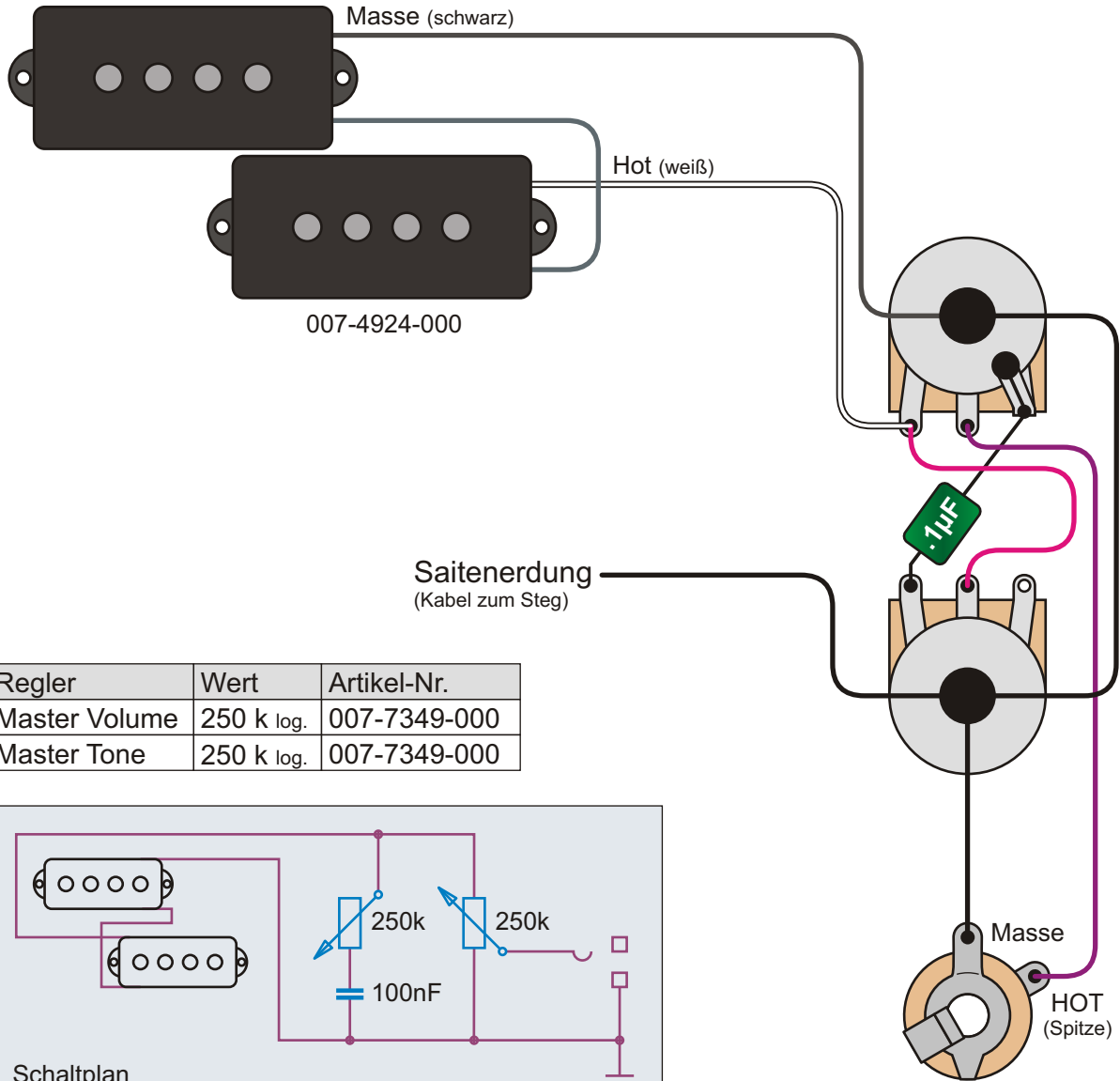


Beim Squier Affinity Series P-Bass werden für die HOT-Leitungen zwischen Klinkenbuchse und Potis ausschließlich abgeschirmte Kabel eingesetzt. Auch der Rest der Verkabelung ist eher "asiatisch modern", als originalgetreu. Diesen Anspruch erhebt der Affinity Bass aber auch nicht - und abgeschirmte Leitungen sind grundsätzlich natürlich positiv zu bewerten.

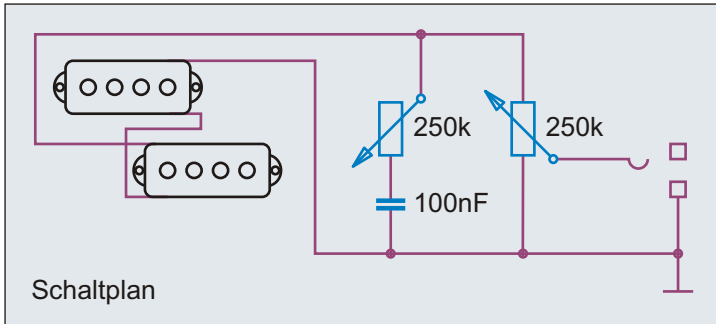
Der Squier Affinity Series Presicion / P-Bass

Obwohl dieser Schaltplan von 2008 ist, gibt es die Squier Affinity Einsteiger-Serie bereits bedeutend länger. Der Body der Affinity Modelle wird aus (asiatischer) Erle hergestellt, die Ahornhänse haben alle ein Palisandergriffbrett. Lange Zeit waren die Affinity Bässe an ihren kleineren Mechaniken mit Cover zu erkennen. Um 2011 herum erhielten die Modelle jedoch größere, offene Mechaniken, wodurch das Aussehen deutlich aufgewertet wurde.

Benennung	Squier® Affinity Series™ P-Bass®		Historische Bassschaltungen	Nummer
Bemerkungen / Besonderheiten	Modell 2008		gezeichnet von	gezeichnet am
			Cadfael	02.09.17
				Seite
				73



Regler	Wert	Artikel-Nr.
Master Volume	250 k log.	007-7349-000
Master Tone	250 k log.	007-7349-000



Wie beim Squier Classic Vibe 50's P-Bass gibt es auch beim Classic Vibe 60's P-Bass zwei unterschiedliche offizielle Schaltungspläne. Diese Schaltung ist vom April 2008 und orientiert sich stark an der Originalschaltung der frühen 1960er Jahre. Bei Precision Bässen aus dieser Zeit sind sowohl 50nF als auch 100nF Kondensatoren für das Tone Poti zu finden. Vermutlich wollte man Lagerhaltung und Kommissionierung vereinfachen und ging Mitte 2008 zur gleichen Schaltungen und zu gleichen Werten für beide Classic Vibe Precision Modelle über.

Der Squier Classic Vibe 60's P-Bass

Das Vorbild der Squier Classic Vibe 60's Precision Bässe sind Precisions der frühen 1960er Jahre. Bei der Hardware gibt es (wie auch beim 50's Precision) einige deutliche Unterschiede zum Original. Das betrifft auch die Holzsorte des Body's. Allerdings nennt sich die Serie (wohl mit Absicht) "Classic Vibe". Es geht also nicht um genaue Kopien der Originale, sondern darum, das Wesen der damaligen Bässe rüberzubringen.

Benennung **Squier® Classic Vibe 60's P-Bass®**

Historische Bassschaltungen

Nummer 1.2.161

Bemerkungen / Besonderheiten

April 2008

gezeichnet von

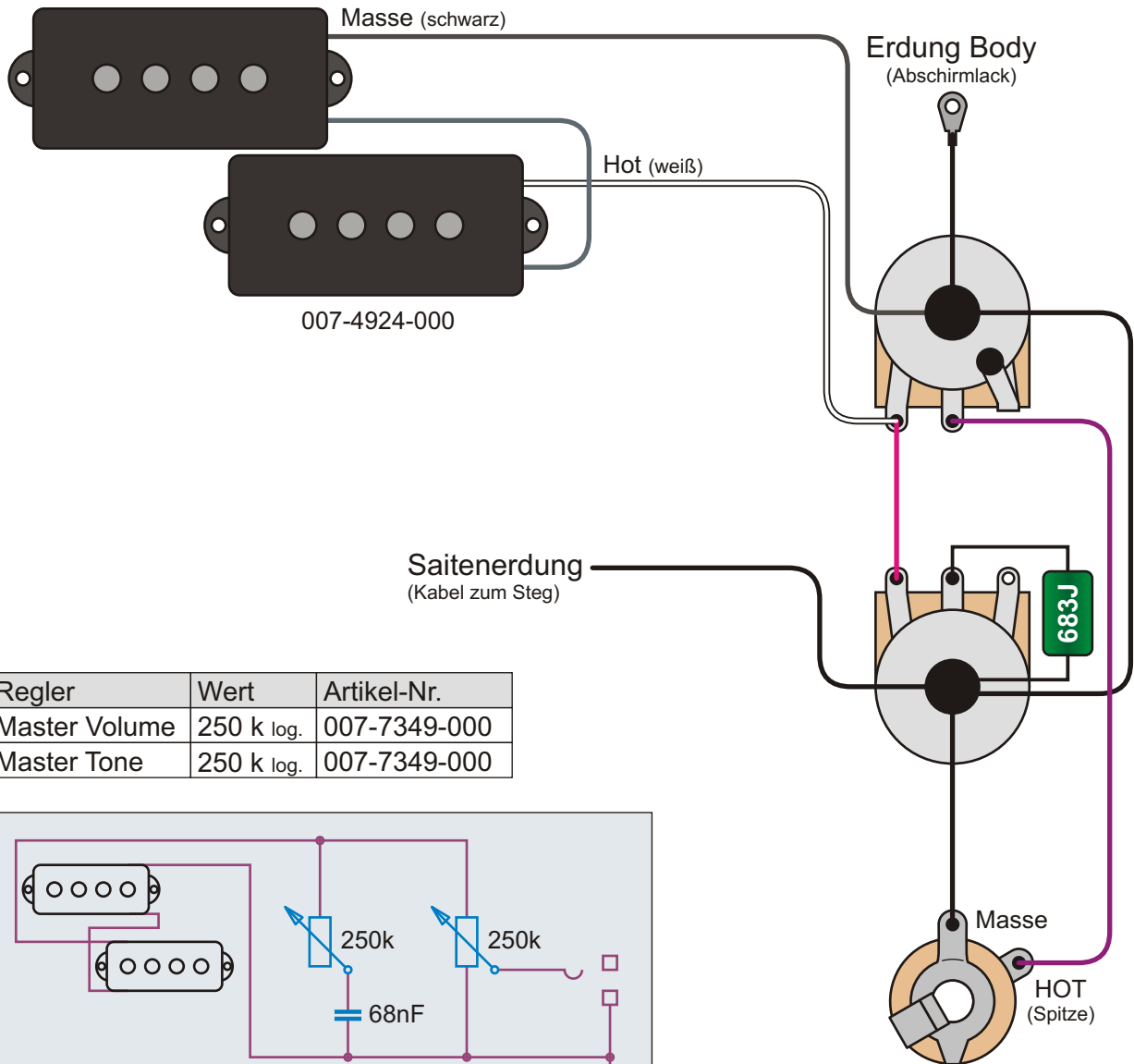
Cadfael

gezeichnet am

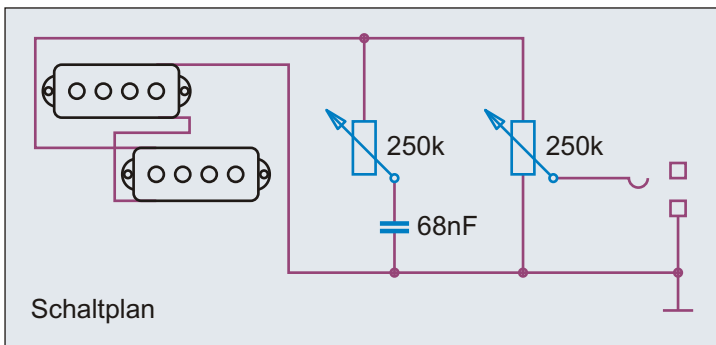
02.09.17

Seite

74



Regler	Wert	Artikel-Nr.
Master Volume	250 k log.	007-7349-000
Master Tone	250 k log.	007-7349-000

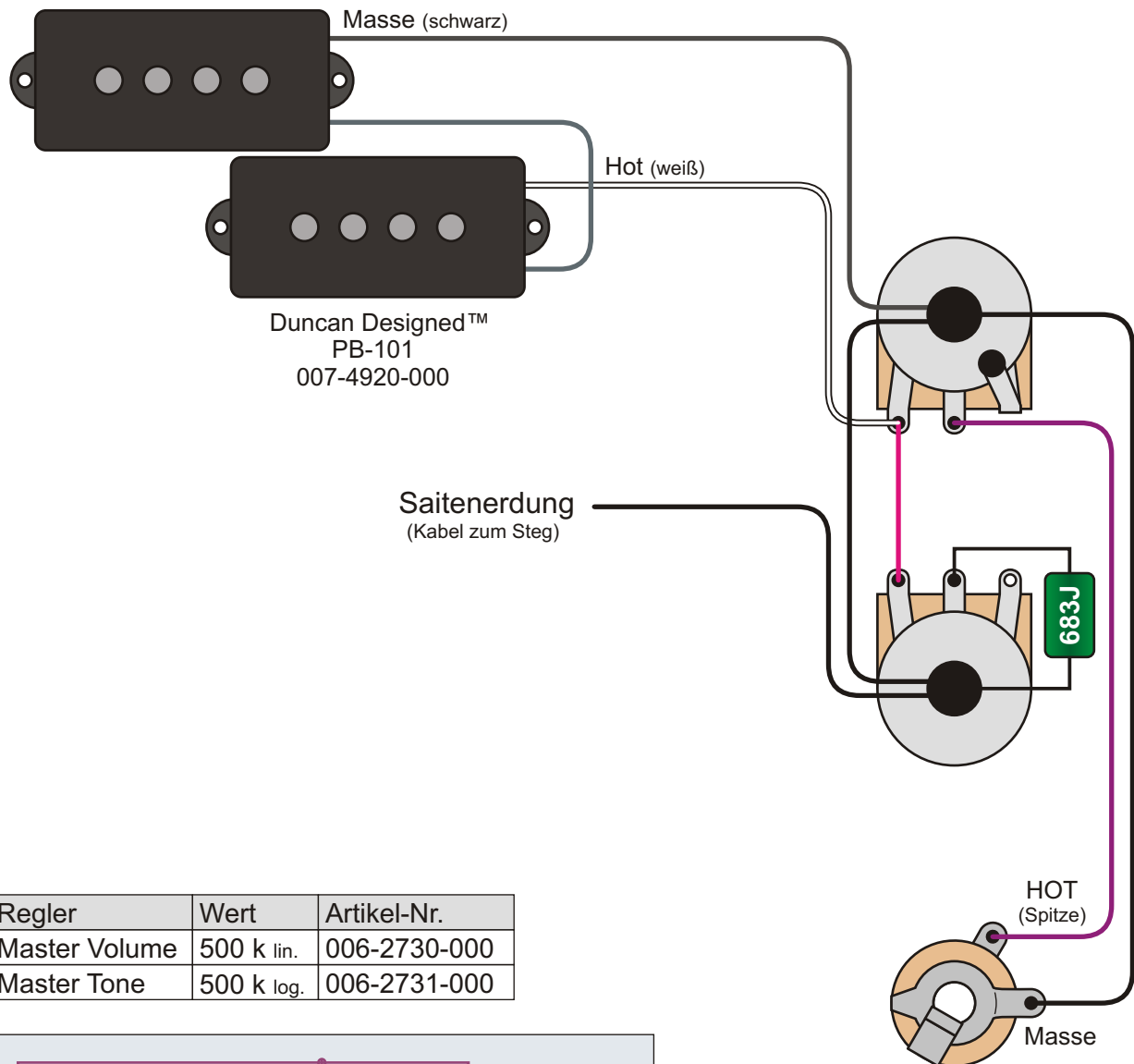


Die Verkabelung der Potis des 60's Precision Basses ist ab dem September 2008 (Beginn der Serienfertigung?) identisch mit der Verdrahtung des Squier CV 50's Precision Basses. Auch hier setzt man einen 68 nF Kondensator ein. Das Tone Poti ist "typisch asiatisch" verkabelt. Vermutlich entschied man sich bei Squier zur Vereinheitlichung, billigeren Lagerhaltung, einfacheren Kommissionierung und Fertigung zu dieser Schaltung.

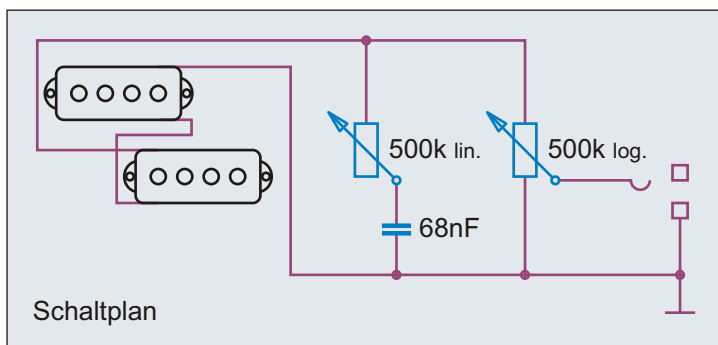
Der Squier Classic Vibe 60's P-Bass

Das Vorbild der Squier Classic Vibe 60's Precision Bässe sind Precisions der frühen 1960er Jahre. Bei der Hardware gibt es (wie auch beim 50's Precision) einige deutliche Unterschiede zum Original. Das betrifft auch die Holzsorte des Body's. Allerdings nennt sich die Serie (wohl mit Absicht) "Classic Vibe". Es geht also nicht um genaue Kopien der Originale, sondern darum, das Wesen der damaligen Bässe rüberzubringen.

Benennung	Squier® Classic Vibe 60's P-Bass®		Historische Bassschaltungen	Nummer
Bemerkungen / Besonderheiten	September 2008		gezeichnet von	gezeichnet am
			Cadfael	02.09.17
				Seite
				75



Regler	Wert	Artikel-Nr.
Master Volume	500 k lin.	006-2730-000
Master Tone	500 k log.	006-2731-000

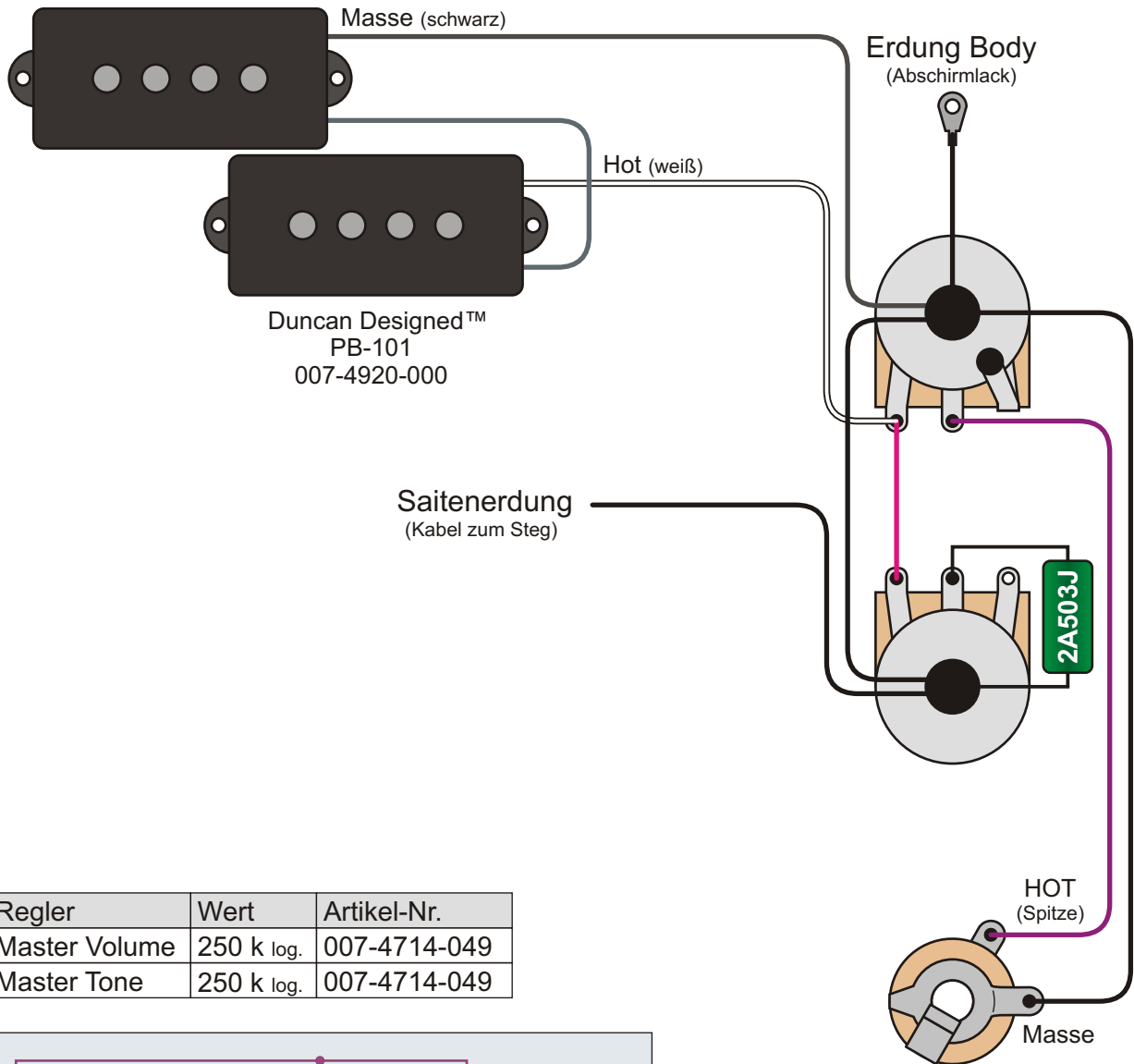


Die Verkabelung und die Werte der Bauteile des VM Precision Basses von 2006 sind identisch mit denen des Mike Dirnt Precision Basses.

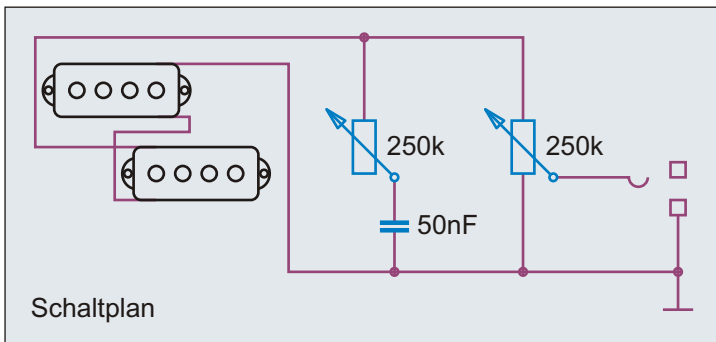
Der Squier Vintage Modified Precision Bass Rosewood Neck

Bereits 2006 brachte Squier den ersten Vintage Modified Precision Bässe in Olympic White mit Agathis Body und Rosewood Griffbrett heraus. Sein Aussehen orientiert sich an den Precision Bässen der späten 1970er Jahre. 2010 Folgte der VM Precision Bass MN mit einem Soft Maple Body und Ahornhals. Nicht nur das Aussehen ist unterschiedlich; auch die Elektronik unterscheidet sich - trotz gleichem Pickup - voneinander.

Benennung Squier® Vint. Mod. Precision Bass® RN	Historische Bassschaltungen		Nummer 1.2.171
	gezeichnet von Cadfael	gezeichnet am 02.09.17	Seite 76
Bemerkungen / Besonderheiten seit 2006			



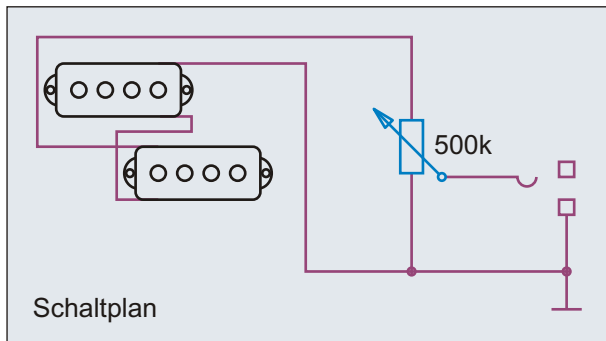
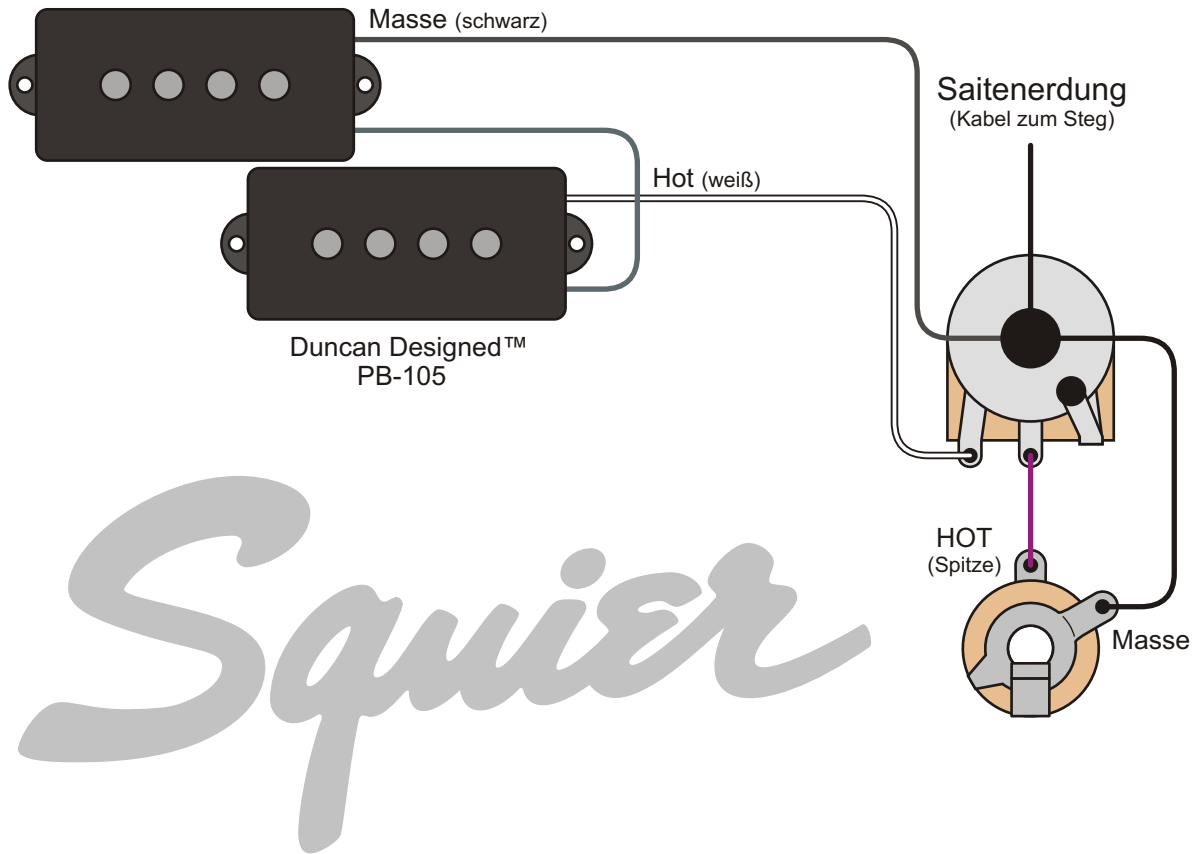
Regler	Wert	Artikel-Nr.
Master Volume	250 k log.	007-4714-049
Master Tone	250 k log.	007-4714-049



Die Verkabelung der Potis des VM Precision Basses ist identisch mit der Verdrahtung des CV 50's und 60's Precision Bass. Es wird jedoch ein 50 nF Kondensator eingesetzt.

Der Squier Vintage Modified Precision Bass Maple Neck
 Bereits 2006 brachte Squier den ersten Vintage Modified Precision Bässe in Olympic White mit Agathis Body und Rosewood Griffbrett heraus. Sein Aussehen orientiert sich an den Precisions Bässen der späten 1970er Jahre. 2010 Folgte der VM Precision Bass MN mit einem Soft Maple Body und Ahornhals. Nicht nur das Aussehen ist unterschiedlich; auch die Elektronik unterscheidet sich - trotz gleichem Pickup - voneinander.

Benennung	Squier® Vint. Mod. Precision Bass® MN		Historische Bassschaltungen	Nummer
				1.2.175
Bemerkungen / Besonderheiten	seit 2010		gezeichnet von	gezeichnet am
			Cadfael	02.09.17
			Seite	77



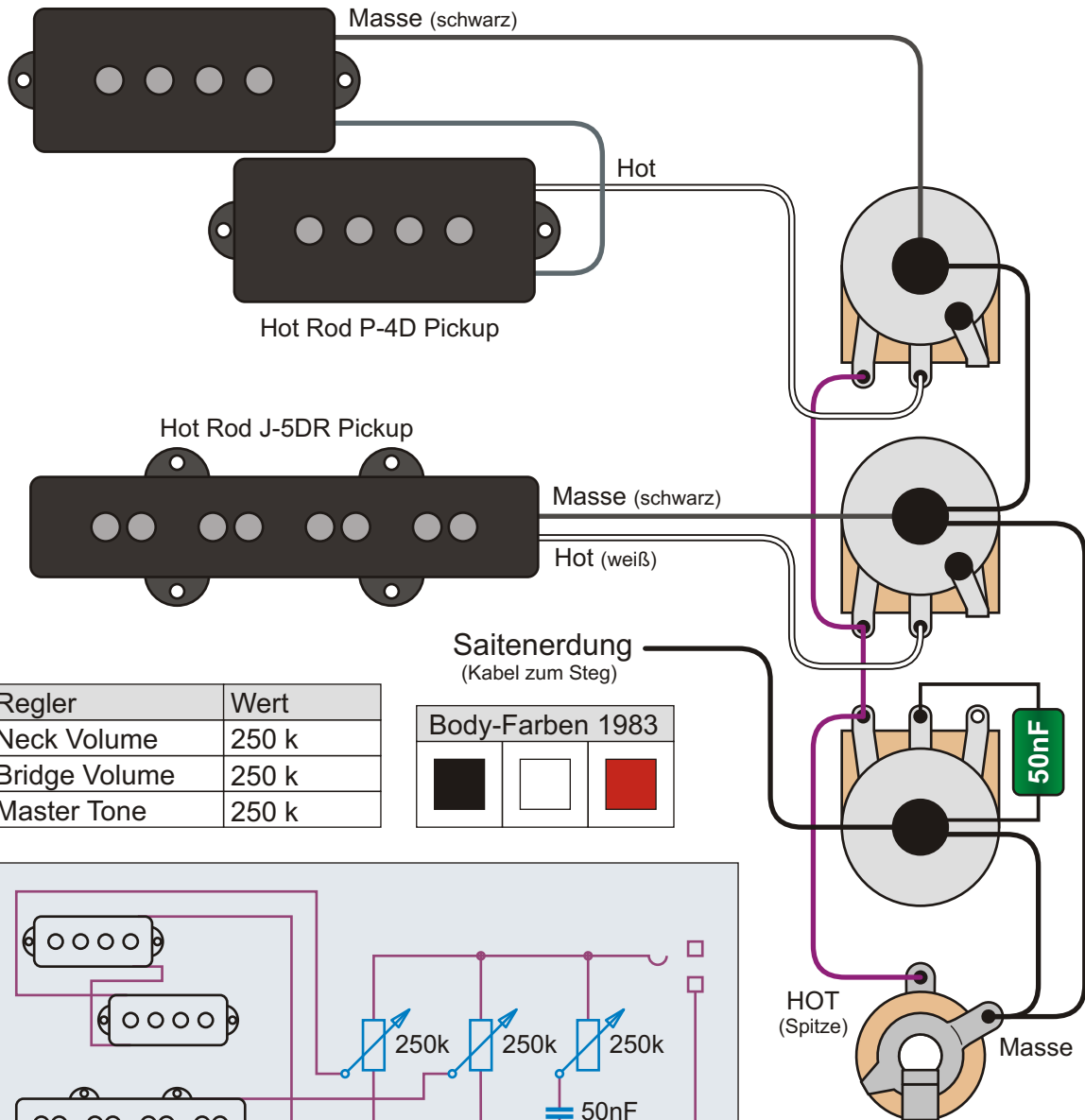
Regler	Wert
Master Volume	500 k log.

Minimalistischer geht es kaum. Lediglich ein Split Coil Pickup, ein Volume Poti, Saitenerdung sowie eine Klinkenbuchse. Beim Pete Wentz P-Bass hat das Volume Poti nicht die üblichen 250 k Ohm, sondern 500 k Ohm. Der Pickup kommt aus dem Hause Seymour Duncan.

Der Squier Pete Wentz P-Bass

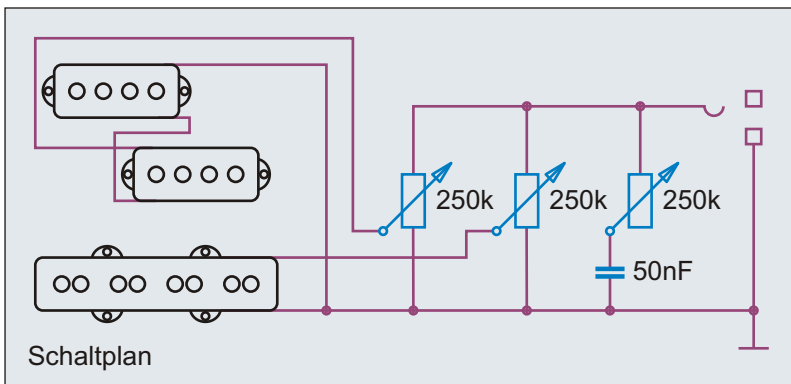
Die meisten Squier Artist Models haben ein teureres Pendant bei Fender. Der Pete Wentz P-Bass hingegen wird ausschließlich bei Squier angeboten. Besonderheit am Pete Wentz Bass sind neben dem aufgeleimten Ahorngriffbrett ein Fledermauslogo (mit Herz) auf Body und als Inlay (mit Diamant) am zwölften Bund. Falls die Angabe stimmt, hat er keinen Precision Bass Hals (41,3 mm am Sattel), sondern einen Jazz Bass Hals mit 38 mm Sattelbreite.

Benennung Squier® Pete Wentz P-Bass®	Historische Bassschaltungen		Nummer 1.2.181
	gezeichnet von Cadfael	gezeichnet am 02.09.17	Seite 78
Bemerkungen / Besonderheiten seit 2007			



Regler	Wert
Neck Volume	250 k
Bridge Volume	250 k
Master Tone	250 k

Body-Farben 1983		

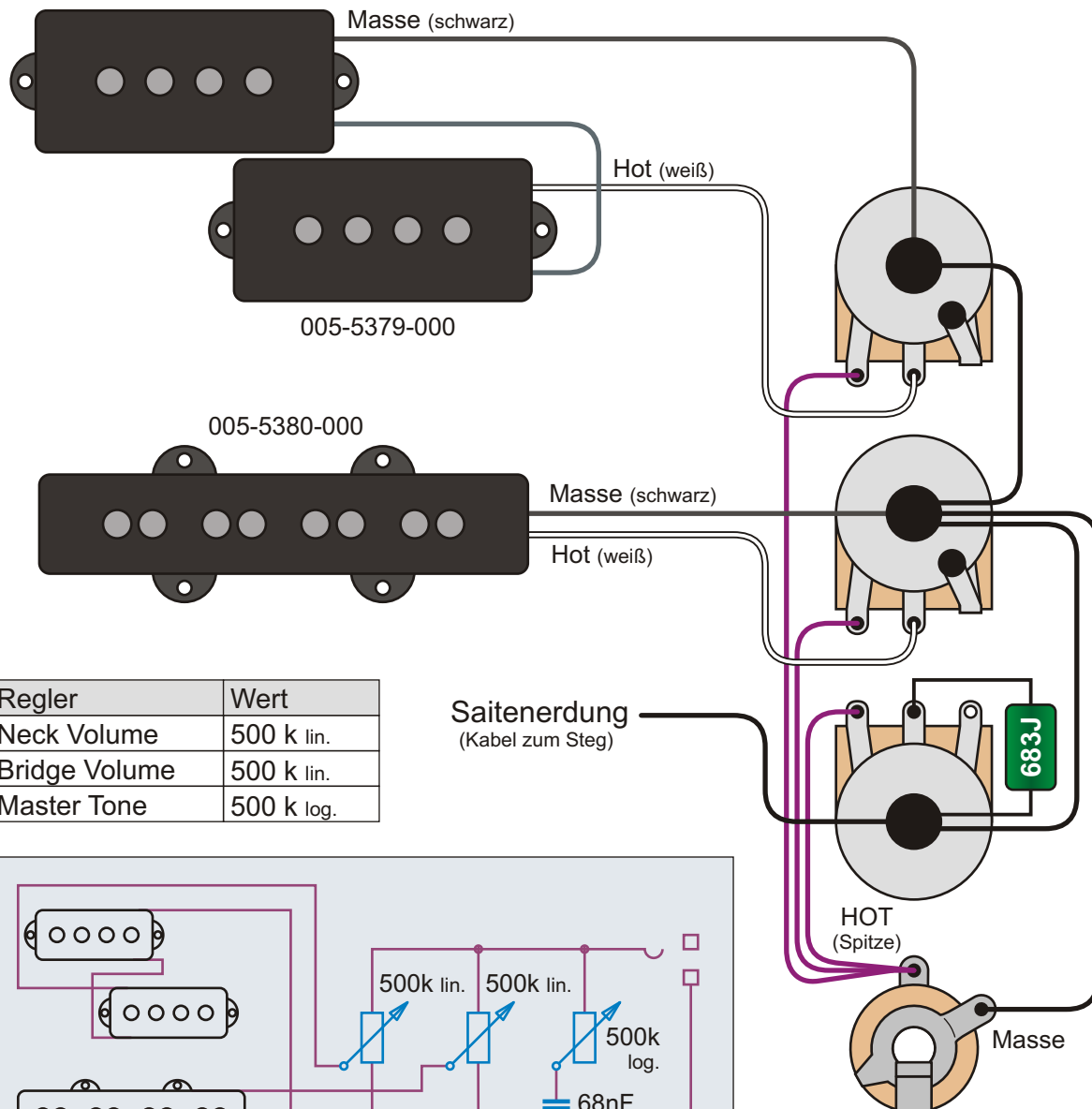


Die Squier Hot Rod P-4D und J-5DR Pickups aus japanischer Fertigung finden sich auch ein Jahr später in den Fender Boxer PJ Bässen (ebenfalls in Japan gefertigt) wieder. Die Fender PJ Bässe hatten jedoch nicht die "Standardschaltung" des Squier PJ555.

Der Squier Contemporary PJ555 Bass von 1983

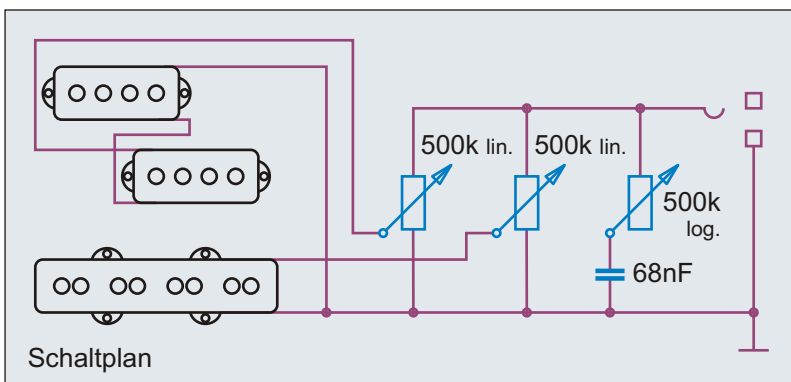
Unter dem Squier Label ließ Fender 1983 in Japan den PJ555 Bass (Contemporary Serie) fertigen; eigentlich nur für den japanischen Markt gedacht. Wie in dieser Zeit modern, hatte dieser PJ Bass kein Pickguard und die Kopfplatte war in Farbe des Basses lackiert. Nur ein Jahr später brachte man unter dem Fender (Boxer) Label den sehr ähnlich aussehenden PJ-555 Bass heraus. Er hatte jedoch einen Wahlschalter, Master Volume und eine TBX-Control.

Benennung Squier® Contemporary PJ555 Bass®	Historische Bassschaltungen		Nummer 1.2.201
	gezeichnet von Cadfael	gezeichnet am 02.09.17	Seite 79
Bemerkungen / Besonderheiten Made in Japan, 1983			



Regler	Wert
Neck Volume	500 k lin.
Bridge Volume	500 k lin.
Master Tone	500 k log.

Saitenerdung
(Kabel zum Steg)



Bei den Bässen der Squier Standard Serie werden als Tone-Regler logarithmische Potis eingesetzt - wie es normal ist. Als Volume Regler hingegen werden lineare Potis verbaut. Das Elektrikfach ist mit Abschirmlack zur Minimierung der Brummeinstreuung ausgepinselt.

Der Squier Standard P-Bass Special

Der Squier Standard P-Bass Special ist einer der wenigen PJ-Bässe aus dem Hause Fender. Zudem war er wohl der einzige PJ-Bass, der 10 Jahre fest im Programm verblieb. Sein Hals hat die dünne Form eines Jazz Bass Halses. Leider beträgt die Breite des Jazz Bass Bridge Pickups nur 92 mm, was eigentlich einem Jazz Bass Steg Pickups entspricht. Will man den Pickup austauschen, muss man also vermutlich zu einem Neck Pickup greifen.

Benennung **Squier® Standard P-Bass® Special**

Historische
Bassschaltungen

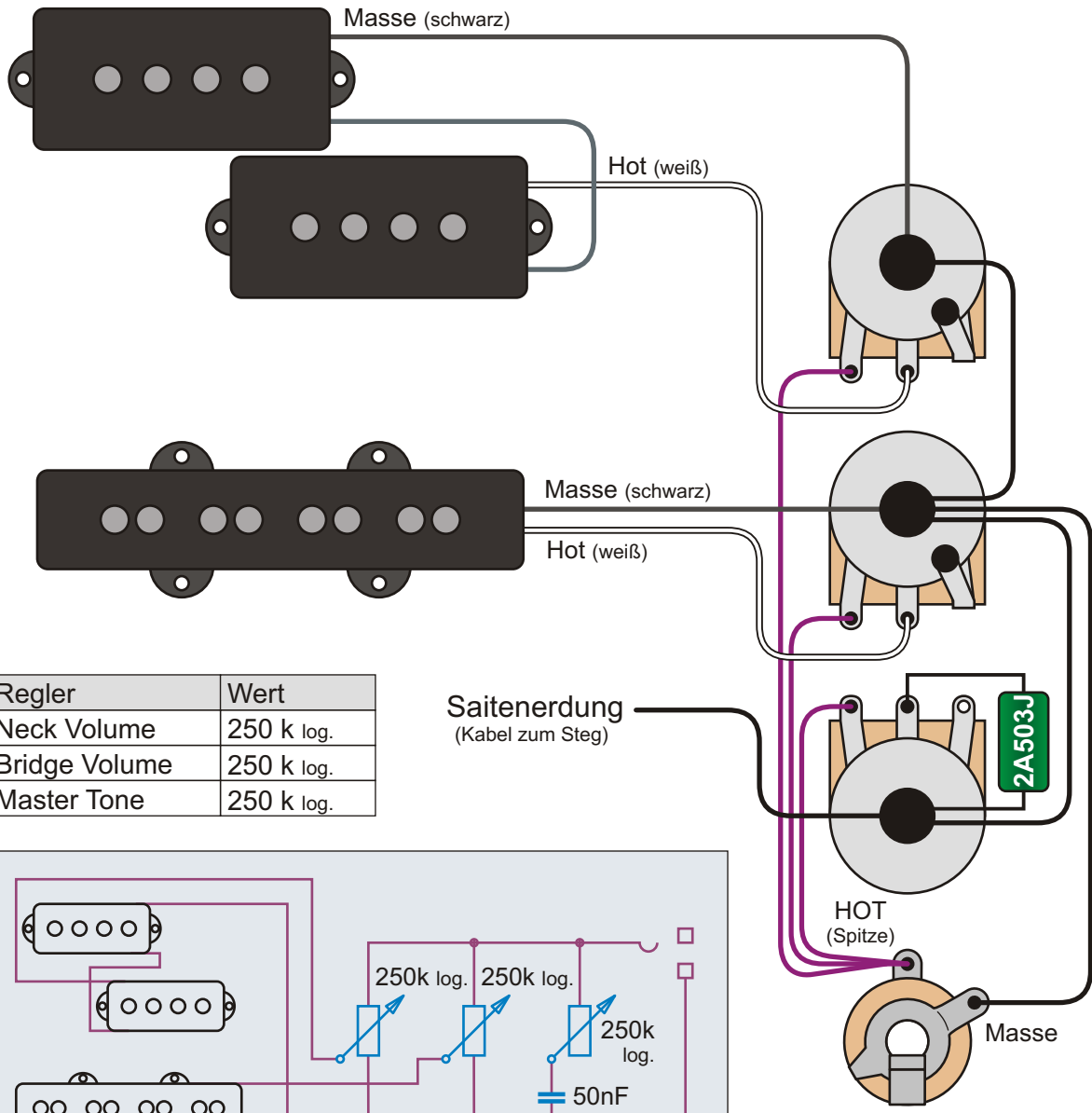
Nummer
1.2.211

Bemerkungen / Besonderheiten
seit 1999

gezeichnet von
Cadfael

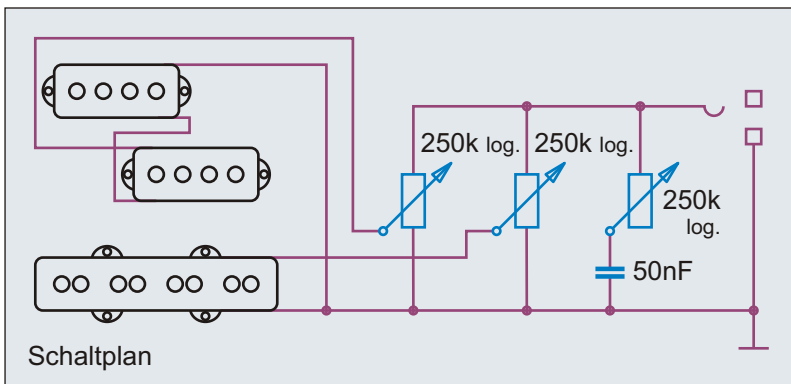
gezeichnet am
02.09.17

Seite
80



Regler	Wert
Neck Volume	250 k log.
Bridge Volume	250 k log.
Master Tone	250 k log.

Saitenerdung
(Kabel zum Steg)

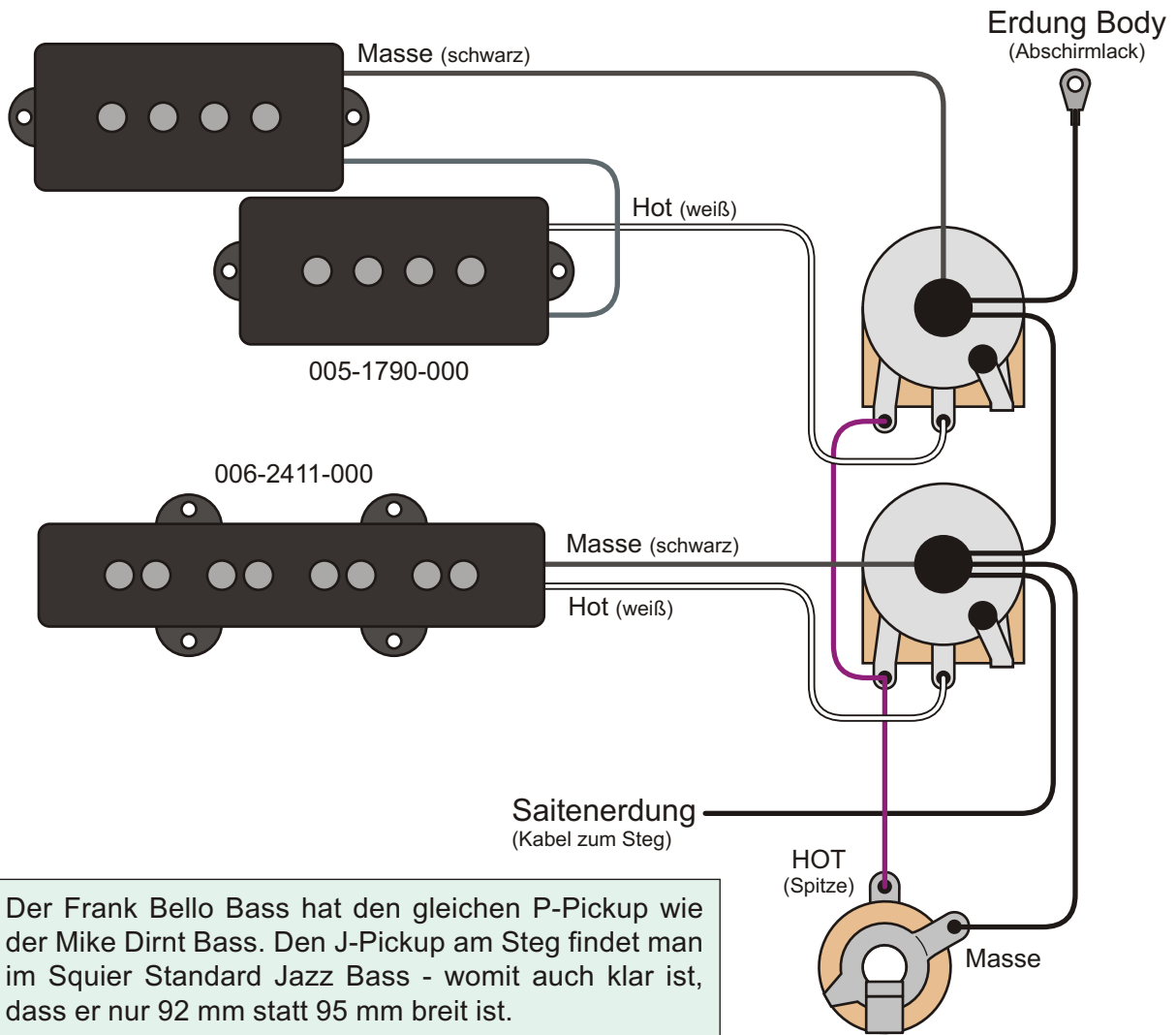


Alexander M. schickte mir Daten bezüglich der Verkabelung seines Squier Affinity P-Bass PJ von 2018. Die Werte von Potis und Kondensator entsprechen hier dem Fender Original. Der J-Pickup am Steg hat jedoch eine Baubreite von nur 92,5 mm - und nicht 95 mm.

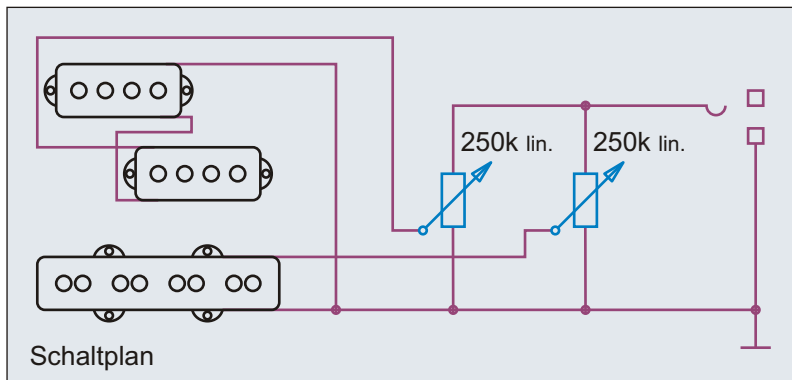
Der Squier Affinity Series Precision Bass PJ 2013

Nach der Einstellung des Squier Standard P-Bass Special gab es im Preissegmente bis 250 Euro lange nur noch den Affinity Bass mit einem Precision Bass Pickup in der Mittelposition. Zur Musikmesse 2013 brachte Squier zusätzlich zum normalen Affinity Precision Bass den neuen Affinity Precision Bass PJ heraus, der die Lücke des eingestellten P-Bass Standard Special schließt. Er hat offene Mechaniken und ist nur wenig teurer als der normale P-Bass.

Benennung	Squier® Affinity Series™ P-Bass® PJ		Historische Bassschaltungen	Nummer
				1.2.231
Bemerkungen / Besonderheiten	seit 2013 (Verkabelung 2018)		gezeichnet von	gezeichnet am
			Cadfael	02.10.18
			Seite	81



Der Frank Bello Bass hat den gleichen P-Pickup wie der Mike Dirnt Bass. Den J-Pickup am Steg findet man im Squier Standard Jazz Bass - womit auch klar ist, dass er nur 92 mm statt 95 mm breit ist.



Der Squier Frank Bello Jazz Bass

Der Frank Bello Jazz Bass gehört zur "Artist Series" von Squier. Er ist einer der wenigen Jazz Bässe im Programm von Fender/Squier mit PJ Pickup-Bestückung. Besonderheit des Frank Bello Basses sind das Bild eines Totenkopfes auf dem Body, sowie ein ähnliches Inlay am 12. Bund.

Regler	Wert
Neck Volume	250 k lin.
Bridge Volume	250 k lin.

Der Frank Bello Bass hat keinen Tone Regler, sondern lediglich zwei Volume Regler; einen pro Pickup. Die linearen Regler lassen vermuten, dass der Bass im gleichen Werk wie die Standard Bässe von Squier gebaut wird. Die Potis sind bei der Squier Variante des Frank Bello Basses anders verdrahtet, als bei der Fender Version.

Benennung **Squier® Frank Bello Jazz Bass®**

Historische
Bassschaltungen

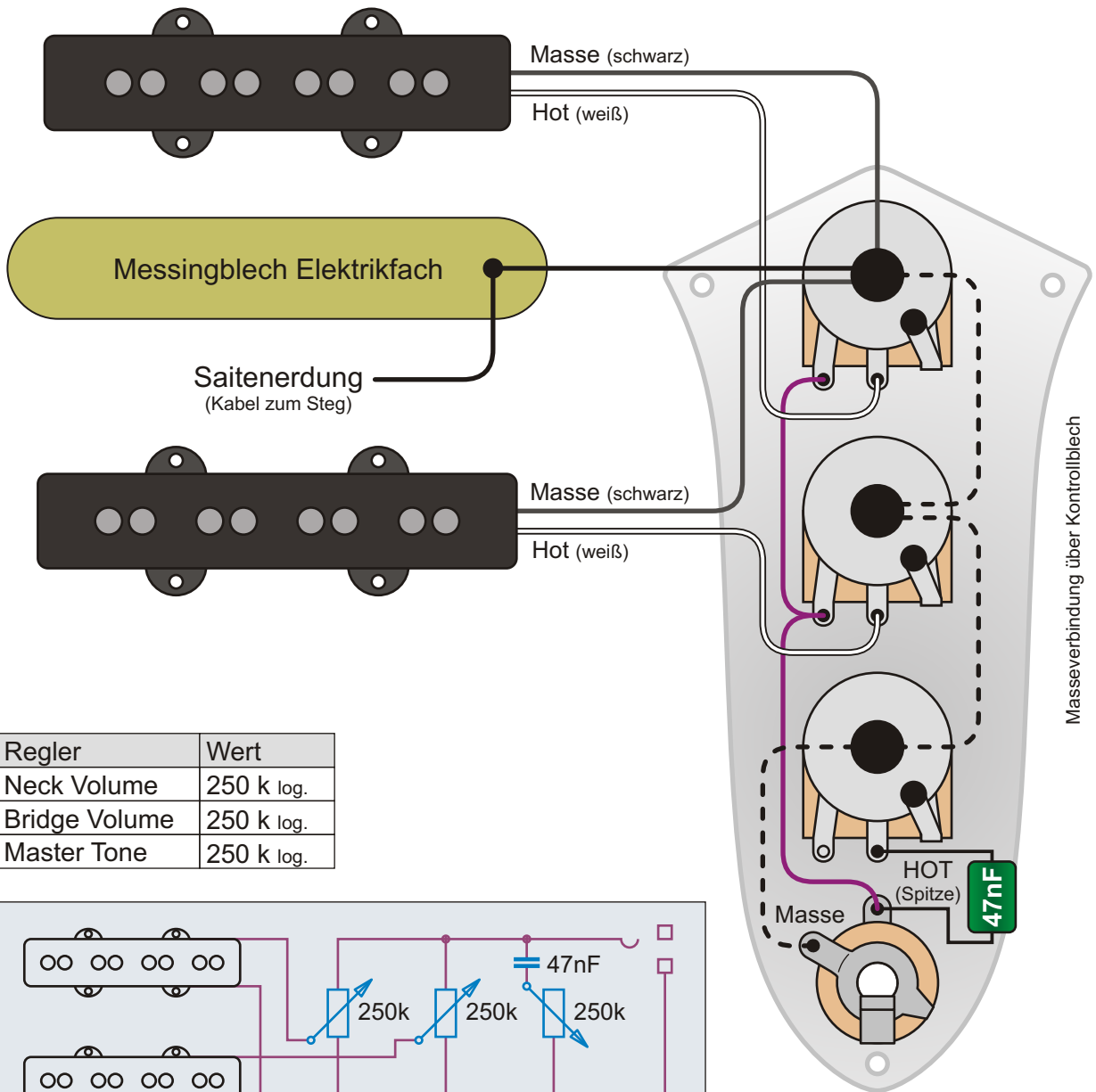
Nummer
1.2.271

Bemerkungen / Besonderheiten
seit 2007

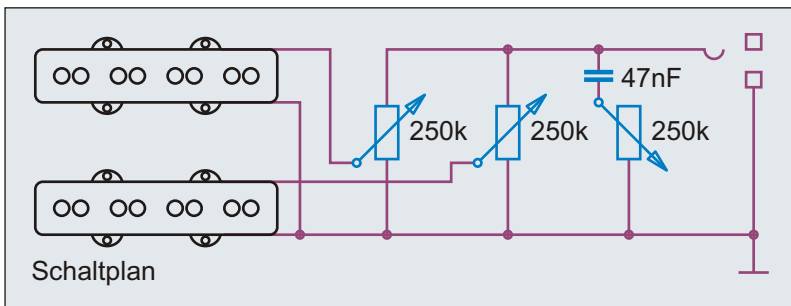
gezeichnet von
Cadfael

gezeichnet am
02.09.17

Seite
82



Regler	Wert
Neck Volume	250 k log.
Bridge Volume	250 k log.
Master Tone	250 k log.

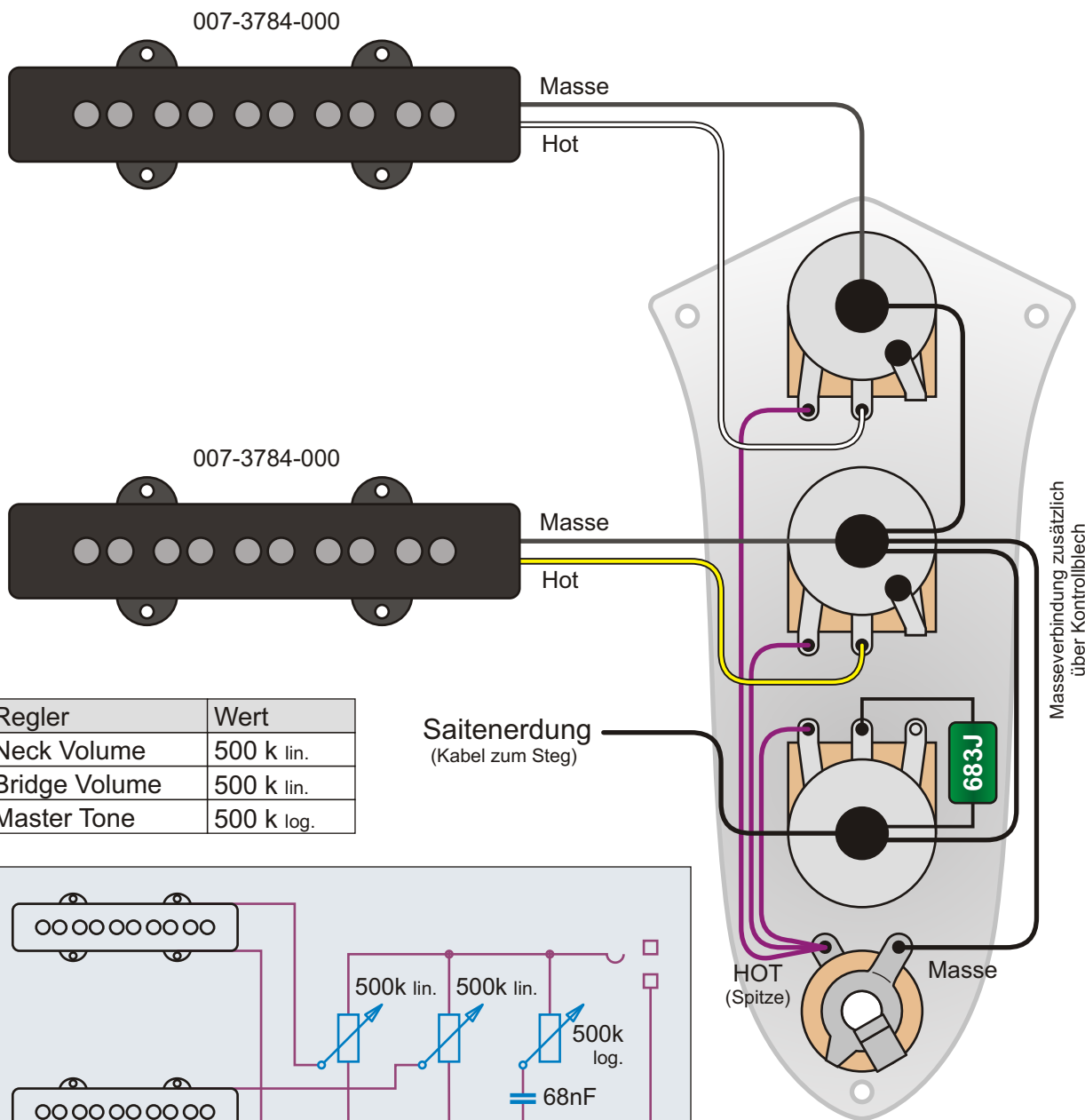


Auffallend ist, dass die Verkabelung des Tone Potis fast identisch mit der Verkabelung von Maya und Ibanez Instrumenten der 70er Jahre ist. Das könnte auf den Hersteller hindeuten. Die Masseverbindung zwischen Klinkenbuchse und Potis geschah nur über das verchromte Kontrollblech. Im E-Fach war, wie beim Original, eine mit Masse verbundene Messinplatte.

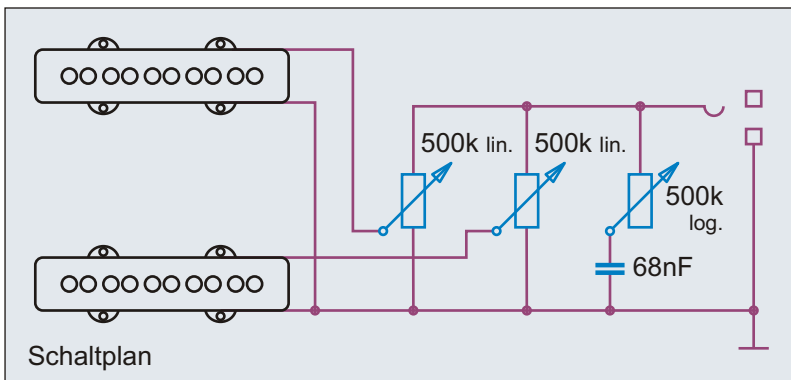
Der Squier JB-355 Jazz Bass Japan 1985

Mitte der 1980er Jahre erweiterte Fender sein Programm um die Marke "Squier by Fender". Den Namen Squier hatte Fender schon vor langer Zeit gekauft. Squier war einst ein Saitenhersteller, der die Saiten für Fender herstellte. Die Squier Bässe waren mit 45.000 Yen ca. 30% bis 50% billiger als die Fender Instrumente jener Zeit. Sie wurden in Japan gefertigt.

Benennung Squier JB-355 Jazz Bass® Japan	Historische Bassschaltungen		Nummer 1.2.302
	Bemerkungen / Besonderheiten ca. 1985	gezeichnet von Cadfael	gezeichnet am 02.09.17
		Seite 83	



Regler	Wert
Neck Volume	500 k lin.
Bridge Volume	500 k lin.
Master Tone	500 k log.



Die genaue Breite der beiden Jazz Bass Pickups ist derzeit nicht bekannt. Es dürfte sich aber zumindest bei Modellen aus 2008 (wie bei der Standard Serie) um Pickups mit gleicher Breite handeln. Das tut der Qualität der Pickups und des Sounds allerdings keinen Abbruch.

Der Squier Affinity Series Jazz Bass V

Durch die fünf kleinen Die-Cast Mechaniken sind alle Mechaniken des Affinity Jazz Bass V an der Oberseite des Basses angebracht, was ihm ein sehr harmonisches Aussehen verleiht. Der Body ist wie bei allen Affinity Modellen aus asiatischer Erle gefertigt. Am Sattel hat der Ahornhals mit Rosewoodgriffbrett trotz seiner fünf Saiten eine Breite von nur 47,6 mm. In seinem Preisbereich gehört der Affinity V wohl zu den besten Fünfsaitern am Markt.

Benennung **Squier® Affinity Series™ J-Bass® V**

Historische
Bassschaltungen

Nummer
1.2.305

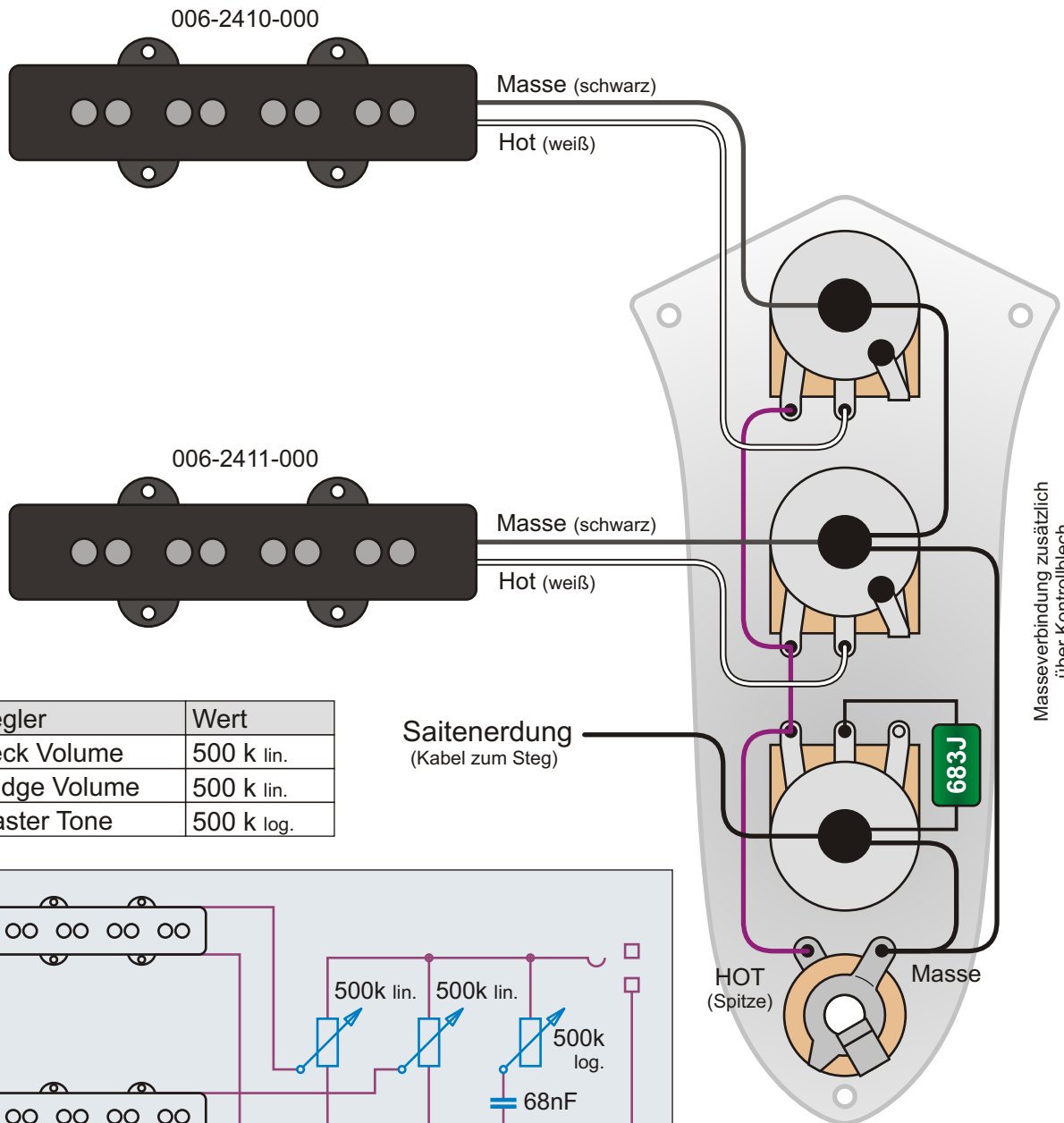
Bemerkungen / Besonderheiten

Modell 2008

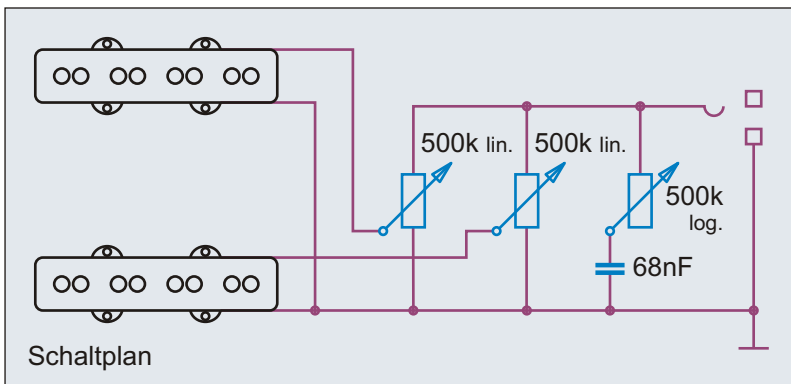
gezeichnet von
Cadfael

gezeichnet am
02.09.17

Seite
84



Regler	Wert
Neck Volume	500 k lin.
Bridge Volume	500 k lin.
Master Tone	500 k log.

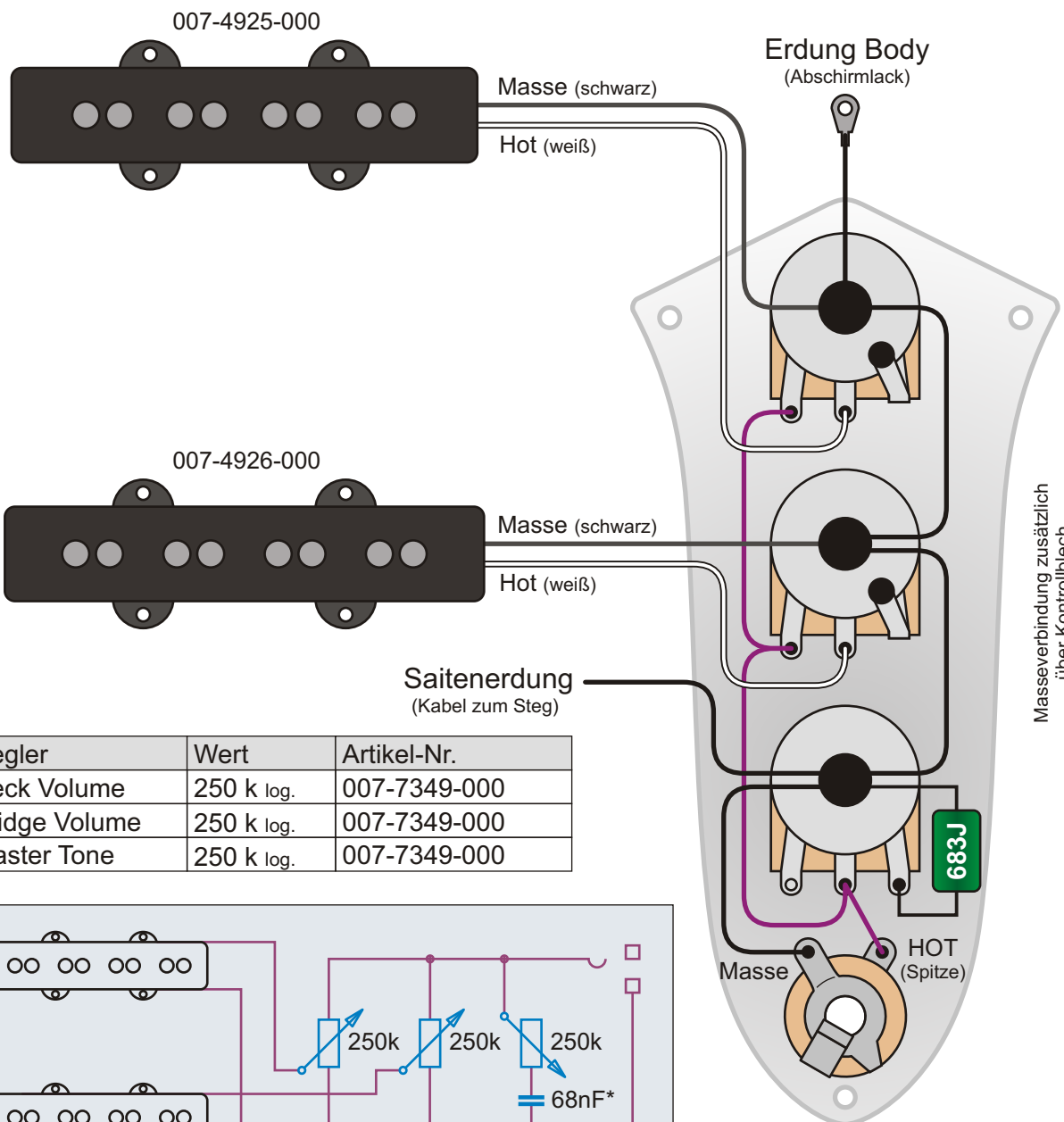


Bei den Bässen der Squier Standard Serie werden als Tone Regler logarithmische Potis eingesetzt - wie es normal ist. Als Volume Regler hingegen werden lineare Potis verbaut. Das Elektrikfach ist mit Abschirmlack zur Minimierung der Brummeinstreuung ausgepinselt.

Der Squier Standard Jazz Bass

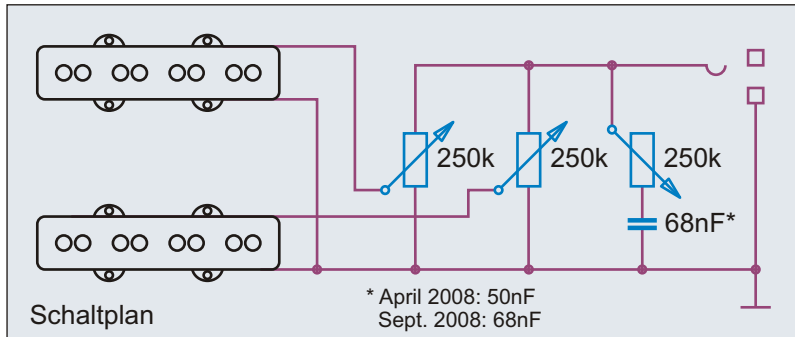
Der Squier Standard Jazz Bass wurde erst zwei Jahre nach dem Standard P-Bass Special in das Programm von Squier aufgenommen. Auch wenn manches in der Elektrik auf "Fern-Ost-Standards" vereinheitlicht wurde, hält er sich doch ziemlich genau an sein historisches Vorbild. Leider beträgt die Breite beider Jazz Bass Pickups 92 mm. Dabei müsste sie am Hals 92 und am Steg 95 mm betragen. Dadurch wird ein Austausch der Pickups sehr erschwert.

Benennung	Squier® Standard Jazz Bass®		Historische Bassschaltungen	Nummer
Bemerkungen / Besonderheiten	seit 2001		gezeichnet von	gezeichnet am
			Cadfael	02.09.17
				Seite
				85



Masseverbindung zusätzlich über Kontrollblech

Regler	Wert	Artikel-Nr.
Neck Volume	250 k log.	007-7349-000
Bridge Volume	250 k log.	007-7349-000
Master Tone	250 k log.	007-7349-000

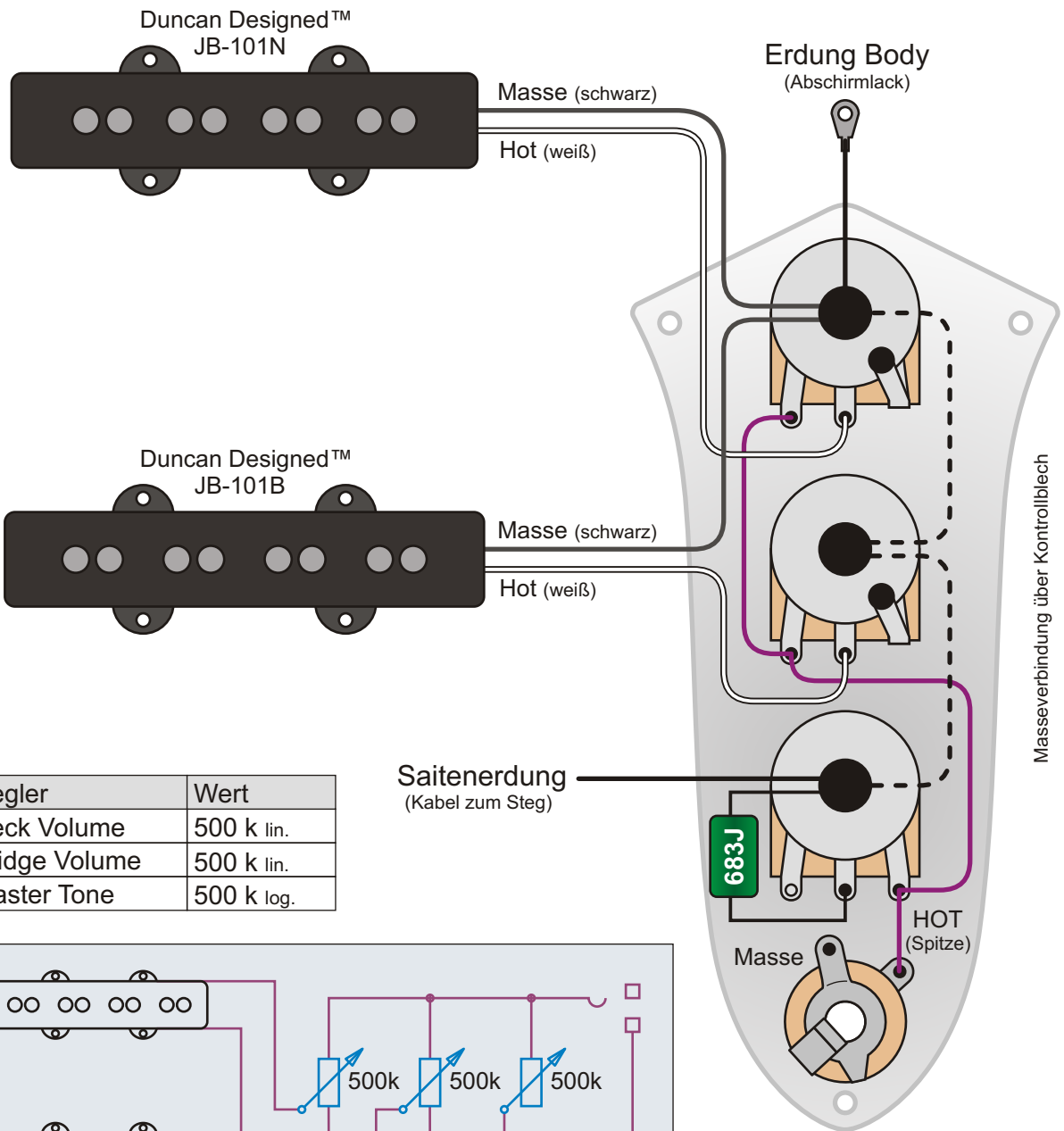


Wo die Pickups für den Classic Vibe Jazz Bass produziert werden ist nicht bekannt. Es sind aber nicht die gleichen Pickups wie im Standard Jazz Bass. Für alle drei Regler werden 250k log. Potis mit identischer Teilenummer verwendet. Wie bei den CV Precision Modellen hat man auch hier ab dem September 2008 einen Kondensator mit 68 nF gewählt.

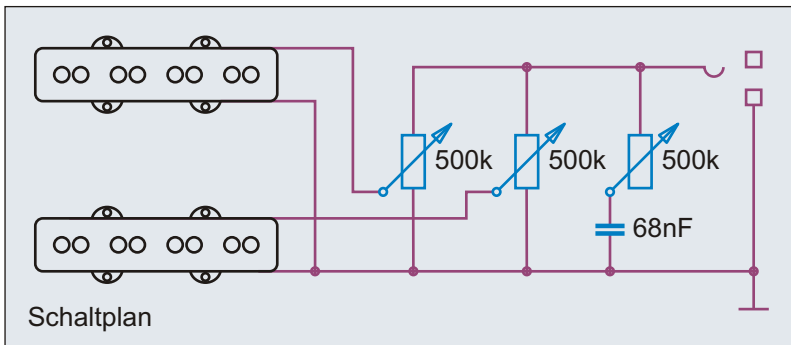
Der Squier Classic Vibe 60's Jazz Bass
 Der Squier Classic Vibe Jazz Bass unterscheidet sich in vielen Details sowohl vom Standard, wie auch dem Vintage Modified Jazz Bass. Das betrifft die Holzsorten, die Lackierung des Halses, die Brücke, aber auch die Elektrik. Er hat den wohl kraftvollsten und rundesten Ton der drei Varianten, klingt dabei aber nicht muffig - und immer nach Jazz Bass.

Benennung Squier® Classic Vibe 60's J-Bass®	Historische Bassschaltungen		Nummer 1.2.321
	gezeichnet von Cadfael	gezeichnet am 02.09.17	Seite 86
Bemerkungen / Besonderheiten seit 2008			

Idee, Recherche, Autor, Zeichnungen, Grafiken, Diagramme, Layout und Design: Andreas "Cadfael" Kühn - Nutzung ausschließlich zu privaten, nicht kommerziellen Zwecken und auf eigene Gefahr! Alle Angaben ohne Gewähr, Irrtümer vorbehalten!



Regler	Wert
Neck Volume	500 k lin.
Bridge Volume	500 k lin.
Master Tone	500 k log.

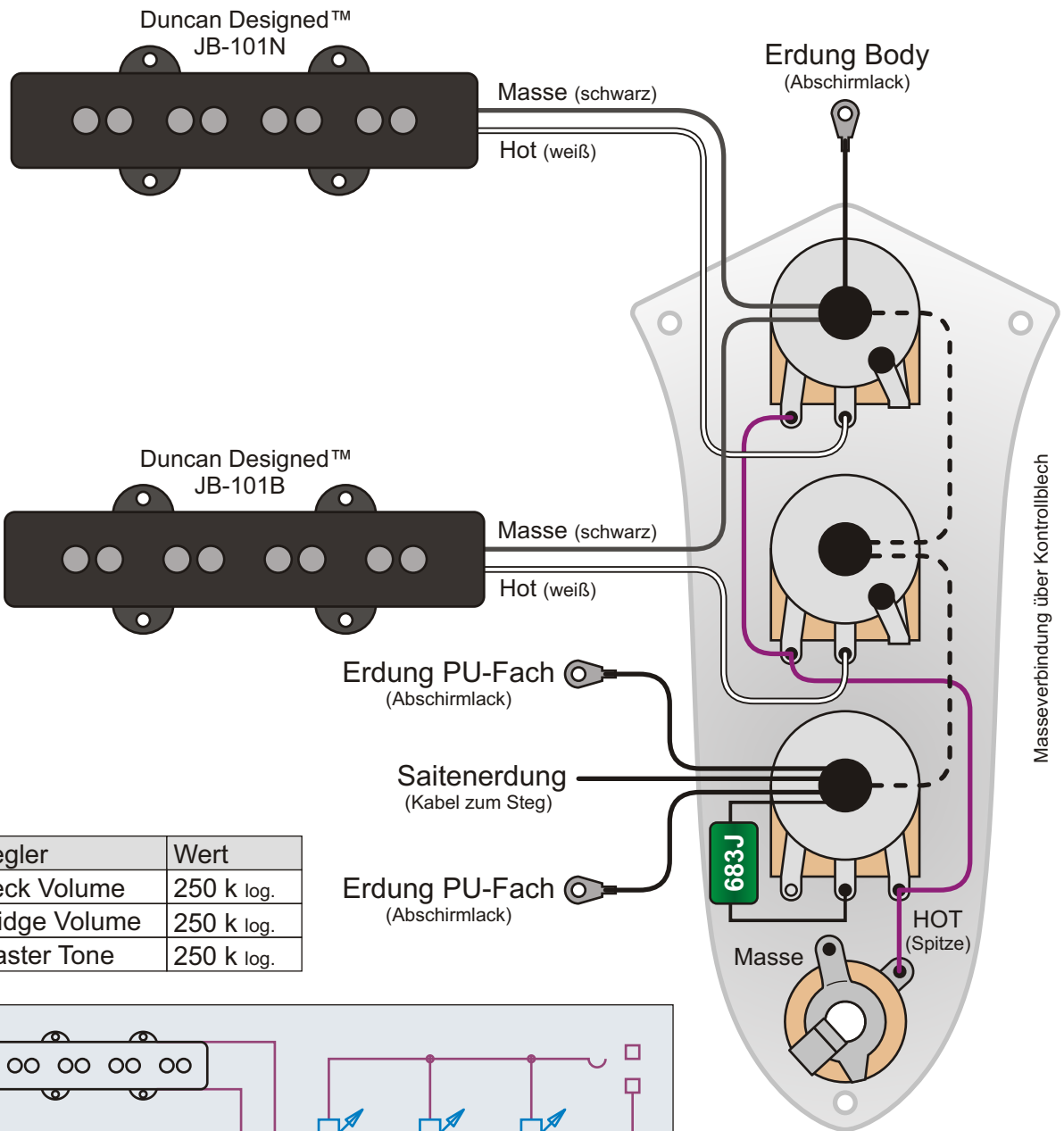


Der VM Jazz Bass hat zwei Duncan Desidnes JB-101 Pickups mit AlNiCo 5 Magneten an Bord. Die Elektronik des Squier VM Jazz Bass ähnelt nur rudimentär seinem berühmten Vorbild. So stimmen weder Kondensator- noch Potentiometerwerte mit dem Original überein.

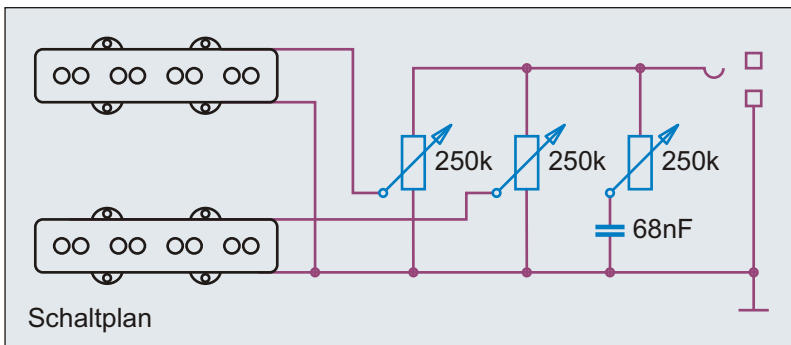
Der Squier Vintage Modified Jazz Bass

Vorbild dieses Basses sind die Fender Jazz Bässe von Mitte der 1970er Jahre. Statt eines Esche Bodys haben die VM Jazz Bässe jedoch einen Body aus "Soft Maple" (Ahorn). Der Klang der VM Jazz Bässe kommt jedoch nahe ans Original heran und ist exzellent für Funk, Jazz, aber auch viele andere Stilrichtungen geeignet.

Benennung Squier® Vintage Modified Jazz Bass®	Historische Bassschaltungen		Nummer 1.2.331
	gezeichnet von Cadfael	gezeichnet am 02.09.17	Seite 87
Bemerkungen / Besonderheiten von 2006 bis 2009			



Regler	Wert
Neck Volume	250 k log.
Bridge Volume	250 k log.
Master Tone	250 k log.

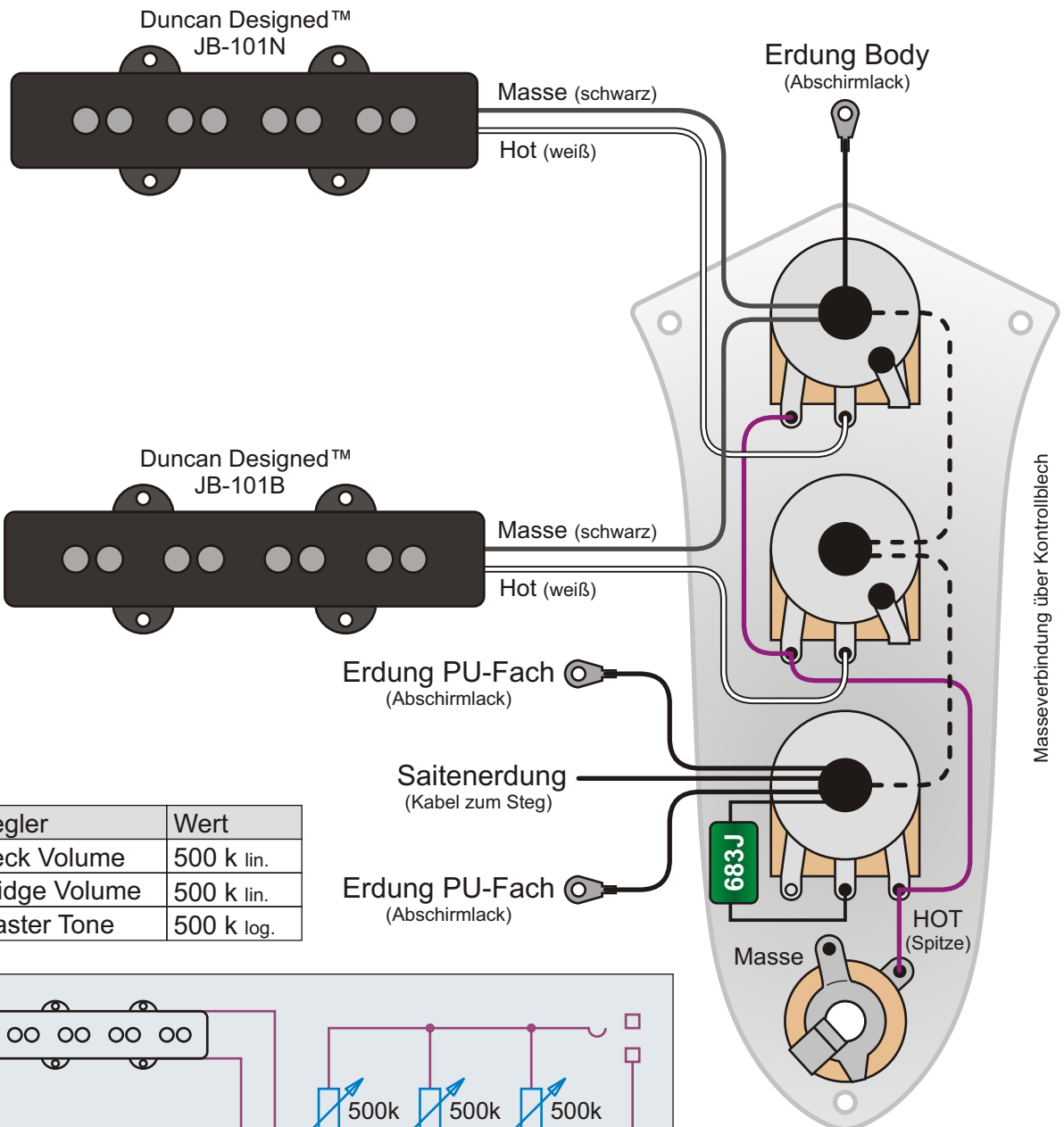


Die Elektronik des Squier VM Jazz Bass wurde 2009 überarbeitet. Die 500k Potis (vorher linear und logarithmisch) wurden durch 250k log. Potis ersetzt. Zudem wurden zusätzliche Erdungskabel hinzugefügt, die in die Pickup-Kammern führen und im Body verschraubt sind.

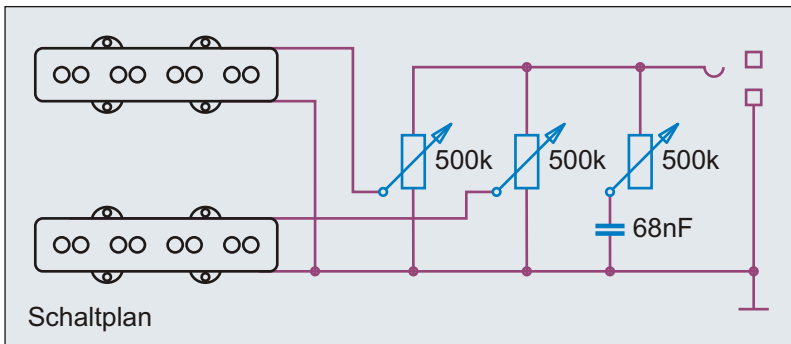
Der Squier Vintage Modified Jazz Bass

Die Elektronik des Squier VM Jazz Bass wurde 2009 überarbeitet (siehe oben). Ansonsten blieb der Bass jedoch nach derzeitigem Wissensstand unverändert.

Benennung Squier® Vintage Modified Jazz Bass®	Historische Bassschaltungen		Nummer 1.2.333
	gezeichnet von Cadfael	gezeichnet am 02.09.17	Seite 88
Bemerkungen / Besonderheiten seit 2009			



Regler	Wert
Neck Volume	500 k lin.
Bridge Volume	500 k lin.
Master Tone	500 k log.



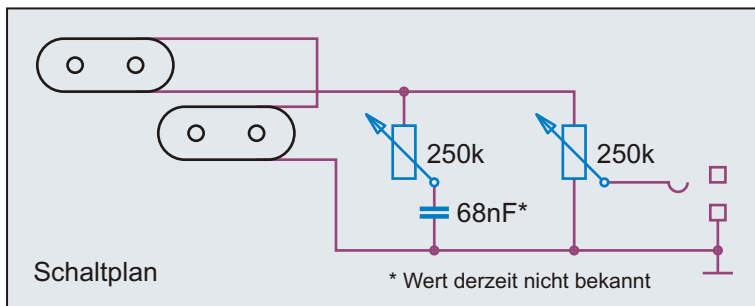
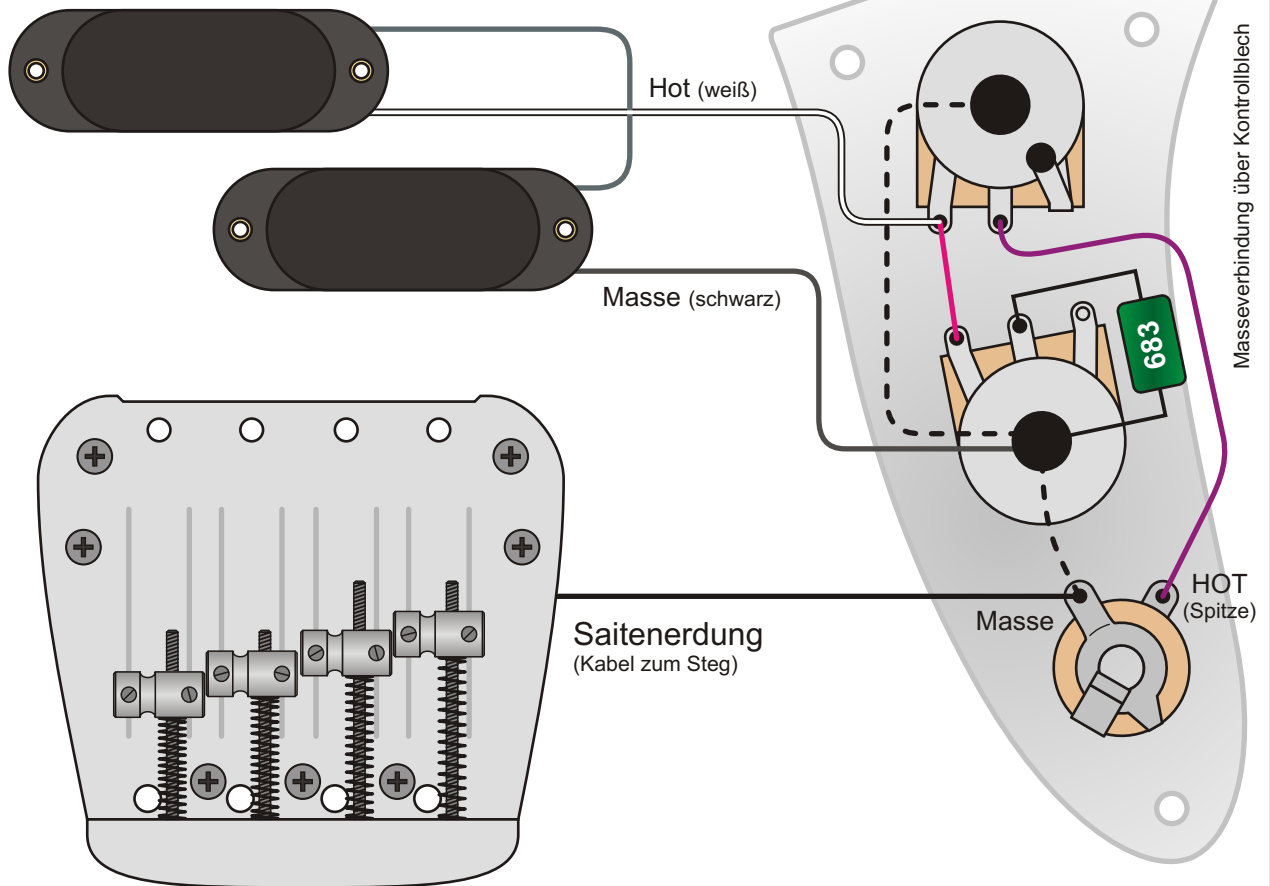
Die Elektronik des VM Fretless Jazz Bass ist fast gleich mit der des VM Jazz Bass von 2009. Im VM Fretless sind jedoch 500k Potis verbaut, wie in den VM Jazz Bässen vor 2009.

Der Squier Vintage Modified Fretless Jazz Bass

Der Squier VM Fretless ist die preiswerte Version des Jaco Pastorius Basses. Er hat ein Ebonol Kunststoffgriffbrett, das zwar Bundmarkierungen, aber keine Dot-Inlays wie das Vorbild hat. Ein Pickguard fehlt - wie beim Original. Im VM Fretless sind zwei Duncan Designed JB-101 Pickups mit AlNiCo 5 Magneten verbaut.

Benennung Squier® VM Fretless Jazz Bass®	Historische Bassschaltungen		Nummer 1.2.341
	gezeichnet von Cadfael	gezeichnet am 02.09.17	Seite 89
Bemerkungen / Besonderheiten seit 2006			

Duncan Designed™
Mustang Bass



Regler	Wert
Master Volume	250 k log.
Master Tone	250 k log.

Die Tonabnehmer des Mustang Bass Reissues werden von Seymour Duncan für Fender Japan hergestellt und findet jetzt Einsatz im Squier Modell. Die Potis haben eine Riffelachse, was bei der Kopie eines 70's Mustang wegen der "Strat Potiknöpfe" historisch richtig ist.

Der Squier Mustang Bass seit 2011

Der Squier Mustang Bass mit seinem Ahorngriffbrett stellt die relativ genaue Kopie des 70er Jahre Mustang Basses dar. In manchen Details ist sie genauer, als das Fender Reissue des 60s Mustang Basses. Bezüglich der genaueren Historie verweise ich auf mein 30 Seiten umfassendes Nachschlagewerk "Die Geschichte des Fender Mustang Bass, 1966 bis 2009".

Benennung **Squier® Mustang® Bass**

Historische
Bassschaltungen

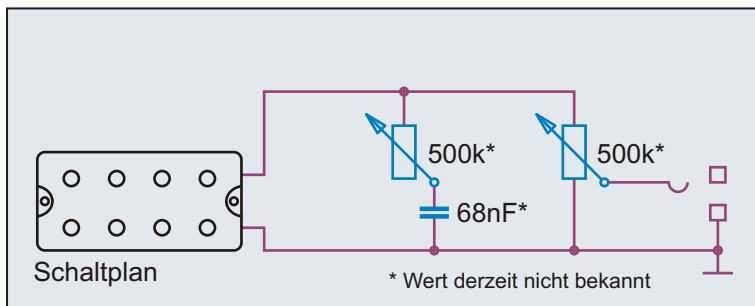
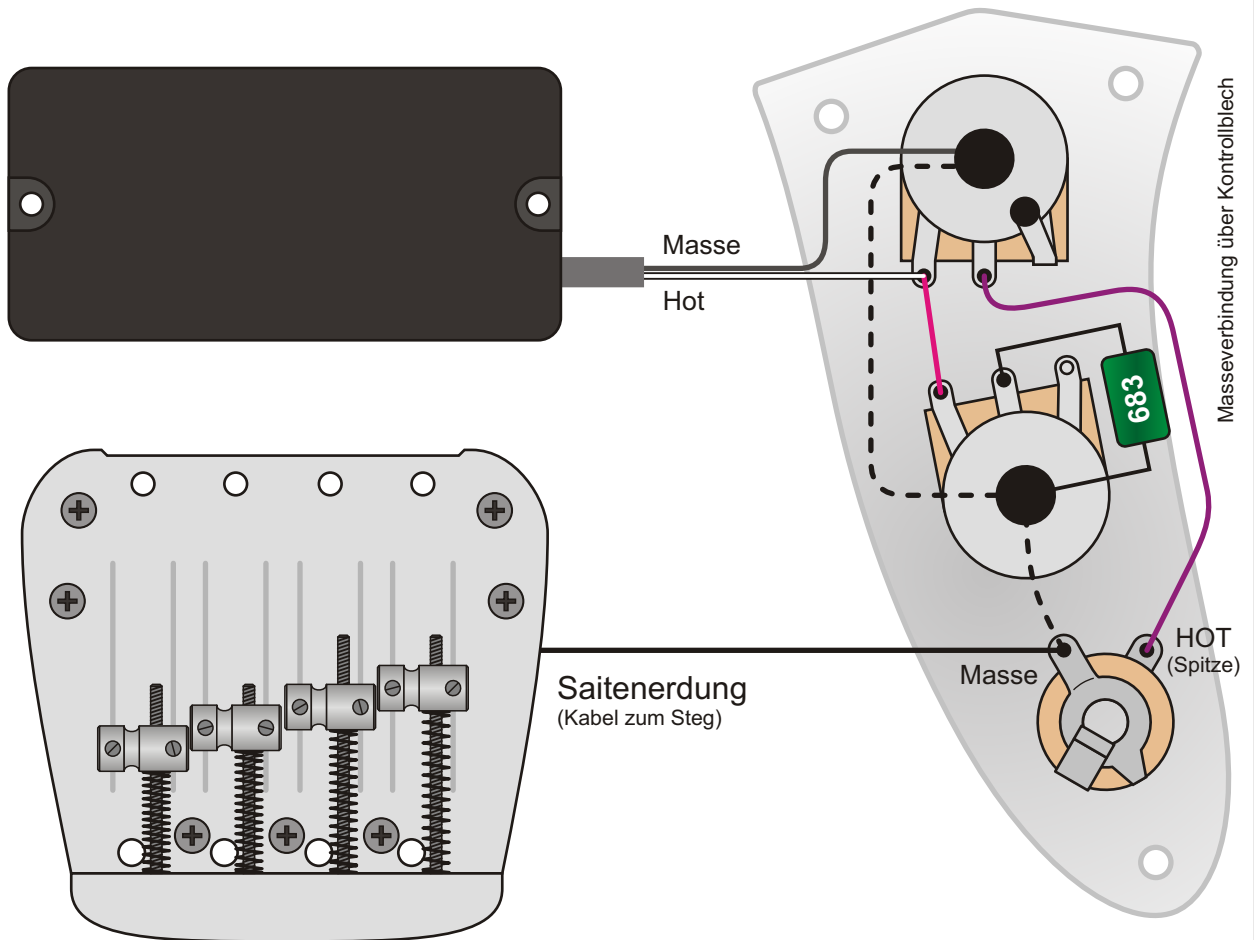
Nummer
1.2.411

Bemerkungen / Besonderheiten
seit 2011

gezeichnet von
Cadfael

gezeichnet am
02.09.17

Seite
90



Statt des Seymour Duncan Split Coil Pickups hat man einen Humbucker in das Mickey Way Modell eingebaut. Dabei könnte es sich um den Cort PDX-4 Pickup oder einen ähnlichen Tonabnehmer aus asiatischer Fertigung handeln.

Der Squier Mikey Way Signature Mustang Bass seit 2012

Im Gegensatz zum normalen Squier Mustang Bass besitzt der Mikey Way Mustang Bass ein Palisandergriffbrett. Der Bass ist einem Competition Mustang (mit geänderten Farben) nachempfunden. Die Rallye-Streifen sind jedoch gegenüber dem Original im falschen Winkel angebracht. Bei einem Competition hätten die Knöpfe auch vom Jazz Bass stammen müssen.

Benennung	Squier® Mikey Way Mustang® Bass		Historische Bassschaltungen	Nummer
Bemerkungen / Besonderheiten	seit 2012		gezeichnet von	gezeichnet am
			Cadfael	02.09.17
				Seite
				91



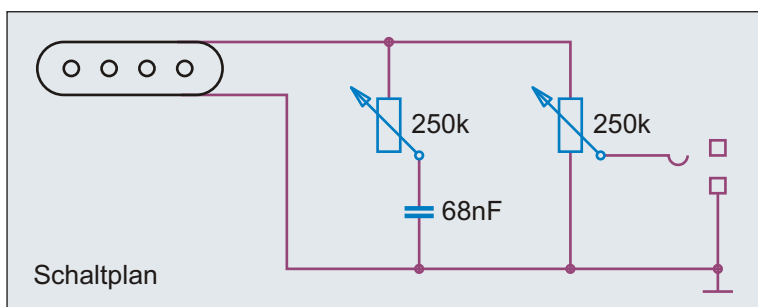
Masse (schwarz)

Hot (weiß)

Saitenerdung
(Kabel zum Steg)

Erhältliche Farben	
	Black
	White
	Sonic Blue
	Shell Pink

Regler	Wert
Master Volume	250 k lin.
Master Tone	250 k log.



Masse

HOT
(Spitze)

Der Single Coil Pickup des MusicMaster Bass ist ein Fender "Vista Tone" und soll einen sehr guten Klang mit viel Fundament haben. Im Gegensatz zu seinem Vorbild, dem Fender MusicMaster Bass, ist der "Vista Tone" Pickup ein echter Bass Pickup mit vier Pole Pieces. Im Vorbild saß ein Gitarren-Pickup (vermutlich der Pickup einer Fender Mustang Gitarre).

Der Squier MusicMaster Bass

Meist ist das Fender Original besser als die Squier Kopie - in diesem Fall nicht! Die Basis-elemente wie die 30" Short Scale Mensur, Form von Body, Kopfplatte und Pickguard wurden beim Squier MusicMaster Bass originalgetreu vom Vorbild übernommen. Einige Komponenten sind aber sogar edler oder besser als beim Vorbild. So hat der Squier MusicMaster Bass einen "Matching Head Stock" (Kopfplatte in Farbe des Bodies) und bei ihm werden die Saiten wie beim Mustang Bass "String-Thru" durch den Body geführt. Zudem hat er vier statt zwei Saitenreiter. Auch das Holz dürfte besser als bei manchem MusicMaster USA sein...

Benennung **Squier® MusicMaster® Bass**

Historische
Bassschaltungen

Nummer
1.2.451

Bemerkungen / Besonderheiten

1997 - 1998

gezeichnet von

Cadfael

gezeichnet am

02.09.17

Seite

92

006-9987-000



Masse (schwarz)

Hot (weiß)

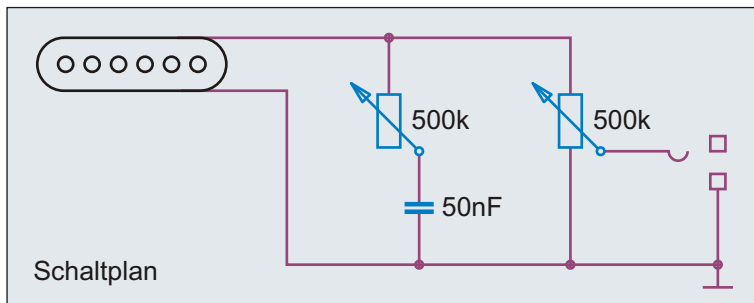
Saitenerdung
(Kabel zum Steg)

503J

Masse

HOT
(Spitze)

Regler	Wert	Artikel-Nr.
Master Volume	500 k lin.	006-2730-000
Master Tone	500 k log.	006-2731-000



Bass-Pickup	Artikel-Nr.
Bronco	005-5386-000
Badtz-Maru	006-9987-000

Der Single Coil Pickup des Bronco Basses hat ein Cover aus Kunststoff. Ob es ein Pickup mit vier Pole Pieces ist oder ob es sich um einen Stratocaster Pickup handelt, ist derzeit nicht bekannt. Es gibt Besitzer, die den Original-Pickup gegen Gitarren-Pickups mit durchgehenden Klingen ausgetauscht haben. Volume und Tone Regler sind standardmäßig ausgelegt; allerdings variiert der angegebene Wert zwischen 250k und 500k Ohm. Auch der Kondensator wird mal mit 50nF und mal mit 68nF angegeben.

Der Squier Bronco Bass (und Badtz-Maru)

Beim Squier Bronco Bass und dessen Badtz-Maru-Version handelt es sich um eine Abwandlung von Fender Mustang und MusicMaster Bass. Es gibt kein direktes Vorbild für den Squier Bronco bei den Fender Bässen. Der Bronco dürfte zu den qualitativ besten Short Scale Bässen in seiner Preisklasse zählen. Er hat, wie viele Squier Bässe, einen sehr guten Ahornhals.

Benennung **Squier® Bronco™ Bass**

Historische
Bassschaltungen

Nummer
1.2.461

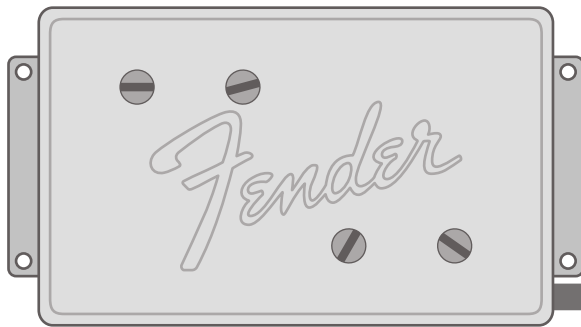
Bemerkungen / Besonderheiten
seit 1999

gezeichnet von
Cadfael

gezeichnet am
02.09.17

Seite
93

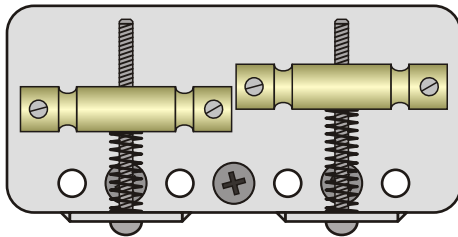
Fender Designed™
TEB 101B



Masse
(Drahtgeflecht)

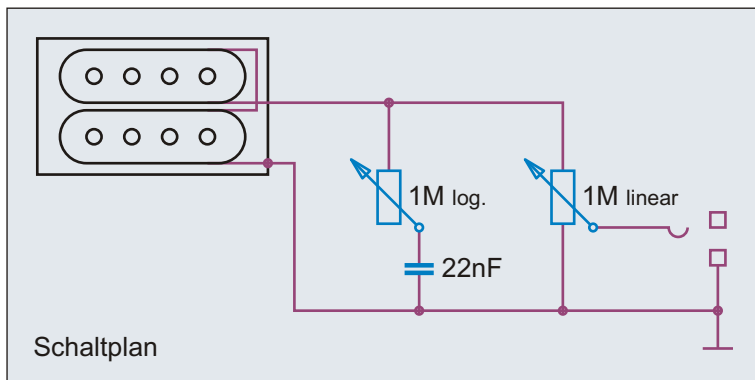
Erdung Body
(Abschirmlack)

Hot
(weiß)



Saitenerdung
(Kabel zum Steg)

Masseverbindung zusätzlich
über Alu-Folie auf Pickguard



HOT
(Spitze) Masse

Regler	Wert
Master Volume	1 M linear
Master Tone	1 M log.

Der Humbucker des Squier VM P-Bass TB mit seinem verchromten Cover kommt aus dem Hause Fender - und das zeigt er auch mit einer großen Einstanzung, oben auf der Kappe. Die Potis haben den historisch korrekten Wert von 1 Mega Ohm, allerdings waren beim Vorbild beide Potis logarithmisch. Der Wert des Kondensators wurde mit 22 nF korrekt gewählt.

Der Squier Vintage Modified P-Bass TB

Wie sein Vorbild, der Telecaster II Bass, hat auch der Squier VM P-Bass TB einen wuchtigen Klang, der bestimmt nicht dem Massengeschmack entspricht. Vielseitig ist er nicht, aber was er kann, kann er prima! Leider hat man ihm den Namen "Precision Bass" gegeben und dadurch die Chance verpasst, nach Jahrzehnten wieder einen Telecaster Bass ins Programm zu nehmen. Schön wäre, wenn noch ein Modell in der Farbe Blonde gewesen ...

Benennung **Squier® Vintage Modified P-Bass® TB**

Historische
Bassschaltungen

Nummer
1.2.526

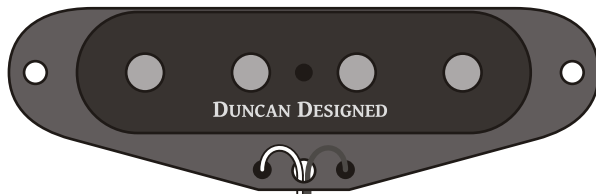
Bemerkungen / Besonderheiten
seit 2007

gezeichnet von
Cadfael

gezeichnet am
02.09.17

Seite
94

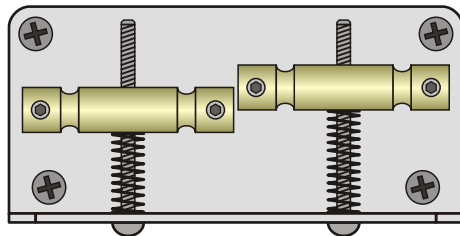
Duncan Designed™
PB 102 Single-Coil Middle Pickup



Masse (schwarz)

Hot (weiß)

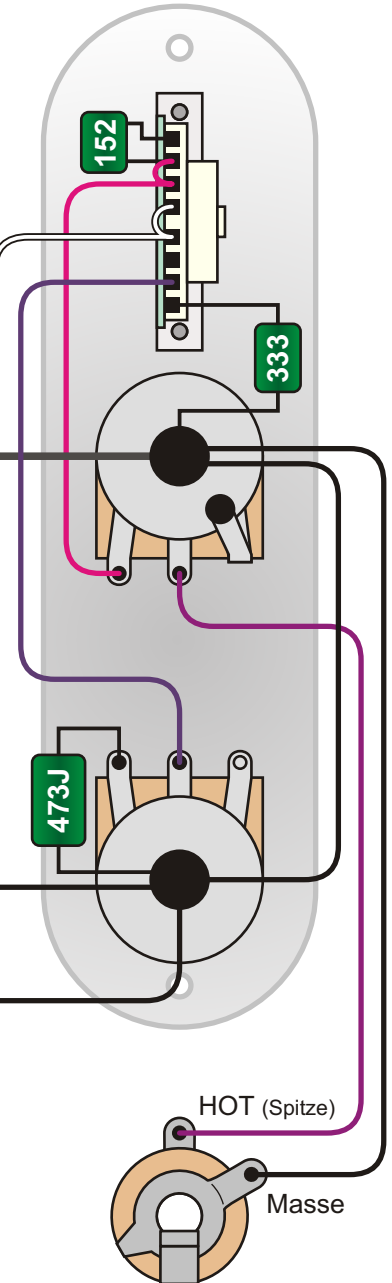
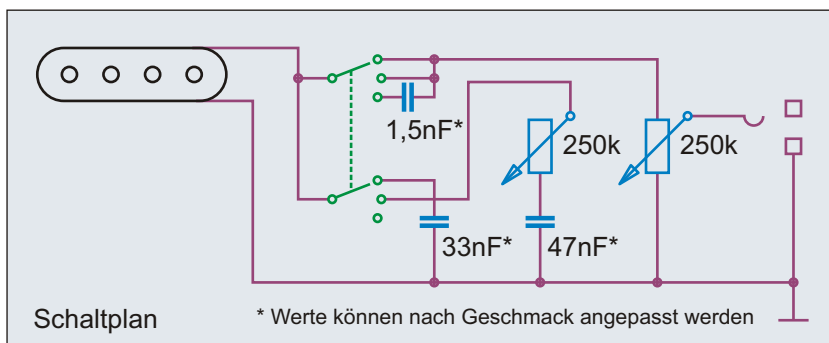
vereinfachte Version
mit gleicher Funktionsweise wie Original



Saitenerdung
(Kabel zum Steg)

Erdung Body
(Abschirmlack)

Regler	Wert
Master Volume	250 k log.
Master Tone	250 k log.



Dreiwegschalter	
Pos.	Klangreglung
3	"Double Bass"
2	Tone Poti aktiv
1	"Baritone"

Der Squier Vintage Modified Telecaster Bass

Andere hatten es vorgemacht. 2012 brachte auch Fenders Tochterfirma Squier einen Bass mit (langezogenen) Telecaster Gitarren Body. Er hat eine 32" Mensur und die Kopfplatte des Precision 51. Der Dreiwegschalter wird bei diesem Bass zur Klangbeeinflussung eines Single Coil Pickups genutzt. Hier eine vereinfachte Schaltung. Einzig in der Mittelstellung wirkt das Tone Poti; in den anderen Stellungen werden Höhen oder Bässe beschnitten.

Benennung **Squier® VM Telecaster® Bass (1)**

Historische
Bassschaltungen

Nummer
1.2.551

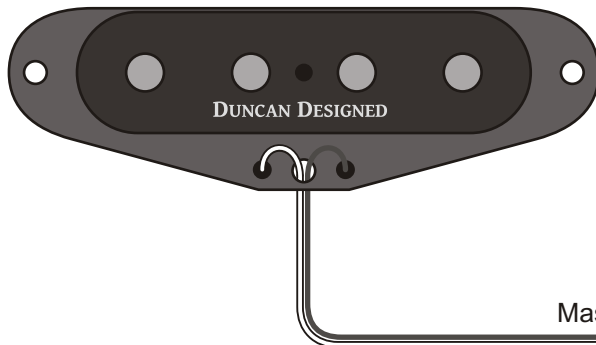
Bemerkungen / Besonderheiten
seit 2012

gezeichnet von
Cadfael

gezeichnet am
02.09.17

Seite
95

Duncan Designed™
PB 102 Single-Coil Middle Pickup

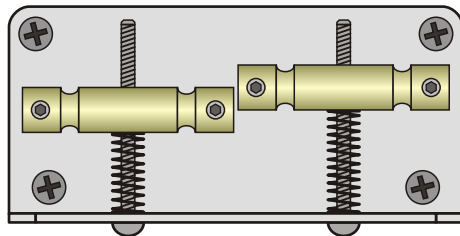


Masse (schwarz)

Hot (weiß)

Originalversion

Dank an Robert Spencer, Alaska

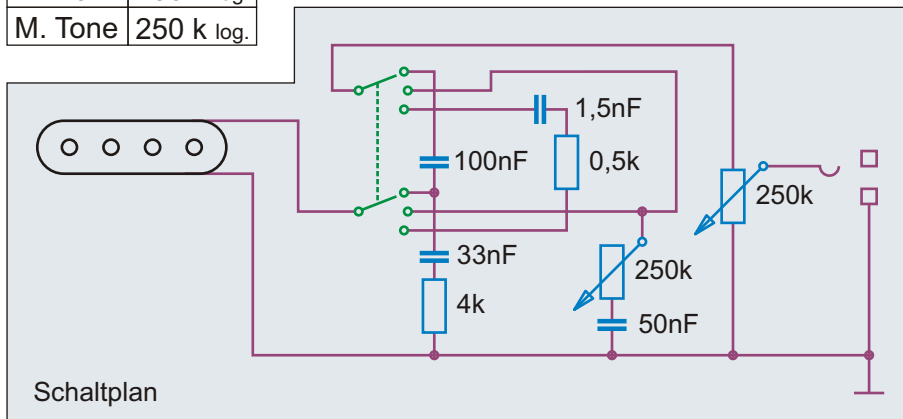


Saitenerdung
(Kabel zum Steg)

Erdung Body
(Abschirmlack)

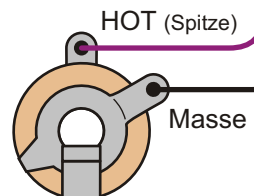
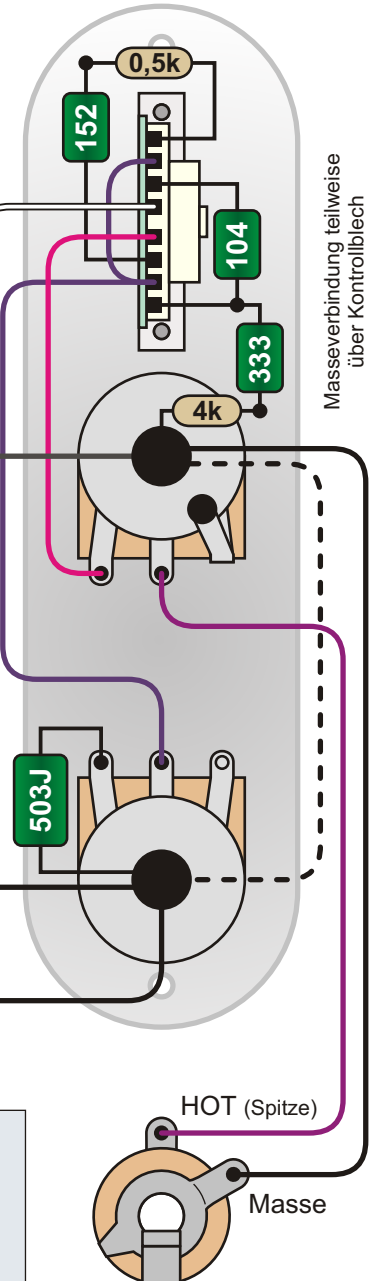
Regler	Wert
M. Vol.	250 k log.
M. Tone	250 k log.

0,5k / 5%
4,0k / 5%



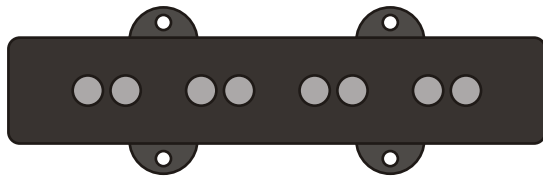
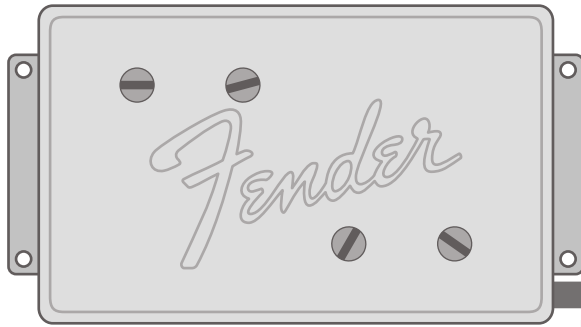
Dreiwegschalter	
Pos.	Klangreglung
3	"Double Bass"
2	Tone Poti aktiv
1	"Baritone"

Die "vereinfachte Schaltung" des Squier VM Telecaster Basses (1.2.551) wurde 2012 kurz nach dem Erscheinen des Basses in dieser Sammlung veröffentlicht. Dank Robert Spencer aus Alaska ist nun die Originalschaltung des VM Telecaster Basses mit allen Werten bekannt. Der 4k Widerstand bremst den 33nF Kondensator in der Stellung "Double Bass" etwas ein. Zusätzlich schwächt der serielle 100nF Kondensator leicht die Tiefbässe. In der Stellung "Baritone" kommt zum 1,5nF Kondensator ein 500 Ohm Widerstand seriell hinzu.



Benennung	Squier® VM Telecaster® Bass (2)		Historische Bassschaltungen	Nummer 1.2.552	
	Bemerkungen / Besonderheiten			gezeichnet von	gezeichnet am
seit 2012		Cadfael	02.09.17	96	

Fender Designed™
Wide Range Humbucking Pickup



Duncan Designed™
JB-102 Pickup

Masse (Drahtgeflecht)

Masse (schwarz)

Hot (gelb)

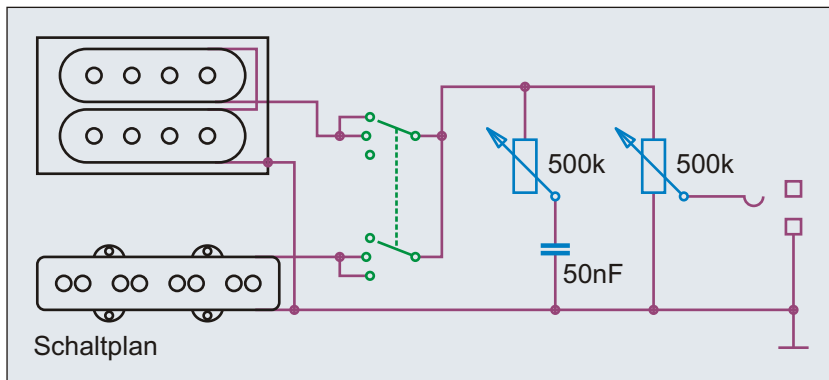
Saitenerdung
(Kabel zum Steg)

Erdung Body
(Abschirmlack)

Hot
(weiß)

Masse

Regler	Wert
Master Volume	500 k log.
Master Tone	500 k log.



Dreiwegschalter	
Pos.	aktive Pickups
3	Neck
2	Neck + Bridge parallel
1	Bridge

Der Squier Vintage Modified Telecaster Bass Special

Wie Squier VM Telecaster Bass, hat auch die "Special" Ausführung den langegezogenen Body einer Telecaster Gitarre. Auch er hat eine 32" Mensur und die Kopfplatte eines Precision 51. Abgesehen von Pickups und Werten der Bauteile, entspricht die Schaltung der Schaltung einer Telecaster Gitarre. Der Wide Range Humbucker in der Mitte erinnert an den Telecaster II Bass von 1972. Der Jazz Bass Pickup am Steg wirkt gegenüber dem Humbucker verloren.

Benennung **Squier® VM Telecaster® Bass Special**

Historische
Bassschaltungen

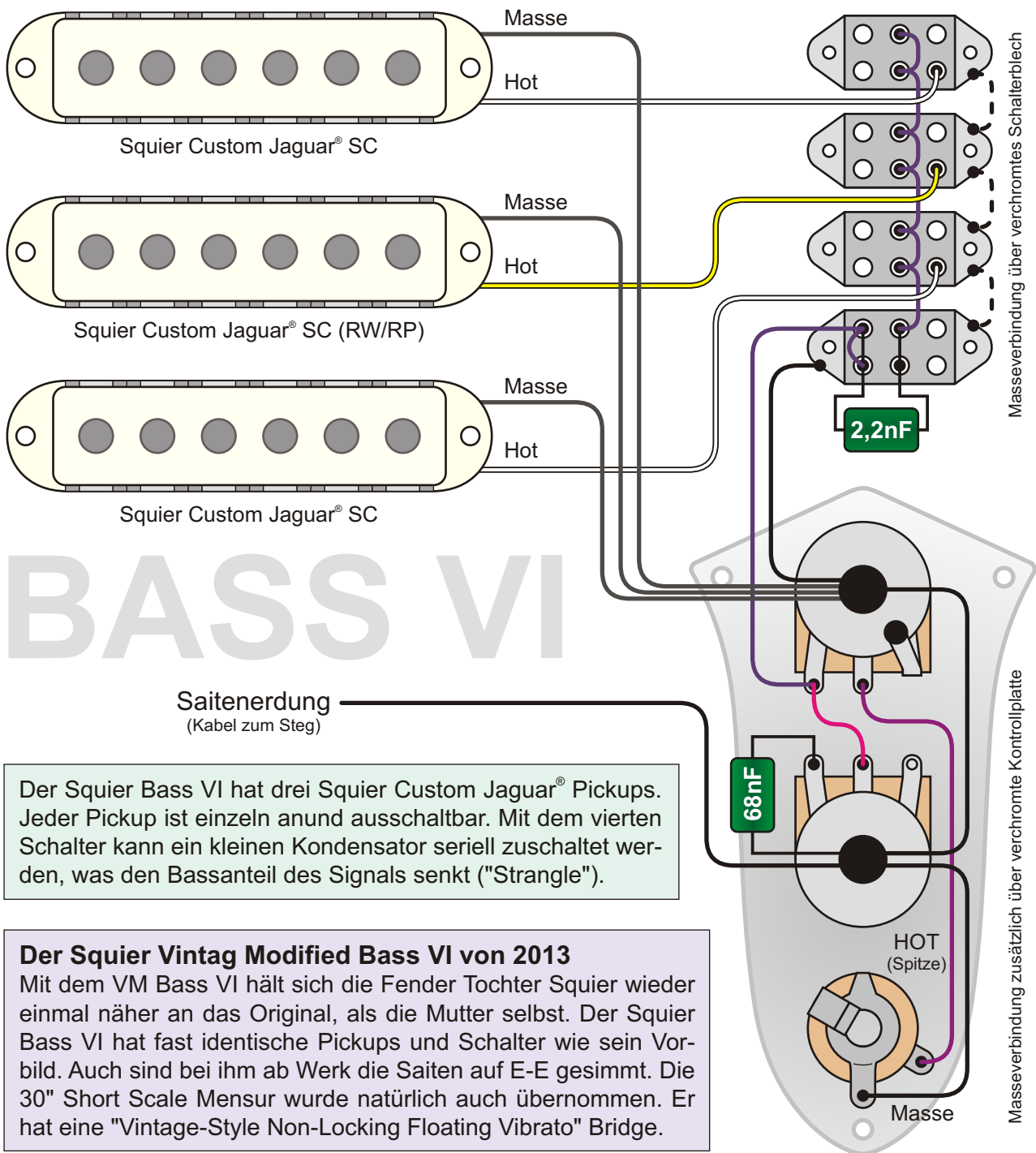
Nummer
1.2.556

Bemerkungen / Besonderheiten
seit 2012

gezeichnet von
Cadfael

gezeichnet am
02.09.17

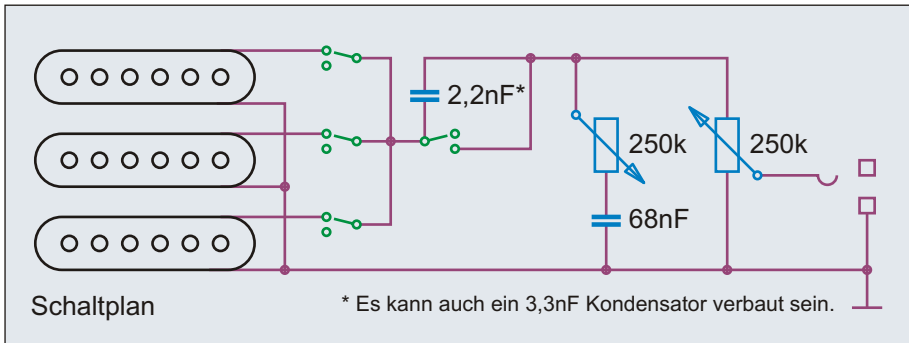
Seite
97



BASS VI

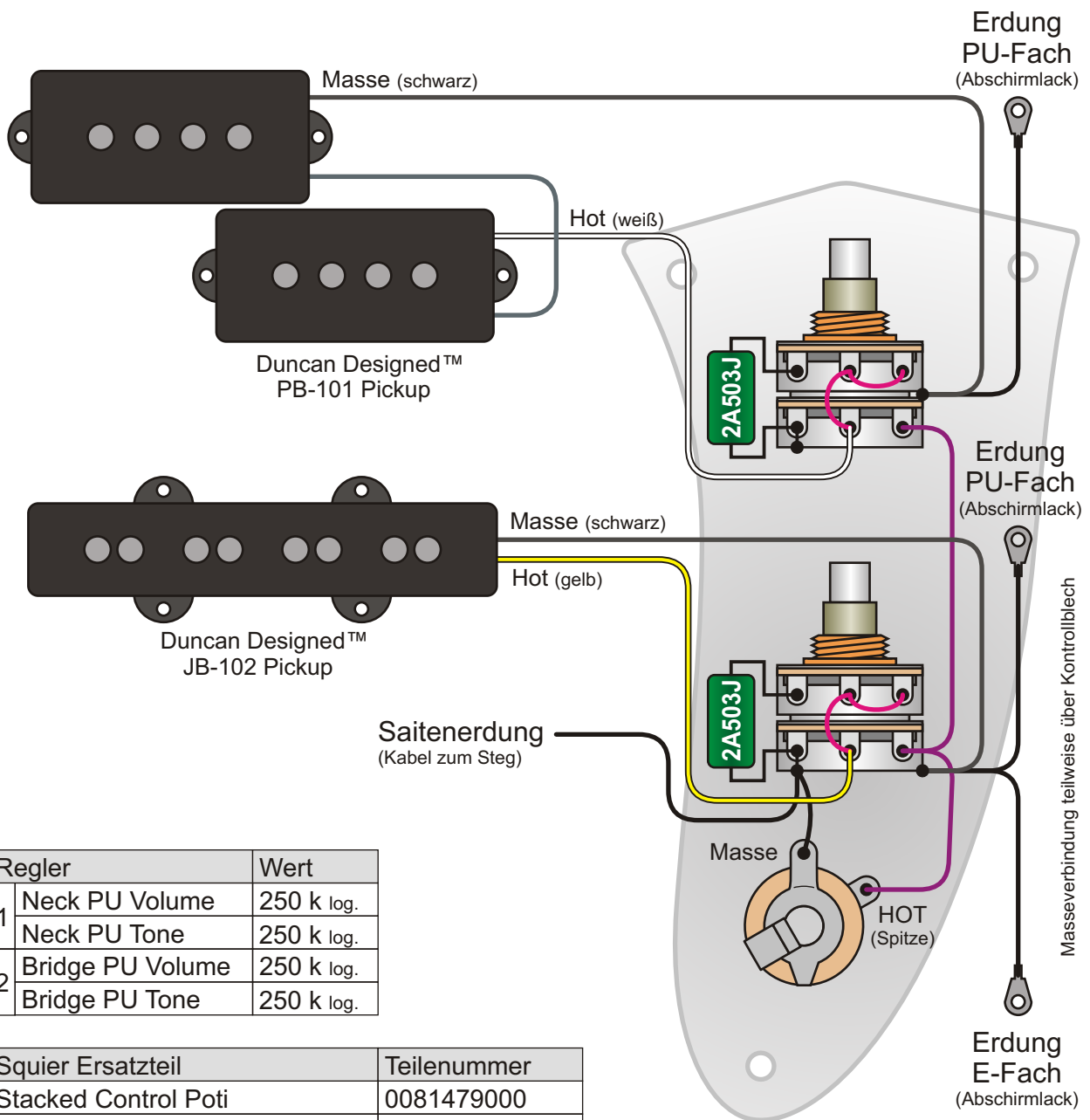
Der Squier Bass VI hat drei Squier Custom Jaguar® Pickups. Jeder Pickup ist einzeln an und ausschaltbar. Mit dem vierten Schalter kann ein kleinen Kondensator seriell zuschaltet werden, was den Bassanteil des Signals senkt ("Strangle").

Der Squier Vintag Modified Bass VI von 2013
 Mit dem VM Bass VI hält sich die Fender Tochter Squier wieder einmal näher an das Original, als die Mutter selbst. Der Squier Bass VI hat fast identische Pickups und Schalter wie sein Vorbild. Auch sind bei ihm ab Werk die Saiten auf E-E gesimmt. Die 30" Short Scale Mensur wurde natürlich auch übernommen. Er hat eine "Vintage-Style Non-Locking Floating Vibrato" Bridge.



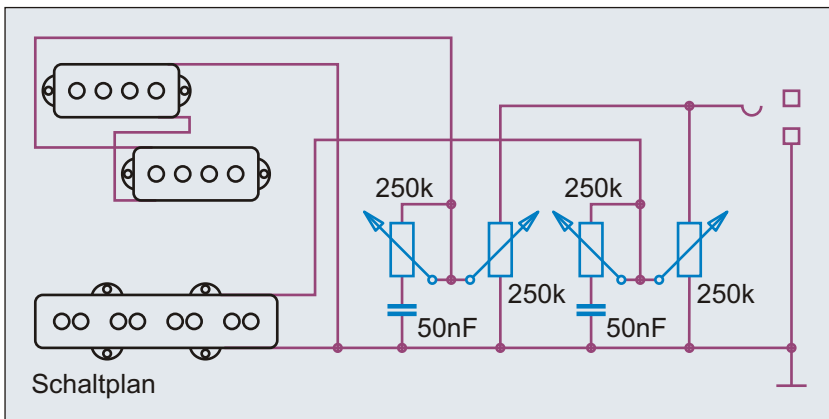
Schalterblech	
High	On On On
Regler	Wert
M. Volume	250 k log.
M. Tone	250 k log.

Benennung	Squier® Vint. Modified Bass VI® 2013		Historische Bassschaltungen	Nummer
				1.2.661
Bemerkungen / Besonderheiten	gezeichnet von	gezeichnet am	Seite	
	Cadfael	02.09.17	98	



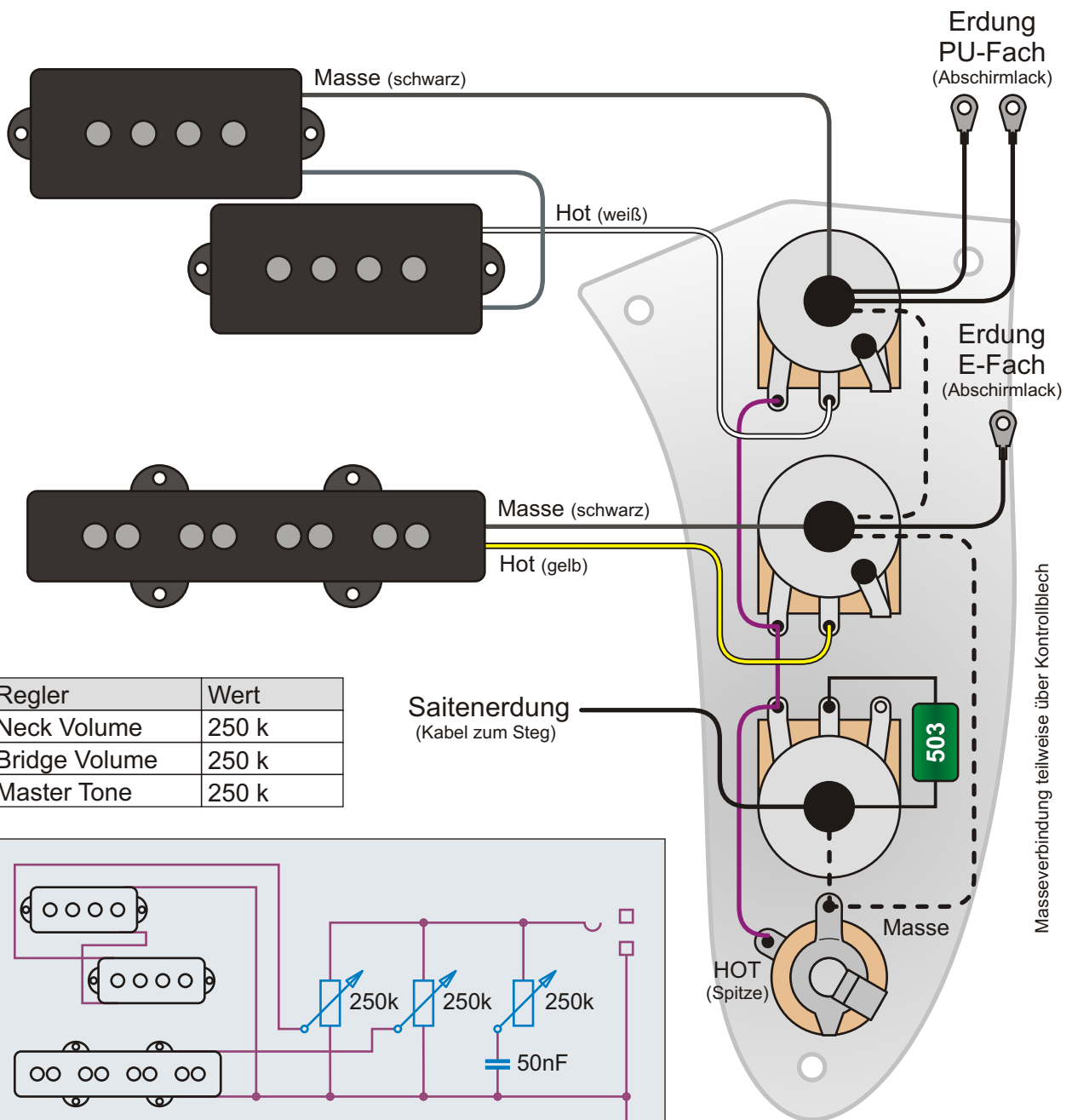
Regler	Wert	
1	Neck PU Volume	250 k log.
	Neck PU Tone	250 k log.
2	Bridge PU Volume	250 k log.
	Bridge PU Tone	250 k log.

Squier Ersatzteil	Teilenummer
Stacked Control Poti	0081479000
Köpfe (oben + unten) schwarz	0081482000
Arretierfeder	0081483000



Die Pickups, Elektronik und Verkabelung des Squier VM Jaguar Bass unterscheiden sich sehr stark vom Fender Jaguar Bass. Eigentlich sind nur Kontur von Body und Hals der Bässe gleich.

Benennung	Squier® Vintage Modified Jaguar Bass®		Historische Bassschaltungen	Nummer	1.2.711
Bemerkungen / Besonderheiten	seit 2010		gezeichnet von	gezeichnet am	Seite
			Cadfael	02.09.17	99



Bei den Bässen der Squier Standard Serie werden als Tone Regler logarithmische Potis eingesetzt - wie es normal ist. Als Volume Regler hingegen werden lineare Potis verbaut. Das Elektrikfach ist mit Abschirlack zur Minimierung der Brummeinstreuung ausgepinselt.

Der Squier Vintage Modified Jaguar Bass Special SS

Das "SS" im Namen des Squier VM Jaguar Bass Special steht für "Short Scale", also eine 30" Mensur wie beim Fender Bronco, MusicMaster oder Mustang Bass. Der Jaguar Special SS ist mit PJ-Pickups bestückt. Vermutlich handelt es sich um die gleichen Pickups, wie im Squier Standard P-Bass Special. Neben einer schwarzen Lackierung ist der Bass noch in den Farben Candy Apple Red und Silver erhältlich.

Benennung **Squier® Jaguar Bass® Special SS**

Historische
Bassschaltungen

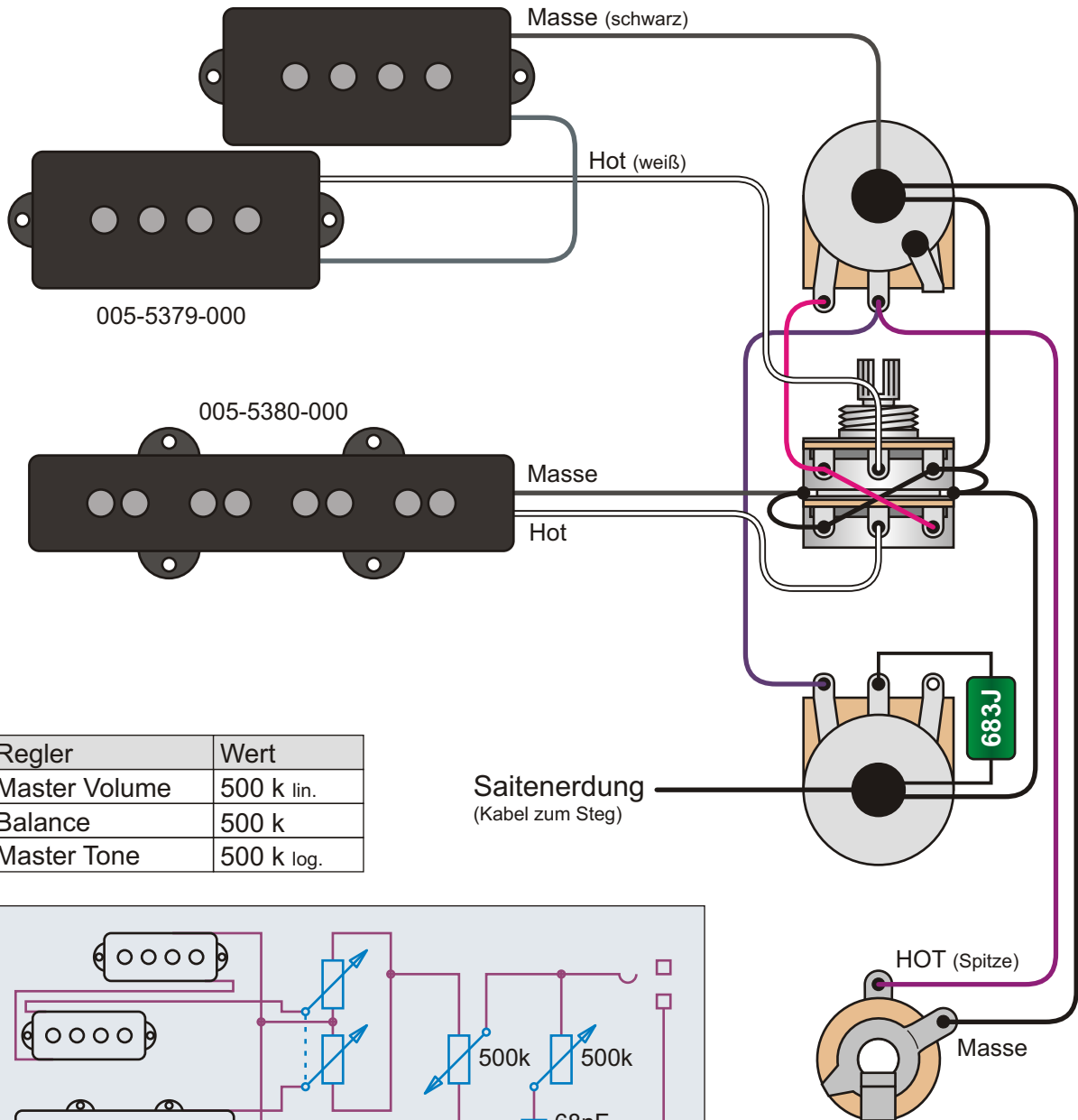
Nummer
1.2.721

Bemerkungen / Besonderheiten
seit 2011

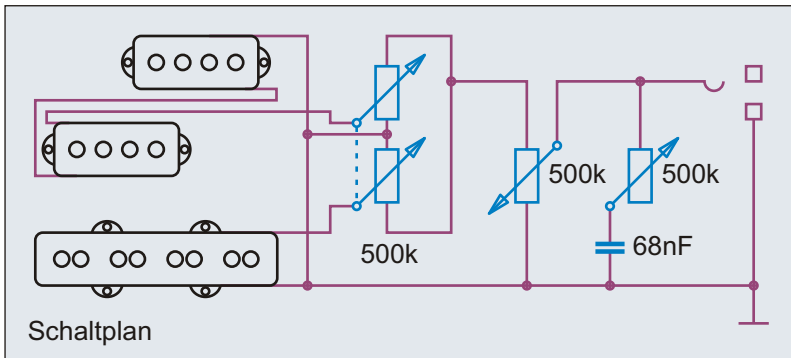
gezeichnet von
Cadfael

gezeichnet am
02.09.17

Seite
100



Regler	Wert
Master Volume	500 k lin.
Balance	500 k
Master Tone	500 k log.



Die PJ-Pickups des MB-4 sind gleich mit den Pickups des Squier Standard P-Bass Special Modells. Beim MB-4 sind die Spulen des P-Pickups gegenüber der klassischen Anordnung versetzt. Der obere Pickup nimmt also die D- und G-Saite ab, der untere die A- und E-Saite. Unterschied zum P-Bass Standard Special ist das Balance-Poti zur Pickup-Wahl.

Der Squier MB-4 Bass

Der Squier MB-4 orientiert sich nicht an klassischen Fender Vorbildern. Es ist eher eine Annäherung an modernere Formen, wie sie Ibanez oder Yamaha im Programm hat.

Benennung **Squier® MB-4**

Historische
Bassschaltungen

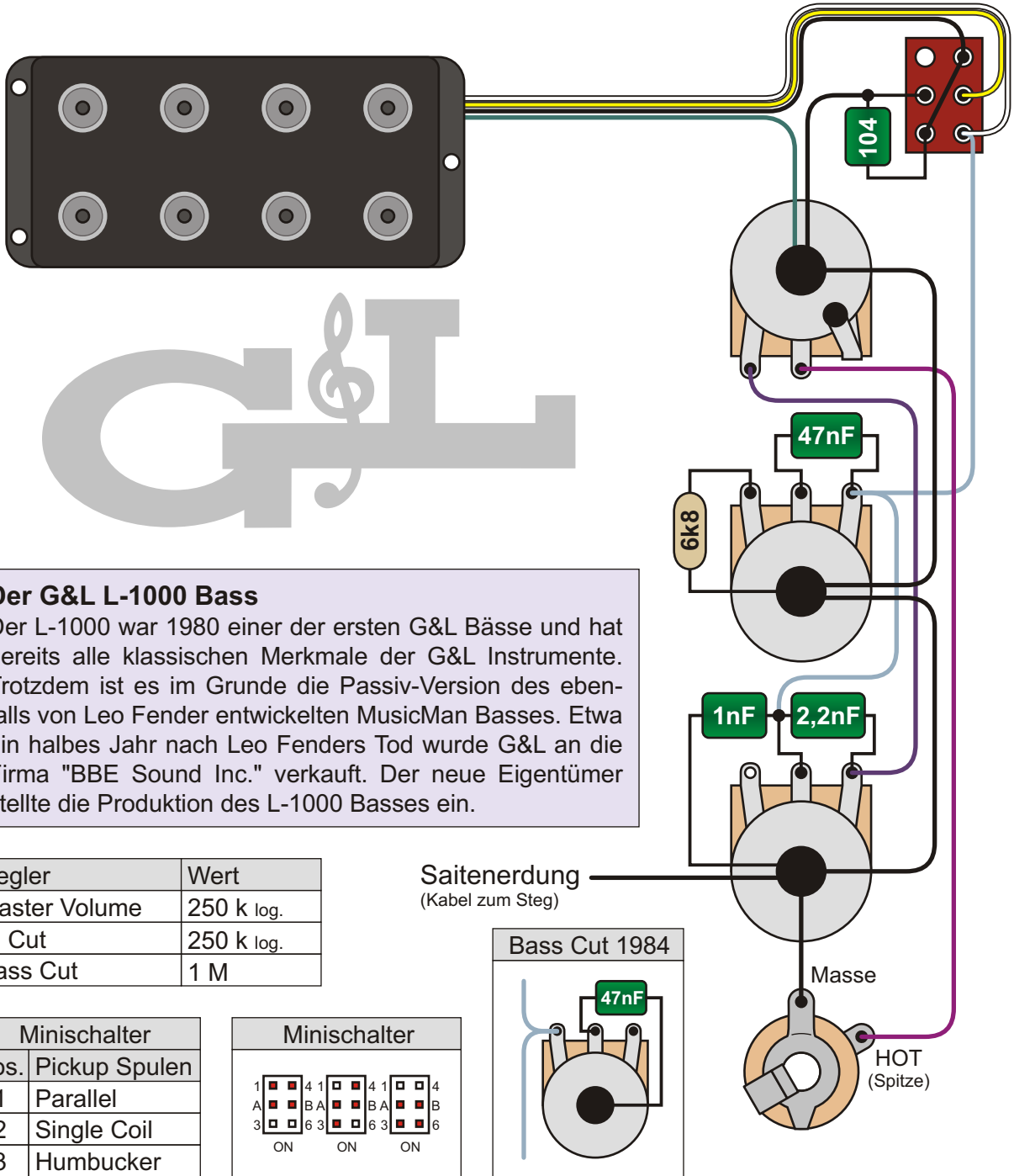
Nummer
1.2.791

Bemerkungen / Besonderheiten
seit 2003

gezeichnet von
Cadfael

gezeichnet am
02.09.17

Seite
101

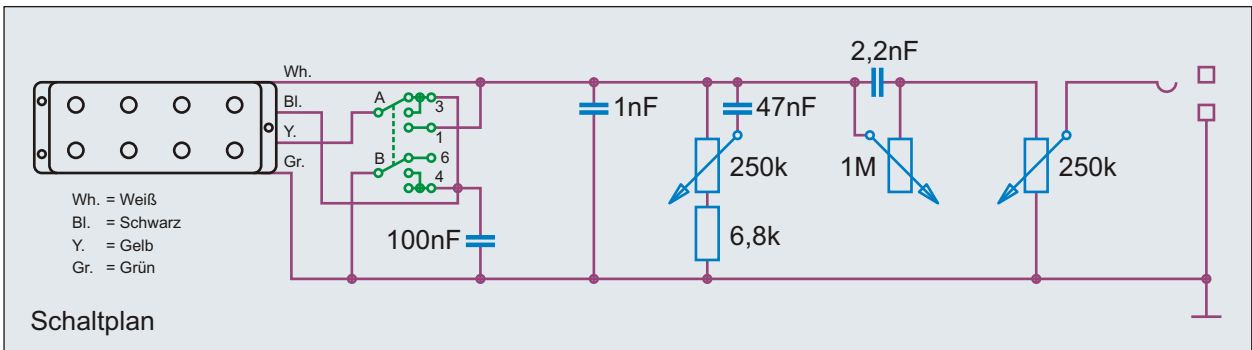
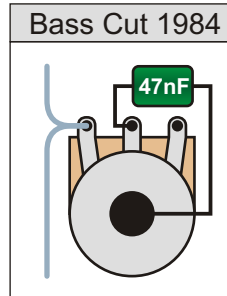
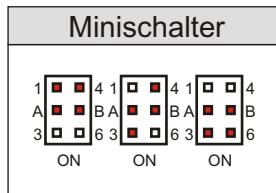


Der G&L L-1000 Bass

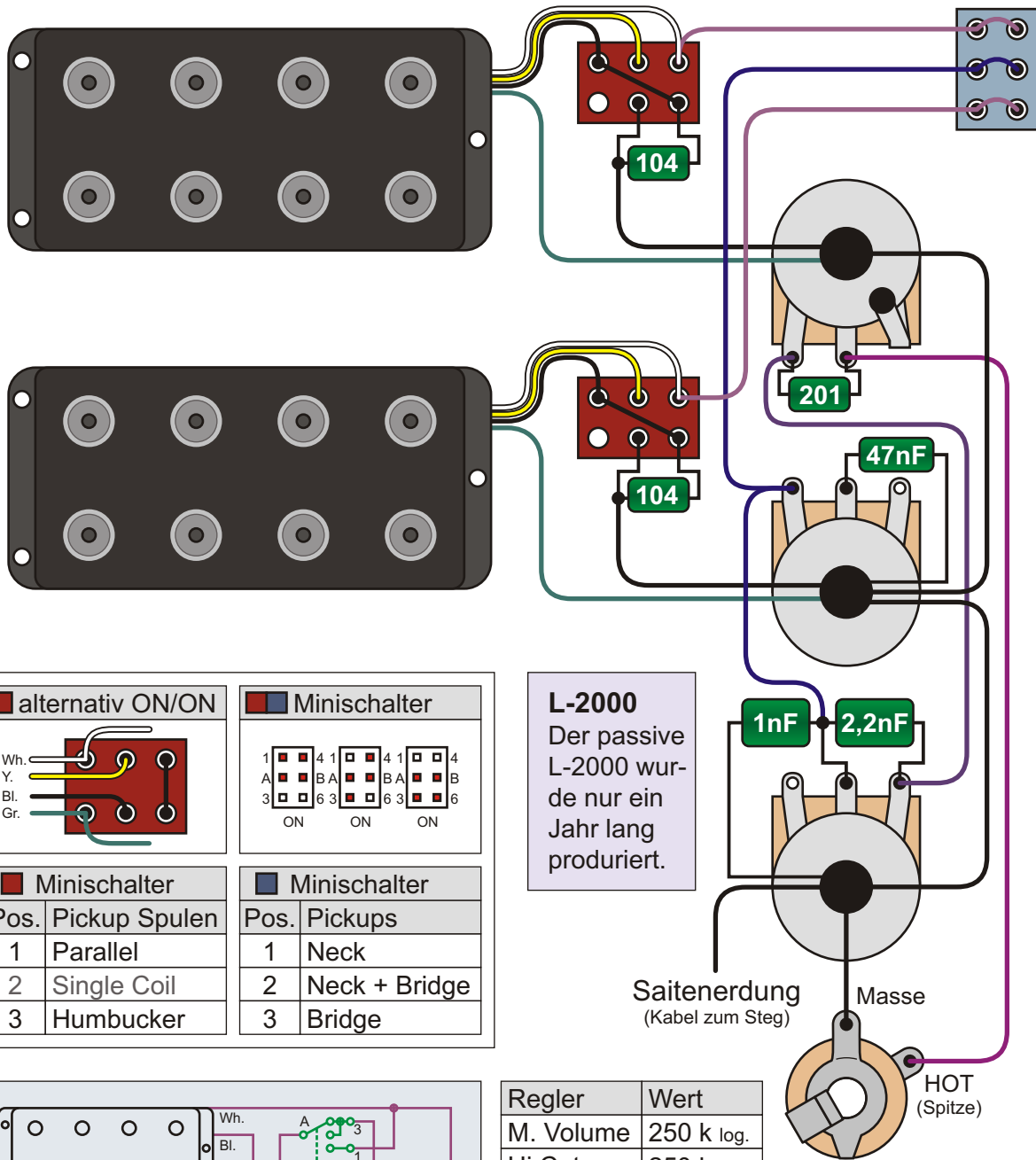
Der L-1000 war 1980 einer der ersten G&L Bässe und hat bereits alle klassischen Merkmale der G&L Instrumente. Trotzdem ist es im Grunde die Passiv-Version des ebenfalls von Leo Fender entwickelten MusicMan Basses. Etwa ein halbes Jahr nach Leo Fenders Tod wurde G&L an die Firma "BBE Sound Inc." verkauft. Der neue Eigentümer stellte die Produktion des L-1000 Basses ein.

Regler	Wert
Master Volume	250 k log.
Hi Cut	250 k log.
Bass Cut	1 M

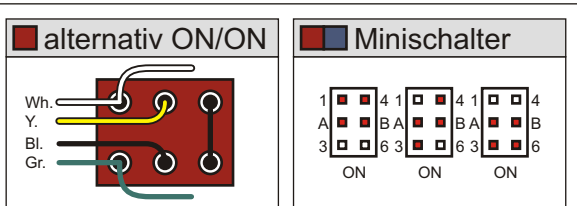
Minischalter	
Pos.	Pickup Spulen
1	Parallel
2	Single Coil
3	Humbucker



Benennung G&L L-1000 Bass 1980 - 1992	Historische Bassschaltungen		Nummer 1.2.911
	gezeichnet von Cadfael	gezeichnet am 02.09.17	Seite 102
Bemerkungen / Besonderheiten			

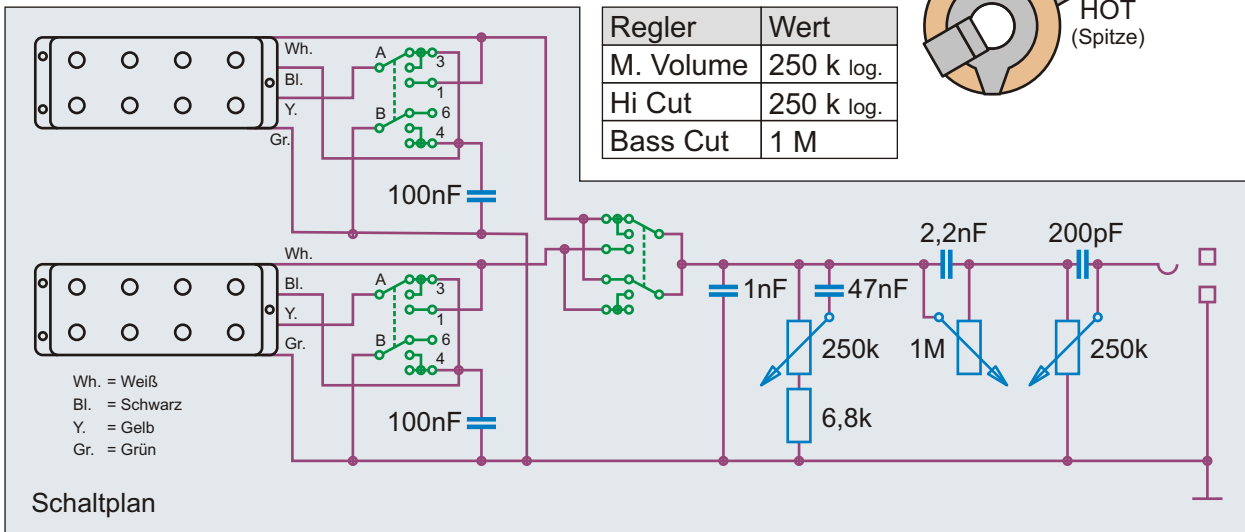


L-2000
Der passive L-2000 wurde nur ein Jahr lang produziert.

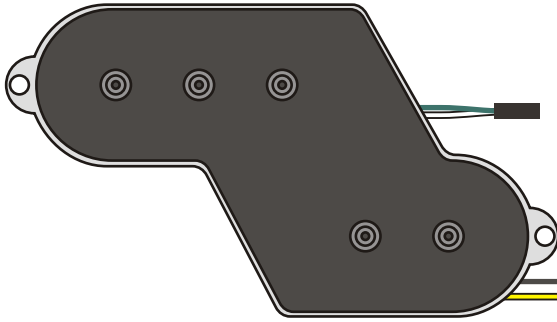


Minischalter	Minischalter
Pos. Pickup Spulen	Pos. Pickups
1 Parallel	1 Neck
2 Single Coil	2 Neck + Bridge
3 Humbucker	3 Bridge

Regler	Wert
M. Volume	250 k log.
Hi Cut	250 k log.
Bass Cut	1 M



Benennung	G&L L-2000 Bass 1980	Historische Bassschaltungen	Nummer
Bemerkungen / Besonderheiten		gezeichnet von	1.2.921
		Cadfael	gezeichnet am
			02.09.17
			Seite
			103



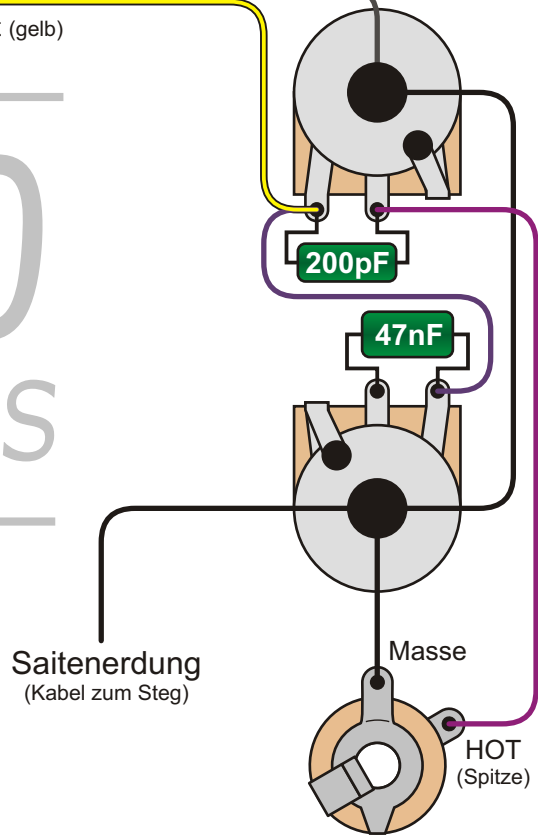
L-5000

5-STRING BASS

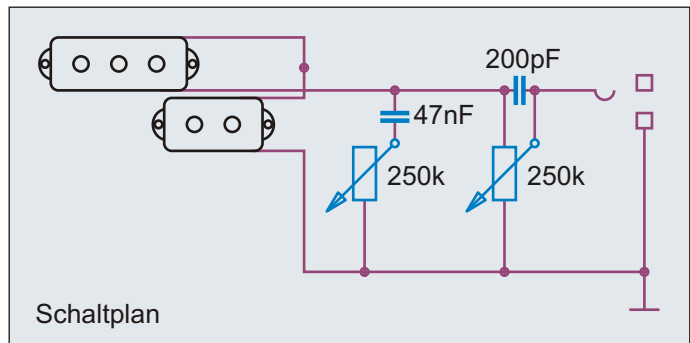
Der G&L L-5000 Bass

Der L-5000 Bass basiert von Form und Aussehen her auf dem G&L SB-1 Bass der späten 1980er Jahre. Der Bass hätte eigentlich im Sommer 1988 in einer aktiven und passiven Version erscheinen sollen. Er kam aber erst Ende 1988, und das auch nur in der passiven Version, bei der es dann auch blieb. Beim Holz des Bodys konnte man zwischen Ahorn und Esche wählen. Der L-5000 war wegen seiner extrem geringen Halsbreite nicht gerade populär. Daher wurde er 1993 vom G&L L-5500 mit größerem String-Spacing und zwei Soapbar Pickups abgelöst. Sowohl der L-5000 als auch L-5500 Bass hatten 4+1 Mechaniken. Während der Pickup des G&L L-5000 ein MFD Pickup aus eigenem Hause war, kamen die Pickups des L-5500 vom Hersteller EMG.

Masse (schwarz)
Hot (gelb)



Regler	Wert
Master Volume	250 k log.
Master Tone	250 k log.



Benennung **G&L L-5000 Bass 1989 - 1992**

Historische
Bassschaltungen

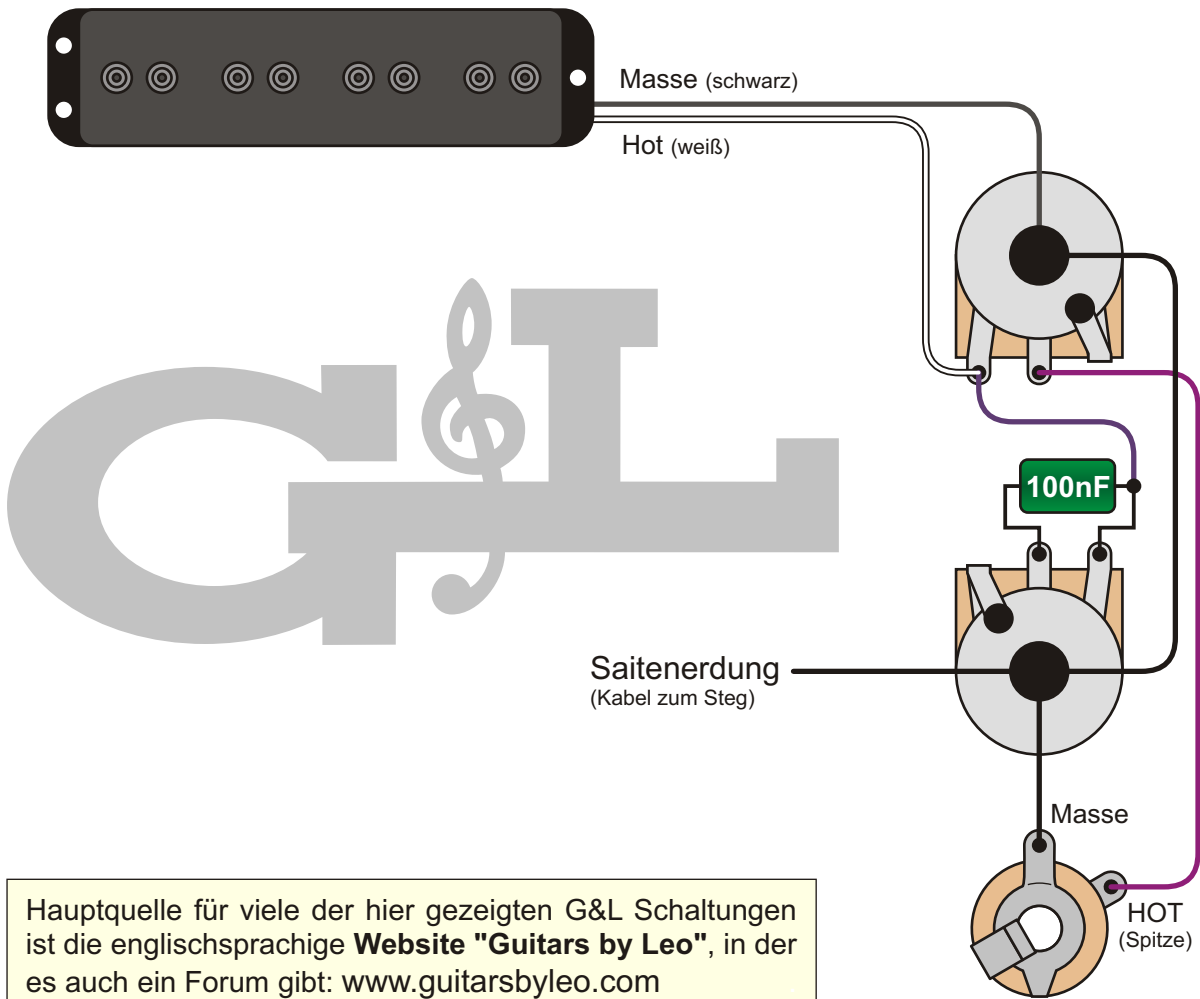
Nummer
1.2.951

Bemerkungen / Besonderheiten

gezeichnet von
Cadfael

gezeichnet am
02.09.17

Seite
104



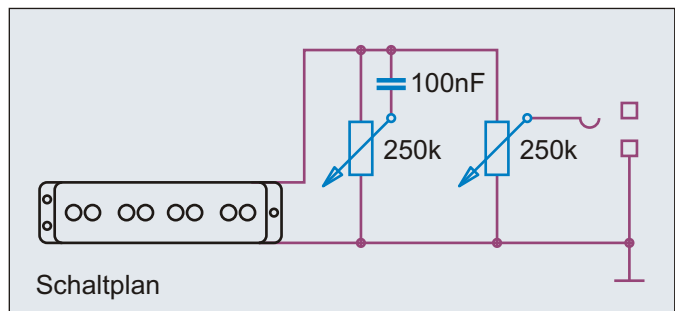
Hauptquelle für viele der hier gezeigten G&L Schaltungen ist die englischsprachige Website "**Guitars by Leo**", in der es auch ein Forum gibt: www.guitarsbyleo.com
 Meine Quelle für die historische Anmerkungen war unter anderem die Website www.ggjaguar.com/gnl.htm

Die G&L SB-Bässe von 1982 bis Ende 1984 waren mit Single Coil Pickups ausgestattet, die den alten Fender Jazz Bass Pickup zum Vorbild hatten.

Regler	Wert
Master Volume	250 k log.
Master Tone	250 k log.

Der G&L SB-1 Bass

Der SB-1 war 1982 der Einsteigerbass im G&L Sortiment. Er war zwar einfach aufgebaut, aber mit sehr guten Komponenten versehen. 1984 wurde der SB-1 komplett überarbeitet. Er erhielt einen größeren Body, der nicht mehr aus Ahorn sondern Pappel war.

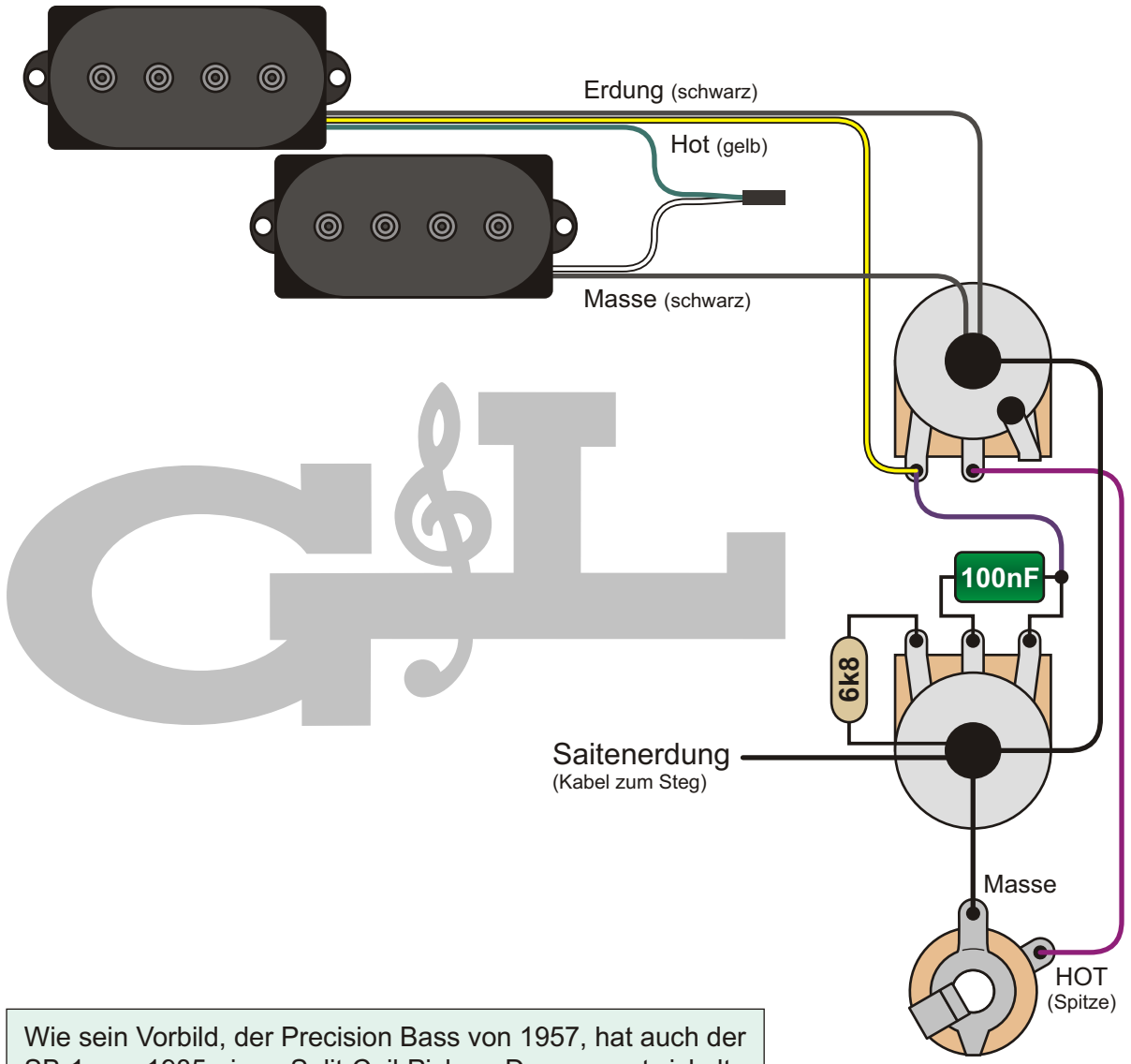


Benennung **G&L SB-1 Bass 1982 - 1984**

Historische Bassschaltungen Nummer 1.2.961

Bemerkungen / Besonderheiten

gezeichnet von **Cadfael** gezeichnet am **02.09.17** Seite **105**

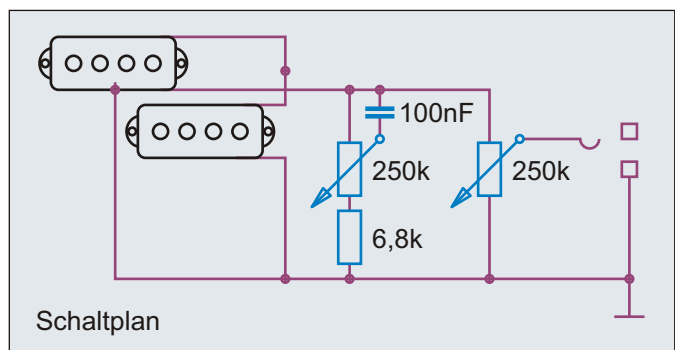


Wie sein Vorbild, der Precision Bass von 1957, hat auch der SB-1 von 1985 einen Split Coil Pickup. Der neu entwickelte G&L MFD Pickup hatte jedoch eine zusätzlich Masseleitung zur gegenläufig gewickelten Spule. Dadurch brummt die Pole Pieces nicht mehr bei Berührung. Zudem wurde vom L-1000 die Höhenblende (100nF statt 47nF) übernommen. 1985 wurden einige SB-1 mit Schaller Pickups ausgerüstet.

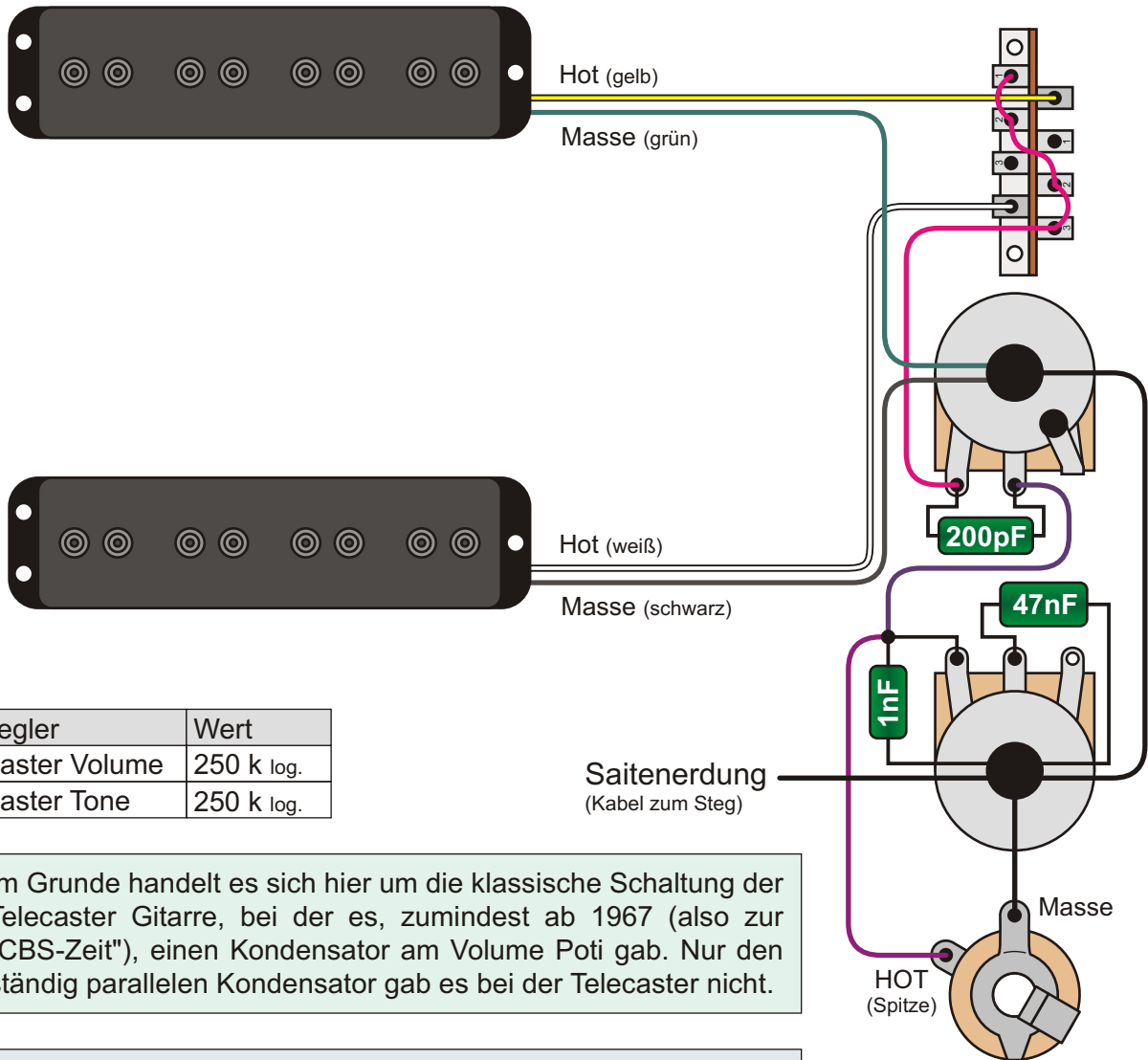
Regler	Wert
Master Volume	250 k log.
Master Tone	250 k log.

Der G&L SB-1 Bass

Mit dem SB-1 Bass nahmen George Fullerton und Leo Fender das Konzept des Precision Basses von 1957 wieder auf und entwickelten es sinnvoll weiter. Statt eines Blechwinkels hatte der SB-1 eine massive Brückenkonstruktion. Auch die Elektronik des Split Coil Pickups wurde überarbeitet.

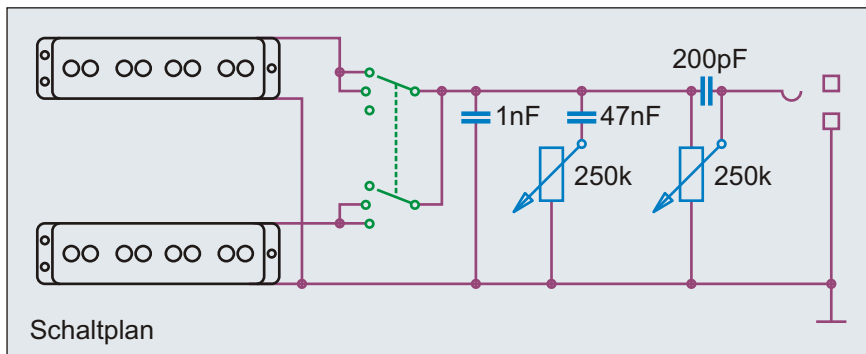


Benennung G&L SB-1 Bass 1985	Historische Bassschaltungen		Nummer 1.2.963
	gezeichnet von Cadfael	gezeichnet am 02.09.17	Seite 106
Bemerkungen / Besonderheiten			



Regler	Wert
Master Volume	250 k log.
Master Tone	250 k log.

Im Grunde handelt es sich hier um die klassische Schaltung der Telecaster Gitarre, bei der es, zumindest ab 1967 (also zur "CBS-Zeit"), einen Kondensator am Volume Poti gab. Nur den ständig parallelen Kondensator gab es bei der Telecaster nicht.



Lever Switch	
Position	aktive Pickups
3	Neck
2	Neck + Bridge
1	Bridge

Der G&L SB-2 Bass

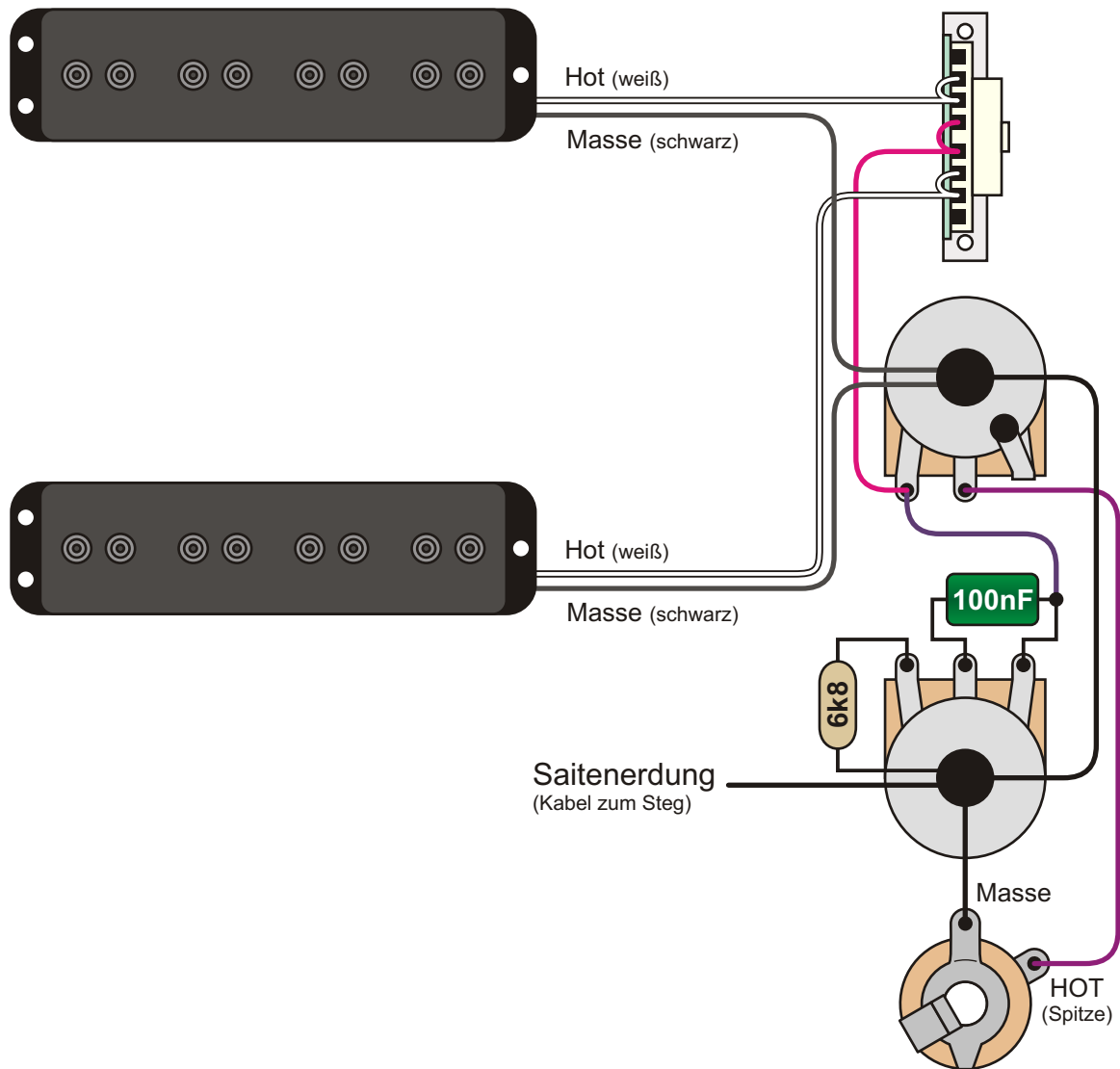
Der "Bruder" des SB-1 Basses war der SB-2 Bass. Er hatte zwei Single Coils im gleichen Format wie der SB-1. Die Wahl der Pickups fand, anders als beim Jazz Bass, über einen Dreiwegschalter statt. 1985 gab es eine leichte Überarbeitung der Elektronik. Den radikalen Wechsel der Elektronik, wie beim SB-1, machte der SB-2 erst 1987 mit. Die alte Version des SB-2 starb aber nicht einfach, sondern lebte im Lynx Bass weiter.

Benennung **G&L SB-2 Bass 1982 - 1984**

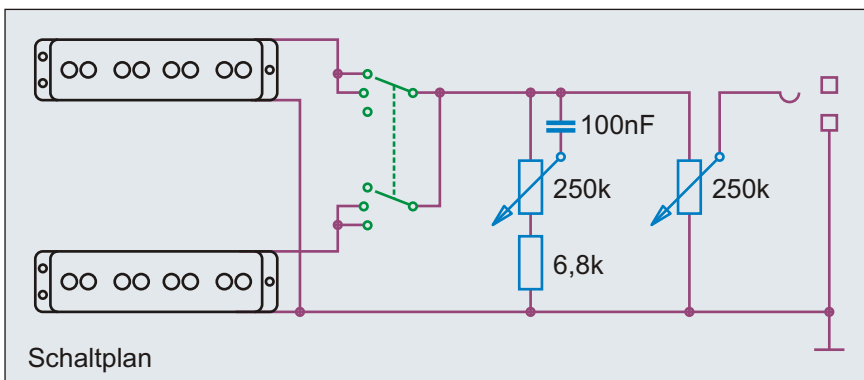
Historische Bassschaltungen Nummer 1.2.971

Bemerkungen / Besonderheiten
sowie LYNX Bass ab 1988 - 1991

gezeichnet von **Cadfael** gezeichnet am **02.09.17** Seite **107**



Verglichen dem G&L SB-1 Bass, waren die Änderungen beim SB-2 Bass Ende 1984 nur gering. Ob sich der Typ des Dreiwegschalters wirklich änderte, kann nur vermutet werden. Die Klangregelung wurde aber auf jeden Fall leicht modifiziert.



Regler	Wert
Master Volume	250 k log.
Master Tone	250 k log.

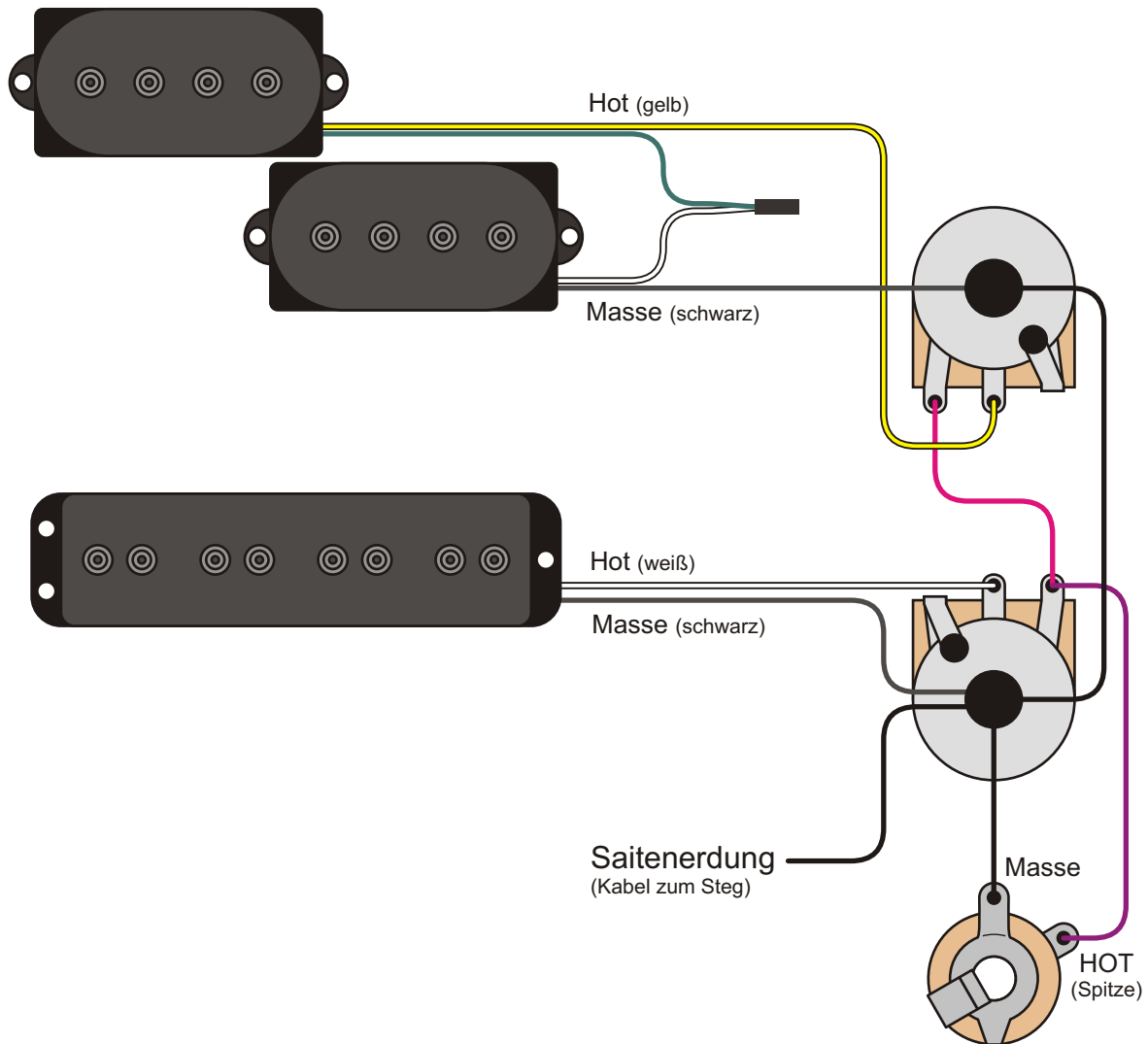
Lever Switch	
Position	aktive Pickups
3	Neck
2	Neck + Bridge
1	Bridge

Benennung **G&L SB-2 Bass 1984 - 1987**

Historische Bassschaltungen Nummer 1.2.973

Bemerkungen / Besonderheiten

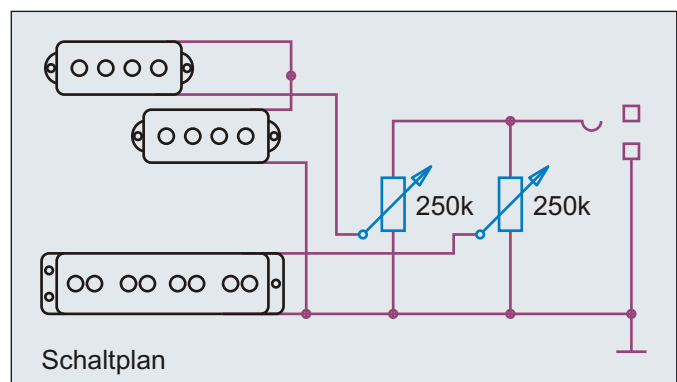
gezeichnet von **Cadfael** gezeichnet am **02.09.17** Seite **108**



Regler	Wert
Neck Volume	250 k log.
Bridge Volume	250 k log.

Der G&L SB-2 Bass 1987

Die Bässe ab 1987 werden als "Zweite Generation" bezeichnet. Aus der JJ wurde eine PJ-Bestückung. Der Lever Switch und Tone Regler fielen weg. Dafür hatte der Bass jetzt zwei Lautstärkereger. Als Holz für den Body wurden nun Esche und Pappel verwendet. Die Bodyform wurde geändert und der SB-2 erhielt ein Pickguard aus schwarz eloxiertem Aluminium. Der SB-2 bekam einen schmalen Hals mit den Dimensionen eines Jazz Bass.



Benennung **G&L SB-2 Bass 1987**

Historische
Bassschaltungen

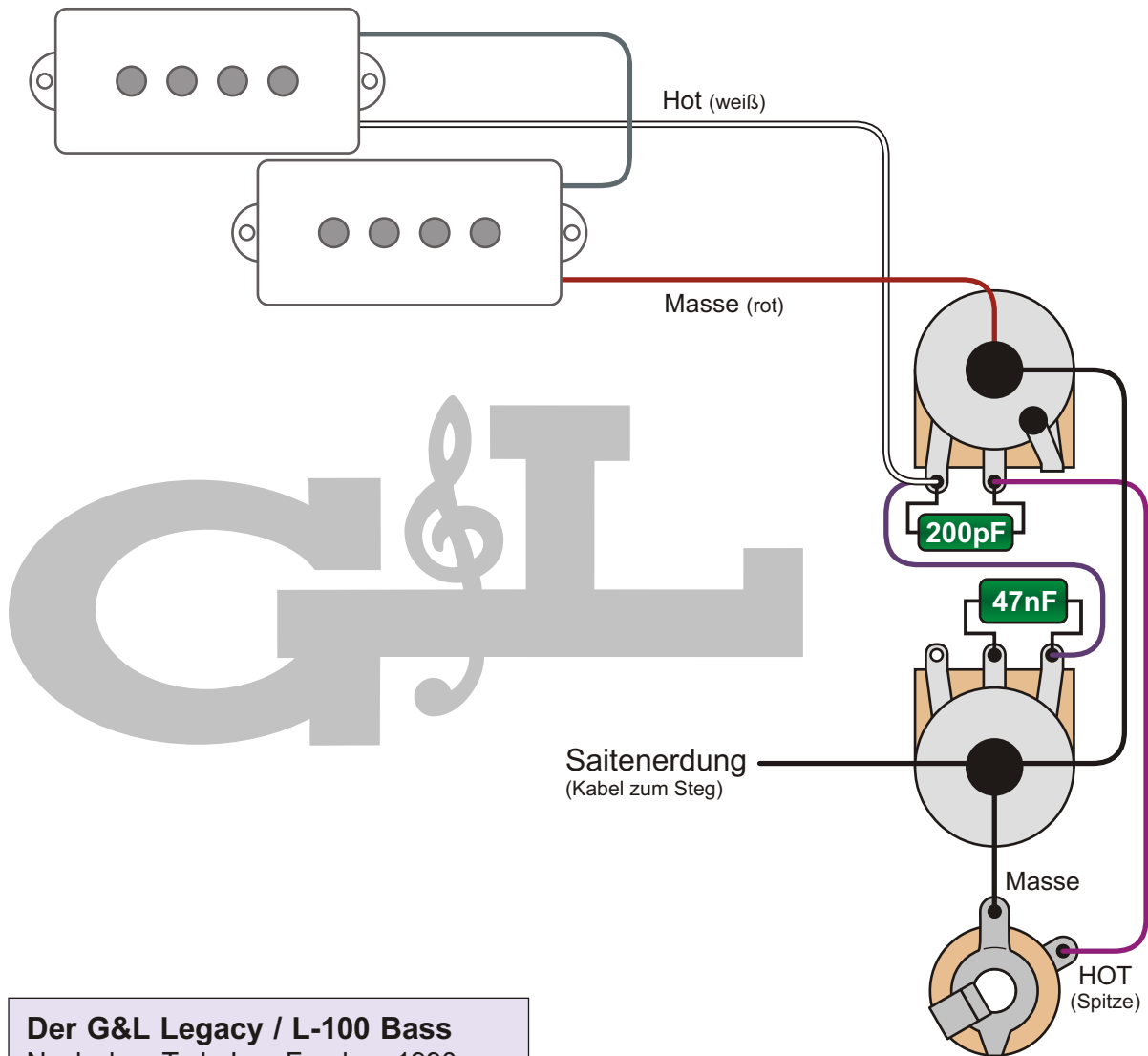
Nummer
1.2.975

Bemerkungen / Besonderheiten

gezeichnet von
Cadfael

gezeichnet am
02.09.17

Seite
109

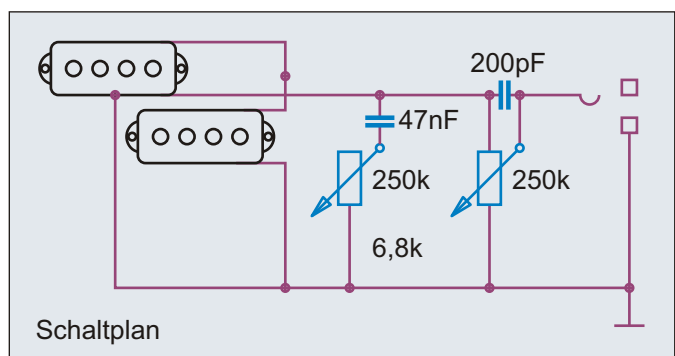


Der G&L Legacy / L-100 Bass

Nach dem Tode Leo Fenders 1990 war der Legacy Bass der erste, nicht von Leo Fender entwickelte Bass. Die Form des Legacy war fast identisch mit der Form des SB-2 Basses. Das Pickguard war lediglich etwas "fülliger".

Statt eines hauseigenen MFD Pickups, hatte der Legacy einen Pickup, der wie ein klassischer P-Style Pickup aussah. Der Pickup, in Farbe des Pickguards, kam aus dem Hause Gotoh. Als die Zon Company Rechte auf den Namen "Legacy Bass" anmeldete, änderte G&L den Namen bereits 1993 in L-100 um. Es gibt also nur sehr wenige Bässe mit "Legacy Bass" Aufkleber. Mindestens bis 1996 wurde der L-100 parallel zum SB-1 Bass angeboten.

Regler	Wert
Master Volume	250 k log.
Master Tone	250 k log.



Benennung **G&L Legacy / L-100 Bass 1993**

Historische
Bassschaltungen

Nummer
1.2.981

Bemerkungen / Besonderheiten

gezeichnet von
Cadfael

gezeichnet am
02.09.17

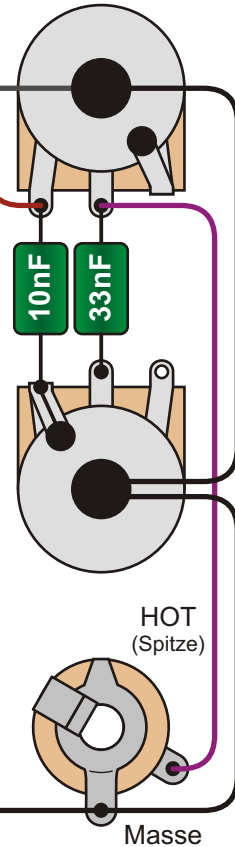
Seite
110



Für Fans von Gibson Bässen ist die Website **Fly Guitars** ein Muss. Auf diesen Seiten findet man zahlreiche Informationen zu historischen Gibson Bass Modellen: www.flyguitars.com

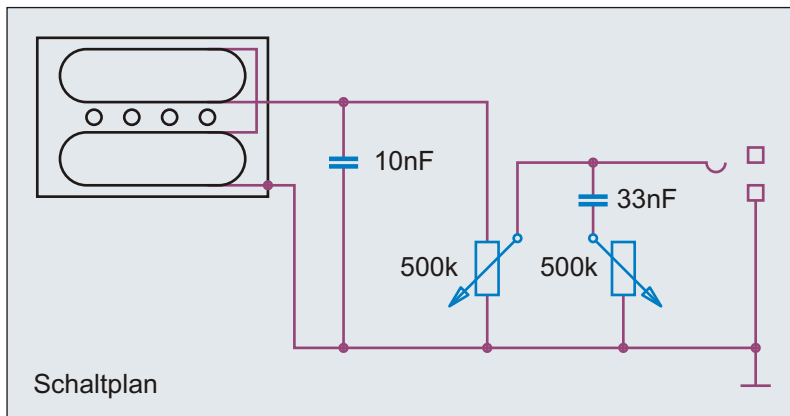


Saitenerdung
(Kabel zum Steg)



EB	Mensur	Zeit
-0	30,5" Short Scale	59-79
-0L	34,5" Long Scale	69-77

Bauteil	Wert 1960er	Wert 1970er
Master Volume	500 k log.	500 k log.
Master Tone	500 k log.	250 k log.
Tone Kondensator	33 nF	22 nF



Der Gibson EB-0

Der Gibson EB-0 Bass wurde von 1959-79 hergestellt. Es gab mehrere Versionen (wie den EB-0L Long Scale). Die erste Version von 1959 hatte die Form einer Les Paul Special. 1961 wechselte man Form des Body zur SG-Form. Der EB-0 hatte im Laufe der Zeit wechselnde Pickups. Im Jahr 1972 wurde der Mudbucker Pickup mehr in Richtung Brücke versetzt.

Benennung **Gibson EB-0(L) Bass 1959-79**

Historische Bassschaltungen

Nummer 1.3.101

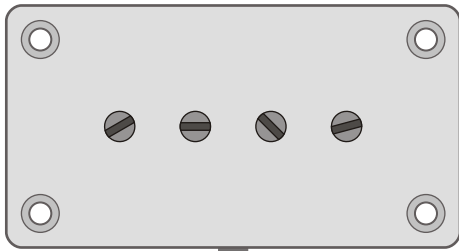
Bemerkungen / Besonderheiten
Schaltung Modell 1962

gezeichnet von
Cadfael

gezeichnet am
02.09.17

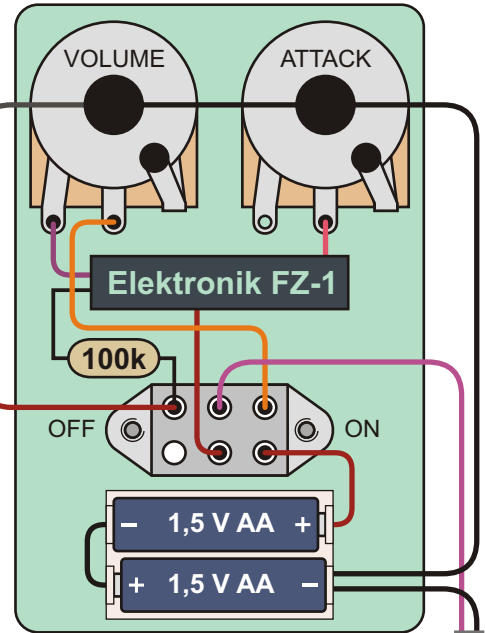
Seite
111

FUZZTONE



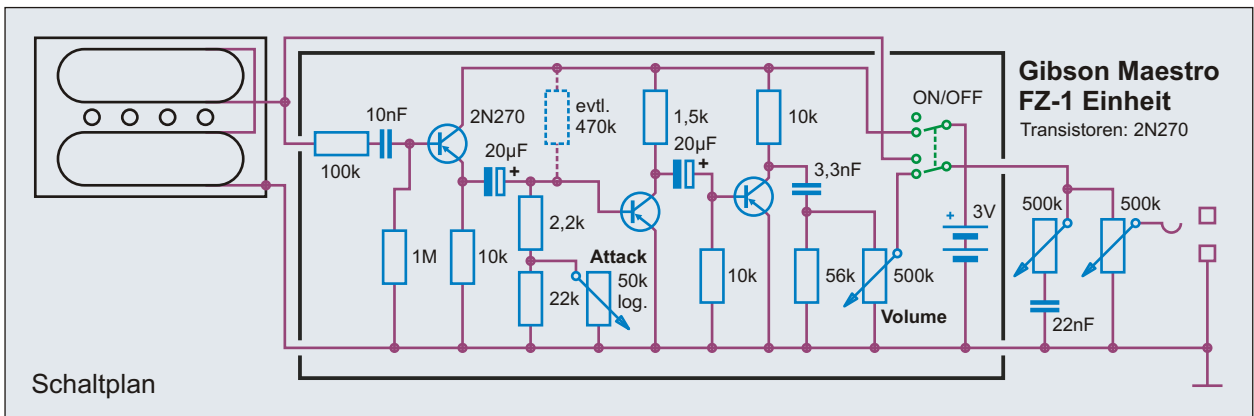
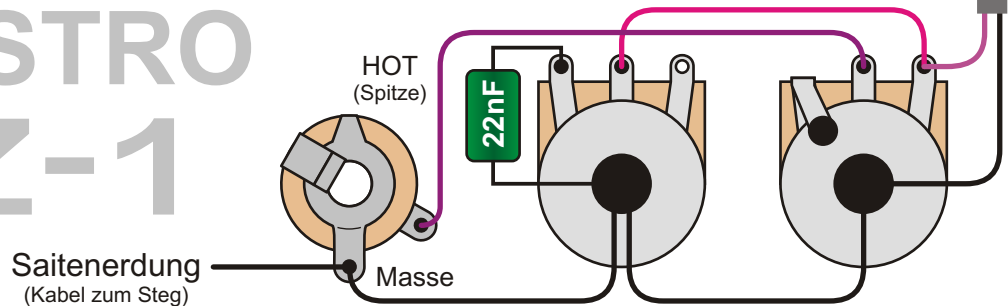
Der Gibson EB-0F FUZZTONE

Basis für den Gibson EB-0F war der EB-0 Bass. Zwischen E-Fach und Humbucker war eine Einfräsung unter dem Pickupguard, in dem die Elektronik des Maestro FZ-1, sowie der Halter für die 1,5 Volt AA Batterien, untergebracht waren. Schalter und Regler waren auf dem Pickguard montiert.

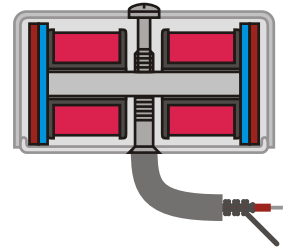
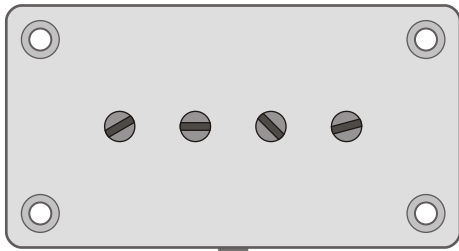


Gibson selbst hat keine Pläne mehr über die verbaute Fuzz-Einheit. Sicher ist, dass ein Maestro Fuzztone im EB-0F verbaut war. Es gibt mehrere Gibson Fuzztones und Schaltungsvarianten. Die hier abgebildete Version scheint mir aus mehreren Gründen am plausibelsten zu sein. Fraglich ist allerdings, ob der 470k Widerstand wirklich eingebaut war. Daher wurde der Widerstand im Schaltplan unten gestrichelt eingezeichnet.

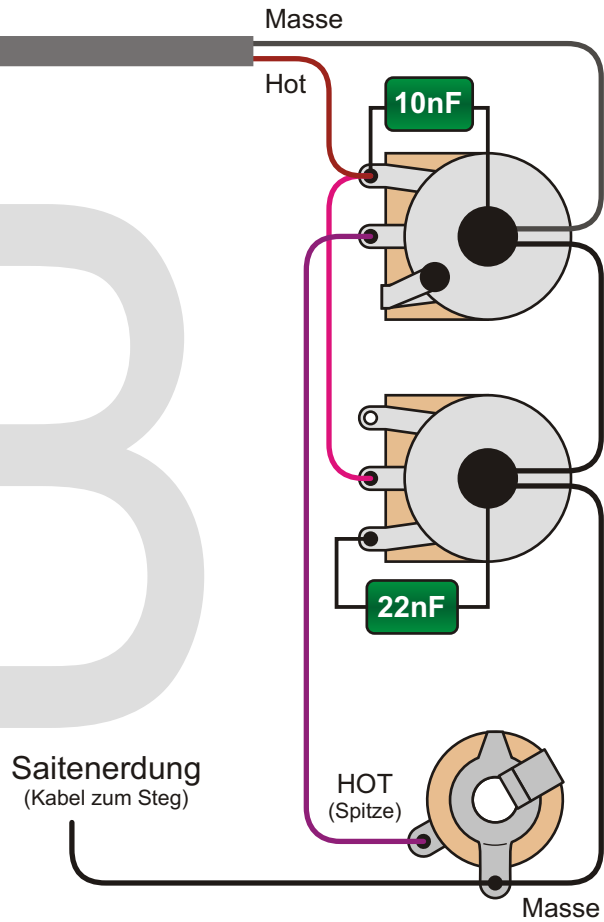
MAESTRO FZ-1



Benennung	Gibson EB-0F FUZZTONE 1962-6?	Historische Bassschaltungen	Nummer
Bemerkungen / Besonderheiten	Gibson Maestro Fuzztone	gezeichnet von	1.3.106
		Cadfael	gezeichnet am
			02.09.17
			Seite
			112



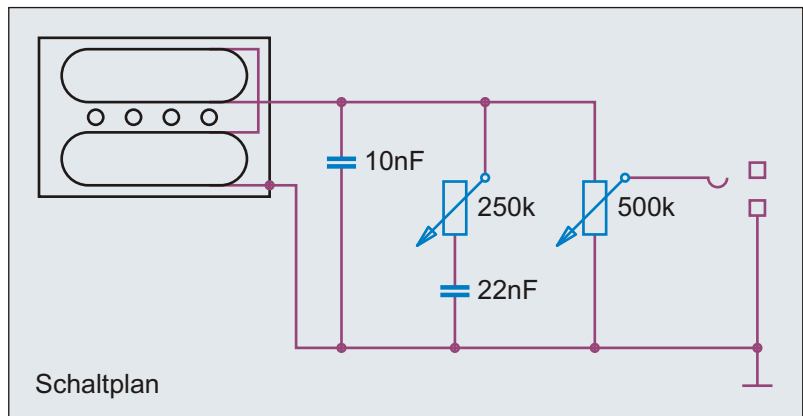
EBB



Regler	Wert
Master Volume	500 k log.
Master Tone	250 k log.

Der Gibson EB-1

Die EB-1 Bässe haben die Form einer Violine. Die EB-1 Bässe hatten bis Mitte der 50er Jahre einen Single Coil Pickup. Vor dem klassischen "Mudbucker" Pickup gab es noch einen Humbucker mit leicht anderer Form.



Benennung **Gibson EB-1 Bass 1953-58 + 1970-73**

Historische
Bassschaltungen

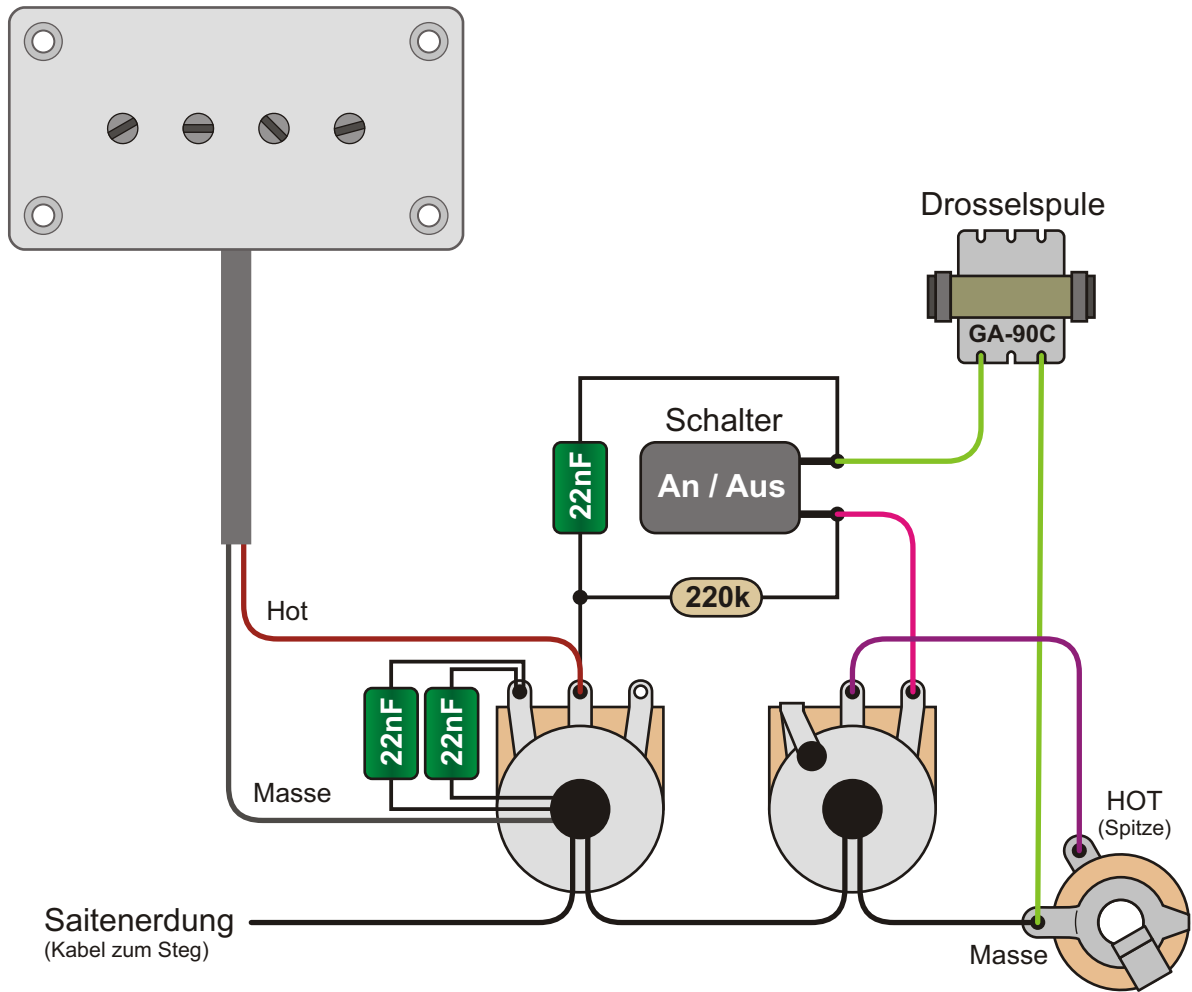
Nummer
1.3.111

Bemerkungen / Besonderheiten
Schaltung Modell 1972

gezeichnet von
Cadfael

gezeichnet am
02.09.17

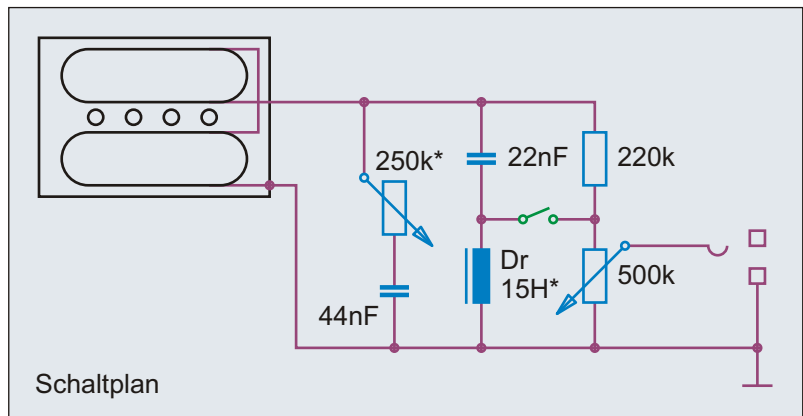
Seite
113



Bauteil	Wert Version 1	Wert Version 2
Poti Master Volume	500 k log.	500 k log.
Poti Master Tone	250 k log.	500 k log.
Drosselspule	15 H	8 H

Der Gibson EB-2

Die Gibson Bässe sind weit weniger beliebt als Fender Bässe. Das mag an ihrem Aussehen, an ihrem "besonderen" Sound oder bei vielen an der Kopflastigkeit liegen. Der EB-2 ist ein Halbakustik Bass mit 30,5" Mensur.



Benennung **Gibson EB-2 Bass 1958-70**

Historische
Bassschaltungen

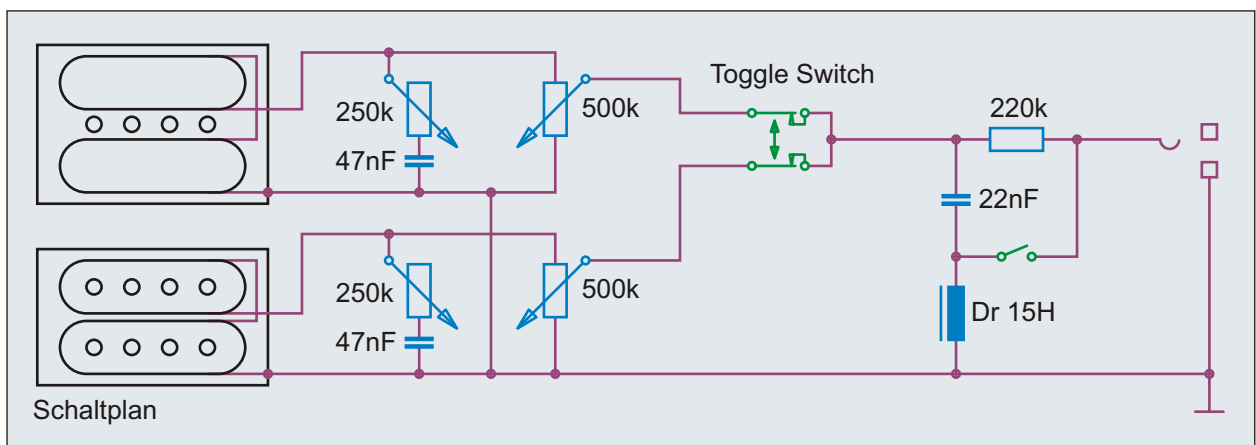
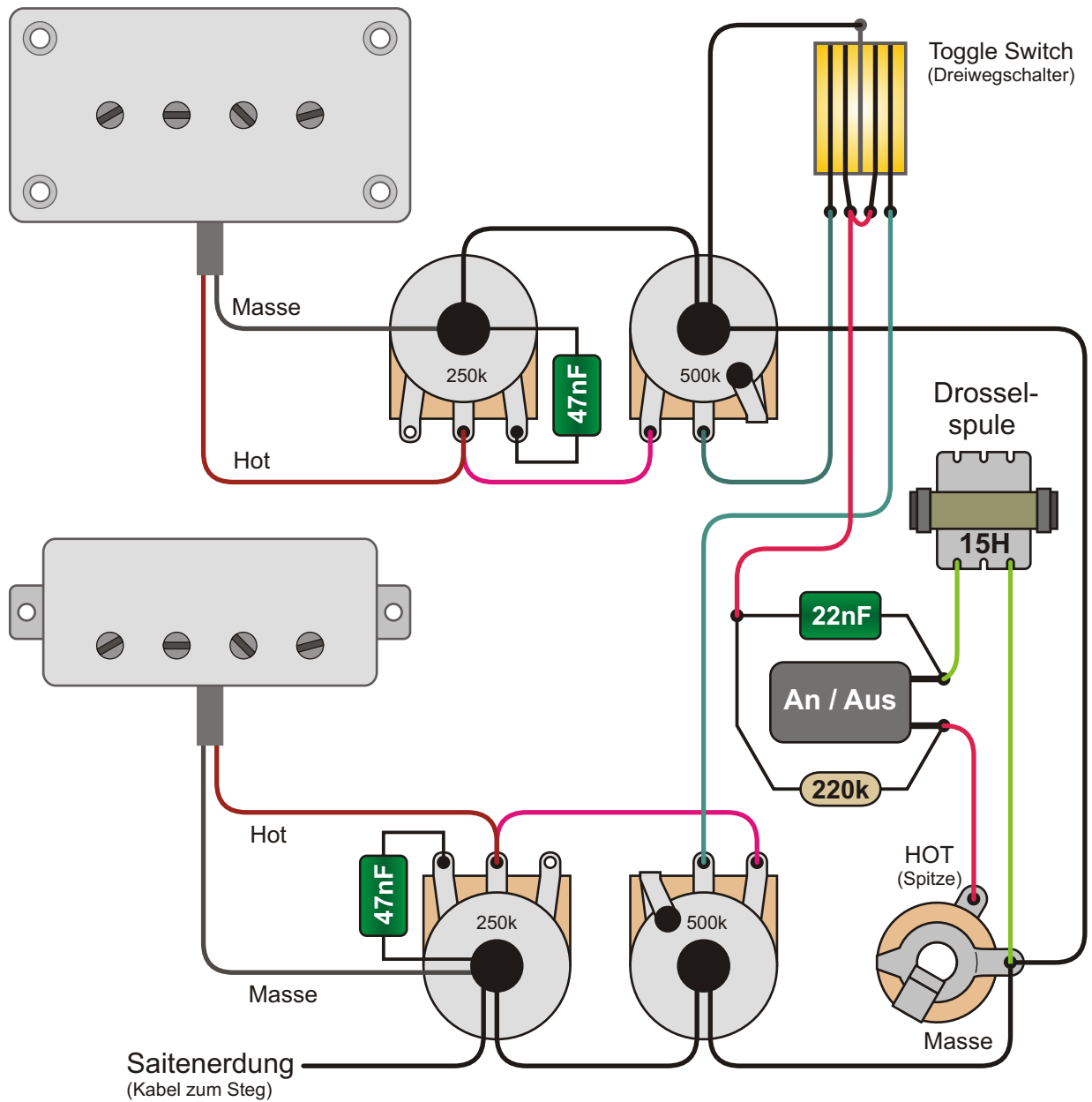
Nummer
1.3.121

Bemerkungen / Besonderheiten
Schaltung Modell 1960

gezeichnet von
Cadfael

gezeichnet am
02.09.17

Seite
114



Benennung **Gibson EB-2D Bass 1966-72**

Historische
Bassschaltungen

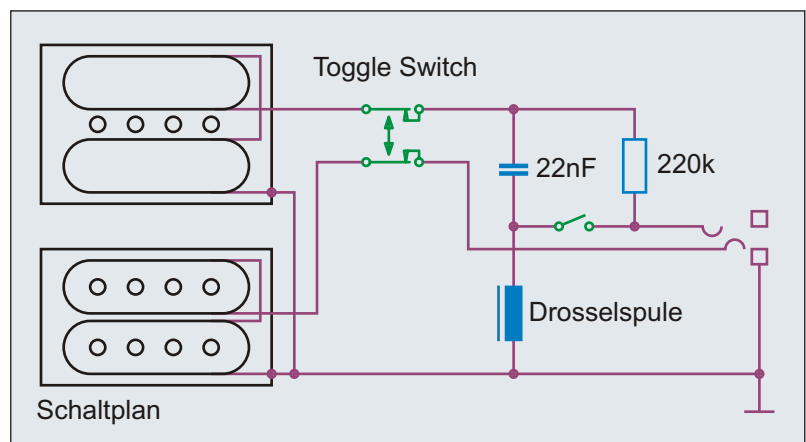
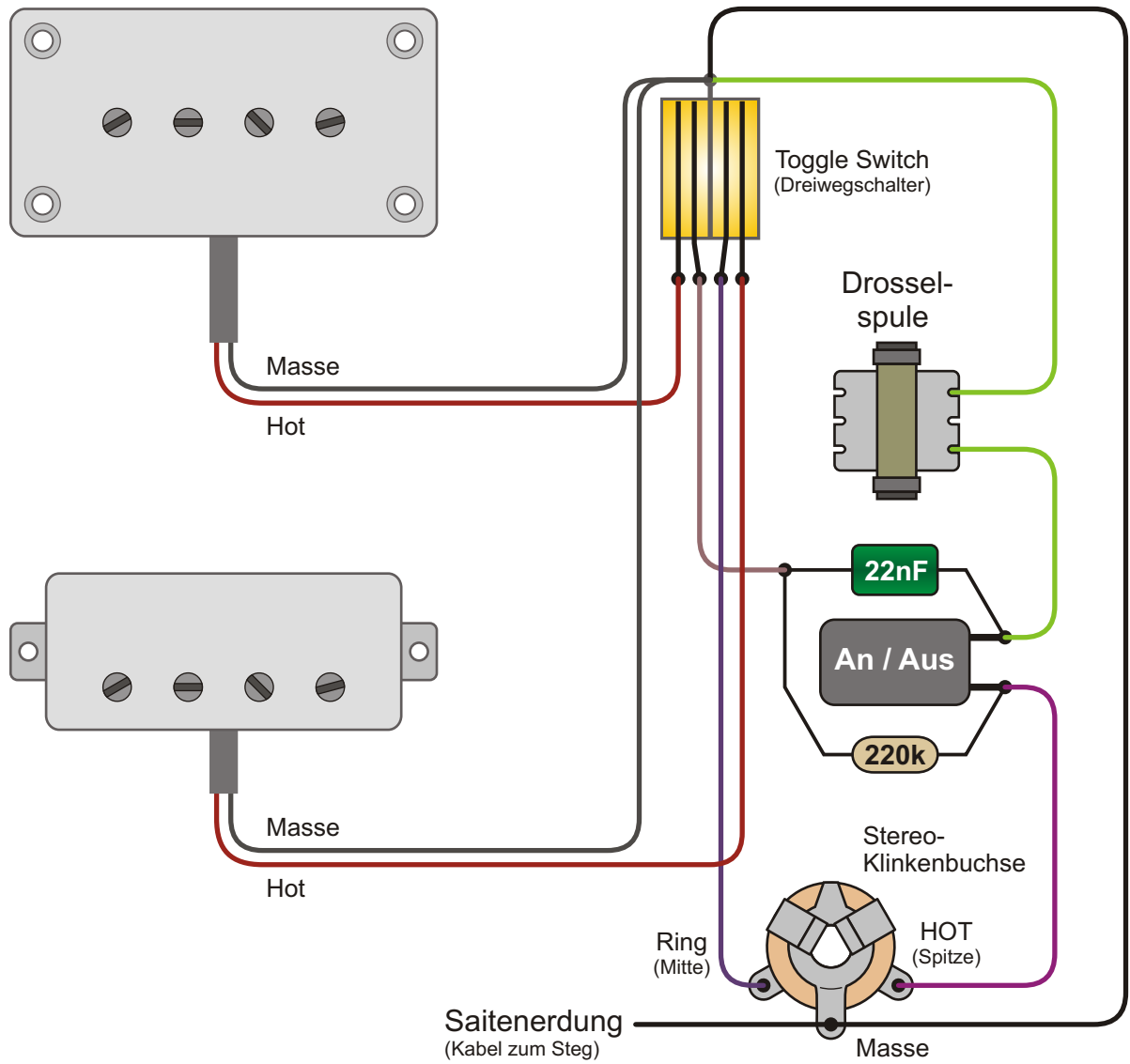
Nummer
1.3.124

Bemerkungen / Besonderheiten
Schaltung Modell 1966

gezeichnet von
Cadfael

gezeichnet am
02.09.17

Seite
115



Benennung **Gibson EB-2 Double Stereo Bass**

Historische
Bassschaltungen

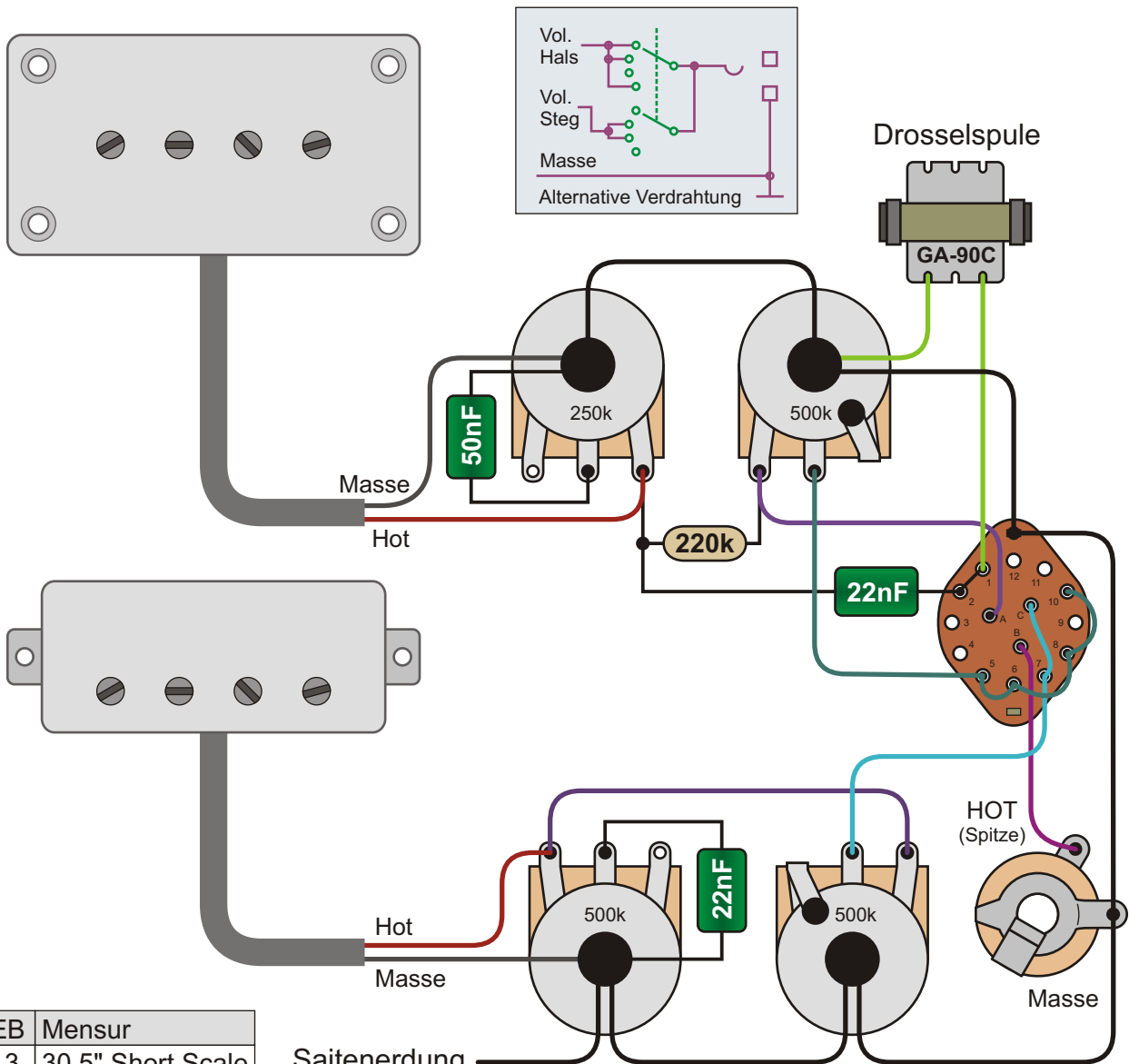
Nummer
1.3.127

Bemerkungen / Besonderheiten

gezeichnet von
Cadfael

gezeichnet am
02.09.17

Seite
116



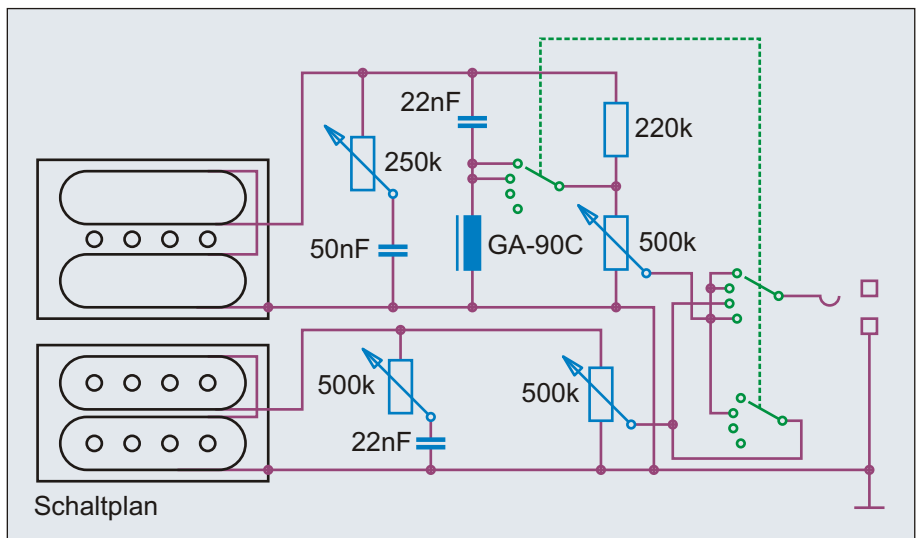
EB	Mensur
-3	30,5" Short Scale
-3L	34,5" Long Scale

Saitenerdung
(Kabel zum Steg)

Drehschalter 3x4	
Pos.	aktive Pickups
1	Neck + Vario
2	Neck + Br. + V.
3	Bridge
4	Neck

Gibson EB-3

Der Gibson EB-3 wurde von einigen berühmten Bassisten gespielt, gehört aber ebenfalls eher zu den Exoten.



Benennung **Gibson EB-3 Bass 1961-72**

Historische
Bassschaltungen

Nummer
1.3.131

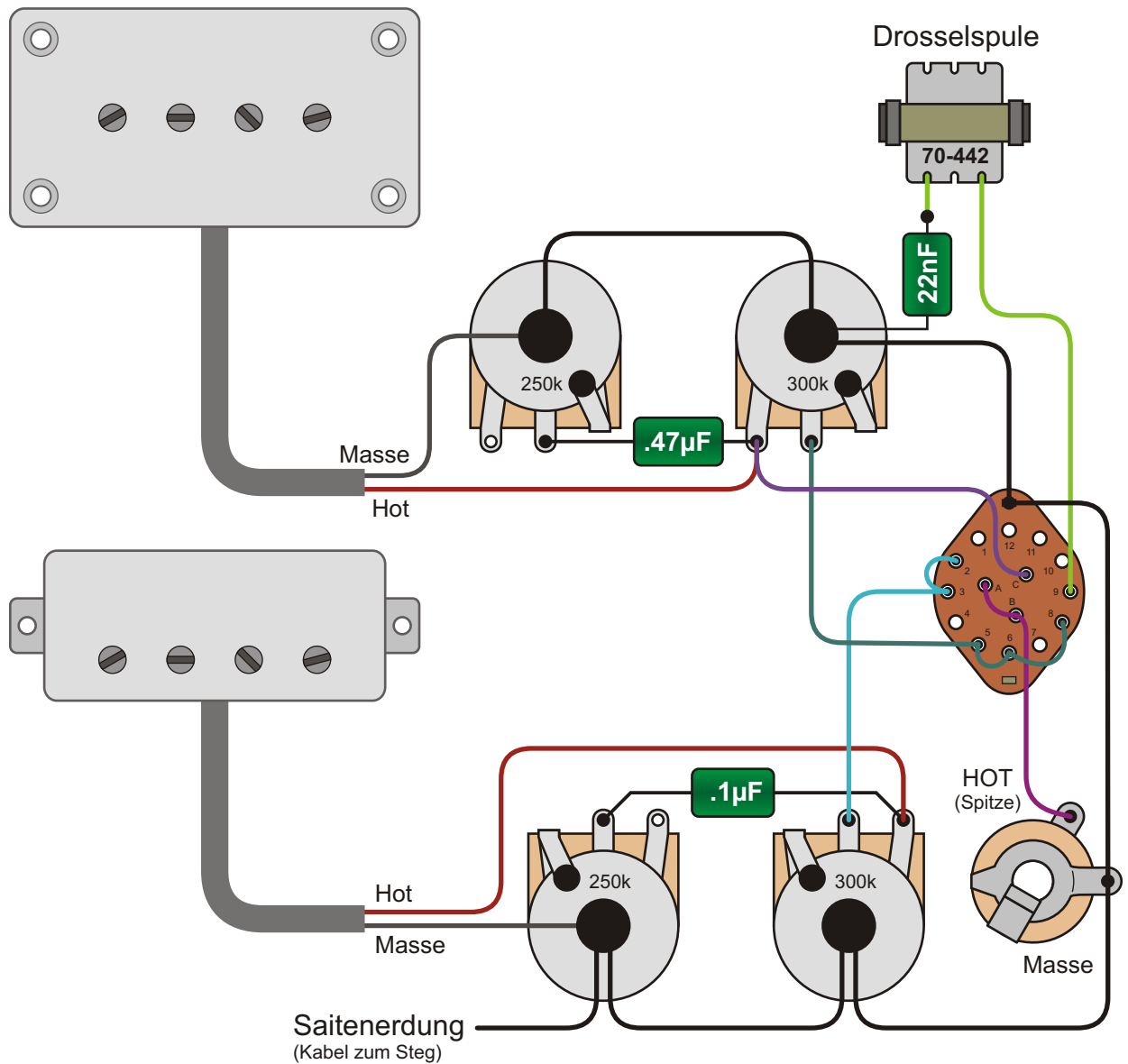
Bemerkungen / Besonderheiten

EB-3 (1962-72) / EB-3L (1971-72) - Serie 1

gezeichnet von
Cadfael

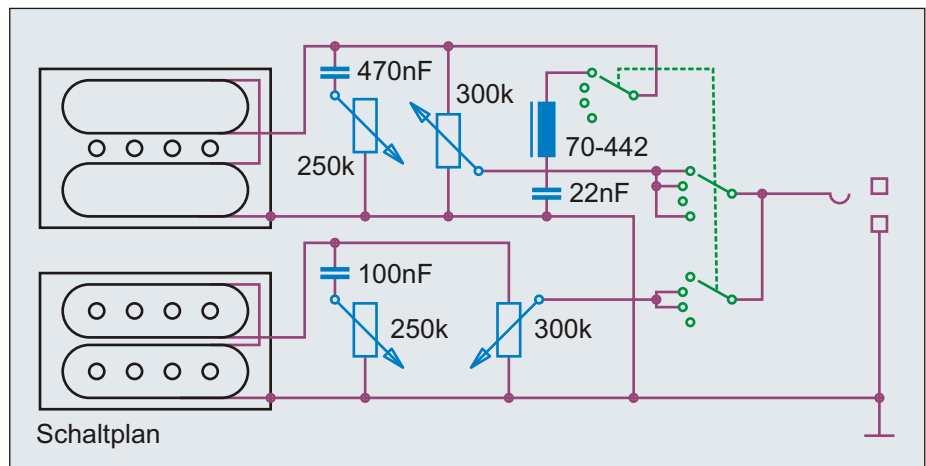
gezeichnet am
02.09.17

Seite
117

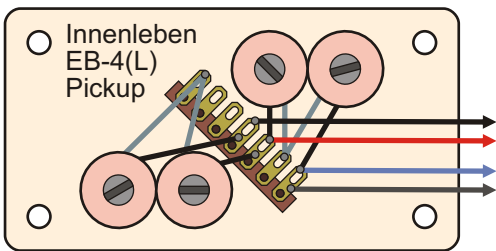
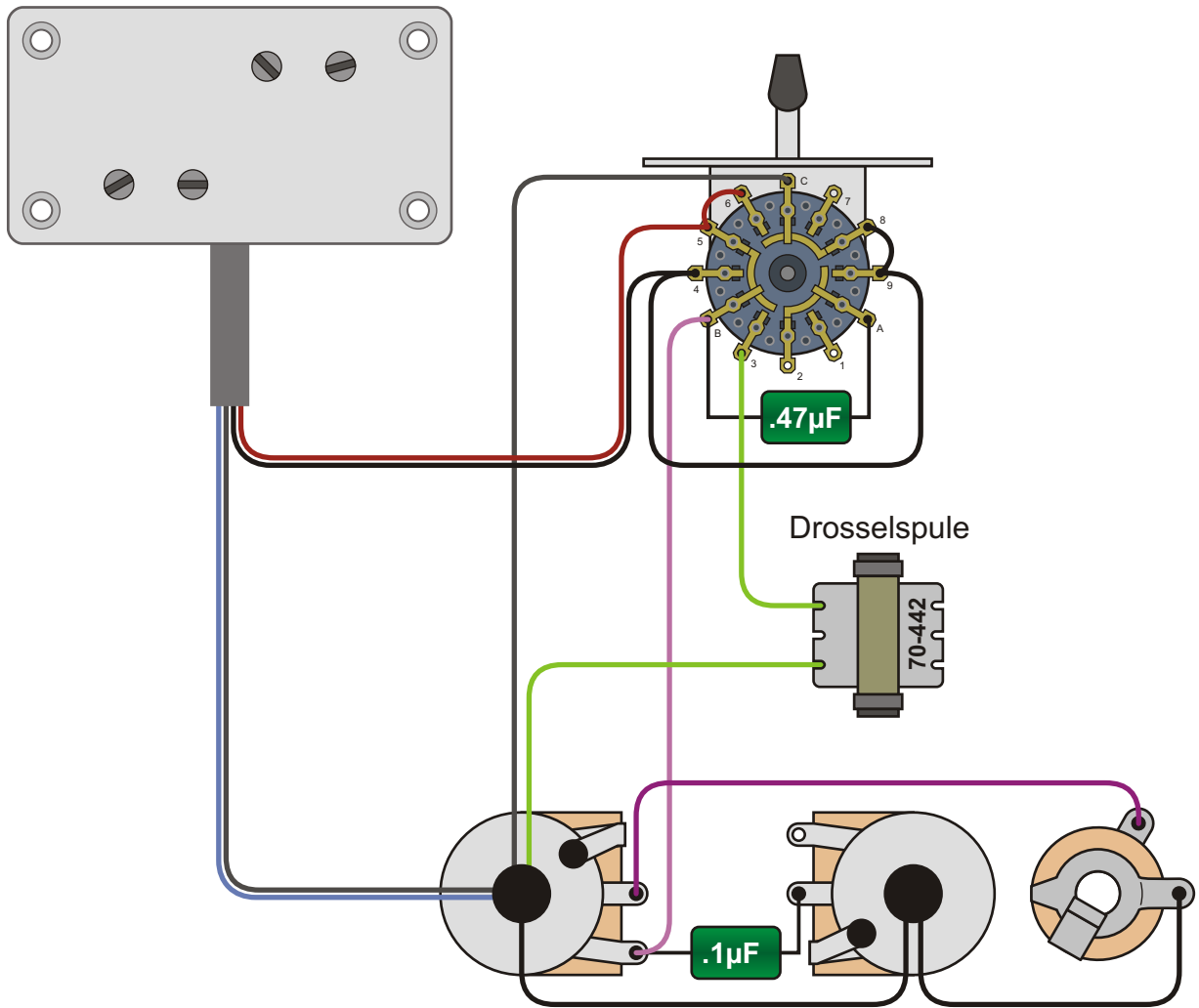


Drehswitcher 3x4	
Pos.	aktive Pickups
1	Neck + Vario
2	Neck + Bridge
3	Bridge
4	Neck

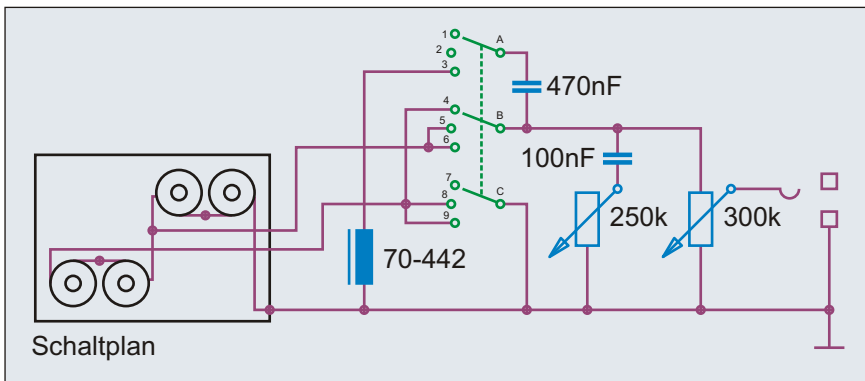
Es gibt noch mehr Varianten der Verdrahtung des EB-3 Basses, als die hier beschrieben ist.



Benennung	Gibson EB-3 Bass 1972-79	Historische Bassschaltungen	Nummer
Bemerkungen / Besonderheiten	EB-3 (1972-79) / EB-3L (1972-79) - Serie 2	gezeichnet von	1.3.135
		gezeichnet am	Seite
		Cadfael	02.09.17
			118



Unter der Kappe des EB-4(L) Pickups sitzen vier Einzelspulen. Jede Saite hat also ihre eigene Spule. Zwei Spulen sind jeweils in Reihe zu einem Paar verbunden. Diese beiden Paare können dann seriell oder parallel zueinander geschaltet werden.



EB	Mensur
-4	30,5" Short Scale
-4L	34,5" Long Scale

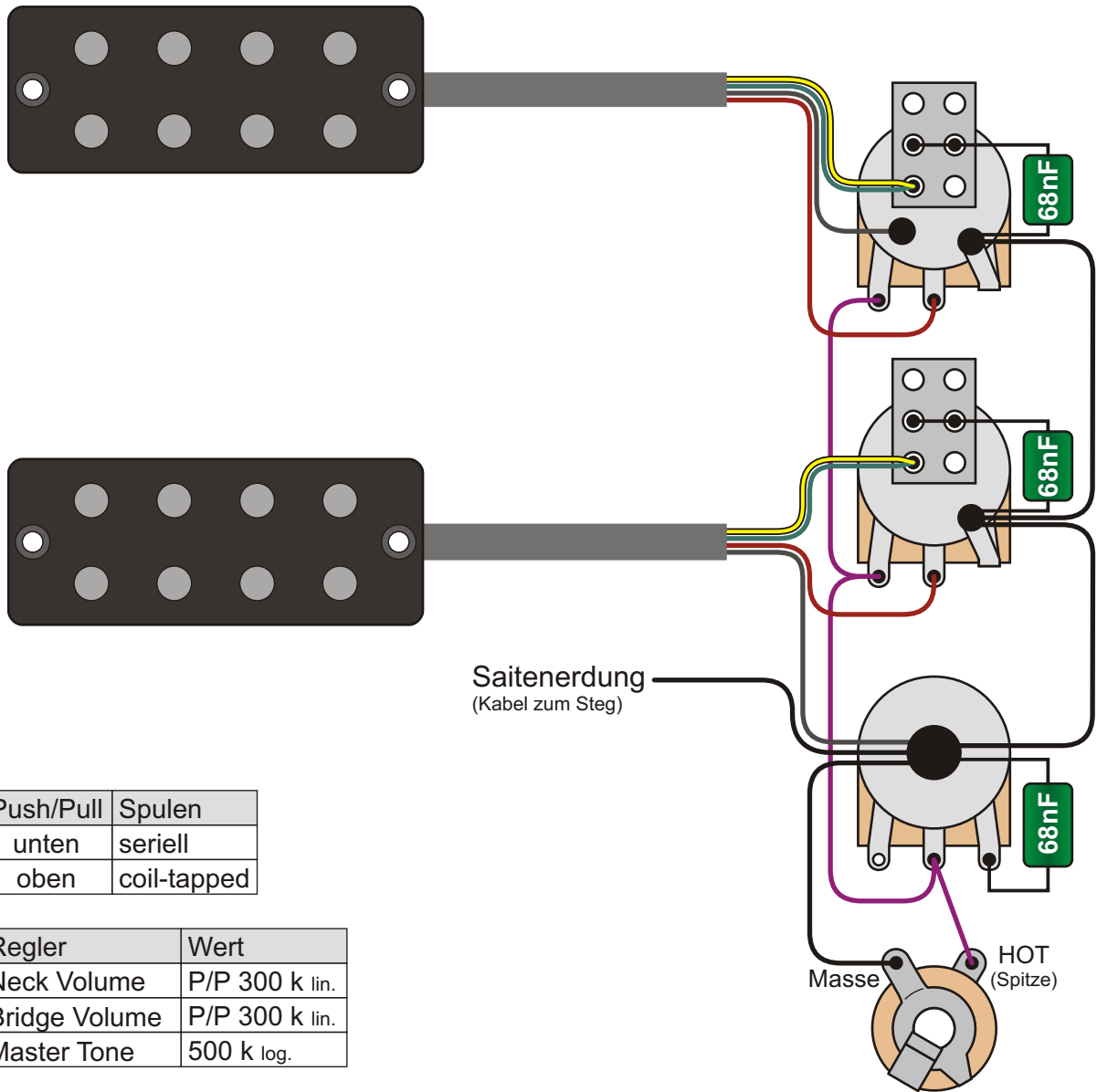
Drehschalter 3x3	
Pos.	Spulen
1	Seriell
2	Parallel
3	Parallel + Spule

Benennung **Gibson EB-4 Bass 1972-79**

Historische Bassschaltungen Nummer 1.3.141

Bemerkungen / Besonderheiten
Schaltung Modell 1973

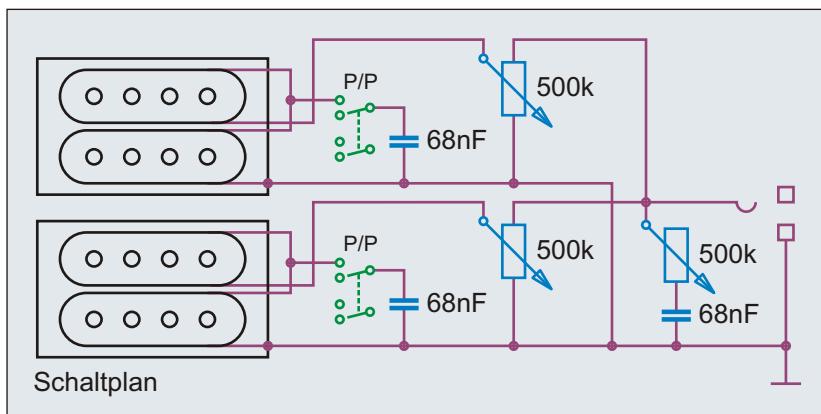
gezeichnet von Cadfael	gezeichnet am 02.09.17	Seite 119
---------------------------	---------------------------	--------------



Push/Pull	Spulen
unten	seriell
oben	coil-tapped

Regler	Wert
Neck Volume	P/P 300 k lin.
Bridge Volume	P/P 300 k lin.
Master Tone	500 k log.

Position	Pickup
Neck	Jim DeCola Humbucker (Alnico V)
Bridge	Jim DeCola Humbucker (Alnico V)



Die genaue Schaltung des EB-Bass ist derzeit nicht bekannt. Beim Coil-Tap sollen mehr Bässe und höherer Output als normal zur Verfügung stehen. Das legt nahe, dass eine Spule über einen Kondensator kurzgeschlossen wird und so die Bässe dieser Spule erhalten bleiben.

Benennung **Gibson EB Bass 2012**

Historische
Bassschaltungen

Nummer
1.3.151

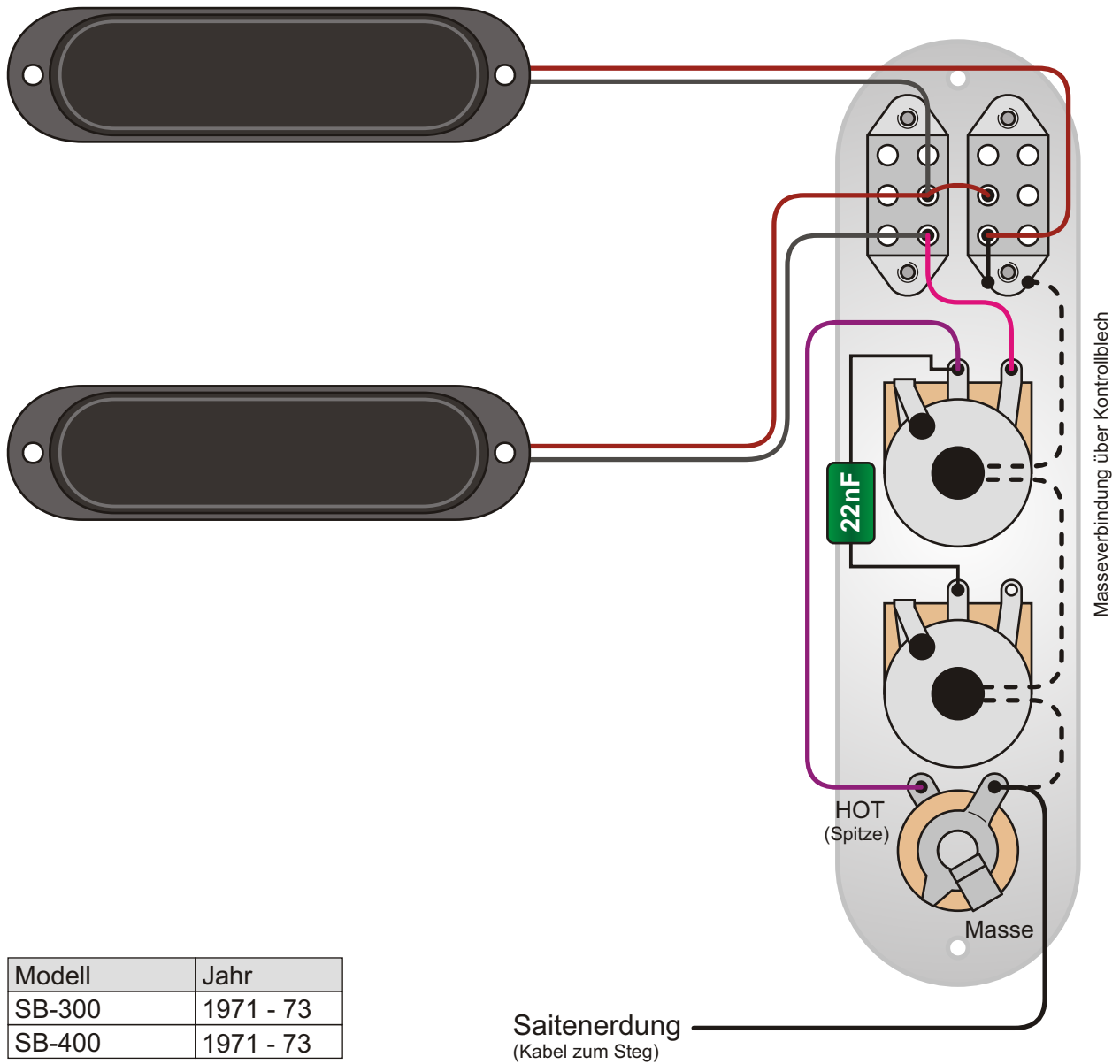
Bemerkungen / Besonderheiten

Schaltung lediglich Vermutung!

gezeichnet von
Cadfael

gezeichnet am
02.09.17

Seite
120

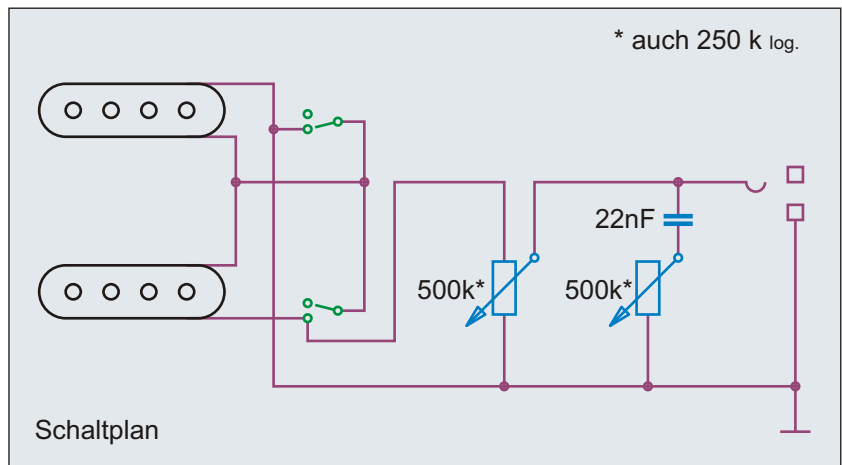


Modell	Jahr
SB-300	1971 - 73
SB-400	1971 - 73

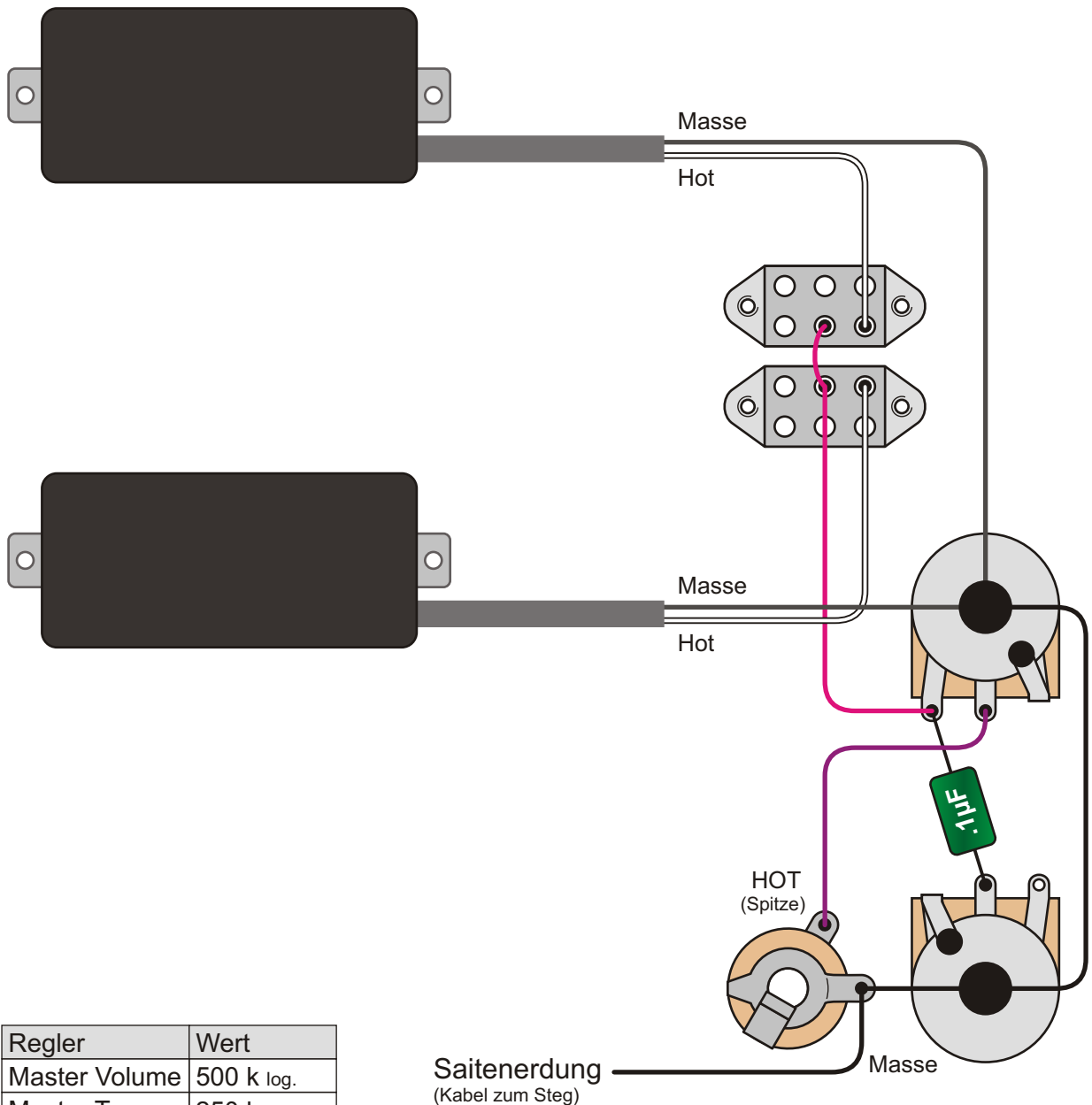
Regler	Wert
Master Volume	500 k log.*
Master Tone	500 k log.*

Schalter	Pickups
	Neck + Bridge Pickup seriell
	Neck Pickup
	Bridge Pickup
	aus

Saitenerdung
(Kabel zum Steg)



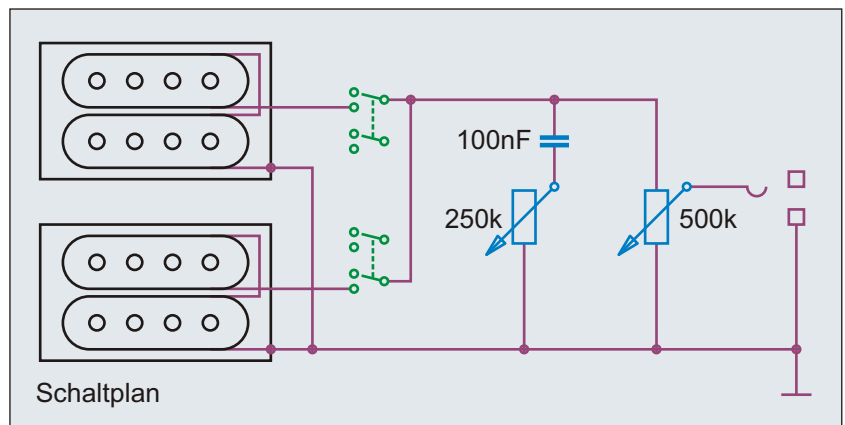
Benennung	Gibson SB-200 / SB-300 / SB-400 Bass		Historische Bassschaltungen	Nummer
				1.3.211
Bemerkungen / Besonderheiten	gezeichnet von	gezeichnet am	Seite	
	Cadfael	02.09.17	121	



Regler	Wert
Master Volume	500 k log.
Master Tone	250 k log.

Modell	Jahr
SB-350	1972 - 78
SB-450	1972 - 78

Schalter	Pickups
	Neck + Bridge Pickup parallel
	Neck Pickup
	Bridge Pickup
	aus



Benennung **Gibson SB-350 / SB-450 Bass 1972-78**

Historische Bassschaltungen

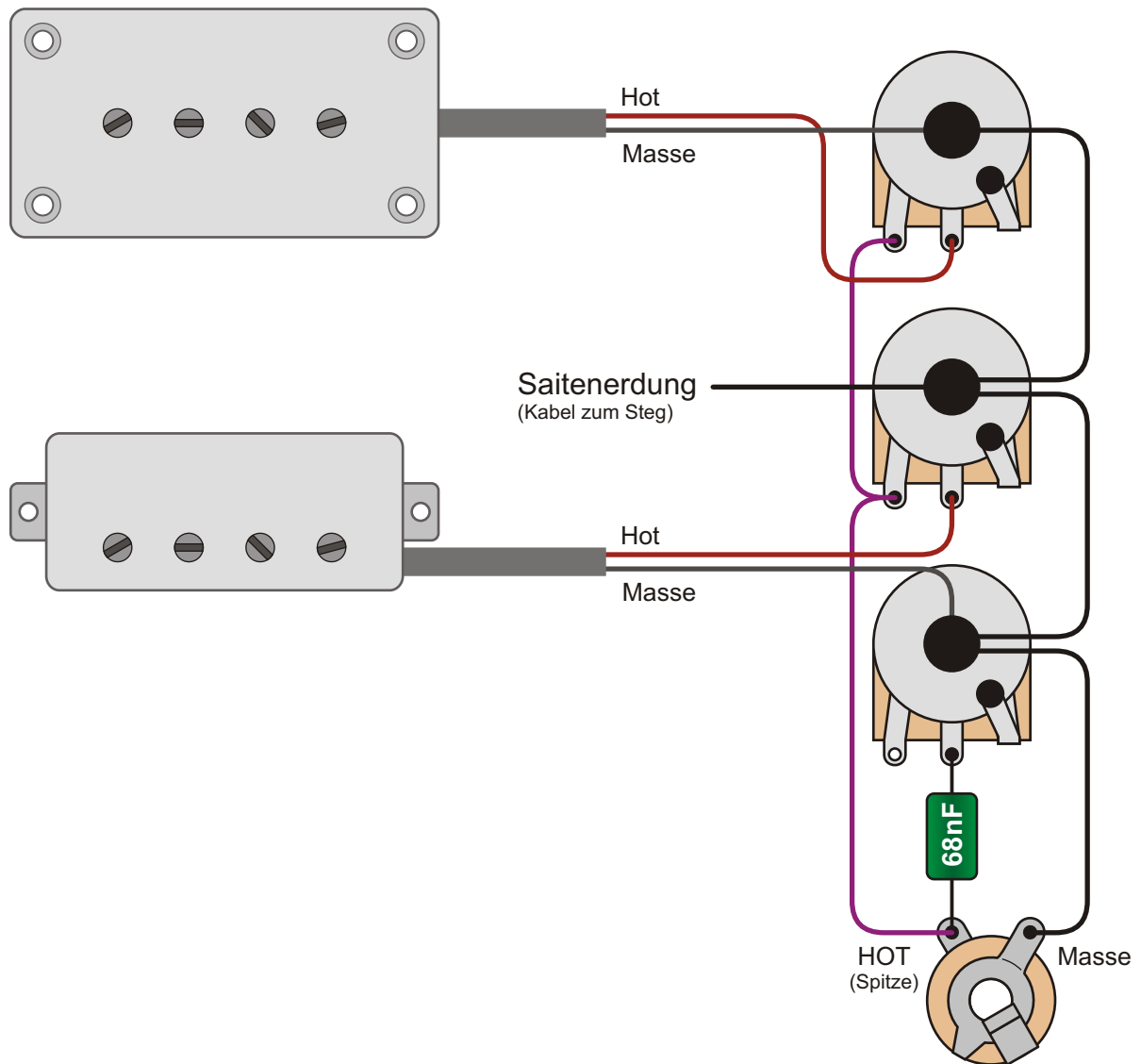
Nummer 1.3.221

Bemerkungen / Besonderheiten
Schaltung Modell 1975

gezeichnet von
Cadfael

gezeichnet am
02.09.17

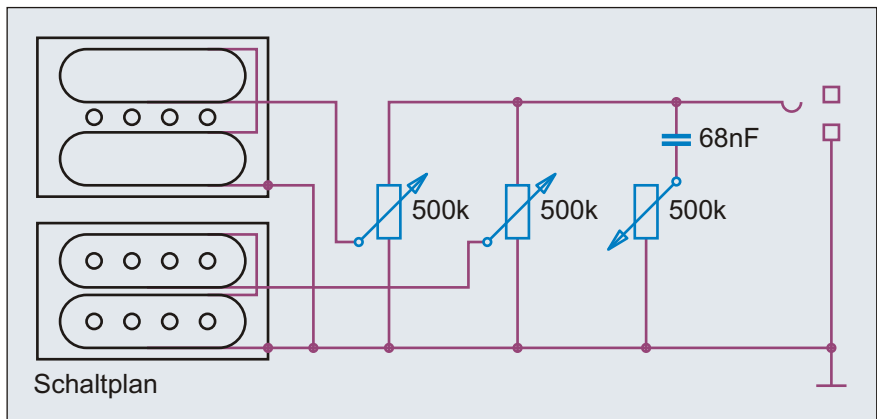
Seite
122



Regler	Wert
Neck Volume	500 k log.
Bridge Volume	500 k log.
Master Tone	500 k log.

Gibson SG Bass

Die Schaltung des SG-Basses ist im Grunde eine einfache Fender Jazz Bass Schaltung. Man findet diese Schaltung auch im Thunderbird und anderen Bässen von Gibson.



Benennung **Gibson SG Bass (1)**

Historische Bassschaltungen

Nummer 1.3.231

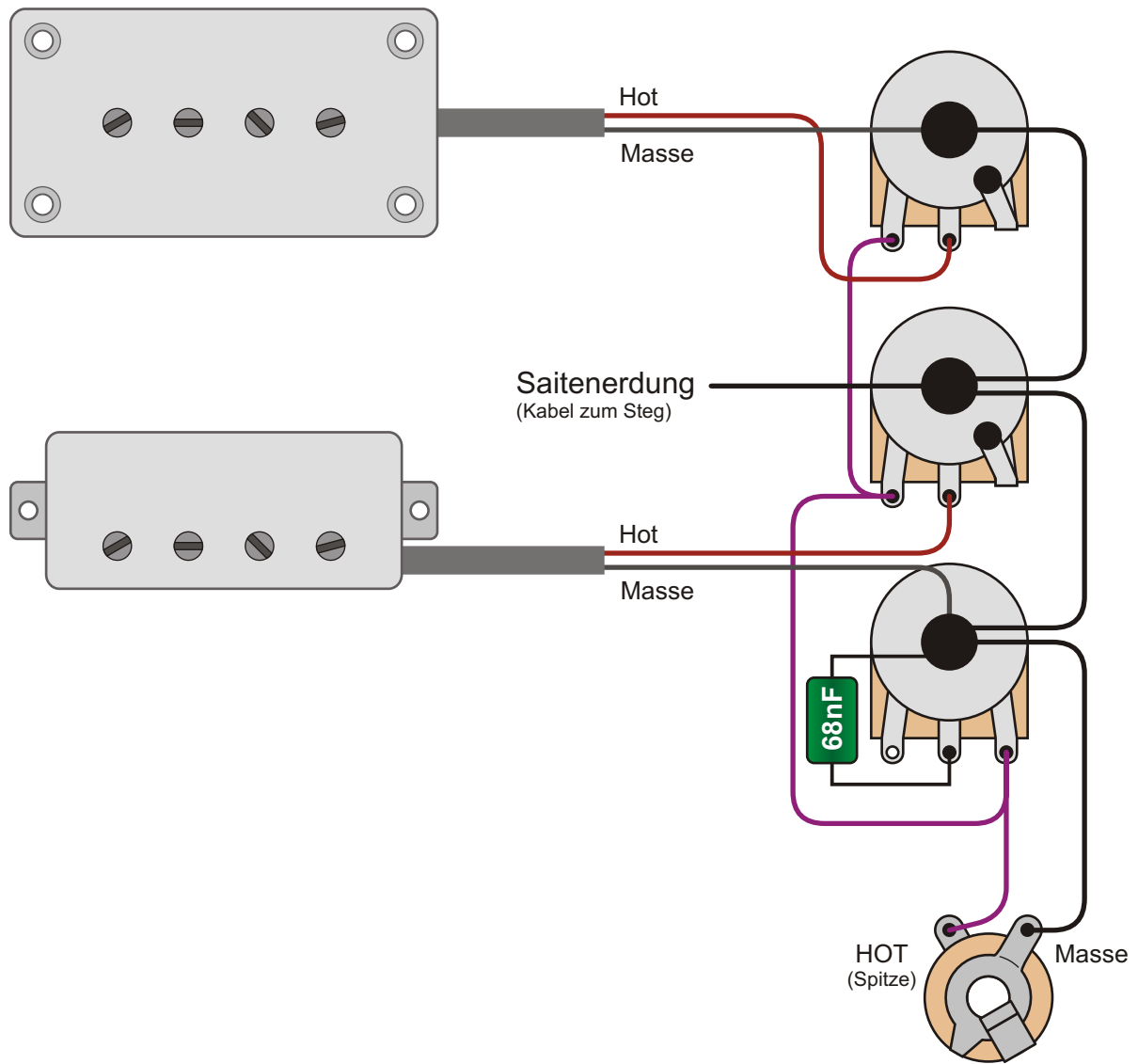
Bemerkungen / Besonderheiten

Gibson SG Bass, Epiphone Les Paul Special Bass

gezeichnet von
Cadfael

gezeichnet am
02.09.17

Seite
123

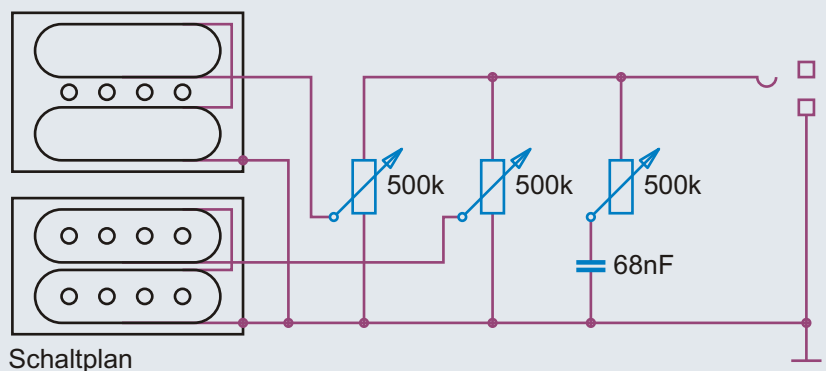


Regler	Wert
Neck Volume	500 k log.
Bridge Volume	500 k log.
Master Tone	500 k log.

Gibson SG Bass

Die Schaltung des SG-Basses ist im Grunde eine einfache Fender Jazz Bass Schaltung. Man findet diese Schaltung auch im Thunderbird und anderen Bässen von Gibson.

Unterschied zum vorher gezeigten SG Bass ist lediglich die Verkabelung des Tone Potis.



Schaltplan

Benennung **Gibson SG Bass (2)**

Historische
Bassschaltungen

Nummer
1.3.233

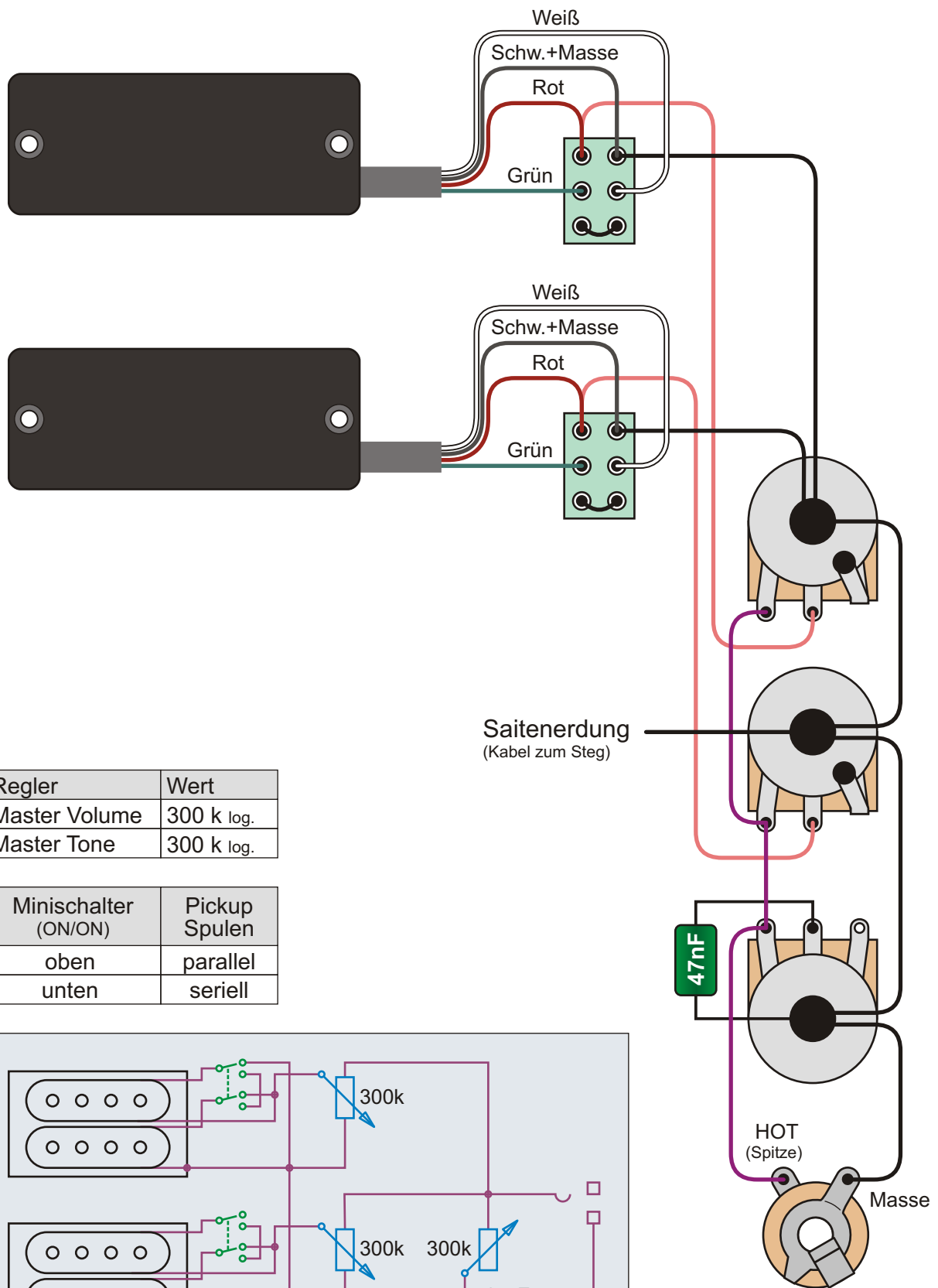
Bemerkungen / Besonderheiten

Gibson SG Bass, Epiphone Les Paul Special Bass

gezeichnet von
Cadfael

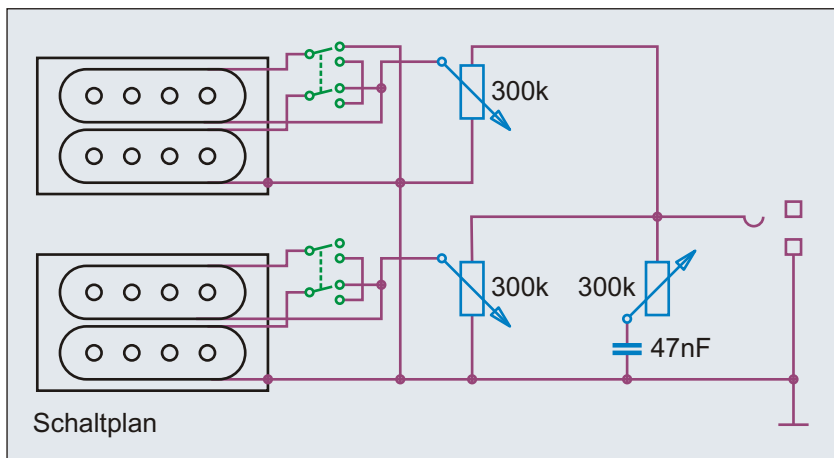
gezeichnet am
08.12.18

Seite
124



Regler	Wert
Master Volume	300 k log.
Master Tone	300 k log.

Minischalter (ON/ON)	Pickup Spulen
oben	parallel
unten	seriell



Benennung **Gibson SG-Z Bass 2000**

Historische
Bassschaltungen

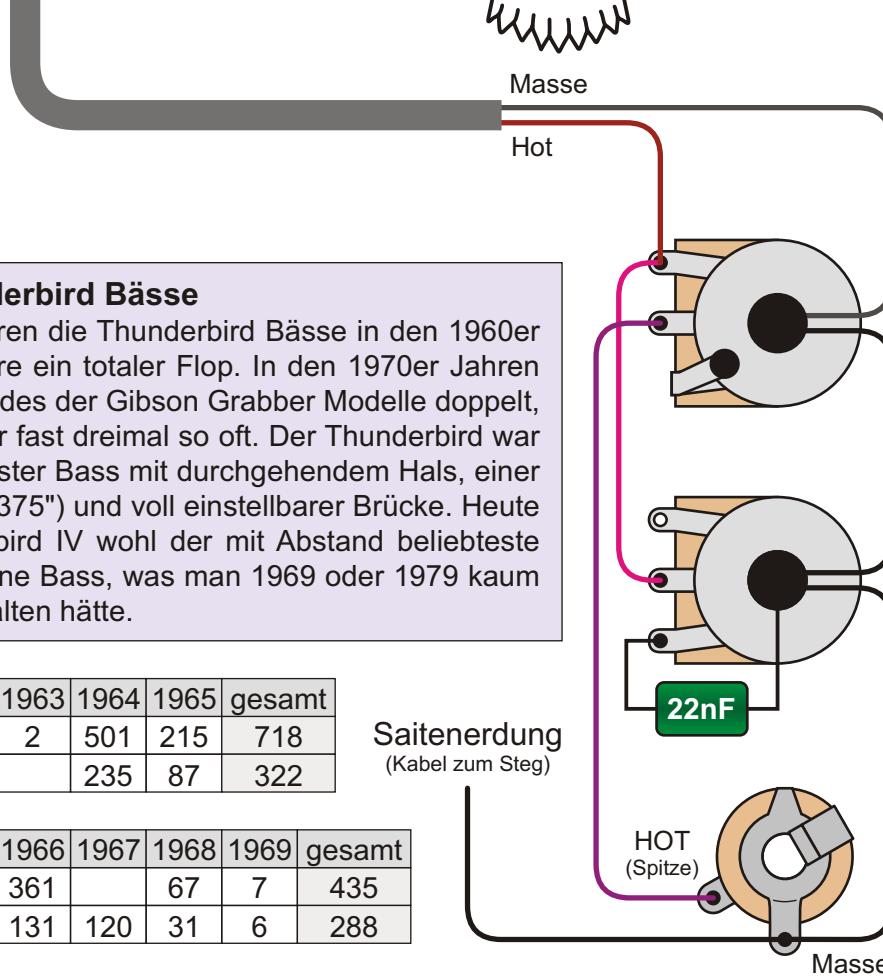
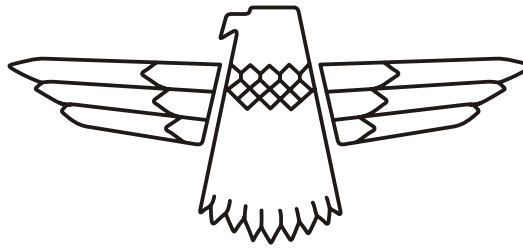
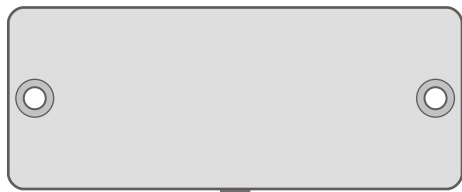
Nummer
1.3.241

Bemerkungen / Besonderheiten

gezeichnet von
Cadfael

gezeichnet am
02.09.17

Seite
125



Gibson Thunderbird Bässe

Kommerziell waren die Thunderbird Bässe in den 1960er und 1970er Jahre ein totaler Flop. In den 1970er Jahren verkaufte sich jedes der Gibson Grabber Modelle doppelt, der Ripper sogar fast dreimal so oft. Der Thunderbird war aber Gibsons erster Bass mit durchgehendem Hals, einer 34" Mensur (34,375") und voll einstellbarer Brücke. Heute ist der Thunderbird IV wohl der mit Abstand beliebteste Gibson / Epiphone Bass, was man 1969 oder 1979 kaum für möglich gehalten hätte.

Urmodell	1963	1964	1965	gesamt
Thunderbird II	2	501	215	718
Thunderbird IV		235	87	322

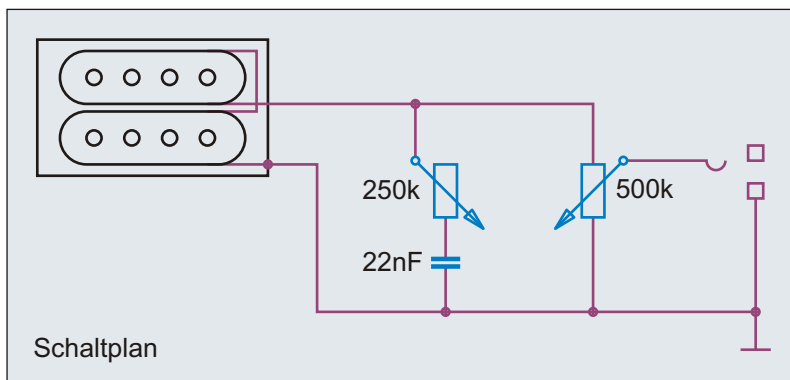
Non-Reverse	1966	1967	1968	1969	gesamt
Thunderbird II	361		67	7	435
Thunderbird IV	131	120	31	6	288

Quelle: www.flyguitars.com

Saitenerdung
(Kabel zum Steg)

So eigenständig die Formen der beiden Thunderbird II Versionen von 1963 und 1966 auch waren - die Schaltung ist im Grunde eine einfache Fender Precision Bass Schaltung, was für Gibson in den 1960ern eher untypisch war.

Regler	Wert
Master Volume	500 k log.
Master Tone	250 k log.



Gibson Thunderbird II

Mit dem Thunderbird brachte Gibson 1963 einen Bass mit 34" 3/8 Mensur. Heutzutage ist die Form populär. Mitte der 1960er Jahre flopfte sie jedoch. Also brachte man 1966 eine "gespiegelte" Version heraus, welche aber noch weniger Käufer fand...

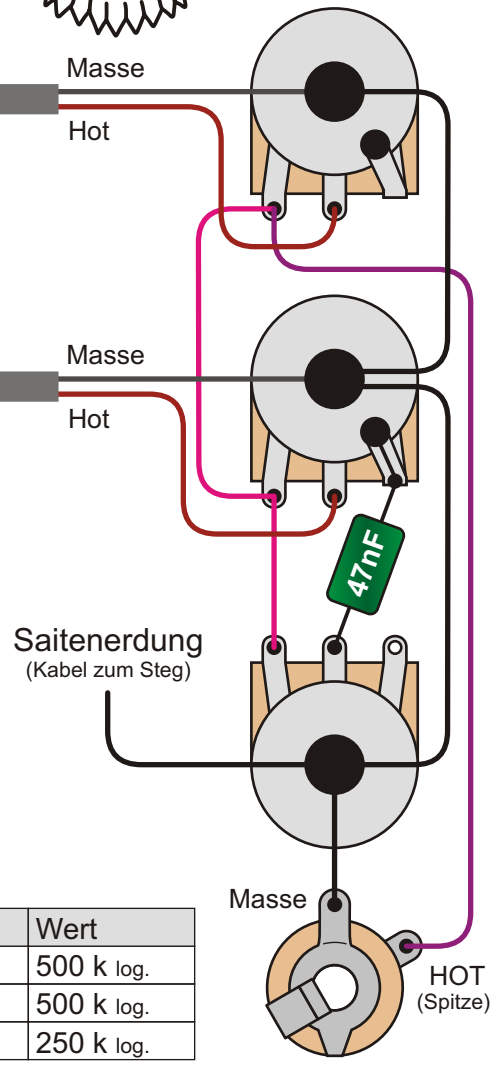
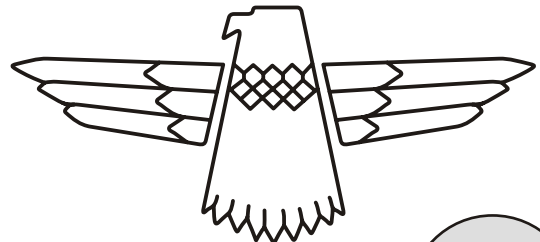
Benennung **Gibson Thunderbird II Bass 1963-69**

Historische Bassschaltungen Nummer 1.3.301

Bemerkungen / Besonderheiten
Modell Version 1 und Version 2 (Schaltung Modell 1964)

gezeichnet von	gezeichnet am	Seite
Cadfael	02.09.17	126

34" 3/8



Urmotell	1963	1964	1965	gesamt
Thunderbird II	2	501	215	718
Thunderbird IV		235	87	322

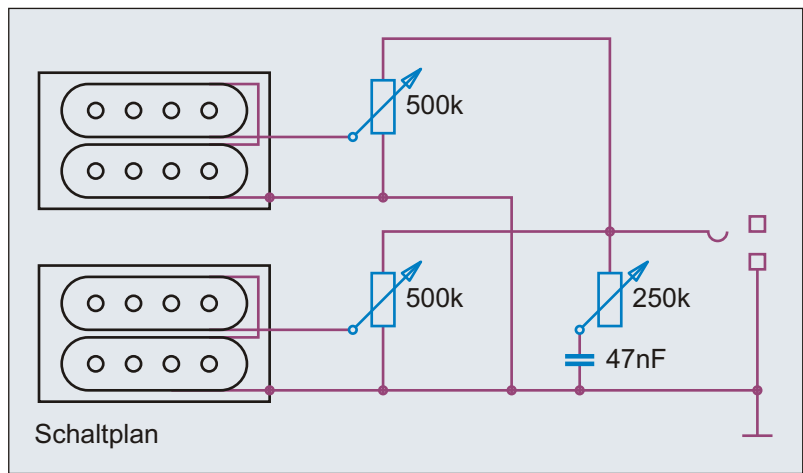
Non-Reverse	1966	1967	1968	1969	gesamt
Thunderbird II	361		67	7	435
Thunderbird IV	131	120	31	6	288

Quelle: www.flyguitars.com

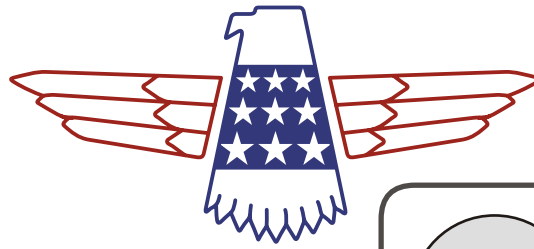
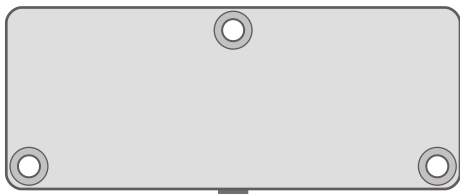
Wie beim Thunderbird II, lehnt sich auch die 1960er Jahre Schaltung des Gibson Thunderbird IV an die Schaltung von Fender Bässen an. Hier ist der '63er Jazz Bass das Vorbild. Nur die Werte der Vol. Potis weichen ab.

Regler	Wert
Neck Volume	500 k log.
Bridge Volume	500 k log.
Master Tone	250 k log.

Gibson Thunderbird IV
Heute zählt der Thunderbird zu den beliebtesten Gibson und Epiphone Bässen. Kaum zu glauben, dass beide Versionen des Thunderbird IV Basses in den 1960er Jahren ein Flop waren.

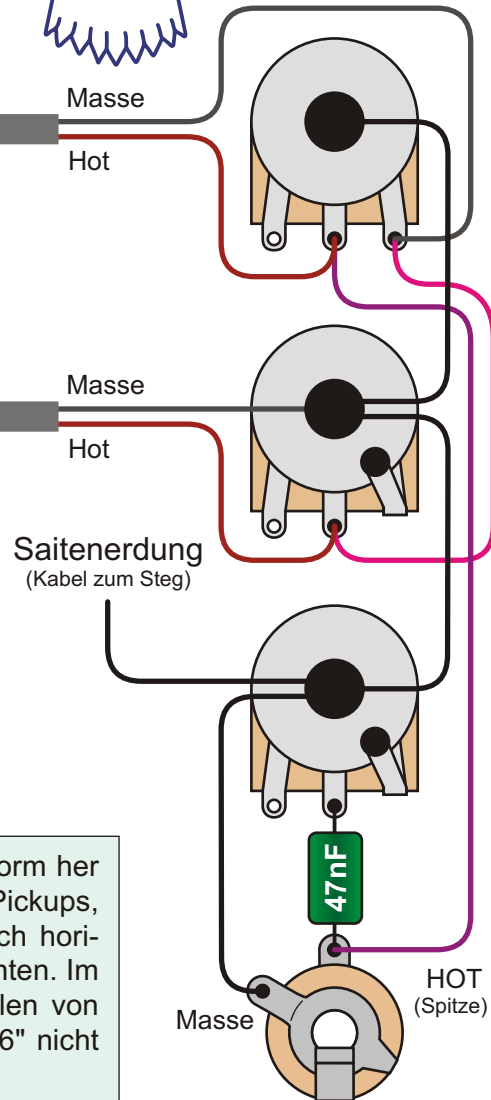
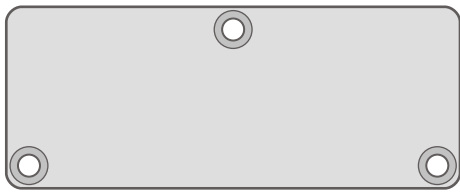


Benennung	Gibson Thunderbird IV Bass 1963-69		Historische Bassschaltungen	Nummer
				1.3.311
Bemerkungen / Besonderheiten	Modell Version 1 und Version 2 (Schaltung Modell 1968)		gezeichnet von	gezeichnet am
			Cadfael	02.09.17
				Seite
				127



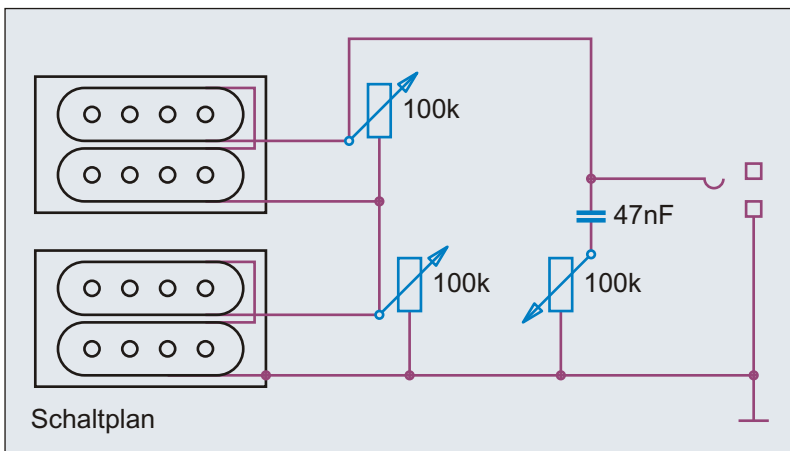
Version "76"	1976	1977	1978	1979	ges.
Thunderbird IV	543	1270	21	21	1855

Quelle: www.flyguitars.com



Regler	Wert
Neck Volume	100 k log.
Bridge Volume	100 k log.
Master Tone	100 k log.

Die dritte Thunderbird Version, die sich von der Form her an das Urmodell von 1963 anlehnte, erhielt neue Pickups, die aufgrund der drei Befestigungsschrauben auch horizontal kippbar waren und nicht mehr wackeln konnten. Im Gegensatz zu den beiden Thunderbird IV Modellen von 1963 und 1966 waren die beiden Pickups des "76" nicht parallel, sondern in Reihe (seriell) geschaltet.



Gibson Thunderbird 76

Mitte der 70er Jahre startete Gibson einen neuen Versuch und legte den Thunderbird IV zum 200. Geburtstag der Vereinigten Staaten erneut auf. Das Logo des Donnervogels wurde geändert. Die Schwingen hatten nun rote Umrisse, die Brust war blau mit 9 weißen Sternen. 1976 war darunter die Zahl "76".

Benennung **Gibson Thunderbird IV Bass 1976-79**

Historische Bassschaltungen

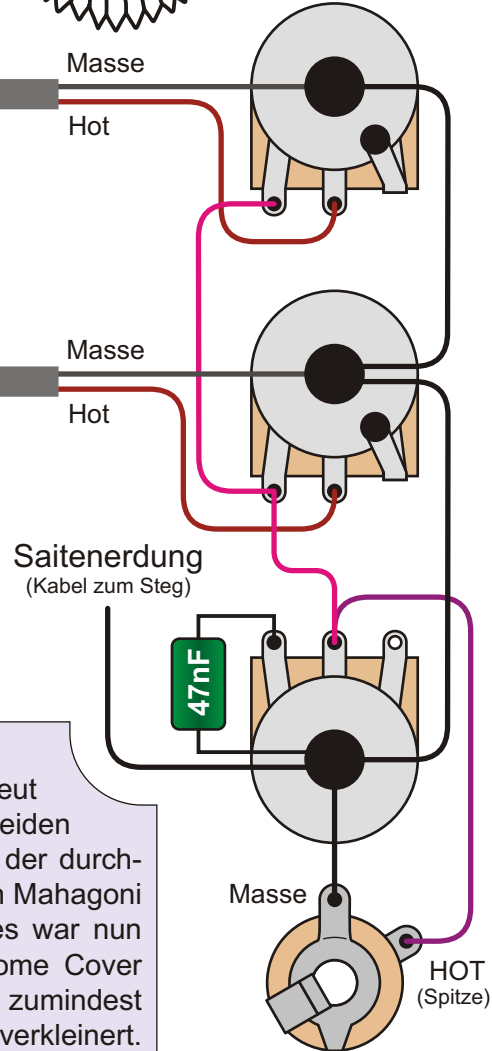
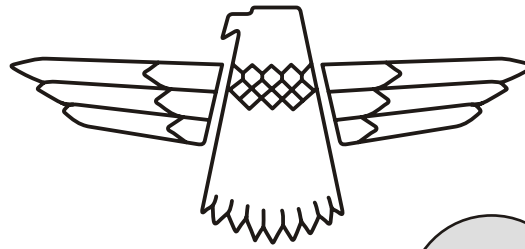
Nummer 1.3.313

Bemerkungen / Besonderheiten
Schaltung Modell 1976

gezeichnet von
Cadfael

gezeichnet am
02.09.17

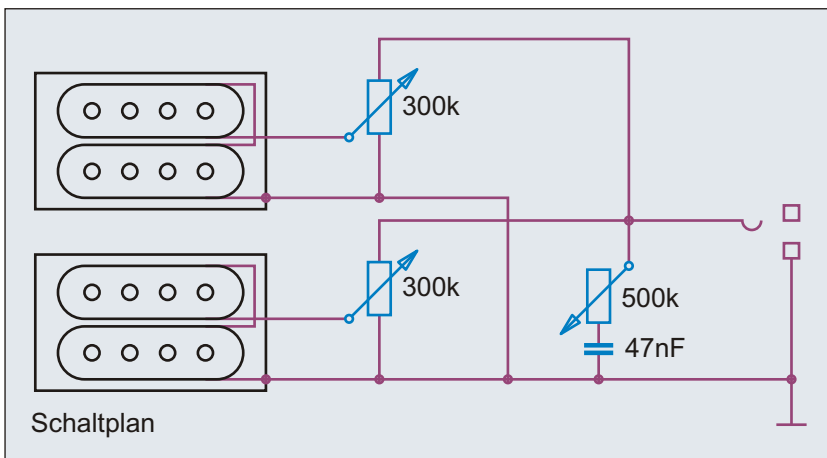
Seite
128



Seit 1987 werden im Thunderbird IV Pickups mit Plastikkappen und Keramikmagneten verbaut - sogenannte "Thunderbird Plus". Die Zeit der verchromten Metallkappen war vorbei.

Gibson Thunderbird IV ab 1987

Ende der 1980er Jahre versuchte es Gibson erneut mit dem Thunderbird IV Bass. Zwar waren die beiden Seitenteile weiterhin aus einem Stück Mahagoni, der durchgehende Hals bestand aber jetzt aus neun Streifen Mahagoni und Walnuss. Die gesamte Hardware des Basses war nun schwarz verchromt, der Thumbrest und die Chrome Cover verschwanden. Um die Kopflastigkeit des Basses zumindest etwas zu verringern, wurden Kopfplatte und Tuner verkleinert.



Position	Pickup
Neck	Thunderbird +
Bridge	Thunderbird +

Regler	Wert
Neck Volume	300 k lin.
Bridge Volume	300 k lin.
Master Tone	500 k log.

Benennung **Gibson Thunderbird IV Bass 2012**

Historische Bassschaltungen

Nummer 1.3.317

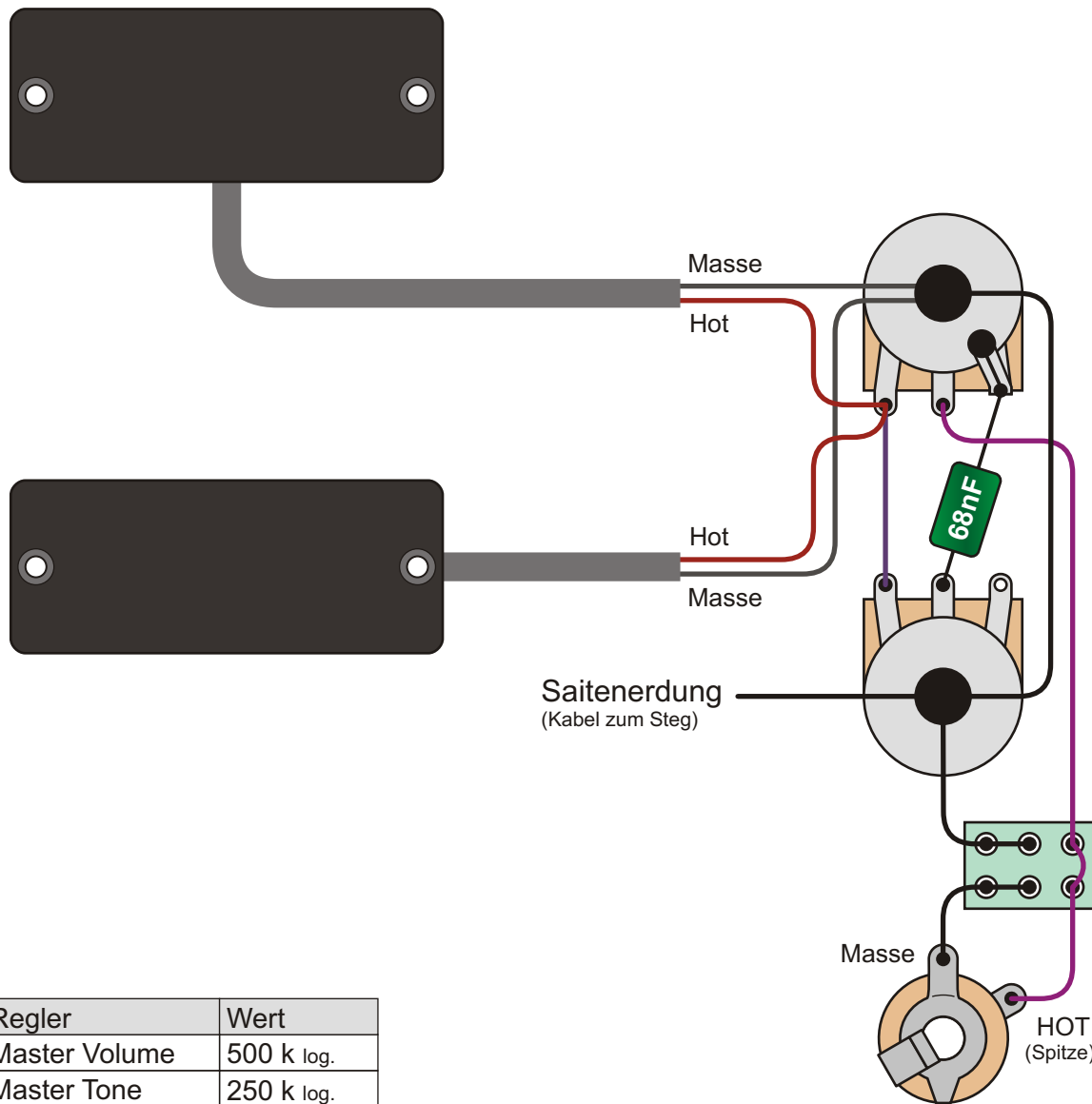
Bemerkungen / Besonderheiten

sowie Thunderbird Ltd. und Thunderbird Short Scale Modelle 2012

gezeichnet von Cadfael

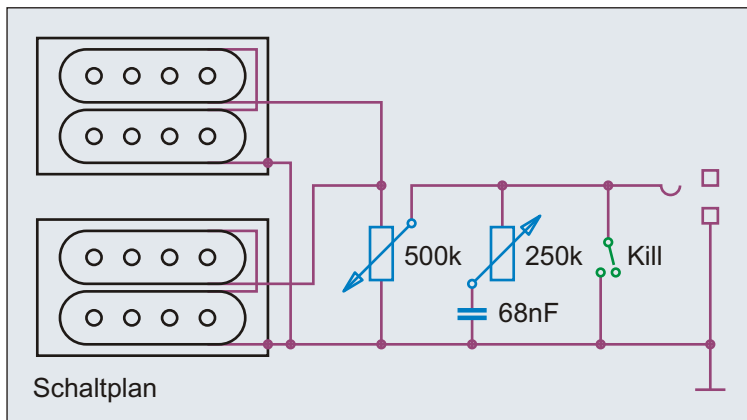
gezeichnet am 02.09.17

Seite 129



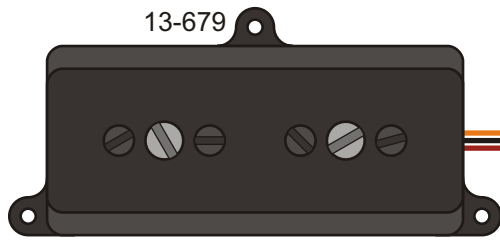
Regler	Wert
Master Volume	500 k log.
Master Tone	250 k log.

Position	Pickup
Neck	Gibson Thunderbird +
Bridge	Gibson Thunderbird +

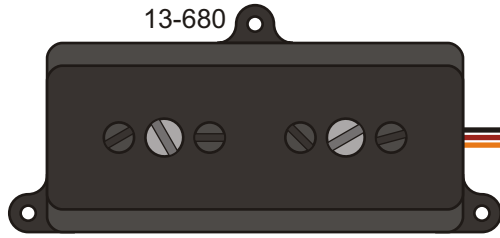


Gegensatz zu dem Epiphone Nikki Sixx "Blackbird" Sondermodell, hat das Signature Modell von Gibson zwei Regler; einen Volume und einen Tone Regler. Einen Wahlschalter für die Pickups gibt es auch beim Gibson Modell nicht. Beiden Nikki Sixx Modellen gemeinsam ist der Kill-Schalter. Das Gibson Modell ist mit zwei neu entwickelten "TB Plus Ceramic Magnet" Humbuckern ausgestattet.

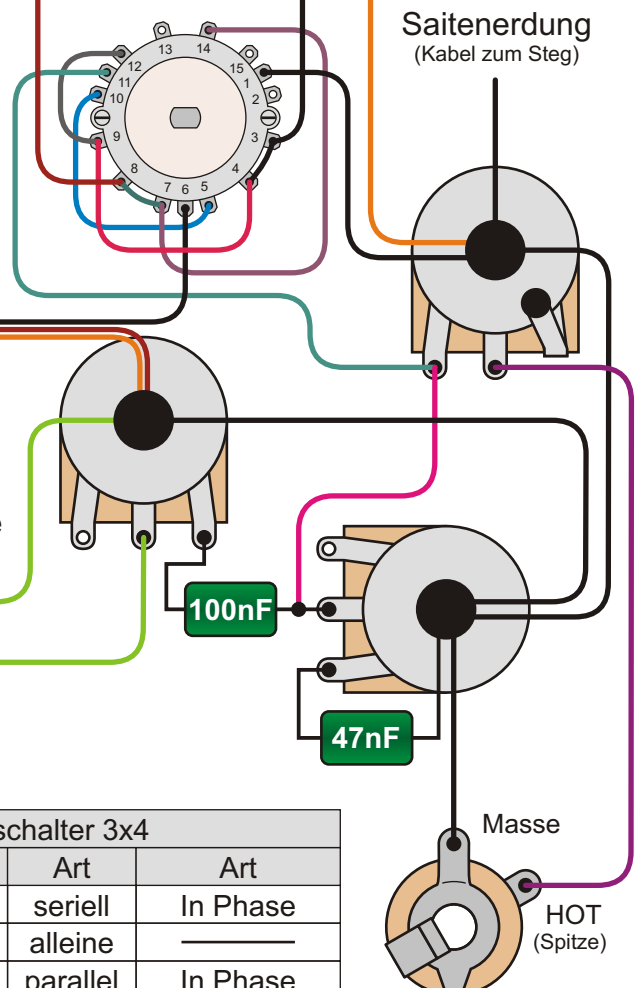
Benennung Gibson Nikki Sixx Signatur Bass	Historische Bassschaltungen		Nummer 1.3.321
	gezeichnet von Cadfael	gezeichnet am 02.09.17	Seite 130
Bemerkungen / Besonderheiten Signature Modell			



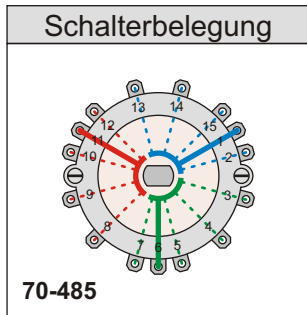
13-679



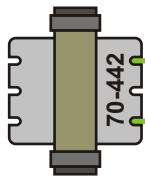
13-680



Saitenerdung
(Kabel zum Steg)



Drosselspule



100nF

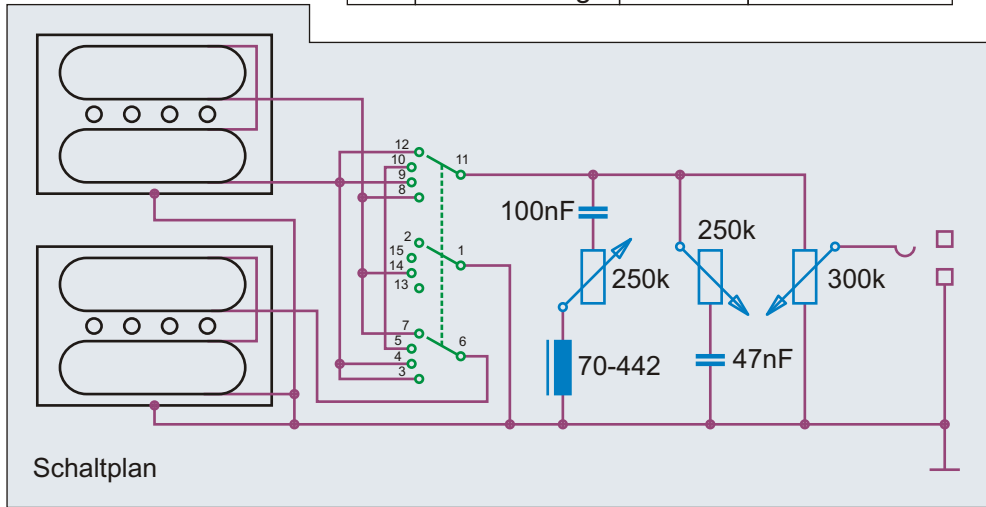
47nF

Regler	Wert
Volume	300 k
Midrange	250 k
Tone	250 k

Drehschalter 3x4			
Pos.	aktive Pickups	Art	Art
1	Neck + Bridge	seriell	In Phase
2	Bridge	alleine	—
3	Neck + Bridge	parallel	In Phase
4	Neck + Bridge	seriell	Out Of Phase

Masse

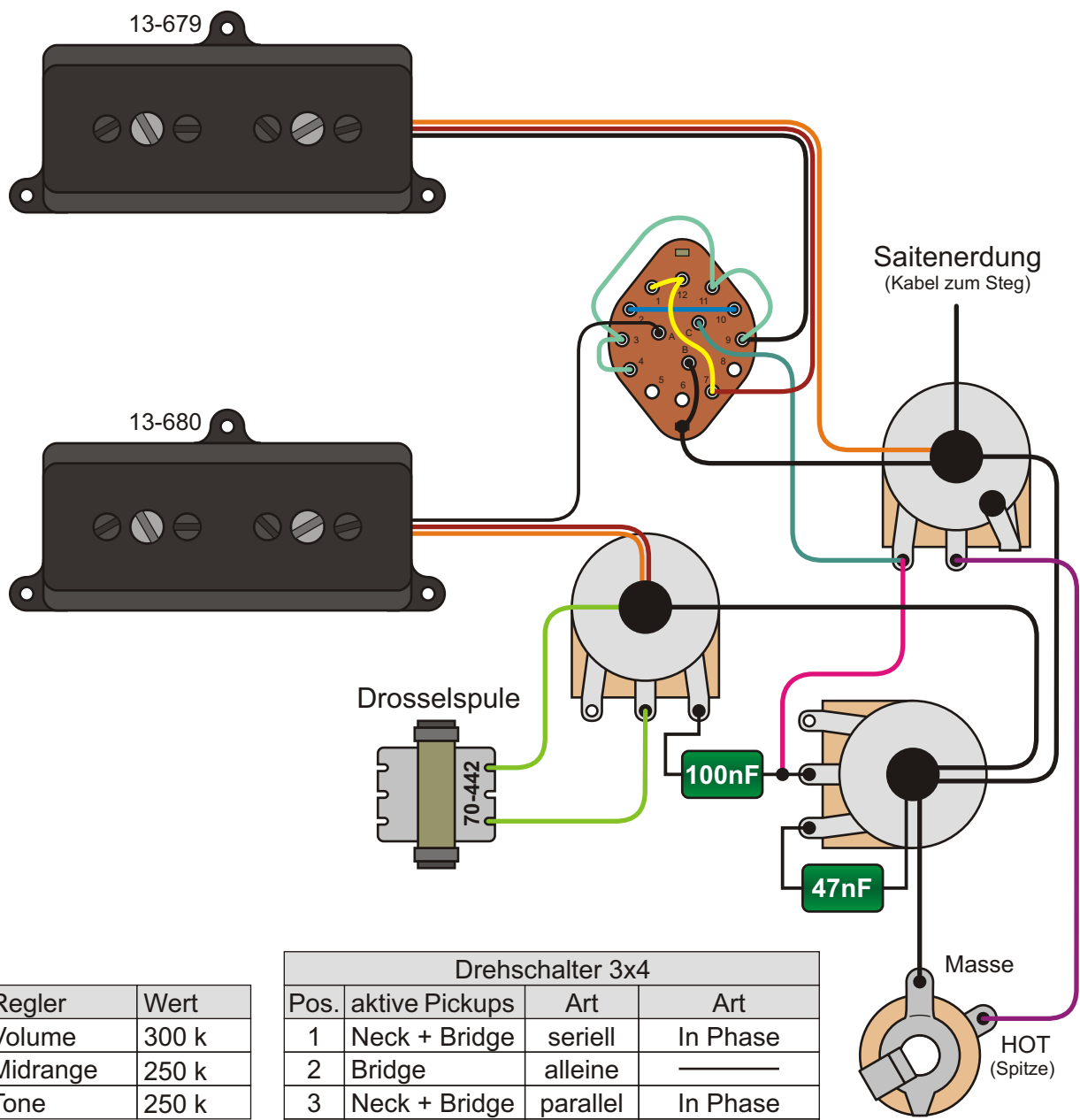
HOT
(Spitze)



Schaltplan

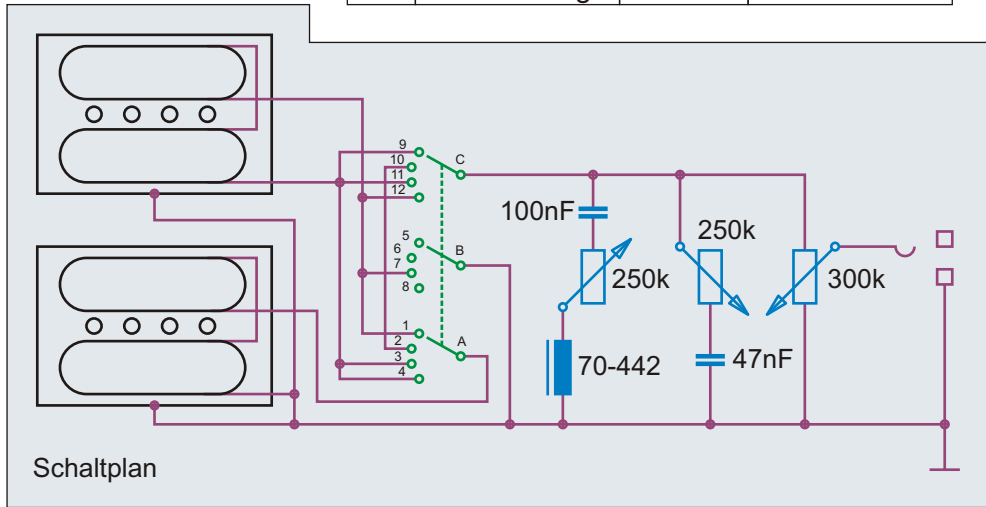
Gibson L9-S
Auch wenn der L9-S Ripper heutzutage kaum bekannt ist, wurden zwischen 1973 und 1979 gut 10.000 Bässe verkauft. Es gab auch einen L9-FS Fretless.

Benennung Gibson L9-S Ripper Bass 1973-83	Historische Bassschaltungen		Nummer 1.3.351
	gezeichnet von Cadfael	gezeichnet am 02.09.17	Seite 131
Bemerkungen / Besonderheiten Schaltung Modell 1973			



Regler	Wert
Volume	300 k
Midrange	250 k
Tone	250 k

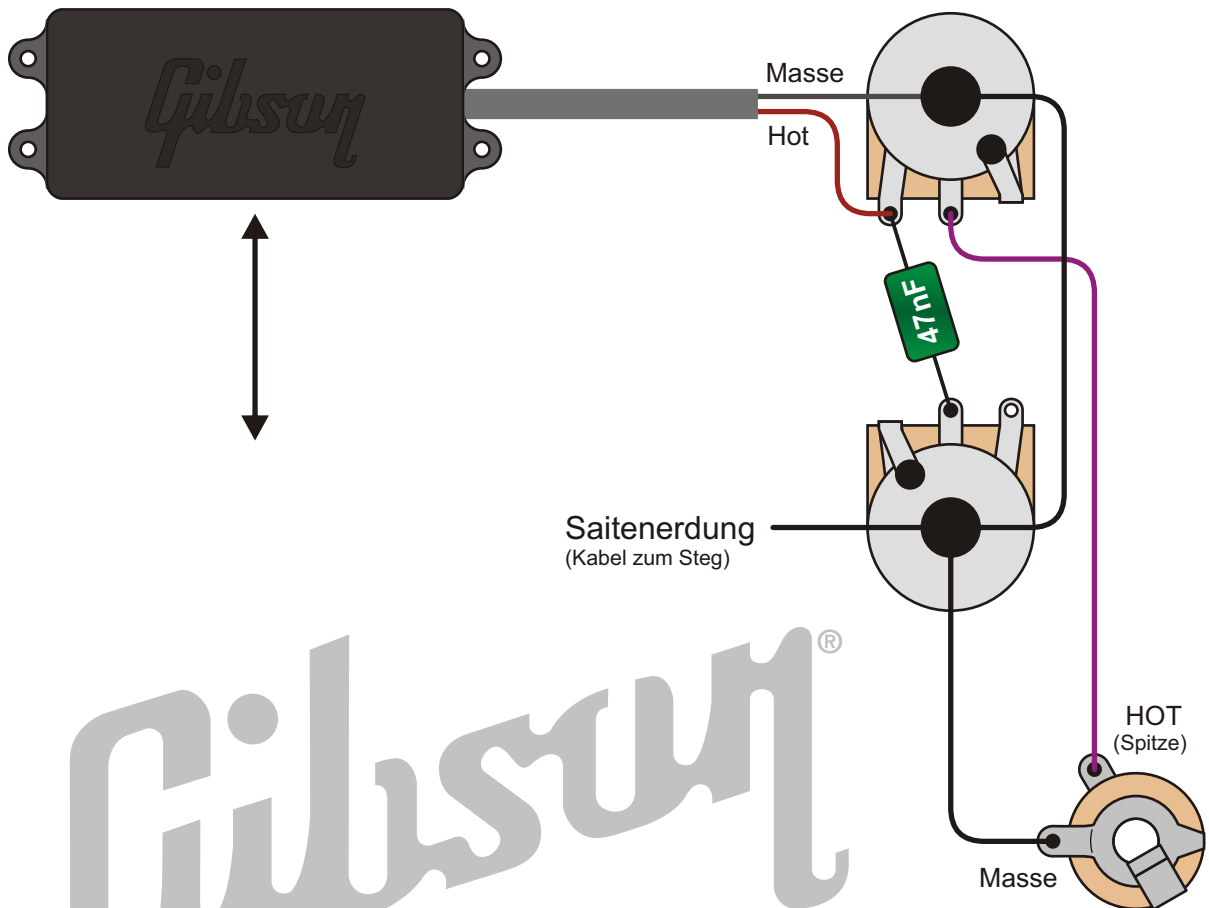
Drehschalter 3x4			
Pos.	aktive Pickups	Art	Art
1	Neck + Bridge	seriell	In Phase
2	Bridge	alleine	—
3	Neck + Bridge	parallel	In Phase
4	Neck + Bridge	seriell	Out Of Phase



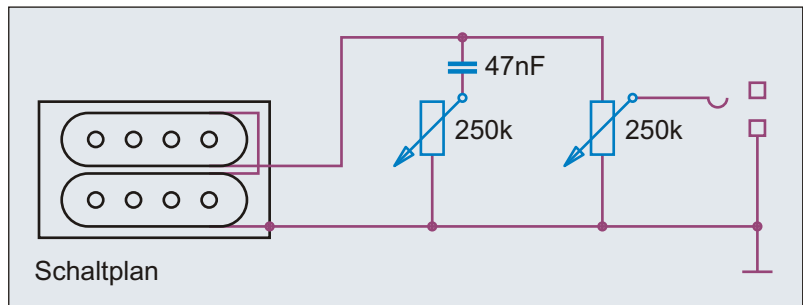
Gibson L9-S
 Auch wenn der L9-S Ripper heutzutage kaum bekannt ist, wurden zwischen 1973 und 1979 gut 10.000 Bässe verkauft. Es gab auch einen L9-FS Fretless.

Benennung Gibson L9-S Ripper Bass 1973-83		Historische Bassschaltungen	Nummer 1.3.352
Bemerkungen / Besonderheiten Schaltung Modell 1973, umgesetzt mit normalem Drehschalter 3x4		gezeichnet von Cadfael	gezeichnet am 02.09.17
		Seite 132	

13-691



Regler	Wert
Master Volume	250 k log.
Master Tone	250 k log.



Gibson Grabber G-1 Bass

Gibsons Grabber G-1 Bass fiel sofort durch seinen außergewöhnlichen, längsverstellbaren Pickup auf. Body und Kopfplatte haben die gleiche Form wie der L9-S Ripper Bass. Während im Ripper Bass eine Tune-o-matic Drei-Punkt-Brücke verbaut wurde, erinnert die Brücke des Grabber G-1 (und G-3) Basses eher an Fender Konstruktionen. Die Höhenverstellung und Befestigung war genauso, wie bei Precision Bässen. Allerdings wurden die Saiten durch den Body geführt und das Halteblech hatte seitliche Wände, um ein Verrutschen der Saitenreiter zu verhindern. Von 1973-74 wurde der Body aus Ahorn gefertigt, wodurch er äußerst schwer war. 1975-76 setzte man Erle ein, ab 1977 konnte man zwischen beiden Holzsorten wählen.

Benennung **Gibson Grabber G1 Bass 1973-83**

Historische
Bassschaltungen

Nummer
1.3.361

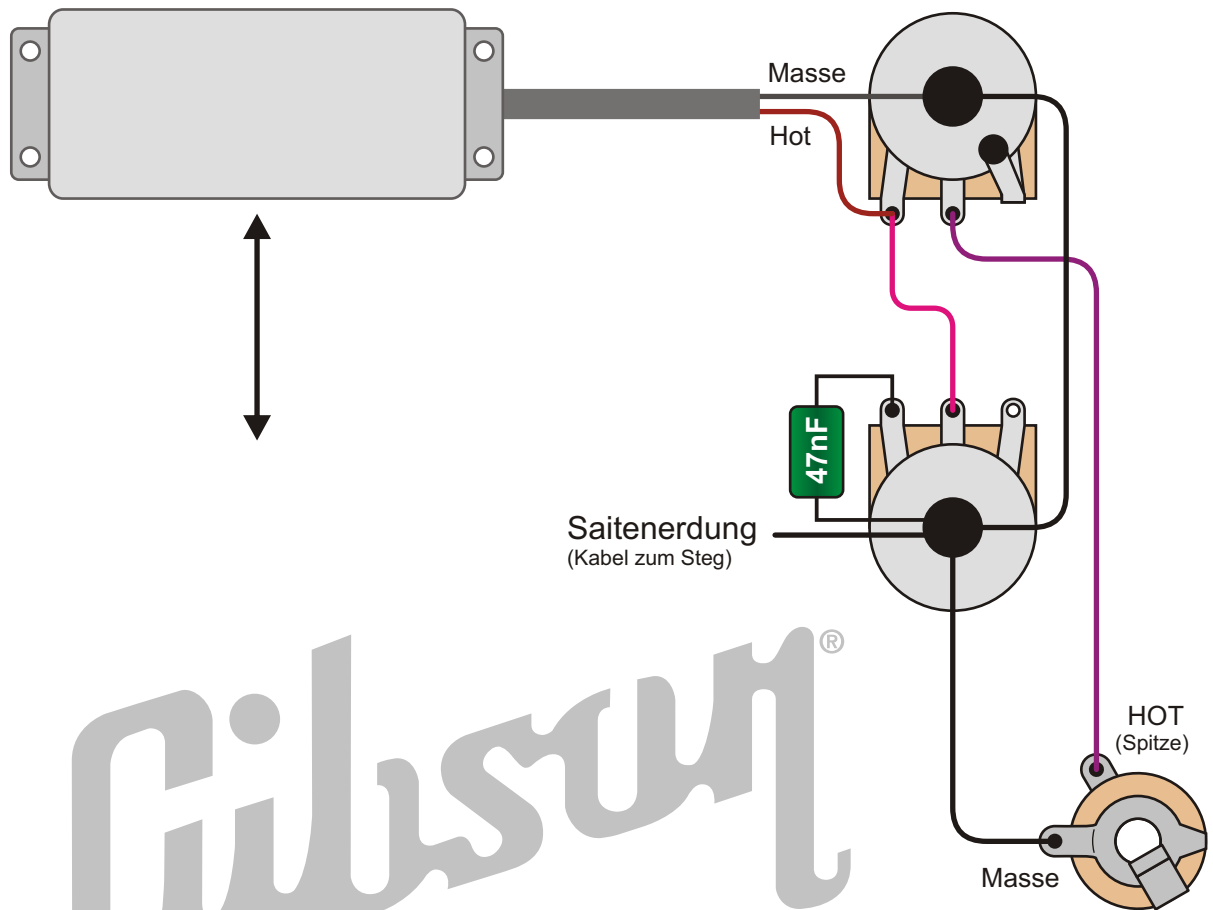
Bemerkungen / Besonderheiten

Schaltung Modell 1975

gezeichnet von
Cadfael

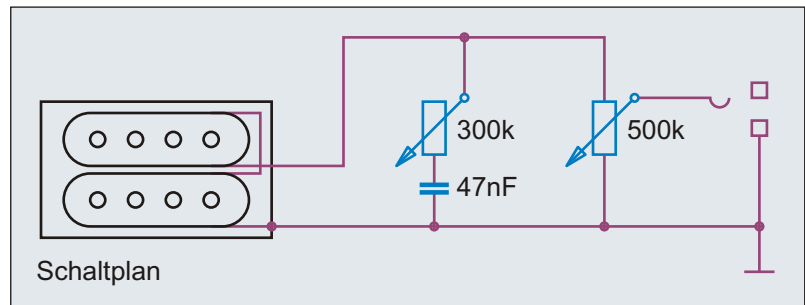
gezeichnet am
02.09.17

Seite
133



Position	Pickup
beweglich	Grabber II Moveable Pickup

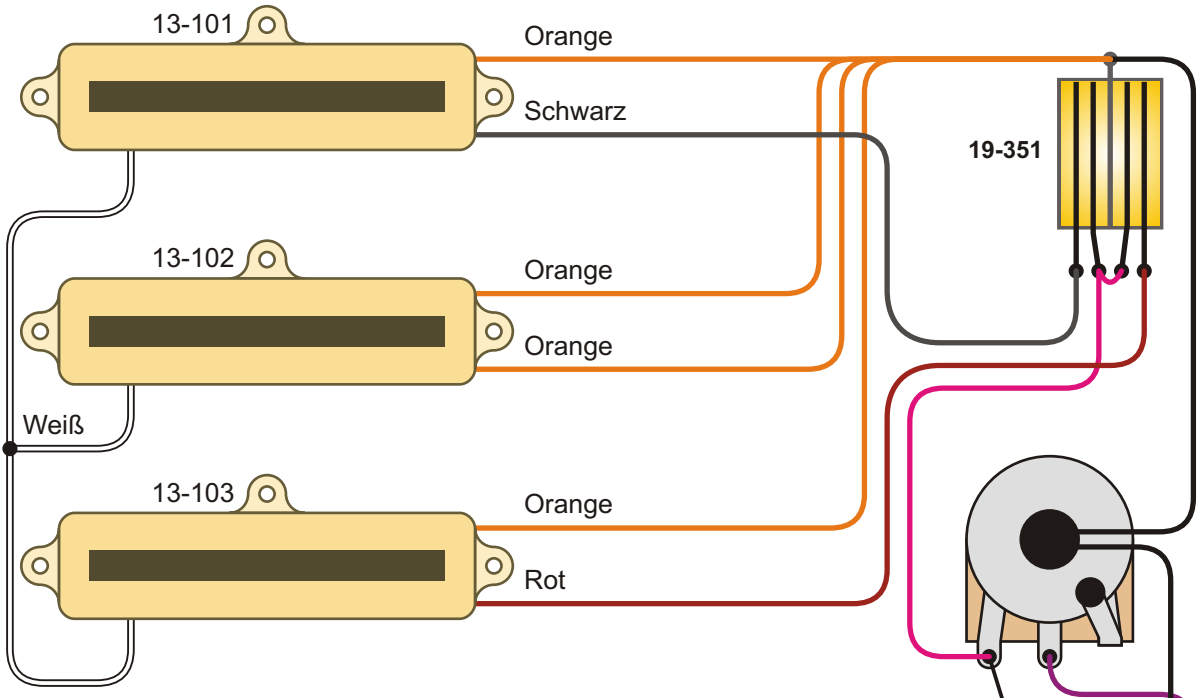
Regler	Wert
Master Volume	300 k lin.
Master Tone	500 k log.



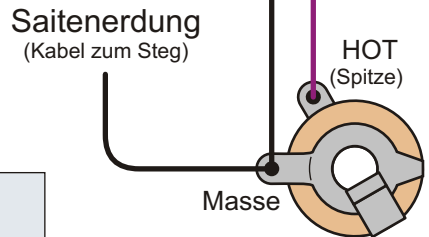
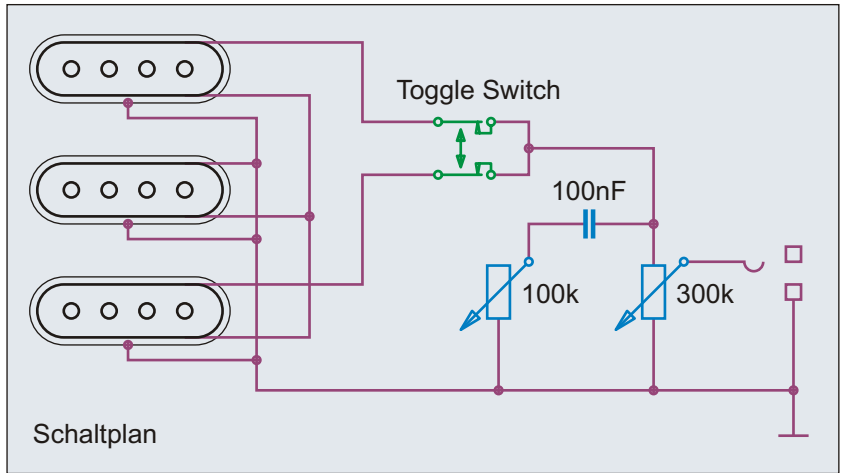
Gibson Grabber II Bass

Der Gibson Grabber II Bass ist aufgrund seiner Form und des längsverstellbaren Pickups ein Nachfahre des Grabber G-1 Basses aus den 1970er Jahren. Während die Brückenkonstruktion des alten G-1 Basses mehr an die Abwandlung einer Fender-Konstruktion erinnert, hat der Grabber II Bass die auch vom Ripper Bass bekannte Drei-Punkt-Brücke. Lustigerweise gab es 1976 eine fast schon freche Kopie des G-1 Basses von Cimar; den "1952". Auf ihm befand sich eben solch eine Drei-Punkt-Brücke. Der Gibson Grabber II ist dadurch eher die Kopie des Cimar 1952, als des Gibson Grabber G-1. Allerdings wurden bei Cimar (wie beim G-1) die Saiten durch den Body geführt, während sie beim Grabber II an der Brücke hängen.

Benennung Gibson Grabber II Bass 2012	Historische Bassschaltungen		Nummer 1.3.366
	gezeichnet von Cadfael	gezeichnet am 02.09.17	Seite 134
Bemerkungen / Besonderheiten Schaltung Modell 2012			



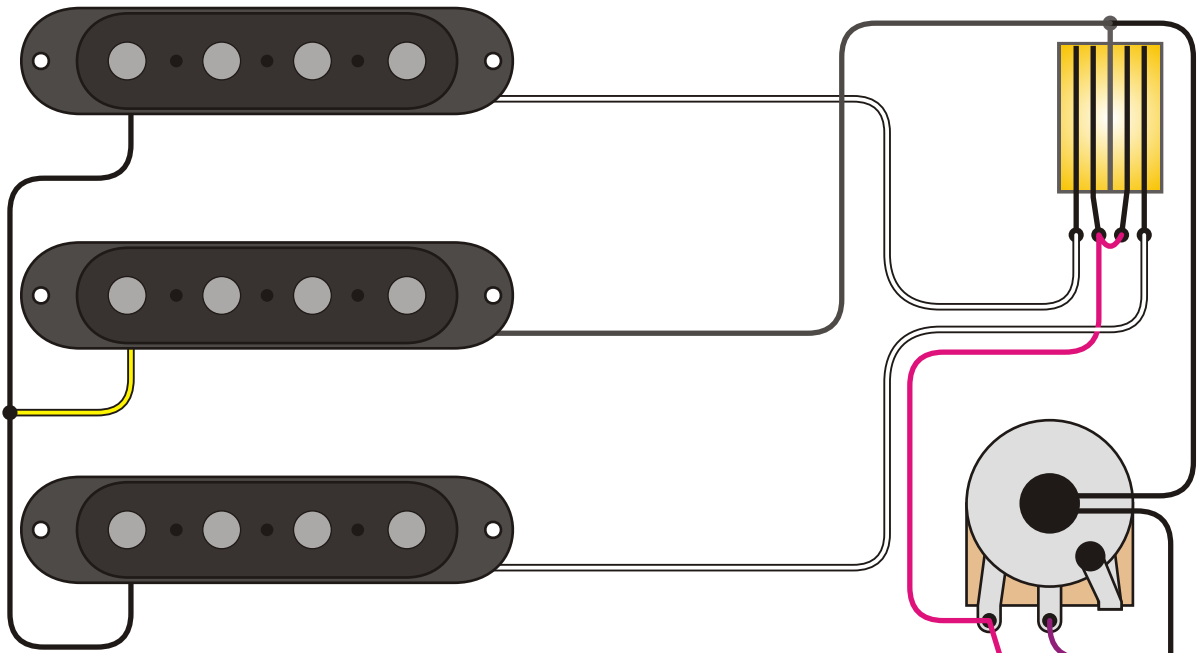
Toggle Switch	
Pos.	aktive Pickups
1	
2	
3	



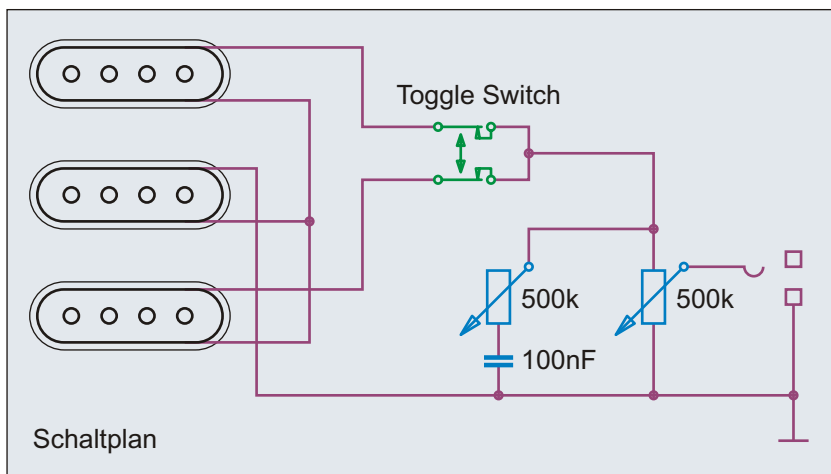
Toggle Switch	
Pos.	aktive Pickups
1	Neck + Mid
2	Neck + Mid + Bridge
3	Bridge + Mid

Regler	Wert
Master Volume	300 k log.
Master Tone	100 k log.

Benennung Gibson Grabber G3 Bass 1975-83	Historische Bassschaltungen		Nummer 1.3.371
	gezeichnet von Cadfael	gezeichnet am 02.09.17	Seite 135
Bemerkungen / Besonderheiten			



Toggle Switch	
Pos.	aktive Pickups
1	
2	
3	



Saitenerdung
(Kabel zum Steg)

.1µF

HOT
(Spitze)

Masse

Toggle Switch	
Pos.	aktive Pickups
1	Neck + Mid
2	Neck + Mid + Bridge
3	Bridge + Mid

Regler	Wert
Master Volume	500 k log.
Master Tone	500 k log.

Benennung **Gibson Grabber G3 70s Tr. Bass 2012**

Historische
Bassschaltungen

Nummer
1.3.376

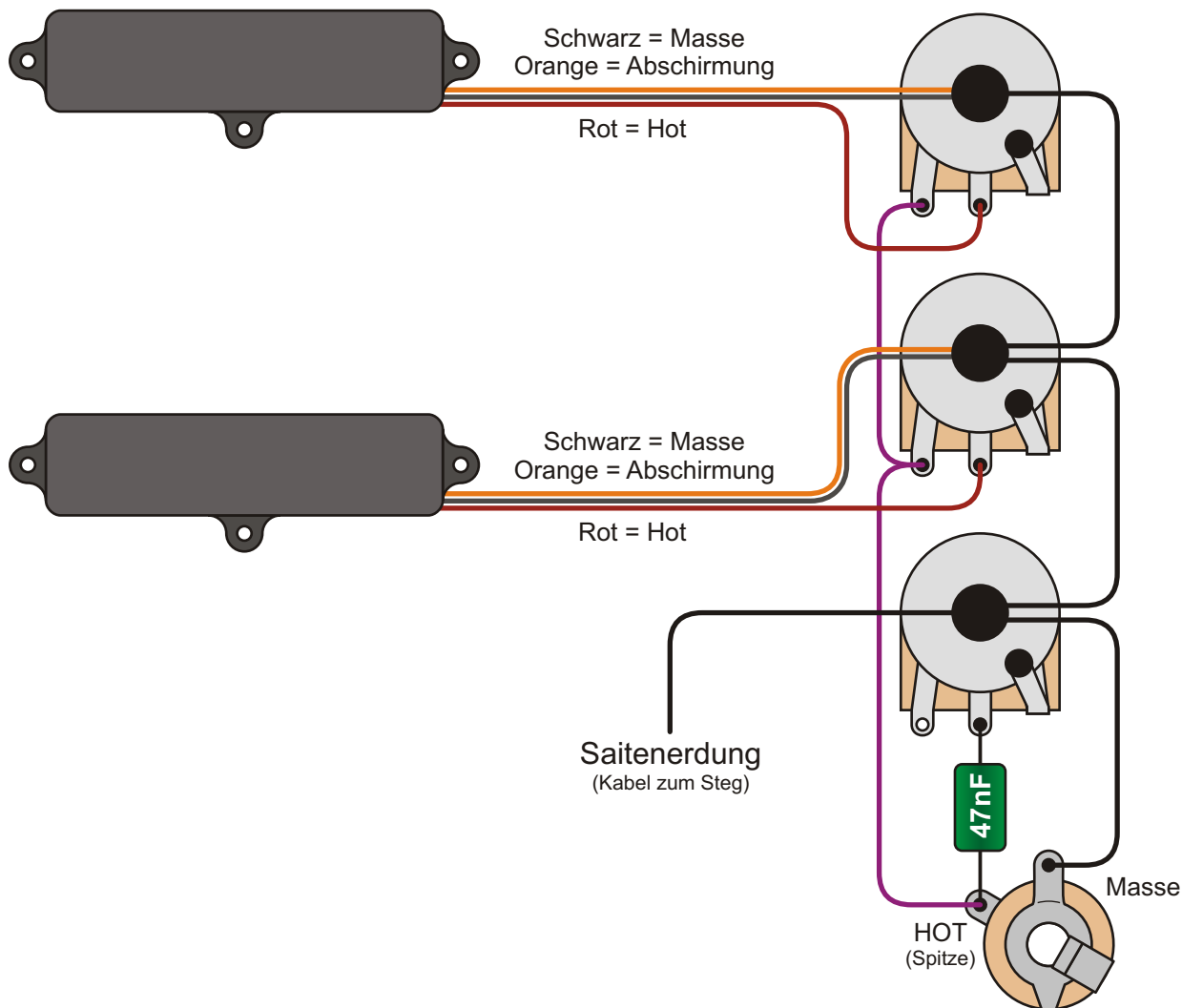
Bemerkungen / Besonderheiten

Gibson Grabber G3 70s Tribute Bass 2012

gezeichnet von
Cadfael

gezeichnet am
02.09.17

Seite
136

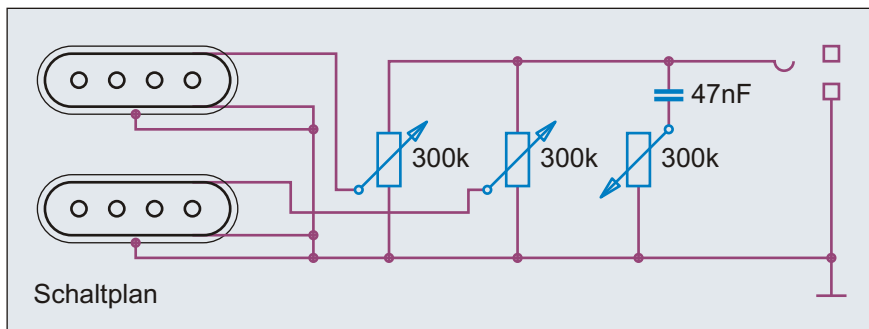


Gibson RD Bass

Der RD Bass fällt durch seine ungewöhnliche Form auf. Neben der passiven Standard Version gab es noch den aktiven RD Artist Bass mit aufwändiger Elektronik.

Regler	Wert
Neck Volume	300 k log.
Bridge Volume	300 k log.
Master Tone	300 k log.

Die Single Coil Pickup des Gibson RS Standard Basses ähneln den Pickups des Grabber G3 Basses. Auch sie haben drei Anschlusskabel, wobei dieses dritte Kabel mit einer Abschirmplatte gegen Brummeinstreuungen unter dem Pickup verbunden ist.



Benennung **Gibson RD Standard Bass 1977-81**

Historische
Bassschaltungen

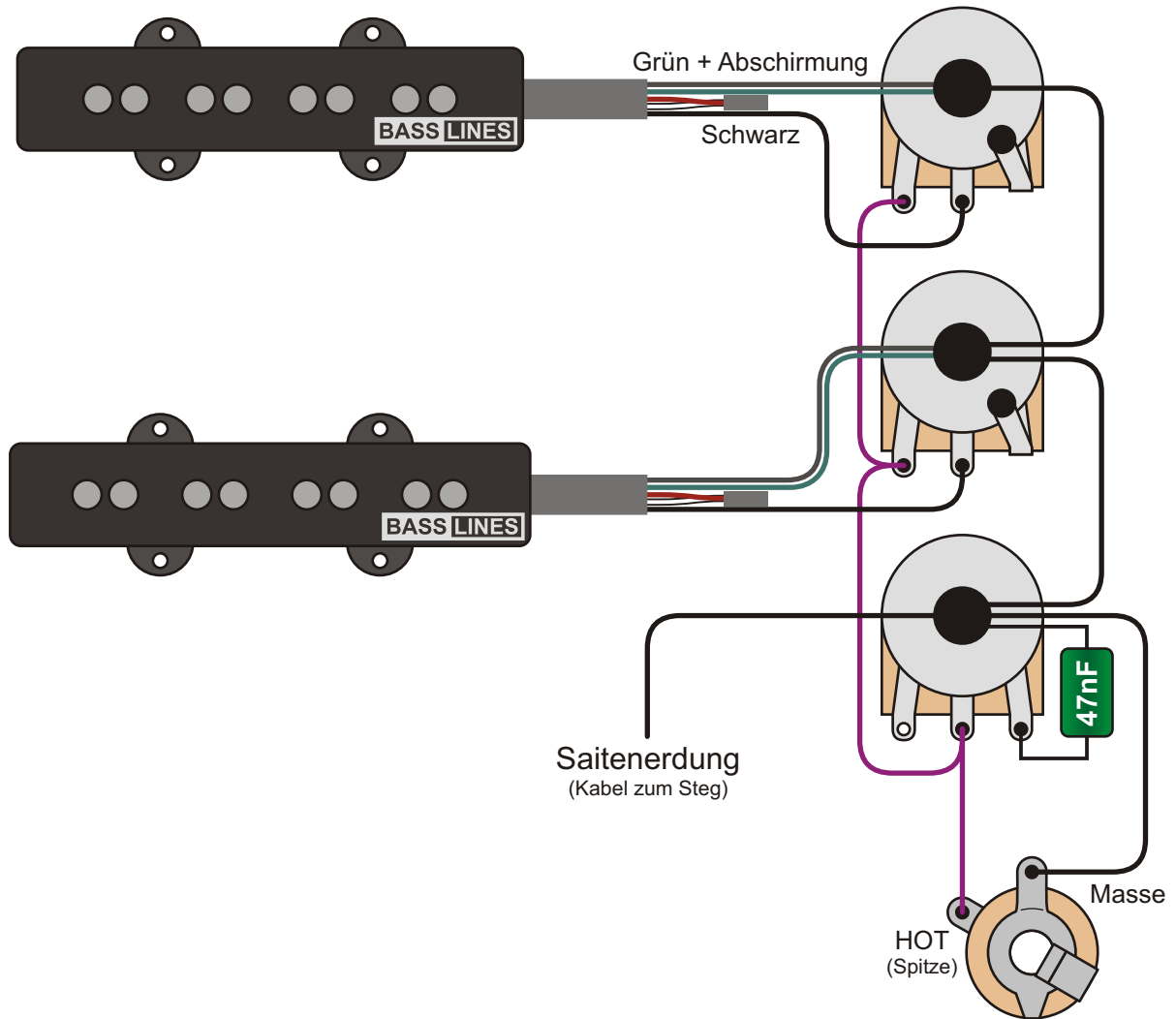
Nummer
1.3.381

Bemerkungen / Besonderheiten

gezeichnet von
Cadfael

gezeichnet am
02.09.17

Seite
137



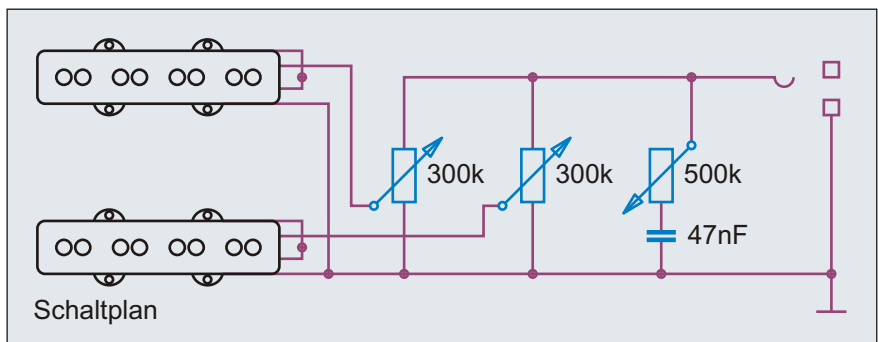
Gibson Krist Novoselic Signature RD Bass

Mit diesem Signature Modell des ehemaligen Nirvana Bassisten lässt Gibson die klassische Form des RD Basses wieder aufleben. Der Bass ist angelehnt an den RD Standard, hat aber "heiße" Seymour Duncan Pickups.

Die Elektronik dieses Signature Basses kommt aus dem Hause Seymour Duncan. Bei den STK-J2 handelt es sich um Humbucker im Jazz Bass Pickup Format.

Regler	Wert
Neck Volume	300 k lin.
Bridge Volume	300 k lin.
Master Tone	500 k log.

Pickups
Seymour Duncan Hot Stack STK-J2 n/b (Ceramic)



Benennung **Gibson Krist Novoselic RD Bass 2011**

Historische Bassschaltungen

Nummer 1.3.386

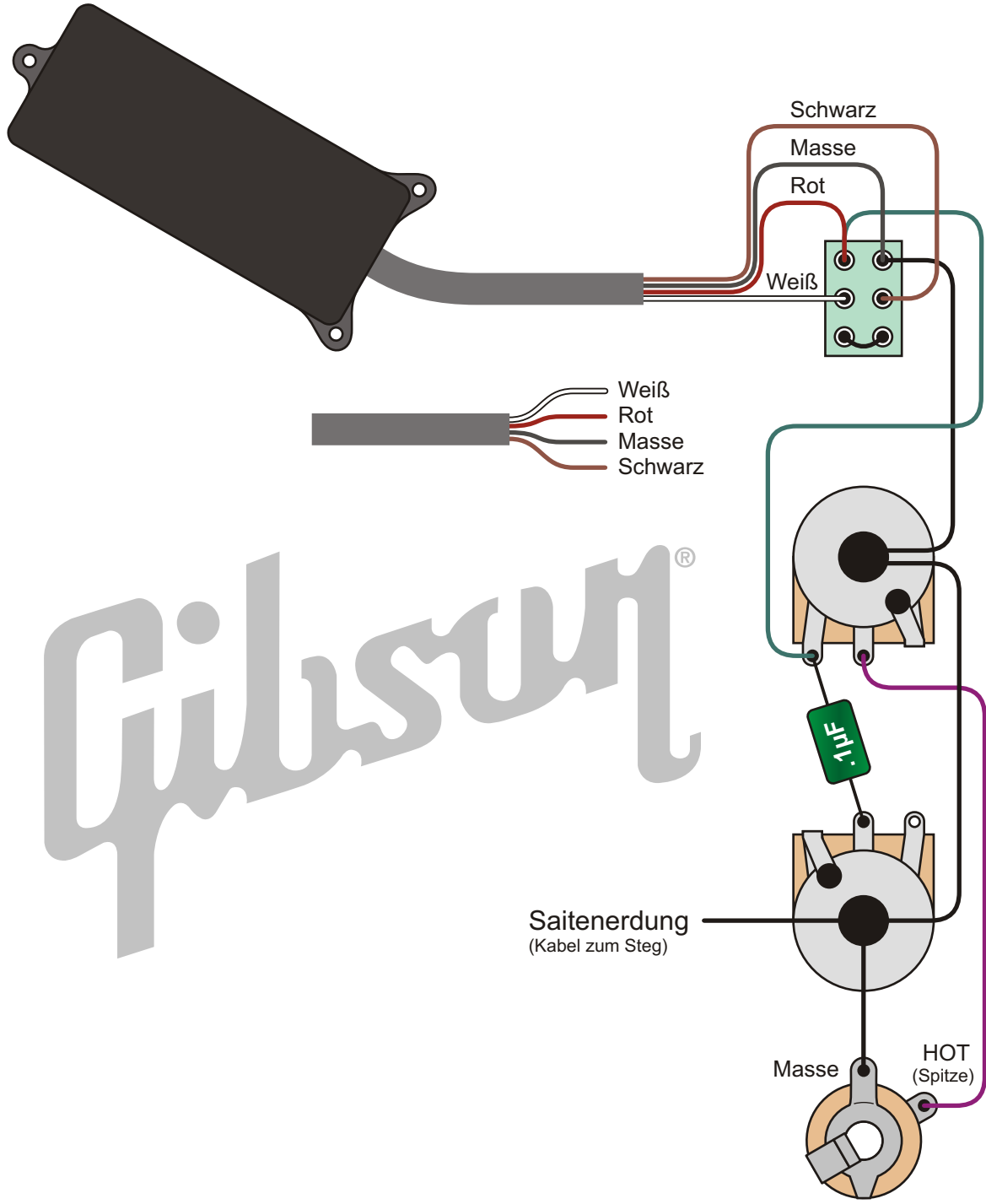
Bemerkungen / Besonderheiten

ab 2011, Signature Modell

gezeichnet von Cadfael

gezeichnet am 02.09.17

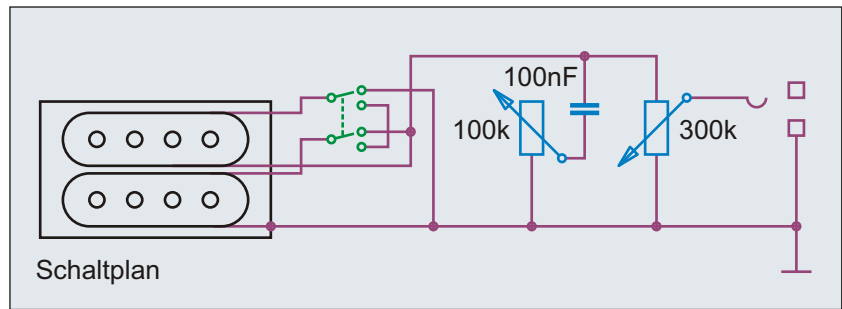
Seite 138



Gibson®

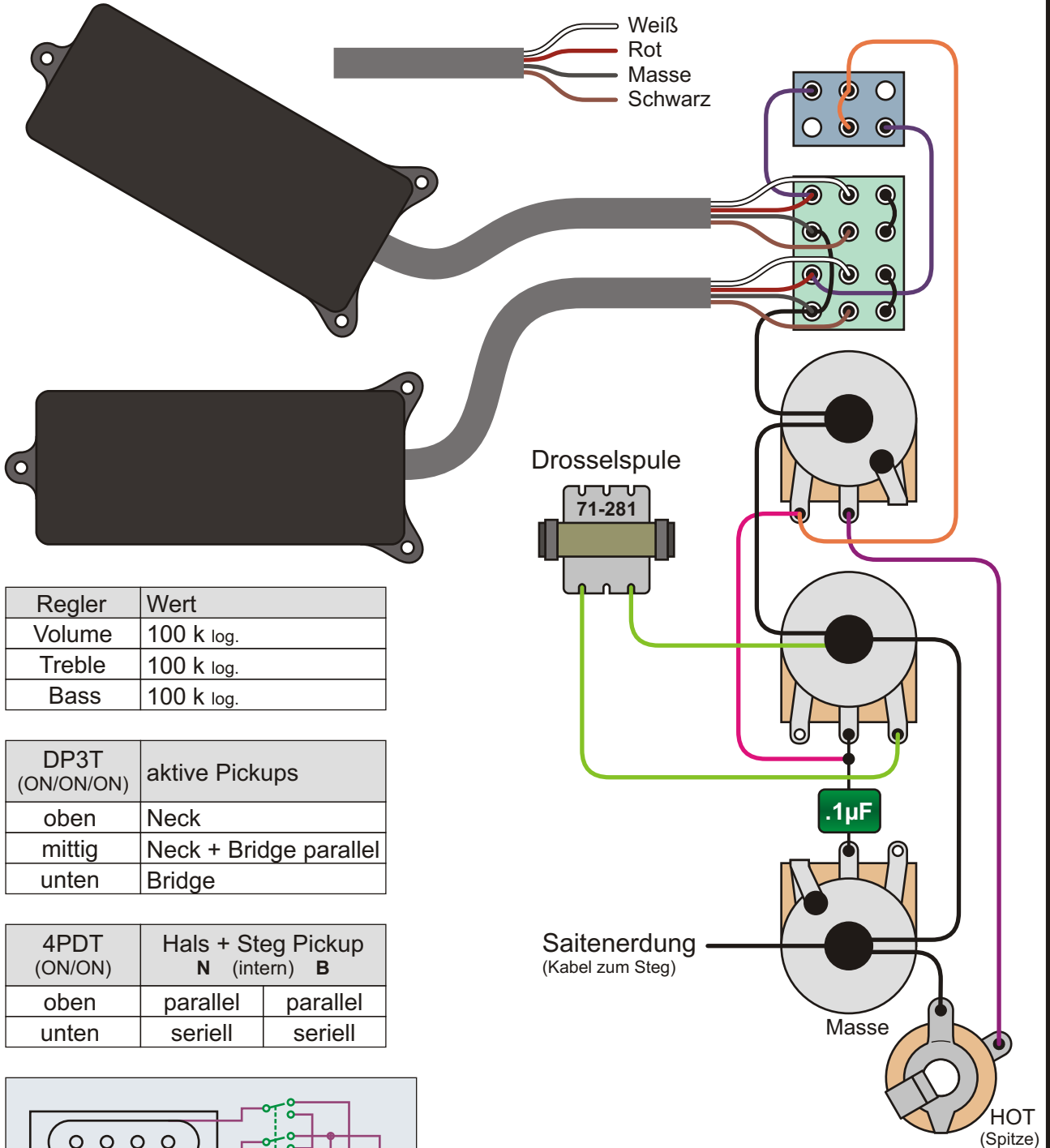
Regler	Wert
Master Volume	300 k log.
Master Tone	100 k log.

Minischalter (ON/ON)	Pickups
oben	parallel
unten	seriell



Benennung	Gibson Victory Standard Bass 1981-86		Historische Bassschaltungen	Nummer 1.3.411
	Bemerkungen / Besonderheiten		gezeichnet von Cadfael	gezeichnet am 02.09.17 Seite 139

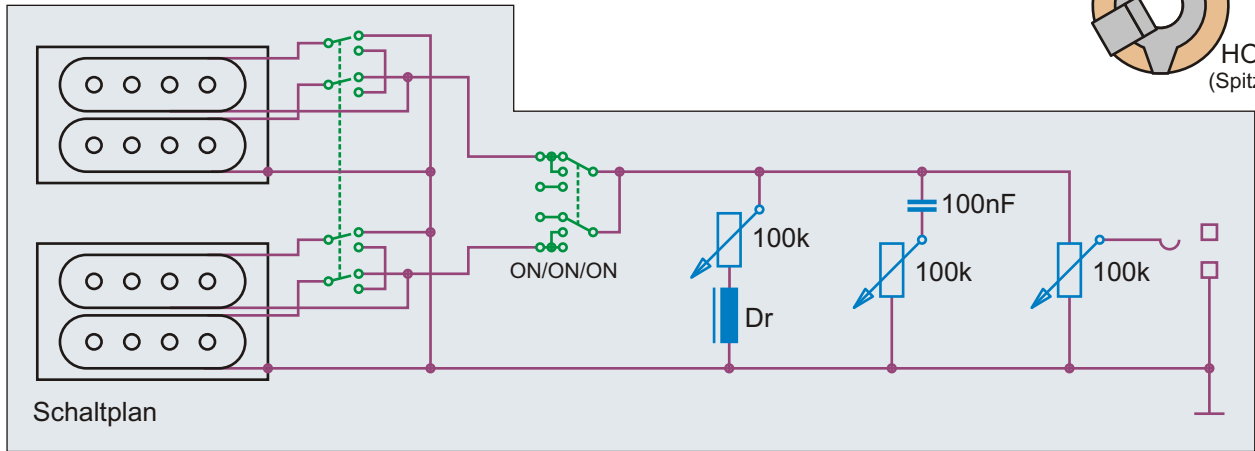
Idee, Recherche, Autor, Zeichnungen, Grafiken, Diagramme, Layout und Design: Andreas "Cadfael" Kühn - Nutzung ausschließlich zu privaten, nicht kommerziellen Zwecken und auf eigene Gefahr! Alle Angaben ohne Gewähr, Irrtümer vorbehalten!



Regler	Wert
Volume	100 k log.
Treble	100 k log.
Bass	100 k log.

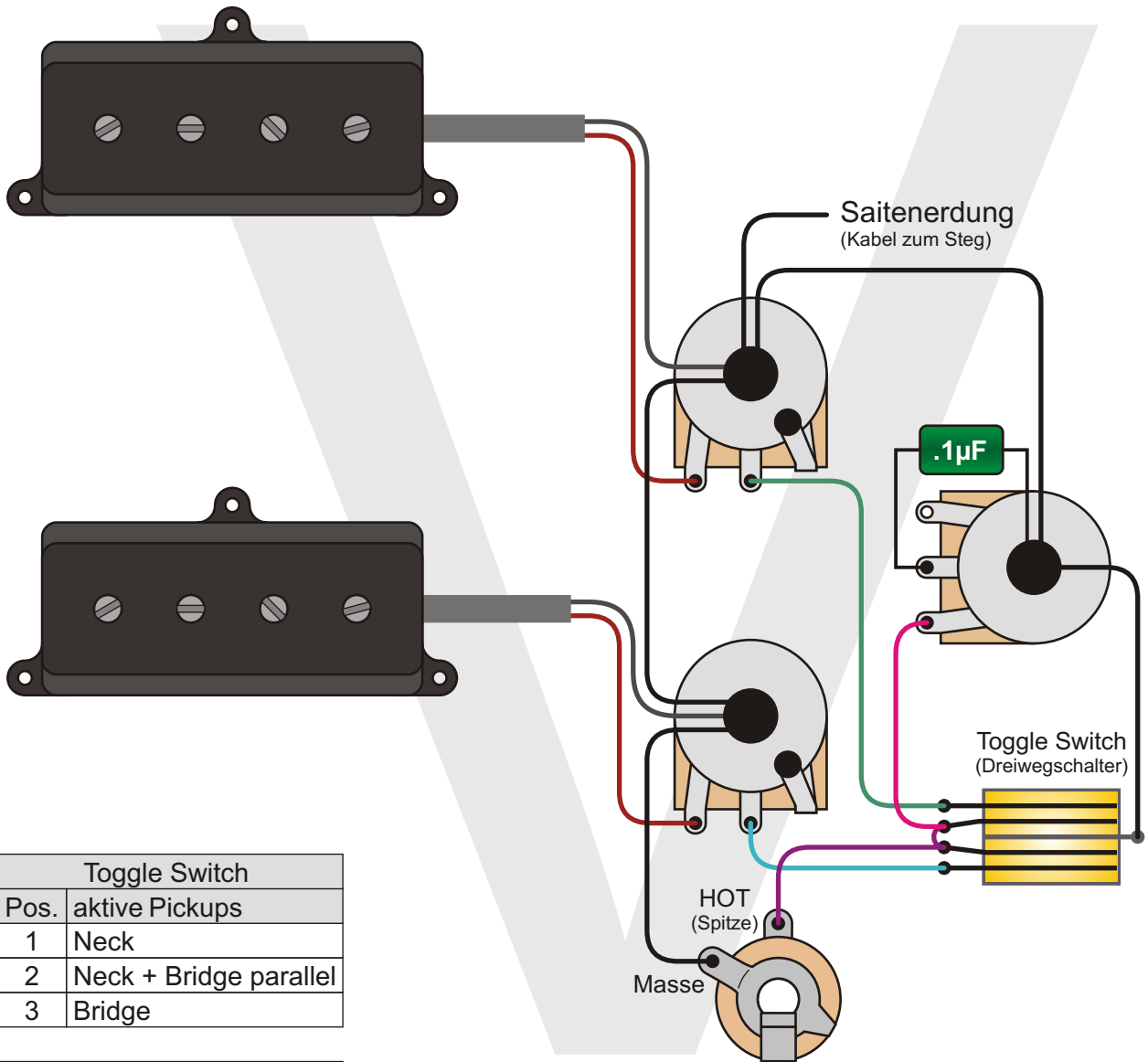
DP3T (ON/ON/ON)	aktive Pickups
oben	Neck
mittig	Neck + Bridge parallel
unten	Bridge

4PDT (ON/ON)	Hals + Steg Pickup N (intern) B	
oben	parallel	parallel
unten	seriell	seriell



Benennung	Gibson Victory Custom Bass 1982-84		Historische Bassschaltungen	Nummer
				1.3.416
Bemerkungen / Besonderheiten	gezeichnet von	gezeichnet am	Seite	
	Cadfael	02.09.17	140	

Idee, Recherche, Autor, Zeichnungen, Grafiken, Diagramme, Layout und Design: Andreas "Cadfael" Kühn - Nutzung ausschließlich zu privaten, nicht kommerziellen Zwecken und auf eigene Gefahr! Alle Angaben ohne Gewähr, Irrtümer vorbehalten!

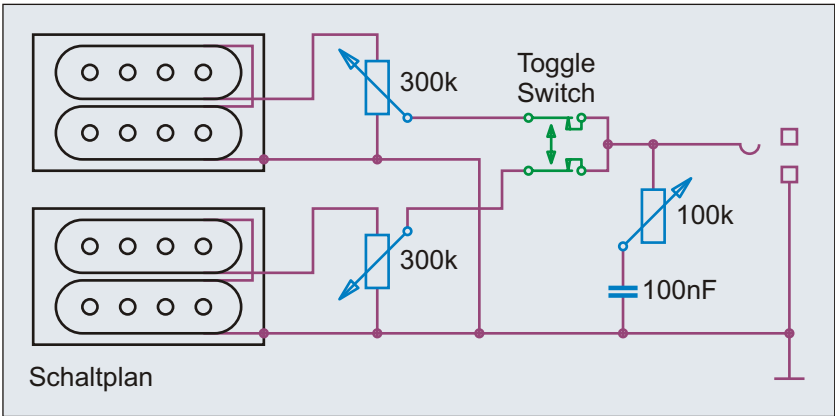


Toggle Switch	
Pos.	aktive Pickups
1	Neck
2	Neck + Bridge parallel
3	Bridge

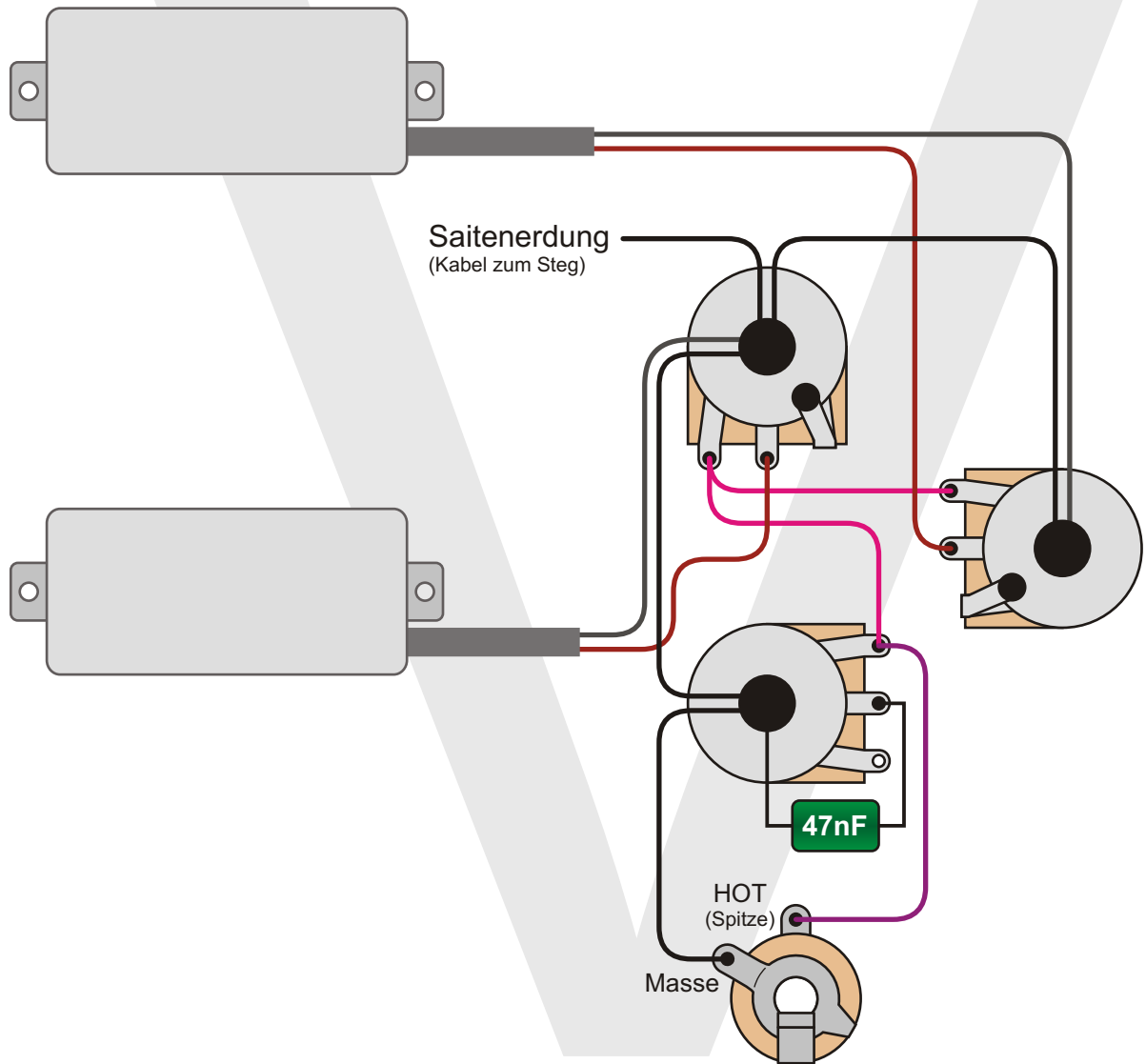
Flying V Bass 1981	
Regler	Wert
Neck Volume	300 k lin.
Bridge Volume	300 k lin.
Master Tone	100 k log.

Die Art der Schaltung beim "V Bass" bewirkt, dass der Bass in der Mittelstellung des Toggle Switch aus ist, wenn auch nur einer der Lautstärkereglere zuge dreht ist.

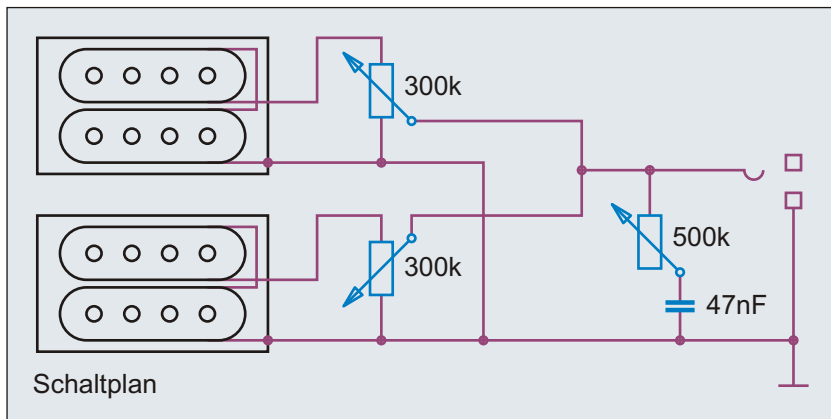
Der Flying V Bass
 Obwohl es die Form der Flying V bei den Gitarren schon seit den 1950er Jahren bei Gibson gab, wurde der Flying V Bass bzw. "V Bass" erst Anfang der '80er Jahre erstmals gebaut - und das auch nur in sehr geringer Stückzahl (unter 400 Stück).



Benennung	Gibson Flying V Bass / "V Bass" 1981		Historische Bassschaltungen	Nummer
			gezeichnet von	1.3.421
Bemerkungen / Besonderheiten			gezeichnet am	Seite
			Cadfael	02.09.17 141



Position	Pickup
Neck	Gibson Thunderbird (Ceramic)
Bridge	Gibson Thunderbird (Ceramic)



Flying V Bass 2012	
Regler	Wert
Neck Volume	300 k lin.
Bridge Volume	300 k lin.
Master Tone	500 k log.

Benennung **Gibson Flying V Bass / "V Bass" 2012**

Historische
Bassschaltungen

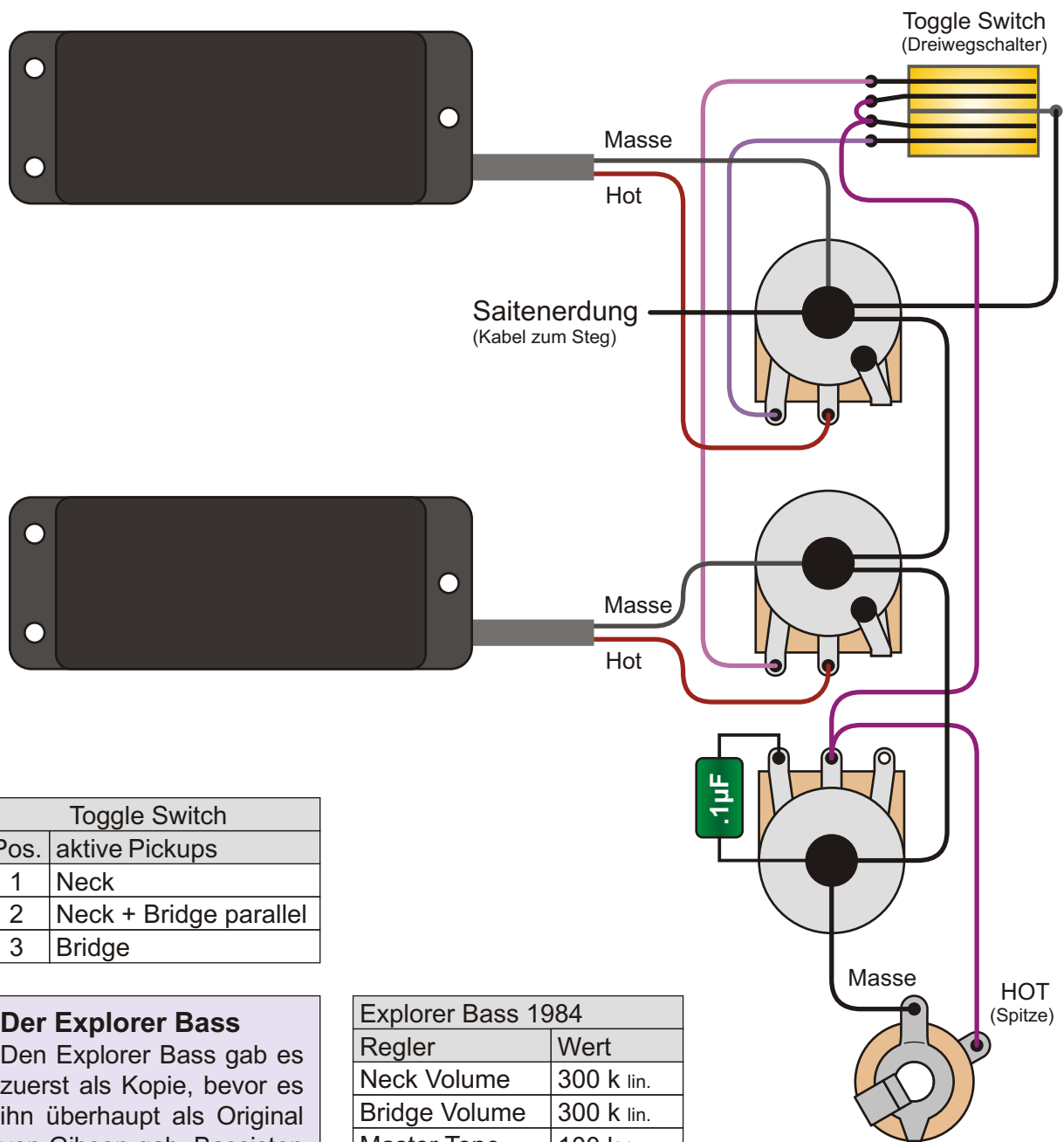
Nummer
1.3.426

Bemerkungen / Besonderheiten

gezeichnet von
Cadfael

gezeichnet am
02.09.17

Seite
142

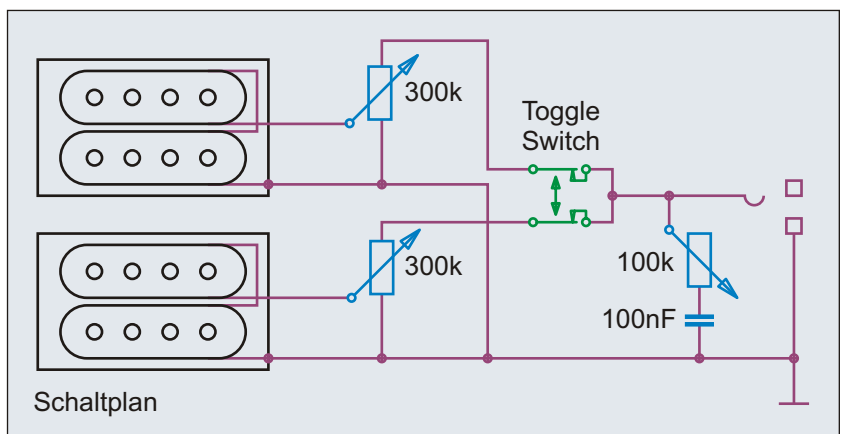


Toggle Switch	
Pos.	aktive Pickups
1	Neck
2	Neck + Bridge parallel
3	Bridge

Der Explorer Bass

Den Explorer Bass gab es zuerst als Kopie, bevor es ihn überhaupt als Original von Gibson gab. Bassisten wie Dusty Hill von ZZ Top kamen Ende der 1970er Jahre auf die Idee, die Form der Gibson Explorer Gitarre auf den Bass zu übertragen und ließen sich von Instrumentenbauern solche Bässe anfertigen. John Entwistle ließ sich ein Modell Edelmodell von Alembic bauen. Erst 1984 brachte Gibson dann seine eigene Version heraus.

Explorer Bass 1984	
Regler	Wert
Neck Volume	300 k lin.
Bridge Volume	300 k lin.
Master Tone	100 k log.



Benennung **Gibson Explorer Bass 1984-87**

Historische
Bassschaltungen

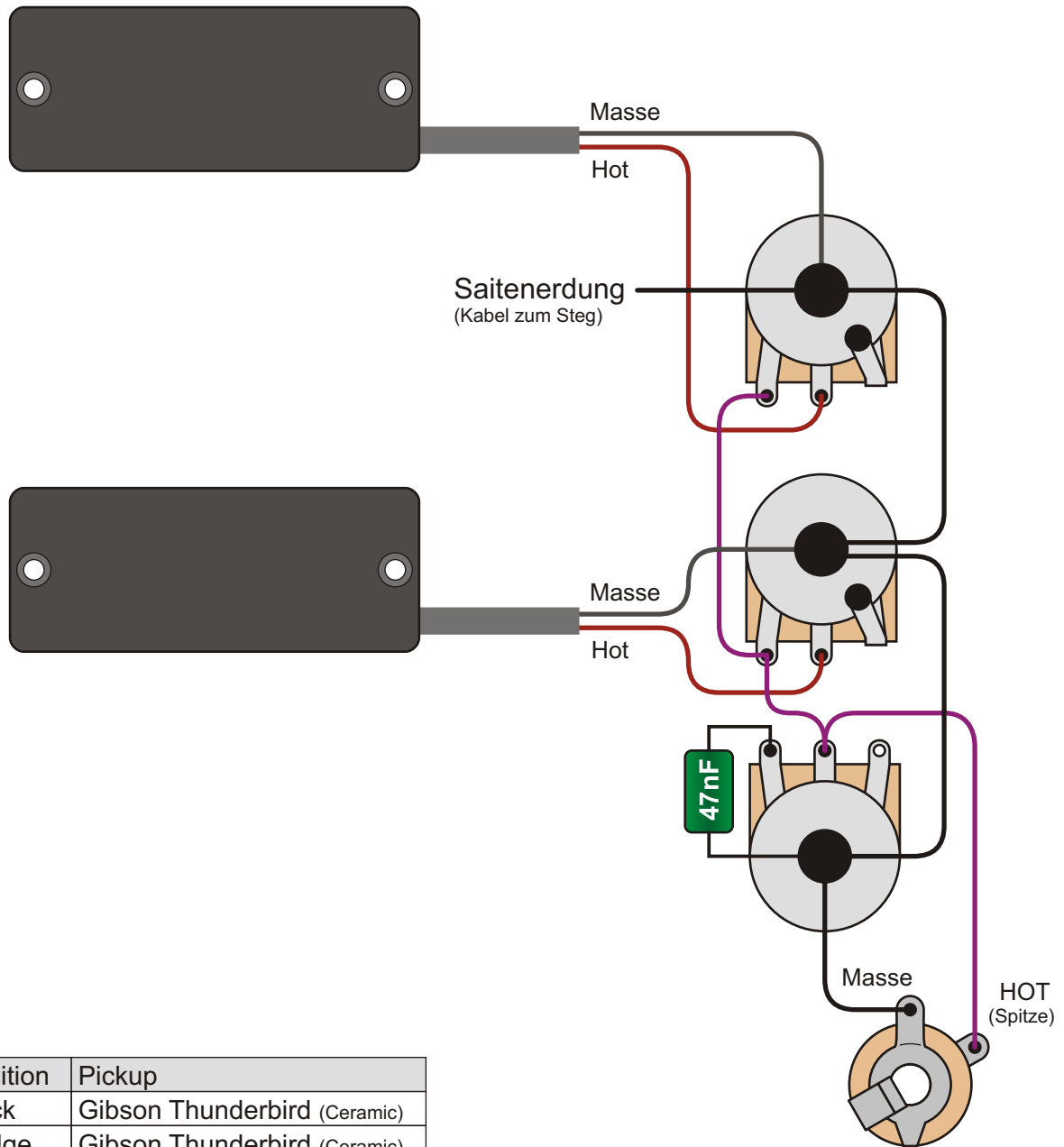
Nummer
1.3.431

Bemerkungen / Besonderheiten
Explorer Bass etc.

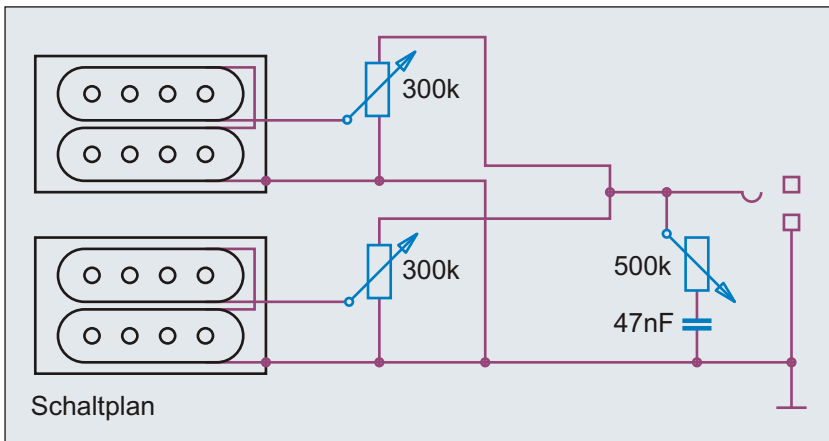
gezeichnet von
Cadfael

gezeichnet am
02.09.17

Seite
143



Position	Pickup
Neck	Gibson Thunderbird (Ceramic)
Bridge	Gibson Thunderbird (Ceramic)



Explorer Bass 2012	
Regler	Wert
Neck Volume	300 k lin.
Bridge Volume	300 k lin.
Master Tone	500 k log.

Benennung **Gibson Explorer Bass 2012**

Historische
Bassschaltungen

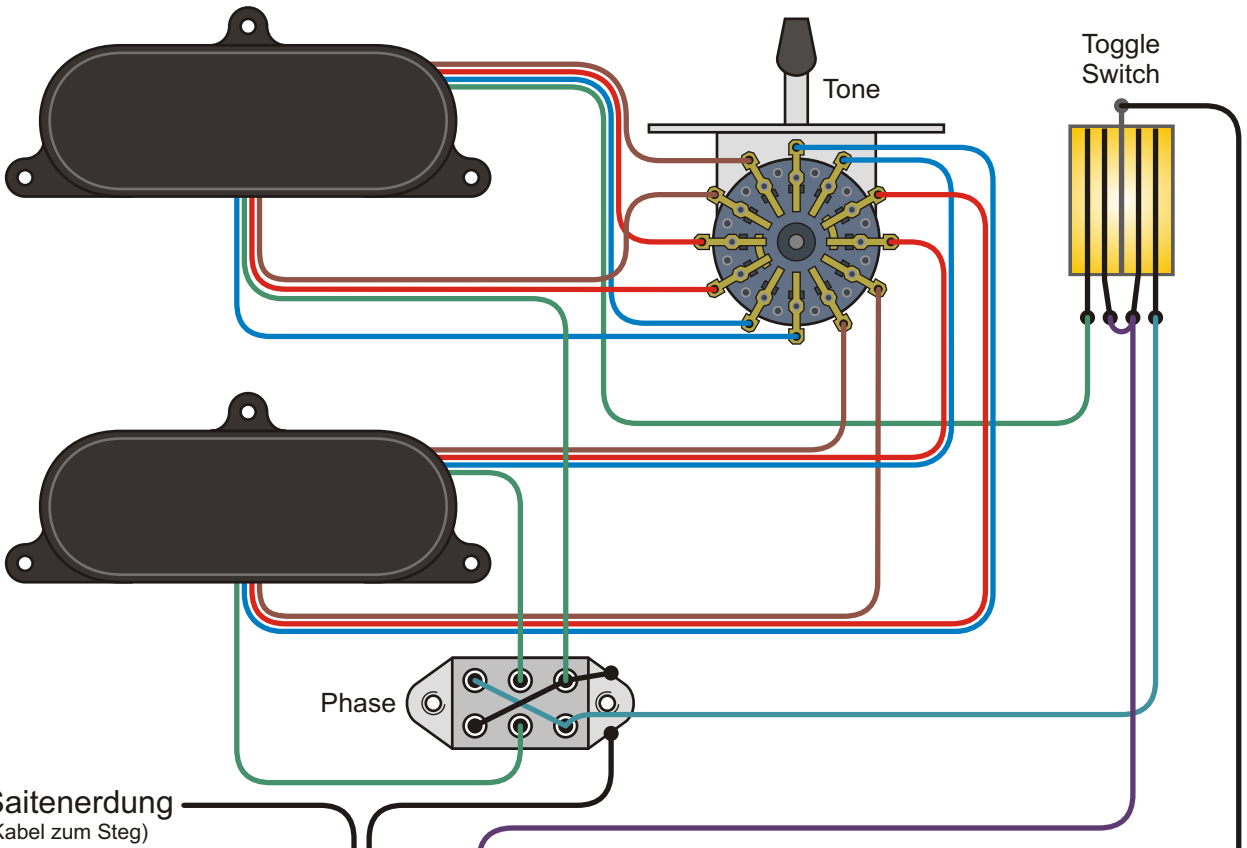
Nummer
1.3.436

Bemerkungen / Besonderheiten
Explorer Bass etc.

gezeichnet von
Cadfael

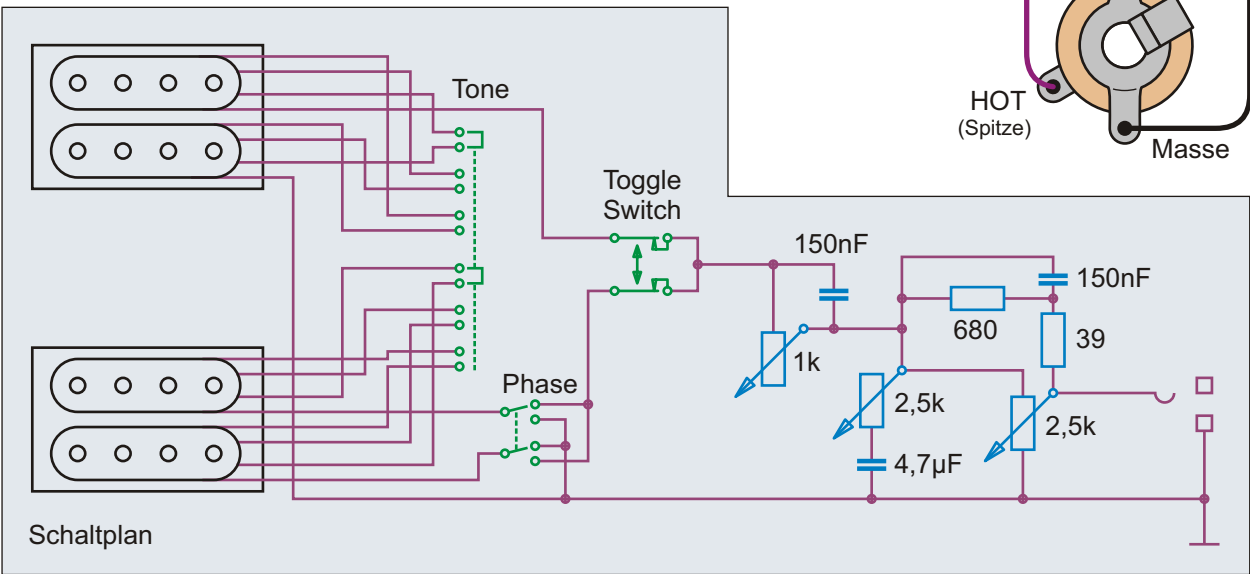
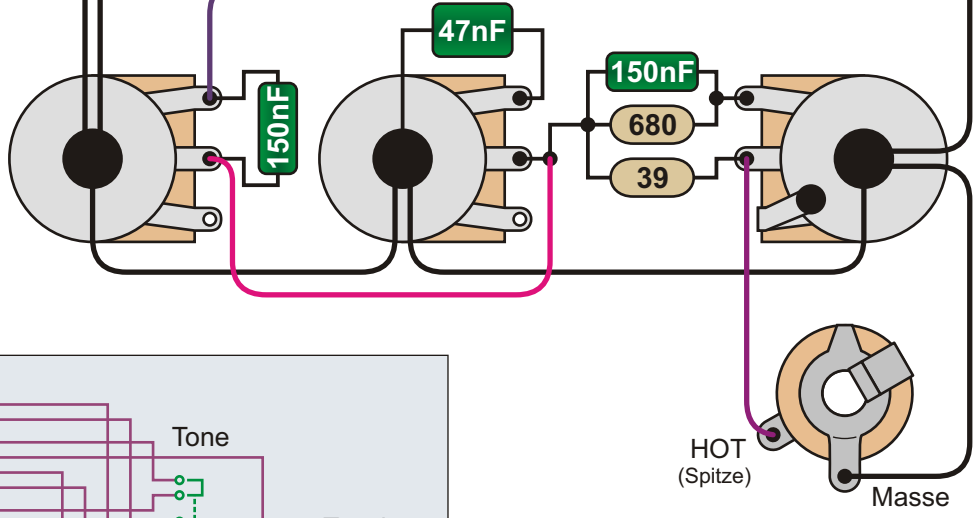
gezeichnet am
02.09.17

Seite
144

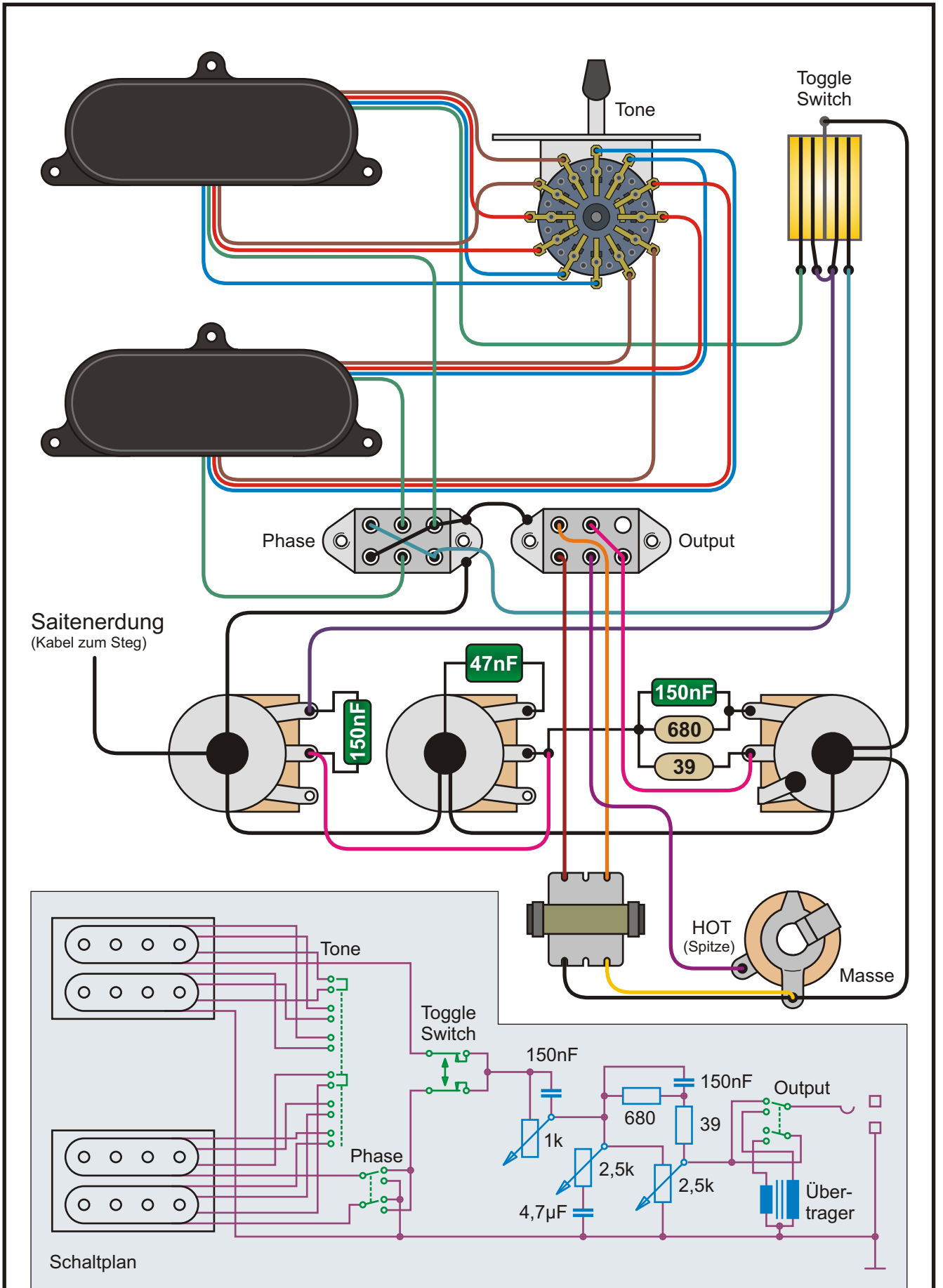


Saitenerdung
(Kabel zum Steg)

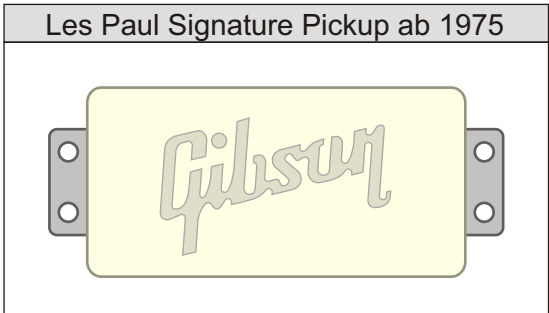
Les Paul Bass
Offiziell trug der Les Paul Bass nicht die weitläufig bekannte Zusatzbezeichnung "Recording".



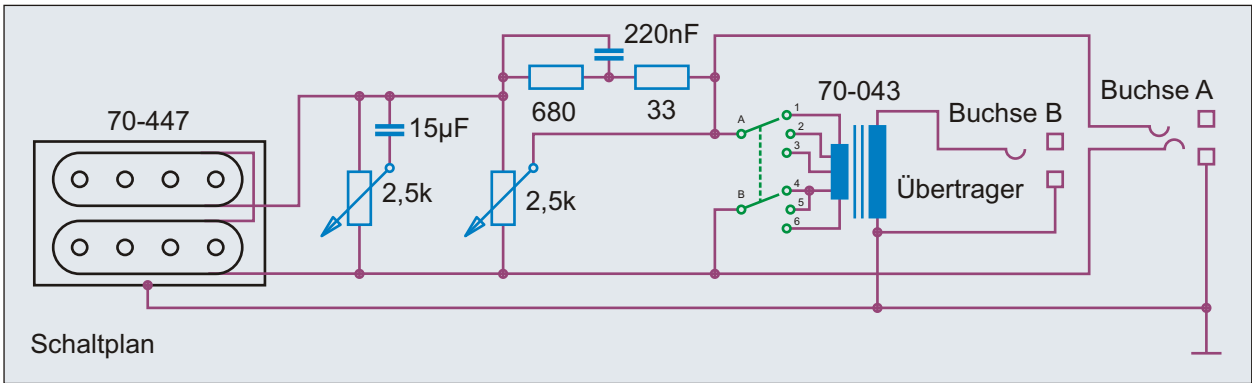
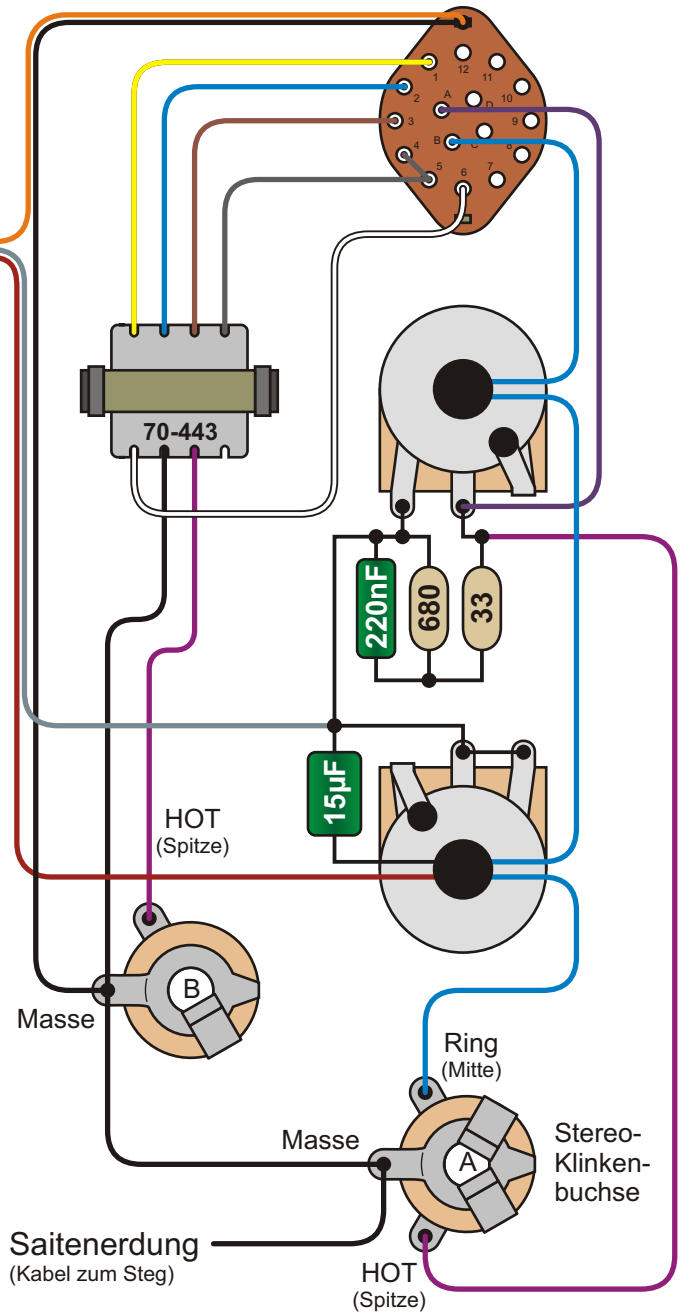
Benennung Gibson Les Paul "Recording" Bass		Historische Bassschaltungen	Nummer 1.3.511
Bemerkungen / Besonderheiten von 1969 bis 1971		gezeichnet von Cadfael	gezeichnet am 02.09.17 Seite 145



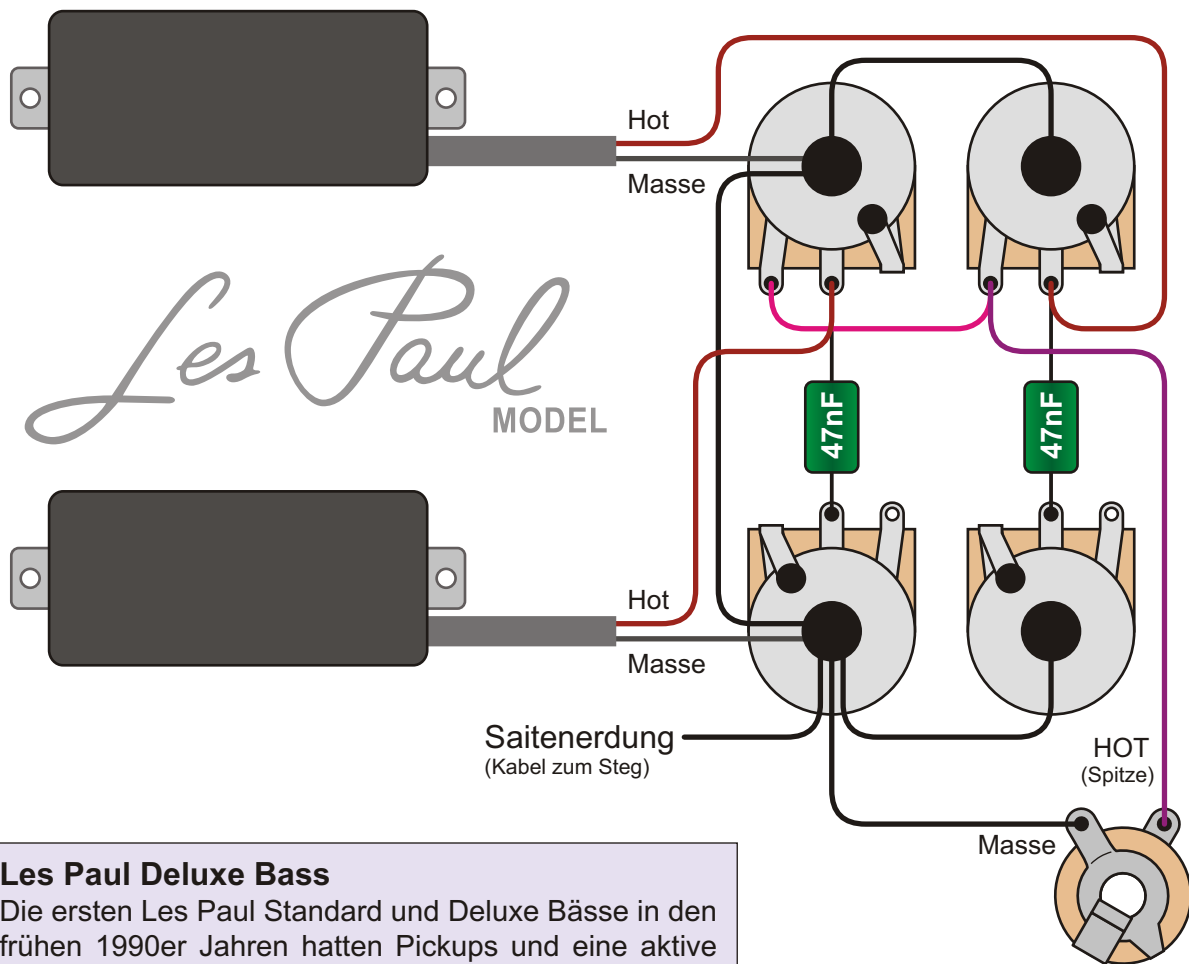
Benennung <h1 style="margin: 0;">Gibson Les Paul Triumph Bass</h1>	Historische Bassschaltungen	Nummer 1.3.521
Bemerkungen / Besonderheiten von 1971 bis 1979	gezeichnet von Cadfael	gezeichnet am 02.09.17
		Seite 146



Der Les Paul Signature Bass hat - wie der Les Paul "Recording" und der LP Triumph Bass der 1970er Jahre - einen niederohmigen Pickup. Weitere Besonderheit sind die zwei Klinkenbuchsen des Signature Bases. Über Buchse A kann man den Signature symmetrisch betreiben. Die Abschirmung ist damit vom Signal (Cold) getrennt.



Benennung	Gibson Les Paul Signature Bass	Historische Bassschaltungen	Nummer
Bemerkungen / Besonderheiten	von 1973-75 ("Recording Pickup"), 1975-77 (rechteckiger Pickup)	gezeichnet von	1.3.541
		gezeichnet am	Seite
		Cadfael	02.09.17 147

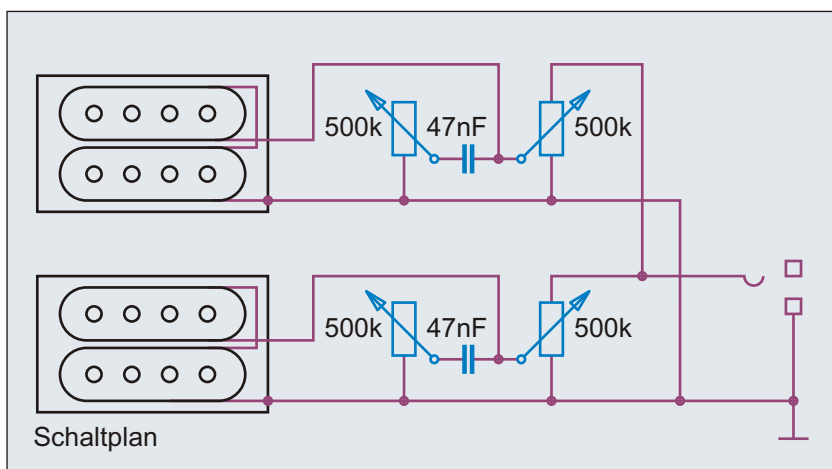


Les Paul Deluxe Bass

Die ersten Les Paul Standard und Deluxe Bässe in den frühen 1990er Jahren hatten Pickups und eine aktive Elektronik von Bartolini an Bord.

Normalerweise werden bei zugedrehtem Volume Regler Masse und Hot miteinander kurzgeschlossen (siehe z.B. Precision Bass 1957 Schaltung). Beim Les Paul Bass hätte der Kurzschluss jedoch zur Folge, dass beide Pickups "tot" sind, sobald eines der Potis ganz zuge dreht ist. Damit das nicht geschieht, sind die Volume Potis "falsch herum" angeschlossen. So liegt immer der Widerstand des Potis zwischen Masse und HOT. Näheres dazu ist in Kapitel 3.2.3 zu lesen.

Regler	Wert
Neck Volume	500 k lin./log.
Neck Tone	500 k log.
Bridge Volume	500 k lin./log.
Bridge Tone	500 k log.



Les Paul Deluxe Bass

Im Gegensatz zu den berühmten Les Paul Gitarren hat der Les Paul Bass keinen Toggle Switch. Daher sind seine Volume-Potis auch so wie beim Fender Jazz Bass verkabelt.

Benennung **Gibson Les Paul Deluxe Bass**

Historische
Bassschaltungen

Nummer
1.3.551

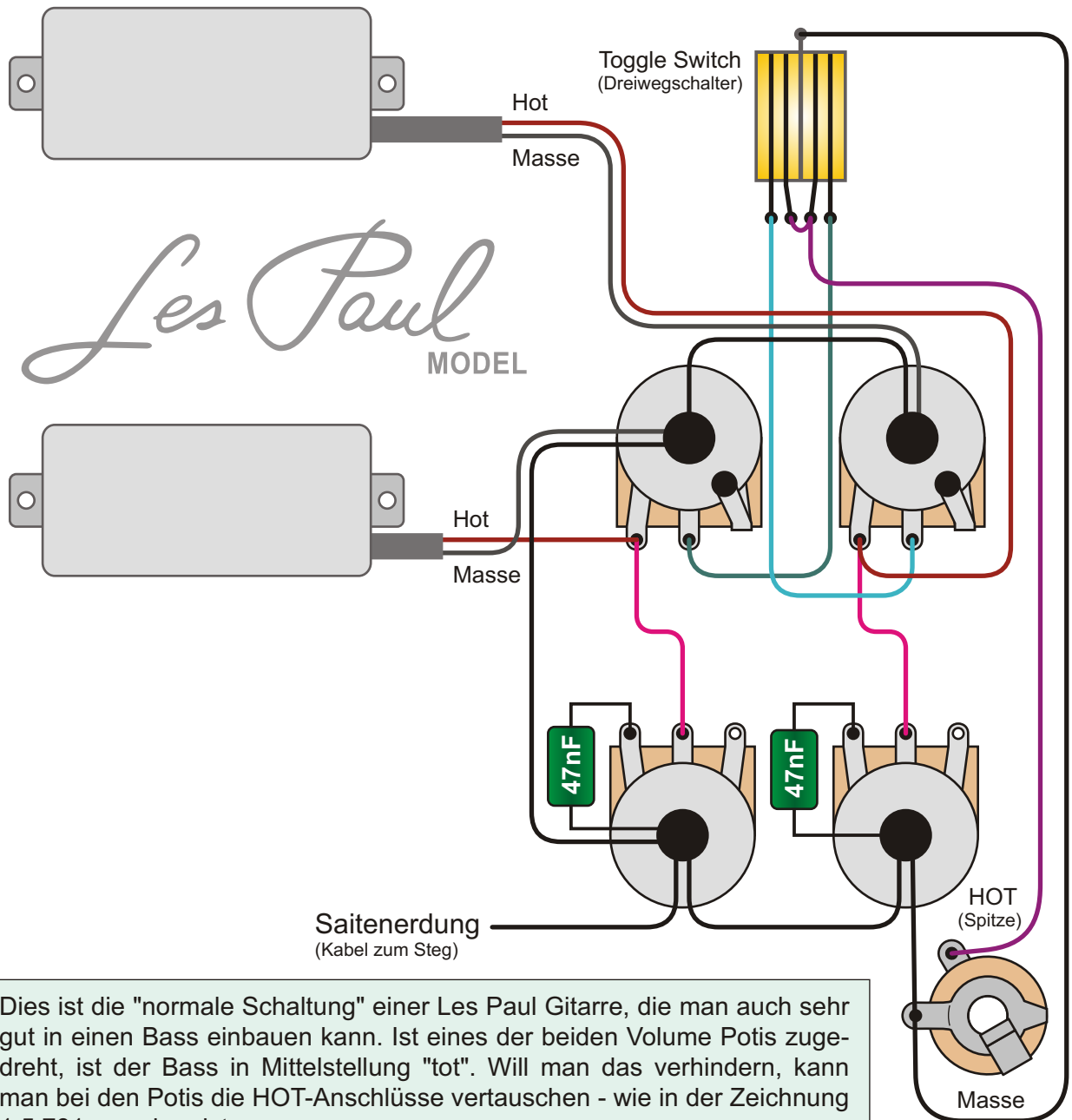
Bemerkungen / Besonderheiten

Gibson Les Paul Bass, Epiphone Embassy Standard

gezeichnet von
Cadfael

gezeichnet am
02.09.17

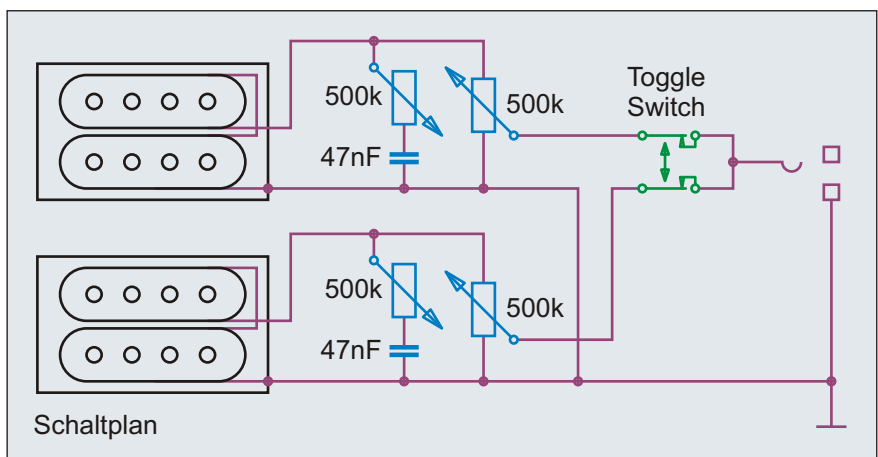
Seite
148



Dies ist die "normale Schaltung" einer Les Paul Gitarre, die man auch sehr gut in einen Bass einbauen kann. Ist eines der beiden Volume Potis zuge-dreht, ist der Bass in Mittelstellung "tot". Will man das verhindern, kann man bei den Potis die HOT-Anschlüsse vertauschen - wie in der Zeichnung 1.5.781 zu sehen ist.

Toggle Switch	
Pos.	aktive Pickups
1	Neck
2	Neck + Bridge par.
3	Bridge

Regler	Wert
Neck Vol.	500 k lin./log.
Neck Tone	500 k log.
Bridge Vol.	500 k lin./log.
Bridge Tone	500 k log.



Benennung **Gibson LP Standard Bass 1997-2006**

Historische Bassschaltungen

Nummer 1.3.561

Bemerkungen / Besonderheiten

von 1973-75 ("Recording Pickup"), 1975-77 (rechteckiger Pickup)

gezeichnet von

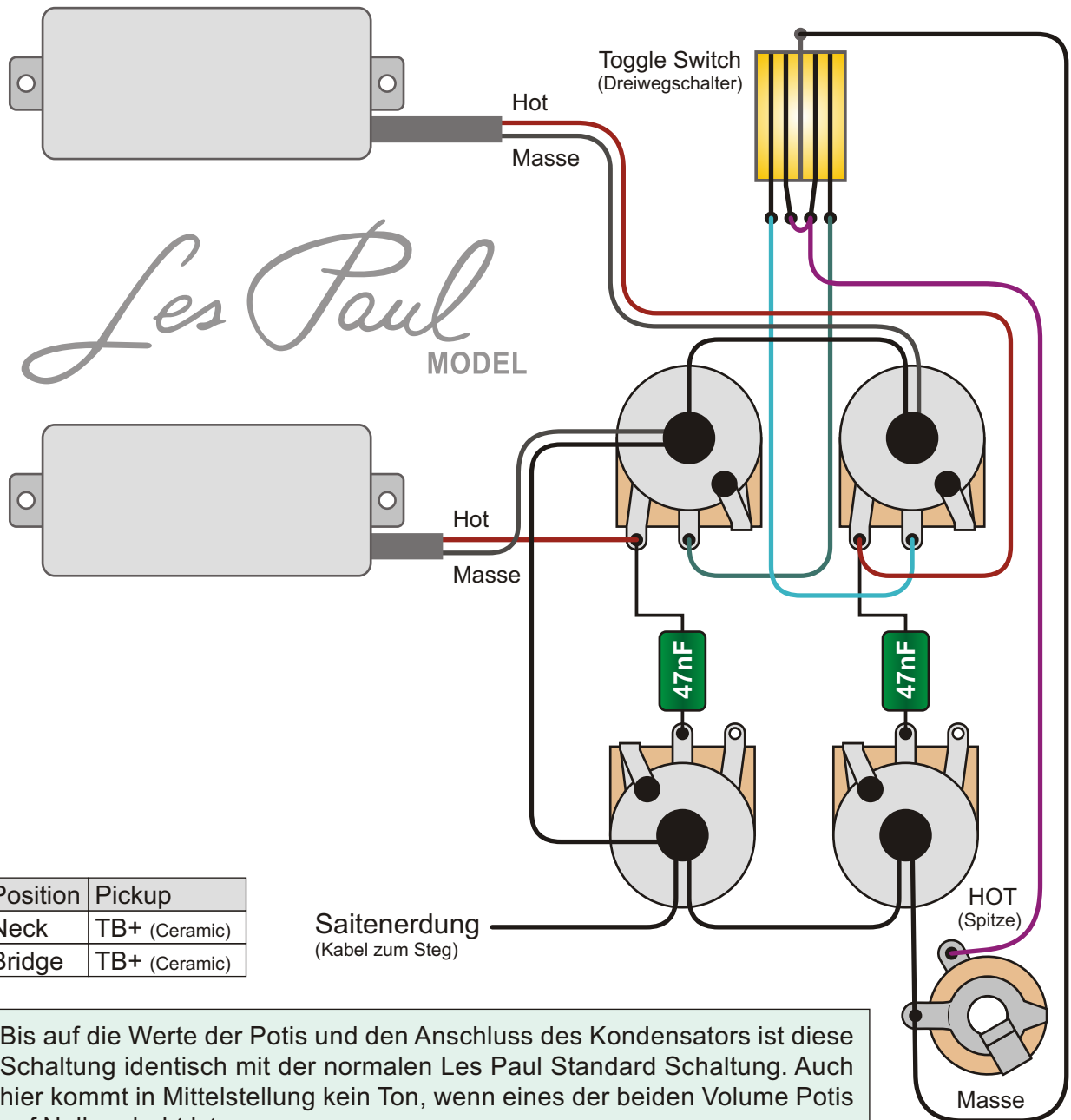
Cadfael

gezeichnet am

02.09.17

Seite

149

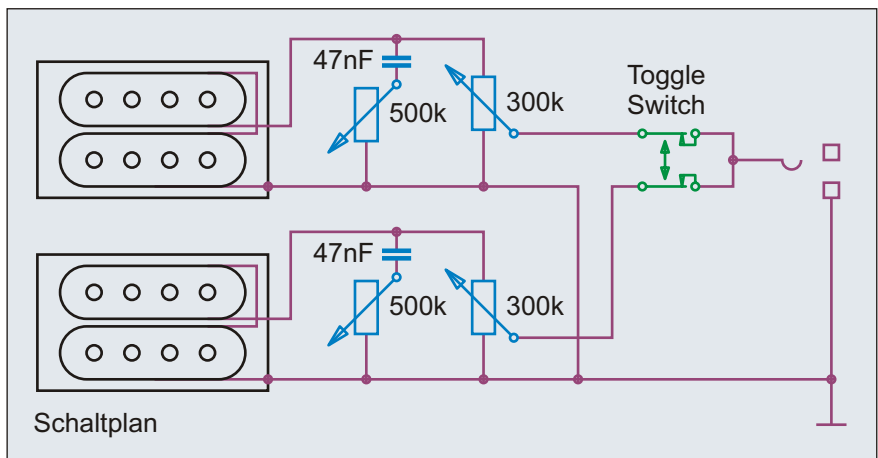


Position	Pickup
Neck	TB+ (Ceramic)
Bridge	TB+ (Ceramic)

Bis auf die Werte der Potis und den Anschluss des Kondensators ist diese Schaltung identisch mit der normalen Les Paul Standard Schaltung. Auch hier kommt in Mittelstellung kein Ton, wenn eines der beiden Volume Potis auf Null gedreht ist.

Toggle Switch	
Pos.	aktive Pickups
1	Neck
2	Neck + Bridge par.
3	Bridge

Regler	Wert
Neck Volume	300 k lin.
Neck Tone	500 k log.
Bridge Volume	300 k lin.
Bridge Tone	500 k log.



Benennung **Gibson LP Standard Bass Oversized**

Historische Bassschaltungen

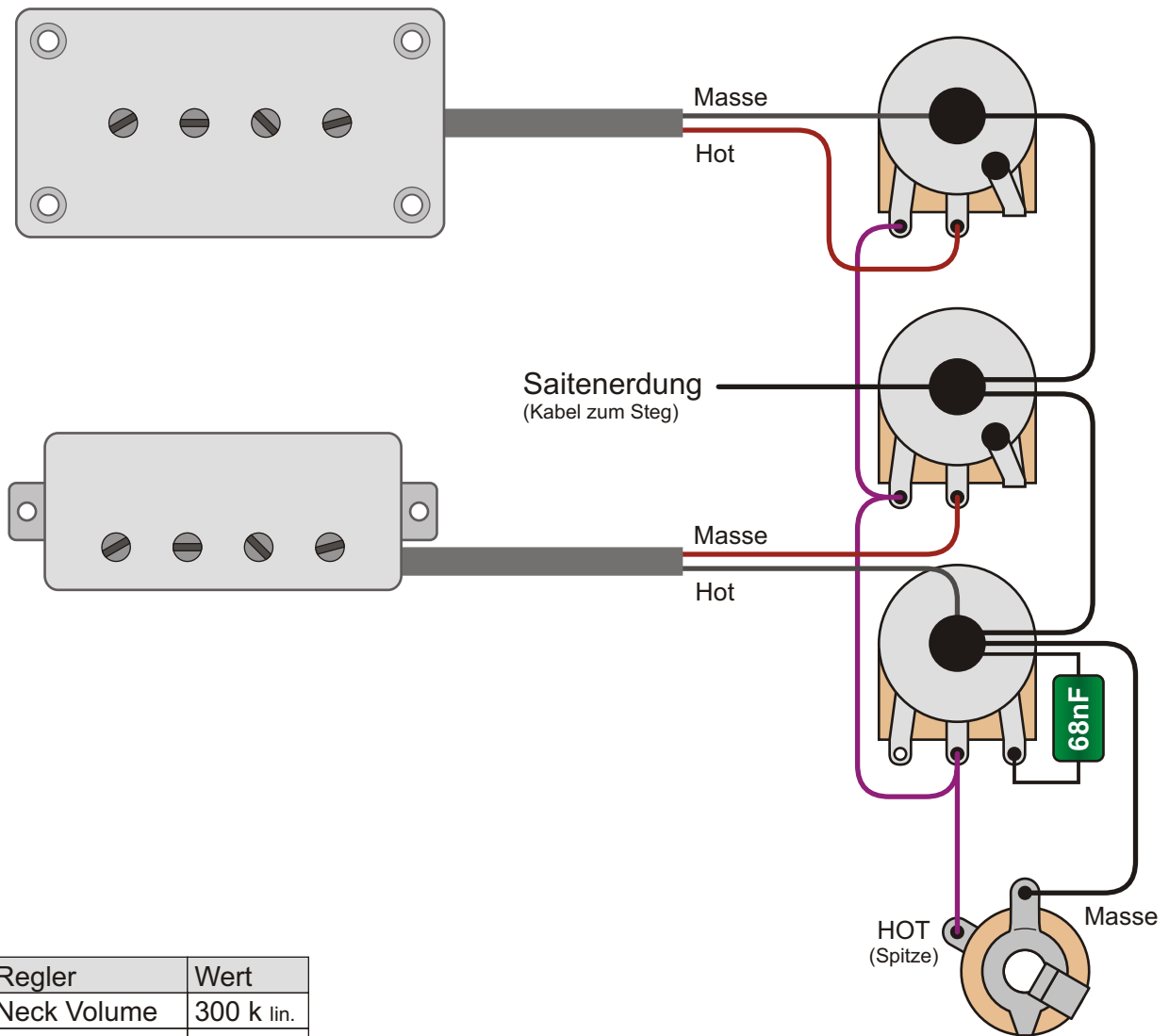
Nummer 1.3.571

Bemerkungen / Besonderheiten
von 2011/2012

gezeichnet von
Cadfael

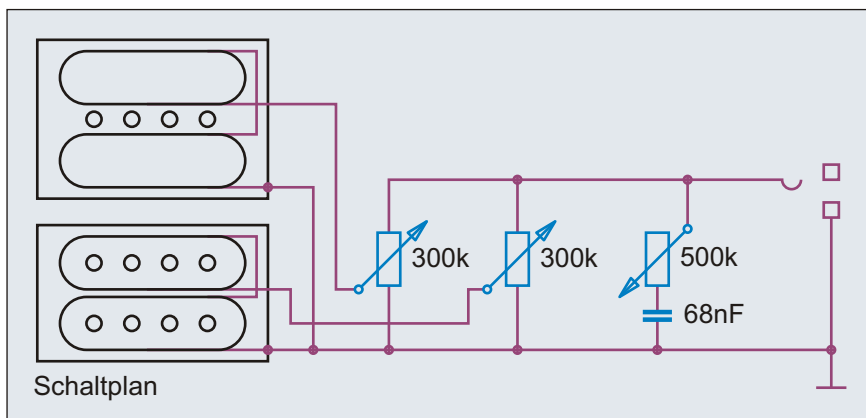
gezeichnet am
02.09.17

Seite
150



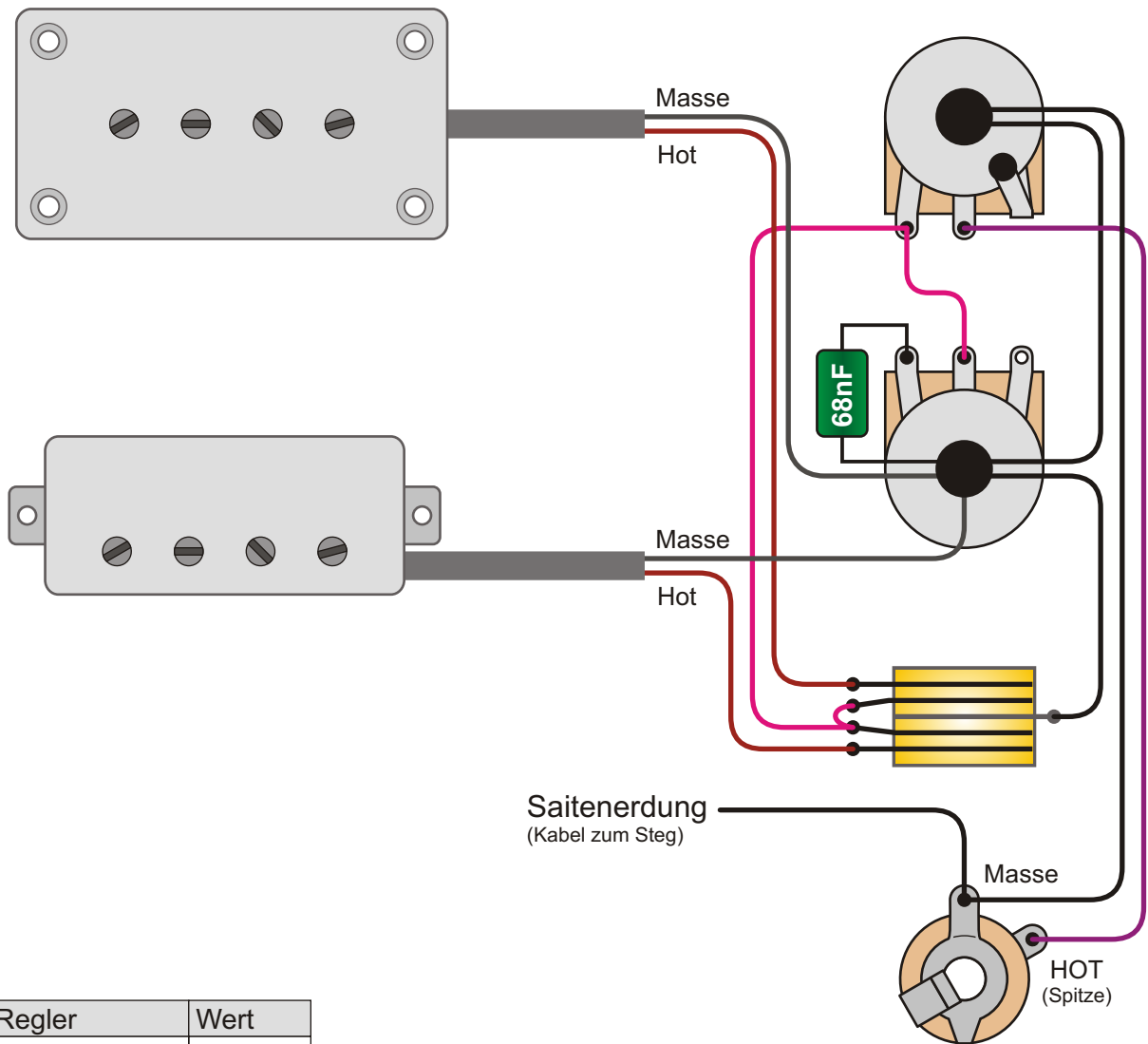
Regler	Wert
Neck Volume	300 k lin.
Bridge Volume	300 k lin.
Master Tone	500 k log.

Pickups	
Neck Pickup	TB Plus Humbucker (Alnico II)
Bridge Pickup	TB Mini Humbucker (Ceramic)



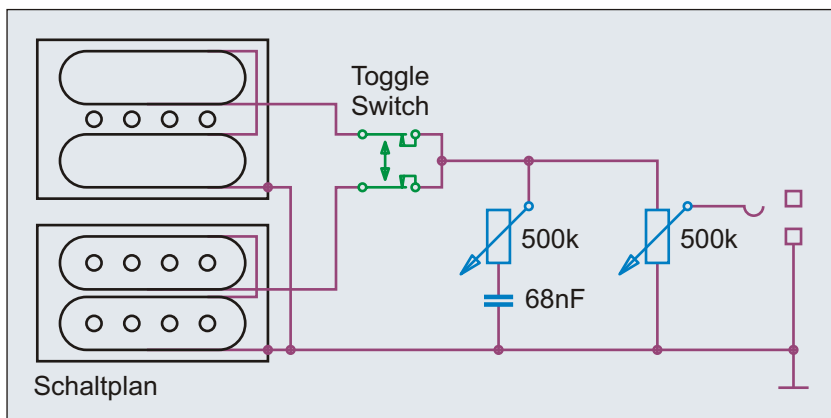
Gibson LP Junior
 Die Schaltung des LP Basses ist im Grunde eine einfache Fender Jazz Bass Schaltung. Man findet die Schaltung auch im Thunderbird und anderen Bässen von Gibson.

Benennung	Gibson LP Junior DC Bass 2011		Historische Bassschaltungen	Nummer
			gezeichnet von	1.3.581
Bemerkungen / Besonderheiten			gezeichnet am	Seite
			Cadfael	02.09.17 151



Regler	Wert
Master Volume	500 k lin.
Master Tone	500 k log.

Pickups	
Neck Pickup	Vintage-Style TB Plus Humbucker (Alnico II)
Bridge Pickup	Vintage-Style TB Mini Humbucker (Ceramic 8x4)



Gibson Midtown Bass

Die Form des Midtown Semi-Acoustic Bases ist an die Gibson ES335 angelehnt. Leider hat auch der Midtown Bass eine sehr einfache Schaltung - was man aber bei den "neueren" Gibson Bässen wohl mittlerweile als "Tradition" bezeichnen kann.

Benennung **Gibson Midtown Bass 2012**

Historische
Bassschaltungen

Nummer
1.3.601

Bemerkungen / Besonderheiten

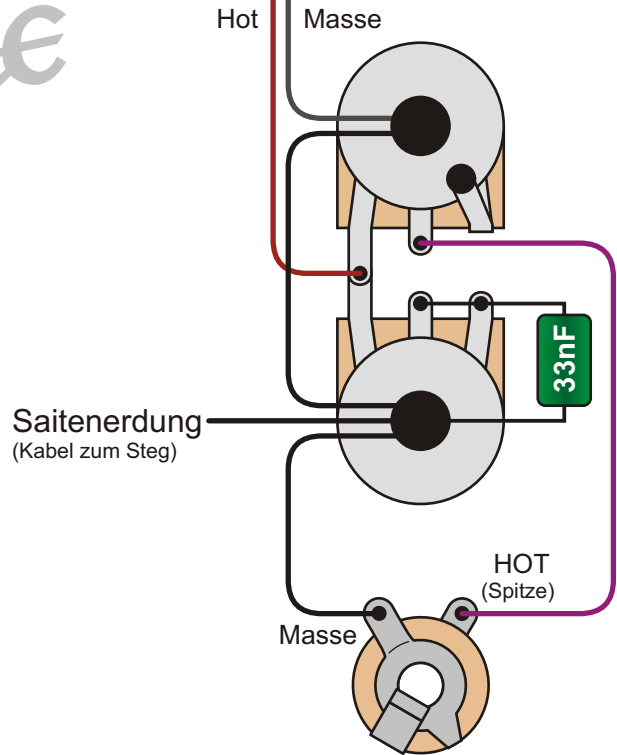
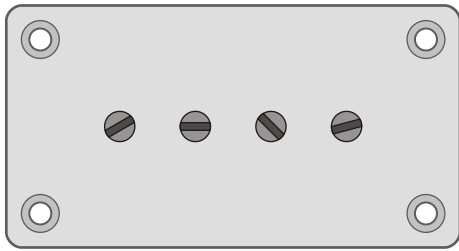
gezeichnet von
Cadfael

gezeichnet am
02.09.17

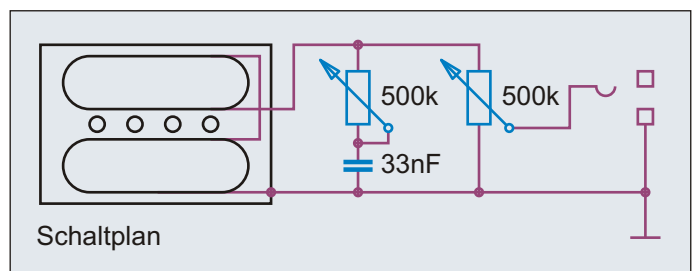
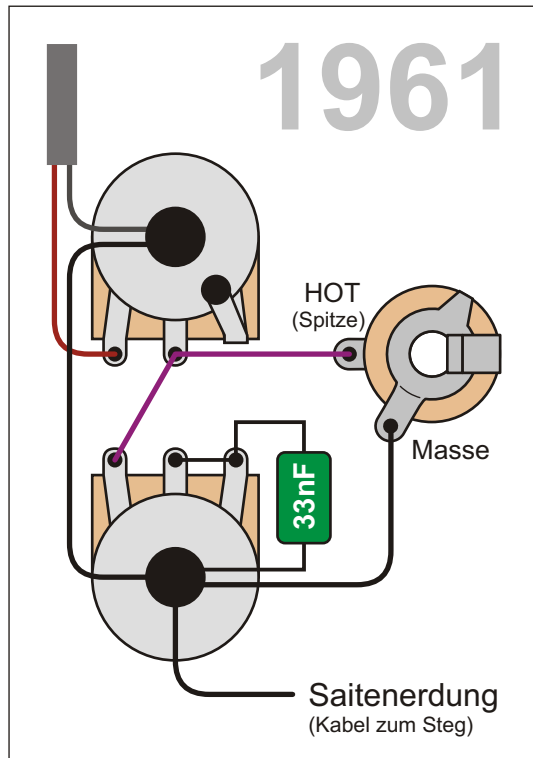
Seite
152

1965

Epiphone



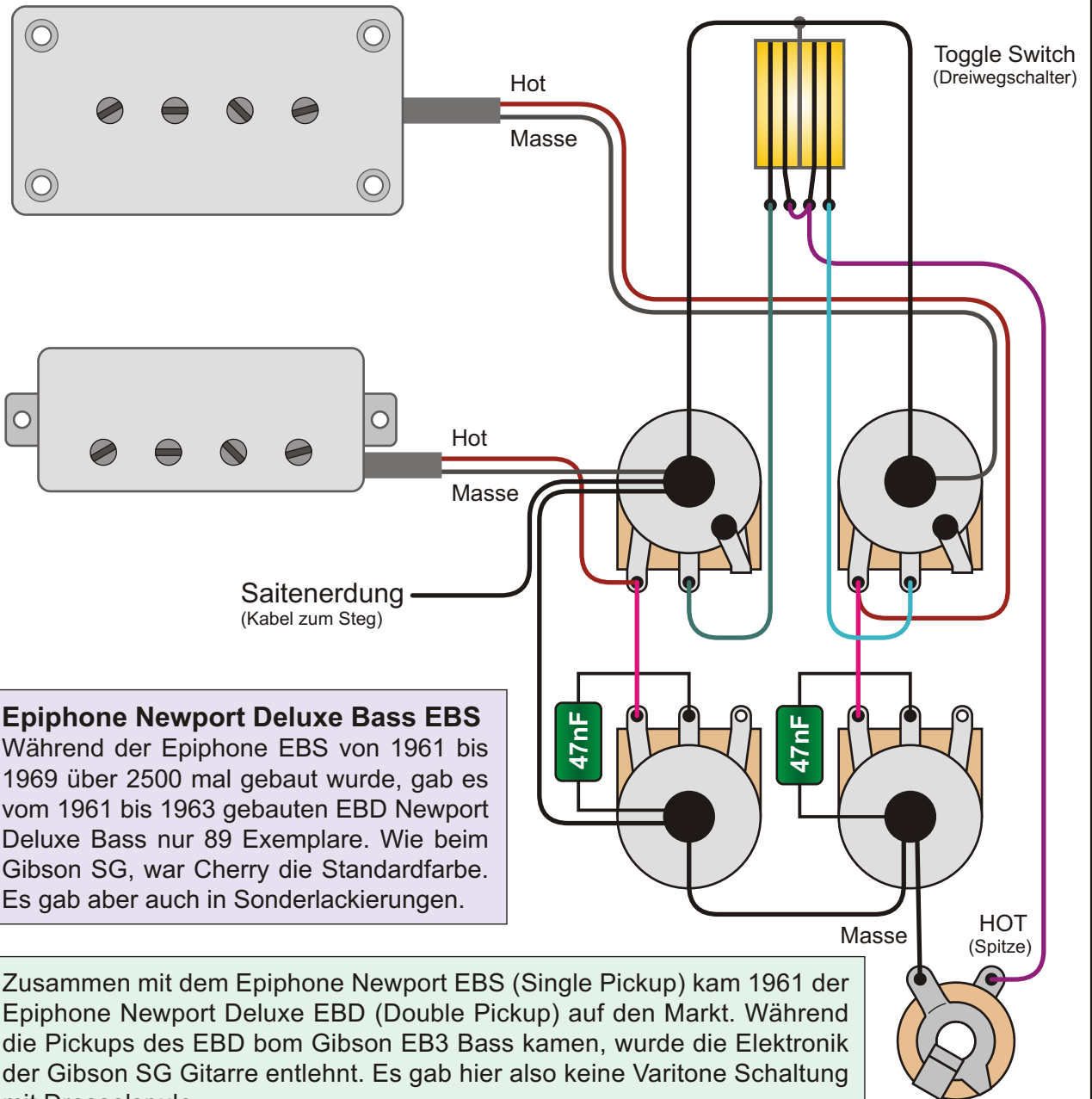
1961



Epiphone Newport Bass EBS 1961

Obwohl Gibson bereits 1953 seinen ersten E-Bass auf den Markt gebracht hatte, dauerte die Einführung von E-Bässen in die Produktpalette bei der Tochterfirma Epiphone bis 1961. Dann wurden jedoch direkt mehrere Modelle aufgelegt, wie der Epiphone Rivoli, Embassy und Newport Bass. Letzteren gab es als "EBS" mit einem Pickup und "Deluxe EBD" mit zwei Pickups. Die Elektronik des Epiphone Newport EBS Basses wurde mit leichten Änderungen in der Schaltung des Gibson EB-0 übernommen. Der EBS wurde von 1961-1969 produziert.

Benennung	Epiphone Newport Bass EBS 1961-69		Historische Bassschaltungen	Nummer
Bemerkungen / Besonderheiten	Schaltung Modell 1965 + 1961		gezeichnet von	gezeichnet am
			Cadfael	02.09.17
				Seite
				153



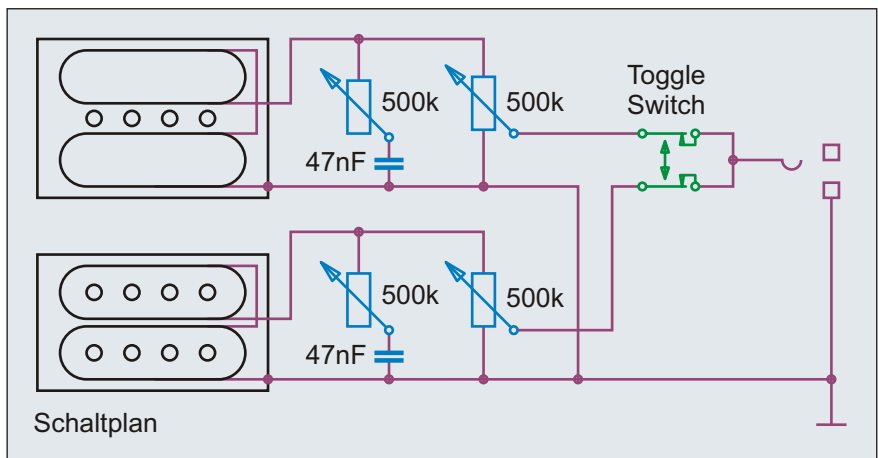
Epiphone Newport Deluxe Bass EBS

Während der Epiphone EBS von 1961 bis 1969 über 2500 mal gebaut wurde, gab es vom 1961 bis 1963 gebauten EBD Newport Deluxe Bass nur 89 Exemplare. Wie beim Gibson SG, war Cherry die Standardfarbe. Es gab aber auch in Sonderlackierungen.

Zusammen mit dem Epiphone Newport EBS (Single Pickup) kam 1961 der Epiphone Newport Deluxe EBD (Double Pickup) auf den Markt. Während die Pickups des EBD vom Gibson EB3 Bass kamen, wurde die Elektronik der Gibson SG Gitarre entlehnt. Es gab hier also keine Varitone Schaltung mit Drosselspule.

Toggle Switch	
Pos.	aktive Pickups
1	Neck
2	Neck + Bridge par.
3	Bridge

Regler	Wert
Neck Vol.	500 k lin./log.
Neck Tone	500 k log.
Bridge Vol.	500 k lin./log.
Bridge Tone	500 k log.



Benennung **Epiphone Newport Bass Deluxe EBD**

Historische Bassschaltungen

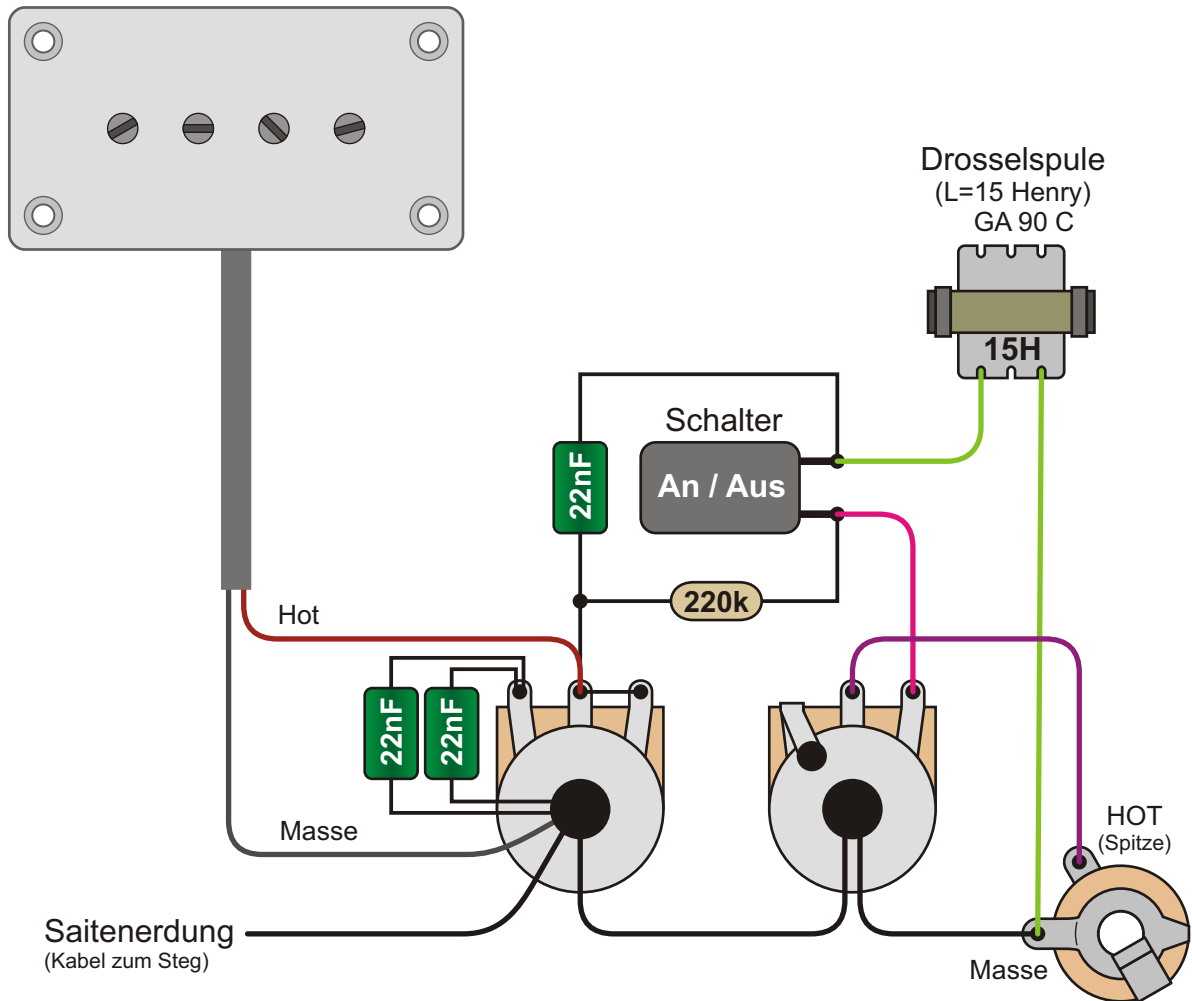
Nummer 1.3.706

Bemerkungen / Besonderheiten

gezeichnet von
Cadfael

gezeichnet am
02.09.17

Seite
154



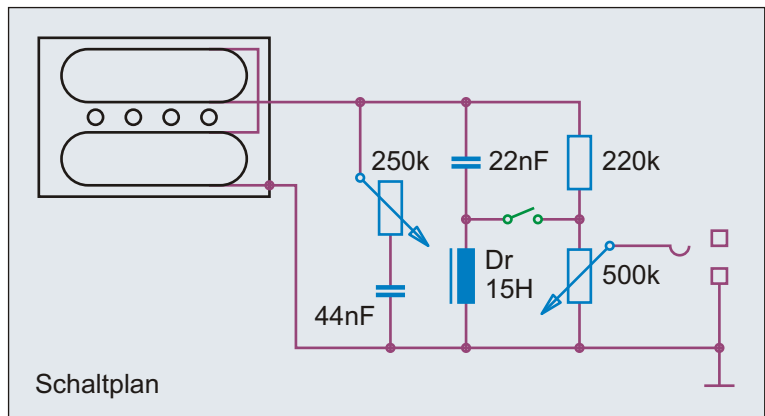
Bauteil	Wert
Poti Master Volume	500 k log.
Poti Master Tone	250 k log.
Drosselspule	15 H

Epiphone

Epiphone Rivoli Bass

Der Epiphone EB 232 Rivoli Bass wurde von 1961 bis 1968 (außer 1962) fast 1500 mal gebaut. Zusammen mit den Modellen EB 232N, EB 232C und EBV 232N kam man auf mehr als 1800 Stück.

Die Bässe wurden im Gibson Werk in Kalamazoo gefertigt. In Europa waren die Rivoli Bässe weit populärer als die fast baugleichen Gibson EB2 Bässe - was wohl auch am Preis lag.



Benennung **Epiphone Rivoli Bass EB 232 1965**

Historische
Bassschaltungen

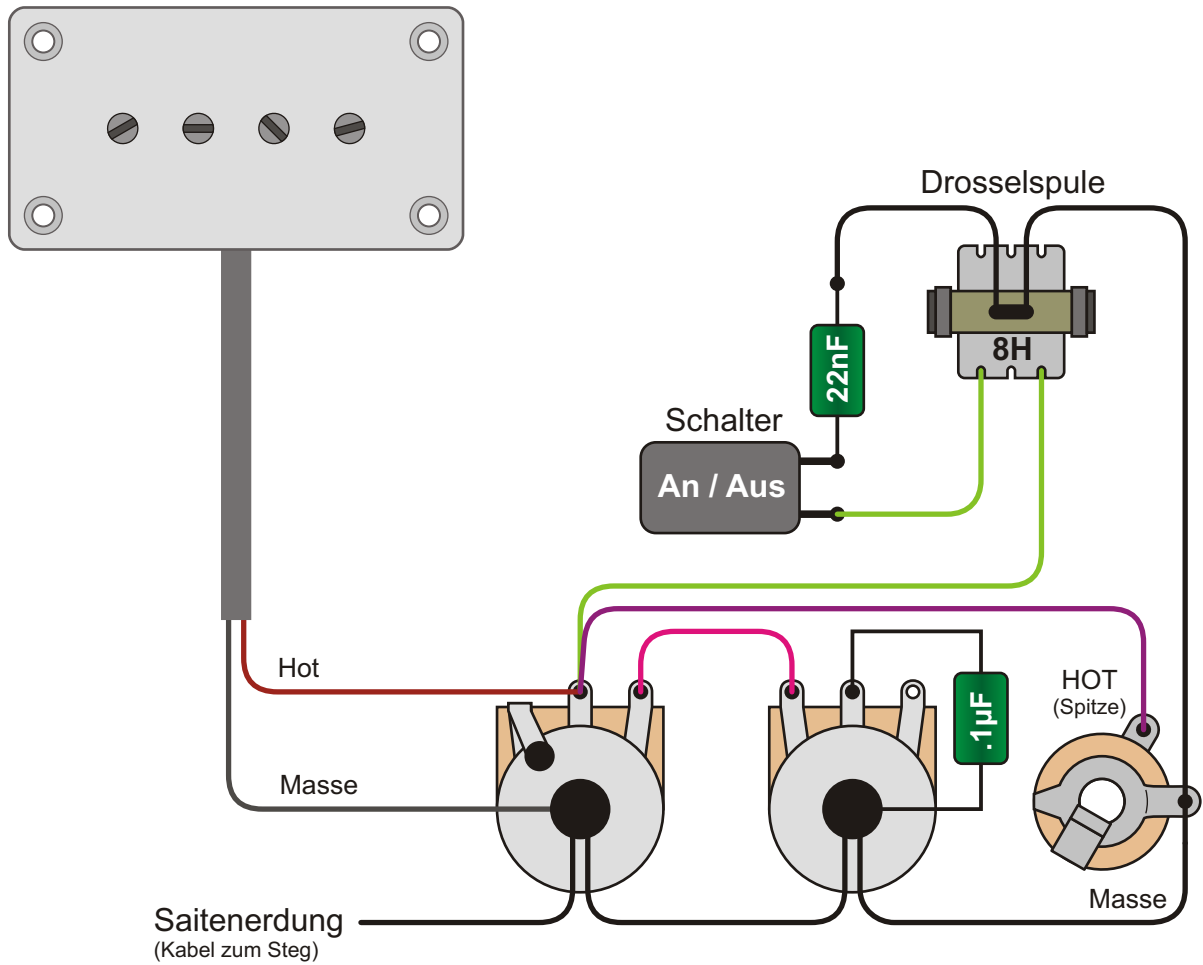
Nummer
1.3.711

Bemerkungen / Besonderheiten

gezeichnet von
Cadfael

gezeichnet am
02.09.17

Seite
155

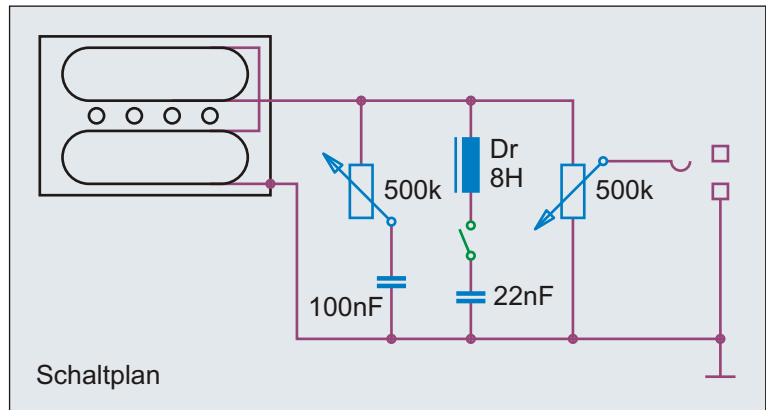


Epiphone®

Bauteil	Wert
Poti Master Volume	500 k log.
Poti Master Tone	500 k log.
Drosselspule	8 H

Die Schaltung der Neuauflage des Epiphone Rivoli Basses aus den 90er Jahren unterscheidet sich von der alten original Rivoli Bass Schaltung mit der Gibson Vaitone Einheit.

In der neuen Schaltung wurden einfach ein Kondensator plus Drosselspule parallel in den Signalweg geschaltet. Der Wert des Kondensators ist höher.



Benennung **Epiphone Rivoli Bass 1999**

Historische Bassschaltungen

Nummer 1.3.716

Bemerkungen / Besonderheiten

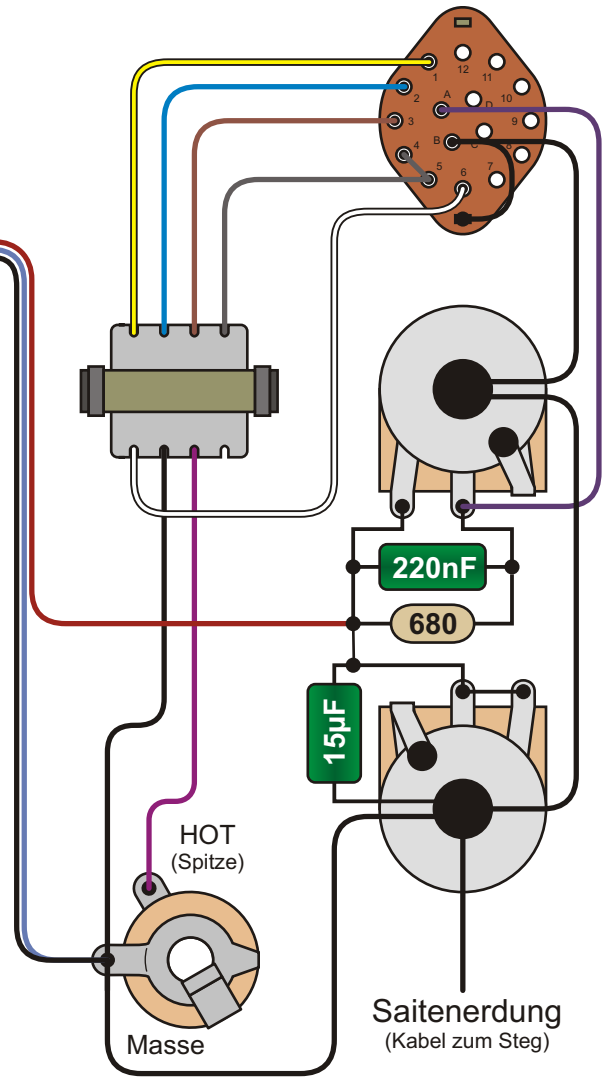
gezeichnet von
Cadfael

gezeichnet am
02.09.17

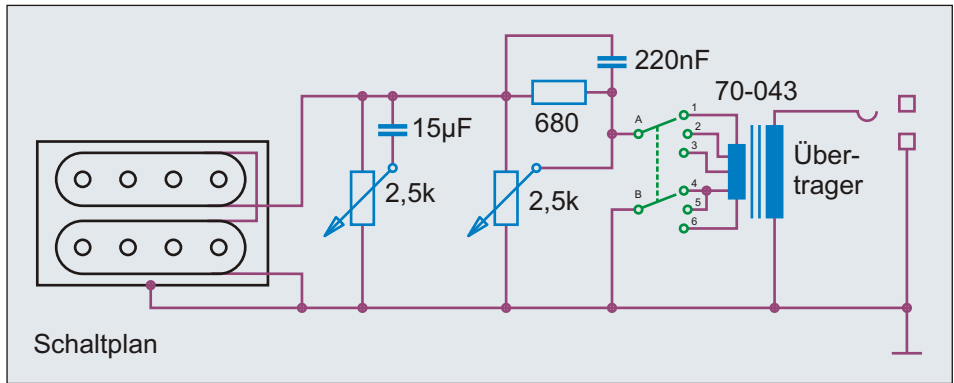
Seite
156



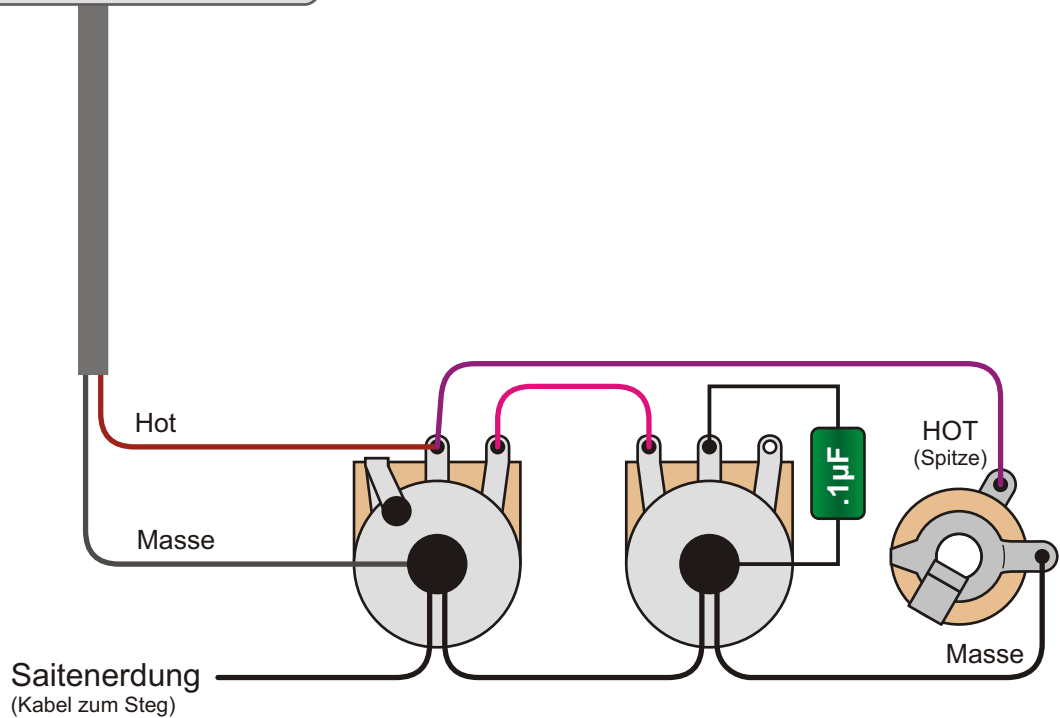
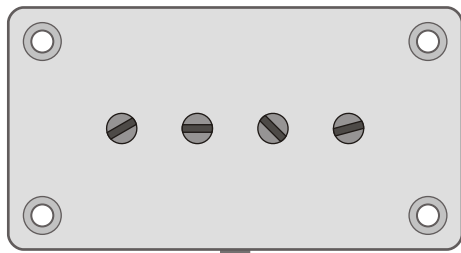
Im Grunde handelt es sich bei dem Epiphone Jack Casady Bass um die vereinfachte Version eines Gibson Les Paul Signature Basses (siehe 1.3.541). Schade, dass man keine Stereo Klinkenbuchse und mit getrennter Cold Leitung und Abschirmung verbaut hat. Wie beim Vorbild von Gibson ist auch der Epiphone einer der wenigen Bässe mit niederohmigem Pickup ohne eine aktive Elektronik.



Epiphone®



Benennung Epiphone Jack Casady Bass 1997		Historische Bassschaltungen	Nummer 1.3.721
Bemerkungen / Besonderheiten		gezeichnet von Cadfael	gezeichnet am 02.09.17
			Seite 157

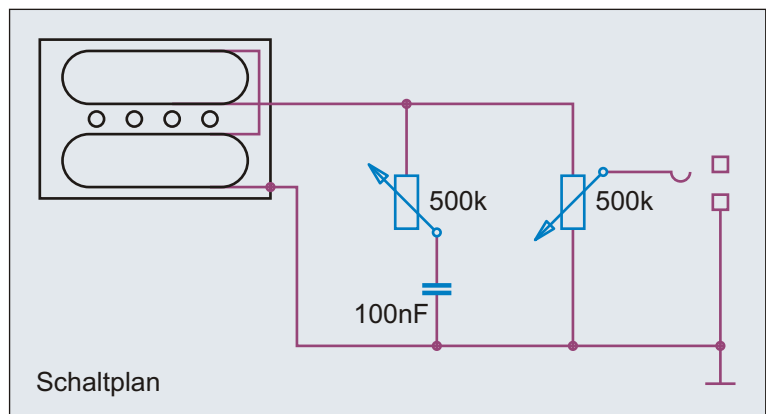


Epiphone®

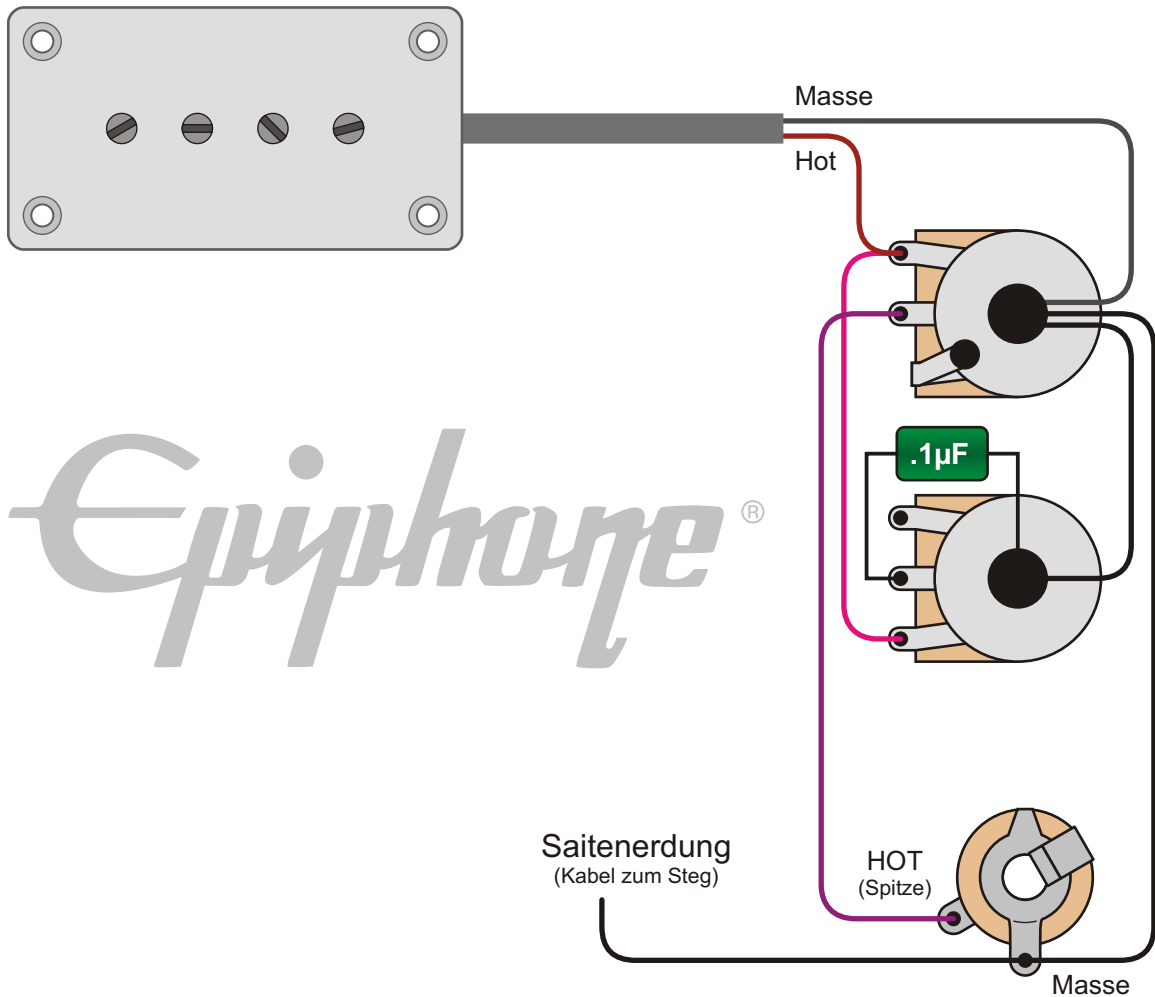
Bauteil	Wert
Poti Master Volume	500 k lin.
Poti Master Tone	500 k log.

Epiphone EB-0 Bass

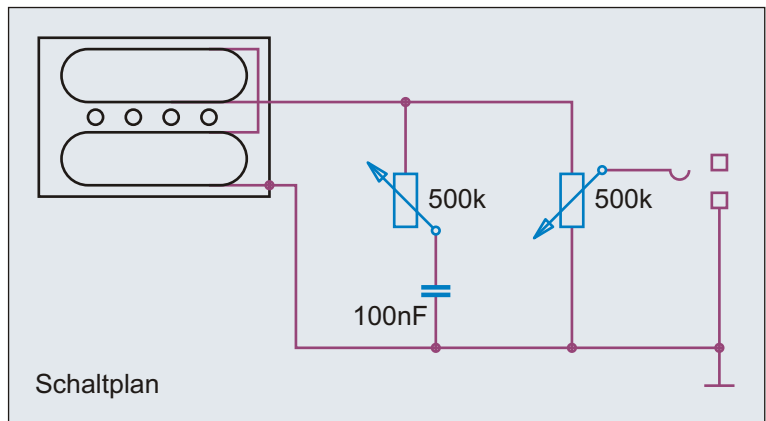
Der Epiphone EB-0 Bass ist ein einfacher und preiswerter Bass mit kurzer "Shortscale" Mensur. Leider scheint es zumindest bei einigen Chargen Probleme mit der Bundreife zu geben. Durch seine Mensur, die Holzsorten und den Pickup hat der EB-0 einen "eigenen", eher dumpfen und belegten Klang.



Benennung Epiphone EB-0	Historische Bassschaltungen		Nummer 1.3.731
	gezeichnet von Cadfael	gezeichnet am 02.09.17	Seite 158
Bemerkungen / Besonderheiten			



Epiphone®



Epiphone EB-1 Bass

Der Epiphone EB-1 Bass ist relativ selten zu finden. Es ist die recht gute Kopie eines Gibson EB-1 Basses mit Sidewinder Pickup. Body und angeschraubter 32" Medium Scale Hals des Basses sind aus Mahagoni. Wie beim Vorbild ist das F-Loch nur aufgemalt. Lediglich die Drei-Punkt-Brücke hat wenig mit dem Original zu tun. Der Epiphone EB-1 Bass war bundiert mit Dot Inlays, aber auch als Fretless Version erhältlich. Er wurde komplett mit Formkoffer sowie einem Teleskopständer geliefert, so dass man den EB-1 auch aufrecht spielen kann.

Benennung **Epiphone EB-1™ Bass 1999**

Historische
Bassschaltungen

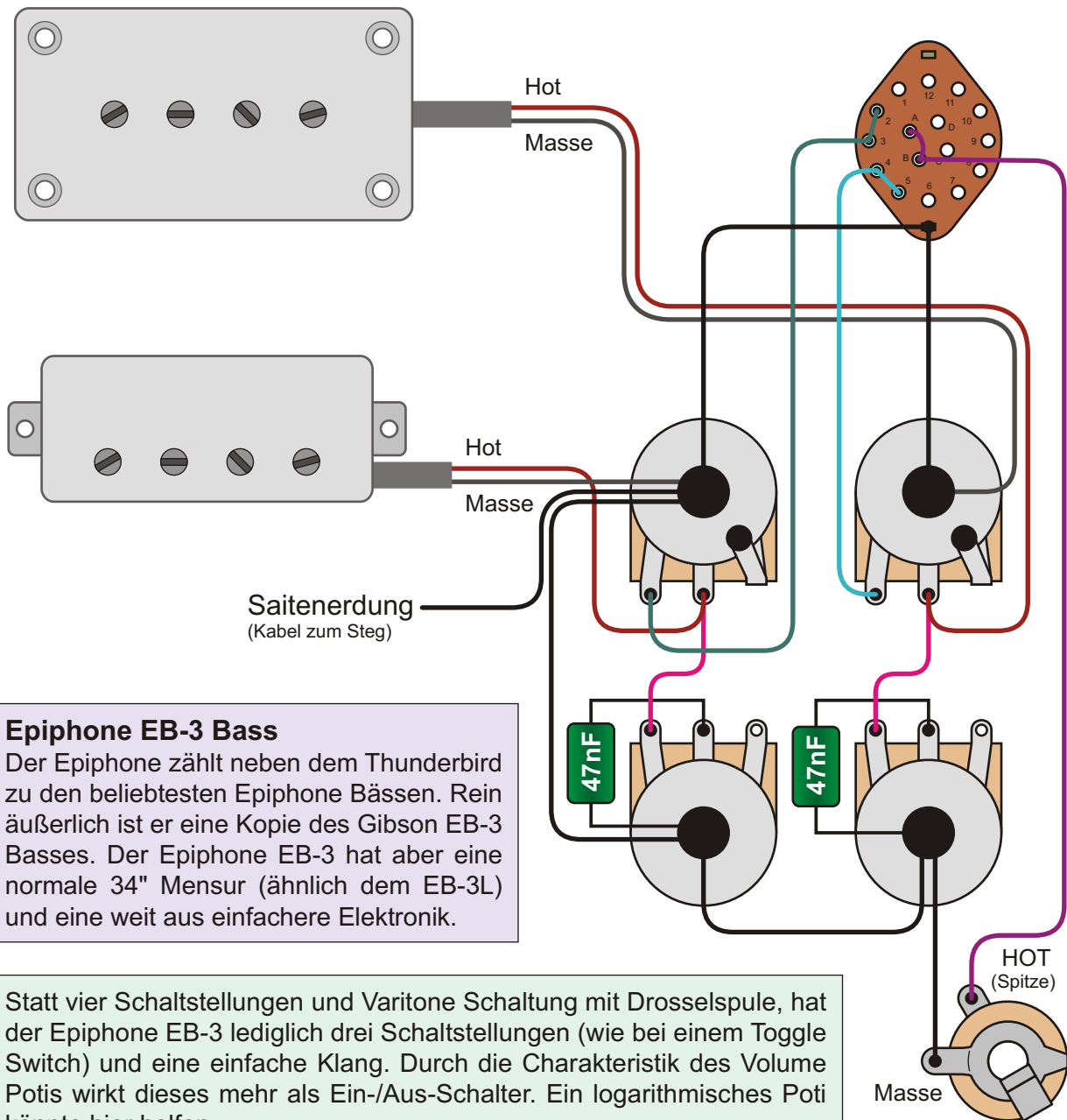
Nummer
1.3.741

Bemerkungen / Besonderheiten
1999 bis 2001

gezeichnet von
Cadfael

gezeichnet am
02.09.17

Seite
159



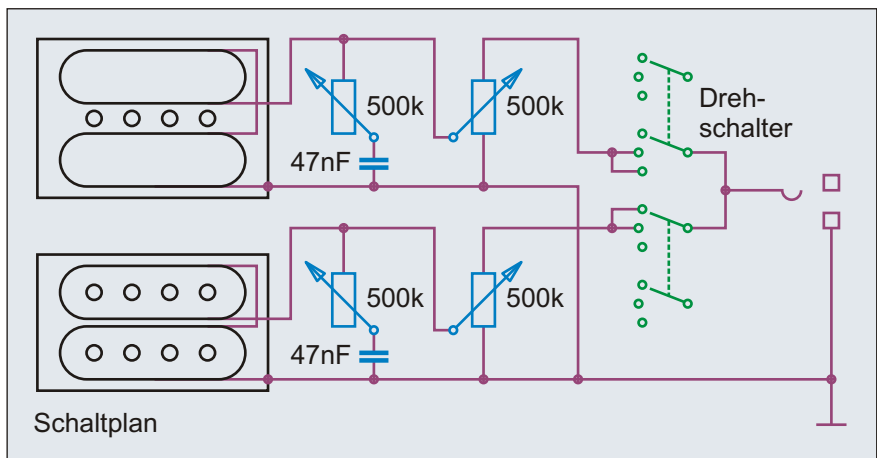
Epiphone EB-3 Bass

Der Epiphone zählt neben dem Thunderbird zu den beliebtesten Epiphone Bässen. Rein äußerlich ist er eine Kopie des Gibson EB-3 Basses. Der Epiphone EB-3 hat aber eine normale 34" Mensur (ähnlich dem EB-3L) und eine weit aus einfachere Elektronik.

Statt vier Schaltstellungen und Varitone Schaltung mit Drosselspule, hat der Epiphone EB-3 lediglich drei Schaltstellungen (wie bei einem Toggle Switch) und eine einfache Klang. Durch die Charakteristik des Volume Potis wirkt dieses mehr als Ein-/Aus-Schalter. Ein logarithmisches Poti könnte hier helfen.

Drehschalter	
Pos.	aktive Pickups
1	Neck
2	Neck + Bridge par.
3	Bridge

Regler	Wert
Neck Vol.	500 k lin
Neck Tone	500 k log.
Bridge Vol.	500 k lin
Bridge Tone	500 k log.



Benennung **Epiphone EB-3**

Historische Bassschaltungen

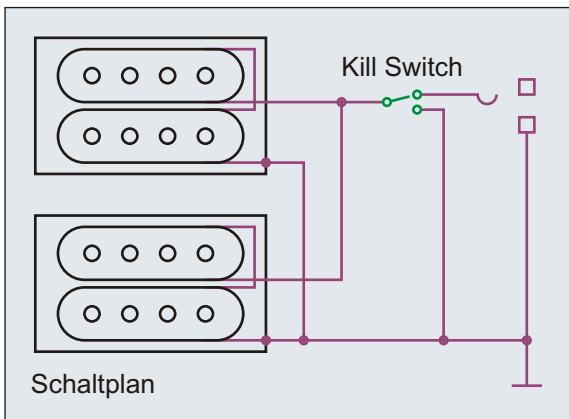
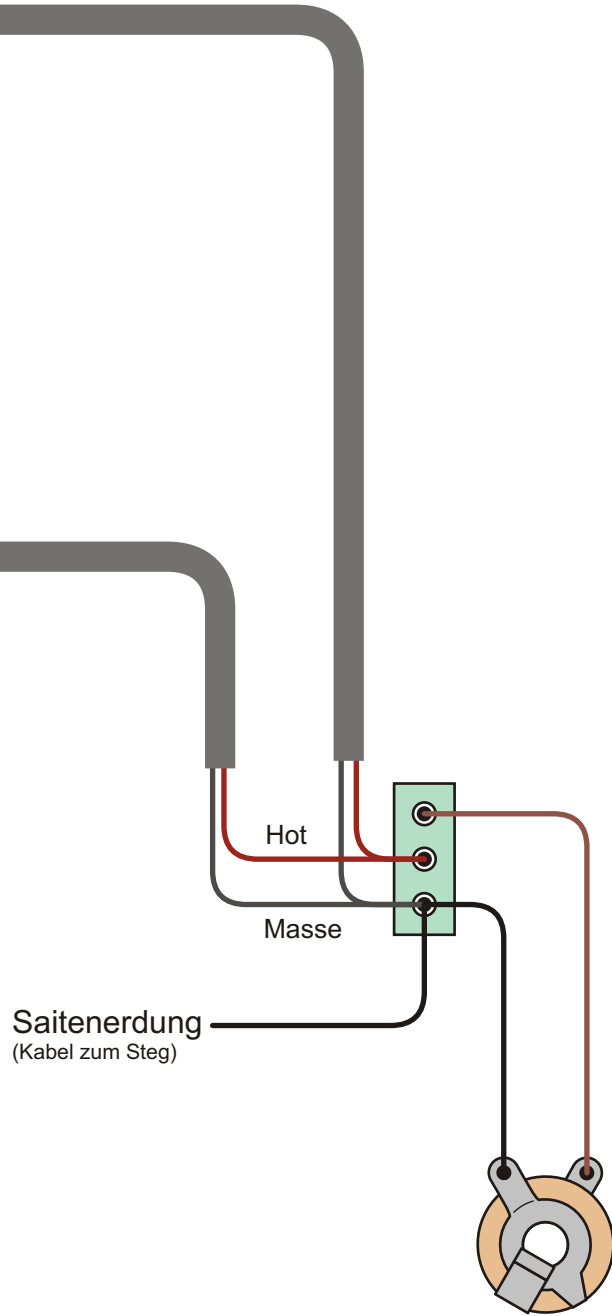
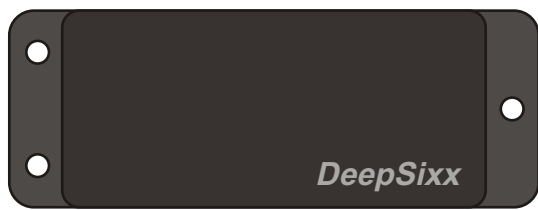
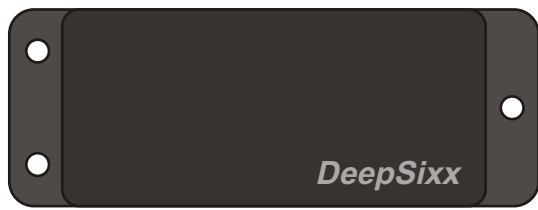
Nummer 1.3.751

Bemerkungen / Besonderheiten

gezeichnet von
Cadfael

gezeichnet am
02.09.17

Seite
160



Im Gegensatz Gibsons Nikki Sixx Signature Bass hat der Nikki Six Blackbird Bass von Epiphone keinen Lautstärke- oder Tonregler. Die Schaltung besteht lediglich aus zwei Pick-ups und einem Kill Switch.

Benennung	Epiphone Nikki Sixx Blackbird Bass		Historische Bassschaltungen	Nummer
			gezeichnet von	1.3.776
Bemerkungen / Besonderheiten			gezeichnet am	Seite
			Cadfael	02.09.17 161

1956

DANELECTRO

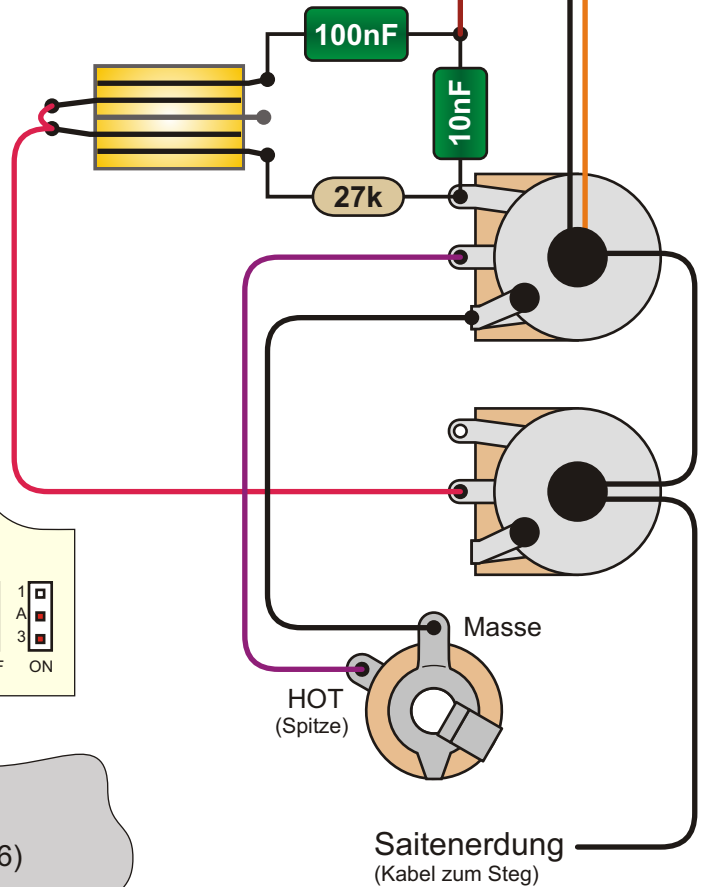
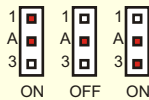
SLIM-NECK ELECTRIC GUITARS

Der Danelectro 3612 Shorthorn

Der 3612 ist der sechssaitige Bruder des 3412 Shorthorn Basses. Beide hatten die selbe Elektronik an Bord. 1956 war der 3612 der erste Serien-Sechssaiter-Bass der Welt. 1966 wurde Danelectro an den MCA Konzern verkauft. 1969 kam das Ende. Seit den späten 1990er Jahren gehört die Marke zu Everts bzw. dessen Käufer.



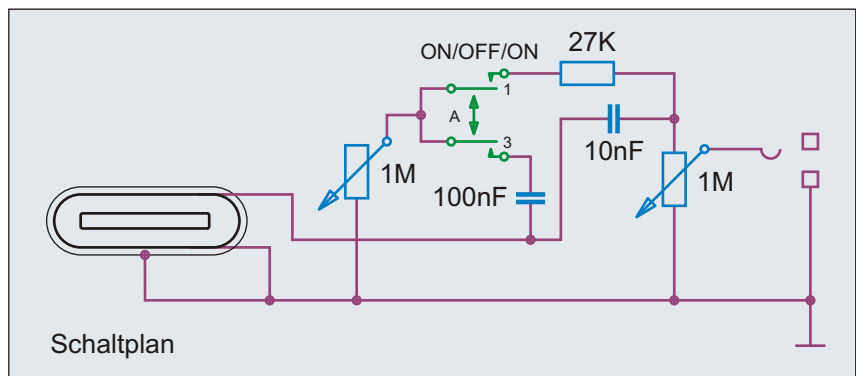
Statt des Originalschalters kann man auch einen einfachen ON/OFF/ON Schalter verwenden.



"Coke Bottle" Headstock (1956 - 1966)

Danelectro

Einige Danelectro Instrumente haben einen Tone Schalter statt eines Tone Reglers. Dieser Schalter sieht zwar aus wie ein normaler Toggle Switch, funktioniert aber anders. In Mittelstellung besteht kein Kontakt zwischen den Anschlusspaaren.



Benennung **Danelectro 3612 Shorthorn Bass**

Historische Bassschaltungen

Nummer 1.4.151

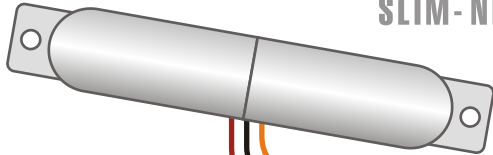
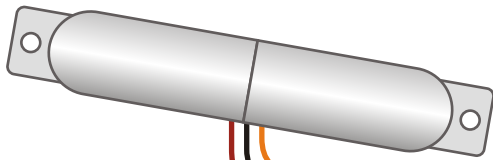
Bemerkungen / Besonderheiten

gezeichnet von **Cadfael**

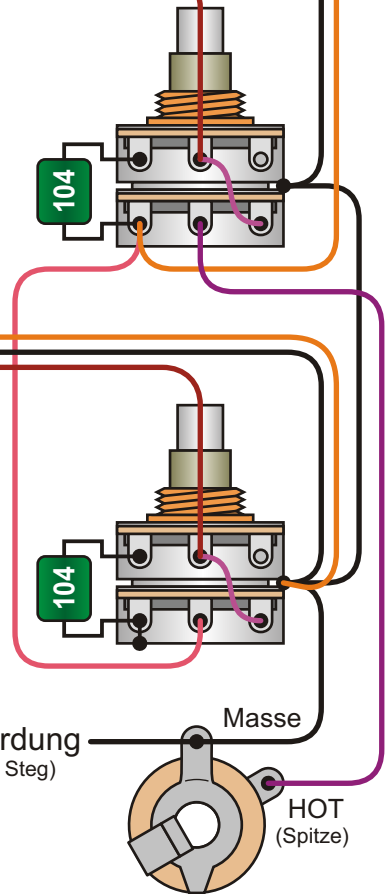
gezeichnet am **02.09.17**

Seite **162**

1959



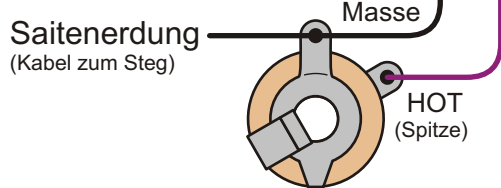
DANELECTRO SLIM-NECK ELECTRIC GUITARS



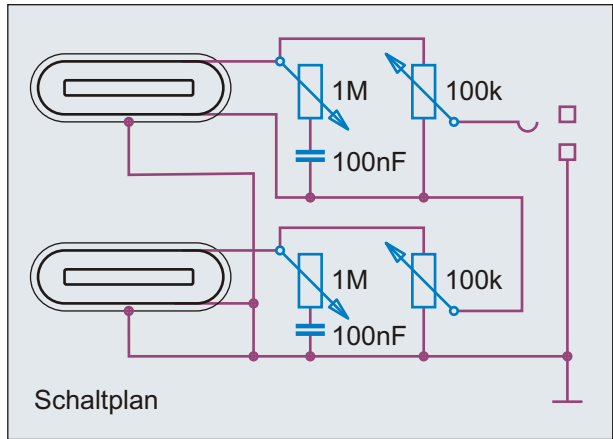
Im Gegensatz zum Danelectro Shorthorn Bass, war den Longhorn Bass immer mit zwei Pickups ausgestattet. Er hatte in den ersten Jahren zwei Tandem-Potis für Tone und Volume. Außergewöhnlich an der Longhorn Schaltung ist die Reihenschaltung der beiden Pickups. Man kann die Pickups einzeln oder in Reihe geschaltet betreiben. Auch der Longhorn Bass verfügt über die klassischen "Lipstick Pickups".

Selbstverständlich kann man diese Schaltung auch mit anderen Bässen / Pickups nachbauen. Da Tandem-Potis mit diesen Werten schwer zu bekommen sind, kann man auch Potis mit 2x 500k Ohm benutzen. Sie werden für Klang und Regelbarkeit vermutlich sogar besser sein.

Der Danelectro 4423/4623 Longhorn
Der 4423 Longhorn Bass und sein sechssaitiger Bruder 4623 wurden von 1959 bis 1969 produziert. Richtig berühmt wurde der Longhorn in Europa durch die Band Golden Earring (Radar Love). In den zehn Jahren seiner Produktion gab es verschiedene Ausführungen des Longhorn Basses.



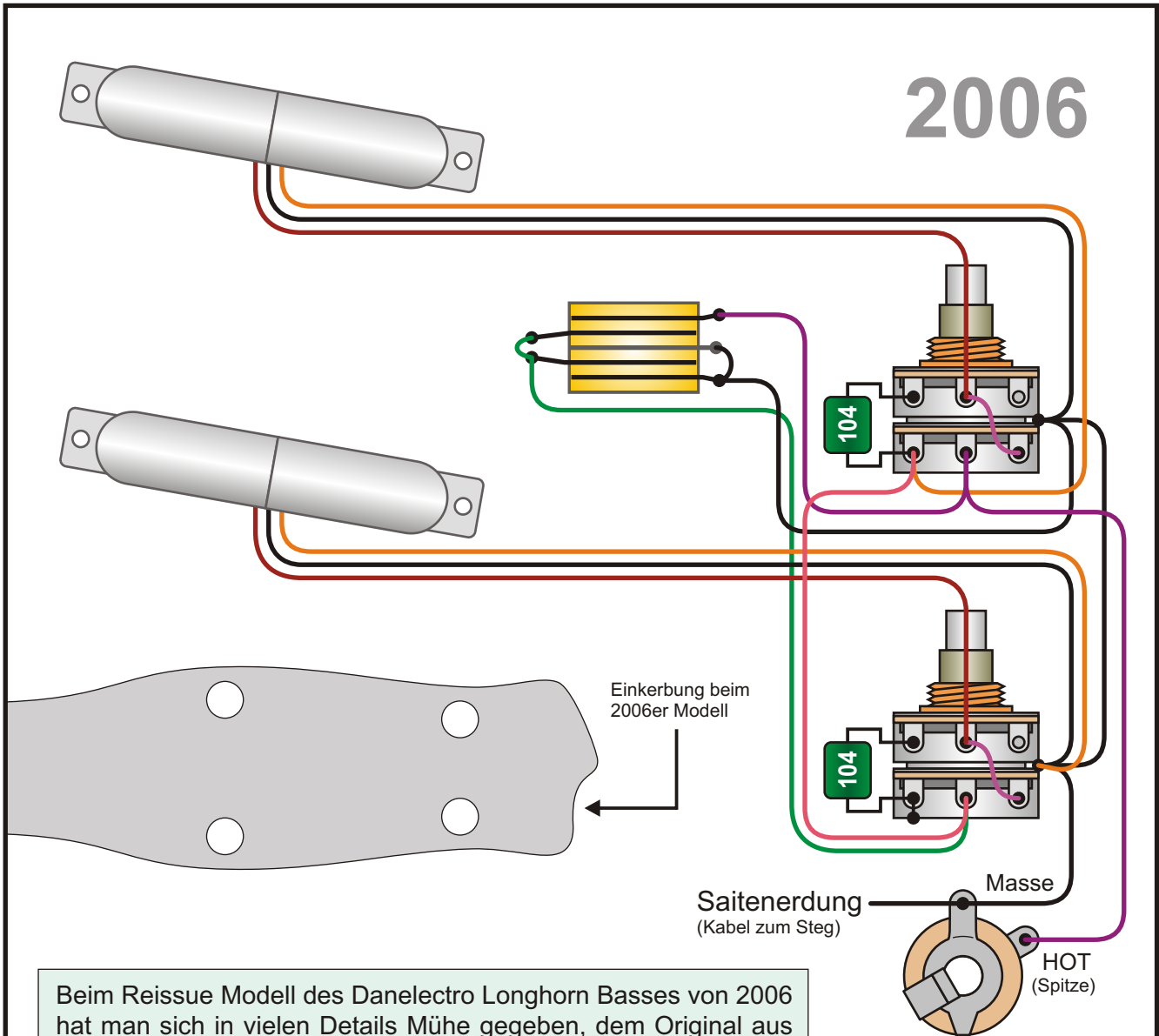
Tandem-Potis	Wert
Volume	100 k
Tone	1 M



Benennung	Danelectro 4423 Longhorn Bass 1959		Historische Bassschaltungen	Nummer
Bemerkungen / Besonderheiten	von 1959 bis 1969 (4423/4623) - Tandem-Potis, kein Schalter		gezeichnet von	gezeichnet am
			Cadfael	02.09.17
				Seite
				163

Idee, Recherche, Autor, Zeichnungen, Grafiken, Diagramme, Layout und Design: Andreas "Cadfael" Kühn - Nutzung ausschließlich zu privaten, nicht kommerziellen Zwecken und auf eigene Gefahr! Alle Angaben ohne Gewähr, Irrtümer vorbehalten!

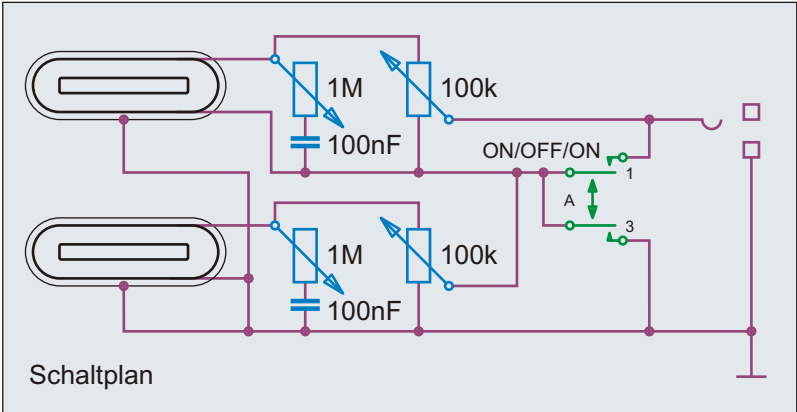
2006



Beim Reissue Modell des Danelectro Longhorn Basses von 2006 hat man sich in vielen Details Mühe gegeben, dem Original aus den 1960er Jahren nahe zu kommen. Der 2006er Longhorn hat jedoch einen zusätzlichen Pickup-Wahlschalter. In Mittelstellung sind beide Pickups nicht parallel, sondern wie beim Original in Reihe (seriell) geschaltet. Ansonsten kann man mit dem Schalter die Pickups normal einzeln auswählen.

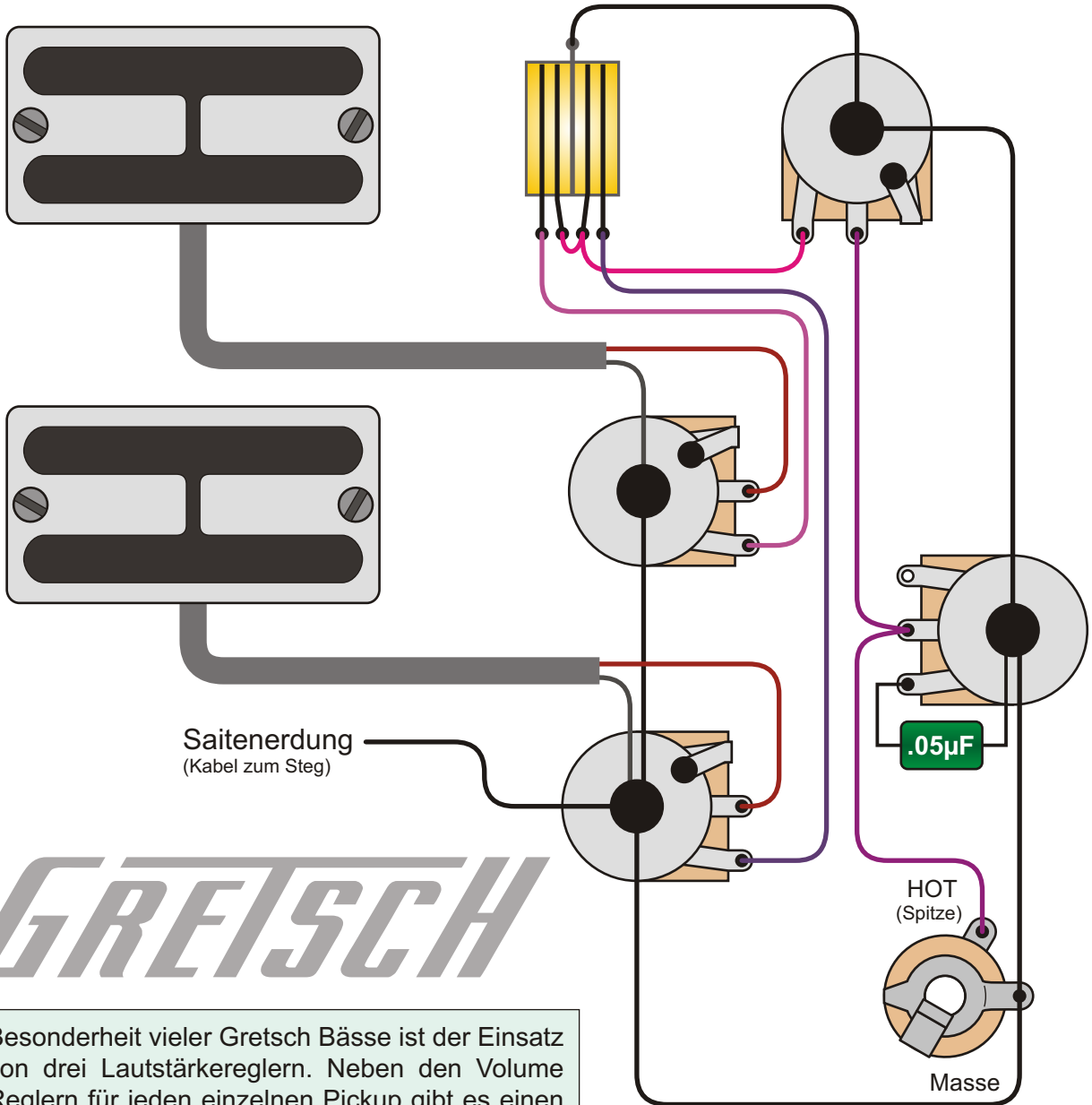
Tandem-Potis	Wert
Volume	100 k
Tone	1 M

Der Danelectro Longhorn
 Unter Everts, dem neuen Besitzer des Namens Danelectro, kamen es 1998 - 2001 zu einer Neuauflage des Longhorn Basses. Auch nach dem Verkauf von Everts ging es weiter mit dem Danelectro Longhorn Bass. Unterscheiden kann man alte und neue Bässe an der Kopfplatte.



Benennung Danelectro Longhorn Bass 2006	Historische Bassschaltungen		Nummer 1.4.166
	gezeichnet von Cadfael	gezeichnet am 02.09.17	Seite 164
Bemerkungen / Besonderheiten Reissue Modell 2006 - Tandem-Potis, Toggle Switch			

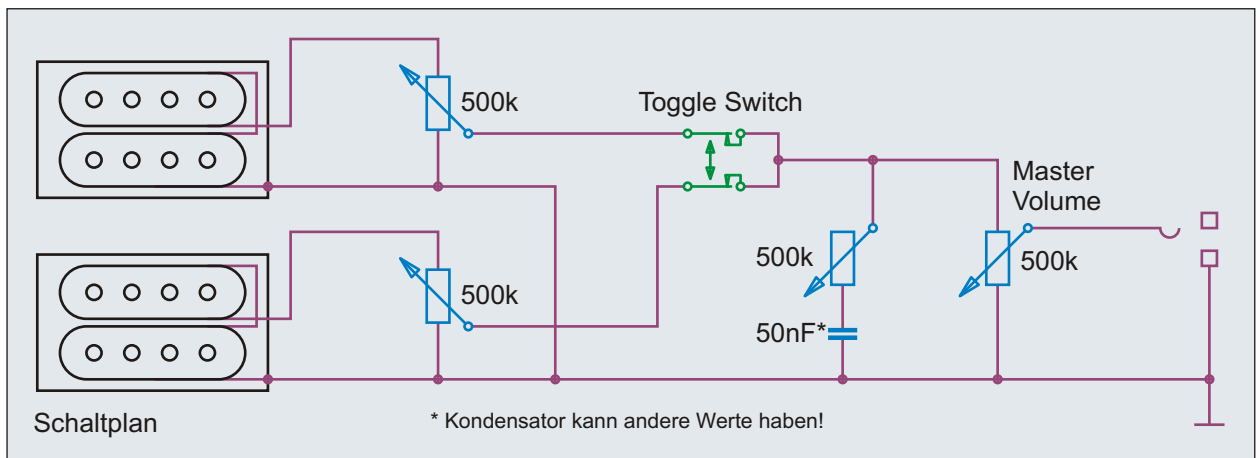
Idee, Recherche, Autor, Zeichnungen, Grafiken, Diagramme, Layout und Design: Andreas "Cadfael" Kühn - Nutzung ausschließlich zu privaten, nicht kommerziellen Zwecken und auf eigene Gefahr! Alle Angaben ohne Gewähr, Irrtümer vorbehalten!



Saitenerdung
(Kabel zum Steg)

GRETSCH

Besonderheit vieler Gretsch Bässe ist der Einsatz von drei Lautstärkereglern. Neben den Volume Reglern für jeden einzelnen Pickup gibt es einen zusätzlichen Master Volume Regler.



Benennung **Gretsch G6119B Broadkaster Bass**

Historische
Bassschaltungen

Nummer
1.4.251

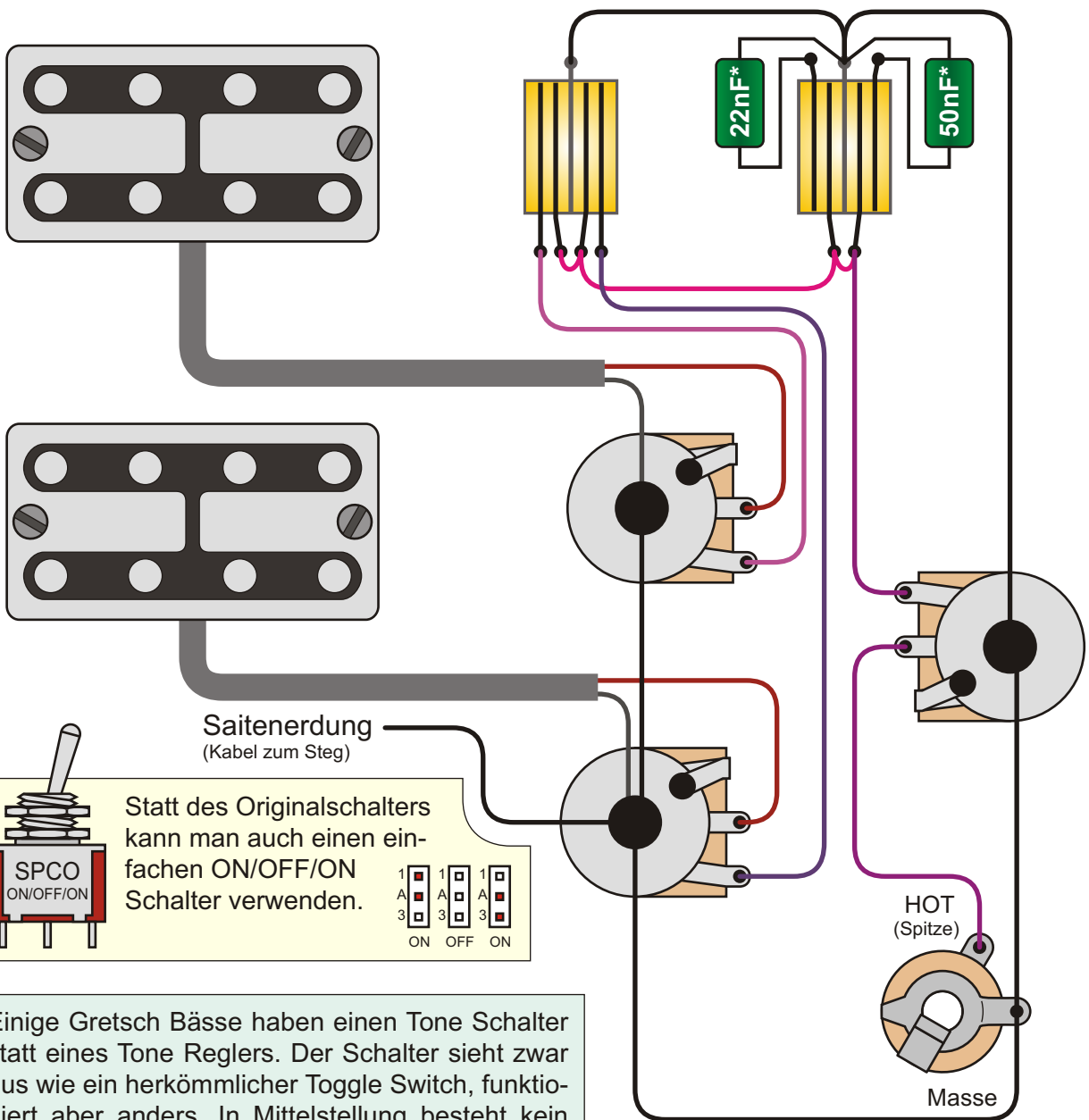
Bemerkungen / Besonderheiten

G6128B Thunder Jet™ Bass / Tone Pot Wiring

gezeichnet von
Cadfael

gezeichnet am
02.09.17

Seite
165

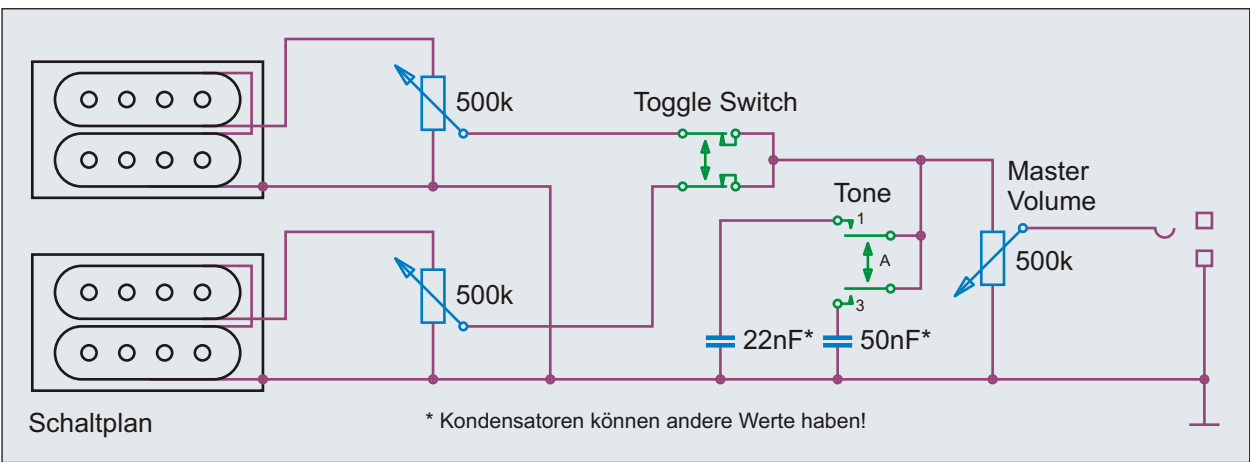


Saitenerdung
(Kabel zum Steg)

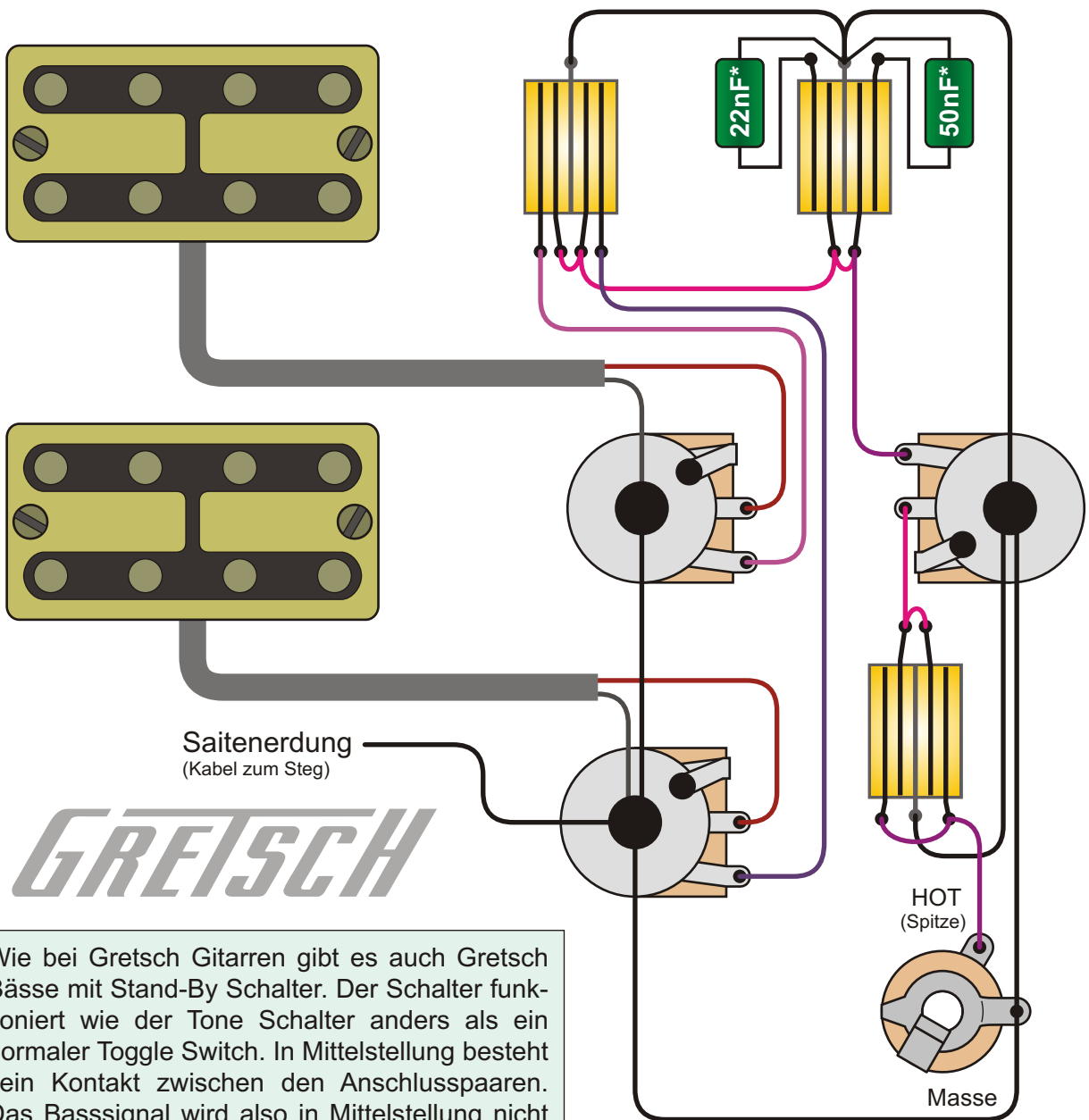
Statt des Originalschalters kann man auch einen einfachen ON/OFF/ON Schalter verwenden.

1	1	1
A	A	A
3	3	3
ON	OFF	ON

Einige Gretsch Bässe haben einen Tone Schalter statt eines Tone Reglers. Der Schalter sieht zwar aus wie ein herkömmlicher Toggle Switch, funktioniert aber anders. In Mittelstellung besteht kein Kontakt zwischen den Anschlusspaaren.



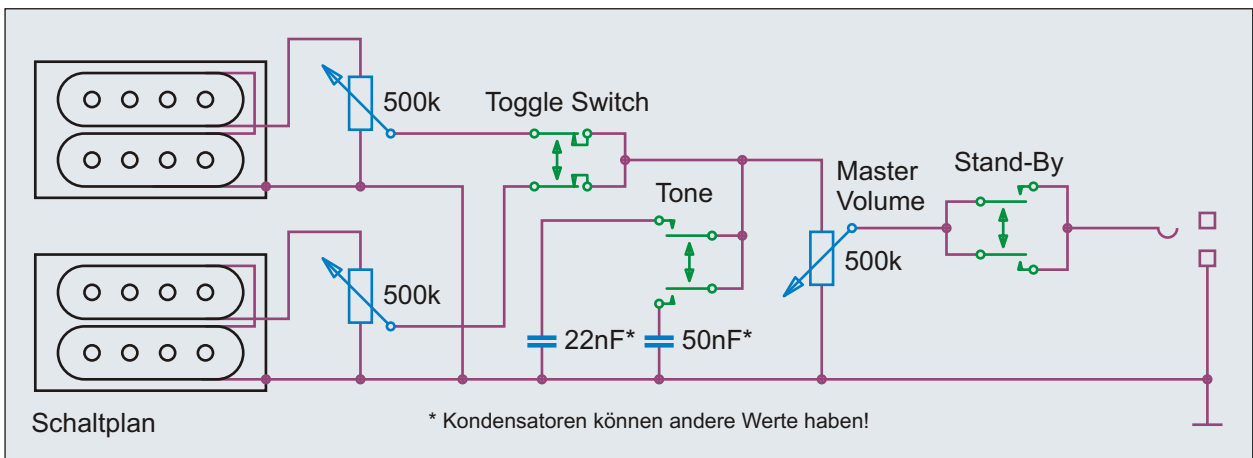
Benennung	Gretsch G6073 Electrotone™ Bass	Historische Bassschaltungen	Nummer
Bemerkungen / Besonderheiten	Tone Switch Circuit	gezeichnet von	1.4.261
		Cadfael	gezeichnet am
			02.09.17
			Seite
			166



Saitenerdung
(Kabel zum Steg)

GRETSCH

Wie bei Gretsch Gitarren gibt es auch Gretsch Bässe mit Stand-By Schalter. Der Schalter funktioniert wie der Tone Schalter anders als ein normaler Toggle Switch. In Mittelstellung besteht kein Kontakt zwischen den Anschlusspaaren. Das Basssignal wird also in Mittelstellung nicht kurzgeschlossen, sondern unterbrochen.



Benennung **Gretsch G6072 Bass**

Historische
Bassschaltungen

Nummer
1.4.266

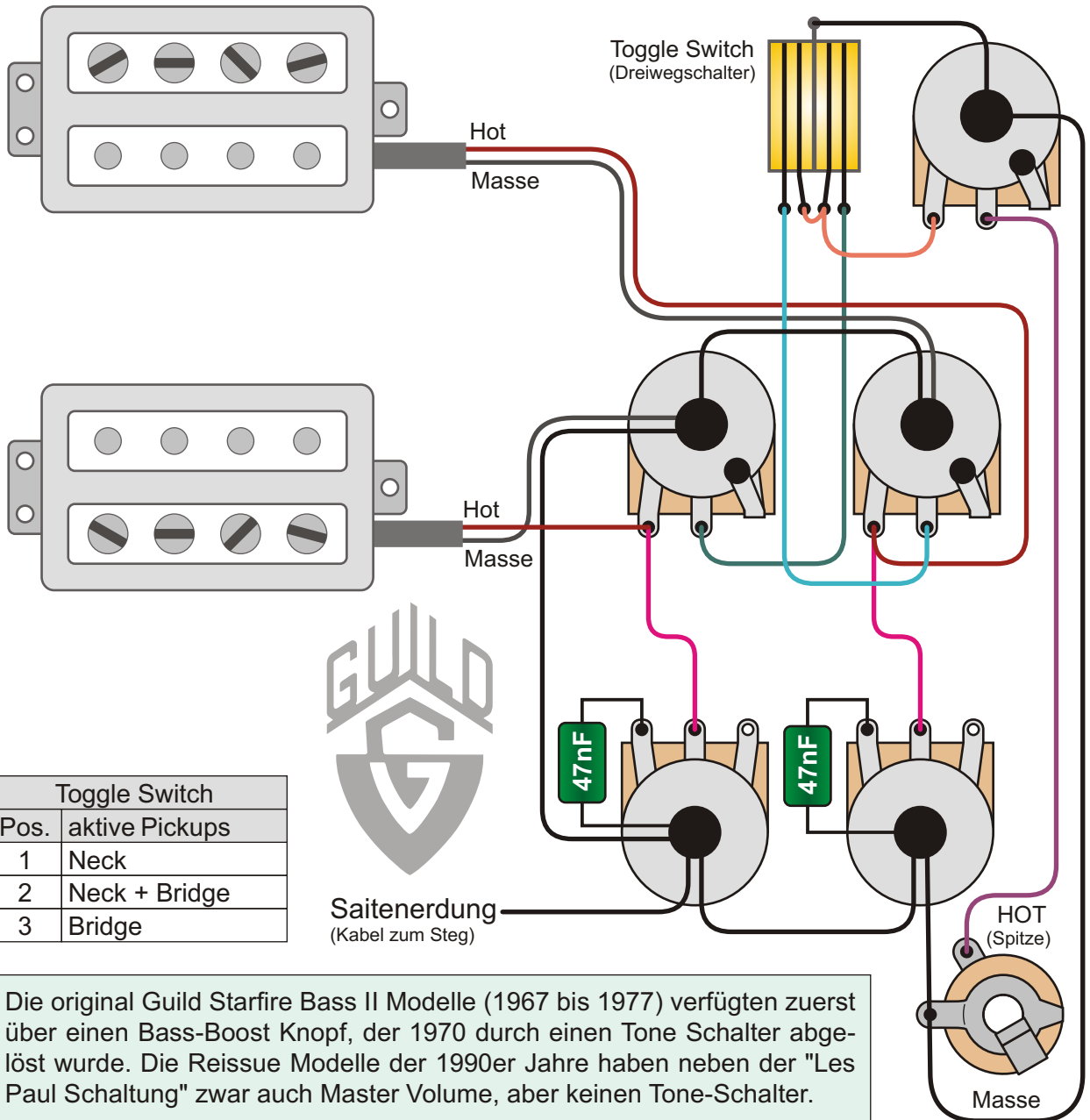
Bemerkungen / Besonderheiten

G6136LSB White Falcon™ Bass / Tone Switch & Standby Switch

gezeichnet von
Cadfael

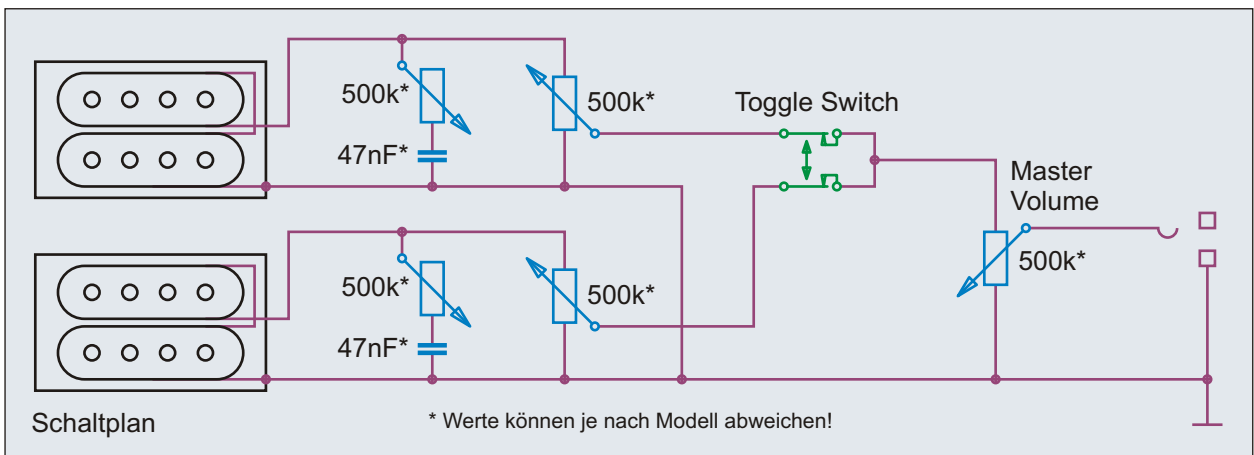
gezeichnet am
02.09.17

Seite
167

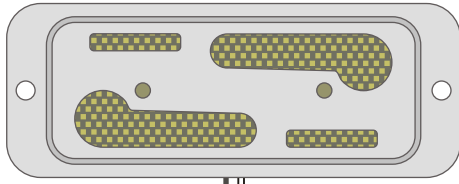


Toggle Switch	
Pos.	aktive Pickups
1	Neck
2	Neck + Bridge
3	Bridge

Die original Guild Starfire Bass II Modelle (1967 bis 1977) verfügten zuerst über einen Bass-Boost Knopf, der 1970 durch einen Tone Schalter abgelöst wurde. Die Reissue Modelle der 1990er Jahre haben neben der "Les Paul Schaltung" zwar auch Master Volume, aber keinen Tone-Schalter.



Benennung	Guild Starfire Bass II (1993 Reissue)		Historische Bassschaltungen	Nummer
				1.4.301
Bemerkungen / Besonderheiten	gezeichnet von	gezeichnet am	Seite	
	Cadfael	02.09.17	168	



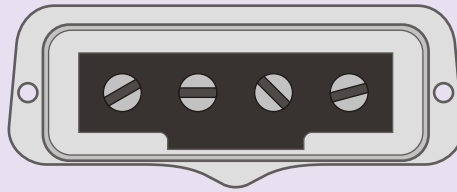
Harmony

Die Website für Fans von Harmony Bässen:
harmony.demont.net

Der Harmony H22 hat einen Volume und einen Tone Regler sowie einen Sound-Schalter mit drei Stellungen. In der ersten Stellung ist ein 100 nF Kondensator fest parallel geschaltet, was die Höhen dämpft. In der zweiten Stellung kann dieser 100 nF Kondensator über ein Tone Poti geregelt werden. In der dritten Stellung sind der 100 nF Kondensator und das Tone Poti inaktiv. Dafür wird ein 5 nF Kondensator in Reihe geschaltet und beschneidet so die Bässe. Das Volume Poti ist "verkehrt herum" (wie bei einem Jazz Bass) integriert.

DeArmond Pickups

Auch im den Fender Coronado I / II Bässen befinden sich Pickups von DeArmond.

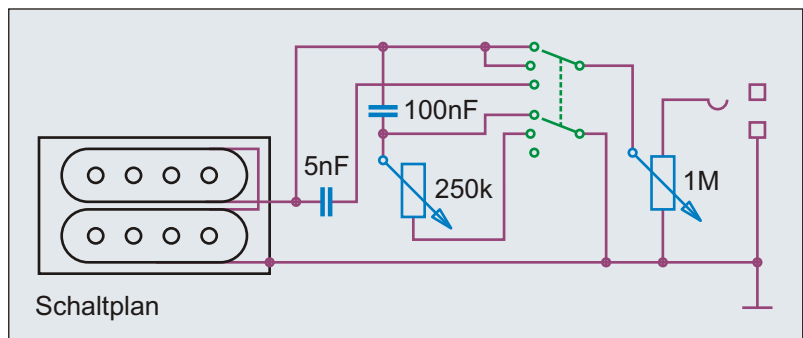
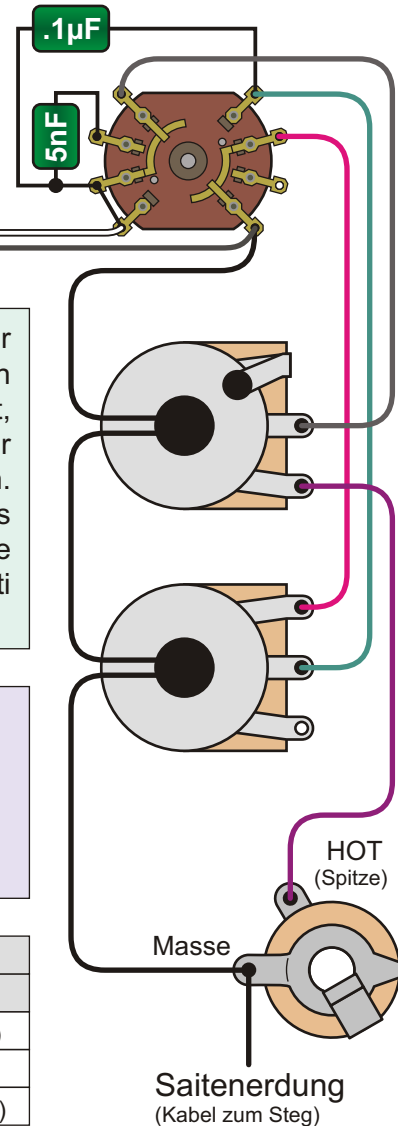


Der Harmony H22 Bass

1961 brachte die Harmony Company aus Chicago einen den H22, einen preiswerten Hollow Body Bass, der in Konkurrenz zum Gibson EB-2 oder Epiphone Rivoli Bass stand, auf den Markt. Der bekannteste Spieler dieses Basses dürfte Ronnie Lane, der Bassist der Small Faces, gewesen sein.

H22 Pickup Impedanz
 12,5 k Ohm

Rotary Switch	
Pos.	Klangbeeinflussung
1	High Cut (Kondensator)
2	High Cut (Tone Poti)
3	Bass Cut (Kondensator)



Benennung **Harmony H22 Bass 1961 - 1969 (1975)**

Historische Bassschaltungen

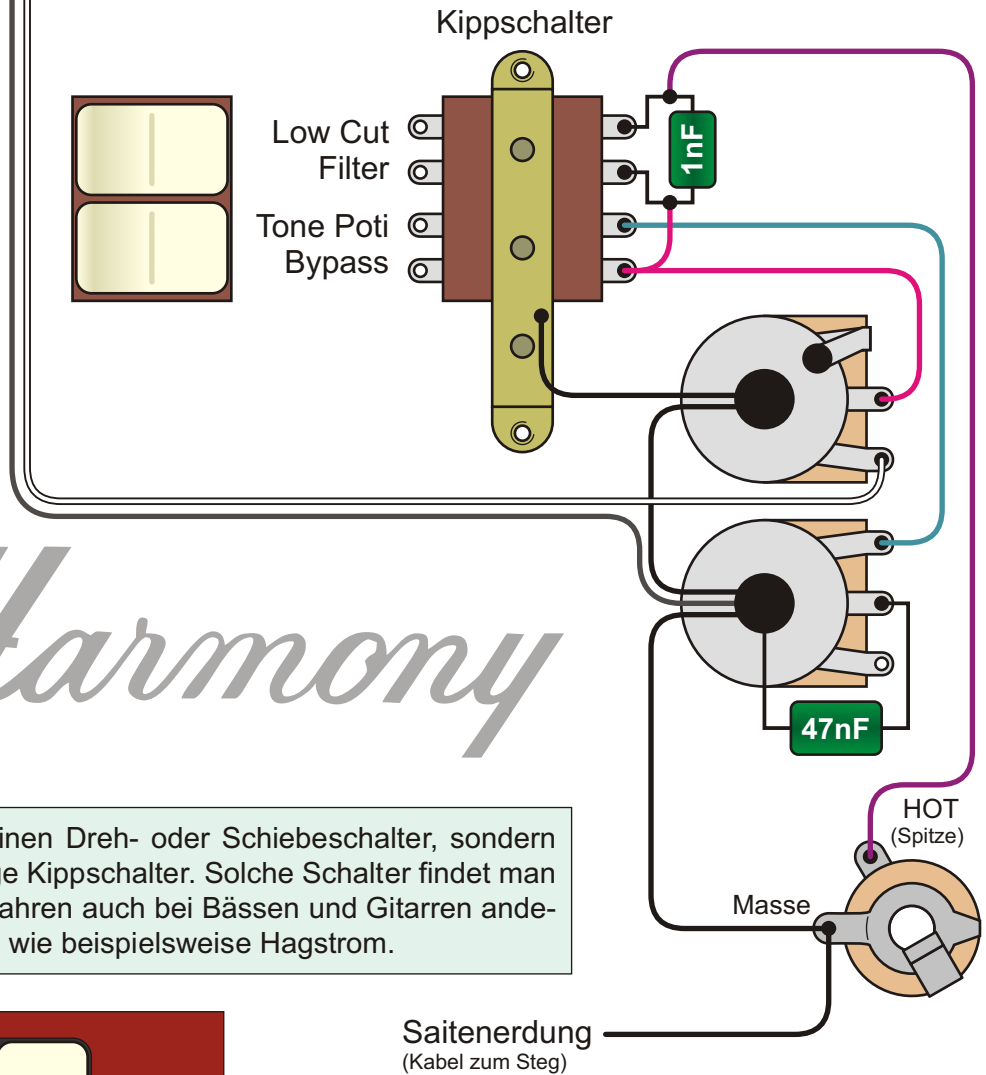
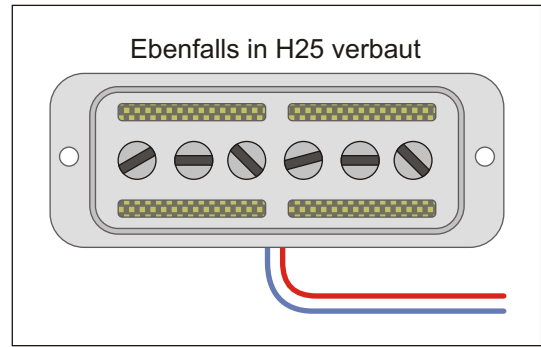
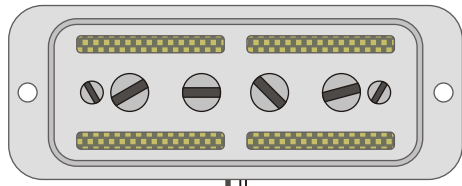
Nummer 1.4.351

Bemerkungen / Besonderheiten

gezeichnet von
Cadfael

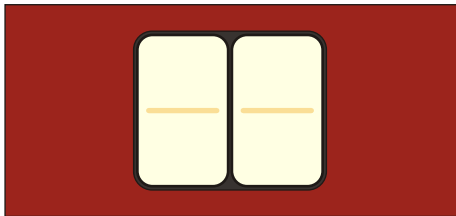
gezeichnet am
02.09.17

Seite
169

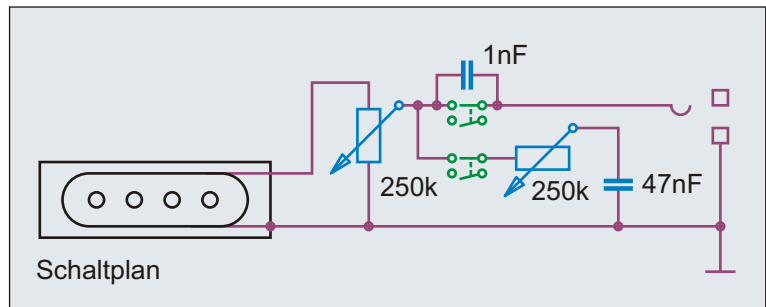


Harmony

Der H25 hat keinen Dreh- oder Schiebeschalter, sondern zwei großflächige Kippschalter. Solche Schalter findet man in den 1960er Jahren auch bei Bässen und Gitarren anderer Hersteller - wie beispielsweise Hagstrom.



Kippschalter	
Nr.	Klangbeeinflussung
1	Höhenblende (Tone Poti)
2	Bass Cut (Kondensator)



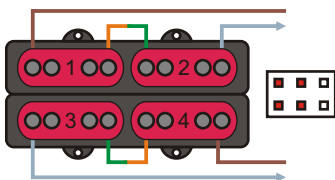
Benennung Harmony H25 Bass 1965		Historische Bassschaltungen	Nummer 1.4.361
Bemerkungen / Besonderheiten		gezeichnet von Cadfael	gezeichnet am 02.09.17
			Seite 170

Kramer®

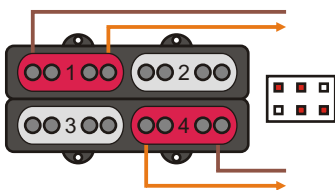
Bemerkenswert am Kramer The Duke Bass ist nicht nur seine Bauform als Headless Bass oder der Aluminiumhals. Der Bass hat einen Pickup mit vier Spulen. Mit einem Minischalter kann man alle vier Spulen parallel, nur zwei Spulen (versetzt) parallel oder zwei Spulen seriell und dann parallel zueinander schalten. Auf diese Weise wirkt immer der Humbucking-Effekt.

Minischalter (ON/ON/ON) Spulenschaltung

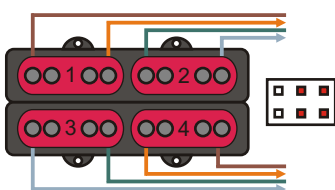
Schalter unten = seriell



Schalter mittig = Split



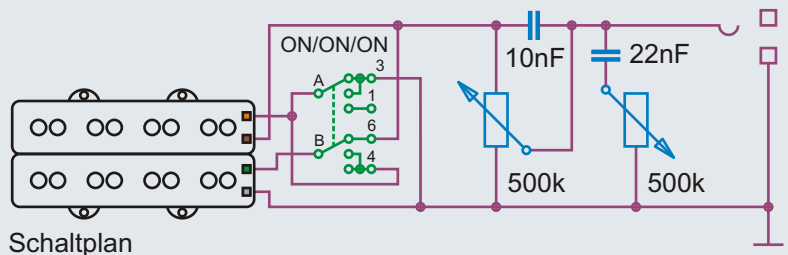
Schalter oben = parallel



Bauteil	Wert
Volume	500 k log.
Tone	500 k log.
Schalter	DP3T

Der Kramer The Duke Deluxe Bass von 1981

Der The Duke Headless Bass kam 1981 als Antwort auf den Steinberger Bass auf den Markt. Sein Body war jedoch aus Holz, der Hals (wie damals bei Kramer üblich) aus Aluminium mit Holz-Inlays, damit die Finger beim Greifen nicht kalt werden. Der "Doppel-J-Pickup" hatte vier Spulen unter seinem Cover, die Mechaniken waren von Schaller.



Benennung **Kramer "The Duke" 1981 - 1985**

Historische
Bassschaltungen

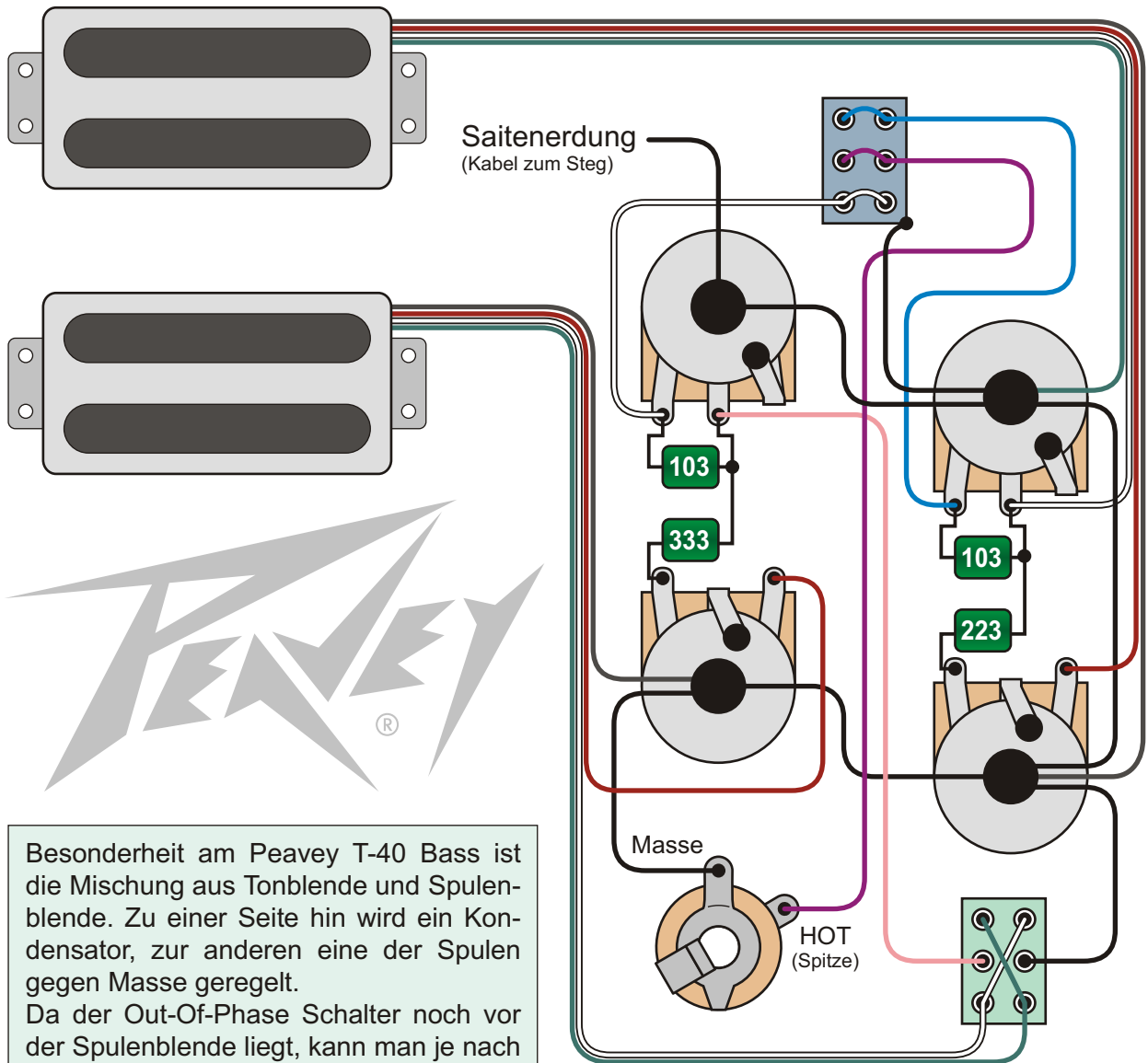
Nummer
1.4.451

Bemerkungen / Besonderheiten

gezeichnet von
Cadfael

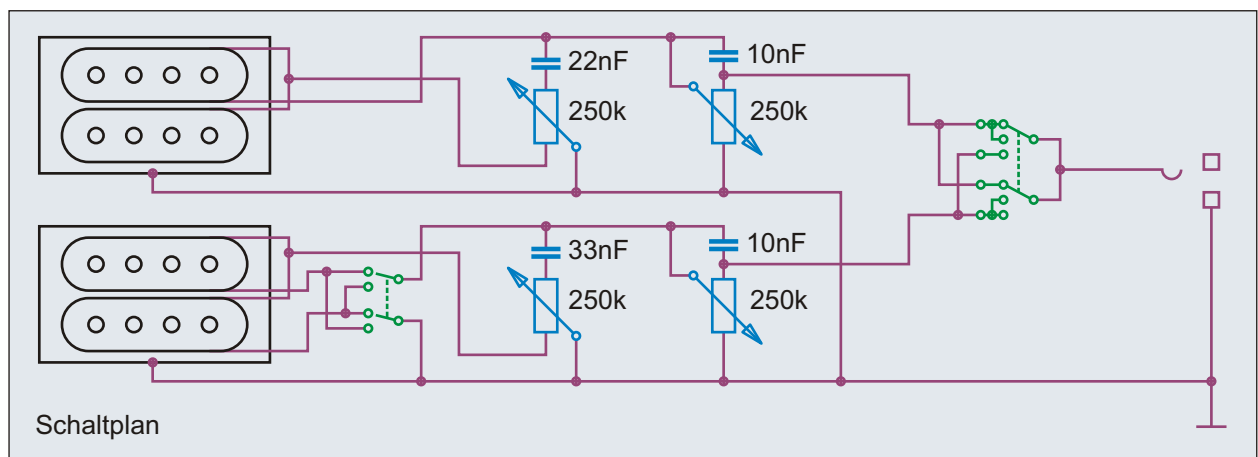
gezeichnet am
02.09.17

Seite
171



Besonderheit am Peavey T-40 Bass ist die Mischung aus Tonblende und Spulenblende. Zu einer Seite hin wird ein Kondensator, zur anderen eine der Spulen gegen Masse geregelt. Da der Out-Of-Phase Schalter noch vor der Spulenblende liegt, kann man je nach Stellung des Schalters mal die eine, mal die andere Spule kurzschließen. Der Out-Of-Phase Effekt ist bei Bässen allerdings mit Vorsicht zu genießen.

Regler	Wert
2x Volume	250 k log.
2x Tone	250 k lin.



Benennung **Peavey T-40 Bass 1981**

Historische
Bassschaltungen

Nummer
1.4.511

Bemerkungen / Besonderheiten

gezeichnet von
Cadfael

gezeichnet am
02.09.17

Seite
172

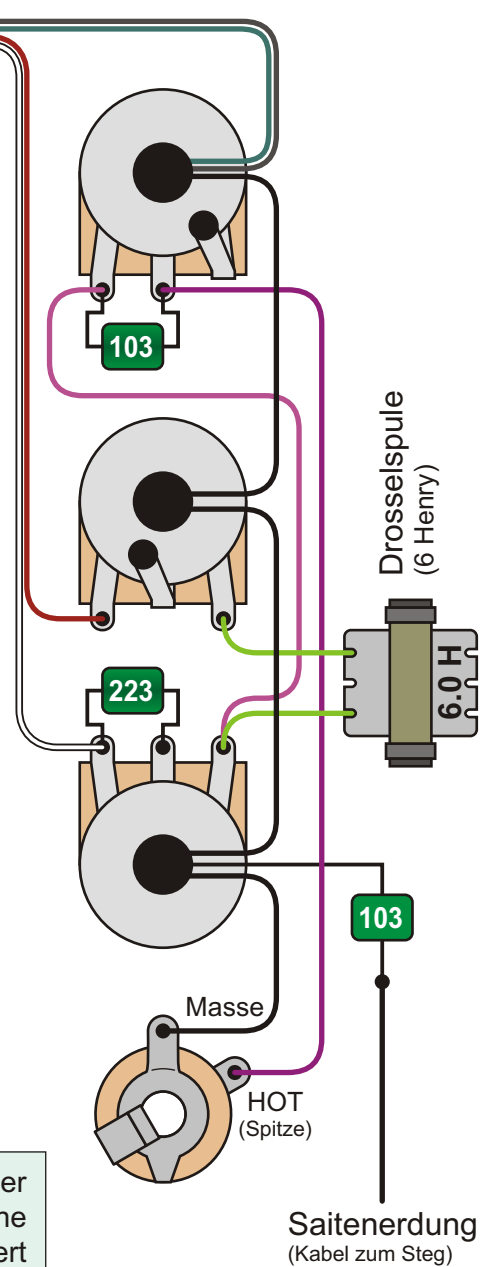


Die Peavey T-Bässe der 1980er

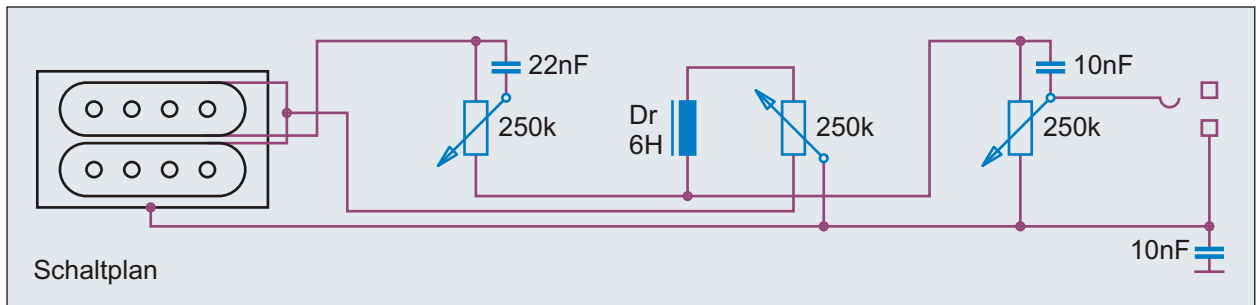
Anfang der 1980er Jahre waren die Peavey Bässe äußerst beliebt bei Bassisten. Sie sahen nicht nur gut aus, sondern boten auch eine erstaunlich gute Verarbeitungsqualität zu bezahlbaren Preisen.

Seinen Durchbruch erreichte Peavey in Europa vermutlich nicht nur durch gute Preise und Zeitungswerbung. Auf der Rückseite des damals weit verbreiteten Lynyrd Skynyrd Albums "One more from the road" war das Stage Equipment der Band zu sehen - wozu auch zahlreiche Peavey Verstärker gehörten.

Der Peavey T-45 hat zwar nur einen Humbucker, dafür aber drei Regler. Neben dem Volume Regler gibt es einen Tone Regler sowie eine "Dual Single Coil Circuit". Sie funktioniert ähnlich wie beim Peavey T-40. Hier ist allerdings noch eine 6 Henry Drosselspule mit integriert. Sehr ungewöhnlich ist, dass zwischen Masse und Brückenerdung ein Kondensator mit 10 nF gelötet ist. Den Pickup von T-40 und T-45 gab es mit und ohne sichtbare Klängen.



Regler	Wert
Master Volume	250 k log.
Coil Split	250 k lin.
Tone	250 k log.



Benennung **Peavey T-45 Bass 1981**

Historische Bassschaltungen

Nummer 1.4.521

Bemerkungen / Besonderheiten

gezeichnet von
Cadfael

gezeichnet am
02.09.17

Seite
173

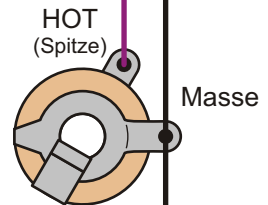
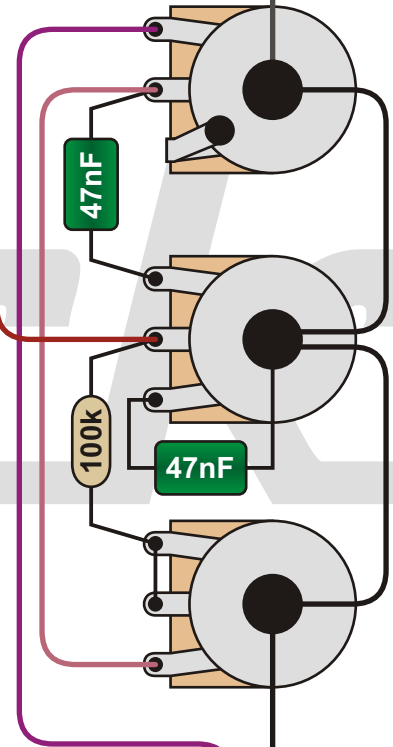


Rickenbacker

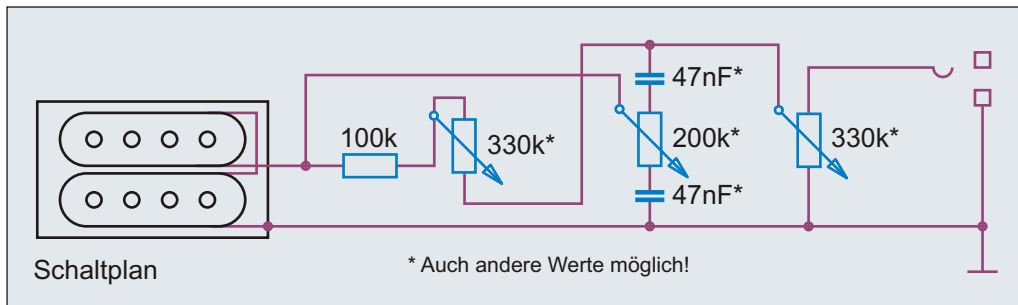
Rickenbacker

Rickenbacker 3001

Der Rickenbacker 3001 Bass wurde zusammen mit dem 3000 Bass erstmals 1971 als 30" Short Scale Bass vorgestellt. In Serie gingen sie jedoch erst 1975 und blieben dann bis 1984 im Programm. Beide Serienmodelle hatten eine 33,5 Zoll Mensur, 20 Bünde und einen Humbucking Pickup. Im Gegensatz zum 3000er Modell mit Volume und Tone Regler wurde der 3001er mit drei Reglern ausgestattet: Volume, Bass Boost und Treble Boost.



Saitenerdung
(Kabel zum Steg)



Benennung **Rickenbacker 3001 Bass**

Historische
Bassschaltungen

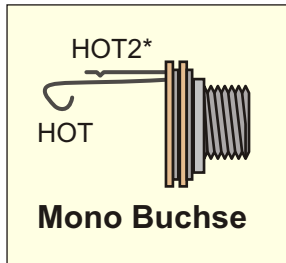
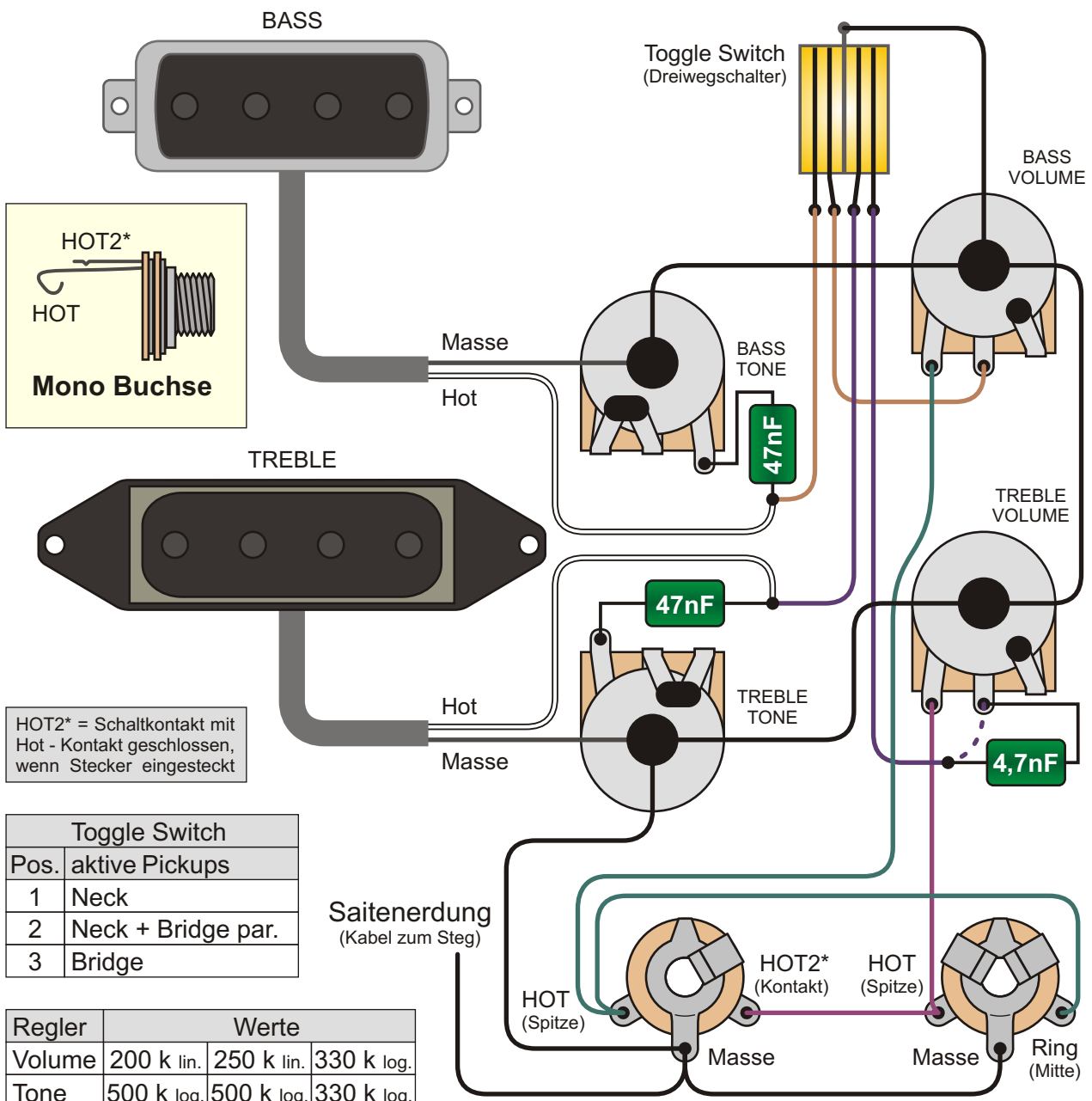
Nummer
1.4.611

Bemerkungen / Besonderheiten

gezeichnet von
Cadfael

gezeichnet am
02.09.17

Seite
174



HOT2* = Schaltkontakt mit Hot - Kontakt geschlossen, wenn Stecker eingesteckt

Toggle Switch	
Pos.	aktive Pickups
1	Neck
2	Neck + Bridge par.
3	Bridge

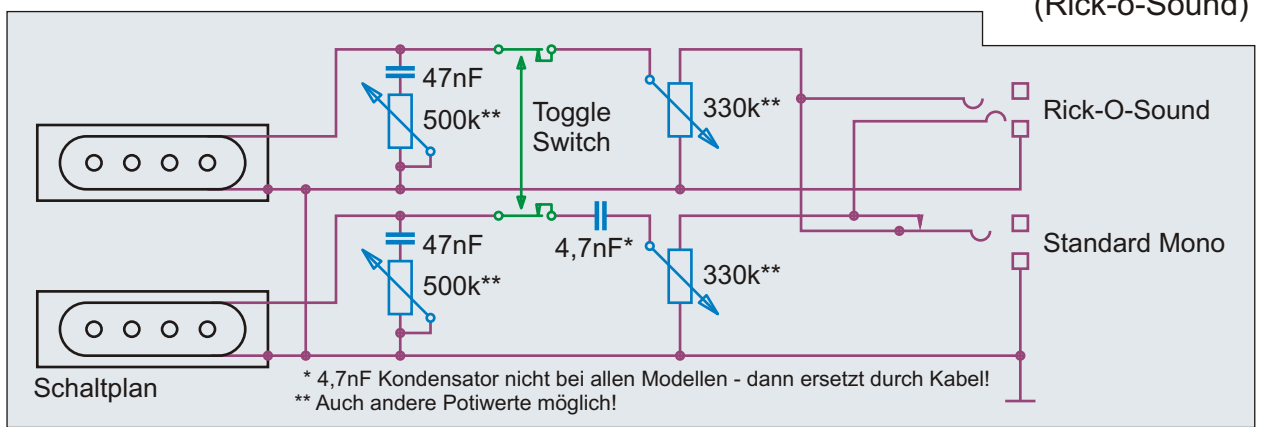
Regler	Werte		
Volume	200 k lin.	250 k lin.	330 k log.
Tone	500 k log.	500 k log.	330 k log.

Der serielle 4,7nF Kondensator beschneidet die Bässe des TREBLE Pickups am Steg.

Saitenerdung
(Kabel zum Steg)

Mono Klinkenbuchse
(mit Schaltkontakt)

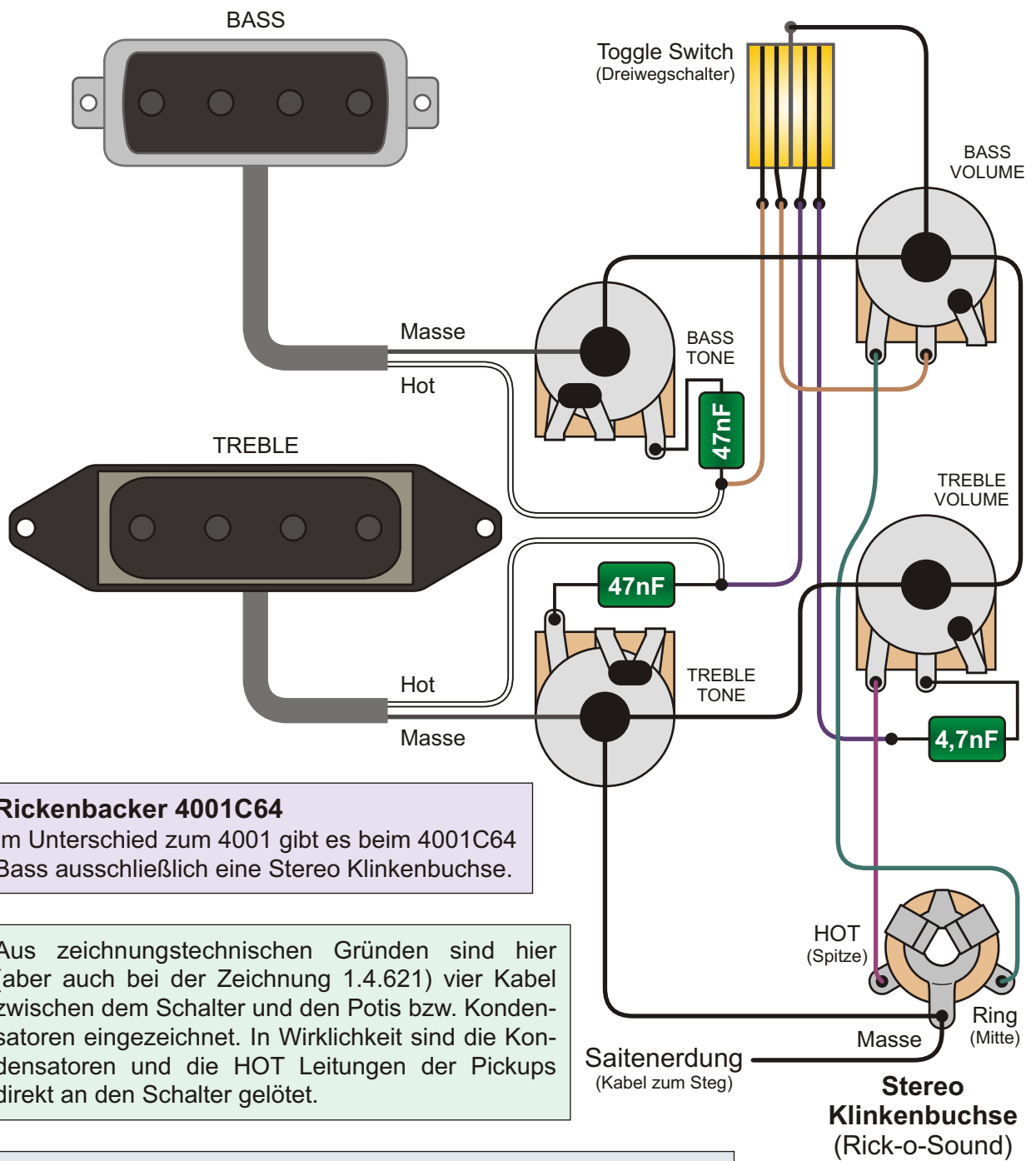
Stereo Klinkenbuchse
(Rick-o-Sound)



Schaltplan

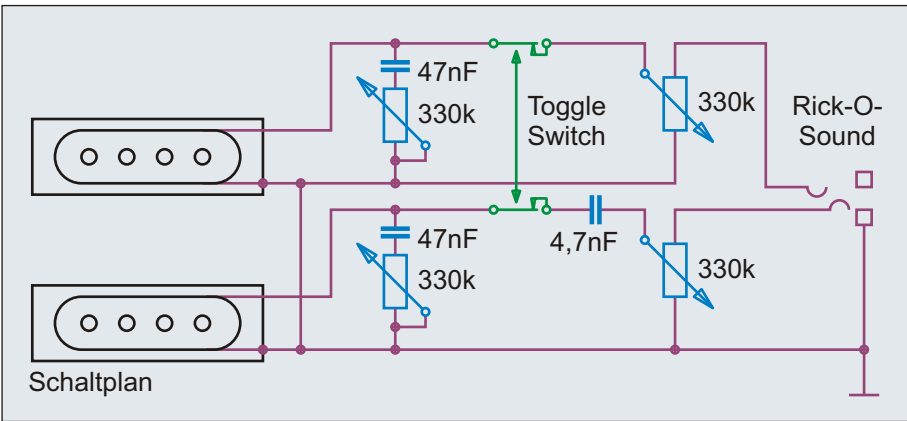
* 4,7nF Kondensator nicht bei allen Modellen - dann ersetzt durch Kabel!
** Auch andere Potiwerte möglich!

Benennung Rickenbacker 4001 Bass	Historische Bassschaltungen		Nummer 1.4.621
	gezeichnet von Cadfael	gezeichnet am 02.09.17	Seite 175
Bemerkungen / Besonderheiten 4001, 4001FL, 4003, 4003FL, Blackstar, Shadow			



Rickenbacker 4001C64
 Im Unterschied zum 4001 gibt es beim 4001C64 Bass ausschließlich eine Stereo Klinkenbuchse.

Aus zeichnungstechnischen Gründen sind hier (aber auch bei der Zeichnung 1.4.621) vier Kabel zwischen dem Schalter und den Potis bzw. Kondensatoren eingezeichnet. In Wirklichkeit sind die Kondensatoren und die HOT Leitungen der Pickups direkt an den Schalter gelötet.



Rick

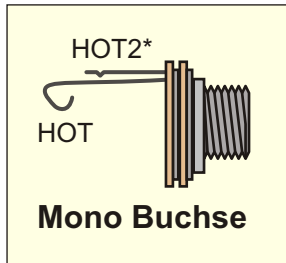
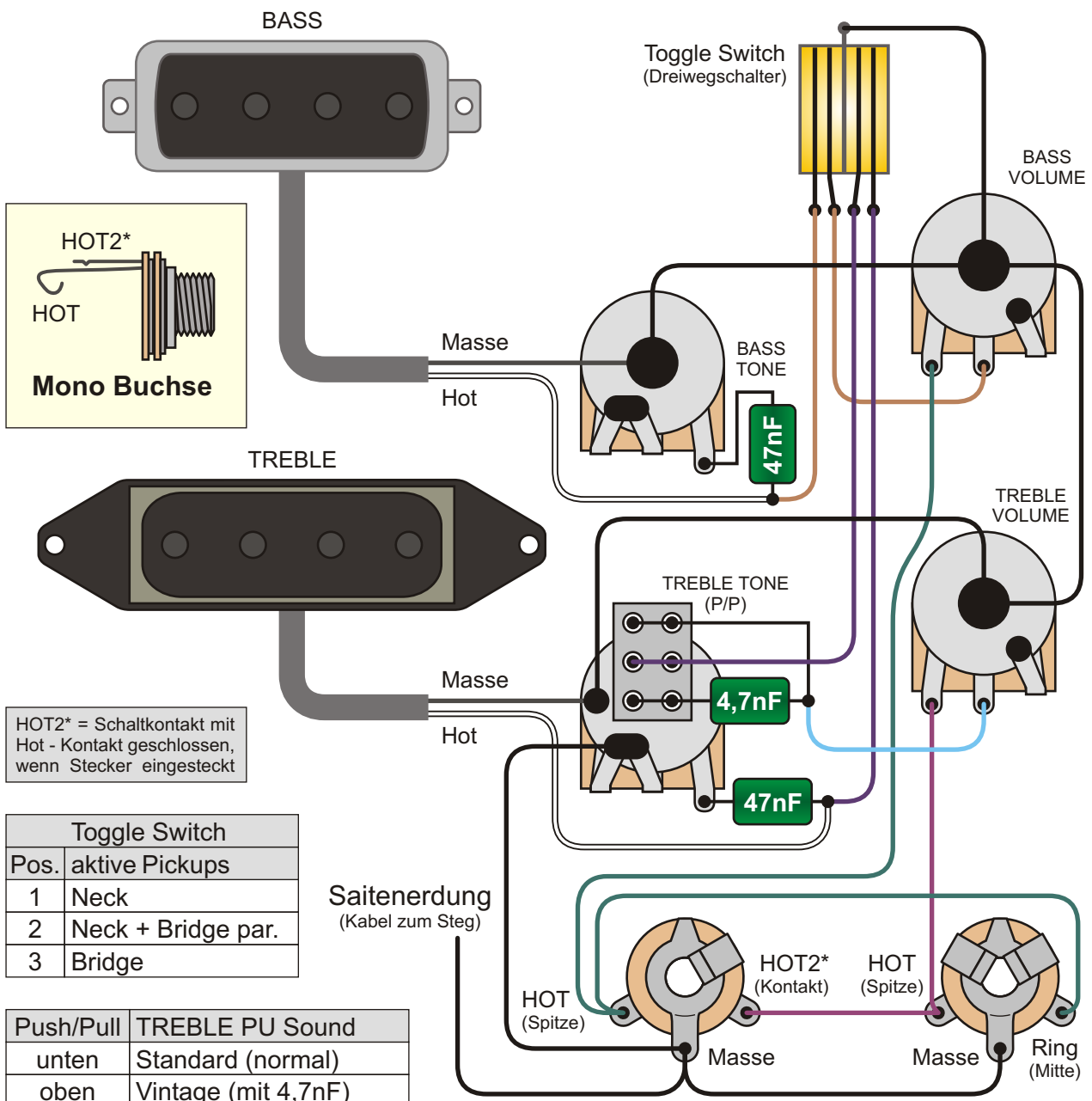
Toggle Switch	
Pos.	aktive Pickups
1	Neck
2	Neck + Bridge
3	Bridge

Benennung **Rickenbacker 4001C64 Bass**

Historische Bassschaltungen Nummer 1.4.624

Bemerkungen / Besonderheiten
 4001, 4001C64, 4001C64S

gezeichnet von **Cadfael** gezeichnet am **02.09.17** Seite **176**



HOT2* = Schaltkontakt mit Hot - Kontakt geschlossen, wenn Stecker eingesteckt

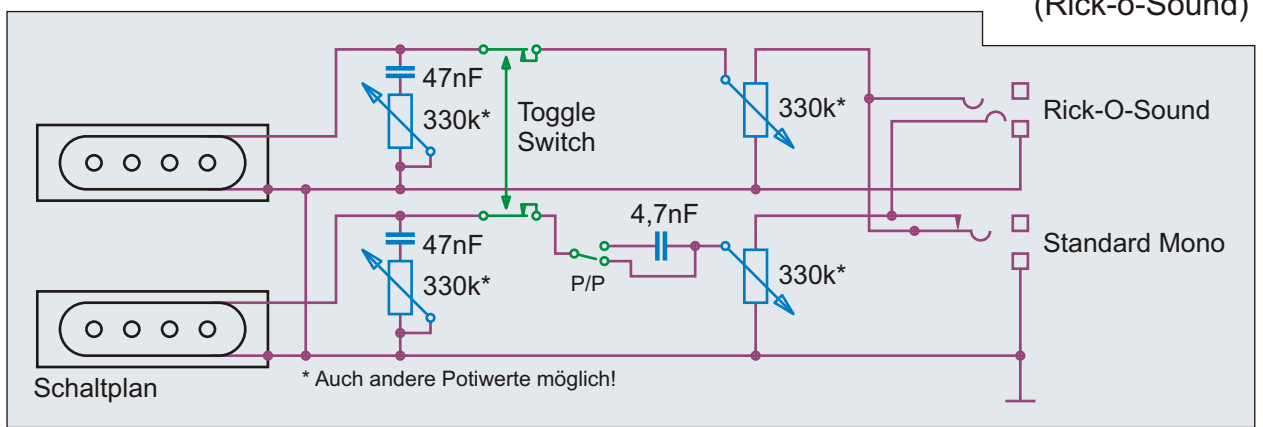
Toggle Switch	
Pos.	aktive Pickups
1	Neck
2	Neck + Bridge par.
3	Bridge

Push/Pull	TREBLE PU Sound
unten	Standard (normal)
oben	Vintage (mit 4,7nF)

Der serielle 4,7nF Kondensator beschneidet die Bässe des TREBLE Pickups am Steg.

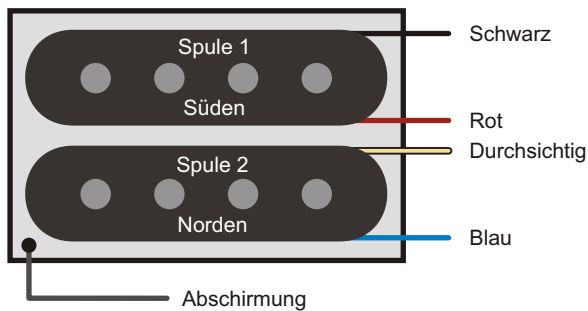
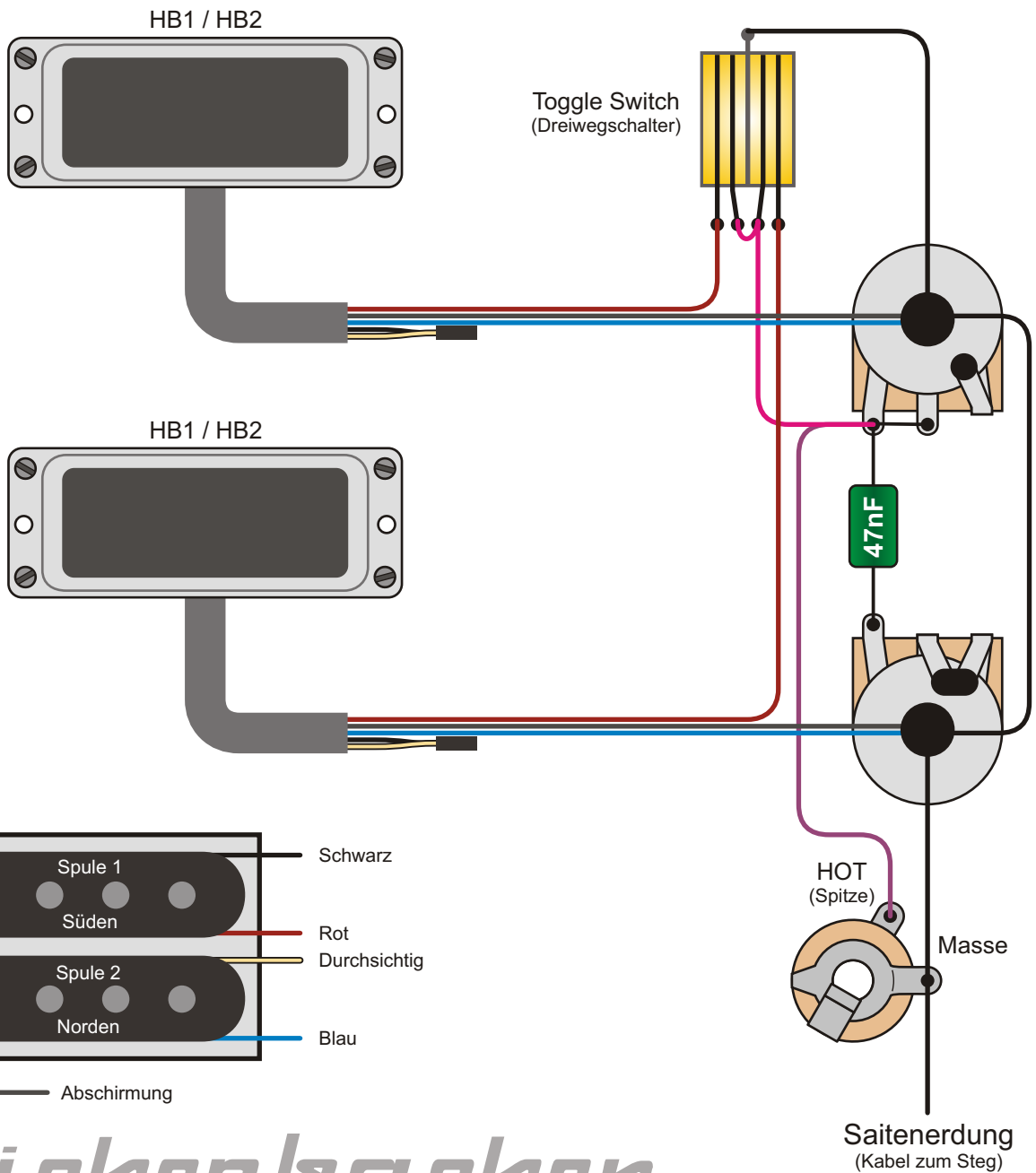
Mono Klinkenbuchse
(mit Schaltkontakt)

Stereo Klinkenbuchse
(Rick-o-Sound)

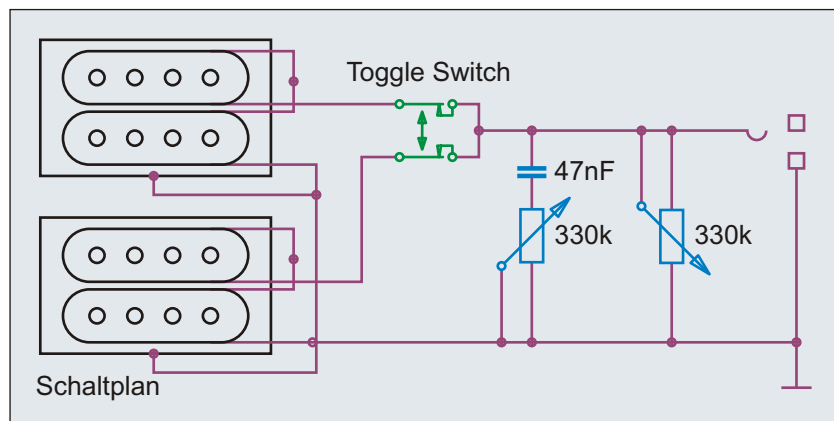


* Auch andere Potiwerte möglich!

Benennung Rickenbacker 4003 Bass	Historische Bassschaltungen		Nummer 1.4.627
	gezeichnet von Cadfael	gezeichnet am 02.09.17	Seite 177
Bemerkungen / Besonderheiten 4003 Bass von 2010			



Rickenbacker



Regler	Wert
Master Volume	330 k log.
Master Tone	330 k log.

Toggle Switch	
Pos.	aktive Pickups
1	Neck
2	Neck + Bridge par.
3	Bridge

Benennung **Rickenbacker 4004 Bass**

Historische Bassschaltungen

Nummer 1.4.631

Bemerkungen / Besonderheiten

220, 220GF, 230, 250, 260, 2000, 2020, 2030, 2050, 2060

gezeichnet von

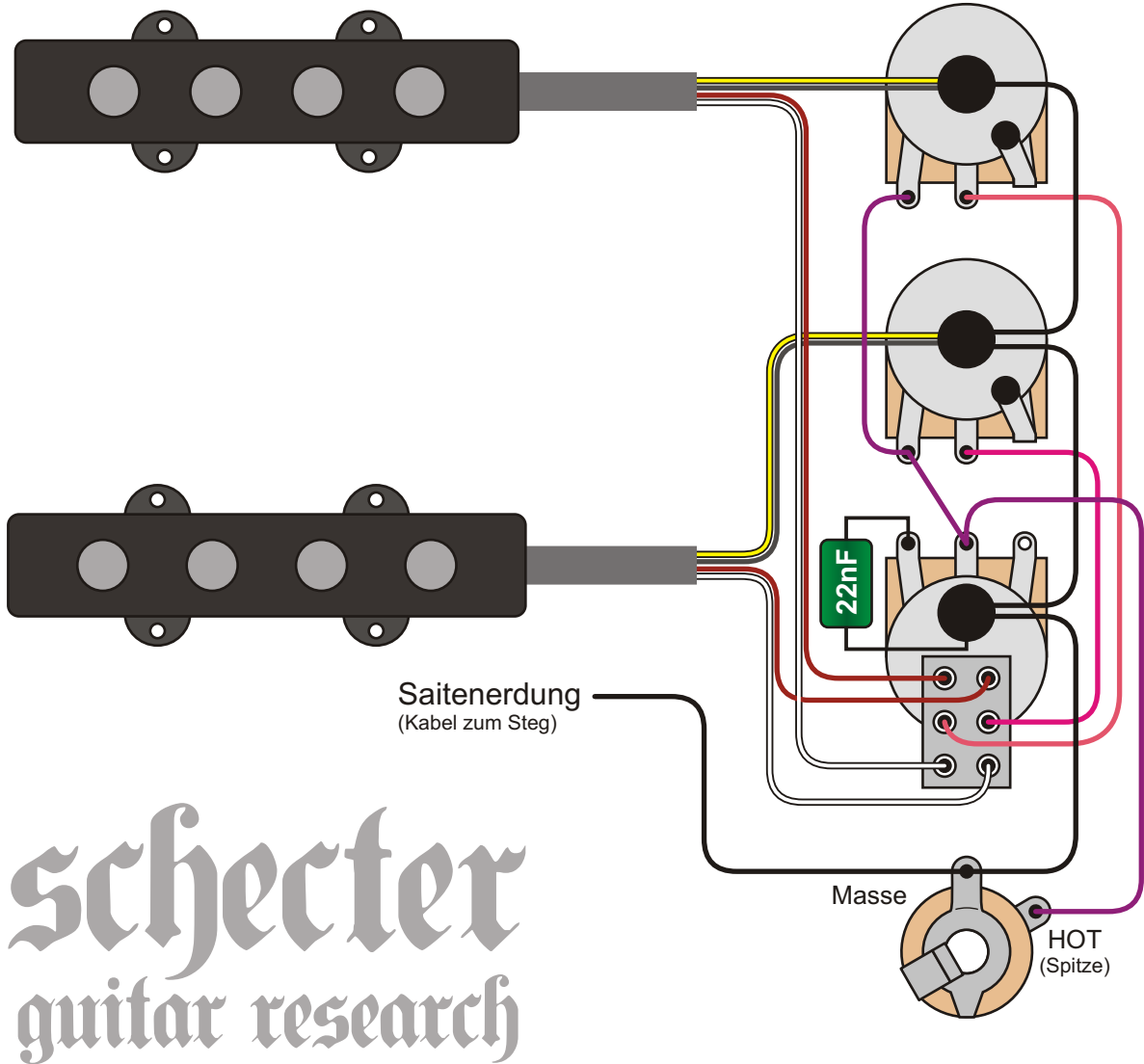
Cadfael

gezeichnet am

02.09.17

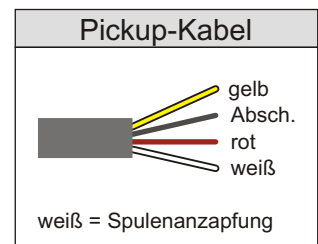
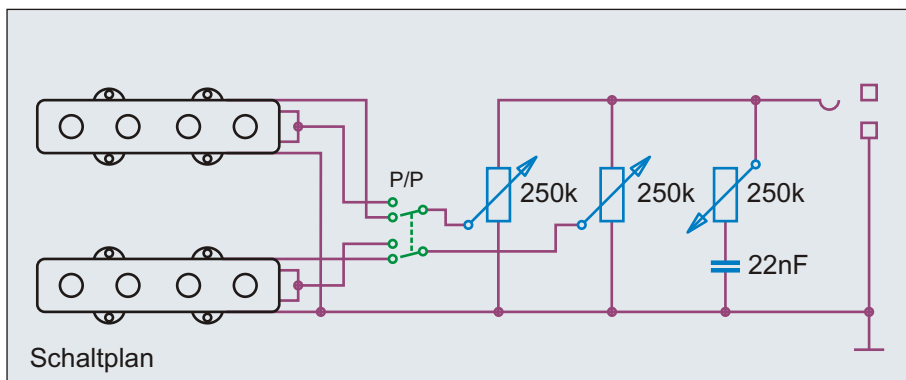
Seite

178



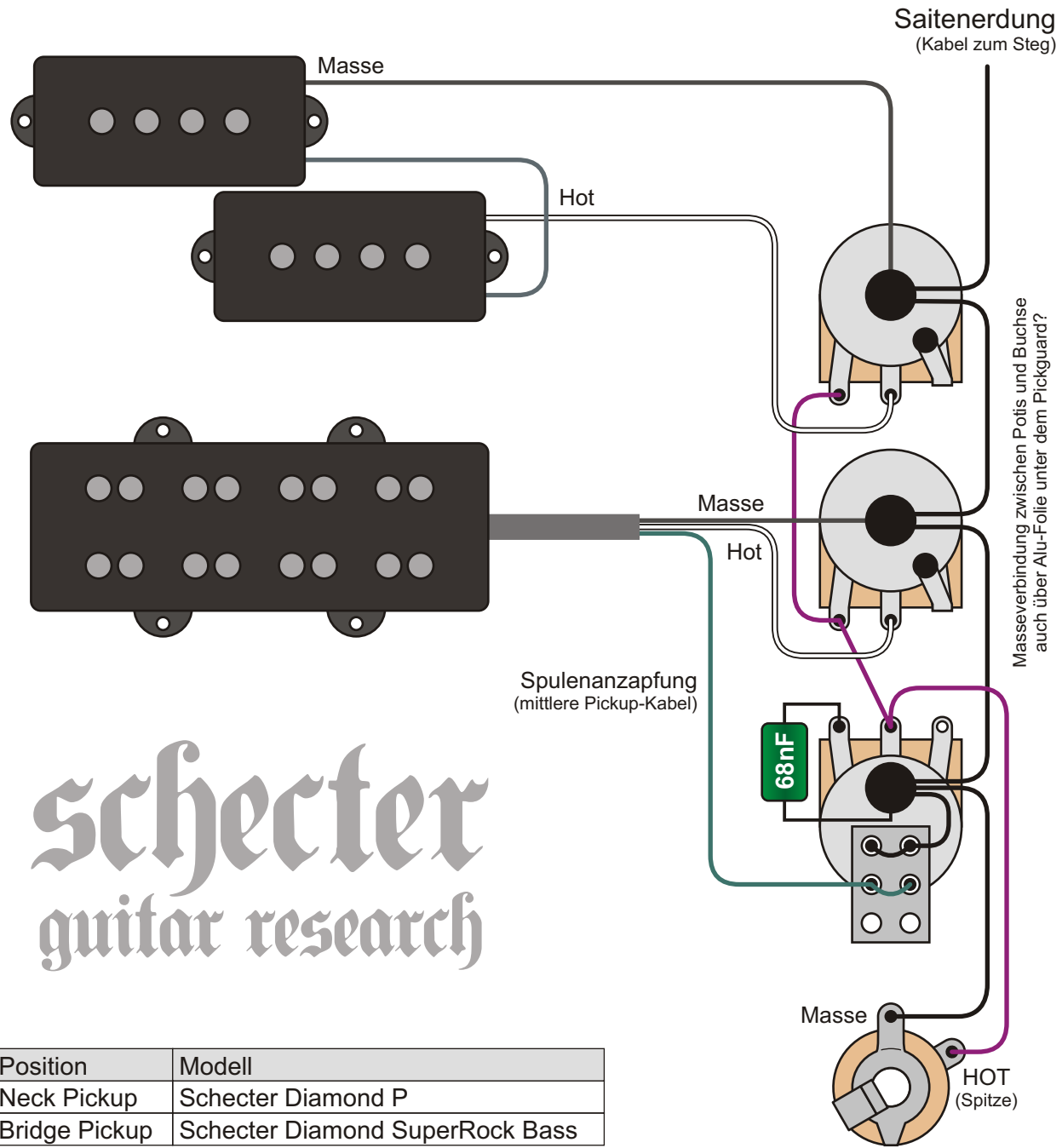
Regler	Wert
Neck Volume	250 k log.
Bridge Volume	250 k log.
Master Tone (P/P)	250 k log.

Push/Pull (ON/ON)	Pickups
unten	Humbucker (Full)
oben	Split (Vintage)

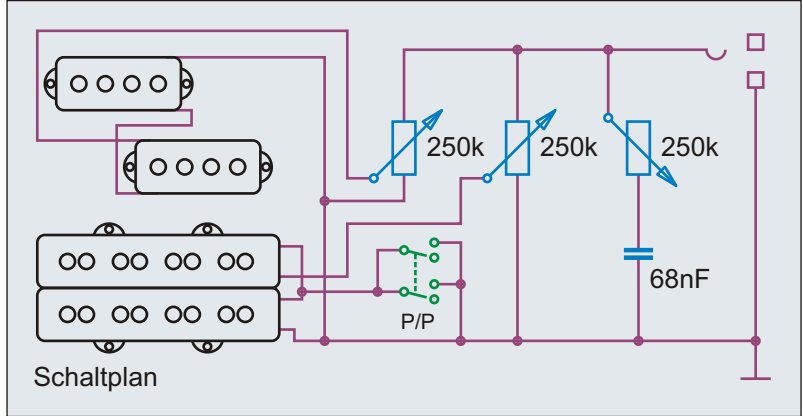


Benennung	Schecter Diamond J Bass 2006		Historische Bassschaltungen	Nummer	1.4.721
Bemerkungen / Besonderheiten	Schecter Monster Tone II Pickups		gezeichnet von	gezeichnet am	Seite
			Cadfael	02.09.17	179

Schecter guitar research



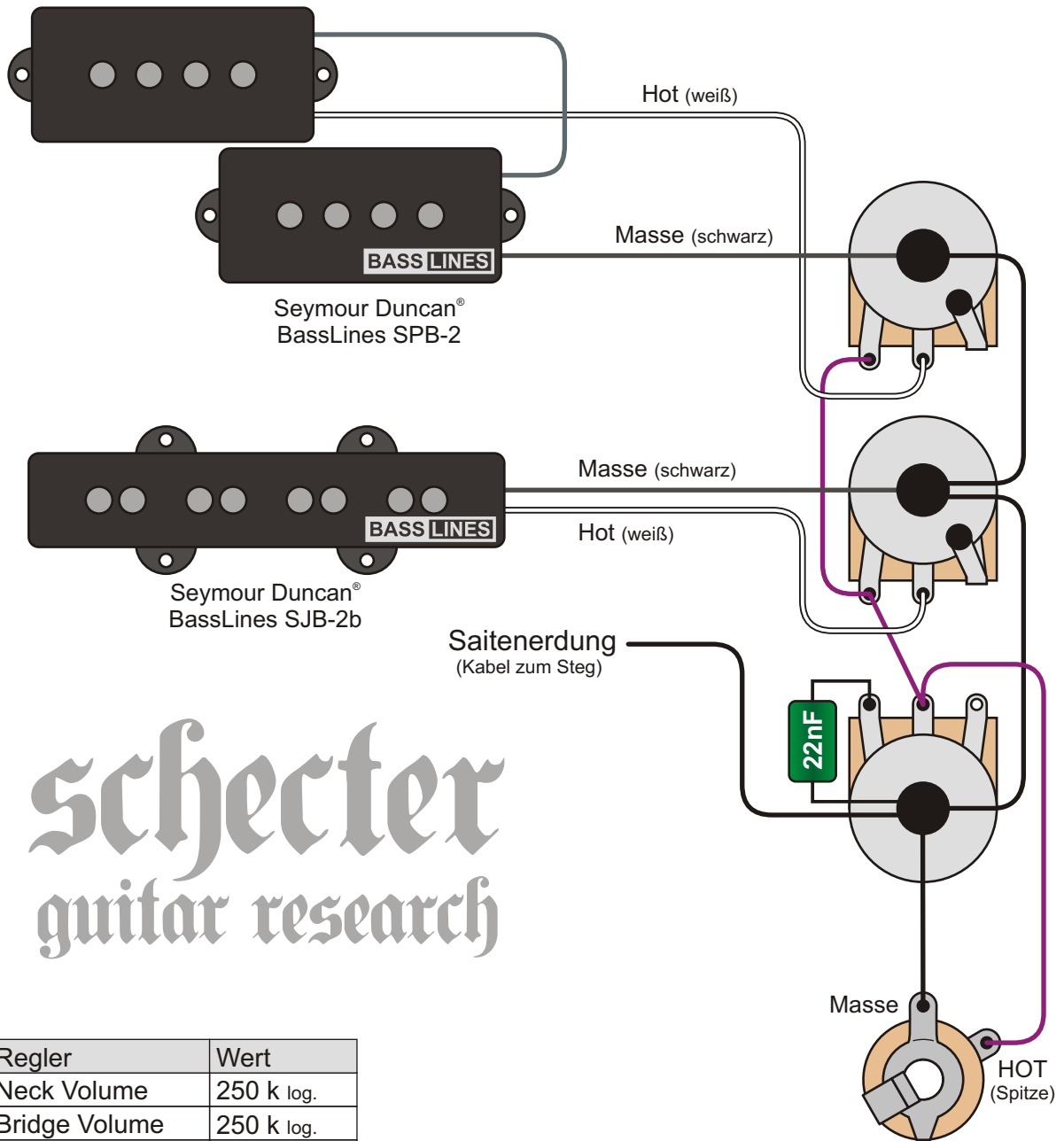
Position	Modell
Neck Pickup	Schecter Diamond P
Bridge Pickup	Schecter Diamond SuperRock Bass



P

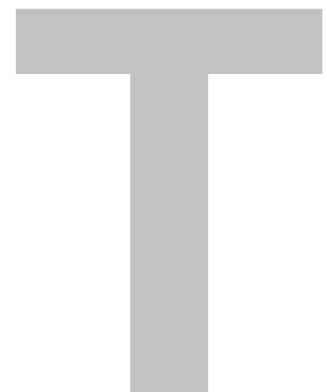
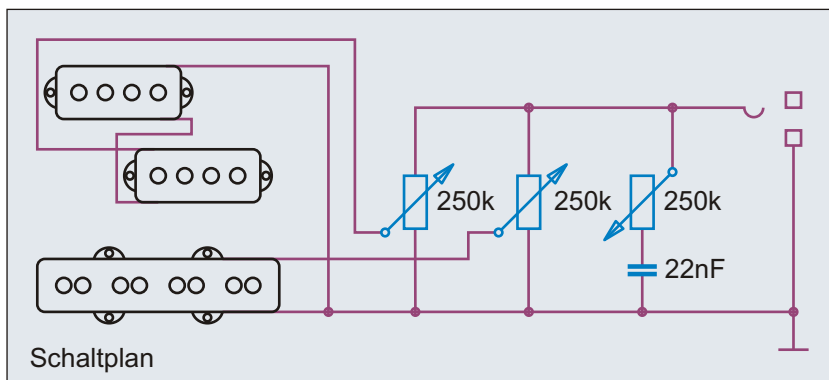
Benennung	Schecter Diamond P Bass 2012		Historische Bassschaltungen	Nummer
				1.4.731
Bemerkungen / Besonderheiten	gezeichnet von	gezeichnet am	Seite	
	Cadfael	02.09.17	180	

Idee, Recherche, Autor, Zeichnungen, Grafiken, Diagramme, Layout und Design: Andreas "Cadfael" Kühn - Nutzung ausschließlich zu privaten, nicht kommerziellen Zwecken und auf eigene Gefahr! Alle Angaben ohne Gewähr, Irrtümer vorbehalten!



Schecter
guitar research

Regler	Wert
Neck Volume	250 k log.
Bridge Volume	250 k log.
Master Tone	250 k log.



Benennung **Schecter Model T Bass 2006**

Historische
Bassschaltungen

Nummer
1.4.741

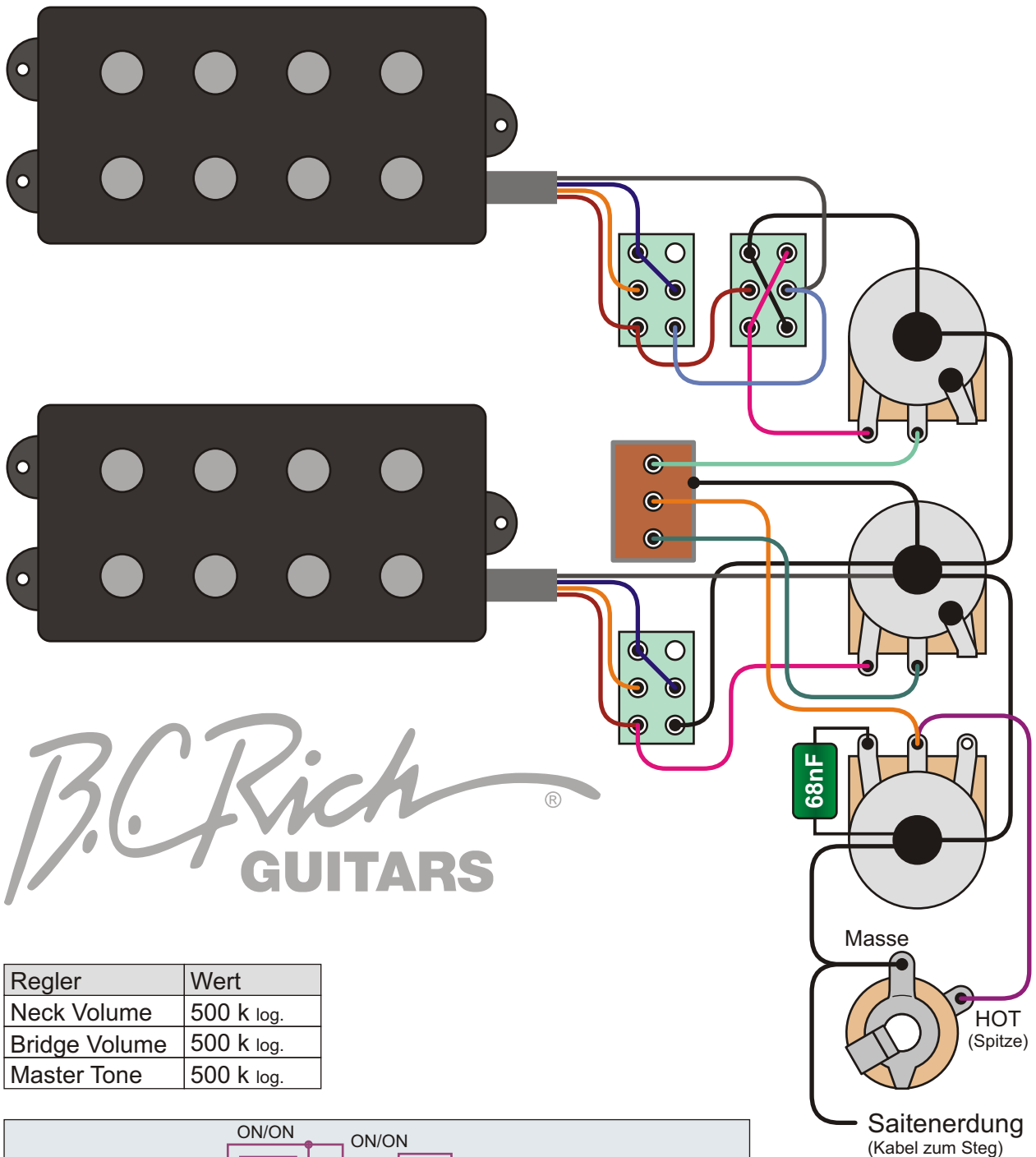
Bemerkungen / Besonderheiten

Seymour Duncan BassLine Pickups

gezeichnet von
Cadfael

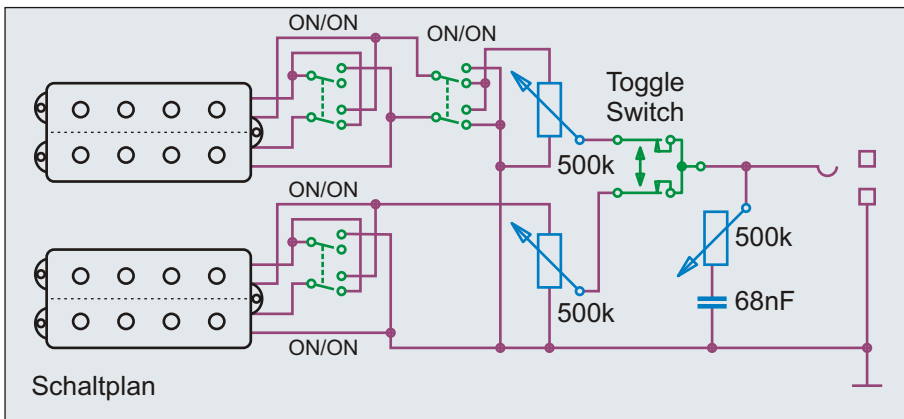
gezeichnet am
02.09.17

Seite
181



B.C. Rich
GUITARS

Regler	Wert
Neck Volume	500 k log.
Bridge Volume	500 k log.
Master Tone	500 k log.



Schaltplan

ON/ON	MM intern
oben	parallel
unten	seriell

ON/ON	MM-Pickup zueinander
oben	Out-Of-Phase
unten	In-Phase

Masse

HOT
(Spitze)

Saitenerdung
(Kabel zum Steg)

Benennung **B.C. Rich Virgin NT Bass 2011**

Historische
Bassschaltungen

Nummer
1.4.801

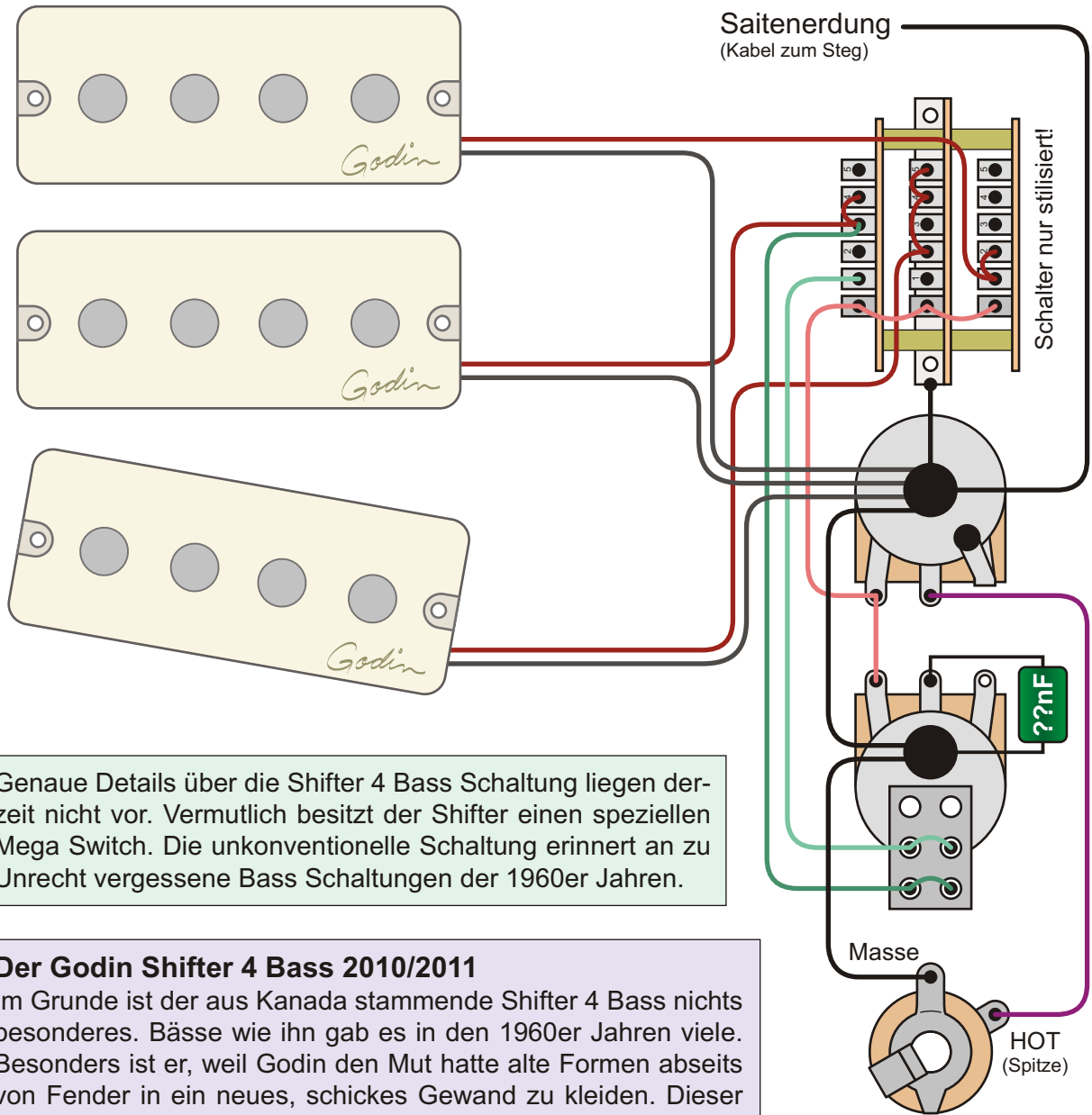
Bemerkungen / Besonderheiten

MM-Pickups, Toggle Switch, Out-of-Phase, 2x Coil Split

gezeichnet von
Cadfael

gezeichnet am
02.09.17

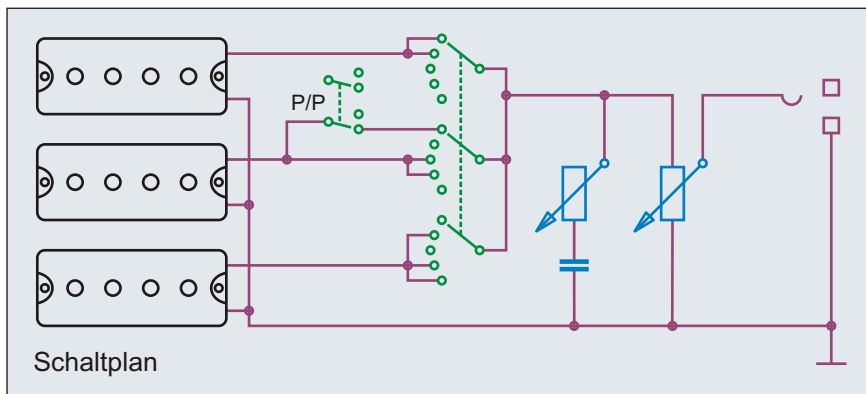
Seite
182



Genauere Details über die Shifter 4 Bass Schaltung liegen derzeit nicht vor. Vermutlich besitzt der Shifter einen speziellen Mega Switch. Die unkonventionelle Schaltung erinnert an zu Unrecht vergessene Bass Schaltungen der 1960er Jahren.

Der Godin Shifter 4 Bass 2010/2011

Im Grunde ist der aus Kanada stammende Shifter 4 Bass nichts besonderes. Bässe wie ihn gab es in den 1960er Jahren viele. Besonders ist er, weil Godin den Mut hatte alte Formen abseits von Fender in ein neues, schickes Gewand zu kleiden. Dieser Bass hat zwar Elemente des Precision 51 Basses, aber auch von Bässe der Marken Hagstrom, Harmony, Teisco und mehr.



Godin

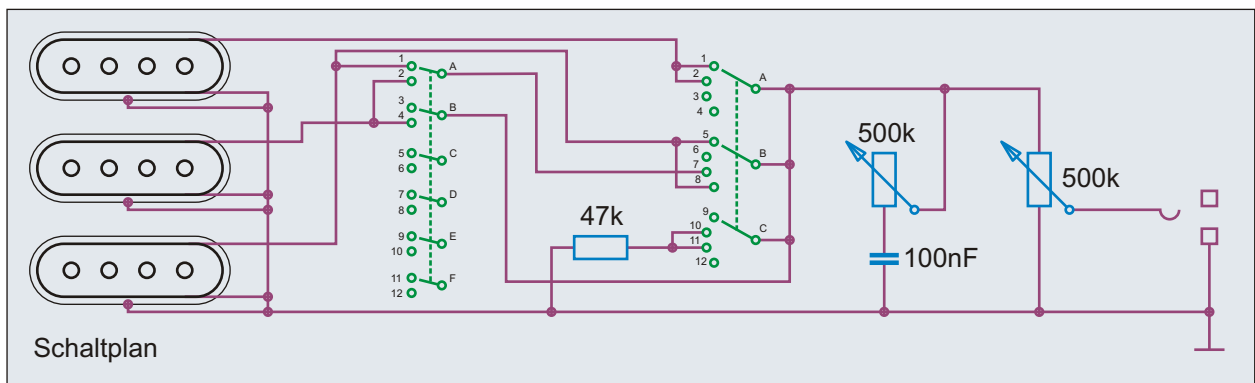
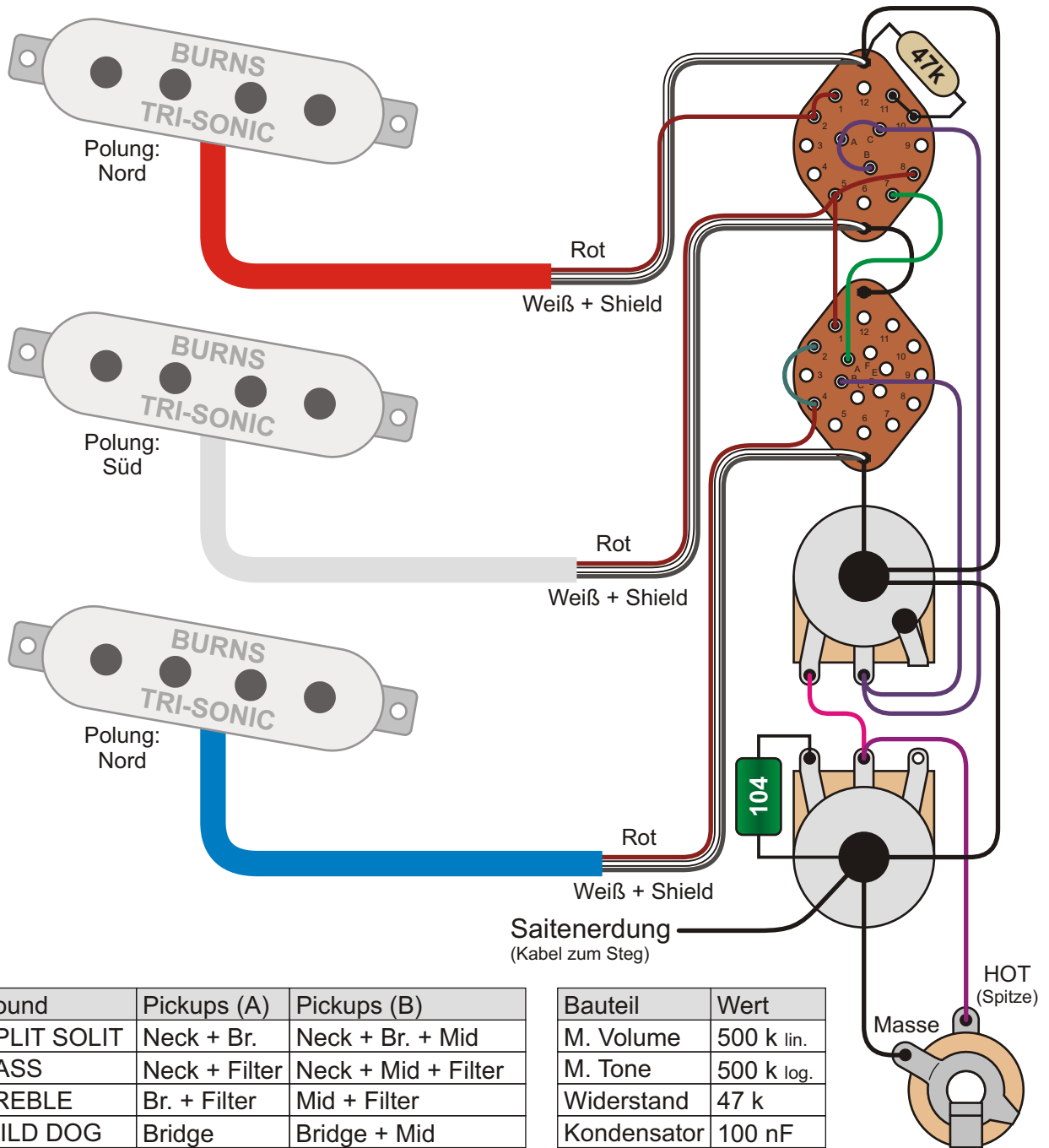
Lever Switch (+ Push/Pull)	
Pos.	aktive Pickups
5	Neck + Middle
5*	Neck (P/P gezogen)
4	Neck + Bridge
3	Middle
2	Middle + Bridge
1	Bridge

Benennung **Godin Shifter 4 Bass 2011**

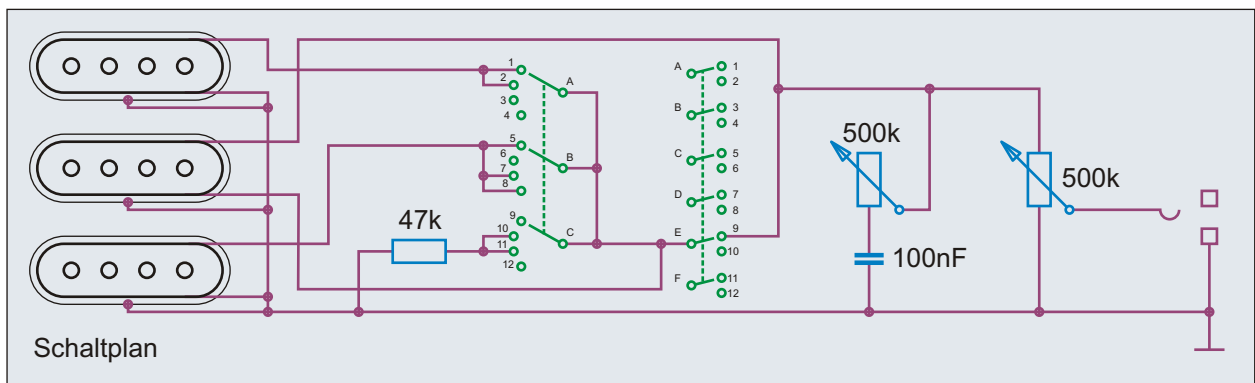
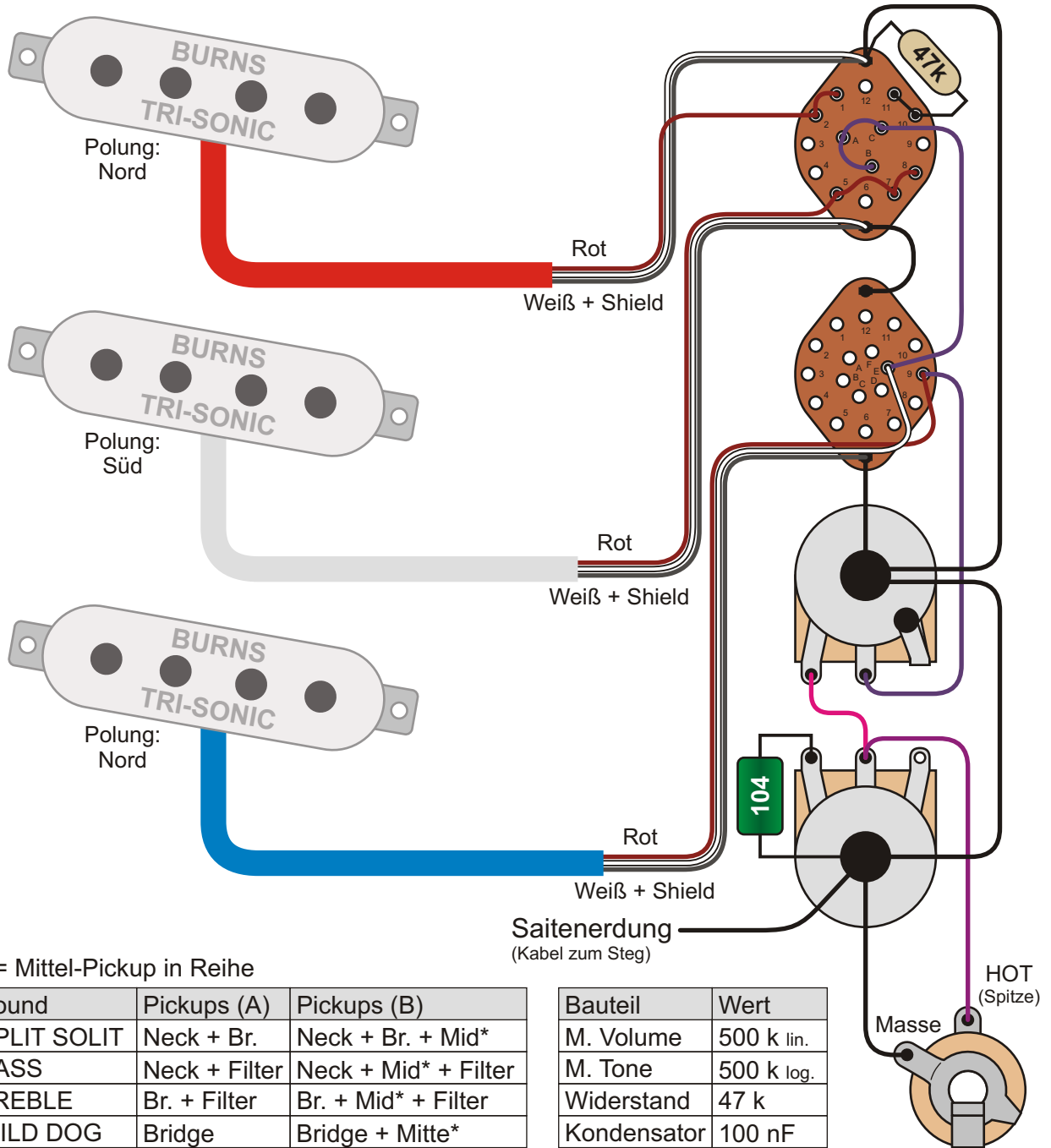
Historische Bassschaltungen Nummer 1.4.861

Bemerkungen / Besonderheiten

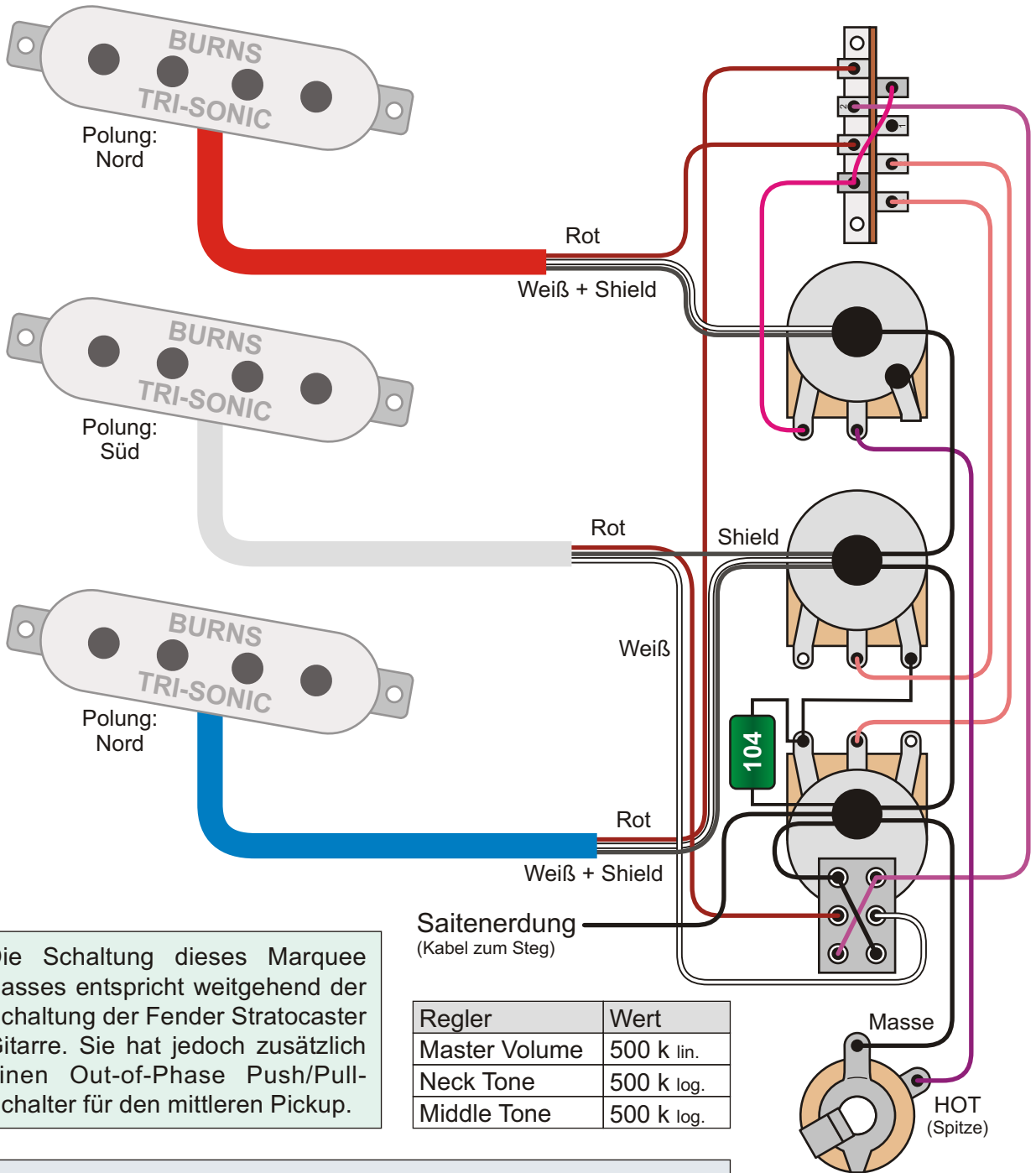
gezeichnet von **Cadfael** gezeichnet am **02.09.17** Seite **183**



Benennung	Burns Bison Bass (2001)		Historische	Nummer
			Bassschaltungen	1.5.114
Bemerkungen / Besonderheiten	gezeichnet von	gezeichnet am	Seite	
	Cadfael	02.09.17	184	

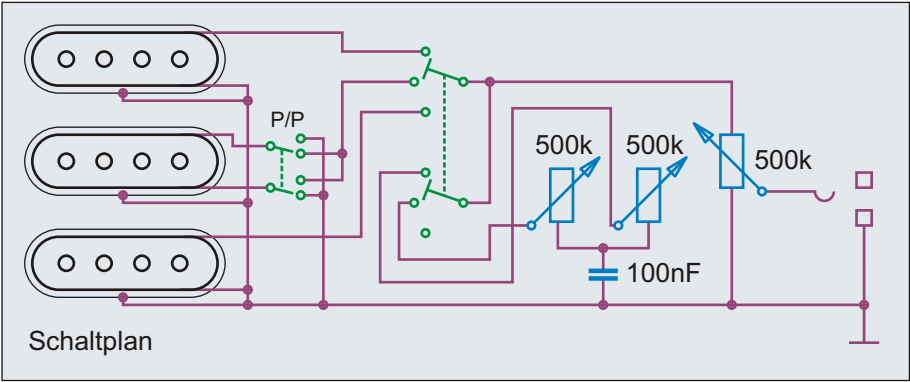


Benennung Burns Bison Gitarre (2001)	Historische Bassschaltungen		Nummer 1.5.117
	gezeichnet von Cadfael	gezeichnet am 02.09.17	Seite 185
Bemerkungen / Besonderheiten Modifiziert für Bass (Mittel-Pickup in Reihe)			



Die Schaltung dieses Marquee Basses entspricht weitgehend der Schaltung der Fender Stratocaster Gitarre. Sie hat jedoch zusätzlich einen Out-of-Phase Push/Pull-Schalter für den mittleren Pickup.

Regler	Wert
Master Volume	500 k lin.
Neck Tone	500 k log.
Middle Tone	500 k log.



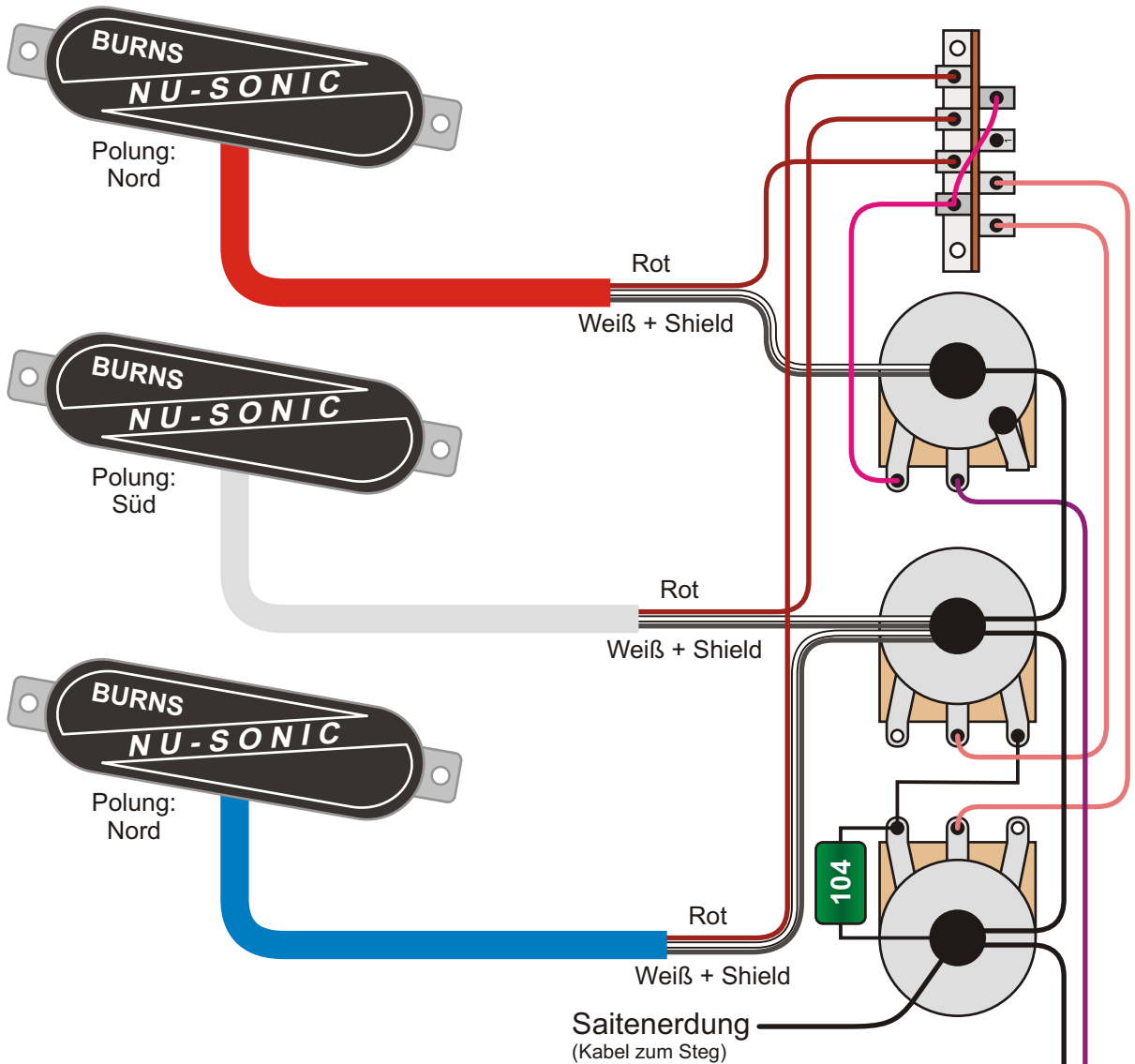
Fünfwegschalter	
Pos.	aktive Pickups
5	Neck
4	Neck + Middle
3	Middle
2	Bridge + Middle
1	Bridge

Benennung **Burns Marquee Bass (2000)**

Historische Bassschaltungen Nummer 1.5.124

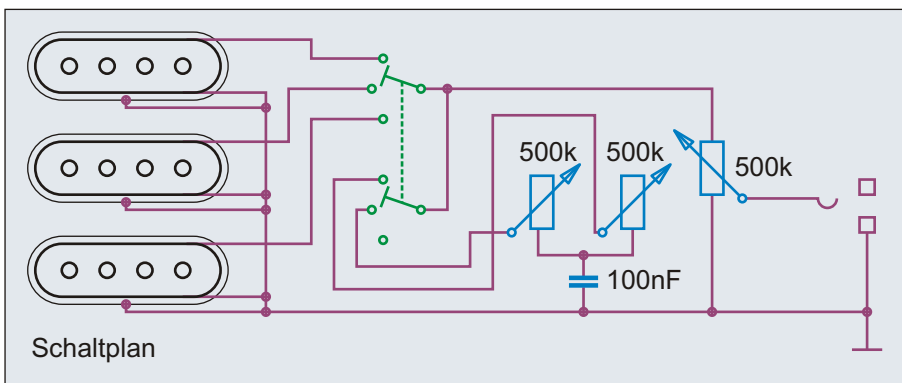
Bemerkungen / Besonderheiten

gezeichnet von **Cadfael** gezeichnet am **02.09.17** Seite **186**



Regler	Wert
Master Volume	500 k lin.
Neck Tone	500 k log.
Middle Tone	500 k log.

Die Schaltung dieses Shadows Basses entspricht der Schaltung der Fender Stratocaster Gitarre.



Fünfwegschalter	
Pos.	aktive Pickups
5	Neck
4	Neck + Middle
3	Middle
2	Bridge + Middle
1	Bridge

Benennung **Burns Shadows Bass (1993)**

Historische Bassschaltungen

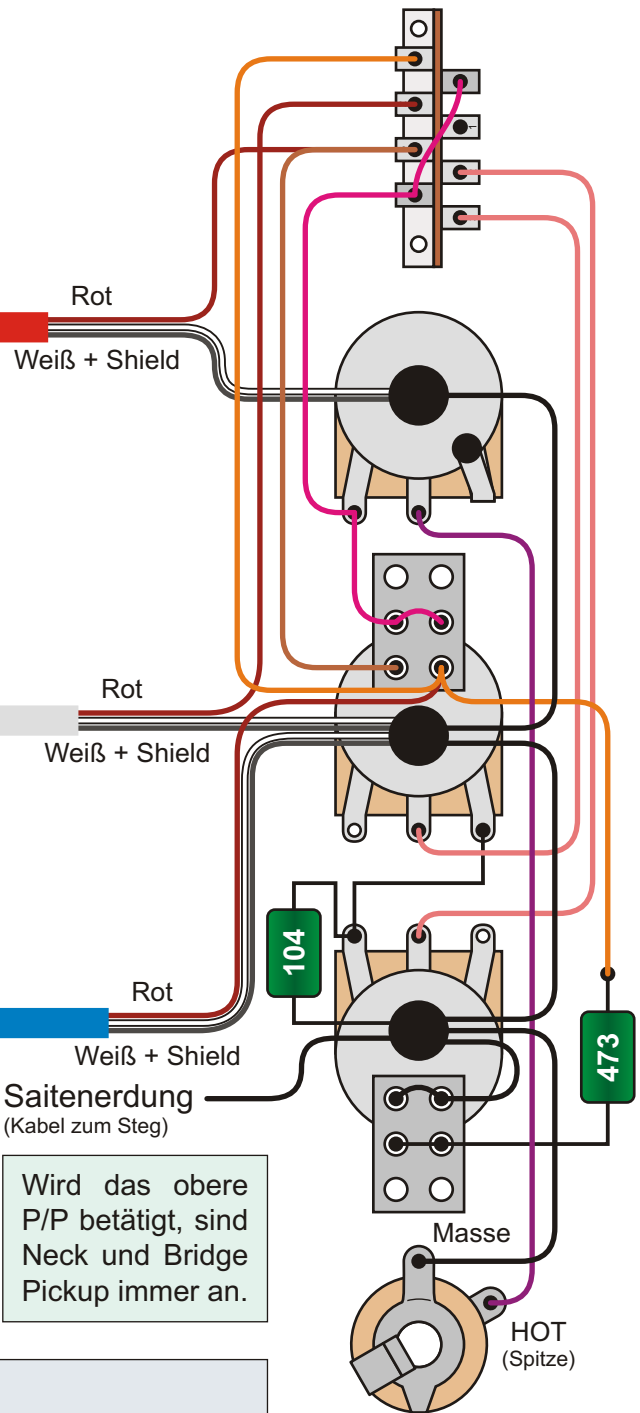
Nummer 1.5.134

Bemerkungen / Besonderheiten

gezeichnet von
Cadfael

gezeichnet am
02.09.17

Seite
187

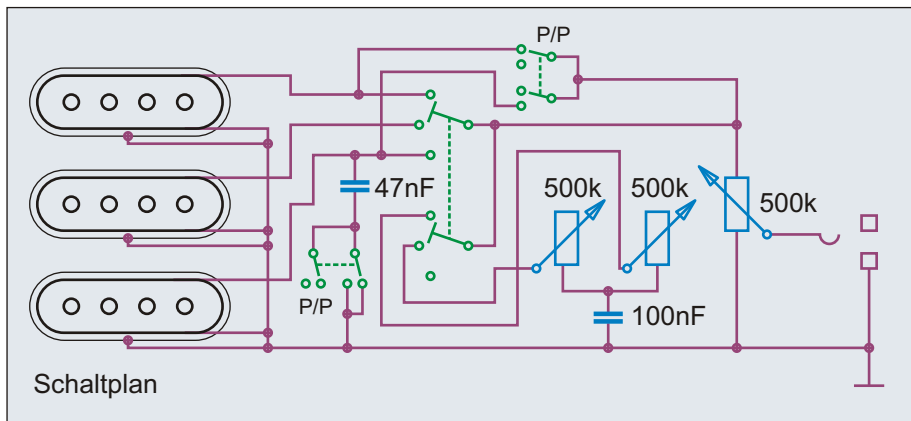


Fünfwegschalter + oberes Push/Pull

Pos.	Pickups P/P unten	Pickups P/P oben
5	Neck	Neck + Bridge
4	Neck + Middle	Neck + Mid + Br.
3	Middle	Neck + Mid + Br.
2	Bridge + Middle	Neck + Mid + Br.
1	Bridge	Neck + Bridge

Saitenerdung
(Kabel zum Steg)

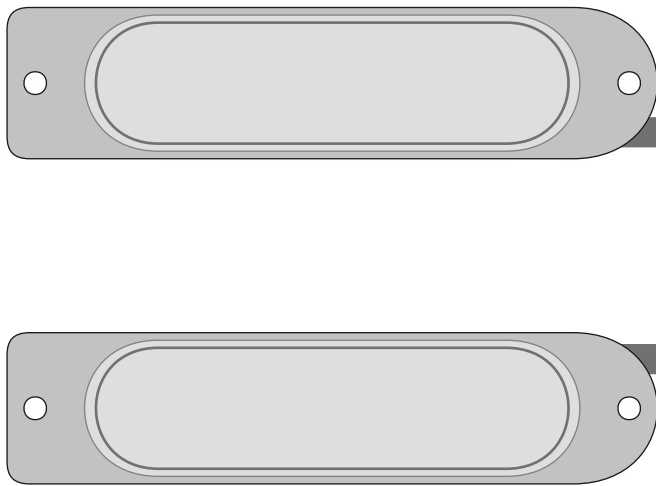
Wird das obere P/P betätigt, sind Neck und Bridge Pickup immer an.



Das untere Push/Pull ist eine Tone Cut für den Bridge Pickup.

Regler	Wert
M. Volume	500 k lin.
Neck Tone	500 k log.
Middle Tone	500 k log.

Benennung Burns Shadows Bass 1964 (2006)	Historische Bassschaltungen		Nummer 1.5.137
	Bemerkungen / Besonderheiten	gezeichnet von Cadfael	gezeichnet am 02.09.17

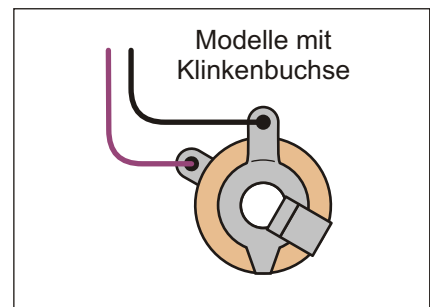
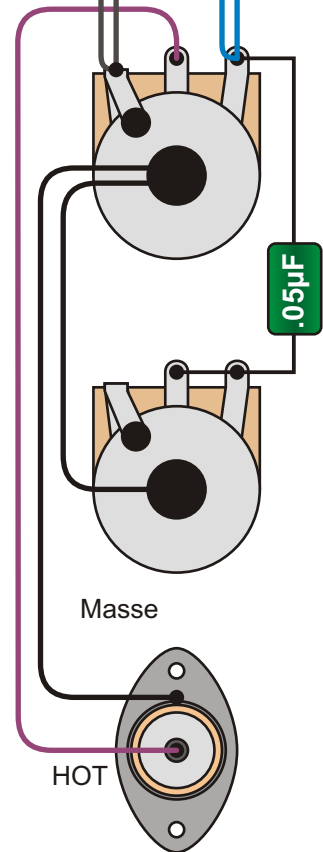
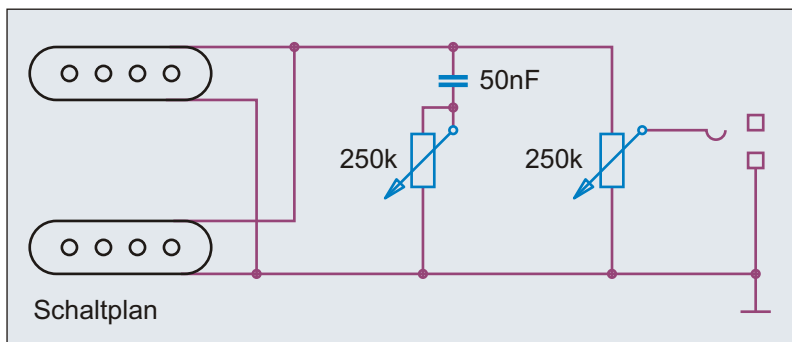


VOX

Der VOX Bassmaster Bass hatte zwar zwei Tonabnehmer, aber nur einen Lautstärkereglер und keinen Schalter. Es war also nicht möglich, die beiden Pickups (mit der Werksverkabelung einzeln zu spielen. Statt einer Klinkenbuchse hatten einige VOX Bassmaster Modelle ab Werk Koaxialbuchsen zum anschrauben von Steckern. Es gab den Bassmaster aber auch mit normaler Klinkenbuchse.

VOX V204 Bassmaster Bass

Der V204 Bassmaster Bass war eine Variante des V202 Clubman Basses und wurde parallel zu ihm von 1961 bis 1965 produziert. Während frühe Bässe einen Body aus Sperrholz hatten, wurden spätere Modelle mit Mahagoni Body gefertigt. Statt eines Halseinstellstabes verfügten der V202 und V204 über zwei T-förmige Stahleinlage im Hals.



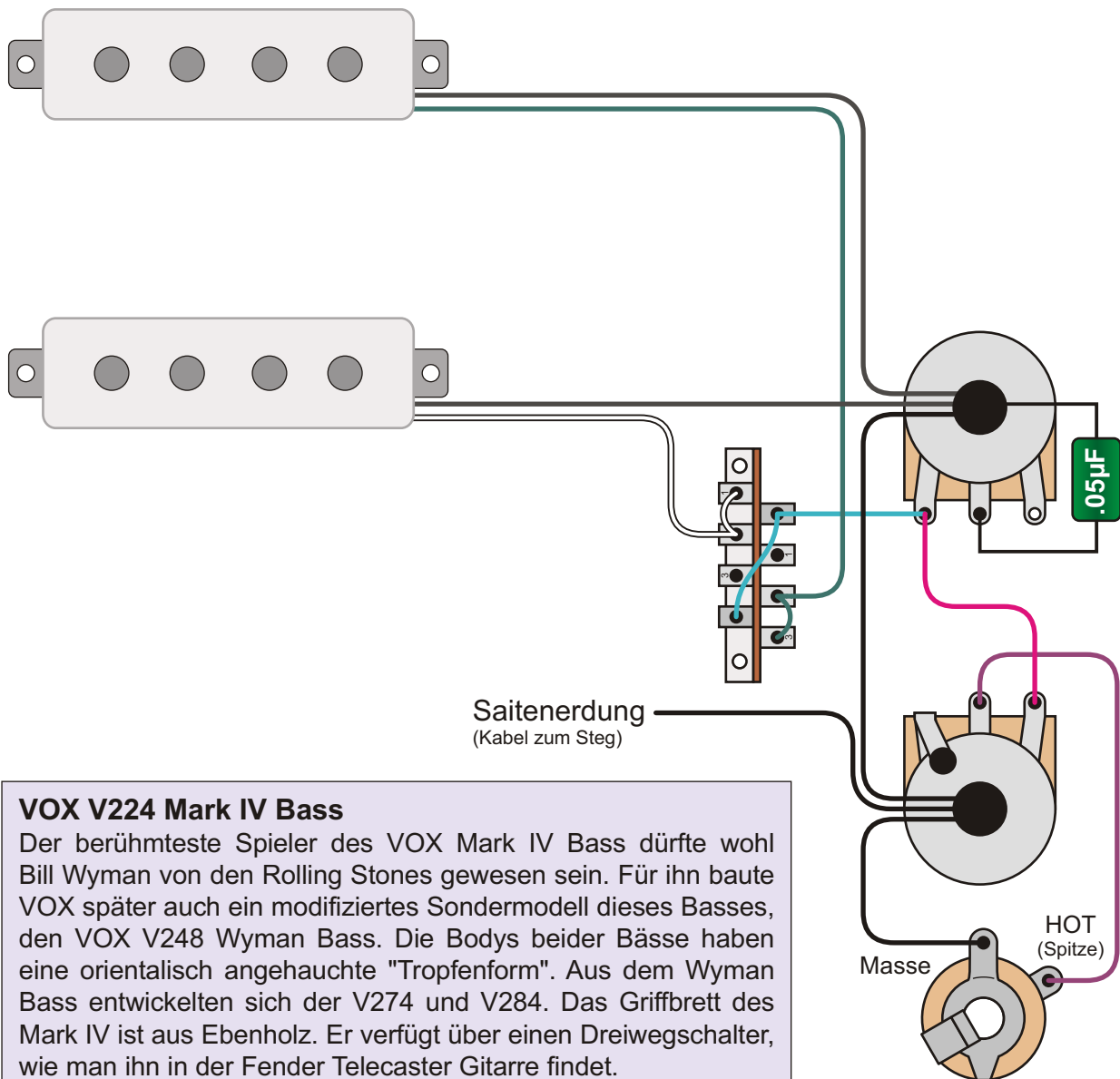
Regler	Wert
Master Volume	250 k log.
Master Tone	250 k lin.

Benennung **VOX V204 Bassmaster Bass 1961**

Historische Bassschaltungen Nummer 1.5.161

Bemerkungen / Besonderheiten

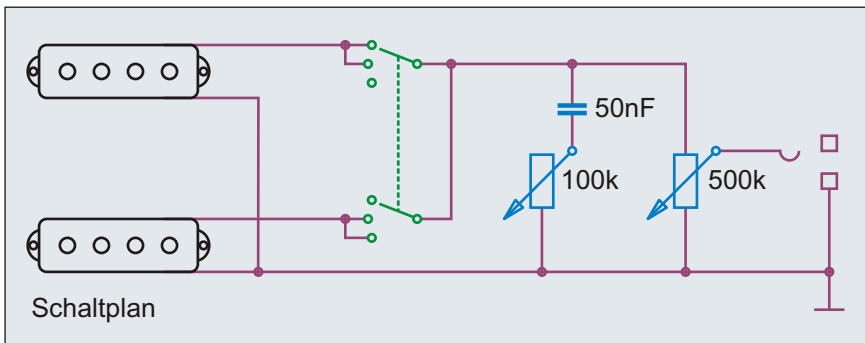
gezeichnet von **Cadfael** gezeichnet am **02.09.17** Seite **189**



VOX V224 Mark IV Bass

Der berühmteste Spieler des VOX Mark IV Bass dürfte wohl Bill Wyman von den Rolling Stones gewesen sein. Für ihn baute VOX später auch ein modifiziertes Sondermodell dieses Basses, den VOX V248 Wyman Bass. Die Bodys beider Bässe haben eine orientalisches angehauchte "Tropfenform". Aus dem Wyman Bass entwickelten sich der V274 und V284. Das Griffbrett des Mark IV ist aus Ebenholz. Er verfügt über einen Dreiwegschalter, wie man ihn in der Fender Telecaster Gitarre findet.

Auf den bisher bekannten Fotos war der Klangregler oben (zum Hals hin) angebracht und nicht unten, wie sonst allgemein üblich. Ob das dem originalen Werkszustand entspricht oder ein Umbau ist, ist derzeit allerdings nicht bekannt.



Regler	Wert
Master Volume	500 k
Master Tone	100 k

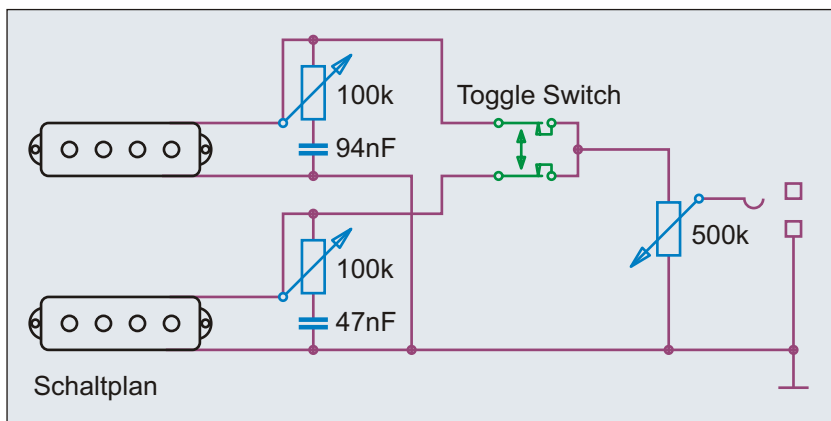
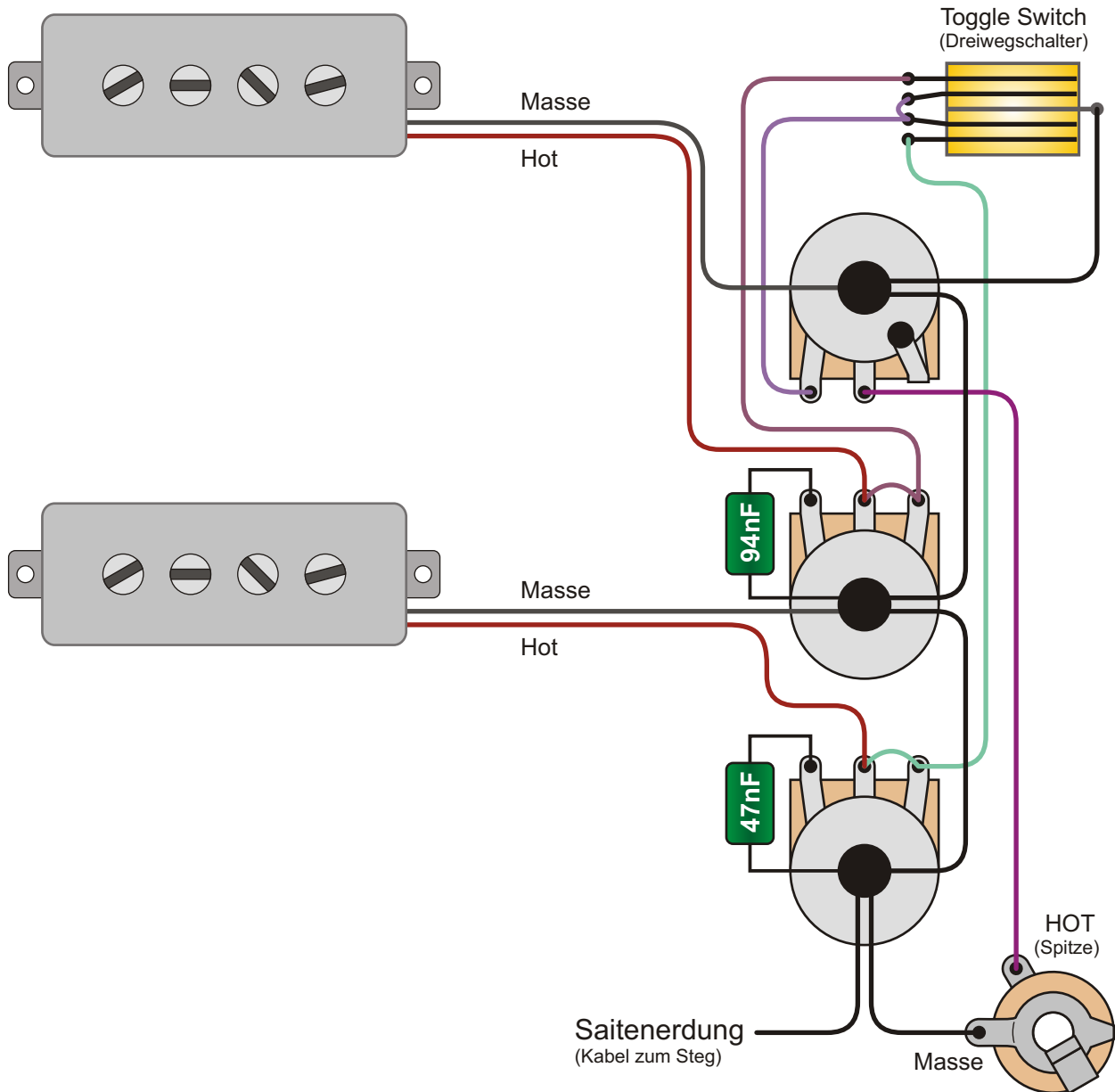
Dreiwegschalter	
Pos.	aktive Pickups
3	Neck
2	Neck + Bridge par.
1	Bridge

Benennung **VOX V224 Mark IV Bass 1965**

Historische Bassschaltungen Nummer 1.5.171

Bemerkungen / Besonderheiten

gezeichnet von **Cadfael** gezeichnet am **02.09.17** Seite **190**



Toggle Switch	
Pos.	aktive Pickups
1	Neck
2	Neck + Bridge parallel
3	Bridge

Regler	Wert
Master Volume	500 k log.
Neck Tone	100 k lin.
Bridge Tone	100 k lin.
Kondensator	
Wert	
Neck Tone	94 nF 125V
Bridge Tone	47 nF 150V

Benennung **VOX V284 Stinger Bass 1968**

Historische Bassschaltungen

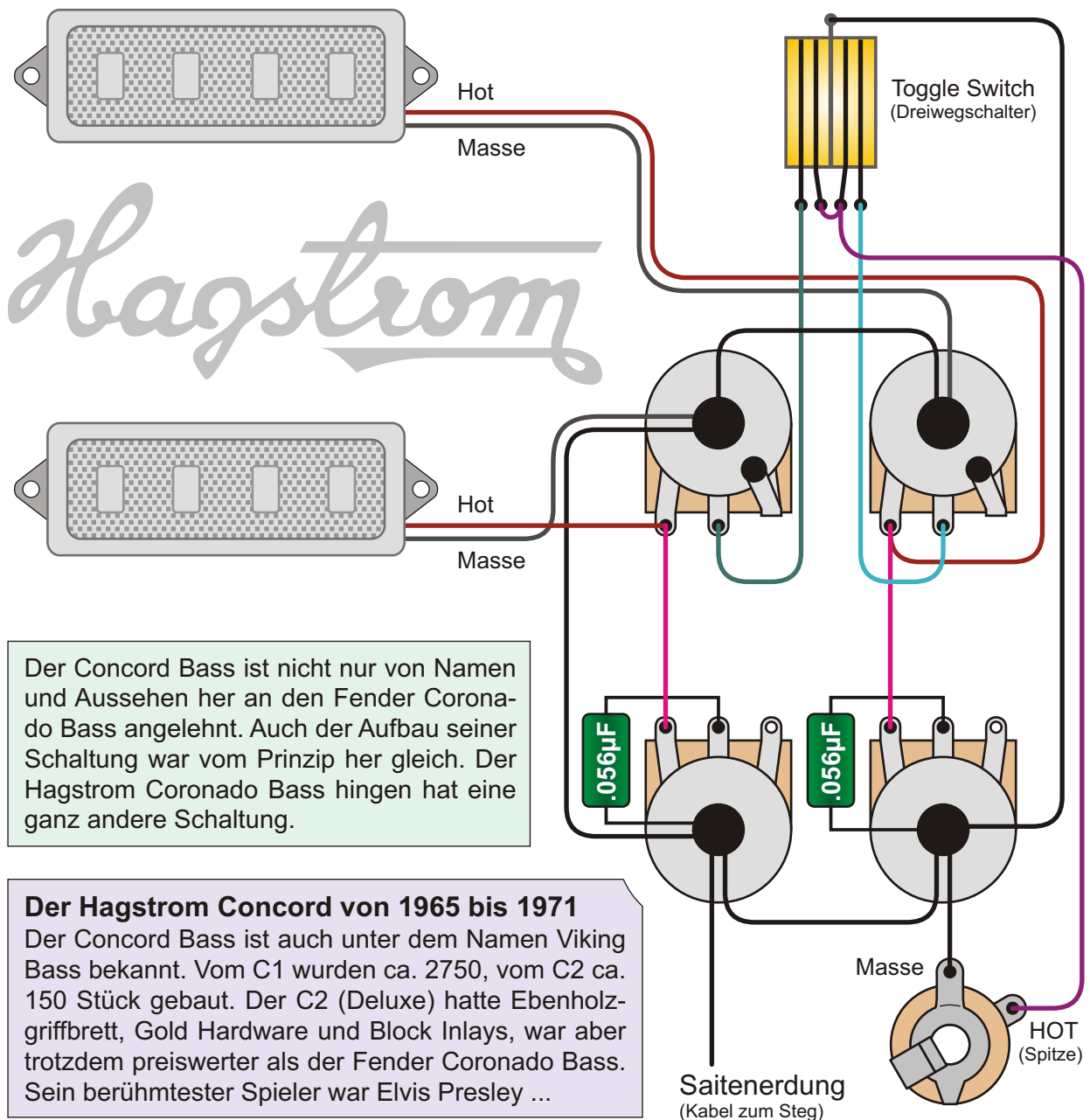
Nummer 1.5.181

Bemerkungen / Besonderheiten

gezeichnet von
Cadfael

gezeichnet am
02.09.17

Seite
191



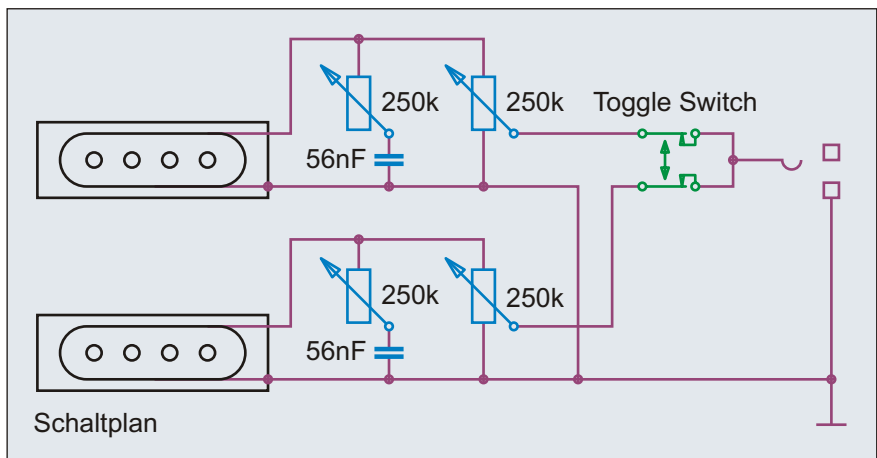
Hagstrom

Der Concord Bass ist nicht nur von Namen und Aussehen her an den Fender Coronado Bass angelehnt. Auch der Aufbau seiner Schaltung war vom Prinzip her gleich. Der Hagstrom Coronado Bass hingegen hat eine ganz andere Schaltung.

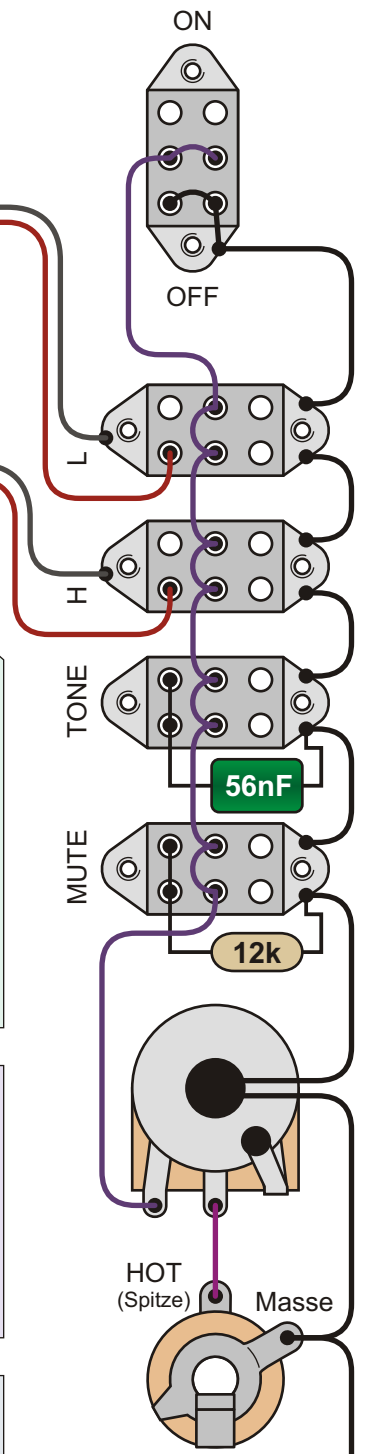
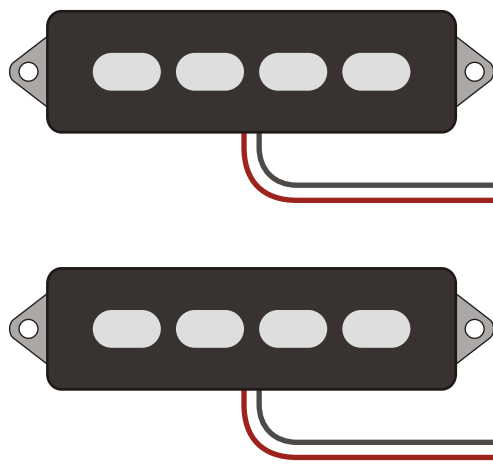
Der Hagstrom Concord von 1965 bis 1971
 Der Concord Bass ist auch unter dem Namen Viking Bass bekannt. Vom C1 wurden ca. 2750, vom C2 ca. 150 Stück gebaut. Der C2 (Deluxe) hatte Ebenholzgriffbrett, Gold Hardware und Block Inlays, war aber trotzdem preiswerter als der Fender Coronado Bass. Sein berühmtester Spieler war Elvis Presley ...

Toggle Switch	
Pos.	aktive Pickups
1	Neck
2	Neck + Bridge par.
3	Bridge

Bauteile	Wert
Neck Volume	250 k lin.
Neck Tone	250 k log.
Bridge Volume	250 k lin.
Bridge Tone	250 k log.
Kondensatoren	56 nF

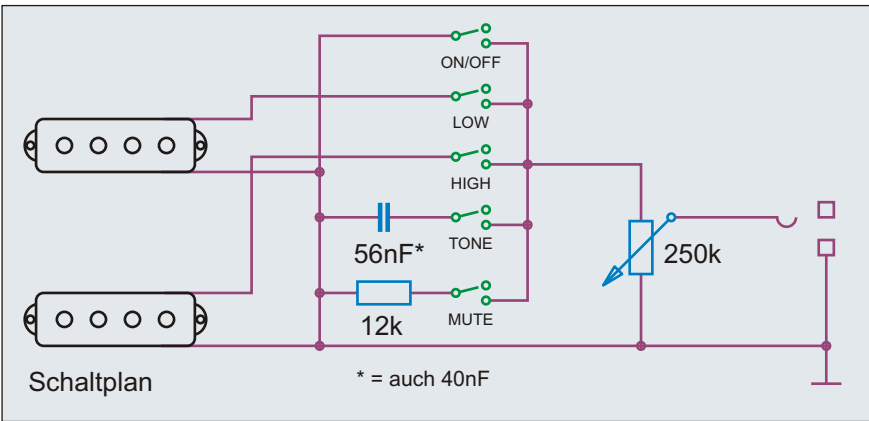


Benennung	Hagstrom Concord Bass 1965 - 1971		Historische Bassschaltungen	Nummer
				1.5.201
Bemerkungen / Besonderheiten	Viking Bass / Concord Bass C1 (1965-71) und C2 De Luxe (1967-68)		gezeichnet von	gezeichnet am
			Cadfael	02.09.17
				Seite
				192



Die Schaltung des Hagstrom H8 Basses tauchte erstmals im Hagstrom "Kent Bass" von 1962 auf. Ein anderer berühmter Vertreter mit dieser Schaltung ist der Hagstrom F-400 Bass. Am oberen Horn des Basses befindet sich ein An/Aus Schalter für die gesamte Basselektronik. Die Klinkenbuchse, ein Lautstärkereger, sowie vier weitere Schiebeschalter befinden sich unten am Bass. Jeder Pickup hat einen eigenen An/Aus Schalter ("L"/"H" bezeichnet). Dazu gibt es noch zwei Klangschrter ("Tone"/"Mute"), die entweder einen Kondensator oder einen Widerstand parallel schalten. Aufgrund der paarweisen Saitenführung sind die Pole Pieces des Pickups oval.

Hagstrom H8 Bass von 1967 bis 1969
 Der Hagstrom H II B Bass oder auch H8 Bass war der weltweit erste serienmäßige achtsaitige Bass. Immerhin wurden von ihm zwischen 1967 und 1969 um 2200 Stück gebaut. Der H8 hatte vier Saitenpaare, die in Oktaven gestimmt waren. Zu den prominenten Spielern des Basses gehören sowohl Jimi Hendrix, als auch Noel Redding oder Mike Rutherford von Genesis.

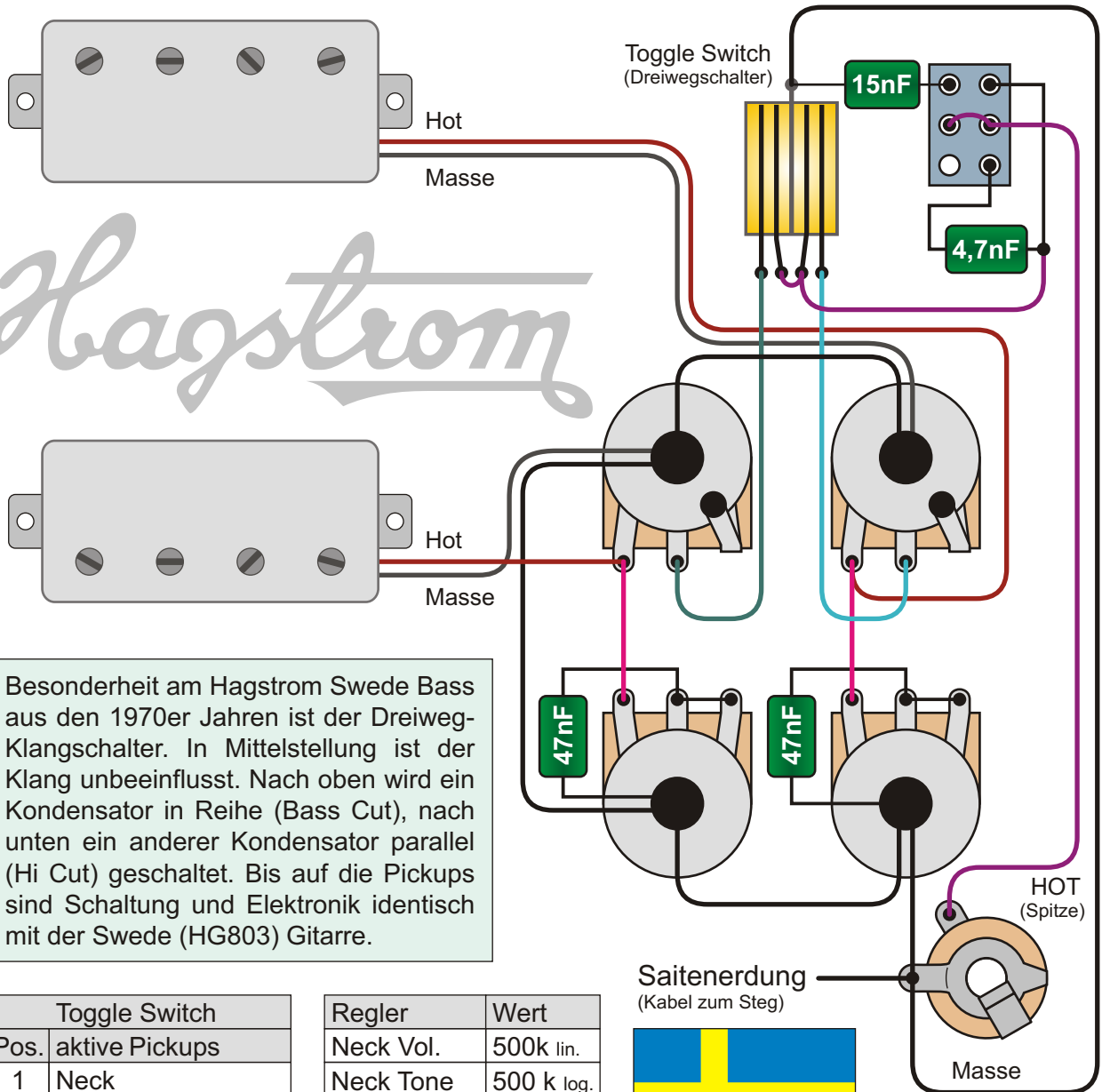


Saitenerdung
 (Kabel zum Steg)

Potis
1x 250k linear (?)
Tone
1x 56 nF Kondensator
1x 12 k Widerstand

Benennung	Hagstrom H8 Bass 1967 - 1969		Historische Bassschaltungen	Nummer	1.5.211
Bemerkungen / Besonderheiten	Erster 8-Saiter Bass der Welt		gezeichnet von	gezeichnet am	Seite
			Cadfael	02.09.17	193

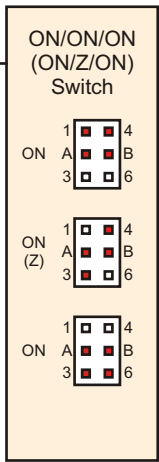
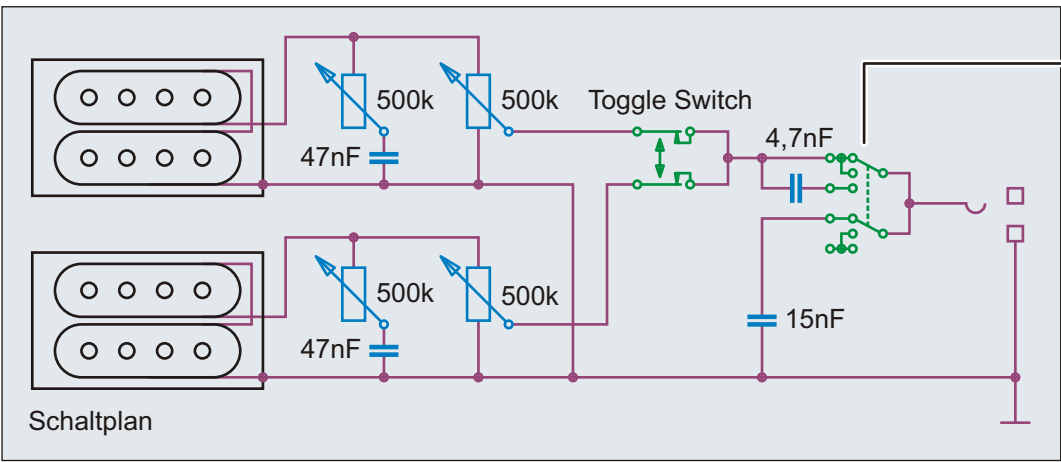
Hagstrom



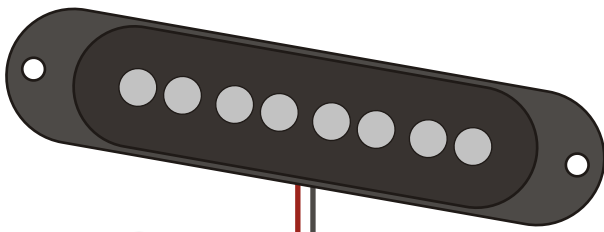
Besonderheit am Hagstrom Swede Bass aus den 1970er Jahren ist der Dreiweg-Klangschalter. In Mittelstellung ist der Klang unbeeinflusst. Nach oben wird ein Kondensator in Reihe (Bass Cut), nach unten ein anderer Kondensator parallel (Hi Cut) geschaltet. Bis auf die Pickups sind Schaltung und Elektronik identisch mit der Swede (HG803) Gitarre.

Toggle Switch	
Pos.	aktive Pickups
1	Neck
2	Neck + Bridge par.
3	Bridge

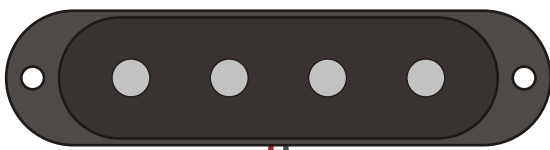
Regler	Wert
Neck Vol.	500k lin.
Neck Tone	500 k log.
Bridge Vol.	500k lin.
Bridge Tone	500 k log.



Benennung	Hagstrom Swede Bass 1971 - 1976	Historische Bassschaltungen	Nummer
Bemerkungen / Besonderheiten	HB903 Swede Bass	gezeichnet von	1.5.221
		gezeichnet am	Seite
		Cadfael	02.09.17 194

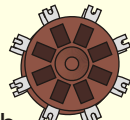


KRNOV



Saitenerdung
(Kabel zum Steg)

Der Drehschalter des Iris Bass hat eigentlich zwei Ebenen mit jeweils vier Kontaktpaaren. Die beiden Pickups gab es auch mit langer Klinge.



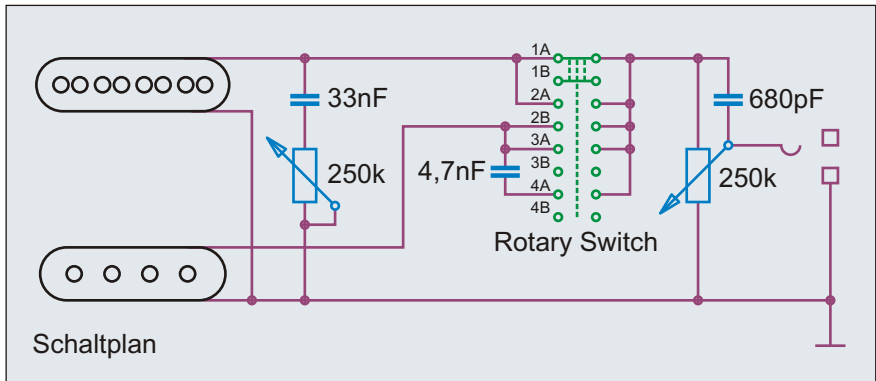
Der Einfachheit halber wurde in der Schaltungsdarstellung ein "normaler Drehschalter" eingesetzt. Der Originalschalter hat hingegen viermal "A" und viermal "B", die dann mit den zugehörigen vier Anschlüssen verbunden werden. Ob die Potis des Originals linear oder logarithmisch sind, ist derzeit nicht bekannt. Allerdings waren Potis in "Ostblock Instrumenten" oft linear.

Der Jolana Iris von 1973

Kaum ein E-Bass aus dem ehemaligen Ostblock schaffte es, auch im Westen Kultstatus zu erlangen. Der in Krnov (heutiges Tschechien) hergestellte Jolana Iris Bass hat es geschafft. Der Short Scale ist ein Hollow Body Bass in Form einer Telecaster Gitarre. Interessant an der Elektronik ist der Vierweg-Drehschalter.

Regler	Wert
Volume	250 k lin. (?)
Neck Tone	250 k lin. (?)

Rotary Switch	
Pos.	aktive Pickups
1	Neck
2	Neck + Br. parallel
3	Bridge
4	Br. + Kondensator

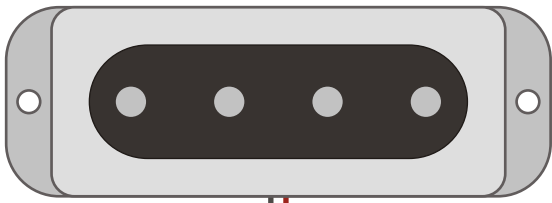
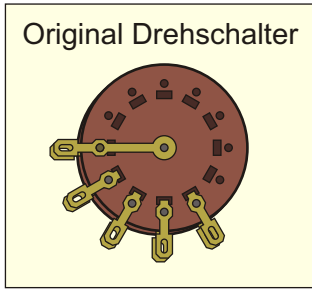
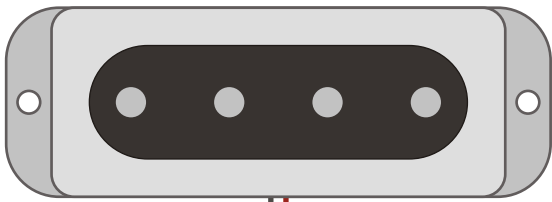


Benennung **Jolana Iris Bass 1973**

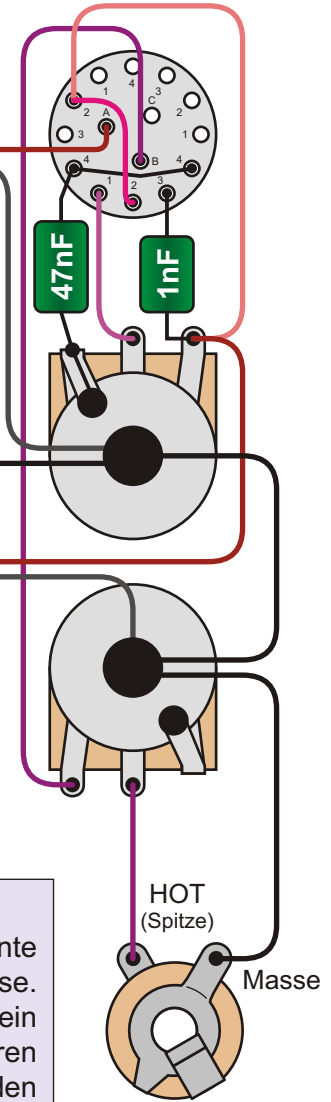
Historische Bassschaltungen Nummer 1.5.301

Bemerkungen / Besonderheiten
Made in CZ

gezeichnet von Cadfael gezeichnet am 02.09.17 Seite 195



Saitenerdung
(Kabel zum Steg)



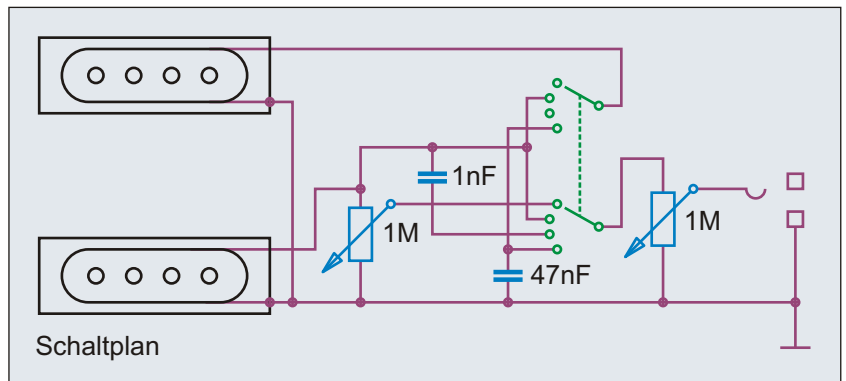
Der Einfachheit halber wurde in der Schaltungsdarstellung ein "normaler Drehschalter" eingesetzt. Der Originalschalter hat hingegen zwei Ebenen mit Schleifer und vier Anschlüssen (siehe oben).

Der Musima Migma Bass

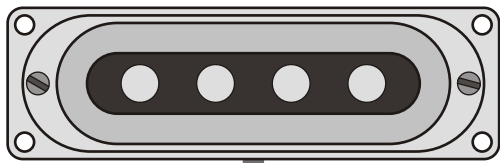
Der Volkseigene Betrieb Musima stellte in der DDR Musikinstrumente her. Darunter waren ab den 1960er Jahren auch E-Gitarren und Bässe. Ein Teil der Produktion blieb in der DDR und "befeundeten Staaten", ein anderer Teil wurde Devisen an den Klassenfeind verkauft. Dort waren die Instrumente meist als preiswerte Einsteigerinstrumente über den Versandhandel erhältlich. Musima Instrumente wurden in Lizenz auch in der Sowjetunion gefertigt, um den dortigen Markt zu bedienen.

Regler	Wert
Master Volume	1 M lin. (?)
Bridge Volume	1 M lin. (?)

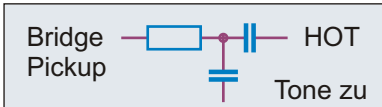
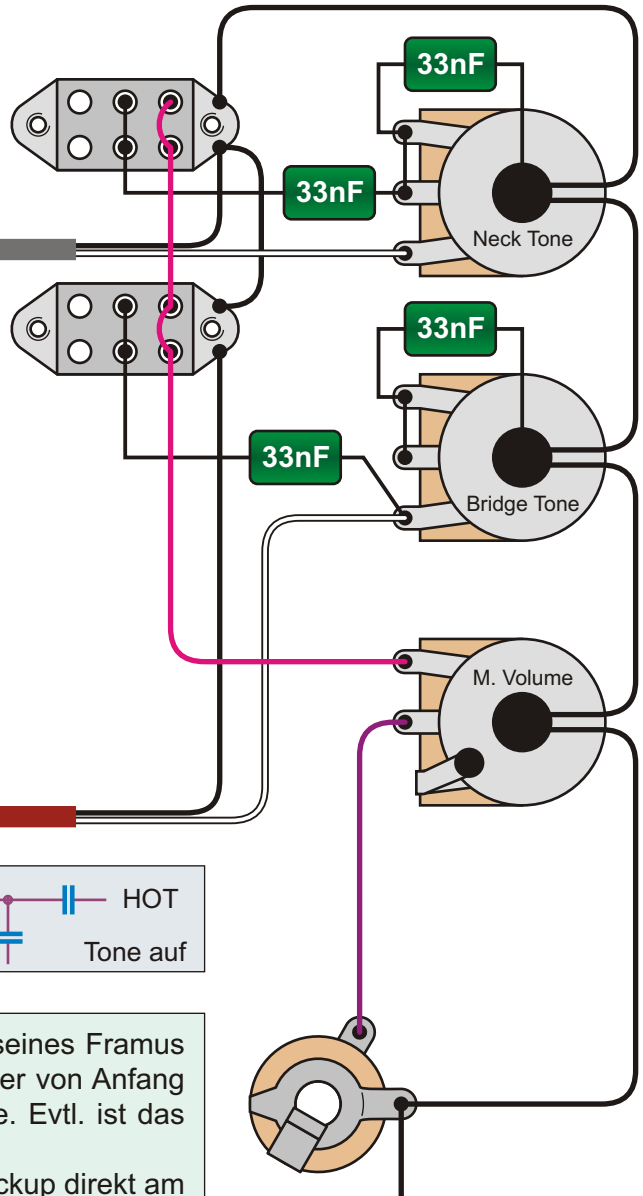
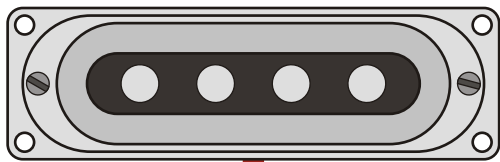
Rotary Switch	
Pos.	aktive Pickups
1	R Bridge
2	S Neck + Br. parallel
3	B Br. + Kondensator
4	SH Neck + Kondensator



Benennung Musima Migma Bass	Historische Bassschaltungen		Nummer 1.5.351
	gezeichnet von Cadfael	gezeichnet am 02.09.17	Seite 196
Bemerkungen / Besonderheiten Made in GDR			

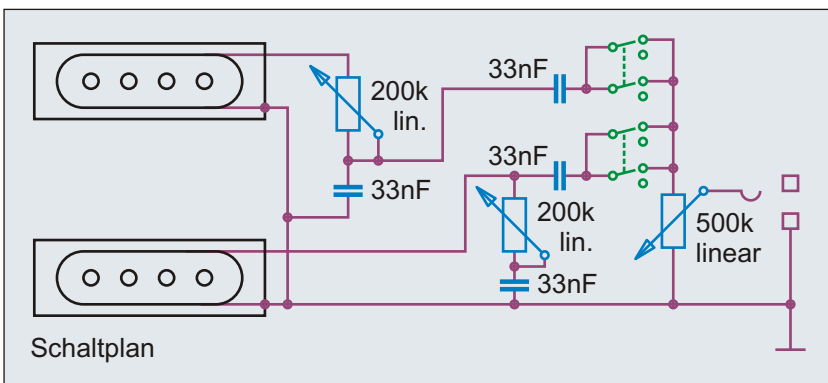


Framus®



Rolf P. sandte mir freundlicherweise Fotos seines Framus 5/165-50/52 Strato de Luxe Star Bass zu, der von Anfang bis Mitte der 1960er Jahre produziert wurde. Evtl. ist das auch die Schaltung früher 5/150 Star Bässe.
Der 33nF Kondensator des Bridge Bridge Pickup direkt am Schalter schneidet die Bässe etwas ab. Beim Neck Pickup wird der Widerstand beider Kondensatoren (serieller und paralleler Kondensator) seriell zugeblendet.

Saitenerdung
(Kabel zur Saitenhalterung)



Schalter	Pickups
	Neck + Bridge Pickup parallel
	Neck Pickup
	Bridge Pickup
	aus

Benennung **5/165-50/52 Strato de Luxe Star Bass**

Historische Bassschaltungen

Nummer 1.5.411

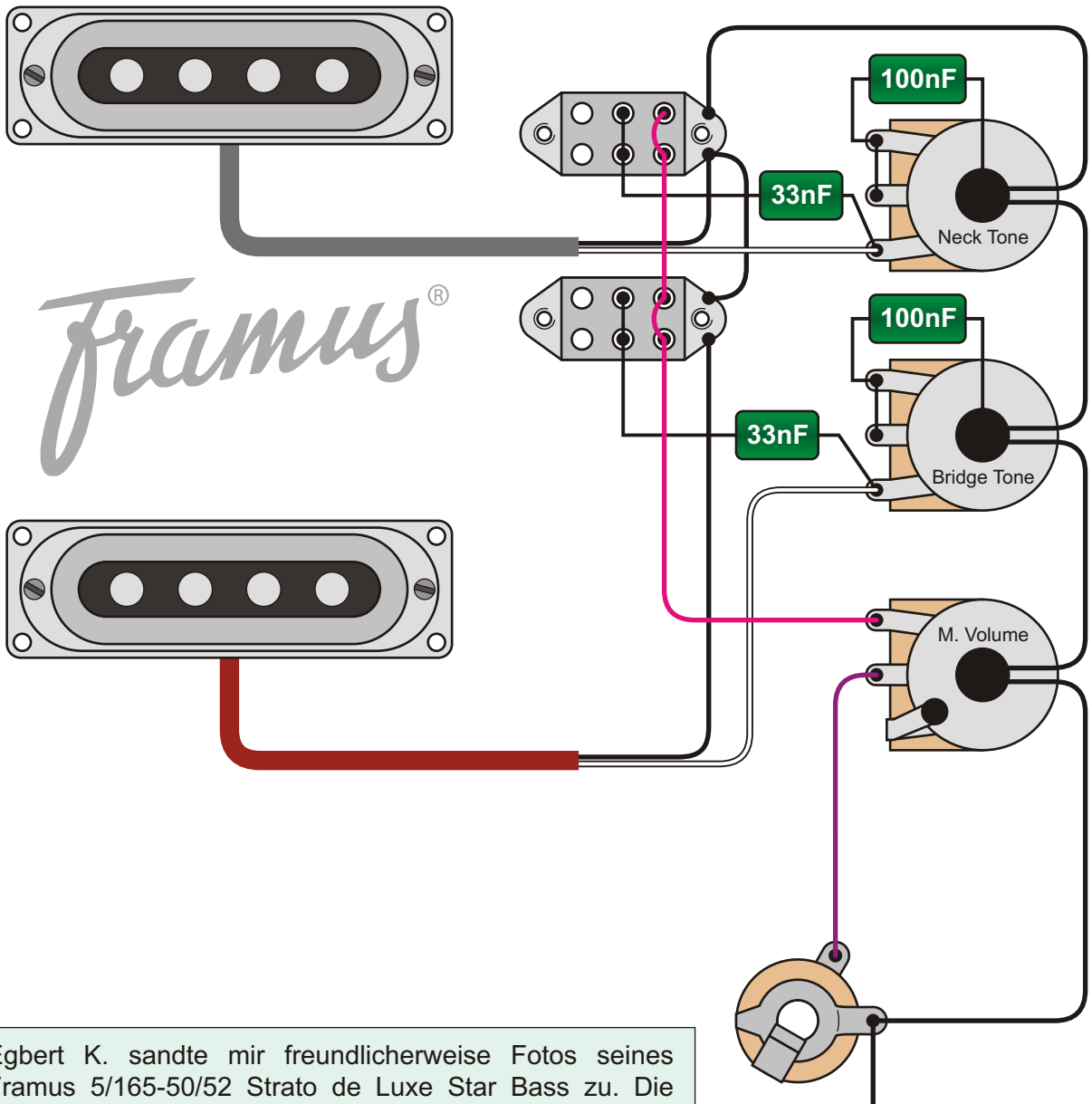
Bemerkungen / Besonderheiten

5/165-50/52 Strato de Luxe Star Bass 1963, evtl. auch frühe 5/150

gezeichnet von Cadfael

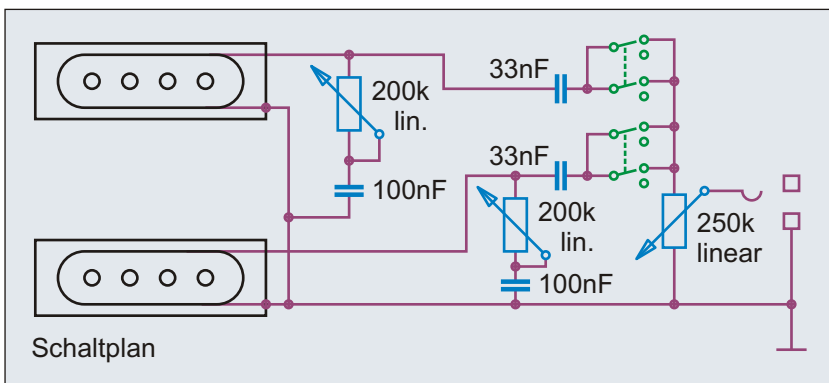
gezeichnet am 02.09.17

Seite 197



Egbert K. sandte mir freundlicherweise Fotos seines Framus 5/165-50/52 Strato de Luxe Star Bass zu. Die Werte der Tone Poti Kondensatoren und des Volume Potis weichen von der vorherigen Schaltung ab. zudem sind bei seinem Bass beide Tone Potis gleich verkabelt.

Saitenerdung
(Kabel zur Saitenhalterung)



Schalter	Pickups
	Neck + Bridge Pickup parallel
	Neck Pickup
	Bridge Pickup
	aus

Benennung **5/165-50/52 Strato de Luxe Star Bass**

Historische Bassschaltungen

Nummer 1.5.412

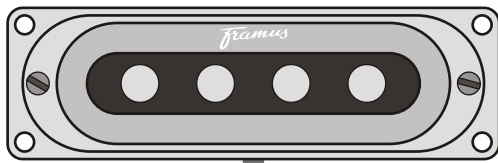
Bemerkungen / Besonderheiten

5/165-50/52 Strato de Luxe Star Bass 1963, evtl. auch frühe 5/150

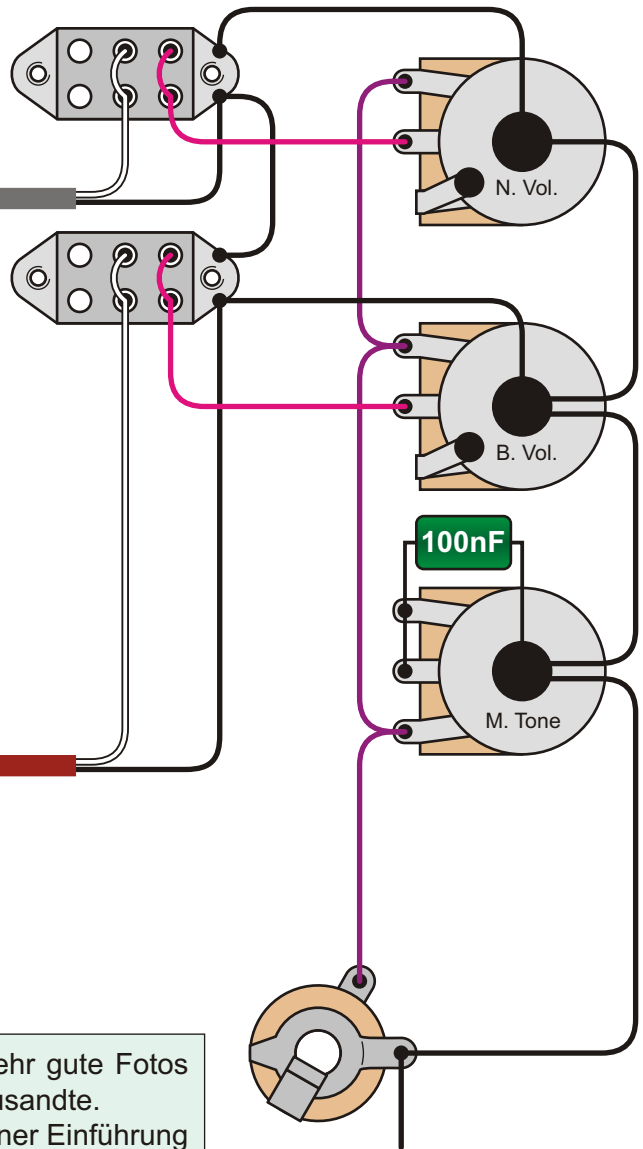
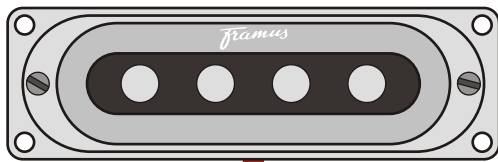
gezeichnet von
Cadfael

gezeichnet am
29.08.18

Seite
198

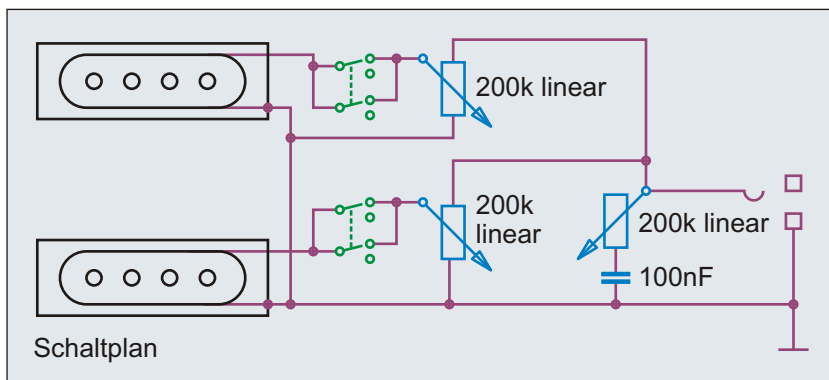


Framus®



Saitenerdung
(Kabel zur Saitenhalterung)

Auch hier gilt mein Dank Rolf P., der mir sehr gute Fotos seines Framus 5/150 Star Bass von 1966 zusandte. Den Framus 5/150 Star Bass gab es seit seiner Einführung 1958 in den unterschiedlichsten Formen, Schaltungen und Pickup Kombinationen. Die gezeigten Kondensator- und Poti-Werte entsprechen Modellen von 1966/1967.



Schaltplan

Schalter	Pickups
	Neck + Bridge Pickup parallel
	Neck Pickup
	Bridge Pickup
	aus

Benennung **Framus 5/150 Star Bass 1966**

Historische Bassschaltungen

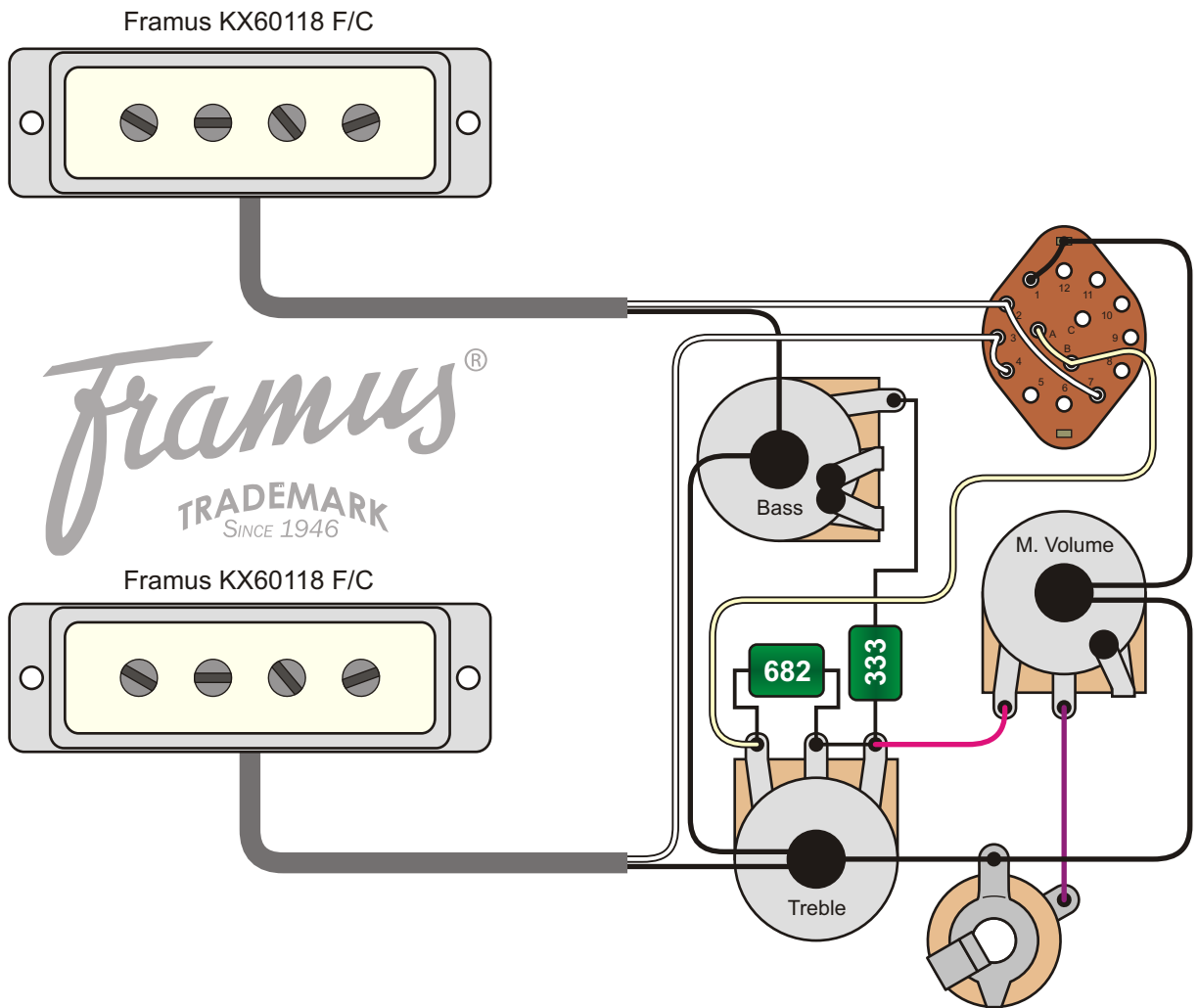
Nummer 1.5.421

Bemerkungen / Besonderheiten
sowie 5/151 T.V. Bass

gezeichnet von
Cadfael

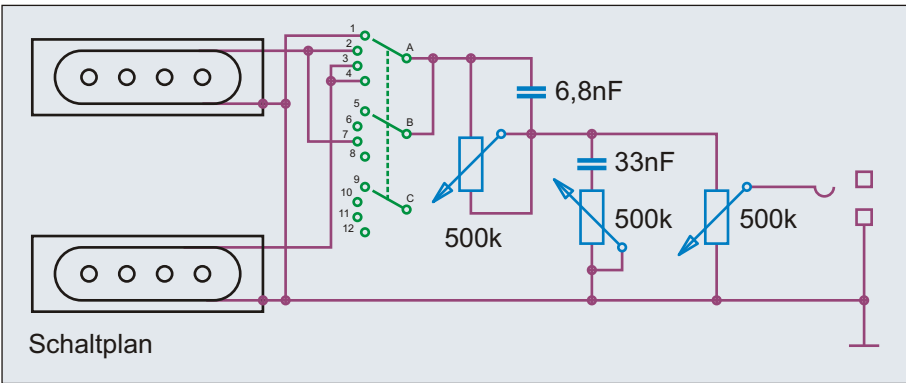
gezeichnet am
02.09.17

Seite
199



Framus
TRADEMARK
SINCE 1946

Die Schaltung des Star Bass aus dem 21. Jahrhundert hat zwar nichts mit der Schaltung von 1967 zu tun, ist aber trotzdem eine typische Framus Schaltung. Das betrifft sowohl den 4-Weg-Drehschalter mit Kill-Funktion, als auch Master Volume, Höhen- und Bassblende.



Drehschalter 3x4	
Pos.	aktive Pickups
0	Kill
I	Neck
I + II	Neck + Bridge
II	Bridge

Benennung **Framus Vintage 5/150 Star Bass 2012**

Historische Bassschaltungen

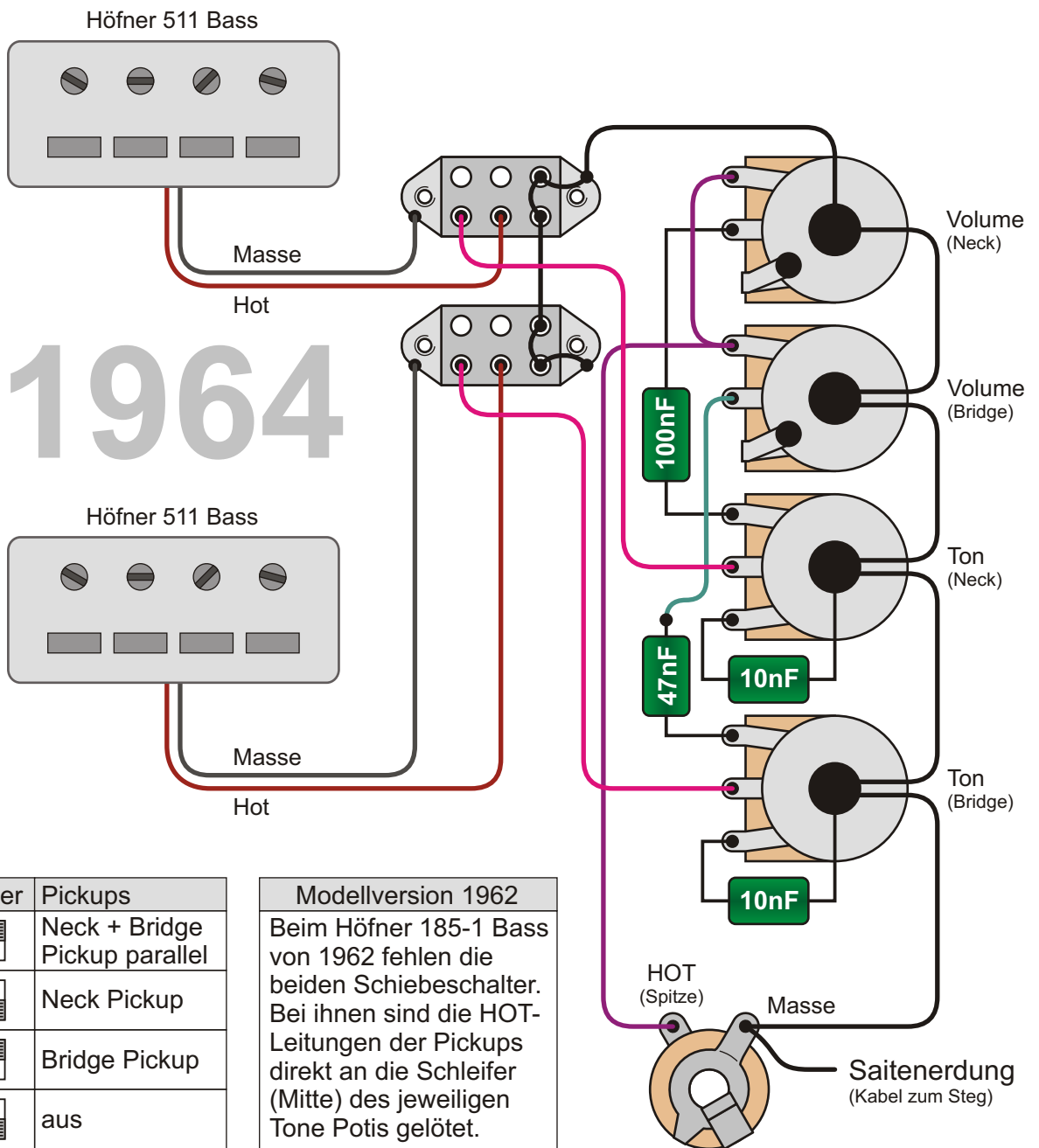
Nummer 1.5.441

Bemerkungen / Besonderheiten
Framus Vintage Bill Wyman Star Bass

gezeichnet von
Cadfael

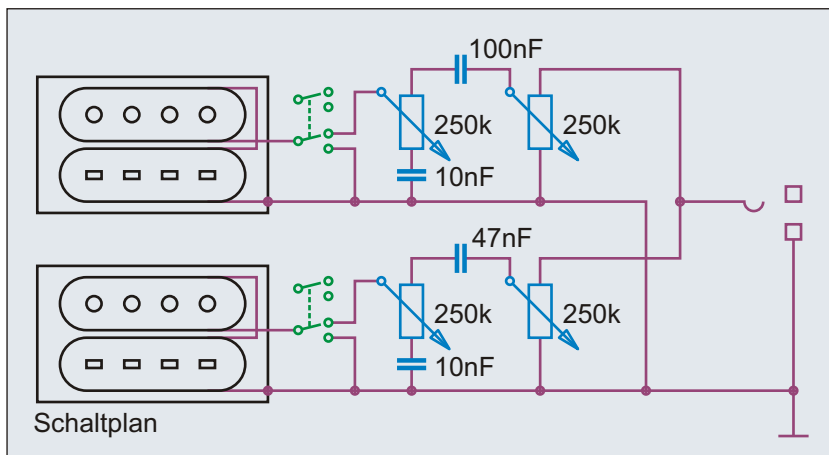
gezeichnet am
02.09.17

Seite
200



Schalter	Pickups
	Neck + Bridge Pickup parallel
	Neck Pickup
	Bridge Pickup
	aus

Modellversion 1962
 Beim Höfner 185-1 Bass von 1962 fehlen die beiden Schiebeschalter. Bei ihnen sind die HOT-Leitungen der Pickups direkt an die Schleifer (Mitte) des jeweiligen Tone Potis gelötet.



Regler	Wert
Neck Volume	250 k lin.
Neck Tone	250 k lin.
Bridge Volume	250 k lin.
Bridge Tone	250 k lin.

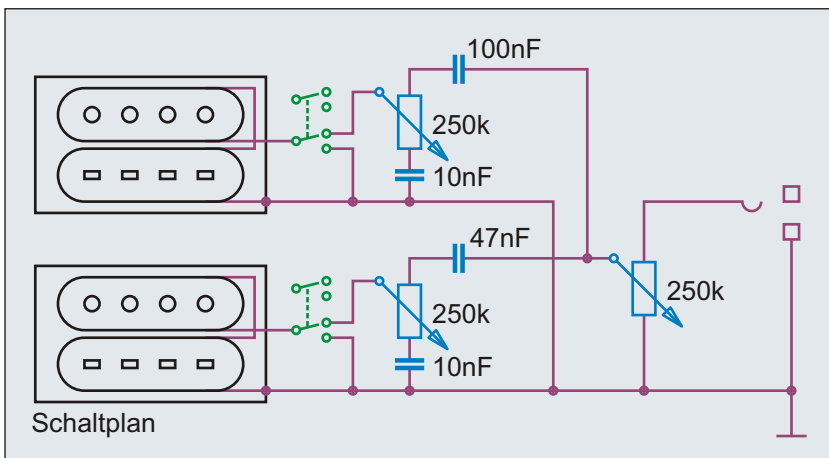
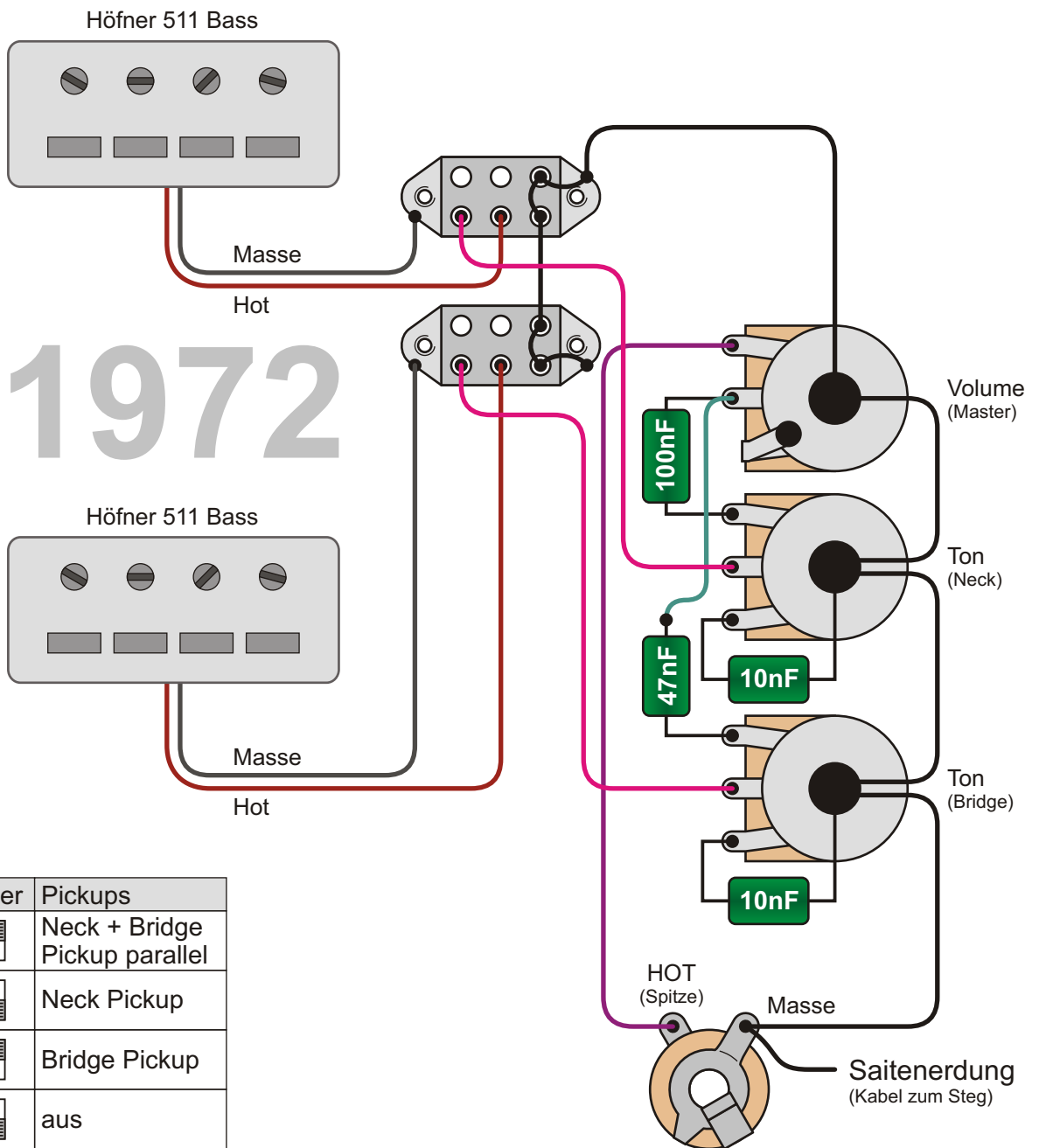
Potis
4x 250k linear
Kondensatoren:
2x 10 nF
1x 47 nF
1x 100 nF

Benennung **Höfner 185 Bass 1964 (und 1962)**

Historische Bassschaltungen Nummer 1.5.511

Bemerkungen / Besonderheiten
 Höfner 185 Bass von 1964 (und 185-1 Bass von 1962)

gezeichnet von **Cadfael** gezeichnet am **02.09.17** Seite **201**



Regler	Wert
Master Volume	250 k lin.
Neck Tone	250 k lin.
Bridge Tone	250 k lin.

Potis
3x 250k linear
Kondensatoren:
2x 10 nF
1x 47 nF
1x 100 nF

Benennung **Höfner 185-3 Bass 1972**

Historische Bassschaltungen

Nummer 1.5.514

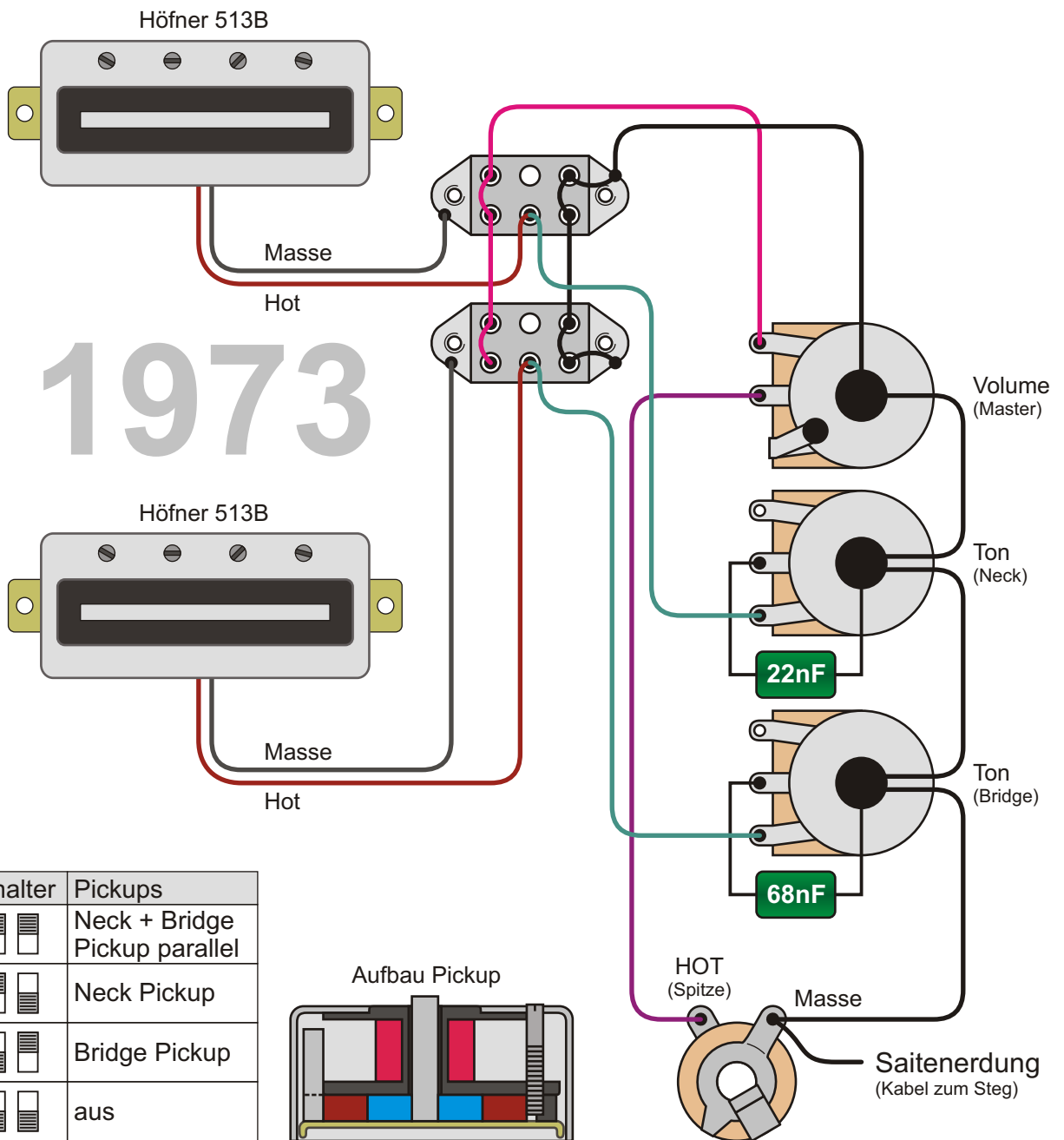
Bemerkungen / Besonderheiten

Höfner 185-3 Bass von 1972

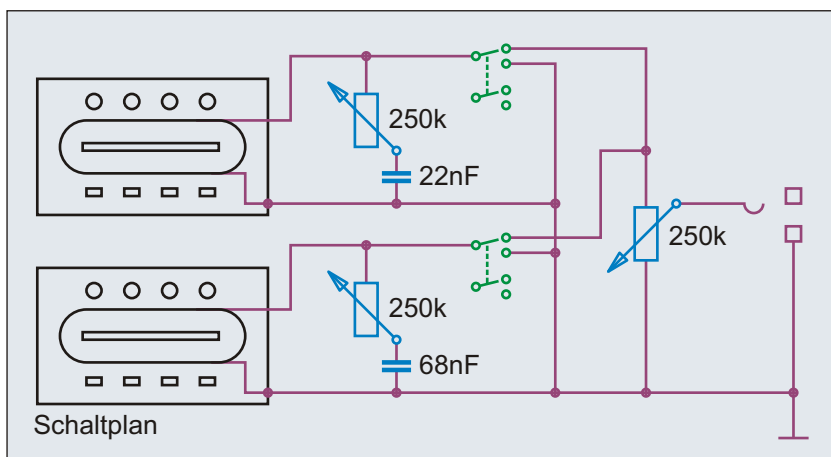
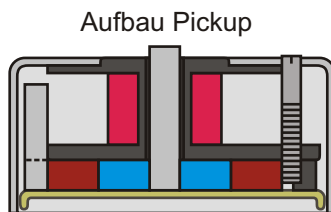
gezeichnet von Cadfael

gezeichnet am 02.09.17

Seite 202



Schalter	Pickups
	Neck + Bridge Pickup parallel
	Neck Pickup
	Bridge Pickup
	aus



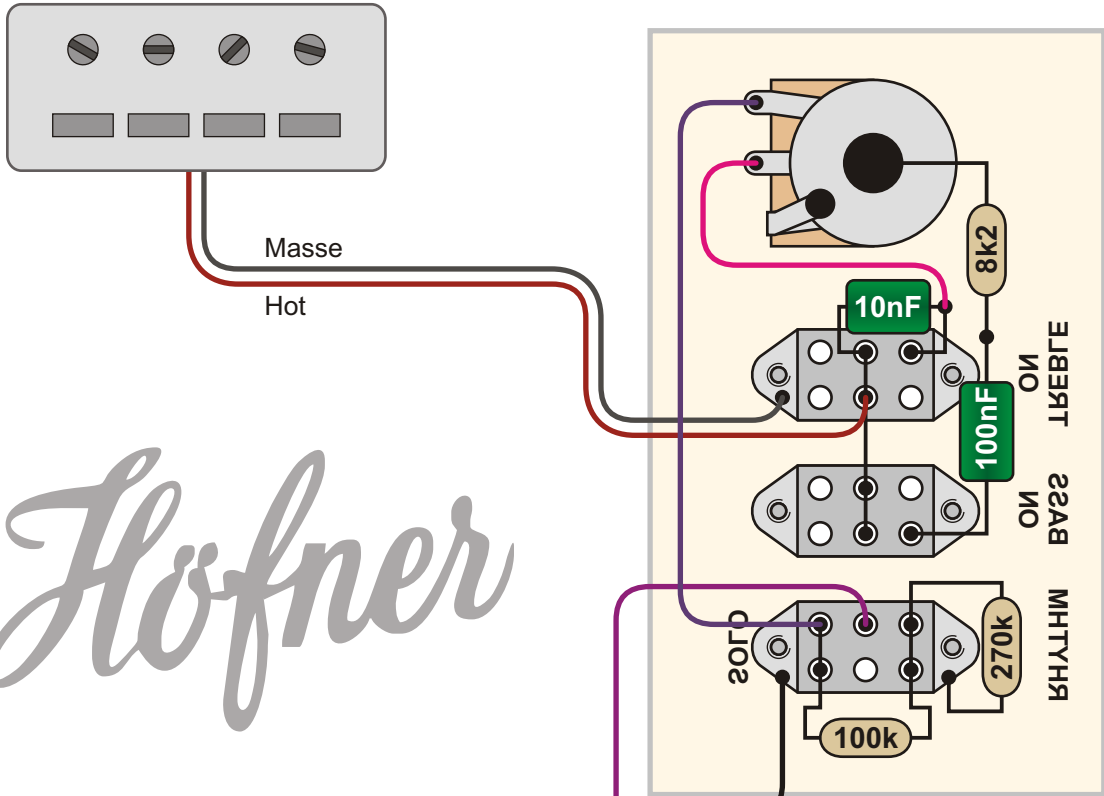
Regler	Wert
Master Volume	250 k lin.
Neck Tone	250 k log.
Bridge Tone	250 k log.

Potis
1x 250k linear
2x 250k logarithmisch
Kondensatoren:
1x 22 nF
1x 68 nF

Benennung Höfner MP 185 Bass 1973	Historische Bassschaltungen		Nummer 1.5.517
	gezeichnet von Cadfael	gezeichnet am 02.09.17	Seite 203
Bemerkungen / Besonderheiten Höfner MP 185 Bass von 1973			

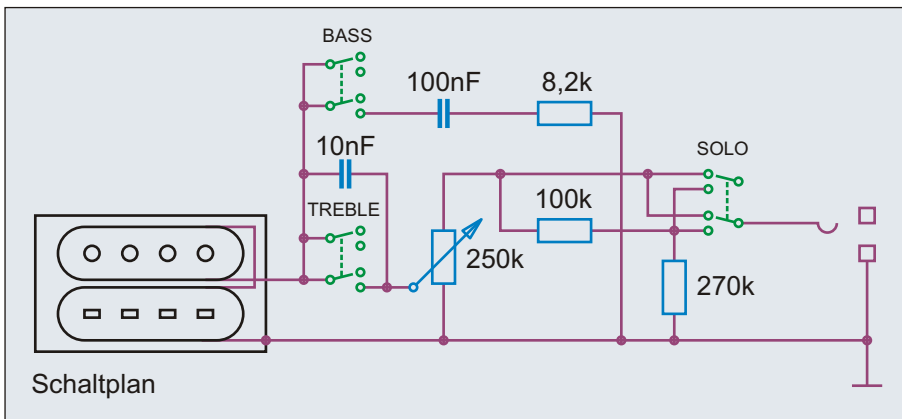
Höfner 511 Bass

Höfner



Schaltergehäuse und Potis über Bodenplatte mit Masse verbunden

Steht der **Rhythm/Solo** Schalter auf Rhythm, simulieren die beiden Widerstände ein zu 70% offenes Volume Poti. Beim Schalter **Treble** wird ein 10nF Kondensator seriell geschaltet, was die Bässe dämpft. Beim Schalter **Bass** hingegen werden ein 100nF Kondensator und ein 8,2k Ohm Widerstand parallel geschaltet, was die Höhen dämpft.



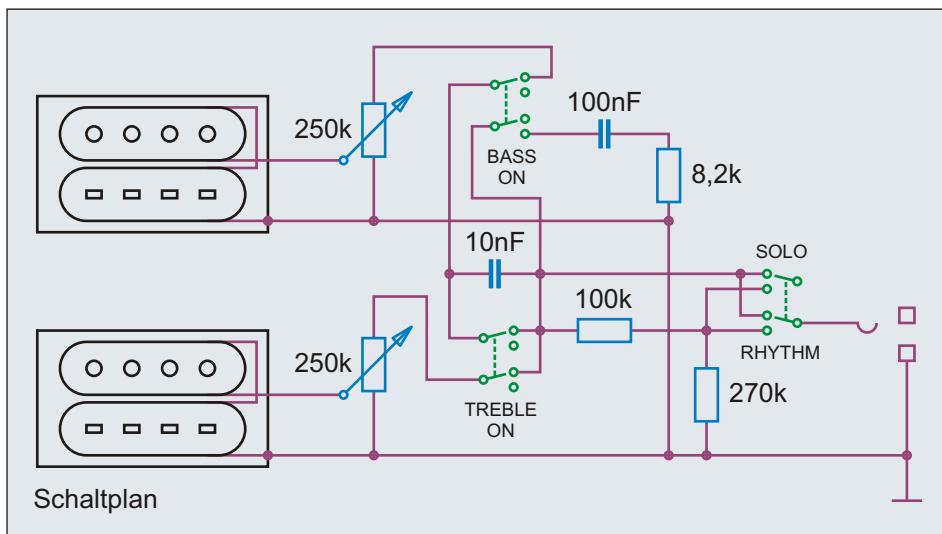
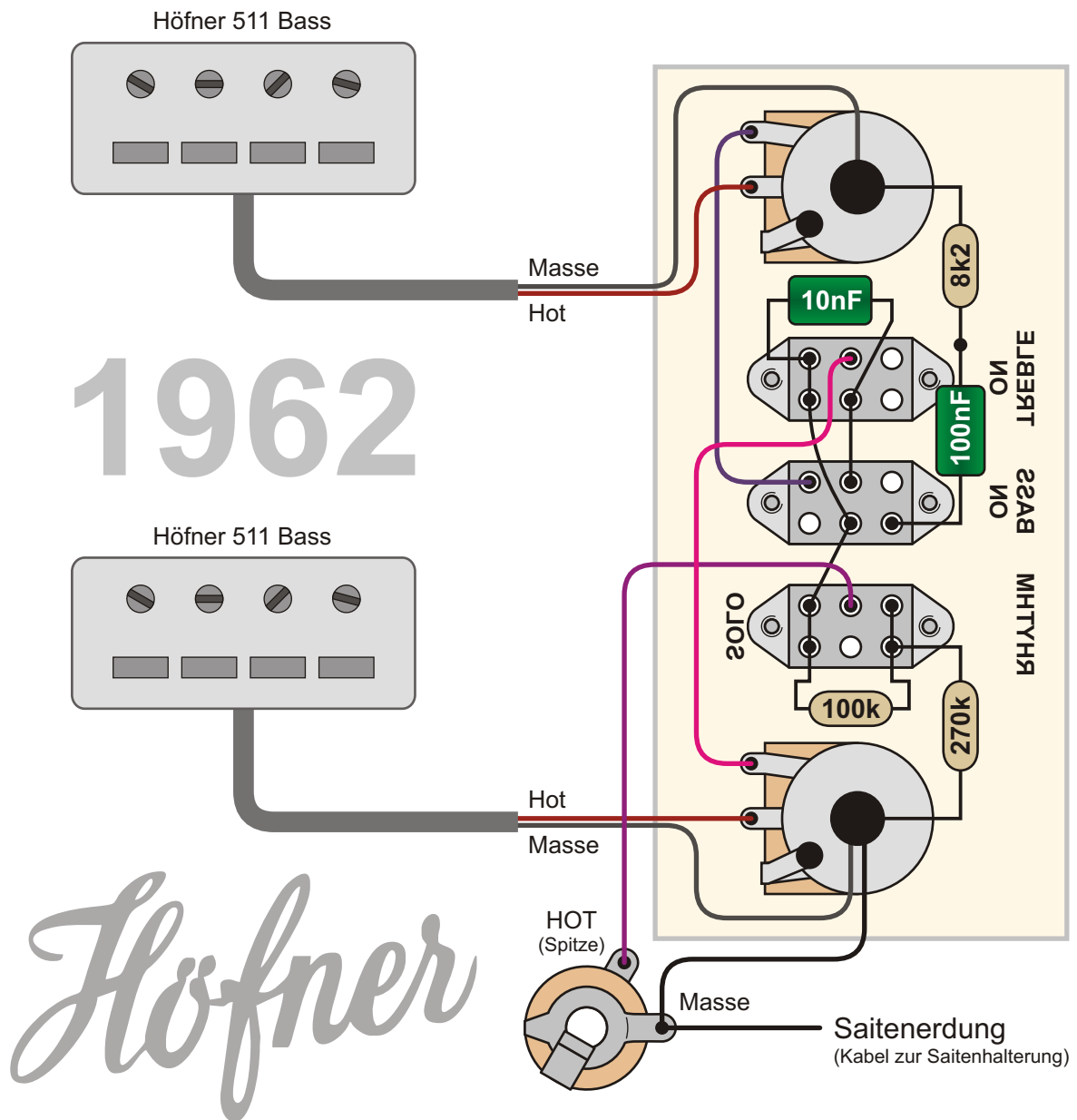
Potis
1x 250 k linear
Kondensatoren:
1x 4,7 nF
1x 47 nF
Kondensatoren:
1x 8,2 k
1x 100 k
1x 270 k

Benennung **Höfner E1 Schaltung**

Historische Bassschaltungen Nummer 1.5.521

Bemerkungen / Besonderheiten

gezeichnet von **Cadfael** gezeichnet am **02.09.17** Seite **204**



Potis
2x 250 k linear
Kondensatoren:
1x 10 nF / 12 V
1x 100 nF / 12 V
Widerstände:
1x 8,2 k / 0,33 W
1x 100 k / 0,33 W
1x 270 k / 0,33 W

Benennung **Höfner E2 500/1 Bass**

Historische
Bassschaltungen

Nummer
1.5.531

Bemerkungen / Besonderheiten

sowie Höfner 500/2, 500/5, 5000/1, 182

gezeichnet von

Cadfael

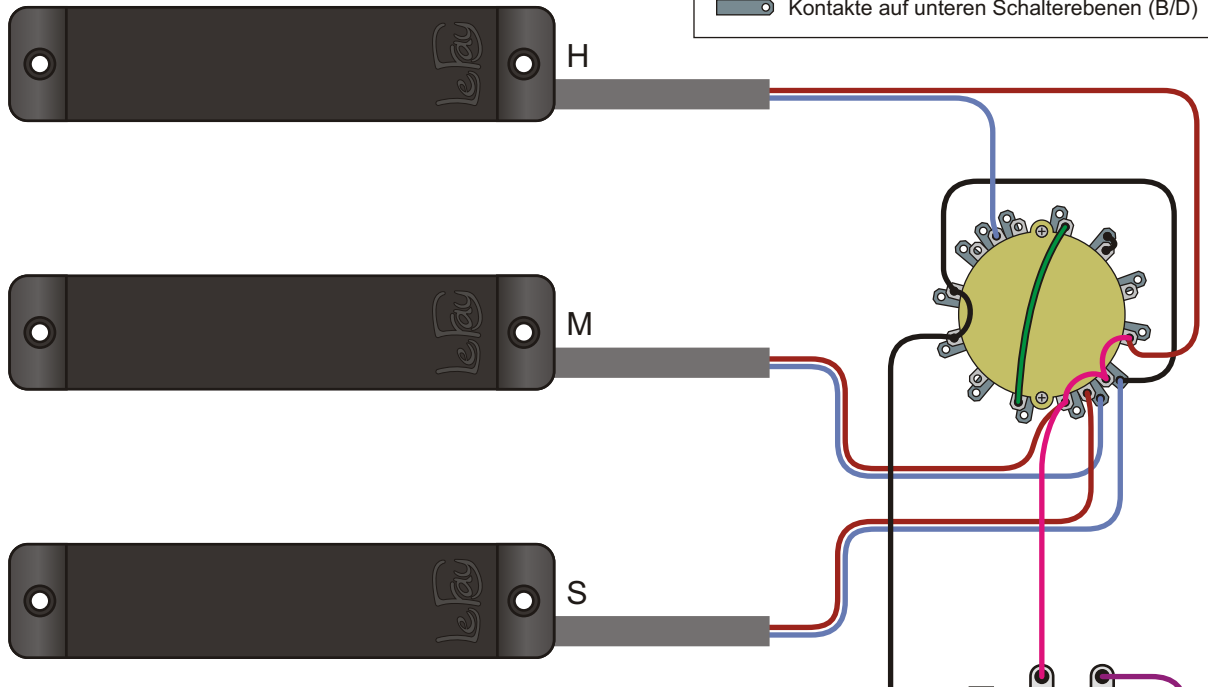
gezeichnet am

02.09.17

Seite

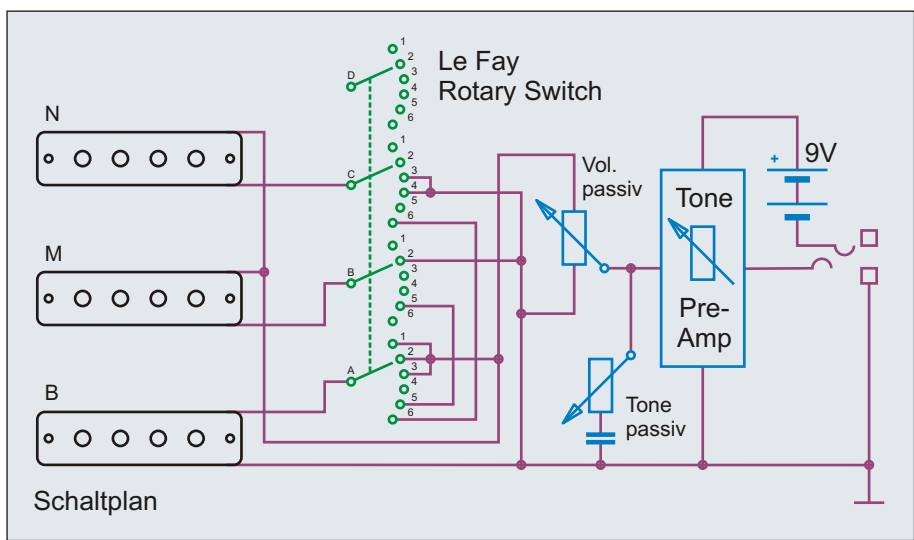
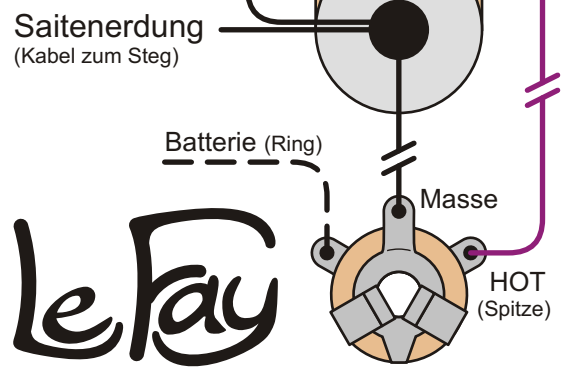
205

Kontakte auf oberen Schalterebenen (A/C)
 Kontakte auf unteren Schalterebenen (B/D)

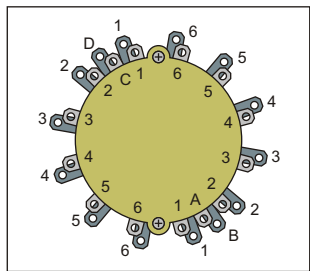


Vermutlich ist der Steg-Pickup "reverse" zu den anderen beiden Pickups gewickelt.

Hier die sehr vereinfachte Darstellung einer Le Fay "3 Pickup Schaltung". In dieser Zeichnung wurden die passive Tonreglung, die aktive Tonreglung sowie der aktiv/passiv Schalter weggelassen. Hauptaugenmerk liegt hier auf dem Rotary Switch mit sechs Positionen und vier Ebenen. Mit diesem Schalter lassen sich auch unzählige andere Schaltungen aufbauen.

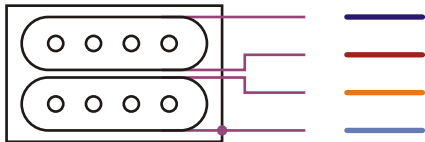
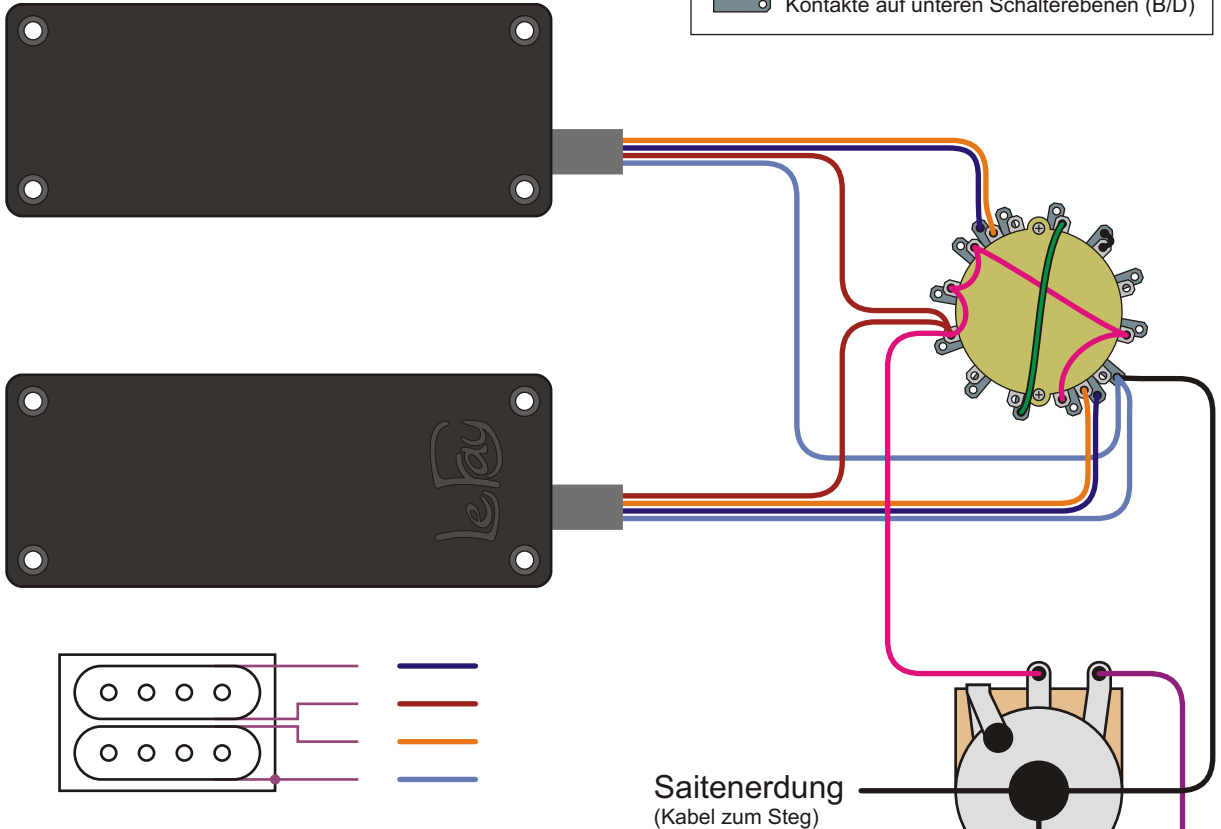


Pos.	PUs	Art
1	B	
2	B + M	parallel
3	B + N	parallel
4	N	
5	B + M	seriell
6	B + N	seriell

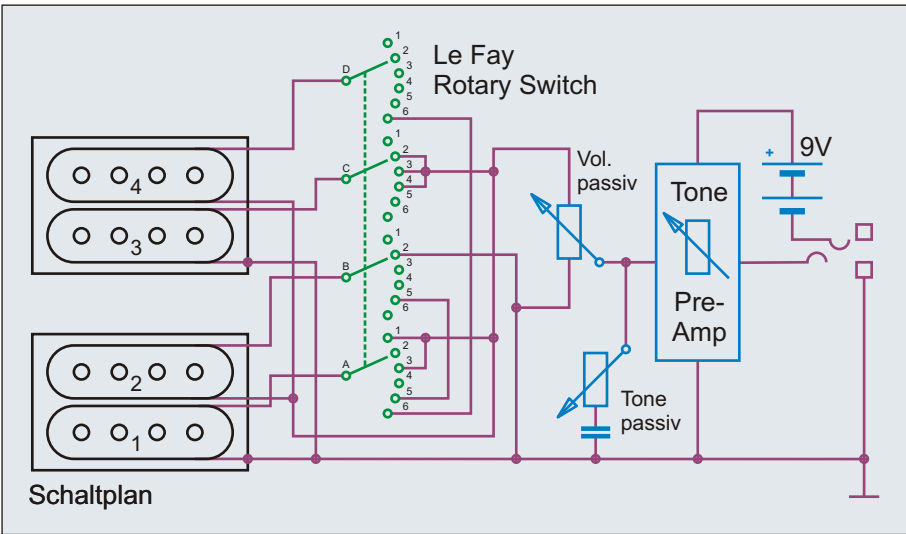
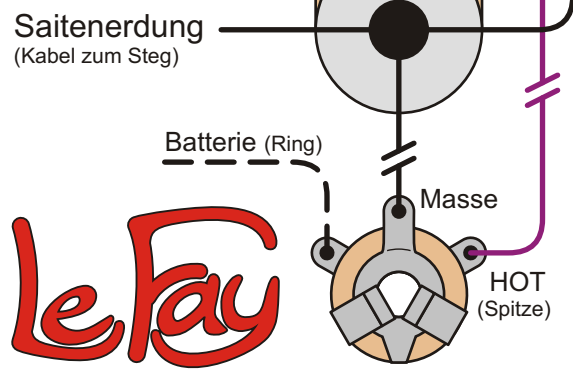


Benennung Le Fay 3A Rotary Switch	Historische Bassschaltungen		Nummer 1.5.611
	gezeichnet von Cadfael	gezeichnet am 02.09.17	Seite 206
Bemerkungen / Besonderheiten 4x6 Rotary Switch (ohne restliche Elektronik)			

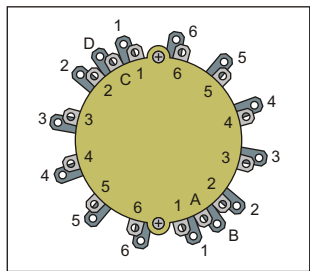
- Kontakte auf oberen Schalterebenen (A/C)
- Kontakte auf unteren Schalterebenen (B/D)



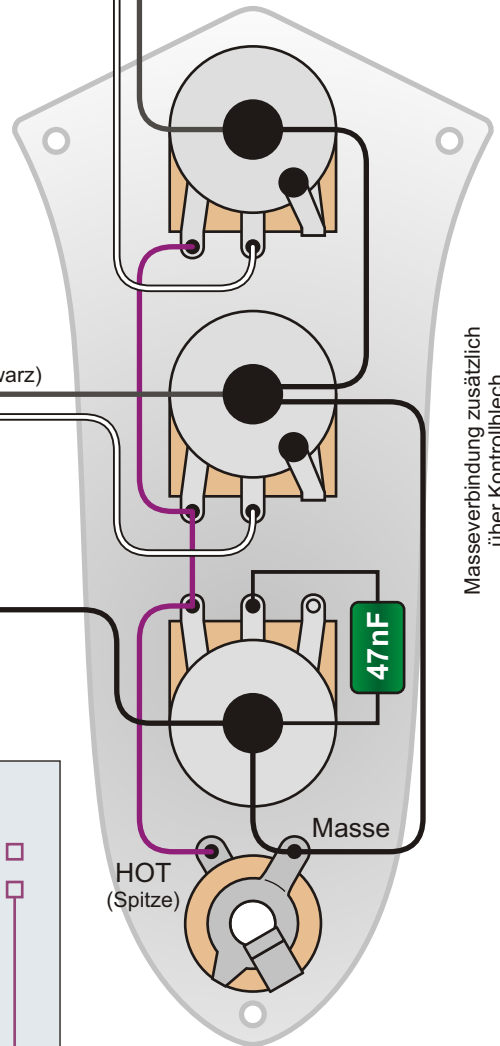
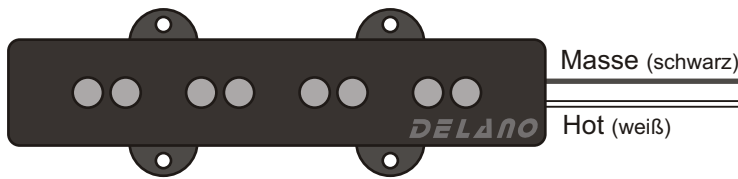
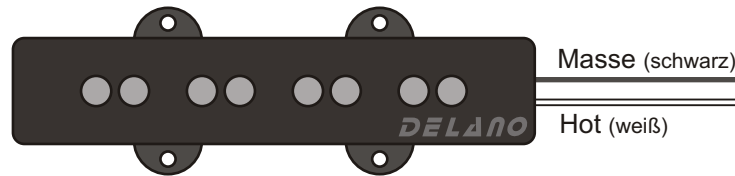
Hier die sehr vereinfachte Darstellung einer Le Fay "4 Pickup Schaltung". In dieser Zeichnung wurden die passive Tonreglung, die aktive Tonreglung sowie der aktiv/passiv Schalter weggelassen. Hauptaugenmerk liegt hier auf dem Rotary Switch mit sechs Positionen und vier Ebenen. Mit diesem Schalter lassen sich auch unzählige andere Schaltungen aufbauen.



Pos.	PUs	Art
1	1	
2	2 + 3	parallel
3	1 + 3	parallel
4	3	
5	1 + 2	seriell
6	1 + 4	seriell

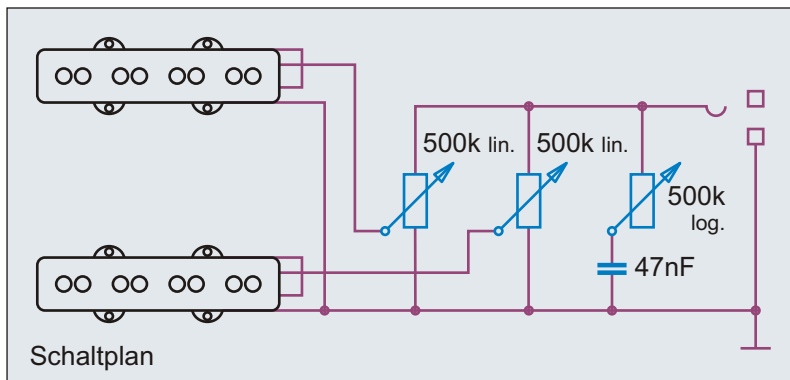


Benennung Le Fay 4A Rotary Switch		Historische Bassschaltungen	Nummer 1.5.621	
Bemerkungen / Besonderheiten 4x6 Rotary Switch (ohne restliche Elektronik)		vermutliche Schaltung!	gezeichnet von Cadfael	gezeichnet am 02.09.17
			Seite 207	



Regler	Wert
Neck Volume	500 k log.
Bridge Volume	500 k log.
Master Tone	500 k log.

Saitenerdung
(Kabel zum Steg)

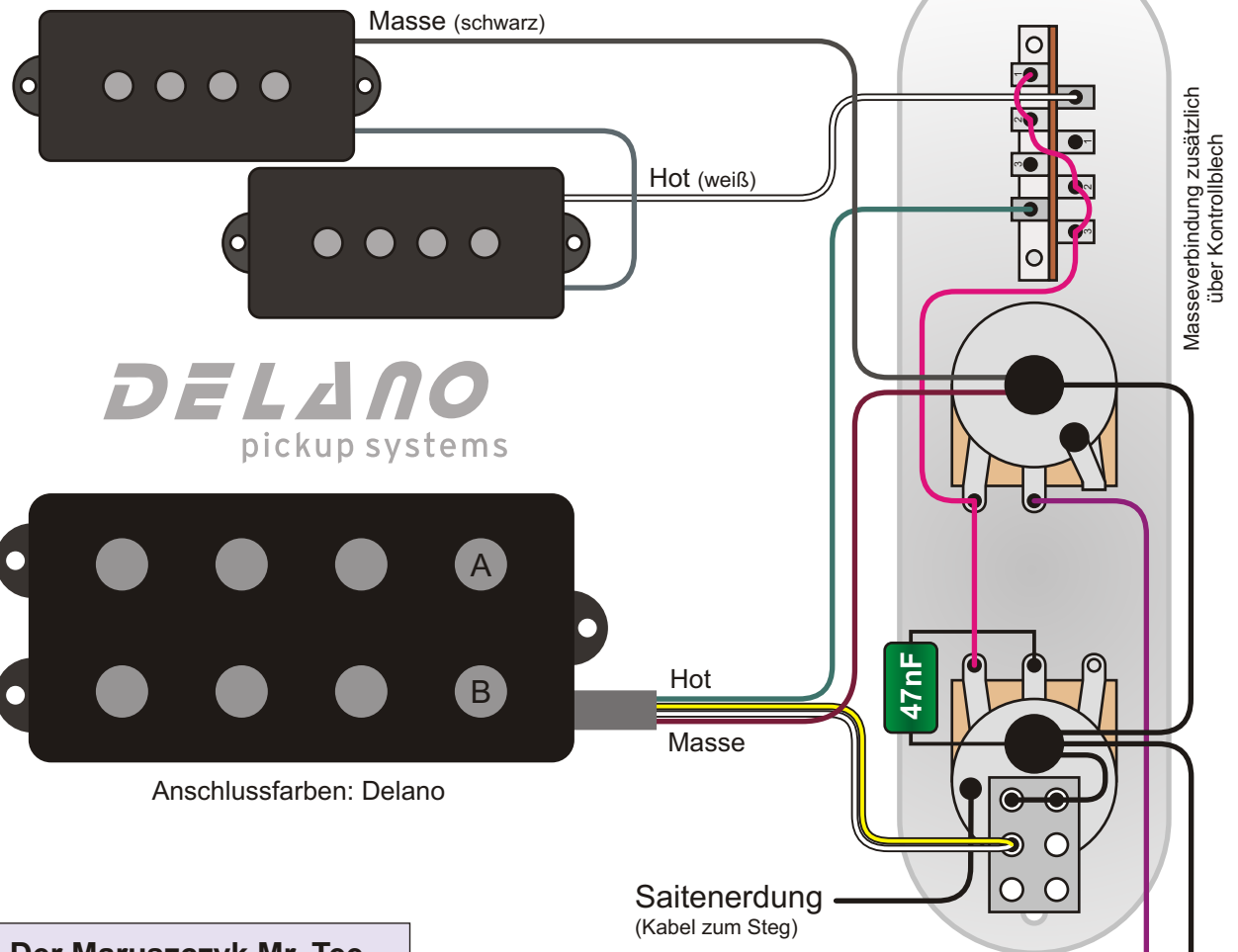


Die Delano JC4 AL/M2 Pickups sind Split Coil Humbucker im Jazz Bass Format. Es werden allerdings nur zwei Anschlusskabel nach draußen geführt. Eine Parallelschaltung der Spulen würde allerdings wegen des Output-Verlustes auch wenig Sinn machen.

Der Maruszczyk Elwood Bass

Unter dem Label Maruszczyk werden vom Linken Niederrhein aus hochwertige Bässe aus polnischer Produktion verkauft. Die "Elwood" Bässe sind moderne Interpretationen des Jazz Bass - mit Nullbund, angeschrägter Kopfplatte und vielen weiteren Unterschieden im Detail. Der Käufer kann sich auf Wunsch seinen individuellen Bass zusammenstellen. Das betrifft sowohl Pickups, Elektronik, Hardware, als auch Holz Auswahl und Lackierung.

Benennung Maruszczyk Elwood Bass 2010	Historische Bassschaltungen		Nummer 1.5.651
	gezeichnet von Cadfael	gezeichnet am 02.09.17	Seite 208
Bemerkungen / Besonderheiten mit Delano JC4 AL/M2 Pickups			



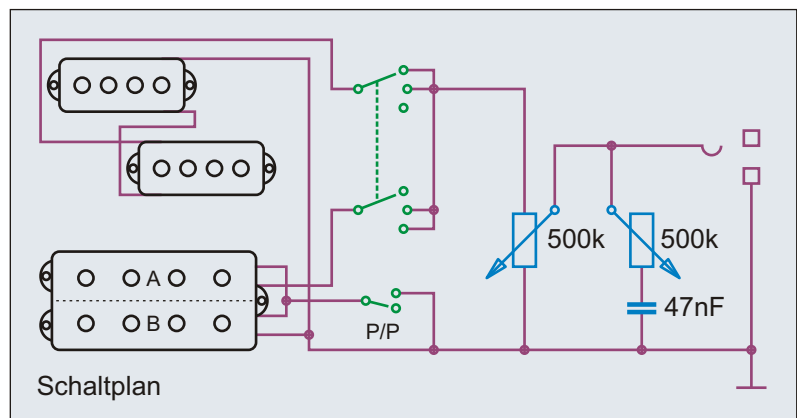
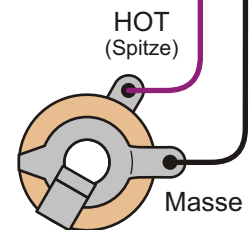
DELANO
pickup systems

Anschlussfarben: Delano

Der Maruszczyk Mr. Tee

Der Body einer Telecaster Gitarre bildet die Basis des Maruszczyk Mr. Tee Basses. Auch die Pickguard Form und das Kontrollblech sind von der Telecaster übernommen. Die Form der Kopfplatte erinnert an die Kopfplatte eines Precision 51 bzw. Telecaster Basses. Den Mr. Tee gibt es mit Precision Split Coil oder mit PM Bestückung (wie hier zu sehen). Der MM-Pickup kann dabei gesplittet werden. Wie bei Maruszczyk selbstverständlich, kann man sich aber auch beim Mr. Tee Bass verschiedenste Pickups und Schaltungsvarianten nach eigenem Geschmack einbauen lassen.

Pos.	ON/ON	aktive Pickups
3	unten	P
3	oben	P
2	unten	P + MM seriell
2	oben	P + MM Spule A
1	unten	MM seriell
1	oben	MM Spule A



Benennung **Maruszczyk Mr. Tee Bass 2011**

Historische
Bassschaltungen

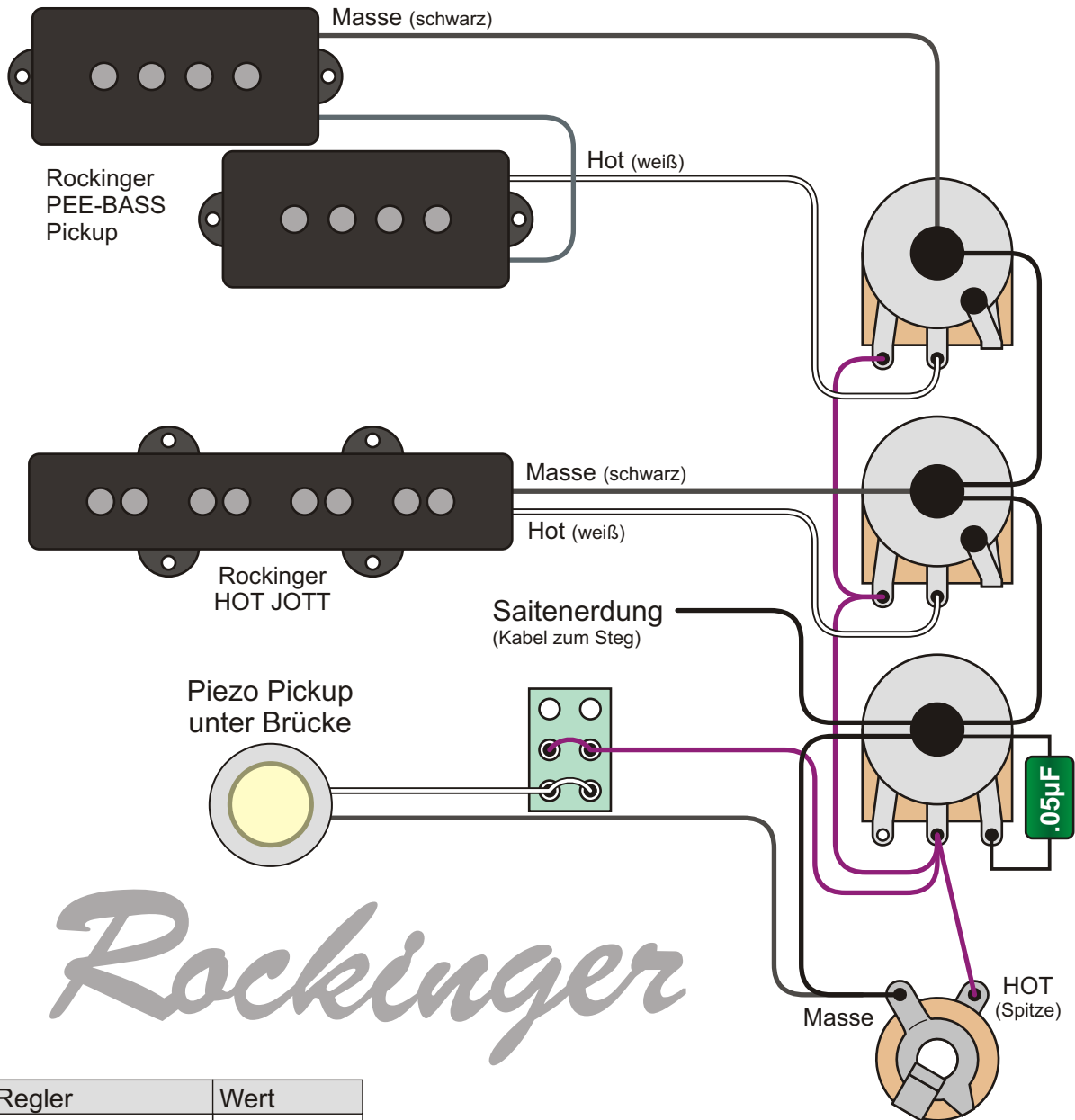
Nummer
1.5.661

Bemerkungen / Besonderheiten
mit Maruszczyk Pickups

gezeichnet von
Cadfael

gezeichnet am
02.09.17

Seite
209

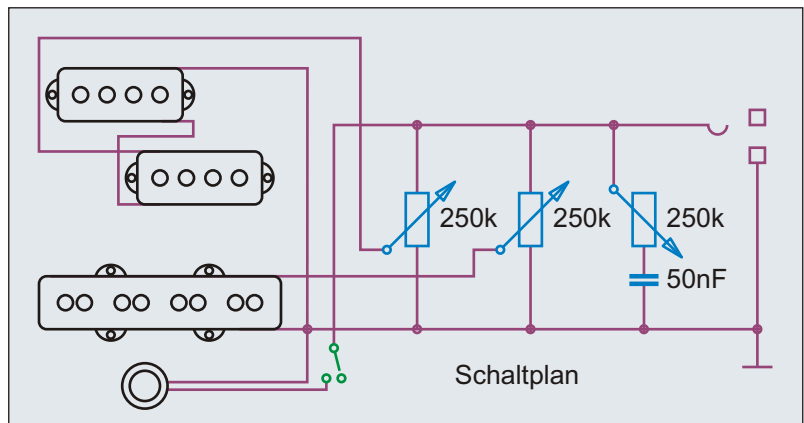


Rockinger

Regler	Wert
Neck Volume	250 k log.
Bridge Volume	250 k log.
Master Tone	250 k log.

Rockinger 80s SG Bass

Mit seinen PJ-Pickups ist dieser Rockinger Telecaster PJ-Bass ein typischer Vertreter der frühen 1980er Jahre. Dazu passt auch der Piezo unter der Brücke, der schöne Höhen (und Nebengeräusche) produziert.



Benennung **Rockinger Tele-PJ Bass Kopie 1984**

Historische Bassschaltungen

Nummer 1.5.701

Bemerkungen / Besonderheiten

Telecaster Bass Kopie mit PJ-Pickups plus Piezo Pickup unter Brücke

gezeichnet von

Cadfael

gezeichnet am

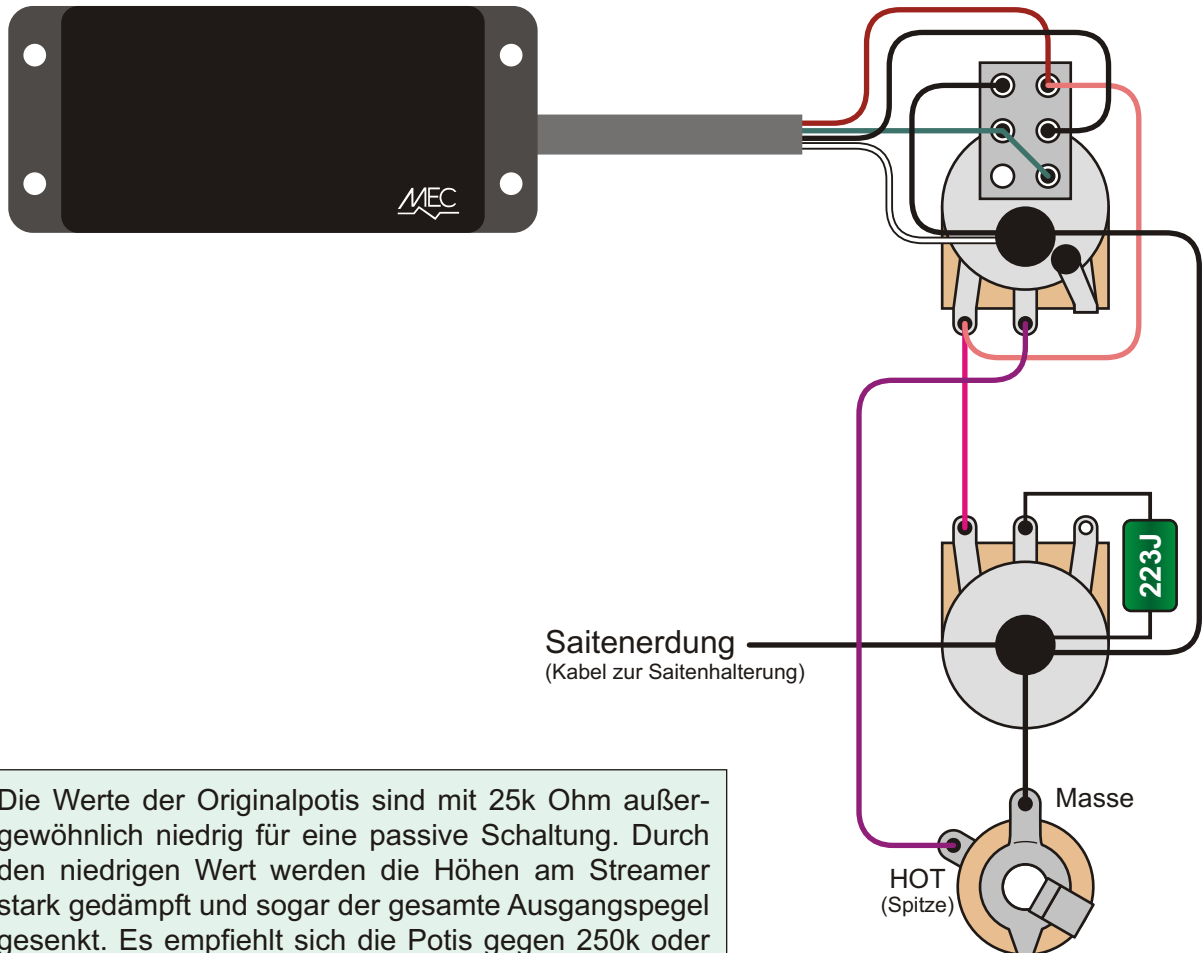
02.09.17

Seite

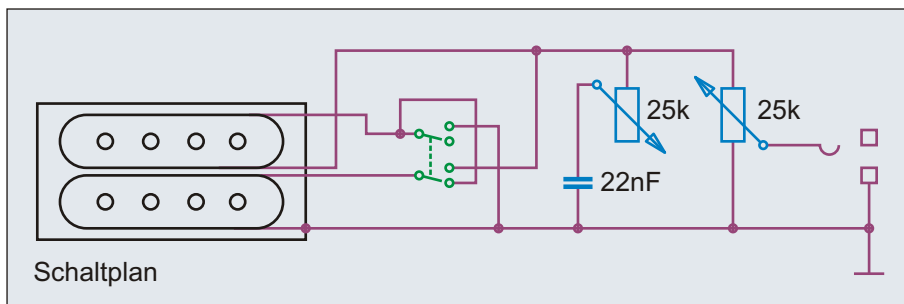
210

Rock Bass

by Warwick®



Die Werte der Originalpotis sind mit 25k Ohm außergewöhnlich niedrig für eine passive Schaltung. Durch den niedrigen Wert werden die Höhen am Streamer stark gedämpft und sogar der gesamte Ausgangspegel gesenkt. Es empfiehlt sich die Potis gegen 250k oder 500k Potis auszutauschen.



Regler	Wert
Volume	25 k log.
Tone	25 k log.

Benennung **Rockbass Streamer Standard Single**

Historische Bassschaltungen

Nummer
1.5.751

Bemerkungen / Besonderheiten

MEC Vintage Pickup, seriell - parallel

gezeichnet von

Cadfael

gezeichnet am

02.09.17

Seite

211

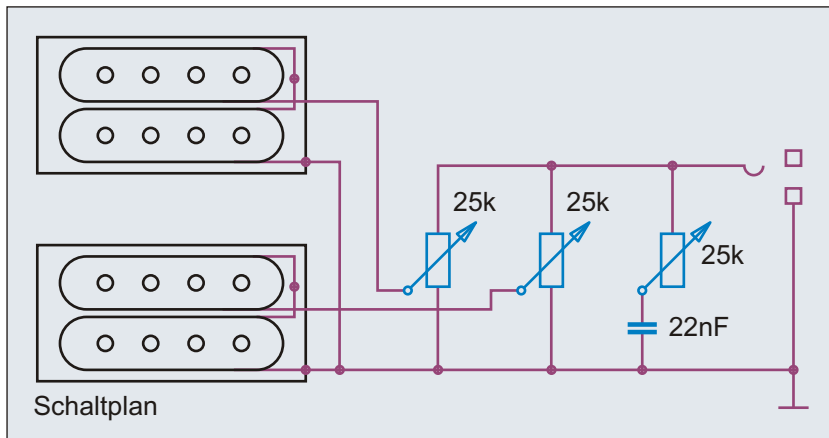


Saitenerdung
(Kabel zum Steg)

HOT
(Spitze)

Masse

Die Werte der Originalpotis sind mit 25k Ohm außergewöhnlich niedrig für eine passive Schaltung. Durch den niedrigen Wert werden die Höhen am Streamer stark gedämpft und sogar der gesamte Ausgangspegel gesenkt. Es empfiehlt sich die Potis gegen 250k oder 500k Potis auszutauschen.



Regler	Wert
Neck Volume	25 k log.
Bridge Volume	25 k log.
Master Tone	25 k log.

Benennung **Rockbass Streamer Standard**

Historische
Bassschaltungen

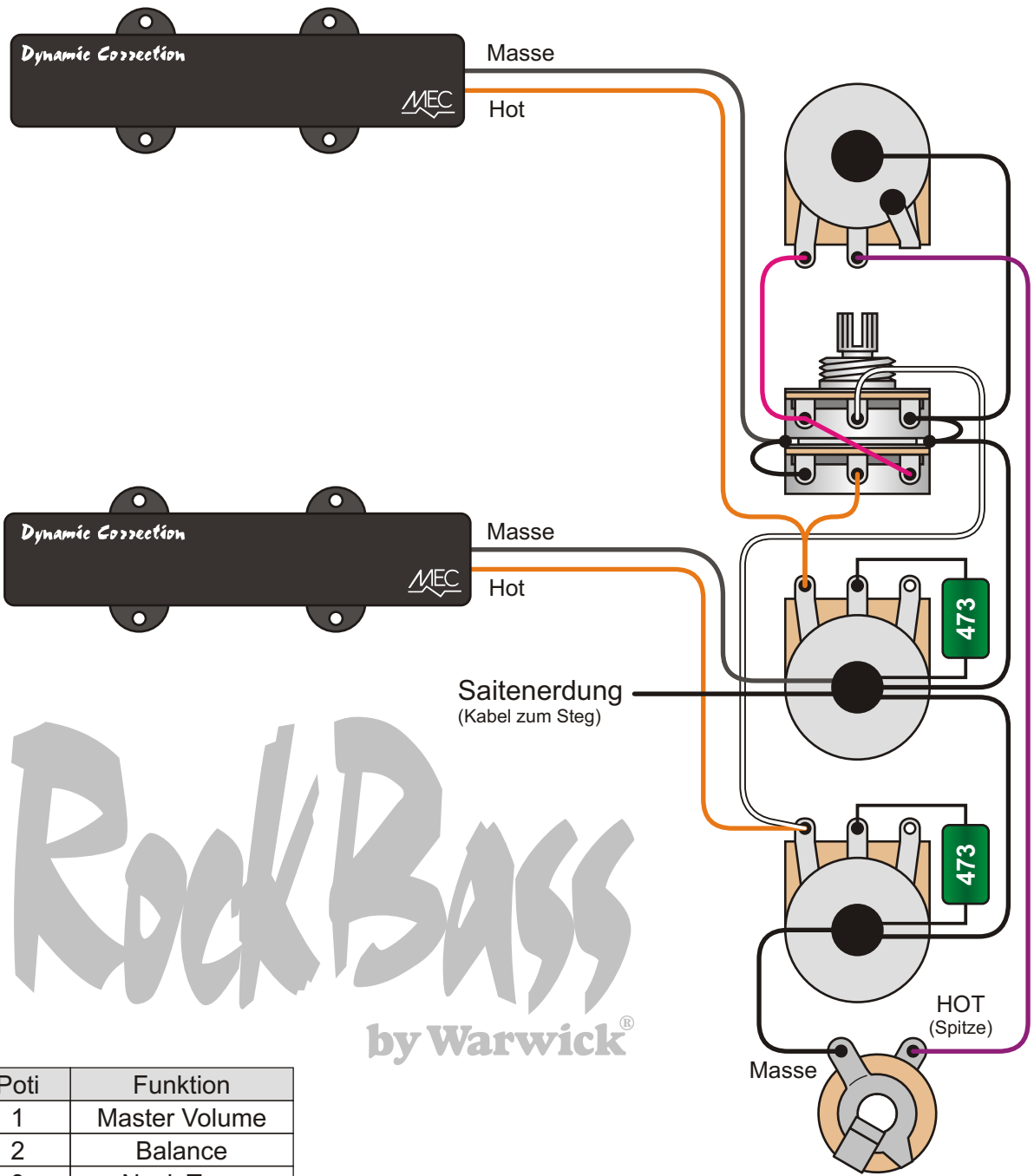
Nummer
1.5.756

Bemerkungen / Besonderheiten
MEC Vintage Pickups

gezeichnet von
Cadfael

gezeichnet am
02.09.17

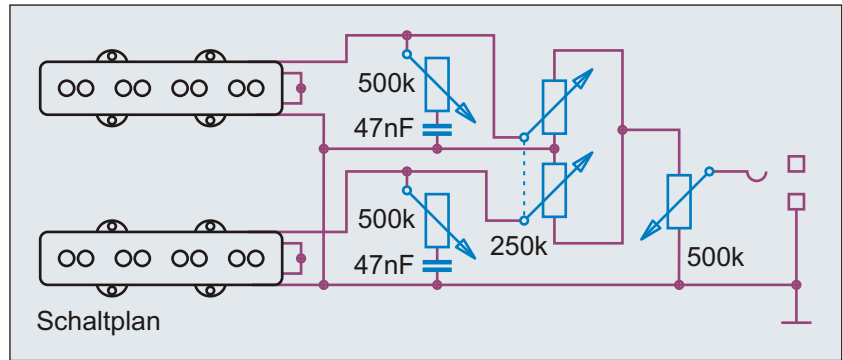
Seite
212



Poti	Funktion
1	Master Volume
2	Balance
3	Neck Tone
4	Bridge Tone

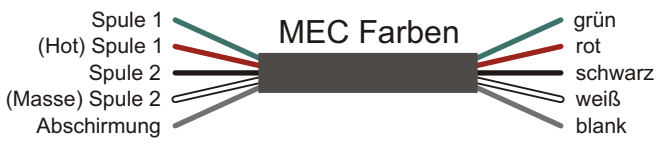
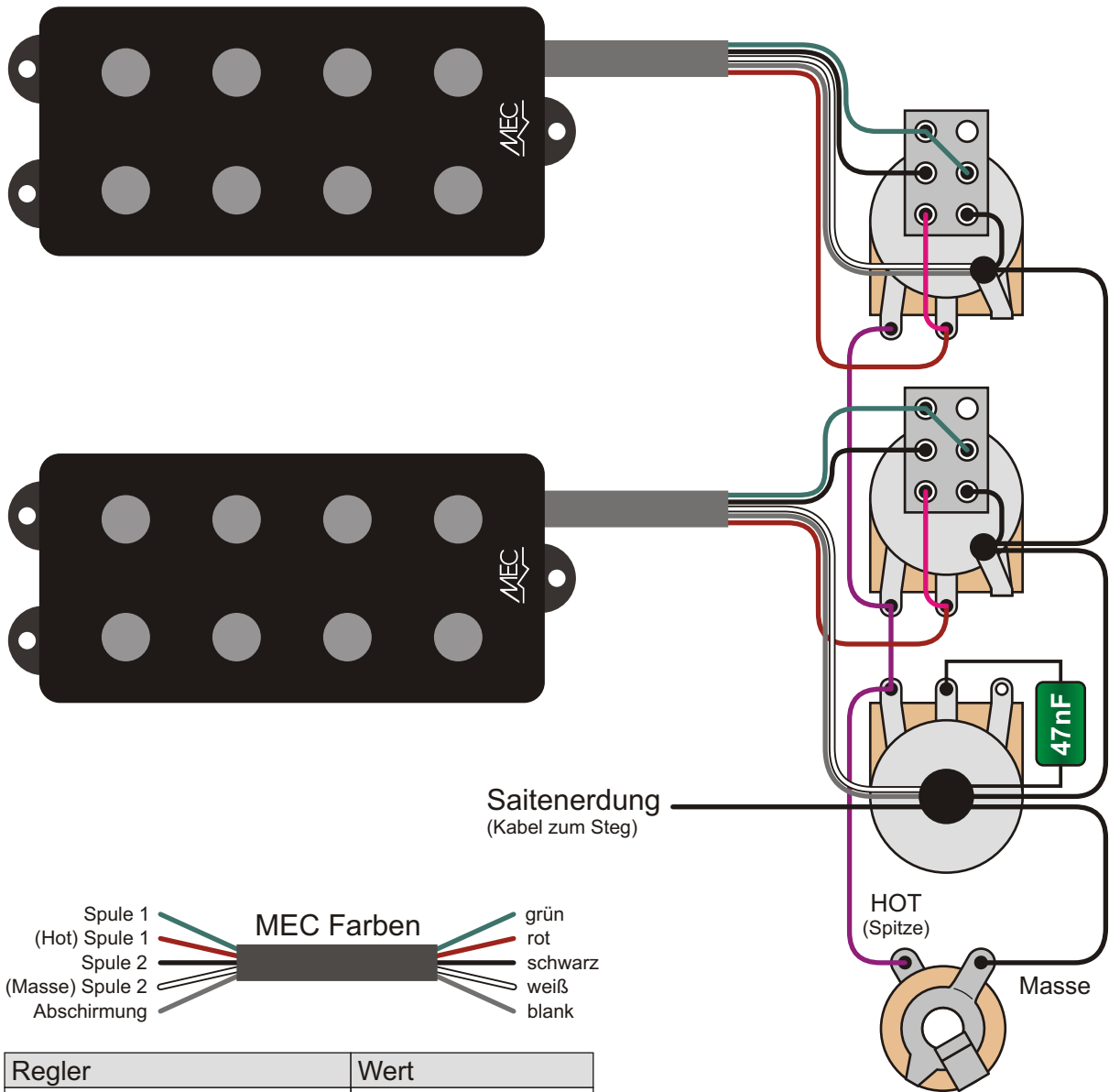
Regler	Wert
Balance	250 k
Master Volume	500 k lin.
Tone	500 k log.

Position	Pickup Typ
Neck	MEC M 60101S
Bridge	MEC M 60101L

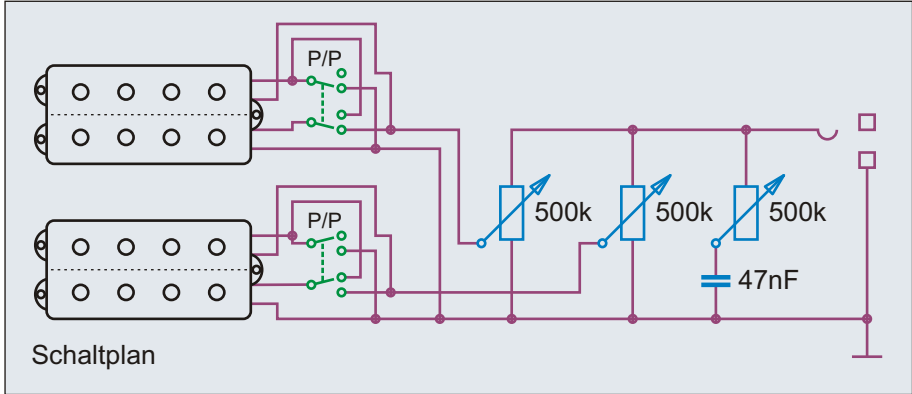


Benennung Rockbass Corvette Basic		Historische Bassschaltungen	Nummer 1.5.761
Bemerkungen / Besonderheiten MEC M 60101 Pickups		gezeichnet von Cadfael	gezeichnet am 02.09.17 Seite 213

Idee, Recherche, Autor, Zeichnungen, Grafiken, Diagramme, Layout und Design: Andreas "Cadfael" Kühn - Nutzung ausschließlich zu privaten, nicht kommerziellen Zwecken und auf eigene Gefahr! Alle Angaben ohne Gewähr, Irrtümer vorbehalten!



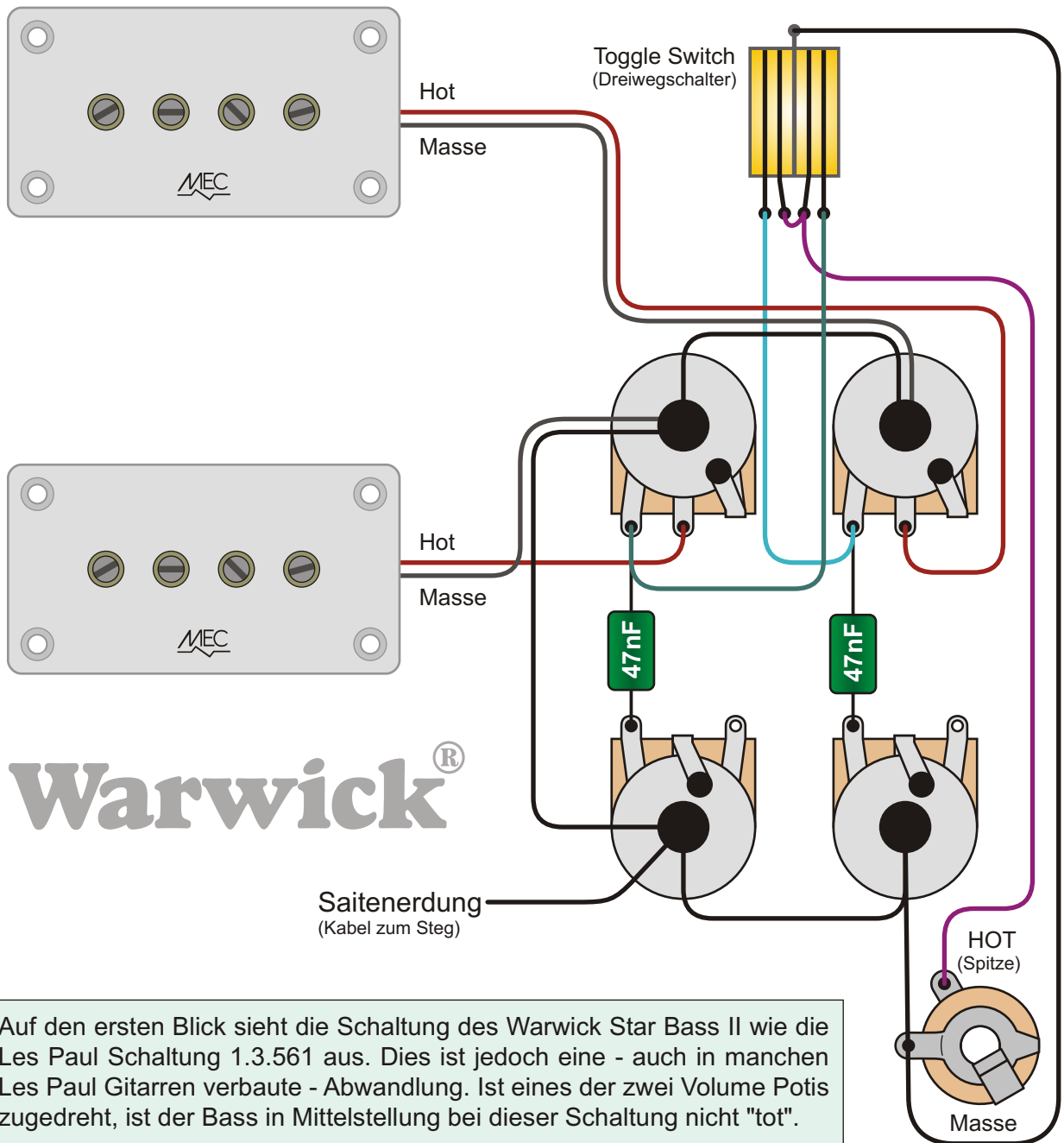
Regler	Wert
Neck Volume	P/P 25 k lin.
Bridge Volume	P/P 25 k lin.
Master Tone	500 k log.



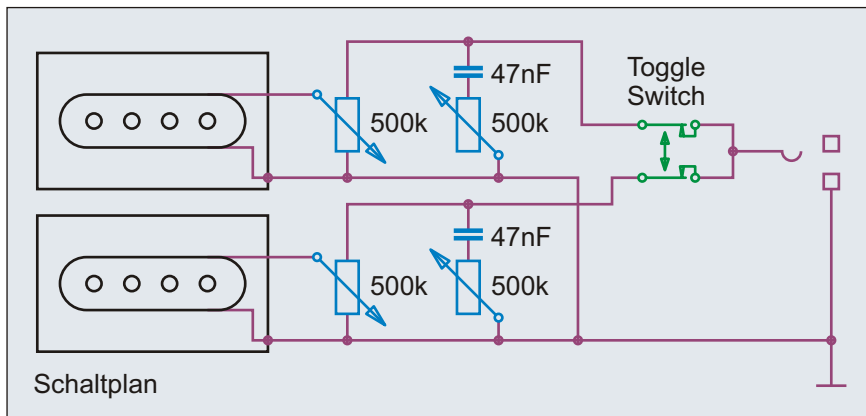
Push/Pull	Spulen
unten	parallel
oben	seriell

Benennung Rockbass Corvette \$\$	Historische Bassschaltungen		Nummer 1.5.766
	gezeichnet von Cadfael	gezeichnet am 02.09.17	Seite 214
Bemerkungen / Besonderheiten MEC M 60104 Pickups			

Idee, Recherche, Autor, Zeichnungen, Grafiken, Diagramme, Layout und Design: Andreas "Cadfael" Kühn - Nutzung ausschließlich zu privaten, nicht kommerziellen Zwecken und auf eigene Gefahr! Alle Angaben ohne Gewähr, Irrtümer vorbehalten!



Auf den ersten Blick sieht die Schaltung des Warwick Star Bass II wie die Les Paul Schaltung 1.3.561 aus. Dies ist jedoch eine - auch in manchen Les Paul Gitarren verbaute - Abwandlung. Ist eines der zwei Volume Potis zuge dreht, ist der Bass in Mittelstellung bei dieser Schaltung nicht "tot".



Toggle Switch	
Pos.	aktive Pickups
1	Neck
2	Neck + Br. parallel
3	Bridge

Regler	Wert
Neck Volume	500 k lin.
Neck Tone	500 k log.
Bridge Volume	500 k lin.
Bridge Tone	500 k log.

Benennung **Warwick Star Bass II**

Historische
Bassschaltungen

Nummer
1.5.781

Bemerkungen / Besonderheiten

MEC M 60113 C Pickups

gezeichnet von

Cadfael

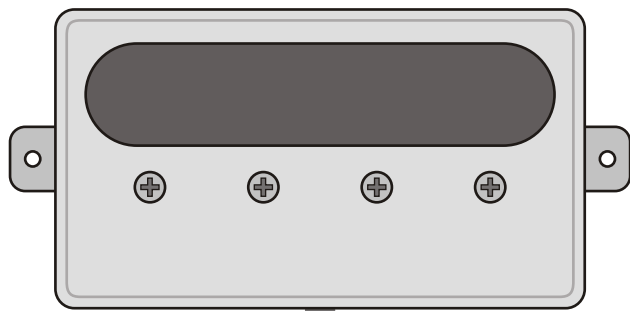
gezeichnet am

02.09.17

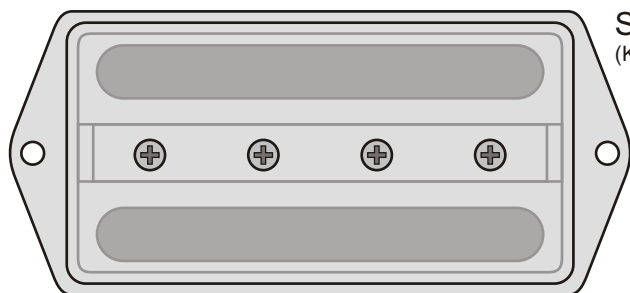
Seite

215

Ibanez 1960s



Pickup 1961



Pickup 1962-67

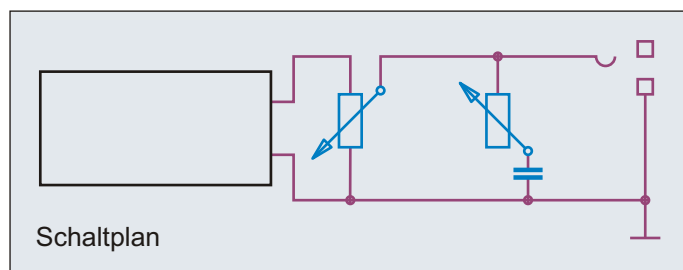
Saitenerdung
(Kabel zum Steg)

Masse

HOT

Masse

HOT
(Spitze)



Schaltplan

Jahr*	Modell	Vorbild	PUs	Bemerkungen
1961	1950	Fender Jaguar	1	Sunburst Shaded Finish, Volume, Tone
1962	901 / 902	Burns Bison	1 / 2	Drei Farbvarianten, (Volume), Volume, Tone
1964	1901 / 1902	Burns Bison	1 / 2	Pro-Bass, Short Scale, zwei Farbvarianten
1964	5901 / 5902	Burns Bison	1 / 2	Goldentone-Bass, Long Scale, drei Farbvarianten
1967	482	Gibson EB-1	1 / 2	Solid Body, sehr grobe Violin Form

Ibanez Bässe 1961 bis 1967

Seit mindestens 1961 werden unter dem Namen Ibanez E-Bässe hergestellt. Den Anfang machte ein Short Scale Bass, der in seiner Form an eine Fender Jaguar Gitarre erinnert. Die bisher bekannten Modelle von 1962 bis 1964 erinnern an Burns Bässe. Sie waren mit einem oder zwei Pickups erhältlich. Kein bisher bekannter Ibanez aus dieser Zeit hatte einen Schalter; alle waren mit Volume Poti pro Pickup und einem Master Tone Regler ausgestattet.

Benennung

Ibanez Vintage Bässe 1961-67

Historische
Bassschaltungen

Nummer
1.6.011

Bemerkungen / Besonderheiten

gezeichnet von
Cadfael

gezeichnet am
02.09.17

Seite
216

Ibanez Instrumente 1971 bis 1977

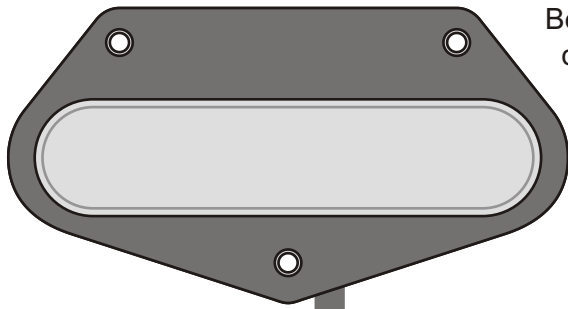
1971 began man damit, Instrumente großer amerikanischer Hersteller immer genauer zu kopieren. 1973 war man so weit, ein Jahr nach Erscheinen des Originals entsprechende Kopien anzubieten. Ab 1974 wurden auch die bisher vernachlässigten Pickups immer originalgetreuer kopiert. 1976 wurden erstmal Instrumente mit One Piece Maple Neck angeboten. 1978 kam dann das Aus für die Kopien. Hier nur eine Auswahl der Bässe dieser Zeit.

1971 - 77
Ibanez
 CRAFTSMAN MADE

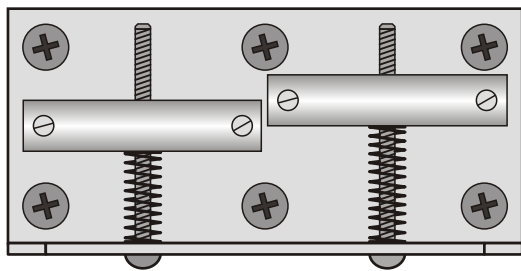
Produktion*	Modell	Vorbild	Bemerkung
1971 - 72	2389B	Ampeg AMB1	Sunburst
1972	2364B	Ampeg Dan Armstrong Bass	Acryl, transparent
1970 - 74	2353L	Fender Telecaster Bass 1968	Semi-Solid Body, Ivory
1973 - 76	2353L/DX	Fender Telecaster Bass 1972	verschiedene Entwicklungsstufen
1973 - 74	2385	Fender Telecaster Bass 1972	Body aus Esche, Deluxe Version
1971 - 77	2366B	Fender Precision Bass 1966	verschiedene Entwicklungsstufen
1971 - 75	2366FLB	Fender Precision Bass 1966	Fretless Version des 2366B
1976 - 77	2367B	Fender Precision Bass 1975	Fretless Version des 2366B
1976 - 77	2657ZB	Fender Precision Bass 1975	Burnt Ash, OPMN, Deluxe Version
1974 - 77	2369B-W(H)	Fender PJ Bass	mit Toggle Switch
1970 - 72	2030	Fender Jazz Bass	sehr grobe Kopie
1971 - 77	2365B	Fender Jazz Bass 1966	verschiedene Entwicklungsstufen
1972 - 75	2365B/ASH	Fender Jazz Bass 1972	Esche, Ahorngriffbrett, Deluxe Vers.
1972 - 76	2376B	Fender Jazz Bass 1972	verschiedene Entwicklungsstufen
1976 - 77	2656ZB	Fender Jazz Bass 1975	Burnt Ash, OPMN, Deluxe Version
1975 - 77	2409B	Fender Jazz Bass	Black Eagle Bass
1977	2333	Gibson EB-1	Violin Bass
1971 - 74	2371B	Gibson EB-2D	Semi-Hollow Bass
1971 - 76	2354B	Gibson EB-3	Short Scale
1971 - 77	2354LB	Gibson EB-3L	Long-Scale, verschiedene Ausfüh.
1973 - 74	2403B	Gibson EB-3 1972	Short Scale
1973 - 74	2400LB	Gibson EB-4L 1972	Long-Scale
1972 - 76	2387B	Gibson Flying V	Long-Scale
1971 - 75	2373B	Gibson Les Paul Bass 1969	King's Tone Pick Up Unit
1971 + 73	2350B (DX)	Gibson LP Custom Bass	Bass Version LP Custom Gitarre
1975	2343B	Gibson LP Junior Bass	Bass Version LP Junior Gitarre
1971 - 76	2381	Gibson LP Triumph Bass 69	King's Tone Pick Up Unit
1974 + 76	2452	Gibson Ripper Bass L-9S	geschraubter Hals
1974 - 76	2452DX	Gibson Ripper Bass L-9S	geleimter Hals
1973 - 77	2404(DX)	Gibson SG	Double Neck Gitarre + Bass
1975 - 77	2463B	Gibson Thunderbird Bass	Long-Scale
1977	2459B	Gibson Explorer Bass	Long-Scale, "Destroyer Bass"
1971 - 73	2357(DX)	Höfner Violin Bass	Arched Top
1973 - 77	2388B	Rickenbacker 4001	geschraubter Hals, kleiner Hals-PU
1972 - 75	2388B/DX	Rickenbacker 4001	durchgehender Hals, großer H.-PU
1976 - 77	2389B	Rickenbacker 4001	durchgehender Hals, großer H.-PU

*ungefährer Zeitraum

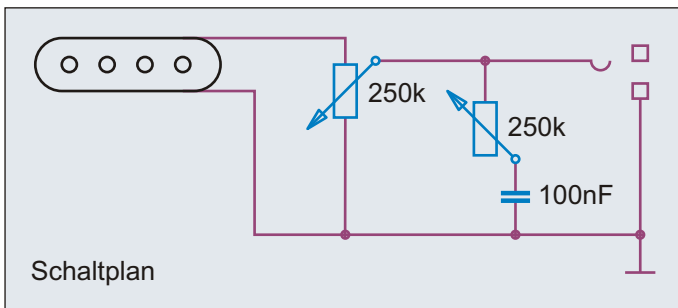
Benennung Ibanez Vintage Bässe 1971-77	Historische Bassschaltungen		Nummer 1.6.021
	gezeichnet von Cadfael	gezeichnet am 02.09.17	Seite 217
Bemerkungen / Besonderheiten			



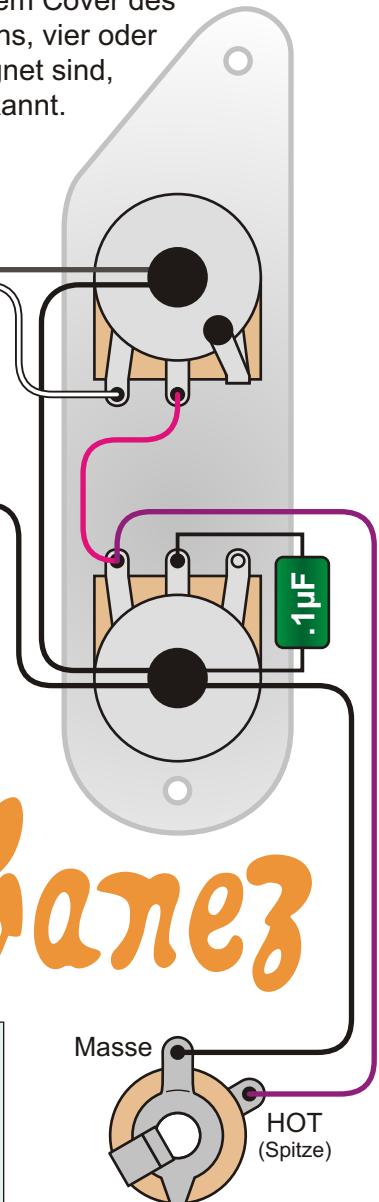
Beim Pickup des 2353L könnte es sich um den Steg Pickup der Ibanez 2352 Gitarre handeln. Ob unter dem Cover des 2353L Pickups sechs, vier oder nur ein langer Magnet sind, ist derzeit nicht bekannt.



Saitenerdung
(Kabel zum Steg)



Zur Verkabelung von Klinkenbuchse, Tone und Volume Poti wurden lediglich zwei einadrige, abgeschirmte Kabel eingesetzt. Hot lief über die Ader, Masse über die Abschirmung. Es mussten bei der Endfertigung lediglich der Pickup (ebenfalls mit einem abgeschirmtes Kabel) und die Saitenerdung angelötet werden.

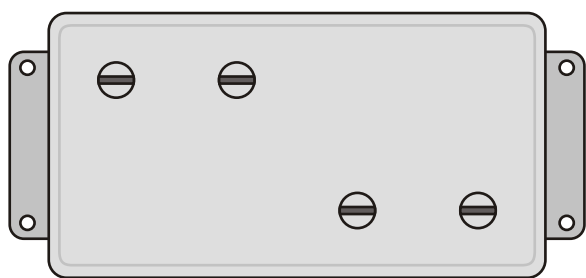


Der Ibanez 2353L Bass

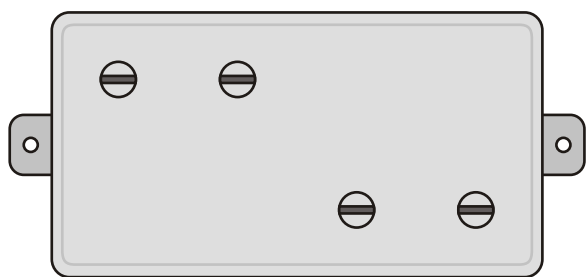
Seinen Namen verdankt der 2353L eventuell seinem Vorbild - einem Fender Precision Bass von 1953, der auch dem Fender Telecaster Bass von 1968 als Vorbild diente. Der Body des 2353L ist "Semi-Solid" und vermutlich aus Mahagoni. Der Long Scale Hals und das Griffbrett mit Pearlloid Inlays wurden aus Ahorn gefertigt. Die runden Stimmmechaniken entsprechen den frühen Telecaster Bässen. Statt einer halbtransparenten "Blond" Lackierung wurde der Ibanez 2353L deckend im Farbton "Ivory" lackiert. Wie bei frühen japanischen Bässen üblich, legte man keinen großen Wert auf die Kopie der Pickups. So hat der 2353L einen Pickup mit Chrome Cover (wie Telecaster Hals Pickups), der vermutlich aus der 2352 Gitarre stammte. Der Pickup ist an einer dreischichtigen Plastikabdeckung montiert (gleiches Material wie das Pickguard). Über die Plastikabdeckung kam dann der typische Telecaster Bass Chrombügel.

Benennung	Ibanez 2353L (P51 / Telecaster Bass Kopie)		Historische Bassschaltungen	Nummer
Bemerkungen / Besonderheiten	ca. 1970 - 1974		gezeichnet von	gezeichnet am
			Cadfael	02.09.17
				Seite
				218

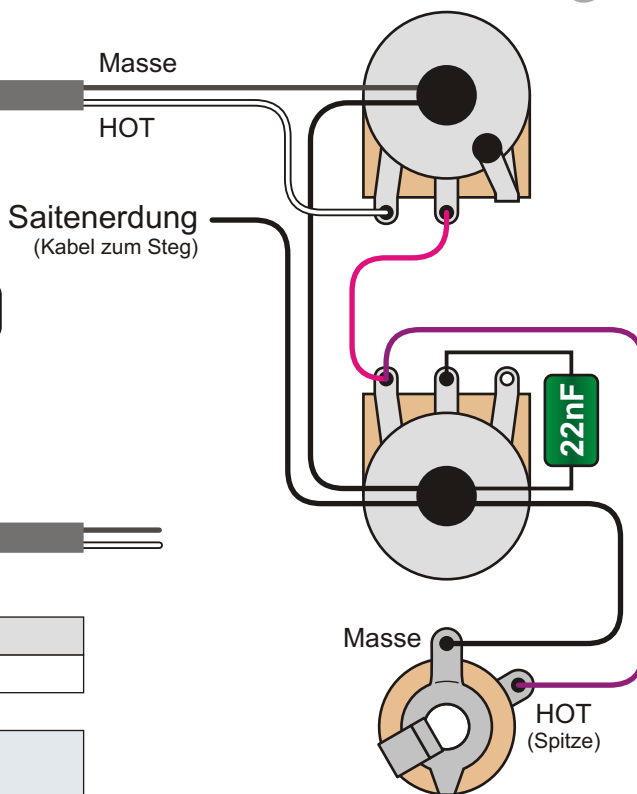
Ibanez



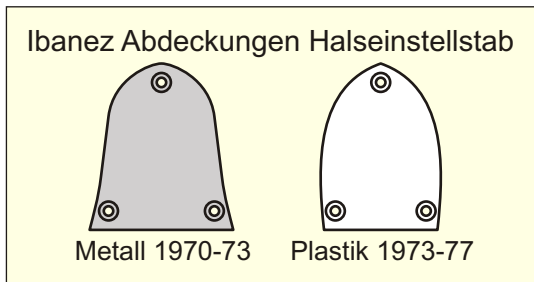
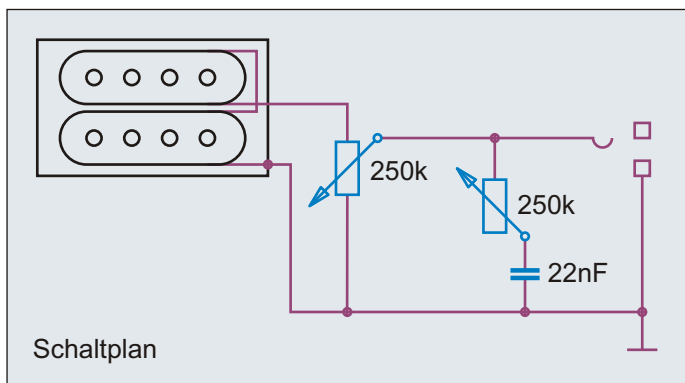
Pickup 1976



Pickup 1973-75



Pickup
Ibanez Humbucking Bass Pick-Up 2385-40

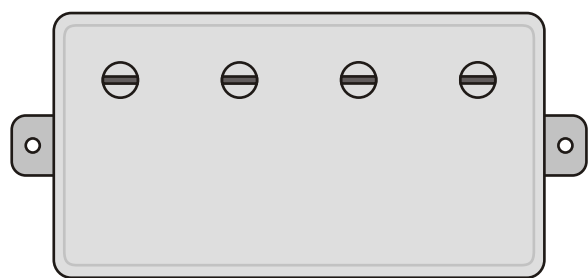


Der Ibanez 2353L/DX und 2385 Bass

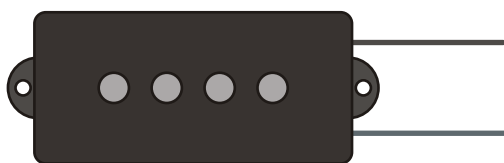
1972 brachte Fender eine überarbeitete Version seines Telecaster Basses mit Humbucker und anderem Pickguard auf den Markt. Nur ein Jahr später folgte Ibanez mit seiner Kopie, der 2353L/DX. Der 2353L wurde noch weiter produziert. Das neue Modell hatte einen verchromten "Hi-Power Bass Pickup". 1976, kurz vor der Einstellung, erhielt der Pickup zwei weitere Befestigungsgewinde. Statt in "Ivory" wurde er in "Jet Black" angeboten. Der Body war aus Mahagoni mit aufgeleimter Decke aus Birke, der Hals hatte nun schwarze Inlays. Der Body des 2385 wurde aus Esche gefertigt und transparent lackiert. Bis auf Mechaniken und hochwertigere Basssaiten waren die beiden Modelle ansonsten identisch ausgestattet.

Benennung	Ibanez 2353L/DX (Telecaster II Bass Kopie)	Historische Bassschaltungen	Nummer
Bemerkungen / Besonderheiten	2353L/DX ca. 1973-76 sowie 2385 ca. 1973-74	gezeichnet von	219
		gezeichnet am	1.6.041
			02.09.17

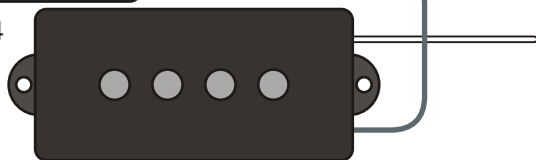
Ibanez



Pickup 1972
(2350-40?)

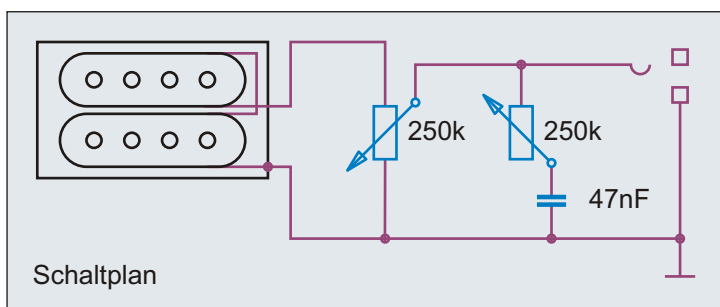
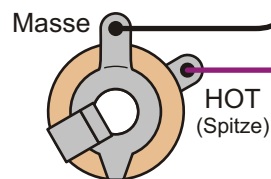
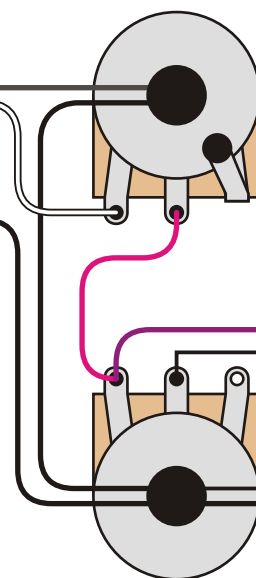


Pickup 1974
(2366-50?)



Saitenerdung
(Kabel zum Steg)

Masse
HOT



Schaltplan

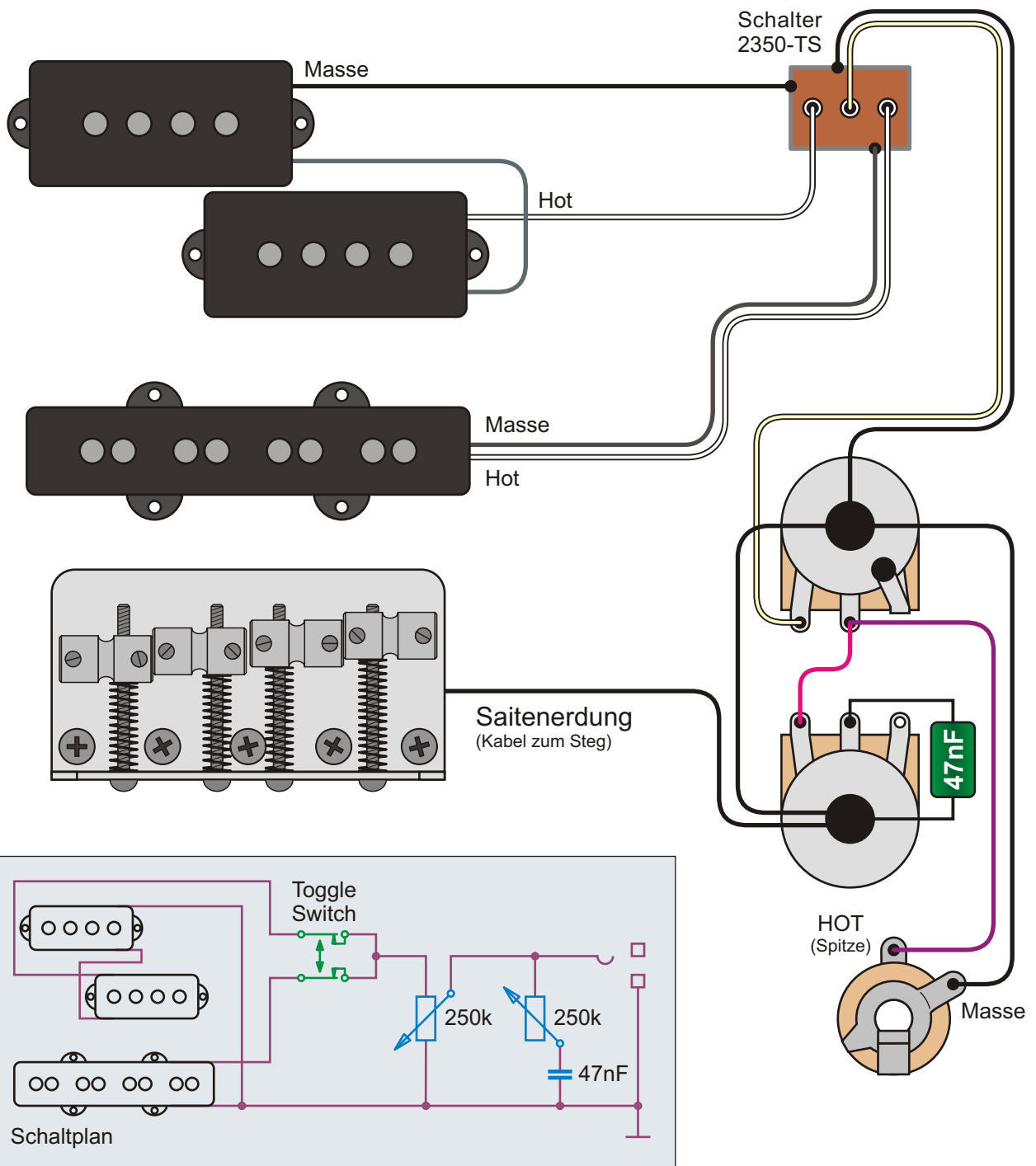
Mit dem **2657ZB** gab es noch eine Version mir Erle Body und OPMN.

In den ersten Produktionsjahren hatte der 2366B einen Humbucker mit verchromter Metallkappe. Dabei könnte es sich um den gleichen Pickup wie im 2350B "LP Custom" Bass gehandelt haben. Ungefähr 1973/74 erhielt der 2366B dann die Kopie eines Split Coil Pickups.

Der Ibanez 2366B Bass

Wie die meisten Fender Kopien von Ibanez, hat auch der 2366B einen Mahagoni Body mit aufgeleimter Birkendecke. Die Kopie des 1966er Precision Bass wurde immer in "Sunburst" angeboten. Die Mensur des Basses beträgt 33,5". Bis 1975 wurden Griffbretter aus Palisander mit Pearlloid Inlays, ab 1976 aus Ahorn mit schwarzen Inlays verbaut. Zusammen mit den neuen, originalgetreueren Pickups erhielt der 2366B auch Kopien der Fender Mechaniken. Bis 1975 gab es eine Fretless Version, die sich 2366FLB nannte. Der 2366FLB hat ein Palisandergriffbrett ohne Dot Inlays. Dafür sind Bundmarkierungen, die vom Griffbrettrand bis zur E-Saite gehen, eingelassen. 1976 kam dann der 2367B Fretless Bass mit Ahorngriffbrett.

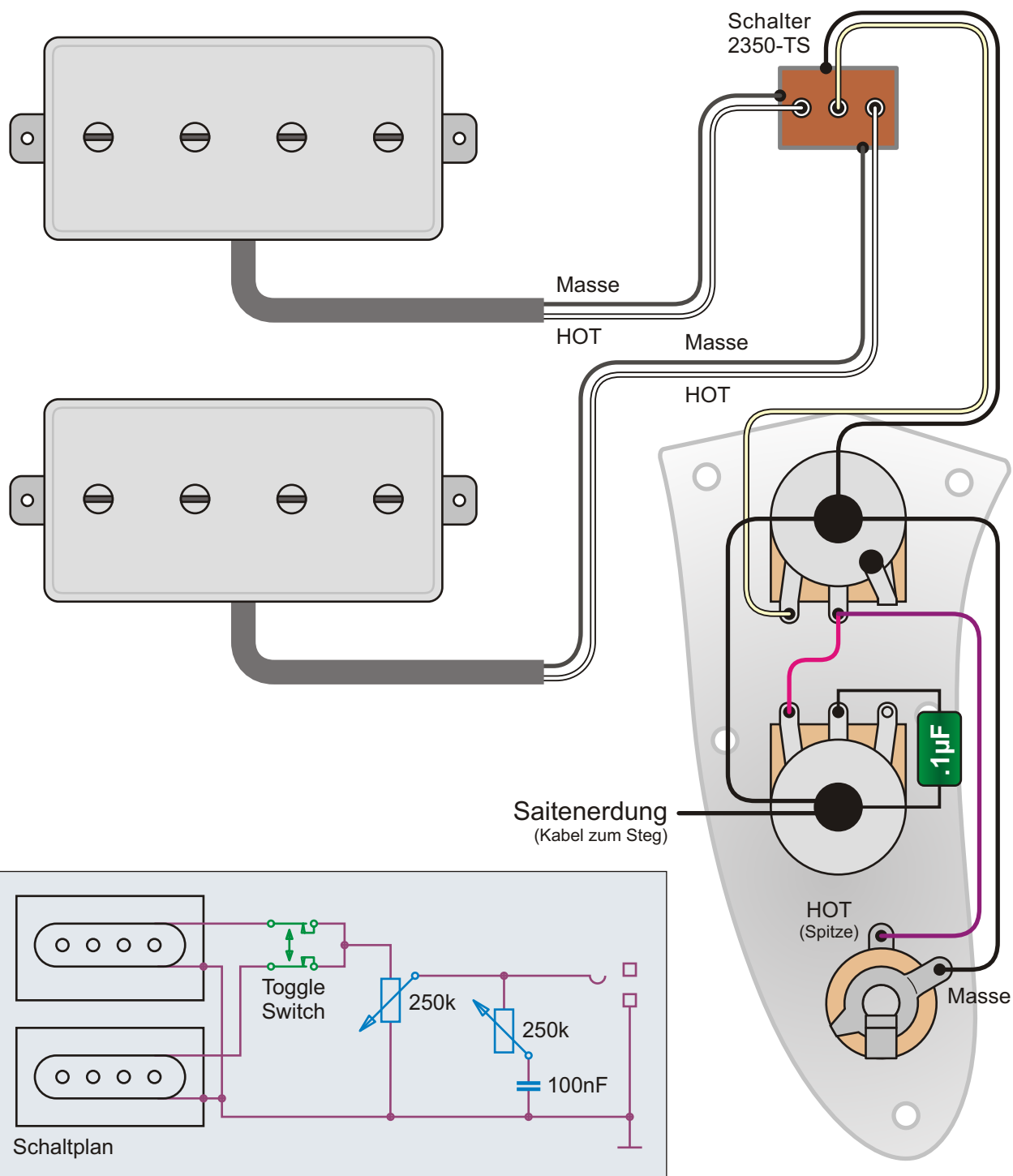
Benennung	Ibanez 2366B (P65 / Precision Bass Kopie)	Historische Bassschaltungen	Nummer
Bemerkungen / Besonderheiten	2366B ca. 1970 - 1977, Fretless: 2366FLB 1971-75, 2367B 1976-77	gezeichnet von	220
		gezeichnet am	1.6.051
			02.09.17



Der Ibanez 2369B-W Bass

Mit Einführung der neuen "PB Sound" und JB Sound" Pickups 1974 brachte Ibanez die Kopie eines Precision Basses ohne Chrome Cover auf den Markt. Die Pickups sind also sichtbar. Mit diesem PJ war Ibanez seinem Fender Vorbild im Grunde voraus, denn einen PJ Bass gab es von Fender in den 1970er nicht. Der weiß lackierte Body des 2369B-W ist aus Mahagoni gefertigt und hat eine Birkendecke. Der Hals mit aufgeleimtem Ahorngriffbrett hatte 1974 und 1975 weiße Pearloid Block Inlays. 1976 und 1977 waren es dann schwarze Block Inlays. Wie beim 2366B hat der PJ eine 33,5" Mensur. Die PJ Pickups werden über einen Toggle Switch angesteuert, der am unteren Horn sitzt. Der 2369B-W war gute 20% teurer als der 2366B.

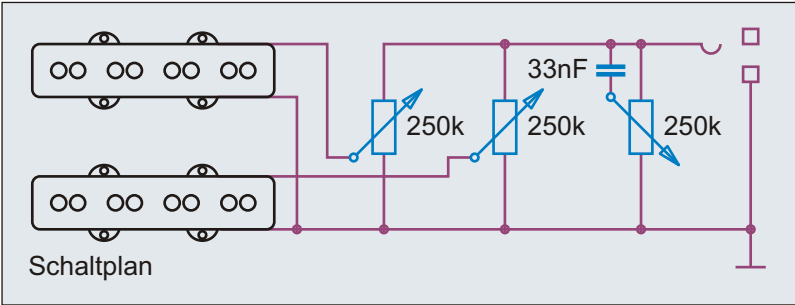
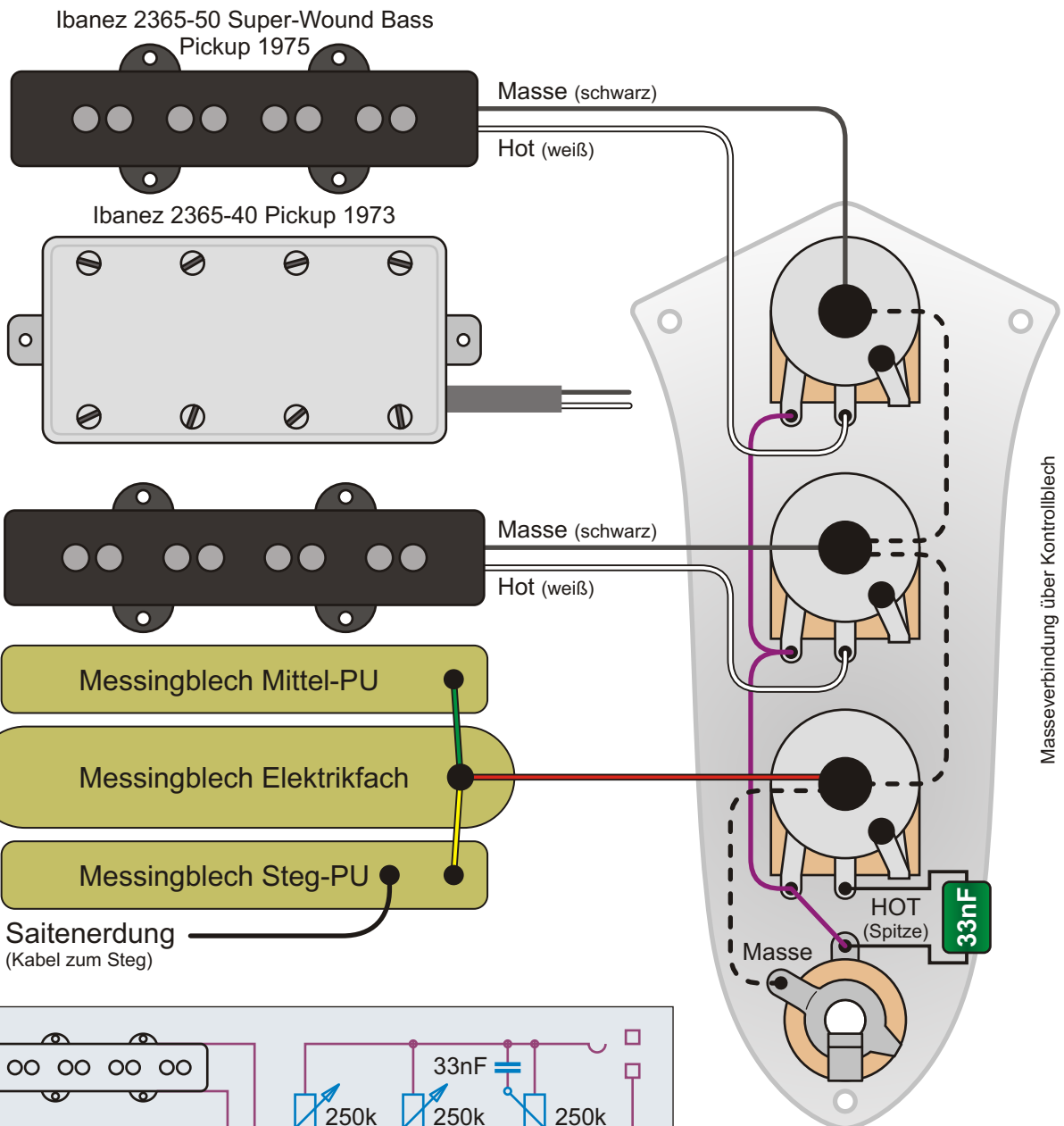
Benennung	Ibanez 2369B-W (Precision Bass Kopie)		Historische Bassschaltungen	Nummer 1.6.061
Bemerkungen / Besonderheiten	ca. 1974 - 1977 (auch bezeichnet als 2369B-WH)	gezeichnet von Cadfael	gezeichnet am 02.09.17	Seite 221



Der Ibanez 2030 Bass

Ende der 1960er Jahre fertige Ibanez noch recht grobe Kopien. Ein schönes Beispiel ist der 2030 Bass - eine Fender Jazz Bass Kopie. Es handelt sich um einen Short Scale Bass mit "Massivholz" Body in "Yellow Sunburst". Der Body des 2030 Basses ist kaum größer als der, des Ibanez 2020 Gitarre-Pendants. Er hat ein Rosewood Griffbrett mit Pearloid Block Inlays, zwei Singlecoils im Humbucker-Format mit verchromten Kappen und einen Dreiwegschalter am unteren Horn. Als Saitenreiter wurde ein gebogener und längs verstellbarer Metallbügel eingebaut. Dass dieser durch ein Cover verdeckt wurde, ist wohl auch gut so ...

Benennung	Ibanez 2030 (Jazz Bass Kopie)	Historische Bassschaltungen	Nummer
Bemerkungen / Besonderheiten	ca. 1969 - 1972	gezeichnet von	1.6.071
		Cadfael	02.09.17
			Seite
			222



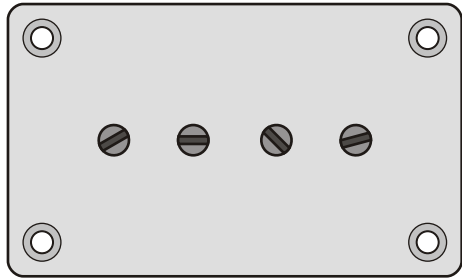
Regler	Wert
Volume + Tone	250 k log.

Zwischen 1973 und 1975 änderte Ibanez die Pickups im 2365B. Die 2365-40 Pickups mit Chrome Cover, die wenig mit JB Pickups zu tun hatten, wurden durch die 2365-50 ersetzt.

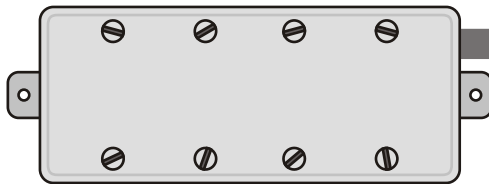
Der Ibanez 2365B Bass
 Der 2365B ist die Kopie eines 1966er Jazz Bass. Der Body ist aus Mahagoni mit Decke aus Birke. Er machte im Laufe der Jahre viele Veränderungen durch. 1973 kam das neunte Inlay am 19. Bund hinzu, die Abdeckung der Halseinstellschraube und Mechaniken änderte sich. Zudem gab es Versionen mit Ahorn Griffbrett oder Body aus Esche.

Benennung Ibanez 2365B (Jazz Bass Kopie)	Historische Bassschaltungen		Nummer 1.6.076
	gezeichnet von Cadfael	gezeichnet am 02.09.17	Seite 223
Bemerkungen / Besonderheiten ca. 1971 - 1977			

Ibanez 2354-40 Pickup 1972

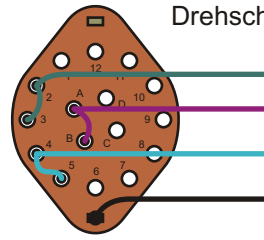


Ibanez Bass-Master Pickup 1972



Saitenerdung
(Kabel zum Steg)

Drehschalter



2354LB
2354SB
2371B
2403B

Masse
Hot

Schalter
2350-TS

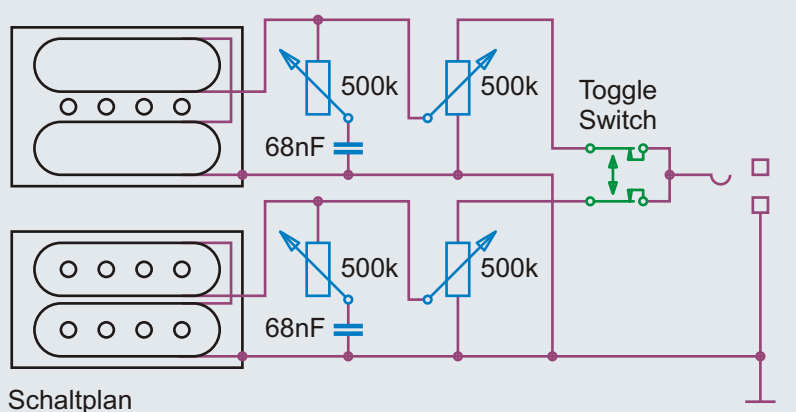
Masse
Hot

Ibanez EB-3 Bass Kopien

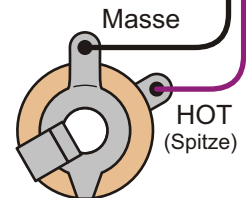
Wie beim EB-3 Bass Vorbild gab es auch bei Ibanez verschiedenste Versionen des 2354. Während der 2353B eine Short Scale Mensur und Toggle Switch hatte, hatten der 2354LB (Long Scale) und ab 1973 auch der 2353SB (Short Scale) einen Drehschalter.

Die Bodys der meisten 2354 waren aus Mahagoni, ab 1973 vermutlich mit Birkendecke. Der Hals war aus "Hard Birch" gefertigt. Es gab aber auch Modelle mit Ahorn Body und Ahorn Griffbrett, wie den 2354NB-3L. Die Kopfplatten konnten je nach Modell sehr unterschiedlich ausfallen. Die angebotenen Farben waren "Mahogani" (frühe Modelle), "Walnut", "Natural", "Cherry". Der Cimar 1911 war dem 2354B zwar sehr ähnlich, es gab aber Unterschiede.

Die verschiedenen EB-3 Bass Kopien von Ibanez hatten vermutlich alle die gleichen Humbucker. Einige waren mit Drehschalter, andere mit Toggle Switch ausgestattet. Die Werte der Potis und Kondensatoren können je nach Modell und Baujahr variieren. Das mag auch auf die Schaltungen zutreffen.



Schaltplan



Benennung

Ibanez 2354B (Gibson EB-3 Kopie)

Historische
Bassschaltungen

Nummer
1.6.101

Bemerkungen / Besonderheiten

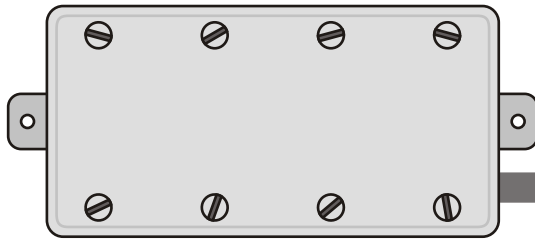
ca. 1971 - 1977

gezeichnet von
Cadfael

gezeichnet am
02.09.17

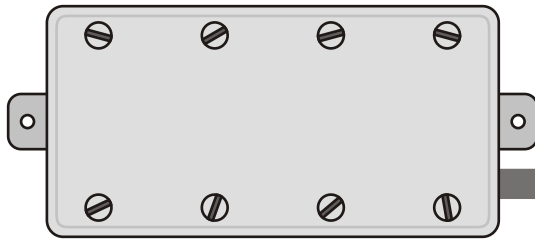
Seite
224

Humbucking Pickup 2388B/S 1973



(2354-40 Pickup 2388B/DX 1973)

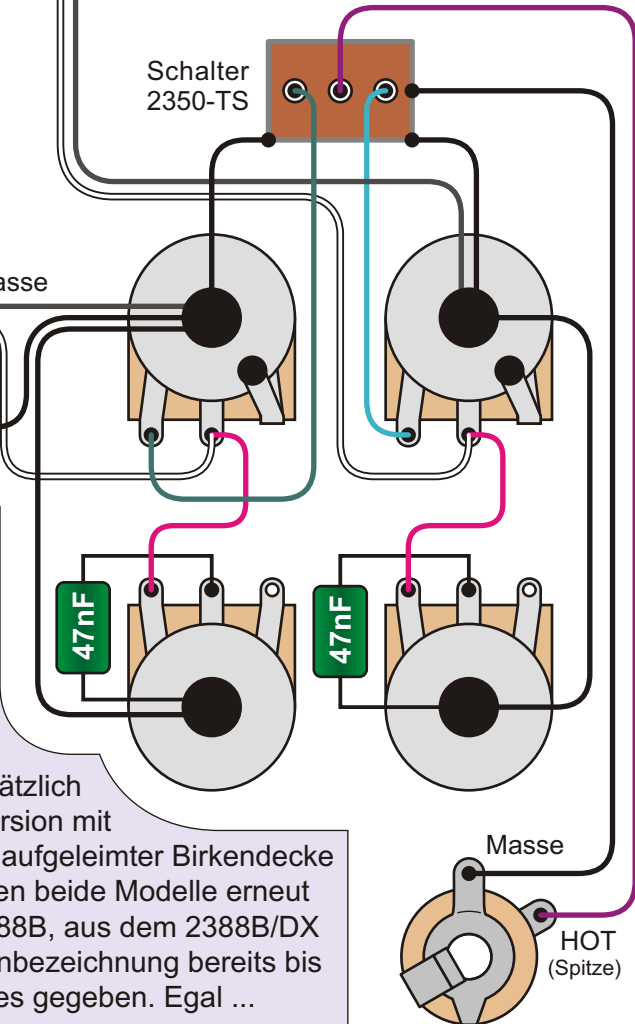
Humbucking Pickup 2388B/S 1973



Saitenerdung
(Kabel zum Steg)

Modell	Jahr	Hals
2388B	1972	durchgehend
2388B/S	1973	geschraubt
2388B/DX	1973	durchgehend
2388B	1976	geschraubt
2389B	1976	durchgehend

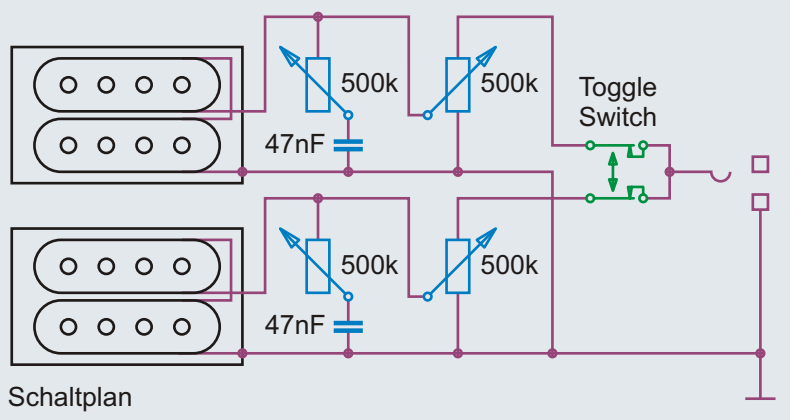
Schalter
2350-TS



Ibanez Rickenbacker Kopien

Den Ibanez 2388B (ab 1976 in 2389B umbenannt) gab es in verschiedenen Varianten. Das Urmodell von 1972 hat die Pickups der 2354B Modelle, einen durchgehenden Hals und ist aus Ahorn gefertigt. Er wurde in den Farben "Sunburst" und "Natural" angeboten. 1973 wurde er in 2388B/DX umbenannt. Zusätzlich gab es ab 1973 die preiswertere 2388B/S Version mit geschraubtem Hals, Body aus Mahagoni mit aufgeleimter Birkendecke sowie kleinerem Pickup am Hals. 1976 wurden beide Modelle erneut umbenannt. Aus dem 2388B/S wurde der 2388B, aus dem 2388B/DX wurde der 2389B. Dabei hatte es diese Typenbezeichnung bereits bis 1972 für die Kopie eines Ampeg AMB1 Basses gegeben. Egal ...

Im Gegensatz zu seinem Rickenbacker 4001 Vorbild hatten weder der 2388B bzw. 2388B/S, noch der 2388B/DX bzw. 2389B eine Stereo-Schaltung. Das Modell mit eingeleimtem Hals und Ahorn Body unterschied sich von dem Modell mit geschraubtem Hals durch den großen 2354-40 Hals Pickup.



Benennung **Ibanez 2388B (Rickenbacker 4001 Kopie)**

Historische Bassschaltungen

Nummer 1.6.171

Bemerkungen / Besonderheiten
ca. 1972 - 1977

gezeichnet von
Cadfael

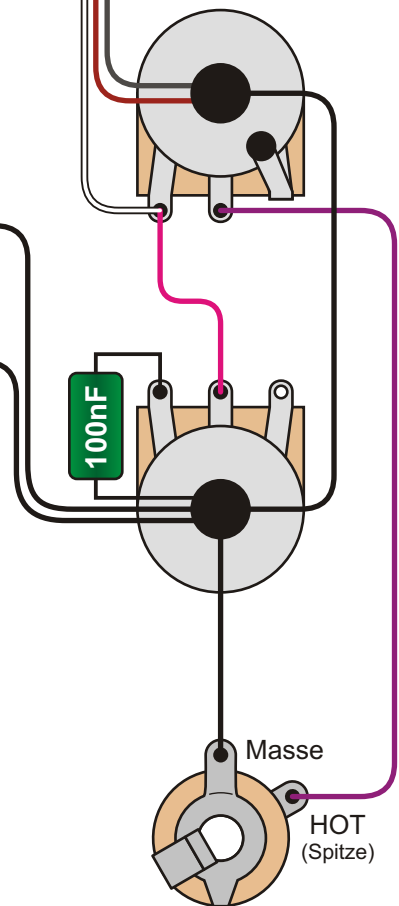
gezeichnet am
02.09.17

Seite
225

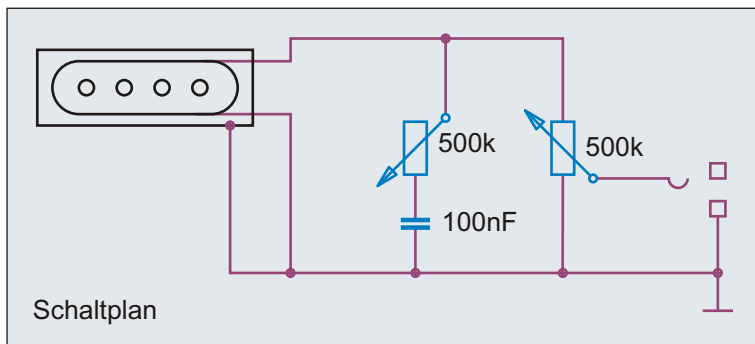
Ibanez Super 4



Saitenerdung
(Kabel zum Steg)



Die passiven Bassmodelle der Musician und Roadster Serie hatten die gleiche Elektronik. Sie waren - genau wie die aktiven Modelle der Serien - mit einem Ibanez "Super 4" Single Coil Soapbar Pickup bestückt.



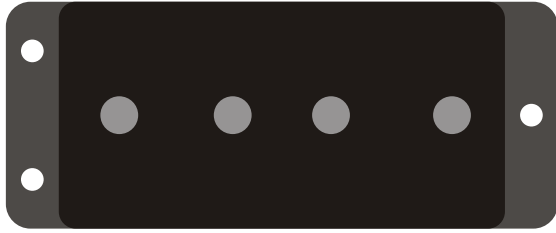
Regler	Wert
Master Volume	500 k lin.
Master Tone	500 k log.

Der Ibanez MC 800 Musician und RS 800 Roadster Bass

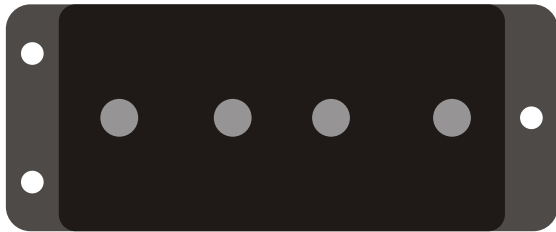
Bis 1977/78 hatte Ibanez fast ausschließlich amerikanische Saiteninstrumente kopiert. Nun war man aber aufgrund des Kopierverbots gezwungen, eigene Wege zu gehen. Den Anfang machten 1978/79 die Bässe der Ibanez Roadster und Musician Serie, deren Bodyformen identisch waren. Die Roaster Bässe hatten einen geschraubten Hals mit "4L" Mechaniken. Die Kopfplatte erinnerte entfernt an Fender, hatte aber ein ansprechendes und unverkennbar eigenes Design. Die Musician Bässe verfügten über einen durchgehenden Hals, eine symmetrische Kopfplatte und "2L/2R" Mechaniken. In beiden Serien wurden neben aktiven Bässen je eine passive Version angeboten. Die Musician Bässe waren ausschließlich in Naturholzoptik erhältlich, die Roadster Bässe in Naturholzoptik, Schwarz oder Weiß.

Benennung	Ibanez MC 800 Musician Bass 1979		Historische Bassschaltungen	Nummer
				1.6.201
Bemerkungen / Besonderheiten	gleich mit Ibanez RS 800 Roadster Bass 1979		gezeichnet von	gezeichnet am
			Cadfael	02.09.17
			Seite	226

Ibanez Super 4



Ibanez Super 4



Stahlplatten unter Pickups
(Kabel zu Masse)

Masse

Saitenerdung
(Kabel zum Steg)

Toggle Switch

HOT
(Spitze)

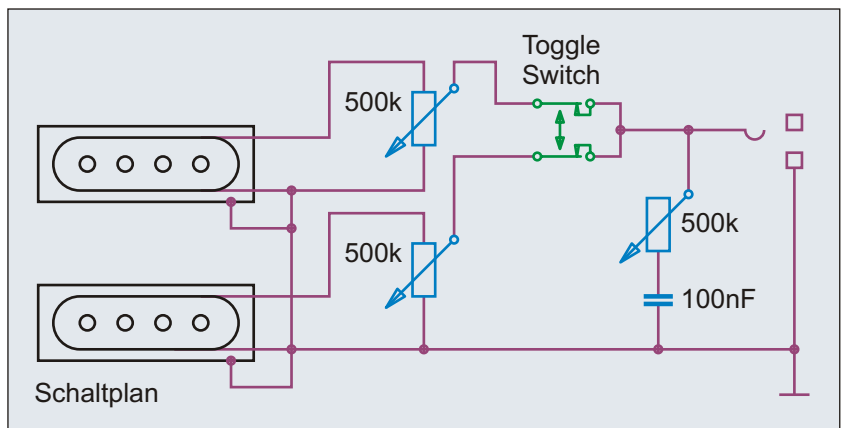
Masse

Der große Bruder des MC 824, der aktive MC 924, bzw. dessen Fretless Version MC 940, wurde berühmt durch Sting, den Bassisten von The Police. Dadurch wurde nicht nur der Bass bekannt, Ibanez verlor gleichzeitig das Image des Kopierers.

Der Ibanez Musician 824 Bass hatte einen Tone und zwei Volume Regler. Die beiden "Super 4" Soapbar Pickups konnten über einen Toggle Switch angewählt werden.

Toggle Switch	
Pos.	aktive Pickups
1	Neck
2	Neck + Bridge par.
3	Bridge

Regler	Wert
Neck Volume	500 k lin.
Bridge Volume	500 k lin.
Master Tone	500 k log.



Schaltplan

Benennung **Ibanez MC 824 Musician Bass 1980**

Historische Bassschaltungen

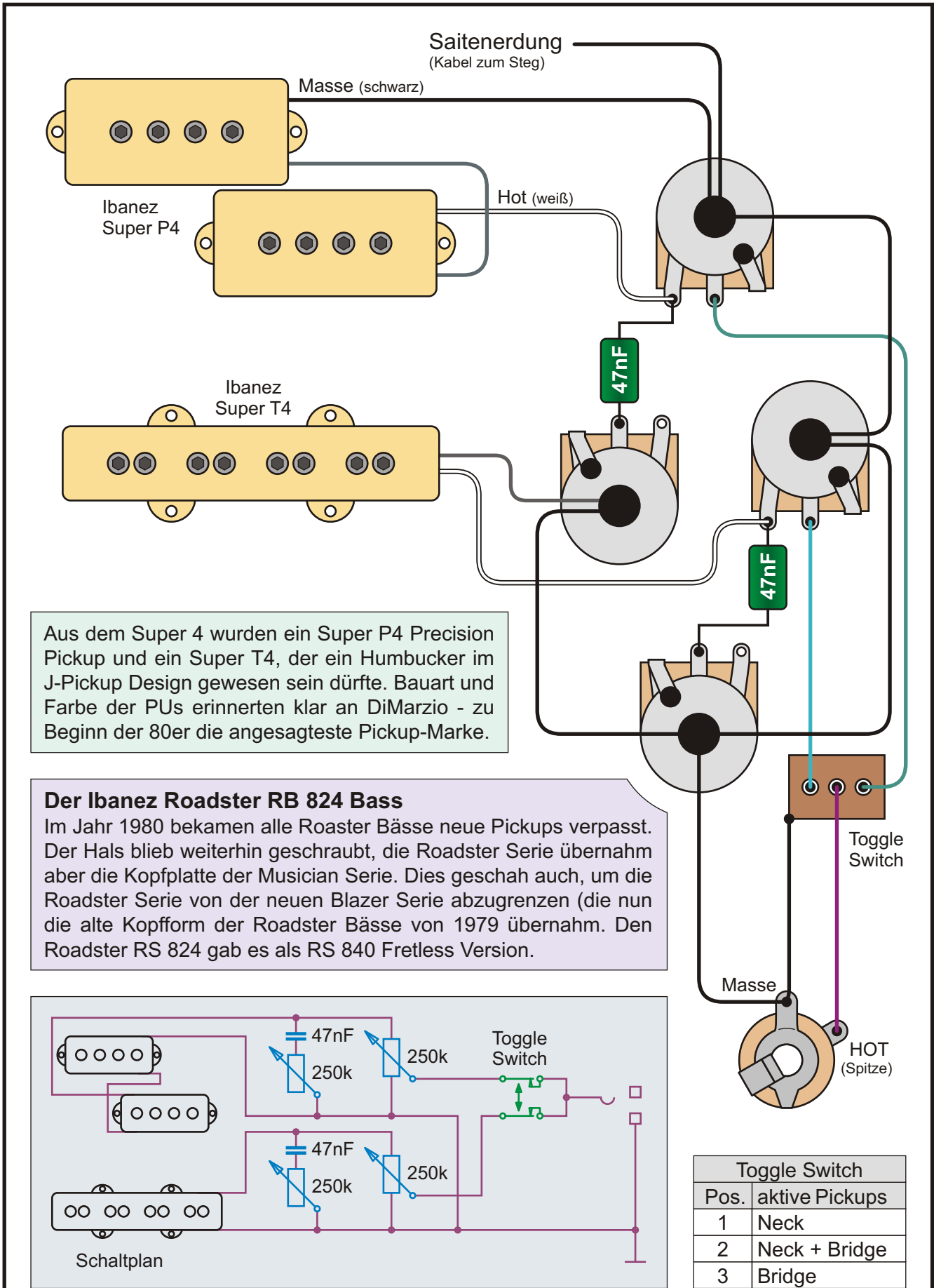
Nummer 1.6.211

Bemerkungen / Besonderheiten

gezeichnet von **Cadfael**

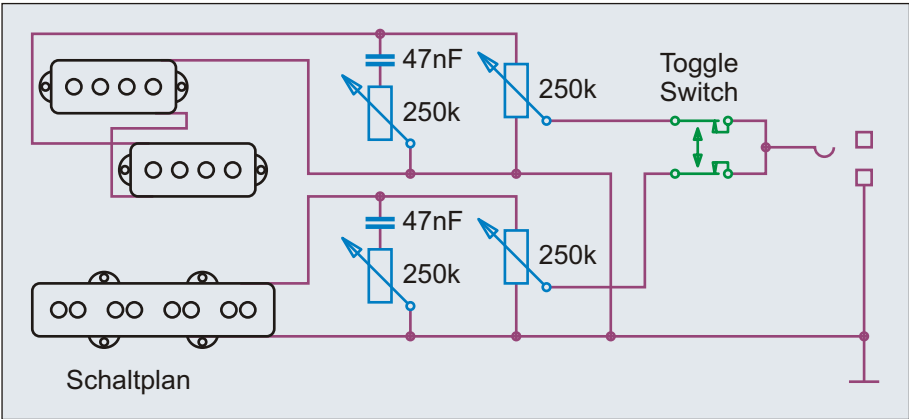
gezeichnet am **02.09.17**

Seite **227**



Aus dem Super 4 wurden ein Super P4 Precision Pickup und ein Super T4, der ein Humbucker im J-Pickup Design gewesen sein dürfte. Bauart und Farbe der PUs erinnerten klar an DiMarzio - zu Beginn der 80er die angesagteste Pickup-Marke.

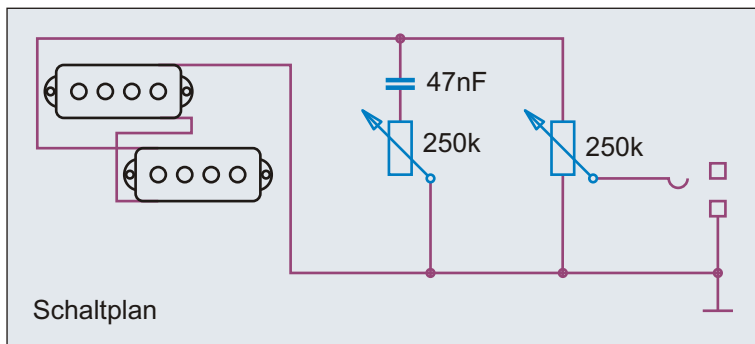
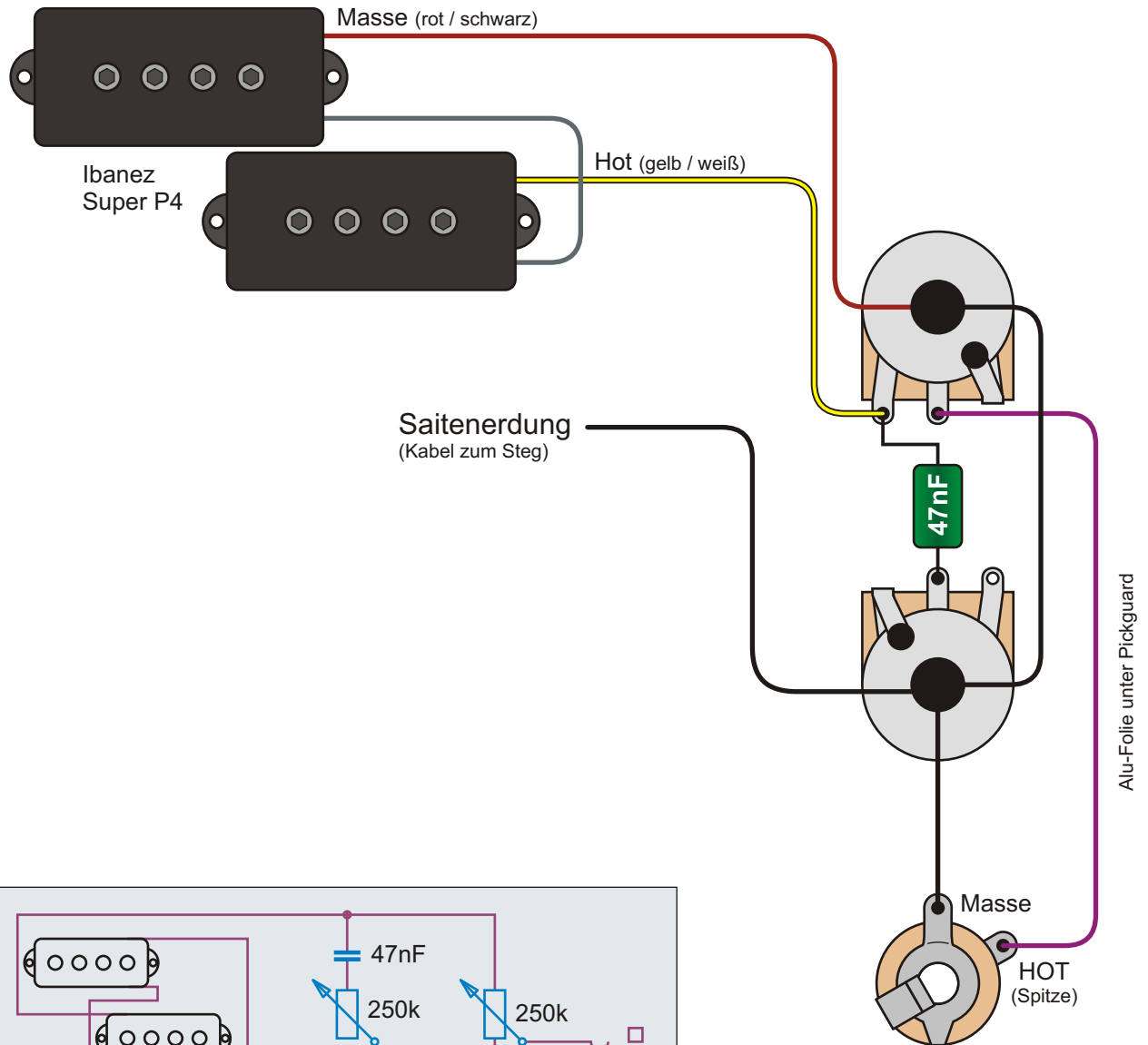
Der Ibanez Roadster RB 824 Bass
 Im Jahr 1980 bekamen alle Roaster Bässe neue Pickups verpasst. Der Hals blieb weiterhin geschraubt, die Roadster Serie übernahm aber die Kopfplatte der Musician Serie. Dies geschah auch, um die Roadster Serie von der neuen Blazer Serie abzugrenzen (die nun die alte Kopfform der Roadster Bässe von 1979 übernahm. Den Roadster RS 824 gab es als RS 840 Fretless Version.



Toggle Switch	
Pos.	aktive Pickups
1	Neck
2	Neck + Bridge
3	Bridge

Benennung Ibanez RS 824 Roadster Bass 1980	Historische Bassschaltungen		Nummer 1.6.221
	gezeichnet von Cadfael	gezeichnet am 02.09.17	Seite 228
Bemerkungen / Besonderheiten gleich mit Ibanez RS 840 Roadster Bass 1980			

Idee, Recherche, Autor, Zeichnungen, Grafiken, Diagramme, Layout und Design: Andreas "Cadfael" Kühn - Nutzung ausschließlich zu privaten, nicht kommerziellen Zwecken und auf eigene Gefahr! Alle Angaben ohne Gewähr, Irrtümer vorbehalten!

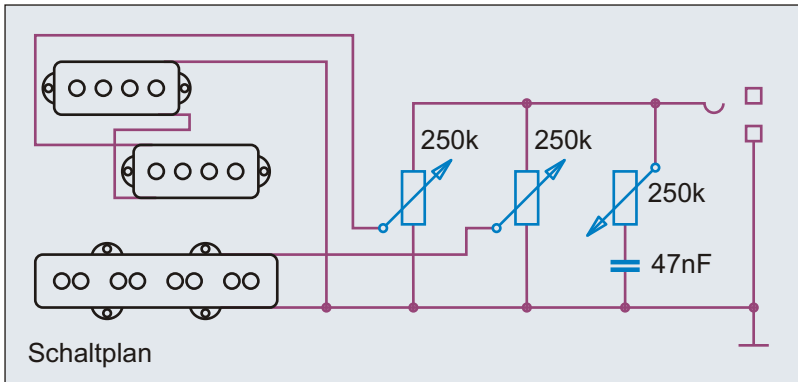
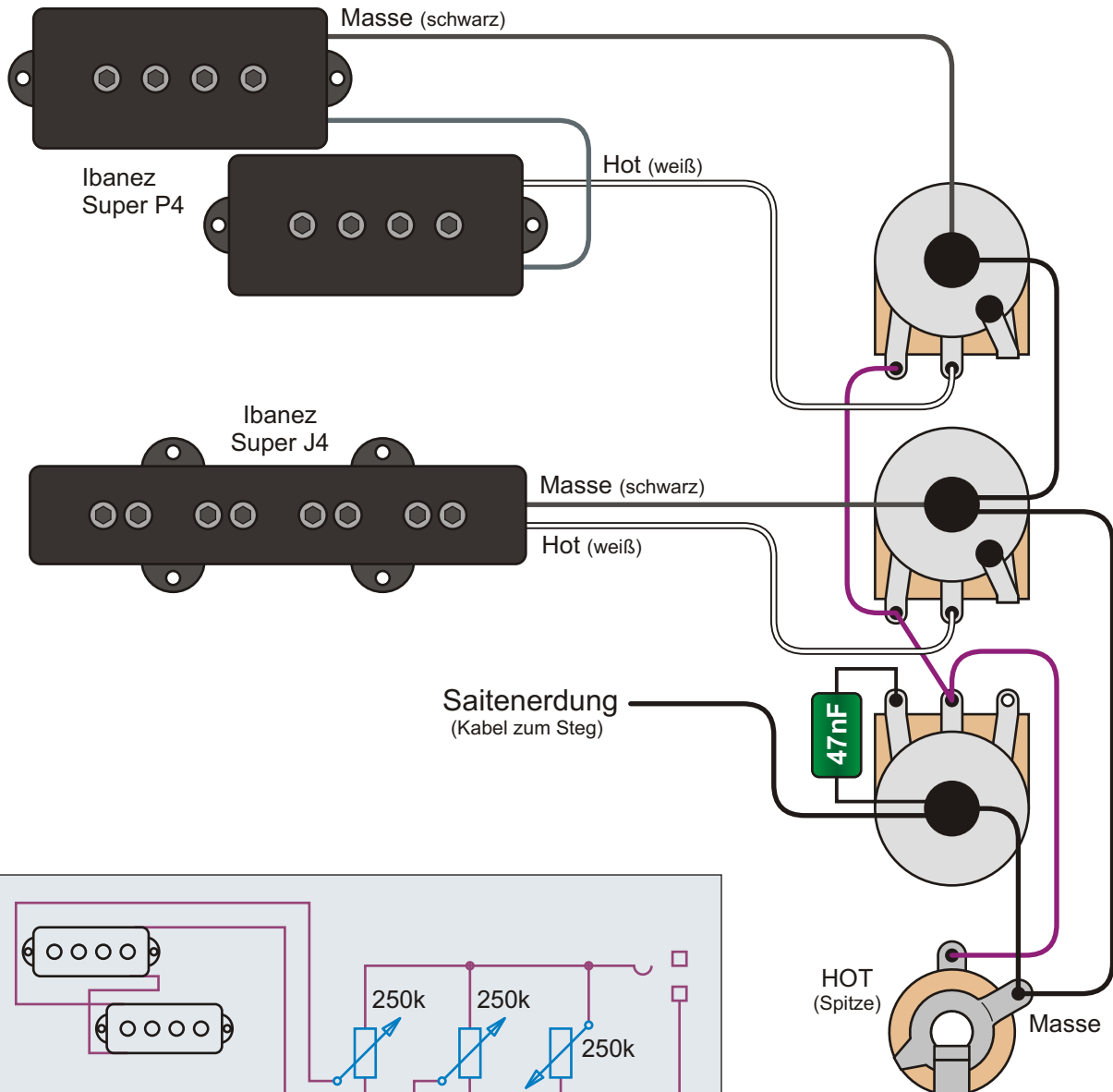


Regler	Wert
Master Volume	250 k log.
Master Tone	250 k log.

Die Ibanez Blazer BL-700 und BL-800 Bässe

Der Ibanez BL-700 und BL-800 Blazer Bass unterschieden sich nur in der Brücke. Der BL-800 hatte die massivere "Brass B II" Bridge. Aber auch der BL-700 war nicht mit dem einfachen, gebogenen Stahlblech ausgestattet. Seine Bridge war die, ebenfalls aus Messing hergestellte "Brass B I" Bridge. Die Qualität der Blazer Bässe war so hervorragend, dass diese bezahlbaren Bässe an die damaligen Fender Precisions heranreichten - oder sie gar überflügelten. Die neue Blazer Serie übernahm Kopfplatte (erstmal Ende der 1970er Jahre auf "Cimar by Ibanez" Bässen zu finden) und Bodyform von den Roadster Modellen von 1979. Die Blazer Bässe hatten jedoch ein Pickguard sowie einen P-Pickup mit verstellbaren Pole Pieces. Die Bodys der Bässe waren aus Esche, die Hälse aus Ahorn gefertigt.

Benennung	Ibanez BL-700 Blazer Bass 1980		Historische Bassschaltungen	Nummer	1.6.231
Bemerkungen / Besonderheiten	gleich mit Ibanez BL-800 Bass 1980 / RB 630 Bass 1983/84		gezeichnet von	gezeichnet am	Seite
			Cadfael	02.09.17	229

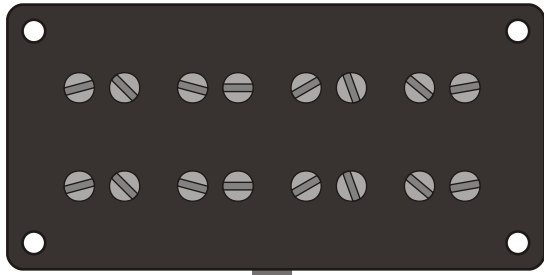


Im Gegensatz zu den Roadster Bässen mit J-Humbucker hatte der RB-650 Roadstar II Bass einen herkömmlichen Jazz Bass SingleCoil Pickup. Allerdings waren auch hier acht Madenschrauben zur Höheneinstellung angebracht. Der P-Pickup hingegen blieb gleich.

Der Ibanez RB 650 Roadstar II Bass
 Die beliebte Ibanez Blazer Serie wurde 1984 durch die Roadstar II Serie ersetzt. Statt einer Messingbrücke gab es nun den einfachen verchromten Stahlwinkel. Beim Holz für den Body wurde Esche durch Linde ersetzt. Zudem gab es die Roadstar II Bässe nur mit deckender Lackierung in Schwarz, Weiß und "Burgundy" Rot (Weiß nicht bei RB 630).

Benennung Ibanez RB 650 Roadstar II Bass 1983/84	Historische Bassschaltungen		Nummer 1.6.241
	gezeichnet von Cadfael	gezeichnet am 02.09.17	Seite 230
Bemerkungen / Besonderheiten			

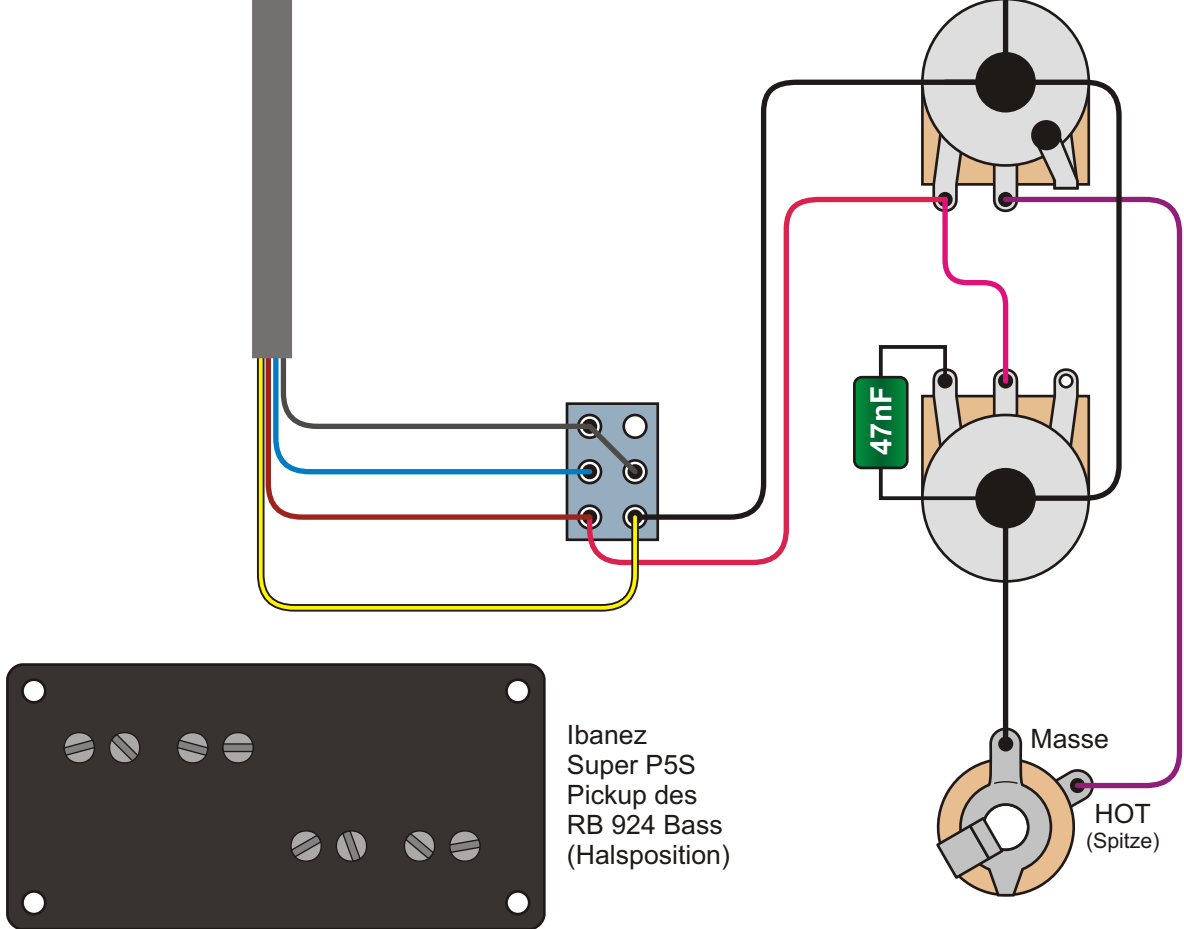
Ibanez Super J6



Minischalter											
1	4	1	4	1	4	1	4	1	4	1	4
A	B	A	B	A	B	A	B	A	B	A	B
3	6	3	6	3	6	3	6	3	6	3	6
ON						ON					

Tri Sound	
Pos.	Spulen
1	Parallel
2	Single Coil
3	Humbucker

Saitenerdung
(Kabel zum Steg)



Ibanez Super P5S Pickup des RB 924 Bass (Halsposition)

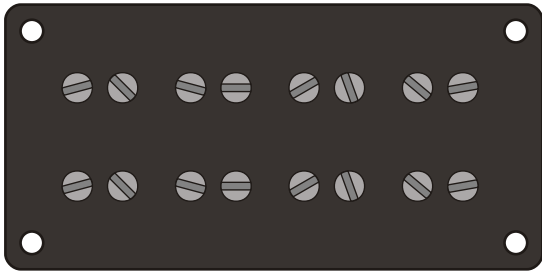
Beim Ibanez Super J6 Pickup handelte es sich um einen "Doppel-J-Pickup". Der Pickup war damit eine Abwandlung des Musicman Stingray Pickups. Er saß bei dem RB820 und RB 920 Bass auch in der gleichen Position. Die Idee des Tri Sound Schalters übernahm man vom DiMarzio Dual Sound. So waren mit einem Pickup drei Sounds möglich. Die Belegung des Schalters ist jedoch anders! Hier wird keine Spule kurzgeschlossen, sie läuft ins Leere.

Der Ibanez RB 820 und RB 920 Roadstar II Bass

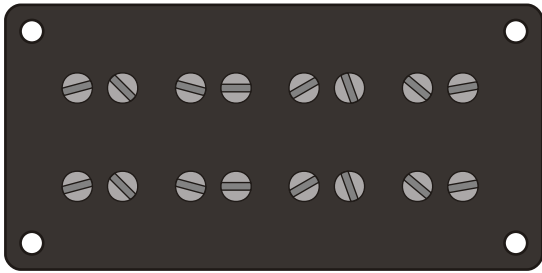
Die Ibanez RB 820 und RB 920 hatten im Gegensatz zu den 600er Modellen eine massive "Accu Cast BII" Bridge, bei der die Saiten eingehängt wurden. Zudem wurde hier nicht die Kopfplatte der Blazer Modelle, sondern die der Roadstar / Musician Modelle übernommen. Die Bodys waren aus Erle gefertigt, das 920er Modelle hatte eine Vogelaugenahorndecke und Bindings auf der Oberseite. Es gab auch noch eine RB 924 Version mit Super J6 und Super P5S Pickup, zwei Lautstärkereglern, einem Tone und einem Tri Sound Schalter.

Benennung	Ibanez RB 820 Roadstar II Bass 1983		Historische Bassschaltungen	Nummer
				1.6.251
Bemerkungen / Besonderheiten	gleich mit Ibanez RS 920 Roadstar Bass 1983		gezeichnet von	gezeichnet am
			Cadfael	02.09.17
			Seite	231

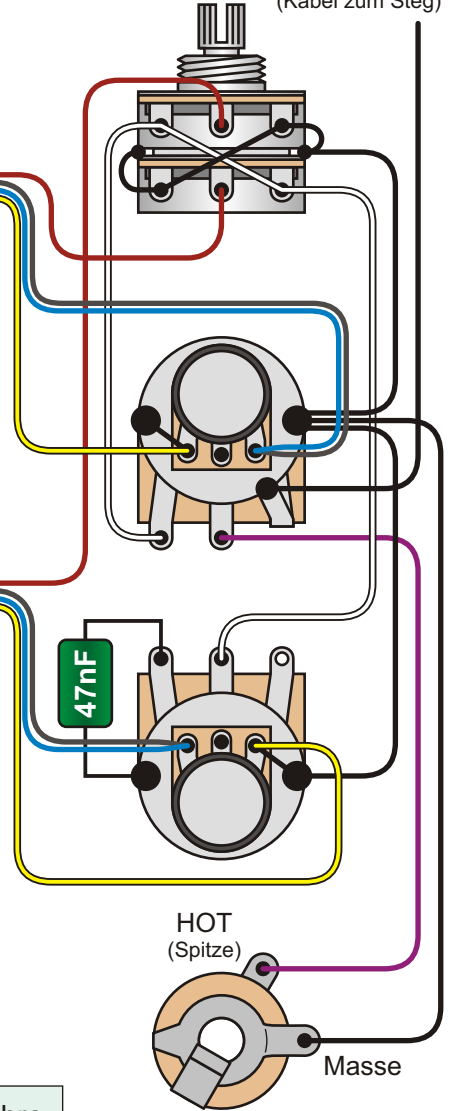
Ibanez Super J6



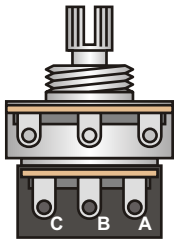
Ibanez Super J6



Saitenerdung
(Kabel zum Steg)

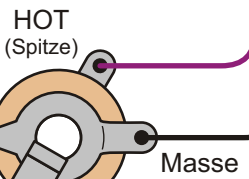


Push/Push Poti

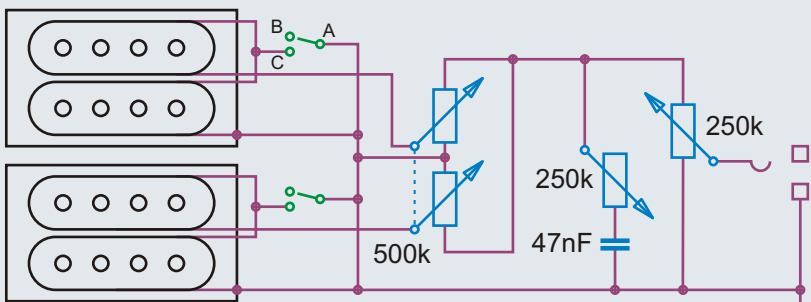
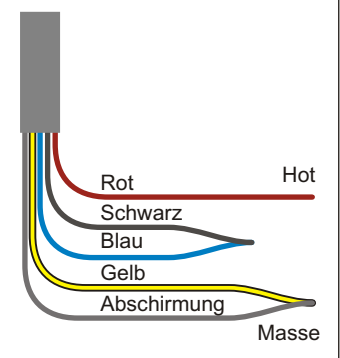


Volume und Tone Poti des RB850 Bass waren als Push/Push Potis ausgelegt. Beim ersten Druck war der Humbucker gesplittet, beim zweiten funktionierte er wieder als Humbucker. Die Belegung des Schalters ist aus dem Schaltplan (unten) zu entnehmen.

Der Ibanez RB 850 Roadstar II Bass lag Mitte der 1980er Jahre voll im Trend. Während die ersten Roaster Bässe (Nachfolger der Blazer Bässe) eher an Precision Bässe angelehnt waren, boten die neuen Modelle den Look der Musician Serie, jedoch ohne die "veraltete Naturholz-Optik". Die RB Bässe können als die Urhaken der heutigen SR Bässe angesehen werden.



Pickup-Kabel



Schaltplan

Regler	Wert
Balance	500 k
Master Vol.	250 k lin.
Master Tone	250 k log.

Benennung

Ibanez RB 850 Roadstar II Bass 1984

Historische
Bassschaltungen

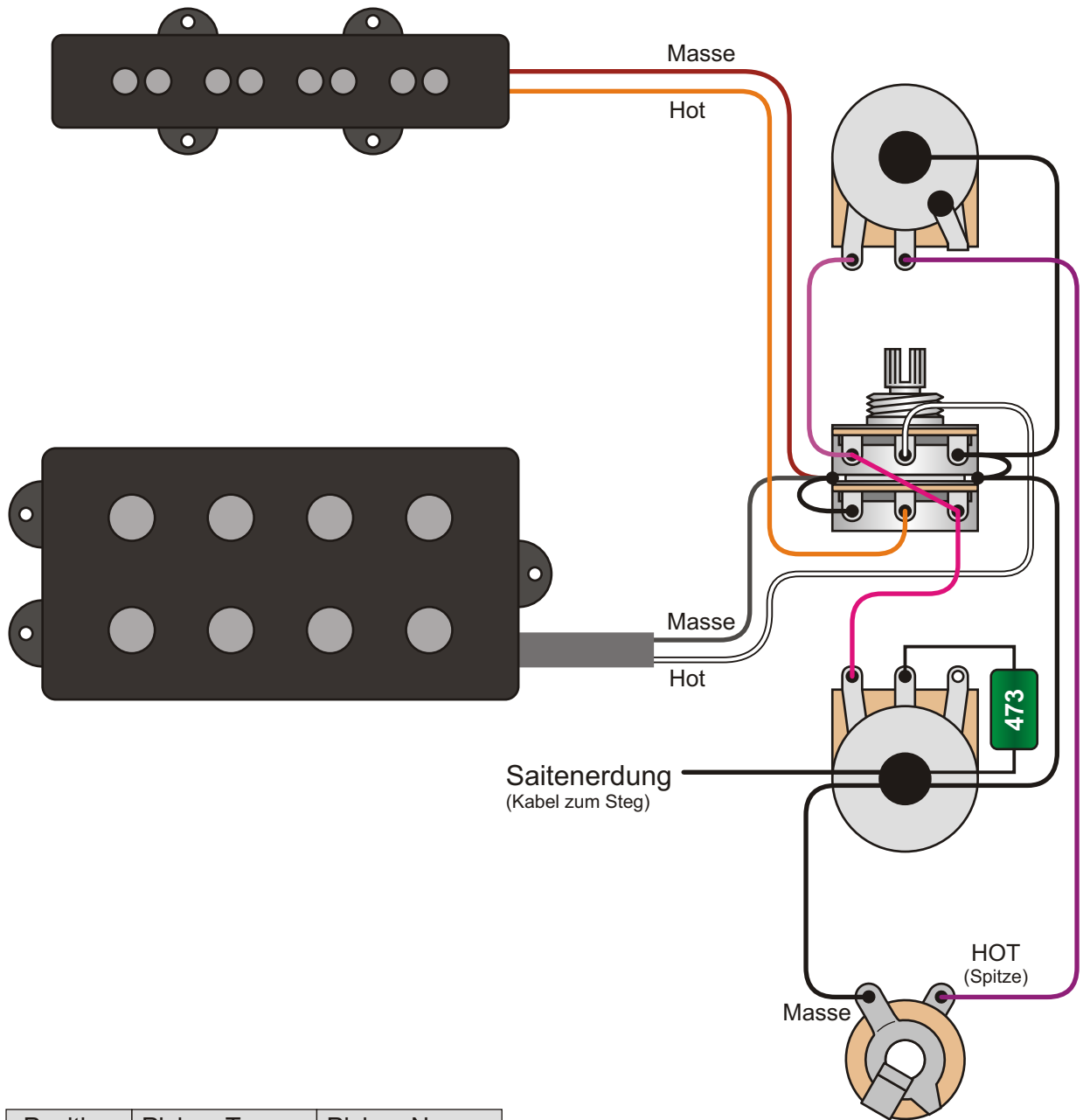
Nummer
1.6.256

Bemerkungen / Besonderheiten

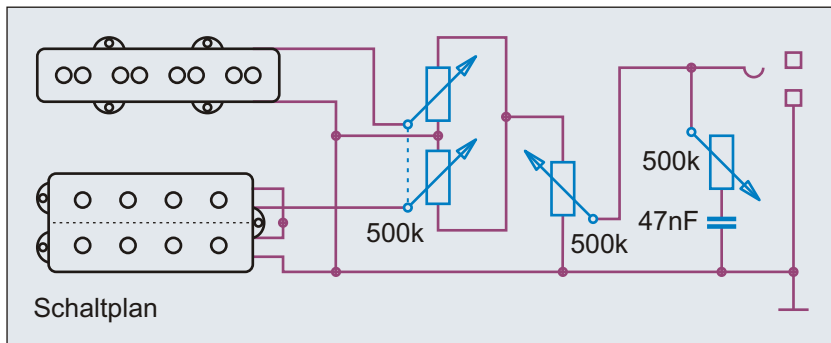
gezeichnet von
Cadfael

gezeichnet am
02.09.17

Seite
232



Position	Pickup Typ	Pickup Nr.
Neck	P.SOUND-J	3PU1C4241
Bridge	P.SOUND-M	3PU1C4411



Poti	Funktion
oben	Master Volume
mittig	Balance
unten	Master Tone

Regler	Wert
Balance	500 k lin.
Master Volume	500 k lin.
Master Tone	500 k log.

Benennung **Ibanez RD 300 Bass 2004**

Historische
Bassschaltungen

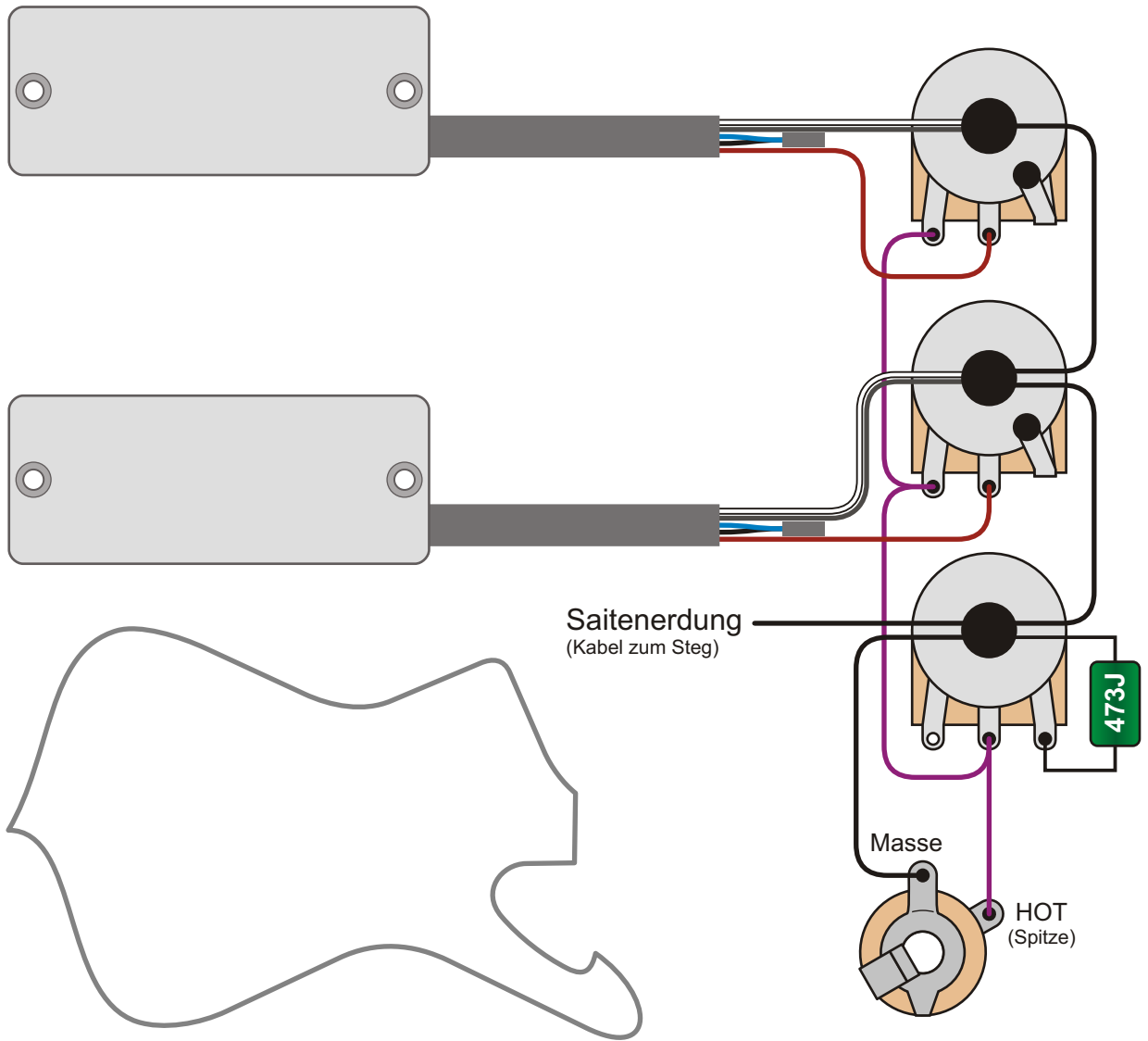
Nummer
1.6.271

Bemerkungen / Besonderheiten

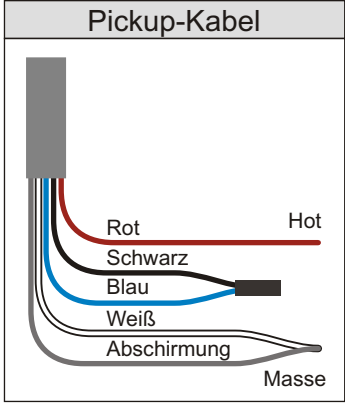
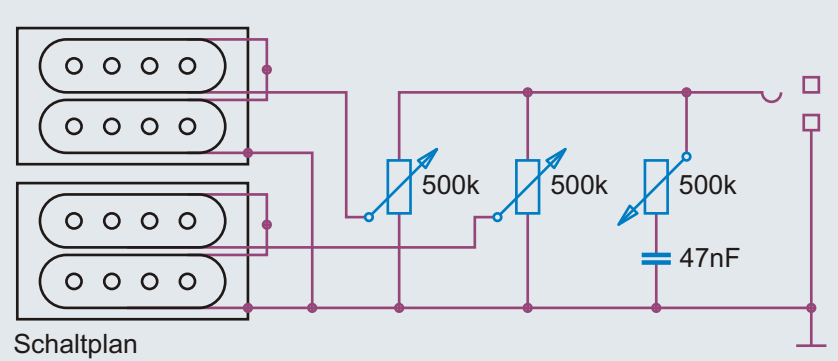
gezeichnet von
Cadfael

gezeichnet am
02.09.17

Seite
233



Der Ibanez ICB300 IceMan Bass von 1995 ist voll passiv ausgelegt. Im Gegensatz zu heutigen IceMan Bässen hatte er noch keine Phat Klangregelung an Bord. Die Schaltung entspricht weitgehend der klassischen "Jazz Bass Schaltung".



Regler	Wert
Neck Volume	500 k lin.
Bridge Volume	500 k lin.
Master Tone	500 k log.

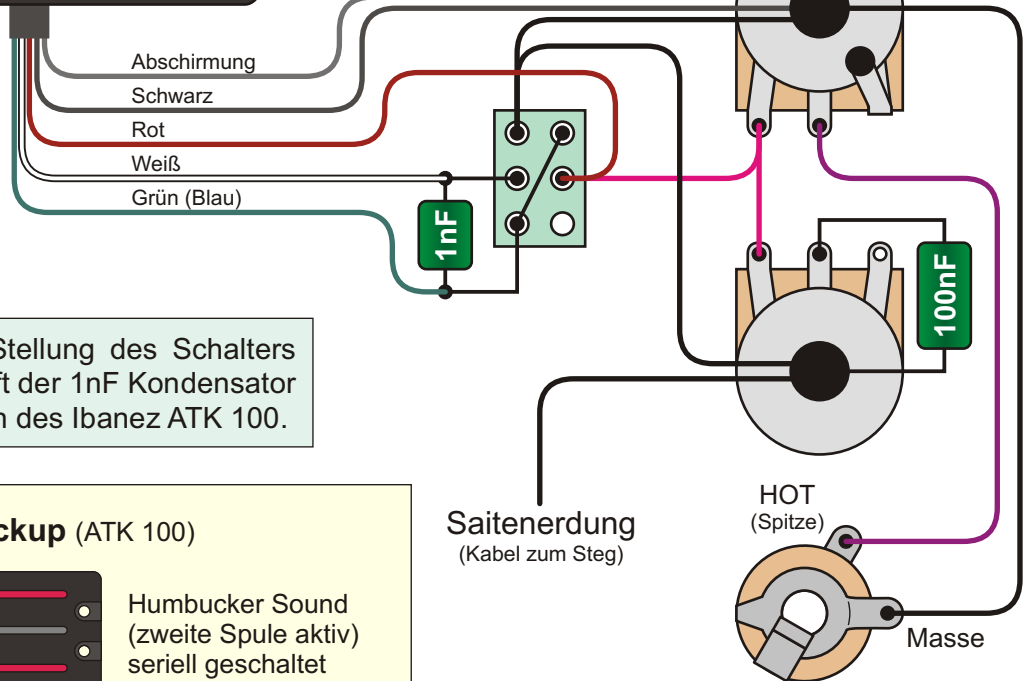
Benennung **Ibanez ICB300 Bass 1995** Historische Bassschaltungen Nummer 1.6.301

Bemerkungen / Besonderheiten gezeichnet von **Cadfael** gezeichnet am **02.09.17** Seite **234**

Double Coil Pickup 3PU1C4211



Ibanez



In der Bridge-Stellung des Schalters (parallel) dämpft der 1nF Kondensator leicht die Höhen des Ibanez ATK 100.

Dual Coil Pickup (ATK 100)



Humbucker Sound
(zweite Spule aktiv)
seriell geschaltet



Humbucker Sound
(zweite Spule aktiv)
parallel + High Cut

Saitenerdung
(Kabel zum Steg)

HOT
(Spitze)

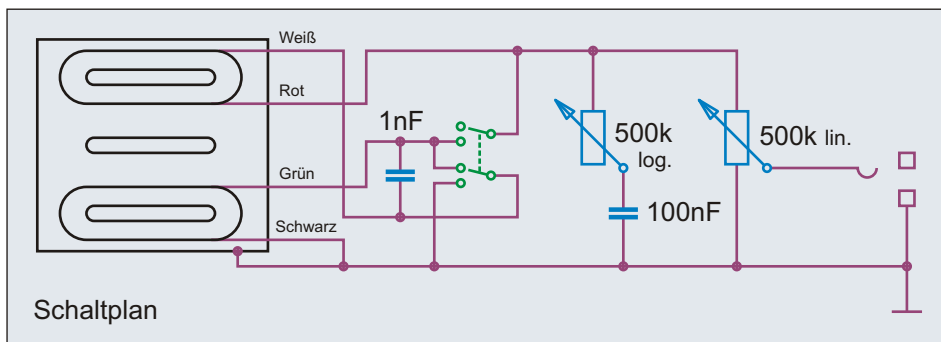
Masse

Triple Coil Pickup (ATK 300 / 500 / 600)

Die Schaltung der Triple Coil PU Modelle ist unter der Nummer 1.9.321 zu finden.

Ibanez ATK 100 Bass

Fast alle Bässe der Ibanez ATK-Familie sind aktive Bässe. Es gab jedoch den ATK 100, der eine passive Elektronik hat. Im Gegensatz zu den anderen ATK Bässen besitzt der ATK 100 nur zwei statt drei Spulen. Ihm fehlen sowohl die Dummy Spule in der Mitte, als auch die Mittelstellung am Schalter. Steht der Schalter zum Neck hin, sind die beiden Spulen seriell, steht der Schalter zur Bridge hin, sind die Spulen parallel (mit zusätzlichem High-Cut Filter).



Richtung	Sound
Neck	POWER seriell
Bridge	ATTACK parallel

Regler	Wert
Volume	500 k lin.
Tone	500 k log.

Benennung **Ibanez ATK 100 Bass 1995**

Historische
Bassschaltungen

Nummer
1.6.321

Bemerkungen / Besonderheiten

gezeichnet von
Cadfael

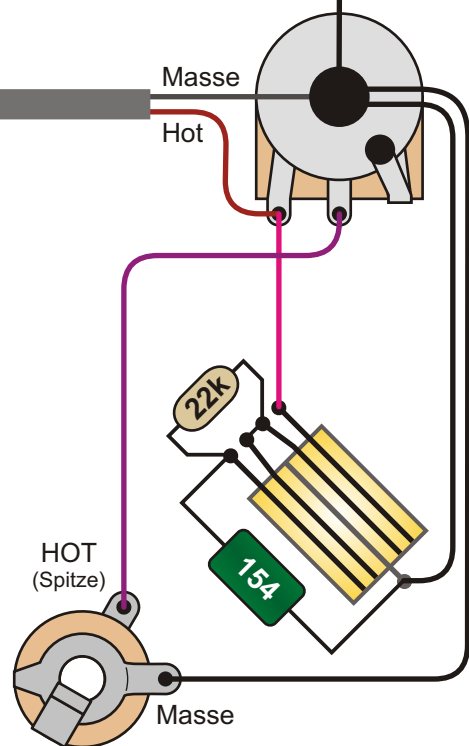
gezeichnet am
02.09.17

Seite
235

Ibanez

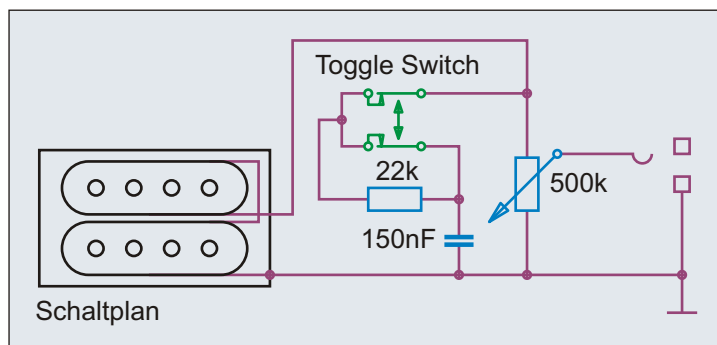


Saitenerdung
(Kabel zum Steg)



Jahr	Pickup Nr.
2004	3PU1C4122
2005-2008	3PU1U4243

Der GAXB 150 Bass hat einen Dual Coil Soap Bar Humbucker. Zur Lautstärkeregelung dient ein ganz normales lineares 500k Ohm Poti. Statt eines Tone Potis hat der GAXB 150 Bass einen Toggle Switch Dreiwegschalter. In der unteren Stellung lässt er das Signal des Pickups voll durch. In der Mittelstellung ist ein mächtiger 150nF Kondensator aktiv, in der oberen Stellung ist zum Kondensator zusätzlich ein 22k Widerstand in Reihe geschaltet.



Regler	Wert
Master Volume	500 k lin.

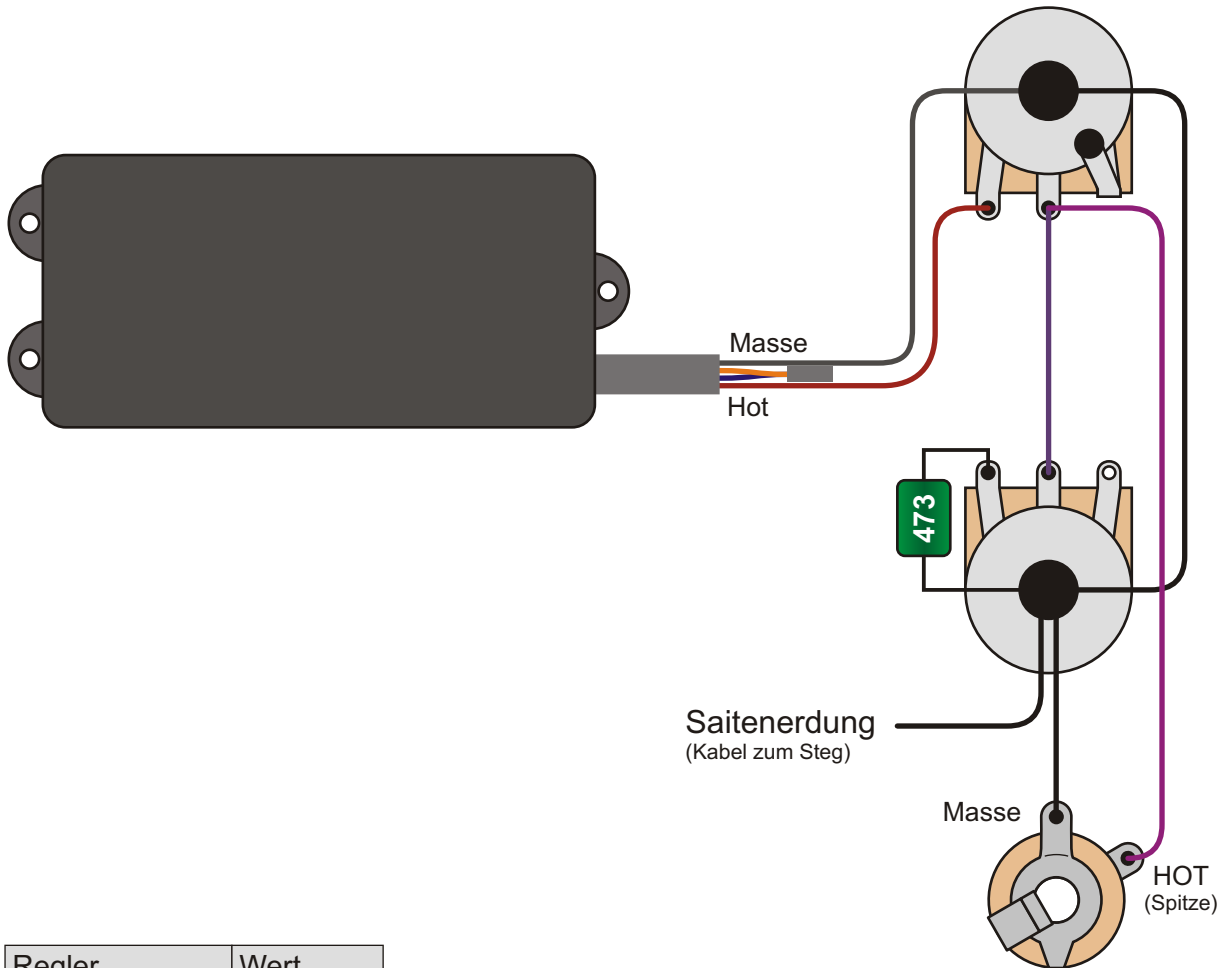
Toggle Switch	
Pos.	Bauteile
oben	Kond. + Widerst.
mittig	Kondensator
unten	_____

Ibanez GAXB 150 Bass

Eigentlich ist der GAXB 150 ein unscheinbarer preiswerter 32" Medium Scale Einsteigerbass. Er ist das Pendant zu den Gitarren der Ibanez GAX-Serie. Wie sie, hat auch der GAX Bass Body ein Doppel-Cutaway. Interessant macht ihn auf heden Fall seine Tone-Switch. Ein Poti wäre wohl billiger gewesen, doch schließlich haben auch die Gitarren einen Schalter...

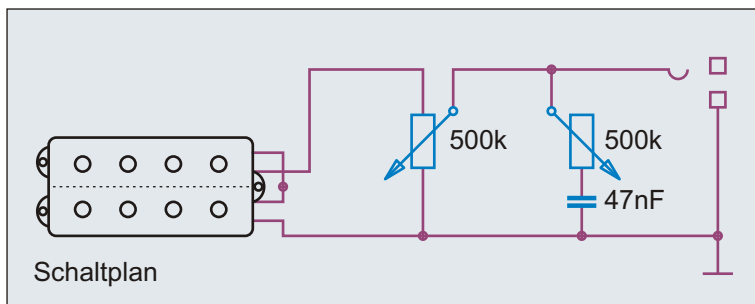
Benennung Ibanez GAXB 150 Bass 2004	Historische Bassschaltungen		Nummer 1.6.351
	gezeichnet von Cadfael	gezeichnet am 02.09.17	Seite 236
Bemerkungen / Besonderheiten			

Ibanez



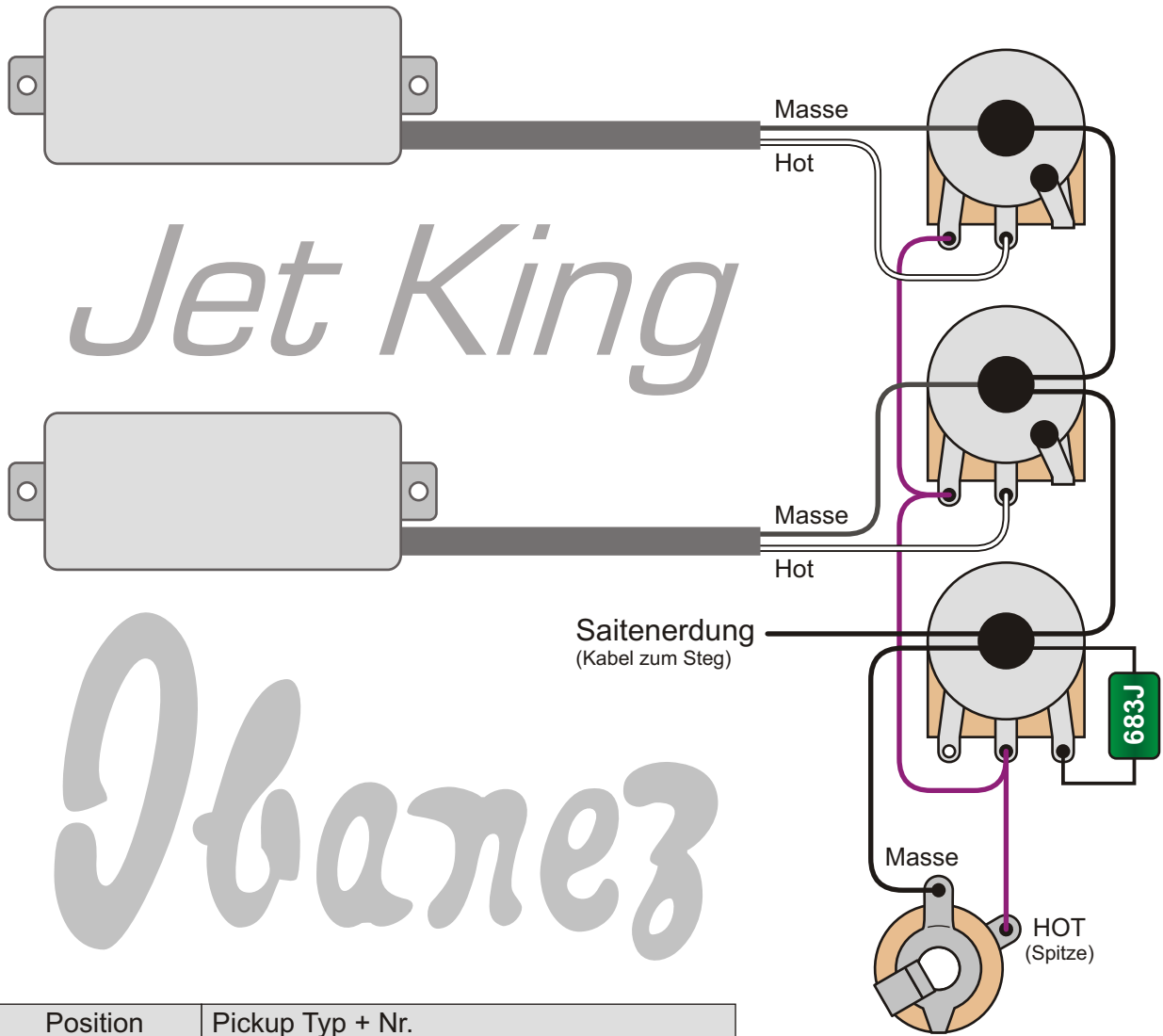
Regler	Wert
Master Volume	500 k lin.
Master Tone	500 k log.

Position	Pickup Typ	Pickup Nr.
Mitte	STD-M / GATK	3PU27C0026



Der preiswerte ATK-Ableger aus der GIO Serie ist mit einem MM-Pickup, einem Volume und einem Tone Regler ausgestattet. Vermutlich hat der Ibanez MM-Pickup vier Adern.

Benennung Ibanez GATK 20 Bass 2011	Historische Bassschaltungen		Nummer 1.6.401
	gezeichnet von Cadfael	gezeichnet am 02.09.17	Seite 237
Bemerkungen / Besonderheiten			



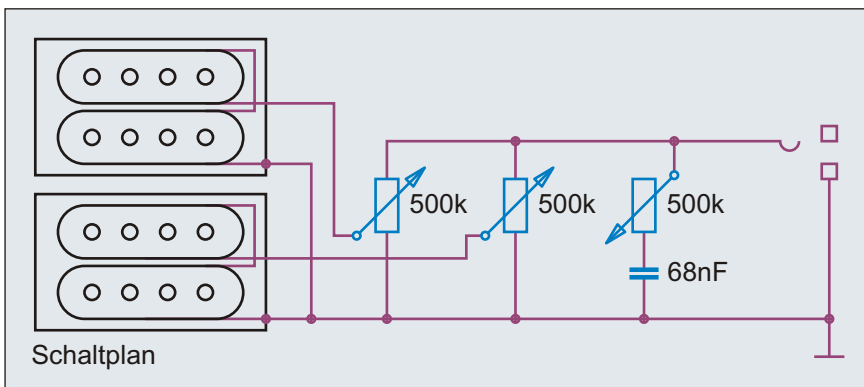
Jet King

Ibanez

Position	Pickup Typ + Nr.
Neck + Bridge	IVZ4B/COVERED/CH 3PU27C0009

Die Schaltung des JTKB 200 entspricht bis auf die Werte der Komponenten einer normalen "Jazz Bass Schaltung". Bis auf die Pickups ist die Elektronik identisch mit passiven Bässen der Ibanez GSR Serie.

Regler	Wert
Neck Volume	500 k lin.
Bridge Volume	500 k lin.
Master Tone	500 k log.



Jet King JTKB 200

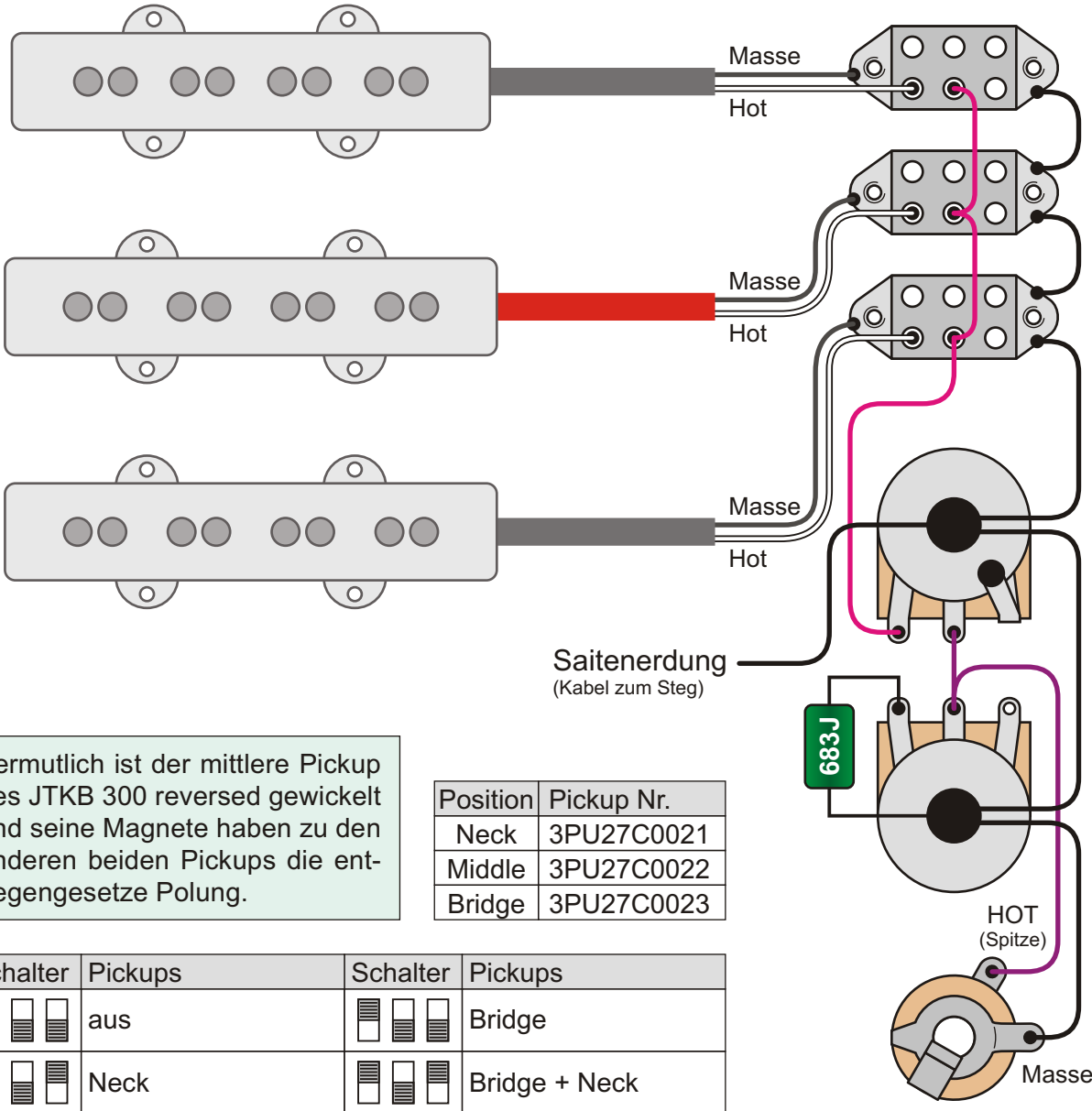
Anfang 2008 war der Ibanez Jet King 200 der große Hingucker. Seine Form erinnert an Bässe aus der "Surf-Zeit" der 1960er Jahre. Das Logo auf der Kopfplatte ist das alte Ibanez Logo.

Benennung **Ibanez JTKB 200 Bass 2008**

Historische Bassschaltungen Nummer 1.6.431

Bemerkungen / Besonderheiten

gezeichnet von **Cadfael** gezeichnet am **02.09.17** Seite **238**

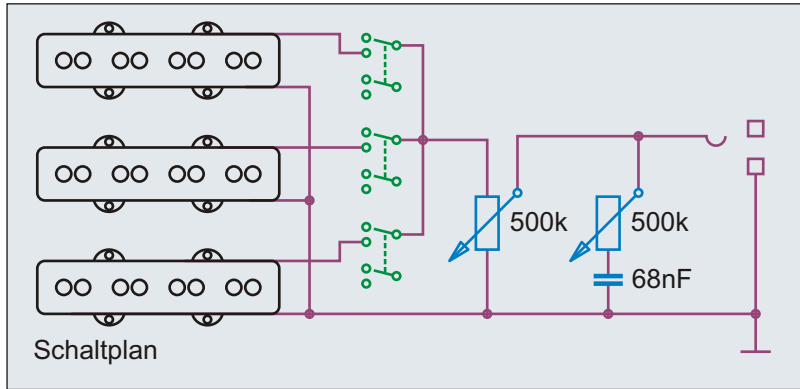


Vermutlich ist der mittlere Pickup des JTKB 300 reversed gewickelt und seine Magnete haben zu den anderen beiden Pickups die entgegengesetzte Polung.

Position	Pickup Nr.
Neck	3PU27C0021
Middle	3PU27C0022
Bridge	3PU27C0023

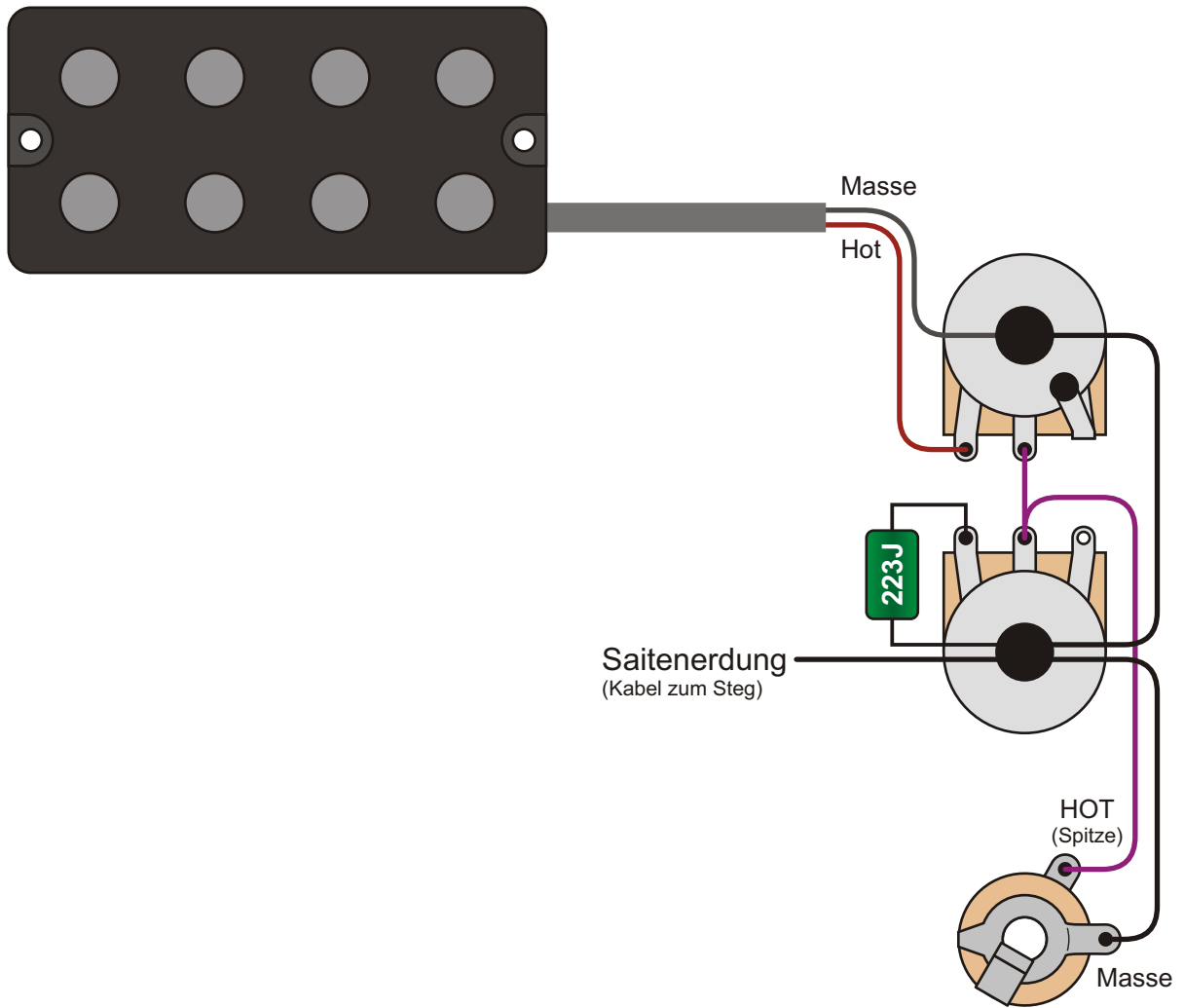
Schalter	Pickups	Schalter	Pickups
	aus		Bridge
	Neck		Bridge + Neck
	Middle		Bridge + Middle
	Neck + Middle		Bridge + Mid + Neck

Regler	Wert
Master Volume	500 k lin.
Master Tone	500 k log.



Jet King JTKB 300
 Genau zwei Jahre nach dem Jet King 200 kam 2010 der Jet King 300 auf den Markt. Die Formen beider Bässe sind identisch. Statt zwei Humbuckern hat der 300er drei Pickups im Jazz Bass Format. Die Pickups sind mit drei Schaltern zuschaltbar.

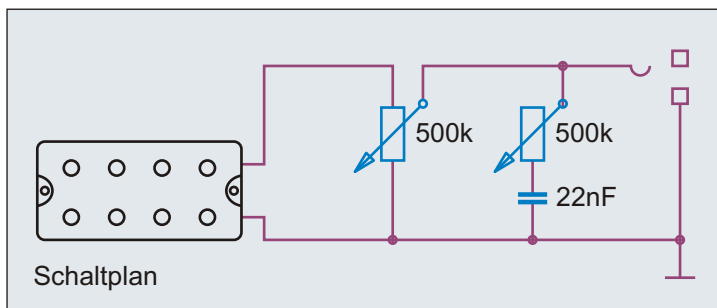
Benennung Ibanez JTKB 300 Bass 2010	Historische Bassschaltungen		Nummer 1.6.436
	gezeichnet von Cadfael	gezeichnet am 02.09.17	Seite 239
Bemerkungen / Besonderheiten			



Regler	Wert
Master Volume	500 k lin.
Master Tone	500 k log.

Position	Pickup Nr.
Middle	3PU1HMF4

Da der Ibanez AGB 200 Bass ein Halbakustik ist, hat er einen gekapselten Toggle Switch.



Ibanez AGB 140 Bass

Der Ibanez AGB 140 Bass gehört zur Ibanez Artcore Serie. Er hat die Form eines Les Paul Basses und ist das Vorgängermodell des AGB 200 Basses. Der AGB 140 ist mit nur einem Pickup ausgestattet, seine Hardware ist verchromt.

Benennung **Ibanez AGB 140 Bass 2004**

Historische
Bassschaltungen

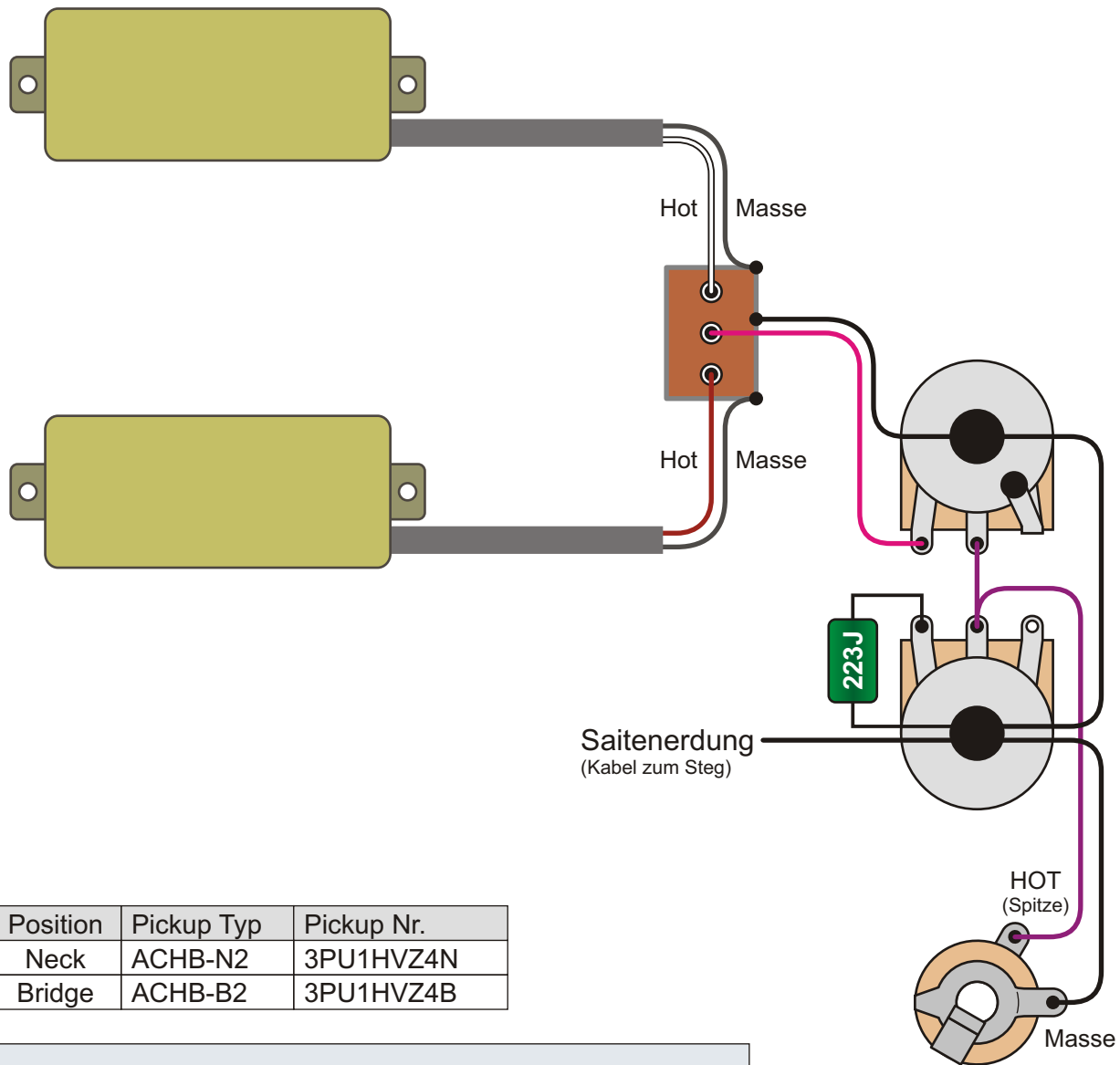
Nummer
1.6.451

Bemerkungen / Besonderheiten

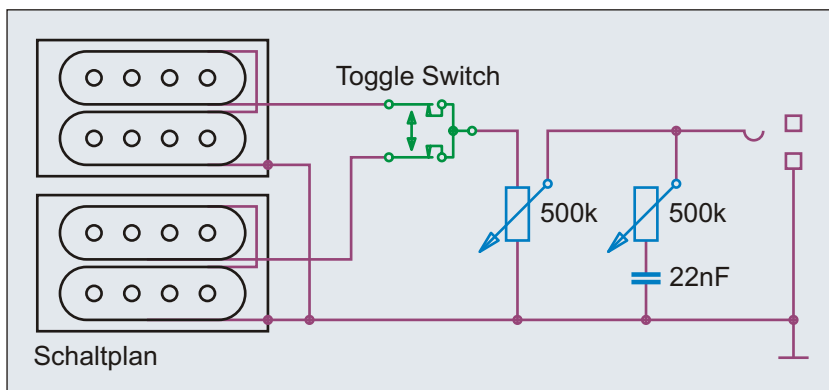
gezeichnet von
Cadfael

gezeichnet am
02.09.17

Seite
240



Position	Pickup Typ	Pickup Nr.
Neck	ACHB-N2	3PU1HVZ4N
Bridge	ACHB-B2	3PU1HVZ4B



Regler	Wert
Master Volume	500 k lin.
Master Tone	500 k log.

Da der AGB 200 Bass ein Halbakustik ist, ist sein Toggle Switch nicht offen, sondern gekapselt.

Ibanez AGB 200 Bass

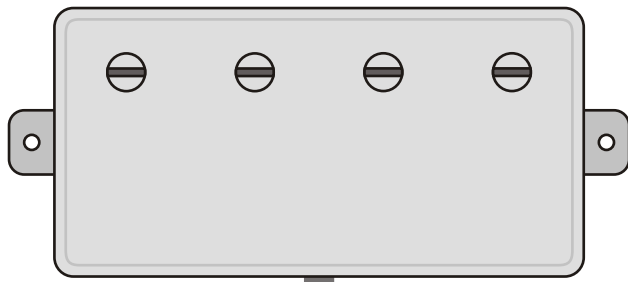
Der Ibanez AGB 200 Bass gehört zur Ibanez Artcore Serie und ist ein Halbakustik Bass. Der 30,3" Short Scale Bass mit einer Zargentiefe von 43 mm hat die Form eines Les Paul Basses. Der Body hat zwei F-Löchern auf der Oberseite. Die Hardware ist vergoldet. Elektronik und weite Teile der Hardware des AGB 200 sind identisch mit der des AFB 200(F).

Benennung **Ibanez AGB 200 Bass 2007**

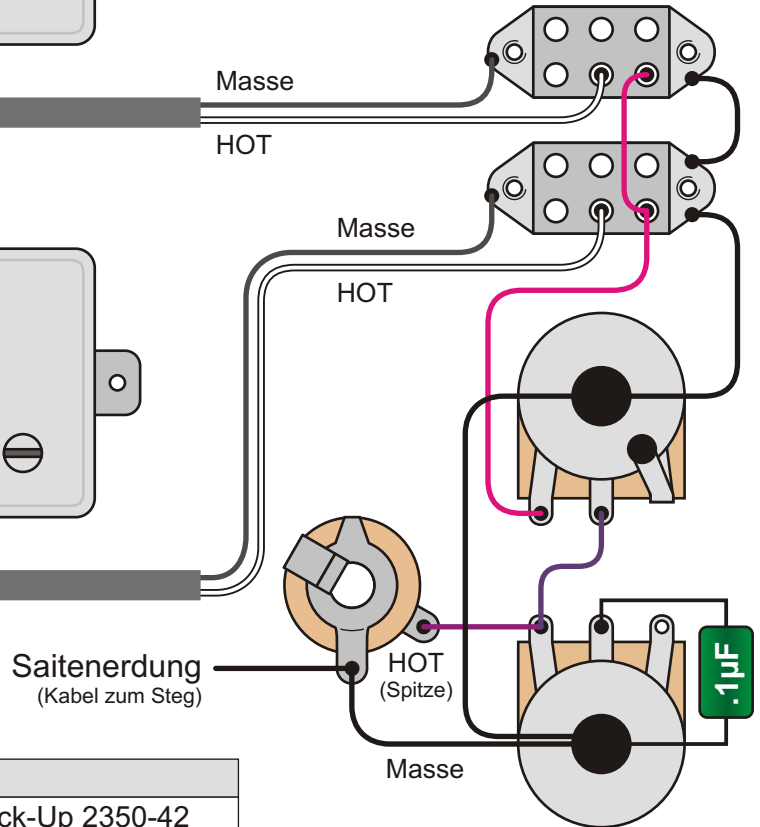
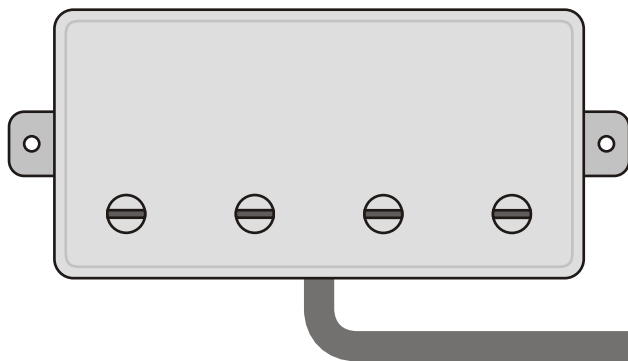
Historische Bassschaltungen Nummer 1.6.456

Bemerkungen / Besonderheiten
Elektronik gleich in Ibanez AFB 200(F)

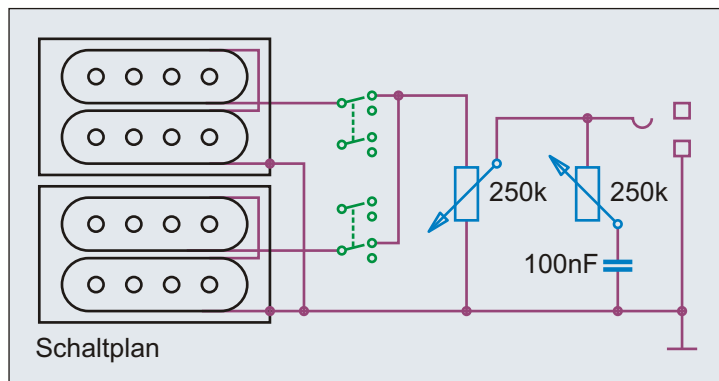
gezeichnet von Cadfael gezeichnet am 02.09.17 Seite 241



Cimar®



Pickup (vermutlich)
Cimar / Ibanez Humbucking Bass Pick-Up 2350-42



Der Cimar EB-1 Bass 1975

Dieser Bass ist eine Mischung aus Ibanez 2354SB und 2403B Bass; also eher eine Gibson EB-3 Kopie. Die Pickups stammen allerdings aus dem Ibanez 2350 LP Custom Bass. Die Schalter und Potis sind "nach eigenen Vorstellungen" von oben, auf einer Plastikabdeckung montiert, in den Body eingelassen.

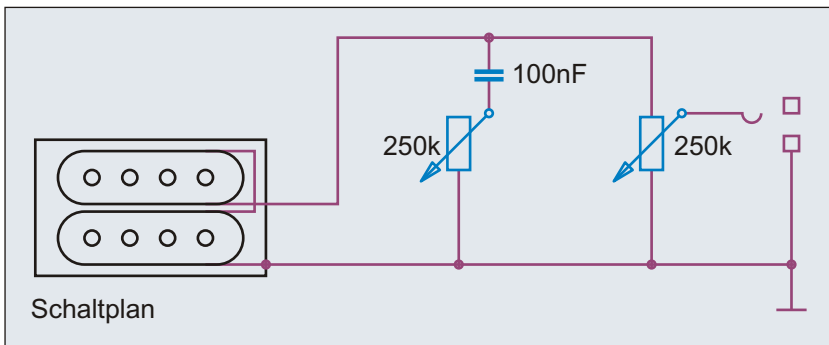
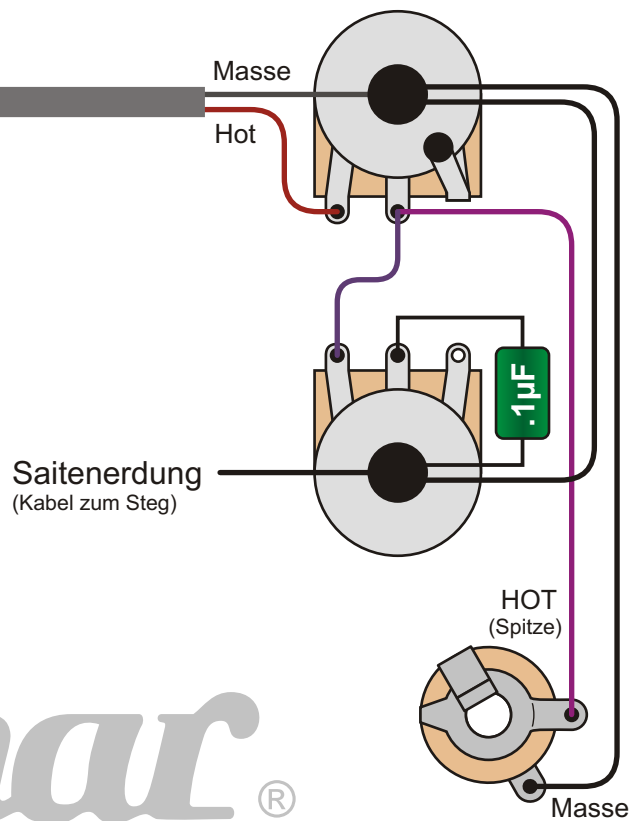
Die Cimar Bässe 1975 bis 1983

Verlässliche Angaben über Cimar sind derzeit nicht bekannt. Es scheint sich allerdings nicht nur um einen Markennamen von Hoshino (Ibanez) zu handeln. Vermutlich war Cimar zuerst Produzent, der unter anderem für die Marke Ibanez Instrumente herstellte. Mitte der 1970er Jahre wurde Cimar von Hoshino / Ibanez aufgekauft. Unter dem Label "Cimar by Ibanez" wurden dann leicht abgespeckte / veränderte Versionen der Ibanez Instrumente vermarktet.

Benennung	Cimar EB-1 Bass 1975		Historische Bassschaltungen	Nummer
				1.6.521
Bemerkungen / Besonderheiten	gezeichnet von	gezeichnet am	Seite	
	Cadfael	02.09.17	242	



Cimar®



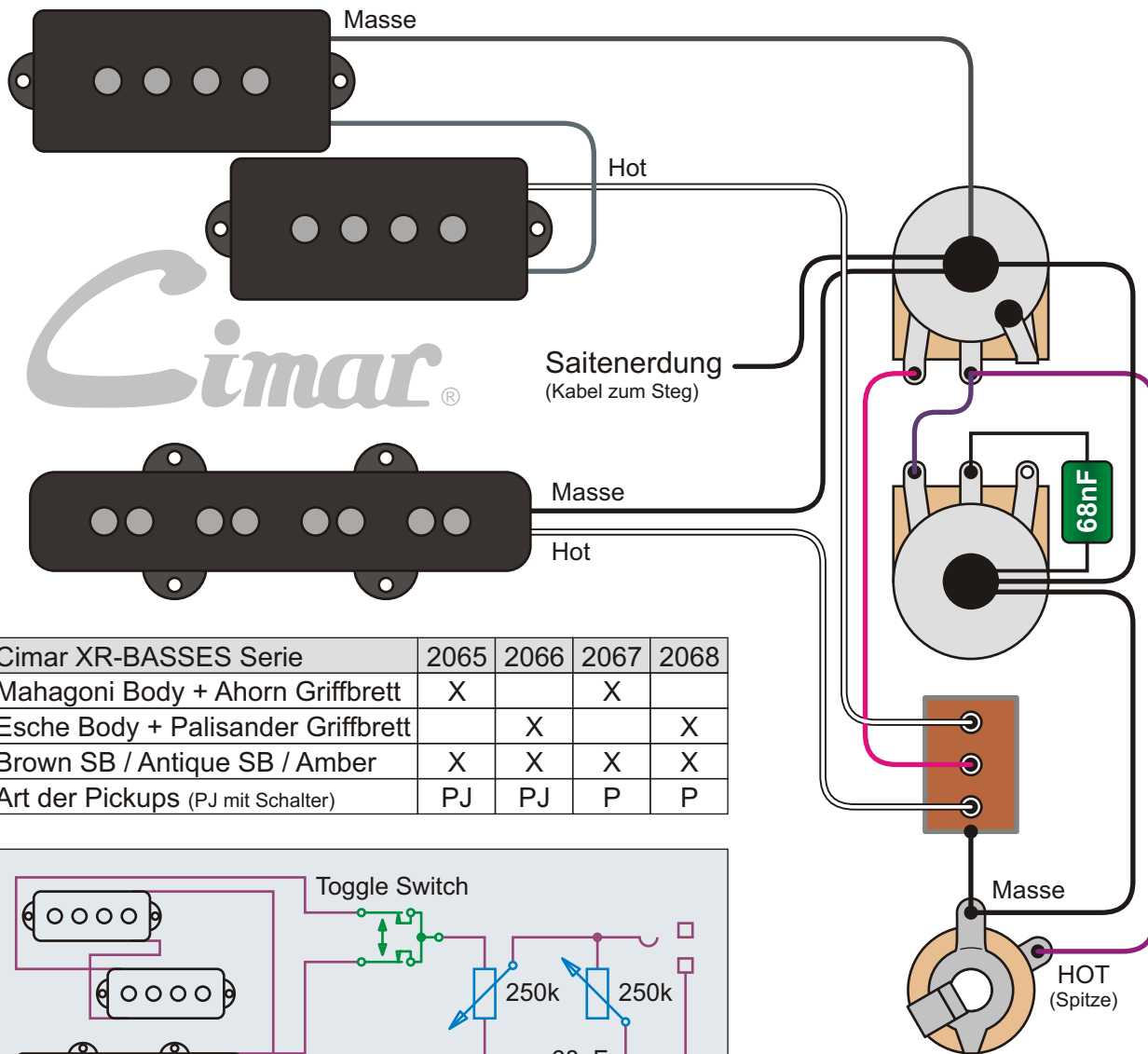
Pickup
Cimar Slide Pick-Up

Pickup Position
Neck - Middle verstellbar

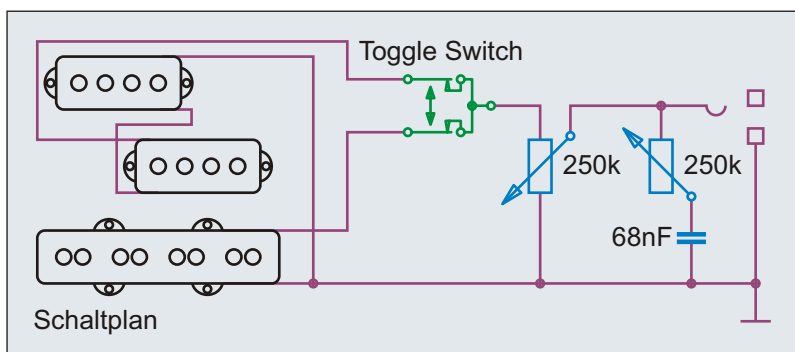
Der Cimar 1952 Bass

Während Ibanez mit dem 2452 und 2452DX Bass Kopien eines Gibson Ripper L9-S Basses anbot, gab es von Cimar die Kopie des Gibson Grabber G-1 Basses. Die Kopien von Ripper und Grabber Bass wurden offensichtlich im selben Werk gefertigt, besaßen den gleichen Ahorn Body und Hals. Der Cimar 1952 wurde jedoch nicht als DX-Version (mit eingeleimtem Hals) angeboten. Es gab ihn zudem nur in "Natural" (transparente Lackierung). Die Grabber Kopie kann durchaus als "frech" bezeichnet werden; so genau hielt man sich ans Original. Allerdings hatte die "Gibson Glocke" im Unterschied zum Original zwei Befestigungsschrauben (wie bei der original Les Paul) und die gleiche Drei-Punkt-Brücke wie ein Ripper Bass, während der Gibson Grabber eine Brücke nach Fender-Art hatte. Die Form des Pickguards und Headstocks, die Anordnung der Potiknöpfe und selbst der Gurtpins war identisch. Auch beim Cimar 1952 gingen die Saiten über Metallhülsen durch den Body oder konnten wahlweise an der Tune-o-matic Drei-Punkt-Brücke aufgehängt werden.

Benennung Cimar 1952 Bass 1976	Historische Bassschaltungen		Nummer 1.6.541
	gezeichnet von Cadfael	gezeichnet am 02.09.17	Seite 243
Bemerkungen / Besonderheiten			



Cimar XR-BASSES Serie	2065	2066	2067	2068
Mahagoni Body + Ahorn Griffbrett	X		X	
Esche Body + Palisander Griffbrett		X		X
Brown SB / Antique SB / Amber	X	X	X	X
Art der Pickups (PJ mit Schalter)	PJ	PJ	P	P



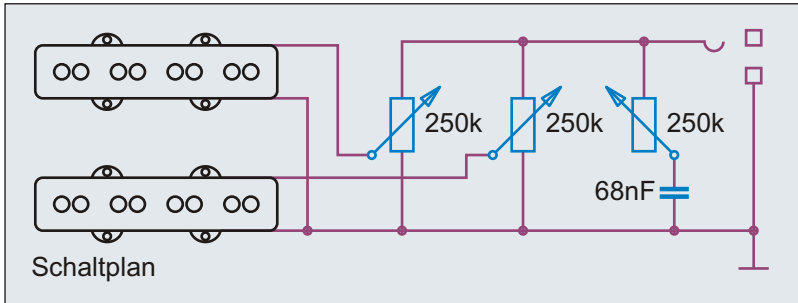
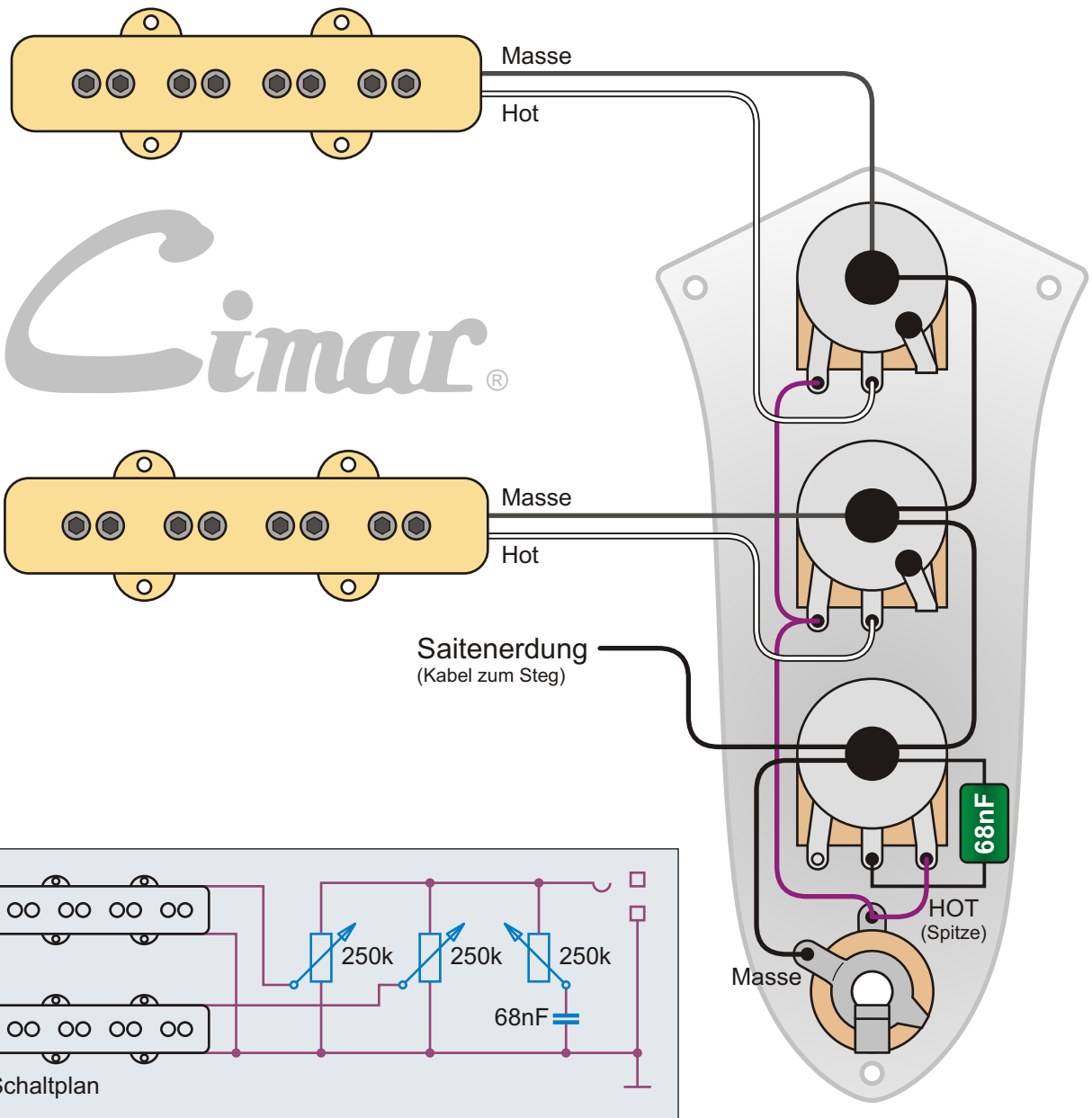
XR Basses

Der Cimar 2066 Bass hatte PJ-Pickups an Bord. Diese Kombination gab es bereits seit 1974 im Ibanez 2369B Bass. Beim 2369B Bass befand sich der Schalter jedoch am unteren Horn. Vermutlich hatte der J-Pickup größere Rundungen, um größere Fräser einsetzen zu können.

Der Cimar 2065 Bass

Die Basis dieses Basses war der Fender Precision Bass. Body und Pickguard hatten bis auf geringe Abweichungen die gleiche Form. Die Kopfplatte hatte die typische Cimar Form der späten 1970er Jahre. Am Steg erhielt die Precision Kopie jedoch einen zusätzlichen Jazz Bass Pickup. Zwischen Klinkenbuchse und Tone Poti war ein Toggle Switch montiert, das Volume Poti befand sich fast auf Höhe des Precision Pickups. Zudem erhielt der 2065 eine massive Die Cast Brücke mit seitlichen Führungen. Die Reiter waren aus Messing gefertigt.

Benennung	Cimar 2065 Bass 1979		Historische Bassschaltungen	Nummer
Bemerkungen / Besonderheiten	ca. 1979 - 1981		gezeichnet von	gezeichnet am
			Cadfael	02.09.17
				Seite
				244



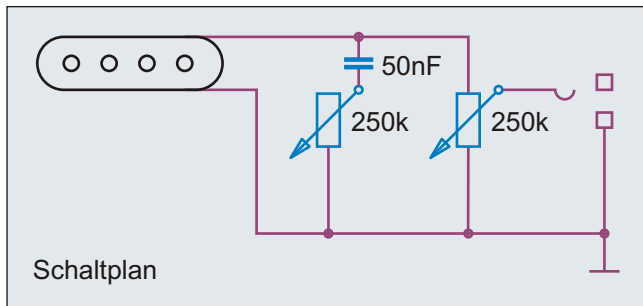
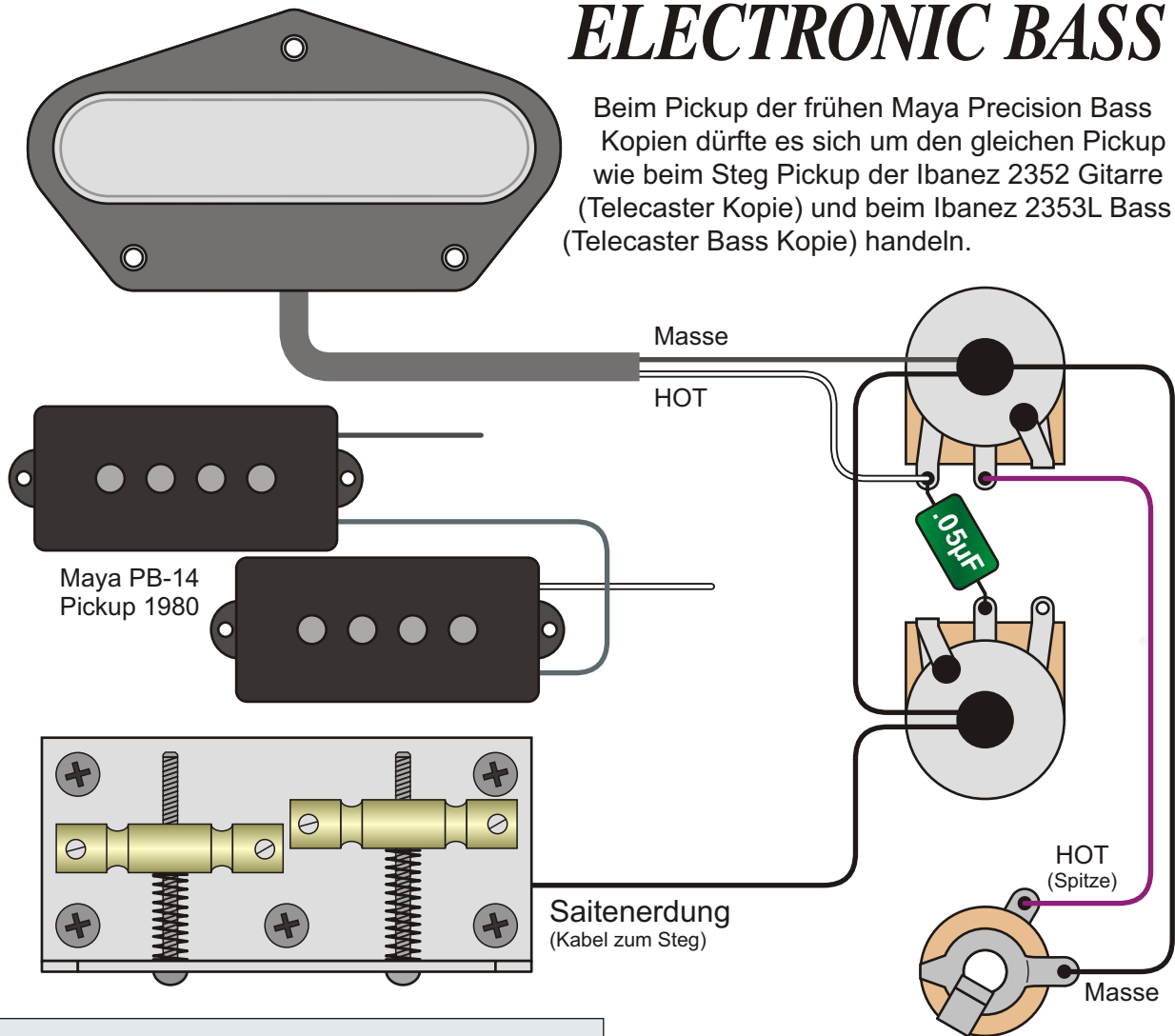
Die cremefarbenen Pickups waren DiMarzio Pickups nachempfunden, hatten jedoch stärkere Rundungen an den Ecken. Zudem waren es keine Humbucker, wie die optischen Vorbilder.

Der Cimar 2072 Bass
 Bis auf die Kopfplatte handelte es sich beim 2072 Bass um die sehr gute Kopie des Fender Jazz Bass. Er wurde in drei Farben, Rot, Blau und Mahagoni (transparent) angeboten. Die fast identischen 2069 Bässe von 1980-81 hatten noch die "alte" Cimar Kopfplatte. Der 2072 ab 1982 bekamen dann die nach oben geschwungene Kopfplatte, die auch durch Ibanez Blazer und Roadster bekannt wurde. Zumindest in Deutschland war der 2072 Traum vieler junger Bassisten - und die Verkaufszahlen dürften groß gewesen sein. Warum die Marke Cimar gerade auf der Höhe ihres Erfolges eingestellt wurde, ist nicht bekannt. Vielleicht wollte der Mutterkonzern das Programm straffen und das Augenmerk mehr auf Ibanez legen.

Benennung	Cimar 2072 Bass 1982		Historische Bassschaltungen	Nummer
			gezeichnet von	1.6.581
Bemerkungen / Besonderheiten	ca. 1981 - 1983		gezeichnet am	Seite
			Cadfael	02.09.17 245

ELECTRONIC BASS

Beim Pickup der frühen Maya Precision Bass Kopien dürfte es sich um den gleichen Pickup wie beim Steg Pickup der Ibanez 2352 Gitarre (Telecaster Kopie) und beim Ibanez 2353L Bass (Telecaster Bass Kopie) handeln.



SOLTON

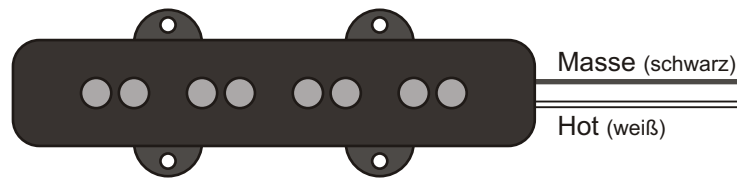
In Westdeutschland hatte um 1980 die Firma SOLTON den Vertrieb für Maya Instrumente. Neben Maya (und El Maya) Gitarren und Bässen bot man unter dem Label Maya auch Schlagzeuge an.

Mit der Zeit änderten sich Pickups und Verkabelung der Maya P-Bass Kopien stark. Der fast baugleiche Ibanez hatte 1974 andere Pickups - daher die zu große Ausfräsung im Maya PB.

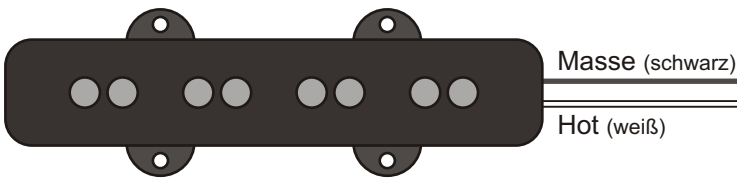
Der Maya Electronic Bass P

Im Laufe der Jahre brachte Maya verschiedenste Kopien des Fender Precision Basses auf den Markt; sowohl mit Palisander als auch Ahorngriffbrett. Die ersten P-Bass Modelle hatten die typische Ibanez Metallabdeckung für den Halseinstellstab an der Kopfplatte. Später gab es auch Modelle mit Zugang zum Halseinstellstab am Body - die es so bei Ibanez nicht gab. Dabei hatten auch die "Ahorn Varianten" ein aufgeleimtes Griffbrett und keinen "OPMN".

Benennung	Maya PB Electronic Bass (Precision Kopie)		Historische Bassschaltungen	Nummer	1.6.711
Bemerkungen / Besonderheiten	ca. 1974		gezeichnet von	gezeichnet am	Seite
			Cadfael	02.09.17	246

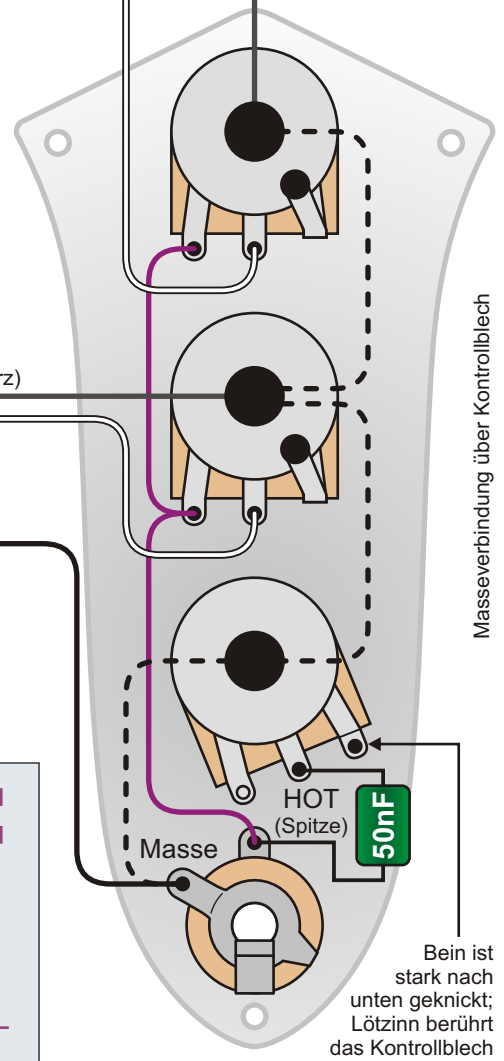
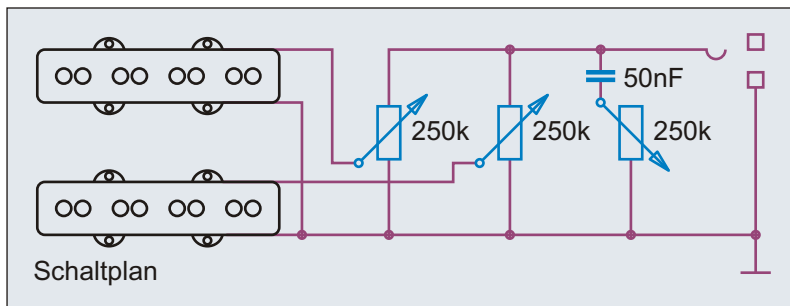


ELECTRONIC BASS



Regler	Wert
Neck Volume	250 k lin.
Bridge Volume	250 k lin.
Master Tone	250 k log.

Saitenerdung
(Kabel zum Steg)



Vermutlich hatte der Maya 239 bis 1973 Pickups mit Chrome Cover, wie der fast baugleiche Ibanez 2365(B) Bass. Anders als beim Ibanez, wurde beim Maya Bass das "rechte Bein" des Tone Potis nicht an das Gehäuse gelötet, sondern mit Lötzinn versehen und dann stark nach unten gebogen. Nach der Montage des Potis drückt es so, wie eine Feder, gegen das Blech.

Der Maya 239 Bass

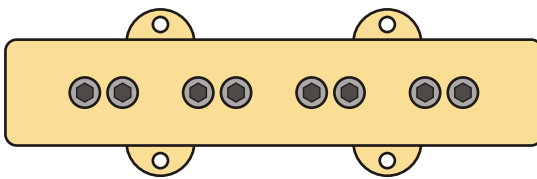
Während heutzutage wohl jeder Bassist Ibanez kennt, dürften nur "ältere Bassisten" noch die Maya bzw. El Maya Gitarren und Bässe aus den 1970ern und frühen 1980er Jahren kennen. Wie die frühen Ibanez Bässe, waren auch die Maya Modelle jener Zeit Kopien der berühmten Fender, Gibson oder Rickenbacker Bässe. Der Verdacht liegt mehr als nahe, dass die Maya Instrumente in der gleichen Fabrik wie Ibanez Instrumente gefertigt wurden. Der Maya 239 Bass ist bis auf winzige Details baugleich mit dem Ibanez 2365B Bass (siehe 1.6.076).

Benennung Maya 239 Electronic Bass (JB Kopie)	Historische Bassschaltungen		Nummer 1.6.721
	gezeichnet von Cadfael	gezeichnet am 02.09.17	Seite 247
Bemerkungen / Besonderheiten ca. 1974			

ELECTRONIC BASS

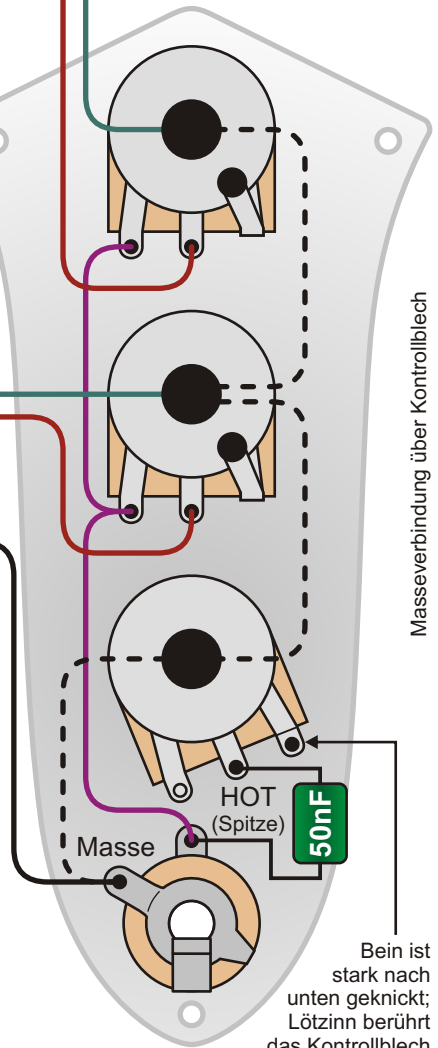
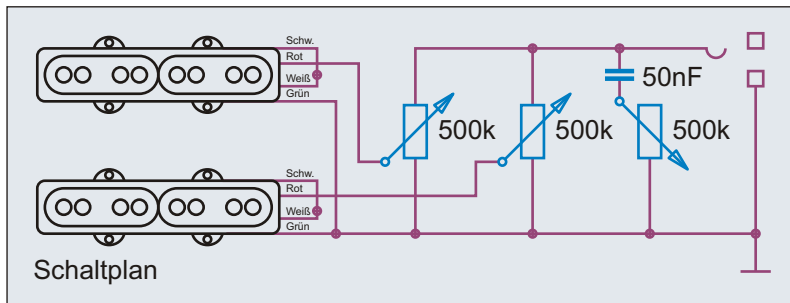


PATENT
APPLIED
FOR



Saitenerdung
(Kabel zum Steg)

Regler	Wert
Neck Vol.	500 k lin.
Bridge Vol.	500 k lin.
Master Tone	500 k log.

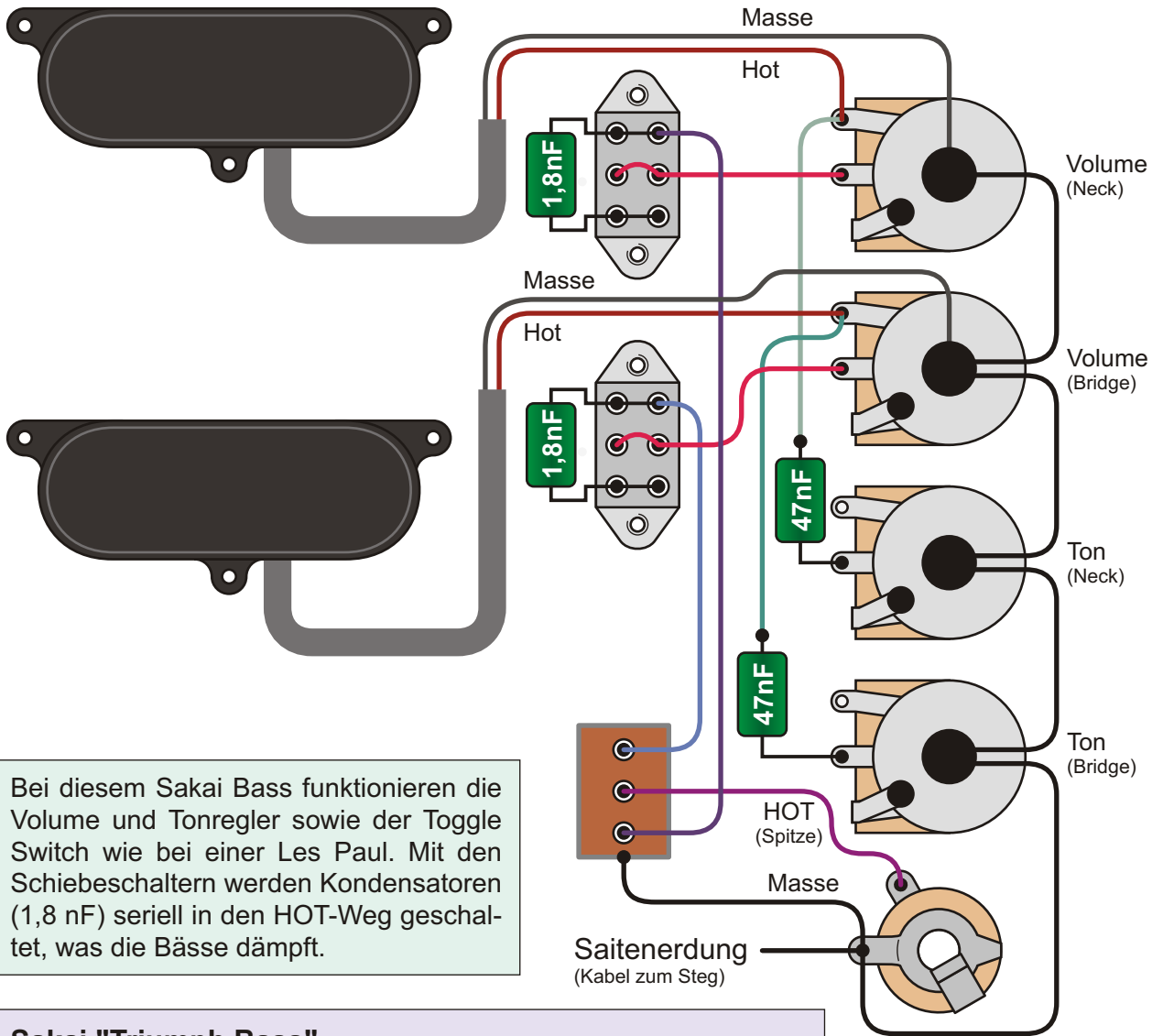


Bei diesem Maya Bass wurden die Spulen der Humbucker lediglich in sich seriell verdrattet. Viele Jazz Bässe und Jazz Bass Kopien wurden aber mit Minischaltern oder zwei Push/Pull Potis ausgestattet, um die Humbucker wahlweise seriell oder parallel zu betreiben.

Maya Bass Umbau Ende der 1970er Jahre / DiMarzio

In den späten 1970er brach die große Zeit der Umbauinstrumente an, die ungefähr 10 Jahre andauerte. Viele japanische und europäische Gitarren und Bässe wurden mit neuen Pickups ausgestattet. Wichtigste Hersteller waren damals wohl Schaller, Rockinger, Bill Lawrence und DiMarzio. Zu erkennen waren die beliebten DiMarzio Humbucker am cremefarbenen Cover und den verstellbaren Pole Pieces - was dann schnell in Asien und Europa kopiert wurde. Frühe DiMarzio Pickups tragen noch einen "Patent Applied For" Aufkleber an der Unterseite.

Benennung	Maya Bass Umbau (Jazz Bass Kopie)		Historische Bassschaltungen	Nummer
				1.6.749
Bemerkungen / Besonderheiten	ca. 1979	gezeichnet von	gezeichnet am	Seite
		Cadfael	02.09.17	248

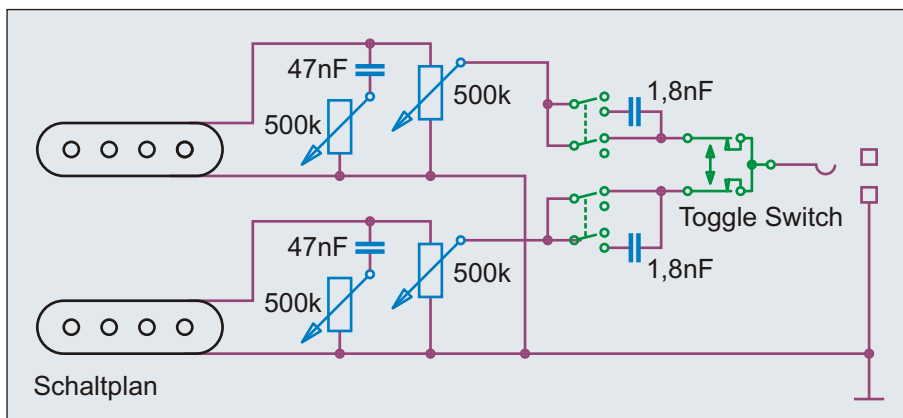


Bei diesem Sakai Bass funktionieren die Volume und Tonregler sowie der Toggle Switch wie bei einer Les Paul. Mit den Schiebeschaltern werden Kondensatoren (1,8 nF) seriell in den HOT-Weg geschaltet, was die Bässe dämpft.

Sakai "Triumph Bass"

Dieser Sakai Bass von Anfang der 1970ern ist eine einfache Kopie des Gibson Triumph Basses. Der Ibanez 2381 Bass ist dem Sakai ähnlich, hat aber eine weit aus komplexere Elektronik an Bord.

Vielen Danke an Frank "roadman" für die Fotos seines Basses!



Kondensatoren:

2x 1,8 nF
2x 47 nF

Regler	Wert
Neck Vol.	500 k lin.
Neck Tone	500 k lin.
Bridge Vol.	500 k log.
Bridge Tone	500 k log.

Benennung **Sakai Bass (Triumph Bass Kopie)**

Historische Bassschaltungen

Nummer 1.6.821

Bemerkungen / Besonderheiten

ca. 1972

gezeichnet von

Cadfael

gezeichnet am

02.09.17

Seite

249



Modellreihen ab 1966

YAMAHA

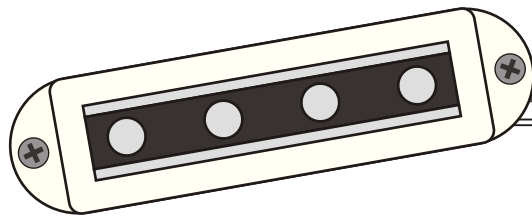
Yamaha Bass Serien ab 1966

Die Firma Yamaha wurde 1887 als Nippon Gakki Seizō K.K. von Torakusu Yamaha in der Stadt Hamamatsu in Japan gegründet, wo sich der Hauptfirmensitz noch immer befindet. Yamaha war auch ihr erster Präsident. Zuerst wurden dort Harmonien, später auch andere Tasteninstrumente hergestellt. Ab 1903 stellte die Firma aber zusätzlich auch Möbel her. 1935 stellte man die erste elektronische Orgel her, 1942 folgte die erste Akustikgitarre. Im Laufe der Jahrzehnte folgten diverse Elektronikartikel, aber auch Motorräder, Boote und Roboter.

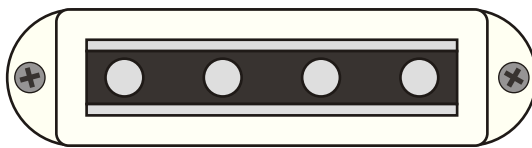
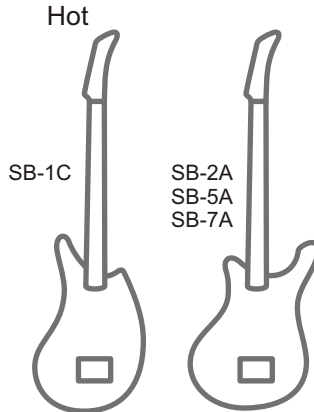
Die erste E-Bass Serie stellte Yamaha mindestens 1966 her. Dabei handelte es sich um den Solid Body SC-2 Bass mit einer 31,5" Medium Scale Mensur. Seine Form erinnert nur sehr vage an amerikanische Bässe und kann durchaus als eigenständig bezeichnet werden. Es ist interessant, dass Yamaha sich nicht am Kopiewahn anderer japanischer Hersteller beteiligte. Erst als die anderen Firmen mit dem Kopieren aufhörten, brachte Yamaha mit seinen PB- und JB-Serien Bässe auf den Markt, die sehr stark an Fender Precision und Jazz Bass angelehnt sind. Die Bässe der SA- und SB-Serie hingegen kann man als durchaus eigenständig bezeichnen - wobei sich die Form der verschiedenen SB-Modelle mit den Jahren stark voneinander unterscheidet.

Produktion	Modell	Pickups	Mensur	Gewicht	Bemerkung
1968 - 72	SA-17	1x HB	762 mm	3,0 kg	Hollowbody, Sunburst, Black, Maroon
1967 - 72	SA-70	2x HB	760 mm	3,8 kg	Hollowbody, Sunburst, Green, Red
1968 - 72	SA-70B	2x HB	760 mm	3,8 kg	Hollowbody Bass, Pearl Lackierungen
1973 - 76	SA-75	2x HB	762 mm	3,9 kg	Hollowbody, Ahorn Body, Ebenholz
1968 - 71	SB-1C	1x SC	762 mm	3,9 kg	Solid Body, Yellow, Red, Blue
1966 - 67	SB-2	2x SC	800 mm	4,0 kg	Solid Body, Sunburst, White, Red
1967 - 71	SB-2A	1x SC	800 mm	3,9 kg	Solid Body, Sunburst, White, Red, Blue
1967 - 71	SB-5A	2x SC	800 mm	4,0 kg	Solid Body, Sunburst, White, Red, Blue
1967 - 71	SB-7A	2x SC	800 mm	4,0 kg	Solid Body, Sunburst, White, Red, Blue
1972 - 73	SB-30	1x SC	800 mm	3,7 kg	Solid Body, Sunburst, Black, Red
1972 - 73	SB-50	2x SC	800 mm	3,7 kg	Solid Body, Sunburst, Black, Red
1973 - 76	SB-55	2x SC	860 mm	4,7 kg	Solid Body, Sunburst, Natural
1972 - 73	SB-70	2x SC	800 mm	3,7 kg	Solid Body, Sunburst, Mahogani
1973 - 76	SB-75	2x SC	860 mm	5,0 kg	Solid Body, Sunburst, Natural
1976 - 79	SB-500	2x SC	860 mm	4,3 kg	Solid Body, OPMN, Black, Brown
1980 - 82	SB-500S	2x SC	860 mm	4,3 kg	Solid Body, OPMN, Sunburst, Black
1976 - 79	SB-600	2x SC	860 mm	4,3 kg	Solid Body, OPMN, Sunburst, Natural
1976 - 79	SB-700	2x SC	860 mm	3,8 kg	Solid Body, OPMN, Black, Brown
1976 - 79	SB-800	2x SC	860 mm	3,8 kg	Solid Body, OPMN, Sunburst, Natural
1980 - 82	SB-800S	2x SC	860 mm	4,5 kg	Solid Body, OPMN, Sunburst, Red
1980 - 82	SB-1200S	2x SC	860 mm	4,6 kg	Solid Body, durchgehender Hals

Benennung	Yamaha Bass Modellreihen ab 1966		Historische Bassschaltungen	Nummer
				1.7.011
Bemerkungen / Besonderheiten	gezeichnet von	gezeichnet am	Seite	
	Cadfael	02.09.17	250	

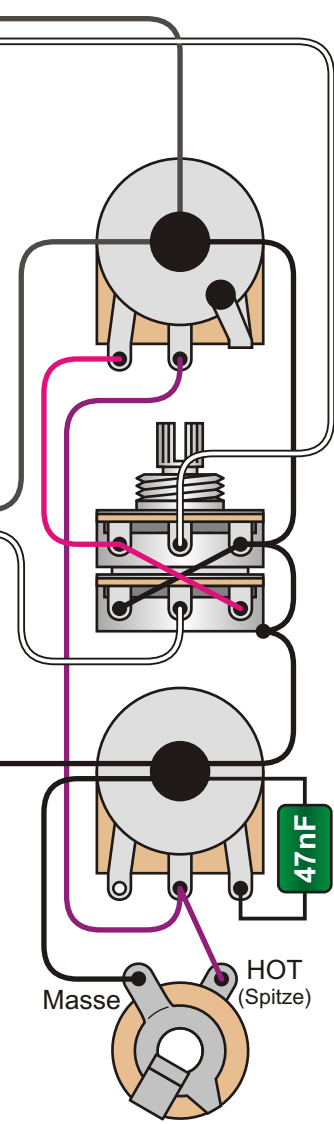
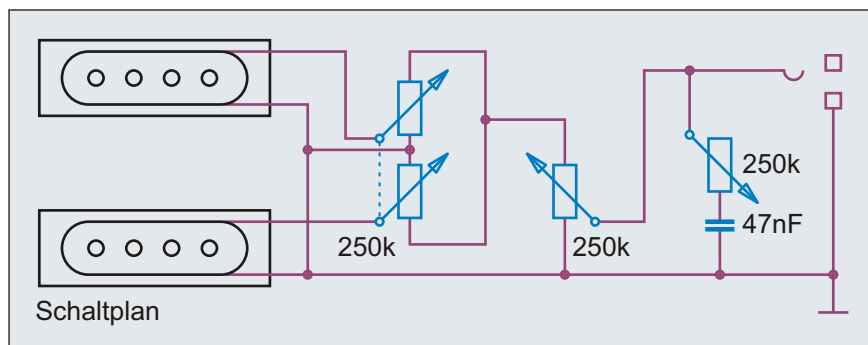


Modell	Pickups	Preis ¥
SB-1C	Neck	19.000
SB-2A	Neck	33.000
SB-5A	Neck + Bridge	45.000
SB-7A	Neck + Bridge	90.000



YAMAHA

Saitenerdung
(Kabel zum Steg)



Die frühen Yamaha Bässe der SB-Serie hatten durchaus eigenständige Single-Coil Pickups, die sich im Gegensatz zu vielen anderen japanischen Pickups auch vom Aussehen her nicht verstecken mussten. Sie Neck Pickups waren bei allen Modellen schräg eingesetzt. Für die 1960er Jahre war der Einsatz eines Balance-Reglers an Bässen sehr außergewöhnlich.

Der Yamaha SB-2A/5A/7A/1C Bass

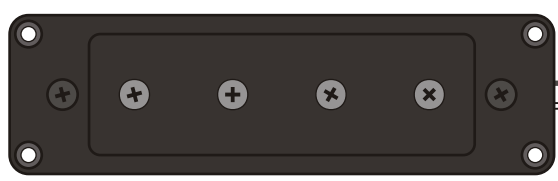
Die Formen der Yamaha SB-Bässe (A- und C-Serie) waren sehr ausgefallen und lehnten sich eher an exotische europäische Formen als an Fender oder Gibson Bässe an. Das betraf sowohl die Form der Bodies, als auch der Kopfplatten. Während die beiden Modelle 1C und 2A einen Hals-Pickup hatten, besaßen die Modelle 5A und 7A zwei Pickups, die über einen Balance Regler gemischt werden konnten. Der SB-7A war die Luxusversion des SB-5A. Der SB-7A kostete genau das Doppelte des 5A - und sogar das 4,5 fache des Yamaha SB-1C.

Benennung Yamaha SB-5A Bass 1968	Historische Bassschaltungen		Nummer 1.7.031
	gezeichnet von Cadfael	gezeichnet am 02.09.17	Seite 251
Bemerkungen / Besonderheiten ca. 1968 - 1971			



Masse
Hot

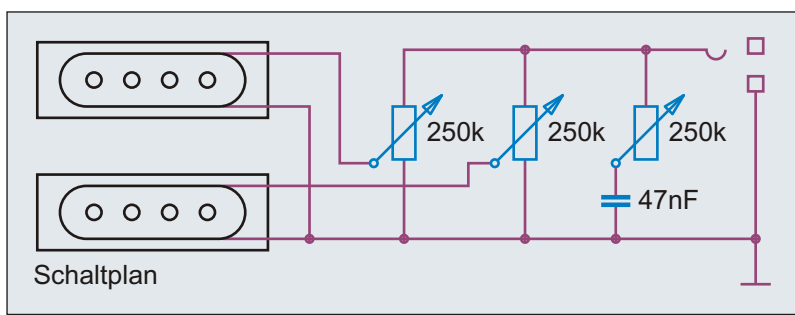
Kopfplatte
SB-Serie
1973-76



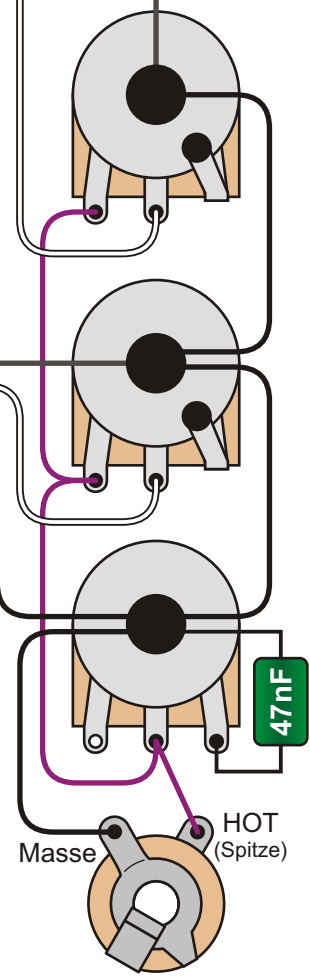
Masse
Hot

SB

Saitenerdung
(Kabel zum Steg)



Schaltplan

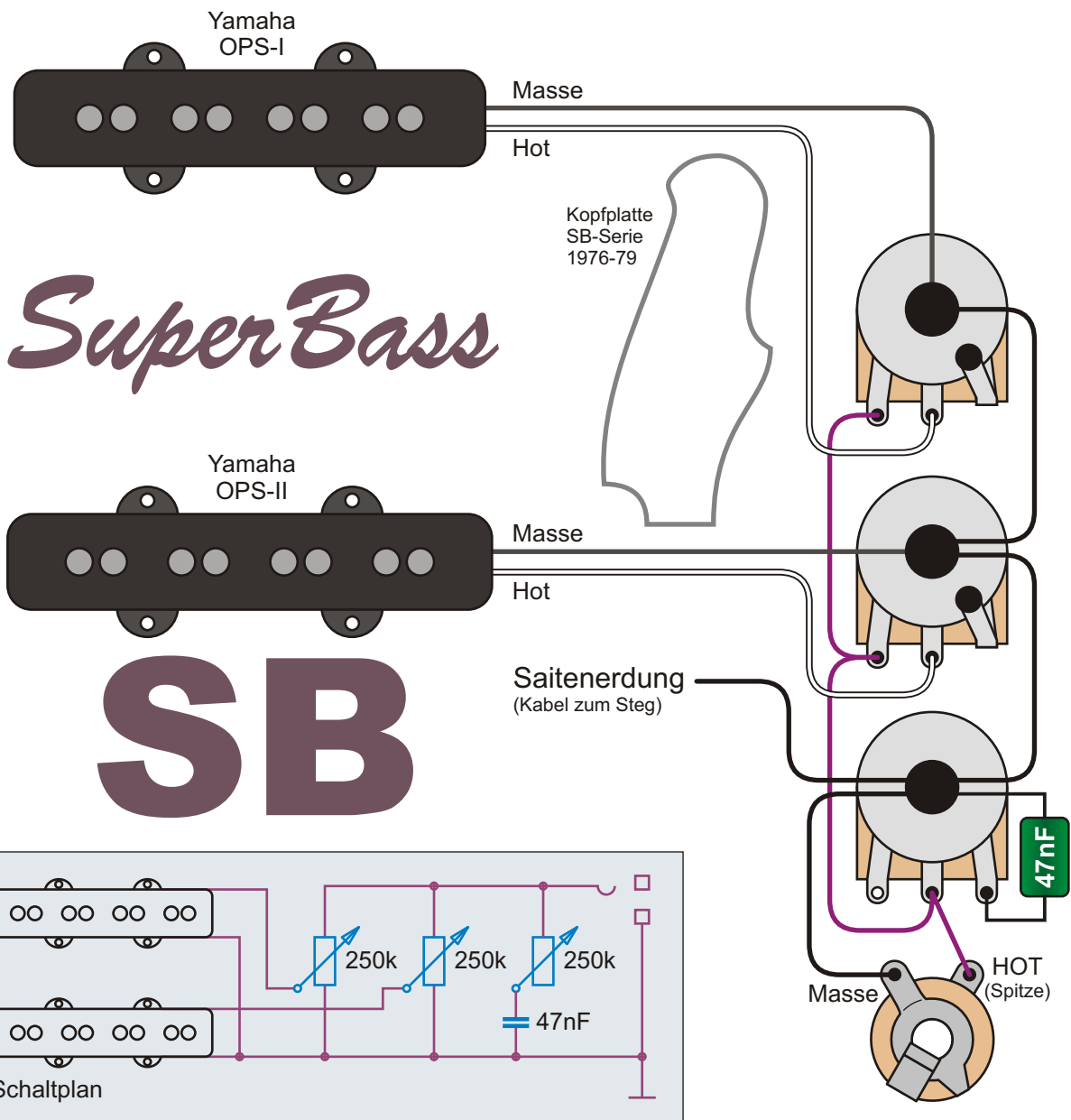


Auch wenn einer der beiden Pickups auf dem Tortoise Pickguard saß, waren beide Pickups in einen Rahmen eingelassen. Als Pole Pieces hatten der SB-55 und der SB-75 verstellbare Schrauben mit Kreuzschlitz. Der Balance Regler plus Master Volume der ersten SB- Modelle musste zwei Volume Potis weichen. Die klassische Jazz Bass Schaltung hatte gesiegt ...

Die Yamaha SB-Bässe von 1973 bis 1976
 Im Jahr 1973 wurden die Bässe der SB-Serie mit völlig überarbeitetem Design vorgestellt. Ihr Body war eine Mischung aus SB-2, SB-2A und SB-1C. Die größten Gemeinsamkeiten hat der Body aber mit dem Urmodell von 1966. Damit war die Form wesentlich "massenkompatibler", aber noch immer leicht unsymmetrisch zum Hals. Die Kopfplattenform wirkt sehr klobig. Der Body war aus fünf Teilen Nato gefertigt, zwei Streifen oben, drei Streifen unten. Es gab noch eine Luxusversion, den SB-75 aus Matowa Holz mit Ebenholzgriffbrett und großen Inlays. Die Brücke beider Modelle war von einem Cover mit Yamaha-Eindruck verdeckt.

Benennung Yamaha SB-55 Bass 1973	Historische Bassschaltungen		Nummer 1.7.041
	gezeichnet von Cadfael	gezeichnet am 02.09.17	Seite 252
Bemerkungen / Besonderheiten ca. 1973 - 1976			

Idee, Recherche, Autor, Zeichnungen, Grafiken, Diagramme, Layout und Design: Andreas "Cadfael" Kühn - Nutzung ausschließlich zu privaten, nicht kommerziellen Zwecken und auf eigene Gefahr! Alle Angaben ohne Gewähr, Irrtümer vorbehalten!

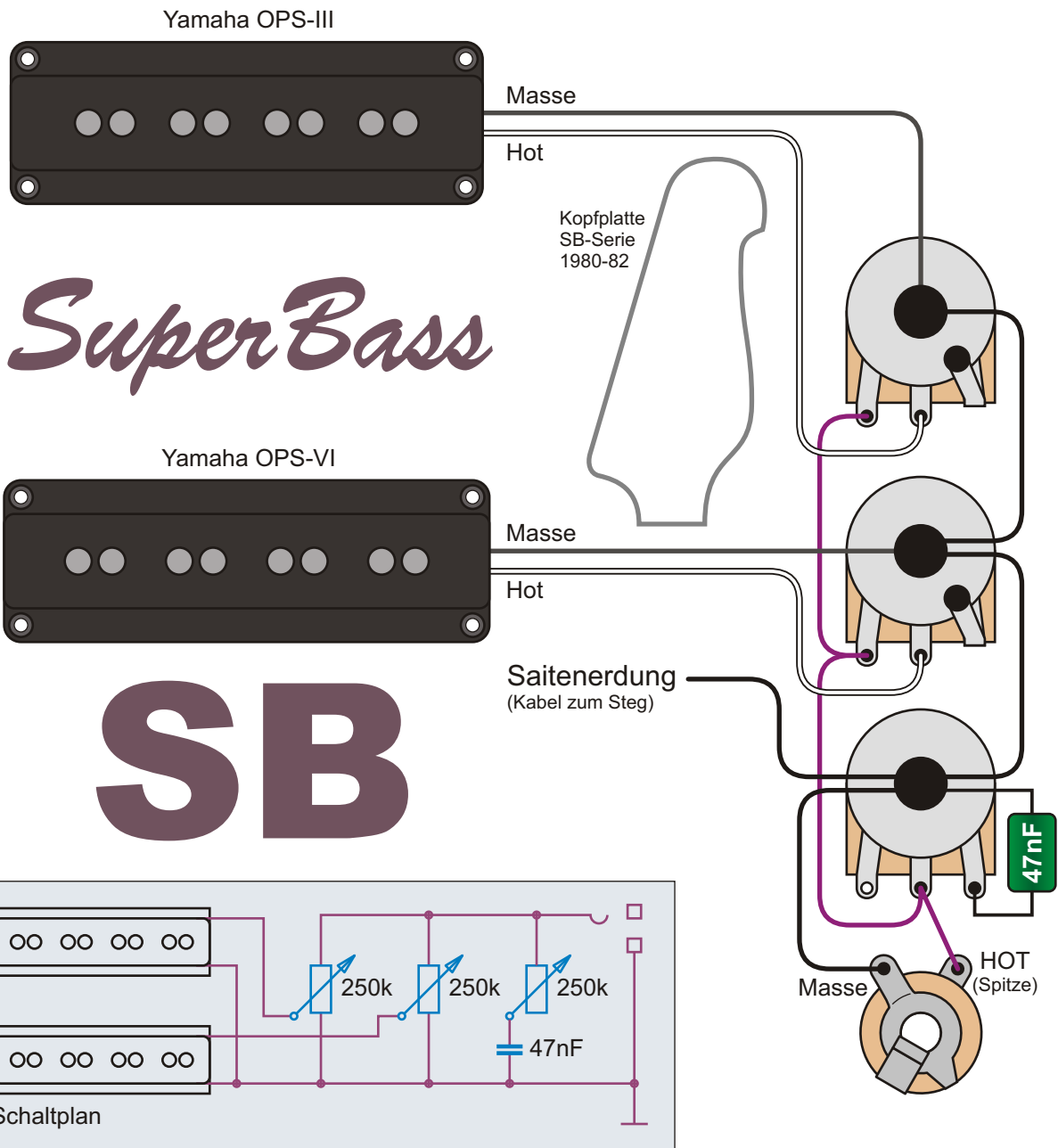


Der SB-500 und seine Verwandten ab 1976 hatten Yamaha SI und SII Pickups an Bord. Die Cover dieser Pickups könnten mit den gleichen Formen wie die Cover der Cimar 2072 Pickups hergestellt worden sein. Das Innenleben der Pickups war jedoch unterschiedlich. So hatten die Yamaha Pickups keine Madenschrauben sondern acht Einzelmagnete an Bord.

Die Yamaha SB-Bässe von 1976 bis 1979

Im Vergleich zum SB-55 waren die wichtigsten Änderungen die neuen Pickups, sowie die andere Form der Kopfplatte. Die Form erinnerte nun an die misslungene Version der einer Cimar Kopfplatten. Zudem gab es eine neue, sehr massiv gehaltene Brücke und alle Bässe waren mit Obe Piece Maple Necks ausgestattet. Während 500er und 600er Modelle Dot Inlays hatten und der Body weiterhin aus Nato war, bekamen 700er und 800er Modelle Block Inlays und einen Esche Body. Die Pickups waren bei allen vier Modellen gleich; es gab kein Bridge Cover mehr. Multipiziert man die Seriennummer mit 100, erhält man den Listenpreis in Yen.

Benennung	Yamaha SB-500 Bass 1976		Historische Bassschaltungen	Nummer 1.7.051
Bemerkungen / Besonderheiten	ca. 1976 - 1979	gezeichnet von Cadfael	gezeichnet am 02.09.17	Seite 253



Trotz der enormen Preisunterschiede in der Yamaha SR-Serie von 1980-82 hatten alle drei Modelle die gleichen Pickups an Bord. Yamaha wollte wohl bewusst vom Fender Look weg. Die grundsätzliche Schaltung mit zwei Volume und einem Tone Poti blieb aber gleich.

Die Yamaha SB-Bässe von 1980 bis 1982

Anfang der 1980er Jahre wurde die SB-Serie stark überarbeitet. Die Grundform der SB-500 Bässe blieb jedoch unverändert. Das Pickguard verschwand ganz und das Aussehen der Pickups wurde verändert. Zudem erhielten die SB-Bässe nun die gleiche Kopfplatte wie die Modelle der BB-Serie. Sowohl SB-500S wie auch SB-800S hatten nun Dot Inlays. Nur das Spitzenmodell SB-1200S mit durchgehendem, mehrteiligem Hals erhielt kleine ovale Inlays. Die Zahlen 500/800/1200 geben übrigens den Listenpreis in Yen (x 100) an! Dies trifft in den 1970er und 1980er Jahren auch auf viele andere Yamaha Instrumente zu.

Benennung	Yamaha SB-500S Bass 1981		Historische Bassschaltungen	Nummer	1.7.061
Bemerkungen / Besonderheiten	ca. 1980 - 1982	gezeichnet von	Cadfael	gezeichnet am	02.09.17
				Seite	254



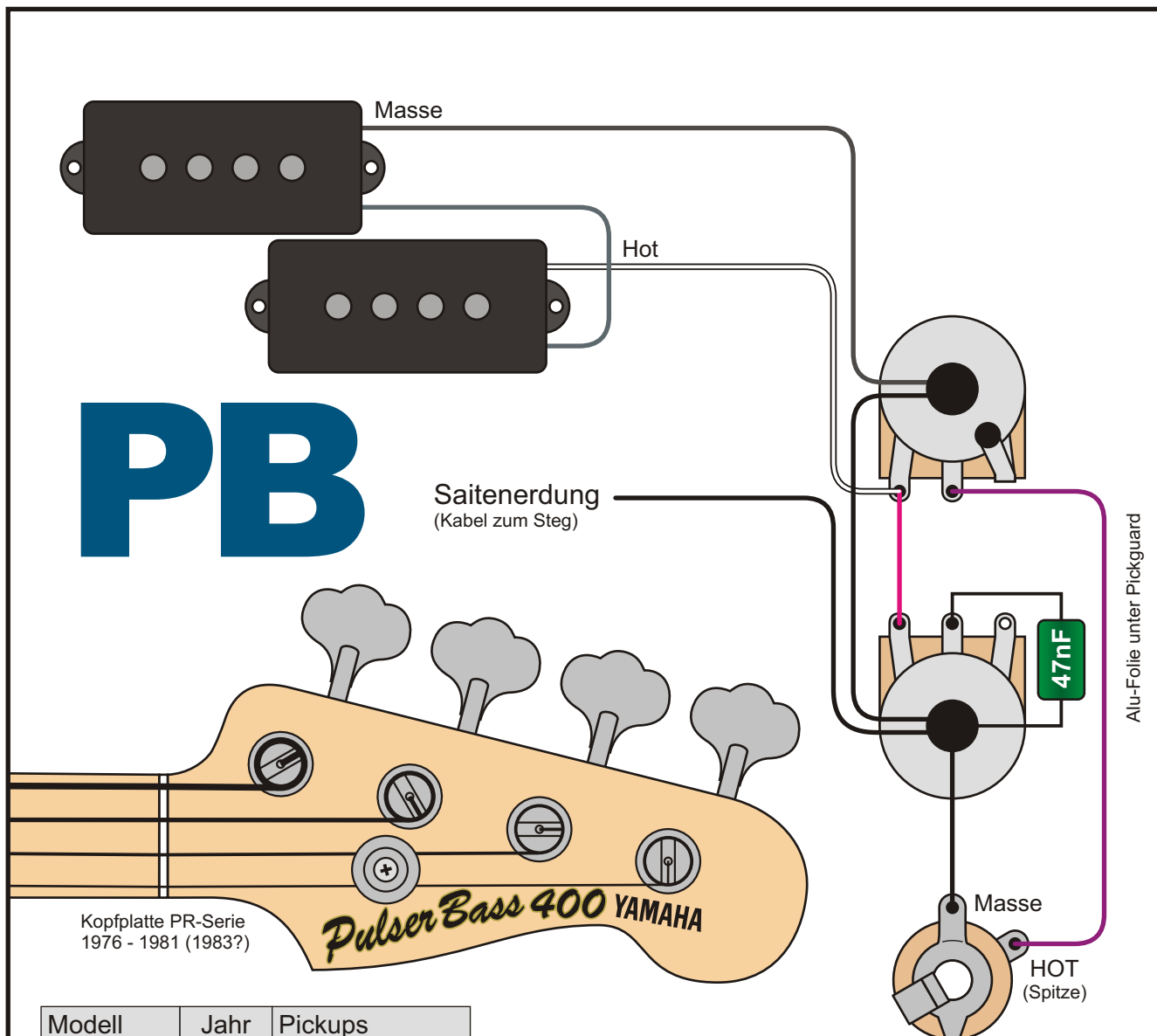
Modellreihen ab 1976

YAMAHA

In den 1970er und 1980er Jahren brachte Yamaha viele verschiedene Serien auf den Markt. Die wichtigste und beständigste Serie dürfte die BB-Serie sein. Hier nur ein Ausschnitt der Modelle.

Produktion	Modell	Pickups	Mensur	Gewicht	Bemerkung
1976 - 81	PB-400	1x (P-II)	860 mm	3,8 kg	Solid Body, Sunburst, Natural
1984 - 85	PB-400M/R	1x (Fe)	860 mm	4,3 kg	Solid Body, Sunburst, White, Black
1982 - 83	PB-450S	1x (P)	860 mm	4,1 kg	Solid Body, OPMN, Sunburst, Natural
1984 - 85	PB-500M/R	1x (P)	860 mm	4,2 kg	Solid Body, Sunburst, Red, Black
1979 - 81	PB-600	1x (Al V)	860 mm	4,0 kg	Solid Body, OPMN, Sunburst, Natural
1985	PB-600R	2x (JJ/J)	860 mm	4,0 kg	Solid Body, Red, Black
2005 - 10	BB414	2x (P/J)	864 mm	?	Solid Body, Red, White, Orange, Black
1986 - 90	BB550	1x (P)	860 mm	3,6 kg	Solid Body, Red, White, Black
1986 - 90	BB650	2x (J/J)	860 mm	3,6 kg	Solid Body, Red, White, Black
1977 - 81	BB800	1x (P)	860 mm	4,2 kg	Solid Body, Brown, Black
1977 - 81	BB1000	1x (P)	860 mm	4,2 kg	Solid Body, Sunburst, Natural
1977 - 83	BB1200	1x (P)	860 mm	4,3 kg	Solid Body, Stain, Natural
1978 - 90	BB2000	2x (P/J)	860 mm	4,5 kg	Solid Body, Toggel Sw., Stain, Natural
1982 - 09	BB3000	2x (P/J)	860 mm	4,5 kg	Solid Body, Toggle Sw., White, Black
1980 - 85	BB V	2x (J/J)	860 mm	3,6 kg	Solid Body, White, Black
1980 - 85	BB VI	1x (P)	860 mm	4,3 kg	Solid Body, Stain
1981 - 86	BB VII	2x (P/J)	860 mm	4,3 kg	Solid Body, Toggle Switch, Stain, Red
1984 - 85	BB VIIS	2x (P/J)	800 mm	3,6 kg	Solid Body, VVT, White, Red
1985 - 86	BB VIII	2x (P/P)	860 mm	4,3 kg	Solid Body, White, Red. Black
1983 - 09	BBX	2x (P/J)	860 mm	4,1 kg	Solid Body, Red, Black
1984 - 85	JB500R	2x (Fe)	860 mm	4,1 kg	Solid Body, Sunb., Black, White, Red
1984 - 85	JB600R	2x (Al V)	860 mm	4,1 kg	Solid Body, Sunb., Black, White, Red
1985 - 86	EBX1	2x (JJ)	860 mm	?	Solid Body, Red, White, Black
1991 - 94	Attitude65	2x (P/J)	860 mm	?	Solid Body, Red, Blue, Black
1992 - 94	Attitude75	2x (P/J)	860 mm	?	Solid Body, Red, Blue, Black
1991 - 94	Attitude85	2x (P/J)	860 mm	?	Solid Body, Red, Blue, Brown, Natural
1990 - 08	Attitude Ltd.	2x (H/P)	864 mm	?	Solid Body, Red, Blue, Stereo
1994 - 06	Atti. Special	2x (H/P)	860 mm	?	Solid Body, Red, Blue, Green, Black
2000 - 07	SBV500	2x (J/J)	837 mm	?	Solid Body, Sunb., Red, Blue, Yellow +
2000 - 07	SBV550	2x (P/J)	837 mm	?	Solid Body, Red, Blue, Silver, Green
2007	SBV550SL	2x (P/J)	837 mm	?	Solid Body, Silver
2002 - 05	SBV800MF	2x (J/J)	837 mm	?	Solid Body, Candy Blue
2003 - 05	SBVJ1	2x (J/J)	837 mm	?	Solid Body, Red, Volume, 2x Schalter
2003 - 05	SBVJ2	2x (J/J)	837 mm	?	Solid Body, Red, Volume, 2x Schalter

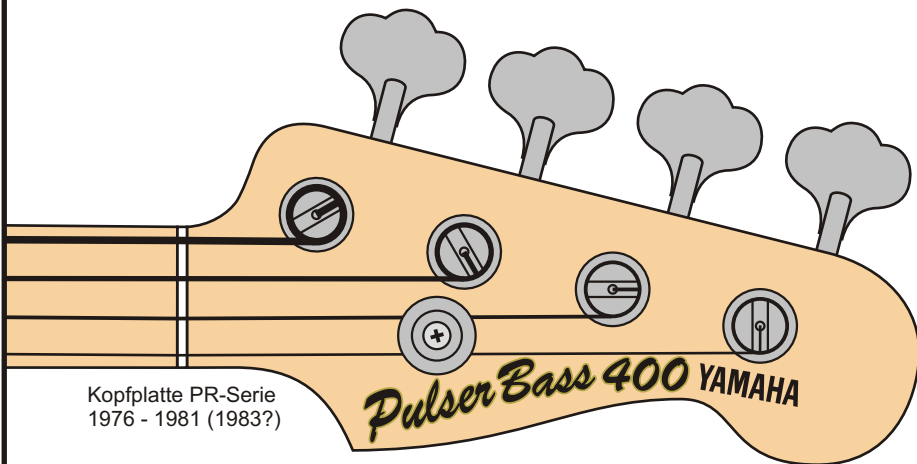
Benennung	Yamaha Bass Modellreihen ab 1977		Historische Bassschaltungen	Nummer 1.7.101
Bemerkungen / Besonderheiten	gezeichnet von Cadfael	gezeichnet am 02.09.17	Seite 255	



PB

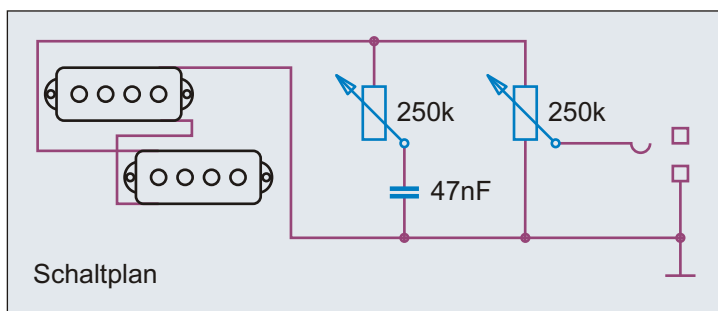
Saitenerdung
(Kabel zum Steg)

Alu-Folie unter Pickguard



Kopfplatte PR-Serie
1976 - 1981 (1983?)

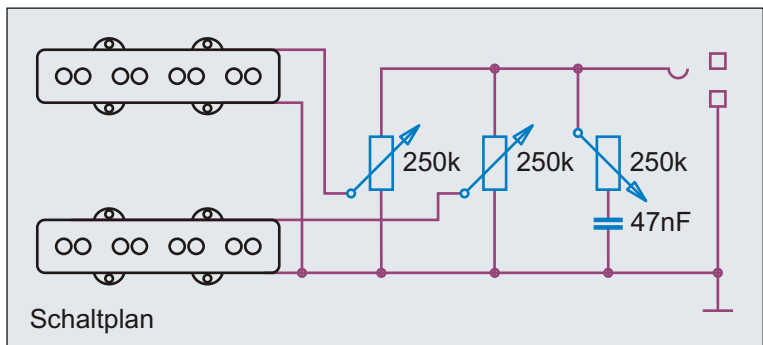
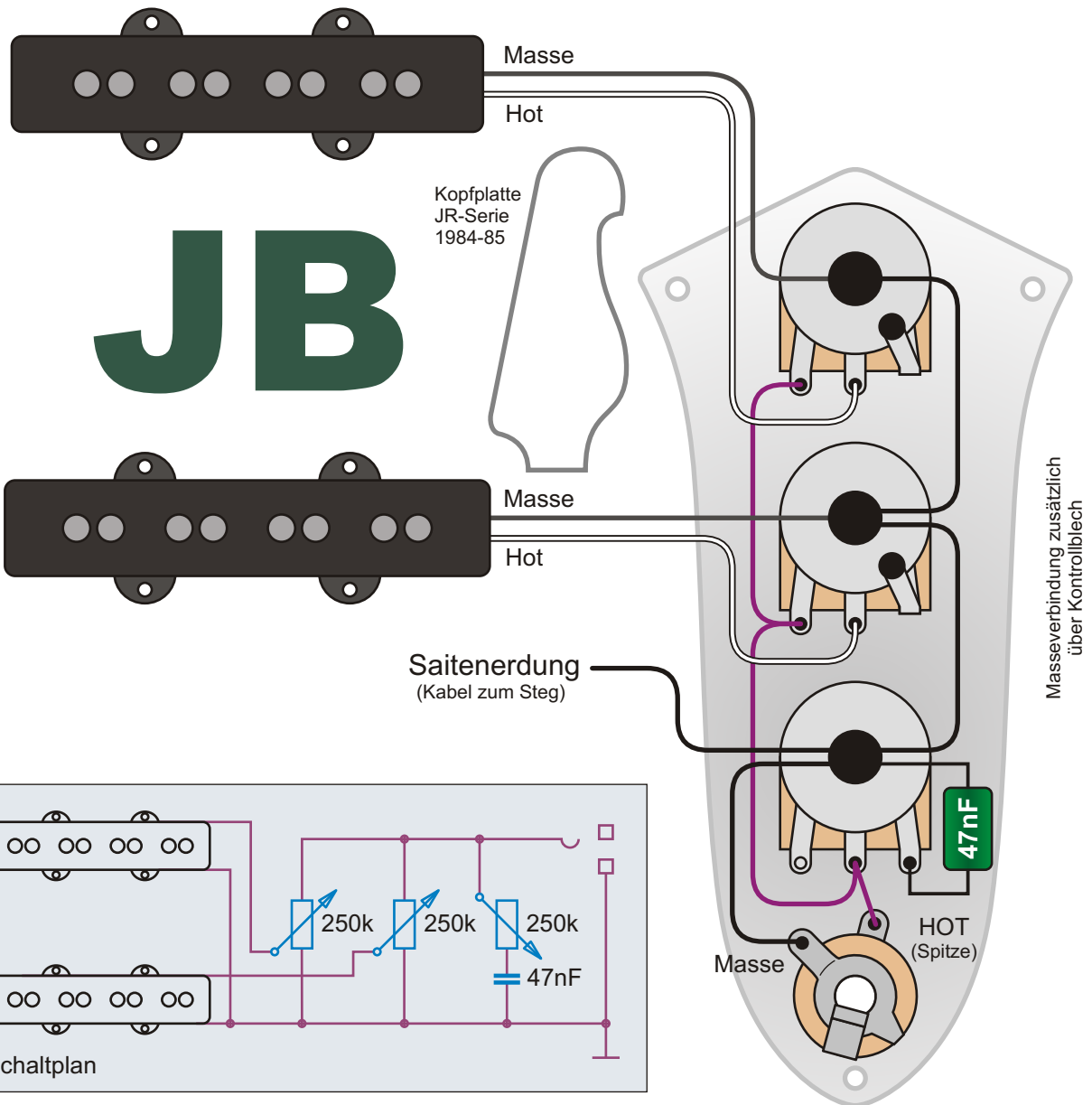
Modell	Jahr	Pickups
PB-400	76-81	P-PU, P-II
PB-400M	84-85	P-PU, Ferrit
PB-400R	84-85	P-PU, Ferrit
PB-400RA	85	P-PU, Ferrit
PB-450S	82-83	P-PU, Ferrit
PB-500M	84-85	P-PU, Alnico V
PB-500R	84-85	P-PU, Alnico V
PB-600	79-81	P-PU, Alnico V
PB-600R	85	JJ- / J-PU



Die Yamaha PB "Pulser Bass" Serie

Bis Mitte der 1970er Jahre kopierten viele japanische Firmen Bässe aus den USA - Yamaha gehörte jedoch nicht dazu. Erst kurz bevor die anderen Firmen ihre zu genauen Kopien einstellten, begann man bei Yamaha damit, den Fender Precision Bass zu kopieren - und das unverschämte detailgetreu. Bis 1981 war selbst die Kopfplatte eine 1:1 Kopie. Erst ab 1982 wurden die Kopfplatten abgeändert und denen der BB-Serie angeglichen. Die M, R und RA Versionen hatten keine Chrome Cover mehr, bei den RA-Bässen war die Kopfplatte lackiert.

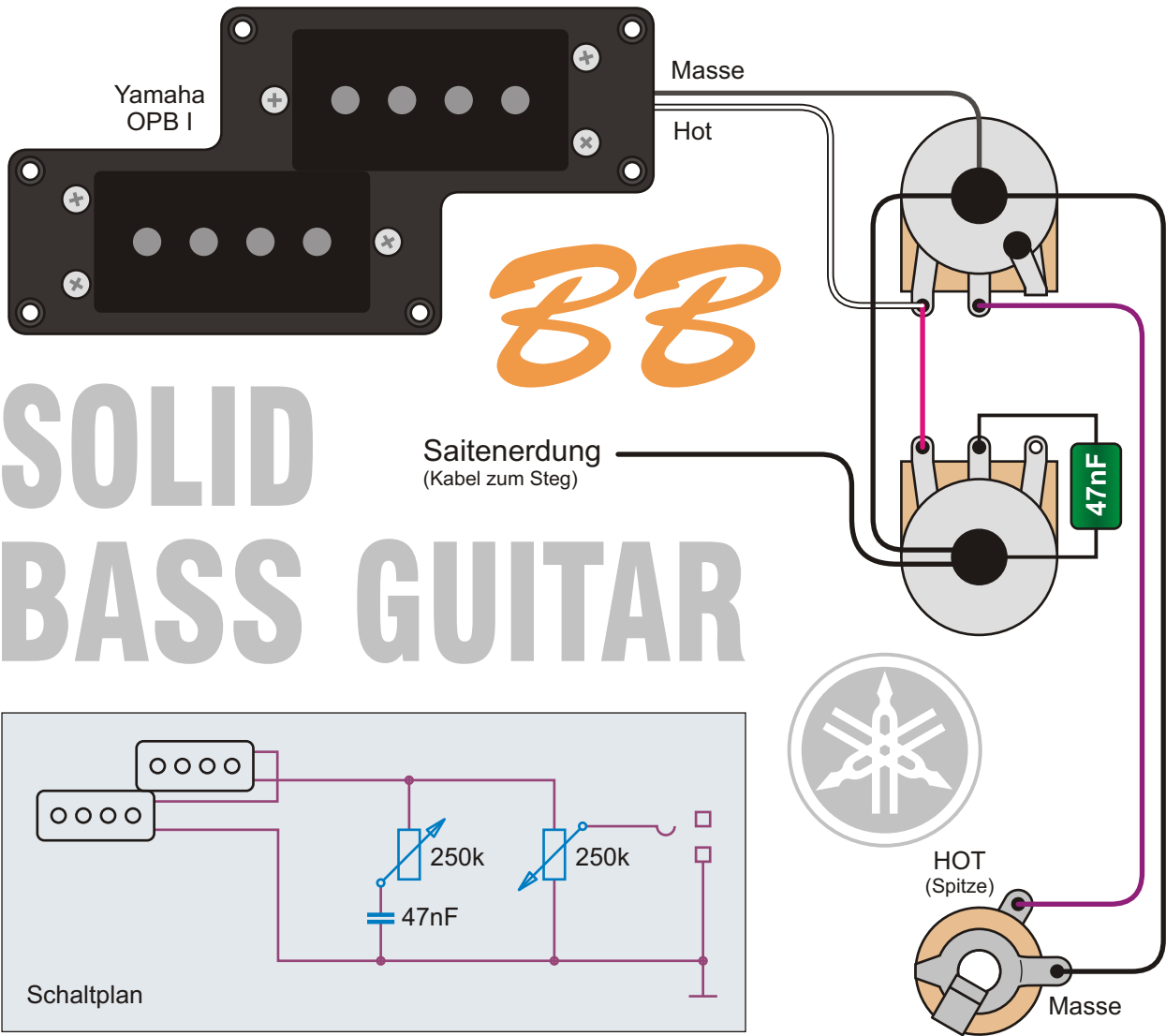
Benennung Yamaha PB-400 Bass 1976	Historische Bassschaltungen		Nummer 1.7.111
	gezeichnet von Cadfael	gezeichnet am 02.09.17	Seite 256
Bemerkungen / Besonderheiten ca. 1976 - 1981			



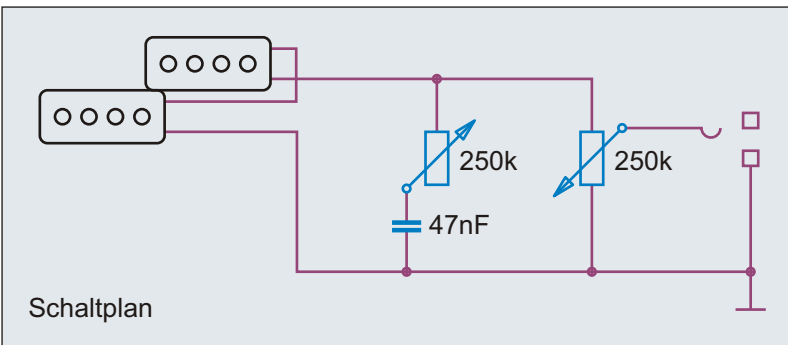
Äußerlich sahen die Pickups des JR-500R und JR-600R gleich aus. Die 500er Pickups waren jedoch mit acht Ferrit Einzelmagneten ausgestattet, während in den 600ern Alnico V Magnete verbaut waren. Die Cover der Pickups hatten, anders als beim Yamaha SB-500 Bass keine großen Rundungen mehr, sondern glichen ihren amerikanischen Vorbildern.

Der Yamaha JR-500R und JR-600R Bass
 Die beiden Modelle der Yamaha JR-Serie sind Kopien des Fender Jazz Bass und ergänzten Mitte der 1980er Jahre die Precision Kopien der PB-Serie. Der Body war aus Erle gefertigt, die Hälse hatten Dot Inlays und ein Palisandergriffbrett. Im Gegensatz zum JR-500R hatten die JR-600R Bässe kein Pickguard. Beide Modelllinien wurden in den Farben Cream White, Candy Tone Red, Black und Yellow Sunburst angeboten. Während es 1985 von der PB-Serie 15 Varianten gab, wurden von der JR-Serie nur acht Varianten angeboten. Der "Doppel-J" Pickup blieb dem PR-600R vorbehalten, dessen Bridge PU auch näher an der Brücke saß.

Benennung Yamaha JR-500R Bass 1984	Historische Bassschaltungen		Nummer 1.7.131
	gezeichnet von Cadfael	gezeichnet am 02.09.17	Seite 257
Bemerkungen / Besonderheiten ca. 1984 - 1985			



SOLID BASS GUITAR

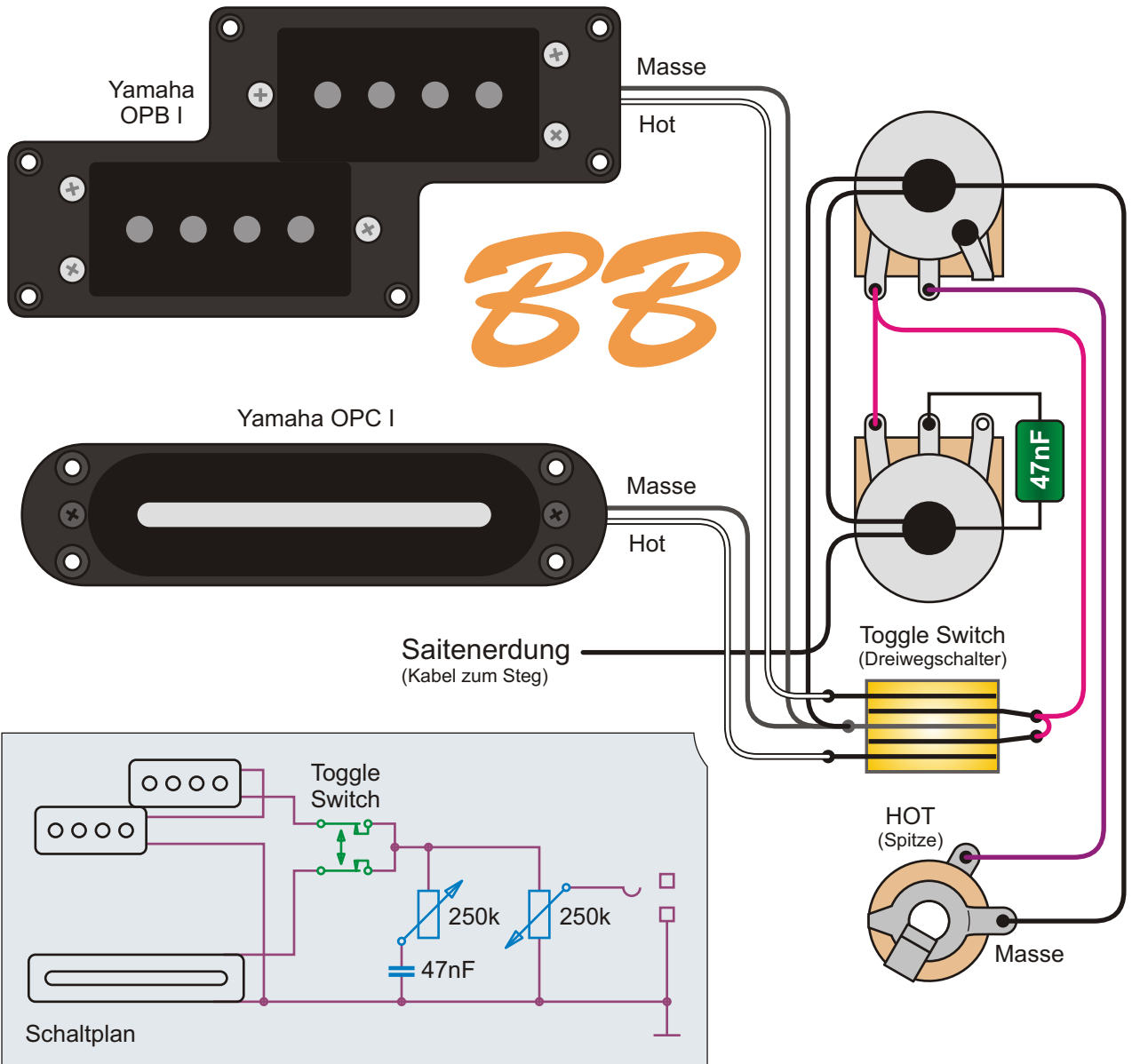


Vorbild für den Yamaha OPB-I Pickup war unzweifelbar der Fender Precision Bass Pickup. Allerdings sitzt beim OPB-I die DG-Spule nicht unter, sondern über der EA-Spule. Zudem wird der OPB-I mit drei Halteschrauben befestigt, was unerwünschtes Kippen verhindert, aber auch gewünschtes Kippen erlaubt. Ansonsten ist es eine normale Precision Schaltung.

Der Yamaha BB-1200 Bass und die ersten Bässe der BB-Serie

Im Jahr 1977 brachte Yamaha eine neue Bass Serie auf den Markt, die im ersten Jahr aus drei Bässen bestand, dem BB-800, BB-1000 und BB-1200. Der Body war, bis auf die beiden Hörner symmetrisch ausgelegt. 800er und 1000er bekamen einen Erle Body mit geschraubtem Ahornhals. Der 1000er hat kein Palisandergriffbrett mit Dot Inlays, sondern ein Ebenholzgriffbrett mit ovalen Inlays. Bei beiden sitzt der Pickup in einem Pickguard. Der 1200er hat einen durchgehenden, mehrteiligen Hals aus Ahorn und Mahagoni mit Ebenholzgriffbrett und ovalen Inlays, die Seitenteile des Bodys sind aus Erle. Beim 1200er Modell hat man auf ein Pickguard verzichtet. Hier sitzt der OPB-I Pickup in einem Rahmen. Die massive Brücke wurde neu für die BB-Bässe konstruiert. Die offenen Mechaniken erinnern nur entfernt an Fender Mechaniken und sind sehr massiv. Das Motto der BB-Serie: Einfach, edel und wertig.

Benennung	Yamaha BB-1200 Bass 1977		Historische Bassschaltungen	Nummer
Bemerkungen / Besonderheiten	ca. 1977 - 1983		gezeichnet von	gezeichnet am
			Cadfael	02.09.17
				Seite
				258

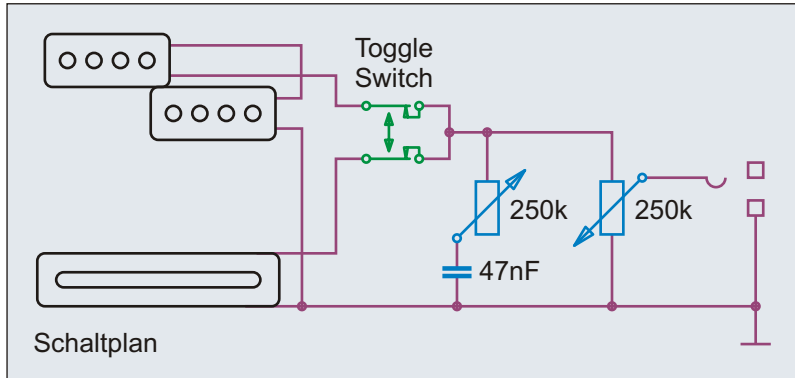
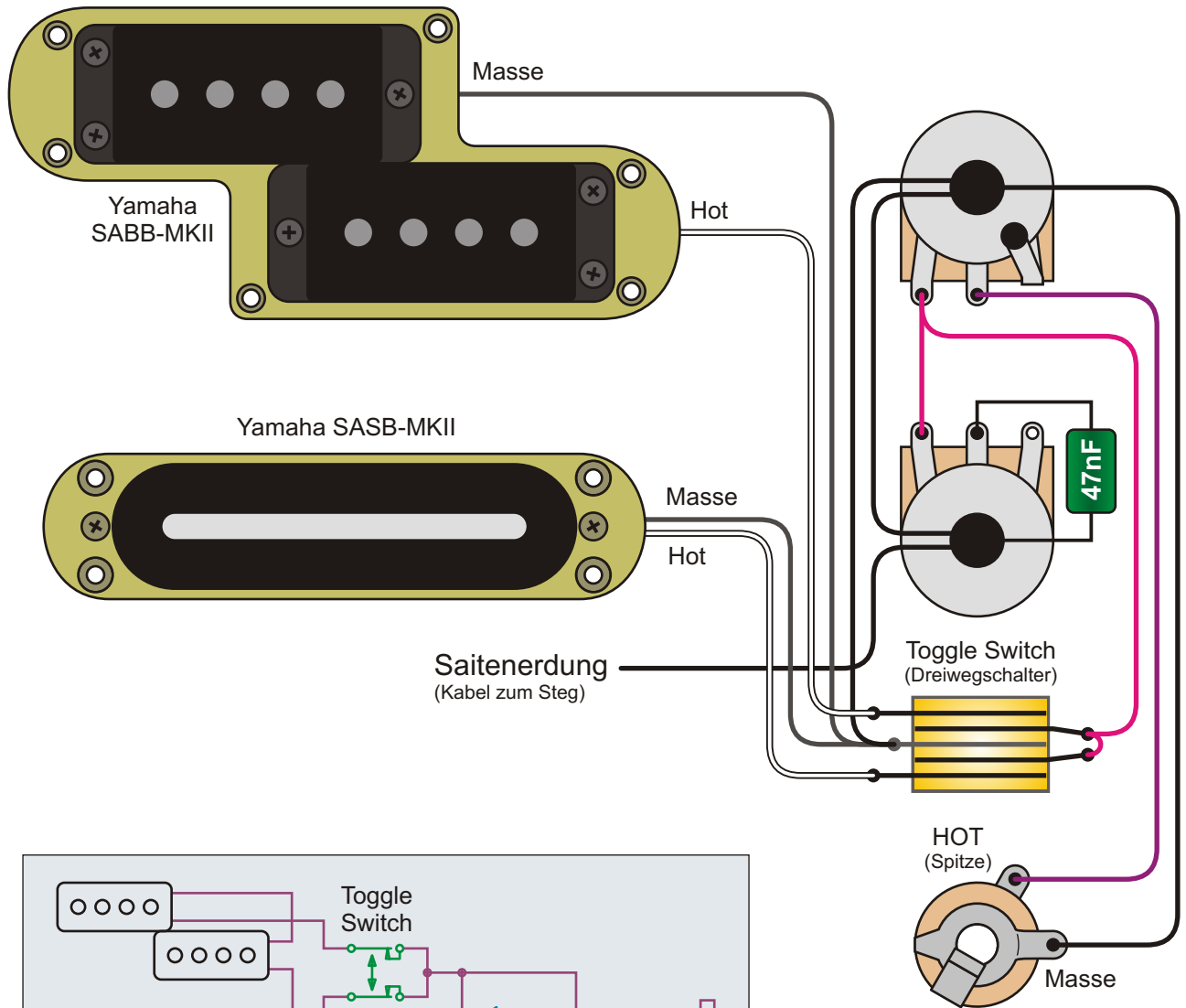


Der Yamaha BB-2000 Bass erhielt zum OPB-I Mittel-Pickup noch einen zweiten Pickup am Steg. Auch hier kopierte Yamaha nicht einfach, sondern erschuf mit dem OPC-I Pickup etwas eigenständiges. Um dem Radius der Saiten zu folgen, war die Klinge des OPC-I Pickups oval geschliffen. Auch mit dem Toggle Switch distanzierte man sich von "Standardlösungen"...

Der Yamaha BB-2000 Bass

Ein Jahr nach dem Start der BB-Serie kam der BB-2000 als vierter Bass hinzu. Er hatte die gleichen Grundspezifikationen wie der BB-1200; verfügt also über einen mehrschichtigen, durchgehenden Hals aus Ahorn und Mahagoni und ein Ebenholzgriffbrett mit ovalen Inlays. Die Seitenteile des Bodys sind aus Erle. Er wurde auch in den gleichen Farben angeboten. Wichtigster Unterschied war der zusätzliche Steg-Pickup. Der Toggle Switch sitzt dort, wo bei den anderen Modellen die Klinkenbuchse sitzt. Die Klinkenbuchse wanderte in die Zarge. Für den zweiten Pickup des BB-2000 musste man einen stolzen Aufpreis von 25% bezahlen.

Benennung	Yamaha BB-2000 Bass 1978		Historische Bassschaltungen	Nummer
Bemerkungen / Besonderheiten	ca. 1978 - 1990		gezeichnet von	gezeichnet am
			Cadfael	02.09.17
				Seite
				259



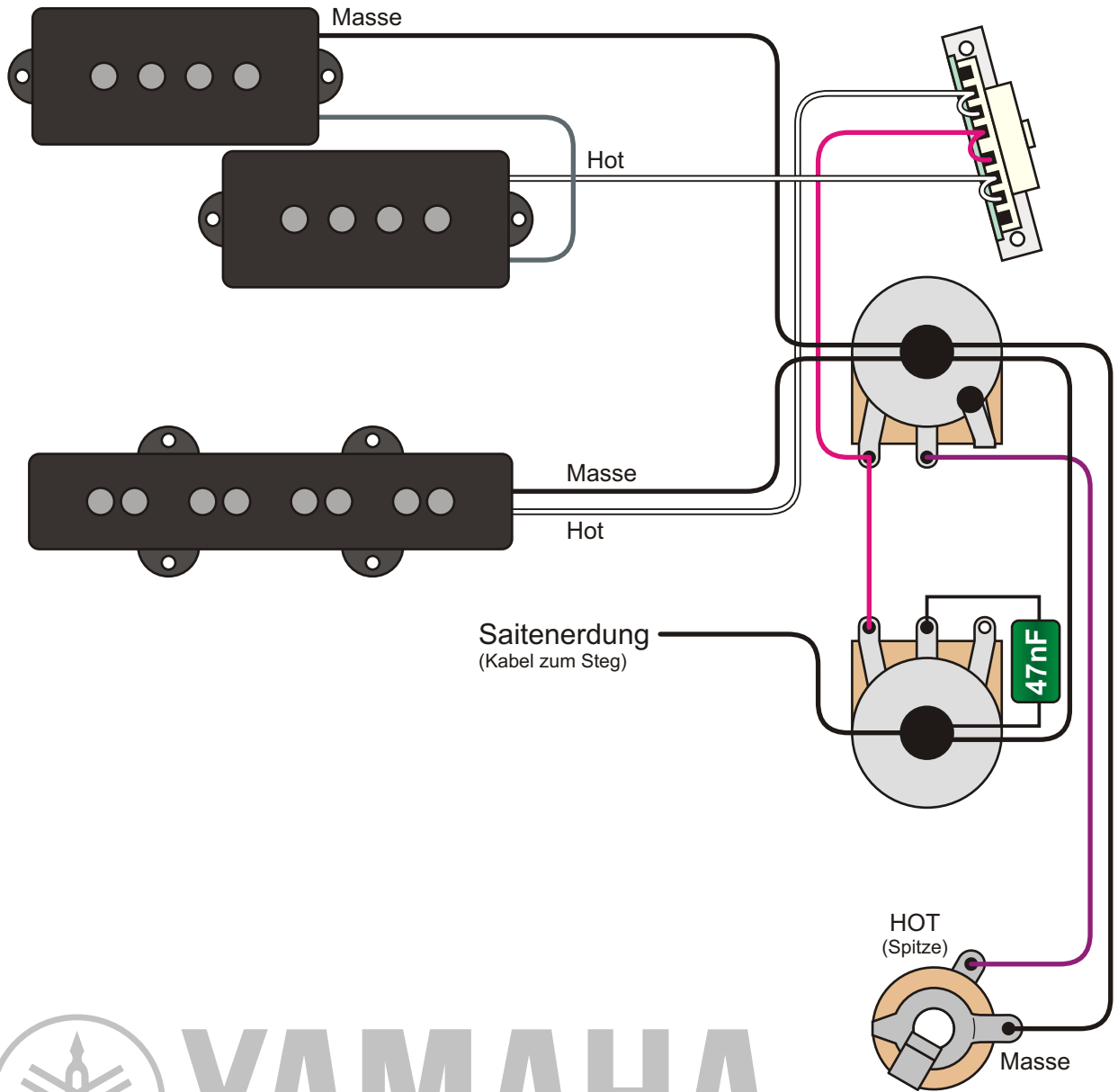
Regler	Wert
Master Volume	250 k lin.
Master Tone	250 k log.

Die Yamaha SASB-MKII und SABB-MKII Pickups haben beide Alnico V Magnete. Die DG-Spule des Neck Pickups sitzt hier - wie bei den Shortscale Bässen der BB-Serie - wieder in der klassischen Split Coil Position unter der EA-Spule. Statt aus Plastik sind die Rahmen des BB-3000 Basses vergoldet.

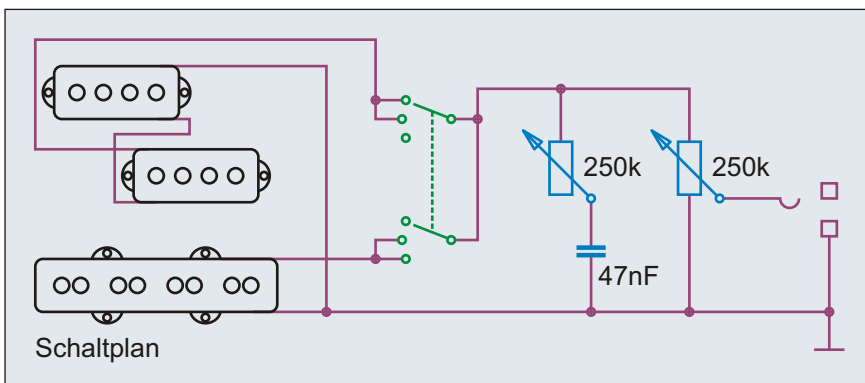
Der Yamaha BB-3000 Bass
 1982 kam dann der Yamaha BB-3000 zur BB-Serie hinzu. Mit einer Produktionszeit von 27 Jahren hält er den Rekord unter den Yamaha Bässen. Wie der BB-1200 und BB-2000 verfügt er über einen mehrschichtigen, durchgehenden Hals aus Ahorn und Mahagoni und ein Ebenholzgriffbrett mit ovalen Inlays. Die Seitenteile des Bodys sind aus Erle. Zusätzlich hat der BB-3000 vergoldete Hardware. Als BB-5000 wurde er auch als 5-Saiter angeboten.

Benennung Yamaha BB-3000 Bass 1982		Historische Bassschaltungen	Nummer 1.7.221
Bemerkungen / Besonderheiten ca. 1982 - 2009		gezeichnet von Cadfael	gezeichnet am 02.09.17 Seite 260

Idee, Recherche, Autor, Zeichnungen, Grafiken, Diagramme, Layout und Design: Andreas "Cadfael" Kühn - Nutzung ausschließlich zu privaten, nicht kommerziellen Zwecken und auf eigene Gefahr! Alle Angaben ohne Gewähr, Irrtümer vorbehalten!



YAMAHA



3-Way Lever Switch	
Position	aktive Pickups
3	Neck
2	Neck + Bridge
1	Bridge

Regler	Wert
Volume	250 k lin.
Tone	250 k log.

Benennung **Yamaha Attitude 65 Bass 1991**

Historische Bassschaltungen Nummer 1.7.301

Bemerkungen / Besonderheiten
ca. 1991 - 1984

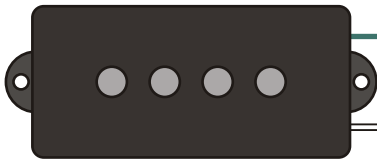
gezeichnet von **Cadfael** gezeichnet am **02.09.17** Seite **261**



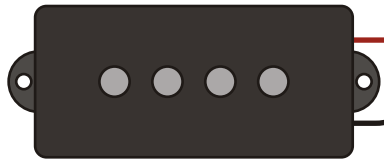
DiMarzio DP145



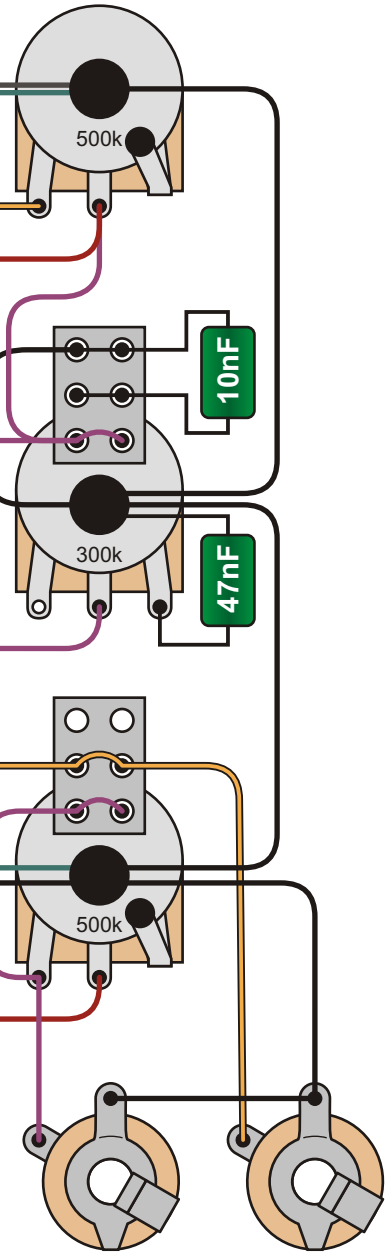
YAMAHA



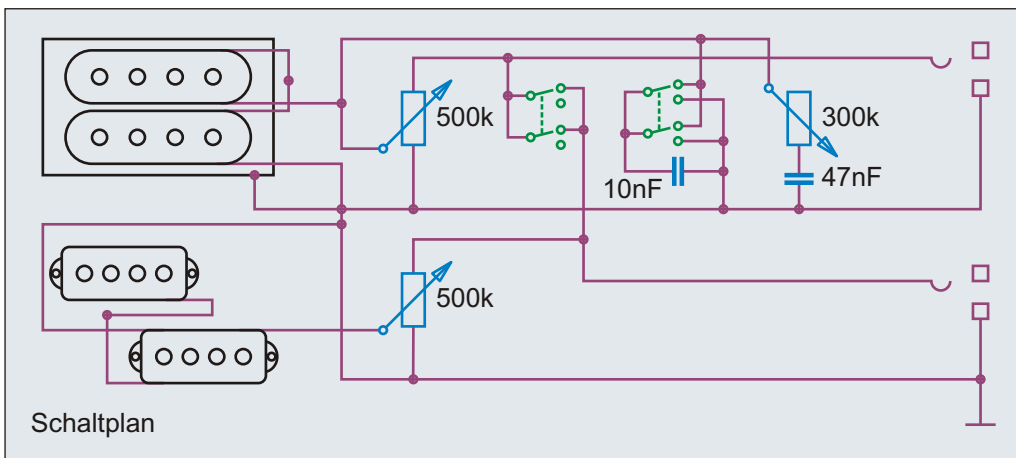
DiMarzio DP146



Saitenerdung
(Kabel zur Saitenhalterung)



Regler	Wert
Neck Volume	500 k log.
Bridge Volume	500 k log.
Master Tone	300 k log.



Schaltplan

Benennung **Yamaha Attitude Ltd. 2 Bass 2006**

Historische
Bassschaltungen

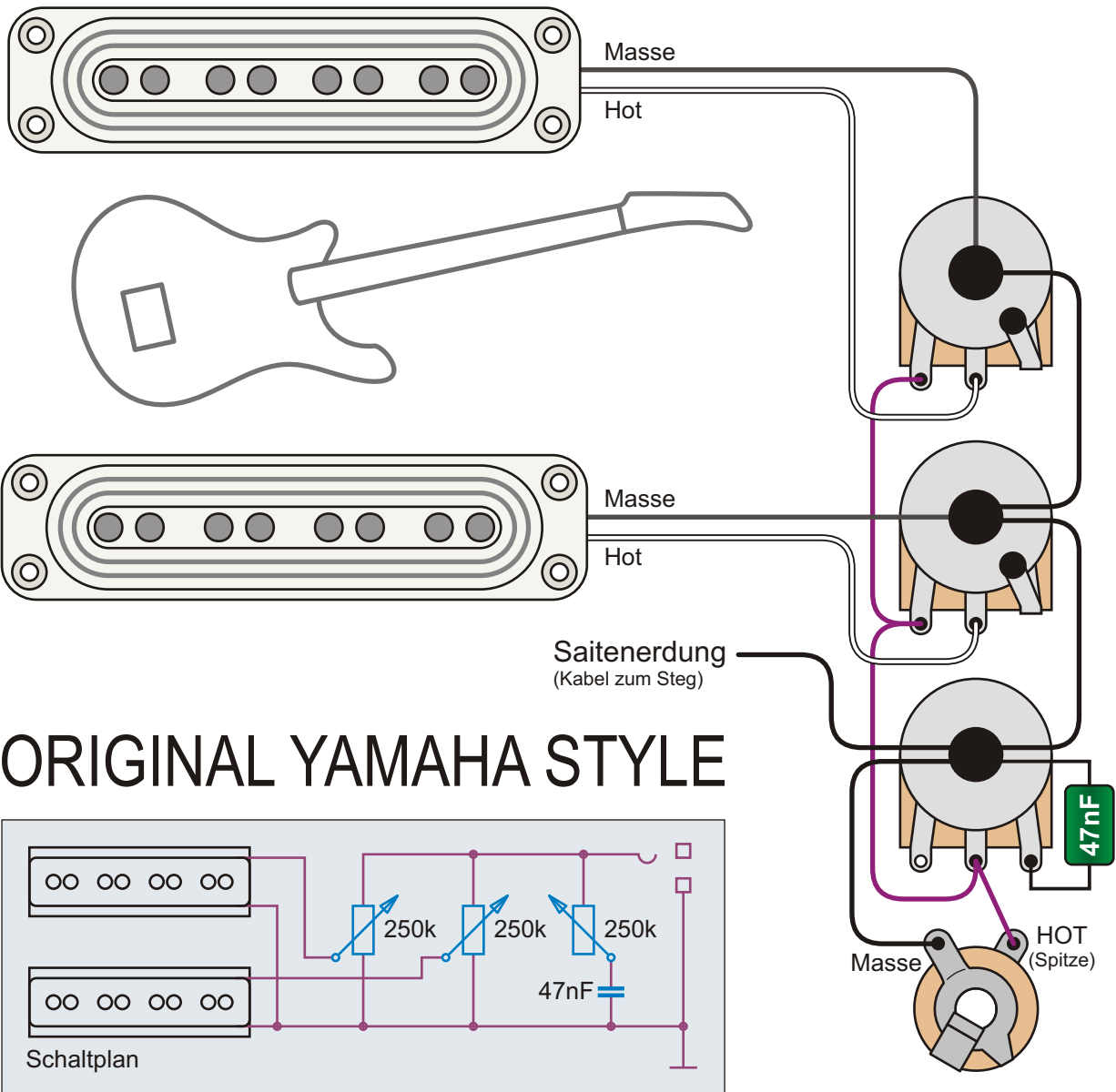
Nummer
1.7.311

Bemerkungen / Besonderheiten

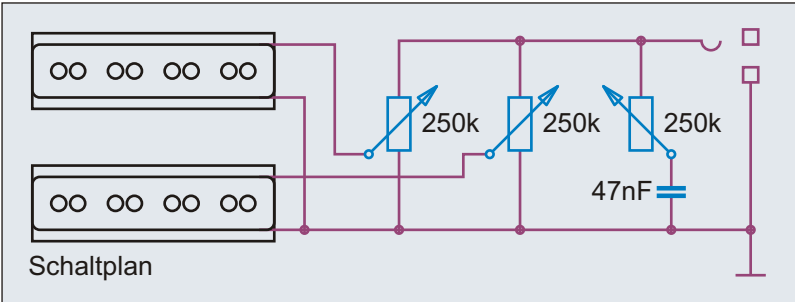
gezeichnet von
Cadfael

gezeichnet am
02.09.17

Seite
262



ORIGINAL YAMAHA STYLE



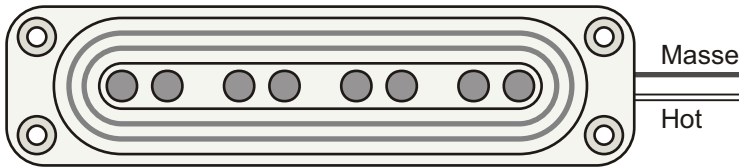
Die Pickups der SBV-Serie sind zwar keine Nachbauten der alten SB-Serie, wurden aber extra für diese Serie entwickelt. Das gilt sowohl für die "JJ" Kombination des SBV-500, als auch für die "PJ" Kombination des SVB-550. Leider griff man nicht auf die Originalschaltung mit Balance-Regler zurück, sondern setzte zwei Volume Regler wie im Jazz Bass ein.

Die Yamaha SBV-Bässe von 2000 bis 2007
 Vermutlich steht das "SBV" für "SB Vintage", denn die Bodies und die Kopfplatte der SBV-Bässe sind den Formen der Yamaha SB-Bässe der späten 1960er Jahre nachempfunden. Die Pickups der SBV Bässe sitzen allerdings näher zur Brücke hin und der Hals-Pickup ist auch nicht schräg eingebaut. Auch das Pickguard ist anders geschnitten, erinnert aber sehr stark an die alte Form. Während die alten SB-Bässe eine 800 mm Mensur hatten, spendierte man den SBV-Modellen eine zeitgemäßere 864 mm Mensur. Der Body der SBV ist aus Erle. Farben waren Red Metallic, Shelby Blue, Sonic Blue, Vintage Yellow, Pearl Green, Sunburst.

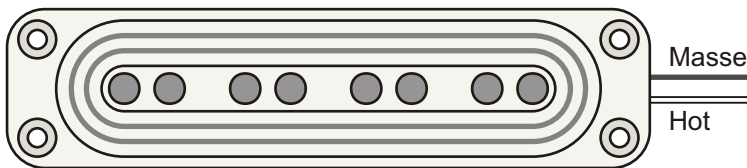
Benennung	Yamaha SBV-500 Bass 2000		Historische Bassschaltungen	Nummer
Bemerkungen / Besonderheiten	ca. 2000 - 2007	gezeichnet von	gezeichnet am	Seite
		Cadfael	02.09.17	263

Idee, Recherche, Autor, Zeichnungen, Grafiken, Diagramme, Layout und Design: Andreas "Cadfael" Kühn - Nutzung ausschließlich zu privaten, nicht kommerziellen Zwecken und auf eigene Gefahr! Alle Angaben ohne Gewähr, Irrtümer vorbehalten!

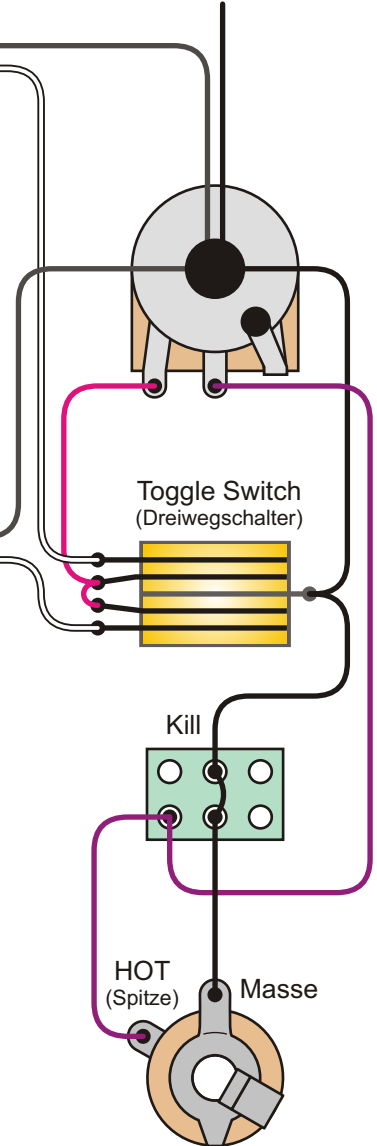
Yamaha A101 (Keramik)



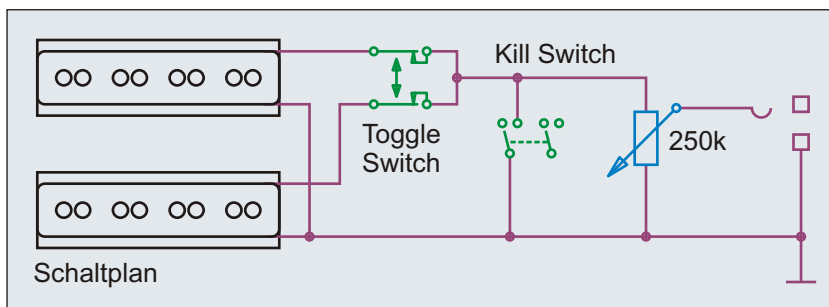
Yamaha R110 (Keramik)



Saitenerdung
(Kabel zum Steg)



YAMAHA



Die Pickups der SBVJ-Bässe sind mit Keramikmagneten ausgestattet. Zwar haben auch die SBVJ-Bässe nicht die Schaltung der Vorbilder von 1967, dafür hebt sich die Schaltung mit Master Volume, Toggle- und Kill-Switch deutlich vom Einerlei vieler heutiger Bassschaltungen ab.

Pickups		
Modell	Neck	Bridge
SBVJ1	A101	R110
SBVJ2	A212	A222

Die Yamaha SBVJ-Bässe von 2003 bis 2004

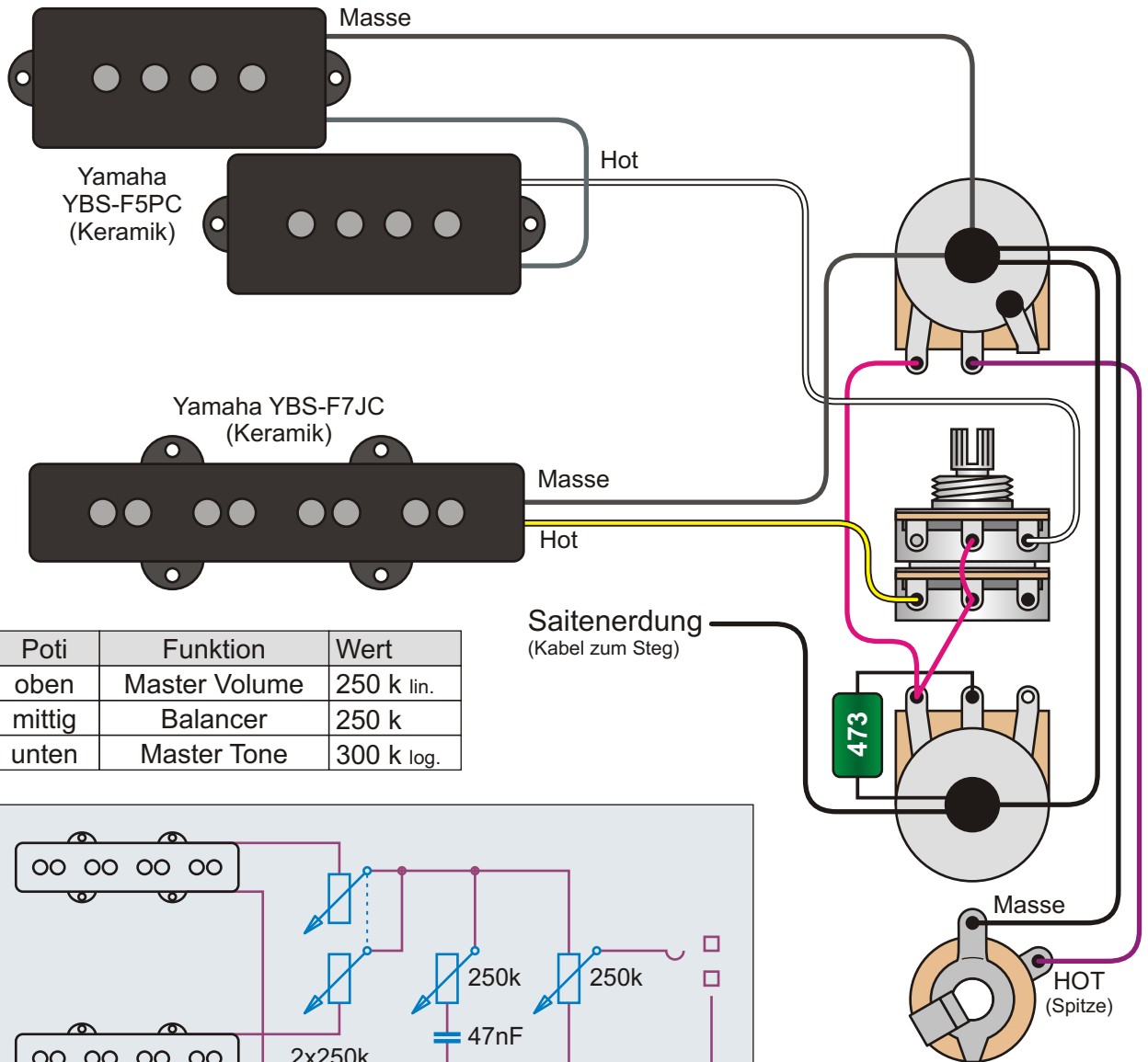
Drei Jahre nach dem Erscheinen der SBV-Serie brachte Yamaha die zwei Bässe mit der Bezeichnung SBVJ heraus. Wie die SBV-Bässe hatten auch sie einen Erle Body. Die SVB-Modelle hatten jedoch ein Ahorngriffbrett mit Blockinlays statt Palisandergriffbrett mit Dot-Inlays. Es gab den SBVJ1 und SBVJ2 ausschließlich in der Farbe "Jane Red. Aufgrund des Preisunterschiedes von ca. 20% ist davon auszugehen, dass in den SBVJ-Modellen bessere Pickups verbaut waren. Griffbrett und die beiden Schalter rechtfertigen den Preis nicht ...

Benennung **Yamaha SBVJ1 Bass 2003**

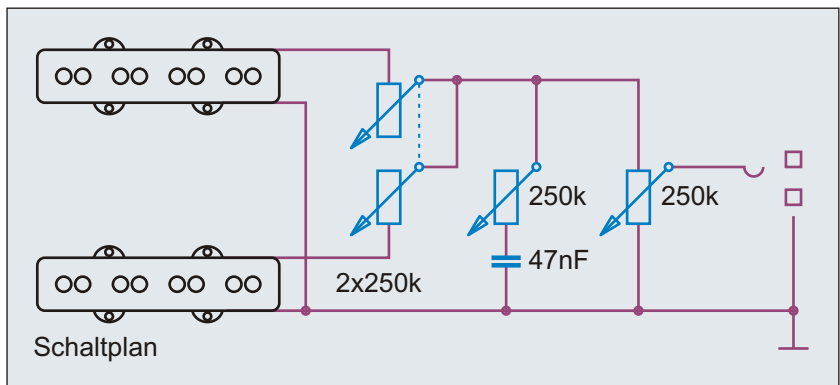
Historische Bassschaltungen Nummer 1.7.361

Bemerkungen / Besonderheiten
ca. 2003 - 2005

gezeichnet von **Cadfael** gezeichnet am **02.09.17** Seite **264**



Poti	Funktion	Wert
oben	Master Volume	250 k lin.
mittig	Balancer	250 k
unten	Master Tone	300 k log.

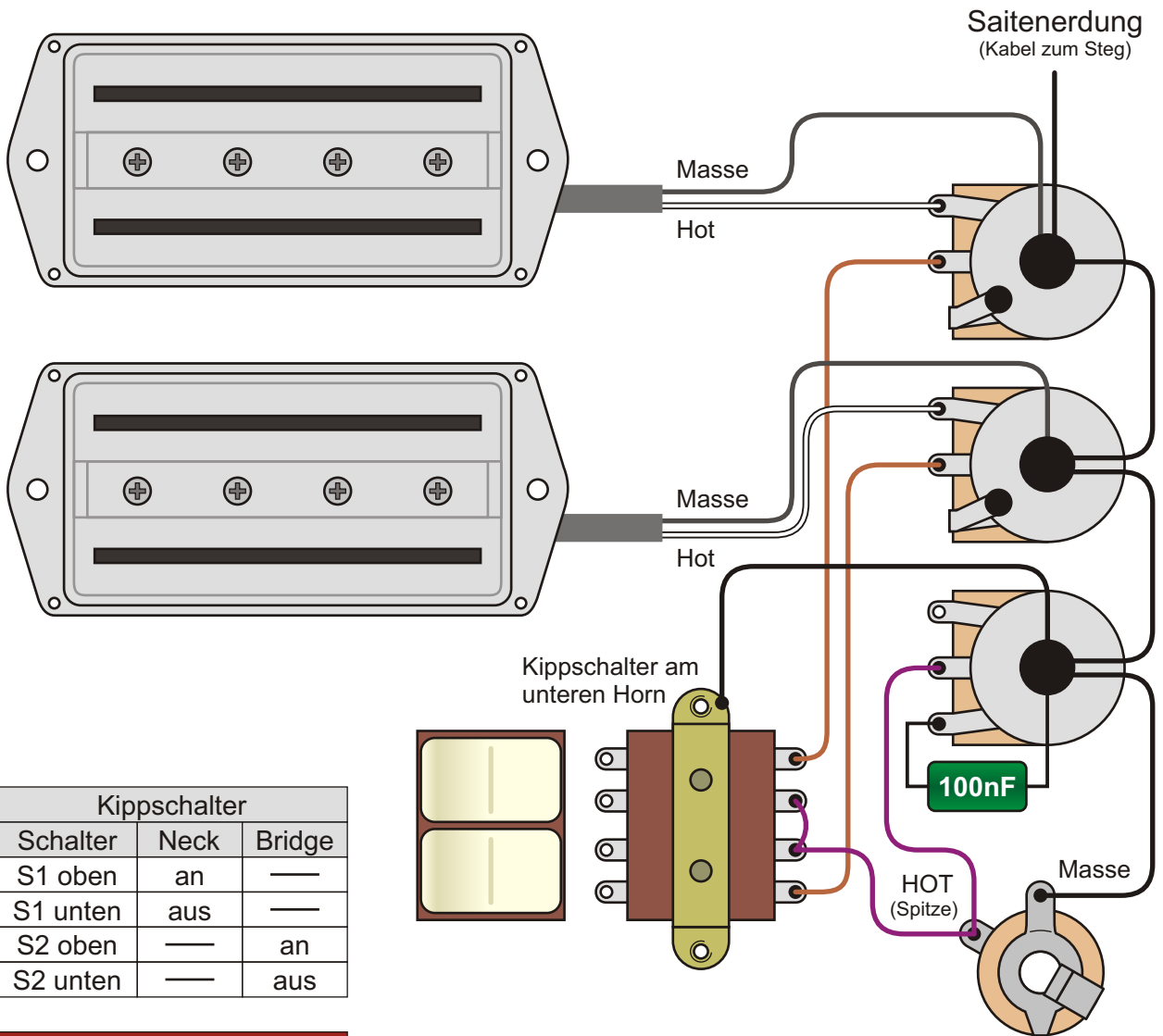


Interessant bei der Schaltung des RBX270 ist, dass Yamaha nicht den klassischen Weg der Belegung eines Balance-Reglers beschreitet, bei dem Die Hot-Leitungen der Pickups an die mittleren Kontakte angelötet sind und Hot und Masse über Kreuz an den äußeren Kontakten angebracht sind. Ist ein Pickup zuge dreht, liegen einfach 250k Ohm im Hot-Signalweg.

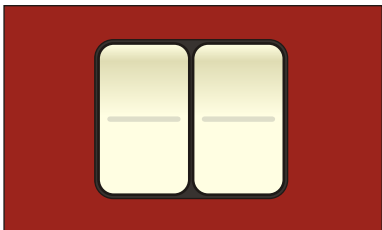
Der Yamaha RBX270 Bass 2001
 Beim RBX270 handelt es sich um einen "Einsteigerbass". Der RBX270 ist im Gegensatz zum aktiven Bruder RBX374 passiv ausgelegt. Er wird seit 2001 in den unterschiedlichsten Farben von Yamaha angeboten und ist zu Recht sehr beliebt. Der Body ist aus Esche gefertigt, sein angeschraubter Ahornhals besitzt ein Palisandergriffbrett mit 250 mm Radius und 24 Bündeln. Die Mensur des Basses beträgt 864 mm; also eine normale Long Scale Mensur.

Benennung Yamaha RBX270 Bass 2001	Historische Bassschaltungen		Nummer 1.7.381
	gezeichnet von Cadfael	gezeichnet am 02.09.17	Seite 265
Bemerkungen / Besonderheiten ca. 2001 - 2013			

Idee, Recherche, Autor, Zeichnungen, Grafiken, Diagramme, Layout und Design: Andreas "Cadfael" Kühn - Nutzung ausschließlich zu privaten, nicht kommerziellen Zwecken und auf eigene Gefahr! Alle Angaben ohne Gewähr, Irrtümer vorbehalten!

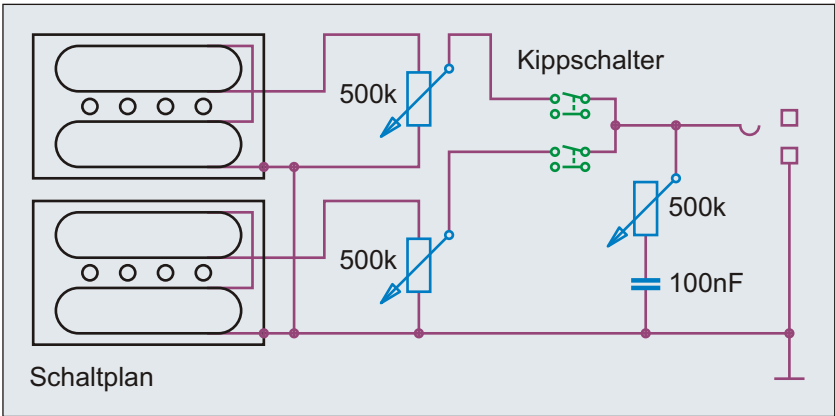


Kippschalter		
Schalter	Neck	Bridge
S1 oben	an	—
S1 unten	aus	—
S2 oben	—	an
S2 unten	—	aus

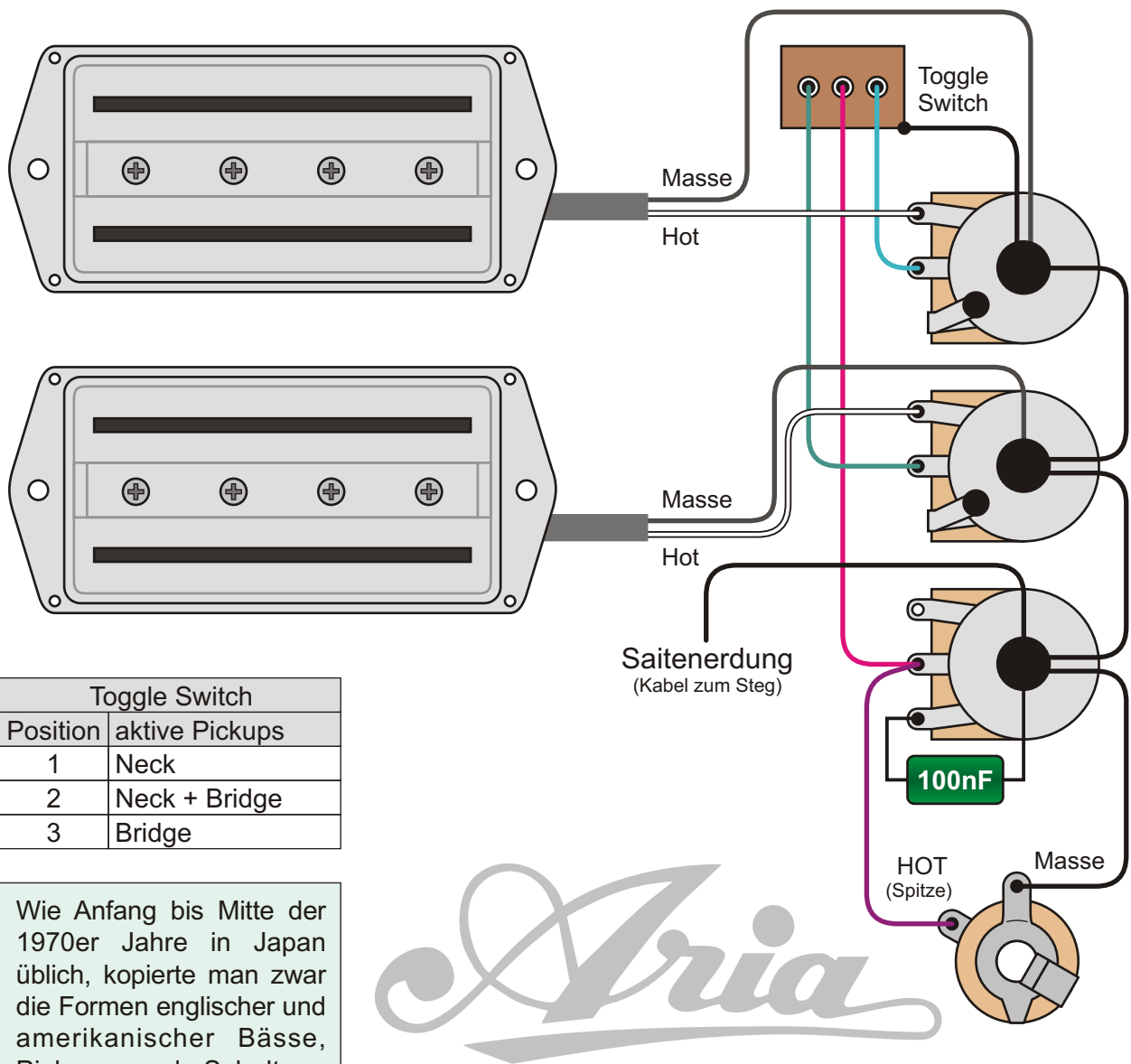


In den 1960er Jahren wurden große Kippschalter öfters in Bässen verbaut. In den 1970er Jahren fand man sie nur noch in sehr preiswerten Bässen - bzw. Bässen aus dem Ostblock.

Vermutlich handelt es sich bei Weltron lediglich um ein Label, das in den USA auf asiatische Bässe geklebt wurde. Der Ursprung dieses Weltron Basses dürfte klar sein, denn bis auf die Kippschalter ist der Bass identisch mit dem in Matsumoko hergestellten Aria A-200 Bass.



Benennung Weltron E Bass 1970		Historische Bassschaltungen	Nummer 1.7.511
Bemerkungen / Besonderheiten ca. 1968 - 1975		gezeichnet von Cadfael	gezeichnet am 02.09.17
			Seite 266



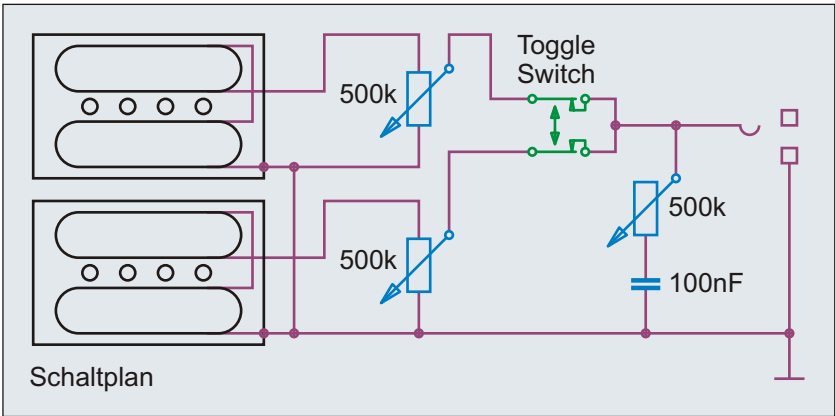
Toggle Switch	
Position	aktive Pickups
1	Neck
2	Neck + Bridge
3	Bridge

Wie Anfang bis Mitte der 1970er Jahre in Japan üblich, kopierte man zwar die Formen englischer und amerikanischer Bässe, Pickups und Schaltung wurden jedoch meist nicht mit kopiert. Die Pickups des A-200 Basses ähneln frühen Ibanez Pickups.



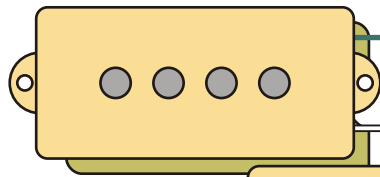
Viele Informationen auf www.matsumoku.org. Auf dieser Seite wird geschrieben, der A-200 hätte "VTT" gehabt. Meine Quelle mit "VVT" halte ich jedoch für sicherer.

In Matsumoko wurden die ersten Bässe unter dem Markennamen Aria seit mindestens 1967 gebaut. Der Aria A-200 Bass war von Body und Pickguard her grob an den Burns Bison Bass angelehnt. Das A-100 Modell hatte die gleiche Form, jedoch nur einen Pickup.

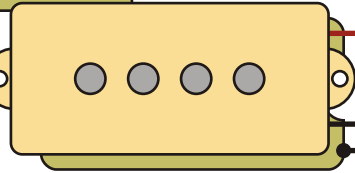


Benennung	Aria A-200 Bass 1972		Historische Bassschaltungen	Nummer
				1.7.551
Bemerkungen / Besonderheiten	ca. 1968 - 1975	gezeichnet von	gezeichnet am	Seite
		Cadfael	02.09.17	267

MATSUMOKU
MADE IN JAPAN



Messingblech
unter Pickups

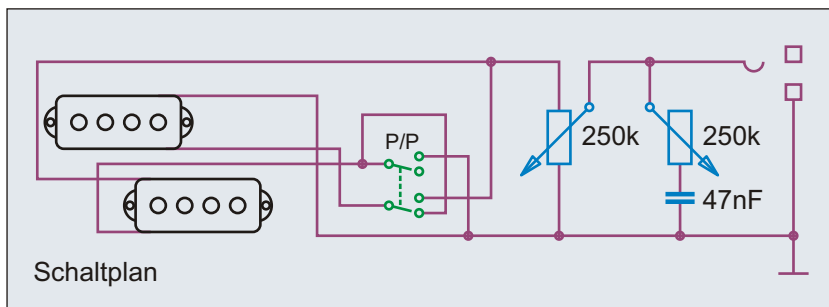
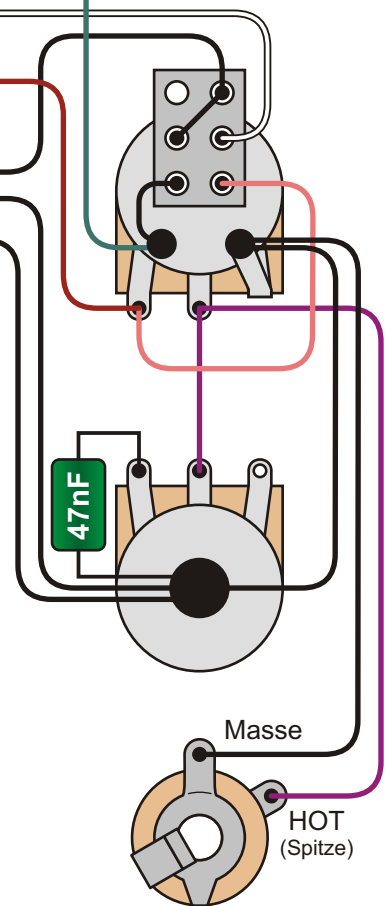


Saitenerdung
(Kabel zum Steg)

Aria Pro II
THE WORLD WIDE BANG

Push/Pull	Spulen
oben	parallel
unten	seriell

PRECISE BASS



Während Ibanez die "Dual-Sound" Schaltung von DiMarzio leicht abwandelte, und daraus seine "Tri-Sound" Schaltung machte, übernahm Aria Pro II die DiMarzio Schaltung 1:1. Mit der cremefarbenen Kappe sollte ein echter DiMarzio vorgetäuscht werden. Sinn macht die Parallelschaltung der beiden Precision Bass Spulen nicht, da der Sound viel zu dünn wird. In den späten 1970er und 1980er Jahren wurde jedoch alles geschaltet, was möglich war.

Der Aria Pro II PB-600D Bass

Während Aria bis Mitte der 1970er Jahre noch sehr grobe Kopien englischer und amerikanischer Instrumente anbot, waren die Kopien ab Mitte der 1970er Jahre sehr genau und detailgetreu. Neben der Precision Kopie gab es auch Kopien des Fender Jazz Bass, Rickenbacker und Gibson Bässen. Die Precision Kopie wurde direkt in sechs verschiedenen Versionen und Preisklassen angeboten. Das Kürzel "D" im PB-600D soll - wie die cremefarbenen Cover des Pickups - auf DiMarzio hindeuten. Es handelt sich allerdings bestenfalls um einen Nachbau. Mit Ende des Modelljahres 1978 stellte vermutlich auch Aria Pro II die Produktion ein; andere Quellen behaupten 1981. Bekannt wurden die Aria Pro II Instrumente dann in den frühen 80er Jahren dank ihrer durchgehenden Hälse, der Naturholzoptik und den vielen Mini-Schaltern.

Benennung **Aria Pro II PB-600D Bass 1977**

Historische
Bassschaltungen

Nummer
1.7.561

Bemerkungen / Besonderheiten

PB-600D (1976 = Professional, 1977 = Precise, 1978 = Primary Bass)

gezeichnet von
Cadfael

gezeichnet am
02.09.17

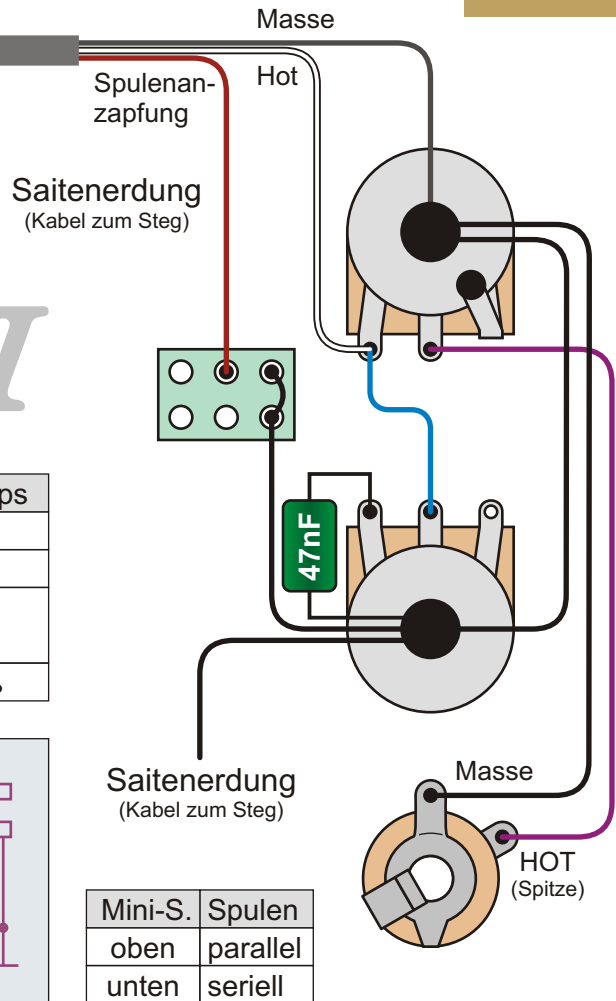
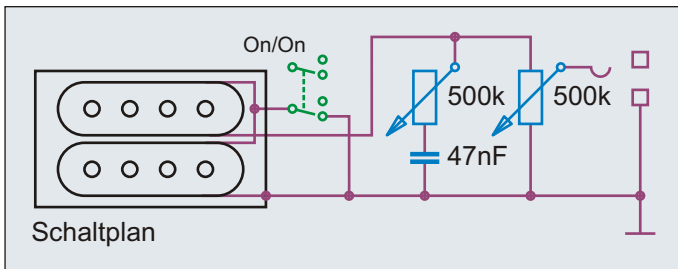
Seite
268

Aria Pro II MB-1E



Aria Pro II

Verbindung	Adern verschiedener MB-Pickups		
Abschirmung	Abschirm- draht	Abschirm. Schwarz	Bau Rot
Sp.1 Masse	Rot	Rot	
Sp.1 (Hot)		Orange	
Sp.2 (Masse)	Weiß	Braun	Weiß
Sp.2 Hot			



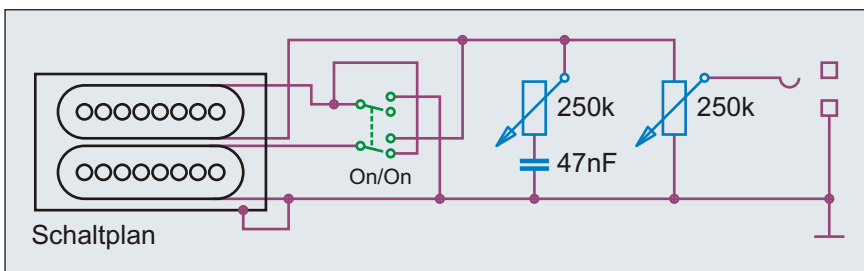
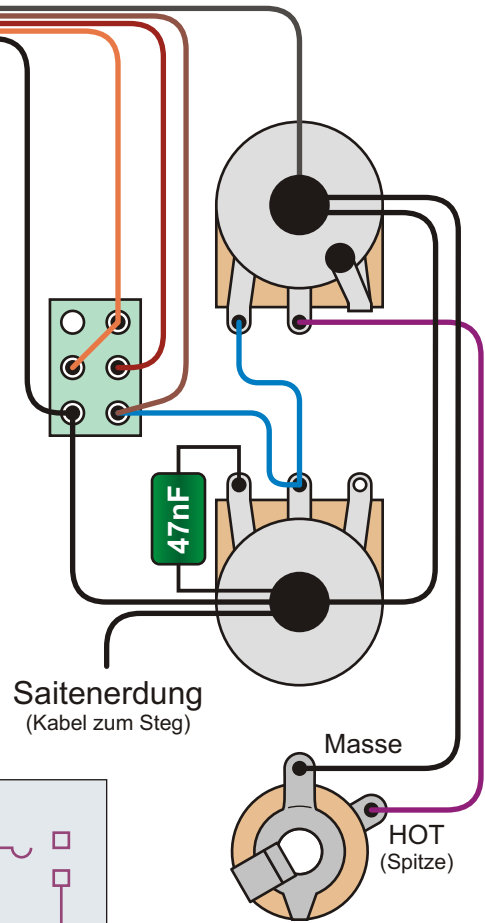
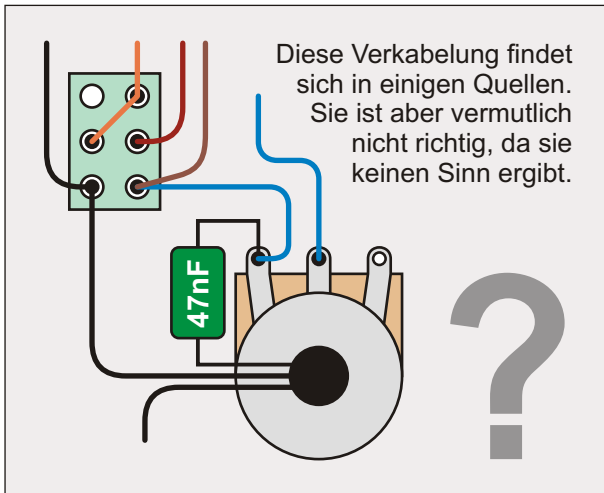
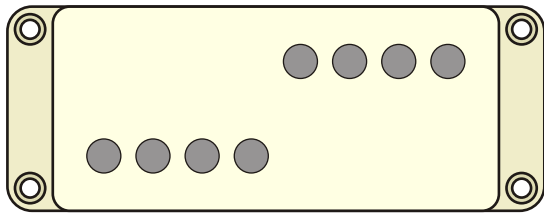
Mit den Bässen der RSB-, TSB- und SB-Serie wandte sich Aria vom Design der Fender und Gibson Pickups ab und schuf eigene Tonabnehmer. Alleine anhand des Äußeren kann man viele Aria Pickups nicht sicher voneinander unterscheiden. Erst die Anzahl der Adern verrät, um welchen Typ es sich genau handelt. Manche Pickups hatten zwei Adern, manche eine Spulenzapfung oder separate Abschirmung, manche hatten fünf Adern. Der Name MB-1, MB-1E, MB-II, MB-III, MB-IV sagt weder etwas über Aussehen, noch Anzahl der Adern.

Der Aria Pro II SB-700 Bass

Ende der 1970er Jahre brachte Aria mehrere Serien eigenständiger Bässe auf den Markt, die sich durch ihren durchgehenden, mehrschichtigen Hals und die Naturholzoptik auszeichneten. Typisch waren Ausführungen in den Farben "Natural", "Oak" und "Walnut"; oft bot man aber auch eine schwarze Version an. Die SB- und RSB-Modelle unterschieden sich nur durch ihre Kopfplatten. Während die RSB-Modelle alle Mechaniken auf der linken Seite hatten (wie die meisten Fender Bässe), hatten die SB-Modelle zwei Mechaniken links und zwei rechts. Neben Mini-Schaltern mit unterschiedlichen Aufgaben fand man auf einigen Modellen auch passive Ton-Drehschalter. Es gab aber auch aktive SB-Modelle im Angebot von Aria.

Benennung	Aria Pro II SB-700 Bass 1979		Historische Bassschaltungen	Nummer
Bemerkungen / Besonderheiten	sowie diverse andere Aria Modelle von 1979 bis 1985		gezeichnet von	gezeichnet am
			Cadfael	02.09.17
				Seite
				269

Aria Pro II MB-III



Aria Pro II

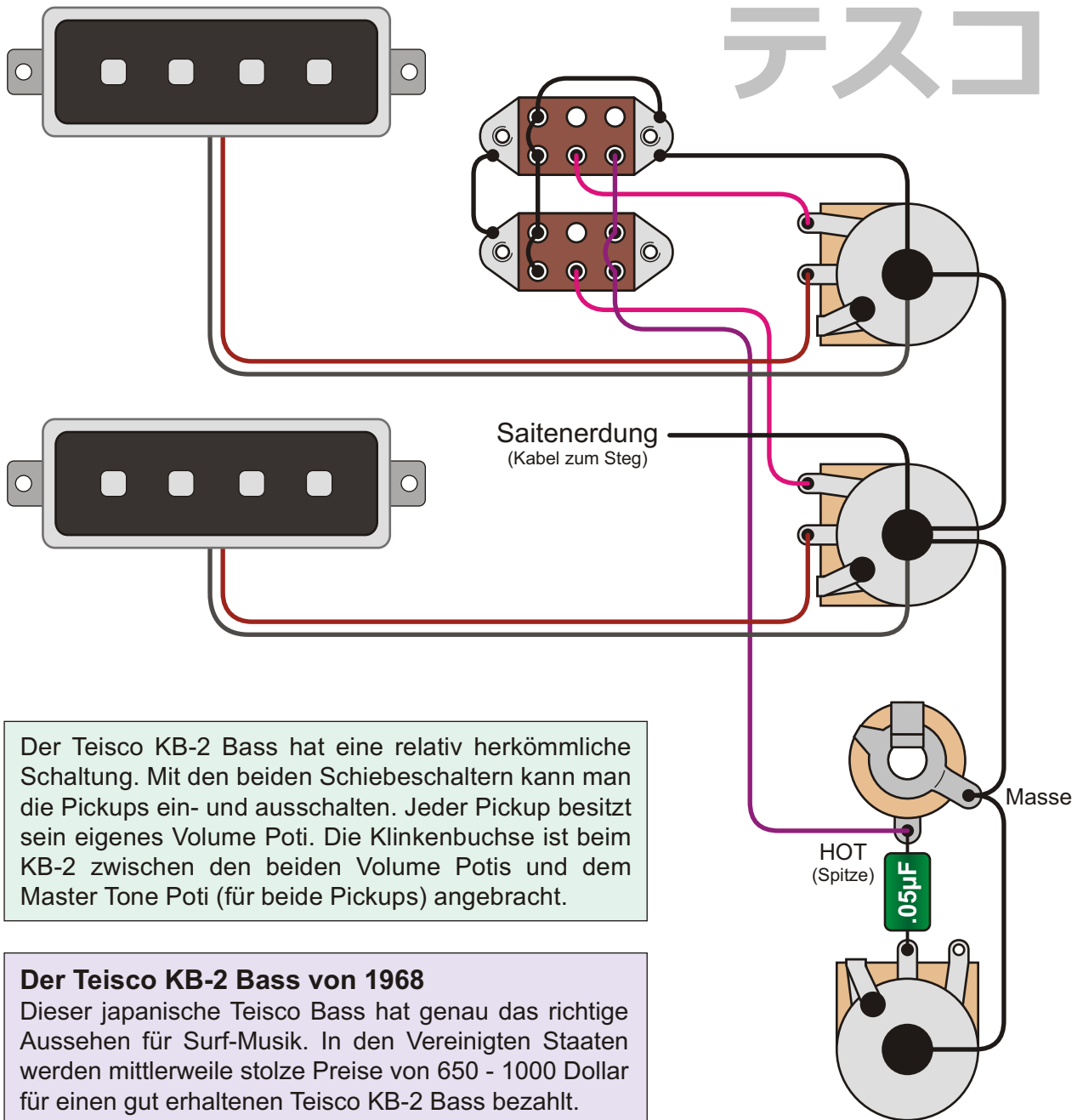
Bei den Bässen der TSB-Serie ragen die Pole Pieces teilweise durch die Plastikkappen der Pickups; ähnlich wie beim Fender Telecaster Pickup. Allerdings haben die Pickups der Aria TSB-Serie in jeder Spule zwei Pole Pieces pro Saite - wie Precision oder Jazz Bass Pickups. Auch bei diesen Pickups verrät das Aussehen oder die Modellbezeichnung nichts über die Anzahl der Adern, die durch das Pickup-Kabel nach draußen geführt werden.

Der Aria Pro II TSB-550 Bass

Im Jahr 1979 hatten die Aria TSB-Modelle noch alle vier Mechaniken auf der linken Seite der Kopfplatte. Vermutlich zwischen 1980 und 1981 wechselte man zur später typischen symmetrischen Kopfplattenform mit zwei Mechaniken links und zwei rechts. Im Gegensatz zu den SB-Modellen waren die Konturen des Body's der TSB-Modelle nicht so stark geschwungen und der Bass wirkte ausgewogener. Die TSB-Modelle ab 1984 haben weder von Form, noch Pickup Bestückung etwas mit den Modellen von 1979 bis 1983 zu tun. Der TSB Standard von 1984, der auch ein Pickguard hatte, wirkt mehr wie eine grobe Precision Bass Kopie.

Benennung	Aria Pro II TSB-550 Bass 1980		Historische Bassschaltungen	Nummer
				1.7.581
Bemerkungen / Besonderheiten	sowie diverse andere Aria Modelle von 1979 bis 1985		gezeichnet von	gezeichnet am
			Cadfael	02.09.17
			Seite	270

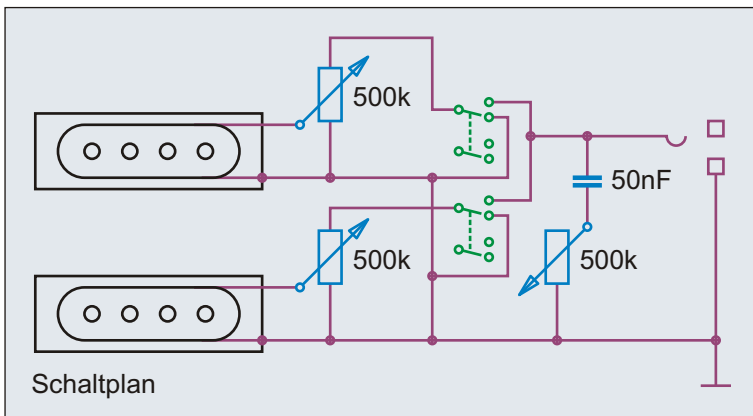
テスコ



Der Teisco KB-2 Bass hat eine relativ herkömmliche Schaltung. Mit den beiden Schiebeschaltern kann man die Pickups ein- und ausschalten. Jeder Pickup besitzt sein eigenes Volume Poti. Die Klinkenbuchse ist beim KB-2 zwischen den beiden Volume Potis und dem Master Tone Poti (für beide Pickups) angebracht.

Der Teisco KB-2 Bass von 1968

Dieser japanische Teisco Bass hat genau das richtige Aussehen für Surf-Musik. In den Vereinigten Staaten werden mittlerweile stolze Preise von 650 - 1000 Dollar für einen gut erhaltenen Teisco KB-2 Bass bezahlt.



Schalter	Pickups
	parallel
	Neck
	Bridge
	aus



Benennung **Teisco KB-2 Bass 1967**

Historische
Bassschaltungen

Nummer
1.7.606

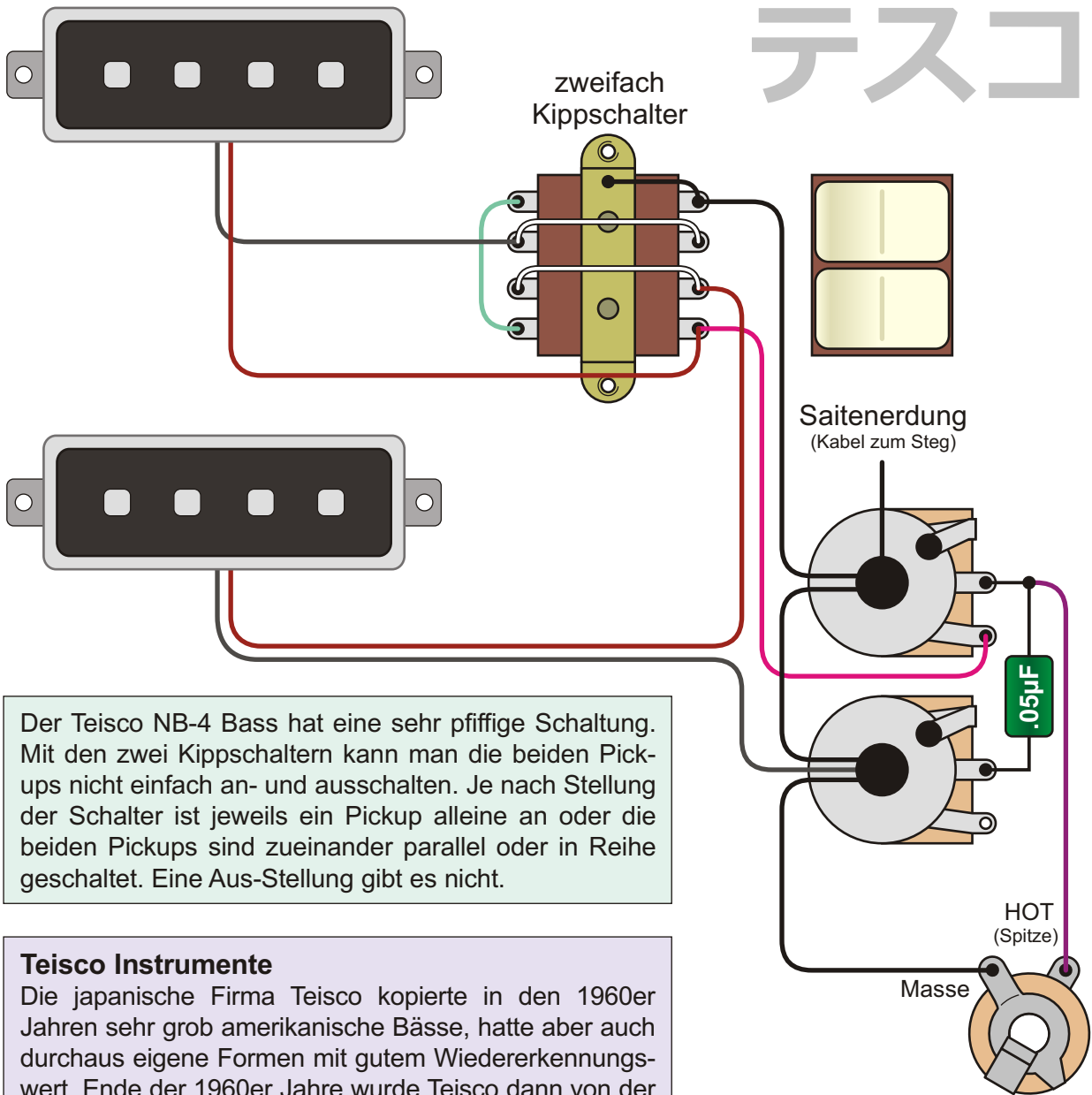
Bemerkungen / Besonderheiten

gezeichnet von
Cadfael

gezeichnet am
02.09.17

Seite
271

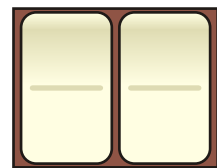
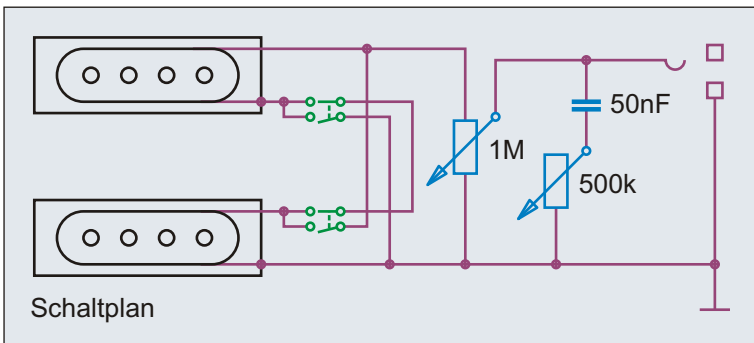
テスコ



Der Teisco NB-4 Bass hat eine sehr pfiffige Schaltung. Mit den zwei Kippschaltern kann man die beiden Pickups nicht einfach an- und ausschalten. Je nach Stellung der Schalter ist jeweils ein Pickup alleine an oder die beiden Pickups sind zueinander parallel oder in Reihe geschaltet. Eine Aus-Stellung gibt es nicht.

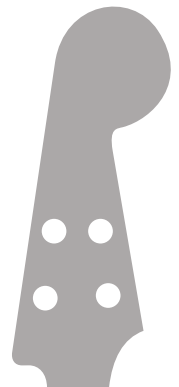
Teisco Instrumente

Die japanische Firma Teisco kopierte in den 1960er Jahren sehr grob amerikanische Bässe, hatte aber auch durchaus eigene Formen mit gutem Wiedererkennungswert. Ende der 1960er Jahre wurde Teisco dann von der Firma Kawai aufgekauft. Die Bässe und Gitarren haben den Flair von "Kaufhausinstrumenten". Es gibt aber durchaus auch sehr gute Teisco Instrumente. Berühmtester Teisco Spieler dürfte David Lindley sein.



"Rocker Switch"

Schalter	Pickups
	parallel
	Neck
	Bridge
	seriell



Benennung **Teisco NB-4 Bass 1968**

Historische
Bassschaltungen

Nummer
1.7.611

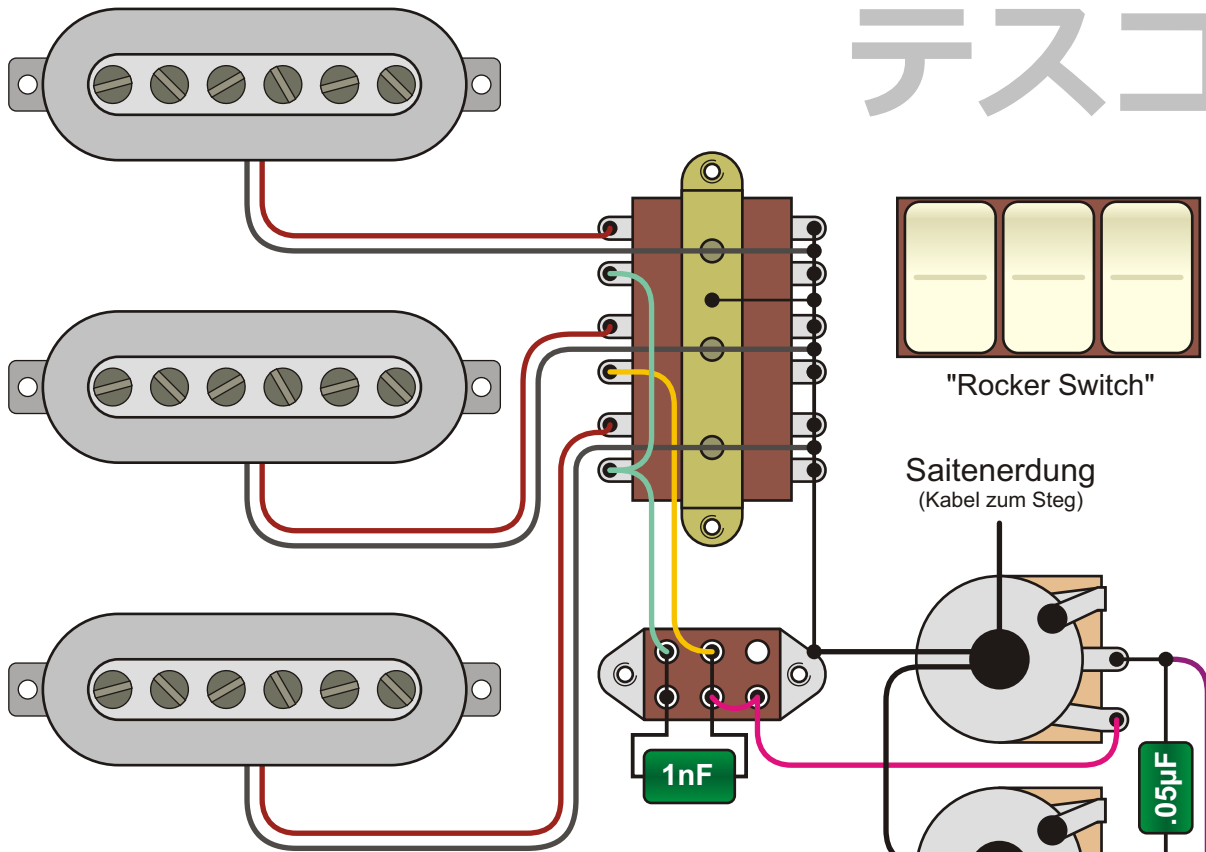
Bemerkungen / Besonderheiten

gezeichnet von
Cadfael

gezeichnet am
02.09.17

Seite
272

テスコ

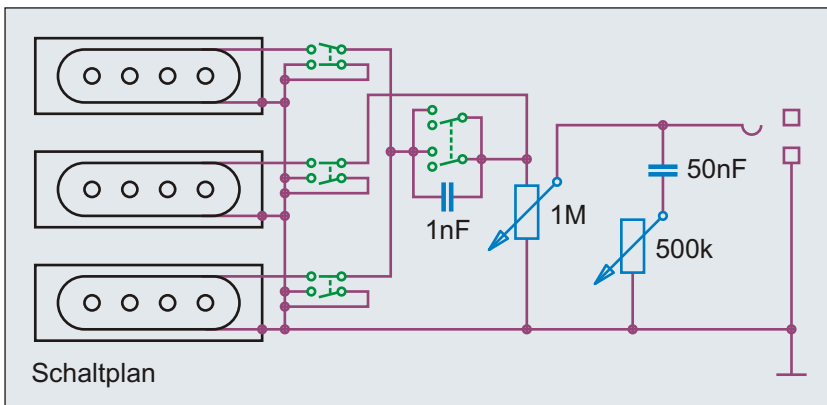


Schalter	Pickups
	Neck
	Neck + Middle
	Neck + Bridge
	alle aus

Schalter	Pickups
	Middle
	Bridge
	Bridge + Middle
	alle an

Teisco TB-64 Bass

Die wunderschöne Surf-Interpretation eines Fender BASS VI.



Schaltplan

Beim Teisco TB-64 Bass können die Pickups über drei Wippschalter an- und ausgeschaltet werden. Der Schiebescalter beschneidet bei Neck und Bridge Pickup die Bässe.

Schalter	Tone (Neck/Bridge)
	Bass Cut an
	Bass Cut aus

Benennung **Teisco TB-64 Bass VI 1968**

Historische
Bassschaltungen

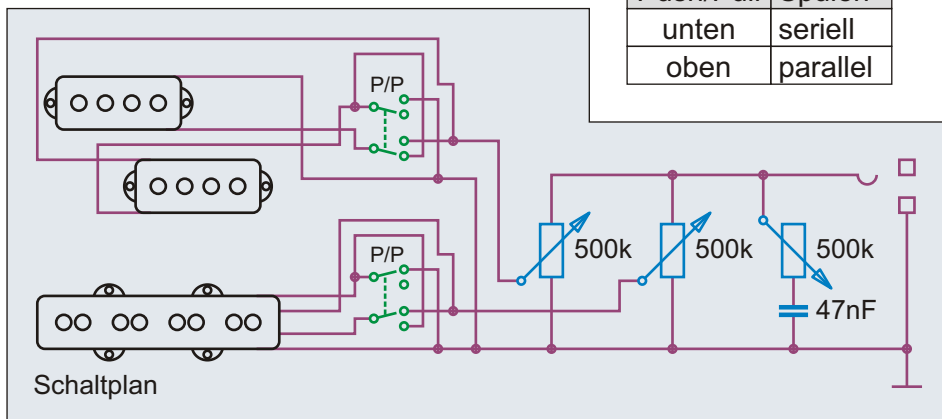
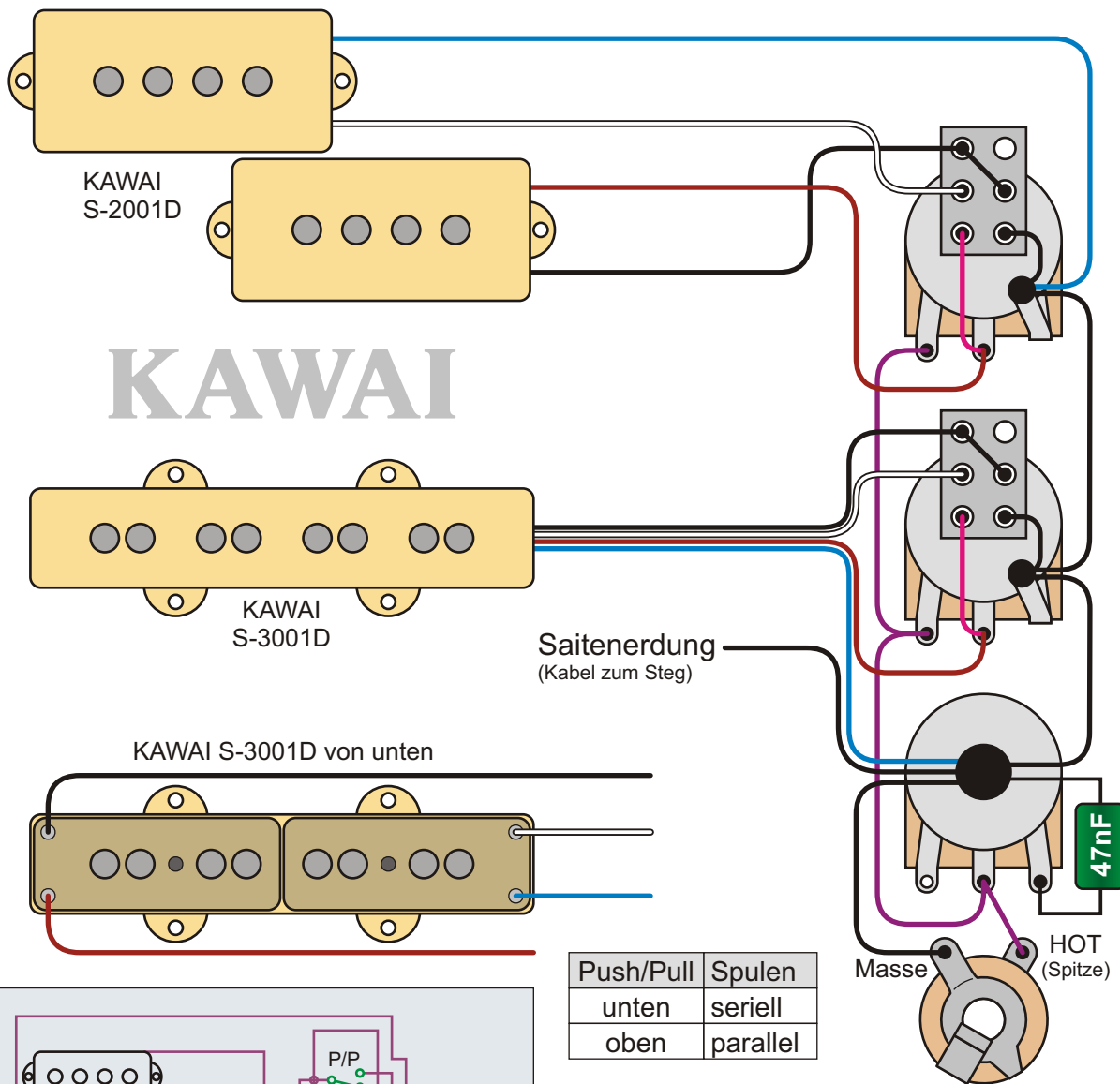
Nummer
1.7.621

Bemerkungen / Besonderheiten

gezeichnet von
Cadfael

gezeichnet am
02.09.17

Seite
273

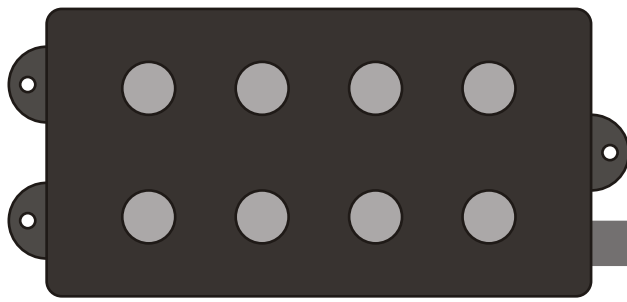


Sinn macht die Parallelschaltung bei den beiden Pickups nicht! Der Sound wird viel zu dünn.

Kawai Z-II•B Bass

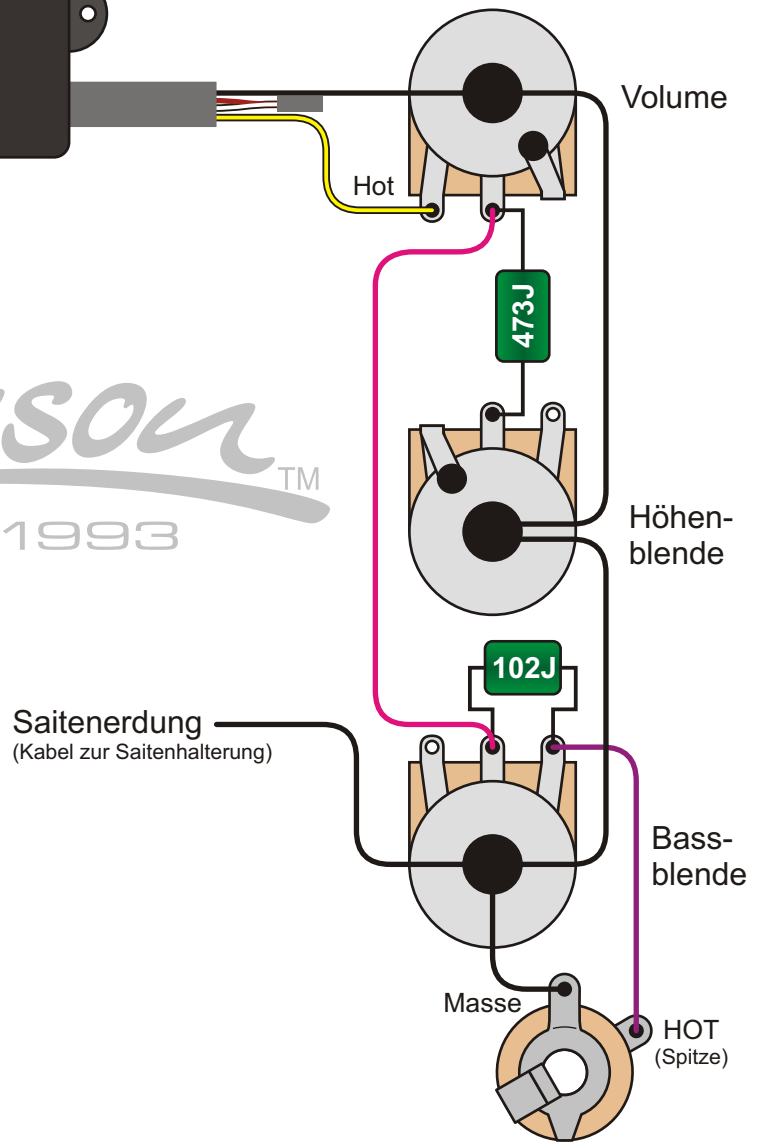
Bereits seit den frühen 1960er Jahren hatte der japanische Musikinstrumentenbauer KAWAI auch E-Bässe in seinem Programm. Meist waren es grobe Kopien amerikanischer und europäischer Bässe. In den 1970er und 1980er Jahre waren KAWAI Gitarren und Bässe (mit mäßigem Erfolg) auch in Deutschland erhältlich. Diese Instrumente hatten meist eigenständige Formen, die oftmals recht ausgefallen waren. Teilweise gab es Verwandtschaft zu Ibanez.

Benennung	Kawai Z-II•B Bass		Historische Bassschaltungen	Nummer
			gezeichnet von	1.7.651
Bemerkungen / Besonderheiten			gezeichnet am	Seite
			Cadfael	02.09.17 274

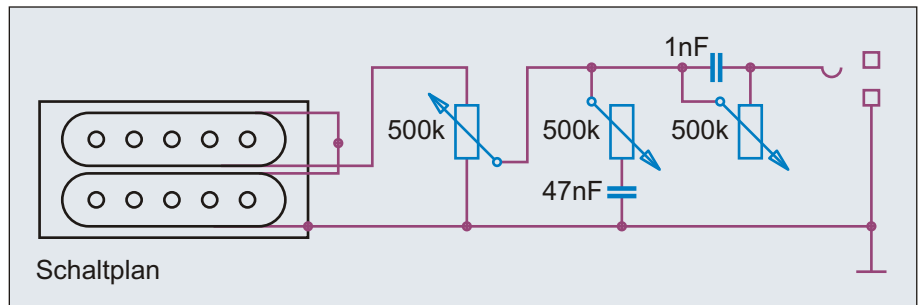


Johnson™

EST. 1993



Regler
Master Volume
Hi Cut / Höhenblende
Low Cut / Bassblende



Benennung Johnson JB-M5 MM-Kopie 2008	Historische Bassschaltungen	Nummer 1.7.711
Bemerkungen / Besonderheiten MM-Pickup mit Lautstärkereger, Höhen- und Bassblende	gezeichnet von Cadfael	gezeichnet am 02.09.17 Seite 275

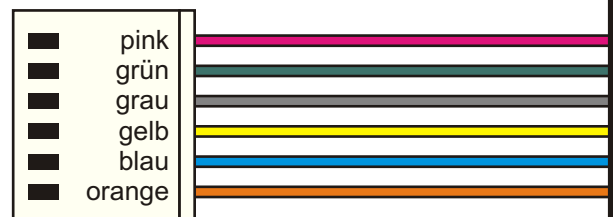
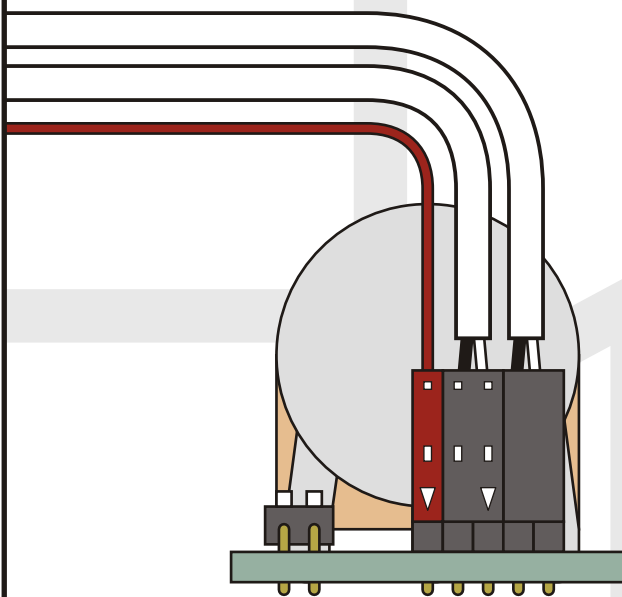
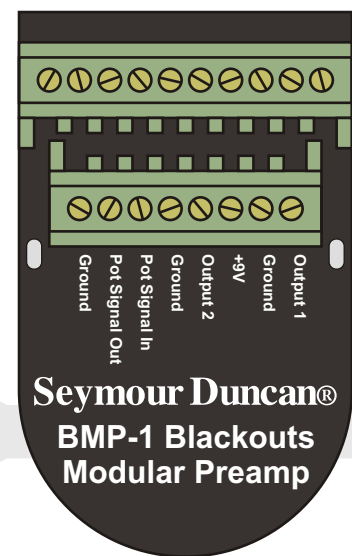
1.9 Historische Schaltungen - Aktiv

Ab der dritten Version dieser Schaltungssammlung sind auch einige aktive Schaltungen dargestellt. Mit Absicht sind die meisten Schaltungen jedoch nur angedeutet bzw. der PreAmp ist nur als Block zu sehen. Es soll nicht darum gehen, PreAmps genau nachbauen zu können.

Zum einen fehlt mir dazu das nötige Hintergrundwissen, zum anderen ist die Publikation der genauen Schaltungen oft auch eine Frage des Urheberrechts.

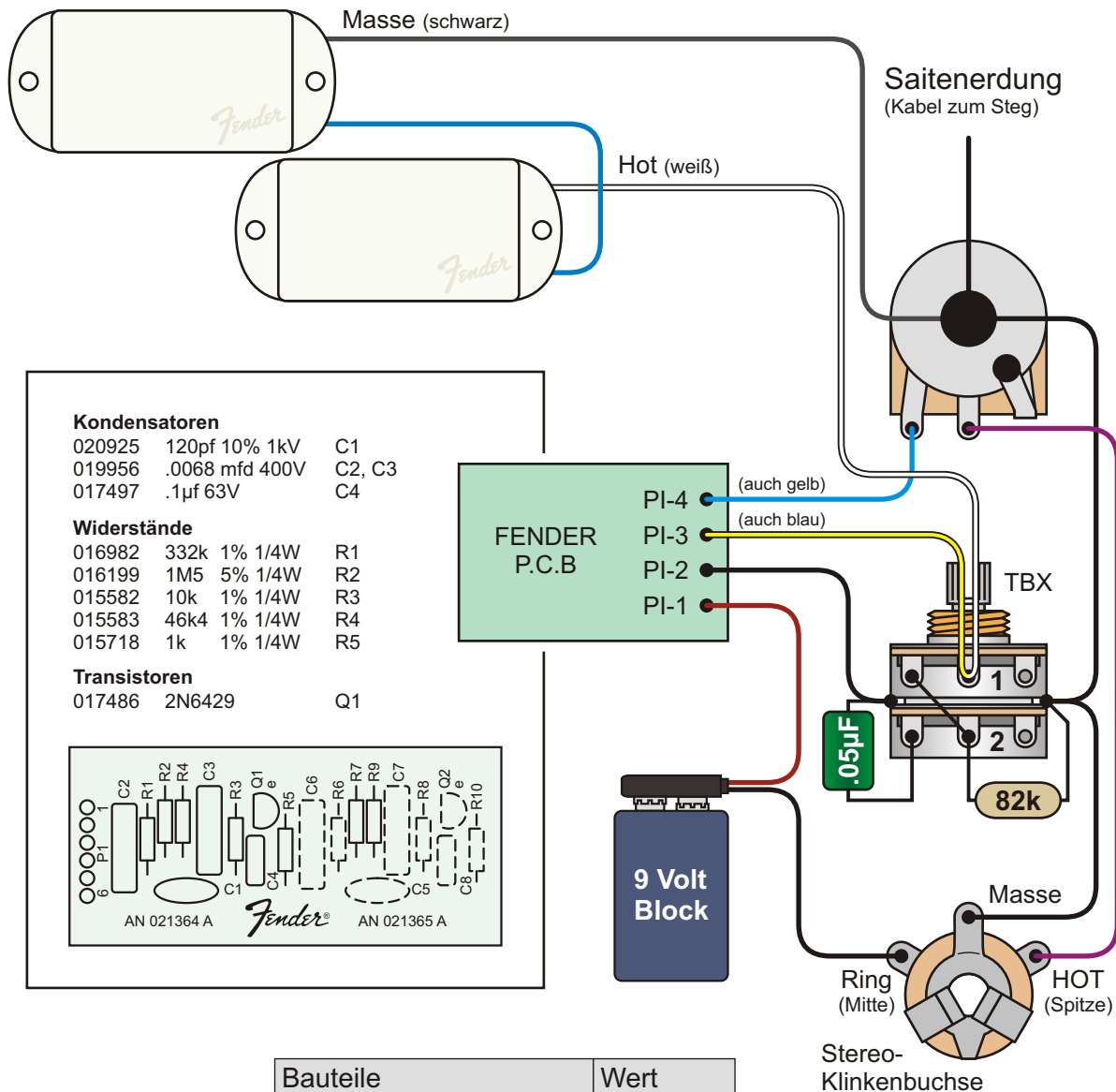
Hauptziel dieser Sammlung aktiver Schaltungen ist, Einsteigern das "Baukastensystem" zu verdeutlichen, welches hinter vielen Schaltungen steckt. So kann man oft zwei Lautstärkereger durch ein Master Volume Poti plus Balance Regler ersetzen - auch wenn man nicht weiß, wie das Innenleben des jeweiligen PreAmps aussieht.

Schaltpläne
Bauteile
Eigenschaft von Bauteilen
Anmerkungen zur Schaltung
Zusatzbemerkungen
Begleittexte zur Historie
Wichtige Hinweise



ACHTUNG!
Bastelarbeiten an PreAmps
 Anders als bei den passiven Schaltungen kann man durch falschen Anschluss der Kabel Bauteile (ICs oder Transistoren) in PreAmps zerstören. Das gilt vor allem, bei falsch ange-löteten Batteriekabeln, Ein- und Ausgängen. Eine Falschverkabelung muss allerdings nicht zwangsläufig zu Schäden führen. Trotzdem sollte man mit großer Sorgfalt vorgehen und zumindest weitestgehend wissen was man tut ...

Benennung Aktive Schaltungen	Historische Bassschaltungen		Nummer 1.9
	gezeichnet von Cadfael	gezeichnet am 02.09.17	Seite 276
Bemerkungen / Besonderheiten			



Kondensatoren

020925	120pf 10% 1kV	C1
019956	.0068 mfd 400V	C2, C3
017497	.1µf 63V	C4

Widerstände

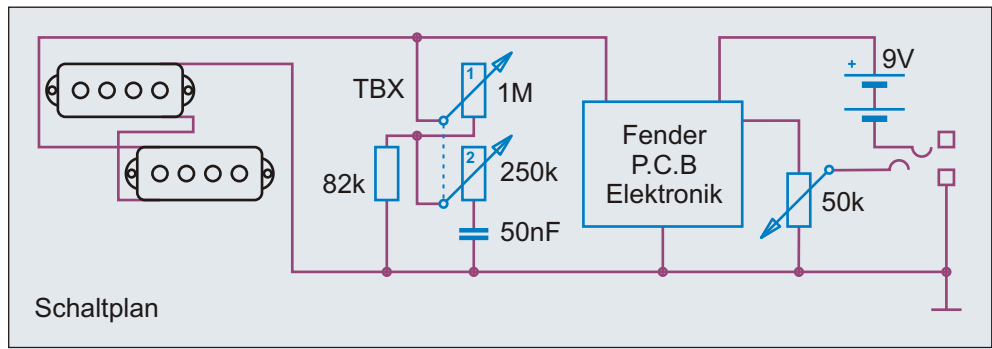
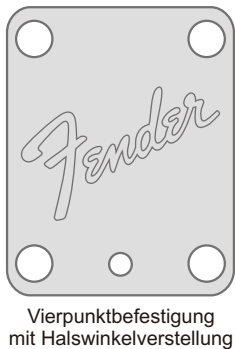
016982	332k 1% 1/4W	R1
016199	1M5 5% 1/4W	R2
015582	10k 1% 1/4W	R3
015583	46k4 1% 1/4W	R4
015718	1k 1% 1/4W	R5

Transistoren

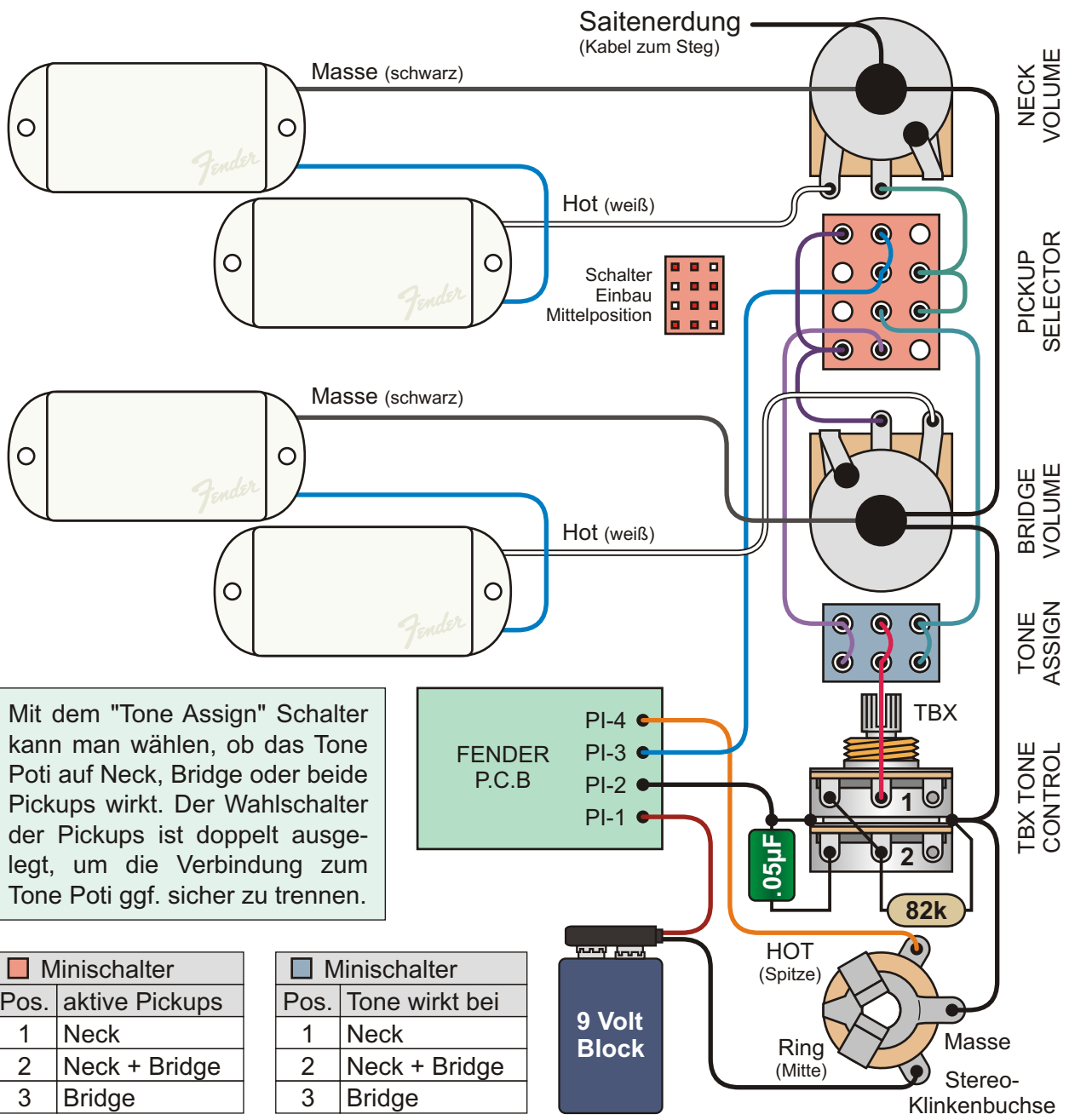
017486	2N6429	Q1
--------	--------	----

Bauteile	Wert	
Master Volume	250 k log.	
TBX Tone	Ebene 1	1 M lin.
	Ebene 2	250 k log.
	Widerstand	82k
	Kondensator	50 nF

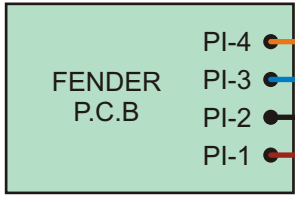
Kein normales Balance-Poti!
Schaltung funktioniert nur mit original Fender TBX Poti!



Benennung	Fender® Elite I Precision® Bass 1983		Historische Bassschaltungen	Nummer
				1.9.011
Bemerkungen / Besonderheiten	gezeichnet von	gezeichnet am	Seite	
	Cadfael	02.09.17	277	

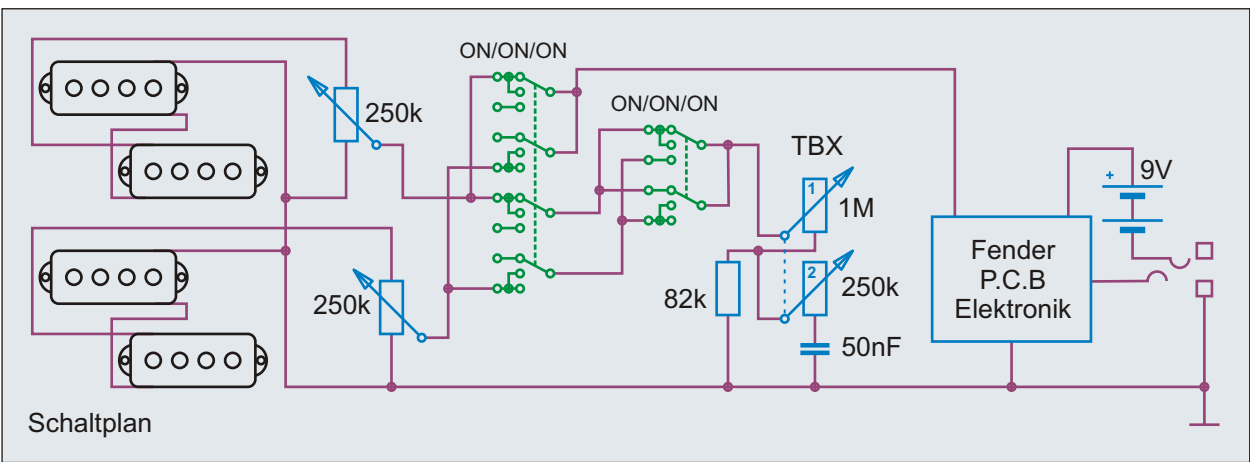


Mit dem "Tone Assign" Schalter kann man wählen, ob das Tone Poti auf Neck, Bridge oder beide Pickups wirkt. Der Wahlschalter der Pickups ist doppelt ausgelegt, um die Verbindung zum Tone Poti ggf. sicher zu trennen.

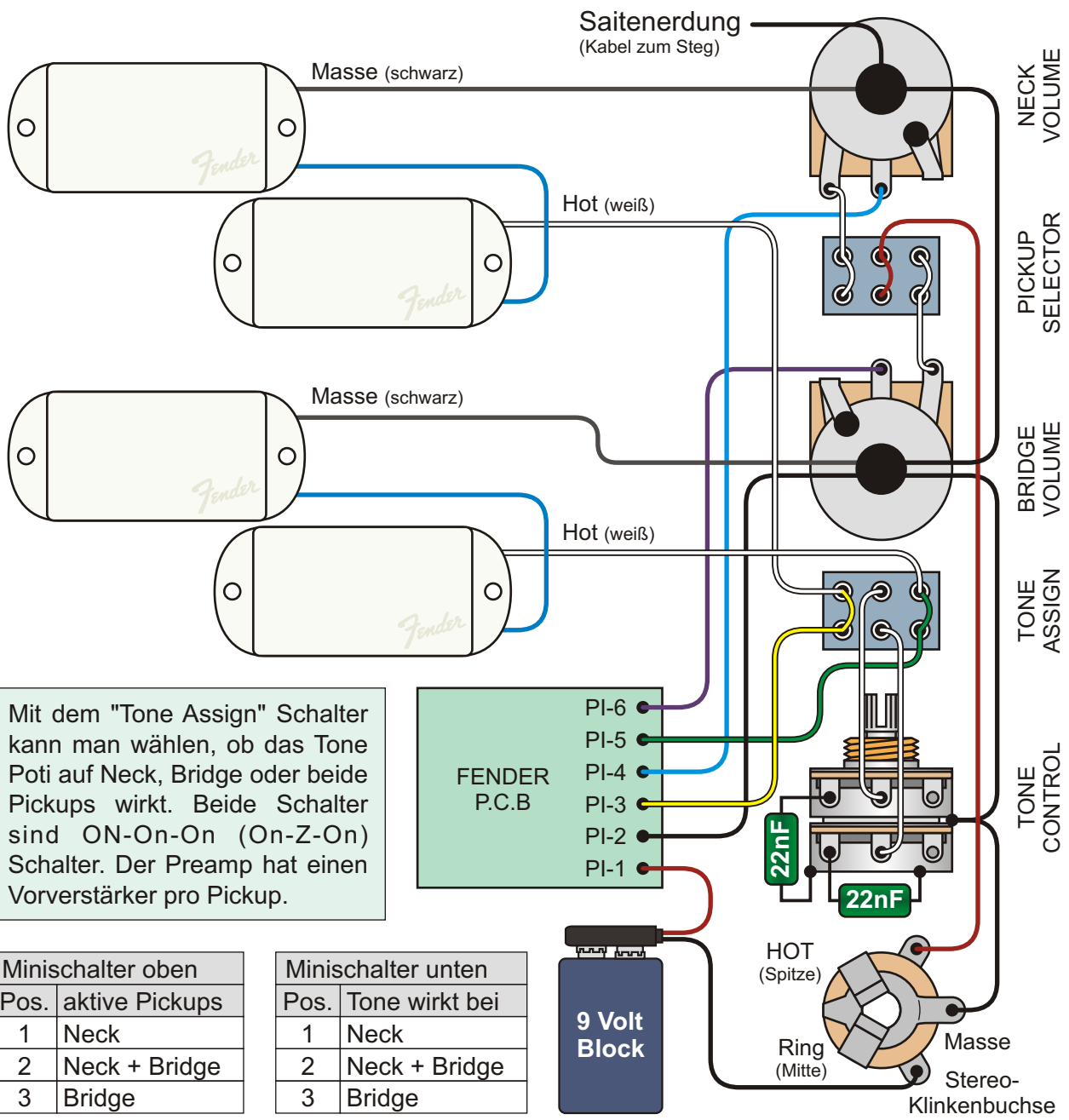


Pos.	aktive Pickups
1	Neck
2	Neck + Bridge
3	Bridge

Pos.	Tone wirkt bei
1	Neck
2	Neck + Bridge
3	Bridge



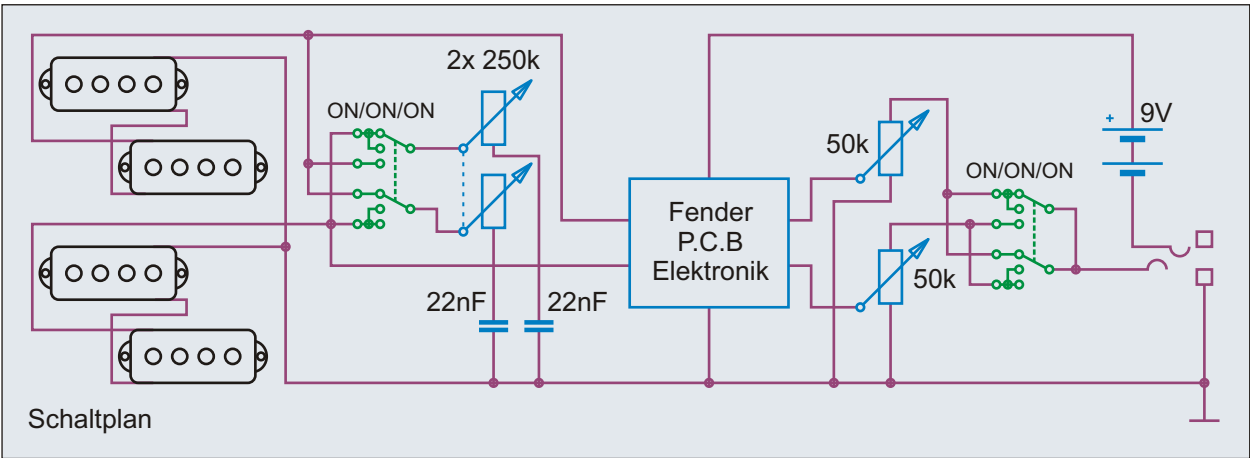
Benennung Fender® Elite II Precision® Bass 1983		Historische Bassschaltungen	Nummer 1.9.021
Bemerkungen / Besonderheiten Frühe Version / Prototyp (?)		gezeichnet von Cadfael	gezeichnet am 02.09.17 Seite 278



Mit dem "Tone Assign" Schalter kann man wählen, ob das Tone Poti auf Neck, Bridge oder beide Pickups wirkt. Beide Schalter sind ON-On-On (On-Z-On) Schalter. Der Preamp hat einen Vorverstärker pro Pickup.

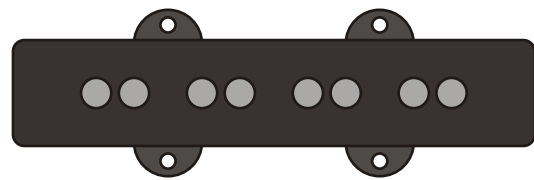
Minischalter oben	
Pos.	aktive Pickups
1	Neck
2	Neck + Bridge
3	Bridge

Minischalter unten	
Pos.	Tone wirkt bei
1	Neck
2	Neck + Bridge
3	Bridge

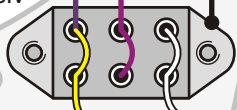


Benennung		Historische		Nummer	
Fender® Elite II Precision® Bass 1983 (2)		Bassschaltungen		1.9.023	
Bemerkungen / Besonderheiten		gezeichnet von	gezeichnet am	Seite	
Späte Version / Serienmodell (?)		Cadfael	02.09.17	279	
Vielen Dank an Ton Harteman!					

Idee, Recherche, Autor, Zeichnungen, Grafiken, Diagramme, Layout und Design: Andreas "Cadfael" Kühn - Nutzung ausschließlich zu privaten, nicht kommerziellen Zwecken und auf eigene Gefahr! Alle Angaben ohne Gewähr, Irrtümer vorbehalten!

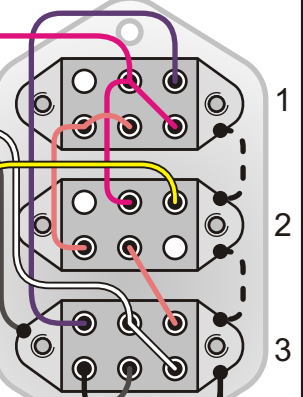
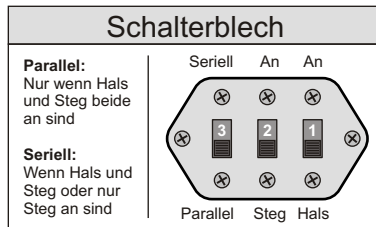
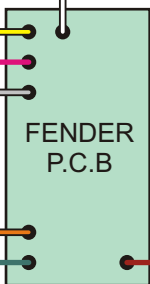
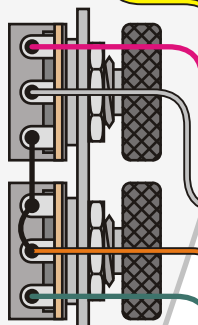


Aktiv - Passiv

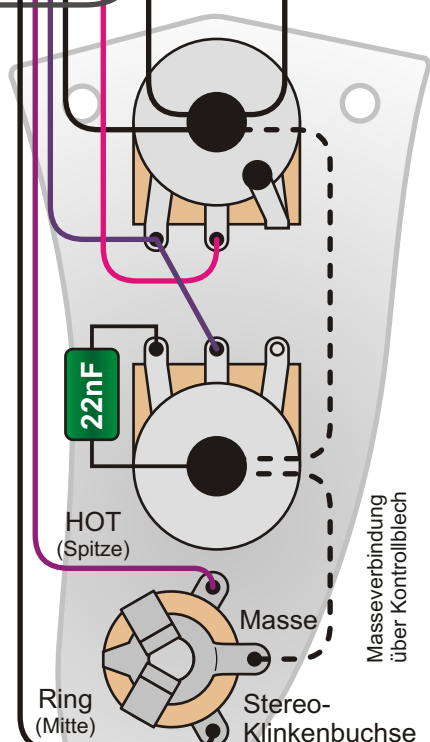


Treble (aktiv)

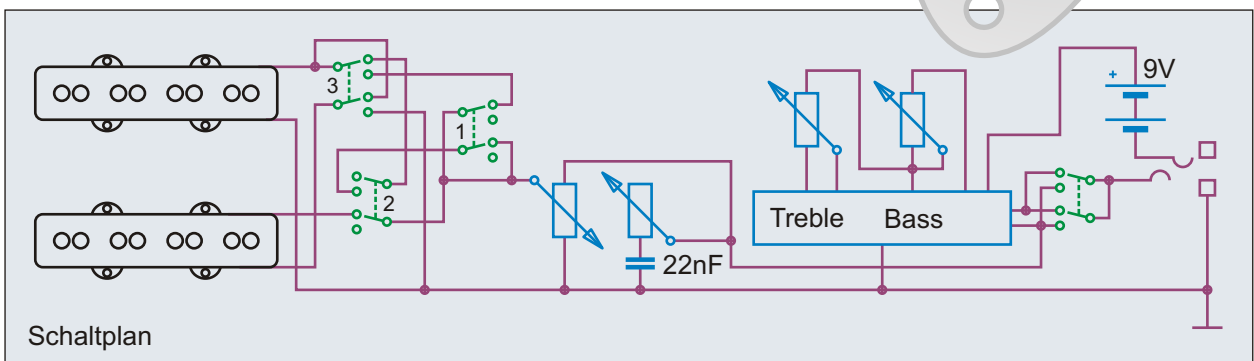
Bass (aktiv)



Saitenerdung (Kabel zum Steg)



Schalter	Pickups	Schalter	Pickups
	aus		aus
	Neck		Neck
	Bridge		Neck + Br. seriell
	Neck + Br. parallel		Neck + Br. seriell



Benennung **Fender® Jaguar Bass® 2004**

Historische Bassschaltungen

Nummer 1.9.051

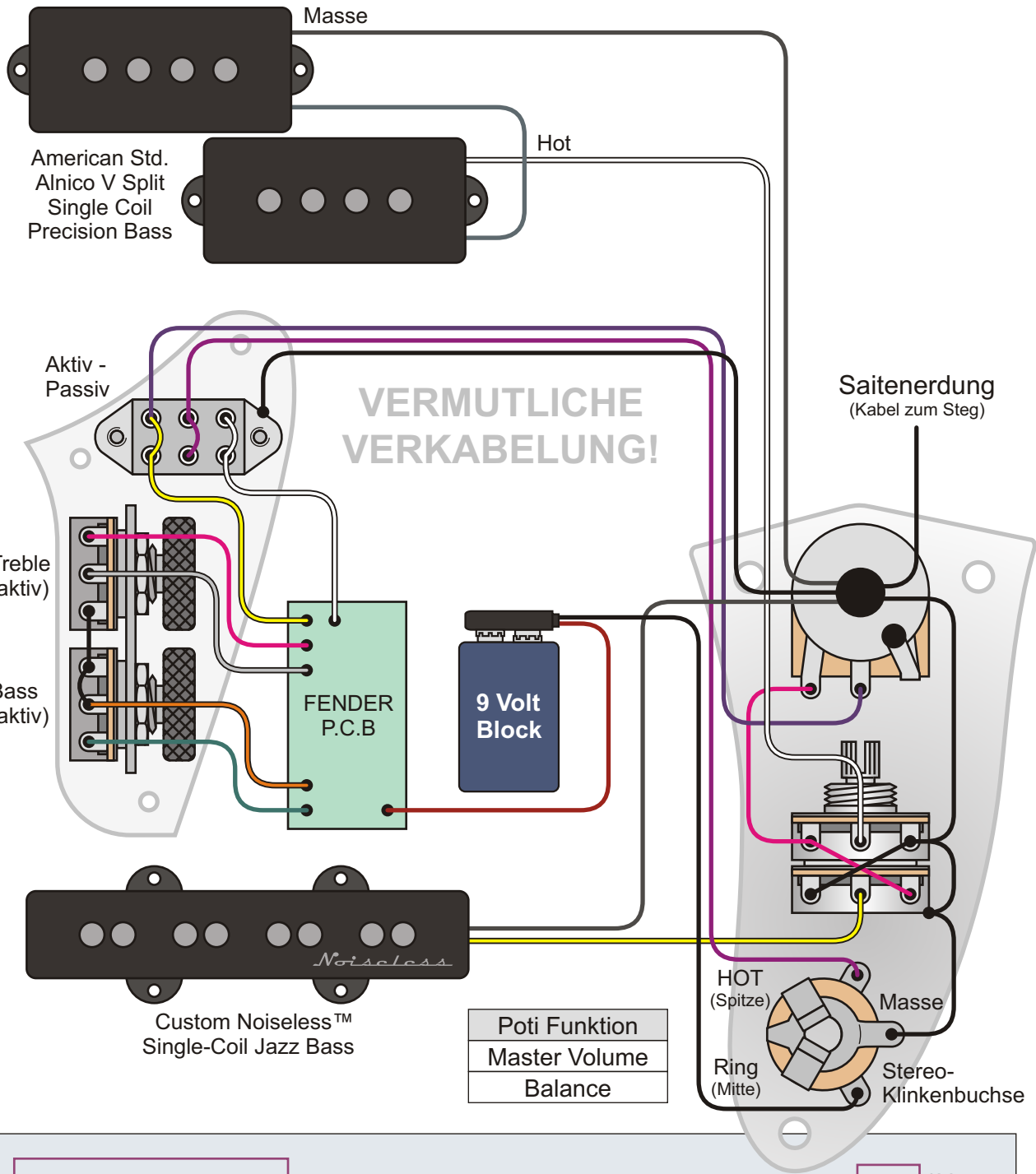
Bemerkungen / Besonderheiten

Made in Japan

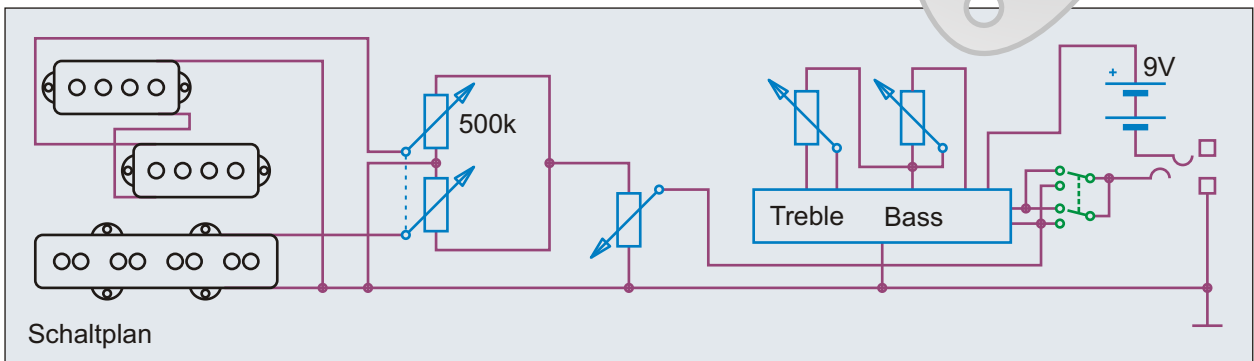
gezeichnet von Cadfael

gezeichnet am 02.09.17

Seite 280

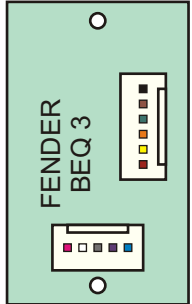
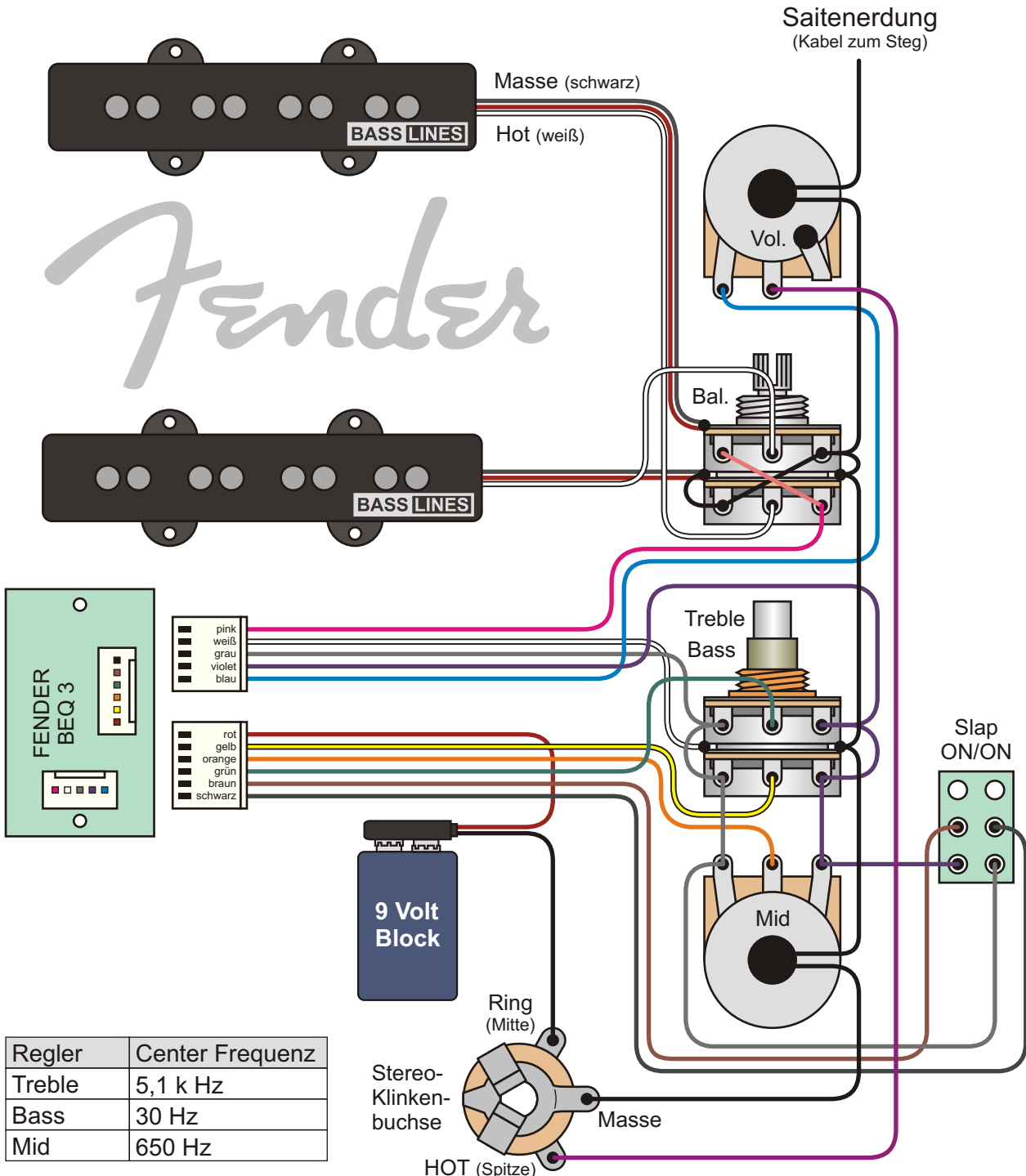


Poti Funktion
Master Volume
Balance



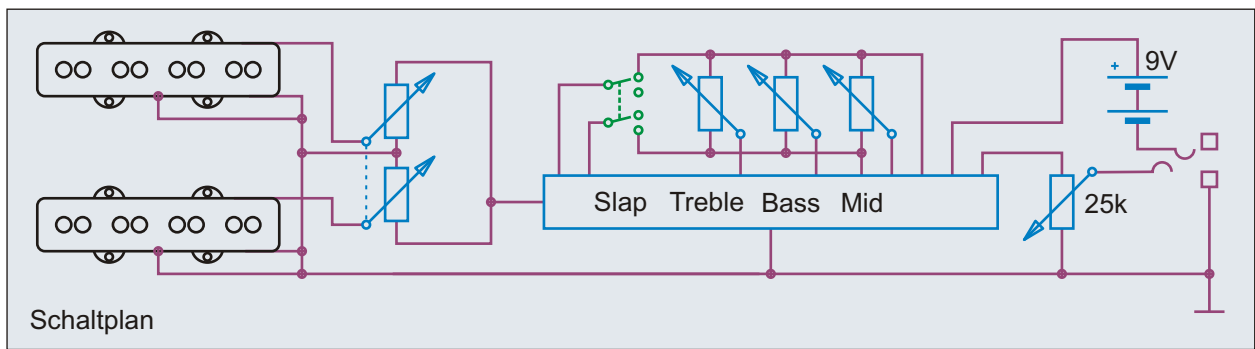
Benennung	Fender® Troy Sanders Jaguar B.® 2013	Historische Bassschaltungen	Nummer	1.9.055
Bemerkungen / Besonderheiten	Fender Troy Sanders Jaguar Bass	gezeichnet von	gezeichnet am	Seite
		Cadfael	02.09.17	281

Fender



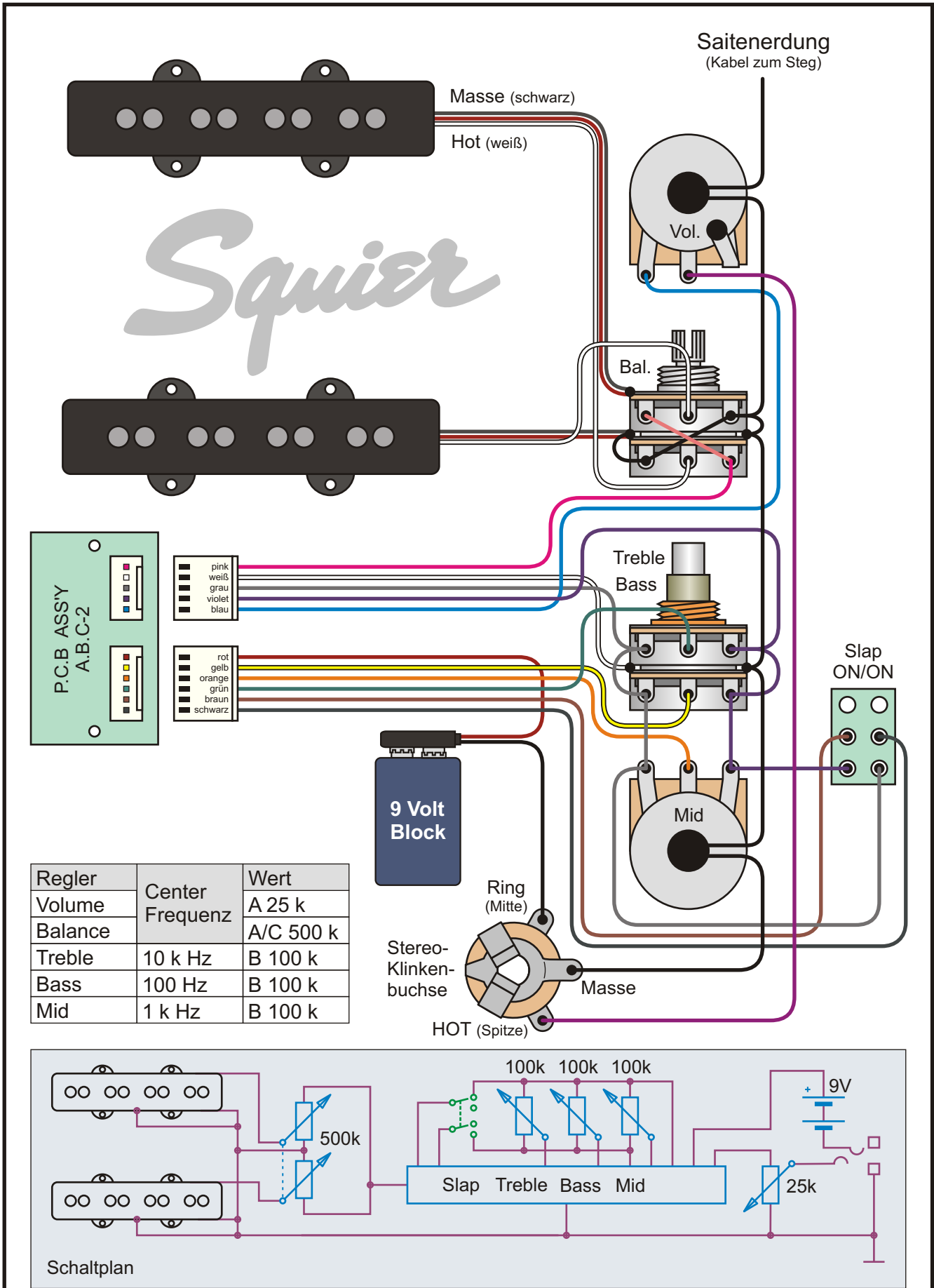
- pink
 - weiß
 - grau
 - violet
 - blau
- rot
 - gelb
 - orange
 - grün
 - braun
 - schwarz

Regler	Center Frequenz
Treble	5,1 k Hz
Bass	30 Hz
Mid	650 Hz

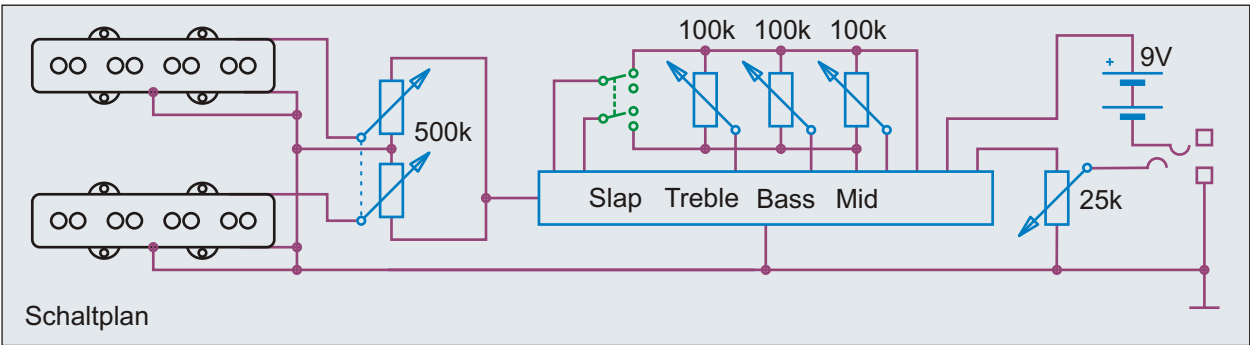


Benennung Fender® Jazz Bass® 24	Historische Bassschaltungen		Nummer 1.9.071
	gezeichnet von Cadfael	gezeichnet am 02.09.17	Seite 282
Bemerkungen / Besonderheiten			

Idee, Recherche, Autor, Zeichnungen, Grafiken, Diagramme, Layout und Design: Andreas "Cadfael" Kühn - Nutzung ausschließlich zu privaten, nicht kommerziellen Zwecken und auf eigene Gefahr! Alle Angaben ohne Gewähr, Irrtümer vorbehalten!

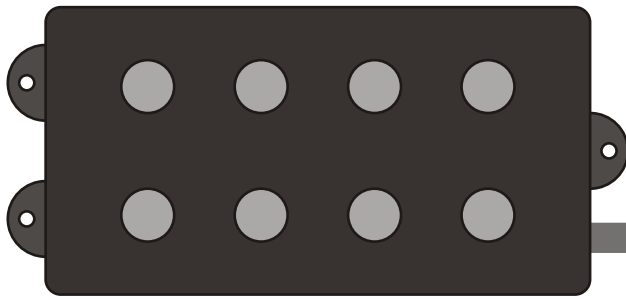


Regler	Center Frequenz	Wert
Volume		A 25 k
Balance		A/C 500 k
Treble	10 k Hz	B 100 k
Bass	100 Hz	B 100 k
Mid	1 k Hz	B 100 k



Benennung Squier Deluxe Active Jazz Bass 2008		Historische Bassschaltungen	Nummer 1.9.121
Bemerkungen / Besonderheiten Squier Deluxe Active Jazz Bass IV / V		gezeichnet von Cadfael	gezeichnet am 02.09.17
			Seite 283

Idee, Recherche, Autor, Zeichnungen, Grafiken, Diagramme, Layout und Design: Andreas "Cadfael" Kühn - Nutzung ausschließlich zu privaten, nicht kommerziellen Zwecken und auf eigene Gefahr! Alle Angaben ohne Gewähr, Irrtümer vorbehalten!

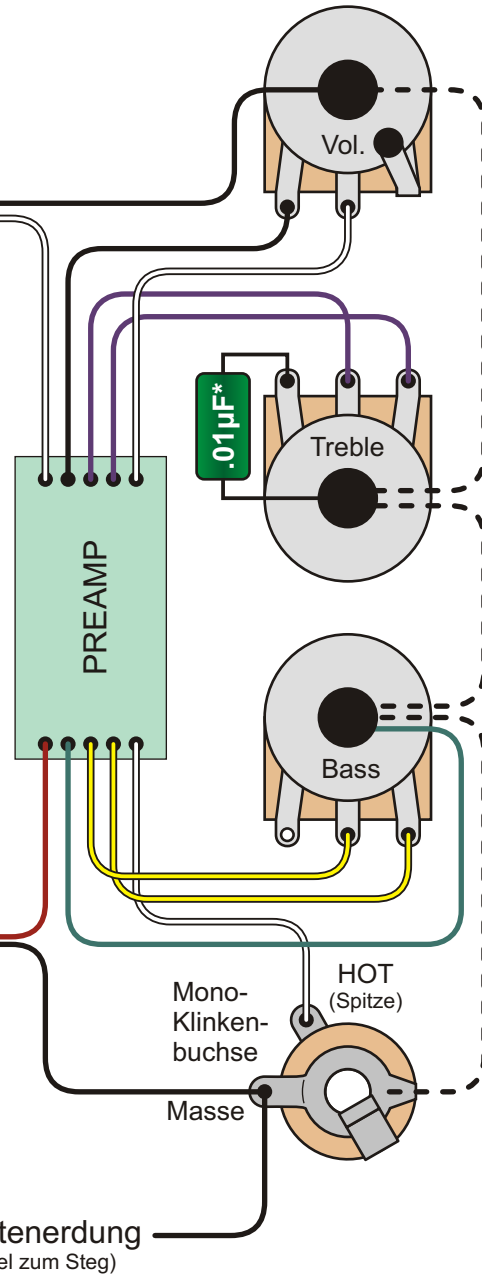


Der MusicMan StingRay M25 Bass 1976

Es war zehn Jahre her, dass Leo Fender in seiner alten Firma Fender einen Bass entwickelt hatte - den Fender Mustang Bass. Der erste MusicMan StingRay Bass ist leicht an seinem Saitendämpferrechen zu erkennen, wie ihn auch der Mustang Bass hatte. Der StingRay war Fenders erster aktiver Bass - und er eist voll gelungen. Wie Precision und Jazz Bass ist auch der MusicMan StingRay Bass zur Legende und oft kopiert worden.

Der erste StinRay Bass hatte einen Zweiband-EQ für Höhen und Bässe. Die Batterie ließ sich - wie beim G&L L-1000 Bass - nicht durch Ziehen des Steckers deaktivieren. Es gab am M25 Bass auch keinen Schalter, mit dem man die Batterie vom Stromkreis hätte trennen können. Solch ein Schalter wurde erst eingeführt, nachdem Leo Fender die Firma MusicMan verlassen hatte.

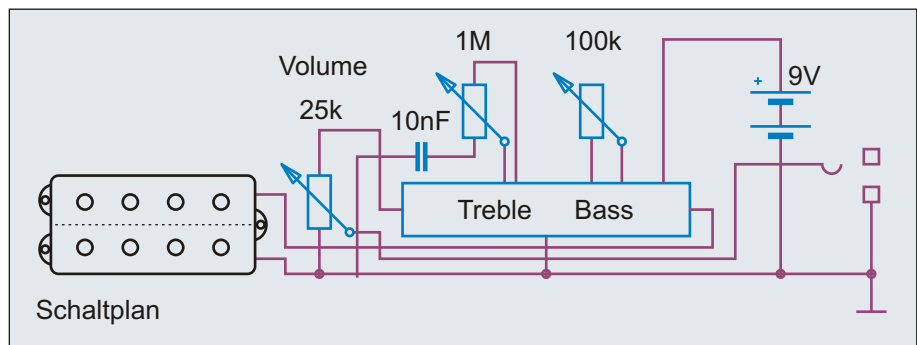
Eine tolle Website mit vielen weiteren Informationen zu den Bässen von MusicMan ist die Seite www.musicmanbass.org



MUSICMAN



Regler	Wert
Volume	A 25 k
Treble	RA 1 M
Bass	A 100 k



Benennung **MusicMan MM25 StingRay Bass 1976**

Historische Bassschaltungen

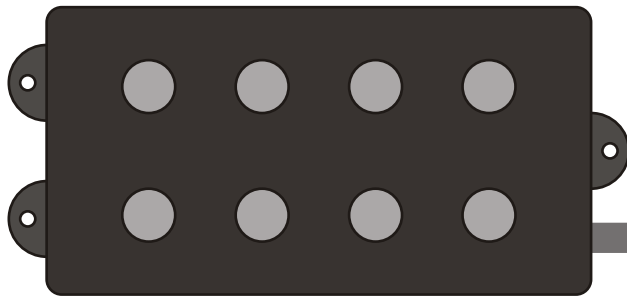
Nummer 1.9.151

Bemerkungen / Besonderheiten
Änderungen 1977

gezeichnet von
Cadfael

gezeichnet am
02.09.17

Seite
284

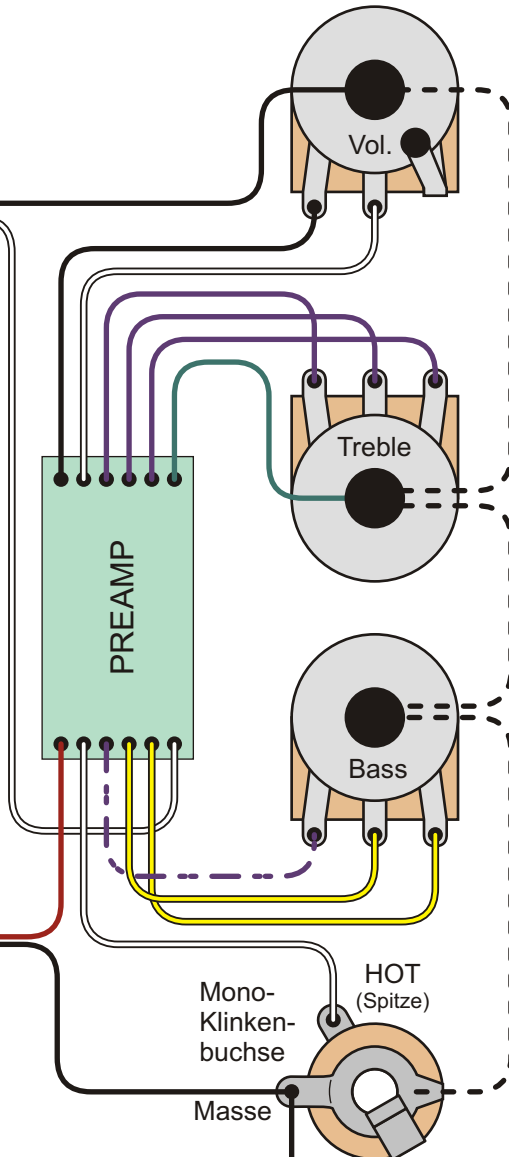


Ein Jahr nach Einführung des StingRay Basses verschwand der an das Treble Poti gelötete Kondensator. Zudem gab es zwischen 1977/78 mehrere Farbkombinationen beim Anschluss des Preamps. Es gibt auch Versionen, bei denen die gelben Anschlüsse zum Treble Poti gehen. In diesem Fall gingen die violetten Anschlüsse zum Bass Poti - und es gab dann drei statt zwei Anschlusskabel. Das dritte Kabel ist in der Skizze gestrichelt dargestellt. Auch 1977/78 gab es noch keinen Schalter, der die Batterie trennte.

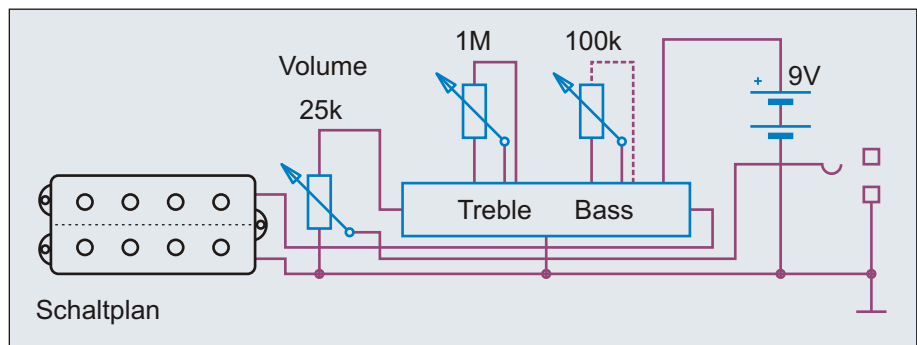
STINGRAY
ist das englische
Wort für Stachelrochen.



Saitenerdung
(Kabel zum Steg)

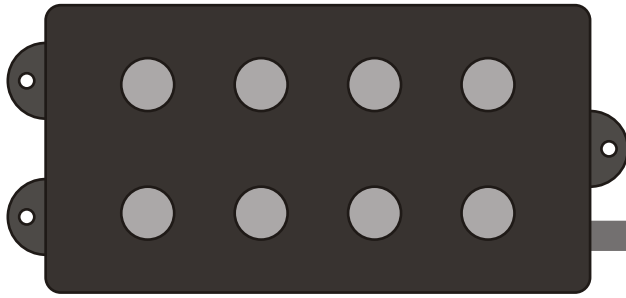


Masseverbindung über Kontrollblech



Regler	Wert
Volume	A 25 k
Treble	RA 1 M
Bass	A 100 k

Benennung MusicMan MM25 StingRay Bass 1977		Historische Bassschaltungen	Nummer 1.9.153
Bemerkungen / Besonderheiten von 1977 bis 79		gezeichnet von Cadfael	gezeichnet am 02.09.17 Seite 285



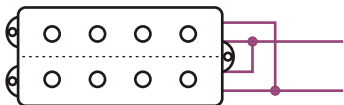
Nachdem dem Weggang Leo Fenders führte die Firma MusicMan eine Klinkenbuchse mit Schaltkontakt ein. Während heutzutage meistens Batterie-Minus auf den Ring einer Stereo-Klinkenbuchse gelegt wird und so der Kontakt zur Masse ohne Stecker unterbrochen wird, hat man hier eine Stereo-Klinkenbuchse mit zusätzlichem Schaltkontakt, der die Plus-Leitung zur Batterie bei gezogenem Stecker unterbricht.

Es gibt verschiedene Versionen darüber, warum Leo Fender MusicMan verließ. Die Version einer Krankheit Fenders ist eher unwahrscheinlich, da Fender 1980 bei G&L sehr aktiv war. Vermutlich waren interne Auseinandersetzungen im Hause MusicMan der Grund für Leo Fenders Ausstieg.

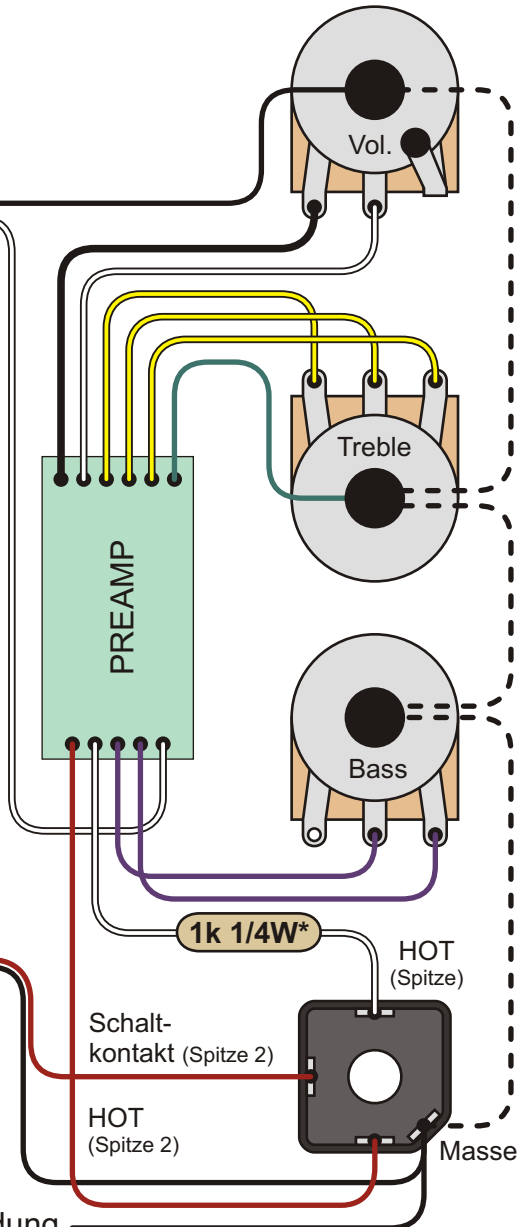
* = 1k Ohm Widerstand 1982-1985 außerhalb Platine, ab 1986 auf Platine

MM-Pickups der 1970er / 1980er Jahre

Die Spulen sind parallel geschaltet.



Saitenerdung
(Kabel zum Steg)

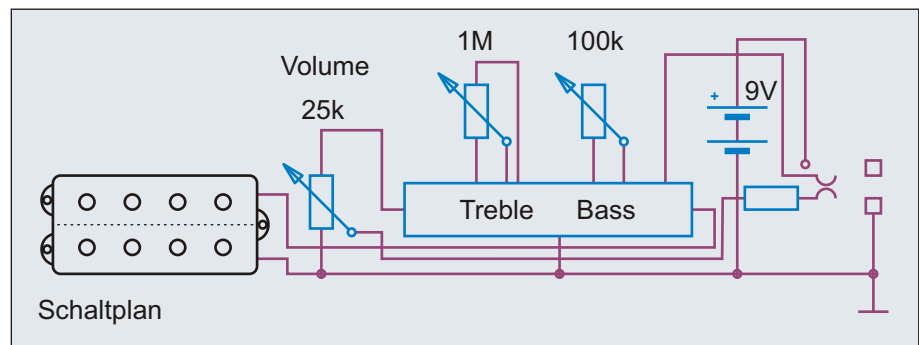


Masseverbindung über Kontrollblech

Stereo-Klinkenbuchse mit Schaltkontakt



Regler	Wert
Volume	A 25 k
Treble	RA 1 M
Bass	A 100 k



Benennung

MusicMan MM25 StingRay Bass 1982

Historische
Bassschaltungen

Nummer
1.9.156

Bemerkungen / Besonderheiten

von 1982 bis 1990

gezeichnet von

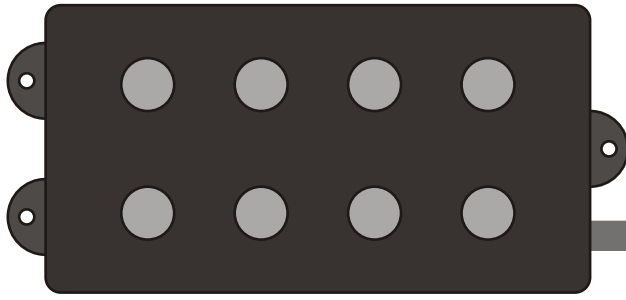
Cadfael

gezeichnet am

02.09.17

Seite

286



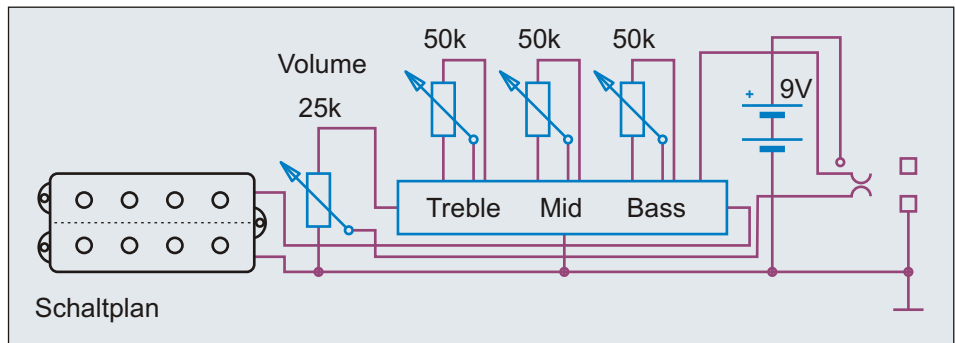
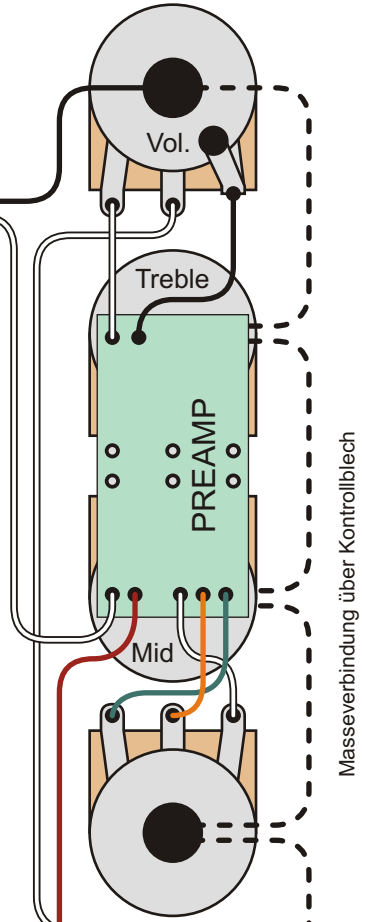
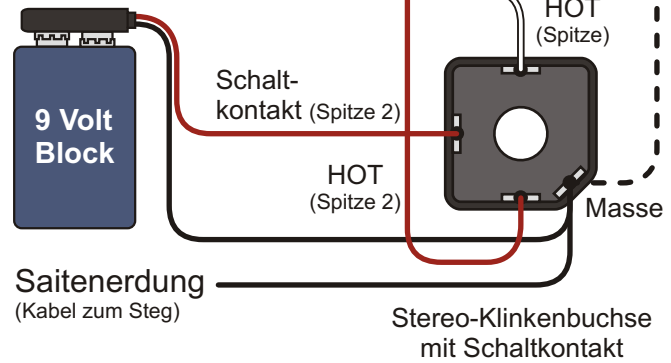
Der MusicMan StingRay M35 Bass 1987

Mittlerweile gehörte MusicMan zu Ernie Ball. Gut zehn Jahre nach seiner Einführung spendierte man dem StingRay Bass eine neue Elektronik mit zusätzlicher Mittenreglung. Der MM35 Bass war geboren. Der MM35 wurde parallel zum alten MM25 Modell angeboten. 1990 wurde die Produktion eingestellt.

Beim MM35 StingRay Bass wurde die Art der Batterietrennung beibehalten. Auch hier wird also die Plus-Leitung der Batterie und nicht wie üblich die Minus-Leitung durch das Ziehen des Klinkensteckers getrennt.

Auch der Pickup des MM35 hat nur zwei Kabel, die ins E-Fach führen. Dabei sind die Spulen ebenfalls parallel verdrahtet. Die drei Potis der Klangreglung haben mit 50k identische Werte.

**ERNIE
BALL**



Regler	Wert
Volume	A 25 k
Treble	50 k
Mid	50 k
Bass	50 k

Benennung **MusicMan MM35 StingRay Bass 1987**

Historische Bassschaltungen

Nummer 1.9.161

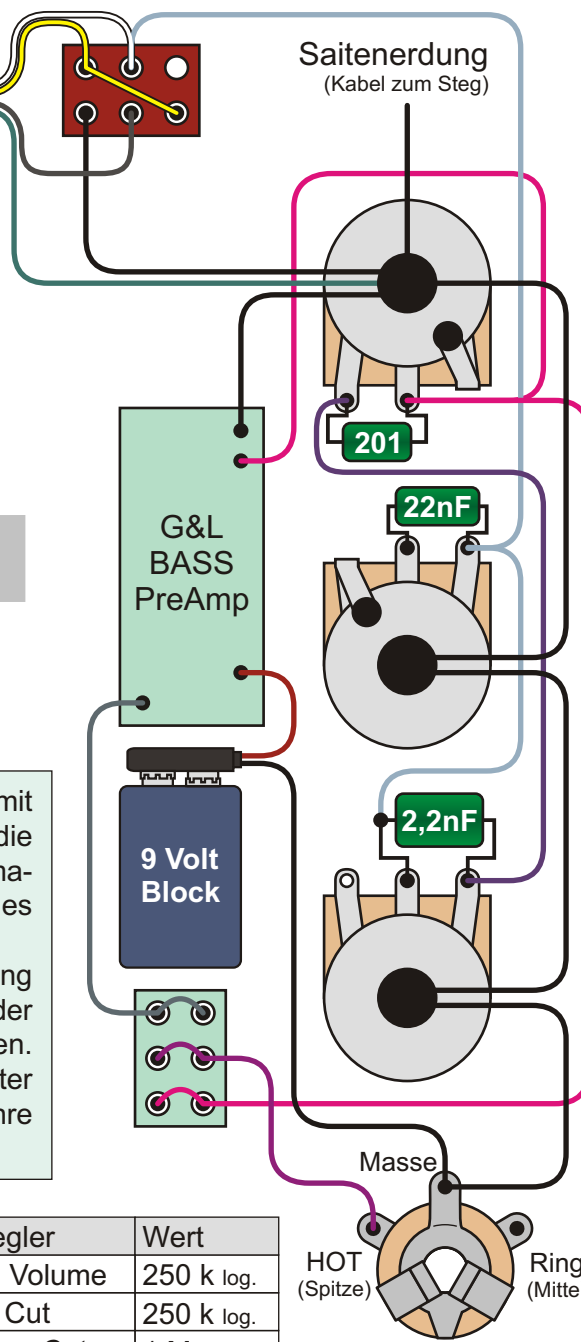
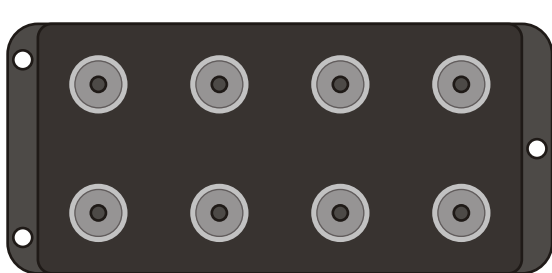
Bemerkungen / Besonderheiten

mit zusätzlichem Mittenregler, 1987-1990

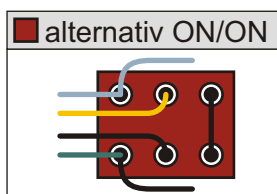
gezeichnet von
Cadfael

gezeichnet am
02.09.17

Seite
287



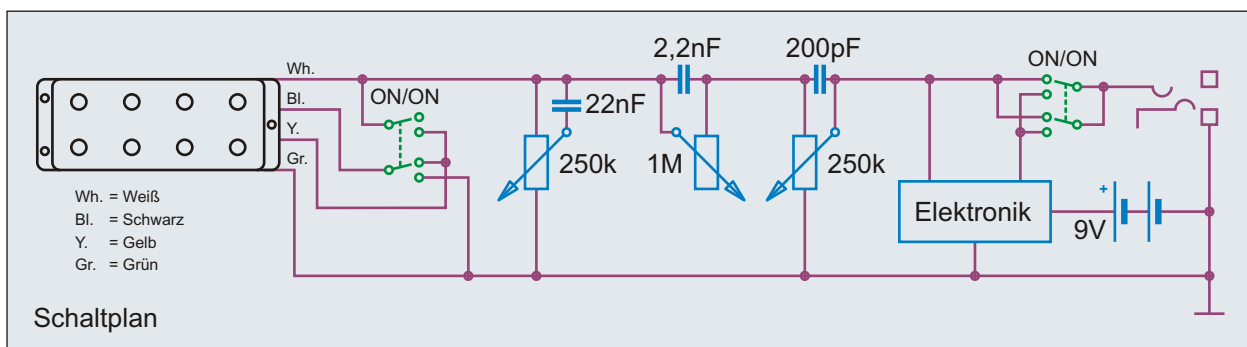
Bei frühen G&L Bässen mit aktiver Elektronik wird die Batterie noch nicht automatisch durch das Ziehen des Klinkensteckers inaktiv! Hier muss zur Deaktivierung der Batterie unbedingt der Schalter umgelegt werden. Für den Coil Select Schalter gab es im Laufe der Jahre mehrere Verdrahtungen.



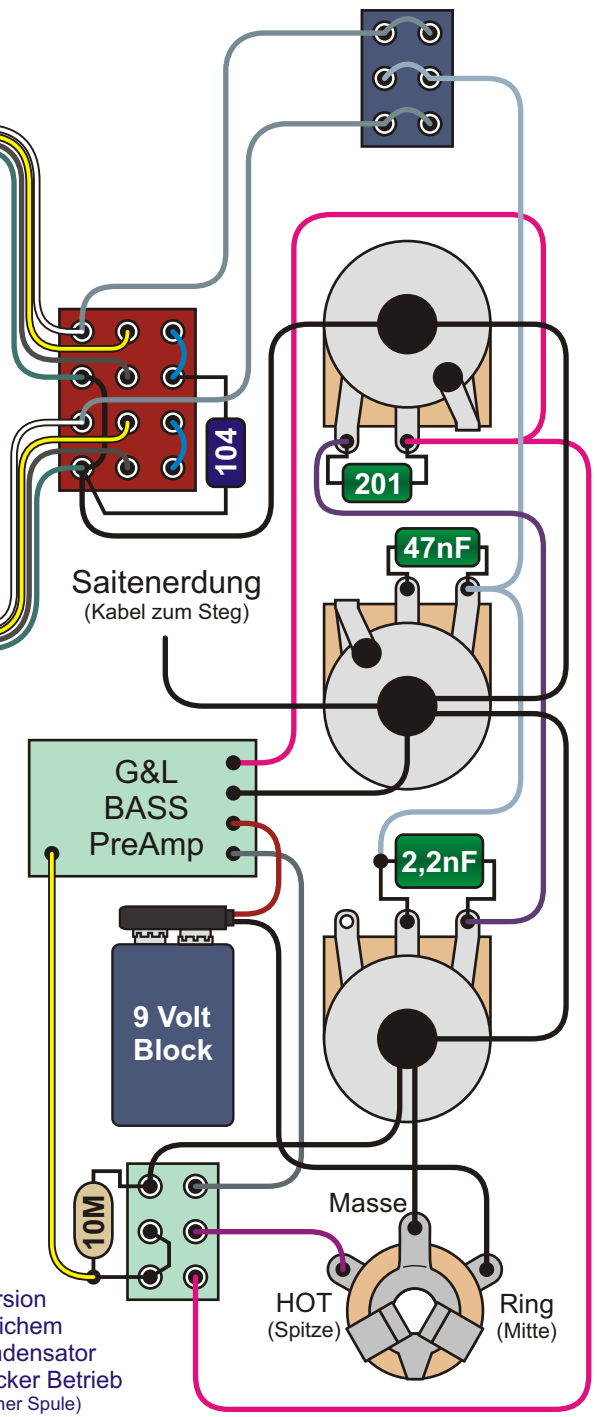
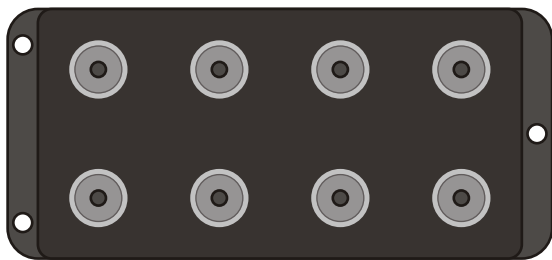
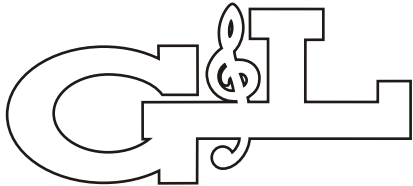
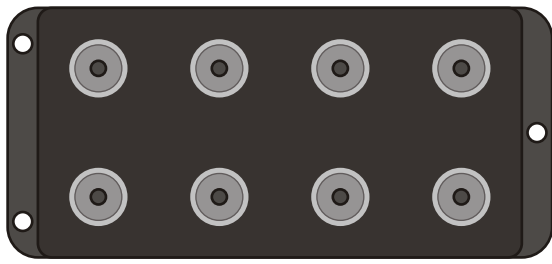
Pos.	PU Spulen
1	Parallel
2	Humbucker

Pos.	Elektronik
1	Passiv
2	Aktiv

Regler	Wert
M. Volume	250 k log.
Hi Cut	250 k log.
Bass Cut	1 M



Benennung G&L L-1500 / L-1505 Bass	Historische Bassschaltungen		Nummer 1.9.211
	gezeichnet von Cadfael	gezeichnet am 02.09.17	Seite 288
Bemerkungen / Besonderheiten			

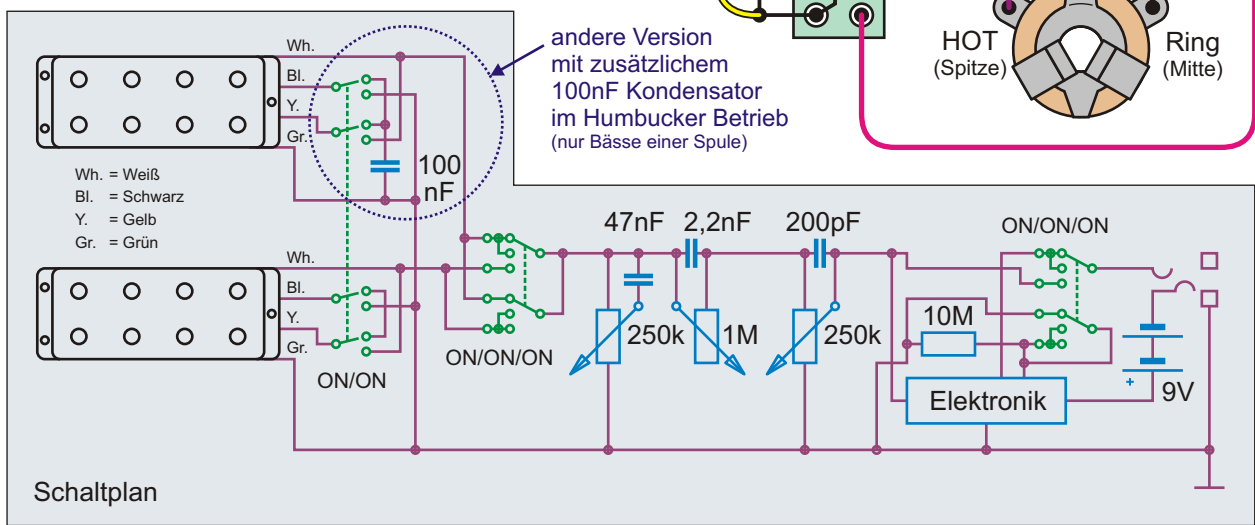


■	Minischalter
Pos.	PU Spulen
1	Parallel
2	Humbucker

Regler	Wert
M. Volume	250 k log.
Hi Cut	250 k log.
Bass Cut	1 M

■	Minischalter
Pos.	Pickups
1	Neck
2	Neck + Br.
3	Bridge

■	Minischalter
Pos.	Elektronik
1	Aktiv
2	Aktiv + Treble Boost
2	Passiv

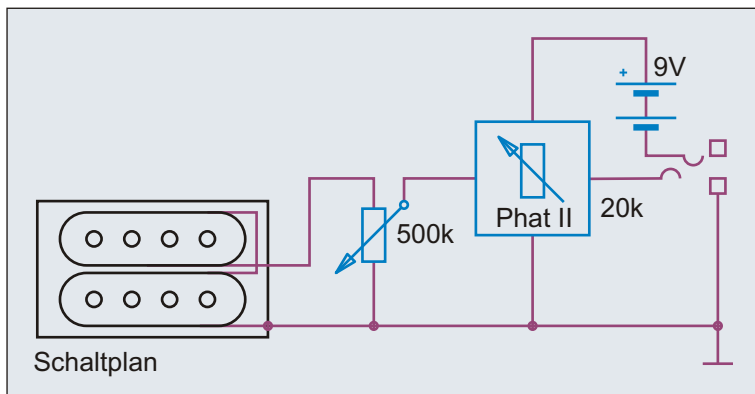
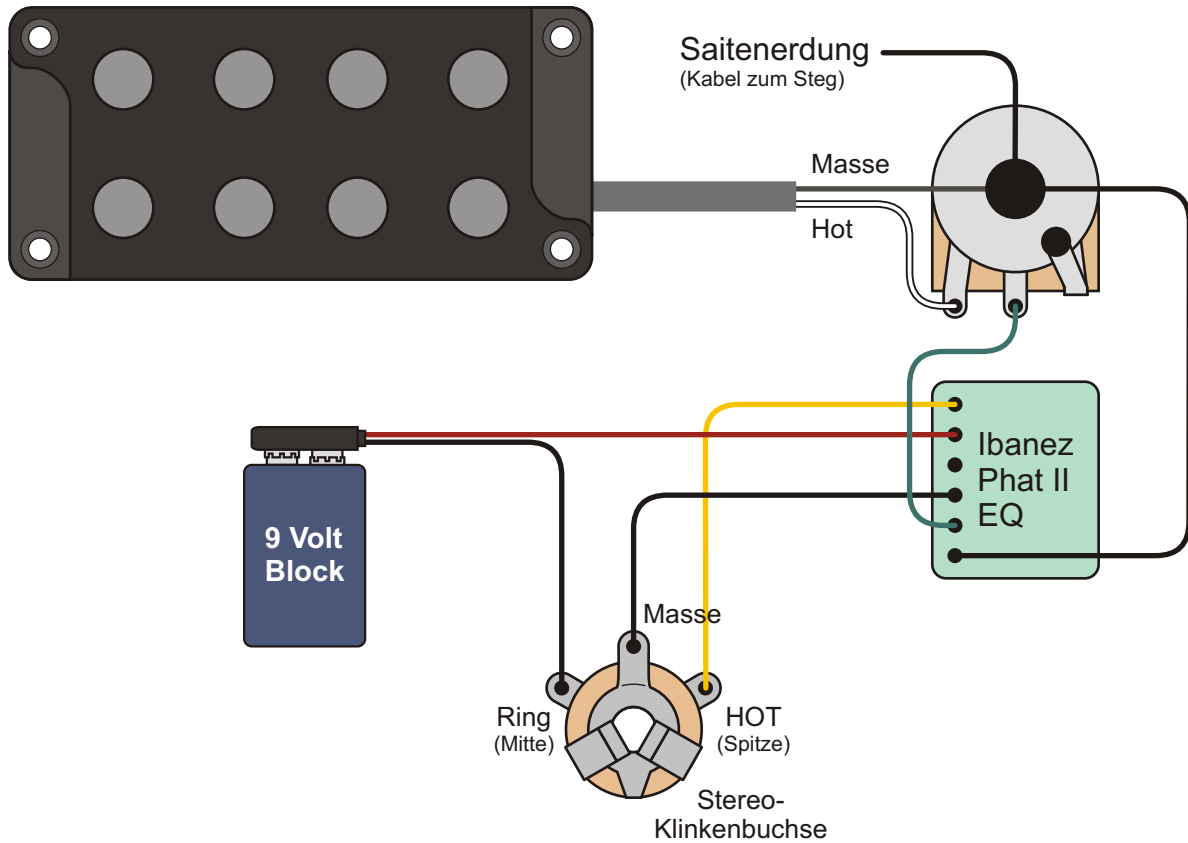


Schaltplan

Benennung	G&L L-2000 / L-2500 / ASAT Bass	Historische Bassschaltungen	Nummer
Bemerkungen / Besonderheiten	Verdrahtung und PreAmp können je nach Jahrgang variieren!	gezeichnet von	1.9.221
		gezeichnet am	Seite
		Cadfael	02.09.17 289

Idee, Recherche, Autor, Zeichnungen, Grafiken, Diagramme, Layout und Design: Andreas "Cadfael" Kühn - Nutzung ausschließlich zu privaten, nicht kommerziellen Zwecken und auf eigene Gefahr! Alle Angaben ohne Gewähr, Irrtümer vorbehalten!

Ibanez



Benennung **Ibanez SRX 400 2006**

Historische
Bassschaltungen

Nummer
1.9.311

Bemerkungen / Besonderheiten

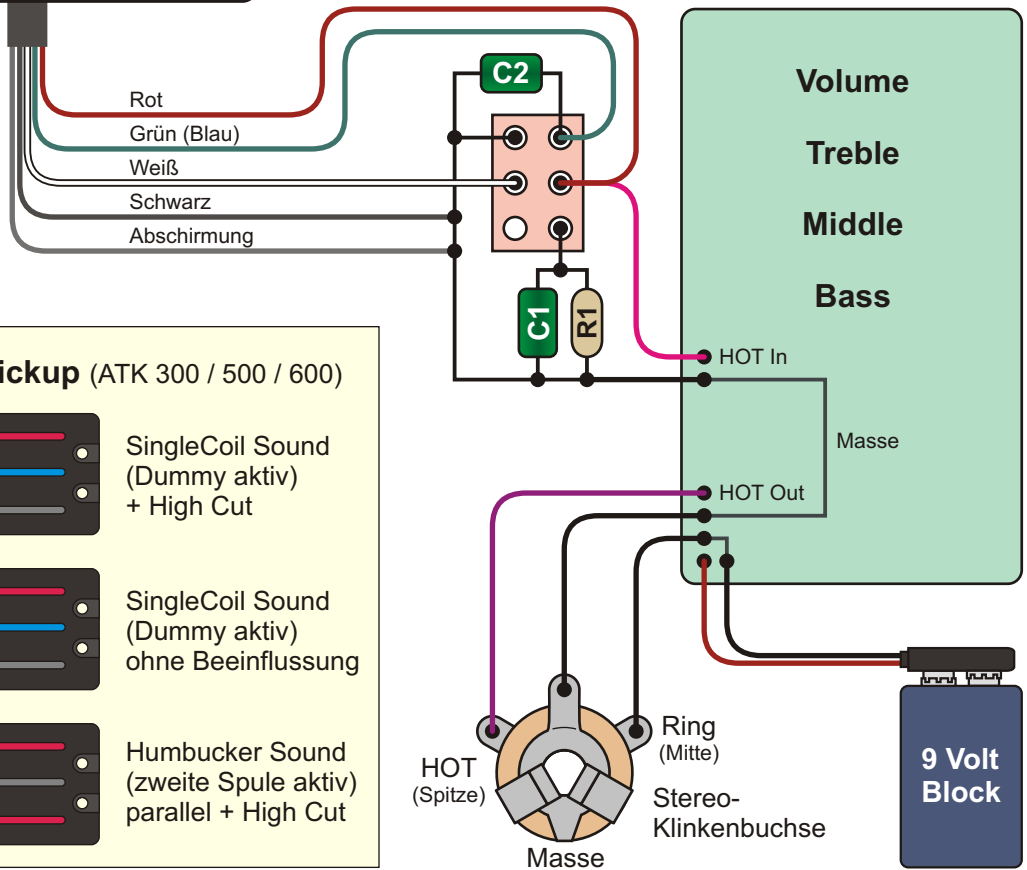
1x Volume, 1x Phat II EQ

gezeichnet von
Cadfael

gezeichnet am
02.09.17

Seite
290

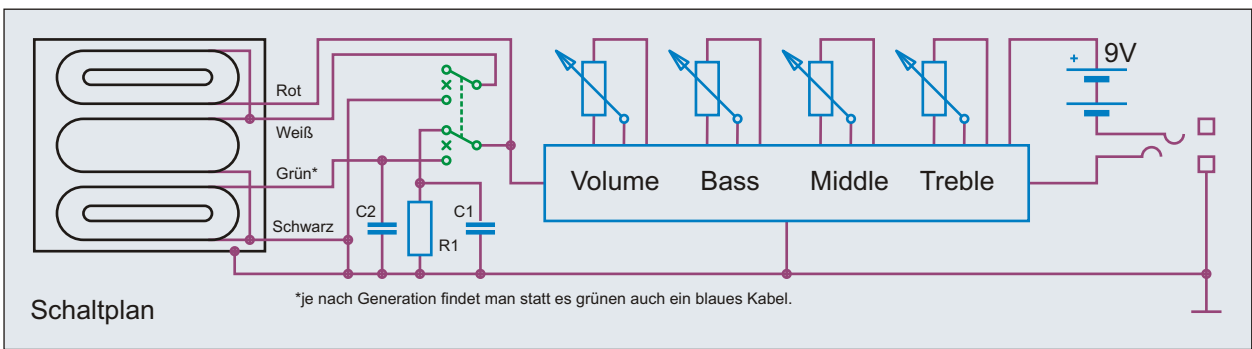
Triple Coil Pickup 3PU1C4210



Triple Coil Pickup (ATK 300 / 500 / 600)

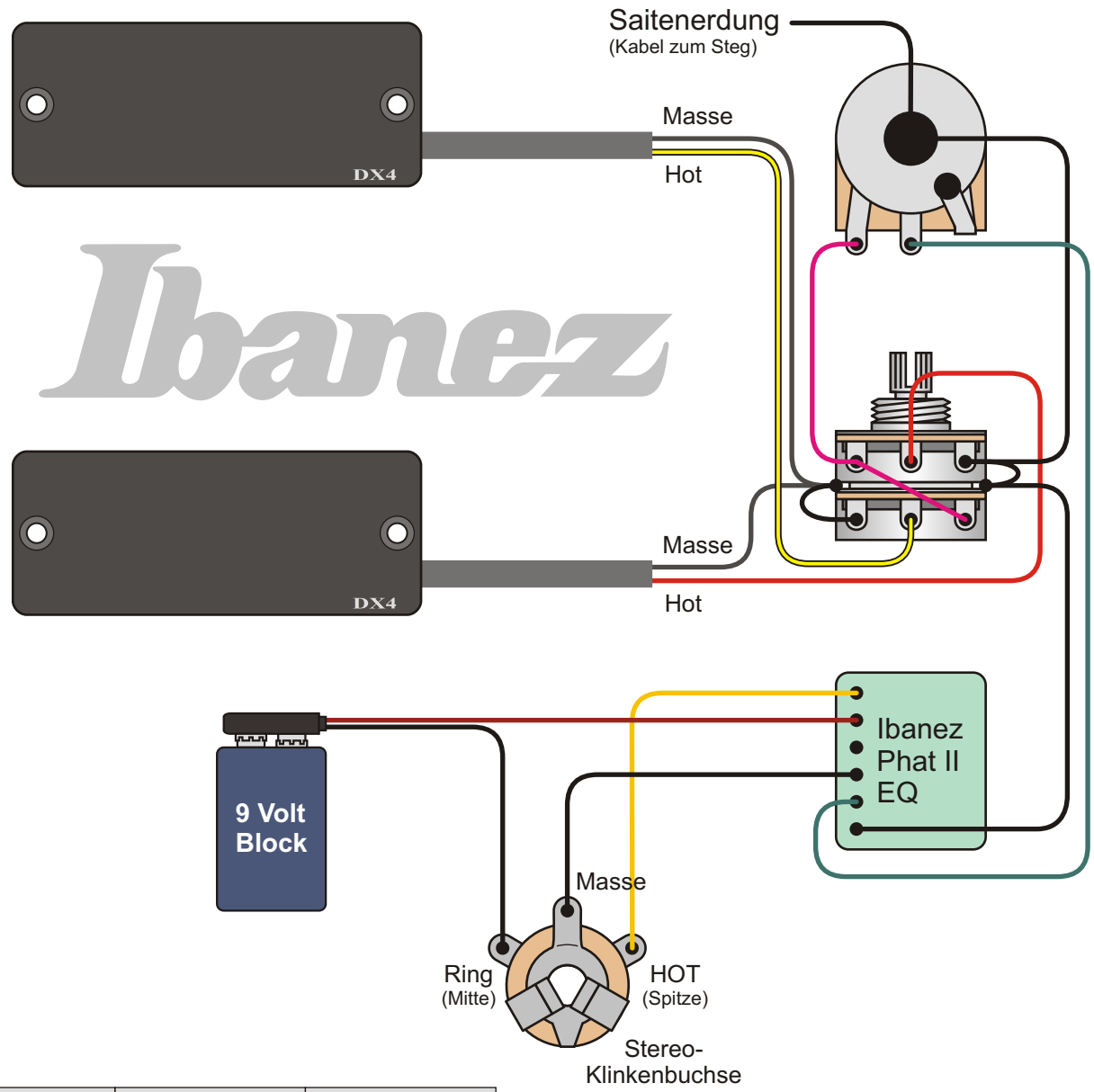
- (Neck)** SingleCoil Sound (Dummy aktiv) + High Cut
- (Mid)** SingleCoil Sound (Dummy aktiv) ohne Beeinflussung
- (Bridge)** Humbucker Sound (zweite Spule aktiv) parallel + High Cut

Ibanez ATK 300 Bass
 1995 brachte Ibanez mit dem ATK 300 und ATK 500 zwei Bässe mit dreispuligem "Triple Coil" Pickup heraus. Bei diesem Pickup ist die mittlere Spule eine "Dummy Coil", die keinen Magneten hat und lediglich der Brummunterdrückung dient. Später folgten der ATK 600 oder fünfsaitige Versionen. Die Elektronik dieser Bässe wurde immer aktiv ausgelegt. Der Pickup des Ibanez ATK 100 sieht zwar fast identisch aus, hat aber nur zwei Spulen.

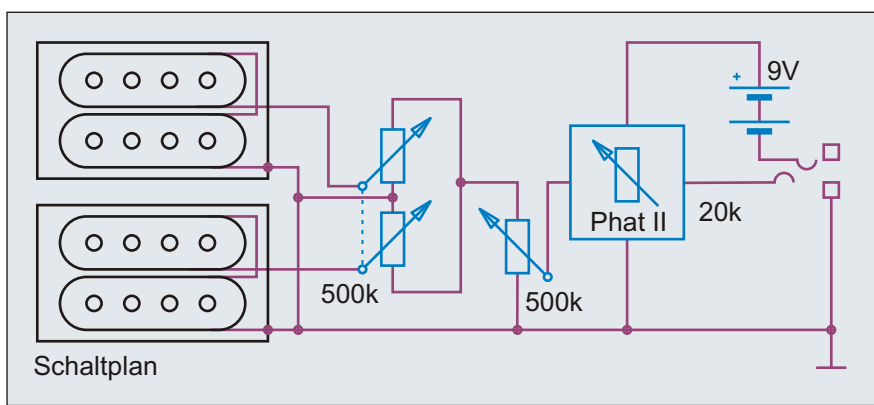


Benennung Ibanez ATK 300 Bass 1995		Historische Bassschaltungen	Nummer 1.9.321
Bemerkungen / Besonderheiten Triple Coil Pickup (ebenfalls ATK 305 / 500 / 505 / 600 / 605)		gezeichnet von Cadfael	gezeichnet am 02.09.17 Seite 291

Ibanez



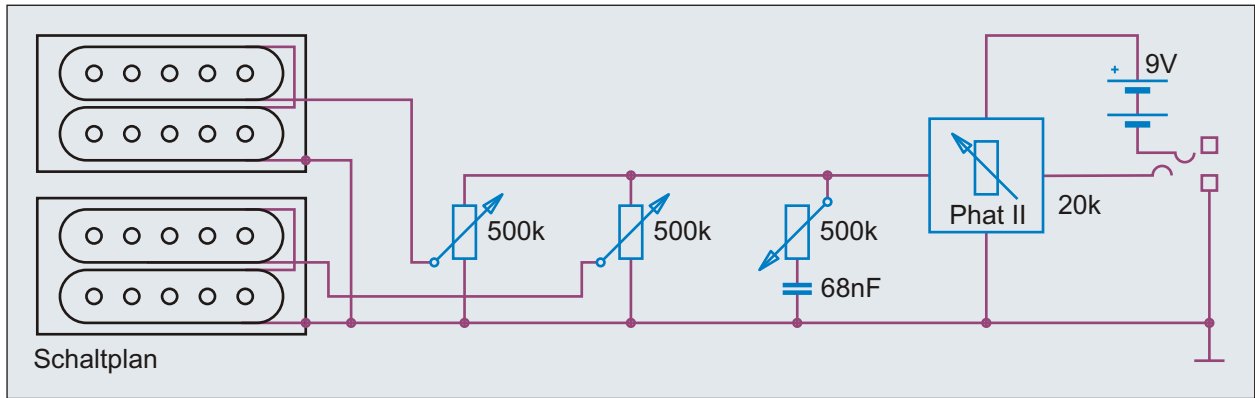
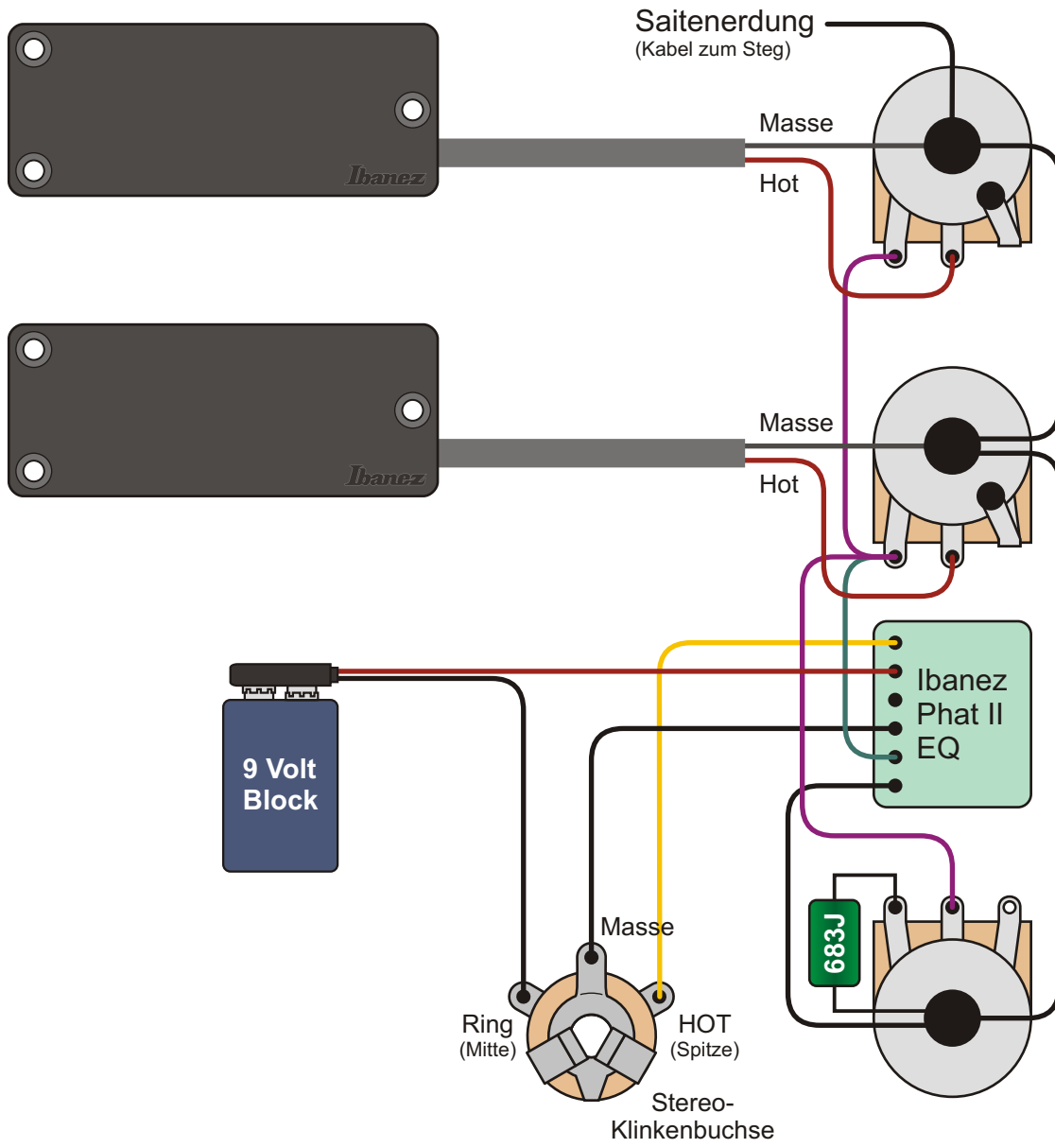
Position	Pickup Typ	Pickup Nr.
Neck	P.SOUND-J	3PU1C4241
Bridge	P.SOUND-M	3PU1C4411



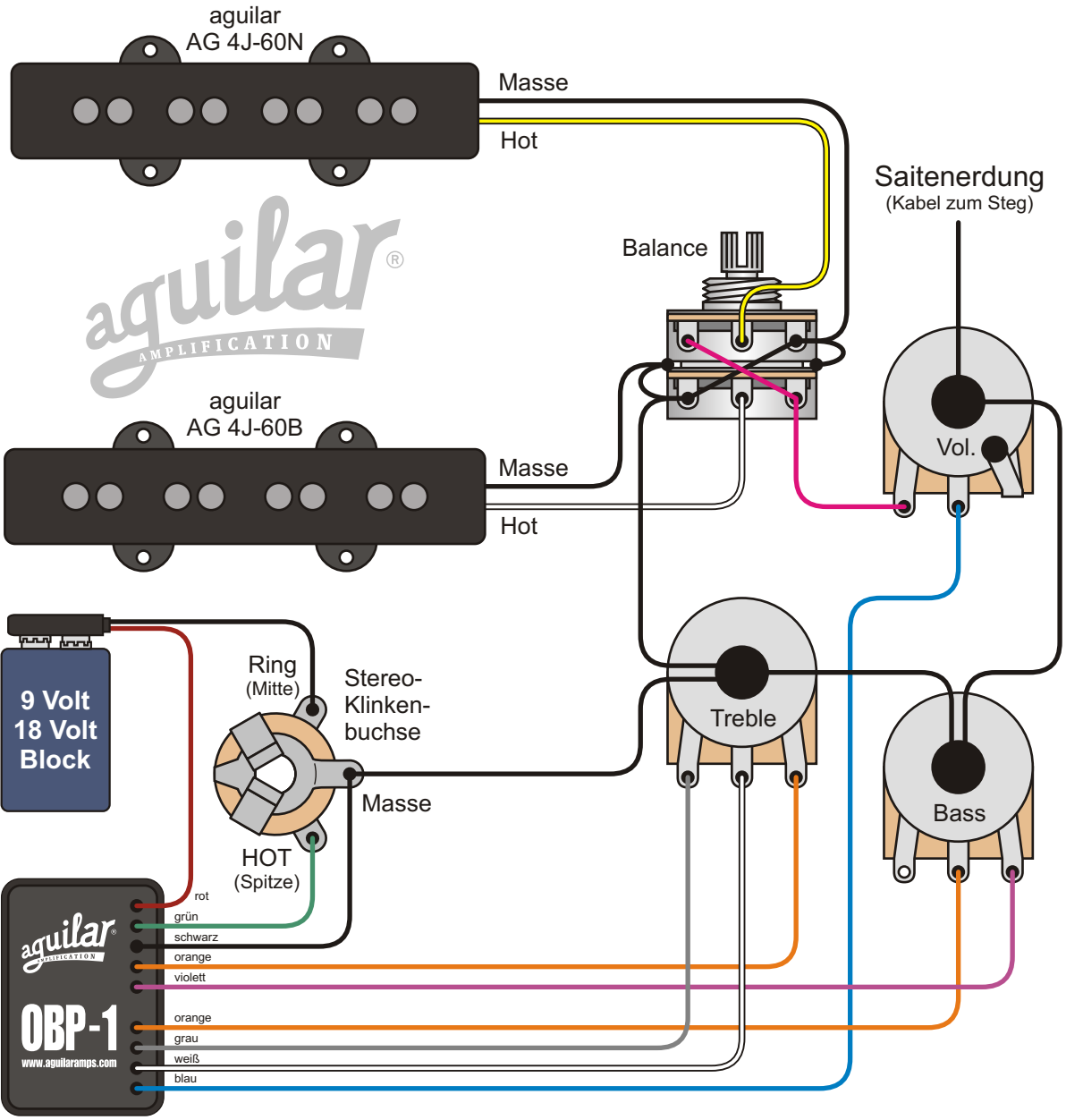
Poti	Funktion
oben	Master Volume
mittig	Balance
unten	Phat II EQ

Regler	Wert
Master Volume	500 k lin.
Balance	500 k
Phat II EQ	20 k

Benennung Ibanez BTB 200 Bass 2005	Historische Bassschaltungen		Nummer 1.9.331
	gezeichnet von Cadfael	gezeichnet am 02.09.17	Seite 292
Bemerkungen / Besonderheiten			

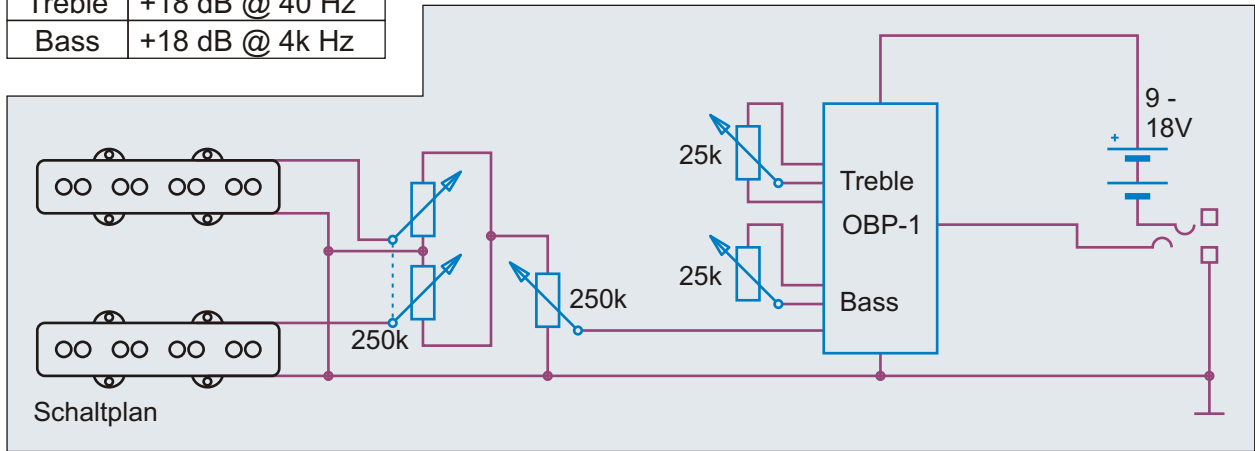


Benennung Ibanez EDB 405 2006		Historische Bassschaltungen	Nummer 1.9.351
Bemerkungen / Besonderheiten Elektronik gleich in Ibanez GSR 200		gezeichnet von Cadfael	gezeichnet am 02.09.17 Seite 293

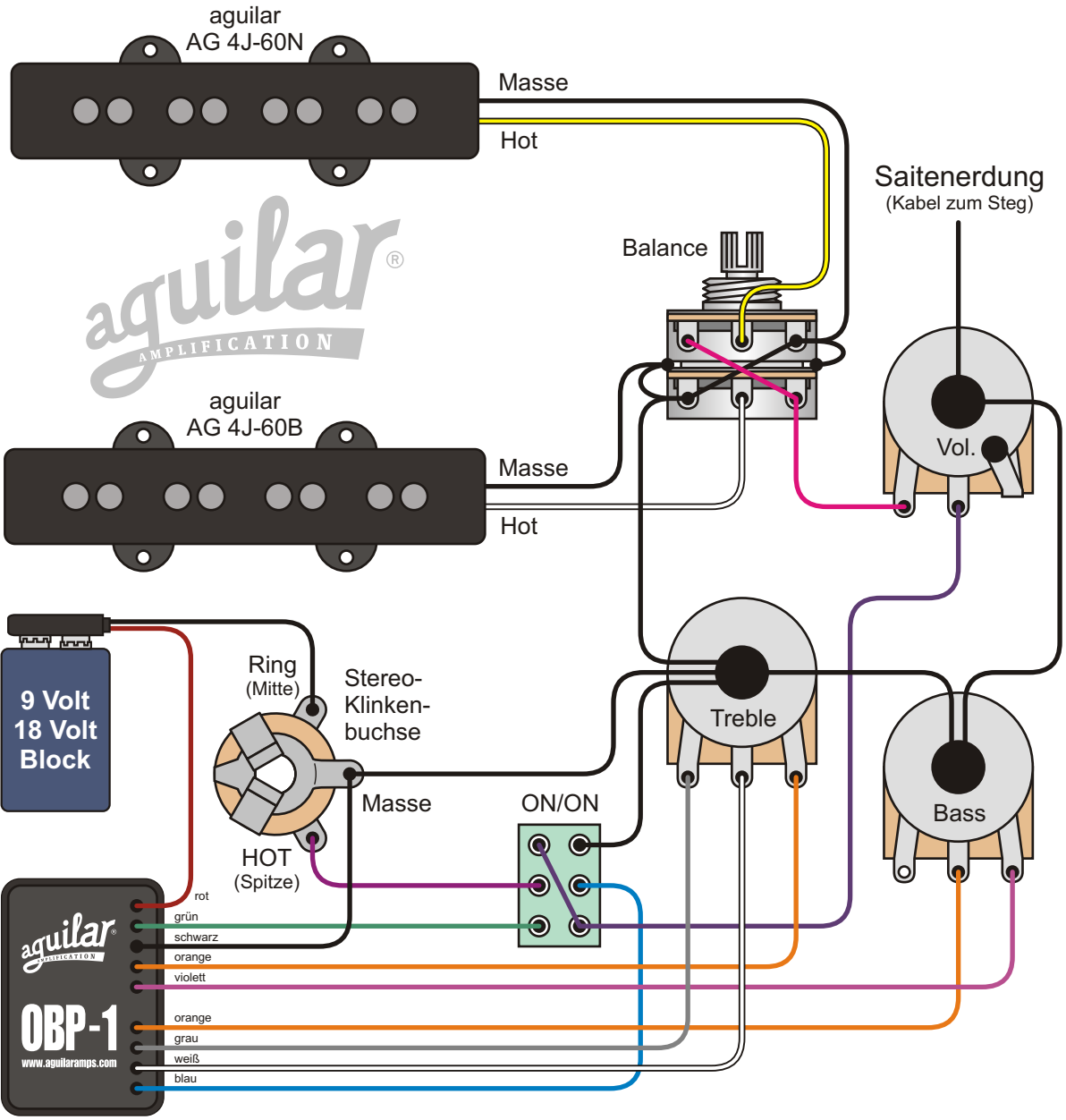


OBP-1 BOOSTER

Poti	Bereich
Treble	+18 dB @ 40 Hz
Bass	+18 dB @ 4k Hz

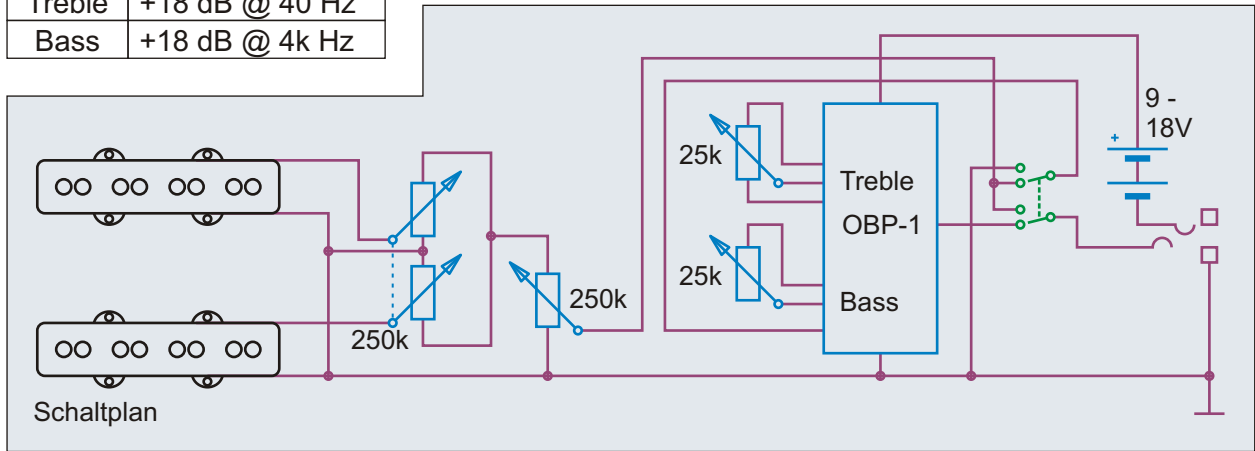


Benennung aguilar OBP-1		Historische Bassschaltungen	Nummer 1.9.411
Bemerkungen / Besonderheiten aguilar AG J4-60S Pickups, OBP-1, Master Volume, Balance		gezeichnet von Cadfael	gezeichnet am 02.09.17
			Seite 294

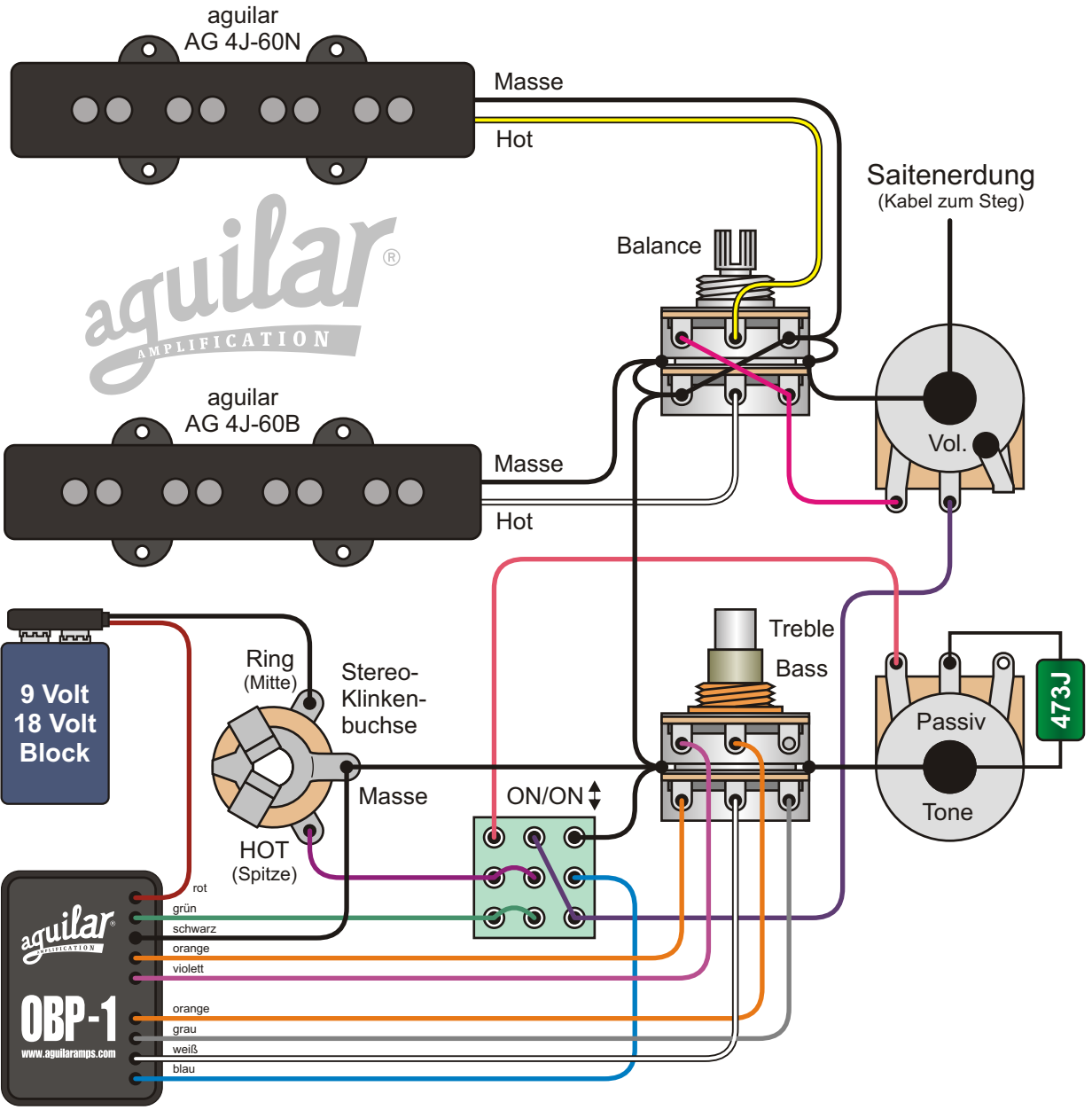


OBP-1 BOOSTER + ACTIVE / PASSIVE SWITCH

Poti	Bereich
Treble	+18 dB @ 40 Hz
Bass	+18 dB @ 4k Hz

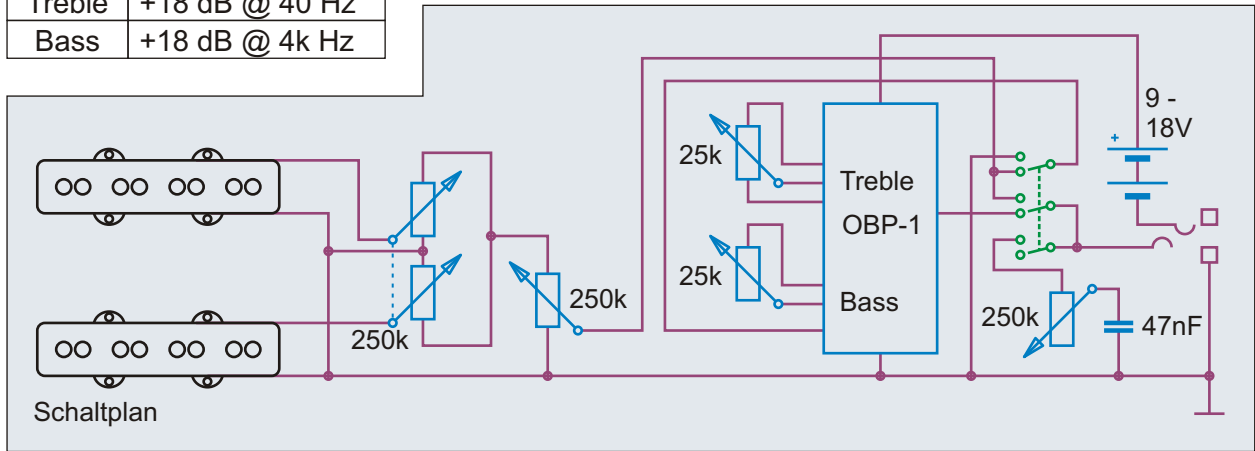


Benennung aguilar OBP-1 (mit aktiv/passiv Schalter)		Historische Bassschaltungen	Nummer 1.9.414
Bemerkungen / Besonderheiten aguilar AG J4-60S Pickups, OBP-1, Master Volume, Balance		gezeichnet von Cadfael	gezeichnet am 02.09.17
			Seite 295

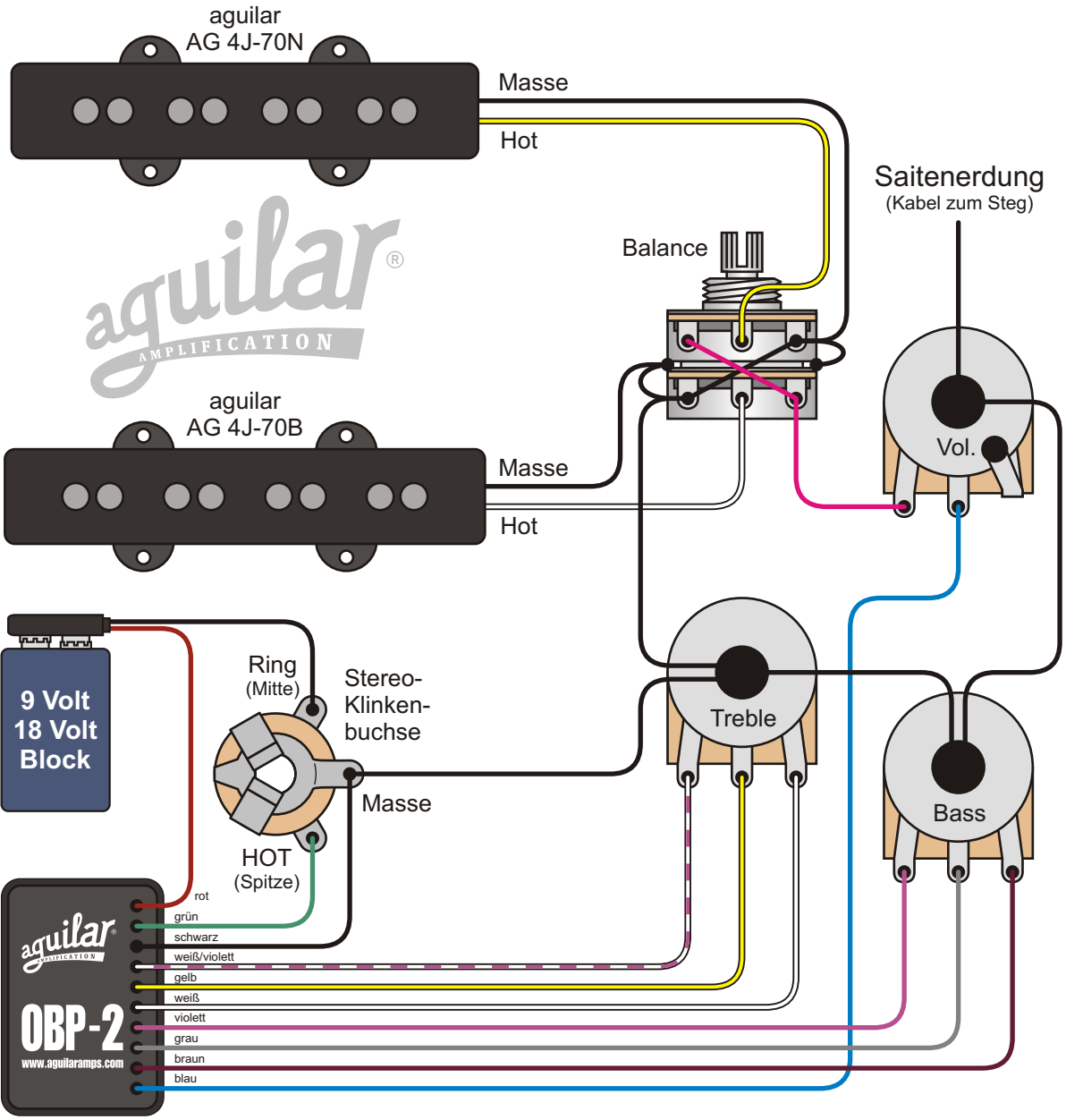


OBP-1 BOOSTER + ACTIVE / PASSIVE SWITCH

Poti	Bereich
Treble	+18 dB @ 40 Hz
Bass	+18 dB @ 4k Hz

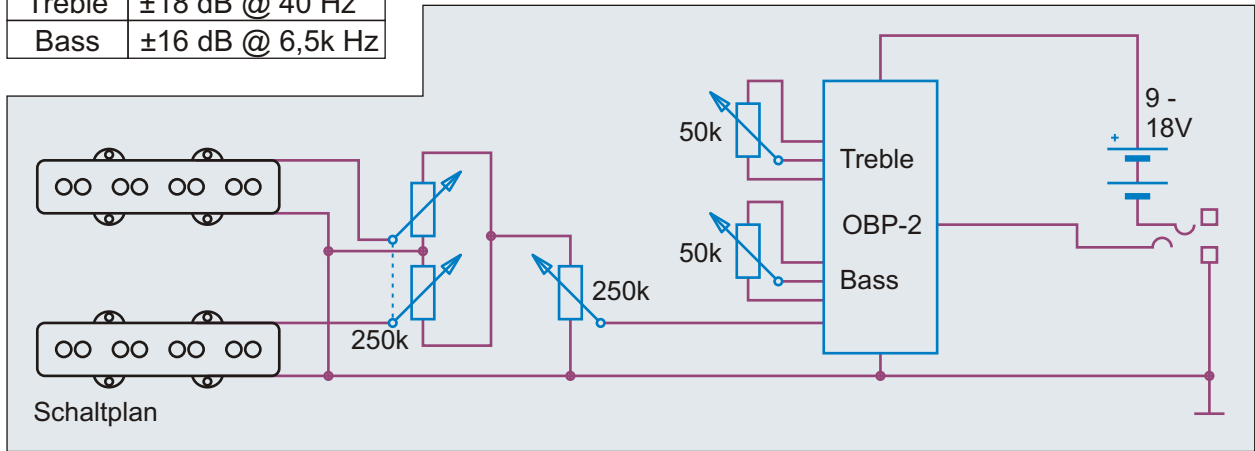


Benennung	aguilar OBP-1 (mit aktiv/passiv Schalter)	Historische Bassschaltungen	Nummer	1.9.417
Bemerkungen / Besonderheiten	aguilar AG J4-60S Pickups, OBP-1, Master Volume, Balance	gezeichnet von	gezeichnet am	Seite
		Cadfael	02.09.17	296



OBP-2 BOOST+ CUT

Poti	Bereich
Treble	±18 dB @ 40 Hz
Bass	±16 dB @ 6,5k Hz



Benennung	aguilar OBP-2	Historische Bassschaltungen	Nummer	1.9.421
Bemerkungen / Besonderheiten	aguilar AG J4-70S Pickups, OBP-2, Master Volume, Balance	gezeichnet von	gezeichnet am	Seite
		Cadfael	02.09.17	297

Cort®



braun
rot
orange
gelb
grün
grau

gelb
grün
grau
pink
braun
orange

schwarz
schwarz
rot

Regler	Wert
M. Volume	A 25 k
Treble	B 50 k c.c.
Middle	B 50 k c.c.
Bass	B 50 k c.c.



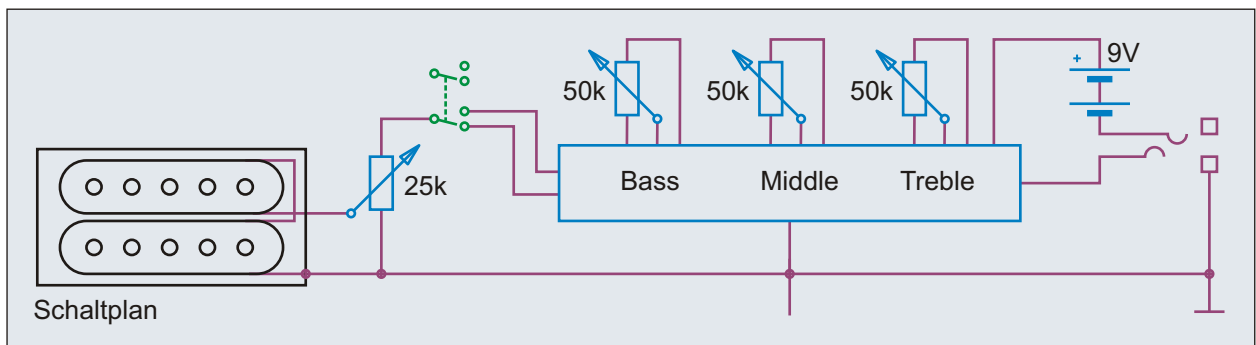
Saitenerdung
(Kabel zum Steg)

Masse

Ring
(Mitte)

HOT
(Spitze)

Stereo-
Klinkenbuchse



Benennung **Cort Curbow 4 / 5 Bass 2009**

Historische
Bassschaltungen

Nummer
1.9.551

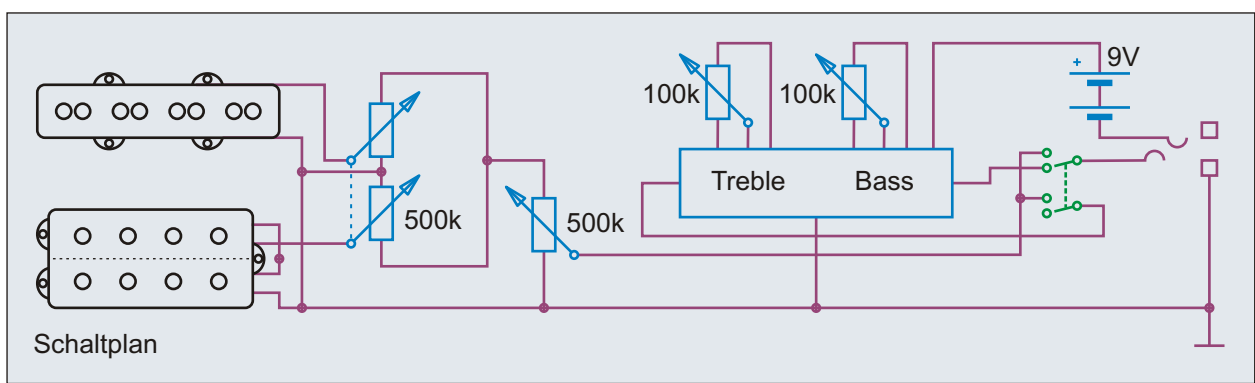
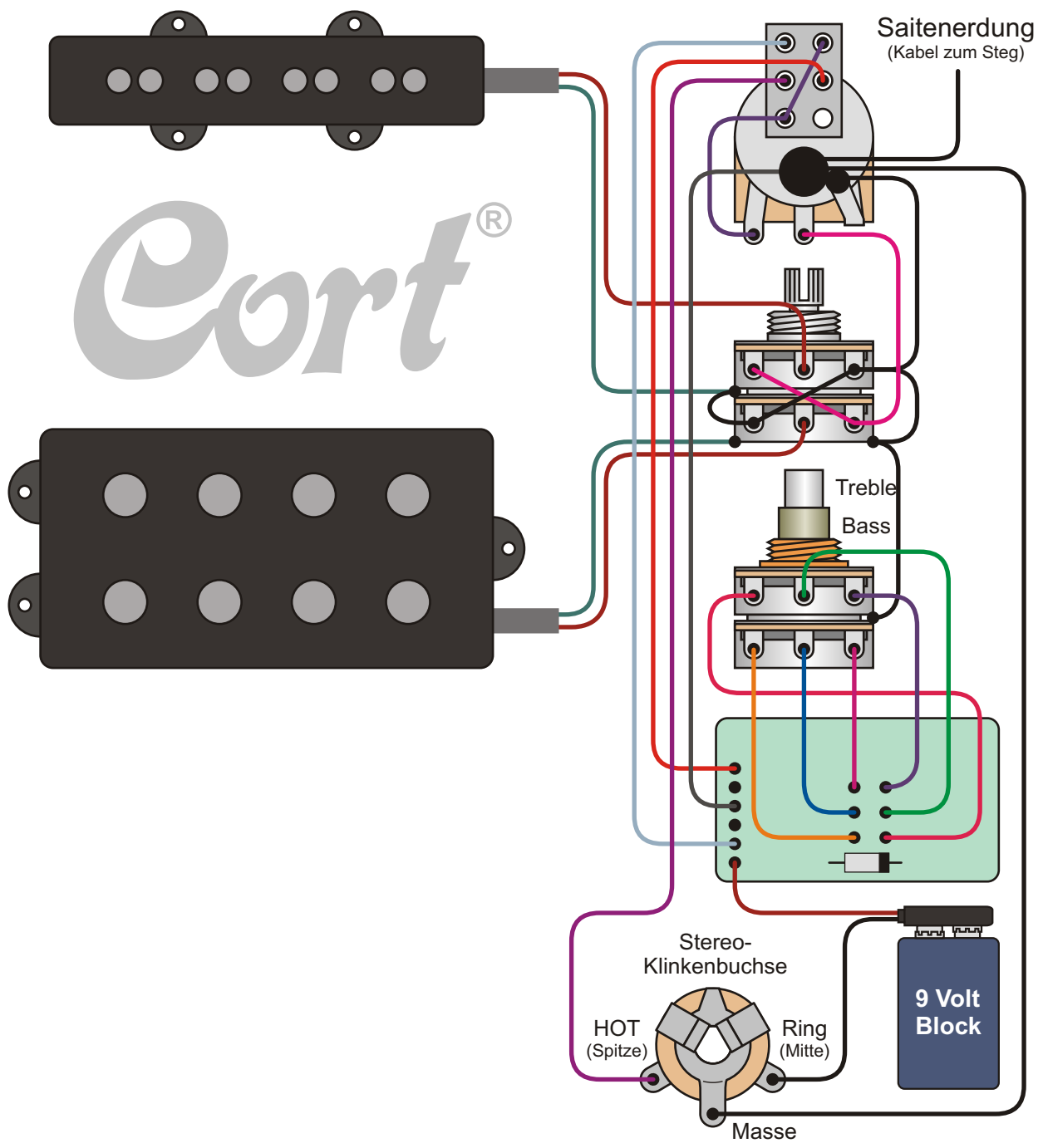
Bemerkungen / Besonderheiten

gezeichnet von
Cadfael

gezeichnet am
02.09.17

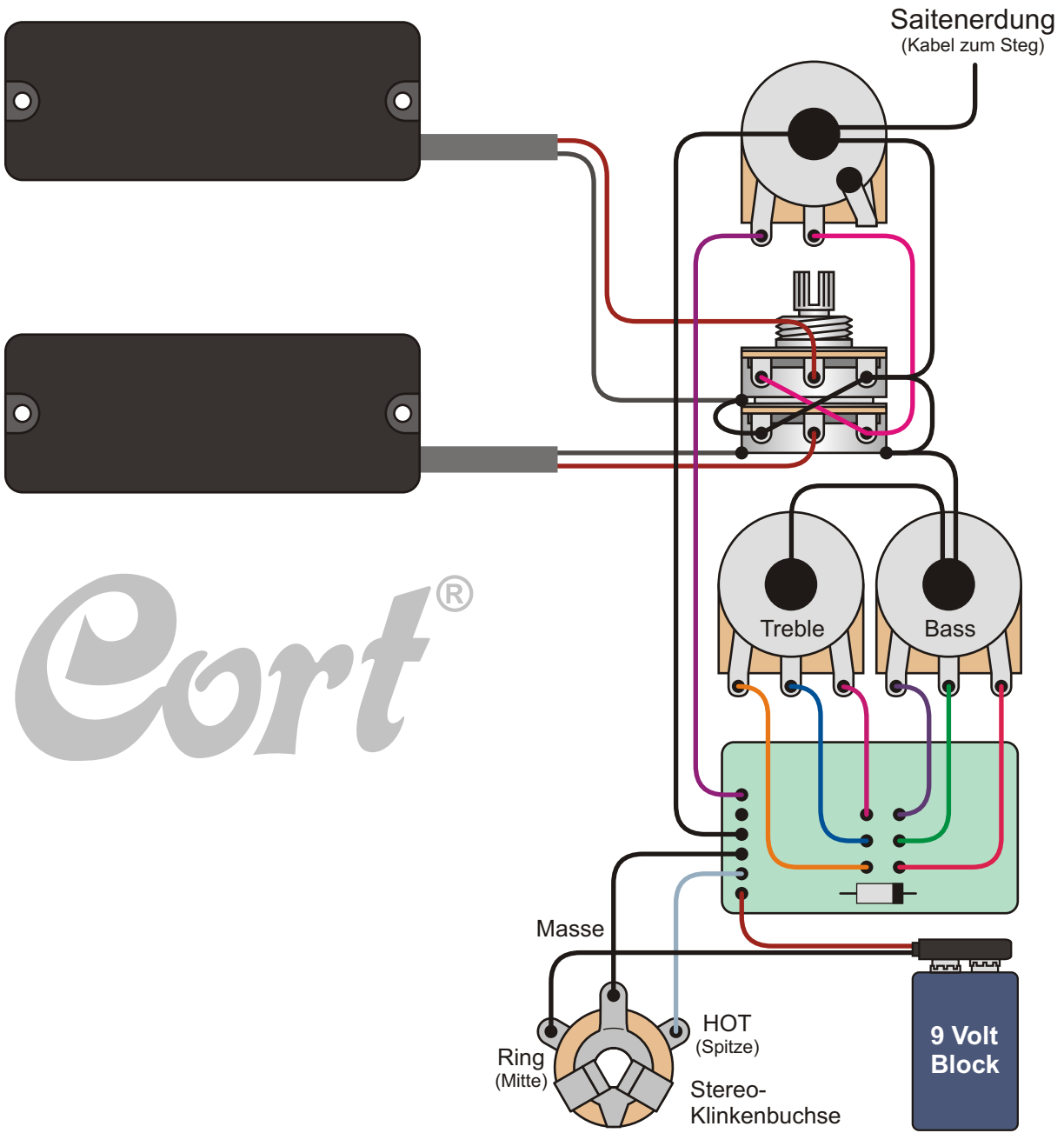
Seite
298

Cort®

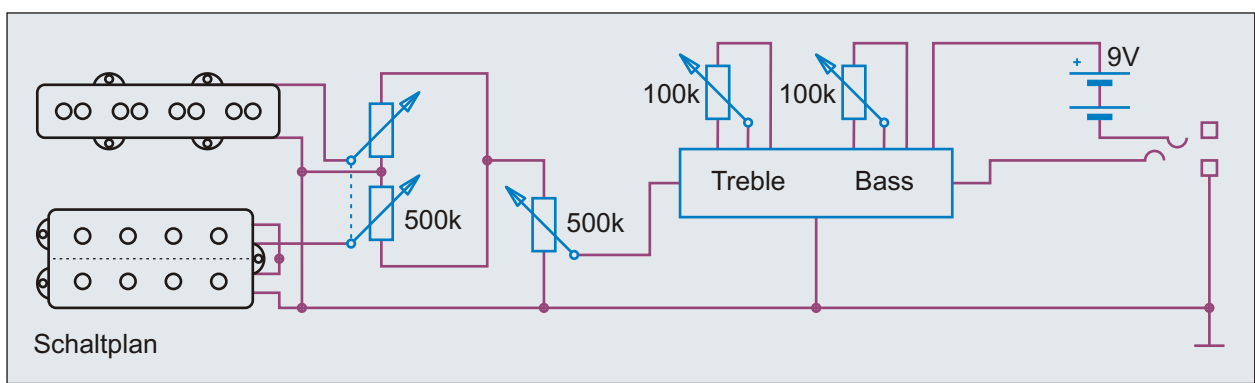


Benennung Cort GB34A Bass 2009	Historische Bassschaltungen	Nummer 1.9.561
Bemerkungen / Besonderheiten	gezeichnet von Cadfael	gezeichnet am 02.09.17
		Seite 299

Idee, Recherche, Autor, Zeichnungen, Grafiken, Diagramme, Layout und Design: Andreas "Cadfael" Kühn - Nutzung ausschließlich zu privaten, nicht kommerziellen Zwecken und auf eigene Gefahr! Alle Angaben ohne Gewähr, Irrtümer vorbehalten!

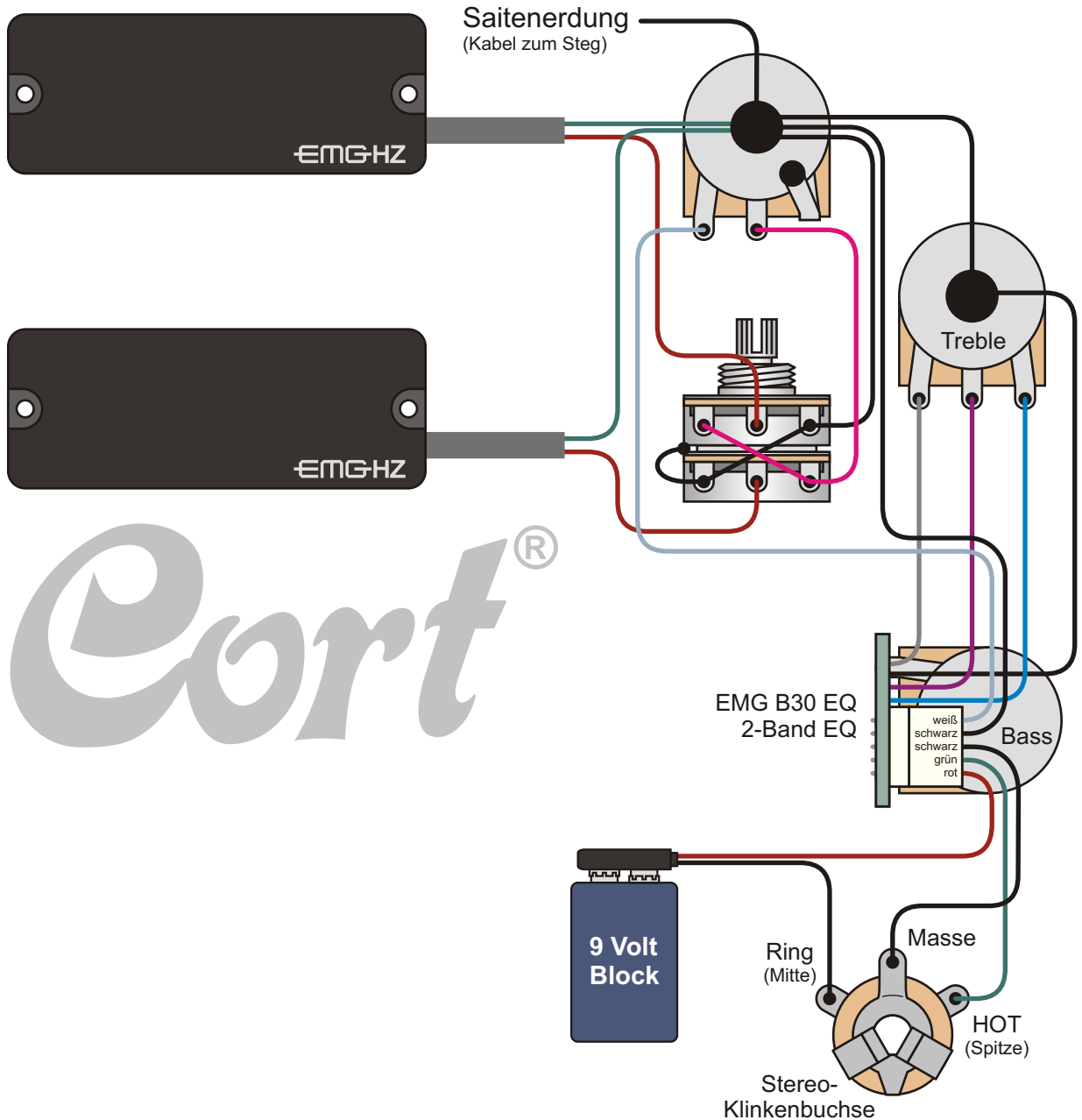


Cort[®]

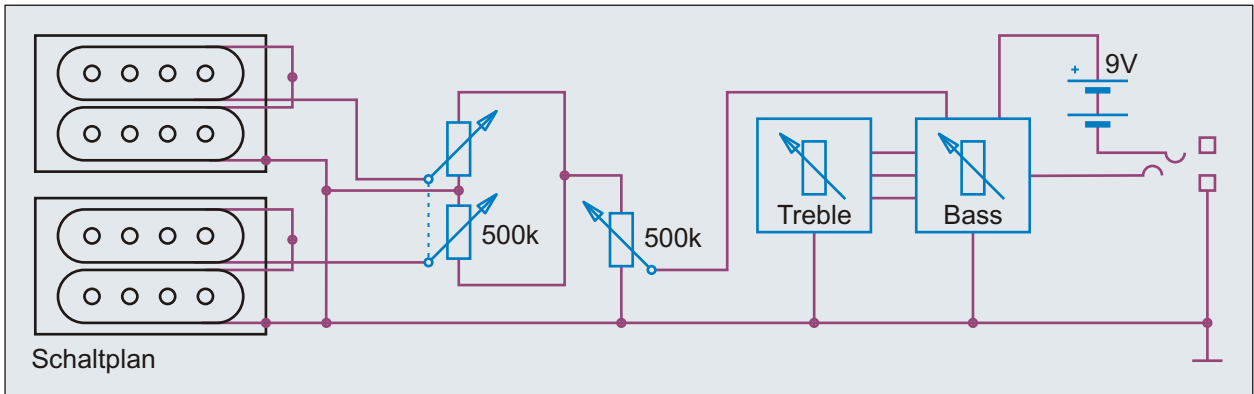


Benennung Cort T34 Bass 2009	Historische Bassschaltungen	Nummer 1.9.571
Bemerkungen / Besonderheiten EVL-35 Neck / Bridge Pickup	gezeichnet von Cadfael	gezeichnet am 02.09.17
		Seite 300

Idee, Recherche, Autor, Zeichnungen, Grafiken, Diagramme, Layout und Design: Andreas "Cadfael" Kühn - Nutzung ausschließlich zu privaten, nicht kommerziellen Zwecken und auf eigene Gefahr! Alle Angaben ohne Gewähr, Irrtümer vorbehalten!



Cort®



Benennung **Cort T74 Bass 2009**

Historische
Bassschaltungen

Nummer
1.9.581

Bemerkungen / Besonderheiten
EMG-35HZ Pickups

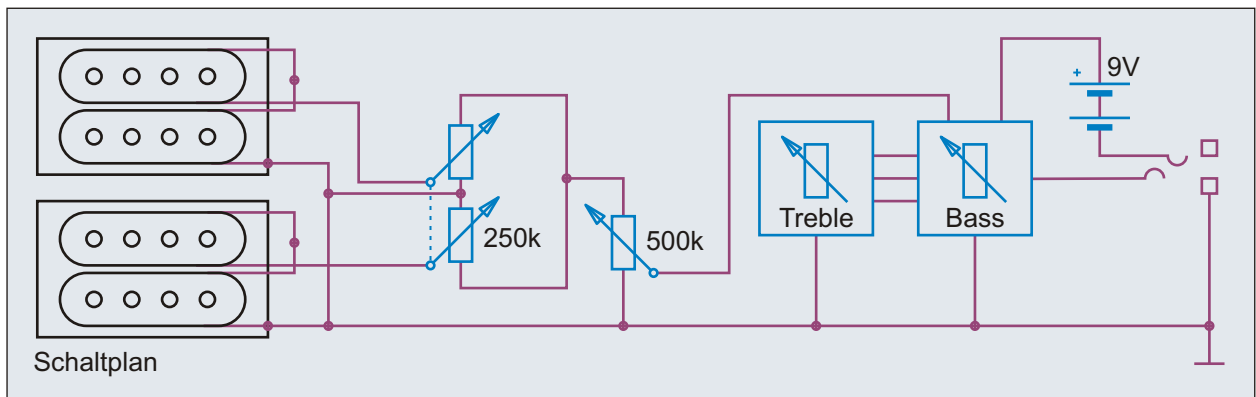
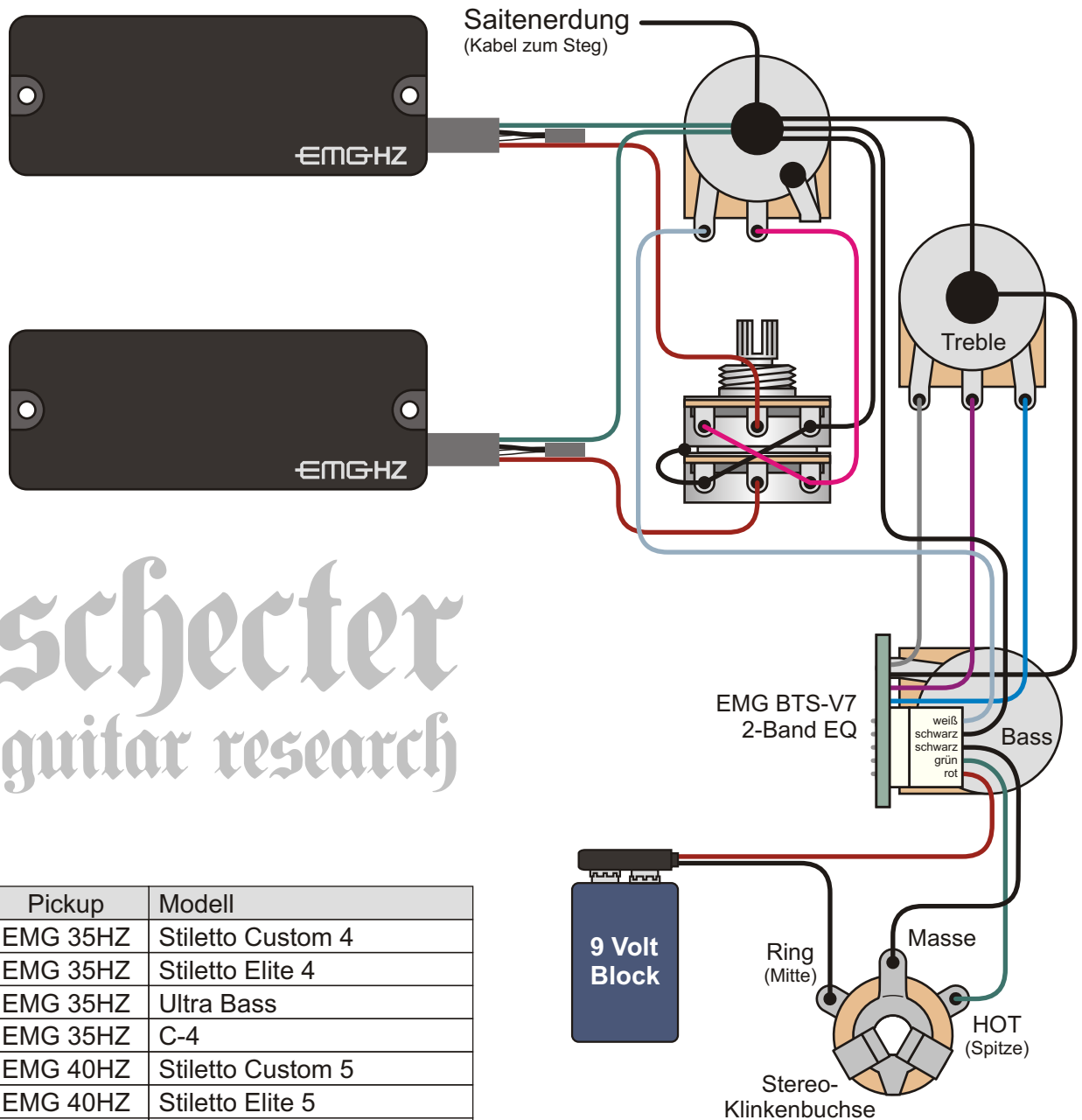
gezeichnet von
Cadfael

gezeichnet am
02.09.17

Seite
301

Schecter guitar research

Pickup	Modell
EMG 35HZ	Stiletto Custom 4
EMG 35HZ	Stiletto Elite 4
EMG 35HZ	Ultra Bass
EMG 35HZ	C-4
EMG 40HZ	Stiletto Custom 5
EMG 40HZ	Stiletto Elite 5
EMG 40HZ	C-5



Benennung **Schecter Stiletto Custom-4 2006**

Historische
Bassschaltungen

Nummer
1.9.601

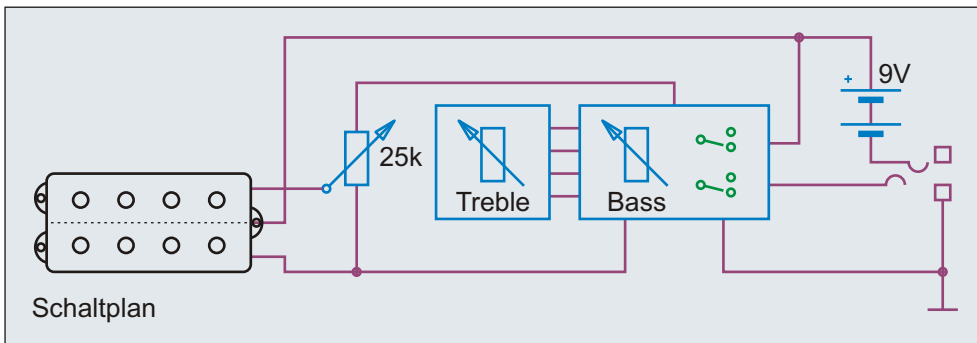
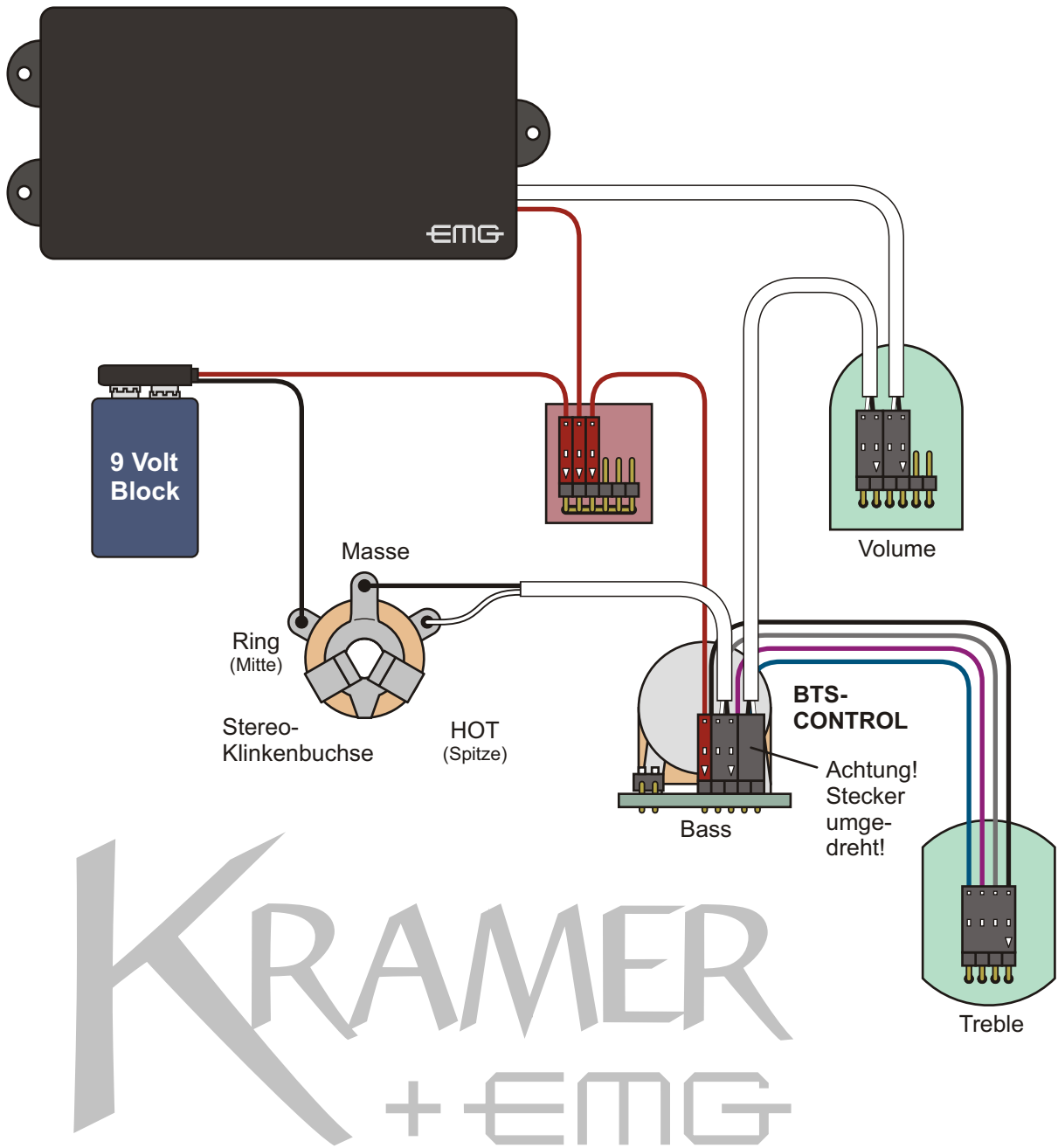
Bemerkungen / Besonderheiten

EMG-35HZ Pickups

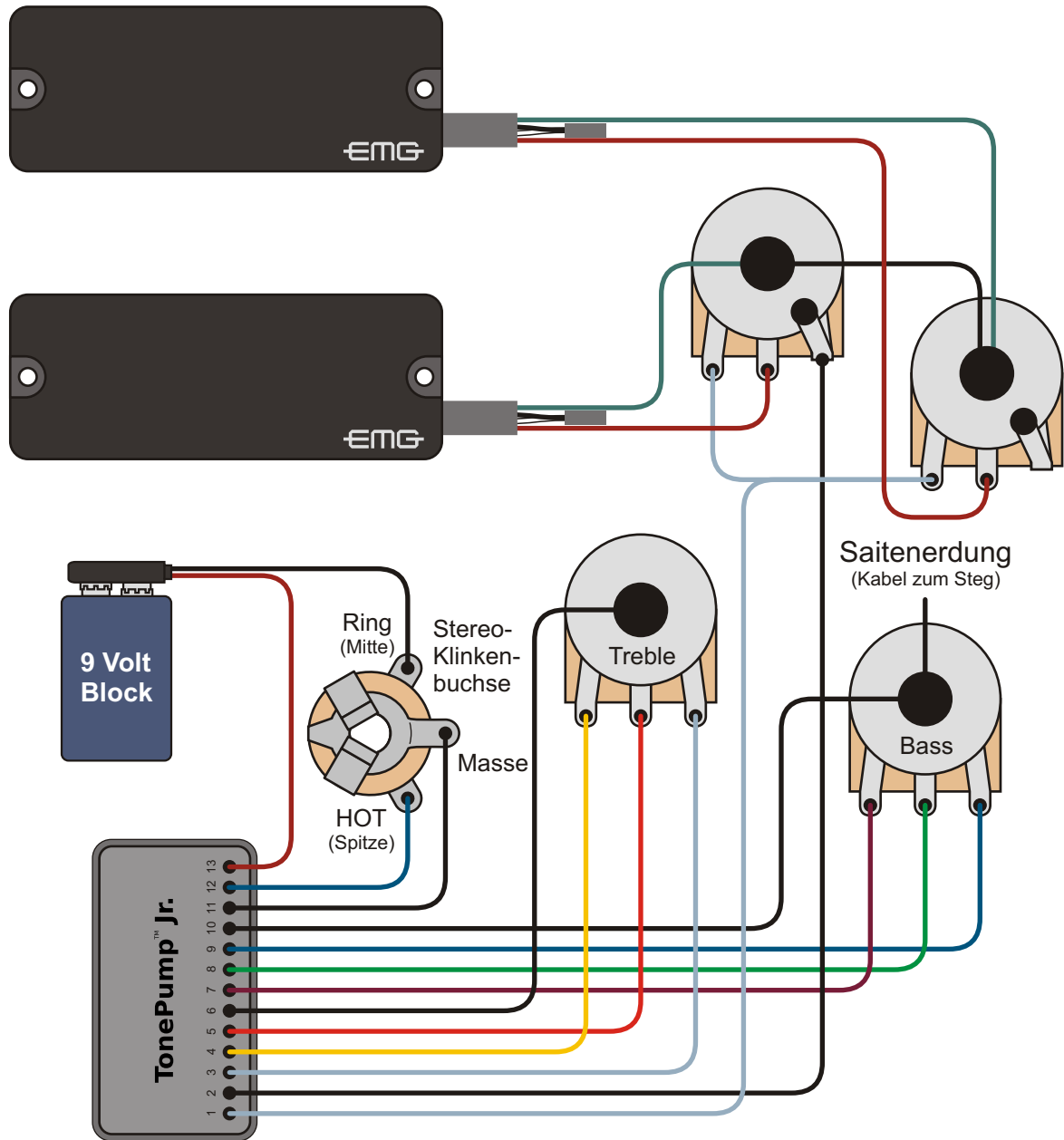
gezeichnet von
Cadfael

gezeichnet am
02.09.17

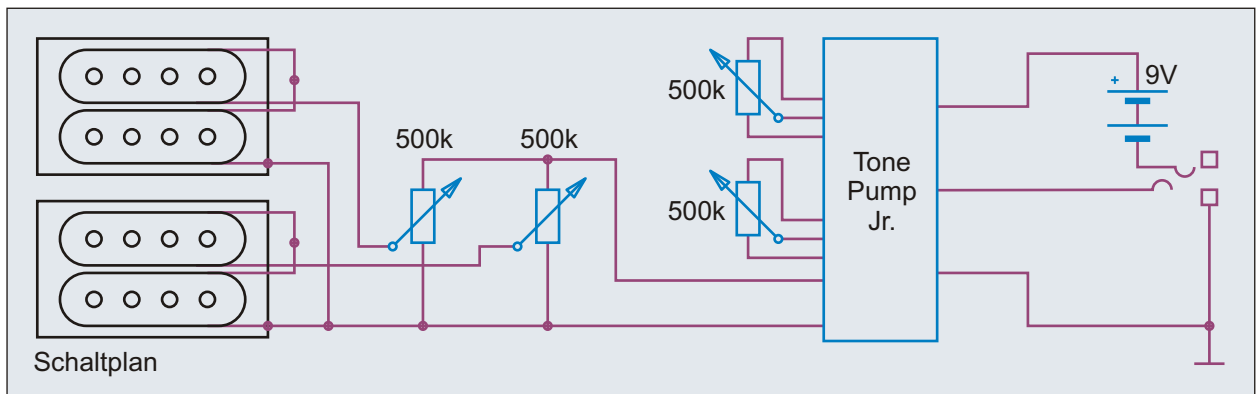
Seite
302



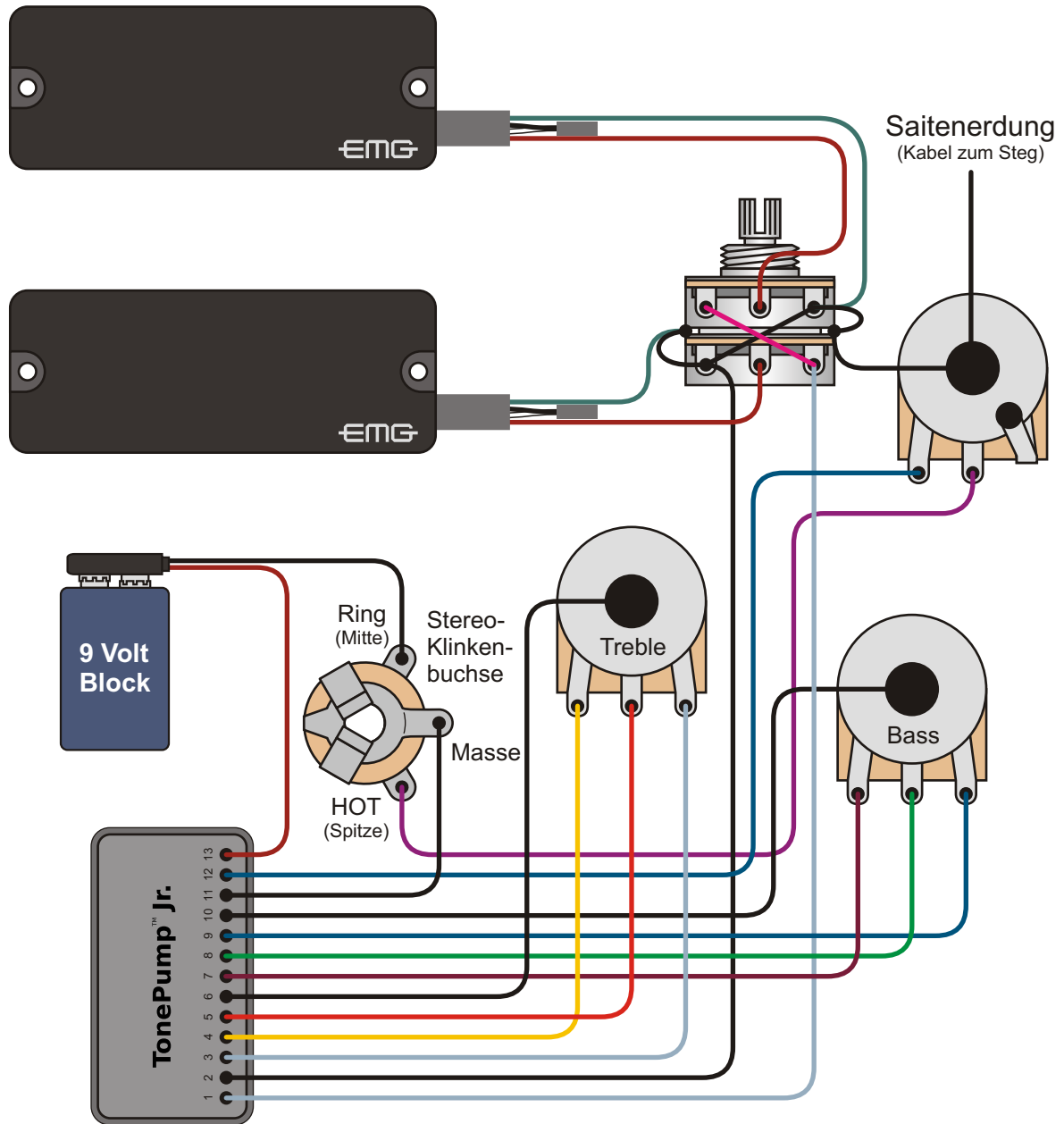
Benennung	Kramer D-1 Bass	Historische Bassschaltungen	Nummer
Bemerkungen / Besonderheiten	EMG MMCS Pickup + EMG BTS-Contol	gezeichnet von	1.9.661
		Cadfael	gezeichnet am
			02.09.17
			Seite
			303



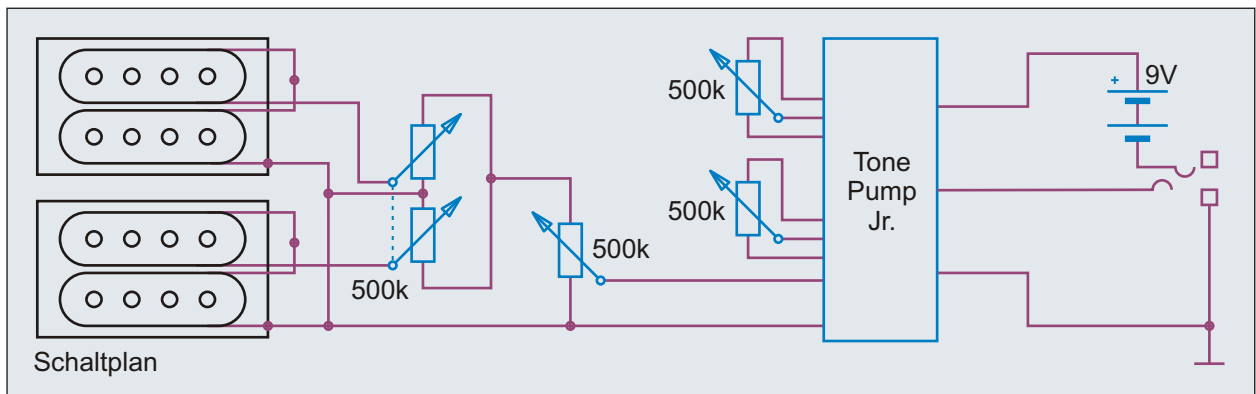
Die Anordnung der Kabel ist immer gleich. Die Farbe der Kabel kann jedoch abweichen.



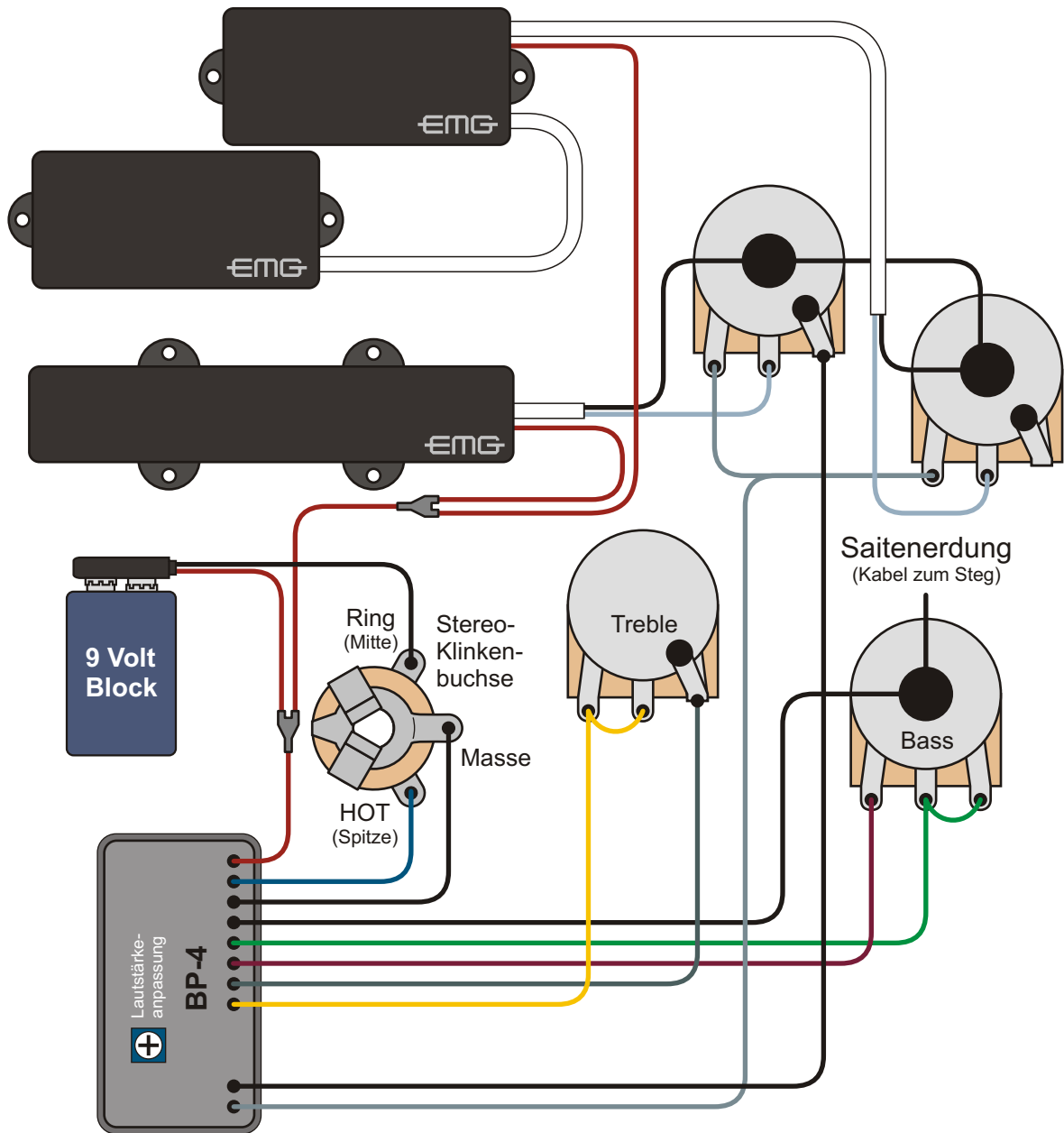
Benennung	Spector Legend 4 Classic™		Historische Bassschaltungen	Nummer
Bemerkungen / Besonderheiten	EMG SSD™ Pickups, 2x Volume, Tone Pump Jr.		gezeichnet von	gezeichnet am
			Cadfael	02.09.17
				Seite
				304



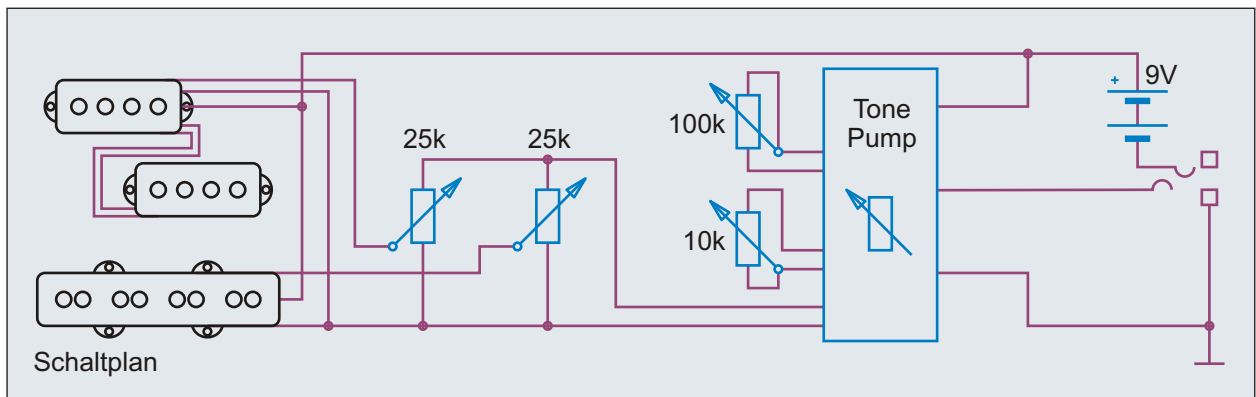
Die Anordnung der Kabel ist immer gleich. Die Farbe der Kabel kann jedoch abweichen.



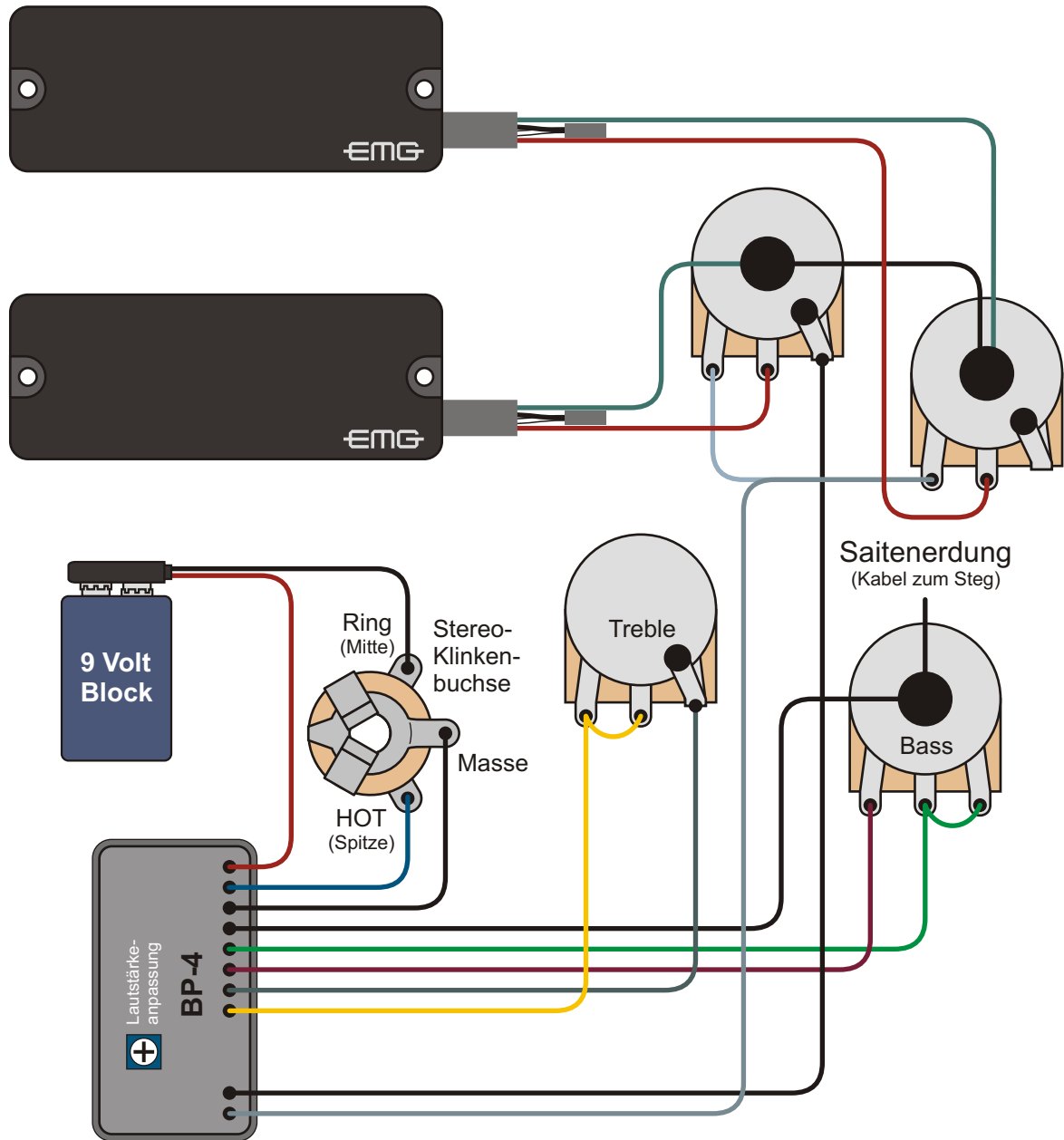
Benennung Spector Tone Pump Jr.	Historische Bassschaltungen	Nummer 1.9.716
Bemerkungen / Besonderheiten Passive Pickups, Master Volume, Balance	gezeichnet von Cadfael	gezeichnet am 02.09.17 Seite 305



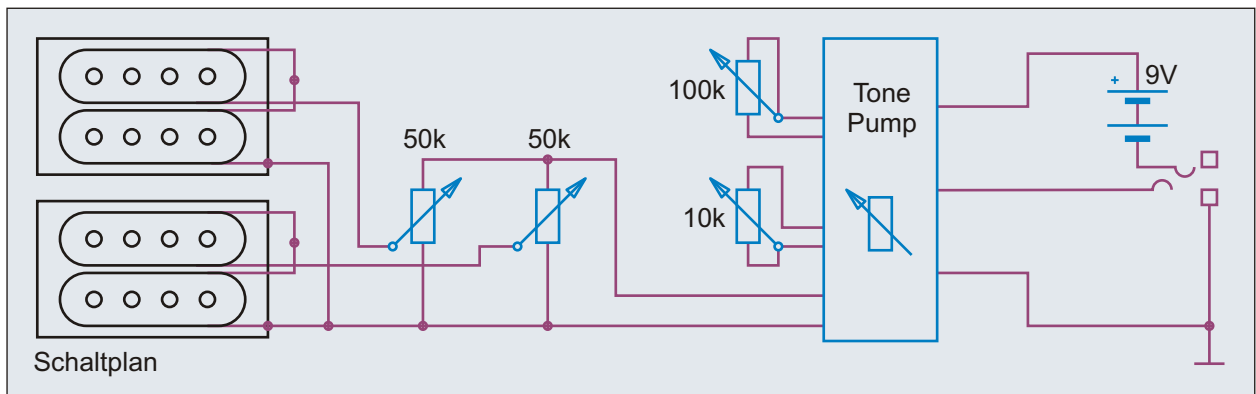
Die Anordnung der Kabel ist immer gleich. Die Farbe der Kabel kann jedoch abweichen.



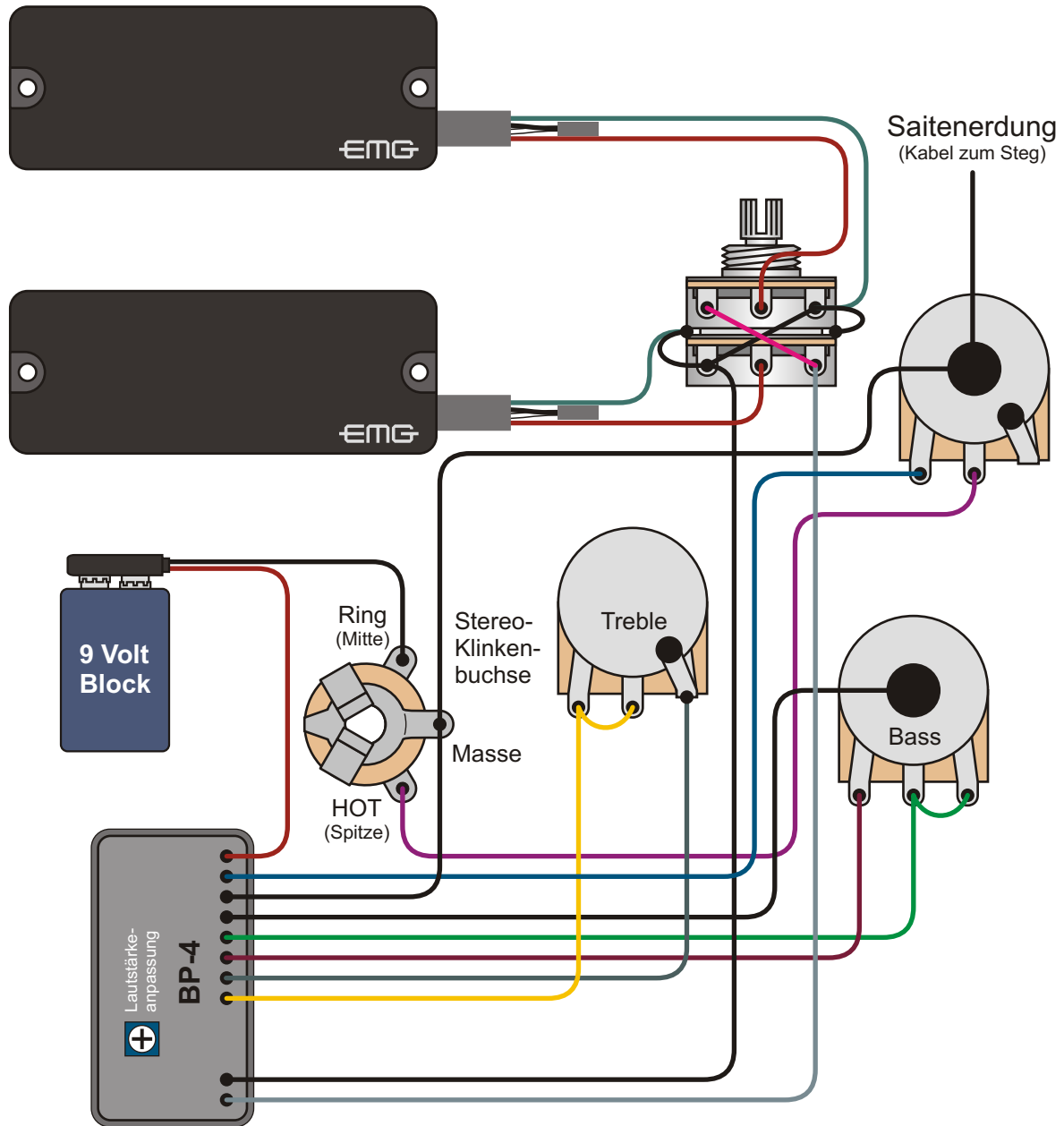
Benennung	Spector Euro 4 LX™	Historische Bassschaltungen	Nummer
Bemerkungen / Besonderheiten	EMG J™ + P™ Pickups, 2x Volume, Tone Pump BP-4	gezeichnet von	1.9.721
		Cadfael	gezeichnet am
			02.09.17
			Seite
			306



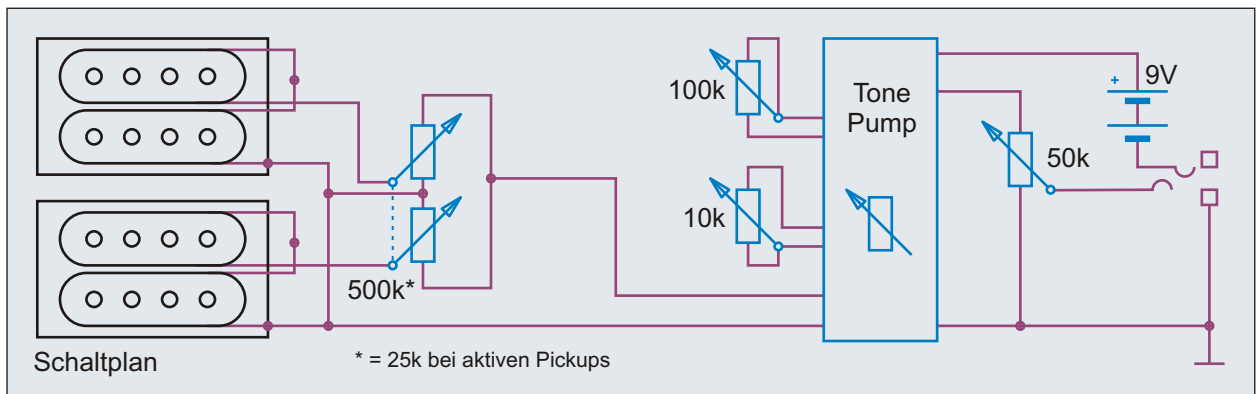
Die Anordnung der Kabel ist immer gleich. Die Farbe der Kabel kann jedoch abweichen.



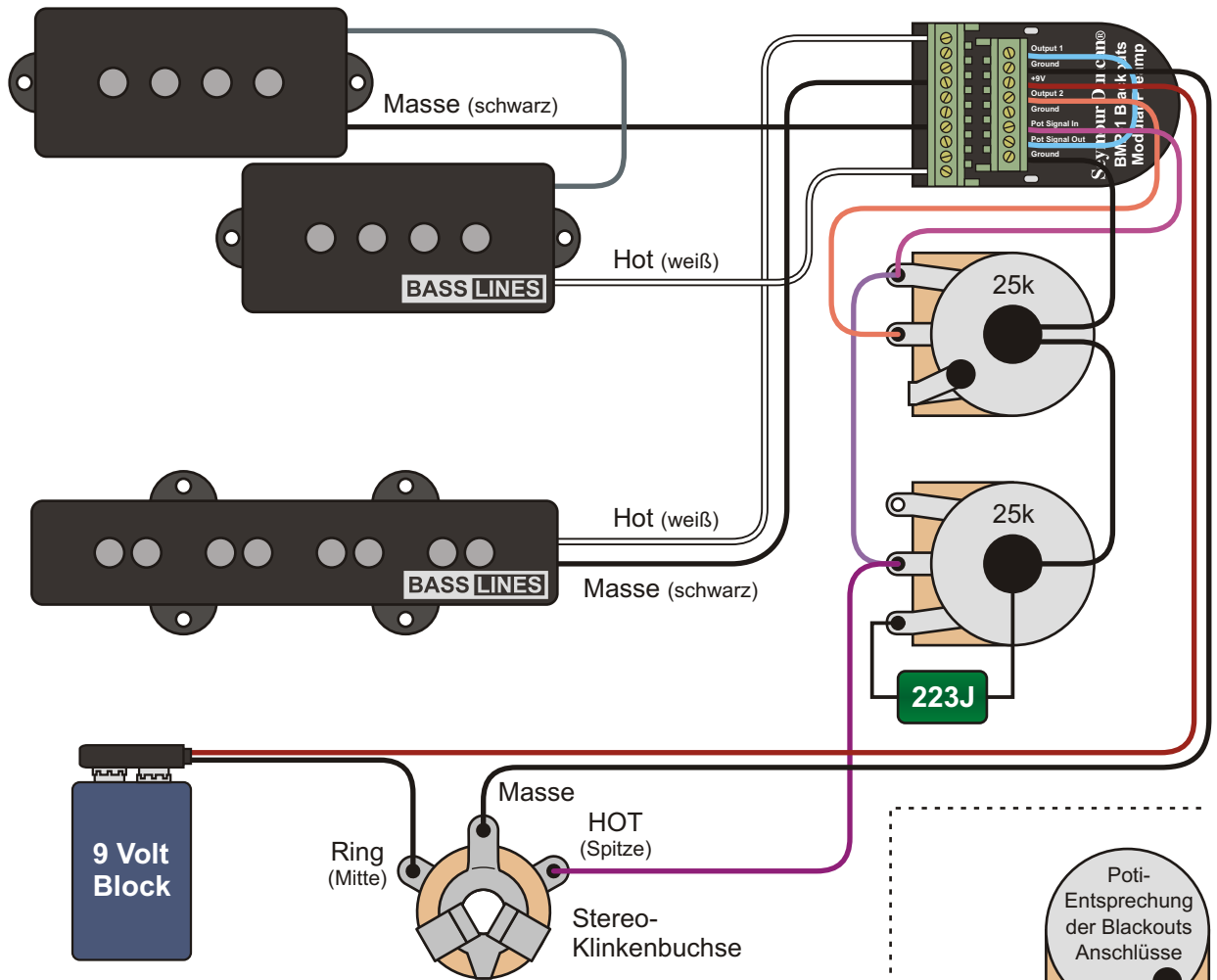
Benennung Spector Tone Pump BP-4		Historische Bassschaltungen	Nummer 1.9.731
Bemerkungen / Besonderheiten Passive Pickups, 2x Volume		gezeichnet von Cadfael	gezeichnet am 02.09.17 Seite 307



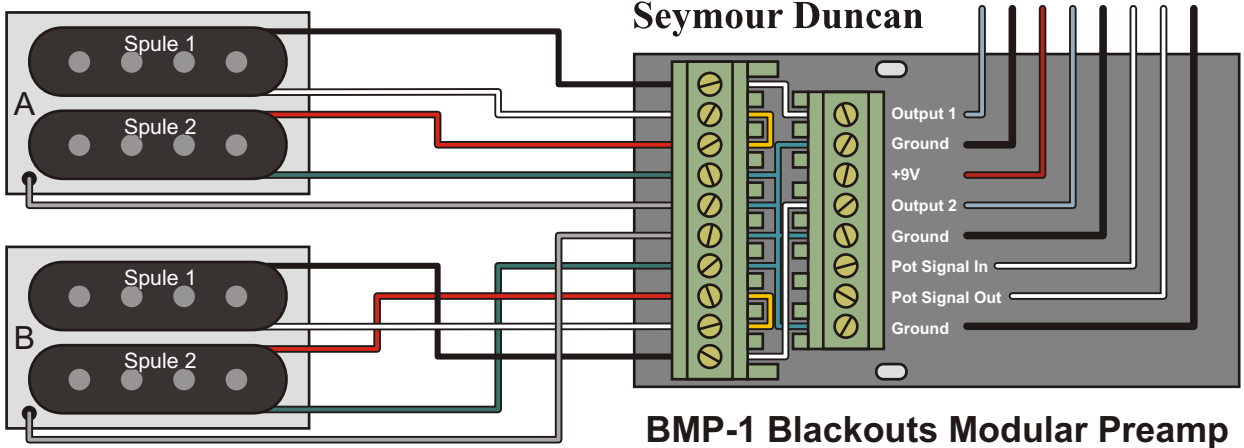
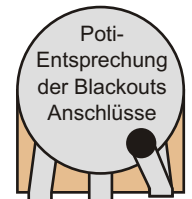
Die Anordnung der Kabel ist immer gleich. Die Farbe der Kabel kann jedoch abweichen.



Benennung	Spector Tone Pump BP-4		Historische Bassschaltungen	Nummer
Bemerkungen / Besonderheiten	Passive Pickups, Master Volume, Balance		gezeichnet von	gezeichnet am
			Cadfael	02.09.17
				Seite
				308



Der Seymour Duncan Blackouts Preamp soll aus jedem Bass einen aktiven Bass machen können. Der Preamp dient gleichzeitig als ein Volume Poti. An einer Schraubleiste werden die Adern der Pickups fixiert, an einer zweiten die Verbindungen vorgenommen. Das System ist nicht gerade gut durchschaubar...



Benennung	Seymour Duncan BMP-1 2011	Historische Bassschaltungen	Nummer
Bemerkungen / Besonderheiten		gezeichnet von	1.9.751
		Cadfael	gezeichnet am
			02.09.17
			Seite
			309

2 Umbauten und Eigenbauten

Das zweite Kapitel dieser Sammlung beschäftigt sich mit Umbauten und Eigenbauten. Trotzdem wird es bestimmt die ein oder andere Schaltung in diesem Kapitel auch als "Werksverkabelung" geben. Das trifft besonders auf die "Jazz Bass Schaltung mit Balance Poti" zu.

Soweit möglich, wurden die Inhalte thematisch gegliedert und zur schnelleren Einordnung farblich unterlegt. Es kann allerdings zu Überschneidungen zwischen den einzelnen Themengebieten kommen.

Zwar kann man die Schaltungen aus diesem Kapitel 1:1 nachbauen, es sollen aber eher Anregungen dafür sein, was möglich ist und was man machen kann.

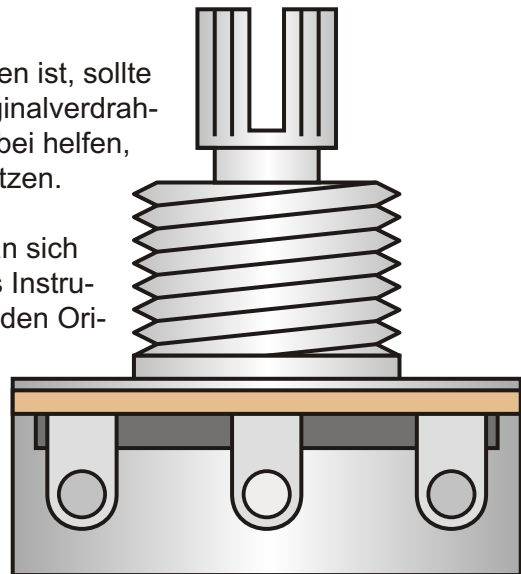
Schaltpläne
Bauteile
Eigenschaft von Bauteilen
Anmerkungen zur Schaltung
Zusatzbemerkungen
Wichtige Hinweise

2.01 Vor dem Umbau

Falls kein Originalschaltplan zum Instrument vorhanden ist, sollte man sich vor dem Umbau die Arbeit machen, die Originalverdrahtung aufzuzeichnen. Diese Notizen können später dabei helfen, das Instrument in den Originalzustand zurückzusetzen.

Beim Umbau von historischen Instrumenten sollte man sich vorher genau überlegen, ob der Umbau den Wert des Instruments beeinträchtigen könnte und ob ein Rückbau in den Originalzustand ohne sichtbare Zeichen machbar ist. Bezüglich Bauteilen aus alten Instrumenten verweise ich auf das Vorwort des ersten Kapitels.

Im Vorwort zum dritten Kapitel wird kurz auf das benötigte Werkzeug eingegangen. Schlechtes Werkzeug kann mehr schaden als nutzen ...



Hinweis:

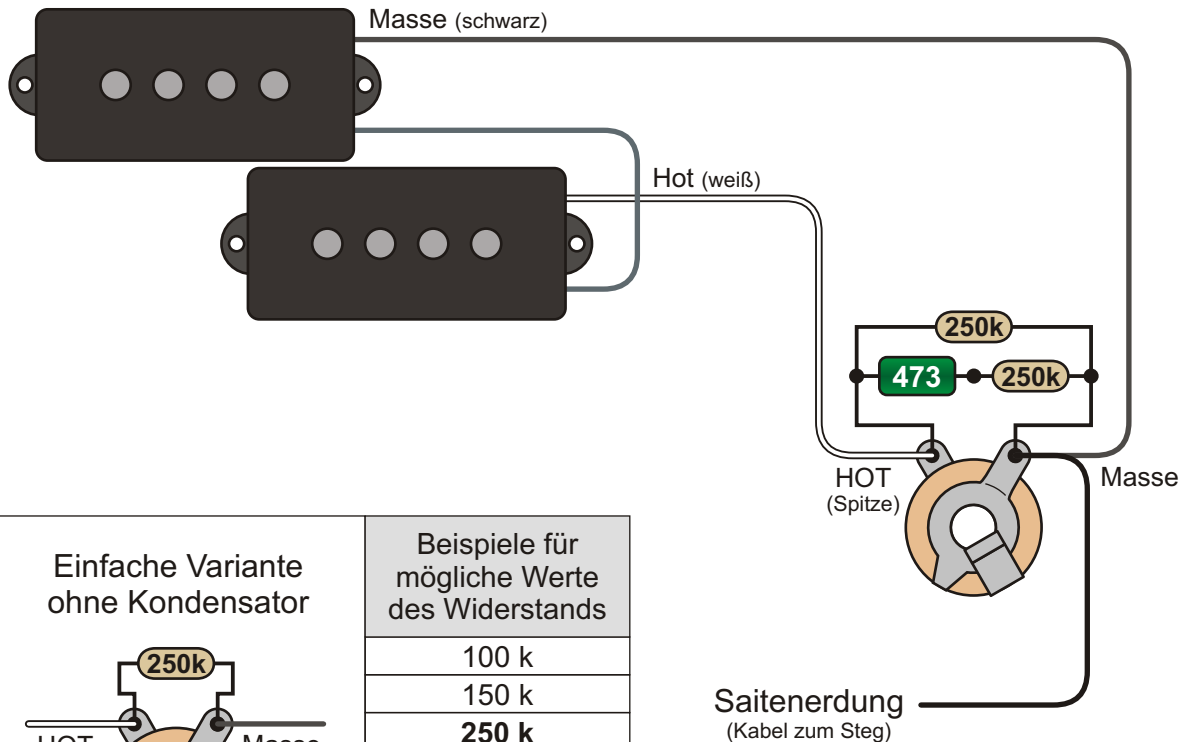
Neben den Pickups haben auch Hardware und Holz einen Einfluss auf den Klang. Man wird einen Jazz Bass auch mit anderen Pickups und tausend Zusatzschaltungen, die den Sound beeinflussen, nie dazu bringen wie ein Rickenbacker Bass zu klingen. Der Grundcharakter eines (unverstärkten) Basses wird immer bleiben und den Sound stark beeinflussen. Man sollte also nie zuviel von zusätzlichen Schaltungen erwarten!

Meinung: Weniger ist mehr ...

Selbstverständlich kann man sein Instrument mit drei, vier oder mehr Schaltern ausstatten. Die möglichen Einstellungen und Klangnuancen können dabei in astronomische Höhen gehen. Meiner Erfahrung nach, werden solche Schaltungen aber wenig bis kaum genutzt - und sie verwirren mehr, als dass sie nutzen.

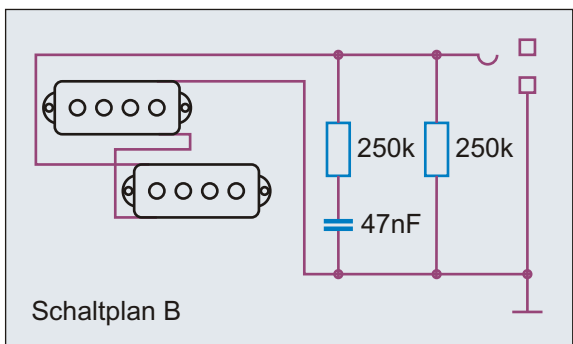
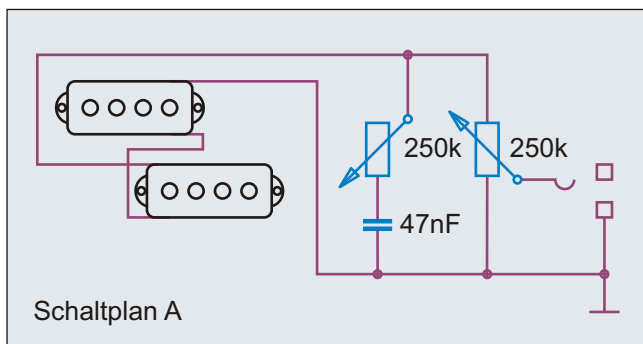
Gerade live sollte man auf den ersten Blick sehen können, welche Soundeinstellung aktiv ist. Hat man auf der Bühne das Gefühl etwas mit dem Sound stimmte nicht, ist es kontraproduktiv, sich erst 24 Sounds und deren zugehörige Schalterstellungen ins Gedächtnis rufen zu müssen. Das Publikum wird den Unterschied zwischen vielen Sounds eh nicht wahrnehmen.

Benennung	Umbauten und Eigenbauten		Umbauten & Eigenbauten	Nummer	2
Bemerkungen / Besonderheiten	Umbauten, Eigenbauten, Modifikationen		gezeichnet von	gezeichnet am	Seite
			Cadfael	02.09.17	310



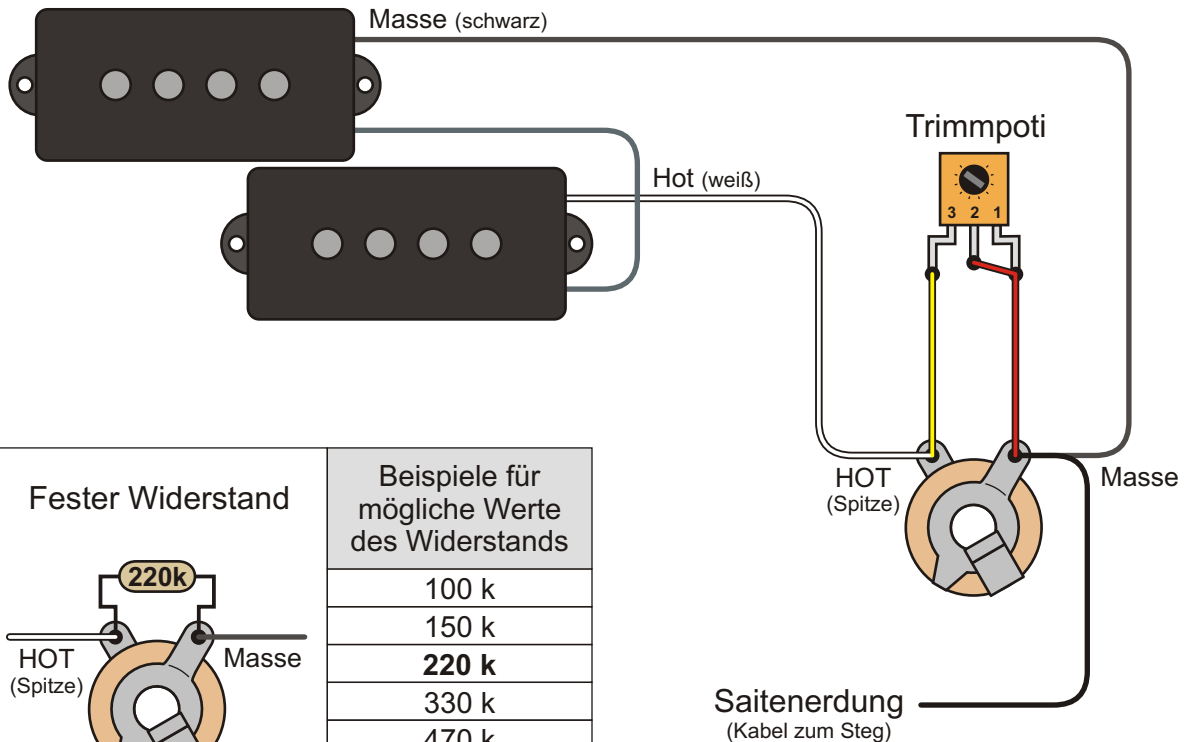
Einfache Variante ohne Kondensator	Beispiele für mögliche Werte des Widerstands
	100 k
	150 k
	250 k
	330 k
	470 k
	1 M

Je höher der Ersatzwiderstand, desto höher die Resonanzfrequenz des Pickup.



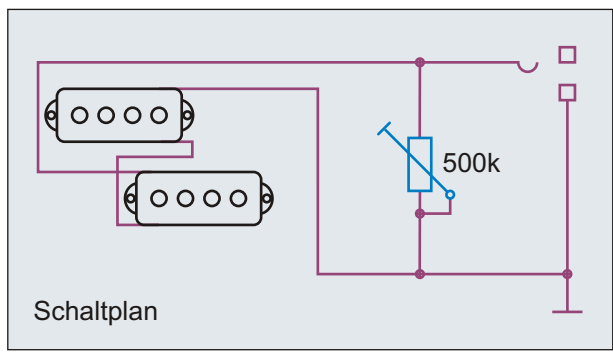
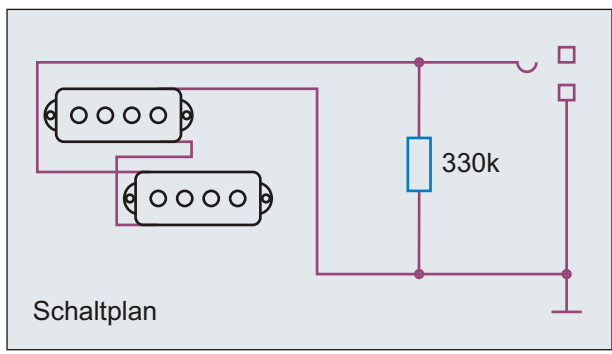
Optimierung der Resonanzfrequenz
 Einige Bassisten wollen ganz auf Volume oder Tone Potis verzichten, da sie diese niemals einsetzen und beim Bassspielen eher als störend empfinden. Selbstverständlich kann man den (oder mehrere) Pickups einfach an die Klinkenbuchse anschließen. Man sollte jedoch bedenken, dass auch "nicht betätigte" Volume und Tone Potis einen Einfluss auf den Klang des Instruments haben. Lötet man also einfach den / die Pickup(s) an die Klinkenbuchse, kann sich der geliebte Klang verändern und zu "offen" / "direkt" wirken.
 Schaltplan A zeigt die "normale Schaltung" eines Precision Basses. Schaltplan B zeigt, wie diese Potis wirken, wenn das Volume Poti voll auf ist und keine Höhen weggeregelt wurden. Lötet man die Kabel des Pickups, zwei Widerstände und einen Kondensator an die Buchse, ersetzt man damit also die Potis bei nahezu identischem Klang.

Benennung	P-Bass nur mit Resonanzkorrektur (1)	Umbauten & Eigenbauten	Nummer	2.1.011
Bemerkungen / Besonderheiten	Ohne Volume und Tone, jedoch mit Resonanzkorrektur	gezeichnet von	gezeichnet am	Seite
		Cadfael	09.09.17	311



Fester Widerstand

Beispiele für mögliche Werte des Widerstands
100 k
150 k
220 k
330 k
470 k
680 k
1 M

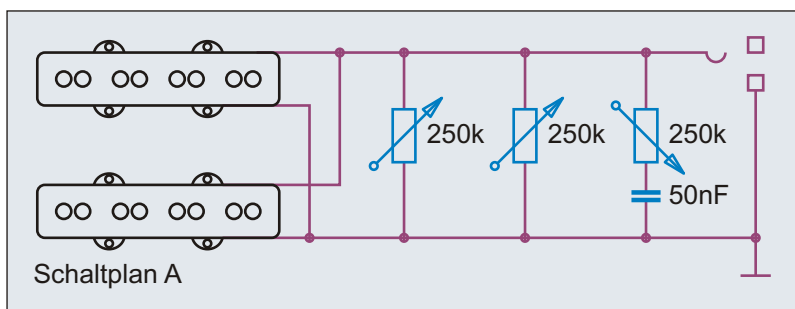
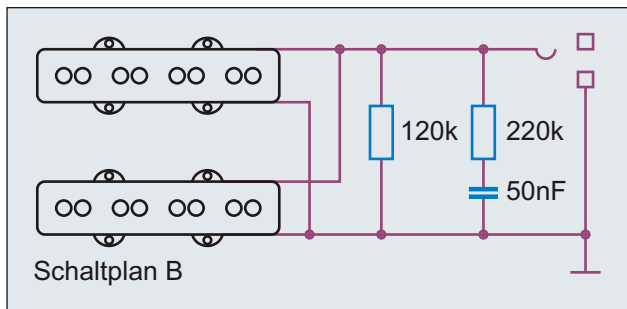
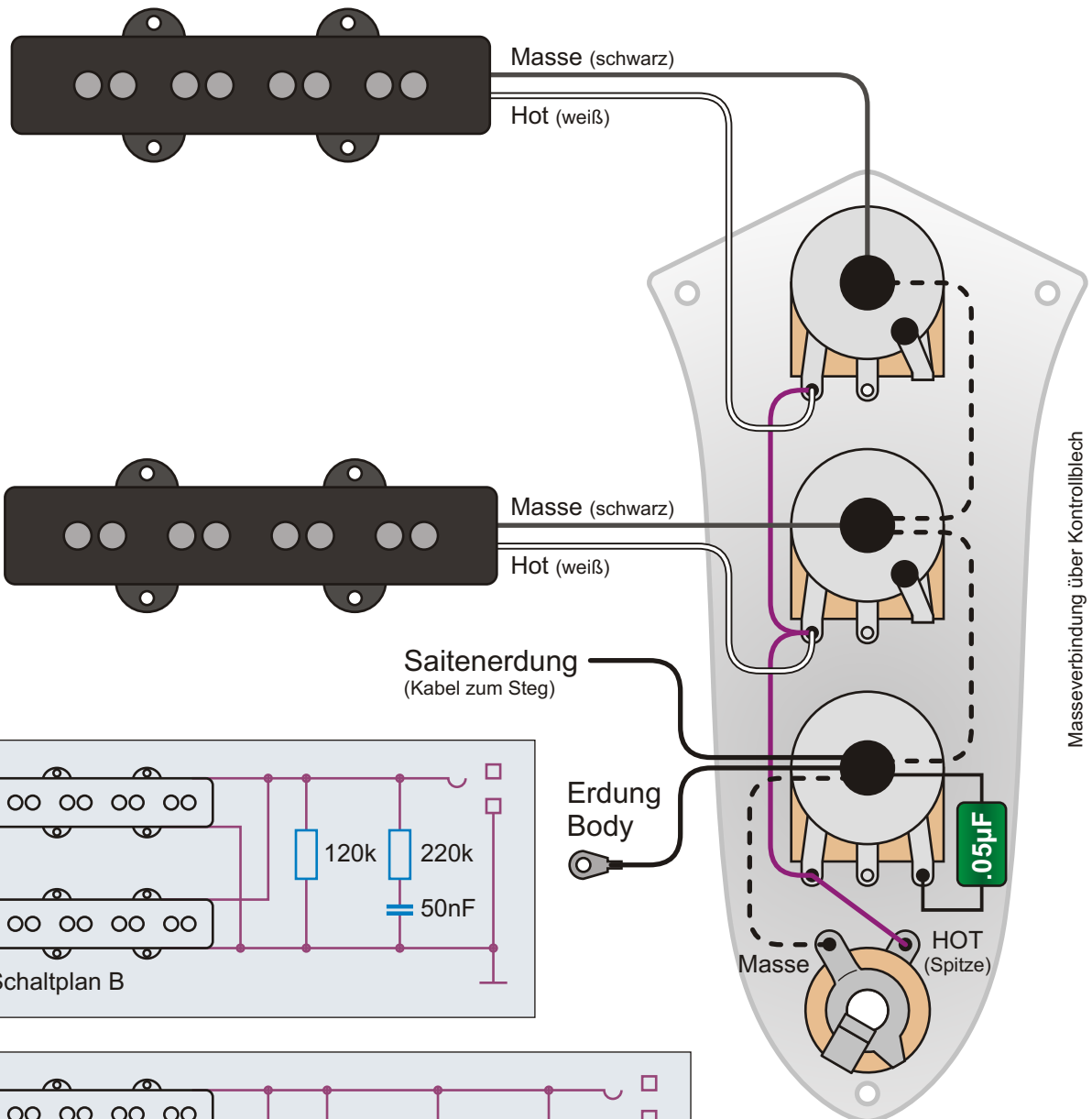


Optimierung der Resonanzfrequenz

Wer gerne bastelt und experimentiert, kann durch Versuche herausfinden, welcher Ersatzwiderstand für seinen eigenen, individuellen Bass, zusammen mit den bevorzugten Saiten den optimalen Klang erzeugt. Dazu lötet man zwei Kabel an die Klinkenbuchse und verbindet die Kabel, wie oben gezeigt, mit einem 500k Trimpoti. Die Kabel kann man aus dem dem E-Fach, unter dem Pickguard oder der Kontrollplatte herausführen, so dass man das Trimpoti verstellen kann, ohne jedes Mal an die Klinkenbuchse zu müssen. Hat man die Einstellung gefunden, deren Sound einem persönlich am besten gefällt, kann man die Kabel ablöten und den eingestellten Widerstand mit einem Multimeter messen. Lässt man die Kabel während des Messens an der Klinkenbuchse, beeinflusst der Widerstand des Pickups den Messwert! Nun kann man einen einfachen, festen Widerstand mit dem gemessenen Wert an die Klinkenbuchse löten. Man kann natürlich auch das Trimpoti mit Isolierklebeband umwickeln und es im E-Fach platzieren.

Benennung	P-Bass nur mit Resonanzkorrektur (2)	Umbauten & Eigenbauten	Nummer	2.1.012
Bemerkungen / Besonderheiten	Ohne Volume und Tone, jedoch mit einstellbarer Resonanzkorrektur	gezeichnet von	gezeichnet am	Seite
		Cadfael	09.09.17	312

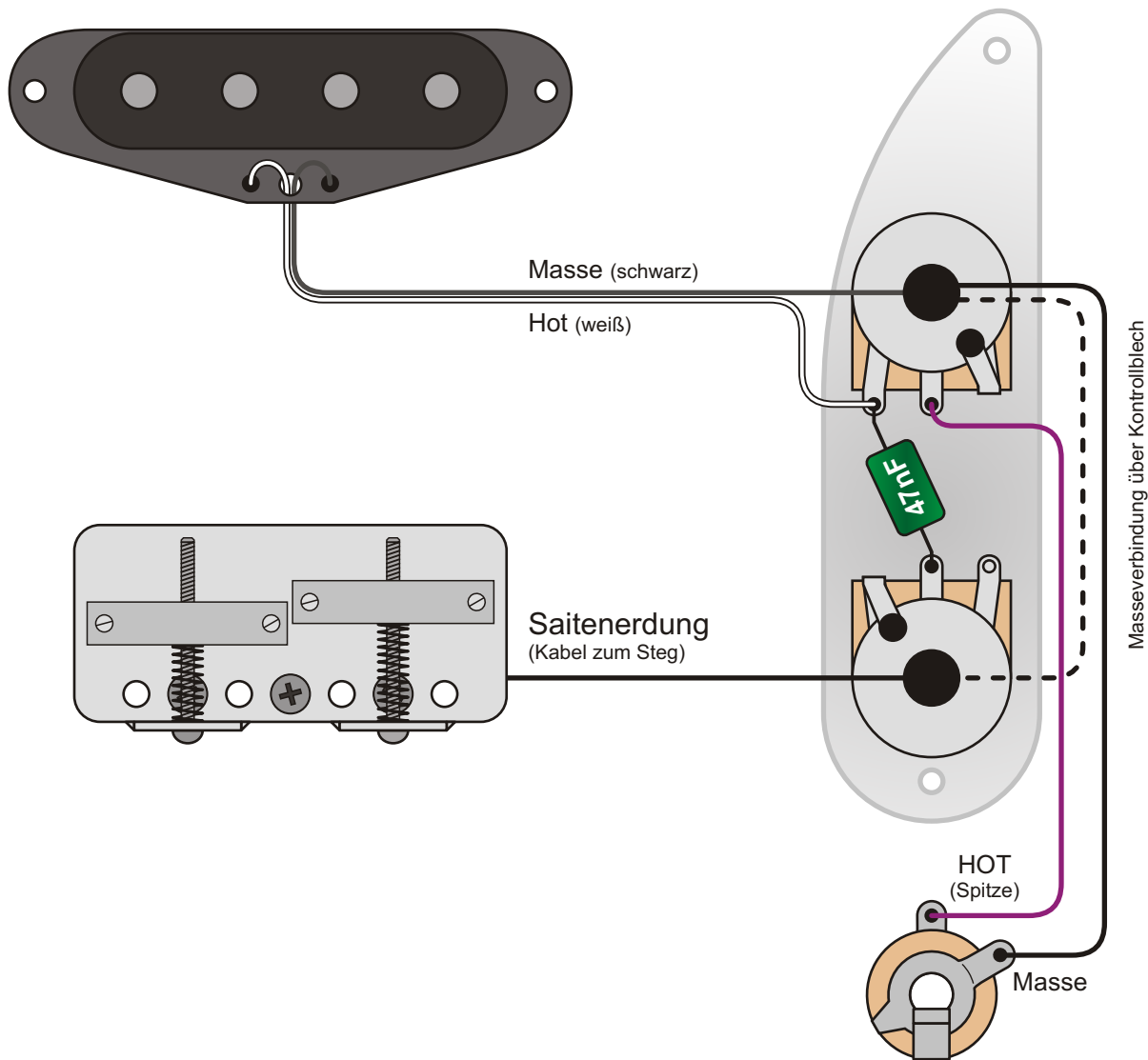
Idee, Recherche, Autor, Zeichnungen, Grafiken, Diagramme, Layout und Design: Andreas "Cadfael" Kühn - Nutzung ausschließlich zu privaten, nicht kommerziellen Zwecken und auf eigene Gefahr! Alle Angaben ohne Gewähr, Irrtümer vorbehalten!



$$\frac{1}{R_1} + \frac{1}{R_2} = \frac{1}{R_{ges}}$$

Optimierung der Resonanzfrequenz
 Wer den Klang und die Potiknöpfe seines Jazz Bass beibehalten, die Potis jedoch außer Kraft setzen will, für den ist Schaltung A etwas. Man braucht nur die Kabel, die zu den Schleifern gehen, an den "linken" Kontakt des betreffenden Potis zu löten. Das geht natürlich auch bei einem Precision Bass etc. Der Bass klingt so, als wären alle Potis voll aufgedreht. Will man den Klang beibehalten, jedoch die Potis komplett rausschmeißen, sollte man wie in Schaltung B verkabeln. Der Wert von 100k ergibt sich durch die beiden parallelen 250k Potis.

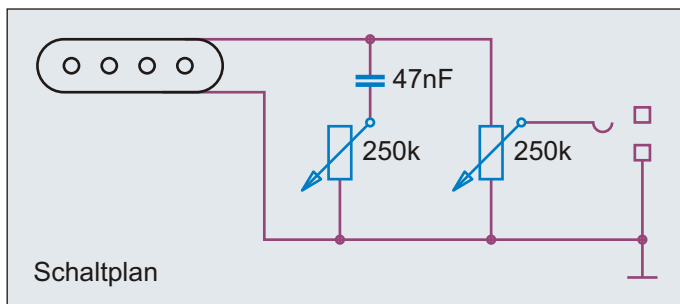
Benennung	J-Bass nur mit Resonanzkorrektur	Umbauten & Eigenbauten	Nummer
Bemerkungen / Besonderheiten	Ohne Volume und Tone, jedoch mit Resonanzkorrektur	gezeichnet von	gezeichnet am
		Cadfael	09.09.17
			Seite
			313



Regler	Wert
Master Volume	250 k log. / lin.
Master Tone	250 k log.

Fast ohne Kabel

Dies ist die abgewandelte Schaltung eines P51 Japan Reissue Basses. Durch das Umlöten des Kondensators liegt das Tone Poti nicht vor der Klinkenbuchse, sondern zwischen Pickup und Volume, was prinzipiell besser ist. Diese Schaltung kann man auch bei einem P57 Precision Bass machen.



Benennung **P-Bass Schaltung fast ohne Kabel**

Umbauten & Eigenbauten

Nummer 2.1.051

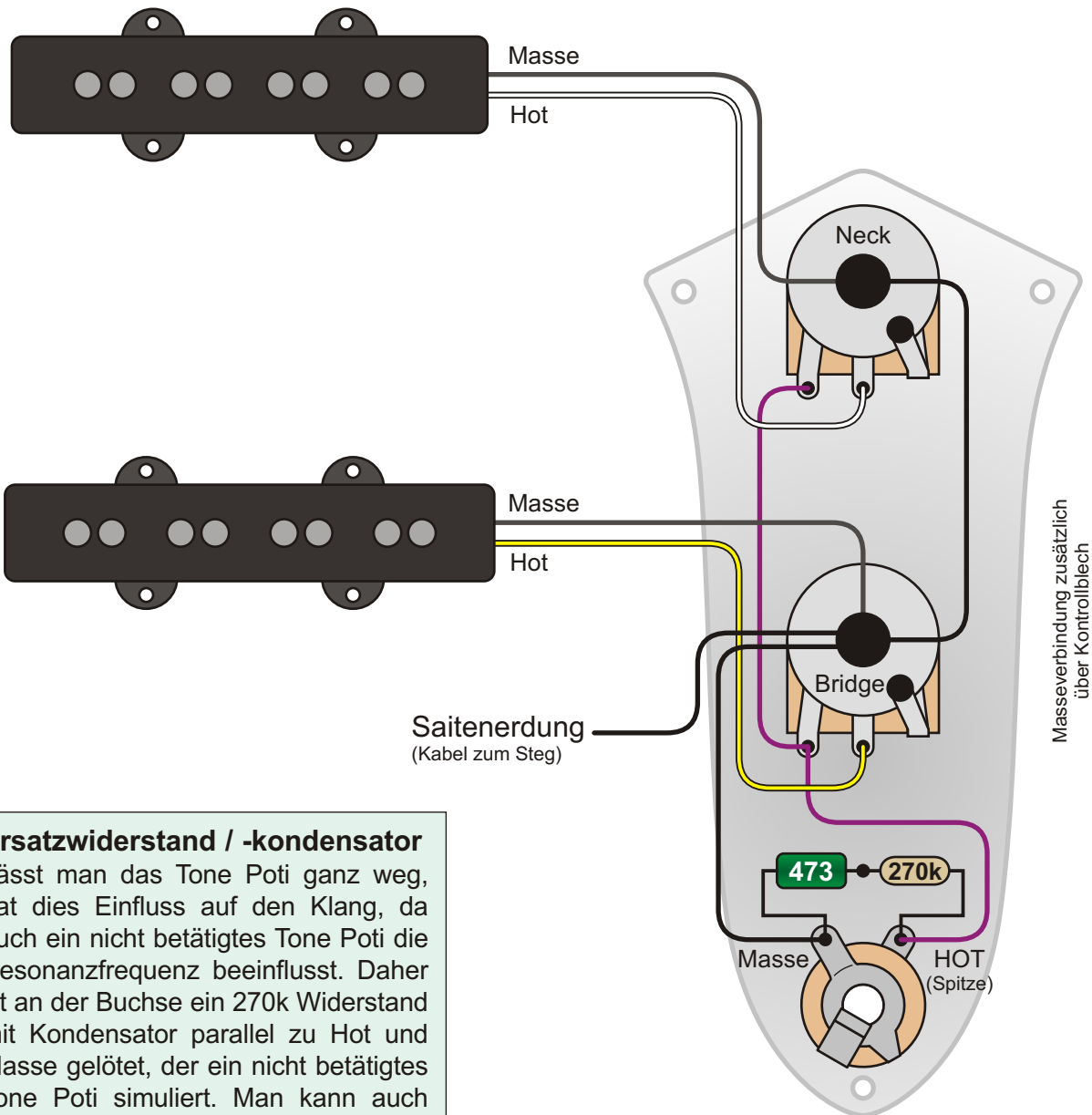
Bemerkungen / Besonderheiten

Spartanische Precision 51 (P57) Verkabelung

gezeichnet von
Cadfael

gezeichnet am
02.09.17

Seite
314



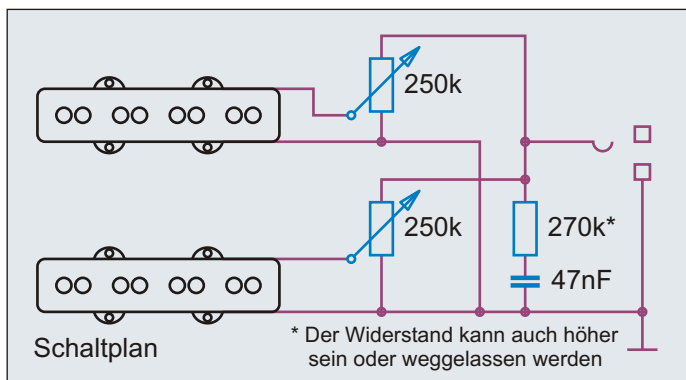
Ersatzwiderstand / -kondensator

Lässt man das Tone Poti ganz weg, hat dies Einfluss auf den Klang, da auch ein nicht betätigtes Tone Poti die Resonanzfrequenz beeinflusst. Daher ist an der Buchse ein 270k Widerstand mit Kondensator parallel zu Hot und Masse gelötet, der ein nicht betätigtes Tone Poti simuliert. Man kann auch einen höheren Widerstand einsetzen, oder (wie normal) Widerstand und Kondensator ganz weglassen.

Poti	Funktion
oben	Neck Volume
unten	Bridge Volume

Zwei Lautstärkereger

Hier die Schaltung eines Jazz Bass, bei dem das Tone Poti entfernt wurde. Statt der üblichen 1963er Kontrollplatte mit vier Löchern kann man man die 1960er - 1962er Kontrollplatte mit drei Löchern nehmen - oder man schließt das Gehäuse des Tone Potis ausschließlich an die Masse an und lötet den Kondensator ab.



Benennung **J-Bass, Neck + Bridge Volume**

Umbauten & Eigenbauten

Nummer 2.1.101

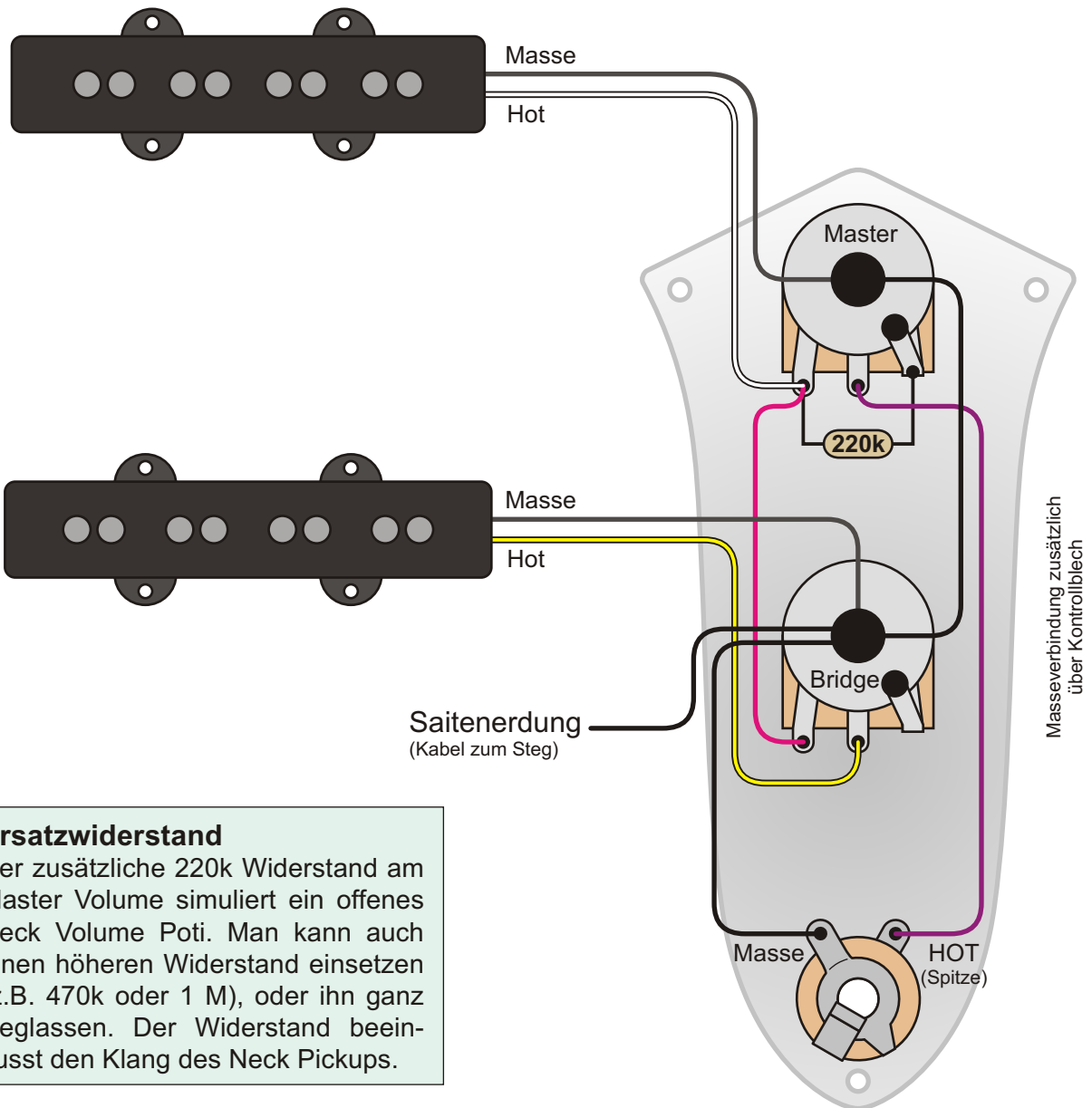
Bemerkungen / Besonderheiten

Neck Volume, Bridge Volume (mit Ersatzwiderstand)

gezeichnet von Cadfael

gezeichnet am 02.09.17

Seite 315



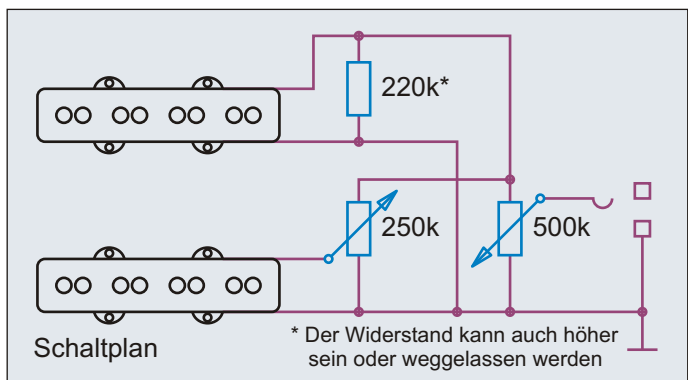
Ersatzwiderstand

Der zusätzliche 220k Widerstand am Master Volume simuliert ein offenes Neck Volume Poti. Man kann auch einen höheren Widerstand einsetzen (z.B. 470k oder 1 M), oder ihn ganz weglassen. Der Widerstand beeinflusst den Klang des Neck Pickups.

Master Volume plus zuregelbarer Bridge Pickup

Wer seinen Bridge PU nie alleine betreibt, sondern ihn immer nur in Verbindung mit dem Neck Pickup an hat, für den ist diese Schaltung eine deutliche Verbesserung. Das obere Poti regelt die Gesamtlautstärke. Das untere Poti regelt zwar immer noch den Bridge Pickup, dieser kann aber nie lauter als die Gesamtlautstärke sein; er ist lediglich zum Neck Pickup zumischbar.

Poti	Funktion
oben	Master Volume
unten	Bridge Volume



Benennung **J-Bass, Master + Bridge Volume**

Umbauten & Eigenbauten

Nummer 2.1.121

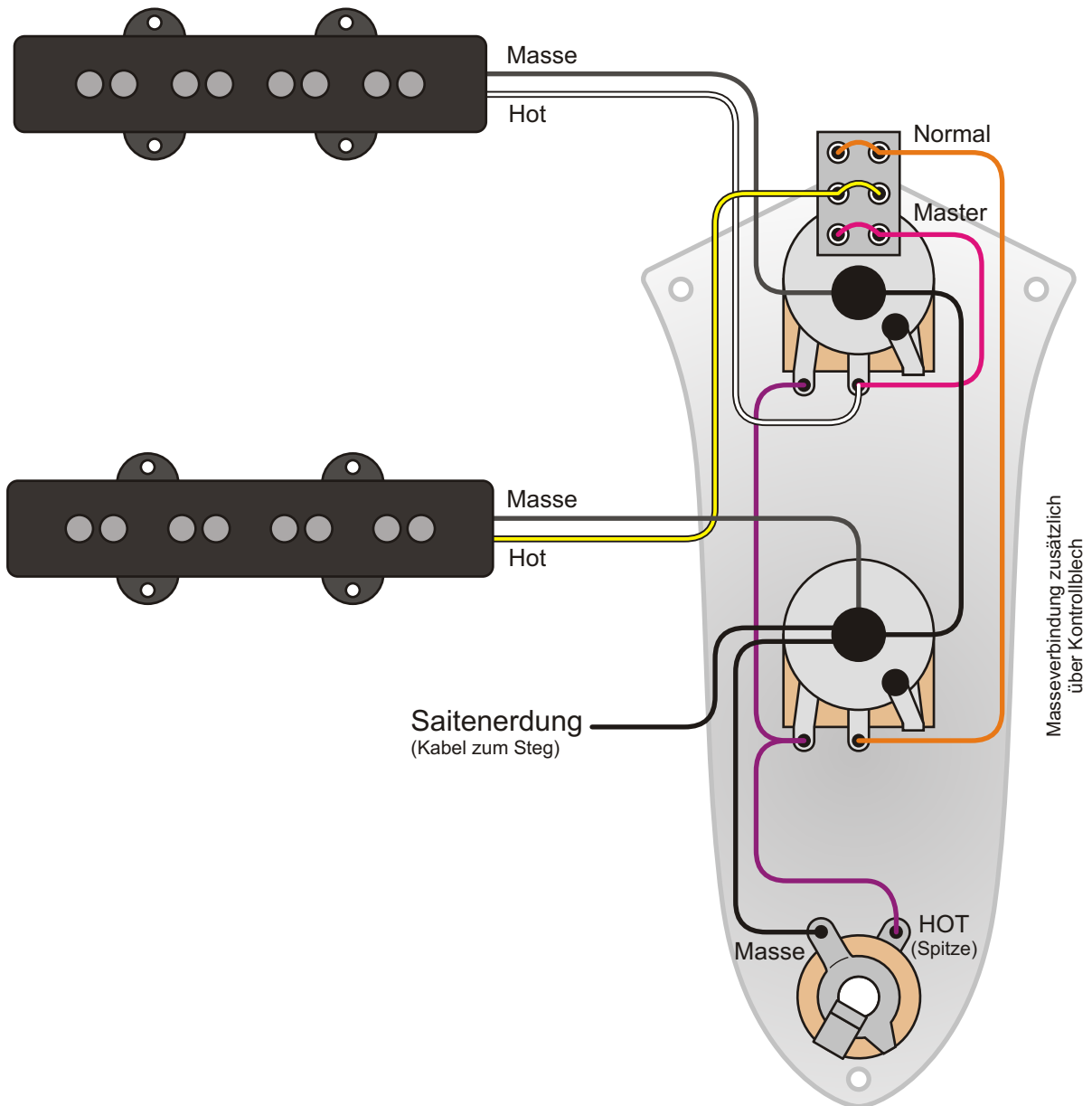
Bemerkungen / Besonderheiten

Master Volume, Bridge Volume (mit Ersatzwiderstand)

gezeichnet von Cadfael

gezeichnet am 02.09.17

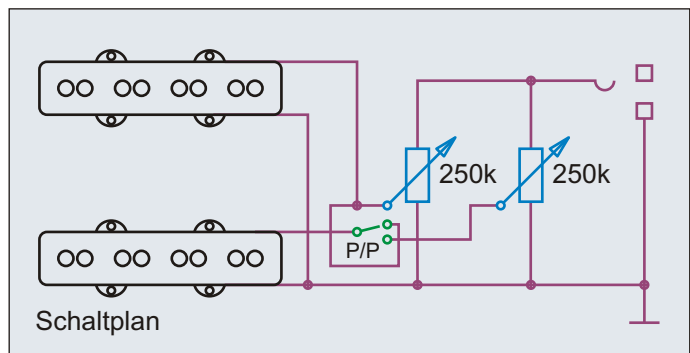
Seite 316



Push/Pull	Funktion
oben	Master Volume
unten	Normal

Master Volume oder klassische Schaltung

Nach unten gedrückt, wird das vordere Poti zum Master Volume Poti (Verhältnis der beiden Pickups immer gleich). Ist das Push/Pull Poti gezogen (oben), verhält sich die Schaltung wie die normale Jazz Bass Schaltung.



Benennung **J-Bass, Master / Normal**

Umbauten & Eigenbauten

Nummer 2.1.123

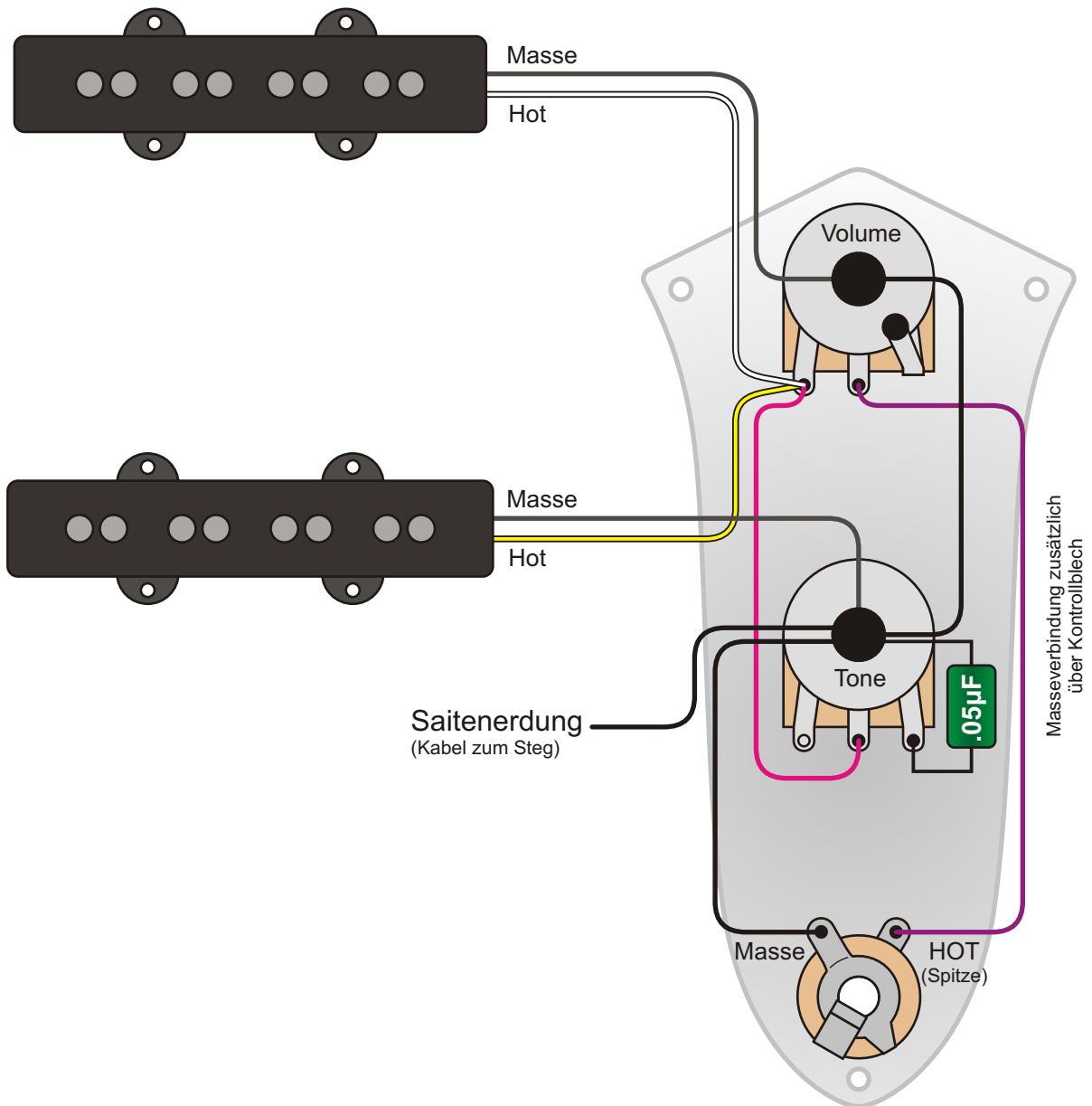
Bemerkungen / Besonderheiten

Master Volume oder normales Verhalten der Volume Potis

gezeichnet von Cadfael

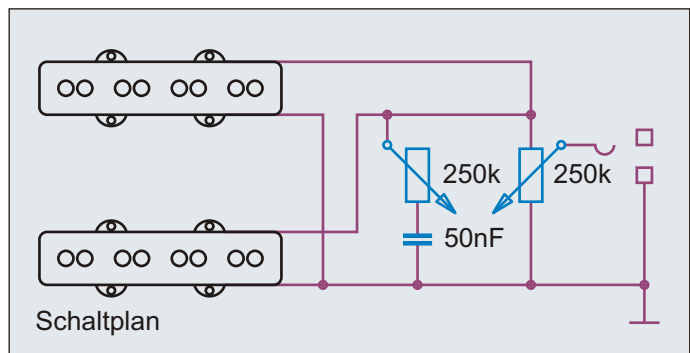
gezeichnet am 09.10.19

Seite 317

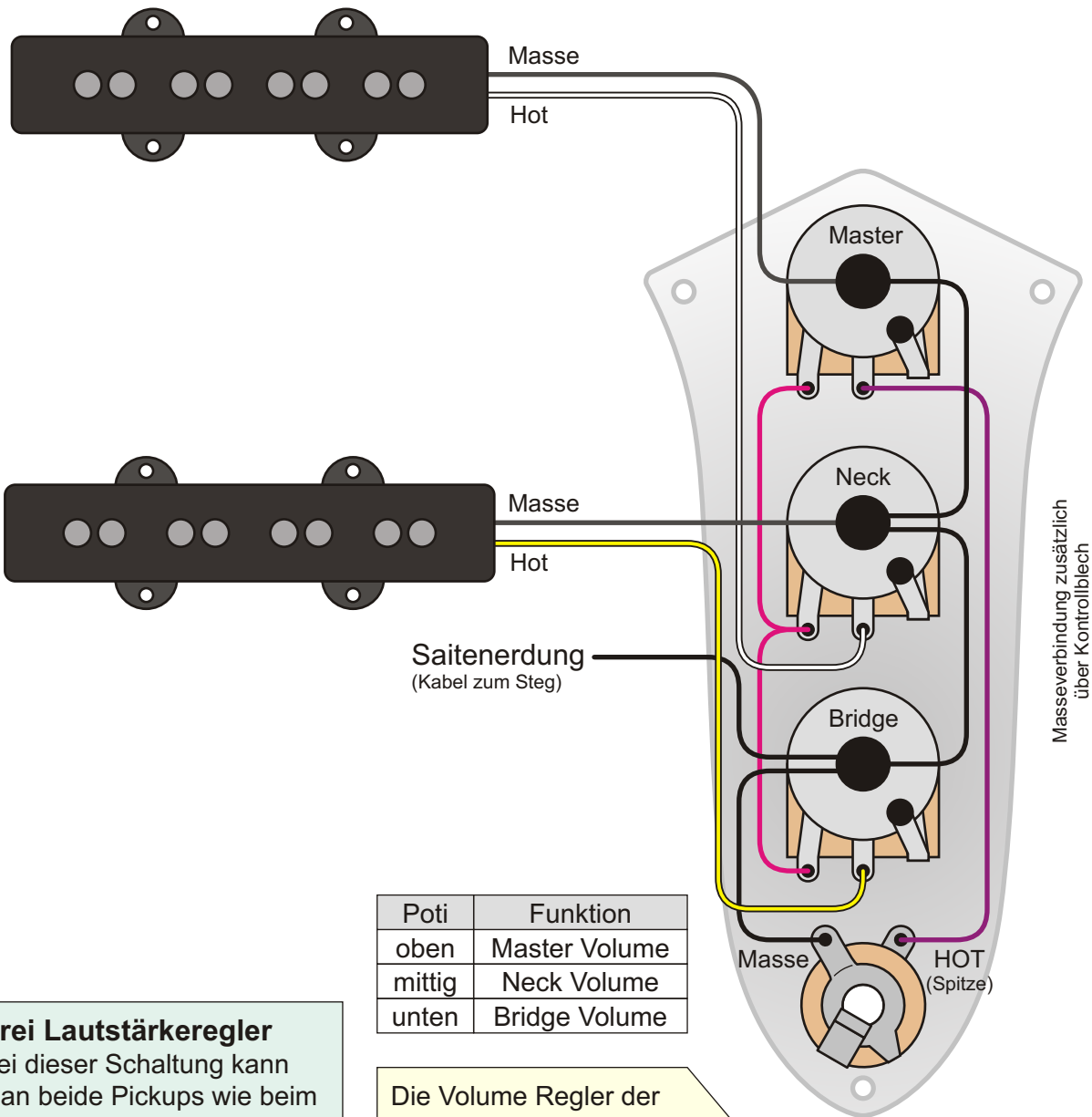


Master Volume plus Master Tone

Wer ständig beide Pickups seines Jazz Bass anhaben und nur die Lautstärke regulieren will, kann seinen Bass, wie hier zu sehen, verkabeln. Durch die Schaltung des Volume Potis hat der Bass nachher etwas mehr Höhen. Wem es zuviel Höhen sind, kann einen 220k Widerstand einfach parallel an die beiden Kontakte der Klinkenbuchse löten.



Benennung	J-Bass, Master + Tone		Umbauten & Eigenbauten	Nummer	2.1.131
Bemerkungen / Besonderheiten	Master Volume, Bridge Volume (mit Ersatzwiderstand)		gezeichnet von	gezeichnet am	Seite
			Cadfael	02.09.17	318



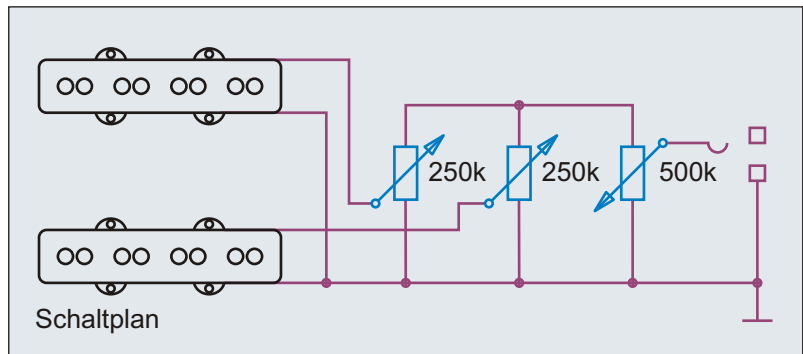
Poti	Funktion
oben	Master Volume
mittig	Neck Volume
unten	Bridge Volume

Drei Lautstärkereger

Bei dieser Schaltung kann man beide Pickups wie beim Original mit ihren Lautstärkereger nuanciert aufeinander abstimmen.

Will man die Gesamtlautstärke ändern, muss man nicht beide Volume-Regler neu justieren um das Mischungsverhältnis beizubehalten. Statt dessen dreht man einfach den Master-Volume-Regler zurück. Setzt man in der Mitte ein Tandem-Poti für Neck und Bridge Volume ein, kann das Tone-Poti im Jazz Bass belassen.

Die Volume Regler der einzelnen Pickups müssen wie beim Jazz Bass verdrahtet werden, damit sie den Bass bei zugeordneten Potis nicht stumm schalten. Der Master Volume Regler hingegen kann "normal" verdrahtet werden.



Benennung **J-Bass, Master + Pickup Volume (1)**

Umbauten & Eigenbauten

Nummer 2.1.141

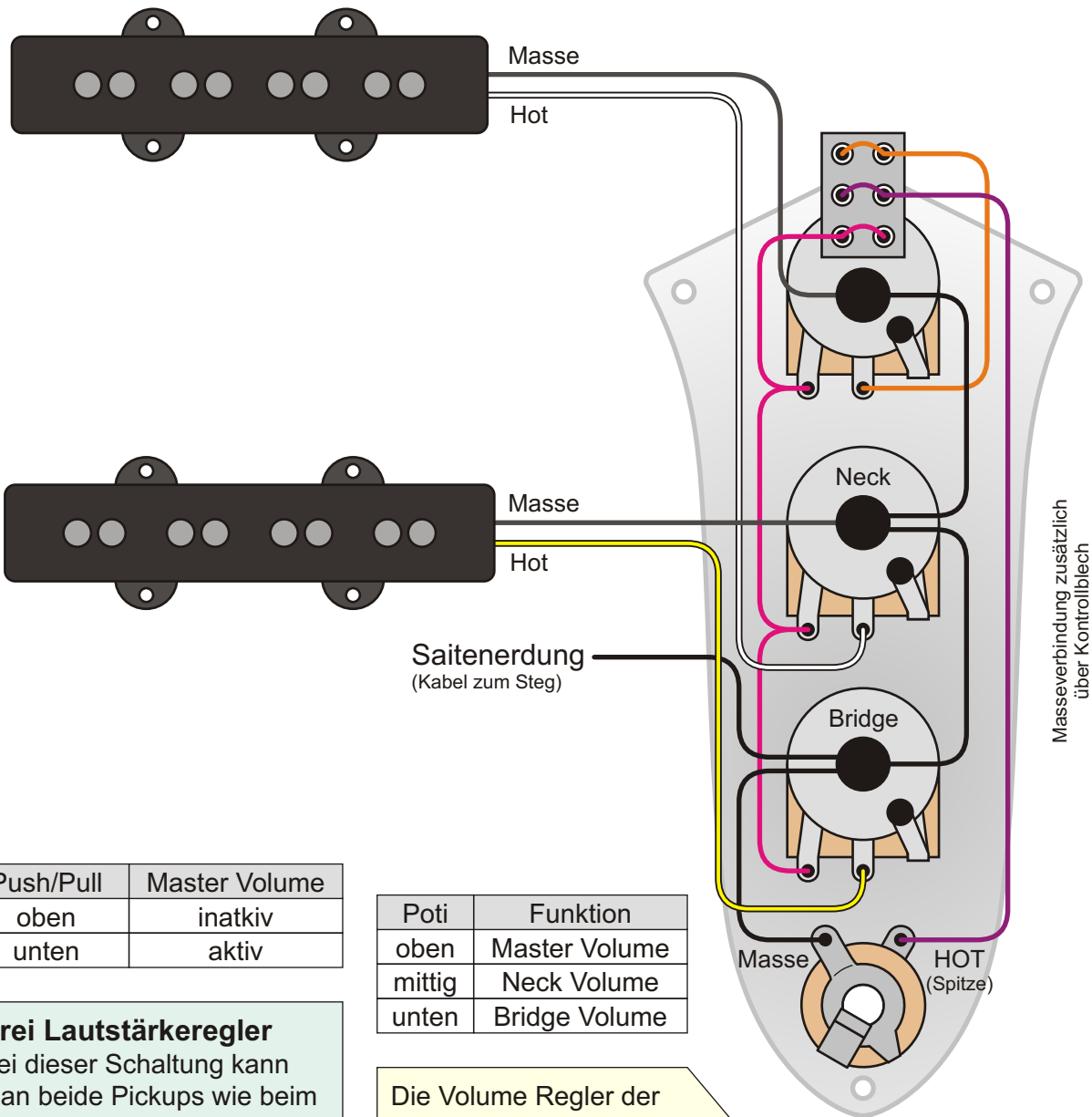
Bemerkungen / Besonderheiten

Master Volume, Neck Volume, Bridge Volume

gezeichnet von Cadfael

gezeichnet am 02.09.17

Seite 319



Push/Pull	Master Volume
oben	inaktiv
unten	aktiv

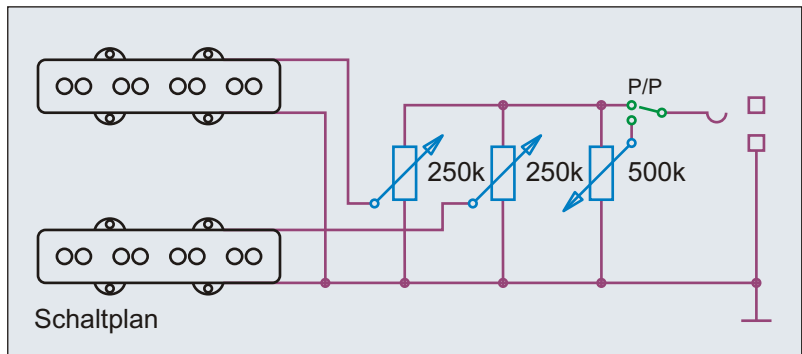
Poti	Funktion
oben	Master Volume
mittig	Neck Volume
unten	Bridge Volume

Drei Lautstärkereger

Bei dieser Schaltung kann man beide Pickups wie beim Original mit ihren Lautstärkereger nuanciert aufeinander abstimmen.

Will man die Gesamtlautstärke ändern, muss man nicht beide Volume-Regler neu justieren um das Mischungsverhältnis beizubehalten. Statt dessen dreht man einfach den Master-Volume-Regler zurück. Setzt man in der Mitte ein Tandem-Poti für Neck und Bridge Volume ein, kann das Tone-Poti im Jazz Bass belassen.

Die Volume Regler der einzelnen Pickups müssen wie beim Jazz Bass verdrahtet werden, damit sie den Bass bei zugeordneten Potis nicht stumm schalten. Der Master Volume Regler hingegen kann "normal" verdrahtet werden.



Benennung **J-Bass, Master + Pickup Volume (2)**

Umbauten & Eigenbauten

Nummer 2.1.143

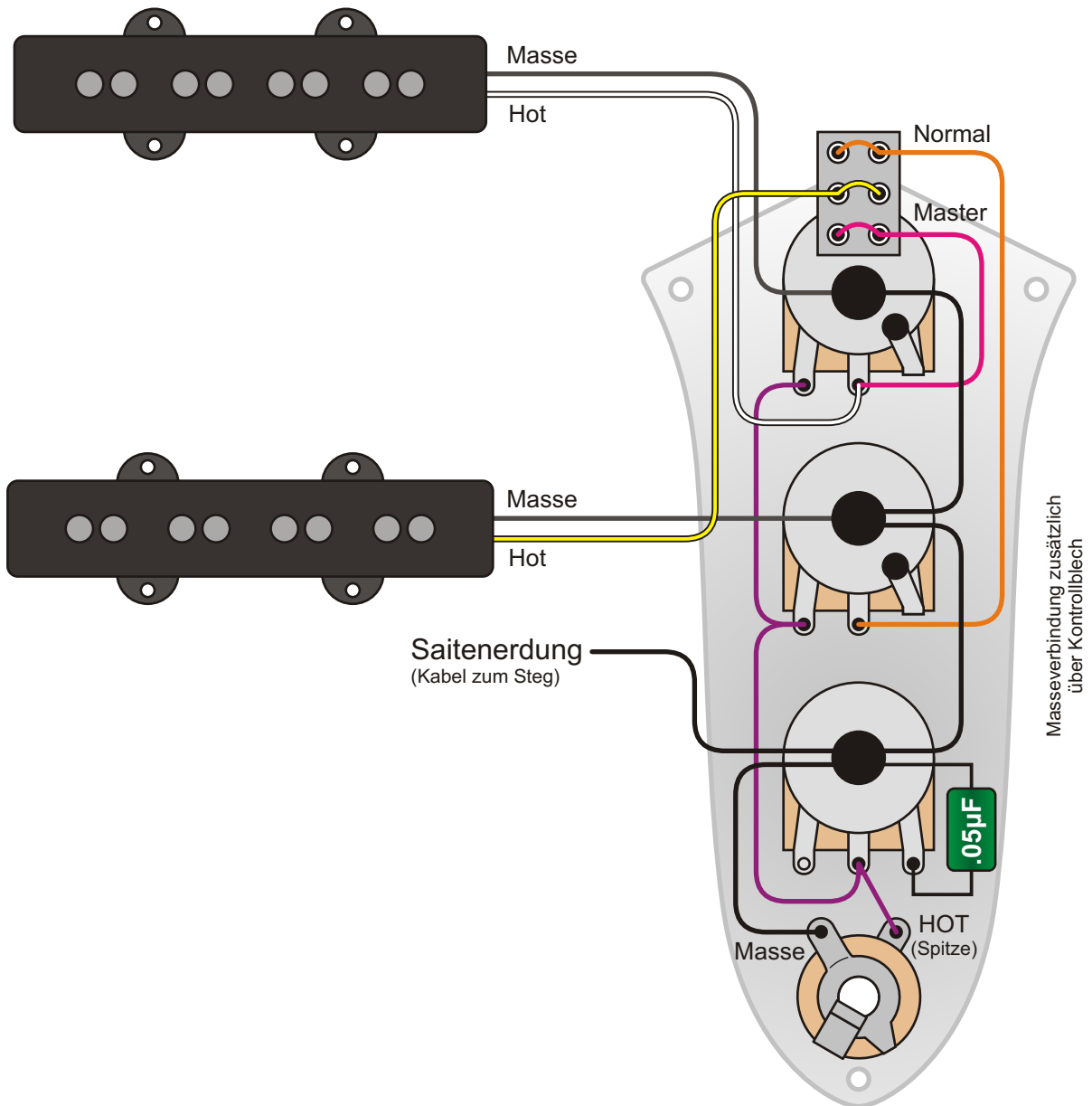
Bemerkungen / Besonderheiten

Master Volume (an/aus), Neck Volume, Bridge Volume

gezeichnet von Cadfael

gezeichnet am 02.09.17

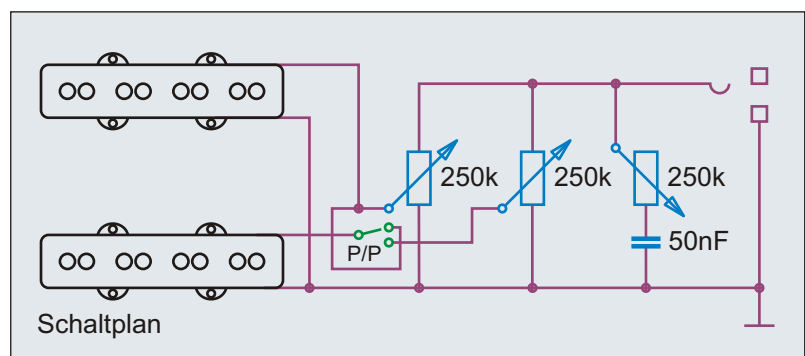
Seite 320



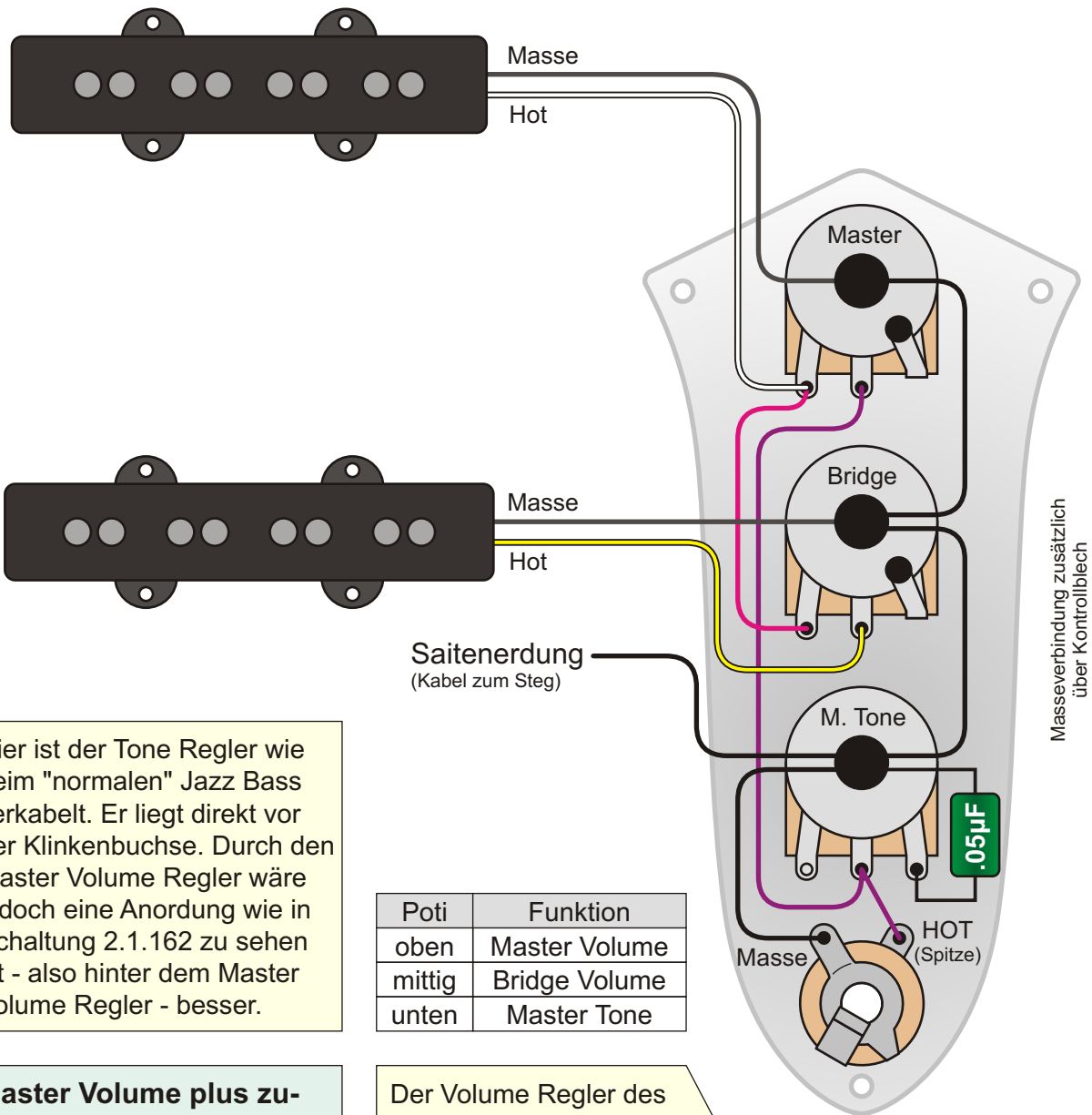
Push/Pull	Funktion
oben	Master Volume
unten	Normal

Master Volume oder klassische Schaltung

Nach unten gedrückt, wird das vordere Poti zum Master Volume Poti (Verhältnis der beiden Pickups immer gleich). Ist das Push/Pull Poti gezogen (oben), verhält sich die Schaltung wie die normale Schaltung eines Jazz Bass.



Benennung	J-Bass, Master / Normal	Umbauten & Eigenbauten	Nummer
Bemerkungen / Besonderheiten	Master Volume oder normales Verhalten der Volume Potis	gezeichnet von	2.1.151
		Cadfael	gezeichnet am
			02.09.17
			Seite
			321



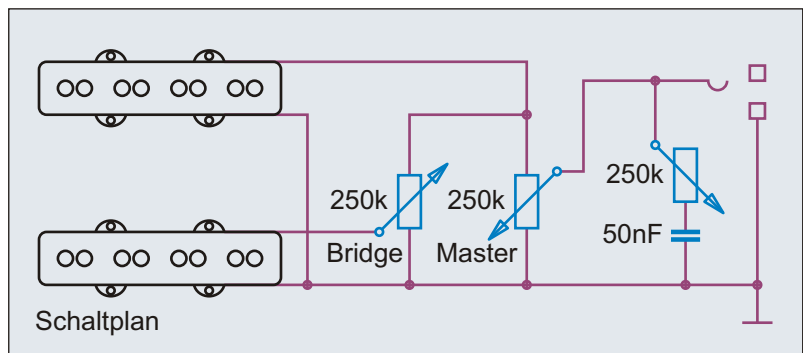
Hier ist der Tone Regler wie beim "normalen" Jazz Bass verkabelt. Er liegt direkt vor der Klinkenbuchse. Durch den Master Volume Regler wäre jedoch eine Anordnung wie in Schaltung 2.1.162 zu sehen ist - also hinter dem Master Volume Regler - besser.

Poti	Funktion
oben	Master Volume
mittig	Bridge Volume
unten	Master Tone

Master Volume plus zu-regelbarer Bridge Pickup

Wer seinen Bridge Pickup nie alleine betreibt sondern ihn immer nur in Verbindung mit dem Neck Pickup an hat, für den ist diese Schaltung eine deutliche Verbesserung. Das obere Poti regelt die Gesamtlautstärke. Das mittlere Poti regelt zwar immer noch den Bridge Pickup, dieser kann aber nie lauter als die Gesamtlautstärke sein; er ist lediglich zum Neck Pickup zumischbar.

Der Volume Regler des Bridge Pickups muss wie bei einem Jazz Bass verdrahtet werden, damit er den Bass bei zugedrehtem Poti nicht stumm schaltet. Hingegen kann der Master Volume Regler "normal" verdrahtet werden.



Benennung **J-Bass, zublendbarer Bridge PU (1)**

Umbauten & Eigenbauten

Nummer 2.1.161

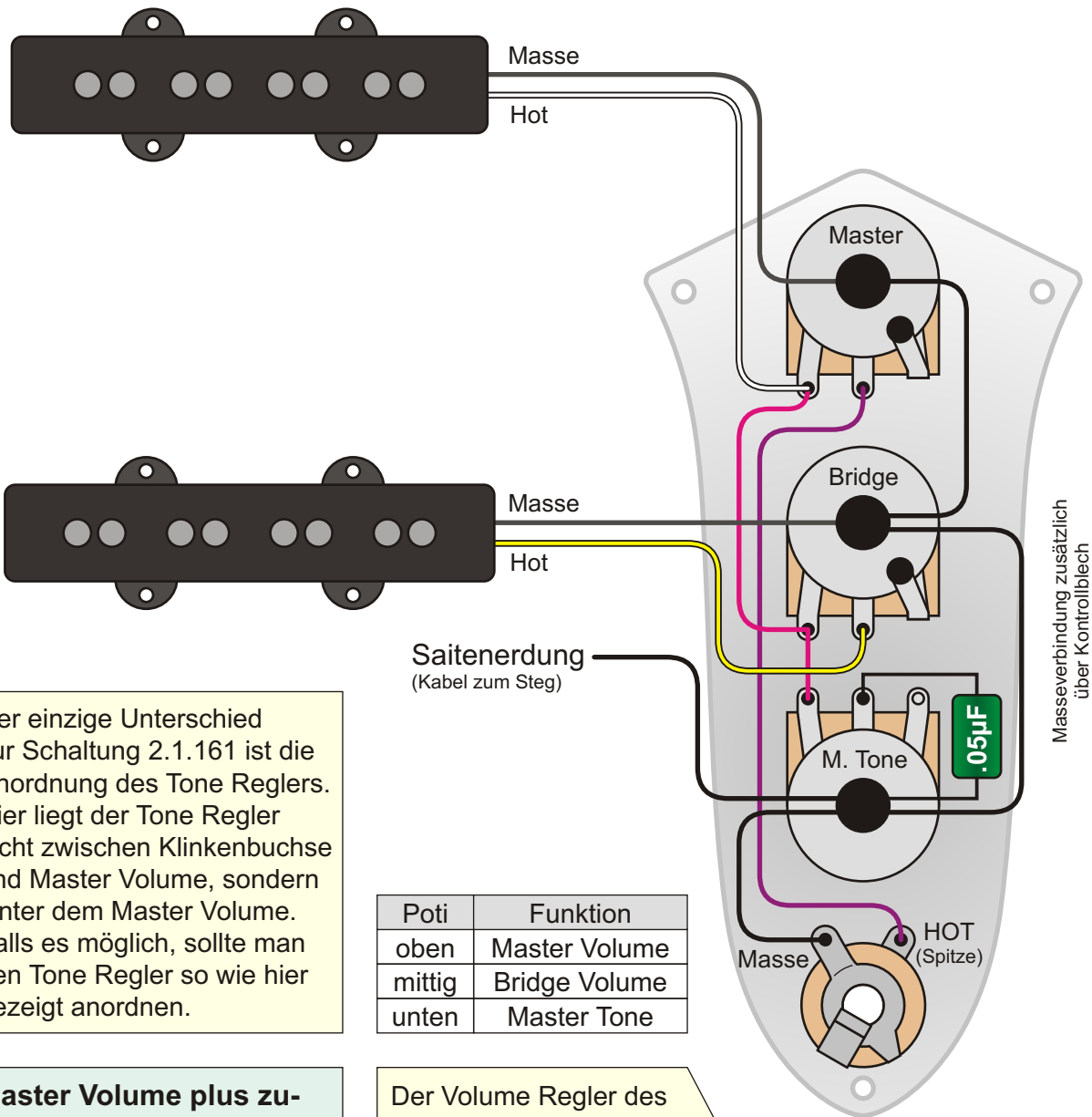
Bemerkungen / Besonderheiten

Master Volume, Master Tone, zublendbarer Bridge Pickup

gezeichnet von Cadfael

gezeichnet am 02.09.17

Seite 322



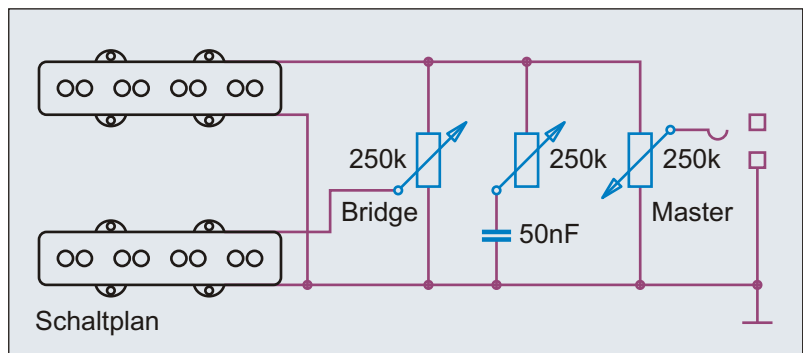
Der einzige Unterschied zur Schaltung 2.1.161 ist die Anordnung des Tone Reglers. Hier liegt der Tone Regler nicht zwischen Klinkenbuchse und Master Volume, sondern hinter dem Master Volume. Falls es möglich, sollte man den Tone Regler so wie hier gezeigt anordnen.

Poti	Funktion
oben	Master Volume
mittig	Bridge Volume
unten	Master Tone

Master Volume plus zu-regelbarer Bridge Pickup

Wer seinen Bridge Pickup nie alleine betreibt sondern ihn immer nur in Verbindung mit dem Neck Pickup an hat, für den ist diese Schaltung eine deutliche Verbesserung. Das obere Poti regelt die Gesamtlautstärke. Das mittlere Poti regelt zwar immer noch den Bridge Pickup, dieser kann aber nie lauter als die Gesamtlautstärke sein; er ist lediglich zum Neck Pickup zumischbar.

Der Volume Regler des Bridge Pickups muss wie bei einem Jazz Bass verdrahtet werden, damit er den Bass bei zugekehrtem Poti nicht stumm schaltet. Hingegen kann der Master Volume Regler "normal" verdrahtet werden.



Benennung **J-Bass, zublendbarer Bridge PU (2)**

Umbauten & Eigenbauten

Nummer 2.1.162

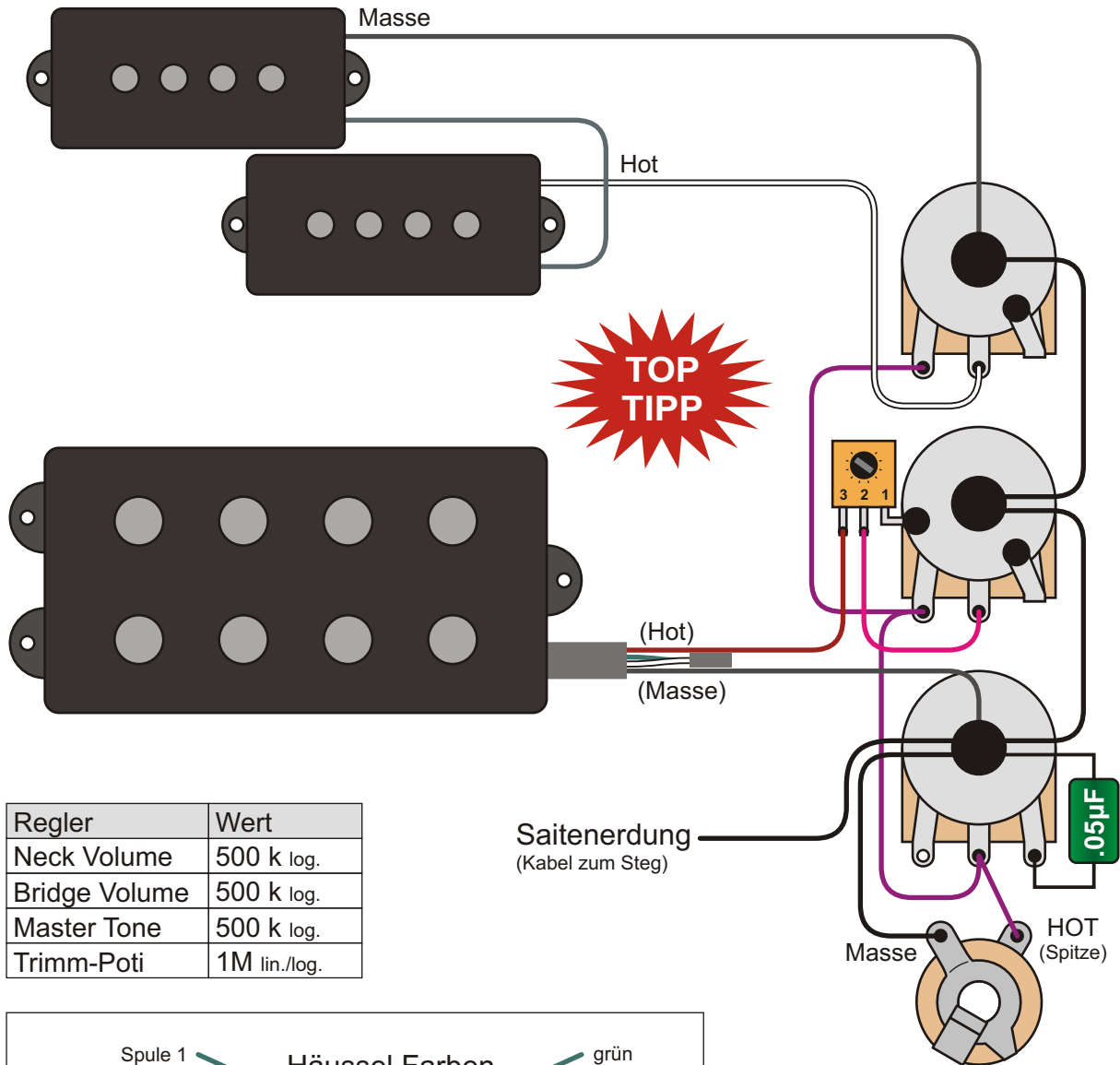
Bemerkungen / Besonderheiten

Master Volume, Master Tone, zublendbarer Bridge Pickup

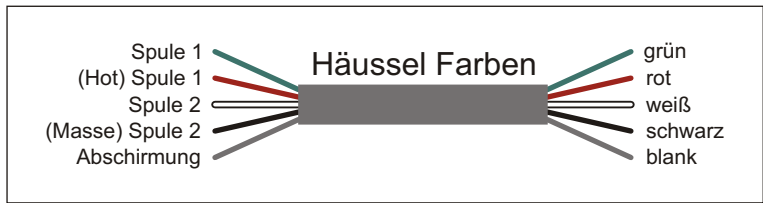
gezeichnet von Cadfael

gezeichnet am 02.09.17

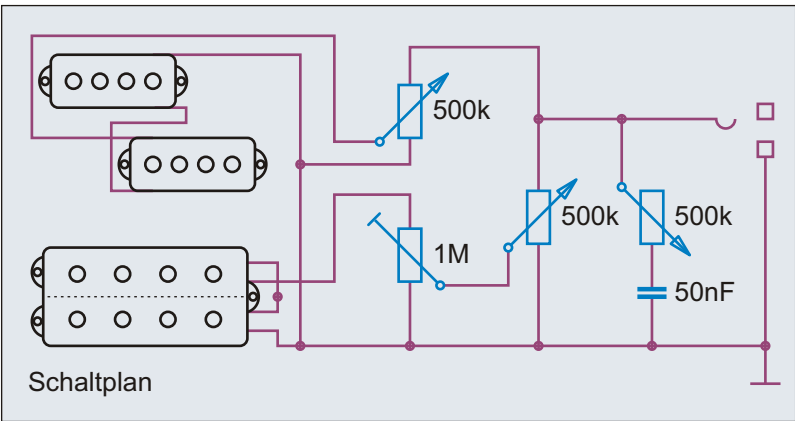
Seite 323



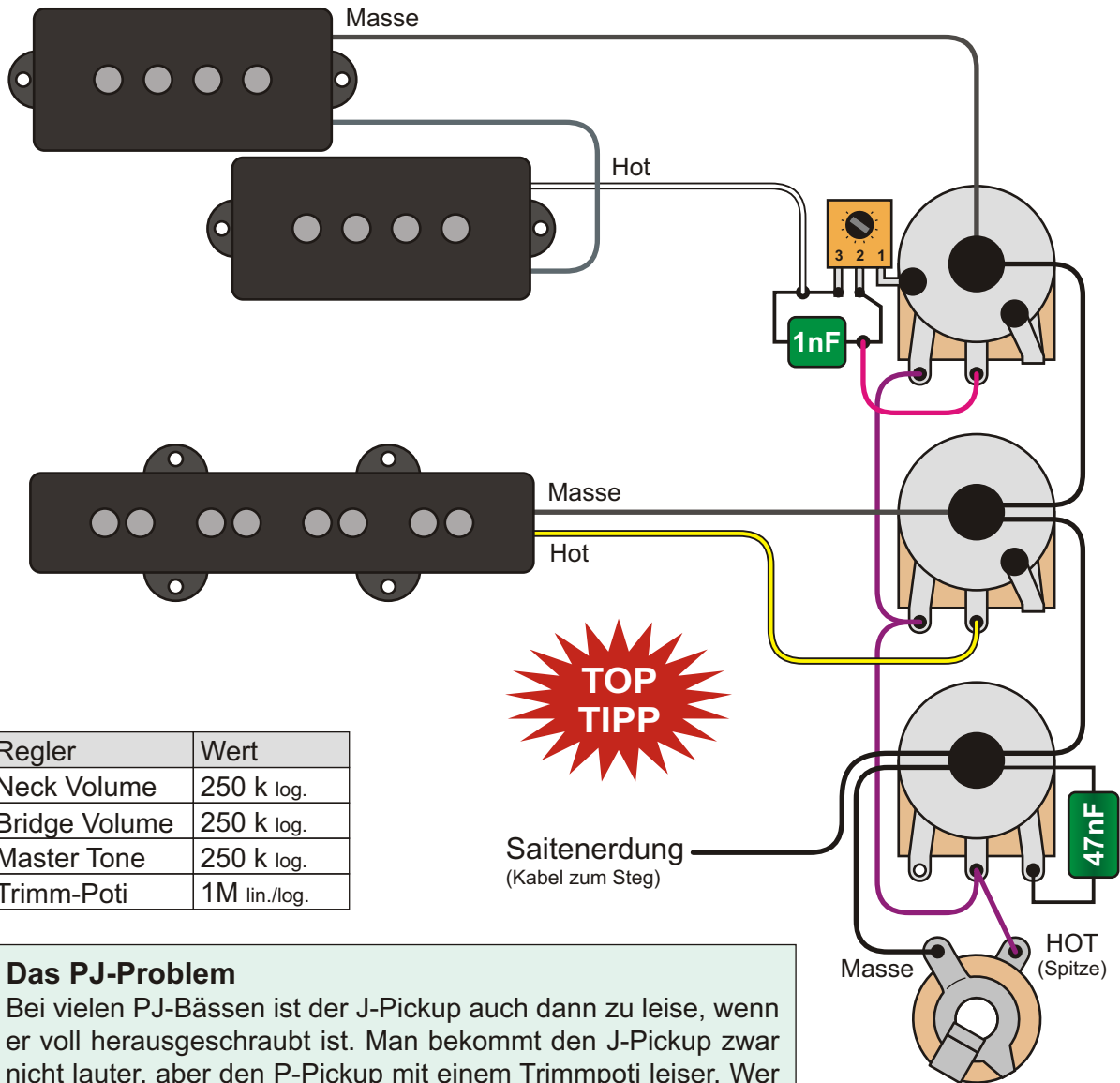
Regler	Wert
Neck Volume	500 k log.
Bridge Volume	500 k log.
Master Tone	500 k log.
Trimm-Poti	1M lin./log.



Trimm-Poti
Ist ein Pickup im Vergleich zum anderen Pickup viel zu laut, kann man bei dem lauterem Pickup ein Trimm-Poti zwischenschalten. Das Poti ist nur vom Elektrikfach aus zugänglich und wird nur einmal fest eingestellt. Mit Hilfe des Trimm-Potis kann man die Lautstärken angleichen.



Benennung PM-Bass, Lautstärkeangleichung (1)		Umbauten & Eigenbauten		Nummer 2.1.201
Bemerkungen / Besonderheiten Neck Volume, Bridge Volume (mit Lautstärkeangleichung), Tone		gezeichnet von Cadfael	gezeichnet am 02.09.17	Seite 324

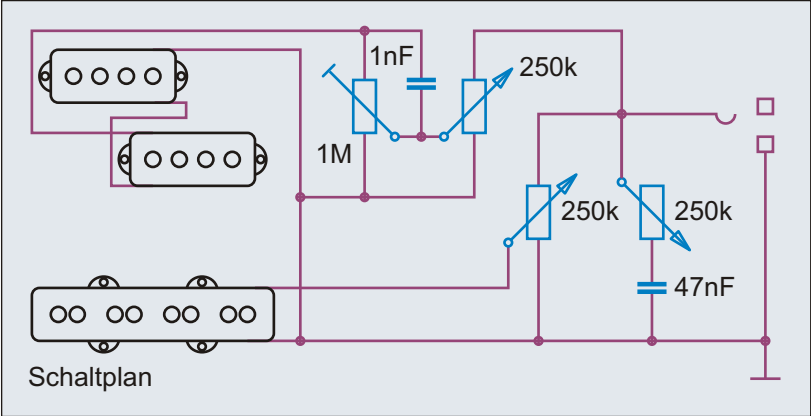


Saitenerdung
(Kabel zum Steg)

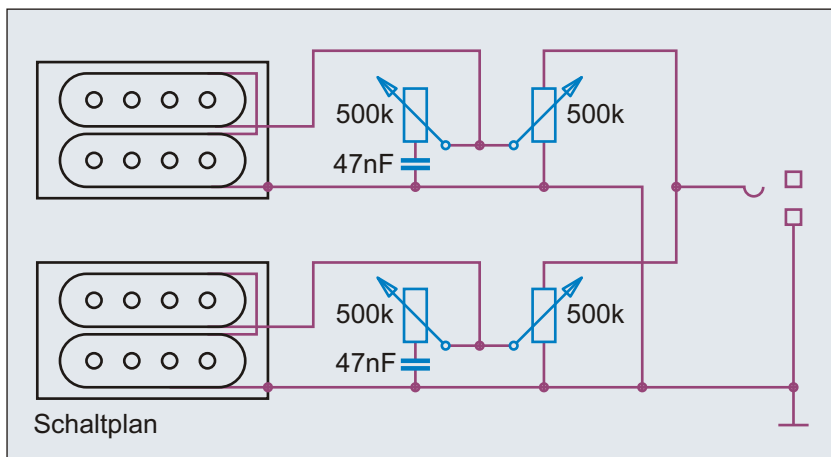
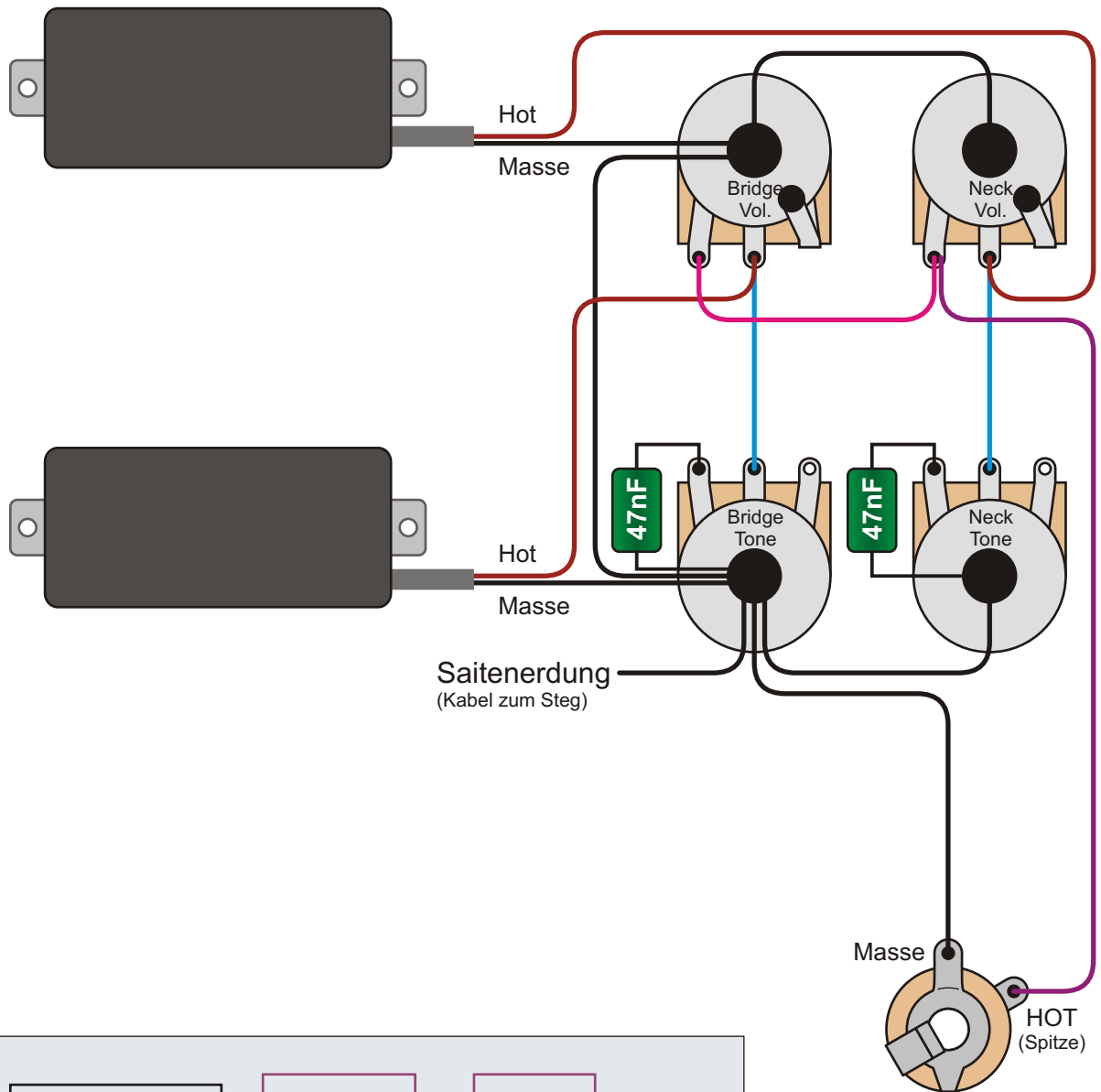
Regler	Wert
Neck Volume	250 k log.
Bridge Volume	250 k log.
Master Tone	250 k log.
Trimm-Poti	1M lin./log.

Das PJ-Problem
Bei vielen PJ-Bässen ist der J-Pickup auch dann zu leise, wenn er voll herausgeschraubt ist. Man bekommt den J-Pickup zwar nicht lauter, aber den P-Pickup mit einem Trimpoti leiser. Wer aus knackige Höhen steht, kann zusätzlich einen Kondensator mit 220 pF bis 1 nF anlöten, der die Höhen bei der Lautstärkeminderung durch das Trimpoti nicht mit beeinflusst.

Trimm-Poti
Ist ein Pickup im Vergleich zum anderen Pickup viel zu laut, kann man bei dem lauterem Pickup ein Trimm-Poti zwischenschalten. Das Poti ist nur vom Elektrikfach aus zugänglich und wird nur einmal fest eingestellt. Mit Hilfe des Trimm-Potis kann man die Lautstärken angleichen.



Benennung PJ-Bass, Lautstärkeangleichung (2)		Umbauten & Eigenbauten		Nummer 2.1.211
Bemerkungen / Besonderheiten Neck Volume (mit Lautstärkeangleichung), Bridge Volume, Tone		gezeichnet von Cadfael	gezeichnet am 02.09.17	Seite 325



Regler	Wert
Neck Volume	500 k lin./log.
Neck Tone	500 k log.
Bridge Volume	500 k lin./log.
Bridge Tone	500 k log.

Volume und Tone für jeden Pickup ohne Schalter

Im Grunde ist diese Schaltung nichts anderes als die Gibson Les Paul Schaltung 1.3.551. Die minimalistische Verkabelung der Gibson Schaltung ist aber "für heutige Zeiten" sehr ungewöhnlich. Die hier gezeigte Variante könnte man als "modernere Version" bezeichnen.

Benennung **VTT Bass ohne Schalter**

Umbauten & Eigenbauten

Nummer 2.1.241

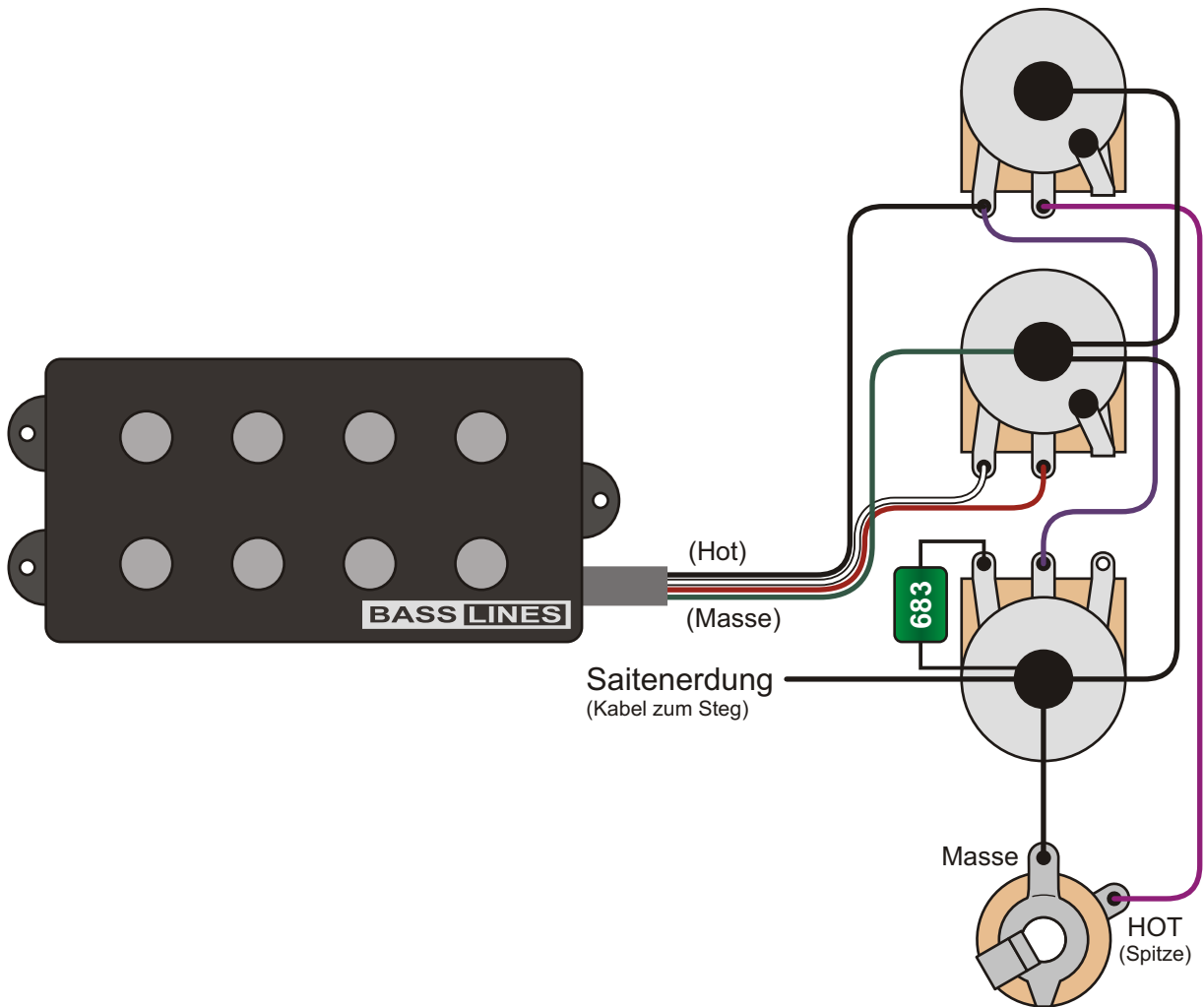
Bemerkungen / Besonderheiten

2x Volume, 2x Tone, kein Schalter

gezeichnet von
Cadfael

gezeichnet am
02.09.17

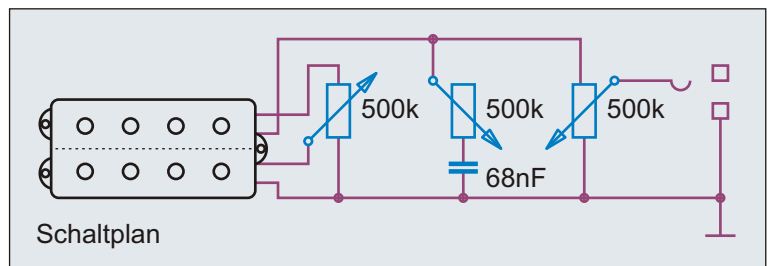
Seite
326



Regler	Wert
Master Volume	500 k lin./log.
Spulenblende	500 k lin./log.
Master Tone	500 k log.

Seriell mit Spulenblende (1)

Ist die Spulenblende voll aufgedreht, sind die Anschlüsse des Humbuckers verbunden. Dreht man die Blende zu, wird die untere Spule gegen Masse kurzgeschlossen und verstummt. So kann man zwischen Humbucker und SC stufenlos regeln.



Benennung **MM-Bass, seriell mit Spulenblende (1)**

Umbauten & Eigenbauten

Nummer 2.1.301

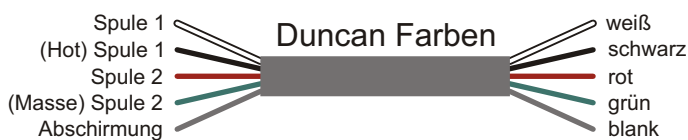
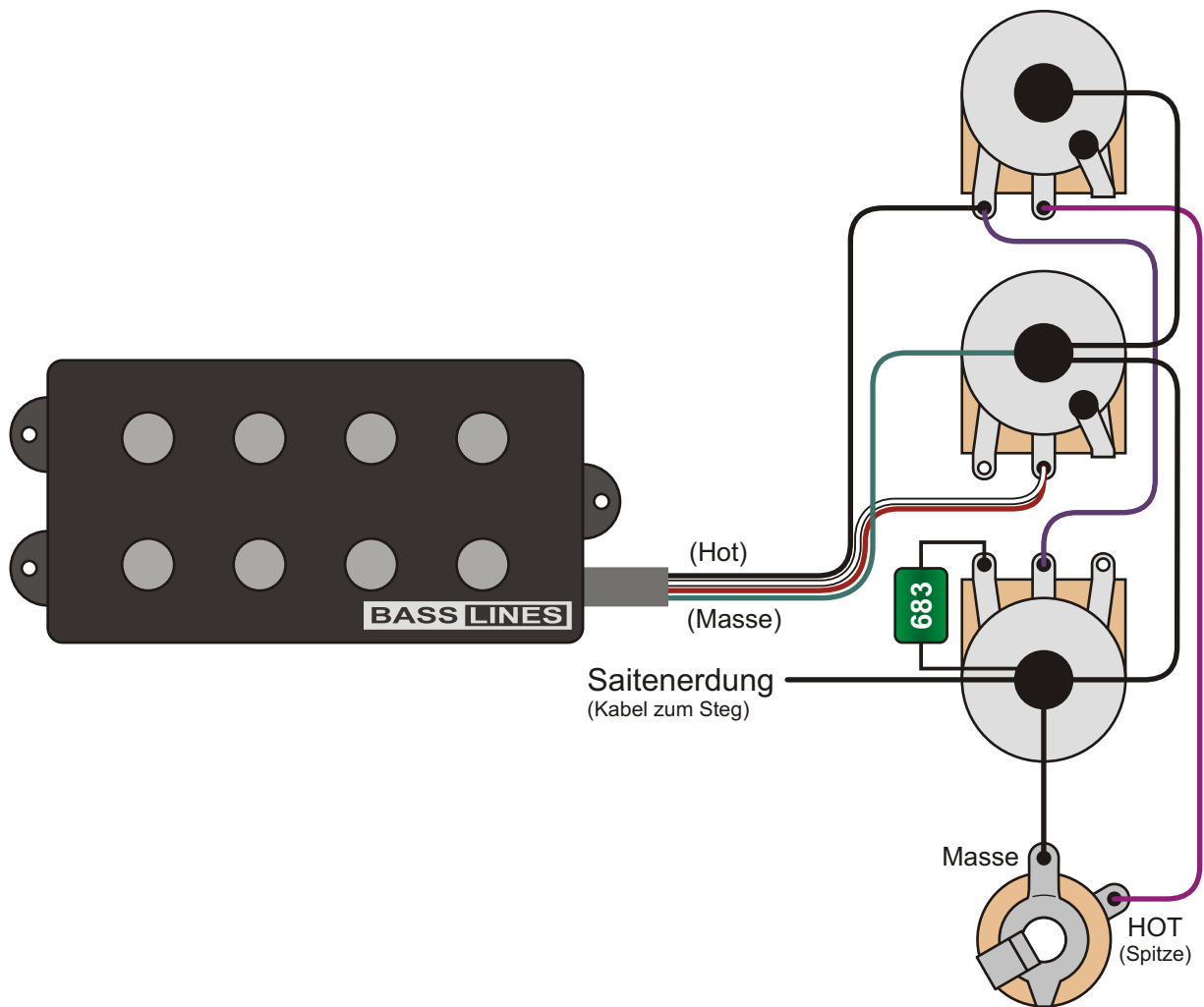
Bemerkungen / Besonderheiten

Master Volume, Master Tone, Spulenblende

gezeichnet von Cadfael

gezeichnet am 02.09.17

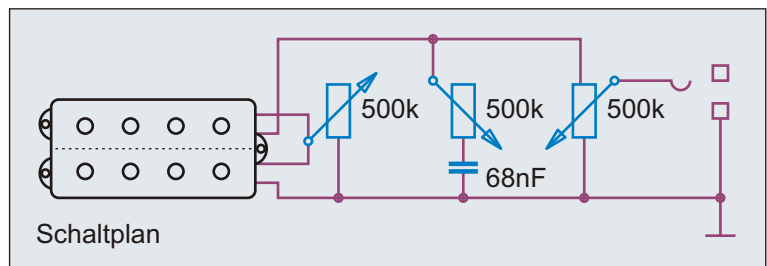
Seite 327



Seriell mit Spulenblende (2)

In der zweiten Version der Spulenblende sind die mittleren Anschlüsse des Humbuckers beide mit dem Schleifer verbunden. Dreht man die Blende zu, werden die beiden Enden an Masse gelegt und die untere Spule gegen Masse kurzgeschlossen. So kann man zwischen Humbucker und SC stufenlos regeln.

Regler	Wert
Master Volume	500 k lin./log.
Spulenblende	500 k lin./log.
Master Tone	500 k log.



Benennung **MM-Bass, seriell mit Spulenblende (2)**

Umbauten & Eigenbauten

Nummer 2.1.302

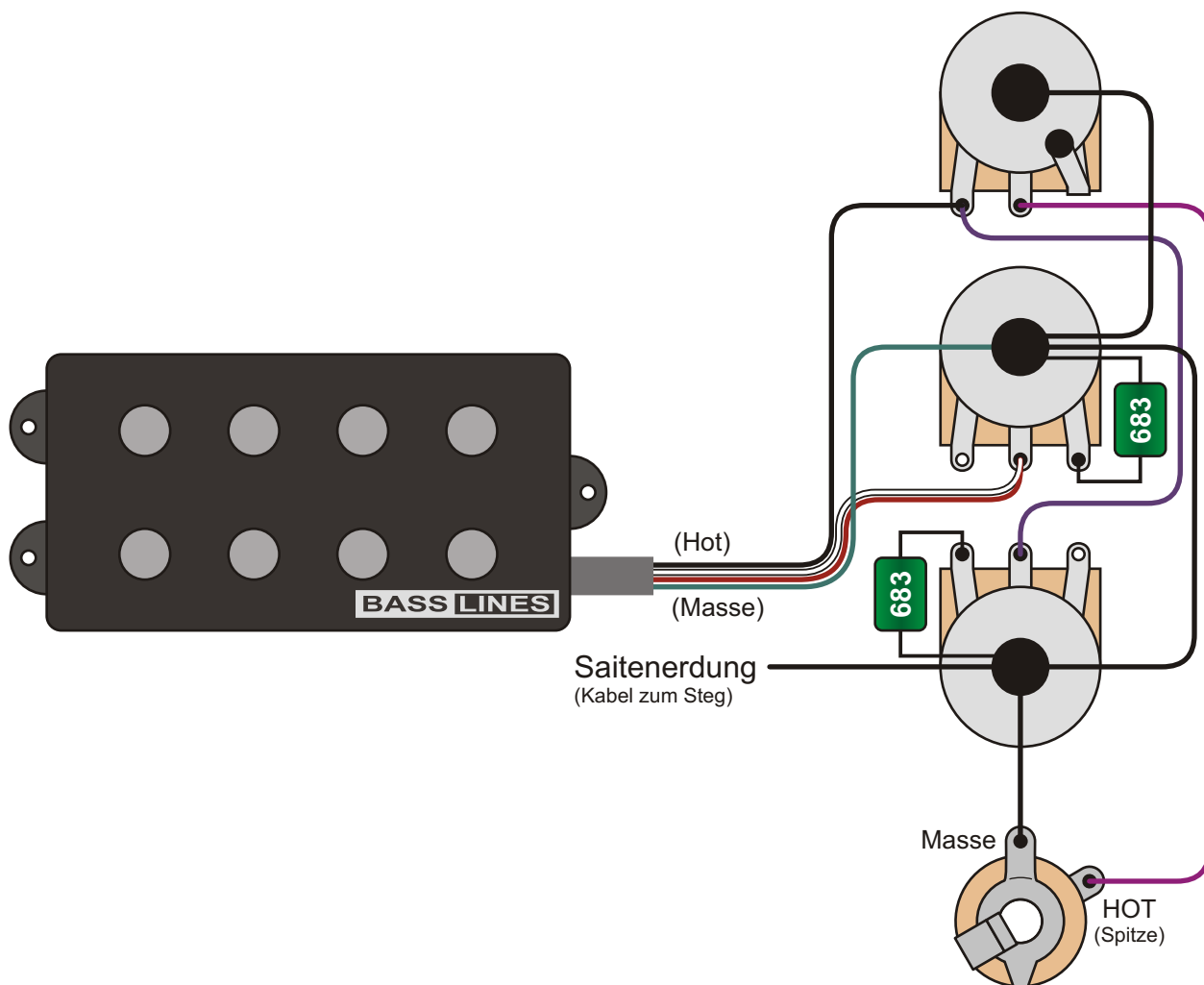
Bemerkungen / Besonderheiten

Master Volume, Master Tone, Spulenblende

gezeichnet von
Cadfael

gezeichnet am
02.09.17

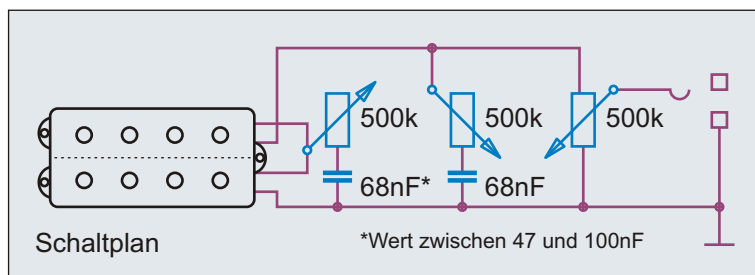
Seite
328



Seriell mit Spulenblende (3)

In der dritten Version der Spulenblende sind die mittleren Anschlüsse des Humbuckers beide mit dem Schleifer verbunden. Dreht man die Blende zu, werden die beiden Enden über einen Kondensator an Masse gelegt. Bei der unteren Spule werden so die Höhen ausgefiltert. Die Bässe kommen durch.

Regler	Wert
Master Volume	500 k lin./log.
Spulenblende	500 k log.
Master Tone	500 k log.



Benennung

MM-Bass, seriell mit Spulenblende (3)

Umbauten & Eigenbauten

Nummer
2.1.303

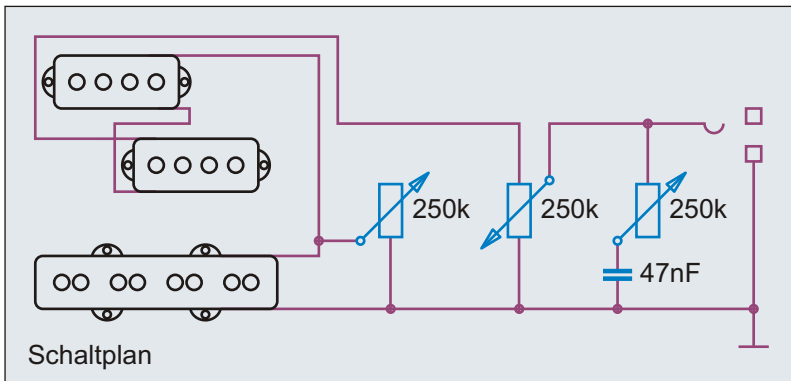
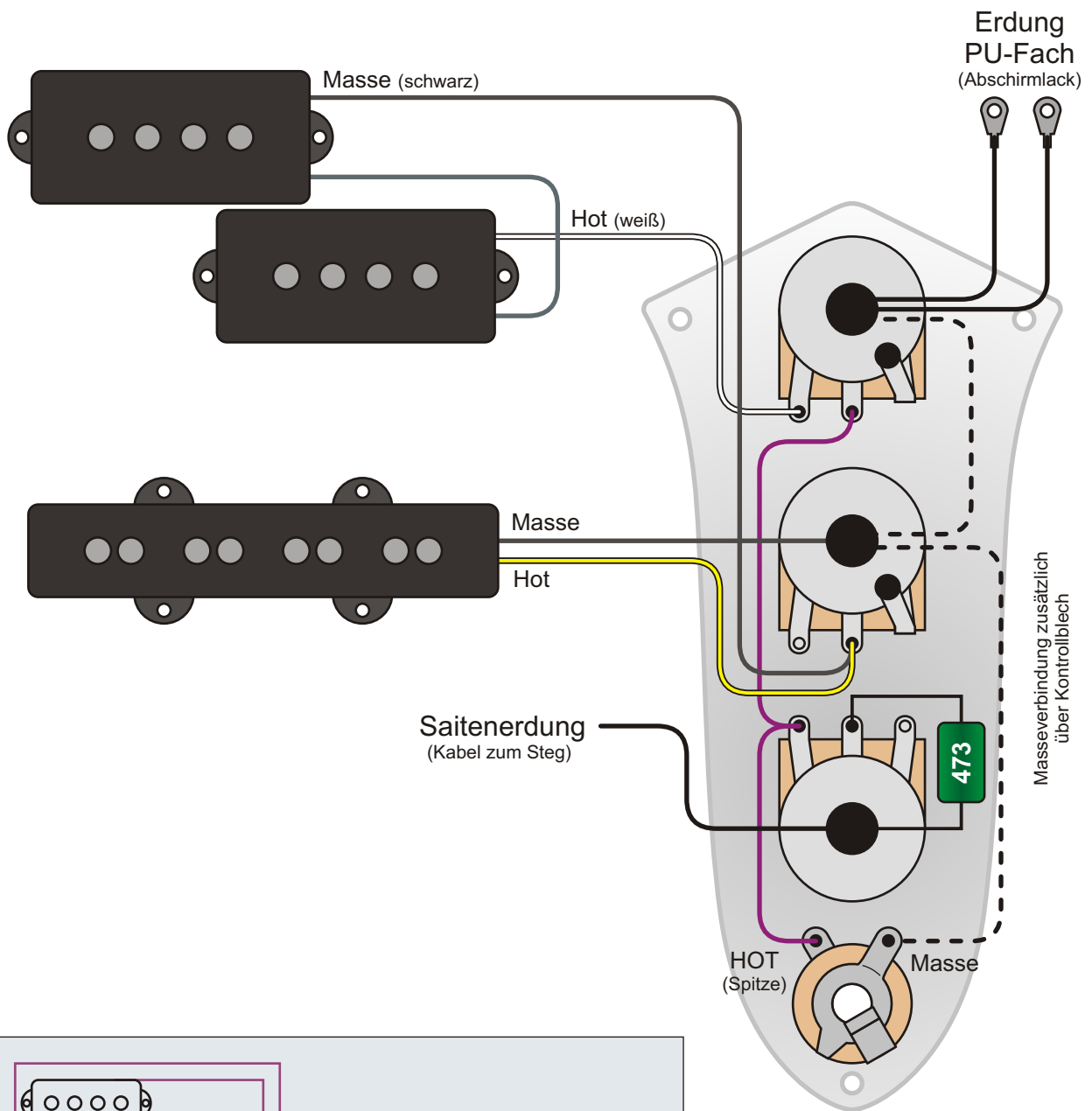
Bemerkungen / Besonderheiten

Master Volume, Master Tone, teilweise Spulenblende

gezeichnet von
Cadfael

gezeichnet am
02.09.17

Seite
329



Regler	Wert
Master Volume	250 k
Bridge Volume	250 k
Master Tone	250 k

Seriell mit Spulenblende / Pickupblende

Auch hier eine Spulenblende. Allerdings mischt sie in diesem Fall den J-Pickup seriell dem P-Pickup dazu. Dreht man die Blende zu, wird die J-Pickup gegen Masse kurzgeschlossen und verstummt. Nur der P-Pickup ist aktiv. Ist der J-Pickup zugeblendet, verliert der P-Pickup seine Wirkung als Humbucker (außer man hat einen Humbucker im J-Format).

Benennung **PJ-Bass, seriell mit Pickupblende (1)**

Umbauten & Eigenbauten

Nummer 2.1.321

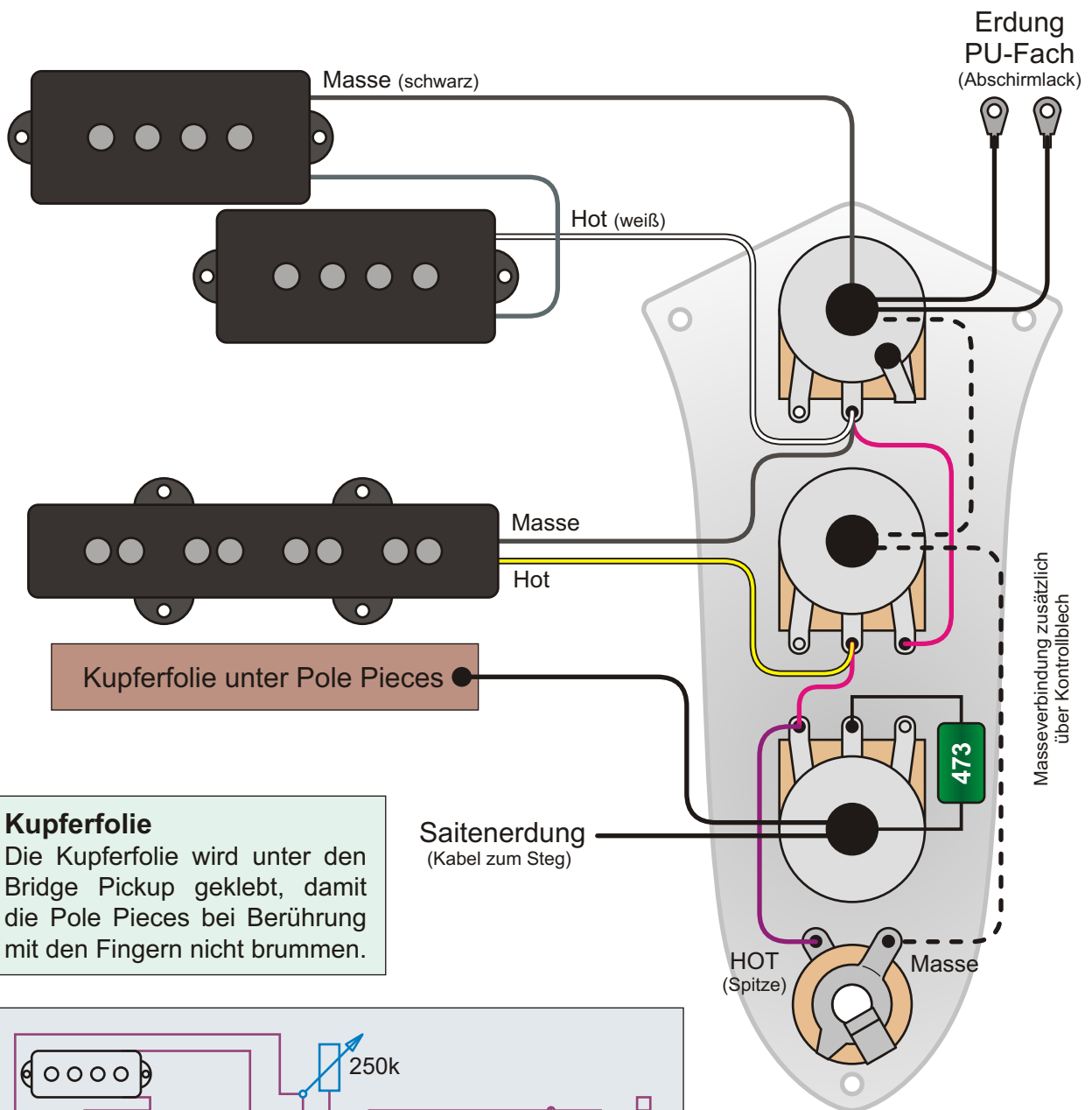
Bemerkungen / Besonderheiten

Master Volume, Master Tone, Pickupblende Bridge

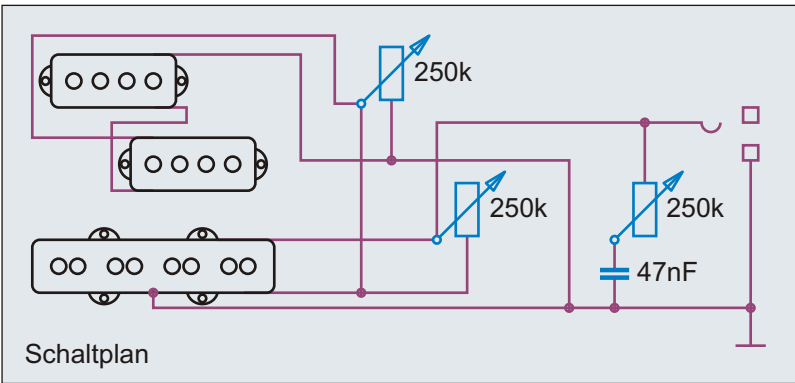
gezeichnet von Cadfael

gezeichnet am 02.09.17

Seite 330



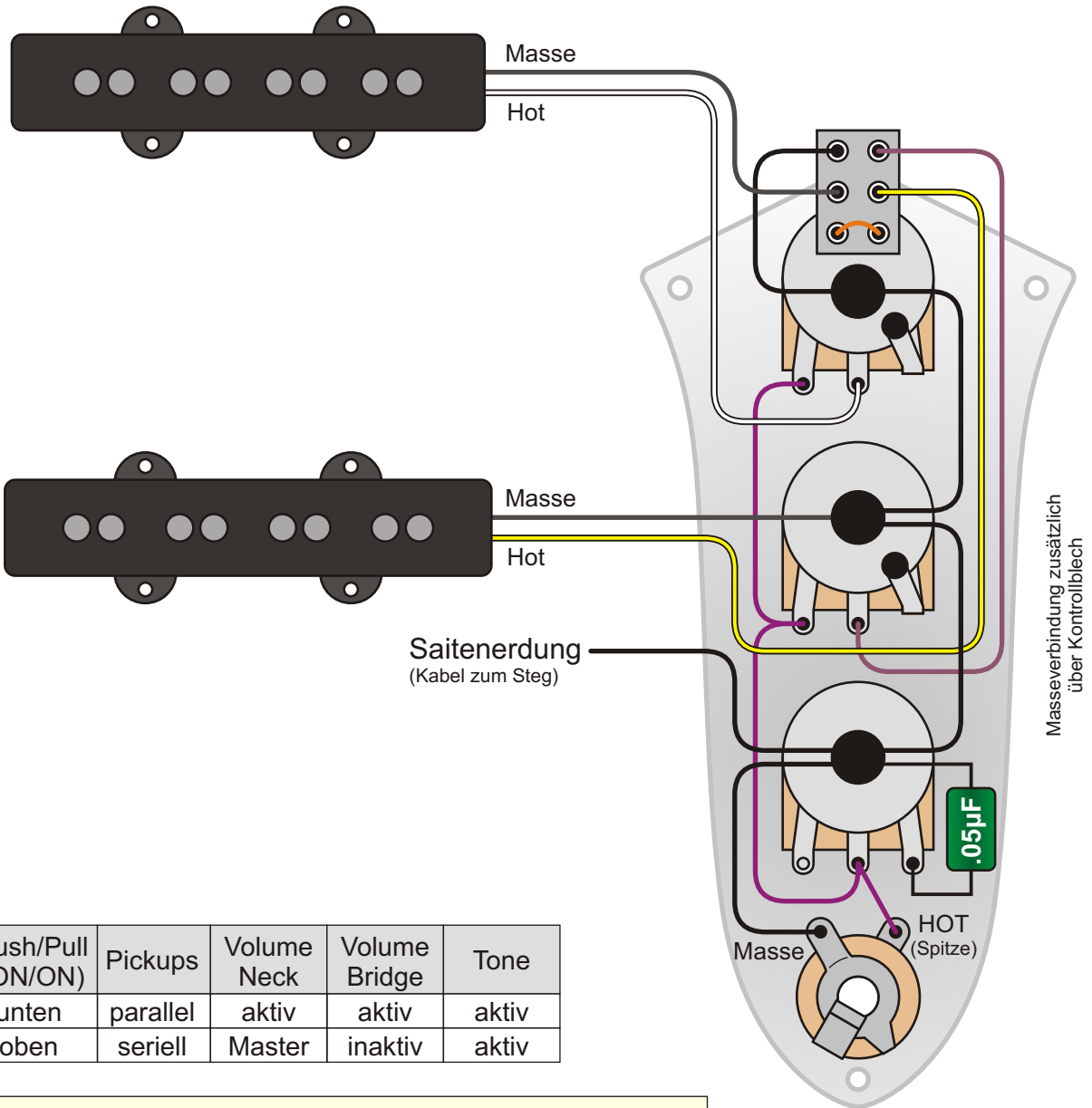
Kupferfolie
Die Kupferfolie wird unter den Bridge Pickup geklebt, damit die Pole Pieces bei Berührung mit den Fingern nicht brummen.



Regler	Wert
Neck Volume	250 k
Bridge Volume	250 k
Master Tone	250 k

Seriell mit Spulenblende / Pickupblende
Im Grunde handelt es sich hier um eine Jazz Bass Schaltung; nur, dass die beiden Pickups nicht parallel, sondern seriell geschaltet sind. Es gibt aber, wie beim Jazz Bass, ein Poti für den Neck Pickup, ein Poti für den Bridge Pickup sowie einen Master Tone Regler, der auf beide Pickups / die ganze Schaltung wirkt. Man kann diese Schaltung aber auch als leichte Abwandlung der Schaltung des Gibson Thunderbird IV Basses von 1976 sehen.

Benennung PJ-Bass, seriell mit Pickupblende (2)		Umbauten & Eigenbauten		Nummer 2.1.323	
Bemerkungen / Besonderheiten Neck Volume, Bridge Volume, Master Tone		gezeichnet von Cadfael	gezeichnet am 02.09.17	Seite 331	

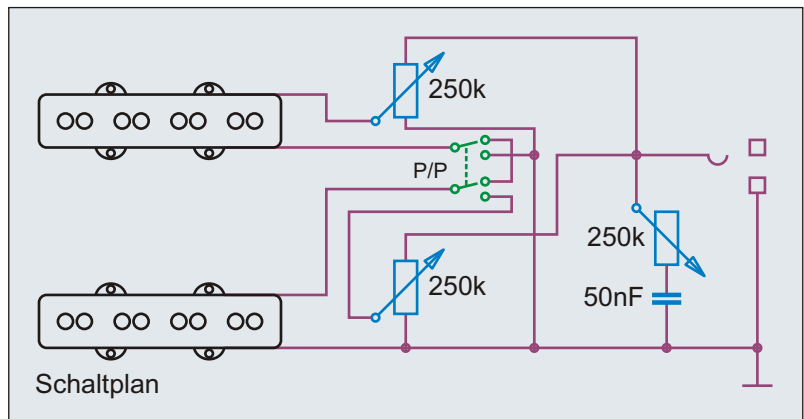


Push/Pull (ON/ON)	Pickups	Volume Neck	Volume Bridge	Tone
unten	parallel	aktiv	aktiv	aktiv
oben	seriell	Master	inaktiv	aktiv

Statt eines Push/Pull-Schalters kann man natürlich auch einen "ON/ON" Minischalter mit zwei Schaltebenen einsetzen.

Parallel / Seriell per Schalter (P/P-Poti)

Man kann zwei Pickups mit je einem Volume-Regler seriell oder parallel schalten. In der Parallelschaltung kann man beide Pickups wie vorher mit den Volume-Reglern mischen. In der seriellen Schaltung wird das obere Poti zum Master-Volume-Regler.



Benennung **J-Bass, zusätzlich seriell schaltbar (1)**

Umbauten & Eigenbauten

Nummer 2.1.401

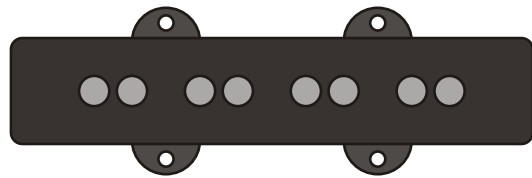
Bemerkungen / Besonderheiten

Neck Volume, Bridge Volume, Master Tone, Schalter parallel / seriell

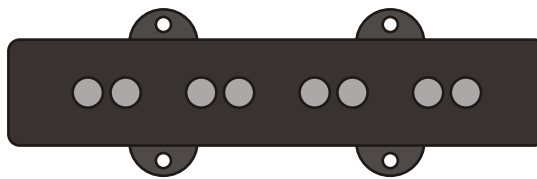
gezeichnet von Cadfael

gezeichnet am 02.09.17

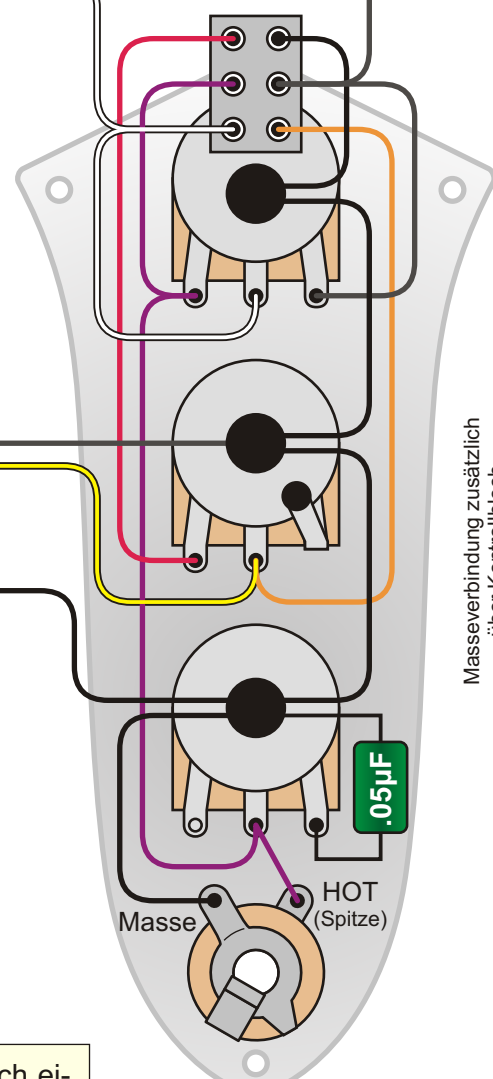
Seite 332



Angeregt durch eine Schaltskizze von "Stealth" auf www.talkbass.com



Saitenerdung
(Kabel zum Steg)

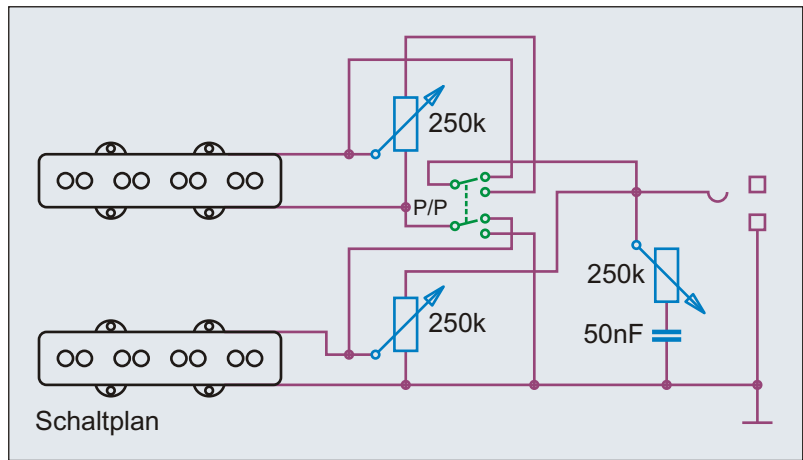


Masseverbindung zusätzlich über Kontrollblech

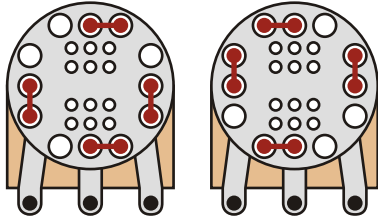
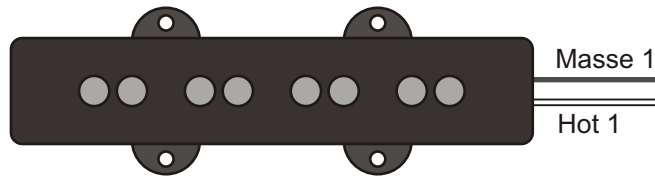
Push/Pull (ON/ON)	Pickups	Volume Neck	Volume Bridge	Tone
unten	parallel	aktiv	aktiv	aktiv
oben	seriell	aktiv	aktiv	aktiv

Statt eines Push/Pull-Schalters kann man natürlich auch einen "ON/ON" Minischalter mit zwei Schaltebenen einsetzen.

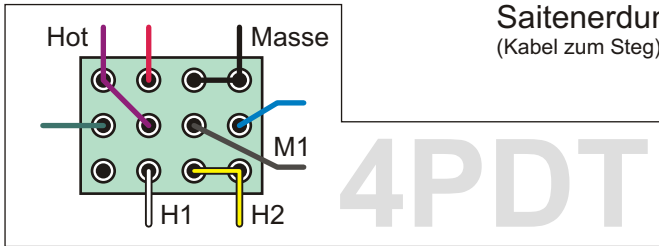
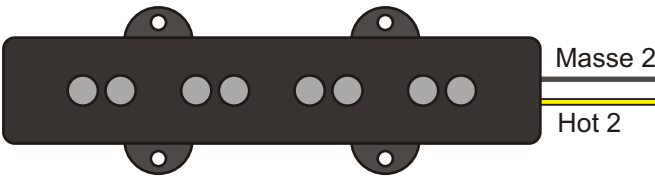
Parallel / Seriell per Schalter (P/P-Poti)
 Man kann zwei Pickups mit je einem Volume-Regler seriell oder parallel schalten. In der Parallelschaltung kann man beide Pickups wie vorher mit den Volume-Reglern mischen. In dieser Variante ist das Mischen auch noch in der seriellen Schaltung beider Pickups möglich.



Benennung	J-Bass, zusätzlich seriell schaltbar (2)		Umbauten & Eigenbauten	Nummer
Bemerkungen / Besonderheiten	Neck Volume, Bridge Volume, Master Tone, Schalter parallel / seriell		gezeichnet von	gezeichnet am
			Cadfael	02.09.17
				Seite
				333



Verbindungen S-1™ Schalter je nach Schaltposition



Saitenerdung (Kabel zum Steg)

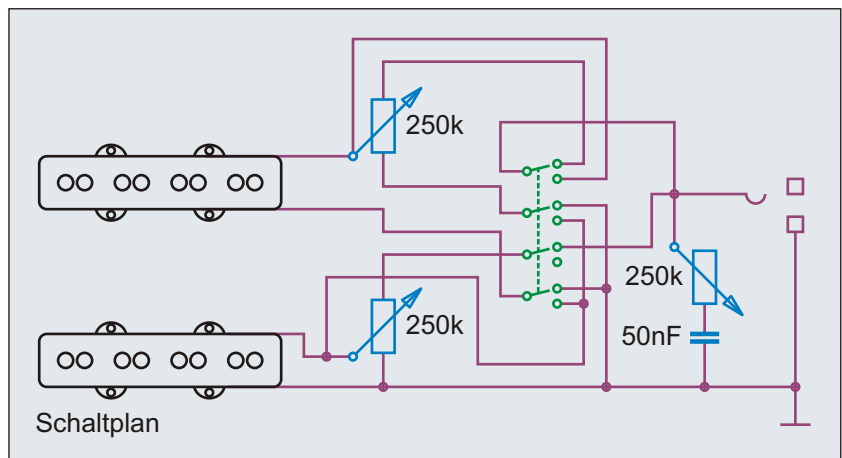
4PDT

S1 Position	Pickups	Volume Neck	Volume Bridge	Tone
unten	parallel	aktiv	aktiv	aktiv
oben	seriell	aktiv	aktiv	aktiv

Statt eines S1-Schalters kann man auch einen "4PDT" "ON/ON" Minischalter mit zwei Schaltebenen einsetzen.

Parallel / Seriell per Schalter (S1)

Mit einem S1- oder anderen Vier-Ebenen-Schalter, lässt sich die sauberste Schaltung aufbauen. In einer Stellung hat man die klassische Jazz Bass Schaltung, in der anderen Stellung die serielle Gibson Thunderbird IV Schaltung 1976-79 (siehe 1.3.313).



Schaltplan

Masseverbindung zusätzlich über Kontrollblech

Benennung **J-Bass, zusätzlich seriell schaltbar (3)**

Umbauten & Eigenbauten

Nummer 2.1.403

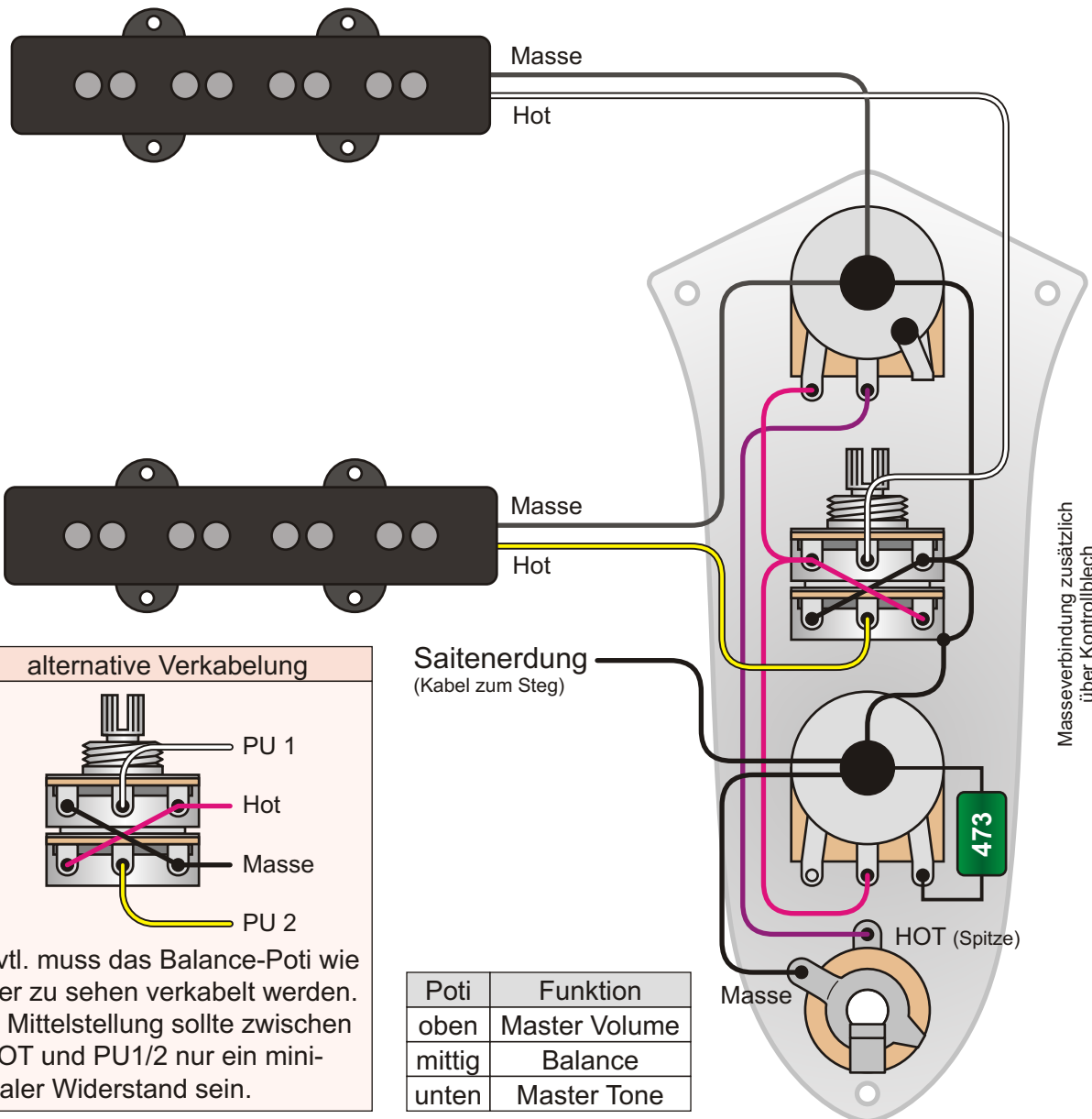
Bemerkungen / Besonderheiten

Neck Volume, Bridge Volume, Master Tone, Schalter parallel / seriell

gezeichnet von Cadfael

gezeichnet am 02.09.17

Seite 334



alternative Verkabelung

PU 1
 Hot
 Masse
 PU 2

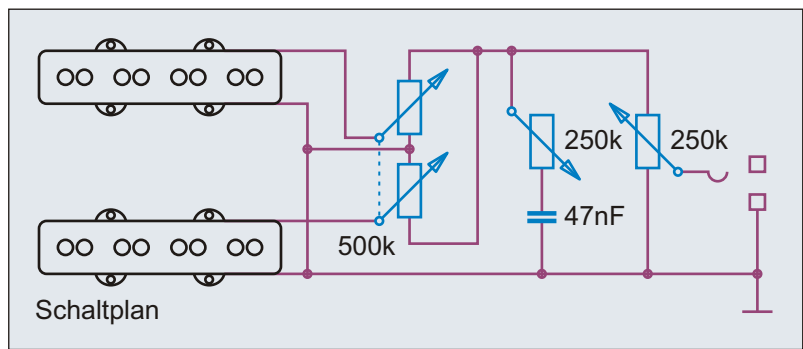
Evtl. muss das Balance-Poti wie hier zu sehen verkabelt werden. In Mittelstellung sollte zwischen HOT und PU1/2 nur ein minimaler Widerstand sein.

Saitenerdung
(Kabel zum Steg)

Poti	Funktion
oben	Master Volume
mittig	Balance
unten	Master Tone

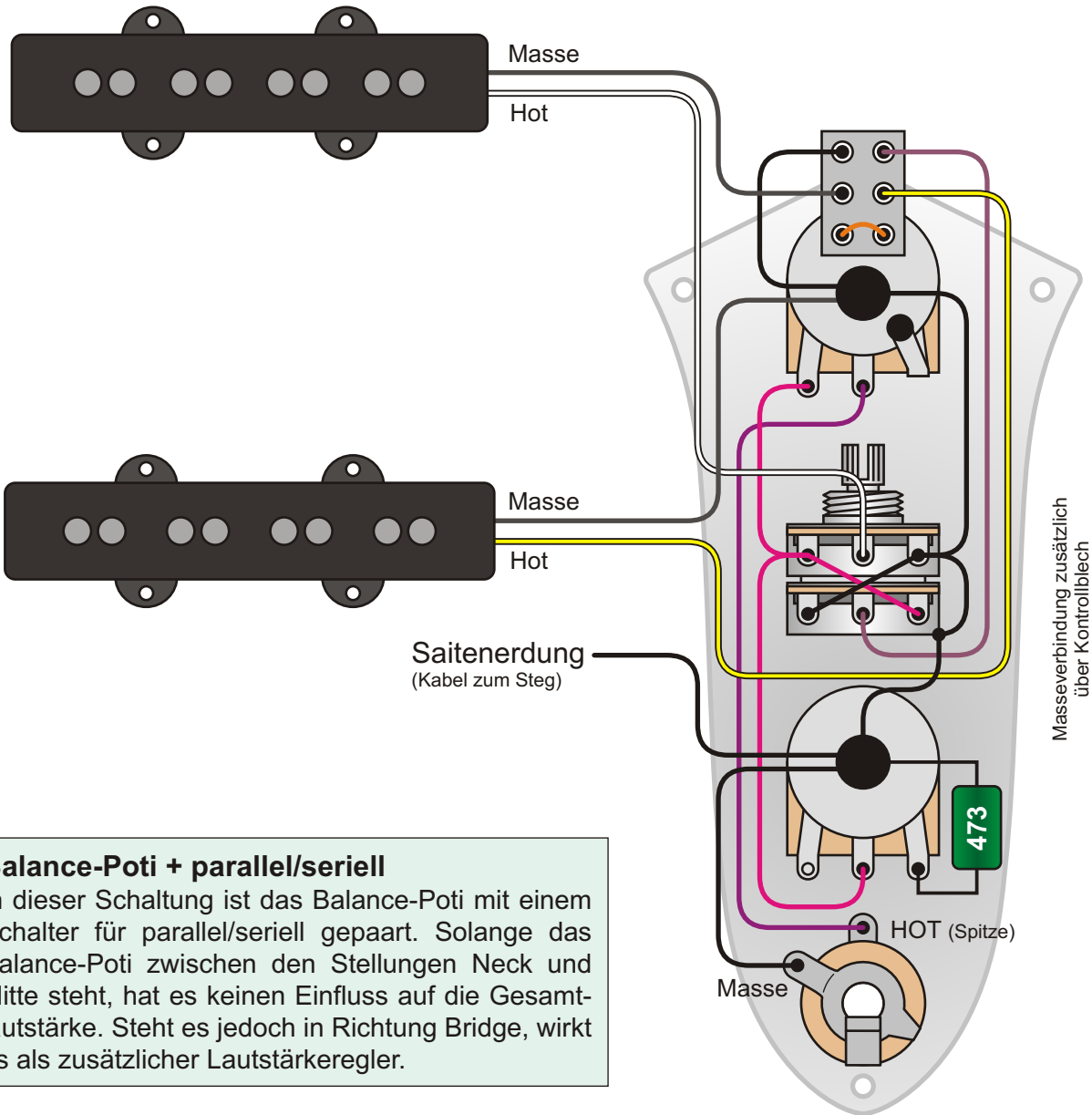
Das Balance-Poti sollte man am besten im gut sortierten Musik-Zubehörhandel kaufen, da die Potis dort speziell für den Einsatz als Mischregler für Pickups von Saiteninstrumenten ausgelegt sind. Hier lohnt es sich nicht ein paar Euro zu sparen.

Balance-Poti
 Im Grunde hat dieser Jazz Bass mit Balance-Poti ebenfalls drei Lautstärkereglere. Allerdings stehen bei einem Balance-Poti die beiden Lautstärkereglere durch die gemeinsame Achse in direkter Abhängigkeit zueinander.



Benennung	J-Bass, Balance-Poti		Umbauten & Eigenbauten	Nummer
				2.1.501
Bemerkungen / Besonderheiten	Master Volume, Master Tone, Pickup Wahl über Balance Poti		gezeichnet von	gezeichnet am
			Cadfael	02.09.17
				Seite
				335

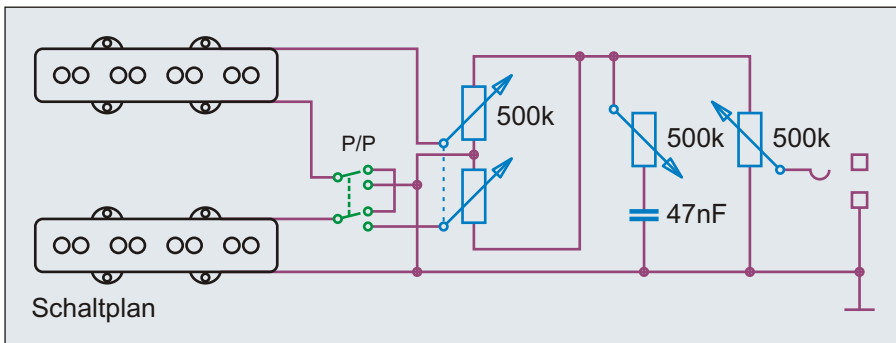
Idee, Recherche, Autor, Zeichnungen, Grafiken, Diagramme, Layout und Design: Andreas "Cadfael" Kühn - Nutzung ausschließlich zu privaten, nicht kommerziellen Zwecken und auf eigene Gefahr! Alle Angaben ohne Gewähr, Irrtümer vorbehalten!



Balance-Poti + parallel/seriell

In dieser Schaltung ist das Balance-Poti mit einem Schalter für parallel/seriell gepaart. Solange das Balance-Poti zwischen den Stellungen Neck und Mitte steht, hat es keinen Einfluss auf die Gesamtlautstärke. Steht es jedoch in Richtung Bridge, wirkt es als zusätzlicher Lautstärkereglер.

Push/Pull (ON/OFF)	Pickups	Stellung Neck	Balance Middle	Richtung Bridge	Master Volume	Master Tone
unten	parallel	aktiv	aktiv	aktiv	aktiv	aktiv
oben	seriell	inaktiv	inaktiv	aktiv	aktiv	aktiv



Schalter auf parallel	
Poti	Funktion
oben	Master Volume
mittig	Balance
unten	Master Tone

Schalter auf seriell	
Poti	Funktion
oben	Master Volume
mittig	Volume > Bridge
unten	Master Tone

Benennung **J-Bass, Balance-Poti + parallel/seriell**

Umbauten & Eigenbauten

Nummer 2.1.551

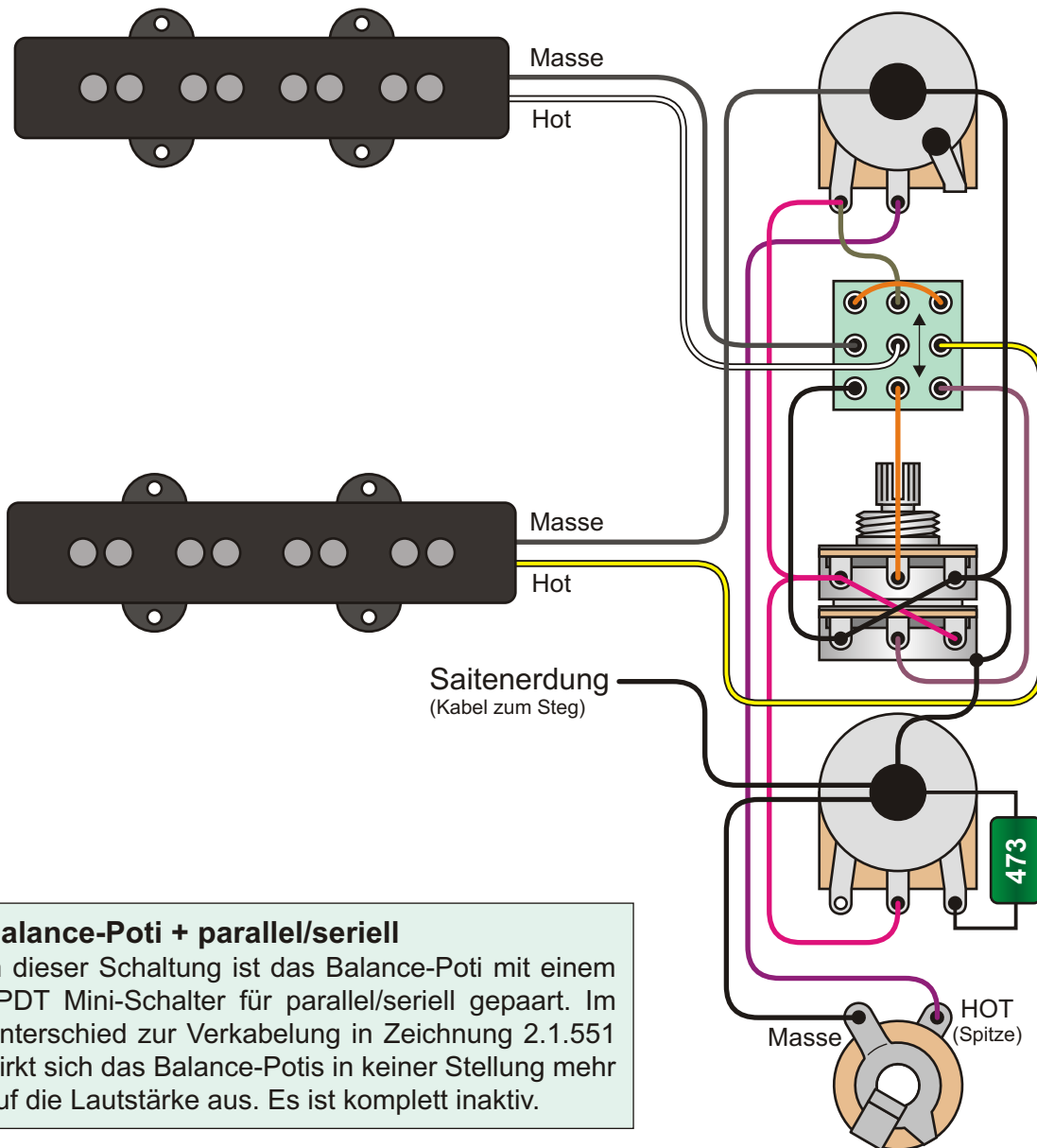
Bemerkungen / Besonderheiten

Master Volume, Master Tone, Pickup Wahl über Balance Poti

gezeichnet von Cadfael

gezeichnet am 02.09.17

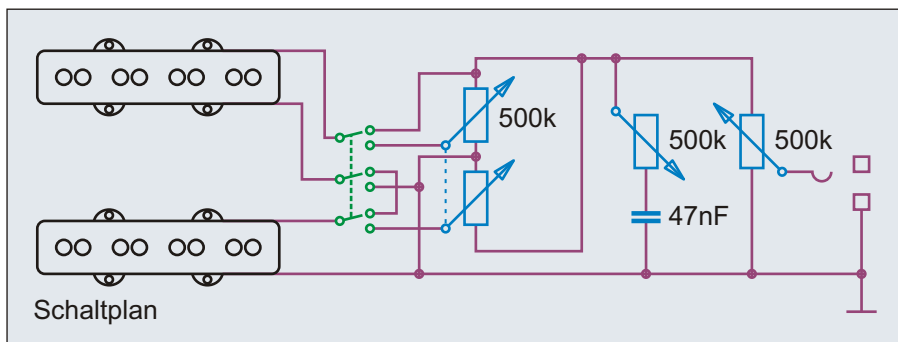
Seite 336



Balance-Poti + parallel/seriell

In dieser Schaltung ist das Balance-Poti mit einem 3PDT Mini-Schalter für parallel/seriell gepaart. Im Unterschied zur Verkabelung in Zeichnung 2.1.551 wirkt sich das Balance-Potis in keiner Stellung mehr auf die Lautstärke aus. Es ist komplett inaktiv.

3PDT (ON/ON)	Pickups	Stellung Neck	Balance Middle	Richtung Bridge	Master Volume	Master Tone
unten	parallel	aktiv	aktiv	aktiv	aktiv	aktiv
oben	seriell	inaktiv	inaktiv	inaktiv	aktiv	aktiv



Schalter auf parallel	
Poti	Funktion
oben	Master Volume
mittig	Balance
unten	Master Tone

Schalter auf seriell	
Poti	Funktion
oben	Master Volume
mittig	Volume > Bridge
unten	Master Tone

Benennung **J-Bass, Balance-Poti + parallel/seriell**

Umbauten & Eigenbauten

Nummer 2.1.552

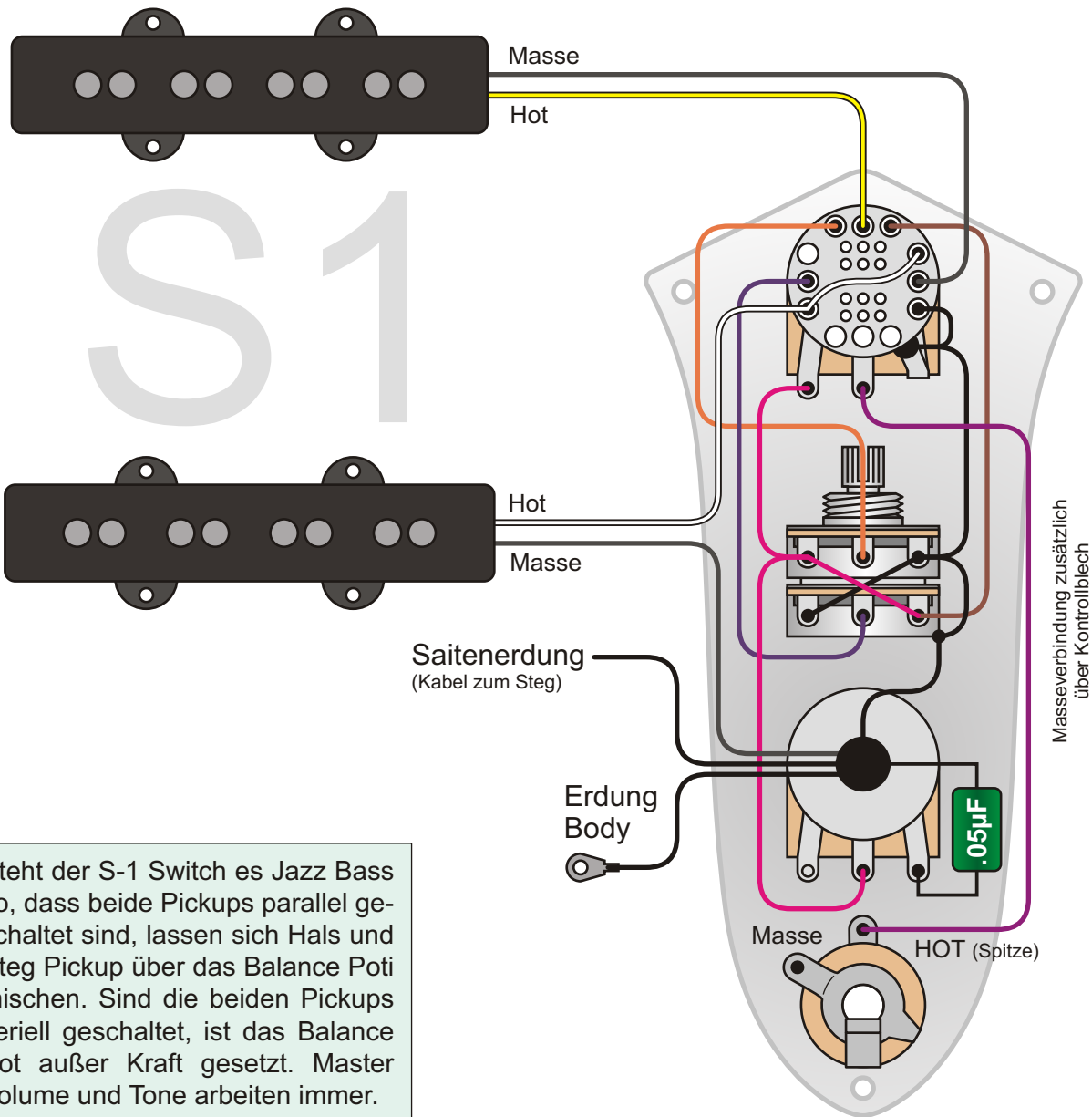
Bemerkungen / Besonderheiten

Master Volume, Master Tone, Pickup Wahl über Balance Poti

gezeichnet von Cadfael

gezeichnet am 02.09.17

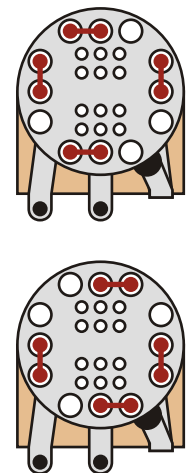
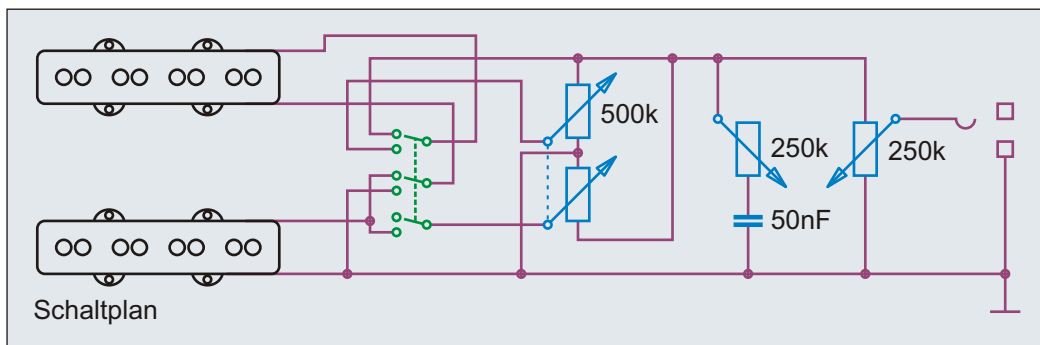
Seite 337



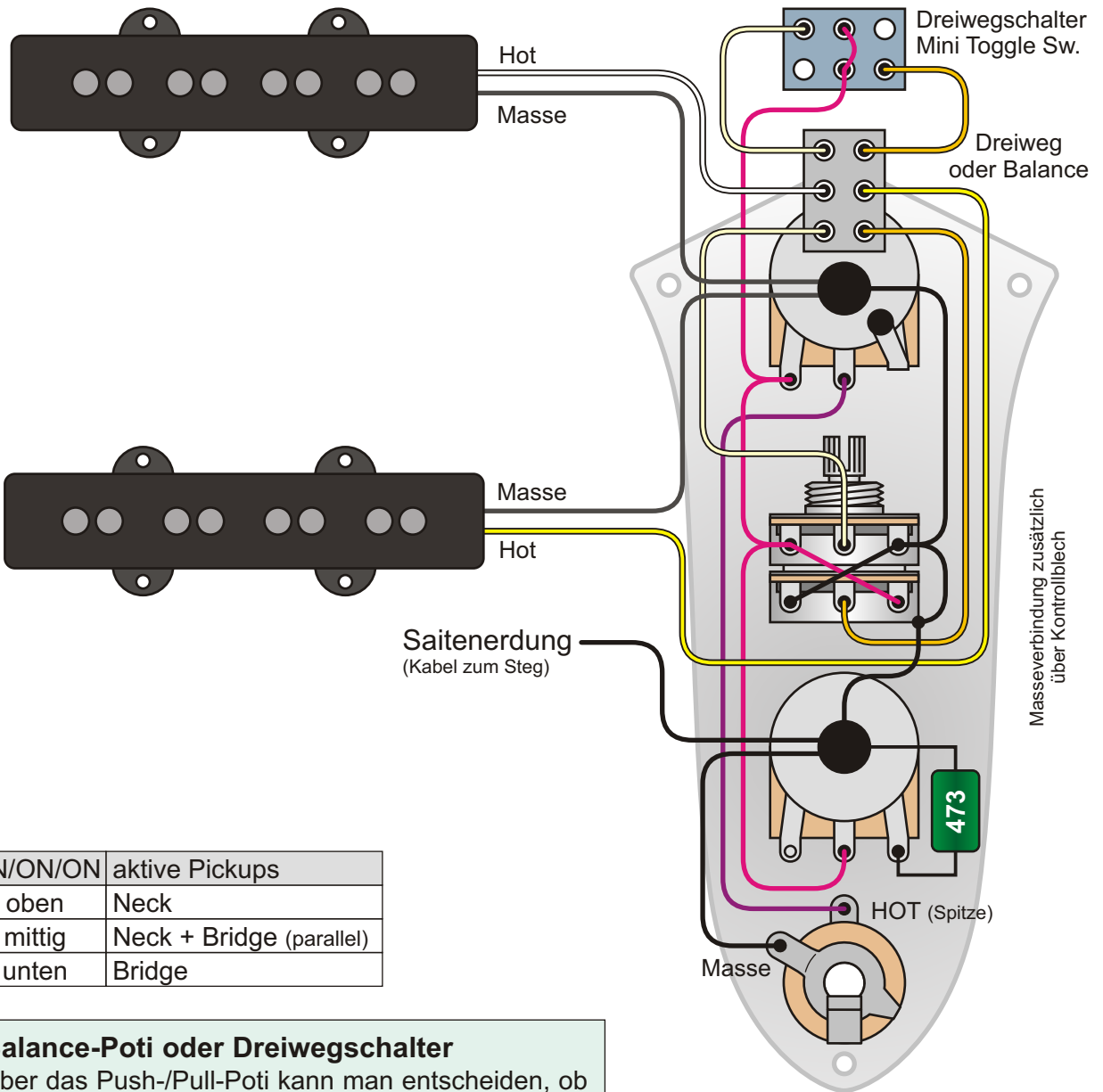
Steht der S-1 Switch es Jazz Bass so, dass beide Pickups parallel geschaltet sind, lassen sich Hals und Steg Pickup über das Balance Poti mischen. Sind die beiden Pickups seriell geschaltet, ist das Balance Poti außer Kraft gesetzt. Master Volume und Tone arbeiten immer.

S1	Pickups	Balance
oben	seriell	aus
unten	parallel	an

●● Verbindungen S-1™ Schalter je nach Schaltposition



Benennung	J-Bass, Balance-Poti + parallel/seriell		Umbauten & Eigenbauten	Nummer
Bemerkungen / Besonderheiten	Fender American Jazz Bass mit S-1 Switch, Umbau auf Balance Poti		gezeichnet von	gezeichnet am
			Cadfael	02.09.17
				Seite
				338

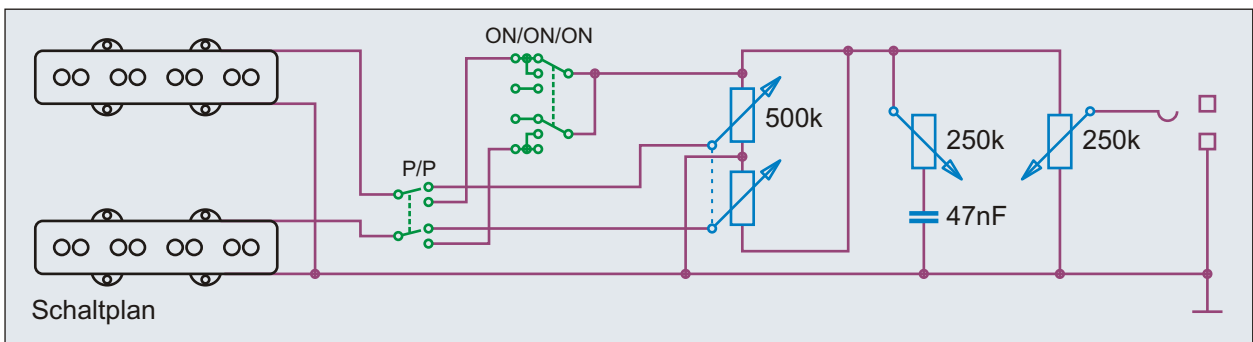


ON/ON/ON	aktive Pickups
oben	Neck
mittig	Neck + Bridge (parallel)
unten	Bridge

Balance-Poti oder Dreiwegschalter

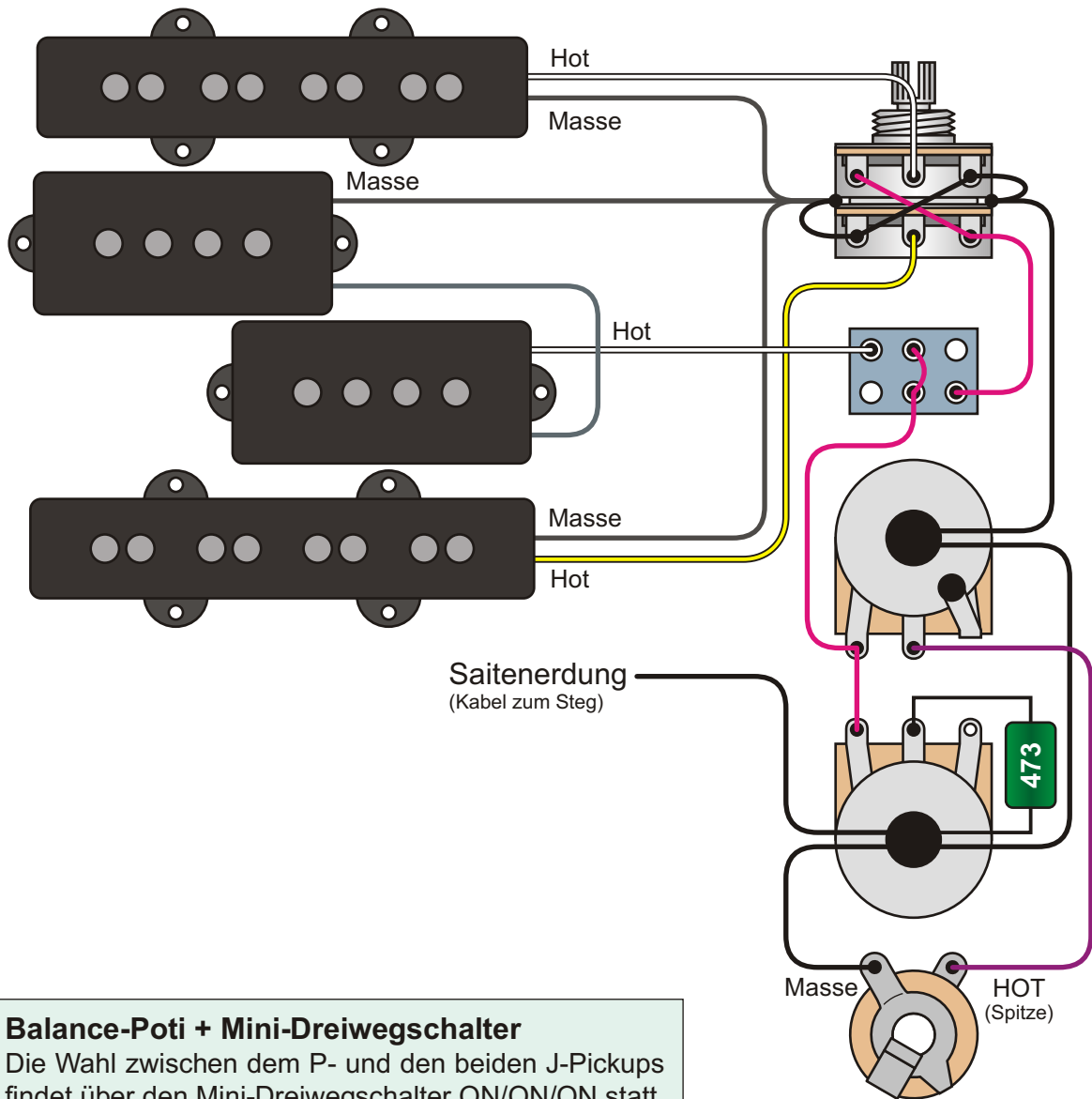
Über das Push-/Pull-Poti kann man entscheiden, ob der Dreiwegschalter oder das Balance-Poti zur Wahl der Pickups eingesetzt wird. Ist das Push-/Pull-Poti unten, wirkt der Dreiwegschalter; ist es gezogen, wirkt das Balance-Poti.

Push/Pull	Pickupwahl
oben	Balance
unten	Dreiwegschalter



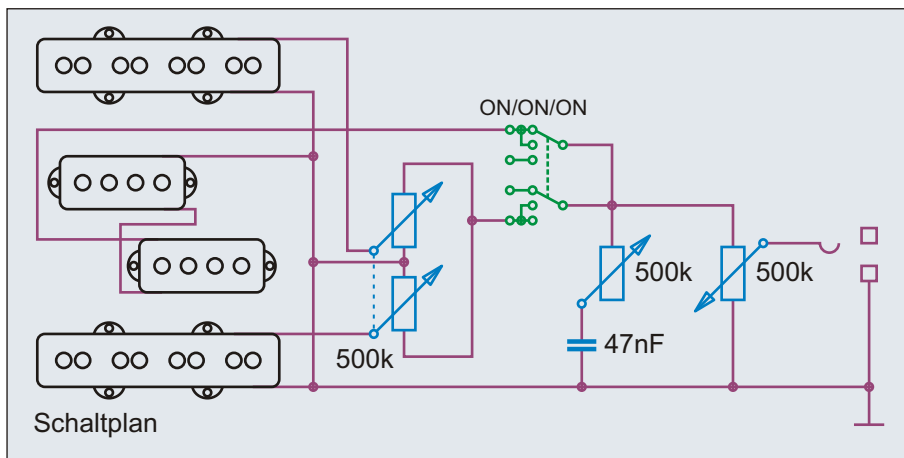
Schaltplan

Benennung	J-Bass, Balance-Poti oder Dreiweg	Umbauten & Eigenbauten	Nummer	2.1.571
Bemerkungen / Besonderheiten	Master Volume, Master Tone, Balance Poti oder Toggle Swich	gezeichnet von	gezeichnet am	Seite
		Cadfael	02.09.17	339



Balance-Poti + Mini-Dreiwegschalter

Die Wahl zwischen dem P- und den beiden J-Pickups findet über den Mini-Dreiwegschalter ON/ON/ON statt. Welcher der beiden J-Pickups aktiv ist, wird über das Balance Poti bestimmt.



Angeregt durch eine Schaltskizze von "Stealth" auf www.talkbass.com

ON/ON/ON	Pickups
oben	P
mittig	P + JJ
unten	JJ

Benennung **JPJ-Bass, Balance-Poti und Dreiweg**

Umbauten & Eigenbauten

Nummer 2.1.581

Bemerkungen / Besonderheiten

Passiv, Pickup-Wahl, JJ-Balance, Master Volume, Master Tone

gezeichnet von

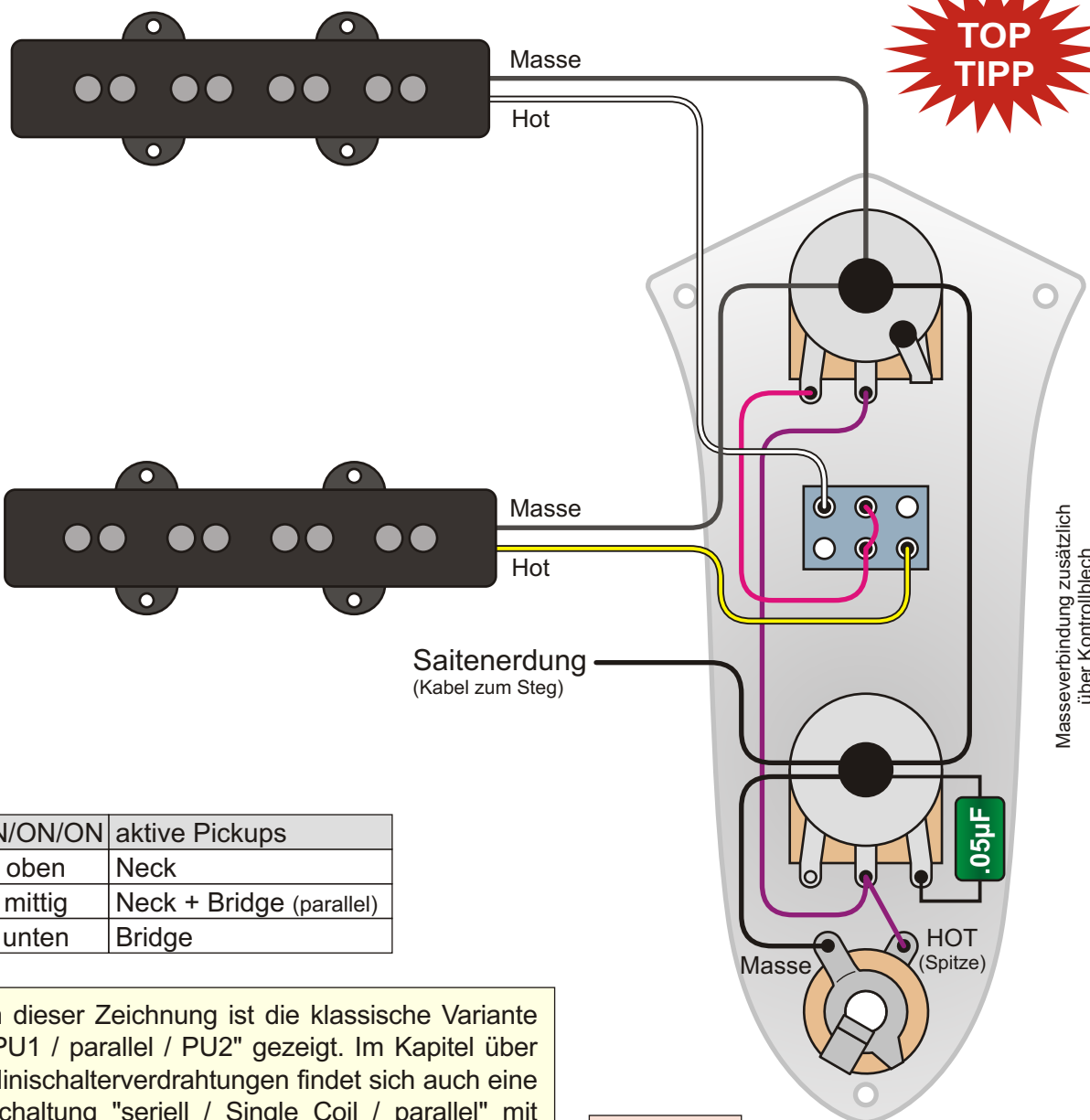
Cadfael

gezeichnet am

02.09.17

Seite

340

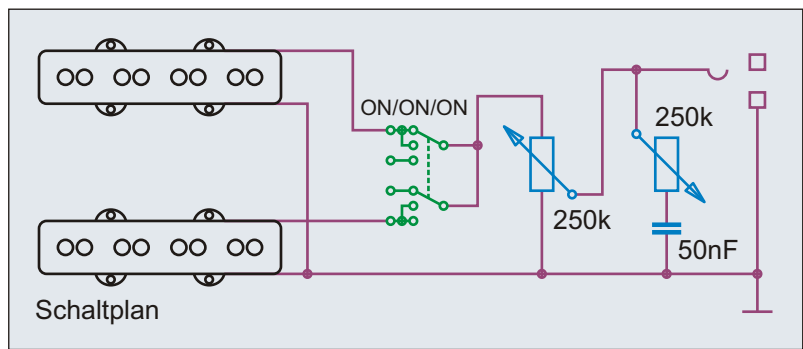


ON/ON/ON	aktive Pickups
oben	Neck
mittig	Neck + Bridge (parallel)
unten	Bridge

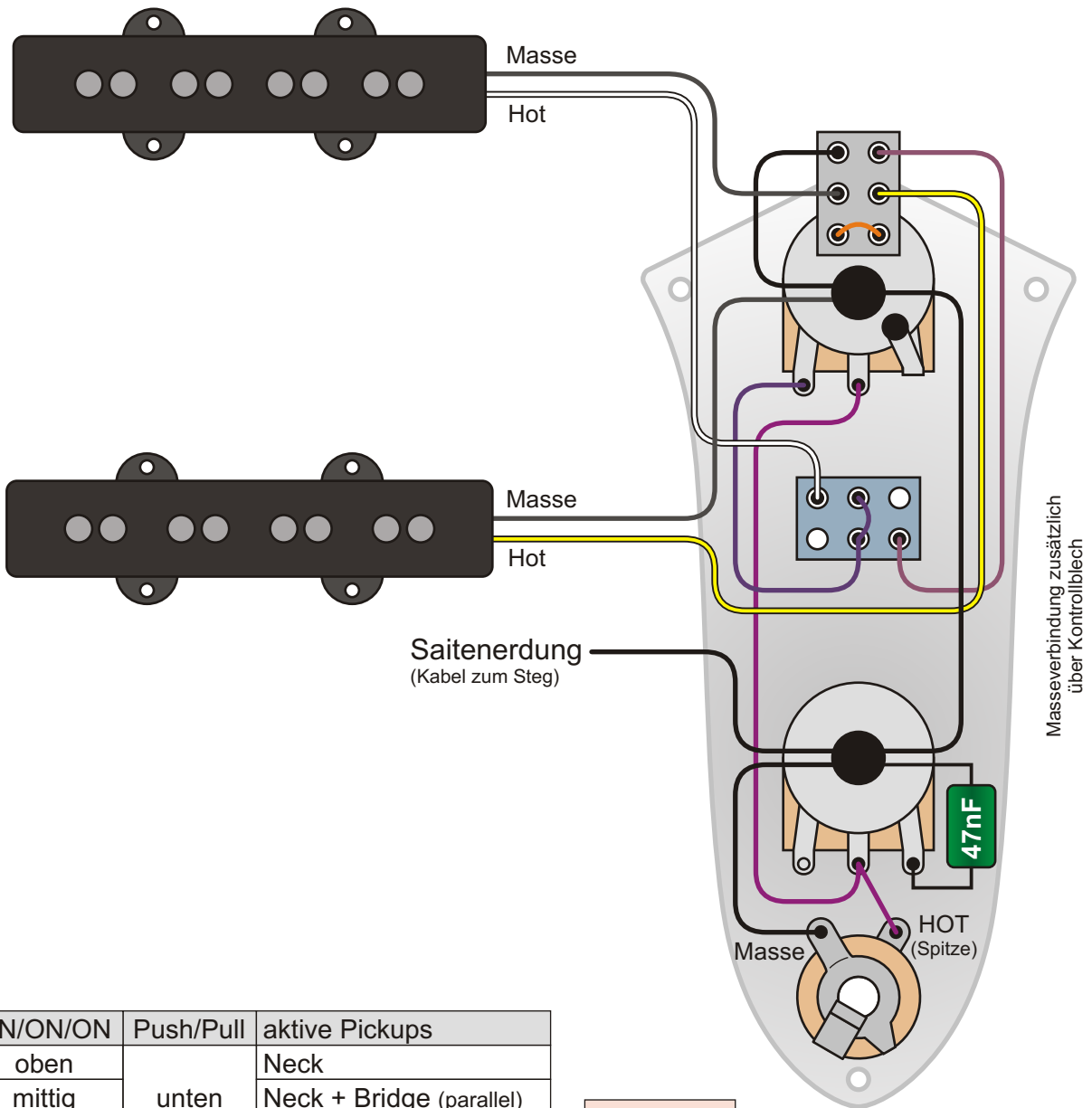
In dieser Zeichnung ist die klassische Variante "PU1 / parallel / PU2" gezeigt. Im Kapitel über Minischalterverdrahtungen findet sich auch eine Schaltung "seriell / Single Coil / parallel" mit "ON/ON/ON" Schalter. Selbstverständlich kann man auch diese Verdrahtung beim Jazz Bass einsetzen. Das macht besonders Sinn, wenn man den Steg nie alleine einsetzt.

Achtung!
Die Hebel stehen bei Minischaltern meist spiegelverkehrt zum Schaltzustand. Daher kommt das Steg-Kabel nach oben.

Mini-Dreiwegschalter
Man kann einen Minischalter "ON/ON/ON" problemlos statt des mittleren Volume-Reglers auf der Kontrollplatte eines Jazz Bass montieren. Das obere Poti wird zum Master-Volume-Regler, der Tone-Regler bleibt unverändert.



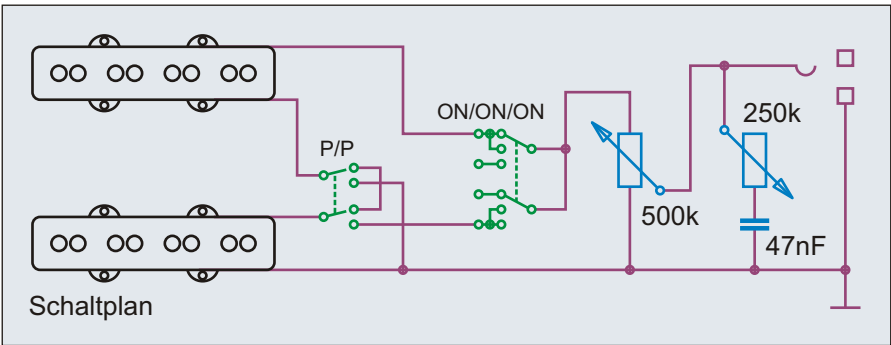
Benennung	J-Bass, Mini-Dreiweg, parallel		Umbauten & Eigenbauten	Nummer	
Bemerkungen / Besonderheiten	Master Volume, Master Tone, Mini-Dreiweg-Pickup-Wahlschalter		gezeichnet von	gezeichnet am	Seite
			Cadfael	02.09.17	341



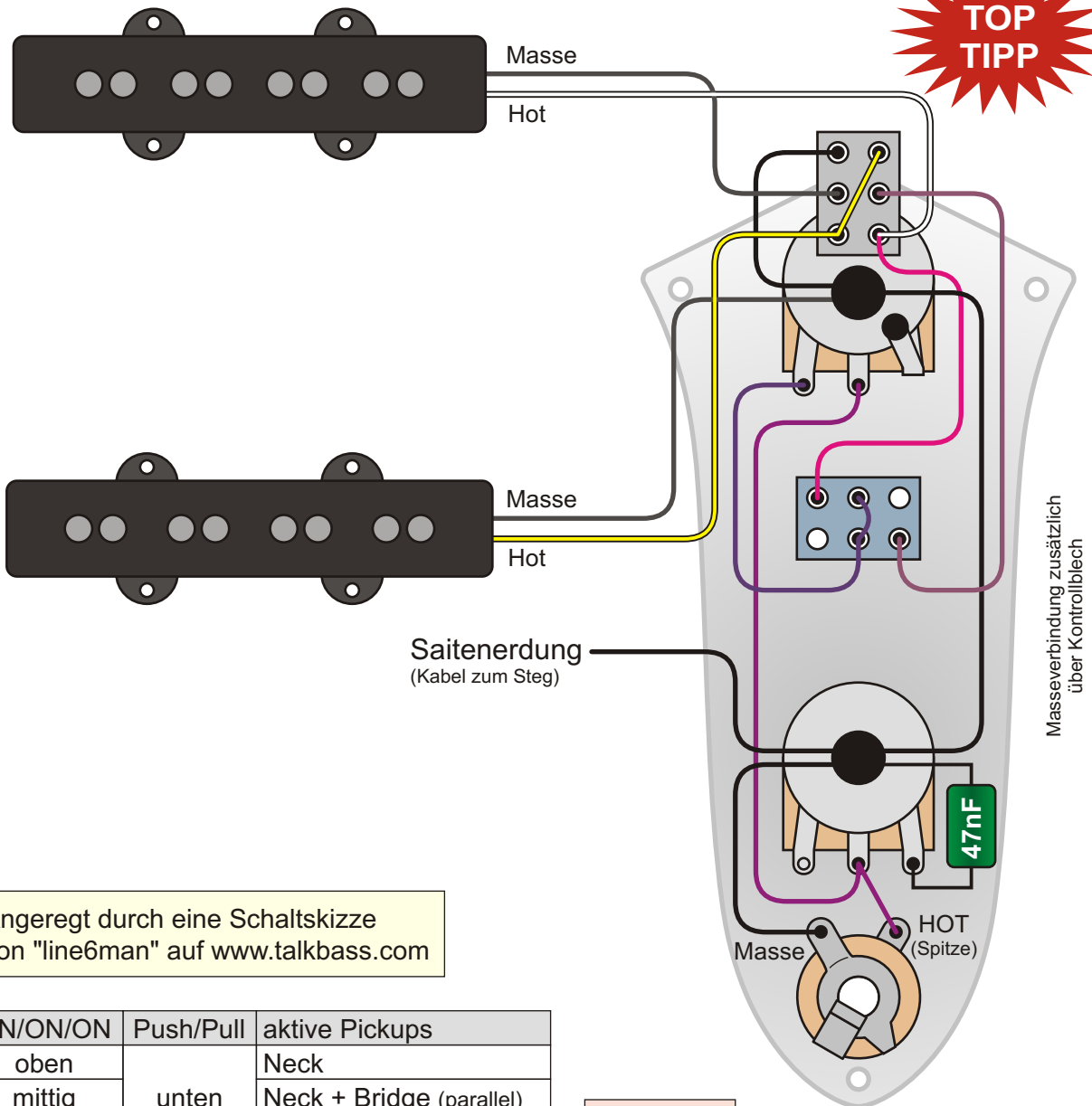
ON/ON/ON	Push/Pull	aktive Pickups
oben	unten	Neck
mittig		Neck + Bridge (parallel)
unten		Bridge
oben	oben	Neck + Bridge (seriell)
mittig		Neck + Bridge (seriell)
unten		kein Signal

Achtung!
Die Hebel stehen bei Minischaltern meist spiegelverkehrt zum Schaltzustand. Daher kommt das Steg-Kabel nach oben.

Mini + Push/Pull
Hier wurde dem Minischalter ein Push/Pull-Poti hinzugefügt, das zusätzlich die serielle Schaltung erlaubt. Damit kann man das Signal der Pickups auch abschalten.



Benennung	J-Bass, Mini-Dreiweg, parallel + ser. (1)		Umbauten & Eigenbauten	Nummer 2.2.051
Bemerkungen / Besonderheiten	Master Volume, Master Tone, Dreiwegschalter, Push/Pull (für seriell)		gezeichnet von Cadfael	gezeichnet am 02.09.17 Seite 342

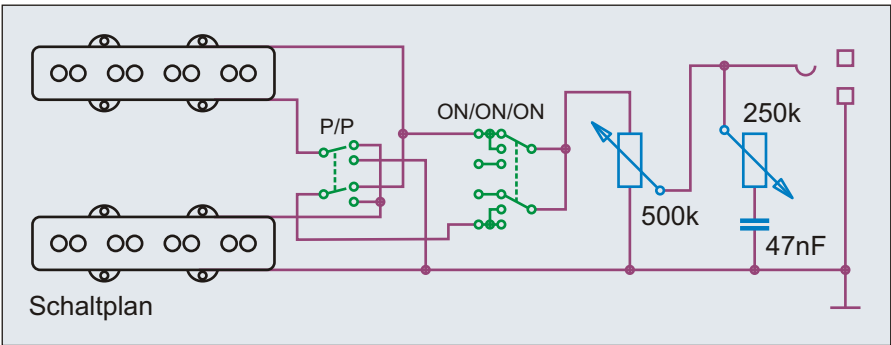


Angeregt durch eine Schaltskizze von "line6man" auf www.talkbass.com

ON/ON/ON	Push/Pull	aktive Pickups
oben	unten	Neck
mittig		Neck + Bridge (parallel)
unten		Bridge
oben	oben	Neck + Bridge (seriell)
mittig		
unten		

Achtung!
Die Hebel stehen bei Minischaltern meist spiegelverkehrt zum Schaltzustand. Daher kommt das Steg-Kabel nach oben.

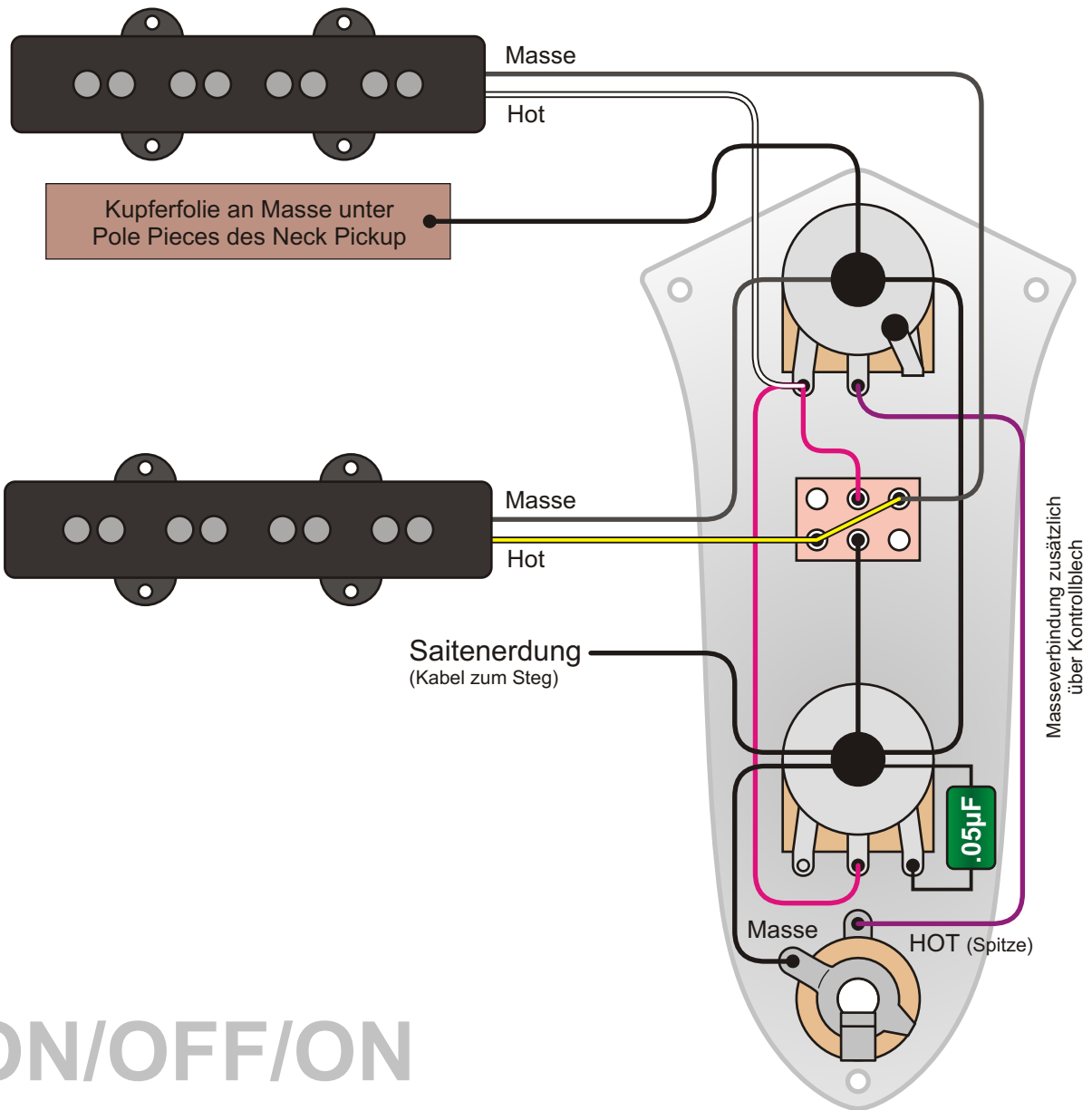
Mini + Push/Pull
Hier wurde dem Minischalter ein Push/Pull-Poti hinzugefügt, das zusätzlich die serielle Schaltung erlaubt. Hier ist die Schaltung bei gezogenem P/P immer seriell.



Benennung **J-Bass, Mini-Dreiweg, parallel + ser. (2)** Umbauten & Eigenbauten Nummer 2.2.052

Bemerkungen / Besonderheiten Master Volume, Master Tone, Dreiwegschalter, Push/Pull (für seriell) gezeichnet von Cadfael gezeichnet am 02.09.17 Seite 343

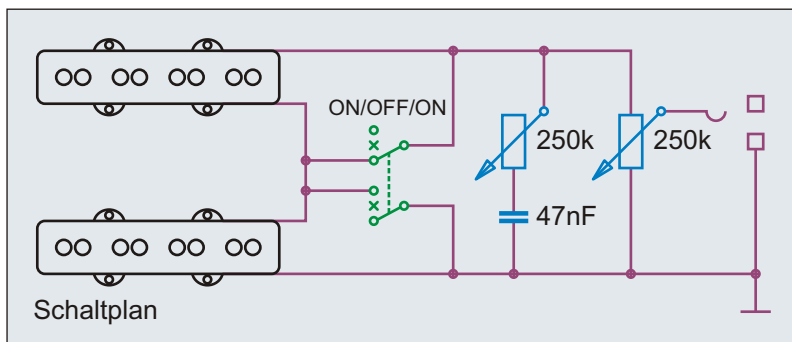
Idee, Recherche, Autor, Zeichnungen, Grafiken, Diagramme, Layout und Design: Andreas "Cadfael" Kühn - Nutzung ausschließlich zu privaten, nicht kommerziellen Zwecken und auf eigene Gefahr! Alle Angaben ohne Gewähr, Irrtümer vorbehalten!



ON/OFF/ON

ON/OFF/ON	aktive Pickups
oben	Neck
mittig	Neck + Bridge seriell
unten	Bridge

Version 1



Mittelstellung seriell

Hier eine Schaltung, bei der die beiden Pickups in Mittelstellung nicht wie üblich parallel, sondern seriell geschaltet sind. Erreicht wird das, indem in den äußeren Stellungen jeweils einer der Pickups kurzgeschlossen wird.

Benennung **J-Bass, Mini-Dreiweg, seriell (1)**

Umbauten & Eigenbauten

Nummer 2.2.101

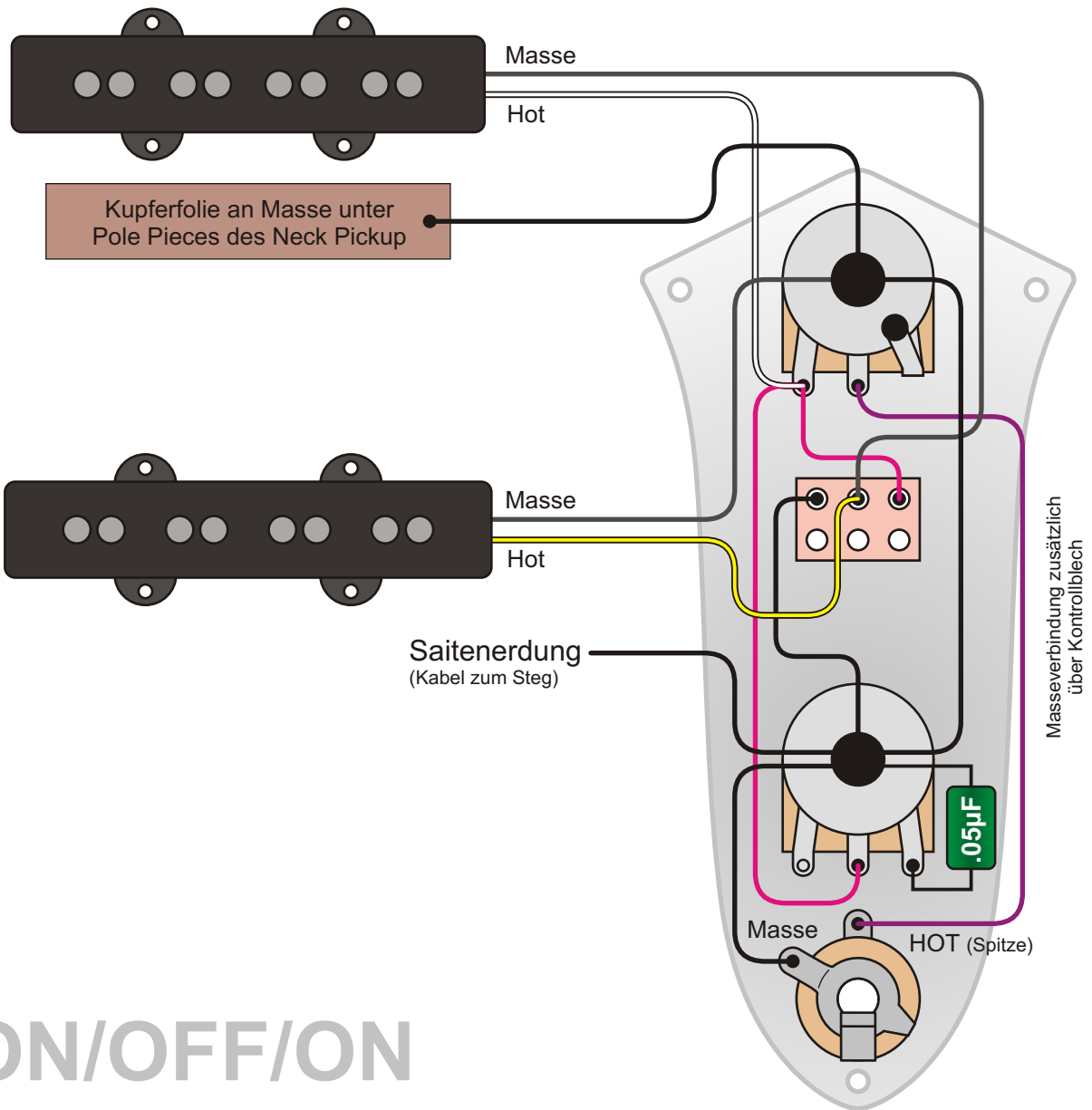
Bemerkungen / Besonderheiten

Master Volume, Master Tone, Mini-Dreiweg-Pickup-Wahlschalter

gezeichnet von Cadfael

gezeichnet am 02.09.17

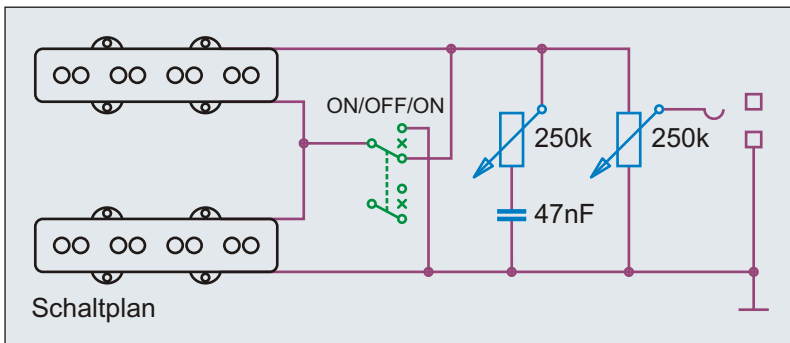
Seite 344



ON/OFF/ON

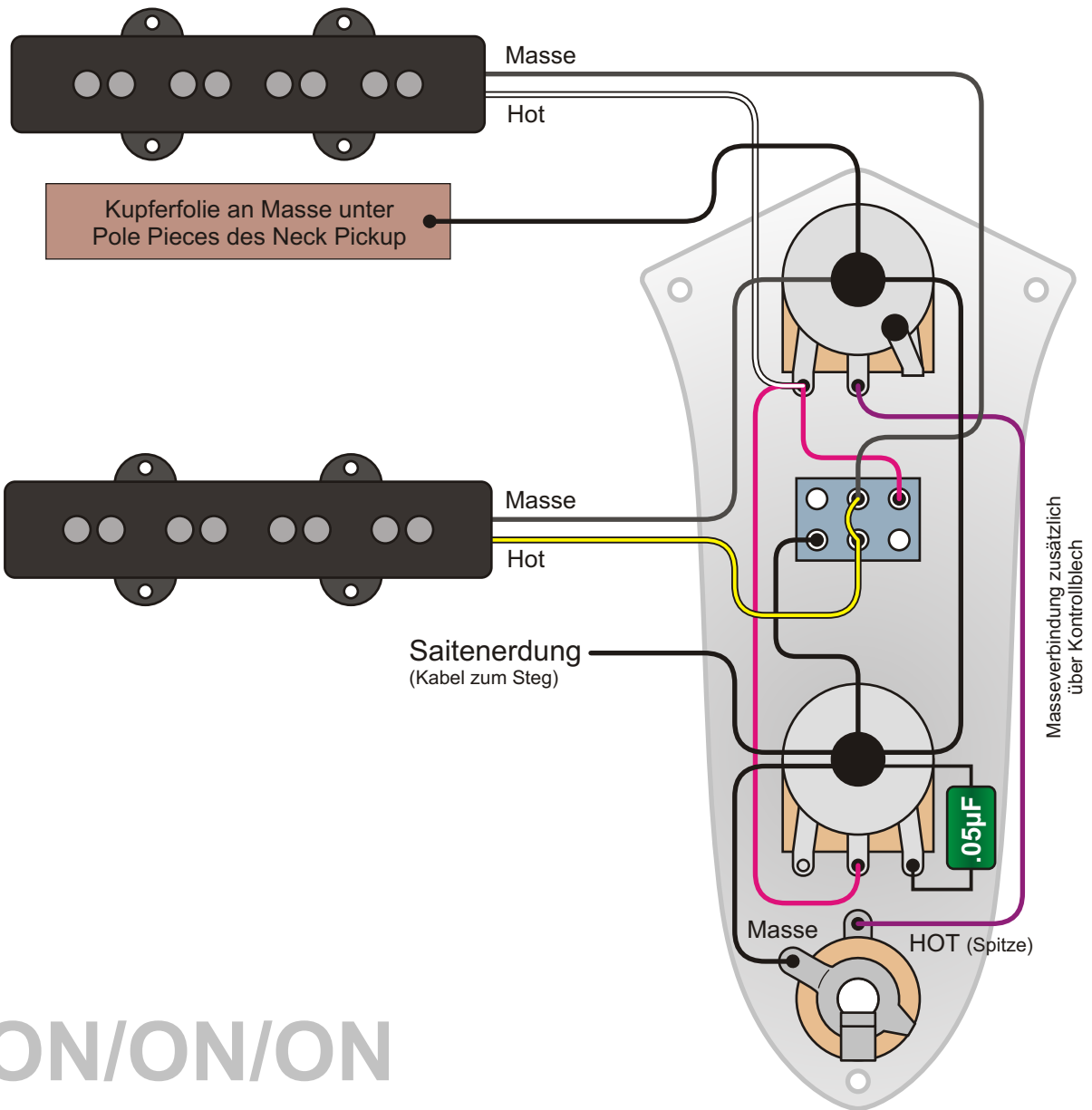
ON/OFF/ON	aktive Pickups
oben	Neck
mittig	Neck + Bridge seriell
unten	Bridge

Version 2



Mittelstellung seriell
 Hier eine Schaltung, bei der die beiden Pickups in Mittelstellung nicht wie üblich parallel, sondern seriell geschaltet sind. Erreicht wird das, indem in den äußeren Stellungen jeweils einer der Pickups kurzgeschlossen wird.

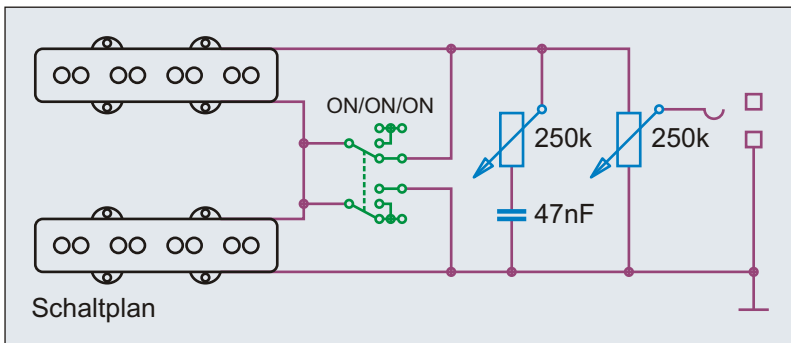
Benennung	J-Bass, Mini-Dreiweg, seriell (2)	Umbauten & Eigenbauten	Nummer	2.2.102
Bemerkungen / Besonderheiten	Master Volume, Master Tone, Mini-Dreiweg-Pickup-Wahlschalter	gezeichnet von	gezeichnet am	Seite
		Cadfael	02.09.17	345



ON/ON/ON

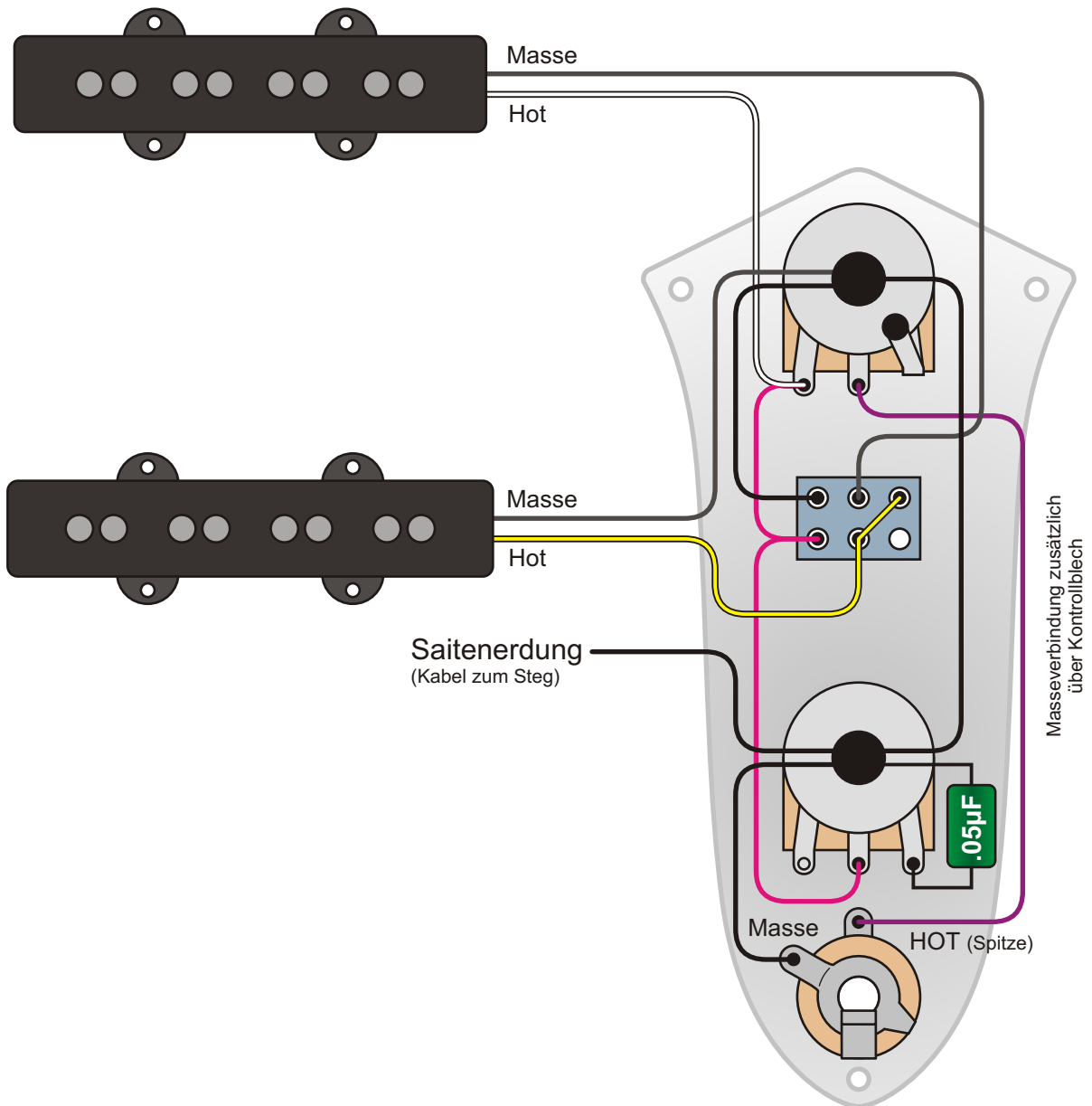
ON/ON/ON	aktive Pickups
oben	Neck
mittig	Neck + Bridge seriell
unten	Bridge

Ein ON/ON/ON Schalter ist für die serielle Schaltung eher ungewöhnlich (und teurer) - es geht aber ...



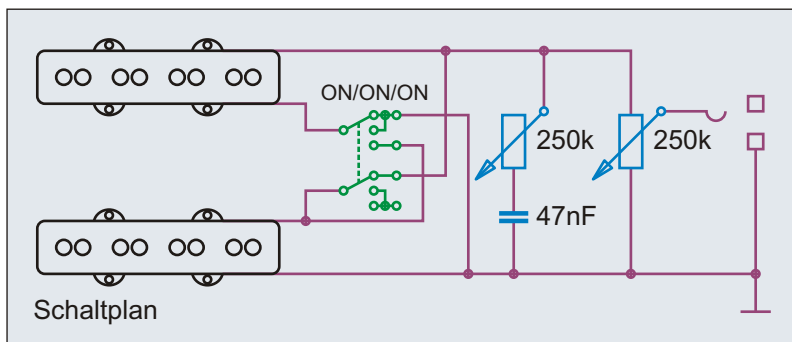
Mittelstellung seriell
 Hier eine Schaltung, bei der die beiden Pickups in Mittelstellung nicht wie üblich parallel, sondern seriell geschaltet sind. Erreicht wird das, indem in den äußeren Stellungen jeweils einer der Pickups kurzgeschlossen wird.

Benennung	J-Bass, Mini-Dreiweg, seriell (3)	Umbauten & Eigenbauten	Nummer	2.2.103
Bemerkungen / Besonderheiten	Master Volume, Master Tone, Mini-Dreiweg-Pickup-Wahlschalter	gezeichnet von	gezeichnet am	Seite
		Cadfael	02.09.17	346



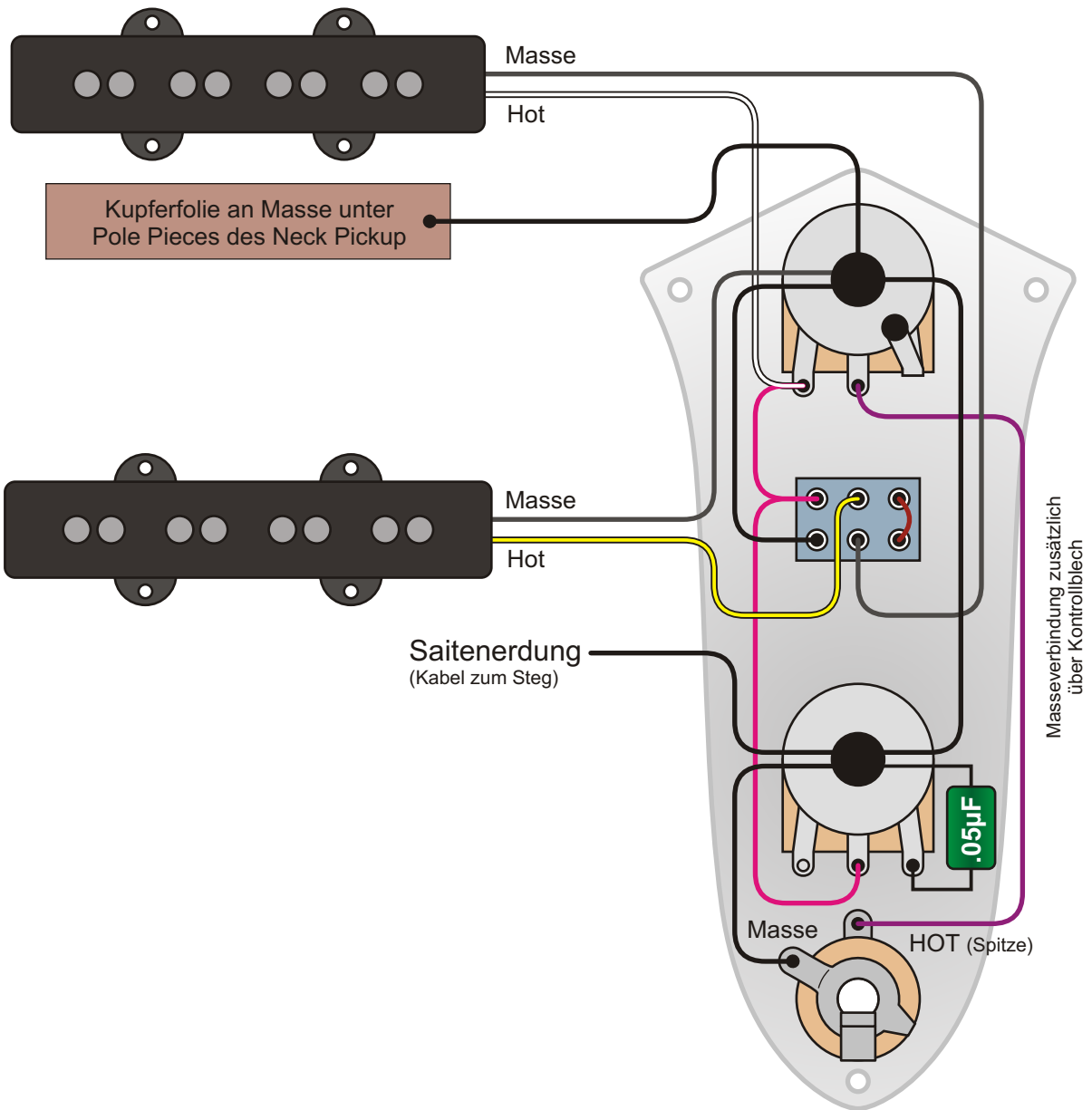
ON/ON/ON	aktive Pickups
oben	parallel
mittig	Neck
unten	seriell

Eine Schaltung für Leute, die den Solo Bridge Sound nicht mögen oder nicht brauchen. Seriell gibt es Extra-Power ...



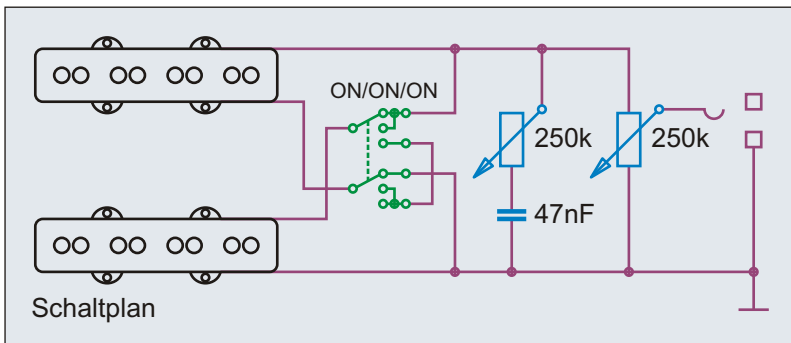
Parallel/Neck/Seriell
Ist in dieser Schaltung der Minischalter nach oben, sind beide Pickups parallel. Ist er nach unten, sind sie seriell geschaltet. In der Mittelstellung ist nur der Neck Pickup an. Mehr Power nach unten, weniger Power nach oben ...

Benennung	J-Bass, Mini-Dreiweg, ser. / Neck / par.	Umbauten & Eigenbauten	Nummer	2.2.111
Bemerkungen / Besonderheiten	Master Volume, Master Tone, Mini-Dreiweg-Pickup-Wahlschalter	gezeichnet von	gezeichnet am	Seite
		Cadfael	02.09.17	347



ON/ON/ON	aktive Pickups
oben	parallel
mittig	Bridge
unten	seriell

Eine Schaltung für Leute, die den Solo Neck Sound nicht mögen oder nicht brauchen. Seriell gibt es Extra-Power ...



Parallel/Bridge/Seriell

Ist in dieser Schaltung der Minischalter nach oben, sind beide Pickups parallel. Ist er nach unten, sind sie seriell geschaltet. In der Mittelstellung ist nur der Bridge Pickup an. Diese Schaltung ist nur etwas für wenige Bassisten ...

Benennung **J-Bass, Mini-Dreiweg, ser. / Brid. / par.**

Umbauten & Eigenbauten

Nummer 2.2.113

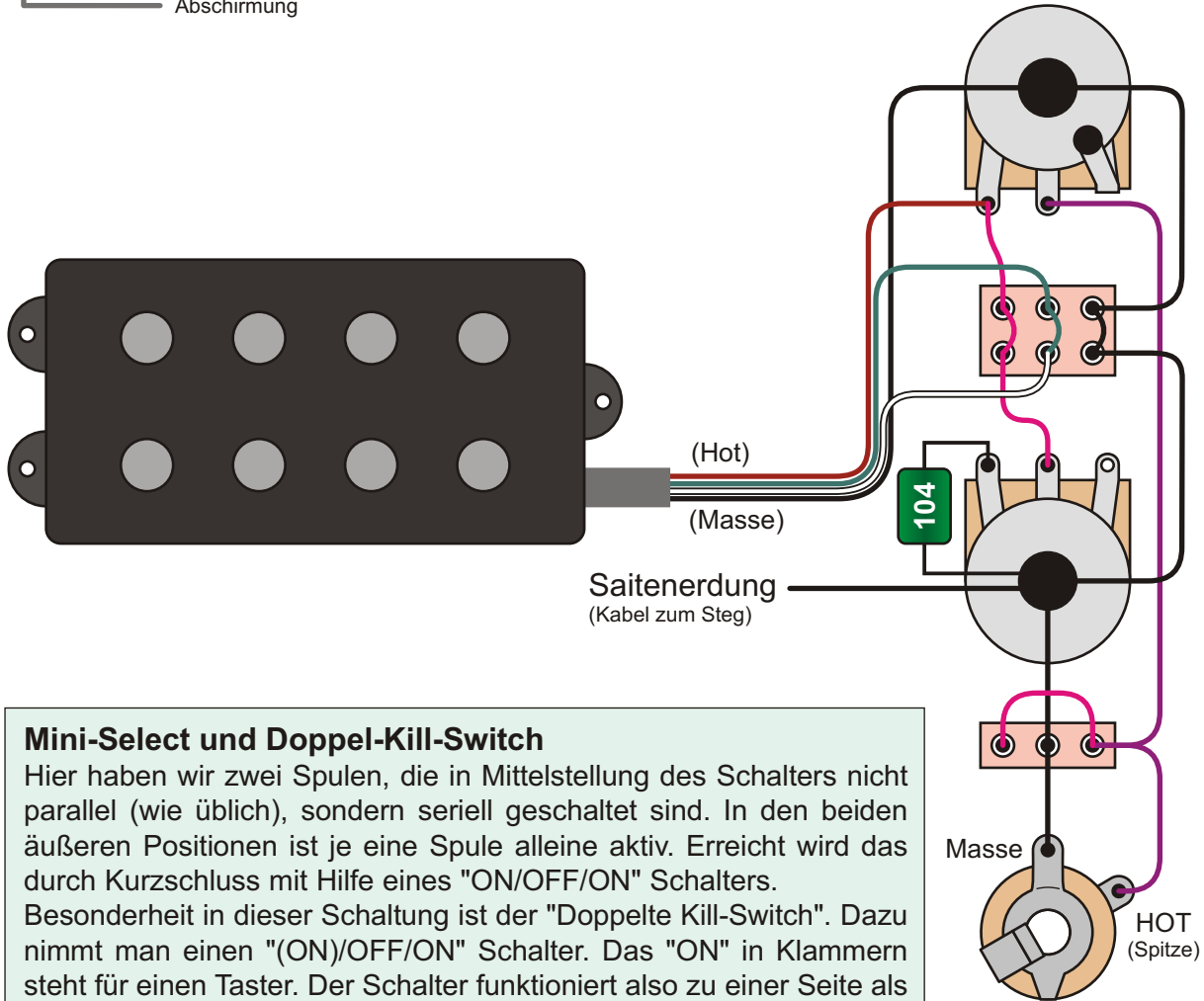
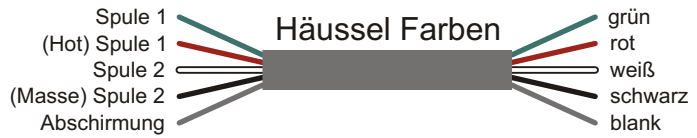
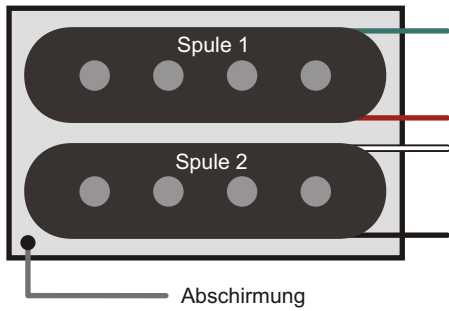
Bemerkungen / Besonderheiten

Master Volume, Master Tone, Mini-Dreiweg-Pickup-Wahlschalter

gezeichnet von Cadfael

gezeichnet am 02.09.17

Seite 348

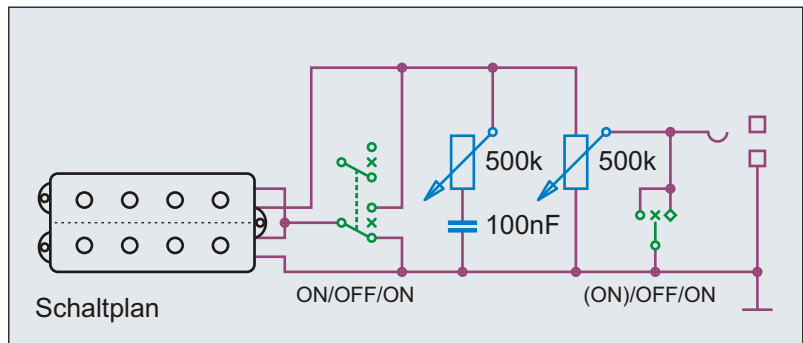


Mini-Select und Doppel-Kill-Switch

Hier haben wir zwei Spulen, die in Mittelstellung des Schalters nicht parallel (wie üblich), sondern seriell geschaltet sind. In den beiden äußeren Positionen ist je eine Spule alleine aktiv. Erreicht wird das durch Kurzschluss mit Hilfe eines "ON/OFF/ON" Schalters. Besonderheit in dieser Schaltung ist der "Doppelte Kill-Switch". Dazu nimmt man einen "(ON)/OFF/ON" Schalter. Das "ON" in Klammern steht für einen Taster. Der Schalter funktioniert also zu einer Seite als Schalter, zur anderen als Taster. In Spielpausen legt man den Schalter um, für "Kill-Effekte" hingegen drückt man den Schalthebel nach unten. Lässt man ihn los, geht der Hebel in Mittelstellung zurück.

ON/OFF/ON	aktive Pickups
unten	M1
mittig	MM seriell
oben	M2

(ON)/OFF/ON	aktive Pickups
unten	Tast-Kill
mittig	Pickups aktiv
oben	Dauer-Kill



Benennung **MM-Bass, Mini-Dreiweg, seriell + kill**

Umbauten & Eigenbauten

Nummer 2.2.121

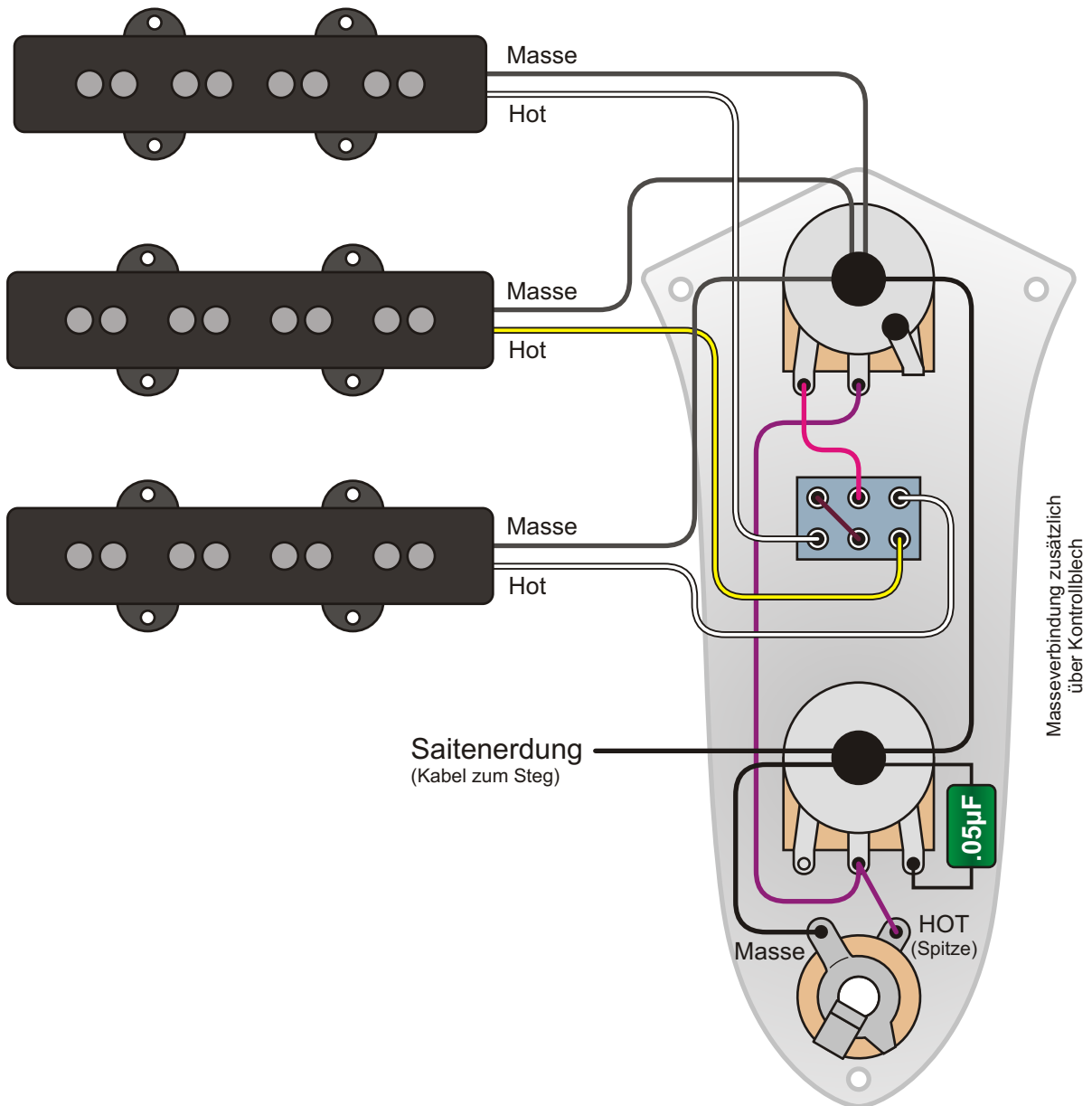
Bemerkungen / Besonderheiten

Master Volume, Master Tone, Mini-Dreiweg, Kill-Switch

gezeichnet von Cadfael

gezeichnet am 02.09.17

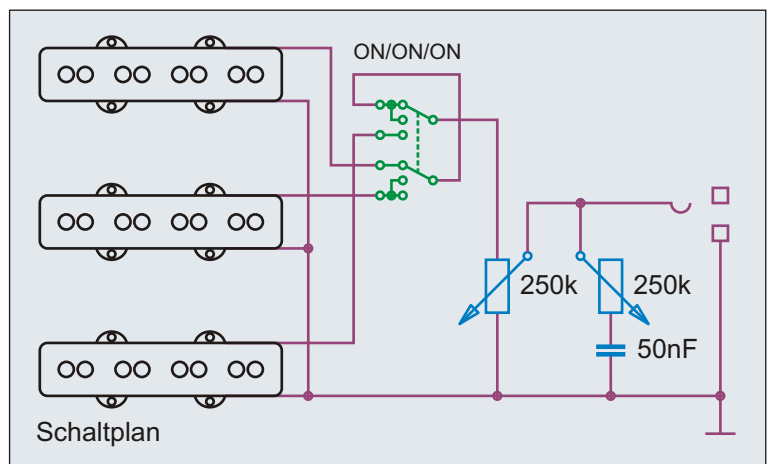
Seite 349



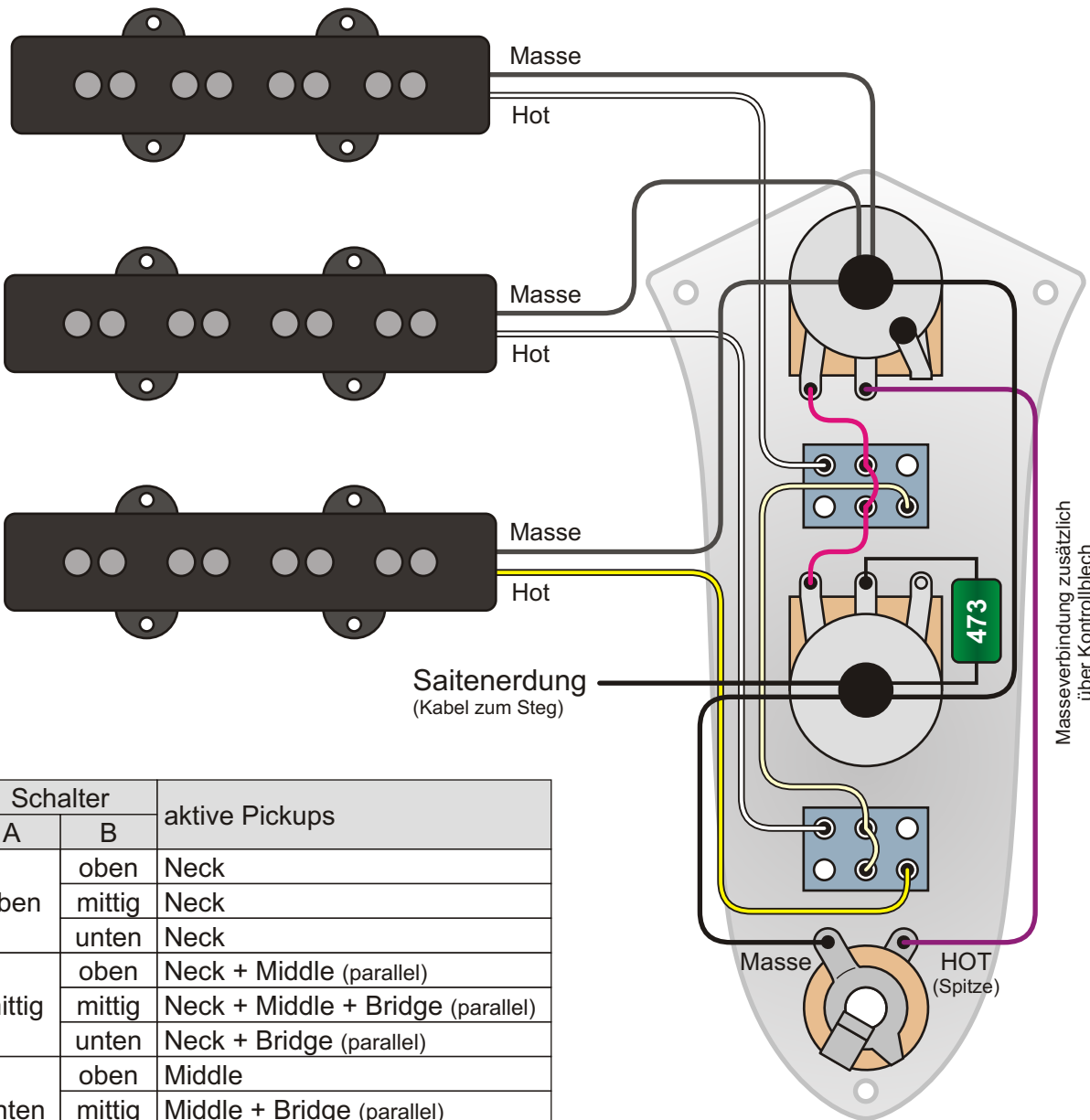
ON/ON/ON	aktive Pickups
oben	Neck
mittig	Middle
unten	Bridge

Minischalter A/B/C

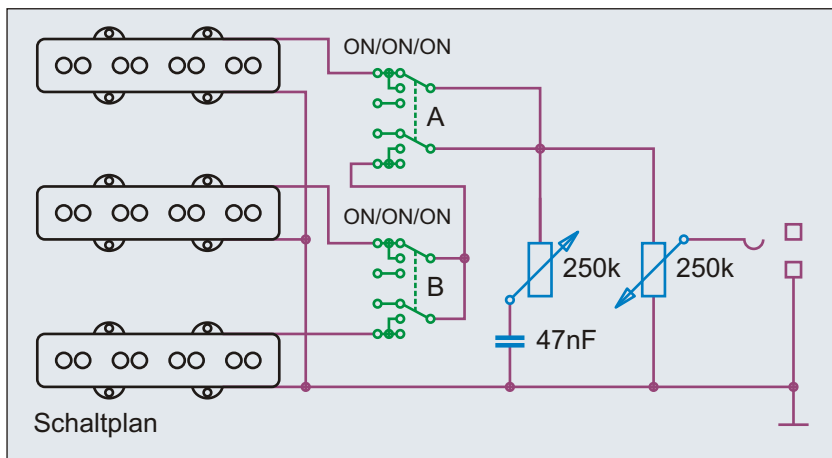
Hier eine Schaltung mit drei Pickups bzw. drei Spulen. Besonderheit ist, dass man mit einem Minischalter ON/ON/ON (ON-Z-ON) jede der drei Spulen einzeln anwählen kann.



Benennung	J-Bass, 3 PUs, 1x Mini-Dreiweg	Umbauten & Eigenbauten	Nummer
Bemerkungen / Besonderheiten	Master Volume, Master Tone, Mini-Dreiweg-Pickup-Wahlschalter A/B/C	gezeichnet von	2.2.301
		gezeichnet am	Seite
		Cadfael	02.09.17
			350



Schalter		aktive Pickups
A	B	
oben	oben	Neck
	mittig	Neck
	unten	Neck
mittig	oben	Neck + Middle (parallel)
	mittig	Neck + Middle + Bridge (parallel)
	unten	Neck + Bridge (parallel)
unten	oben	Middle
	mittig	Middle + Bridge (parallel)
	unten	Bridge



2x Mini-Dreiweg

Statt der drei J-Pickups kann man sich hier auch einen P-Pickup oben und einen MM-Pickup unten vorstellen. In diesem Fall würde der Schalter A den Pickup auswählen, während der Schalter B über die innere Schaltung des MM-Pickups entscheidet.

Benennung **J-Bass, 3 PUs, 2x Mini-Dreiweg**

Umbauten & Eigenbauten

Nummer 2.2.321

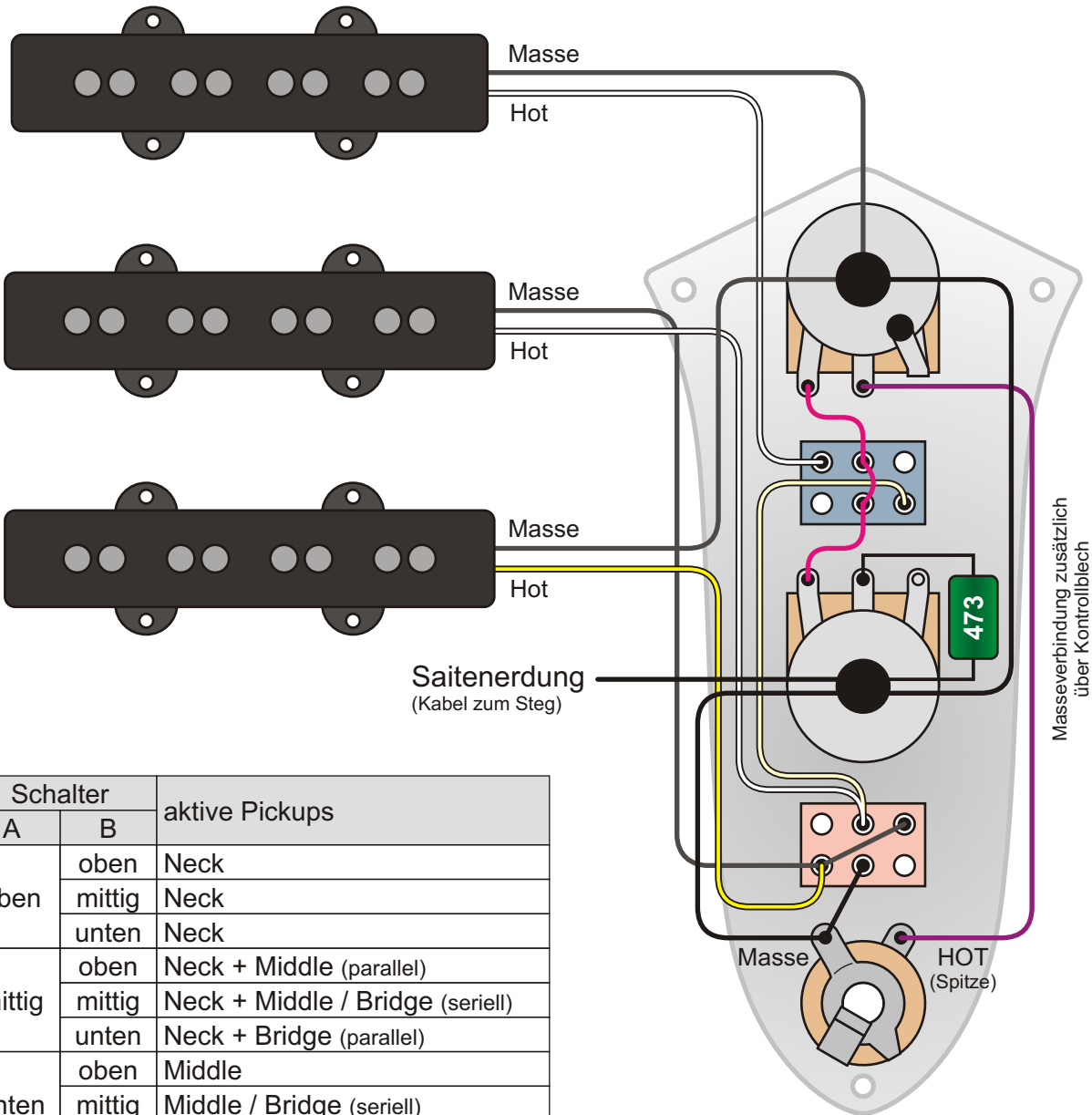
Bemerkungen / Besonderheiten

Master Volume, Master Tone, 2x Mini-Dreiweg (alle Pickups parallel)

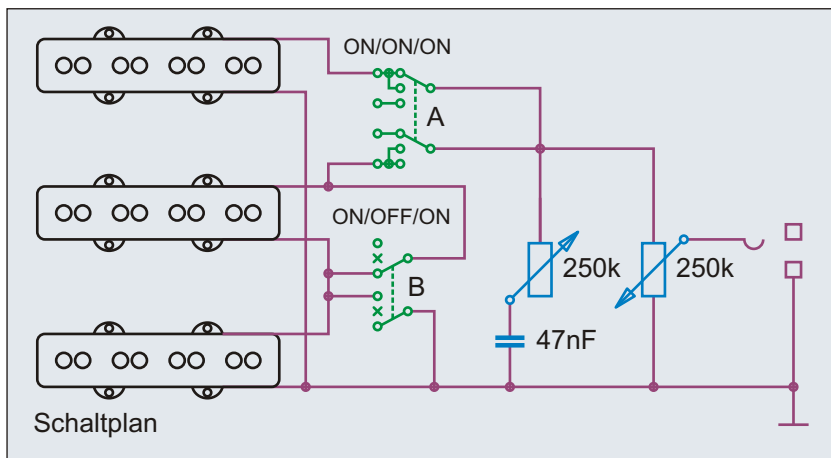
gezeichnet von Cadfael

gezeichnet am 02.09.17

Seite 351



Schalter		aktive Pickups
A	B	
oben	oben	Neck
	mittig	Neck
	unten	Neck
mittig	oben	Neck + Middle (parallel)
	mittig	Neck + Middle / Bridge (seriell)
	unten	Neck + Bridge (parallel)
unten	oben	Middle
	mittig	Middle / Bridge (seriell)
	unten	Bridge



2x Mini-Dreiweg

Statt der drei J-Pickups kann man sich hier auch einen P-Pickup oben und einen MM-Pickup unten vorstellen. In diesem Fall wurde der Schalter A den Pickup auswählen, während der Schalter B über die innere Schaltung des MM-Pickups entscheidet.

Benennung **J-Bass, 3 PUs, 2x Mini-Dreiweg**

Umbauten & Eigenbauten

Nummer 2.2.326

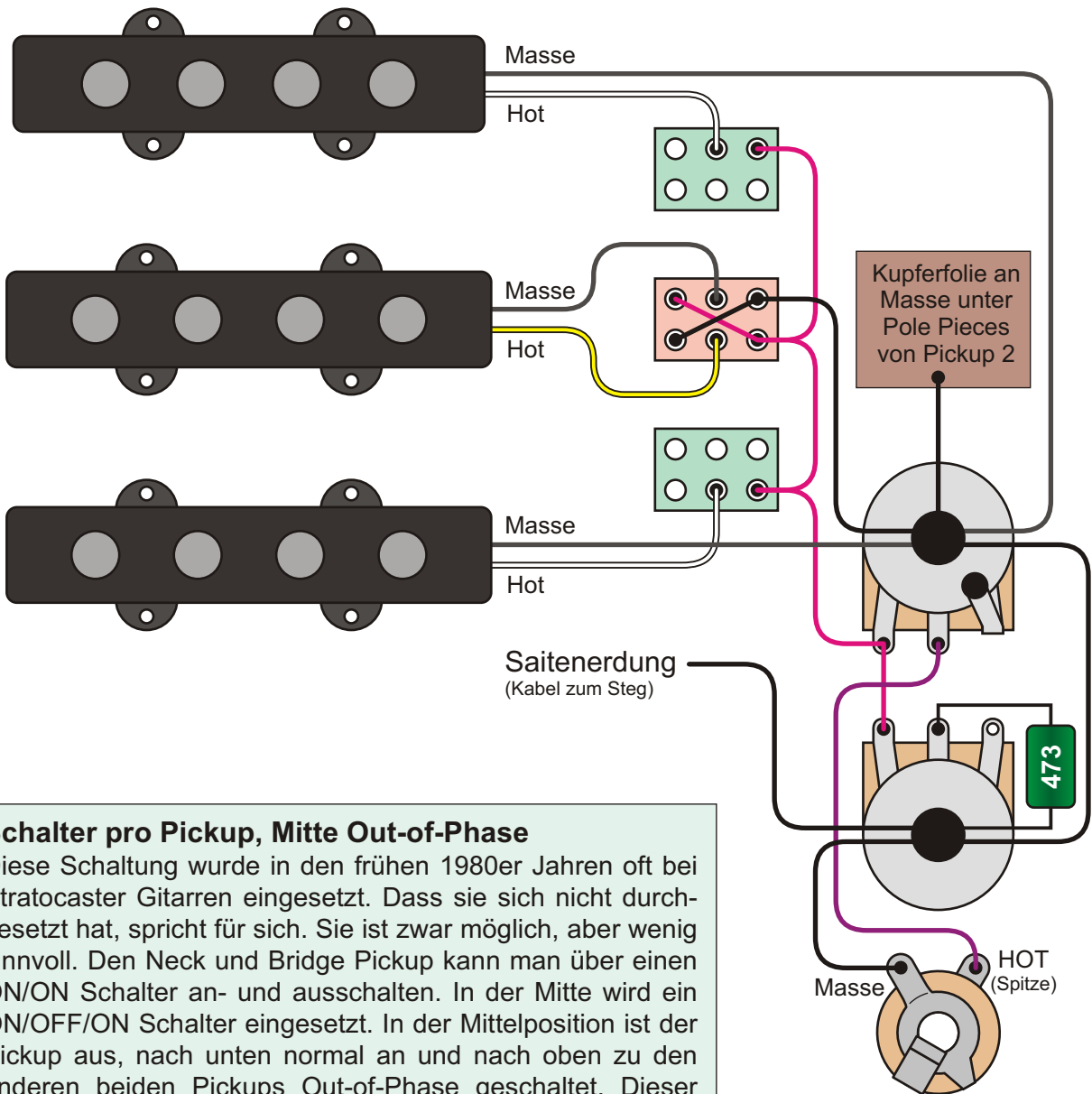
Bemerkungen / Besonderheiten

Master Volume, Master Tone, 2x Mini-Dreiweg (Middle + Bridge seriell)

gezeichnet von Cadfael

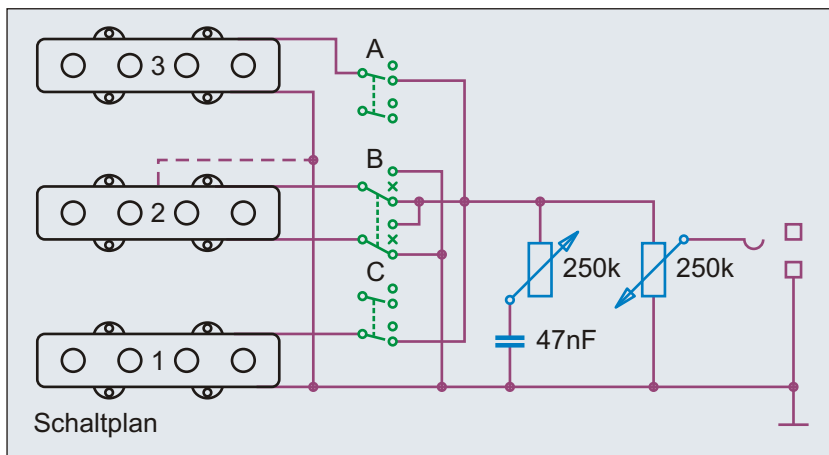
gezeichnet am 02.09.17

Seite 352



Schalter pro Pickup, Mitte Out-of-Phase

Diese Schaltung wurde in den frühen 1980er Jahren oft bei Stratocaster Gitarren eingesetzt. Dass sie sich nicht durchgesetzt hat, spricht für sich. Sie ist zwar möglich, aber wenig sinnvoll. Den Neck und Bridge Pickup kann man über einen ON/ON Schalter an- und ausschalten. In der Mitte wird ein ON/OFF/ON Schalter eingesetzt. In der Mittelposition ist der Pickup aus, nach unten normal an und nach oben zu den anderen beiden Pickups Out-of-Phase geschaltet. Dieser Sound ist jedoch für die meisten Anwendungen zu dünn.



Schalter	Pickup
A / C	Pickup
oben	aus
unten	an

Schalter	Pickup
B	Pickup
oben	Out-of-Phase
mittig	aus
unten	an

Benennung **J-Bass, 3 PUs, 3x Mini-Dreiweg, 1980s**

Umbauten & Eigenbauten

Nummer 2.2.341

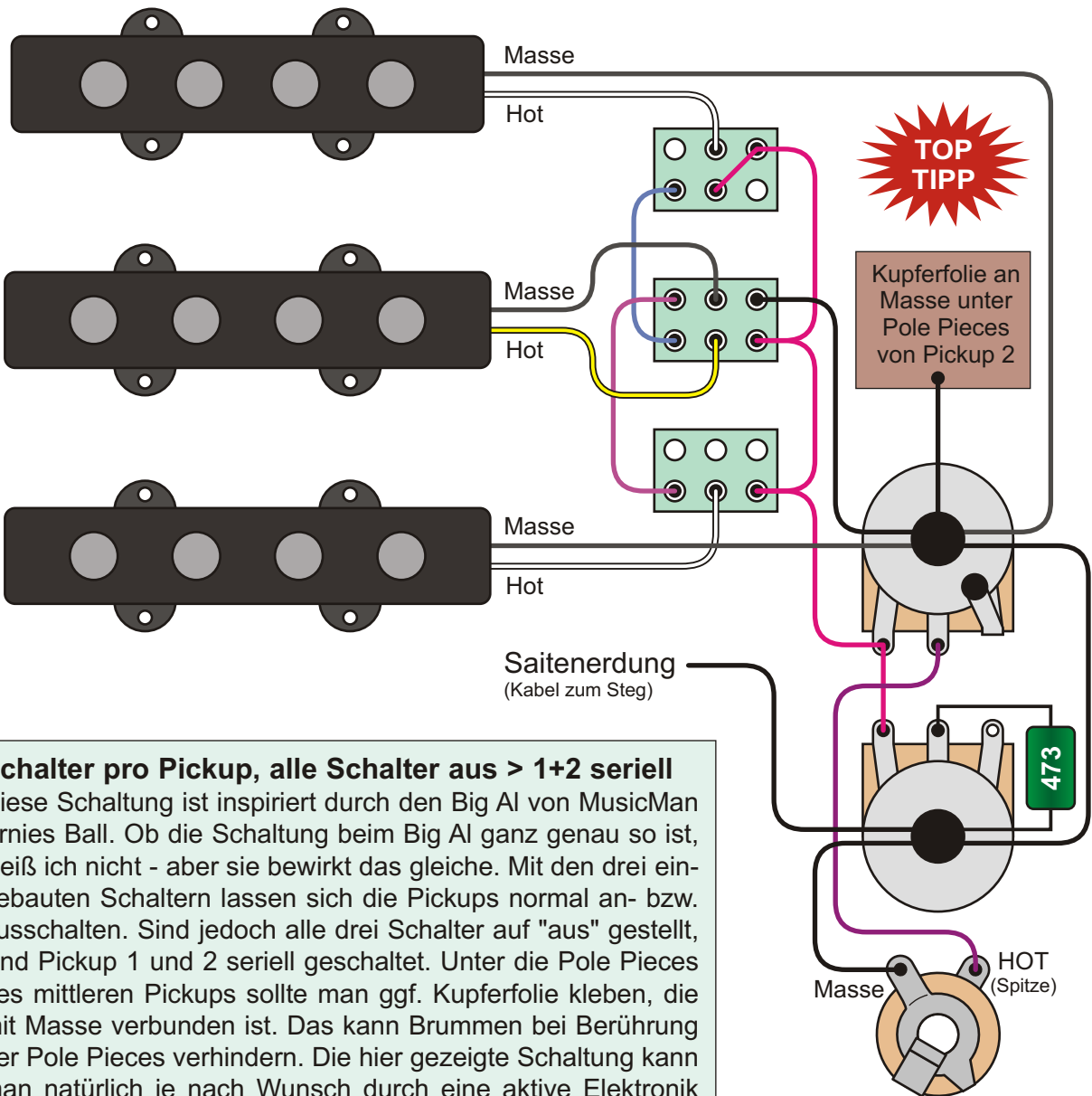
Bemerkungen / Besonderheiten

Pickup-Wahl über drei Schalter, Master Volume, Master Tone

gezeichnet von
Cadfael

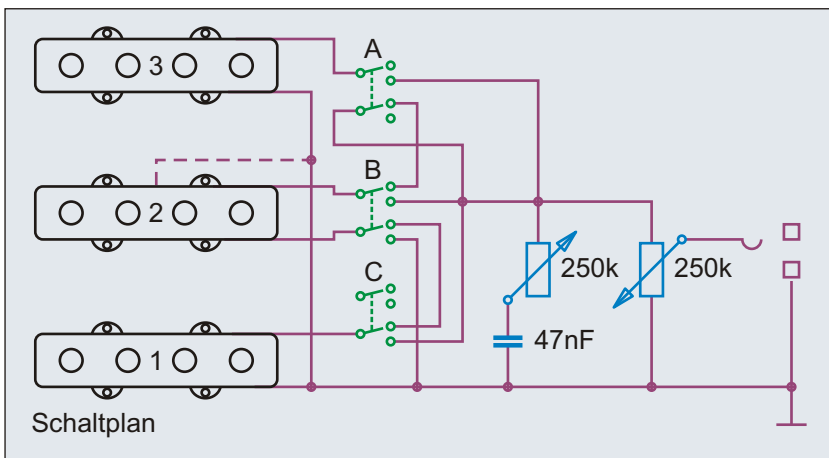
gezeichnet am
02.09.17

Seite
353



Schalter pro Pickup, alle Schalter aus > 1+2 seriell

Diese Schaltung ist inspiriert durch den Big AI von MusicMan Ernie Ball. Ob die Schaltung beim Big AI ganz genau so ist, weiß ich nicht - aber sie bewirkt das gleiche. Mit den drei eingebauten Schaltern lassen sich die Pickups normal an- bzw. ausschalten. Sind jedoch alle drei Schalter auf "aus" gestellt, sind Pickup 1 und 2 seriell geschaltet. Unter die Pole Pieces des mittleren Pickups sollte man ggf. Kupferfolie kleben, die mit Masse verbunden ist. Das kann Brummen bei Berührung der Pole Pieces verhindern. Die hier gezeigte Schaltung kann man natürlich je nach Wunsch durch eine aktive Elektronik bzw. aktive Klangreglung beliebig ergänzen oder ersetzen.



inspired by
ERNIE BALL

Schalter			Pickups
A	B	C	
o	o	o	1&2 (seriell)
u	u	u	1+2+3 (parallel)
u	o	o	3
o	u	o	2
o	o	u	1
u	u	o	2+3 (parallel)
o	u	u	1+2 (parallel)
u	o	u	1+3 (parallel)

o=oben / u=unten

Benennung **J-Bass, 3 PUs, 3x Mini-Dreiweg, Big AI**

Umbauten & Eigenbauten

Nummer 2.2.361

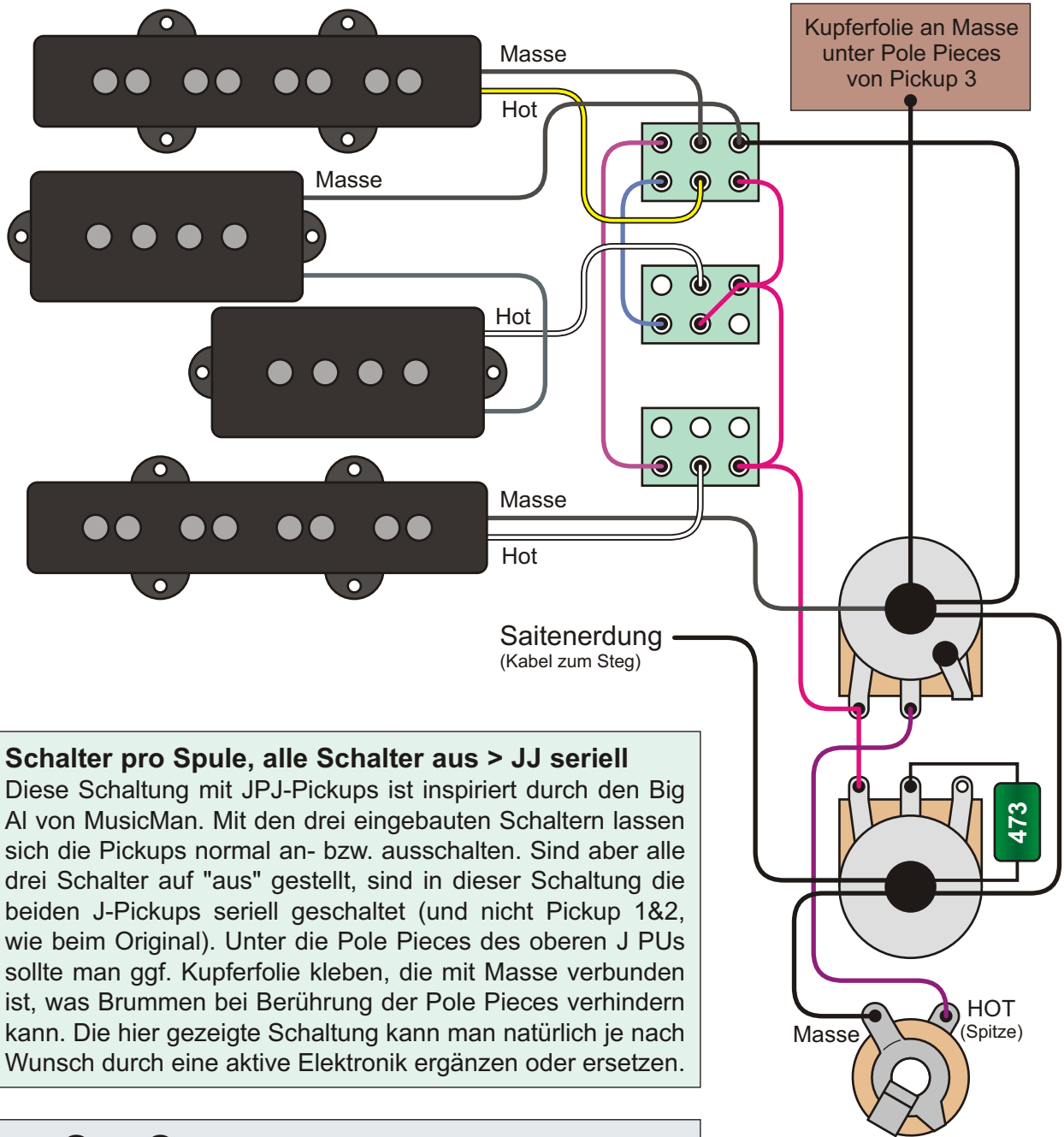
Bemerkungen / Besonderheiten

Pickup-Wahl über drei Schalter, Master Volume, Master Tone

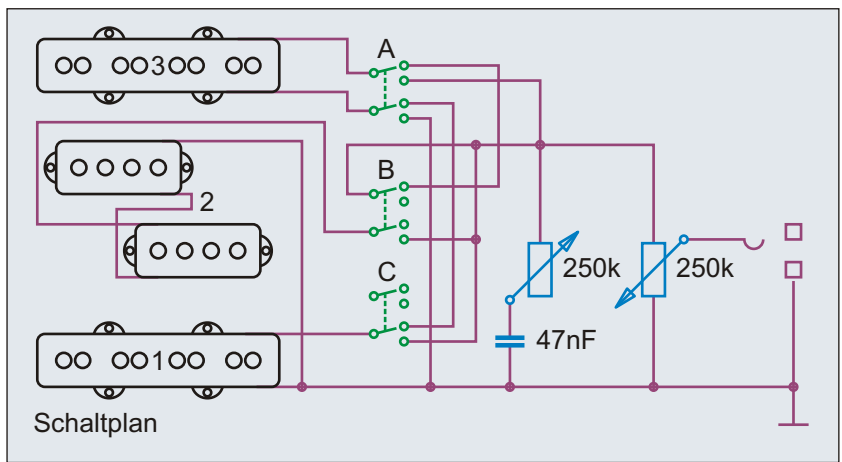
gezeichnet von
Cadfael

gezeichnet am
02.09.17

Seite
354



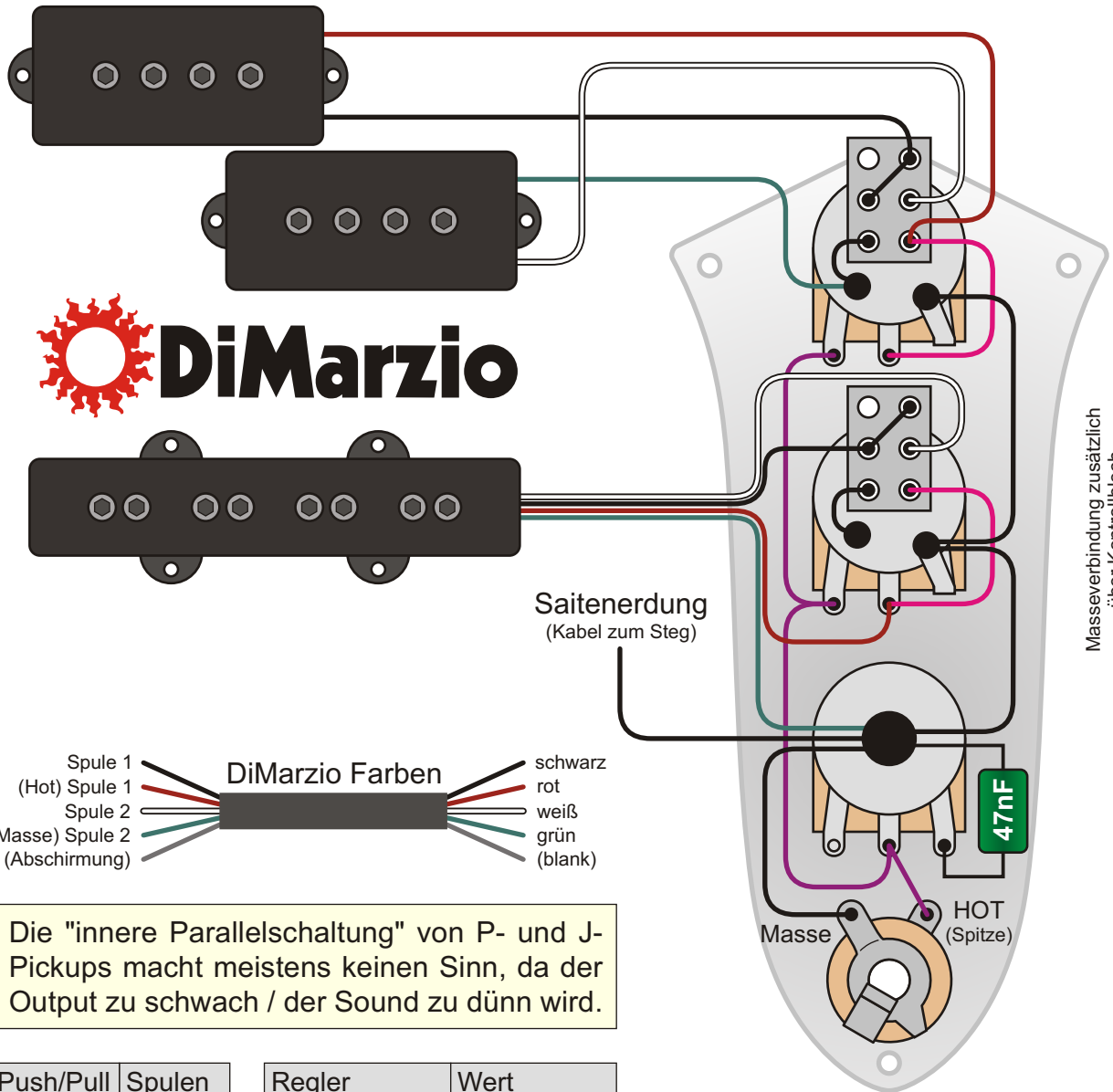
Schalter pro Spule, alle Schalter aus > JJ seriell
 Diese Schaltung mit JPJ-Pickups ist inspiriert durch den Big AI von MusicMan. Mit den drei eingebauten Schaltern lassen sich die Pickups normal an- bzw. ausschalten. Sind aber alle drei Schalter auf "aus" gestellt, sind in dieser Schaltung die beiden J-Pickups seriell geschaltet (und nicht Pickup 1&2, wie beim Original). Unter die Pole Pieces des oberen J PUs sollte man ggf. Kupferfolie kleben, die mit Masse verbunden ist, was Brummen bei Berührung der Pole Pieces verhindern kann. Die hier gezeigte Schaltung kann man natürlich je nach Wunsch durch eine aktive Elektronik ergänzen oder ersetzen.



Schalter			Pickups
A	B	C	
o	o	o	1&3 (seriell)
u	u	u	1+2+3 (parallel)
u	o	o	3
o	u	o	2
o	o	u	1
u	u	o	2+3 (parallel)
o	u	u	1+2 (parallel)
u	o	u	1+3 (parallel)

o=oben / u=unten

Benennung Fender® S.H. Urge meets Big AI	Umbauten & Eigenbauten		Nummer 2.2.363
	Bemerkungen / Besonderheiten Pickup-Wahl über drei Schalter, Master Volume, Master Tone		
gezeichnet von Cadfael	gezeichnet am 02.09.17	Seite 355	



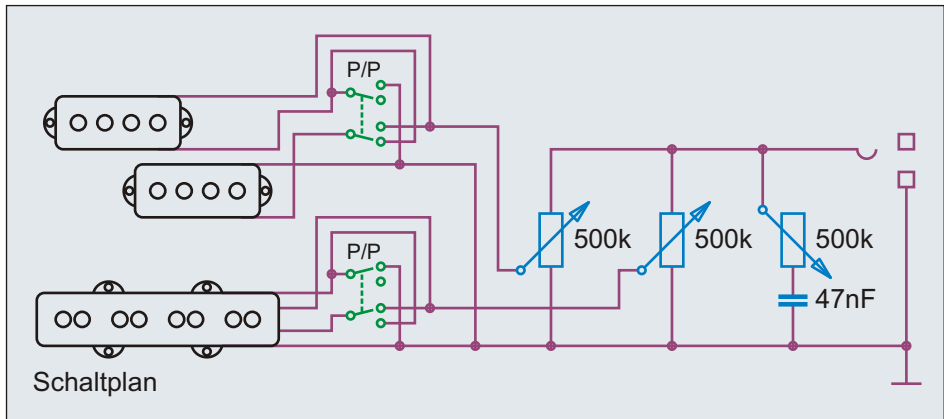
Die "innere Parallelschaltung" von P- und J-Pickups macht meistens keinen Sinn, da der Output zu schwach / der Sound zu dünn wird.

Push/Pull	Spulen
unten	seriell
oben	parallel

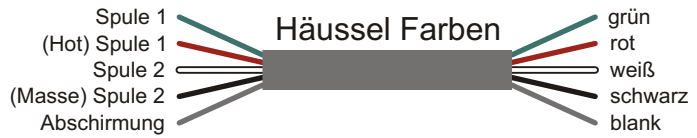
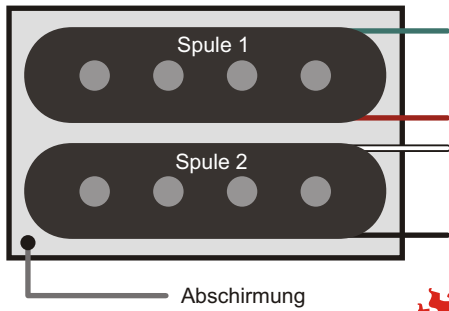
Regler	Wert
Neck Volume	P/P 500 k log.
Bridge Volume	P/P 500 k log.

welcome to the 1980s

Seriell/Parallel
Hier sieht man am Beispiel eines DP112 + DP123 Pickups, wie man mit Push/Pull Potis Humbucker seriell und parallel schalten kann. DiMarzio nannte das "Dual Sound".



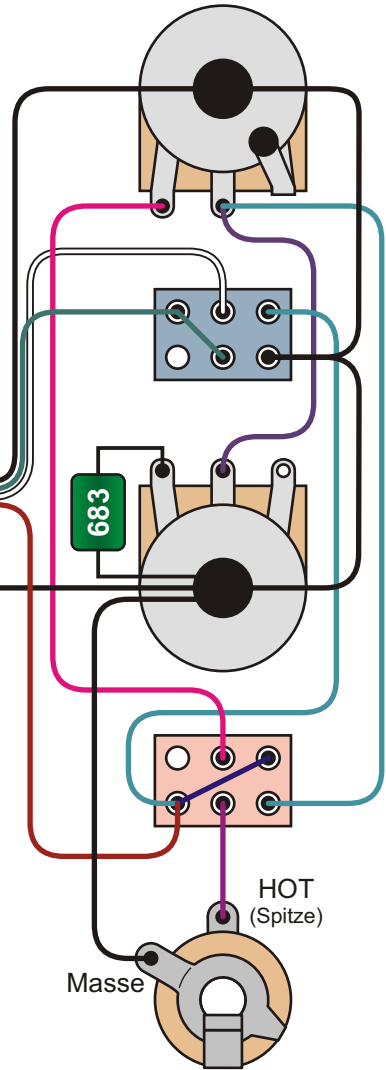
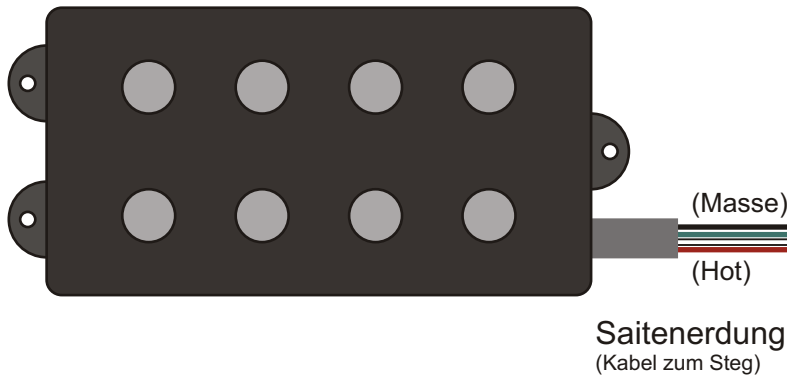
Benennung	PJ-Bass, DiMarzio DP122 und DP123	Umbauten & Eigenbauten	Nummer	2.2.401
Bemerkungen / Besonderheiten	Neck Volume, Bridge Volume, Master Tone, PUs intern parallel/seriell	gezeichnet von	gezeichnet am	Seite
		Cadfael	02.09.17	356



Schalter nach

DiMarzio
 Dual Sound Methode

Regler	Wert
Master Volume	500 k lin./log.
Master Tone	500 k log.



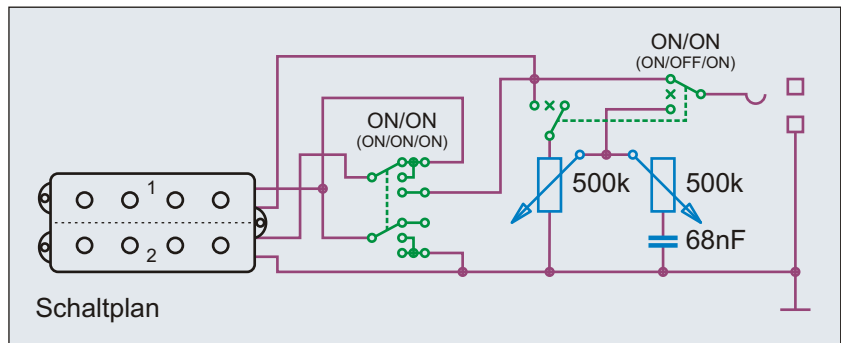
Mini-Select und Potiüberbrückung

In dieser Schaltung wird der Humbucker anders geschaltet. Mit einem "ON/ON" Schalter kann man zwischen seriell und parallel wählen, mit einem "ON/ON/ON" kommt in Mittelstellung noch Single Coil hinzu. Hier ist der Schalter nach der von DiMarzio patentierten DualSound Methode verkabelt. Im Gegensatz zur Ibanez TriSound Methode wird hier eine Spule kurzgeschlossen.

Mit dem zweiten Schalter kann man die beiden Potis außer Kraft setzen. Nimmt man einen Schalter mit Mittelstellung "OFF", kann man den Bass mit diesem Schalter gleichzeitig stumm schalten.

ON/ON/ON	aktive Pickups
unten	MM parallel
mittig	M1
oben	MM seriell

ON/OFF/ON	aktive Pickups
unten	Potis inaktiv
mittig	kein Signal
oben	Potis aktiv



Benennung **MM-Bass, Mini-Select + Potis-Out**

Umbauten & Eigenbauten

Nummer 2.2.421

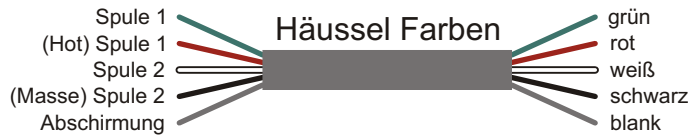
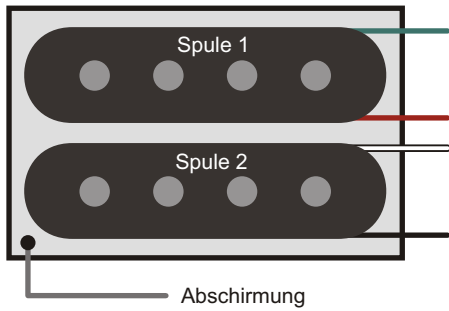
Bemerkungen / Besonderheiten

Master Volume, Master Tone, Mini-Dreiweg (DiMarzio), Poti-Umgehung

gezeichnet von Cadfael

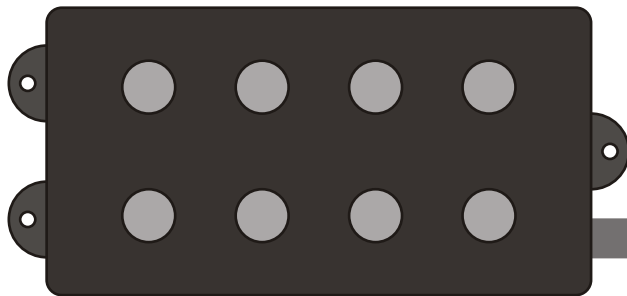
gezeichnet am 02.09.17

Seite 357

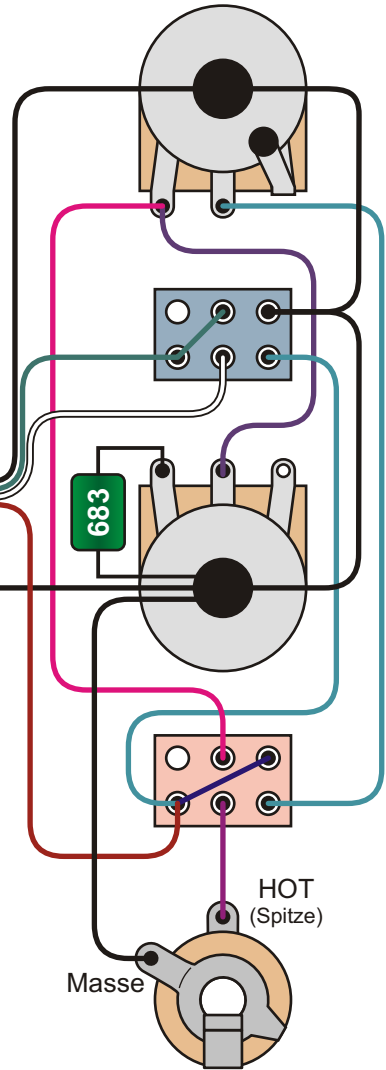


Schalter nach
Ibanez
TriSound Methode

Regler	Wert
Master Volume	500 k lin./log.
Master Tone	500 k log.



Saitenerdung
(Kabel zum Steg)

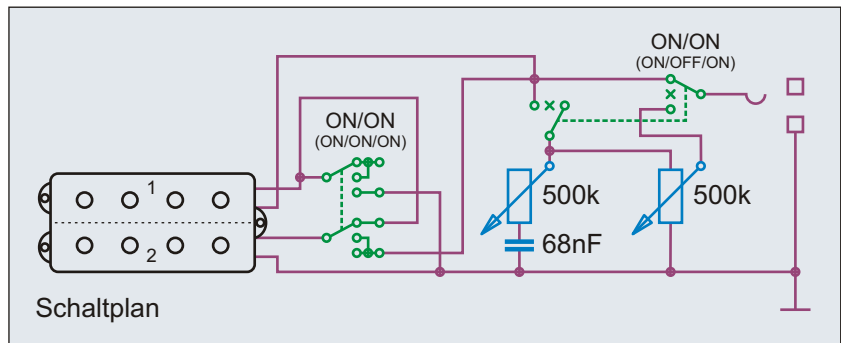


Mini-Select und Potiüberbrückung

In dieser Schaltung wird der Humbucker anders geschaltet. Mit einem "ON/ON" Schalter kann man zwischen seriell und parallel wählen, mit einem "ON/ON/ON" kommt in Mittelstellung noch Single Coil hinzu. Hier ist dieser Schalter nach der Ibanez TriSound Methode verschaltet. Ibanez umging mit dieser Verkabelung 1980 die von DiMarzio patentierte DualSound Methode, erreichte aber fast das gleiche. Mit dem zweiten Schalter kann man die beiden Potis außer Kraft setzen. Nimmt man einen Schalter mit Mittelstellung "OFF", kann man den Bass mit diesem Schalter gleichzeitig stumm schalten.

ON/ON/ON	aktive Pickups
unten	MM parallel
mittig	M2
oben	MM seriell

ON/OFF/ON	aktive Pickups
unten	Potis inaktiv
mittig	kein Signal
oben	Potis aktiv



Benennung **MM-Bass, Mini-Select + Potis-Out**

Umbauten & Eigenbauten

Nummer 2.2.422

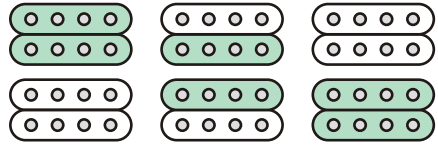
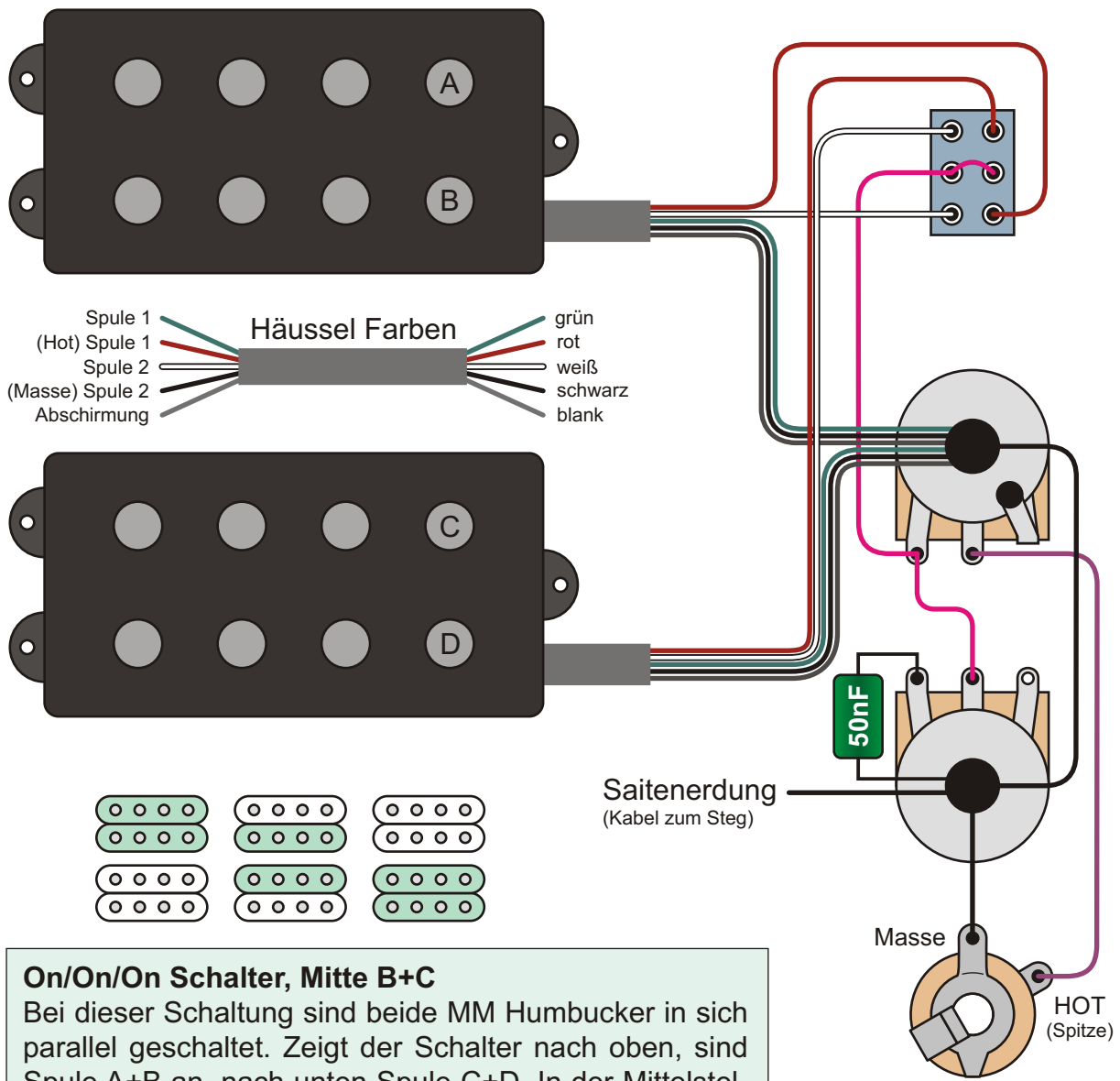
Bemerkungen / Besonderheiten

Master Volume, Master Tone, Mini-Dreiweg (Ibanez), Poti-Umgehung

gezeichnet von Cadfael

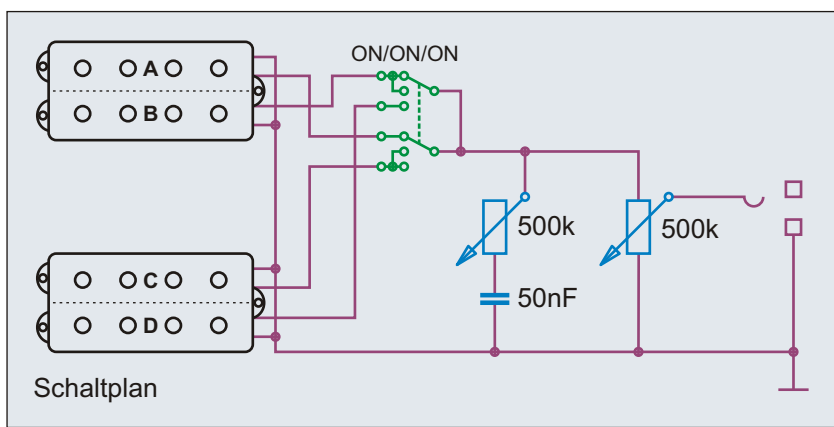
gezeichnet am 02.09.17

Seite 358



On/On/On Schalter, Mitte B+C

Bei dieser Schaltung sind beide MM Humbucker in sich parallel geschaltet. Zeigt der Schalter nach oben, sind Spule A+B an, nach unten Spule C+D. In der Mittelstellung des Schalters sind jedoch nicht alle vier Spulen an, sondern nur die inneren beiden Spulen B+C.

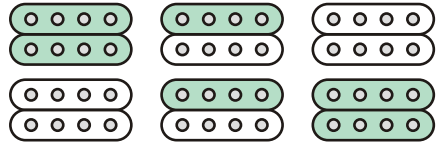
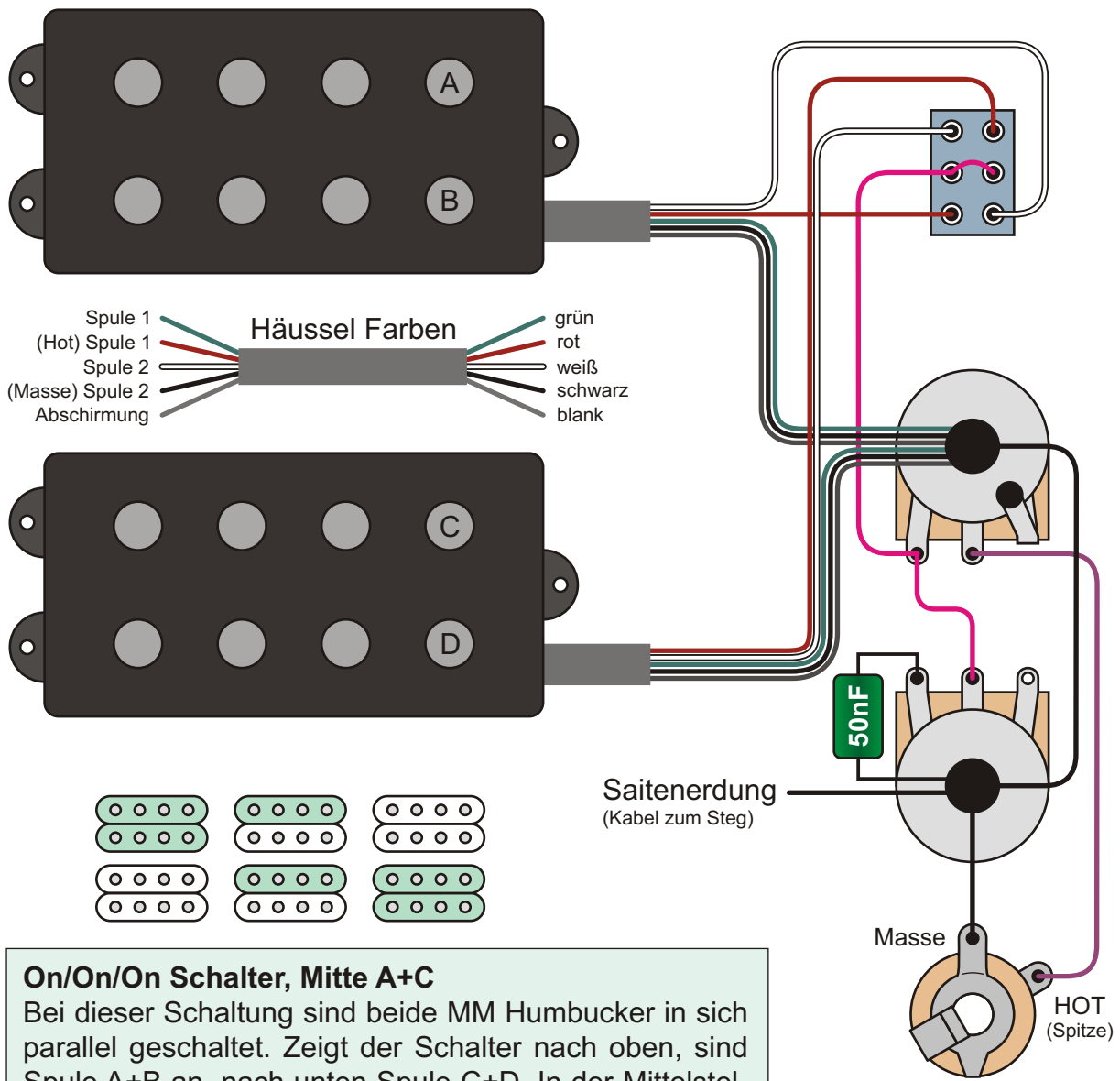


Regler
Master Volume
Master Tone

ON/ON/ON	aktive Pickups
unten	C + D parallel
mittig	B + C parallel
oben	A + B parallel

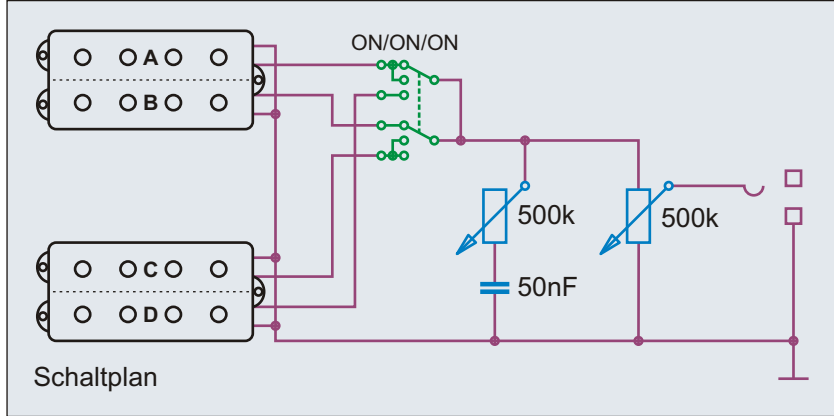
Benennung MM-Bass, Mini-Dreiweg, Mitte B+C	Umbauten & Eigenbauten		Nummer 2.2.431
	Bemerkungen / Besonderheiten Master Volume, Master Tone		
	gezeichnet von Cadfael	gezeichnet am 02.09.17	Seite 359

Idee, Recherche, Autor, Zeichnungen, Grafiken, Diagramme, Layout und Design: Andreas "Cadfael" Kühn - Nutzung ausschließlich zu privaten, nicht kommerziellen Zwecken und auf eigene Gefahr! Alle Angaben ohne Gewähr, Irrtümer vorbehalten!



On/On/On Schalter, Mitte A+C

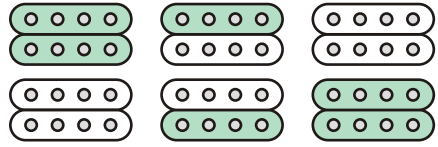
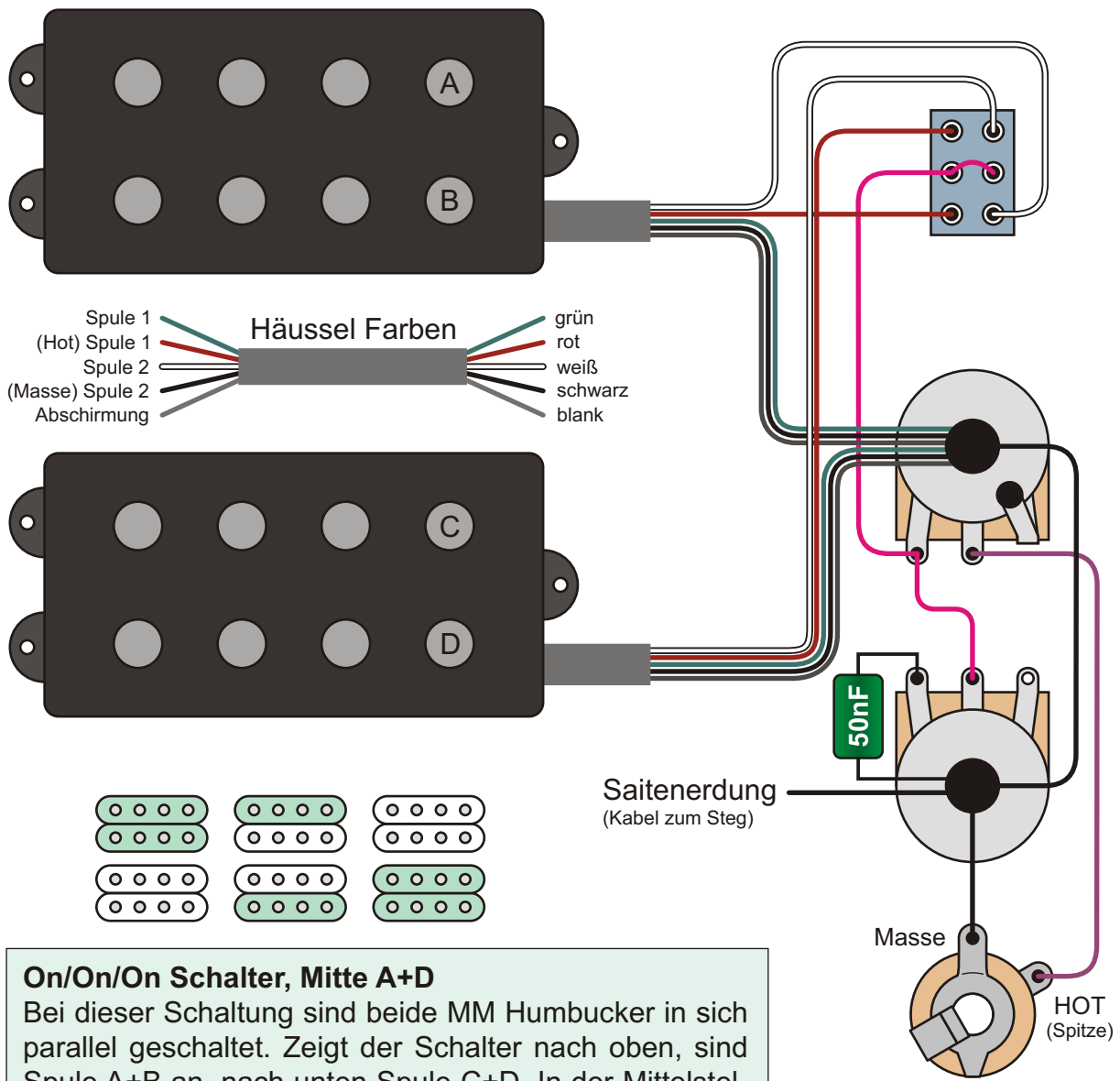
Bei dieser Schaltung sind beide MM Humbucker in sich parallel geschaltet. Zeigt der Schalter nach oben, sind Spule A+B an, nach unten Spule C+D. In der Mittelstellung des Schalters sind jedoch nicht alle vier Spulen an, sondern nur die beiden jeweils oberen Spulen A+C.



Regler
Master Volume
Master Tone

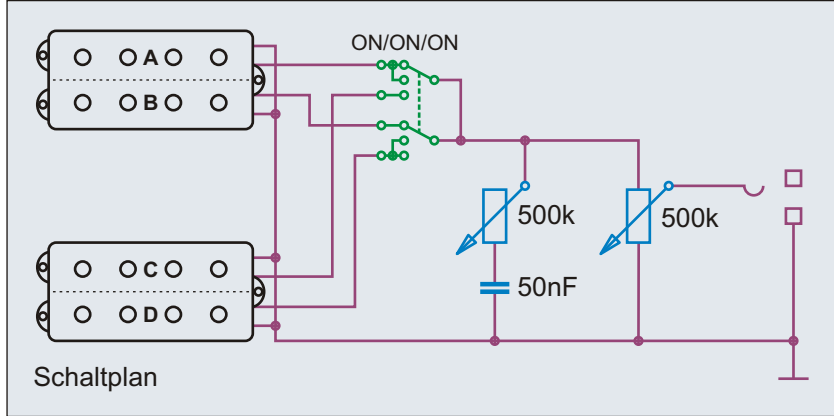
ON/ON/ON	aktive Pickups
unten	C + D parallel
mittig	A + C parallel
oben	A + B parallel

Benennung MM-Bass, Mini-Dreiweg, Mitte A+C	Umbauten & Eigenbauten		Nummer 2.2.432
	Bemerkungen / Besonderheiten Master Volume, Master Tone		
gezeichnet von Cadfael	gezeichnet am 02.09.17	Seite 360	



On/On/On Schalter, Mitte A+D

Bei dieser Schaltung sind beide MM Humbucker in sich parallel geschaltet. Zeigt der Schalter nach oben, sind Spule A+B an, nach unten Spule C+D. In der Mittelstellung des Schalters sind jedoch nicht alle vier Spulen an, sondern nur die äußeren beiden Spulen A+D.

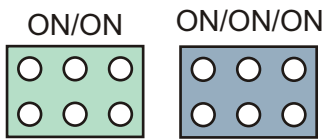
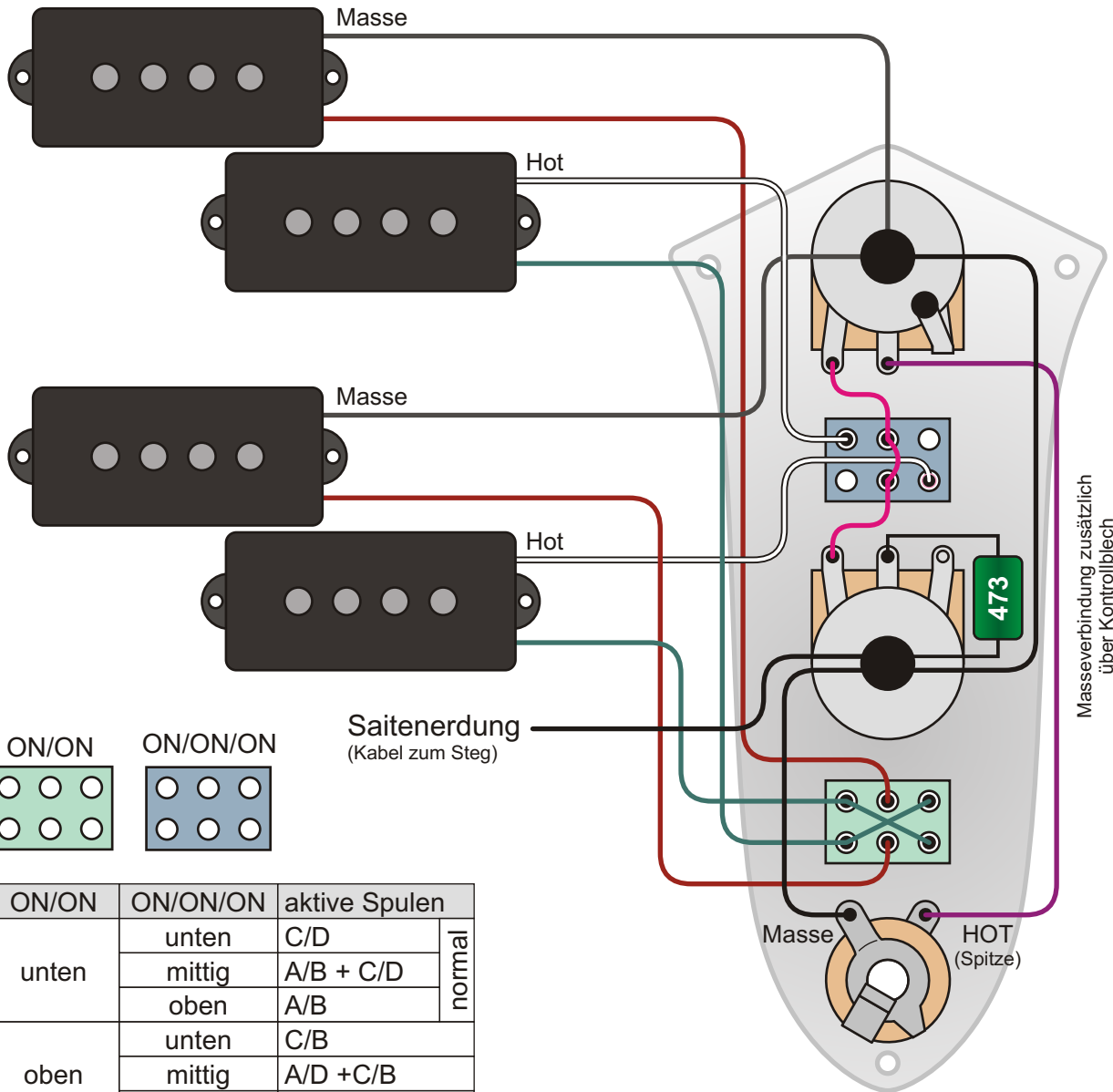


Regler
Master Volume
Master Tone

ON/ON/ON	aktive Pickups
unten	C + D parallel
mittig	A + D parallel
oben	A + B parallel

Benennung	MM-Bass, Mini-Dreiweg, Mitte A+D	Umbauten & Eigenbauten	Nummer	2.2.433
Bemerkungen / Besonderheiten	Master Volume, Master Tone	gezeichnet von	gezeichnet am	Seite
		Cadfael	02.09.17	361

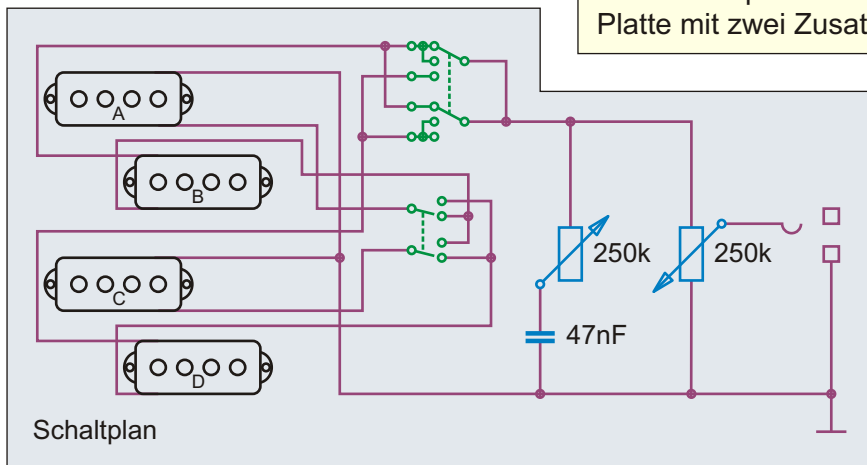
Idee, Recherche, Autor, Zeichnungen, Grafiken, Diagramme, Layout und Design: Andreas "Cadfael" Kühn - Nutzung ausschließlich zu privaten, nicht kommerziellen Zwecken und auf eigene Gefahr! Alle Angaben ohne Gewähr, Irrtümer vorbehalten!



Saitenerdung
(Kabel zum Steg)

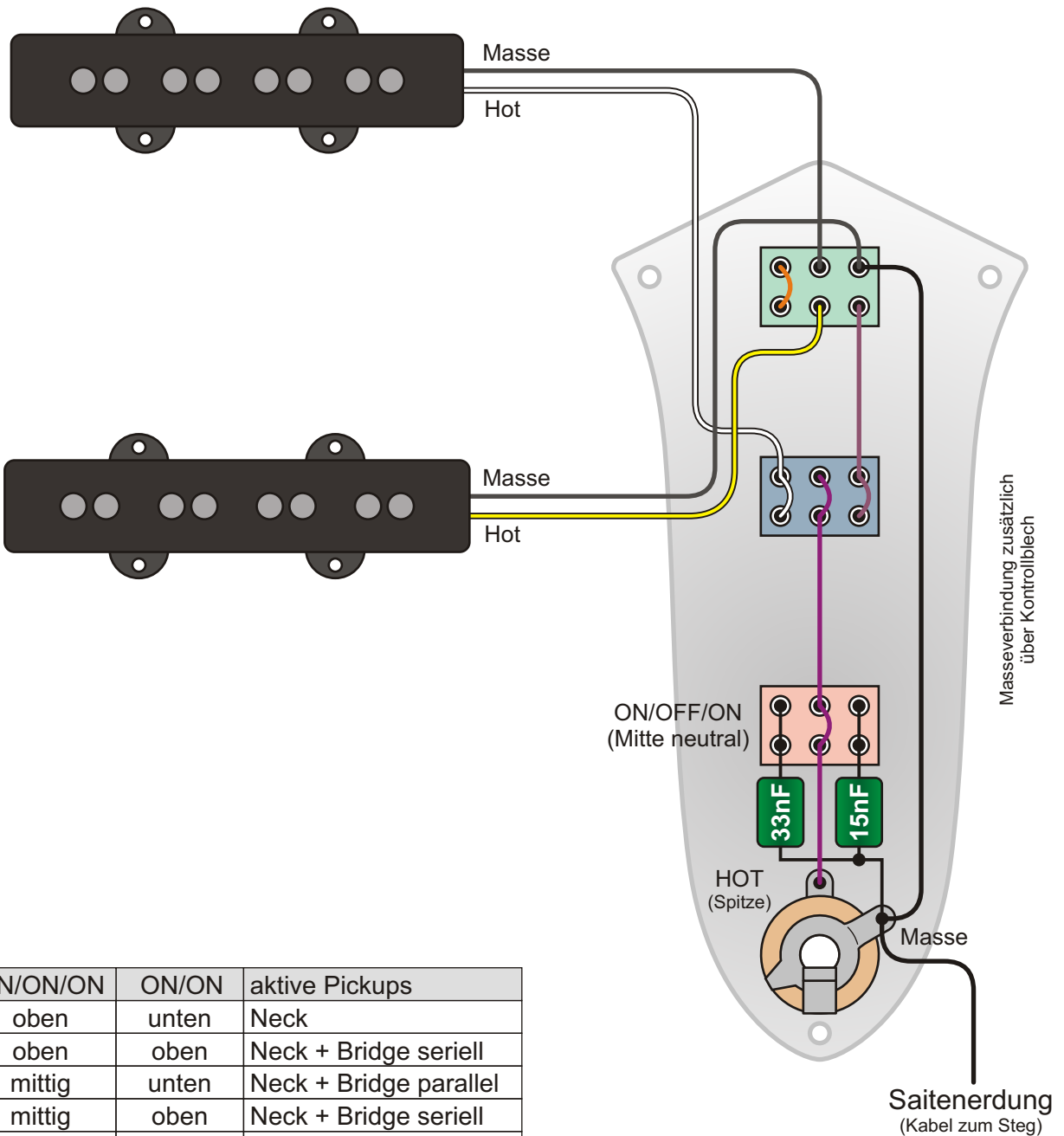
ON/ON	ON/ON/ON	aktive Spulen	
unten	unten	C/D	normal
	mittig	A/B + C/D	
	oben	A/B	
oben	unten	C/B	
	mittig	A/D + C/B	
	oben	A/D	

Als Kontrollplatte dient eine 1960-62er Jazz Bass Platte mit zwei Zusatzbohrungen für die Schalter.



Coil Select
Bei dieser Schaltung kann man auswählen, welche E/A-Spule mit welcher D/G-Spule gepaart wird. Wenn der On/On Schalter unten ist, sind sie Spulen wie bei normalen P-Pickups gepaart (A/B | C/D).

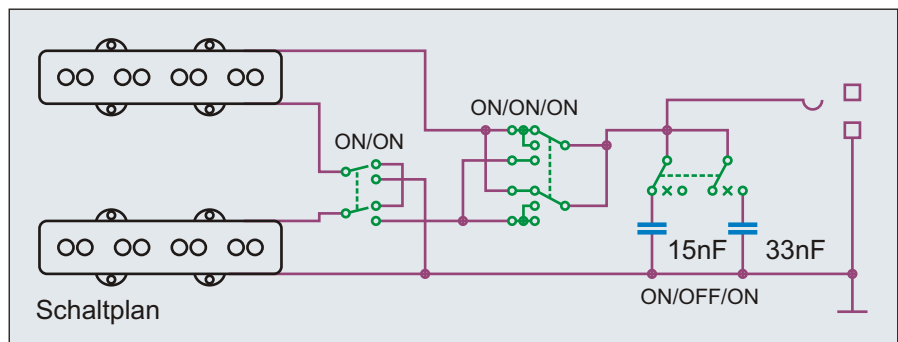
Benennung	PP-Bass, Mini-Select + Coil Select		Umbauten & Eigenbauten	Nummer		
				2.2.441		
Bemerkungen / Besonderheiten	Master Volume, Master Tone, Mini-Dreiweg, Coil Select			gezeichnet von	gezeichnet am	Seite
				Cadfael	02.09.17	362



ON/ON/ON	ON/ON	aktive Pickups
oben	unten	Neck
oben	oben	Neck + Bridge seriell
mittig	unten	Neck + Bridge parallel
mittig	oben	Neck + Bridge seriell
unten	unten	Bridge
unten	oben	kein Signal

Keine Regler?

Es gibt Musiker, die ihre Regler nie nutzen. Warum also nicht mit drei Kippschaltern arbeiten? Es gibt sogar einen Tonschalter und der Bass lässt sich auch stumm schalten.



Benennung

J-Bass, nur mit Schaltern

Umbauten & Eigenbauten

Nummer
2.2.501

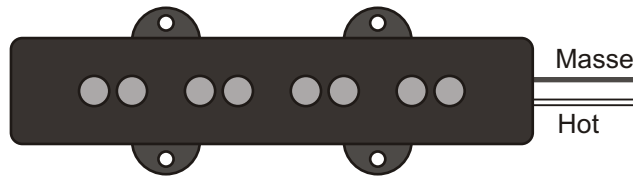
Bemerkungen / Besonderheiten

Klangschalter, PU-Wahlschalter, parallel - seriell

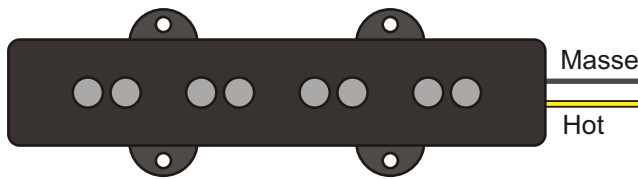
gezeichnet von
Cadfael

gezeichnet am
02.09.17

Seite
363



Angeregt durch eine Schaltskizze von "line6man" auf www.talkbass.com



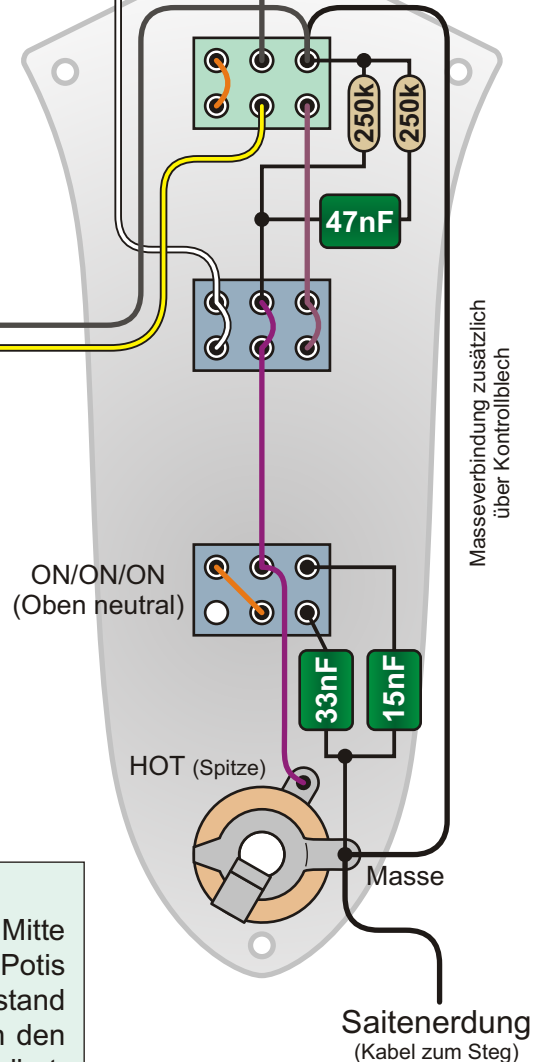
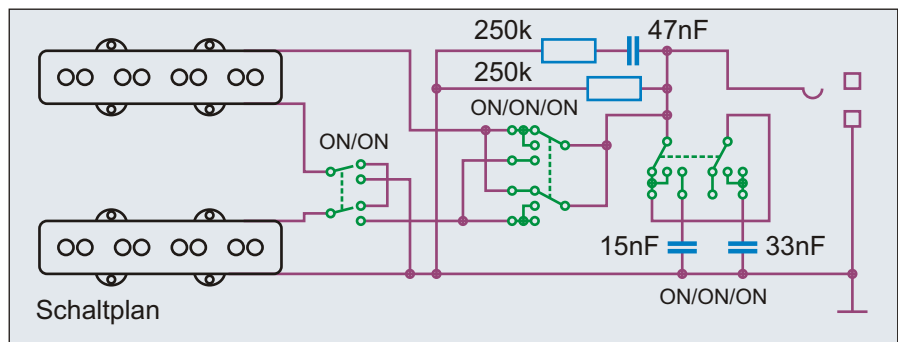
ON/ON/ON	ON/ON	aktive Pickups
oben	unten	Neck
oben	oben	Neck + Bridge seriell
mittig	unten	Neck + Bridge parallel
mittig	oben	Neck + Bridge seriell
unten	unten	Bridge
unten	oben	kein Signal

Unterschiede zur Schaltung 2.2.501

Beim hier eingesetzten Klangscharter ist nicht die Mitte neutral, sondern wenn der Schalter nach oben steht. Potis beeinflussen immer den Klang. Durch den 250k Widerstand zwischen Masse und Hot wird ein Volume Poti, durch den 250k Widerstand plus Kondensator ein Tone Poti simuliert. Dadurch klingt der Bass so, als ob er Potis hätte.

Keine Regler?

Es gibt Musiker, die ihre Regler nie nutzen. Warum also nicht mit drei Kippschaltern arbeiten? Es gibt sogar einen Tonschalter und der Bass lässt sich auch stumm schalten.



Masseverbindung zusätzlich über Kontrollblech

Saitenerdung (Kabel zum Steg)

Benennung **J-Bass, nur mit Schaltern**

Umbauten & Eigenbauten

Nummer 2.2.502

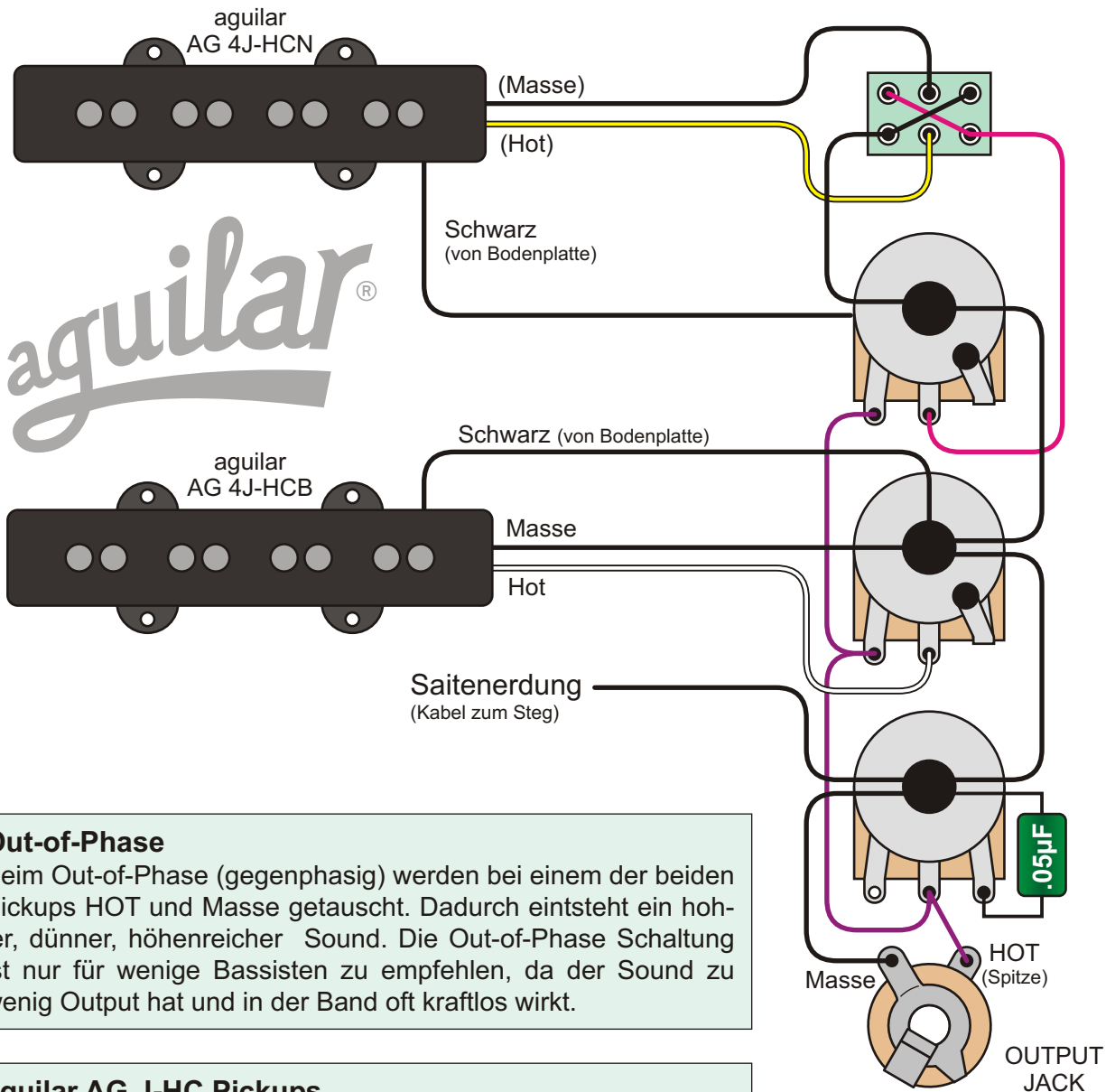
Bemerkungen / Besonderheiten

Klangscharter, PU-Wahlscharter, parallel - seriell

gezeichnet von Cadfael

gezeichnet am 02.09.17

Seite 364

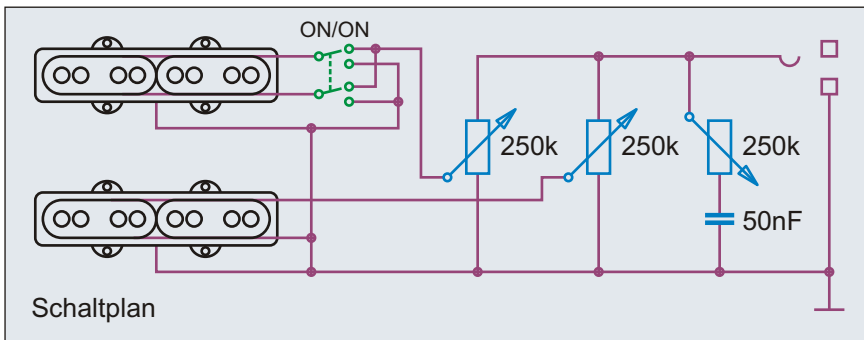


Out-of-Phase

Beim Out-of-Phase (gegenphasig) werden bei einem der beiden Pickups HOT und Masse getauscht. Dadurch entsteht ein hohler, dünner, höhenreicher Sound. Die Out-of-Phase Schaltung ist nur für wenige Bassisten zu empfehlen, da der Sound zu wenig Output hat und in der Band oft kraftlos wirkt.

aguilar AG J-HC Pickups

Die aguilar HC Humbucker im Jazz Bass Format besitzen zwei schwarze Kabel. Eines der Kabel ist mit den Spulen verbunden. Das andere schwarze Kabel ist an der Bodenplatte befestigt und dient der Abschirmung bzw. der Erdung der Pole Pieces, um Berührungsbrummen zu verhindern.



ON/ON	Pickups
unten	in Phase
oben	out of Phase

Benennung **J-Bass, 2 PUs, Out of Phase**

Umbauten & Eigenbauten

Nummer 2.2.601

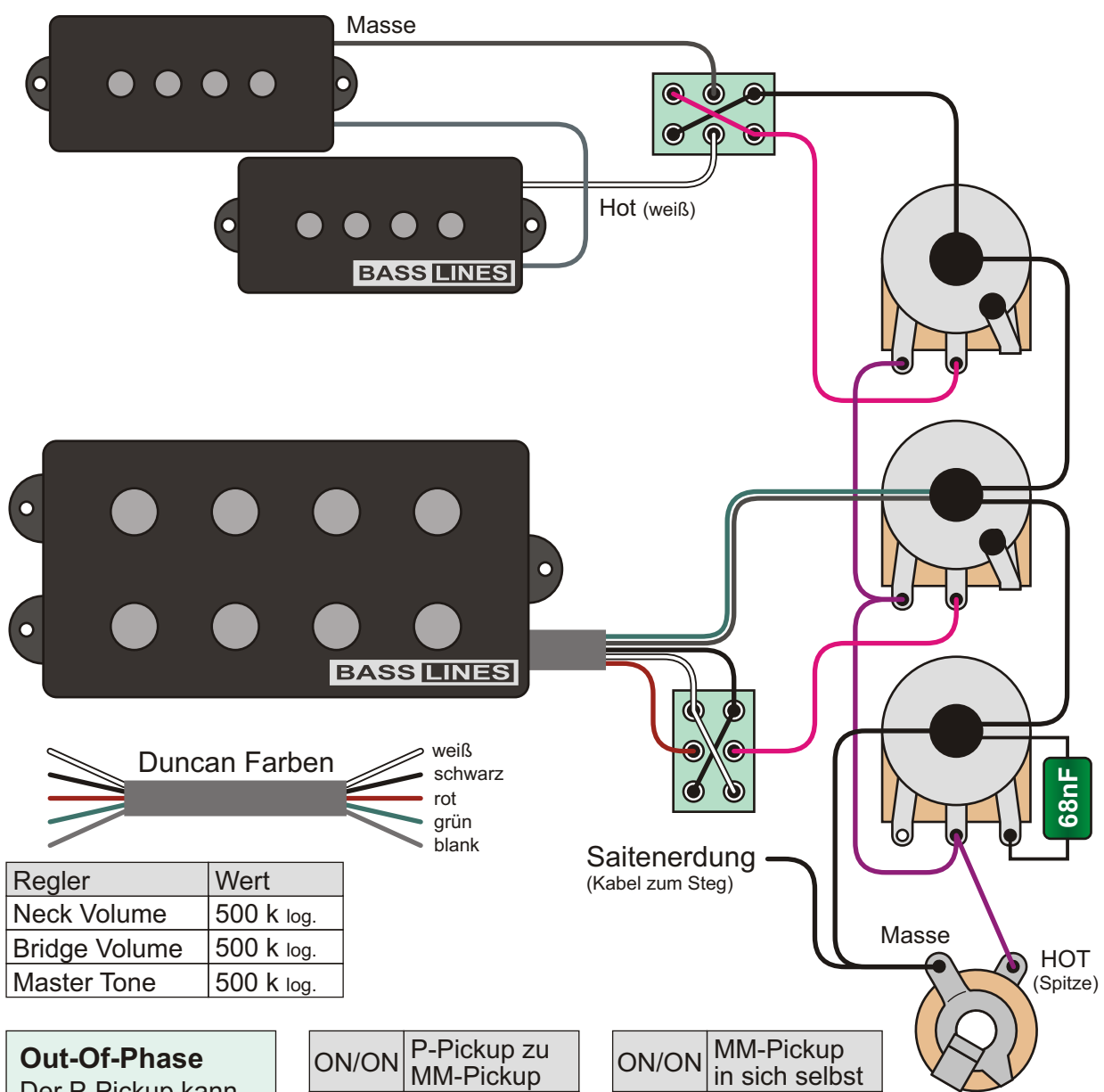
Bemerkungen / Besonderheiten

Out-of-Phase mit aguilar AG 4J-HCS Pickups

gezeichnet von Cadfael

gezeichnet am 02.09.17

Seite 365

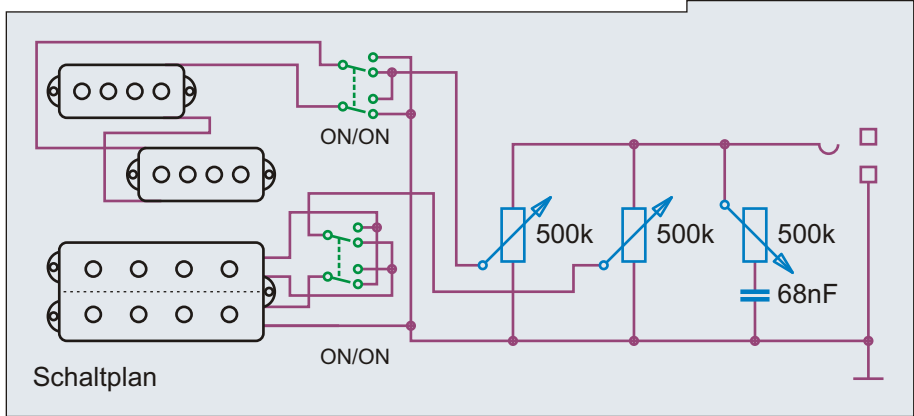


Regler	Wert
Neck Volume	500 k log.
Bridge Volume	500 k log.
Master Tone	500 k log.

Out-Of-Phase
 Der P-Pickup kann über den oberen Schalter In-Phase oder Out-of-Phase zum MM-Pickup geschaltet werden. Über den unteren Schalter kann der MM-Pickup in sich selbst In-Phase oder Out-of-Phase geschaltet werden. Dabei sind die beiden Spulen des MM seriell verkabelt.

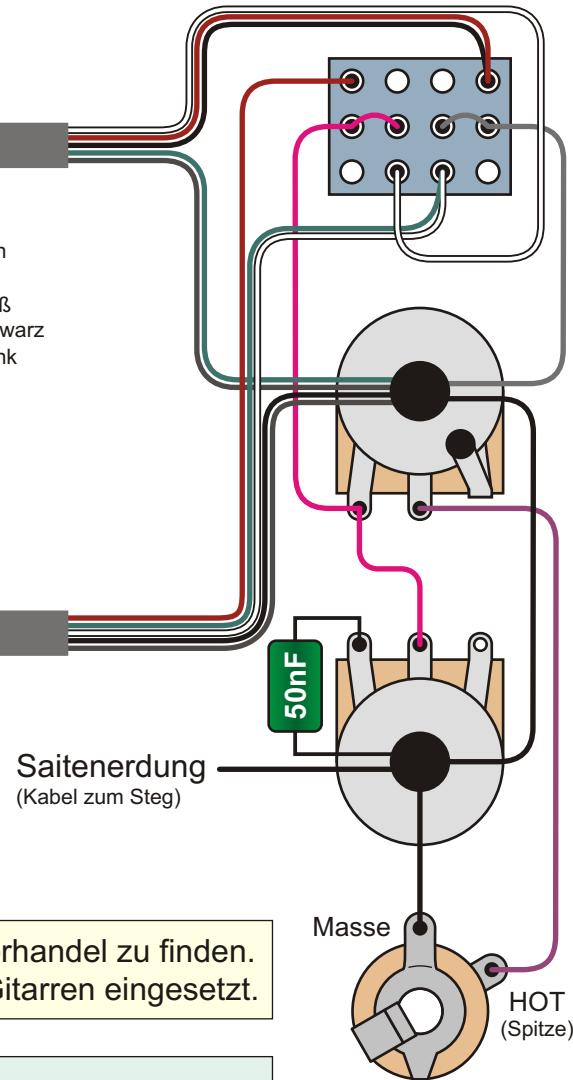
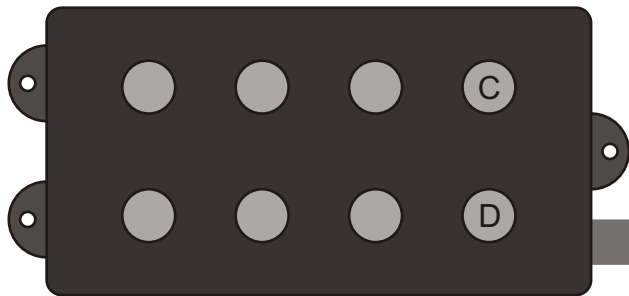
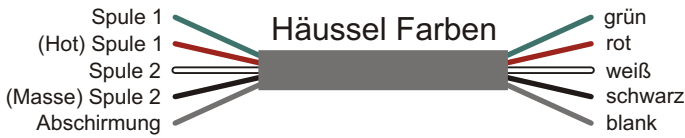
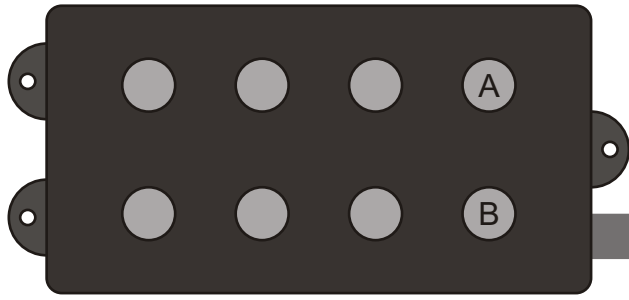
ON/ON	P-Pickup zu MM-Pickup
oben	Out-Of-Phase
unten	In-Phase

ON/ON	MM-Pickup in sich selbst
oben	Out-Of-Phase
unten	In-Phase



Benennung	PM-Bass, Out-Of-Phase seriell/parallel	Umbauten & Eigenbauten	Nummer	2.2.611
Bemerkungen / Besonderheiten	Bridge Volume, Neck Volume, Master Tone, 2x Out-Of-Phase	gezeichnet von	gezeichnet am	Seite
		Cadfael	02.09.17	366

Idee, Recherche, Autor, Zeichnungen, Grafiken, Diagramme, Layout und Design: Andreas "Cadfael" Kühn - Nutzung ausschließlich zu privaten, nicht kommerziellen Zwecken und auf eigene Gefahr! Alle Angaben ohne Gewähr, Irrtümer vorbehalten!

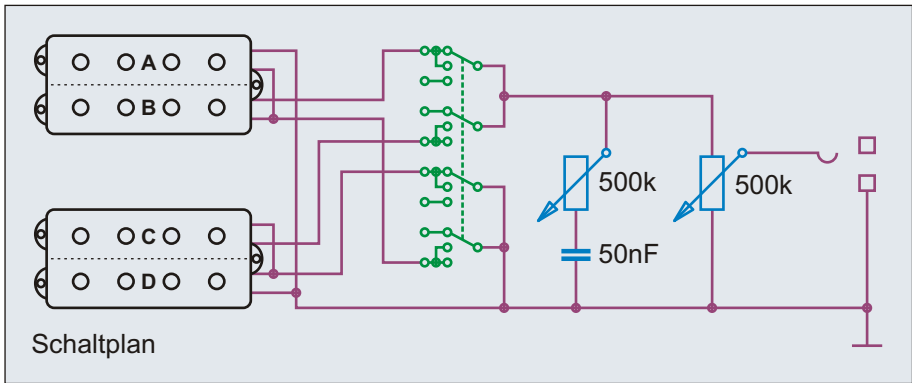


Achtung!
4P3T Schalter vor dem Löten unbedingt durchmessen und auf die Richtung achten!

Diese Schalter sind sehr schwer im Zubehörhandel zu finden. Sie werden aber beispielsweise in Ibanez Gitarren eingesetzt.

4P3T On/On/On Schalter - Mitte B+C
In Position 1 und 3 sind die MM Pickups je als Humbucker geschaltet. In der Mittelstellung sind die inneren Spulen der beiden Pickups parallel zueinander geschaltet.

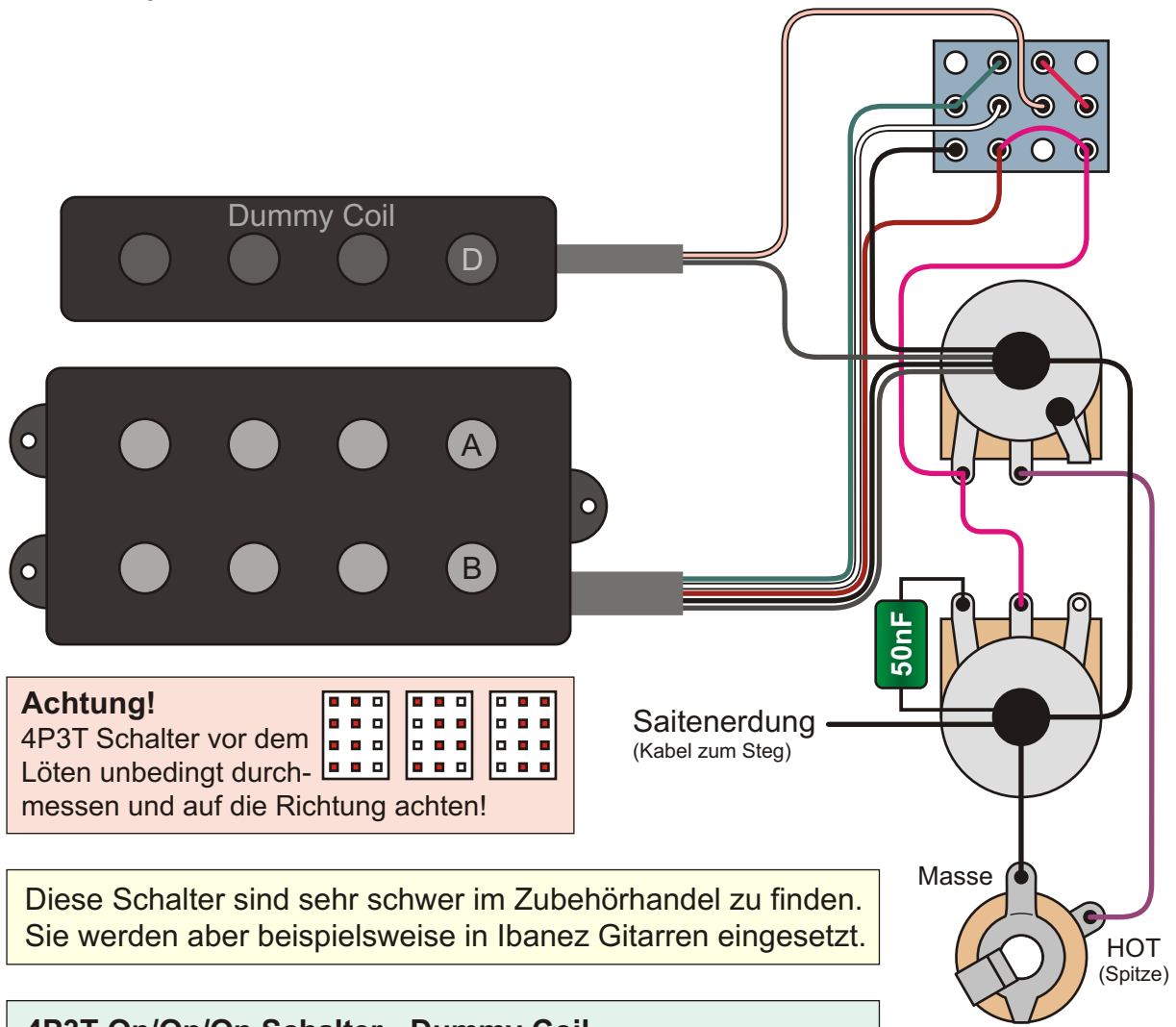
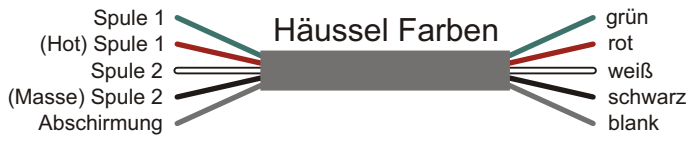
Der Output in der Mittelstellung wird relativ niedrig sein.



Regler
Master Volume
Master Tone

4P3T Schalter	
Pos.	aktive Spulen
3	A + B seriell
2	B + C parallel
1	C + D seriell

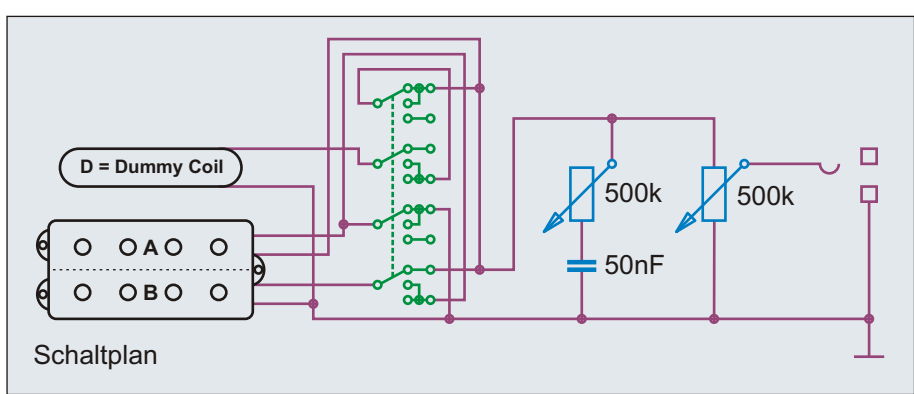
Benennung MM-Bass, 2 HB + 4P3T Schalter	Umbauten & Eigenbauten		Nummer 2.2.701
	Bemerkungen / Besonderheiten Master Volume, Master Tone		
gezeichnet von Cadfael	gezeichnet am 02.09.17	Seite 367	



Achtung!
4P3T Schalter vor dem Löten unbedingt durchmessen und auf die Richtung achten!

Diese Schalter sind sehr schwer im Zubehörhandel zu finden. Sie werden aber beispielsweise in Ibanez Gitarren eingesetzt.

4P3T On/On/On Schalter - Dummy Coil
In Position 1 sind die beiden MM-Spulen seriell, in Position 3 parallel geschaltet. In Position 2 ist die Spule A an; um jedoch Brummen zu unterdrücken, ist eine Dummy Coil zugeschaltet.



Regler
Master Volume
Master Tone

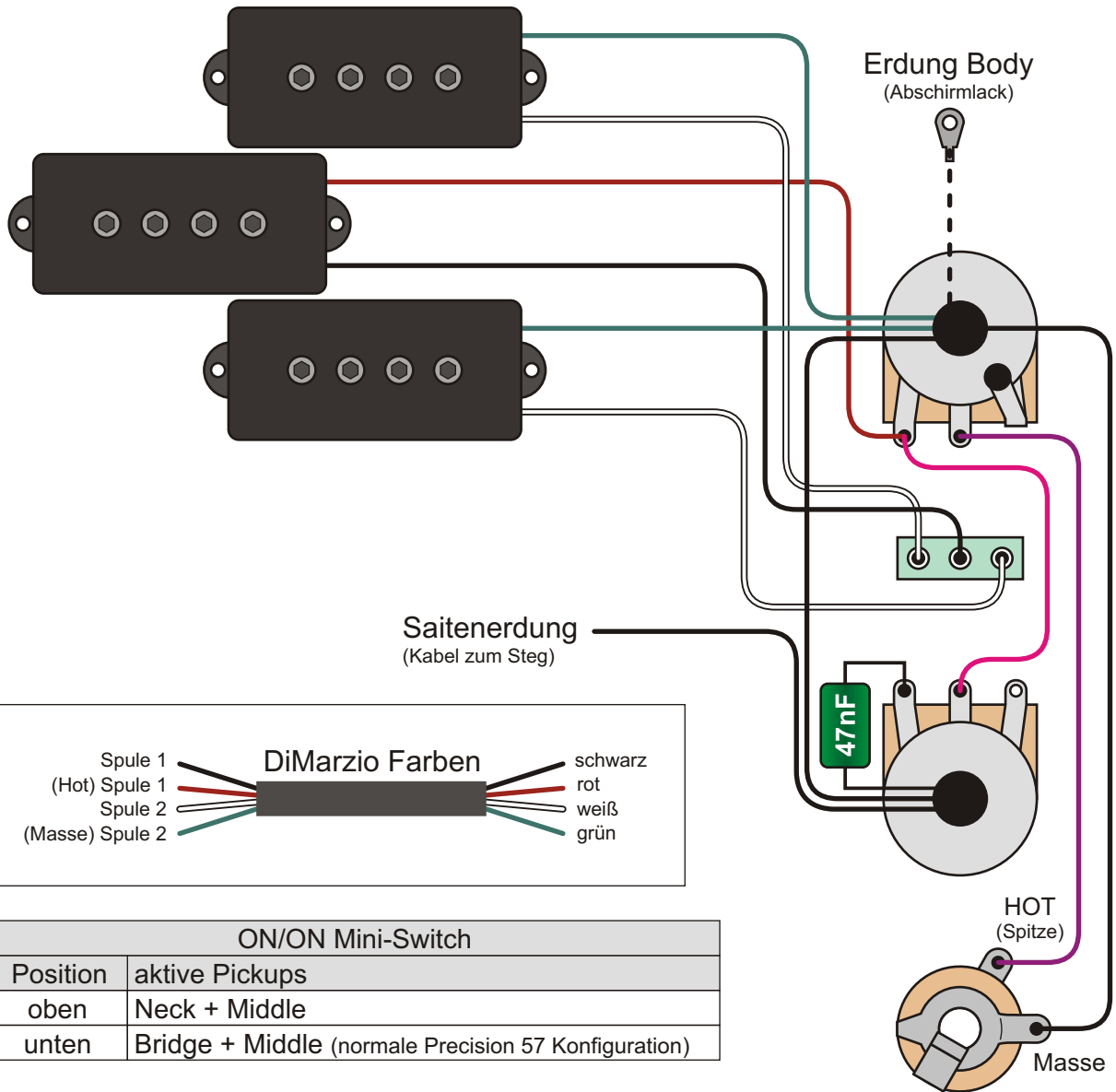
4P3T Schalter	
Pos.	aktive Spulen
3	A + B seriell
2	A + D parallel
1	A + B parallel

Benennung **MM-Bass, 1 HB + Dummy, 4P3T Sw.**

Umbauten & Eigenbauten Nummer 2.2.771

Bemerkungen / Besonderheiten
Master Volume, Master Tone, Dummy Coil in Mittelposition (SC)

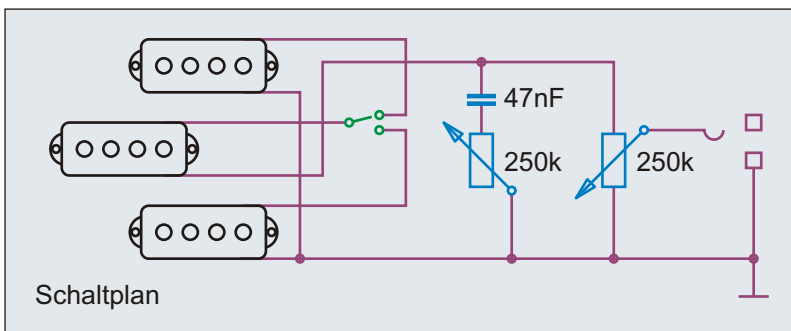
gezeichnet von gezeichnet am Seite
Cadfael 02.09.17 368



Alu-Folie unter Pickguard



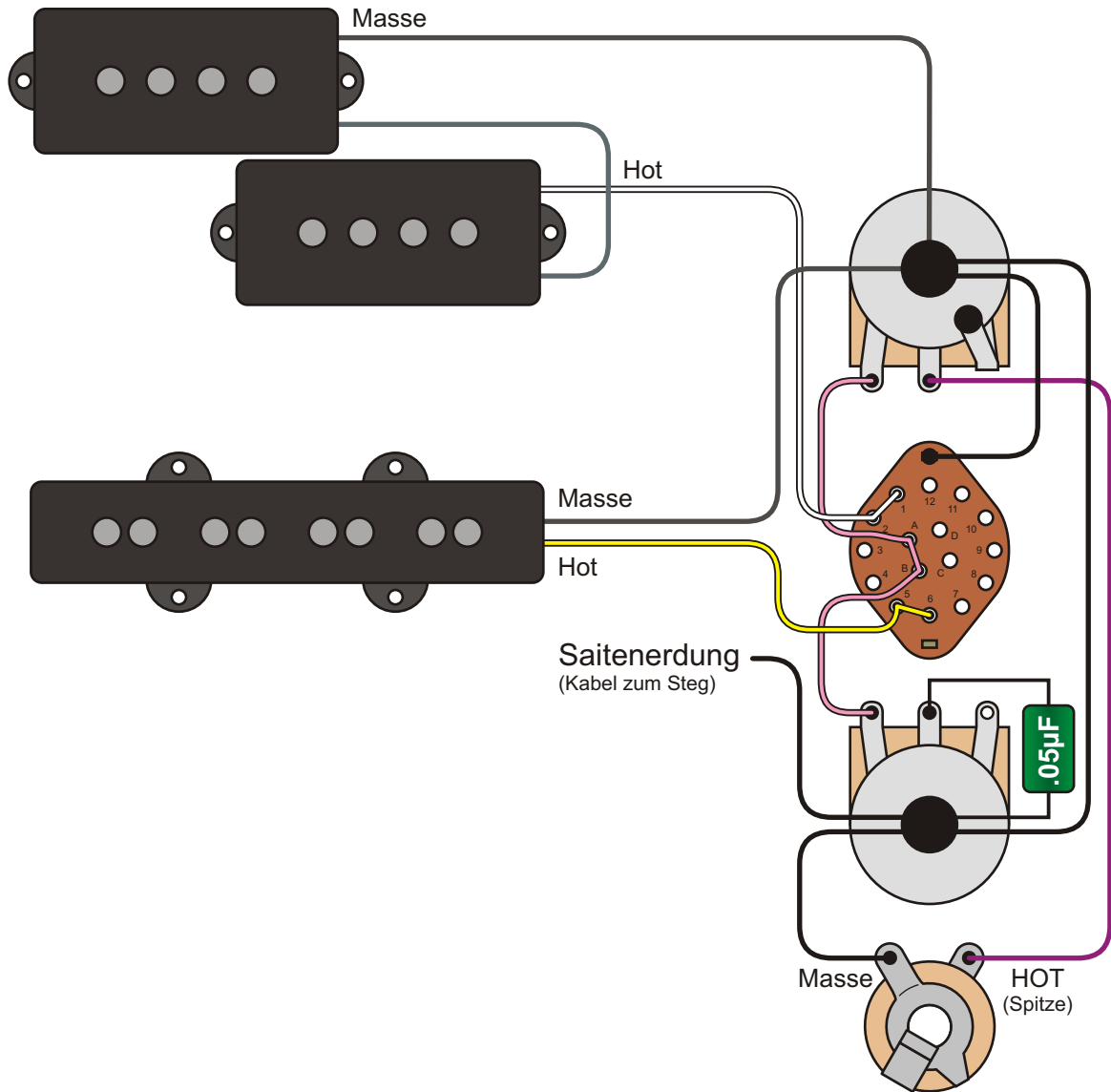
ON/ON Mini-Switch	
Position	aktive Pickups
oben	Neck + Middle
unten	Bridge + Middle (normale Precision 57 Konfiguration)



Angeregt durch eine Schaltskizze von "Stealth" auf www.talkbass.com

Diese Schaltung ist aus einem Spaß heraus entstanden, kann aber trotzdem sehr sinnvoll sein - und vor allem wäre so ein Bass der absoluter Hingucker, der garantiert für viele Fragen nach dem Auftritt sorgt. In der unteren Stellung des Schalters sind untere und mittlere Spule an - der klassische P-Bass. In der oberen Stellung sind mittlerer und oberer Pickup aktiviert, wodurch D- und G-Seite voller klingen. Die Wahl der Spulen ist also eine Art Klangreglung.

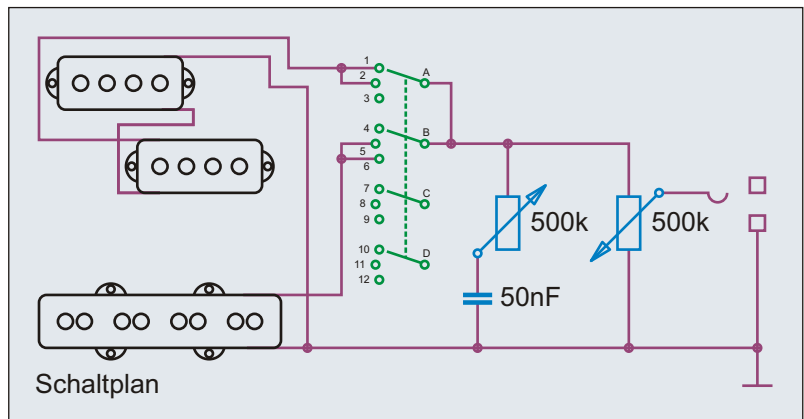
Benennung P-Bass Triple	Umbauten & Eigenbauten		Nummer 2.2.931
	Bemerkungen / Besonderheiten Unterschiedlicher Klang für D/G Saiten durch wählbare Spule	gezeichnet von Cadfael	gezeichnet am 02.09.17



Position	aktive Pickups
3	Neck
2	Neck + Bridge (par.)
1	Bridge

Mittelstellung parallel

Hier eine konventionelle Schaltung, bei der die beiden Pickups in der Mittelstellung wie üblich parallel geschaltet sind.



Benennung **PJ-Bass, PU-Drehschalter parallel**

Umbauten & Eigenbauten

Nummer 2.3.311

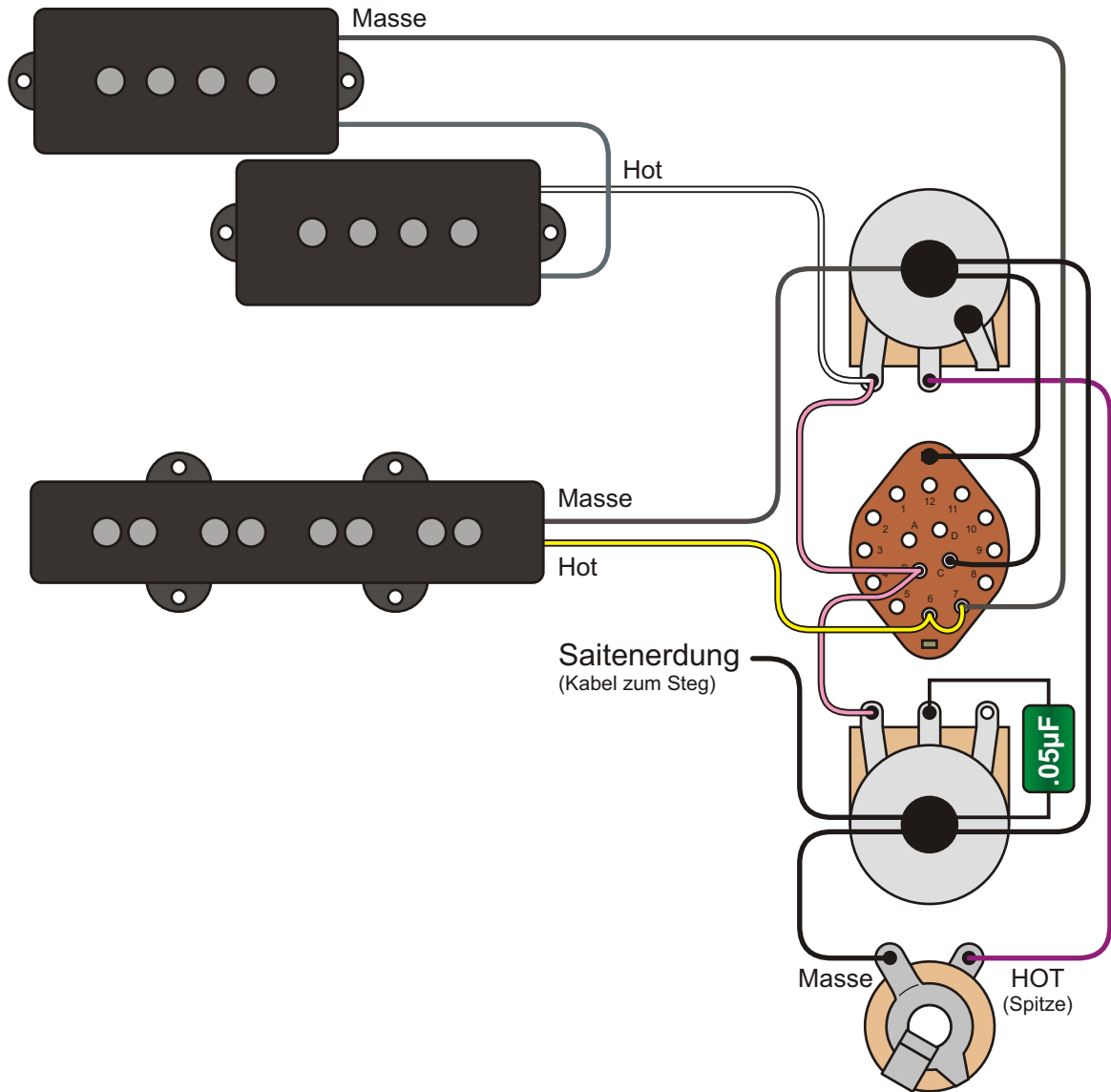
Bemerkungen / Besonderheiten

Master Volume + Tone, Dreiwegschalter 4x3, Mittelstellung parallel

gezeichnet von Cadfael

gezeichnet am 02.09.17

Seite 370

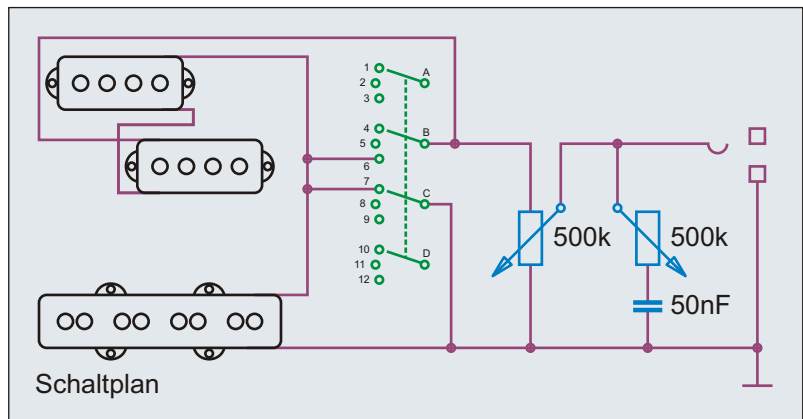


Position	aktive Pickups
3	Neck
2	Neck + Bridge (seriell)
1	Bridge

Mittelstellung seriell

Hier eine Schaltung, bei der die Pickups in der Mittelstellung nicht wie üblich parallel, sondern seriell geschaltet sind.

Erreicht wird das dadurch, dass einer der Pickups jeweils kurzgeschlossen wird.



Benennung **PJ-Bass, PU-Drehschalter seriell**

Umbauten & Eigenbauten

Nummer 2.3.321

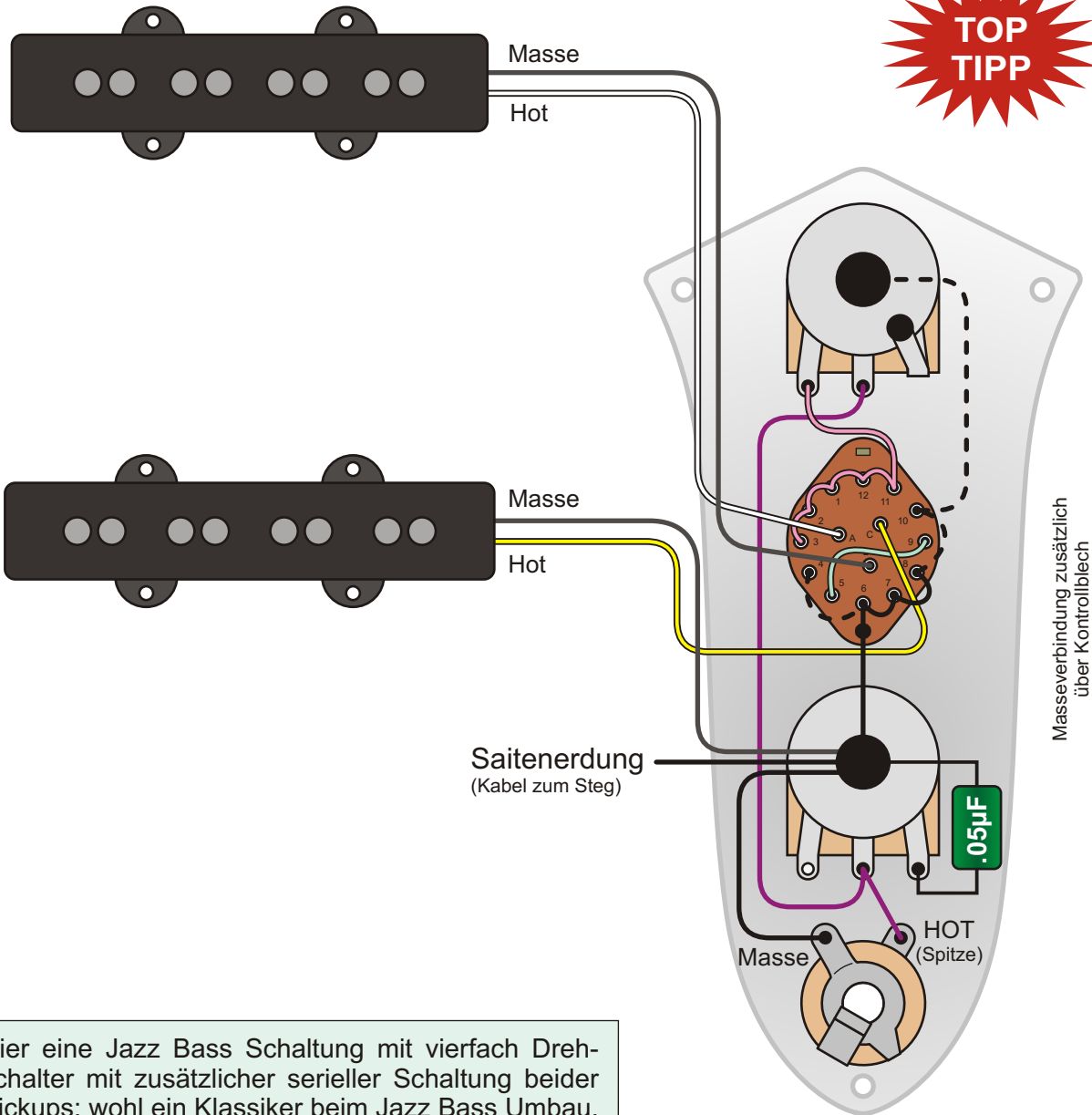
Bemerkungen / Besonderheiten

Master Volume + Tone, Dreiwegschalter 4x3, Mittelstellung seriell

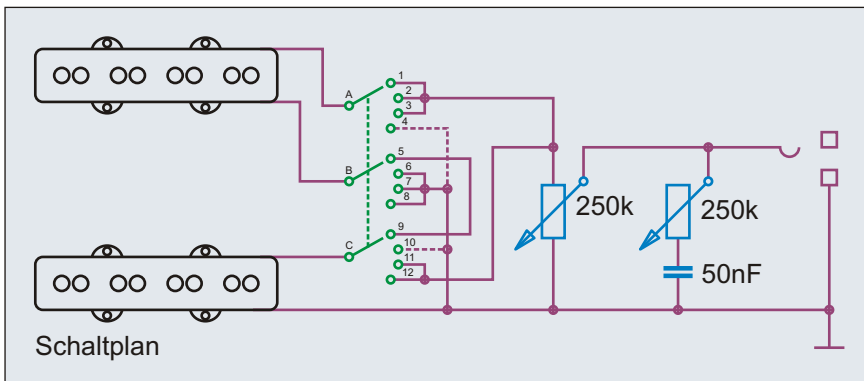
gezeichnet von Cadfael

gezeichnet am 02.09.17

Seite 371



Hier eine Jazz Bass Schaltung mit vierfach Dreh- schalter mit zusätzlicher serieller Schaltung beider Pickups; wohl ein Klassiker beim Jazz Bass Umbau. Vorteil dieser Variante mit drei Ebenen ist, dass die Pickups in Aus-Stellung an Masse liegen; der Hals-Pickup sogar von beiden Seiten.



Vierwegs- schalter	
Pos.	aktive Pickups
4	Neck + Br. (seriell)
3	Neck
2	Neck + Br. (parallel)
1	Bridge

Benennung **J-Bass, PU-Drehwahlschalter (4 Stell.)**

Umbauten & Eigenbauten

Nummer 2.3.411

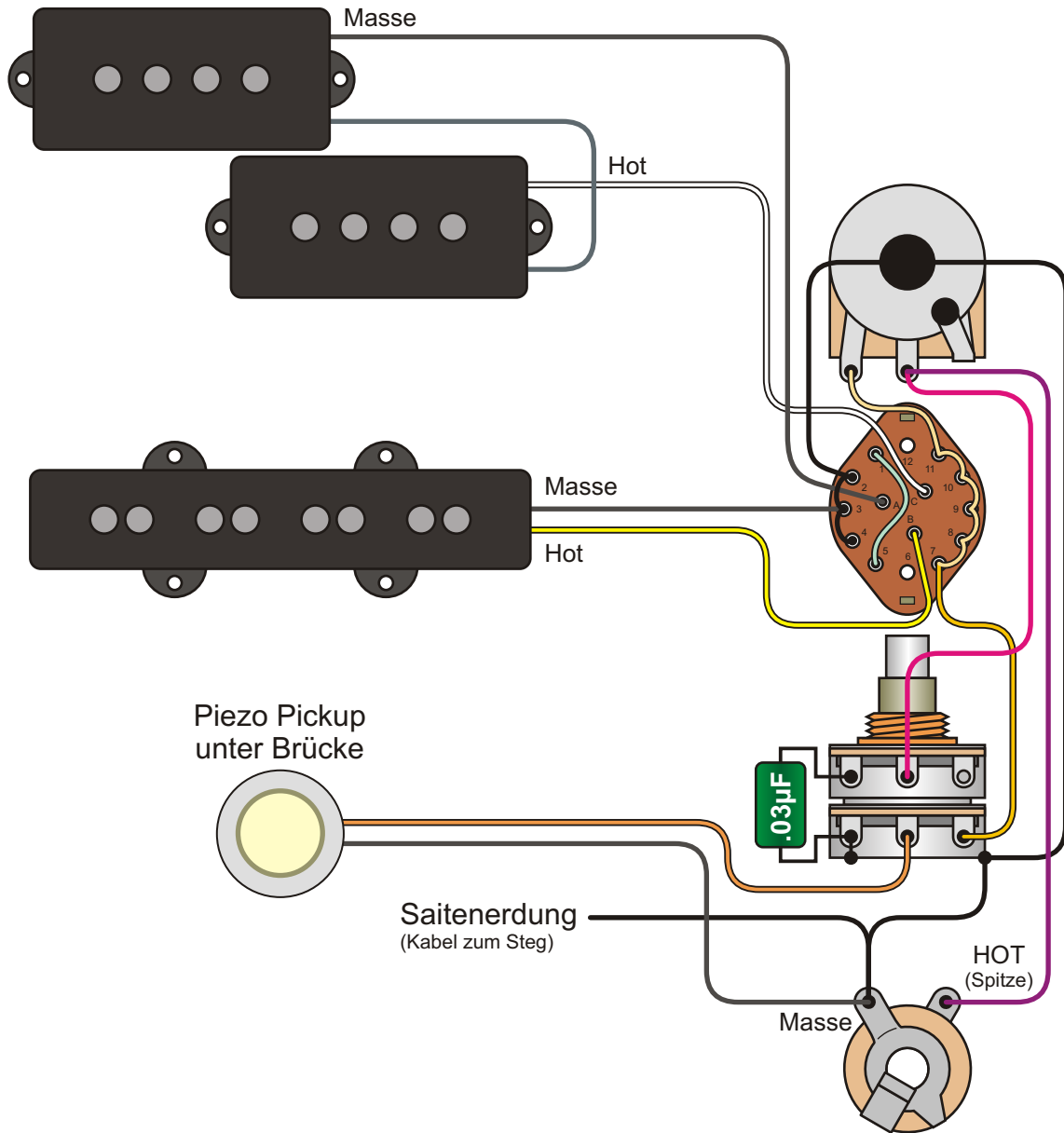
Bemerkungen / Besonderheiten

Master Volume, Master Tone, Drehschalter - zusätzlich parallel/seriell

gezeichnet von Cadfael

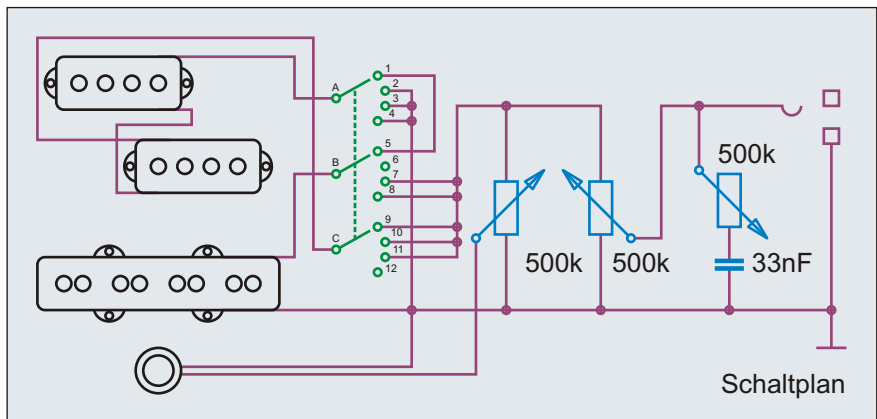
gezeichnet am 02.09.17

Seite 372

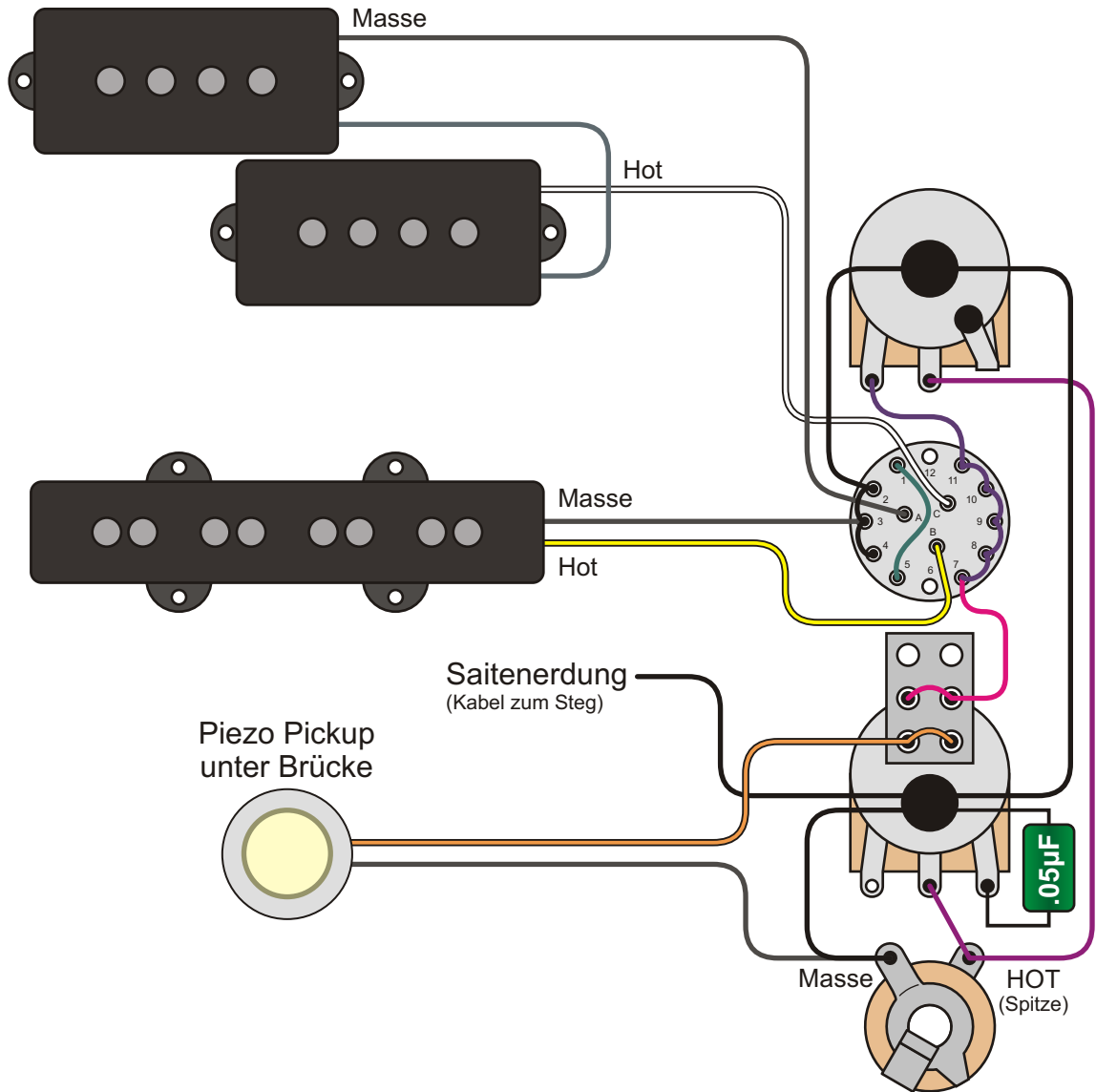


Drehregler + Piezo
 Statt über einen Schalter, wird der Piezo hier über eine der Ebenen eines Tandem-Potis hinzugeregelt.

Drehschalter 3x4	
Pos.	aktive Pickups
4	Neck + Br. (seriell)
3	Neck
2	Neck + Br. (parallel)
1	Bridge



Benennung PJ-Bass, PU-Drehschalter + Piezo		Umbauten & Eigenbauten	Nummer 2.3.431
Bemerkungen / Besonderheiten Master Volume, Piezo Vol., Master Tone, Drehschalter zur Pickupwahl		gezeichnet von Cadfael	gezeichnet am 02.09.17
			Seite 373

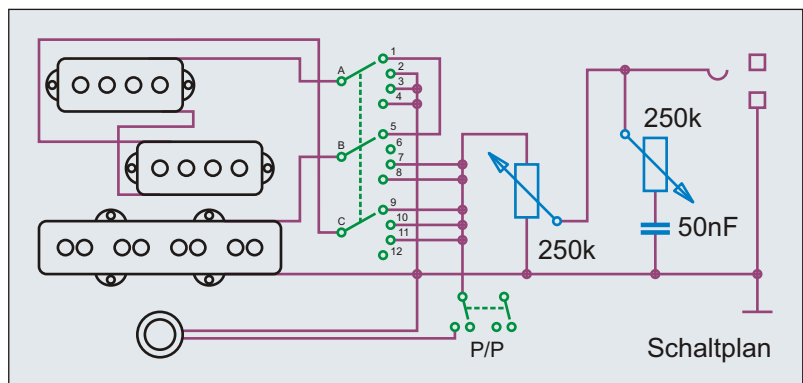


Drehregler + Piezo

Hier die Schaltung für einen PJ-Bass mit zusätzlichem Piezo unter der Brücke. Durch das Herausziehen des Push/Pull-Potis lässt sich der Pickup zuschalten.

Der Piezo unter der Brücke sorgt für einen kräftigen Höhenzuwachs. Er steigert aber auch erheblich Nebengeräusche, wie sie zum Beispiel beim Umgreifen verursacht werden.

Drehschalter 3x4	
Pos.	aktive Pickups
4	Neck + Bridge (seriell)
3	Neck
2	Neck + Bridge (parallel)
1	Bridge



Benennung **PJ-Bass, PU-Drehschalter + Piezo**

Umbauten & Eigenbauten

Nummer 2.3.432

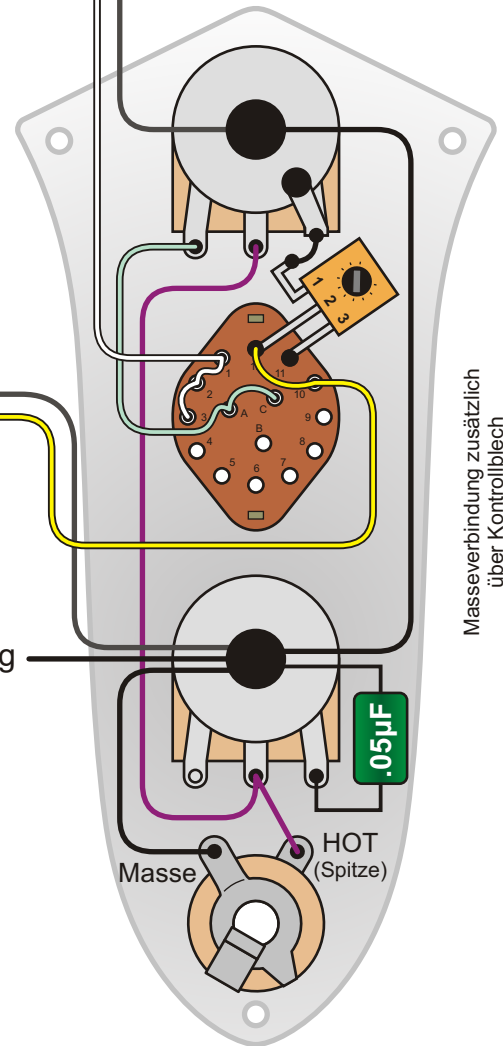
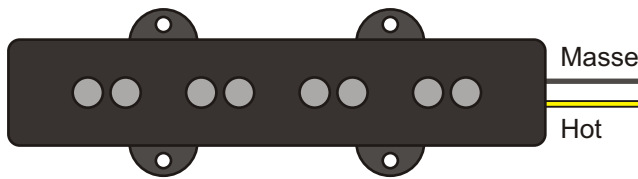
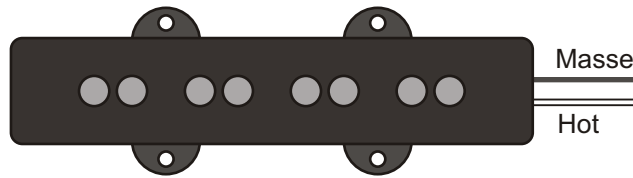
Bemerkungen / Besonderheiten

Master Volume, Master Tone, Drehschalter zur Pickupwahl, Piezo

gezeichnet von
Cadfael

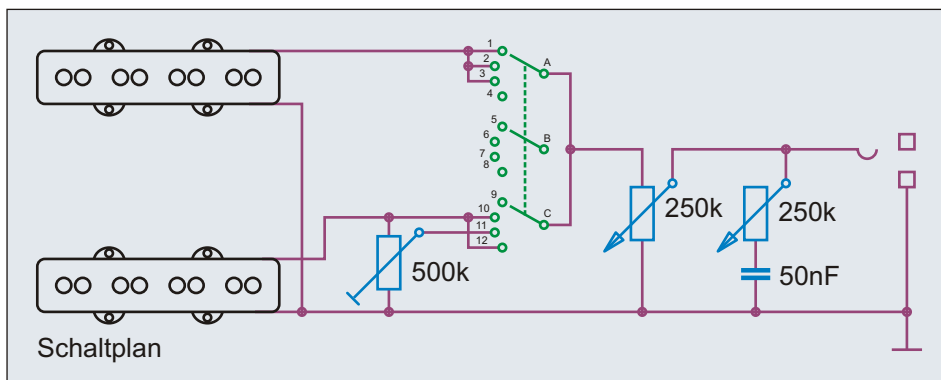
gezeichnet am
02.09.17

Seite
374



Vierwegschalter	
Pos.	aktive Pickups
4	Neck (10)
3	Neck (10) + Bridge (10)
2	Neck (10) + Bridge (7)
1	Bridge (10)

Hier eine Jazz Bass Schaltung, die sich natürlich auch mit vielen anderen Bässen mit zwei Pickups verwirklichen lässt! Ich mag die Einstellung Hals voll auf und Steg 7/10 auf. Hier ist das in Stellung 2 mit einem zwischengeschalteten Trimpoti realisiert, das die Lautstärke des Steg-Pickups reduziert. Das Trimpoti sollte 500k oder 1M Ohm haben und darf linear sein. Auf das gewünschte Verhältnis einstellen.



Benennung **J-Bass, PU-Drehwahlschalter (4 Stell.)**

Umbauten & Eigenbauten

Nummer 2.3.441

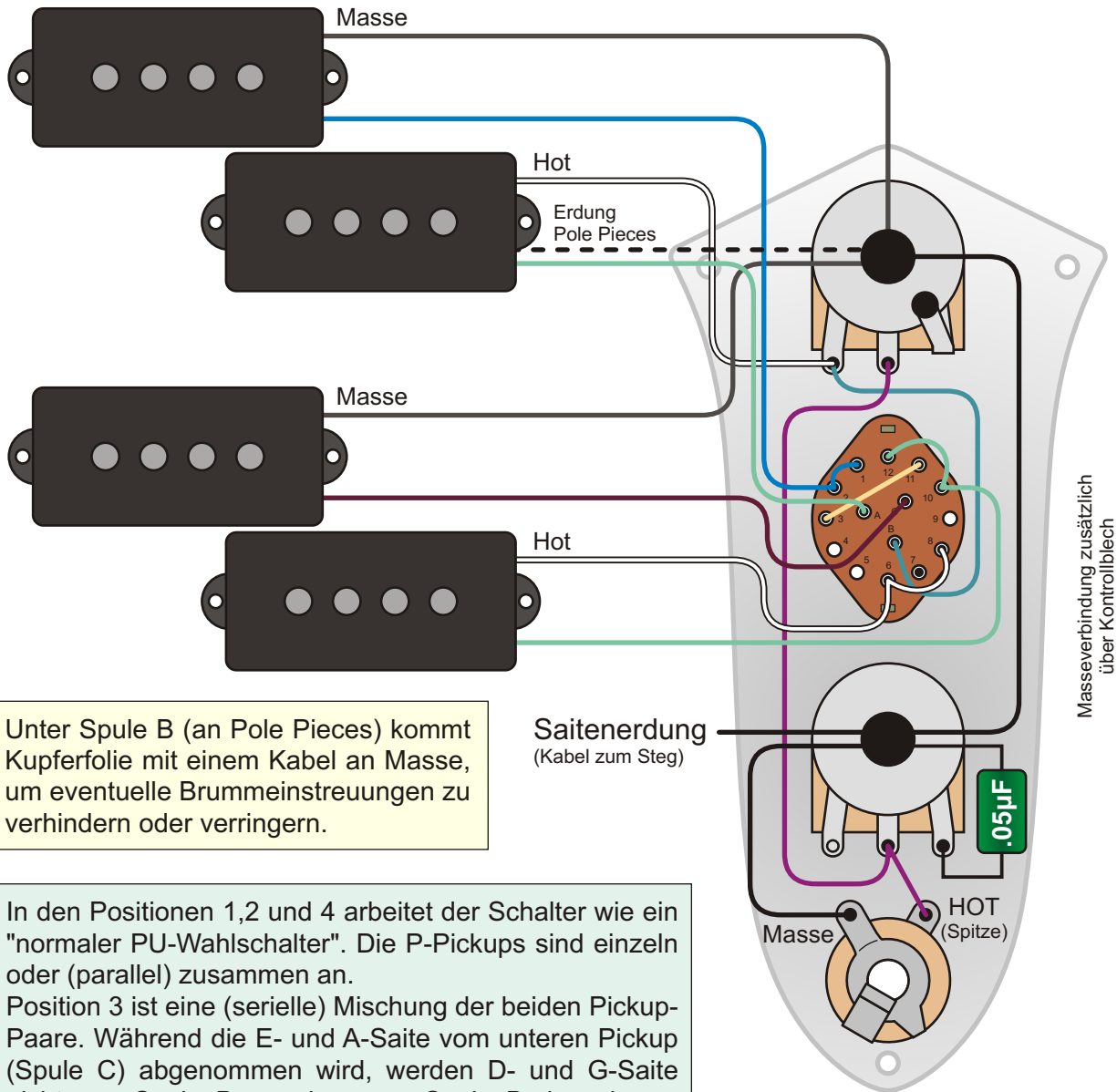
Bemerkungen / Besonderheiten

Master Volume, Master Tone, Drehschalter - zusätzlich 10/7 Verhältnis

gezeichnet von Cadfael

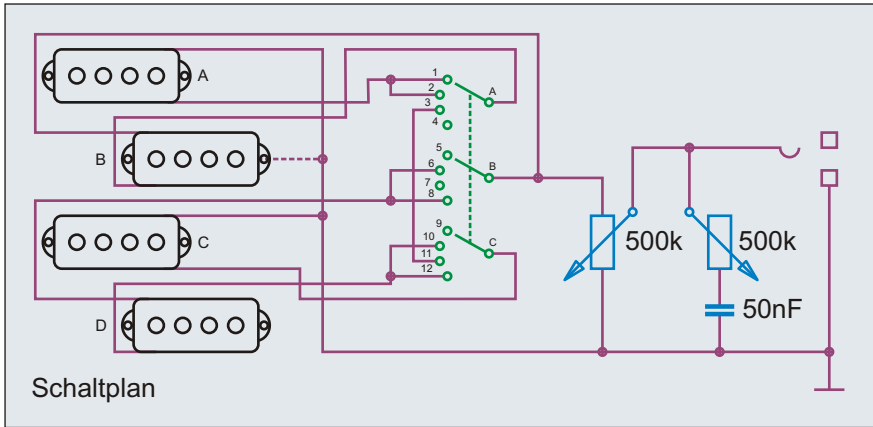
gezeichnet am 02.09.17

Seite 375



Unter Spule B (an Pole Pieces) kommt Kupferfolie mit einem Kabel an Masse, um eventuelle Brummeinstreuungen zu verhindern oder verringern.

In den Positionen 1,2 und 4 arbeitet der Schalter wie ein "normaler PU-Wahlschalter". Die P-Pickups sind einzeln oder (parallel) zusammen an.
 Position 3 ist eine (serielle) Mischung der beiden Pickup-Paare. Während die E- und A-Saite vom unteren Pickup (Spule C) abgenommen wird, werden D- und G-Saite nicht von Spule D, sondern von Spule B des oberen Pickups abgenommen.



Regler	Wert
Volume	500 k log.
Tone	500 k log.

Dreheschalter 3x4	
Pos.	aktive Pickups
4	Neck A/B (seriell)
3	Neck + Br. (parallel)
2	Neck B / Br. C (seriell)
1	Bridge C/D (seriell)

Benennung **PP-Bass (Fender JB Blacktop) Umbau**

Umbauten & Eigenbauten

Nummer 2.3.461

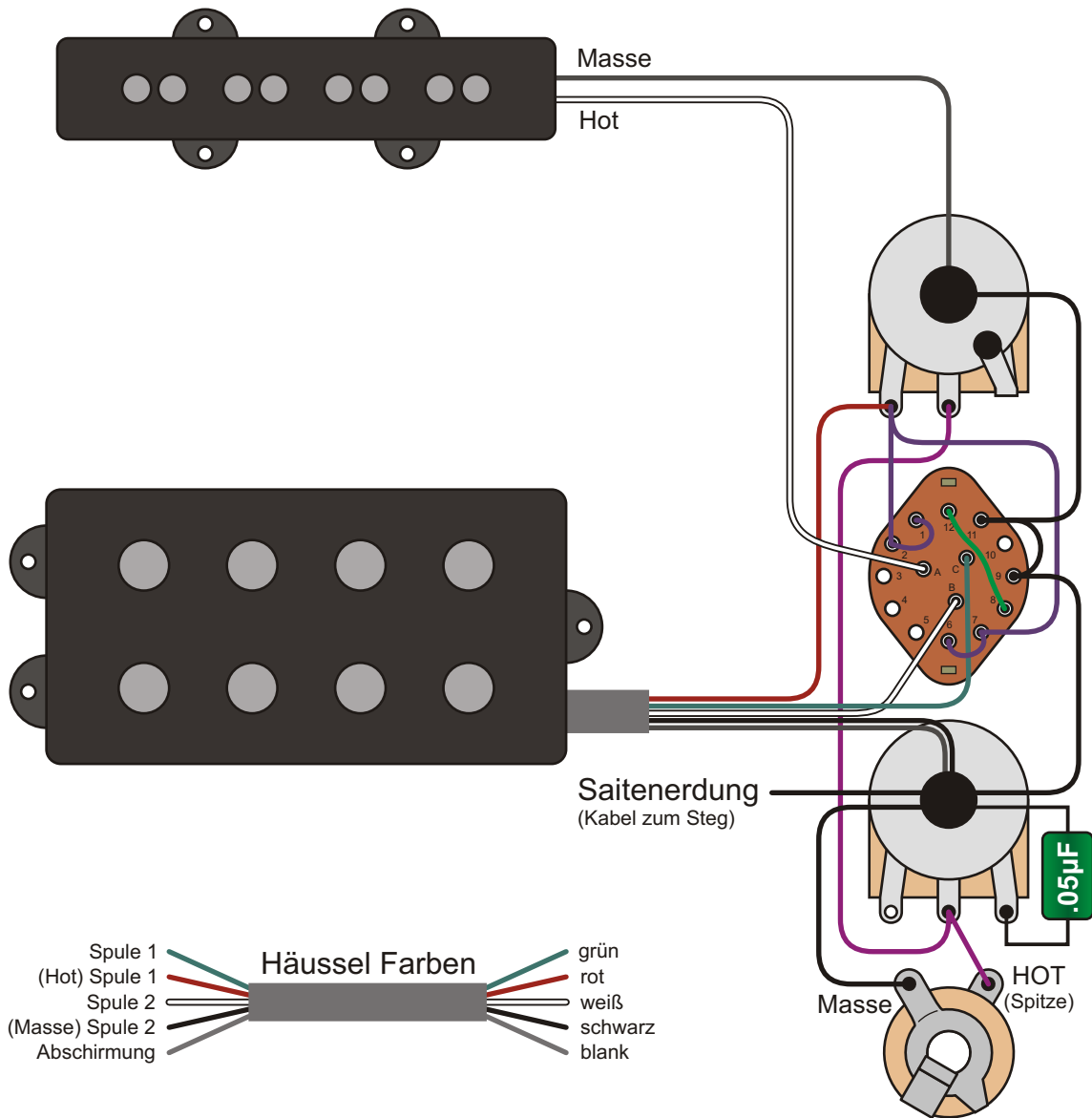
Bemerkungen / Besonderheiten

Master Volume, Master Tone, 3x4 Dreheschalter zur Pickupwahl

gezeichnet von Cadfael

gezeichnet am 02.09.17

Seite 376



Drehregler II

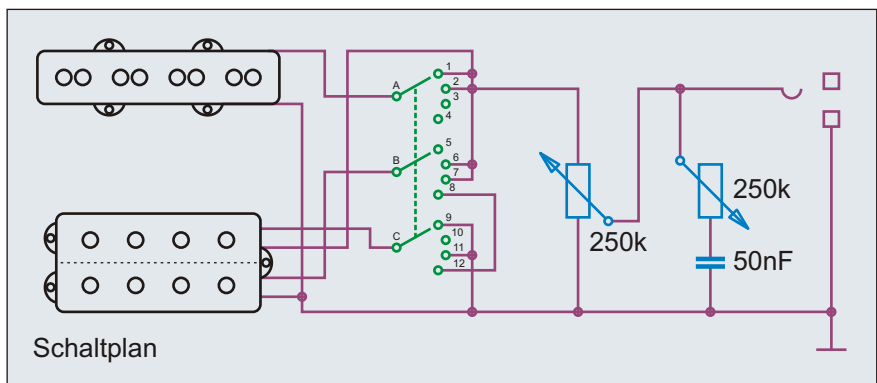
Hier eine Schaltung mit Drehregler, bei der immer zwei Spulen aktiv sind. Trotzdem wird es in Stellung 1 oder 2 zu Brummeinstreuungen kommen können.

Drehwähler 3x4

Pos.	aktive Pickups
4	J + M1 (parallel)
2	J + M2 (parallel)
2	MM (parallel)
1	MM (seriell)

Achtung!

Die meisten offenen Drehschalter haben keine Beschriftung! Vor den Lötarbeiten muss man unbedingt herausfinden, welche Kontakte wann mit wem verbunden sind. Mehr dazu im Theorie-Teil.



Benennung

JM-Bass, PU-Drehwählschalter (4 Stell.)

Umbauten & Eigenbauten

Nummer
2.3.471

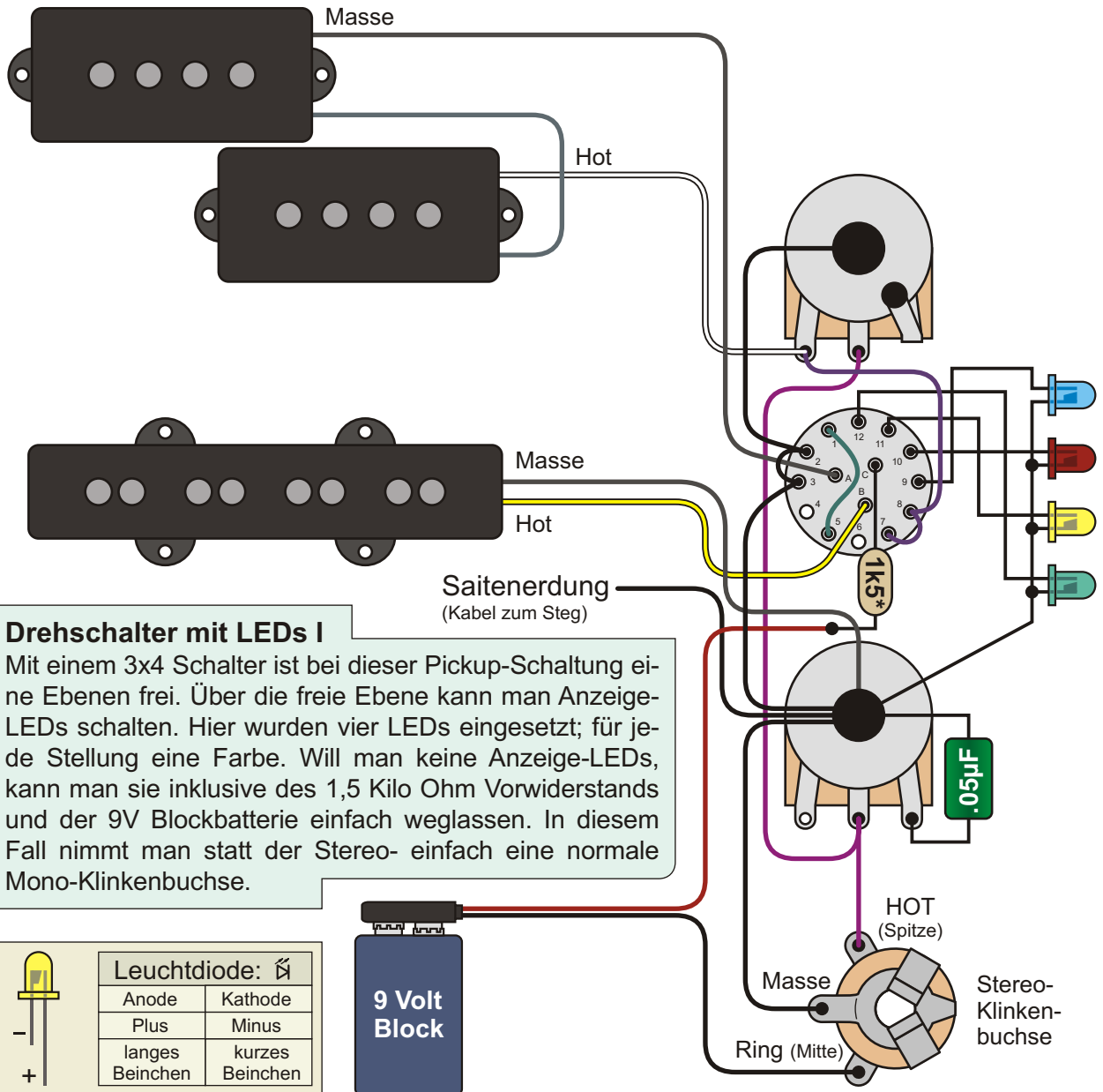
Bemerkungen / Besonderheiten

Master Volume, Master Tone, 3x4 Drehwähler zur Pickupwahl

gezeichnet von
Cadfael

gezeichnet am
02.09.17

Seite
377



Drehschalter mit LEDs I

Mit einem 3x4 Schalter ist bei dieser Pickup-Schaltung eine Ebene frei. Über die freie Ebene kann man Anzeige-LEDs schalten. Hier wurden vier LEDs eingesetzt; für jede Stellung eine Farbe. Will man keine Anzeige-LEDs, kann man sie inklusive des 1,5 Kilo Ohm Vorwiderstands und der 9V Blockbatterie einfach weglassen. In diesem Fall nimmt man statt der Stereo- einfach eine normale Mono-Klinkenbuchse.

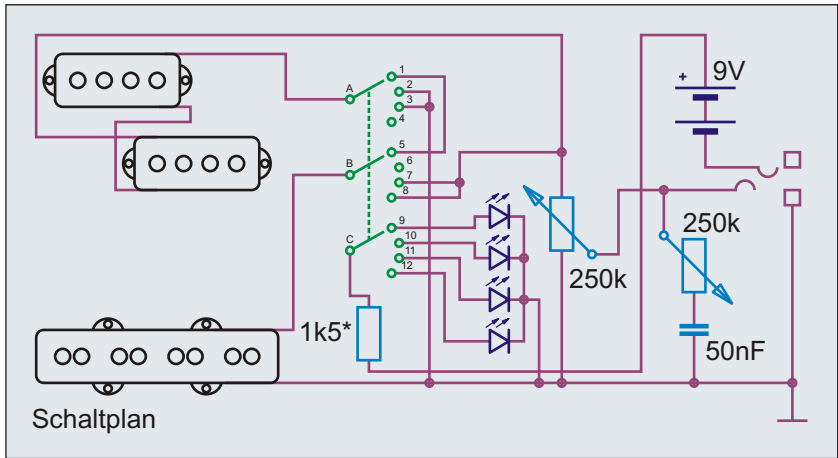
Leuchtdiode:	
Anode	Kathode
Plus	Minus
langes Beinchen	kurzes Beinchen



Widerstand: 1k5Ω

* Je nach LED-Typ und Versorgungsspannung kann der Wert des Vorwiderstandes variieren!

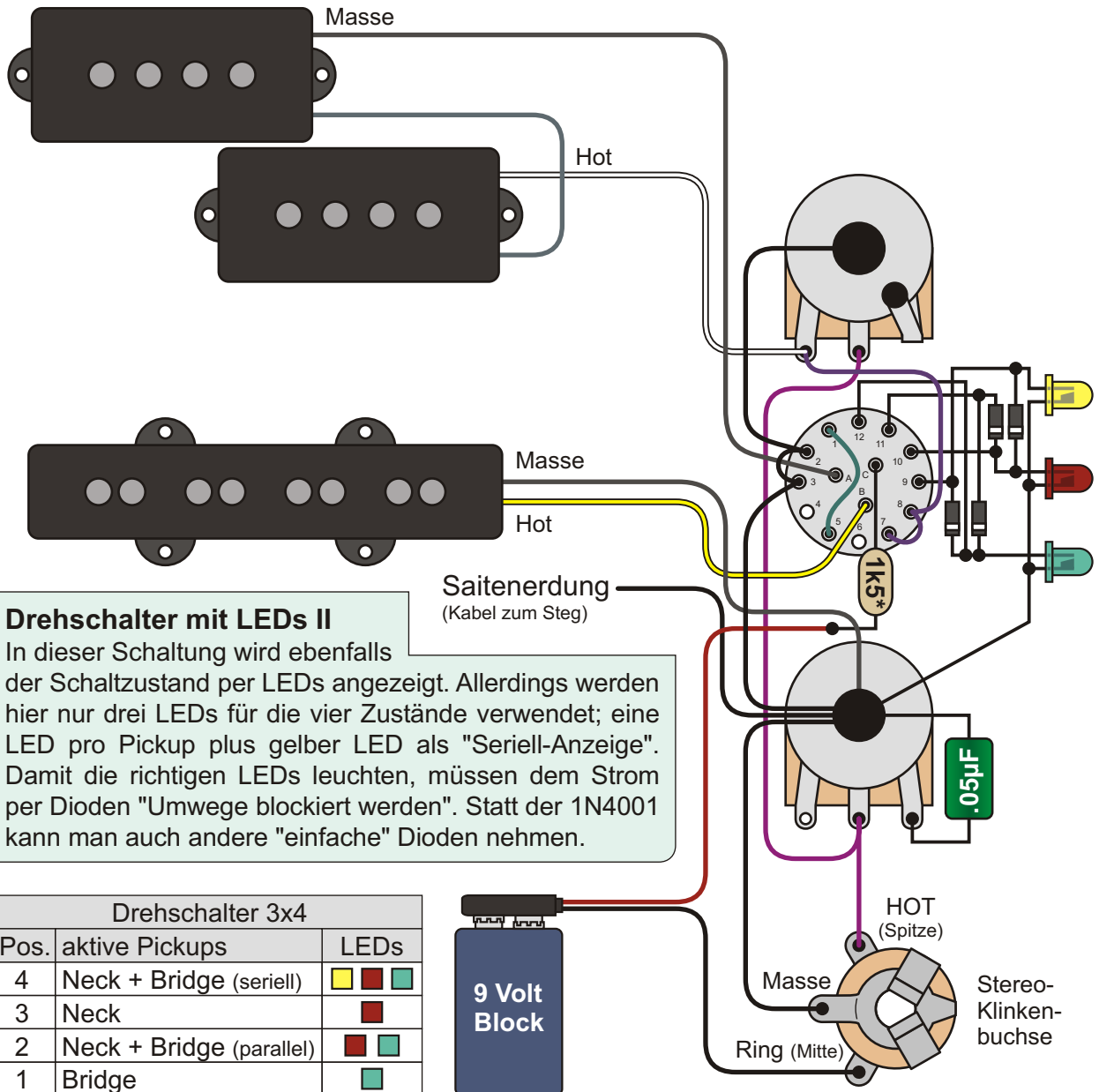
Drehschalter 3x4		
P	aktive Pickups	LED
4	Neck + Br. (seriell)	
3	Neck	
2	Neck + Br. (parallel)	
1	Bridge	



Benennung **PJ-Bass, PU-Drehwahlschalter (4 LEDs)** Umbauten & Eigenbauten Nummer 2.3.491

Bemerkungen / Besonderheiten **Master Volume, Master Tone, Drehschalter zur Pickupwahl, 4 LEDs** gezeichnet von **Cadfael** gezeichnet am **02.09.17** Seite **378**

Idee, Recherche, Autor, Zeichnungen, Grafiken, Diagramme, Layout und Design: Andreas "Cadfael" Kühn - Nutzung ausschließlich zu privaten, nicht kommerziellen Zwecken und auf eigene Gefahr! Alle Angaben ohne Gewähr, Irrtümer vorbehalten!



Drehschalter mit LEDs II

In dieser Schaltung wird ebenfalls der Schaltzustand per LEDs angezeigt. Allerdings werden hier nur drei LEDs für die vier Zustände verwendet; eine LED pro Pickup plus gelber LED als "Seriell-Anzeige". Damit die richtigen LEDs leuchten, müssen dem Strom per Dioden "Umwege blockiert werden". Statt der 1N4001 kann man auch andere "einfache" Dioden nehmen.

Drehschalter 3x4		
Pos.	aktive Pickups	LEDs
4	Neck + Bridge (seriell)	Yellow, Red, Green
3	Neck	Red
2	Neck + Bridge (parallel)	Red, Green
1	Bridge	Green



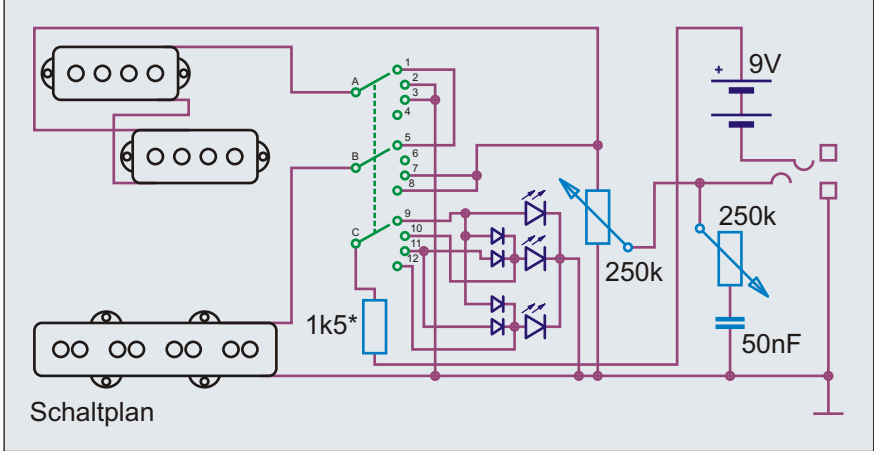
Leuchtdiode:

Anode	Kathode
Plus	Minus
langes Beinchen	kurzes Beinchen

Diode: 1N4001 oder vergleichbare

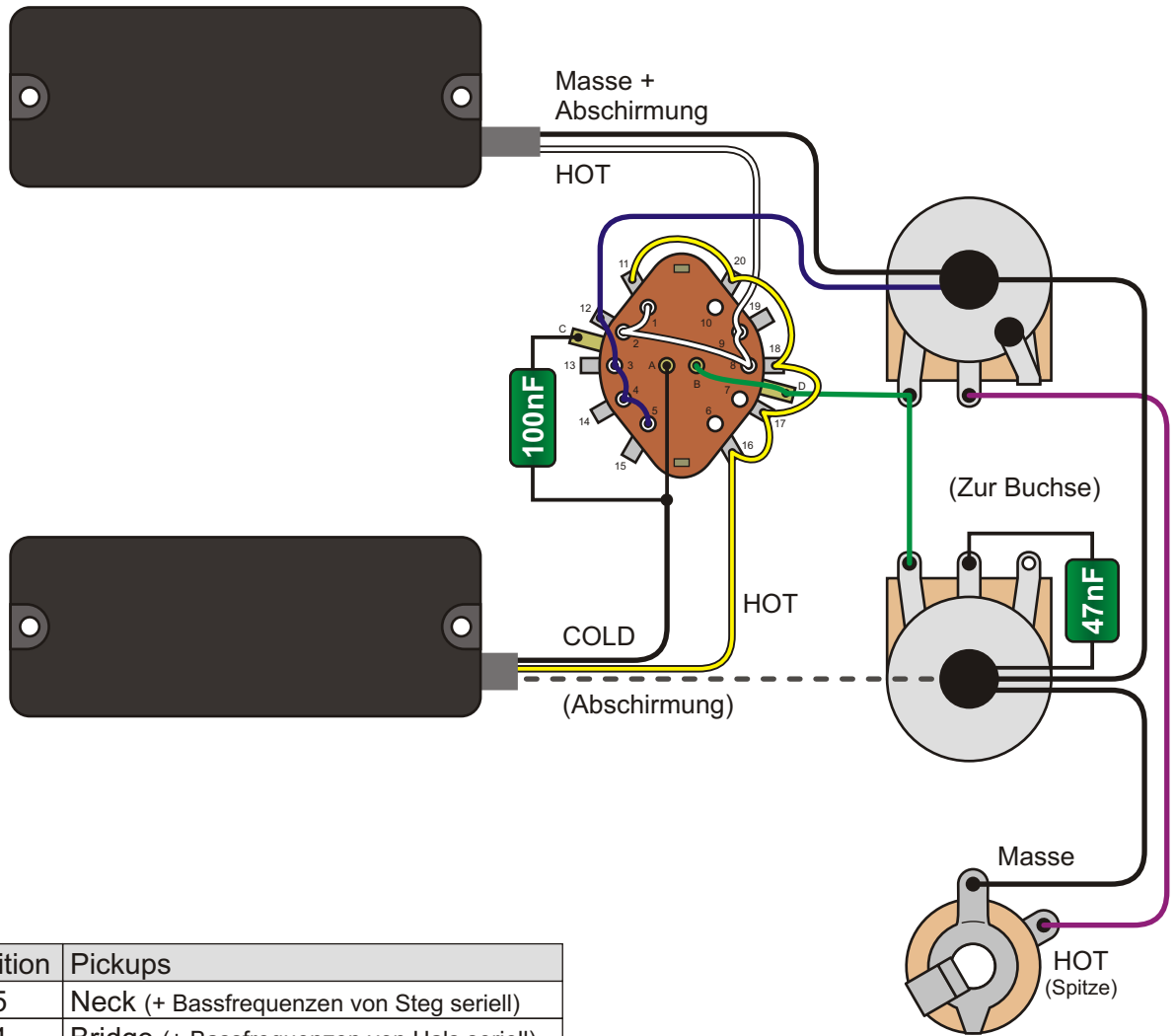
Widerstand: 1k5Ω

* Je nach LED-Typ und Versorgungsspannung kann der Wert des Vorwiderstandes variieren!

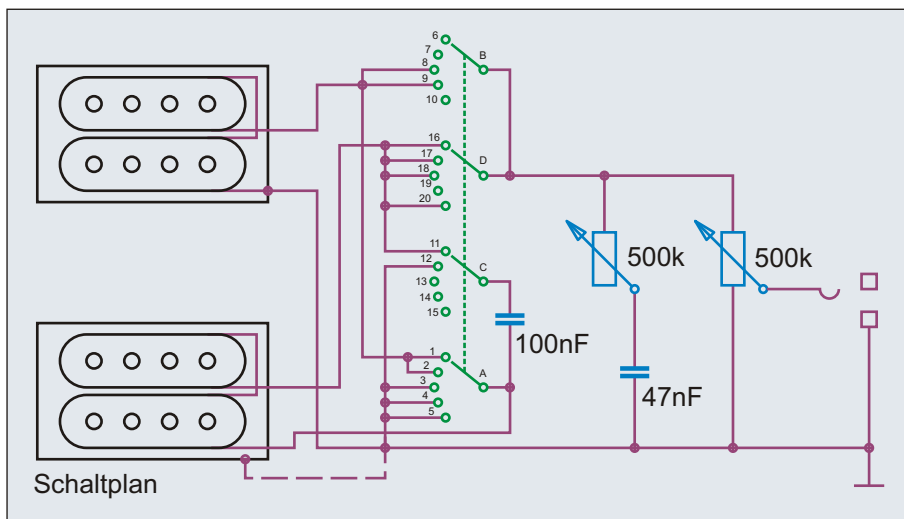


Benennung	PJ-Bass, PU-Drehwahlschalter (3 LEDs)	Umbauten & Eigenbauten	Nummer	2.3.492
Bemerkungen / Besonderheiten	Master Volume, Master Tone, Drehschalter zur Pickupwahl, 3 LEDs	gezeichnet von	gezeichnet am	Seite
		Cadfael	02.09.17	379

Idee, Recherche, Autor, Zeichnungen, Grafiken, Diagramme, Layout und Design: Andreas "Cadfael" Kühn - Nutzung ausschließlich zu privaten, nicht kommerziellen Zwecken und auf eigene Gefahr! Alle Angaben ohne Gewähr, Irrtümer vorbehalten!

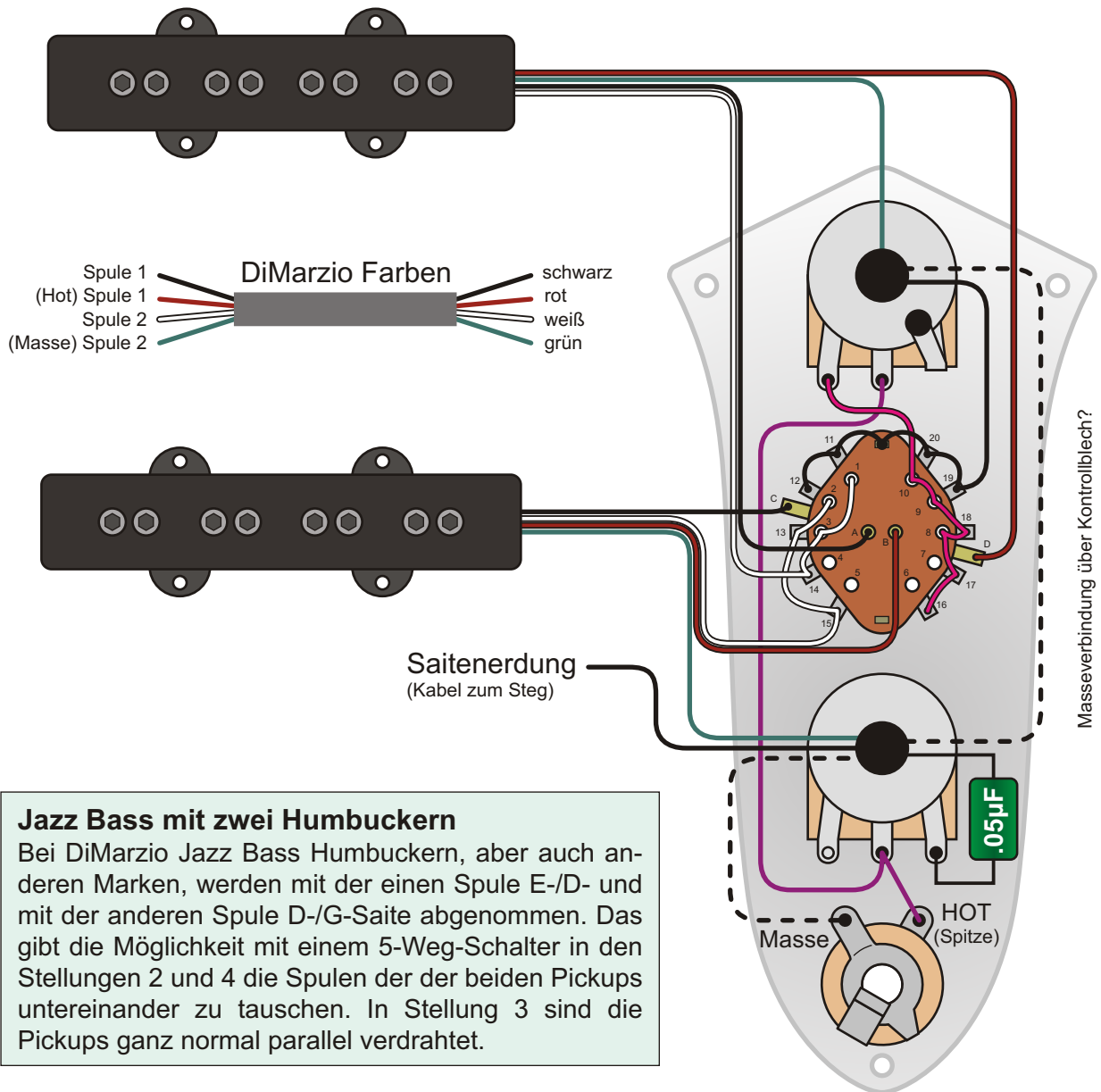


Position	Pickups
5	Neck (+ Bassfrequenzen von Steg seriell)
4	Bridge (+ Bassfrequenzen von Hals seriell)
3	Neck + Bridge (parallel)
2	Neck
1	Bridge



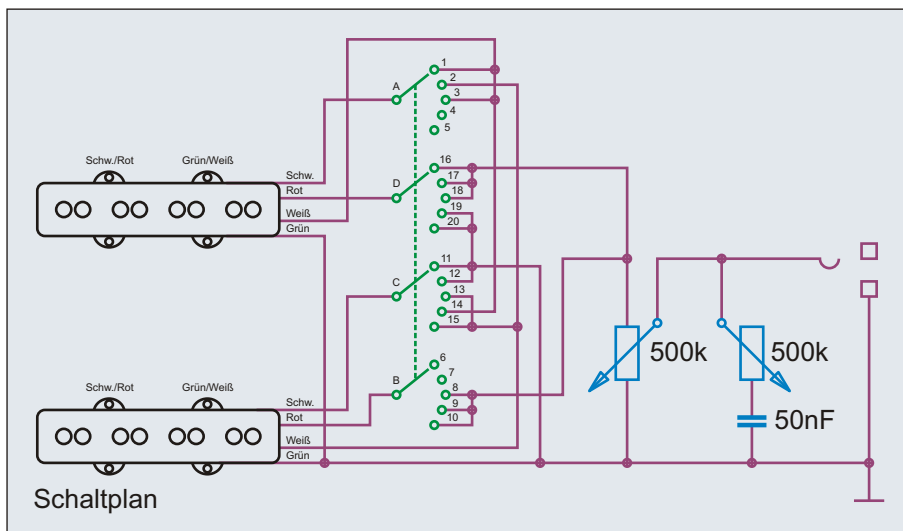
Idee
Schalterbelegung:
S. Kentreit
(Stratitis @ bassic.ch)

Benennung PU-Drehschalter 4x5	Umbauten & Eigenbauten		Nummer 2.3.541
	Bemerkungen / Besonderheiten Master Volume + Tone, 4x5 Drehschalter	gezeichnet von Cadfael	gezeichnet am 02.09.17



Jazz Bass mit zwei Humbuckern

Bei DiMarzio Jazz Bass Humbuckern, aber auch anderen Marken, werden mit der einen Spule E-/D- und mit der anderen Spule D-/G-Saite abgenommen. Das gibt die Möglichkeit mit einem 5-Weg-Schalter in den Stellungen 2 und 4 die Spulen der der beiden Pickups untereinander zu tauschen. In Stellung 3 sind die Pickups ganz normal parallel verdrahtet.



Pos.	Spulen
5	
4	
3	
2	
1	

Benennung **PU-Drehschalter 4x5, Jazz Bass**

Umbauten & Eigenbauten

Nummer 2.3.551

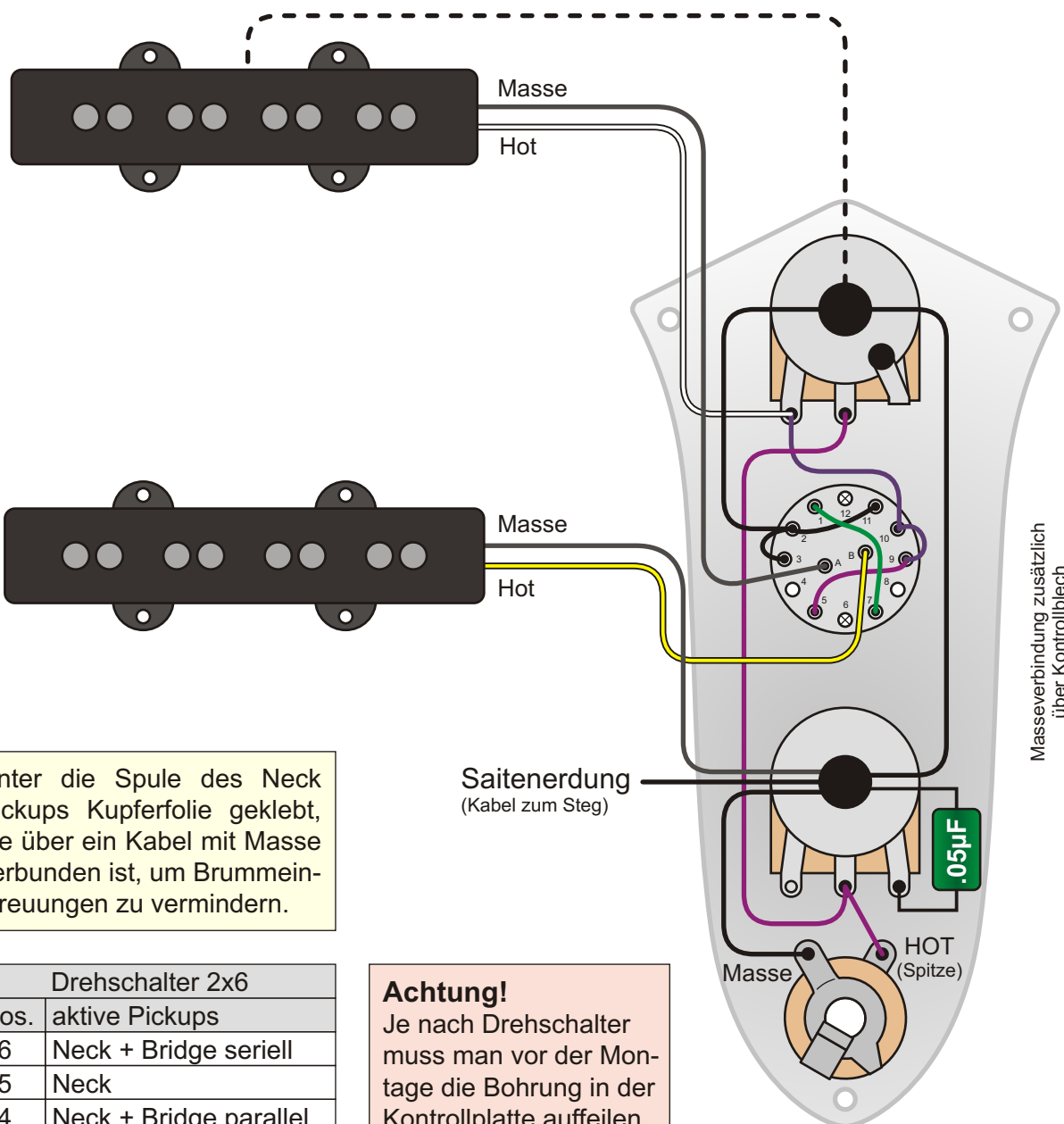
Bemerkungen / Besonderheiten

Master Volume + Tone, 4x5 Drehschalter

gezeichnet von
Cadfael

gezeichnet am
02.09.17

Seite
381

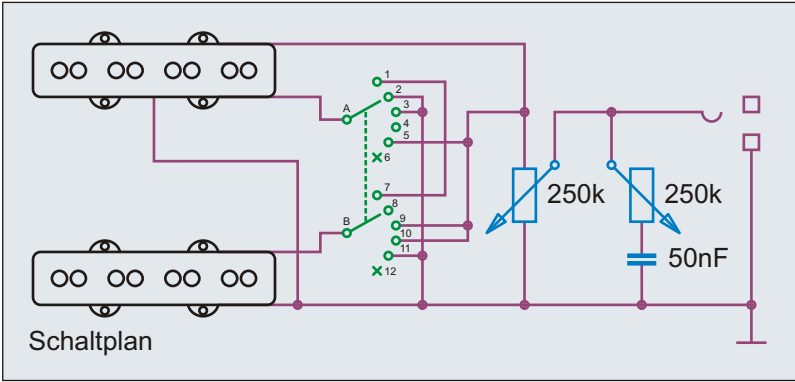


Unter die Spule des Neck Pickups Kupferfolie geklebt, die über ein Kabel mit Masse verbunden ist, um Brummeinstreuungen zu vermindern.

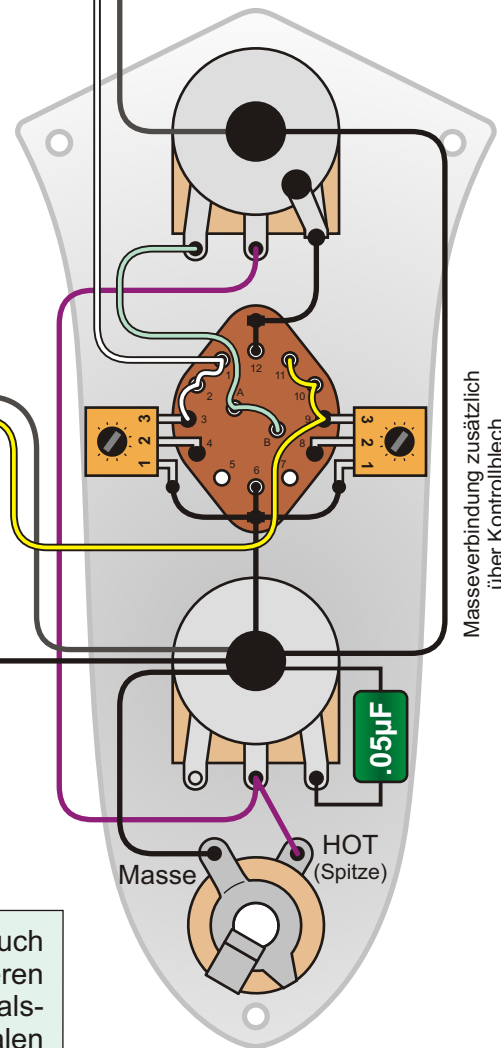
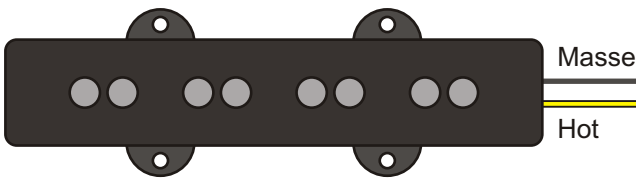
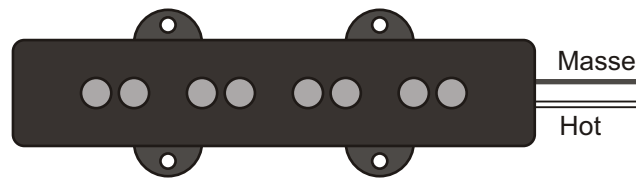
Drehwähler 2x6	
Pos.	aktive Pickups
6	Neck + Bridge seriell
5	Neck
4	Neck + Bridge parallel
3	Bridge
2	Kill
1	deaktiviert

Achtung!
Je nach Drehwähler muss man vor der Montage die Bohrung in der Kontrollplatte aufteilen, da viele Kunststoffschalter zu große Gewindedurchmesser haben.

Drehregler I
Wer einen Schalter will, aber die Optik des Jazz Bass beibehalten möchte, ist mit Drehwählern bestens bedient. Beim diesem Drehwähler kann man sich sogar noch eine zusätzliche Kill-Funktion einbauen, die HOT und Masse kurzschließt.



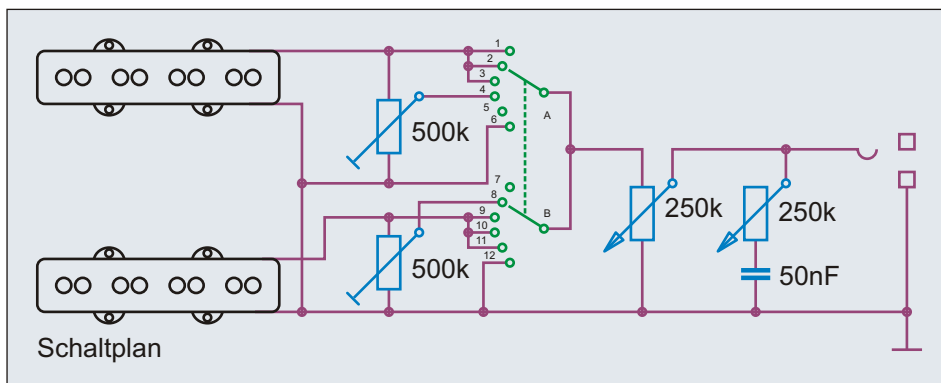
Benennung	J-Bass, PU-Drehwählschalter (5 Pos.)	Umbauten & Eigenbauten	Nummer 2.3.581
Bemerkungen / Besonderheiten	Master Volume, Master Tone, Drehwähler zur Pickupwahl	gezeichnet von Cadfael	gezeichnet am 02.09.17
			Seite 382



Saitenerdung
(Kabel zum Steg)

Vierwegschalter	
Pos.	aktive Pickups
6	Neck (10)
5	Neck (10) + Bridge (7)
4	Neck (10) + Bridge (10)
3	Neck (7) + Bridge (10)
2	Bridge (10)
1	Kill

Hier eine Jazz Bass Schaltung, die sich natürlich auch mit vielen anderen Bässen mit zwei Pickups realisieren lässt! In den Stellungen 3 und 5 werden Steg- bzw. Hals-Pickup über ein Trimpoti eingebremst. Den optimalen Wert für seinen Bass muss man durch Versuche ermitteln. Ich mag die Einstellung "7/10". Dei Trimpotis sollten 500k oder 1M Ohm haben und dürfen linear sein.

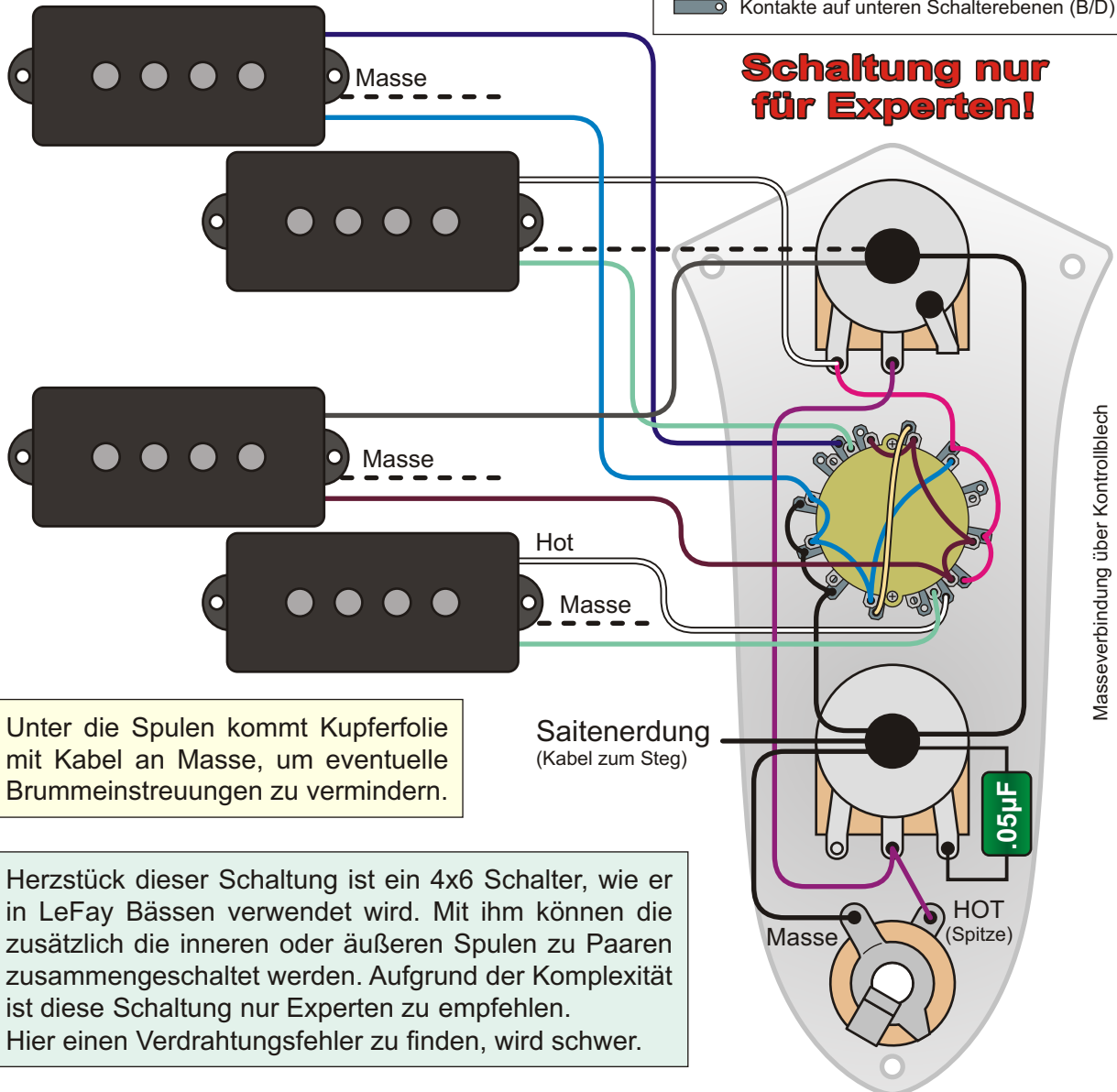


Potis	
Volume	250 k log.
Tone	250 k log.
Trimpot.	500 k lin.

Benennung	J-Bass, PU-Drehwahlschalter (6 Pos.)	Umbauten & Eigenbauten	Nummer
Bemerkungen / Besonderheiten	Master Volume, Master Tone, Drehschalter - zusätzlich 10/7 Verhältnis	gezeichnet von	gezeichnet am
		Cadfael	02.09.17
			Seite
			383

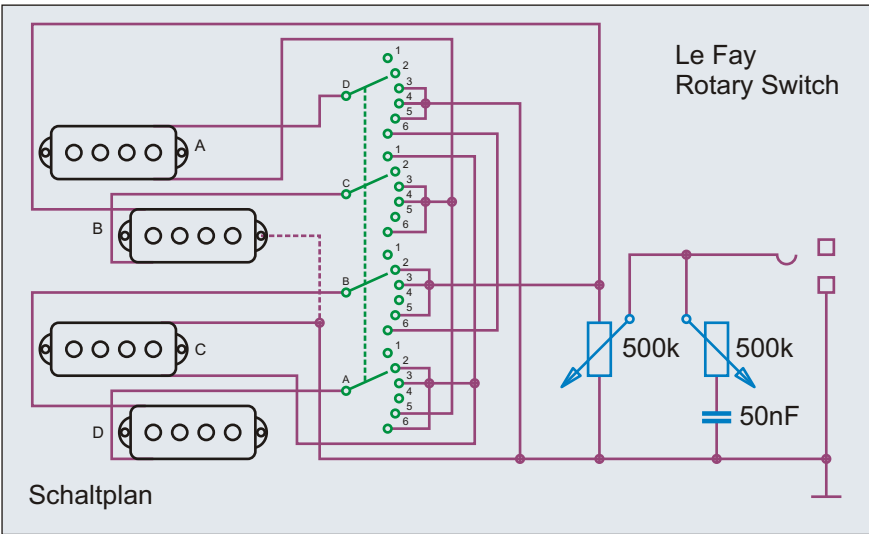
- Kontakte auf oberen Schalterebenen (A/C)
- Kontakte auf unteren Schalterebenen (B/D)

Schaltung nur für Experten!

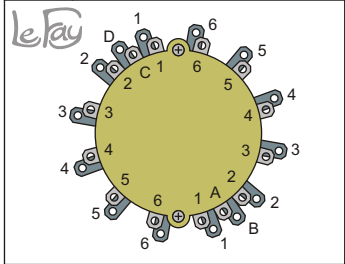


Unter die Spulen kommt Kupferfolie mit Kabel an Masse, um eventuelle Brummeinstreuungen zu vermindern.

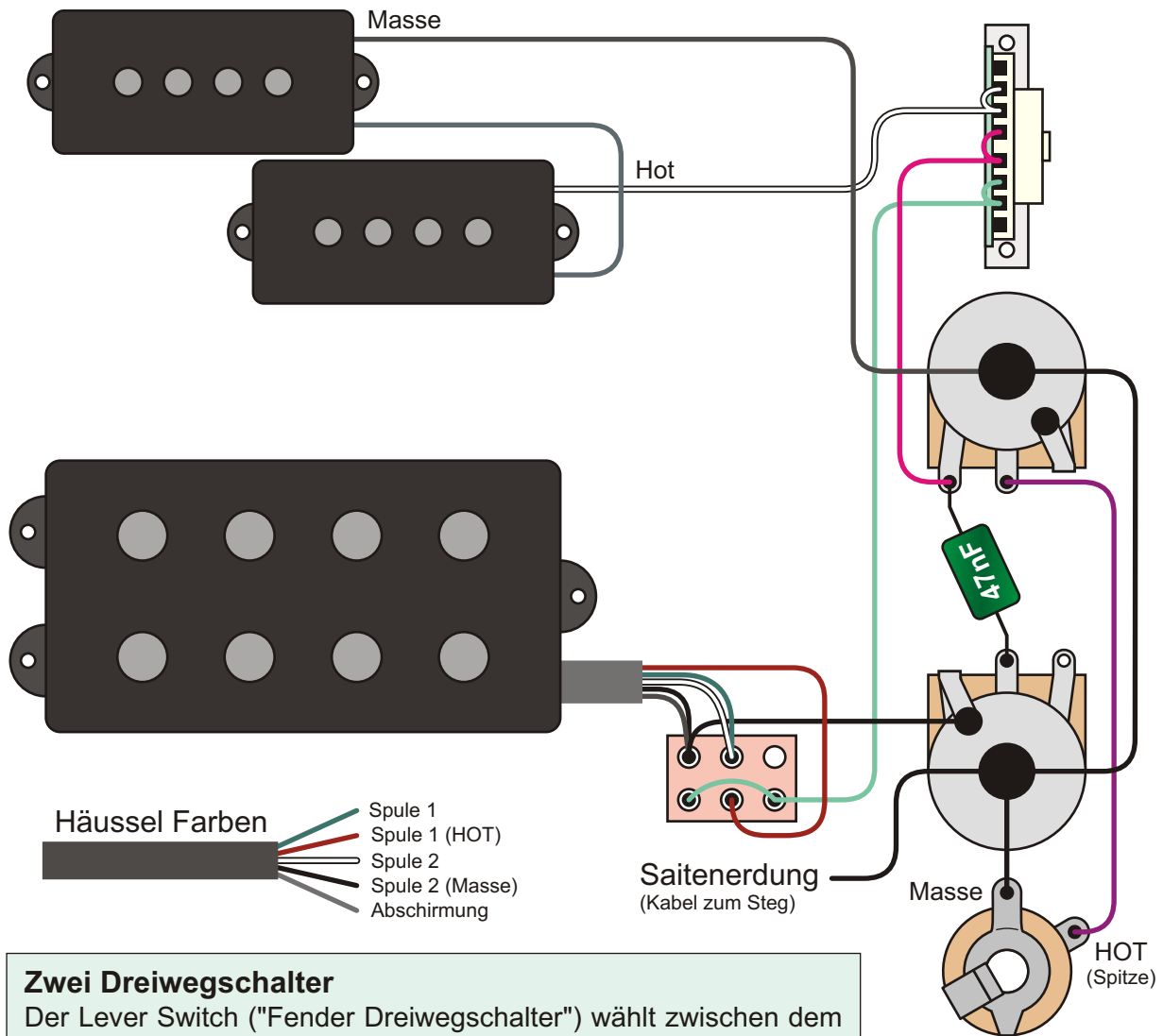
Herzstück dieser Schaltung ist ein 4x6 Schalter, wie er in LeFay Bässen verwendet wird. Mit ihm können die zusätzlichen die inneren oder äußeren Spulen zu Paaren zusammengeschaltet werden. Aufgrund der Komplexität ist diese Schaltung nur Experten zu empfehlen. Hier einen Verdrahtungsfehler zu finden, wird schwer.



Pos.	aktive Pickups
6	C/B
5	C/D
4	A/B + C/D parallel
3	A/B
2	A/D
1	A/B + C/D seriell



Benennung PP-Bass (Fender JB Blacktop) Umbau	Umbauten & Eigenbauten		Nummer 2.3.651
	Bemerkungen / Besonderheiten Master Volume, Master Tone, 4x6 Drehschalter zur Pickupwahl	gezeichnet von Cadfael	gezeichnet am 02.09.17

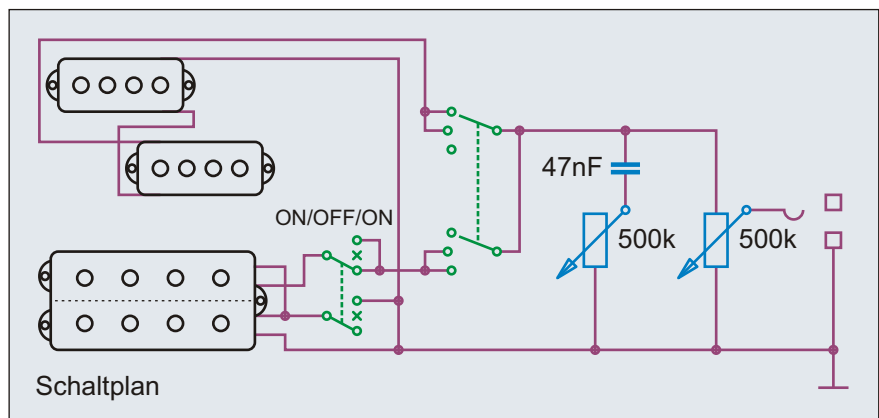


Zwei Dreiwegschalter

Der Lever Switch ("Fender Dreiwegschalter") wählt zwischen dem P- und dem MM-Pickup. Man kann natürlich auch einen anderen Dreiwegschalter einsetzen. Der "ON/OFF/ON" Schalter am MM ist ein "Coil Split", mit dem man die untere Spule gegen Masse legen kann. Durch die "OFF" Mittelstellung kann man den Pickup zusätzlich auch ganz ausschalten.

Dreiwegschalter	
Pos.	aktive Pickups
3	P
2	P + MM* (parallel)
1	MM*

* MM Pickup	
O/X/O	aktive Spulen
unten	Humbucker (ser.)
mittig	kein Signal
oben	SingleCoil (M ₁)



Benennung **PM-Bass, Lever Dreiwegschalter**

Umbauten & Eigenbauten

Nummer 2.4.311

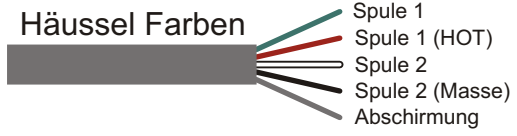
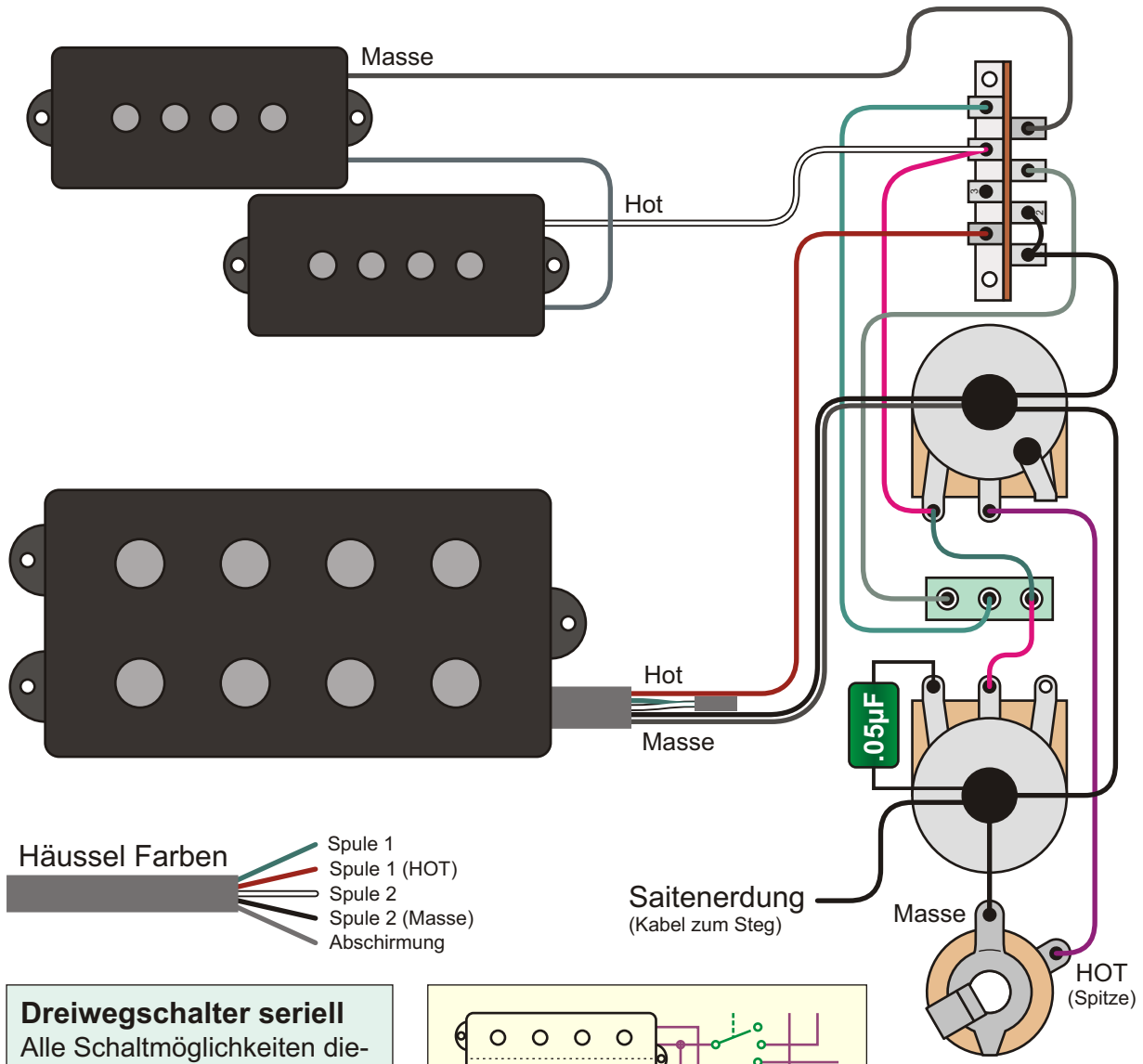
Bemerkungen / Besonderheiten

Master Volume + Tone, "Fender" Lever Dreiwegschalter + MM CoilSplit

gezeichnet von Cadfael

gezeichnet am 02.09.17

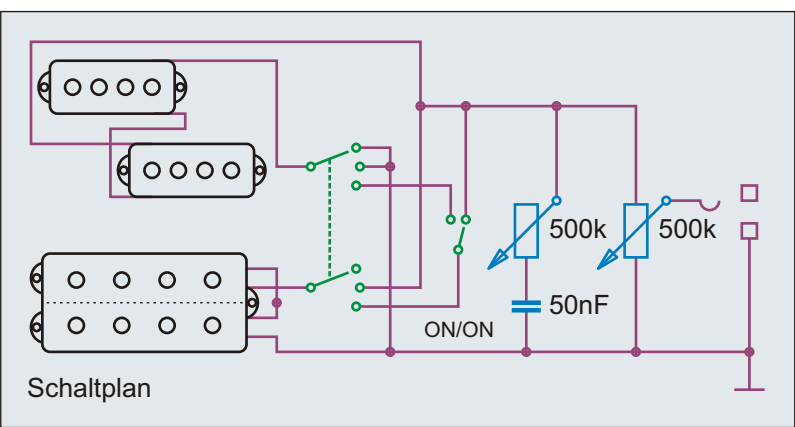
Seite 385



Dreiwegschalter seriell
 Alle Schaltmöglichkeiten dieser Schaltung könnte man auch einfacher mit einem Vierwegschalter erreichen. Diese Schaltung ist für Leute, die den Steg Pickup eigentlich nie alleine benutzen. Braucht man den Steg "im Notfall" doch mal alleine, kippt man den Minischalter nach oben.

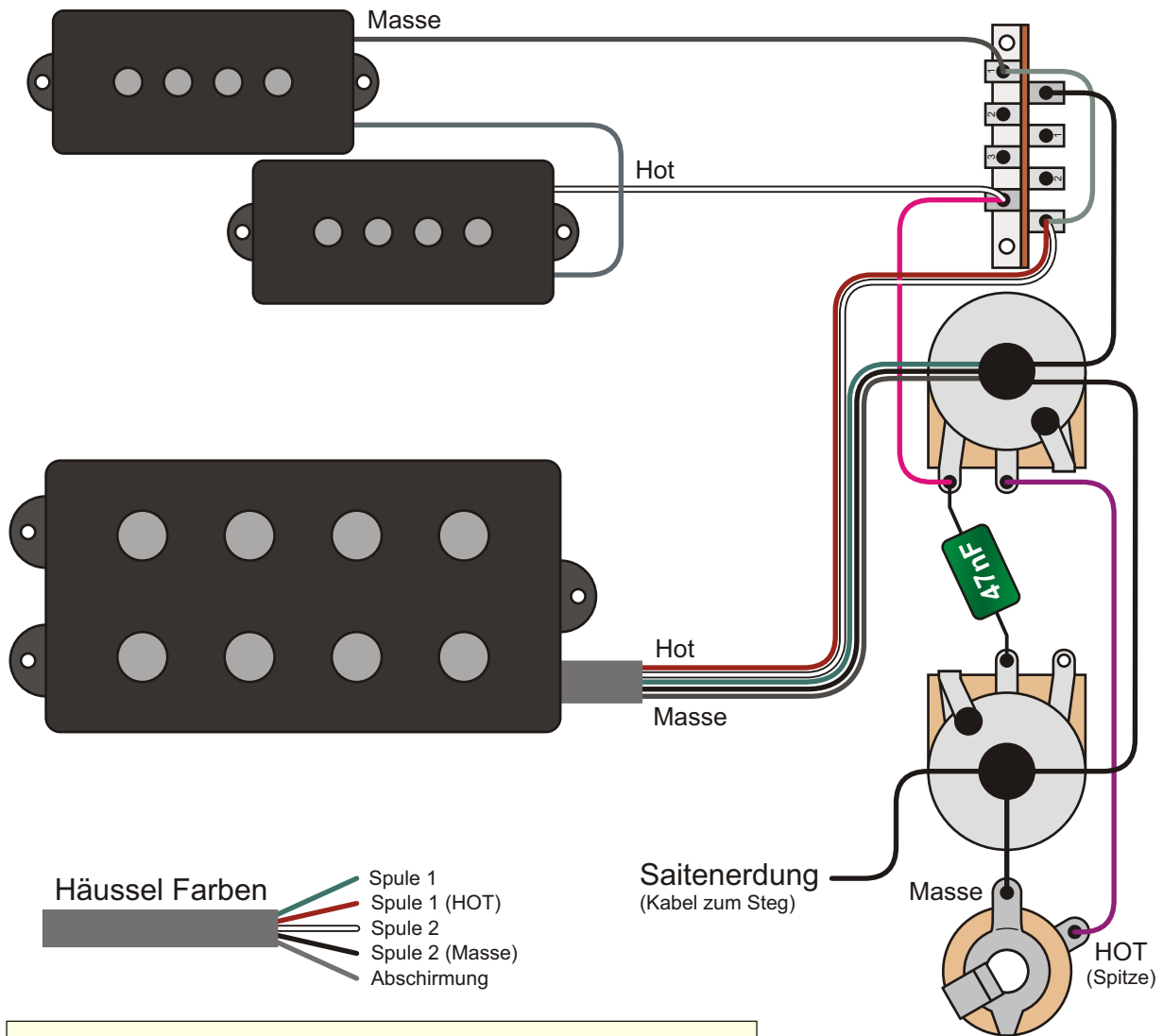
Eventuell hat ein intern serieller MM zuviel Output - gerade, wenn er mit dem P-Pickup seriell geschaltet ist. Vielleicht ist es besser, den MM-Pickup intern parallel zu schalten.

Pos.	ON/ON	aktive Pickups
3	unten	P
	oben	P
2	unten	P + MM (parallel)
	oben	P + MM (parallel)
1	unten	P + MM (seriell)
	oben	MM



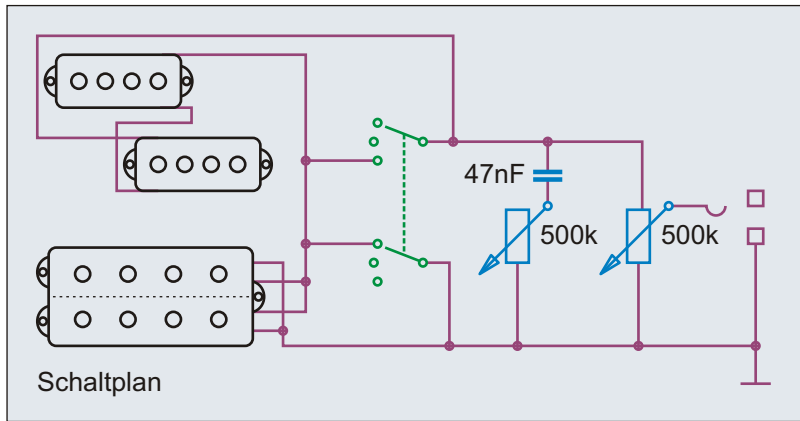
Benennung PM-Bass, Lever Dreiwegschalter		Umbauten & Eigenbauten		Nummer 2.4.321
Bemerkungen / Besonderheiten		gezeichnet von	gezeichnet am	Seite
Master Volume + Tone, Lever Dreiwegschalter (inkl. parallel / seriell)		Cadfael	02.09.17	386

Idee, Recherche, Autor, Zeichnungen, Grafiken, Diagramme, Layout und Design: Andreas "Cadfael" Kühn - Nutzung ausschließlich zu privaten, nicht kommerziellen Zwecken und auf eigene Gefahr! Alle Angaben ohne Gewähr, Irrtümer vorbehalten!



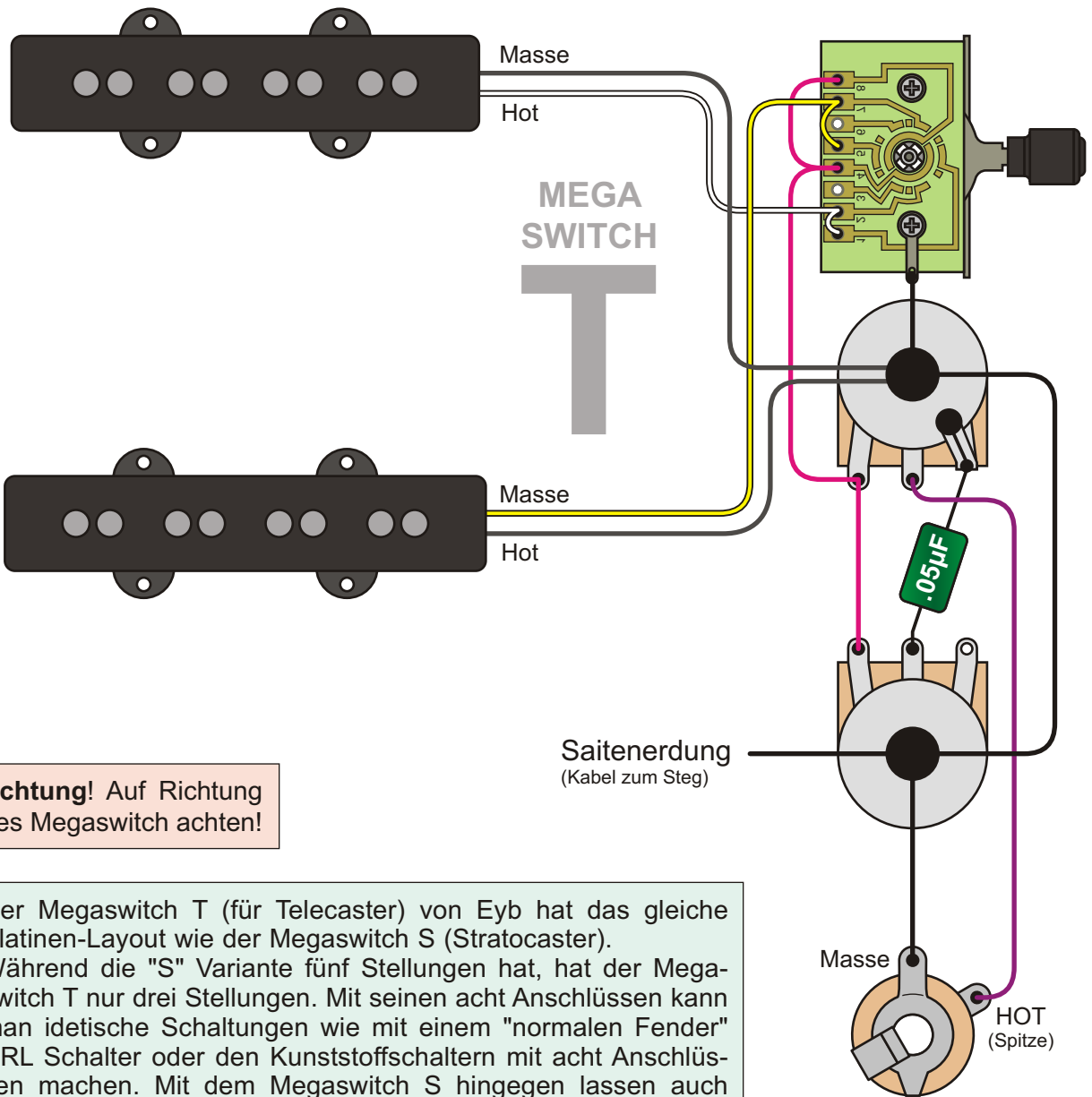
Auch intern parallel geschaltet kann ein MM-Pickup mit einem P-Pickup meist mithalten. Seriell wäre der Output von P- und MM-Pickup zusammen vermutlich zu hoch. Selbst wenn der aktive Eingang eines Verstärkers benutzt würde, würde die Vorstufe vermutlich verzerren.

Position	aktive Pickups
3	Neck
2	Neck + Bridge (seriell)
1	Bridge



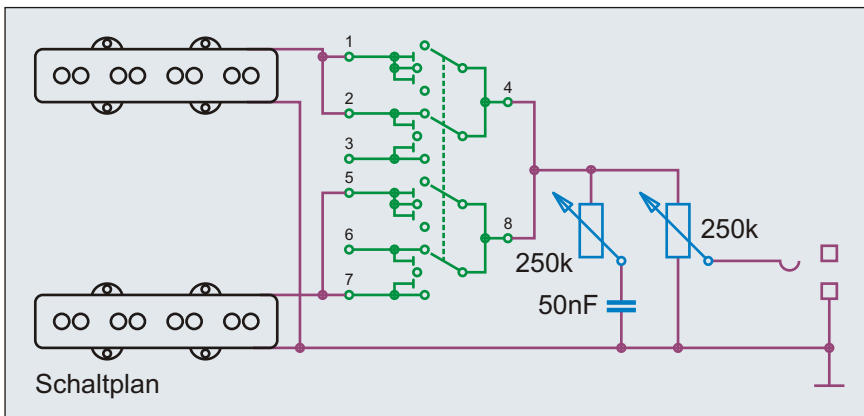
Mittelstellung seriell
 Hier eine Schaltung, bei der die Pickups in der Mittelstellung nicht wie üblich parallel, sondern seriell geschaltet sind. Erreicht wird das dadurch, dass einer der Pickups jeweils kurzgeschlossen wird.

Benennung	PM-Bass, Lever Dreiwegschalter seriell		Umbauten & Eigenbauten	Nummer
Bemerkungen / Besonderheiten	Master Volume + Tone, Lever Dreiwegschalter, Mittelstellung seriell		gezeichnet von	gezeichnet am
			Cadfael	02.09.17
				Seite
				387



Achtung! Auf Richtung des Megaswitch achten!

Der Megaswitch T (für Telecaster) von Eyb hat das gleiche Platinen-Layout wie der Megaswitch S (Stratocaster). Während die "S" Variante fünf Stellungen hat, hat der Megaswitch T nur drei Stellungen. Mit seinen acht Anschlüssen kann man identische Schaltungen wie mit einem "normalen Fender" CRL Schalter oder den Kunststoffschaltern mit acht Anschlüssen machen. Mit dem Megaswitch S hingegen lassen auch Schaltungen verwirklichen, wie sie mit herkömmlichen Fünfwegschaltern nicht zu verwirklichen sind.



Eyb Megaswitch T	
Position	aktive Pickups
3	Neck
2	Neck + Bridge
1	Bridge

Benennung **J-Bass, Megaswitch T**

Umbauten & Eigenbauten

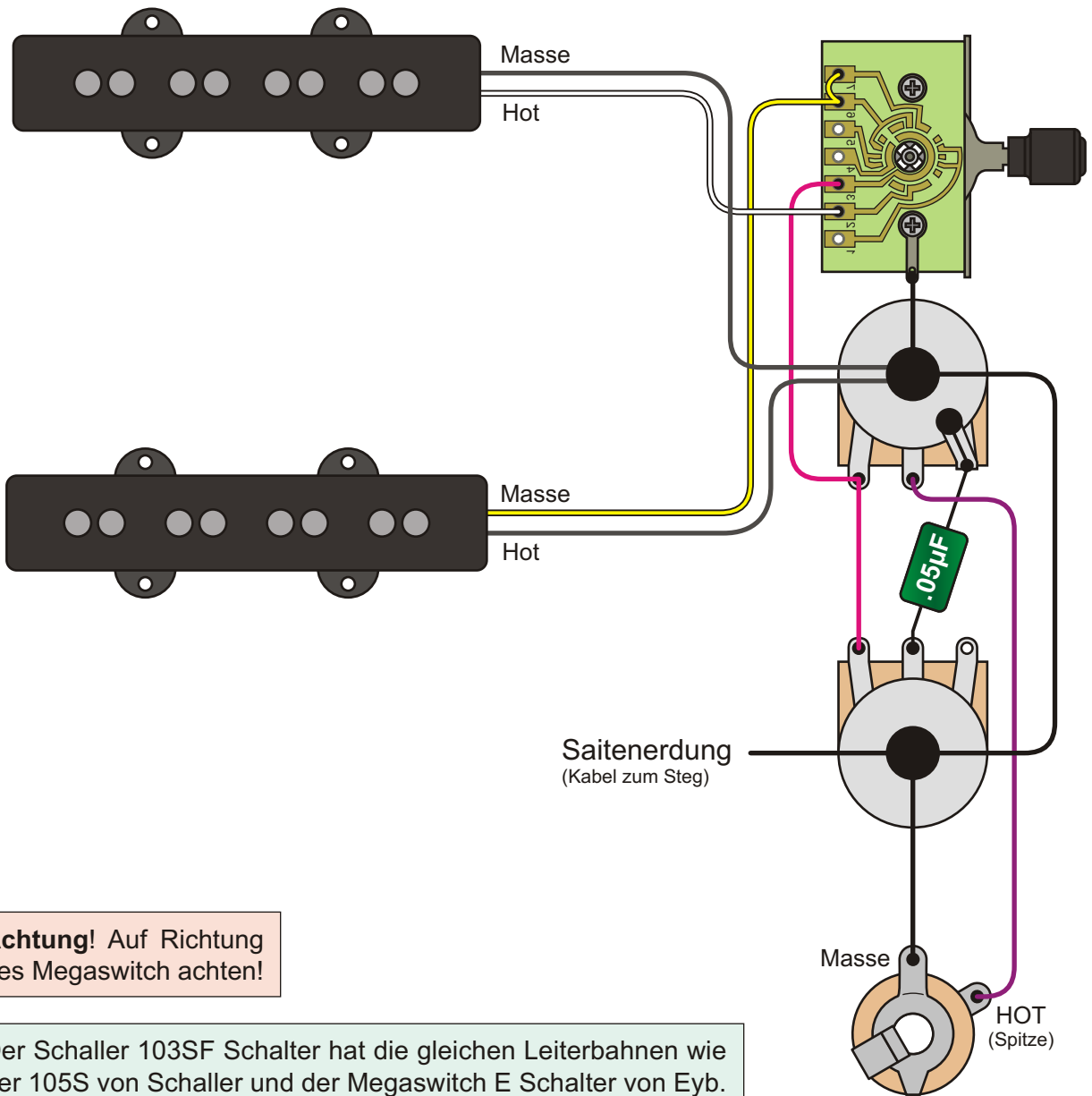
Nummer 2.4.381

Bemerkungen / Besonderheiten
Dreiwegschalter

gezeichnet von
Cadfael

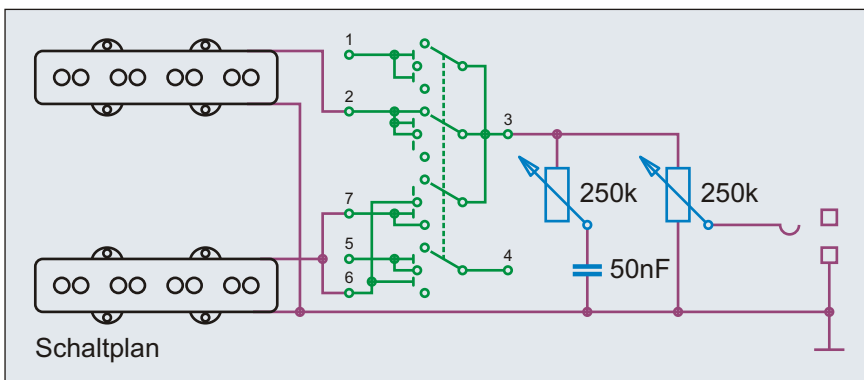
gezeichnet am
02.09.17

Seite
388



Achtung! Auf Richtung des Megaswitch achten!

Der Schaller 103SF Schalter hat die gleichen Leiterbahnen wie der 105S von Schaller und der Megaswitch E Schalter von Eyb. Allerdings hat der 103SF nur drei statt fünf Schalterstellungen. Trotz seines merkwürdigen Layouts, lässt sich der 103SF als ganz normaler Dreiwegschalter einsetzen.



Schaller 103SF Switch	
Position	aktive Pickups
3	Neck
2	Neck + Bridge
1	Bridge

Benennung **Telecaster® mit Schaller 103SF**

Umbauten & Eigenbauten

Nummer 2.4.386

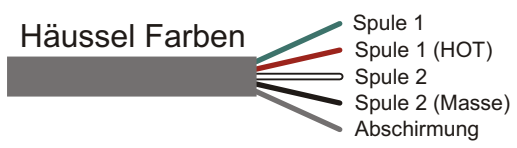
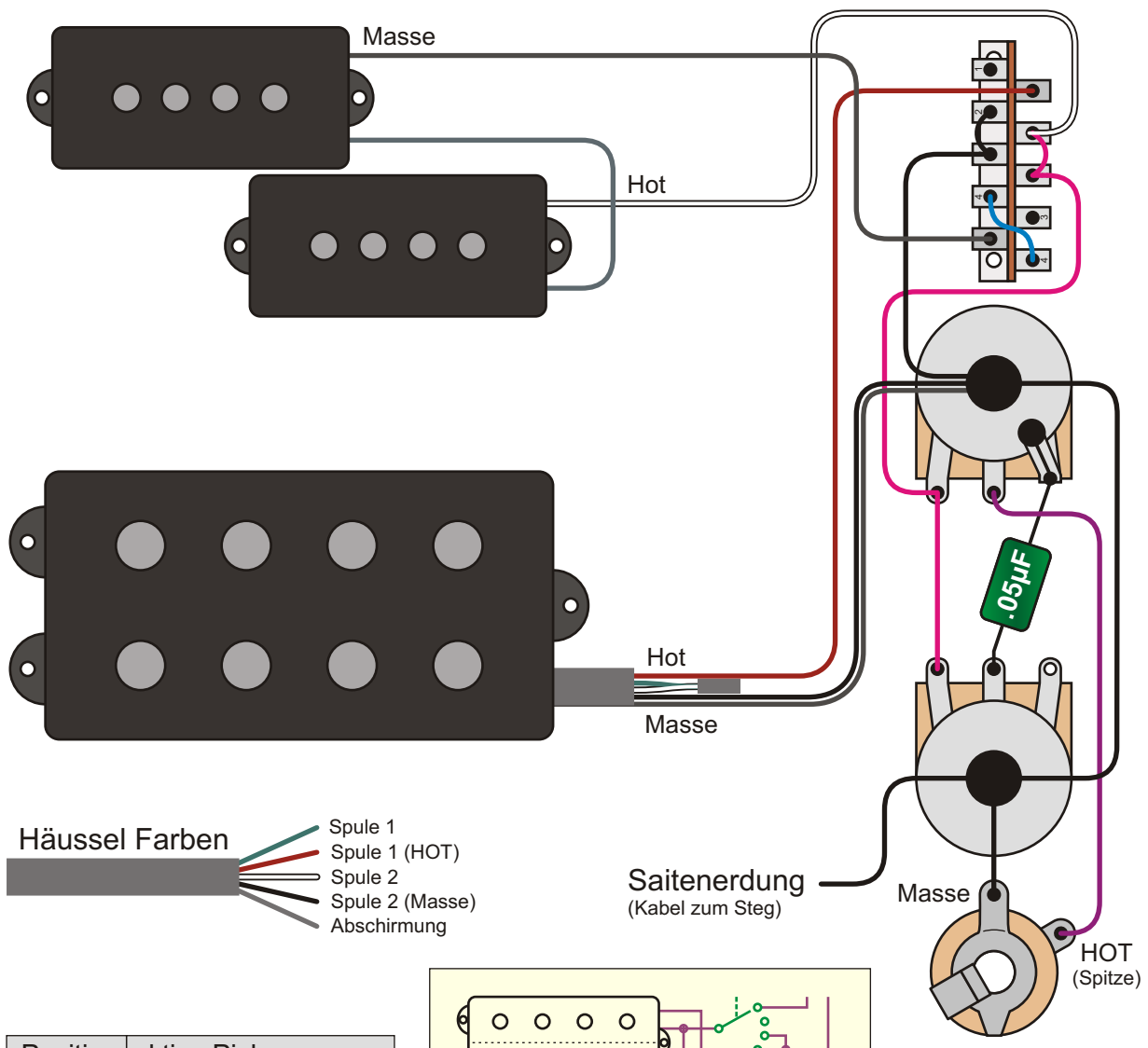
Bemerkungen / Besonderheiten

Dreiwegschalter

gezeichnet von Cadfael

gezeichnet am 02.09.17

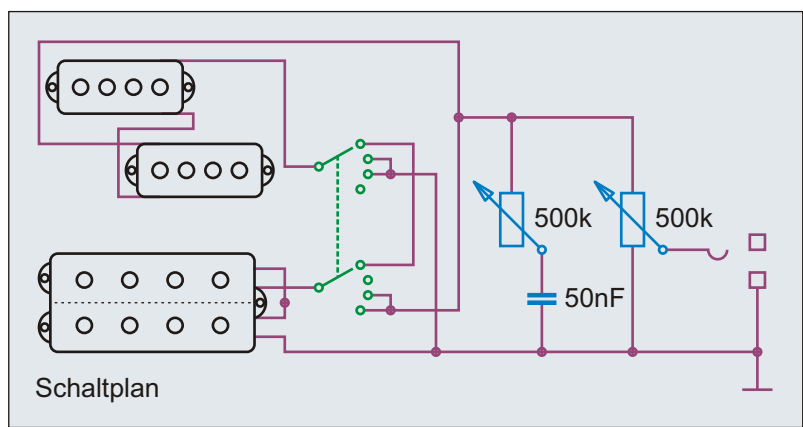
Seite 389



Position	aktive Pickups
4	P + MM (seriell)
3	P
2	P + MM (parallel)
1	MM

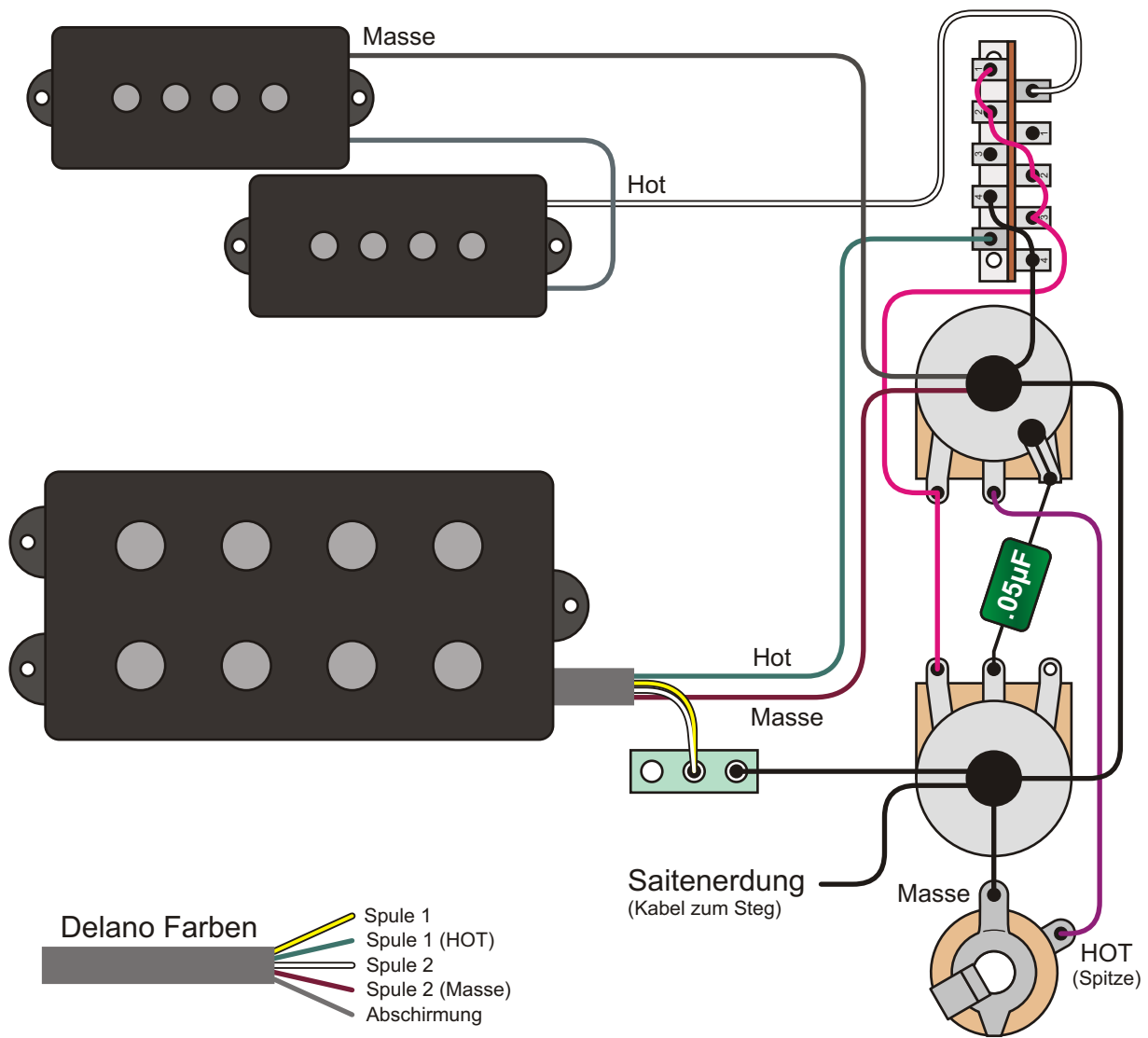
Eventuell hat ein intern serieller MM zuviel Output - gerade, wenn er mit dem P-Pickup seriell geschaltet ist. Vielleicht ist es besser, den MM-Pickup intern parallel zu schalten.

Vierwegschalter
 Der Vierwegschalter bietet die Möglichkeiten, alle vier wichtigen Schaltvarianten zweier Pickups einfach und schnell einzustellen. Die Belegung der Schaltpositionen kann frei nach persönlichem Geschmack vertauscht werden. "P + MM seriell" könnte auch auf Position 4 liegen.



Benennung	PM-Bass, Lever Vierwegschalter (seriell)	Umbauten & Eigenbauten	Nummer	2.4.411
Bemerkungen / Besonderheiten	Master Volume, Master Tone, Vierwegschalter	gezeichnet von	gezeichnet am	Seite
		Cadfael	02.09.17	390

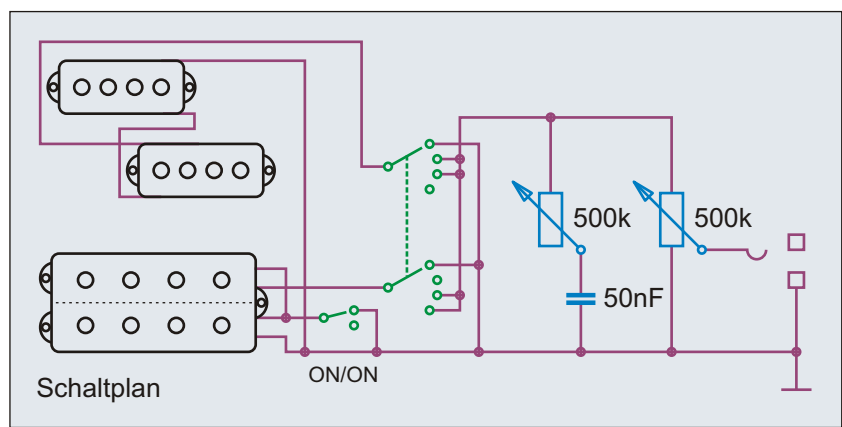
Idee, Recherche, Autor, Zeichnungen, Grafiken, Diagramme, Layout und Design: Andreas "Cadfael" Kühn - Nutzung ausschließlich zu privaten, nicht kommerziellen Zwecken und auf eigene Gefahr! Alle Angaben ohne Gewähr, Irrtümer vorbehalten!



Vierwegschalter + Kill
 In diesem Beispiel entsprechen Position 2 bis 4 der Belegung eines normalen Dreiwegschalters. Pos.1 schaltet den Bass stumm, da die Pickups von beiden Seiten Masse bekommen.

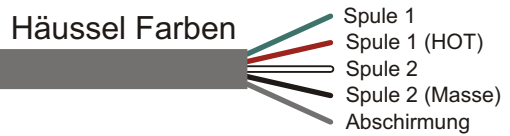
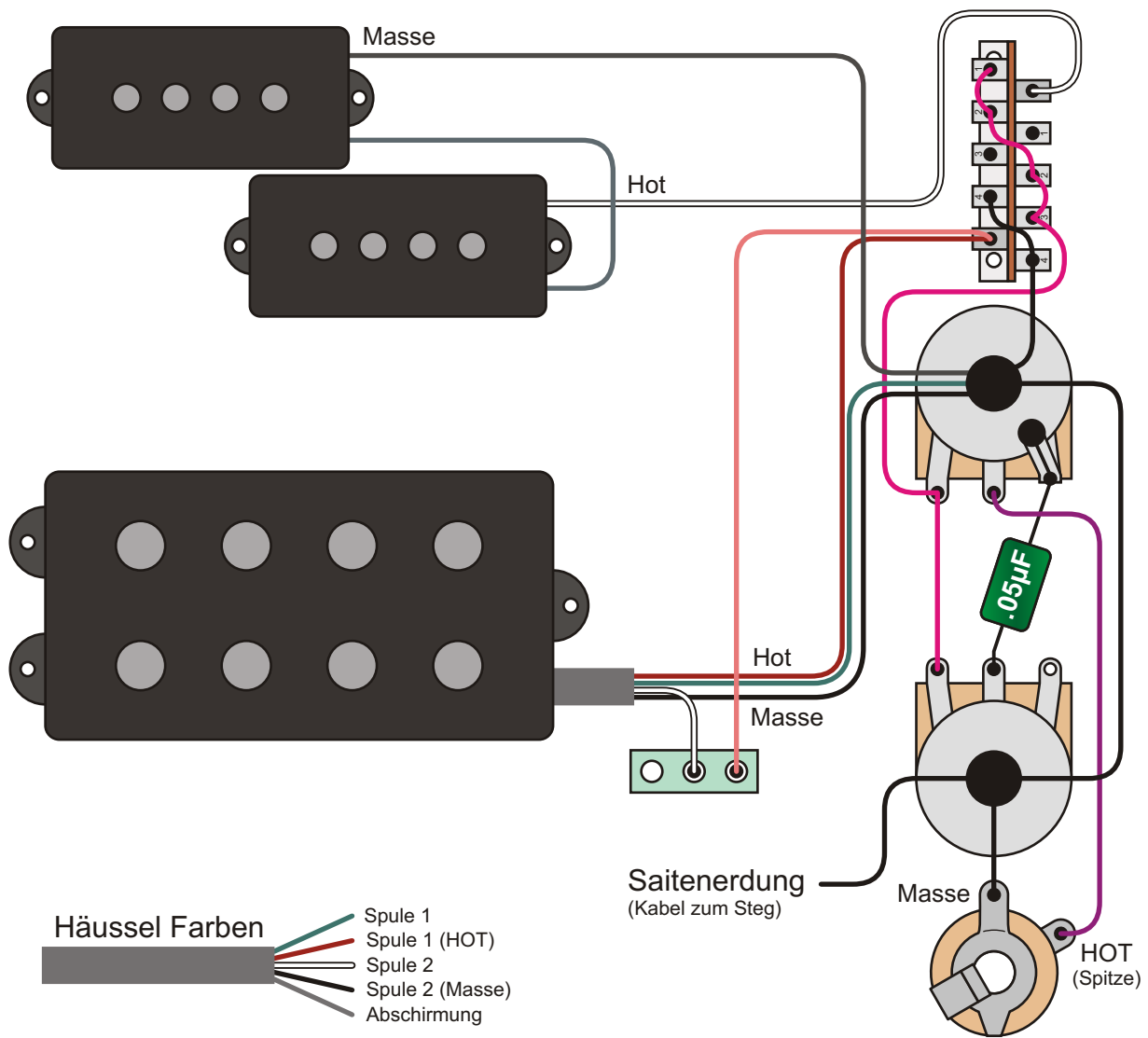
Vierwegschalter	
Pos.	aktive Pickups
4	kein Signal
3	P
2	P + MM* (parallel)
1	MM*

* MM Pickup	
ON/ON	aktive Spulen
oben	Humbucker (seriell)
unten	SingleCoil (M ₁)



Benennung	PM-Bass, Lever Vierwegschalter (Kill)	Umbauten & Eigenbauten	Nummer	2.4.421
Bemerkungen / Besonderheiten	Master Volume, Master Tone, Vierwegschalter + MM Coil Split	gezeichnet von	gezeichnet am	Seite
		Cadfael	02.09.17	391

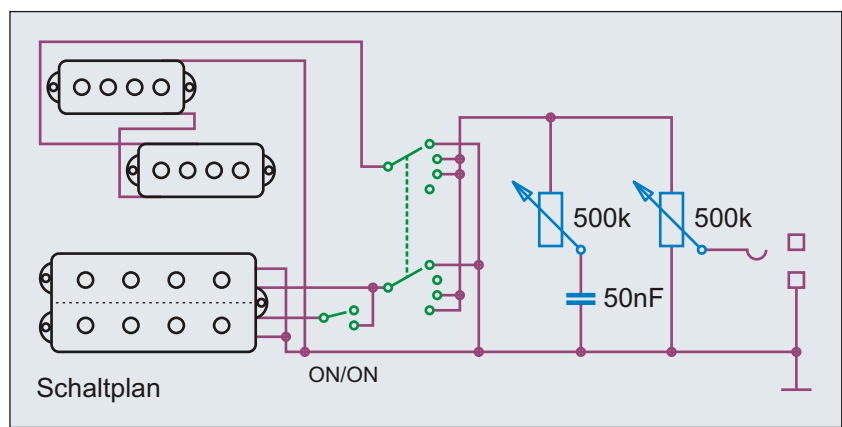
Idee, Recherche, Autor, Zeichnungen, Grafiken, Diagramme, Layout und Design: Andreas "Cadfael" Kühn - Nutzung ausschließlich zu privaten, nicht kommerziellen Zwecken und auf eigene Gefahr! Alle Angaben ohne Gewähr, Irrtümer vorbehalten!



Vierwegschalter + Kill
 Unterschied zur Zeichnung 2.4.421 ist, dass hier der MM Pickup intern parallel geschaltet ist. Daher muss der Coil Split hier anders ausfallen. Bei einer der wird die Hot-Leitung getrennt.

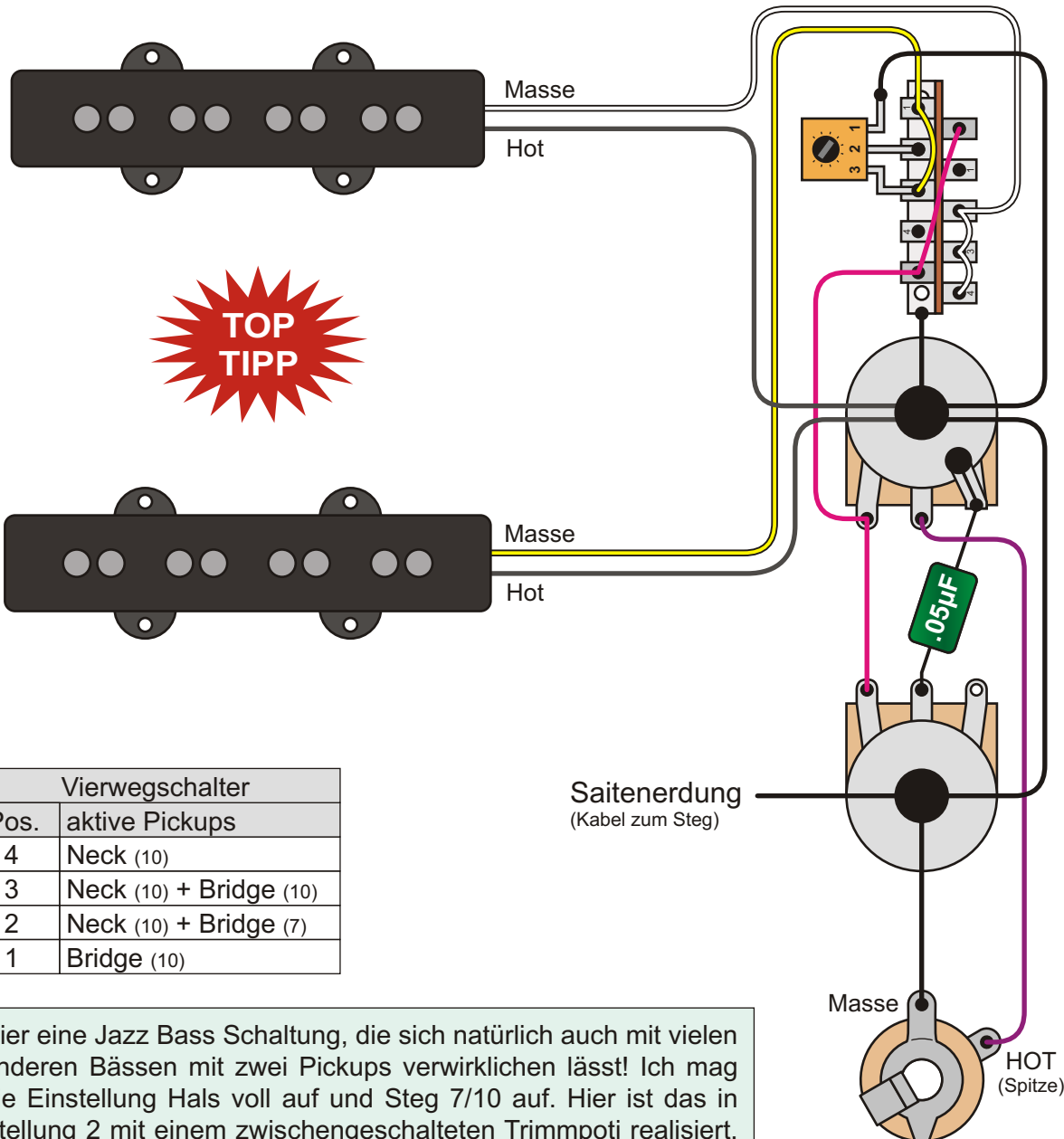
Vierwegschalter	
Pos.	aktive Pickups
4	kein Signal
3	P
2	P + MM* (parallel)
1	MM*

* MM Pickup	
ON/ON	aktive Spulen
oben	Humbucker (parallel)
unten	SingleCoil (M ₁)



Benennung	PM-Bass, Lever Vierwegschalter (Kill)		Umbauten & Eigenbauten	Nummer 2.4.426	
	Bemerkungen / Besonderheiten			gezeichnet von	gezeichnet am
Master Volume, Master Tone, Vierwegschalter + MM Coil Split			Cadfael	02.09.17	392

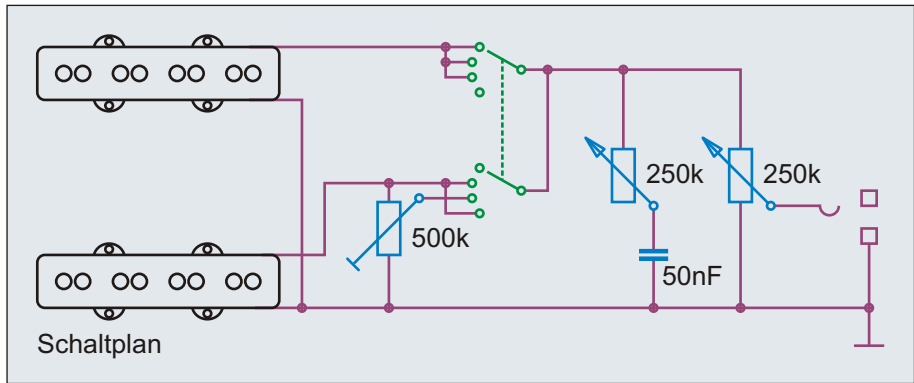
Idee, Recherche, Autor, Zeichnungen, Grafiken, Diagramme, Layout und Design: Andreas "Cadfael" Kühn - Nutzung ausschließlich zu privaten, nicht kommerziellen Zwecken und auf eigene Gefahr! Alle Angaben ohne Gewähr, Irrtümer vorbehalten!



TOP TIPP

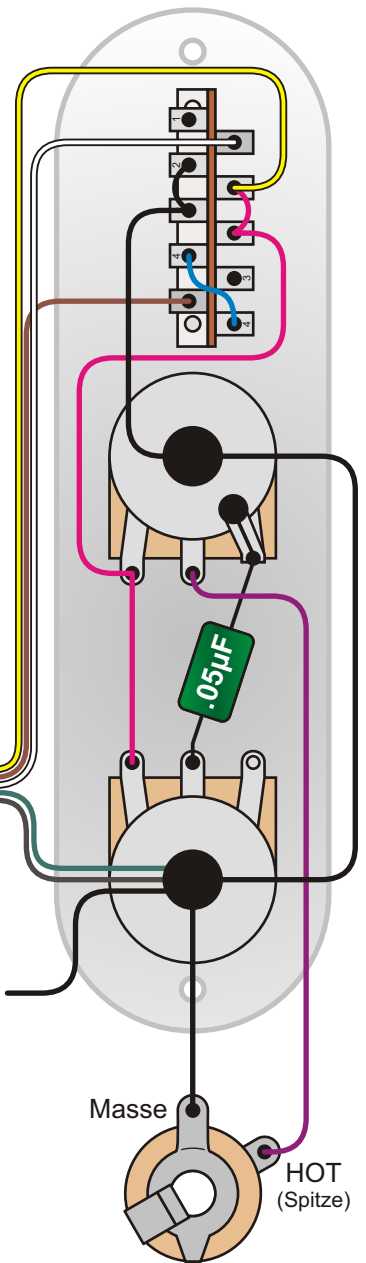
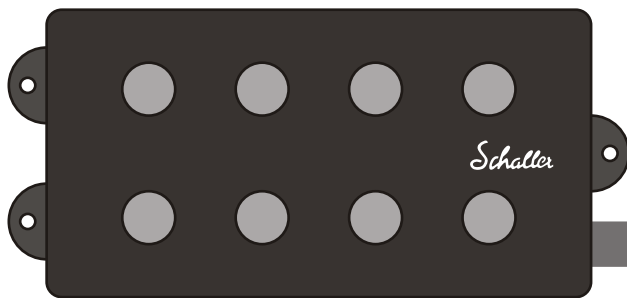
Vierwegschalter	
Pos.	aktive Pickups
4	Neck (10)
3	Neck (10) + Bridge (10)
2	Neck (10) + Bridge (7)
1	Bridge (10)

Hier eine Jazz Bass Schaltung, die sich natürlich auch mit vielen anderen Bässen mit zwei Pickups verwirklichen lässt! Ich mag die Einstellung Hals voll auf und Steg 7/10 auf. Hier ist das in Stellung 2 mit einem zwischengeschalteten Trimpoti realisiert, das die Lautstärke des Steg-Pickups reduziert. Das Trimpoti sollte 500k oder 1M Ohm haben und darf linear sein. Auf das gewünschte Mischungsverhältnis einstellen.



Benennung	JJ-Bass, Lever Vierwegschalter (10/7)	Umbauten & Eigenbauten	Nummer
			2.4.451
Bemerkungen / Besonderheiten	Master Volume, Master Tone, Vierwegschalter + Volume 10/7	gezeichnet von	gezeichnet am
		Cadfael	02.09.17
			Seite
			393

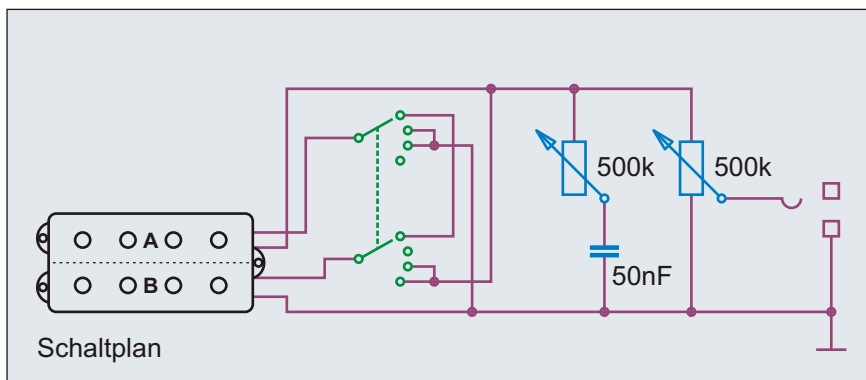
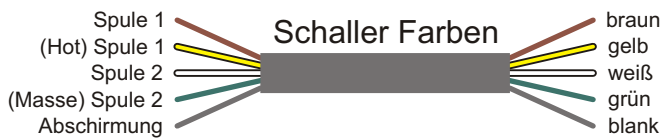
Schaller



Saitenerdung
(Kabel zum Steg)

Masse

HOT
(Spitze)



Regler	Wert
Master Volume	500 k log.
Master Tone	500 k log.

Vierwegschalter	
Pos.	aktive Pickups
4	MA + MB (seriell)
3	MA
2	MA + MB (parallel)
1	MB

Benennung **MM-Bass, Lever Vierwegschalter (seriell)**

Umbauten & Eigenbauten

Nummer 2.4.471

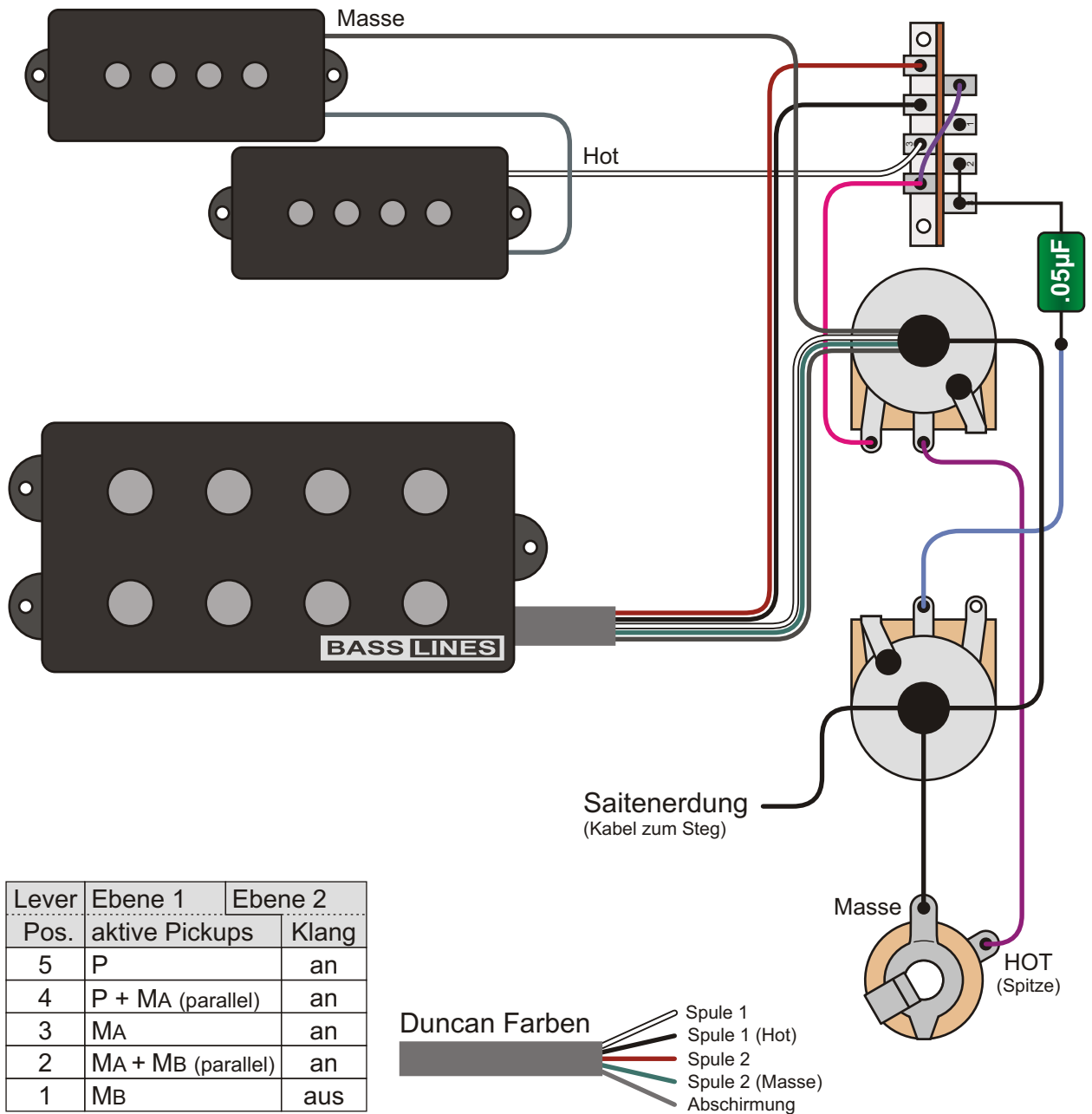
Bemerkungen / Besonderheiten

Master Volume, Master Tone, Vierwegschalter

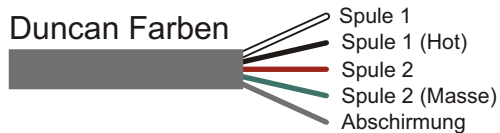
gezeichnet von
Cadfael

gezeichnet am
02.09.17

Seite
394

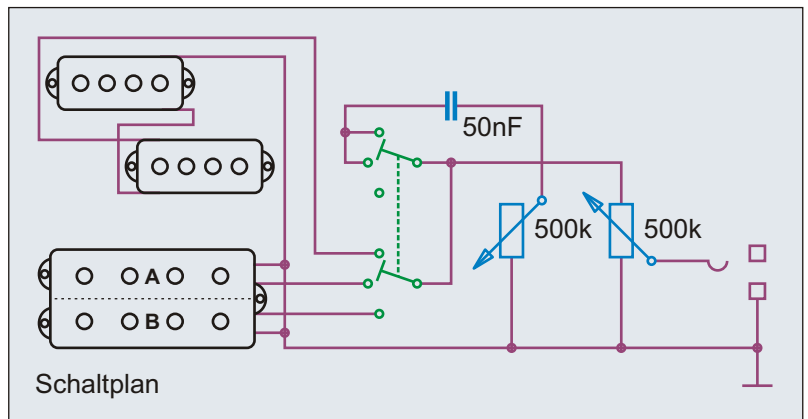


Lever	Ebene 1	Ebene 2
Pos.	aktive Pickups	Klang
5	P	an
4	P + MA (parallel)	an
3	MA	an
2	MA + MB (parallel)	an
1	MB	aus



Fünfwegschalter

Wie bei einer Stratocaster Gitarre werden hier die Spulen mit dem Fünfwegschalter durchgeschaltet. Die zweite Ebene wird dazu genutzt das Tone-Poti in der letzten Stellung zu deaktivieren. Man kann das Tone-Poti aber auch normal an HOT legen, damit es immer an ist.



Benennung **PM-Bass, Lever Fünfwegschalter**

Umbauten & Eigenbauten

Nummer 2.4.511

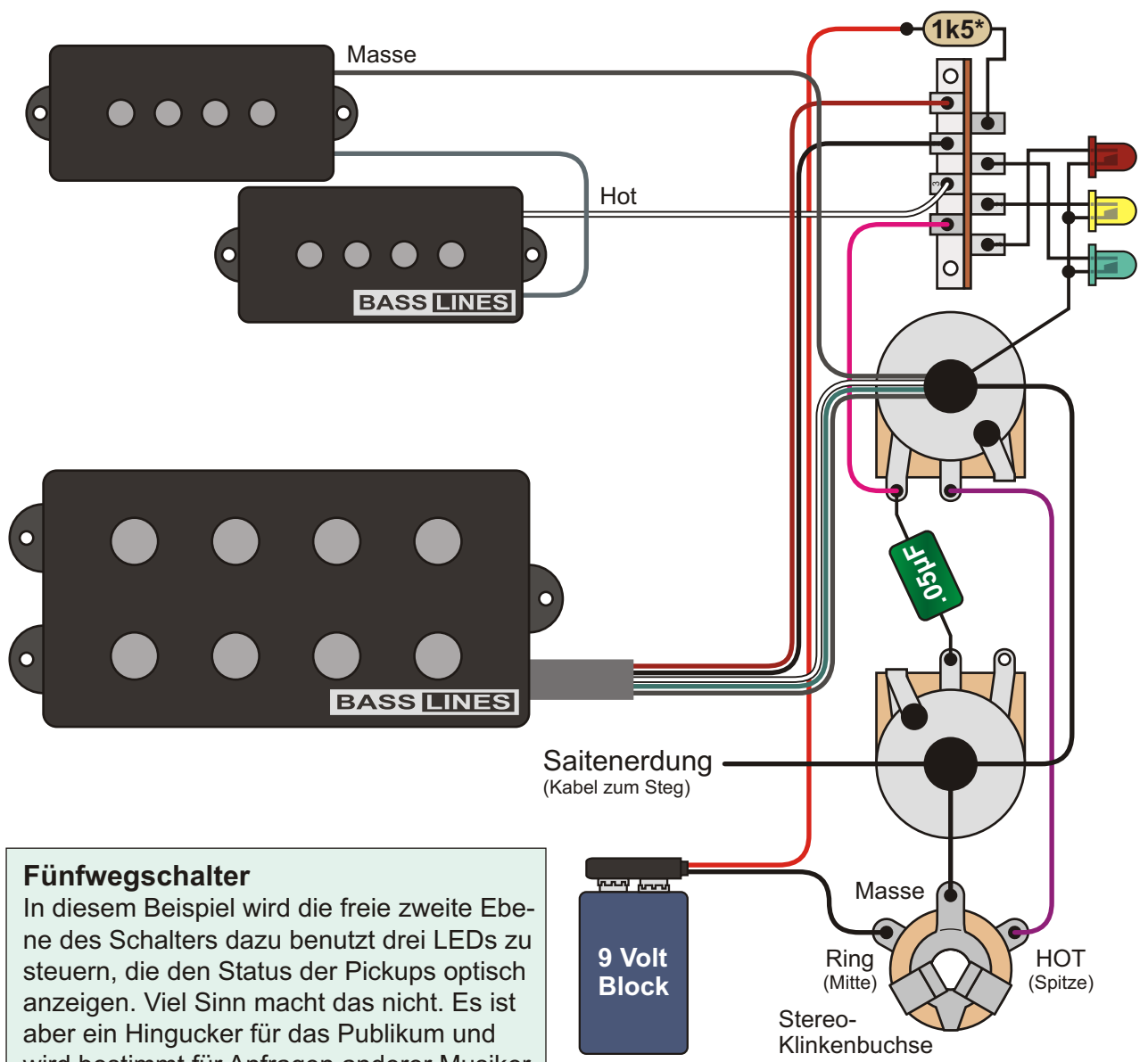
Bemerkungen / Besonderheiten

Master Volume, Master Tone, Fünfwegschalter, Tone-Poti an/aus

gezeichnet von Cadfael

gezeichnet am 02.09.17

Seite 395



Fünfwegschalter

In diesem Beispiel wird die freie zweite Ebene des Schalters dazu benutzt drei LEDs zu steuern, die den Status der Pickups optisch anzeigen. Viel Sinn macht das nicht. Es ist aber ein Hingucker für das Publikum und wird bestimmt für Anfragen anderer Musiker in Spielpausen sorgen.

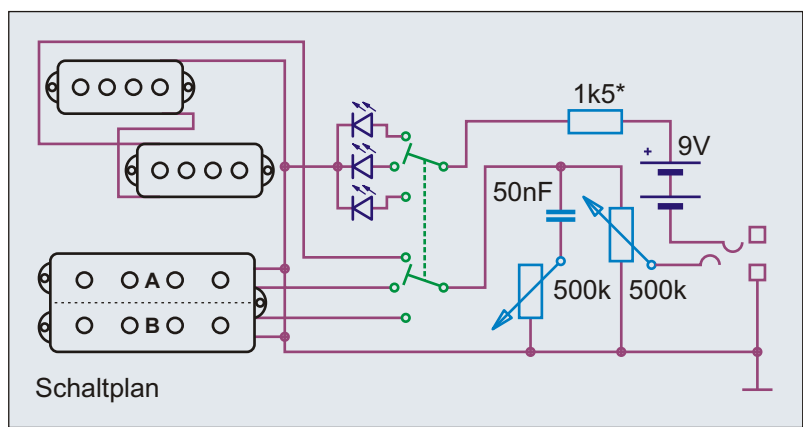
Leuchtdiode:

Anode	Kathode
Plus	Minus
langes Beinchen	kurzes Beinchen

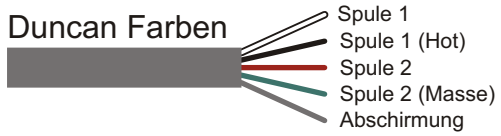
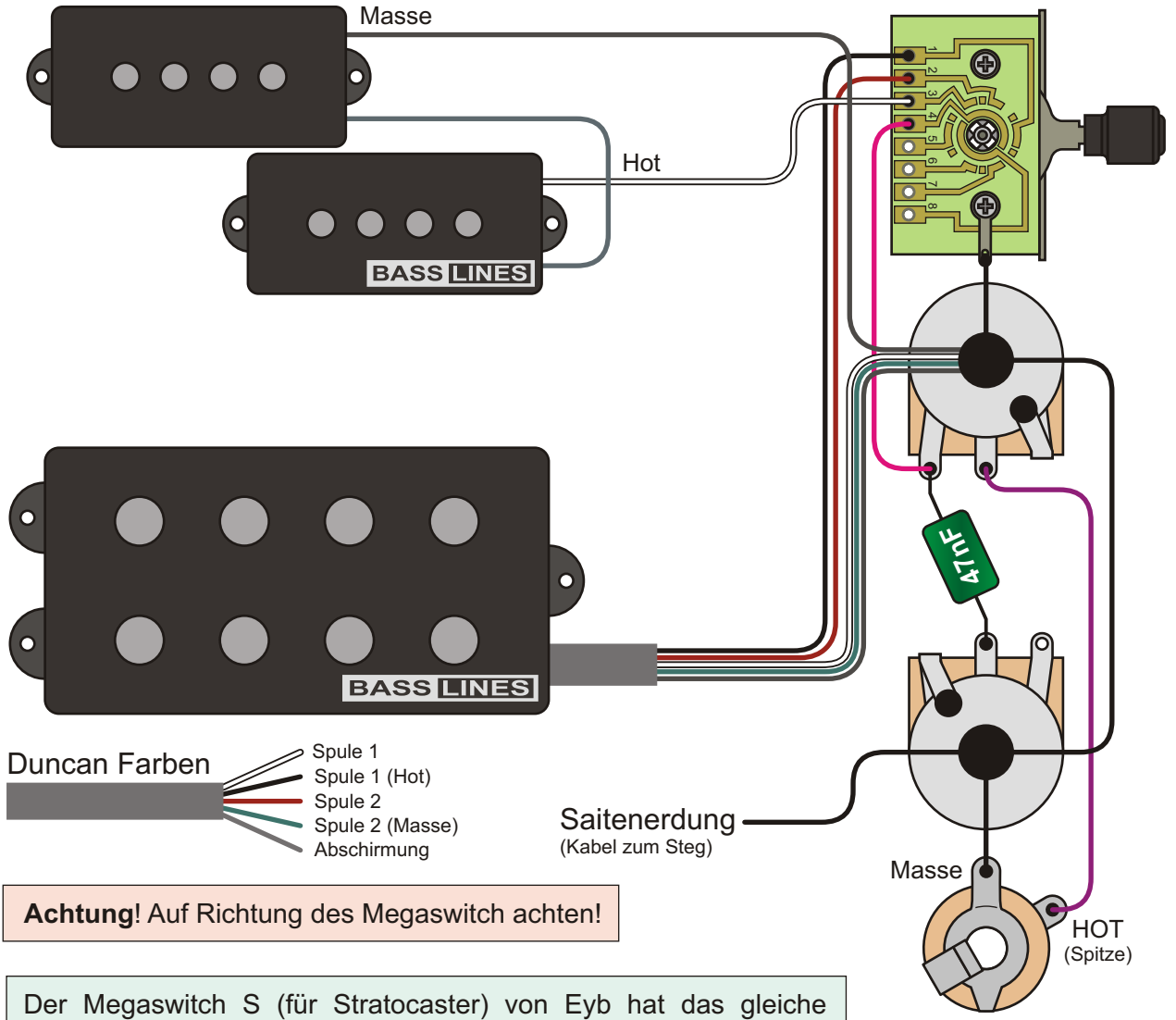
+ Anode

Lever	Ebene 1	Ebene 2
Pos.	aktive Pickups	LEDs
5	P	
4	P + MA (parallel)	
3	MA	
2	MA + MB (parallel)	
1	MB	

Widerstand: 1k5 Ω
 * Je nach LED-Typ und Höhe der Versorgungsspannung kann der Wert des Vorwiderstandes variieren!

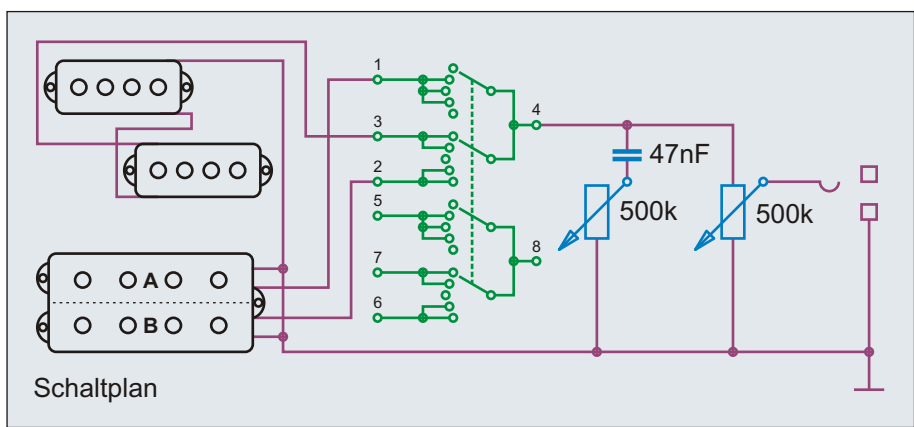


Benennung	PM-Bass, Lever Fünfweg (+ LEDs)	Umbauten & Eigenbauten	Nummer	2.4.515
Bemerkungen / Besonderheiten	Master Volume, Master Tone, Fünfwegschalter + Status LEDs	gezeichnet von	gezeichnet am	Seite
		Cadfael	02.09.17	396



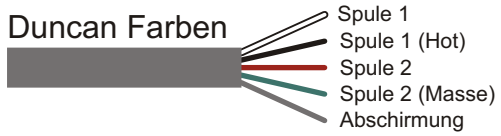
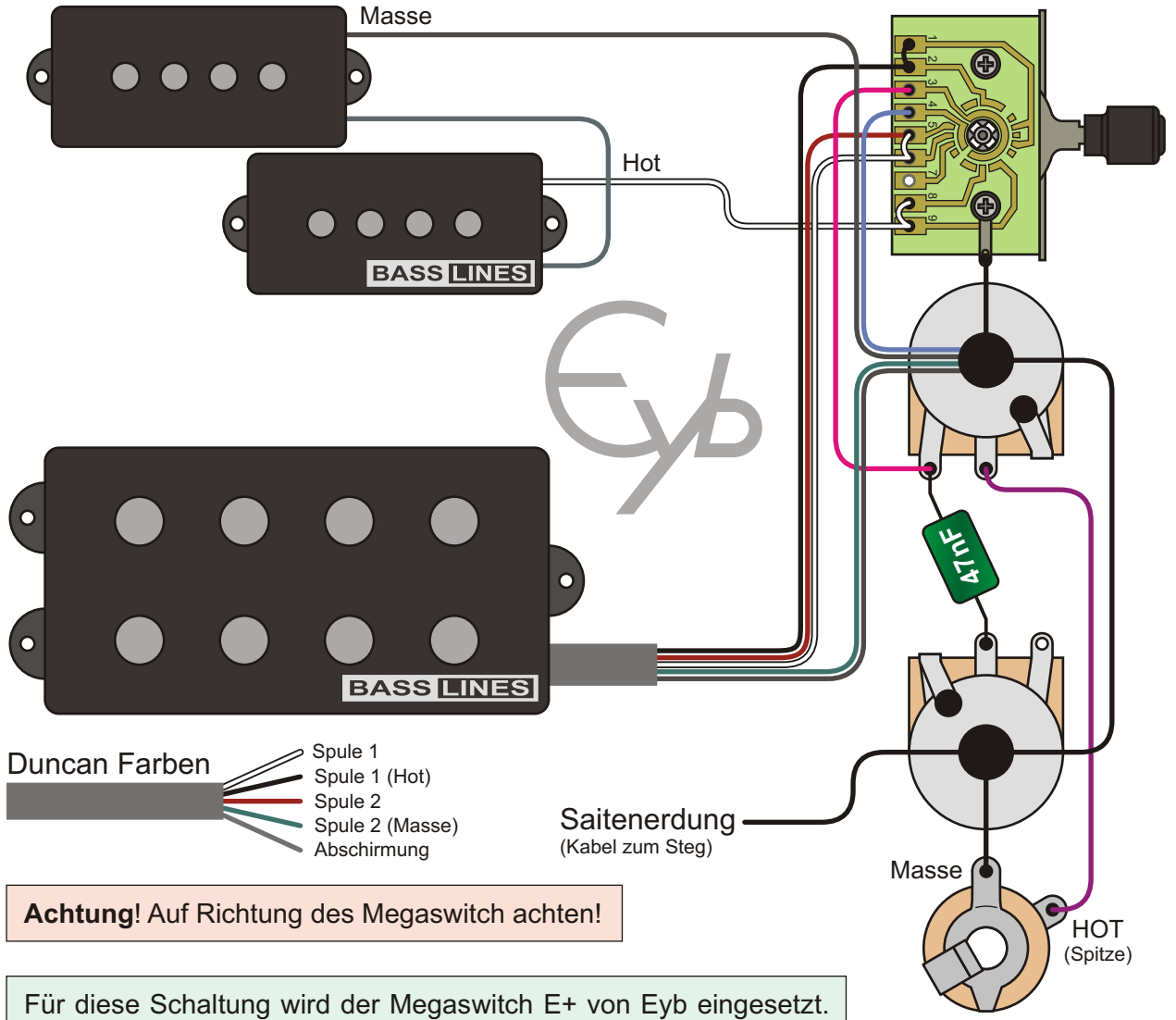
Achtung! Auf Richtung des Megaswitch achten!

Der Megaswitch S (für Stratocaster) von Eyb hat das gleiche Platinen-Layout wie der Megaswitch T (Telecaster). Während die "T" Variante drei Stellungen hat, hat der Megaswitch S fünf Stellungen. Mit dem Megaswitch S hingegen lassen auch Schaltungen verwirklichen, wie sie mit herkömmlichen Fünfwegschaltern nicht zu verwirklichen sind.



5-Way Megaswitch S	
Pos.	aktive Pickups
5	P
4	P + MA (parallel)
3	MA
2	MA + MB (parallel)
1	MB

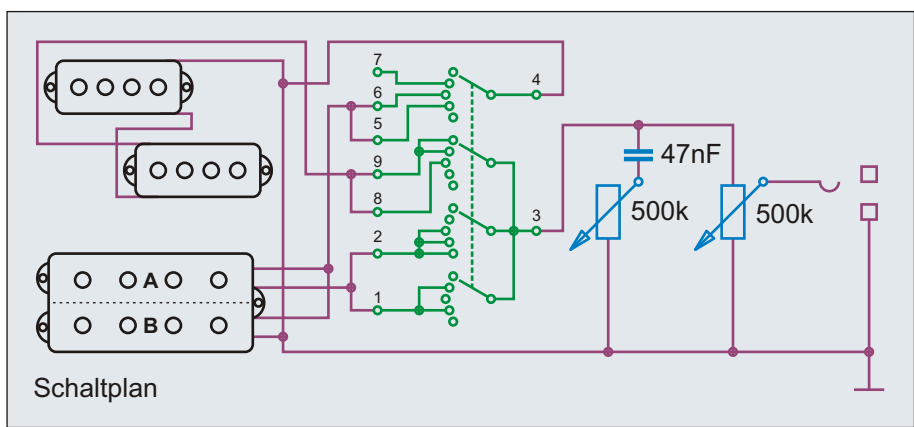
Benennung PM-Bass, Megaswitch S	Umbauten & Eigenbauten		Nummer 2.4.531
	gezeichnet von Cadfael	gezeichnet am 02.09.17	Seite 397
Bemerkungen / Besonderheiten Master Volume, Master Tone, Megaswitch S			



Achtung! Auf Richtung des Megaswitch achten!

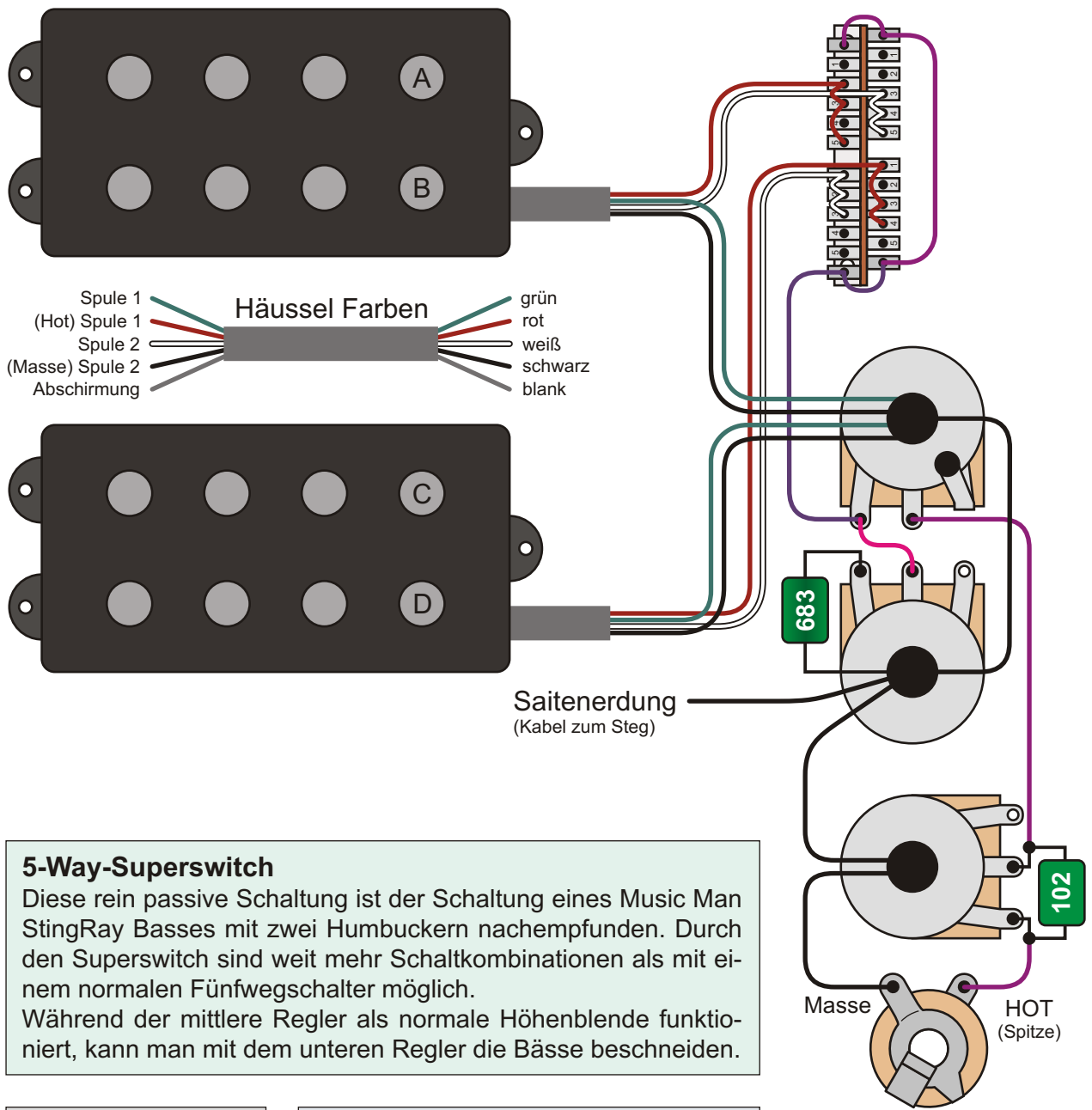
Für diese Schaltung wird der Megaswitch E+ von Eyb eingesetzt. Achtung! Nicht verwechseln mit dem Megaswitch E, der für diese Schaltung nicht geeignet wäre. Da die meisten MM Pickups seriell einen enorm hohen Output haben, kann es zur Übersteuerung der Vorstufe des Verstärkers kommen. Daher sollte man sich gut überlegen, ob man diese Schaltung wirklich realisieren will.

Wer in Stellung 2/3 statt der Spule A die Spule B betreiben will, muss den Kontakt 4 an HOT statt an Masse legen.



5-Way Megaswitch E+	
Pos.	aktive Pickups
5	P
4	P + MM (A/B ser.)
3	P + MA
2	MA
1	MM (A/B seriell)

Benennung PM-Bass, Megaswitch E+	Umbauten & Eigenbauten		Nummer 2.4.541
	Bemerkungen / Besonderheiten Master Volume, Master Tone, Megaswitch E+		
gezeichnet von Cadfael	gezeichnet am 02.09.17	Seite 398	

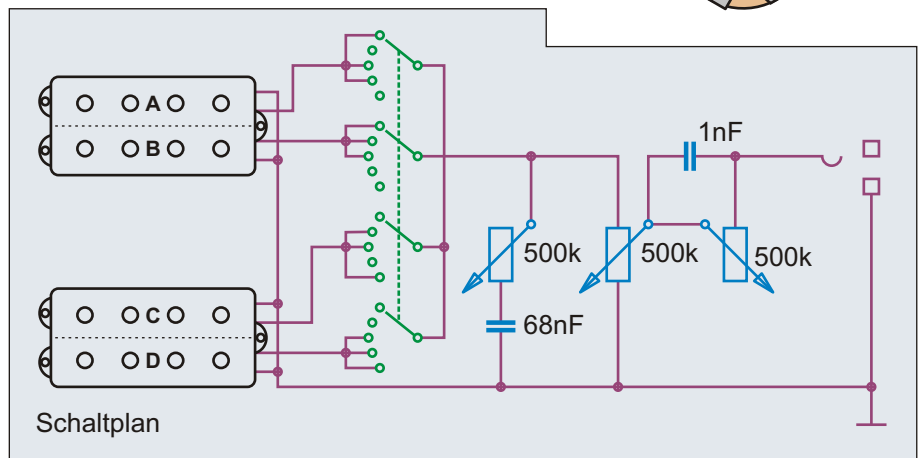


5-Way-Superswitch

Diese rein passive Schaltung ist der Schaltung eines Music Man StingRay Basses mit zwei Humbuckern nachempfunden. Durch den Superswitch sind weit mehr Schaltkombinationen als mit einem normalen Fünfwegschalter möglich. Während der mittlere Regler als normale Höhenblende funktioniert, kann man mit dem unteren Regler die Bässe beschneiden.

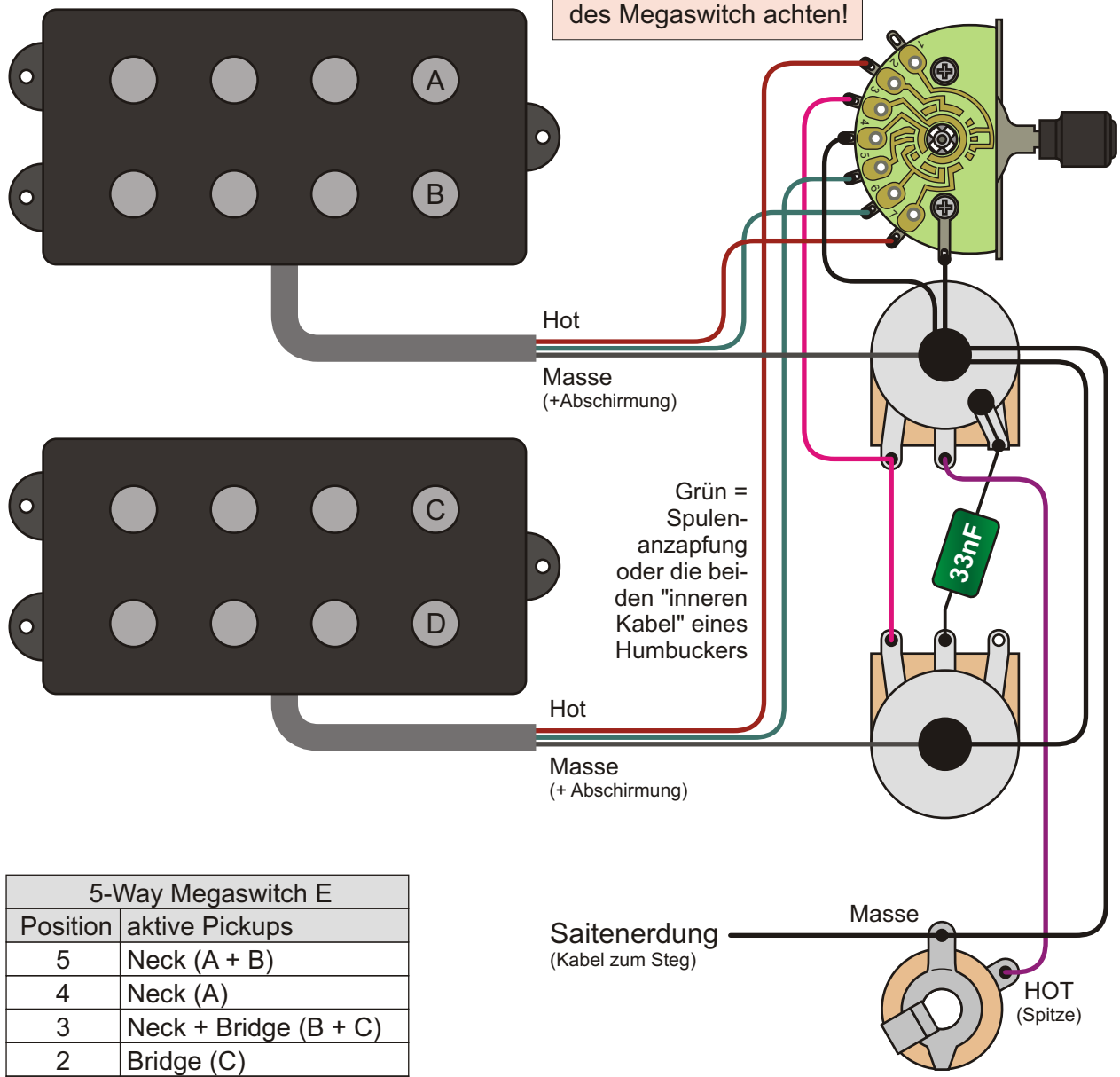
Regler	
Master Volume	
Hi Cut / Höhenblende	
Low Cut / Bassblende	

5-Way Superswitch	
Pos.	aktive Spulen
5	A + B
4	B + C
3	A + B + C + D
2	A + D
1	C + D

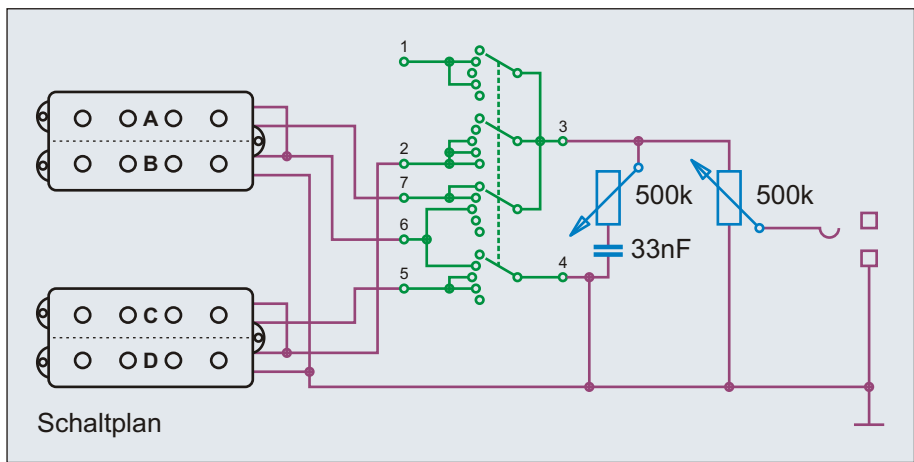


Benennung	MM-Bass, 2 HB + 5-Way-Superswitch	Umbauten & Eigenbauten	Nummer	2.4.551
Bemerkungen / Besonderheiten	Master Volume, Höhen- und Bassblende, Lever 5-Way-Superswitch	gezeichnet von	gezeichnet am	Seite
		Cadfael	02.09.17	399

Achtung! Auf Richtung des Megaswitch achten!

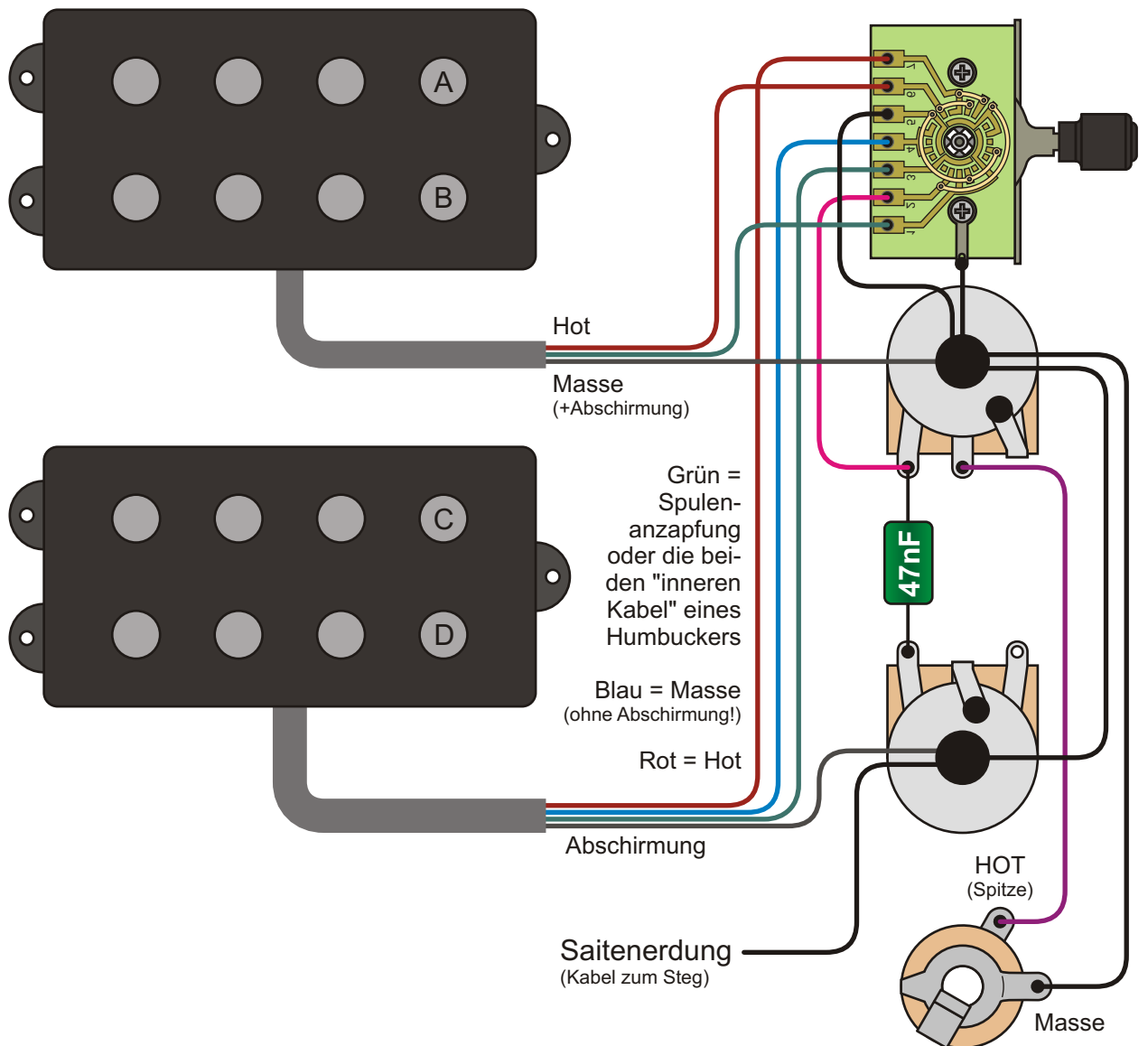


5-Way Megaswitch E	
Position	aktive Pickups
5	Neck (A + B)
4	Neck (A)
3	Neck + Bridge (B + C)
2	Bridge (C)
1	Bridge (C + D)



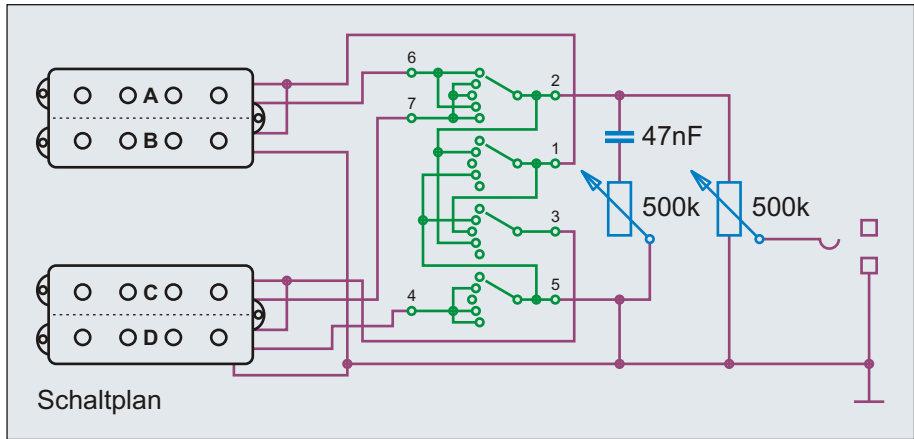
Benennung	MM-Bass, 2 HB + Megaswitch E		Umbauten & Eigenbauten		Nummer
					2.4.561
Bemerkungen / Besonderheiten	Master Volume, Master Tone, Megaswitch E		gezeichnet von	gezeichnet am	Seite
			Cadfael	02.09.17	400

Idee, Recherche, Autor, Zeichnungen, Grafiken, Diagramme, Layout und Design: Andreas "Cadfael" Kühn - Nutzung ausschließlich zu privaten, nicht kommerziellen Zwecken und auf eigene Gefahr! Alle Angaben ohne Gewähr, Irrtümer vorbehalten!



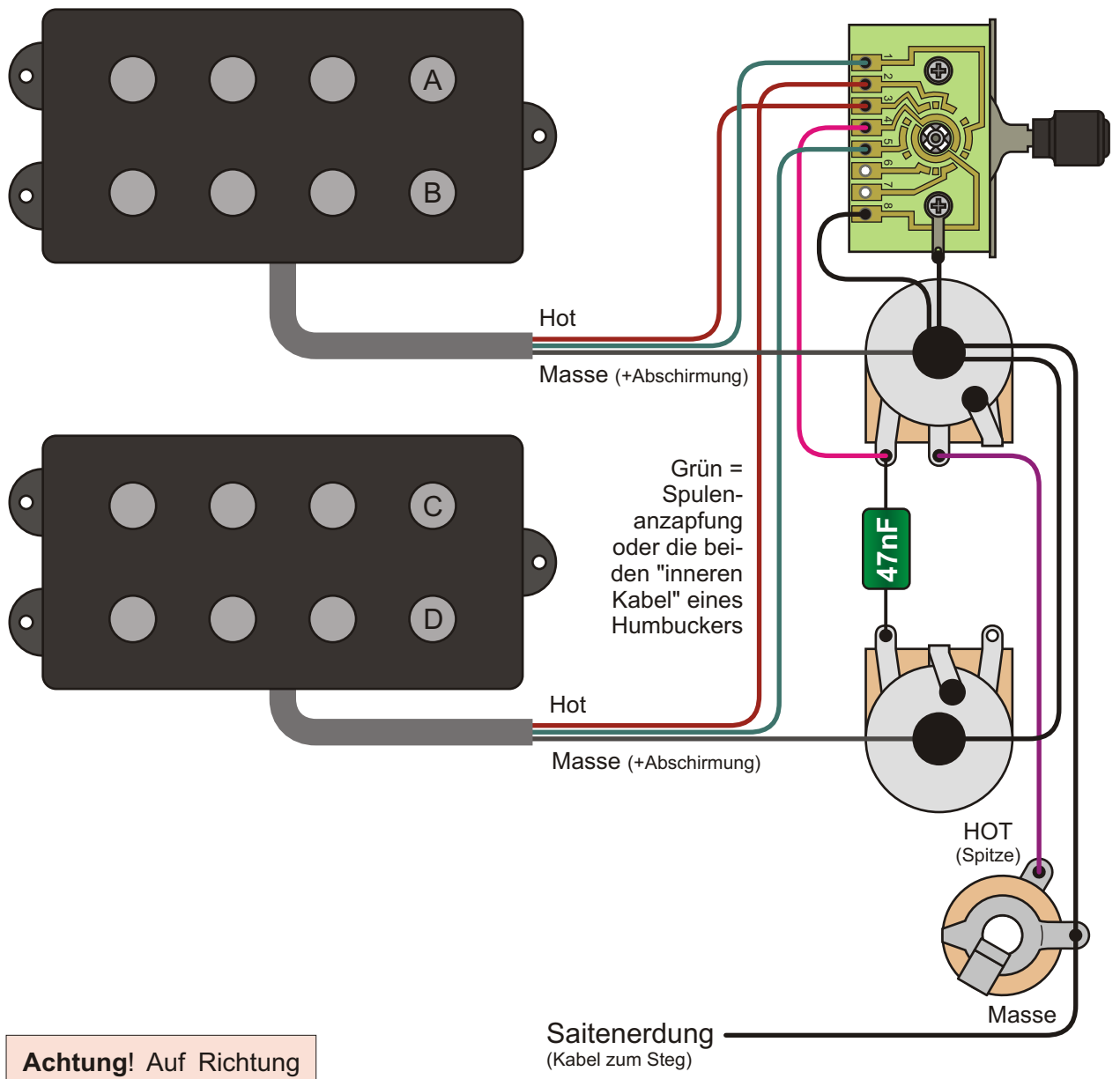
Grün = Spulenzapfung oder die beiden "inneren Kabel" eines Humbuckers
 Blau = Masse (ohne Abschirmung!)
 Rot = Hot

Achtung! Auf Richtung des Megaswitch achten!

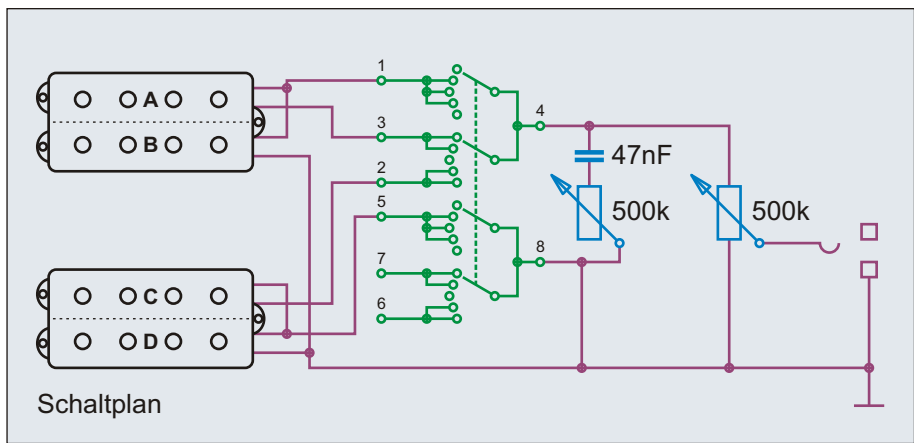


5-Way Megaswitch P	
Pos.	Neck + Bridge
5	Neck (A/B)
4	B + C (parallel)
3	B / C (seriell)
2	A + D (parallel)
1	Bridge (C/D)

Benennung MM-Bass, 2 HB + Megaswitch P	Umbauten & Eigenbauten		Nummer 2.4.671
	Bemerkungen / Besonderheiten Master Volume, Master Tone, Megaswitch P		
gezeichnet von Cadfael	gezeichnet am 02.09.17	Seite 401	

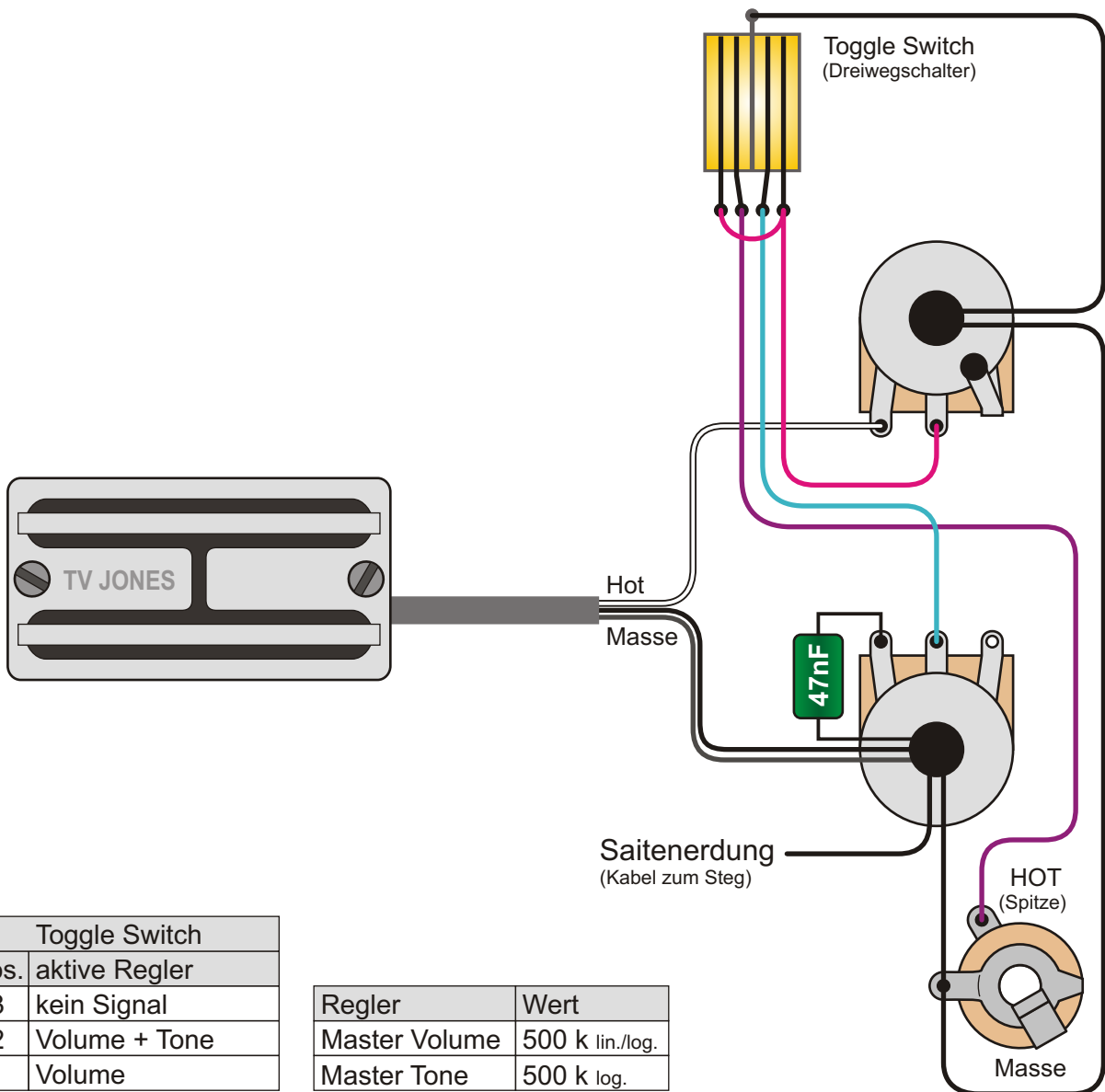


Achtung! Auf Richtung des Megaswitch achten!



5-Way Megaswitch S	
Pos.	Neck + Bridge
5	Neck (A/B)
4	Neck B
3	B + C
2	Bridge C
1	Bridge (C/D)

Benennung	MM-Bass, 2 HB + Megaswitch S	Umbauten & Eigenbauten	Nummer	2.4.681
Bemerkungen / Besonderheiten	Master Volume, Master Tone, Megaswitch S	gezeichnet von	gezeichnet am	Seite
		Cadfael	02.09.17	402



Toggle Switch	
Pos.	aktive Regler
3	kein Signal
2	Volume + Tone
1	Volume

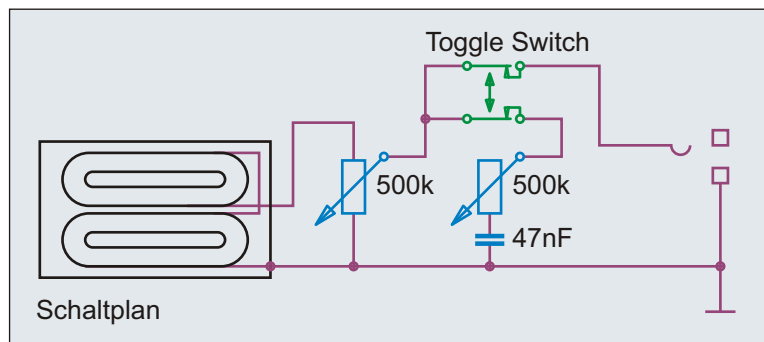
Regler	Wert
Master Volume	500 k lin./log.
Master Tone	500 k log.

Achtung!

Bei einem Toggle Switch sollte man vor dem Einbau überprüfen, in welcher Schalterstellung welche Kontakte geschlossen beziehungsweise geöffnet sind. Nicht selten muss man die Kabel an einen Toggle Switch (Beispiel) spiegelbildlich anlöten, damit er richtig rum funktioniert.

Toggle Reglerschalter

Hier mal etwas Anderes als die normale Tonabnehmer Toggle Switch Schaltung. In der Mittelstellung sind beide Regler an, nach unten gekippt ist der Tonregler aus, nach oben liegt kein Signal an. Macht Sinn bei Tone-Regler Presets.



Benennung **Bass, 1 PU, M.V., M.T., Toggle**

Umbauten & Eigenbauten

Nummer 2.4.711

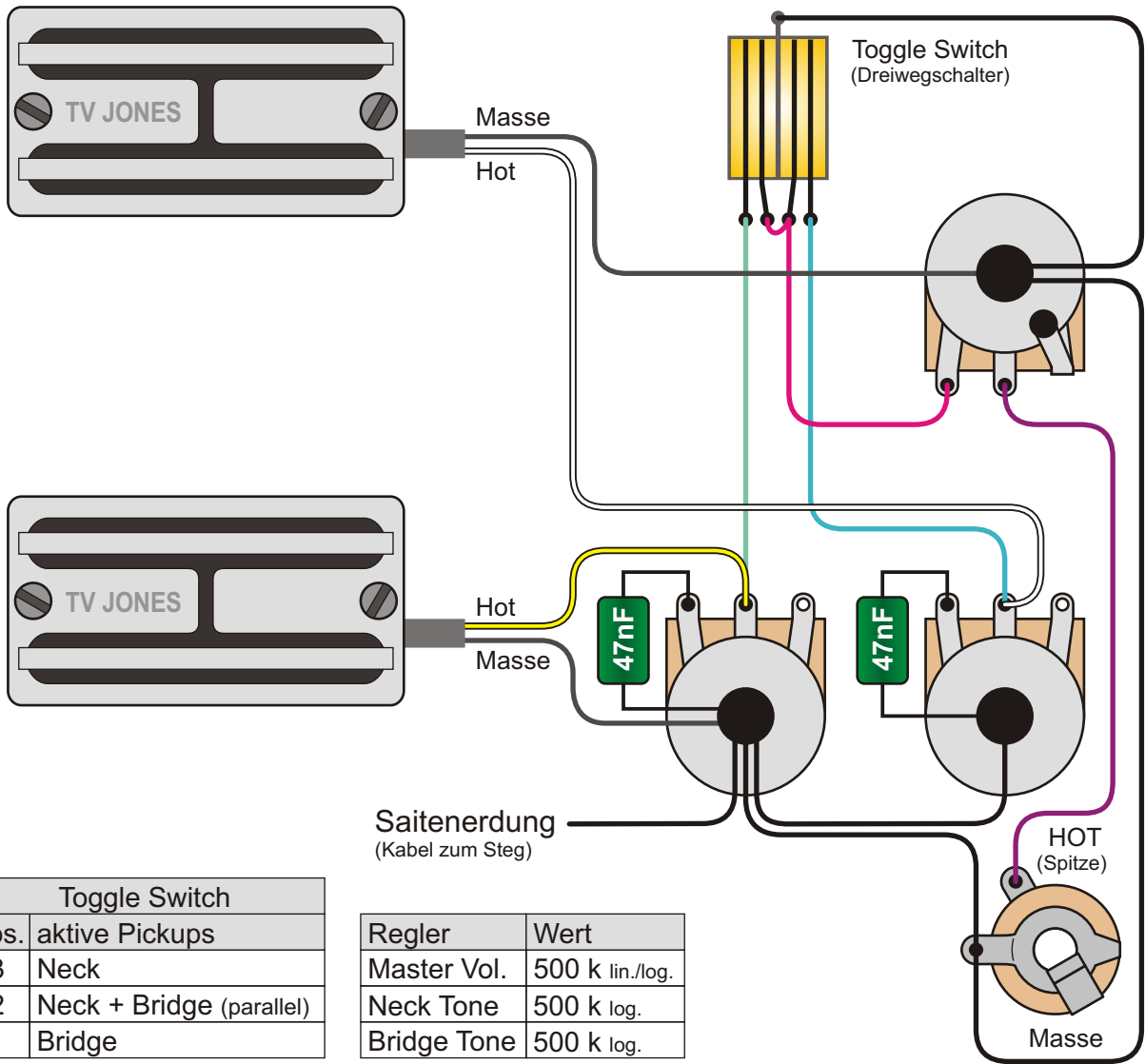
Bemerkungen / Besonderheiten

Master Volume, Master Tone, Toggle Switch für Reglerauswahl

gezeichnet von Cadfael

gezeichnet am 02.09.17

Seite 403



Toggle Switch	
Pos.	aktive Pickups
3	Neck
2	Neck + Bridge (parallel)
1	Bridge

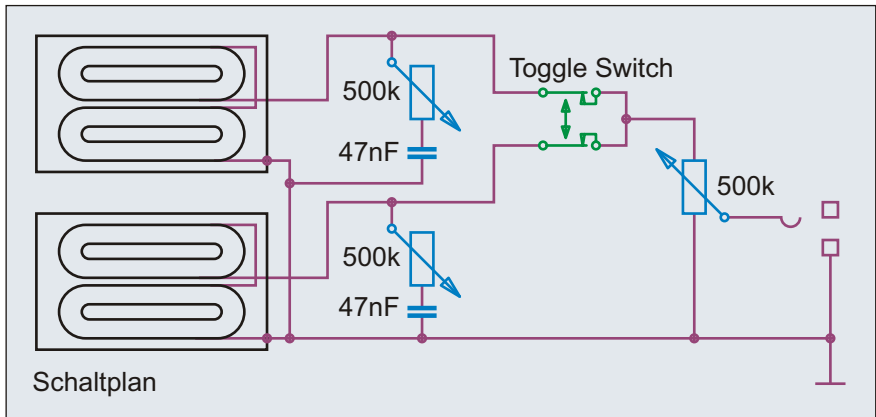
Regler	Wert
Master Vol.	500 k lin./log.
Neck Tone	500 k log.
Bridge Tone	500 k log.

Achtung!

Bei einem Toggle Switch sollte man vor dem Einbau überprüfen, in welcher Schalterstellung welche Kontakte geschlossen beziehungsweise geöffnet sind. Nicht selten muss man die Kabel an einen Toggle Switch (Beispiel) spiegelbildlich anlöten, damit er richtig rum funktioniert.

Toggle + 2x Tone

Normale Toggle Switch Schaltungen haben oft zwei Volume- und einen Tone-Regler. Hier hingegen haben wir einen Volume und zwei Tone-Regler. Das macht Sinn, wenn man den Klang der Pickups sehr oft unterschiedlich einstellt.



Benennung **Bass, 2 PUs, Master Volume, 2x Tone**

Umbauten & Eigenbauten

Nummer 2.4.721

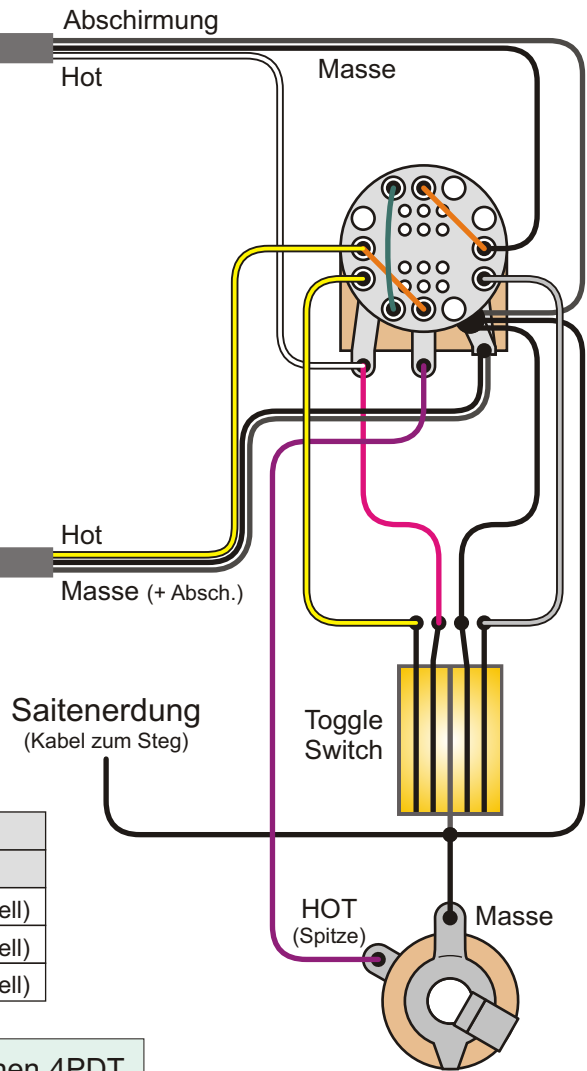
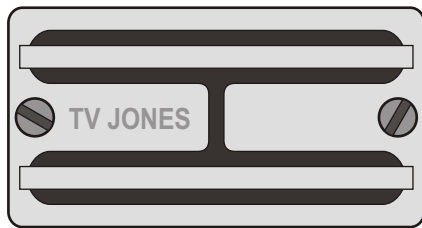
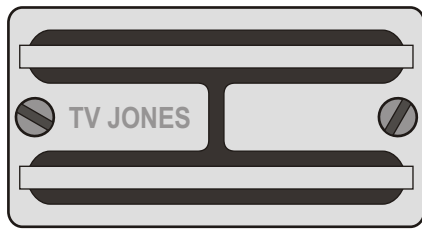
Bemerkungen / Besonderheiten

Master Volume, Bridge Tone, Neck Tone, Toggle Switch

gezeichnet von Cadfael

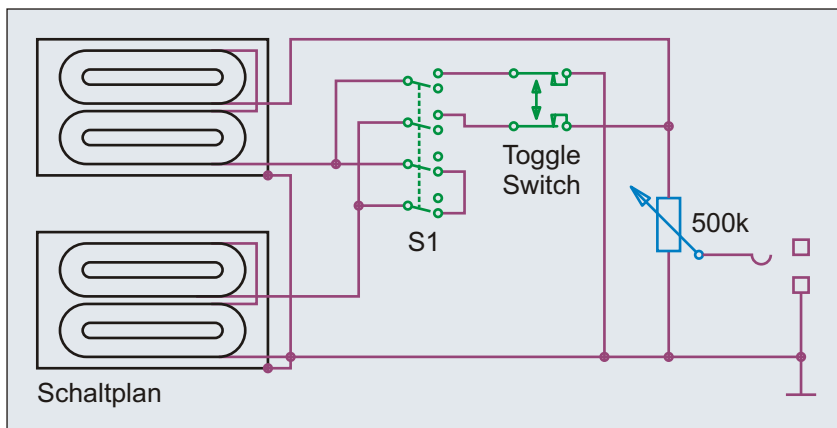
gezeichnet am 02.09.17

Seite 404

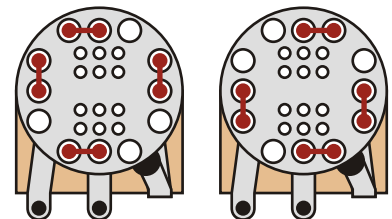


3-Way Toggle Switch		
Pos.	S1 Position 1	S1 Position 2
3	Neck	Neck + Bridge (seriell)
2	Neck + Bridge (parallel)	Neck + Bridge (seriell)
1	Bridge	Neck + Bridge (seriell)

Statt des Fender S1 Switch kann man auch einen 4PDT Minischalter einsetzen. Wichtig ist, dass der Schalter vier Schaltebenen hat. Ein zusätzlicher Tonregler und vieles mehr kann natürlich angeschlossen werden.



Verbindungen S-1™ Schalter je nach Schaltposition



Benennung **Bass, 2 PUs, Toggle Switch, S1**

Umbauten & Eigenbauten

Nummer 2.4.731

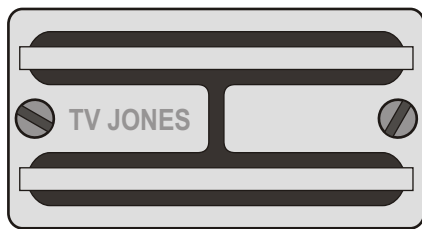
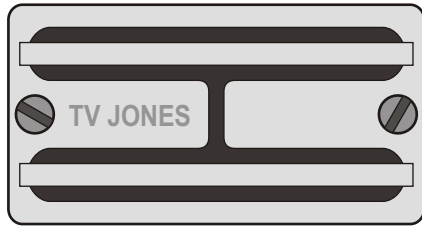
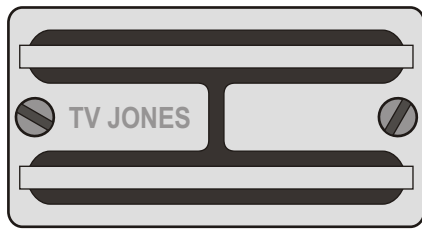
Bemerkungen / Besonderheiten

Master Volume, Toggle Switch, S1 für parallel/seriell

gezeichnet von Cadfael

gezeichnet am 02.09.17

Seite 405



Saitenerdung
(Kabel zum Steg)

Masse
Hot

Masse
Hot

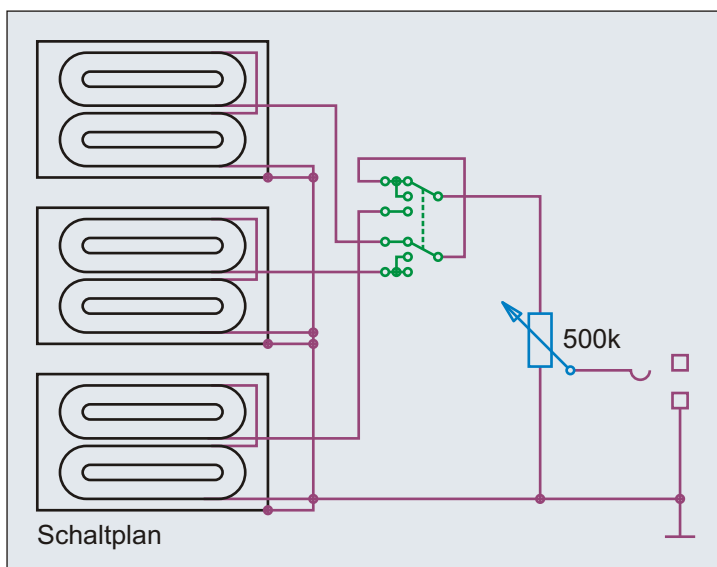
Masse
Hot

On-Z-On
On-On-On

HOT (Spitze)
Masse

On-Z-On Toggle Switch	
Position	aktive Pickups
3	Neck
2	Middle
1	Bridge

Regler	Wert
Volume	500 k log.



Benennung **Bass, 3 PUs, Toggle Switch (Version 1)**

Umbauten & Eigenbauten

Nummer 2.4.751

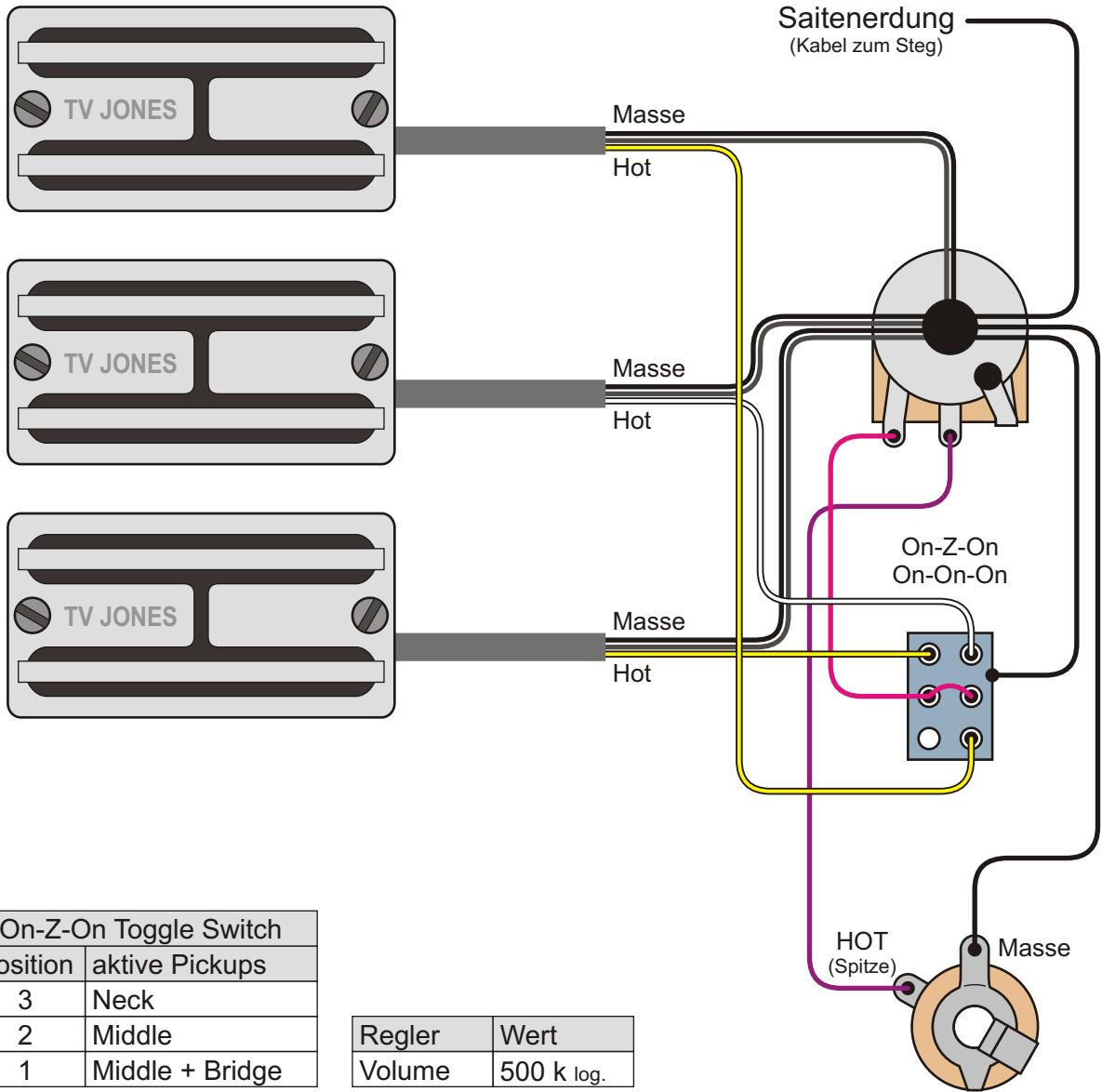
Bemerkungen / Besonderheiten

Master Volume, 6-Pol Toggle Switch

gezeichnet von
Cadfael

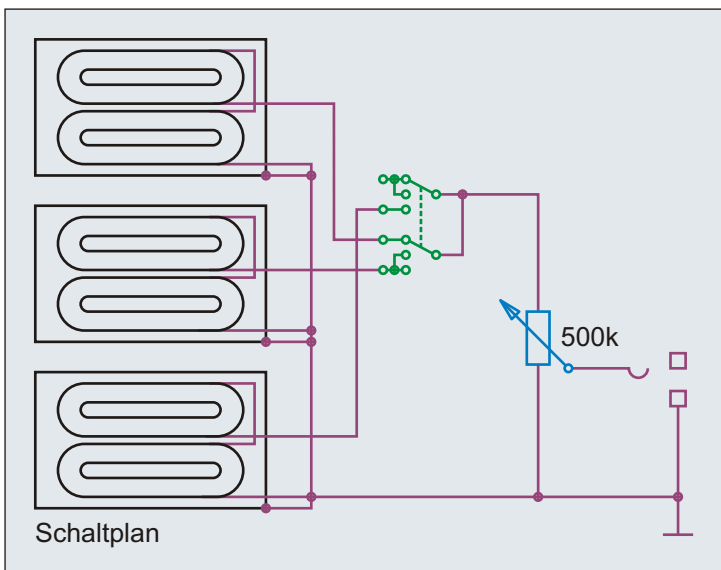
gezeichnet am
02.09.17

Seite
406

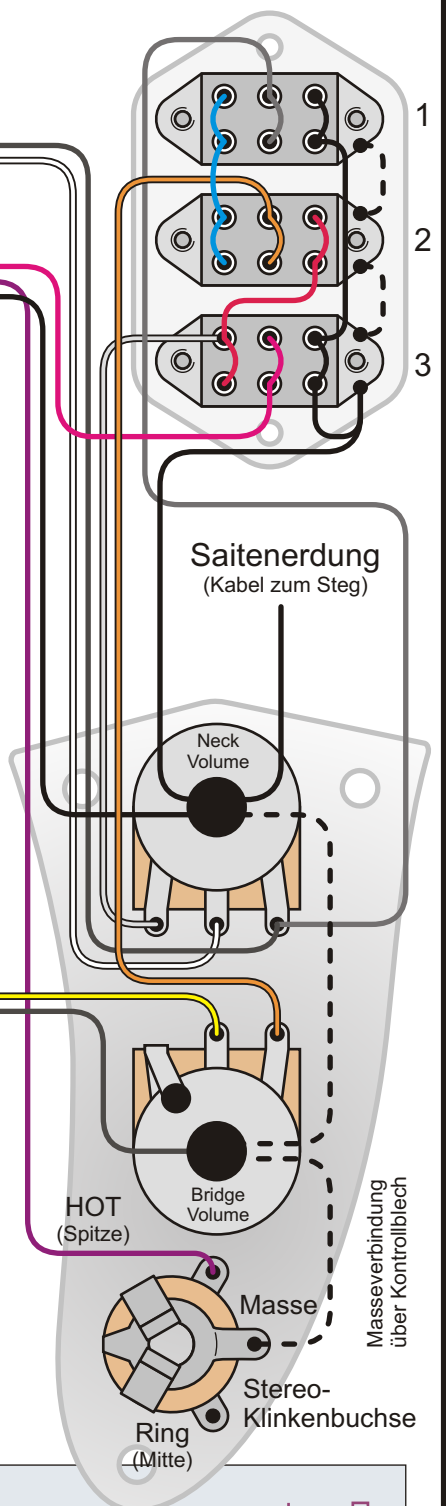
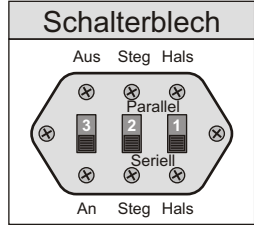
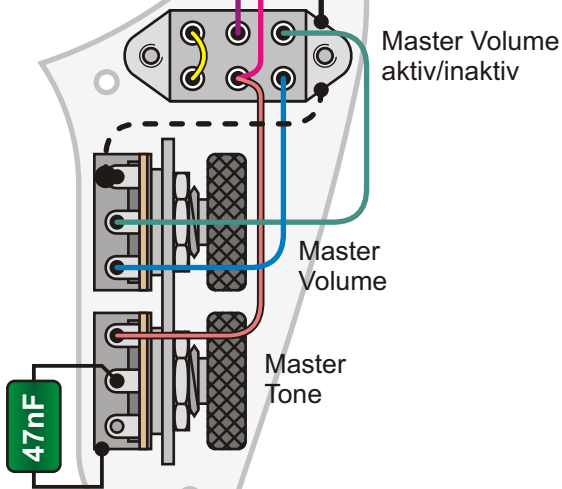
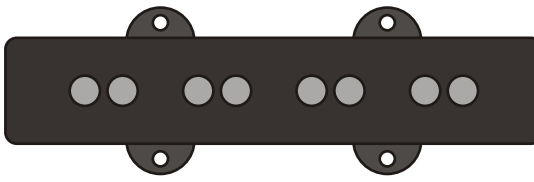
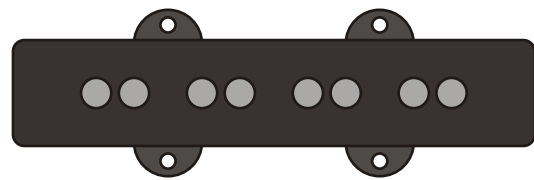


On-Z-On Toggle Switch	
Position	aktive Pickups
3	Neck
2	Middle
1	Middle + Bridge

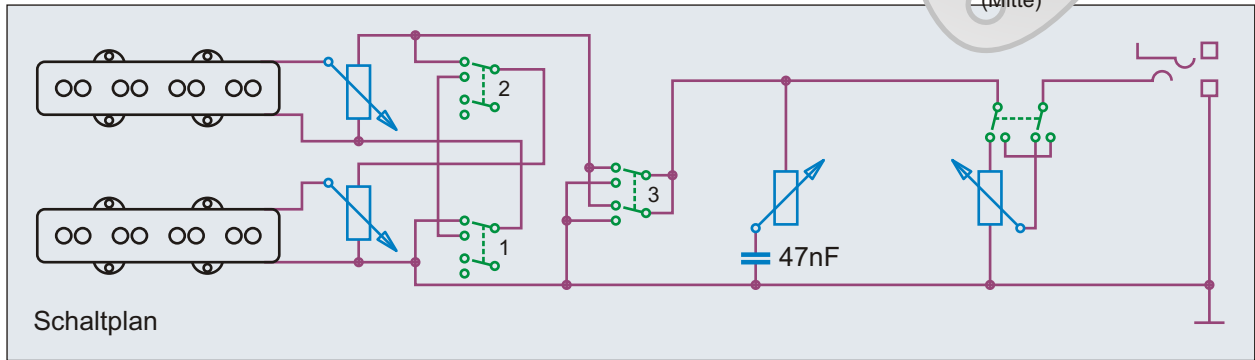
Regler	Wert
Volume	500 k log.



Benennung Bass, 3 PUs, Toggle Switch (Version 2)		Umbauten & Eigenbauten		Nummer 2.4.752	
Bemerkungen / Besonderheiten Master Volume, 6-Pol Toggle Switch		gezeichnet von Cadfael	gezeichnet am 02.09.17	Seite 407	



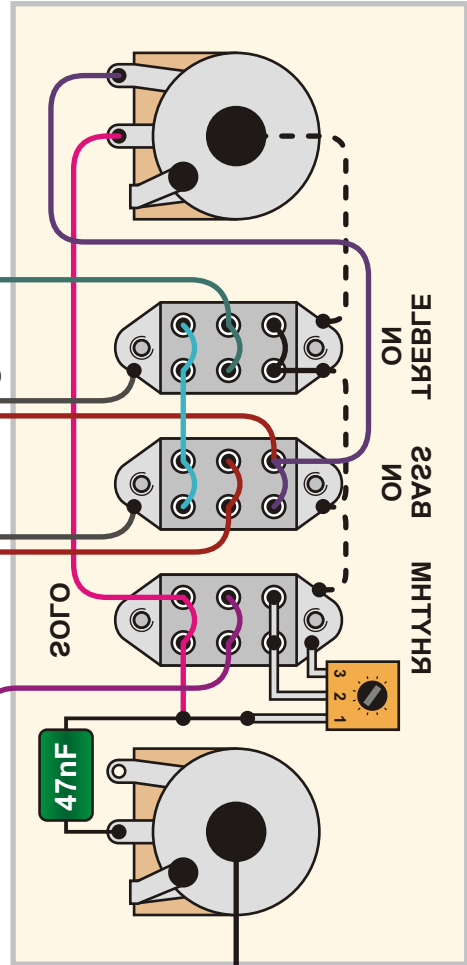
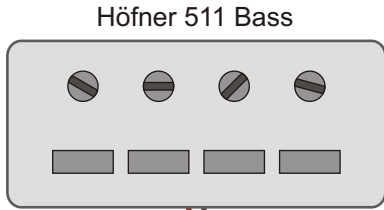
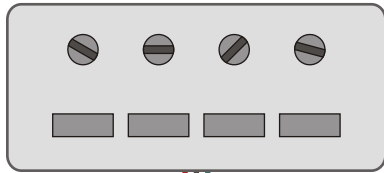
Schalter	Pickups	Schalter	Pickups
	aus		Neck + Bridge seriell
	aus		Neck
	aus		Bridge
	aus		Neck + Bridge parallel



Benennung Fender® Jaguar Bass® Umbau		Umbauten & Eigenbauten		Nummer 2.4.811	
Bemerkungen / Besonderheiten		gezeichnet von	gezeichnet am	Seite	
Passiv, Master Volume (schaltbar), 2x Volume, Tone		Cadfael	02.09.17	408	

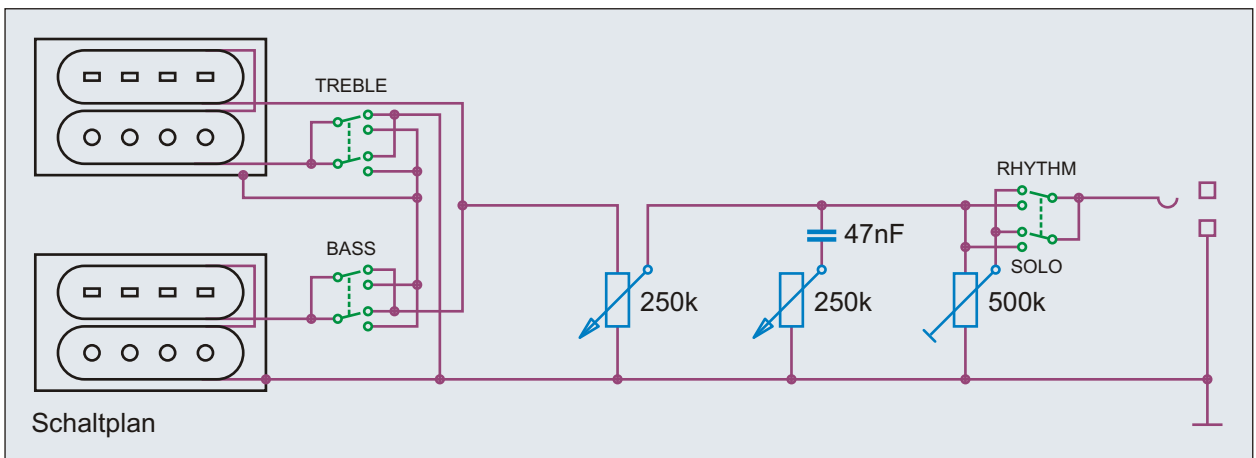
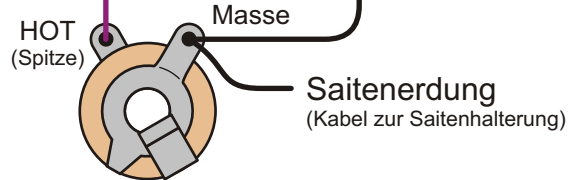
Idee, Recherche, Autor, Zeichnungen, Grafiken, Diagramme, Layout und Design: Andreas "Cadfael" Kühn - Nutzung ausschließlich zu privaten, nicht kommerziellen Zwecken und auf eigene Gefahr! Alle Angaben ohne Gewähr, Irrtümer vorbehalten!

Höfner 511 Bass (modifiziert)

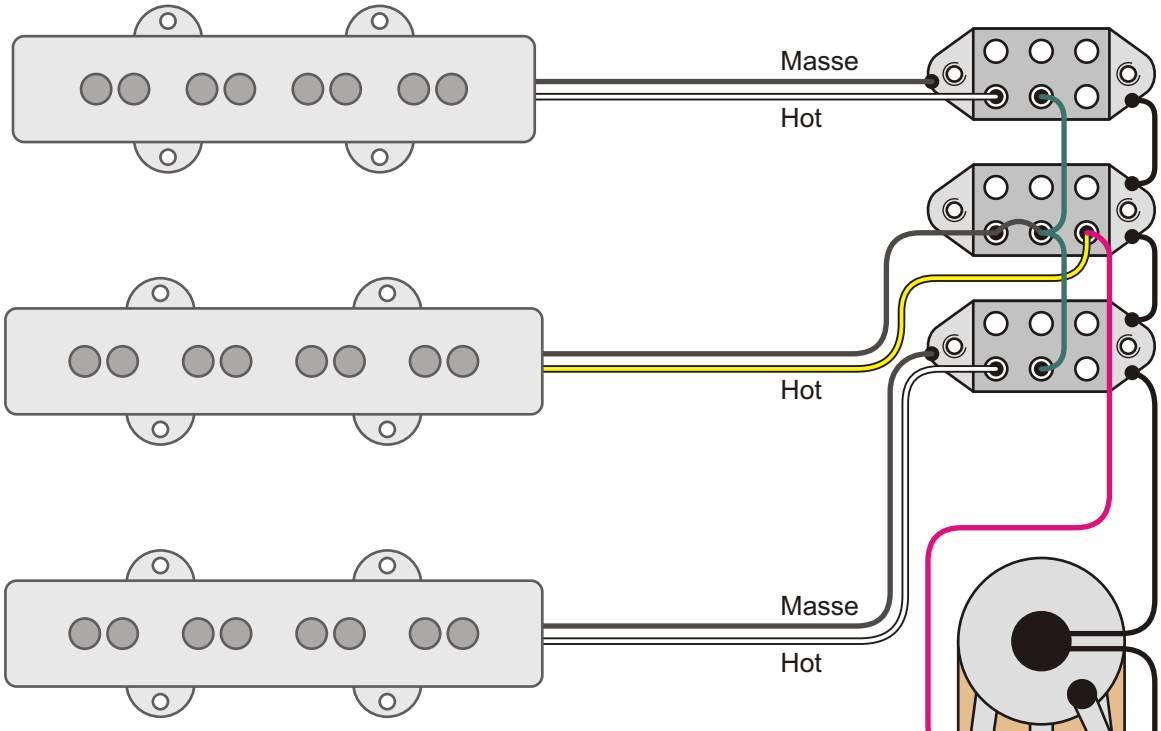


Schaltergehäuse und Potis über Bodenplatte mit Masse verbunden

Schalter			
R	B	T	Pickups (Rhythm/Solo)
			Neck + Bridge seriell (100%)
			Neck + Bridge seriell (70%)
			Neck (100%)
			Bridge (70%)
			Neck + Bridge parallel (70%)
			Neck + Bridge parallel (100%)

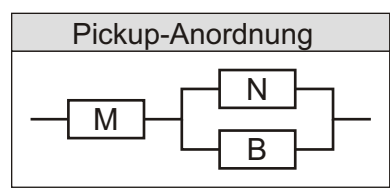
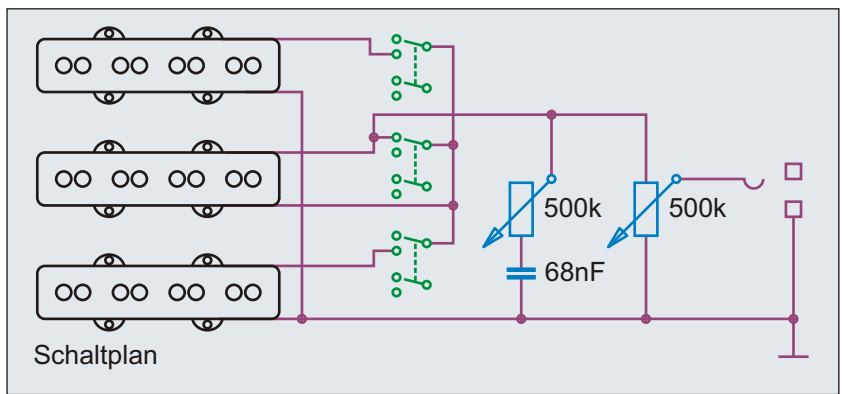
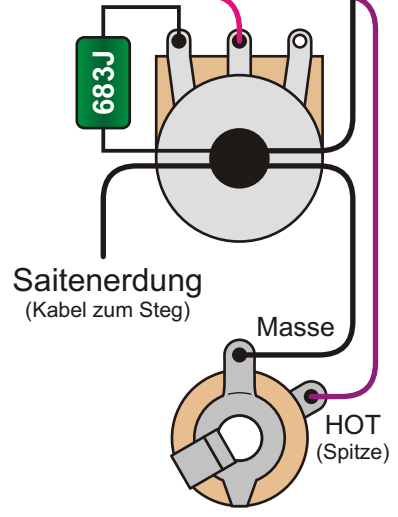
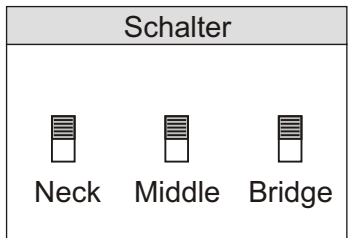


Benennung Höfner E2 500/1 Bass Umbau		Umbauten & Eigenbauten		Nummer 2.4.821
Bemerkungen / Besonderheiten Master Volume, Master Tone, PU seriell/parallel, Rhythm einstellbar		gezeichnet von Cadfael	gezeichnet am 02.09.17	Seite 409



Schalter	Pickups
	aus
	aus
	Neck
	Neck + Middle
	Neck + Bridge
	Neck + Bridge + Middle
	Bridge + Middle
	Bridge

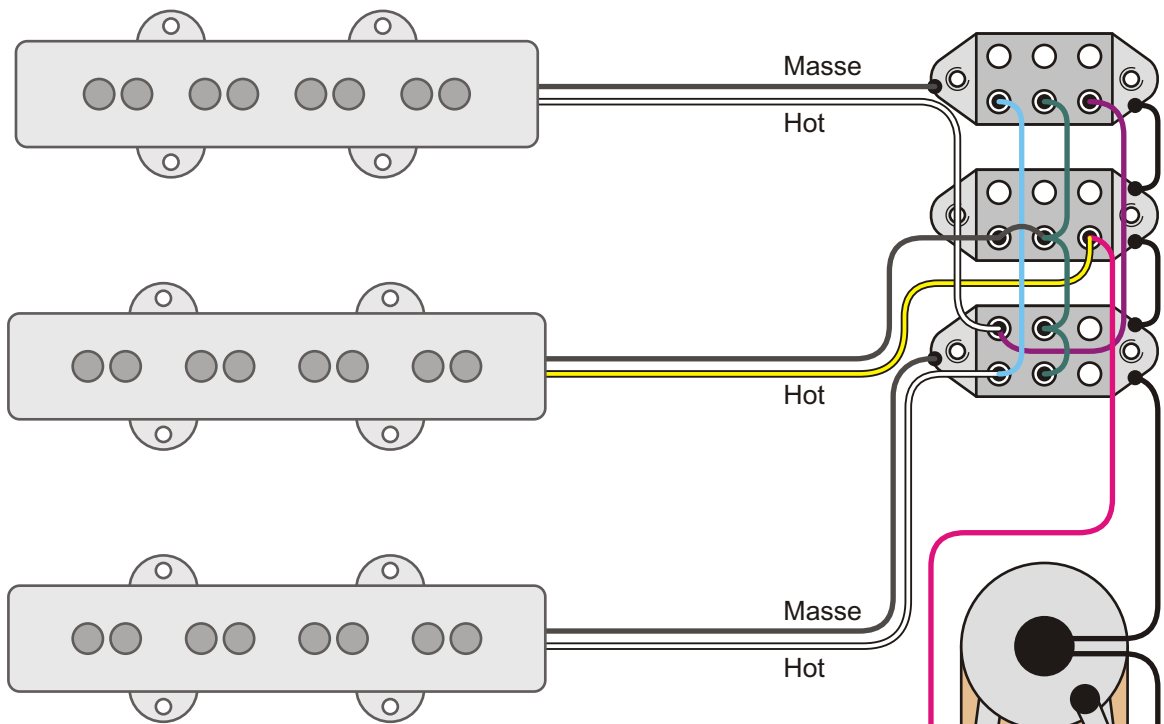
JTKB 300 Umbau 1
 In dieser Variante wird der Mittel-Pickup des JTKB 300 seriell zugeschaltet statt parallel. Hals- und Steg-Pickup werden parallel zueinander betrieben.



Regler	Wert
Master Volume	500 k lin.
Master Tone	500 k log.

Benennung	Ibanez JTKB 300 Umbau 1	Umbauten & Eigenbauten	Nummer	2.4.831
Bemerkungen / Besonderheiten	Mittel-Pickup kann zu den anderen seriell geschaltet werden	gezeichnet von	gezeichnet am	Seite
		Cadfael	02.09.17	410

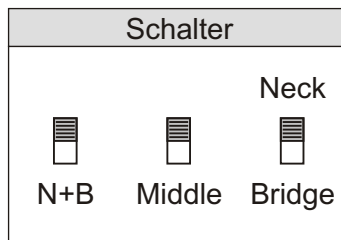
Idee, Recherche, Autor, Zeichnungen, Grafiken, Diagramme, Layout und Design: Andreas "Cadfael" Kühn - Nutzung ausschließlich zu privaten, nicht kommerziellen Zwecken und auf eigene Gefahr! Alle Angaben ohne Gewähr, Irrtümer vorbehalten!



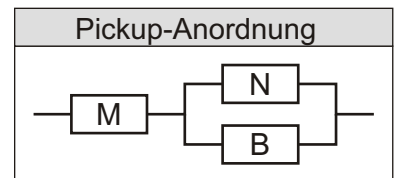
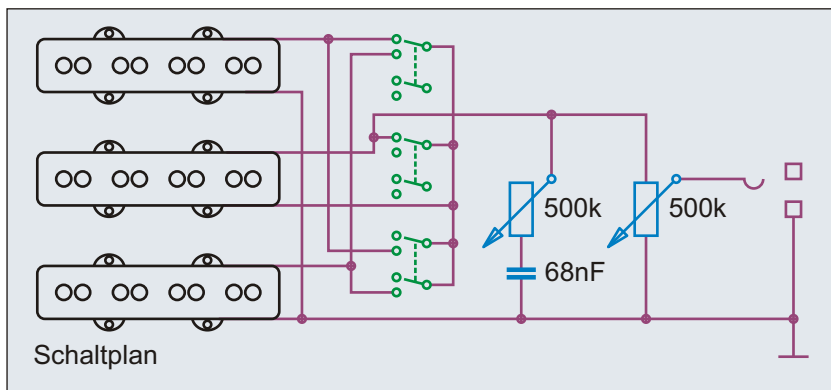
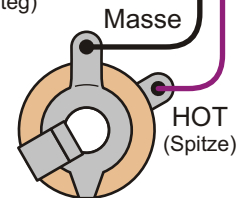
Schalter	Pickups
	Neck
	Bridge
	Neck + Middle
	Bridge + Middle
	Neck + Bridge
	Neck + Bridge
	Neck + Bridge + Middle
	Neck + Bridge + Middle

JTKB 300 Umbau 2

Mit dem ersten Schalter wählt man zwischen Hals- und Steg-Pickup, der zweite schaltet den Mittel-Pickup seriell zu. Mit dem Dritten sind Steg und Hals an.



Saitenerdung
(Kabel zum Steg)



Regler	Wert
Master Volume	500 k lin.
Master Tone	500 k log.

Benennung **Ibanez JTKB 300 Umbau 2**

Umbauten & Eigenbauten

Nummer 2.4.832

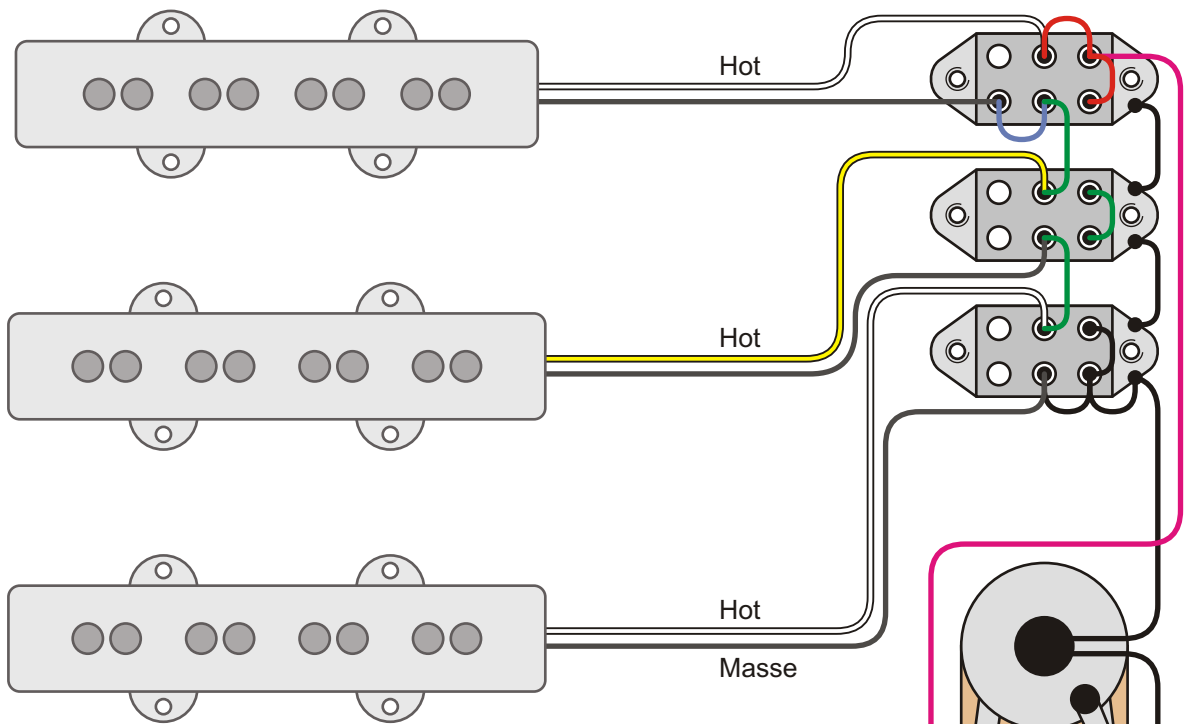
Bemerkungen / Besonderheiten

Mittel-Pickup kann zu den anderen seriell geschaltet werden

gezeichnet von
Cadfael

gezeichnet am
02.09.17

Seite
411

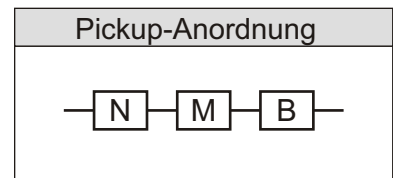
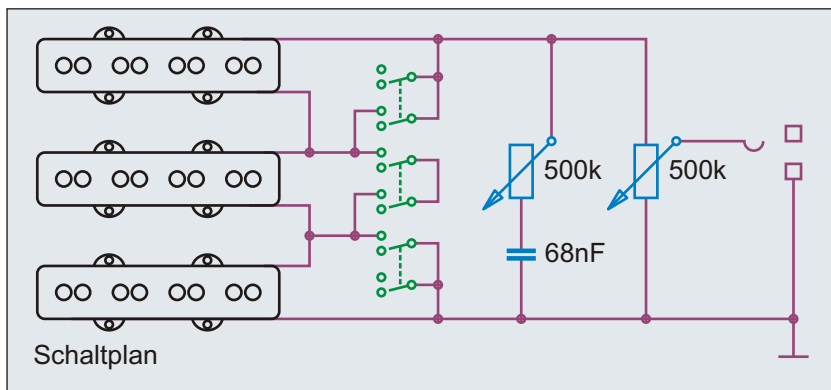
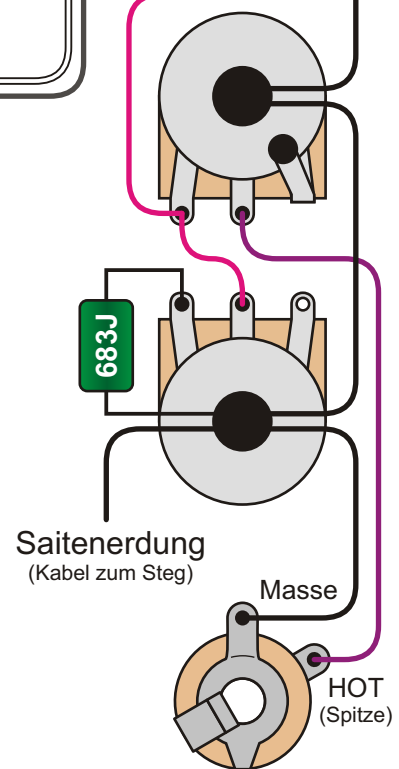


Schalter	Pickups
	aus
	Neck
	Middle
	Neck + Middle
	Bridge
	Bridge + Middle
	Neck + Bridge
	Neck + Bridge + Middle

JTKB 300 Umbau 3

Hier sind alle drei Pick-ups seriell geschaltet und können individuell an- oder ausgeschaltet werden. Der Output aller Pickups zusammen dürfte gewaltig sein.

Schalter		
Neck	Middle	Bridge



Regler	Wert
Master Volume	500 k lin.
Master Tone	500 k log.

Benennung **Ibanez JTKB 300 Umbau 3**

Umbauten & Eigenbauten

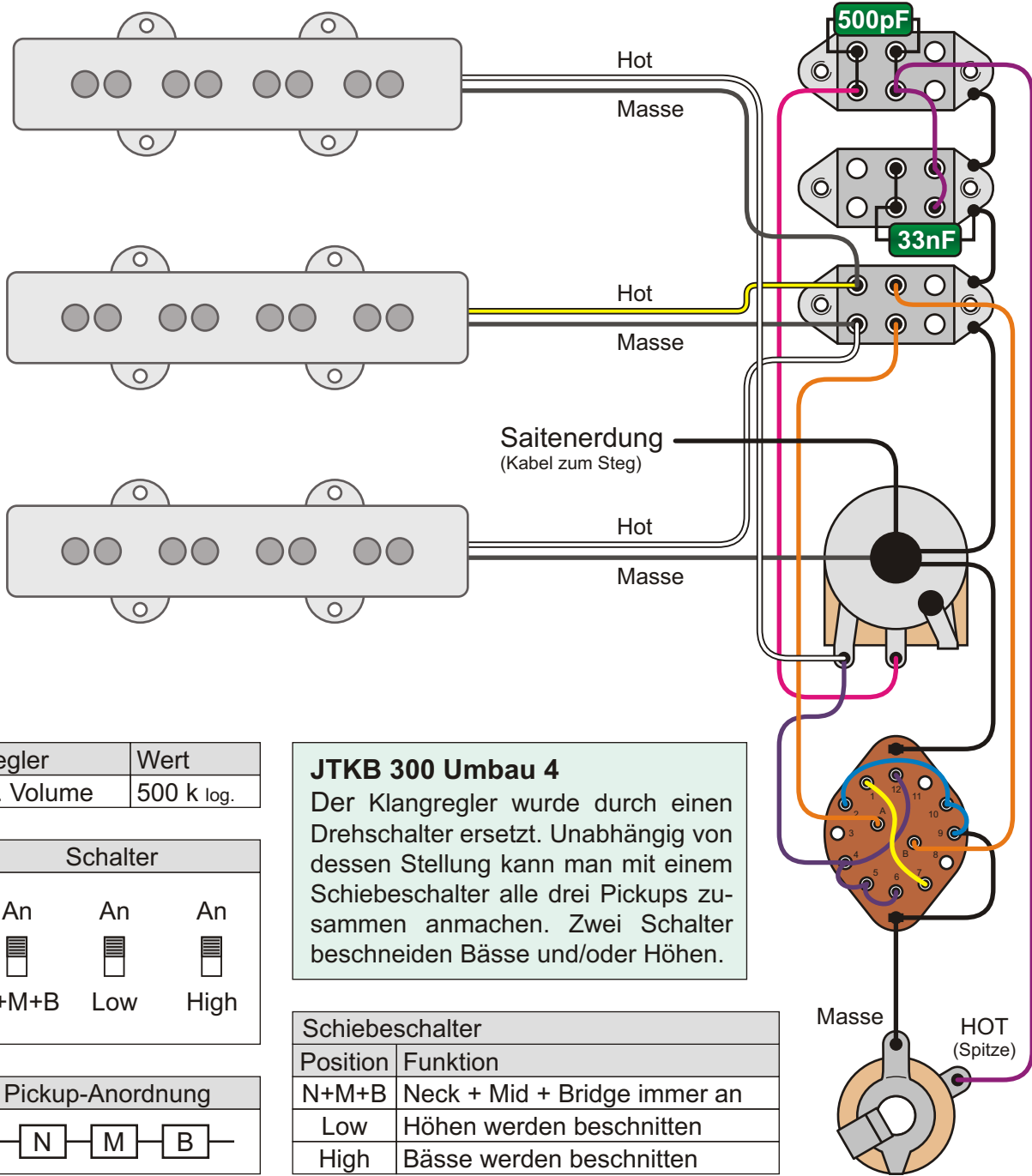
Nummer 2.4.836

Bemerkungen / Besonderheiten
Alle Pickups seriell

gezeichnet von
Cadfael

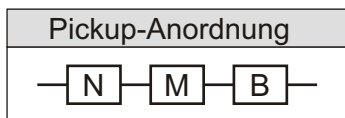
gezeichnet am
02.09.17

Seite
412



Regler	Wert
M. Volume	500 k log.

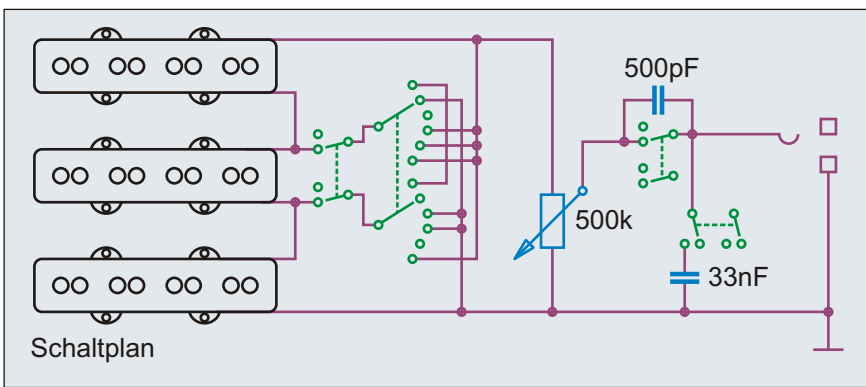
Schalter		
An	An	An
N+M+B	Low	High



JTKB 300 Umbau 4
 Der Klangregler wurde durch einen Drehschalter ersetzt. Unabhängig von dessen Stellung kann man mit einem Schiebescalter alle drei Pickups zusammen anmachen. Zwei Schalter beschneiden Bässe und/oder Höhen.

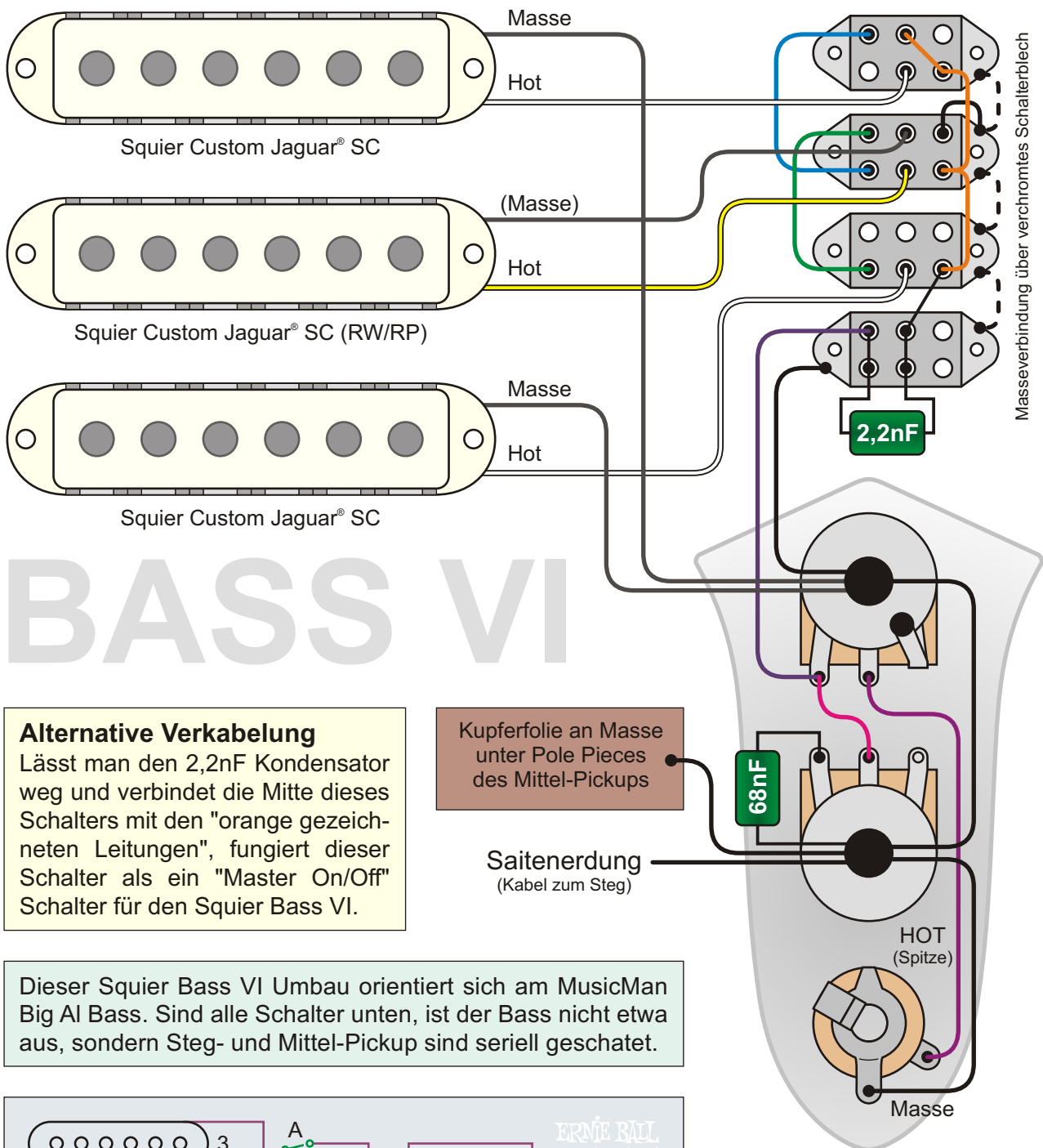
Schiebescalter	
Position	Funktion
N+M+B	Neck + Mid + Bridge immer an
Low	Höhen werden beschnitten
High	Bässe werden beschnitten

2x6 Drehschalter	
Pos.	aktive Regler
6	Neck + Bridge
5	Neck
4	Neck + Middle
3	Middle
2	Middle + Bridge
1	Bridge
Schiebescalter	
0	Neck + Mid + Br.



Benennung **Ibanez JTKB 300 Umbau 4** Umbauten & Eigenbauten Nummer 2.4.837

Bemerkungen / Besonderheiten Sechsfach Drehschalter, alle Pickups in Reihe gezeichnet von Cadfael gezeichnet am 02.09.17 Seite 413



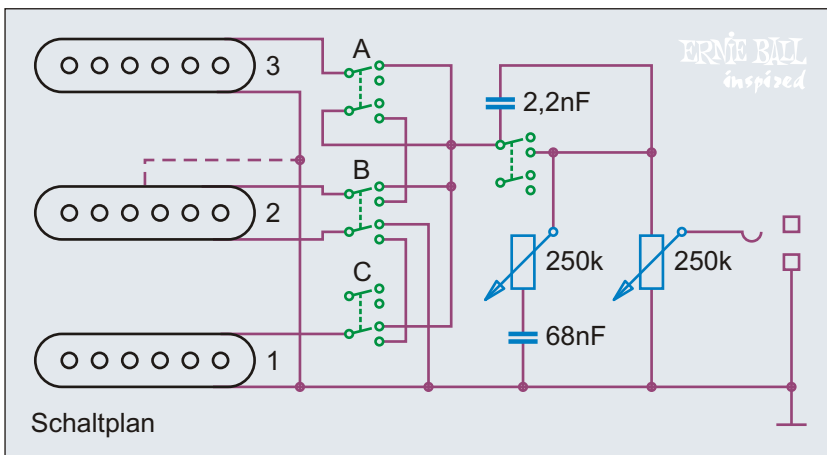
Alternative Verkabelung

Lässt man den 2,2nF Kondensator weg und verbindet die Mitte dieses Schalters mit den "orange gezeichneten Leitungen", fungiert dieser Schalter als ein "Master On/Off" Schalter für den Squier Bass VI.

Kupferfolie an Masse unter Pole Pieces des Mittel-Pickups

Saitenerdung
(Kabel zum Steg)

Dieser Squier Bass VI Umbau orientiert sich am MusicMan Big AI Bass. Sind alle Schalter unten, ist der Bass nicht etwa aus, sondern Steg- und Mittel-Pickup sind seriell geschaltet.



Schalter			Pickups
A	B	C	
u	u	u	1&2 (seriell)
o	o	o	1+2+3 (parallel)
o	u	u	3
u	o	u	2
u	u	o	1
o	o	u	2+3 (parallel)
u	o	o	1+2 (parallel)
o	u	o	1+3 (parallel)

o=oben / u=unten

Benennung **Squier® VM Bass VI® Umbau**

Historische
Bassschaltungen

Nummer
2.4.861

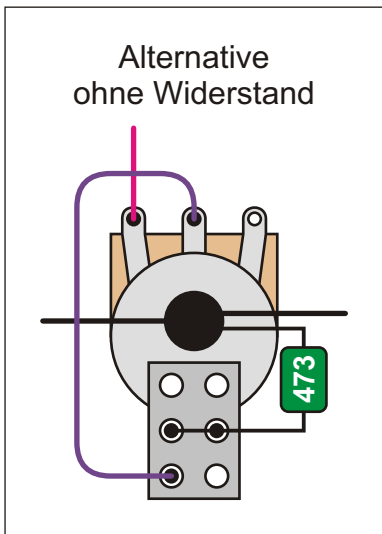
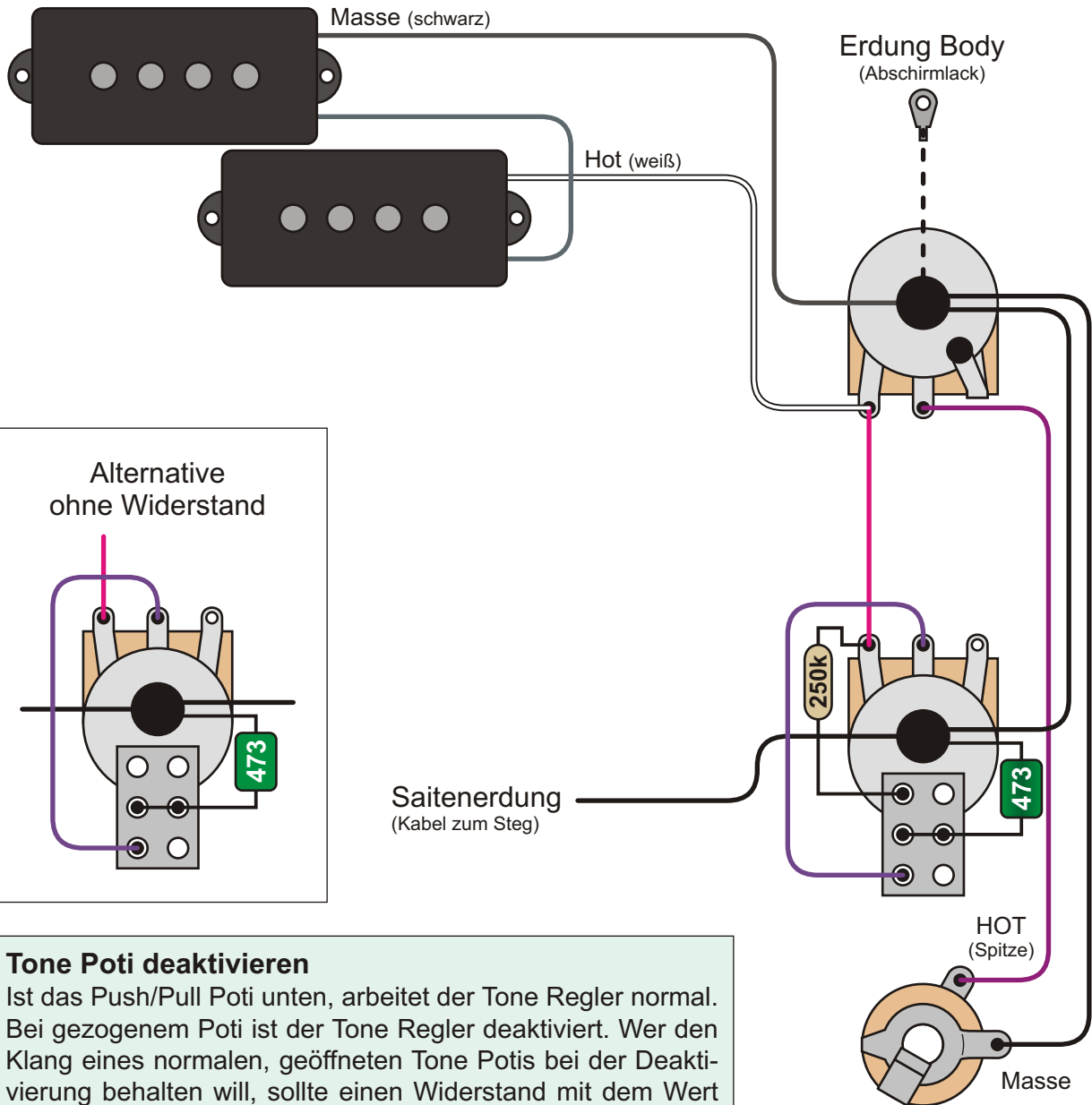
Bemerkungen / Besonderheiten

andere Schalterbelegung (an MusicMan Big AI angelehnt)

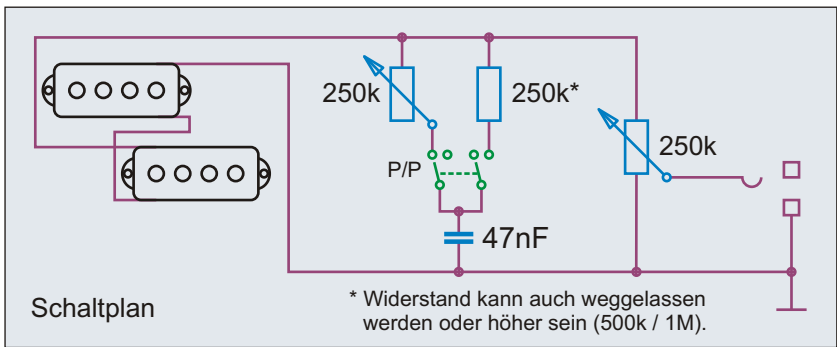
gezeichnet von
Cadfael

gezeichnet am
02.09.17

Seite
414



Tone Poti deaktivieren
 Ist das Push/Pull Poti unten, arbeitet der Tone Regler normal. Bei gezogenem Poti ist der Tone Regler deaktiviert. Wer den Klang eines normalen, geöffneten Tone Potis bei der Deaktivierung behalten will, sollte einen Widerstand mit dem Wert des Tone Potis einbauen. Der Widerstand kann auch höher sein. Lässt man den Widerstand weg, hat der Bass bei gezogenem Push/Pull mehr Höhen, als mit geöffnetem Tone Poti.



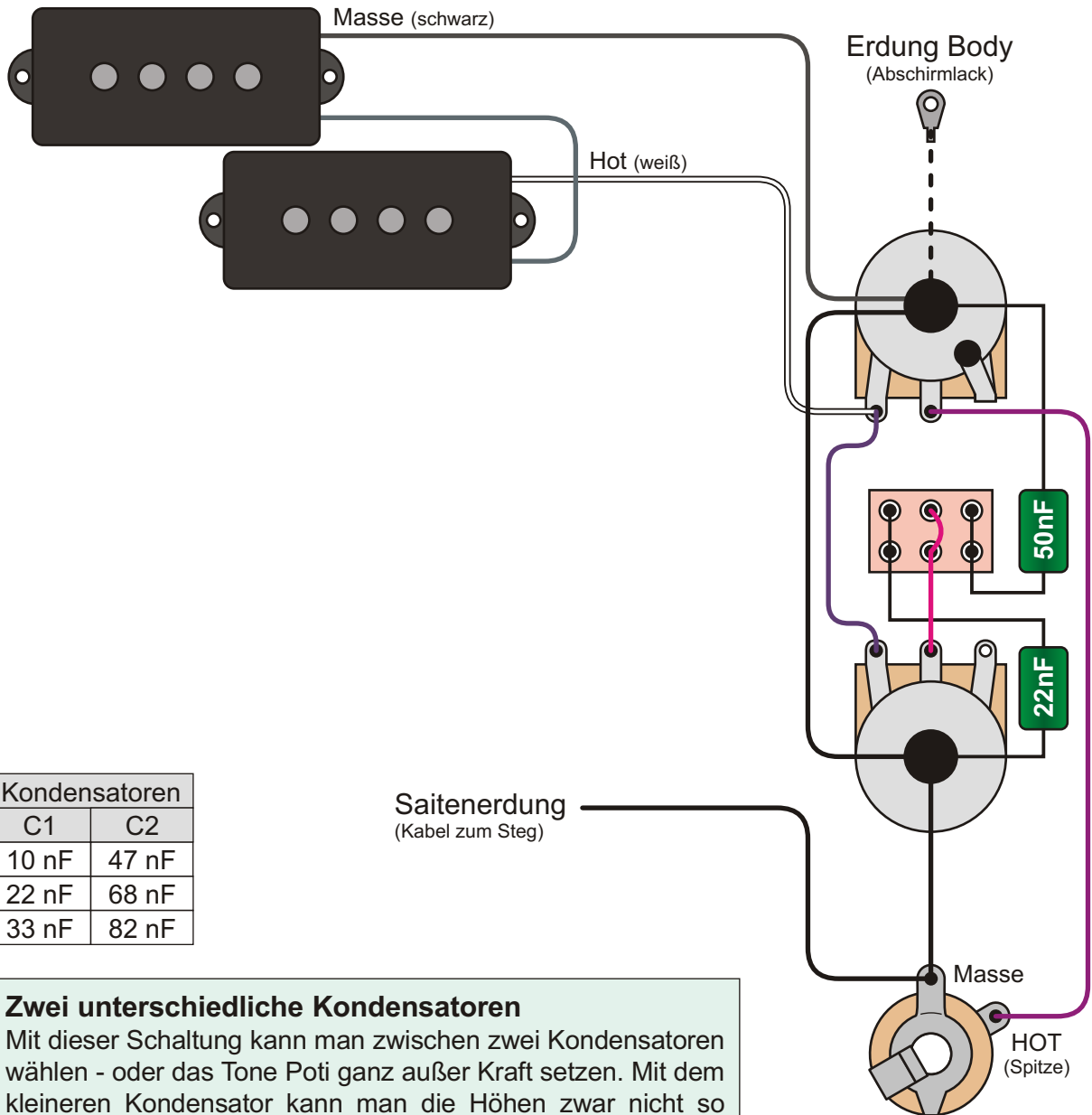
Push/Pull Poti	
Position	Tone
oben	deaktiviert
unten	aktiviert

Regler	Wert
Master Volume	250 k log.
Master Tone	250 k log.
Widerstand	250 k

Alu-Folie unter Pickguard

Benennung P-Bass, Tone Poti deaktivieren	Umbauten & Eigenbauten		Nummer 2.5.051
	Bemerkungen / Besonderheiten Deaktivierung Tone Poti mit oder ohne Zusatzwiderstand		
gezeichnet von Cadfael	gezeichnet am 02.09.17	Seite 415	

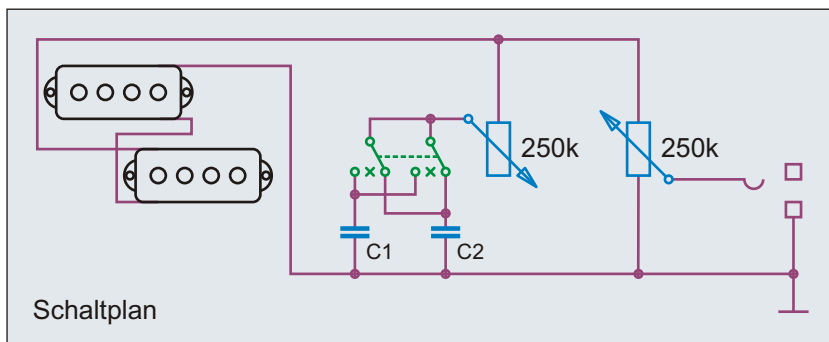
Idee, Recherche, Autor, Zeichnungen, Grafiken, Diagramme, Layout und Design: Andreas "Cadfael" Kühn - Nutzung ausschließlich zu privaten, nicht kommerziellen Zwecken und auf eigene Gefahr! Alle Angaben ohne Gewähr, Irrtümer vorbehalten!



Kondensatoren	
C1	C2
10 nF	47 nF
22 nF	68 nF
33 nF	82 nF

Zwei unterschiedliche Kondensatoren

Mit dieser Schaltung kann man zwischen zwei Kondensatoren wählen - oder das Tone Poti ganz außer Kraft setzen. Mit dem kleineren Kondensator kann man die Höhen zwar nicht so stark senken, dafür aber die Dämpfung feinfühlicher regeln. Welche Kondensatorwerte man wählt, hängt vom eigenen Geschmack ab.



Klangschalter	
Position	Kondensator
oben	C1 (22nF)
mittig	aus
unten	C2 (50nF)

Regler	Wert
Master Volume	250 k log.
Master Tone	250 k log.

Benennung **P-Bass mit Tonwahl Minischalter (1)**

Umbauten & Eigenbauten

Nummer 2.5.101

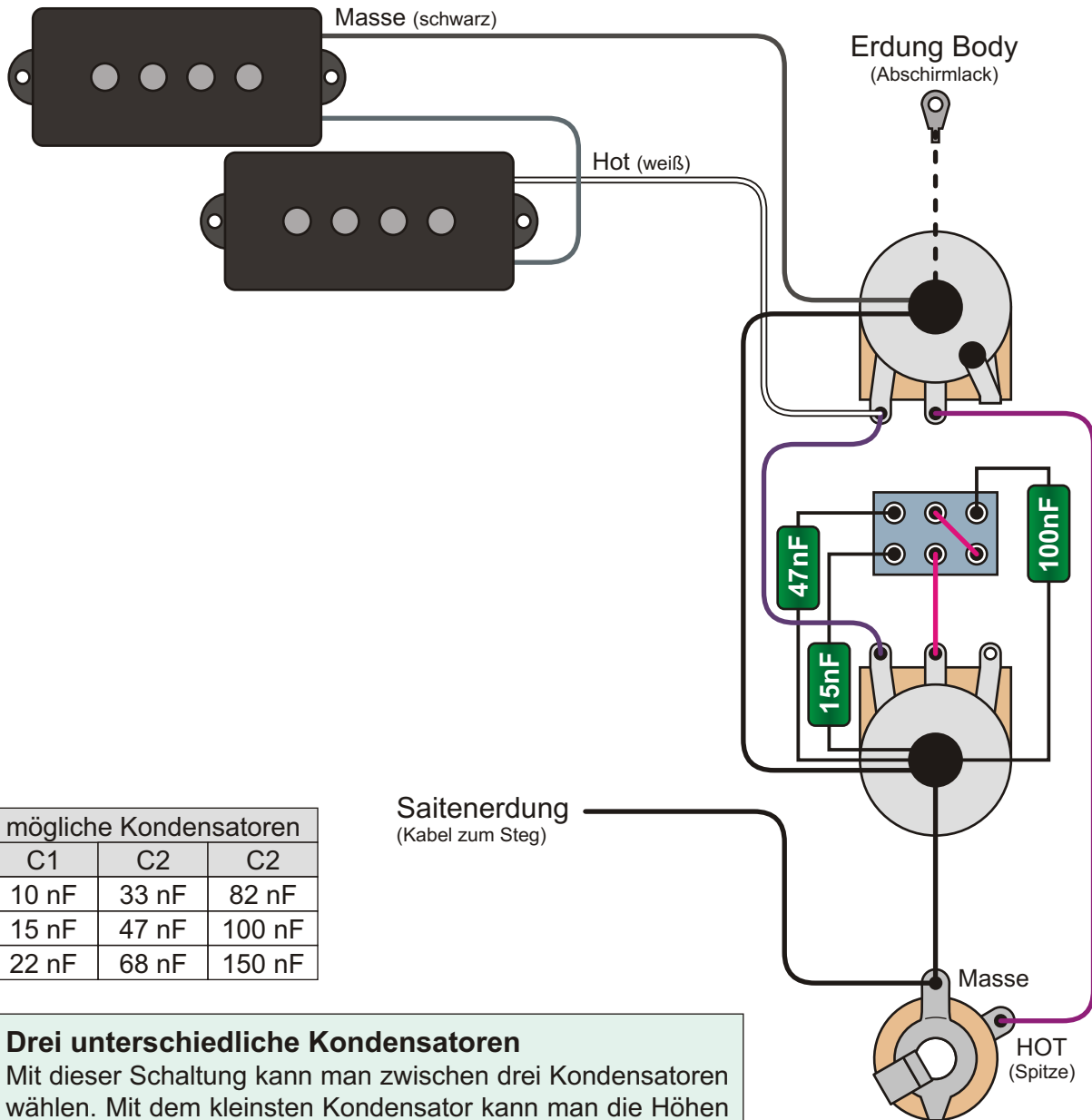
Bemerkungen / Besonderheiten

Zwei regelbare Kondensatoren wählbar

gezeichnet von Cadfael

gezeichnet am 02.09.17

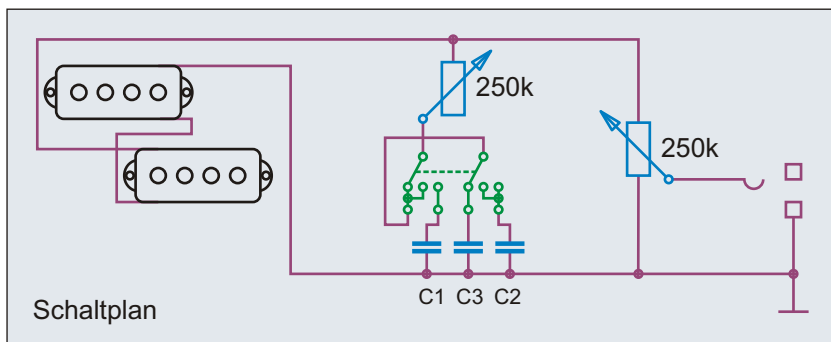
Seite 416



mögliche Kondensatoren		
C1	C2	C2
10 nF	33 nF	82 nF
15 nF	47 nF	100 nF
22 nF	68 nF	150 nF

Drei unterschiedliche Kondensatoren

Mit dieser Schaltung kann man zwischen drei Kondensatoren wählen. Mit dem kleinsten Kondensator kann man die Höhen zwar nicht so stark senken, dafür aber die Dämpfung feinfühlicher regeln. Welche Kondensatorwerte man wählt, hängt vom eigenen Geschmack ab.



Klangschalter	
Position	Kondensator
oben	C1 (15nF)
mittig	C2 (47nF)
unten	C3 (100nF)

Regler	Wert
Master Volume	250 k log.
Master Tone	250 k log.

Benennung **P-Bass mit Tonwahl Minischalter (2)**

Umbauten & Eigenbauten

Nummer 2.5.111

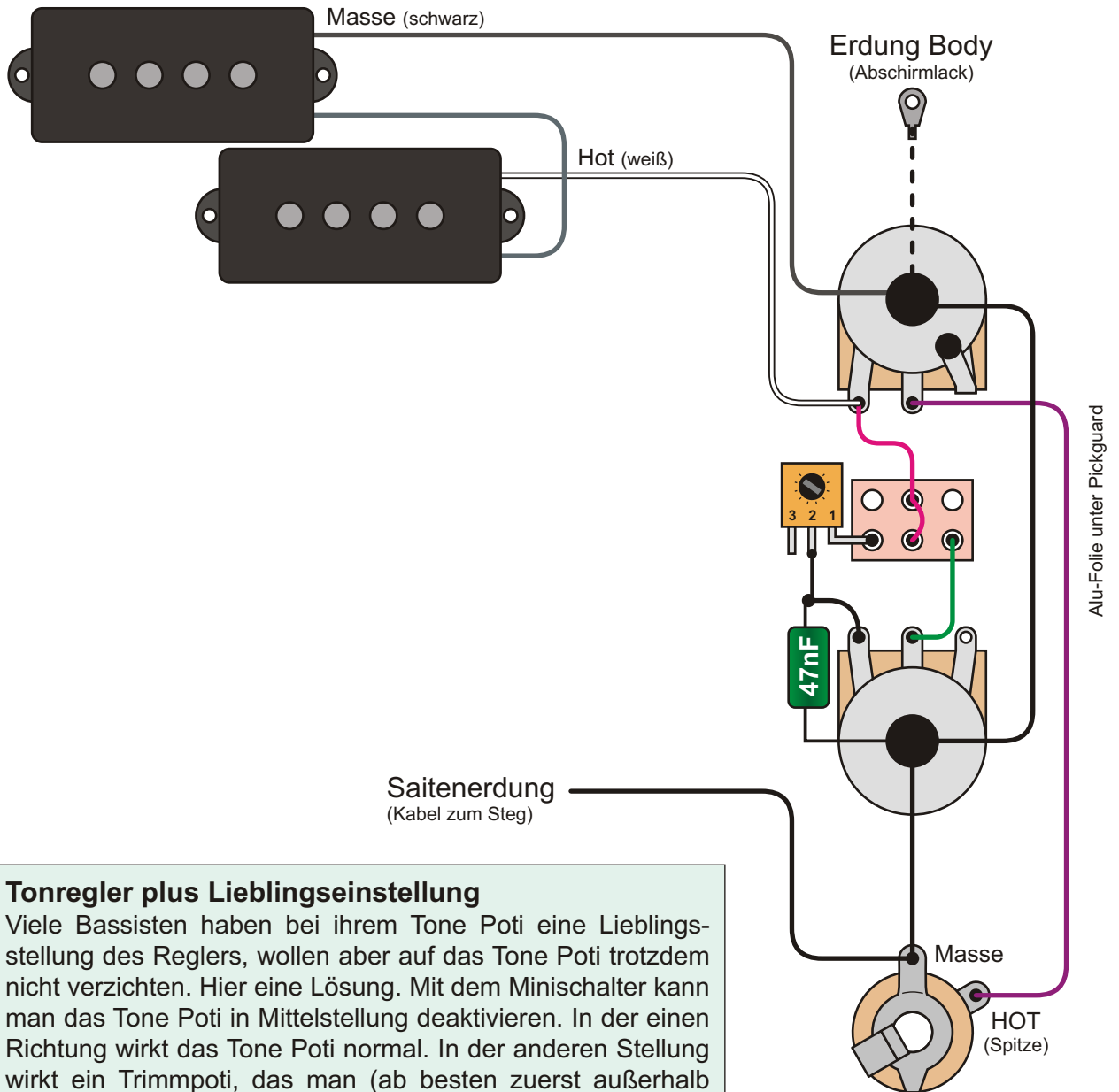
Bemerkungen / Besonderheiten

Drei regelbare Kondensatoren wählbar

gezeichnet von Cadfael

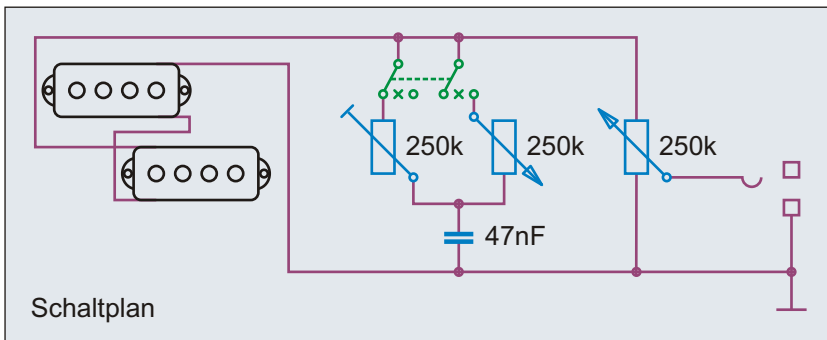
gezeichnet am 02.09.17

Seite 417



Tonregler plus Lieblingseinstellung

Viele Bassisten haben bei ihrem Tone Poti eine Lieblingseinstellung des Reglers, wollen aber auf das Tone Poti trotzdem nicht verzichten. Hier eine Lösung. Mit dem Minischalter kann man das Tone Poti in Mittelstellung deaktivieren. In der einen Richtung wirkt das Tone Poti normal. In der anderen Stellung wirkt ein Trimpoti, das man (ab besten zuerst außerhalb des Basses) fest einstellt. So hat man immer den gleichen Sound. Ändert sich der Lieblingssound, kann man das Trimpoti neu justieren.



Klangschalter	
Position	Kondensator
oben	fest (47nF)
mittig	aus
unten	Poti (47nF)

Regler	Wert
Master Volume	250 k log.
Master Tone	250 k log.

Benennung **P-Bass mit Tonwahl Minischalter (3)**

Umbauten & Eigenbauten

Nummer 2.5.121

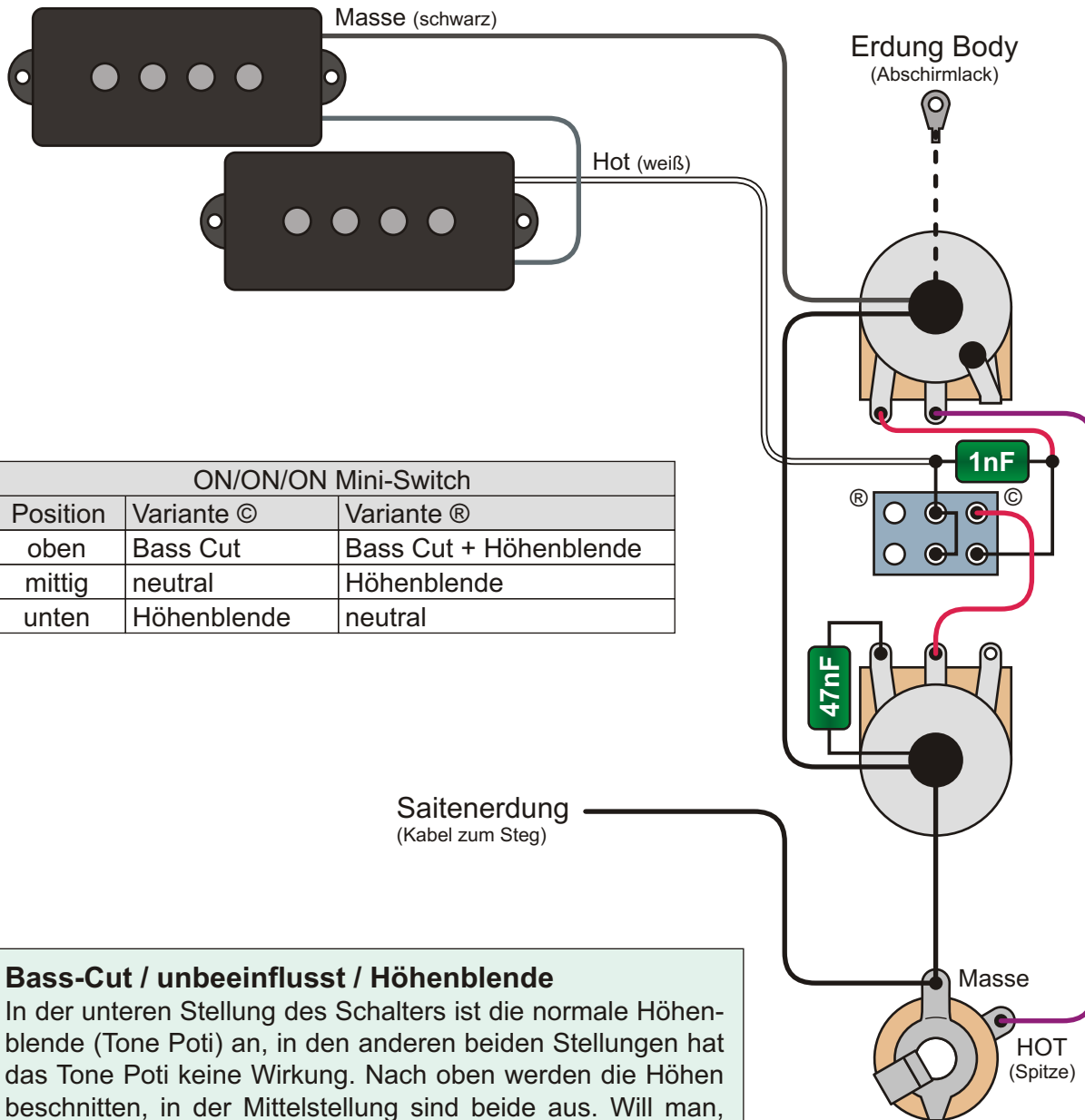
Bemerkungen / Besonderheiten

Regelbarer Kondensator plus Lieblingwert

gezeichnet von Cadfael

gezeichnet am 02.09.17

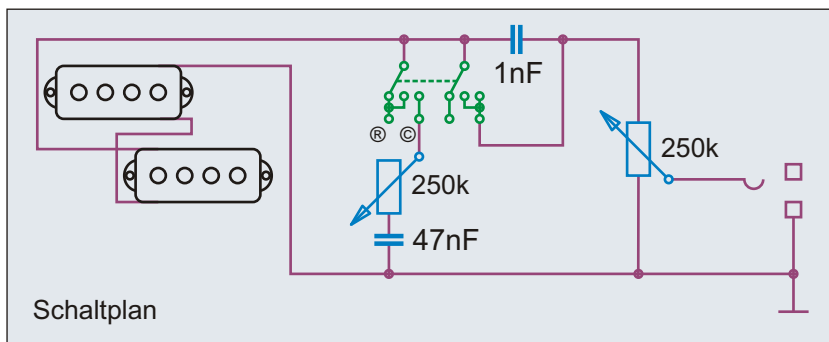
Seite 418



ON/ON/ON Mini-Switch		
Position	Variante ©	Variante ®
oben	Bass Cut	Bass Cut + Höhenblende
mittig	neutral	Höhenblende
unten	Höhenblende	neutral

Bass-Cut / unbeeinflusst / Höhenblende

In der unteren Stellung des Schalters ist die normale Höhenblende (Tone Poti) an, in den anderen beiden Stellungen hat das Tone Poti keine Wirkung. Nach oben werden die Höhen beschnitten, in der Mittelstellung sind beide aus. Will man, dass die Höhenblende auch zusammen mit dem Bass-Cut wirkt, sollte man das Kabel vom Tone Poti zum Schalter nicht an den Kontakt ©, sondern an den Kontakt ® löten.



Regler	Wert
Master Volume	250 k log.
Master Tone	250 k log.

Alu-Folie unter Pickguard

Benennung **P-Bass mit Tonwahl Minischalter (4)**

Umbauten & Eigenbauten

Nummer 2.5.131

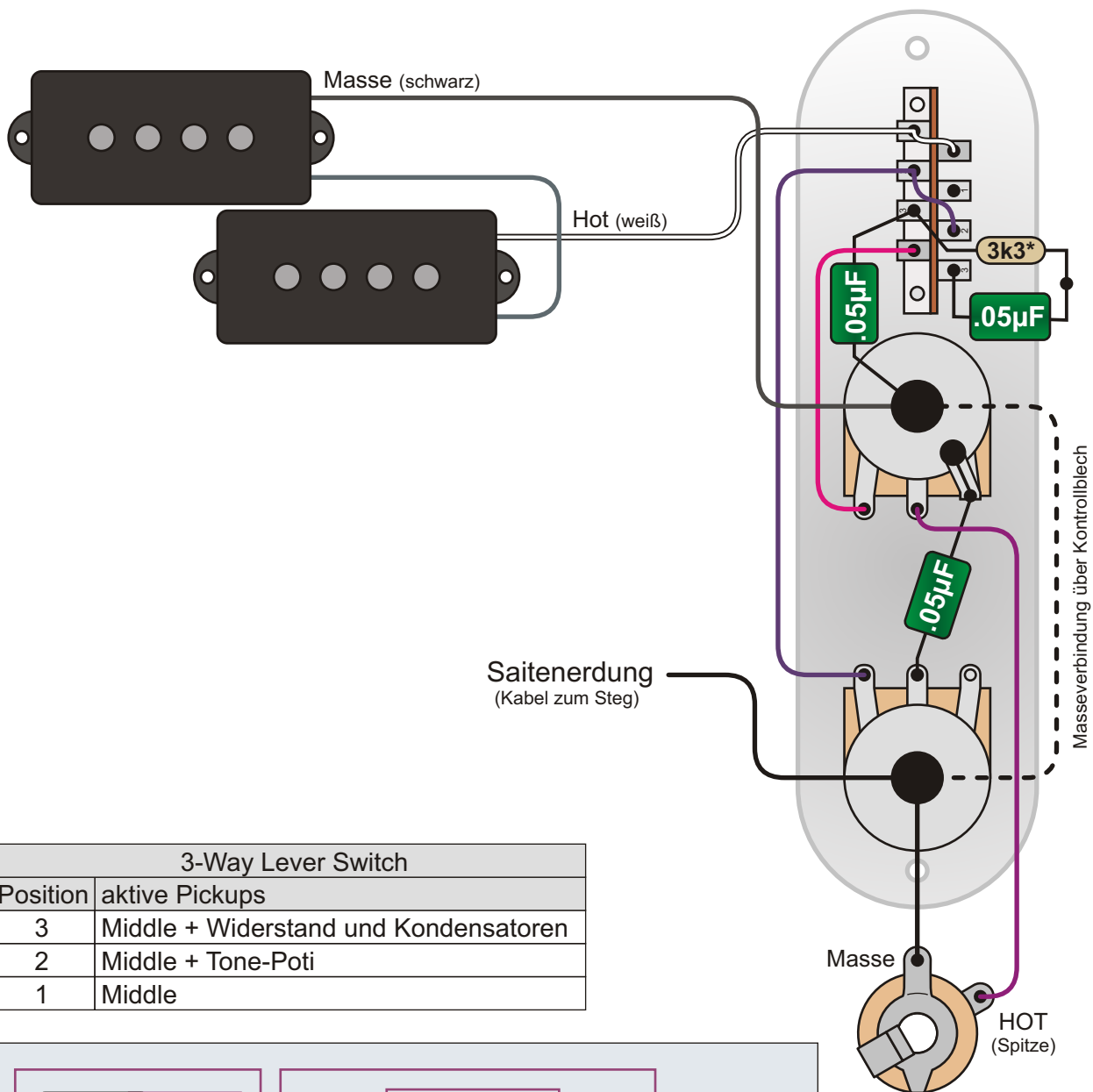
Bemerkungen / Besonderheiten

Bass-Cut / unbeeinflusst / Höhenblende

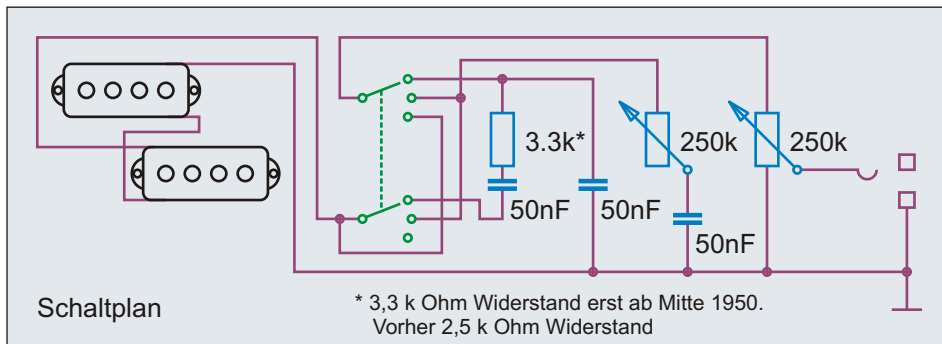
gezeichnet von
Cadfael

gezeichnet am
02.09.17

Seite
419



3-Way Lever Switch	
Position	aktive Pickups
3	Middle + Widerstand und Kondensatoren
2	Middle + Tone-Poti
1	Middle



Regler	Wert
Volume	250 k log.
Tone	250 k log.

Mr. Tee goes Esquire

Grundlage dieses Umbaus ist der Maruszczyk Mr. Tee Bass. Natürlich kann man diese Schaltung auch mit anderen Bässen durchführen. Den Maruszczyk Mr. Tee gibt es mit nur einem P-Pickup und dem Kontrollblech der Telecaster / Esquire Gitarre. In diesem Beispiel wurde die Originalschaltung einer frühen Fender Esquire in den Mr. Tee eingebaut. Das Tone Poti funktioniert nur in Mittelstellung.

Benennung **Mr. Tee mit Klang Lever Dreiweg (1)**

Umbauten & Eigenbauten

Nummer 2.5.211

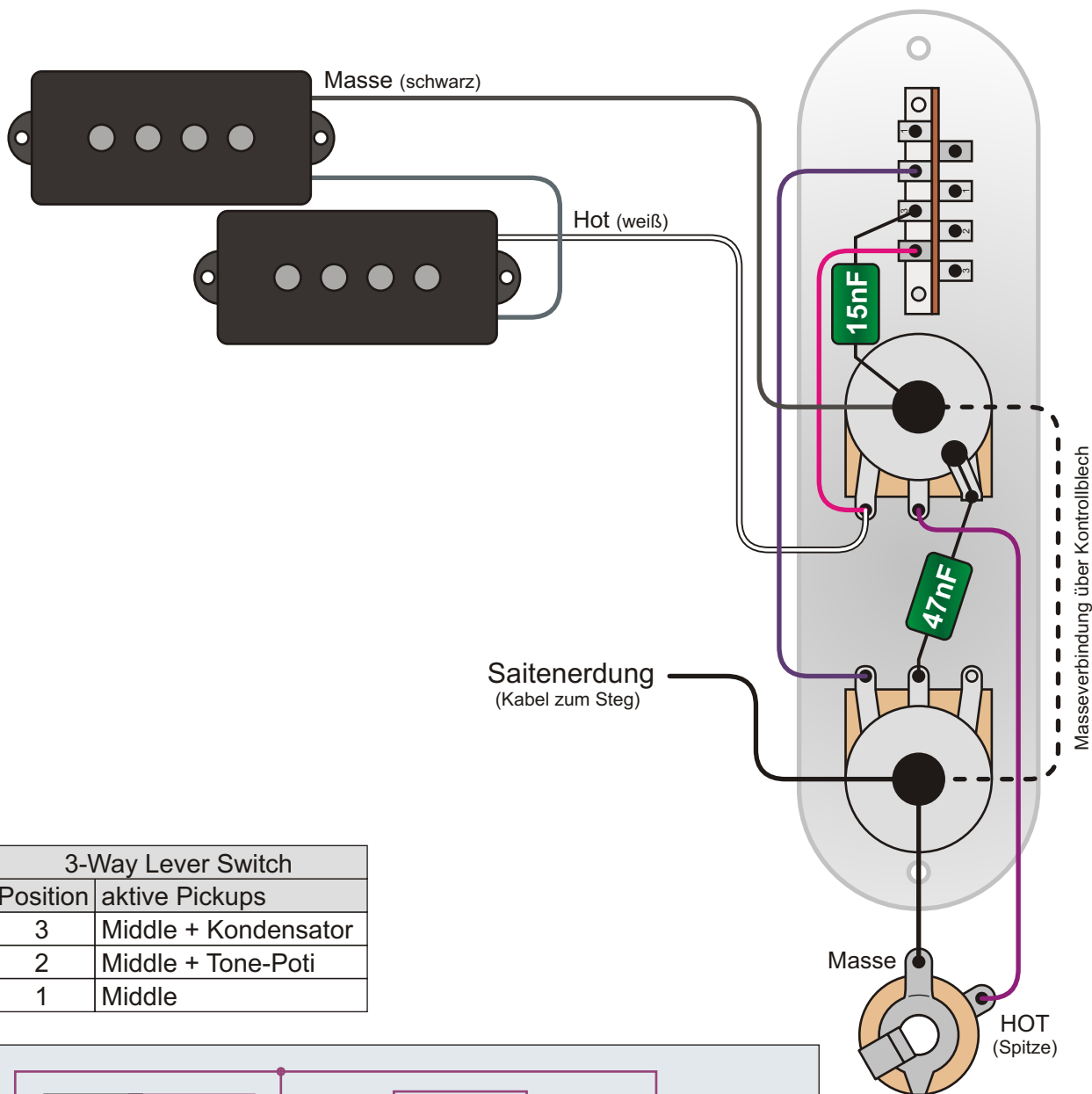
Bemerkungen / Besonderheiten

Maruszczyk Mr. Tee mit Klangscharter, Tone und Master Volume

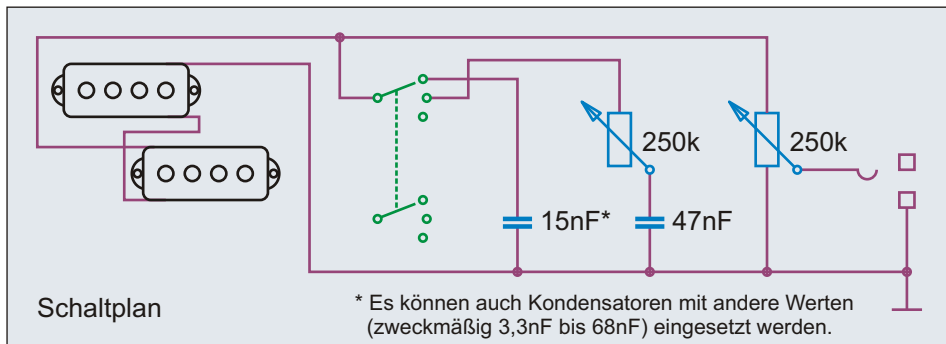
gezeichnet von
Cadfael

gezeichnet am
02.09.17

Seite
420



3-Way Lever Switch	
Position	aktive Pickups
3	Middle + Kondensator
2	Middle + Tone-Poti
1	Middle

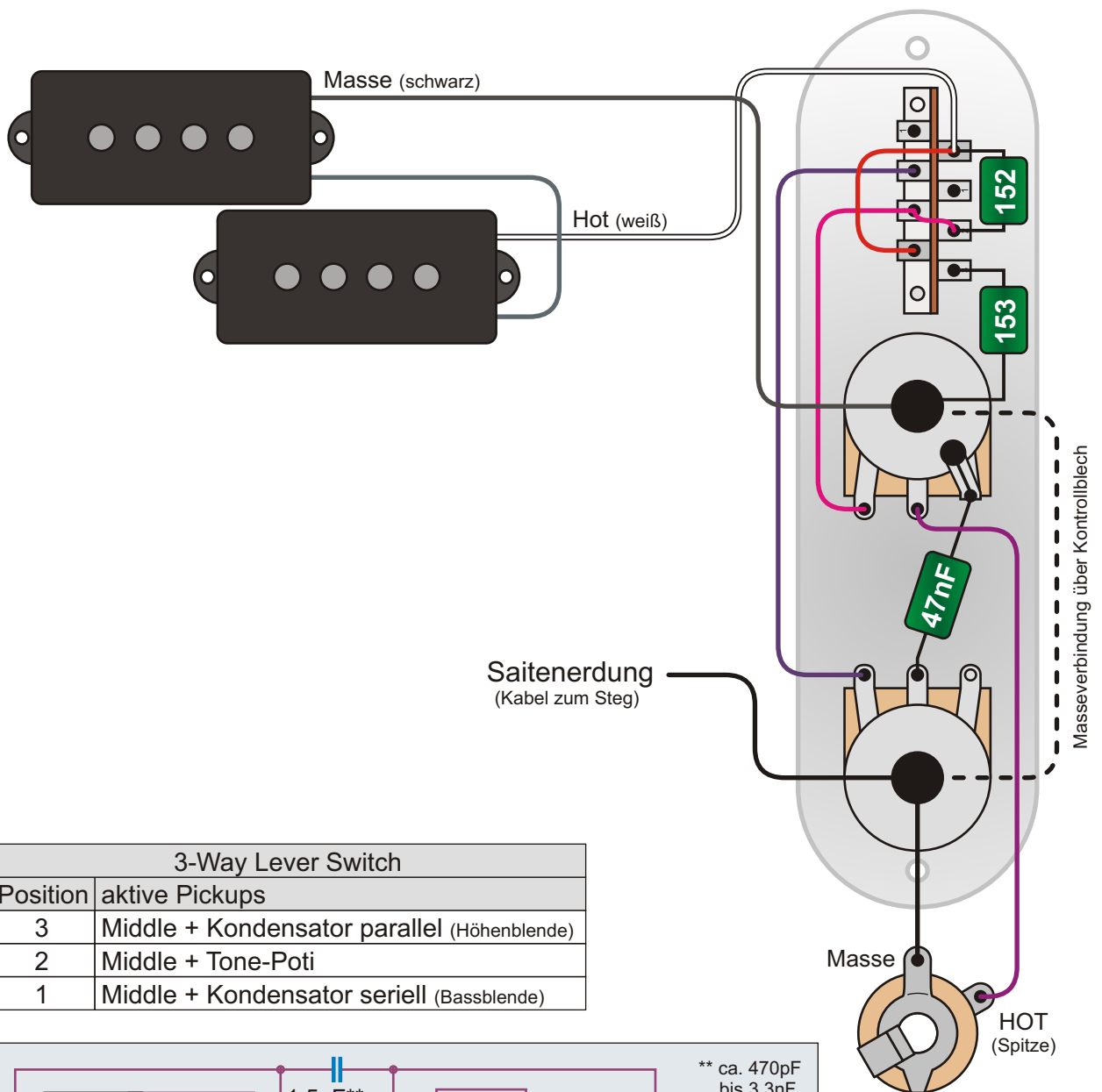


Regler	Wert
Volume	250 k log.
Tone	250 k log.

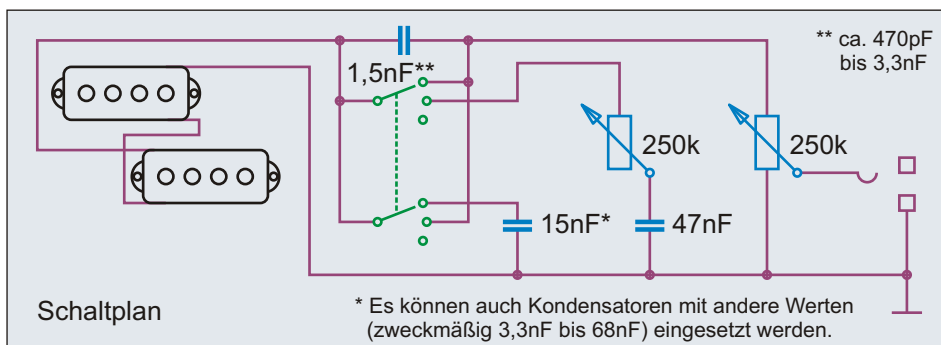
Mr. Tee goes Esquire (modern)

Dieser Schaltungsversion eines Maruszczyk Mr. Tee Bases ist moderner und wohl auch zweckmäßiger angelegt als die klassische Esquire Schaltung. Dabei funktioniert diese Schaltung im Prinzip genauso. Den besten Wert für den nicht regelbaren Kondensator muss man durch Experimente herausfinden. Je größer dieser Wert ist, desto mehr Höhen werden abgedämpft. Ungefähre Werte sind im Schaltplan angegeben.

Benennung	Mr. Tee mit Klang Lever Dreiweg (2)	Umbauten & Eigenbauten	Nummer	2.5.221
Bemerkungen / Besonderheiten	Maruszczyk Mr. Tee mit Klangscharter, Tone und Master Volume	gezeichnet von	gezeichnet am	Seite
		Cadfael	02.09.17	421



3-Way Lever Switch	
Position	aktive Pickups
3	Middle + Kondensator parallel (Höhenblende)
2	Middle + Tone-Poti
1	Middle + Kondensator seriell (Bassblende)



Regler	Wert
Volume	250 k log.
Tone	250 k log.

Mr. Tee mit Höhen und Bassblende

Dieser Schaltungsversion eines Maruszczyk Mr. Tee Basses ist so ausgelegt, dass in Stellung 1 (zum Volume Poti hin) die Bässe beschnitten werden. In Stellung 3 (vom Volume Poti weg) werden die Höhen beschnitten. In der Mittelstellung wirkt das Tone Poti. Die Werte für die Kondensatoren zur Höhen- und Bassbeschnidung sollten am besten durch Versuche ermittelt werden. Ungefähre Werte sind im Schaltplan angegeben.

Benennung **Mr. Tee mit Klang Lever Dreiweg (3)**

Umbauten & Eigenbauten

Nummer 2.5.231

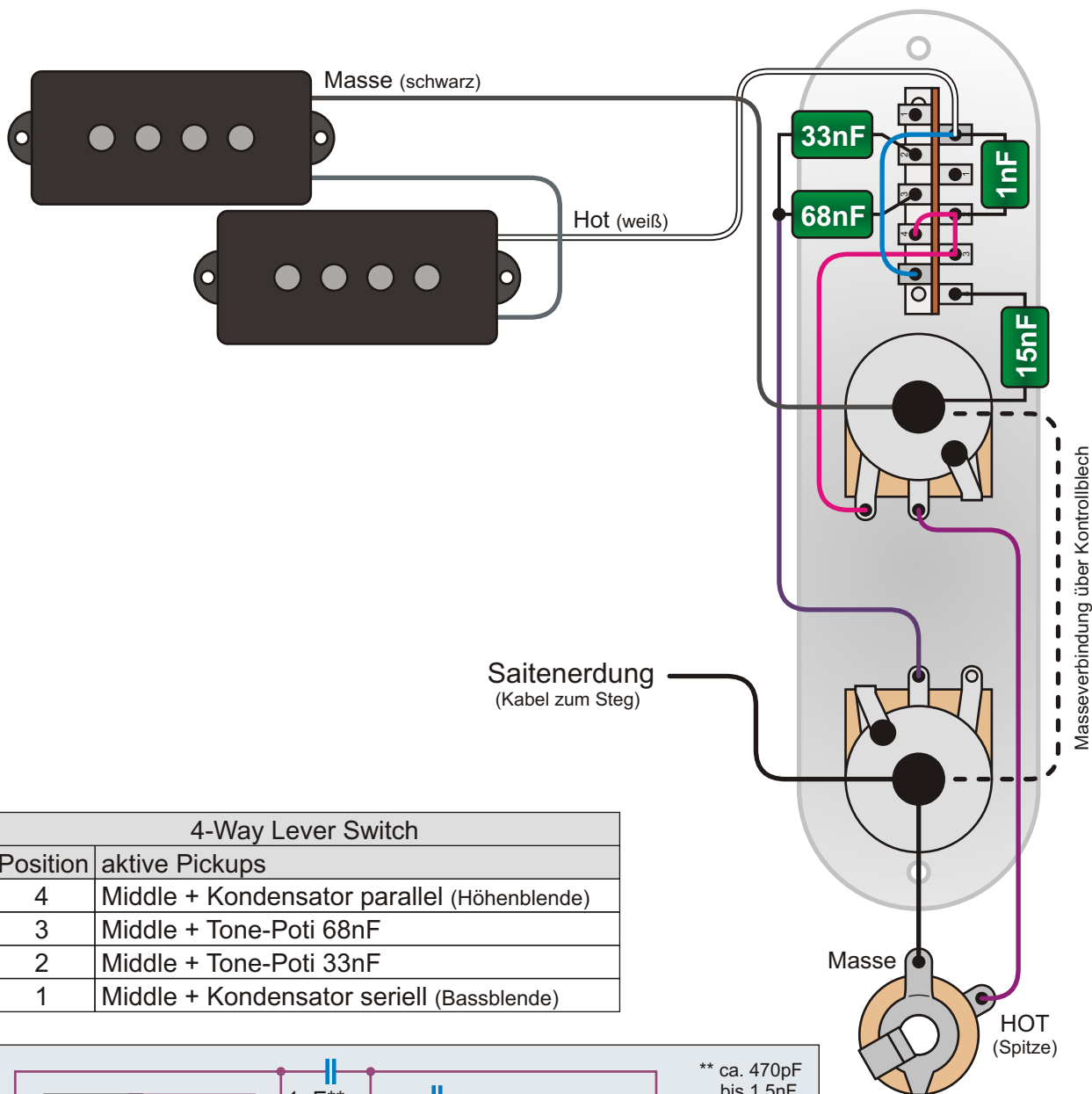
Bemerkungen / Besonderheiten

Maruszczyk Mr. Tee mit Klangscharter, Tone und Master Volume

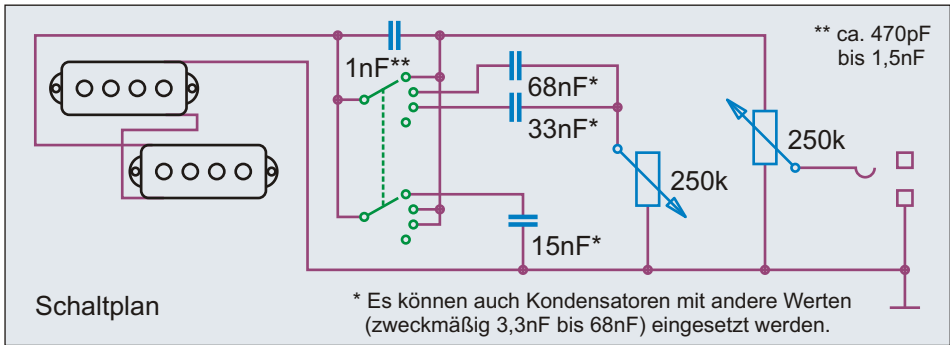
gezeichnet von
Cadfael

gezeichnet am
02.09.17

Seite
422



4-Way Lever Switch	
Position	aktive Pickups
4	Middle + Kondensator parallel (Höhenblende)
3	Middle + Tone-Poti 68nF
2	Middle + Tone-Poti 33nF
1	Middle + Kondensator seriell (Bassblende)

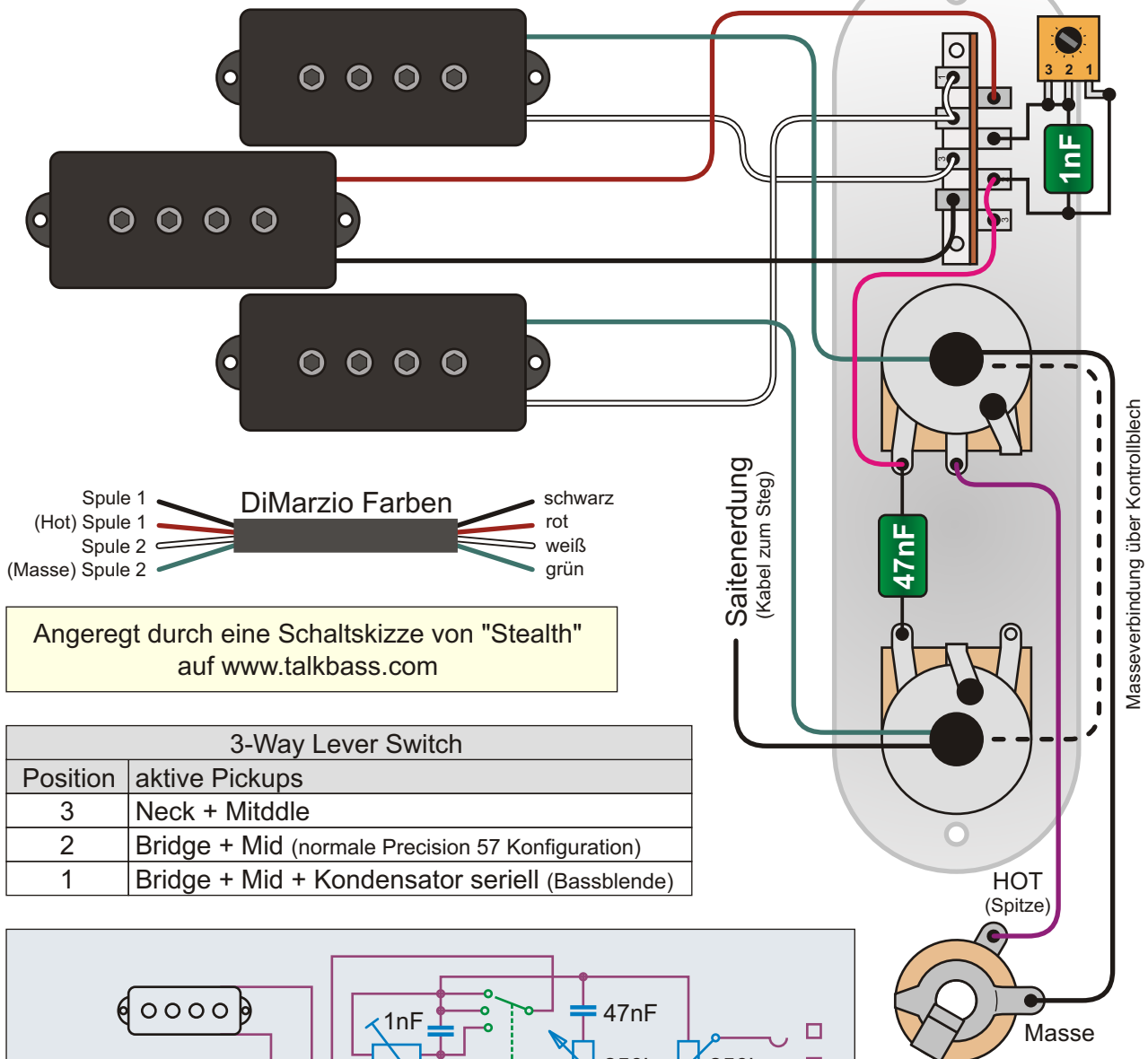


Regler	Wert
Volume	250 k log.
Tone	250 k log.

Mr. Tee mit Höhen und Bassblende
 Im Grunde entspricht diese Schaltung der Schaltung 2.5.231. Durch den Einsatz eines Vierwegschlitters ist es jedoch noch zusätzlich möglich in den beiden Mittelstellungen 2 und 3 zwischen zwei verschiedenen Werten für das Tone Poti zu wählen. Solch ein Wahlschalter für das Tonepoti ließe sich natürlich auch als Minischalter oder Drehschalter in andere Bässe einbauen. Die angegebenen Kondensatorwerte sind lediglich grobe Richtwerte.

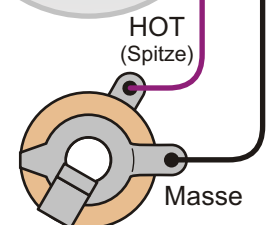
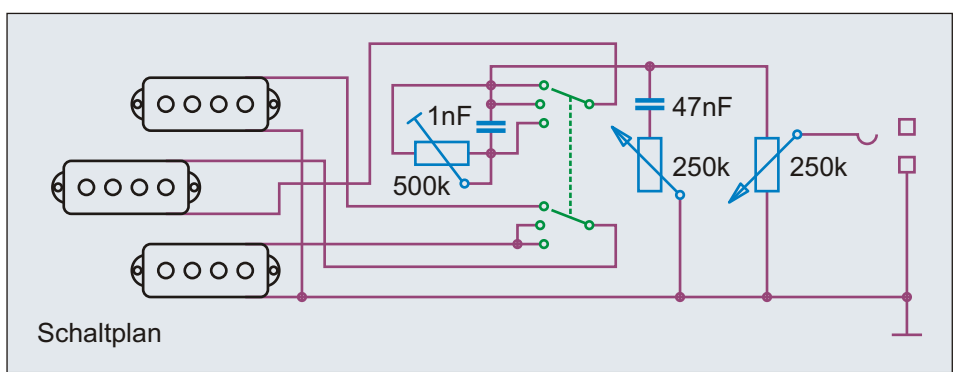
Benennung	Mr. Tee mit Klang Lever Vierweg	Umbauten & Eigenbauten	Nummer	2.5.241
Bemerkungen / Besonderheiten	Maruszczyk Mr. Tee mit Klangscharter, Tone Wahl und Master Volume	gezeichnet von	gezeichnet am	Seite
		Cadfael	02.09.17	423

Idee, Recherche, Autor, Zeichnungen, Grafiken, Diagramme, Layout und Design: Andreas "Cadfael" Kühn - Nutzung ausschließlich zu privaten, nicht kommerziellen Zwecken und auf eigene Gefahr! Alle Angaben ohne Gewähr, Irrtümer vorbehalten!



Angeregt durch eine Schaltskizze von "Stealth" auf www.talkbass.com

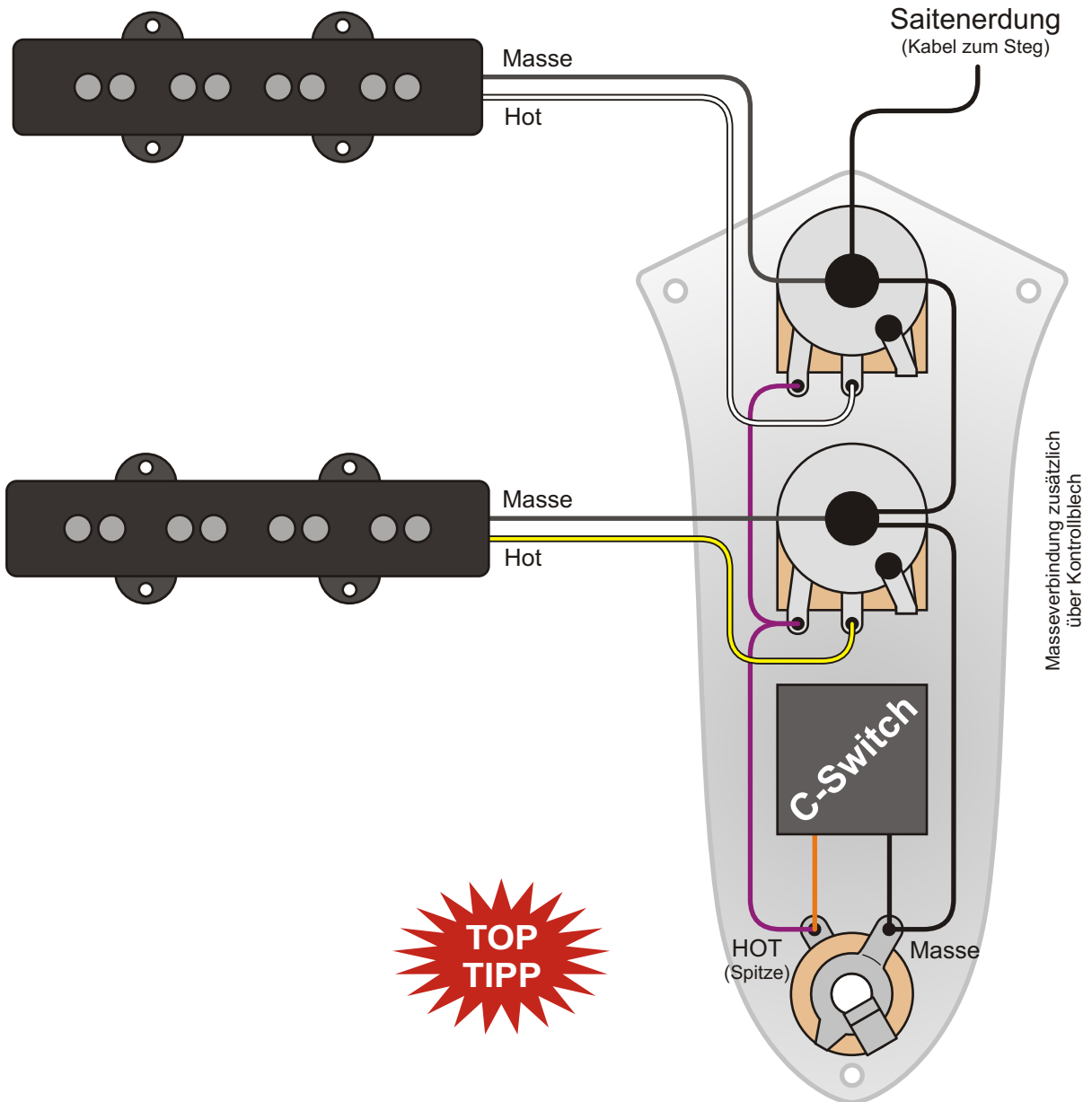
3-Way Lever Switch	
Position	aktive Pickups
3	Neck + Middle
2	Bridge + Mid (normale Precision 57 Konfiguration)
1	Bridge + Mid + Kondensator seriell (Bassblende)



Regler	Wert
Volume	250 k log.
Tone	250 k log.
Trimm	500 k log.

Mr. Tee Triple mit drei P-Sounds
 Diese Schaltung ist aus einem Spaß heraus entstanden, kann aber trotzdem sehr sinnvoll sein - und vor allem wäre so ein Bass der absoluter Hingucker, der garantiert für viele Fragen nach dem Auftritt sorgt. In Stellung 1 werden durch einen regelbaren seriellen Kondensator die Bässe nach Geschmack gedämpft. Alternative wäre eine Drosselspule, mit der die Mitten gedämpft werden. In Mittelstellung sind untere und mittlere Spule an - der klassische P-Bass. In Stellung 3 sind mittlerer und oberer Pickup aktiviert, wodurch D- und G-Seite voller klingen. Volume und Tone funktionieren ganz normal, wie bei jedem anderen Bass.

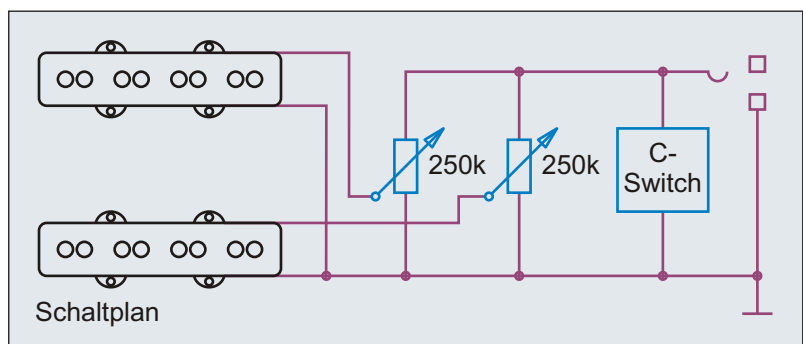
Benennung Mr. Tee Triple	Umbauten & Eigenbauten		Nummer 2.5.301
	Bemerkungen / Besonderheiten Maruszczyk Mr. Tee mit drei P-Spulen, Tone und Volume		
gezeichnet von Cadfael	gezeichnet am 02.09.17	Seite 424	



C-Switch

Über die sehr gute Website www.gitarrenelektronik.de kann man den "C-Switch" Klang-Dreheschalter von Helmuth Lemme erwerben. Statt mühsam geeignete Stellungen am Tone-Poti zu suchen bietet der Schalter mehrere brauchbare Klangbeeinflussungen an. Der C-Switch wird einfach wie eine normale Höhenblende parallel geschaltet.

Regler	Wert
Neck Volume	250 k log.
Bridge Volume	250 k log.



Benennung **J-Bass, C-Switch Klangregelung**

Umbauten & Eigenbauten

Nummer 2.5.501

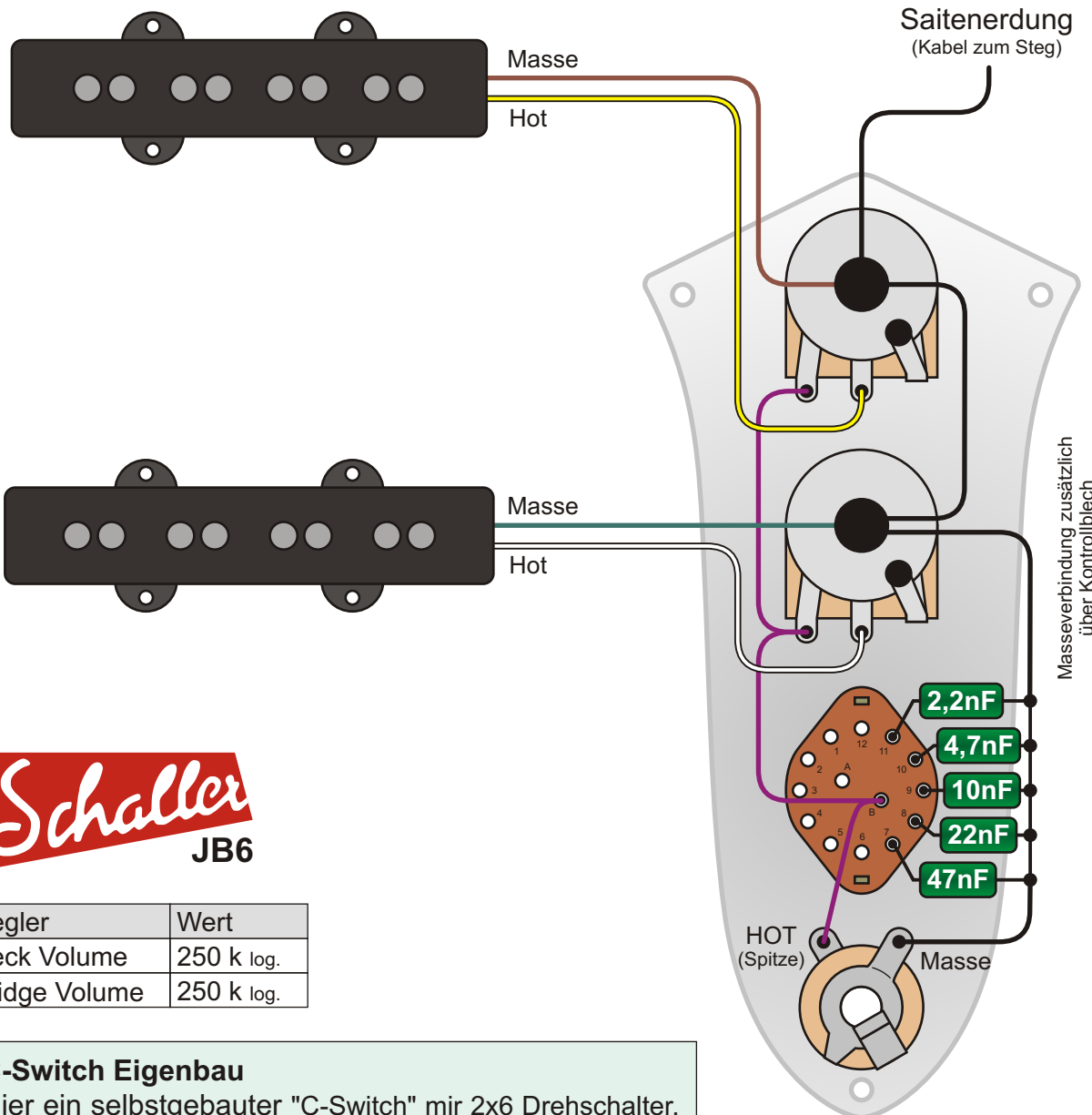
Bemerkungen / Besonderheiten

Neck Volume, Bridge Volume, C-Switch Dreheschalter

gezeichnet von
Cadfael

gezeichnet am
02.09.17

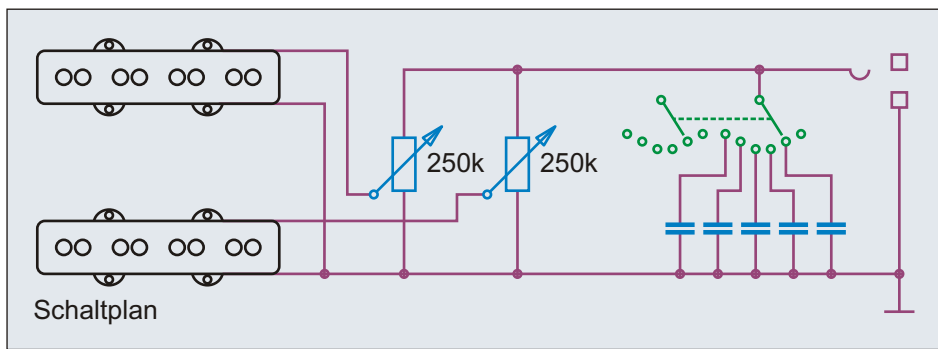
Seite
425



Regler	Wert
Neck Volume	250 k log.
Bridge Volume	250 k log.

C-Switch Eigenbau

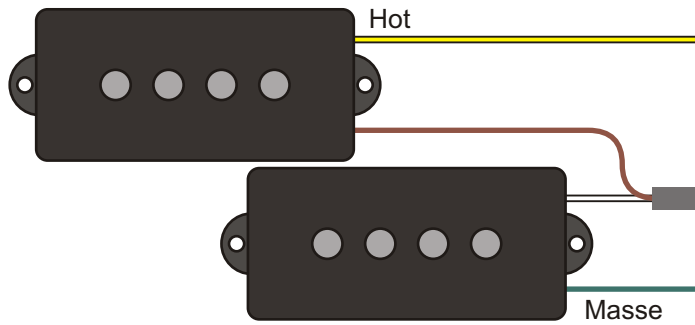
Hier ein selbstgebauter "C-Switch" mit 2x6 Drehschalter. Mit dem Schalter werden einfach Kondensatoren parallel geschaltet. Die erste Stellung bleibt frei. Die besten Werte für den C-Switch muss man durch Experimente herausfinden. Die hier abgebildeten Werte sind nur Vorschläge.



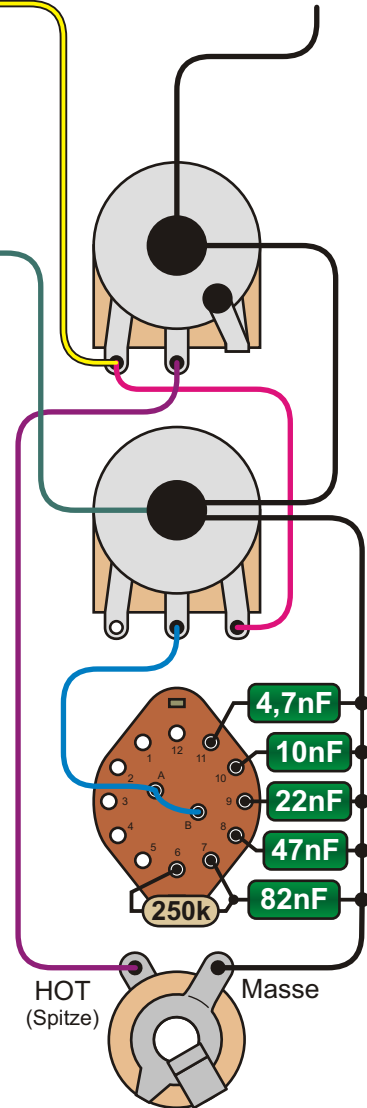
gebräuchliche Kondensatorwerte für den C-Switch		
330pF	470pF	680pF
1nF	1,5nF	2,2nF
3,3nF	4,7nF	6,8nF
10nF	15nF	22nF
33nF	47nF	68nF

Benennung	J-Bass, C-Switch Klangregelung	Umbauten & Eigenbauten	Nummer	2.5.511
Bemerkungen / Besonderheiten	Neck Volume, Bridge Volume, 2x6 Drehschalter mit Kondensatoren	gezeichnet von	gezeichnet am	Seite
		Cadfael	02.09.17	426

Idee, Recherche, Autor, Zeichnungen, Grafiken, Diagramme, Layout und Design: Andreas "Cadfael" Kühn - Nutzung ausschließlich zu privaten, nicht kommerziellen Zwecken und auf eigene Gefahr! Alle Angaben ohne Gewähr, Irrtümer vorbehalten!



Saitenerdung
(Kabel zum Steg)



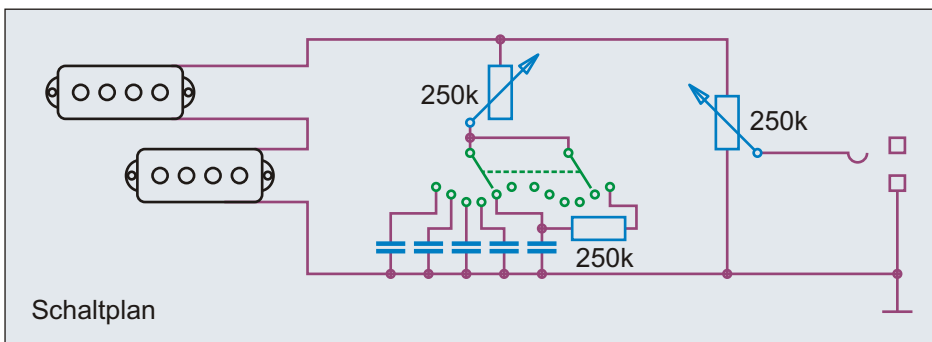
Regler	Wert
Master Volume	250 k log.
Master Tone	250 k log.

C-Switch regelbar

Hier ein "regelbarer C-Switch". Man kann es auch ein Tone Poti mit auswechselbaren Kondensatoren nennen.

Warum ein zusätzlicher Widerstand?

In dieser Variante wurde die "Normalstellung" nicht einfach völlig frei gelassen, da auch ein geschlossenes Tone Poti den Klang beeinflusst (leichte Höhendämpfung). Mit Widerstand plus Kondensator wird also ein geschlossenes Tone Poti simuliert.



gebräuchliche Kondensatorwerte für den C-Switch		
330pF	470pF	680pF
1nF	1,5nF	2,2nF
3,3nF	4,7nF	6,8nF
10nF	15nF	22nF
33nF	47nF	68nF

Benennung **P-Bass, C-Switch regelbar (1)**

Umbauten & Eigenbauten

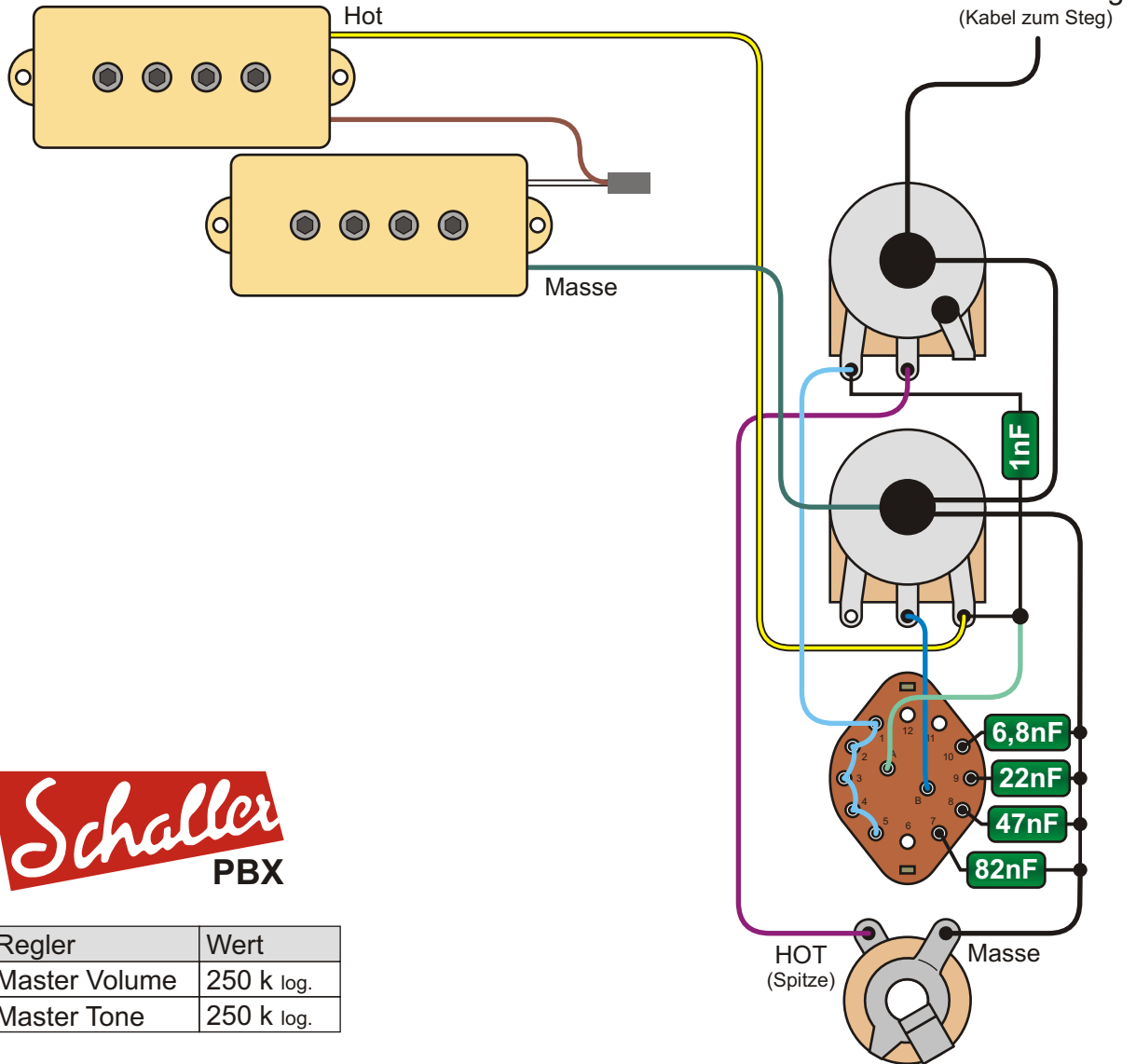
Nummer 2.5.521

Bemerkungen / Besonderheiten
Volume, 2x6 Drehschalter mit Kondensatoren plus Regler

gezeichnet von
Cadfael

gezeichnet am
02.09.17

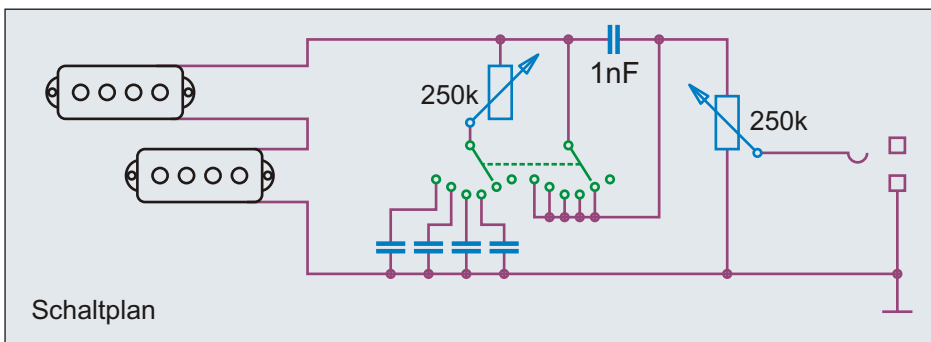
Seite
427



Regler	Wert
Master Volume	250 k log.
Master Tone	250 k log.

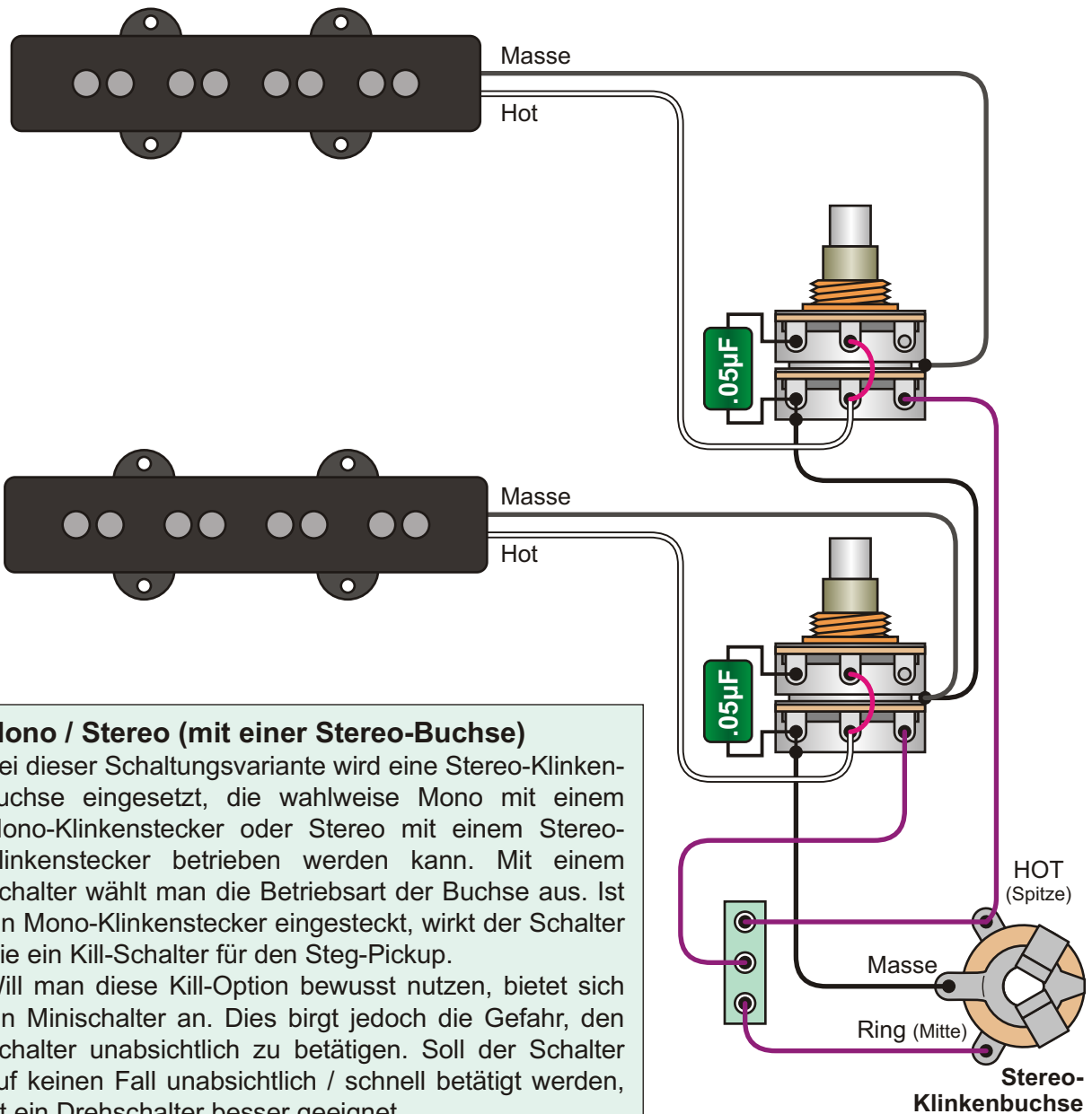
C-Switch regelbar mit Bass-Cut

Hier eine Variante des "regelbaren C-Switch". Man kann zwischen vier verschiedenen Höhenblenden wählen. In der fünften Stellung ist die Höhenblende ausgeschaltet. In der sechsten Stellung werden durch den seriellen Kondensator die Bässe beschnitten.



gebräuchliche Kondensatorwerte für den C-Switch		
330pF	470pF	680pF
1nF	1,5nF	2,2nF
3,3nF	4,7nF	6,8nF
10nF	15nF	22nF
33nF	47nF	68nF

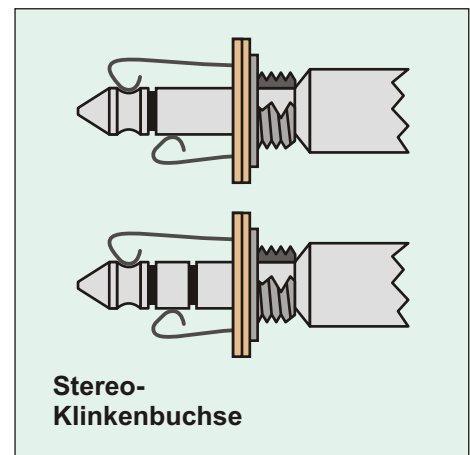
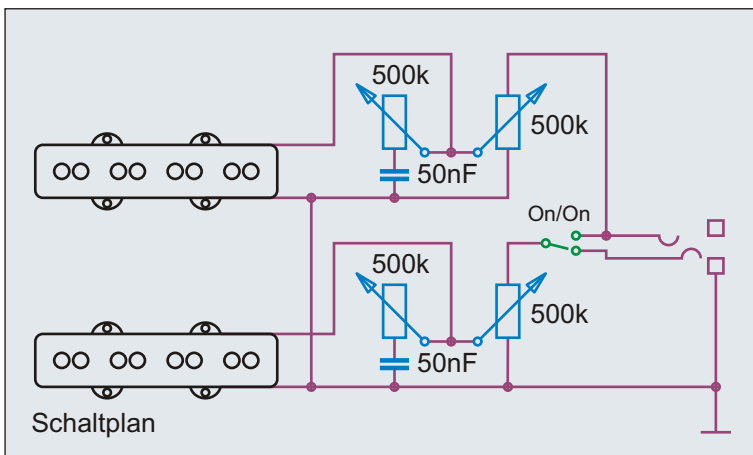
Benennung P-Bass, C-Switch regelbar (2)	Umbauten & Eigenbauten		Nummer 2.5.525
	gezeichnet von Cadfael	gezeichnet am 02.09.17	Seite 428
Bemerkungen / Besonderheiten Volume, 2x6 Drehschalter mit Kondensatoren plus Regler			



Mono / Stereo (mit einer Stereo-Buchse)

Bei dieser Schaltungsvariante wird eine Stereo-Klinkenbuchse eingesetzt, die wahlweise Mono mit einem Mono-Klinkenstecker oder Stereo mit einem Stereo-Klinkenstecker betrieben werden kann. Mit einem Schalter wählt man die Betriebsart der Buchse aus. Ist ein Mono-Klinkenstecker eingesteckt, wirkt der Schalter wie ein Kill-Schalter für den Steg-Pickup.

Will man diese Kill-Option bewusst nutzen, bietet sich ein Minischalter an. Dies birgt jedoch die Gefahr, den Schalter unabsichtlich zu betätigen. Soll der Schalter auf keinen Fall unabsichtlich / schnell betätigt werden, ist ein Drehschalter besser geeignet.



Benennung **Mono-/Stereo (1 Stereo-Buchse)**

Umbauten & Eigenbauten

Nummer 2.7.111

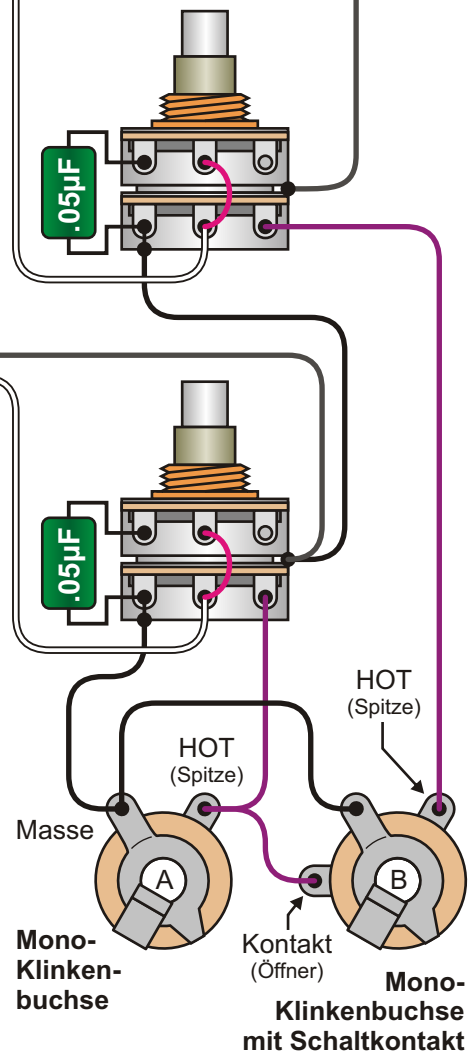
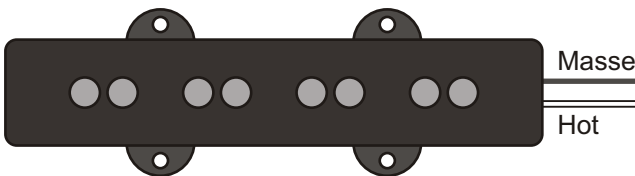
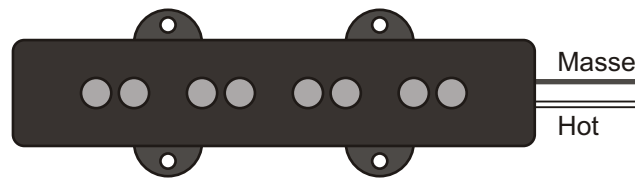
Bemerkungen / Besonderheiten

Mono-/Stereo-Schaltung mit einer Stereo-Klinkenbuchse

gezeichnet von Cadfael

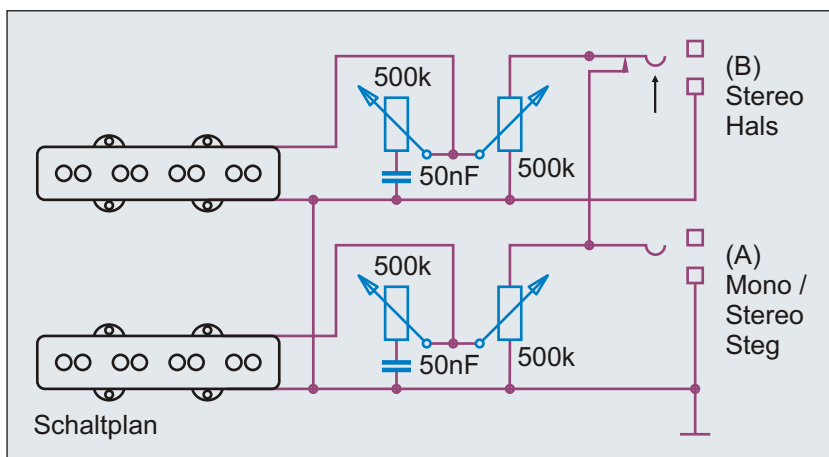
gezeichnet am 02.09.17

Seite 429



Mono / Stereo (mit zwei Mono-Buchsen)

Die klassische Mono- / Stereo-Schaltung für den Bass ist die "Rick-o-Sound" Schaltung (siehe 1.4.03) mit einer Mono- und einer Stereo-Klinkenbuchse. Hier stehen zwei Mono-Klinkenbuchsen zur Verfügung. Will man beide Pickups über ein Mono-Kabel nutzen, steckt man den Stecker in Buchse A. Belegt man beide Buchsen mit je einem Mono-Kabel, kommt das Hals-Signal aus Buchse B, das Steg-Signal aus Buchse A. Sinniger ist die "Rick-o-Sound" Schaltung, da es zumindest auf der Bühne hinderlich wäre, zwei Kabel im Bass zu haben. Mit dieser Schaltung kann man aber auf der Bühne mono und im Studio stereo spielen.



Benennung **Mono-/Stereo (2 Mono-Buchsen)**

Umbauten & Eigenbauten

Nummer 2.7.121

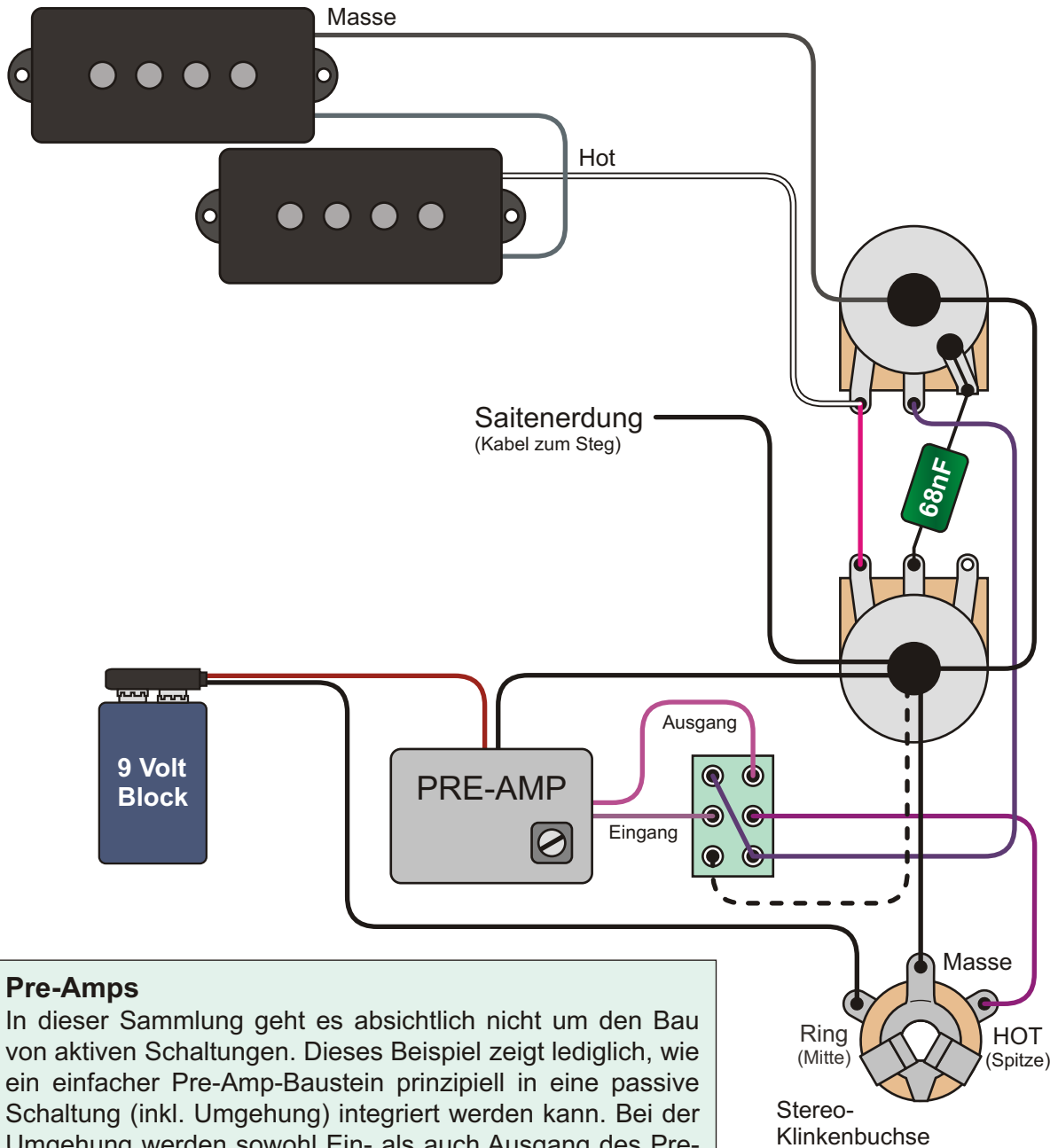
Bemerkungen / Besonderheiten

Mono-/Stereo-Schaltung mit zwei Mono-Buchsen

gezeichnet von Cadfael

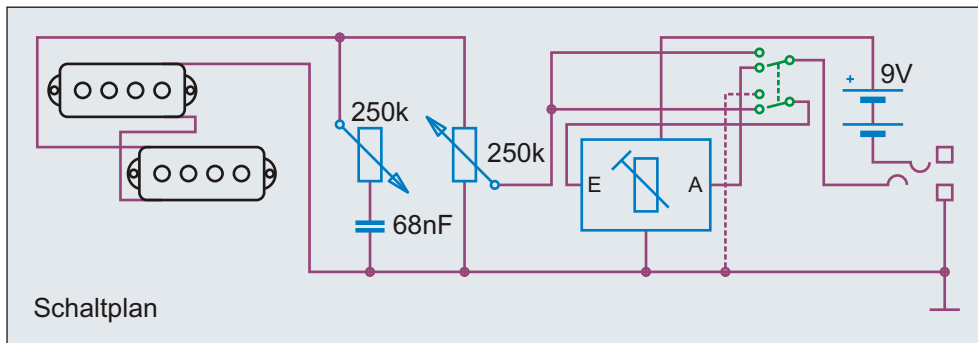
gezeichnet am 02.09.17

Seite 430



Pre-Amps

In dieser Sammlung geht es absichtlich nicht um den Bau von aktiven Schaltungen. Dieses Beispiel zeigt lediglich, wie ein einfacher Pre-Amp-Baustein prinzipiell in eine passive Schaltung (inkl. Umgehung) integriert werden kann. Bei der Umgehung werden sowohl Ein- als auch Ausgang des Pre-Amps vom Rest der Schaltung getrennt.



Sollte es im Passiv-Betrieb zu Störgeräuschen kommen, kann der Eingang an Masse gelegt werden. (gestrichelt)

ON/ON	Modus
oben	passiv
unten	aktiv

Benennung **Pre-Amp Schaltung mit "Umgehung"**

Umbauten & Eigenbauten

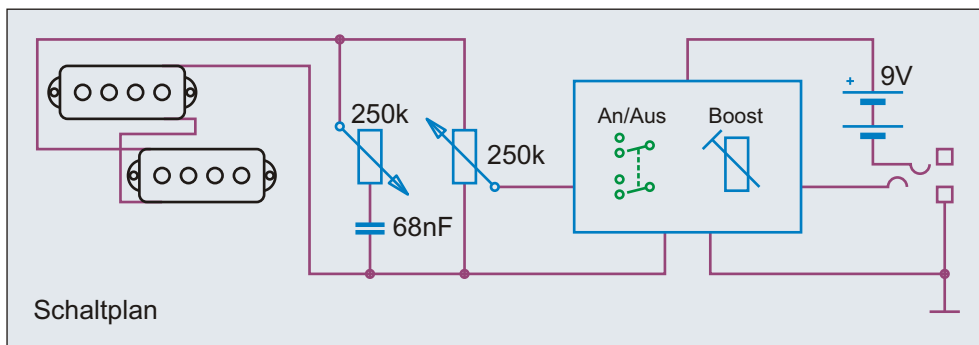
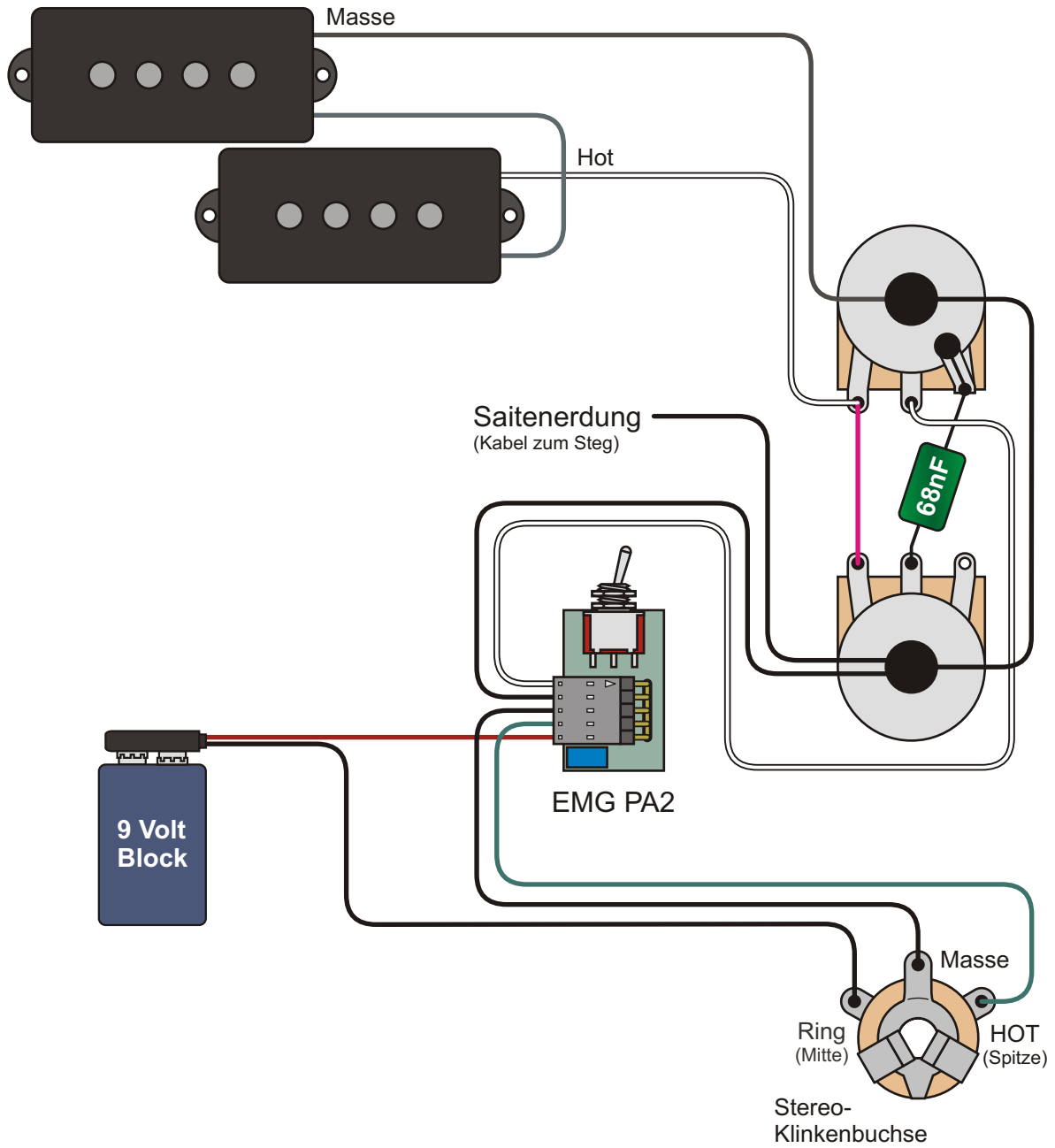
Nummer 2.8.101

Bemerkungen / Besonderheiten

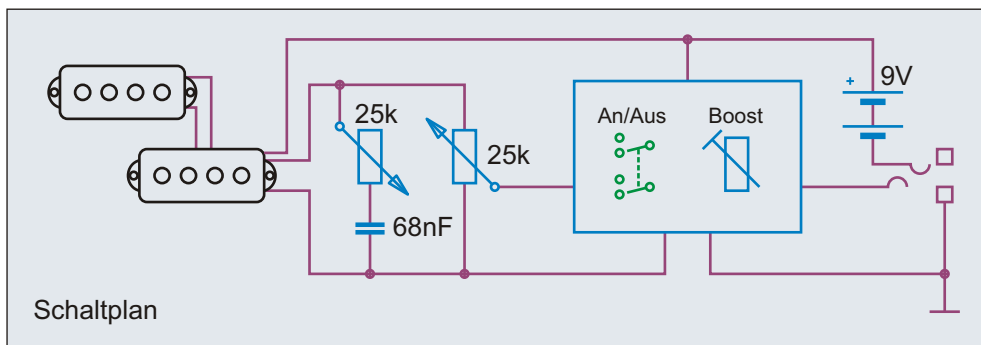
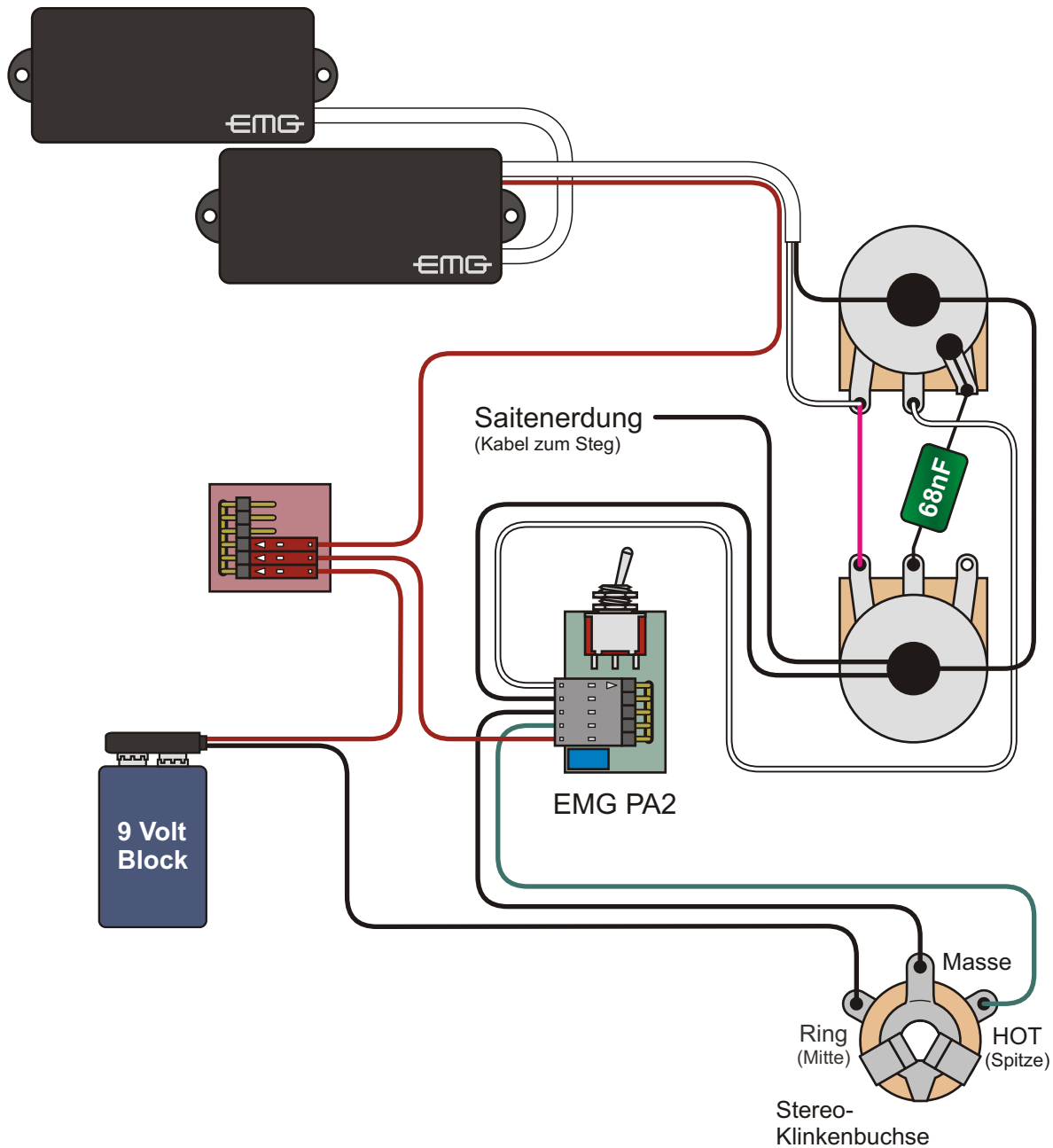
gezeichnet von
Cadfael

gezeichnet am
02.09.17

Seite
431



Benennung <h1>Passive Schaltung mit EMG PA2</h1>	Umbauten & Eigenbauten	Nummer 2.8.201
Bemerkungen / Besonderheiten	gezeichnet von Cadfael	gezeichnet am 02.09.17
		Seite 432



Benennung **Aktive Schaltung mit EMG PA2**

Umbauten & Eigenbauten

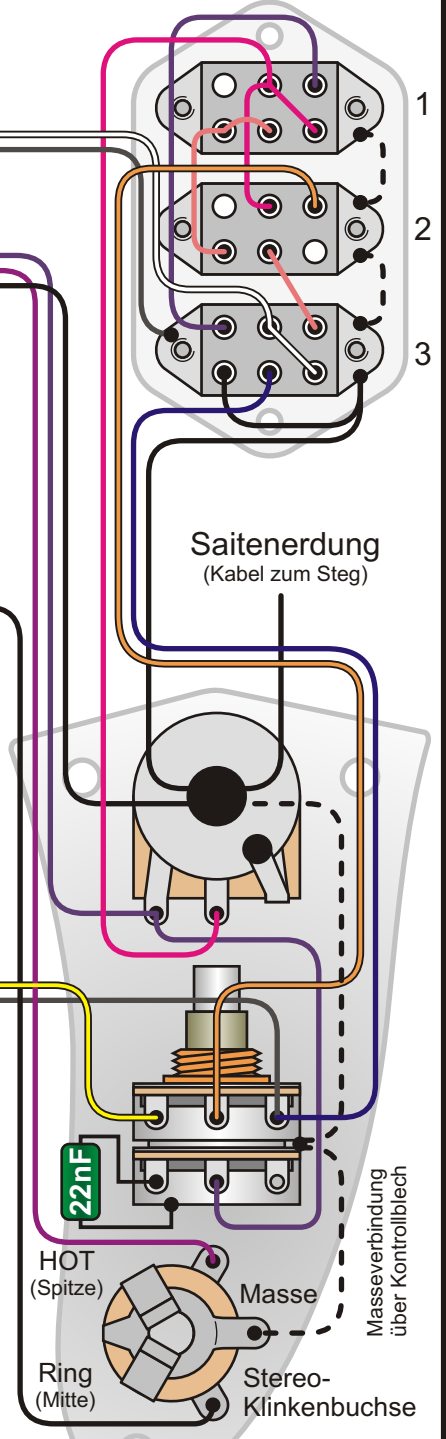
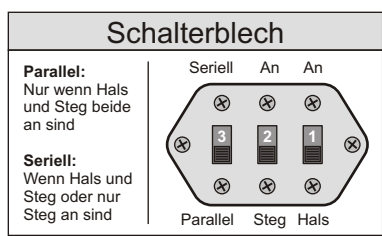
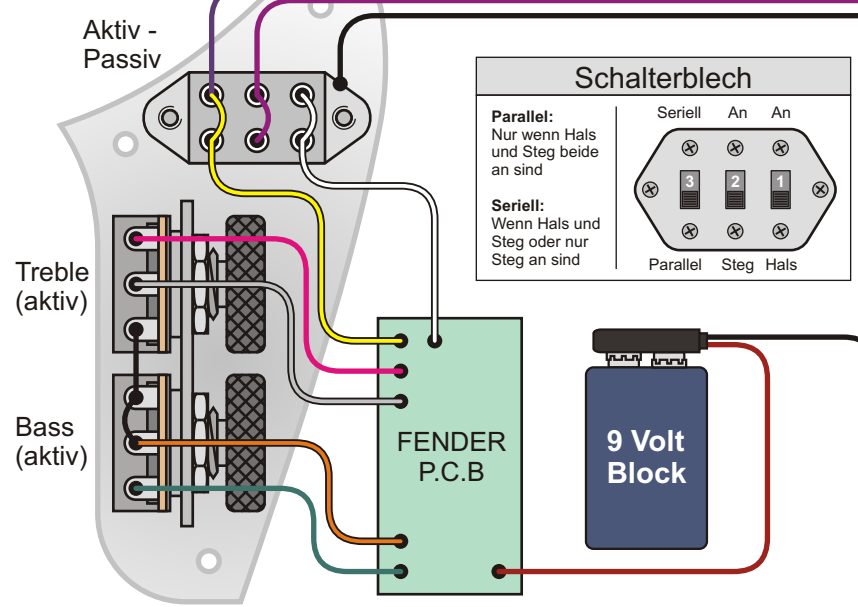
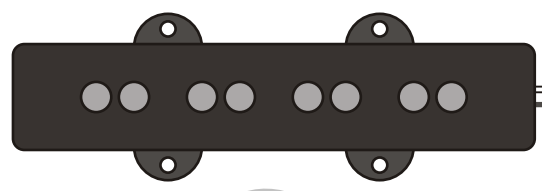
Nummer 2.8.221

Bemerkungen / Besonderheiten

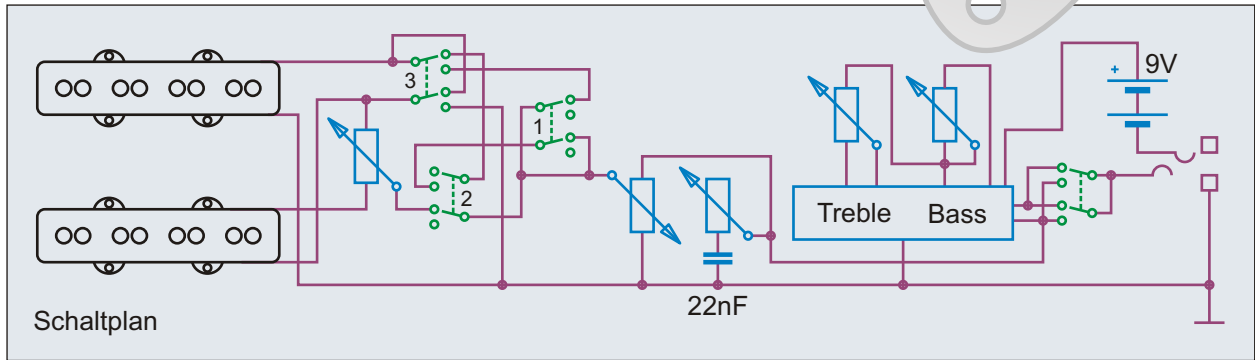
gezeichnet von
Cadfael

gezeichnet am
02.09.17

Seite
433

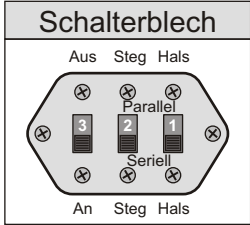
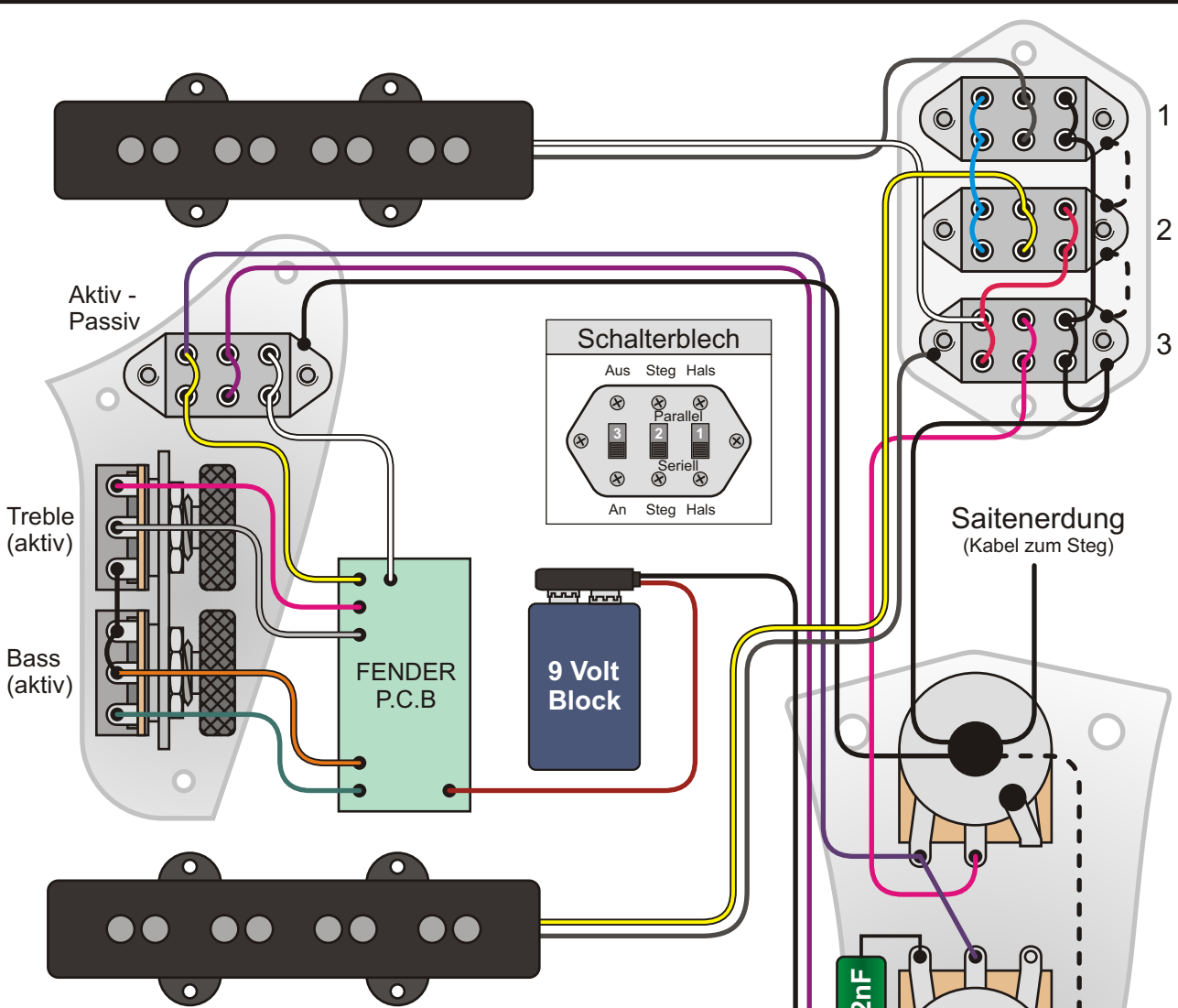


Schalter	Pickups	Schalter	Pickups
	aus		aus
	Neck		Neck
	Bridge		Neck + Bridge ser.
	Neck + Bridge par.		Neck + Bridge ser.

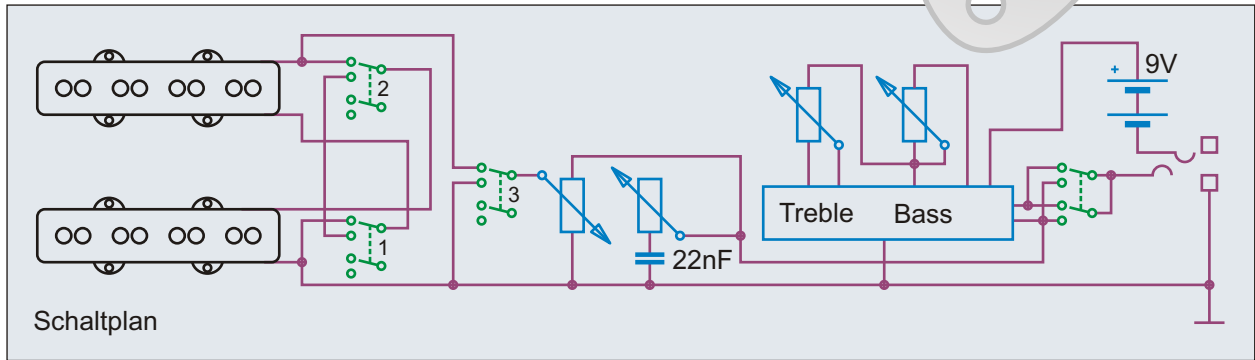
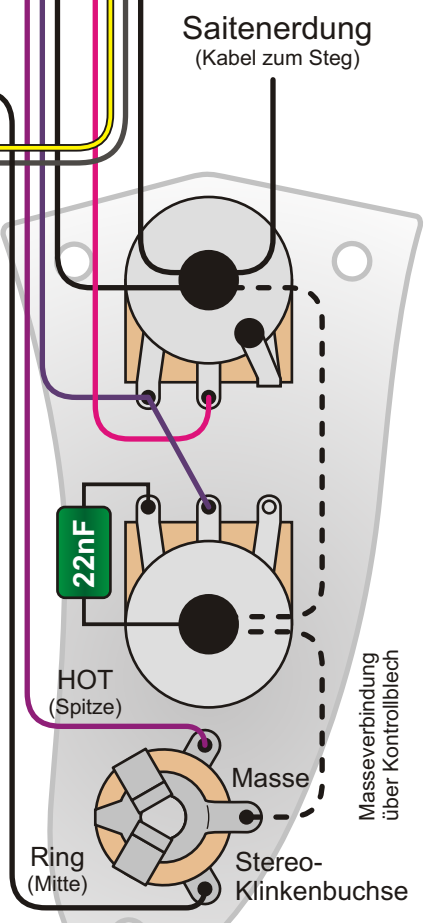


Benennung Fender® Jaguar Bass®		Umbauten & Eigenbauten	Nummer 2.8.551
Bemerkungen / Besonderheiten mit Master Volume und regelbarem Steg-Pickup		gezeichnet von Cadfael	gezeichnet am 02.09.17
			Seite 434

Idee, Recherche, Autor, Zeichnungen, Grafiken, Diagramme, Layout und Design: Andreas "Cadfael" Kühn - Nutzung ausschließlich zu privaten, nicht kommerziellen Zwecken und auf eigene Gefahr! Alle Angaben ohne Gewähr, Irrtümer vorbehalten!

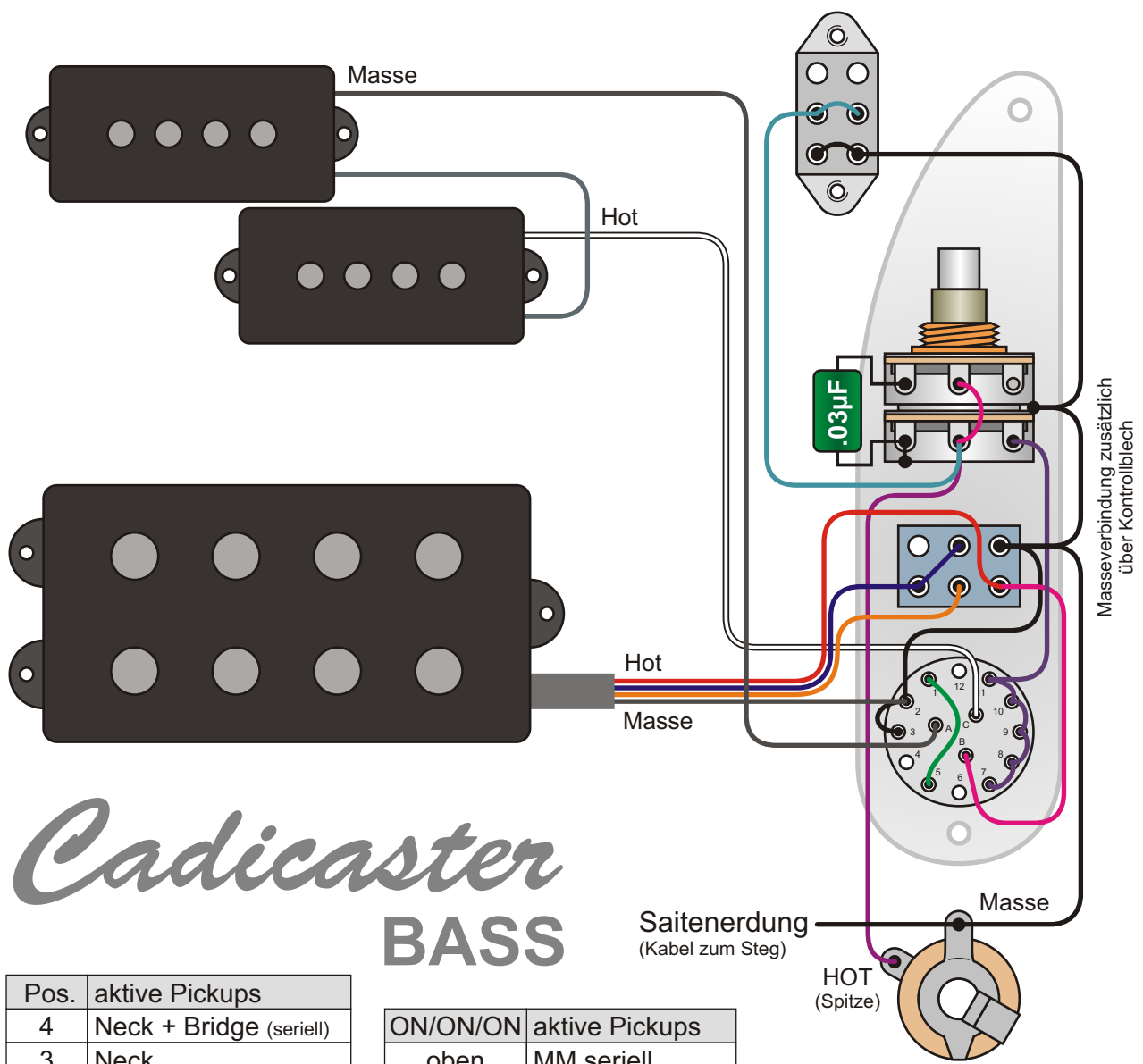


Schalter	Pickups	Schalter	Pickups
	aus		Neck + Bridge seriell
	aus		Neck
	aus		Bridge
	aus		Neck + Bridge parallel



Benennung Fender® Jaguar Bass®		Umbauten & Eigenbauten	Nummer 2.8.552	
Bemerkungen / Besonderheiten andere Schalterbelegung		gezeichnet von Cadfael	gezeichnet am 02.09.17	Seite 435

Idee, Recherche, Autor, Zeichnungen, Grafiken, Diagramme, Layout und Design: Andreas "Cadfael" Kühn - Nutzung ausschließlich zu privaten, nicht kommerziellen Zwecken und auf eigene Gefahr! Alle Angaben ohne Gewähr, Irrtümer vorbehalten!



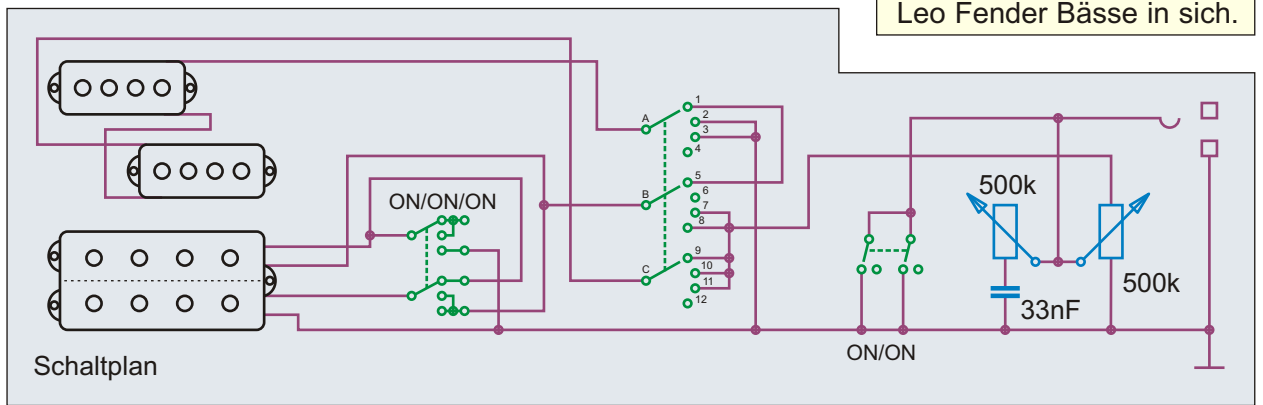
Cadicaster BASS

Pos.	aktive Pickups
4	Neck + Bridge (seriell)
3	Neck
2	Neck + Bridge (parallel)
1	Bridge

ON/ON/ON	aktive Pickups
oben	MM seriell
mittig	M2
unten	MM parallel

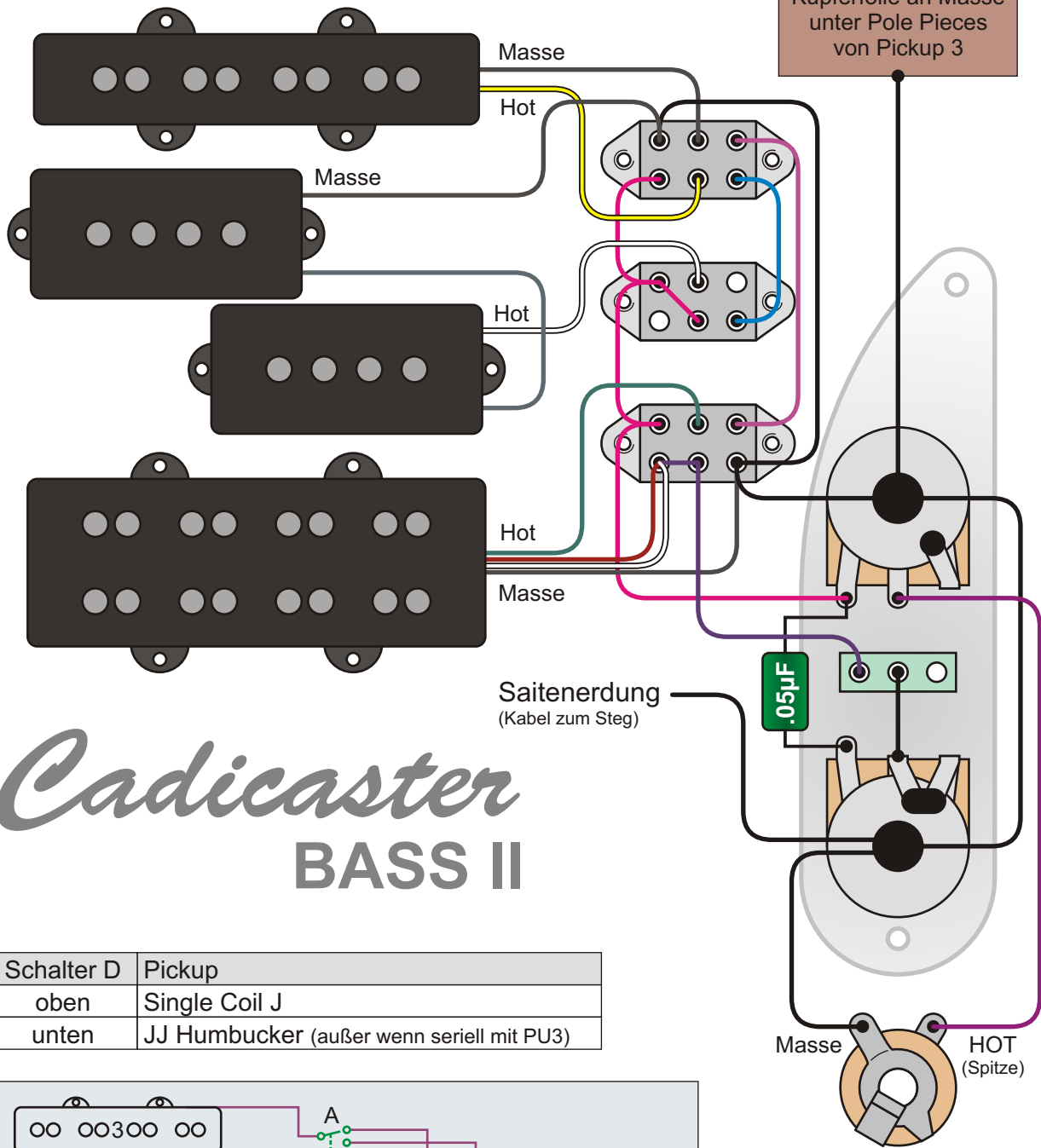
Schiebeschalter / Mute (An/Aus)

Vielleicht werde ich mir den Cadicaster Bass eines Tages bauen lassen. Er vereinigt die Komponenten mehrerer großer Leo Fender Bässe in sich.



Benennung	Cadicaster Bass PM	Umbauten & Eigenbauten	Nummer	2.9.621
Bemerkungen / Besonderheiten	Master Volume ´ + Tone, Drehschalter zur Pickupwahl, Mini Sw., Mains	gezeichnet von	gezeichnet am	Seite
		Cadfael	02.09.17	436

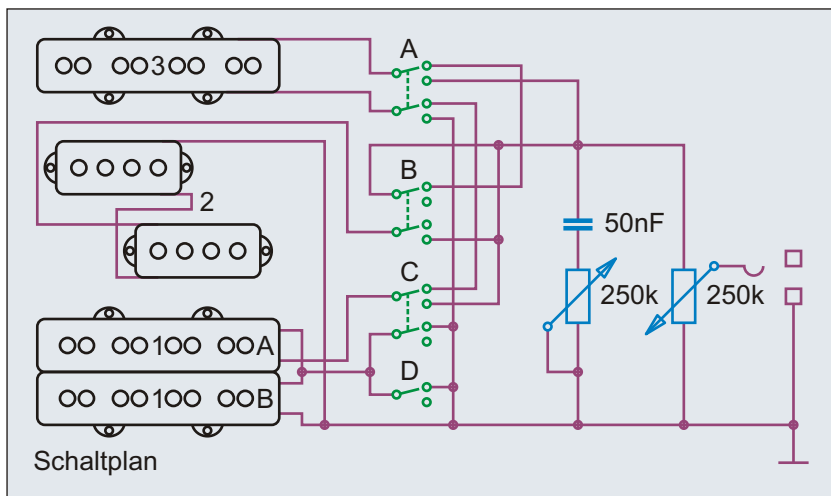
Idee, Recherche, Autor, Zeichnungen, Grafiken, Diagramme, Layout und Design: Andreas "Cadfael" Kühn - Nutzung ausschließlich zu privaten, nicht kommerziellen Zwecken und auf eigene Gefahr! Alle Angaben ohne Gewähr, Irrtümer vorbehalten!



Cadicafter

BASS II

Schalter D	Pickup
oben	Single Coil J
unten	JJ Humbucker (außer wenn seriell mit PU3)



Schalter			Pickups
A	B	C	
o	o	o	1A&3 (seriell)
u	u	u	1*+2+3 (parallel)
u	o	o	3
o	u	o	2
o	o	u	1*
u	u	o	2+3 (parallel)
o	u	u	1*+2 (parallel)
u	o	u	1*+3 (parallel)

o=oben / u=unten / *=abhängig Schalter D

Benennung **Cadicafter Bass JPJJ**

Umbauten & Eigenbauten

Nummer 2.9.641

Bemerkungen / Besonderheiten

Pickup-Wahl über drei Schalter, Master Volume, Master Tone

gezeichnet von Cadfael

gezeichnet am 02.09.17

Seite 437

3 Theorie / Do it Yourself

In diesem Kapitel werden Aufbau und Funktionsweise von Pickups und Bauteilen für passive Schaltungen näher beleuchtet. Zudem werden einige "prinzipielle Schaltungen" erklärt, damit man sich eigene Schaltungen wie nach dem Baukastenprinzip selbst zusammenstricken kann.

Lötarbeiten an den Anschlusskabeln der Pickups oder Bauteilen in passive Schaltungen sind recht einfach und auch von Einsteigern zu bewältigen. Vielleicht wird der ein oder andere Anfänger eine "kalte Lötstelle" produzieren; aber das ist nicht tragisch. Mit etwas gesundem Menschenverstand ist diese Arbeit auf jeden Fall für die Bauteile und sich selbst relativ ungefährlich.

Der LötKolben sollte lediglich nicht zu stark überdimensioniert sein. Warnen muss man einzig vor Arbeiten direkt an den Spulenkörpern der Pickups. Die Spulendrähte sind hauchdünn und nur schwer wieder anzulöten, wenn sie einmal ab sind. Daher rate ich Anfängern dringend davon ab, direkt an den Pickups zu arbeiten.

Das Kürzen von Anschlusskabeln sollte bei Pickups immer nur die letzte Alternative sein. Man weiß nie, ob das Anschlusskabel des Pickups nicht doch irgendwann für irgendwas länger sein muss - und verlängern ist oft schwierig.

ACHTUNG!

Lötarbeiten direkt an den Spulenkörpern bzw. -drähten sind gefährlich und können zum Totalausfall bzw. Verlust des Pickups führen! Für Arbeiten direkt an den Spulenkörpern ist viel Erfahrung, Geschick, eine ruhige Hand und auch Nervenstärke notwendig! Solche Arbeiten sollten nur geübte Leute ausführen!

Anfänger

sollten sich vielleicht nicht direkt an die kompliziertesten Schaltungen wagen, bei denen man leicht den Überblick im Kabelgewirr verliert. Eine spätere Fehlersuche kann gerade für Ungeübte viele Stunden dauern!

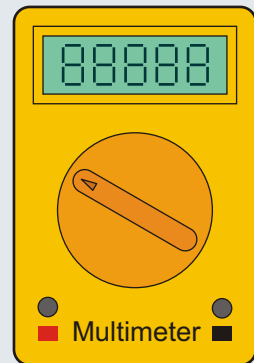
Ich rate auch dazu, jeden Schalter vor der Montage mit einem Multimeter durchzumessen. Manche Schalter arbeiten spiegelverkehrt zur Stellung des Schalthebels. Bestenfalls sind nur die Funktionen vertauscht; gerade bei Drehschaltern kann aber auch die ganze Schaltung nicht funktionieren ...

Benötigtes Werkzeug

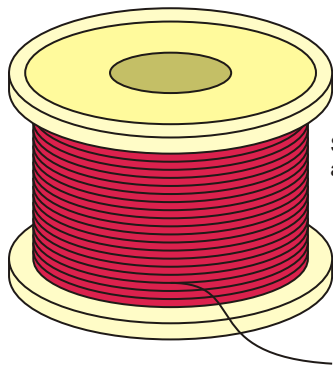
Zum Schluss der Einführung noch einen kurzen Blick auf das benötigte Werkzeug. Nicht nur Bastlern sei ein Digital-Multimeter empfohlen. Man bekommt es bereits für unter 10 Euro. So ein Multimeter kann auch Nicht-Bastlern helfen Verbindungskabel zu überprüfen, die Impedanz von Boxen oder der Tonabnehmer eines Instruments zu messen. Mindestens ein Mitglied der Band sollte immer ein Multimeter bei einem Gig dabei haben.

Ein 30 Watt LötKolben ist ab 5 Euro, eine einfache Lötstation (mit regelbarer Temperatur) bereits ab 15 Euro erhältlich. Zudem braucht man noch Lötzinn, einen Seitenschneider und eine Abisolierzange.

"Litze" (= Kabel) bekommt man auch preiswert im Modellbaugeschäft - oder man zerpfückt ein kaputtes Radio. Was noch fehlt sind Maulschlüssel um Muttern zu lösen / festzuziehen.



Benennung	Theorie / Do it Yourself	Theorie / Do It Yourself	Nummer	3
Bemerkungen / Besonderheiten		gezeichnet von Cadfael	gezeichnet am 02.09.17	Seite 438



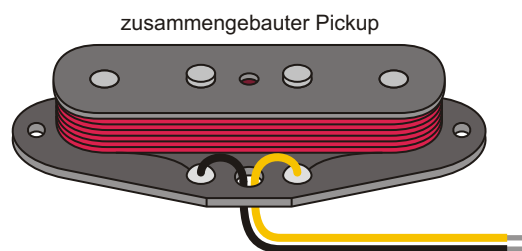
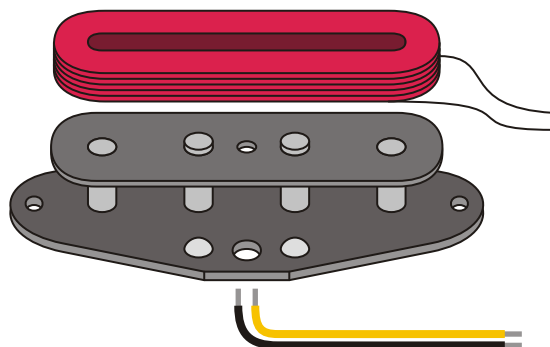
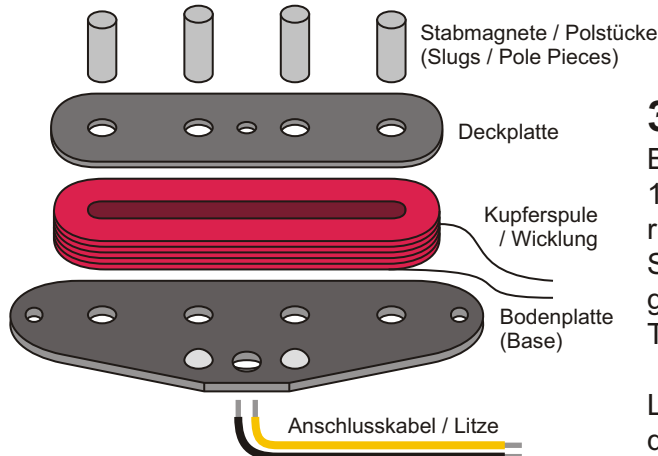
Spulendraht auf Rolle



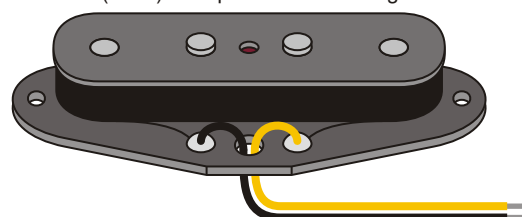
Stabmagnet

3.1 Tonabnehmer / Pickups

Das erste serienmäßig hergestellte Saiteninstrument mit Tonabnehmer wurde 1931 von Adolph Rickenbacker in Zusammenarbeit mit George Beauchamp und Paul Barth entwickelt. Dabei handelte es sich um die "Frying Pan" Gitarre, die zur Verstärkung mit zwei Hufeisenmagneten und einer Kupferspule ausgestattet war. Bis zum ersten serienmäßig hergestellten E-Bass, und damit zum ersten serienmäßig verbauten E-Bass-Pickup, sollten noch genau 20 Jahre vergehen ...



zusammengebauter Pickup
fertiger Precision 51 Pickup (1955) mit Spulenummantelung



3.1.1 Single Coil Pickups

Bereits vor dem Fender Precision Bass von 1951 wurden Bässe mit Tonabnehmern ausgerüstet. Da der Precision 1951 jedoch als erster Serien-E-Bass angesehen werden muss, beginnt mit ihm auch die Geschichte der Bass Tonabnehmer.

Leo Fenders Vorbild für den Precision Pickup dürften die Tonabnehmer seiner Broadcaster / Esquire / Telecaster Gitarre von 1950 gewesen sein. Einfach, aber sehr erfolgreich.

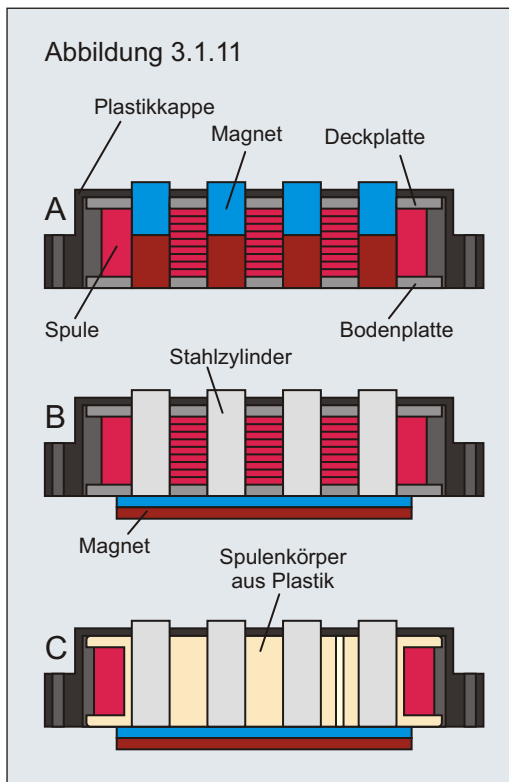
Es gibt eine Boden- und eine Deckplatte, die durch die 4 Magnete verbunden sind. Um die Magnete wird ein dünner lackierter Kupferdraht gewickelt. Die Lackierung ist wichtig, damit es keinen Kurzschluss in der Spulenwicklung gibt. Zum Schutz gegen Beschädigungen wurde die Spule anfangs mit Baumwollgarn, später mit Gewebband bzw. Isolierband umwickelt.

Auf der Boden- oder Grundplatte befinden sich zwei Lötunkte, an welche die Enden der Spule angelötet werden. Dort werden auch die Litzen angelötet, die dann in das Elektrikfach führen. Links und rechts sind noch Bohrungen für die Befestigungsschrauben des Tonabnehmers.

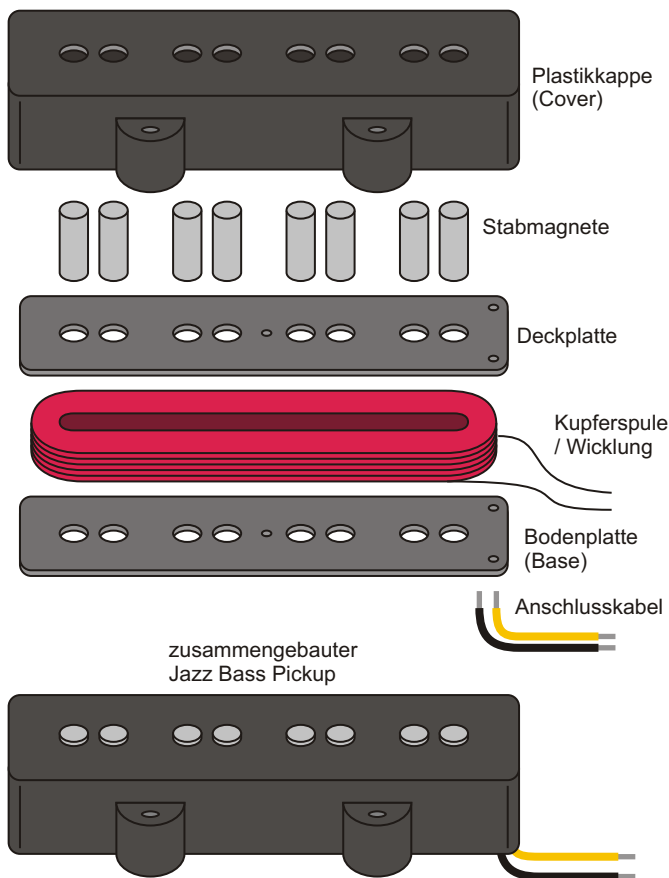
Wie der Name "Single Coil" Pickup besagt, handelt es sich um einen Tonabnehmer mit einer einzigen Spule. Heutzutage wird der Begriff "SingleCoil" allerdings manchmal auch für die Bauform / Baugröße eingesetzt.

Benennung	Tonabnehmer / Pickups		Theorie / Do It Yourself	Nummer
Bemerkungen / Besonderheiten	Der erste Pickup, der erste Single Coil		gezeichnet von Cadfael	gezeichnet am 02.09.17
				Seite 439

Abbildung 3.1.11



Wie im Diagramm links zu sehen ist, gibt es mehrere Möglichkeiten einen Single Coil Pickup aufzubauen. **Beispiel A** zeigt die klassische Methode des Precision Bass Pickups mit vier Dauermagneten, die in Boden- und Deckplatte stecken. Der Spulendraht ist direkt um die Magnete gewickelt. In **Beispiel B** werden keine Einzelmagnete verwendet. Hier sitzt ein einziger Magnet unter dem Tonabnehmer. Der Magnet wirkt auf vier Stahlzylinder (oder andere magnetisierbare Materialien). Eine Magnetleiste plus vier simple Stahlzylinder sind einfacher herzustellen, wodurch ein so aufgebauter Tonabnehmer kostengünstiger herzustellen ist. In **Beispiel C** wird zusätzlich ein Spulenkörper aus Plastik eingesetzt. Der Spulendraht wird um diesen Plastikkörper gewickelt. Danach werden die Stahlzylinder durch Löcher im Spulenkörper gedrückt. Diese Methode stellt erneut eine Vereinfachung und damit Verbilligung der Produktion dar. Puristen und Soundfetischisten schwören zwar auf die erste Methode, entscheidend ist aber eigentlich am Ende nur der Sound des Tonabnehmers.



Auch bei den **Jazz Bass Pickups** von 1960 handelt es sich um Single Coil Pickups. Sie sind im Grunde genauso aufgebaut wie die Pickups des Ur-Precision Bass. Einziger Unterschied ist, dass die Saiten nicht mehr über den Magneten laufen, sondern zwischen vier Magnetpaaren. Beim Jazz Bass Original haben die beiden Pickups an Hals und Brücke übrigens unterschiedliche Breiten! Vor dem Austausch gegen andere Pickups sollte man daher unbedingt das Ist-Maß der Pickups überprüfen!

Dass die Saiten genau über den Magneten bzw. zwischen den Magnetpaaren laufen müssen ist ein weit verbreiteter Irrglaube. Die Abweichung darf ruhig einige Millimeter betragen. Wichtig ist auch hier einzig, dass am Ende der Klang stimmt und die Saiten ausgewogen klingen. Ursache für unterschiedliche Lautstärken zwischen den einzelnen Saiten können oft ganz andere Gründe sein.

Benennung **Single Coil Pickups**

Theorie /
Do It Yourself

Nummer
3.1.1

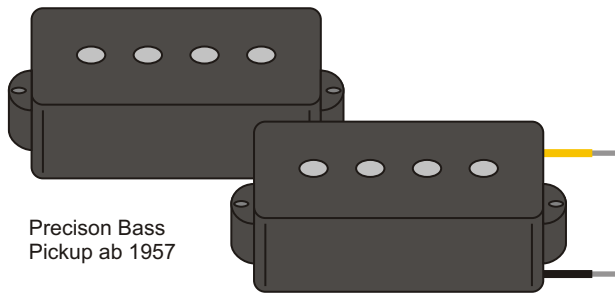
Bemerkungen / Besonderheiten

Tonabnehmer, Single Coil Pickups

gezeichnet von
Cadfael

gezeichnet am
02.09.17

Seite
440



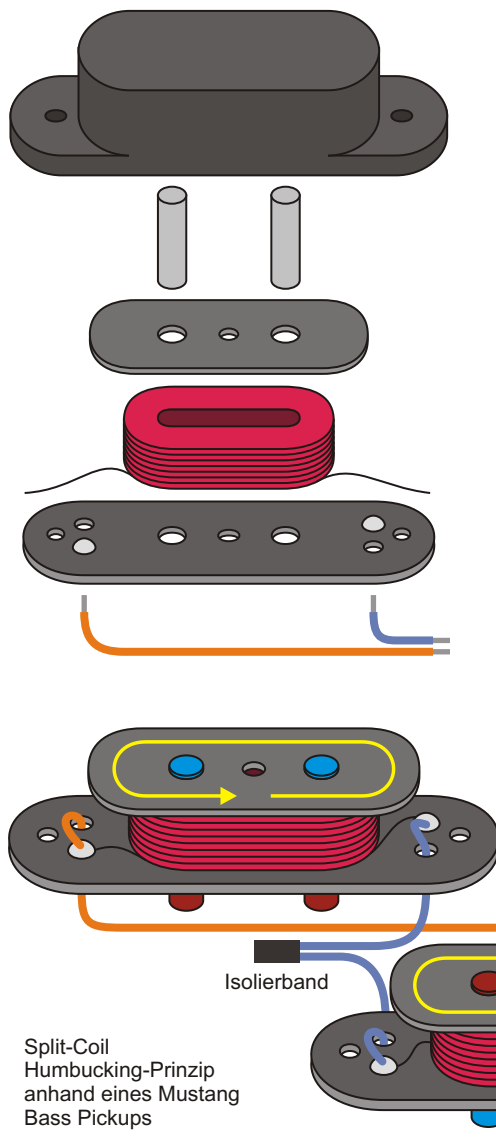
Precision Bass Pickup ab 1957

3.1.2 Humbucker

Der Ausdruck "Humbucker" kommt aus dem Englischen bzw. Amerikanischen und setzt sich aus den Wörtern "hum" (brummen) und "buck" (sträuben, unterdrücken) zusammen. Der erste Gitarren-Humbucker wurde Mitte der 1950er Jahre bei der Firma Gibson entwickelt. Auf ihr Prinzip der "Brummunterdrückung" beantragte Gibson ein Patent (Patent Applied For).

Da Leo Fender offenkundig sowohl geizig als auch erfinderisch war, suchte er einen Weg das von Gibson eingereichte Patent zum Humbucker zu umgehen. Zwar überzeugten ihn die Vorteile des Humbucking-Effekts, er wollte aber anscheinend keine Patentgebühren an seinen Konkurrenten zahlen.

Im Jahr 1957 kam eine stark überarbeitete zweite Version von Fenders Precision Bass auf den Markt. Obwohl der Bass eine andere Kopfplatte, Brücke und Saitenhalterung hatte, behielt man den Namen Precision Bass bei. Wichtigster Unterschied zur Ur-Version war jedoch der Pickup mit seinem Split-Coil Humbucking-Prinzip.



3.1.21 Humbucking-Prinzip

Um bei einem Tonabnehmer Brummunterdrückung zu erreichen braucht man eine gerade Anzahl von Spulen. Das können zwei, es können aber zum Beispiel auch vier Spulen sein.

Wichtig ist, dass Spulenpaare **entgegengesetzt gewickelt** sind (**Reverse Wound**). Es reicht nicht aus, Ein- und Ausgang der Spule zu vertauschen.

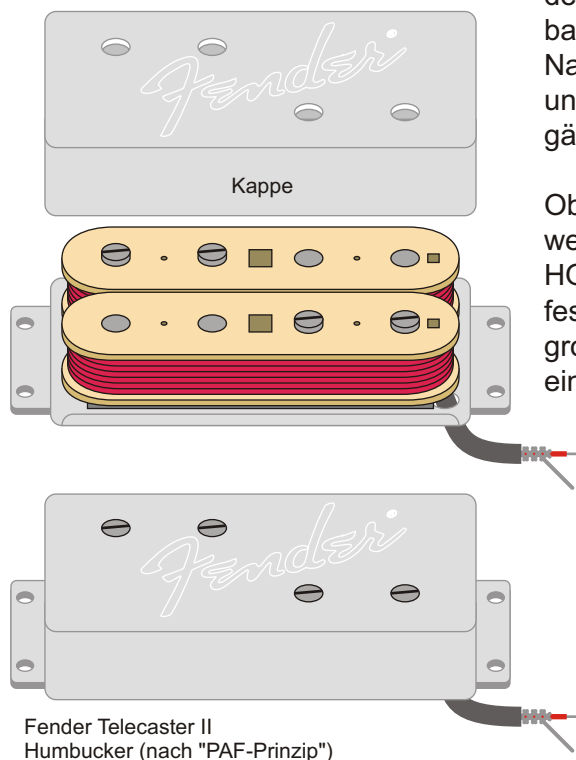
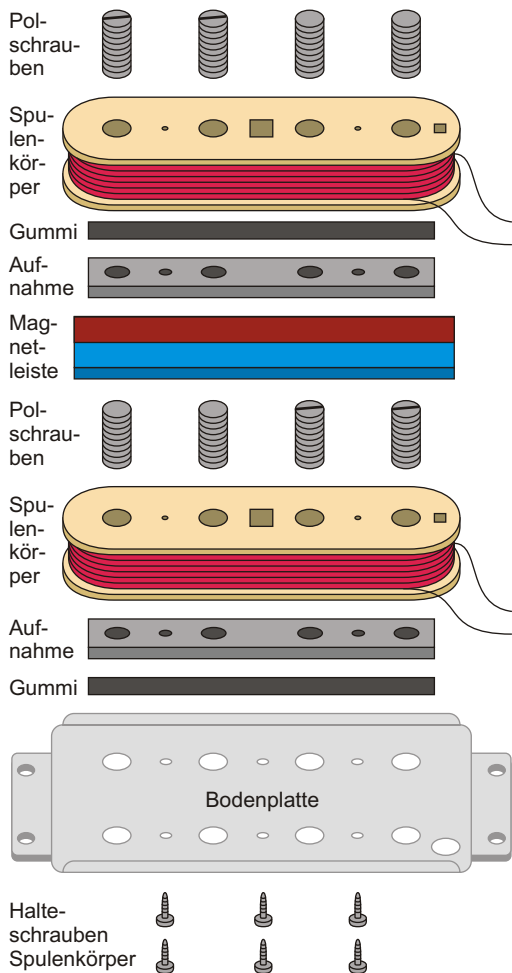
Zudem müssen zur Erreichung eines Humbucking-Effekts die Magnete / Magnetkörper **entgegengesetzt gepolt** sein. (**Reverse Poles**)

Weisen bei einem Tonabnehmer mit zwei Spulen auf beiden Seiten die Nordpole (oder die Südpole) nach oben, erreicht man damit keinen Brummunterdrückungseffekt. Auf einer Seite muss ein Nordpol, auf der anderen Seite ein Südpol sein.

Es gibt durchaus mehrere Methoden diesen Effekt zu erreichen - und so kam Leo Fender auf die Idee seine eigene Humbucker-Schaltung aufzubauen, die nicht genau dem Prinzip des Gibson "PAF" Tonabnehmers entsprach. Doch in Kapitel 3.1.24 mehr dazu.

RW/RP

Benennung	Humbucker - Humbucking Prinzip		Theorie / Do It Yourself	Nummer 3.1.2
Bemerkungen / Besonderheiten	Tonabnehmer, Humbucker, Humbucking-Prinzip, Split Coil Pickups		gezeichnet von Cadfael	gezeichnet am 02.09.17 Seite 441



3.1.22 Der klassische Humbucker

Solange Leo Fender Chef bei Fender war, gab es keinen Bass (und keine Gitarre) im Programm, der einen Humbucker nach dem **Gibson "PAF-Prinzip"** hatte. Erst 1972 brachte Fender (nun unter der Leitung des CBS Konzerns) mit dem Telecaster II Bass ein solches Instrument auf den Markt.

Wie beim Gibson "PAF" (Patent Applied For) hat der Humbucker des Telecaster II Basses zwei gegenläufig gewickelte Spulen, die auf Spulenkörpern sitzen. In den Spulenkörpern sind vier größere Löcher, durch welche die acht Polschrauben (Madenschrauben) laufen können. Dabei zeigen pro Spule je zwei Schrauben nach oben und zwei Schrauben nach unten.

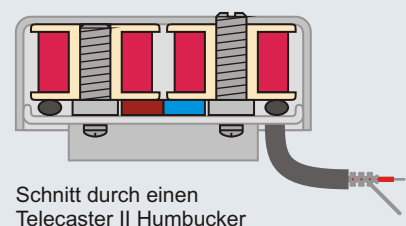
Zwischen den Spulenkörpern und der Bodenplatte befindet sich ein einziger Magnet, dessen Pole seitlich ausgerichtet sind.

Rechts und links vom Magneten sitzt je eine Gewindeleiste, die als Aufnahme für die Polschrauben dient. Zuletzt folgt ein Gummistück, welches das seitliche Wegkippen der Spulenkörper verhindert.

In der Kappe sind zwei Löcher pro Spulenkörper. Hier schauen je zwei Madenschrauben mit ihrer geschlitzten Seite heraus. So kann die Entfernung der Pole Pieces zu den Saiten feinjustiert werden. Bei den Madenschrauben, die nicht von oben aus verstellbar sind, zeigen die Schlitze nach unten. Nach Demontage des Pickguards sind die Schlitze von unten zugänglich, so dass auch die von oben nicht zugänglichen Schrauben eingestellt werden können.

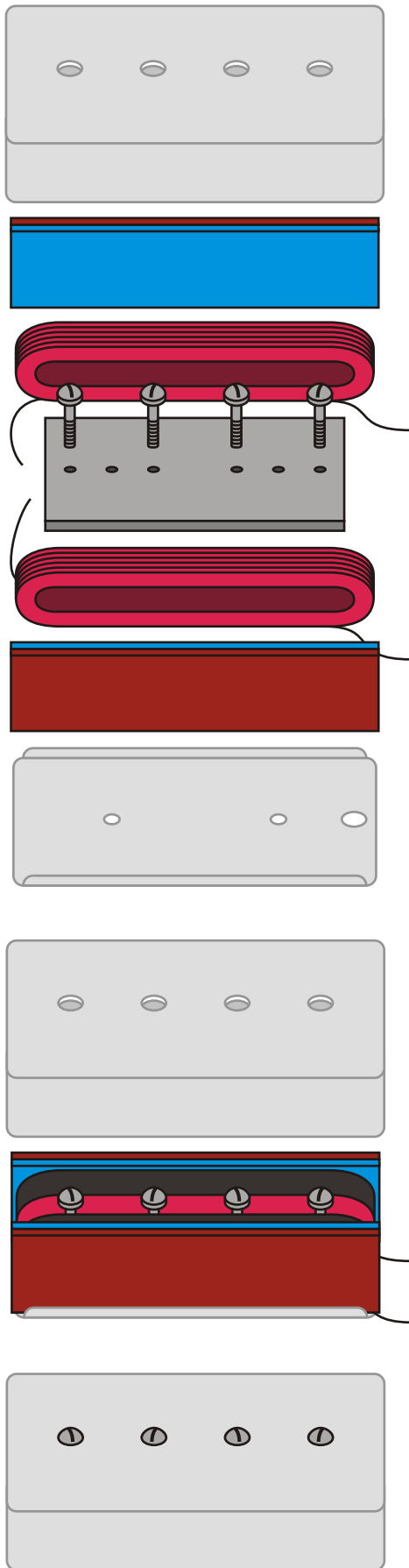
Obwohl der Telecaster II Pickup vier Spulenden hat, werden lediglich Masse (über die Abschirmung) und HOT nach Außen geführt. Da die Kappe des Pickups fest mit dem Bodenblech verlötet ist bedarf es eines großen Aufwands, will man das Originalkabel gegen ein mehradriges Kabel austauschen.

Abbildung 3.1.22



Schnitt durch einen Telecaster II Humbucker

Benennung Pickups	Theorie / Do It Yourself		Nummer 3.1.2
	gezeichnet von Cadfael	gezeichnet am 02.09.17	Seite 442
Bemerkungen / Besonderheiten Der klassische Humbucker und der Fender Humbucker			



3.1.23 Der Sidewinder Humbucker

Neben dem klassischen **Gibson "PAF-Prinzip"** zum Aufbau eines Humbuckers (siehe 3.1.22) entwickelte man weitere Methoden, einen Humbucker aufzubauen.

Wie beim Gibson "PAF" (Patent Applied For) hat der "Sidewinder" ("Seitenwickler") Humbucker unter seinem Gehäuse zwei gegenläufig gewickelte Spulen, die auf Spulenkörpern sitzen. Anders als beim "PAF" oder den "Fender Singlecoils" sind die Spulen jedoch nicht "stehend" auf einer Grundplatte angebracht, sondern in der Längsachse um 90° gedreht.

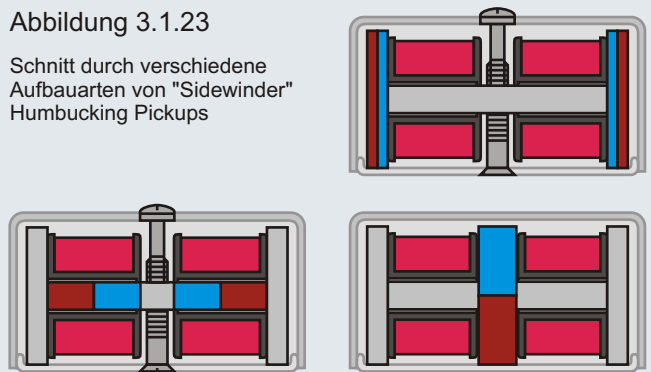
Die Polschrauben oder Pole Pieces gehen auch nicht direkt durch die Spulen, sondern sitzen zwischen den beiden Spulen. Es gibt verschiedene Methoden bei den Sidewinder Pickups wie und wo die Magnete angebracht sind. Sie können an den Außenseiten angebracht sein (Nordpole zeigen zueinander), durch die Spulen gehen oder statt der Pole Pieces in der Mitte angebracht sein (siehe Skizze unten).

Im Beispiel links sitzen vier Polschrauben in einer Metallplatte. Die Spulenkörper werden von beiden Seiten auf diese Metallplatte aufgeschoben. Danach werden von beiden Seiten Magnete so an der Metallplatte angebracht, dass die Pole der Magnete gegeneinander zeigen.

Diesen Aufbau der "Sidewinder" Pickups findet man so - oder leicht abgewandelte - in vielen Gibson Bässen der EB-Serie sowie deren Nachbauten. Im Gibson TB Bass sind zwar auch Sidewinder Pickups installiert, sie sind aber anders aufgebaut. Dort gibt es keine Polschrauben. Statt dessen sitzt der Magnet in der Mitte des Pickups. Am Magnet sind dann seitlich Metallplatten angebracht, auf denen die Spulen sitzen.

Abbildung 3.1.23

Schnitt durch verschiedene Aufbauarten von "Sidewinder" Humbucking Pickups



Benennung **Pickups**

Theorie /
Do It Yourself

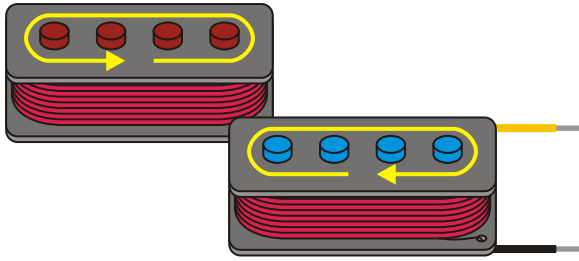
Nummer
3.1.2

Bemerkungen / Besonderheiten
Sidewinder Humbucker

gezeichnet von
Cadfael

gezeichnet am
02.09.17

Seite
443



3.1.24 Split Coil Humbucker

Der erste Split Coil Humbucker, den Fender für seinen Precision Bass von 1957 entwickelte, hatte acht Magnete.

Die vier Saiten des Precision Basses liefen nun nicht mehr über den Pole Pieces, sondern zwischen je einem Paar. Dieses Prinzip übernahm Leo Fender später auch bei der Entwicklung des Jazz Bass Single Coil Pickups.

Während beim oberen Spulenkörper die Südpole der Magnete nach oben zeigen, zeigen beim Körper zur Brücke hin die Nordpole nach oben. Da ein "normaler" Precision Bass jedoch nur einen Split Coil Pickup und keine weiteren Pickups besitzt, ist eigentlich egal in welcher Spule der Nord- bzw. Südpol nach oben zeigt. Wichtig ist nur, dass bei beiden Körpern die Magnete in unterschiedliche Richtungen zeigen. Im Englischen wird dies "**Reversed Poles**" genannt. Der Begriff wird auch mit "**RP**" abgekürzt.

Zudem wurden die Spulen der beiden Einzeltonabnehmer (sozusagen der "Doppelhaushälften") entgegengesetzt gewickelt. Im Englischen benutzt man dafür den Ausdruck "**Reversed Wound**". Der Begriff wird auch mit "**RW**" abgekürzt.

Durch die acht Einzelmagnete und die zwei getrennten Tonabnehmerhälften umging Leo Fender geschickt das Gibson Patent. Beim "PAF" sitzen beide Spulen in einem Gehäuse und werden von einem einzigen Flachmagneten "versorgt".

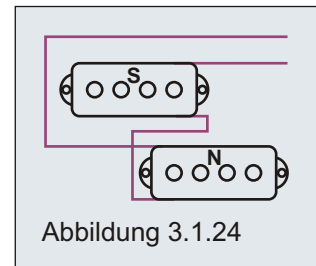
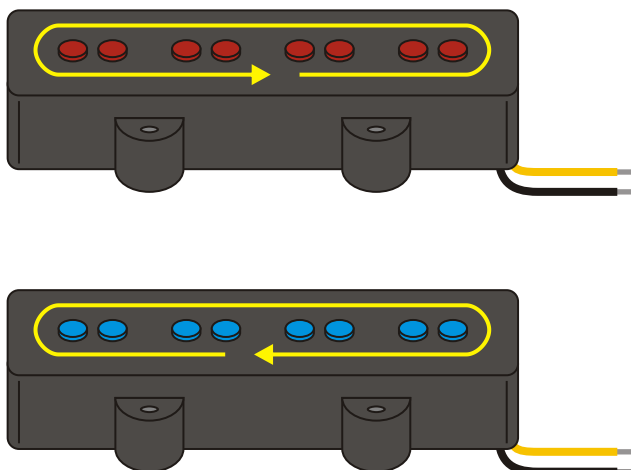


Abbildung 3.1.24

Theoretisch kann man einen Precision Bass (kurz P-Bass) Pickup auch mit parallel geschalteten Spulen Humbucker betreiben. Dies macht aber wenig Sinn. Gegenüber der Reihenschaltung hat die Parallelschaltung nur 1/4 des ohmschen Widerstandes. Dies wirkt sich indirekt auch auf den Output des Tonabnehmers aus. Daher klingt ein P-Pickup mit parallel geschalteten Spulen viel zu dünn und kraftlos.



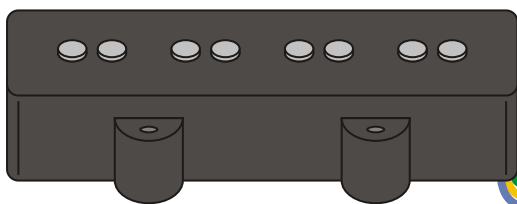
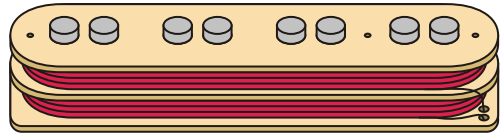
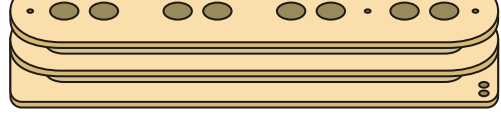
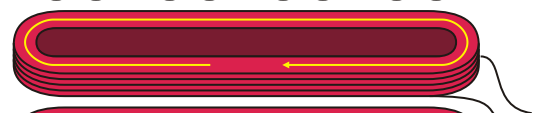
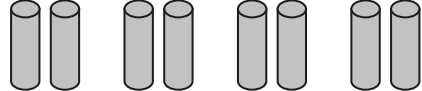
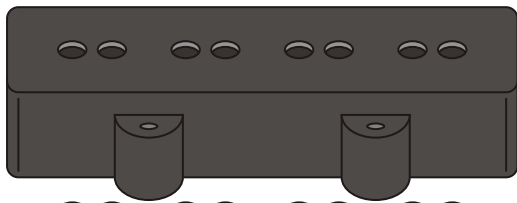
3.1.25 Single Coil Humbucking

Wie bereits in Kapitel 3.1.1 erwähnt gehört der Jazz Bass Pickup zu den Single Coil Tonabnehmern.

Trotzdem kann man zumindest beim Betrieb beider Jazz Bass Pickups zusammen einen Humbucking-Effekt erzielen. Dies gilt zumindest dann, wenn einer der Pickups (wie es dem Standard entspricht) "RP, RW" ist - also mit umgedrehten Magneten und gegenläufig gewickelt.

Mit einem "normalen" PJ Pickup-Set kann man im gemeinsamen Betrieb hingegen keinen Humbucking-Effekt erzielen, da man für Humbucking immer eine gerade Anzahl von Spulen benötigt.

Benennung	Split Coil Humbucker - SC-Humbucking	Theorie / Do It Yourself	Nummer 3.1.2
Bemerkungen / Besonderheiten	Humbucker, Split Coil Pickups, Single Coils als Humbucker	gezeichnet von Cadfael	gezeichnet am 02.09.17 Seite 444



3.1.26 Stacked "Single Coil" Humbucker

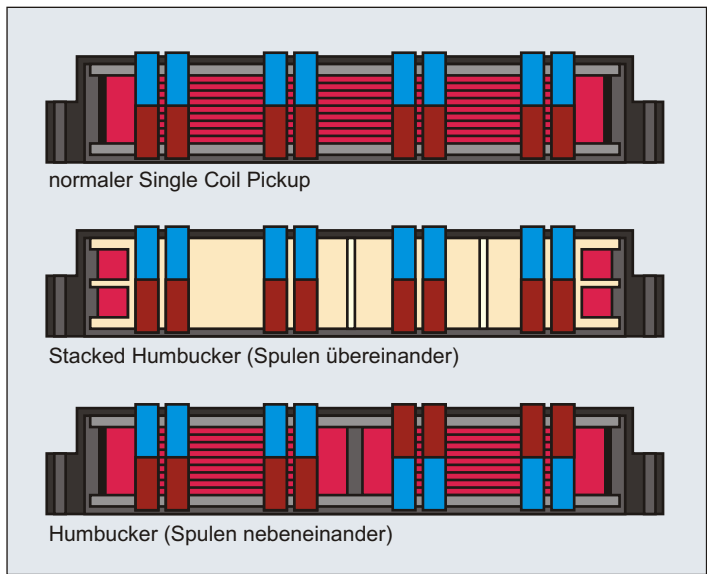
Obwohl der "Stacked Single Coil" ein Humbucker ist, wird er wegen seines Formats "Single Coil" genannt. Das englische Wort "Stack" bedeute soviel wie "Stapel" bzw. "stapeln" - und so befinden sich auch in einem Stacked Pickup zwei gegenläufig gewickelte Spulen übereinander. Auch hier wird ein Humbucking Effekt erzeugt.

Durch die Stapelung der Spulen kann man die identischen Maße wie eventuelle Vorbilder erreichen; lediglich die Höhe des Pickups weicht vielleicht etwas ab. So kann man einen Stacked Single Coil gegen einen original Single Coil austauschen, wenn man Brummgeräusche unterdrücken will.

3.1.27 Weitere "Single Coil" Humbucker

Es gibt noch weitere Bauformen von Humbuckern im Single Coil Format. Die Spulen können zum Beispiel eng um klingenförmige Pole Piece gewickelt sein. So kann man zwei Spulen hintereinander einbauen. Vorteil ist hier, dass beide Spulen gleich nah an den Saiten sitzen und ein fast identisches Signal bekommen.

Es gibt auch Humbucker im Single Coil Format des Jazz Bass, bei denen zwei Spulen (wie im Precision Bass) nebeneinander liegen. Eine Spule nimmt dann die E- und A-Saiten, die andere die D- und G-Saiten ab. Nachteil dieser Humbucker ist, dass man damit keinen Coil Split (eine Spule wird abgeschaltet) machen kann. Zwei Saiten würden dann nicht mehr vernünftig abgenommen werden. Die DiMarzio DP147 und DP148 Jazz Bass Pickups bzw. das DP149er Jazz Bass Set sind zum Beispiel auf diese Weise aufgebaut.



Merke:
Für den Humbucking Effekt braucht man immer eine gerade Spulenzahl!! Entscheidend ist die Summe der gerade aktiven Spulen. Will ich, dass der Hals-Single Coil zusammen mit dem Steg-Humbucker nicht brummt, muss ich am Steg eine Spule des Humbuckers (und zwar die gleichläufig gewickelte) abschalten!

Benennung (Stacked) "Single Coil" Humbucker	Theorie / Do It Yourself	Nummer 3.1.2
Bemerkungen / Besonderheiten Stacked "Single Coil" Humbucker, weitere Humbucker im SC-Format	gezeichnet von Cadfael	gezeichnet am 02.09.17 Seite 445

3.1.3 Anschlüsse von Pickups

Wie in der Tabelle von 3.1.3 zu sehen ist, benutzt jeder Hersteller seine eigene Farbkennung. Bei vielen zweiadrigen Single Coil Pickups ohne Abschirmung hingegen bedeuten die Farben Schwarz Masse und Weiß (oder Gelb) HOT.

Kabelfarben
der Hersteller

Angaben ohne Gewähr!	Spule 2		Spule 1	
	Masse		HOT	
Anderson	Schwarz	Weiß	Rot	Grün
Bartolini	Grün	Weiß	Schwarz	Rot
Benedetto	Grün	Weiß	Rot	Schwarz
Delano	Braun	Weiß	Grün	Gelb
DiMarzio	Grün	Weiß	Rot	Schwarz
Duesenberg	Grün	Rot	Schwarz	Weiß
EMG	Rot	Schwarz	Grün	Weiß
Fender	Rot	Schwarz	Grün	Weiß
Gibson	Schwarz	Grün	Rot	Weiß
Gotoh	Schwarz	Grün	Weiß	Rot
Häussel	Schwarz	Weiß	Rot	Grün
Jackson	Schwarz	Rot	Grün	Weiß
Kent Armstrong	Grün	Weiß	Rot / Rosa	Schwarz/Blau
Lawrence	Schwarz	Grün	Rot	Weiß
Peavey	Schwarz	Weiß	Rot	Grün
(MM-Pickup) Rockinger	Gelb (Schwarz)	Braun (Weiß)	Grün (Grün)	Weiß (Rot)
Schaller	Grün	Weiß	Gelb	Braun
Seymour Duncan	Grün	Rot	Schwarz	Weiß
SGD Lutherie	Grün	Weiß	Rot	Schwarz
Shadow	Gelb	Braun	Grün	Weiß
WD	Grün	Weiß	Rot / Rosa	Schwarz/Blau

↑ verbinden zum Standard-Humbucker ↑

Tabelle 3.1.3

Benennung	Anschlüsse von Pickups	Theorie / Do It Yourself	Nummer	3.1.3
Bemerkungen / Besonderheiten	Anschlussfarben von Herstellern	gezeichnet von	gezeichnet am	Seite
		Cadfael	02.09.17	446

3.1.31 Anschlusskabel von Pickups

Die meisten Single Coil Pickup haben lediglich zwei separate Litzen (Abb. 3.1.31a). Obwohl es gerade bei Single Coils notwendig wäre, verfügen die Pickups über keine Abschirmung die gegen Masse gelegt ist. Das gilt gerade für Fender Pickups (sowie deren Nachbauten).

Einige Single Coil Pickups haben ein Anschlusskabel mit Abschirmgeflecht. Oft läuft dann die Masseverbindung mit über die Abschirmung (Abb. 3.1.31b). MP1 ist also intern mit dem Geflecht verbunden und hat kein eigenes Kabel.

Es gibt auch Humbucker bei denen die serielle Verbindung der beiden Pickup Spulen (MP1 + HP2) ausschließlich intern geschieht. Ein Spulenende (MP2) ist auch hier mit der Abschirmung verbunden (Abb. 3.1.31c).

Single Coils mit separater Masse und Abschirmleitung sind sehr selten. Es gibt aber einige Humbucker, die über HOT Leitung, Masseleitung und separate Abschirmung verfügen (3.1.31d). Das ist besonders dann wertvoll, wenn ein Pickup Out-Of-Phase betrieben werden soll (also Ein- und Ausgang vertauscht). Mit separater Spulen-Masse bleibt die Abschirmung erhalten.

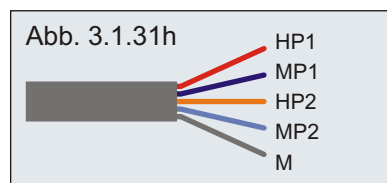
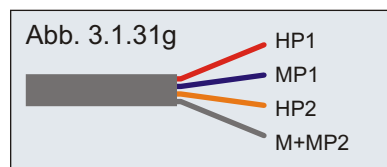
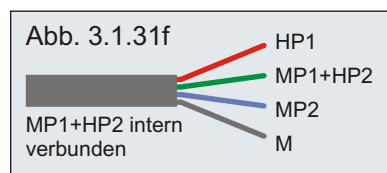
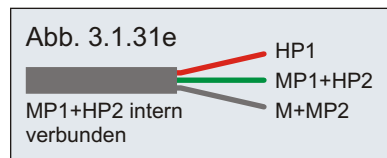
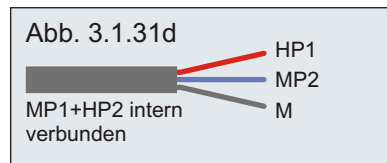
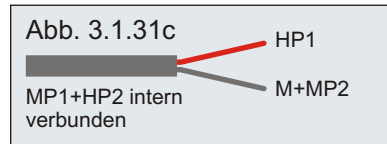
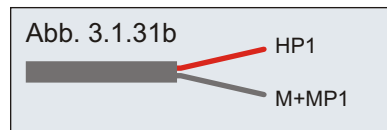
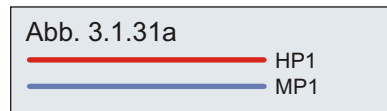
Kabel mit Abschirmung und zwei Litzen können aber auch ganz anders belegt sein. In Abbildung 3.1.31e ist ein Kabel zu sehen, bei dem die Masseleitung MP2 mit der Abschirmung verbunden ist. Die eine Litze ist die HOT-Leitung, die andere Leitung ist die Spulenzapfung, mit der man den Humbucker z.B. auf Single Coil schalten kann.

Auch in Abbildung 3.1.31f ist ein Kabel mit Spulenzapfung zu sehen. Allerdings verfügt dieses Kabel über eine eigene Masseleitung (MP2).

Das Kabel in Abbildung 3.1.31g hat zwar ebenfalls 4 Adern, hier sind Masse (MP2) und Abschirmung aber wieder zusammen. Stattdessen sind die Enden MP1 und HP2 nicht intern verbunden und nur als Spulenzapfung nach draußen geführt, sondern beide Kabel werden nach draußen geführt.

Hat man ein Kabel mit vier Adern plus Masse (Abb. 3.1.31h), stehen einem alle Verkabelungsvarianten offen.

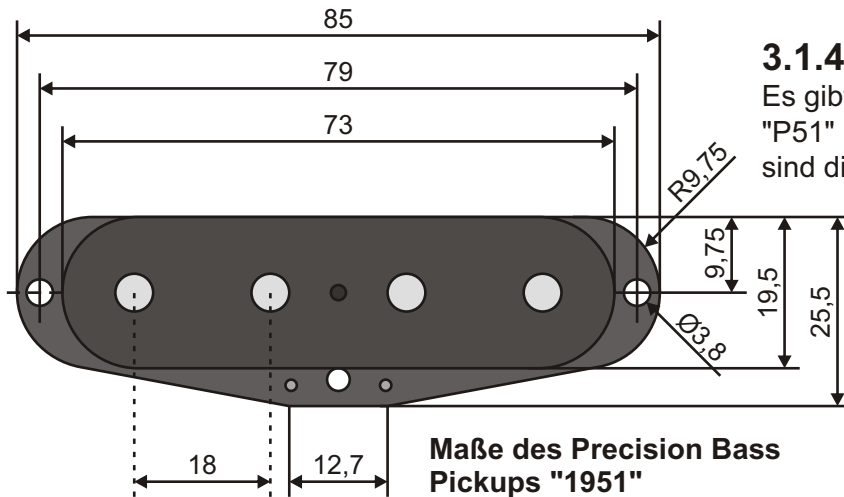
Will man den Pickup als normalen seriellen Humbucker schalten, verbindet man MP1 mit HP2. HP1 kommt an HOT, MP2 kommt an Masse. Für einen parallelen Humbucker kommen MP1 und MP2 an Masse, HP1 und HP2 kommen an HOT.



Benennung	Anschlüsse von Pickups		Theorie / Do It Yourself	Nummer 3.1.3
	Bemerkungen / Besonderheiten		gezeichnet von Cadfael	gezeichnet am 02.09.17
verschiedene Anschlusskabel				Seite 447

3.1.4 Maße von Pickups

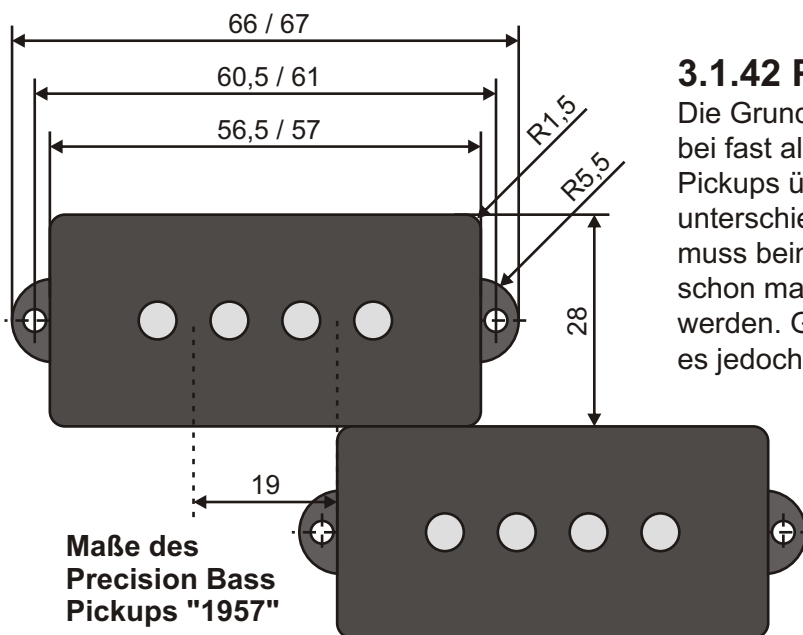
Unter Gitarristen ist der Austausch von Pickups sehr beliebt um den Klang einer Gitarre zu verändern oder den Sound aufzuwerten. Bassisten sollten bedenken, dass bereits der Umstieg auf den "richtigen" Saitensatz eine enorme Veränderung und Verbesserung des Klangs bewirken kann! Daher sollte der Austausch eines Pickups nie das erste Mittel sein, den Klang des Basses zu verändern.



3.1.41 P-Bass Pickup "1951"

Es gibt derzeit nur wenige Bässe mit "P51" Pickup und entsprechend rar sind die Austausch-Pickups. Hier die Maße des Precision Bass Single Coil Pickups 1951. Größere Maßabweichungen bei PU-Nachbauten sind derzeit nicht bekannt. Die ausgefräste Tasche im Body dürfte immer passen.

Maße des Precision Bass Pickups "1951"



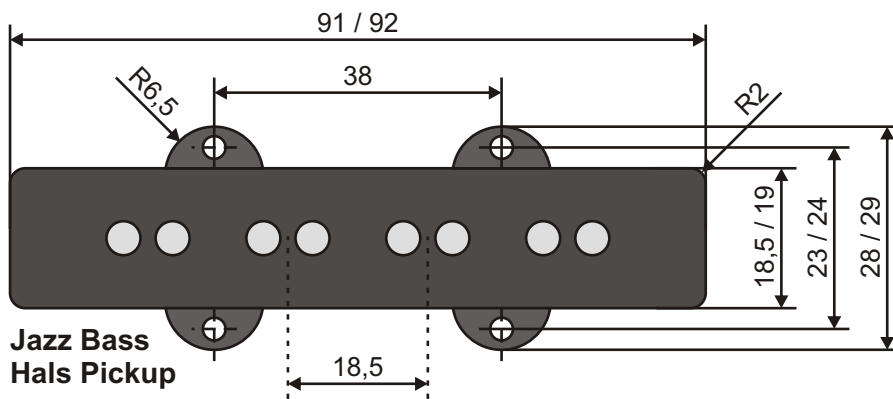
3.1.42 P-Bass Pickup "1957"

Die Grundmaße 57 mm x 28 mm stimmen bei fast allen Kopien des Precision Bass Pickups überein. Es kann jedoch große Maßunterschiede bei den Radien geben. Daher muss beim Einbau eines Austausch-Pickups schon mal das Pickguard leicht nachgefeilt werden. Größere Maßabweichungen dürfte es jedoch nicht geben.

Da der Precision Bass Pickup in 99% aller Fälle von einem Pickguard oder Rahmen umgeben ist und in einer geräumigen Body-Ausfräsung sitzt, spielen Maßabweichungen aber auch keine große Rolle.

Maße des Precision Bass Pickups "1957"

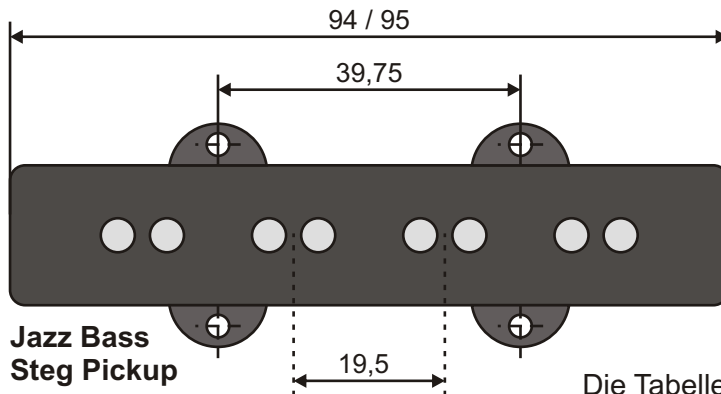
Benennung	Anschlüsse und Maße von Bass PUs		Theorie / Do It Yourself	Nummer 3.1.4
Bemerkungen / Besonderheiten	Anschlüsse von Tonabnehmern, Maße des Precision Bass Pickups		gezeichnet von Cadfael	gezeichnet am 02.09.17 Seite 448



Jazz Bass Hals Pickup

3.1.43 J-Bass PU

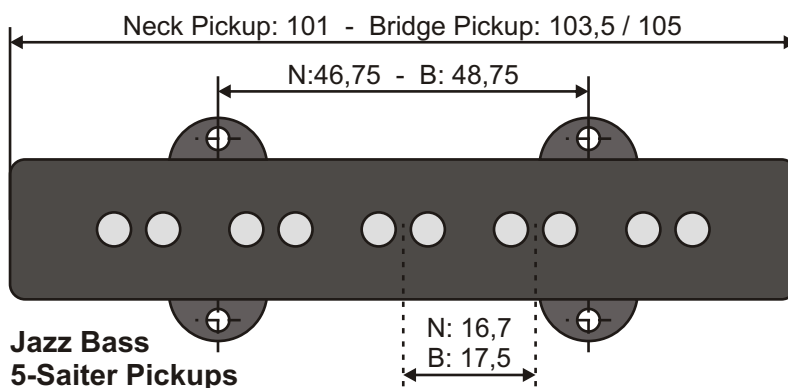
Der Austausch von Jazz Bass Pickups hingegen kann jede Menge Probleme aufwerfen und sollte vorher gut geplant sein! Neck- und Bridge-Pickup sind beim Original nicht identisch ...



Jazz Bass Steg Pickup

Wie man sieht, weichen bei Bridge- und Neck-Pickup des Original-Jazz Basses sowohl die Gesamtbreite, Abstand der Befestigungslöcher als auch das String-Spacing (Abstand der Saiten zueinander) ab. Sehr wichtig ist auch die entgegengesetzte Wicklung und Polung der Pickups! Mehr dazu in Kapitel 3.1.24.

Die Tabelle 3.1.43 verdeutlicht, dass ein "einfacher" Tausch von Jazz Bass Pickups nicht ohne weiteres möglich ist. Gerade beim Bridge-Pickup sollte man vor dem Kauf eines Austausch-Pickups die Maße der verbauten Pickups und der Pickup-Tasche im Body feststellen. Mit diesen Werten kann man sich auf die Suche nach einem geeigneten Ersatz machen. Auf den Websites vieler PU-Hersteller finden sich Datenblätter, aus denen man mehr oder weniger viele Maße entnehmen kann. Bei Seymour Duncan braucht man allerdings einen Taschenrechner, da dort die Maße in Zoll (1 Zoll = 25,4 mm) angegeben sind. Aus der Tabelle 3.1.43, die nach Angaben von Bassisten aus dem "Musiker-Board" entstand, kann man (ohne Gewähr) bereits die Ist-Maße zu einigen Jazz Bass Pickups entnehmen.



Jazz Bass 5-Saiter Pickups

3.1.44 J5-Bass PU

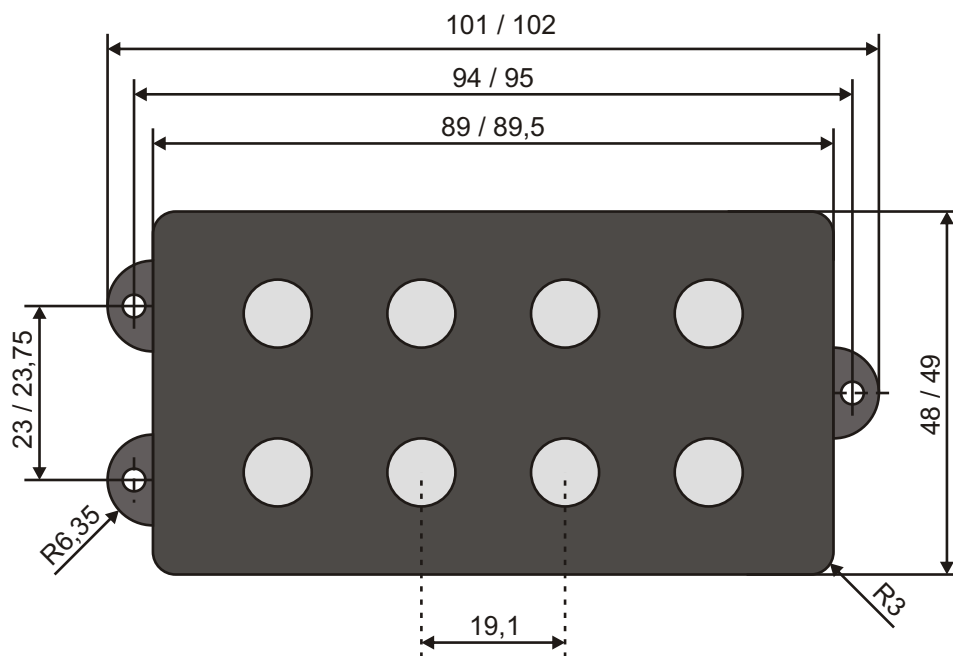
Bei Pickup-Maßen fünfsaitiger Jazz Bässe kann es ebenfalls große Abweichungen geben. Auch hier muss vor dem Kauf unbedingt auf das Ist-Maße geachtet und ein entsprechender Pickup ausgesucht werden.

Benennung	Maße von Bass Pickups		Theorie / Do It Yourself	Nummer
Bemerkungen / Besonderheiten	Maße von Precision Bass und Jazz Bass Tonabnehmern		gezeichnet von Cadfael	gezeichnet am 02.09.17
				Seite 449

Hersteller / Bass	Typ	Neck	Brid.	Hersteller / Bass	Typ	Neck	Brid.
Bartolini PUs (laut Datenblatt)	JJ	91	95	Santander PJ-Bass	PJ	—	94
Collins Masterbass JB1	JJ	91	94	Seymour Duncan AJJ-2	JJ	92,1	94,7
Cort GB-34A (2007)	JM	92,5	—	Seymour Duncan STK-J1/J2	JJ	91,5	94,1
Delano PUs (laut Datenblatt)	JJ	92	95	Seymour Duncan SJB-1/2/3	JJ	91,5	94,1
Fender Aerodyne P-Bass	PJ	—	95	Seymour Duncan SJB/AJB-5	JJ	91,9	95
Fender J-Bass (1972)	JJ	91,5	94,5	Squier J-Bass Deluxe V5	JJ	92	92
Fender J-Bass Mexico (1991)	JJ	92	92	Squier J-Bass Standard (2006)	JJ	92	92
Fender J-Bass Japan (2007)	JJ	91	94	Squier J-Bass VM (2007)	JJ	92	95
Fender J-Bass M. Miller	JJ	92	94	Squier J-Bass VM fretless	JJ	91	94
Fender J-Bass Standard (2006)	JJ	92	95	Squier J-Bass Japan (1992)	JJ	92	95
Fender Jaguar Japan	JJ	91	94	SX SJB 62 J-Bass fretless	JJ	92	94
Fender P-Bass + J (1977)	PJ	—	94	SX SJB 75 J-Bass Vintage75	JJ	92	94
Ibanez GSR 180	JJ	95	95	SX SJB 75 J-Bass (DiM. Model J)	JJ	91	94,5
Jack & Danny YC-JB BK	JJ	91	91	Warwick Fortress One (1993)	PJ	—	93
Ken Rose Jazz Bass	JJ	92	94,4	Yamaha BB404 (2003)	JJ	92	93
Martinez CST PJ (2007)	PJ	—	95	Yamaha RBX460	PJ	—	94
Rockinger Tele PJ (1984)	PJ	—	94,7				

Quelle: Größtenteils www.Musiker-Board.de
Alle Angaben ohne Gewähr!

Tabelle 3.1.43



3.1.45

MM-Bass PU

Für den MM Pickup gilt das gleiche wie für den Jazz Bass Pickup. Messen, Daten vergleichen und erst dann kaufen ...

Benennung

Maße von Bass Pickups

Theorie /
Do It Yourself

Nummer
3.1.4

Bemerkungen / Besonderheiten

Maße von Jazz Bass und MM Tonabnehmern

gezeichnet von
Cadfael

gezeichnet am
02.09.17

Seite
450

3.1.5 Pickup-Befestigung

Über die Jahre und Jahrzehnte gab und gibt es verschiedene Methoden zur Befestigung von Bass Pickups.

1951 wurde der Pickup des Fender Precision Basses nicht am Pickguard, sondern am Body mit zwei Schrauben befestigt. Als Abstandhalter (Feder) diente ein Stück "Foam"; eine Art Moosgummi oder Schaumstoffschwamm, ähnlich heutigen Türdichtungen bei Autos. Diese Befestigungsmethode setzen Fender und viele andere Hersteller noch immer zur Befestigung der Pickups ein.

Ist der Pickup im Body verschraubt, findet man bei Bässen aus Asien statt des "Foam" Streifens manchmal Federn zwischen dem Body und der Unterplatte des Pickups. Diese Methode ist jedoch nicht vorteilhaft, da die Federn nur eine kleine Fläche haben.

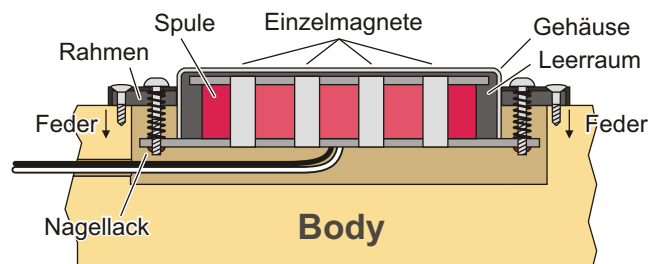
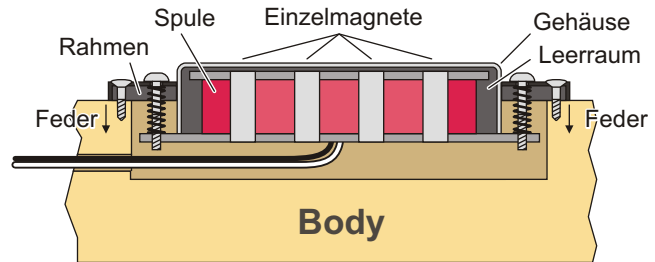
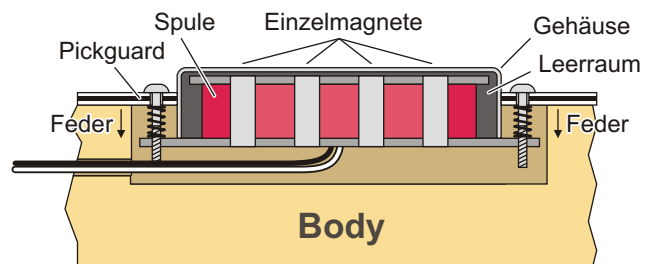
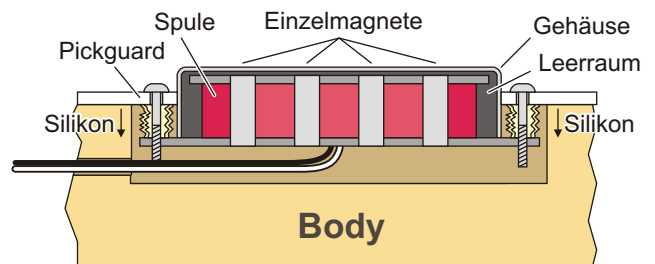
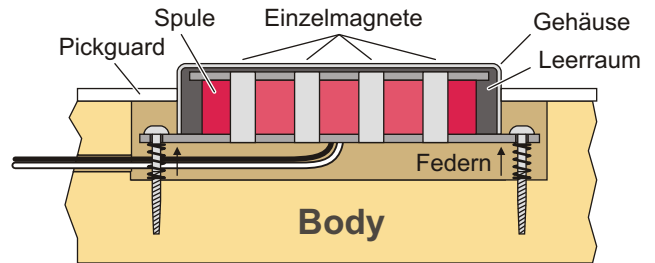
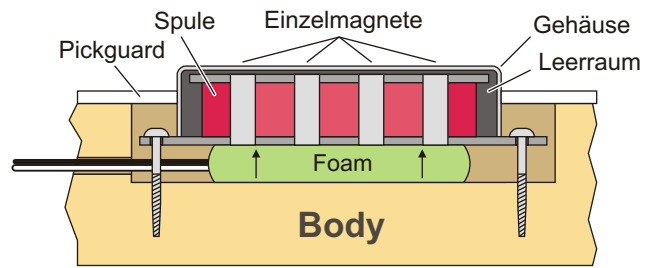
Bei der Stratocaster Gitarre wurden die Pickups auf dem Pickguard montiert. Hier setzte man zuerst Silikonschläuche ein, die durch ihre Quetschung den Pickup auf Abstand hielten. Man ging allerdings wegen Ausdampfung der Silikonschläuche dazu über, diese durch Federn einzusetzen.

Gerade bei Gibson Bässen findet man sehr oft Rahmen für die Pickups. Der Pickup hängt dabei an zwei, drei oder vier Höhenverstellungsschrauben im Rahmen. Durch die dritte bzw. vierte Schraube ist eine Kippung des Pickups möglich.

Die gute alte Methode der Verschraubung im Body hat den Vorteil, dass der Pickup nicht in die Pickup-Fräsung fallen kann - selbst, sich die Schraube durch Vibration lösen sollte.

3.1.51 Schraubensicherung

Höhenverstellungsschrauben machen sich bei einigen Bässen durch die Vibration schon mal selbstständig. Wie Abhilfe schaffen? Eine gute Methode ist, zuerst den Pickup optimal einzustellen. Dann löst man den Rahmen und holt den Pickup vorsichtig heraus. Jetzt kann man an das Gewinde der Höhenverstellungsschraube Nagellack geben, was wie "Schraubenfest" wirkt.



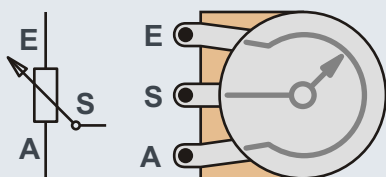
Benennung	Befestigung von Bass Pickups		Theorie / Do It Yourself	Nummer 3.1.5
Bemerkungen / Besonderheiten	Verschiedene Methoden der Befestigung von Pickups		gezeichnet von Cadfael	gezeichnet am 02.09.17 Seite 451

Poti-Anschlüsse:

E = Ende (rechter Anschlag)

S = Schleifer (Mitte)

A = Anfang (linker Anschlag)



3.2 Potentiometer

Ein Potentiometer ist ein regelbarer Widerstand.

Über eine Achse kann der Wert des Widerstandes eingestellt werden. Zwischen "Anfang" und "Ende" des Potentiometers (kurz "Poti") liegt der volle Widerstand an. Über den "Schleifer" kann man regeln, wie groß der Widerstand zwischen Schleifer und Anfang bzw. Ende sein soll.

Bei den meisten Potentiometern in E-Bässen besteht die Leiterbahn zwischen "A" und "E" aus einer Kohleschicht. Daher nutzen sich Potis mit der Zeit ab und geben Kratzgeräusche von sich.

3.2.1 Poti-Kennlinien

Bei Potis unterscheidet man verschiedene Widerstandskennlinien bzw. Regelcharakteristiken.

Lineare Potis (rote Linie) zeichnen sich dadurch aus, dass ihr Widerstand gleichmäßig ansteigt. Da unser Ohr jedoch nicht linear funktioniert empfindet der Mensch den Anstieg nicht als gleichmäßig. Lineare Potis werden trotzdem gerne als Lautstärkereglер eingesetzt, da man bei der Endlautstärke einen größeren/feineren Regelweg hat. **Logarithmische Potis** (grüne Linie) hingegen weisen eine Kurve in ihrer Kennlinie auf. Für das menschliche Ohr hört sich der Anstieg gleichmäßiger an. Logarithmische Potis finden gerade als Ton-Potis Einsatz. Sie werden auch "Audio Potis" genannt.

Außerdem gibt es Potis mit **umgekehrt logarithmischer Kennlinie**. Diese Potis finden z.B. Einsatz in Linkshänderbässen oder wenn man die Regelcharakteristik umdrehen möchte.

3.2.11 Poti-Kennungen

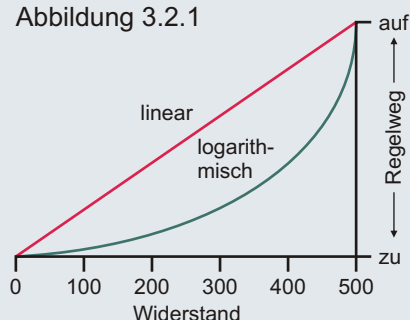
Im Laufe der Jahre und Jahrzehnte wechselte die Kennzeichnung von Potentiometern. Die Kennzeichnung kann je nach Land und Hersteller unterschiedlich sein.

Dummerweise setzte man in beiden Kennzeichnungssystemen die Buchstaben "A" und "B" ein. Daher kann ein Poti mit der Aufschrift "B500K" je nach Alter und Hersteller bzw. Herkunft sowohl linear als auch logarithmisch sein.

Der sicherste Weg herauszufinden, welches Poti welche Kennlinie hat, ist immer noch, sich das Ton-Poti genauer anzuschauen. Ton-Potis sind fast immer logarithmisch. Hat das Lautstärke-Poti die gleiche Kennzeichnung wie das Tonpoti, dann ist das Lautstärke-Poti vermutlich ebenfalls logarithmisch.

Kauft man die Potis im Musikfachhandel, ist dort meistens explizit von "linear" oder "logarithmisch" / "Audio" oder "Ton-Poti" die Rede.

Abbildung 3.2.1



Alte Bezeichnungen:

A = linear

B = logarithmisch

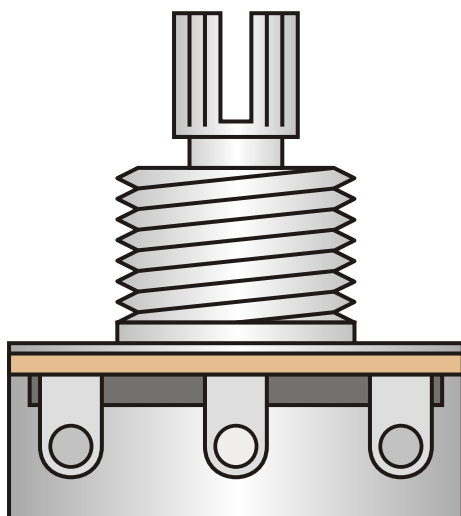
Neue Bezeichnungen:

A = logarithmisch (Audio)

B = linear

C = umgekehrt logarithmisch

D = ? logarithmisch



Benennung

Potentiometer - Kennlinien

Theorie /
Do It Yourself

Nummer
3.2

Bemerkungen / Besonderheiten

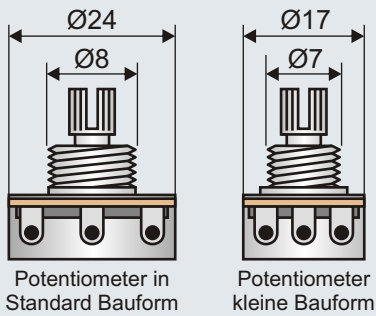
Bauarten und Kennlinien von Potentiometern

gezeichnet von
Cadfael

gezeichnet am
02.09.17

Seite
452

Abbildung 3.2.2a

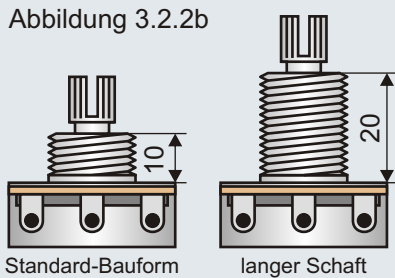


3.2.2 Poti-Bauformen

Potentiometer gibt es in verschiedenen Größen und Bauformen. An dieser Stelle werden lediglich die geläufigsten Potis erwähnt.

Die "großen" **Standard-Potis** haben einen Außendurchmesser von ca. 24 mm. Damit passen sie in Nuten, die von einem 1 Zoll (25,4 mm) Fräser gemacht wurden - wie z.B. beim original Telecaster oder Jazz Bass. Ihr äußerer Gewindedurchmesser beträgt ca. 8 mm, ihre Gewindelänge ungefähr 10 mm.

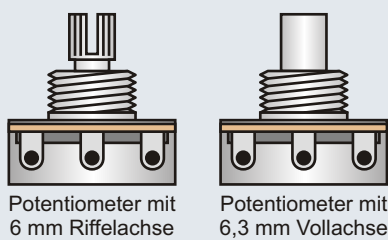
Abbildung 3.2.2b



Es gibt auch Standard-Potis mit **langem Schaft**. Diese werden z.B. eingesetzt, wenn das Poti nicht auf einem Pickguard oder Kontrollblech befestigt ist, sondern durch den Body des Instrumentes geht.

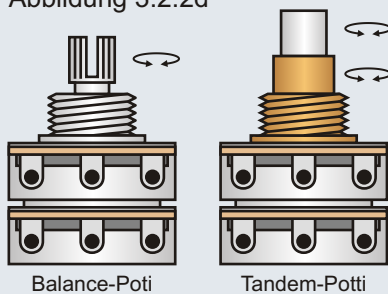
Potis die eine **kleine Bauform** aufweisen, haben einen Außendurchmesser von ca. 17 mm und einen Gewindedurchmesser von ca. 7 mm. Die Gewindelänge beträgt oft nur 5 bis 7 mm. Es gibt aber auch Potis in kleiner Bauform mit längerem Schaft.

Abbildung 3.2.2c



Der Austausch von Potis bei Bässen aus amerikanischer oder mexikanischer Fertigung kann Probleme aufwerfen. In solchen Bässen findet man oft Potis mit 1/4 Zoll (6,35 mm) Vollachse. Tauscht man es gegen ein Poti mit 6 mm Riffelachse aus, schlackert der Knopf. Umgekehrt passen 6 mm Potiknöpfe nicht auf Potis mit 6,35 mm Vollachse. Ggf. muss man daher zusätzlich die Potiknöpfe tauschen.

Abbildung 3.2.2d



Bei **Balance-Potis** hängen beide Poti-Ebenen an einer Achse. Die Schleifer bewegen sich gleichzeitig in die selbe Richtung.

Tandem-Potis haben zwar auch zwei Poti-Ebenen, hier hat aber jede Ebene ihre eigene Achse.

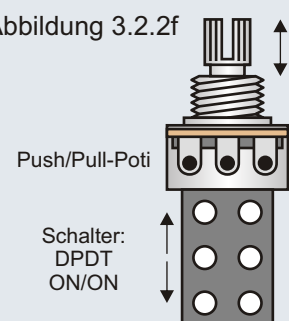
Push/Pull-Potis haben eine Achse, die man herausziehen kann. Damit betätigt man einen Schalter unter dem Poti.

Trimm-Potis haben keine lange "Regelwelle". Sie befinden sich meist versteckt im Elektrikfach und werden einmal fest eingestellt.

Abbildung 3.2.2e



Abbildung 3.2.2f



Benennung

Potentiometer Bauformen

Theorie /
Do It Yourself

Nummer

3.2

Bemerkungen / Besonderheiten

Bauarten und Bauformen von Potentiometern

gezeichnet von

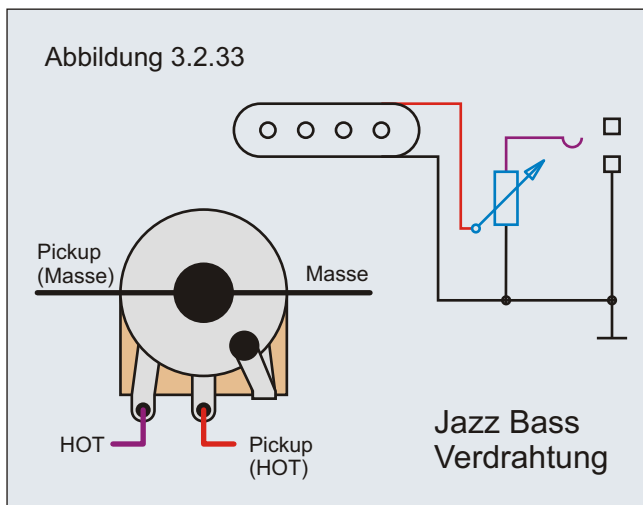
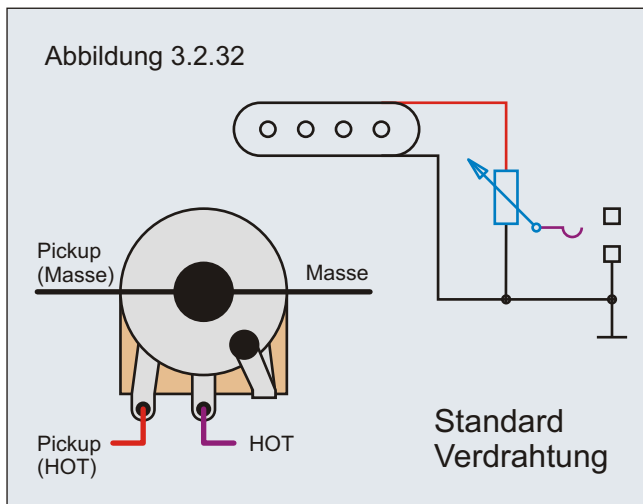
Cadfael

gezeichnet am

02.09.17

Seite

453



3.2.3 Volume Potis

Potentiometer, die für die Lautstärke zuständig sind, werden umgangssprachlich auch sehr oft "Volume Potis" genannt. Das ist zwar Denglisch (der englische Ausdruck wäre "Volume Pots"), hat sich aber allgemein durchgesetzt.

3.2.31 Wert der Volume Potis

In passiven Schaltungen werden bei reinen Single Coil Schaltungen meist 250k Potis (250 Kilo Ohm) eingesetzt.

Weist eine Schaltung einen oder mehrere Humbucker auf, verwendet man meist 500k Potis. Ab und zu kommen auch Potis mit 1M (1 Mega Ohm) zum Einsatz.

Allerdings kann man auch bei reinen Single Coil Schaltungen 500k Potis einsetzen. Hier gilt der Grundsatz: Erlaubt ist, was gefällt. 25k oder 50k Potis, wie sie in aktiven Schaltungen eingesetzt werden, sollte man bei einer passiven Schaltung allerdings nicht einsetzen.

Möchte man einen drahtigen, höhenreichen Sound, kann sich der Einsatz von 500k Potis in reinen Single Coil Schaltungen durchaus leicht positiv auswirken. Es kann allerdings sein, dass das Poti dadurch ungleichmäßiger regelt.

3.2.32 "Standard Verdrahtung"

Nach Möglichkeit sollte die HOT Leitung an den Schleifer (mittleres Beinchen des Potis). Ist das Poti voll aufgedreht, werden HOT und "HOT des Pickups" ohne Widerstand verbunden. Zugeschraubt werden Masse und HOT kurzgeschlossen - was durchaus erwünscht ist, da es Nebengeräusche eliminiert. Daher kann diese Belegung nur eingesetzt werden, wenn es einen einzigen Volumenregler, oder aber einen Wahlschalter gibt.

Die "Standard Verdrahtung" ist, wenn möglich, die bessere der beiden Varianten.

3.2.33 "Jazz Bass Verdrahtung"

In manchen Bässen gibt es keinen Wahlschalter für die Pickups. Klassisches Beispiel dafür ist der Fender Jazz Bass. Mit der "Standard Verdrahtung" könnte man die Pickups jedoch nicht einzeln betreiben, da der entstehende Kurzschluss beim Zudrehen eines der beiden Volumen Potis den gesamten Bass verstummen lassen würde.

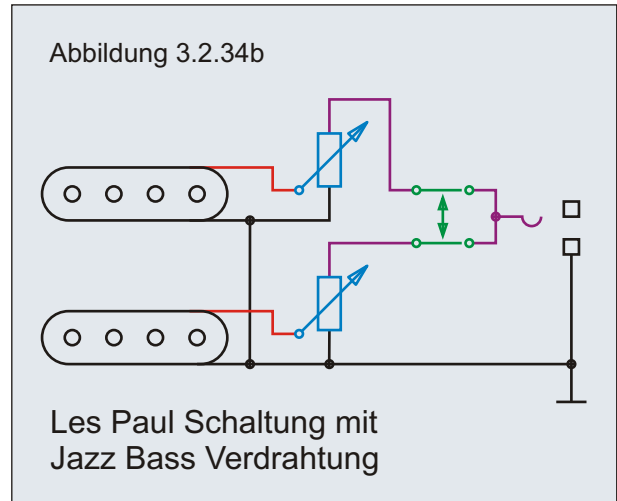
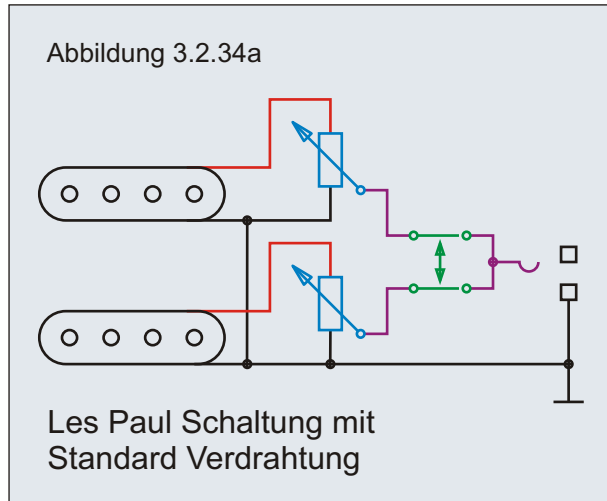
Bei der "Jazz Bass Verdrahtung" werden die beiden HOT Leitungen vertauscht. Dadurch liegt zwischen HOT und Masse immer der volle Widerstand des Potentiometers. Durch die "Jazz Bass Verdrahtung" verliert der Bass gegenüber der "Standard Verdrahtung" leicht an Höhen. Bei Bässen spielt dies allerdings keine so große Rolle.

Sind beide Varianten möglich, sollte man die "Standard Verdrahtung" wählen. Die "Jazz Bass Verdrahtung" ermöglicht allerdings das stufenlose Mischen mehrerer Pickups.

Benennung	Volume Potis		Theorie / Do It Yourself	Nummer	3.2.3
Bemerkungen / Besonderheiten	Lautstärkeregelung bei passiven Bässen		gezeichnet von	gezeichnet am	Seite
			Cadfael	02.09.17	454

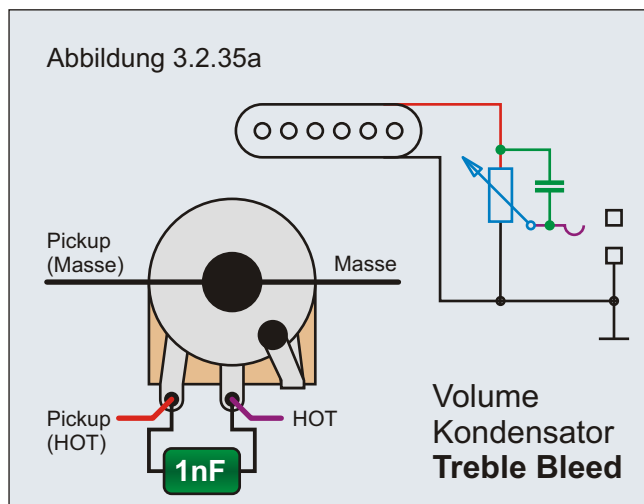
3.2.34 "Les Paul Schaltung"

Von einer "Les Paul Schaltung" spricht man umgangssprachlich, wenn eine Gitarre einen Dreiwegschalter sowie zwei Lautstärkereger (und zwei Tonregler) hat. Bei Bässen ist solch eine Schaltung in "Les Paul Bässen", aber auch im Telecaster Custom Shop Bass zu finden. Es gibt allerdings zwei unterschiedliche Varianten der "Les Paul Schaltungen"!



Bei der einen Variante (Abb. 3.2.34a) sind beide Volume Potis wie in der "Standard Verdrahtung" angeschlossen. Ist in der Mittelstellung des Dreiwegschalters eines der beiden Volume Potis ganz zuge dreht, bleibt die gesamte Gitarre stumm. Solch eine Verdrahtung findet man beispielsweise in der Squier J5 Gitarre.

Bei der anderen Variante (Abb. 3.2.34b) sind die beiden Volume Potis wie in der "Jazz Bass Verdrahtung" angeschlossen. Selbst wenn in der Mittelstellung des Dreiwegschalters eines der beiden Volume Potis ganz zuge dreht ist, bleibt die Gitarre nicht automatisch stumm. Solch eine Verdrahtung findet man beispielsweise in der Fender J5 Gitarre. Nachteil dieser Schaltung ist ein Höhenverlust.



5.2.35 Volume Kondensator

Dreht man das Volume Poti an der Gitarre zu, bemerkt man oft einen leichten Höhenverlust. Um dem entgegenzuwirken, kann man einen Kondensator (Wert zwischen 220 pF und 1 nF) zwischen Schleifer und Ende des Potis löten. Die Höhen "nehmen so die Abkürzung über den Kondensator". Diese Schaltungen (inkl. Abwandlungen) werden "Treble Bleed" genannt. Viele Fender Telecaster der 1960er und 1970er Jahre (CBS Zeit) haben ab Werk einen Kondensator mit 1 nF an Bord. In vielen alten G&L Gitarren findet man Volume Kondensatoren mit 220 pF.

Ob man sich für oder gegen den Einbau eines Volume Kondensators entscheidet, ist reine Geschmacksache. Nachteil ist, dass die Gitarre bei weit zuge drehtem Poti zu schrill klingen kann, da die Höhen ja nicht automatisch mit leiser werden.

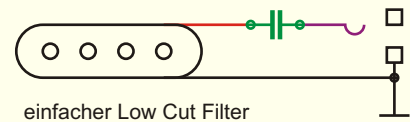
Benennung	Volume Potis		Theorie / Do It Yourself	Nummer
Bemerkungen / Besonderheiten	Lautstärkereglung bei passiven Bässen		gezeichnet von	gezeichnet am
			Cadfael	02.09.17
				Seite
				455

3.2.4 Tone Potis

Potentiometer, die für die Klang zuständig sind, werden umgangssprachlich auch oft "Tone Potis" genannt. Das ist zwar Denglisch (der englische Ausdruck wäre "Tone Pots"), hat sich aber allgemein durchgesetzt. Sowohl "Ton-Poti" als auch "Tone-Poti" sind daher erlaubt.

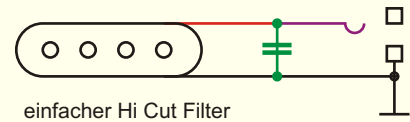
Tone Potis setzen sich zusammen aus Poti und Kondensator. Selten kommt ein zusätzlicher Widerstand ins Spiel. Tone Potis können sowohl Höhen als auch Bässe beschneiden. Passive Klangregelungen fügen jedoch nie etwas hinzu, sie nehmen immer nur weg!

Abbildung 3.2.41a



einfacher Low Cut Filter

Abbildung 3.2.42a



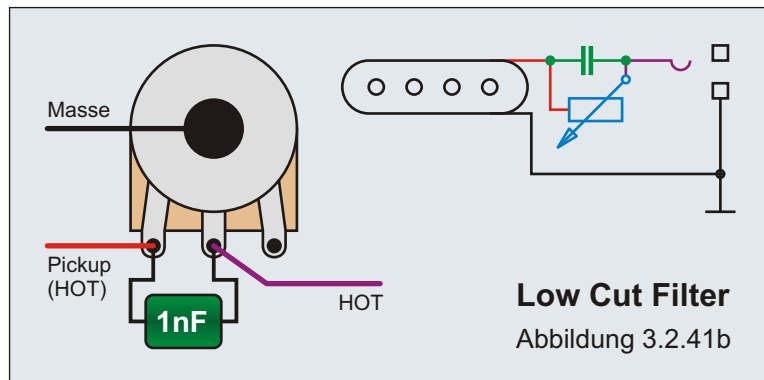
einfacher Hi Cut Filter

3.2.41 "Low Cut Filter"

Bei Saiteninstrumenten mit passiver Elektronik werden Low Cut Filter äußerst selten eingesetzt. Der in der HOT Leitung in Reihe geschaltete Kondensator (3.2.41a) bewirkt eine Abschwächung der Bässe.

Man kann den Kondensator mit einem Schalter oder einem Poti umgehen und so den Filter schalt- bzw. regelbar machen.

Das Diagramm 3.2.41b zeigt, wie man ein Poti zwischenschalten kann. Das Poti sollte logarithmisch sein und den gleichen Widerstandswert wie Lautstärkepotis oder Tone Potis in der Schaltung haben. Das Gehäuse kann man mit Masse verbinden. Es wird aber keines der "Beinchen" mit Masse verbunden. Bei Low Cut Filtern setzt man Kondensatoren mit relativ kleinen Werten ein. Man kann mit einem Wert von ca. 1 nF (Nano Farad) anfangen zu experimentieren. Allerdings ist der Low Cut Filter nicht umsonst sehr ungebräuchlich. Wirklich Sinn macht er nur bei Pickups mit sehr hohem Output, wie bei einem intern in Reihe geschalteten MM-Humbucker.

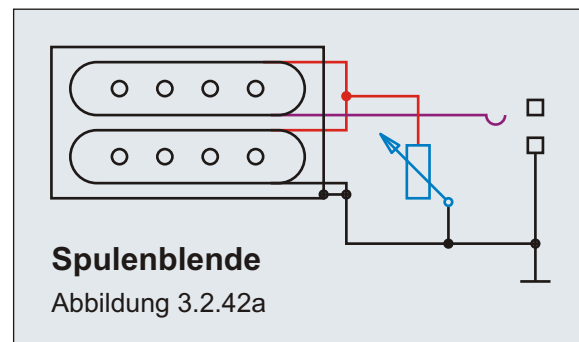


Low Cut Filter

Abbildung 3.2.41b

5.2.42 Spulenblende als "Low Cut Filter"

Hat man einen Humbucker in seinem Bass, kann man den Klang des Humbuckers auch dadurch beeinflussen, dass man eine der Spulen kurzschließt. Gewöhnlich wird dies durch einen Schalter gemacht. Man kann aber auch eine der Spulen regelbar kurzschließen, indem man ein Poti nutzt. Natürlich werden bei dieser Methode nicht nur die des Pickups Höhen beschnitten. Es ist also kein richtiger Low Cut. Auf dem Regelweg ändert sich der Gesamtklang des Pickups. Nachteil dieser Methode ist, dass im Humbucker Modus der Widerstand des Potis parallel zu einer der Spulen liegt - und so den Gesamtklang des Humbuckers gegenüber einem Humbucker ohne dieses Poti verändert.



Spulenblende

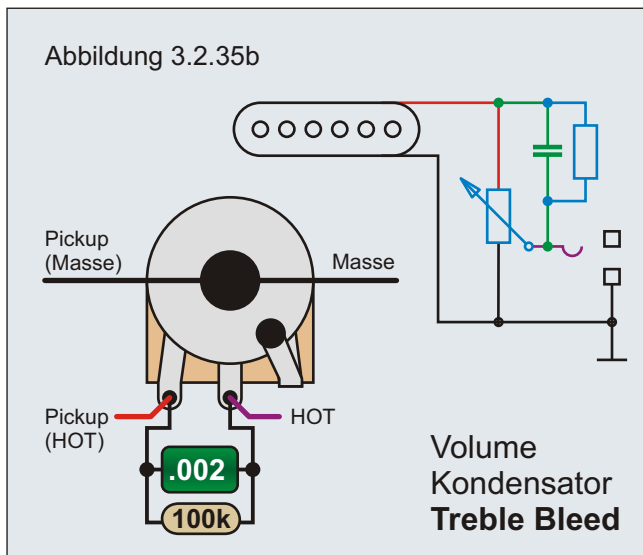
Abbildung 3.2.42a

Tone Potis immer logarithmisch!

(Ausnahmen bestätigen die Regel)

Benennung	Tone Potis		Theorie / Do It Yourself	Nummer	3.2.4
Bemerkungen / Besonderheiten	Klangreglung bei passiven Bässen, Hi Cut Filter, Low Cut Filter		gezeichnet von	gezeichnet am	Seite
			Cadfael	02.09.17	456

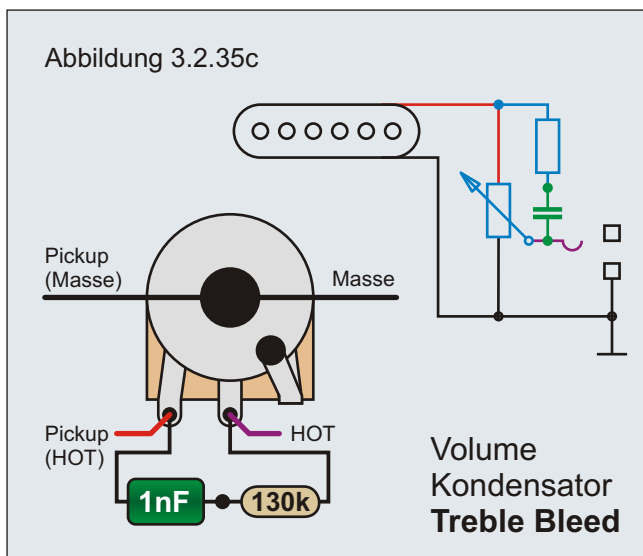
Abbildung 3.2.35b



Um das nun auftretende Problem der zu schrillen Höhen beim Herunterregeln der Lautstärke zu eliminieren ließ man sich erneut etwas einfallen.

Der Effekt wird vermindert, indem man einen Widerstand parallel zum Kondensator schaltet. Der Wert des Kondensators sollte zwischen 200 pF und 2 nF liegen. Der parallel geschaltete Widerstand kann einen Wert von 100k bis 500k haben. Welche Werte optimal sind, hängt von der Gitarre (Hölzer, Pickups) ab und muss daher experimentell gefunden werden. Seymour Duncan schlägt einen 2 nF Kondensator und 100k Widerstand vor.

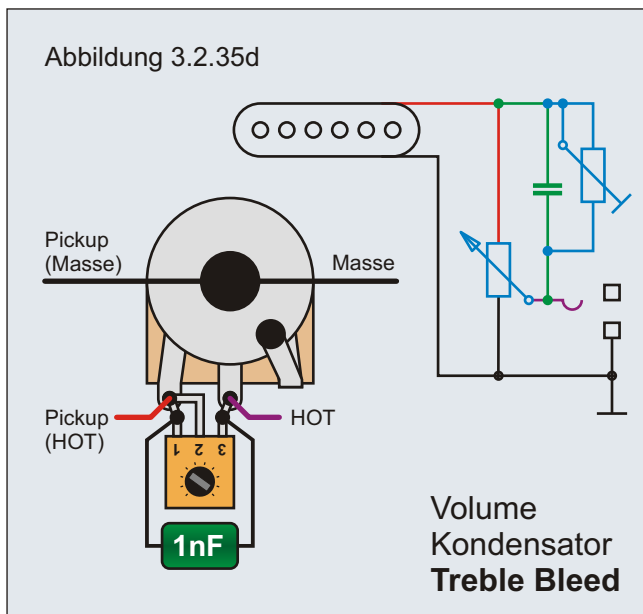
Abbildung 3.2.35c



Eine weitere Möglichkeit der Treble Bleed Schaltung ist es, den Widerstand nicht parallel zum Kondensator, sondern in Reihe (seriell) zu schalten. Diese Schaltung wird auch "Kinman Schaltung" genannt.

Diese Art der Schaltung bremst die Wirkung des Kondensators zwar ebenfalls ein, soll aber im Gegensatz zur Parallelschaltung des Widerstandes den Regelweg des Volume Potis nicht so stark beeinflussen. Bei dieser Variante wird oft der schon von Fender eingesetzte 1 nF Kondensator genutzt und mit einem Widerstand um die 100k bis 250k in Reihe geschaltet. Auch hier kann man mit den Werten von Widerstand und Kondensator experimentieren.

Abbildung 3.2.35d



Statt mit verschiedenen Widerständen zu experimentieren, kann man natürlich auch ein Trimpoti (seriell - oder wie links zu sehen parallel) einsetzen.

Die Wirkungsweise von Widerstand und Trimpoti ist dabei gleich. Mit dem Trimpoti hat man aber die Möglichkeit ohne weitere Lötarbeiten zu experimentieren und eine Feinjustage des Widerstandswertes vorzunehmen. Der Wert des Trimpotis sollte zwischen 250k und 500k Ohm liegen. Damit deckt man übliche Widerstandswerte gut ab. Damit der Regelweg bei den hohen Widerstandswerten nicht zu klein wird, kann man ein lineares Trimpoti einsetzen. Der Einsatz von logarithmischen Trimpotis ist aber genauso möglich.

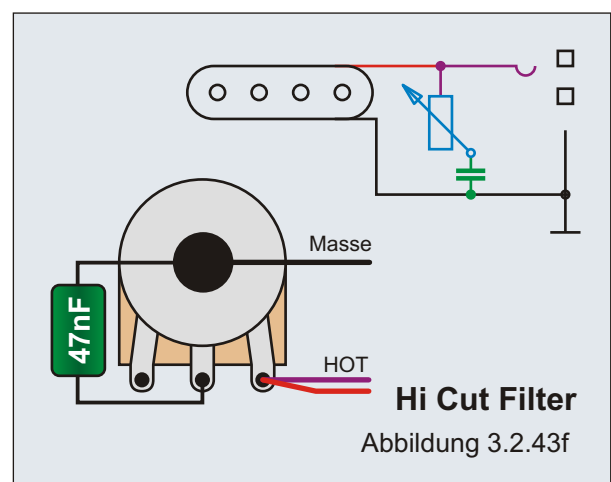
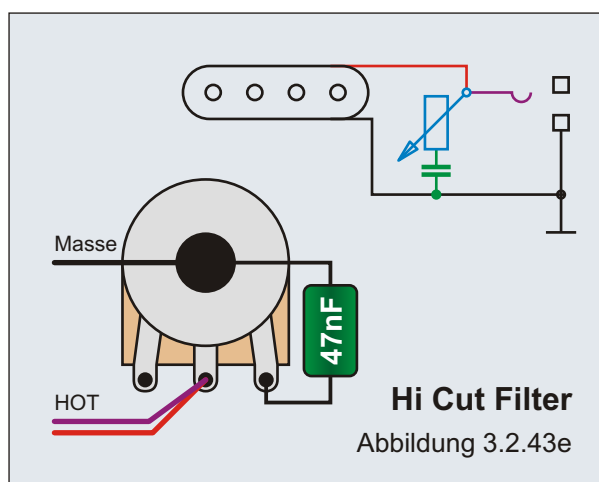
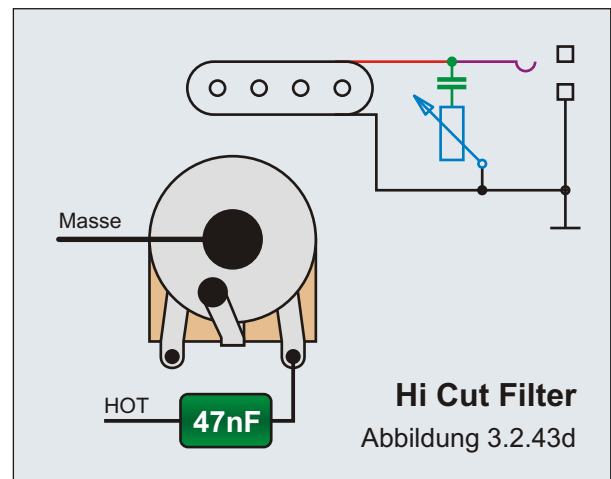
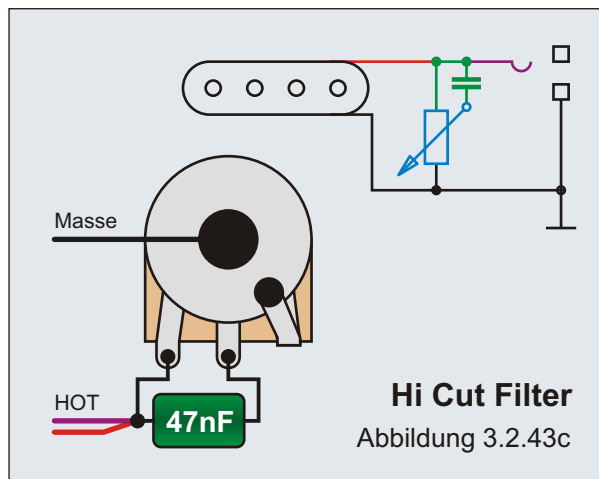
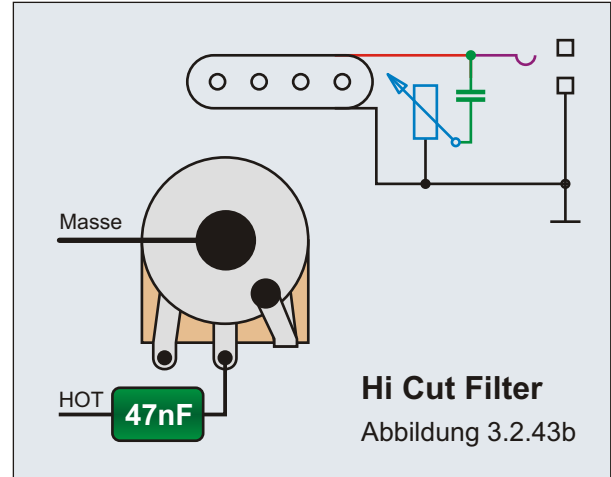
Benennung Volume Potis	Theorie / Do It Yourself		Nummer 3.2.3
Bemerkungen / Besonderheiten Lautstärkereglung bei passiven Bässen	gezeichnet von Cadfael	gezeichnet am 02.09.17	Seite 457

3.2.43 "Hi Cut Filter" - das "normale Ton-Poti"

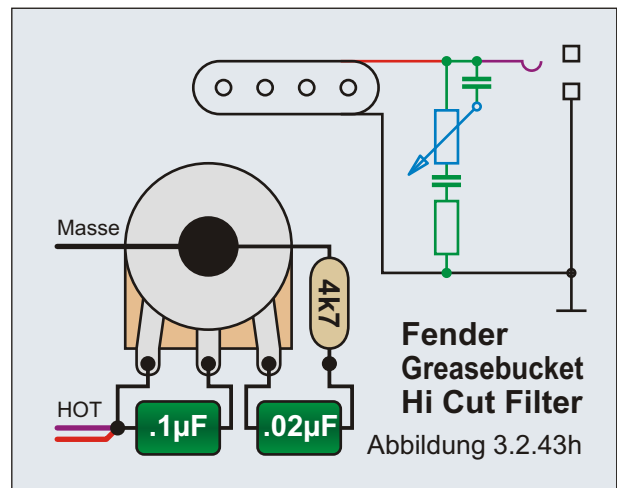
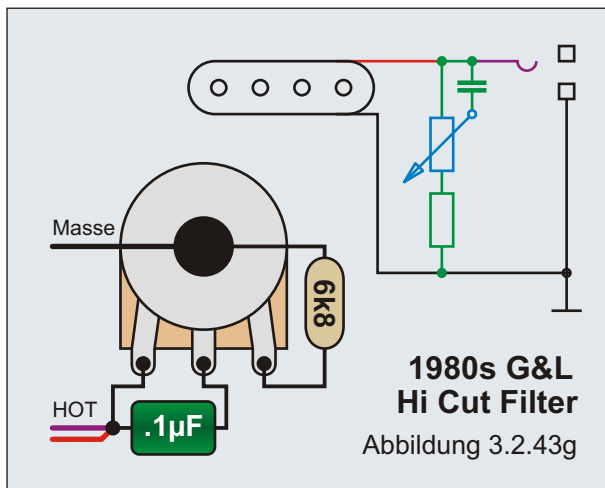
Die Höhenblende / der "Hi Cut Filter" ist die gebräuchlichste Art der Klangregelung bei passiven Saiteninstrumenten. Schon in der LapSteel baute Leo Fender solch einen Filter ein. Der Hi Cut wird dadurch erreicht, dass man einen Kondensator parallel zwischen HOT und Masse schaltet. Je größer der Kondensator ist, desto mehr Höhen werden abgeschnitten. Die gebräuchlichsten Werte für Kondensatoren liegen zwischen 22 und 100 nF. Am häufigsten findet man in Bässen 22 nF und 68 nF Kondensatoren.

Es gibt viele Möglichkeiten Kondensatoren und Potis in einer Schaltung parallel zu schalten. Hier alleine sieben Varianten, wie ein Hi Cut Filter verwirklicht werden kann. Dabei ist noch nicht berücksichtigt, welchen Wert man für Kondensator oder Poti wählt.

Die Abbildungen 3.2.43g und 3.2.43h zeigen Hi Cut Filter von Fender und G&L mit zusätzlichen Widerständen. Ob diese Schaltungen allerdings den einfachen Varianten überlegen sind, sollte jeder für sich selbst herausfinden. Der Stein der Weisen ist noch nicht gefunden.



Benennung	Tone Potis		Theorie / Do It Yourself	Nummer 3.2.4
Bemerkungen / Besonderheiten	Klangreglung bei passiven Bässen, Hi Cut Filter, Low Cut Filter		gezeichnet von Cadfael	gezeichnet am 02.09.17
				Seite 458



3.2.5 Potis aus historischen Bässen

Bereits Mitte der 1920er Jahre wurden die ersten Potentiometer mit einer Herstellerprägung versehen. Es vergingen aber drei Jahrzehnte, bis diese Prägungen standardmäßig eingepreßt wurden. James W. Shine schreibt, in Fender Instrumenten seien erst ab 1958 einheitlich Potis mit Hersteller- und Datumsprägung eingebaut worden.

In Fender Instrumenten findet man hauptsächlich die Potentiometer zweier Hersteller. In Instrumenten der 1950er und frühen 1960er Jahre findet man hauptsächlich **Stackpole** Potis. Ab 1963 (vor allem nach dem Wechsel zu CBS) wurden hauptsächlich **CTS** (Chicago Telephone Supply) Potis verbaut. Man findet jedoch auch weiterhin Stackpole Potis.

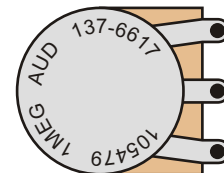
Den Hersteller erkennt man am Herstellercode: **304 = Stackpole, 137 = CTS**

Hinter dem Herstellercode befindet sich eine drei- oder vierstellige Nummer. Daraus lässt sich das Herstellungsdatum ablesen. In den 1950er Jahren finden wir das dreistellige J-WW System. In den 1960er Jahren wurde zum JJ-WW System gewechselt. Seit 1959 findet man zudem die Teilenummer auf dem Potentiometer. Beispiel zum Poti-Code:

304932 = Stackpole Potentiometer, 32. KW 1959

1376416 = CTS Potentiometer, 16. KW 1964

Unbedingt zu beachten ist, dass Potis im Laufe der Jahrzehnte ausgetauscht worden sein können. Zudem wurden 1966 hergestellte Potentiometer in der frühen CBS Zeit über mehrere Jahre hin in Instrumenten verbaut. Man sollte das Alter eines Potis also immer im Kontext mit anderen Komponenten, Daten und Hinweisen betrachten.



Teile-Nr. 105479
1 Mega Ohm
Logarithmisch
CTS-Poti
17. KW 1966

ACHTUNG!

Bei Lötarbeiten an historischen Instrumenten sollte man darauf achten, die Datumsangaben auf den Potis nicht voll- / zuzulöten! Ansonsten gehen wichtige Datierungshilfen verloren - und das kann bei einem Verkauf den Preis mindern.

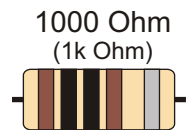
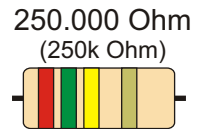
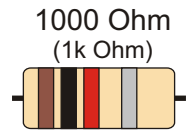
Bei einem notwendigen Tausch das alte Originalpoti immer gut aufbewahren! Das gilt auch dann, wenn das alte Poti kratzt oder sonstige Defekte hat. Sind alle Originalteile vorhanden, steigert das den Wert des historischen Instruments.

Gleiches gilt auch für alte und/oder kaputte Tonabnehmer!

Benennung	Tone Potis + Historische Potis		Theorie / Do It Yourself	Nummer 3.2.5
Bemerkungen / Besonderheiten	Tone Potis, Potis aus historischen Instrumenten richtig deuten		gezeichnet von Cadfael	gezeichnet am 02.09.17
				Seite 459

Widerstände

4 Ringe	Widerstand (in Ohm)			4. Ring (Toleranz)
	1. Ring (1. Ziffer)	2. Ring (2. Ziffer)	3. Ring (Multiplikator)	
Farb-Code				
Silber	—	—	$10^{-2} = 0,01$	$\pm 10 \%$
Gold	—	—	$10^{-1} = 0,1$	$\pm 5 \%$
Schwarz	—	0	$10^0 = 1$	—
Braun	1	1	$10^1 = 10$	$\pm 1 \%$
Rot	2	2	$10^2 = 100$	$\pm 2 \%$
Orange	3	3	$10^3 = 1.000$	—
Gelb	4	4	$10^4 = 10.000$	—
Grün	5	5	$10^5 = 100.000$	$\pm 0,5 \%$
Blau	6	6	$10^6 = 1.000.000$	$\pm 0,25 \%$
Violett	7	7	$10^7 = 10.000.000$	$\pm 0,1 \%$
Grau	8	8	$10^8 = 100.000.000$	—
Weiß	9	9	$10^9 = 1.000.000.000$	—



5/6 Ringe	Widerstand (in Ohm)				5. Ring (Toleranz)	6. Ring (Temperaturkoeffizient)
	1. Ring (1. Ziffer)	2. Ring (2. Ziffer)	3. Ring (3. Ziffer)	4. Ring (Multiplikator)		
Farb-Code						
Silber	—	—	—	$10^{-2} = 0,01$	$\pm 10 \%$	
Gold	—	—	—	$10^{-1} = 0,1$	$\pm 5 \%$	
Schwarz	—	0	0	$10^0 = 1$	—	
Braun	1	1	1	$10^1 = 10$	$\pm 1 \%$	
Rot	2	2	2	$10^2 = 100$	$\pm 2 \%$	
Orange	3	3	3	$10^3 = 1.000$	—	
Gelb	4	4	4	$10^4 = 10.000$	—	
Grün	5	5	5	$10^5 = 100.000$	$\pm 0,5 \%$	
Blau	6	6	6	$10^6 = 1.000.000$	$\pm 0,25 \%$	
Violett	7	7	7	$10^7 = 10.000.000$	$\pm 0,1 \%$	
Grau	8	8	8	$10^8 = 100.000.000$	—	
Weiß	9	9	9	$10^9 = 1.000.000.000$	—	

Kondensatoren



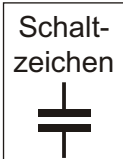
Drei Kondensatoren mit dem gleichen Wert!

1000 pF = 1 nF = 1 nF
 0,02 µF = .022 µF = 22 nF
 0,05 µF = .05 µF = 50 nF
 0,1 µF = .1 µF = 100 nF

Code	Piko	Nano	Mikro
101	100 pF	0,1 nF	0,0001 µF
102	1000 pF	1 nF	0,001 µF
103	10.000 pF	10 nF	0,01 µF
104	100.000 pF	100 nF	0,1 µF

gebräuchliche Multiplikatoren				
besonders	10	12	15	
18	22	27	33	39
47	51	56	68	82

Unter Bastlern gibt es teils heftige Debatten darüber, welche Art von Kondensatoren die beste für Instrumente sei. Ich halte mich einfach aus diesen Diskussionen heraus ...



Benennung	Widerstände und Kondensatoren		Theorie / Do It Yourself	Nummer 3.3
Bemerkungen / Besonderheiten	Farbkennungen von Widerständen, Codes von Kondensatoren		gezeichnet von Cadfael	gezeichnet am 02.09.17 Seite 460

3.3.1 Reihen- und Parallelschaltung

Generationen von Schülern wurden mit den beiden Kirchhoffschen Regeln zur Reihen- und Parallelschaltung von Widerständen im Physikunterricht gequält. Gerade die Regel zur Parallelschaltung sorgt für viel Leid im Klassenzimmer. Als Gitarrist, Bassist oder im PA-Bereich braucht man diese Regeln aber ab und zu um die Gesamtimpedanz einer Box oder mehrerer Boxen zu errechnen. In meiner Sammlung "Grundwissen Verstärker und Boxenverkabelung" (ebenfalls als kostenlose PDF downloadbar) wird auf die Regeln im Zusammenhang mit Boxen eingegangen. Bei Instrumentenschaltungen braucht man die Regeln seltener - daher hier eine Kurzfassung.

3.3.11 Widerstände (und Pickups)

Für Widerstände (und Pickups) gelten die Regeln, wie wir sie (theoretisch) in der Schule gelernt haben. Während Widerstände das Kürzel "R" (Resistor) haben, verwendet man für Pickups das Kürzel "Z" für die Impedanz.

Reihenschaltung

Die Formel zur Errechnung des Gesamtwiderstandes von seriell / in Reihe geschalteten Widerständen ist relativ einfach. Man addiert einfach alle seriellen Widerstände.

$$R_{\text{ges}} = R_1 + R_2 + \dots + R_n$$

Parallelschaltung

Die Formel zur Errechnung des Gesamtwiderstandes von parallel geschalteten Widerständen hingegend ist auf den ersten Blick sehr verwirrend. Zuerst muss man den kleinsten gemeinsamen Nenner der Widerstände finden und die einzelnen Brüche entsprechend umrechnen.

$$\frac{1}{R_{\text{ges}}} = \frac{1}{R_1} + \frac{1}{R_2} + \dots + \frac{1}{R_n}$$

Dann addiert man die Brüche und bildet zum Schluss den Kehrwert des Bruchs.

Gemischte Schaltungen

Bei einer gemischten Schaltung (bei der Widerstände sowohl seriell als auch parallel geschaltet sind) rechnet man zuerst die seriellen Schaltungen aus und behandelt sie jeweils wie einen Widerstand. Danach rechnet man die verbleibenden parallelen Schaltungen aus.

Beispiel:

Wir haben drei parallele Widerstände. Die Widerstände haben einen Wert von 8, 4 und 16 Ohm. Um den Gesamtwiderstand zu ermitteln, werden alle drei Werte in die Formel eingesetzt.

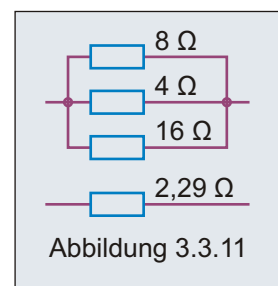
$$\frac{1}{R_{\text{ges}}} = \frac{1}{8} + \frac{1}{4} + \frac{1}{16} \quad \text{zuerst muss man den gemeinsamen Nenner finden; hier ist es Sechzehn}$$

$$\frac{1}{R_{\text{ges}}} = \frac{2}{16} + \frac{4}{16} + \frac{1}{16} \quad \text{erst jetzt können alle Brüche addiert werden}$$

$$\frac{1}{R_{\text{ges}}} = \frac{7}{16} \quad \text{wenn nur noch zwei Brüche da sind, kann man den Kehrwert bilden}$$

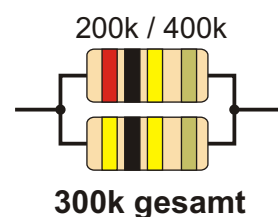
$$\frac{R_{\text{ges}}}{1} = \frac{16}{7} \quad \text{jetzt kann man den Zähler durch den Nenner teilen und erhalte eine Zahl}$$

$$R_{\text{ges}} = 2,286$$



Zur Überprüfung des Ergebnisses gibt es zumindest eine Faustformel.

Bei Parallelschaltungen muss der Gesamtwiderstand immer kleiner sein, als der kleinste, der parallel geschalteten Einzelwiderstände!



Benennung	Widerstände und Kondensatoren		Theorie / Do It Yourself	Nummer 3.3.1
Bemerkungen / Besonderheiten	Reihen- und Parallelschaltung von Widerständen		gezeichnet von Cadfael	gezeichnet am 02.09.17 Seite 461

3.3.12 Kondensatoren

Bei Kondensatorschaltungen gelten die Gesetze genau umgekehrt gegenüber Widerständen und Impedanzen. Während Widerstände einen Widerstand und Impedanzen eine Impedanz haben, spricht man bei Kondensatoren (englisch: capacitor) von einer "Kapazität" (englisch: capacity).

Parallelschaltung

Die Formel zur Errechnung der Gesamtkapazität von parallel geschalteten Kondensatoren ist relativ einfach. Man addiert einfach alle parallelen Kapazitäten.

$$C_{\text{ges}} = C_1 + C_2 + \dots + C_n$$

Reihenschaltung

Die Formel zur Errechnung der Gesamtkapazität von seriell / in Reihe geschalteten Kondensatoren hingegen ist auf den ersten Blick sehr verwirrend. Zuerst muss man den kleinsten gemeinsamen Nenner der Kondensatoren finden und die einzelnen Brüche entsprechend umrechnen. Dann addiert man die Brüche und bildet zum Schluss den Kehrwert des Bruchs.

$$\frac{1}{C_{\text{ges}}} = \frac{1}{C_1} + \frac{1}{C_2} + \dots + \frac{1}{C_n}$$

Gemischte Schaltungen

Bei einer gemischten Schaltung (bei der Kondensatoren sowohl seriell als auch parallel geschaltet sind) rechnet man zuerst die parallelen Schaltungen aus und behandelt sie jeweils wie einen Kondensator. Danach rechnet man die verbleibenden seriellen Schaltungen aus.

Beispiel:

Wir haben drei serielle Kondensatoren. Die Kondensatoren haben eine Kapazität von 8, 4 und 16 nF. Um die Gesamtkapazität zu ermitteln, werden alle drei Werte in die Formel eingesetzt.

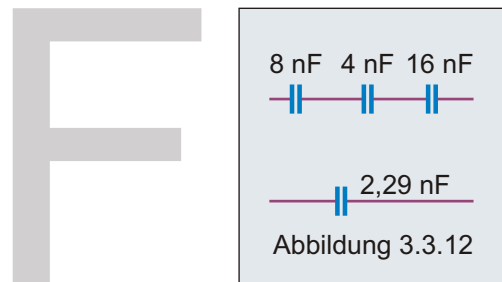
$$\frac{1}{C_{\text{ges}}} = \frac{1}{8} + \frac{1}{4} + \frac{1}{16} \quad \text{zuerst muss man den gemeinsamen Nenner finden; hier ist es Sechzehn}$$

$$\frac{1}{C_{\text{ges}}} = \frac{2}{16} + \frac{4}{16} + \frac{1}{16} \quad \text{erst jetzt können alle Brüche addiert werden}$$

$$\frac{1}{C_{\text{ges}}} = \frac{7}{16} \quad \text{wenn nur noch zwei Brüche da sind, kann man den Kehrwert bilden}$$

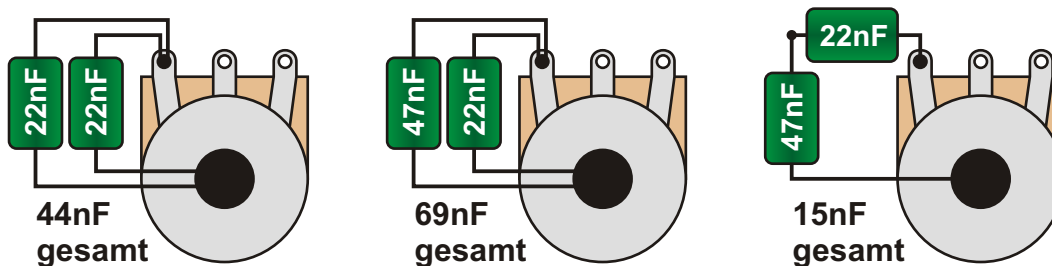
$$\frac{C_{\text{ges}}}{1} = \frac{16}{7} \quad \text{jetzt kann man den Zähler durch den Nenner teilen und erhält eine Zahl}$$

$$C_{\text{ges}} = 2,286$$

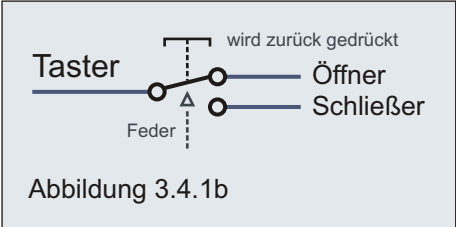
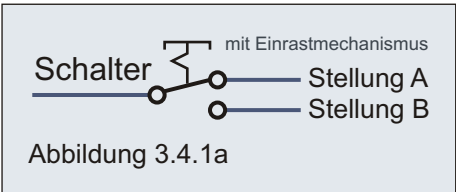


Zur Überprüfung des Ergebnisses gibt es zumindest eine Faustformel.

Bei Reihenschaltungen muss die Gesamtkapazität immer kleiner sein als der Wert des kleinsten, seriell geschalteten Kondensators!



Benennung	Widerstände und Kondensatoren		Theorie / Do It Yourself	Nummer
Bemerkungen / Besonderheiten	Reihen- und Parallelschaltung von Kondensatoren		gezeichnet von Cadfael	gezeichnet am 02.09.17
				Seite 462



3.4 Schalter

Allgemein spricht man zwar bei immer von "Schaltern", technisch gesehen muss man jedoch zwischen den beiden Funktionsprinzipien "**Schalter**" und "**Taster**" unterscheiden. Der Unterschied zwischen diesen beiden Prinzipien ist einfach erklärt.

3.4.1 Schalter - Taster (Öffner, Schließer)

Drückt oder dreht man einen **Schalter**, rastet er in einer Stellung ein und bleibt in dieser Stellung stehen. Drückt oder dreht man den Schalter erneut, rastet er in einer anderen Stellung ein und bleibt dort ebenfalls.

Klassisches Beispiel für einen Schalter ist der "normale"

Lichtschalter, wie wir ihn in jedem Haushalt finden. Betätigt man den Lichtschalter, bleibt das Licht solange an, bis man den Lichtschalter erneut betätigt. Es gibt verschiedene Formen von Schaltern; Schiebeschalter, Druckschalter, Kippschalter. Obwohl anders betätigt, passiert im Inneren immer das Gleiche.

Drückt man hingegen auf einen **Taster**, bleibt er nur solange in der zweiten Stellung, wie man den Taster gedrückt hält. Lässt man ihn los, holt eine Feder den Taster in die Ausgangsposition zurück. Daher wird der Taster im Englischen auch oft "Momentary" genannt.

Bei Tastern gibt es die Unterscheidung zwischen "**Öffner**" und "**Schließer**". Ein Taster wird als **Öffner** bezeichnet, wenn er in betätigtem Zustand die Leitung öffnet. Klassisches Beispiel ist die Kühlschrankbeleuchtung. Ist die Kühlschranktür zu, ist der Öffner durch einen Stift betätigt. Der Stift öffnet die Verbindung und es kann kein Strom fließen (das Licht ist aus). Macht man die Tür auf, federt der Taster in seine Ruhestellung zurück und die Beleuchtung geht an.

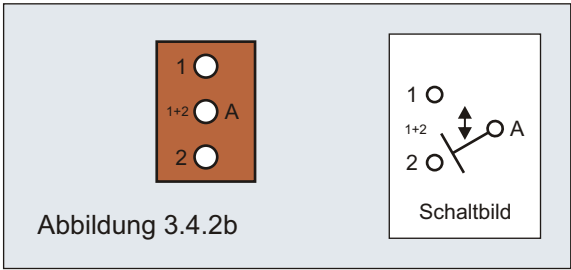
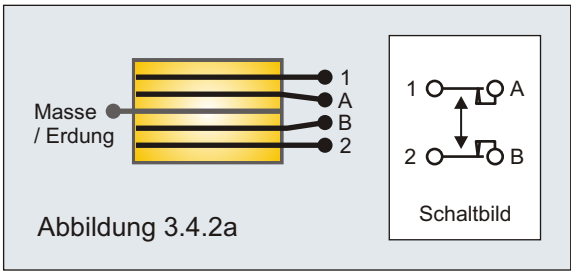
Ein Taster wird als **Schließer** bezeichnet, wenn er in betätigtem Zustand die Leitung schließt. Klassisches Beispiel hierfür ist die Haustürklingel. Drückt man die Klingeltaste, wird die Leitung geschlossen und die Klingel ertönt. Sobald man die Klingeltaste loslässt, federt der Taster in seinen Ruhezustand zurück und es fließt kein Strom mehr - die Klingel ist still.

3.4.2 Toggle Switch

Am bekanntesten dürfte der "Toggle Switch" Bassisten aus den Rickenbacker Bässen sein. Gitarristen kennen ihn zum Beispiel aus der Gibson Les Paul, Explorer oder der SG. Beim Toggle Switch handelt es sich um einen Dreiwegschalter. Der klassische Toggle Switch hat vier Anschlüsse, wobei die beiden mittleren Kontakte meistens in Schaltungen miteinander verbunden werden.

Der Toggle Switch schließt keine Kontakte, sondern öffnet sie beim Umlegen des Hebels.

Es gibt auch einen einfacheren Schalter, der eingebaut wie ein Toggle Switch aussieht. Sein Vorteil ist das geschlossene Gehäuse. Dieser Schalter hat nur drei Anschlüsse.



Benennung Schalter	Theorie / Do It Yourself		Nummer 3.4
	gezeichnet von Cadfael	gezeichnet am 02.09.17	Seite 463
Bemerkungen / Besonderheiten Schalter - Taster (Öffner - Schließer)			

3.4.3 Lever Switch "Fender Schalter"

Heutzutage kennt jeder Musiker Drei-, Vier- und Fünfwegschalter (vora allem die Gitarristen). Bis Mitte der 1970er Jahre gab es aber ausschließlich Dreiwegschalter (im Original von "CRL" - Central Labs)! Erst im Jahr 1977 wurde der Fünfwegschalter bei Fender eingeführt.

3.4.31 Dreiwegschalter

Diesen Schalter findet man erstmals 1950 in der Fender Esquire. Mittlerweile ist er in vielen anderen Gitarren und einigen Bässen verbaut.

Der Originalschalter ist ein offener Schalter (in Abbildung 3.4.31a mit brauner Leiste). Aus Fernost gibt es preiswerte Kopien mit geschlossenem Gehäuse. Trotz der offenen Bauweise haben Originalschalter eine bessere Qualität. Der Schalter hat meistens zwei Ebenen (hier A und B genannt), wobei die Schleifer je nach Stellung mit einem der Kontakte ihrer Ebene verbunden werden.

Es gibt auch Dreiwegschalter, bei denen "A und B" zu einem Anschluss zusammengefasst ist. Bei Framus/MEC, aber auch koreanischen Squiers gibt es solche Schalter.

3.4.32 Vierwegschalter

Den Vierwegschalter gibt es noch nicht so lange. Er ist aufgebaut wie der Dreiwegschalter. Er hat normalerweise zwei Ebenen. Die beiden Schleifer sind in jeder der vier Stellungen mit einem anderen Kontakt verbunden.

3.4.33 Fünfwegschalter

Ein normaler Fünfwegschalter lässt sich hingegen auf den ersten Blick äußerlich nicht von einem Dreiwegschalter unterscheiden. Er hat (abgesehen vom Schleifer) ebenfalls nur drei Anschlüsse pro Ebene. In den Mittelstellungen sind die Kontakte 1+2 bzw. 2+3 miteinander verbunden. Ein normaler Fünfwegschalter (3.4.33a) hat keine separaten Kontakte für die Mittelstellungen. Dadurch sind die Schaltungsmöglichkeiten sehr eingeschränkt.

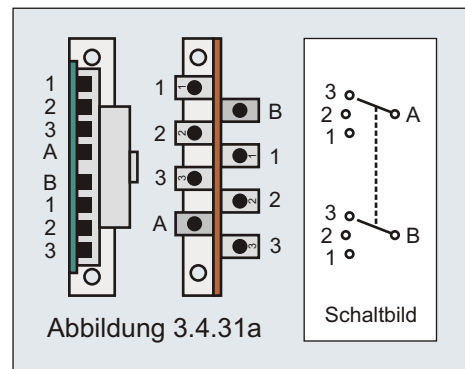


Abbildung 3.4.31a

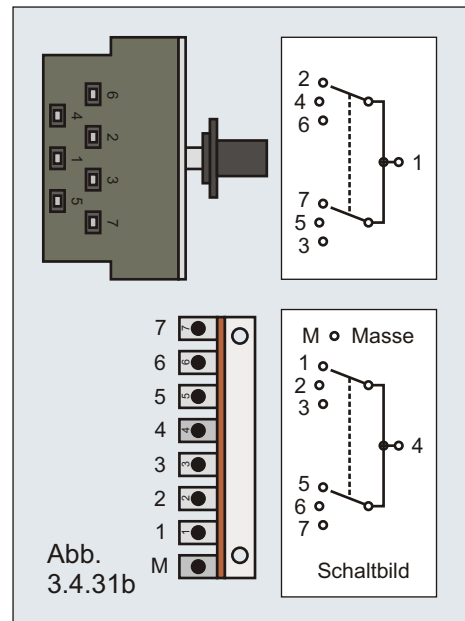


Abb. 3.4.31b

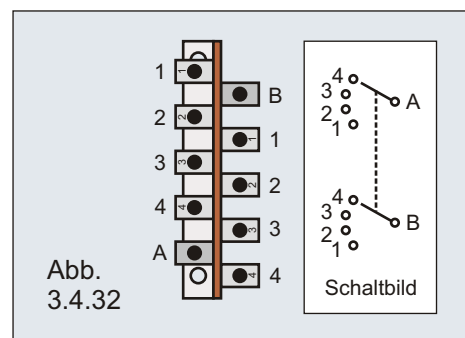


Abb. 3.4.32

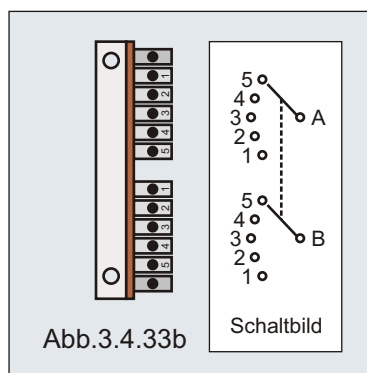


Abb.3.4.33b

Beispielsweise in Fender U.S. Teles findet man auch Fünfwegschalter mit zwei Ebenen und einem Anschluss pro Schalterstellung (3.4.33b). Mit solch einem Schalter lassen sich weit mehr verschiedene Schaltungen realisieren.

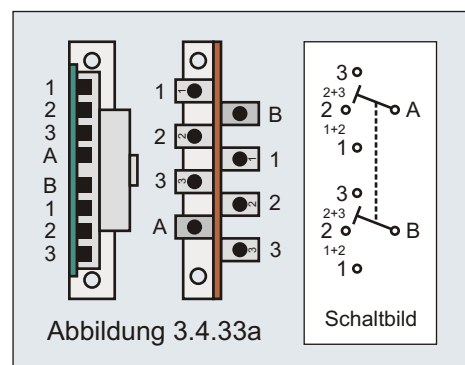


Abbildung 3.4.33a

Benennung	Lever Switch - "Fender Schalter"		Theorie / Do It Yourself	Nummer 3.4.3
Bemerkungen / Besonderheiten	Dreiweg-, Vierweg, Fünfwegschalter sowie Mehrwegschalter		gezeichnet von Cadfael	gezeichnet am 02.09.17 Seite 464

5.4.34 Fünfwegschalter Super Switch

Mit dem "5-Way Super Switch" (Abbildung 3.4.34) lassen sich durch seine vier Ebenen und jeweils einen Kontakt pro Schalterstellung so ziemlich alle denkbaren Tonabnehmerkombinationen erreichen.

Für Anfänger ist dieser Schalter allerdings nicht unbedingt zu empfehlen, da man sich im Schaltungswirrwarr leicht vertun kann - und dann lange den Fehler suchen muss.

Super Switches gibt es beispielsweise vom Hersteller CRL, der auch die "klassischen Fender Schalter" herstellt. Der (Eyb) "Megaswitch M" ist genauso aufgebaut wie ein Super Switch, baut dabei aber mit seiner Platine wesentlich kleiner als ein Super Switch.

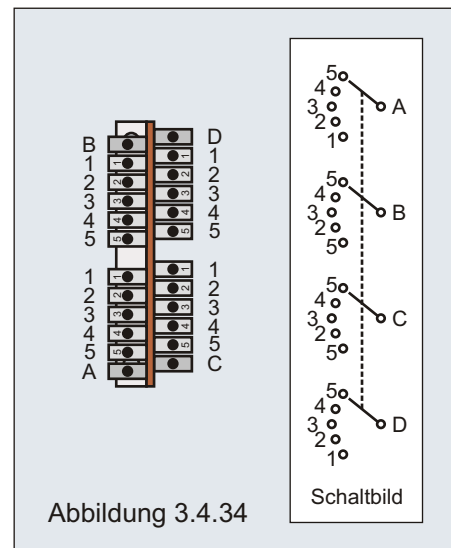


Abbildung 3.4.34

5.4.35 Megawitches

Es gibt noch mehr Dreiweg- und Fünfwegschalter. Dazu gehört eine ganze Reihe von "Megawitches". Mit diesen Schaltern ist es möglich, ganz spezielle Schaltungen zu verwirklichen, wie sie mit herkömmlichen Schaltern kaum oder nur schwer möglich sind. Es lohnt sich die Originale von Eyb oder die Schalter von Schaller zu kaufen. Der Mehrpreis gegenüber billigen Kopien zahlt sich im Einsatz aus.

Der **Megaswitch M** ist genauso aufgebaut wie ein Superswitch (3.4.34). Vorteil des Megaswitch M ist der geringe Platzbedarf bei gleichzeitig großen Kontaktflächen für die Lötunkte.

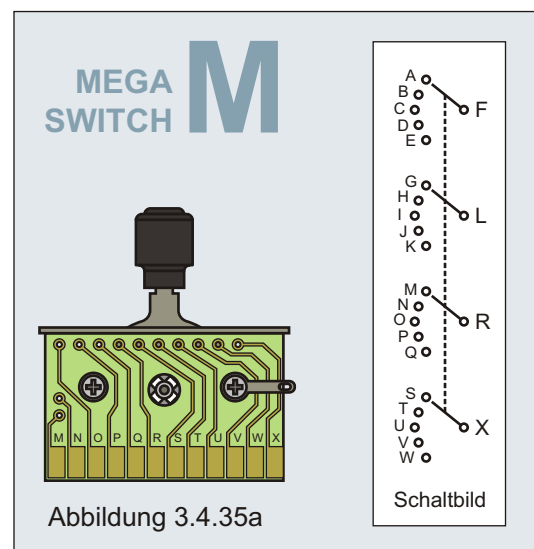


Abbildung 3.4.35a

Der **Megaswitch T** (Telecaster) und **Megaswitch S**

(Stratocaster) haben beide das identische Platinen-Layout. Während der **Megaswitch T** ein Dreiwegschalter ist, ist der **Megaswitch S** allerdings ein Fünfwegschalter. Mit den beiden Schaltern lassen sich die herkömmlichen Schaltungen realisieren, es sind aber aufgrund des Layouts der Platine auch andere Schaltungen möglich. Beispiele dafür finden sich im Kapitel "Umbau".

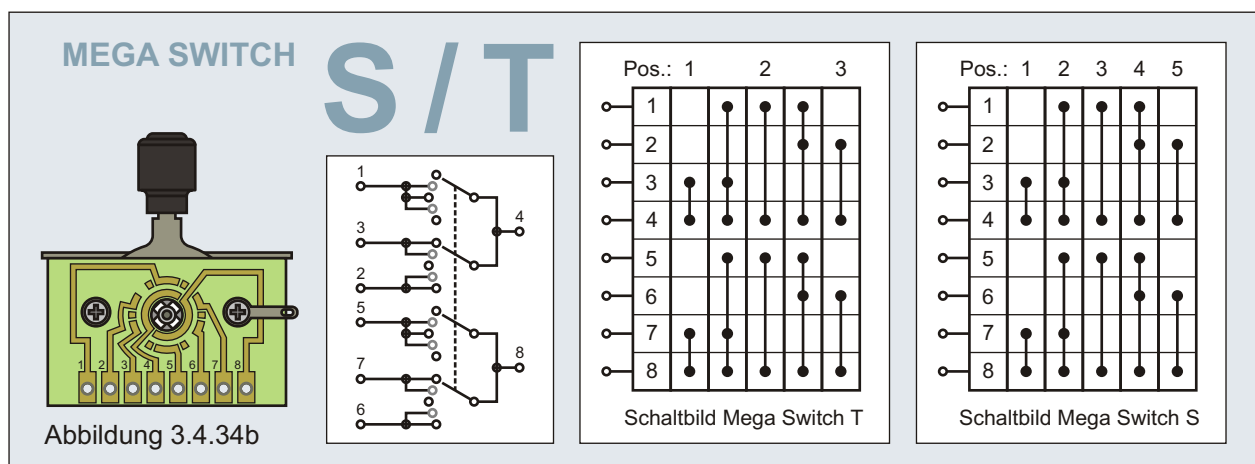


Abbildung 3.4.34b

Benennung **Lever Switch - Mega Switches**

Theorie / Do It Yourself

Nummer 3.4.3

Bemerkungen / Besonderheiten

Dreiweg-, Vierweg, Fünfwegschalter sowie Mehrwegschalter

gezeichnet von Cadfael

gezeichnet am 02.09.17

Seite 465

Der **Megaswitch P** (PRS) Lever Switch erlaubt Schaltungen, wie sie mit dem Dreh-
schalter einer Paul Reed Smith Custom
Gitarre möglich sind. So können diese Kon-
stellationen auch auf Telecaster oder Strato-
caster verwirklicht werden. Natürlich lassen
sich mit dem Megaswitch P auch andere
Schaltungen als nur die klassische PRS
Schaltung realisieren. Wie das Schaltbild
rechts zeigt, sollten man für eigene Schal-
tungen aber möglichst wissen was man tut.
Anderenfalls wird es schwer, eventuelle
Fehler in Verdrahtung oder Plan zu finden.

Auch der **Megaswitch E** (Eyb) erlaubt
viele trickreiche Schaltungen. Es gibt zu-
dem den **Megaswitch E+** (Eyb Plus),
der sich lediglich darin unterscheidet, dass die
beiden Kontakte 5 und 6 in vier Kontakte
vereinzelt wurden.

Der **Schaller BA103sF** Dreiwegschalter
hat das Layout des Megaswitch E.
Beispiele für den Einsatz der drei Schalter
finden sich im Kapitel "Umbau". Mit diesen
Schaltern sind allerdings weit mehr Schal-
tungen möglich.

Der Skizze unten wurden die fünf Stellungen
der vier Schleifer farbige hinzugefügt.
Verleicht man die Striche mit der Liste
rechts, dürfte die Wirkungsweise dieses
und anderer Megaswitches klar werden.

Megaswitch E	1	2	3	4	5	6	7		
Megaswitch E+	1	2	3	4	5	6	7	8	9

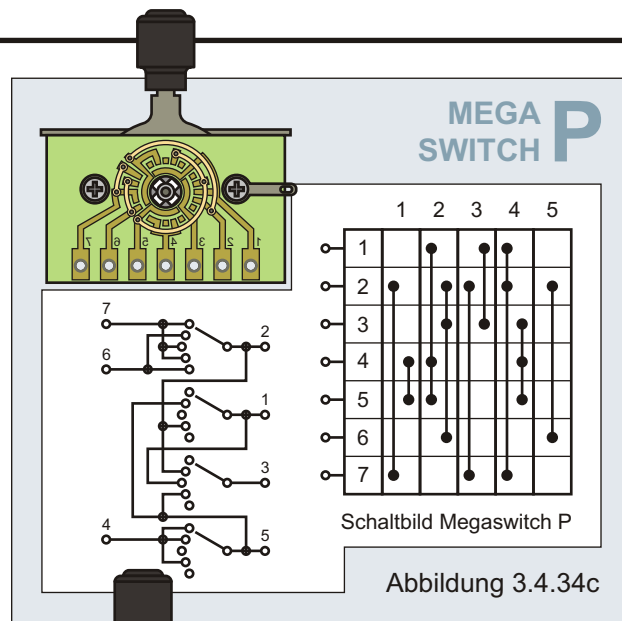
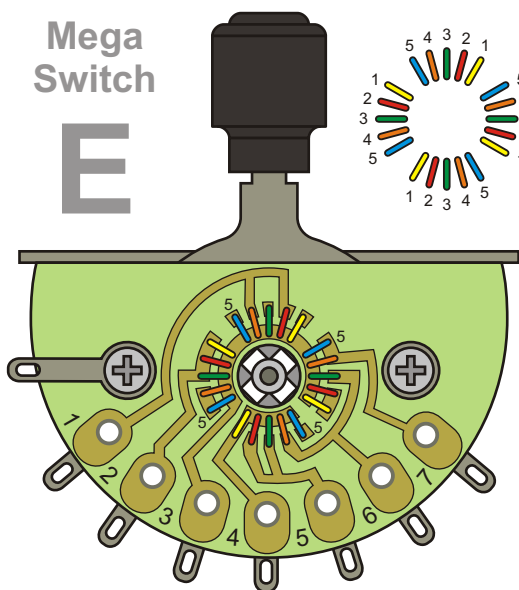


Abbildung 3.4.34c

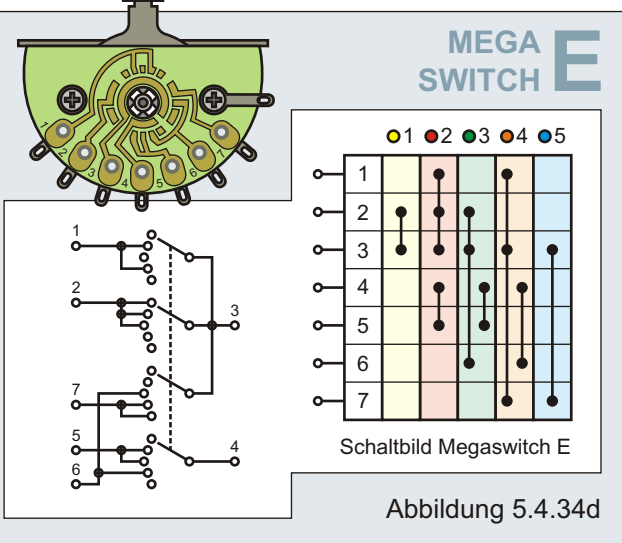


Abbildung 5.4.34d

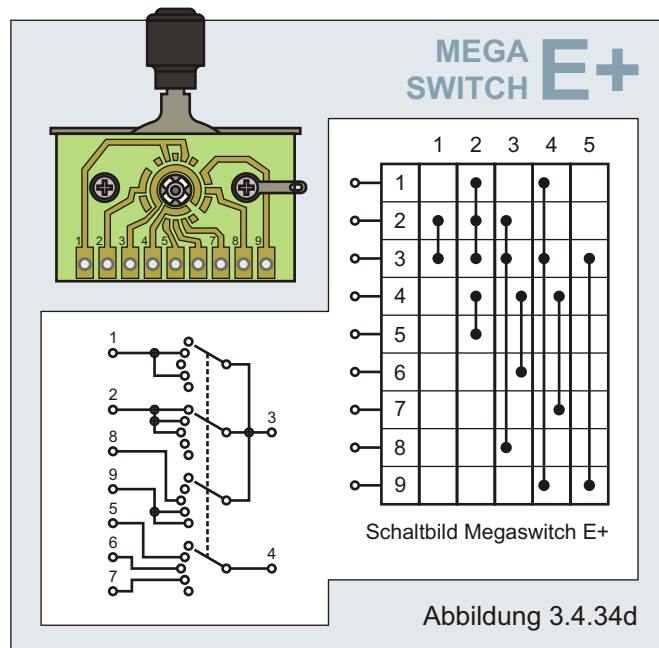


Abbildung 3.4.34d

Benennung **Lever Switch - Mega Switches**

Theorie /
Do It Yourself

Nummer
3.4.3

Bemerkungen / Besonderheiten

Dreiweg-, Vierweg, Fünfwegschalter sowie Mehrwegschalter

gezeichnet von
Cadfael

gezeichnet am
02.09.17

Seite
466

3.4.5 Drehschalter

Da die meisten alten Bass Klassiker (z.B. Precision Bass, Jazz Bass, Thunderbird etc.) nicht über Kippschalter verfügten - und damit auch nicht ihre Kopien - liegt der Einsatz von Drehschaltern nahe, wenn man trotz Schalter die Optik des Basses nicht verändern will.

Es gibt geschlossene Kunststoffdrehschalter mit Vollachse (ebenfalls aus Kunststoff), sowie offene Drehschalter mit Voll- oder Riffelachse. Die Modelle mit Vollachse haben bei beiden einen 6 mm Achsdurchmesser. Die Kunststoffdrehschalter gibt es zudem mit Lötpinnen oder Lötösen. Für den Einsatz in Instrumenten dürften meist Lötösen besser sein.

Es gibt Schalter mit 1x12, 2x6, 3x4, 4x3, aber auch Schalter mit 4x5 (auf zwei Ebenen verteilt). Für die Beispielschaltungen in Kapitel 2 wurden Schalter 2x6 und 3x4 eingesetzt.

Da die Außenmaße der Drehschalter ca. 24 x 31 mm bzw. 24 mm im Durchmesser betragen, sollte man vorher genau prüfen, ob auch genug Platz im E-Fach vorhanden ist. Auch die Tiefe spielt eine Rolle.

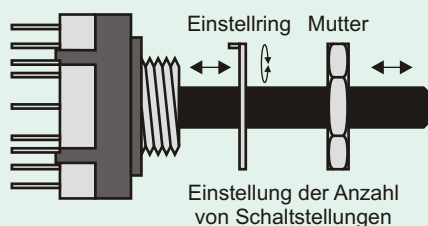
3.4.51 Kontaktschwierigkeiten

Bei Kunststoffdrehschaltern sind die Kontakte normalerweise durchnummeriert. Hier kann selbst der Anfänger nicht viel verkehrt machen und seine Schaltung nach der "Malen-nach-Zahlen-Methode" zusammenlöten.

Bei offenen Schaltern fehlt die Kennzeichnung jedoch meist! Daher ist es vor dem Lötens unerlässlich herauszufinden, welchem Kontakt am Schalter dem jeweiligen Kontakt im Schaltplan entspricht. Anderenfalls handelt man sich bei falscher Verlotung jede Menge Ärger ein.

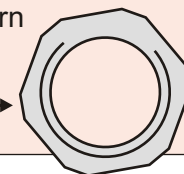
INFO 1:

Bei Kunststoffdrehschaltern kann man zusätzlich einstellen, wie viele Positionen der Schalter drehen soll. Beim Schalter 2x6 werden in den Beispielschaltungen im zweiten Kapitel z.B. Position 5 oder Position 5 und 6 blockiert.



INFO 2:

Meist muss die Bohrung im Pickguard oder Kontrollblech für Kunststoffdrehschalter erweitert werden (aufbohren oder aufteilen). Soll der Drehschalter durch eine Holzdecke montiert werden, muss man prüfen ob die Gewindelänge ausreicht. In diesem Fall sollte man besser offene Drehschalter nehmen, da deren Achsdurchmesser dem von normalen Standard-Potis entspricht. Die Mutter von Kunststoffdrehschaltern muss oft an den Ecken leicht angefeilt werden, damit ein "Dome Speed" Knopf darüber passt.



- Stellung
 1: A+1, C+ 7
 2: A+2, C+ 8
 3: A+3, C+ 9
 4: A+4, C+10
 5: A+5, C+11
 6: A+6, C+12

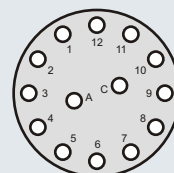


Abbildung 3.4.5a

- Stellung
 1: A+1, B+5, C+ 9
 2: A+2, B+6, C+10
 3: A+3, B+7, C+11
 4: A+4, B+8, C+12

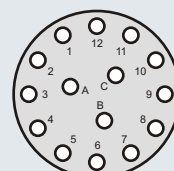


Abbildung 3.4.5b

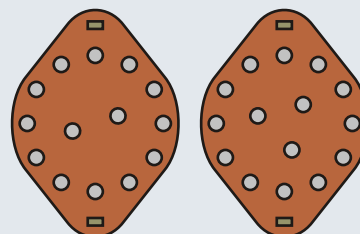


Abbildung 3.4.5.c

Benennung **Drehschalter**

Theorie /
Do It Yourself

Nummer
3.4.5

Bemerkungen / Besonderheiten

Offene Drehschalter, Kunststoffdrehschalter

gezeichnet von
Cadfael

gezeichnet am
02.09.17

Seite
467

3.4.4 Minischalter

Seit den späten 1970er bzw. frühen 1980er Jahren werden Minischalter sehr gerne im Bassbau, aber auch bei Umbauten eingesetzt.

Minischalter gibt es in verschiedenen Größen und mit verschiedenen Hebelformen zu kaufen. Während Standard-Schalter wie der "2x2 Um ON/ON" schon für kleines Geld in jedem Elektronikladen zu bekommen ist, muss man nach Spezialschaltern schon mal etwas länger suchen - und die kosten teilweise richtig viel. Auf jeden Fall lohnt sich ein Blick bei den großen renommierten Elektronikläden.

In der rechten Tabelle sind die gebräuchlichsten Minischalter mit Bezeichnung und ihre Schaltverbindungen aufgelistet. Es gibt aber noch wesentlich mehr Schalter, wie zum Beispiel den 4PDT.

Unten rechts haben wir drei Minischalter, die eine Kombination aus Schalter und Taster darstellen. Diese Schalter sind besonders interessant, wenn man einen Kill-Switch in seinen Bass einbauen möchte.

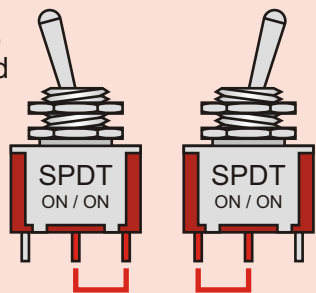
Einen Schalter "ON/OFF/ON" kann man so verdrahten, dass der Bass in Mittelstellung des Schalters an ist und nach oben gekippt aus (z.B. Spielpausen).

Drückt man den Schalter nach unten, ist der Bass nur solange aus, wie man den Hebel gedrückt hält. Danach springt der Hebel von alleine in Mittelstellung zurück. Solch eine Schaltung findet sich auch im zweiten Kapitel.

ACHTUNG!

Beim Verkabeln von Minischaltern sollte man bedenken, dass sehr oft der Kontakt entgegengesetzt zur Schalterstellung ist!

Zeigt der Schalthebel nach links, sind mittlerer und rechter Kontakt miteinander verbunden. Gegebenenfalls vorher durchmessen!



kleine Auswahl an Minischaltern		
Bezeichnung	Symbol	Schalterstellung
SPST ON / OFF		
SPDT ON / ON		
SPCO ON / OFF / ON		
DPST ON / OFF		
DPDT ON / ON		
DPCO ON / OFF / ON		
DP3T ON / ON / ON		
DP3T ON / ON / ON		
3PDT ON / ON		
(ON) / ON TAST / AN		
(ON) / OFF / ON TAST / AUS / AN		
(ON) / OFF / (ON) TAST / AUS / TAST		

Benennung **Minischalter**

Theorie /
Do It Yourself

Nummer
3.4.4

Bemerkungen / Besonderheiten
Schalter, Taster, (ON)/OFF/ON

gezeichnet von
Cadfael

gezeichnet am
02.09.17

Seite
468

3.4.6 Sonstige Schalter

Im Musikzubehörhandel, aber auch in Elektronikgeschäften findet man noch zahlreiche andere Schalter und Taster, die man auch bei Bässen einsetzen kann. Hier ist die Fantasie des Lesers gefragt. Wichtig zu erwähnen sind allerdings noch die Schiebeschalter.

3.4.61 Schiebeschalter

Bei einigen Instrumenten aus den 1960er und 1970er Jahren wurden öfters Schiebeschalter zur Wahl der Tonabnehmer eingesetzt. Da Schiebeschalter jedoch meist relativ schwergängig sind, empfiehlt sich der Einsatz auf diesem Gebiet heutzutage nicht mehr. Dennoch sind Schiebeschalter nicht völlig überflüssig geworden.

Schiebeschalter sind dort hervorragend einzusetzen, wo etwas generell an- oder ausgeschaltet werden soll. Will man einen Kill-Switch nicht als Effekt nutzen, sondern als "General-An/Aus" für Spielpausen, bietet sich ein Schiebeschalter geradezu an.

Sie sind auch dann von Vorteil, wenn einzig auf dem Pickguard Platz ist. Ein Minischalter könnte hinderlich sein oder gar Verletzungsgefahren in sich bergen. Ein Schiebschalter hingegen baut flacher und ist weit ungefährlicher für die Spielhand.

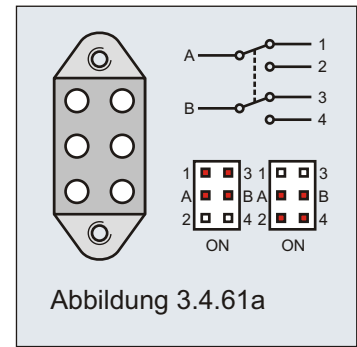


Abbildung 3.4.61a

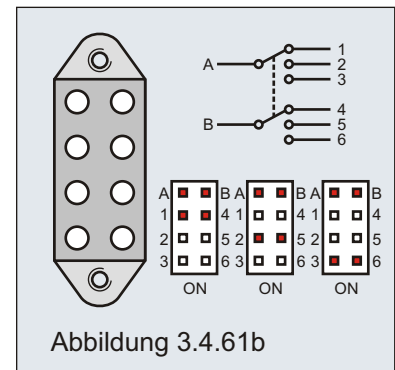


Abbildung 3.4.61b

3.5 Kabel und Abschirmungen

Es gibt einige Hersteller, die für Verbindungen innerhalb des E-Fachs grundsätzlich abgeschirmtes Kabel verwenden. Das ist lobenswert. Meistens reicht allerdings einfache Litze zur Verkabelung aus. Bei komplizierteren Schaltungen kann es mit abgeschirmtem Kabel auch eng werden. Deutliches lautes Brummen hat bei einer Schaltung entweder mit externen Störquellen zu tun (z.B. Neonröhren), oder es deutet auf falsche Verdrahtung hin.

Als Litze kann man dünnes Kabel aus kaputten Radioweckern benutzen. Neben Elektronikläden kann man sich Litze auch im Modellbaugeschäft (Eisenbahnmodellbau) besorgen. Im Musikzubehörhandel kann man sie ebenfalls käuflich erwerben.

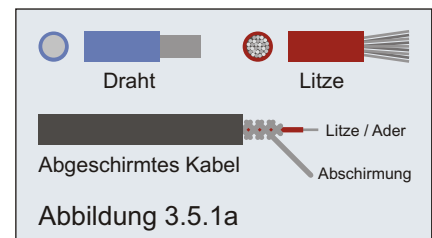


Abbildung 3.5.1a

3.5.1 Abschirmung

Von den 1960er bis in die 1980er Jahre nagelte man bei Fender Messingbleche unter Pickups sowie Elektronik in das Holz des Bodys und verband die Bleche mit Masse. Heutzutage gibt es Abschirlack. Man kann auch Alu-, Kupfer- oder Messingfolie ins E-Fach und unter Pickguards kleben. Diese Maßnahmen helfen zwar gegen Brummeinstreuungen, man sollte die Wirkung aber nicht überbewerten und zuviel Aufwand betreiben. Oft hilft ein Entspannungstraining mehr, als stundenlanges Abschirmen.

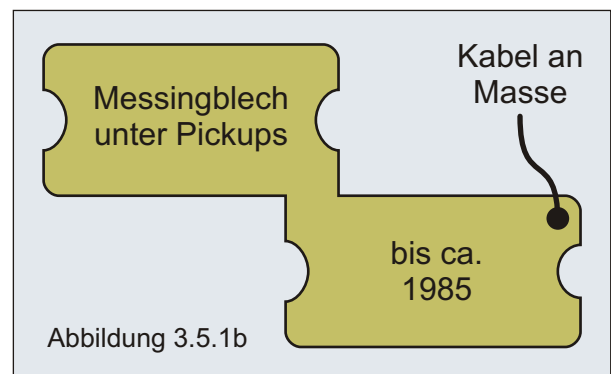
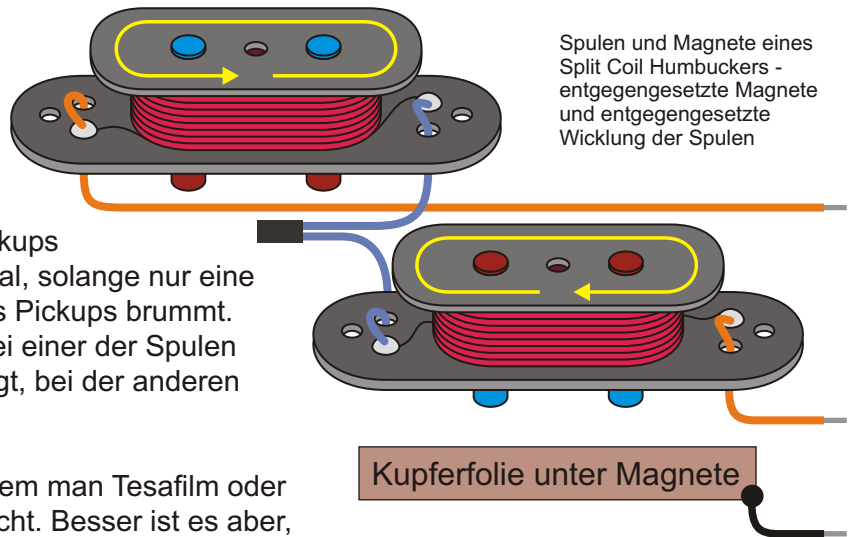


Abbildung 3.5.1b

Benennung	Schalter / Kabel und Abschirmung		Theorie / Do It Yourself	Nummer
Bemerkungen / Besonderheiten	Schiebeschalter, Kabel, Litze, Saitenerdung, Abschirmung		gezeichnet von Cadfael	gezeichnet am 02.09.17
				Seite 469

3.5.11 Brummen

Viele Musiker bemerken erst nach Jahren, oder vielleicht nie, dass ihr Single Coil oder Split Coil Pickup brummt, wenn man die Pole Pieces / Magnete des Pickups brührt. Das ist aber völlig normal, solange nur eine Spule bzw. einer der Jazz Bass Pickups brummt. Das Phänomen tritt auf, weil bei einer der Spulen Masse am Spulenanfang anliegt, bei der anderen Spule jedoch das Hot-Signal.



Man kann Abhilfe schaffen, indem man Tesafilm oder Nagellack auf die Magnete macht. Besser ist es aber, ein mit Masse verbundenes Stück Kupferklebefolie direkt unter die Magnete des Pickups zu kleben. Zuerst sollte man ein dünnes Kabel an die Kupferfolie löten. Erst danach klebt man die Folie unter die Magnete des Pickups. Das Kabel führt man zusammen mit den Kabeln des Pickups in das E-Fach und lötet es irgendwo an Masse. Berührt man dann die Magnete ist dies, als ob man die Saiten anfassen würde. Das Brummen ist weg.

Bei Pickups die wie ein Gibson "PAF" Humbucker aufgebaut sind, tritt dieses Phänomen nicht auf, da dort alle Pole Pieces automatisch an Masse hängen. Bei anderen Pickups gibt es eine Getrennte Masseleitung für Gehäuse oder Pole Pieces (meist ein dünner Draht).

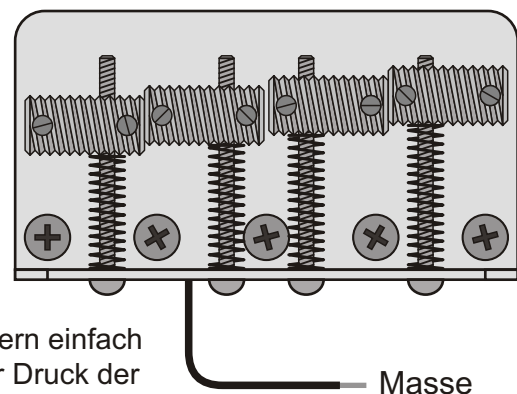
3.5.12 Sternverdrahtung

Die Meinungen zur Sternverdrahtung gehen weit auseinander. Bei der Sternverdrahtung wird die Masse zu einem zentralen Punkt geführt. Von diesem Punkt aus werden dann alle Teile mit Masse verbunden, die mit Masse verbunden werden müssen. Diese Methode soll die Gefahr von Brummeinstreuungen vermindern.

Nachteil ist, dass die Kabelwege für Masse sich insgesamt gegenüber einer herkömmlichen "Kettenverkabelung" wesentlich verlängern. Ist die Verkabelung von Bauteil zu Bauteil (meist von einem Potgehäuse zum anderen) sauber ausgeführt, dürfte dies völlig ausreichen. Die Aussage, dass die "Kettenverkabelung" gegenüber der "Sternverkabelung" eher wie eine Antenne wirken soll ist zwar Thema von Diskussionen, darf aber sehr kritisch gesehen werden. Wichtig bei der Verkabelung sind sauberes Arbeiten und gute Lötverbindungen.

3.5.2 Saitenerdung

Wichtig ist die Erdung der Saiten. Meist geschieht die Saitenerdung über die Brücke des Instruments. Brummt es, sobald man die Saiten loslässt, ist das ein Zeichen für eine funktionierende Saitenerdung. Brummt es lauter, sobald man die Saiten berührt, hat man evtl. Masse und HOT an der Klinkenbuchse verwechselt - oder das Kabel zur Saitenerdung an die falsche Stelle gelötet.



Das Massekabel wird nicht an die Brücke gelötet, sondern einfach abisoliert und aufgefächert unter die Brücke gelegt. Der Druck der Brücke auf den Body quetscht dann das Kabel ein und hält es fest.

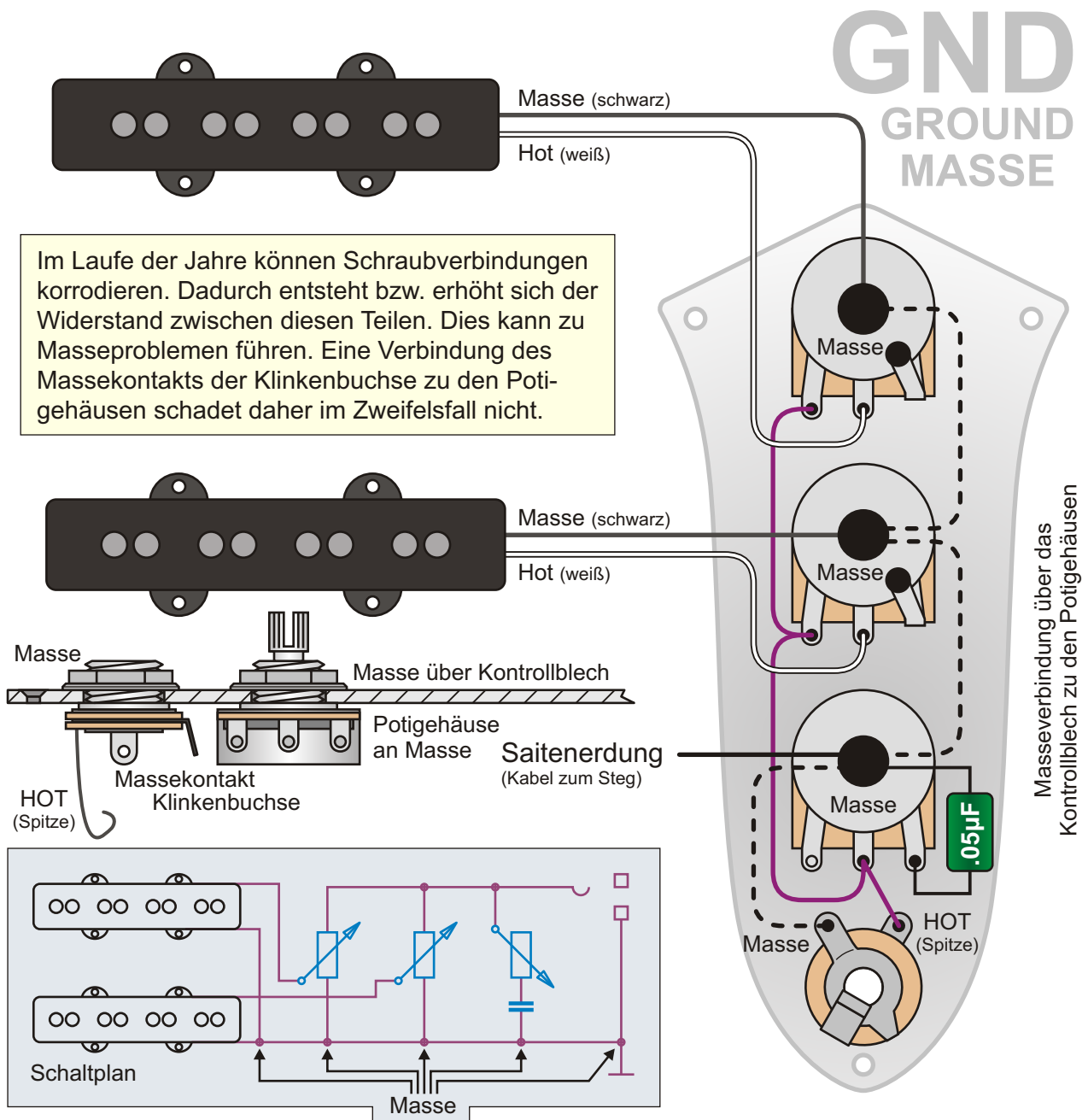
Benennung	Abschirmung		Theorie / Do It Yourself	Nummer
Bemerkungen / Besonderheiten	Abschirmung, Brummunterdrückung und Saitenerdung		gezeichnet von Cadfael	gezeichnet am 02.09.17
				Seite 470

3.5.3 Masse ist Masse ...

Der "normale passive Bass" hat eine Mono-Klinkenbuchse mit Kontakten für HOT und Masse. HOT wird auch die "Signalleitung" genannt. Masse, auf Englisch auch Ground oder kurz GND genannt, dient sowohl als "Rückleitung des Signals", als auch zur Erdung und Abschirmung des Instruments. Daher sind neben den Pickups auch Potigehäuse, Steg und oft auch Abschirmteile (Bleche, Folien, leitende Lacke etc.) mit der Masse verbunden.

Bei vielen Jazz Bässen sieht man, dass kein Kabel an den Massekontakt der Klinkenbuchse gelötet ist. Das ist auch nicht zwingend nötig, da der Schaft der Klinkenbuchse Kontakt zum Kontrollblech hat. Über das Blech sind so automatisch alle Potigehäuse mit Masse verbunden.

An welches Potigehäuse man die Masseleitung der Pickups oder die Saitenerdung lötet ist egal, denn "Masse ist Masse". Die Masse des Neck Pickups wurde nur deshalb an das Gehäuse des Neck Volume Potis gezeichnet, weil dies am übersichtlichsten ist.



Benennung	Masse ist Masse ...		Theorie / Do It Yourself	Nummer 3.5.3
Bemerkungen / Besonderheiten	Abschirmung, Brummunterdrückung und Saitenerdung		gezeichnet von Cadfael	gezeichnet am 02.09.17 Seite 471

3.6 Klinkenbuchsen

Obwohl die Klinkenbuche ein sehr wichtiger und entscheidender Faktor in der Soundkette eines E-Basses (oder einer E-Gitarre) ist, wird ihr meistens wenig Aufmerksamkeit geschenkt. Ihren merkwürdigen Durchmesser von 6,3 bzw. 6,35 mm verdankt die Klinkenbuche übrigens dem englischen / amerikanischen Standardmaß 1/4 Zoll (= 6,35 mm).

3.6.1 Mono Klinkenbuchsen

Eine Mono-Klinkenbuche hat zwei Kontakte. Der Bund der Buchse hat Kontakt mit dem eingesteckten Schaft des Steckers. Am Bund liegt immer Masse an. Die Spitze des Steckers drückt gegen die Fahne. Dort liegt das HOT-Signal an.

Wer öfters Schwierigkeiten mit Wackelkontakten an seinem Instrument hat, sollte zuerst die Qualität der Buchse überprüfen. In sonst sehr guten Instrumenten der Mittelklasse sind oft billige Buchsen. Die Fahne des Steckers kann nicht genug Anpressdruck entwickeln. Beim Umbau oder der Überholung eines Instruments sollte man lieber ein oder zwei Euro mehr für eine vernünftige Buchse (z.B. von Switchcraft) ausgeben.

3.6.2 Stereo Klinkenbuchsen

Eine Stereo-Klinkenbuche hat drei Kontakte. Es kommt eine zweite Fahne hinzu, die Das Signal am "Ring" des Steckers abnimmt. Allerdings sind Stereo-Bässe sehr selten. Wer sich merken möchte welches Signal wo anliegt: **"Ring hat Rotes Kabel und Rechtes HOT-Signal!"**

Stereo-Klinkenbuchsen findet man auch in Bässen mit Batterie. Hier wirkt die Fahne zu einem "Trick" genutzt. Steckt man einen Mono-Stecker in eine Stereo-Buchse, werden Schaft und mittlere Fahne kurzgeschlossen. Legt man Minus von der Batterie an die mittlere Fahne, ist der Kontakt ohne Kabel unterbrochen - es fließt kein Strom. Erst bei eingestecktem Mono-Klinkenstecker wird Minus der Batterie mit Masse verbunden; die Elektronik arbeitet.

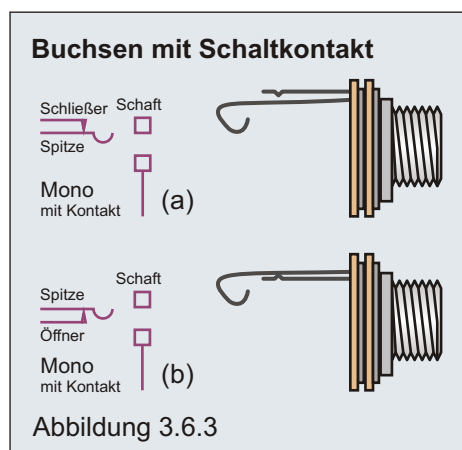
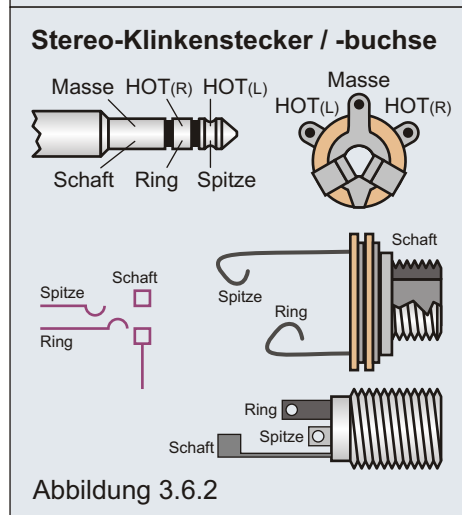
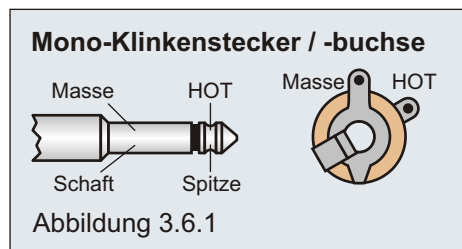
3.6.3 Buchsen mit Schaltkontakt

Es gibt Klinkenbuchsen mit Schaltkontakt. Steckt man in die Buchse von Abbildung 3.6.3a einen Stecker, wird die Fahne gegen den Kontakt gedrückt und die Verbindung schließt.

In Abbildung 3.6.3b passiert genau das Gegenteil. Steckt man einen Stecker ein, wird die Fahne wieder nach oben gedrückt, dadurch öffnet aber der Kontakt.

3.6.4 Mutter ist die Beste!

Löst sich die Mutter einer Buchse trotz Festziehen immer wieder, gibt es einen Trick. Zuerst die Gewinde mit Nagellackentferner (oder Aceton) entfetten. Dann Buchse ins Buchsenblech, Nagellack an das Gewinde der Buchse und die Mutter festziehen. Der Nagellack wirkt danach wie "Schraubenfest" und verhindert ein Lösen der Mutter.



Benennung	Klinkenbuchsen		Theorie / Do It Yourself	Nummer 3.6
Bemerkungen / Besonderheiten	Mono- und Stereo-Klinkenbuche, Schaltkontakte, Mutternsicherung		gezeichnet von Cadfael	gezeichnet am 02.09.17
				Seite 472

3.7 Schaltungen

Während sich Kapitel 3.4 mehr mit den Aufbau und der Funktion von Schaltern beschäftigt, geht es in Kapitel 3.7 um die praktische Anwendung von Schaltern in Schaltungen.

Da man mit zwei Spulen eines Humbuckers oft gleiche Schaltungen wie mit zwei Pickups machen kann, wird im Text nicht immer zwischen Pickup und Spule unterschieden. Die Aussagen gelten meist für beide Fälle.

Farben / Abkürzungen:

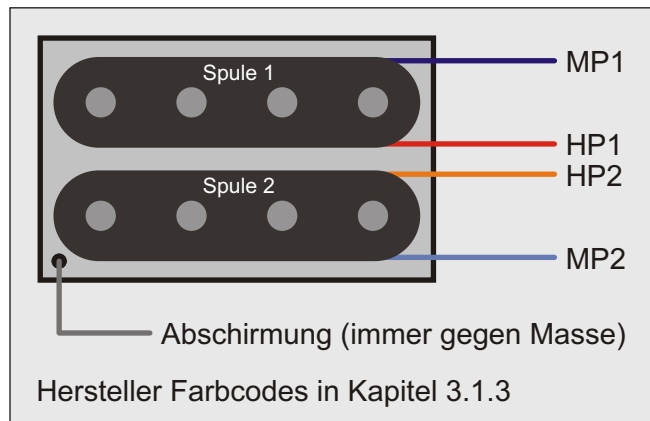
- M(B) = Masse > Buchse
- MP = Masse > Pickup
- MP1 = Masse > Pickup1 (oder Spule1)
- MP2 = Masse > Pickup2 (oder Spule2)
- HB = HOT > Buchse
- HP = HOT > Pickup (oder Spule)
- HP1 = HOT > Pickup1 (oder Spule1)
- HP2 = HOT > Pickup2 (oder Spule2)

Wichtigerweise sei noch anzumerken, dass man Schalter im Zweifelsfall vor dem Einbau durchmessen sollte! Auch wenn hier bereits viele Möglichkeiten und Fallstricke angesprochen werden, kann nur das Durchmessen eines Schalters in seinen verschiedenen Schaltstellungen für letzte Klarheit über dessen genaue Funktion sorgen. Funktioniert ein Schalter nach dem Verlöten nicht wie gewollt, kann das für viel Ärger und Kopfzerbrechen sorgen.

Hinweis:

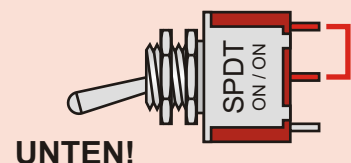
Die Zeichnungen in den beiden ersten Kapiteln sind zwar nach dem "Malenach-Zahlen-Prinzip" erstellt, man sollte nach Möglichkeit aber vorher durchdenken was und warum man tut - und was das Tun bewirkt. Die Schaltpläne helfen dabei.

Später einen Fehler in einer fertig verdrahteten Schaltung zu finden, kann viele Nerven kosten und Stunden dauern ...



ACHTUNG!

Die Positionsbezeichnungen "oben" und "unten" beziehen sich in diesen Kapiteln auf die **Stellung des Schalters!** Gerade bei Minikippschaltern sind Schalterstellung und Kontaktverbindungen oft spiegelverkehrt!

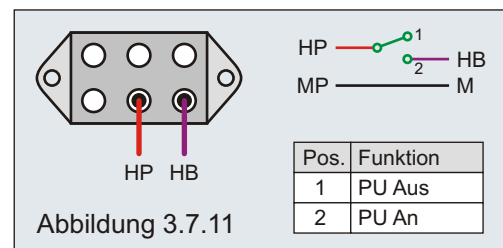


3.7.1 Pickup Wahl

Es gibt dutzende Möglichkeiten Pickups mit verschiedenen Schaltern auszuwählen oder mit anderen Pickups zu verschalten. Hier eine Auflistung der gängigsten Möglichkeiten ...

3.7.11 An/Aus Schiebeschalter

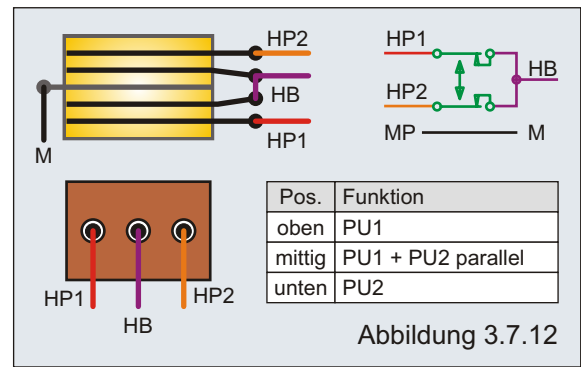
Die einfachste Methode ist ein An/Aus-Schalter. Hierbei wird die Leitung zwischen "HOT Buchse" und "HOT Pickup" getrennt. Die Masseleitung zum Pickup wird hingegen nicht getrennt, sondern bleibt erhalten. Solche An/Aus-Schalter findet man in vielen europäischen Bässen der 1960er und 1970er Jahre, aber zum Beispiel auch in einigen Fender Bässen.



Benennung Schaltungen: Pickup Wahl	Theorie / Do It Yourself	Nummer 3.7
Bemerkungen / Besonderheiten An/Aus-Schalter	gezeichnet von Cadfael	gezeichnet am 02.09.17
	Seite 473	

3.7.12 Toggle Switch

Der klassische "Gibson Toggle Switch" hat vier Kontakte plus einem Anschluss für die Erdung. Meistens werden die beiden mittleren Kontakte einfach miteinander verbunden. An die beiden äußeren Kontakte kommen die Pickups. Da der Toggle Switch die Verbindungen bei Betätigung nicht schließt sondern öffnet, müssen die Kabel zu den Pickups spiegelverkehrt angelötet werden. Im Blockdiagramm wird dies der Einfachheit halber allerdings nicht eingezeichnet.



Der Rickenbacker 4001 Bass ist eher ein Sonderfall. Hier sind die beiden mittleren Kontakte des Toggle Switch nicht miteinander verbunden und gehen auch nicht an die "HOT-Buchse". Beim 4001 wird durch den Toggle Switch die HOT-Leitung zwischen den Pickups und ihren dazu gehörigen Lautstärkereglern unterbrochen. Die genaue Verdrahtung kann man in Zeichnung 1.4.03 studieren.

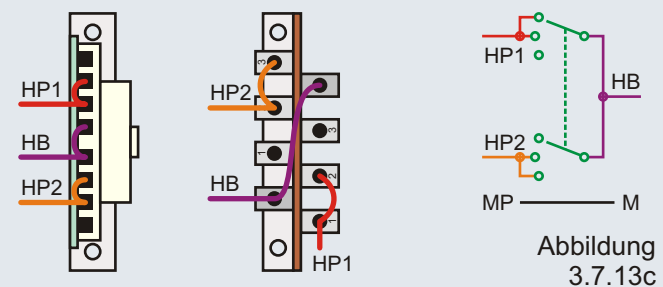
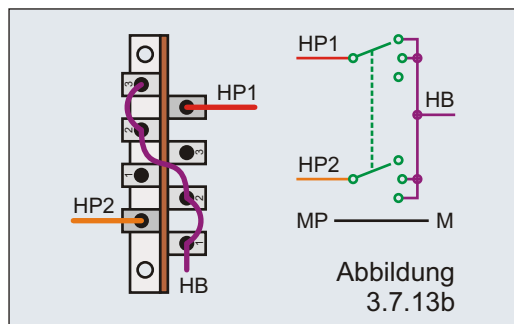
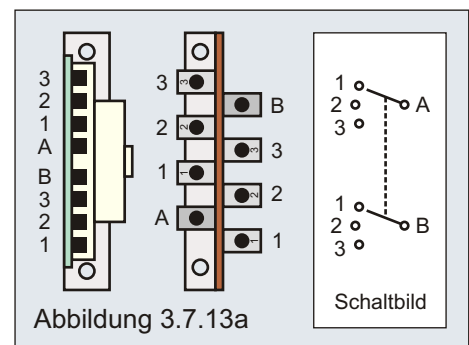
Es gibt noch eine zweite Version des Toggle Switch, die lediglich drei Kontakte hat. Hier kommt das HOT-Signal von der Buchse an den mittleren Kontakt. Die HOT-Leitungen zu den Pickups kommen an die beiden äußeren Kontakte. In allen Fällen werden die Pickups parallel geschaltet.

3.7.13 Lever Switch - Fender Schalter

Den "Fender Lever Switch" gibt es in verschiedenen Ausführungen. Die Urform hat **drei Schaltstellungen** und verfügt über zwei Schaltebenen mit je einen Schleifer (hier "A" und "B" genannt), sowie je einem Kontakt pro Stellung.

Bei der **klassischen "Telecaster Verdrahtung"** sind die HOT-Leitungen der Pickups an die Schleifer angelötet. Das "HOT-Buchse" Signal wird an die jeweiligen Kontakte gelötet (Abbildung 3.7.13b).

Alternativ kann man von der "HOT-Buchse" zu den Schleifern gehen und die HOT-Leitungen der Pickups an die Kontakte der jeweiligen Stellungen löten (Abbildung 3.7.13c). In allen drei Varianten werden die Pickups zueinander parallel geschaltet.



Pos.	Funktion
1	PU1
2	PU1 + PU2 parallel
3	PU2

Anmerkung:

Wenn man selbst Schaltungen entwerfen will lohnt es sich, vorher den Umgang mit Schaltplänen zu erlernen. Mit etwas Übung kann man damit direkt ersehen, was wann passiert.

Benennung

Schaltungen: Pickup Wahl

Theorie /
Do It Yourself

Nummer
3.7.1

Bemerkungen / Besonderheiten

Troggle Switch, Lever Switch - der Fender Dreiwegschalter

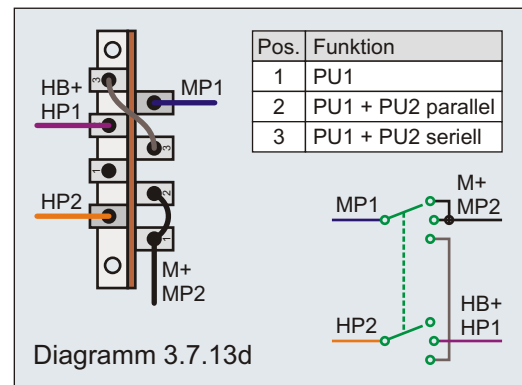
gezeichnet von
Cadfael

gezeichnet am
02.09.17

Seite
474

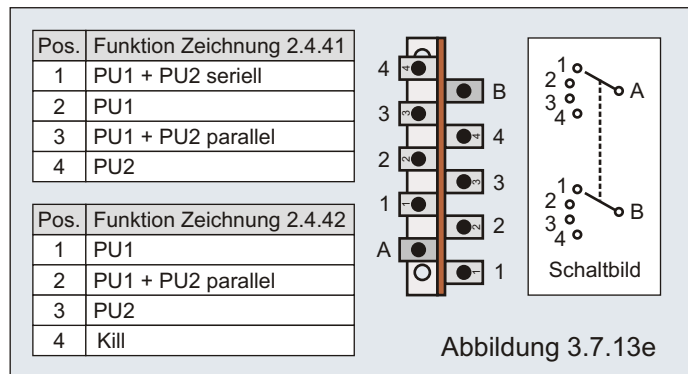
Es gibt Bassisten, die ihren Steg Pickup kaum oder nie alleine einsetzen. Für sie ist eine Schaltung interessant, bei der in der dritten Stellung nicht der Steg Pickup alleine an ist, sondern mit dem Hals Pickup in Reihe geschaltet wird.

Abbildung 3.7.13d zeigt, wie solch eine Schaltung zu realisieren ist. In der Zeichnung 2.4.32 wird diese Schaltung eingesetzt. Dort ermöglicht ein zusätzlicher Minischalter, den Steg Pickup bei Bedarf doch noch alleine betreiben zu können.



Seit einiger Zeit gibt es auch eine Lever Switch **Vierwegschalter**. Damit ist es möglich zwei Pickups alleine, parallel oder seriell zu betreiben. Man kann auch auf eine dieser vier Funktionen verzichten und stattdessen eine Stellung als "Kill" einsetzen, bei welcher der Bass stumm geschaltet wird.

In den Zeichnungen 2.4.41 und 2.4.42 sind diese beiden Varianten zu sehen.



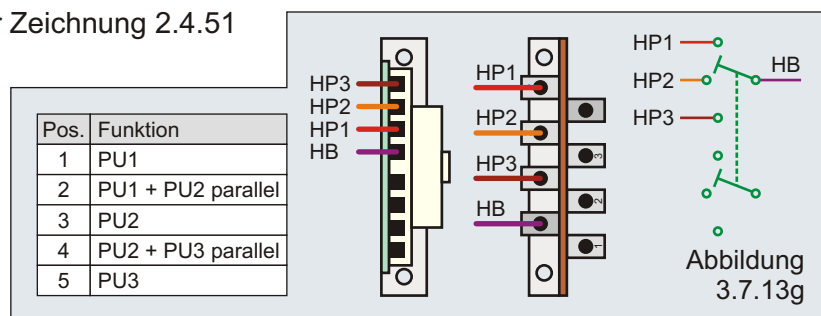
Selbstverständlich kann man bei Drei- und Vierwegschaltern die Reihenfolge der Schalterbelegung frei nach seinen Bedürfnissen festlegen. Es sind auch andere Belegungen der Schalter möglich.

In den 1970er Jahren kam eine neue Form des "Fender Lever Switch" in Gitarren wie die Stratocaster; der mittlerweile alltäglich gewordene **Fünfwegschalter**.

Er sieht auf den ersten Blick aus, wie ein Dreiwegschalter. Bei ihm werden in den Mittelstellungen die aneinander liegenden Kontakte 1+2 bzw. 2+3 miteinander verbunden. Der Fünfwegschalter macht hauptsächlich dann Sinn, wenn man drei Pickups bzw. schaltbare Spulen in seinem Bass hat. Wegen der Auslegung des einfachen Fünfwegschalters sind nur Parallelschaltungen sinnvoll.

Dafür ist bei ihm die zweite Ebene frei um damit Zusatzfunktionen zu steuern. In der Zeichnung 2.4.51

wirkt der Tonregler zum Beispiel nicht in der fünften Stellung des Schalters. Genauso gut könnte man aber auch einen Kondensator anschließen, der ausschließlich in den Stellungen 4 und 5 wirksam ist. In Zeichnung 2.4.52 werden mit der freien Ebene drei Status-LEDs geschaltet. Sie zeigen an, wann welcher Pickup aktiv ist. Grenzen setzen beim Entwurf von Schaltungen bei denen ein Lever Fünfwegschalter eingesetzt wird die Mittelstellungen. Dafür ist dieser Schalter auch für Neulinge relativ überschaubar.



Benennung

Schaltungen: Pickup Wahl

Theorie /
Do It Yourself

Nummer
3.7.1

Bemerkungen / Besonderheiten

Lever Switch - der Fender und Vierweg- und Fünfwegschalter

gezeichnet von
Cadfael

gezeichnet am
02.09.17

Seite
475

3.7.14 Drehschalter 4x3, 3x4, 2x6

Da die meisten alten Bass Klassiker nicht über Kippschalter verfügten - und damit auch ihre Kopien nicht - liegt der Einsatz von Drehschaltern nahe, wenn man trotz Schalter die Optik des Basses nicht verändern will.

Ein **4x3 Schalter** hat vier Ebenen und drei Schaltstellungen. Alle Schaltungen (und mehr) die man mit einem Lever Switch "Fender Dreiwegschalter" machen kann, kann man auch mit diesem Schalter machen. In Abbildung 3.7.14a sieht man zum Beispiel die klassische Schaltung eines Dreiwegschalters.

Ein **3x4 Schalter** hat drei Ebenen und vier Schaltstellungen. Alle Schaltungen (und mehr) die man mit einem Lever Switch "Fender Vierwegschalter" machen kann, kann man auch mit diesem Schalter machen.

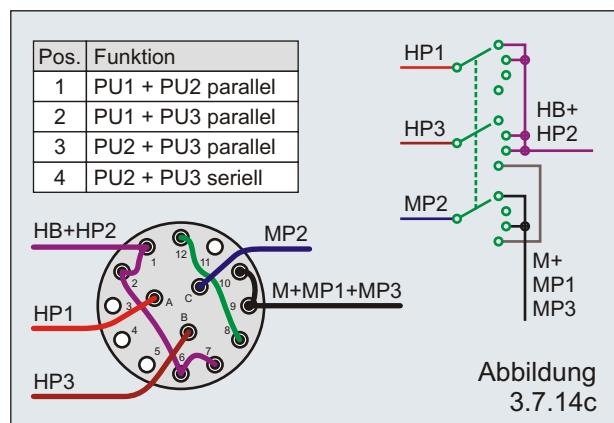
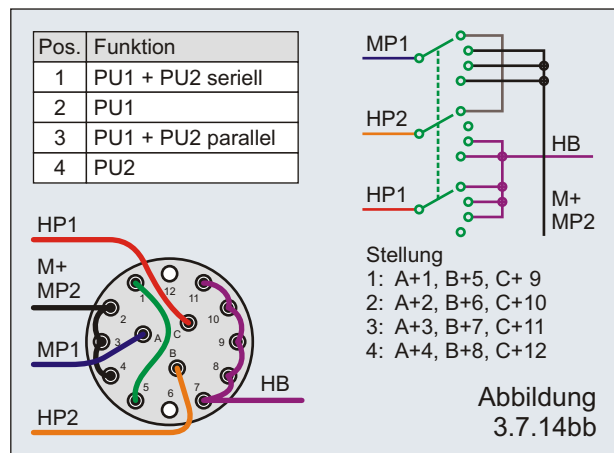
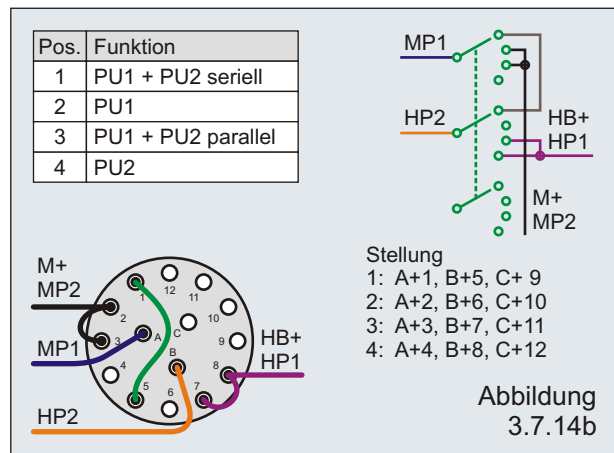
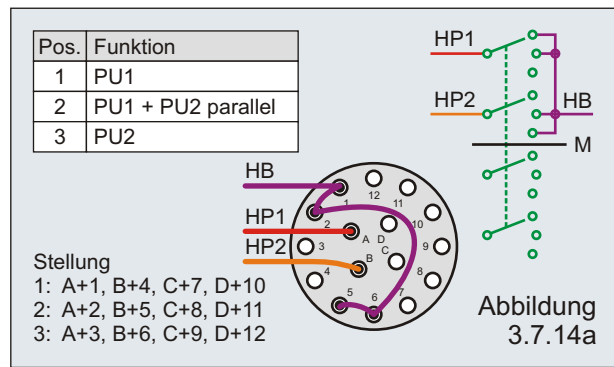
In Abbildung 3.7.14b sieht man zum Beispiel die klassische Schaltung eines Vierwegschalters. Auch die Schaltung wie in Zeichnung 2.4.42 mit Kill-Funktion lässt sich mit einem 3x4 Schalter realisieren.

In Schaltung 3.7.14b ist Hot des ersten Pickups immer mit HOT verbunden. Das kann unter Umständen in Stellung 4, wenn die Masse zum ersten Pickup getrennt ist, Brummen / Störungen führen.

Nutzt man einen 3x4 Schalter, kann man dieses Problem lösen. Hier wird der erste Pickup in Stellung 4 über den Anschluss 4 weiter an Masse gelegt.

Die bisher freie dritte Ebene (C) wird dazu genutzt, in Stellung 4 durch den nicht belegten Anschluss 12 das HOT-Signal zu trennen. In **Schaltung 3.7.14bb** ist die **verbesserte Schaltung** zu sehen.

Abbildung 3.7.14c zeigt eine Schaltung mit drei Pickups, wobei zwei Pickups immer an sind. PU1 könnte beispielsweise einen Jazz Bass Pickup darstellen, PU2 und PU3 die beiden Spulen eines MM-Pickups. So ließe sich der MM seriell und parallel schalten. Den Jazz Bass Pickup könnte man mit beiden Spulen kombinieren.



Benennung **Schaltungen: Pickup Wahl**

Theorie / Do It Yourself

Nummer 3.7.1

Bemerkungen / Besonderheiten

Drehschalter 4x4, 3x4, 2x6, 4x5

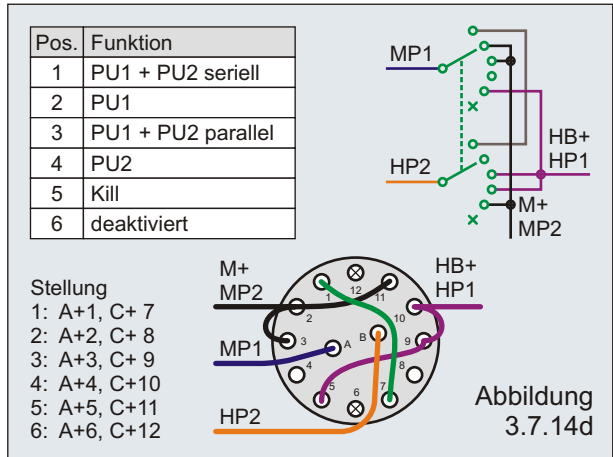
gezeichnet von Cadfael

gezeichnet am 02.09.17

Seite 476

Zumindest bei den Ausführungen aus Kunststoff kann man Schalterstellungen blockieren. Der **2x6 Schalter** hat zwei Ebenen und sechs Schaltstellungen. Alle Schaltungen die man mit einem Lever Switch "Fender Drei- oder Vierwegschalter" machen kann, kann man auch mit diesem Schalter ebenfalls machen.

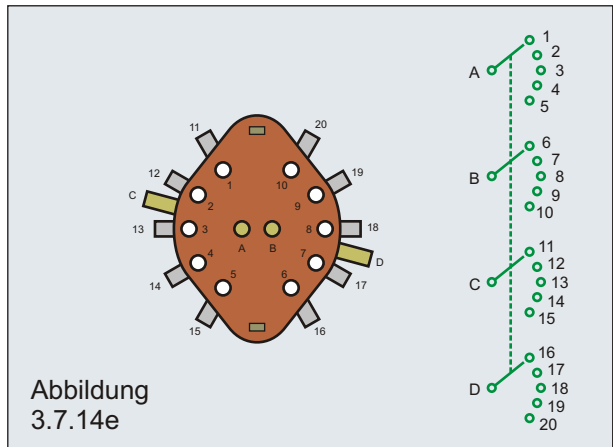
In Abbildung 3.7.14d sieht man zum Beispiel die klassische Schaltung eines Vierwegschalters mit zusätzlicher "Kill" Stellung. Auch die Schaltung wie in Zeichnung 2.4.42 mit Kill-Funktion lässt sich mit einem 4x3 Schalter realisieren.



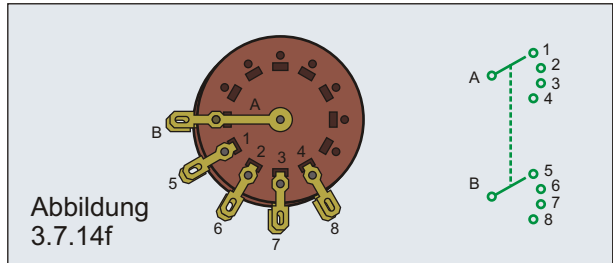
Es gibt übrigens auch **4x5 Drehschalter!** Mit ihnen kann man alles realisieren, was man mit einem 5-Way-Superswitch machen kann.

Die vier Schaltebenen verteilen sich dabei räumlich auf zwei "Stockwerke" wie in Abbildung 3.7.14e angedeutet.

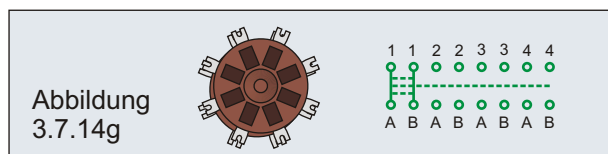
Anfänger seien gewarnt! Da die offenen Schalter nicht nummeriert sind und zudem die Ebenen auf Stockwerke verteilt sind, kann es schnell zu Fehlern beim Löten kommen. Die Fehlersuche dauert dann eventuell Stunden - und Online-Hilfe ist bei der Fehlersuche nur schwer möglich. Man sollte also genau wissen was man tut und vor dem Löten mit einem geeigneten Messgerät die genaue Schalterbelegung überprüfen.



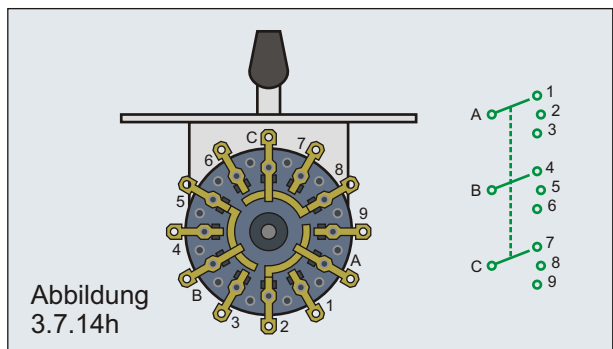
In Musima Instrumenten der 1970er Jahre ist ein **2x4 Drehschalter** wie in Abbildung 3.7.14f zu finden. Die beiden Ebenen liegen übereinander. Solche Schalter gibt es auch mit mehr Schaltstellungen und Ebenen. Abb. 3.7.14g zeigt die gleichen Kombinationen wie 3.7.14a.



Der Drehschalter aus Abbildung 3.7.14g ist in Jolana Instrumenten zu finden. Auch hier gibt es vier Positionen, in denen jeweils zwei Paare (1A+1B / 2A+2B / 3A+3B / 4A+4B) geschaltet werden können. So hat man die gleichen Möglichkeiten wie mit einem **2x4 Drehschalter**.



In Gibson Bässen findet man Schalter wie in Abbildung 3.7.14h. Neben diesem **3x3 Drehschalter** gibt es auch **6x3 Drehschalter** (mit zwei Ebenen) und weitere Typen dieser Art.



Benennung **Schaltungen: Pickup Wahl**

Theorie / Do It Yourself

Nummer 3.7.1

Bemerkungen / Besonderheiten

Drehschalter 4x4, 3x4, 2x6, 4x5

gezeichnet von Cadfael

gezeichnet am 02.09.17

Seite 477

3.7.15 Pickup-Wahl mit Minischalter

Für die Funktion eines einfachen An/Aus-Schalter wie in Beispiel 3.7.11 kann man mit Minischaltern "ON" bzw. "ON/ON" einsetzen (Abb.3.7.15a). Bei einem "ON/ON" Schalter lässt man einfach einen der äußeren Kontakte frei.

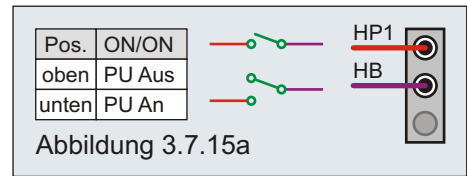


Abbildung 3.7.15a

Für einen Wahlschalter "PU1 oder PU2" nimmt man ebenfalls einen "ON/ON" Schalter. HOT kommt in die Mitte, die HOT Leitungen zu den Pickups werden außen angeschlossen (Abb. 3.7.15b).

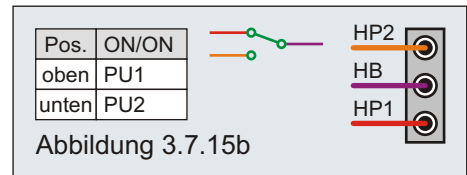


Abbildung 3.7.15b

Nimmt man statt des "ON/ON" Schalters einen "ON/OFF/ON" Schalter (Abb. 3.7.15c), sind beide Pickups in der Mittelstellung aus. Man kann einen Kontakt (im Beispiel oben und unten) oder beide Kontakte in einer Reihe (im Beispiel mittig) anlöten. Gleiches gilt, wenn man in Beispiel 3.7.15b einen "ON/ON" Schalter mit zwei Ebenen nimmt.

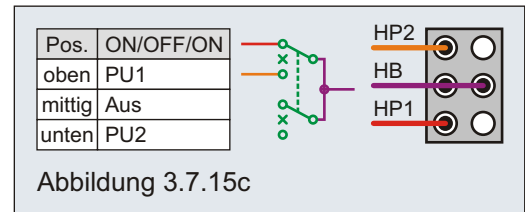


Abbildung 3.7.15c

In vierten Beispiel (Abb. 3.7.15d) erhält man mit dem "ON/ON/ON" Schalter einen "normalen Dreiwegschalter" (wie ein Toggle Switch), bei dem in Mittelstellung beide Pickups parallel geschaltet sind.

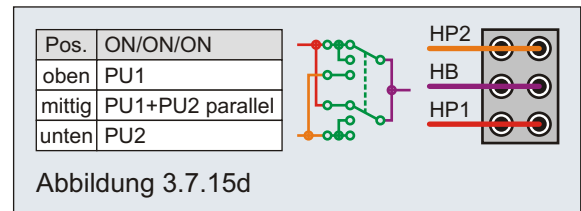


Abbildung 3.7.15d

Will man mit einem Minischalter in Mittelstellung eine serielle Schaltung zweier Pickups (sehr ungewöhnlich!), kann man dies mit einem "ON/OFF/ON" Schalter erreichen. In den äußeren Stellungen wird je eine Spulen kurzgeschlossen.

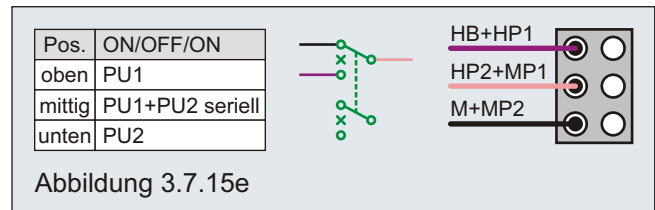


Abbildung 3.7.15e

Die letzte Schaltung (Abb. 3.7.15f) ist als Schaltung für zwei einzelne Pickups sehr ungewöhnlich, als interne Schaltung für einen Humbucker hingegen oft zu finden. DiMarzio nannte diese Schaltung "Dual Sound" Schaltung (oben). Ibanez brachte die Schaltung 1983 leicht verändert als "TriSound" Schaltung heraus (unten). Bei der DiMarzio Schaltung wird Spule 2 kurzgeschlossen, bei Ibanez läuft Spule 1 ins Leere.

Man kann die Schaltung(en) mit einem "ON/ON" Schalter, einem "ON/ON/ON" oder einem "ON/OFF/ON" umsetzen. Mit einem "ON/ON/ON" Schalter erhält man in Mittelstellung einen zusätzlichen Single Coil Sound, mit "ON/OFF/ON" Schalter eine Stummschaltung.

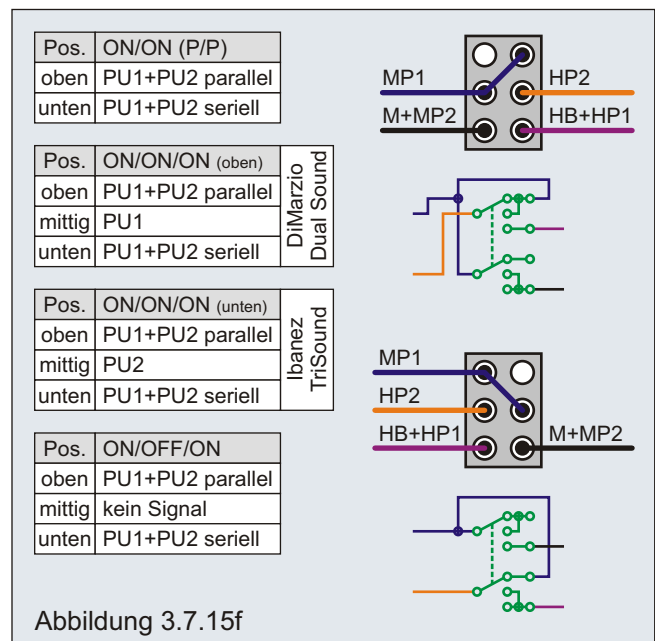


Abbildung 3.7.15f

Benennung **Schaltungen: Pickup Wahl**

Theorie /
Do It Yourself

Nummer
3.7.1

Bemerkungen / Besonderheiten

Minischalter

gezeichnet von

Cadfael

gezeichnet am

02.09.17

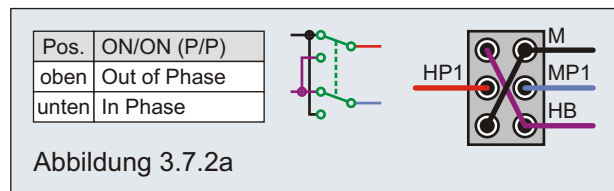
Seite

478

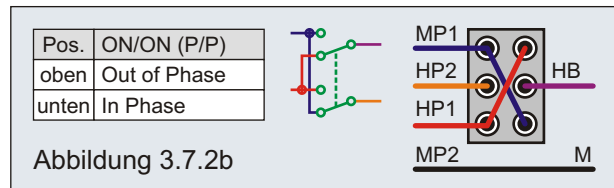
3.7.2 Out-Of-Phase-Schaltungen

Hat man zwei Pickups (oder Spulen) und vertauscht bei einem (einer) von ihnen die Masse- und HOT-Leitung, nennt man das "gegenphasig" - oder eben "Out of Phase". Dadurch erreicht man einen dünnen und hohlen Sound - was die Out-Of-Phase-Schaltung für Bässe eigentlich uninteressant macht. Diese Möglichkeit sei auch mehr der Vollständigkeit halber erwähnt.

Will man einen "einfachen" Pickup mit zwei Leitungen zu einem anderen Pickup "Out of Phase" schalten, lötet man die beiden Leitungen an die mittleren Kontakte eines "ON/ON" Schalters (Abb. 3.7.2a). Die Weiterleitung zum Rest der Schaltung lötet man über Kreuz an die äußeren Kontakte.



Will man bei einem seriell geschalteten Humbucker eine der beiden Spulen "Out of Phase" schalten, lötet man die Kabel wie in Abbildung 3.7.2b an einen "ON/ON" Schalter.

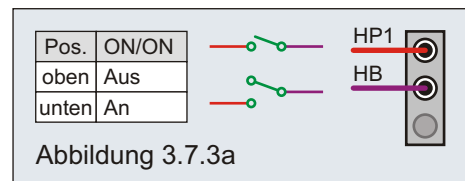


Beide Möglichkeiten der Out-Of-Phase-Schaltung kann man sich in Zeichnung 2.7.02 genauer ansehen. Dort kann der obere Pickup zum MM-Pickup "Out of Phase" geschaltet werden. Zudem kann in der Schaltung die obere Spule des MM-Pickups zur unteren Spule "Out of Phase" geschaltet werden. Aber ob das Sinn macht???

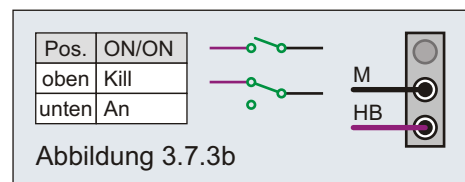
3.7.3 Mute- und Kill-Schaltungen

Seit einiger Zeit sind Kill-Schalter bei Saiteninstrumentalisten angesagt.

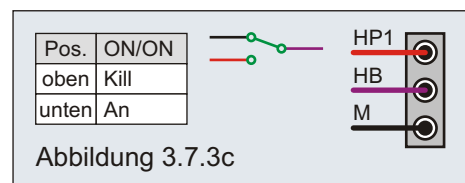
Man kann das HOT-Signal einfach trennen (Abb 3.7.3a). Gretsch macht das so. Diese Stummschaltung hat aber den Nachteil, dass es Nebengeräusche geben kann.



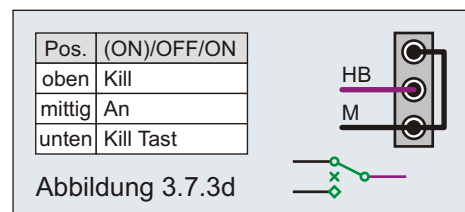
Besser ist es, HOT und Masse kurzzuschließen. Auch hier ist das Instrument stumm (Abb 3.7.3b). Allerdings sorgt der Kurzschluss für größtmögliche Ruhe, warum man diese Stummschaltung nicht nur als Effekt, sondern auch gut als "Mute" (Ausschalter in längeren Spielpausen) nutzen kann.



Man kann zwar auch das HOT-Signal an die HOT-Leitung des Pickups ODER an Masse legen (Abb 3.7.3c), das führt allerdings evtl. zu einem lauten "Schaltknack".



Die **pfiffigste Lösung** sieht man in Abbildung 3.7.3d. "(ON)/OFF/ON" Schalter findet man im gut sortierten Elektronikladen. Zur einen Seite wirkt er als Schalter (Dauer-Aus z.B. für "Mute-Schalter"), zur anderen Seite ist es ein Taster (z.B. für kurze "Kill-Effekte"). Betätigt man den Taster, kehrt er von alleine in die Mittelstellung "OFF" zurück. Das Instrument gibt sofort wieder Töne von sich.



Benennung	Schaltungen: Out of Phase, Mute, Kill	Theorie / Do It Yourself	Nummer	3.7.2
Bemerkungen / Besonderheiten	Mono- und Stereo-Klinkenbuchsen, Buchsen mit Schaltkontakt	gezeichnet von	gezeichnet am	Seite
		Cadfael	02.09.17	479

3.7.4 Umgehung von Potis

In wie weit die Umgehung von Potis Sinn macht kann man diskutieren - muss man aber nicht. Daher einfach, wie es geht ...

Will man ein Poti außer Kraft setzen, reicht es, die Leitung zum Schleifer des Potis zu unterbrechen. Das sieht man in Abbildung 3.7.4a am rechten Tone-Poti.

Ein Volume-Poti kann man damit zwar ebenfalls deaktivieren, allerdings bleibt dann der Widerstand des Potis zwischen HOT und Masse weiterhin parallel geschaltet - und beeinflusst geringfügig den Klang. Daher sollte man nach Möglichkeit bei einem Volume-Poti beide Leitungen unterbrechen.

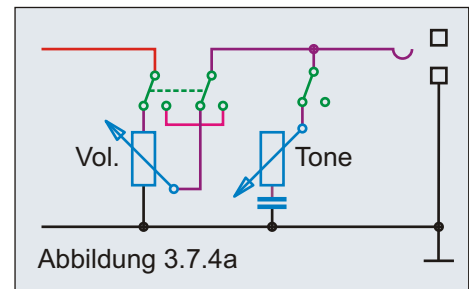


Abbildung 3.7.4a

Wie in Abbildung 3.7.4b zu sehen ist, kann man leicht Tone- und Volume-Poti gleichzeitig mit einem Schalter auszuschalten.

Dabei kann der Schleifer des Tone-Potis auch an die andere HOT-Verbindung des Volume-Potis. Beide Verbindungen werden durch den Schalter getrennt.

Ein Beispiel für die Umgehung von Potis ist in der Schaltung 2.5.02 zu sehen.

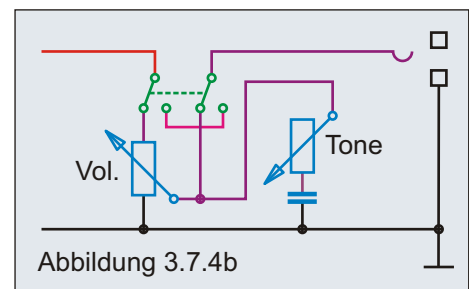


Abbildung 3.7.4b

3.7.5 Tonwahlschalter

Wie bereits in Kapitel 3.2.4 erwähnt, funktioniert ein "normales" Tone-Poti mit "Hi Cut" durch Parallelschaltung eines Kondensators. Ist das Tone-Poti ganz zuge dreht, liegt der Kondensator ohne Widerstand des Potis parallel zwischen HOT und Masse. Das kann man natürlich auch ohne Poti mit einem Schalter erreichen. Ein "ON/OFF/ON" Schalter bietet drei Schaltmöglichkeiten, wobei die neutrale Mittelstellung schnell und sicher zu erkennen ist.

Man kann aber auch einen Lever Switch (Drei- oder Vierwegschalter) oder einen Drehschalter einsetzen. Erneut sind dem Bastler kaum Grenzen gesetzt.

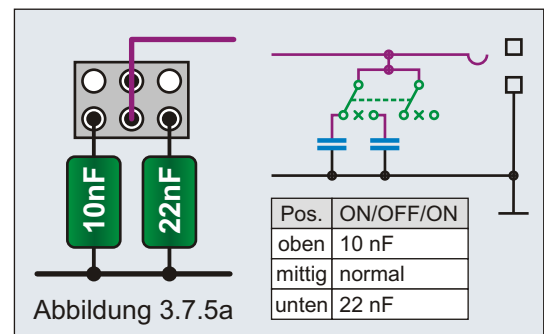


Abbildung 3.7.5a

Während in den 1950er bis 1970er Jahren Tonwahlschalter oft serienmäßig in Saiteninstrumente eingebaut wurden, findet man sie heutzutage kaum noch.

In viele neue Gretsch Bässe wird jedoch weiterhin solch ein Schalter eingebaut. Auf den ersten Blick sieht er aus wie ein herkömmlicher Toggle Switch, er funktioniert jedoch anders. In der Mittelstellung sind die Kontakte nicht miteinander verbunden (siehe Abbildung 3.7.5b). Gretsch nutzt diesen Schalter auch als Stand-By Switch (kein Signal in Mittelstellung).

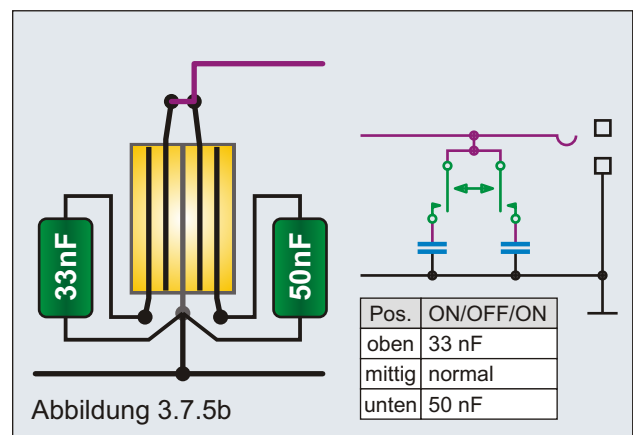


Abbildung 3.7.5b

Benennung

Schaltungen: Umgehung, Tonwahl

Theorie /
Do It Yourself

Nummer
3.7.4

Bemerkungen / Besonderheiten

Umgehung von Potis, Tonwahlschalter

gezeichnet von
Cadfael

gezeichnet am
02.09.17

Seite
480

Eine Abwandlung des Beispiels 3.7.5a ist in Abbildung 3.7.5c. Wie bei normalen Tone-Potis besteht der **Hi Cut** aus Kondensator plus Widerstand. Wie hoch der Widerstand (und damit die Wirkung des Kondensators) ist, kann an den beiden Trimpotis nach Geschmack fest eingestellt werden. Bei rein passiven Schaltungen sollten die Trimpotis einen Wert von ca. 500k Ohm oder 1M Ohm haben. Eine weitere Abwandlung wäre, die Trimpotis mit unterschiedlichen Kondensatoren auszustatten (nicht abgebildet).

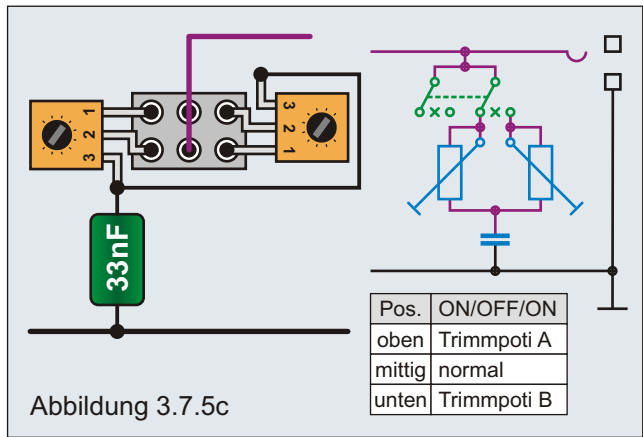


Abbildung 3.7.5c

Die Abbildung 3.7.5d hingegen zeigt einen **Low Cut**. Hier werden also die Bässe und nicht die Höhen beschnitten. Den Wert der Kondensatoren muss man durch Versuche ermitteln; er dürfte irgendwo zwischen 470 pF und 4,7 nF liegen.

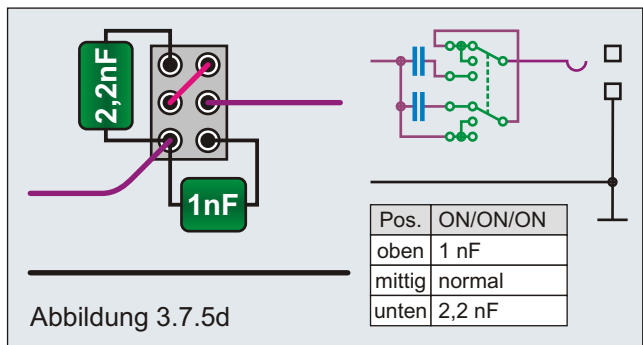


Abbildung 3.7.5d

Auch hier besteht die Möglichkeit, zwei unterschiedliche Low Cuts per Trimpoti einstellbar zu machen. Wie das geht ist in Abbildung 3.7.5e gezeigt. "Kontakt 1" kann man auch frei lassen. Er muss nicht mit "Kontakt 2" verbunden werden.

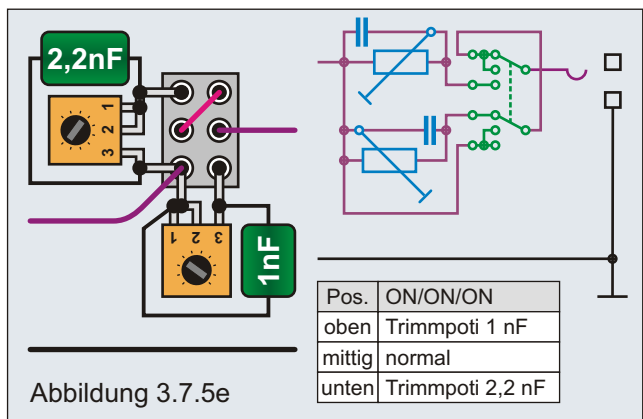


Abbildung 3.7.5e

Die Abbildung 3.7.5f zeigt einen Schalter mit Hi Cut und Low Cut. Steht der Schalter nach oben, werden die Bässe beschnitten. In Mittelstellung wird der Klang nicht beeinflusst, nach unten werden die Höhen abgeschnitten. Wie bei den Schaltungen 3.7.5d und 3.7.5e wird auch hier ein "On/On/On" ("On/Z/On") Schalter benötigt.

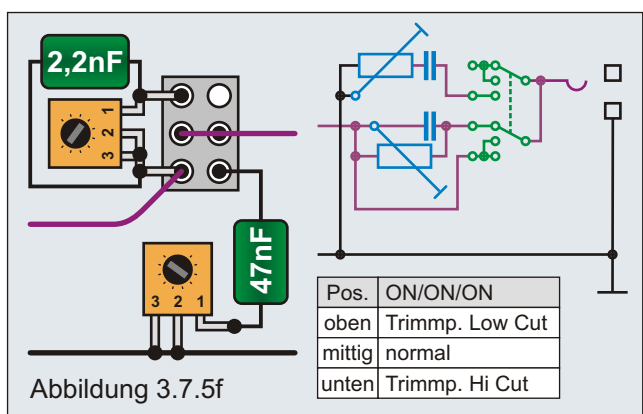


Abbildung 3.7.5f

Benennung **Schaltungen: Tonwahl**

Theorie /
Do It Yourself

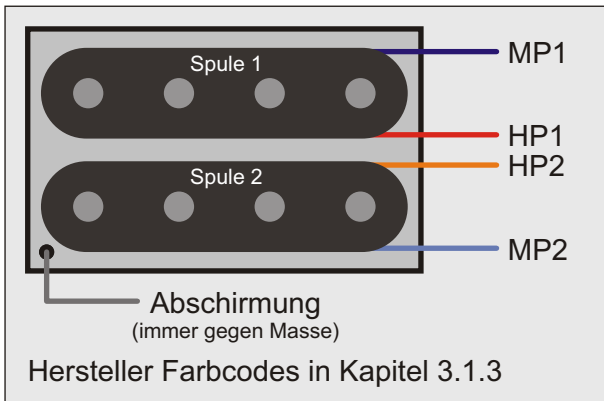
Nummer
3.7.5

Bemerkungen / Besonderheiten
Tonwahlschalter

gezeichnet von
Cadfael

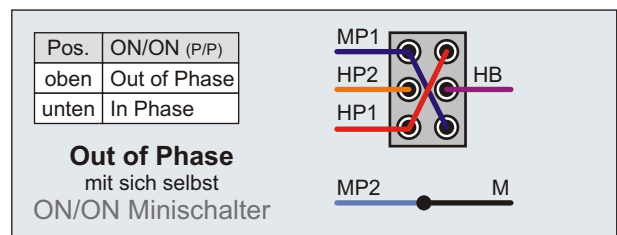
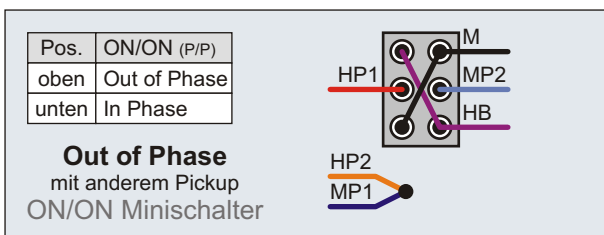
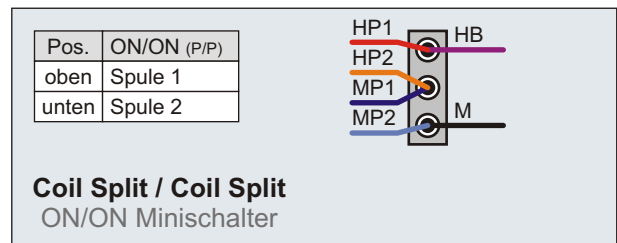
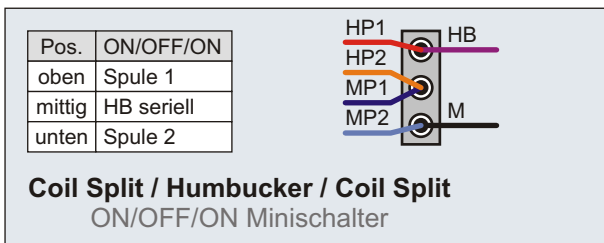
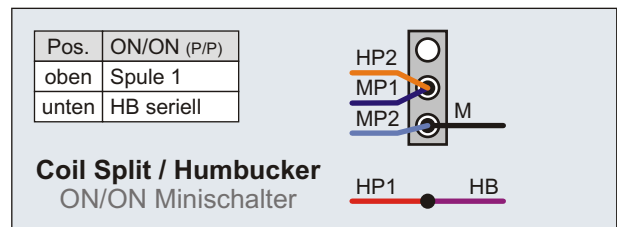
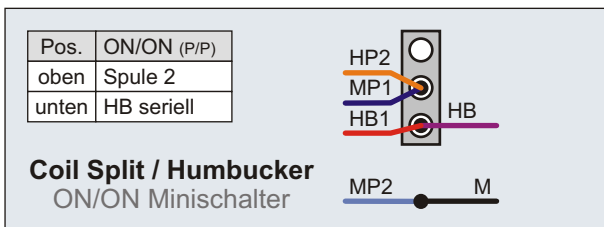
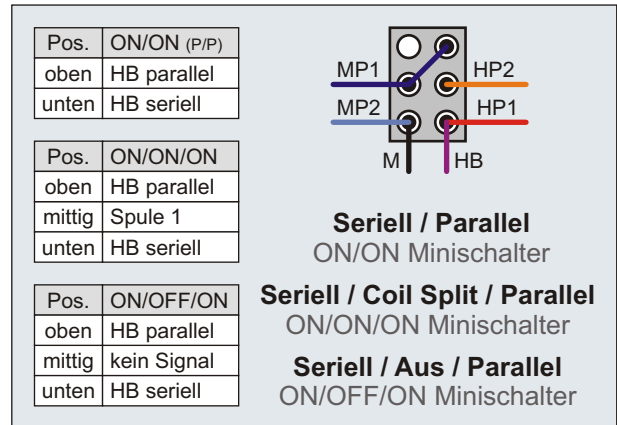
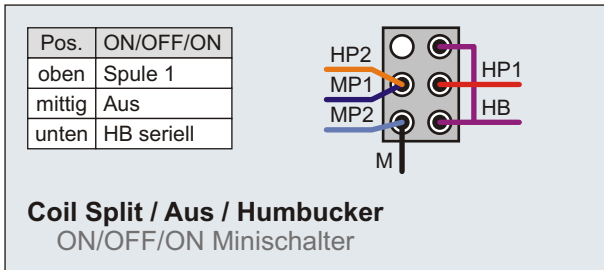
gezeichnet am
02.09.17

Seite
481



3.7.6 Humbucker-Schaltungen

Die meisten Schaltungen auf dieser Seite wurden bereits bei der Pickup-Wahl und anderen Themen gezeigt. Hier werden sie trotzdem noch einmal zusammengefasst; als Beispiele, wie man einen Humbucking Pickup intern verdrahten kann.



Hinweis / Meinung:
All diese Schaltungen sind mit (mehradrigen) Pickups möglich. Frage ist aber, ob sie wirklich sinnvoll sind! So klingt, wie bereits erwähnt, ein "Out of Phase" geschalteter Pickup meist viel zu dünn. Die Klangunterschiede zwischen zwei einzelnen Spulen eines Humbuckers (siehe Beispiele Coil Split) sind meist minimal. Im Zweifelsfall gilt immer:
Weniger ist mehr! Schwer durchschaubare Schalter schaden mehr als sie nutzen!

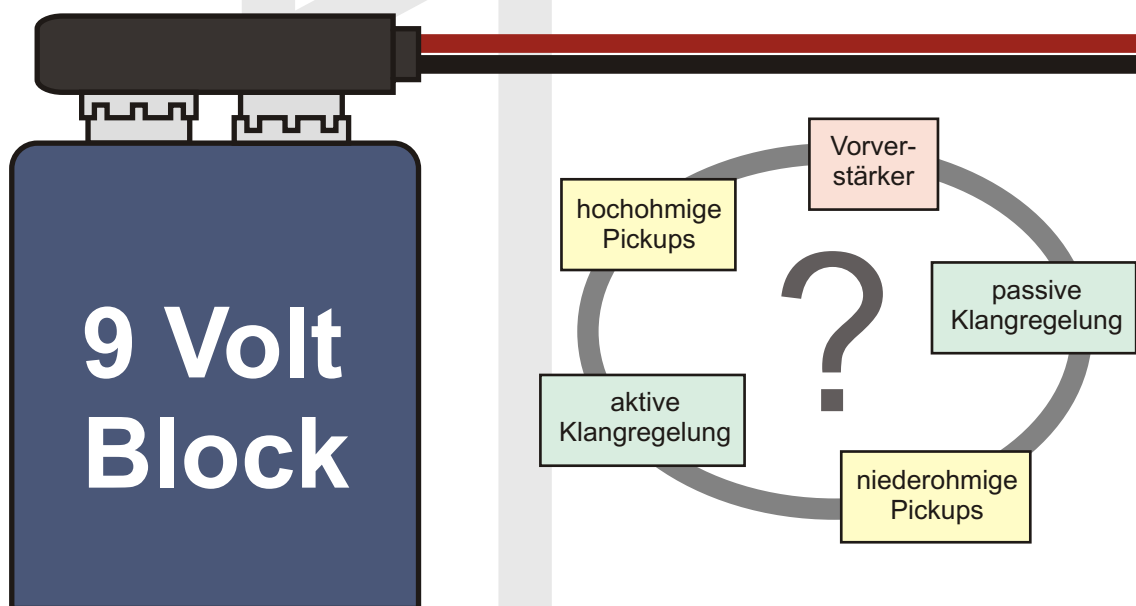
Benennung	Schaltungen: Humbucker-Schaltungen		Theorie / Do It Yourself		Nummer 3.7.6
	Bemerkungen / Besonderheiten		gezeichnet von Cadfael	gezeichnet am 02.09.17	Seite 482

4 Passive / Aktive Schaltungen

Die meisten E-Gitarristen / E-Bassisten werden im Laufe ihres Musikerlebens bereits von "aktiven" und "passiven" Instrumenten gehört bzw. gelesen haben. Vielen dürfte jedoch nicht bekannt sein, dass es unterschiedliche Arten von aktiven Schaltungen sowie Mischschaltungen gibt, bzw. wo die genauen Unterscheide liegen.

Da mein Wissen in Sachen aktiver Elektronik sehr beschränkt ist und dieses Nachschlagewerk sich hauptsächlich um passive Elektronik drehen soll, wird die aktive Elektronik nur am Rande angesprochen. Hier soll es mehr um die Grundlagen und wesentlichen Unterschiede gehen. Schaltpläne zu konkreten aktiven Schaltungen wird man vergebens suchen. Dieses Feld überlasse ich Leuten, die mehr Ahnung davon haben als ich ...

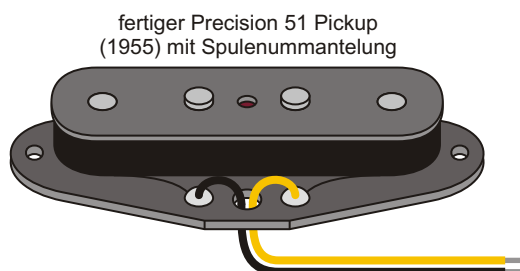
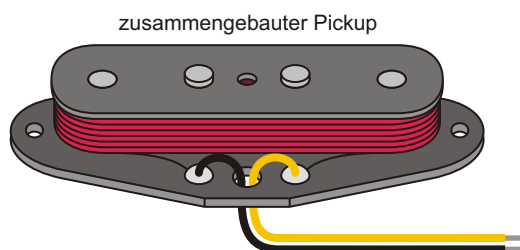
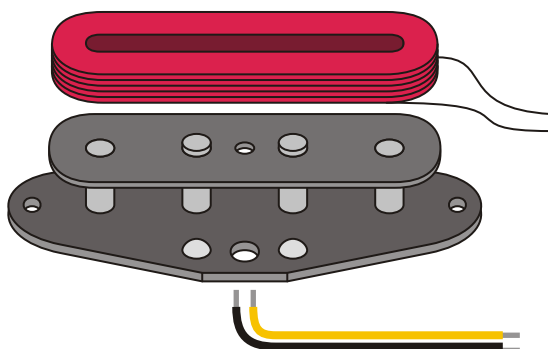
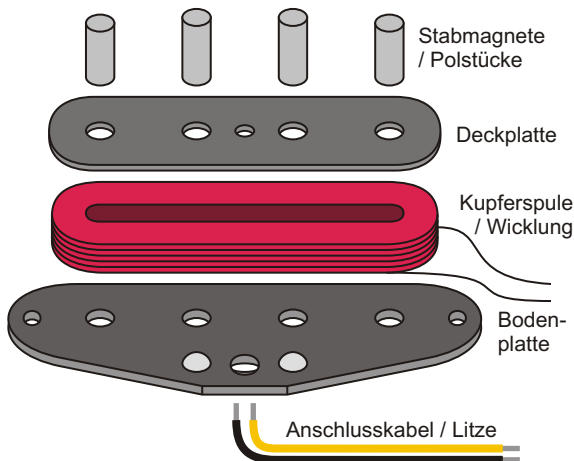
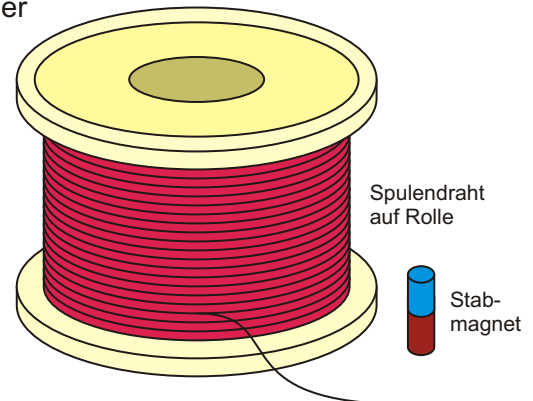
Die Frage was ich da vor mir habe bzw. was ich will, sollte immer mit den Tonabnehmern beginnen. Ein System mit hochohmigen oder niederohmigen Pickups? Erst dann stellt sich die Frage, was die dazugehörige Elektronik machen soll; nur verstärken, den Klang aktiv regeln?



Benennung	Passiv - Aktiv	Passive - Aktive Schaltungen	Nummer	4
Bemerkungen / Besonderheiten	Tonabnehmer - hochohmige und niederohmige Pickups	gezeichnet von	gezeichnet am	Seite
		Cadfael	02.09.17	483

4.1 Tonabnehmer

Tonabnehmer, englisch Pickups, sind das Herzstück jeder Gitarre und jeden Basses. Sie setzen die Schwingung der Saiten in elektrische Signale um, die dann vom Verstärker (Amplifier) verstärkt werden können. Dabei gibt es keinen prinzipiellen Unterschied zwischen Tonabnehmern für Gitarren und Bässe. Alle bestehen aus Spulendraht, der um Magnete bzw. magnetisierte Teile gewickelt ist.



4.1.1 Rezepte

Im Laufe der Jahrzehnte sind viele verschiedene Arten von Tonabnehmern entwickelt worden. Das betrifft sowohl Bauformen als auch Materialien und Materialbeschaffenheit. Der ohmsche Widerstand (die Impedanz) oder der Output können zwar grobe Anhaltspunkte über den vermutlichen Klang liefern, genauere Aussagen sind jedoch nicht möglich. Das liegt daran, dass die Drahtstärke, das genaue Spulenmaterial, die Windungszahl sowie Magnetstärke und das Material der Magnete in einer komplizierten Wechselwirkung stehen

4.1.2 Hochohmige Pickups

In passiven Saiteninstrumenten werden meist hochohmige Pickups (ca. 5 bis 15 k Ohm) verbaut. Um einem Verstärker Töne zu entlocken, braucht man keine zusätzliche Stromquelle im Instrument. Das Signal der Spule(n) (in Zusammenspiel mit Magneten und Saiten), reicht für einen normalen Instrumentenverstärker aus.

4.1.3 Niederohmige Pickups

Meist haben niederohmige Pickups einen Widerstand von unter 1 k Ohm. Daher treten sie fast immer zusammen mit zwischengeschalteten Vorverstärkern auf. Die ersten serienmäßig eingebauten niederohmigen PUs finden sich in der Gibson Les Paul Recording Gitarre und im Les Paul Triumph Bass. Da sie keinen eingebauten Vorverstärker, sondern lediglich einen passiven "Übertrager" hatten, war der Output sehr gering (und demzufolge, die Pickups sehr leise).

Benennung	Arten von Tonabnehmern		Passive - Aktive Schaltungen	Nummer 4.1
Bemerkungen / Besonderheiten	Tonabnehmer - hochohmige und niederohmige Pickups		gezeichnet von Cadfael	gezeichnet am 02.09.17 Seite 484

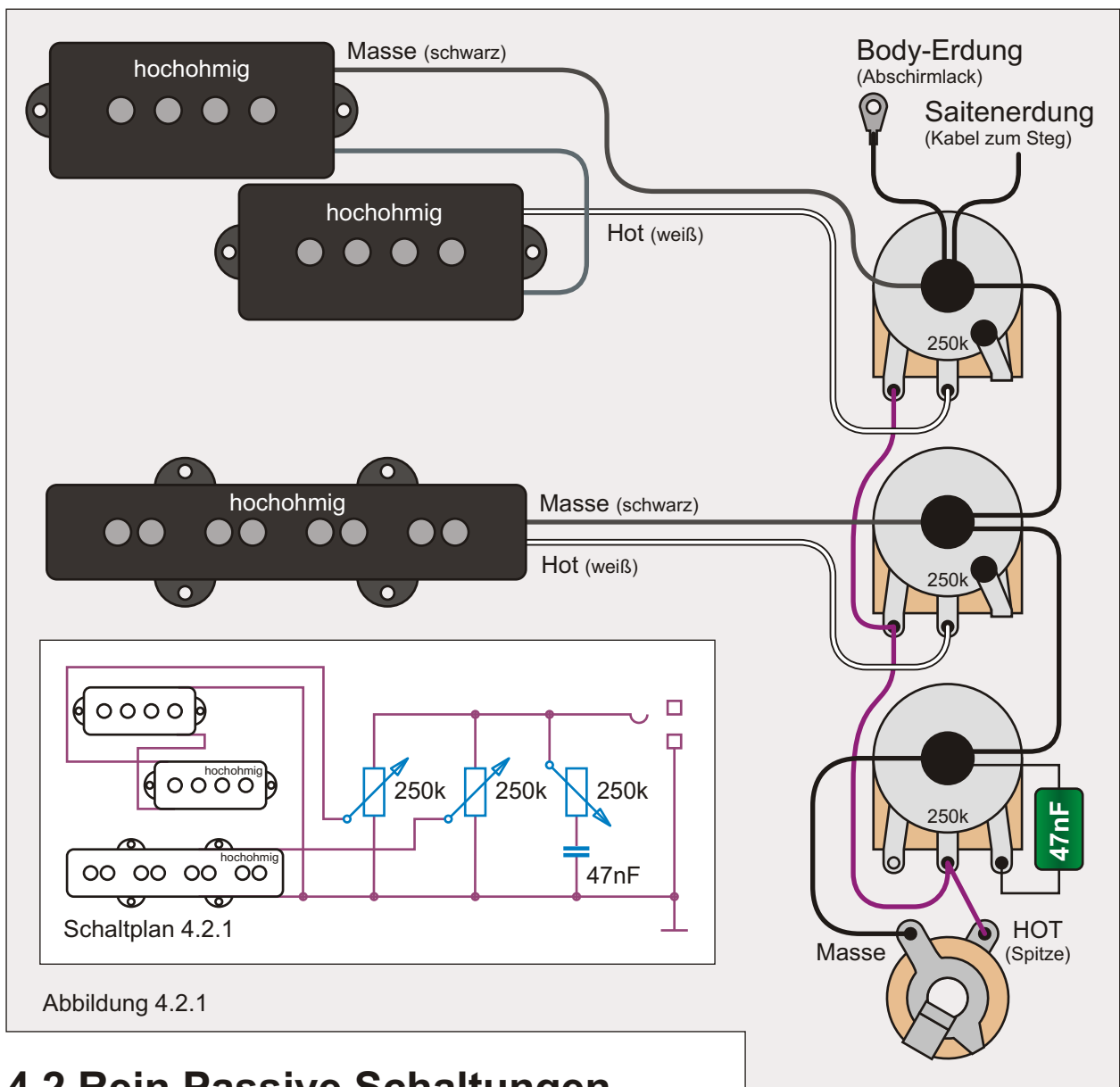


Abbildung 4.2.1

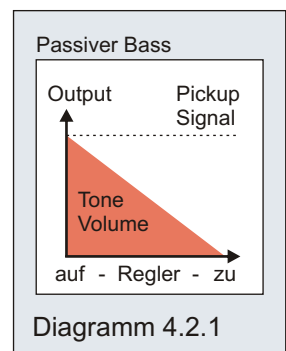
4.2 Rein Passive Schaltungen

Rein passive Instrumente haben meist hochohmige Pickups.

Der Vorteil passiver Instrumente ist, dass man keine zusätzliche Stromversorgung am/im Instrument benötigt. Das Output-Signal ist stark genug, um einen normalen Verstärker ausreichend zu versorgen. Ihre "Einfachheit" verschafft ihnen den Vorteil sicherer zu sein, da man nicht auf eine funktionierende Batterie / Stromversorgung angewiesen ist. Weniger Bauteile bedeuten auch weniger potentielle Fehlerquellen.

Die ersten E-Instrumente hatten vor über 70 Jahren eine rein passive Elektronik - und dieses Prinzip hat sich bei Musikern durchgesetzt.

Der Nachteil ist aber, dass Bauelemente wie Lautstärke- und Klangregler dem Signal der Pickups nie etwas hinzufügen. Sie beschneiden bei passiven Instrumenten grundsätzlich das Ursprungssignal (Diagramm 4.2.1). Dreht man an der Klangregelung, beschneidet man damit die Höhen des Pickups - wodurch der Klang basslastiger wirkt. Es besteht zwar ebenfalls die Möglichkeit die Bässe zu beschneiden, dieses Prinzip wird aber sehr selten angewandt. Eine passive Elektronik macht das Signal des Pickups nie lauter, sondern immer nur leiser / nimmt immer Signal weg.



Benennung **Passive Schaltungen**

Passive - Aktive Schaltungen

Nummer 4.2

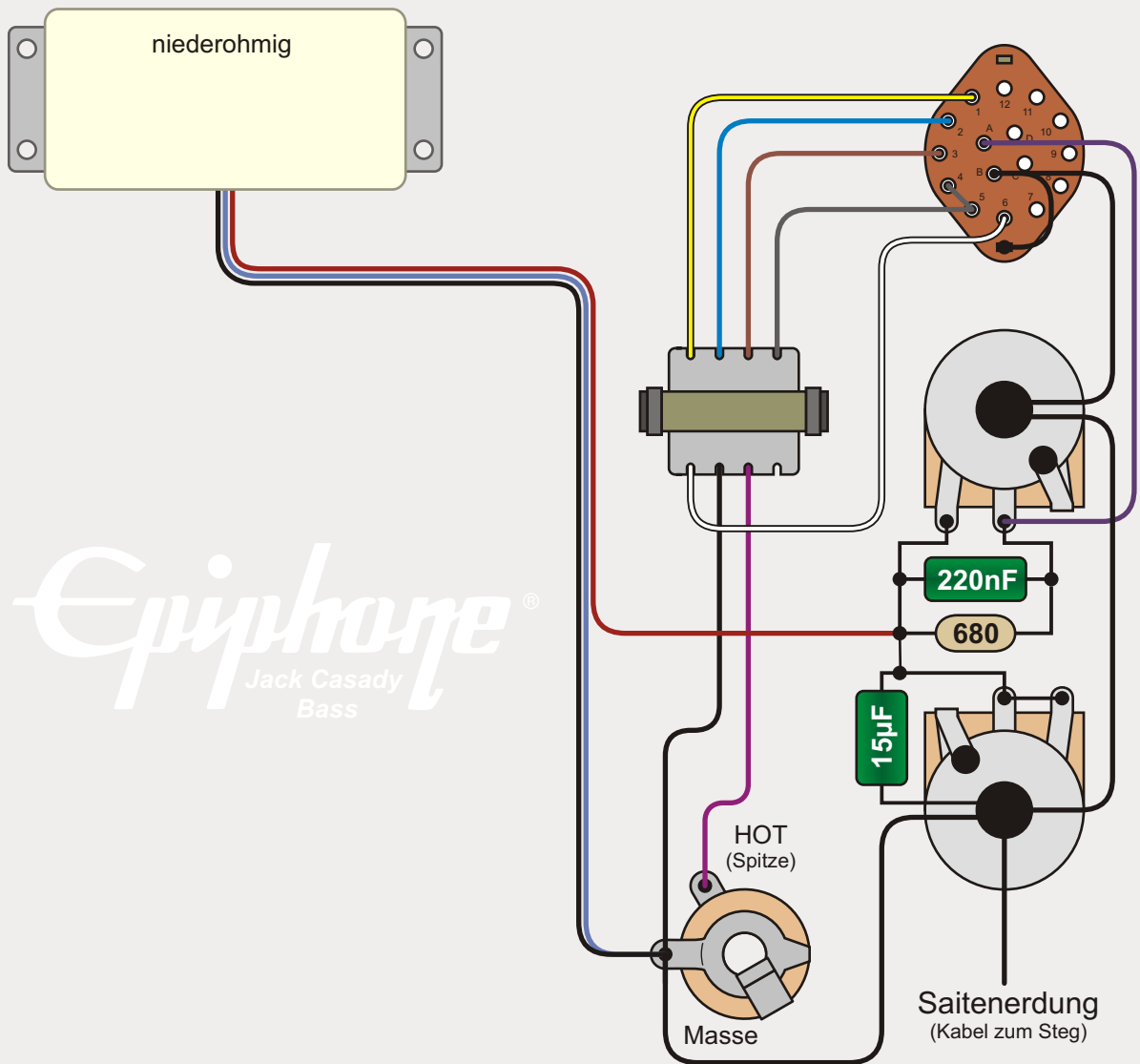
Bemerkungen / Besonderheiten

Hochohmige Tonabnehmer mit passiver Regelung

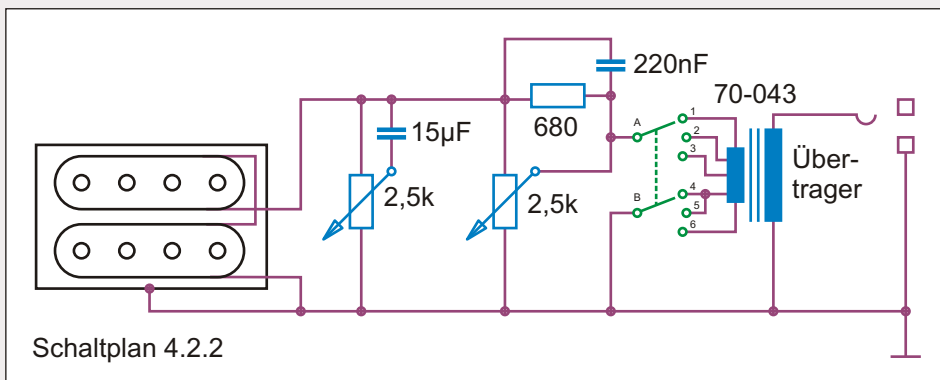
gezeichnet von Cadfael

gezeichnet am 02.09.17

Seite 485



Epiphone
Jack Casady
Bass



Schaltplan 4.2.2

Abbildung 4.2.2

Benennung **Passive Schaltungen**

Passive - Aktive
Schaltungen

Nummer
4.2

Bemerkungen / Besonderheiten

Niederohmiger Tonabnehmer mit passiver Regelung

gezeichnet von
Cadfael

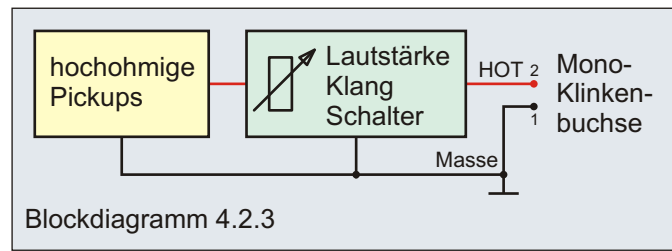
gezeichnet am
07.11.18

Seite
486

Ein weiterer Nachteil hochohmiger Pickups ist, dass sie die Saitenschwingung negativ beeinflussen können, wenn sie zu nah an den Saiten positioniert werden.

Dieses Phänomen wird auch "Stratitis" genannt, da es sehr oft an den Hals-Pickups von Stratocaster Gitarren auftaucht. Hört man, dass der Pickup die Schwingung

der Saiten beeinflusst, sollte man ihn weiter hineindrehen. Durch die Höhe und Neigung des/der Pickups kann man generell den Output des Signals (Lautstärke) sowie den Klang (die Klangfülle und Ausgewogenheit der Saiten) mehr oder weniger beeinflussen.



Im Blockdiagramm 4.2.3 ist noch einmal die stark vereinfachte Schematik einer rein passiven Schaltung zu sehen.

4.3 Gemischte Schaltungen

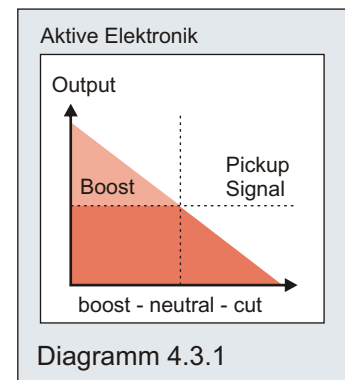
In vielen Instrumenten mit aktiver Elektronik (Vorverstärker, mit oder ohne Klangregelung) setzt man weiterhin hochohmige Pickups - wie in passiven Schaltungen - ein. Das hat zum einen den Vorteil, dass man aus einem reichhaltigen Angebot verschiedenst klingender hochohmiger Pickups wählen kann. Die aktive Elektronik kann diesen Sound dann weiter modellieren. Zum anderen können solche Instrumente (gewollt oder im Notfall) auch passiv betrieben werden.

4.3.1 Warum aktive Elektronik?

Wie bereits erwähnt, kann man das Pickup-Signal eines Instruments mit rein passiver Elektronik lediglich beschneiden (Diagramm 4.2.0).

Hier greifen die Vorteile aktiver Elektronik. Mit ihr können sowohl Lautstärke, als auch bestimmte Frequenzen (Klangregelung) abgesenkt, aber auch erhöht werden. Die Erhöhung eines Pegels nennt man "Boost", die Beschneidung des Pegels "Cut".

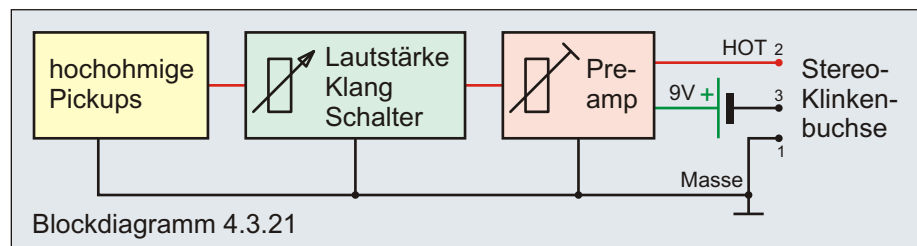
Darüber hinaus bieten manche Instrumente - besonders Bässe mit aktiver Elektronik - einen Mittenregler. Bei einigen Exemplaren kann sogar der Frequenzbereich der hervorgehoben oder abgesenkt werden soll vom Spieler zusätzlich eingestellt werden. Das nennt man dann eine parametrische Mittenregelung; doch dazu später mehr.



4.3.2 Hochohmige Pickups mit einfachem Vorverstärker

Die einfachste Variante gemischter Schaltungen ist, lediglich einen Vorverstärker (englisch Pre Amp oder Preamp) direkt vor den Ausgang des Instruments zu setzen. Die Pickups bleiben weiterhin hochohmig, die gesamte Lautstärke- und Klangregelung passiv. In den Preamp ist evtl. ein Trimpoti eingebaut (Abbildung 4.3.21), mit dem man den Verstärkungsgrad des Preamps justieren und somit die Endlautstärke des Signals beeinflussen kann. So ein Preamp lässt sich, sofern genug Platz im Instrument vorhanden ist, bei jedem passiven Instrument nachrüsten.

Man kann den Preamp auch mit einem Schalter überbrücken, wodurch das Instrument jeder Zeit auch passiv betrieben werden kann.



Benennung	Gemischte Schaltungen		Passive - Aktive Schaltungen	Nummer	4.3
Bemerkungen / Besonderheiten	Hochohmige Tonabnehmer mit aktiver Regelung		gezeichnet von	gezeichnet am	Seite
			Cadfael	02.09.17	487

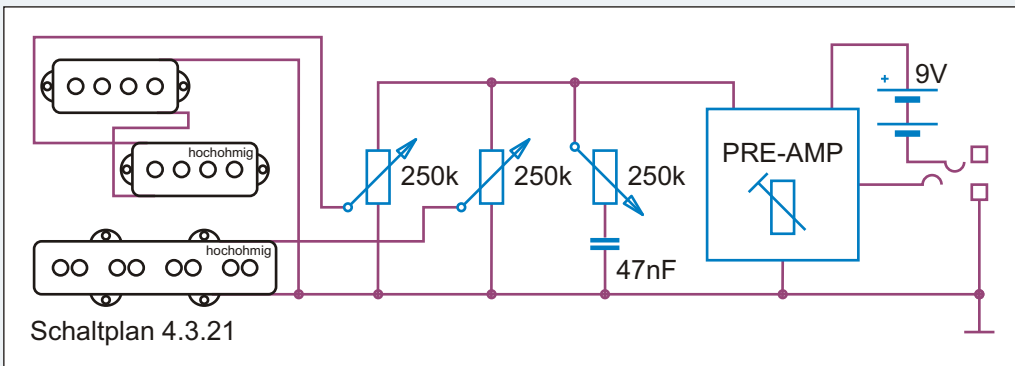
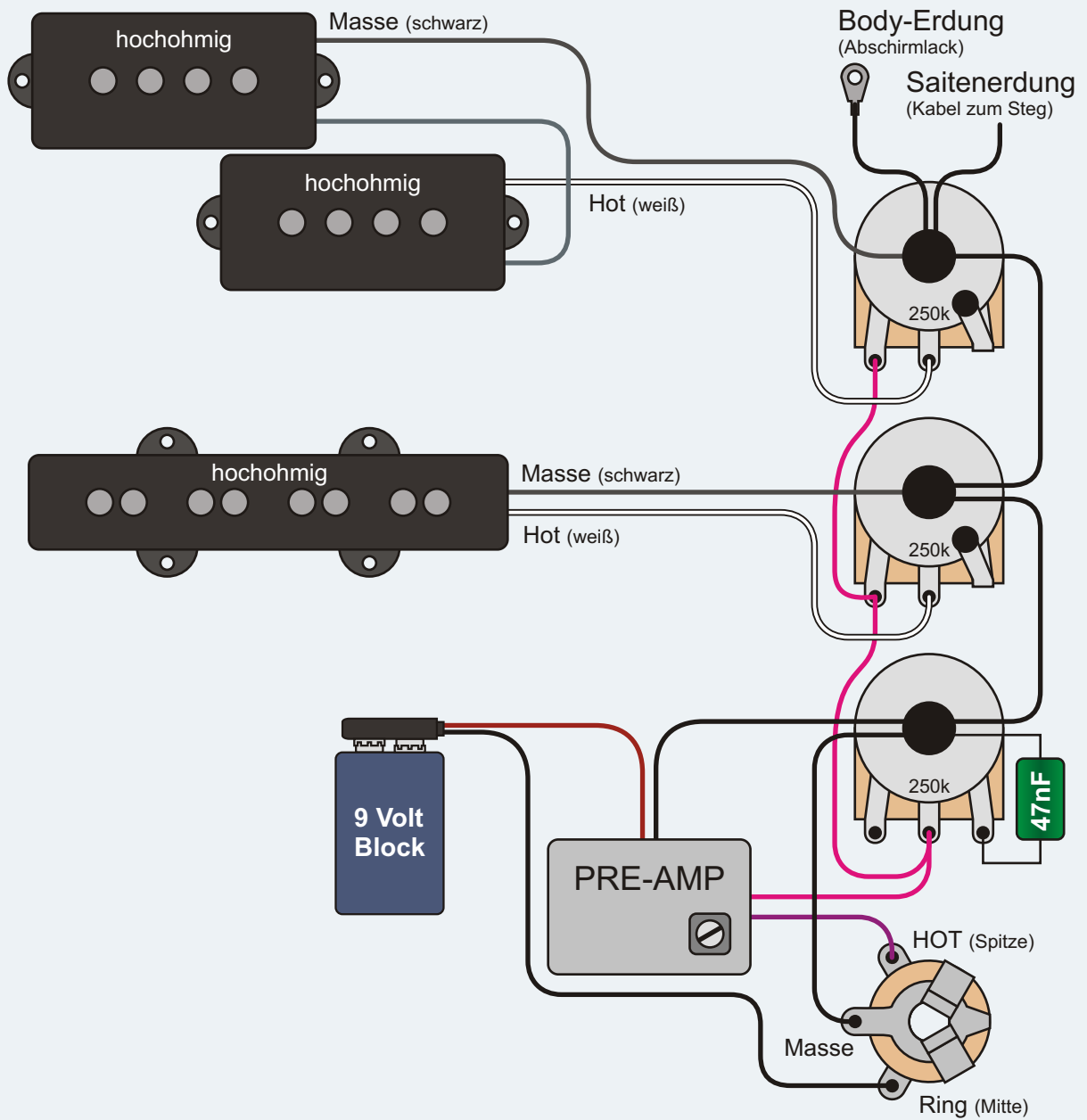


Abbildung 4.3.21

Benennung **Gemischte Schaltungen**

Passive - Aktive Schaltungen

Nummer 4.3

Bemerkungen / Besonderheiten

Hochohmige Tonabnehmer mit aktiver Regelung

gezeichnet von Cadfael

gezeichnet am 02.09.17

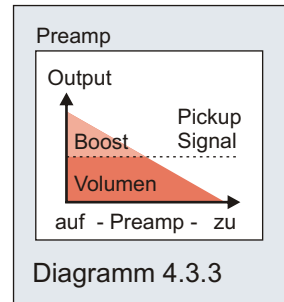
Seite 488

Da alle Lautstärke- und Klangregler (Potentiometer / Potis) zwischen den hochohmigen Pickups und dem Vorverstärker von ihren Werten her für eine passive Schaltung ausgelegt sind (Werte meist zwischen 250k und 1M Ohm), kann man sie sowohl mit, als auch ohne den Preamp nutzen.

4.3.3 Lautstärke

Wie in Diagramm 4.3.3 zu sehen ist, liegt die maximale Lautstärke mit Preamp über dem eigentlichen Output-Level des Pickups. Durch den Einbau eines Preamps kann man den Ausgangspegel eines Instruments um ca. 15 Dezibel anheben.

Dadurch werden Störeinflüsse auf dem Weg zwischen Instrument und Verstärker (Kabelweg) verringert. Allerdings sind die hochohmigen Pickups weiterhin genauso anfällig gegenüber Fremdstörungen (Trafos usw.) wie in normalen passiven Schaltungen. Durch das Boosten (besonders in der Klangreglung) können Störungen sogar noch verstärkt werden.



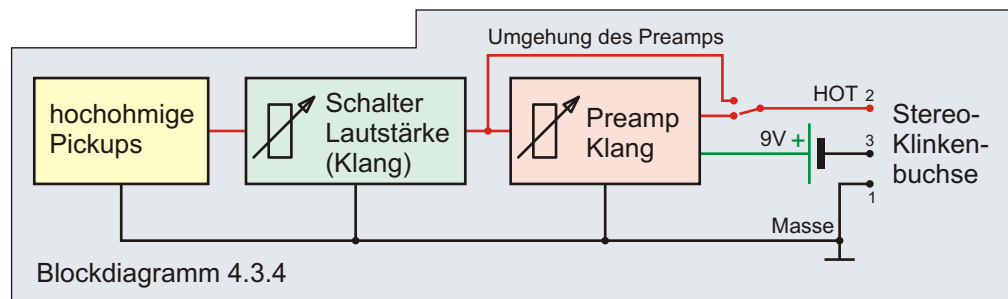
Je nach (Vor-) Einstellung des Preamps kann die Lautstärke mit Preamp in seltenen Fällen auch unter der Lautstärke eines passiven Basses liegen. Aktiv bedeutet also nicht immer automatisch auch lauter!

Das betrifft besonders Instrumente (mit hoch- oder niederohmigen Tonabnehmern), bei denen die aktive Schaltung vom Instrumentenbauer hauptsächlich zur Klangreglung eingebaut wurde.

4.3.4. Hochohmige PUs mit aktiver Elektronik

Es gibt auch Vorverstärker mit integrierter Klangregelung. Gerade bei Bässen ist der wichtigste Aspekt solch einer aktiven Schaltungen nicht die Vorverstärkung des gesamten Signals (Lautstärke), sondern der Boost (oder Cut) von ausgewählten Frequenzen (Höhen / Mitten / Bässe), sprich: Die Klangregelung des Instruments.

Wo die Lautstärke- oder Klangregler in Mischschaltungen sitzen, ist von Instrument zu Instrument verschieden.



Es können auch Teile der Klangregelung passiv sein (normale Höhenblende), während andere Teile (z.B. Mid-oder Treble Boost) aktiv sind. Bei einem Instrument das zwischen aktivem und passivem Betrieb umgeschaltet werden kann hat solch eine Aufteilung der Klangregelung den Vorteil, dass im Passiv-Modus weiterhin eine nutzbare Klangregelung zur Verfügung steht (ohne spezielle doppelstöckige Potis zu verwenden).

In Abbildung 4.3.41 sitzen die Komponenten für die Klangregelung im "Preamp-Block". Das Poti wird über Kabel mit den Komponenten im Block verbunden. In Abbildung 4.3.42 hingegen sitzen Elektronik und Poti zusammen auf einer Platine.

Benennung	Gemischte Schaltungen		Passive - Aktive Schaltungen	Nummer 4.3
Bemerkungen / Besonderheiten	Hochohmige Tonabnehmer mit aktiver Regelung		gezeichnet von Cadfael	gezeichnet am 02.09.17 Seite 489

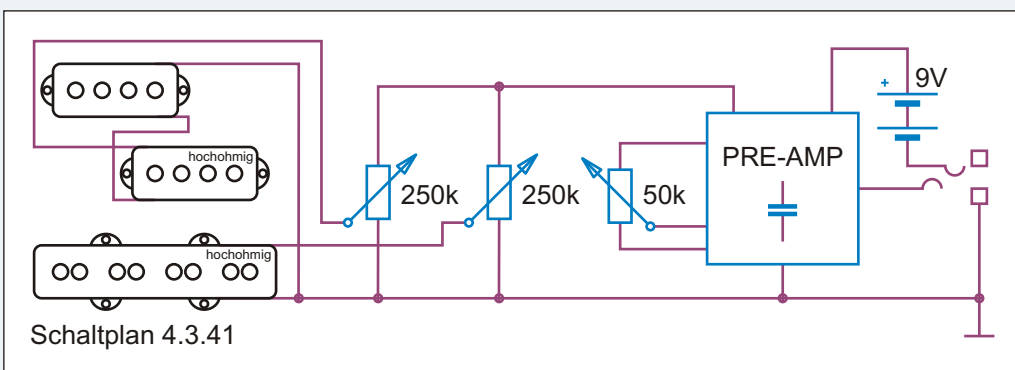
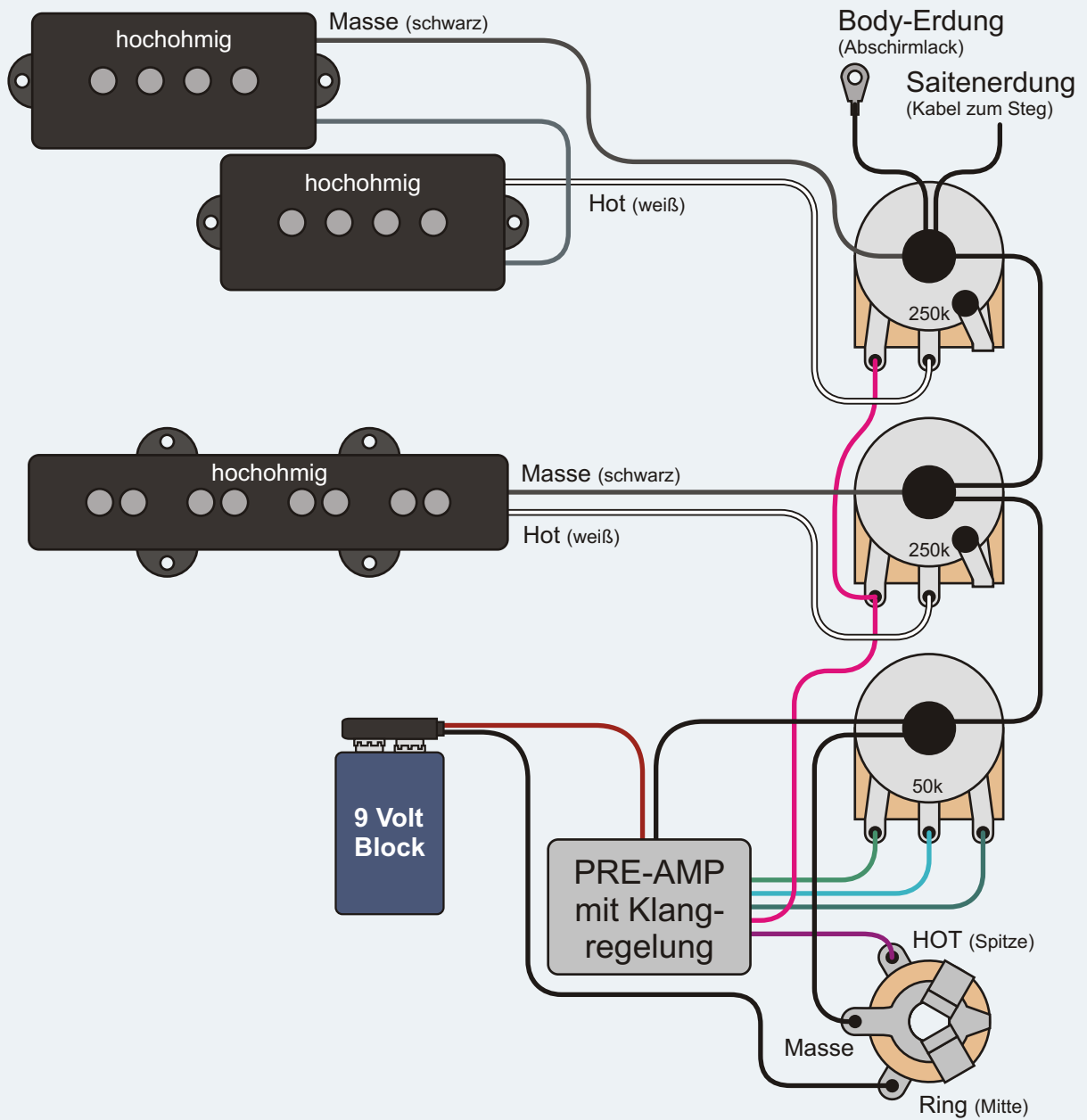


Abbildung 4.3.41

Benennung **Gemischte Schaltungen**

Passive - Aktive Schaltungen

Nummer 4.3

Bemerkungen / Besonderheiten

Hochohmige Tonabnehmer mit aktiver Regelung

gezeichnet von Cadfael

gezeichnet am 02.09.17

Seite 490

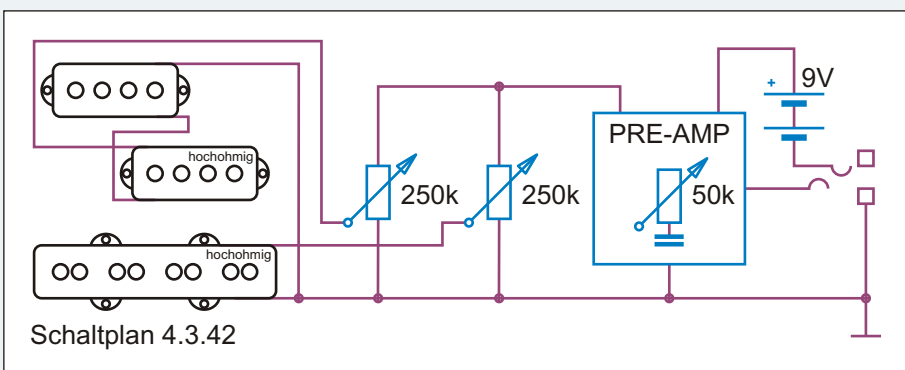
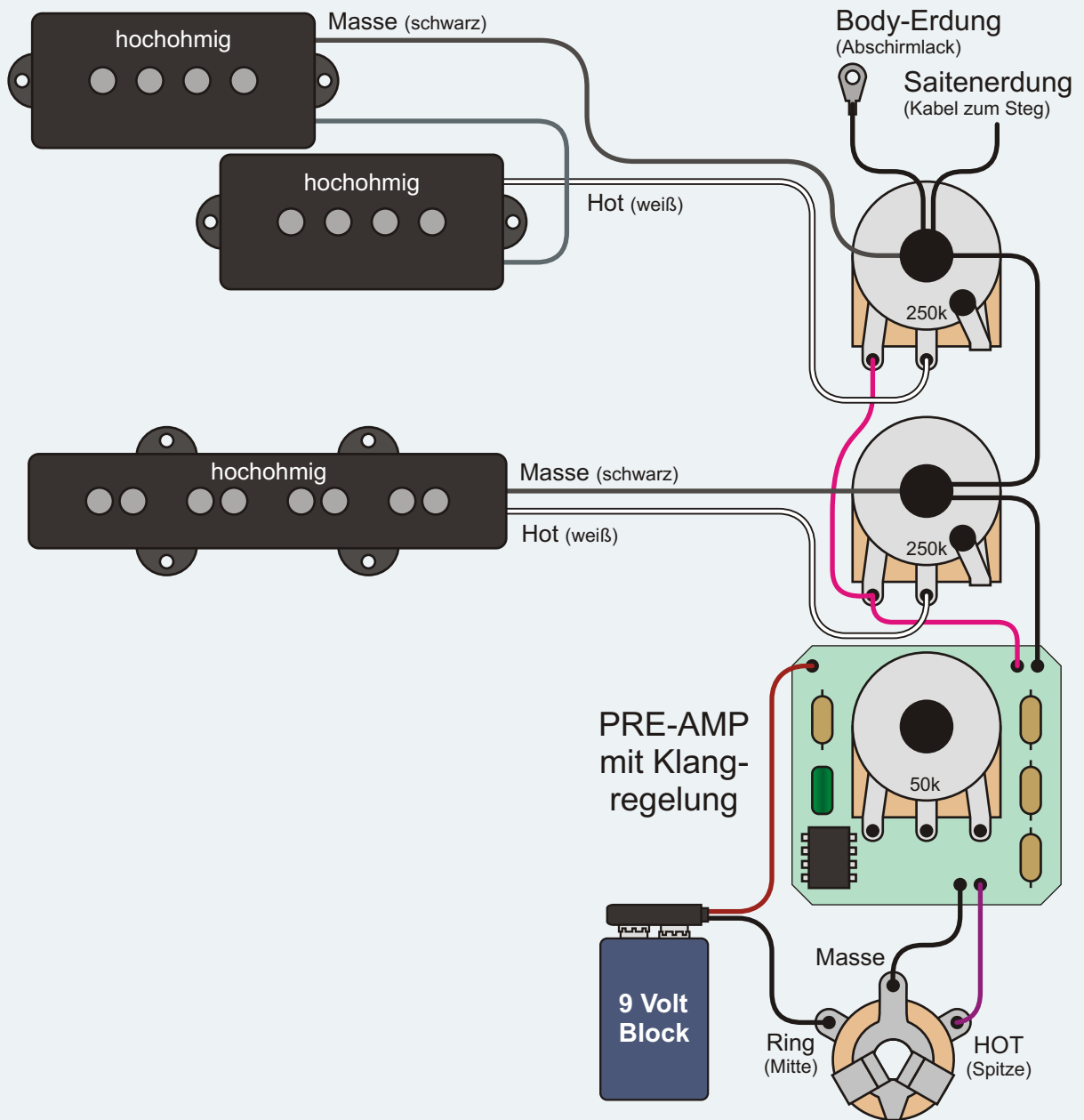


Abbildung 4.3.42

Benennung <h1>Gemischte Schaltungen</h1>	Passive - Aktive Schaltungen		Nummer 4.3
Bemerkungen / Besonderheiten Hochohmige Tonabnehmer mit aktiver Regelung	gezeichnet von Cadfael	gezeichnet am 02.09.17	Seite 491

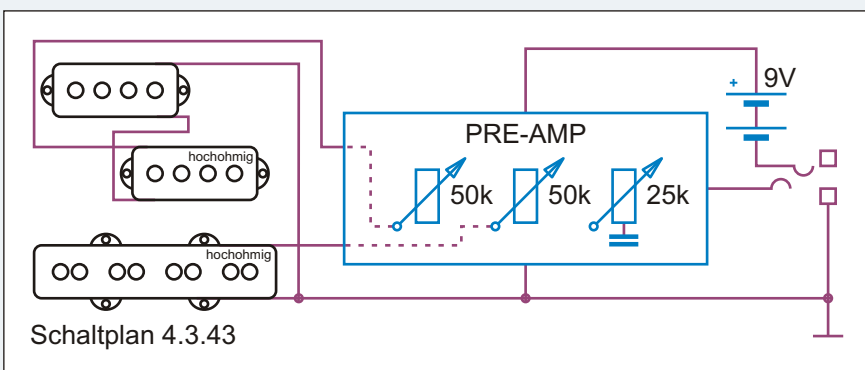
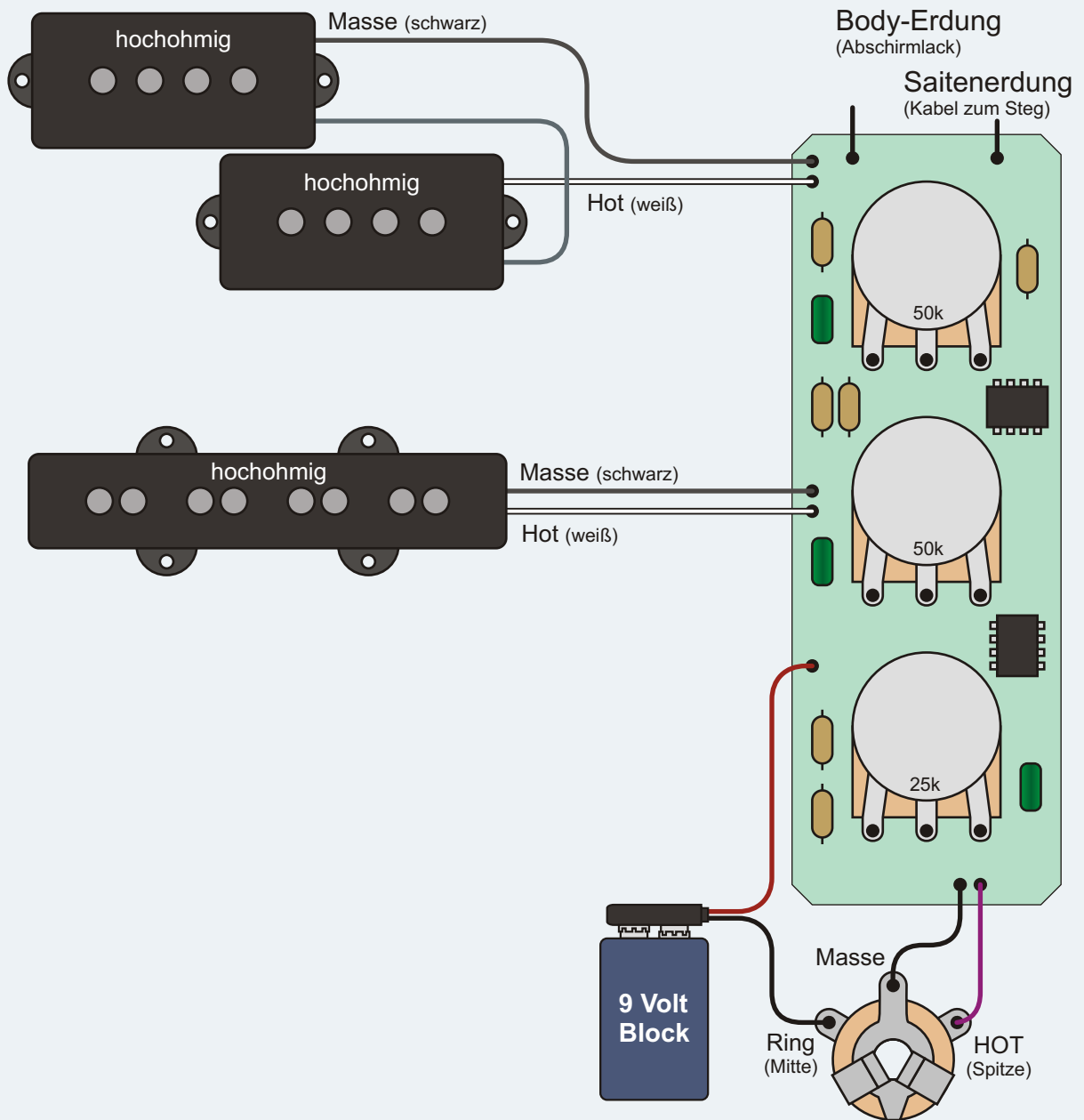


Abbildung 4.3.43

Benennung **Gemischte Schaltungen**

Passive - Aktive Schaltungen

Nummer 4.3

Bemerkungen / Besonderheiten

Hochohmige Tonabnehmer mit aktiver Regelung

gezeichnet von Cadfael

gezeichnet am 02.09.17

Seite 492

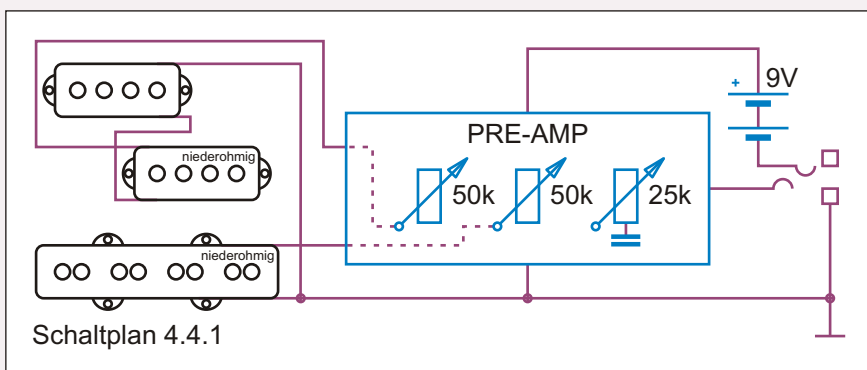
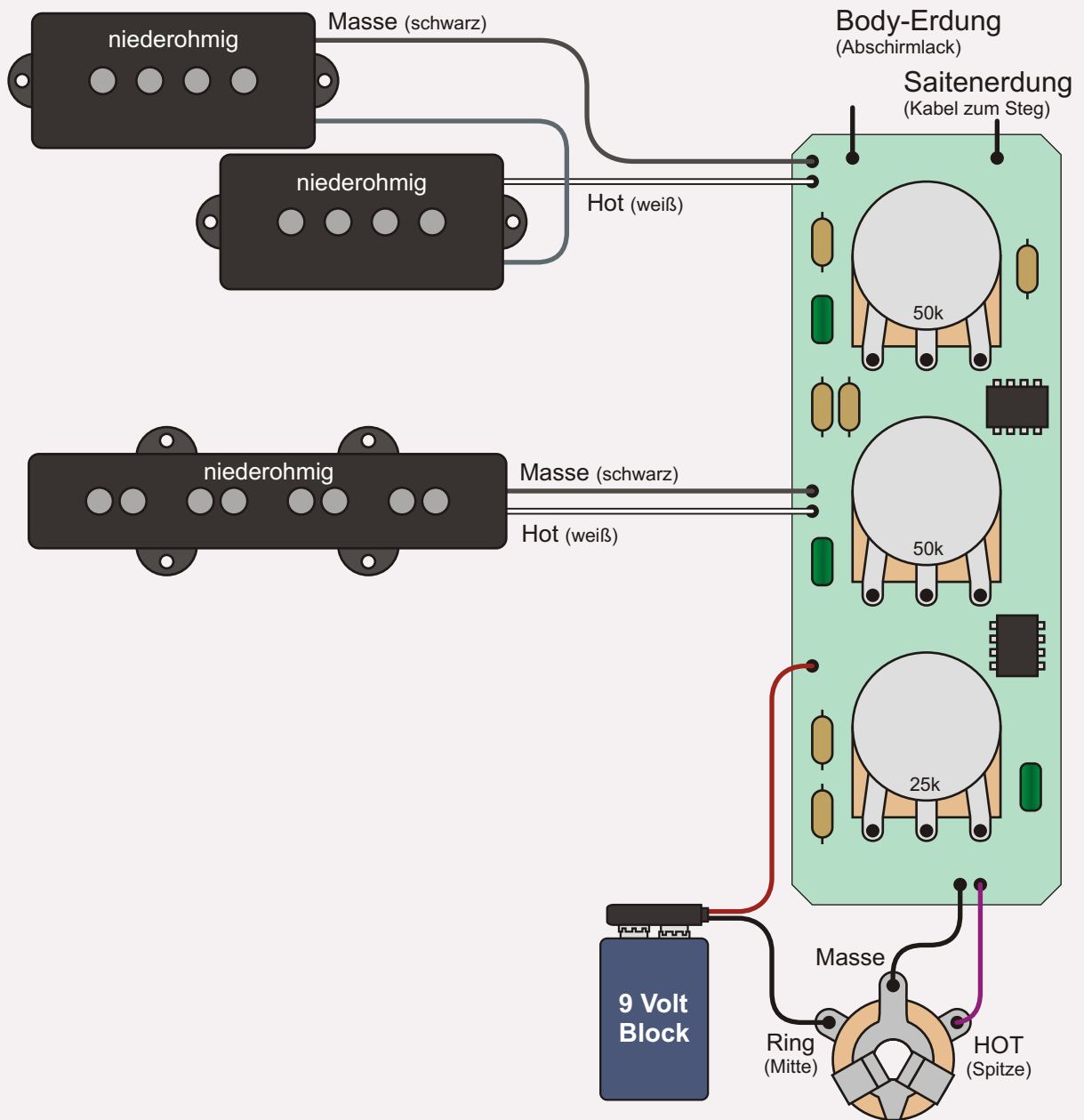


Abbildung 4.4.1

Benennung **Aktive Schaltung**

Passive - Aktive Schaltungen

Nummer 4.4

Bemerkungen / Besonderheiten

Niederohmige Tonabnehmer mit aktiver Regelung

gezeichnet von Cadfael

gezeichnet am 02.09.17

Seite 493

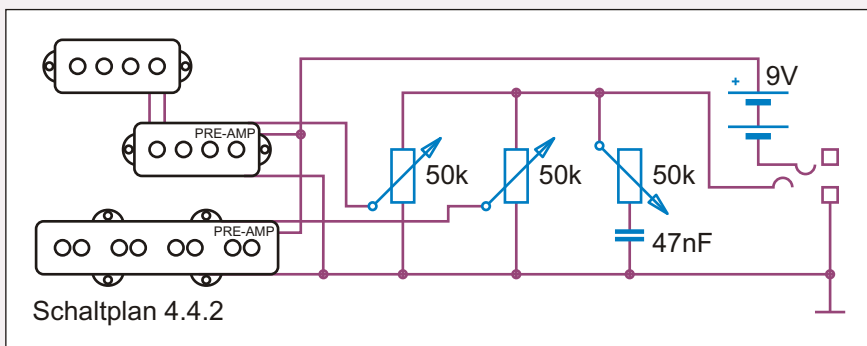
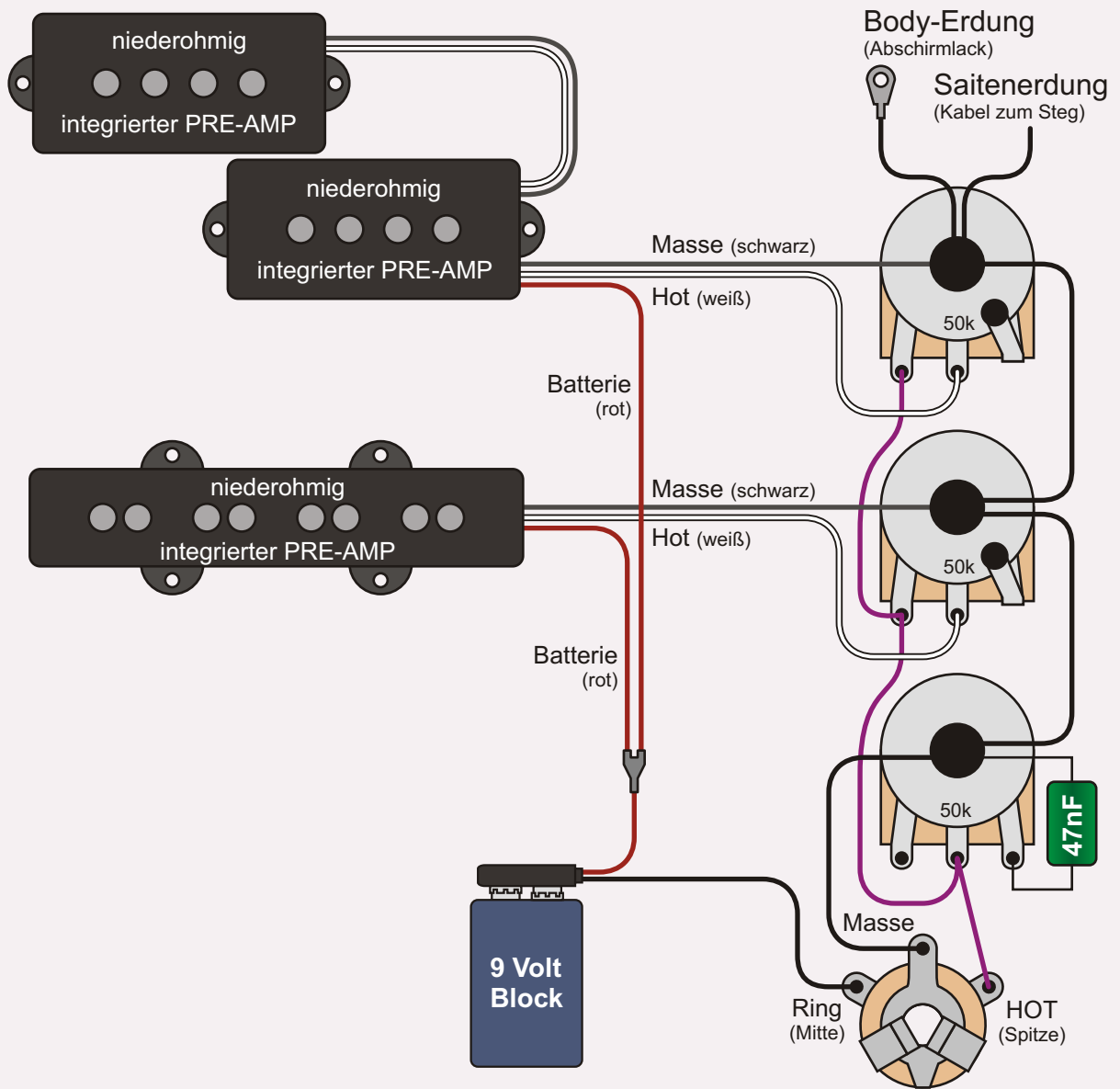


Abbildung 4.4.2

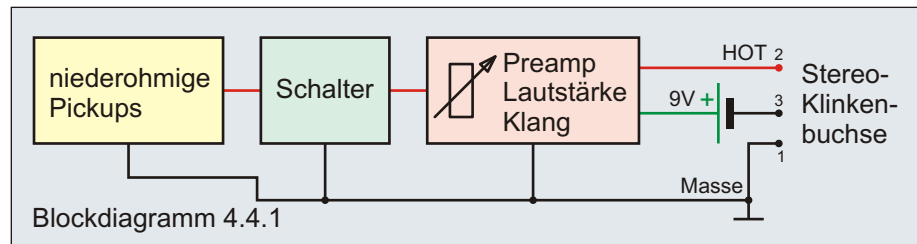
Benennung <h1 style="margin: 0;">Aktive Schaltung</h1>	Passive - Aktive Schaltungen		Nummer 4.4
Bemerkungen / Besonderheiten <h2 style="margin: 0;">Niederohmige Tonabnehmer mit eingebautem Preamp</h2>	gezeichnet von Cadfael	gezeichnet am 02.09.17	Seite 494

4.4 Aktive Bässe mit niederohmigen Pickups

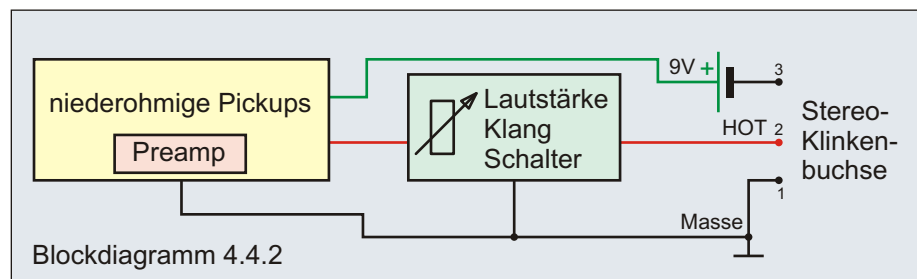
Im Gegensatz zu hochohmigen Pickups brauchen niederohmige Pickups eine Elektronik, die ihr Signal verstärkt. Ohne Aufbereitung durch einen Preamp im Instrument ist das am Verstärker ankommende Signal für den normalen Einsatz zu leise. Warum gibt es dann aber überhaupt niederohmige Tonabnehmer?

Niederohmige Tonabnehmer sind weniger anfällig gegenüber Fremdstörungen; also Brummeinstreuung oder ähnliches. Sie liefern der aktiven Elektronik ein optimales Signal zur Weiterbearbeitung. Zudem haben niederohmige Pickups weniger Einfluss auf das Schwingungsverhalten der Saiten siehe Kapitel 4.2).

Bei den meisten niederohmigen Tonabnehmern befindet sich der Vorverstärker außerhalb des Pickups auf einer Platine oder in einem Block.



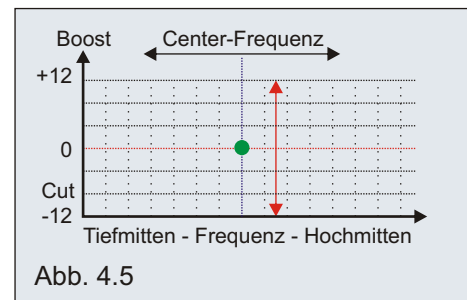
Es gibt aber auch Tonabnehmer (wie EMG Pickups), bei denen sich die Elektronik im Pickup befindet. Daher muss hier jeder Pickup mit Strom versorgt werden (4.4.2)



4.5 Parametrik

Es gibt Aktiv-Bässe mit Mitten- oder sogar parametrischer Mittenreglung. Bei aktiver Höhen- oder Bassreglung ist meist eine feste Center-Frequenz voreingestellt / vorgegeben. Diese Frequenz kann mit den Tonpotis verstärkt (geboostet) oder abgesenkt werden (roter Pfeil).

Sind die Mitten parametrisch, kann man mit einem zusätzlichen Regler die Center-Frequenz verschieben (blauer Pfeil). Solch parametrischen Reglungen finden sich auch oft in Mischpulten. Der Anwender muss dabei zusätzlich wissen, welche Mittenfrequenz den Klang wie beeinflusst. .



Persönliche Meinung:

Aktive Bässe haben ganz klare Vorteile, da sie auch Boosten können. Trotzdem bleibe ich lieber bei passiven Bässen, da ich mich nicht abhängig vom Ladestand einer Batterie oder eines Akkus machen möchte. Zudem stehe ich auf den Sound, den passive Bässe liefern.

Benennung	Aktive Schaltungen + Parametrik	Passive - Aktive Schaltungen	Nummer	4.4
Bemerkungen / Besonderheiten	Niederohmige Tonabnehmer mit aktiver Regelung	gezeichnet von	gezeichnet am	Seite
		Cadfael	02.09.17	495

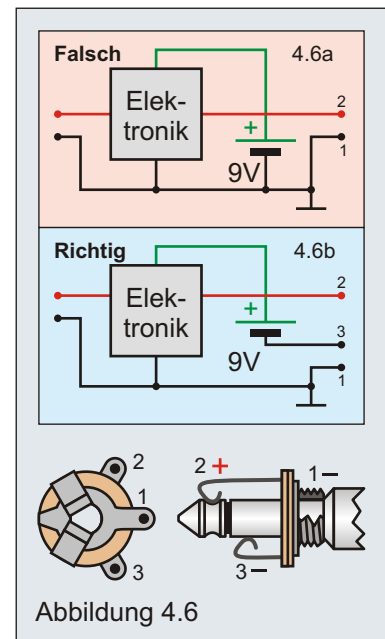
4.6 Stromversorgung

Zum Betrieb einer aktiven Elektronik wird eine Betriebsspannung benötigt. Sie beträgt bei Bässen meistens 9 oder 18 Volt. Hierzu werden ein oder zwei 9V Batterie- oder Akku-Blöcke eingesetzt. Die 9V Blöcke befinden sich meistens in einem separaten Batteriefach auf der Rückseite des Bodys; manchmal wird die Batterie aber auch einfach im Elektrikfach untergebracht.

Wäre die Batterie wie in Abb. 4.6a ständig an Hot und Masse angeschlossen, flösse ständig Strom und die Batterie wäre ständig leer. Daher verwendet man eine Stereo-Klinkenbuchse. Wird ein Stecker eingesteckt, ist über den Schaft des Steckers Masse (1) mit dem Minuspol der Batterie (3) verbunden.

Wird der Bass längere Zeit nicht gespielt, Klinkenkabel aus der Buchse des Basses zu ziehen!

Steckt das Kabel auch in den Spielpausen oder über Nacht im Bass, ist die Elektronik aktiv und verbraucht Strom!



4.6.1 Warum zerrt mein Bass?

Zerrt ein Bass grundsätzlich (auch nach dem Einlegen einer frischen Batterie) kann ein zu hoch eingestelltes Preamp-Level die Ursache sein. Am Verstärker sollte man ein Hi/Aktiv-Eingang benutzen und den Gain Regler kleiner einstellen. Hilft auch das nicht, sollte man den Bass in ein Musikgeschäft bringen, um das Preamp-Level von einem Elektroniker überprüfen zu lassen. Hat man Grundkenntnisse in Elektronik, kann man im Bass auch nach einem Trimpoti suchen und dieses zurückdrehen. Allerdings sollte man vorher den ursprünglichen Stand genau notieren, um notfalls die Ausgangsposition wieder einstellen zu können.

Hat man normalerweise keine Probleme mit seinem Bass und fängt er plötzlich an zu zerrn, hat das vermutlich eine andere Ursache. Fast leere Batterien / Akkus kündigen nämlich durch Zerren an, dass sie bald leer gesaugt sind. Auch nagelneue Batterien können manchmal fast leer sein!

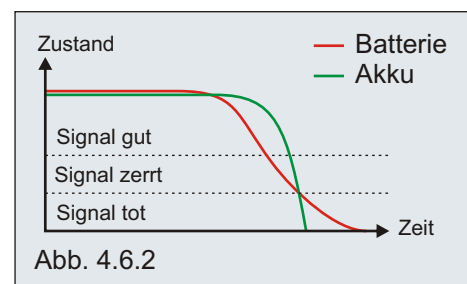
Null-Euro Batterie-Tester

Wie kann man den Ladestand von Batterie oder Akku feststellen? Dafür gibt es eine einfache Methode: Mit der Zunge! Berührt man mit der Zunge gleichzeitig Plus- und Minuspol, bekommt man einen deutlich spürbaren Stromschlag. Je leerer die Batterie, desto geringer der Stromschlag. Irgendwann wird der Schlag zu einem leichten Kribbeln und ein säuerlicher Geschmack ist deutlicher wahrnehmbar als der der Stromschlag. Keine Angst! Jeder Weidezaun ist gefährlicher!

4.6.2 Unterschiede Batterie - Akku

Bei einer Batterie ist der Entladevorgang eher schleichend. Er kündigt sich durch besagten "Zerreffekt" an. Das kann unter Umständen über Stunden oder gar Tage gehen und verstärkt sich immer mehr bis nichts mehr geht.

Die meisten Akkus halten ihre Spannung bis kurz vor dem Ende und gehen dann innerhalb kürzester Zeit in die Knie. Dies bedeutet in der Praxis, dass innerhalb weniger Minuten, im schlimmsten Fall sogar während eines gespielten Liedes, sich der Akku restlos entlädt und den Bassisten in peinlicher Art und Weise auf der Bühne stehen lässt. Aus Umweltaspekten, aber auch dem Geldbeutel zuliebe sollte man trotzdem Akkus vorziehen. Es rechnet sich.



Benennung	Stromversorgung		Passive - Aktive Schaltungen	Nummer	4.6
Bemerkungen / Besonderheiten	Probleme mit der Stromversorgung, Batterie und Akku		gezeichnet von	gezeichnet am	Seite
			Cadfael	02.09.17	496

5 Eigene Schaltpläne entwerfen

Es ist gar nicht so schwer sich eine Schaltung nach seinen eigenen Wünschen und Vorstellungen und zusammenzustellen. Zumindest einfache Schaltungen funktionieren nach dem Baukastenprinzip; man nimmt die gewünschten Einzelkomponenten und fügt sie zusammen.

Zwar wirken Schaltpläne auf den ersten Blick Neulinge oft undurchschaubar oder abstoßend, es ist aber recht einfach so einen Plan zu durchschauen. In dieser Sammlung sind genug Schaltpläne, an denen man die Wirkung mit dem Plan vergleichen kann und man wird das System schnell durchschauen.

Für eigene Schaltungen sind Schaltpläne wichtig. Man kann den "Weg des Stroms" nachverfolgen und daraus erkennen, ob man bei der Verkabelung einen Denkfehler gemacht hat bzw. es "Stolpersteine" gibt.

5.1 Schaltpläne lesen und zeichnen

Die meisten hier aufgeführten Zeichen tauchen in den Schaltplänen von Kapitel 1 und Kapitel 2 auf. Die Funktionsweise der Bauteile ist in Kapitel 3 beschrieben. Am besten lernt man einen Schaltplan zu lesen, indem man sich Schaltpläne anschaut, bei denen man weiß was passiert. Man fängt z.B. beim Precision Bass an und sucht sich immer kompliziertere Schaltungen, die man mit der Verdrahtung und der Funktionsweise abgleicht.

5.1.1 Gestrichelte Linien

Wie man sieht, werden die beiden Schleifer eines Balance-Potis mit einer gestrichelten Linie verbunden. Oft werden die gestrichelten Linien auch zwischen Pfeilspitzen und Potikörper gezeichnet.

Die Linien deuten an, dass sich die Schleifer beider Poti-Ebenen **synchron** bewegen.

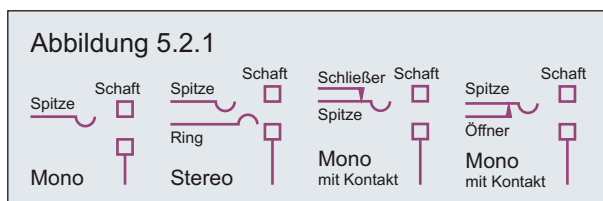
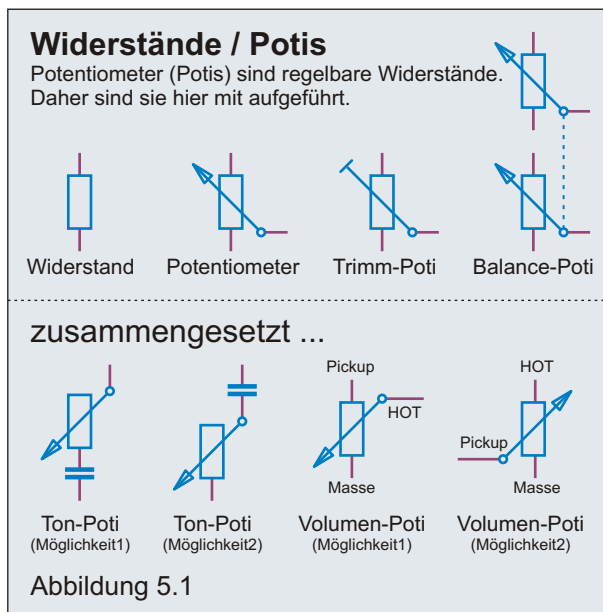
Daher fehlt die Verbindungslinien bei einem Tandem-Poti, dessen Achsen sich (anders als beim Balance-Poti) unabhängig voneinander drehen lassen.

Gestrichelte Linien findet man z.B. auch bei Schaltern mit **mehreren Ebenen**. Auch hier deuten die gestrichelten Linien an, dass sich die Hebel der Ebenen **synchron** hin und her bewegen.

Meistens zeichnet man Poti- oder Schalter-Ebenen direkt neben- oder übereinander. In Schaltung 2.5.02 sieht man, dass das aber nicht so sein muss. Hier stehen die beiden Ebenen des Schalters 90° zueinander gekippt, damit die Schaltung besser lesbar ist.

5.2.1 Buchsen

In Abbildung 5.2.1 wird eine kleine Auswahl an Klinkenbuchsen gezeigt. Nähere Erläuterungen zu den verschiedenen Buchsen finden sich im Kapitel 3.6. Es gibt z.B. auch Stereo-Klinkenbuchsen mit vier Schaltkontakten. Spätestens dann empfiehlt sich der Einsatz eines Multimeters um vor dem Lötten zu überprüfen, welcher Kontakt genau wohin gehört.

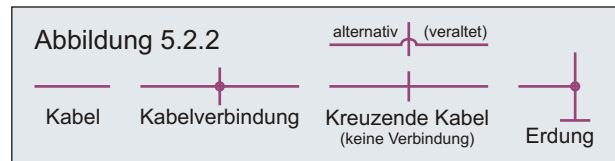


Benennung	Eigene Schaltpläne		Eigene Schaltpläne	Nummer
				5
Bemerkungen / Besonderheiten	gezeichnet von	gezeichnet am	Seite	
Schaltpläne lesen und zeichnen	Cadfael	02.09.17	497	

5.2.2 Kabelverbindungen

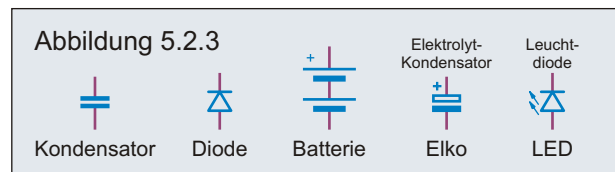
Kabelverbindungen zwischen zwei Bauelementen werden als einfacher Strich dargestellt. Bei vielen Schaltplänen kommt es vor, dass sich Kabel kreuzen, ohne dass sie miteinander verbunden sind. Damit man eine Kreuzung nicht mit einer Verbindung verwechselt, versieht man eine **Verbindung** mit einem **dicken / deutlichen Punkt**. Manchmal werden sich kreuzende Leitungen auch mit einer "Brücke" dargestellt.

Diese Darstellung ist zwar narrensicher, aber nicht normgerecht und mittlerweile (zumindest in Europa) veraltet. Hat eine Kreuzung keinen dicken Punkt, ist es keine Verbindung ...



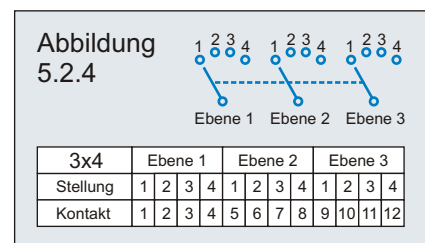
5.2.3 Diverse Bauelemente

Bei einem Kondensator, der ja zur Klangregelung gebraucht wird, ist die Einbaurichtung egal. Bei Elkos hingegen, die meist in aktiven Schaltungen anzutreffen sind, muss man auf die Baurichtung achten. Gleiches gilt für Dioden und LEDs.



5.2.4 Schalter

Sehr viele Schalter, ihre Wirkungsweise, Belegung sowie die dazugehörigen Schaltbilder sind in Kapitel 3.4 ausführlich beschrieben. Wie bereits in Kapitel 4.1 erwähnt, sind für Schaltpläne nicht die realen Belegungen wichtig, sondern die Ebenen. Hat ein Schalter mehrere Ebenen, werden diese mit einer gestrichelten Linie verbunden. Eine Ebene in sich darf / sollte man nicht trennen. Es ist jedoch erlaubt, mehrere Ebenen voneinander zu trennen, wenn das den Plan besser lesbar macht. Wichtig ist nur, die zueinander gehörigen Ebenen mit der gestrichelten Linie zu verbinden.



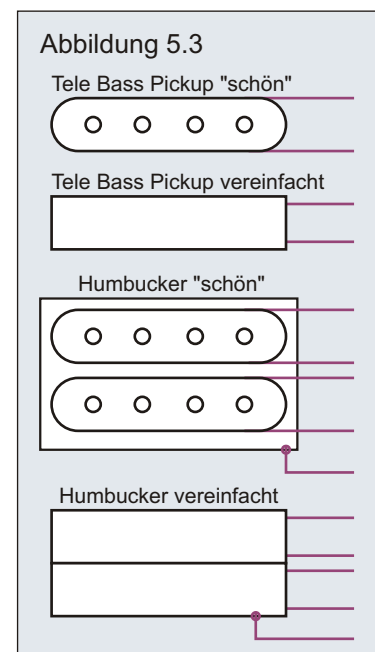
5.3 Vereinfachte Darstellung

Natürlich kann man Pickups in einer Schaltung besonders schön und nah an der Realität zeichnen. Eigentlich ist es aber nur wichtig, den bzw. die Körper / Spulenkörper anzudeuten.

Alle Kabel die nach außen führen, sollte man einzeichnen. Das gilt auch, wenn sie später gemeinsam an Masse gelegt werden oder wenn zwei Spulendenen seriell zu einem Humbucker verbunden werden.

5.4 Lerne für's Leben!

Wer einmal gelernt hat solche Schaltpläne zu lesen und zu zeichnen, kann dieses Wissen unter Umständen auch auf anderen Gebieten einsetzen. In der Pneumatik und Hydraulik zum Beispiel werden ähnliche Pläne eingesetzt. Kann man die Schaltung eines Basses lesen, ist der Umstieg zu anderen Schaltplänen nicht mehr sehr schwer. Nicht nur als Elektriker, Elektroniker oder Industriemechaniker kann man von diesem Wissen vielleicht später profitieren.



Benennung	Eigene Schaltpläne			Eigene Schaltpläne	Nummer 5
	Bemerkungen / Besonderheiten				
Schaltpläne lesen und zeichnen			Cadfael	02.09.17	Seite 498

Änderungsindex

Version	Nr.	Datum	Änderungsart	Bemerkung
4.01	1.X.XXX	21.04.13	umbenannt	Alle Zeichnungen
4.01	2.X.XXX	21.04.13	umbenannt	Alle Zeichnungen
4.01	2.X.XXX	21.04.13	hinzugefügt	Diverse Umbau-Zeichnungen
4.01	2.X.XXX	21.04.13	geändert	Reihenfolge vieler Zeichnungen
4.01	2.X.XXX	21.04.13	korrigiert	Einige Zeichnungen
4.02	1.1.124	22.04.13	hinzugefügt	Fender Precision Bass OPB'54-75 1983
4.02	1.1.921	22.04.13	hinzugefügt	Fender Performer Bass FB-555 1985
4.02	1.2.156	23.04.13	hinzugefügt	Squier Affinity Series Precision / P-Bass 2008
4.02	1.2.305	27.04.13	hinzugefügt	Squier Affinity Series J-Bass V 2008
4.02	1.2.201	27.04.13	hinzugefügt	Squier Contemporary PJ555 Bass 1983
4.02	1.1.206	27.04.13	hinzugefügt	Fender PJ-555 Bass 1984
4.02	1.1.207	27.04.13	hinzugefügt	Fender PJ-535 Bass 1984
4.02	1.1.186	27.04.13	hinzugefügt	Fender PB-555 Bass 1984
4.02	2.2.441	28.04.13	hinzugefügt	PP-Bass mit Dreiweg und "Spulentaucher"
4.02	2.1.321	28.04.13	geändert	Texte leicht verändert und Pickup getauscht
4.02	2.1.323	28.04.13	hinzugefügt	PJ / Jazz Bass, serielle Pickupblende
4.02	1.5.511	01.05.13	geändert	Höfner 185-1 Bass 1962 Version eingearbeitet
4.02	1.5.514	01.05.13	hinzugefügt	Höfner 185-3 Bass 1972
4.02	1.5.517	01.05.13	hinzugefügt	Höfner MP 185 Bass 1973
4.02	1.2.551	30.04.13	geändert	VM Tele Bass 2012 - Texte leicht verändert
4.02	1.2.552	30.04.13	hinzugefügt	Squier VM Telecaster Bass 2012 (2) Original
4.03	1.2.606	09.05.13	hinzugefügt	Teisco KB-2 Bass
4.03	1.2.6XX	09.05.13	hinzugefügt	Texte und Erklärungen zu Teisco Bässen
4.03	3.1.5	28.05.13	hinzugefügt	Befestigung von Pickups
4.03	1.3.3XX	30.05.13	hinzugefügt	Informationen zu Gibson Thunderbird Modellen
4.03	3.5.3	31.05.13	hinzugefügt	Masse ist Masse ...
4.03	2.2.701	06.06.13	geändert	MM-Bass, 4P3T, Anschlüsse Hals PU
4.03	2.2.431	06.06.13	hinzugefügt	MM-Bass, Mini-Dreiweg, Mitte B+C (parallel)
4.04	2.2.432	09.06.13	hinzugefügt	MM-Bass, Mini-Dreiweg, Mitte A+C (parallel)
4.04	2.2.433	09.06.13	hinzugefügt	MM-Bass, Mini-Dreiweg, Mitte A+D (parallel)
4.04	2.4.321	09.06.13	geändert	PM-Bass, Dreiweg, zusätzlich MM intern parallel
4.04	2.4.441	09.06.13	geändert	PM-Bass, Vierweg, zusätzlich MM intern parallel
4.04	2.1.162	09.06.13	hinzugefügt	J-Bass, zublendbarer Bridge PU (alternative Version)
4.04	2.1.1XX	09.06.13	geändert	Erläuterungen hinzugefügt
4.04	1.3.601	12.07.13	korrigiert	Position Tone Poti
4.04	1.6.711	14.07.13	hinzugefügt	Maya PB Electronic Bass 1974
4.04	1.6.721	14.07.13	hinzugefügt	Maya 239 Electronic Bass 1974
4.04	1.6.711	14.07.13	hinzugefügt	Maya Bass Umbau 1979
4.05	1.6.321	28.07.13	geändert	Ibanez ATK 100 Bass, Schalter gedreht, Texte
4.05	1.9.321	28.07.13	hinzugefügt	Ibanez ATK 300 Bass
4.05	1.2.661	19.09.13	hinzugefügt	Squier Vintage Modified Bass VI 2013
4.05	1.1.823	19.09.13	hinzugefügt	Fender Conronado Bass Modern Player 2013
4.05	1.1.853	19.09.13	hinzugefügt	Fender Stracaster Bass Modern Player 2013

Benennung Änderungsindex		Anhang		Nummer 6
Bemerkungen / Besonderheiten Änderungen gegenüber vorherigen Versionen		gezeichnet von Cadfael	gezeichnet am 02.09.17	Seite 499

Änderungsindex

Version	Nr.	Datum	Änderungsart	Bemerkung
4.05	1.1.951	19.09.13	hinzugefügt	Fender Dimension Bass Modern Player 2013
4.05	1.1.261	21.09.13	hinzugefügt	Fender P-Bass Duff McKagan
4.05	1.9.055	21.09.13	hinzugefügt	Fender Troy Sanders Jaguar Bass 2013
4.05	1.1.271	21.09.13	korrigiert	Fender Frank Bello Bass - Belegung Vol. Potis
4.06	2.4.861	28.09.13	hinzugefügt	Squier Vintage Modified Bass VI Umbau (Big Al)
4.06	1.5.301	29.09.13	geändert	Darstellung 2x4 Schalter Jolana Bass
4.06	3.3.1	29.09.13	hinzugefügt	Widerstände / Kondensatoren - seriell / parallel
4.06	1.1.381	02.10.13	geändert	Kabelfarben, Text Fender Blacktop Jazz Bass
4.06	1.1.771	03.10.13	geändert	Schaltplan Fender Roscoe Beck Bass (Hals PU)
4.06	1.1.168	03.10.13	korrigiert	Verkabelung S1 Switch (Masse Neck-/Bridge-Spule)
4.07	2.2.101	06.10.13	geändert	Jazz Bass, Mitte seriell (1) (Position Tone Poti)
4.07	2.2.102	06.10.13	hinzugefügt	Jazz Bass, Mitte seriell (2) (ON/OFF/ON)
4.07	2.2.103	06.10.13	hinzugefügt	Jazz Bass, Mitte seriell (3) (ON/ON/ON)
4.07	2.2.111	21.12.13	hinzugefügt	Jazz Bass, Pickups parallel / Neck / seriell
4.07	2.2.113	21.12.13	hinzugefügt	Jazz Bass, Pickups parallel / Bridge / seriell
4.07	1.1.151	21.12.13	geändert	Darstellung des Messingblechs Percision 1957
4.07	1.1.156	21.12.13	geändert	Darstellung des Messingblechs Percision 1973
4.08	1.4.621	01.01.14	geändert	Schaltplan leicht geändert (Tone Poti)
4.08	1.6.076	01.01.14	geändert	Schaltplan leicht geändert (Wert Potis)
4.09	1.4.621	03.03.14	geändert	Darstellung und Schaltplan geändert (Bass Cut)
4.09	1.4.624	03.03.14	hinzugefügt	Rickenbacker 4001C64(S) Bass
4.09	1.4.627	03.03.14	hinzugefügt	Rickenbacker 4003 Bass 2010
4.10	1.9.156	20.03.14	korrigiert	MM Stingray 1982 Steckerbelegung
4.10	1.9.161	20.03.14	korrigiert	MM Stingray 1987 Steckerbelegung
4.11	6	05.08.14	geändert	Schreibfehler Dictionary, Link Guitar Letters
4.12	1.2.302	23.09.14	hinzugefügt	Squier JB-355 Jazz Bass Japan 1985
4.14	1.5.411	03.09.16	hinzugefügt	5/165-50/52 Strato de Luxe Star Bass 1963
4.15	1.5.421	23.10.16	geändert	Tone Verkabelung, Werte Poti und Kondensator
4.16	1.6.821	27.11.16	hinzugefügt	Sakai "Triumph Bass" Kopie 1972
4.17	1.2.141	24.02.17	hinzugefügt	Squier VM Cabronita Precision Bass 2013
4.17	1.1.426	24.02.17	hinzugefügt	Fender Mustang Bass PJ 2017
4.17	1.1.144	24.02.17	geändert	Tone Verkabelung, Kondensatorwert
4.18	1.1.300	31.08.17	hinzugefügt	Fender Jazz Bass Prototyp 1959
4.18	1.1.108	31.08.17	geändert	Beschreibung geändert und ergänzt
4.18	1.1.108	02.09.17	geändert	Beschreibung ergänzt
4.21	X.X.XXX	02.09.17	geändert	Beschreibung ergänzt, Texte korrigiert
4.21	2.1.012	09.09.17	hinzugefügt	Ohne Potis - Korrektur der Resonanzfrequenz
4.21	2.1.013	09.09.17	hinzugefügt	Ohne Potis - Korrektur der Resonanzfrequenz
4.24	1.2.231	09.10.18	geändert	Verkabelung und Beschreibung geändert
4.24	2.1.123	09.10.18	hinzugefügt	Jazz Bass mit Master Volume oder zwei Volume
4.24	2.1.151	09.10.18	hinzugefügt	Jazz Bass mit Master Volume oder VVT
4.25	4.2.21	20.11.18	hinzugefügt	Passive Schaltungen mit niederohmigen Pickups

Benennung	Änderungsindex		Anhang	Nummer
				6
Bemerkungen / Besonderheiten	gezeichnet von	gezeichnet am	Seite	
Änderungen gegenüber vorherigen Versionen	Cadfael	09.09.17	500	

German - English Dictionary

My wiring compilation has become more and more popular in English speaking countries now. So, as a small gift and help for Non-German speaking readers, here is a short dictionary with the most important translations. I also added an explanations of the German schematic diagram components - as some of them are drawn different in America.

General Expressions	
German	English
Abdeckung	Cover
Abschirmung	Shielding
Abschirmlack	Shielding Varnish
Achtung!	Attention! / Warning!
Aktiv	Active
An / Aus	On / Off
Angleichung	Alignment
Anschluss	Connector
Anschlusskabel	Connecting Cable
Auf Richtung achten!	Beware of direction!
Ausgang	Output
Bauteil	Part / Component
Blockbatterie	Monobloc Battery
Buchse	Jack (Plug)
Cold	Cold
Drehschalter	Rotary Switch
Dreiwegschalter	3-Way Switch
Drossel(spule)	Choking Coil
Ebene	Pole / Level / Layer
Eingang	Input
Erdung	Grounding
Fünfwegschalter	5-Way Switch
Gegenphasig	Out-of-Phase
Halteplatte	Base Plate
Hochohmig	High Impedance
Hot	Hot
Impedanz	Impedance
Kabel	Wire / Cable
Kein Signal	No Signal
Klang	Sound
Klippschalter	Dip / Toggle Switch
Klinkenbuchse	Jack (Plug)
Kondensator	Capacitor
Kontrollblech	Control plate
Kupfer(folie)	Copper (foil)
Lautstärke	Volume / Level
Litze	Flexible Wire
LötKolben	Soldering Iron

General Expressions	
German	English
Masse	Ground / Grounding
Masseverbindung	Ground Connection
Messingblech	Brass Plate
Mutter	Screw Nut
Niederohmig	Low Impedance
Parallel / in Reihe	Parallel
Passiv	Passive
Poti / Potentiometer	Pot / Potentiometer
Regler	Controller
Ring (Buchse/Stecker)	Ring (Jack/Plug)
Taster	Momentary / Unlatch
Tonabnehmer	Pickup
Tonwahlschalter	Tone Switch / Selector
Trimm-Poti	Trim Pot
Saitenerdung	String Grounding
Schalter	Switch (general)
Schalter	Latch (function)
Schaltplan	Circuit Diagram
Schiebeschalter	Slide Switch
Schraube	Screw
Seriell / in Serie	Serial / Series
Spiegelverkehrt	Mirror Inverted
Spitze (Buchse/Stecker)	Tip (Jack/Plug)
Spule	Coil
Spulenkörper	Bobbin
Stabmagnet	Slug / Pole Piece
Stahl	Steel
Stromversorgung	Power Supply
Umbau	Modification
Umgehung	Bypass
Unterlegscheibe	Washer
Verdrahtung	Wiring
Vierwegschalter	4-Way Switch
Vorverstärker	Pre-Amp(lifier)
Wahlschalter	Selector Switch
Wert	Value
Widerstand	Resistor
Zusätzlich	Additional(ly)

Benennung	German - English Dictionary		Anhang	Nummer 6
Bemerkungen / Besonderheiten	Translation of the most important / frequently used words		gezeichnet von Cadfael	gezeichnet am 02.09.17
				Seite 501

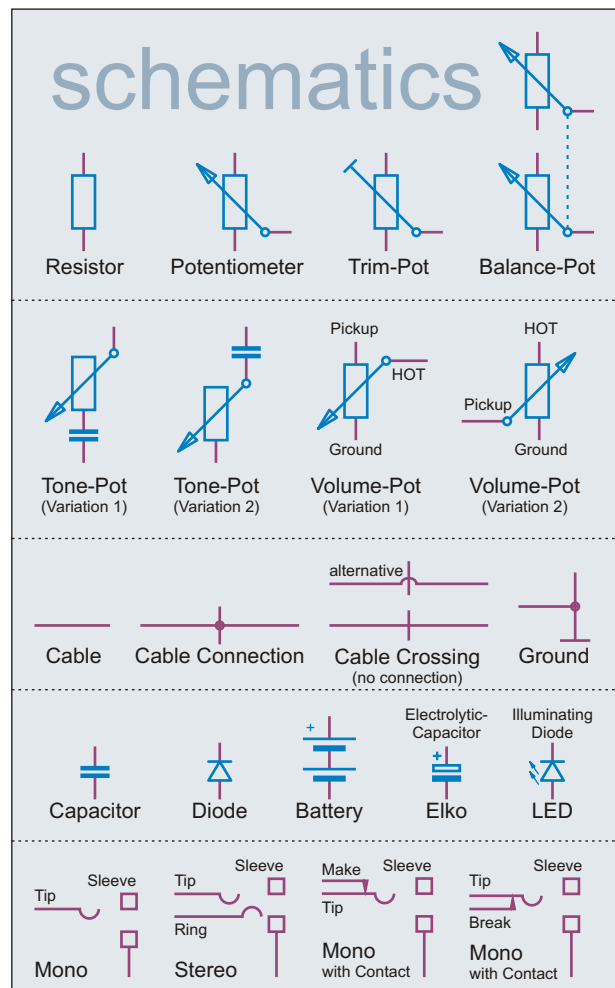
German - English Dictionary

Positions	
German	English
Hals	Neck
Inner / Inneres	Inner / Inward
Mitte / Mittig	Middle
Mittelposition	Middle Position
Steg	Bridge
Stellung	Position
Oben	Up
Unten	Down

Wires / Colours	
German	English
Blau	Blue
Braun	Brown
Farbe	Colour / Color
Gelb	Yellow
Grau	Grey / Gray
Grün	Green
Rot	Red
Schwarz	Black
Weiß	White

Wood / Ligneous Crop	
German	English
Ahorn	Maple
Ebenholz	Ebony
Erle	Alder
Esche	Ash
Linde	Basswood
Mahagoni	Mahogany
Massivholz	Solid Wood
Palisander	Rosewood
Pappel	Poplar
Schichtholz	Laminated Wood

Change-Log (Änderungsindex)	
German	English
Hinzugefügt	Added
Geändert	Changed
Korrigiert	Corrected
Umbenannt	Renamed



Benennung	German - English Dictionary		Anhang	Nummer
Bemerkungen / Besonderheiten	Translation of the most important / frequently used words		gezeichnet von	gezeichnet am
			Cadfael	02.09.17
				Seite
				502

Rechtshinweise

Dieses Nachschlagewerk wurde nach bestem Wissen und Gewissen zusammengestellt. Trotzdem kann **keine Gewähr für die Richtigkeit der Angaben** gemacht werden! Jegliche Haftung ist ausgeschlossen!

Nutzungsbedingungen

- Gebrauch, Weitergabe und/oder Vervielfältigungen in digitaler oder gedruckter Form zu REIN PRIVATEN Zwecken sind sowohl erlaubt, erwünscht als auch kostenlos.
- Die Nutzung oder Weitergabe (auch in Auszügen) zu Unterrichtszwecken (z.B. öffentliche Schulen, Privatunterricht, kommerzielle Musikschulen) ist ebenfalls kostenlos, solange den Schülern das Material kostenlos zur Verfügung gestellt wird. Dem Schüler dürfen durch den Einsatz dieses Materials keine zusätzlichen Vervielfältigungs-, Druck- oder sonstige Lernmittelkosten entstehen.
- Dieses Nachschlagewerk darf weder in digitaler, noch gedruckter Form kostenpflichtig weitergegeben werden. Kommerzielle / gewerbliche Nutzung (auch in Auszügen), die keinem direkten Unterrichtszweck dienen, sind ausschließlich nach Anfrage erlaubt.

Rechte / Urheberrechte

- Idee, Recherche, Autor, Texte, Grafiken, Tabellen und Zusammenstellung: Andreas Kühn
- Bestimmte und Namen und Bezeichnungen sind eingetragene Waren- oder Markenzeichen von Firmen! Strat, Stratocaster, Tele, Telecaster, Mustang, J-Bass, Jazz-Bass, P-Bass und Precision Bass, sind registrierte Warenzeichen der Fender Music Instruments Corporation, USA. Les Paul ist ein registriertes Warenzeichen von Gibson. Die Begriffe werden lediglich dazu eingesetzt historische Instrumente oder Tonabnehmer sowie deren Bauformen bzw. Soundcharaktere zu beschreiben.
- Alle Rechte vorbehalten.

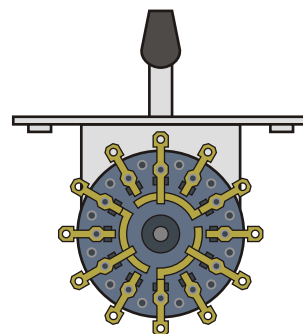
Andreas Kühn
Dortmund, 31.03.2012

Weitere Tipps & Tricks in meiner Bas(s)telecke: <http://161589.homepagemodules.de>

Hinweis:

Ich habe kaum Ahnung von Physik und Elektrik/Elektronik! Daher überlasse ich physikalische Erklärungen anderen. Meine praktischen Erfahrungen habe ich in über 30 Jahren Bastelei an Gitarren und Bässen erworben. Grundstock meines Wissens ist das Buch "Elektro Gitarren, Teil 1" von Helmuth Lemme (meine Ausgabe ist von 1982). Jedem der sich in das Thema einlesen will, kann ich das Buch wärmstens empfehlen! Im Internet findet man seine Website unter www.gitarrenelektronik.de.

Zudem möchte ich Freunden der Bass-/Gitarren-Elektronik die Website von Ulf "Der Onkel" ans Herz legen www.guitar-letter.de.



Herzlichen Dank an "Peter55", "Elkulk" und "TheDude" für ihr Feedback zu dieser Sammlung, für Prüfung und Gegenlesen! Alle verbliebenen Fehler gehen ausschließlich auf mein Konto!

Benennung	Rechtshinweise, Nachwort	Anhang	Nummer
			6
Bemerkungen / Besonderheiten	Rechtshinweise, Nachwort, Danksagungen	gezeichnet von	gezeichnet am
		Cadfael	02.09.17
			Seite
			503