



## C34 Classic™ Direct Vent Freestanding Gas Stove

Owners &  
Installation Manual



C34 Video

[www.regency-fire.com](http://www.regency-fire.com)

MODELS: C34-NG10 Natural Gas C34-LP10 Propane

### **▲ WARNING**

#### **FIRE OR EXPLOSION HAZARD**

Failure to follow safety warnings exactly could result in serious injury, death, or property damage.

- Do not store or use gasoline or other flammable vapors and liquids in the vicinity of this or any other appliance.
- **WHAT TO DO IF YOU SMELL GAS**
  - Do not try to light any appliance.
  - Do not touch any electrical switch: do not use any phone in your building. Leave the building immediately.
  - Immediately call your gas supplier from a neighbour's phone. Follow the gas supplier's instructions.
  - If you cannot reach your gas supplier, call the fire department.
- Installation and service must be performed by a qualified installer, service agency or the gas supplier.

Tested by:



*Installer:* Please complete the details on the back cover and leave this manual with the homeowner.

*Homeowner:* Please keep these instructions for future reference.

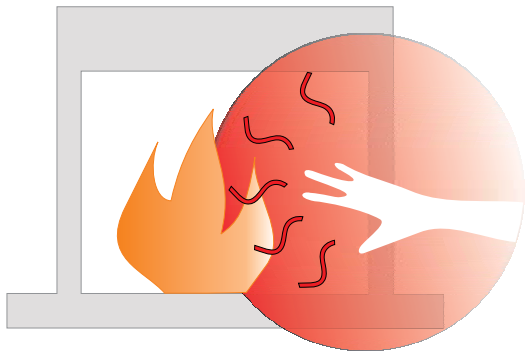
**REGENCY**  
**Classic Direct Vent Freestanding Gas Stove**

**To the New Owner:**

Congratulations! You are the owner of a state-of-the-art Gas Stove by Fireplace Products International Ltd. The Regency® Gas Series of hand crafted appliances has been designed to provide you with all the warmth and charm of a woodstove, at the flick of a switch. The models C34-NG10 and C34-LP10 of this series have been approved by Intertek for both safety and efficiency. As it also bears our own mark, it promises to provide you with economy, comfort and security for many trouble free years to follow. Please take a moment now to acquaint yourself with these instructions and the many features of your CLASSIC Direct Vent Freestanding Gas Stove.



# DANGER



**HOT GLASS WILL  
 CAUSE BURNS**

**DO NOT TOUCH GLASS  
 UNTIL COOLED**

**NEVER ALLOW CHILDREN  
 TO TOUCH GLASS**

A barrier designed to reduce the risk of burns from the hot viewing glass is provided with this appliance and shall be installed for the protection of children and other at risk individuals.

## CAUTION:

**HOT WHILE IN OPERATION. DO NOT TOUCH.  
 SEVERE BURNS MAY RESULT. KEEP CHILDREN, CLOTHING, FURNITURE,  
 GASOLINE, AND ANY LIQUIDS WITH FLAMMABLE VAPOURS AWAY.**

**KEEP BURNER AND CONTROL COMPARTMENT CLEAN.  
 SEE INSTALLATION AND OPERATING INSTRUCTIONS ACCOMPANYING  
 APPLIANCE.**

919-358

**NATIONAL  
 FIREPLACE  
 INSTITUTE**



**CERTIFIED**  
 www.nficertified.org

We recommend that our products be installed and serviced by professionals who are certified in the U.S. by the National Fireplace Institute® (NFI) or in Canada by Wood Energy Technical Training (WETT).



## INFORMATION FOR MOBILE/MANUFACTURED HOMES AFTER FIRST SALE

This Regency® product has been tested and listed by Intertek as a Direct Vent Room Heater to the following standards: CAN/CGA-2.17-M91, ANSI Z21.88-2014 • CSA 2.33-2014.

This Direct Vent System Appliance must be installed in accordance with the manufacturer's installation instructions and the Manufactured Home Construction and Safety Standard, Title 24 CFR, Part 3280, or the current Standard of Fire Safety Criteria for Manufactured Home Installations, Sites, and Communities ANSI/NFPA 501A, and with CAN/CSA Z240-MH Mobile Home Standard in Canada.

This appliance installation must comply with the manufacturer's installation instructions and local codes, if any. In the absence of local codes follow the current National Fuel Gas Code, ANSI Z223.1 and the current National Electrical Code ANSI/NFPA 70 in the U.S.A., and the current CAN/CGA B149 Gas Installation Code and the current Canadian Electrical Code CSA C22.1 in Canada.

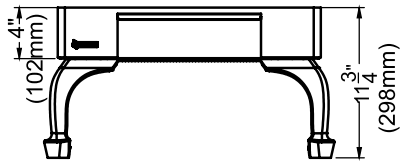
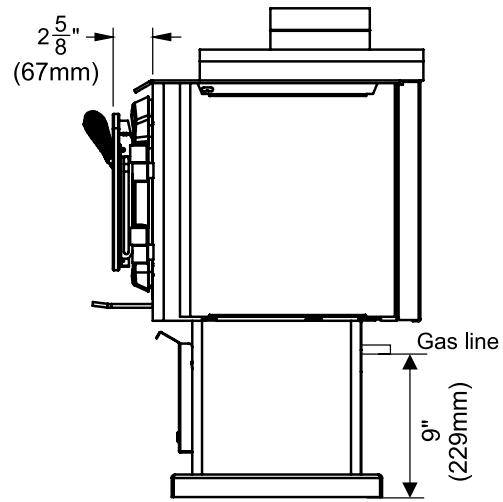
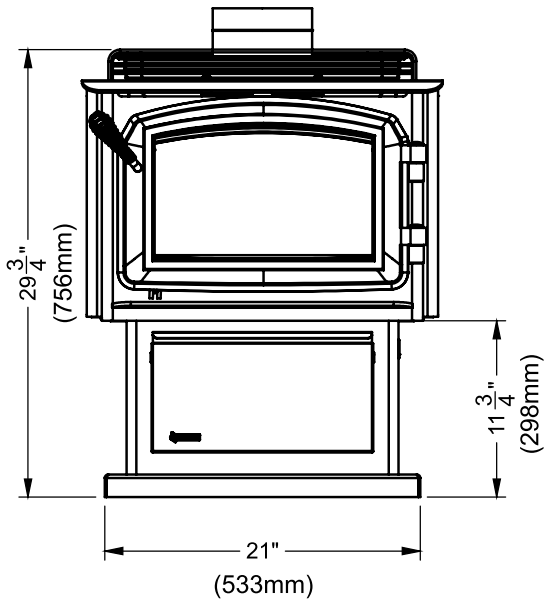
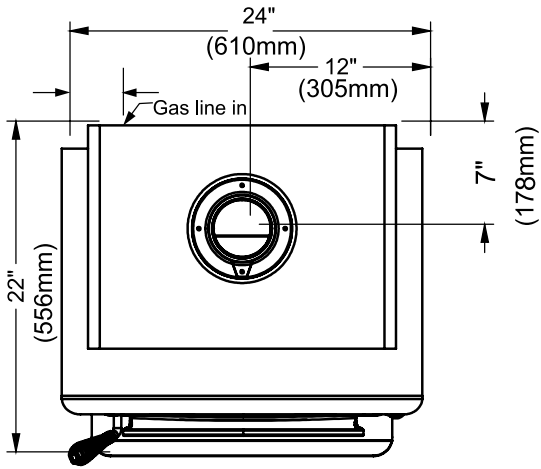
**This Regency® Mobile/Manufactured Home Listed appliance comes factory equipped with a means to secure the unit.**

**This Regency® Mobile/Manufactured Home listed appliance comes equipped with a dedicated #8 ground lug to which an 8 gauge copper wire from the steel chassis ground must be attached.**



*C34 Video*

# 4 | dimensions



Bottom heat shield with optional legs





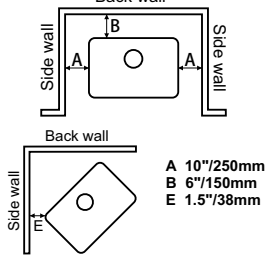
For Your Safety .....8  
 Important Message .....9  
 Specifications .....9  
 General Safety Information.....9  
 Installation Checklist.....10  
 Locating Your Gas Stove.....10  
 Manufactured Mobile Home Additional Requirements 10  
 Combustion and Ventilation Air.....10  
 Clearances to Combustibles.....10  
 Optional Fan Installation.....11  
 Pedestal Assembly .....13  
 Leg and Bottom Shield Assembly.....13  
 Venting Introduction.....14  
 Installation Precautions .....14  
 Safety Precautions for the Installer.....14  
 Vent Restrictor Position .....14  
 Exterior Vent Terminal Locations .....15  
 4” x 6-5/8” Rigid Pipe Cross Reference Chart .....16  
 Rigid Pipe Venting Systems.....18  
 Venting Arrangements .....19  
 Venting Arrangements .....19  
 DV Stove Horizontal Vent Kit .....21  
 Dura-Vent Termination Kit.....23  
 Dura-Vent Horizontal Installations .....24  
 Vertical Termination .....25  
 Cathedral Ceilings .....26  
 Converting Class-A Metal Chimney or  
 Direct Vent System .....27  
 System Data.....28  
 Gas Connection.....28

High Elevation.....28  
 Gas Pipe Pressure Testing .....28  
 Log Installation .....30  
 Door and Glass Frame .....30  
 Safety screen installation / removal .....31  
 Door Handle .....31  
 Remote Control Installation .....31  
 Optional Wall Thermostat .....31  
 Final Check.....31  
 Wiring Diagram.....32  
 Pilot Adjustment.....33  
 Aeration Adjustment .....33  
 First Fire .....34  
 Operating Instructions .....34  
 Lighting Procedure .....34  
 Shutdown Procedure .....34  
 Copy of the Lighting Plate Instructions .....35  
 Normal Operating Sounds of  
 Gas Appliances .....36  
 Thermopile / Thermocouple.....36  
 Maintenance Instructions .....36  
 General Vent Maintenance .....36  
 Log Replacement .....36  
 Glass Gasket .....37  
 Glass Replacement .....37  
 Valve Assembly replacement.....37  
 Main Assembly .....38  
 Burner Assembly & Log Set .....39  
 Base Options .....40  
 Warranty .....43

# 6 | safety decal

This is a copy of the label that accompanies each CLASSIC Direct Vent Freestanding Gas Stove. We have printed a copy of the contents here for your review. The safety label is located on the back panel.

**NOTE:** Regency® units are constantly being improved. Check the label on the unit and if there is a difference, the label on the unit is the correct one.

|  |  |  |                   |  |                        |                   |                                 |                       |                    |   |              |              |  |               |                        |                         |               |                        |  |          |                        |  |
|--|--|--|-------------------|--|------------------------|-------------------|---------------------------------|-----------------------|--------------------|---|--------------|--------------|--|---------------|------------------------|-------------------------|---------------|------------------------|--|----------|------------------------|--|
| DUPLICATE SERIAL NO. <b>297</b>  |  |  |                   |  |                        |                   |                                 |                       |                    |   |              |              |  |               |                        |                         |               |                        |  |          |                        |  |
|   | <p><b>Listed:</b> VENTED GAS FIREPLACE HEATER / FOYER AU GAZ À ÉVACUATION<br/> <b>Certified for/Certifiée pour:</b> CANADA and U.S.A.<br/> <b>Tested to:</b> CAN/CGA-2.17-M91(R2009)<br/> <b>Conforms to:</b> ANSI Z21.88-2014<br/> <b>Certified to:</b> CSA 2.33-2014<br/> <b>MAY BE INSTALLED IN MANUFACTURED (MOBILE) HOMES AFTER FIRST SALE</b></p>  |  |                   |  |                        |                   |                                 |                       |                    |   |              |              |  |               |                        |                         |               |                        |  |          |                        |  |
|    |  |  |                   |  |                        |                   |                                 |                       |                    |   |              |              |  |               |                        |                         |               |                        |  |          |                        |  |
| Serial No./ No de serie <b>297</b>   |  |  |                   |  |                        |                   |                                 |                       |                    |   |              |              |  |               |                        |                         |               |                        |  |          |                        |  |
|   | <p><b>NATURAL GAS STOVE: Model C34-NG10</b></p> <table border="0"> <tr> <td>Minimum supply pressure</td> <td>5" WC (1.25kpa)</td> <td><b>APPAREIL FONCTIONNANT AU GAZ NATURAL CONCU POUR ETRE POELE: Modèle C34-NG10</b></td> </tr> <tr> <td>Manifold pressure high</td> <td>3.8" WC (0.94kpa)</td> <td>Pression d'alimentation minimum</td> </tr> <tr> <td>Manifold pressure low</td> <td>1.1" WC (0.27kpa)</td> <td>Pression à la tubulure d'échappement élevée</td> </tr> <tr> <td>Orifice size</td> <td>#36 (2.71mm)</td> <td>Pression à la tubulure d'échappement basse</td> </tr> <tr> <td>Minimum input</td> <td>16000 BTUH (4.69 kw/h)</td> <td>Grandeur de l'injecteur</td> </tr> <tr> <td>Maximum input</td> <td>32000 BTUH (9.38 kw/h)</td> <td>Débit Calorifique minimum selon l'altitude</td> </tr> <tr> <td>Altitude</td> <td>0-4500 ft/pi (0-1372m)</td> <td>Débit Calorifique maximum selon l'altitude</td> </tr> </table> | Minimum supply pressure  | 5" WC (1.25kpa)   | <b>APPAREIL FONCTIONNANT AU GAZ NATURAL CONCU POUR ETRE POELE: Modèle C34-NG10</b> | Manifold pressure high | 3.8" WC (0.94kpa) | Pression d'alimentation minimum | Manifold pressure low | 1.1" WC (0.27kpa)  | Pression à la tubulure d'échappement élevée | Orifice size | #36 (2.71mm) | Pression à la tubulure d'échappement basse | Minimum input | 16000 BTUH (4.69 kw/h) | Grandeur de l'injecteur | Maximum input | 32000 BTUH (9.38 kw/h) | Débit Calorifique minimum selon l'altitude | Altitude | 0-4500 ft/pi (0-1372m) | Débit Calorifique maximum selon l'altitude |
| Minimum supply pressure  | 5" WC (1.25kpa)  | <b>APPAREIL FONCTIONNANT AU GAZ NATURAL CONCU POUR ETRE POELE: Modèle C34-NG10</b> |                   |  |                        |                   |                                 |                       |                    |   |              |              |  |               |                        |                         |               |                        |  |          |                        |  |
| Manifold pressure high   | 3.8" WC (0.94kpa)  | Pression d'alimentation minimum  |                   |  |                        |                   |                                 |                       |                    |   |              |              |  |               |                        |                         |               |                        |  |          |                        |  |
| Manifold pressure low  | 1.1" WC (0.27kpa)  | Pression à la tubulure d'échappement élevée  |                   |  |                        |                   |                                 |                       |                    |   |              |              |  |               |                        |                         |               |                        |  |          |                        |  |
| Orifice size   | #36 (2.71mm)   | Pression à la tubulure d'échappement basse   |                   |  |                        |                   |                                 |                       |                    |   |              |              |  |               |                        |                         |               |                        |  |          |                        |  |
| Minimum input  | 16000 BTUH (4.69 kw/h)   | Grandeur de l'injecteur  |                   |  |                        |                   |                                 |                       |                    |   |              |              |  |               |                        |                         |               |                        |  |          |                        |  |
| Maximum input  | 32000 BTUH (9.38 kw/h)   | Débit Calorifique minimum selon l'altitude   |                   |  |                        |                   |                                 |                       |                    |   |              |              |  |               |                        |                         |               |                        |  |          |                        |  |
| Altitude   | 0-4500 ft/pi (0-1372m)   | Débit Calorifique maximum selon l'altitude   |                   |  |                        |                   |                                 |                       |                    |   |              |              |  |               |                        |                         |               |                        |  |          |                        |  |
|   | <p><b>PROPANE GAS STOVE: Model C34-LP10</b></p> <table border="0"> <tr> <td>Minimum supply pressure</td> <td>12" WC (2.98 kpa)</td> <td><b>APPAREIL FONCTIONNANT AU PROPANE CONCU POUR ETRE POELE: Modèle C34-LP10</b></td> </tr> <tr> <td>Manifold pressure high</td> <td>11" WC (2.73 kpa)</td> <td>Pression d'alimentation minimum</td> </tr> <tr> <td>Manifold pressure low</td> <td>2.9" WC (0.72 kpa)</td> <td>Pression à la tubulure d'échappement élevée</td> </tr> <tr> <td>Orifice size</td> <td>#52 (1.61mm)</td> <td>Pression à la tubulure d'échappement basse</td> </tr> <tr> <td>Minimum input</td> <td>16000 BTUH (4.69 kw/h)</td> <td>Grandeur de l'injecteur</td> </tr> <tr> <td>Maximum input</td> <td>32000 BTUH (9.38 kw/h)</td> <td>Débit Calorifique minimum selon l'altitude</td> </tr> <tr> <td>Altitude</td> <td>0-4500 ft/pi (0-1372m)</td> <td>Débit Calorifique maximum selon l'altitude</td> </tr> </table>  | Minimum supply pressure  | 12" WC (2.98 kpa) | <b>APPAREIL FONCTIONNANT AU PROPANE CONCU POUR ETRE POELE: Modèle C34-LP10</b>     | Manifold pressure high | 11" WC (2.73 kpa) | Pression d'alimentation minimum | Manifold pressure low | 2.9" WC (0.72 kpa) | Pression à la tubulure d'échappement élevée | Orifice size | #52 (1.61mm) | Pression à la tubulure d'échappement basse | Minimum input | 16000 BTUH (4.69 kw/h) | Grandeur de l'injecteur | Maximum input | 32000 BTUH (9.38 kw/h) | Débit Calorifique minimum selon l'altitude | Altitude | 0-4500 ft/pi (0-1372m) | Débit Calorifique maximum selon l'altitude |
| Minimum supply pressure  | 12" WC (2.98 kpa)  | <b>APPAREIL FONCTIONNANT AU PROPANE CONCU POUR ETRE POELE: Modèle C34-LP10</b>     |                   |  |                        |                   |                                 |                       |                    |   |              |              |  |               |                        |                         |               |                        |  |          |                        |  |
| Manifold pressure high   | 11" WC (2.73 kpa)  | Pression d'alimentation minimum  |                   |  |                        |                   |                                 |                       |                    |   |              |              |  |               |                        |                         |               |                        |  |          |                        |  |
| Manifold pressure low  | 2.9" WC (0.72 kpa)   | Pression à la tubulure d'échappement élevée  |                   |  |                        |                   |                                 |                       |                    |   |              |              |  |               |                        |                         |               |                        |  |          |                        |  |
| Orifice size   | #52 (1.61mm)   | Pression à la tubulure d'échappement basse   |                   |  |                        |                   |                                 |                       |                    |   |              |              |  |               |                        |                         |               |                        |  |          |                        |  |
| Minimum input  | 16000 BTUH (4.69 kw/h)   | Grandeur de l'injecteur  |                   |  |                        |                   |                                 |                       |                    |   |              |              |  |               |                        |                         |               |                        |  |          |                        |  |
| Maximum input  | 32000 BTUH (9.38 kw/h)   | Débit Calorifique minimum selon l'altitude   |                   |  |                        |                   |                                 |                       |                    |   |              |              |  |               |                        |                         |               |                        |  |          |                        |  |
| Altitude   | 0-4500 ft/pi (0-1372m)   | Débit Calorifique maximum selon l'altitude   |                   |  |                        |                   |                                 |                       |                    |   |              |              |  |               |                        |                         |               |                        |  |          |                        |  |
| <p>This appliance must be installed in accordance with local codes, if any; if none, follow the National Fuel Gas Code, ANSI Z223.1, or Natural Gas and Propane Installation Code, CSA B149.1.<br/>         This appliance must be installed in accordance with the Standard CAN/CSA Z240 MH, Mobile Housing, in Canada, or with the Manufactured Home Construction and Safety Standard, Title 24 CFR, Part 3280, in the United States, or when such a standard is not applicable, ANSI/NCSCS A225.1/NFPA 501A, Manufactured Home Installations Standard or ANSI A119.2 ou NFPA 501C Standard for Recreational Vehicles<br/>         This appliance is only for use with the type of gas indicated on the rating plate and may be installed in an aftermarket, permanently located, manufactured (mobile) home where not prohibited by local codes. See owner's manual for details. Optional Fan Kit (Part # 493-917)<br/>         Installer l'appareil selon les codes ou règlements locaux, ou, en l'absence de tels règlements, selon les codes d'installation ANSI Z223.1, National Fuel Gas Code ou CSA-B149.1 en vigueur.<br/>         Installer l'appareil selon la norme CAN/CSA-Z240, Série MM, Maisons mobiles ou CAN/CSA-Z240 VC, Véhicules de camping, ou la norme 24 CFR Part 3280, Manufactured Home Construction and Safety Standard. Si ces normes ne sont pas pertinentes, utilisez la norme ANSI/NCSCS A225.1/NFPA 501A, Manufactured Home Installations Standard, ou ANSI A119.2 ou NFPA 501C Standard for Recreational Vehicles.<br/>         Cet appareil doit être utilisé uniquement avec le type de gaz indiqué sur la plaque signalétique. Cet appareil peut être installé dans une maison préfabriquée ou mobile (É.-U. seulement) installée à demeure si les règlements locaux le permettent. Voir la notice de l'utilisateur pour plus de renseignements. Cet appareil ne peut pas être utilisé avec d'autres gaz sauf si une trousse de conversion certifiée est fournie.<br/> <b>This vented gas fireplace heater is not for use with air filters. Ne pas utiliser de filtre à air avec ce foyer au gaz à évacuation.</b><br/>         For use with glass doors certified with the appliance only. Pour utilisation uniquement avec les portes en verre certifiées avec l'appareil.<br/> <b>For Use Only with Barrier (Part # 493-005) Follow installation instructions. Utiliser uniquement avec l'écran (n° 493-005) Suivre les instructions d'installation.</b><br/> <b>VENTED GAS FIREPLACE HEATER - NOT FOR USE WITH SOLID FUELS.</b><br/> <b>FOYER AU GAZ À ÉVACUATION - NE PAS UTILISER AVEC DU COMBUSTIBLE SOLIDE.</b></p> |  |  |                   |  |                        |                   |                                 |                       |                    |   |              |              |  |               |                        |                         |               |                        |  |          |                        |  |
| <p><b>Minimum Clearances to Combustibles / Degagement Minimum De Materiaux Combustibles</b></p>  <p>Minimum ceiling height from top of unit: 36"/914mm<br/>         Minimum plafond hauteur en haut de l'appareil: 36"/914mm</p> <p>Minimum clearance to vent 1.25"/32mm</p> <p><b>DOOR SEAL: Please check that the door is properly sealed.</b></p> <p>ELECTRICAL SUPPLY/ALIMENTATION ELECTRIQUE: 115V_60HZ less than/moins de 2 AMP</p> <p><b>FPI Fireplace Products International Ltd. Delta, BC, Canada</b></p> <p>Made in Canada/ Fabrique au Canada 919-489</p>   |  |  |                   |  |                        |                   |                                 |                       |                    |   |              |              |  |               |                        |                         |               |                        |  |          |                        |  |

For the State of Massachusetts, installation and repair must be done by a plumber or gasfitter licensed in the Commonwealth of Massachusetts.

For the State of Massachusetts, flexible connectors shall not exceed 36 inches in length.

For the State of Massachusetts, the appliances individual manual shut-off must be a t-handle type valve.

The State of Massachusetts requires the installation of a carbon monoxide alarm in accordance with NFPA 720 and a CO alarm with battery back up in the same room where the gas appliance is installed.

## MA Code - CO Detector (for the State of Massachusetts only)

### 5.08: Modifications to NFPA-54, Chapter 10

(2) Revise 10.8.3 by adding the following additional requirements:

(a) For all side wall horizontally vented gas fueled equipment installed in every dwelling, building or structure used in whole or in part for residential purposes, including those owned or operated by the Commonwealth and where the side wall exhaust vent termination is less than seven (7) feet above finished grade in the area of the venting, including but not limited to decks and porches, the following requirements shall be satisfied:

1. **INSTALLATION OF CARBON MONOXIDE DETECTORS.** At the time of installation of the side wall horizontal vented gas fueled equipment, the installing plumber or gasfitter shall observe that a hard wired carbon monoxide detector with an alarm and battery back-up is installed on the floor level where the gas equipment is to be installed. In addition, the installing plumber or gasfitter shall observe that a battery operated or hard wired carbon monoxide detector with an alarm is installed on each additional level of the dwelling, building or structure served by the side wall horizontal vented gas fueled equipment. It shall be the responsibility of the property owner to secure the services of qualified licensed professionals for the installation of hard wired carbon monoxide detectors

a. In the event that the side wall horizontally vented gas fueled equipment is installed in a crawl space or an attic, the hard wired carbon monoxide detector with alarm and battery back-up may be installed on the next adjacent floor level.

b. In the event that the requirements of this subdivision can not be met at the time of completion of installation, the owner shall have a period of thirty (30) days to comply with the above requirements; provided, however, that during said thirty (30) day period, a battery operated carbon monoxide detector with an alarm shall be installed.

2. **APPROVED CARBON MONOXIDE DETECTORS.** Each carbon monoxide detector as required in accordance with the above provisions shall comply with NFPA 720 and be ANSI/UL 2034 listed and IAS certified.

3. **SIGNAGE.** A metal or plastic identification plate shall be permanently mounted to the exterior of the building at a minimum height of eight (8) feet above grade directly in line with the exhaust vent terminal for the horizontally vented gas fueled heating appliance or equipment. The sign shall read, in print size no less than one-half (1/2) inch in size, "**GAS VENT DIRECTLY BELOW. KEEP CLEAR OF ALL OBSTRUCTIONS**".

4. **INSPECTION.** The state or local gas inspector of the side wall horizontally vented gas fueled equipment shall not approve the installation unless, upon inspection, the inspector observes carbon monoxide detectors and signage installed in accordance with the provisions of 248 CMR 5.08(2)(a)1 through 4.

(b) **EXEMPTIONS:** The following equipment is exempt from 248 CMR 5.08(2)(a)1 through 4:

1. The equipment listed in Chapter 10 entitled "Equipment Not Required To Be Vented" in the most current edition of NFPA 54 as adopted by the Board; and

2. Product Approved side wall horizontally vented gas fueled equipment installed in a room or structure separate from the dwelling, building or structure used in whole or in part for residential purposes.

(c) **MANUFACTURER REQUIREMENTS - GAS EQUIPMENT VENTING SYSTEM PROVIDED.** When the manufacturer of Product Approved side wall horizontally vented gas equipment provides a venting system design or venting system components with the equipment, the instructions provided by the manufacturer for installation of the equipment and the venting system shall include:

1. Detailed instructions for the installation of the venting system design or the venting system components; and

2. A complete parts list for the venting system design or venting system.

(d) **MANUFACTURER REQUIREMENTS - GAS EQUIPMENT VENTING SYSTEM NOT PROVIDED.** When the manufacturer of a Product Approved side wall horizontally vented gas fueled equipment does not provide the parts for venting the flue gases, but identifies "special venting systems", the following requirements shall be satisfied by the manufacturer:

1. The referenced "special venting system" instructions shall be included with the appliance or equipment installation instructions; and

2. The "special venting systems" shall be Product Approved by the Board, and the instructions for that system shall include a parts list and detailed installation instructions.

(e) A copy of all installation instructions for all Product Approved side wall horizontally vented gas fueled equipment, all venting instructions, all parts lists for venting instructions, and/or all venting design instructions shall remain with the appliance or equipment at the completion of the installation.

**FOR YOUR SAFETY**

This appliance requires air for proper combustion. Always provide adequate combustion and ventilation air. Follow instructions and information in CSAB149.1 (in Canada) or the National Fuel Gas Code ANS Z223.1/NFPA (in the USA), regarding requirements for combustion and ventilation air.

**INSTALLATION AND REPAIR SHOULD BE DONE BY AN AUTHORIZED SERVICE PERSON. THE APPLIANCE SHOULD BE INSPECTED BEFORE USE AND AT LEAST ANNUALLY BY A PROFESSIONAL SERVICE PERSON. MORE FREQUENT CLEANING MAY BE REQUIRED DUE TO EXCESSIVE LINT FROM CARPETING, BEDDING MATERIAL, ETC. IT IS IMPERATIVE THAT CONTROL COMPARTMENTS, BURNERS AND CIRCULATING AIR PASSAGEWAYS OF THE APPLIANCE BE KEPT CLEAN.**

**DUE TO HIGH TEMPERATURES, THE APPLIANCE SHOULD BE LOCATED OUT OF TRAFFIC AND AWAY FROM FURNITURE AND DRAPERIES.**

**WARNING: FAILURE TO INSTALL THIS APPLIANCE CORRECTLY WILL VOID YOUR WARRANTY AND MAY CAUSE A SERIOUS HOUSE FIRE.**

**CHILDREN AND ADULTS SHOULD BE ALERTED TO THE HAZARDS OF HIGH SURFACE TEMPERATURES, ESPECIALLY THE FIREPLACE GLASS, AND SHOULD STAY AWAY TO AVOID BURNS OR CLOTHING IGNITION.**

**YOUNG CHILDREN SHOULD BE CAREFULLY SUPERVISED WHEN THEY ARE IN THE SAME AREA AS THE APPLIANCE. TODDLERS, YOUNG CHILDREN AND OTHERS MAY BE SUSCEPTIBLE TO ACCIDENTAL CONTACT BURNS. A PHYSICAL BARRIER IS RECOMMENDED IF THERE ARE AT RISK INDIVIDUAL IN THE HOUSE. TO RESTRICT ACCESS TO A FIREPLACE OR STOVE, INSTALL AN ADJUSTABLE SAFETY GATE TO KEEP TODDLERS, YOUNG CHILDREN AND OTHER AT RISK INDIVIDUALS OUT OF THE ROOM AND AWAY FROM HOT SURFACES.**

**CLOTHING OR OTHER FLAMMABLE MATERIAL SHOULD NOT BE PLACED ON OR NEAR THE APPLIANCE.**

**A BARRIER DESIGNED TO REDUCE THE RISK OF BURNS FROM THE HOT VIEWING GLASS IS PROVIDED WITH THIS APPLIANCE AND SHALL BE INSTALLED FOR THE PROTECTION OF CHILDREN AND OTHER AT-RISK INDIVIDUALS**

**ANY SAFETY SCREEN, GUARD, OR BARRIER REMOVED FOR SERVICING THE APPLIANCE, MUST BE REPLACED PRIOR TO OPERATING THE APPLIANCE.**

**IF THE BARRIER BECOMES DAMAGED, THE BARRIER SHALL BE REPLACED WITH THE MANUFACTURER'S BARRIER FOR THIS APPLIANCE.**





**IMPORTANT MESSAGE  
SAVE THESE  
INSTRUCTIONS**

The CLASSIC Direct Vent Freestanding Gas Stove must be installed in accordance with these instructions. Carefully read all the instructions in this manual first. Consult the building authority having jurisdiction to determine the need for a permit prior to starting the installation.

**- WARNING -**

**Failure to follow the instructions could cause a malfunction of the heater which could result in death, serious bodily injury, and/or property damage. Failure to follow these instructions may also void your fire insurance and/or warranty.**

**Note: These instructions take precedence over Simpson Dura-Vent instructions**

**SPECIFICATIONS**

**Fuels:** C34-NG10 is approved for use with natural gas. C34-LP10 is approved for use with liquefied petroleum gases (propane).

**Electrical:** 120V. A.C. system.

**Optional circulation fan:** 125/75 CFM.

**Log Sets:** Ceramic fibre, 4 per set.

**Vent System:** Coaxial (6 5/8" outer/ 4" inner liner) rigid flue and termination cap.

**SHOULD OVERHEATING OCCUR, OR THE GAS SUPPLY FAIL TO SHUT OFF, SHUT OFF THE MANUAL GAS VALVE TO THE APPLIANCE BEFORE SHUTTING OFF THE ELECTRICAL SUPPLY.**

**- WARNING -**

**Risk of fire or electric shock. Only qualified service personnel shall be used to install and provide maintenance of this appliance.**

1. Provide adequate clearances for servicing, proper operation and around the air openings into the combustion chamber.
2. The appliance may be installed on a flat, solid, continuous surface (e.g. wood, metal, concrete). This may be the floor, or it can be raised up on a platform to enhance its visual impact. If the appliance is going to be installed on carpeting, see clearances to combustibles in "Clearances to Combustibles" section.

The CLASSIC Direct Vent Freestanding Gas Stove can be installed in a wide variety of ways and will fit nearly any room layout. It may be installed in a recessed position, framed out into the room, or across a corner. This appliance is Listed for Alcove installations, maintain minimum Alcove clearances as follows, minimum ceiling height of 65-11/16", minimum width of 48" and a maximum depth of 36".

3. The CLASSIC Direct Vent Freestanding Gas Stove is approved for alcove installations, which meet the clearances listed in "Clearances to Combustibles" section. This unit can be installed in a bedroom, when installed with a millivolt thermostat. This unit is approved for manufactured home installations, see "Venting Arrangements" section for the required vent arrangements. If installed into a manufactured or mobile home the unit must be bolted down to the floor.
4. We recommend that you plan your installation on paper using exact measurements for clearances and floor protection before actually installing this appliance. Have a qualified building inspector review your plans before installation.

**GENERAL SAFETY  
INFORMATION**

1. The appliance installation must conform with local codes or, in the absence of local codes, with the current Canadian or National Electrical Codes, CAN1-B149 or ANSI Z223.1 Installation Codes.
2. The appliance when installed, must be electrically grounded in accordance with local codes, or in the absence of local codes with the current National Electrical Code, ANSI/NFPA70 or CSA C22.1 Canadian Electrical Code.
3. The appliance should be inspected for shipping damage before use and serviced annually by a professional service person. More frequent cleaning may be required due to excessive lint from carpeting, bedding material, etc. It is imperative that control compartments, and circulating air passageways of the appliance be kept clean.
4. See general construction and assembly instructions. The appliance and vent should be enclosed when installed in or passing through a living area.
5. This appliance must be connected to the specified vent and termination cap to the outside of the building envelope.
6. Never vent to another room or inside a building. Make sure that the vent is fitted as per the instructions starting in "Venting Introduction" section.
7. Inspect the venting system annually for blockage and any signs of deterioration.
8. Venting terminals shall not be recessed into a wall or siding.
9. Any safety glass removed for servicing must be replaced prior to operating the appliance.
10. To prevent injury, do not allow anyone who is unfamiliar with the operation to use the fireplace.

Emissions from burning wood or gas could contain chemicals known to the State of California to cause cancer, birth defects or other reproductive harm.

## INSTALLATION CHECKLIST

- Locate your appliance. Refer to the following sections:
  - Locating Your Classic Gas Stove
  - Clearances to Combustibles
  - Venting. See "Exterior Vent Terminal Locations" to "Venting Arrangements" sections.
- Install Optional Fan. Refer to "Optional Fan Installation" section.
- Assemble stove base - pedestal or bottom shield and legs. Refer to "Pedestal Assembly" or "Leg and Bottom Shield Assembly" sections.
- Choose a venting option and install accordingly. Refer to the following sections where applicable:
  - DV Stove Horizontal Vent Kit
  - Dura-Vent Termination kits
  - Vent Restrictor setting
  - Converting Class-A Metal Chimney or Masonry Chimney to Direct Vent System.
- Make gas and electrical connections. Refer to "Gas Connection" section. Test the pilot. Must be as per diagram in "Pilot Adjustment" section.
- Install 4-AA batteries into receiver. This will enable operation of appliance manually when in "ON" position.
- Test gas pressure. Refer to "Gas Pipe Pressure Testing" section.
- Install standard and optional features. Refer to the following sections where applicable:
  - Log Installation
  - Door and Glass Frame
  - Door Handle
  - Safety Screen
  - Remote Control
  - Wall Thermostat
  - Install 1 AA battery into DC spark box (See instructions in manual)
- Final check. Refer to "Final Check" section.

Before leaving this unit with the customer, the installer must ensure that the appliance is firing correctly and operation fully explained to customer.

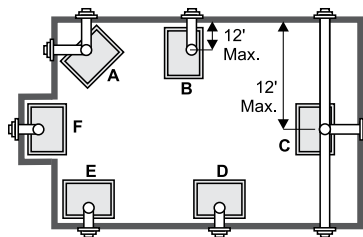
### This includes:

- Clocking the appliance to ensure the correct firing rate (rate noted on label) after burning appliance for 15 minutes.
- If required, adjusting the primary air to ensure that the flame does not carbon. First allow the unit to burn for 15-20 min. to stabilize.
- Check for proper draft.

**CAUTION:** Any alteration to the product that causes sooting or carboning that results in damage is not the responsibility of the manufacturer.

## LOCATING YOUR GAS STOVE

When selecting a location for your stove, ensure that the clearances on this page are met as well as ensuring that there is adequate accessibility for servicing and proper operation.



- A) Cross Corner
- B) Room Divider
- C) Island
- D) Flat on Wall
- E) Flat on Wall Corner
- F) Flush with Wall/Alcove

For Vent Termination requirements, see "Exterior Vent Terminal Locations" section.

## MANUFACTURED MOBILE HOME ADDITIONAL REQUIREMENTS

- Ensure that structural members are not cut or weakened during installation.
- Ensure proper grounding using the #8 ground lug provided. See "Optional Fan Installation" section.
- Appliance must be anchored to the floor. See "Pedestal Assembly" & "Leg and Bottom" sections.

## COMBUSTION AND VENTILATION AIR

The combustion air from this appliance is drawn from outside the building through the outer flue. **Extra provision for combustion air is not required.**

## CLEARANCES TO COMBUSTIBLES

The clearances listed below are MINIMUM distances. Measure the clearance to both the appliance and the chimney connector. The farthest distance is correct if the two clearances do not coincide. For example, if the appliance is set as indicated in one of the diagrams but the back is too close, move the stove until the correct clearance to the back is obtained.

This unit can be installed on a solid combustible surface like a wood floor. This unit can also be installed directly on carpeting or vinyl when the bottom pedestal cover plate (provided with the unit) is installed.

This appliance may be installed only with the clearances as shown in the situations pictured. Do not combine clearances from one type of installation with another in order to achieve closer clearances.

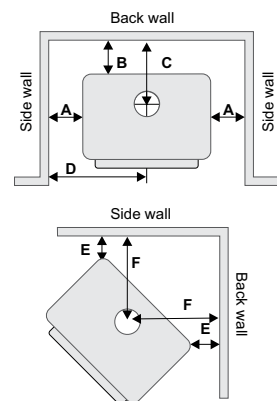
Use the minimum clearances shown in the diagrams below:

| C34 Clearance to Combustibles |              |
|-------------------------------|--------------|
| A Side Wall to Unit           | 10" / 250 mm |
| B Back Wall to Unit           | 6" / 150 mm  |
| E Side Wall to Unit           | 1.5" / 38 mm |

| C34 Reference Dimensions       |              |
|--------------------------------|--------------|
| C Back Wall to Flue Centerline | 13" / 330 mm |
| D Side Wall to Flue Centerline | 22" / 559 mm |
| F Side Wall to Flue Centerline | 14" / 356 mm |

Minimum ceiling height is 36" / 914 mm from top of unit.

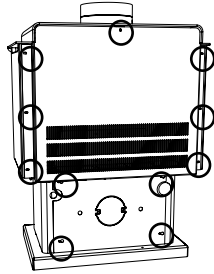
Minimum clearance to vent 1-1/4" (32mm).



## OPTIONAL FAN INSTALLATION

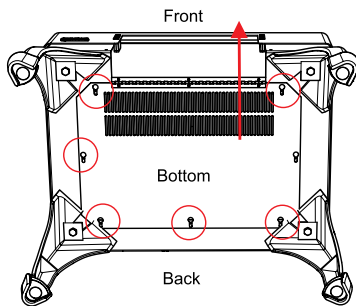
120 Volt AC power is needed for the fan. The fan can be hard wired if desired. The outlet should be installed in the receptacle box on the left hand side by a qualified electrician. The neutral (wider) slot of the polarized outlet should be at the top.

**Pedestal unit:** To install the fan in an installed stove-access from front through the pedestal by following the directions below. If the stove is not installed - access through the back - open back as shown below.



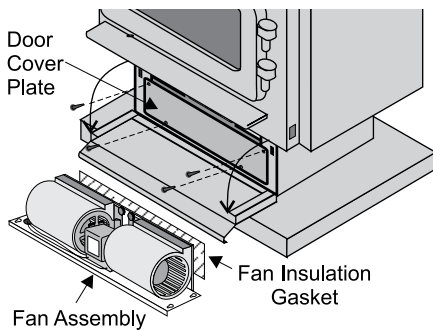
*Diagram 1*  
Remove 7 screws on top  
Loosen 4 screws on bottom—  
slide access panel to the right  
to remove

**Leg unit:** Loosen 7 screws on bottom access panel—slide panel toward the front to remove.



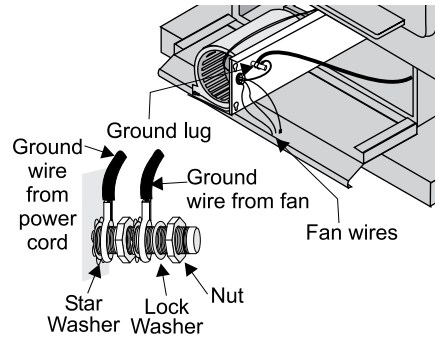
*Diagram 2*  
Loosen 7 screws—slide access  
panel to  
the front of unit to remove

**IMPORTANT** Disconnect power supply before servicing



*Diagram 3*

1. Open pedestal door and remove door cover plate by removing 4 screws. See Diagram 3.
2. Remove valve cover plate by removing 2 screws.
3. Remove wire from receiver.
4. Screw the four screws provided into the nutserts as shown in Diagram 5. Do not tighten screws.
5. Place the fan assembly partially in door cover plate hole. See Diagram 4.
6. Attach the 2 ground wires (green) to the ground lug as per Diagram 4.

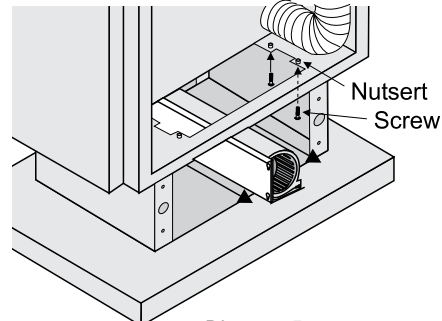


*Diagram 4*

**Note:** Ground lug is located on the bottom of the fan assembly. See Diagram 4.

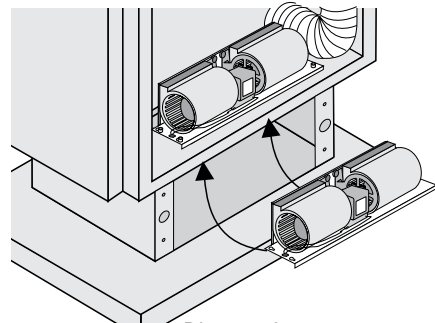
7. Lift the fan assembly in through the pedestal and up through the cut as shown in Diagrams 5 and 6.
8. Place the insulation gasket on the back of the fan. Line up the keyh slots with the matching screws and pull back slightly to lock into place. While holding fan assembly in place, tighten screws.

### View from back of stove



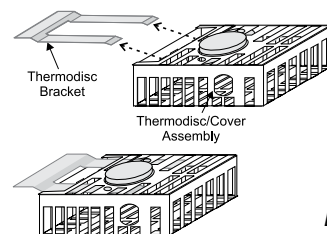
*Diagram 5*

### View from back of stove



*Diagram 6*

9. Slide thermdisc under the thermdisc bracket.



*Diagram 7*

10. Install the FCM (fan control module) to the floor of the pedestal or bottom heat shield with supplied magnets. Connect the FCM power cord to the supplied extension cord and then run extension cord out the back of the unit. See below.

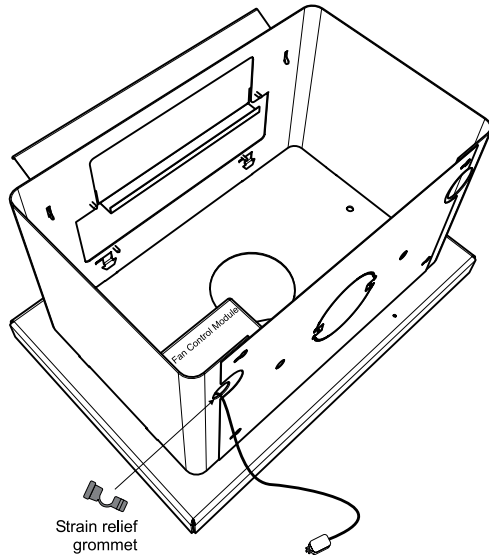


Diagram 8

Use strain relief grommet when running extension cord through Pedestal

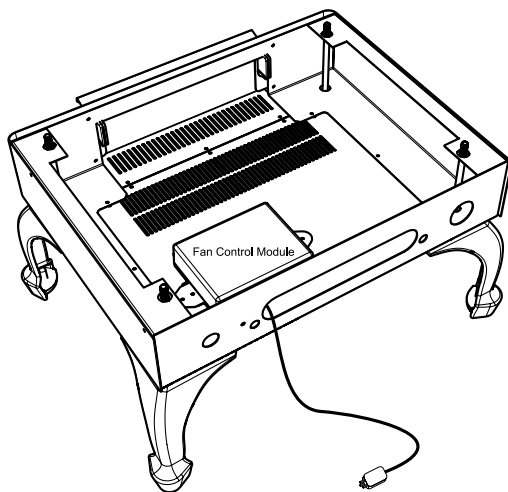


Diagram 9

Run the extension cord through the largest opening at the back when using the Bottom Heat Shield with Legs option—no strain relief grommet required.

11. Plug the fan into the FCM.

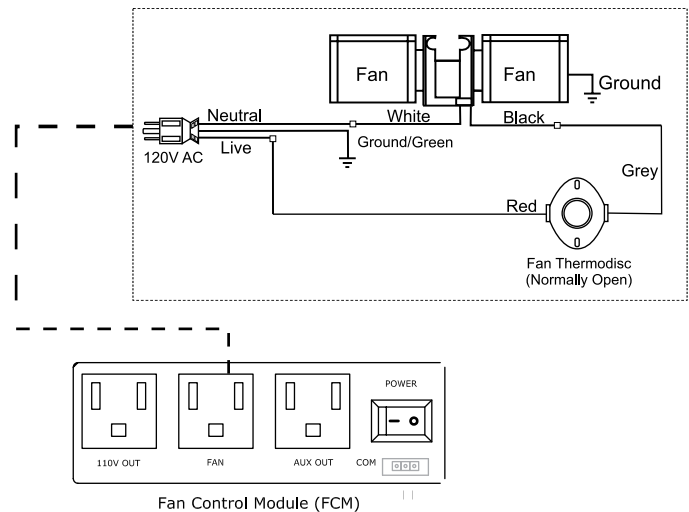


Diagram 10

**Caution:** Ensure that the wires do not touch any hot surfaces.

**Note:** The #8 ground lug is a dedicated ground for mobile home use only.

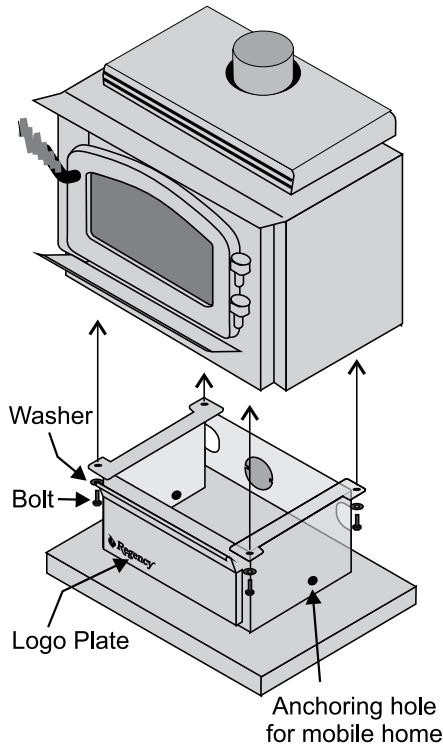
**IMPORTANT:**  
 THESE FANS COLLECT A LOT OF DUST FROM WITHIN YOUR HOME. ENSURE YOU MAINTAIN THESE FAN MOTORS ON A REGULAR BASIS BY VACUUMING THE FAN BLADES AND THE HOUSING WITH A SOFT BRUSH NOZZLE.

### FAN REMOVAL

1. Disconnect the power to the fan.
2. Allow the stove to cool to room temperature.
3. Open the pedestal door and remove the screws on the door cover plate. (Leg units: remove the bottom access panel.)
4. Unplug the fan from the FCM.
5. Loosen the screws of the nutserts.
6. Remove the fan assembly from the key slots at the fan base and pull fan out through the rectangular opening. (Diagram 5).
7. Turn fan 90 degrees. (Diagram 5). (Pedestal units only).
8. Disconnect the green ground wires to the grounding lug.
9. Remove fan from stove. (Diagram 3)

## PEDESTAL ASSEMBLY

1. For easier assembly, tip the stove on its back (preferably onto a soft surface to prevent scratching).
2. Unscrew the 4 bolts in the underside of the stove. Align the holes in the corners of the pedestal top with the corresponding holes in the base of the stove. Use washers which are supplied with the pedestal as shown in diagram. Reinstall bolts.
3. Push the Regency® logo into the two holes in the front bottom left corner of the pedestal cover plate.

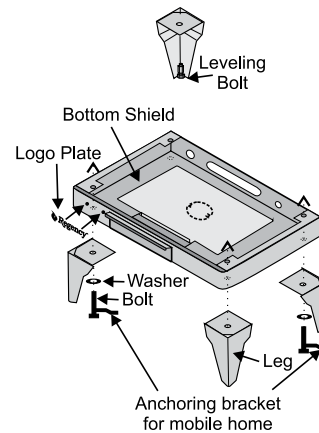


**Note:** Any paint touch up should be done prior to placing logo on pedestal.

## LEG AND BOTTOM SHIELD ASSEMBLY

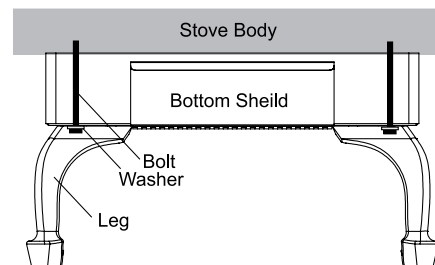
These instructions apply to the steel leg and painted cast leg. It will be easier to attach the legs to the stove if it is tipped on its back (preferably on a soft surface to prevent scratching).

1. Remove the 4 bolts in the underside of the base and discard.
2. Slide the bolt and washer (supplied with the bottom shield) through the leg, then slide the bottom shield in between the leg and the base of the stove. Tighten the bolts.
3. Level the stove by adjusting the levelling bolts in the bottom of each leg.



**C34 leg & bottom shield assy  
legcls2.eps**

Anchoing Brackets Hold Down  
Package Part# 846-585



## VENTING INTRODUCTION

The DV Stove Horizontal Vent Kit and the Simpson Dura-Vent Direct Vent venting systems, in combination with the Classic Direct Vent Freestanding Gas Stove, C34-NG and C34-LP, have been tested and listed as direct vent heater systems by Intertek.

If converting a Class-A Metal Chimney or Masonry Chimney to a Direct Vent system, see instructions in "Converting Class-A Metal Chimney or Masonry Chimney to Direct Vent System" section.

The C34 uses the "balanced flue" technology Co-Axial system. The inner liner vents products of combustion to the outside while the outer pipe draws outside combustion air into the combustion chamber thereby eliminating the need to use heated room air for combustion and losing warm room air up the chimney.

**Note: These flue pipes must not be connected to any other appliance.**

The gas appliance and vent system must be vented directly to the outside of the building, and never be attached to a chimney serving a separate solid fuel or gas burning appliance. Each direct vent gas appliance must use its own separate vent system. Common vent systems are prohibited.

### IMPORTANT

Read all instructions carefully before starting the installation. Failure to follow these instructions may create a fire or other safety hazard, and will void the warranty. Be sure to check the venting and clearance to combustible requirements. Consult your local building codes before beginning installation.

The location of the termination cap must conform to the requirements in the Exterior Vent Terminal Locations diagram in "Exterior Vent Terminal Locations" section.

## INSTALLATION PRECAUTIONS

These venting systems are engineered products that have been designed and tested for use with the C34-NG10 and the C34-LP10. The warranty will be voided and serious fire, health or other safety hazards may result from any of the following actions:

1. Installation of any damaged Direct Vent component
2. Unauthorized modification of the Direct Vent System
3. Installation of any component part not manufactured or approved by Simpson Dura-Vent or Fireplace Products International Ltd.
4. Installation other than as instructed by Simpson Dura-Vent and Fireplace Products International Ltd.

**Warning: Always maintain required clearances (air spaces) to nearby combustibles to prevent a fire hazard. Do not fill air spaces with insulation.**

Be sure to check the vent termination clearance requirements from decks, windows, soffits, gas regulators, air supply inlets and public walkways as specified in the "Exterior Vent Terminal Locations" section and in your local building codes.

**The gas appliance and vent system must be vented directly to the outside of the building, and never be attached to a chimney serving a separate solid fuel or gas-burning appliance.** Each direct vent gas appliance must use its own separate vent system. Common vent systems are prohibited.

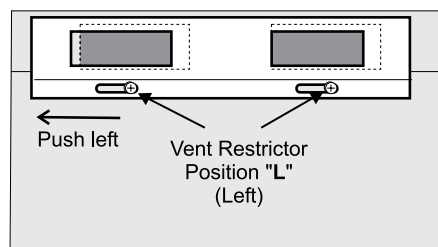
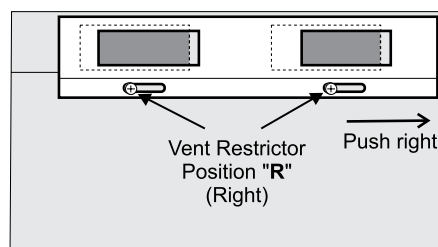
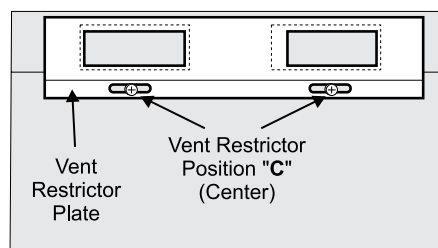
## SAFETY PRECAUTIONS FOR THE INSTALLER

1. Wear gloves and safety glasses for protection.
2. Exercise extreme caution when using ladders or on roof tops.
3. Be aware of electrical wiring locations in walls and ceilings.

## VENT RESTRICTOR POSITION

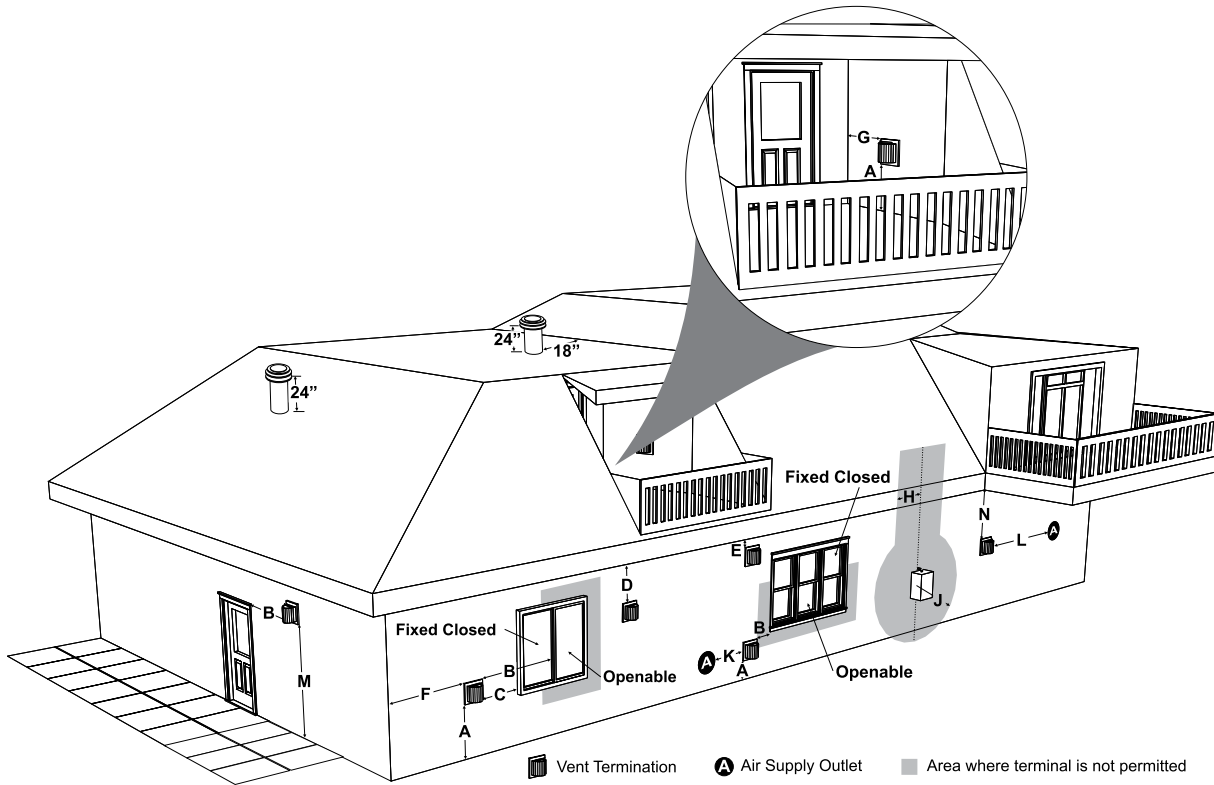
Vent restriction is required for certain venting installations, see the diagrams in "Venting Arrangement" section to determine if they are required for your installation.

The vent restrictor has three settings: "C" Center (factory setting), "L" Left, and "R" Right. Simply loosen the screws and push the vent restrictor plate to the correct position. Tighten the screws.





EXTERIOR VENT TERMINAL LOCATIONS



|   | Minimum Clearance Requirements  | Canada <sup>1</sup>    | USA <sup>2</sup>       |
|---|---|------------------------|------------------------|
| A | Clearance above grade, veranda, porch, deck, or balcony   | 12"(30cm)              | 12"(30cm)              |
| B | Clearance to window or door that may be opened  | 12"(30cm)              | 9" (23cm)              |
| C | Clearance to permanently closed window  | *                      | *                      |
| D | Vertical clearance to ventilated soffit located above the terminal within a horizontal distance of 2 feet (61cm) from the center line of the terminal (check with the local code) | 18"(46cm)              | 18"(46cm)              |
| E | Clearance to unventilated soffit  | 12"(30cm)              | 12"(30cm)              |
| F | Clearance to outside corner: with <b>AstroCap</b> Termination Cap.  | 6"(15cm)               | 6"(15cm)               |
|   | Clearance to outside corner: with all other approved Termination Caps.  | 12"(30cm)              | 12"(30cm)              |
| G | Clearance to inside corner: with <b>AstroCap</b> Termination Cap  | 6"(15cm)               | 6"(15cm)               |
|   | Clearance to inside corner: with all other approved Termination Caps.   | 12"(30cm)              | 12"(30cm)              |
| H | Clearance to each side of center line extended above meter/regulator assembly   | 36"(90cm) <sup>a</sup> | *                      |
| J | Clearance to service regulator vent outlet  | 36"(90cm)              | *                      |
| K | Clearance to non-mechanical air supply inlet to building or the combustion air inlet to any other appliance   | 12"(30cm)              | 9" (23cm)              |
| L | Clearance to a mechanical air supply inlet (91cm) above if within 10' (3m) horizontally.  | 72"(1.8m)              | 36"(90cm) <sup>b</sup> |
| M | Clearance above paved sidewalk or a paved driveway located on public property   | 84"(2.1m) <sup>†</sup> | *                      |
| N | Clearance under veranda, porch, deck, or balcony  | 12"(30cm) <sup>‡</sup> | *                      |

<sup>1</sup> In accordance with current CSA B149.1, *Natural Gas and Propane Installation Code*

<sup>2</sup> In accordance with the current ANSI Z223.1/NFPA 54, *National Fuel Gas Code*

† A vent shall not terminate directly above a sidewalk or paved driveway which is located between two single family dwellings and serves both dwellings

‡ Permitted only if veranda, porch, deck, or balcony is fully open on a minimum of two sides beneath the floor

\* Clearance in accordance with local installation codes and the requirements of the gas supplier

<sup>a</sup> 3 feet (91cm) within a height of 15 feet (4.5m) above the meter / regulator assembly

<sup>b</sup> 3 feet (91cm) above - if within 10 feet (3m) horizontally

### 4" X 6-5/8" RIGID PIPE CROSS REFERENCE CHART

Components from different Manufacturers may not be mixed. Not All Rigid Pipe components are available directly from FPI.

| Description                          | Simpson Direct Vent Pro® | Selkirk Direct Temp™ | American Metal Products® Amerivent Direct | Metal-Fab™ Sure Seal | Security Secure-Vent® | ICC Excel Direct |
|--------------------------------------|--------------------------|----------------------|---|----------------------|-----------------------|------------------|
| 6" Pipe Length-Galvanized            | 46DVA-06                 | 4DT-6                | N/A                                       | 4D6                  | SV4L6                 | TC-4DL6          |
| 6" Pipe Length-Black                 | 46DVA-06B                | 4DT-6B               | N/A                                       | 4D6B                 | SV4LB6                | TC-4DL6B         |
| 7" Pipe Length-Galvanized            | N/A                      | N/A                  | 4D7                                       | N/A                  | N/A                   | N/A              |
| 7" Pipe Length-Black                 | N/A                      | N/A                  | 4D7B                                      | N/A                  | N/A                   | N/A              |
| 9" Pipe Length-Galvanized            | 46DVA-09                 | 4DT-9                | N/A                                       | N/A                  | N/A                   | TC-4DL9          |
| 9" Pipe Length-Black                 | 46DVA-09B                | 4DT-9B               | N/A                                       | N/A                  | N/A                   | TC-4DL9B         |
| 12" Pipe Length-Galvanized           | 46DVA-12                 | 4DT-12               | 4D12                                      | 4D12                 | SV4L12                | TC-4DL1          |
| 12" Pipe Length-Black                | 46DVA-12B                | 4DT-12B              | 4D12B                                     | 4D12B                | SV4LB12               | TC-4DL1B         |
| 18" Pipe Length-Galvanized           | 46DVA-18                 | 4DT-18               | 4D18                                      | 4D18                 | SV4LA                 | TC-4DL18         |
| 18" Pipe Length-Black                | 46DVA-18B                | 4DT-18B              | 4D18B                                     | 4D18B                | SV4LA                 | TC-4DL18B        |
| 24" Pipe Length-Galvanized           | 46DVA-24                 | 4DT-24               | 4D24                                      | 4D24                 | SV4L24                | TC-4DL2          |
| 24" Pipe Length-Black                | 46DVA-24B                | 4DT-24B              | 4D24B                                     | 4D24B                | SV4LB24               | TC-4DL2B         |
| 36" Pipe Length-Galvanized           | 46DVA-36                 | 4DT-36               | 4D36                                      | 4D36                 | SV4L36                | TC-4DL3          |
| 36" Pipe Length-Black                | 46DVA-36B                | 4DT-36B              | 4D36B                                     | 4D36B                | SV4LB36               | TC-4DL3B         |
| 48" Pipe Length-Galvanized           | 46DVA-48                 | 4DT-48               | 4D48                                      | 4D48                 | SV4L48                | TC-4DL4          |
| 48" Pipe Length-Black                | 46DVA-48B                | 4DT-48B              | 4D48B                                     | 4D48B                | SV4LB48               | TC-4DL4B         |
| 60" Pipe Length-Galvanized           | 46DVA-60                 | 4DT-60               | N/A                                       | N/A                  | N/A                   | N/A              |
| 60" Pipe Length-Black                | 46DVA-60B                | 4DT-60B              | N/A                                       | N/A                  | N/A                   | N/A              |
| Adjustable Length 3"-10"-Galvanized  | N/A                      | N/A                  | N/A                                       | 4DAL                 | N/A                   | TC-4DLT          |
| Adjustable Length 3"-10"-Black       | N/A                      | N/A                  | N/A                                       | 4DALB                | N/A                   | TC-4DLTB         |
| Adjustable Length 7"-Galvanized      | N/A                      | N/A                  | 4D7A                                      | N/A                  | N/A                   | N/A              |
| Adjustable Length 7"-Black           | N/A                      | N/A                  | 4D7AB                                     | N/A                  | N/A                   | N/A              |
| Extension Pipe 8-1/2"-Galvanized     | 46DVA-08A                | N/A                  | N/A                                       | N/A                  | N/A                   | N/A              |
| Extension Pipe 8-1/2"-Black          | 46DVA-08AB               | N/A                  | N/A                                       | N/A                  | N/A                   | N/A              |
| Adjustable Length 12"-Galvanized     | N/A                      | N/A                  | 4D12A                                     | N/A                  | SV4LA12               | TC-4dLSI         |
| Adjustable Length 12"-Black          | N/A                      | N/A                  | 4D12A                                     | N/A                  | SV4LBA12              | TC-4dLSIB        |
| Extension Pipe 16"-Galvanized        | 46DVA-16A                | N/A                  | N/A                                       | N/A                  | N/A                   | N/A              |
| Extension Pipe 16"-Black             | 46DVA-16AB               | N/A                  | N/A                                       | N/A                  | N/A                   | N/A              |
| 45° Elbow-Galvanized                 | 46DVA-E45                | 4DT-EL45             | 4D45L                                     | N/A                  | N/A                   | TE-4DE45         |
| 45° Elbow-Black                      | 46DVA-E45B               | 4DT-EL45B            | 4DT-EL45B                                 | N/A                  | N/A                   | TE-4DE45B        |
| 45° Elbow Swivel-Galvanized          | See 46DVA-E45            | N/A                  | N/A                                       | 4D45L                | SV4E45                | N/A              |
| 45° Elbow Swivel-Black               | See 46DVA-E45B           | N/A                  | N/A                                       | 4D45LB               | SV4EB45               | N/A              |
| 90° Elbow-Galvanized                 | 46DVA-E90                | 4DT-EL90S            | 4DT-EL90S                                 | N/A                  | N/A                   | TE-4DE90         |
| 90° Elbow-Black                      | 46DVA-E90B               | 4DT-EL90SB           | 4DT-EL90SB                                | N/A                  | SV4EBR90-1            | TE-4DE90B        |
| 90° Elbow, Swivel-Galvanized         | See 46DVA-E90            | N/A                  | N/A                                       | 4D90L                | SV4E90-1              | N/A              |
| 90° Elbow, Swivel-Black              | See 46DVA-E90B           | N/A                  | N/A                                       | 4D90LB               | SV4EB90-1             | N/A              |
| 90° Starter Elbow, Swivel-Galvanized | N/A                      | N/A                  | N/A                                       | 4D90A                | N/A                   | N/A              |
| Adaptor*                             | N/A                      | N/A                  | N/A                                       | 4D90L                | N/A                   | N/A              |
| Ceiling Support                      | N/A                      | 4DT-CS               | 4DSP                                      | 4DFSP                | SV4SD                 | TM4-RDS          |
| Cathedral Support Box                | 46DVA-CS                 | 4DT-CSS              | 4DRSB                                     | 4DRS                 | SV4CSB                | TM4-SDS          |
| Wall Support/Band                    | 46DVA-WS                 | 4DT-WS/B             | 4DWS                                      | 4DWS                 | SV4BM                 | TM-SWS           |
| Offset Support                       | 46DVA-ES - N/A from FPI  | 4DT-OS               | N/A                                       | N/A                  | SV4SU                 | TM-SOS           |
| Wall Thimble-Black                   | 46DVA-WT                 | 4DT-WT               | 4DWT                                      | 4DWT                 | SV4RSM                | N/A              |
| Wall Thimble Support/Ceiling Support | 46DVA-DC                 | N/A                  | N/A                                       | N/A                  | SV4PF                 | N/A              |
| Firestop Spacer                      | 46DVA-FS                 | 4DT-FS               | 4DFSP                                     | 4DFS                 | SV4BF                 | TM-4CS           |
| Trim Plate-Black                     | N/A                      | 4DT-TP               | 4DFPB                                     | 4DcP                 | SV4LA                 | TM-4TP           |



| Description                                 | Simpson Direct Vent Pro® | Selkirk Direct Temp™ | American Metal Products® Amerivent Direct | Metal-Fab™ Sure Seal | Security Secure-Vent® | ICC Excel Direct |
|---|--------------------------|----------------------|---|----------------------|-----------------------|------------------|
| Attic Insulation Shield 12"                 | 46DVA-IS N/A@ FPI        | N/A                  | 4DAIS12                                   | N/A                  | SV4RSA                | N/A              |
| Attic Insulation Shield - Cold Climates 36" | N/A                      | N/A                  | 4DAIS12                                   | N/A                  | N/A                   | TM-4AS           |

|                                      |                                   |         |        |        |        |         |
|--------------------------------------|-----------------------------------|---------|--------|--------|--------|---------|
| Basic Horizontal Termination Kit (A) | Disc.                             | 4DT-HKA | 4DHTK2 | 4DHTKA | SV-SHK | TM4-HTK |
| Horizontal Termination Kit (B)       | 46DVA-KHA<br>(Changed Components) | 4DT-HKB | 4DHTK1 | 4DHTKB | SV-HK  | TM4-HTK |
| Vertical Termination Kit             | Disc.                             | 4DT-VKC | 4DHTK  | 4DHTK  | SV-FK  | N/A     |

|                                   |              |         |      |      |          |         |
|-----------------------------------|--------------|---------|------|------|----------|---------|
| High Wind Vertical Cap            | 46DVA-VCH    | N/A     | N/A  | N/A  | N/A      | TM-4VT  |
| High Wind Horizontal Cap          | 46DVA-HC     | N/A     | N/A  | N/A  | N/A      | TM-4DHT |
| Horizontal Square Termination Cap | See 46DVA-HC | 4DT-HHC | 4DHC | 4DHT | SV4CHC-1 | TM-4HT  |
| Vertical Termination Cap          | 46DVA-VC     | 4DT-HVC | 4DVC | 4DVT | SV4CGV-1 | N/A     |
| Storm Collar                      | 46DVA-08A    | 4DT-SC  | 4DSC | 4DSC | SV4FC    | TM-SC   |

|                                |           |          |       |        |          |        |
|--------------------------------|-----------|----------|-------|--------|----------|--------|
| Adjustable Flashing 0/12-6/12  | 46DVA-F6  | 4DT-ST14 | 4D12S | 4DST14 | SV4STC14 | TF-4FA |
| Adjustable Flashing 6/12-12/12 | 46DVA-FLA | 4DT-ST36 | 4D36S | 4DST36 | SV4STC36 | TF-4FB |

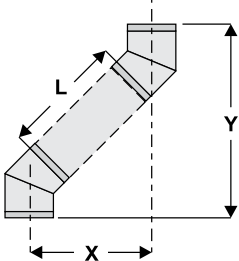
|                           |           |         |     |      |       |        |
|---------------------------|-----------|---------|-----|------|-------|--------|
| Vinyl Siding Standoff     | 46DVA-VSS | 4DT-VS  | N/A | 4DVS | SV4VS | TM-VSS |
| Vinyl Siding Shield Plate | N/A       | 4DT-VSP | N/A | N/A  | SV4VS | N/A    |

|                         |            |     |     |     |     |          |
|-------------------------|------------|-----|-----|-----|-----|----------|
| Snorkel Termination 14" | 46DVA-SNKL | N/A | N/A | N/A | N/A | TM-4ST14 |
| Snorkel Termination 36" | N/A        | N/A | N/A | N/A | N/A | TM-4ST36 |

|   |           |     |     |     |     |         |
|---|-----------|-----|-----|-----|-----|---------|
| Restrictor Disk                           | N/A       | N/A | N/A | N/A | N/A | TM-4DS  |
| Extended Vertical Termination Cap         | N/A       | N/A | N/A | N/A | N/A | N/A     |
| Chimney Conversion Kit A (USA only)       | 46DVA-KCA | N/A | N/A | N/A | N/A | TM-4CA6 |
| Chimney Conversion Kit B (USA only)       | 46DVA-KCB | N/A | N/A | N/A | N/A | TM-4CA7 |
| Chimney Conversion Kit C (USA only)       | 46DVA-KCC | N/A | N/A | N/A | N/A | TM-4CA8 |
| Chimney Conversion Kit Masonry (USA only) | 46DVA-KMC | N/A | N/A | N/A | N/A | N/A     |
| Wall Firestop                             | 46DVA-WFS | N/A | N/A | N/A | N/A | TM-4TR  |
| Colinear Flex Connectors                  | 46DVA-ADF | N/A | N/A | N/A | N/A | N/A     |

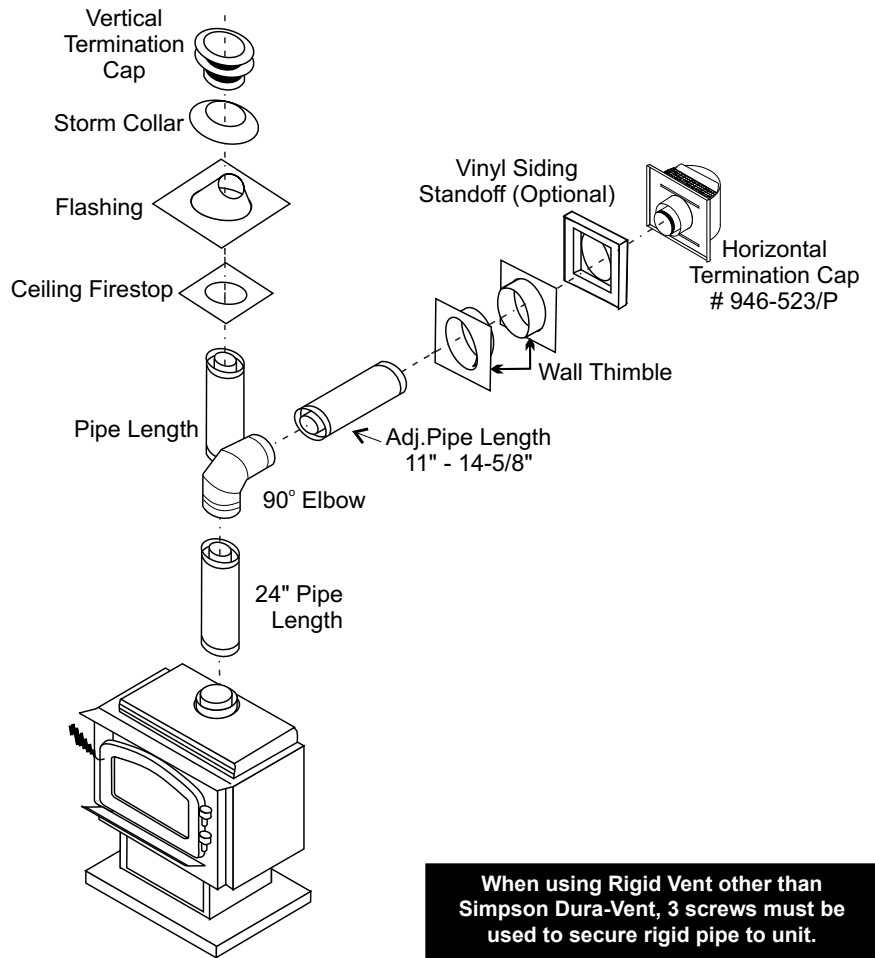
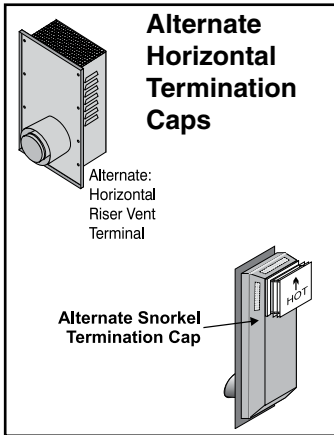
| FPI       |   |           |   |
|-----------|---|-----------|---|
| 946-506/P | Vent Guard (Optional) for AstroCap                  | 946-205   | Vinyl Siding Shield for Riser Vent Terminal   |
| 510-994   | Rigid Pipe Adaptor (Must use with all rigid piping) | 946-208/P | Vent Guard (Optional) for Riser Vent Terminal |
| 640-530/P | Riser Vent Terminal                                 | 946-523/P | AstroCap Horizontal Cap                       |
| 946-605   | Starter Collar Increaser 4" x 6-5/8" to 5" x 8"     | 946-206   | Vinyl Siding Standoff for AstroCap            |

**Note:** When using Metal-Fab Sure Seal Rigid Piping - please note that the Adaptor (4DDA) must be used in conjunction with FPI Rigid Pipe Adaptor (510-994).

| Offset Pipe Selection: Use this table to determine offset pipe lengths. |                     |                    |   |   |
|---|---------------------|--------------------|---|---|
| Pipe Length (L)   | 4" x 6-5/8" Venting |                    |  | For specific instructions on venting components - visit the manufacturers website listed below.<br><br>Simpson Direct Vent Pro: <a href="http://www.duravent.com">www.duravent.com</a><br>Selkirk Direct-Temp: <a href="http://www.selkirkcorp.com">www.selkirkcorp.com</a><br>American Metal Products: <a href="http://www.americanmetalproducts.com">www.americanmetalproducts.com</a><br>Metal-Fab Sure Seal: <a href="http://www.mtlfab.com">www.mtlfab.com</a><br>Security Secure Vent: <a href="http://www.securitychimneys.com">www.securitychimneys.com</a><br>Industrial Chimney Company: <a href="http://www.icc-rsf.com">www.icc-rsf.com</a> |
|   | Run (X)             | Rise (Y)           |   |   |
| 0" (0mm)  | 4-7/8" (124mm)      | 13-7/8" (340mm)    |   |   |
| 6" (152mm)  | 8" (203mm)          | 16-1/2" (419mm)    |   |   |
| 9" (229mm)  | 10-1/8" (257mm)     | 18-5/8" (473mm)    |   |   |
| 12" (305mm)   | 12-1/4" (311mm)     | 20-3/4" (527mm)    |   |   |
| 24" (610mm)   | 20-5/8" (524mm)     | 29-1/8" (740mm)    |   |   |
| 36" (914mm)   | 29" (737mm)         | 37-1/2" (953mm)    |   |   |
| 48" (1219mm)  | 37-7/16" (951mm)    | 45-15/16" (1167mm) |   |   |

**Note:** Horizontal runs of vent must be level, or have a 1/4" rise for every 1 foot of run towards the termination. Never allow the vent to run downward - this could cause high temperatures and may present a possible fire hazard.

**RIGID PIPE VENTING SYSTEMS**  
***Horizontal or Vertical Terminations***



**WARNING:**

Do not combine venting components from different venting systems.

However use of the the AstroCap™ and FPI Riser is acceptable with all systems.

This product has been evaluated by Intertek for use with DuraVent Direct-Vent , Selkirk Direct-Temp, Ameri Vent Direct venting and Security Secure Vent systems.

**When using Rigid Vent other than Simpson Dura-Vent, 3 screws must be used to secure rigid pipe to unit.**

The FPI AstroCap™ and FPI Riser Vent terminal are certified for installations using FPI venting systems as well as Simpson Dura-Vent® Direct Vent, American Metal Products Ameri Vent Direct Vent, Security Secure Vent®, Selkirk Direct-Temp. AstroCap™ is a proprietary trademark of FPI Fireplace Products International Ltd. Dura-Vent® and Direct Vent are registered and/or proprietary trademarks of Simpson Dura-Vent Co. Inc.

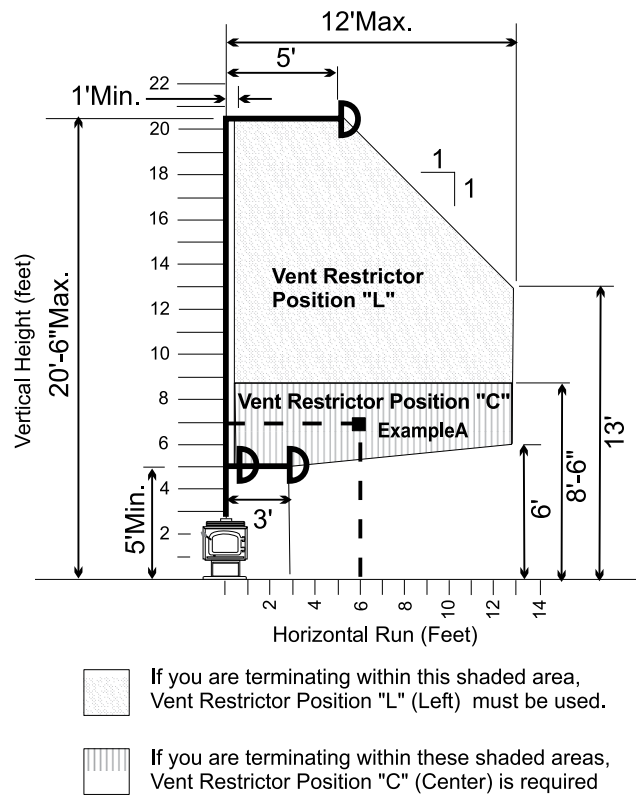
## VENTING ARRANGEMENTS HORIZONTAL TERMINATIONS FOR ALL VENTING SYSTEMS

The shaded areas in the diagram below show all allowable combinations of vertical runs with horizontal terminations. Maximum one 90° elbow (two 45° elbows equal one 90° elbow).

### Propane and Natural Gas: Residential, Manufactured and Mobile Homes Installations

The venting arrangements diagrammed below, have a min. of 75% (flue loss) efficiency with Fan Off, as required for manufactured homes. (Actual efficiency may be as high as 85%)

*May be installed in Manufactured (Mobile) Homes after first sale.*

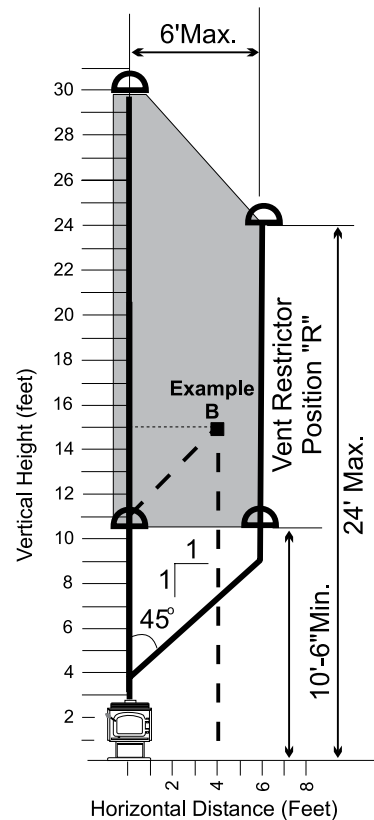


## VENTING ARRANGEMENTS VERTICAL TERMINATION SYSTEMS FOR RESIDENTIAL MANUFACTURED AND MO- BILE HOMES

The shaded area in the diagram below shows all allowable combinations of straight vertical and offset to vertical runs with vertical terminations. Maximum two 45° elbows.

All vertical and offset to vertical vent installations require Vent Restrictor Position "R" (Right). If the vent is ENCLOSED in a chase (min. size 9" x 9") maintain a 1-1/4" clearance to combustibles.

*May be installed in Manufactured (Mobile) Homes after first sale.*



*Straight Vertical and Offset to Vertical Terminations use Vent Restrictor Position "R" (Right)*

■ If you are terminating within this shaded area, Vent Restrictor Position "R" (Right) must be used.

**NOTE: See "Vent Restrictor Position" section for installation instructions for the Vent Restrictor Position.**

### Venting Arrangements Examples:

- Example A) Venting has a horizontal termination.  
A 7 ft. vertical run with 6 ft. horizontal run does not fall within the shaded area, and therefore is an allowable installation with the factory set vent restrictor position of "C".
- Example B) Offset to Vertical Vent.  
A 15 ft. vertical run with 4 ft. horizontal offset distance falls within the shaded area and is an allowable installation with Vent Restrictor Position "R" (Right).

**Horizontal Venting with Two (2. 90° Elbows)**

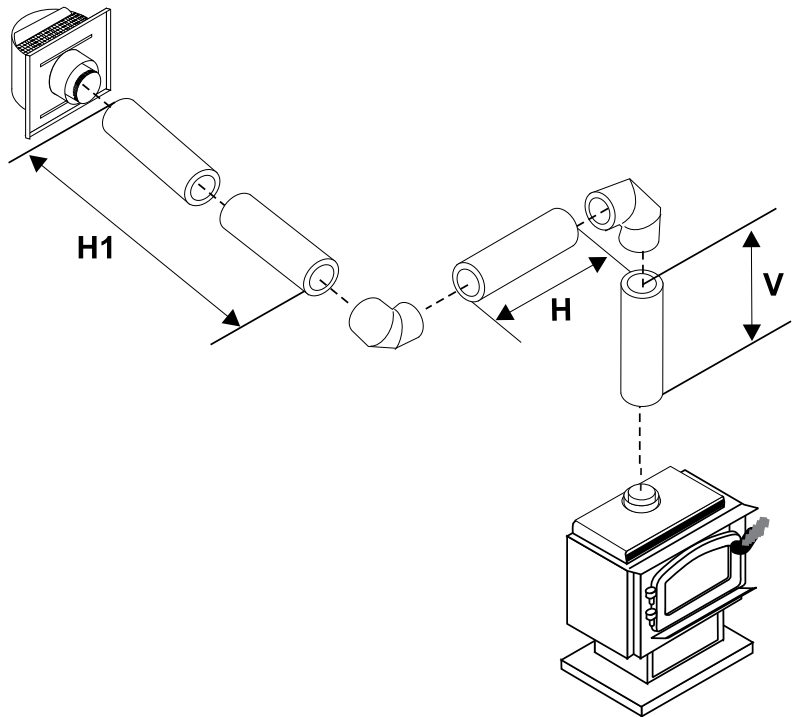
*One 90° elbow = Two 45° elbows.*

| Option | V       | H + H1  |
|--------|---------|---------|
| A)     | 4' Min. | 6' Max. |
| B)     | 5' Min. | 7' Max. |
| C)     | 6' Min. | 8' Max. |

With these options, maximum total pipe length is 30 feet with minimum of 6 feet total vertical and maximum 8 feet total horizontal.  
**Please note minimum 1 foot between 90° elbows is required.**

Lengths do not include elbow indicated.

Vent restrictor position C (fully open), refer to "Vent Restrictor Position" section.



**Vertical Venting with Two (2. 90° Elbows)**

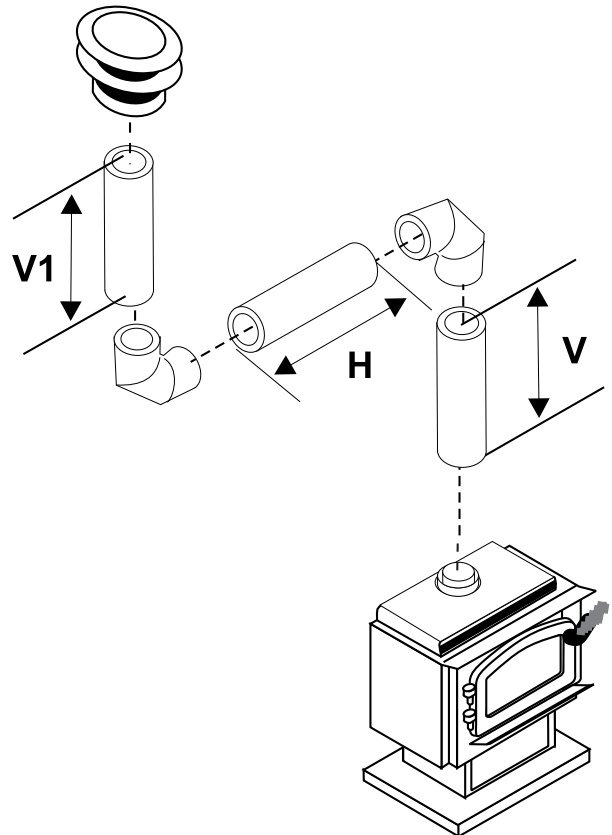
*One 90° elbow = Two 45° elbows.*

| Option | V       | H       | V + V1  |
|--------|---------|---------|---------|
| A)     | 1' Min. | 4' Max. | 2' Min. |
| B)     | 2' Min. | 5' Max. | 3' Min. |
| C)     | 3' Min. | 6' Max. | 4' Min. |
| D)     | 4' Min. | 7' Max. | 5' Min. |
| E)     | 5' Min. | 8' Max. | 6' Min. |

With these options, max. total pipe length is 30 feet with min. of 6 feet total vertical and max. 8 feet total horizontal.  
**Please note min. 1 foot between 90° elbows is required.**

Lengths do not include elbow indicated.

Vent restrictor position C (fully open), refer to "Vent Restrictor Position" section



## DV STOVE HORIZONTAL VENT KIT

DV 2 ft. Stove Vent Kit (Part # 946-116) and DV 4 ft. Stove Vent Kit (946-216) include all the parts needed to install the C34 with minimum horizontal and vertical vent dimensions. For installations that require longer vertical and/or horizontal vents use the Dura-Vent system as shown in "Dura-Vent Termination Kit" & "Dura-Vent Venting Components" section.

**Qty. Description**

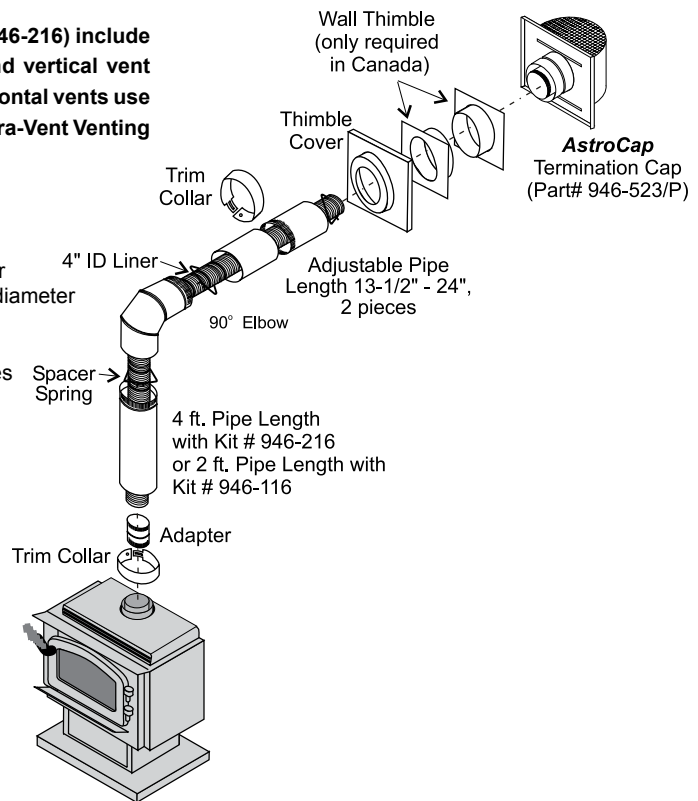
1. 1 Rigid Pipe Section (Kit # 946-116: 2 ft. (1.2m) length, Kit # 946-216: 4 ft. (1.2m) length), 6-1/2" (165mm) inside diameter
2. 1 Flex Liner, compressed aluminium 2 ply liner, 4" (102mm) inside diameter
3. 4 spring spacers
4. 1 90 deg. Elbow
5. 1 Adjustable pipe section 13-1/2" to 24" (343mm x 610mm), 2 pieces
6. 1 Thimble Cover
7. 1 Wall Thimble (2 pcs.)
8. 1 Adapter
9. 1 **AstroCap** Termination Cap
- 10 2 Trim Collar
11. 1 tube of Mill-Pac, high temperature sealant
12. 12 Screws, #8 x 1/2" Self tapping, Stainless Steel
13. 14 Screws, #8 x 1/2" Self tapping, Black
14. 4 Screws #8 x 1-1/2" Drill Point, Black
15. 4 Screws #8 x 1-1/2" Drill Point, Stainless Steel
17. 8 Wood screws #8 x 1"

**Optional:**

946-206 Vinyl Siding Standoff for **AstroCap**

**Note:**

- a) Liner sections should be continuous without any joints or seams.
- b) This is an approved system, therefore components in this system must not be substituted for any other manufacturer's products.



## DV STOVE HORIZONTAL VENT KIT INSTALLATION

Review the following sequence of instructions which are typical of most installations. The sequence may vary depending on wall thickness.

See "Locating Your Gas Stove" to "Exterior Vent Termination Locations" sections for vent location and clearance dimensions.

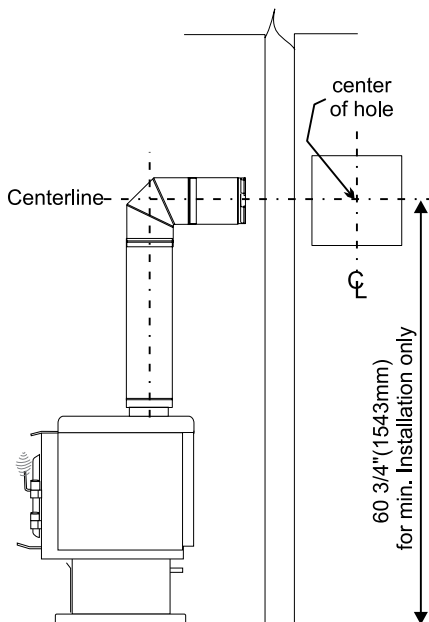
1. Set the unit in its desired location. Check to determine if wall studs will be in the way of the venting system, adjust location until all clearances are met and there are no obstructions.

**Note:** A 1-1/2" (38mm) clearance around the outer pipe must be maintained except that only a 1" (25mm) clearance is needed at the termination end.

**IMPORTANT:**

Do not locate termination hood where excessive snow or ice buildup may occur. Be sure to check vent termination area after snow falls, and clear to prevent accidental blockage of venting

**system. When using snow blowers, make sure snow is not directed towards vent termination area.**



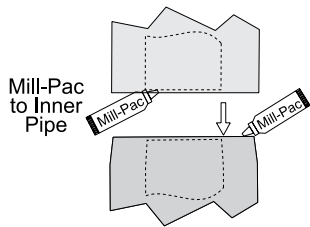
2. Assemble a **trial fit** to determine the vertical center-line for the vent termination.
  - a) Cut a 9-1/2" x 9-1/2" (241mm x 241 mm) square hole on both the interior and exterior wall.
  - b) Install wall thimbles on both interior and exterior wall with 4 wood screws (#8 x 1") per thimble.
  - c) Attach the 2 piece adjustable pipe section to the vent terminal and slide into position from the exterior. **The larger diameter end of the adjustable pipe goes to the vent terminal.**
  - d) Install the 90° elbow onto the adjustable pipe to determine the vertical centerline of the starter collar on the unit.

**Note: if the centerline cannot be met, the adjustable sections will have to be cut.**

e) Cut the 2 ft. or 4 ft. section of rigid pipe to length. Ensure that the pipe length when cut will seat onto both the starter collar and the 90° elbow. **Crimped section of rigid pipe seats into the 90° elbow. Only cut the uncrimped side of pipe.**

Dismantle all pipe sections including vent terminal.

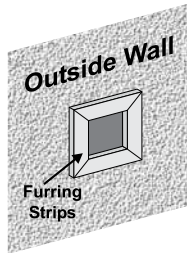
3. Attach the 4" dia. flex liner to the vent terminal ensuring that the flex overlaps the collar of the vent terminal by a minimum of 1-3/8"(35mm). Use Mill-Pac to seal and secure with 3 of the #8 x 1/2" screws (stainless steel).
4. Attach the adjustable pipe section to the vent terminal using Mill-Pac and attach with 3 of the #8 x 1/2" screws (stainless steel).



Hint: Apply the sealant (Mill-Pac) to the outer pipe before connecting the inner pipe.

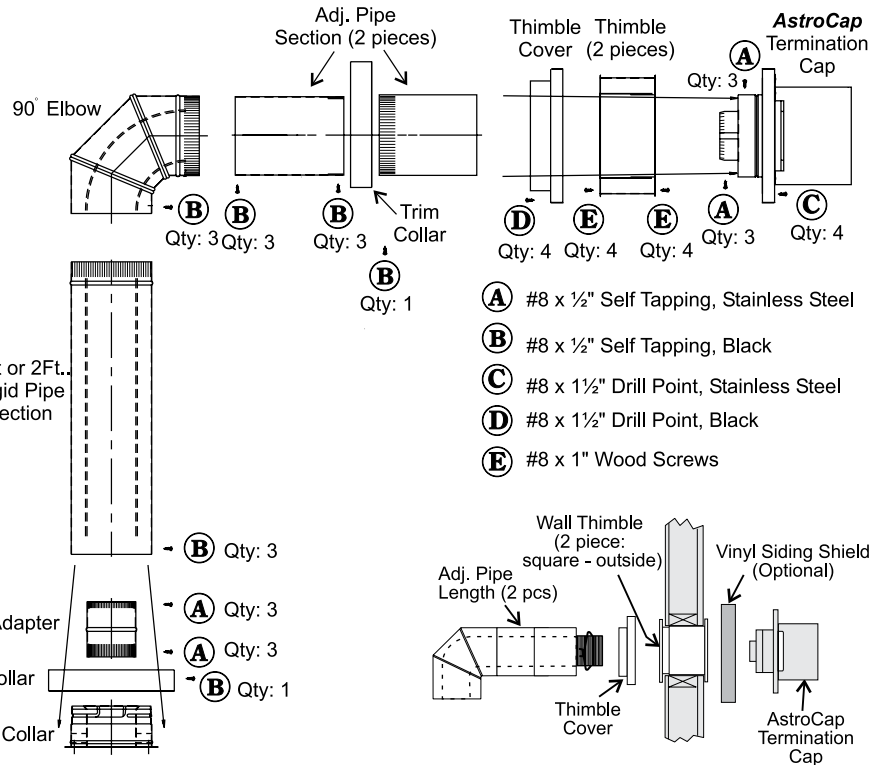
**Note: The pipe seam should be facing down.**

**Note: To make the installation more aesthetically pleasing, we recommend framing out a square that the cap can be mounted on.**



**Note: If installing termination on a siding covered wall, a vinyl siding standoff or furring strips must be used to ensure that the termination is not recessed into the siding. For vinyl siding standoff installation refer to the Dura-Vent Termination instructions.**

5. Slide the partially connected pipe and vent terminal assembly through the wall thimbles (from the exterior into the interior) and secure the cap to the exterior wall with 4 of the supplied screws (#8 x 1-1/2" drill point, stainless steel). Note: pilot holes will need to be drilled through the wall thimble on all 4 corners.



- (A) #8 x 1/2" Self Tapping, Stainless Steel
- (B) #8 x 1/2" Self Tapping, Black
- (C) #8 x 1/2" Drill Point, Stainless Steel
- (D) #8 x 1/2" Drill Point, Black
- (E) #8 x 1" Wood Screws

**Note: The four screws provided for the vent cap should be replaced with appropriate fasteners for stucco, brick, concrete, or other types of sidings.**

6. A bead of non-hardening mastic should be run around both the termination and vinyl siding standoff to prevent water from entering and to make a tight seal between the cap and the standoff.
7. Stretch the 4" dia. flex liner out fully and get a trial fit of the liner onto the 4" dia. starter collar.
8. Cut the 4" dia. flex liner to the desired size.

Hint: leave an extra 12" to 16" of length, this will make the final assembly easier to work with.

9. Secure the 4" dia. flex liner to the 4" adapter with Mill-Pac and 3 of the #8 x 1/2" screws (stainless steel).
10. Slide the decorative Thimble Cover over the pipe sections and secure with 4 screws (#8 x 1-1/2" drill point, black) to the wall.

Slide the trim collar over the adjustable pipe sections to cover the joint of the telescopic section.

11. Slide the 90° elbow (crimp end up) and the 2 ft. or 4 ft. pipe section (crimp end up) over the 4" dia. flex liner.
12. Install the spring spacers onto the pipe

sections.

13. Secure the 4" dia. flex liner with adapter onto the stove collar. Put a bead of Mill-Pac around the appliance adapter and secure with 3 screws (#8 x 1/2, stainless steel).
14. Attach the pipe section onto the starter collar by sealing with Mill-Pac securing with 3 of the #8 x 1/2" (black) screws. Pipe seams should be facing the wall.
15. Attach the 90° elbow onto the pipe section by sealing with Mill-Pac securing with 3 of the #8 x 1/2" screws (black).
16. Slide the adjustable pipe section onto the 90° elbow. The flex may have to be compressed back in order for the adjustable pipe to properly mate to the elbow. Seal with Mill-Pac and secure with 3 of the #8 x 1/2" screws (black). Pipe seams facing down.
17. Install the trim collar over the starter collar and secure with a #8 x 1/2" screw (black).

If the pipe needs to be touched up, use only Stove Brite High Temperature Metallic Black Stove Paint.

**NOTE: All inner/outer joints must be sealed with Mill-Pac.**

## DURA-VENT TERMINATION KIT

### Planning Your Dura-Vent Installation

There are two basic types of Dura-Vent Direct Vent System installations: horizontal termination and vertical termination. Confirm the maximum horizontal run and maximum vertical rise from the diagrams in "Venting Arrangements" section.

When planning your installation, it will be necessary to select the proper length of vent pipe for your particular requirements. For horizontal installations, determine the minimum clearance from the rear of the unit to the wall. It is also important to note the wall thickness. (The wall thimble is suitable for 2 x 4 or 2 x 6 wall construction.) Select the amount of vertical rise desired for "vertical-to-horizontal" type installations.

**Warning: Always maintain required clearances (air spaces) to nearby combustibles to prevent a fire hazard. Do not fill air spaces with insulation.**

The minimum clearance of 1-1/4" (32mm) is required between the outer wall of the vent pipe and nearby combustible surfaces. Be sure to check the vent termination clearance requirements from decks, windows, soffits, gas regulators, air supply inlets and public walkways as specified in the "Exterior Vent Terminal Locations" section and in your local building codes.

To determine the length of vent pipe required for vertical installations, measure the distance from the unit flue outlet to the ceiling, the ceiling thickness, the vertical rise in an attic or second storey, and allow for sufficient vertical height above the roof line.

For multi-storey applications, fire stops are required at each floor level. If an offset is needed, additional pipe, elbows and supports will be required.

You will require the following Dura-Vent venting components with your new CLASSIC Direct Vent Freestanding Gas Stove. Please review your product to make sure you have everything you need. In the event that you are missing any part, contact your dealer.

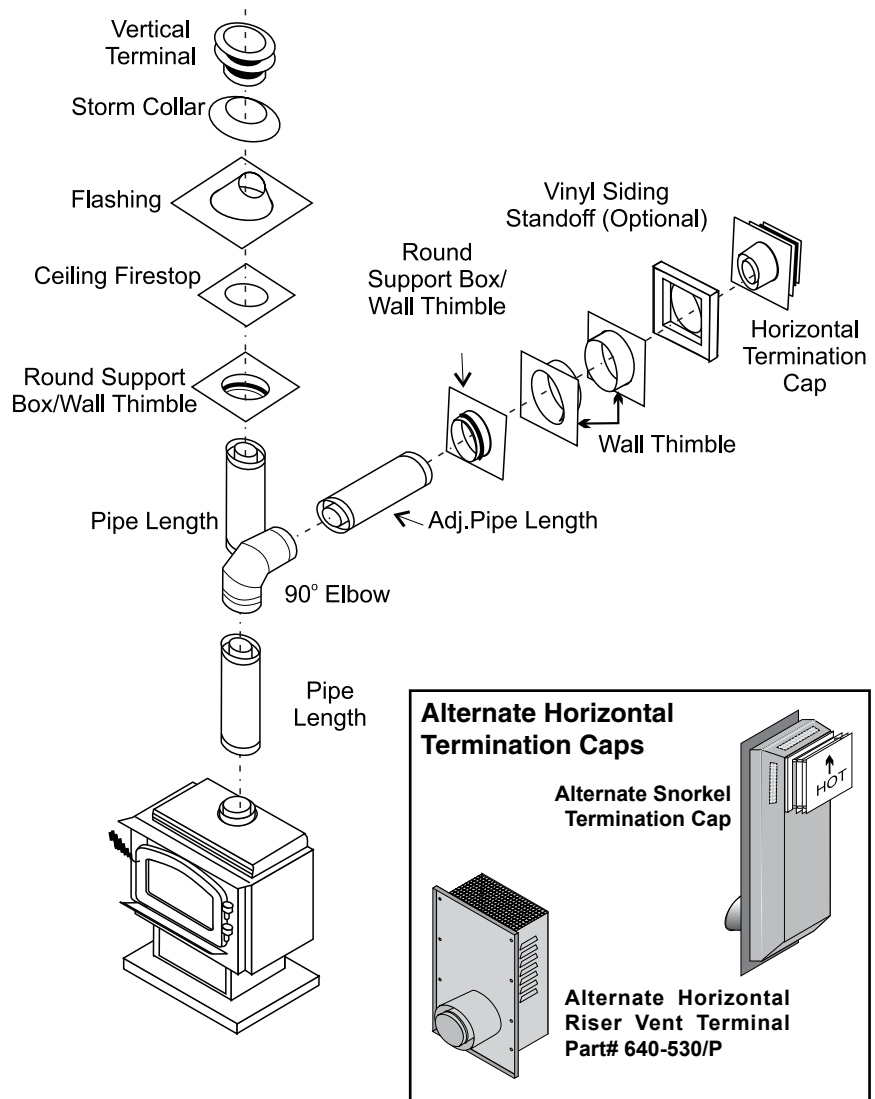
**Note: These are the minimum components required. Other parts may be required for your particular installation. See "Rigid Pipe Venting Components List" section.**

If installing termination on a siding covered wall, a vinyl siding standoff or furring strips can be used in order to ensure that the termination is not recessed into siding.

The vinyl siding standoff is required for walls with vinyl siding.

- Basic  
Horizontal Kit**

  - 1 90° Elbow
  - 1 Wall Thimble Cover
  - 1 Horiz. Sq. Term. Cap



The FPI AstroCap™ and FPI Riser Vent terminal are certified for installations using FPI venting systems as well as Simpson Dura-Vent® Direct Vent, American Metal Products Ameri Vent Direct Vent, Security Secure Vent®, Selkirk Direct-Temp. AstroCap™ is a proprietary trademark of FPI Fireplace Products International Ltd. Dura-Vent® and Direct Vent are registered and/or proprietary trademarks of Simpson Dura-Vent Co. Inc.



## DURA-VENT HORIZONTAL INSTALLATIONS

1. Set the unit in its desired location. Check to determine if wall studs or roof rafters are in the way when the venting system is attached. If this is the case, you may want to adjust the location of the unit.
2. Direct Vent pipe and fittings are designed with special twist-lock connections to connect the venting system to the appliance flue outlet. A twist-lock appliance adaptor is installed on the unit at the factory. Assemble the desired combination of pipe and elbows to the appliance adaptor with pipe seams oriented towards the wall or ceiling, as much out of view as possible. The final positioning of the pipe and 90° elbow assembly is determined by the mounting orientation of the adaptor on the stove and twist-locked for a solid connection.

**Note:**

- a) Twist-lock procedure: Four indentations, located on the female ends of pipes and fittings, are designed to slide straight onto the male ends of adjacent pipes and fittings, by orienting the four pipe indentations so they match and slide in to the four entry slots on the male ends (diagram 1.. Push the pipe sections completely together, then twist-lock one section clockwise approximately one-quarter turn, until the two sections are fully locked.

The female locking lugs will not be visible from the outside on the Black Pipe or fittings. They may be located by examining the inside of the female ends. Apply sealant "Mill-Pac" to inner pipe and to outer pipe on every twist-lock joint.

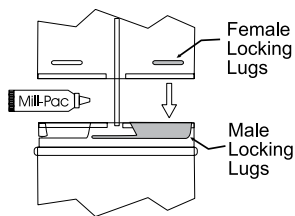


Diagram 1

- b) Horizontal runs of vent must be supported every three feet. Wall straps are available for this purpose.

3. With the pipe attached to the stove, slide the stove into its correct location, and mark the wall for a 10" x 10" (inside dimensions) square hole. The center of the square hole should line up with the center-line of the horizontal pipe, as shown in diagram 2. Cut and frame the 10 inch square hole in the exterior wall where the vent will be terminated. If the wall being penetrated is constructed of non-combustible material, i.e. masonry block or concrete, a 7" diameter hole is acceptable.

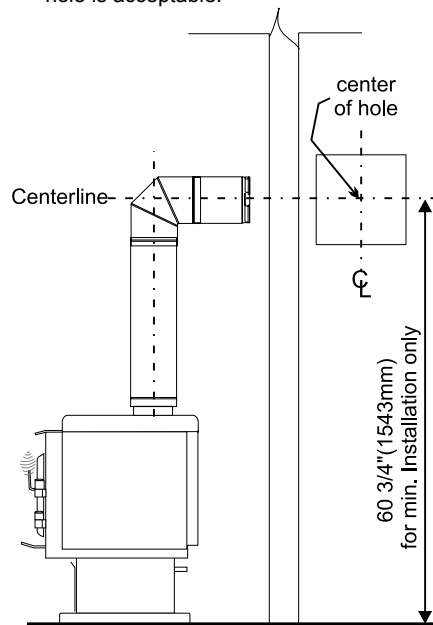


Diagram 2

**Note:**

- a) The horizontal run of vent must be level, or have a 1/4 inch rise for every 1 foot of run towards the termination. Never allow the vent to run downward. This could cause high temperatures and may present the possibility of a fire.
- b) The location of the horizontal vent termination on an exterior wall must meet all local and national building codes, and must not be blocked or obstructed. See diagram 10 in "External Vent Terminal Locations" section.

**c) Snorkel Terminations:**

For installations requiring a vertical rise on the exterior of the building, 14-inch and 36-inch tall Snorkel Terminations as shown in Diagram 3 are available, as well as the standard Riser Vent, see Diagram 3a. Follow the same installation procedures as used for standard Horizontal Termination. NEVER install the snorkel upside down.

**\*Diagram 3, 3a & 4: As specified in CGA B149 Installation Code. Local codes or regulations may require different clearances.**

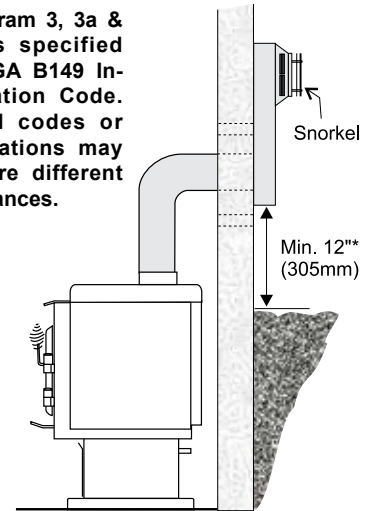


Diagram 3

**Note: Riser Vent is only for use in above grade terminations.**

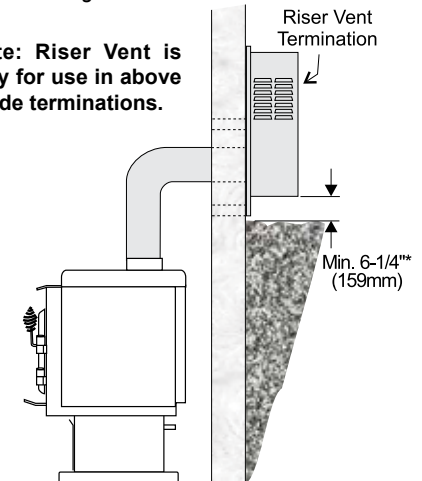


Diagram 3a

**Below Grade Installation**

If the Snorkel Termination must be installed below grade, i.e. basement application, proper drainage must be provided to prevent water from entering the Snorkel Termination. Refer to Diagram 4. Do not attempt to enclose the Snorkel within the wall, or any other type of enclosure.

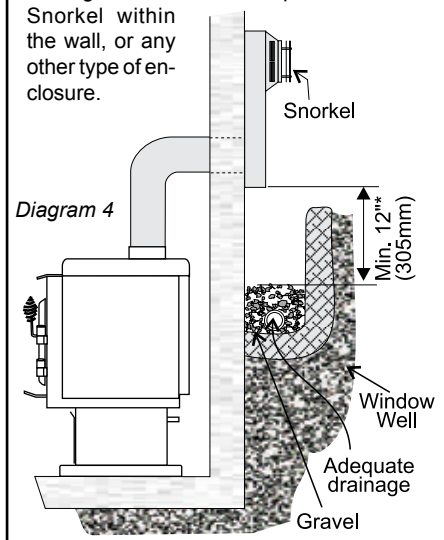


Diagram 4



- Attach the Vinyl Siding Standoff (if required) to the Horizontal Vent Termination, but first run a bead of non-hardening mastic around its outside edges, so as to make a seal between vent cap and the standoff. Install the Vinyl Siding Standoff between the vent cap and the exterior wall and attach with the four wood screws provided. Seal around the Vinyl Siding Standoff on all four sides. Diagram 5. **The arrow on the vent cap should be pointing up.** Insure that the 1-1/4" clearances to combustible materials are maintained. See diagram 5.

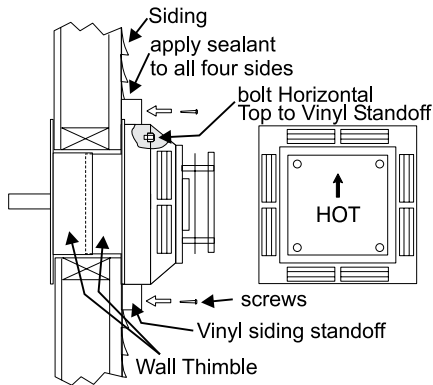


Diagram 5

**Note:** If installing termination on a siding covered wall, a vinyl siding standoff or furring strips must be used to ensure that the termination is not recessed into the siding. The four wood screws provided should be replaced with appropriate fasteners for stucco, brick, concrete, or other types of sidings.

- Before connecting the horizontal run of vent pipe to the vent termination, slide the black decorative wall thimble cover over the vent pipe, then slide the Wall Thimble over the vent pipe.
- Slide the appliance and vent assembly towards the wall carefully inserting the vent pipe into the vent cap assembly. It is important that the vent pipe extends into the vent cap a sufficient distance so as to result in a minimum pipe overlap of 1-1/4 inches. Secure the connection between the vent pipe and the vent cap by attaching the two sheet metal strips extending from the vent cap assembly into the outer wall of the vent pipe. Use the two sheet metal screws provided to connect the strips to the pipe section. Bend any remaining portion of the sheet metal strip back towards the vent cap, so it will be concealed by the decorative wall thimble cover. See diagram 6.

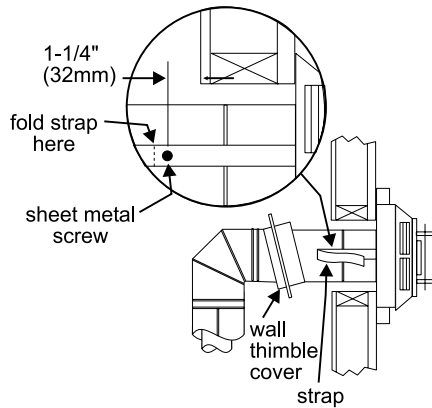


Diagram 6

- Install Wall Thimble in the center of the 10" square and attach with wood screws (in Canada).
- Slide the decorative wall thimble up to the wall surface being careful not to scratch the paint and attach with screws provided. Apply decorative brass or chrome trim if desired. See diagram 7.

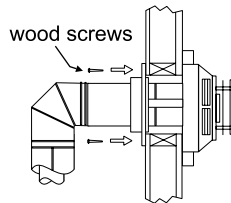


Diagram 7

## VERTICAL TERMINATION

- Maintain the 1-1/4" clearances (air spaces) to combustibles when passing through ceilings, walls, roofs, enclosures, attic rafter, or other nearby combustible surfaces.

Do not pack air spaces with insulation. Check "Venting Arrangements" section for the maximum vertical rise of the venting system and the maximum horizontal offset limitations.

- Set the gas appliance in its desired location. Drop a plumb bob down from the ceiling to the position of the appliance flue exit, and mark the location where the vent will penetrate the ceiling. Drill a small hole at this point. Next, drop a plumb bob from the roof to the hole previously drilled in the ceiling, and mark the spot where the vent will penetrate the roof. Determine if ceiling

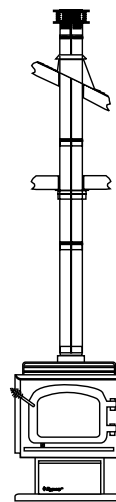
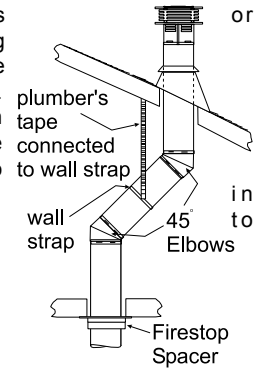


Diagram 8

joists, roof rafters or other framing will obstruct the venting system. You may wish to relocate the appliance or to offset, as shown in diagram 9 avoid cutting load bearing members.



- To install the Round Support Box/Wall Thimble in a flat ceiling, cut a 10 inch square hole in the ceiling centered on the hole drilled in Step 2. Frame the hole as shown in diagram 10.

- Assemble the desired lengths of black pipe

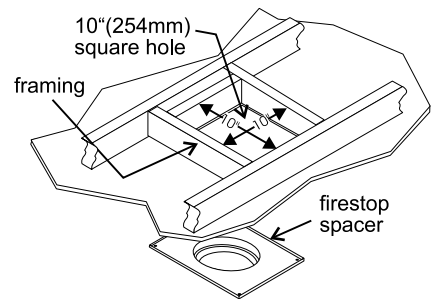


Diagram 10

and elbows necessary to reach from the appliance adaptor up through the Round Support Box. Ensure that all pipes and elbow connections are in the fully twist-locked position and sealed.

- Cut a hole in the roof centered on the small drilled hole placed in the roof in Step 2. The hole should be of sufficient size to meet the minimum requirements for clearance to combustibles of 1-1/4". Slip the flashing under the shingles (shingles should overlap half the flashing) as per diagram 11.
- Continue to assemble pipe lengths.

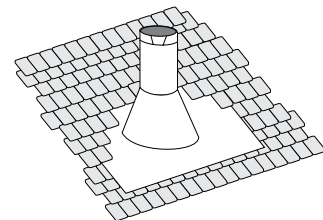


Diagram 11: The upper half of the flashing is installed under the roofing material and not nailed down until the chimney is installed. This allows for small adjustments.

**Note:** If an offset is necessary in the attic to avoid obstructions, it is important to support the vent pipe every 3 feet, to avoid excessive stress on the elbows, and possible separation. Wall straps are available for this purpose. See diagram 9.

Galvanized pipe and elbows may be utilized in the attic as well as above the roofline. The galvanized finish is desirable above the roofline due to its higher corrosion resistance.

Continue to add pipe sections through the flashing until the height of the vent cap meets the minimum height requirements specified in diagram 12 or local codes. Note that for steep roof pitches, the vertical height must be increased. A poor draft, or down drafting can result from high wind conditions near big trees or adjoining rooflines, in these cases, increasing the vent height may solve the problem.

7. Ensure vent is vertical and secure the base of the flashing to the roof with roofing nails, slide storm collar over the pipe section and seal with a mastic.

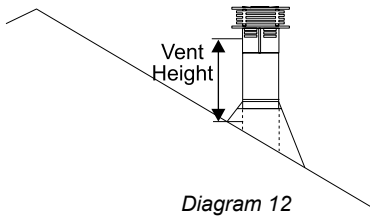


Diagram 12

| Roof Pitch          | Minimum Vent Height |        |
|---------------------|---------------------|--------|
|                     | Feet                | Meters |
| flat to 7/12        | 2                   | 0.61   |
| over 7/12 to 8/12   | 2                   | 0.61   |
| over 8/12 to 9/12   | 2                   | 0.61   |
| over 9/12 to 10/12  | 2.5                 | 0.76   |
| over 10/12 to 11/12 | 3.25                | 0.99   |
| over 11/12 to 12/12 | 4                   | 1.22   |
| over 12/12 to 14/12 | 5                   | 1.52   |
| over 14/12 to 16/12 | 6                   | 1.83   |
| over 16/12 to 18/12 | 7                   | 2.13   |
| over 18/12 to 20/12 | 7.5                 | 2.29   |
| over 20/12 to 21/12 | 8                   | 2.44   |

8. Install the vertical termination cap by twist locking it.

**Notes:**

- a) For multistorey vertical installations, a Ceiling Fire stop is required at the second floor, and any subsequent floor. See diagram 13. The opening should be framed to 10" x 10" inside dimensions, in the same manner as shown in diagram 10.
- b) Any occupied areas above the first floor, including closets and storage spaces, through which the vertical vent passes, must be enclosed.

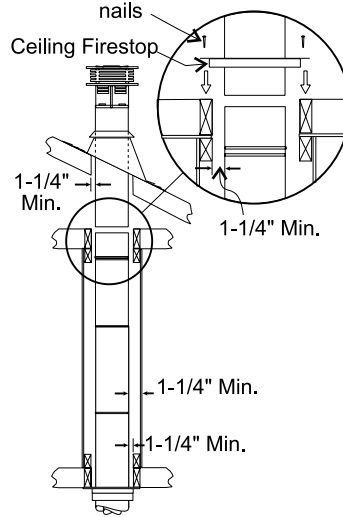
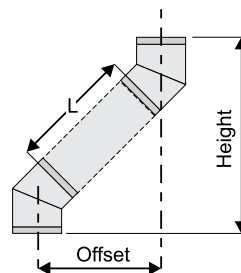


Diagram 13

**Offset Chart**

| GS 6" (152mm) Nominal Diameter ID |     |                 |      |        |      |
|-----------------------------------|-----|-----------------|------|--------|------|
| Offset                            |     | Pipe Length (L) |      | Height |      |
| inches                            | mm  | inches          | mm   | inches | mm   |
| 4 3/4                             | 121 | 0               | 0    | 13 1/4 | 337  |
| 9                                 | 229 | 6               | 152  | 17 1/2 | 445  |
| 11 1/4                            | 286 | 9               | 229  | 19 1/2 | 495  |
| 13 1/4                            | 337 | 12              | 305  | 21 3/4 | 552  |
| 21 3/4                            | 552 | 24              | 610  | 30 1/4 | 768  |
| 30 1/4                            | 768 | 36              | 914  | 39     | 991  |
| 38                                | 965 | 48              | 1219 | 47     | 1194 |

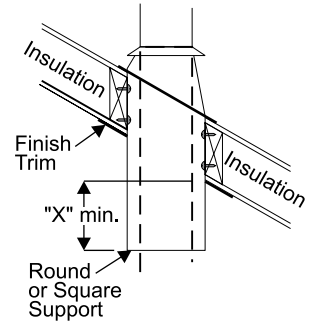


**CATHEDRAL CEILINGS**

**Round Support (RDS) & Square Support (SQS)**

If your home has a cathedral ceiling (no attic space between the ceiling and the roof), install the chimney and support as follows.

1. Situate the chimney in a convenient location as near as possible to the appliance outlet. Cut and frame a hole in the roof for the support. The sides of this hole must be vertical with 1-1/4" clearance.
2. Place the support in the opening. Lower it to the correct height as determined by the table and diagram below.



| Slope         | "X"     |
|---------------|---------|
| 0/12 - 2/12   | 4"      |
| 2/12 - 7/12   | 5-1/2"  |
| 7/12 - 12/12  | 6-3/4"  |
| 12/12 - 24/12 | 7-1/2"  |
| 24/12+        | 12-1/2" |

Using a level, make sure the support is vertical. If the support extends above the roof, cut it flush with the top of the roof. Nail the support to the frame opening using (8. 3" spiral nails or #8 x 1-1/2" screws.

**Note:** If you are using a 6" square support you may find it difficult to screw it in place because it is fairly small inside.

Simpson Dura-Vent has provided angle brackets with this support which can be screwed to the outside of the support box and nailed to surrounding framing as required. Use a minimum of four #8 x 1/2" screws per bracket. In some cases these brackets may need to be trimmed (e.g.: to fit under a flashing). Place the Finish Collar around the support and fasten it to the ceiling using the screws provided.

3. Use appropriate roof flashing. Place the flashing under the upper shingles and on top of the lower shingles approximately half of the flashing should be under the shingles.
4. Assemble the desired lengths of Black Pipe and Elbows necessary to reach from the appliance adaptor up through the support box and flashing to proper height as per Diagram 12, local codes or "Exterior Vent Terminal Locations" section. Ensure that all pipe and elbow connections are in their fully twist lock position.
5. Ensure vent is vertical and secure flashing to the roof with roofing nails. Slide the storm collar over the pipe section and seal with a mastic.
6. Twist lock the vent cap on to the last section.

### Support extensions - Round (RDSE) or square (SQSE)

Steep pitched cathedral ceilings may require the use of a support extension. This piece fits down inside the support and can be adjusted to increase the support's length by up to 22". The extension is attached to the support using the eight metal screws provided. Be sure there is at least a 2 inch overlap where the extension joins the support.

## CONVERTING CLASS-A METAL CHIMNEY TO DIRECT VENT SYSTEM

### General

A) Through an existing factory built metal chimney going through the ceiling: A typical conversion of this type is shown in diagram 1. The concept of direct vent conversion is to connect an adaptor to an Underwriters Laboratories (UL) listed 4 inch diameter aluminium flex pipe which is then passed down through the center of the existing metal chimney system. Three sizes of Top Adaptors are available from Simpson Dura-Vent. The Retro Connector is attached to the bottom of the flex pipe. The Top Adaptor and the Retro Connector are attached to the existing chimney with sheet metal screws. The appliance is then connected to the chimney with appropriate black direct vent pipe and an adjustable length section.

**Prior to installation and connection of the vent system to a factory-built the chimney must be inspected and thoroughly cleaned by a qualified service person, such as a certified chimney sweep or home inspection service.**

**The direct vent system must not be connected to a damaged factory-built chimney.**

**For factory built and zero clearance cleanout doors and caps or plugs for cleanout tee fittings and ash dumps shall be secured in place and sealed before installing a Direct Vent system within the chimney.**

**If the appliance shuts off during operation, contact a qualified service person to determine if a negative pressure and/or leaky chimney condition exists. Do not operate the appliance until the problem is corrected.**

### Converting a Factory Built Metal Chimney

1. Remove the existing chimney cap.
2. Measure the distance from the top end of the chimney to the bottom of the ceiling support box, add 3" (76mm) to this measurement, and cut a section of the 4" flex pipe to that length (the flex should already be extended to its nominal length).
3. Connect the end of the flex pipe section to the underside of the Top Adaptor using 3 sheet metal screws. Diagram 2.
4. Pass the flex pipe down through the center of the chimney system, and center the adaptor on the top of the chimney pipe. Drill four 1/8" diameter holes through the adaptor and into the chimney top. Insure that you are in fact, drilling into the metal on the chimney. Twist-lock the Termination Cap onto the Adaptor. (Diagram 3 and 4..
5. Pull the flex pipe down through the ceiling support box, until it protrudes approximately 3" (76mm). Connect the flex pipe to the Retro Connector by slipping it into the 4-3/4" diameter sleeve on the top side of the Connector. Use 3 sheet metal screws to assemble these two parts.
6. Push the flex pipe back up into the ceiling support box, center the Retro Connector, and attach it to the support box, or decorative

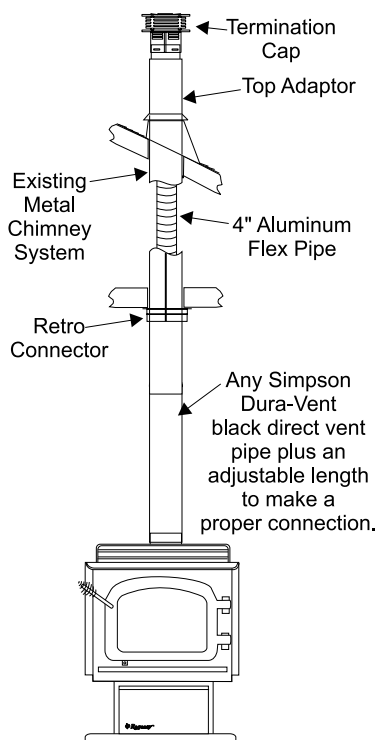


Diagram 1

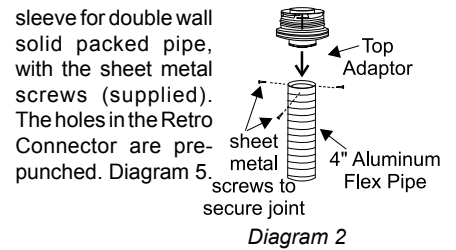


Diagram 2

7. The connection between the appliance and the Retro Connector may be completed with sections of black direct vent pipe, together with an adjustable length.

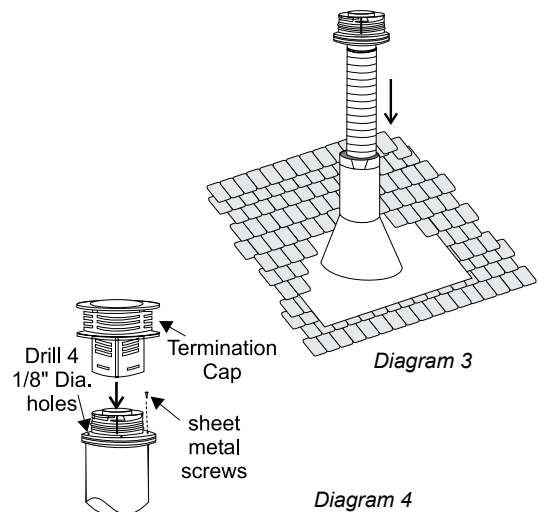


Diagram 3

Diagram 4

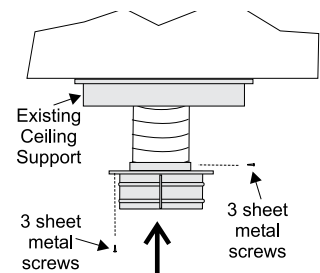


Diagram 5

|  |                    |            |
|--|--------------------|------------|
| <b>SYSTEM DATA</b><br>(For 0 to 4,500 feet altitude) |                    |            |
| <b>Orifice Sizes:</b>                                |                    |            |
| <b>Burner</b>  | Natural Gas        | #36        |
| <b>Burner</b>  | Propane            | #52        |
| <b>Max. Input Rating</b>                             |                    |            |
| Natural Gas  | 32,000 Btu/h       |            |
| Propane  | 32,000 Btu/h       |            |
| <b>Min. Input Rating</b>                             |                    |            |
| Natural Gas  | 16,000 Btu/h       |            |
| Propane  | 16,000 Btu/h       |            |
| <b>Supply Pressure</b>                               |                    |            |
| Natural Gas  | min.               | 5.0" w.c   |
|  | max.               | 8.0" w.c.  |
| Propane  | min.               | 12.0" w.c. |
|  | max.               | 13.0" w.c. |
| <b>Manifold Pressure High</b>                        |                    |            |
| Natural Gas  | 3.8" +/- 0.2" w.c. |            |
| Propane  | 11" +/- 0.2" w.c.  |            |
| <b>Manifold Pressure Low</b>                         |                    |            |
| Natural Gas  | 1.1" +/- 0.2" w.c. |            |
| Propane  | 2.9" +/- 0.2" w.c. |            |
| Electrical: 115V_60 Hz less than 2 amp               |                    |            |
| Circulation Fan: 75/125 CFM.                         |                    |            |
| Log Set: Ceramic fiber, 4 per set.                   |                    |            |

**Output capacity:**

The efficiency rating of the appliance is a product thermal efficiency rating determined under continuous operating conditions and was determined independently of any installed system.

**GAS CONNECTION**

The gas connection is a 3/8" NPT rigid pipe. This pipe is supplied separately and must be installed at the left rear of the unit. See "Unit Dimensions" section for diagram. The gas line can be rigid pipe or to make installation easier, use a listed flexible connector and manual shut-off valve if allowed by local codes, or copper if approved. For minimum and maximum supply pressure see the System Data table.

**Note:** During any pressure testing of the gas supply piping system that exceeds test pressures of 1/2 psig, this appliance and its individual shut-off valve must be disconnected from the piping system. If test pressures equal to or less than 1/2 psig are used then this appliance must be isolated from the piping system by closing its individual manual shut-off valve during the testing.

**HIGH ELEVATION**

This unit is approved in Canada for altitude 0 to 4500 ft. (CAN1 2.17-M90 with the orifice supplied.)

**GAS PIPE PRESSURE TESTING**

The appliance must be isolated from the gas supply piping system by closing its individual manual shut-off valve during any pressure testing of the gas supply piping system at test pressures equal to or less than 1/2 psig. (3.45 kPa). Disconnect piping from valve at pressures over 1/2 psig (14" w.c.).

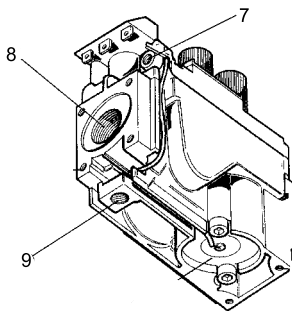
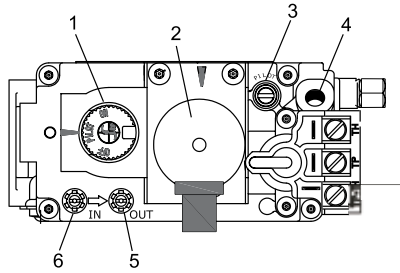
The manifold pressure is controlled by a regulator built into the gas control, and should be checked at the pressure test point.

**Note:** To properly check gas pressure, both inlet and manifold pressures should be checked using the valve pressure ports on the valve.

1. Make sure the valve is in the "OFF" position.
2. Loosen the "IN" (# 7. and/or "OUT" (# 7. pressure tap(s), turning counterclockwise with a 1/8" wide flat screwdriver.
3. Attach manometer to "IN" and/or "OUT" pressure tap(s) using a 5/16" ID hose.
4. Light the pilot and turn the valve to "ON" position.
5. The pressure check should be carried out with the unit burning and the setting should be within the limits specified on the safety label.
7. When finished reading manometer, turn off the gas valve, disconnect the hose and tighten the screw (clockwise) with a 1/8" flat screwdriver. *Screw should be snug, but do not over tighten.*

**SIT 829 VALVE DESCRIPTION**

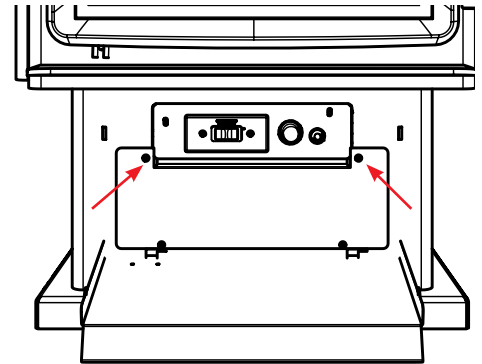
1. Gas on/off knob
2. Electronically Operated Hi/Lo
3. Pilot Adjustment
4. Thermocouple Connection - *option*
5. Outlet Pressure Tap
6. Inlet Pressure Tap
7. Pilot Outlet
8. Main Gas Outlet
9. Alternative TC Connection Point



**DC SPARKER BATTERY REPLACEMENT**

1. Open door on pedestal or heat shield with legs base.  
Remove two (2) screws in locations shown below to remove access panel.
2. Install the replacement battery into the DC Sparker Box by opening the battery compartment.

**NOTE:** The battery in the DC Sparker Box will need to be replaced annually.



*Pedestal base shown*





## LOG INSTALLATION

**WARNING:** Dangerous operating conditions may occur if these logs are not positioned in their approved locations. Read the instructions below carefully and refer to the diagrams. If logs are broken do not use the unit until they are replaced. Broken logs can interfere with the pilot and burner operation.

The gas log kit contains the following:

- a) Front Log
- b) Rear Log
- c) Small Cross Logs (2)
- d) Bag of embers
- e) Bag of rockwool
- f) Bag of platinum embers (supplied with packaged manual)

1. Remove securing screw from bracket as shown.

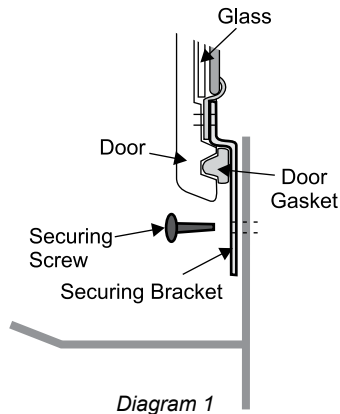


Diagram 1

**DO NOT TRY TO TURN DOOR HANDLE! IT IS NOT DESIGNED TO BE MOVED.**

**Note:** The door must be kept closed at all times, except during maintenance. The unit must never be operated without the glass in the door, or with the door open.

2. Remove the glass frame from the stove by removing four hex nuts (support glass so it doesn't fall out). See diagram 1.
3. Ensure that the front and rear deflectors are installed.
4. Remove the logs from the box and carefully unwrap them. **The logs are fragile, handle with care. Do not force into position.**
5. Place the rear log on the rear log support pins in the back of the unit. The flat side of the log facing the back of the unit. Carefully push the log down onto the pins. See diagram 3.

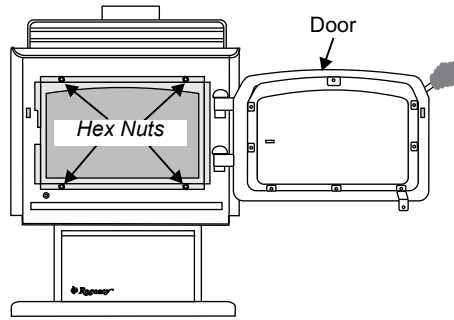


Diagram 2

6. Place the front log in the front of the unit, aligning the holes on the underside of the log with the log support pins in the front of the unit. Carefully push the log down onto the pins. See diagram 3.
7. Place the cross logs on top of the larger logs aligning the holes on the underside of the cross log with the log pins in the larger logs. See diagrams 3 & 4. Carefully push the cross logs onto the pins.

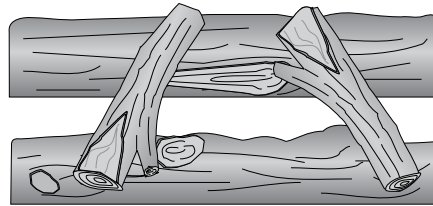


Diagram 3

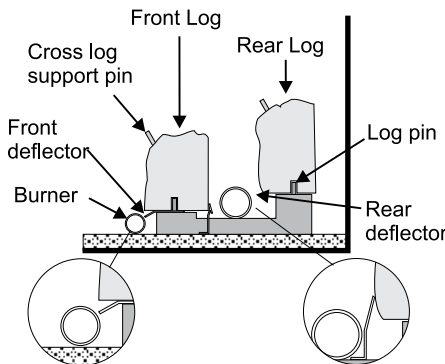


Diagram 4

8. Distribute the embers along the mesh ember tray but do not cover the burner ports. (Burner ports are the little holes on the top of the burner tube.) Pull off ember size pieces from the rockwool. Gently place the pieces on top of the embers. See diagram 5.

Do not put the rock wool directly on the burner. Before putting the glass back on, turn the unit on as per lighting instructions in this manual. Watch the flame to see if it flows smoothly around from one end to the other. (Use Extreme Caution and ensure proper light off of burner.)

9. Separate platinum embers and place on the mesh ember tray along side embers. Avoid stacking platinum embers.

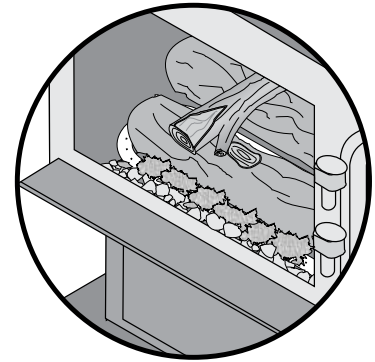


Diagram 5

**Note:** If the flame hesitates at any point, check the area of hesitation and see if there is an ember or rock wool blocking a burner port or ports. If so, move the obstruction and then check the flame flow again.

10. Replace the glass. Secure door in the closed position using the door securing bracket and the screw provided, Figure 1. See door and glass frame instructions.

**Note:** Door securing bracket is there for safety.

## DOOR AND GLASS FRAME

1. The glass frame fastens with four screws. See diagram 1.

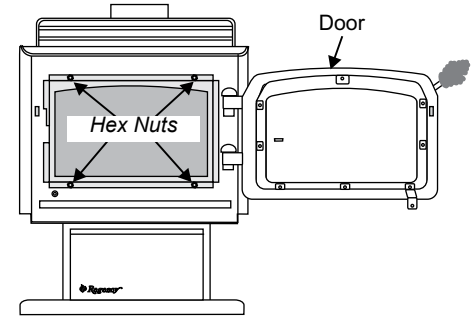


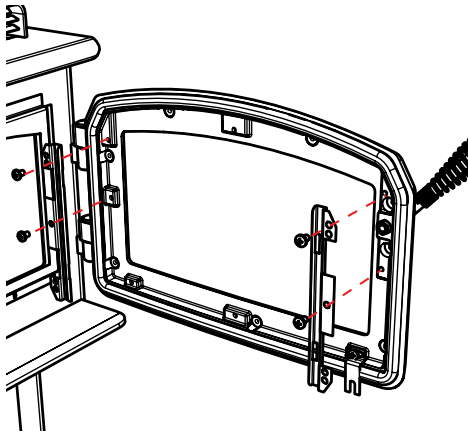
Diagram 1

**Note:** The unit must never be operated without the glass in place. (One exception is made during the log and ember installation.)

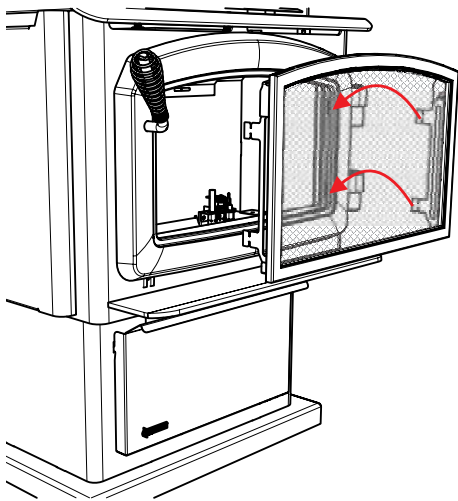
2. The securing bracket keeps the door closed.

## SAFETY SCREEN INSTALLATION / REMOVAL

1. Install slotted brackets (found in the manual pack) to the back of the door with 2 screws on each side as shown below.

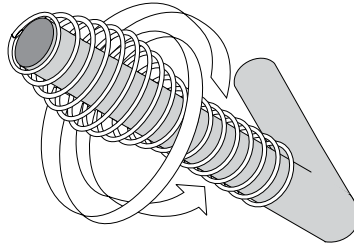


2. To install the safety screen, hook the tabs on the safety screen into the slotted bracket on either side of the glass door.
3. To remove the safety screen, lift up slightly and pull forward.



## DOOR HANDLE

Attach spring handle by rotating counter clockwise onto rod. Ensure that the spring fits into the entire length of the rod.



**DO NOT TRY TO TURN  
DOOR HANDLE!  
IT IS NOT DESIGNED  
TO BE MOVED.**

## REMOTE CONTROL INSTALLATION

Use the Regency® Remote Control Kit supplied with this unit. Use of other systems may void your warranty.

The remote control kit comes with a hand held transmitter, a receiver and a wall mounting plate.

**CAUTION**  
**Do not wire millivolt remote control  
wires to the  
120V AC wires**

1. Install 3AAA alkaline batteries in transmitter and 4 AA alkaline batteries in the receiver. Install the receiver and its cover in the wall. Switch the remote receiver to "remote" mode. The remote control is now ready for operation.

## OPTIONAL WALL THERMOSTAT

A wall thermostat may be installed if desired. Connect the wires as per the wiring diagrams. Note that the wires are connected to the "TH" on the gas valve. Use table below to determine the maximum wire length:

**Note: Preferable if the thermostat is installed on an interior wall.**

Regency® offers an optional programmable thermostat but any 250-750 millivolt rated non-anticipator type thermostat that is CSA, ULC or UL approved may be used.

**CAUTION**  
**Do not connect the millivolt  
wall thermostat wires  
to the 120V wires.**

| Thermostat Wire Table   |             |
|---|-------------|
| Recommended Maximum Lead Length<br>(Two-Wire) When Using Wall<br>Thermostat (CP-2 System) |             |
| Wire Size   | Max. Length |
| 14 GA.  | 50 Ft.      |
| 16 GA.  | 32 Ft.      |
| 18 GA.  | 20 Ft.      |
| 20 GA.  | 12 Ft.      |
| 22 GA.  | 9 Ft.       |

## FINAL CHECK

Before leaving this unit with the customer, the installer must ensure that the appliance is firing correctly. This includes:

1. Clocking the appliance to ensure the correct firing rate (rate noted on label) at 15 minutes.
2. If required, adjusting the primary air to ensure that the flame does not carbon. First allow the unit to burn for 15 min. to stabilize.
3. Check for proper draft.

**CAUTION**  
**Any alteration to the product that causes sooting or carboning that results in damage to the exterior facia is not the responsibility of the manufacturer.**

WIRING DIAGRAM

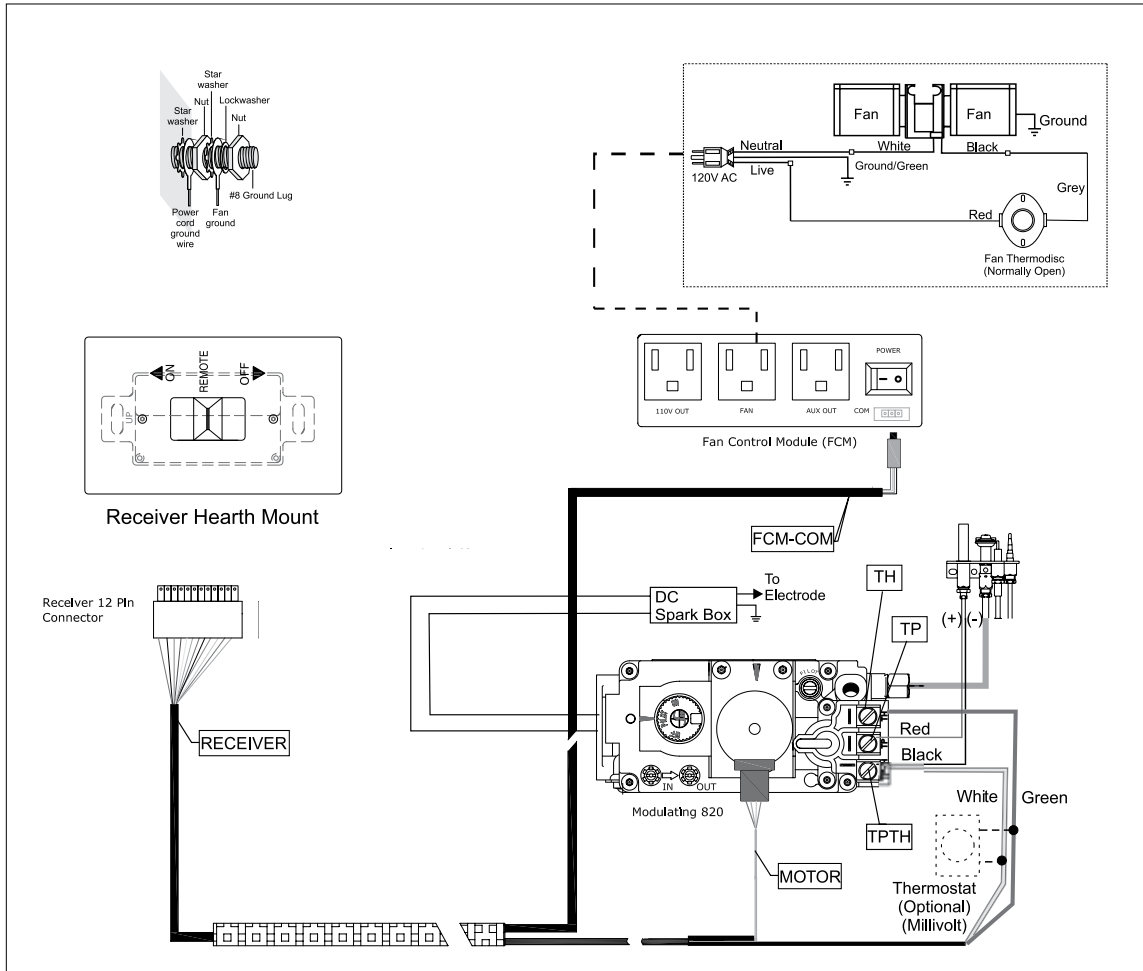
**WARNING:**  
Electrical Grounding  
Instructions

This appliance is equipped with a three pronged (grounding) plug for your protection against shock hazard and should be plugged directly into a properly grounded three-prong receptacle. Do not cut or remove the grounding prong from this plug.

This heater does not require a 120V A.C. supply for operation. In case of a power failure, the burner switch and the optional remote control/thermostat will continue to operate.

However, a 120V A.C. power supply is needed for the fan/blower operation.

**CAUTION:** Ensure that the wires do not touch a hot surface and are away from sharp edges.

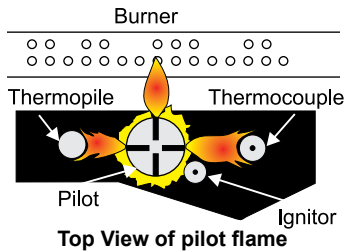




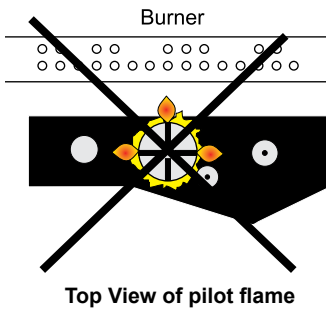
## PILOT ADJUSTMENT

Periodically check the pilot flames. Correct flame pattern has three strong blue flames: 1 flowing around the thermopile, 1 around the thermocouple and 1 flowing across the burner (it does not have to be touching the burner).

**Note:** If you have an incorrect flame pattern, contact your Regency® dealer for further instructions.



Incorrect flame pattern will have small, probably yellow flames, not coming into proper contact with the rear burner or thermopile or thermocouple.

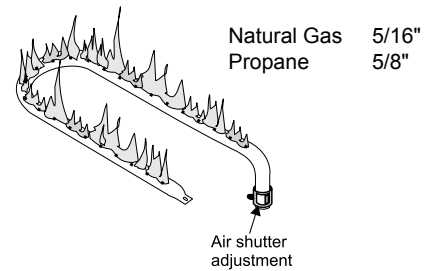


## AERATION ADJUSTMENT

This adjustment is performed by the installer and is primarily used in installations at high elevations. Push in for a yellow flame, or pull out for a bluer flame. The burner aeration is factory set but may need adjusting due to either the local gas supply or altitude.

**Caution:** Carbon will be produced if air shutter is closed too much.

**Note:** Aeration Adjustment should only be performed by an authorized Regency® Installer at the time of installation or service.



## FIRST FIRE

The first fire in your stove is part of the paint curing process. To ensure that the paint is properly cured, it is recommended that you burn your fireplace for at least four (4) hours the first time you use it with the fan on. When first operated, the unit will release an odour caused by the curing of the paint, the burning off of any oils remaining from manufacturing. Smoke detectors in the house may go off at this time. Open a few windows to ventilate the room for a couple of hours.

The glass panel may require cleaning after the unit has cooled down.

## DO NOT ATTEMPT TO CLEAN THE GLASS WHILE IT IS HOT.

**Note:** When the glass is cold and the appliance is lit, it may cause condensation and fog the glass. This condensation is normal and will disappear in a few minutes as the glass heats up.

During the first few fires, a white film may develop on the glass front as part of the curing process. The glass should be cleaned or the film will bake on and become very difficult to remove. Use a non-abrasive cleaner and NEVER clean the glass while it is hot.

**DO NOT BURN THE APPLIANCE WITHOUT THE GLASS FRONT IN PLACE.**

## OPERATING INSTRUCTIONS

1. Read and understand these instructions before operating this appliance.
2. Check to see that all wiring is correct and enclosed to prevent possible shock.
3. Check to ensure there are no gas leaks.
4. Make sure the glass in the door frame is properly positioned. Never operate the appliance with the glass removed.
5. Verify that the venting and cap are unobstructed.
6. Verify log placement. If the pilot cannot be seen when lighting the unit, the logs have been incorrectly positioned.
7. The unit should never be turned off, and on again without a minimum of a 60 second wait.
8. Hook up remote receiver to wire marked 'receiver'

which will be located on the bottom of the appliance. This remote control requires coding. See remote control instructions for details.

**NOTE:** This appliance will operate during power outages. Only the fan will not operate until power is restored. If the remote batteries in both the handheld transmitter or receiver lose power, the appliance can still be operated by sliding the switch on the receiver switch from "Remote" to "ON". To turn on the appliance off slide the receiver switch from "ON" to "Remote" or "OFF".

**IMPORTANT:** The remote control system supplied with this appliance has several options for starting/operating the appliance, please read the remote control operating instructions (packed with remote control) to understand how to operate this remote system. You can download remote functions video with the QR code below..



Proflame video

## LIGHTING PROCEDURE

**IMPORTANT**  
Prior to igniting or re igniting the pilot, remove the glass door.

Important: If the pilot does not hold, turn pilot knob to "OFF" position. Wait 5 minutes to clear gas. If you smell gas - STOP! Follow the safety information above. If you don't smell gas, repeat Steps 1-6.

1. Push in gas control knob slightly and turn to "PILOT" position.
2. Push in control knob all the way and hold in until the pilot lights up. Continue to hold the control knob in for about 20 seconds after the pilot is lit. Release knob.
3. Push in gas control knob slightly and turn to "ON" position.
4. Ensure the receiver is in the remote position.

Set Switch to Remote



Diagram 1

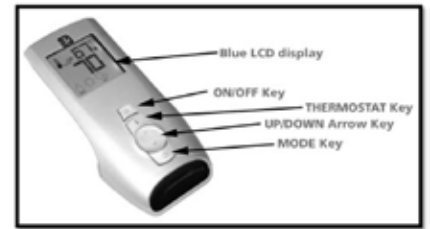
5. Press and release the ON/OFF button on the remote handheld transmitter. An audible beep should be heard from the receiver.



ON/OFF Button

Diagram 2

Remote shown in Manual Mode on Hi



6. The unit will turn on.

## SHUTDOWN PROCEDURE

1. Press "OFF" on the remote or slide receiver switch from remote to "OFF".
2. Turn the gas control knob to the "OFF" position to turn off the pilot.

Pilot may be shut off during prolonged non use periods to conserve fuel.

## COPY OF THE LIGHTING PLATE INSTRUCTIONS

**FOR YOUR SAFETY READ BEFORE LIGHTING**

This appliance must be installed in accordance with local codes, if any; if none, follow the National Fuel Gas Code, ANSI Z223.1/NFPA 54, or Natural Gas and Propane Installation Codes, CSA B149.1.

**WARNING:** If you do not follow these instructions exactly, a fire or explosion may result causing property damage, personal injury or loss of life. Improper installation, adjustment, alteration, service or maintenance can cause injury or property damage. Refer to the owner's information manual provided with this appliance. For assistance or additional information consult a qualified installer, service agency or gas supplier.

**AVERTISSEMENT:** Quiconque ne respecte pas à la lettre les instructions dans la présente notice risquerait déclencher un incendie ou une explosion entraînant des dommages, des blessures ou la mort.

Une installation, d'ajustement, de modification, de service ou d'entretien peut provoquer des blessures ou des dommages matériels. Reportez-vous au manuel du propriétaire de l'information fournie avec cet appareil. Pour obtenir de l'aide ou des informations supplémentaires consulter un installateur qualifié, une agence de service ou fournisseur de gaz.

- A) This appliance is equipped with an ignition device which automatically lights the pilot. Do not try to light the pilot by hand.
- B) **BEFORE OPERATING** smell all around the appliance area for gas. Be sure to smell next to the floor because some gas is heavier than air and will settle on the floor.
- WHAT TO DO IF YOU SMELL GAS**
- Do not try to light any appliance.
  - Do not touch any electric switch, do not use any phone in your building.
  - Immediately call your gas supplier from a neighbour's phone. Follow the gas supplier's instructions.
  - If you cannot reach your gas supplier, call the fire department.
- C) Do not use this appliance if any part has been under water. Immediately call a qualified service technician to inspect the appliance and replace any part of the control system and any gas control which has been underwater.
- A) Cet appareil est muni d'un dispositif d'allumage qui allume automatiquement la veilleuse. Ne tentez pas d'allumer la veilleuse manuellement.
- B) **AVANT DE FAIRE FONCTIONNER**, reniflez tout autour de l'appareil pour déceler une odeur de gaz. Reniflez près du plancher, car certains gaz sont plus lourds que l'air et peuvent s'accumuler au niveau du sol.
- QUE FAIRE SI VOUS SENTEZ UNE ODEUR DE GAZ :**
- Ne pas tenter d'allumer d'appareil
  - Ne touchez à aucun interrupteur; ne pas vous servir des téléphones se trouvant dans le bâtiment.
  - Appelez immédiatement votre fournisseur de gaz depuis un voisin. Suivez les instructions du fournisseur.
  - Si vous ne pouvez rejoindre le fournisseur, appelez le service des incendies
- C) N'utilisez pas cet appareil s'il a été plongé dans l'eau, même partiellement. Faites inspecter l'appareil par un technicien qualifié et remplacez toute partie du système de contrôle et toute commande qui ont été plongés dans l'eau.

**CAUTION:** Hot while in operation. Do not touch. Severe Burns may result. Due to high surface temperatures keep children, clothing and furniture, gasoline and other liquids having flammable vapors away. Keep burner and control compartment clean. See installation and operating instructions accompanying appliance.

**LIGHTING INSTRUCTIONS**

Important: If the pilot does not hold, turn pilot knob to "OFF" position. Wait 5 minutes to clear gas. If you smell gas - STOP! Follow the safety information above. If you don't smell gas, repeat Steps 1-6.

- 1) Push in gas control knob slightly and turn to "PILOT" position.
- 2) Push in control knob all the way and hold in until the pilot lights up. Continue to hold the control knob in for about 20 seconds after the pilot is lit. Release knob.
- 3) Push in gas control knob slightly and turn to "ON" position.
- 4) Ensure the receiver is in the remote position.
- 5) Press and release the ON/OFF button on the remote handheld transmitter. An audible beep should be heard from the receiver.
- 6) The unit will turn on.

Important : Si le pilote ne tient pas, tourner le bouton pilote en position "ARRÊT". Attendre 5 minutes pour effacer du gaz. Si vous avez une odeur de gaz - STOP ! Suivez les consignes de sécurité ci-dessus. Si vous n'avez pas une odeur de gaz, répétez les étapes 1 à 6.

- 1) Enfoncez légèrement le bouton de réglage du gaz et tournez-le à la position « PILOT » (VEILLEUSE).
- 2) Enfoncez le bouton de réglage jusqu'au fond et tenez-le jusqu'à ce que la veilleuse s'allume. Tenez le bouton de réglage enfoncé environ 20 secondes après l'allumage de la veilleuse. Relâchez le bouton.
- 3) Enfoncez légèrement le bouton de réglage et tournez-le à la position « ON » (EN MARCHÉ).
- 4) S'assurer que l'interrupteur mural/récepteur soit en position télécommande.
- 5) Appuyer sur la touche ON/OFF de la télécommande et relâcher. Un bip sonore se fera entendre depuis le récepteur
- 6) Les flammes s'allumeront.

**TO TURN OFF GAS APPLIANCE**

- 1) Press "OFF" on the remote or slide receiver switch from remote to "OFF".
  - 2) Turn the gas control knob to the "OFF" position to turn off the pilot. Pilot may be shut off during prolonged non use periods to conserve fuel.
- 1) Appuyez sur le bouton "OFF" sur la télécommande ou sur la diapositive interrupteur récepteur de télécommande sur "OFF".
  - 2) Mettre le bouton de commande de gaz en position OFF pour éteindre la veilleuse. Pour économiser le carburant, éteignez la veilleuse quand l'appareil reste longtemps inutilisé.

**DO NOT REMOVE THIS INSTRUCTION PLATE**

919-456

## NORMAL OPERATING SOUNDS OF GAS APPLIANCES

It is possible that you will hear some sounds from your gas appliance. This is perfectly normal due to the fact that there are various gauges and types of steel used within your appliance. Listed below are some examples. All are **normal operating sounds** and should not be considered as defects in your appliance.

### Blower:

Regency® gas appliances use high tech blowers to push heated air farther into the room. It is not unusual for the fan to make a "whirring" sound when ON. This sound will increase or decrease in volume depending on the speed setting of your fan speed control.

### Burner Tray:

The burner tray is positioned directly under the burner tube(s) and logs and is made of a different gauge material from the rest of the firebox and body. Therefore, the varying thicknesses of steel will expand and contract at slightly different rates which can cause "ticking" and "cracking" sounds. You should also be aware that as there are temperature changes within the unit these sounds will likely re-occur. Again, this is normal for steel fireboxes.

### Blower Thermodisc:

When this thermally activated switch turns ON it will create a small "clicking" sound. This is the switch contacts closing and is normal.

### Pilot Flame:

While the pilot flame is on it can make a very slight "whisper" sound.

### Gas Control Valve:

As the gas control valve turns ON and OFF, a dull clicking sound may be audible, this is normal operation of a gas regulator or valve.

### Unit Body/Firebox:

Different types and thicknesses of steel will expand and contract at different rates resulting in some "cracking" and "ticking" sounds will be heard throughout the cycling process.

## THERMOPILE / THERMOCOUPLE

1. Loosen the thermocouple or thermopile with a 7/16" wrench at bracket.
2. Disconnect thermocouple by loosening nut from the valve with a 9mm wrench. Disconnect thermopile by loosening 2 screws marked TP on the valve.
3. Drop the thermocouple or thermopile down from the bracket and pull it out of the unit.
4. Reinstall the new ones in reverse order.

## MAINTENANCE INSTRUCTIONS

1. Always turn off the gas valve before cleaning. For relighting, refer to lighting instructions. Keep the burner and control compartment clean by brushing and vacuuming at least once a year. When cleaning the logs, use a soft clean paint brush as the logs are fragile and easily damaged.
2. Clean appliance and door with a damp cloth (never when unit is hot). Never use an abrasive cleaner.
 

The heater is finished in a heat resistant paint and should only be refinished with heat resistant paint. Regency® uses Stove Brite Paint - Metallic Black #6309.
3. The glass should be cleaned with a gas fireplace glass cleaner when it starts to turn milky.
4. Make a periodic check of burner for proper position and condition. Visually check the flame of the burner periodically, making sure the flames are steady; not lifting or floating. If there is a problem, call a qualified service person.

5. The appliance and venting system must be inspected before use, and at least annually, by a qualified field service person, to ensure that the flow of combustion and ventilation air is not obstructed. During the annual service call, the burners should be removed from the burner tray and cleaned. Replace the embers and rock wool.
6. Keep the area near the appliance clear and free from combustible materials, gasoline and other flammable vapours and liquids.

**CAUTION:**  
**ANY SAFETY SCREEN OR GUARD REMOVED FOR SERVICING AN APPLIANCE MUST BE REPLACED PRIOR TO OPERATING THE APPLIANCE.**

**NEVER OPERATE THE APPLIANCE WITHOUT THE GLASS PROPERLY SECURED IN PLACE.**

## GENERAL VENT MAINTENANCE

Conduct an inspection of the venting system semiannually. Recommended areas to inspect are:

1. Check areas of the Venting System which are exposed to the elements, for corrosion. These will appear as rust spots or streaks, and in extreme cases, holes. These components should be replaced immediately.
2. Remove the Cap, and shine a flashlight down the Vent. Remove any birds nests, or other foreign material.
3. Check for evidence of excessive condensation, such as water droplets forming in the inner liner, and subsequently dripping out the joints. Continuous condensation can cause corrosion of caps, pipe, and fittings. It may be caused by having excessive lateral runs, too many elbows, and exterior portions of the system being exposed to cold weather.
4. Inspect joints, to verify that no pipe sections or fittings have been disturbed, and consequently loosened. Also check mechanical supports such as Wall Straps for rigidity.

## LOG REPLACEMENT

The unit should never be used with broken logs. Turn off the gas valve and allow the unit to cool before opening door to carefully remove the logs. The pilot light generates enough heat to burn someone. If for any reason a log should need replacement, use only Regency® replacement logs. The position of these logs must be as shown in the diagram under Log Installation.

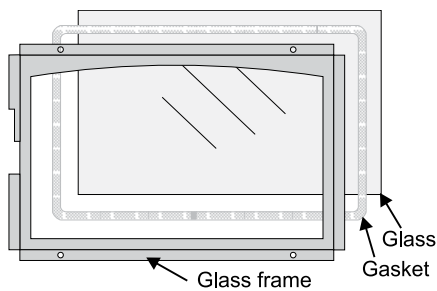
**Note: Improper positioning of logs may create carbon buildup and will alter the unit's performance which is not covered under warranty.**

## GLASS GASKET

If the front glass requires replacement use (Part # 846-302).

## GLASS REPLACEMENT

Your CLASSIC stove is supplied with high temperature, 5 mm Neoceram ceramic glass that will withstand the highest heat that your unit will produce. In the event that you break your glass by impact, purchase your replacement glass from an authorized Regency® dealer only.



## REMOVING VALVE ASSEMBLY

1. Shut off gas and electrical supply.
  2. If optional fan is installed, disconnect power source to stove.
  3. Remove access panel.
    - a) Front panel on pedestal model. See Diagram 1.
    - b) Panel from bottom of leg shield. See Diagram 2.
- Note: Access panel only has to be loosened to be taken out.**
4. Remove valve cover plate by removing two (2) screws.
  5. Disconnect receiver wire.
  6. Remove cover plate by removing 4 screws (Pedestal option only).

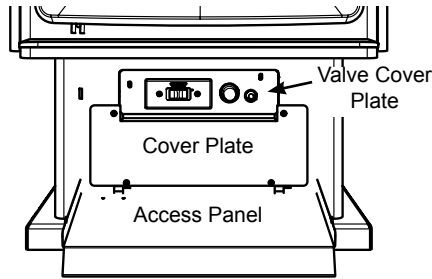


Diagram 1

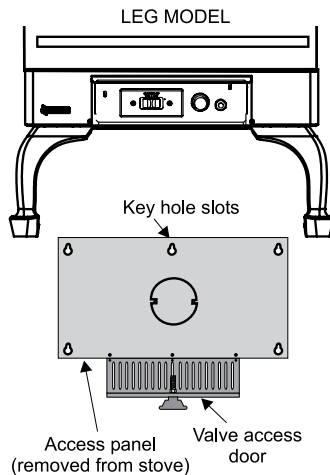


Diagram 2

7. Disconnect gas line to stove.
8. Disconnect 3/8" NPT pipe from 90° elbow on valve.
9. Disconnect the two (2) switch wires from valve.
10. Disconnect three (3) fan wire from DC sparker.
11. Remove orifice.
12. Loosen four (4) phillips head M5 valve mounting screws from underside of firebox. Drop valve assembly down.

To remove valve from valve assembly, continue.

13. Remove two (2) thermopile wires.
14. Remove thermocouple with a 9 mm (metric) wrench.
15. Remove pilot nut with an 11 mm wrench.
16. Remove valve to orifice nut with a 13/16" wrench.
17. Remove inlet pipe with pipe wrench. Note orientation of 90° elbow.
18. Remove two (2) phillips head M5 screws on each side of the valve.
19. Remove valve and remove gas out 90° brass fitting. Note orientation of fitting.

See diagram in "Optional Fan Installation" section for more detail.

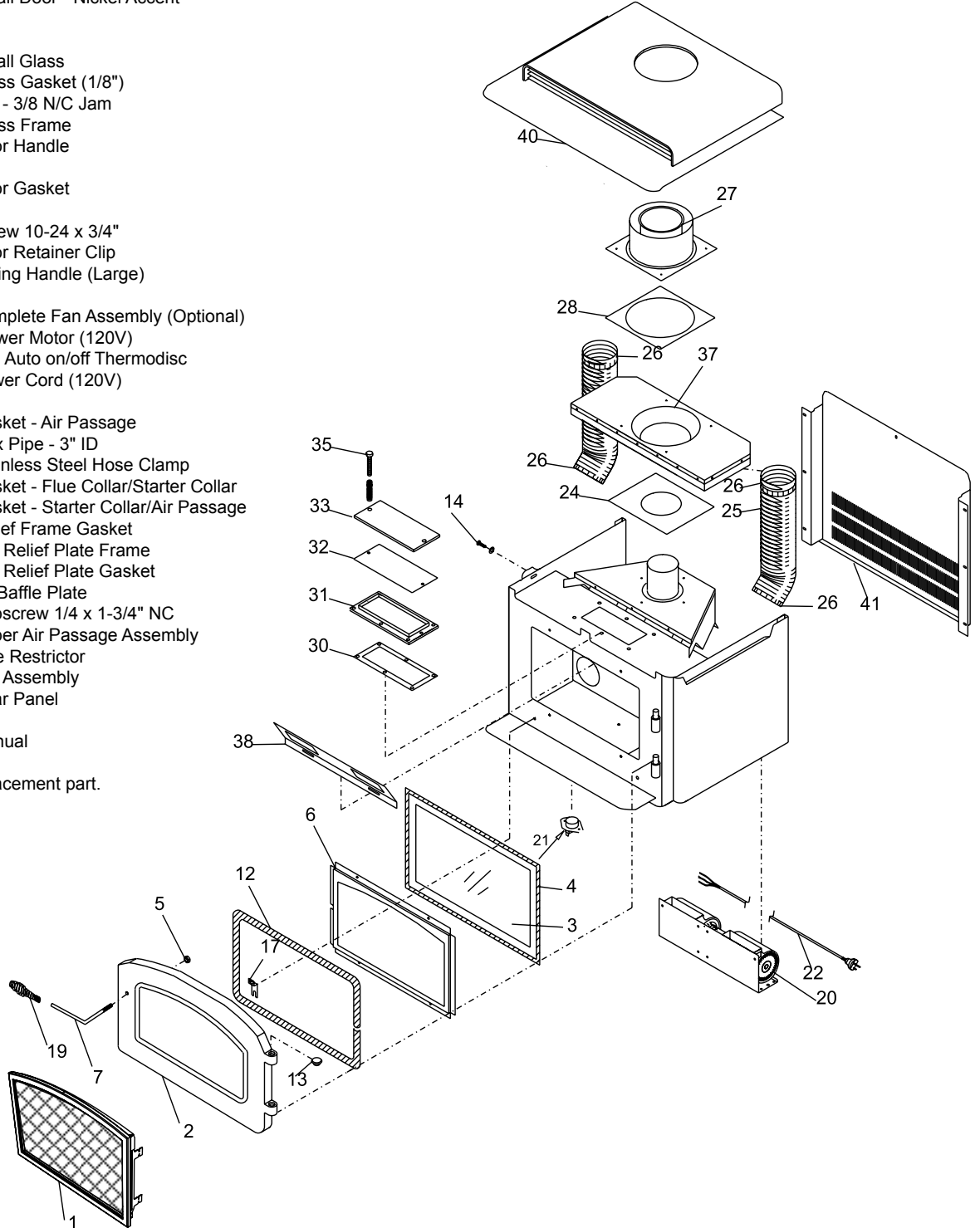
## INSTALLING VALVE ASSEMBLY

1. To install a new valve assembly, reverse instructions for **removing valve**. See assembly steps 1-10.
2. Check for leaks and manifold pressure. See **Gas Pressure Test** instructions.
3. To reinstall valve, reverse instructions for removing valve assembly, steps 11-17.

**MAIN ASSEMBLY**

| Part #  | Description                                 |
|---------|---|
| 1.      | 493-519 Safety Screen                       |
| 2.      | 490-941 Small Door - Black                  |
|         | 490-943 Small Door - Nickel Accent          |
| 3.      | 846-302 Small Glass                         |
| 4.      | 936-240 Glass Gasket (1/8")                 |
| 5.      | * Nut - 3/8 N/C Jam                         |
| 6.      | 490-028 Glass Frame                         |
| 7.      | 490-030 Door Handle                         |
| 12.     | 936-233 Door Gasket                         |
| 14.     | * Screw 10-24 x 3/4"                        |
| 17.     | 471-031 Door Retainer Clip                  |
| 19.     | 948-135 Spring Handle (Large)               |
| 20.     | 493-917 Complete Fan Assembly (Optional)    |
|         | 910-157/P Blower Motor (120V)               |
| 21.     | 910-142 Fan Auto on/off Thermodisc          |
| 22.     | 910-813 Power Cord (120V)                   |
| 24.     | * Gasket - Air Passage                      |
| 25.     | * Flex Pipe - 3" ID                         |
| 26.     | * Stainless Steel Hose Clamp                |
| 27.     | 936-197 Gasket - Flue Collar/Starter Collar |
| 28.     | 936-194 Gasket - Starter Collar/Air Passage |
| 30.     | W260260 Relief Frame Gasket                 |
| 31.     | 942-117 Top Relief Plate Frame              |
| 32.     | W260280 Top Relief Plate Gasket             |
| 33.     | 290-021 Air Baffle Plate                    |
| 35.     | * Capscrew 1/4 x 1-3/4" NC                  |
| 37.     | * Upper Air Passage Assembly                |
| 38.     | 490-081 Flue Restrictor                     |
| 40.     | 490-520 Top Assembly                        |
| 41.     | 490-042 Rear Panel                          |
| 919-490 | Manual                                      |

\*Not available as a replacement part.

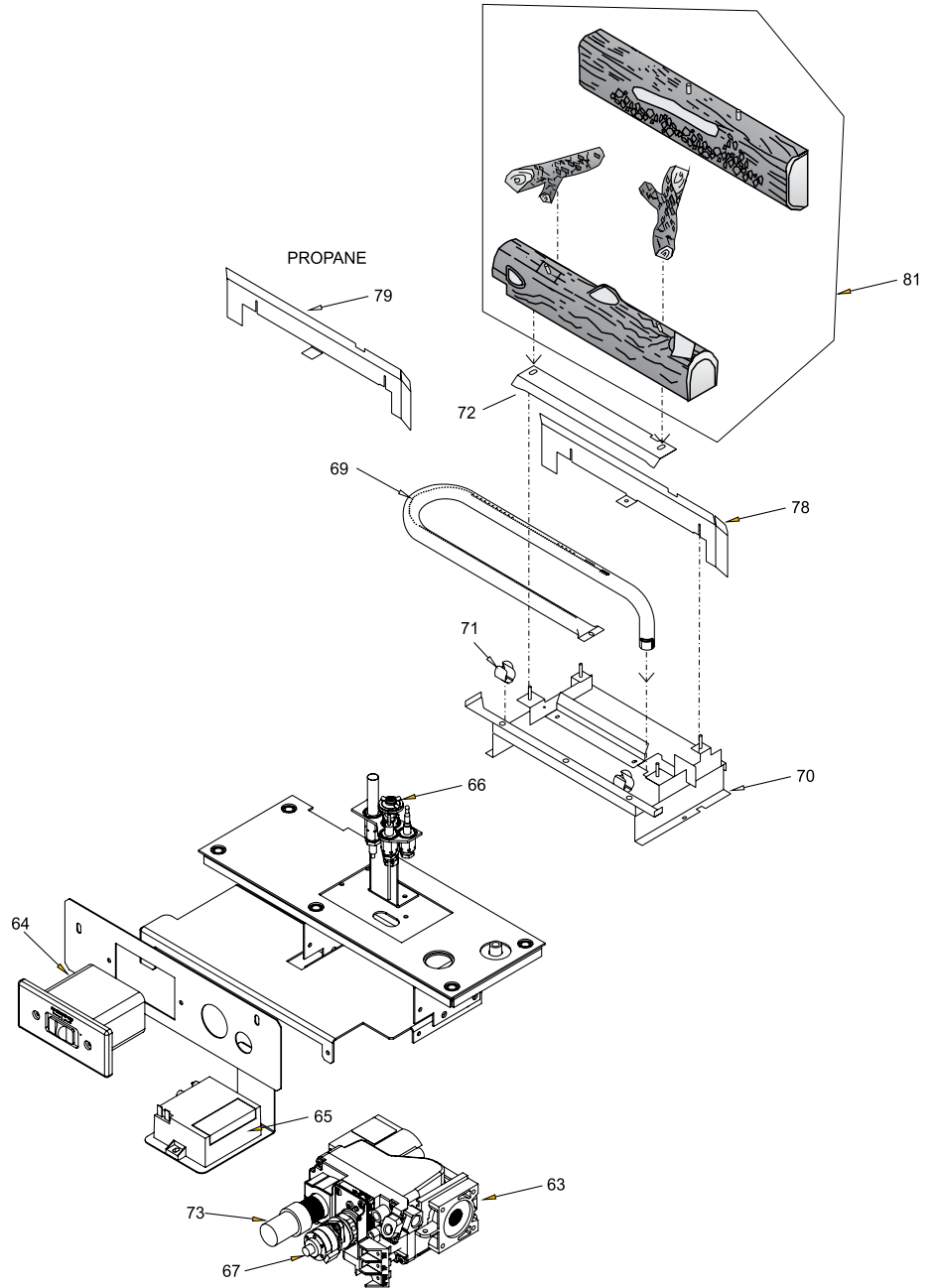




### BURNER ASSEMBLY & LOG SET

| Part # | Description                                  |
|--------|--|
| 53.    | * Control Panel                              |
| 54.    | * Control Panel Decal                        |
| **     | 493-574/P Valve Assembly - S.I.T. - Nat. Gas |
| **     | 493-576/P Valve Assembly - S.I.T. - Propane  |
| 63.    | 910-578 Novasit 829 Valve - NG               |
|        | 910-580 Novasit 829 Valve - LP               |
| 64.    | 910-572 Remote Receiver                      |
| 65.    | 910-073 DC Spark box                         |
| 66.    | 910-034 Pilot Assy 3 Flame-S.I.T. -NG        |
|        | 910-035 Pilot Assy 3 Flame-S.I.T. -LP        |
| 67.    | 910-581 Stepper Motor NG                     |
|        | 910-582 Stepper Motor LP                     |
| **     | 910-592 Remote hand held (GTMF)              |
| **     | 911-127 Battery Compartment Door             |
| **     | 910-036 Pilot Orifice NG                     |
| **     | 910-037 Pilot Orifice LP                     |
| **     | 910-096 Pilot Hood                           |
| **     | 910-341 Thermopile                           |
| **     | 910-386 Thermocouple                         |
| **     | 910-432 Pilot Tube w/nuts                    |
| **     | 910-074 DC spark box wire                    |
| **     | 911-030 Fan Control Module                   |
| **     | 911-029 Valve/Remote Wiring Harness          |
| **     | 904-604 #36 Orifice (NG)**                   |
| **     | 904-390 #52 Orifice (LP)**                   |
| **     | 936-170 Orifice Gasket                       |
| 68.    | 936-175 Gasket - Top Plate                   |
| 69.    | 948-280 Burner c/w Air Cap - NG/LP           |
| **     | Complete Burner Tray Assy-NG/LP              |
| 71.    | * Clamp for Burner                           |
| 72.    | 490-023 Front Log Deflector - NG/LP          |
| 73.    | 910-373 Pilot/On/Off extension knob          |
| 78.    | 490-067 Deflector-Top Rear Log - NG          |
| 79.    | 490-068 Deflector-Top Rear Log - LP          |
| 81.    | 490-932 Complete Log Set                     |
| **     | 902-151 Ember                                |
| **     | 902-153 Rockwool                             |
| **     | 904-537 Gas Inlet Pipe (12")                 |

\* Not available as a replacement part  
 \*\* Not shown



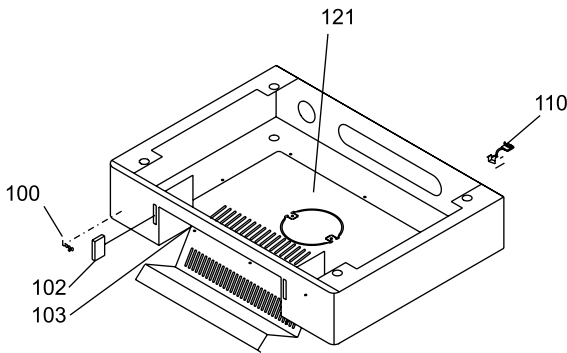
**BASE OPTIONS**

| Part #       | Description                      |
|--------------|----------------------------------|
| 493-921      | Complete Floor Shield            |
| 100 948-216  | Regency® Logo                    |
| 102. 904-257 | Magnetic Catch (Large)           |
| 103. *       | 11" Pedestal Hinge               |
| 110 910-327  | Strain Relief for Power Cord     |
| 121. 490-005 | Access Panel                     |
| 140. 850-126 | Cast Legs - Black (4/set)        |
| 850-128      | Cast Legs - Brush Nickel (4/set) |

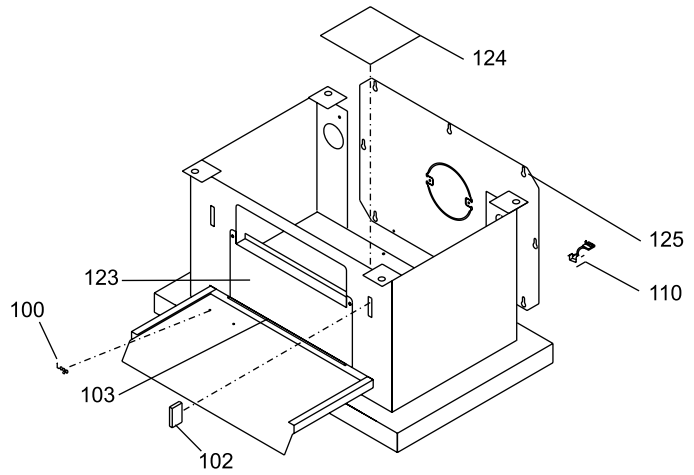
| Part #       | Description                  |
|--------------|------------------------------|
| 100 948-216  | Regency® Logo                |
| 102. 904-257 | Magnetic Catch (Large)       |
| 103. *       | 11" Pedestal Hinge           |
| 110 910-327  | Strain Relief for Power Cord |
| 123. 490-070 | Pedestal Blanking Plate      |
| 124. 820-058 | Pedestal Cover Plate         |
| 125. 490-002 | Rear Cover Plate             |

\*Not available as a replacement part.

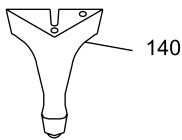
493-926 Complete Pedestal



FLOOR SHIELD (OPTIONAL)



PEDESTAL (OPTIONAL)



LEGS (OPTIONAL)







Regency® Fireplace Products are designed with reliability and simplicity in mind. In addition, our internal Quality Assurance Team carefully inspects each unit thoroughly before it leaves our facility. Regency® Fireplace Products is pleased to extend this limited lifetime warranty to the original purchaser of a Regency® Product. This warranty is not transferable.

**The Warranty: Limited Lifetime:**

The combustion chamber, heat exchanger, burner tubes/pans, logs, glass crystals, glass beads, ceramic spa stones, pebbles, brick panels and gold plating (against defective manufacture only) are covered under the Limited Lifetime Warranty for five (5) years for parts and subsidized labour\* and parts only thereafter.

Glass is covered for lifetime against thermal breakage only, parts and subsidized labour\* for five (5) years and parts only thereafter from date of purchase.

External casting, surrounds and grills are covered against cracks and warps resulting from manufacturer defects, parts and subsidized labour\* for three (3) years from the date of purchase and parts only thereafter.

Special Finishes - One year on stainless steel panels, enamel panels, Verona glass surrounds, stainless steel inner/outer door frames, inlays, nickel overlays, nickel faceplates, brushed nickel and antique copper full screens and doors. You can expect some changes in color as the product "ages" with constant heating and cooling. Regency® warrants the product for any manufacturing defects on the original product. However, the manufacturers warranty does not cover changing colors and marks, i.e. finger prints, etc. applied after the purchase of the product. Damage from the use of abrasive cleaners is not covered by warranty.

Electrical and mechanical components such as blowers, fan motors, switches, wiring, thermodiscs, Regency® remote controls, spill switches, thermopiles, thermocouples, pilot assembly, Flame sensors, electrodes, fan control modules, IFC/DFC fireplace controls, AC adaptors, and gas valves are covered for two years parts and one year subsidized labour\* from the date of purchase. Blowers and valves replaced under warranty are considered repairs and continue as if new with appliance. i.e. twelve (12) months from original purchase date of appliance with a minimum of three (3) months coverage from date of replacement.

Regency® venting components are covered parts and subsidized labour\* for three (3) years from date of purchase.

Simpson Dura-Vent venting components (Direct Vent units) are covered by Simpson Dura-Vent Inc. Warranty.

Repair/replacement parts purchased by the consumer from Regency® after the original coverage has expired on the unit will carry a 90 day warranty, valid with a receipt only. Any item shown to be defective will be repaired or replaced at our discretion. No labor coverage is included with these parts.

**Conditions:**

Any part or parts of this unit which in our judgement show evidence of such defects will be repaired or replaced at Regency's option, through an accredited distributor or agent provided that the defective part be returned to the distributor or agent Transportation Prepaid, if requested.

Porcelain/Enamel - Absolute perfection is neither guaranteed nor commercially possible. Any chips must be reported and inspected by an authorized dealer within three days of installation. Reported damage after this time will be subject to rejection.

It is the general practice of Regency® to charge for larger, higher priced replacement parts and issue credit once the replaced component has been returned to Regency® and evaluated for manufacturer defect.

The authorized selling dealer is responsible for all in-field service work carried out on your Regency® product. Regency® will not be liable for results or costs of workmanship from unauthorized service persons or dealers.

At all times Regency® reserves the right to inspect product in the field which is claimed to be defective.

All claims must be submitted to Regency® by authorized selling dealers. It is essential that all submitted claims provide all of the necessary information including customer name, purchase date, serial #, type of unit, problem, and part or parts requested, a copy of the bill of sale/proof of purchase must also accompany any submitted claims, without this information the warranty will be invalid.

**Exclusions:**

This limited Lifetime Warranty does not extend to or include paint, batteries, volcanic stones, lava embers, rockwool, door handles, platinum embers, embaglow embers, door or glass gasketing or trim.

At no time will Regency® be liable for any consequential damages which exceed the purchase price of the unit. Regency® has no obligation to enhance or modify any unit once manufactured. i.e.. as products evolve, field modifications or upgrades will not be performed.

Regency® will not be liable for travel costs for service work.

Installation and environmental problems are not the responsibility of the manufacturer and therefore are not covered under the terms of this warranty policy.

Any unit which shows signs of neglect or misuse is not covered under the terms of this warranty policy.

The warranty will not extend to any part which has been tampered with or altered in any way, or in our judgment has been subject to misuse, improper installation, negligence or accident, spillage or down drafts caused by environmental or geographical conditions, inadequate ventilation, excessive offsets, negative air pressure caused by mechanical systems such as furnaces, fans, clothes dryer, etc.

It is the responsibility of the home owner to service and maintain the appliance. If any claims are sent to FPI, you may be asked for service records to ensure the appliance has been maintained. Retain all receipts for both service and/or parts which may have been replaced. Lack of service/maintenance is the largest contributor to malfunction of an appliance and is not covered under the terms of this warranty.

Freight damage to stoves and replacement parts is not covered by warranty and is subject to a claim against the freight carrier by the dealer.

Regency® will not be liable for acts of God, or acts of terrorism, which cause malfunction of the appliance.

Performance problems due to operator error will not be covered by this warranty policy.

Products made or provided by other manufacturers and used in conjunction with the operation of this appliance without prior authorization from Regency®, may nullify your warranty on this product.

Malfunction/damage of this appliance due to mother nature (wind, rain, snow, floods, etc.) is not covered under the terms of this warranty policy. Some minor expansion, contraction, or movement of certain parts and resulting noise, is normal and not a defect and therefore not covered under this Limited Warranty. If the appliance has been operated in atmospheres contaminated by chlorine, fluorine, or other damaging chemicals, it will not be covered under this Limited Warranty.

Any alteration to the unit which causes sooting or carboning that results in damage to the interior/exterior facia is not the responsibility of Regency®.

\* Subsidy according to job scale as predetermined by FPI.

# Register your Regency® warranty online [www.regency-fire.com](http://www.regency-fire.com)

## Reasons to register your product online today!

- View and modify a list of all your registered products.
- Request automatic email notification of new product updates.
- Stay informed about the current promotions, events, and special offers on related products.

***Installer: Please complete the following information***

**Dealer Name & Address:** \_\_\_\_\_  
\_\_\_\_\_

**Installer:** \_\_\_\_\_

**Phone #:** \_\_\_\_\_

**Date Installed:** \_\_\_\_\_

**Serial No.:** \_\_\_\_\_



*C34 Video*