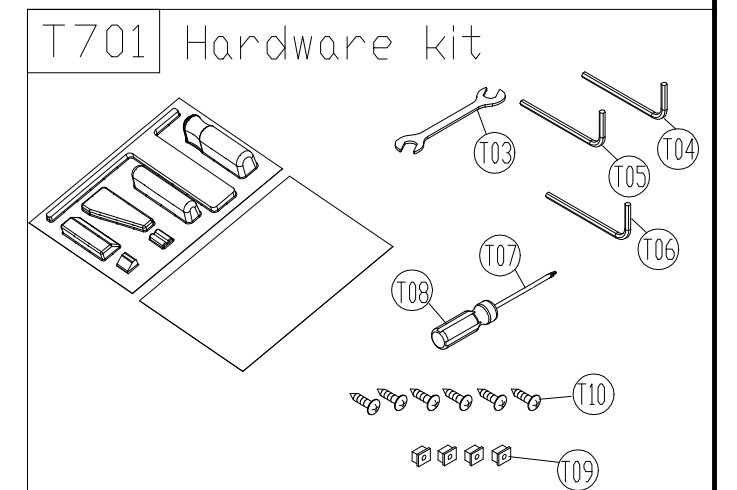
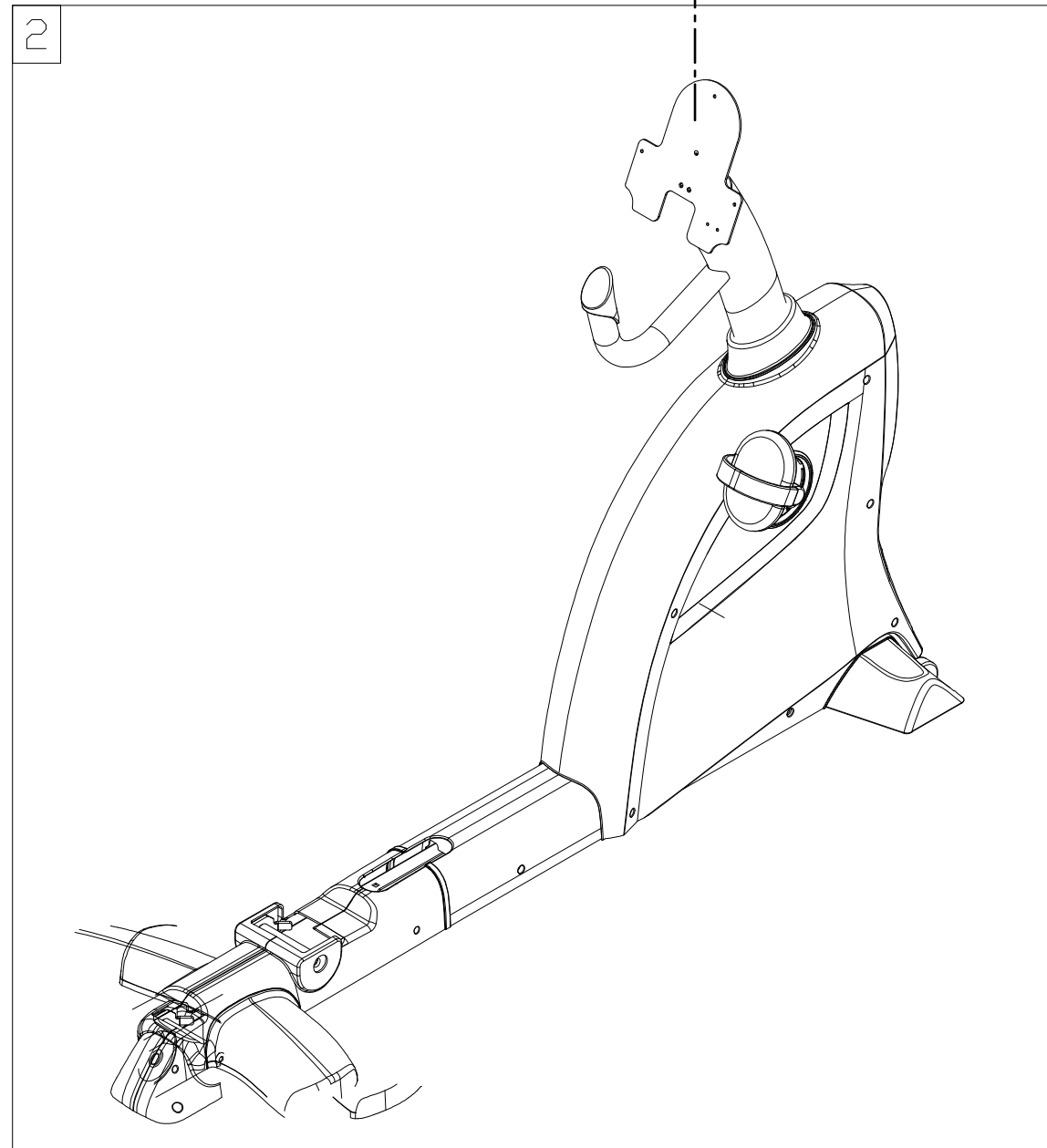
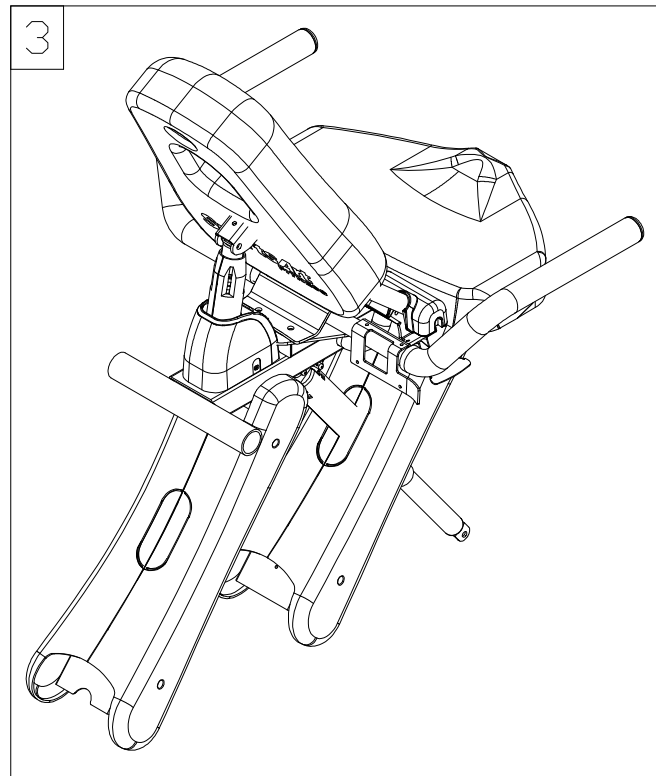
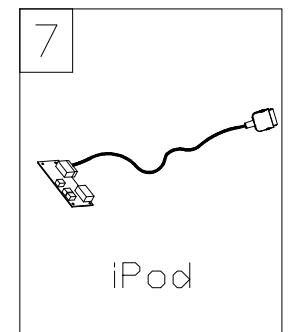
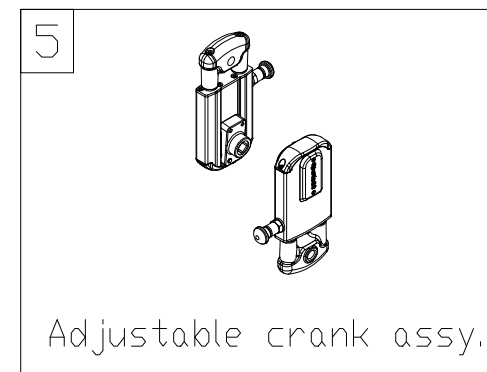
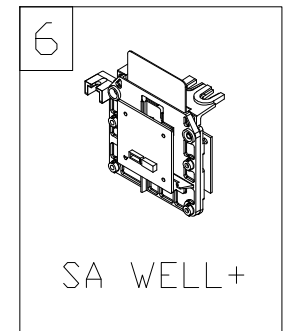
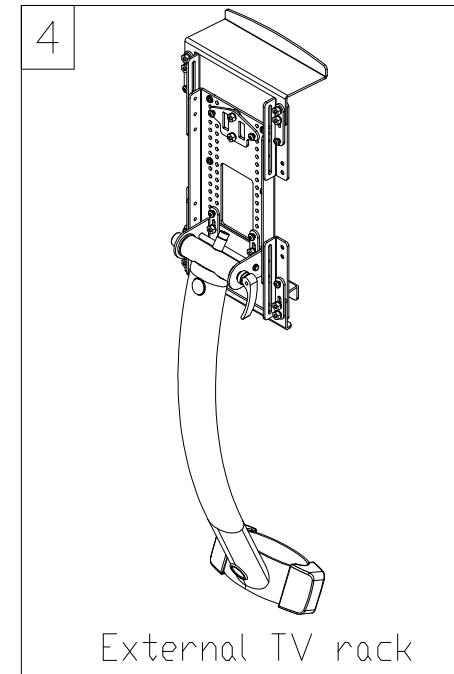
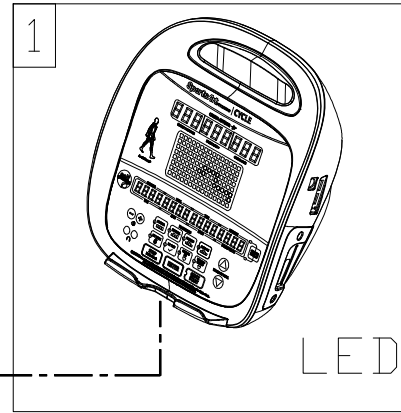


BBL	Description	QTY	Part Number	BBL	Description	QTY	Part Number
001	OWNER'S MANUAL	1	C545R-001	210	STICKER - BATTERY	1	052-563-060
002	POLAR HEART RATE STRAP	1	3100-03A	216	BATTERY BRACKET	1	183-510-030
004	DISPLAY OVERLAY	1	C545U-004	219	STICKER - FUSE 3A 110V	1	C545U-219
004A	DISPLAY OVERLAY WITH CUTOUT	1	054-563-012	221	SCREW - P (M5*P0.8*L8)	2	002-211-252
005	NO 900MHz OVERLAY	1	000-063-970	222	PLASTIC SLEEVE (D9*D5.1*L8)	2	030-141-013
005.1	900MHz OVERLAY	1	000-063-980	223	MODEL BOARD BRACKET	1	C575U-461
006	STICKER - BUTTONS	4	000-063-705	224	SCREW - P (M4*P0.7*L12)	2	002-211-225
007	SMALL CAP	4	054-730-250	227	FLYWHEEL	1	152-551-012
012	ENTERTAINMENT CAP	1	C545U-012	227V	DRIVE BELT - (460J7)	1	C52U-47A
014	PLASTIC RIVET	1	C521M-093A	228	FLYWHEEL HARDWARE	2	051-810-080
015	IPOD HOLDER	1	C545U-015	229	NUT - H (3/8")	2	001-102-042
016	SCREW - M/P (M4*L10)	2	002-210-002	231	SCREW - P (M4*P0.7*L12)	2	002-211-225
019	SCREW - M/P (M4*L10)	2	002-210-002	232	REED SWITCH BRACKET	1	C50R-47
020	SCREW BRACKET	2	C575U-020	233	SCREW - P (M3*P0.5*L10)	2	002-211-314
021	SCREW - M/P (M4*L10)	6	002-210-002	238	PEDESTAL COLLAR	1	C545R-238
025	SCREW - M/P (M4*L12)	2	002-210-003	239	MIDDLE COVER - UPPER	1	C535R-239
026	MAGAZINE HOLDER	1	C545U-026	241	STICKER - SPORTSART	2	000-063-820
029	STICKER - QR CODE	1	C575U-013	246	CRANK ARM - LEFT	1	C51U-27
030	SUPPORT PLASTIC	2	C545U-030	247	SPINDLE COVER	2	C545U-260
031	SCREW - M/P (M4*L16 D8.5)	5	002-210-004	250	SCREW - P (M5*P0.8*L12)	2	002-211-255
032	DISPLAY SUPPORT FRAME	1	E83-01	252	SCREW - M/P (M4*L16 D8.5)	8	002-210-004
033	SCREW - B/H (M6*L20)	3	002-202-032	261	STATIONARY GRIP - COVER	1	C521R-047
034	WIRE CLIP - (1/4")	1	000-076-430	262	STICKER - MODEL NUMBER	2	C545R-262
035	SCREW - P (M5*P0.8*L8)	1	002-211-252	263	SCREW - P (M4*P0.7*L12)	1	002-211-079
046	KEY CUSHION	18	032-630-280	265	SCREW HOLE CAP	1	C575U-314
064	SCREW - P (M3*L8)	4	002-212-042	266	SCREW - M/H (M8*P1.25*L15)	3	C572R-132
097	SCREW - P (M3*L12)	2	002-212-045	267	GASKET - (D13*0.25-0.35)	3	053-530-320
098	SCREW - P (M3*L8)	18	002-212-042	268	WASHER - S (D18*D8.5*T2.0*19T)	3	003-304-063
154	SCREW - P (M4*L8)	2	002-212-070	269	OVAL COVER	1	C545U-350
157	STICKER - NFC	1	000-063-125	272	WASHER - F (D16*D10.2*T1.0)	4	003-301-141
158	STICKER - NFC	1	000-063-126	273	E-CLIP - (8MM)	4	004-402-009
160	DISPLAY BACK PLASTIC	1	C545U-160	274	TRANSPORT WHEEL AXLE	2	099-213-010
161	SCREW - M/P (M4*L25)	4	002-210-005	275	TRANSPORT WHEEL	2	805P-57
164	PLASTIC GUIDE RING	4	C575U-164	279	SNAP RING - (STW-20)	2	004-401-006
165	ZIP TIE	14	000-076-241	280	WASHER - (D30*D20.2*T0.5)	1	103-301-151
166	ZIP TIE	5	C545U-165	281	WASHER - W (D30*D20)	1	003-303-009
167	STICKER	1	054-563-051	282	BEARING - (6202ZZ)	2	8003-71
168	STICKER - MEMBER CARD	1	C545U-168	282R	SCREW - H (M5*L5)	1	002-204-064
171	BRACKET - RIGHT	1	C545U-171	282S	SPINDLE BUSHING	1	053-211-250
172	SCREW - M/P (M4*L10)	4	002-210-002	283	SPEED SENSOR MAGNET	2	5006-14
173	DISPLAY SIDE COVER - RIGHT	1	C545U-173	285	SPINDLE	1	C520R-96
174	SCREW - P (M4*P0.7*L12)	4	002-211-225	286	SCREW - B/H (M6*P1.0*L20)	4	002-205-620
175	BRACKET - LEFT	1	C545U-175	287	WASHER - SP (M6*T1.5)	4	003-302-002
176	DISPLAY SIDE COVER - LEFT	1	C545U-176	292	PEDALS & STRAPS - PAIR	1	C570R-62
177	PEDESTAL RING	1	E835-177	292.1	PEDAL STRAPS - PAIR	1	C570R-500
178	CARD GUIDE COVER	1	C545U-178	296	CRANK ARM - RIGHT	1	C51U-49
201	POWER SWITCH OVERLAY	1	054-163-023	297	SPINDLE NUT	2	NT01-01
202	SCREW - P (M4*P0.7*L12)	2	002-211-232	298	CRANK NUT CAP	2	5002-17B
203	WASHER - F (D8*D4*T1.0)	2	003-301-017	300	SCREW CLIP - (M4-L16)	4	1250-111
204	STICKER - GROUND WIRE	1	000-063-002	301	SCREW - M/P (M4*L16 D8.5)	4	002-210-004
208	SCREW - P (M5*P0.8*L8)	2	002-211-252	303	WASHER - S (BW5 3/16")	2	003-304-050

BBL	Description	QTY	Part Number	BBL	Description	QTY	Part Number
304	SCREW - M/P (M5*L12)	2	002-210-036	386	STICKER - RIGHT	1	000-063-047
308	BOLT - H (10MM M8*L20)	1	002-206-073	391	WASHER - F (D17*D8*T1.5)	4	003-301-024
309	WASHER - F (D22*D8.5*T3.0)	1	003-301-056	392	WASHER - SP (M8*T2.0)	4	003-302-006
312	IDLER PULLEY SPRING	1	C51U-12	393	SCREW - B/H (M8*P1.25*L25)	4	002-205-822
315	IDLER PULLEY BRACKET	1	153-910-041	394	SEAT CARRIAGE END CAP	1	C51R-21
316	IDLER PULLEY WHEEL	1	C575U-410	395	TRANSPORT HANDLE CAP	2	C51R-19
317	BEARING - (6001)	2	000-004-121	396	BUSHING	4	000-004-481
318	IDLER PULLEY AXLE	1	C545U-361	397	GASKET - (D20*D12.2*T0.5)	4	153-010-640
319	SCREW - B/H (M5*P0.8*L12)	4	002-230-515	398	WASHER - W (D17*D12)	4	003-303-001
320	WASHER - F (D17*D8*T2.0)	1	020-110-020	399	SEAT AXLE BOLT	4	C50R-10
321	SCREW - B/P (M6*P1.0*L12)	1	002-207-150	400	SCREW - B/H (M6*P1.0*L35)	4	002-230-632
322	IDLER PULLEY BUSHING	1	C50R-68	405	SPRING	1	A933-72
323	WASHER - (D25*D8.2*T5.0)	1	103-301-170	406	GAS SHOCK PLATE A	1	152-410-200
324	SCREW - M/H (M8*P1.25*L20)	1	002-220-824	407	GAS SHOCK PLATE B	1	152-410-130
333	WIRE CLIP - (5/16")	4	000-076-440	408	SPACER	1	053-930-180
334	SCREW INSERT	29	000-076-820	409	GAS SPRING	1	053-906-014
336	SCREW - M/P (M4*L16 D8.5)	2	002-210-004	410	WASHER - F (D25*D10.5*T2.0)	2	003-301-064
337	SCREW - P (M5*P0.8*L15)	2	002-211-256	411	GAS SHOCK PLATE C	1	153-910-150
340	SCREW - B/H (M6*P1.0*L10)	2	002-205-610	412	SCREW - M/P (M4*L8)	2	002-210-001
341	NUT - H (M6)	2	001-102-111	413	SEAT SHOCK COVER	1	C50R-28
344	SCREW - M/P (M4*L16 D8.5)	8	002-210-004	414	SCREW - P (M4*P0.7*L12)	4	002-211-225
345	WIRE CLIP - (1/4")	6	000-076-430	415	WASHER - F (D11*D4*T1.0)	4	003-301-030
346	BUSHING	4	000-004-481	416	PVC COVER	2	C50R-69
347	GASKET - (D20*D12.2*T0.5)	4	153-010-640	417	NUT - H (M4*P0.7*3)	4	001-102-092
348	WASHER - W (D17*D12)	4	003-303-001	418	AXLE PIN	1	C520R-34
349	SEAT AXLE BOLT	4	C50R-10	419	BUSHING	1	053-913-090
350	SCREW - B/H (M6*P1.0*L35)	4	002-230-632	420	SCREW - M/P (M5*0.8*L12)	1	002-209-132
351	BASE FRAME COVER - RIGHT	1	C545R-351	423	SCREW INSERT	8	000-076-820
352	BASE FRAME COVER - CENTER	1	053-930-018	426	SCREW - M/P (M4*L16 D8.5)	8	002-210-004
353	SCREW - M/P (M4*L16 D8.5)	10	002-210-004	427	LEG COVER - LEFT (GREY)	2	C545R-427
354	BASE FRAME COVER - LEFT	1	C545R-354	428	LEG COVER - RIGHT (GREY)	2	C545R-428
355	SCREW - M/P (M5*L12)	2	002-210-036	431	SCREW - M/P (M5*0.8*L12)	4	002-209-132
356	WASHER - S (BW5 3/16")	2	003-304-050	433	CABLE - GAS SPRING	1	054-113-081
362	STICKER - WARNING	1	054-163-030	434	CABLE - GAS SPRING	1	C521M-254
363	HTR COVER - TOP	1	054-230-050	439	GAS SPRING	1	C521M-192
364	ZIP TIE	2	000-076-240	441	O-RING	1	052-431-020
365	HTR COVER - BOTTOM	1	054-230-060	443	WASHER - F (D25*D10.5*T2.0)	2	003-301-064
366	SCREW - M/P (M5*0.8*L12)	2	002-209-132	444	SPACER	1	053-930-180
367	WIRE CLIP	1	000-076-330	446	SEAT BOTTOM	1	C50R-14
368	SCREW - P (M3*L8)	2	002-212-042	449	STICKER - COVER	1	157-710-310
369	WIRE TUBE/SHEATH	1	000-076-750	449R	TAPE - DOUBLE SIDED	1	000-065-551
370	SCREW - P (M3*L6)	2	002-212-040	450	SEAT BACK	1	154-553-200
375	COTTER PIN	4	004-405-030	451	STICKER - LEFT	1	000-063-046
376	GAS SHOCK PLATE A	1	054-151-010	452	STICKER - RIGHT	1	000-063-047
377	GAS SHOCK PLATE B	1	154-110-050	453	SPACER	2	054-513-170
378	GAS SHOCK PLATE C	1	154-110-100	454	SCREW - M/H (M8*P1.25*L45)	2	002-220-841
379	SCREW - P (M5*P0.8*L8)	2	002-211-252	457	SCREW - B/H (M8*P1.25*L25)	4	002-205-822
382	WASHER - SP (M5*P0.8*L12)	4	003-302-004	458	WASHER - SP (M8*T2.0)	4	003-302-006
383	SCREW - B/H (M5*P0.8*L10)	4	002-205-510	459	WASHER - F (D17*D8*T1.5)	4	003-301-024
384	ADJUSTMENT HANDLE	2	DF-101-144	460	HANDLEBAR CAP	1	C521R-170
385	STICKER - LEFT	1	000-063-046	464	HANDLEBAR GRIP	1	C545R-464

BBL	Description	QTY	Part Number	BBL	Description	QTY	Part Number
465	SEAT BACK SHOCK COVER	1	C545R-465	782	SEAT BOTTOM SHOCK ASSEMBLY	1	154-191-140
466	SCREW - M/P (M4*L16 D8.5)	2	002-210-004	783	SEAT BOTTOM CABLE	1	C50R-27
468	HANDLEBAR GRIP	1	C545R-468	784	SEAT BOTTOM SHOCK	1	C50R-31
469	CONNECTOR RING	1	054-230-070	785	SEAT CARRIAGE PIN	1	C521R-444
470	SCREW - M/P (M4*L16 D8.5)	2	002-210-004	786	SUPPORT FRAME - FRONT (GREY)	1	C545R-786
471	HTR CONTACT PLATE	2	C531R-86	787	SUPPORT FRAME - REAR (GREY)	1	C545R-787
474	REMOTE OVERLAY	1	054-563-040	788	BOTTLE HOLDER (GREY)	1	C545R-788
475	REMOTE BODY - TOP	1	054-230-025	789	HTR BOARD ASSEMBLY	1	C545R-789
477	REMOTE BODY - BOTTOM	1	054-230-035	790	SUPPORT FRAME COVER	2	154-591-900
478	SCREW - P (M3*L8)	2	002-212-042	A01	WIRE - BLUETOOTH BUTTON	1	C575U-010
479	SCREW - M/P (M4*L12)	2	002-210-003	A02	USB BOARD	1	C575U-063
701A	DISPLAY ASSEMBLY - COMPLETE - 900MHz	1	154-591-011	A04	HTR RECEIVER BOARD	1	C575U-044
703	ENTERTAINMENT CAP	1	C545U-703	A05	WIRE - HRC BOARD TO DISPLAY	1	C575U-043
708	HEADPHONE JACK	1	T652-448	A07	WIRE - BOOTLOADER	1	C575U-101
708A	HEADPHONE JACK - V2.0	1	158-691-080	A08	WIRE - USB CHARGER	1	C575U-102
709A	DISPLAY FRONT & OVERLAY - NEW	1	154-591-091	A09	CSAFE BOARD	1	C575U-153
711	HTR RECEIVER BOARD & WIRE	1	C575U-711	A10	WIRE - CSAFE & USB	1	C575U-155
713	DISPLAY BACK HOUSING	1	C545U-713	A11	DISPLAY CONTROL BOARD - V2.0	1	154-520-013
742	SIDE COVER & FOOT - LEFT	1	154-591-420	A11A	DISPLAY CONTROL BOARD - V3.0	1	154-520-014
743	FOOT COVER - LEFT (GREY)	1	C545R-743	A12	WIRE - DISPLAY TO PEDESTAL	1	C545R-A12
744	SIDE COVER - LEFT	1	C545R-744	A13	WIRE - LED LIGHT	1	S715-017
744.1	SIDE COVER - RAW - LEFT (GREY - INCLUDE	1	057-030-025	A14	WIRE - DISPLAY TO HEADPHONE	1	058-627-040
745	SIDE COVER & FOOT - RIGHT	1	154-591-450	A35	WIRE - BATTERY CHARGER	1	C570U-09
746	SIDE COVER - RIGHT	1	C545R-746	A36	FUSE - 3A 110V	1	C575U-240
746.1	SIDE COVER - RAW - RIGHT (GREY -	1	057-030-035	A37	WIRE - GROUND	1	E835-A44
747	FOOT COVER - RIGHT	1	C545R-747	A38	WIRE - BATTERY TO DRIVE	1	C545U-A38
748	FRAME COVER SET (GREY)	1	C545R-748	A39	BATTERY - 12V 4A	1	C545U-A37
749	REAR LEG COVER (GREY)	1	C545R-749	A39.1	WALL CHARGER - 18V	1	<-----
750	LEVELER FOOT & NUT	2	C520U-27	A40	WIRE - DRIVE TO PEDESTAL	1	C545R-A40
751	BASE FRAME COVER (GREY)	1	C545R-751	A41	WIRE - POWER TO DRIVE	1	C545U-A41
752	MAIN FRAME	1	C545R-752	A43	DRIVE BOARD - 110V	1	C575R-245
753	LEVELER FOOT	2	C570U-69	A62	WIRE - HTR CONTACT PLATE	2	C531U-66
754	TRANSPORT WHEEL AXLE	2	A93-218	A71	WIRE - FLYWHEEL TO DRIVE	1	C520R-60
755	PEDESTAL	1	C545R-755	A72	MODEL BOARD	1	057-820-062
756	IDLER PULLEY	1	C521R-422	A73	SPEED SENSOR - REED SWITCH	1	C545U-A33
757	IDLER PULLEY BRACKET	1	154-591-570	A74	WIRE - MODEL NUMBER	1	C575U-248
758	DRIVE PULLEY & SPINDLE	1	C545U-767	A75	WIRE - HTR TO DRIVE	1	C545R-A44
759	DRIVE PULLEY	1	C520U-20	A81	HTR BOARD	1	061-620-093
760	FLYWHEEL ASSEMBLY	1	C52R-64	A82	WIRE - HTR CONECTOR	2	C531R-87
761	POWER BRACKET	1	C521R-417	A83	WIRE - HTR BOARD TO CONNECTOR	1	C531R-88
771	SEAT BACK SHOCK ASSEMBLY	1	154-591-710	A84	REMOTE BOARD	1	054-520-020
772	SEAT BACK CABLE	1	C520R-20	A85	WIRE - REMOTE A	1	C545R-A85
773	SEAT BACK SHOCK (GREY)	1	C545R-773	A86	WIRE - REMOTE B	1	C545R-A86
774	GAS SPRING SET PIN	2	C52R-31	T701	HARDWARE KIT	1	C545R-T701
775	SHOCK COVER (GREY)	1	C545R-775				
776	GAS SPRING BRACKET PIN	1	C52R-30				
777	HANDLEBAR ASSEMBLY	1	C545R-777				
778	REMOTE CONTROL	1	C545R-778				
779	SEAT BACK ASSEMBLY	1	C545R-779				
780	SEAT BACK COVER	1	154-591-800				
781	SEAT CARRIAGE ASSEMBLY	1	C545R-781				

No.	Diagram	Tool Needed
1	CAT-F101B	
2	CAT-F101C	
3	CAT-F101D	
4	CAT-F101E	OPTION
5	CAM-F101D	OPTION
6	CAQ-F101F	OPTION
7	CAT-F101F	OPTION

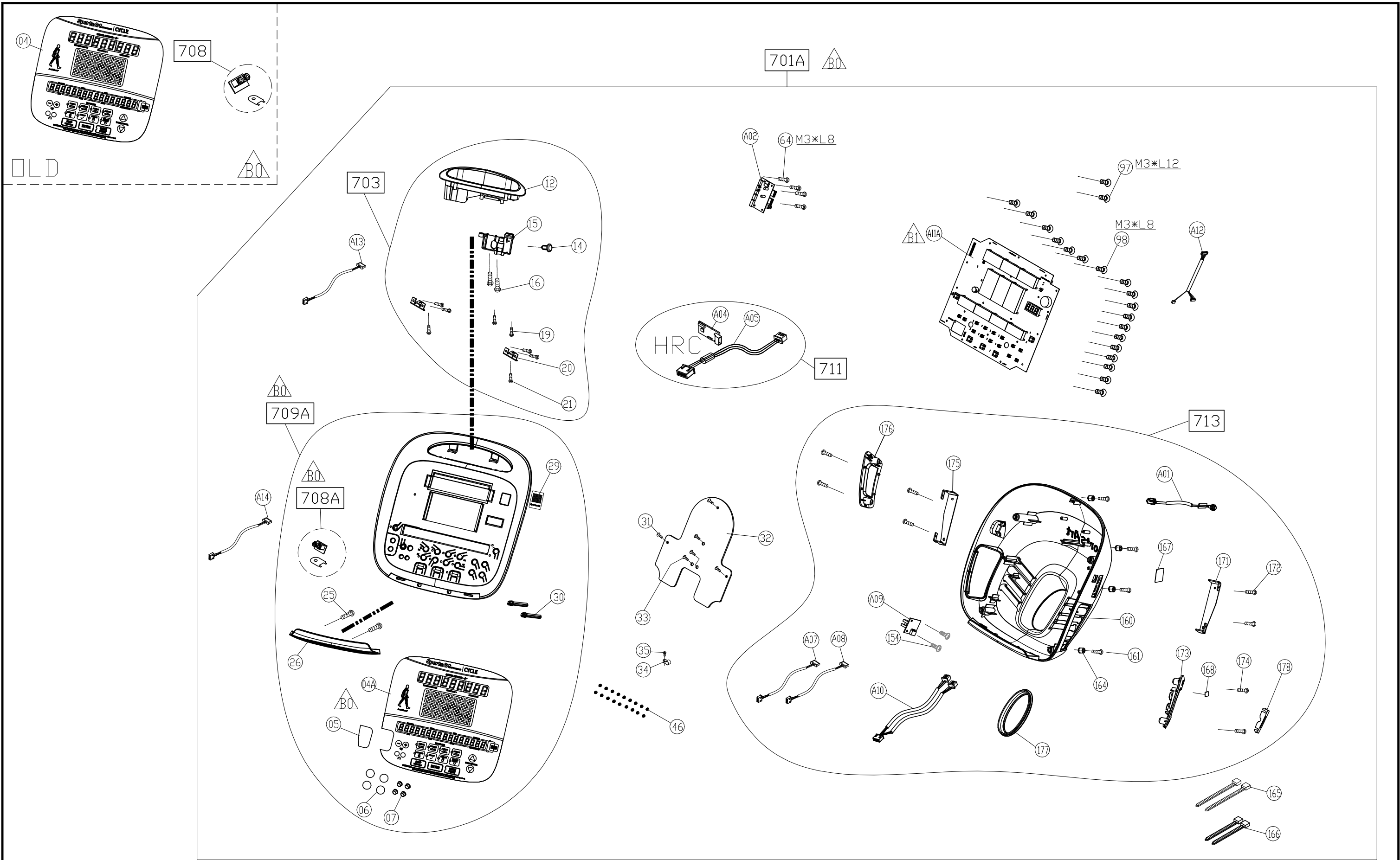


CHANGE DATE	CHANGE DESCRIPTION	CHANGE NO.	NAME
2014.09.05	項次4, 外接電視架修正圖號為CAT-F101E		林士文
2015.06.05	iPod爆炸圖由TBK-F101E 改為CAT-F101F		林士文

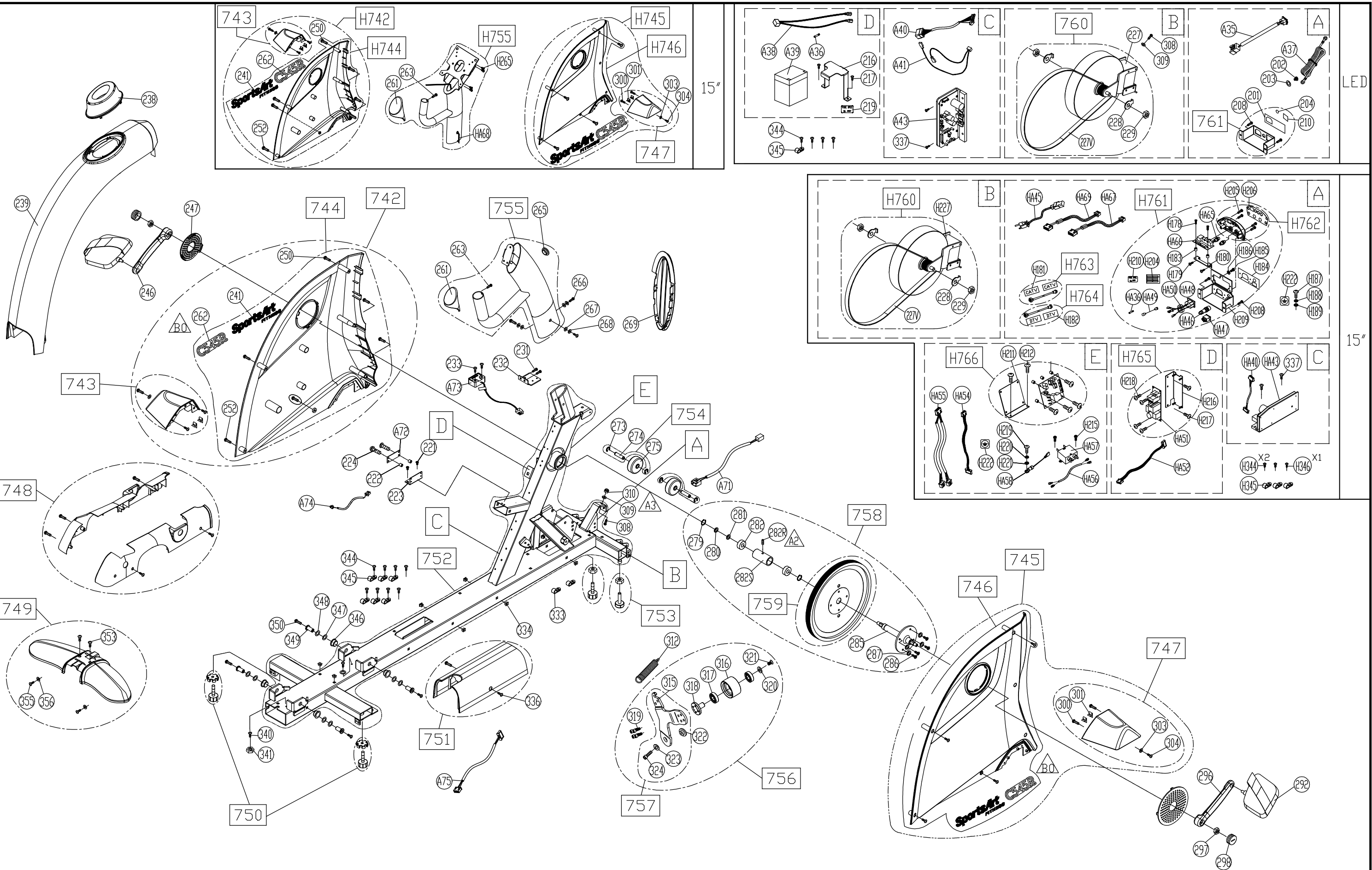
SportsArt
FITNESS

RESTRICTED USAGE,
PLEASE DON'T FORWARD TO ANYONE WHO ISN'T AUTHORIZED

DRAWN BY	UNITS	MM	SALES BLOW UP DIAGRAM	DIAGRAM NO.	CAT-F101A-A
	QTY	1			C545R-LED
VERIFIED BY	VERSION	A2	XX	MODEL	
	RATIO	1:10			



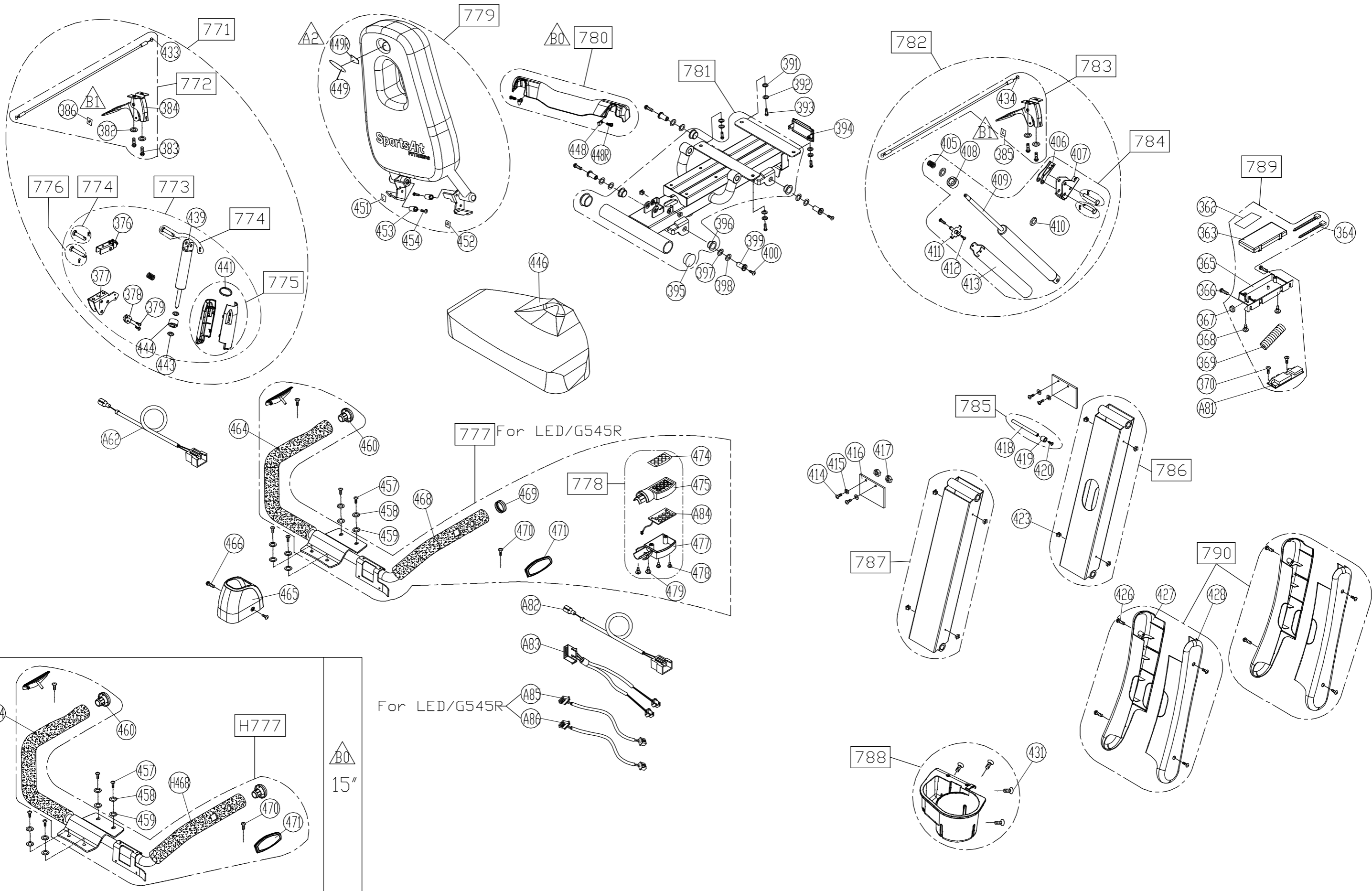
CHANGE DATE	CHANGE DESCRIPTION	CHANGE NO.	NAME	 RESTRICTED USAGE , PLEASE DON'T FORWARD TO ANYONE WHO ISN'T AUTHORIZED	DRAWN BY	UNITS	MM	SALES BLOW UP DIAGRAM	DIAGRAM NO.	CAT-F101B-B	
2016.01.13	△B0 區分TV WAR差異料件	02-20141036M 02-20141036T	林士文		VERIFIED BY	QTY	1				C545R-LED
2018.02.23	△B1 (A11)控制板設變為 (A11A), 取消程式轉接板 (A03), 故取消 707	03-20151204T	黃柏勳			VERSION	B1	XX		MODEL	
						RATIO	1:8				



CHANGE DATE	CHANGE DESCRIPTION	CHANGE NO.	NAME
2015.04.21	▲B0 新增15吋; (A34) (A37) (A37) (A39) (A31) (A71) (A32) (A72) (A33) (A73) (A39) (A74) (A44) (A75)		楊淵堯
2015.05.11	▲B0 (262) 移至左右護組; 取消 741		楊淵堯
2016.12.13	▲B1 新增 (227V) 皮帶可單寄		張又仁


 RESTRICTED USAGE,
 PLEASE DON'T FORWARD TO ANYONE WHO ISN'T AUTHORIZED

UNITS	MM	SALES BLOW UP DIAGRAM	DIAGRAM NO.	CAT-F101C-B
QTY	1	XXX		C545R
VERSION	B1		MODEL	
RATIO	1:12			



CHANGE DATE	CHANGE DESCRIPTION	CHANGE NO.	NAME	 <p>RESTRICTED USAGE , PLEASE DON'T FORWARD TO ANYONE WHO ISN'T AUTHORIZED</p>	DRAWN BY	UNITS	MM	SALES BLOW UP DIAGRAM	DIAGRAM NO.	CAT-F101D-B	
2015.12.02	   左/右標籤位置對調		楊淵堯			QTY	1				C545R/G545R
2015.01.12	 新增 		楊淵堯			VERSION	B1	XX		MODEL	
2015.04.23	 新增15"料件; 新增    , 遮住椅背螺絲部份	03-20150411M	楊淵堯			RATIO	1:10				