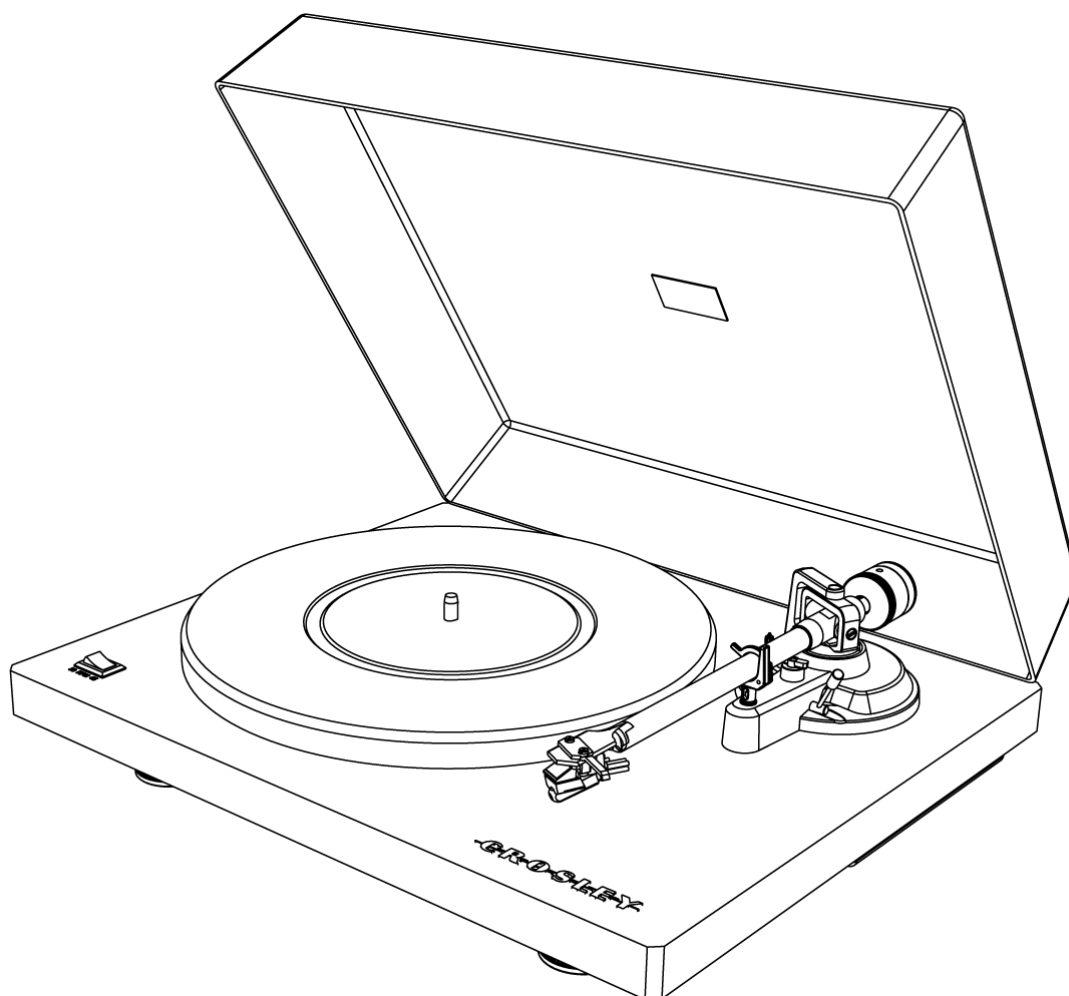


**C6B**  
**C6 Turntable**  
**Instruction Manual**

---



Questions, problems, missing parts?  
Before returning to the store, call Customer Service  
8 a.m. – 6 p.m., EST, Monday – Friday  
1-888-CROSLEY  
[www.crosleyradio.com/support](http://www.crosleyradio.com/support)

---

## Safety Instructions

---

Read and understand this entire manual before using this product. Keep these instructions for future reference.

1. Do not use this product near water.
2. This product should be operated only by the type of power source indicated on the marking label or in this instruction manual.
3. Do not defeat the safety purpose of the polarized plug. A polarized plug has two blades with one blade wider than the other. This plug will fit into the power outlet only one way. If you are unable to insert the plug fully into the outlet try reversing the plug. If the plug should still fail to fit, contact your electrician.
4. Protect the power cord from being walked on or pinched particularly at plugs, convenience receptacles, and the point where they exit from the product.
5. Do not overload wall outlets, extension cords, or integral convenience receptacles as this can result in a risk of fire or electric shock.
6. Never push objects of any kind into this product through openings as they may touch dangerous voltage points or short-out parts that could result in a fire or electric shock. Never spill liquid of any kind on the product.
7. Do not attempt to service this product yourself as opening or removing covers may expose you to dangerous voltage or other hazards. Refer all servicing to qualified service personnel.
8. Changes or modifications to this unit not expressly approved by the party responsible for compliance could void the user's authority to operate the equipment.
9. Do not use attachments not recommended by the product manufacturer as they may cause hazards.
10. A product and cart combination should be moved with care. Quick stops, excessive force, and uneven surfaces may cause the product and cart combination to overturn.
11. Slots and openings in the cabinet are provided for ventilation and to ensure reliable operation of the product and to protect it from overheating. Do not block or cover these openings.
12. Unplug the product during lightning storm or when unused for long periods of time.

---

## Items in this package

---

Before throwing away any packaging materials, please check thoroughly and make sure you find the following items that come along with this package:

- Turntable
- Turntable Lid
- Turntable Slip Mat
- Turntable Platter
- Tonearm Counterweight
- Cartridge Alignment Protractor
- Power Adaptor
- 45 RPM adapter
- RCA cable

Please contact Crosley customer service if there is any accessory missing from the package. **Retain the original packaging materials for exchange or return purposes.**

## Specifications

---

### **Crosley C6B**

Power	DC power adaptor, DC output 12V 0.5A
Power Consumption	5W
Turntable Speed	33 <sup>1</sup> / <sub>3</sub> , 45 RPM
Speed Variance	±0.8%
Wow and Flutter	±0.15%
Signal to Noise	72dB
Effective Tonearm Length	8.6" (218.5mm)
Overhang	0.73"
Weight	13.67 lbs

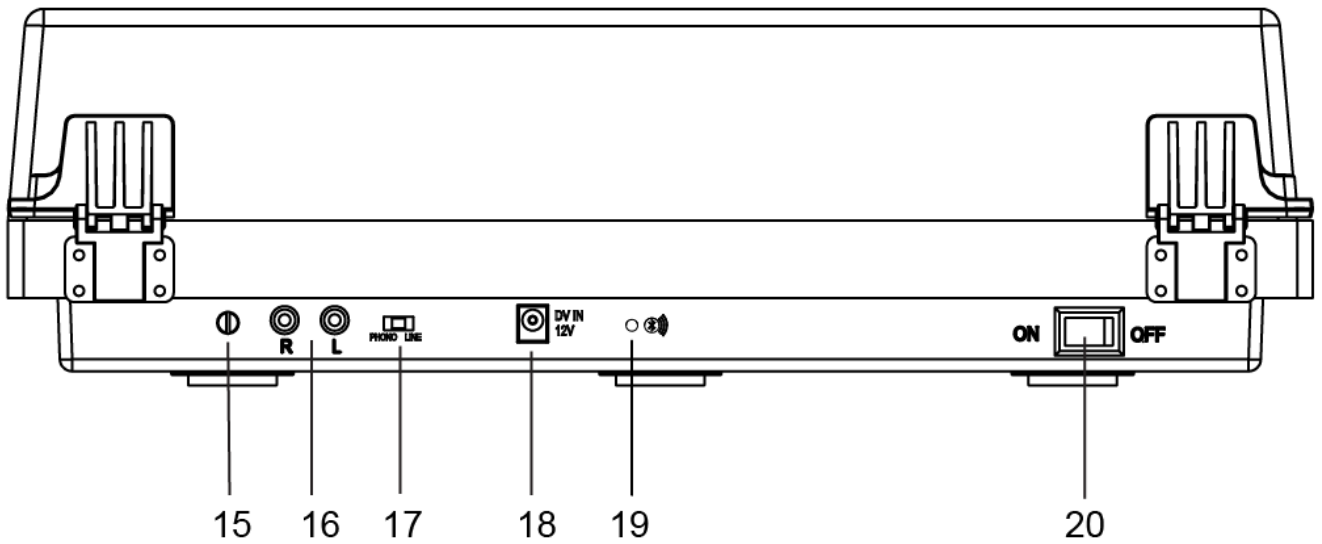
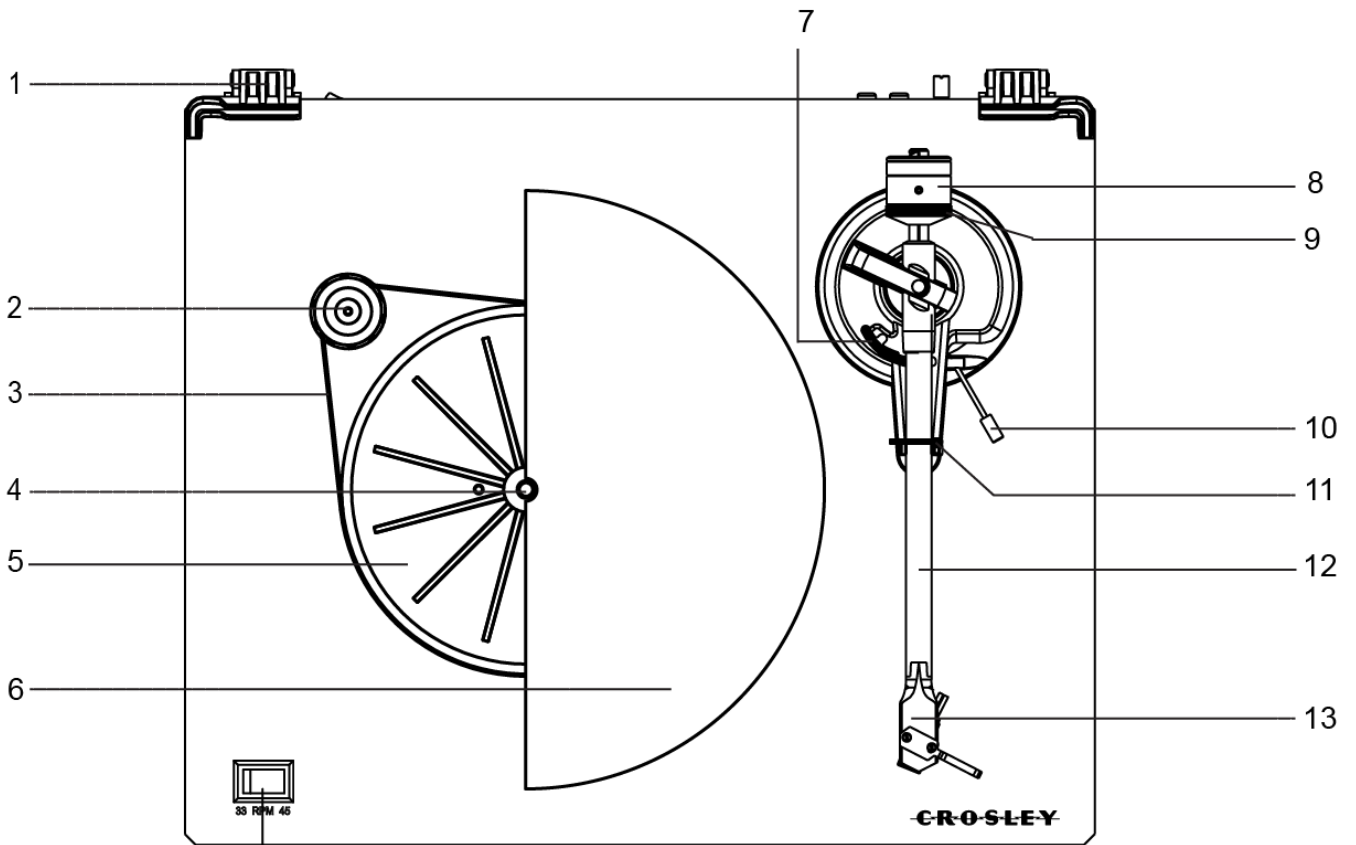
### **Needle: Crosley NP-5**

Frequency Response	20Hz – 20kHz
Channel Balance	<2.5 dB
Channel Separation	>18 dB
Output Voltage	2.5 mV
Recommended Load Resistance	47k Ω
Amplifier connection	MM – input
Recommended Tracking Pressure	3.5±0.5g
Weight	0.18oz

*Note:*

- *Design and specifications are subject to change without notice.*

## Product Description



- |  |   |
|--|---|
| <ul style="list-style-type: none"> <li>1. Hinge</li> <li>2. Drive Pulley</li> <li>3. Drive Belt</li> <li>4. Turntable Spindle</li> <li>5. Turntable Hub</li> <li>6. Turntable Platter</li> <li>7. Tonearm Lift</li> <li>8. Tonearm Counterweight</li> <li>9. Downforce Scale Dial</li> <li>10. Tonearm Lift Lever</li> </ul> | <ul style="list-style-type: none"> <li>11. Tonearm Rest</li> <li>12. Tonearm</li> <li>13. Headshell</li> <li>14. Speed Selector</li> <li>15. Ground Connector</li> <li>16. RCA Jacks</li> <li>17. Phone/Line Switch</li> <li>18. Power Jack</li> <li>19. Bluetooth Indicator</li> <li>20. Power Switch</li> </ul> |
|--|---|

## Initial Setup

---

### Essential Setup

1. Place the unit on a flat and level surface. The selected location should be stable and free from vibration.
2. Install the turntable lid to the hinges.
3. Remove the tie-wrap that is holding the tonearm.
4. Install the turntable platter and drive belt accordingly
5. Place the slip mat on top of the turntable platter.
6. Slide Tonearm Counterweight onto tonearm and twist it lightly onto the rear shaft of the tonearm.
7. Adjust the counterweight to set proper stylus pressure.
8. Connect DC adaptor to the Power Jack of the unit.

*Note: Do not plug the DC power adaptor to power outlet before all the assembly is completed. Before turning the power on, make sure again all the connection settings are correct. Always turn off the power when connecting or disconnecting.*

### Tonearm Counterweight Adjustment for Stylus Pressure

1. Remove the stylus protector from the cartridge and avoid touching the stylus tip during the adjustment.
2. Lift up the Tonearm from its rest and gently hold it. The tone arm is unbalanced at this point.
3. Carefully rotate the Counterweight towards the front of the turntable until the tonearm is horizontally balanced and hovers freely just above the platter without the stylus touching the platter surface.
4. Return the tonearm to the Tonearm Rest.
5. While holding the counterweight steady without any rotation, rotate carefully only the Downforce Scale Dial until the "0" on the scale lines up with the centerline marked along the top of the tonearm.
6. Rotate the counterweight including the downforce scale dial counter-clockwise (as seen from the front of the turntable) to adjust the pressure to the stylus manufacturer recommendations.

*Note:*

- Each mark on the scale represents 0.05g (gram).
- The recommended pressure for the factory-installed cartridge is 3.5g.

*Note: The cartridge only goes up to 1.75g. You will need to make two full rotations to reach 3.5g.*

### Turntable Platter and Belt Setup

1. Put the drive belt around the Turntable Hub, and then use the provided drive belt assembly tool to help pull the belt to fit around the slot of motor pulley.
2. Place the turntable platter through the turntable spindle.

## Stereo System Connection

---

### RCA Jacks

- The RCA Jacks of this unit are shared as both the Phono output jacks and the Line output jacks. They are determined by the Phono/Line Switch.
- When used as a line output, the jacks output analog line-level signals and could be connected directly with a pair of active speakers or the appropriate input of your stereo system. When used as a Phono output, they should be connected to the phono pre-amp or the phono input of the stereo system.
- The Red plug connects with the Right channel and the White plug connects with the Left channel.

*Note:*

- If the Phono/Line switch is set at LINE position but RCA jacks connected to the stereo system's phono input, the sound might be distorted due to input overload and could damage your stereo system.
- If the Phono/Line switch is set at PHONO position but RCA jack connected to the stereo system's line input, the volume will be very low due to lacking signal pre-amplification.
- RCA Jack is not designed to be connected directly to the passive/unpowered speakers and if it does, the volume will be very low

## Turntable Operation

1. Press the Power Switch to turn on the power. The turntable will automatically start searching for an external Bluetooth speaker.
 

*Note: Please ensure there is no Bluetooth speaker within 30 feet working under pairing mode to prevent accidental Bluetooth connection establishment.*

  - a. Once the Bluetooth speaker is successfully paired, the Bluetooth indicator will be solid blue.
 

*Note: If no Bluetooth speaker is paired with the turntable within 2 minutes, the turntable will de-activate the Bluetooth searching function. When you decide to connect the turntable to Bluetooth speaker later on after the 2-minute period, you will need to turn OFF the turntable and start over from Step 1 above.*
2. Set the Speed Switch accordingly.
3. Place the record on the turntable. Use the 45 RPM Adapter if necessary.
4. Remove the stylus protector from the stylus assembly.
 

*Note: To avoid stylus damage, make certain the included stylus guard is in place whenever the turntable is being moved or cleaned.*
5. Gently pull up the Tonearm from its rest and move it over the record where play is desired to begin. Use the Tonearm Lift Lever to raise the Tonearm Lift and let the Tonearm sit on it.
6. Set the Tonearm Lift Lever back to the down position, the tonearm will descend slowly onto the record and begin playback.
7. When the record is finished playing, use the Tonearm Lift Lever to raise the tonearm and then return it to the Tonearm Rest. To suspend the playback, repeat the same steps.

## Cartridge Replacement

1. Before replacement, put the stylus protector back on the stylus to prevent damage to the stylus during the replacement process.
2. Carefully remove the wire leads from the original cartridge.
3. Loosen the two screws on the headshell that are securing the cartridge and then remove the original cartridge.
4. Mount the new cartridge to the headshell and tighten it lightly. Do not completely tighten the screws at this moment.
5. Connect the wire leads to the new cartridge's terminals. The wire lead color codes are as below:
 

White	Left channel positive	(L+)
Black	Left channel negative	(L-)
Red	Right channel positive	(R+)
Black	Right channel negative	(R-)
6. Adjust the cartridge's position to make sure it is precisely aligned on the headshell so that the stylus will be tracking the grooves in parallel perfectly.
 

To achieve this, place the included paper cartridge alignment protractor over the turntable spindle, carefully lift the tone arm and place the tip of the stylus on the points marked 130mm and 250mm respectively. Fine tune the cartridge's position on the headshell until the cartridge is perfectly in parallel with the reference lines at both points.
7. Tighten the screws completely once the perfect alignment is achieved.

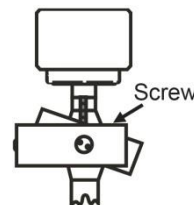
## Azimuth Adjustment

The needle must be perpendicular to the record groove in order to track the groove wall modulations correctly. In rare cases, if the factory installation is not perfect, you can make below adjustment:

1. Use an Allen Wrench to loosen the screw located at the bearing end of the tonearm just enough to loosen the arm tube.
 

*Note: Do not remove the screw completely.*
2. Gently rotate the tonearm until the needle is perpendicular to the record surface.
 

*Note: Make sure the needle tip is not touching the record when adjustment is being made or it will cause damage to the needle and cantilever suspension.*
3. Tighten the screw when adjustment is finished.



## Turntable Maintenance

1. Do not touch the stylus tip with your fingers. Avoid bumping the stylus on the turntable mat or a record's edge.
2. Clean the stylus frequently with a soft brush with a back-to-front motion only.
3. Clean the records to get rid of dust or grease with a record cleaning brush and record cleaning solution.
4. Clean the turntable lid and turntable cabinet with a slightly dampened microfiber cloth.
 

*Note: Do not use cleanser other than that contains alcohol, benzene or any other harsh chemicals, which might damage the paint and finish of the turntable.*

**\*\* Crosley offers a product line of different cleaning accessories. Please ask your retailer or check out our website [www.crosleyradio.com](http://www.crosleyradio.com) for more cleaning product information.**

## Troubleshooting

---

### There is no power

- Power adaptor is not connected correctly.
- No power at the power outlet.

### Power is on, but the platter does not turn

- Turntable's drive belt is not installed or has slipped off.

### Turntable is spinning, but there is no sound, or sound not loud enough

- Stylus protector is still on.
- Tone arm is lift up by the lever.

### Record sounds too fast or too slow.

- Wrong speed selected for the record.

### Strong hum on phono input

- The cable is not grounded correctly

## FCC Statements

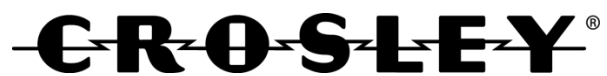
---

NOTE: This equipment has been tested and found to comply with the limits for a Class B digital device, pursuant to part 15 of the FCC Rules. These limits are designed to provide reasonable protection against harmful interference in a residential installation. This equipment generates uses and can radiate radio frequency energy and, if not installed and used in accordance with the instructions, may cause harmful interference to radio communications. However, there is no guarantee that interference will not occur in a particular installation. If this equipment does cause harmful interference to radio or television reception, which can be determined by turning the equipment off and on, the user is encouraged to try to correct the interference by one or more of the following measures:

- Reorient or relocate the receiving antenna.
- Increase the separation between the equipment and receiver.
- Connect the equipment into an outlet on a circuit different from that to which the receiver is connected.
- Consult the dealer or an experienced radio/TV technician for help
- Changes or modifications not expressly approved by the party responsible for compliance could void the user's authority to operate the equipment.

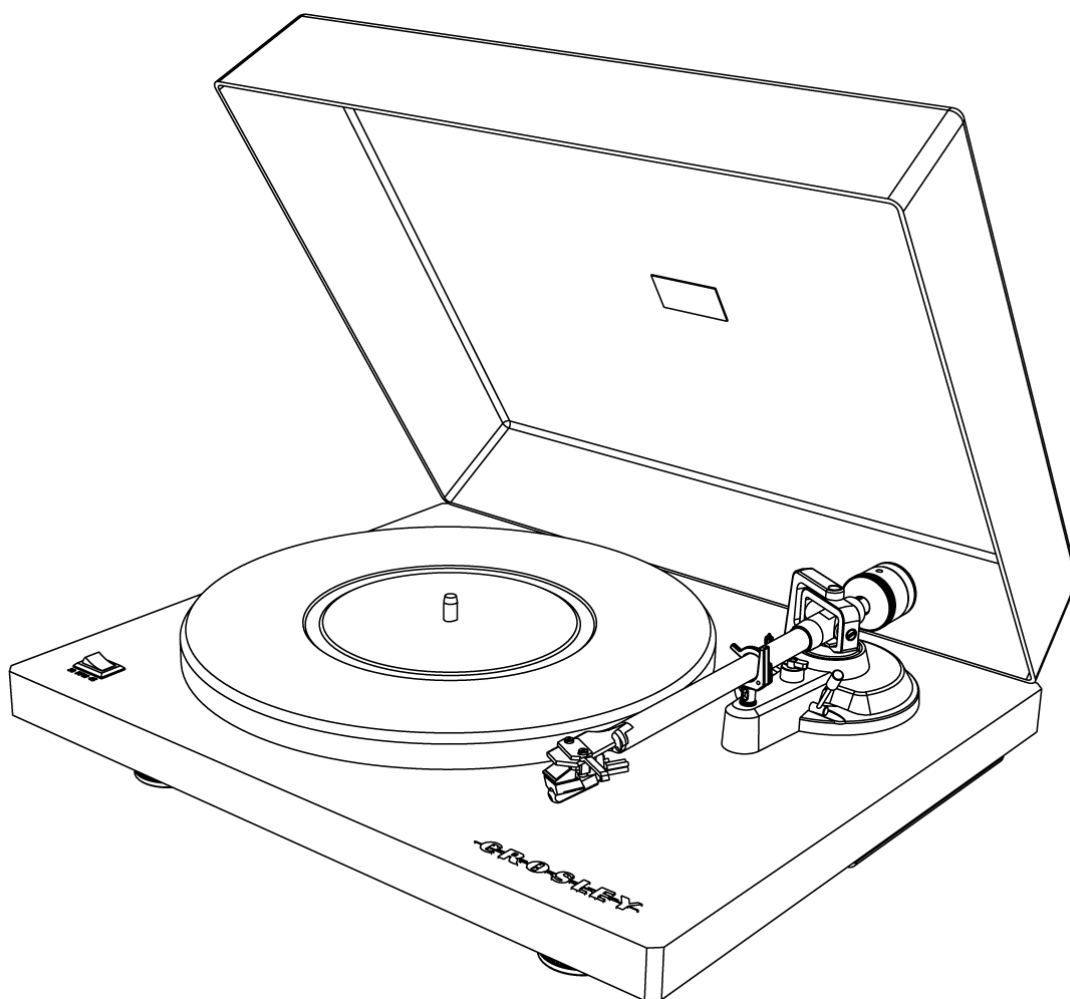
This device complies with Part 15 of the FCC Rules. Operation is subject to the following two conditions:

1. this device may not cause harmful interference, and
2. this device must accept any interference received, including interference that may cause undesired operation.



**C6B**  
**Tocadiscos C6**  
**Manual de instrucciones**

---



¿Tiene preguntas, ha tenido problemas o hay piezas faltantes?  
Antes de devolver el producto a la tienda, comuníquese con nuestro Servicio al Cliente  
de 8 a. m. a 8 p. m., hora del este, de lunes a viernes  
1-888-CROSLEY  
[www.crosleyradio.com/support](http://www.crosleyradio.com/support)



## Instrucciones de seguridad

---

Lea y comprenda este manual en su totalidad antes de usar este producto. Conserve estas instrucciones para consultarlas en el futuro.

1. No use este producto cerca del agua.
2. Este producto debe ser utilizado solo con el tipo de fuente de alimentación indicado en la etiqueta o en este manual de instrucciones.
3. No subestime el propósito de seguridad del enchufe polarizado. Un enchufe polarizado posee dos hojas; una de ellas es más ancha que la otra. Este enchufe encajará en el tomacorriente en un solo sentido. Si no logra insertar completamente el enchufe en el tomacorriente, pruebe invirtiendo el enchufe. Si aún así el enchufe no encaja, comuníquese con su electricista.
4. Proteja el cable de alimentación de ser pisado o pinzado, en especial en los enchufes, los tomacorrientes y en el punto donde el cable sale del producto.
5. No sobrecargue los tomacorrientes de pared, cables de alargue, o receptáculos integrales, ya que puede generar un riesgo de incendio o descarga eléctrica.
6. No introduzca objetos de ningún tipo en el producto a través de las ranuras, ya que pueden hacer contacto con puntos de alto voltaje o provocar un cortocircuito que ocasione fuego o una descarga eléctrica. No derrame líquidos de ningún tipo sobre el producto.
7. No intente realizar tareas de mantenimiento por su cuenta, ya que abrir o remover la cubierta puede exponerlo a un voltaje peligroso y a otros riesgos. Deje toda tarea de mantenimiento en manos de un técnico de servicio calificado.
8. Los cambios o las modificaciones que no tengan la aprobación expresa de la parte responsable del cumplimiento pueden anular el permiso del usuario para utilizar el equipo.
9. No utilice accesorios que no son recomendados por los fabricantes del producto porque pueden ser peligrosos.
10. Cualquier combinación de carro y producto debe moverse con cuidado. Las paradas súbitas, el uso de fuerza excesiva y las superficies irregulares pueden causar que el producto y el carro se vuelquen.
11. Las ranuras de ventilación y las aberturas del gabinete son provistas para la ventilación y para asegurar el correcto funcionamiento del producto y evitar el recalentamiento. No bloquee ni cubra estas aberturas.
12. Desconecte el producto durante las tormentas eléctricas o cuando no se utilice durante períodos extendidos.

## Artículos en este empaque

---

Antes de deshacerse de cualquier material del empaque, revíselo con atención y asegúrese de encontrar los siguientes artículos que se incluyen en este paquete:

- Tocardiscos
- Tapa de tocadiscos
- Cobertor deslizante del tocadiscos
- Bandeja del tocadiscos
- Contrapeso del brazo del tocadiscos
- Transportador de alineación de la cápsula
- Transformador
- Cable RCA

Comuníquese con el Servicio al Cliente de Crosley en caso de que faltara algún accesorio en el empaque. **Conserve el material de embalaje original para realizar cambios o devoluciones.**

## Especificaciones

---

### **Crosley C6B**

Fuente de energía	Transformador de DC, salida DC de 12 V 0.5 A
Consumo de energía	5 W
Velocidad del tocadiscos	33 <sup>1</sup> / <sub>3</sub> , 45 RPM
Variación de velocidad	±0.8 %
Fluctuación y trémulo	±0.15 %
Señal a ruido	72 dB
Longitud efectiva del brazo del tocadiscos	8,6" (218.5 mm)
Voladizo	0,73"
Peso	13.67 lb

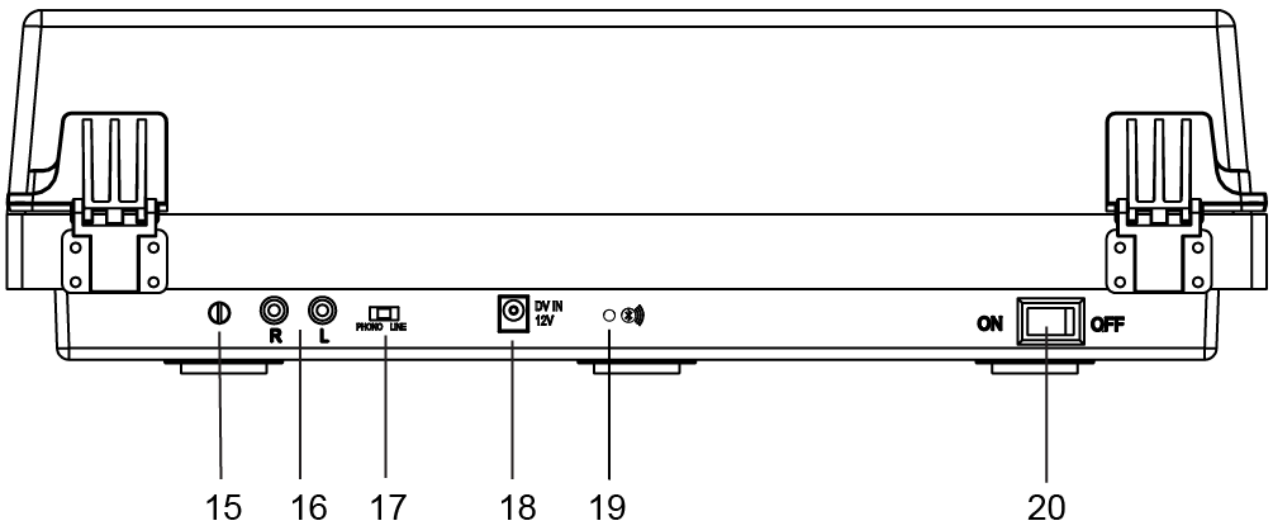
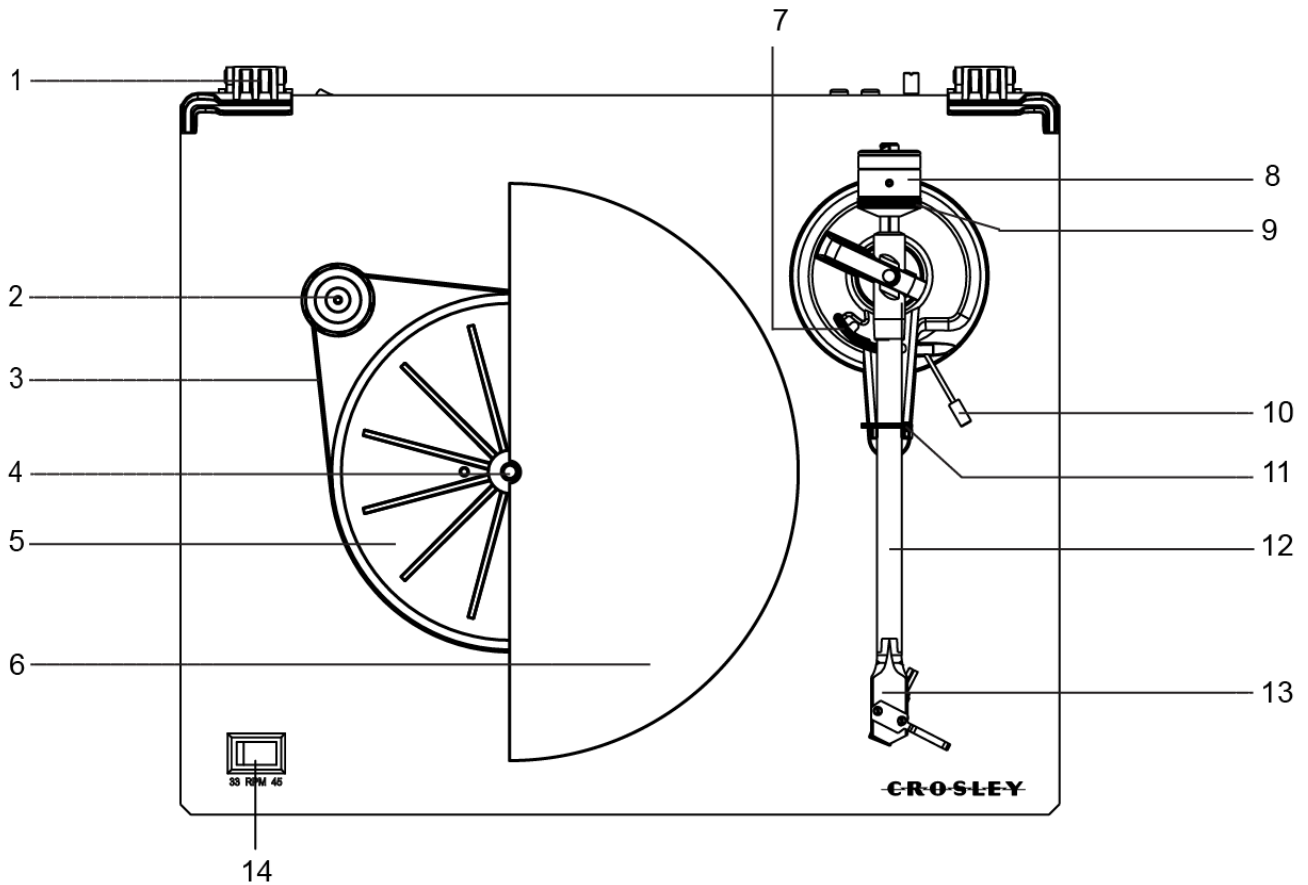
### **Aguja: Crosley NP-5**

Respuesta de frecuencia	20 Hz – 20 kHz
Balance de canal	<2.5 dB
Separación de canal	>18 dB
Voltaje de salida	2.5 mV
Resistencia de carga recomendada	47 k Ω
Conexión del amplificador	MM –entrada
Presión de rozamiento recomendada	3.5±0.5g
Peso	0.18 oz

Nota:

- El diseño y las especificaciones están sujetos a cambios sin previo aviso.

## Descripción del producto



- |   |                                      |
|---|--------------------------------------|
| 1. Bisagra  | 11. Soporte del brazo del tocadiscos |
| 2. Polea de accionamiento                         | 12. Brazo del tocadiscos             |
| 3. Correa de transmisión                          | 13. Portacápsula                     |
| 4. Eje del tocadiscos                             | 14. Interruptor de velocidad         |
| 5. Concentrador del tocadiscos                    | 15. Conector a tierra                |
| 6. Bandeja del tocadiscos                         | 16. Conectores RCA                   |
| 7. Elevador del brazo del tocadiscos              | 17. Interruptor para Fono/Línea      |
| 8. Contrapeso del brazo del tocadiscos            | 18. Conector de alimentación         |
| 9. Dial de fuerza descendente                     | 19. Indicador de Bluetooth           |
| 10. Palanca del elevador del brazo del tocadiscos | 20. Interruptor de alimentación      |

## Instalación inicial

---

### Instalación indispensable

1. Coloque la unidad en una superficie plana y nivelada. El lugar seleccionado debe ser estable y estar libre de vibraciones.
2. Instale la tapa del tocadiscos en las bisagras.
3. Quite la banda de sujeción que sostiene el brazo del tocadiscos.
4. Instale la bandeja del tocadiscos y la correa de transmisión según corresponda.
5. Coloque el cobertor deslizante sobre la bandeja del tocadiscos.
6. Deslice el Contrapeso del brazo del tocadiscos hacia este último y gírelo suavemente hacia el mango posterior del brazo del tocadiscos.
7. Ajuste el contrapeso para establecer la presión adecuada en la aguja fonográfica.
8. Conecte el adaptador de DC al conector de alimentación de la unidad.

*Nota: No enchufe el transformador de DC a un tomacorriente hasta terminar de ensamblar las partes. Antes de encender el equipo, vuelva a asegurarse de que todos los ajustes de conexión estén correctos. Siempre apague la unidad al conectarla o desconectarla.*

### Ajuste del Contrapeso del brazo del tocadiscos para la Presión de la aguja fonográfica

1. Quite el protector de la aguja fonográfica de la cápsula y evite tocar la punta de la aguja fonográfica durante el ajuste.
2. Levante el brazo del tocadiscos de su soporte y sosténgalo suavemente. El brazo del tocadiscos está desequilibrado en este momento.
3. Gire con cuidado el contrapeso hacia la parte delantera del tocadiscos hasta que el brazo esté equilibrado en sentido horizontal y se mueva libremente sobre la bandeja sin que la aguja fonográfica toque la superficie del disco.
4. Vuelva a colocar el brazo del tocadiscos en el soporte del brazo.
5. Mientras el contrapeso se mantenga estable sin girar, gire con cuidado solamente el Dial de fuerza descendente hasta que el "0" en el dial esté alineado con la línea central marcada en la parte superior del brazo del tocadiscos.
6. Gire el contrapeso junto con el dial de fuerza descendente en sentido antihorario (si se mira desde la parte delantera del tocadiscos) para ajustar la presión según las recomendaciones del fabricante de la aguja fonográfica.

*Nota:*

- Cada marca en la escala representa 0.05 g (gramo).
  - La presión recomendada para la cápsula instalada de fábrica es de 3.5 g.
- Nota: El cartucho solo alcanza 1.75 g. Deberá realizar dos rotaciones completas para alcanzar 3.5 g.*

### Instalación de la bandeja y la correa del tocadiscos

1. Coloque la correa de transmisión alrededor de la bandeja pequeña que está conectada al eje del tocadiscos y luego use la herramienta de ensamblaje de la correa que se proporciona para tirar de la correa, de manera que encaje alrededor de la ranura de la polea de motor.
2. Coloque la bandeja del tocadiscos a través del eje.

## Conexión del sistema estéreo

---

### Conectores RCA

- Los conectores RCA de esta unidad son tanto los conectores de salida Fono como los conectores de salida de Línea. Esto se determina mediante el interruptor para Fono/Línea.
- Cuando se utilizan como salida de línea, los conectores generan señales analógicas de nivel de línea y se pueden conectar directamente con un par de parlantes o en la entrada correspondiente de su sistema estéreo. Cuando se utilizan como salida Fono, se deben conectar al preamplificador de fono o a la entrada fono del sistema estéreo.
- El cable rojo se conecta en el canal derecho, y el cable blanco se conecta en el canal izquierdo.

*Nota:*

- Si el Interruptor para Fono/Línea se ajusta en la posición LÍNEA pero los conectores RCA están conectados a la entrada fono del sistema estéreo, es posible que el sonido se distorsione debido a la sobrecarga de entradas y esto podría dañar su sistema estéreo.
- Si el interruptor para Fono/Línea está en la posición FONO pero el conector RCA está conectado a la entrada de línea del sistema estéreo, el volumen será muy bajo debido a la falta de preamplificación de la señal.
- Los conectores RCA no están diseñados para conectarse directamente a parlantes pasivos y, si se los conecta, el volumen será muy bajo.

## Funcionamiento del tocadiscos

1. Presione el interruptor de alimentación para encenderlo. El giradiscos comenzará automáticamente a buscar un altavoz Bluetooth externo.

*Nota: Asegúrese de que no haya un altavoz Bluetooth dentro de 30 pies trabajando en modo de emparejamiento para evitar el establecimiento accidental de la conexión Bluetooth.*

- a. Una vez que el altavoz Bluetooth se haya emparejado correctamente, l'indicateur Bluetooth sera bleu fixe.

*Nota: Si no se empareja ningún altavoz Bluetooth con el giradiscos en 2 minutos, el giradiscos desactivará la función de búsqueda de Bluetooth. Cuando decida conectar el giradiscos al altavoz Bluetooth más tarde después del período de 2 minutos, deberá APAGAR el giradiscos y comenzar de nuevo desde el Paso 1 anterior.*

2. Ajuste el Interruptor de velocidad según corresponda.
3. Coloque el disco en el tocadiscos. De ser necesario, utilice el Adaptador de 45 rpm.
4. Quite el protector de la aguja fonográfica de su ensamblaje.  
*Nota: Para evitar los daños de la aguja fonográfica, asegúrese de que el protector esté ubicado correctamente cada vez que mueva o limpie el tocadiscos.*
5. Levante suavemente el brazo del tocadiscos de su soporte y muévelo sobre el disco en la parte que desea comenzar a reproducir. Use la palanca del brazo del tocadiscos para levantar el elevador del brazo del tocadiscos y deje que el brazo se apoye sobre este.
6. Ajuste la palanca del brazo del tocadiscos de vuelta a la posición hacia abajo. El brazo bajará lentamente hacia el disco y comenzará la reproducción.
7. Cuando el disco termine de reproducirse, utilice la palanca del brazo del tocadiscos para levantar el brazo y volver a colocarlo en el soporte del brazo. Para suspender la reproducción, siga los mismos pasos.

## Reemplazo de la cápsula

1. Antes de realizar un reemplazo, vuelva a colocar el protector de la aguja fonográfica en la aguja para evitar que se dañe durante el proceso.
2. Con cuidado quite los cables conductores de la cápsula original.
3. Afloje los dos tornillos del portacápsula que aseguran la cápsula y luego quite la cápsula original.
4. Coloque la cápsula nueva en el portacápsula y apriétela ligeramente. No apriete por completo los tornillos en este momento.
5. Conecte los cables a las terminales de la nueva cápsula. Los códigos de color de los cables son los siguientes:
 

Blanco	Canal izquierdo positivo	(L+)
Negro	Canal izquierdo negativo	(L-)
Rojo	Canal derecho positivo	(R+)
Negro	Canal derecho negativo	(R-)
6. Ajuste la posición de la cápsula para asegurarse de que esté alineada al portacápsula con precisión, de modo que la aguja fonográfica ejerza un rozamiento en paralelo a las ranuras.  
Para lograrlo, coloque el transportador de alineación de la cápsula de papel que se incluye sobre el eje del tocadiscos. Con cuidado levante el brazo del tocadiscos y coloque la punta de la aguja fonográfica en los puntos que indican 130 mm y 250 mm, respectivamente. Configure la posición de la cápsula en el portacápsula hasta que la cápsula se encuentre exactamente paralela a las líneas de referencia en los dos puntos.
7. Apriete los tornillos completamente una vez que logre una alineación perfecta.

## Ajuste acimut

La aguja debe estar perpendicular a la ranura del disco para que pueda rozar las modulaciones de la pared ranurada de manera correcta. En casos excepcionales, si la instalación de fábrica no es perfecta, usted puede realizar el siguiente ajuste:

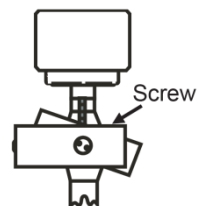
1. Use una llave Allen provista para aflojar el tornillo que se ubica en el extremo de soporte del brazo del tocadiscos lo suficiente para que se afloje el tubo del brazo.

*Nota: No quite el tornillo por completo.*

2. Gire suavemente el brazo del tocadiscos hasta que la aguja esté perpendicular a la superficie del disco.

*Nota: Asegúrese de que la punta de la aguja no esté en contacto con el disco al realizar ajustes; de lo contrario, podría dañar la aguja y la suspensión del soporte.*

3. Ajuste el tornillo al finalizar el ajuste.



## Mantenimiento del tocadiscos

---

1. No toque la punta de la aguja fonográfica con los dedos. Evite golpear la aguja fonográfica con el cobertor para el tocadiscos o con el borde del disco.
2. Limpie la aguja fonográfica con frecuencia con un cepillo suave mediante movimientos de atrás hacia adelante.
3. Limpie los discos para quitarles el polvo o la grasa con un cepillo para limpiar discos y con una solución de limpieza para discos.
4. Limpie la tapa del tocadiscos y el gabinete con un paño de microfibras ligeramente humedecido.

*Nota: No utilice otros limpiadores que contengan alcohol, benceno o cualquier otro químico agresivo que pueda dañar la pintura y la terminación del tocadiscos.*

**\*\* Crosley ofrece una línea de productos de distintos accesorios de limpieza. Para obtener más información acerca de los productos de limpieza, consulte a un comerciante o visite nuestro sitio web [www.crosleyradio.com](http://www.crosleyradio.com).**

## Solución de problemas

---

### La unidad no enciende.

- El transformador no está conectado correctamente.
- No hay energía en el tomacorriente.

### El equipo está encendido pero la bandeja no gira.

- La correa de transmisión del tocadiscos no se ha colocado o se ha salido.

### El tocadiscos gira pero no emite sonidos o los sonidos no son lo suficientemente fuertes.

- El protector de la aguja fonográfica aún está colocado.
- La palanca levanta el brazo del tocadiscos.

### El disco se reproduce demasiado rápido o demasiado lento.

- Está seleccionada la velocidad incorrecta para el disco.

### Fuerte zumbido en la entrada fonográfica

- El cable no está conectado a tierra correctamente.

## Declaraciones de la FCC

---

NOTA: Este equipo se verificó y se comprobó que cumple con los límites para un dispositivo digital clase B, conforme a la Sección 15 de las reglas de la Comisión Federal de Comunicaciones (FCC). Estos límites están diseñados para brindar una protección razonable frente a interferencia perjudicial en un establecimiento residencial. Este equipo genera, usa y puede irradiar energía de radiofrecuencia y, si no se instala y utiliza siguiendo las instrucciones, puede causar interferencia perjudicial a las radiocomunicaciones. Sin embargo, no existe garantía de que la interferencia no ocurrirá en una instalación en particular. Si este equipo causa interferencia perjudicial a las radiocomunicaciones o a la recepción televisiva, lo que se puede determinar al encender y apagar el equipo, se recomienda que el usuario intente corregir la interferencia mediante una o más de las siguientes medidas:

- Orientar o reubicar la antena de recepción.
- Aumentar la separación entre el equipo y el receptor.
- Conectar el equipo a una toma en un circuito diferente del circuito en el que está conectado el receptor.
- Consultar al proveedor o a un técnico con experiencia en radio/TV para obtener ayuda.
- Los cambios o modificaciones que no tengan la aprobación expresa de la parte responsable del cumplimiento pueden anular el permiso del usuario para utilizar el equipo.

Este dispositivo cumple con la Sección 15 de las reglas de la Comisión Federal de Comunicaciones (FCC). El uso de este equipo está sujeto a las dos condiciones siguientes:

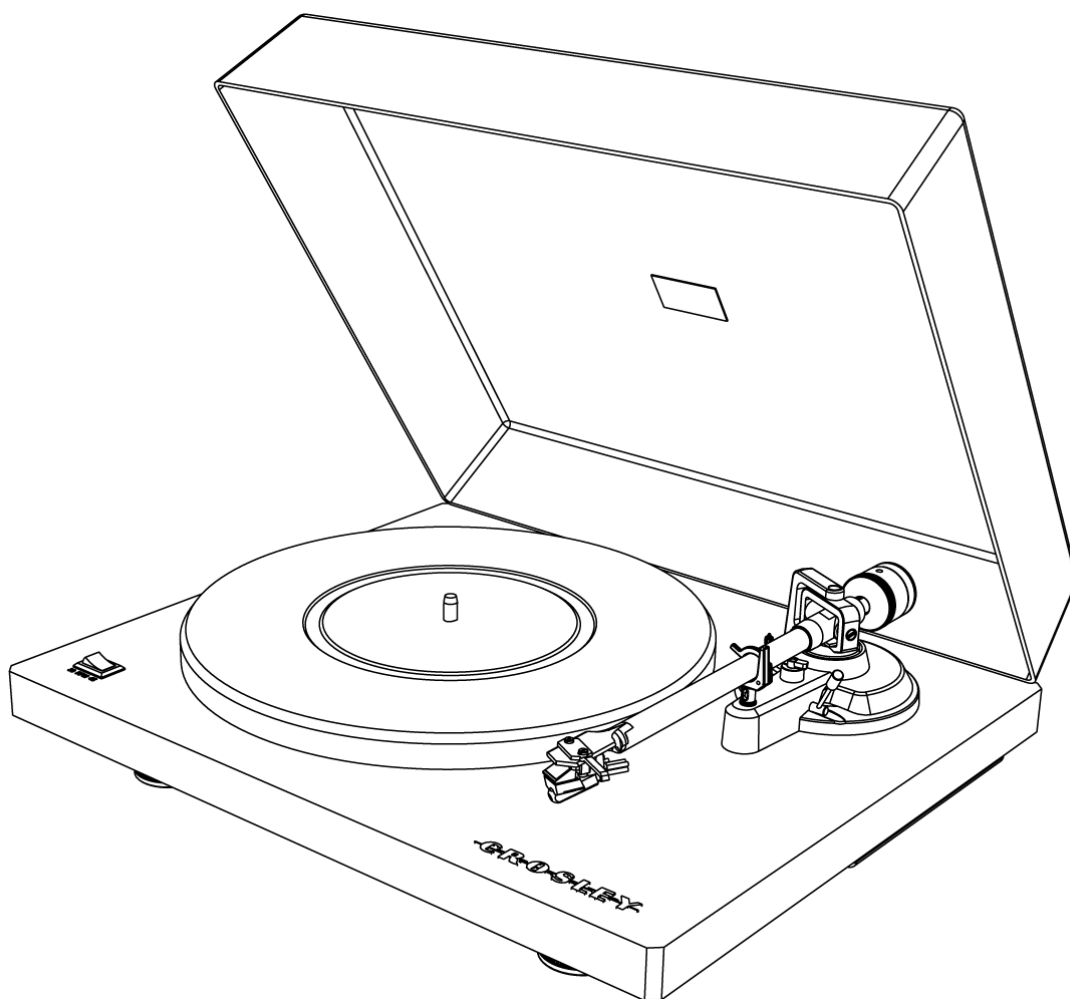
1. este dispositivo no causa interferencia perjudicial y
2. este dispositivo debe aceptar cualquier interferencia recibida, incluso interferencia que pueda causar un funcionamiento no deseado.

# CROSLEY®

C6B

## Tourne-disque C6 Manuel d'utilisation

---



Des questions, problèmes, pièces manquantes?  
Avant de retourner au magasin, appelez le service à la clientèle  
De 8 h à 20 h, HNE, du lundi au vendredi  
1-888-CROSLEY  
[www.crosleyradio.com/support](http://www.crosleyradio.com/support)

---

## Instructions de sécurité

---

Veillez lire et comprendre l'intégralité de ce manuel avant d'utiliser ce produit. Conservez ces instructions pour pouvoir les consulter ultérieurement.

1. Ne pas utiliser ce produit près de l'eau.
2. Ce produit doit être alimenté uniquement par le type de source d'alimentation indiqué sur l'étiquette ou dans le présent manuel d'utilisation.
3. Ne pas tenter de modifier le dispositif de sécurité que constitue la fiche polarisée. Une fiche polarisée a deux lames, l'une étant plus large que l'autre. Cette fiche peut être insérée dans une prise électrique d'une seule façon. S'il est impossible d'insérer la fiche complètement dans la prise, inverser la fiche. Si la fiche ne peut toujours pas s'insérer entièrement, contacter un électricien.
4. Faire en sorte que personne ne marche sur le cordon d'alimentation ou que ce dernier ne soit pas pincé, notamment au niveau des fiches, des prises murales et du point de sortie du produit.
5. Ne pas surcharger les prises murales, cordons de rallonge ou prises de courant intégrales, car cela pourrait entraîner un risque d'incendie ou de décharge électrique.
6. Ne jamais pousser d'objets, quelle que soit leur nature, dans les ouvertures, car ils pourraient toucher des points de tension dangereux ou court-circuiter des pièces, ce qui pourrait entraîner un incendie ou une décharge électrique. Ne jamais renverser de liquide, quelle qu'en soit la nature, sur le produit.
7. Ne pas tenter de réparer ce produit vous-même, car couvrir ou ôter des couvercles pourrait vous exposer à une tension dangereuse ou à d'autres dangers. Faire appel à une personne qualifiée pour toutes les réparations.
8. Les changements ou les modifications non approuvés expressément par la partie responsable de la conformité pourraient annuler le droit de l'utilisateur de faire fonctionner le matériel.
9. Ne pas utiliser d'accessoires non recommandés par le fabricant du produit, car ils pourraient causer des dommages.
10. Il est important de déplacer avec prudence le produit s'il se trouve sur un chariot. Les arrêts brusques, une force excessive et les surfaces inégales peuvent entraîner le retournement du produit sur un chariot.
11. Des fentes et ouvertures sont présentes dans le boîtier pour la ventilation, pour assurer un fonctionnement fiable du produit et pour le protéger d'une surchauffe. Ne pas bloquer ou couvrir ces ouvertures.
12. Débrancher le produit pendant un orage ou lorsqu'il est inutilisé pendant une période prolongée.

---

## Contenu de la trousse

---

Avant de jeter les emballages, veuillez les passer en revue minutieusement et vérifier que vous avez les éléments suivants fournis dans cette trousse :

- Tourne-disque
- Couvercle du tourne-disque
- Tapis antidérapant du tourne-disque
- Plateau du tourne-disque
- Contrepoids du bras de lecture
- Rapporteur d'alignement pour cartouche
- Adaptateur d'alimentation
- Adaptateur 45 tours
- Câble RCA

Veillez contacter le service à la clientèle de Crosley s'il manque des accessoires dans la trousse. **Conservez les emballages d'origine pour procéder à un échange ou à un retour.**



## Spécifications

---

### **Crosley C6B**

Puissance	Adaptateur D.C., sortie D.C.. 12 V 0,5 A
Consommation d'énergie	5 W
Vitesse du tourne-disque	33 <sup>1</sup> / <sub>3</sub> , 45 tr/min
Variation de la vitesse	±0,8 %
Fluctuations	±0,15 %
Rapport signal/bruit	72 dB
Longueur effective du bras de lecture	8,6 po (218,5 mm)
Surplomb	0,73 po (18,5 mm)
Poids	13,67 lb

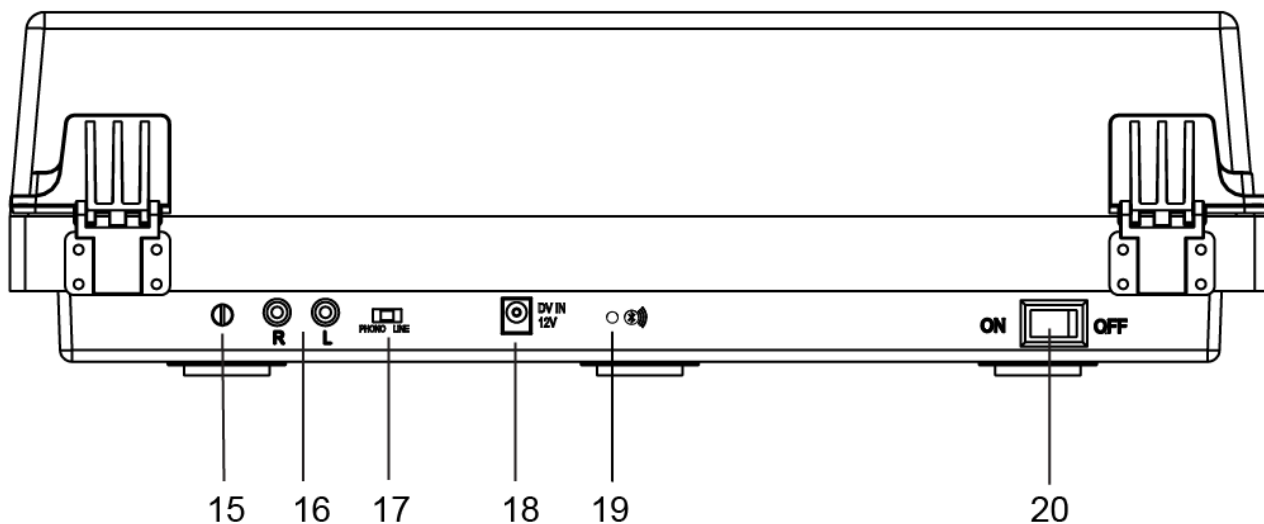
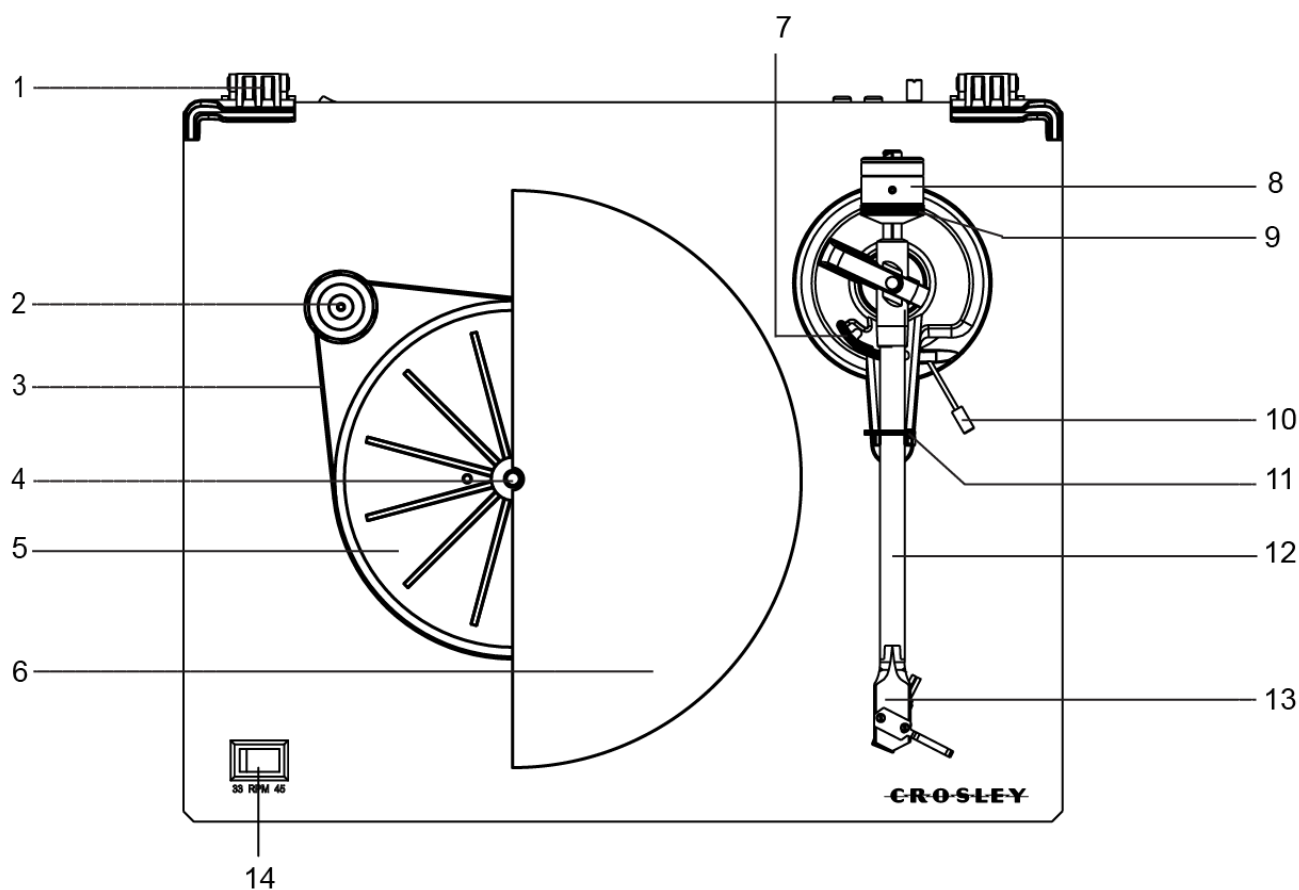
### **Aiguille : Crosley NP5**

Réponse de fréquence	20 Hz à 20 kHz
Équilibre des canaux	< 2,5 dB
Séparation des canaux	> 18 dB
Tension de sortie	2,5 mV
Résistance de charge recommandée	47 kΩ
Connexion amplificateur	Entrée MM
Pression de lecture recommandée	3.5±0.5g
Poids	0,18 oz (5 g)

#### *Remarque :*

- *La conception et les spécifications sont sujettes à modification sans préavis.*

## Description du produit



- |  |  |
|--|--|
| 1. Charnière                               | 11. Repose-bras                          |
| 2. Poulie d'entraînement                   | 12. Bras de lecture                      |
| 3. Courroie d'entraînement                 | 13. Porte-cellule                        |
| 4. Axe du tourne-disque                    | 14. Sélecteur de vitesse                 |
| 5. Plateau d'entraînement du tourne-disque | 15. Entrée de mise à la terre            |
| 6. Plateau du tourne-disque                | 16. Prises RCA                           |
| 7. Lève-bras                               | 17. Commutateur Phono/Line (Phono/ligne) |
| 8. Contrepoids du bras de lecture          | 18. Prise d'alimentation                 |
| 9. Disque gradué de la force d'appui       | 19. Indicateur bluetooth                 |
| 10. Levier du lève-bras                    | 20. Interrupteur d'alimentation          |

## Configuration initiale

---

### Configuration de base

1. Placez l'appareil sur une surface plane. L'emplacement choisi doit être stable et sans vibration.
2. Installez le couvercle du tourne-disque sur les charnières.
3. Retirez l'attache qui retient le bras de lecture.
4. Installez comme il se doit le plateau du tourne-disque et la courroie d'entraînement.
5. Placez le tapis antidérapant sur le plateau du tourne-disque.
6. Faites glisser le contrepoids du bras de lecture sur le bras de lecture et tournez-le légèrement sur l'axe arrière du bras de lecture.
7. Ajustez le contrepoids pour définir la pression appropriée du stylet.
8. Branchez l'adaptateur c.d. à la prise d'alimentation de l'appareil.

*Remarque : Ne branchez pas l'adaptateur c.d. à la prise avant la fin du montage. Avant d'allumer l'appareil, vérifiez à nouveau que tous les paramètres des branchements sont corrects. Mettez toujours l'appareil hors tension lorsque vous effectuez ou supprimez des branchements.*

### Ajustement du contrepoids du bras de lecture pour la pression du stylet

1. Retirez la protection du stylet de la cartouche et évitez de toucher l'extrémité du stylet pendant l'ajustement.
2. Soulevez le bras de lecture de son support et tenez-le doucement. Le bras de lecture est alors déséquilibré.
3. Faites pivoter doucement le contrepoids vers l'avant du tourne-disque jusqu'à ce que le bras de lecture soit équilibré horizontalement et puisse se maintenir librement au-dessus du plateau sans que le stylet ne touche la surface.
4. Remplacez le bras de lecture sur le support du bras de lecture.
5. Tout en maintenant fermement le contrepoids sans le faire pivoter, tournez uniquement la balance à cadran de la force de portance négative avec précaution jusqu'à ce que le « 0 » inscrit sur l'échelle et la ligne de centre marquée le long du haut du bras de lecture soient alignées.
6. Faites pivoter le contrepoids, y compris la balance à cadran de la force de portance négative, dans le sens inverse des aiguilles d'une montre (comme vu depuis l'avant du tourne-disque) afin d'ajuster la valeur de pression du stylet conformément aux recommandations du fabricant.

*Remarque :*

- Chaque mesure de l'échelle correspond à 0,05 g (gramme).
- La pression recommandée pour la cartouche installée en usine est 3,5 g.

*Remarque : La cartouche ne va pas au-delà de 1,75 g. Vous devrez effectuer deux rotations complètes pour atteindre 3,5 g.*

### Configuration du plateau du tourne-disque et de la courroie

1. Placez la courroie d'entraînement autour du petit plateau qui est relié à la broche du tourne-disque, puis utilisez l'outil de montage de la courroie d'entraînement fourni pour aider à tirer sur la courroie pour bien la placer autour de l'encoche de la poulie du moteur.
2. Passez le plateau du tourne-disque par la broche du tourne-disque.

## Branchement du système stéréo

---

### Prises RCA

- Les prises RCA de cet appareil sont partagées à la fois comme prises de sortie phono et prises de sortie de ligne. Elles sont déterminées par le commutateur Phono/Line (Phono/ligne).
- Lorsqu'elles sont utilisées comme sortie de ligne, les prises RCA émettent des signaux de niveau de ligne analogique et peuvent être connectées directement à une paire de haut-parleurs actifs ou l'entrée appropriée de votre système stéréo. Lorsqu'elles sont utilisées comme sortie phono, elles doivent être branchées au préamplificateur phono ou à l'entrée phono du système stéréo.
- La prise rouge se branche sur le canal droit et la prise blanche se branche sur le canal gauche.

*Remarque :*

- Si le commutateur Phono/Line (Phono/ligne) est en position LINE (LIGNE), mais que les prises RCA sont branchées à l'entrée phono du système stéréo, le son peut être déformé à cause d'une surcharge de l'entrée et cela pourrait endommager votre système stéréo.
- Si le commutateur Phono/Line (Phono/ligne) est en position PHONO (PHONO), mais que la prise RCA est branchée à l'entrée ligne du système stéréo, le volume sera très bas à cause de l'absence de préamplification du signal.
- La prise RCA n'est pas conçue pour être branchée directement aux haut-parleurs passifs/qui ne sont pas sous tension, et si cela arrive, le volume sera très bas.

## Utilisation du tourne-disque

1. Appuyez sur l'interrupteur d'alimentation pour mettre l'appareil sous tension. La platine tourne automatiquement la recherche du haut-parleur Bluetooth externe.  
*Remarque: veuillez vous assurer que le haut-parleur Bluetooth à moins de 30 pieds ne fonctionne pas en mode d'appairage pour éviter l'établissement d'une connexion Bluetooth accidentelle.*
- a. Une fois le haut-parleur Bluetooth correctement couplé, l'indicateur Bluetooth sera bleu fixe.  
*Remarque: Si aucun haut-parleur Bluetooth n'est couplé avec la platine vinyle dans les 2 minutes, la platine vinyle désactivera la fonction de recherche Bluetooth. Lorsque vous décidez de connecter la platine au haut-parleur Bluetooth plus tard dans la période de 2 minutes, vous éteignez la platine et recommencez à partir de l'étape 1 ci-dessus.*
2. Réglez le sélecteur de vitesse en conséquence.
3. Placez le disque sur le tourne-disque. Utilisez l'adaptateur 45 tours au besoin.
4. Retirez le protecteur du stylet.  
*Remarque : Pour éviter d'endommager le stylet, vérifiez que le protecteur de stylet inclus est bien en place lorsque vous déplacez ou nettoyez le tourne-disque.*
5. Soulevez doucement le bras de lecture de son support et déplacez-le au-dessus du disque, là où vous souhaitez commencer la lecture. Utilisez le levier du bras de lecture pour soulever le levier de levage du bras de lecture et laissez y reposer le bras de lecture.
6. Abaissez le levier du bras de lecture. Le bras de lecture descendra doucement sur le disque et commencera la lecture.
7. Lorsque la lecture du disque est terminée, utilisez le levier du bras de lecture pour soulever le bras de lecture, puis le remettre sur le support du bras de lecture. Pour interrompre la lecture, répétez les mêmes étapes.

## Remplacement de la cartouche

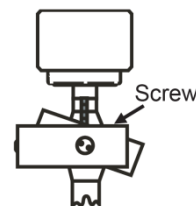
1. Avant le remplacement, remettez en place la protection du stylet pour éviter d'endommager le stylet pendant le processus de remplacement.
2. Retirez soigneusement les fils métalliques de la cartouche d'origine.
3. Desserrez les deux vis de la coquille qui retiennent la cartouche, puis retirez la cartouche d'origine.
4. Montez la nouvelle cartouche sur la coquille et serrez-la légèrement. Ne serrez pas encore complètement les vis.
5. Branchez les fils métalliques sur les bornes de la nouvelle cartouche. Les codes de couleurs des fils métalliques sont comme suit :
 

Blanc	Canal gauche positif	(L+)
Noir	Canal gauche négatif	(L-)
Rouge	Canal droit positif	(R+)
Noir	Canal droit négatif	(R-)
6. Ajustez la position de la cartouche pour vous assurer qu'elle est bien alignée sur la coquille, afin que le stylet suive les sillons d'une manière parfaitement parallèle.  
Pour cela, placez le rapporteur d'alignement pour cartouche papier fourni sur la broche du tourne-disque, soulevez soigneusement le bras de lecture et placez l'extrémité du stylet sur les points marqués respectivement 130 mm et 250 mm. Ajustez la position de la cartouche sur la coquille jusqu'à ce que la cartouche soit parfaitement parallèle aux lignes de référence au niveau des deux points.
7. Serrez complètement les vis une fois que l'alignement parfait est obtenu.

## Ajustement des azimuts

L'aiguille doit être perpendiculaire au sillon du disque afin de suivre correctement les modulations du flanc du sillon. Dans de rares cas, si l'installation en usine n'est pas parfaite, vous pouvez procéder à l'ajustement ci-dessous :

1. Utilisez une clé Allen fournie pour desserrer la vis située à l'extrémité de l'appui du bras de lecture, juste assez pour desserrer le tube du bras.  
*Remarque : Ne retirez pas complètement la vis.*
2. Pivotez doucement le bras de lecture jusqu'à ce que l'aiguille soit perpendiculaire à la surface du disque.  
*Remarque : Vérifiez que l'extrémité de l'aiguille ne touche pas le disque lorsque vous effectuez l'ajustement, sinon cela risquerait d'endommager l'aiguille et la suspension en porte-à-faux.*
3. Serrez la vis lorsque les ajustements sont terminés.



---

## Entretien du tourne-disque

---

1. Ne pas toucher l'extrémité du stylet avec vos doigts. Éviter de cogner le stylet sur le tapis du tourne-disque ou le bord du disque.
2. Nettoyer souvent le stylet avec une brosse douce dans un mouvement d'arrière vers l'avant uniquement.
3. Nettoyer les disques pour retirer la poussière ou la graisse avec une brosse de nettoyage pour disque et une solution nettoyante pour disque.
4. Nettoyer le couvercle du tourne-disque et le boîtier du tourne-disque avec un chiffon microfibre légèrement humide.

*Remarque : Ne pas utiliser d'autre nettoyant contenant de l'alcool, du benzène ou tout autre produit chimique nocif qui pourrait endommager la peinture et la finition du tourne-disque.*

**\*\* Crosley propose toute une gamme d'accessoires de nettoyage. Veuillez contacter votre détaillant ou consulter notre site Web [www.crosleyradio.com](http://www.crosleyradio.com) pour obtenir plus d'informations sur les produits de nettoyage.**

---

## Dépannage

---

### L'appareil ne s'allume pas

- L'adaptateur d'alimentation n'est pas branché correctement.
- Aucune alimentation au niveau de la prise électrique.

### L'appareil est allumé, mais le plateau ne tourne pas

- La courroie d'entraînement du tourne-disque n'est pas installée ou a glissé.

### Le tourne-disque tourne, mais il n'y a pas de son ou le son n'est pas suffisamment fort

- Stylus protector is still on.
- Tone arm is lift up by the lever.

### Le disque tourne trop vite ou trop lentement

- Mauvaise vitesse sélectionnée pour le disque.

### Fort bruit dans l'entrée du phono.

- La mise à la terre du câble est incorrecte.

---

## Déclarations relatives à la FCC

---

REMARQUE : Ce matériel a été testé et jugé en conformité avec les limites pour un appareil numérique de Classe B, conformément à la partie 15 des règles de la FCC. Ces limites ont été établies pour offrir une protection raisonnable contre l'interférence nuisible dans une installation résidentielle. Cet appareil produit, utilise et peut émettre de l'énergie de fréquence radio et, s'il n'est pas installé et utilisé conformément aux instructions, il peut provoquer de l'interférence nuisible aux communications radio. Toutefois, il n'existe aucune garantie qu'il n'y aura pas d'interférence dans une installation particulière. Si ce matériel cause de l'interférence nuisible à la réception radio ou de télévision, qui peut être déterminée en allumant et en éteignant le matériel, il est conseillé à l'utilisateur de tenter de remédier à l'interférence par l'un ou plusieurs des moyens suivants :

- Réorienter ou déplacer l'antenne de réception.
- Augmenter la distance entre le matériel et le récepteur.
- Brancher le matériel à une prise sur un circuit différent de celui du récepteur.
- Consulter le détaillant ou un technicien de radio ou de télévision qualifié pour obtenir de l'aide.
- Les changements ou les modifications non approuvés expressément par la partie responsable de la conformité pourraient annuler le droit de l'utilisateur de faire fonctionner le matériel.

Cet appareil est conforme à la partie 15 des règles de la FCC. Son fonctionnement est assujéti aux deux conditions suivantes :

1. cet appareil ne peut causer des interférences nuisibles, et
2. cet appareil doit accepter toute interférence reçue, y compris celles susceptibles de causer un fonctionnement indésirable.