



NORTH AMERICAN STEEL

**CANADIAN MANUFACTURED
PALLET RACKING**

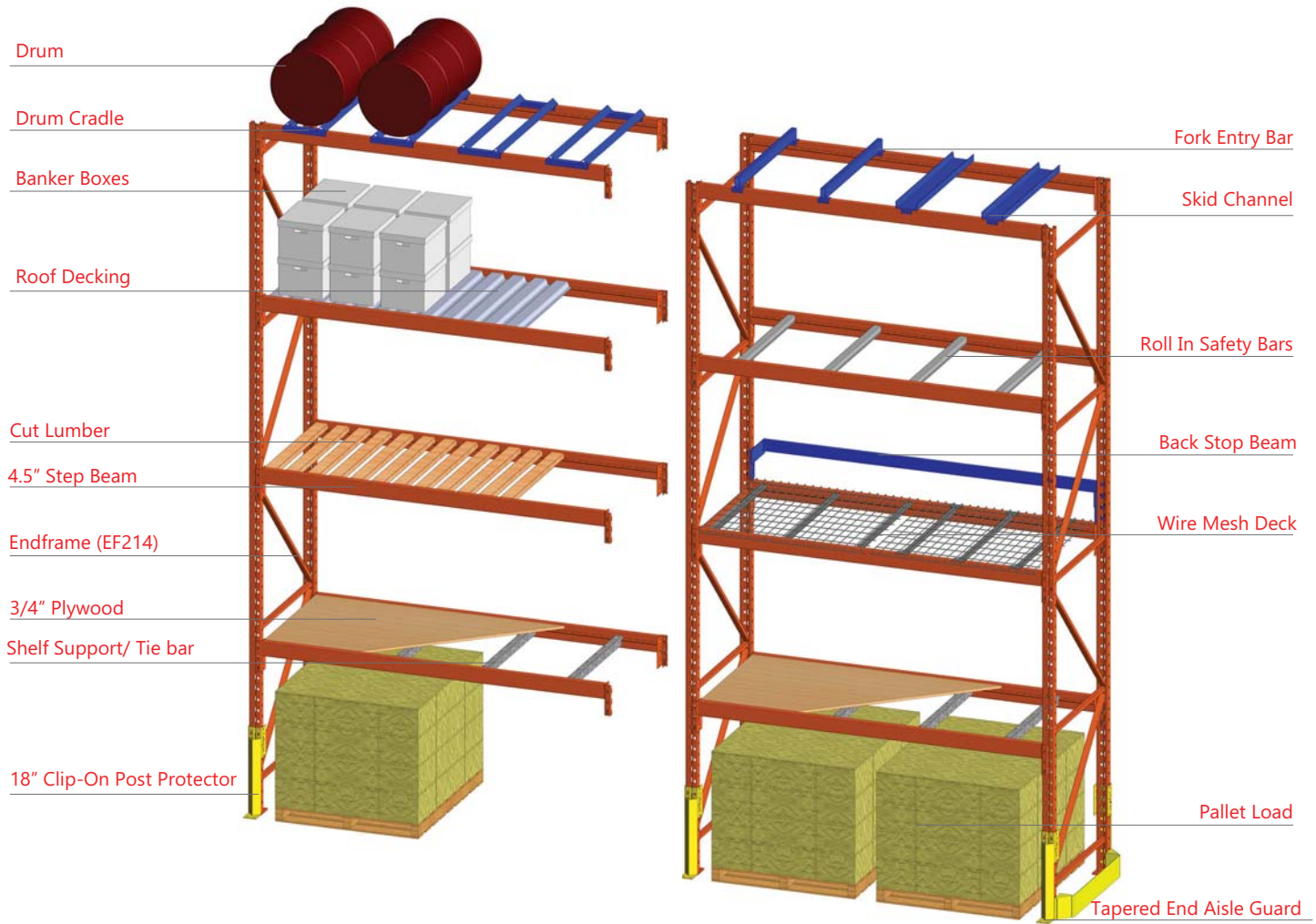


OUR
STRENGTH
IS OUR PRODUCT



ROLLFORMED RACK





Rack Shelving Systems for Step Beams

Shelf Support

Choose from steel shelf support or 1"x 6" lumber to support wood shelves. A variety of materials, such as plywood, particle board or finished board can be used for shelving.



Drop-In Panels

Galvanized steel panels provide a smooth surface. Available in 6" or 9" standard width.



Cut Lumber

Inexpensive shelving for NAS Step Beams. Standard 2"x 4", 2"x 6" and 2"x 8" lumber fits flush into step beam.





Rear return bends are a unique feature of NAS racking. The 10 vertical bends per column add strength, structural rigidity, and impact resistance.

The tubular bracing used in our endframes make them stronger than regular channels. All horizontal bracing is welded at both ends against the front and rear endframe column.

The 6-point wrap around beam connector supports each beam at 12 points, squaring the beam to the frame automatically.

PART #	SIZE	GAUGE	CAP*
EF214	3 1/4"x 2"	14	22,570
EF213	3 1/4"x 2"	13	26,270
EF313	3 1/4"x 3"	13	33,230
EF413	4"x 3"	13	42,290

*Capacity in lbs at 48" Beam Centre



EF214



EF313



EF413

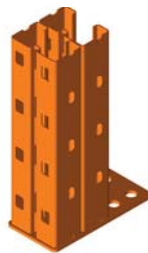
Heavy Duty Lower Brace

Transfer frontal impact energy to the back post of the end frame. Prevents column from rotating.



Double Post

Increases the capacity and transfers the axial load to the second post if the front post is damaged, preventing bending.



Structural Column C-Channel

Inserted inside the column (usually to the first beam level) and welded in place, absorbing any lift truck impact. Significantly increases column strength preventing column from denting or bending.



Advanced Leg Options

Cant-Leg Frame

Angles the front aisle post away from the aisle to prevent accidental damage from pallet entry on the lower level. Severe cant-leg frames are often used in double deep selective applications to increase density by reducing the required beam length.



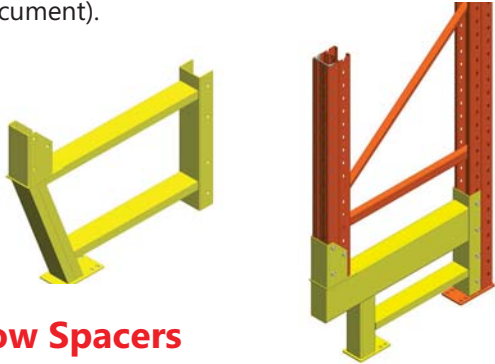
Recessed Leg Frame

The front aisle post is recessed to allow greater aisle clearance for lift truck turning and pallet entry. Recessed leg heights can be shorter than the cant-leg option, making this ideal for installing low beams for future carton flow or pick level locations.



Removable Base

Removable Bases are bolted into frame legs, designed to be replaceable in the event of impact damage, saving time and cost of replacing the entire frame. Unlike the 3rd party repair kits, a frame supplied with a removable base can be replaced by North American Steel without requiring re-certification (Pre-Start Health & Safety Document).



Row Spacers

Used for back-to-back rows to tie the end frames together for stability and consistent spacing. Row spacers can also support in-rack sprinkler systems, if mandatory for installations.

Recommended: 2 pair for frames up to 12 ft, 3 pair for frames up to 20 ft, 4 pair for frames up to 26 ft, 5 pair for frames up to 32 ft. Over 32 ft call the manufacturer.



Cross Aisle Ties

Cross Aisle Ties are attached on top of two endframes that are adjacent to each other to stabilize single rows of racking. Often needed if the height-to-depth ratio of a single row exceeds (6:1). They can also support electrical equipment if required (ie. extra aisle lighting).



Post Protectors

Post Protectors provide added protection in high traffic areas. The angle helps to deflect rather than absorb direct frontal impacts and reduces the possibility of rack damage.

Welded-On

Factory welded to the front of the upright is the most economical protection. Available only on new installations.



Bull-nose with cap



Bull-nose



Structural angle

Clip-On

Clip-on to the front face of rack frame. The longer (15") style is designed for use with base plate beams.



C-Channel Bolted



Clip-on 15"



Clip-on 6"

Floor Mounted

These are the most common type of stand alone protectors, anchored separate from the column.



Structural angle with foot plate



Rounded

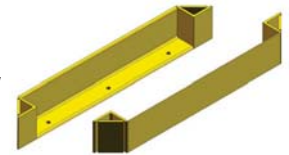


Clip-on 15" with foot plate

End of Aisle Guards

Tapered Floor Mount

Providing protection for end of row frames against lift truck damage. Adds a neat finished appearance.



Raised Guards

This raised aisle guard is preferred where cleaning under the guard is a sanitary necessity.



Frame Mounted

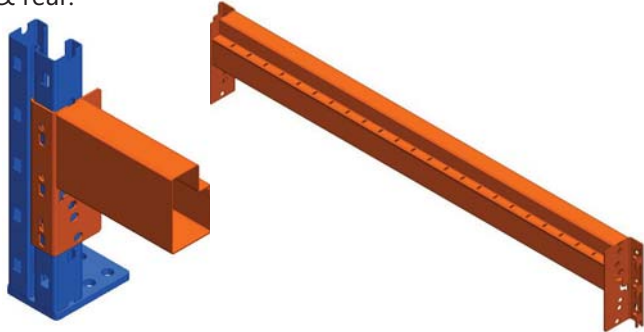
Protect frames and braces from fork lift truck impact above floor level.



Step Beams

A one-piece multi-purpose beam with a rolled in-step, pierced to accommodate safety bars, shelf supports and other unique accessories. Full 1-7/8" top face for superior pallet support.

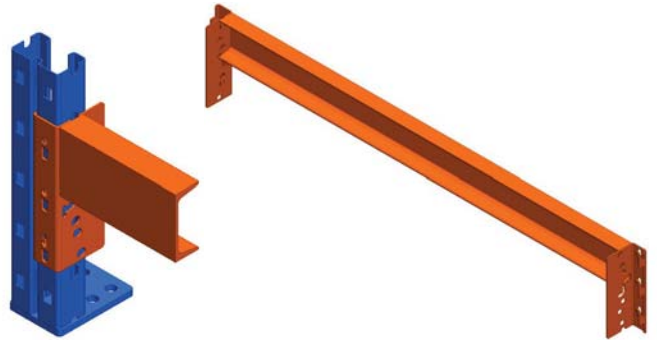
Our one-piece rollformed tube provides strength and safety. The seam of our beam is at the rear under the step, preventing accidental fork lift or pallet "hooking". The 3" deep bracket allows welding of beams in front & rear.



3" & 4" C-Channel Beams

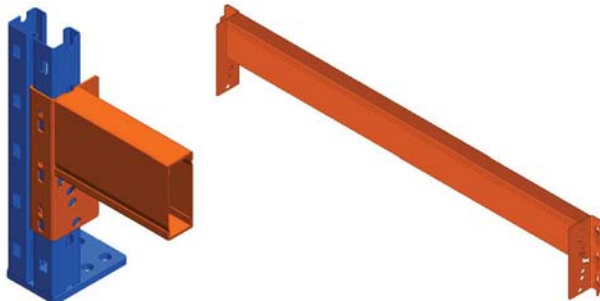
C-Channel beams are recommended for heavy traffic and high abuse areas (ie. front beams on push back and pallet flow rack).

The structural shape places the most amount of steel on the face and face corners to prevent damage at impact. To obtain the full rated capacity, C-Channels require tie bars to prevent rotation.



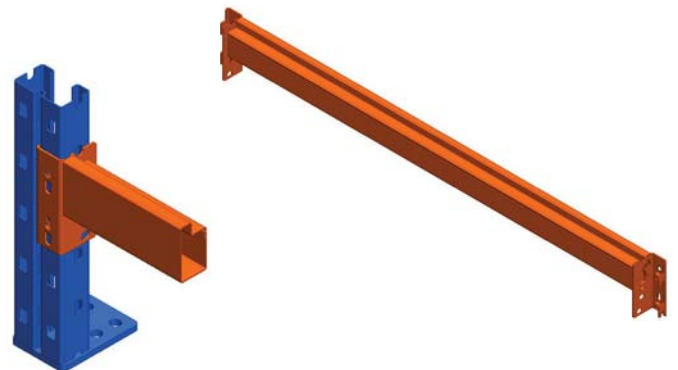
Box Beams

Ideal for heavy pallet loading; tunnel bays with 3 pallet loading. Box beams offer the highest capacity/dollar of all beam types. The 2 piece interlocked design is ideal for point loads and engage Tek Screw threads better than single layer beam designs. Our front box beam seam is at the bottom and folds upwards so it cannot be hooked by forklift tips or pallets.



Shelf Beams

Light duty shelf beams are available for retail hand loaded applications. The one-piece rolled in-step beam has a 3/4" step. Ideal for particle board or wire mesh shelves.



Racking Clips & Tek Screws

Are a required safety element in the rack installation. They prevent accidental dislodging of beams on impact from lift trucks or pallets.

Safety Pins

Installed either in the front or side of the beam bracket (galvanized).



Spring Clips

Installed in the front of the beam bracket (galvanized).



Safety Tek Screws

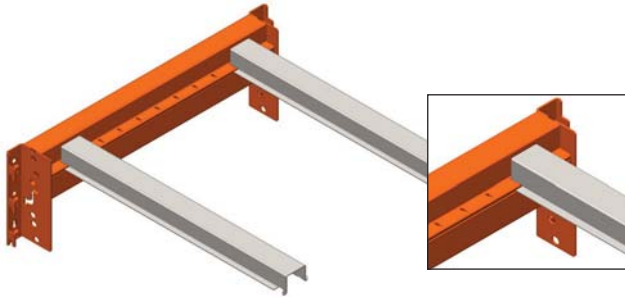
The safety Tek Screw is a Grade 5.2 hex flange screw, case hardened and coated with a zinc chromate finish. When properly installed, this hardware provides significantly more resistance to accidental beam disengagement versus a standard safety pin.



Plunger Pins

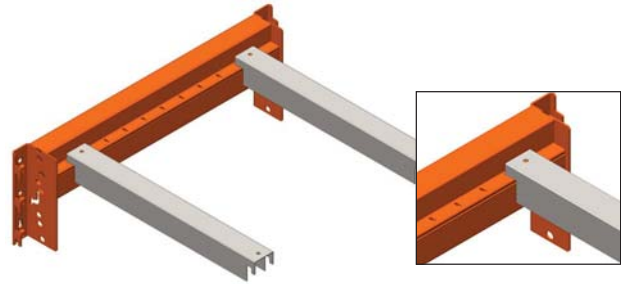
Our patented plunger pin snaps into position automatically and replaces standard safety clips. Recommended for retail applications.





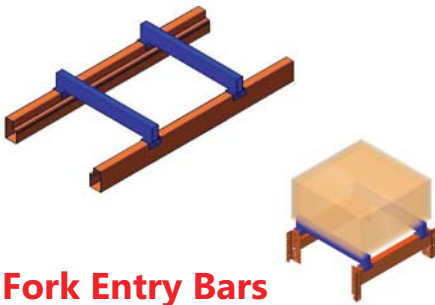
Safety Bars Medium or Heavy Duty

Sit flush in pre-slotted step beams to stop improperly placed pallets from falling between beams. Safety Bars prevent spreading on extra wide racks under heavy loads. Two safety bars per pallet position are mandatory on installations over 16 ft. high.



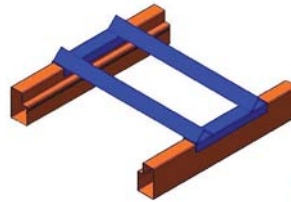
Combination Shelf Supports & Safety Bars For Step Beams

This shelf support has all the same features as the medium duty safety bars. It sits 7/8" below the top of the beam to provide a flush surface, when plywood or other shelving material is used. Minimum 4 per 96" shelf.



Fork Entry Bars

Support non-palletized loads, such as wallboard, plywood and metal sheets.



Drum Cradles

Designed to adapt racking to hold round objects. The unit is completely welded and fits securely on NAS Step Beams.

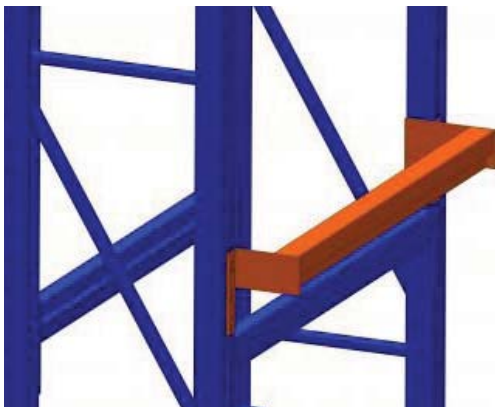


Skid Channel

Adapt rack to the storage of semi-live and stationary skids.

Back Stop Beam

Allows for a variety of pallet widths. Backstop Beams set the overhang of the pallet, preventing pallets from pushing through, falling off and hitting building walls. Can be used as a common rail in back to back rows, or to support wire mesh fencing or netting. Provides flu space for sprinkler water penetration, and prevents sprinkler heads from being damaged.



Wire Mesh Decks

Universal Waterfall Wire Mesh Decks are designed to fit on all step beams, box beams and structural steel beams. The U-Channel support is welded to the wire mesh for added strength and sits on top of the beam. Channels are available in standard and sanitary configurations.



Other Catalogues



SELECTIVE RACK



DRIVE-IN RACK



PUSHBACK RACK

Advanced Production Methods

HIGH SPEED ROLLFORMING LINES



ROBOTIC WELDING



POWDER COATED FINISH

All NAS products are environmentally friendly powder coated with a durable scratch resistant finish.

NAS Installations & Services

TAKE ADVANTAGE OF OUR EXPERIENCED ENGINEERING TEAM

to assist you in planning and designing your Storage Systems.

PROFESSIONAL INSTALLATION CREWS

can handle all of your Rack and Shelving installations, repairs and maintenance. Union and non-union crews available.

NAS HAS MULTIPLE MANUFACTURING PLANTS

strategically located across the country to offer improved service and reduced freight costs.

Certifications



NAS Warranty

All material sold is warranted to be free from defects in workmanship and material.

Extended Warranty's vary depending on product.

Installation Warranty applies for all racking installed by our certified installation crew.

NORTH AMERICAN STEEL

300 Hopkins Street, Whitby, Ontario Canada L1N 2B9

Phone: (905) 668-3300

Toll Free: (800) 735-4153

Fax: (905) 668-5477

Email: sales@naseco.ca

Web: www.naseco.ca

NORTH AMERICAN STORAGE

2103 - 7th Street, Nisku, Alberta Canada T9E 7Y3

Phone: (780) 955-2444

Toll Free: (800) 241-8968

Fax: (780) 955-3463

Email: sales@naseco.com

Web: www.naseco.com

With 60 Years

Manufacturing Experience

NORTH AMERICAN STEEL

is the leading name for

Innovative Storage Ideas