

Miele

Operating Instructions



Canister Vacuum Cleaner


en-US

HS11

M.-Nr. 10 847 180

Only Miele FilterBags, filters and accessories with the "Original Miele" logo can be used with this vacuum. Only then can the suction power of the vacuum cleaner reach its optimum potential creating the best possible cleaning results.

USE OF NON-MIELE COMPONENTS MAY VOID THE WARRANTY.

 The use of FilterBags made of paper or a similar material, or FilterBags with a cardboard retaining plate can lead to serious damage to the vacuum cleaner and may void the warranty, just as with the use of FilterBags without the "Original Miele" logo.

The "Original Miele" Logo will appear on the packaging or directly on the FilterBag.



Purchasing new FilterBags and filters

Original Miele FilterBags and filters can be purchased from an authorized Miele vacuum dealer or by visiting the Miele store at www.mieleusa.com.

IMPORTANT SAFETY INSTRUCTIONS	4
Appliance description	8
Caring for the environment	10
Preparing for use	11
Use	15
Parking, transport and storage	17
Maintenance	18
Purchasing new FilterBags and filters	18
Ordering the correct FilterBags and filters	18
When to change the FilterBag	19
How the FilterBag change indicator works	19
How to replace the FilterBag	20
When to change the motor protection filter	21
How to change the motor protection filter	21
When to replace the exhaust filter	21
How to replace the AirClean exhaust filter	22
Replacing the AirClean Plus 50, Active AirClean 50, and HEPA AirClean 50 ex- haust filters	23
Replacing one type of exhaust filter with another	24
When to change the thread catchers?	25
How to replace the thread lifters	25
Cleaning the roller on the AllTeQ floorhead	25
Cleaning and care	25
Frequently Asked Questions	27
Technical Service	28
Contact in case of fault	28
Warranty	28
Optional accessories	28
Limited Warranty - Vacuum Cleaners USA	30

IMPORTANT SAFETY INSTRUCTIONS

This vacuum cleaner complies with current safety requirements. Inappropriate use can, however, lead to personal injury and damage to property.

To avoid the risk of accidents and damage to the vacuum cleaner, please read the operating instructions carefully before using it for the first time. They contain important information on its safety, operation and maintenance.

Keep these operating instructions in a safe place and pass them on to any future user.

Always disconnect the vacuum cleaner from the power supply when you have finished using it, before changing any accessories, as well as for maintenance work and cleaning. Turn the vacuum cleaner off and unplug it.

Correct use

- ▶ This vacuum cleaner is intended for cleaning flooring in domestic households and similar residential environments.
- ▶ This vacuum cleaner can be used for all normal cleaning of carpets, rugs and hard flooring.
- ▶ This vacuum cleaner is not intended for outdoor use.
- ▶ This vacuum cleaner is intended for use at altitudes of up to 1300 ft (4000 m) above sea level.
- ▶ The vacuum cleaner must only be used to vacuum dry floor surfaces. Do not use on people and animals. Any other usage, modification or alteration is not supported by the manufacturer and could be dangerous.
- ▶ Persons which lack physical, sensory or mental abilities or experience with the machine should not use it without supervision or instruction by a responsible person.

IMPORTANT SAFETY INSTRUCTIONS

Safety with children

- ▶ Danger of suffocation! Ensure that any plastic wrappings, bags, etc. are disposed of safely and kept out of the reach of children.
- ▶ Do not allow the vacuum cleaner to be used as a toy. Close attention is necessary when used near children.

Technical safety

- ▶ Before using the vacuum cleaner and its accessories, check for any visible signs of damage. Do not use a damaged appliance.
- ▶ Ensure that the connection data on the data plate of the vacuum cleaner (voltage and frequency) match the household power supply. Without modifications, the vacuum cleaner is suited for 50Hz or 60Hz.
- ▶ The electrical outlet must be fitted with a 15 A fuse.
- ▶ Reliable and safe operation of this vacuum cleaner can only be assured if it has been connected to the electricity supply.
- ▶ Repairs must only be performed by an authorized service agent in accordance with national and local safety regulations. Unauthorized repairs could cause injury or machine damage. Otherwise the warranty will be void.
- ▶ Do not pull or carry the vacuum cleaner by the power cord, and be careful not to damage the cord when withdrawing the plug from the socket. Keep the cord away from sharp edges and do not let it get pinched, for example, under a door. Avoid running the vacuum cleaner over the cord. This could damage the cord, plug or socket. The appliance must not be used if any of these have suffered damage.
- ▶ Do not use the vacuum cleaner if the power cord is damaged. If the power cord is damaged it must be replaced together with the cord reel. For safety reasons this must only be done by Miele Technical Service or a Miele authorized service technician.

IMPORTANT SAFETY INSTRUCTIONS

- ▶ When vacuuming, in particular fine dust, e.g. sawdust, sand, plaster, flour, talcum powder etc., electrostatic charges build up naturally. Under certain conditions these charges will be released. To avoid the unpleasant effects of these discharges, a metal inlay has been incorporated into the underside of the handle. Please make sure that you keep your hand in constant contact with this metal strip during vacuuming.
- ▶ Do not let the vacuum cleaner get wet. Clean only with a dry cloth or slightly damp cloth when disconnected from the electrical supply.
- ▶ Repairs should only be carried out by a Miele-authorized service technician. Repairs and other work by unqualified persons can cause considerable danger to users.
- ▶ Defective components should be replaced by Miele original parts only. Only with these parts can the manufacturer guarantee the safety of the appliance.

Proper use

- ▶ To avoid the risk of damage, do not use the vacuum cleaner without the FilterBag, dust compartment filter and exhaust filter in place.
- ▶ The dust compartment cover will not close without a FilterBag inserted. Do not force it.
- ▶ Do not vacuum up anything which has been burning or smoking, e.g., cigarettes, ashes or hot ash, whether glowing or apparently extinguished.
- ▶ Do not use the vacuum cleaner to vacuum up any water, liquid or damp dirt. Wait until any freshly cleaned or shampooed rugs or carpets are completely dry before attempting to vacuum.
- ▶ Do not use the vacuum cleaner to vacuum toner dust. Toner, such as that used in printers and photocopiers, can conduct electricity.
- ▶ Do not vacuum up any flammable or combustible liquids or gases and do not vacuum in areas where such substances are stored.

IMPORTANT SAFETY INSTRUCTIONS

▶ Do not vacuum at head height and do not let the suction get anywhere near a person's head.

Accessories

▶ To avoid the risk of injury when vacuuming with a Miele turbo-brush, do not touch the rotating roller brush.

▶ It is not advisable to vacuum directly with the handle, i.e., without an accessory attached, as the rim could get damaged and you could hurt yourself on sharp edges.

▶ Only use genuine FilterBags, filters and accessories with the "Original Miele" logo on them. Otherwise the manufacturer cannot guarantee the safety of the product.

SAVE THESE INSTRUCTIONS

Appliance description



The illustration shows the maximum number of features available

- ① Handle
- ② Air inlet valve
- ③ Release buttons
- ④ Telescopic suction wand
- ⑤ Telescopic suction wand release button
- ⑥ Connection socket
- ⑦ Release buttons for the dust compartment cover
- ⑧ Motor protection filter
- ⑨ Original Miele filter bag
- ⑩ Floorhead
- ⑪ Carrying handle
- ⑫ Park system for storage (on both sides of the vacuum cleaner)
- ⑬ Original Miele exhaust filter *
- ⑭ Foot switch for automatic cord rewind
- ⑮ Power cord
- ⑯ Rotary selector
- ⑰ Park system for pauses during vacuuming
- ⑱ On/off ① foot switch
- ⑲ Release button for accessories compartment
- ⑳ Filter bag change indicator

* These features are model-specific and may vary or may not be available on your vacuum cleaner.

Caring for the environment

Disposal of the packing material

The cardboard box and packing materials protect the appliance during shipping. They have been designed to be biodegradable and recyclable.

Ensure that any plastic wrappings, bags, etc. are disposed of safely and kept out of the reach of children. Danger of suffocation!

Disposing of the FilterBags and filters

Filterbags and filters are made from environmentally friendly materials, and can be disposed of with the normal household waste, as long as they have been used exclusively for general household dust.

Disposing of your old appliance

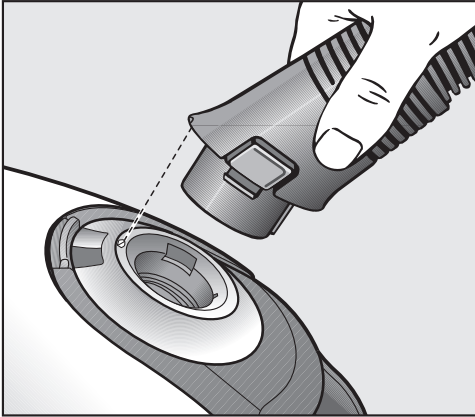
Before disposing of your old appliance remove the FilterBag and filters and dispose of them with your household waste.

Electronic and electrical appliances contain many valuable materials. They also contain certain materials, compounds and components which were essential for their correct functioning and safety. These could be hazardous to your health and to the environment if disposed of with general waste or if handled incorrectly. Please do not, therefore, dispose of your old appliance with general waste.

Instead, please make use of officially designated collection and disposal points to dispose of and recycle electrical and electronic appliances. By law, you are solely responsible for deleting any personal data from the appliance prior to disposal. Please ensure that your old appliance poses no risk to children while being stored for disposal.

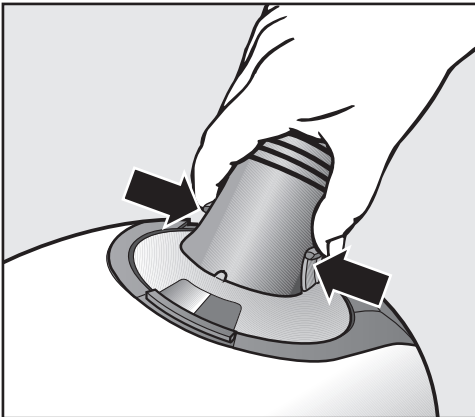
Preparing for use

Attaching the suction hose



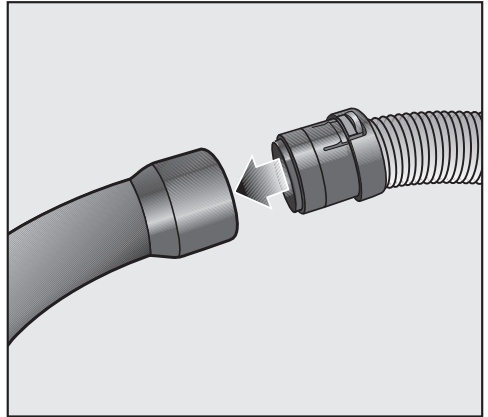
- Insert the hose connector into the suction socket on the vacuum cleaner until it clicks into position. To do this, line up the guides on the two pieces.

Disconnecting the suction hose



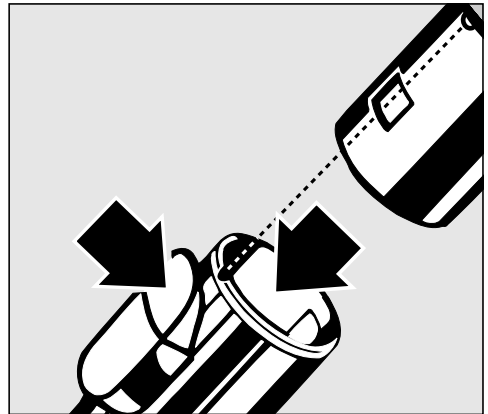
- Press the release buttons at the side of the hose connector, and lift the hose from the socket.

Connect the suction hose to the handle



- Fit the connector at the other end of the suction hose into the handle until it clicks into position.

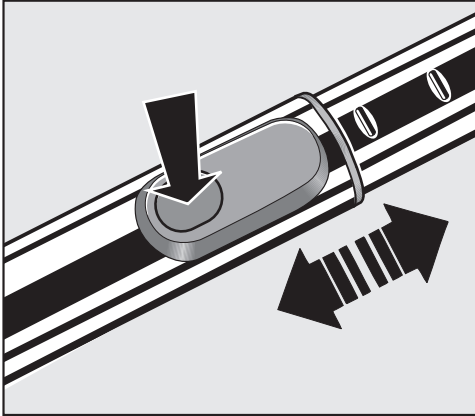
Connecting the handle to the wand



- Insert the handle into the wand until it clicks into position. To do this, line up the guides on the two pieces.
- To release the handle from the wand, press the release button and pull the handle out of the wand, twisting it slightly as you do so.

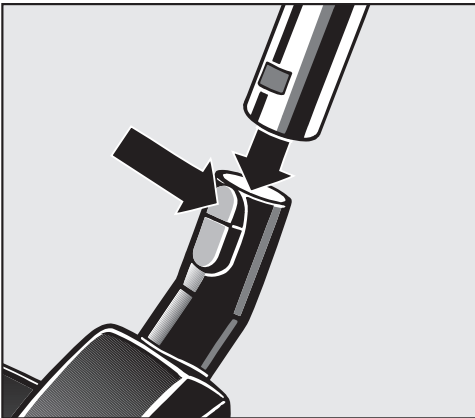
Adjusting the telescopic suction wand

One part of the telescopic suction wand is packed inside the other and it can be adjusted to suit your height for comfortable vacuuming.



- Press the release button and adjust the telescopic suction wand to the required length.

Connect the suction wand to the floorhead



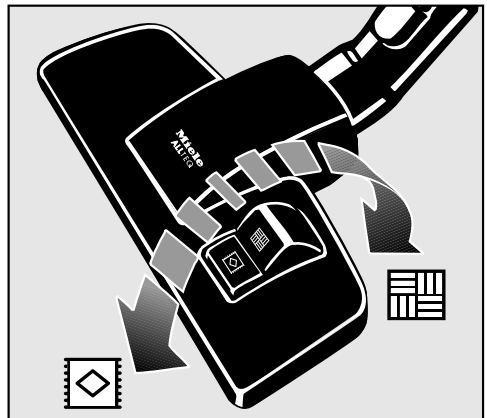
- Push the suction wand into the floorhead and turn it clockwise or counterclockwise until it clicks into position.
- To separate the suction wand from the floorhead, press the release button and pull the suction wand away from the floorhead, twisting it slightly as you do so.

Adjusting the floorhead

This vacuum cleaner can be used for daily cleaning of carpets, rugs, and robust hard flooring.

Miele offers a range of other floorheads, brushes, and accessories for other types of flooring and special applications (see "Optional accessories").

Please observe the flooring manufacturer's cleaning and care instructions.



Vacuum carpets and rugs with the brush retracted:

- Press the foot switch .

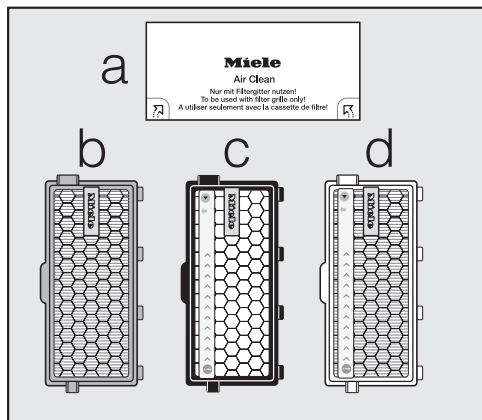
Clean hard flooring which is not susceptible to scratching, and flooring with gaps or deep crevices in it with the brush protruding:

- Press the foot switch  .

If the suction power of the floorhead seems too high, reduce the suction until the head is easier to maneuver (see "Use - Regulating the suction power").

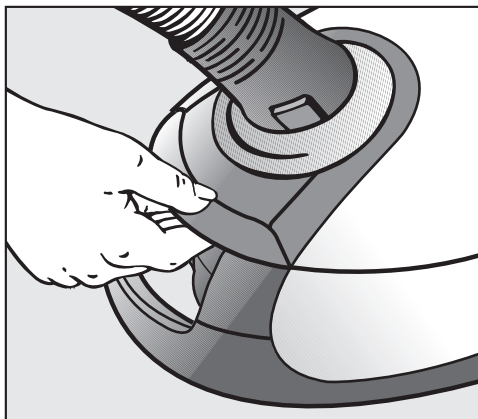
Activating the TimeStrip® exhaust filter change indicator on the exhaust filter

Depending on the model, your vacuum cleaner will be fitted as standard with one of the following exhaust filters.

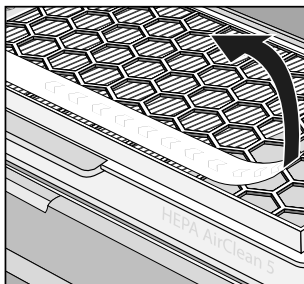


- a AirClean
- b AirClean Plus 50 (light blue)
- c Active AirClean 50 (black)
- d HEPA AirClean 50 (white)

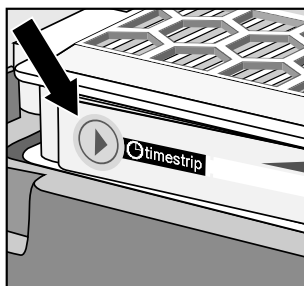
If your vacuum cleaner is fitted with exhaust filter **c** or **d**, you need to activate the TimeStrip® exhaust filter change indicator.



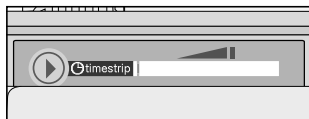
- Press the release button on the recessed grip and raise the dust compartment lid as far as it will go.



- Remove the indicator strip.



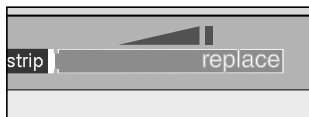
- Press the TimeStrip® exhaust filter change indicator.



After approx. 10–15 seconds a thin red line will appear in the left-hand side of the display.

- Close the dust compartment lid securely, making sure it clicks into position. Take care not to trap the filter bag when doing so.

How the TimeStrip® exhaust filter change indicator works



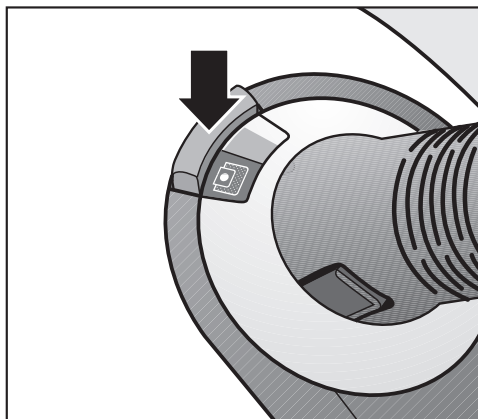
The TimeStrip® exhaust filter change indicator shows the remaining functional life of the exhaust filter. After approx. 50 operating hours, or approx. one year of average use, the display will be completely filled with red.

Using the accessories supplied



- ① Crevice nozzle
- ② Dusting brush
- ③ Upholstery nozzle

Opening the accessories compartment

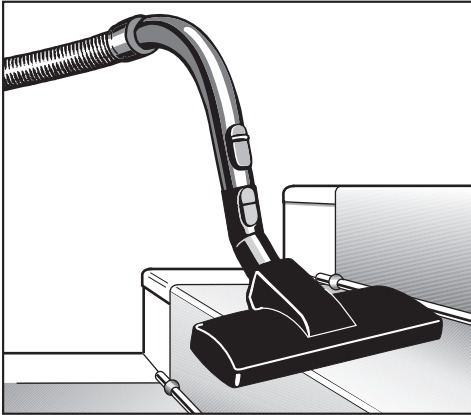


- Press the release button on the accessories compartment lid.

The accessories compartment will then open.

- Take out the accessory you require.
- Press down firmly on the lid to close it.

Convertible floorhead

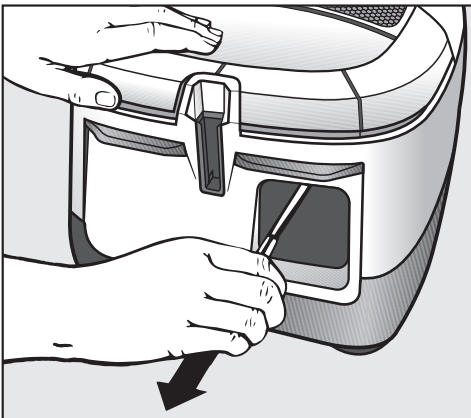


For general use and also for vacuuming the stairs.

⚠ For safety reasons when vacuuming stairs, it is best to start at the bottom of the stairs and move upwards.

Use

Unwinding the cord

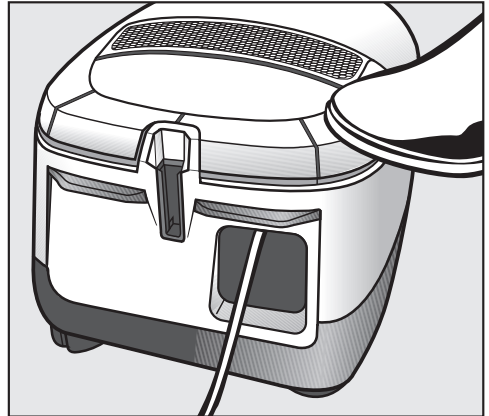


■ Pull the power cord out to the required length (max. cord length approx. 21" (6.5 m)).

■ Insert the plug into the socket.

⚠ If vacuuming for longer than 30 minutes, the cord must be pulled out all the way. Danger of overheating and damage.

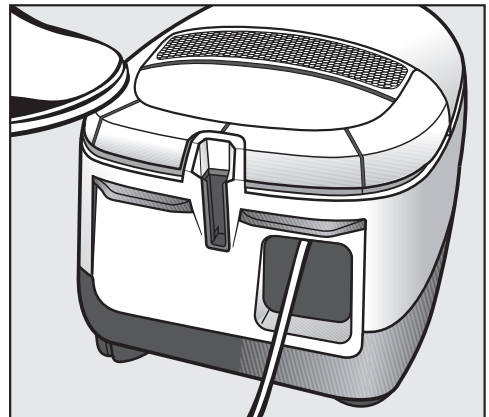
Rewinding the power cord



■ Turn off at the wall socket and unplug.

■ Press the rewind foot control. The cord will rewind automatically.

Turning the vacuum cleaner on and off




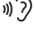




- Press the On/Off foot control ①.

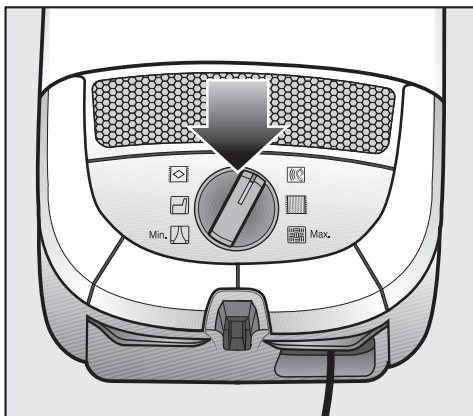
Regulating the suction power

The suction power can be regulated to suit the type of flooring being cleaned. Reducing the suction power reduces the amount of effort required to maneuver the floor brush.

The vacuum cleaner has symbols on the controls which indicate the type of use the settings are suitable for.

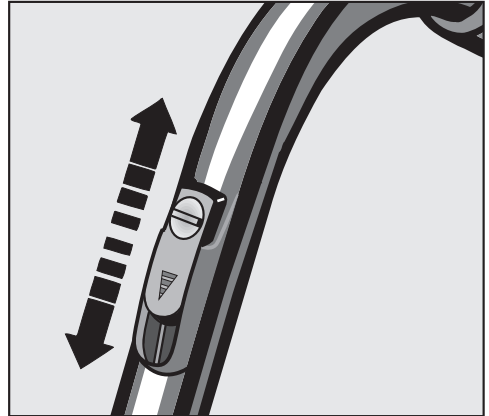
-  Curtains, fabric
-  Upholstery, cushions
-  Deep pile carpets, rugs and runners
-  Energy-saving vacuuming. This setting is also very quiet
-  Low pile carpet and rugs
-  Hard flooring and heavily soiled carpets and rugs

When using the adjustable floorhead, if the suction seems too high, reduce the suction until the floorhead is easier to maneuver.



- Turn the suction power selector manually to the suction power setting you require.

Opening the air inlet valve



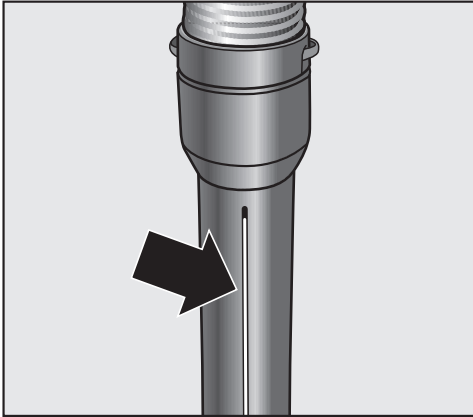
It is easy to reduce the suction power for a short time, e.g., to prevent rugs or other objects being sucked into the vacuum cleaner.

- Open the air inlet valve on the handle far enough to reduce the suction power.

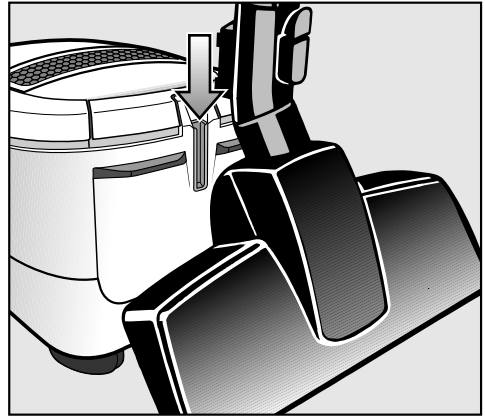
This reduces the suction on the respective nozzle used.

During vacuuming

- When vacuuming, pull the vacuum cleaner behind you on its wheels. You can stand it upright for vacuuming stairs and curtains, etc.



⚠ When vacuuming, in particular fine dust, e.g. dust, sand, plaster, flour, etc., electrostatic charges build up naturally. Under certain conditions these charges will be released. To avoid the unpleasant effects of these discharges, a metal inlay has been incorporated into the underside of the handle. Please make sure that you keep your hand in constant contact with this metal strip during vacuuming.



- Slot the floorhead into the parking attachment on the vacuum cleaner.

If your vacuum cleaner is on a sloping surface such as a ramp, fully retract the telescopic wand fully.

Park system for storage

⚠ Always disconnect the vacuum cleaner from the power supply when you have finished using it. Remove the plug from the socket.

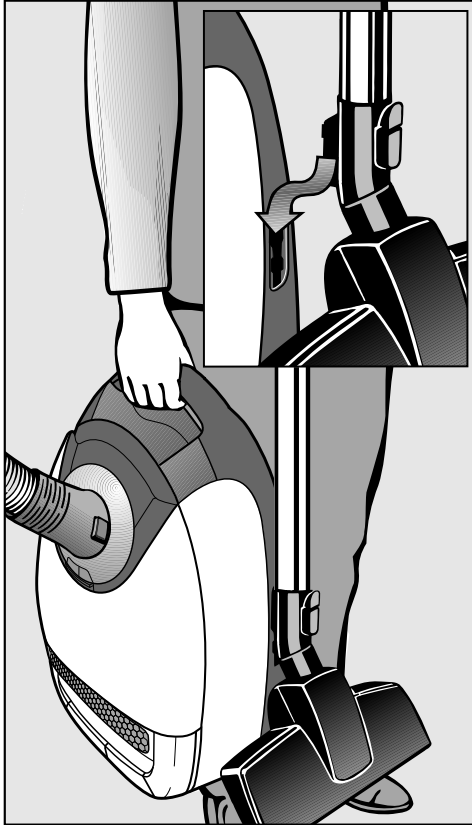
- Stand the vacuum cleaner upright.

It is a good idea to retract the telescopic suction wand fully.

Parking, transport and storage

Park system for pauses during vacuuming

The Park system allows you to conveniently park the wand and floorhead during short pauses in vacuuming.



- Slot the floorbrush downwards into one of the parking attachments on the sides of the vacuum cleaner.

This makes the vacuum cleaner easier to carry or store.

Maintenance

⚠ Always switch off the vacuum cleaner for maintenance work and remove the plug from the outlet.

The Miele filtration system consists of three components:

- Original Miele FilterBag

- Motor protection filter
- Original Miele exhaust filter

These will need to be replaced from time to time to ensure that your vacuum cleaner performs efficiently.

We recommend only using genuine FilterBags, filters, and accessories with the "Original Miele" logo on them. This will ensure that the suction power of the vacuum cleaner is maintained, giving the best possible cleaning results.

FilterBags with the "Original Miele" logo on them are not made from paper or paper-based materials and nor do they have a cardboard collar. This is why our FilterBags are particularly long-lasting and reliable.

Please note that appliance faults and damage originating from the use of accessories which do not carry the "Original Miele" logo will not be covered by the appliance guarantee.

Purchasing new FilterBags and filters

Original Miele FilterBags and filters are available from the Miele web store, Miele Technical Service, and your Miele dealer.

Ordering the correct FilterBags and filters

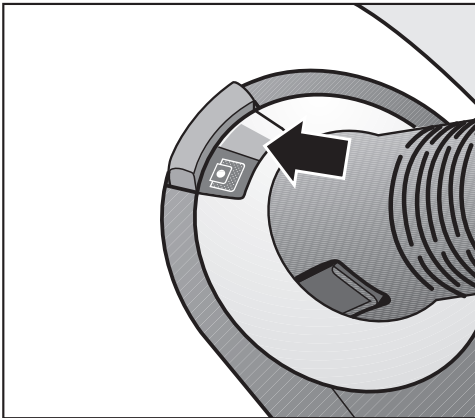
Only use original Miele **GN** FilterBags with a **blue collar** and original Miele filters. These are identified by the "ORIGINAL Miele" logo on the packaging.



Every packet of original Miele FilterBags contains four bags, one AirClean exhaust filter, and one motor protection filter. Original Miele multipacks contain 16 FilterBags, four AirClean exhaust filters, and four motor protection filters.

Original Miele exhaust filters can also be purchased separately from your Miele dealer or Miele Technical Service. Please quote the model number of your vacuum cleaner when ordering to make sure you get the correct filter. You can also order all accessories via the Miele web store.

When to change the FilterBag



Change the FilterBag when the color marker in the FilterBag change indicator turns red.

FilterBags are disposable and intended to be used only once. Dispose of the entire FilterBag. Do not attempt to re-use. Blocked pores reduce the efficiency of the vacuum cleaner.

Checking the FilterBag change indicator

- Attach the standard adjustable floorhead to the vacuum cleaner.
- Switch the vacuum cleaner on and select the highest power setting.
- Lift the floorbrush off the floor a little.

How the FilterBag change indicator works

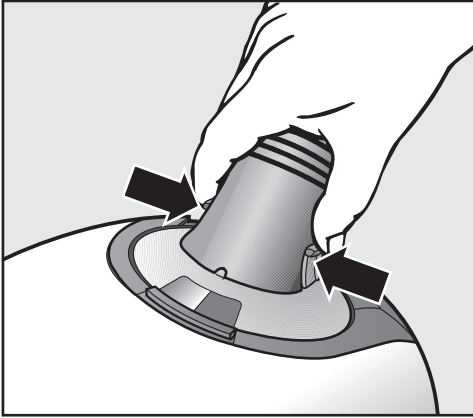
The FilterBag change indicator is set for normal household dust. This generally contains a mixture of dust, hair, threads, carpet lint, grit, etc.

However, if the cleaner has been used to vacuum up fine dust, such as plaster, brick dust, cement or flour, the pores of the FilterBag will become blocked very quickly.

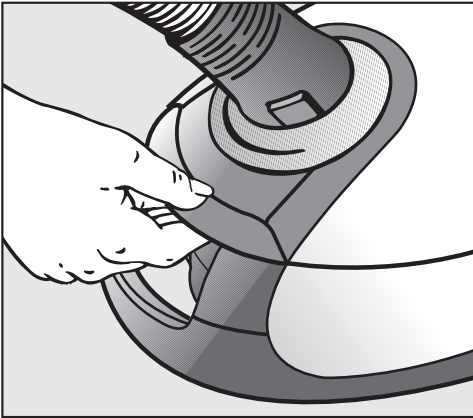
This affects the air permeability of the bag, and the marker will indicate that the bag is "full" even when it is not. If this happens you must still change the FilterBag because suction power will be greatly reduced by blocked pores in the FilterBag.

If, on the other hand, a large amount of hair and carpet lint which typically contains a lot of air is vacuumed up, the indicator may fail to react even though the bag is full. You should still change it. Both these extremes can occur.

How to replace the FilterBag

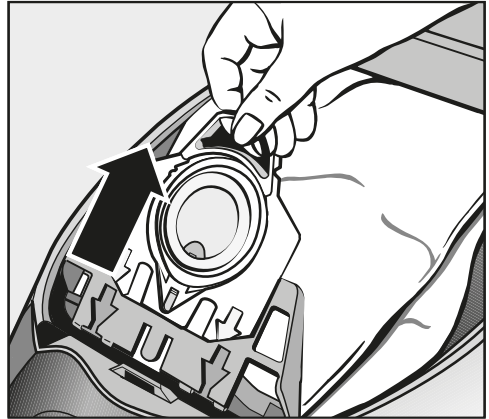


- Press the release catches at the side of the hose connector, and remove the hose from the socket.

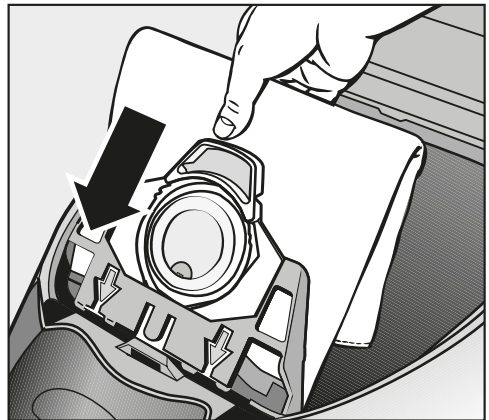


- Lift the release catch for the dust compartment lid and raise the lid as far as it will go.

The FilterBag has a flap which closes automatically when the dust compartment lid is raised to prevent any dust escaping.

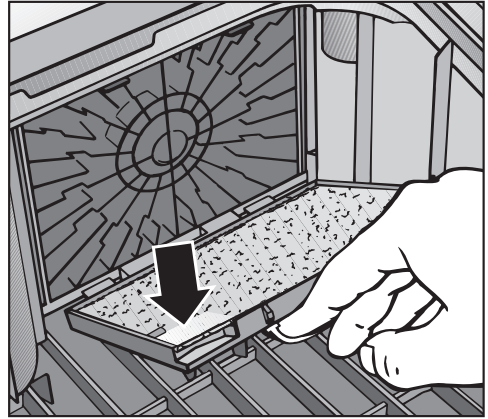
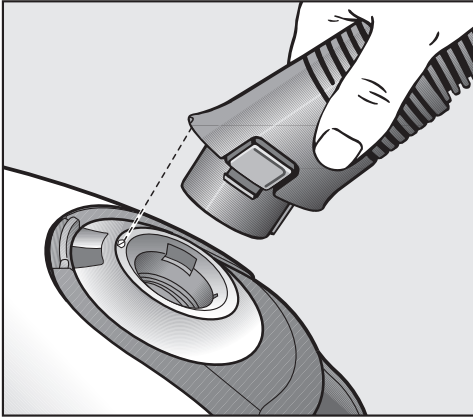


- Pull the FilterBag out by the grip on the collar.



- Fit the new FilterBag into the holder as far as it will go. Leave it folded up when you take it out of the box.
- Close the dust compartment lid securely, making sure it clicks into position. Take care not to trap the FilterBag when doing so.

An empty operation lock prevents the dust compartment lid from closing without a FilterBag in place. Do not use force!



- Insert the hose connector into the suction socket on the vacuum cleaner until it clicks into position. To do this, line up the guides on the two pieces.

When to change the motor protection filter

Replace this filter every time you start a new packet of filter bags. Every packet of original Miele filter bags contains a motor protection filter. Multipacks contain four motor protection filters.

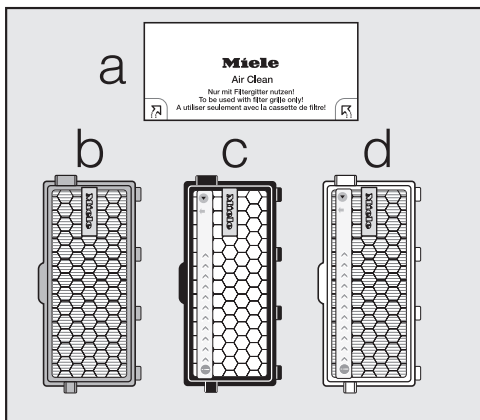
How to change the motor protection filter

- Open the dust compartment lid.
- Pull the filter bag out by the grip on the collar.

- Lift up the filter frame until it clicks and remove the old motor protection filter. Hold by the clean, unsoiled section to remove it.
- Replace with a new motor protection filter.
- Close the filter frame.
- Fit the filter bag into the holder as far as it will go.
- Close the dust compartment lid securely, making sure it clicks into position. Take care not to trap the filter bag when doing so.

When to replace the exhaust filter

Depending on the model, your vacuum cleaner will be fitted as standard with one of the following exhaust filters.



a AirClean

Replace this filter every time you start a new packet of filter bags. Every packet of original Miele filter bags contains one AirClean exhaust filter. Multipacks contain four AirClean filters.

b AirClean Plus 50 (light blue)

Replace this filter after approx. one year. Make a note of the date on the exhaust filter.

c Active AirClean 50 (black)

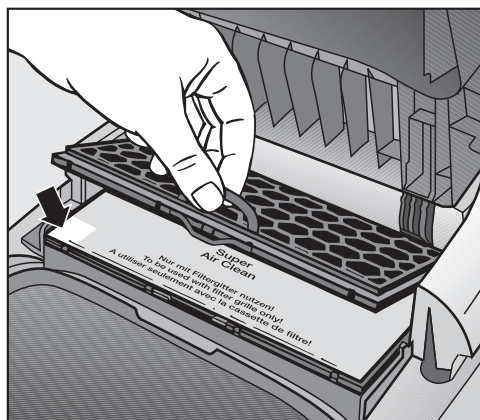
d HEPA AirClean 50 (white)

Replace this filter when the TimeStrip® exhaust filter change indicator is completely red. The indicator lights up after approximately 50 operating hours, which is equivalent to about a year of average use. You can continue vacuuming when the light comes on. However, the suction power will be reduced as will the effectiveness of the filter.

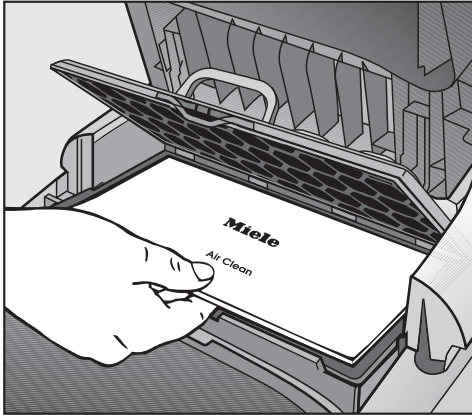
How to replace the AirClean exhaust filter

Do not use more than one exhaust filter at a time.

- Open the dust compartment lid.



- Release the filter grille and raise it upwards as far as it will go.
- Grasp the used AirClean exhaust filter by the clean, unsoiled section and take it out (see arrow).



- Replace it with a new AirClean exhaust filter.

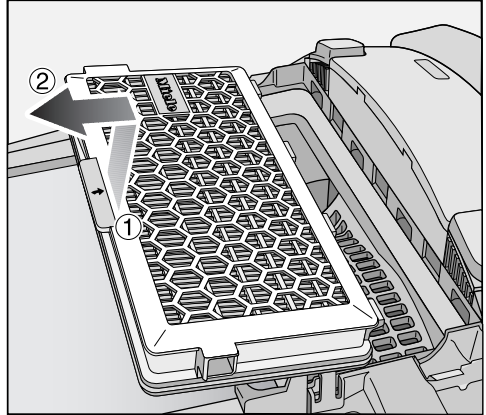
If you wish to fit the AirClean Plus 50, Active AirClean 50, or HEPA AirClean 50 exhaust filter, see "Replacing one type of exhaust filter with another".

- Close the filter grille.
- Close the dust compartment lid.

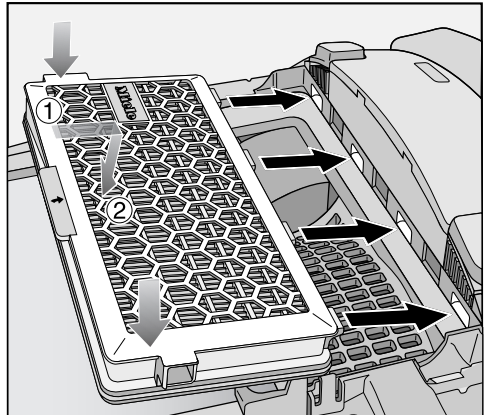
Replacing the AirClean Plus 50, Active AirClean 50, and HEPA AirClean 50 exhaust filters

Do not use more than one exhaust filter at a time.

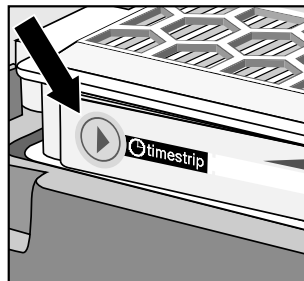
- Open the dust compartment lid.



- Lift the exhaust filter and remove it.



- Insert a new exhaust filter, making sure it goes in properly, then push it down into position.



- If you are using exhaust filter **c** or **d**, press the TimeStrip® exhaust filter change indicator.



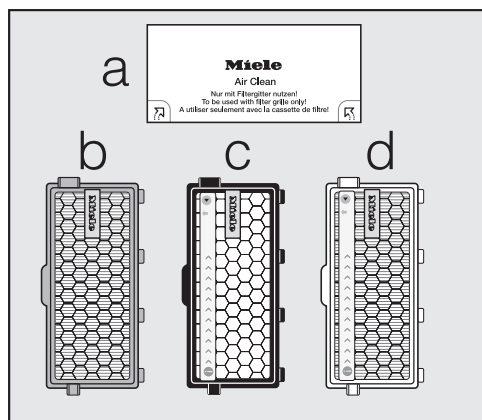
After approx. 10–15 seconds, a thin red line will appear in the left hand side of the display for both exhaust filters.

If you wish to fit the AirClean exhaust filter, see "Replacing one type of exhaust filter with another".

- Close the dust compartment lid.

Replacing one type of exhaust filter with another

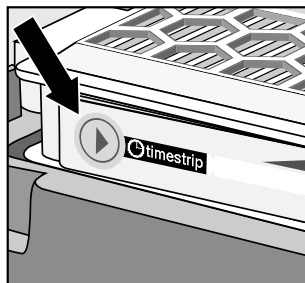
Depending on model, your vacuum cleaner will be fitted as standard with one of the following exhaust filters:



- a AirClean
- b AirClean Plus 50 (light blue)
- c Active AirClean 50 (black)
- d HEPA AirClean 50 (white)

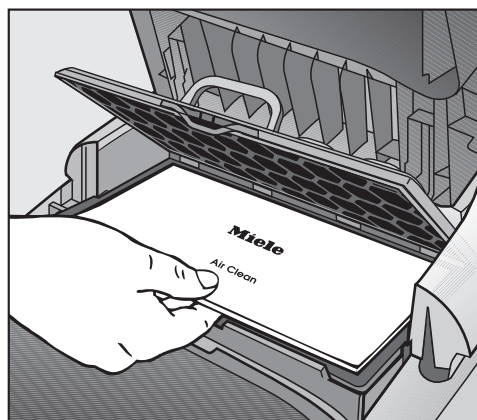
Do not use more than one exhaust filter at a time.

When changing the filter please note



1. If you wish to replace exhaust filter **a** with filter **b**, **c**, or **d**, it is essential that you remove the filter grille before you fit the new exhaust filter.

If you are using exhaust filter **c** or **d**, you must also activate the TimeStrip® exhaust filter change indicator.



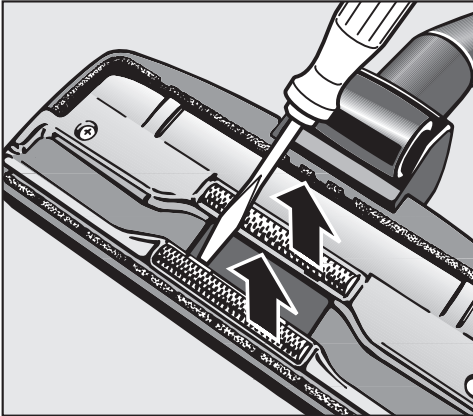
2. If you wish to replace exhaust filter **b**, **c**, or **d** with filter **a**, it is essential that you also fit the filter grille *.

* Filter grille – see "Optional accessories"

When to change the thread catchers?

The thread catchers on the suction inlet to the floor brush can be replaced. Check them from time to time and replace them if the pile has worn down.

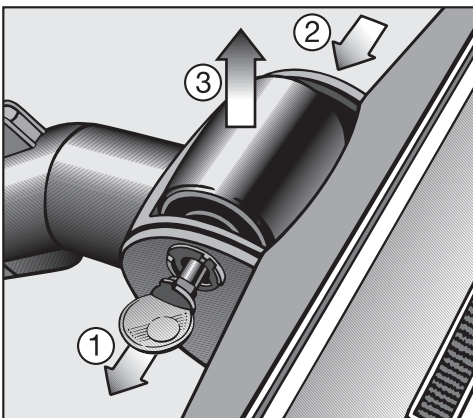
How to replace the thread lifters



- Use a suitable screwdriver to remove the thread lifters from the slots.
- Fit new thread lifters.

Cleaning the roller on the AllTeQ floorhead

Clean the roller on the floorhead if required.



- ① Release the bearing using a coin.
 - ② Press the bearing out, and remove.
 - ③ Remove the roller.
- Remove any threads and hair, replace the roller and refit the bearing, locking it back into position.

Replacement parts are available from your Miele dealer or through Miele Technical Service.

Cleaning and care

⚠ Always disconnect the vacuum cleaner from the electrical supply before cleaning it. Turn off and unplug it.

Vacuum cleaner and accessories


The vacuum cleaner and all plastic accessories can be cleaned with a proprietary cleaner suitable for plastic.

⚠ Do not use abrasive cleaning agents, glass cleaning agents, all-purpose cleaners or oil-based conditioning agents!

Dust compartment

The dust compartment can, if necessary, be cleaned using a **dry** duster, brush or, if available, a second vacuum cleaner to vacuum the dust out.

Monitor the filter bag change indicator and inspect all filters regularly. Clean or replace them when necessary according to these Operating Instructions.

 Do not let the vacuum cleaner get wet. If moisture gets into the appliance, there is a risk of electric shock.

Frequently Asked Questions

With the help of the following guide minor faults in the performance of the machine, some of which may result from incorrect operation, can be remedied without contacting the Service Department. Time and money will be saved because a service call will not be needed.

This guide may help you to find the reason for the fault, and how to correct it.

Problem	Possible cause and solution
The vacuum cleaner turns off automatically.	<p>A temperature limiter turns the vacuum cleaner off automatically if it gets too hot.</p> <p>This can occur if, for instance, large articles block the wand or when the FilterBag is full or contains particles of fine dust. A heavily soiled exhaust or dust compartment filter can also be the cause of overheating.</p> <ul style="list-style-type: none">■ Turn the vacuum cleaner off immediately using the On/Off foot switch ①, and unplug it. <p>After removing the cause, wait for approximately 20 - 30 minutes to allow the vacuum cleaner to cool down. It can then be turned on again.</p>

Technical Service

Contact in case of fault

In the event of a fault which you cannot remedy yourself, please contact your Miele dealer or Miele Technical Service.

Contact information for Miele Technical Service can be found at the end of this document.

Warranty

For more information about warranty conditions, please contact Miele Technical Service.

Optional accessories

Certain models are supplied as standard with one or more of the following accessories.

Please observe the flooring manufacturer's cleaning and care instructions.

These and many other products can be ordered from the Miele web store, Miele Technical Service or from your Miele dealer.

Floor tools / Brushes

AllergoTeQ floorhead (SBDH 285-3)

This floor brush is suitable for daily hygienic cleaning of all floor surfaces. The level of cleanliness of the floor shows in a color "traffic light" display when vacuuming.

TurboTeQ (STB 305-3) / Turbobrush (STB 205-3)

This brush is ideal for removing lint and hair from short-pile carpet.

Floor brush Parquet (SBB Parquet-3)

This brush has natural bristles and is designed for use on smooth floors that are susceptible to scratching.

Floor brush Parquet Twister with swiveling head (SBB 300-3)

This brush is suitable for a variety of hard floor surfaces and has a swivel joint enabling it to get into awkward corners.

Parquet Twister floorbrush with swiveling head (SBB 300-3)

With natural bristle for vacuuming smooth hard floors and small gaps.

Floorbrush Parquet Twister XL with swiveling head (SBB 400-3)

With natural bristles for quickly vacuuming smooth hard floors and small gaps.

Other accessories

MicroSet accessory case (SMC 20)

This set is specially designed for cleaning small objects and difficult to reach areas (such as PC keyboards, stereo equipment, intricately carved furniture and ornaments, models, etc).

Turbo XS hand turbo brush (STB 20)

For vacuuming upholstery, mattresses or car seats, etc.

Universal brush (SUB 20)

For dusting books, shelves, etc.

Radiator brush (SHB 30)

For dusting radiators, narrow shelves and crevices.

Mattress tool (SMD 10)

For vacuuming upholstery, mattresses, cushions, curtains, covers, etc.

Crevice nozzle, 12" (300 mm) (SFD 10)

Extra long crevice nozzle for cleaning in folds, crevices and corners.

Crevice nozzle, 22" (560 mm) (SFD 20)

Flexible crevice nozzle for vacuuming hard to reach places.

Upholstery nozzle, 7 1/2" (190 mm) (SPD 10)

Extra wide upholstery nozzle for cleaning upholstered furniture, mattresses and pillows.

Flexible hose extension (SFS 10)

For extending the suction hose by approximately 59" (1.5 m).

Comfort handle with lighting (SGC 20)

Lights up the area being vacuumed.

Filters**AirClean Plus 50 exhaust filter (SF-AP 50)**

Effective filtration for particularly clean room air.

Active AirClean 50 exhaust filter (SF-AA 50)

For a significant reduction of unpleasant odors. Ideal for households with pets or smokers.

HEPA AirClean 50 exhaust filter (SF-HA 50)

Effectively filters fine dust and allergens. Ideal for people allergic to house dust.

Filter grille

The filter grille is required if you wish to use an AirClean exhaust filter instead of an AirClean Plus 50 exhaust filter, an Active AirClean 50 exhaust filter or a HEPA AirClean 50 exhaust filter.

Limited Warranty - Vacuum Cleaners USA

What This Warranty Covers And For What Period The Coverage Extends

Miele, Inc. (hereinafter "Miele") warrants to the original purchaser of this product, living in the United States of America, who purchased their vacuum from a Miele Authorized Distributor or Dealer:

- a. That this product, including all of its Miele authorized parts is free of defects in material and workmanship.
- b. That this product, if found to be defective within the stated warranty period, will be repaired free of charge to the consumer (both parts and labor) by an authorized Miele service agent.
- c. The warranty period for all vacuum cleaners, except those models specified below and the Scout RX1, and all accessories, excluding vacuum cleaner motors, power head motors, and vacuum cleaner casings (body), is one (1) year from the date of purchase.
- d. The warranty period of the Scout RX1 is two (2) years from the date of purchase for the complete vacuum, except for the battery, which will be warranted for one (1) year from the date of purchase.
- e. The warranty period for the following specified models is five (5) years from the date of purchase.

Model	Model	Model	Model
Complete C3 HomeCare	Complete C3 Brilliant	Compact C1 HomeCare	Classic C1 HomeCare (HEPA)
Complete C3 HomeCare+	Dynamic U1 HomeCare	Compact C2 Homecare	

- f. The warranty period for vacuum motors, power head motors, and the structural integrity of all vacuum cleaner casings (bodies), except for those models specified above and the Scout RX1, is seven (7) years from the date of purchase against defects in material and workmanship.
- g. The warranty period for vacuum motors, power head motors, and the structural integrity of all vacuum cleaner casings (bodies), for those models specified above, is ten(10) years from the date of purchase against defects in material and workmanship.

Commercial Use

Vacuum cleaners other than the Scout RX1 used for commercial purposes, except for their motors, will be warranted for a period of six (6) months from the date of purchase. The motors of commercially used upright vacuums will be warranted for one (1) year and the motors of all other commercially used vacuum cleaners, except for the Scout RX1 will be warranted for two (2) years. There is no warranty for the Scout RX1 used for commercial purposes. Thereafter this Limited Warranty shall be null and void.

This warranty only applies while the product remains within the United States, and shall be null and void in any other US territories, possessions, or foreign countries.

What is not covered by this Warranty

This warranty does not cover damage or defects caused by or resulting from repairs, service or alterations to the product or any of its parts or accessories which have been performed by service centers or repairmen not authorized by Miele, or damage or defects caused by negligence, accident, abuse, misuse, improper or abnormal usage or maintenance of the product, its parts or accessories. Ordinary wear and tear or cosmetic damage (scuffs, scratches, gouges, dents, etc.) shall not be considered a defect in materials or workmanship.

Exclusion of Other Warranties

Except for the limited warranty provided herein, Miele disclaims any and all other express warranties with respect to the product. Any warranty of merchantability or fitness for a particular purpose is limited in its duration to the term of the limited warranty provided herein. Some states do not allow limitations on how long an implied warranty lasts, so the above limitation may not apply to you.

Limitation of Liability for Special, Incidental or Consequential Damages

Miele will assume no liability, or other obligation with respect to any personal injury or property damage resulting from the use of a vacuum cleaner, or its accessories, replacement parts, etc., which has not been purchased from, or serviced by an Authorized Miele Dealer. Any purchaser who obtains a vacuum cleaner, accessories, replacement parts, etc., from someone other than an Authorized Miele dealer proceeds at their own risk.

Miele specifically disclaims any and all liability, whether directly or by way of indemnity, for special incidental, consequential or other damages, whether based on breach of contract, tort, strict or product liability, or any other legal theory.

Some states do not allow the exclusion or limitation of incidental or consequential damages, so the above limitation may not apply to you.

Special State Laws

This Limited Warranty gives you specific legal rights; you may have other rights, which vary, from state to state.

Service

For service under this Limited Warranty, or for information you may need about the product, please contact Miele at the US address listed on the back of this booklet, or visit us at www.mieleusa.com.

Authorized Miele Dealers

For service under this Limited Warranty, or to find an Authorized Miele Dealer in your area, please visit us at www.mieleusa.com.

Effective Date: February 1, 2017

©2017 Miele, Inc.

**Please have the model and serial number
of your appliance available when
contacting Technical Service.**

The Miele logo consists of the word "Miele" in a bold, white, serif font, set against a solid black rectangular background.

U.S.A.

Miele, Inc.

National Headquarters

9 Independence Way
Princeton, NJ 08540
Phone: 800-843-7231
Fax: 609-419-4298
www.mieleusa.com

Technical Service & Support

Phone: 800-999-1360
Fax: 888-586-8056
TechnicalService@mieleusa.com

International Headquarters

Miele & Cie. KG
Carl-Miele-Straße 29
33332 Gütersloh
Germany

Canada

**Importer
Miele Limited**

Headquarters and Miele Centre

161 Four Valley Drive
Vaughan, ON L4K 4V8
www.miele.ca

Customer Care Centre

Phone: 800-565-6435
905-532-2272
customercare@miele.ca