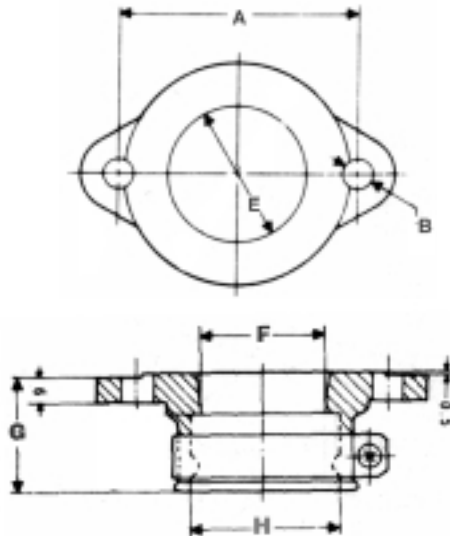


CARB MOUNTING FLANGES

- Most older snow machines that have common engines (Kolher, Xenoah, Kawasaki, CCW, etc) used standard Mikuni carbs or other carbs that can be switched to use Mikuni carbs.
- Use measurement chart to select correct flange.



TCI Mikuni#	TCI SPI #	A = Engine Mount Bolt Hole	B = Bolt Hole Size	F = Carb Bore Size	G = Flange Throat Depth	H = Carb Spigot Diameter	Typical Carb Size
VM30/288	07-100-01	57.2 (HR)	8.5	30	23	37	VM26~28
	07-100-08	57.2 (HR)	8.5	30	40.5	37	VM26~28
	07-100-03	60	8.5	30	23	35	VM26
IVM28/200-1		60	8.5	30	28	35	VM26~28
	07-100-02	74.6 (HD)	8.5	29.5	29	35	VM26~28
VM32/205	07-102-01 or 07-100-46 **	74.6 (HD)	8.5	34	32	40	VM30~34
IVM34/200-1	***	60	8.5	36	25	40	VM30~34
	07-100-05	60	8.5	39.5	46	39.5	VM30~34
	07-100-07	74.6 (HD)	8.5	41.5	52	40	VM30~34
IVM36/200-1.so*	07-100-06	70	8.5	40	25	43	VM36~40
IVM38/200-1.so*	07-105-01	74.6 (HD)	8.5	40	28	43	VM36~40
KHS-004 *		70-75	12x8.5	40	28	43	VM36~40
IVM40/200-1	07-100-15	74.6 (HD)	8.5	46	32	52	VM40~44
IVM44/200-1		84	8.5	46	26	52	VM40~44
HS42/062-42		70-75	8.5	42	25	45	TM42
HS42/018-42		70-75	8.5	42	25	45	TM42
HS42/018-45		70-75	8.5	45	25	48	TM45

* IVM36/200-1 and IVM38/200-1 supercede to KHS-004 with oval mounting bolt hole

**07-100-46 has separate o-ring

*** close substitute are 07-100-01 or 07-100-05

CARBURETOR FLANGES / ADAPTERS

Universal	Year	Type	SPI #	Mikuni #	OEM #
Mikuni carb 26-28 mm 2 1/4		VM 26-30 HR	596-1001	VM30/288	
Mikuni carb 30-34 mm 3		VM 30-34 HD	596-1013	990-842-007	
Mikuni carb 36-38 mm 3		VM 36-38 HD	596-1014	IVM38/200-1 sub to KHS-004	
Mikuni carb 40-44 mm 3		VM 40-44 HD	596-1015	IVM40/200-1	
Arctic Cat	Year	Type	SPI #	Mikuni #	OEM #
Bearcat 340, 440	95-00	VM 30-34 HD	596-1013	990-842-007	0115-544
Bearcat 550	95-97	VM 36-38 HD	596-1014	IVM38/200-1 sub to KHS-004	0670-197
Bearcat Widetrack	95-02	VM 36-38 HD	596-1014	IVM38/200-1 sub to KHS-004	0670-197
Cheetah	76-78	VM 30-34 HD	596-1013	990-842-007	0115-544
Cheetah	86-88	VM 36-38 HD	596-1014	IVM38/200-1 sub to KHS-004	0670-197
Cheetah	86-89	VM 30-34 HD	596-1013	990-842-007	0115-544
Cheetah	92-93	VM 30-34 HD	596-1013	990-842-007	0115-544
Cheetah 340, 440, 550	1994	VM 30-34 HD	596-1013	990-842-007	0115-544
Cougar	85-89	VM 30-34 HD	596-1013	990-842-007	0115-544
Cougar	92-93	VM 30-34 HD	596-1013	990-842-007	0115-544
Cougar, Deluxe, Mountain Cat	94-98	VM 36-38 HD	596-1014	IVM38/200-1 sub to KHS-004	0670-197
Cross Country	1976	VM 30-34 HD	596-1013	990-842-007	0115-544
El Tigre	73-81	VM 30-34 HD	596-1013	990-842-007	0115-544
El Tigre	75-80	VM 36-38 HD	596-1014	IVM38/200-1 sub to KHS-004	0670-197
El Tigre	87-89	VM 30-34 HD	596-1013	990-842-007	0115-544
EXT	1973	VM 36-38 HD	596-1014	IVM38/200-1 sub to KHS-004	0670-197
EXT 550, 580	92-94	VM 36-38 HD	596-1014	IVM38/200-1 sub to KHS-004	0670-197
EXT 580 EFI	93-98	VM 40 EFI	596-1015	IVM40/200-1	0670-198
EXT 580 Powder Special	95-97	VM 36-38 HD	596-1014	IVM38/200-1 sub to KHS-004	0670-197
EXT 600 Touring / Triple	1998	3 VM 36	596-1037		3005-147
Firecat 500, Sno Pro	03-06		596-1102		3006-429
Firecat 600, Sno Pro	2004		596-1103		3006-713
Firecat 700, Sno Pro	04-06		596-1103		3006-713
Jag	76-79	VM 26-30	596-1002		0109-701
Jag	79-80 / 85-93	VM 30-34 HD	596-1013	990-842-007	0115-544
Jag	87-93	VM 26-28	596-1001	VM30/288	0109-926
Jag Liquid	1996	VM 36-38 HD	596-1014	IVM38/200-1 sub to KHS-004	0670-197
Jag, Deluxe	94-99	VM 30-34 HD	596-1013	990-842-007	0115-544
Lynx	77-78	VM 26-28 HR	596-1001	VM30/288	0109-926
Lynx	77-79	VM 26-30	596-1002		0109-701
Lynx	80 / 92-93	VM 30-34 HD	596-1013	990-842-007	0115-544
M5 EFI	2006		596-1113		3006-713
M7	2006		596-1113		3006-713
Mountain Cat 500	2001	2 TM 38 EFI	596-1033		3005-264
Mountain Cat VEV 500	2001	2 TM 38 w/o brass insert	596-1057		3005-415
Mountain Cat 500	2002	2 TM 38 w/o brass insert	596-1057		3005-415
Mountain Cat 600, EFI, LE	01-04	2 TM 38 EFI	596-1033		3005-264

CARBURETOR FLANGES / ADAPTERS

Arctic Cat	Year	Type	SPI #	Mikuni #	OEM #
Mountain Cat 1000	2001	3 TM 38 TPS with brass insert	596-1034		3005-419
Pantera	76-79	VM 30-34 HD	596-1013	990-842-007	0115-544
Pantera	1981	VM 30-34 HD	596-1013	990-842-007	0115-544
Pantera	82-92	VM 30-34 HD	596-1013	990-842-007	0115-544
Pantera 580	93-99	VM 40	596-1015	IVM40/200-1	0670-198
Pantera 600 EFI, ESR	03-05	2 TM 38 EFI	596-1033		3005-264
Pantera 800	1998	3 VM 36	596-1037		3005-147
Pantera 800	1999	3 TM 38 TPS with brass insert	596-1034		3005-419
Pantera 1000	00-01	3 TM 38 TPS with brass insert	596-1034		3005-419
Panther	76-79	VM 30-34 HD	596-1013	990-842-007	0115-544
Panther	84-93	VM 30-34 HD	596-1013	990-842-007	0115-544
Panther Deluxe	94-97	VM 30-34 HD	596-1013	990-842-007	0115-544
Panther, 340	98-00	VM 30-34 HD	596-1013	990-842-007	0115-544
Panther 550	97-01	VM 36-38 HD	596-1014	IVM38/200-1 sub to KHS-004	0670-197
Powder Special	1998	2 TM38	596-1036		3005-142
Powder Special 2K 600	2000	2 TM 38 w/o brass insert	596-1057		3005-415
Powder Special 500	2000	2 TM38 EFI	596-1033		3005-264
Powder Special 500 EFI	1999	2 TM38 EFI	596-1033		3005-264
Powder Special 580 EFI	1997	VM 40	596-1015	IVM40/200-1	0670-198
Powder Special 600	1999	2 TM 38 w/o brass insert	596-1057		3005-415
Powder Special 600 / 600 LE	2000	2 TM 38 w/o brass insert	596-1057		3005-415
Powder Special 600 EFI	99-00	2 TM 38 EFI	596-1033		3005-264
Powder Special 600 LE	2000	2 TM 38 EFI	596-1033		3005-264
Powder Special 600 LTD	1999	2 TM 38 EFI	596-1033		3005-264
Powder Special EFI	1998	2 TM 38 EFI	596-1033		3005-264
Prowler	90-92	VM 30-34 HD	596-1013	990-842-007	0115-544
Prowler EFI	1994	VM 40 EFI+C85	596-1015	IVM40/200-1	0670-198
Prowler SP	92-95	VM 36-38 HD	596-1014	IVM38/200-1 sub to KHS-004	0670-197
Puma Deluxe	93-97	VM 30-34 HD	596-1013	990-842-007	0115-544
Sabrecat 500, LX	04-05		596-1104		3006-747
Sabrecat 500 EFI, LX	2006		596-1113		3006-713
Sabrecat 600, LX	2004		596-1113		3006-713
Super Jag	87-92	VM 30-34 HD	596-1013	990-842-007	0115-544
Thundercat / Mountain Cat	98-99	3 VM 36	596-1037		3005-147
Thundercat / Mountain Cat 1000	00-01	3 TM 38 TPS with brass insert	596-1034		3005-419
Trail Cat	79-80	VM 30-34 HD	596-1013	990-842-007	0115-544
Triple Touring 600	99-00	3 VM 36	596-1037		3005-147
Wildcat	1988	VM 36-38 HD	596-1014	IVM38/200-1 sub to KHS-004	0670-197
Wildcat 650, 700	89-93	VM 40	596-1015	IVM40/200-1	0670-198
Wildcat 700, EFI, Mountain Cat	91-96	VM 40	596-1015	IVM40/200-1	0670-198
Z 340	76-77	VM 36-38 HD	596-1014	IVM38/200-1 sub to KHS-004	0670-197
Z 370	99-00	VM 30-34 HD	596-1013	990-842-007	0115-544

CARBURETOR FLANGES / ADAPTERS

Arctic Cat	Year	Type	SPI #	Mikuni #	OEM #
Z 440	76-77	VM 36-38 HD	596-1014	IVM38/200-1 sub to KHS-004	0670-197
Z 440	94-00	VM 30-34 HD	596-1013	990-842-007	0115-544
ZL 500	98-99	2 TM 38	596-1036		3005-142
ZL 550, ESR International	00-03	VM 36-38 HD	596-1014	IVM38/200-1 sub to KHS-004	0670-197
ZL 600	99-00	2 TM 38 w/o brass insert	596-1057		3005-415
ZL 440	99-00	VM 36-38 HD	596-1014	IVM38/200-1 sub to KHS-004	0670-197
ZL 500	00-01	2 TM 38 EFI	596-1033		3005-264
ZL 500 EFI	1999	2 TM 38 EFI	596-1033		3005-264
ZL 600 EFI	99-03	2 TM 38 EFI	596-1033		3005-264
ZL 600 EFI ESR	01-03	2 TM 38 EFI	596-1033		3005-264
ZL 600 EFI SS / ZL 600 EFI SS ESR	02-03	2 TM 38 EFI	596-1033		3005-264
ZR 500	98-00	2 TM 38	596-1036		3005-142
ZR 500	2001	2 TM 38 EFI	596-1033		3005-267
ZR 500	01-02	2 TM 38 w/o brass insert	596-1057		3005-415
ZR 500 CC / 500 LE	2002	2 TM 38 w/o brass insert	596-1057		3005-415
ZR 500 EFI	1999	2 TM 38 EFI	596-1033		3005-264
ZR 600	1998	2 TM 38	596-1036		3005-142
ZR 600	99-02	2 TM 38 w/o brass insert	596-1057		3005-415
ZR 600 2K / Blair Morgan	2000	2 TM 38 w/o brass insert	596-1057		3005-415
ZR 600 EFI	98-02	2 TM 38 EFI	596-1033		3005-264
ZR 600 EFI CC	2002	2 TM 38 EFI	596-1033		3005-264
ZR 600 EFI / LE	2000	2 TM 38 EFI	596-1033		3005-264
ZR 600 VEV	2001	2 TM 38 w/o brass insert	596-1057		3005-415
ZR 700 / LE	99-00	2 TM 40	596-1035		0670-992
ZR 440	93-95	VM 36-38 HD	596-1014	IVM38/200-1 sub to KHS-004	0670-197
ZR 580	1993	VM 36-38 HD	596-1014	IVM38/200-1 sub to KHS-004	0670-197
ZR 580, ZR 700	94-97	VM 40	596-1015	IVM40/200-1	0670-198
ZRT 600	98-00	3 VM 36	596-1037		3005-147
ZRT 800	99-02	3 TM 38 TPS with brass insert	596-1034		3005-419
ZRT 800	1998	3 VM 36	596-1037		3005-147
Bombardier	Year	Type	SPI #	Mikuni #	OEM #
Alpine	80-82	VM 30-34 HD	596-1013	990-842-007	404-1001-00
Alpine	83-92	VM 34 straight	596-1010		570-0389-00
Blizzard 5500, MX	79-84	VM 34	596-1022		570-1339-00
Blizzard 6500, 7500	78-81	VM 30-34 HD	596-1013	990-842-007	404-1001-00
Blizzard 9500, Plus	79-82	VM 36-38 HD	596-1014	IVM38/200-1 sub to KHS-004	404-1000-00
Citation 3500	80-84	VM 34 angle	596-1012		570-1261-00
Citation 4500	80-83	VM 34 angle	596-1011		570-1262-00
Citation LS, LSE	85-91	VM 34 angle	596-1020		570-1273-00
Citation SS	80-83	VM 34 angle	596-1012		570-1263-00
Elan 250	80-96	HR	596-1008		470-0168-00

CARBURETOR FLANGES / ADAPTERS

Bombardier	Year	Type	SPI #	Mikuni #	OEM #
Elite	81-82	VM 34 straight	596-1010		570-0389-00
Everest	77-79	VM 30-34 HD	596-1013	990-842-007	404-1001-00
Everest	80-83	VM 34 straight	596-1010		570-0389-00
Expedition 550, F	05-08		596-1013	990-842-007	420-8673-00
Formula 500, L/C, Deluxe L/C	2000		596-1044		570-048-100
Formula 500, 500 Deluxe	97-98		596-1044		570-048-100
Formula 583	1997		596-1044		570-048-100
Formula 600 Deluxe	2000		596-0032		420-867-805
Formula Deluxe	2001		596-1050		570-066-800
Formula Deluxe 380	99-01		596-1050		570-066-800
Formula Deluxe 500	99-01		596-1050		570-066-800
Formula Deluxe 500 L/C	2001		596-0033		420-867-860
Formula Deluxe 583	98-99		596-1044		570-048-100
Formula III	1997		596-1043		420-867-776
Formula III 800	2000		596-1049		420-867-849
Formula III LT	1997		596-1043		420-867-776
Formula Mach I	1997		596-1043		420-867-776
Formula MX	85-92	VM 34 straight	596-1021		570-1275-00
Formula MX Z 440 F	1997		596-0040		570-045-000
Formula MX Z 583	96-97		596-1045		570-049-200
Formula MX Z 670	1997		596-1045		570-049-200
Formula Plus	85-88	VM 40-44	596-1023		570-0382-00
Formula Plus	89-92	VM 34 straight	596-1021		570-1275-00
Formula S Electric	1998		596-1050		570-066-800
Formula S, SL	98-99		596-1050		570-066-800
Formula SLS	1996		596-1044		570-048-100
Formula SS 670	95-96	VM 40-44	596-1023		570-0382-00
Formula STX, STX LT	1996		596-0037		570-025-400
Formula Z	1994	VM 40-44	596-1023		570-0382-00
Formula Z	1997		596-1044		570-048-100
Formula Z 500	1999		596-1044		570-048-100
Formula Z 583	98-99		596-1044		570-048-100
Formula Z 600	2000		596-0032		420-867-805
Formula Z 670	98-99		596-1044		570-048-100
Freestyle 500, F	07-09		596-1013	990-842-007	420-8673-00
Grand Touring 500	1996		596-1044		570-048-100
Grand Touring 500	97-99		596-1044		570-048-100
Grand Touring 500	2001		596-0033		420-867-860
Grand Touring 580	1996		596-0037		570-025-400
Grand Touring 583	97-99		596-1044		570-048-100
Grand Touring 600	2000		596-0032		420-867-805
Grand Touring SE	94-96	VM 40-44	596-1023		570-0382-00
Grand Touring SE	99-00		596-1049		420-867-849
Grand Touring SE 699	1997		596-1043		420-867-776
GSX 500SS	04-07		596-1204		420-8678-85
GSX 550 F	05-09		596-1013	990-842-007	420-8673-00
GSX 600 HO	04-05		596-1208		420-8678-79
GSX 600 HO SDI, LTD, Sport	04-07		596-1028		420-8672-60
GSX 800 HO	04-06		596-1203		420-6671-05/6/9
GTX 500 SS Sport	05-08		596-1204		420-8678-85
GTX 600 HO SDI, LTD, Sport	04-07		596-1028		420-8672-60
GTX 800 HO. LTD	05-07		596-1203		420-6671-05/6/9
Legend 500, 600	02-03		596-1206		420-8678-82
Legend 500 SS	2004		596-1206		420-8678-82

CARBURETOR FLANGES / ADAPTERS

Bombardier	Year	Type	SPI #	Mikuni #	OEM #
Mach Z	2000		596-1049		420-867-849
Mach Z, Tech, Plus, Millenium, LT	00-03		596-1049		420-867-849
Mach Z 1000 SDI Renegade RT, X	05-07	PTO MAG	596-1213 596-1205		420-6670-60 420-6670-65
MX Z 380 Fan	2001		596-1050		570-066-800
MX Z 440 F	1998		596-1050		570-066-800
MX Z 500 SB, Black	2000		596-0033		420-867-860
MX Z 500 Std.	00-01		596-0033		420-867-860
MX Z 500 Trail	2001		596-0033		420-867-860
MX Z 500 (not HO models)	2003		596-1206		420-8678-82
MX Z 500 SS Adrenaline Trail	04-07		596-1204		420-8678-85
MX Z 550 F, X	05-09		596-1013	990-842-007	420-8673-00
MX Z 600 (not HO models)	2003		596-1206		420-8678-82
MX Z 600 HO Adrenaline, X	04-05		596-1208		420-8678-79
MX Z 600 HO Adrenaline	06-07		596-1208		420-8678-79
MX Z 600 HO Renegade, Trail	04-05		596-1208		420-8678-79
MX Z 600 REV HO, Blair Morgan will require plugging 1 hole for equalizer tube	2003		596-1208		420-8678-79
MX Z 800 HO, PTEK (all)	04-07		596-1203		420-6671-05/6/9
MX Z 1000 SDI, Renegade, Adrenaline, X	06-07	PTO MAG	596-1213 596-1205		420-6670-60 420-6670-65
Nordic	87-88	VM 34 straight	596-1010		570-0389-00
Nordic	81-83	VM 34 angle	596-1011		570-1262-00
Olympique	77-79	VM 30-34 HD	596-1013	990-842-007	404-1001-00
RV	76-79	VM 30-34 HD	596-1013	990-842-007	404-1001-00
Safari	84-88/91-92	VM 34 straight	596-1010		570-0389-00
Skandic	82/84-87	VM 34 angle	596-1011		570-1262-00
Skandic	1983	VM 34 angle	596-1012		570-1261-00
Skandic	87/92	VM 34 straight	596-1010		570-389-000
Skandic 380, 500	96-97		596-0040		570-045-000
Skandic 380, 500	99-00		596-1050		570-066-800
Skandic 440 Fan	01-07		596-0042		420-867-481
Skandic 500 WT, SWT	99-02		596-1053		M5342627
Skandic 550F, SUV, SWT, WT	04-07		596-1212		420-8671-05
Skandic 600 Widetrack L/C	01-07		596-0033		420-867-860
Skandic 600 Widetrack L/C SUV	03-07		596-0033		420-867-860
Skandic SWT	97-98		596-0042		420-867-481
Summit 500, 583	96-99		596-1044		570-048-100
Summit 580F	05-09		596-1013	990-842-007	420-8673-00
Summit 600	99-00		596-0032		420-867-805
Summit 600 SB	2000		596-0032		420-867-805
Summit 600 HO	04-05		596-1208		420-8678-79
Summit 670	1995	VM 40-44	596-1023		570-0382-00
Summit 670	96-98		596-1046		570-048-400
Summit 800 HO, X, Adrenaline R	03-07		596-1203		420-6671-05/6/9
Summit 100 SDI	05-07	PTO MAG	596-1213 596-1205		420-6670-60 420-6670-65
TNT	76-78	VM 30-34 HD	596-1013	990-842-007	404-1001-00
TNT	1977	VM 36-38 HD	596-1014	IVM38/200-1 sub to KHS-004	404-1000-00
Touring 380	2001		596-1050		570-066-800
Touring 500 L/C	2000		596-1044		570-048-100
Touring 500	2001		596-1050		570-066-800

CARBURETOR FLANGES / ADAPTERS

Bombardier	Year	Type	SPI #	Mikuni #	OEM #
Touring E, ELT, LE, SLE	96-97		596-0040		570-045-000
Touring E, LE, SLE	98-00		596-1050		570-066-800
Tundra	85-92	VM 34 angle	596-1020		570-1273-00
Tundra	99-02		596-0037		570-025-400
Tundra II L/T	96-98		596-0037		570-025-400
Tundra R	98-05		596-0037		570-025-400
John Deere	Year	Type	SPI Part #	Mikuni #	OEM #
Cyclone	76-78	VM 30-34 HD	596-1013	990-842-007	AM53953
JD 295, S	1974	VM 36-38 HD	596-1014	IVM38/200-1 sub to KHS-004	AM53186
JD 340, S	1975	VM 36-38 HD	596-1014	IVM38/200-1 sub to KHS-004	AM53186
Liquidire	76-78	VM 30-34 HD	596-1013	990-842-007	AM53953
Spitfire	1979	VM 30-34 HD	596-1013	990-842-007	AM53953
Trailfire	79-84	VM 30-34 HD	596-1013	990-842-007	AM53953
Kawasaki / Sno-Jet	Year	Type	SPI Part #	Mikuni #	OEM #
Astro 340, 440	1977	VM 30-34 HD	596-1013	990-842-007	16065-3008
Drifter	80-81	VM 30-34 HD	596-1013	990-842-007	16065-3011
Drifter 340 F/A	1980	VM 26-28 HR	596-1001	VM30/288	16065-3012
Intriquer, Inviter	1978	VM 30-34 HD	596-1013	990-842-007	16065-3011
Intruder	78-82	VM 30-34 HD	596-1013	990-842-007	16065-3011
Invader	78-80	VM 30-34 HD	596-1013	990-842-007	16065-3011
Invader 440	78-79	VM 36-38 HD	596-1014	IVM38/200-1 sub to KHS-004	16065-3007
Invader 440, LTD, 4/6	80-81	VM 36-38 HD	596-1014	IVM38/200-1 sub to KHS-004	16065-3010
SST 440	1977	VM 36-38 HD	596-1014	IVM38/200-1 sub to KHS-004	16065-3007
Moto-Ski	Year	Type	SPI Part #	Mikuni #	OEM #
Futura	77-79	VM 30-34 HD	596-1013	990-842-007	404-1001-00
Futura	80-82	VM 34 straight	596-1010		570-0389-00
Futura	80-82	VM 34	596-1022		570-1339-00
Mirage I	80-82	VM 34 angle	596-1012		570-1261-00
Mirage II	80-83	VM 34 angle	596-1011		570-1262-00
Mirage III	1983	VM 34 straight	596-1010		570-0389-00
Mirage Special	80-82	VM 34 angle	596-1012		570-1263-00
Nuvik	77-79	VM 30-34 HD	596-1013	990-842-007	404-1001-00
Sonic	76-81	VM 30-34 HD	596-1013	990-842-007	404-1001-00
Sonic	1982	VM 34	596-1022		570-1339-00
Sprint 250	80-83	HR	596-1008		570-0168-00
Ultra Sonic	80-82	VM 36-38 HD	596-1014	IVM38/200-1 sub to KHS-004	
Polaris	Year	Type	SPI Part #	Mikuni #	OEM #
340, Transport	2008	VM 30 SS-2	596-1025		3083576
500 Classic	89-00	VM 38	596-1005		3084325
500 Classic	01-02	TM 38	596-1147		3086994
500 Classic	2003	TM 38	596-1019		1253423
500 Classic	04-06	TM 38	596-1147		3086994
500 Classic Touring	1993	VM 38	596-1005		3084325
500 Classic Touring	1994		596-1028 *2/pkg		3084333/334
500 Classic Touring	96-00	2 VM 34	596-1006	IVM36/200-1 sub to KHS-004	3085044
500 Classic Touring	01-03	2 TM 38	596-1147		3086994
500 Edge (not XC models)	03-04	TM 38	596-1147		3086994

CARBURETOR FLANGES / ADAPTERS

Polaris	Year	Type	SPI Part #	Mikuni #	OEM #
500 EFI, SKS, SP	1994		596-1028 *2/pkg		3084333/334
500 RMK (carb)	1996	VM 38	596-1005		3084325
500 RMK (carb)	97-99	VM 34	596-1006	IVM36/200-1 sub to KHS-004	3085044
500 RMK (carb)	00-02	TM 38	596-1038		1253217
500 SKS (carb)	89-97	VM 38	596-1005		3084325
600 Classic	2002		596-1303		1253414
600 HO IQ Shift, Switchback	07-08		596-1304		1203447
600 RMK	2001		596-1032		1253289
600 RMK	02-05	TM 38	596-1019		1253423
600 RMK	07-08		596-1304		1203447
600 RR	08-09		596-1304		1203447
600 Switchback	04-05	TM 38	596-1019		1253423
600 XC SP	03-05	TM 38	596-1019		1253423
700 Classic	2006		596-1305		1203917
700 Fusion, HO Touring	2006		596-1305		1203917
700 Pro-X	03-04		596-1306		1253485
700 RMK	2001		596-1032		1253289
800 Pro-X, XR	03-04		596-1306		1253485
800 RMK	00-01		596-1032		1253289
800 RMK	03-05	TM 40	596-1041		1253327
800 Switchback	2004	TM 40	596-1041		1253327
800 XC SP, Edge	01-05	TM 40	596-1041		1253327
900 Fusion / RMK / Switchback	05-06		596-1305		1203917
Apollo	79-80	VM 26	596-1008		
Apollo 340	1979		596-1003		3082255
Centurion	79-82	VM 32-34 HR	596-1006	IVM36/200-1 sub to KHS-004	3083306
Cobra 340	1979		596-1003		3082255
Cobra 340	78-79	VM 26	596-1008		3082255
Cobra 440	78-79	VM 32-34 HR	596-1006	IVM36/200-1 sub to KHS-004	3083306
Colt 250, Twin	75-78	VM 30	596-1001	VM30/288	1251070
Colt 340	75-76	VM 30	596-1001	VM30/288	1251070
Colt SS 250, 340	74-77	VM 30	596-1001	VM30/288	1251070
Cutlass 340	1981		596-1003		3082255
Cutlass	1981	VM 26	596-1008		3082255
Cutlass SS	81-82	VM 38 SS	596-1005		3083171
Cutlass SS	1982	VM 32-34 HR	596-1006	IVM36/200-1 sub to KHS-004	3083306
Electra	75-77	VM 26	596-1008		3082255
Electra 340, 440	75-77		596-1003		3082255
Galaxy	1980	VM 26	596-1008		3082255
Gemini	79-80	VM 26	596-1008		3082255
Gemini	80-81/83	VM 30 SS-1	596-1024		308-5013
Gemini 250	1979		596-1003		3082255
Gemini 250	1979	VM 30	596-1001	VM30/288	1251070
Inbdy XCF SP	2001	VM 34	596-1058		3085670
Indy 340 Edge / Edge Classic	03-04	VM 30 SS-2	596-1025		3083576
Indy 340, Deluxe, Touring	99-07	VM 30 SS-2	596-1025		3083576
Indy 400	85-91	VM 32-34 HR	596-1006	IVM36/200-1 sub to KHS-004	3083306
Indy 440 L/C	92-96	VM 32-34 HR	596-1006	IVM36/200-1 sub to KHS-004	3083306

CARBURETOR FLANGES / ADAPTERS

Polaris	Year	Type	SPI Part #	Mikuni #	OEM #
Indy 550 Classic, LX, Pro-X Fan	02-08	VM 34 SS	596-1058		3085670
Indy 600 Classic	03-06	TM 38	596-1019		1253423
Indy 600 Classic Edge	2001	TM 40	596-1041		1253327
Indy 600 Classic Touring	01-03	2 TM 38	596-1038		1253217
Indy 600 Classic Touring	2004	TM 38	596-1019		1253423
Indy 600 Edge Touring	05-06	TM 38	596-1019		1253423
Indy 600 RMK	1998	2 Keihin 39	596-1039		1253146
Indy 600 RMK	99-00	3 TM 38	596-1040		1253259
Indy 600 Touring	2000	2 TM 38	596-1038		1253217
Indy 600 XC	1997	VM 38	596-1029		3084673
Indy 600 XC	1998	2 Keihin 39	596-1039		1253146
Indy 600 XC Deluxe	2000	3 TM 38	596-1040		1253259
Indy 600 XC, XC SP	1999	3 TM 38	596-1040		1253259
Indy 600 XC SP	00-01	2 TM 38	596-1038		1253217
Indy 600 XCR	94-96	VM 38	596-1029		3084673
Indy 600 XCR	97-98	3 VM 38	596-1042		3085248
Indy 600 XCR SE	1997	3 VM 38	596-1042		3085248
Indy 600 XCR Special	1996	3 VM 38	596-1042		3085248
Indy 650 SKS	89-91	VM 38 SS	596-1005		3083171
Indy 700 Classic	01-02	3 TM 38	596-1040		1253259
Indy 700 Classic, Classic Touring	03-04	TM 40	596-1041		1253327
Indy 700 RMK	97-98	2 Keihin 39	596-1039		1253146
Indy 700 RMK	99-00	3 TM 38	596-1040		1253259
Indy 700 RMK	03-05	TM 40	596-1041		1253327
Indy 700 RMK	2006		596-1305		1203917
Indy 700 SKS	97-98	2 Keihin 39	596-1039		1253146
Indy 700 SKS	99-01	3 TM 38	596-1040		1253259
Indy 700 Switchback	2004	TM 40 TPS	596-1041		1253327
Indy 700 XC	1998	2 Keihin 39	596-1039		1253146
Indy 700 XC	1999	3 TM 38	596-1040		1253259
Indy 700 XC Deluxe	2000	3 TM 38	596-1040		1253259
Indy 700 XC SP	99-00	3 TM 38	596-1040		1253259
Indy 700 XC SP, Edge	01-03	TM 40	596-1041		1253327
Indy 700 XCR	1998	3 VM 38	596-1042		3085248
Indy 700 XCR	1999	3 TM 38	596-0053		3085735
Indy 800 Classic, Touring, Edge	03-05	TM 40	596-1041		1253327
Indy 800 Switchback	2004	TM 38	596-0053		3085735
Indy Cross Country	1983	VM 38	596-1007		3082720
Indy Lite, Deluxe, GT	91-98	VM 30 SS-2	596-1025		3083576
Indy Sport Touring	00-04	VM 34 SS	596-1058		3085670
Indy Sport Touring ES	2001	VM 34 SS	596-1058		3085670
Indy Sport, GT	87-90	VM 30 SS-2	596-1025		3083576
Indy Sport, GT	92-95	VM 32-34 HR	596-1006	IVM36/200-1 sub to KHS-004	3083306
Indy Starlite, GT	1993	VM 30 SS-2	596-1025		3083576
Indy Storm	96-98	VM 38	596-0050		3084652
Indy Storm RMK	1997	VM 38	596-0050		3084652
Indy Storm SE	1997	VM 38	596-0050		3084652
Indy Storm SKS	1996	VM 38	596-0050		3084652
Indy Super Sport	99-03	VM 34	596-1058		3085670
Indy Trail RMK	99-04	VM 34	596-1058		3085670
Indy Trail, Deluxe, Touring	85-97	VM 32-34 HR	596-1006	IVM36/200-1 sub to KHS-004	3083306
Indy Trail Touring	00-04	VM 34	596-1058		3085670

CARBURETOR FLANGES / ADAPTERS

Polaris	Year	Type	SPI Part #	Mikuni #	OEM #
Indy Ultra SPX, SPX SE	1997	3 VM 38	596-1042		3085248
Indy Ultra Touring	97-98	3 VM 38	596-1042		3085248
Indy Widetrack GT	90-95	VM 32-34 HR	596-1006	IVM36/200-1 sub to KHS-004	3083306
Indy Widetrack GT	1996	BN 32-34 HR	596-1006	IVM36/200-1 sub to KHS-004	3083306
Indy Widetrack LX	90-03	VM 32-34 HR	596-1006	IVM36/200-1 sub to KHS-004	3083306
Indy XCR	99-03	TM 38	596-0053		3085735
Indy XLT	93-97	VM 34	596-1030		3084438
Indy XLT Classic	1998	VM 38	596-1029		3084673
Indy XLT Classic, Classic Touring	1999	VM 34	596-1030		3084438
Indy XLT Limited	97-98	VM 34	596-1030		3084438
Indy XLT Limited Special	1997	VM 38	596-1029		3084673
Indy XLT RMK	95-97	VM 34	596-1030		3084438
Indy XLT SKS	93-97	VM 34	596-1030		3084438
Indy XLT SP	92-95	VM 34	596-1030		3084438
Indy XLT SP	96-98	VM 38	596-1029		3084673
Indy XLT Special	96-98	VM 38	596-1029		3084673
Indy XLT Touring	95-97/99	VM 34	596-1030		3084438
Indy XLT Touring	1998	VM 38	596-1029		3084673
Indy XLT, XLT SKS	1996	VM 38	596-1029		3084673
Pro-X 600	01-04		596-1303		1253414
Sprint	86-90	VM 30 SS-2	596-1025		3083576
Star	83-90	VM 30 SS-1	596-1024		308-5013
Starfire	1976	VM 32-34 HR	596-1006	IVM36/200-1 sub to KHS-004	3083306
Startrak	87-90	VM 30 SS-1	596-1024		308-5013
Super Sport	82-86	VM 32-34 HR	596-1006	IVM36/200-1 sub to KHS-004	3083306
Supertrak	89-92	VM 32-34 HR	596-1006	IVM36/200-1 sub to KHS-004	3083306
TX	73-74	VM 30	596-1001	VM30/288	1251070
TX	74-80	VM 32-34 HR	596-1006	IVM36/200-1 sub to KHS-004	3083306
TX	1975		596-1003		3082255
TX	1975	VM 26	596-1008		3082255
TX-C	79-80	VM 32-34 HR	596-1006	IVM36/200-1 sub to KHS-004	3083306
TX-L 340	77-82	VM 38	596-1007		3082720
XC Edge 500 (all)	03-07	TM 38	596-1019		1253423
XC, SP 500	99-02	TM 38	596-1038		1253217
Rupp	Year	Type	SPI Part #	Mikuni #	OEM #
All with Kohler engines		VM 36-38 HD	596-1014	IVM38/200-1 sub to KHS-004	37033
All with Xenoah engines		VM 30-34 HD	596-1013	990-842-007	36878
All with Xenoah engines		VM 36-38 HD	596-1014	IVM38/200-1 sub to KHS-004	36816
Yamaha	Year	Type	SPI Part #	Mikuni #	OEM #
Apex	06-09		596-1629		8FP-13586-00
Attak, Attak GT	06-07		596-1629		8FP-13586-00
Bravo 250 (all)	82-09	BD 32-38	596-1017		8R4-13555-00
Excel III (EC 340)	81-83/85-88	VM 30-34 HD	596-1013	990-842-007	8G8-13555-01

CARBURETOR FLANGES / ADAPTERS

Yamaha	Year	Type	SPI Part #	Mikuni #	OEM #
Mountain Max 600	97-99	TM-36	596-1505		8CR-13555-10
Mountain Max 600	00-02		596-1626		8CH-13555-10
Mountain Max 700	97-03		596-1626		8CH-13555-10
Nytro, Nytro ER	06-07		596-1505		8ES-13586-10
Phazer 480 (all)	84-98	B38-32	596-1027		8VO-13555-00
Phazer Mountain 480	1999	B38-32	596-1027		8VO-13555-00
Rage, Rage GT	05-07		596-1505		8ES-13586-10
Vector, ER, GT, LT GT, LTX, LTX GT	05-09		596-1505		8ES-13586-10
Vector Mountain, SE	05-07		596-1505		8ES-13586-10
Venture (RS 90)	05-12		596-1505		8ES-13586-10
Viking Professional	08-10		596-1505		8ES-13586-10
VK Pro	11-12		596-1505		8ES-13586-10
VK Professional	06-07		596-1505		8ES-13586-10
RX1 (all)	03-05	left hand side	596-1631		8FA-13586-00
RX1 (all)	03-05	right hand side	596-1632		8FA-13596-00
SR 540	80-88	VM 40-44	596-1015	IVM40/200-1	8H8-13555-01
SRX 440	1980	VM 36-38 HD	596-1014	IVM38/200-1 sub to KHS-004	8K2-13555-00
SS 440	1980	VM 30-34 HD	596-1015	IVM40/200-1	8H8-13555-01
SS 440	81-83		596-1015	IVM40/200-1	8H8-13555-01
SX 500	00-01		596-1505		8CR-13555-00
SX 600	00-03		596-1626		8CH-13555-00
SX 700	00-01		596-1626		8CH-13555-00
SX Venom, ER	04-06		596-1626		8CH-13555-00
SX Viper, ER, Mountain	02-06		596-1051		8EK-13555-00
Venture TF	91-01	B38-32	596-1027		8BO-13555-00
Venture XL	91-98	B38-32	596-1027		8BO-13555-00
Venture 500	97-01		596-1505		8CR-13555-00
Venture 600	97-98		596-1505		8CR-13555-00
Venture 600	99-06		596-1626		8CH-13555-00
V-Max 600	97-03		596-1626		8CH-13555-10
V-Max 700	97-02		596-1626		8CH-13555-10
VK 540, 540 II	88-05	VM 30-34 HD	596-1013	990-842-007	8G8-13555-01
V-Max 500	97-01	TM 36	596-1505		8CR-13555-01
V-Max 500, 600	94-95	VM 30-34 HD	596-1013	990-842-007	8G8-13555-01
V-Max 540	83-91	VM 38-2	596-1018		8A8-13555-01
XL-V	85-90	VM 30-34 HD	596-1013	990-842-007	8G8-13555-01



596-0032 \$34.95-J



596-0033 \$34.95-J



596-0037 \$15.95-J



596-0040 \$15.95-J



596-0042 \$11.95-J



596-0050 \$27.95-J



596-0053 \$28.95-J



SPI Part #
596-1001 \$14.95-J
or Mikuni Part #
VM30/288 \$23.95-J

CARBURETOR FLANGES / ADAPTERS



596-1002 \$14.95-J



596-1003 \$11.95-J



596-1005 \$19.95-J



SPI Part #
596-1006 \$19.95-J
or Mikuni # IVM36/200-1
sub to KHS-004 \$23.95-J



596-1007 \$17.95-J



596-1008 \$10.95-J



596-1010 \$10.95-J



596-1011 \$11.95-J



596-1012 \$12.95-J



SPI Part #
596-1013 \$20.95-J
or Mikuni Part #
990-842-007 \$23.50-J



SPI Part #
596-1014 \$14.95-J
or Mikuni # IVM38/200-1
sub to KHS-004 \$23.95-J



SPI Part #
596-1015 \$18.95-J
or Mikuni Part #
IVM40/200-1 \$27.95-J



596-1017 \$12.95-J



596-1018 \$19.95-J



596-1019 \$29.95-J



596-1020 \$18.95-J



596-1021 \$11.95-J



596-1022 \$10.95-J



596-1023 \$10.95-J



596-1024 \$23.95-J



596-1025 \$23.95-J



596-1027 \$27.95-J



596-1028 \$39.95-J



596-1029 \$17.95-J

CARBURETOR FLANGES / ADAPTERS



596-1030 \$18.95-J



596-1031 \$27.95-J



596-1032 \$27.95-J



596-1033 \$28.95-J



596-1034 \$29.95-J



596-1035 \$20.95-J



596-1036 \$30.95-J



596-1037 \$29.95-J



596-1038 \$29.95-J



596-1039 \$29.95-J



596-1040 \$29.95-J



596-1041 \$29.95-J



596-1042 \$30.95-J



596-1043 \$30.95-J



596-1044 \$11.95-J



596-1045 \$13.95-J



596-1046 \$17.95-J



596-1047 \$104.95-J
Flange with Reed Valve



596-1048 \$104.95-J
Flange with Reed Valve



596-1049 \$33.95-J



596-1050 \$12.95-J



596-1051 \$28.95-J



596-1052 \$17.95-J



596-1053 \$19.95-J



596-1057 \$26.95-J



596-1058 \$15.95-J



596-1102 \$28.95-J



596-1103 \$28.95-J

CARBURETOR FLANGES / ADAPTERS



596-1104 \$28.95-J



596-1105 \$28.95-J



596-1147 \$18.95-J



596-1203 \$29.95-J



596-1204 \$39.95-J



596-1205 \$29.95-J



596-1208 \$120.95-J
Flange with Reed Valve



596-1212 \$29.95-J



596-1213 \$80.95-J



596-1303 \$29.95-J



596-1304 \$29.95-J



596-1305 \$27.95-J



596-1306 \$29.95-J



596-1405 \$29.95-J



596-1505 \$28.95-J



596-1626 \$29.95-J



596-1629 \$10.95-J



596-1631 \$30.95-J



596-1632 \$30.95-J