



"THE RIGHT CHOICE"



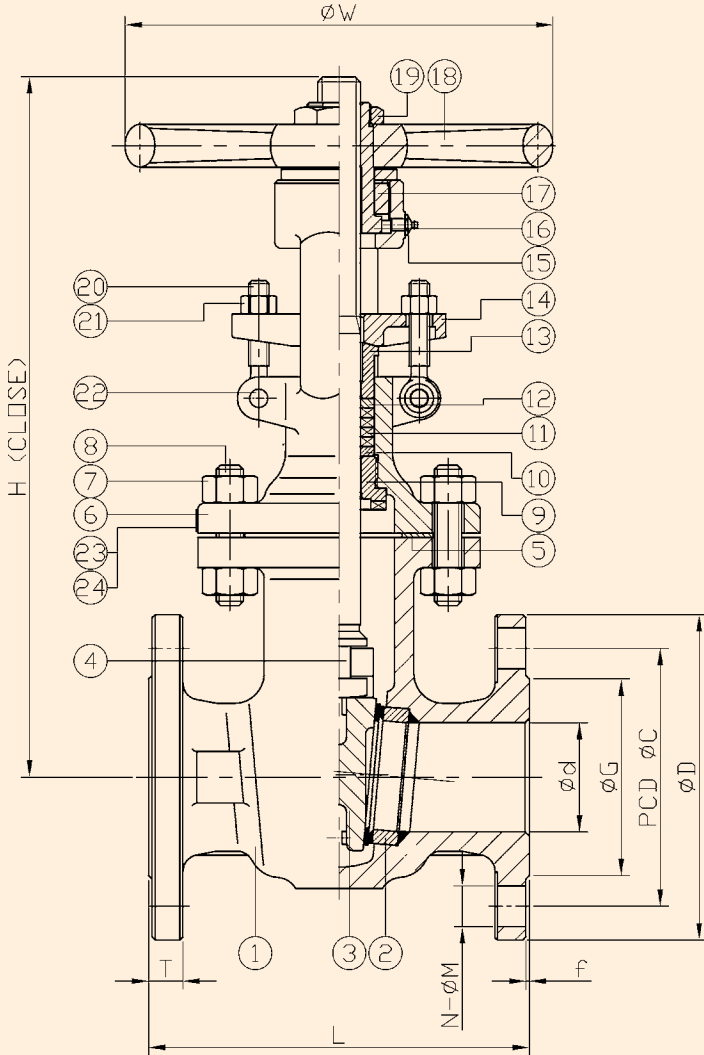
***Carbon Steel
Flanged Gate,
Globe, & Check Valves***

OVC# CS150GT

Class 150 Carbon Steel Gate Valve

Features

- Face to face dimensions: ASME B16.10
- Flange end dimensions: ASME B16.5
- Test: API 598
- Design: API 600



NO.	DESCRIPTION	MATERIAL
1	BODY	ASTM A216-WCB
2	SEAT RING	ASTM A105+STL#6
3	WEDGE	ASTM A216-WCB+Cr13
4	STEM	ASTM A182-F6a
5	GASKET	SS 304 + GRAPHITE
6	BONNET	ASTM A216-WCB
7	NUT	ASTM A194-2H
8	STUD	ASTM A193-B7
9	BACK SEAT	ASTM A276-410
10	PACKING A	GRAPHITE
11	PACKING B	GRAPHITE
12	PACKING C	GRAPHITE
13	GLAND	ASTM A276-410
14	GLAND FLANGE	ASTM A216-WCB
15	GREASE FITTING	CARBON STEEL
16	STEM BUSHING	ASTM A439 D-2
17	RETAINING NUT	ASTM A29-1025
18	HANDWHEEL	DUCTILE IRON
19	NUT	ASTM A29-1025
20	EYE BOLT	ASTM A193-B7
21	NUT	ASTM A194-2H
22	PIN	ASTM A29-1025
23	NAMEPLATE	SS 304
24	RIVET	SS 304

NPS	d	G	C	D	L	H	W	T	f	M	N	Weight (lb)
2"	2	3.62	4.74	5.98	7	12.68	7.87	0.63	0.06	0.75	4	44.1
2-1/2"	2.5	4.13	5.49	7.01	7.5	13.94	7.87	0.71	0.06	0.75	4	72.8
3"	3	5	6	7.48	8	15.39	9.84	0.75	0.06	0.75	4	79.4
4"	4	6.18	7.5	9.02	9	18.31	9.84	0.94	0.06	0.75	8	116.8
5"	5	7.32	8.5	10	10	20.28	11.81	0.98	0.06	0.75	8	165.3
6"	6	8.5	9.51	10.98	10.5	23.23	11.81	1.02	0.06	0.87	8	187.4
8"	8	10.63	11.75	13.5	11.5	28.7	13.78	1.14	0.06	0.87	8	299.8
10"	10	12.76	14.25	15.98	13	34.21	15.75	1.22	0.06	0.98	12	440.9
12"	12	15	17.01	19.02	14	39.88	17.72	1.26	0.06	0.98	12	712.1

* Other sizes available upon request.

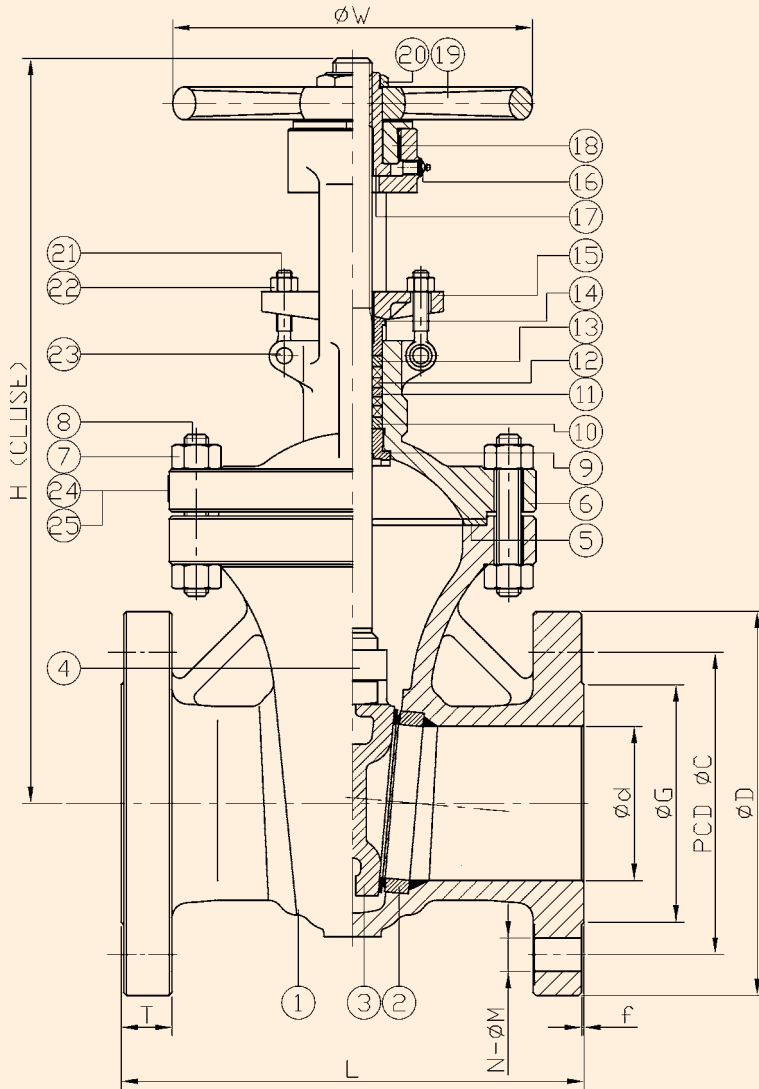
TOLL FREE (877) 423-2660 • (513) 752-5600 • FAX (513) 752-8267
 EMAIL sales@ohiovalve.com • WEB www.ohiovalve.com

OVC# CS300GT

Class 300 Carbon Steel Gate Valve

Features

- Face to face dimensions: ASME B16.10
- Flange end dimensions: ASME B16.5
- Test: API 598
- Design: API 600



NO.	DESCRIPTION	MATERIAL
1	BODY	ASTM A216-WCB
2	SEAT RING	ASTM A105+STL#6
3	WEDGE	ASTM A216-WCB+Cr13
4	STEM	ASTM A182-F6a
5	GASKET	SS 304 + GRAPHITE
6	BONNET	ASTM A216-WCB
7	NUT	ASTM A194-2H
8	STUD	ASTM A193-B7
9	BACK SEAT	ASTM A276-410
10	PACKING A	GRAPHITE
11	SPACER RING	ASTM A276-410
12	PACKING B	GRAPHITE
13	PACKING C	GRAPHITE
14	GLAND	ASTM A276-410
15	GLAND FLANGE	ASTM A216-WCB
16	GREASE FITTING	CARBON STEEL
17	STEM BUSHING	ASTM A439 D-2
18	RETAINING NUT	ASTM A29-1025
19	HANDWHEEL	DUCTILE IRON
20	NUT	ASTM A29-1025
21	EYE BOLT	ASTM A193-B7
22	NUT	ASTM A194-2H
23	PIN	ASTM A29-1025
24	NAMEPLATE	SS 304
25	RIVET	SS 304

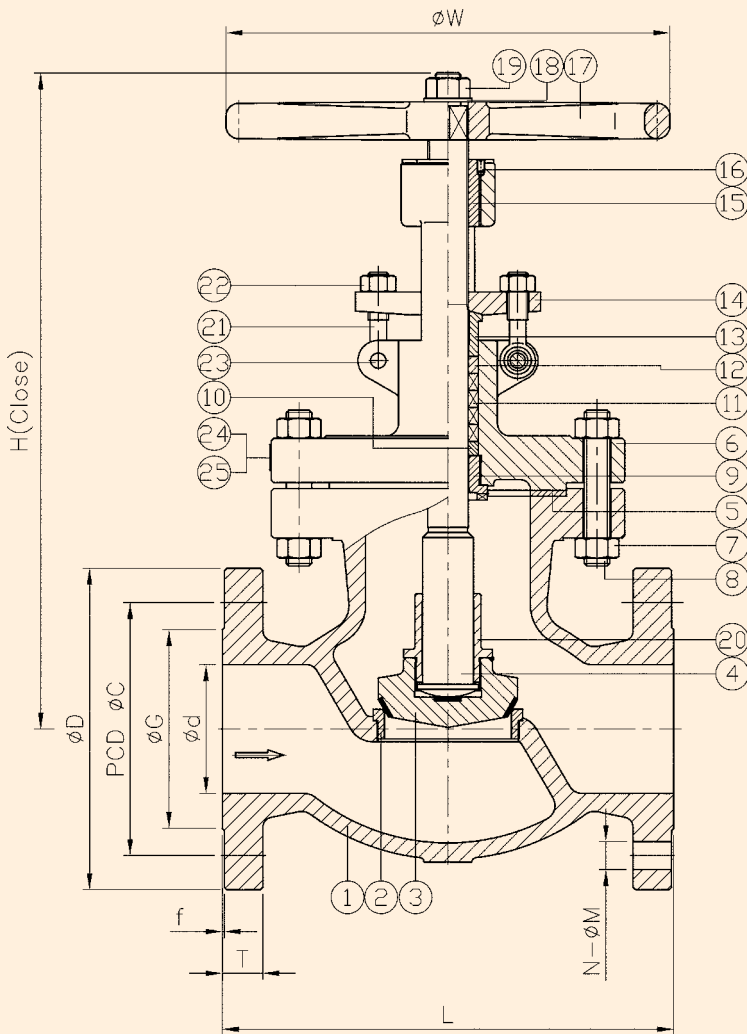
NPS	d	G	C	D	L	H	W	T	f	M	N	Weight (lb)
2"	2	3.62	5	6.5	8.5	13.78	7.87	0.91	0.06	0.75	8	66.1
2-1/2"	2.5	4.13	5.87	7.48	9.5	15.55	7.87	1.02	0.06	0.87	8	92.6
3"	3	5	6.63	8.27	11.125	16.97	9.84	1.14	0.06	0.87	8	121.3
4"	4	6.18	7.87	10	12	19.65	9.84	1.26	0.06	0.87	8	183
5"	5	7.32	9.25	10.98	15	22.2	11.81	1.38	0.06	0.87	8	238.1
6"	6	8.5	10.63	12.52	15.875	25.47	13.78	1.46	0.06	0.87	12	302
8"	8	10.63	12.99	15	16.5	29.8	15.75	1.65	0.06	0.98	12	529.1
10"	10	12.76	15.26	17.52	18	36.5	17.72	1.89	0.06	1.14	16	734.1
12"	12	15	17.76	20.51	19.75	42.13	19.69	2.01	0.06	1.26	16	1181.7

OVC# CS150GL

Class 150 Carbon Steel Globe Valve

Features

- Face to face standard: ASME B16.10
- Flange dimensions: ASME B16.5
- Design: ASME B16.34 / BS1873
- Test: API 598



NO.	DESCRIPTION	MATERIAL
1	BODY	ASTM A216-WCB
2	SEAT RING	ASTM A105+STL#6
3	DISC	ASTM A105+13Cr
4	STEM	ASTM A182-F6a
5	GASKET	SPW SS 304 + GRAPHITE
6	BONNET	ASTM A216-WCB
7	NUT	ASTM A194-2H
8	STUD	ASTM A193-B7
9	BACK SEAT	ASTM A276-410
10	PACKING A	GRAPHITE
11	PACKING B	GRAPHITE
12	PACKING C	GRAPHITE
13	GLAND	ASTM A276-410
14	GLAND FLANGE	ASTM A216-WCB
15	STEM BUSHING	ASTM A439 D-2
16	SCREW	ASTM A29-1035
17	HANDWHEEL	DUCTILE IRON
18	WASHER	ASTM A29-1025
19	HANDWHEEL NUT	ASTM A29-1045
20	DISC NUT	ASTM A276
21	EYE BOLT	ASTM A193-B7
22	NUT	ASTM A194-2H
23	PIN	ASTM A29-1025
24	NAMEPLATE	SS 304
25	RIVET	SS 304

NPS	d	G	C	D	L	H	W	T	f	N	M	Weight (lb)
2"	2	3.62	4.74	5.98	8.0	12.87	7.87	0.63	0.06	4	0.75	48.5
2-1/2"	2.5	4.13	5.49	7.01	8.5	13.46	9.84	0.71	0.06	4	0.75	83.8
3"	3	5.00	6.00	7.48	9.5	13.78	9.84	0.75	0.06	4	0.75	92.6
4"	4	6.18	7.50	9.02	11.5	17.36	11.81	0.94	0.06	8	0.75	141.1
6"	6	8.50	9.51	10.98	16.0	18.43	13.78	1.02	0.06	8	0.87	231.5

* Other sizes available upon request.

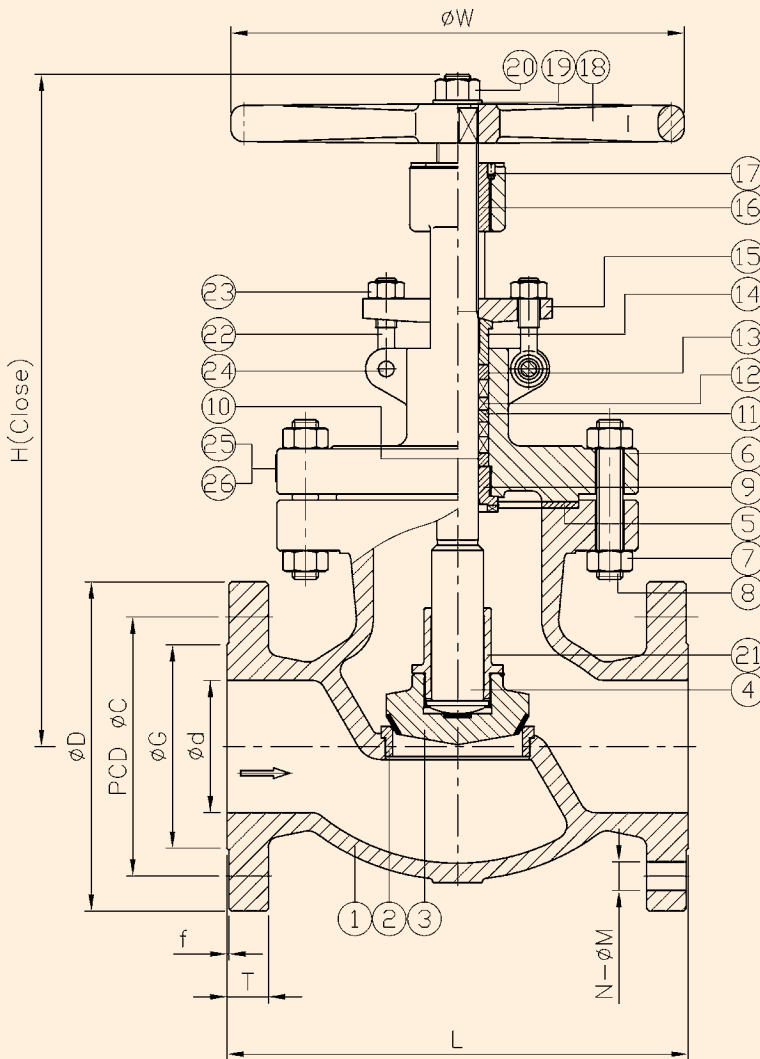
TOLL FREE (877) 423-2660 • (513) 752-5600 • FAX (513) 752-8267
 EMAIL sales@ohiovalve.com • WEB www.ohiovalve.com

OVC# CS300GL

Class 300 Carbon Steel Globe Valve

Features

- Test: API 598
- Face to face standard: ASME B16.10
- Flange standard: ASME B16.5
- Design: ASME B16.34 / BS1873



NO.	DESCRIPTION	MATERIAL
1	BODY	ASTM A216-WCB
2	SEAT RING	ASTM A105+STL#6
3	DISC	ASTM A105+13Cr
4	STEM	ASTM A182-F6a
5	GASKET	SPW SS 304 + GRAPHITE
6	BONNET	ASTM A216-WCB
7	NUT	ASTM A194-2H
8	STUD	ASTM A193-B7
9	BACK SEAT	ASTM A276-410
10	PACKING A	GRAPHITE
11	SPACER RING	ASTM A276-410
12	PACKING B	GRAPHITE
13	PACKING C	GRAPHITE
14	GLAND	ASTM A276-410
15	GLAND FLANGE	ASTM A216-WCB
16	STEM BUSHING	ASTM A439 D-2
17	SCREW	ASTM A29-1035
18	HANDWHEEL	DUCTILE IRON
19	WASHER	ASTM A29-1025
20	HANDWHEEL NUT	ASTM A29-1045
21	DISC NUT	ASTM A276
22	EYE BOLT	ASTM A193-B7
23	NUT	ASTM A194-2H
24	PIN	ASTM A29-1025
25	NAMEPLATE	SS 304
26	RIVET	SS 304

NPS	d	G	C	D	L	H	W	T	f	N	M	Weight (lb)
2"	2.0	3.62	5.00	6.50	10.5	12.60	7.87	0.91	0.06	8	0.75	68.3
2-1/2"	2.5	4.13	5.87	7.48	11.5	15.16	9.84	1.02	0.06	8	0.87	99.2
3"	3.0	5.00	6.63	8.27	12.5	15.94	9.84	1.14	0.06	8	0.87	125.7
4"	4.0	6.18	7.87	10.00	14.0	18.62	11.81	1.26	0.06	8	0.87	189.6
6"	6.0	8.50	10.63	12.52	17.5	22.52	17.72	1.46	0.06	12	0.87	370.4

* Other sizes available upon request.

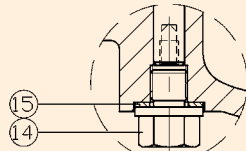
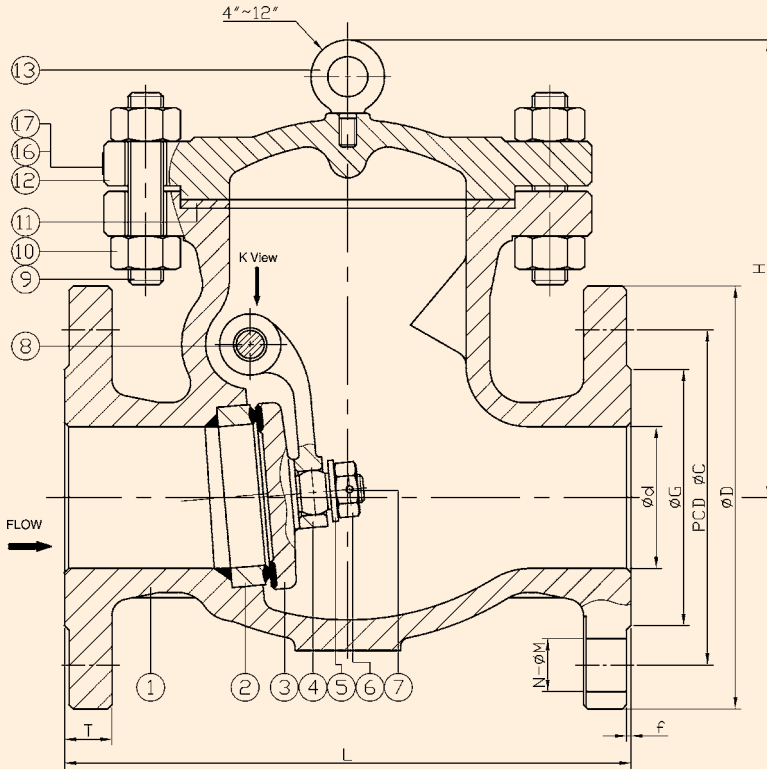
TOLL FREE (877) 423-2660 • (513) 752-5600 • FAX (513) 752-8267
 EMAIL sales@ohiovalve.com • WEB www.ohiovalve.com

OVC# CS150CK

Class 150 Carbon Steel Check Valve

Features

- Dimension of flange: ASME B16.5
- Face to face: ASME B16.10
- Test: API 598
- Design: ASME B16.34 / BS1868



K View

NO.	DESCRIPTION	MATERIAL
1	BODY	ASTM A216-WCB
2	SEAT	ASTM A105+STL#6
3	DISC	ASTM A105+Cr13
4	HINGE	ASTM A216-WCB
5	DISC WASHER	ASTM A276-410
6	DISC NUT	ASTM A276-410
7	DISC NUT PIN	ASTM A276-410
8	HINGE PIN	ASTM A182+-F6a
9	STUD	ASTM A193-B7
10	NUT	ASTM A194-2H
11	GASKET	SPW SS 304+GRAPHITE
12	CAP	ASTM A216-WCB
13	EYEBOLT	CARBON STEEL
14	PLUG	ASTM A276-410
15	WASHER	ASTM A276-304
16	NAMEPLATE	SS 304
17	RIVET	SS 304

NPS	d	G	C	D	L	H	T	f	N	M	Weight (lb)
2"	2	3.62	4.74	5.98	8	5.39	0.63	0.06	4	0.75	37.5
2-1/2"	2.5	4.13	5.49	7.01	8.5	5.87	0.71	0.06	4	0.75	50.7
3"	3	5	6	7.48	9.5	6.34	0.75	0.06	4	0.75	63.9
4"	4	6.18	7.5	9.02	11.5	9.02	0.94	0.06	8	0.75	92.6
6"	6	8.5	9.51	10.98	14	10.75	1.02	0.06	8	0.87	163.1
8"	8	10.63	11.75	13.5	19.5	13.43	1.14	0.06	8	0.87	238.1
10"	10	12.76	14.25	15.98	24.5	15.87	1.22	0.06	12	0.98	390.2
12"	12	15	17.01	19.02	27.5	18.54	1.26	0.06	12	0.98	621.7

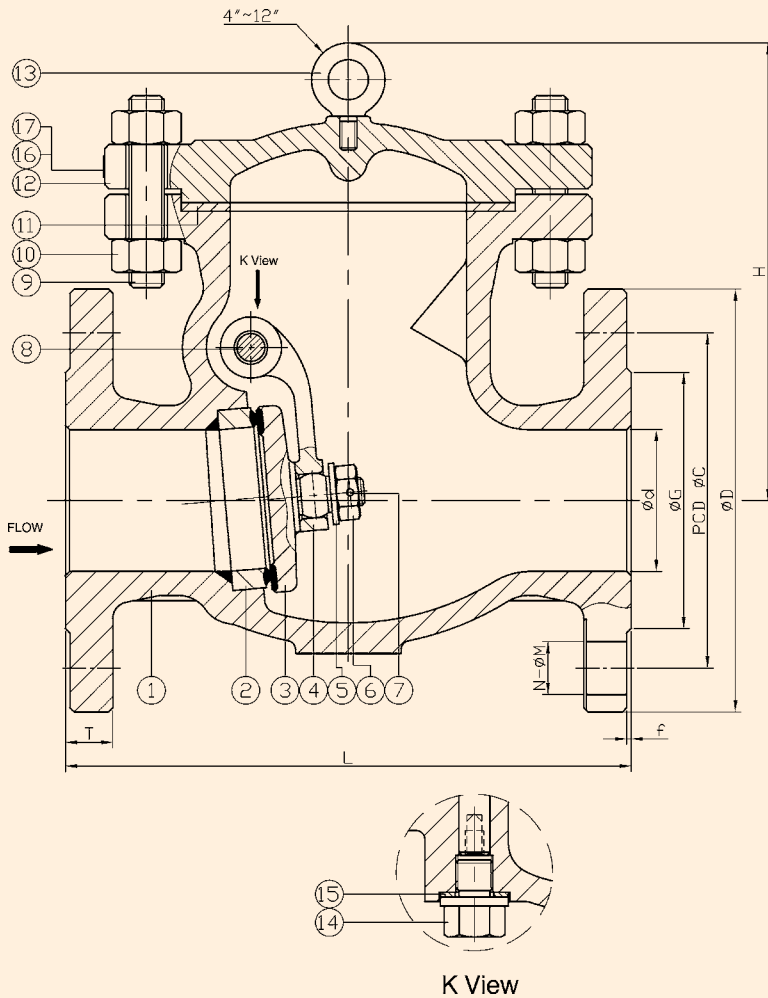
* Other sizes available upon request.

TOLL FREE (877) 423-2660 • (513) 752-5600 • FAX (513) 752-8267
 EMAIL sales@ohiovalve.com • WEB www.ohiovalve.com

OVC# CS300CK *Class 300 Carbon Steel Check Valve*

Features

- Dimension of flange: ASME B16.5
- Face to face: ASME B16.10
- Test: API 598
- Design: ASME B16.34 / BS1868



NO.	DESCRIPTION	MATERIAL
1	BODY	ASTM A216-WCB
2	SEAT	ASTM A105+STL#6
3	DISC	ASTM A105+Cr13
4	HINGE	ASTM A216-WCB
5	DISC WASHER	ASTM A276-410
6	DISC NUT	ASTM A276-410
7	DISC NUT PIN	ASTM A276-410
8	HINGE PIN	ASTM A182+-F6a
9	STUD	ASTM A193-B7
10	NUT	ASTM A194-2H
11	GASKET	SPW SS 304+GRAPHITE
12	CAP	ASTM A216-WCB
13	EYEBOLT	CARBON STEEL
14	PLUG	ASTM A276-410
15	WASHER	ASTM A276-304
16	NAMEPLATE	SS 304
17	RVET	SS 304

NPS	d	G	C	D	L	H	T	f	N	M	Weight (lb)
2"	2	3.62	5	6.5	10.5	6.22	0.91	0.06	8	0.75	46.3
2-1/2"	2.5	4.13	5.87	7.48	11.5	6.5	1.02	0.06	8	0.87	79.4
3"	3	5	6.63	8.27	12.5	6.93	1.14	0.06	8	0.87	94.8
4"	4	6.18	7.87	10	14	10.08	1.26	0.06	8	0.87	134.5
6"	6	8.5	10.63	12.52	17.5	12.05	1.46	0.06	12	0.87	288.8
8"	8	10.63	12.99	15	21	14.25	1.65	0.06	12	0.98	469.6
10"	10	12.76	15.26	17.52	24.5	17.87	1.89	0.06	16	1.14	846.6
12"	12	15	17.76	20.51	28	19.65	2.01	0.06	16	1.26	989.9

* Other sizes available upon request.

TOLL FREE (877) 423-2660 • (513) 752-5600 • FAX (513) 752-8267
 EMAIL sales@ohiovalve.com • WEB www.ohiovalve.com

Your one source for:

- ***Ball Valves***
- ***Butterfly Valves***
- ***Gate/Globe/Check Valves***
- ***Actuators***



"THE RIGHT CHOICE"

OVC CORPORATE OFFICE:

**TOLL FREE (877) 423-2660 • (513) 752-5600 • FAX (513) 752-8267
EMAIL sales@ohiovalve.com • WEB www.ohiovalve.com**

OVC STOCKING WAREHOUSES:

ATLANTA:
(888) 433-1433
T: (770) 491-7333
F: (770) 491-1590

CINCINNATI:
(800) 543-0700
T: (513) 752-3211
F: (513) 752-8094

DENVER:
(800) 898-7124
T: (303) 321-4722
F: (303) 321-0186

HOUSTON:
(866) 640-8682
T: (713) 433-7400
F: (713) 433-6765

NEW JERSEY:
(800) 241-8682
T: (732) 238-7001
F: (732) 238-7760