



WITH
OUR PASSION
ALWAYS
AT YOUR
SERVICE



Catalog
2021



About Hammer

Our History

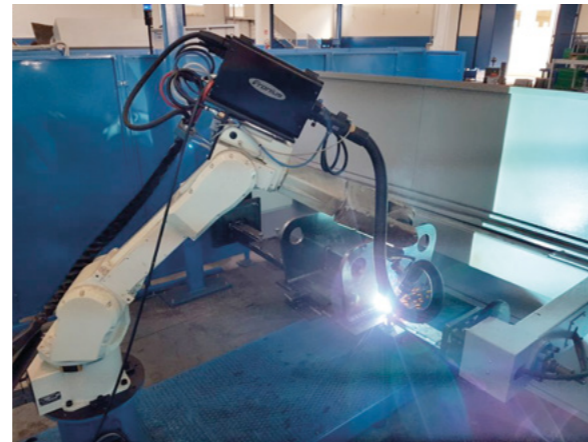
Demolition
Material handling
Recycling
Excavation line

Skills and passion that give rise to history!

In 1970 Mr. Giovanni Modugno began his career as a worker in a small mechanic turnery workshop in Molfetta and, since that year, so much has been done.

After being a factory worker, factory manager and production manager, in 1989 he started with other partners a company of hydraulic demolition breakers, until 2004. In the same year he decides to found, together with his son Valerio, a family company for the design, production and sale of hydraulic breakers, which takes the name of "Hammer".

The values of a family company have allowed Hammer to establish itself on the global market through 10 branches spread across the continents and a capillary network of dealers and authorized workshops throughout the world.



100% Made in Italy

Hammer guarantees a 100% Made in Italy product of the highest quality, entirely designed and manufactured in the 8 plants (an area of 30000 m²) located in the Industrial Area of Molfetta (BA). Hammer begins with the design, production and sale of small and medium-sized hydraulic breakers, in addition to the sale of multi-brand spare parts.

Then it comes the introduction of the first examples of demolition shears, which paved the way in the field of demolition and recycling; later, Hammer decides to expand the range of hydraulic breakers, up to the FX 15000 model which, with a weight of 14500 kg, becomes the largest hydraulic breaker in the world.

After the huge success achieved in this segment, Hammer introduces the SB series that benefits from the particular monoblock construction. This feature gives the structure a very high resistance to leverage efforts. The breaker is built in one piece and there are no side bolts and diaphragms.

It is the turn, then, of the grapple line, with the GR series with 3 different types of jaws, depending on the needs of the operator.

The demolition segment is then widened with the FP series (static hydraulic crusher for secondary demolition), the FR series (rotary hydraulic crusher for primary and secondary demolition) and the FK series (rotary hydraulic crusher for primary demolition).

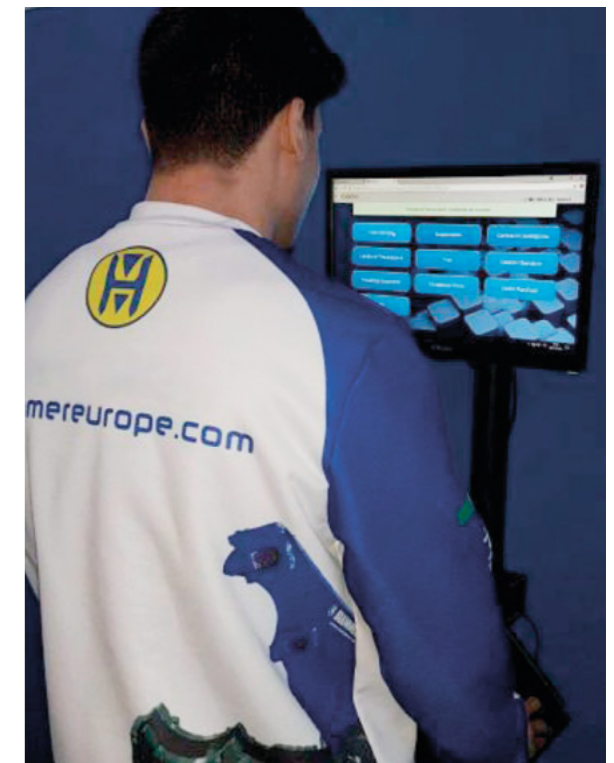


Research and development

Our work is based on continuous innovation and research in the 8 factories of Molfetta, where there are:

- an equipped workshop with 65 high-productivity CNC machines;
- the grinding and testing department where we make sure of the absolute correctness of the various components of our products;
- the carpentry department, equipped with 5 latest generation plasma cuttings, 5 robot welding stations and 2 robot stations for assembly;
- the assembly department, where the technical staff, composed of qualified people constantly updated on the new technologies of the sector, assembles the whole Hammer line;
- a large spare parts warehouse that, thanks to the 6 automated modules that develop vertically, allows us to speed up and optimize the assembly of our range and to increase the storage area of 1000 m².

Moreover, thanks to the Industry investment plan 4.0, we managed to further optimize the production process. The search for new solutions and innovations on existing products consists the basis of our activity to be protagonists in the market and to offer our customers always the best.



Product overview

Hammer offers the right equipment for every needs



SB

HYDRAULIC
BREAKERS

Pages 14-15



FX

HYDRAULIC
BREAKERS

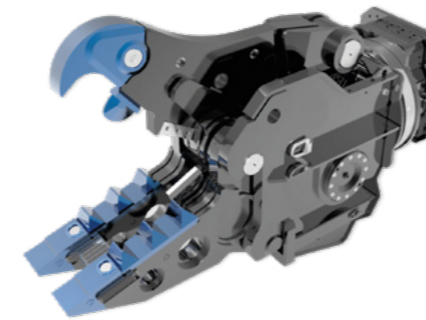
Pages 16-19



FRK

DEMOLITION
ROTATING
PULVERIZERS

Pages 30-31



MQP

MULTI-QUICK
PROCESSORS

Pages 32-35



MCK

CONCRETE
CRUSHERS

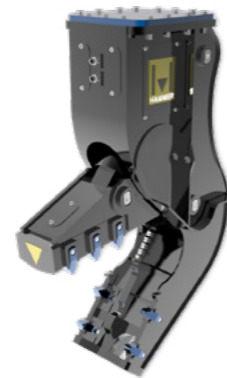
Pages 36-39



DX

DRUM
CUTTERS

Pages 20-23



FP

STATIC
PULVERIZERS

Pages 24-25



KSC

SCRAP
SHEARS

Pages 40-41



GR

SELECTOR
GRABS

Pages 42-43



FR

ROTATING
PULVERIZERS

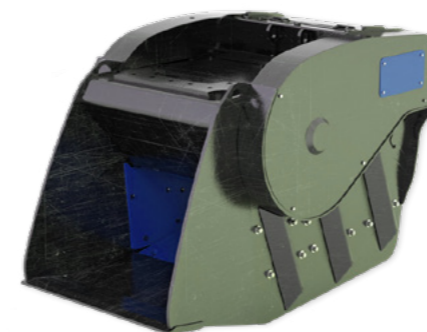
Pages 26-27



FK

ROTATING
PULVERIZERS

Pages 28-29



KB

CRUSHING
BUCKETS

Pages 44-45



KR

SCREENING
BUCKETS

Pages 46-47



Strength and efficiency

The hydraulic breaker is an equipment of the earth-moving and mining industry, whose components are subjected to high levels of stress, working mostly in difficult situations.

In order to make hydraulic breakers increasingly reliable and to guarantee performance and power, Hammer has introduced the SB and FX lines, obtained thanks to in-depth R&D studies carried out in over 30 years of activity. For the production of these ranges, the best high-alloy steels on the market are used and the best heat treatment techniques developed.

The research and studies carried out have allowed us to obtain important results in terms of the technological and mechanical characteristics of the steels. At the same time, studies were carried out in collaboration with the main producers of hydraulic seals (Trelleborg, Freudenberg, Nok).

Over the years we have therefore improved the quality of the materials used and the types of the same, so as to adapt them to the right ratio between the variables speed, pressure, temperature, obtaining thus greater durability.



We're always ready for challenges

With ref. to SB and FX series, Hammer Srl, thanks to its experience, has chosen to design and build "nitrogen" breakers in order to obtain a high power distributed over a higher number of blows per minute, thus resisting high counterpressures up to 30 bar.

The breaker is also very compactly structured in order to reduce stress on the excavator arm and ensure greater durability of both the breaker and its components.

- The SB and FX hydraulic breakers can work on any type of excavator and on any single-acting hydraulic system; they are also suitable for hydraulic systems with high back pressure

- Hammer Breakers are equipped with special polyurethane shock absorbers that absorb vibrations, thus protecting the arm of the excavator and also reducing noise emissions, according to the requirements of directive 2000/14 / EC

The models of the SB series are suitable for carriers, mini excavators, miniblades, backhoe loaders, demolition robots. etc., while the FX series is suitable for crawler and wheeled excavators medium and large size

Application overview

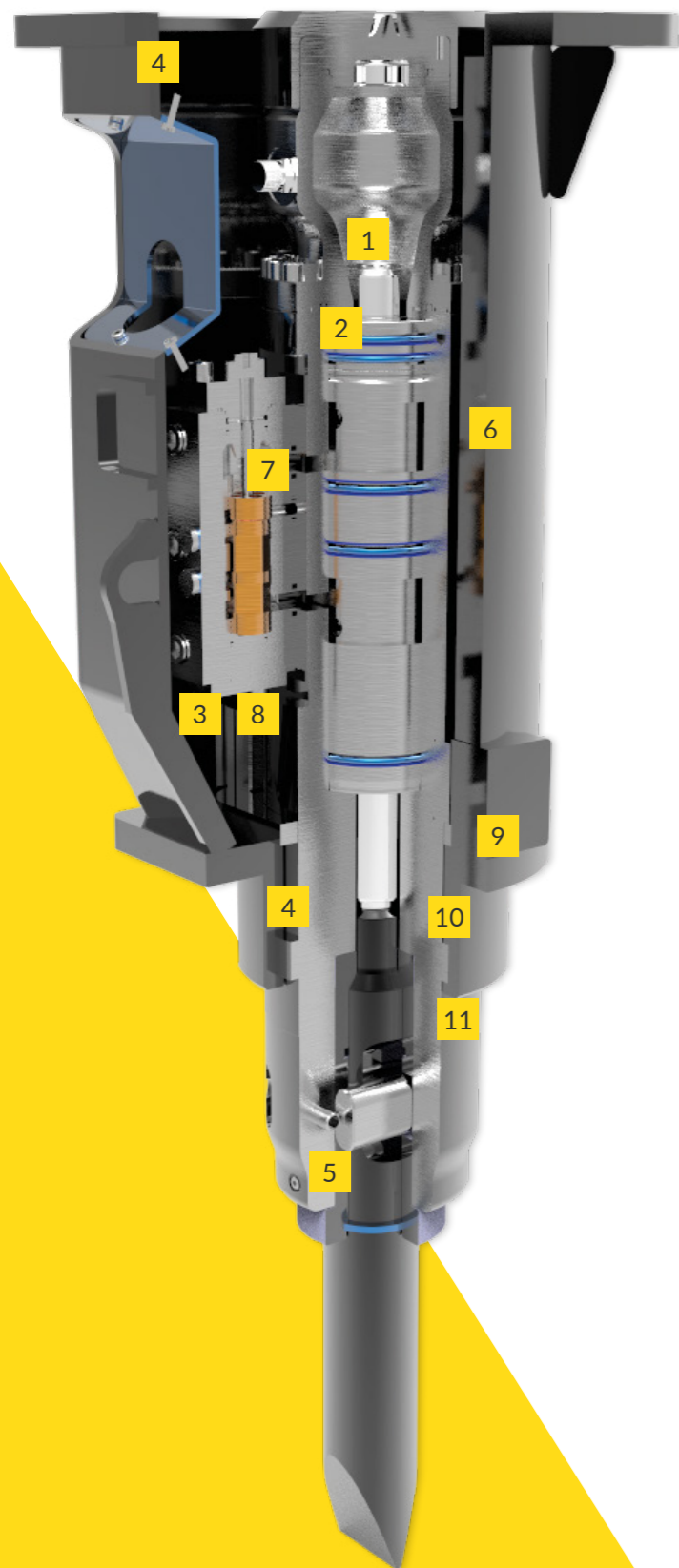
			SB	FX 700-1700	FX 2200-15000
Mining & Quarrying	Preliminary works	Overburden removal	★	★	★
		Bench, road & ramp leveling	★	★	★
		Roof, face & rib scaling	★	★	★
	Secondary breaking	Boulder reduction in rock pile	★	★	★
		Removing blockages at crushing systems	★	★	★
	Primary rock breaking	Selective rock breaking	☆	★	★
		Blast-free mining	★	★	★
Demolition & Renovation	Masonry structures	Brickwork	★	★	☆
		Natural stone	★	★	☆
		Autoclaved aerated concrete	★	★	★
	Concrete structures	Lightweight concrete	★	★	★
		Standard concrete	★	★	★
		Heavyweight concrete	☆	★	★
	Composite steel & concrete structures	Steel-reinforced concrete	★	★	★
		Prestressed concrete	★	★	★
		Fiber-reinforced concrete	★	★	★
	Pavements	Asphalt	★	★	★
		Concrete	★	★	★
		Composite surfaces	★	★	★
Construction	Earthworks	Trenching	★	★	★
		Pit building	★	★	★
		Ground excavation	★	★	★
	Tunneling	Tunnel driving	★	★	★
		Roof, face & rib scaling	★	★	★
		Floor leveling	★	★	★
	Dredging	Canal deepening & extension	★	★	★
		Dock deepening & extension	★	★	★
	Gardening & Landscaping	Fencing	★	★	★
		Ground excavation	★	★	☆
		Rock breaking	★	★	★
	Foundation works	Ground leveling	☆	★	★
Metallurgical Industry	Building construction	Foundation pile driving	☆	★	★
			★	★	★
	Slag recycling	Boulder reduction in slag heap	★	★	★
		Removing blockages at crushing systems	★	★	★
	Cleaning & debricking	Ladles	★	★	☆
		Converter mouths	★	★	☆
		Kilns	★	★	☆

Optimal
 Suitable
 Unsuitable



Monoblock hydraulic breaker without tie rods and diaphragm

SB SERIES

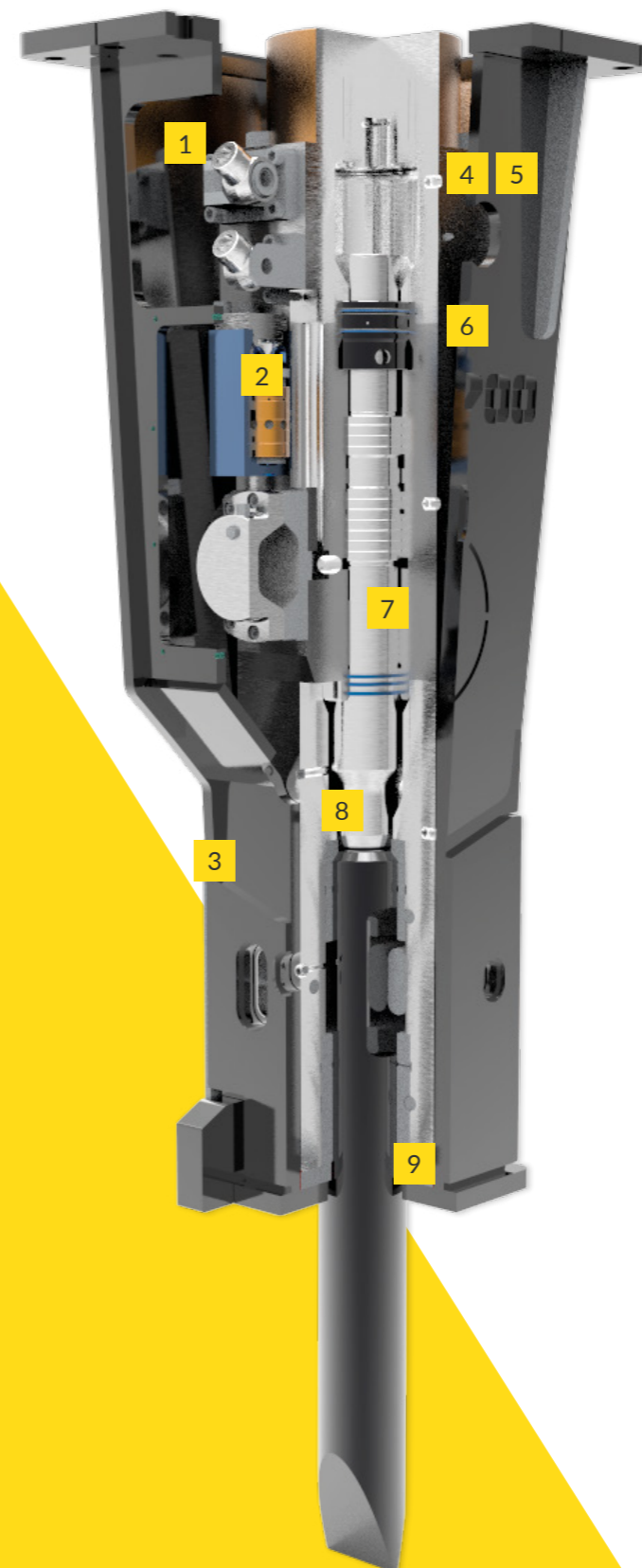


- 1 More power, less vibration and maintenance. The SB breakers work with inertial nitrogen energy recovery, thus obtaining more power (more than 30%) and less vibration thanks to the nitrogen chamber that reduces maintenance costs, since it has no diaphragm.
- 2 Long lasting of the nitrogen charge. In the past, energy recovery breakers required frequent nitrogen refills; with the new sealing system and the new compound developed by Freudenberg they are able to guarantee a gas tightness equal to 300% more than in the past.
- 3 Protected tubes. The tubes are completely protected through the casing and they're suitable for every type of excavation, especially in narrow spaces.
- 4 Silenced body. The particular design, with a closed box casing as well as the insertion of sound-absorbing material, allowed to reach very low noise levels for a breaker.
- 5 Double retainer pin. The tool locking system with double retainer pin allows an adequate and uniform wear of the same and ensures longer maintenance intervals for the whole locking system.
- 6 Monoblock body without tie rods. The entire SB series benefits from the particular monoblock construction; this feature gives the structure a very high resistance to leverage, during work. The breaker is built in one only piece and it is without tie rods, thus obtaining greater production and less maintenance as a result.
- 7 Only two moving parts.
- 8 For all types of installations (pressurization). The SB series tolerates high back pressure and it has a wide calibration range of the required oil flow, in order to get the installation easier.
- 9 The piston moves in a single interchangeable cylinder liner that keeps the main body intact and that is easy to replace in case of necessity.
- 10 The piston is built with a special geometry such as to keep a constant energy of impact, as well as for reducing breakages in conditions of criticality.
- 11 Visibility and versatility. The models of the SB series, with their tapered shape, provide the operator with an excellent view during the work and allow to operate close to the walls, both in narrow section and with open front.



Hammer Hydraulic Breakers

FX SERIES



- 1 Tubes with swivels fully protected from any bad uses and resistant to vibrations in case of lack of nitrogen in the chamber.
- 2 Regulation of the operating pressure. For the FX series (FX950-15000), it is possible to adjust the working pressure by a manual valve located frontally, on the distribution of the breaker.
- 3 Anti-dust and underwater work set up. You can prevent the entry of dust and water into the breaker by blowing air into the proper hole in the front part of the breaker, with a pressure not less than 10 bar.
- 4 Automatic hydraulic greasing device (optional, mounted on the breaker). The Beka-Lube automatic lubrication system optimizes the lubrication procedure and reduces maintenance and downtimes.
- 5 Automatic hydraulic greasing device with exclusive Hammer electric control (optional, mounted on the excavator). Innovative electric system with automatic grease distribution, less liable to vibration breakages thanks to its own tank of grease with a capacity of 4 kg or 8 kg, making thus the system cheaper than all the other devices with single cartridges.
- 6 Manual adjustment of blows. For the FX series (FX950-FX15000), the regulation of the blows is carried out manually by an adjusting valve located on the side of the breaker.
- 7 Hydraulic system for blank firings. The hydraulic system is a regenerative oil circuit that avoids blank firings when the tool is not in contact with the rock.
- 8 The piston is built with a special geometry such as to keep a constant energy of impact, as well as for reducing breakages in conditions of criticality.
- 9 Anti-dust system for tunnels (optional). The anti-dust system consists of the addition of a dustproof seal mounted in the lower bush so to avoid the entering of impurities in the circuit.

The breakers of the FX series, thanks to their power and efficiency and to the right ratio between weight and power, are suitable for secondary demolition work, excavations in quarry, work in urban areas, tunnels, pipelines and railway tunnels and, concerning the biggest models, demolitions in open pit mining.



Hammer Lube

HAMMER LUBE is the result of intense cooperation between the Engineering Departments of Hammer and Meyerlub, both specialists in advanced technology. Hammer Grease is totally different from any other breaker grease or oil.

- It is based on special synthetic components, with a strong affinity to metal surfaces due to their “polar” nature. This offers superior lubricating film strength, even in the most adverse operating conditions.
- Its physical characteristics perfectly match the Hammer lubricant supply systems (on-board Greasing Stations and Easy-Lub equipment)

HAMMER GREASE KEEPS ITS PROMISES!

- Total protection from friction, wear and scuffing, thanks to the exceptional film strength and metal affinity
- Complete and uniform distribution of lubricant on the whole surface, for full protection from wear and seizing
- Cost savings: highly efficient and correct lubrication will ensure full protection and dramatically reduce maintenance, spares’ and downtime costs. The exclusive and “state of the art” performance of Hammer Grease optimizes lubrication efficiency and significantly reduces lubricant’s over-consumption and relevant costs.

CONSIDER THE DIFFERENCE

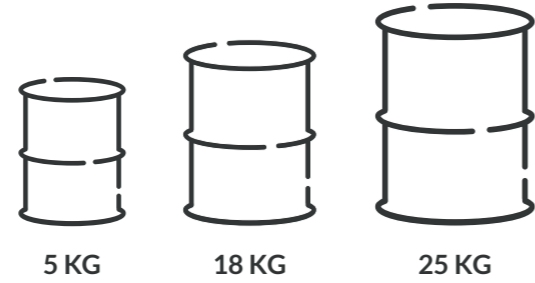
A Hammer breaker and rolling bearings or machinery pins are very different engineering components... so are their mechanical and functional lubrication requirements. “Multipurpose” industrial greases are very far from specialist breaker lubricants. Often many so called “breaker greases” are conventional greases with solid lubricants.

WHY IS CORRECT LUBRICATION SO IMPORTANT?

A Hammer breaker operates at high frequency under heavy load, which means high thermal and mechanical stress. Inadequate lubricants generate excessive wear and deposits.

BREAKER LIFE SPAN, EFFICIENCY, AND RELIABILITY MAY BE SERIOUSLY AFFECTED.

- Proper breaker lubrication is the combination of:
- Appropriate lubricating system design.
 - Appropriate lubricant structure and composition.
 - Perfect tuning between lubricant and application system.



Products Series

Discover all our series

HYDRAULIC BREAKERS WITHOUT TIE RODS

8 models for excavators with operating weight from 0,5 to 11 ton



Find out more

Break in a smart way

- More power / less vibrations and maintenance
- Long lasting of the nitrogen charge
- Protected tubes
- Silenced body
- Monoblock body without tie rods
- Double retainer pin
- Only two moving parts
- For all types of installations
- Visibility and versatility



MOIL POINT
Suitable for concrete, medium-hard and not layered rocks.



BLUNT TOOL
Suitable for reinforced concrete and very compact rocks.



ASPHALT CUTTER
Suitable for cutting asphalt.



PYRAMID TOOL
Suitable for reinforced concrete and very compact rocks.



CHISEL TOOL
Suitable for medium-hard and layered rocks.



PILE DRIVER
Suitable for planting wooden or concrete poles.



WOOD CUTTER TOOL
Suitable for cutting all types of wood.

SB SERIES

Application Fields



Mining & Quarrying



Demolition & Renovation



Construction



Metallurgical Industry



Recycling

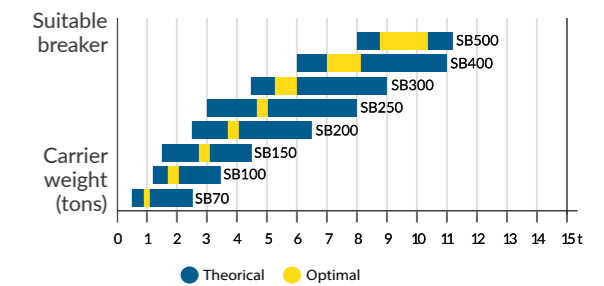
TECHNICAL DRAWING



Models		SB70	SB100	SB150	SB200	SB250
Carrier weight	t	0.5-2.5	1.2-3.5	1.5-4.5	2.5-6.5	3.0-8.0
Weight	kg	70	100	135	190	240
Body height (a)	mm	583	666	666	869	869
Tool height (b)	mm	228	255	255	275	300
Chisel diameter	mm	40	45	48	55	65
Required oil supply	l/min	13-20	15-30	18-40	25-55	30-60
Oil hammer pressure	bar	100	110	110	130	140
Blows per minute	/min	800-1750	800-2300	800-2000	900-1900	850-1800
Energy per blow	j	280	400	580	750	950
Max. Back pressure	bar	30	30	30	30	30
Inner diam. in hose	inch	1/2"	1/2"	1/2"	1/2"	1/2"
Inner diam. out hose	inch	1/2"	1/2"	1/2"	1/2"	1/2"

Models		SB300	SB400	SB500
Carrier weight	t	4.5-9.0	6.0-11	8.0-11
Weight	kg	300	430	480
Body height (a)	mm	904	1135	1135
Tool height (b)	mm	295	378	431
Chisel diameter	mm	75	80	90
Required oil supply	l/min	50-70	75-90	85-110
Oil hammer pressure	bar	160	150	150
Blows per minute	/min	600-1500	500-1300	600-1200
Energy per blow	j	1200	1700	2300
Max. Back pressure	bar	30	30	30
Inner diam. in hose	inch	3/4"	3/4"	3/4"
Inner diam. out hose	inch	3/4"	3/4"	3/4"

EXCAVATOR OPTIMAL RANGE



*All illustrations and numerical data in this catalog are purely indicative and subject to change at our discretion and without notice. We therefore reserve the right to modify them with a view to improving and continuously developing our product.

HAMMER HYDRAULIC BREAKERS

15 models for excavators with operating weight from 8 to 200 ton

Efficiency becomes power

- Tubes with swivels fully protected
- Adjusting of the operating pressure
- Anti-dust and underwater work set up
- Automatic hydraulic greasing device
- Hydraulic system for blank firings
- Manual adjustment of blows
- Anti-dust system for tunnels



Find out more



MOIL POINT

Suitable for concrete, medium-hard and not layered rocks.



PYRAMID TOOL

Suitable for reinforced concrete and very compact rocks.



BLUNT TOOL

Suitable for reinforced concrete and very compact rocks.



COBRA TOOL

Suitable for quarry works, such as primary demolition and reduction of stone blocks.



CHISEL TOOL

Suitable for medium-hard and layered rocks.



AUTOMATIC HYDRAULIC GREASING DEVICE

(Optional, mounted on the breaker)
The Beka-Lube automatic lubrication system optimizes the lubrication procedure and reduces maintenance and downtimes.

FX SERIES

Application Fields



Mining & Quarrying



Demolition & Renovation



Construction



Metallurgical Industry



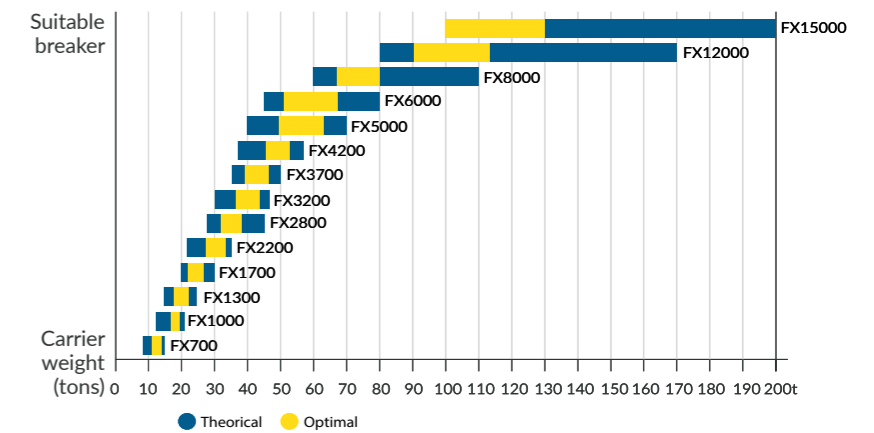
Recycling

TECHNICAL DRAWING



Models		FX700	FX950	FX1300	FX1700	NEW FX1900	Models		FX2200
Carrier weight	t	8-12	10-16	14-19	18-24	22-27	Carrier weight	t	23-31
Weight	kg	700	950	1200	1650	1850	Weight	kg	2200
Body height (a)	mm	1310	1390	1470	1670	1790	Body height (a)	mm	1840
Tool height (b)	mm	430	550	560	620	725	Tool height (b)	mm	720
Chisel diameter	mm	95	115	120	135	140	Chisel diameter	mm	150
Required oil supply	l/min	70-100	90-120	110-140	130-160	140-180	Required oil supply	l/min	165-190
Oil hammer pressure	bar	160	165	170	180	180	Oil hammer pressure	bar	180
Blows per minute	/min	600-900	600-900	400-900	400-800	400-800	Blows per minute	/min	400-800
Energy per blow	j	2000	2600	3200	4200	4700	Energy per blow	j	5400
Max. Back pressure	bar	25	25	25	25	25	Max. Back pressure	bar	25
Inner diam. in hose	inch	3/4"	1"	1"	1"	1"	Inner diam. in hose	inch	1"
Inner diam. out hose	inch	3/4"	1"	1"	1"	1"	Inner diam. out hose	inch	1" 1/4

EXCAVATOR OPTIMAL RANGE



All illustrations and numerical data in this catalog are purely indicative and subject to change at our discretion and without notice. We therefore reserve the right to modify them with a view to improving and continuously developing our product.

HAMMER HYDRAULIC BREAKERS

15 models for excavators with operating weight from 8 to 200 ton

Efficiency becomes power

- Tubes with swivels fully protected
- Adjusting of the operating pressure
- Anti-dust and underwater work set up
- Automatic hydraulic greasing device
- Hydraulic system for blank firings
- Manual adjustment of blows
- Anti-dust system for tunnels



FX SERIES

Application Fields

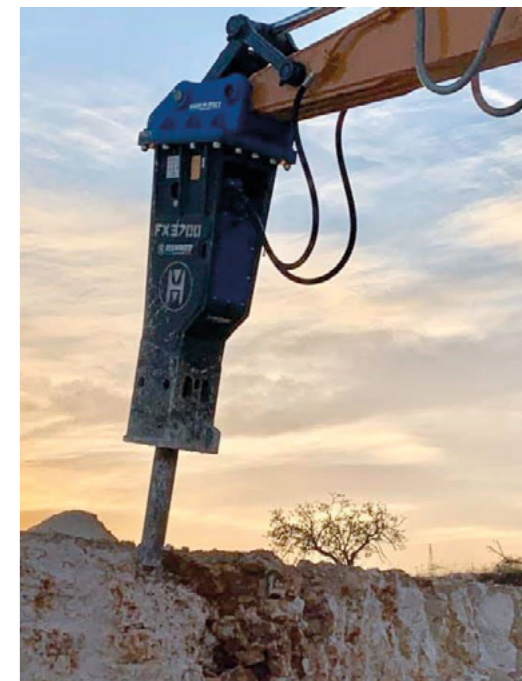


TECHNICAL DRAWING



Models		FX2800	FX3200	FX3700	FX4200	FX5000
Carrier weight	t	28-38	30-40	35-40	35-45	40-65
Weight	kg	2900	3200	3700	4400	4850
Body height (a)	mm	2030	2030	2250	2250	2390
Tool height (b)	mm	710	710	790	790	700
Chisel diameter	mm	160	160	180	180	195
Required oil supply	l/min	180-240	200-260	250-300	270-320	290-350
Oil hammer pressure	bar	180	180	180	190	190
Blows per minute	/min	350-700	300-650	300-650	300-650	250-550
Energy per blow	j	8500	9000	9500	12500	16500
Max. Back pressure	bar	25	25	25	25	30
Inner diam. in hose	inch	1" 1/4	1" 1/4	1" 1/4	1" 1/4	1" 1/4
Inner diam. out hose	inch	1" 1/4	1" 1/4	1" 1/4	1" 1/4	1" 1/4

Models		FX6000	FX8000	FX12000	FX15000
Carrier weight	t	45-75	60-110	80-170	100-200
Weight	kg	5800	7800	12000	14500
Body height (a)	mm	2390	1840	2030	2030
Tool height (b)	mm	620	720	710	710
Chisel diameter	mm	195	215	255	280
Required oil supply	l/min	300-380	380-440	480-570	500-600
Oil hammer pressure	bar	190	190	190	190
Blows per minute	/min	250-550	200-400	150-300	150-250
Energy per blow	j	18500	23000	28000	35000
Max. Back pressure	bar	30	30	30	30
Inner diam. in hose	inch	1" 1/4	1" 1/4	1" 1/2	1" 1/2
Inner diam. out hose	inch	1" 1/4	1" 1/4	1" 1/2	1" 1/2

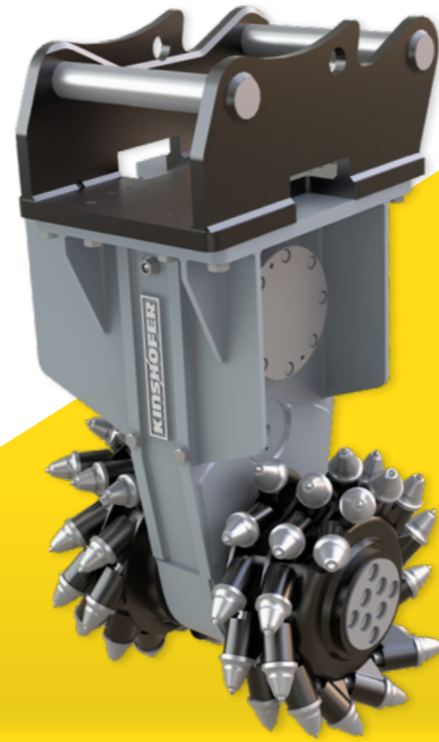


All illustrations and numerical data in this catalog are purely indicative and subject to change at our discretion and without notice. We therefore reserve the right to modify them with a view to improving and continuously developing our product.

DRUM CUTTERS

9 models for excavators with operating weight from 2 to 60 ton

The best suite components for your purpose



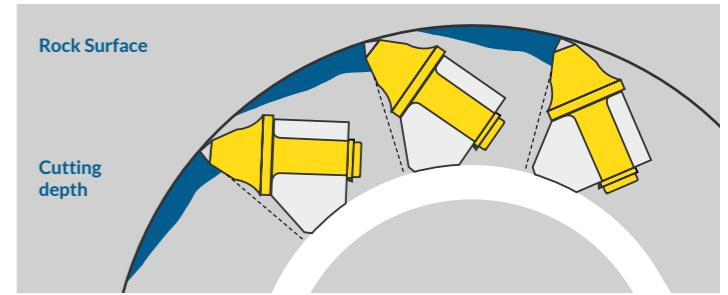
Find out more

The cutters with robust spur gearing are driven by high torque motors. In addition, they are equipped with a gear reduction to increase the cutting force.

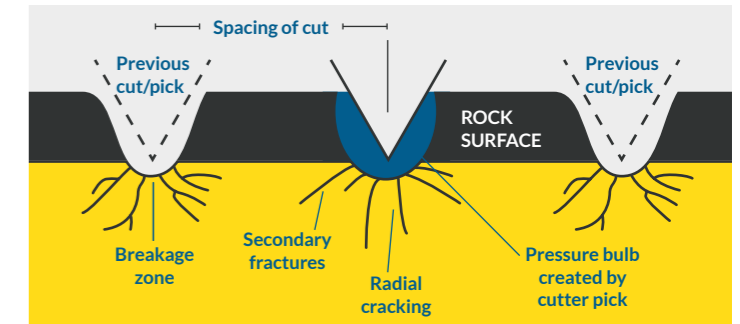
The optimal selection of drum and pick guarantees high performance for loosening of material and reduces wear.

The best suited components for your task will provide optimum penetration into the rock at low vibration and noise levels.

Underwater operation in up to 25m water depth is no problem thanks to the heavy duty sealing system.



It is not the performance of the cutter (kW) which is decisive for the cutting operation, but the pick force due to the cutting head torque.



The optimum arrangement of the pick guarantees a high loosening performance and low wear. Thus a smooth cutting reduces vibration on the excavator.

DX SERIES

Application Fields



Mining & Quarrying



Demolition & Renovation



Construction



Metallurgical Industry



Recycling

- HIGH PROFITABILITY**
 Robust and low maintenance, precise and profile-true cutting in hard soil and rock, easy reutilization of cut material.
- GREATER EFFICIENCY**
 High pick force, extremely high cutting head torque and maximum cutting force due to reduction gear unit.
- MAXIMUM FLEXIBILITY**
 Modular construction, large product range of drums and picks, fast and easy replacing of wear parts.

Models		DX04	DX06	DX08	DX15	DX20
Carrier weight	t	2-4	4-6	6-8	8-15	15-20
Weight	kg	250	250	250	420	850
Nominal Power max	kw	18-22	18-22	18-22	30	45
Flow (min/max)	l/min	30-65	30-65	30-65	70-120	100-190

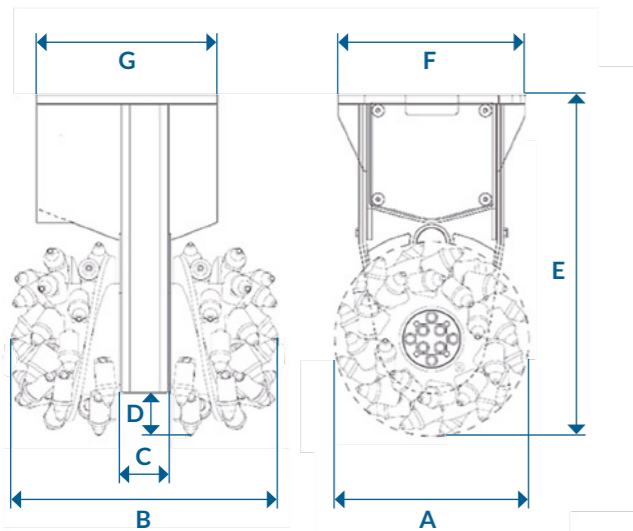
Models		DX30	DX35	DX45	DX60
Carrier weight	t	20-30	30-35	35-45	45-60
Weight	kg	1400	1460	2550	2800
Nominal Power max	kw	60	90	120	140
Flow (min/max)	l/min	120-210	240-340	250-500	360-550

All illustrations and numerical data in this catalog are purely indicative and subject to change at our discretion and without notice. We therefore reserve the right to modify them with a view to improving and continuously developing our product.

Models	Weight (ca. kg)	Torque* (Nm)	Cutting force (N)	Nominal power (kW)	Flow min. - max. (l/min)	Rotations per minute (@ l/min)	Operating weight (t)
DX04-Excavating	250	2330	13320	18	30 - 65	71 @ 30 / 150 @ 65	2 - 4
DX04-Demolition	250	2330	13320	18	31 - 65	71 @ 30 / 150 @ 65	2 - 4
DX04-Profiling	250	2330	20260	18	32 - 65	71 @ 30 / 150 @ 65	2 - 4
DX06-Excavating	250	2800	16000	18	40 - 65	77 @ 40 / 130 @ 65	4 - 6
DX06-Demolition	250	2800	16000	18	41 - 65	77 @ 40 / 130 @ 65	4 - 6
DX06-Profiling	250	2800	24350	18	42 - 65	77 @ 40 / 130 @ 65	4 - 6
DX08-Excavating	250	3900	22290	22	50 - 65	63 @ 50 / 82 @ 65	5 - 8
DX08-Demolition	250	3900	22290	22	51 - 65	63 @ 50 / 82 @ 65	5 - 8
DX08-Profiling	250	3900	33920	22	52 - 65	63 @ 50 / 82 @ 65	5 - 8
DX15-Excavating	420	5500	27160	30	80 - 120	81 @ 80 / 122 @ 120	9 - 14
DX15-Demolition	420	5500	27160	30	81 - 120	81 @ 80 / 122 @ 120	9 - 14
DX15-Profiling	420	5500	27160	30	82 - 120	81 @ 80 / 122 @ 120	9 - 14
DX20-Excavating	850	9900	36000	45	120 - 190	67 @ 120 / 106 @ 190	12 - 20
DX20-Demolition	850	9900	36000	45	121 - 190	67 @ 120 / 106 @ 190	12 - 20
DX20-Profiling	850	9900	42580	45	122 - 190	67 @ 120 / 106 @ 190	12 - 20
DX30-Excavating	1400	14000	45530	60	140 - 210	57 @ 140 / 86 @ 210	18 - 30
DX30-Demolition	1400	14000	45530	60	141 - 210	57 @ 140 / 86 @ 210	18 - 30
DX30-Profiling	1400	14000	45530	60	142 - 210	57 @ 140 / 86 @ 210	18 - 30
DX30-Tunneling	1400	14000	45530	60	143 - 210	57 @ 140 / 86 @ 210	18 - 30
DX35-Excavating	1460	24100	78380	90	240 - 340	55 @ 240 / 78 @ 340	25 - 35
DX35-Demolition	1460	24100	78380	90	241 - 340	55 @ 240 / 78 @ 340	25 - 35
DX35-Profiling	1460	24100	78380	90	242 - 340	55 @ 240 / 78 @ 340	25 - 35
DX35-Tunneling	1460	24100	78380	90	243 - 340	55 @ 240 / 78 @ 340	25 - 35
DX45-Excavating	2550	36100	95000	120	300 - 500	48 @ 310 / 77 @ 500	30 - 45
DX45-Demolition	2550	36100	95000	120	301 - 500	48 @ 310 / 77 @ 500	30 - 45
DX45-Profiling	2550	36100	95000	120	302 - 500	48 @ 310 / 77 @ 500	30 - 45
DX60-Excavating	2800	43500	114470	140	360 - 555	45 @ 360 / 70 @ 550	40 - 60
DX60-Demolition	2800	43500	114470	140	360 - 555	45 @ 360 / 70 @ 550	40 - 60
DX60-Profiling	2800	43500	114470	140	360 - 555	45 @ 360 / 70 @ 550	40 - 60

* at 35 MPa (350 bar)

All illustrations and numerical data in this catalog are purely indicative and subject to change at our discretion and without notice. We therefore reserve the right to modify them with a view to improving and continuously developing our product.



DRUM CUTTERS DX DIMENSION

Models	Diameter drum A (mm)	Width drum B (mm)	Width shaft C (mm)	Cutting depth D (mm)	Height complete E (mm)	Upper connection F x G (mm)	Picks # (pcs.)
DX04-Excavating	350	500	90	65	700	320 x 310	2 x 22
DX04-Demolition	350	500	90	65	700	321 x 310	2 x 22
DX04-Profiling	230	500	90	53	690	322 x 310	2 x 43
DX06-Excavating	350	500	90	65	700	323 x 310	2 x 22
DX06-Demolition	350	500	90	65	700	324 x 310	2 x 22
DX06-Profiling	230	500	90	53	690	325 x 310	2 x 43
DX08-Excavating	350	500	90	65	700	326 x 310	2 x 22
DX08-Demolition	350	500	90	65	700	327 x 310	2 x 22
DX08-Profiling	230	500	90	53	690	328 x 310	2 x 43
DX15-Excavating	495	630	135	85	835	405 x 475	2 x 24
DX15-Demolition	495	630	135	85	835	406 x 475	2 x 24
DX15-Profiling	495	680	135	85	835	407 x 475	2 x 30
DX20-Excavating	550	750	145	120	965	530 x 510	2 x 28
DX20-Demolition	550	750	145	120	965	531 x 510	2 x 28
DX20-Profiling	465	655	145	78	923	532 x 510	2 x 38
DX30-Excavating	615	900	170	125	1095	600 x 620	2 x 28
DX30-Demolition	615	900	170	125	1095	601 x 620	2 x 28
DX30-Profiling	615	900	170	125	1095	600 x 650	2 x 28
DX30-Tunneling	615	900	170	125	1095	601 x 650	2 x 28
DX35-Excavating	615	900	170	125	1095	602 x 650	2 x 28
DX35-Demolition	615	900	170	125	1095	603 x 650	2 x 28
DX35-Profiling	615	900	170	125	1095	604 x 650	2 x 28
DX35-Tunneling	615	900	170	125	1095	605 x 650	2 x 28
DX45-Excavating	760	1200	240	135	1345	740 x 780	2 x 32
DX45-Demolition	760	1200	240	135	1345	741 x 780	2 x 32
DX45-Profiling	760	1200	240	135	1345	742 x 780	2 x 28
DX60-Excavating	760	1400	240	135	1345	743 x 780	2 x 40
DX60-Demolition	760	1400	240	135	1345	744 x 780	2 x 40
DX60-Profiling	760	1400	240	135	1345	745 x 780	2 x 60

STANDARD DRUM VERSIONS

Benefit from the variety of drums available in different strengths for all kinds of operations. Special drum versions are available on request.



EXCAVATING DRUM

For cutting soft to medium-hard rock. With select pick for maximum productivity and loosening performance.



PROFILING DRUM

For shaping and leveling soft to medium hard rocks. Higher density of pick for clean surfaces at reduced vibration.



DEMOLITION DRUM

For cutting medium-hard to hard rock and concrete. High running smoothness and reduced vibration due to wear protected spiral sheet.

PICK VERSIONS

The specific selection of the pick for the required operation guarantees an optimum loosening performance and low wear.



STANDARD PICK:

For soft to medium-hard rocks. (Asphalt, argillite)



HEAVY DUTY PICK:

For medium-hard to very hard rocks. (Limestone, concrete)



WEAR-PROTECTED PICK:

For very abrasive rocks. (Sandstone, furnace gravel)



WOOD PICK:

For wood applications. (Tree stumps)



Find out more

STATIC PULVERIZERS

7 models for excavators with operating weight from 3 to 60 ton



Find out more

First quality secondary demolition

- Replaceable wear plates
- Cylinder fully protected from possible debris during demolition
- Wear parts are replaceable on site
- Speed valve *optional
- Designed and built to achieve high crushing force



DESIGNED FOR SECONDARY DEMOLITION, HAMMER STATIC PULVERIZERS CAN BOTH BREAK UP REINFORCED CONCRETE STRUCTURES AND SEPARATE THE STEEL.

ALL THE PARTS THAT MOSTLY UNDERGO WEARING ARE EASILY REPLACEABLE



PRESSURE UP TO 300 BAR

SPEED VALVE



FP SERIES

Application Fields



Mining & Quarrying



Demolition & Renovation



Construction

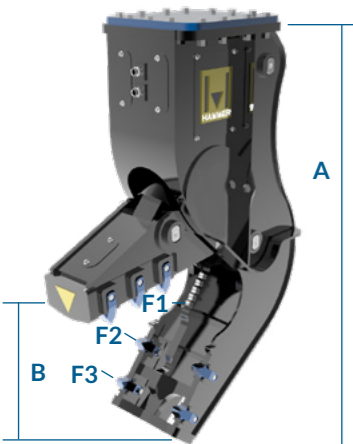


Metallurgical Industry



Recycling

TECHNICAL DRAWING



Models		FP05	FP10	FP16	FP22
Carrier weight	t	3-8	8-13	13-22	16-25
Weight	kg	360	900	1450	2150
Excavator oil flow capacity	l/min	20-70	70-110	140-200	200-250
Excavator working pressure	bar	250	280	300	300
A	mm	1280	1650	2100	2500
B	mm	400	520	680	850
Steel blade length	mm	160	160	200	200
F1	t	90	115	165	180
F2	t	40	50	70	85
F3	t	25	35	55	60
Ø Max	mm	25	25	30	40

Models		FP26	FP32	FP40
Carrier weight	t	20-32	33-40	38-60
Weight	kg	2650	2950	3850
Excavator oil flow capacity	l/min	200-300	220-300	350-450
Excavator working pressure	bar	300	300	300
A	mm	2700	2800	2810
B	mm	875	940	1280
Steel blade length	mm	300	300	300
F1	t	200	245	290
F2	t	85	110	140
F3	t	70	85	110
Ø Max	mm	40	50	50

All illustrations and numerical data in this catalog are purely indicative and subject to change at our discretion and without notice. We therefore reserve the right to modify them with a view to improving and continuously developing our product.



ROTATING PULVERIZERS

12 models for excavators with operating weight from 1,5 to 90 ton



Find out more

No limits to demolition

- Rotation 360°
- Integrated "relief" valve to avoid pressure peaks on the rotating motor
- Double balls slewing ring (from model FR15 up)
- Gear motor for extra power and precision (from model FR21 up)
- Excellent speed/power to weight ratio
- Cylinder fully protected from possible debris during demolition
- Designed and built to achieve more power

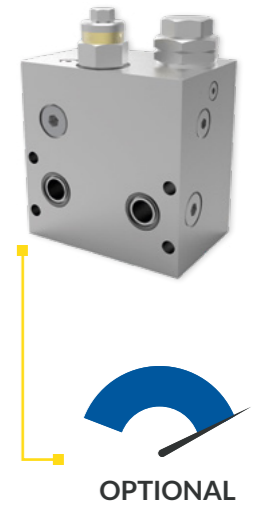


THE ROTARY PULVERIZERS OF THE NEW FR SERIES HAVE BEEN DEVELOPED FOR PRIMARY AND SECONDARY DEMOLITION. THE JAWS ARE EACH DESIGNED FOR EACH APPLICATION AREA.

ALL THE PARTS THAT MOSTLY UNDERGO WEARING ARE EASILY REPLACEABLE



PRESSURE UP TO 300 BAR
SPEED VALVE (optional from model FR15 up)



FR SERIES

Application Fields



Mining & Quarrying



Demolition & Renovation



Construction

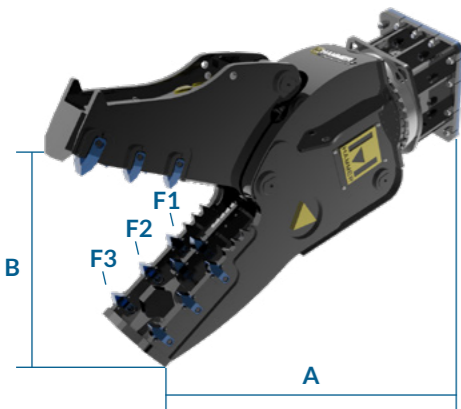


Metallurgical Industry



Recycling

TECHNICAL DRAWING



All illustrations and numerical data in this catalog are purely indicative and subject to change at our discretion and without notice. We therefore reserve the right to modify them with a view to improving and continuously developing our product.

Models		FR02	FR04	FR07	FR09	Models		FR12	FR15	FR21	FR26	FR32	FR42	FR54	FR80
Carrier weight	t	1.5-7	5-10	6-13	9-15	Carrier weight	t	12-20	14-23	16-27	20-32	26-40	32-55	40-65	55-90
Weight	kg	220	500	750	950	Weight	kg	1450	1700	2050	2500	3600	4200	5900	7800
Excavator oil flow capacity	l/min	20-50	50-70	60-100	70-110	Excavator oil flow capacity	l/min	110-160	140-200	180-230	200-300	300-350	350-400	400-500	450-550
Excavator working pressure	bar	250	250	260	260	Excavator working pressure	bar	300	300	300	300	300	300	300	300
360° Rotation	°	360°	360°	360°	360°	360° Rotation	°	360°	360°	360°	360°	360°	360°	360°	360°
Rotation oil flow capacity	l/min	5-8	5-8	5-8	5-8	Rotation oil flow capacity	l/min	20-25	20-30	20-30	20-30	40-50	40-50	40-50	60-80
Rotation Pressure	bar	70	70	70	70	Rotation Pressure	bar	70	70	70	70	70	70	70	70
A	mm	1050	1400	1570	1600	A	mm	1850	1950	2200	2300	2510	2700	2900	3950
B	mm	355	440	600	650	B	mm	680	710	800	920	1000	1150	1280	1400
Steel blade length	mm	160	160	160	160	Steel blade length	mm	200	200	200	200	200	200	300	300
F1	t	80	100	115	140	F1	t	180	195	234	250	370	505	545	620
F2	t	40	50	55	65	F2	t	110	120	135	140	225	285	330	435
F3	t	25	30	35	40	F3	t	57	65	80	85	125	146	175	210
Ø Max	mm	20	20	25	25	Ø Max	mm	35	40	45	50	50	60	65	70

ROTATING PULVERIZERS

11 models for excavators with operating weight from 5 to 90 ton



Find out more

The right shape for the primary demolition

- Rotation 360°
- Integrated "relief" valve to avoid pressure peaks on the rotating motor
- Gear motor for extra power and precision (from model FK22 up)
- Double balls slewing ring (from model fk16 up)
- Excellent speed/power to weight ratio
- Cylinder fully protected from possible debris during demolition



ALL THE PARTS THAT MOSTLY UNDERGO WEARING ARE EASILY REPLACEABLE



PRESSURE UP TO 300 BAR
SPEED VALVE (optional from model FR15 up)



FK SERIES

Application Fields



Mining & Quarrying



Demolition & Renovation



Construction

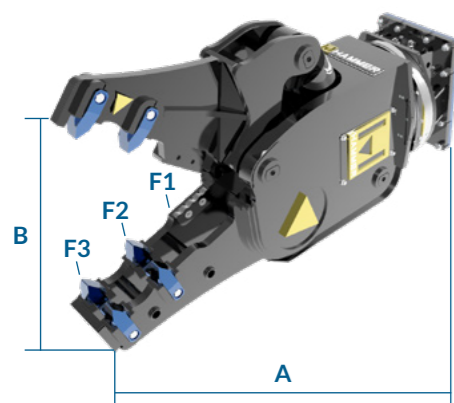


Metallurgical Industry



Recycling

TECHNICAL DRAWING



Models		FK05	FK08	FK10	FK13	Models		FK16	FK22	FK27	FK33	FK43	FK55	FK81
Carrier weight	t	5-10	6-13	9-15	12-20	Carrier weight	t	14-23	16-27	20-32	26-40	32-55	40-65	55-90
Weight	kg	450	750	950	1350	Weight	kg	1700	2100	2500	3500	4200	5900	7800
Excavator oil flow capacity	l/min	50-70	60-100	70-110	110-160	Excavator oil flow capacity	l/min	140-200	180-230	200-300	300-350	350-400	400-500	450-550
Excavator working pressure	bar	250	260	260	300	Excavator working pressure	bar	300	300	300	300	300	300	300
360° Rotation	°	360°	360°	360°	360°	360° Rotation	°	360°	360°	360°	360°	360°	360°	360°
Rotation oil flow capacity	l/min	5-8	5-8	5-8	20-25	Rotation oil flow capacity	l/min	20-30	20-30	20-30	40-50	40-50	40-50	60-80
Rotation Pressure	bar	70	70	70	70	Rotation Pressure	bar	70	70	70	70	70	70	70
A	mm	1350	1520	1640	1850	A	mm	2000	2400	2600	2800	3080	3420	3600
B	mm	460	600	670	720	B	mm	760	900	980	1015	1230	1350	1550
Steel blade length	mm	160	160	160	200	Steel blade length	mm	200	200	200	200	200	300	300
F1	t	100	115	140	180	F1	t	195	234	250	370	505	545	620
F2	t	50	55	65	110	F2	t	120	135	140	225	285	330	435
F3	t	30	35	40	57	F3	t	65	80	85	125	146	175	210
Ø Max	mm	20	25	25	35	Ø Max	mm	40	45	50	50	60	65	70

All illustrations and numerical data in this catalog are purely indicative and subject to change at our discretion and without notice. We therefore reserve the right to modify them with a view to improving and continuously developing our product.

DEMOLITION ROTATING PULVERIZERS

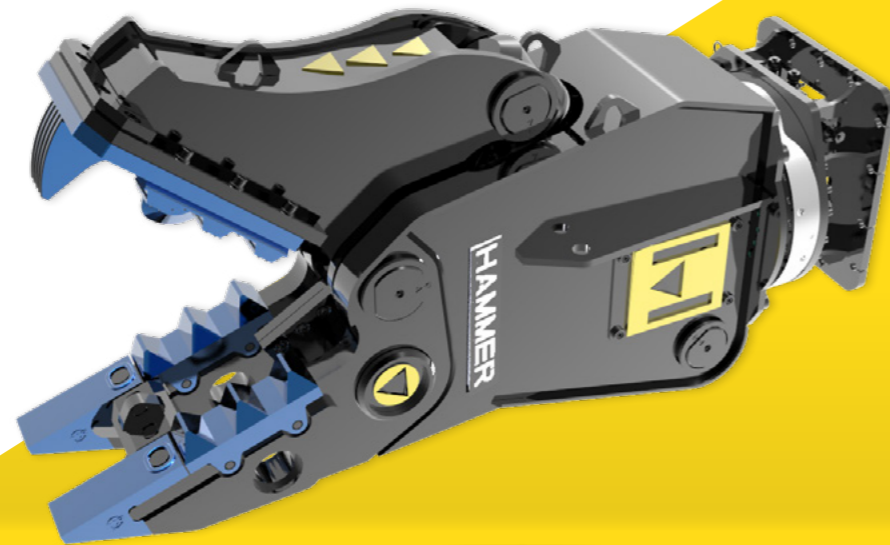
8 models for excavators with operating weight from 6 to 55 ton



Find out more

Designed to last!

- Double motors for an excellent rotation and high power
- Integrated "relief" valve to avoid pressure peaks on the rotating motor
- Double balls slewing ring (from model FRK17 up)
- Designed and built to achieve high crushing force



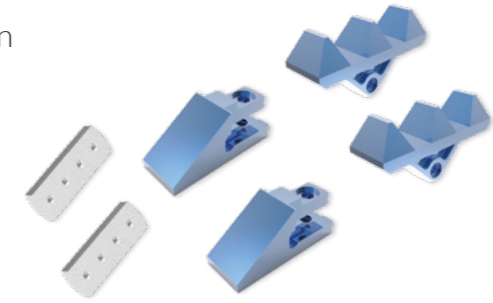
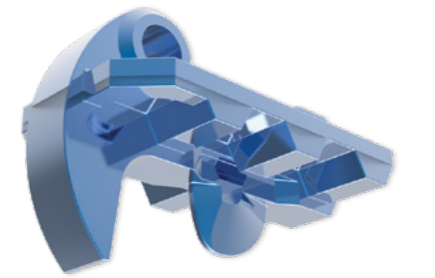
THE ROTARY PULVERIZERS OF THE NEW FRK SERIES HAVE BEEN DEVELOPED FOR PRIMARY AND SECONDARY DEMOLITION.

ALL THE PARTS THAT MOSTLY UNDERGO WEARING ARE EASILY REPLACEABLE

- Excellent speed/power to weight ratio
- Cylinder fully protected from possible debris during demolition
- Plates designed to achieve an excellent crushing force

PRESSURE UP TO 350 BAR

SPEED VALVE (optional from model FRK17 up)



FRK SERIES

Application Fields



Mining & Quarrying



Demolition & Renovation



Construction

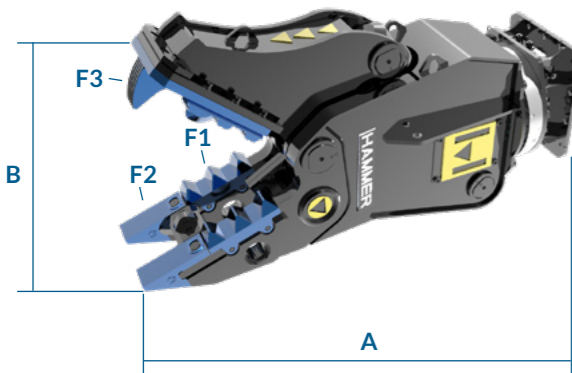


Metallurgical Industry



Recycling

TECHNICAL DRAWING



All illustrations and numerical data in this catalog are purely indicative and subject to change at our discretion and without notice. We therefore reserve the right to modify them with a view to improving and continuously developing our product.

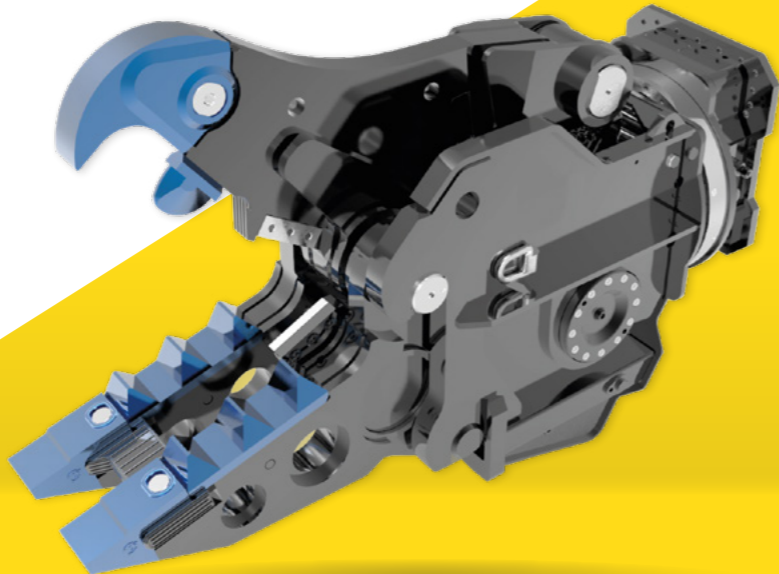
Models		FRK07	FRK10	Models		FRK13	FRK17	FRK21	FRK26	FRK32	FRK42
Carrier weight	t	6-13	9-17	Carrier weight	t	12-20	14-23	16-27	20-32	26-40	32-55
Weight	kg	780	1000	Weight	kg	1400	1650	2000	2400	3300	4200
Excavator oil flow capacity	l/min	60-100	70-110	Excavator oil flow capacity	l/min	110-160	140-200	180-230	200-300	300-350	350-400
Excavator working pressure	bar	320	320	Excavator working pressure	bar	350	350	350	350	350	350
360° Rotation	°	360°	360°	360° Rotation	°	360°	360°	360°	360°	360°	360°
Rotation oil flow capacity	l/min	20-40	20-40	Rotation oil flow capacity	l/min	30-60	40-60	40-60	40-60	40-60	40-60
Rotation Pressure	bar	100	100	Rotation Pressure	bar	140	140	140	140	140	140
A	mm	1580	1620	A	mm	1900	2000	2100	2300	2500	2700
B	mm	575	605	B	mm	685	710	780	900	1000	1120
Steel blade length	mm	160	160	Steel blade length	mm	200	200	200	200	200	200
F1	t	130	150	F1	t	190	195	220	250	370	505
F2	t	65	70	F2	t	120	120	120	140	225	285
F3	t	40	45	F3	t	60	65	70	85	125	146
Ø Max	mm	30	30	Ø Max	mm	40	40	50	55	60	65

MULTI-QUICK PROCESSORS

4 models for excavators with operating weight from 18 to 65 ton

Demolition, cutting and crushing in a single tool

Used for cutting and crushing concrete with steel reinforcement and for cutting steel structures, the multi-quick Hammer processor with DemaPower and DemaLink has been developed for primary and secondary demolition. It has 6 jaw options: combi, demolition, pulverizer, steel, tank and universal jaws



Find out more

THE PATENTED DEMAPOWER CYLINDER CONCEPT PROVIDES UP TO 20% MORE POWER AND EXTREMELY FAST CYCLE TIMES

GUIDE PLATE AT PIVOT POINT FOR MORE PRECISE ALIGNMENT AND GREATER JAW STABILITY

ALL WEAR PARTS ARE REPLACEABLE ON SITE

ROTATION WITH ADDITIONAL OIL PASSAGE

ROTATION CIRCUIT FILTERS

DOUBLE ROTATION MOTORS

PRESSURE UP TO 380 BAR

PATENTED DEMAPOWER 2.0

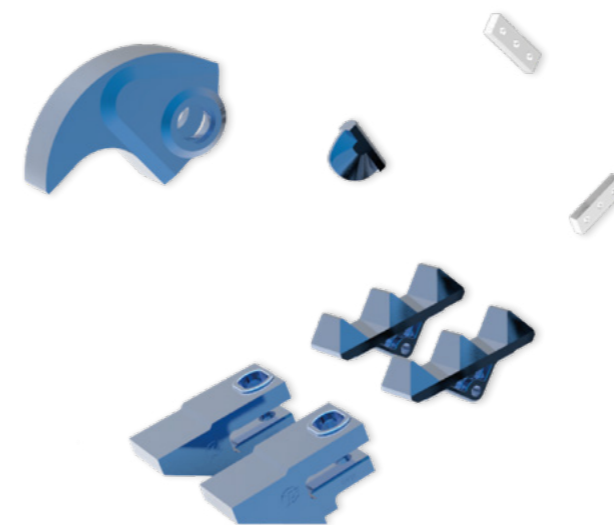
MQP SERIES

Application Fields

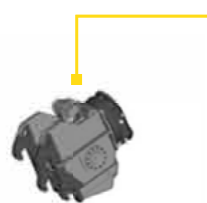


- The patented DemaPower cylinder provides up to 20% more power and reduces cycle times to under 5 seconds.
- Rotation circuit filters.
- Rotation frame with additional oil passage.
- Double rotation motors for extra rotation power.
- Guide plate at pivot point for more precise alignment and greater jaw stability.
- Replaceable teeth and cutting blades.
- Bearing points designed for optimum load handling and for a reduced wearing.
- Replacing of the jaws on site in less than 10 minutes, thanks to DemaLink system.

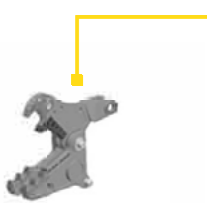
ALL THE PARTS THAT MOSTLY UNDERGO WEARING ARE EASILY REPLACEABLE



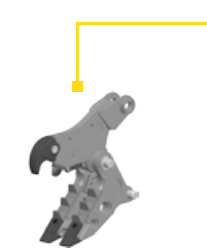
All illustrations and numerical data in this catalog are purely indicative and subject to change at our discretion and without notice. We therefore reserve the right to modify them with a view to improving and continuously developing our product.



Models		MQP-25-Y	MQP-30-Y	MQP-45-Y	MQP-60-Y
Carrier weight	t	18-25	22-35	32-50	45-65
Weight	kg	1130	1400	1740	2350
Excavator oil flow capacity	l/min	1095	1205	1330	1450
Excavator working pressure	bar	640	720	720	880
Depth	mm	1130	1190	1290	1485
Open/close cycle	sec	1.5/2.3	2.0/2.3	2.0/2.9	2.0/2.8



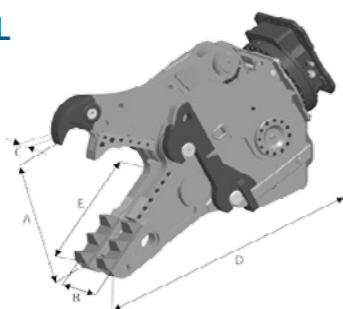
Models - C -		MQP-25-C	MQP-30-C	MQP-45-C	MQP-60-C
Weight (complete force with yoke)	kg	1960	2600	3200	4600
Weight (upper & lower jaws)	kg	830	1200	1460	2250
Closing force*	kN	735	880	1175	1370
Jaw opening	mm	785	875	990	1150
Width lower jaw	mm	375	440	450	480
Width upper jaw	mm	90	100	100	100
Height	mm	1940	2155	2360	2600
Jaw depth	mm	810	920	975	1050



Models - D -		MQP-25-D	MQP-30-D	MQP-45-D	MQP-60-D
Weight (complete force with yoke)	kg	1950	2450	3150	4375
Weight (upper & lower jaws)	kg	820	1050	1410	2025
Closing force*	kN	785	930	1225	1420
Jaw opening	mm	785	870	990	1175
Width lower jaw	mm	470	470	515	550
Width upper jaw	mm	90	100	100	100
Height	mm	1980	2160	2355	2600
Jaw depth	mm	810	900	960	1090

TECHNICAL DRAWING

MQP WITH COMBI JAWS



REQUIREMENTS OF EXCAVATOR

Operating pressure (open/close):	max. 35 MPa (350 bar)
Recommended pump capacity (open/close):	
MQP-25	120 - 200 l/min
MQP-30	150 - 250 l/min
MQP-45	200 - 300 l/min
MQP-60	300 - 400 l/min
Operating pressure (rotation):	max. 14 MPa (140 bar)
Recommended pump capacity (rotation):	40 - 60 l/min



Models - P -		MQP-25-P	MQP-30-P	MQP-45-P	MQP-60-P
Weight (complete force with yoke)	kg	1990	2500	3250	4650
Weight (upper & lower jaws)	kg	860	1100	1510	2200
Closing force*	kN	735	880	1175	1370
Jaw opening	mm	790	880	980	1150
Width lower jaw	mm	400	470	515	560
Width upper jaw	mm	325	350	400	450
Height	mm	1980	2165	2355	2620
Jaw depth	mm	810	830	945	1050



Models - S -		MQP-25-S	MQP-30-S	MQP-45-S	MQP-60-S
Weight (complete force with yoke)	kg	1900	2375	3015	4400
Weight (upper & lower jaws)	kg	770	975	1275	2050
Closing force*	kN	2695	3040	3825	4315
Jaw opening	mm	370	410	465	540
Width lower jaw	mm	320	355	375	410
Width upper jaw	mm	100	120	120	120
Height	mm	1750	1910	2105	2355
Jaw depth	mm	560	600	700	750



Models - T -		MQP-25-T	MQP-30-T	MQP-45-T	MQP-60-T
Weight (complete force with yoke)	kg	2050	2560	3160	4325
Weight (upper & lower jaws)	kg	900	1160	1420	1975
Closing force*	kN	2650	3235	4170	5930
Jaw opening	mm	330	335	390	400
Width lower jaw	mm	265	305	305	355
Width upper jaw	mm	100	120	120	150
Height	mm	1910	2070	2260	2415
Jaw depth	mm	570	575	630	660



Models - U -		MQP-25-U	MQP-30-U	MQP-45-U	MQP-60-U
Weight (complete force with yoke)	kg	/	2575	3090	/
Weight (upper & lower jaws)	kg	/	1175	1350	/
Closing force*	kN	/	980	1325	/
Jaw opening	mm	/	590	690	/
Width lower jaw	mm	/	500	525	/
Width upper jaw	mm	/	280	310	/
Height	mm	/	2040	2210	/
Jaw depth	mm	/	7900	830	/

2-CYLINDER CONCRETE CRUSHERS

10 models for excavators with operating weight from 3 to 80 ton

Not even the hardest job can withstand the MCK!

- Double motors for an excellent rotation and high power (MCK20 up).
- Double balls slewing ring (MCK20 up).
- Jaws highly resistant.
- High cutting power.
- Cylinder fully protected from possible debris during demolition.



Find out more

USED FOR CUTTING AND CRUSHING CONCRETE WITH STEEL REINFORCEMENT AND FOR CUTTING STEEL STRUCTURES, THE HAMMER DEMAPOWER CONCRETE CRUSHER HAS BEEN DEVELOPED FOR PRIMARY AND SECONDARY DEMOLITION.



- Hydraulic system fully protected by the frame
- Perfect jaws geometry ensure that blades remain sharp longer
- Wearing jaws and blades easily replaceable on site
- Customized jaws are available for every customers need *optional

MCK SERIES

APPLIES TO MCK 03/06/10

Application Fields



Mining & Quarrying



Demolition & Renovation



Construction



Metallurgical Industry



Recycling

Models		MCK03-A	MCK06-A	MCK10-A	MCK15-A	MCK20-A	MCK25-A
Carrier weight	t	3-9	7-15	10-17	14-20	18-25	20-35
Weight	kg	300	650	1100	1400	2000	2425
Closing force	t**	50	60	70	68	84	96
Jaw opening	mm	400	680	780	825	1000	1150
Jaw depth	mm	430	600	690	780	865	935
Width upper jaw	mm	40	45	50	55	60	70
Height	mm	1150	1500	1800	1980	2195	2390
Length of cutting blades	mm	100	200	200	200	200	250
Opening/Closing Pmax	bar*	260	320	320	320	320	320
Flow	l/min	30-50	70-120	90-150	110-170	150-250	200-300
Rotation Pmax	bar	100	100	140	140	140	140
Flow	l/min	10-30	10-30	40-60	40-60	40-60	40-60
Back pressure max.	bar	-	-	-	-	-	-
Cycle time Opening/Closing	sec	1.8/2.5	2.2/3.0	2.4/3.1	2.3/3.0	2.3/3.0	2.5/3.4

Models		MCK35-A	MCK45-A	MCK60-A	MCK75-A
Carrier weight	t	25-45	35-55	50-70	60-80
Weight	kg	3250	4200	5300	6300
Closing force	t**	108	124	144	160
Jaw opening	mm	1360	1500	1600	1750
Jaw depth	mm	1335	1135	1235	1350
Width upper jaw	mm	80	90	100	100
Height	mm	2545	2845	2995	3225
Length of cutting blades	mm	300	300	300	400
Opening/Closing Pmax	bar*	320	320	320	320
Flow	l/min	250-350	300-500	400-600	500-700
Rotation Pmax	bar	140	140	140	200
Flow	l/min	40-60	40-60	40-60	60
Back pressure max.	bar	-	-	-	10**
Cycle time Opening/Closing	sec	3.3/3.6	3.2/3.4	2.8/3.9	2.8/3.8



All illustrations and numerical data in this catalog are purely indicative and subject to change at our discretion and without notice. We therefore reserve the right to modify them with a view to improving and continuously developing our product.

2-CYLINDER CONCRETE CRUSHERS

10 models for excavators with operating weight from 3 to 80 ton



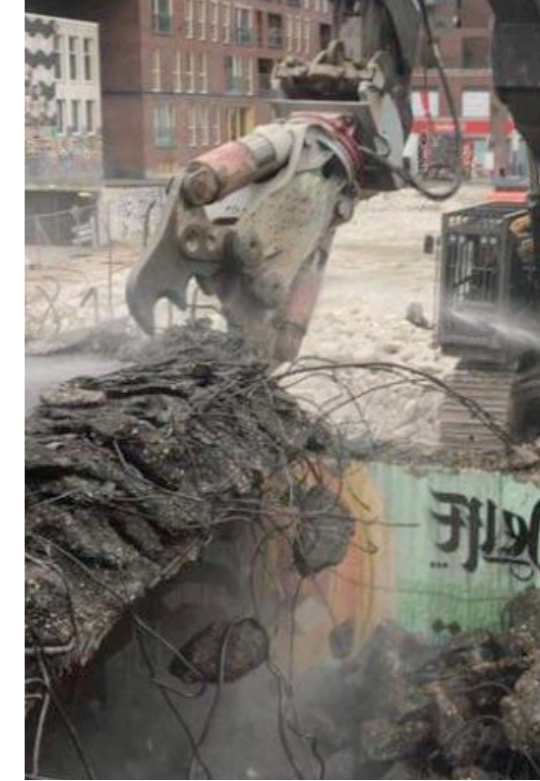
Find out more

Not even the hardest job can withstand the MCK!

- Double motors for an excellent rotation and high power (MCK20 up).
- Double balls slewing ring (MCK20 up).
- Jaws highly resistant.
- High cutting power.
- Cylinder fully protected from possible debris during demolition.



USED FOR CUTTING AND CRUSHING CONCRETE WITH STEEL REINFORCEMENT AND FOR CUTTING STEEL STRUCTURES, THE HAMMER DEMAPOWER CONCRETE CRUSHER HAS BEEN DEVELOPED FOR PRIMARY AND SECONDARY DEMOLITION.



- Hydraulic system fully protected by the frame
- Perfect jaws geometry ensure that blades remain sharp longer
- Wearing jaws and blades easily replaceable on site
- Customized jaws are available for every customers need *optional

MCK SERIES

APPLIES TO MCK 15/20/25/ETC

Application Fields



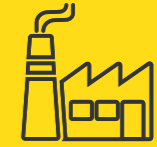
Mining & Quarrying



Demolition & Renovation



Construction



Metallurgical Industry



Recycling

Models		MCK03-C	MCK06-C	MCK10-C	MCK15-C	MCK20-C	MCK25-C
Carrier weight	t	/	/	/	14-20	18-25	20-35
Weight	kg	/	/	/	1400	2100	2425
Closing force	t**	/	/	/	68	84	96
Jaw opening	mm	/	/	/	825	1000	1150
Jaw depth	mm	/	/	/	780	865	935
Width upper jaw	mm	/	/	/	55	60	70
Height	mm	/	/	/	1980	2195	2390
Length of cutting blades	mm	/	/	/	200	200	250
Opening/Closing Pmax	bar*	/	/	/	320	320	320
Flow	l/min	/	/	/	110-170	150-250	200-300
Rotation Pmax	bar	/	/	/	140	140	140
Flow	l/min	/	/	/	40-60	40-60	40-60
Back pressure max.	bar	/	/	/	-	-	-
Cycle time Opening/Closing	sec	/	/	/	2.3/3.0	2.3/3.0	2.5/3.4

Models		MCK35-C	MCK45-C	MCK60-C	MCK75-C
Carrier weight	t	25-45	35-55	50-70	60-80
Weight	kg	3300	4320	5440	6300
Closing force	t**	108	124	144	160
Jaw opening	mm	1360	1500	1600	1700
Jaw depth	mm	1335	1135	1235	1350
Width upper jaw	mm	80	90	100	100
Height	mm	2545	2845	2995	3225
Length of cutting blades	mm	300	300	300	400
Opening/Closing Pmax	bar*	320	320	320	320
Flow	l/min	250-350	300-500	400-600	500-700
Rotation Pmax	bar	140	140	140	200
Flow	l/min	40-60	40-60	40-60	60
Back pressure max.	bar	-	-	-	10**
Cycle time Opening/Closing	sec	3.3/3.6	3.2/3.4	2.8/3.9	2.8/3.8



All illustrations and numerical data in this catalog are purely indicative and subject to change at our discretion and without notice. We therefore reserve the right to modify them with a view to improving and continuously developing our product.

HYDRAULIC SCRAP SHEARS

5 models for excavators with operating weight from 5 to 55 ton



Find out more

Scraps are running out of time...

- Extremely high cutting power and optimal performance/weight ratio.
- Double motors for an excellent rotation and high power.
- Cylinder fully protected from possible debris during demolition.
- Body and jaws made of wear resistant steel.
- Double balls slewing ring (from model KSC22 up).
- Strong jaw guiding system.
- Blades made of indexable steel 4 or 8 times.



THE HAMMER KSC SCRAP SHEARS ARE DESIGNED TO ACHIEVE AN OPTIMAL POWER TO WEIGHT RATIO.

ALL THE PARTS THAT MOSTLY UNDERGO WEARING ARE EASILY REPLACEABLE

SPEED VALVE (OPTIONAL *FROM MODEL KSC22 UP)



- Optimized pin stops
- Replaceable tip
- Specific design
- Use of more performing materials
- Rotation 360°

ENHANCED ROTATION SYSTEM (DOUBLE MOTOR WITH FILTER)



OPTIONAL

PRESSURE UP TO 350 BAR

KSC SERIES

Application Fields



Mining & Quarrying



Demolition & Renovation



Construction



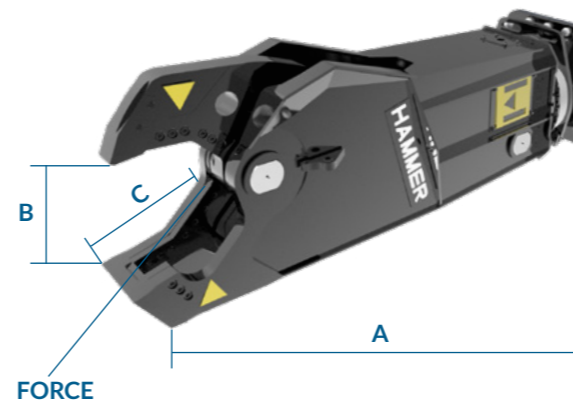
Metallurgical Industry



Recycling

Models		KSC06	KSC11	KSC22	KSC32	KSC42
Excavator weight - stick mounting	t	5-12	10-20	14-28	20-35	32-55
Excavator weight - boom mounting	t	3-8	7-14	12-21	20-30	25-40
Weight	kg	480	1100	2150	3100	4100
Excavator oil flow capacity	l/min	70-100	150-250	150-200	200-300	300-400
Excavator working pressure	bar	250	280	320	320	350
360° rotation	°	360°	360°	360°	360°	360°
Rotation oil flow capacity	l/min	20-30	20-30	40-60	40-60	40-60
Rotation Pressure	bar	80	140	140	140	140
A	mm	1880	2210	2570	2720	3050
B	mm	350	430	490	570	620
C	mm	348	480	470	490	540
Cutting Force**	kn	2750	3800	4650	6300	7550
∅ Max	mm	30	45	70	90	100
■	mm	25	35	60	80	90
—	mm	6	10	15	20	22
I	mm	100	200	300	400	450
H	mm	70	140	200	260	280

TECHNICAL DRAWING



*All illustrations and numerical data in this catalog are purely indicative and subject to change at our discretion and without notice. We therefore reserve the right to modify them with a view to improving and continuously developing our product.



MULTI-PURPOSE GRABS

8 models for excavators with operating weight from 1 to 45 ton



Find out more

Grab up everything!

- Replaceable wear plates.
- Robust and fully integrated rotation.
- Relief valve for hydraulic rotation.
- Cylinder fully protected from possible debris during demolition.
- Wear blades (400hb).
- Opening/Closing lock valve *optional.
- Kit for two hydraulic lines system (GR15-GR45) *Optional.
This kit can only be purchased at the moment of the order. It is not possible to add this kit after the product installation.



THE NEW MULTI PURPOSE GRABS OF GR SERIES ARE DESIGNED FOR HANDLING, RECYCLING AND SMALL DEMOLITIONS.

ALL THE PARTS THAT MOSTLY UNDERGO WEARING ARE EASILY REPLACEABLE



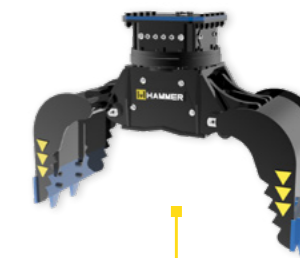
AVAILABLE WITH 3 DIFFERENT TYPES OF JAWS



GR + STANDARD JAWS



GR + DEMOLITION JAWS



GR + TEETH JAWS

HIGH CLOSING FORCE

GR SERIES

Application Fields



Mining & Quarrying



Demolition & Renovation



Construction



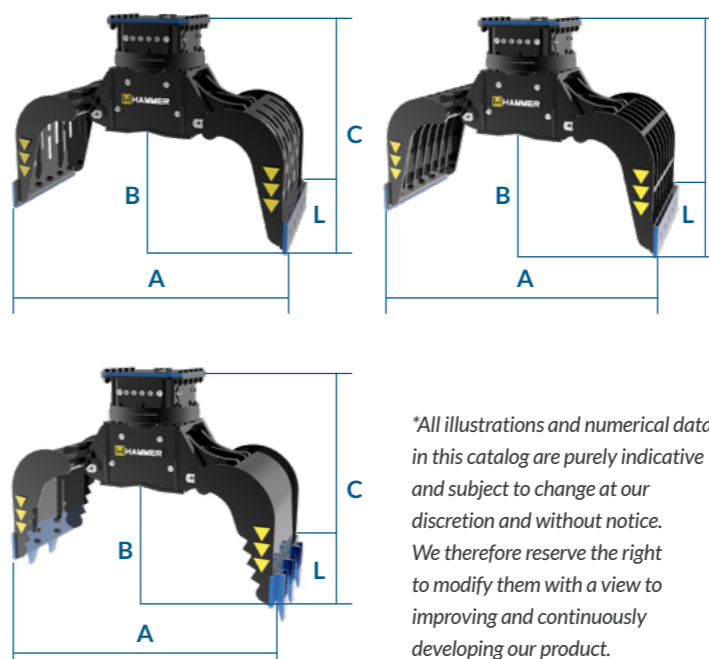
Metallurgical Industry



Recycling

Models		NEW							NEW
		GR10	GR15	GR25	GR45	GR75	GR100	GR150	GR220
Carrier weight	t	1-3	1.5-4	4-7	5-12	7-16	13-19	17-30	22-45
Weight + Standard Jaw	kg	/	145	240	480	700	1000	1500	/
Weight + Demolition Jaw	kg	/	155	310	560	980	1380	2080	/
Weight + Teeth Jaw	kg	/	155	245	480	710	1000	1510	/
Excavator oil flow capacity	l/min	/	15	20	25	45	50	75	/
Excavator working pressure	bar	/	200	250	250	250	300	300	/
360° Rotation	°	/	360°	360°	360°	360°	360°	360°	/
Rotation oil flow capacity	l/min	/	10-20	10-20	15-25	15-25	40-60	40-60	/
Rotation Pressure	bar	/	80	80	80	80	80	80	/
A	mm	/	925	1170	1500	1635	1780	1950	/
B	mm	/	300	370	470	520	570	675	/
C	mm	/	700	825	1045	1130	1225	1550	/
L	mm	/	400	500	600	700	800	1020	/

TECHNICAL DRAWING



*All illustrations and numerical data in this catalog are purely indicative and subject to change at our discretion and without notice. We therefore reserve the right to modify them with a view to improving and continuously developing our product.



CRUSHING BUCKETS

5 models for excavators with operating weight from 10 to 45 ton



Find out more

Quality crushing

- Economy: thanks to minimum of space and time requirements, minimum of tool wear and further use of crushed material without difficulty.
- Higher efficiency thanks to robust heavy duty construction.
- Material processing and preparation time is reduced significantly.
- Quick and easy change of wearparts.
- Centralized greasing.



The crushers extremely high throughput function with minimal wear costs ensures a high-value cubical and consistent end product.

Thanks to its solid and strong build, our crusher is able to machine natural rock as well as recycling materials. The use of top quality materials is the basis of our policy.

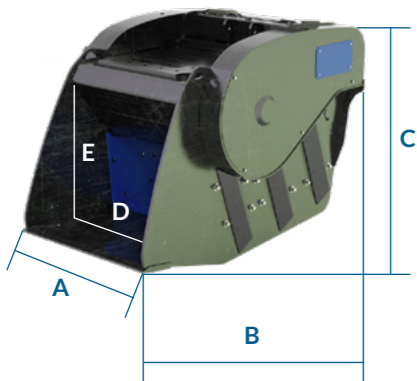


KB SERIES

Application Fields



TECHNICAL DRAWING



Models		KB15	KB20	KB30
Carrier weight	t	10-16	13-20	19-24
Weight	kg	1500	2000	3000
Excavator oil flow capacity	l/min	90-100	115-125	130-140
Excavator working pressure	bar	270	300	300
A	mm	740	850	1030
B	mm	1800	1800	2050
C	mm	1100	1170	1330
D	mm	600	700	820
E	mm	450	450	500
Load volumes	m ³	0,5	0,6	0,65

Models		KB35	KB50
Carrier weight	t	24-40	35-45
Weight	kg	4200	6000
Excavator oil flow capacity	l/min	170	250
Excavator working pressure	bar	300	300
A	mm	1130	1420
B	mm	2150	2250
C	mm	1400	1450
D	mm	920	1220
E	mm	500	550
Load volumes	m ³	0,7	1,05

*All illustrations and numerical data in this catalog are purely indicative and subject to change at our discretion and without notice. We therefore reserve the right to modify them with a view to improving and continuously developing our product.



ROTATING SCREENING BUCKETS

5 models for excavators with operating weight from 5 to 35 ton



[Find out more](#)



Recycle and save!

- High efficiency: different screening baskets.
- Fast and easy replacing of screening baskets.



The screening bucket's compact and heavy duty structure ensures a reliable screening capacity with low running costs. This machine enables materials to be classified and separated more precisely.

The exchangeable baskets allow for sieving and screening in different, variable sizes.

These buckets are used for working with natural rock, for recycling and in agriculture.

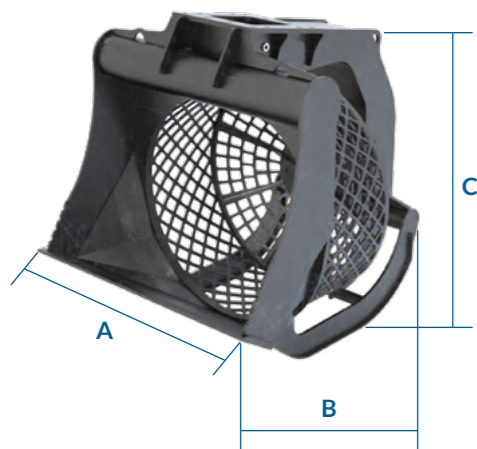
We take pride in ensuring that all our materials and components are top quality

KR SERIES

Application Fields



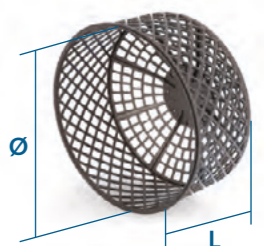
TECHNICAL DRAWING



Models		KR05	KR07
Carrier weight	t	5-10	8-14
Weight	kg	350	750
Excavator oil flow capacity	l/min	25	75
Excavator working pressure	bar	130	160
A	mm	900	1000
B	mm	1150	1580
C	mm	940	1160
Ø	mm	700	900
L	mm	430	592
Load volumes	m ³	0,4	0,75

Models		KR10	KR15	KR20
Carrier weight	t	13-20	18-26	24-35
Weight	kg	1200	1500	2200
Excavator oil flow capacity	l/min	75	75	125
Excavator working pressure	bar	160	160	160
A	mm	1200	1500	1800
B	mm	1880	2010	2315
C	mm	1570	1780	2140
Ø	mm	1100	1300	1550
L	mm	720	780	850
Load volumes	m ³	1,0	1,5	2,2

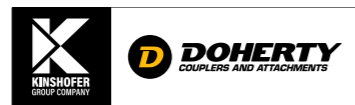
TECHNICAL DRAWING



**All illustrations and numerical data in this catalog are purely indicative and subject to change at our discretion and without notice. We therefore reserve the right to modify them with a view to improving and continuously developing our product.*



17 COMPANIES AND 7 BRANDS



WITH
OUR PASSION
ALWAYS
AT YOUR
SERVICE



Via Oleifici
dell'Italia Meridionale,
Lotto G1 Z.I.

70056, Molfetta BA,
Italy

info@hammer europe.com

T. 080.337.53.17

Catalog Version 10