

## Specifications

For other materials or modifications, please consult TESCOM.

### OPERATING PARAMETERS

Pressure rating per criteria of ANSI/ASME B31.3

#### Maximum Inlet Pressure

500, 3000 psig / 34.5, 207 bar

#### Outlet Pressure Ranges

0-25, 0-50, 0-100, 0-150, 0-200 psig  
0-1.7, 0-3.4, 0-6.9, 0-10.3, 0-13.8 bar

#### Design Proof Pressure

150% of rated pressure

#### Leakage

**Internal:** Bubble-tight

**External:**  $< 2 \times 10^{-8}$  atm cc/sec He

#### Operating Temperature

-40°F to 140°F / -40°C to 60°C

#### Flow Capacity

$C_v = 1.0$

$C_v = 1.8$  (Optional)

### MEDIA CONTACT MATERIALS

#### Body

Brass, 316 Stainless Steel

#### Bonnet

300 Series Stainless Steel

#### Diaphragm

316 Stainless Steel

#### Seat

**3000 psig / 207 bar Inlet:** PCTFE

**500 psig / 34.5 bar Inlet:** PTFE

#### Seat Retainer

Nitronic 60

#### Seal

PTFE

#### Remaining Parts

316 Stainless Steel

### OTHER

#### Cleaning

CGA 4.1 and ASTM G93

#### Weight (without gauges)

3.5 lbs / 1.6 kg

Teflon® is a registered trademark of E.I du Pont de Nemours and Company.



TESCOM 44-3200 Series is a compact, high flow, high purity single-stage regulator for specialty, flammable and industrial gas flows of 5-50 SCFM / 141-1415 SLPM. Diffusion-resistant metal diaphragm seal ensures gas purity and integrity.

### Applications

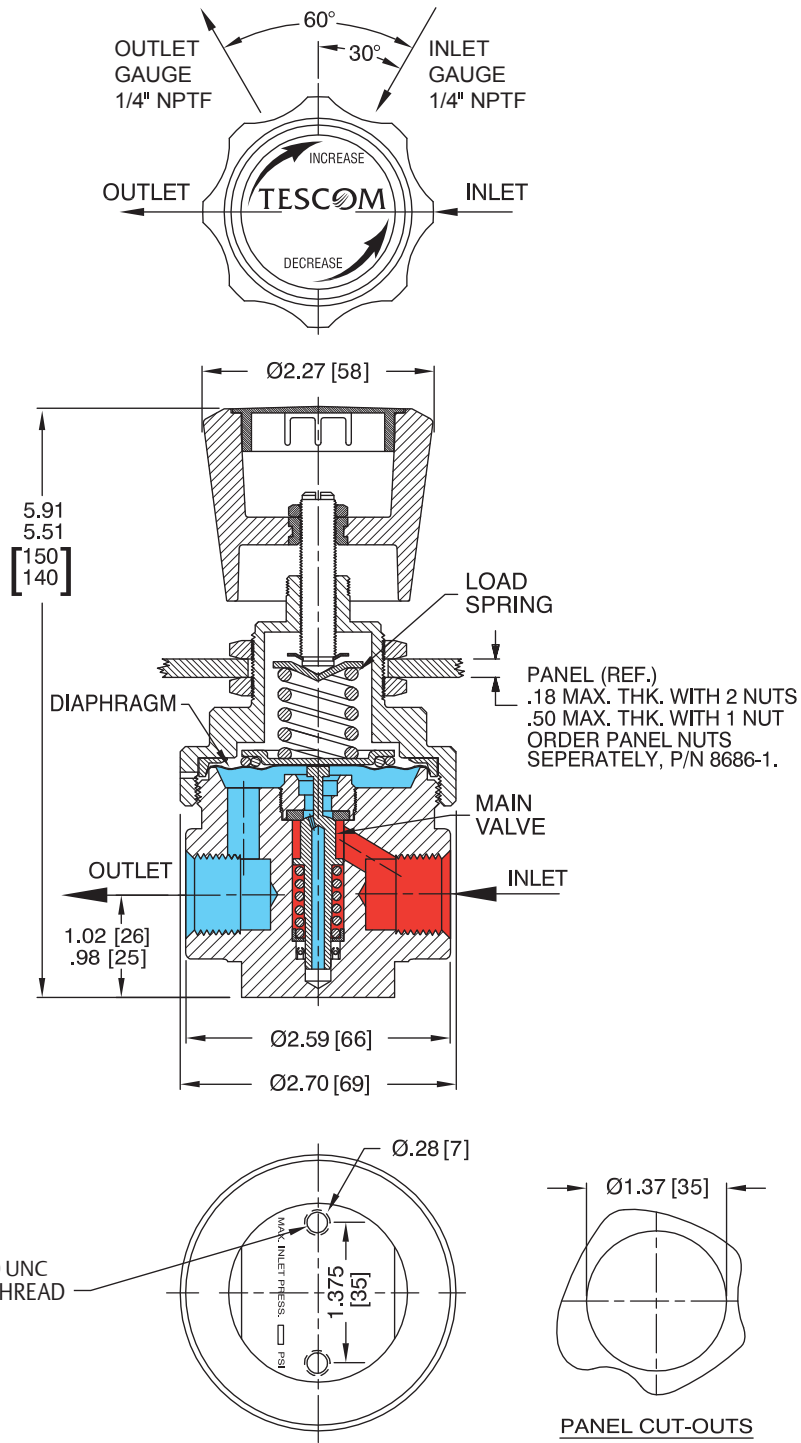
- Laboratory and point-of-use gas systems
- Laser assist and resonator gases
- Glove box and isolators

### Features and Benefits

- Available in 316 Stainless Steel or Brass
- Choice of inlet pressure ratings: 500 or 3000 psig / 34.5 or 207 bar maximum
- True metal-to-metal diaphragm seal to minimize diffusion
- Five outlet pressure ranges are available
- Gauge ports are standard
- Optional high flow model ( $C_v = 1.8$ ) is available
- Panel mounting is optional
- Non-venting is standard
- Flanged end connections available

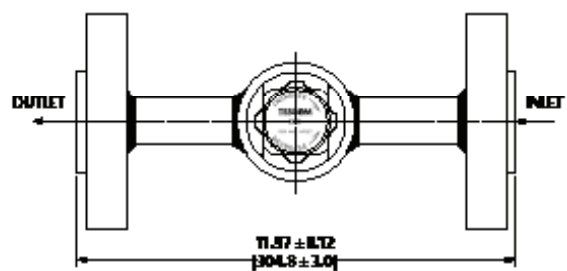
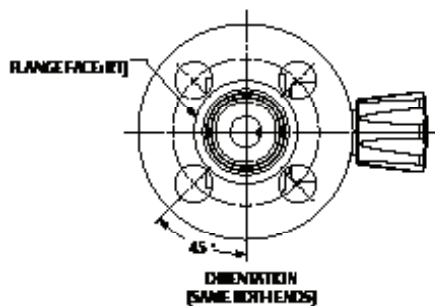
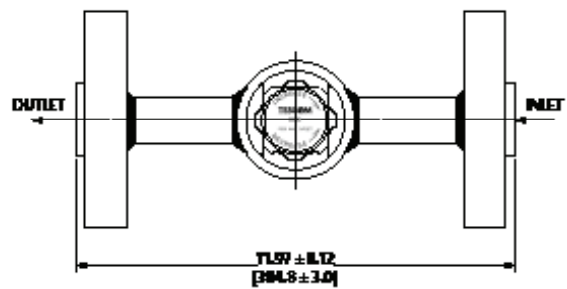
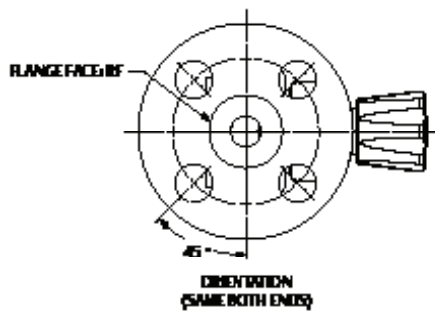
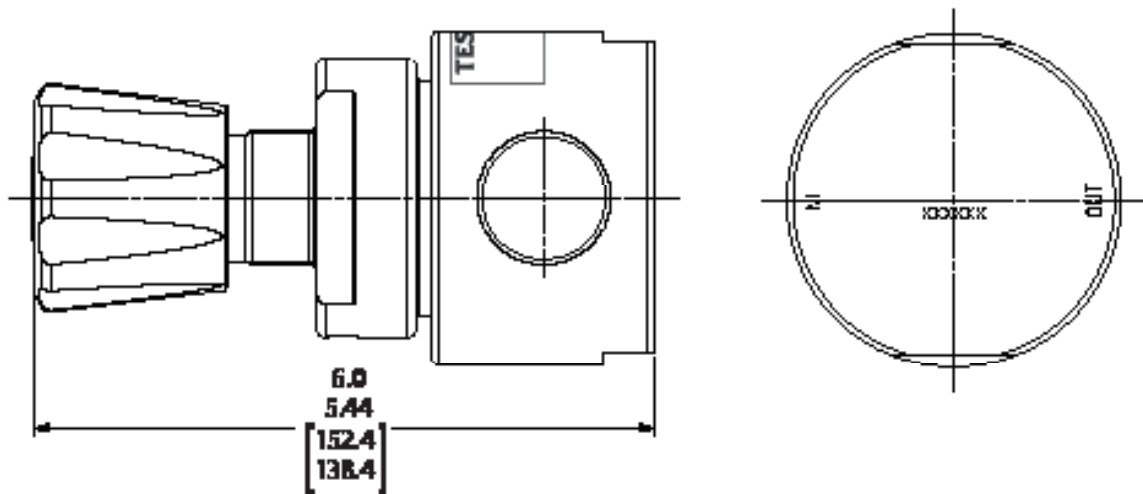
# 44-3200 SERIES

## 44-3200 Series Regulator Drawing



All dimensions are reference and nominal  
Metric [millimeter] equivalents are in brackets

44-3200 Series Regulator with Flanges Drawing

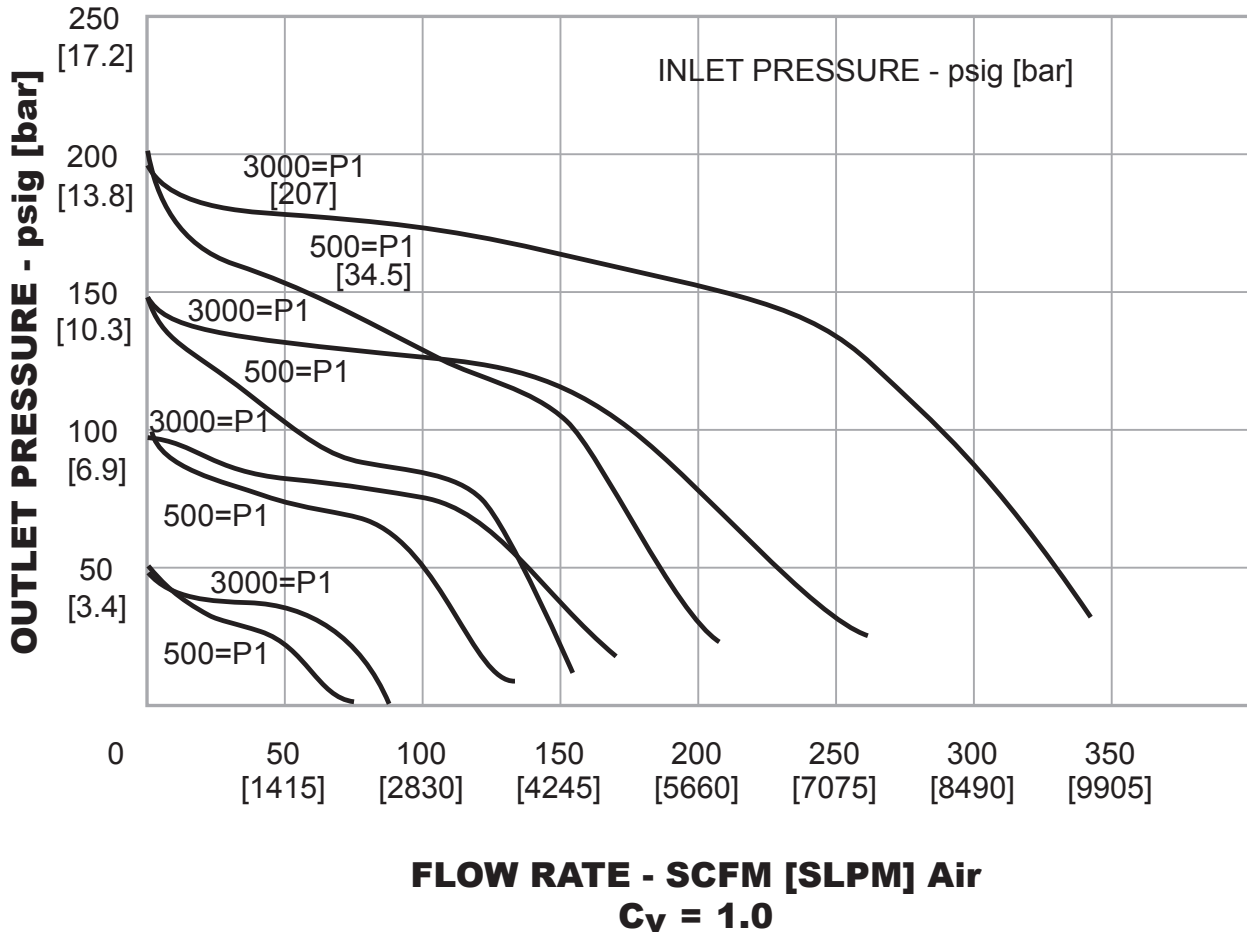


All dimensions are reference and nominal  
Metric [millimeter] equivalents are in brackets

# 44-3200 SERIES

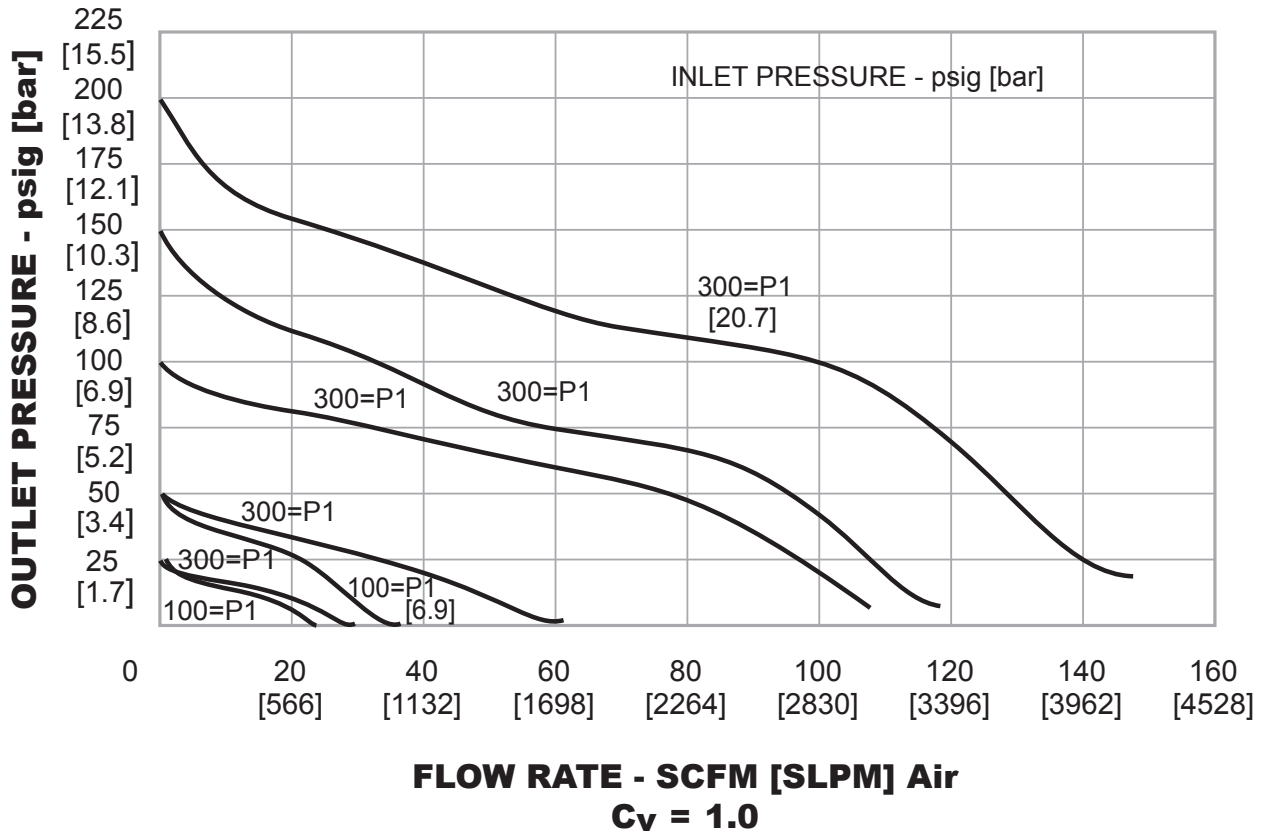
## 44-3200 Series Regulator Flow Charts

For more information on how to read flow curves, please refer to the Flow Curves and Calculations document (debul2007x012) in the TESCOM catalog or on [www.tescom.com](http://www.tescom.com).



44-3200 Series Regulator Flow Charts

For more information on how to read flow curves, please refer to the Flow Curves and Calculations document (debul2007x012) in the TESCOM catalog or on www.tescom.com.



# 44-3200 SERIES

## 44-3200 Series Regulator Part Number Selector



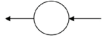

**Learn more about common options.**

For modifications, repair kits and accessories, contact factory.

### Threaded End Connection Part Number Selection

BASIC SERIES	BODY MATERIAL	OUTLET PRESSURE RANGES	SOFT GOODS		INLET AND OUTLET PORT TYPE	INLET AND OUTLET PORT SIZE	MAXIMUM INLET PRESSURE	OPTIONS
			SEAT	SEAL				
44-32	1 – Brass 6 – 316 Stainless Steel	0 – 0-25 psig 0-1.7 bar 1 – 0-50 psig 0-3.4 bar 2 – 0-100 psig 0-6.9 bar 3 – 0-150 psig 0-10.3 bar 4 – 0-200 psig 0-13.8 bar	H – PTFE J – PCTFE	PTFE, O-ring PTFE, Spring Energized Lip Seal	2 – NPTF	6 – 3/8" 8 – 1/2"	1 – 3000 psig 207 bar 3 – 500 psig 34.5 bar	-001 – One 1/4" gauge port at 90°, C <sub>v</sub> = 1.0 -003 – No gauge ports -296 – One 1/4" gauge port at 90°, C <sub>v</sub> = 1.8

### Flanged End Connector Part Number Selection:

BASIC SERIES	BODY, PIPE & FLANGE MATERIAL	OUTLET PRESSURE RANGES	DASH NO	FLOW CAPACITY	SEAT	SEAL	OPERATING TEMPERATURE	GAUGE PORT OPTIONS	FLANGE SIZE	FLANGE CLASS	FLANGE FACE
44-32W	6 – 316 SST	0 – 0-25 psig 0-1.7 bar	1	1.0	PCTFE	PTFE	-20 to 140°F -29 to 60°C	A – R.H. Inlet, no gauge port 	1 – 1/2" 3 – 1"	11 – 150# 21 – 300# 41 – 600# 52 – 900# / 1500# 63 – 2500#	1 – RF 2 – RTJ
		1 – 0-50 psig 0-3.4 bar	2	1.0	PTFE	PTFE	-20 to 165°F -29 to 74°C	B – R.H. Inlet, in & out gauge port at 60° 			
		2 – 0-100 psig 0-6.9 bar									
		3 – 0-150 psig 0-10.3 bar									
		4 – 0-200 psig 0-13.8 bar					J – R.H. Inlet, 2 outlet gauge port at 90° 