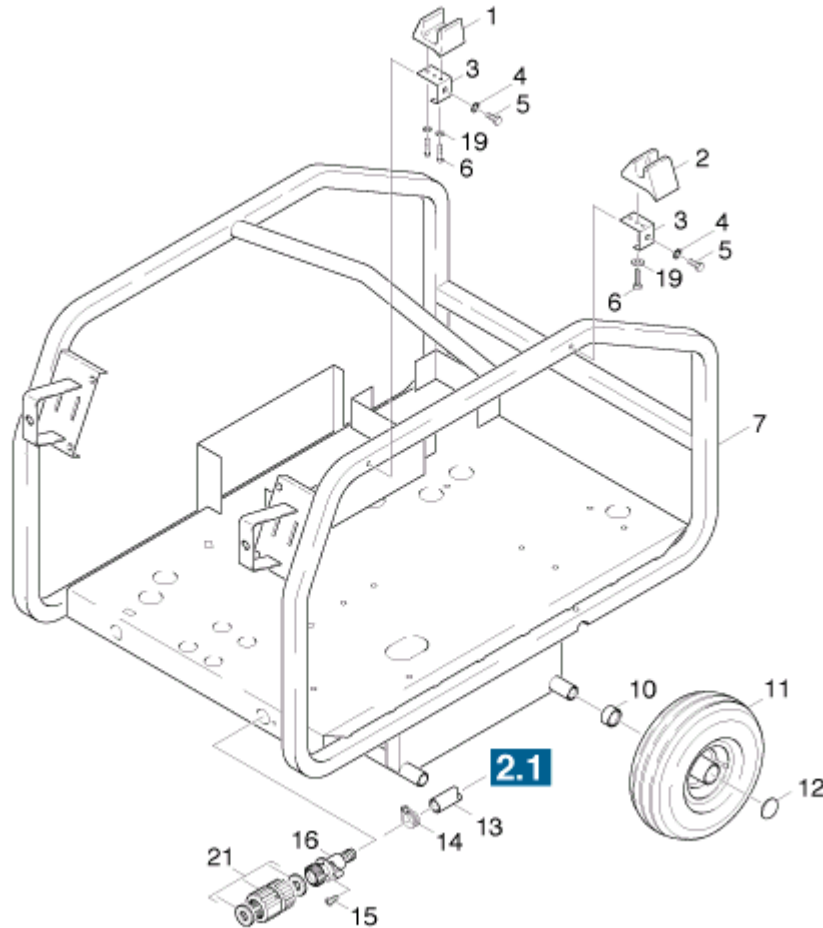


HDS 801B (1.210-102) Parts List as of July 2001 Karcher Canada

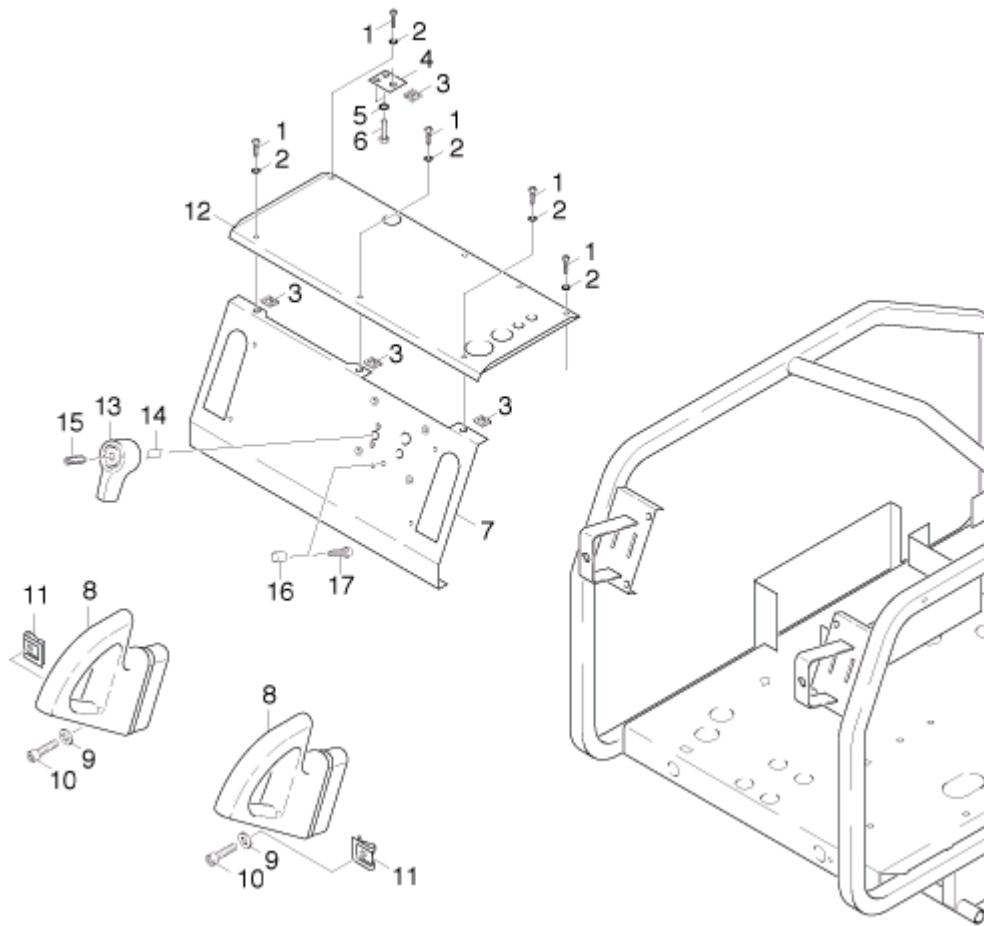
Caution: Hazard. Repairs or attempted repairs by untrained persons may result in damage to the pressure washer and/or personal injury as well as voiding any warranty. Customers are strongly advised to have their machine examined by a trained professional at an authorized Karcher service location.

1.1 Frame



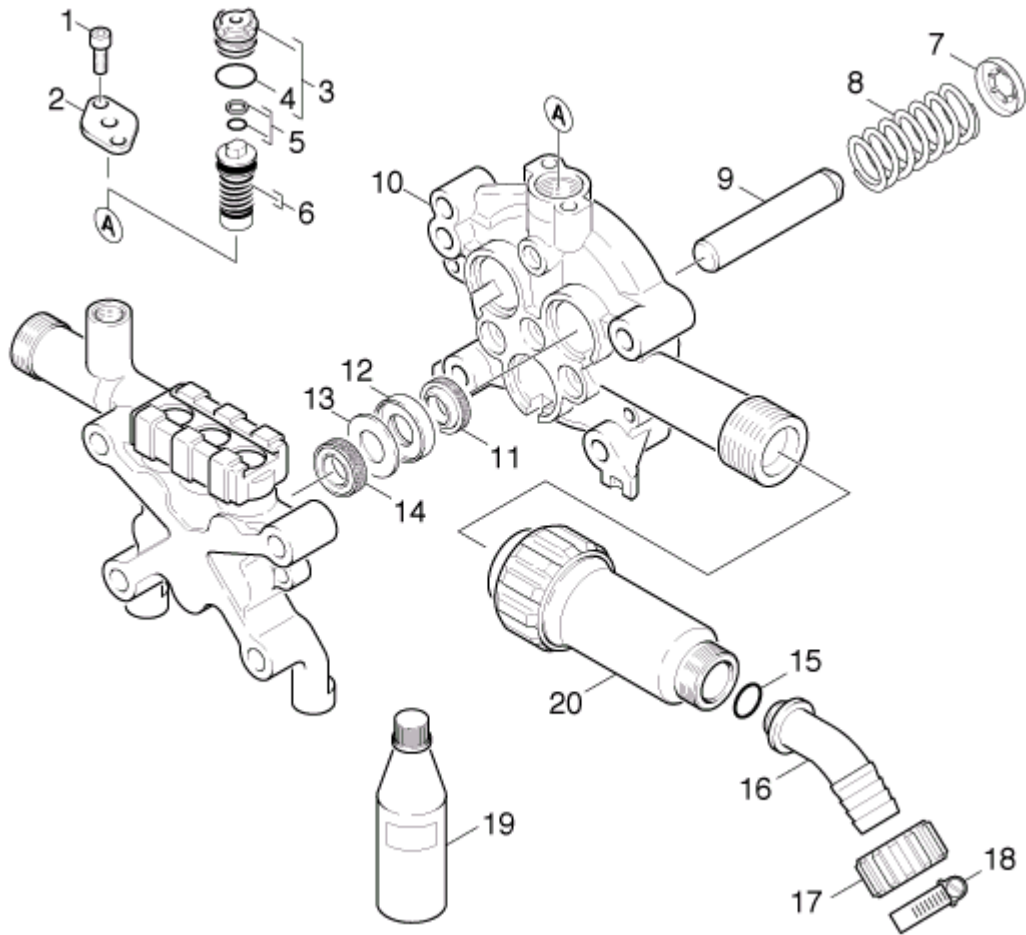
pos	description	part No.	qty	information
1	BRACKET	5.042-402.0	1	
2	BRACKET	5.042-406.0	1	
3	BRACKET	5.044-181.0	2	
4	LOCK WASHER	7.312-166.0	2	
5	HEXAGONAL HEAD SCREW	7.304-395.0	2	2
6	SHEET METAL SCREW	7.303-071.0	3	
7	FRAME	4.050-477.0	1	
10	SLEEVE	5.110-561.0	4	
11	WHEEL	6.435-389.0	4	
12	QUICK-FASTENER	6.343-137.0	4	
13	HOSE	5.440-122.0	1	
14	HOSE BAND CLIP	6.388-547.0	1	
15	SCREW	7.303-112.0	1	
16	MANIFOLD	5.427-178.0	1	
19	WASHER	7.312-001.0	3	
21	SCREW UNION PART	4.401-059.0	1	

1.2 Control Panel



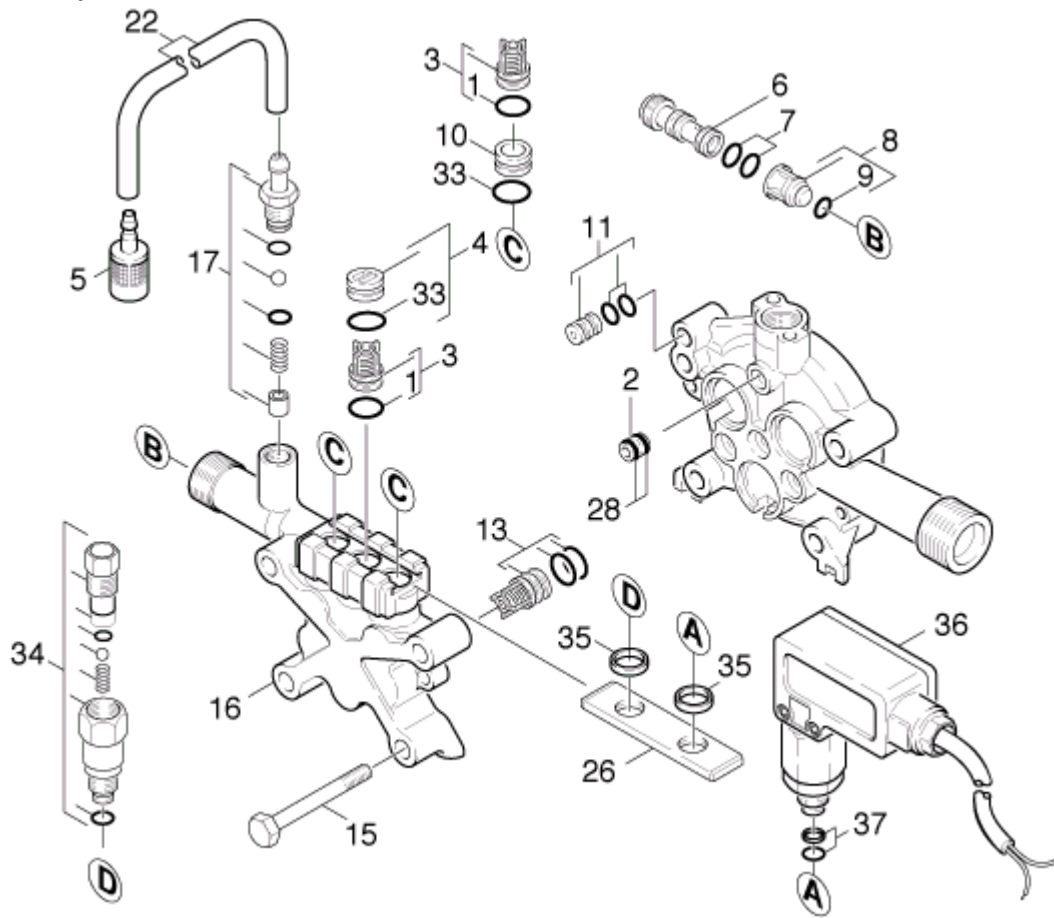
pos	description	part No.	qty	information
1	SCREW	7.306-090.0	5	
2	LOCK WASHER	7.312-167.0	5	
3	NUT	6.310-082.0	5	
4	PLATE	5.048-324.0	1	
5	LOCK WASHER	7.312-166.0	2	
6	HEXAGONAL HEAD SCREW	7.304-395.0	2	
7	CONTROL PANEL	5.841-352.0	1	
8	HANDLE	5.321-403.0	2	
9	WASHER	7.312-004.0	2	
10	CHEESE HEAD SCREW	7.306-049.0	2	
11	NUT	6.310-083.0	2	
12	COVER	5.063-839.0	1	
13	HANDLE	5.321-294.0	1	
14	SPRING	6.313-014.0	1	
15	THREADED PIN	7.307-181.0	1	
16	PLUG	5.132-012.0	2	
17	SHEET METAL SCREW	7.303-088.0	2	

2.1 Piston



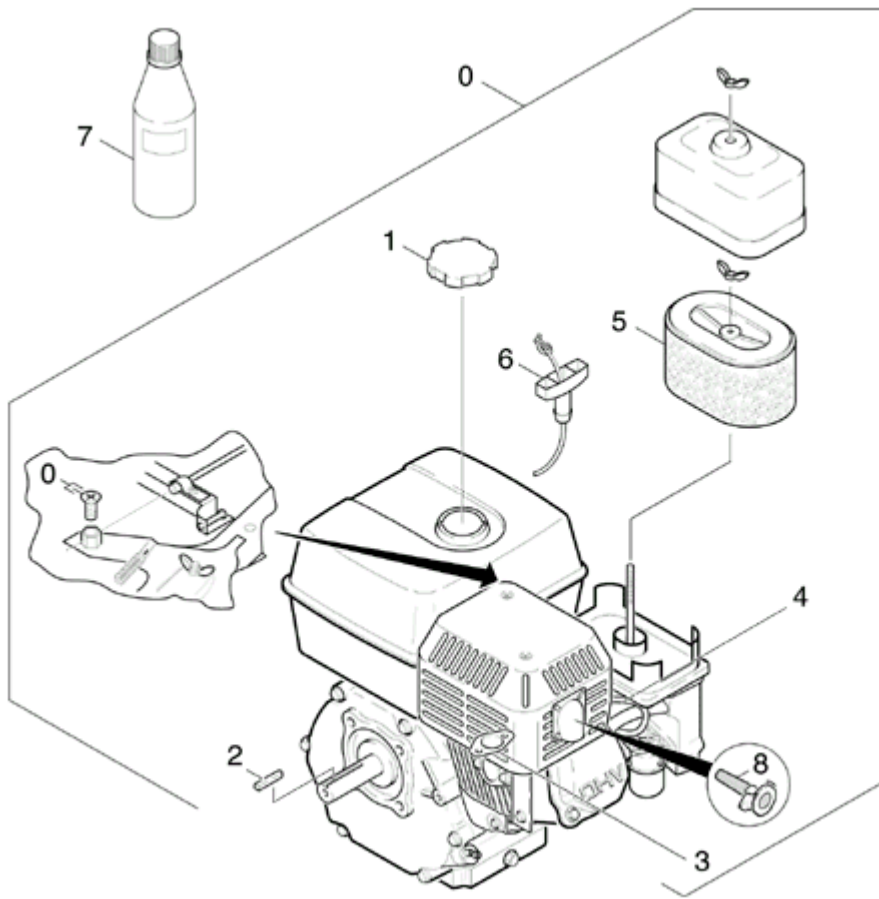
pos	description	part No.	qty	information
1	SCREW 7.306-090.0		2	
2	COVER 5.063-755.0		1	
3	MOULDED PART	4.030-108.0	1	1
4	GASKET	6.362-480.0	1	
5	GASKET	6.362-575.0	1	
6	BYPASS VALVE	4.591-037.0	1	1
7	LOCK WASHER	5.115-671.0	3	
8	PRESSURE SPRING	5.332-437.0	3	
9	PISTON	4.553-173.0	3	
10	PISTON GUIDANCE	5.060-680.0	1	1
11	GROOVED RING	6.365-414.0	3	
12	WASHER	5.115-720.0	3	
13	WASHER	5.115-721.0	3	
14	GROOVED RING	6.365-394.0	3	
15	GASKET	6.362-078.0	1	
16	HOSE STEM	5.443-285.0	1	
17	NUT	5.310-061.0	1	
18	HOSE BAND CLIP	6.388-547.0	1	1
19	ENGINE OIL	6.288-050.0	1	
20	WATER FILTER	4.730-071.0	1	

2.2 Cylinder Head



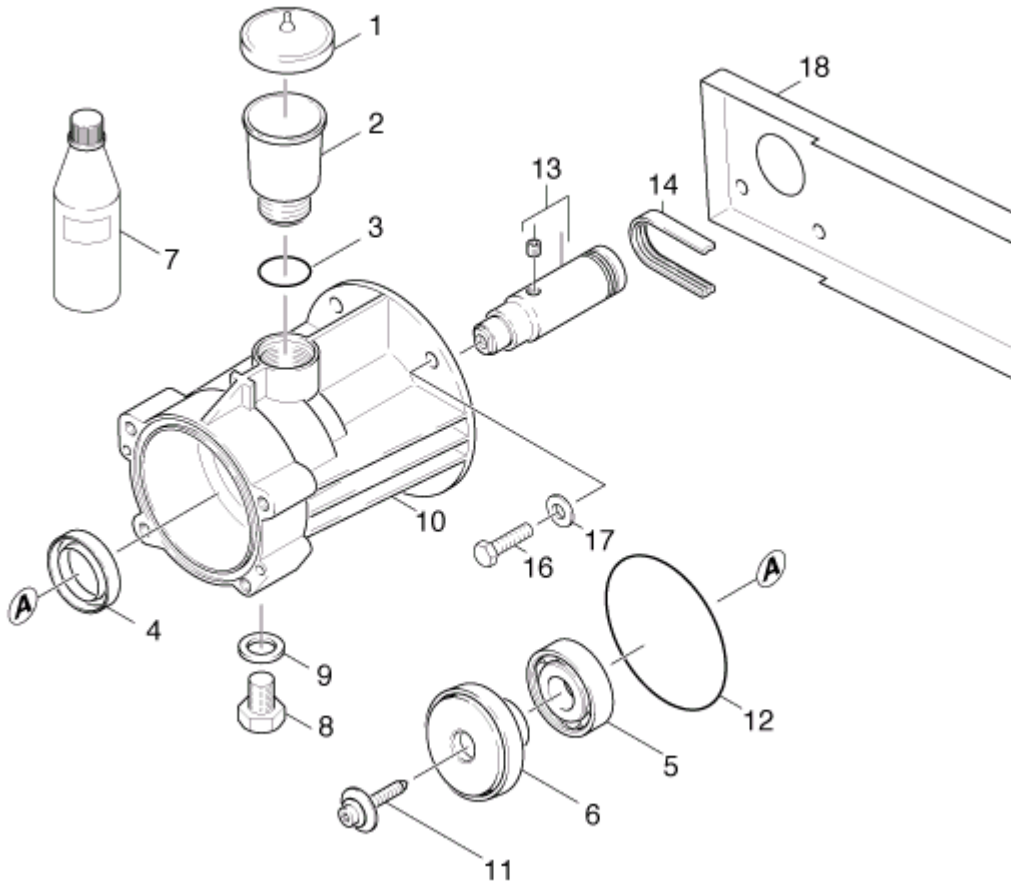
pos	description	part No.	qty	information
1	GASKET	6.362-077.0	3	
2	JOINING PIECE	5.031-562.0	1	
3	VALVE	4.580-331.0	3	
4	DRAIN PLUG	4.132-007.0	1	
5	FILTER	4.862-032.0	1	
6	NOZZLE INSERT	5.769-128.0	1	
7	GASKET	6.362-384.0	2	
8	VALVE PIN	4.584-022.0	1	
9	GASKET	6.362-851.0	1	
10	DRAIN PLUG	5.132-127.0	1	
11	THROTTLE	4.030-070.0	1	
13	VALVE	4.580-330.0	3	
15	HEXAGONAL HEAD SCREW	7.304-097.0	4	
16	CYLINDER HEAD	5.550-249.0	1	
17	SPARE PARTS KIT	2.883-862.0	1	
22	HOSE	6.388-216.0	1	
26	PLATE	5.006-049.0	1	
28	GASKET	6.362-176.0	2	
33	GASKET	6.362-458.0	1	
34	VALVE	4.580-348.0	1	
35	WASHER	5.115-799.0	2	
36	PRESSURE SWITCH	6.630-094.0	1	
37	GASKET	6.362-386.0	1	

3.1 Motor



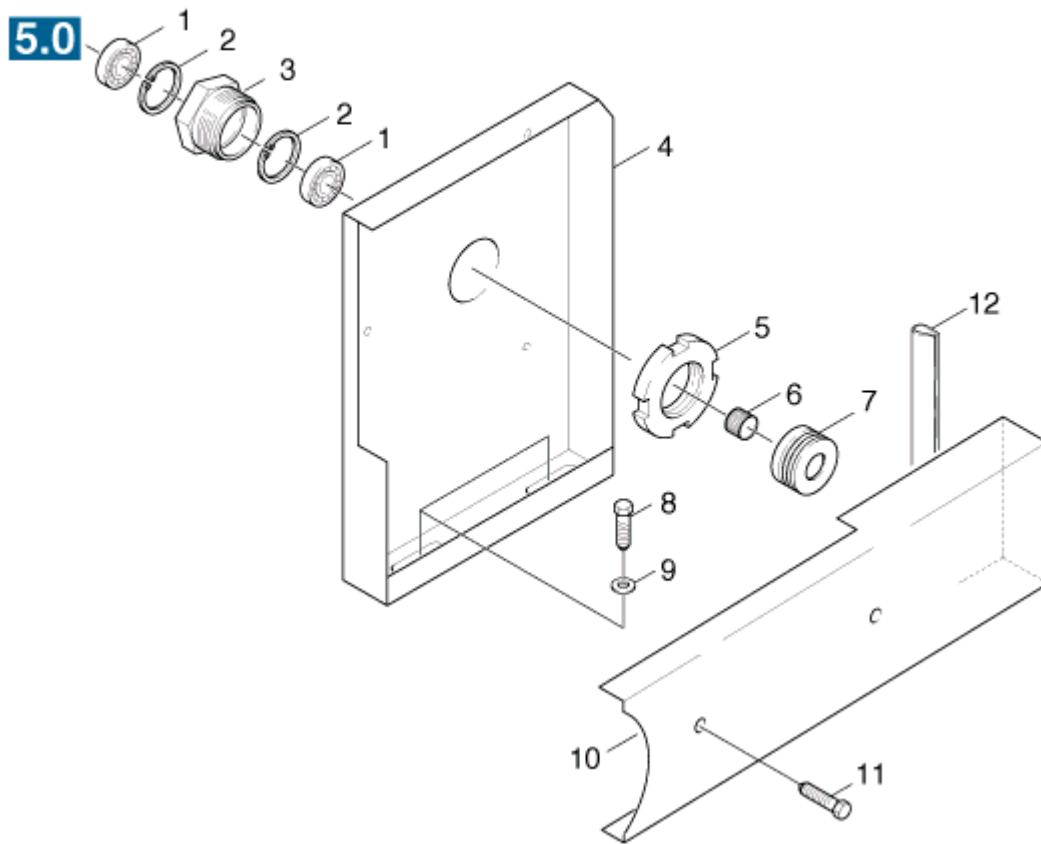
pos	description	part No.	qty	information
0	MOTOR	6.491-631.0	1	
1	CAP OF A TANK	6.491-618.0	1	
2	SPRING	6.491-614.0	1	
3	SEAL	6.491-617.0	1	
4	IGNITION PLUG	6.491-620.0	1	
5	AIR FILTER ELEMENT	6.491-616.0	1	
6	STARTER ROPE	6.491-615.0	1	
7	ENGINE OIL	6.288-050.0	1	
8	SPARK ARRESTER	6.491-619.0	1	

3.2 Gear



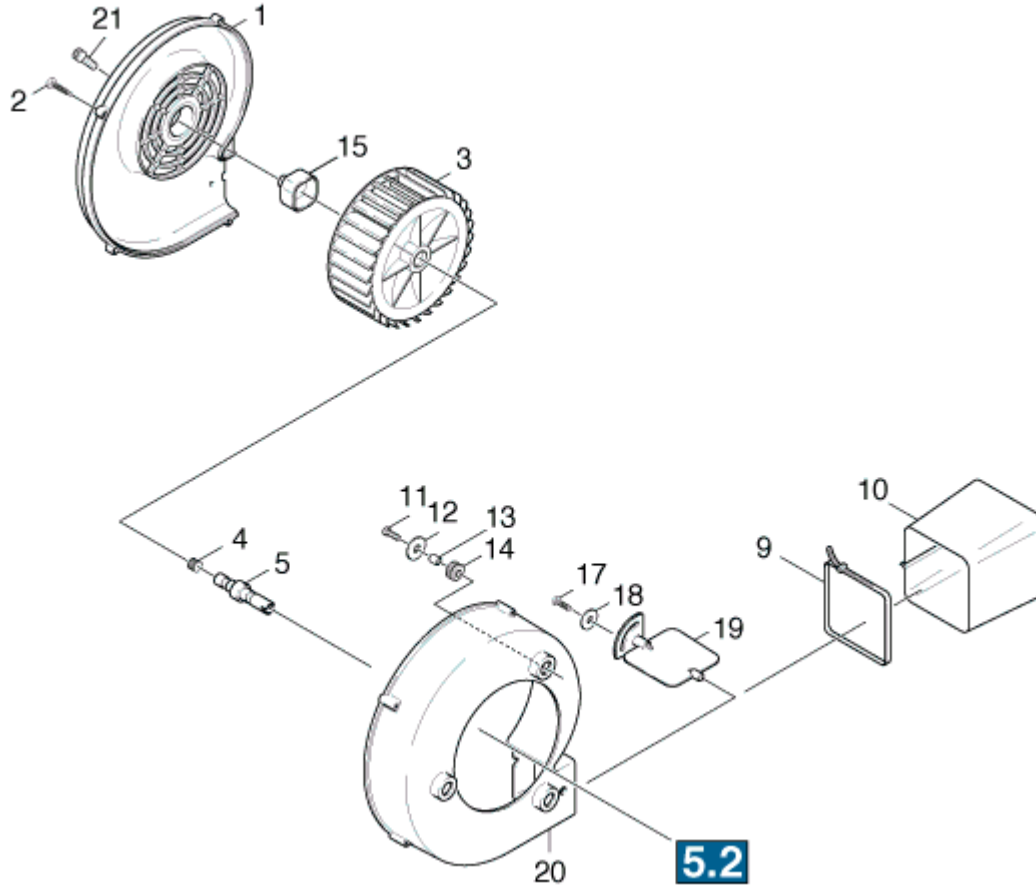
pos	description	part No.	qty	information
1	COVER	5.063-651.0	1	
2	TANK	5.070-052.0	1	
3	GASKET	6.362-168.0	1	
4	ROTARY SHAFT SEAL	7.367-018.0	1	
5	BALL BEARING	7.401-034.0	1	
6	SWASH PLATE	6.401-289.0	1	
7	ENGINE OIL	6.288-050.0	1	
8	CLOSING SCREW	7.382-085.0	1	
9	JOINT RING	7.362-003.0	1	
10	HOUSING	5.093-146.0	1	
11	CHEESE HEAD SCREW	6.304-048.0	1	
12	GASKET	6.362-471.0	1	
13	COUPLING ELEMENT	4.120-184.0	1	
14	RIBBED BAND	6.348-331.0	1	
16	CYLINDER HEAD SCREW	6.304-119.0	4	
17	WASHER	7.312-004.0	4	
18	PLATE	4.038-748.0	1	

4.1 Blower



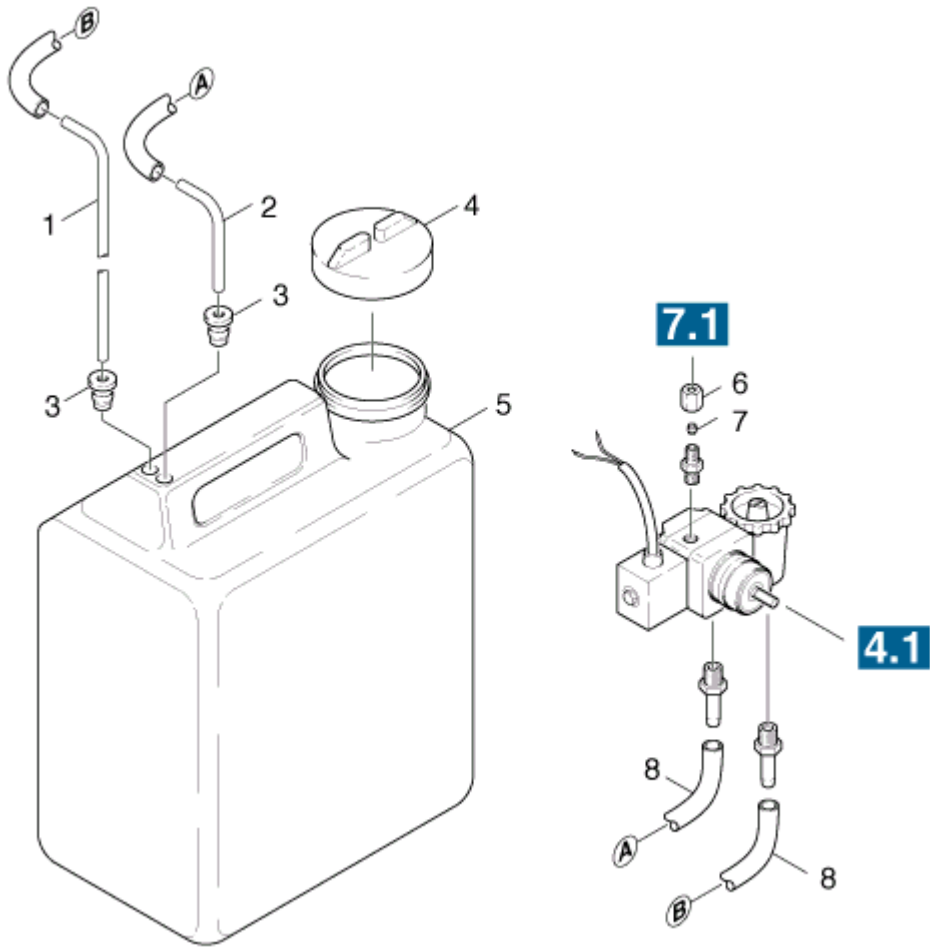
pos	description	part No.	qty	information
1	BALL BEARING	7.401-115.0	2	
2	SPRING CLIP	7.343-231.0	2	
3	BUSH	5.112-602.0	1	
4	PLATE	5.048-334.0	1	
5	NUT	7.310-100.0	1	
6	TOLERANCE RING	6.343-031.0	1	
7	PULLEY	5.625-340.0	1	
8	SCREW	7.303-067.0	2	
9	LOCK WASHER	7.312-166.0	2	
10	PLATE	5.048-327.0	1	
11	SELF-TAPPING SCREW	6.303-258.0	2	
12	SHEATING	6.368-089.0	1	

4.2 Blower



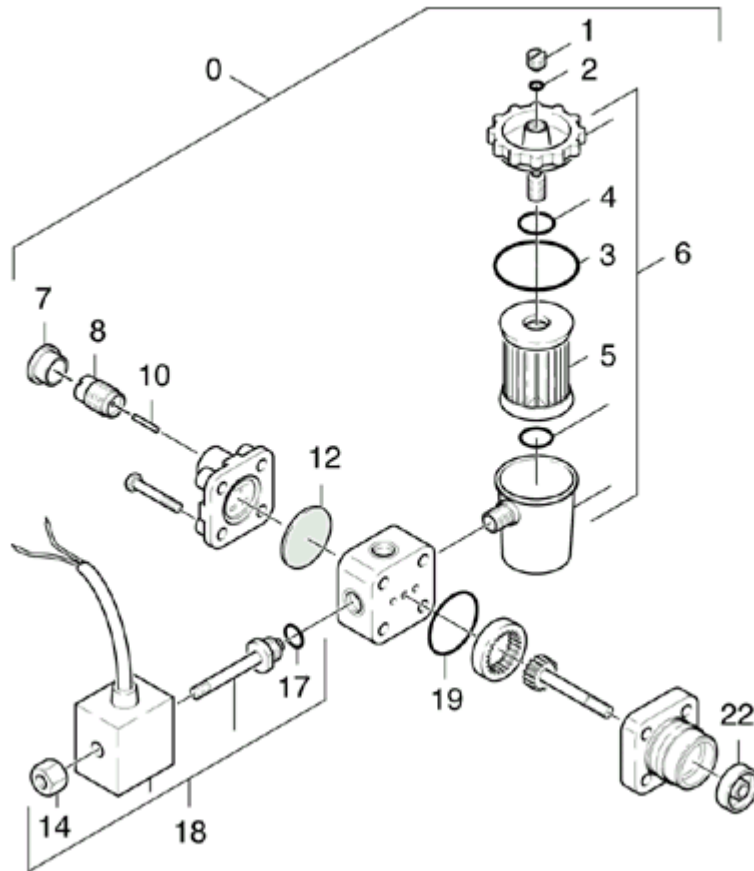
pos	description	part No.	qty	information
1	COVER	5.063-274.0	1	
2	SCREW	7.303-084.0	5	
3	RUNNING WHEEL	5.600-021.0	1	
4	TOLERANCE RING	6.343-166.0	1	
5	SHAFT	5.100-185.0	1	
9	BANNER	6.388-608.0	2	
10	CLOTH COLLAR	5.178-036.0	1	
11	SCREW	7.303-041.0	3	
12	WASHER	7.312-264.0	3	
13	SLEEVE	5.110-306.0	3	
14	RUBBER RING	5.379-011.0	3	
15	COUPLING ELEMENT	5.471-060.0	1	
17	SHEET METAL SCREW	7.303-077.0	1	
18	WASHER	7.312-278.0	1	
19	AIR FLAP	5.606-002.0	1	
20	HOUSING	5.605-143.0	1	
21	SCREW	7.306-090.0	1	

5.1 Fuel Tank



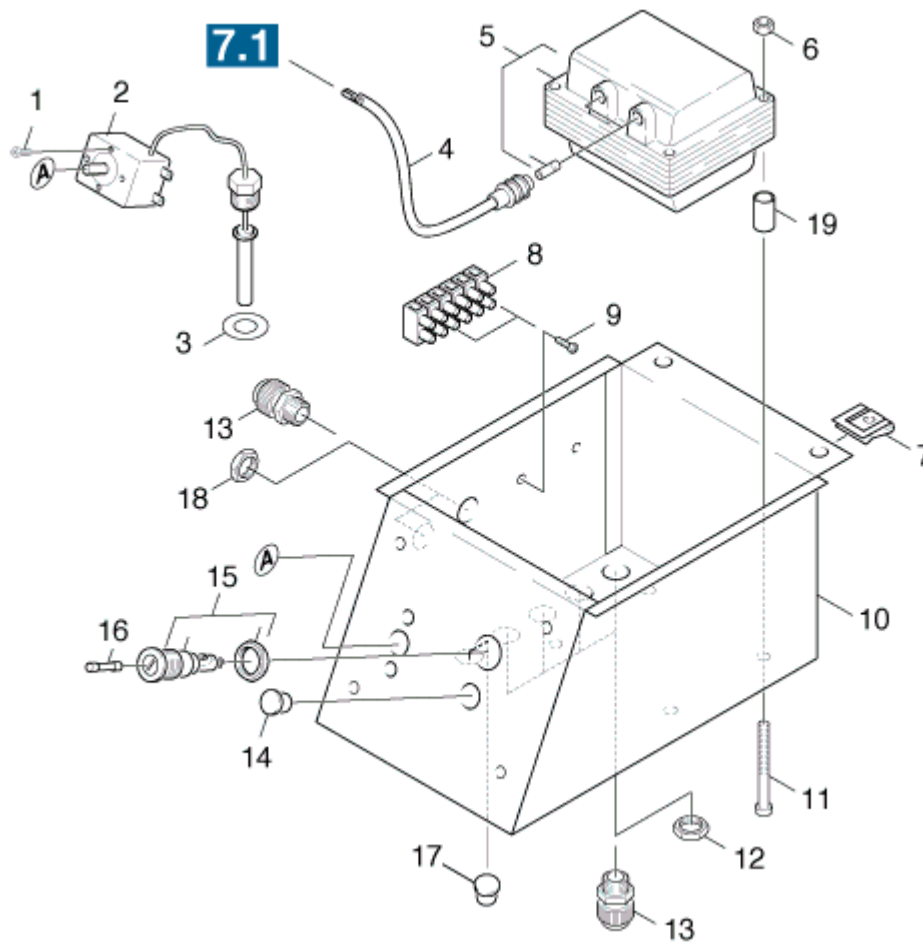
pos	description	part No.	qty	information
1	PIPELINES	5.029-457.0	1	
2	BARREL RECOIL	5.028-533.0	1	
3	SEAL	5.365-145.0	2	
4	COVER	5.063-217.0	1	
5	TANK	5.071-112.0	1	
6	UNION NUT	6.386-506.0	1	
7	OLIVE	6.386-505.0	1	
8	HOSE	6.389-759.0	2	

5.2 Fuel Pump



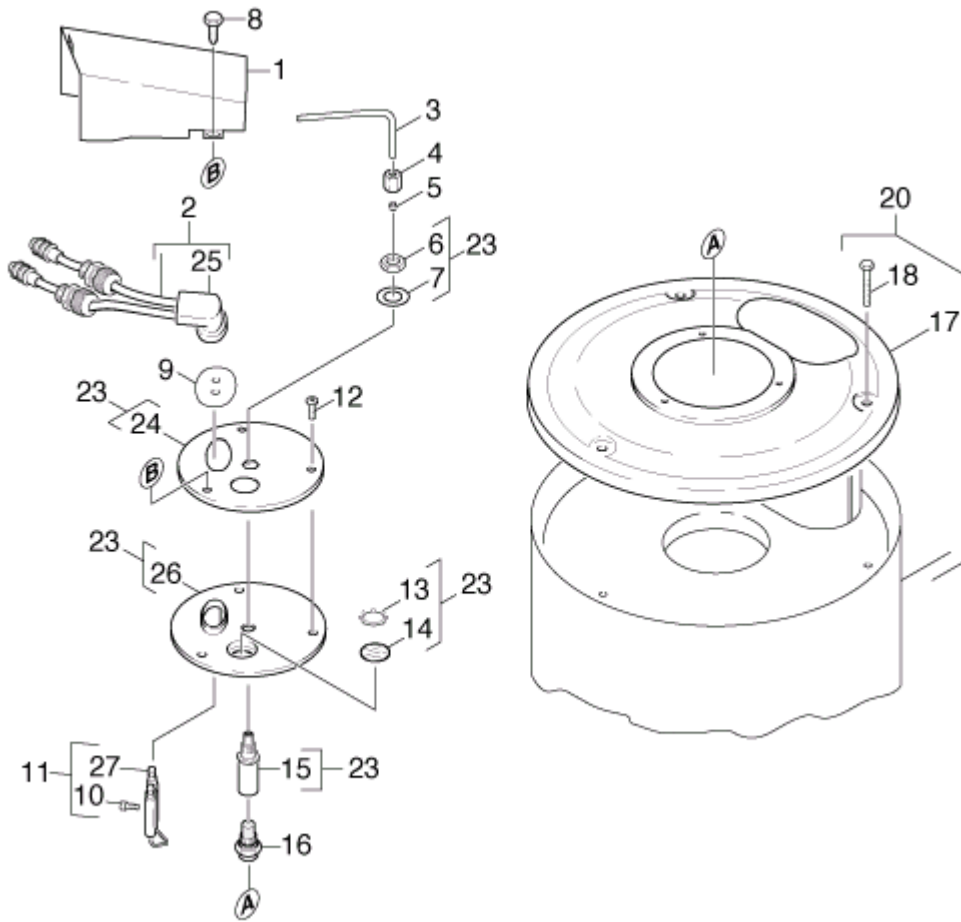
pos	description	part No.	qty	information
0	FUEL PUMP	6.472-420.0	1	
1	VENT SCREW	6.472-107.0	1	
2	GASKET	6.472-106.0	1	
3	GASKET	6.472-111.0	1	
4	GASKET	6.472-112.0	1	
5	FILTER CARTRIDGE	6.472-113.0	1	
6	FILTER CASE	6.472-123.0	1	
7	PROTECTING CAP	6.472-122.0	1	
8	SPRING HOUSING	6.472-109.0	1	
10	PIN	6.472-108.0	1	
12	DIAPHRAGM	6.472-128.0	1	
17	GASKET	6.472-125.0	1	
18	SOLENOID VALVE	6.472-928.0	1	
19	GASKET	6.472-120.0	1	
22	SHAFT SEAL	6.472-105.0	1	

6.0 Electric Control Box



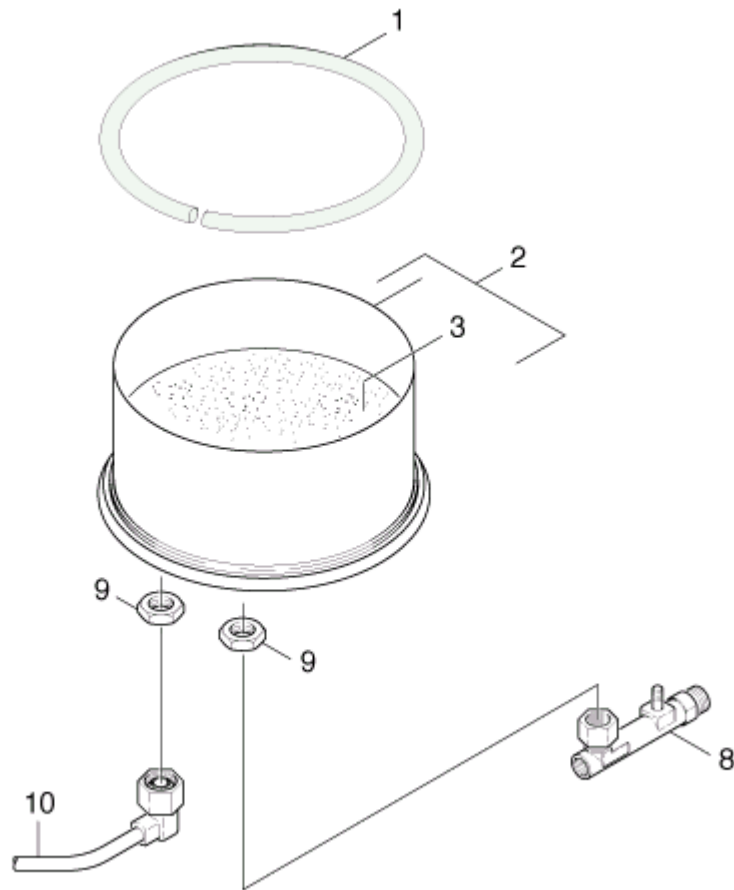
pos	description	part No.	qty	information
1	SCREW 7.306-206.0		2	
2	THERMOSTAT 6.685-871.0		1	
3	WASHER 5.115-375.0		1	
4	IGNITION CABLE 4.821-075.0		2	VERSION 1 /
4	IGNITION CABLE 4.821-077.0		1	VERSION 2 /
5	TRANSFORMER 2.883-872.0		1	
6	HEXAGON NUT 7.311-421.0		4	
7	NUT 6.310-082.0		2	
8	STRIP TERMINAL 6.643-249.0		1	
9	SCREW 7.303-095.0		2	
10	PLATE 5.048-321.0		1	
11	FLAT HEADED SCREW 7.305-057.0		4	
12	COUNTERNUT 6.641-366.0		4	
13	CABLE CONNECTOR 6.641-355.0		6	
14	DRAIN PLUG 6.368-125.0		1	
15	RETAINER 6.644-248.0		1	
16	FUSE 6.644-198.0		1	
17	DRAIN PLUG 6.368-064.0		1	
18	COUNTERNUT 6.641-367.0		2	
19	SPACER SLEEVE 5.110-516.0		4	

7.1 Burner Cover



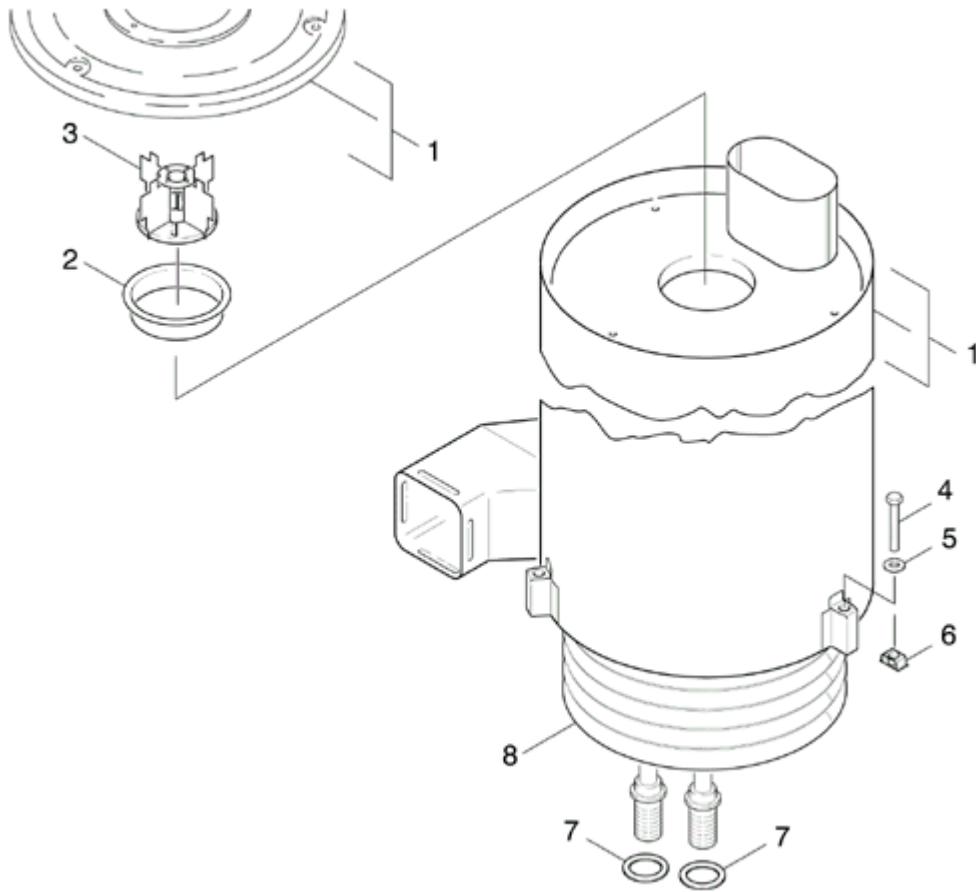
pos	description	part No.	qty	information
1	DUCT	5.460-018.0	1	
2	IGNITION CABLE	4.821-075.0	1	1
3	PIPE	5.423-252.0	1	
4	UNION NUT	6.386-506.0	1	
5	OLIVE	6.386-505.0	1	
6	HEXAGON NUT	7.311-101.0	1	
7	WASHER	7.312-302.0	1	
8	SCREW	7.303-037.0	1	
10	OVAL HEAD SCREW	7.306-328.0	1	
11	CONVERSION KIT	2.638-974.0	1	
12	SCREW	7.303-038.0	3	
13	RING	6.343-165.0	1	
14	GLASS PANE	6.278-018.0	1	
15	NOZZLE HOLDER	5.667-055.0	1	
16	NOZZLE	6.415-771.0	1	
17	COVER	5.654-045.0	1	
18	SELF-TAPPING SCREW	6.303-258.0	3	
20	OUTER JACKET	4.652-114.0	1	
23	COVER	4.654-233.0	1	
24	COVER	5.654-059.0	1	
25	PROTECTING CAP	5.394-470.0	1	
26	BURNER COVER	5.662-019.0	1	
27	IGNITION ELECTRODE	5.826-050.0	1	

7.2 Burner Bottom



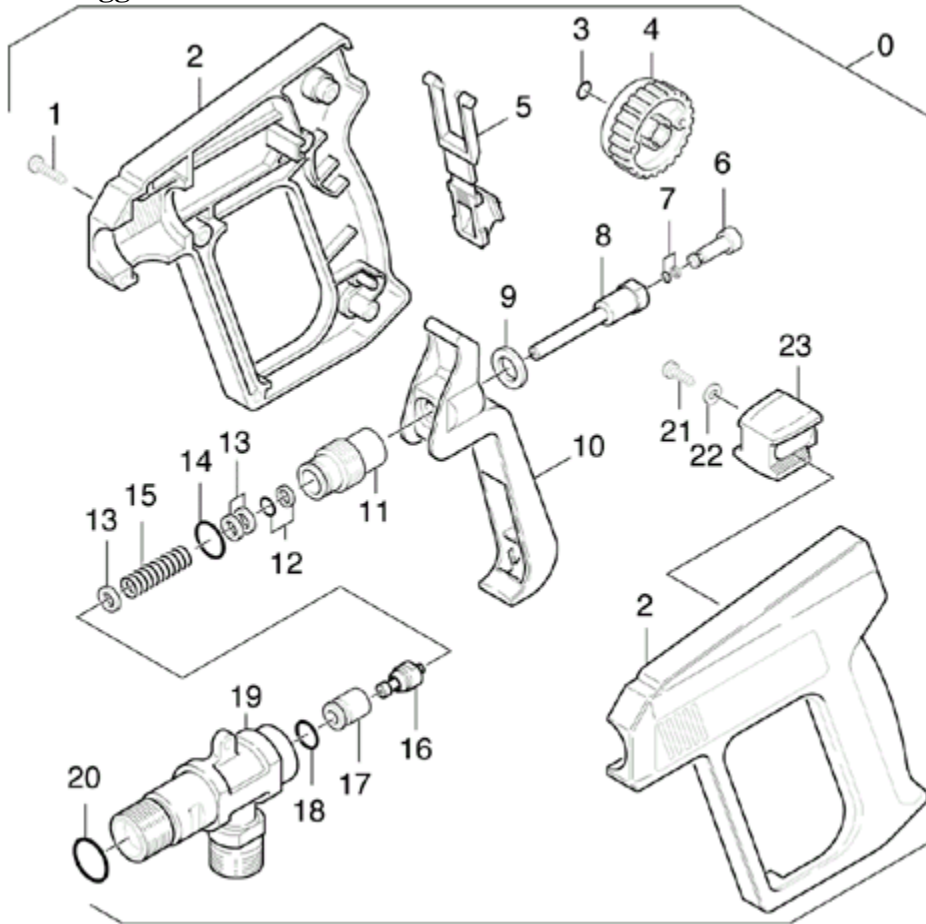
pos	description	part No.	qty	information
1	SEAL STRING	6.366-009.0	1	
2	BOTTOM	4.655-044.0	1	
3	REFRACTORY MATERIAL			6.286-026.0 8
8	MANIFOLD	4.427-123.0	1	
9	HEXAGON NUT	7.311-155.0	2	
10	PIPELINES	4.421-567.0	1	

7.3 Heating Coil



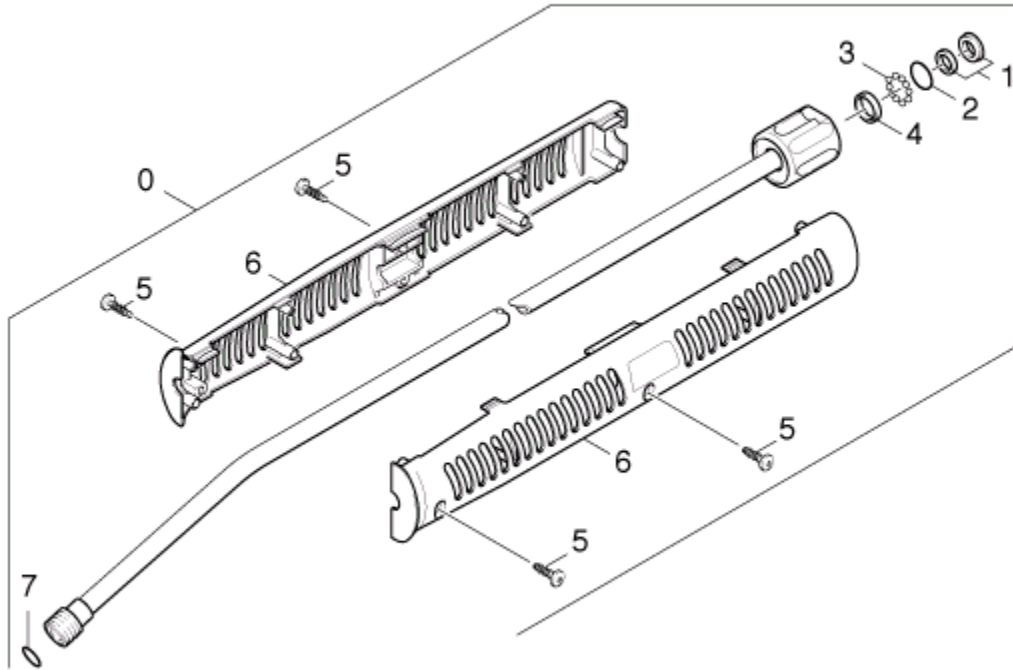
pos	description	part No.	qty	information
1	OUTER JACKET	4.652-114.0	1	
2	BURNER PART	5.664-179.0	1	
3	BURNER CAGE	4.663-088.0	1	
4	HEXAGONAL HEAD SCREW	7.304-097.0	3	
5	WASHER	7.312-277.0	3	
6	NUT	6.310-081.0	3	
7	SEAL	5.365-068.0	2	
8	HEATING COIL	4.680-077.0	1	

9.1 Trigger Gun



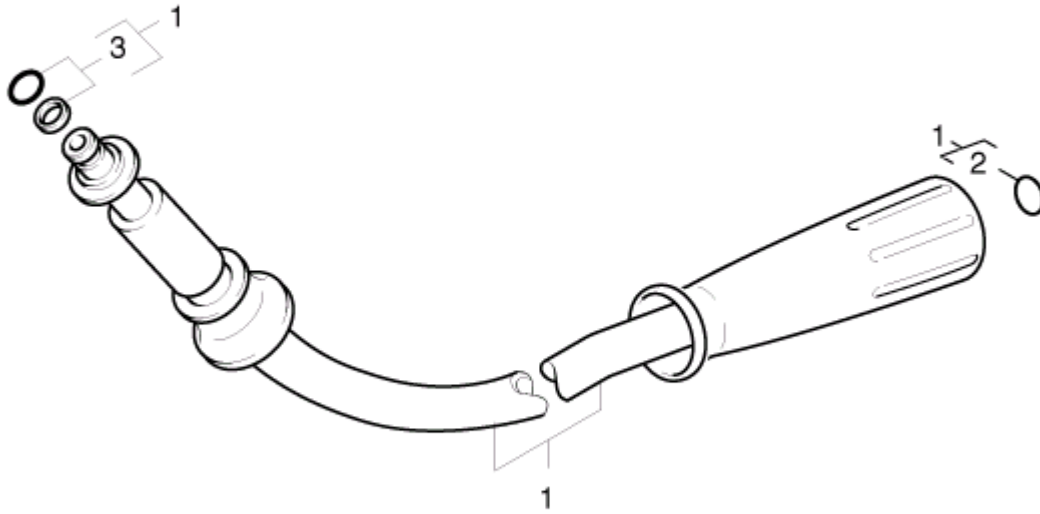
pos	description	part No.	qty	information
0	TRIGGER GUN	4.775-026.0	1	
1	OVAL HEAD SCREW	6.303-024.0	8	
2	HANDLES	5.321-174.0	1	
3	GASKET	6.362-176.0	1	
4	HAND WHEEL	5.322-006.0	1	
5	MOULDED PART	5.030-283.0	1	
6	PISTON	5.553-118.0	1	
7	GASKET	6.362-477.0	1	
8	BAR	5.107-062.0	1	
9	WASHER	5.115-227.0	1	
10	LEVER	5.481-039.0	1	
11	SCREW	5.305-110.0	1	
12	GASKET	6.362-468.0	1	
13	WASHER	5.115-260.0	3	
14	GASKET	6.362-478.0	1	
15	HELICAL SPRING	5.332-140.0	1	
16	VALVE SEAT	4.581-049.0	1	
17	SLEEVE	5.110-348.0	1	
18	GASKET	6.362-479.0	1	
19	MANIFOLD	5.427-079.0	1	
20	GASKET	6.362-496.0	1	
21	OVAL HEAD SCREW	6.303-025.0	1	
22	WASHER	7.312-001.0	1	
23	MOULDED PART	5.030-459.0	1	
100	PISTOL SET	2.883-014.0	1	

9.2 Wand



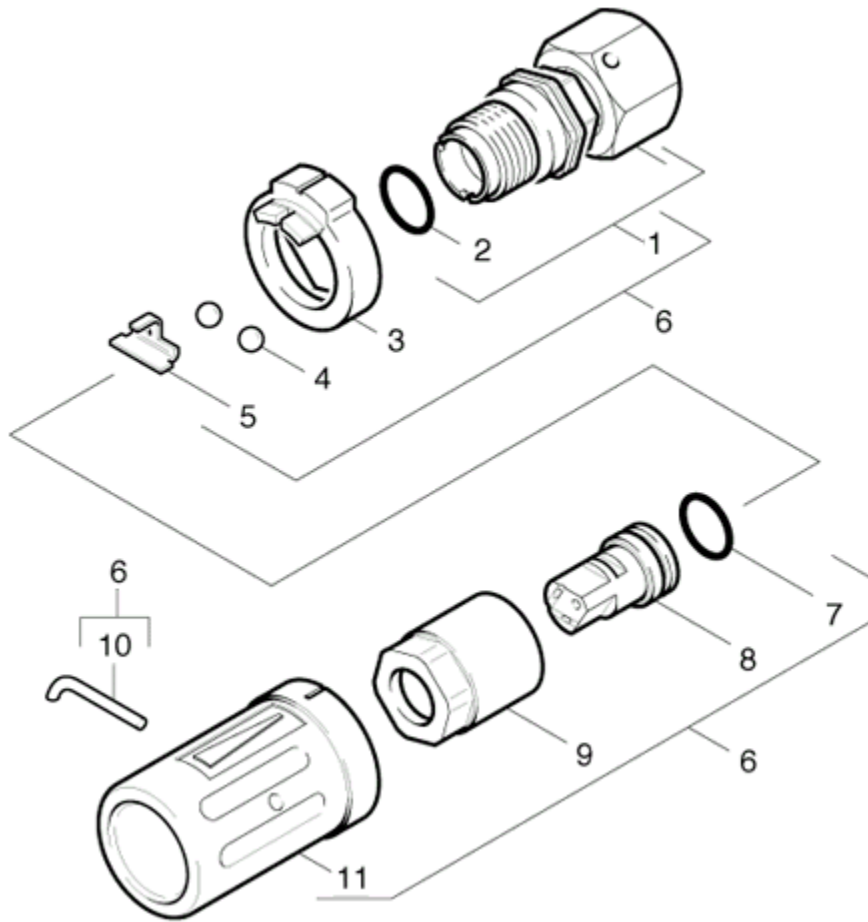
pos	description	part No.	qty	information
0	JET PIPE	4.760-101.0	1	
1	GROOVED RING	6.362-532.0	1	
2	GASKET	6.362-524.0	1	
3	BALL	7.401-921.0	12	
4	JOINT RING	6.362-529.0	1	
5	OVAL HEAD SCREW	6.303-025.0	2	
6	HANDLE	5.321-150.0	2	
7	SPARE PARTS KIT	2.880-296.0	1	

9.3 Hose



pos	description	part No.	qty	information
1	HIGH PRESSURE HOSE	6.388-910.0	1	
2	GASKET	6.363-115.0	1	
3	SPARE PARTS KIT	2.880-296.0	1	

9.4 Triple Nozzle



pos	description	part No.	qty	information
1	SCREW UNION	4.402-042.0	1	
2	GASKET	6.362-460.0	1	
3	MOULDED PART	5.030-528.0	1	
4	BALL	7.401-902.0	2	
5	BRACKET	5.042-405.0	1	
6	TRIPLE JET NOZZLE	4.763-133.0	1	
7	GASKET	6.362-480.0	1	
8	TRIPLE JET NOZZLE	6.415-553.0	1	
9	HEXAGON NUT	5.311-117.0	1	
10	HOOK	5.037-059.0	1	
11	PROTECTION PART	5.394-269.0	1	

Karcher Canada Inc. 1-888-705-9444