

CBR1000RR/RA

CBR1000S1/S2

CBR1000RR_H
CBR1000RR_J
CBR1000RA_H
CBR1000RA_J
CBR1000S1_H
CBR1000S1_J
CBR1000S2_H
CBR1000S2_J

PARTS CATALOGUE

2

PROHIBIDO SU DISTRIBUCIÓN O USO NO AUTORIZADO
19-07-2019 AGM Motos - AGM MOTOC

FOREWORD INDEX

1

ENGINE GROUP

2

FRAME GROUP

3

PART NUMBER INDEX

4

PART NAME INDEX

5

PROHIBIDO SU DISTRIBUCIÓN O USO NO AUTORIZADO
19-07-2019 AGM Motos - AGM MOTOS S.R.L.

Instruction for use of parts catalogue

- **This parts catalogue has been created as of September 20, 2017.**
 - Since this date, the sales practice for repair parts may have been changed or the parts may have been eliminated (listed for those not for sale).
 - The modified information is reflected on the latest Electronic Parts Catalogue (EPC). Also, refer to the parts catalogue news for any change.
 - See the parts catalogue news for any revision that is made after September 20, 2017.
- **Always specify the part number when ordering a part.**
 - Check the model, type, serial numbers, color, maker, and the size as needed before ordering a part.
 - Note that the illustrations (part drawings) can differ from the actual parts in shape. They are given just to help you to refer to the parts.
- **When modifications or additions to this parts catalogue are made, a revised edition will be issued at an appropriate time, with successively progressing revision numbers on the cover. We recommend obtaining such revisions in order to keep your parts catalogue up-to-date at all times. To check whether a parts catalogue revision has been issued, please contact your Honda distributor.**

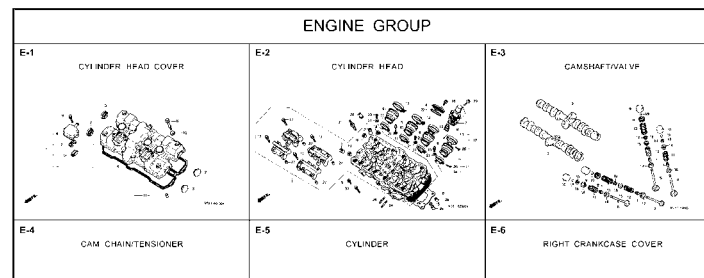
Initial version issue date
January 10, 2017
Honda Motor Co., Ltd.

CONTENTS

	Page
● Instruction for use of parts catalogue	1
● How to refer to the part information	2
● Part catalogue structure	3
● When the parts were revised.....	5
● Abbreviations used in the parts catalogue.....	5
● Part block and serial number check	6
● Color label attachment position check.....	6
● Models, parts catalogue codes and applicable serial numbers.....	7
● Color label	10
● Color chart.....	11
● Fuel hose, general purpose hoses and vinyl hose	109
● FLAT RATE SERVICE TIME	113
● Illustrated index	118
● ENGINE GROUP.....	127
● FRAME GROUP.....	160
● PART NO. INDEX.....	254
● PART NAME INDEX.....	261

How to refer to the part information

A Reference with "Illustrated index"



B Reference with "Part number index"

PART NO. INDEX			
Part Number	Page	Ref.	
04000			13323-MY9-751 28 10
			13324-MY9-751 28 10
04911-MCE-000	26	1	13325-MY9-751 28 10
			13327-MY9-751 28 10
06000			14000
06405-MY5-P00	67	3	14100-MCE-000 13 2
06405-MY5-P10	67	3	14200-MCE-000 13 3
06410-MY9-860	56	1	14321-MCE-000 16 2
06435-MCE-006	55	1	14401-MCE-003 16 3
06451-166-405	51	2	14510-MCE-000 16 4
06451-443-405	55	2	14520-MY9-691 16 5
06451-MA7-405	51	1	14524-MY9-690 16 6
06455-MCE-006	51	3	14546-MCE-000 16 7
			14620-MY9-691 16 8
11000			14711-MCE-000 13 4
11210-MCE-000	25	1	14712-MCE-000 13 5
11330-MCE-305	18	1	14721-MCE-000 13 6
11333-RT3-000	22	1	14722-MCE-000 13 7
11335-MCE-000	18	2	14730-MCE-000 13 8
11360-MCE-000	23	1	14731-MCE-000 13 9
11365-MCE-000	23	2	14731-MY9-751 13 10
11396-MY9-000	18	3	14751-MY2-000 13 11
11631-MCE-000	21	1	14751-MCE-000 13 12
11691-MY9-000	21	2	14761-MCE-000 13 13

C Reference with "Part name index"

PART NAME INDEX			
Part name	Page	Ref.	Pe
[A]			
ADJUSTER, CHAIN	67	5	BOLT, CHANGE
ARM COMP., GEAR CHANGE	64	3	BOLT, CLUTCH
ARM, L. MAIN STEP	65	8	BOLT, CONNECT
ARM, L. PILLION STEP	65	12	BOLT, DISK, C
ARM, R. MAIN STEP	65	5	BOLT, DRAIN F
ARM, R. PILLION STEP	65	11	BOLT, FLANGE
AUTO COOK ASSY., FUEL	73	3	BOLT, FLANGE
AXLE, FR. WHEEL	52	5	BOLT, FLANGE
AXLE, RR. WHEEL	56	3	BOLT, FLANGE
[B]			
BAG, AIR PRESSURE GAUGE	77	4	BOLT, FLANGE
BAG, SERVICE BOOK	77	1	BOLT, FLANGE
BAG, TOOL	77	3	BOLT, FLANGE
BALL, STEEL	65	20	BOLT, FLANGE
BAND A, INSULATOR	11	11	BOLT, FLANGE
BAND B, INSULATOR	11	12	BOLT, FLANGE
BAND, AIR CLEANER CONNECTING TUBE	62	22	BOLT, FLANGE
BAND, U-LOCK	70	3	BOLT, FLANGE
BAND, WIRE	26	14	BOLT, FLANGE
	43	21	BOLT, FLANGE
	74	18	BOLT, FLANGE

F-7 FRONT FENDER

Ref. No.	Part No.	Description	Reqd. QTY	Serial No.	Parts catalogue code
			CG400 SPX SPY		
1	45156-MCE-000	CLAMPER, R. FR. BRAKE HOSE	1		
2	45157-MCE-000	CLAMPER, L. FR. BRAKE HOSE	1		
3	61100-MCE-000A	FENDER COMP., FR. *NH41M*FORCE SILVER METALLIC	1	----- 3J,4J	
	61100-MCE-000B	*PB284C*...CANDY PHOENIX BLUE	1	----- J,2J	
4	61101-MCE-000	PLATE, FR. FENDER	2	1008000	
	61101-MCE-010	-----	2	1008001	
5	61102-MCE-300	CUSHION, FR. FENDER (BLACK)	2		
6	61105-MCE-000	STAY, FR. FENDER MOUNTING	2		
7	61107-MR7-000	COLLAR (6.5)	4		
8	96001-06020-00	BOLT, FLANGE, 6X20	4		

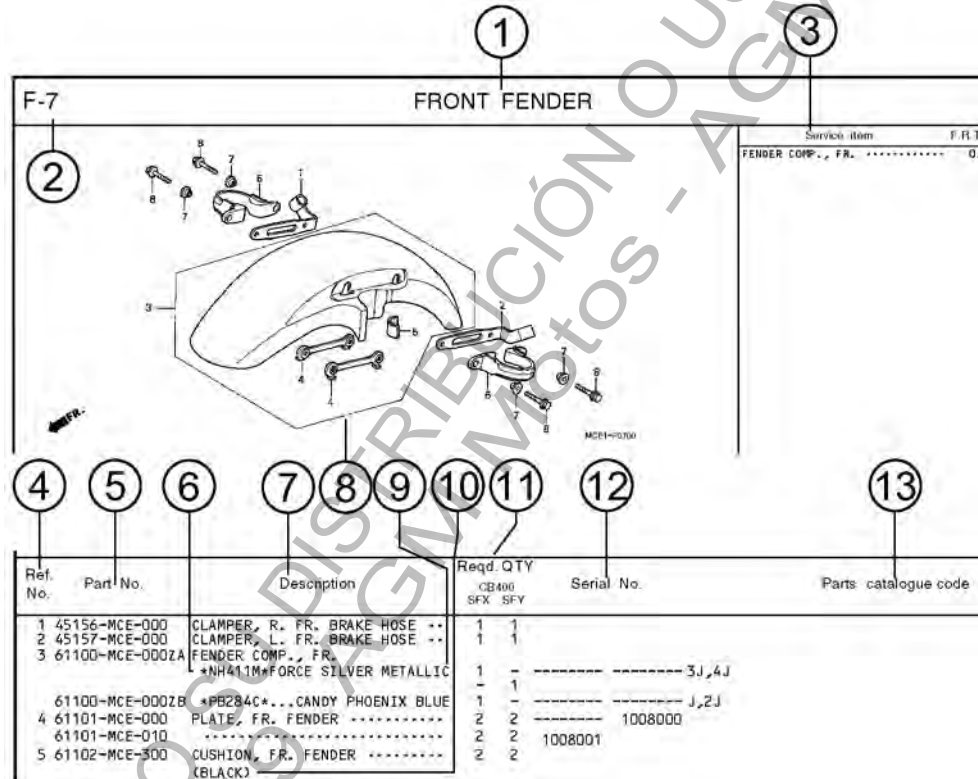
Service item F.R.T.
FENDER COMP., FR. 0.3

MCE1-F0700

Page No.

2000.09.01 E

Part catalogue structure



① Block title ② Block number

③ Service item/Flat rate time

④ Reference number

- Title number marked with the parenthesis or parentheses indicates that it continues from the previous page.

⑤ Part number ⑥ Honda color code

⑦ Description

⑧ Assemblies

- Sections framed with broken lines in the exploded view drawings are available as complete assemblies. (Their individual parts can also be obtained.)

⑨ Color description

⑩ Note

- Notes are shown with the parentheses in the part name column.

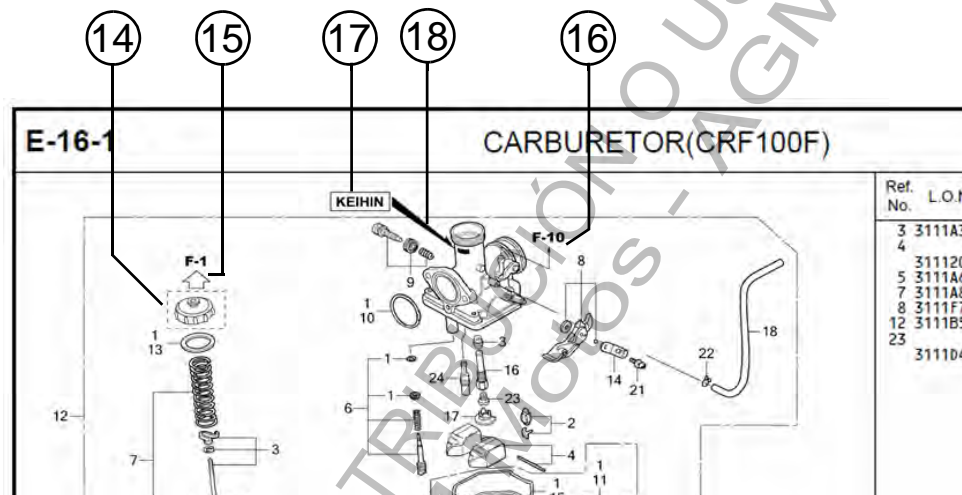
⑪ Required quantity

- Reqd. QTY shown in the parenthesis or parentheses indicates the optional part.
- Reqd. QTY marked with "N" indicates the optional part that should be selected as needed.
- Reqd. QTY indicates the number of the part used in the block.

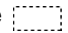
⑫ Serial number

⑬ Parts catalogue code



- When the parts catalogue code column is blank, it indicates that the part is applicable to all codes.




⑭

- Parts enclosed within a dotted line  are covered in a different block.

⑮

- A hollow arrow  indicates the block No. for the parts enclosed within a dotted line .

⑯

- A solid arrow  indicates the block No. the part in question is connected to.

⑰ **Replacement Identification Information for Designated Part No.**

⑱ **Location of Replacement Identification Information for Designated Part No.**

- If an arrow mark is indicated in 18, the part is incompatible with a different part No.
- Make sure to order the part of the same manufacture, including the component part.
- To make an order, indicate the part No., which includes the symbol displayed on the applicable section of the part to be replaced.

When the parts were revised



Ref. No.	Part No.	Description	Reqd. QTY		Serial No.
			CB400 SFX	SFY	
1	45156-MCE-000	CLAMPER, R. FR. BRAKE HOSE ..	1	1	
2	45157-MCE-000	CLAMPER, L. FR. BRAKE HOSE ..	1	1	
3	61100-MCE-000ZA	FENDER COMP., FR. *NH411M*FORCE, SILVER METALLIC	1	-	-----3J,4J
	61100-MCE-000ZB	*PB284C*...CANDY PHOENIX BLUE	1	-	-----J,2J
4	61101-MCE-000	PLATE, FR. FENDER (###).....	2	2	-----1008000
	61101-MCE-010	2	2	-----1008001
5	61102-MCE-300	CUSHION, FR. FENDER (BLACK)	2	2	
6	61105-MCE-000	STAY, FR. FENDER MOUNTING ...	2	2	
7	61107-MR7-000	COLLAR (6,5)	4	4	
8	96001-06020-00	BOLT, FLANGE, 6X20	4	4	

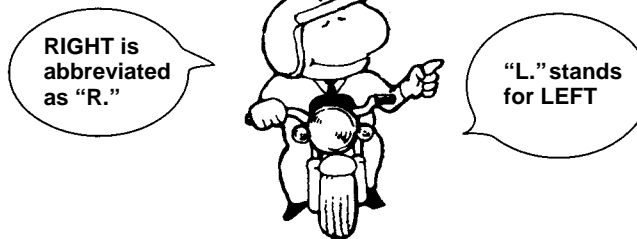
The number has been used from the initial model without revision.

When shown at the left side, it is applicable to the models of No.1008001 and the subsequent numbers.

When shown at the right side, it is applicable to the models up to No.1008000.

The parts listed with "###" at the end of the parts name have limited supply period (parts not for sale).

Abbreviations used in the parts catalogue

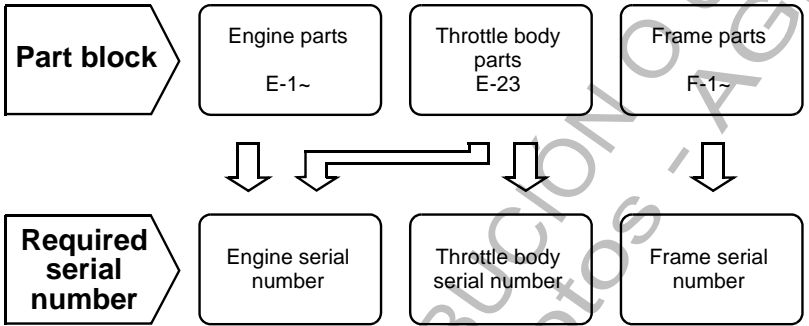


* "L." or "R." in the description of a part stands for the LEFT hand side or the RIGHT hand side. Determine the left or right as if you were in the motorcycle seat.

The following abbreviations are used in this parts catalogue.

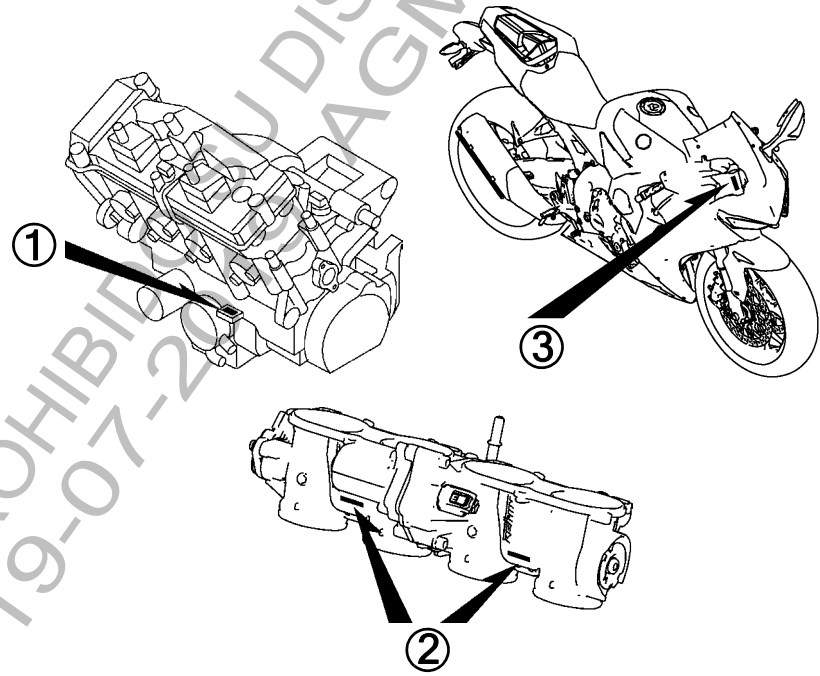
A	Ampere	L.	Left
ABS	Anti-lock brake system	L (100L) ..	Link (100 Links)
A.C.	Alternating current	L.E.D.	Light emitted diode
A.M.	Attaching mark	MM	Millimeter
ASSY.	Assembly	MPH	Miles per hour
C.D.I.	Capacitive discharge ignition	R.	Right
COMP. ...	Complete	RR.	Rear
CP.	Candle power	STD.	Standard
D.C.	Direct current	T (22T) ...	Tooth (22 Teeth)
EX.	Exhaust	TCS	Traction control system
FR.	Front	T.M.	Transcript mark
G	Gram	V	Volt
HEX.	Hexagonal	W	Watt
IN.	Inlet	WL	With labelling
KPH	Kilometers per hour	WOL	Without labelling

Part block and serial number check

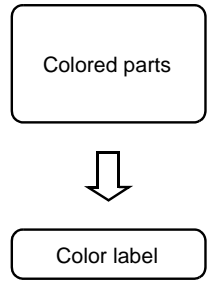


Check point

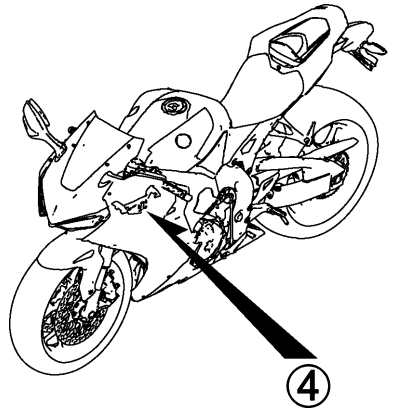
① ② ③



Color label attachment position check



④



Models, parts catalogue codes and applicable serial numbers

Models, parts catalogue codes and applicable serial Nos. given in this parts catalogue can be identified as follows.
 Parts with parts catalogue codes are exclusive for models destined for countries designated.
 If no area codes are listed, parts are for common use.

Model	Area code	Type	Applicable engine serial No.	Applicable frame serial No.	Applicable throttle body identification No.
CBR1000RRH	2GS	GCC Countries	SC77E-5000001~	JH2SC77E*HK000001~HK099999	K2D A
	GS				
CBR1000RRJ	2GS	GCC Countries	SC77E-5000001~	JH2SC77E*JK100001~	K2D A
	GS				
CBR1000RAH	2BR	Brazil	SC77E-5000001~	JH2SC77H*HK000001~HK099999	K2A A
	2CH	China		JH2SC77R*HK000001~HK099999	
	2ED	European direct sales		JH2SC77A*HK000001~HK099999	
	2FO	Taiwan		JH2SC779*HK000001~HK099999	
	2GS	GCC Countries		JH2SC77F*HK000001~HK099999	K2D A
	2IN	Indonesia		JH2SC77N*HK000001~HK099999	K2D A
	2KO	Korea		JH2SC77K*HK000001~HK099999	K2A A
	2RU	Russia		JH2SC77L*HK000001~HK099999	K2D A
	2TH	Thailand		JH2SC77T*HK000001~HK099999	K2A A
	2U	Australia		JH2SC77U*HK000001~HK099999	K2D A
	CH	China		JH2SC77R*HK000001~HK099999	K2A A
	ED	European direct sales		JH2SC77A*HK000001~HK099999	
	FO	Taiwan		JH2SC779*HK000001~HK099999	
	GS	GCC Countries		JH2SC77F*HK000001~HK099999	K2D A
	KO	Korea		JH2SC77K*HK000001~HK099999	K2A A
	RU	Russia		JH2SC77L*HK000001~HK099999	K2D A
	TH	Thailand		JH2SC77T*HK000001~HK099999	K2A A
U	Australia	JH2SC77U*HK000001~HK099999	K2D A		

Model	Area code	Type	Applicable engine serial No.	Applicable frame serial No.	Applicable throttle body identification No.
CBR1000RAJ	2BR	Brazil	SC77E-5000001~	JH2SC77H*JK100001~	K2A A
	2CH	China		JH2SC77R*JK100001~	
	2ED	European direct sales		JH2SC77A*JK100001~	
	2FO	Taiwan		JH2SC779*JK100001~	
	2GS	GCC Countries		JH2SC77F*JK100001~	K2D A
	2IN	Indonesia		JH2SC77N*JK100001~	K2A A
	2KO	Korea		JH2SC77K*JK100001~	K2D A
	2RU	Russia		JH2SC77L*JK100001~	K2A A
	2TH	Thailand		JH2SC77T*JK100001~	K2D A
	2U	Australia		JH2SC77U*JK100001~	K2A A
	BR	Brazil		JH2SC77H*JK100001~	K2D A
	CH	China		JH2SC77R*JK100001~	
	ED	European direct sales		JH2SC77A*JK100001~	
	FO	Taiwan		JH2SC779*JK100001~	
	GS	GCC Countries		JH2SC77F*JK100001~	K2A A
	KO	Korea		JH2SC77K*JK100001~	K2D A
	RU	Russia		JH2SC77L*JK100001~	K2A A
	TH	Thailand		JH2SC77T*JK100001~	K2D A
	U	Australia		JH2SC77U*JK100001~	K2A A

Model	Area code	Type	Applicable engine serial No.	Applicable frame serial No.	Applicable throttle body identification No.
CBR1000S1H	2BR	Brazil	SC77E-5000001~	JH2SC77H*HK000001~HK099999	K2A A
	2CH	China		JH2SC77R*HK000001~HK099999	
	2ED	European direct sales		JH2SC77B*HK000001~HK099999	
	2FO	Taiwan		JH2SC779*HK000001~HK099999	
	2GS	GCC Countries		JH2SC77G*HK000001~HK099999	K2D A
	2IN	Indonesia		JH2SC77N*HK000001~HK099999	
	2KO	Korea		JH2SC77K*HK000001~HK099999	K2A A
	2RU	Russia		JH2SC77L*HK000001~HK099999	K2D A
	2TH	Thailand		JH2SC77T*HK000001~HK099999	K2A A
	2U	Australia		JH2SC77U*HK000001~HK099999	K2D A
CBR1000S1J	2BR	Brazil	SC77E-5000001~	JH2SC77H*JK100001~	K2A A
	2CH	China		JH2SC77R*JK100001~	
	2ED	European direct sales		JH2SC77B*JK100001~	
	2FO	Taiwan		JH2SC779*JK100001~	
	2GS	GCC Countries		JH2SC77G*JK100001~	K2D A
	2IN	Indonesia		JH2SC77N*JK100001~	
	2KO	Korea		JH2SC77K*JK100001~	K2A A
	2RU	Russia		JH2SC77L*JK100001~	K2D A
	2TH	Thailand		JH2SC77T*JK100001~	K2A A
	2U	Australia		JH2SC77U*JK100001~	K2D A
CBR1000S2H	2ED	European direct sales	SC77E-6000001~	JH2SC77C*HK000001~HK099999	K2A A
	2U	Australia		JH2SC77U*HK000001~HK099999	K2D A
CBR1000S2J	2ED	European direct sales	SC77E-6000001~	JH2SC77C*JK100001~	K2A A

* Of carburetor/throttle body identification numbers, only the portions underlined in the example below are used for registration.

K2D A KC ㄉ

Color label

- When ordering parts, check the model name, main color, and code by observing the “COLOR LABEL” on the vehicle.
- When ordering a colored part, use the color chart in the instruction for use of parts catalogue.

VFR800FIW COLOR R-157 CODE R157	MODEL		VFR800FIW					
	No.	COLOR	Sparkling silver metallic	Mute black metallic	Applicable model		Applicable block No.	Re
		CODE	NH-295M	NH-359M	Initial applicable model	Final applicable model		
		Name of colored parts	Basic part No.	NH295	NH359			
	1							
	2							
	3							
	4							
	5							
	6							
	7							
	8							
	9							
	10							

Color chart

- When ordering a colored part, refer to the chart below and use a part number consisting of the relevant basic part number to which has been added a part color code.

CBR1000RR (CBR1000RRH).....2GS

No.	MODEL		CBR1000RRH				
	COLOR		Victory red	Applicable model		Applicable block No.	Ref. No.
	CODE		R-334	Initial applicable model	Final applicable model		
	Name of colored parts	Basic part No.	R334				
1	BODY SET, FRAME	50010-MKF-A20	ZA			F-39	2
2	CLIP, PANEL FIXING	91549-MW0-790	ZA			F-41	40
3	CLIP, PANEL FIXING	91549-MW0-790	ZA			F-45	26
4	COVER, L. AIR CLEANER SIDE	83166-MKF-D40	ZA			F-21-20	13
5	COVER, R. AIR CLEANER SIDE	83165-MKF-D40	ZA			F-21-20	12
6	COWL ASSY., FR. UPPER	64105-MKF-D40	ZC			F-43	2
7	COWL SET, L. MIDDLE	64350-MKF-D40	ZA			F-45	7
8	COWL SET, L. UNDER	64450-MKF-D40	ZA			F-45	12
9	COWL SET, R. MIDDLE	64300-MKF-D40	ZA			F-45	3
10	COWL SET, R. UNDER	64400-MKF-D40	ZA			F-45	11
11	COWL SET, RR. CENTER	77210-MKF-D40	ZB			F-23-10	1
12	COWL SET, RR. UPPER	77220-MKF-D40	ZB			F-23-10	3
13	COWL, RR. UNDER	77231-MKF-D40	ZA			F-23-10	5
14	FENDER COMP., FR.	61100-MFL-000	ZJ			F-10	4
15	HOLDER, L. PILLION STEP	50760-MKF-D40	ZA			F-30	16
16	HOLDER, R. PILLION STEP	50750-MKF-D40	ZA			F-30	15
17	MARK	86836-MKF-D40	ZB			F-50-1	20
18	MARK, HONDA	86101-MKF-D40	ZB			F-50-1	1
19	RAIL ASSY., SEAT	50200-MKF-D40	ZA			F-39	7
20	RING, FR. PULSER	44515-MKF-D40	ZB			F-14	12

CBR1000RR (CBR1000RRH).....2GS

No.	MODEL		CBR1000RRH				
	COLOR		Victory red	Applicable model		Applicable block No.	Ref. No.
	CODE		R-334	Initial applicable model	Final applicable model		
	Name of colored parts	Basic part No.	R334				
21	SHELTER SET, L. SIDE	83170-MKF-D40	ZD			F-21-20	14
22	SHELTER SET, R. SIDE	83160-MKF-D40	ZD			F-21-20	11
23	SHELTER SET, RR.	83150-MKF-D40	ZD			F-21-20	8
24	STRIPE A, L. MIDDLE COWL	86644-MKF-D40	ZA			F-50-1	5
25	STRIPE A, L. RR. SHELTER	86832-MKF-D40	ZB			F-50-1	19
26	STRIPE A, L. UNDER COWL	86652-MKF-D40	ZA			F-50-1	10
27	STRIPE A, R. MIDDLE COWL	86643-MKF-D40	ZB			F-50-1	3
28	STRIPE A, R. RR. SHELTER	86831-MKF-D40	ZB			F-50-1	18
29	STRIPE B, L. MIDDLE COWL	86646-MKF-D40	ZA			F-50-1	8
30	STRIPE B, L. UNDER COWL	86653-MKF-D40	ZA			F-50-1	11
31	STRIPE B, R. MIDDLE COWL	86645-MKF-D40	ZB			F-50-1	7
32	STRIPE, FR. UPPER COWL	86642-MKF-D40	ZB			F-50-1	2
33	STRIPE, L. RR. COWL UPPER	86774-MKF-D40	ZB			F-50-1	13
34	STRIPE, L. SIDE SHELTER	86834-MKF-D40	ZB			F-50-1	22
35	STRIPE, R. RR. COWL UPPER	86773-MKF-D40	ZB			F-50-1	12
36	STRIPE, R. SIDE SHELTER	86833-MKF-D40	ZB			F-50-1	21
37	STRIPE, R. UNDER COWL	86651-MKF-D40	ZA			F-50-1	9
38	TRIM, FUEL TANK	17516-KCZ-000	ZB			F-21-20	2
39	WHEEL SUB ASSY., FR.	44650-MKF-D40	ZD			F-14	15
40	WHEEL SUB ASSY., RR.	42650-MKF-D40	ZC			F-19	13

CBR1000RR (CBR1000RRH).....GS

No.	MODEL		CBR1000RRH				
	COLOR		Mat ballistic black metallic NH-A86M	Applicable model		Applicable block No.	Ref. No.
	CODE			Initial applicable model	Final applicable model		
	Name of colored parts	Basic part No.	NHA86				
1	BODY SET, FRAME	50010-MKF-A20	ZA			F-39	2
2	CLIP, PANEL FIXING	91549-MW0-790	ZA			F-41	40
3	CLIP, PANEL FIXING	91549-MW0-790	ZA			F-45	26
4	COVER, L. AIR CLEANER SIDE	83166-MKF-D40	ZA			F-21-20	13
5	COVER, R. AIR CLEANER SIDE	83165-MKF-D40	ZA			F-21-20	12
6	COWL ASSY., FR. UPPER	64105-MKF-D10	ZA			F-43	2
7	COWL SET, L. MIDDLE	64350-MKF-D10	ZB			F-45	7
8	COWL SET, L. UNDER	64450-MKF-D10	ZA			F-45	12
9	COWL SET, R. MIDDLE	64300-MKF-D10	ZB			F-45	3
10	COWL SET, R. UNDER	64400-MKF-D10	ZA			F-45	11
11	COWL SET, RR. CENTER	77210-MKF-D40	ZA			F-23-10	1
12	COWL SET, RR. UPPER	77220-MKF-D10	ZB			F-23-10	3
13	COWL, RR. UNDER	77231-MKF-D40	ZC			F-23-10	5
14	FENDER COMP., FR.	61100-MFL-000	ZT			F-10	4
15	HOLDER, L. PILLION STEP	50760-MKF-D40	ZA			F-30	16
16	HOLDER, R. PILLION STEP	50750-MKF-D40	ZA			F-30	15
17	MARK	86836-MKF-D40	ZA			F-50	17
18	MARK, HONDA	86101-MKF-D40	ZA			F-50	1
19	MARK, HONDA	86102-MKF-D10	ZA			F-50	2
20	MARK, HONDA	86103-MKF-D10	ZA			F-50	3
21	MARK, HONDA	86104-MKF-D10	ZA			F-50	4
22	RAIL ASSY., SEAT	50200-MKF-D40	ZA			F-39	7
23	RING, FR. PULSER	44515-MKF-D40	ZB			F-14	12
24	SHELTER SET, L. SIDE	83170-MKF-D10	ZB			F-21-20	14

CBR1000RR (CBR1000RRH).....GS

No.	MODEL		CBR1000RRH				
	COLOR		Mat ballistic black metallic NH-A86M	Applicable model		Applicable block No.	Ref. No.
	CODE			Initial applicable model	Final applicable model		
	Name of colored parts	Basic part No.	NHA86				
25	SHELTER SET, R. SIDE	83160-MKF-D10	ZB			F-21-20	11
26	SHELTER SET, RR.	83150-MKF-D10	ZB			F-21-20	8
27	SHROUD SET, L.	64365-MKF-D10	ZA			F-45	9
28	SHROUD SET, R.	64315-MKF-D10	ZA			F-45	5
29	STRIPE, L. FR. UPPER COWL	86643-MKF-D10	ZA			F-50	6
30	STRIPE, L. MIDDLE COWL	86646-MKF-D10	ZA			F-50	9
31	STRIPE, L. RR. COWL UPPER	86774-MKF-D10	ZA			F-50	14
32	STRIPE, L. SHROUD	86648-MKF-D10	ZA			F-50	12
33	STRIPE, L. SIDE SHELTER	86834-MKF-D10	ZA			F-50	16
34	STRIPE, R. FR. UPPER COWL	86642-MKF-D10	ZA			F-50	5
35	STRIPE, R. MIDDLE COWL	86645-MKF-D10	ZA			F-50	7
36	STRIPE, R. RR. COWL UPPER	86773-MKF-D10	ZA			F-50	13
37	STRIPE, R. SHROUD	86647-MKF-D10	ZA			F-50	11
38	STRIPE, R. SIDE SHELTER	86833-MKF-D10	ZA			F-50	15
39	TRIM, FUEL TANK	17516-KCZ-000	ZB			F-21-20	2
40	WHEEL SUB ASSY., FR.	44650-MKF-D40	ZD			F-14	15
41	WHEEL SUB ASSY., RR.	42650-MKF-D40	ZC			F-19	13

CBR1000RR (CBR1000RRJ).....2GS

No.	MODEL		CBR1000RRJ				
	COLOR		Grand prix red R-380	Applicable model		Applicable block No.	Ref. No.
	CODE			Initial applicable model	Final applicable model		
	Name of colored parts	Basic part No.	R380				
1	BODY SET, FRAME	50010-MKF-A20	ZA			F-39	2
2	CLIP, PANEL FIXING	91549-MW0-790	ZA			F-41	40
3	CLIP, PANEL FIXING	91549-MW0-790	ZA			F-45	26
4	COVER, L. AIR CLEANER SIDE	83166-MKF-D40	ZA			F-21-20	13
5	COVER, R. AIR CLEANER SIDE	83165-MKF-D40	ZA			F-21-20	12
6	COWL ASSY., FR. UPPER	64105-MKF-D80	ZB			F-43	2
7	COWL ASSY., L. MIDDLE	64355-MKF-D30	ZA			F-45	7
8	COWL ASSY., L. UNDER	64455-MKF-D30	ZA			F-45	12
9	COWL ASSY., R. MIDDLE	64305-MKF-D30	ZA			F-45	3
10	COWL ASSY., R. UNDER	64405-MKF-D30	ZA			F-45	11
11	COWL SET, RR. CENTER	77210-MKF-D80	ZA			F-23-10	1
12	COWL SET, RR. UPPER	77220-MKF-D80	ZB			F-23-10	3
13	COWL, RR. UNDER	77231-MKF-D30	ZA			F-23-10	5
14	FENDER COMP., FR.	61100-MKF-D60	ZB			F-10	4
15	HOLDER, L. PILLION STEP	50760-MKF-D40	ZA			F-30	16
16	HOLDER, R. PILLION STEP	50750-MKF-D40	ZA			F-30	15
17	MARK, HONDA	86101-MKF-D80	ZA			F-50-1	1
18	RAIL ASSY., SEAT	50200-MKF-D40	ZA			F-39	7
19	RING, FR. PULSER	44515-MKF-D40	ZB			F-14	12
20	SHELTER SET, L. SIDE	83170-MKF-D80	ZB			F-21-20	14
21	SHELTER SET, R. SIDE	83160-MKF-D80	ZB			F-21-20	11
22	SHELTER SET, RR.	83150-MKF-D80	ZB			F-21-20	8
23	STRIPE A, L. MIDDLE COWL	86644-MKF-D80	ZB			F-50-1	5
24	STRIPE A, L. RR. SHELTER	86832-MKF-D80	ZB			F-50-1	19

CBR1000RR (CBR1000RRJ).....2GS

No.	MODEL		CBR1000RRJ				
	COLOR		Grand prix red R-380	Applicable model		Applicable block No.	Ref. No.
	CODE			Initial applicable model	Final applicable model		
	Name of colored parts	Basic part No.	R380				
25	STRIPE A, L. UNDER COWL	86652-MKF-D30	ZA			F-50-1	24
26	STRIPE A, R. MIDDLE COWL	86643-MKF-D80	ZB			F-50-1	3
27	STRIPE A, R. RR. SHELTER	86831-MKF-D80	ZB			F-50-1	18
28	STRIPE B, L. MIDDLE COWL	86646-MKF-D30	ZA			F-50-1	8
29	STRIPE B, L. UNDER COWL	86653-MKF-D30	ZA			F-50-1	25
30	STRIPE B, R. MIDDLE COWL	86645-MKF-D30	ZA			F-50-1	7
31	STRIPE, FR. UPPER COWL	86642-MKF-D80	ZB			F-50-1	2
32	STRIPE, L. RR. COWL UPPER	86774-MKF-D80	ZB			F-50-1	13
33	STRIPE, L. SIDE SHELTER	86834-MKF-D80	ZB			F-50-1	22
34	STRIPE, R. RR. COWL UPPER	86773-MKF-D80	ZB			F-50-1	12
35	STRIPE, R. SIDE SHELTER	86833-MKF-D80	ZB			F-50-1	21
36	STRIPE, R. UNDER COWL	86651-MKF-D30	ZA			F-50-1	23
37	TRIM, FUEL TANK	17516-KCZ-000	ZB			F-21-20	2
38	WHEEL SUB ASSY., FR.	44650-MKF-D40	ZD			F-14	15
39	WHEEL SUB ASSY., RR.	42650-MKF-D40	ZC			F-19	13

CBR1000RR (CBR1000RRJ).....GS

No.	MODEL		CBR1000RRJ				
	COLOR		Mat ballistic black metallic NH-A86M	Applicable model		Applicable block No.	Ref. No.
	CODE			Initial applicable model	Final applicable model		
	Name of colored parts	Basic part No.	NHA86				
1	BODY SET, FRAME	50010-MKF-A20	ZA			F-39	2
2	CLIP, PANEL FIXING	91549-MW0-790	ZA			F-41	40
3	CLIP, PANEL FIXING	91549-MW0-790	ZA			F-45	26
4	COVER, L. AIR CLEANER SIDE	83166-MKF-D40	ZA			F-21-20	13
5	COVER, R. AIR CLEANER SIDE	83165-MKF-D40	ZA			F-21-20	12
6	COWL ASSY., FR. UPPER	64105-MKF-D20	ZA			F-43	2
7	COWL ASSY., L. MIDDLE	64355-MKF-D20	ZA			F-45	7
8	COWL ASSY., L. UNDER	64455-MKF-D20	ZA			F-45	12
9	COWL ASSY., R. MIDDLE	64305-MKF-D20	ZA			F-45	3
10	COWL ASSY., R. UNDER	64405-MKF-D20	ZA			F-45	11
11	COWL SET, RR. CENTER	77210-MKF-D40	ZA			F-23-10	1
12	COWL SET, RR. UPPER	77220-MKF-D20	ZA			F-23-10	3
13	COWL, RR. UNDER	77231-MKF-D20	ZA			F-23-10	5
14	FENDER COMP., FR.	61100-MKF-D20	ZA			F-10	4
15	HOLDER, L. PILLION STEP	50760-MKF-D40	ZA			F-30	16
16	HOLDER, R. PILLION STEP	50750-MKF-D40	ZA			F-30	15
17	MARK, HONDA	86101-MKF-D40	ZA			F-50	1
18	MARK, HONDA	86102-MKF-D20	ZA			F-50	2
19	MARK, HONDA	86103-MKF-D20	ZA			F-50	3
20	MARK, HONDA	86104-MKF-D20	ZA			F-50	4
21	RAIL ASSY., SEAT	50200-MKF-D40	ZA			F-39	7
22	RING, FR. PULSER	44515-MKF-D40	ZB			F-14	12
23	SHELTER SET, L. SIDE	83170-MKF-D10	ZB			F-21-20	14
24	SHELTER SET, R. SIDE	83160-MKF-D10	ZB			F-21-20	11

CBR1000RR (CBR1000RRJ).....GS

No.	MODEL		CBR1000RRJ				
	COLOR		Mat ballistic black metallic NH-A86M	Applicable model		Applicable block No.	Ref. No.
	CODE			Initial applicable model	Final applicable model		
	Name of colored parts	Basic part No.	NHA86				
25	SHELTER, RR.	83150-MKF-D20	ZA			F-21-20	20
26	SHROUD SET, L.	64365-MKF-D10	ZA			F-45	9
27	SHROUD SET, R.	64315-MKF-D10	ZA			F-45	5
28	STRIPE, L. FR. UPPER COWL	86643-MKF-D20	ZA			F-50	6
29	STRIPE, L. MIDDLE COWL	86646-MKF-D20	ZA			F-50	9
30	STRIPE, L. RR. COWL UPPER	86774-MKF-D20	ZA			F-50	14
31	STRIPE, L. SHROUD	86648-MKF-D10	ZA			F-50	12
32	STRIPE, L. SIDE SHELTER	86834-MKF-D10	ZA			F-50	16
33	STRIPE, R. FR. UPPER COWL	86642-MKF-D20	ZA			F-50	5
34	STRIPE, R. MIDDLE COWL	86645-MKF-D20	ZA			F-50	7
35	STRIPE, R. RR. COWL UPPER	86773-MKF-D20	ZA			F-50	13
36	STRIPE, R. SHROUD	86647-MKF-D10	ZA			F-50	11
37	STRIPE, R. SIDE SHELTER	86833-MKF-D10	ZA			F-50	15
38	TRIM, FUEL TANK	17516-KCZ-000	ZB			F-21-20	2
39	WHEEL SUB ASSY., FR.	44650-MKF-D40	ZD			F-14	15
40	WHEEL SUB ASSY., RR.	42650-MKF-D40	ZC			F-19	13

CBR1000RA (CBR1000RAH).....2BR

No.	MODEL		CBR1000RAH				
	COLOR		R-334	Applicable model		Applicable block No.	Ref. No.
	CODE			Initial applicable model	Final applicable model		
	Name of colored parts	Basic part No.	R334				
1	BODY SET, FRAME	50010-MKF-B40	ZA			F-39	2
2	CLIP, PANEL FIXING	91549-MW0-790	ZA			F-41	40
3	CLIP, PANEL FIXING	91549-MW0-790	ZA			F-45	26
4	COVER, L. AIR CLEANER SIDE	83166-MKF-D40	ZA			F-21-20	13
5	COVER, R. AIR CLEANER SIDE	83165-MKF-D40	ZA			F-21-20	12
6	COWL ASSY., FR. UPPER	64105-MKF-D40	ZC			F-43	2
7	COWL SET, L. MIDDLE	64350-MKF-D40	ZA			F-45	7
8	COWL SET, L. UNDER	64450-MKF-D40	ZA			F-45	12
9	COWL SET, R. MIDDLE	64300-MKF-D40	ZA			F-45	3
10	COWL SET, R. UNDER	64400-MKF-D40	ZA			F-45	11
11	COWL SET, RR. CENTER	77210-MKF-D40	ZB			F-23-10	1
12	COWL SET, RR. UPPER	77220-MKF-D40	ZB			F-23-10	3
13	COWL, RR. UNDER	77231-MKF-D40	ZA			F-23-10	5
14	FENDER COMP., FR.	61100-MFL-000	ZJ			F-10	4
15	HOLDER, L. PILLION STEP	50760-MKF-D40	ZA			F-30	16
16	HOLDER, R. PILLION STEP	50750-MKF-D40	ZA			F-30	15
17	MARK	86836-MKF-D40	ZB			F-50-1	20
18	MARK, HONDA	86101-MKF-D40	ZB			F-50-1	1
19	RAIL ASSY., SEAT	50200-MKF-D40	ZA			F-39	7
20	RING, FR. PULSER	44515-MKF-D40	ZB			F-14	12
21	SHELTER SET, L. SIDE	83170-MKF-D40	ZD			F-21-20	14
22	SHELTER SET, R. SIDE	83160-MKF-D40	ZD			F-21-20	11
23	SHELTER SET, RR.	83150-MKF-D40	ZD			F-21-20	8
24	STRIPE A, L. MIDDLE COWL	86644-MKF-D40	ZA			F-50-1	5

CBR1000RA (CBR1000RAH).....2BR

No.	MODEL		CBR1000RAH				
	COLOR		Victory red	Applicable model		Applicable block No.	Ref. No.
	CODE		R-334	Initial applicable model	Final applicable model		
	Name of colored parts	Basic part No.	R334				
25	STRIPE A, L. RR. SHELTER	86832-MKF-D40	ZB			F-50-1	19
26	STRIPE A, L. UNDER COWL	86652-MKF-D40	ZA			F-50-1	10
27	STRIPE A, R. MIDDLE COWL	86643-MKF-D40	ZB			F-50-1	3
28	STRIPE A, R. RR. SHELTER	86831-MKF-D40	ZB			F-50-1	18
29	STRIPE B, L. MIDDLE COWL	86646-MKF-D40	ZA			F-50-1	8
30	STRIPE B, L. UNDER COWL	86653-MKF-D40	ZA			F-50-1	11
31	STRIPE B, R. MIDDLE COWL	86645-MKF-D40	ZB			F-50-1	7
32	STRIPE, FR. UPPER COWL	86642-MKF-D40	ZB			F-50-1	2
33	STRIPE, L. RR. COWL UPPER	86774-MKF-D40	ZB			F-50-1	13
34	STRIPE, L. SIDE SHELTER	86834-MKF-D40	ZB			F-50-1	22
35	STRIPE, R. RR. COWL UPPER	86773-MKF-D40	ZB			F-50-1	12
36	STRIPE, R. SIDE SHELTER	86833-MKF-D40	ZB			F-50-1	21
37	STRIPE, R. UNDER COWL	86651-MKF-D40	ZA			F-50-1	9
38	TRIM, FUEL TANK	17516-KCZ-000	ZB			F-21-20	2
39	WHEEL SUB ASSY., FR.	44650-MKF-D40	ZD			F-14	15
40	WHEEL SUB ASSY., RR.	42650-MKF-D40	ZC			F-19	13

CBR1000RA (CBR1000RAH).....2CH

No.	MODEL		CBR1000RAH				
	COLOR		Victory red R-334	Applicable model		Applicable block No.	Ref. No.
	CODE			Initial applicable model	Final applicable model		
	Name of colored parts	Basic part No.	R334				
1	BODY SET, FRAME	50010-MKF-H40	ZA			F-39	2
2	CLIP, PANEL FIXING	91549-MW0-790	ZA			F-41	40
3	CLIP, PANEL FIXING	91549-MW0-790	ZA			F-45	26
4	COVER, L. AIR CLEANER SIDE	83166-MKF-D40	ZA			F-21-20	13
5	COVER, R. AIR CLEANER SIDE	83165-MKF-D40	ZA			F-21-20	12
6	COWL ASSY., FR. UPPER	64105-MKF-D40	ZC			F-43	2
7	COWL SET, L. MIDDLE	64350-MKF-J40	ZA			F-45	7
8	COWL SET, L. UNDER	64450-MKF-D40	ZA			F-45	12
9	COWL SET, R. MIDDLE	64300-MKF-J40	ZA			F-45	3
10	COWL SET, R. UNDER	64400-MKF-D40	ZA			F-45	11
11	COWL SET, RR. CENTER	77210-MKF-D40	ZB			F-23-10	1
12	COWL SET, RR. UPPER	77220-MKF-D40	ZB			F-23-10	3
13	COWL, RR. UNDER	77231-MKF-D40	ZA			F-23-10	5
14	FENDER COMP., FR.	61100-MFL-000	ZJ			F-10	4
15	HOLDER, L. PILLION STEP	50760-MKF-D40	ZA			F-30	16
16	HOLDER, R. PILLION STEP	50750-MKF-D40	ZA			F-30	15
17	MARK	86836-MKF-D40	ZB			F-50-1	20
18	MARK, HONDA	86101-MKF-D40	ZB			F-50-1	1
19	RAIL ASSY., SEAT	50200-MKF-D40	ZA			F-39	7
20	RING, FR. PULSER	44515-MKF-D40	ZB			F-14	12
21	SHELTER SET, L. SIDE	83170-MKF-D40	ZD			F-21-20	14
22	SHELTER SET, R. SIDE	83160-MKF-D40	ZD			F-21-20	11
23	SHELTER SET, RR.	83150-MKF-D40	ZD			F-21-20	8
24	STRIPE A, L. MIDDLE COWL	86644-MKF-L20	ZB			F-50-1	6

CBR1000RA (CBR1000RAH).....2CH

No.	MODEL		CBR1000RAH				
	COLOR		Victory red	Applicable model		Applicable block No.	Ref. No.
	CODE		R-334	Initial applicable model	Final applicable model		
	Name of colored parts	Basic part No.	R334				
25	STRIPE A, L. RR. SHELTER	86832-MKF-D40	ZB			F-50-1	19
26	STRIPE A, L. UNDER COWL	86652-MKF-D40	ZA			F-50-1	10
27	STRIPE A, R. MIDDLE COWL	86643-MKF-L20	ZB			F-50-1	4
28	STRIPE A, R. RR. SHELTER	86831-MKF-D40	ZB			F-50-1	18
29	STRIPE B, L. MIDDLE COWL	86646-MKF-D40	ZA			F-50-1	8
30	STRIPE B, L. UNDER COWL	86653-MKF-D40	ZA			F-50-1	11
31	STRIPE B, R. MIDDLE COWL	86645-MKF-D40	ZB			F-50-1	7
32	STRIPE, FR. UPPER COWL	86642-MKF-D40	ZB			F-50-1	2
33	STRIPE, L. RR. COWL UPPER	86774-MKF-D40	ZB			F-50-1	13
34	STRIPE, L. SIDE SHELTER	86834-MKF-D40	ZB			F-50-1	22
35	STRIPE, R. RR. COWL UPPER	86773-MKF-D40	ZB			F-50-1	12
36	STRIPE, R. SIDE SHELTER	86833-MKF-D40	ZB			F-50-1	21
37	STRIPE, R. UNDER COWL	86651-MKF-D40	ZA			F-50-1	9
38	TRIM, FUEL TANK	17516-KCZ-000	ZB			F-21-20	2
39	WHEEL SUB ASSY., FR.	44650-MKF-D40	ZD			F-14	15
40	WHEEL SUB ASSY., RR.	42650-MKF-D40	ZC			F-19	13

CBR1000RA (CBR1000RAH).....2ED,2RU,2U

No.	MODEL		CBR1000RAH				
	COLOR		R-334	Applicable model		Applicable block No.	Ref. No.
	CODE			Initial applicable model	Final applicable model		
	Name of colored parts	Basic part No.	R334				
1	BODY SET, FRAME	50010-MKF-D40	ZA			F-39	2
2	CLIP, PANEL FIXING	91549-MW0-790	ZA			F-41	40
3	CLIP, PANEL FIXING	91549-MW0-790	ZA			F-45	26
4	COVER, L. AIR CLEANER SIDE	83166-MKF-D40	ZA			F-21-20	13
5	COVER, R. AIR CLEANER SIDE	83165-MKF-D40	ZA			F-21-20	12
6	COWL ASSY., FR. UPPER	64105-MKF-D40	ZC			F-43	2
7	COWL SET, L. MIDDLE	64350-MKF-D40	ZA			F-45	7
8	COWL SET, L. UNDER	64450-MKF-D40	ZA			F-45	12
9	COWL SET, R. MIDDLE	64300-MKF-D40	ZA			F-45	3
10	COWL SET, R. UNDER	64400-MKF-D40	ZA			F-45	11
11	COWL SET, RR. CENTER	77210-MKF-D40	ZB			F-23-10	1
12	COWL SET, RR. UPPER	77220-MKF-D40	ZB			F-23-10	3
13	COWL, RR. UNDER	77231-MKF-D40	ZA			F-23-10	5
14	FENDER COMP., FR.	61100-MFL-000	ZJ			F-10	4
15	HOLDER, L. PILLION STEP	50760-MKF-D40	ZA			F-30	16
16	HOLDER, R. PILLION STEP	50750-MKF-D40	ZA			F-30	15
17	MARK	86836-MKF-D40	ZB			F-50-1	20
18	MARK, HONDA	86101-MKF-D40	ZB			F-50-1	1
19	RAIL ASSY., SEAT	50200-MKF-D40	ZA			F-39	7
20	RING, FR. PULSER	44515-MKF-D40	ZB			F-14	12
21	SHELTER SET, L. SIDE	83170-MKF-D40	ZD			F-21-20	14
22	SHELTER SET, R. SIDE	83160-MKF-D40	ZD			F-21-20	11
23	SHELTER SET, RR.	83150-MKF-D40	ZD			F-21-20	8
24	STRIPE A, L. MIDDLE COWL	86644-MKF-D40	ZA			F-50-1	5

CBR1000RA (CBR1000RAH).....2ED,2RU,2U

No.	MODEL		CBR1000RAH				
	COLOR		Victory red	Applicable model		Applicable block No.	Ref. No.
	CODE		R-334	Initial applicable model	Final applicable model		
	Name of colored parts	Basic part No.	R334				
25	STRIPE A, L. RR. SHELTER	86832-MKF-D40	ZB			F-50-1	19
26	STRIPE A, L. UNDER COWL	86652-MKF-D40	ZA			F-50-1	10
27	STRIPE A, R. MIDDLE COWL	86643-MKF-D40	ZB			F-50-1	3
28	STRIPE A, R. RR. SHELTER	86831-MKF-D40	ZB			F-50-1	18
29	STRIPE B, L. MIDDLE COWL	86646-MKF-D40	ZA			F-50-1	8
30	STRIPE B, L. UNDER COWL	86653-MKF-D40	ZA			F-50-1	11
31	STRIPE B, R. MIDDLE COWL	86645-MKF-D40	ZB			F-50-1	7
32	STRIPE, FR. UPPER COWL	86642-MKF-D40	ZB			F-50-1	2
33	STRIPE, L. RR. COWL UPPER	86774-MKF-D40	ZB			F-50-1	13
34	STRIPE, L. SIDE SHELTER	86834-MKF-D40	ZB			F-50-1	22
35	STRIPE, R. RR. COWL UPPER	86773-MKF-D40	ZB			F-50-1	12
36	STRIPE, R. SIDE SHELTER	86833-MKF-D40	ZB			F-50-1	21
37	STRIPE, R. UNDER COWL	86651-MKF-D40	ZA			F-50-1	9
38	TRIM, FUEL TANK	17516-KCZ-000	ZB			F-21-20	2
39	WHEEL SUB ASSY., FR.	44650-MKF-D40	ZD			F-14	15
40	WHEEL SUB ASSY., RR.	42650-MKF-D40	ZC			F-19	13

CBR1000RA (CBR1000RAH).....2FO,2GS

No.	MODEL		CBR1000RAH				
	COLOR		Victory red R-334	Applicable model		Applicable block No.	Ref. No.
	CODE			Initial applicable model	Final applicable model		
	Name of colored parts	Basic part No.	R334				
1	BODY SET, FRAME	50010-MKF-A20	ZA			F-39	2
2	BODY SET, FRAME	50010-MKF-D40	ZA			F-39	2
3	CLIP, PANEL FIXING	91549-MW0-790	ZA			F-41	40
4	CLIP, PANEL FIXING	91549-MW0-790	ZA			F-45	26
5	COVER, L. AIR CLEANER SIDE	83166-MKF-D40	ZA			F-21-20	13
6	COVER, R. AIR CLEANER SIDE	83165-MKF-D40	ZA			F-21-20	12
7	COWL ASSY., FR. UPPER	64105-MKF-D40	ZC			F-43	2
8	COWL SET, L. MIDDLE	64350-MKF-D40	ZA			F-45	7
9	COWL SET, L. UNDER	64450-MKF-D40	ZA			F-45	12
10	COWL SET, R. MIDDLE	64300-MKF-D40	ZA			F-45	3
11	COWL SET, R. UNDER	64400-MKF-D40	ZA			F-45	11
12	COWL SET, RR. CENTER	77210-MKF-D40	ZB			F-23-10	1
13	COWL SET, RR. UPPER	77220-MKF-D40	ZB			F-23-10	3
14	COWL, RR. UNDER	77231-MKF-D40	ZA			F-23-10	5
15	FENDER COMP., FR.	61100-MFL-000	ZJ			F-10	4
16	HOLDER, L. PILLION STEP	50760-MKF-D40	ZA			F-30	16
17	HOLDER, R. PILLION STEP	50750-MKF-D40	ZA			F-30	15
18	MARK	86836-MKF-D40	ZB			F-50-1	20
19	MARK, HONDA	86101-MKF-D40	ZB			F-50-1	1
20	RAIL ASSY., SEAT	50200-MKF-D40	ZA			F-39	7
21	RING, FR. PULSER	44515-MKF-D40	ZB			F-14	12
22	SHELTER SET, L. SIDE	83170-MKF-D40	ZD			F-21-20	14
23	SHELTER SET, R. SIDE	83160-MKF-D40	ZD			F-21-20	11
24	SHELTER SET, RR.	83150-MKF-D40	ZD			F-21-20	8

CBR1000RA (CBR1000RAH).....2FO,2GS

No.	MODEL		CBR1000RAH				
	COLOR		Victory red	Applicable model		Applicable block No.	Ref. No.
	CODE		R-334	Initial applicable model	Final applicable model		
	Name of colored parts	Basic part No.	R334				
25	STRIPE A, L. MIDDLE COWL	86644-MKF-D40	ZA			F-50-1	5
26	STRIPE A, L. RR. SHELTER	86832-MKF-D40	ZB			F-50-1	19
27	STRIPE A, L. UNDER COWL	86652-MKF-D40	ZA			F-50-1	10
28	STRIPE A, R. MIDDLE COWL	86643-MKF-D40	ZB			F-50-1	3
29	STRIPE A, R. RR. SHELTER	86831-MKF-D40	ZB			F-50-1	18
30	STRIPE B, L. MIDDLE COWL	86646-MKF-D40	ZA			F-50-1	8
31	STRIPE B, L. UNDER COWL	86653-MKF-D40	ZA			F-50-1	11
32	STRIPE B, R. MIDDLE COWL	86645-MKF-D40	ZB			F-50-1	7
33	STRIPE, FR. UPPER COWL	86642-MKF-D40	ZB			F-50-1	2
34	STRIPE, L. RR. COWL UPPER	86774-MKF-D40	ZB			F-50-1	13
35	STRIPE, L. SIDE SHELTER	86834-MKF-D40	ZB			F-50-1	22
36	STRIPE, R. RR. COWL UPPER	86773-MKF-D40	ZB			F-50-1	12
37	STRIPE, R. SIDE SHELTER	86833-MKF-D40	ZB			F-50-1	21
38	STRIPE, R. UNDER COWL	86651-MKF-D40	ZA			F-50-1	9
39	TRIM, FUEL TANK	17516-KCZ-000	ZB			F-21-20	2
40	WHEEL SUB ASSY., FR.	44650-MKF-D40	ZD			F-14	15
41	WHEEL SUB ASSY., RR.	42650-MKF-D40	ZC			F-19	13

CBR1000RA (CBR1000RAH).....2IN

No.	MODEL		CBR1000RAH				
	COLOR		Victory red R-334	Applicable model		Applicable block No.	Ref. No.
	CODE			Initial applicable model	Final applicable model		
	Name of colored parts	Basic part No.	R334				
1	BODY SET, FRAME	50010-MKF-D40	ZA			F-39	2
2	CLIP, PANEL FIXING	91549-MW0-790	ZA			F-41	40
3	CLIP, PANEL FIXING	91549-MW0-790	ZA			F-45	26
4	COVER, L. AIR CLEANER SIDE	83166-MKF-D40	ZA			F-21-20	13
5	COVER, R. AIR CLEANER SIDE	83165-MKF-D40	ZA			F-21-20	12
6	COWL ASSY., FR. UPPER	64105-MKF-D40	ZC			F-43	2
7	COWL SET, L. MIDDLE	64350-MKF-D40	ZA			F-45	7
8	COWL SET, L. UNDER	64450-MKF-D40	ZA			F-45	12
9	COWL SET, R. MIDDLE	64300-MKF-D40	ZA			F-45	3
10	COWL SET, R. UNDER	64400-MKF-D40	ZA			F-45	11
11	COWL SET, RR. CENTER	77210-MKF-D40	ZB			F-23-10	1
12	COWL SET, RR. UPPER	77220-MKF-D40	ZB			F-23-10	3
13	COWL, RR. UNDER	77231-MKF-D40	ZA			F-23-10	5
14	FENDER COMP., FR.	61100-MFL-000	ZJ			F-10	4
15	HOLDER, L. PILLION STEP	50760-MKF-D40	ZA			F-30	16
16	HOLDER, R. PILLION STEP	50750-MKF-D40	ZA			F-30	15
17	MARK	86836-MKF-D40	ZB			F-50-1	20
18	MARK, HONDA	86101-MKF-D40	ZB			F-50-1	1
19	RAIL ASSY., SEAT	50200-MKF-D40	ZA			F-39	7
20	RING, FR. PULSER	44515-MKF-D40	ZB			F-14	12
21	SHELTER SET, L. SIDE	83170-MKF-D40	ZD			F-21-20	14
22	SHELTER SET, R. SIDE	83160-MKF-D40	ZD			F-21-20	11
23	SHELTER SET, RR.	83150-MKF-D40	ZD			F-21-20	8
24	STRIPE A, L. MIDDLE COWL	86644-MKF-D40	ZA			F-50-1	5

CBR1000RA (CBR1000RAH).....2IN

No.	MODEL		CBR1000RAH				
	COLOR		Victory red	Applicable model		Applicable block No.	Ref. No.
	CODE		R-334	Initial applicable model	Final applicable model		
	Name of colored parts	Basic part No.	R334				
25	STRIPE A, L. RR. SHELTER	86832-MKF-D40	ZB			F-50-1	19
26	STRIPE A, L. UNDER COWL	86652-MKF-D40	ZA			F-50-1	10
27	STRIPE A, R. MIDDLE COWL	86643-MKF-D40	ZB			F-50-1	3
28	STRIPE A, R. RR. SHELTER	86831-MKF-D40	ZB			F-50-1	18
29	STRIPE B, L. MIDDLE COWL	86646-MKF-D40	ZA			F-50-1	8
30	STRIPE B, L. UNDER COWL	86653-MKF-D40	ZA			F-50-1	11
31	STRIPE B, R. MIDDLE COWL	86645-MKF-D40	ZB			F-50-1	7
32	STRIPE, FR. UPPER COWL	86642-MKF-D40	ZB			F-50-1	2
33	STRIPE, L. RR. COWL UPPER	86774-MKF-D40	ZB			F-50-1	13
34	STRIPE, L. SIDE SHELTER	86834-MKF-D40	ZB			F-50-1	22
35	STRIPE, R. RR. COWL UPPER	86773-MKF-D40	ZB			F-50-1	12
36	STRIPE, R. SIDE SHELTER	86833-MKF-D40	ZB			F-50-1	21
37	STRIPE, R. UNDER COWL	86651-MKF-D40	ZA			F-50-1	9
38	TRIM, FUEL TANK	17516-KCZ-000	ZB			F-21-20	2
39	WHEEL SUB ASSY., FR.	44650-MKF-D40	ZD			F-14	15
40	WHEEL SUB ASSY., RR.	42650-MKF-D40	ZC			F-19	13

CBR1000RA (CBR1000RAH).....2KO

No.	MODEL		CBR1000RAH				
	COLOR		R-334	Applicable model		Applicable block No.	Ref. No.
	CODE			Initial applicable model	Final applicable model		
	Name of colored parts	Basic part No.	R334				
1	BODY SET, FRAME	50010-MKF-B40	ZA			F-39	2
2	CLIP, PANEL FIXING	91549-MW0-790	ZA			F-41	40
3	CLIP, PANEL FIXING	91549-MW0-790	ZA			F-45	26
4	COVER, L. AIR CLEANER SIDE	83166-MKF-D40	ZA			F-21-20	13
5	COVER, R. AIR CLEANER SIDE	83165-MKF-D40	ZA			F-21-20	12
6	COWL ASSY., FR. UPPER	64105-MKF-D40	ZC			F-43	2
7	COWL SET, L. MIDDLE	64350-MKF-D40	ZA			F-45	7
8	COWL SET, L. UNDER	64450-MKF-D40	ZA			F-45	12
9	COWL SET, R. MIDDLE	64300-MKF-D40	ZA			F-45	3
10	COWL SET, R. UNDER	64400-MKF-D40	ZA			F-45	11
11	COWL SET, RR. CENTER	77210-MKF-D40	ZB			F-23-10	1
12	COWL SET, RR. UPPER	77220-MKF-D40	ZB			F-23-10	3
13	COWL, RR. UNDER	77231-MKF-D40	ZA			F-23-10	5
14	FENDER COMP., FR.	61100-MFL-000	ZJ			F-10	4
15	HOLDER, L. PILLION STEP	50760-MKF-D40	ZA			F-30	16
16	HOLDER, R. PILLION STEP	50750-MKF-D40	ZA			F-30	15
17	MARK	86836-MKF-D40	ZB			F-50-1	20
18	MARK, HONDA	86101-MKF-D40	ZB			F-50-1	1
19	RAIL ASSY., SEAT	50200-MKF-D40	ZA			F-39	7
20	RING, FR. PULSER	44515-MKF-D40	ZB			F-14	12
21	SHELTER SET, L. SIDE	83170-MKF-D40	ZD			F-21-20	14
22	SHELTER SET, R. SIDE	83160-MKF-D40	ZD			F-21-20	11
23	SHELTER SET, RR.	83150-MKF-D40	ZD			F-21-20	8
24	STRIPE A, L. MIDDLE COWL	86644-MKF-D40	ZA			F-50-1	5

CBR1000RA (CBR1000RAH).....2KO

No.	MODEL		CBR1000RAH				
	COLOR		Victory red	Applicable model		Applicable block No.	Ref. No.
	CODE		R-334	Initial applicable model	Final applicable model		
	Name of colored parts	Basic part No.	R334				
25	STRIPE A, L. RR. SHELTER	86832-MKF-D40	ZB			F-50-1	19
26	STRIPE A, L. UNDER COWL	86652-MKF-D40	ZA			F-50-1	10
27	STRIPE A, R. MIDDLE COWL	86643-MKF-D40	ZB			F-50-1	3
28	STRIPE A, R. RR. SHELTER	86831-MKF-D40	ZB			F-50-1	18
29	STRIPE B, L. MIDDLE COWL	86646-MKF-D40	ZA			F-50-1	8
30	STRIPE B, L. UNDER COWL	86653-MKF-D40	ZA			F-50-1	11
31	STRIPE B, R. MIDDLE COWL	86645-MKF-D40	ZB			F-50-1	7
32	STRIPE, FR. UPPER COWL	86642-MKF-D40	ZB			F-50-1	2
33	STRIPE, L. RR. COWL UPPER	86774-MKF-D40	ZB			F-50-1	13
34	STRIPE, L. SIDE SHELTER	86834-MKF-D40	ZB			F-50-1	22
35	STRIPE, R. RR. COWL UPPER	86773-MKF-D40	ZB			F-50-1	12
36	STRIPE, R. SIDE SHELTER	86833-MKF-D40	ZB			F-50-1	21
37	STRIPE, R. UNDER COWL	86651-MKF-D40	ZA			F-50-1	9
38	TRIM, FUEL TANK	17516-KCZ-000	ZB			F-21-20	2
39	WHEEL SUB ASSY., FR.	44650-MKF-D40	ZD			F-14	15
40	WHEEL SUB ASSY., RR.	42650-MKF-D40	ZC			F-19	13

CBR1000RA (CBR1000RAH).....2TH

No.	MODEL		CBR1000RAH				
	COLOR		R-334	Applicable model		Applicable block No.	Ref. No.
	CODE			Initial applicable model	Final applicable model		
	Name of colored parts	Basic part No.	R334				
1	BODY SET, FRAME	50010-MKF-D40	ZA			F-39	2
2	CLIP, PANEL FIXING	91549-MW0-790	ZA			F-41	40
3	CLIP, PANEL FIXING	91549-MW0-790	ZA			F-45	26
4	COVER, L. AIR CLEANER SIDE	83166-MKF-D40	ZA			F-21-20	13
5	COVER, R. AIR CLEANER SIDE	83165-MKF-D40	ZA			F-21-20	12
6	COWL ASSY., FR. UPPER	64105-MKF-D40	ZC			F-43	2
7	COWL SET, L. MIDDLE	64350-MKF-J40	ZA			F-45	7
8	COWL SET, L. UNDER	64450-MKF-D40	ZA			F-45	12
9	COWL SET, R. MIDDLE	64300-MKF-J40	ZA			F-45	3
10	COWL SET, R. UNDER	64400-MKF-D40	ZA			F-45	11
11	COWL SET, RR. CENTER	77210-MKF-D40	ZB			F-23-10	1
12	COWL SET, RR. UPPER	77220-MKF-D40	ZB			F-23-10	3
13	COWL, RR. UNDER	77231-MKF-D40	ZA			F-23-10	5
14	FENDER COMP., FR.	61100-MFL-000	ZJ			F-10	4
15	HOLDER, L. PILLION STEP	50760-MKF-D40	ZA			F-30	16
16	HOLDER, R. PILLION STEP	50750-MKF-D40	ZA			F-30	15
17	LABEL, GASOHOL	87710-MGE-T20	ZB			F-49	17
18	MARK	86836-MKF-D40	ZB			F-50-1	20
19	MARK, HONDA	86101-MKF-D40	ZB			F-50-1	1
20	RAIL ASSY., SEAT	50200-MKF-D40	ZA			F-39	7
21	RING, FR. PULSER	44515-MKF-D40	ZB			F-14	12
22	SHELTER SET, L. SIDE	83170-MKF-D40	ZD			F-21-20	14
23	SHELTER SET, R. SIDE	83160-MKF-D40	ZD			F-21-20	11
24	SHELTER SET, RR.	83150-MKF-D40	ZD			F-21-20	8

CBR1000RA (CBR1000RAH).....2TH

No.	MODEL		CBR1000RAH				
	COLOR		Victory red	Applicable model		Applicable block No.	Ref. No.
	CODE		R-334	Initial applicable model	Final applicable model		
	Name of colored parts	Basic part No.	R334				
25	STRIPE A, L. MIDDLE COWL	86644-MKF-L20	ZB			F-50-1	6
26	STRIPE A, L. RR. SHELTER	86832-MKF-D40	ZB			F-50-1	19
27	STRIPE A, L. UNDER COWL	86652-MKF-D40	ZA			F-50-1	10
28	STRIPE A, R. MIDDLE COWL	86643-MKF-L20	ZB			F-50-1	4
29	STRIPE A, R. RR. SHELTER	86831-MKF-D40	ZB			F-50-1	18
30	STRIPE B, L. MIDDLE COWL	86646-MKF-D40	ZA			F-50-1	8
31	STRIPE B, L. UNDER COWL	86653-MKF-D40	ZA			F-50-1	11
32	STRIPE B, R. MIDDLE COWL	86645-MKF-D40	ZB			F-50-1	7
33	STRIPE, FR. UPPER COWL	86642-MKF-D40	ZB			F-50-1	2
34	STRIPE, L. RR. COWL UPPER	86774-MKF-D40	ZB			F-50-1	13
35	STRIPE, L. SIDE SHELTER	86834-MKF-D40	ZB			F-50-1	22
36	STRIPE, R. RR. COWL UPPER	86773-MKF-D40	ZB			F-50-1	12
37	STRIPE, R. SIDE SHELTER	86833-MKF-D40	ZB			F-50-1	21
38	STRIPE, R. UNDER COWL	86651-MKF-D40	ZA			F-50-1	9
39	TRIM, FUEL TANK	17516-KCZ-000	ZB			F-21-20	2
40	WHEEL SUB ASSY., FR.	44650-MKF-D40	ZD			F-14	15
41	WHEEL SUB ASSY., RR.	42650-MKF-D40	ZC			F-19	13

CBR1000RA (CBR1000RAH).....CH

No.	MODEL		CBR1000RAH				
	COLOR		Mat ballistic black metallic NH-A86M	Applicable model		Applicable block No.	Ref. No.
	CODE			Initial applicable model	Final applicable model		
	Name of colored parts	Basic part No.	NHA86				
1	BODY SET, FRAME	50010-MKF-H40	ZA			F-39	2
2	CLIP, PANEL FIXING	91549-MW0-790	ZA			F-41	40
3	CLIP, PANEL FIXING	91549-MW0-790	ZA			F-45	26
4	COVER, L. AIR CLEANER SIDE	83166-MKF-D40	ZA			F-21-20	13
5	COVER, R. AIR CLEANER SIDE	83165-MKF-D40	ZA			F-21-20	12
6	COWL ASSY., FR. UPPER	64105-MKF-D10	ZA			F-43	2
7	COWL SET, L. MIDDLE	64350-MKF-J10	ZA			F-45	7
8	COWL SET, L. UNDER	64450-MKF-D10	ZA			F-45	12
9	COWL SET, R. MIDDLE	64300-MKF-J10	ZA			F-45	3
10	COWL SET, R. UNDER	64400-MKF-D10	ZA			F-45	11
11	COWL SET, RR. CENTER	77210-MKF-D40	ZA			F-23-10	1
12	COWL SET, RR. UPPER	77220-MKF-D10	ZB			F-23-10	3
13	COWL, RR. UNDER	77231-MKF-D40	ZC			F-23-10	5
14	FENDER COMP., FR.	61100-MFL-000	ZT			F-10	4
15	HOLDER, L. PILLION STEP	50760-MKF-D40	ZA			F-30	16
16	HOLDER, R. PILLION STEP	50750-MKF-D40	ZA			F-30	15
17	MARK	86836-MKF-D40	ZA			F-50	17
18	MARK, HONDA	86101-MKF-D40	ZA			F-50	1
19	MARK, HONDA	86102-MKF-D10	ZA			F-50	2
20	MARK, HONDA	86103-MKF-D10	ZA			F-50	3
21	MARK, HONDA	86104-MKF-D10	ZA			F-50	4
22	RAIL ASSY., SEAT	50200-MKF-D40	ZA			F-39	7
23	RING, FR. PULSER	44515-MKF-D40	ZB			F-14	12
24	SHELTER SET, L. SIDE	83170-MKF-D10	ZB			F-21-20	14

CBR1000RA (CBR1000RAH).....CH

No.	MODEL		CBR1000RAH				
	COLOR		Mat ballistic black metallic NH-A86M	Applicable model		Applicable block No.	Ref. No.
	CODE			Initial applicable model	Final applicable model		
	Name of colored parts	Basic part No.	NHA86				
25	SHELTER SET, R. SIDE	83160-MKF-D10	ZB			F-21-20	11
26	SHELTER SET, RR.	83150-MKF-D10	ZB			F-21-20	8
27	SHROUD SET, L.	64365-MKF-D10	ZA			F-45	9
28	SHROUD SET, R.	64315-MKF-D10	ZA			F-45	5
29	STRIPE, L. FR. UPPER COWL	86643-MKF-D10	ZA			F-50	6
30	STRIPE, L. MIDDLE COWL	86646-MKF-L00	ZA			F-50	10
31	STRIPE, L. RR. COWL UPPER	86774-MKF-D10	ZA			F-50	14
32	STRIPE, L. SHROUD	86648-MKF-D10	ZA			F-50	12
33	STRIPE, L. SIDE SHELTER	86834-MKF-D10	ZA			F-50	16
34	STRIPE, R. FR. UPPER COWL	86642-MKF-D10	ZA			F-50	5
35	STRIPE, R. MIDDLE COWL	86645-MKF-L00	ZA			F-50	8
36	STRIPE, R. RR. COWL UPPER	86773-MKF-D10	ZA			F-50	13
37	STRIPE, R. SHROUD	86647-MKF-D10	ZA			F-50	11
38	STRIPE, R. SIDE SHELTER	86833-MKF-D10	ZA			F-50	15
39	TRIM, FUEL TANK	17516-KCZ-000	ZB			F-21-20	2
40	WHEEL SUB ASSY., FR.	44650-MKF-D40	ZD			F-14	15
41	WHEEL SUB ASSY., RR.	42650-MKF-D40	ZC			F-19	13

CBR1000RA (CBR1000RAH).....ED,RU,U

No.	MODEL		CBR1000RAH				
	COLOR		Mat ballistic black metallic NH-A86M	Applicable model		Applicable block No.	Ref. No.
	CODE			Initial applicable model	Final applicable model		
	Name of colored parts	Basic part No.	NHA86				
1	BODY SET, FRAME	50010-MKF-D40	ZA			F-39	2
2	CLIP, PANEL FIXING	91549-MW0-790	ZA			F-41	40
3	CLIP, PANEL FIXING	91549-MW0-790	ZA			F-45	26
4	COVER, L. AIR CLEANER SIDE	83166-MKF-D40	ZA			F-21-20	13
5	COVER, R. AIR CLEANER SIDE	83165-MKF-D40	ZA			F-21-20	12
6	COWL ASSY., FR. UPPER	64105-MKF-D10	ZA			F-43	2
7	COWL SET, L. MIDDLE	64350-MKF-D10	ZB			F-45	7
8	COWL SET, L. UNDER	64450-MKF-D10	ZA			F-45	12
9	COWL SET, R. MIDDLE	64300-MKF-D10	ZB			F-45	3
10	COWL SET, R. UNDER	64400-MKF-D10	ZA			F-45	11
11	COWL SET, RR. CENTER	77210-MKF-D40	ZA			F-23-10	1
12	COWL SET, RR. UPPER	77220-MKF-D10	ZB			F-23-10	3
13	COWL, RR. UNDER	77231-MKF-D40	ZC			F-23-10	5
14	FENDER COMP., FR.	61100-MFL-000	ZT			F-10	4
15	HOLDER, L. PILLION STEP	50760-MKF-D40	ZA			F-30	16
16	HOLDER, R. PILLION STEP	50750-MKF-D40	ZA			F-30	15
17	MARK	86836-MKF-D40	ZA			F-50	17
18	MARK, HONDA	86101-MKF-D40	ZA			F-50	1
19	MARK, HONDA	86102-MKF-D10	ZA			F-50	2
20	MARK, HONDA	86103-MKF-D10	ZA			F-50	3
21	MARK, HONDA	86104-MKF-D10	ZA			F-50	4
22	RAIL ASSY., SEAT	50200-MKF-D40	ZA			F-39	7
23	RING, FR. PULSER	44515-MKF-D40	ZB			F-14	12
24	SHELTER SET, L. SIDE	83170-MKF-D10	ZB			F-21-20	14

CBR1000RA (CBR1000RAH).....ED,RU,U

No.	MODEL		CBR1000RAH				
	COLOR		Mat ballistic black metallic NH-A86M	Applicable model		Applicable block No.	Ref. No.
	CODE			Initial applicable model	Final applicable model		
	Name of colored parts	Basic part No.	NHA86				
25	SHELTER SET, R. SIDE	83160-MKF-D10	ZB			F-21-20	11
26	SHELTER SET, RR.	83150-MKF-D10	ZB			F-21-20	8
27	SHROUD SET, L.	64365-MKF-D10	ZA			F-45	9
28	SHROUD SET, R.	64315-MKF-D10	ZA			F-45	5
29	STRIPE, L. FR. UPPER COWL	86643-MKF-D10	ZA			F-50	6
30	STRIPE, L. MIDDLE COWL	86646-MKF-D10	ZA			F-50	9
31	STRIPE, L. RR. COWL UPPER	86774-MKF-D10	ZA			F-50	14
32	STRIPE, L. SHROUD	86648-MKF-D10	ZA			F-50	12
33	STRIPE, L. SIDE SHELTER	86834-MKF-D10	ZA			F-50	16
34	STRIPE, R. FR. UPPER COWL	86642-MKF-D10	ZA			F-50	5
35	STRIPE, R. MIDDLE COWL	86645-MKF-D10	ZA			F-50	7
36	STRIPE, R. RR. COWL UPPER	86773-MKF-D10	ZA			F-50	13
37	STRIPE, R. SHROUD	86647-MKF-D10	ZA			F-50	11
38	STRIPE, R. SIDE SHELTER	86833-MKF-D10	ZA			F-50	15
39	TRIM, FUEL TANK	17516-KCZ-000	ZB			F-21-20	2
40	WHEEL SUB ASSY., FR.	44650-MKF-D40	ZD			F-14	15
41	WHEEL SUB ASSY., RR.	42650-MKF-D40	ZC			F-19	13

CBR1000RA (CBR1000RAH).....FO,GS

No.	MODEL		CBR1000RAH				
	COLOR		Mat ballistic black metallic NH-A86M	Applicable model		Applicable block No.	Ref. No.
	CODE			Initial applicable model	Final applicable model		
	Name of colored parts	Basic part No.	NHA86				
1	BODY SET, FRAME	50010-MKF-A20	ZA			F-39	2
2	BODY SET, FRAME	50010-MKF-D40	ZA			F-39	2
3	CLIP, PANEL FIXING	91549-MW0-790	ZA			F-41	40
4	CLIP, PANEL FIXING	91549-MW0-790	ZA			F-45	26
5	COVER, L. AIR CLEANER SIDE	83166-MKF-D40	ZA			F-21-20	13
6	COVER, R. AIR CLEANER SIDE	83165-MKF-D40	ZA			F-21-20	12
7	COWL ASSY., FR. UPPER	64105-MKF-D10	ZA			F-43	2
8	COWL SET, L. MIDDLE	64350-MKF-D10	ZB			F-45	7
9	COWL SET, L. UNDER	64450-MKF-D10	ZA			F-45	12
10	COWL SET, R. MIDDLE	64300-MKF-D10	ZB			F-45	3
11	COWL SET, R. UNDER	64400-MKF-D10	ZA			F-45	11
12	COWL SET, RR. CENTER	77210-MKF-D40	ZA			F-23-10	1
13	COWL SET, RR. UPPER	77220-MKF-D10	ZB			F-23-10	3
14	COWL, RR. UNDER	77231-MKF-D40	ZC			F-23-10	5
15	FENDER COMP., FR.	61100-MFL-000	ZT			F-10	4
16	HOLDER, L. PILLION STEP	50760-MKF-D40	ZA			F-30	16
17	HOLDER, R. PILLION STEP	50750-MKF-D40	ZA			F-30	15
18	MARK	86836-MKF-D40	ZA			F-50	17
19	MARK, HONDA	86101-MKF-D40	ZA			F-50	1
20	MARK, HONDA	86102-MKF-D10	ZA			F-50	2
21	MARK, HONDA	86103-MKF-D10	ZA			F-50	3
22	MARK, HONDA	86104-MKF-D10	ZA			F-50	4
23	RAIL ASSY., SEAT	50200-MKF-D40	ZA			F-39	7
24	RING, FR. PULSER	44515-MKF-D40	ZB			F-14	12

CBR1000RA (CBR1000RAH).....FO,GS

No.	MODEL		CBR1000RAH				
	COLOR		Mat ballistic black metallic NH-A86M	Applicable model		Applicable block No.	Ref. No.
	CODE			Initial applicable model	Final applicable model		
	Name of colored parts	Basic part No.	NHA86				
25	SHELTER SET, L. SIDE	83170-MKF-D10	ZB			F-21-20	14
26	SHELTER SET, R. SIDE	83160-MKF-D10	ZB			F-21-20	11
27	SHELTER SET, RR.	83150-MKF-D10	ZB			F-21-20	8
28	SHROUD SET, L.	64365-MKF-D10	ZA			F-45	9
29	SHROUD SET, R.	64315-MKF-D10	ZA			F-45	5
30	STRIPE, L. FR. UPPER COWL	86643-MKF-D10	ZA			F-50	6
31	STRIPE, L. MIDDLE COWL	86646-MKF-D10	ZA			F-50	9
32	STRIPE, L. RR. COWL UPPER	86774-MKF-D10	ZA			F-50	14
33	STRIPE, L. SHROUD	86648-MKF-D10	ZA			F-50	12
34	STRIPE, L. SIDE SHELTER	86834-MKF-D10	ZA			F-50	16
35	STRIPE, R. FR. UPPER COWL	86642-MKF-D10	ZA			F-50	5
36	STRIPE, R. MIDDLE COWL	86645-MKF-D10	ZA			F-50	7
37	STRIPE, R. RR. COWL UPPER	86773-MKF-D10	ZA			F-50	13
38	STRIPE, R. SHROUD	86647-MKF-D10	ZA			F-50	11
39	STRIPE, R. SIDE SHELTER	86833-MKF-D10	ZA			F-50	15
40	TRIM, FUEL TANK	17516-KCZ-000	ZB			F-21-20	2
41	WHEEL SUB ASSY., FR.	44650-MKF-D40	ZD			F-14	15
42	WHEEL SUB ASSY., RR.	42650-MKF-D40	ZC			F-19	13

CBR1000RA (CBR1000RAH).....KO

No.	MODEL		CBR1000RAH				
	COLOR		Mat ballistic black metallic NH-A86M	Applicable model		Applicable block No.	Ref. No.
	CODE			Initial applicable model	Final applicable model		
	Name of colored parts	Basic part No.	NHA86				
1	BODY SET, FRAME	50010-MKF-B40	ZA			F-39	2
2	CLIP, PANEL FIXING	91549-MW0-790	ZA			F-41	40
3	CLIP, PANEL FIXING	91549-MW0-790	ZA			F-45	26
4	COVER, L. AIR CLEANER SIDE	83166-MKF-D40	ZA			F-21-20	13
5	COVER, R. AIR CLEANER SIDE	83165-MKF-D40	ZA			F-21-20	12
6	COWL ASSY., FR. UPPER	64105-MKF-D10	ZA			F-43	2
7	COWL SET, L. MIDDLE	64350-MKF-D10	ZB			F-45	7
8	COWL SET, L. UNDER	64450-MKF-D10	ZA			F-45	12
9	COWL SET, R. MIDDLE	64300-MKF-D10	ZB			F-45	3
10	COWL SET, R. UNDER	64400-MKF-D10	ZA			F-45	11
11	COWL SET, RR. CENTER	77210-MKF-D40	ZA			F-23-10	1
12	COWL SET, RR. UPPER	77220-MKF-D10	ZB			F-23-10	3
13	COWL, RR. UNDER	77231-MKF-D40	ZC			F-23-10	5
14	FENDER COMP., FR.	61100-MFL-000	ZT			F-10	4
15	HOLDER, L. PILLION STEP	50760-MKF-D40	ZA			F-30	16
16	HOLDER, R. PILLION STEP	50750-MKF-D40	ZA			F-30	15
17	MARK	86836-MKF-D40	ZA			F-50	17
18	MARK, HONDA	86101-MKF-D40	ZA			F-50	1
19	MARK, HONDA	86102-MKF-D10	ZA			F-50	2
20	MARK, HONDA	86103-MKF-D10	ZA			F-50	3
21	MARK, HONDA	86104-MKF-D10	ZA			F-50	4
22	RAIL ASSY., SEAT	50200-MKF-D40	ZA			F-39	7
23	RING, FR. PULSER	44515-MKF-D40	ZB			F-14	12
24	SHELTER SET, L. SIDE	83170-MKF-D10	ZB			F-21-20	14

CBR1000RA (CBR1000RAH).....KO

No.	MODEL		CBR1000RAH				
	COLOR		Mat ballistic black metallic NH-A86M	Applicable model		Applicable block No.	Ref. No.
	CODE			Initial applicable model	Final applicable model		
	Name of colored parts	Basic part No.	NHA86				
25	SHELTER SET, R. SIDE	83160-MKF-D10	ZB			F-21-20	11
26	SHELTER SET, RR.	83150-MKF-D10	ZB			F-21-20	8
27	SHROUD SET, L.	64365-MKF-D10	ZA			F-45	9
28	SHROUD SET, R.	64315-MKF-D10	ZA			F-45	5
29	STRIPE, L. FR. UPPER COWL	86643-MKF-D10	ZA			F-50	6
30	STRIPE, L. MIDDLE COWL	86646-MKF-D10	ZA			F-50	9
31	STRIPE, L. RR. COWL UPPER	86774-MKF-D10	ZA			F-50	14
32	STRIPE, L. SHROUD	86648-MKF-D10	ZA			F-50	12
33	STRIPE, L. SIDE SHELTER	86834-MKF-D10	ZA			F-50	16
34	STRIPE, R. FR. UPPER COWL	86642-MKF-D10	ZA			F-50	5
35	STRIPE, R. MIDDLE COWL	86645-MKF-D10	ZA			F-50	7
36	STRIPE, R. RR. COWL UPPER	86773-MKF-D10	ZA			F-50	13
37	STRIPE, R. SHROUD	86647-MKF-D10	ZA			F-50	11
38	STRIPE, R. SIDE SHELTER	86833-MKF-D10	ZA			F-50	15
39	TRIM, FUEL TANK	17516-KCZ-000	ZB			F-21-20	2
40	WHEEL SUB ASSY., FR.	44650-MKF-D40	ZD			F-14	15
41	WHEEL SUB ASSY., RR.	42650-MKF-D40	ZC			F-19	13

CBR1000RA (CBR1000RAH).....TH

No.	MODEL		CBR1000RAH				
	COLOR		Mat ballistic black metallic NH-A86M	Applicable model		Applicable block No.	Ref. No.
	CODE			Initial applicable model	Final applicable model		
	Name of colored parts	Basic part No.	NHA86				
1	BODY SET, FRAME	50010-MKF-D40	ZA			F-39	2
2	CLIP, PANEL FIXING	91549-MW0-790	ZA			F-41	40
3	CLIP, PANEL FIXING	91549-MW0-790	ZA			F-45	26
4	COVER, L. AIR CLEANER SIDE	83166-MKF-D40	ZA			F-21-20	13
5	COVER, R. AIR CLEANER SIDE	83165-MKF-D40	ZA			F-21-20	12
6	COWL ASSY., FR. UPPER	64105-MKF-D10	ZA			F-43	2
7	COWL SET, L. MIDDLE	64350-MKF-J10	ZA			F-45	7
8	COWL SET, L. UNDER	64450-MKF-D10	ZA			F-45	12
9	COWL SET, R. MIDDLE	64300-MKF-J10	ZA			F-45	3
10	COWL SET, R. UNDER	64400-MKF-D10	ZA			F-45	11
11	COWL SET, RR. CENTER	77210-MKF-D40	ZA			F-23-10	1
12	COWL SET, RR. UPPER	77220-MKF-D10	ZB			F-23-10	3
13	COWL, RR. UNDER	77231-MKF-D40	ZC			F-23-10	5
14	FENDER COMP., FR.	61100-MFL-000	ZT			F-10	4
15	HOLDER, L. PILLION STEP	50760-MKF-D40	ZA			F-30	16
16	HOLDER, R. PILLION STEP	50750-MKF-D40	ZA			F-30	15
17	LABEL, GASOHOL	87710-MGE-T20	ZB			F-49	17
18	MARK	86836-MKF-D40	ZA			F-50	17
19	MARK, HONDA	86101-MKF-D40	ZA			F-50	1
20	MARK, HONDA	86102-MKF-D10	ZA			F-50	2
21	MARK, HONDA	86103-MKF-D10	ZA			F-50	3
22	MARK, HONDA	86104-MKF-D10	ZA			F-50	4
23	RAIL ASSY., SEAT	50200-MKF-D40	ZA			F-39	7
24	RING, FR. PULSER	44515-MKF-D40	ZB			F-14	12

CBR1000RA (CBR1000RAH).....TH

No.	MODEL		CBR1000RAH				
	COLOR		Mat ballistic black metallic NH-A86M	Applicable model		Applicable block No.	Ref. No.
	CODE			Initial applicable model	Final applicable model		
	Name of colored parts	Basic part No.	NHA86				
25	SHELTER SET, L. SIDE	83170-MKF-D10	ZB			F-21-20	14
26	SHELTER SET, R. SIDE	83160-MKF-D10	ZB			F-21-20	11
27	SHELTER SET, RR.	83150-MKF-D10	ZB			F-21-20	8
28	SHROUD SET, L.	64365-MKF-D10	ZA			F-45	9
29	SHROUD SET, R.	64315-MKF-D10	ZA			F-45	5
30	STRIPE, L. FR. UPPER COWL	86643-MKF-D10	ZA			F-50	6
31	STRIPE, L. MIDDLE COWL	86646-MKF-L00	ZA			F-50	10
32	STRIPE, L. RR. COWL UPPER	86774-MKF-D10	ZA			F-50	14
33	STRIPE, L. SHROUD	86648-MKF-D10	ZA			F-50	12
34	STRIPE, L. SIDE SHELTER	86834-MKF-D10	ZA			F-50	16
35	STRIPE, R. FR. UPPER COWL	86642-MKF-D10	ZA			F-50	5
36	STRIPE, R. MIDDLE COWL	86645-MKF-L00	ZA			F-50	8
37	STRIPE, R. RR. COWL UPPER	86773-MKF-D10	ZA			F-50	13
38	STRIPE, R. SHROUD	86647-MKF-D10	ZA			F-50	11
39	STRIPE, R. SIDE SHELTER	86833-MKF-D10	ZA			F-50	15
40	TRIM, FUEL TANK	17516-KCZ-000	ZB			F-21-20	2
41	WHEEL SUB ASSY., FR.	44650-MKF-D40	ZD			F-14	15
42	WHEEL SUB ASSY., RR.	42650-MKF-D40	ZC			F-19	13

CBR1000RA (CBR1000RAJ).....2BR

No.	MODEL		CBR1000RAJ				
	COLOR		Grand prix red R-380	Applicable model		Applicable block No.	Ref. No.
	CODE			Initial applicable model	Final applicable model		
	Name of colored parts	Basic part No.	R380				
1	BODY SET, FRAME	50010-MKF-B40	ZA			F-39	2
2	CLIP, PANEL FIXING	91549-MW0-790	ZA			F-41	40
3	CLIP, PANEL FIXING	91549-MW0-790	ZA			F-45	26
4	COVER, L. AIR CLEANER SIDE	83166-MKF-D40	ZA			F-21-20	13
5	COVER, R. AIR CLEANER SIDE	83165-MKF-D40	ZA			F-21-20	12
6	COWL ASSY., FR. UPPER	64105-MKF-D80	ZB			F-43	2
7	COWL ASSY., L. MIDDLE	64355-MKF-D30	ZA			F-45	7
8	COWL ASSY., L. UNDER	64455-MKF-D30	ZA			F-45	12
9	COWL ASSY., R. MIDDLE	64305-MKF-D30	ZA			F-45	3
10	COWL ASSY., R. UNDER	64405-MKF-D30	ZA			F-45	11
11	COWL SET, RR. CENTER	77210-MKF-D80	ZA			F-23-10	1
12	COWL SET, RR. UPPER	77220-MKF-D80	ZB			F-23-10	3
13	COWL, RR. UNDER	77231-MKF-D30	ZA			F-23-10	5
14	FENDER COMP., FR.	61100-MKF-D60	ZB			F-10	4
15	HOLDER, L. PILLION STEP	50760-MKF-D40	ZA			F-30	16
16	HOLDER, R. PILLION STEP	50750-MKF-D40	ZA			F-30	15
17	MARK, HONDA	86101-MKF-D80	ZA			F-50-1	1
18	RAIL ASSY., SEAT	50200-MKF-D40	ZA			F-39	7
19	RING, FR. PULSER	44515-MKF-D40	ZB			F-14	12
20	SHELTER SET, L. SIDE	83170-MKF-D80	ZB			F-21-20	14
21	SHELTER SET, R. SIDE	83160-MKF-D80	ZB			F-21-20	11
22	SHELTER SET, RR.	83150-MKF-D80	ZB			F-21-20	8
23	STRIPE A, L. MIDDLE COWL	86644-MKF-D80	ZB			F-50-1	5
24	STRIPE A, L. RR. SHELTER	86832-MKF-D80	ZB			F-50-1	19

CBR1000RA (CBR1000RAJ).....2BR

No.	MODEL		CBR1000RAJ				
	COLOR		Grand prix red R-380	Applicable model		Applicable block No.	Ref. No.
	CODE			Initial applicable model	Final applicable model		
	Name of colored parts	Basic part No.	R380				
25	STRIPE A, L. UNDER COWL	86652-MKF-D30	ZA			F-50-1	24
26	STRIPE A, R. MIDDLE COWL	86643-MKF-D80	ZB			F-50-1	3
27	STRIPE A, R. RR. SHELTER	86831-MKF-D80	ZB			F-50-1	18
28	STRIPE B, L. MIDDLE COWL	86646-MKF-D30	ZA			F-50-1	8
29	STRIPE B, L. UNDER COWL	86653-MKF-D30	ZA			F-50-1	25
30	STRIPE B, R. MIDDLE COWL	86645-MKF-D30	ZA			F-50-1	7
31	STRIPE, FR. UPPER COWL	86642-MKF-D80	ZB			F-50-1	2
32	STRIPE, L. RR. COWL UPPER	86774-MKF-D80	ZB			F-50-1	13
33	STRIPE, L. SIDE SHELTER	86834-MKF-D80	ZB			F-50-1	22
34	STRIPE, R. RR. COWL UPPER	86773-MKF-D80	ZB			F-50-1	12
35	STRIPE, R. SIDE SHELTER	86833-MKF-D80	ZB			F-50-1	21
36	STRIPE, R. UNDER COWL	86651-MKF-D30	ZA			F-50-1	23
37	TRIM, FUEL TANK	17516-KCZ-000	ZB			F-21-20	2
38	WHEEL SUB ASSY., FR.	44650-MKF-D40	ZD			F-14	15
39	WHEEL SUB ASSY., RR.	42650-MKF-D40	ZC			F-19	13

CBR1000RA (CBR1000RAJ).....2CH

No.	MODEL		CBR1000RAJ				
	COLOR		Grand prix red R-380	Applicable model		Applicable block No.	Ref. No.
	CODE			Initial applicable model	Final applicable model		
	Name of colored parts	Basic part No.	R380				
1	BODY SET, FRAME	50010-MKF-H40	ZA			F-39	2
2	CLIP, PANEL FIXING	91549-MW0-790	ZA			F-41	40
3	CLIP, PANEL FIXING	91549-MW0-790	ZA			F-45	26
4	COVER, L. AIR CLEANER SIDE	83166-MKF-D40	ZA			F-21-20	13
5	COVER, R. AIR CLEANER SIDE	83165-MKF-D40	ZA			F-21-20	12
6	COWL ASSY., FR. UPPER	64105-MKF-D80	ZB			F-43	2
7	COWL ASSY., L. MIDDLE	64355-MKF-J30	ZA			F-45	7
8	COWL ASSY., L. UNDER	64455-MKF-D30	ZA			F-45	12
9	COWL ASSY., R. MIDDLE	64305-MKF-J30	ZA			F-45	3
10	COWL ASSY., R. UNDER	64405-MKF-D30	ZA			F-45	11
11	COWL SET, RR. CENTER	77210-MKF-D80	ZA			F-23-10	1
12	COWL SET, RR. UPPER	77220-MKF-D80	ZB			F-23-10	3
13	COWL, RR. UNDER	77231-MKF-D30	ZA			F-23-10	5
14	FENDER COMP., FR.	61100-MKF-D60	ZB			F-10	4
15	HOLDER, L. PILLION STEP	50760-MKF-D40	ZA			F-30	16
16	HOLDER, R. PILLION STEP	50750-MKF-D40	ZA			F-30	15
17	MARK, HONDA	86101-MKF-D80	ZA			F-50-1	1
18	RAIL ASSY., SEAT	50200-MKF-D40	ZA			F-39	7
19	RING, FR. PULSER	44515-MKF-D40	ZB			F-14	12
20	SHELTER SET, L. SIDE	83170-MKF-D80	ZB			F-21-20	14
21	SHELTER SET, R. SIDE	83160-MKF-D80	ZB			F-21-20	11
22	SHELTER SET, RR.	83150-MKF-D80	ZB			F-21-20	8
23	STRIPE A, L. MIDDLE COWL	86644-MKF-LE0	ZB			F-50-1	6
24	STRIPE A, L. RR. SHELTER	86832-MKF-D80	ZB			F-50-1	19

CBR1000RA (CBR1000RAJ).....2CH

No.	MODEL		CBR1000RAJ				
	COLOR		Grand prix red R-380	Applicable model		Applicable block No.	Ref. No.
	CODE			Initial applicable model	Final applicable model		
	Name of colored parts	Basic part No.	R380				
25	STRIPE A, L. UNDER COWL	86652-MKF-D30	ZA			F-50-1	24
26	STRIPE A, R. MIDDLE COWL	86643-MKF-LE0	ZB			F-50-1	4
27	STRIPE A, R. RR. SHELTER	86831-MKF-D80	ZB			F-50-1	18
28	STRIPE B, L. MIDDLE COWL	86646-MKF-D30	ZA			F-50-1	8
29	STRIPE B, L. UNDER COWL	86653-MKF-D30	ZA			F-50-1	25
30	STRIPE B, R. MIDDLE COWL	86645-MKF-D30	ZA			F-50-1	7
31	STRIPE, FR. UPPER COWL	86642-MKF-D80	ZB			F-50-1	2
32	STRIPE, L. RR. COWL UPPER	86774-MKF-D80	ZB			F-50-1	13
33	STRIPE, L. SIDE SHELTER	86834-MKF-D80	ZB			F-50-1	22
34	STRIPE, R. RR. COWL UPPER	86773-MKF-D80	ZB			F-50-1	12
35	STRIPE, R. SIDE SHELTER	86833-MKF-D80	ZB			F-50-1	21
36	STRIPE, R. UNDER COWL	86651-MKF-D30	ZA			F-50-1	23
37	TRIM, FUEL TANK	17516-KCZ-000	ZB			F-21-20	2
38	WHEEL SUB ASSY., FR.	44650-MKF-D40	ZD			F-14	15
39	WHEEL SUB ASSY., RR.	42650-MKF-D40	ZC			F-19	13

CBR1000RA (CBR1000RAJ).....2ED,2RU,2U

No.	MODEL		CBR1000RAJ				
	COLOR		Grand prix red R-380	Applicable model		Applicable block No.	Ref. No.
	CODE			Initial applicable model	Final applicable model		
	Name of colored parts	Basic part No.	R380				
1	BODY SET, FRAME	50010-MKF-D40	ZA			F-39	2
2	CLIP, PANEL FIXING	91549-MW0-790	ZA			F-41	40
3	CLIP, PANEL FIXING	91549-MW0-790	ZA			F-45	26
4	COVER, L. AIR CLEANER SIDE	83166-MKF-D40	ZA			F-21-20	13
5	COVER, R. AIR CLEANER SIDE	83165-MKF-D40	ZA			F-21-20	12
6	COWL ASSY., FR. UPPER	64105-MKF-D80	ZB			F-43	2
7	COWL ASSY., L. MIDDLE	64355-MKF-D30	ZA			F-45	7
8	COWL ASSY., L. UNDER	64455-MKF-D30	ZA			F-45	12
9	COWL ASSY., R. MIDDLE	64305-MKF-D30	ZA			F-45	3
10	COWL ASSY., R. UNDER	64405-MKF-D30	ZA			F-45	11
11	COWL SET, RR. CENTER	77210-MKF-D80	ZA			F-23-10	1
12	COWL SET, RR. UPPER	77220-MKF-D80	ZB			F-23-10	3
13	COWL, RR. UNDER	77231-MKF-D30	ZA			F-23-10	5
14	FENDER COMP., FR.	61100-MKF-D60	ZB			F-10	4
15	HOLDER, L. PILLION STEP	50760-MKF-D40	ZA			F-30	16
16	HOLDER, R. PILLION STEP	50750-MKF-D40	ZA			F-30	15
17	MARK, HONDA	86101-MKF-D80	ZA			F-50-1	1
18	RAIL ASSY., SEAT	50200-MKF-D40	ZA			F-39	7
19	RING, FR. PULSER	44515-MKF-D40	ZB			F-14	12
20	SHELTER SET, L. SIDE	83170-MKF-D80	ZB			F-21-20	14
21	SHELTER SET, R. SIDE	83160-MKF-D80	ZB			F-21-20	11
22	SHELTER SET, RR.	83150-MKF-D80	ZB			F-21-20	8
23	STRIPE A, L. MIDDLE COWL	86644-MKF-D80	ZB			F-50-1	5
24	STRIPE A, L. RR. SHELTER	86832-MKF-D80	ZB			F-50-1	19

CBR1000RA (CBR1000RAJ).....2ED,2RU,2U

No.	MODEL		CBR1000RAJ				
	COLOR		Grand prix red R-380	Applicable model		Applicable block No.	Ref. No.
	CODE			Initial applicable model	Final applicable model		
	Name of colored parts	Basic part No.	R380				
25	STRIPE A, L. UNDER COWL	86652-MKF-D30	ZA			F-50-1	24
26	STRIPE A, R. MIDDLE COWL	86643-MKF-D80	ZB			F-50-1	3
27	STRIPE A, R. RR. SHELTER	86831-MKF-D80	ZB			F-50-1	18
28	STRIPE B, L. MIDDLE COWL	86646-MKF-D30	ZA			F-50-1	8
29	STRIPE B, L. UNDER COWL	86653-MKF-D30	ZA			F-50-1	25
30	STRIPE B, R. MIDDLE COWL	86645-MKF-D30	ZA			F-50-1	7
31	STRIPE, FR. UPPER COWL	86642-MKF-D80	ZB			F-50-1	2
32	STRIPE, L. RR. COWL UPPER	86774-MKF-D80	ZB			F-50-1	13
33	STRIPE, L. SIDE SHELTER	86834-MKF-D80	ZB			F-50-1	22
34	STRIPE, R. RR. COWL UPPER	86773-MKF-D80	ZB			F-50-1	12
35	STRIPE, R. SIDE SHELTER	86833-MKF-D80	ZB			F-50-1	21
36	STRIPE, R. UNDER COWL	86651-MKF-D30	ZA			F-50-1	23
37	TRIM, FUEL TANK	17516-KCZ-000	ZB			F-21-20	2
38	WHEEL SUB ASSY., FR.	44650-MKF-D40	ZD			F-14	15
39	WHEEL SUB ASSY., RR.	42650-MKF-D40	ZC			F-19	13

CBR1000RA (CBR1000RAJ).....2FO

No.	MODEL		CBR1000RAJ				
	COLOR		Grand prix red R-380	Applicable model		Applicable block No.	Ref. No.
	CODE			Initial applicable model	Final applicable model		
	Name of colored parts	Basic part No.	R380				
1	BODY SET, FRAME	50010-MKF-D40	ZA			F-39	2
2	CLIP, PANEL FIXING	91549-MW0-790	ZA			F-41	40
3	CLIP, PANEL FIXING	91549-MW0-790	ZA			F-45	26
4	COVER, L. AIR CLEANER SIDE	83166-MKF-D40	ZA			F-21-20	13
5	COVER, R. AIR CLEANER SIDE	83165-MKF-D40	ZA			F-21-20	12
6	COWL ASSY., FR. UPPER	64105-MKF-D80	ZB			F-43	2
7	COWL ASSY., L. MIDDLE	64355-MKF-D30	ZA			F-45	7
8	COWL ASSY., L. UNDER	64455-MKF-D30	ZA			F-45	12
9	COWL ASSY., R. MIDDLE	64305-MKF-D30	ZA			F-45	3
10	COWL ASSY., R. UNDER	64405-MKF-D30	ZA			F-45	11
11	COWL SET, RR. CENTER	77210-MKF-D80	ZA			F-23-10	1
12	COWL SET, RR. UPPER	77220-MKF-D80	ZB			F-23-10	3
13	COWL, RR. UNDER	77231-MKF-D30	ZA			F-23-10	5
14	FENDER COMP., FR.	61100-MKF-D60	ZB			F-10	4
15	HOLDER, L. PILLION STEP	50760-MKF-D40	ZA			F-30	16
16	HOLDER, R. PILLION STEP	50750-MKF-D40	ZA			F-30	15
17	MARK, HONDA	86101-MKF-D80	ZA			F-50-1	1
18	RAIL ASSY., SEAT	50200-MKF-D40	ZA			F-39	7
19	RING, FR. PULSER	44515-MKF-D40	ZB			F-14	12
20	SHELTER SET, L. SIDE	83170-MKF-D80	ZB			F-21-20	14
21	SHELTER SET, R. SIDE	83160-MKF-D80	ZB			F-21-20	11
22	SHELTER SET, RR.	83150-MKF-D80	ZB			F-21-20	8
23	STRIPE A, L. MIDDLE COWL	86644-MKF-D80	ZB			F-50-1	5
24	STRIPE A, L. RR. SHELTER	86832-MKF-D80	ZB			F-50-1	19

CBR1000RA (CBR1000RAJ).....2FO

No.	MODEL		CBR1000RAJ				
	COLOR		Grand prix red R-380	Applicable model		Applicable block No.	Ref. No.
	CODE			Initial applicable model	Final applicable model		
	Name of colored parts	Basic part No.	R380				
25	STRIPE A, L. UNDER COWL	86652-MKF-D30	ZA			F-50-1	24
26	STRIPE A, R. MIDDLE COWL	86643-MKF-D80	ZB			F-50-1	3
27	STRIPE A, R. RR. SHELTER	86831-MKF-D80	ZB			F-50-1	18
28	STRIPE B, L. MIDDLE COWL	86646-MKF-D30	ZA			F-50-1	8
29	STRIPE B, L. UNDER COWL	86653-MKF-D30	ZA			F-50-1	25
30	STRIPE B, R. MIDDLE COWL	86645-MKF-D30	ZA			F-50-1	7
31	STRIPE, FR. UPPER COWL	86642-MKF-D80	ZB			F-50-1	2
32	STRIPE, L. RR. COWL UPPER	86774-MKF-D80	ZB			F-50-1	13
33	STRIPE, L. SIDE SHELTER	86834-MKF-D80	ZB			F-50-1	22
34	STRIPE, R. RR. COWL UPPER	86773-MKF-D80	ZB			F-50-1	12
35	STRIPE, R. SIDE SHELTER	86833-MKF-D80	ZB			F-50-1	21
36	STRIPE, R. UNDER COWL	86651-MKF-D30	ZA			F-50-1	23
37	TRIM, FUEL TANK	17516-KCZ-000	ZB			F-21-20	2
38	WHEEL SUB ASSY., FR.	44650-MKF-D40	ZD			F-14	15
39	WHEEL SUB ASSY., RR.	42650-MKF-D40	ZC			F-19	13

CBR1000RA (CBR1000RAJ).....2GS

No.	MODEL		CBR1000RAJ				
	COLOR		Grand prix red R-380	Applicable model		Applicable block No.	Ref. No.
	CODE			Initial applicable model	Final applicable model		
	Name of colored parts	Basic part No.	R380				
1	BODY SET, FRAME	50010-MKF-A20	ZA			F-39	2
2	CLIP, PANEL FIXING	91549-MW0-790	ZA			F-41	40
3	CLIP, PANEL FIXING	91549-MW0-790	ZA			F-45	26
4	COVER, L. AIR CLEANER SIDE	83166-MKF-D40	ZA			F-21-20	13
5	COVER, R. AIR CLEANER SIDE	83165-MKF-D40	ZA			F-21-20	12
6	COWL ASSY., FR. UPPER	64105-MKF-D80	ZB			F-43	2
7	COWL ASSY., L. MIDDLE	64355-MKF-D30	ZA			F-45	7
8	COWL ASSY., L. UNDER	64455-MKF-D30	ZA			F-45	12
9	COWL ASSY., R. MIDDLE	64305-MKF-D30	ZA			F-45	3
10	COWL ASSY., R. UNDER	64405-MKF-D30	ZA			F-45	11
11	COWL SET, RR. CENTER	77210-MKF-D80	ZA			F-23-10	1
12	COWL SET, RR. UPPER	77220-MKF-D80	ZB			F-23-10	3
13	COWL, RR. UNDER	77231-MKF-D30	ZA			F-23-10	5
14	FENDER COMP., FR.	61100-MKF-D60	ZB			F-10	4
15	HOLDER, L. PILLION STEP	50760-MKF-D40	ZA			F-30	16
16	HOLDER, R. PILLION STEP	50750-MKF-D40	ZA			F-30	15
17	MARK, HONDA	86101-MKF-D80	ZA			F-50-1	1
18	RAIL ASSY., SEAT	50200-MKF-D40	ZA			F-39	7
19	RING, FR. PULSER	44515-MKF-D40	ZB			F-14	12
20	SHELTER SET, L. SIDE	83170-MKF-D80	ZB			F-21-20	14
21	SHELTER SET, R. SIDE	83160-MKF-D80	ZB			F-21-20	11
22	SHELTER SET, RR.	83150-MKF-D80	ZB			F-21-20	8
23	STRIPE A, L. MIDDLE COWL	86644-MKF-D80	ZB			F-50-1	5
24	STRIPE A, L. RR. SHELTER	86832-MKF-D80	ZB			F-50-1	19

CBR1000RA (CBR1000RAJ).....2GS

No.	MODEL		CBR1000RAJ				
	COLOR		Grand prix red R-380	Applicable model		Applicable block No.	Ref. No.
	CODE			Initial applicable model	Final applicable model		
	Name of colored parts	Basic part No.	R380				
25	STRIPE A, L. UNDER COWL	86652-MKF-D30	ZA			F-50-1	24
26	STRIPE A, R. MIDDLE COWL	86643-MKF-D80	ZB			F-50-1	3
27	STRIPE A, R. RR. SHELTER	86831-MKF-D80	ZB			F-50-1	18
28	STRIPE B, L. MIDDLE COWL	86646-MKF-D30	ZA			F-50-1	8
29	STRIPE B, L. UNDER COWL	86653-MKF-D30	ZA			F-50-1	25
30	STRIPE B, R. MIDDLE COWL	86645-MKF-D30	ZA			F-50-1	7
31	STRIPE, FR. UPPER COWL	86642-MKF-D80	ZB			F-50-1	2
32	STRIPE, L. RR. COWL UPPER	86774-MKF-D80	ZB			F-50-1	13
33	STRIPE, L. SIDE SHELTER	86834-MKF-D80	ZB			F-50-1	22
34	STRIPE, R. RR. COWL UPPER	86773-MKF-D80	ZB			F-50-1	12
35	STRIPE, R. SIDE SHELTER	86833-MKF-D80	ZB			F-50-1	21
36	STRIPE, R. UNDER COWL	86651-MKF-D30	ZA			F-50-1	23
37	TRIM, FUEL TANK	17516-KCZ-000	ZB			F-21-20	2
38	WHEEL SUB ASSY., FR.	44650-MKF-D40	ZD			F-14	15
39	WHEEL SUB ASSY., RR.	42650-MKF-D40	ZC			F-19	13

CBR1000RA (CBR1000RAJ).....2IN

No.	MODEL		CBR1000RAJ				
	COLOR		Grand prix red R-380	Applicable model		Applicable block No.	Ref. No.
	CODE			Initial applicable model	Final applicable model		
	Name of colored parts	Basic part No.	R380				
1	BODY SET, FRAME	50010-MKF-D40	ZA			F-39	2
2	CLIP, PANEL FIXING	91549-MW0-790	ZA			F-41	40
3	CLIP, PANEL FIXING	91549-MW0-790	ZA			F-45	26
4	COVER, L. AIR CLEANER SIDE	83166-MKF-D40	ZA			F-21-20	13
5	COVER, R. AIR CLEANER SIDE	83165-MKF-D40	ZA			F-21-20	12
6	COWL ASSY., FR. UPPER	64105-MKF-D80	ZB			F-43	2
7	COWL ASSY., L. MIDDLE	64355-MKF-D30	ZA			F-45	7
8	COWL ASSY., L. UNDER	64455-MKF-D30	ZA			F-45	12
9	COWL ASSY., R. MIDDLE	64305-MKF-D30	ZA			F-45	3
10	COWL ASSY., R. UNDER	64405-MKF-D30	ZA			F-45	11
11	COWL SET, RR. CENTER	77210-MKF-D80	ZA			F-23-10	1
12	COWL SET, RR. UPPER	77220-MKF-D80	ZB			F-23-10	3
13	COWL, RR. UNDER	77231-MKF-D30	ZA			F-23-10	5
14	FENDER COMP., FR.	61100-MKF-D60	ZB			F-10	4
15	HOLDER, L. PILLION STEP	50760-MKF-D40	ZA			F-30	16
16	HOLDER, R. PILLION STEP	50750-MKF-D40	ZA			F-30	15
17	MARK, HONDA	86101-MKF-D80	ZA			F-50-1	1
18	RAIL ASSY., SEAT	50200-MKF-D40	ZA			F-39	7
19	RING, FR. PULSER	44515-MKF-D40	ZB			F-14	12
20	SHELTER SET, L. SIDE	83170-MKF-D80	ZB			F-21-20	14
21	SHELTER SET, R. SIDE	83160-MKF-D80	ZB			F-21-20	11
22	SHELTER SET, RR.	83150-MKF-D80	ZB			F-21-20	8
23	STRIPE A, L. MIDDLE COWL	86644-MKF-D80	ZB			F-50-1	5
24	STRIPE A, L. RR. SHELTER	86832-MKF-D80	ZB			F-50-1	19

CBR1000RA (CBR1000RAJ).....2IN

No.	MODEL		CBR1000RAJ				
	COLOR		Grand prix red R-380	Applicable model		Applicable block No.	Ref. No.
	CODE			Initial applicable model	Final applicable model		
	Name of colored parts	Basic part No.	R380				
25	STRIPE A, L. UNDER COWL	86652-MKF-D30	ZA			F-50-1	24
26	STRIPE A, R. MIDDLE COWL	86643-MKF-D80	ZB			F-50-1	3
27	STRIPE A, R. RR. SHELTER	86831-MKF-D80	ZB			F-50-1	18
28	STRIPE B, L. MIDDLE COWL	86646-MKF-D30	ZA			F-50-1	8
29	STRIPE B, L. UNDER COWL	86653-MKF-D30	ZA			F-50-1	25
30	STRIPE B, R. MIDDLE COWL	86645-MKF-D30	ZA			F-50-1	7
31	STRIPE, FR. UPPER COWL	86642-MKF-D80	ZB			F-50-1	2
32	STRIPE, L. RR. COWL UPPER	86774-MKF-D80	ZB			F-50-1	13
33	STRIPE, L. SIDE SHELTER	86834-MKF-D80	ZB			F-50-1	22
34	STRIPE, R. RR. COWL UPPER	86773-MKF-D80	ZB			F-50-1	12
35	STRIPE, R. SIDE SHELTER	86833-MKF-D80	ZB			F-50-1	21
36	STRIPE, R. UNDER COWL	86651-MKF-D30	ZA			F-50-1	23
37	TRIM, FUEL TANK	17516-KCZ-000	ZB			F-21-20	2
38	WHEEL SUB ASSY., FR.	44650-MKF-D40	ZD			F-14	15
39	WHEEL SUB ASSY., RR.	42650-MKF-D40	ZC			F-19	13

CBR1000RA (CBR1000RAJ).....2KO

No.	MODEL		CBR1000RAJ				
	COLOR		Grand prix red R-380	Applicable model		Applicable block No.	Ref. No.
	CODE			Initial applicable model	Final applicable model		
	Name of colored parts	Basic part No.	R380				
1	BODY SET, FRAME	50010-MKF-B40	ZA			F-39	2
2	CLIP, PANEL FIXING	91549-MW0-790	ZA			F-41	40
3	CLIP, PANEL FIXING	91549-MW0-790	ZA			F-45	26
4	COVER, L. AIR CLEANER SIDE	83166-MKF-D40	ZA			F-21-20	13
5	COVER, R. AIR CLEANER SIDE	83165-MKF-D40	ZA			F-21-20	12
6	COWL ASSY., FR. UPPER	64105-MKF-D80	ZB			F-43	2
7	COWL ASSY., L. MIDDLE	64355-MKF-D30	ZA			F-45	7
8	COWL ASSY., L. UNDER	64455-MKF-D30	ZA			F-45	12
9	COWL ASSY., R. MIDDLE	64305-MKF-D30	ZA			F-45	3
10	COWL ASSY., R. UNDER	64405-MKF-D30	ZA			F-45	11
11	COWL SET, RR. CENTER	77210-MKF-D80	ZA			F-23-10	1
12	COWL SET, RR. UPPER	77220-MKF-D80	ZB			F-23-10	3
13	COWL, RR. UNDER	77231-MKF-D30	ZA			F-23-10	5
14	FENDER COMP., FR.	61100-MKF-D60	ZB			F-10	4
15	HOLDER, L. PILLION STEP	50760-MKF-D40	ZA			F-30	16
16	HOLDER, R. PILLION STEP	50750-MKF-D40	ZA			F-30	15
17	MARK, HONDA	86101-MKF-D80	ZA			F-50-1	1
18	RAIL ASSY., SEAT	50200-MKF-D40	ZA			F-39	7
19	RING, FR. PULSER	44515-MKF-D40	ZB			F-14	12
20	SHELTER SET, L. SIDE	83170-MKF-D80	ZB			F-21-20	14
21	SHELTER SET, R. SIDE	83160-MKF-D80	ZB			F-21-20	11
22	SHELTER SET, RR.	83150-MKF-D80	ZB			F-21-20	8
23	STRIPE A, L. MIDDLE COWL	86644-MKF-D80	ZB			F-50-1	5
24	STRIPE A, L. RR. SHELTER	86832-MKF-D80	ZB			F-50-1	19

CBR1000RA (CBR1000RAJ).....2KO

No.	MODEL		CBR1000RAJ				
	COLOR		Grand prix red R-380	Applicable model		Applicable block No.	Ref. No.
	CODE			Initial applicable model	Final applicable model		
	Name of colored parts	Basic part No.	R380				
25	STRIPE A, L. UNDER COWL	86652-MKF-D30	ZA			F-50-1	24
26	STRIPE A, R. MIDDLE COWL	86643-MKF-D80	ZB			F-50-1	3
27	STRIPE A, R. RR. SHELTER	86831-MKF-D80	ZB			F-50-1	18
28	STRIPE B, L. MIDDLE COWL	86646-MKF-D30	ZA			F-50-1	8
29	STRIPE B, L. UNDER COWL	86653-MKF-D30	ZA			F-50-1	25
30	STRIPE B, R. MIDDLE COWL	86645-MKF-D30	ZA			F-50-1	7
31	STRIPE, FR. UPPER COWL	86642-MKF-D80	ZB			F-50-1	2
32	STRIPE, L. RR. COWL UPPER	86774-MKF-D80	ZB			F-50-1	13
33	STRIPE, L. SIDE SHELTER	86834-MKF-D80	ZB			F-50-1	22
34	STRIPE, R. RR. COWL UPPER	86773-MKF-D80	ZB			F-50-1	12
35	STRIPE, R. SIDE SHELTER	86833-MKF-D80	ZB			F-50-1	21
36	STRIPE, R. UNDER COWL	86651-MKF-D30	ZA			F-50-1	23
37	TRIM, FUEL TANK	17516-KCZ-000	ZB			F-21-20	2
38	WHEEL SUB ASSY., FR.	44650-MKF-D40	ZD			F-14	15
39	WHEEL SUB ASSY., RR.	42650-MKF-D40	ZC			F-19	13

CBR1000RA (CBR1000RAJ).....2TH

No.	MODEL		CBR1000RAJ				
	COLOR		Grand prix red R-380	Applicable model		Applicable block No.	Ref. No.
	CODE			Initial applicable model	Final applicable model		
	Name of colored parts	Basic part No.	R380				
1	BODY SET, FRAME	50010-MKF-D40	ZA			F-39	2
2	CLIP, PANEL FIXING	91549-MW0-790	ZA			F-41	40
3	CLIP, PANEL FIXING	91549-MW0-790	ZA			F-45	26
4	COVER, L. AIR CLEANER SIDE	83166-MKF-D40	ZA			F-21-20	13
5	COVER, R. AIR CLEANER SIDE	83165-MKF-D40	ZA			F-21-20	12
6	COWL ASSY., FR. UPPER	64105-MKF-D80	ZB			F-43	2
7	COWL ASSY., L. MIDDLE	64355-MKF-J30	ZA			F-45	7
8	COWL ASSY., L. UNDER	64455-MKF-D30	ZA			F-45	12
9	COWL ASSY., R. MIDDLE	64305-MKF-J30	ZA			F-45	3
10	COWL ASSY., R. UNDER	64405-MKF-D30	ZA			F-45	11
11	COWL SET, RR. CENTER	77210-MKF-D80	ZA			F-23-10	1
12	COWL SET, RR. UPPER	77220-MKF-D80	ZB			F-23-10	3
13	COWL, RR. UNDER	77231-MKF-D30	ZA			F-23-10	5
14	FENDER COMP., FR.	61100-MKF-D60	ZB			F-10	4
15	HOLDER, L. PILLION STEP	50760-MKF-D40	ZA			F-30	16
16	HOLDER, R. PILLION STEP	50750-MKF-D40	ZA			F-30	15
17	LABEL, GASOHOL	87710-MGE-T20	ZB			F-49	17
18	MARK, HONDA	86101-MKF-D80	ZA			F-50-1	1
19	RAIL ASSY., SEAT	50200-MKF-D40	ZA			F-39	7
20	RING, FR. PULSER	44515-MKF-D40	ZB			F-14	12
21	SHELTER SET, L. SIDE	83170-MKF-D80	ZB			F-21-20	14
22	SHELTER SET, R. SIDE	83160-MKF-D80	ZB			F-21-20	11
23	SHELTER SET, RR.	83150-MKF-D80	ZB			F-21-20	8
24	STRIPE A, L. MIDDLE COWL	86644-MKF-LE0	ZB			F-50-1	6

CBR1000RA (CBR1000RAJ).....2TH

No.	MODEL		CBR1000RAJ				
	COLOR		Grand prix red R-380	Applicable model		Applicable block No.	Ref. No.
	CODE			Initial applicable model	Final applicable model		
	Name of colored parts	Basic part No.	R380				
25	STRIPE A, L. RR. SHELTER	86832-MKF-D80	ZB			F-50-1	19
26	STRIPE A, L. UNDER COWL	86652-MKF-D30	ZA			F-50-1	24
27	STRIPE A, R. MIDDLE COWL	86643-MKF-LE0	ZB			F-50-1	4
28	STRIPE A, R. RR. SHELTER	86831-MKF-D80	ZB			F-50-1	18
29	STRIPE B, L. MIDDLE COWL	86646-MKF-D30	ZA			F-50-1	8
30	STRIPE B, L. UNDER COWL	86653-MKF-D30	ZA			F-50-1	25
31	STRIPE B, R. MIDDLE COWL	86645-MKF-D30	ZA			F-50-1	7
32	STRIPE, FR. UPPER COWL	86642-MKF-D80	ZB			F-50-1	2
33	STRIPE, L. RR. COWL UPPER	86774-MKF-D80	ZB			F-50-1	13
34	STRIPE, L. SIDE SHELTER	86834-MKF-D80	ZB			F-50-1	22
35	STRIPE, R. RR. COWL UPPER	86773-MKF-D80	ZB			F-50-1	12
36	STRIPE, R. SIDE SHELTER	86833-MKF-D80	ZB			F-50-1	21
37	STRIPE, R. UNDER COWL	86651-MKF-D30	ZA			F-50-1	23
38	TRIM, FUEL TANK	17516-KCZ-000	ZB			F-21-20	2
39	WHEEL SUB ASSY., FR.	44650-MKF-D40	ZD			F-14	15
40	WHEEL SUB ASSY., RR.	42650-MKF-D40	ZC			F-19	13

CBR1000RA (CBR1000RAJ).....BR

No.	MODEL		CBR1000RAJ				
	COLOR		Mat ballistic black metallic NH-A86M	Applicable model		Applicable block No.	Ref. No.
	CODE			Initial applicable model	Final applicable model		
	Name of colored parts	Basic part No.	NHA86				
1	BODY SET, FRAME	50010-MKF-B40	ZA			F-39	2
2	CLIP, PANEL FIXING	91549-MW0-790	ZA			F-41	40
3	CLIP, PANEL FIXING	91549-MW0-790	ZA			F-45	26
4	COVER, L. AIR CLEANER SIDE	83166-MKF-D40	ZA			F-21-20	13
5	COVER, R. AIR CLEANER SIDE	83165-MKF-D40	ZA			F-21-20	12
6	COWL ASSY., FR. UPPER	64105-MKF-D20	ZA			F-43	2
7	COWL ASSY., L. MIDDLE	64355-MKF-D20	ZA			F-45	7
8	COWL ASSY., L. UNDER	64455-MKF-D20	ZA			F-45	12
9	COWL ASSY., R. MIDDLE	64305-MKF-D20	ZA			F-45	3
10	COWL ASSY., R. UNDER	64405-MKF-D20	ZA			F-45	11
11	COWL SET, RR. CENTER	77210-MKF-D40	ZA			F-23-10	1
12	COWL SET, RR. UPPER	77220-MKF-D20	ZA			F-23-10	3
13	COWL, RR. UNDER	77231-MKF-D20	ZA			F-23-10	5
14	FENDER COMP., FR.	61100-MKF-D20	ZA			F-10	4
15	HOLDER, L. PILLION STEP	50760-MKF-D40	ZA			F-30	16
16	HOLDER, R. PILLION STEP	50750-MKF-D40	ZA			F-30	15
17	MARK, HONDA	86101-MKF-D40	ZA			F-50	1
18	MARK, HONDA	86102-MKF-D20	ZA			F-50	2
19	MARK, HONDA	86103-MKF-D20	ZA			F-50	3
20	MARK, HONDA	86104-MKF-D20	ZA			F-50	4
21	RAIL ASSY., SEAT	50200-MKF-D40	ZA			F-39	7
22	RING, FR. PULSER	44515-MKF-D40	ZB			F-14	12
23	SHELTER SET, L. SIDE	83170-MKF-D10	ZB			F-21-20	14
24	SHELTER SET, R. SIDE	83160-MKF-D10	ZB			F-21-20	11

CBR1000RA (CBR1000RAJ).....BR

No.	MODEL		CBR1000RAJ				
	COLOR		Mat ballistic black metallic NH-A86M	Applicable model		Applicable block No.	Ref. No.
	CODE			Initial applicable model	Final applicable model		
	Name of colored parts	Basic part No.	NHA86				
25	SHELTER, RR.	83150-MKF-D20	ZA			F-21-20	20
26	SHROUD SET, L.	64365-MKF-D10	ZA			F-45	9
27	SHROUD SET, R.	64315-MKF-D10	ZA			F-45	5
28	STRIPE, L. FR. UPPER COWL	86643-MKF-D20	ZA			F-50	6
29	STRIPE, L. MIDDLE COWL	86646-MKF-D20	ZA			F-50	9
30	STRIPE, L. RR. COWL UPPER	86774-MKF-D20	ZA			F-50	14
31	STRIPE, L. SHROUD	86648-MKF-D10	ZA			F-50	12
32	STRIPE, L. SIDE SHELTER	86834-MKF-D10	ZA			F-50	16
33	STRIPE, R. FR. UPPER COWL	86642-MKF-D20	ZA			F-50	5
34	STRIPE, R. MIDDLE COWL	86645-MKF-D20	ZA			F-50	7
35	STRIPE, R. RR. COWL UPPER	86773-MKF-D20	ZA			F-50	13
36	STRIPE, R. SHROUD	86647-MKF-D10	ZA			F-50	11
37	STRIPE, R. SIDE SHELTER	86833-MKF-D10	ZA			F-50	15
38	TRIM, FUEL TANK	17516-KCZ-000	ZB			F-21-20	2
39	WHEEL SUB ASSY., FR.	44650-MKF-D40	ZD			F-14	15
40	WHEEL SUB ASSY., RR.	42650-MKF-D40	ZC			F-19	13

CBR1000RA (CBR1000RAJ).....CH

No.	MODEL		CBR1000RAJ				
	COLOR		Mat ballistic black metallic NH-A86M	Applicable model		Applicable block No.	Ref. No.
	CODE			Initial applicable model	Final applicable model		
	Name of colored parts	Basic part No.	NHA86				
1	BODY SET, FRAME	50010-MKF-H40	ZA			F-39	2
2	CLIP, PANEL FIXING	91549-MW0-790	ZA			F-41	40
3	CLIP, PANEL FIXING	91549-MW0-790	ZA			F-45	26
4	COVER, L. AIR CLEANER SIDE	83166-MKF-D40	ZA			F-21-20	13
5	COVER, R. AIR CLEANER SIDE	83165-MKF-D40	ZA			F-21-20	12
6	COWL ASSY., FR. UPPER	64105-MKF-D20	ZA			F-43	2
7	COWL ASSY., L. MIDDLE	64355-MKF-J20	ZA			F-45	7
8	COWL ASSY., L. UNDER	64455-MKF-D20	ZA			F-45	12
9	COWL ASSY., R. MIDDLE	64305-MKF-J20	ZA			F-45	3
10	COWL ASSY., R. UNDER	64405-MKF-D20	ZA			F-45	11
11	COWL SET, RR. CENTER	77210-MKF-D40	ZA			F-23-10	1
12	COWL SET, RR. UPPER	77220-MKF-D20	ZA			F-23-10	3
13	COWL, RR. UNDER	77231-MKF-D20	ZA			F-23-10	5
14	FENDER COMP., FR.	61100-MKF-D20	ZA			F-10	4
15	HOLDER, L. PILLION STEP	50760-MKF-D40	ZA			F-30	16
16	HOLDER, R. PILLION STEP	50750-MKF-D40	ZA			F-30	15
17	MARK, HONDA	86101-MKF-D40	ZA			F-50	1
18	MARK, HONDA	86102-MKF-D20	ZA			F-50	2
19	MARK, HONDA	86103-MKF-D20	ZA			F-50	3
20	MARK, HONDA	86104-MKF-D20	ZA			F-50	4
21	RAIL ASSY., SEAT	50200-MKF-D40	ZA			F-39	7
22	RING, FR. PULSER	44515-MKF-D40	ZB			F-14	12
23	SHELTER SET, L. SIDE	83170-MKF-D10	ZB			F-21-20	14
24	SHELTER SET, R. SIDE	83160-MKF-D10	ZB			F-21-20	11

CBR1000RA (CBR1000RAJ).....CH

No.	MODEL		CBR1000RAJ				
	COLOR		Mat ballistic black metallic NH-A86M	Applicable model		Applicable block No.	Ref. No.
	CODE			Initial applicable model	Final applicable model		
	Name of colored parts	Basic part No.	NHA86				
25	SHELTER, RR.	83150-MKF-D20	ZA			F-21-20	20
26	SHROUD SET, L.	64365-MKF-D10	ZA			F-45	9
27	SHROUD SET, R.	64315-MKF-D10	ZA			F-45	5
28	STRIPE, L. FR. UPPER COWL	86643-MKF-D20	ZA			F-50	6
29	STRIPE, L. MIDDLE COWL	86646-MKF-LA0	ZA			F-50	10
30	STRIPE, L. RR. COWL UPPER	86774-MKF-D20	ZA			F-50	14
31	STRIPE, L. SHROUD	86648-MKF-D10	ZA			F-50	12
32	STRIPE, L. SIDE SHELTER	86834-MKF-D10	ZA			F-50	16
33	STRIPE, R. FR. UPPER COWL	86642-MKF-D20	ZA			F-50	5
34	STRIPE, R. MIDDLE COWL	86645-MKF-LA0	ZA			F-50	8
35	STRIPE, R. RR. COWL UPPER	86773-MKF-D20	ZA			F-50	13
36	STRIPE, R. SHROUD	86647-MKF-D10	ZA			F-50	11
37	STRIPE, R. SIDE SHELTER	86833-MKF-D10	ZA			F-50	15
38	TRIM, FUEL TANK	17516-KCZ-000	ZB			F-21-20	2
39	WHEEL SUB ASSY., FR.	44650-MKF-D40	ZD			F-14	15
40	WHEEL SUB ASSY., RR.	42650-MKF-D40	ZC			F-19	13

CBR1000RA (CBR1000RAJ).....ED,RU,U

No.	MODEL		CBR1000RAJ				
	COLOR		Mat ballistic black metallic NH-A86M	Applicable model		Applicable block No.	Ref. No.
	CODE			Initial applicable model	Final applicable model		
	Name of colored parts	Basic part No.	NHA86				
1	BODY SET, FRAME	50010-MKF-D40	ZA			F-39	2
2	CLIP, PANEL FIXING	91549-MW0-790	ZA			F-41	40
3	CLIP, PANEL FIXING	91549-MW0-790	ZA			F-45	26
4	COVER, L. AIR CLEANER SIDE	83166-MKF-D40	ZA			F-21-20	13
5	COVER, R. AIR CLEANER SIDE	83165-MKF-D40	ZA			F-21-20	12
6	COWL ASSY., FR. UPPER	64105-MKF-D20	ZA			F-43	2
7	COWL ASSY., L. MIDDLE	64355-MKF-D20	ZA			F-45	7
8	COWL ASSY., L. UNDER	64455-MKF-D20	ZA			F-45	12
9	COWL ASSY., R. MIDDLE	64305-MKF-D20	ZA			F-45	3
10	COWL ASSY., R. UNDER	64405-MKF-D20	ZA			F-45	11
11	COWL SET, RR. CENTER	77210-MKF-D40	ZA			F-23-10	1
12	COWL SET, RR. UPPER	77220-MKF-D20	ZA			F-23-10	3
13	COWL, RR. UNDER	77231-MKF-D20	ZA			F-23-10	5
14	FENDER COMP., FR.	61100-MKF-D20	ZA			F-10	4
15	HOLDER, L. PILLION STEP	50760-MKF-D40	ZA			F-30	16
16	HOLDER, R. PILLION STEP	50750-MKF-D40	ZA			F-30	15
17	MARK, HONDA	86101-MKF-D40	ZA			F-50	1
18	MARK, HONDA	86102-MKF-D20	ZA			F-50	2
19	MARK, HONDA	86103-MKF-D20	ZA			F-50	3
20	MARK, HONDA	86104-MKF-D20	ZA			F-50	4
21	RAIL ASSY., SEAT	50200-MKF-D40	ZA			F-39	7
22	RING, FR. PULSER	44515-MKF-D40	ZB			F-14	12
23	SHELTER SET, L. SIDE	83170-MKF-D10	ZB			F-21-20	14
24	SHELTER SET, R. SIDE	83160-MKF-D10	ZB			F-21-20	11

CBR1000RA (CBR1000RAJ).....ED,RU,U

No.	MODEL		CBR1000RAJ				
	COLOR		Mat ballistic black metallic NH-A86M	Applicable model		Applicable block No.	Ref. No.
	CODE			Initial applicable model	Final applicable model		
	Name of colored parts	Basic part No.	NHA86				
25	SHELTER, RR.	83150-MKF-D20	ZA			F-21-20	20
26	SHROUD SET, L.	64365-MKF-D10	ZA			F-45	9
27	SHROUD SET, R.	64315-MKF-D10	ZA			F-45	5
28	STRIPE, L. FR. UPPER COWL	86643-MKF-D20	ZA			F-50	6
29	STRIPE, L. MIDDLE COWL	86646-MKF-D20	ZA			F-50	9
30	STRIPE, L. RR. COWL UPPER	86774-MKF-D20	ZA			F-50	14
31	STRIPE, L. SHROUD	86648-MKF-D10	ZA			F-50	12
32	STRIPE, L. SIDE SHELTER	86834-MKF-D10	ZA			F-50	16
33	STRIPE, R. FR. UPPER COWL	86642-MKF-D20	ZA			F-50	5
34	STRIPE, R. MIDDLE COWL	86645-MKF-D20	ZA			F-50	7
35	STRIPE, R. RR. COWL UPPER	86773-MKF-D20	ZA			F-50	13
36	STRIPE, R. SHROUD	86647-MKF-D10	ZA			F-50	11
37	STRIPE, R. SIDE SHELTER	86833-MKF-D10	ZA			F-50	15
38	TRIM, FUEL TANK	17516-KCZ-000	ZB			F-21-20	2
39	WHEEL SUB ASSY., FR.	44650-MKF-D40	ZD			F-14	15
40	WHEEL SUB ASSY., RR.	42650-MKF-D40	ZC			F-19	13

CBR1000RA (CBR1000RAJ).....FO

No.	MODEL		CBR1000RAJ				
	COLOR		Mat ballistic black metallic NH-A86M	Applicable model		Applicable block No.	Ref. No.
	CODE			Initial applicable model	Final applicable model		
	Name of colored parts	Basic part No.	NHA86				
1	BODY SET, FRAME	50010-MKF-D40	ZA			F-39	2
2	CLIP, PANEL FIXING	91549-MW0-790	ZA			F-41	40
3	CLIP, PANEL FIXING	91549-MW0-790	ZA			F-45	26
4	COVER, L. AIR CLEANER SIDE	83166-MKF-D40	ZA			F-21-20	13
5	COVER, R. AIR CLEANER SIDE	83165-MKF-D40	ZA			F-21-20	12
6	COWL ASSY., FR. UPPER	64105-MKF-D20	ZA			F-43	2
7	COWL ASSY., L. MIDDLE	64355-MKF-D20	ZA			F-45	7
8	COWL ASSY., L. UNDER	64455-MKF-D20	ZA			F-45	12
9	COWL ASSY., R. MIDDLE	64305-MKF-D20	ZA			F-45	3
10	COWL ASSY., R. UNDER	64405-MKF-D20	ZA			F-45	11
11	COWL SET, RR. CENTER	77210-MKF-D40	ZA			F-23-10	1
12	COWL SET, RR. UPPER	77220-MKF-D20	ZA			F-23-10	3
13	COWL, RR. UNDER	77231-MKF-D20	ZA			F-23-10	5
14	FENDER COMP., FR.	61100-MKF-D20	ZA			F-10	4
15	HOLDER, L. PILLION STEP	50760-MKF-D40	ZA			F-30	16
16	HOLDER, R. PILLION STEP	50750-MKF-D40	ZA			F-30	15
17	MARK, HONDA	86101-MKF-D40	ZA			F-50	1
18	MARK, HONDA	86102-MKF-D20	ZA			F-50	2
19	MARK, HONDA	86103-MKF-D20	ZA			F-50	3
20	MARK, HONDA	86104-MKF-D20	ZA			F-50	4
21	RAIL ASSY., SEAT	50200-MKF-D40	ZA			F-39	7
22	RING, FR. PULSER	44515-MKF-D40	ZB			F-14	12
23	SHELTER SET, L. SIDE	83170-MKF-D10	ZB			F-21-20	14
24	SHELTER SET, R. SIDE	83160-MKF-D10	ZB			F-21-20	11

CBR1000RA (CBR1000RAJ).....FO

No.	MODEL		CBR1000RAJ				
	COLOR		Mat ballistic black metallic NH-A86M	Applicable model		Applicable block No.	Ref. No.
	CODE			Initial applicable model	Final applicable model		
	Name of colored parts	Basic part No.	NHA86				
25	SHELTER, RR.	83150-MKF-D20	ZA			F-21-20	20
26	SHROUD SET, L.	64365-MKF-D10	ZA			F-45	9
27	SHROUD SET, R.	64315-MKF-D10	ZA			F-45	5
28	STRIPE, L. FR. UPPER COWL	86643-MKF-D20	ZA			F-50	6
29	STRIPE, L. MIDDLE COWL	86646-MKF-D20	ZA			F-50	9
30	STRIPE, L. RR. COWL UPPER	86774-MKF-D20	ZA			F-50	14
31	STRIPE, L. SHROUD	86648-MKF-D10	ZA			F-50	12
32	STRIPE, L. SIDE SHELTER	86834-MKF-D10	ZA			F-50	16
33	STRIPE, R. FR. UPPER COWL	86642-MKF-D20	ZA			F-50	5
34	STRIPE, R. MIDDLE COWL	86645-MKF-D20	ZA			F-50	7
35	STRIPE, R. RR. COWL UPPER	86773-MKF-D20	ZA			F-50	13
36	STRIPE, R. SHROUD	86647-MKF-D10	ZA			F-50	11
37	STRIPE, R. SIDE SHELTER	86833-MKF-D10	ZA			F-50	15
38	TRIM, FUEL TANK	17516-KCZ-000	ZB			F-21-20	2
39	WHEEL SUB ASSY., FR.	44650-MKF-D40	ZD			F-14	15
40	WHEEL SUB ASSY., RR.	42650-MKF-D40	ZC			F-19	13

CBR1000RA (CBR1000RAJ).....GS

No.	MODEL		CBR1000RAJ				
	COLOR		Mat ballistic black metallic NH-A86M	Applicable model		Applicable block No.	Ref. No.
	CODE			Initial applicable model	Final applicable model		
	Name of colored parts	Basic part No.	NHA86				
1	BODY SET, FRAME	50010-MKF-A20	ZA			F-39	2
2	CLIP, PANEL FIXING	91549-MW0-790	ZA			F-41	40
3	CLIP, PANEL FIXING	91549-MW0-790	ZA			F-45	26
4	COVER, L. AIR CLEANER SIDE	83166-MKF-D40	ZA			F-21-20	13
5	COVER, R. AIR CLEANER SIDE	83165-MKF-D40	ZA			F-21-20	12
6	COWL ASSY., FR. UPPER	64105-MKF-D20	ZA			F-43	2
7	COWL ASSY., L. MIDDLE	64355-MKF-D20	ZA			F-45	7
8	COWL ASSY., L. UNDER	64455-MKF-D20	ZA			F-45	12
9	COWL ASSY., R. MIDDLE	64305-MKF-D20	ZA			F-45	3
10	COWL ASSY., R. UNDER	64405-MKF-D20	ZA			F-45	11
11	COWL SET, RR. CENTER	77210-MKF-D40	ZA			F-23-10	1
12	COWL SET, RR. UPPER	77220-MKF-D20	ZA			F-23-10	3
13	COWL, RR. UNDER	77231-MKF-D20	ZA			F-23-10	5
14	FENDER COMP., FR.	61100-MKF-D20	ZA			F-10	4
15	HOLDER, L. PILLION STEP	50760-MKF-D40	ZA			F-30	16
16	HOLDER, R. PILLION STEP	50750-MKF-D40	ZA			F-30	15
17	MARK, HONDA	86101-MKF-D40	ZA			F-50	1
18	MARK, HONDA	86102-MKF-D20	ZA			F-50	2
19	MARK, HONDA	86103-MKF-D20	ZA			F-50	3
20	MARK, HONDA	86104-MKF-D20	ZA			F-50	4
21	RAIL ASSY., SEAT	50200-MKF-D40	ZA			F-39	7
22	RING, FR. PULSER	44515-MKF-D40	ZB			F-14	12
23	SHELTER SET, L. SIDE	83170-MKF-D10	ZB			F-21-20	14
24	SHELTER SET, R. SIDE	83160-MKF-D10	ZB			F-21-20	11

CBR1000RA (CBR1000RAJ).....GS

No.	MODEL		CBR1000RAJ				
	COLOR		Mat ballistic black metallic NH-A86M	Applicable model		Applicable block No.	Ref. No.
	CODE			Initial applicable model	Final applicable model		
	Name of colored parts	Basic part No.	NHA86				
25	SHELTER, RR.	83150-MKF-D20	ZA			F-21-20	20
26	SHROUD SET, L.	64365-MKF-D10	ZA			F-45	9
27	SHROUD SET, R.	64315-MKF-D10	ZA			F-45	5
28	STRIPE, L. FR. UPPER COWL	86643-MKF-D20	ZA			F-50	6
29	STRIPE, L. MIDDLE COWL	86646-MKF-D20	ZA			F-50	9
30	STRIPE, L. RR. COWL UPPER	86774-MKF-D20	ZA			F-50	14
31	STRIPE, L. SHROUD	86648-MKF-D10	ZA			F-50	12
32	STRIPE, L. SIDE SHELTER	86834-MKF-D10	ZA			F-50	16
33	STRIPE, R. FR. UPPER COWL	86642-MKF-D20	ZA			F-50	5
34	STRIPE, R. MIDDLE COWL	86645-MKF-D20	ZA			F-50	7
35	STRIPE, R. RR. COWL UPPER	86773-MKF-D20	ZA			F-50	13
36	STRIPE, R. SHROUD	86647-MKF-D10	ZA			F-50	11
37	STRIPE, R. SIDE SHELTER	86833-MKF-D10	ZA			F-50	15
38	TRIM, FUEL TANK	17516-KCZ-000	ZB			F-21-20	2
39	WHEEL SUB ASSY., FR.	44650-MKF-D40	ZD			F-14	15
40	WHEEL SUB ASSY., RR.	42650-MKF-D40	ZC			F-19	13

CBR1000RA (CBR1000RAJ).....KO

No.	MODEL		CBR1000RAJ				
	COLOR		Mat ballistic black metallic NH-A86M	Applicable model		Applicable block No.	Ref. No.
	CODE			Initial applicable model	Final applicable model		
	Name of colored parts	Basic part No.	NHA86				
1	BODY SET, FRAME	50010-MKF-B40	ZA			F-39	2
2	CLIP, PANEL FIXING	91549-MW0-790	ZA			F-41	40
3	CLIP, PANEL FIXING	91549-MW0-790	ZA			F-45	26
4	COVER, L. AIR CLEANER SIDE	83166-MKF-D40	ZA			F-21-20	13
5	COVER, R. AIR CLEANER SIDE	83165-MKF-D40	ZA			F-21-20	12
6	COWL ASSY., FR. UPPER	64105-MKF-D20	ZA			F-43	2
7	COWL ASSY., L. MIDDLE	64355-MKF-D20	ZA			F-45	7
8	COWL ASSY., L. UNDER	64455-MKF-D20	ZA			F-45	12
9	COWL ASSY., R. MIDDLE	64305-MKF-D20	ZA			F-45	3
10	COWL ASSY., R. UNDER	64405-MKF-D20	ZA			F-45	11
11	COWL SET, RR. CENTER	77210-MKF-D40	ZA			F-23-10	1
12	COWL SET, RR. UPPER	77220-MKF-D20	ZA			F-23-10	3
13	COWL, RR. UNDER	77231-MKF-D20	ZA			F-23-10	5
14	FENDER COMP., FR.	61100-MKF-D20	ZA			F-10	4
15	HOLDER, L. PILLION STEP	50760-MKF-D40	ZA			F-30	16
16	HOLDER, R. PILLION STEP	50750-MKF-D40	ZA			F-30	15
17	MARK, HONDA	86101-MKF-D40	ZA			F-50	1
18	MARK, HONDA	86102-MKF-D20	ZA			F-50	2
19	MARK, HONDA	86103-MKF-D20	ZA			F-50	3
20	MARK, HONDA	86104-MKF-D20	ZA			F-50	4
21	RAIL ASSY., SEAT	50200-MKF-D40	ZA			F-39	7
22	RING, FR. PULSER	44515-MKF-D40	ZB			F-14	12
23	SHELTER SET, L. SIDE	83170-MKF-D10	ZB			F-21-20	14
24	SHELTER SET, R. SIDE	83160-MKF-D10	ZB			F-21-20	11

CBR1000RA (CBR1000RAJ).....KO

No.	MODEL		CBR1000RAJ				
	COLOR		Mat ballistic black metallic NH-A86M	Applicable model		Applicable block No.	Ref. No.
	CODE			Initial applicable model	Final applicable model		
	Name of colored parts	Basic part No.	NHA86				
25	SHELTER, RR.	83150-MKF-D20	ZA			F-21-20	20
26	SHROUD SET, L.	64365-MKF-D10	ZA			F-45	9
27	SHROUD SET, R.	64315-MKF-D10	ZA			F-45	5
28	STRIPE, L. FR. UPPER COWL	86643-MKF-D20	ZA			F-50	6
29	STRIPE, L. MIDDLE COWL	86646-MKF-D20	ZA			F-50	9
30	STRIPE, L. RR. COWL UPPER	86774-MKF-D20	ZA			F-50	14
31	STRIPE, L. SHROUD	86648-MKF-D10	ZA			F-50	12
32	STRIPE, L. SIDE SHELTER	86834-MKF-D10	ZA			F-50	16
33	STRIPE, R. FR. UPPER COWL	86642-MKF-D20	ZA			F-50	5
34	STRIPE, R. MIDDLE COWL	86645-MKF-D20	ZA			F-50	7
35	STRIPE, R. RR. COWL UPPER	86773-MKF-D20	ZA			F-50	13
36	STRIPE, R. SHROUD	86647-MKF-D10	ZA			F-50	11
37	STRIPE, R. SIDE SHELTER	86833-MKF-D10	ZA			F-50	15
38	TRIM, FUEL TANK	17516-KCZ-000	ZB			F-21-20	2
39	WHEEL SUB ASSY., FR.	44650-MKF-D40	ZD			F-14	15
40	WHEEL SUB ASSY., RR.	42650-MKF-D40	ZC			F-19	13

CBR1000RA (CBR1000RAJ).....TH

No.	MODEL		CBR1000RAJ				
	COLOR		Mat ballistic black metallic NH-A86M	Applicable model		Applicable block No.	Ref. No.
	CODE			Initial applicable model	Final applicable model		
	Name of colored parts	Basic part No.	NHA86				
1	BODY SET, FRAME	50010-MKF-D40	ZA			F-39	2
2	CLIP, PANEL FIXING	91549-MW0-790	ZA			F-41	40
3	CLIP, PANEL FIXING	91549-MW0-790	ZA			F-45	26
4	COVER, L. AIR CLEANER SIDE	83166-MKF-D40	ZA			F-21-20	13
5	COVER, R. AIR CLEANER SIDE	83165-MKF-D40	ZA			F-21-20	12
6	COWL ASSY., FR. UPPER	64105-MKF-D20	ZA			F-43	2
7	COWL ASSY., L. MIDDLE	64355-MKF-J20	ZA			F-45	7
8	COWL ASSY., L. UNDER	64455-MKF-D20	ZA			F-45	12
9	COWL ASSY., R. MIDDLE	64305-MKF-J20	ZA			F-45	3
10	COWL ASSY., R. UNDER	64405-MKF-D20	ZA			F-45	11
11	COWL SET, RR. CENTER	77210-MKF-D40	ZA			F-23-10	1
12	COWL SET, RR. UPPER	77220-MKF-D20	ZA			F-23-10	3
13	COWL, RR. UNDER	77231-MKF-D20	ZA			F-23-10	5
14	FENDER COMP., FR.	61100-MKF-D20	ZA			F-10	4
15	HOLDER, L. PILLION STEP	50760-MKF-D40	ZA			F-30	16
16	HOLDER, R. PILLION STEP	50750-MKF-D40	ZA			F-30	15
17	LABEL, GASOHOL	87710-MGE-T20	ZB			F-49	17
18	MARK, HONDA	86101-MKF-D40	ZA			F-50	1
19	MARK, HONDA	86102-MKF-D20	ZA			F-50	2
20	MARK, HONDA	86103-MKF-D20	ZA			F-50	3
21	MARK, HONDA	86104-MKF-D20	ZA			F-50	4
22	RAIL ASSY., SEAT	50200-MKF-D40	ZA			F-39	7
23	RING, FR. PULSER	44515-MKF-D40	ZB			F-14	12
24	SHELTER SET, L. SIDE	83170-MKF-D10	ZB			F-21-20	14

CBR1000RA (CBR1000RAJ).....TH

No.	MODEL		CBR1000RAJ				
	COLOR		Mat ballistic black metallic NH-A86M	Applicable model		Applicable block No.	Ref. No.
	CODE			Initial applicable model	Final applicable model		
	Name of colored parts	Basic part No.	NHA86				
25	SHELTER SET, R. SIDE	83160-MKF-D10	ZB			F-21-20	11
26	SHELTER, RR.	83150-MKF-D20	ZA			F-21-20	20
27	SHROUD SET, L.	64365-MKF-D10	ZA			F-45	9
28	SHROUD SET, R.	64315-MKF-D10	ZA			F-45	5
29	STRIPE, L. FR. UPPER COWL	86643-MKF-D20	ZA			F-50	6
30	STRIPE, L. MIDDLE COWL	86646-MKF-LA0	ZA			F-50	10
31	STRIPE, L. RR. COWL UPPER	86774-MKF-D20	ZA			F-50	14
32	STRIPE, L. SHROUD	86648-MKF-D10	ZA			F-50	12
33	STRIPE, L. SIDE SHELTER	86834-MKF-D10	ZA			F-50	16
34	STRIPE, R. FR. UPPER COWL	86642-MKF-D20	ZA			F-50	5
35	STRIPE, R. MIDDLE COWL	86645-MKF-LA0	ZA			F-50	8
36	STRIPE, R. RR. COWL UPPER	86773-MKF-D20	ZA			F-50	13
37	STRIPE, R. SHROUD	86647-MKF-D10	ZA			F-50	11
38	STRIPE, R. SIDE SHELTER	86833-MKF-D10	ZA			F-50	15
39	TRIM, FUEL TANK	17516-KCZ-000	ZB			F-21-20	2
40	WHEEL SUB ASSY., FR.	44650-MKF-D40	ZD			F-14	15
41	WHEEL SUB ASSY., RR.	42650-MKF-D40	ZC			F-19	13

CBR1000S1 (CBR1000S1H).....2BR

No.	MODEL		CBR1000S1H				
	COLOR		Victory red R-334	Applicable model		Applicable block No.	Ref. No.
	CODE			R334X	Initial applicable model		
	Name of colored parts	Basic part No.					
1	BODY SET, FRAME	50010-MKF-B40	ZB			F-39	2
2	CLIP, PANEL FIXING	91549-MW0-790	ZA			F-41	40
3	CLIP, PANEL FIXING	91549-MW0-790	ZA			F-45	26
4	COVER, L. AIR CLEANER SIDE	83166-MKF-D40	ZA			F-21-20	13
5	COVER, L. FRAME SIDE	83265-MKF-D60	ZA			F-39	10
6	COVER, R. AIR CLEANER SIDE	83165-MKF-D40	ZA			F-21-20	12
7	COVER, R. FRAME SIDE	83215-MKF-D60	ZA			F-39	9
8	COWL ASSY., FR. UPPER	64105-MKF-D60	ZA			F-43	2
9	COWL ASSY., L. MIDDLE	64355-MKF-D60	ZA			F-45	7
10	COWL ASSY., L. UNDER	64455-MKF-D60	ZA			F-45	12
11	COWL ASSY., R. MIDDLE	64305-MKF-D60	ZA			F-45	3
12	COWL ASSY., R. UNDER	64405-MKF-D60	ZA			F-45	11
13	COWL ASSY., SINGLE SEAT	77410-MKF-D60	ZB			F-23	12
14	COWL SET, RR. CENTER	77210-MKF-D40	ZB			F-23-10	1
15	COWL SET, RR. UNDER	77230-MKF-D60	ZA			F-23-10	4
16	COWL SET, RR. UPPER	77220-MKF-D60	ZA			F-23-10	3
17	FENDER COMP., FR.	61100-MKF-D60	ZA			F-10	4
18	MARK	86836-MKF-D40	ZB			F-50-1	20
19	MARK, HONDA	86101-MKF-D40	ZB			F-50-1	1
20	MARK, HRC	86835-MKF-D60	ZA			F-50-1	14
21	MARK, HRC	86775-MKF-D60	ZA			F-50-1	17
22	RAIL ASSY., SEAT	50200-MKF-D60	ZA			F-39	7
23	RING, FR. PULSER	44515-MKF-D40	ZB			F-14	12
24	SHELTER SET, FR.	83153-MKF-D60	ZA			F-21-20	9

CBR1000S1 (CBR1000S1H).....2BR

No.	MODEL		CBR1000S1H				
	COLOR		Victory red R-334	Applicable model		Applicable block No.	Ref. No.
	CODE			Initial applicable model	Final applicable model		
	Name of colored parts	Basic part No.	R334X				
25	SHELTER SET, L. SIDE	83170-MKF-D40	ZC			F-21-20	14
26	SHELTER SET, R. SIDE	83160-MKF-D40	ZC			F-21-20	11
27	SHELTER SET, RR.	83150-MKF-D40	ZC			F-21-20	8
28	STRIPE A, L. MIDDLE COWL	86644-MKF-D60	ZA			F-50-1	5
29	STRIPE A, L. RR. SHELTER	86832-MKF-D40	ZA			F-50-1	19
30	STRIPE A, L. UNDER COWL	86652-MKF-D60	ZA			F-50-1	10
31	STRIPE A, R. MIDDLE COWL	86643-MKF-D60	ZA			F-50-1	3
32	STRIPE A, R. RR. SHELTER	86831-MKF-D40	ZA			F-50-1	18
33	STRIPE B, L. MIDDLE COWL	86646-MKF-D60	ZA			F-50-1	16
34	STRIPE B, L. UNDER COWL	86653-MKF-D60	ZA			F-50-1	11
35	STRIPE B, R. MIDDLE COWL	86645-MKF-D60	ZA			F-50-1	15
36	STRIPE, FR. UPPER COWL	86642-MKF-D60	ZA			F-50-1	2
37	STRIPE, L. RR. COWL UPPER	86774-MKF-D60	ZA			F-50-1	13
38	STRIPE, L. SIDE SHELTER	86834-MKF-D40	ZA			F-50-1	22
39	STRIPE, R. RR. COWL UPPER	86773-MKF-D60	ZA			F-50-1	12
40	STRIPE, R. SIDE SHELTER	86833-MKF-D40	ZA			F-50-1	21
41	STRIPE, R. UNDER COWL	86651-MKF-D60	ZA			F-50-1	9
42	TRIM, FUEL TANK	17516-KCZ-000	ZB			F-21-20	2
43	WHEEL SUB ASSY., FR.	44650-MKF-D40	ZB			F-14	15
44	WHEEL SUB ASSY., RR.	42650-MKF-D40	ZA			F-19	13

CBR1000S1 (CBR1000S1H).....2CH

No.	MODEL		CBR1000S1H				
	COLOR		R-334	Applicable model		Applicable block No.	Ref. No.
	CODE			Initial applicable model	Final applicable model		
	Name of colored parts	Basic part No.	R334X				
1	BODY SET, FRAME	50010-MKF-H40	ZB			F-39	2
2	CLIP, PANEL FIXING	91549-MW0-790	ZA			F-41	40
3	CLIP, PANEL FIXING	91549-MW0-790	ZA			F-45	26
4	COVER, L. AIR CLEANER SIDE	83166-MKF-D40	ZA			F-21-20	13
5	COVER, L. FRAME SIDE	83265-MKF-D60	ZA			F-39	10
6	COVER, R. AIR CLEANER SIDE	83165-MKF-D40	ZA			F-21-20	12
7	COVER, R. FRAME SIDE	83215-MKF-D60	ZA			F-39	9
8	COWL ASSY., FR. UPPER	64105-MKF-D60	ZA			F-43	2
9	COWL ASSY., L. MIDDLE	64355-MKF-J60	ZA			F-45	7
10	COWL ASSY., L. UNDER	64455-MKF-D60	ZA			F-45	12
11	COWL ASSY., R. MIDDLE	64305-MKF-J60	ZA			F-45	3
12	COWL ASSY., R. UNDER	64405-MKF-D60	ZA			F-45	11
13	COWL ASSY., SINGLE SEAT	77410-MKF-D60	ZB			F-23	12
14	COWL SET, RR. CENTER	77210-MKF-D40	ZB			F-23-10	1
15	COWL SET, RR. UNDER	77230-MKF-D60	ZA			F-23-10	4
16	COWL SET, RR. UPPER	77220-MKF-D60	ZA			F-23-10	3
17	FENDER COMP., FR.	61100-MKF-D60	ZA			F-10	4
18	MARK	86836-MKF-D40	ZB			F-50-1	20
19	MARK, HONDA	86101-MKF-D40	ZB			F-50-1	1
20	MARK, HRC	86835-MKF-D60	ZA			F-50-1	14
21	MARK, HRC	86775-MKF-D60	ZA			F-50-1	17
22	RAIL ASSY., SEAT	50200-MKF-D60	ZA			F-39	7
23	RING, FR. PULSER	44515-MKF-D40	ZB			F-14	12
24	SHELTER SET, FR.	83153-MKF-D60	ZA			F-21-20	9

CBR1000S1 (CBR1000S1H).....2CH

No.	MODEL		CBR1000S1H				
	COLOR		Victory red	Applicable model		Applicable block No.	Ref. No.
	CODE		R-334	Initial applicable model	Final applicable model		
	Name of colored parts	Basic part No.	R334X				
25	SHELTER SET, L. SIDE	83170-MKF-D40	ZC			F-21-20	14
26	SHELTER SET, R. SIDE	83160-MKF-D40	ZC			F-21-20	11
27	SHELTER SET, RR.	83150-MKF-D40	ZC			F-21-20	8
28	STRIPE A, L. MIDDLE COWL	86644-MKF-L60	ZA			F-50-1	6
29	STRIPE A, L. RR. SHELTER	86832-MKF-D40	ZA			F-50-1	19
30	STRIPE A, L. UNDER COWL	86652-MKF-D60	ZA			F-50-1	10
31	STRIPE A, R. MIDDLE COWL	86643-MKF-L60	ZA			F-50-1	4
32	STRIPE A, R. RR. SHELTER	86831-MKF-D40	ZA			F-50-1	18
33	STRIPE B, L. MIDDLE COWL	86646-MKF-D60	ZA			F-50-1	16
34	STRIPE B, L. UNDER COWL	86653-MKF-D60	ZA			F-50-1	11
35	STRIPE B, R. MIDDLE COWL	86645-MKF-D60	ZA			F-50-1	15
36	STRIPE, FR. UPPER COWL	86642-MKF-D60	ZA			F-50-1	2
37	STRIPE, L. RR. COWL UPPER	86774-MKF-D60	ZA			F-50-1	13
38	STRIPE, L. SIDE SHELTER	86834-MKF-D40	ZA			F-50-1	22
39	STRIPE, R. RR. COWL UPPER	86773-MKF-D60	ZA			F-50-1	12
40	STRIPE, R. SIDE SHELTER	86833-MKF-D40	ZA			F-50-1	21
41	STRIPE, R. UNDER COWL	86651-MKF-D60	ZA			F-50-1	9
42	TRIM, FUEL TANK	17516-KCZ-000	ZB			F-21-20	2
43	WHEEL SUB ASSY., FR.	44650-MKF-D40	ZB			F-14	15
44	WHEEL SUB ASSY., RR.	42650-MKF-D40	ZA			F-19	13

CBR1000S1 (CBR1000S1H).....2ED,2RU,2U

No.	MODEL		CBR1000S1H				
	COLOR		R-334	Applicable model		Applicable block No.	Ref. No.
	CODE			Initial applicable model	Final applicable model		
	Name of colored parts	Basic part No.	R334X				
1	BODY SET, FRAME	50010-MKF-D40	ZB			F-39	2
2	CLIP, PANEL FIXING	91549-MW0-790	ZA			F-41	40
3	CLIP, PANEL FIXING	91549-MW0-790	ZA			F-45	26
4	COVER, L. AIR CLEANER SIDE	83166-MKF-D40	ZA			F-21-20	13
5	COVER, L. FRAME SIDE	83265-MKF-D60	ZA			F-39	10
6	COVER, R. AIR CLEANER SIDE	83165-MKF-D40	ZA			F-21-20	12
7	COVER, R. FRAME SIDE	83215-MKF-D60	ZA			F-39	9
8	COWL ASSY., FR. UPPER	64105-MKF-D60	ZA			F-43	2
9	COWL ASSY., L. MIDDLE	64355-MKF-D60	ZA			F-45	7
10	COWL ASSY., L. UNDER	64455-MKF-D60	ZA			F-45	12
11	COWL ASSY., R. MIDDLE	64305-MKF-D60	ZA			F-45	3
12	COWL ASSY., R. UNDER	64405-MKF-D60	ZA			F-45	11
13	COWL ASSY., SINGLE SEAT	77410-MKF-D60	ZB			F-23	12
14	COWL SET, RR. CENTER	77210-MKF-D40	ZB			F-23-10	1
15	COWL SET, RR. UNDER	77230-MKF-D60	ZA			F-23-10	4
16	COWL SET, RR. UPPER	77220-MKF-D60	ZA			F-23-10	3
17	FENDER COMP., FR.	61100-MKF-D60	ZA			F-10	4
18	MARK	86836-MKF-D40	ZB			F-50-1	20
19	MARK, HONDA	86101-MKF-D40	ZB			F-50-1	1
20	MARK, HRC	86835-MKF-D60	ZA			F-50-1	14
21	MARK, HRC	86775-MKF-D60	ZA			F-50-1	17
22	RAIL ASSY., SEAT	50200-MKF-D60	ZA			F-39	7
23	RING, FR. PULSER	44515-MKF-D40	ZB			F-14	12
24	SHELTER SET, FR.	83153-MKF-D60	ZA			F-21-20	9

CBR1000S1 (CBR1000S1H).....2ED,2RU,2U

No.	MODEL		CBR1000S1H				
	COLOR		Victory red	Applicable model		Applicable block No.	Ref. No.
	CODE		R-334	Initial applicable model	Final applicable model		
	Name of colored parts	Basic part No.	R334X				
25	SHELTER SET, L. SIDE	83170-MKF-D40	ZC			F-21-20	14
26	SHELTER SET, R. SIDE	83160-MKF-D40	ZC			F-21-20	11
27	SHELTER SET, RR.	83150-MKF-D40	ZC			F-21-20	8
28	STRIPE A, L. MIDDLE COWL	86644-MKF-D60	ZA			F-50-1	5
29	STRIPE A, L. RR. SHELTER	86832-MKF-D40	ZA			F-50-1	19
30	STRIPE A, L. UNDER COWL	86652-MKF-D60	ZA			F-50-1	10
31	STRIPE A, R. MIDDLE COWL	86643-MKF-D60	ZA			F-50-1	3
32	STRIPE A, R. RR. SHELTER	86831-MKF-D40	ZA			F-50-1	18
33	STRIPE B, L. MIDDLE COWL	86646-MKF-D60	ZA			F-50-1	16
34	STRIPE B, L. UNDER COWL	86653-MKF-D60	ZA			F-50-1	11
35	STRIPE B, R. MIDDLE COWL	86645-MKF-D60	ZA			F-50-1	15
36	STRIPE, FR. UPPER COWL	86642-MKF-D60	ZA			F-50-1	2
37	STRIPE, L. RR. COWL UPPER	86774-MKF-D60	ZA			F-50-1	13
38	STRIPE, L. SIDE SHELTER	86834-MKF-D40	ZA			F-50-1	22
39	STRIPE, R. RR. COWL UPPER	86773-MKF-D60	ZA			F-50-1	12
40	STRIPE, R. SIDE SHELTER	86833-MKF-D40	ZA			F-50-1	21
41	STRIPE, R. UNDER COWL	86651-MKF-D60	ZA			F-50-1	9
42	TRIM, FUEL TANK	17516-KCZ-000	ZB			F-21-20	2
43	WHEEL SUB ASSY., FR.	44650-MKF-D40	ZB			F-14	15
44	WHEEL SUB ASSY., RR.	42650-MKF-D40	ZA			F-19	13

CBR1000S1 (CBR1000S1H).....2FO

No.	MODEL		CBR1000S1H				
	COLOR		R-334	Applicable model		Applicable block No.	Ref. No.
	CODE			Initial applicable model	Final applicable model		
	Name of colored parts	Basic part No.	R334X				
1	BODY SET, FRAME	50010-MKF-D40	ZB			F-39	2
2	CLIP, PANEL FIXING	91549-MW0-790	ZA			F-41	40
3	CLIP, PANEL FIXING	91549-MW0-790	ZA			F-45	26
4	COVER, L. AIR CLEANER SIDE	83166-MKF-D40	ZA			F-21-20	13
5	COVER, L. FRAME SIDE	83265-MKF-D60	ZA			F-39	10
6	COVER, R. AIR CLEANER SIDE	83165-MKF-D40	ZA			F-21-20	12
7	COVER, R. FRAME SIDE	83215-MKF-D60	ZA			F-39	9
8	COWL ASSY., FR. UPPER	64105-MKF-D60	ZA			F-43	2
9	COWL ASSY., L. MIDDLE	64355-MKF-D60	ZA			F-45	7
10	COWL ASSY., L. UNDER	64455-MKF-D60	ZA			F-45	12
11	COWL ASSY., R. MIDDLE	64305-MKF-D60	ZA			F-45	3
12	COWL ASSY., R. UNDER	64405-MKF-D60	ZA			F-45	11
13	COWL ASSY., SINGLE SEAT	77410-MKF-D60	ZB			F-23	12
14	COWL SET, RR. CENTER	77210-MKF-D40	ZB			F-23-10	1
15	COWL SET, RR. UNDER	77230-MKF-D60	ZA			F-23-10	4
16	COWL SET, RR. UPPER	77220-MKF-D60	ZA			F-23-10	3
17	FENDER COMP., FR.	61100-MKF-D60	ZA			F-10	4
18	MARK	86836-MKF-D40	ZB			F-50-1	20
19	MARK, HONDA	86101-MKF-D40	ZB			F-50-1	1
20	MARK, HRC	86835-MKF-D60	ZA			F-50-1	14
21	MARK, HRC	86775-MKF-D60	ZA			F-50-1	17
22	RAIL ASSY., SEAT	50200-MKF-D60	ZA			F-39	7
23	RING, FR. PULSER	44515-MKF-D40	ZB			F-14	12
24	SHELTER SET, FR.	83153-MKF-D60	ZA			F-21-20	9

CBR1000S1 (CBR1000S1H).....2FO

No.	MODEL		CBR1000S1H				
	COLOR		Victory red R-334	Applicable model		Applicable block No.	Ref. No.
	CODE			R334X	Initial applicable model		
	Name of colored parts	Basic part No.					
25	SHELTER SET, L. SIDE	83170-MKF-D40	ZC			F-21-20	14
26	SHELTER SET, R. SIDE	83160-MKF-D40	ZC			F-21-20	11
27	SHELTER SET, RR.	83150-MKF-D40	ZC			F-21-20	8
28	STRIPE A, L. MIDDLE COWL	86644-MKF-D60	ZA			F-50-1	5
29	STRIPE A, L. RR. SHELTER	86832-MKF-D40	ZA			F-50-1	19
30	STRIPE A, L. UNDER COWL	86652-MKF-D60	ZA			F-50-1	10
31	STRIPE A, R. MIDDLE COWL	86643-MKF-D60	ZA			F-50-1	3
32	STRIPE A, R. RR. SHELTER	86831-MKF-D40	ZA			F-50-1	18
33	STRIPE B, L. MIDDLE COWL	86646-MKF-D60	ZA			F-50-1	16
34	STRIPE B, L. UNDER COWL	86653-MKF-D60	ZA			F-50-1	11
35	STRIPE B, R. MIDDLE COWL	86645-MKF-D60	ZA			F-50-1	15
36	STRIPE, FR. UPPER COWL	86642-MKF-D60	ZA			F-50-1	2
37	STRIPE, L. RR. COWL UPPER	86774-MKF-D60	ZA			F-50-1	13
38	STRIPE, L. SIDE SHELTER	86834-MKF-D40	ZA			F-50-1	22
39	STRIPE, R. RR. COWL UPPER	86773-MKF-D60	ZA			F-50-1	12
40	STRIPE, R. SIDE SHELTER	86833-MKF-D40	ZA			F-50-1	21
41	STRIPE, R. UNDER COWL	86651-MKF-D60	ZA			F-50-1	9
42	TRIM, FUEL TANK	17516-KCZ-000	ZB			F-21-20	2
43	WHEEL SUB ASSY., FR.	44650-MKF-D40	ZB			F-14	15
44	WHEEL SUB ASSY., RR.	42650-MKF-D40	ZA			F-19	13

CBR1000S1 (CBR1000S1H).....2GS

No.	MODEL		CBR1000S1H				
	COLOR		Victory red	Applicable model		Applicable block No.	Ref. No.
	CODE		R-334	Initial applicable model	Final applicable model		
	Name of colored parts	Basic part No.	R334X				
1	BODY SET, FRAME	50010-MKF-A20	ZB			F-39	2
2	CLIP, PANEL FIXING	91549-MW0-790	ZA			F-41	40
3	CLIP, PANEL FIXING	91549-MW0-790	ZA			F-45	26
4	COVER, L. AIR CLEANER SIDE	83166-MKF-D40	ZA			F-21-20	13
5	COVER, L. FRAME SIDE	83265-MKF-D60	ZA			F-39	10
6	COVER, R. AIR CLEANER SIDE	83165-MKF-D40	ZA			F-21-20	12
7	COVER, R. FRAME SIDE	83215-MKF-D60	ZA			F-39	9
8	COWL ASSY., FR. UPPER	64105-MKF-D60	ZA			F-43	2
9	COWL ASSY., L. MIDDLE	64355-MKF-D60	ZA			F-45	7
10	COWL ASSY., L. UNDER	64455-MKF-D60	ZA			F-45	12
11	COWL ASSY., R. MIDDLE	64305-MKF-D60	ZA			F-45	3
12	COWL ASSY., R. UNDER	64405-MKF-D60	ZA			F-45	11
13	COWL ASSY., SINGLE SEAT	77410-MKF-D60	ZB			F-23	12
14	COWL SET, RR. CENTER	77210-MKF-D40	ZB			F-23-10	1
15	COWL SET, RR. UNDER	77230-MKF-D60	ZA			F-23-10	4
16	COWL SET, RR. UPPER	77220-MKF-D60	ZA			F-23-10	3
17	FENDER COMP., FR.	61100-MKF-D60	ZA			F-10	4
18	MARK	86836-MKF-D40	ZB			F-50-1	20
19	MARK, HONDA	86101-MKF-D40	ZB			F-50-1	1
20	MARK, HRC	86835-MKF-D60	ZA			F-50-1	14
21	MARK, HRC	86775-MKF-D60	ZA			F-50-1	17
22	RAIL ASSY., SEAT	50200-MKF-D60	ZA			F-39	7
23	RING, FR. PULSER	44515-MKF-D40	ZB			F-14	12
24	SHELTER SET, FR.	83153-MKF-D60	ZA			F-21-20	9

CBR1000S1 (CBR1000S1H).....2GS

No.	MODEL		CBR1000S1H				
	COLOR		Victory red R-334	Applicable model		Applicable block No.	Ref. No.
	CODE			R334X	Initial applicable model		
	Name of colored parts	Basic part No.					
25	SHELTER SET, L. SIDE	83170-MKF-D40	ZC			F-21-20	14
26	SHELTER SET, R. SIDE	83160-MKF-D40	ZC			F-21-20	11
27	SHELTER SET, RR.	83150-MKF-D40	ZC			F-21-20	8
28	STRIPE A, L. MIDDLE COWL	86644-MKF-D60	ZA			F-50-1	5
29	STRIPE A, L. RR. SHELTER	86832-MKF-D40	ZA			F-50-1	19
30	STRIPE A, L. UNDER COWL	86652-MKF-D60	ZA			F-50-1	10
31	STRIPE A, R. MIDDLE COWL	86643-MKF-D60	ZA			F-50-1	3
32	STRIPE A, R. RR. SHELTER	86831-MKF-D40	ZA			F-50-1	18
33	STRIPE B, L. MIDDLE COWL	86646-MKF-D60	ZA			F-50-1	16
34	STRIPE B, L. UNDER COWL	86653-MKF-D60	ZA			F-50-1	11
35	STRIPE B, R. MIDDLE COWL	86645-MKF-D60	ZA			F-50-1	15
36	STRIPE, FR. UPPER COWL	86642-MKF-D60	ZA			F-50-1	2
37	STRIPE, L. RR. COWL UPPER	86774-MKF-D60	ZA			F-50-1	13
38	STRIPE, L. SIDE SHELTER	86834-MKF-D40	ZA			F-50-1	22
39	STRIPE, R. RR. COWL UPPER	86773-MKF-D60	ZA			F-50-1	12
40	STRIPE, R. SIDE SHELTER	86833-MKF-D40	ZA			F-50-1	21
41	STRIPE, R. UNDER COWL	86651-MKF-D60	ZA			F-50-1	9
42	TRIM, FUEL TANK	17516-KCZ-000	ZB			F-21-20	2
43	WHEEL SUB ASSY., FR.	44650-MKF-D40	ZB			F-14	15
44	WHEEL SUB ASSY., RR.	42650-MKF-D40	ZA			F-19	13

CBR1000S1 (CBR1000S1H).....2IN

No.	MODEL		CBR1000S1H				
	COLOR		Victory red	Applicable model		Applicable block No.	Ref. No.
	CODE		R-334	Initial applicable model	Final applicable model		
	Name of colored parts	Basic part No.	R334X				
1	BODY SET, FRAME	50010-MKF-D40	ZB			F-39	2
2	CLIP, PANEL FIXING	91549-MW0-790	ZA			F-41	40
3	CLIP, PANEL FIXING	91549-MW0-790	ZA			F-45	26
4	COVER, L. AIR CLEANER SIDE	83166-MKF-D40	ZA			F-21-20	13
5	COVER, L. FRAME SIDE	83265-MKF-D60	ZA			F-39	10
6	COVER, R. AIR CLEANER SIDE	83165-MKF-D40	ZA			F-21-20	12
7	COVER, R. FRAME SIDE	83215-MKF-D60	ZA			F-39	9
8	COWL ASSY., FR. UPPER	64105-MKF-D60	ZA			F-43	2
9	COWL ASSY., L. MIDDLE	64355-MKF-D60	ZA			F-45	7
10	COWL ASSY., L. UNDER	64455-MKF-D60	ZA			F-45	12
11	COWL ASSY., R. MIDDLE	64305-MKF-D60	ZA			F-45	3
12	COWL ASSY., R. UNDER	64405-MKF-D60	ZA			F-45	11
13	COWL ASSY., SINGLE SEAT	77410-MKF-D60	ZB			F-23	12
14	COWL SET, RR. CENTER	77210-MKF-D40	ZB			F-23-10	1
15	COWL SET, RR. UNDER	77230-MKF-D60	ZA			F-23-10	4
16	COWL SET, RR. UPPER	77220-MKF-D60	ZA			F-23-10	3
17	FENDER COMP., FR.	61100-MKF-D60	ZA			F-10	4
18	MARK	86836-MKF-D40	ZB			F-50-1	20
19	MARK, HONDA	86101-MKF-D40	ZB			F-50-1	1
20	MARK, HRC	86835-MKF-D60	ZA			F-50-1	14
21	MARK, HRC	86775-MKF-D60	ZA			F-50-1	17
22	RAIL ASSY., SEAT	50200-MKF-D60	ZA			F-39	7
23	RING, FR. PULSER	44515-MKF-D40	ZB			F-14	12
24	SHELTER SET, FR.	83153-MKF-D60	ZA			F-21-20	9

CBR1000S1 (CBR1000S1H).....2IN

No.	MODEL		CBR1000S1H				
	COLOR		Victory red	Applicable model		Applicable block No.	Ref. No.
	CODE		R-334	Initial applicable model	Final applicable model		
	Name of colored parts	Basic part No.	R334X				
25	SHELTER SET, L. SIDE	83170-MKF-D40	ZC			F-21-20	14
26	SHELTER SET, R. SIDE	83160-MKF-D40	ZC			F-21-20	11
27	SHELTER SET, RR.	83150-MKF-D40	ZC			F-21-20	8
28	STRIPE A, L. MIDDLE COWL	86644-MKF-D60	ZA			F-50-1	5
29	STRIPE A, L. RR. SHELTER	86832-MKF-D40	ZA			F-50-1	19
30	STRIPE A, L. UNDER COWL	86652-MKF-D60	ZA			F-50-1	10
31	STRIPE A, R. MIDDLE COWL	86643-MKF-D60	ZA			F-50-1	3
32	STRIPE A, R. RR. SHELTER	86831-MKF-D40	ZA			F-50-1	18
33	STRIPE B, L. MIDDLE COWL	86646-MKF-D60	ZA			F-50-1	16
34	STRIPE B, L. UNDER COWL	86653-MKF-D60	ZA			F-50-1	11
35	STRIPE B, R. MIDDLE COWL	86645-MKF-D60	ZA			F-50-1	15
36	STRIPE, FR. UPPER COWL	86642-MKF-D60	ZA			F-50-1	2
37	STRIPE, L. RR. COWL UPPER	86774-MKF-D60	ZA			F-50-1	13
38	STRIPE, L. SIDE SHELTER	86834-MKF-D40	ZA			F-50-1	22
39	STRIPE, R. RR. COWL UPPER	86773-MKF-D60	ZA			F-50-1	12
40	STRIPE, R. SIDE SHELTER	86833-MKF-D40	ZA			F-50-1	21
41	STRIPE, R. UNDER COWL	86651-MKF-D60	ZA			F-50-1	9
42	TRIM, FUEL TANK	17516-KCZ-000	ZB			F-21-20	2
43	WHEEL SUB ASSY., FR.	44650-MKF-D40	ZB			F-14	15
44	WHEEL SUB ASSY., RR.	42650-MKF-D40	ZA			F-19	13

CBR1000S1 (CBR1000S1H).....2KO

No.	MODEL		CBR1000S1H				
	COLOR		R-334	Applicable model		Applicable block No.	Ref. No.
	CODE			Initial applicable model	Final applicable model		
	Name of colored parts	Basic part No.	R334X				
1	BODY SET, FRAME	50010-MKF-B40	ZB			F-39	2
2	CLIP, PANEL FIXING	91549-MW0-790	ZA			F-41	40
3	CLIP, PANEL FIXING	91549-MW0-790	ZA			F-45	26
4	COVER, L. AIR CLEANER SIDE	83166-MKF-D40	ZA			F-21-20	13
5	COVER, L. FRAME SIDE	83265-MKF-D60	ZA			F-39	10
6	COVER, R. AIR CLEANER SIDE	83165-MKF-D40	ZA			F-21-20	12
7	COVER, R. FRAME SIDE	83215-MKF-D60	ZA			F-39	9
8	COWL ASSY., FR. UPPER	64105-MKF-D60	ZA			F-43	2
9	COWL ASSY., L. MIDDLE	64355-MKF-D60	ZA			F-45	7
10	COWL ASSY., L. UNDER	64455-MKF-D60	ZA			F-45	12
11	COWL ASSY., R. MIDDLE	64305-MKF-D60	ZA			F-45	3
12	COWL ASSY., R. UNDER	64405-MKF-D60	ZA			F-45	11
13	COWL ASSY., SINGLE SEAT	77410-MKF-D60	ZB			F-23	12
14	COWL SET, RR. CENTER	77210-MKF-D40	ZB			F-23-10	1
15	COWL SET, RR. UNDER	77230-MKF-D60	ZA			F-23-10	4
16	COWL SET, RR. UPPER	77220-MKF-D60	ZA			F-23-10	3
17	FENDER COMP., FR.	61100-MKF-D60	ZA			F-10	4
18	MARK	86836-MKF-D40	ZB			F-50-1	20
19	MARK, HONDA	86101-MKF-D40	ZB			F-50-1	1
20	MARK, HRC	86835-MKF-D60	ZA			F-50-1	14
21	MARK, HRC	86775-MKF-D60	ZA			F-50-1	17
22	RAIL ASSY., SEAT	50200-MKF-D60	ZA			F-39	7
23	RING, FR. PULSER	44515-MKF-D40	ZB			F-14	12
24	SHELTER SET, FR.	83153-MKF-D60	ZA			F-21-20	9

CBR1000S1 (CBR1000S1H).....2KO

No.	MODEL		CBR1000S1H				
	COLOR		Victory red R-334	Applicable model		Applicable block No.	Ref. No.
	CODE			R334X	Initial applicable model		
	Name of colored parts	Basic part No.					
25	SHELTER SET, L. SIDE	83170-MKF-D40	ZC			F-21-20	14
26	SHELTER SET, R. SIDE	83160-MKF-D40	ZC			F-21-20	11
27	SHELTER SET, RR.	83150-MKF-D40	ZC			F-21-20	8
28	STRIPE A, L. MIDDLE COWL	86644-MKF-D60	ZA			F-50-1	5
29	STRIPE A, L. RR. SHELTER	86832-MKF-D40	ZA			F-50-1	19
30	STRIPE A, L. UNDER COWL	86652-MKF-D60	ZA			F-50-1	10
31	STRIPE A, R. MIDDLE COWL	86643-MKF-D60	ZA			F-50-1	3
32	STRIPE A, R. RR. SHELTER	86831-MKF-D40	ZA			F-50-1	18
33	STRIPE B, L. MIDDLE COWL	86646-MKF-D60	ZA			F-50-1	16
34	STRIPE B, L. UNDER COWL	86653-MKF-D60	ZA			F-50-1	11
35	STRIPE B, R. MIDDLE COWL	86645-MKF-D60	ZA			F-50-1	15
36	STRIPE, FR. UPPER COWL	86642-MKF-D60	ZA			F-50-1	2
37	STRIPE, L. RR. COWL UPPER	86774-MKF-D60	ZA			F-50-1	13
38	STRIPE, L. SIDE SHELTER	86834-MKF-D40	ZA			F-50-1	22
39	STRIPE, R. RR. COWL UPPER	86773-MKF-D60	ZA			F-50-1	12
40	STRIPE, R. SIDE SHELTER	86833-MKF-D40	ZA			F-50-1	21
41	STRIPE, R. UNDER COWL	86651-MKF-D60	ZA			F-50-1	9
42	TRIM, FUEL TANK	17516-KCZ-000	ZB			F-21-20	2
43	WHEEL SUB ASSY., FR.	44650-MKF-D40	ZB			F-14	15
44	WHEEL SUB ASSY., RR.	42650-MKF-D40	ZA			F-19	13

CBR1000S1 (CBR1000S1H).....2TH

No.	MODEL		CBR1000S1H				
	COLOR		Victory red R-334	Applicable model		Applicable block No.	Ref. No.
	CODE			R334X	Initial applicable model		
	Name of colored parts	Basic part No.					
1	BODY SET, FRAME	50010-MKF-D40	ZB			F-39	2
2	CLIP, PANEL FIXING	91549-MW0-790	ZA			F-41	40
3	CLIP, PANEL FIXING	91549-MW0-790	ZA			F-45	26
4	COVER, L. AIR CLEANER SIDE	83166-MKF-D40	ZA			F-21-20	13
5	COVER, L. FRAME SIDE	83265-MKF-D60	ZA			F-39	10
6	COVER, R. AIR CLEANER SIDE	83165-MKF-D40	ZA			F-21-20	12
7	COVER, R. FRAME SIDE	83215-MKF-D60	ZA			F-39	9
8	COWL ASSY., FR. UPPER	64105-MKF-D60	ZA			F-43	2
9	COWL ASSY., L. MIDDLE	64355-MKF-J60	ZA			F-45	7
10	COWL ASSY., L. UNDER	64455-MKF-D60	ZA			F-45	12
11	COWL ASSY., R. MIDDLE	64305-MKF-J60	ZA			F-45	3
12	COWL ASSY., R. UNDER	64405-MKF-D60	ZA			F-45	11
13	COWL ASSY., SINGLE SEAT	77410-MKF-D60	ZB			F-23	12
14	COWL SET, RR. CENTER	77210-MKF-D40	ZB			F-23-10	1
15	COWL SET, RR. UNDER	77230-MKF-D60	ZA			F-23-10	4
16	COWL SET, RR. UPPER	77220-MKF-D60	ZA			F-23-10	3
17	FENDER COMP., FR.	61100-MKF-D60	ZA			F-10	4
18	LABEL, GASOHOL	87710-MGE-T20	ZB			F-49	17
19	MARK	86836-MKF-D40	ZB			F-50-1	20
20	MARK, HONDA	86101-MKF-D40	ZB			F-50-1	1
21	MARK, HRC	86835-MKF-D60	ZA			F-50-1	14
22	MARK, HRC	86775-MKF-D60	ZA			F-50-1	17
23	RAIL ASSY., SEAT	50200-MKF-D60	ZA			F-39	7
24	RING, FR. PULSER	44515-MKF-D40	ZB			F-14	12

CBR1000S1 (CBR1000S1H).....2TH

No.	MODEL		CBR1000S1H				
	COLOR		Victory red R-334	Applicable model		Applicable block No.	Ref. No.
	CODE			R334X	Initial applicable model		
	Name of colored parts	Basic part No.					
25	SHELTER SET, FR.	83153-MKF-D60	ZA			F-21-20	9
26	SHELTER SET, L. SIDE	83170-MKF-D40	ZC			F-21-20	14
27	SHELTER SET, R. SIDE	83160-MKF-D40	ZC			F-21-20	11
28	SHELTER SET, RR.	83150-MKF-D40	ZC			F-21-20	8
29	STRIPE A, L. MIDDLE COWL	86644-MKF-L60	ZA			F-50-1	6
30	STRIPE A, L. RR. SHELTER	86832-MKF-D40	ZA			F-50-1	19
31	STRIPE A, L. UNDER COWL	86652-MKF-D60	ZA			F-50-1	10
32	STRIPE A, R. MIDDLE COWL	86643-MKF-L60	ZA			F-50-1	4
33	STRIPE A, R. RR. SHELTER	86831-MKF-D40	ZA			F-50-1	18
34	STRIPE B, L. MIDDLE COWL	86646-MKF-D60	ZA			F-50-1	16
35	STRIPE B, L. UNDER COWL	86653-MKF-D60	ZA			F-50-1	11
36	STRIPE B, R. MIDDLE COWL	86645-MKF-D60	ZA			F-50-1	15
37	STRIPE, FR. UPPER COWL	86642-MKF-D60	ZA			F-50-1	2
38	STRIPE, L. RR. COWL UPPER	86774-MKF-D60	ZA			F-50-1	13
39	STRIPE, L. SIDE SHELTER	86834-MKF-D40	ZA			F-50-1	22
40	STRIPE, R. RR. COWL UPPER	86773-MKF-D60	ZA			F-50-1	12
41	STRIPE, R. SIDE SHELTER	86833-MKF-D40	ZA			F-50-1	21
42	STRIPE, R. UNDER COWL	86651-MKF-D60	ZA			F-50-1	9
43	TRIM, FUEL TANK	17516-KCZ-000	ZB			F-21-20	2
44	WHEEL SUB ASSY., FR.	44650-MKF-D40	ZB			F-14	15
45	WHEEL SUB ASSY., RR.	42650-MKF-D40	ZA			F-19	13

CBR1000S1 (CBR1000S1J).....2BR

No.	MODEL		CBR1000S1J				
	COLOR		Grand prix red R-380	Applicable model		Applicable block No.	Ref. No.
	CODE			Initial applicable model	Final applicable model		
	Name of colored parts	Basic part No.	R380X				
1	BODY SET, FRAME	50010-MKF-B40	ZB			F-39	2
2	CLIP, PANEL FIXING	91549-MW0-790	ZA			F-41	40
3	CLIP, PANEL FIXING	91549-MW0-790	ZA			F-45	26
4	COVER, L. AIR CLEANER SIDE	83166-MKF-D40	ZA			F-21-20	13
5	COVER, L. FRAME SIDE	83265-MKF-D60	ZA			F-39	10
6	COVER, R. AIR CLEANER SIDE	83165-MKF-D40	ZA			F-21-20	12
7	COVER, R. FRAME SIDE	83215-MKF-D60	ZA			F-39	9
8	COWL ASSY., FR. UPPER	64105-MKF-D80	ZA			F-43	2
9	COWL ASSY., L. MIDDLE	64355-MKF-D80	ZA			F-45	7
10	COWL ASSY., L. UNDER	64455-MKF-D80	ZA			F-45	12
11	COWL ASSY., R. MIDDLE	64305-MKF-D80	ZA			F-45	3
12	COWL ASSY., R. UNDER	64405-MKF-D80	ZA			F-45	11
13	COWL ASSY., SINGLE SEAT	77410-MKF-D60	ZD			F-23	12
14	COWL SET, RR. CENTER	77210-MKF-D80	ZA			F-23-10	1
15	COWL SET, RR. UNDER	77230-MKF-D80	ZA			F-23-10	4
16	COWL SET, RR. UPPER	77220-MKF-D80	ZA			F-23-10	3
17	FENDER COMP., FR.	61100-MKF-D60	ZB			F-10	4
18	MARK, HONDA	86101-MKF-D80	ZA			F-50-1	1
19	MARK, HRC	86835-MKF-D60	ZA			F-50-1	14
20	MARK, HRC	86775-MKF-D80	ZA			F-50-1	17
21	RAIL ASSY., SEAT	50200-MKF-D60	ZA			F-39	7
22	RING, FR. PULSER	44515-MKF-D40	ZB			F-14	12
23	SHELTER SET, FR.	83153-MKF-D60	ZA			F-21-20	9
24	SHELTER SET, L. SIDE	83170-MKF-D80	ZA			F-21-20	14

CBR1000S1 (CBR1000S1J).....2BR

No.	MODEL		CBR1000S1J				
	COLOR		Grand prix red R-380	Applicable model		Applicable block No.	Ref. No.
	CODE			R380X	Initial applicable model		
	Name of colored parts	Basic part No.					
25	SHELTER SET, R. SIDE	83160-MKF-D80	ZA			F-21-20	11
26	SHELTER SET, RR.	83150-MKF-D80	ZA			F-21-20	8
27	STRIPE A, L. MIDDLE COWL	86644-MKF-D80	ZA			F-50-1	5
28	STRIPE A, L. RR. SHELTER	86832-MKF-D80	ZA			F-50-1	19
29	STRIPE A, L. UNDER COWL	86652-MKF-D80	ZA			F-50-1	24
30	STRIPE A, R. MIDDLE COWL	86643-MKF-D80	ZA			F-50-1	3
31	STRIPE A, R. RR. SHELTER	86831-MKF-D80	ZA			F-50-1	18
32	STRIPE B, L. MIDDLE COWL	86646-MKF-D80	ZA			F-50-1	16
33	STRIPE B, L. UNDER COWL	86653-MKF-D80	ZA			F-50-1	25
34	STRIPE B, R. MIDDLE COWL	86645-MKF-D80	ZA			F-50-1	15
35	STRIPE, FR. UPPER COWL	86642-MKF-D80	ZA			F-50-1	2
36	STRIPE, L. RR. COWL UPPER	86774-MKF-D80	ZA			F-50-1	13
37	STRIPE, L. SIDE SHELTER	86834-MKF-D80	ZA			F-50-1	22
38	STRIPE, R. RR. COWL UPPER	86773-MKF-D80	ZA			F-50-1	12
39	STRIPE, R. SIDE SHELTER	86833-MKF-D80	ZA			F-50-1	21
40	STRIPE, R. UNDER COWL	86651-MKF-D80	ZA			F-50-1	23
41	TRIM, FUEL TANK	17516-KCZ-000	ZB			F-21-20	2
42	WHEEL SUB ASSY., FR.	44650-MKF-D40	ZB			F-14	15
43	WHEEL SUB ASSY., RR.	42650-MKF-D40	ZA			F-19	13

CBR1000S1 (CBR1000S1J).....2CH

No.	MODEL		CBR1000S1J				
	COLOR		Grand prix red R-380	Applicable model		Applicable block No.	Ref. No.
	CODE			R380X	Initial applicable model		
	Name of colored parts	Basic part No.					
1	BODY SET, FRAME	50010-MKF-H40	ZB			F-39	2
2	CLIP, PANEL FIXING	91549-MW0-790	ZA			F-41	40
3	CLIP, PANEL FIXING	91549-MW0-790	ZA			F-45	26
4	COVER, L. AIR CLEANER SIDE	83166-MKF-D40	ZA			F-21-20	13
5	COVER, L. FRAME SIDE	83265-MKF-D60	ZA			F-39	10
6	COVER, R. AIR CLEANER SIDE	83165-MKF-D40	ZA			F-21-20	12
7	COVER, R. FRAME SIDE	83215-MKF-D60	ZA			F-39	9
8	COWL ASSY., FR. UPPER	64105-MKF-D80	ZA			F-43	2
9	COWL ASSY., L. MIDDLE	64355-MKF-J80	ZA			F-45	7
10	COWL ASSY., L. UNDER	64455-MKF-D80	ZA			F-45	12
11	COWL ASSY., R. MIDDLE	64305-MKF-J80	ZA			F-45	3
12	COWL ASSY., R. UNDER	64405-MKF-D80	ZA			F-45	11
13	COWL ASSY., SINGLE SEAT	77410-MKF-D60	ZD			F-23	12
14	COWL SET, RR. CENTER	77210-MKF-D80	ZA			F-23-10	1
15	COWL SET, RR. UNDER	77230-MKF-D80	ZA			F-23-10	4
16	COWL SET, RR. UPPER	77220-MKF-D80	ZA			F-23-10	3
17	FENDER COMP., FR.	61100-MKF-D60	ZB			F-10	4
18	MARK, HONDA	86101-MKF-D80	ZA			F-50-1	1
19	MARK, HRC	86835-MKF-D60	ZA			F-50-1	14
20	MARK, HRC	86775-MKF-D80	ZA			F-50-1	17
21	RAIL ASSY., SEAT	50200-MKF-D60	ZA			F-39	7
22	RING, FR. PULSER	44515-MKF-D40	ZB			F-14	12
23	SHELTER SET, FR.	83153-MKF-D60	ZA			F-21-20	9
24	SHELTER SET, L. SIDE	83170-MKF-D80	ZA			F-21-20	14

CBR1000S1 (CBR1000S1J).....2CH

No.	MODEL		CBR1000S1J				
	COLOR		Grand prix red R-380	Applicable model		Applicable block No.	Ref. No.
	CODE			R380X	Initial applicable model		
	Name of colored parts	Basic part No.					
25	SHELTER SET, R. SIDE	83160-MKF-D80	ZA			F-21-20	11
26	SHELTER SET, RR.	83150-MKF-D80	ZA			F-21-20	8
27	STRIPE A, L. MIDDLE COWL	86644-MKF-LE0	ZA			F-50-1	6
28	STRIPE A, L. RR. SHELTER	86832-MKF-D80	ZA			F-50-1	19
29	STRIPE A, L. UNDER COWL	86652-MKF-D80	ZA			F-50-1	24
30	STRIPE A, R. MIDDLE COWL	86643-MKF-LE0	ZA			F-50-1	4
31	STRIPE A, R. RR. SHELTER	86831-MKF-D80	ZA			F-50-1	18
32	STRIPE B, L. MIDDLE COWL	86646-MKF-D80	ZA			F-50-1	16
33	STRIPE B, L. UNDER COWL	86653-MKF-D80	ZA			F-50-1	25
34	STRIPE B, R. MIDDLE COWL	86645-MKF-D80	ZA			F-50-1	15
35	STRIPE, FR. UPPER COWL	86642-MKF-D80	ZA			F-50-1	2
36	STRIPE, L. RR. COWL UPPER	86774-MKF-D80	ZA			F-50-1	13
37	STRIPE, L. SIDE SHELTER	86834-MKF-D80	ZA			F-50-1	22
38	STRIPE, R. RR. COWL UPPER	86773-MKF-D80	ZA			F-50-1	12
39	STRIPE, R. SIDE SHELTER	86833-MKF-D80	ZA			F-50-1	21
40	STRIPE, R. UNDER COWL	86651-MKF-D80	ZA			F-50-1	23
41	TRIM, FUEL TANK	17516-KCZ-000	ZB			F-21-20	2
42	WHEEL SUB ASSY., FR.	44650-MKF-D40	ZB			F-14	15
43	WHEEL SUB ASSY., RR.	42650-MKF-D40	ZA			F-19	13

CBR1000S1 (CBR1000S1J).....2ED,2RU,2U

No.	MODEL		CBR1000S1J				
	COLOR		Grand prix red R-380	Applicable model		Applicable block No.	Ref. No.
	CODE			R380X	Initial applicable model		
	Name of colored parts	Basic part No.					
1	BODY SET, FRAME	50010-MKF-D40	ZB			F-39	2
2	CLIP, PANEL FIXING	91549-MW0-790	ZA			F-41	40
3	CLIP, PANEL FIXING	91549-MW0-790	ZA			F-45	26
4	COVER, L. AIR CLEANER SIDE	83166-MKF-D40	ZA			F-21-20	13
5	COVER, L. FRAME SIDE	83265-MKF-D60	ZA			F-39	10
6	COVER, R. AIR CLEANER SIDE	83165-MKF-D40	ZA			F-21-20	12
7	COVER, R. FRAME SIDE	83215-MKF-D60	ZA			F-39	9
8	COWL ASSY., FR. UPPER	64105-MKF-D80	ZA			F-43	2
9	COWL ASSY., L. MIDDLE	64355-MKF-D80	ZA			F-45	7
10	COWL ASSY., L. UNDER	64455-MKF-D80	ZA			F-45	12
11	COWL ASSY., R. MIDDLE	64305-MKF-D80	ZA			F-45	3
12	COWL ASSY., R. UNDER	64405-MKF-D80	ZA			F-45	11
13	COWL ASSY., SINGLE SEAT	77410-MKF-D60	ZD			F-23	12
14	COWL SET, RR. CENTER	77210-MKF-D80	ZA			F-23-10	1
15	COWL SET, RR. UNDER	77230-MKF-D80	ZA			F-23-10	4
16	COWL SET, RR. UPPER	77220-MKF-D80	ZA			F-23-10	3
17	FENDER COMP., FR.	61100-MKF-D60	ZB			F-10	4
18	MARK, HONDA	86101-MKF-D80	ZA			F-50-1	1
19	MARK, HRC	86835-MKF-D60	ZA			F-50-1	14
20	MARK, HRC	86775-MKF-D80	ZA			F-50-1	17
21	RAIL ASSY., SEAT	50200-MKF-D60	ZA			F-39	7
22	RING, FR. PULSER	44515-MKF-D40	ZB			F-14	12
23	SHELTER SET, FR.	83153-MKF-D60	ZA			F-21-20	9
24	SHELTER SET, L. SIDE	83170-MKF-D80	ZA			F-21-20	14

CBR1000S1 (CBR1000S1J).....2ED,2RU,2U

No.	MODEL		CBR1000S1J				
	COLOR		Grand prix red	Applicable model		Applicable block No.	Ref. No.
	CODE		R-380	Initial applicable model	Final applicable model		
	Name of colored parts	Basic part No.	R380X				
25	SHELTER SET, R. SIDE	83160-MKF-D80	ZA			F-21-20	11
26	SHELTER SET, RR.	83150-MKF-D80	ZA			F-21-20	8
27	STRIPE A, L. MIDDLE COWL	86644-MKF-D80	ZA			F-50-1	5
28	STRIPE A, L. RR. SHELTER	86832-MKF-D80	ZA			F-50-1	19
29	STRIPE A, L. UNDER COWL	86652-MKF-D80	ZA			F-50-1	24
30	STRIPE A, R. MIDDLE COWL	86643-MKF-D80	ZA			F-50-1	3
31	STRIPE A, R. RR. SHELTER	86831-MKF-D80	ZA			F-50-1	18
32	STRIPE B, L. MIDDLE COWL	86646-MKF-D80	ZA			F-50-1	16
33	STRIPE B, L. UNDER COWL	86653-MKF-D80	ZA			F-50-1	25
34	STRIPE B, R. MIDDLE COWL	86645-MKF-D80	ZA			F-50-1	15
35	STRIPE, FR. UPPER COWL	86642-MKF-D80	ZA			F-50-1	2
36	STRIPE, L. RR. COWL UPPER	86774-MKF-D80	ZA			F-50-1	13
37	STRIPE, L. SIDE SHELTER	86834-MKF-D80	ZA			F-50-1	22
38	STRIPE, R. RR. COWL UPPER	86773-MKF-D80	ZA			F-50-1	12
39	STRIPE, R. SIDE SHELTER	86833-MKF-D80	ZA			F-50-1	21
40	STRIPE, R. UNDER COWL	86651-MKF-D80	ZA			F-50-1	23
41	TRIM, FUEL TANK	17516-KCZ-000	ZB			F-21-20	2
42	WHEEL SUB ASSY., FR.	44650-MKF-D40	ZB			F-14	15
43	WHEEL SUB ASSY., RR.	42650-MKF-D40	ZA			F-19	13

CBR1000S1 (CBR1000S1J).....2FO

No.	MODEL		CBR1000S1J				
	COLOR		Grand prix red R-380	Applicable model		Applicable block No.	Ref. No.
	CODE			Initial applicable model	Final applicable model		
	Name of colored parts	Basic part No.	R380X				
1	BODY SET, FRAME	50010-MKF-D40	ZB			F-39	2
2	CLIP, PANEL FIXING	91549-MW0-790	ZA			F-41	40
3	CLIP, PANEL FIXING	91549-MW0-790	ZA			F-45	26
4	COVER, L. AIR CLEANER SIDE	83166-MKF-D40	ZA			F-21-20	13
5	COVER, L. FRAME SIDE	83265-MKF-D60	ZA			F-39	10
6	COVER, R. AIR CLEANER SIDE	83165-MKF-D40	ZA			F-21-20	12
7	COVER, R. FRAME SIDE	83215-MKF-D60	ZA			F-39	9
8	COWL ASSY., FR. UPPER	64105-MKF-D80	ZA			F-43	2
9	COWL ASSY., L. MIDDLE	64355-MKF-D80	ZA			F-45	7
10	COWL ASSY., L. UNDER	64455-MKF-D80	ZA			F-45	12
11	COWL ASSY., R. MIDDLE	64305-MKF-D80	ZA			F-45	3
12	COWL ASSY., R. UNDER	64405-MKF-D80	ZA			F-45	11
13	COWL ASSY., SINGLE SEAT	77410-MKF-D60	ZD			F-23	12
14	COWL SET, RR. CENTER	77210-MKF-D80	ZA			F-23-10	1
15	COWL SET, RR. UNDER	77230-MKF-D80	ZA			F-23-10	4
16	COWL SET, RR. UPPER	77220-MKF-D80	ZA			F-23-10	3
17	FENDER COMP., FR.	61100-MKF-D60	ZB			F-10	4
18	MARK, HONDA	86101-MKF-D80	ZA			F-50-1	1
19	MARK, HRC	86835-MKF-D60	ZA			F-50-1	14
20	MARK, HRC	86775-MKF-D80	ZA			F-50-1	17
21	RAIL ASSY., SEAT	50200-MKF-D60	ZA			F-39	7
22	RING, FR. PULSER	44515-MKF-D40	ZB			F-14	12
23	SHELTER SET, FR.	83153-MKF-D60	ZA			F-21-20	9
24	SHELTER SET, L. SIDE	83170-MKF-D80	ZA			F-21-20	14

CBR1000S1 (CBR1000S1J).....2FO

No.	MODEL		CBR1000S1J				
	COLOR		Grand prix red R-380	Applicable model		Applicable block No.	Ref. No.
	CODE			R380X	Initial applicable model		
	Name of colored parts	Basic part No.					
25	SHELTER SET, R. SIDE	83160-MKF-D80	ZA			F-21-20	11
26	SHELTER SET, RR.	83150-MKF-D80	ZA			F-21-20	8
27	STRIPE A, L. MIDDLE COWL	86644-MKF-D80	ZA			F-50-1	5
28	STRIPE A, L. RR. SHELTER	86832-MKF-D80	ZA			F-50-1	19
29	STRIPE A, L. UNDER COWL	86652-MKF-D80	ZA			F-50-1	24
30	STRIPE A, R. MIDDLE COWL	86643-MKF-D80	ZA			F-50-1	3
31	STRIPE A, R. RR. SHELTER	86831-MKF-D80	ZA			F-50-1	18
32	STRIPE B, L. MIDDLE COWL	86646-MKF-D80	ZA			F-50-1	16
33	STRIPE B, L. UNDER COWL	86653-MKF-D80	ZA			F-50-1	25
34	STRIPE B, R. MIDDLE COWL	86645-MKF-D80	ZA			F-50-1	15
35	STRIPE, FR. UPPER COWL	86642-MKF-D80	ZA			F-50-1	2
36	STRIPE, L. RR. COWL UPPER	86774-MKF-D80	ZA			F-50-1	13
37	STRIPE, L. SIDE SHELTER	86834-MKF-D80	ZA			F-50-1	22
38	STRIPE, R. RR. COWL UPPER	86773-MKF-D80	ZA			F-50-1	12
39	STRIPE, R. SIDE SHELTER	86833-MKF-D80	ZA			F-50-1	21
40	STRIPE, R. UNDER COWL	86651-MKF-D80	ZA			F-50-1	23
41	TRIM, FUEL TANK	17516-KCZ-000	ZB			F-21-20	2
42	WHEEL SUB ASSY., FR.	44650-MKF-D40	ZB			F-14	15
43	WHEEL SUB ASSY., RR.	42650-MKF-D40	ZA			F-19	13

CBR1000S1 (CBR1000S1J).....2GS

No.	MODEL		CBR1000S1J				
	COLOR		Grand prix red R-380	Applicable model		Applicable block No.	Ref. No.
	CODE			R380X	Initial applicable model		
	Name of colored parts	Basic part No.					
1	BODY SET, FRAME	50010-MKF-A20	ZB			F-39	2
2	CLIP, PANEL FIXING	91549-MW0-790	ZA			F-41	40
3	CLIP, PANEL FIXING	91549-MW0-790	ZA			F-45	26
4	COVER, L. AIR CLEANER SIDE	83166-MKF-D40	ZA			F-21-20	13
5	COVER, L. FRAME SIDE	83265-MKF-D60	ZA			F-39	10
6	COVER, R. AIR CLEANER SIDE	83165-MKF-D40	ZA			F-21-20	12
7	COVER, R. FRAME SIDE	83215-MKF-D60	ZA			F-39	9
8	COWL ASSY., FR. UPPER	64105-MKF-D80	ZA			F-43	2
9	COWL ASSY., L. MIDDLE	64355-MKF-D80	ZA			F-45	7
10	COWL ASSY., L. UNDER	64455-MKF-D80	ZA			F-45	12
11	COWL ASSY., R. MIDDLE	64305-MKF-D80	ZA			F-45	3
12	COWL ASSY., R. UNDER	64405-MKF-D80	ZA			F-45	11
13	COWL ASSY., SINGLE SEAT	77410-MKF-D60	ZD			F-23	12
14	COWL SET, RR. CENTER	77210-MKF-D80	ZA			F-23-10	1
15	COWL SET, RR. UNDER	77230-MKF-D80	ZA			F-23-10	4
16	COWL SET, RR. UPPER	77220-MKF-D80	ZA			F-23-10	3
17	FENDER COMP., FR.	61100-MKF-D60	ZB			F-10	4
18	MARK, HONDA	86101-MKF-D80	ZA			F-50-1	1
19	MARK, HRC	86835-MKF-D60	ZA			F-50-1	14
20	MARK, HRC	86775-MKF-D80	ZA			F-50-1	17
21	RAIL ASSY., SEAT	50200-MKF-D60	ZA			F-39	7
22	RING, FR. PULSER	44515-MKF-D40	ZB			F-14	12
23	SHELTER SET, FR.	83153-MKF-D60	ZA			F-21-20	9
24	SHELTER SET, L. SIDE	83170-MKF-D80	ZA			F-21-20	14

CBR1000S1 (CBR1000S1J).....2GS

No.	MODEL		CBR1000S1J				
	COLOR		Grand prix red R-380	Applicable model		Applicable block No.	Ref. No.
	CODE			R380X	Initial applicable model		
	Name of colored parts	Basic part No.					
25	SHELTER SET, R. SIDE	83160-MKF-D80	ZA			F-21-20	11
26	SHELTER SET, RR.	83150-MKF-D80	ZA			F-21-20	8
27	STRIPE A, L. MIDDLE COWL	86644-MKF-D80	ZA			F-50-1	5
28	STRIPE A, L. RR. SHELTER	86832-MKF-D80	ZA			F-50-1	19
29	STRIPE A, L. UNDER COWL	86652-MKF-D80	ZA			F-50-1	24
30	STRIPE A, R. MIDDLE COWL	86643-MKF-D80	ZA			F-50-1	3
31	STRIPE A, R. RR. SHELTER	86831-MKF-D80	ZA			F-50-1	18
32	STRIPE B, L. MIDDLE COWL	86646-MKF-D80	ZA			F-50-1	16
33	STRIPE B, L. UNDER COWL	86653-MKF-D80	ZA			F-50-1	25
34	STRIPE B, R. MIDDLE COWL	86645-MKF-D80	ZA			F-50-1	15
35	STRIPE, FR. UPPER COWL	86642-MKF-D80	ZA			F-50-1	2
36	STRIPE, L. RR. COWL UPPER	86774-MKF-D80	ZA			F-50-1	13
37	STRIPE, L. SIDE SHELTER	86834-MKF-D80	ZA			F-50-1	22
38	STRIPE, R. RR. COWL UPPER	86773-MKF-D80	ZA			F-50-1	12
39	STRIPE, R. SIDE SHELTER	86833-MKF-D80	ZA			F-50-1	21
40	STRIPE, R. UNDER COWL	86651-MKF-D80	ZA			F-50-1	23
41	TRIM, FUEL TANK	17516-KCZ-000	ZB			F-21-20	2
42	WHEEL SUB ASSY., FR.	44650-MKF-D40	ZB			F-14	15
43	WHEEL SUB ASSY., RR.	42650-MKF-D40	ZA			F-19	13

CBR1000S1 (CBR1000S1J).....2IN

No.	MODEL		CBR1000S1J				
	COLOR		Grand prix red R-380	Applicable model		Applicable block No.	Ref. No.
	CODE			R380X	Initial applicable model		
	Name of colored parts	Basic part No.					
1	BODY SET, FRAME	50010-MKF-D40	ZB			F-39	2
2	CLIP, PANEL FIXING	91549-MW0-790	ZA			F-41	40
3	CLIP, PANEL FIXING	91549-MW0-790	ZA			F-45	26
4	COVER, L. AIR CLEANER SIDE	83166-MKF-D40	ZA			F-21-20	13
5	COVER, L. FRAME SIDE	83265-MKF-D60	ZA			F-39	10
6	COVER, R. AIR CLEANER SIDE	83165-MKF-D40	ZA			F-21-20	12
7	COVER, R. FRAME SIDE	83215-MKF-D60	ZA			F-39	9
8	COWL ASSY., FR. UPPER	64105-MKF-D80	ZA			F-43	2
9	COWL ASSY., L. MIDDLE	64355-MKF-D80	ZA			F-45	7
10	COWL ASSY., L. UNDER	64455-MKF-D80	ZA			F-45	12
11	COWL ASSY., R. MIDDLE	64305-MKF-D80	ZA			F-45	3
12	COWL ASSY., R. UNDER	64405-MKF-D80	ZA			F-45	11
13	COWL ASSY., SINGLE SEAT	77410-MKF-D60	ZD			F-23	12
14	COWL SET, RR. CENTER	77210-MKF-D80	ZA			F-23-10	1
15	COWL SET, RR. UNDER	77230-MKF-D80	ZA			F-23-10	4
16	COWL SET, RR. UPPER	77220-MKF-D80	ZA			F-23-10	3
17	FENDER COMP., FR.	61100-MKF-D60	ZB			F-10	4
18	MARK, HONDA	86101-MKF-D80	ZA			F-50-1	1
19	MARK, HRC	86835-MKF-D60	ZA			F-50-1	14
20	MARK, HRC	86775-MKF-D80	ZA			F-50-1	17
21	RAIL ASSY., SEAT	50200-MKF-D60	ZA			F-39	7
22	RING, FR. PULSER	44515-MKF-D40	ZB			F-14	12
23	SHELTER SET, FR.	83153-MKF-D60	ZA			F-21-20	9
24	SHELTER SET, L. SIDE	83170-MKF-D80	ZA			F-21-20	14

CBR1000S1 (CBR1000S1J).....2IN

No.	MODEL		CBR1000S1J				
	COLOR		Grand prix red R-380	Applicable model		Applicable block No.	Ref. No.
	CODE			R380X	Initial applicable model		
	Name of colored parts	Basic part No.					
25	SHELTER SET, R. SIDE	83160-MKF-D80	ZA			F-21-20	11
26	SHELTER SET, RR.	83150-MKF-D80	ZA			F-21-20	8
27	STRIPE A, L. MIDDLE COWL	86644-MKF-D80	ZA			F-50-1	5
28	STRIPE A, L. RR. SHELTER	86832-MKF-D80	ZA			F-50-1	19
29	STRIPE A, L. UNDER COWL	86652-MKF-D80	ZA			F-50-1	24
30	STRIPE A, R. MIDDLE COWL	86643-MKF-D80	ZA			F-50-1	3
31	STRIPE A, R. RR. SHELTER	86831-MKF-D80	ZA			F-50-1	18
32	STRIPE B, L. MIDDLE COWL	86646-MKF-D80	ZA			F-50-1	16
33	STRIPE B, L. UNDER COWL	86653-MKF-D80	ZA			F-50-1	25
34	STRIPE B, R. MIDDLE COWL	86645-MKF-D80	ZA			F-50-1	15
35	STRIPE, FR. UPPER COWL	86642-MKF-D80	ZA			F-50-1	2
36	STRIPE, L. RR. COWL UPPER	86774-MKF-D80	ZA			F-50-1	13
37	STRIPE, L. SIDE SHELTER	86834-MKF-D80	ZA			F-50-1	22
38	STRIPE, R. RR. COWL UPPER	86773-MKF-D80	ZA			F-50-1	12
39	STRIPE, R. SIDE SHELTER	86833-MKF-D80	ZA			F-50-1	21
40	STRIPE, R. UNDER COWL	86651-MKF-D80	ZA			F-50-1	23
41	TRIM, FUEL TANK	17516-KCZ-000	ZB			F-21-20	2
42	WHEEL SUB ASSY., FR.	44650-MKF-D40	ZB			F-14	15
43	WHEEL SUB ASSY., RR.	42650-MKF-D40	ZA			F-19	13

CBR1000S1 (CBR1000S1J).....2KO

No.	MODEL		CBR1000S1J				
	COLOR		Grand prix red R-380	Applicable model		Applicable block No.	Ref. No.
	CODE			Initial applicable model	Final applicable model		
	Name of colored parts	Basic part No.	R380X				
1	BODY SET, FRAME	50010-MKF-B40	ZB			F-39	2
2	CLIP, PANEL FIXING	91549-MW0-790	ZA			F-41	40
3	CLIP, PANEL FIXING	91549-MW0-790	ZA			F-45	26
4	COVER, L. AIR CLEANER SIDE	83166-MKF-D40	ZA			F-21-20	13
5	COVER, L. FRAME SIDE	83265-MKF-D60	ZA			F-39	10
6	COVER, R. AIR CLEANER SIDE	83165-MKF-D40	ZA			F-21-20	12
7	COVER, R. FRAME SIDE	83215-MKF-D60	ZA			F-39	9
8	COWL ASSY., FR. UPPER	64105-MKF-D80	ZA			F-43	2
9	COWL ASSY., L. MIDDLE	64355-MKF-D80	ZA			F-45	7
10	COWL ASSY., L. UNDER	64455-MKF-D80	ZA			F-45	12
11	COWL ASSY., R. MIDDLE	64305-MKF-D80	ZA			F-45	3
12	COWL ASSY., R. UNDER	64405-MKF-D80	ZA			F-45	11
13	COWL ASSY., SINGLE SEAT	77410-MKF-D60	ZD			F-23	12
14	COWL SET, RR. CENTER	77210-MKF-D80	ZA			F-23-10	1
15	COWL SET, RR. UNDER	77230-MKF-D80	ZA			F-23-10	4
16	COWL SET, RR. UPPER	77220-MKF-D80	ZA			F-23-10	3
17	FENDER COMP., FR.	61100-MKF-D60	ZB			F-10	4
18	MARK, HONDA	86101-MKF-D80	ZA			F-50-1	1
19	MARK, HRC	86835-MKF-D60	ZA			F-50-1	14
20	MARK, HRC	86775-MKF-D80	ZA			F-50-1	17
21	RAIL ASSY., SEAT	50200-MKF-D60	ZA			F-39	7
22	RING, FR. PULSER	44515-MKF-D40	ZB			F-14	12
23	SHELTER SET, FR.	83153-MKF-D60	ZA			F-21-20	9
24	SHELTER SET, L. SIDE	83170-MKF-D80	ZA			F-21-20	14

CBR1000S1 (CBR1000S1J).....2KO

No.	MODEL		CBR1000S1J				
	COLOR		Grand prix red R-380	Applicable model		Applicable block No.	Ref. No.
	CODE			R380X	Initial applicable model		
	Name of colored parts	Basic part No.					
25	SHELTER SET, R. SIDE	83160-MKF-D80	ZA			F-21-20	11
26	SHELTER SET, RR.	83150-MKF-D80	ZA			F-21-20	8
27	STRIPE A, L. MIDDLE COWL	86644-MKF-D80	ZA			F-50-1	5
28	STRIPE A, L. RR. SHELTER	86832-MKF-D80	ZA			F-50-1	19
29	STRIPE A, L. UNDER COWL	86652-MKF-D80	ZA			F-50-1	24
30	STRIPE A, R. MIDDLE COWL	86643-MKF-D80	ZA			F-50-1	3
31	STRIPE A, R. RR. SHELTER	86831-MKF-D80	ZA			F-50-1	18
32	STRIPE B, L. MIDDLE COWL	86646-MKF-D80	ZA			F-50-1	16
33	STRIPE B, L. UNDER COWL	86653-MKF-D80	ZA			F-50-1	25
34	STRIPE B, R. MIDDLE COWL	86645-MKF-D80	ZA			F-50-1	15
35	STRIPE, FR. UPPER COWL	86642-MKF-D80	ZA			F-50-1	2
36	STRIPE, L. RR. COWL UPPER	86774-MKF-D80	ZA			F-50-1	13
37	STRIPE, L. SIDE SHELTER	86834-MKF-D80	ZA			F-50-1	22
38	STRIPE, R. RR. COWL UPPER	86773-MKF-D80	ZA			F-50-1	12
39	STRIPE, R. SIDE SHELTER	86833-MKF-D80	ZA			F-50-1	21
40	STRIPE, R. UNDER COWL	86651-MKF-D80	ZA			F-50-1	23
41	TRIM, FUEL TANK	17516-KCZ-000	ZB			F-21-20	2
42	WHEEL SUB ASSY., FR.	44650-MKF-D40	ZB			F-14	15
43	WHEEL SUB ASSY., RR.	42650-MKF-D40	ZA			F-19	13

CBR1000S1 (CBR1000S1J).....2TH

No.	MODEL		CBR1000S1J				
	COLOR		Grand prix red R-380	Applicable model		Applicable block No.	Ref. No.
	CODE			Initial applicable model	Final applicable model		
	Name of colored parts	Basic part No.	R380X				
1	BODY SET, FRAME	50010-MKF-D40	ZB			F-39	2
2	CLIP, PANEL FIXING	91549-MW0-790	ZA			F-41	40
3	CLIP, PANEL FIXING	91549-MW0-790	ZA			F-45	26
4	COVER, L. AIR CLEANER SIDE	83166-MKF-D40	ZA			F-21-20	13
5	COVER, L. FRAME SIDE	83265-MKF-D60	ZA			F-39	10
6	COVER, R. AIR CLEANER SIDE	83165-MKF-D40	ZA			F-21-20	12
7	COVER, R. FRAME SIDE	83215-MKF-D60	ZA			F-39	9
8	COWL ASSY., FR. UPPER	64105-MKF-D80	ZA			F-43	2
9	COWL ASSY., L. MIDDLE	64355-MKF-J80	ZA			F-45	7
10	COWL ASSY., L. UNDER	64455-MKF-D80	ZA			F-45	12
11	COWL ASSY., R. MIDDLE	64305-MKF-J80	ZA			F-45	3
12	COWL ASSY., R. UNDER	64405-MKF-D80	ZA			F-45	11
13	COWL ASSY., SINGLE SEAT	77410-MKF-D60	ZD			F-23	12
14	COWL SET, RR. CENTER	77210-MKF-D80	ZA			F-23-10	1
15	COWL SET, RR. UNDER	77230-MKF-D80	ZA			F-23-10	4
16	COWL SET, RR. UPPER	77220-MKF-D80	ZA			F-23-10	3
17	FENDER COMP., FR.	61100-MKF-D60	ZB			F-10	4
18	LABEL, GASOHOL	87710-MGE-T20	ZB			F-49	17
19	MARK, HONDA	86101-MKF-D80	ZA			F-50-1	1
20	MARK, HRC	86835-MKF-D60	ZA			F-50-1	14
21	MARK, HRC	86775-MKF-D80	ZA			F-50-1	17
22	RAIL ASSY., SEAT	50200-MKF-D60	ZA			F-39	7
23	RING, FR. PULSER	44515-MKF-D40	ZB			F-14	12
24	SHELTER SET, FR.	83153-MKF-D60	ZA			F-21-20	9

CBR1000S1 (CBR1000S1J).....2TH

No.	MODEL		CBR1000S1J				
	COLOR		Grand prix red R-380	Applicable model		Applicable block No.	Ref. No.
	CODE			Initial applicable model	Final applicable model		
	Name of colored parts	Basic part No.	R380X				
25	SHELTER SET, L. SIDE	83170-MKF-D80	ZA			F-21-20	14
26	SHELTER SET, R. SIDE	83160-MKF-D80	ZA			F-21-20	11
27	SHELTER SET, RR.	83150-MKF-D80	ZA			F-21-20	8
28	STRIPE A, L. MIDDLE COWL	86644-MKF-LE0	ZA			F-50-1	6
29	STRIPE A, L. RR. SHELTER	86832-MKF-D80	ZA			F-50-1	19
30	STRIPE A, L. UNDER COWL	86652-MKF-D80	ZA			F-50-1	24
31	STRIPE A, R. MIDDLE COWL	86643-MKF-LE0	ZA			F-50-1	4
32	STRIPE A, R. RR. SHELTER	86831-MKF-D80	ZA			F-50-1	18
33	STRIPE B, L. MIDDLE COWL	86646-MKF-D80	ZA			F-50-1	16
34	STRIPE B, L. UNDER COWL	86653-MKF-D80	ZA			F-50-1	25
35	STRIPE B, R. MIDDLE COWL	86645-MKF-D80	ZA			F-50-1	15
36	STRIPE, FR. UPPER COWL	86642-MKF-D80	ZA			F-50-1	2
37	STRIPE, L. RR. COWL UPPER	86774-MKF-D80	ZA			F-50-1	13
38	STRIPE, L. SIDE SHELTER	86834-MKF-D80	ZA			F-50-1	22
39	STRIPE, R. RR. COWL UPPER	86773-MKF-D80	ZA			F-50-1	12
40	STRIPE, R. SIDE SHELTER	86833-MKF-D80	ZA			F-50-1	21
41	STRIPE, R. UNDER COWL	86651-MKF-D80	ZA			F-50-1	23
42	TRIM, FUEL TANK	17516-KCZ-000	ZB			F-21-20	2
43	WHEEL SUB ASSY., FR.	44650-MKF-D40	ZB			F-14	15
44	WHEEL SUB ASSY., RR.	42650-MKF-D40	ZA			F-19	13

CBR1000S2 (CBR1000S2H)

No.	MODEL		CBR1000S2H				
	COLOR		Victory red	Applicable model		Applicable block No.	Ref. No.
	CODE		R-334	Initial applicable model	Final applicable model		
	Name of colored parts	Basic part No.	R334X				
1	BODY SET, FRAME	50010-MKF-D40	ZB			F-39	2
2	CLIP, PANEL FIXING	91549-MW0-790	ZA			F-41	40
3	CLIP, PANEL FIXING	91549-MW0-790	ZA			F-45	26
4	COVER, L. AIR CLEANER SIDE	83166-MKF-D40	ZA			F-21-20	13
5	COVER, L. FRAME SIDE	83265-MKF-D60	ZA			F-39	10
6	COVER, R. AIR CLEANER SIDE	83165-MKF-D40	ZA			F-21-20	12
7	COVER, R. FRAME SIDE	83215-MKF-D60	ZA			F-39	9
8	COWL ASSY., FR. UPPER	64105-MKF-D70	ZA			F-43	2
9	COWL ASSY., L. MIDDLE	64355-MKF-D70	ZA			F-45	7
10	COWL ASSY., L. UNDER	64455-MKF-D70	ZA			F-45	12
11	COWL ASSY., R. MIDDLE	64305-MKF-D70	ZA			F-45	3
12	COWL ASSY., R. UNDER	64405-MKF-D70	ZA			F-45	11
13	COWL ASSY., SINGLE SEAT	77410-MKF-D60	ZB			F-23	12
14	COWL SET, RR. CENTER	77210-MKF-D40	ZB			F-23-10	1
15	COWL SET, RR. UNDER	77230-MKF-D60	ZA			F-23-10	4
16	COWL SET, RR. UPPER	77220-MKF-D70	ZA			F-23-10	3
17	FENDER COMP., FR.	61100-MKF-D60	ZA			F-10	4
18	MARK	86836-MKF-D40	ZB			F-50-1	20
19	MARK, HONDA	86101-MKF-D40	ZB			F-50-1	1
20	MARK, HRC	86835-MKF-D60	ZA			F-50-1	14
21	MARK, HRC	86775-MKF-D60	ZA			F-50-1	17
22	RAIL ASSY., SEAT	50200-MKF-D60	ZA			F-39	7
23	SHELTER SET, FR.	83153-MKF-D60	ZA			F-21-20	9
24	SHELTER SET, L. SIDE	83170-MKF-D70	ZA			F-21-20	14

CBR1000S2 (CBR1000S2H)

No.	MODEL		CBR1000S2H				
	COLOR		Victory red	Applicable model		Applicable block No.	Ref. No.
	CODE		R-334	Initial applicable model	Final applicable model		
	Name of colored parts	Basic part No.	R334X				
25	SHELTER SET, R. SIDE	83160-MKF-D70	ZA			F-21-20	11
26	SHELTER SET, RR.	83150-MKF-D70	ZB			F-21-20	8
27	STRIPE A, L. MIDDLE COWL	86644-MKF-D70	ZA			F-50-1	5
28	STRIPE A, L. RR. SHELTER	86832-MKF-D70	ZA			F-50-1	19
29	STRIPE A, L. UNDER COWL	86652-MKF-D70	ZA			F-50-1	10
30	STRIPE A, R. MIDDLE COWL	86643-MKF-D70	ZA			F-50-1	3
31	STRIPE A, R. RR. SHELTER	86831-MKF-D70	ZA			F-50-1	18
32	STRIPE B, L. MIDDLE COWL	86646-MKF-D70	ZA			F-50-1	16
33	STRIPE B, L. UNDER COWL	86653-MKF-D70	ZA			F-50-1	11
34	STRIPE B, R. MIDDLE COWL	86645-MKF-D70	ZA			F-50-1	15
35	STRIPE, FR. UPPER COWL	86642-MKF-D70	ZA			F-50-1	2
36	STRIPE, L. RR. COWL UPPER	86774-MKF-D70	ZA			F-50-1	13
37	STRIPE, L. SIDE SHELTER	86834-MKF-D70	ZA			F-50-1	22
38	STRIPE, R. RR. COWL UPPER	86773-MKF-D70	ZA			F-50-1	12
39	STRIPE, R. SIDE SHELTER	86833-MKF-D70	ZA			F-50-1	21
40	STRIPE, R. UNDER COWL	86651-MKF-D70	ZA			F-50-1	9
41	TRIM, FUEL TANK	17516-KCZ-000	ZB			F-21-20	2

CBR1000S2 (CBR1000S2J)

No.	MODEL		CBR1000S2J				
	COLOR		Grand prix red R-380	Applicable model		Applicable block No.	Ref. No.
	CODE			Initial applicable model	Final applicable model		
	Name of colored parts	Basic part No.	R380X				
1	BODY SET, FRAME	50010-MKF-D40	ZB			F-39	2
2	CLIP, PANEL FIXING	91549-MW0-790	ZA			F-41	40
3	CLIP, PANEL FIXING	91549-MW0-790	ZA			F-45	26
4	COVER, L. AIR CLEANER SIDE	83166-MKF-D40	ZA			F-21-20	13
5	COVER, L. FRAME SIDE	83265-MKF-D60	ZA			F-39	10
6	COVER, R. AIR CLEANER SIDE	83165-MKF-D40	ZA			F-21-20	12
7	COVER, R. FRAME SIDE	83215-MKF-D60	ZA			F-39	9
8	COWL ASSY., FR. UPPER	64105-MKF-D90	ZA			F-43	2
9	COWL ASSY., L. MIDDLE	64355-MKF-D90	ZA			F-45	7
10	COWL ASSY., L. UNDER	64455-MKF-D90	ZA			F-45	12
11	COWL ASSY., R. MIDDLE	64305-MKF-D90	ZA			F-45	3
12	COWL ASSY., R. UNDER	64405-MKF-D90	ZA			F-45	11
13	COWL ASSY., SINGLE SEAT	77410-MKF-D60	ZD			F-23	12
14	COWL SET, RR. CENTER	77210-MKF-D80	ZA			F-23-10	1
15	COWL SET, RR. UNDER	77230-MKF-D80	ZA			F-23-10	4
16	COWL SET, RR. UPPER	77220-MKF-D90	ZA			F-23-10	3
17	FENDER COMP., FR.	61100-MKF-D60	ZB			F-10	4
18	MARK, HONDA	86101-MKF-D80	ZA			F-50-1	1
19	MARK, HRC	86835-MKF-D60	ZA			F-50-1	14
20	MARK, HRC	86775-MKF-D80	ZA			F-50-1	17
21	RAIL ASSY., SEAT	50200-MKF-D60	ZA			F-39	7
22	SHELTER SET, FR.	83153-MKF-D60	ZA			F-21-20	9
23	SHELTER SET, L. SIDE	83170-MKF-D90	ZA			F-21-20	14
24	SHELTER SET, R. SIDE	83160-MKF-D90	ZA			F-21-20	11

CBR1000S2 (CBR1000S2J)

No.	MODEL		CBR1000S2J				
	COLOR		Grand prix red R-380	Applicable model		Applicable block No.	Ref. No.
	CODE			R380X	Initial applicable model		
	Name of colored parts	Basic part No.					
25	SHELTER SET, RR.	83150-MKF-D90	ZA			F-21-20	8
26	STRIPE A, L. MIDDLE COWL	86644-MKF-D90	ZA			F-50-1	5
27	STRIPE A, L. RR. SHELTER	86832-MKF-D90	ZA			F-50-1	19
28	STRIPE A, L. UNDER COWL	86652-MKF-D90	ZA			F-50-1	24
29	STRIPE A, R. MIDDLE COWL	86643-MKF-D90	ZA			F-50-1	3
30	STRIPE A, R. RR. SHELTER	86831-MKF-D90	ZA			F-50-1	18
31	STRIPE B, L. MIDDLE COWL	86646-MKF-D90	ZA			F-50-1	16
32	STRIPE B, L. UNDER COWL	86653-MKF-D90	ZA			F-50-1	25
33	STRIPE B, R. MIDDLE COWL	86645-MKF-D90	ZA			F-50-1	15
34	STRIPE, FR. UPPER COWL	86642-MKF-D90	ZA			F-50-1	2
35	STRIPE, L. RR. COWL UPPER	86774-MKF-D90	ZA			F-50-1	13
36	STRIPE, L. SIDE SHELTER	86834-MKF-D90	ZA			F-50-1	22
37	STRIPE, R. RR. COWL UPPER	86773-MKF-D90	ZA			F-50-1	12
38	STRIPE, R. SIDE SHELTER	86833-MKF-D90	ZA			F-50-1	21
39	STRIPE, R. UNDER COWL	86651-MKF-D90	ZA			F-50-1	23
40	TRIM, FUEL TANK	17516-KCZ-000	ZB			F-21-20	2

Fuel hose, general purpose hoses and vinyl hose

- The standard part fuel hose, general purpose hose and vinyl hose may be substituted by the coiled bulk part.
- When ordering the standard part fuel hose, general purpose hose and vinyl hose use the bulk part number written in the parts catalogue in brackets () underneath the part name, or use the catalogue below.
(The bulk part standard length is 1 m, however, those displayed in the catalogue < > are available in 3 m and 8 m lengths.)
- When exchanging the hose, cut and use at the specified length as mentioned in the part name.
(For the method of cutting the bulk part, and method of filling out orders etc., please refer to the service manual and the instructions issued with the bulk part.)
- The list below is a catalogue of the standard part numbers and bulk part numbers. Note that those numbers are applicable to the listed replacement parts only.

Fuel hoses/Tubes			
Standard part No.	Bulk part No.	Bulk part	
		Inner diameter (mm)	Length (m)
95001-30xxx-2x	95001-30001-20M	3.0	1
95001-30xxx-3x	95001-30001-30M	3.0	1
95001-30xxx-4x	95001-30001-40M	3.0	1
95001-35xxx-2x	95001-35001-50M <95001-35003-50M>	3.5	1 3
95001-35xxx-3x	95001-35001-60M <95001-35003-60M>	3.5	1 3
95001-35xxx-4x	95001-35001-60M <95001-35003-60M>	3.5	1 3
95001-35xxx-5x	95001-35001-50M <95001-35003-50M>	3.5	1 3
95001-35xxx-6x	95001-35001-60M <95001-35003-60M>	3.5	1 3
95001-45xxx-2x	95001-45001-50M <95001-45003-50M>	4.5	1 3
95001-45xxx-3x	95001-45001-60M <95001-45003-60M> <95001-45008-60M>	4.5	1 3 8
95001-45xxx-4x	95001-45001-60M <95001-45003-60M> <95001-45008-60M>	4.5	1 3 8
95001-45xxx-5x	95001-45001-50M <95001-45003-50M>	4.5	1 3
95001-45xxx-6x	95001-45001-60M <95001-45003-60M> <95001-45008-60M>	4.5	1 3 8
95001-55xxx-2x	95001-55001-50M <95001-55003-50M> <95001-55008-50M>	5.5	1 3 8

Fuel hoses/Tubes			
Standard part No.	Bulk part No.	Bulk part	
		Inner diameter (mm)	Length (m)
95001-55xxx-3x	95001-55001-60M <95001-55003-60M> <95001-55008-60M>	5.5	1 3 8
95001-55xxx-4x	95001-55001-60M <95001-55003-60M> <95001-55008-60M>	5.5	1 3 8
95001-55xxx-5x	95001-55001-50M <95001-55003-50M> <95001-55008-50M>	5.5	1 3 8
95001-55xxx-6x	95001-55001-60M <95001-55003-60M> <95001-55008-60M>	5.5	1 3 8
95001-75xxx-2x	95001-75001-50M <95001-75003-50M>	7.5	1 3
95001-75xxx-3x	95001-75001-60M <95001-75003-60M> <95001-75008-60M>	7.5	1 3 8
95001-75xxx-4x	95001-75001-60M <95001-75003-60M> <95001-75008-60M>	7.5	1 3 8
95001-75xxx-5x	95001-75001-50M <95001-75003-50M>	7.5	1 3
95001-75xxx-6x	95001-75001-60M <95001-75003-60M> <95001-75008-60M>	7.5	1 3 8
95001-80xxx-2x	95001-80001-50M	8.0	1
95001-80xxx-3x	95001-80001-60M	8.0	1
95001-80xxx-4x	95001-80001-60M	8.0	1
95001-80xxx-5x	95001-80001-50M	8.0	1
95001-80xxx-6x	95001-80001-60M	8.0	1

General purpose hoses			
Standard part No.	Bulk part No.	Bulk part	
		Inner diameter (mm)	Length (m)
95005-11xxx-3x	95005-11001-30M	11.0	1
95005-11xxx-5x	95005-11001-50M	11.0	1
95005-12xxx-1x	95005-12001-10M <95005-12003-10M>	12.0	1 3
95005-12xxx-2x	95005-12001-20M	12.0	1
95005-12xxx-3x	95005-12001-30M	12.0	1
95005-12xxx-5x	95005-12001-50M	12.0	1
95005-14xxx-1x	95005-14001-10M	14.0	1
95005-14xxx-2x	95005-14001-20M <95005-14003-20M>	14.0	1 3
95005-14xxx-3x	95005-14001-30M	14.0	1
95005-14xxx-5x	95005-14001-50M	14.0	1
95005-17xxx-1x	95005-17001-10M	17.0	1
95005-17xxx-2x	95005-17001-20M	17.0	1
95005-17xxx-3x	95005-17001-30M	17.0	1
95005-17xxx-5x	95005-17001-50M	17.0	1
95005-30xxx-3x	95005-30001-30M	3.0	1
95005-30xxx-5x	95005-30001-50M	3.0	1
95005-35xxx-1x	95005-35001-10M <95005-35003-10M> <95005-35008-10M>	3.5	1 3 8
95005-35xxx-2x	95005-35001-20M	3.5	1
95005-35xxx-3x	95005-35001-30M	3.5	1
95005-35xxx-4x	95005-35001-10M <95005-35003-10M> <95005-35008-10M>	3.5	1 3 8
95005-35xxx-5x	95005-35001-50M	3.5	1
95005-45xxx-1x	95005-45001-10M <95005-45003-10M> <95005-45008-10M>	4.5	1 3 8
95005-45xxx-2x	95005-45001-20M	4.5	1
95005-45xxx-3x	95005-45001-30M	4.5	1

General purpose hoses			
Standard part No.	Bulk part No.	Bulk part	
		Inner diameter (mm)	Length (m)
95005-45xxx-4x	95005-45001-10M <95005-45003-10M> <95005-45008-10M>	4.5	1 3 8
95005-45xxx-5x	95005-45001-50M	4.5	1
95005-50xxx-3x	95005-50001-30M <95005-50003-30M>	5.0	1 3
95005-50xxx-5x	95005-50001-50M	5.0	1
95005-55xxx-1x	95005-55001-10M <95005-55003-10M> <95005-55008-10M>	5.3	1 3 8
95005-55xxx-2x	95005-55001-20M <95005-55003-20M>	5.3	1 3
95005-55xxx-4x	95005-55001-10M <95005-55003-10M> <95005-55008-10M>	5.3	1 3 8
95005-65xxx-1x	95005-65001-10M <95005-65003-10M>	6.5	1 3
95005-65xxx-2x	95005-65001-20M	6.5	1
95005-70xxx-3x	95005-70001-30M <95005-70003-30M>	7.0	1 3
95005-70xxx-5x	95005-70001-50M	7.0	1
95005-75xxx-1x	95005-75001-10M <95005-75003-10M>	7.3	1 3
95005-75xxx-2x	95005-75001-20M	7.3	1
95005-80xxx-1x	95005-80001-10M <95005-80003-10M>	8.0	1 3
95005-80xxx-2x	95005-80001-20M	8.0	1
95005-80xxx-3x	95005-80001-30M	8.0	1
95005-80xxx-5x	95005-80001-50M	8.0	1
95005-91xxx-3x	95005-91001-30M	12.0	1
95005-91xxx-5x	95005-91001-50M	12.0	1
95005-92xxx-3x	95005-92001-30M	12.0	1
95005-92xxx-5x	95005-92001-50M	12.0	1

NOTE: X is displayed to represent the omitted numerals and letters of the roman alphabet.

Ⓢ **CAUTION: It is DANGEROUS to confuse the fuel hose with the general purpose hose or vinyl hose.**

Never use a general purpose hose or vinyl hose in place of a fuel hose or vice versa. Always use the correct bulk part in the parts catalogue, according to the service manual or the instructions issued with the bulk part.

• Bulk part number of fuel hose, general purpose hose and vinyl hose.

(Example)

95001-75001-50M

Bulk part number: Refers to the bulk part.

Marking code (hose type): (fuel hose and general purpose hose)

Change code (for added hose): (Vinyl hose)

- Indicates number mark or change sequence, however, the code for the bulk part must be strictly 0 (zero).

Types of code:

- Fuel hose
 - 2: Red outside braid (3 mm inside dia. only)
 - 5: Black inside braid
 - 3: Red (3 mm inside dia. only)
 - 4: Ash gray with red stripe (3 mm inside dia. only)
 - 6: Black

- Vinyl hose
 - 1: Clear
 - 2: Black
 - 3: Light red
 - 6: Light red
 - 7: Pale black

- General hose
 - 1: Ash gray
 - 2: Ash gray
 - 3: Black
 - 5: Black

Lengths: 001: 1 m (standard)
003: 3 m
008: 8 m

I.D code: (fuel hose and general purpose hose)

30: 3.0 mm	11: 11 mm
35: 3.5 mm	91: 12 mm (outside dia. 15) mm
45: 4.5 mm	92: 12 mm (outside dia. 16) mm
50: 5.0 mm	12: 12 mm (outside dia. 17) mm
55: 5.3 mm, 5.5 mm	14: 14 mm
65: 6.5 mm	17: 17 mm
70: 7.0 mm	
75: 7.3 mm, 7.5 mm	
80: 8.0 mm	

ID./OD. code: (vinyl hose)

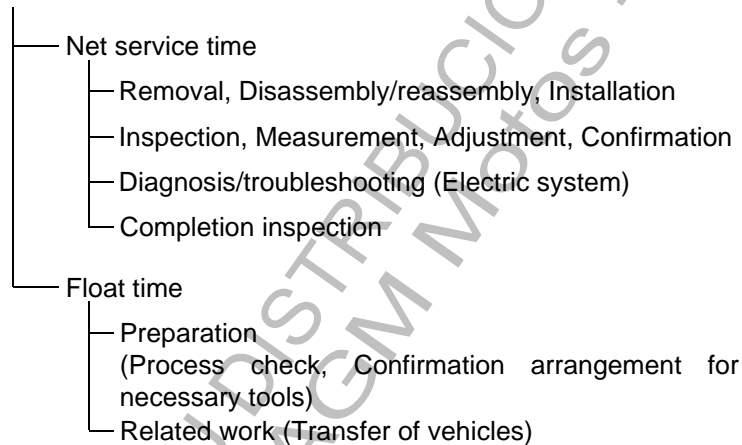
01: ID. 2.9, OD. 6.8 mm	14: ID. 6.0, OD. 9.0 mm	37: ID. 11.0, OD. 15.0 mm
03: ID. 3.0, OD. 6.0 mm	17: ID. 7.0, OD. 9.0 mm	38: ID. 12.0, OD. 13.0 mm
05: ID. 3.5, OD. 6.5 mm	19: ID. 7.0, OD. 11.0 mm	39: ID. 12.0, OD. 14.0 mm
07: ID. 4.0, OD. 7.0 mm	21: ID. 8.0, OD. 9.0 mm	40: ID. 12.0, OD. 16.0 mm
08: ID. 4.5, OD. 6.5 mm	23: ID. 8.0, OD. 12.0 mm	43: ID. 13.0, OD. 15.0 mm
09: ID. 4.5, OD. 8.0 mm	25: ID. 9.0, OD. 11.0 mm	45: ID. 14.0, OD. 18.0 mm
12: ID. 5.0, OD. 7.0 mm	27: ID. 9.0, OD. 13.0 mm	50: ID. 16.0, OD. 19.0 mm
10: ID. 5.0, OD. 8.0 mm	33: ID. 10.0, OD. 14.0 mm	55: ID. 17.5, OD. 20.5 mm
11: ID. 5.0, OD. 9.0 mm	36: ID. 11.0, OD. 13.0 mm	60: ID. 22.0, OD. 27.0 mm

Hose type: 1: Fuel hose
3: Vinyl hose
5: General hose

FLAT RATE SERVICE TIME

Flat rate service time (FRT) means the standard time required to service a MC, which is listed in this manual to help the dealers control the actual working process and calculate the service charge by using it as a guide.

FRT setting system



* Float time is set by multiplying the net service time by a given coefficient.

Editorial style

The service items shown in the text are listed with the exchange work time for the repair sales parts as the subject. Other representative service items not using repair parts (removal/installation, adjustment, inspection/measuring, and other work) are listed collectively in the list in the preface, classified according to the work.

FRT setting standard

- Decimal system (in unit of 0.1) is adopted to set FRT as it is convenient to calculate the wage.
Example: (0.1) → 6 minutes, (0.2) → 12 minutes
[Labor cost per hour] x [FRT] = [Wage]
- FRT is set with a hand tool.
- Service items and FRT can be subject to change depending on development of tools and service equipment and improvement in service procedure.

Work procedure

- As the work procedure is set with the work time according to the method in the separate Service Manual, refer to this Manual as required.
- Work methods permitting servicing in the shortest time still permitting assurance of safe work and product warranty are used for the setting of service items not listed in the Service Manual.
- Work basically is to be performed by one person, and when two or more people are required, setting is done as the total time for the number of people.
- The set value for the technological level of the workers uses a person with three years of experience in the repair of Honda vehicles as the standard.
- Special tools and service equipment used to set FRT are those specified or recommended in Service Manual.

Service item whose FRT is not presented

- Accessories and service parts that are not listed to use in this manual.
 - Locations with little aging deterioration or breakage during normal use.
 - Service work that can be finished by one touch.
 - Service work that is seldom done (i.e. extremely small causes of trouble and service frequency).
- * When FRT is not presented, please calculate wages based on appropriate actual work time

Operation not included of FRT

- Oil and coolant water draining, Waiting time for warming up operation and etc..
- Additional operation that involves removal/installation of standard exterior equipment.
- Indirect time spent for service by visiting the customer, trade-in, and delivery of a MC.
- Indirect time required for ordering and delivery of parts.
- Cost for grease, adhesive agent, etc. used for service work.

**Explanation of FRT by using an example
(The example may differ from the actual presented items)**

Ref. No.	L.O.N.	(Relative ref. Number) Description	F.R.T.
②	111118	(1, 3, 4, 7) CAMSHAFT 4.5	②
③	111118A	⑥ • Includes: Valve clearance adjustment Replace rocker arm add 1.0	⑤

- ① Reference No. of the illustration of part that shows location of the replacement work.
- ② FRT is an abbreviation of Flat Rate Time indicating the standard service time required for the replacement.
- ③ LON is an abbreviation of Labor Operation Number, and it is a classification of the service items by the work unit code.

The same operation code is used regardless of the models.

Standard operation is indicated with 6 digits code, and additional operation is indicated with 7 digits code.

- ④ Indicating the camshaft replacement and FRT4.5.
- ⑤ Indicating FRT1.0 that will be added when additional operation (replace rocker arm) is done in association with camshaft replacement.

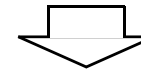
⑥ Indicating work contents that are included in the service item.

⑦ Indicating a reference No. whose operation and time are the same as FRT4.5 for the camshaft.

(The application range is limited to the service items without an LON setting within a same block.)

**How to refer to the service item by using the sample
(camshaft replacement)**

Open to the page of the block where the camshaft's spare part illustration is shown.



Look for the camshaft illustration, and refer to the service item and FRT that agree with the reference No.

Indication mark for the listing of service items that continues to the following page

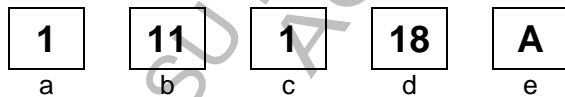
Ref. No.	L.O.N.	(Relative ref. Number) Description	F.R.T.
2	111118	CAMSHAFT	4.5
	.	.	.
	.	.	.

+
Mark indicated at the last line.

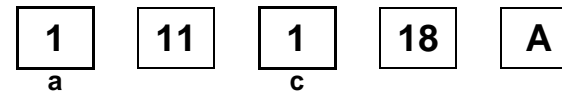
Indication of the block with no setting of FRT

Ref. No.	L.O.N.	(Relative ref. Number) Description	F.R.T.
NO INFORMATION			

• LON code system



- a) Category code..... Engine
- b) Location/function code Engine upper
- c) Operation code..... Replace
- d) Operation sequence number (Unit code can be shown with alphabet) camshaft (No regular rule of code)
- e) Additional code replace rocker arm (No regular rule of code)



a) Category codes and classification

Code	Category
1	Engine
2	Transmission
3	Fuel & Exhaust
4	Frame & Body
5	Steering/Suspension
6	Electrical
7	Wheels/Brakes
8	Controls/instrument
9	-
0	-

c) Operation codes and classification

Code	Operation category
1	Replace, Removal/Installation, Change
2	Overhaul
3	Adjust, Balance
4	(Paint-related work: Top-coat)
5	Test, Inspect/diagnose, Measurement, Check
6	(Overhaul-related work: Rebore)
7	(Overhaul-related work: Reseal)
8	(Resurface)
9	(Paint-related work: Refinish)
0	Repair, Cleaning, Air bleeding

Major service items without using spare parts
Removal/Installation, Adjustment, Inspection/Measurement, Other work

[E: Engine, F: Frame]

*** OPERATIONS OTHER THAN REPLACING PARTS**

• Removal/installation

Set for the configuration with the parts removed from the vehicle.

	LON	DESCRIPTION	FRT
E	1101E5	TILTING ENGINE ASSEMBLY-REMOVAL/INSTALLATION INCLUDES: All necessary adjustment	5.1
	1101E5F	ABS add	0.5
	3111D5	THROTTLE BODY ASSEMBLY-REMOVAL/INSTALLATION	1.8
	1101E6	CRANKCASE SEPARATION INCLUDES: Engine removal and installation	8.1
	1101E6F	ABS add	0.5
F	1151E6	RADIATOR ASSEMBLY-REMOVAL/INSTALLATION	1.1

• Adjustment

	LON	DESCRIPTION	FRT
E	2123A0	CLUTCH-ADJUSTMENT INCLUDES: Clutch lever adjustment	0.1
	1113A0	VALVE CLEARANCE-ADJUSTMENT NOTE: For 1 vehicle	4.3
F	6163A0	HEADLIGHT-AIMING	0.1
	2133A0	DRIVE CHAIN-ADJUSTMENT	0.1
	7103A1	FRONT WHEEL-BALANCE	0.7
	7103A2	REAR WHEEL-BALANCE	0.7

• Inspection/Measurement

	LON	DESCRIPTION	FRT
E	1115A0	COMPRESSION PRESSURE-MEASUREMENT	1.9
	6145A0	IGNITION TIMING-INSPECTION	0.2
F	3135A0	EXHAUST VALVE CONTROL CABLE-INSPECTION	0.5
	6105A0	BATTERY-CHARGE INCLUDES: In case of open type battery, checking electrolyte level and charge.	0.2

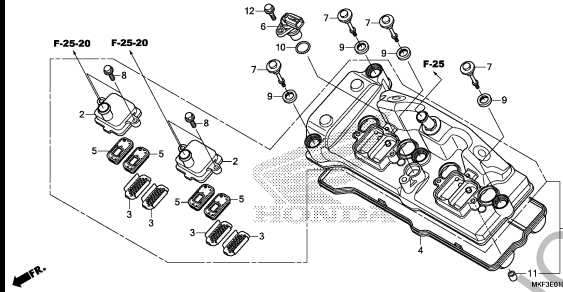
• Other work

	LON	DESCRIPTION	FRT
E	1130A2	OIL STRAINER-CLEANING	2.1
	3110A0	THROTTLE BODY-CLEANING	2.2
F	3120A0	CLEANER ELEMENT-CLEANING	0.4
	7110A0	FRONT BRAKE-AIR BLEEDING	0.2
	7110A1	REAR BRAKE-AIR BLEEDING	0.2
	1151E7	RADIATOR COOLANT-CHANGE	0.5
	6145A2	HISS MEMORIZATION	0.2
	6185A0	ECM/PCM UPDATE	0.3

ENGINE GROUP

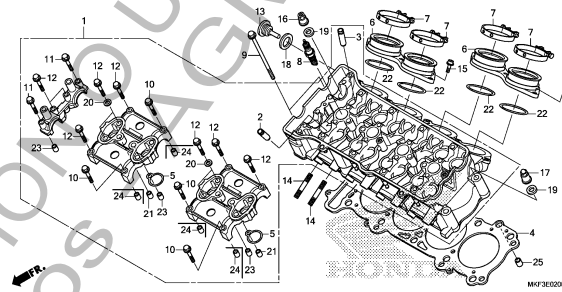
E-1

CYLINDER HEAD COVER



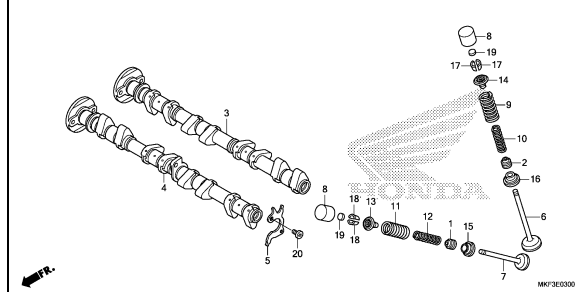
E-2

CYLINDER HEAD



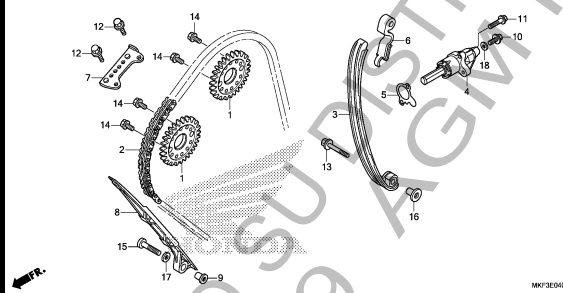
E-3

CAMSHAFT/VALVE



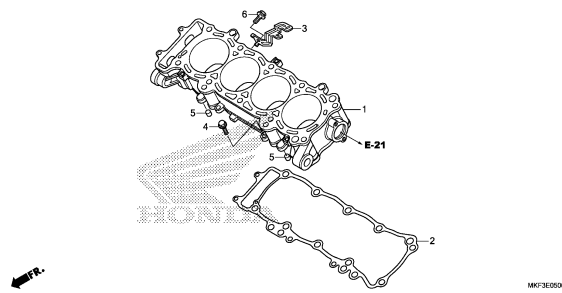
E-4

CAM CHAIN/TENSIONER



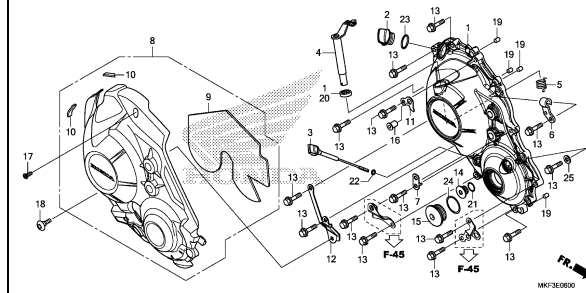
E-5

CYLINDER



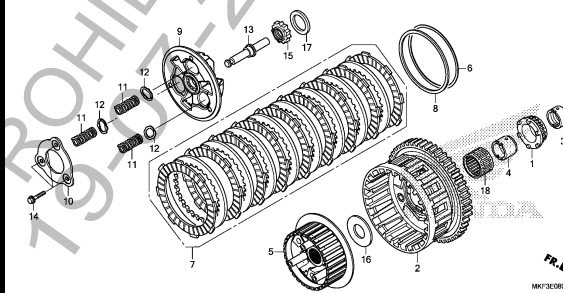
E-6

RIGHT CRANKCASE COVER



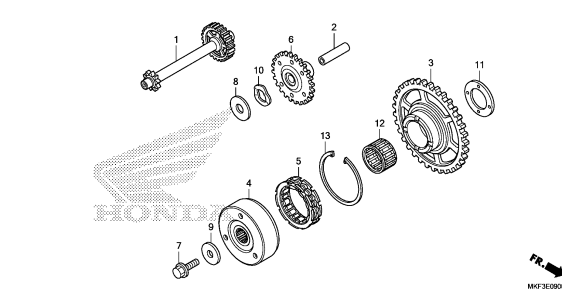
E-8

CLUTCH



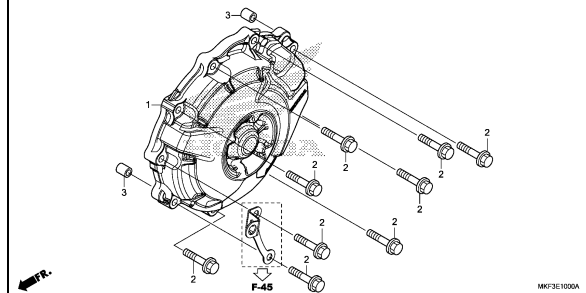
E-9

STARTING CLUTCH



E-10

A.C. GENERATOR COVER

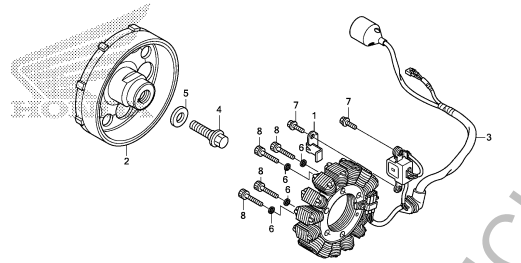


2

ENGINE GROUP

E-11

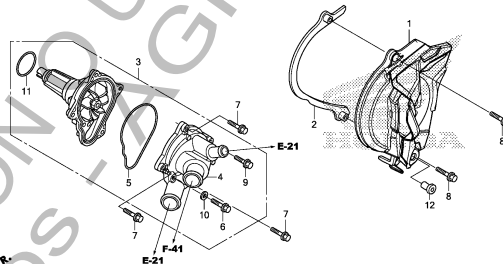
GENERATOR



MMF3E1100A

E-12

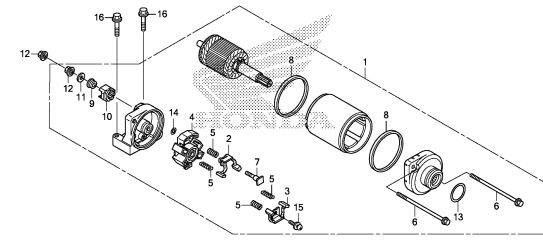
WATER PUMP



MMF3E1200A

E-13

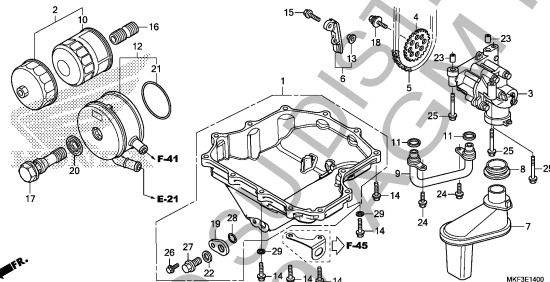
STARTER MOTOR



MMF3E1300A

E-14

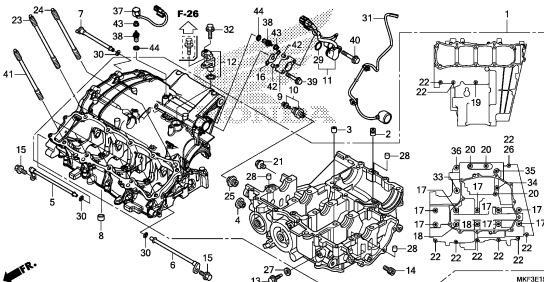
OIL PAN/OIL PUMP



MMF3E1400

E-15

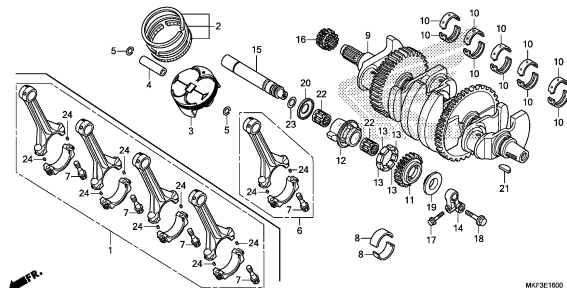
CRANKCASE



MMF3E1500A

E-16

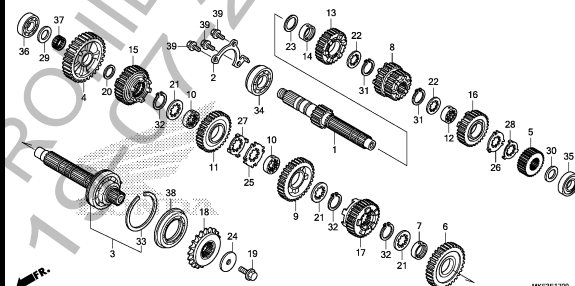
CRANKSHAFT/PISTON



MMF3E1600

E-17

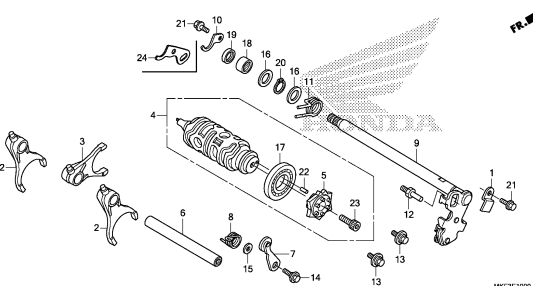
TRANSMISSION



MMF3E1700

E-19

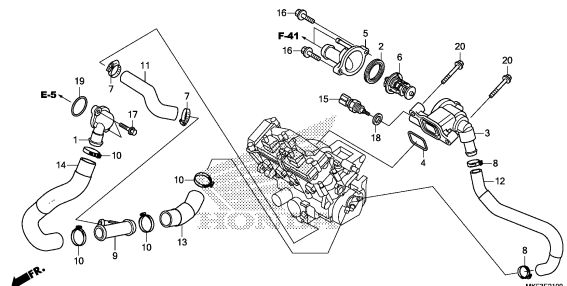
GEARSHIFT DRUM



MMF3E1900

E-21

THERMOSTAT



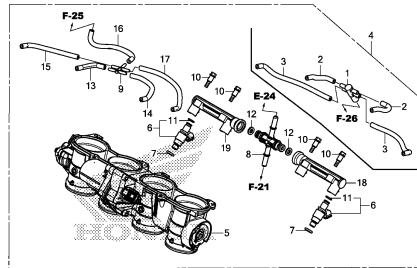
MMF3E2100

2

ENGINE GROUP

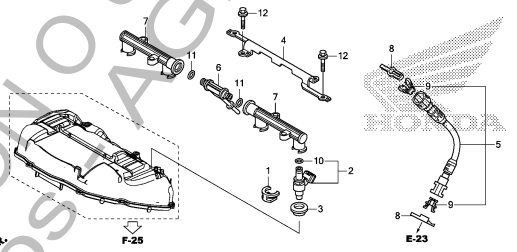
E-23

THROTTLE BODY



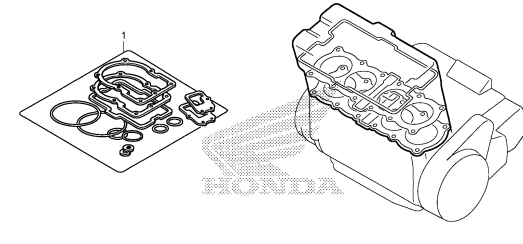
E-24

FUEL INJECTOR



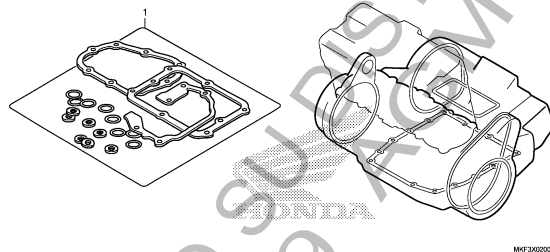
EOP-1

GASKET KIT A



EOP-2

GASKET KIT B

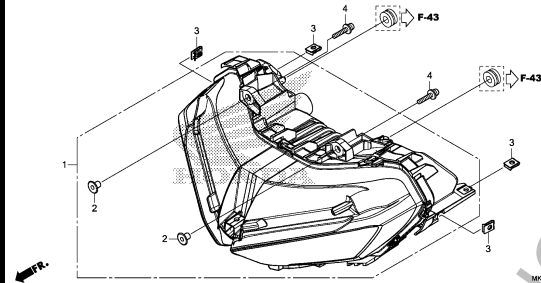


2

FRAME GROUP

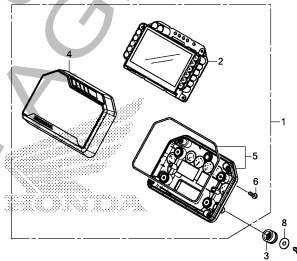
F-1

HEADLIGHT



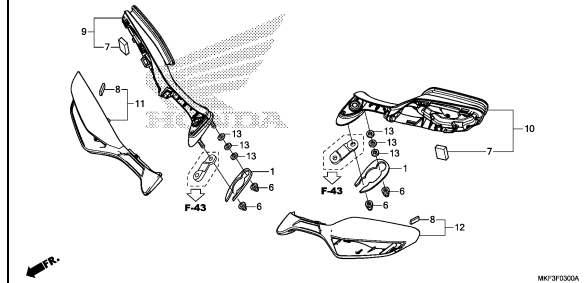
F-2

METER



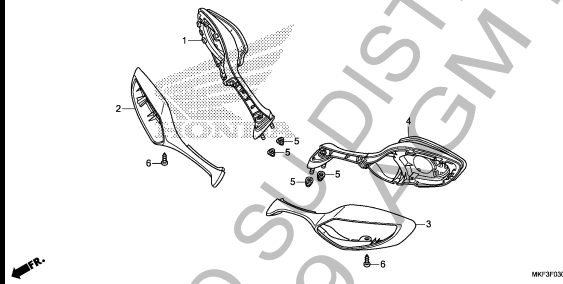
F-3

MIRROR(1)



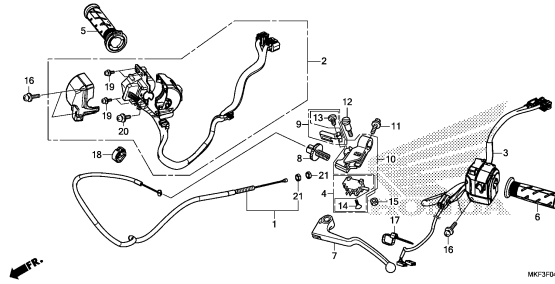
F-3-1

MIRROR(2)



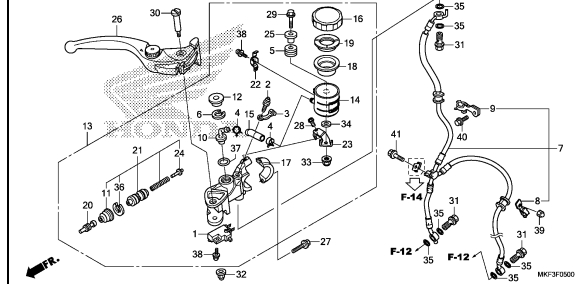
F-4

HANDLE LEVER/SWITCH/CABLE



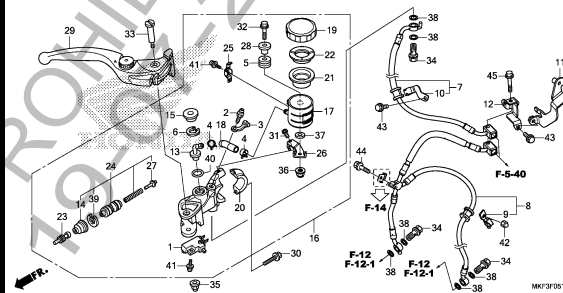
F-5

FRONT BRAKE MASTER CYLINDER (CBR1000RR)



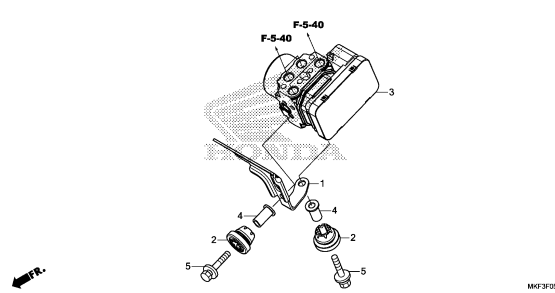
F-5-10

FRONT BRAKE MASTER CYLINDER (CBR1000RA/S1/S2)



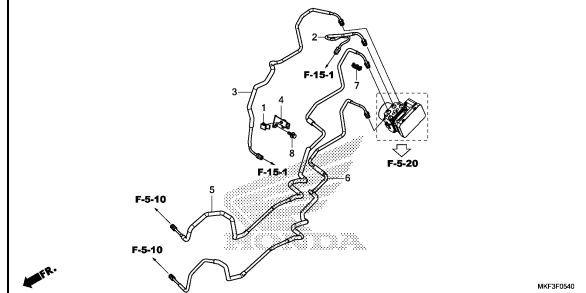
F-5-20

ABS MODULATOR



F-5-40

BRAKE PIPE

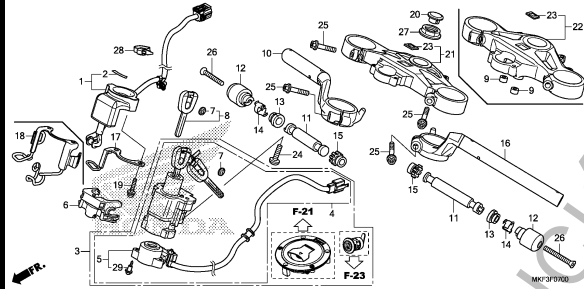


3

FRAME GROUP

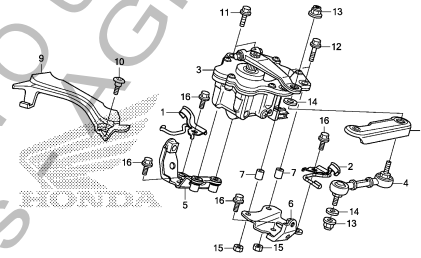
F-7

HANDLE PIPE/TOP BRIDGE



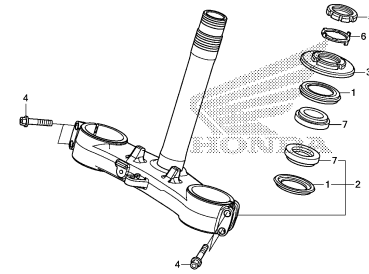
F-8

STEERING DAMPER



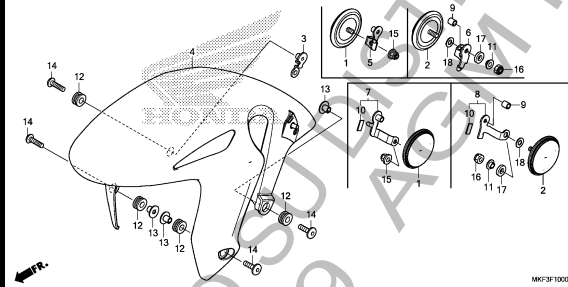
F-9

STEERING STEM



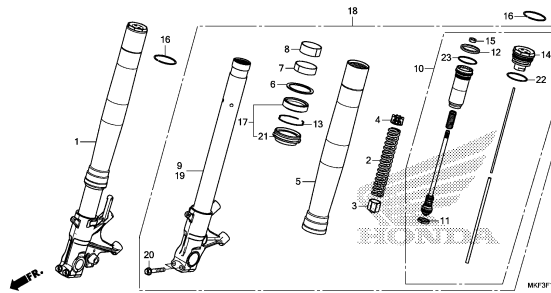
F-10

FRONT FENDER



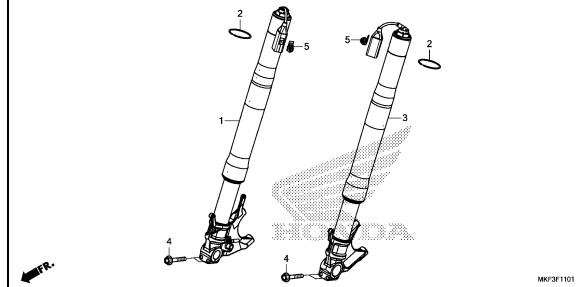
F-11

FRONT FORK(CBR1000RR/RA)



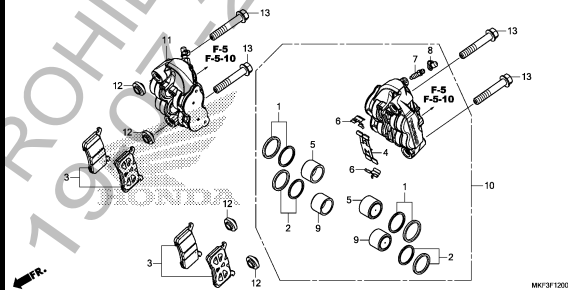
F-11-1

FRONT FORK(CBR1000S1/S2)



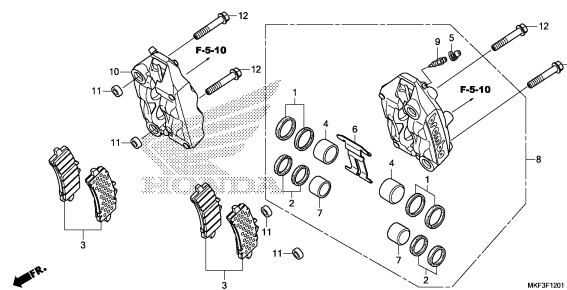
F-12

FRONT BRAKE CALIPER(CBR1000RR/RA)



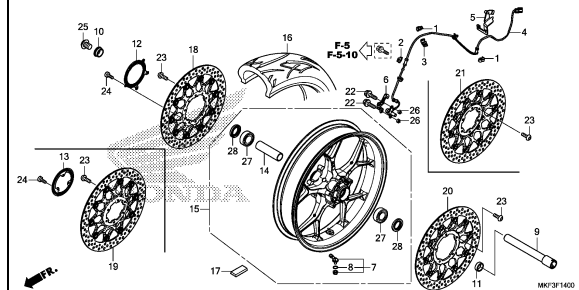
F-12-1

FRONT BRAKE CALIPER(CBR1000S1/S2)



F-14

FRONT WHEEL

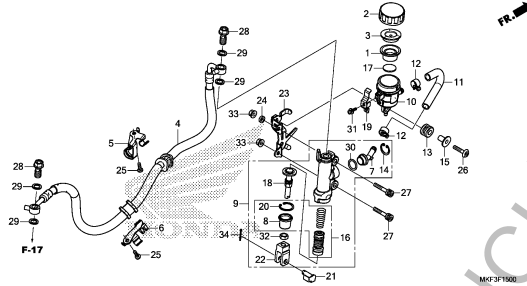


3

FRAME GROUP

F-15

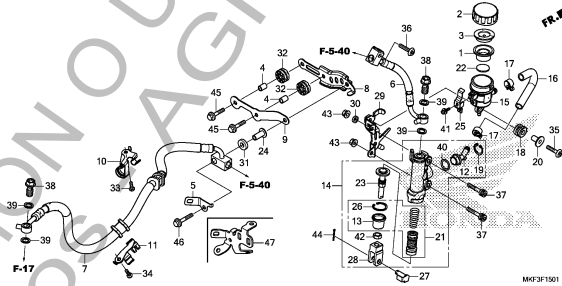
REAR BRAKE MASTER CYLINDER
(CBR1000RR)



MMF3F1900

F-15-1

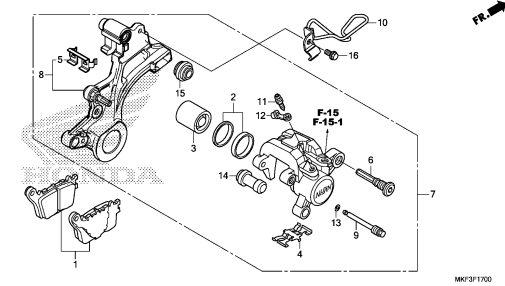
REAR BRAKE MASTER CYLINDER
(CBR1000RA/S1/S2)



MMF3F1901

F-17

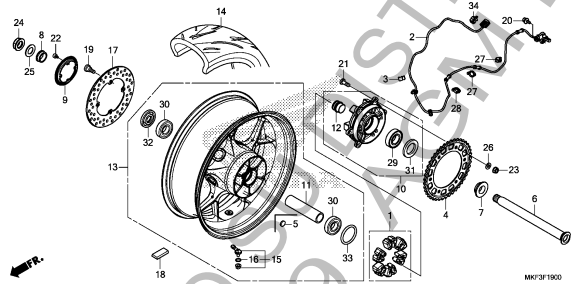
REAR BRAKE CALIPER



MMF3F1700

F-19

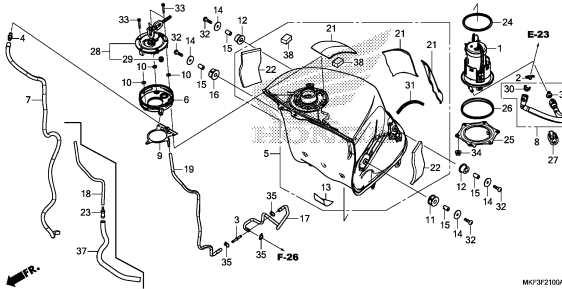
REAR WHEEL



MMF3F1900

F-21

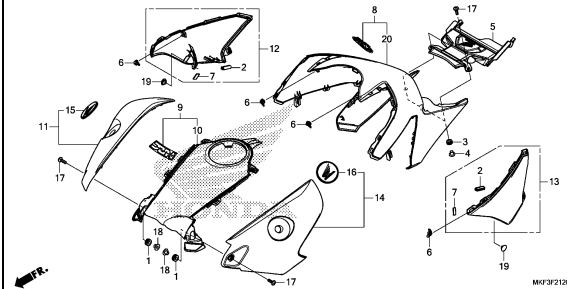
FUEL TANK/FUEL PUMP



MMF3F210A

F-21-20

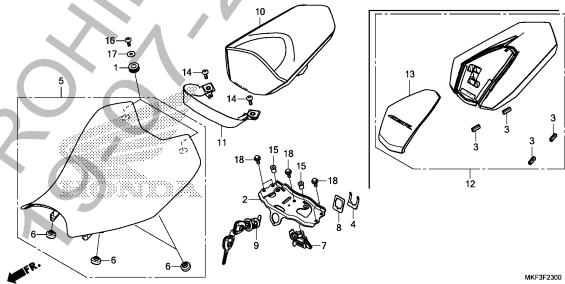
SHELTER



MMF3F210A

F-23

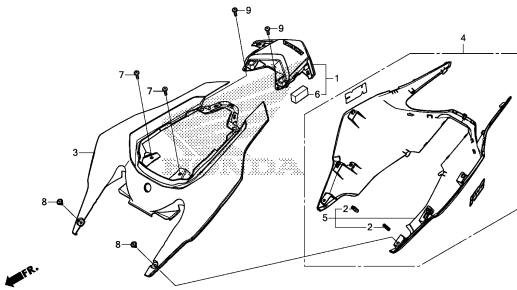
SEAT



MMF3F2300

F-23-10

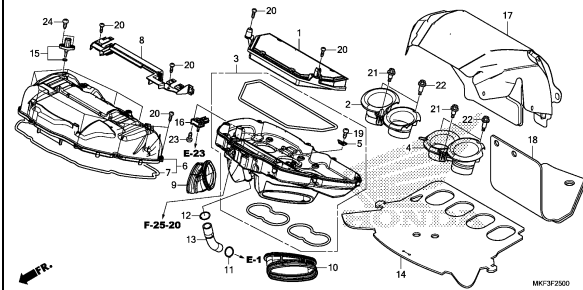
REAR COWL



MMF3F2310A

F-25

AIR CLEANER

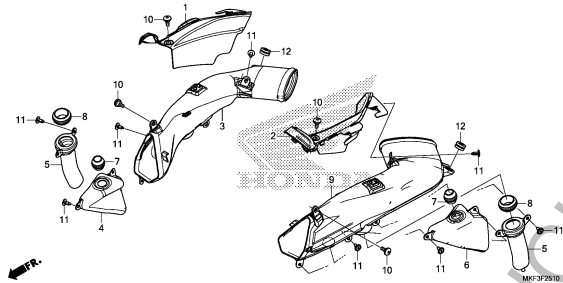


MMF3F2500

FRAME GROUP

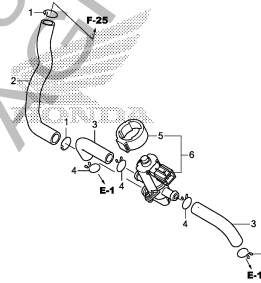
F-25-10

AIR INTAKE DUCT



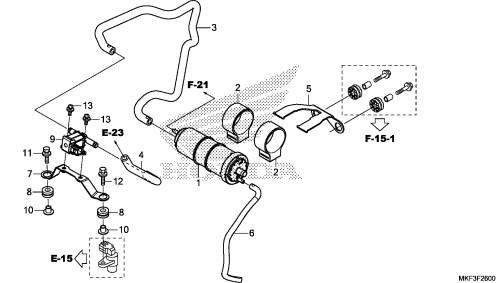
F-25-20

AIR INJECTION CONTROL VALVE



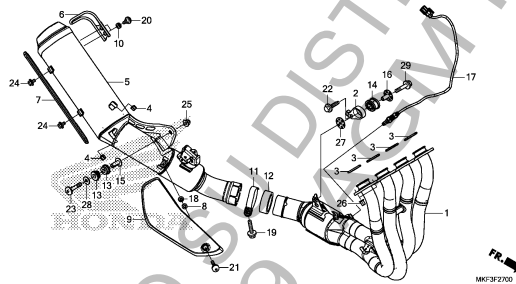
F-26

CANISTER



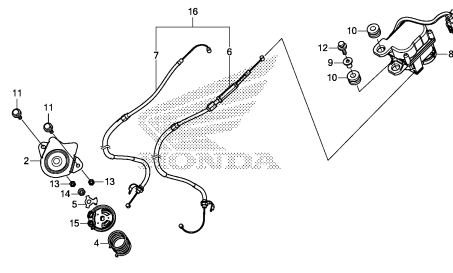
F-27

EXHAUST MUFFLER



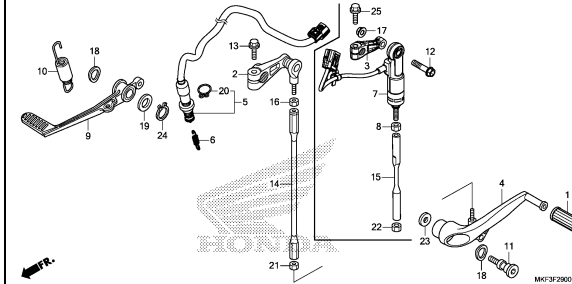
F-28

SERVO MOTOR



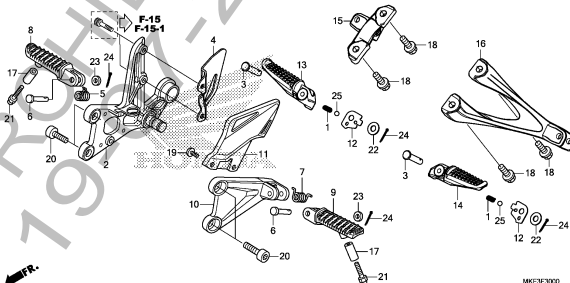
F-29

PEDAL



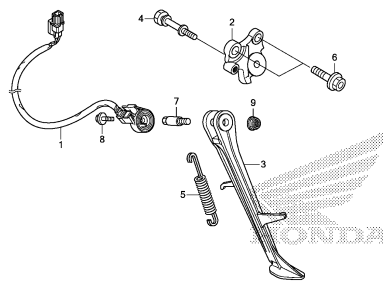
F-30

STEP



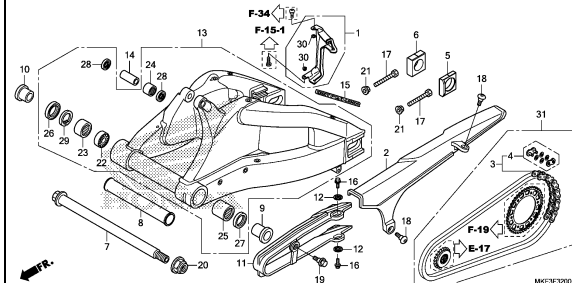
F-31

STAND



F-32

SWINGARM

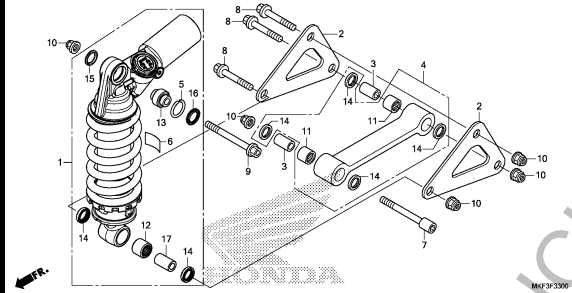


3

FRAME GROUP

F-33

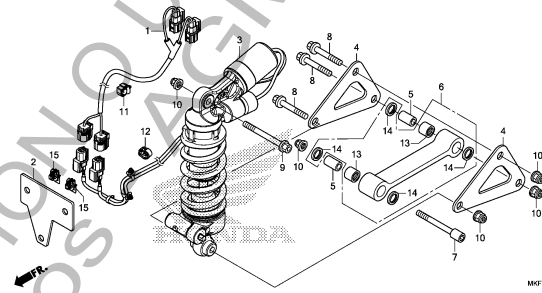
REAR CUSHION(CBR1000RR/RA)



MF3F3300

F-33-1

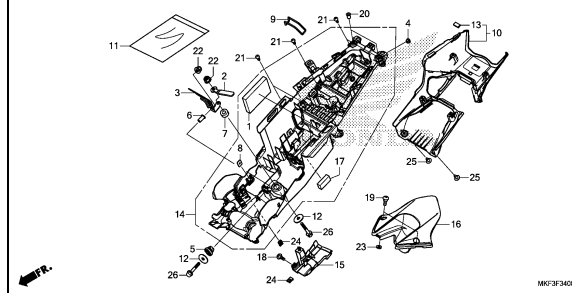
REAR CUSHION(CBR1000S1/S2)



MF3F3301

F-34

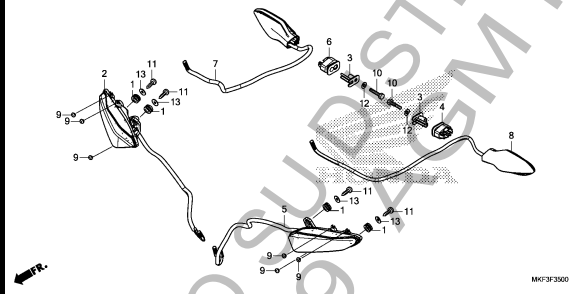
REAR FENDER



MF3F3400

F-35

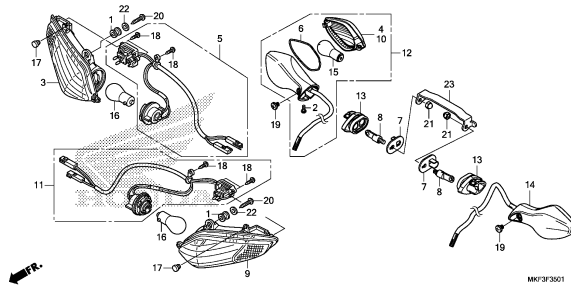
WINKER(1)



MF3F3500

F-35-1

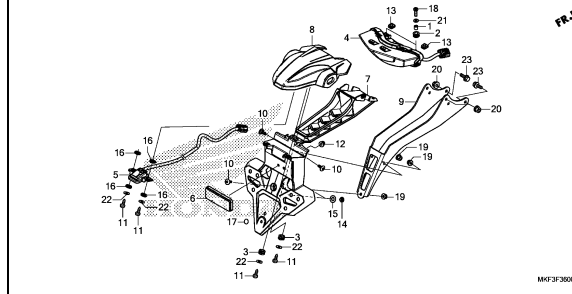
WINKER(2)



MF3F3501

F-36

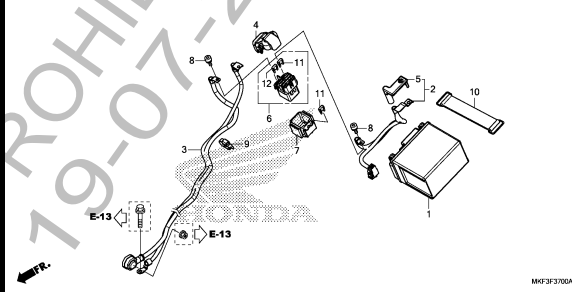
TAILLIGHT



MF3F3600

F-37

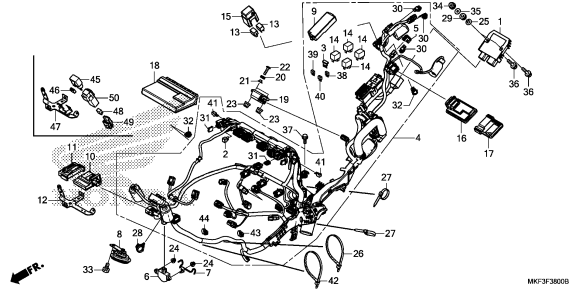
BATTERY



MF3F3700A

F-38

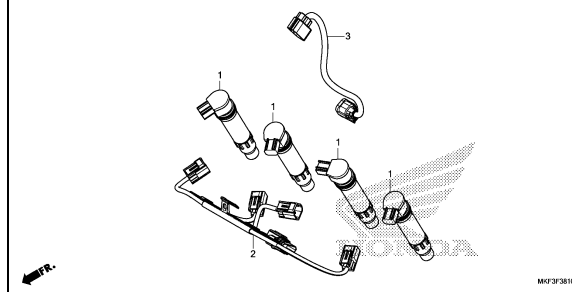
WIRE HARNESS



MF3F38000

F-38-10

SUB HARNESS

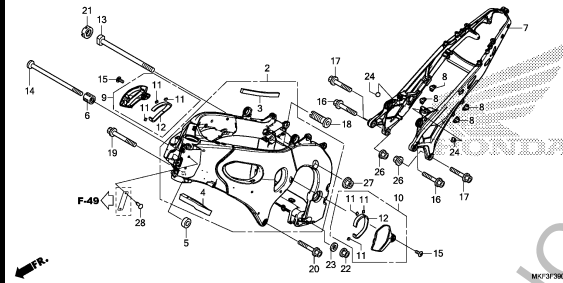


MF3F3810

FRAME GROUP

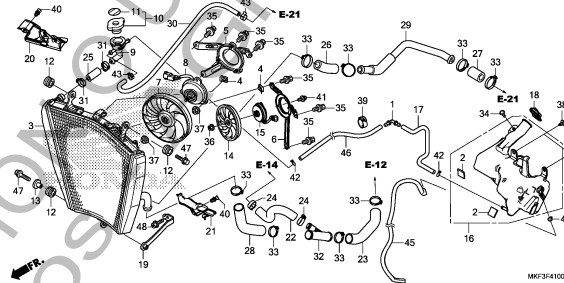
F-39

FRAME BODY



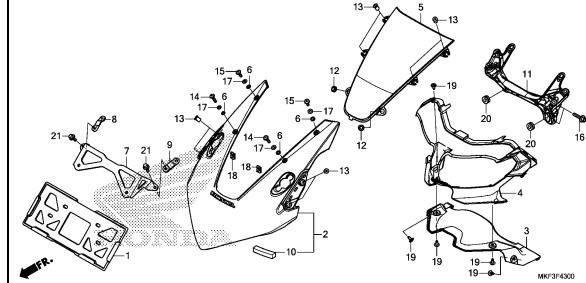
F-41

RADIATOR



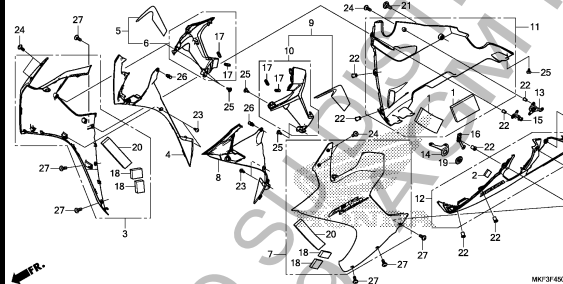
F-43

UPPER COWL



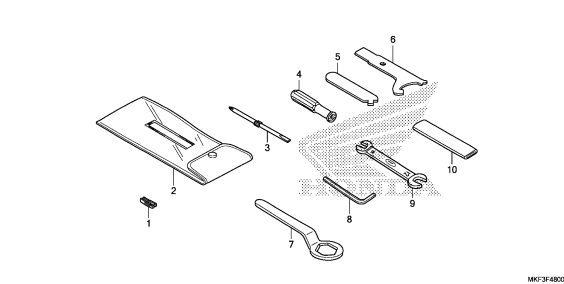
F-45

MIDDLE COWL



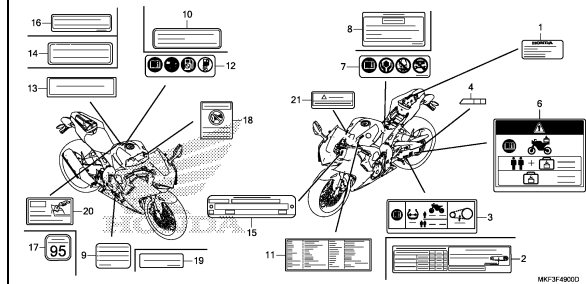
F-48

TOOLS



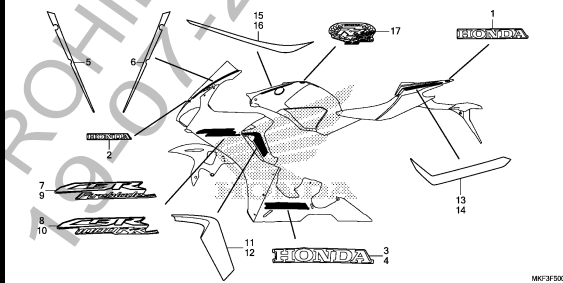
F-49

CAUTION LABEL



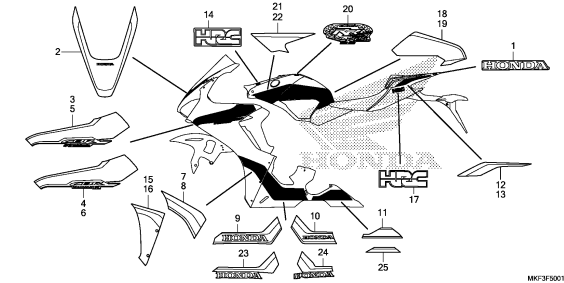
F-50

MARK/STRIPE(1)



F-50-1

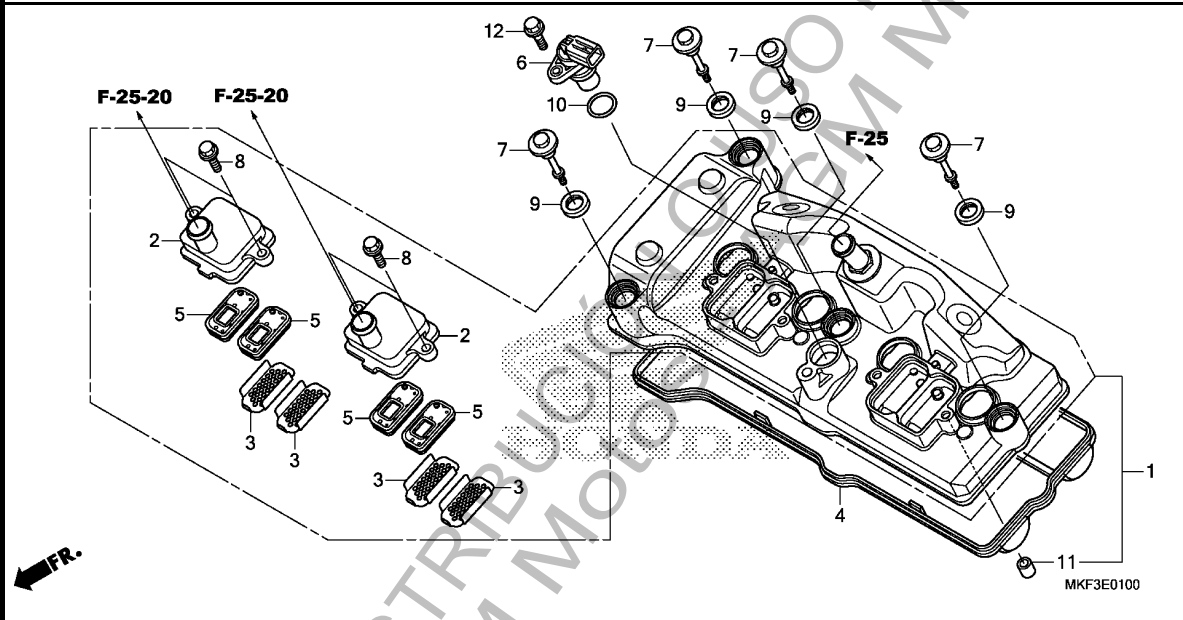
MARK/STRIPE(2)



3

E-1

CYLINDER HEAD COVER



Ref. No.	L.O.N.	(Relative ref. Number) Description	F.R.T.
1	1111C4	COVER, CYLINDER HEAD	2.5
4	1111D2	GASKET, CYLINDER HEAD COVER ..	2.5
5		(3)	
	314125	VALVE, PAIR CHECK	1.8
	3141A8	VALVE, PAIR CHECK	
		:FOR 1 VEHICLE	1.8
6		(10)	
	614117	GENERATOR, CAM PULSE	0.6

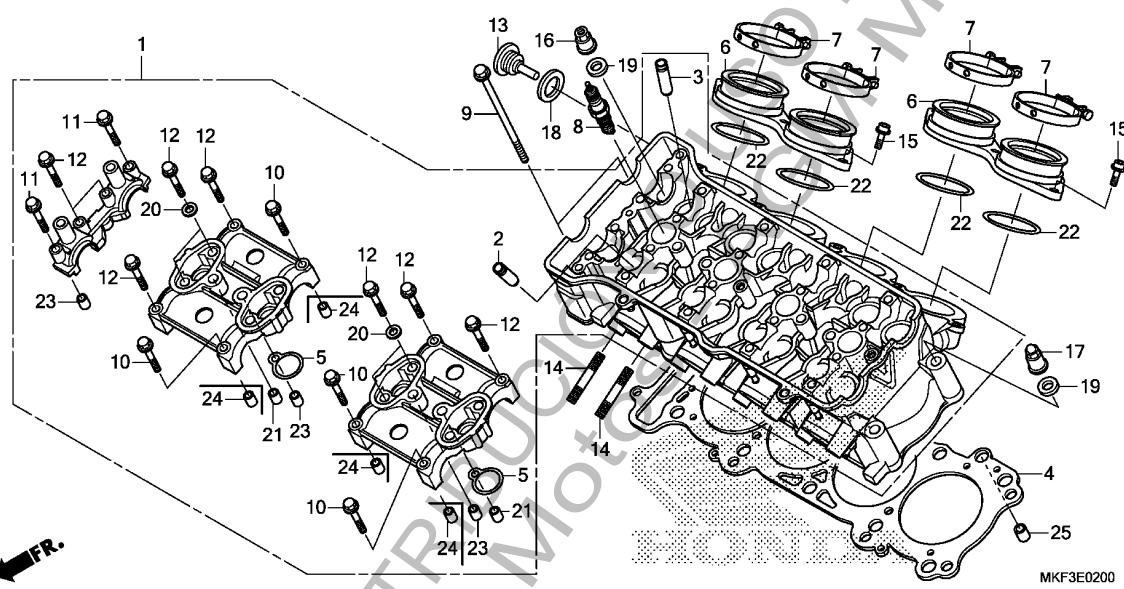
Ref. No.	Part No.	Description	Reqd. QTY								Serial No.	Parts catalogue code
			RR H	RR J	RA H	RA J	S1 H	S1 J	S2 H	S2 J		
1	12310-MFL-010	COVER ASSY., CYLINDER HEAD ..	1	1	1	1	1	1	-	-		
	12310-MKF-D70	-	-	-	-	-	-	1	1		
2	12331-MFL-000	COVER, REED VALVE	2	2	2	2	2	2	2	2		
3	12341-MAT-750	PLATE, PORT(AI)	4	4	4	4	4	4	4	4		
4	12391-MFL-000	GASKET, CYLINDER HEAD COVER ..	1	1	1	1	1	1	-	-		
	12391-MKF-D70	-	-	-	-	-	-	1	1		
5	18601-MCJ-003	VALVE COMP., REED	4	4	4	4	4	4	4	4		
6	36140-MFL-013	PULSER ASSY., CAM	1	1	1	1	1	1	1	1		
7	90002-MY5-850	BOLT, HEAD COVER	4	4	4	4	4	4	4	4		
8	90004-GHB-650	BOLT, FLANGE, 6X20(NSHF)	4	4	4	4	4	4	4	4		
9	90543-MV9-670	RUBBER, MOUNTING	4	4	4	4	4	4	4	4		
10	91303-KF0-003	O-RING, 14.8X2.4(ARAI)	1	1	1	1	1	1	1	1		
11	94301-08140	DOWEL PIN, 8X14	4	4	4	4	4	4	4	4		
12	95701-06018-00	BOLT, FLANGE, 6X18	1	1	1	1	1	1	1	1		



PROHIBITED TO BE DISTRIBUTED OUTSIDE THE MOTORCYCLE MARKET

E-2

CYLINDER HEAD



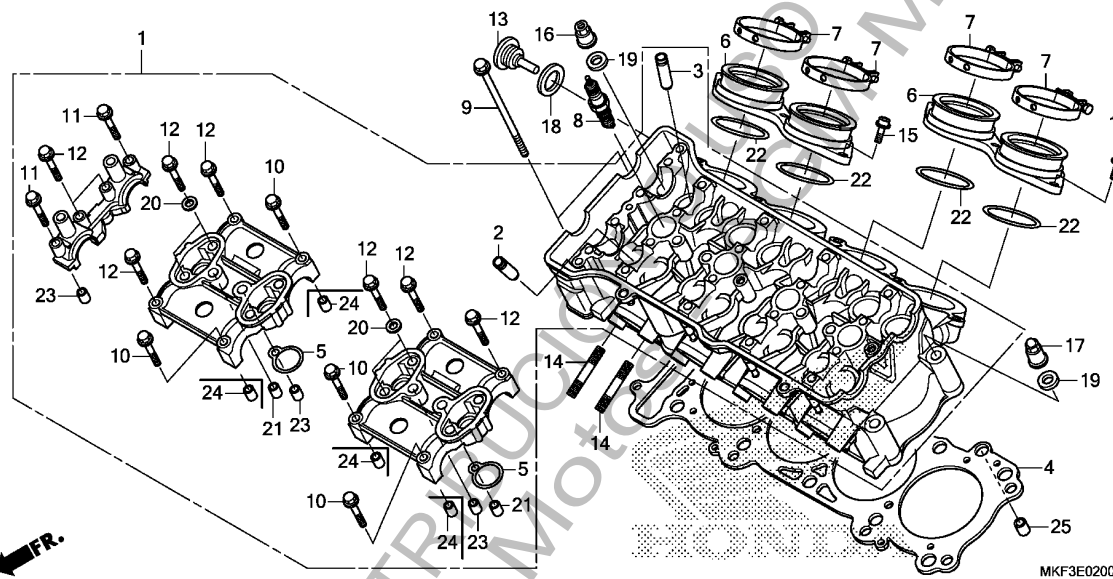
Ref. No.	L.O.N.	(Relative ref. Number) Description	F.R.T.
1	111106	HEAD, CYLINDERINCLUDES: Engine removal and installation .INCLUDES: Valve adjust and reface	10.3
	111106F	.ABS add	0.5
2	1111M0	GUIDE, EXHAUST VALVE(ONE)INCLUDES: Engine removal and installation .INCLUDES: Reaming .INCLUDES: Valve adjust and reface	7.3
	1111MOA	.Replace all exhaust valve guide add	2.1
	1111MOE	.ABS add	0.5
3	1111L9	GUIDE, INTAKE VALVE(ONE)INCLUDES: Engine removal and installation .INCLUDES: Reaming .INCLUDES: Valve adjust and reface	7.3
	1111L9A	.Replace all intake valve guide add	2.1
	1111L9E	.ABS add	0.5
+	1111M9	GUIDE, VALVE :FOR 1 VEHICLE ..	11.8

Ref. No.	Part No.	Description	Reqd. QTY								Serial No.	Parts catalogue code
			RR H	RR J	RA H	RA J	S1 H	S1 J	S2 H	S2 J		
1	12010-MKF-D40	HEAD ASSY., CYLINDER	1	1	1	1	1	1	-	-		
	12010-MKF-D71	-	-	-	-	-	-	1	1		
2	12204-MBW-305	GUIDE, IN. VALVE(O.S.) (EXHAUST SIDE)	8	8	8	8	8	8	8	8		
3	12204-MFL-305	GUIDE, VALVE(O.S.) (INLET SIDE)	8	8	8	8	8	8	8	8		
4	12251-MFL-003	GASKET, CYLINDER HEAD	1	1	1	1	1	1	-	-		
	12251-MKF-D71	-	-	-	-	-	-	1	1		
5	12395-MBW-003	GASKET, PLUG HOLE	4	4	4	4	4	4	-	-		
	12395-MKF-D70	-	-	-	-	-	-	4	4		
6	16210-MKF-D40	INSULATOR COMP., THROTTLE BODY	2	2	2	2	2	2	-	-		
	16210-MKF-D70	-	-	-	-	-	-	2	2		
7	16218-MKF-D40	BAND, INSULATOR	4	4	4	4	4	4	4	4		
8	31912-MFL-003	PLUG, SPARK(IMR9E-9HES)(NGK)	4	4	4	4	4	4	-	-		
	31922-MEL-003	PLUG, SPARK(VUH27ES)(DENSO)	4	4	4	4	4	4	-	-		
	31911-MKF-D71	PLUG, SPARK(SILMAR10C9S)(NGK)	-	-	-	-	-	-	4	4		
9	90012-MFL-000	BOLT, FLANGE, 6X105	2	2	2	2	2	2	2	2		
10	90018-425-000	BOLT, FLANGE, 6X48	4	4	4	4	4	4	-	-		
	90016-KT7-000	BOLT, FLANGE, 6X37	-	-	-	-	-	-	4	4		
11	90018-425-000	BOLT, FLANGE, 6X48	2	2	2	2	2	2	2	2		
12	90016-KT7-000	BOLT, FLANGE, 6X37	14	14	14	14	14	14	14	14		
13	90023-MFL-000	SHAFT B, CAM CHAIN TENSIONER	1	1	1	1	1	1	1	1		
14	90035-MM5-000	BOLT, STUD, 8X24	8	8	8	8	8	8	8	8		
15	90071-MEL-000	BOLT, FLANGE SOCKET, 6X16	6	6	6	6	6	6	6	6		
16	90232-MFL-000	NUT, SPECIAL, 9MM	8	8	8	8	8	8	8	8		
17	90234-MFL-000	NUT, SPECIAL CAP, 9MM	2	2	2	2	2	2	2	2		



E-2

CYLINDER HEAD



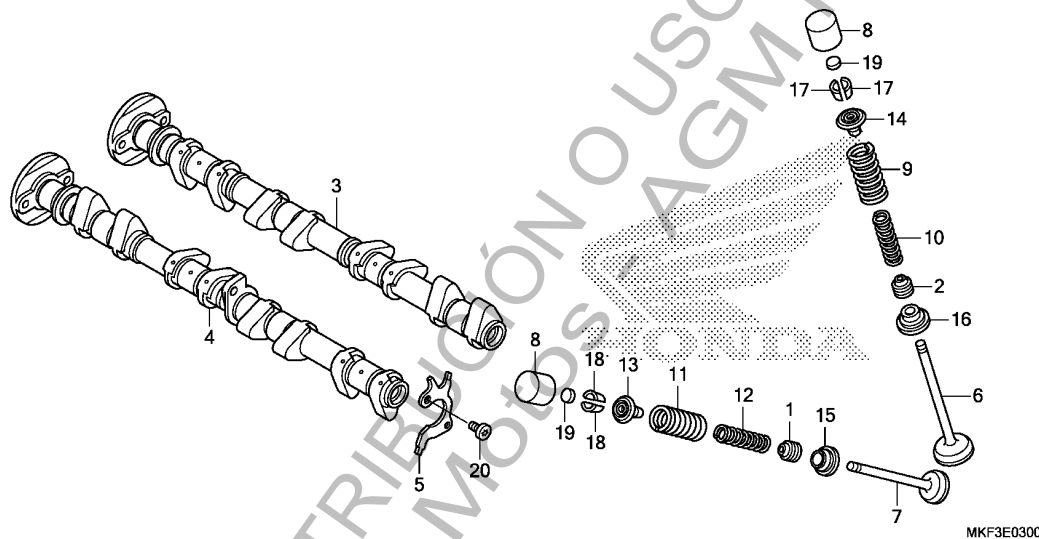
Ref. No.	L.O.N.	(Relative ref. Number) Description	F.R.T.
+ 3		.INCLUDES: Engine removal and installation .INCLUDES: Reaming .INCLUDES: Valve adjust and reface	
1111M9C		.ABS add	0.5
4 111115		GASKET, CYLINDER HEADINCLUDES: Engine removal and installation	6.4
111115F		.ABS add	0.5
6		(22)	
311131		INSULATOR, THROTTLE BODY/ CARBURETOR	1.8
3111B6		INSULATOR, THROTTLE BODY/ CARBURETOR :FOR 1 VEHICLE ...	1.9
8 614130		PLUG, SPARK	1.9
614130G		.Replace 1 spark plug add	0.1
6141B2		PLUG, SPARK :FOR 1 VEHICLE ...	2.2

Ref. No.	Part No.	Description	Reqd. QTY								Serial No.	Parts catalogue code
			RR H	RR J	RA H	RA J	S1 H	S1 J	S2 H	S2 J		
18	90403-MFL-000	WASHER, SEALING, 24MM	1	1	1	1	1	1	1	1		
19	90405-MFL-000	WASHER, PLAIN, 9MM	10	10	10	10	10	10	10	10		
20	90463-ML7-000	WASHER, SEALING, 6.5MM	8	8	8	8	8	8	8	8		
21	94301-08200	DOWEL PIN, 8X20	2	2	2	2	2	2	-	-		
	90701-MG3-000	DOWEL PIN, 8X24	-	-	-	-	-	-	2	2		
22	91301-MEL-003	O-RING, 43.7X2.5	4	4	4	4	4	4	4	4		
23	94301-08200	DOWEL PIN, 8X20	4	4	4	4	4	4	4	4		
24	94301-08200	DOWEL PIN, 8X20	4	4	4	4	4	4	-	-		
25	94301-10160	DOWEL PIN, 10X16	2	2	2	2	2	2	2	2		

PROHIBIDO
19-07-20

E-3

CAMSHAFT/VALVE



FR. ←

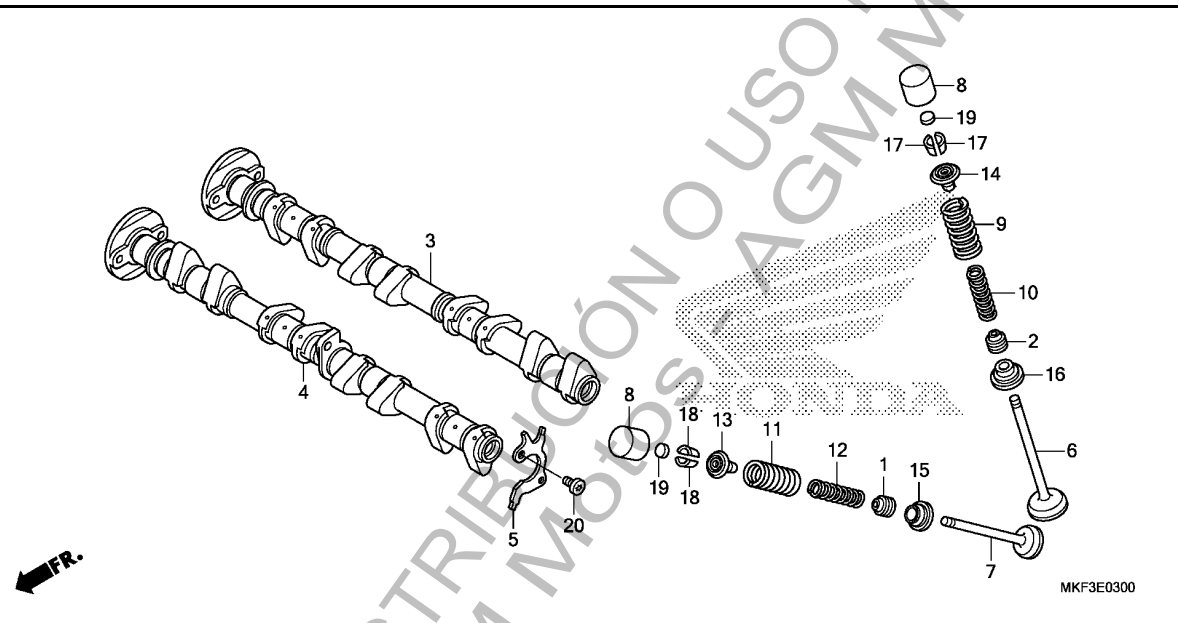
MKF3E0300

Ref. No.	L.O.N.	(Relative ref. Number) Description	F.R.T.
3	1111E5	CAMSHAFT :INTAKEINCLUDES: Valve clearance adjustment	4.0
4	1111E6	CAMSHAFT :EXHAUSTINCLUDES: Valve clearance adjustment	4.0
	1111T4	CAMSHAFT :FOR 1 VEHICLEINCLUDES: Valve clearance adjustment	4.6
5	1111I9	ROTOR, CAM PULSE	3.5
6	1111N0	VALVE, INTAKE(ONE)INCLUDES: Engine removal and installation	6.8
	1111NOA	.Replace all intake valve add	1.4
	1111N0D	.ABS add	0.5
7	1111N1	VALVE, EXHAUST(ONE)INCLUDES: Engine removal and installation	6.8
	1111N1A	.Replace all exhaust valve add	1.4
	1111N1D	.ABS add	0.5
	1111PO	VALVE :FOR 1 VEHICLEINCLUDES: Engine removal and installation	9.8

Ref. No.	Part No.	Description	Reqd. QTY								Serial No.	Parts catalogue code	
			RR H	RR J	RA H	RA J	S1 H	S1 J	S2 H	S2 J			
1	12209-KT7-013	SEAL, VALVE STEM	8	8	8	8	8	8	8	8	8		
2	12209-MZ5-003	SEAL, VALVE STEM	8	8	8	8	8	8	8	8	8		
3	14110-MKF-D40	CAMSHAFT COMP., IN.	1	1	1	1	1	1	-	-	-	-	
	14110-MKF-D70	-	-	-	-	-	-	1	1	-	-	
4	14210-MKF-D40	CAMSHAFT COMP., EX.	1	1	1	1	1	1	-	-	-	-	
	14210-MKF-D70	-	-	-	-	-	-	1	1	-	-	
5	14405-MFL-000	ROTOR, CAM PULSE	1	1	1	1	1	1	1	1	1	1	
6	14711-MFL-000	VALVE, IN.	8	8	8	8	8	8	-	-	-	-	
	14711-MKF-D70	-	-	-	-	-	-	8	8	-	-	
7	14721-MFL-000	VALVE, EX.	8	8	8	8	8	8	-	-	-	-	
	14721-MKF-D70	-	-	-	-	-	-	8	8	-	-	
8	14731-MFL-D21	LIFTER, VALVE	16	16	16	16	16	16	-	-	-	-	
	14731-MKF-D70	-	-	-	-	-	-	16	16	-	-	
9	14751-MKF-D41	SPRING, IN. VALVE OUTER	8	8	8	8	8	8	-	-	-	-	
	14751-MKF-D71	-	-	-	-	-	-	8	8	-	-	
10	14752-MKF-D41	SPRING, IN. VALVE INNER	8	8	8	8	8	8	-	-	-	-	
	14752-MKF-D71	-	-	-	-	-	-	8	8	-	-	
11	14761-MKF-D42	SPRING, EX. VALVE OUTER	8	8	8	8	8	8	-	-	-	-	
	14761-MKF-D72	SPRING, EX. VALVE	-	-	-	-	-	-	8	8	-	-	
12	14762-MKF-D42	SPRING, EX. VALVE INNER	8	8	8	8	8	8	-	-	-	-	
13	14771-MEE-000	RETAINER, VALVE SPRING	8	8	8	8	8	8	-	-	-	-	
	14771-MBW-000	-	-	-	-	-	-	8	8	-	-	
14	14771-MFL-000	RETAINER, VALVE SPRING	8	8	8	8	8	8	8	8	8	8	
15	14775-MEE-000	SEAT, VALVE SPRING	8	8	8	8	8	8	-	-	-	-	
	14775-MBW-000	-	-	-	-	-	-	8	8	-	-	
16	14775-MCJ-000	SEAT, VALVE SPRING	8	8	8	8	8	8	8	8	8	8	

E-3

CAMSHAFT/VALVE



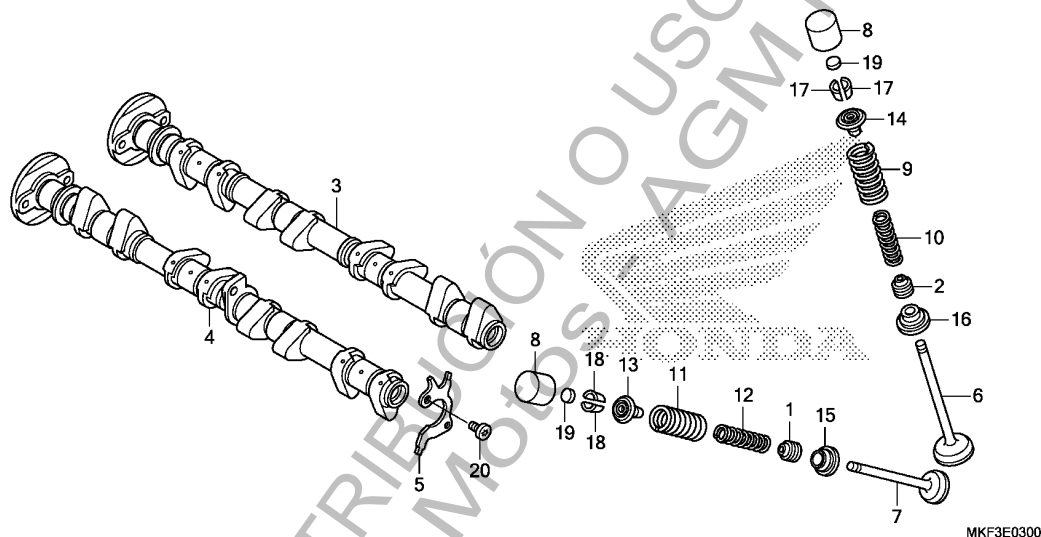
Ref. No.	L.O.N.	(Relative ref. Number) Description	F.R.T.
+ 7		.INCLUDES: Refacing	
1111P0B		.ABS add	0.5
9		(2,10,14,16,17)	
1111P2		INTAKE VALVE SPRING AND/OR STEM SEAL(ONE)	6.6
		.INCLUDES: Engine removal and installation	
1111P2A		.Replace all intake spring add	0.7
1111P2D		.ABS add	0.5
11		(1,12,13,15,18)	
1111P3		EXHAUST VALVE SPRING AND/OR STEM SEAL(ONE)	6.6
		.INCLUDES: Engine removal and installation	
1111P3A		.Replace all exhaust spring add	0.7
1111P3D		.ABS add	0.5
1111Q2		VALVE SPRING AND/OR STEM SEAL :FOR 1 VEHICLE	8.1
		.INCLUDES: Engine removal and installation	
1111Q2B		.ABS add	0.5

Ref. No.	Part No.	Description	Reqd. QTY								Serial No.	Parts catalogue code
			RR H	RR J	RA H	RA J	S1 H	S1 J	S2 H	S2 J		
17	14781-ML0-720	COTTER, VALVE	16	16	16	16	16	16	16	16		
18	14781-MV9-671	COTTER, VALVE	16	16	16	16	16	16	16	16		
19	14901-KT7-013	SHIM, TAPPET(1.200)	16	16	16	16	16	16	16	16		
	14902-KT7-013	SHIM, TAPPET(1.225)	16	16	16	16	16	16	16	16		
	14903-KT7-013	SHIM, TAPPET(1.250)	16	16	16	16	16	16	16	16		
	14904-KT7-013	SHIM, TAPPET(1.275)	16	16	16	16	16	16	16	16		
	14905-KT7-013	SHIM, TAPPET(1.300)	16	16	16	16	16	16	16	16		
	14906-KT7-013	SHIM, TAPPET(1.325)	16	16	16	16	16	16	16	16		
	14907-KT7-013	SHIM, TAPPET(1.350)	16	16	16	16	16	16	16	16		
	14908-KT7-013	SHIM, TAPPET(1.375)	16	16	16	16	16	16	16	16		
	14909-KT7-013	SHIM, TAPPET(1.400)	16	16	16	16	16	16	16	16		
	14910-KT7-013	SHIM, TAPPET(1.425)	16	16	16	16	16	16	16	16		
	14911-KT7-013	SHIM, TAPPET(1.450)	16	16	16	16	16	16	16	16		
	14912-KT7-013	SHIM, TAPPET(1.475)	16	16	16	16	16	16	16	16		
	14913-KT7-013	SHIM, TAPPET(1.500)	16	16	16	16	16	16	16	16		
	14914-KT7-013	SHIM, TAPPET(1.525)	16	16	16	16	16	16	16	16		
	14915-KT7-013	SHIM, TAPPET(1.550)	16	16	16	16	16	16	16	16		
	14916-KT7-013	SHIM, TAPPET(1.575)	16	16	16	16	16	16	16	16		
	14917-KT7-013	SHIM, TAPPET(1.600)	16	16	16	16	16	16	16	16		
	14918-KT7-013	SHIM, TAPPET(1.625)	16	16	16	16	16	16	16	16		
	14919-KT7-013	SHIM, TAPPET(1.650)	16	16	16	16	16	16	16	16		
	14920-KT7-013	SHIM, TAPPET(1.675)	16	16	16	16	16	16	16	16		
	14921-KT7-013	SHIM, TAPPET(1.700)	16	16	16	16	16	16	16	16		
	14922-KT7-013	SHIM, TAPPET(1.725)	16	16	16	16	16	16	16	16		
	14923-KT7-013	SHIM, TAPPET(1.750)	16	16	16	16	16	16	16	16		
	14924-KT7-013	SHIM, TAPPET(1.775)	16	16	16	16	16	16	16	16		
	14925-KT7-013	SHIM, TAPPET(1.800)	16	16	16	16	16	16	16	16		
	14926-KT7-013	SHIM, TAPPET(1.825)	16	16	16	16	16	16	16	16		
	14927-KT7-013	SHIM, TAPPET(1.850)	16	16	16	16	16	16	16	16		



E-3

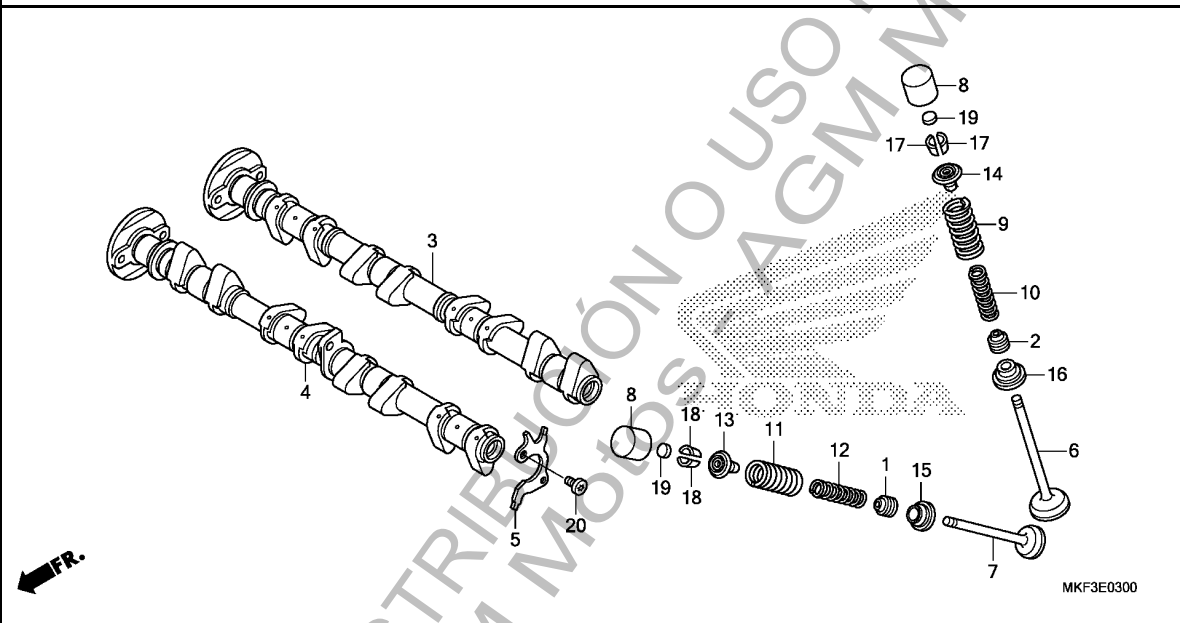
CAMSHAFT/VALVE



Ref. No.	Part No.	Description	Reqd. QTY								Serial No.	Parts catalogue code
			RR H	RR J	RA H	RA J	S1 H	S1 J	S2 H	S2 J		
19)	14928-KT7-013	SHIM, TAPPET (1.875)	16	16	16	16	16	16	16	16		
	14929-KT7-013	SHIM, TAPPET (1.900)	16	16	16	16	16	16	16	16		
	14930-KT7-013	SHIM, TAPPET (1.925)	16	16	16	16	16	16	16	16		
	14931-KT7-013	SHIM, TAPPET (1.950)	16	16	16	16	16	16	16	16		
	14932-KT7-013	SHIM, TAPPET (1.975)	16	16	16	16	16	16	16	16		
	14933-KT7-013	SHIM, TAPPET (2.000)	16	16	16	16	16	16	16	16		
	14934-KT7-013	SHIM, TAPPET (2.025)	16	16	16	16	16	16	16	16		
	14935-KT7-013	SHIM, TAPPET (2.050)	16	16	16	16	16	16	16	16		
	14936-KT7-013	SHIM, TAPPET (2.075)	16	16	16	16	16	16	16	16		
	14937-KT7-013	SHIM, TAPPET (2.100)	16	16	16	16	16	16	16	16		
	14938-KT7-013	SHIM, TAPPET (2.125)	16	16	16	16	16	16	16	16		
	14939-KT7-013	SHIM, TAPPET (2.150)	16	16	16	16	16	16	16	16		
	14940-KT7-013	SHIM, TAPPET (2.175)	16	16	16	16	16	16	16	16		
	14941-KT7-013	SHIM, TAPPET (2.200)	16	16	16	16	16	16	16	16		
	14942-KT7-013	SHIM, TAPPET (2.225)	16	16	16	16	16	16	16	16		
	14943-KT7-013	SHIM, TAPPET (2.250)	16	16	16	16	16	16	16	16		
	14944-KT7-013	SHIM, TAPPET (2.275)	16	16	16	16	16	16	16	16		
	14945-KT7-013	SHIM, TAPPET (2.300)	16	16	16	16	16	16	16	16		
	14946-KT7-013	SHIM, TAPPET (2.325)	16	16	16	16	16	16	16	16		
	14947-KT7-013	SHIM, TAPPET (2.350)	16	16	16	16	16	16	16	16		
	14948-KT7-013	SHIM, TAPPET (2.375)	16	16	16	16	16	16	16	16		
	14949-KT7-013	SHIM, TAPPET (2.400)	16	16	16	16	16	16	16	16		
	14950-KT7-013	SHIM, TAPPET (2.425)	16	16	16	16	16	16	16	16		
	14951-KT7-013	SHIM, TAPPET (2.450)	16	16	16	16	16	16	16	16		
	14952-KT7-013	SHIM, TAPPET (2.475)	16	16	16	16	16	16	16	16		
	14953-KT7-013	SHIM, TAPPET (2.500)	16	16	16	16	16	16	16	16		
	14954-KT7-013	SHIM, TAPPET (2.525)	16	16	16	16	16	16	16	16		
	14955-KT7-013	SHIM, TAPPET (2.550)	16	16	16	16	16	16	16	16		
	14956-KT7-013	SHIM, TAPPET (2.575)	16	16	16	16	16	16	16	16		

E-3

CAMSHAFT/VALVE



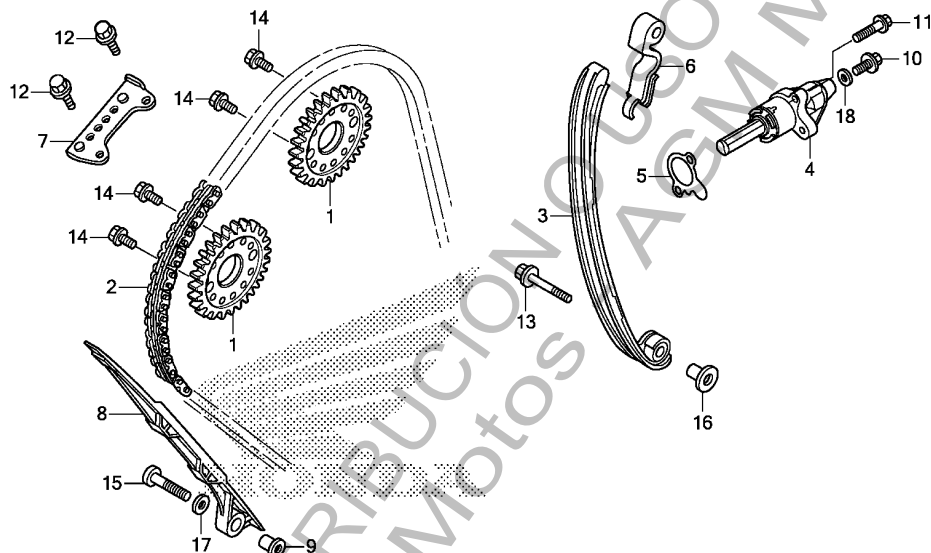
2

Ref. No.	Part No.	Description	Reqd. QTY								Serial No.	Parts catalogue code
			RR H	RR J	RA H	RA J	S1 H	S1 J	S2 H	S2 J		
19)	14957-KT7-013	SHIM, TAPPET (2.600)	16	16	16	16	16	16	16	16		
	14958-KT7-013	SHIM, TAPPET (2.625)	16	16	16	16	16	16	16	16		
	14959-KT7-013	SHIM, TAPPET (2.650)	16	16	16	16	16	16	16	16		
	14960-KT7-013	SHIM, TAPPET (2.675)	16	16	16	16	16	16	16	16		
	14961-KT7-013	SHIM, TAPPET (2.700)	16	16	16	16	16	16	16	16		
	14962-KT7-013	SHIM, TAPPET (2.725)	16	16	16	16	16	16	16	16		
	14963-KT7-013	SHIM, TAPPET (2.750)	16	16	16	16	16	16	16	16		
	14964-KT7-013	SHIM, TAPPET (2.775)	16	16	16	16	16	16	16	16		
	14965-KT7-013	SHIM, TAPPET (2.800)	16	16	16	16	16	16	16	16		
20	90014-MFL-000	BOLT, SOCKET SPECIAL, 6X7.5	2	2	2	2	2	2	2	2		

PROHIBIDO SU USO PARA MOTOCICLOS
19-07-20

E-4

CAM CHAIN/TENSIONER

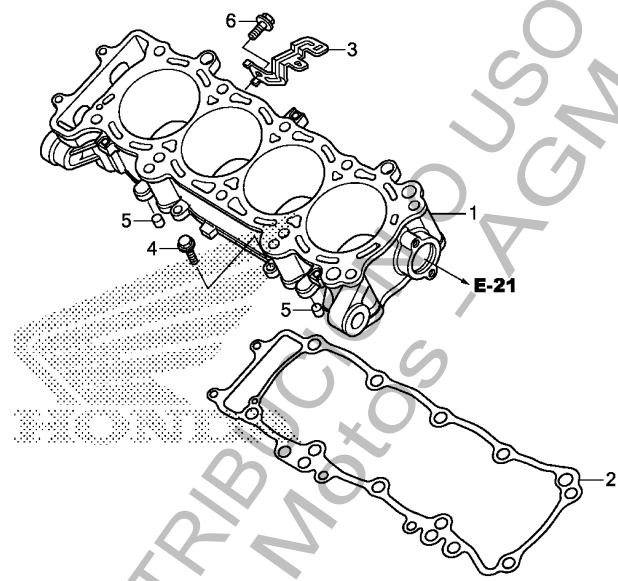


Ref. No.	L.O.N.	(Relative ref. Number) Description	F.R.T.
1	1111F7	SPROCKET, CAM :INTAKE	2.9
	1111F8	SPROCKET, CAM :EXHAUST	3.0
	1111F9	SPROCKET, CAM :FOR 1 VEHICLE ..	3.2
2	110140	CHAIN, CAM	3.8
3	111130	TENSIONER, CAM CHAIN	1.3
4		(5)	
	111133	LIFTER, TENSIONER	0.6
6	1111W4	TENSIONER, CAM CHAIN SUB	3.5
7	1111G9	GUIDE B, CAM CHAIN	2.5
8	111139	GUIDE, CAM CHAIN	3.8

Ref. No.	Part No.	Description	Reqd. QTY								Serial No.	Parts catalogue code
			RR H	RR J	RA H	RA J	S1 H	S1 J	S2 H	S2 J		
1	14321-MFL-000	SPROCKET, CAM(34T)	2	2	2	2	2	2	2	2		
2	14401-MFL-003	CHAIN, CAM(124L)	1	1	1	1	1	1	1	1		
3	14510-MFL-010	TENSIONER COMP. A, CAM CHAIN ..	1	1	1	1	1	1	1	1		
4	14520-MFL-013	LIFTER ASSY., TENSIONER	1	1	1	1	1	1	1	1		
5	14525-MFA-D01	GASKET, TENSIONER HOLE	1	1	1	1	1	1	1	1		
6	14530-MFL-000	TENSIONER COMP. B, CAM CHAIN ..	1	1	1	1	1	1	1	-	-	
	14530-MKF-D70	-	-	-	-	-	-	-	1	1	
7	14546-MCJ-000	GUIDE B, CAM CHAIN	1	1	1	1	1	1	1	1	1	
8	14620-MFL-003	GUIDE A, CAM CHAIN	1	1	1	1	1	1	1	-	-	
	14620-MKF-D70	-	-	-	-	-	-	-	1	1	
9	14626-MCJ-000	COLLAR, 6MM	1	1	1	1	1	1	1	1	1	
10	90004-GHB-600	BOLT, FLANGE, 6X10(NSHF)	1	1	1	1	1	1	1	1	1	
11	90010-GHB-670	BOLT, FLANGE, 6X25	2	2	2	2	2	2	2	2	2	
12	90011-MFJ-D00	BOLT, KNOCK, 6MM	2	2	2	2	2	2	2	2	2	
13	90022-MFJ-D00	PIVOT, CAM CHAIN TENSIONER ..	1	1	1	1	1	1	1	1	1	
14	90082-HA0-000	BOLT, FLANGE KNOCK, 7X10.5 ..	4	4	4	4	4	4	4	4	4	
15	90108-MEL-000	BOLT, TORX, 6X32	1	1	1	1	1	1	1	1	1	
16	90401-MFL-000	COLLAR, CAM CHAIN TENSIONER ..	1	1	1	1	1	1	1	1	1	
17	90408-KW1-900	WASHER, 6MM	1	1	1	1	1	1	1	1	1	
18	90442-397-000	WASHER, SEALING, 6MM	1	1	1	1	1	1	1	1	1	

E-5

CYLINDER



Ref. No.	L.O.N.	(Relative ref. Number) Description	F.R.T.
1	1111A5	CYLINDERINCLUDES: Engine removal and installation	9.3
	1111A5B	.ABS add	0.5
2	111102	GASKET, CYLINDERINCLUDES: Engine removal and installation	9.0
	111102B	.ABS add	0.5

MKF3E0500

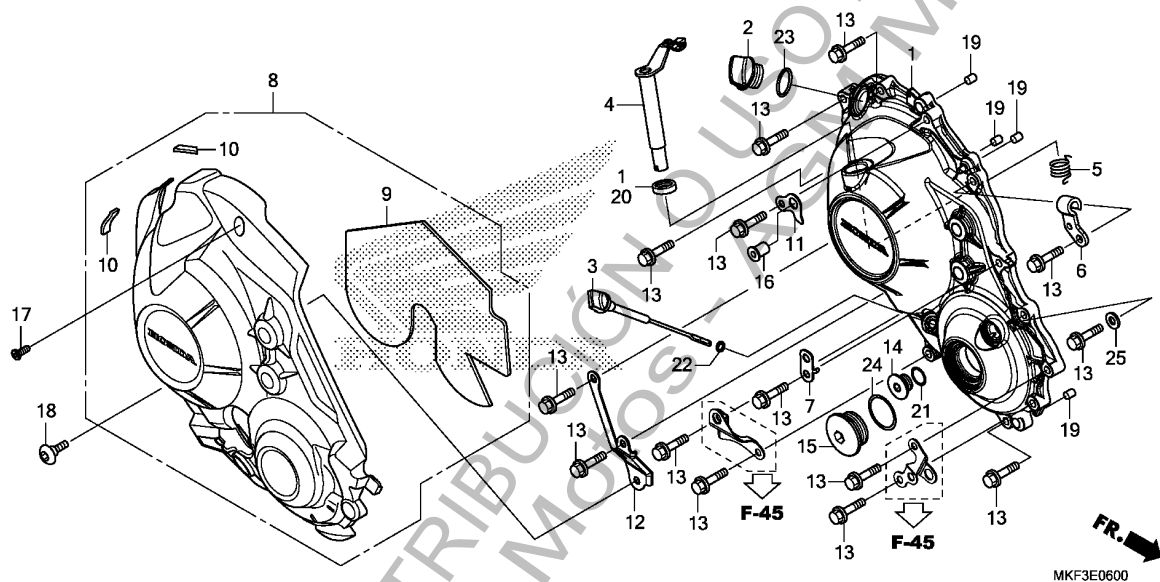
Ref. No.	Part No.	Description	Reqd. QTY								Serial No.	Parts catalogue code	
			RR H	RR J	RA H	RA J	S1 H	S1 J	S2 H	S2 J			
1	12100-MGP-000	CYLINDER	1	1	1	1	1	1	1	1	1		
2	12191-MFL-003	GASKET, CYLINDER	1	1	1	1	1	1	1	1	1		
3	32120-MFL-760	BRACKET, CONNECTOR	1	1	1	1	1	1	1	1	1		
4	90006-GHB-670	BOLT, FLANGE, 6X25 (NSHF)	2	2	2	2	2	2	2	2	2		
5	90701-MV9-670	DOWEL PIN, 10X16	2	2	2	2	2	2	2	2	2		
6	95701-06010-00	BOLT, FLANGE, 6X10	1	1	1	1	1	1	1	1	1		



PROHIBIDO USAR EN MOTOS AGM MOTOS
19-07-2019

E-6

RIGHT CRANKCASE COVER

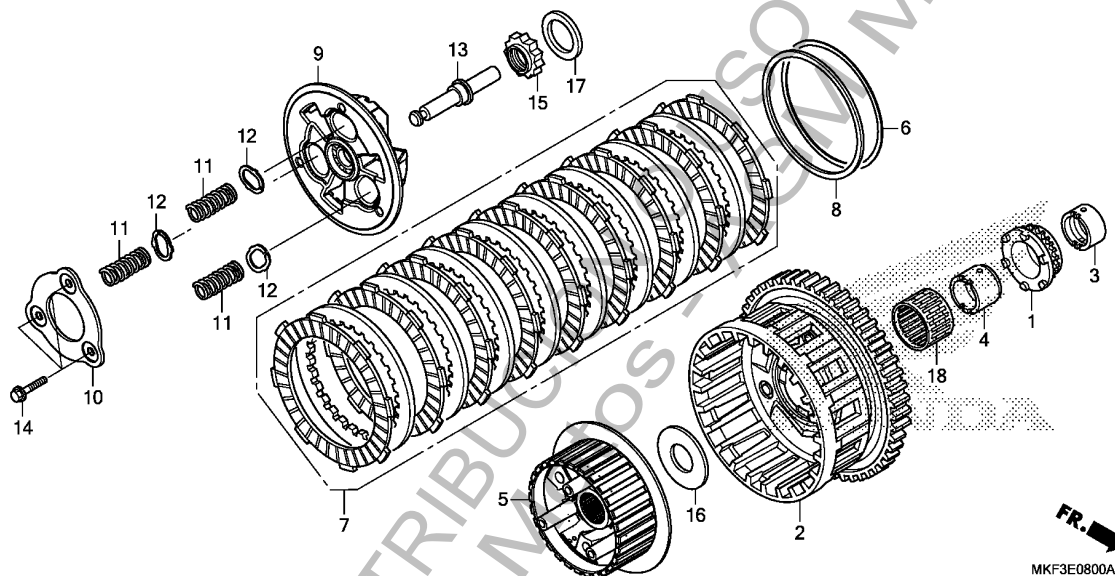


Ref. No.	L.O.N.	(Relative ref. Number) Description	F.R.T.
1	110159	COVER, CRANKCASE :RIGHT (5)	0.8
4	2121A7	LEVER, CLUTCH	0.8
8	4111X3	COWL, LOWER :RIGHT REAR	0.2

Ref. No.	Part No.	Description	Reqd. QTY								Serial No.	Parts catalogue code	
			RR H	RR J	RA H	RA J	S1 H	S1 J	S2 H	S2 J			
1	11330-MKF-D40	COVER COMP., R. CRANKCASE	1	1	1	1	1	1	1	1	1	1	2BR,2ED,2GS,2IN,2KO,2RU,2U,BR,ED,GS,KO,RU,U
	11330-MKF-A00		-	-	1	1	1	1	1	-	-	-	2CH,2FO,2TH,CH,FO,TH
2	15611-KA4-710	CAP, OIL FILLER	1	1	1	1	1	1	1	1	1	1	
3	15650-MKF-D40	GAUGE, OIL LEVEL	1	1	1	1	1	1	1	1	1	1	
4	22810-MKF-D40	LEVER COMP., CLUTCH	1	1	1	1	1	1	1	1	1	1	
5	22815-MFL-000	SPRING, CLUTCH LEVER	1	1	1	1	1	1	1	1	1	1	
6	22821-MKF-D40	RECEIVER, CLUTCH CABLE	1	1	1	1	1	1	1	1	1	1	
7	32157-MFJ-D00	STAY, HARNESS CLIP	1	1	1	1	1	1	1	1	1	1	
8	64700-MKF-A20	COVER COMP., R. RR. UNDER	-	-	1	1	1	1	1	-	-	-	2CH,2FO,2TH,CH,FO,TH
9	64702-MKF-A20	MAT, R. RR. UNDER COVER	-	-	1	1	1	1	1	-	-	-	2CH,2FO,2TH,CH,FO,TH
10	64703-MFL-700	RUBBER A, R. RR. UNDER COVER	-	-	2	2	2	2	2	-	-	-	2CH,2FO,2TH,CH,FO,TH
11	64711-MKF-A20	STAY, R. RR. UNDER COVER	-	-	1	1	1	1	1	-	-	-	2CH,2FO,2TH,CH,FO,TH
12	64713-MFL-700	STAY C, R. RR. UNDER COVER	-	-	1	1	1	1	1	-	-	-	2CH,2FO,2TH,CH,FO,TH
13	90006-MFN-D00	BOLT, FLANGE, 6X28	14	14	14	14	14	14	14	14	14	14	
14	90084-MKF-D40	CAP, 14MM	1	1	1	1	1	1	1	1	1	1	
15	90087-MKF-D40	CAP, 30MM	1	1	1	1	1	1	1	1	1	1	
16	90111-KW3-003	NUT, COWL SETTING, 5MM	-	-	1	1	1	1	1	-	-	-	2CH,2FO,2TH,CH,FO,TH
17	90117-MKF-D40	BOLT, SPECIAL, 5X14	-	-	1	1	1	1	1	-	-	-	2CH,2FO,2TH,CH,FO,TH
18	90118-MJK-N20	SCREW, SPECIAL, 6X14	-	-	1	1	1	1	1	-	-	-	2CH,2FO,2TH,CH,FO,TH
19	90701-MV9-670	DOWEL PIN, 10X16	4	4	4	4	4	4	4	4	4	4	
20	91204-KK0-003	OIL SEAL, 12X18X5(ARAI)	1	1	1	1	1	1	1	1	1	1	
21	91303-377-000	O-RING, 13.8X2.5	1	1	1	1	1	1	1	1	1	1	
22	91303-MJ0-003	O-RING, 6.3X2.3(ARAI)	1	1	1	1	1	1	1	1	1	1	
23	91307-KF0-003	O-RING, 18X3(ARAI)	1	1	1	1	1	1	1	1	1	1	
24	91356-425-005	O-RING, 29.7X2.4(NOK)	1	1	1	1	1	1	1	1	1	1	
25	90463-ML7-000	WASHER, SEALING, 6.5MM	1	1	1	1	1	1	1	1	1	1	

E-8

CLUTCH



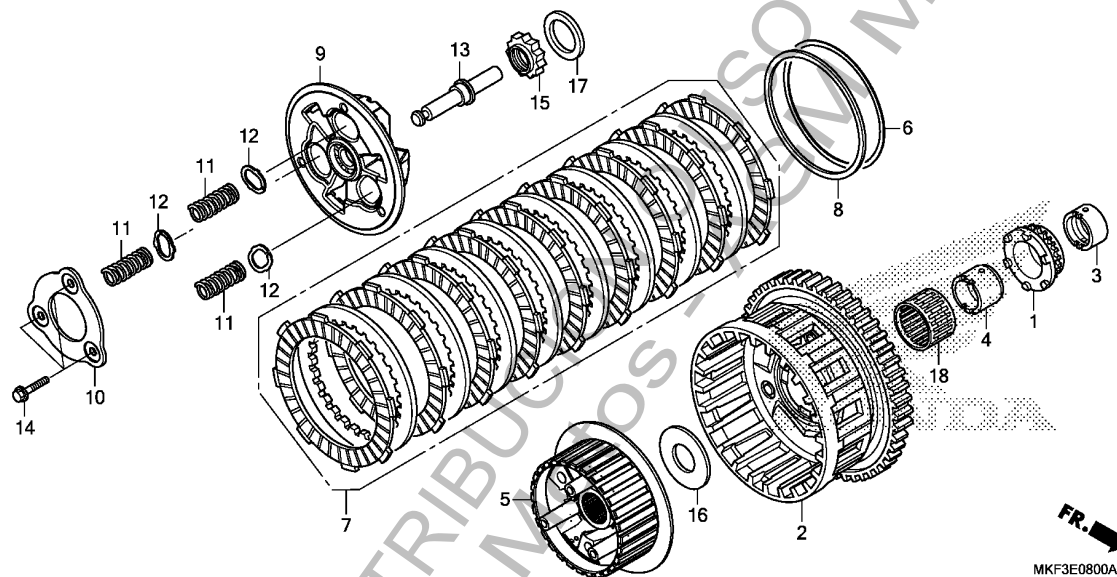
Ref. No.	L.O.N.	(Relative ref. Number) Description	F.R.T.
1	1131A2	SPROCKET, OIL PUMP DRIVE (18)	1.2
2	2121A0	OUTER, CLUTCH	1.1
5	212112	CENTER, CLUTCH	1.1
7		(6,8)	
	2121A1	DISC, CLUTCH FRICTION	0.9
9	2121A3	PLATE, CLUTCH PRESSURE	0.8
11	212107	SPRING, CLUTCH	0.8
		.NOTE: Same time for two units or more	
13	2121B6	ROD, CLUTCH LIFTER	0.8

Ref. No.	Part No.	Description	Reqd. QTY								Serial No.	Parts catalogue code	
			RR H	RR J	RA H	RA J	S1 H	S1 J	S2 H	S2 J			
1	15131-MEL-003	SPROCKET, OIL PUMP DRIVE(26T)	1	1	1	1	1	1	1	1	1		
2	22100-MFL-880	OUTER COMP. A, CLUTCH(BLUE) -	1	1	1	1	1	1	1	1	1		
	22110-MFL-880	OUTER COMP. B, CLUTCH(YELLOW)	1	1	1	1	1	1	1	1	1		
	22115-MFL-880	OUTER COMP. C, CLUTCH(GREEN)	1	1	1	1	1	1	1	1	1		
3	22116-MEL-000	COLLAR, OIL PUMP SPROCKET ...	1	1	1	1	1	1	1	1	1		
4	22117-MFL-880	GUIDE A, CLUTCH OUTER (2MM HOLE X2)	1	1	1	1	1	1	1	1	1		
	22118-MFL-880	GUIDE B, CLUTCH OUTER (2MM HOLE X3)	1	1	1	1	1	1	1	1	1		
	22119-MFL-880	GUIDE C, CLUTCH OUTER (2MM HOLE X4)	1	1	1	1	1	1	1	1	1		
5	22121-MKF-D41	CENTER, CLUTCH	1	1	1	1	1	1	1	1	1		
6	22125-HP6-A00	SEAT, JUDDER SPRING	1	1	1	1	1	1	1	1	1		
7	22210-MKF-D40	DISK SET, CLUTCH	1	1	1	1	1	1	1	1	1		
8	22325-MJP-G51	SPRING, JUDDER	1	1	1	1	1	1	1	1	1		
9	22350-MKF-D41	PLATE COMP., CLUTCH PRESSURE	1	1	1	1	1	1	1	1	1		
10	22361-MJP-G51	PLATE, SETTING	1	1	1	1	1	1	1	1	1		
11	22401-MKF-D41	SPRING, CLUTCH	3	3	3	3	3	3	3	3	3		
12	22425-MKF-D41	SEAT, CLUTCH SPRING	3	3	3	3	3	3	3	3	3		
13	22847-MGP-D60	PIN, CLUTCH LIFTER	1	1	1	1	1	1	1	1	1		
14	90050-MKF-D41	BOLT, FLANGE, 6X45	3	3	3	3	3	3	3	3	3		
15	90231-MS2-610	NUT, LOCK, 25MM	1	1	1	1	1	1	1	1	1		
16	90401-MS2-610	WASHER, THRUST, 28.2X56X2 ...	1	1	1	1	1	1	1	1	1		
17	90407-MFL-000	WASHER, 25.1X37X3.2	1	1	1	1	1	1	1	1	1		
18	91101-MFL-881	BEARING A, NEEDLE, 35X41X27.8 (RED)	1	1	1	1	1	1	1	1	1		



E-8

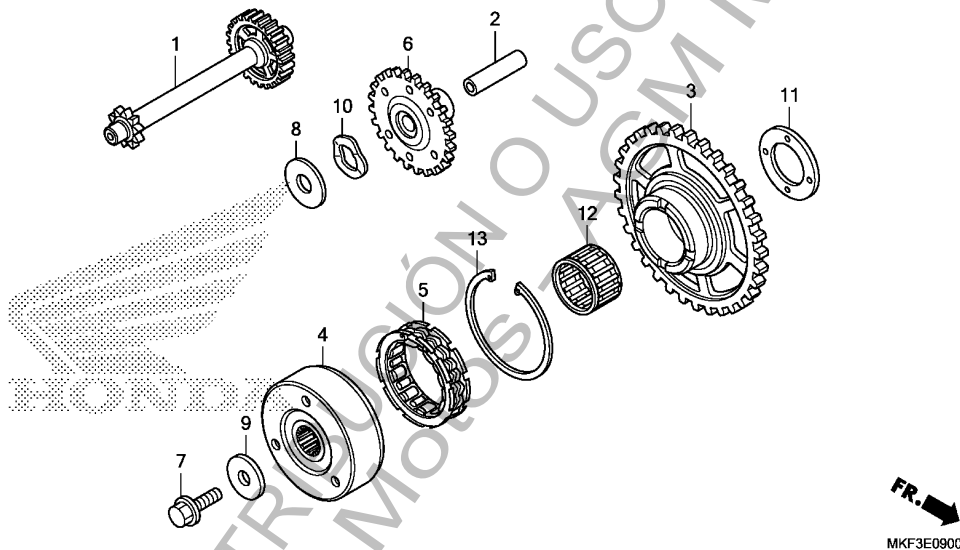
CLUTCH



Ref. No.	Part No.	Description	Reqd. QTY								Serial No.	Parts catalogue code
			RR H	RR J	RA H	RA J	S1 H	S1 J	S2 H	S2 J		
18)	91102-MFL-881	BEARING B, NEEDLE, 35X41X27.8 (WHITE)	1	1	1	1	1	1	1	1		
	91103-MFL-881	BEARING C, NEEDLE, 35X41X27.8 (GREEN)	1	1	1	1	1	1	1	1		

E-9

STARTING CLUTCH



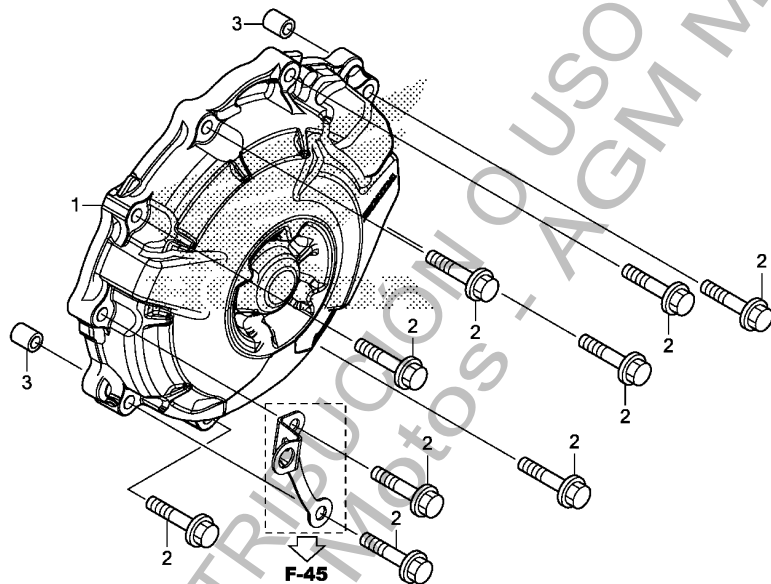
Ref. No.	L.O.N.	(Relative ref. Number) Description	F.R.T.
1	612125	GEAR, STARTER REDUCTION	1.1
3		(12)	
	612120	GEAR, STARTER DRIVEN	0.9
4	612131	OUTER, STARTING CLUTCH	1.0
5	6121A2	CLUTCH, STARTING ONE WAY	1.0
6	612135	GEAR, STARTER IDLE	0.8

Ref. No.	Part No.	Description	Reqd. QTY								Serial No.	Parts catalogue code
			RR H	RR J	RA H	RA J	S1 H	S1 J	S2 H	S2 J		
1	28100-MKF-D40	GEAR COMP. A, STARTER REDUCTION(38T/8T)	1	1	1	1	1	1	1	1		
2	28102-ME9-000	PIN, 10X44	1	1	1	1	1	1	1	1		
3	28110-MFL-000	GEAR COMP., STARTING DRIVEN (37T)	1	1	1	1	1	1	1	1		
4	28115-MKF-D40	OUTER, STARTING CLUTCH	1	1	1	1	1	1	1	1		
5	28126-MEL-000	CLUTCH, ONE WAY	1	1	1	1	1	1	1	1		
6	28140-MKF-D40	GEAR COMP. B, STARTER REDUCTION(24T/15T)	1	1	1	1	1	1	1	1		
7	90013-MKF-D40	BOLT, FLANGE, 10X25	1	1	1	1	1	1	1	1		
8	90401-MEE-000	WASHER, 10X28X1	1	1	1	1	1	1	1	1		
9	90405-MKF-D40	WASHER, 10.5X31.8	1	1	1	1	1	1	1	1		
10	90435-MEE-000	WASHER, WAVE	1	1	1	1	1	1	1	1		
11	90456-MKF-D40	WASHER, THRUST, 22.1X42X3	1	1	1	1	1	1	1	1		
12	91101-MJE-D02	BEARING, NEEDLE, 30X35X20	1	1	1	1	1	1	1	1		
13	94520-63150	CIRCLIP, INTERNAL, 63MM	1	1	1	1	1	1	1	1		



E-10

A.C. GENERATOR COVER



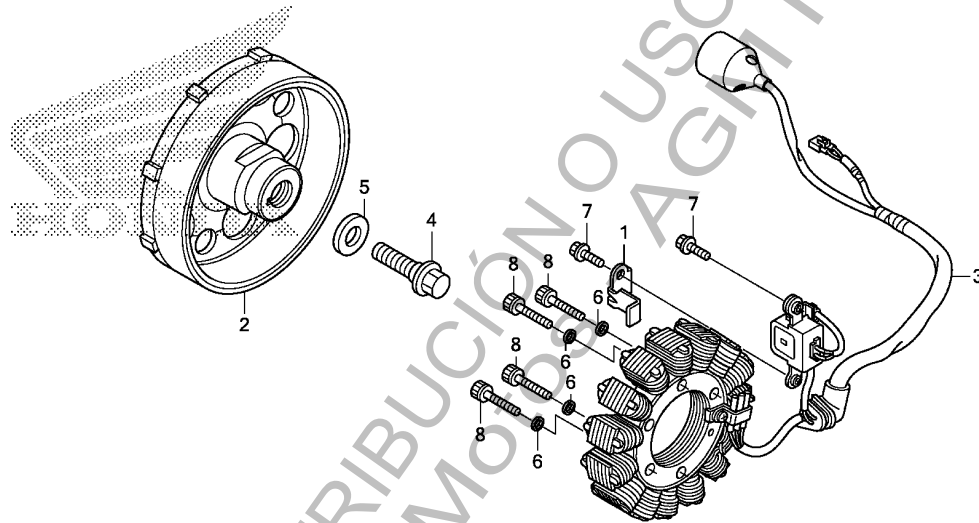
Ref. No.	L.O.N. (Relative ref. Number)	Description	F.R.T.
1	1101B1	COVER, ALTERNATOR	1.4
	1101B1A	.ABS add	0.5

Ref. No.	Part No.	Description	Reqd. QTY								Serial No.	Parts catalogue code	
			RR H	RR J	RA H	RA J	S1 H	S1 J	S2 H	S2 J			
1	11321-MKF-D40	COVER, A.C. GENERATOR	1	1	1	1	1	1	1	1	1	-----	2BR,2ED,2GS,2IN,2K0,2RU,2U,BR,ED,GS,K0,RU,U
	11321-MKF-A00	-	-	1	1	1	1	-	-	-	-----	2CH,2FO,2TH,CH,FO,TH
2	90006-MFN-D00	BOLT, FLANGE, 6X28	9	9	9	9	9	9	9	9	9		
3	94301-08140	DOWEL PIN, 8X14	2	2	2	2	2	2	2	2	2		

2

E-11

GENERATOR

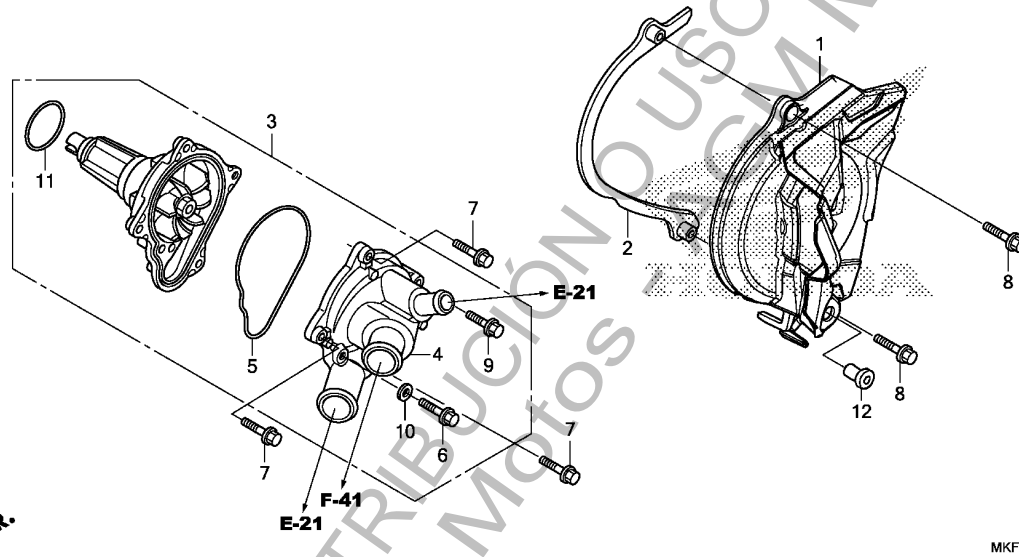


Ref. No.	L.O.N.	(Relative ref. Number) Description	F.R.T.
2	613105	ROTOR OR FLYWHEEL	1.5
	613105L	.ABS add	0.5
3	6131A3	STATOR	1.6
	6131A3L	.ABS add	0.5

Ref. No.	Part No.	Description	Reqd. QTY								Serial No.	Parts catalogue code
			CBR1000									
			RR	RR	RA	RA	S1	S1	S2	S2		
			H	J	H	J	H	J	H	J		
1	11322-MFL-010	CLAMP, A.C. GENERATOR CORD ..	1	1	1	1	1	1	1	1		
2	31110-MKF-D41	FLYWHEEL COMP.	1	1	1	1	1	1	1	1		
3	31120-MKF-D41	STATOR COMP.	1	1	1	1	1	1	1	1		
4	90023-MV9-670	BOLT, FLANGE, 10MM	1	1	1	1	1	1	1	1		
5	90405-MCA-780	WASHER, 10.5X27	1	1	1	1	1	1	1	1		
6	90467-MKF-D40	WASHER, 6MM	4	4	4	4	4	4	4	4		
7	95701-06016-00	BOLT, FLANGE, 6X16	2	2	2	2	2	2	2	2		
8	96600-06025-10	BOLT, SOCKET, 6X25	4	4	4	4	4	4	4	4		

E-12

WATER PUMP



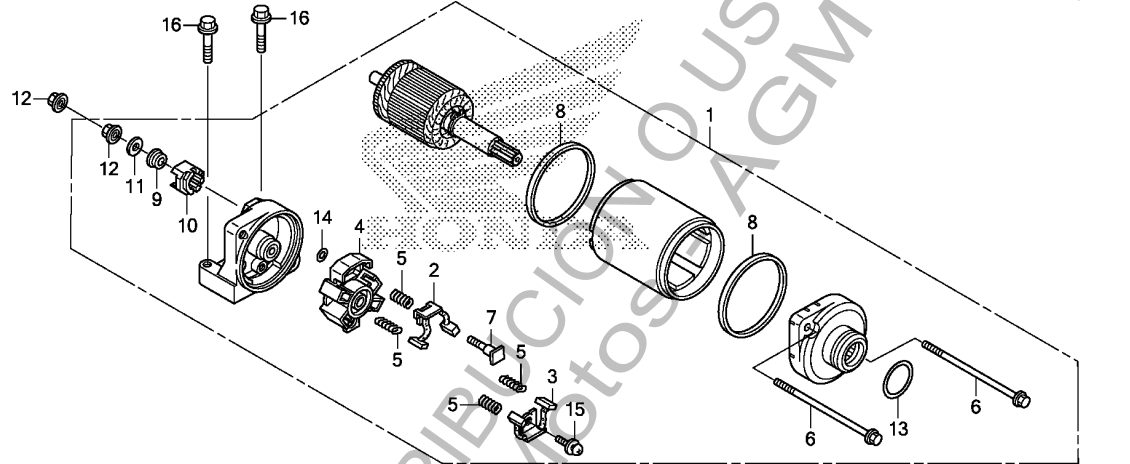
Ref. No.	L.O.N.	(Relative ref. Number) Description	F.R.T.
1	1101B0	COVER, CRANKCASE :LEFT REAR ..	0.2
3	114103	PUMP ASSY., WATER	0.8
4	1141B0	COVER, WATER PUMP	0.8
5	1141B1	GASKET, WATER PUMP COVER	0.8
11	1141E1	O-RING, WATER PUMP	0.8

MKF3E1200A

Ref. No.	Part No.	Description	Reqd. QTY								Serial No.	Parts catalogue code	
			RR H	RR J	RA H	RA J	S1 H	S1 J	S2 H	S2 J			
1	11350-MKF-D40	COVER, L. RR.	1	1	1	1	1	1	1	1	1		
2	11355-MFL-000	PLATE COMP., DRIVE CHAIN GUIDE	1	1	1	1	1	1	1	1	1		
3	19200-MFL-305	PUMP ASSY., WATER	1	1	1	1	1	1	1	1	1		
4	19220-MFL-000	COVER COMP., WATER PUMP	1	1	1	1	1	1	1	1	1		
5	19226-MFL-000	GASKET, WATER PUMP COVER	1	1	1	1	1	1	1	1	1		
6	90003-HN2-000	BOLT, FLANGE, 6X30(CT200) ...	1	1	1	1	1	1	1	1	1		
7	90006-GHB-690	BOLT, FLANGE, 6X32(NSHF)	3	3	3	3	3	3	3	3	3		
8	90022-MKF-D40	BOLT, FLANGE, 6X25	2	2	2	2	2	2	2	2	2		
9	90121-MV9-670	BOLT, FLANGE, 6X25	1	1	1	1	1	1	1	1	1		
10	90463-ML7-000	WASHER, SEALING, 6.5MM	1	1	1	1	1	1	1	1	1		
11	91302-MB0-013	O-RING, 32.95X2.62(ARAI)	1	1	1	1	1	1	1	1	1		
12	90111-KW3-003	NUT, COWL SETTING, 5MM	1	1	1	1	1	1	1	1	1		

E-13

STARTER MOTOR



MKF3E1300A

Ref. No.	L.O.N.	(Relative ref. Number) Description	F.R.T.
1		(13)	
612105		MOTOR, STARTING	0.5
2		(3,5,8)	
6121A4		TERMINAL, BRUSH(STARTER)	0.6

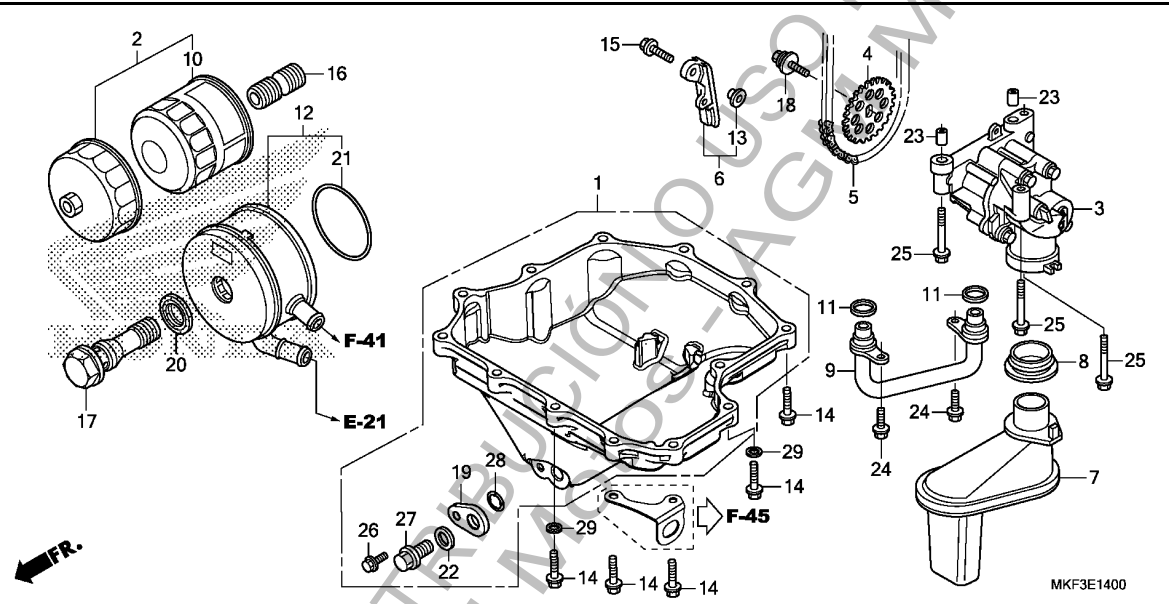
.NOTE: Same time for two units

Ref. No.	Part No.	Description	Reqd. QTY								Serial No.	Parts catalogue code	
			RR H	RR J	RA H	RA J	S1 H	S1 J	S2 H	S2 J			
1	31200-MFL-003	MOTOR ASSY., STARTER	1	1	1	1	1	1	1	1	1		
2	31201-MEW-921	BRUSH SET A, CARBON	1	1	1	1	1	1	1	1	1		
3	31202-MEW-921	BRUSH SET B, CARBON	1	1	1	1	1	1	1	1	1		
4	31203-MEW-921	HOLDER, BRUSH	1	1	1	1	1	1	1	1	1		
5	31204-MEW-921	SPRING, CARBON BRUSH	4	4	4	4	4	4	4	4	4		
6	31205-MFJ-D01	BOLT, SETTING	2	2	2	2	2	2	2	2	2		
7	31206-MEW-921	BOLT, TERMINAL	1	1	1	1	1	1	1	1	1		
8	31207-HP5-601	RING	2	2	2	2	2	2	2	2	2		
9	31208-MEW-921	INSULATOR	1	1	1	1	1	1	1	1	1		
10	31209-MEW-921	STOPPER, TERMINAL	1	1	1	1	1	1	1	1	1		
11	31210-MEW-921	WASHER	1	1	1	1	1	1	1	1	1		
12	90071-MB0-000	NUT-WASHER, 6MM	2	2	2	2	2	2	2	2	2		
13	91309-425-003	O-RING, 24.4X3.1(ARAI)	1	1	1	1	1	1	1	1	1		
14	91320-MB0-000	O-RING, 4X2	1	1	1	1	1	1	1	1	1		
15	93892-05012-08	SCREW-WASHER, 5X12	1	1	1	1	1	1	1	1	1		
16	95801-06028-00	BOLT, FLANGE, 6X28	2	2	2	2	2	2	2	2	2		



E-14

OIL PAN/OIL PUMP



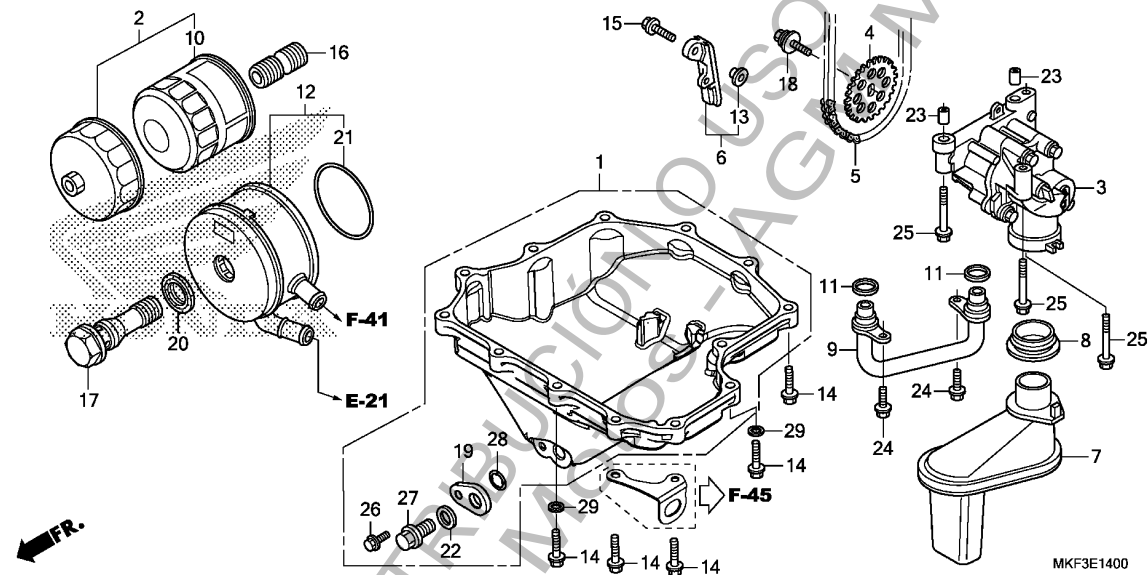
Ref. No.	L.O.N.	(Relative ref. Number) Description	F.R.T.
1	113145	OIL PAN AND/OR GASKET	2.2
3	113105	PUMP ASSY., OIL	2.5
4	113111	SPROCKET, OIL PUMP DRIVEN	2.4
5	113122	CHAIN, OIL PUMP DRIVE	1.2
6	1131A3	GUIDE, OIL PUMP CHAIN	1.2
7		(8)	
	1131B6	STRAINER, OIL	2.1
9		(11)	
	1131A4	PIPE, OIL PATH	2.3
10		(2)	
	113180	CARTRIDGE, OIL FILTER	0.3
12		(21)	
	1131B4	COOLER, OIL	1.9

Ref. No.	Part No.	Description	Reqd. QTY								Serial No.	Parts catalogue code	
			RR H	RR J	RA H	RA J	S1 H	S1 J	S2 H	S2 J			
1	11210-MKF-D40	PAN COMP., OIL	1	1	1	1	1	1	1	1	1		
2	15010-MCE-H51	FILTER SET, OIL	(1)	(1)	(1)	(1)	(1)	(1)	(1)	(1)	(1)		
3	15100-MKF-D40	PUMP ASSY., OIL	1	1	1	1	1	1	1	1	1		
4	15134-MEL-000	SPROCKET, OIL PUMP DRIVEN(25T)	1	1	1	1	1	1	1	1	1		
5	15141-MFL-003	CHAIN, OIL PUMP(72L)	1	1	1	1	1	1	1	1	1		
6	15146-MFL-000	GUIDE COMP., OIL PUMP CHAIN ..	1	1	1	1	1	1	1	1	1		
7	15150-MFL-000	STRAINER COMP., OIL	1	1	1	1	1	1	1	1	1		
8	15154-MAT-000	PACKING, OIL STRAINER	1	1	1	1	1	1	1	1	1		
9	15310-MFL-000	PIPE COMP., OIL	1	1	1	1	1	1	1	1	1		
10	15410-MFJ-D01	CARTRIDGE, OIL FILTER (TOYO ROKI)	1	1	1	1	1	1	1	1	1		
11	15433-MFJ-D01	RING, SEAL	2	2	2	2	2	2	2	2	2		
12	15700-MGP-003	COOLER COMP., OIL	1	1	1	1	1	1	1	1	1		
13	61107-MCR-D00	COLLAR, FR. FENDER	1	1	1	1	1	1	1	1	1		
14	90006-MKF-D40	BOLT, FLANGE, 6X28	13	13	13	13	13	13	13	13	13		
15	90011-MFL-000	BOLT, FLANGE, 6X20	1	1	1	1	1	1	1	1	1		
16	90019-MB0-000	BOSS, OIL FILTER	1	1	1	1	1	1	1	1	1		
17	90019-MGP-D60	BOLT, OIL COOLER	1	1	1	1	1	1	1	1	1		
18	90021-MM5-000	BOLT-WASHER, 6X12	1	1	1	1	1	1	1	1	1		
19	14212-MEL-300	BASE, OIL PAN DRAIN	1	1	1	1	1	1	1	1	1		
20	90402-MFJ-D01	WASHER, SEALING, 34.5MM	1	1	1	1	1	1	1	1	1		
21	91354-MCT-003	O-RING, OIL COOLER	1	1	1	1	1	1	1	1	1		
22	94109-12000	WASHER, DRAIN PLUG, 12MM	1	1	1	1	1	1	1	1	1		
23	94301-08140	DOWEL PIN, 8X14	2	2	2	2	2	2	2	2	2		
24	95701-06016-00	BOLT, FLANGE, 6X16	2	2	2	2	2	2	2	2	2		

2

E-14

OIL PAN/OIL PUMP



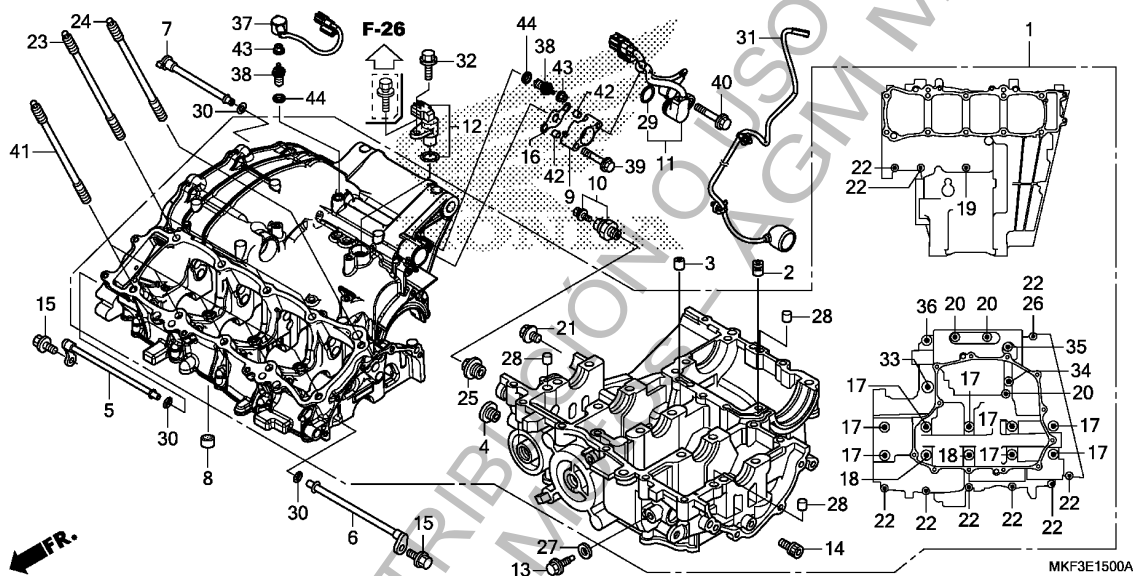
Ref. No.	Part No.	Description	Reqd. QTY								Serial No.	Parts catalogue code
			RR H	RR J	RA H	RA J	S1 H	S1 J	S2 H	S2 J		
25	95701-06045-00	BOLT, FLANGE, 6X45	3	3	3	3	3	3	3	3		
26	90006-GHB-630	BOLT, FLANGE, 6X16(NSHF)	1	1	1	1	1	1	1	1		
27	90012-MEL-000	BOLT, DRAIN PLUG, 12MM	1	1	1	1	1	1	1	1		
28	91306-MEL-003	O-RING, 21.9X1.8	1	1	1	1	1	1	1	1		
29	90401-MKF-D40	WASHER, 6MM	2	2	2	2	2	2	2	2		



PROHIBIDO
19-07-2019

E-15

CRANKCASE

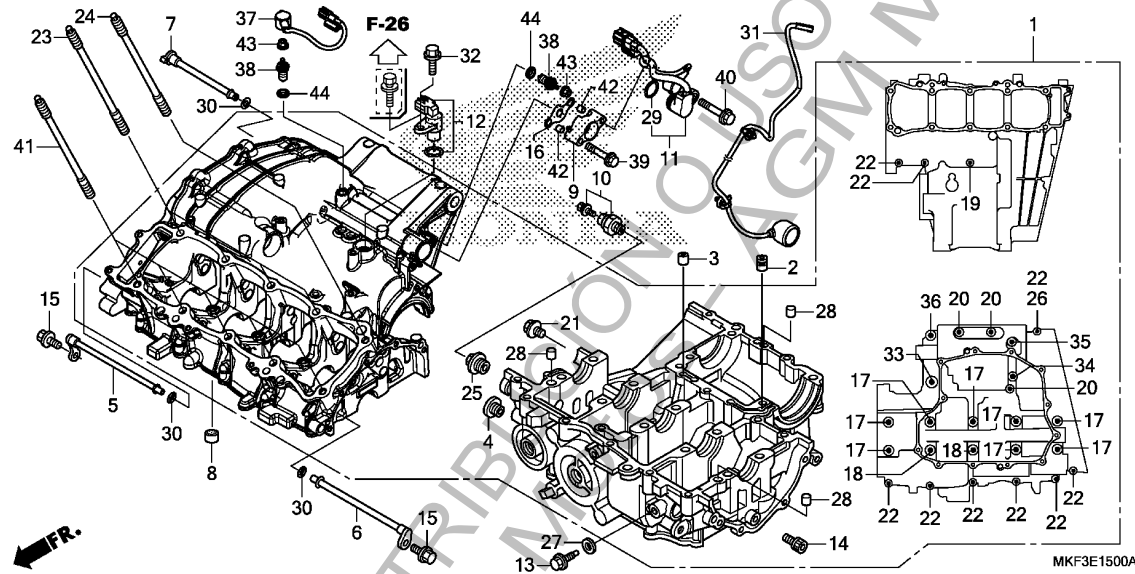


Ref. No.	L.O.N.	(Relative ref. Number) Description	F.R.T.
1	110105	CRANKCASE SETINCLUDES: Engine removal and installation	11.8
5	110105B	.ABS add (6,7,30)	0.5
	1101M4	JET, CRANKCASE OILINCLUDES: Engine removal and installation .NOTE: Same time for two units or more	8.1
	1101M4A	.ABS add	0.5
10	615160	SWITCH, OIL PRESSURE (29)	0.3
11	617117	SENSOR, ANGLE	0.7
12	617198	SENSOR, SPEEDOMETER	0.6
31	611142	SUB HARNESS, ENGINE	0.7
37	6111W8	SUB HARNESS, SHIFT SPINDLE SWITCH	0.6
38	6151B8	SWITCH, NEUTRAL	0.2
	6151L7	SWITCH, SHIFT SPINDLE	0.5

Ref. No.	Part No.	Description	Reqd. QTY								Serial No.	Parts catalogue code	
			RR H	RR J	RA H	RA J	S1 H	S1 J	S2 H	S2 J			
1	11000-MKF-D40	CRANKCASE SET	1	1	1	1	1	1	1	1	1		
2	11206-MFL-000	ORIFICE	1	1	1	1	1	1	1	1	1		
3	11207-MFL-000	ORIFICE, 1.1MM	1	1	1	1	1	1	1	1	1		
4	12208-PR3-000	BOLT, SEALING, 20MM	1	1	1	1	1	1	1	1	1		
5	15330-MFL-000	PIPE COMP., R. OIL JET	1	1	1	1	1	1	1	1	1		
6	15340-MFL-000	PIPE COMP., L. OIL JET	1	1	1	1	1	1	1	1	1		
7	15350-MFL-000	PIPE COMP., TRANSMISSION OIL JET	1	1	1	1	1	1	1	1	1		
8	15351-MFJ-D00	ORIFICE, 1MM	1	1	1	1	1	1	1	1	1		
9	11521-MKF-D40	HOLDER, ANGLE SENSOR	1	1	1	1	1	1	1	1	1		
10	35500-MJ4-024	SWITCH ASSY., OIL PRESSURE (DENSO)	1	1	1	1	1	1	1	1	1		
11	38800-MKF-D41	SENSOR ASSY., ANGLE	1	1	1	1	1	1	1	1	1		
12	37700-MFL-761	SENSOR ASSY., SPEED	1	1	1	1	1	1	1	1	1	-----	----- 2BR,2ED,2GS,2IN,2KO,2RU,2TH,2U,BR,ED,GS,KO,RU TH,U 2CH,2FO,CH,FO
	37700-MFL-681	-	-	1	1	1	1	-	-	-	-----	-----
13	90004-MM5-000	BOLT, SPECIAL, 6X18	1	1	1	1	1	1	1	1	1		
14	90010-MEL-000	BOLT, SOCKET, 8X12	1	1	1	1	1	1	1	1	1		
15	90011-MFJ-D00	BOLT, KNOCK, 6MM	2	2	2	2	2	2	2	2	2		
16	11522-MKF-D40	GASKET, ANGLE SENSOR HOLDER	1	1	1	1	1	1	1	1	1		
17	90015-MFL-003	BOLT, FLANGE, 9X105	8	8	8	8	8	8	8	8	8		
18	90016-MFL-003	BOLT, FLANGE, 9X126	2	2	2	2	2	2	2	2	2		
19	90017-MEL-000	BOLT, FLANGE, 7X60	1	1	1	1	1	1	1	1	1		
20	90017-MFL-000	BOLT, FLANGE, 7X50	3	3	3	3	3	3	3	3	3		
21	90019-MAT-000	BOLT, SEALING, 8MM	1	1	1	1	1	1	1	1	1		

E-15

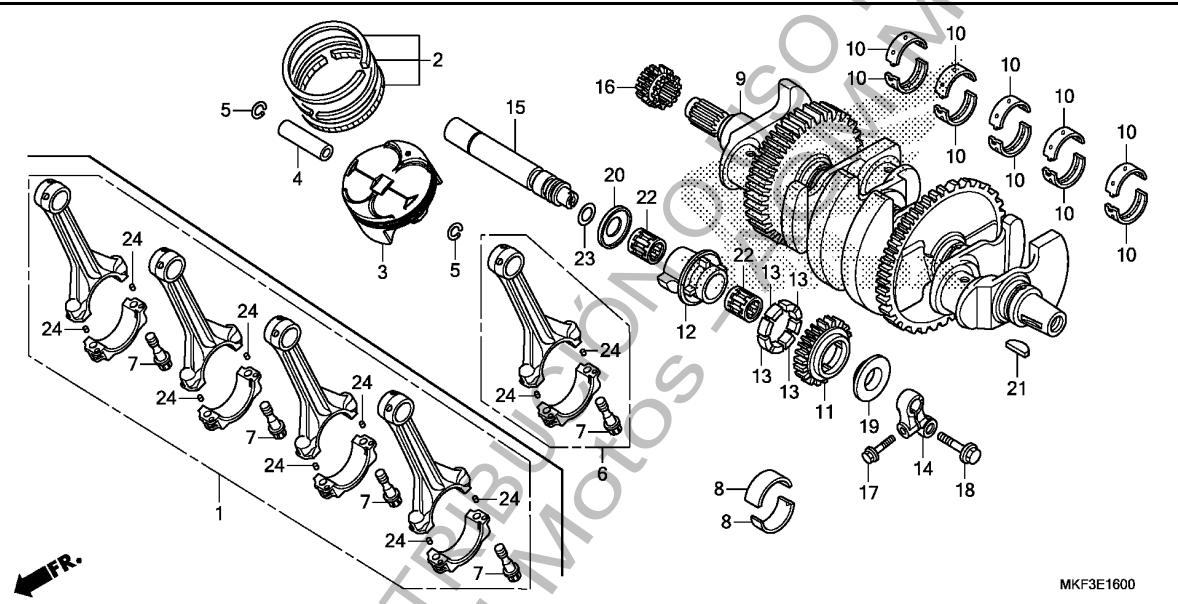
CRANKCASE



Ref. No.	Part No.	Description	Reqd. QTY								Serial No.	Parts catalogue code	
			RR H	RR J	RA H	RA J	S1 H	S1 J	S2 H	S2 J			
22	90019-MFA-D00	BOLT, FLANGE, 7X40	9	9	9	9	9	9	9	9	9		
23	90032-MFL-000	BOLT, STUD, 9X145.5	4	4	4	4	4	4	4	4	4		
24	90033-MFL-000	BOLT, STUD, 9X134	1	1	1	1	1	1	1	1	1		
25	90048-MFL-000	BOLT, SEALING, 22MM	1	1	1	1	1	1	1	1	1		
26	90447-KE1-000	WASHER, SEALING, 7MM	1	1	1	1	1	1	1	1	1		
27	90463-ML7-000	WASHER, SEALING, 6.5MM	1	1	1	1	1	1	1	1	1		
28	90701-MV9-670	DOWEL PIN, 10X16	3	3	3	3	3	3	3	3	3		
29	91310-MGE-D01	O-RING, 16.5X2.5	1	1	1	1	1	1	1	1	1		
30	91307-422-000	O-RING, 4.8X1.9	3	3	3	3	3	3	3	3	3		
31	32101-MKF-D40	SUB HARNESS, ENGINE	1	1	1	1	1	1	1	1	1		
32	95701-06018-00	BOLT, FLANGE, 6X18	1	1	1	1	1	1	1	1	-	-----	2GS,2IN,2RU,2U,GS,RU,U
33	95701-08050-00	BOLT, FLANGE, 8X50	1	1	1	1	1	1	1	1	1		
34	95701-08055-07	BOLT, FLANGE, 8X55	1	1	1	1	1	1	1	1	1		
35	95701-08080-00	BOLT, FLANGE, 8X80	1	1	1	1	1	1	1	1	1		
36	95701-10060-00	BOLT, FLANGE, 10X60	1	1	1	1	1	1	1	1	1		
37	32106-MKF-D60	SUB HARNESS, SPINDLE	1	1	1	1	1	1	1	1	1		
38	35600-MKF-D41	SWITCH ASSY., NEUTRAL	2	2	2	2	2	2	2	2	2		
39	90006-GHB-700	BOLT, FLANGE, 6X35(NSHF)	1	1	1	1	1	1	1	1	1		
40	90012-MKF-D40	BOLT, KNOCK, 6MM	1	1	1	1	1	1	1	1	1		
41	90033-MFL-000	BOLT, STUD, 9X134	5	5	5	5	5	5	-	-	-		
	90034-MKF-D71	BOLT, STUD, 9X124	-	-	-	-	-	-	5	5	-		
42	91320-KE1-000	DOWEL PIN, 8X7	2	2	2	2	2	2	2	2	2		
43	94050-04000	NUT, FLANGE, 4MM	2	2	2	2	2	2	2	2	2		
44	90443-MJ6-000	WASHER, NEUTRAL	2	2	2	2	2	2	2	2	2		

E-16

CRANKSHAFT/PISTON



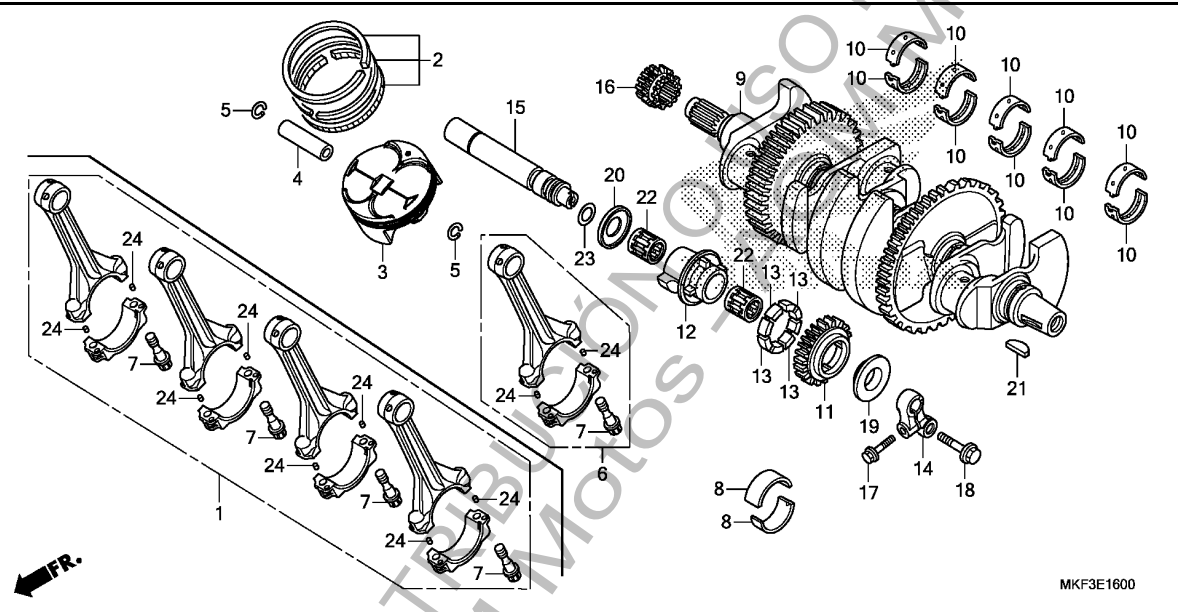
Ref. No.	L.O.N.	(Relative ref. Number) Description	F.R.T.
3		(1,2,4,5,6,8)	
1111T9		PISTON AND/OR RING SET AND/OR BEARING AND/OR RODINCLUDES: Engine removal and installation .INCLUDES: Inspection/Measurement/Cleaning	8.7
1111T9B		.With 1 cylinder add	0.6
1111T9C		.With 2 cylinder add	1.0
1111T9J		.ABS add	0.5
1111X9		PISTON AND/OR RING SET AND/OR BEARING AND/OR ROD :FOR 1 VEHICLEINCLUDES: Engine removal and installation .INCLUDES: Inspection/Measurement/Cleaning .INCLUDES: Crankshaft removal and installation	10.1
1111X9B		.ABS add	0.5
9 1101B5		CRANKSHAFTINCLUDES: Engine removal and installation	10.3
+			

Ref. No.	Part No.	Description	Reqd. QTY								Serial No.	Parts catalogue code
			RR H	RR J	RA H	RA J	S1 H	S1 J	S2 H	S2 J		
1	06132-MKF-305	ROD SET, CONNECTING	-	-	-	-	1	1	1	1		
2	13031-MKF-D40	RING SET, PISTON	4	4	4	4	4	4	4	4		
3	13101-MKF-D40	PISTON	4	4	4	4	-	-	-	-	-----	2BR,2CH,2ED,2FO,2GS,2KO,2RU,2TH,2U,BR,CH,ED,FO,GS,KO,RU,TH,U
	13101-MKF-P00	-	-	4	4	-	-	-	-	-----	2IN
	13101-MKF-D60	-	-	-	-	4	4	-	-	-----	2BR,2CH,2ED,2FO,2GS,2KO,2RU,2TH,2U
	13101-MKF-P10	-	-	-	-	4	4	-	-	-----	2IN
	13101-MKF-D70	-	-	-	-	-	-	4	4		
4	13111-MFL-010	PIN, PISTON	4	4	4	4	4	4	-	-		
	13111-MKF-D70	-	-	-	-	-	-	4	4		
5	13112-MEL-000	CLIP, PISTON PIN, 17MM	8	8	8	8	8	8	8	8		
6	13210-MKF-D40	ROD ASSY., CONNECTING	4	4	4	4	-	-	-	-		
7	13213-MFL-003	BOLT, CONNECTING ROD	8	8	8	8	8	8	8	8		
8	13214-MKF-D41	BEARING A, CONNECTING ROD (BLUE)	8	8	8	8	8	8	8	8		
	13215-MKF-D41	BEARING B, CONNECTING ROD (BLACK)	8	8	8	8	8	8	8	8		
	13216-MKF-D41	BEARING C, CONNECTING ROD (BROWN)	8	8	8	8	8	8	8	8		
	13217-MKF-D41	BEARING D, CONNECTING ROD (GREEN)	8	8	8	8	8	8	8	8		
	13218-MKF-D41	BEARING E, CONNECTING ROD (YELLOW)	8	8	8	8	8	8	8	8		
9	13310-MKF-D40	CRANKSHAFT	1	1	1	1	1	1	1	1		
10	13314-MFL-003	BEARING B, CRANKSHAFT (BROWN)	10	10	10	10	10	10	10	10		
	13315-MFL-003	BEARING C, CRANKSHAFT (GREEN)	10	10	10	10	10	10	10	10		
	13316-MFL-003	BEARING D, CRANKSHAFT (YELLOW)	10	10	10	10	10	10	10	10		
	13317-MFL-003	BEARING E, CRANKSHAFT (PINK)	10	10	10	10	10	10	10	10		

2

E-16

CRANKSHAFT/PISTON



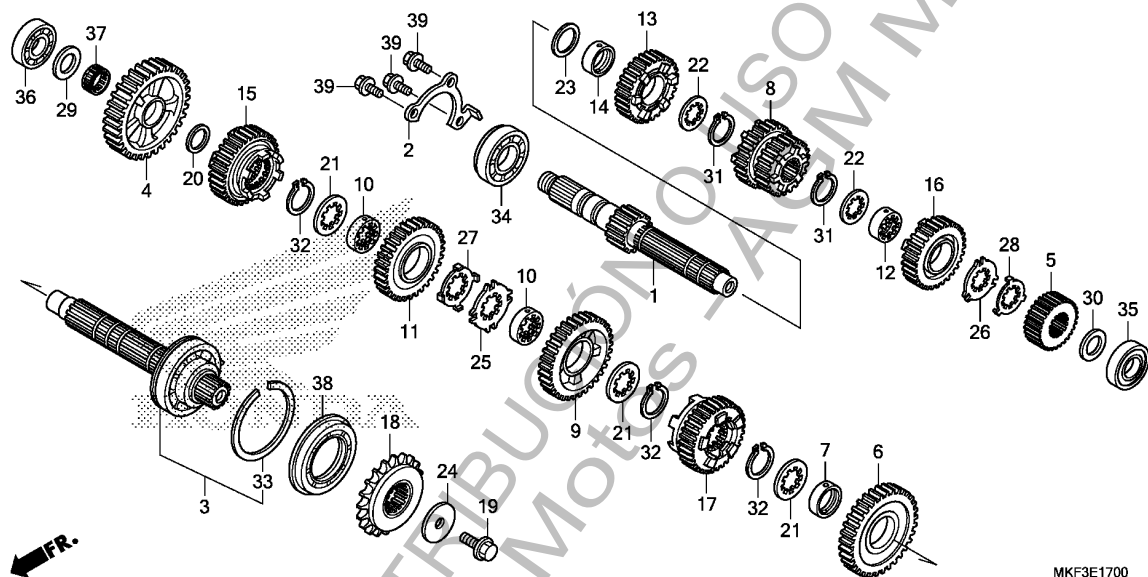
Ref. No.	L.O.N.	(Relative ref. Number) Description	F.R.T.
+ 9	1101B5H	.ABS add	0.5
10	110125	BEARING, CRANKSHAFT	9.5
		.INCLUDES: Engine removal and installation .NOTE: Same time for two units or more	
	110125B	.ABS add	0.5
		(12,13,22)	
11	1101C4	GEAR, BALANCER	8.3
		.INCLUDES: Engine removal and installation	
	1101C4B	.ABS add	0.5
15	110185	SHAFT, BALANCER	8.3
		.INCLUDES: Engine removal and installation	
	110185J	.ABS add	0.5
16	1101C8	SPROCKET, TIMING	3.8

Ref. No.	Part No.	Description	Reqd. QTY								Serial No.	Parts catalogue code
			RR H	RR J	RA H	RA J	S1 H	S1 J	S2 H	S2 J		
10)	13318-MFL-003	BEARING F, CRANKSHAFT(RED) ..	10	10	10	10	10	10	10	10		
11	13421-MFL-000	GEAR, BALANCER(26T)	1	1	1	1	1	1	1	1		
12	13430-MFL-000	WEIGHT, BALANCER	1	1	1	1	1	1	1	1		
13	13435-MFL-000	RUBBER, DAMPER	4	4	4	4	4	4	4	4		
14	13436-MM5-000	HOLDER, BALANCER SHAFT	1	1	1	1	1	1	1	1		
15	13440-MKF-D40	SHAFT COMP., BALANCER	1	1	1	1	1	1	1	1		
16	14312-MFL-000	SPROCKET, TIMING(17T)	1	1	1	1	1	1	1	1		
17	90002-MCZ-000	BOLT, FLANGE, 6X18	1	1	1	1	1	1	1	1		
18	90022-MFA-D00	BOLT, FLANGE, 8X25	1	1	1	1	1	1	1	1		
19	90457-MAT-000	WASHER A, BALANCER SIDE	1	1	1	1	1	1	1	1		
20	90458-MAT-000	WASHER B, BALANCER SIDE	1	1	1	1	1	1	1	1		
21	90701-HB6-010	KEY, WOODRUFF, 25X14X4	1	1	1	1	1	1	1	1		
22	91015-MEL-003	BEARING B, NEEDLE, 18X27X23.8 (BLUE)	2	2	2	2	2	2	2	2		
	91016-MEL-003	BEARING C, NEEDLE, 18X27X23.8 (WHITE)	2	2	2	2	2	2	2	2		
	91017-MEL-003	BEARING D, NEEDLE, 18X27X23.8 (GREEN)	2	2	2	2	2	2	2	2		
23	91302-377-000	O-RING, 15X2.5	1	1	1	1	1	1	1	1		
24	94303-04065	PIN C, DOWEL, 4X6.5	8	8	8	8	8	8	8	8		



E-17

TRANSMISSION

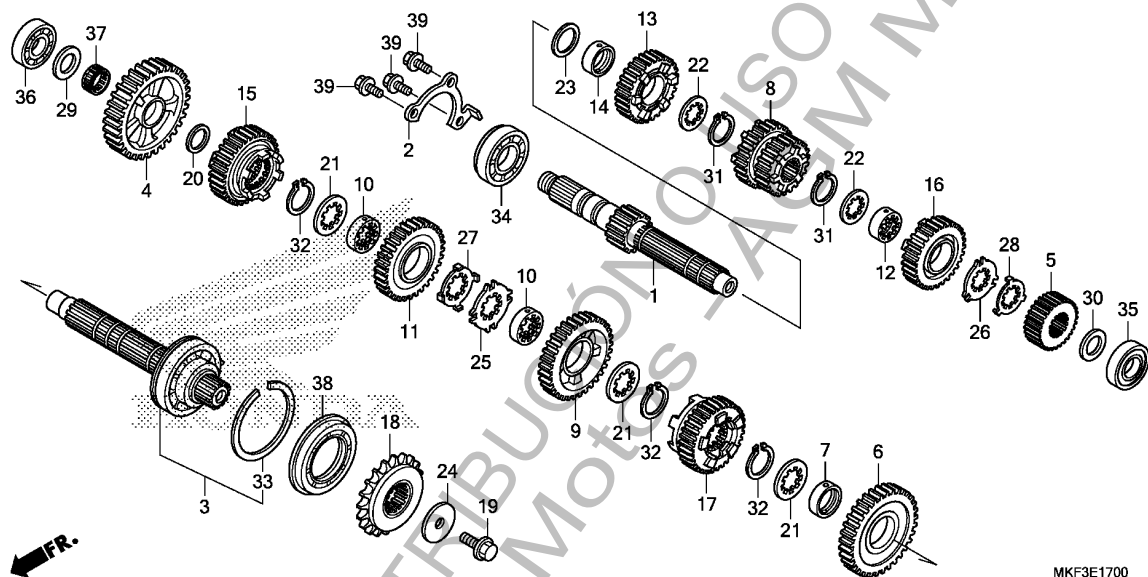


Ref. No.	L.O.N.	(Relative ref. Number) Description	F.R.T.
1	210141	(5,8,13,16) MAINSHAFT, TRANSMISSIONINCLUDES: Engine removal and installation	8.4
	210141A	.Replace countershaft add	0.2
	210141E	.ABS add	0.5
3	210142	(4,6,9,11,15,17) COUNTERSHAFT, TRANSMISSIONINCLUDES: Engine removal and installation	8.3
	210142A	.Replace mainshaft add	0.3
	210142E	.ABS add	0.5
18	213135	SPROCKET, DRIVE	0.4
34	2101C5	BEARING, MAINSHAFT :RIGHTINCLUDES: Engine removal and installation	8.2
	2101C5C	.ABS add	0.5
35	2101C2	BEARING, MAINSHAFT :LEFTINCLUDES: Engine removal and installation	8.4
	2101C2C	.ABS add	0.5
	2101C6	BEARING, MAINSHAFT :BOTHINCLUDES: Engine removal and installation	8.4
	2101C6D	.ABS add	0.5

Ref. No.	Part No.	Description	Reqd. QTY								Serial No.	Parts catalogue code	
			RR H	RR J	RA H	RA J	S1 H	S1 J	S2 H	S2 J			
1	23211-MKF-D40	MAINSHAFT (14T)	1	-	1	-	1	-	-	-	-	5006003	2ED,2GS,2IN,2RU,2TH,2U,ED,GS,RU,TH,U
	23211-MKF-D70	1	-	1	-	1	-	-	-	5006004	2ED,2GS,2IN,2RU,2TH,2U,ED,GS,RU,TH,U	
			-	1	-	1	-	-	1	1	-	-	2BR,2ED,2GS,2IN,2KO,2RU,2TH,2U,BR,ED,GS,KO,RU,TH,U
	23211-MFL-700	-	-	1	1	1	-	-	-	-	-	2CH,2FO,CH,FO
	23211-MKF-D70	-	-	1	-	-	-	-	-	-	-	2BR,2KO,KO
			-	-	-	-	1	-	-	-	-	-	2BR,2KO
2	23212-MFL-000	PLATE, BEARING SETTING	1	1	1	1	1	1	1	1	1	-	2BR,2ED,2GS,2IN,2KO,2RU,2TH,2U
3	23220-MFL-000	COUNTERSHAFT COMP.	1	-	1	-	1	-	-	-	-	5006003	2ED,2GS,2IN,2RU,2TH,2U,ED,GS,RU,TH,U
	23220-MKF-D70	1	-	1	-	1	-	-	-	5006004	2ED,2GS,2IN,2RU,2TH,2U,ED,GS,RU,TH,U	
			-	1	-	1	-	-	1	1	-	-	2BR,2ED,2GS,2IN,2KO,2RU,2TH,2U,BR,ED,GS,KO,RU,TH,U
	23220-MFL-700	-	-	1	1	1	-	-	-	-	-	2CH,2FO,CH,FO
	23220-MKF-D70	-	-	1	-	-	-	-	-	-	-	2BR,2KO,KO
			-	-	-	-	1	-	-	-	-	-	2BR,2KO
4	23421-MKF-D40	GEAR, COUNTERSHAFT FIRST(32T)	1	1	1	1	1	1	1	1	1	-	2BR,2ED,2GS,2IN,2KO,2RU,2TH,2U,BR,ED,GS,KO,RU,TH,U
	23421-MFL-000	-	-	1	1	1	-	-	-	-	-	2CH,2FO,CH,FO
5	23431-MKF-D40	GEAR, MAINSHAFT SECOND(18T)	1	-	1	-	1	-	-	-	-	5006003	2ED,2GS,2IN,2RU,2TH,2U,ED,GS,RU,TH,U
	23431-MKF-D70	1	-	1	-	1	-	-	-	5006004	2ED,2GS,2IN,2RU,2TH,2U,ED,GS,RU,TH,U	
			-	1	-	1	-	-	1	1	-	-	2BR,2ED,2GS,2IN,2KO,2RU,2TH,2U,BR,ED,GS,KO,RU,TH,U
	23431-MFL-700	GEAR, MAINSHAFT SECOND(19T)	-	-	1	1	1	-	-	-	-	-	2CH,2FO,CH,FO
	23431-MKF-D70	GEAR, MAINSHAFT SECOND(18T)	-	-	1	-	-	-	-	-	-	-	2BR,2KO,KO
			-	-	-	-	1	-	-	-	-	-	2BR,2KO
			-	-	-	-	-	1	-	-	-	-	2BR,2ED,2GS,2IN,2KO,2RU,2TH,2U

E-17

TRANSMISSION



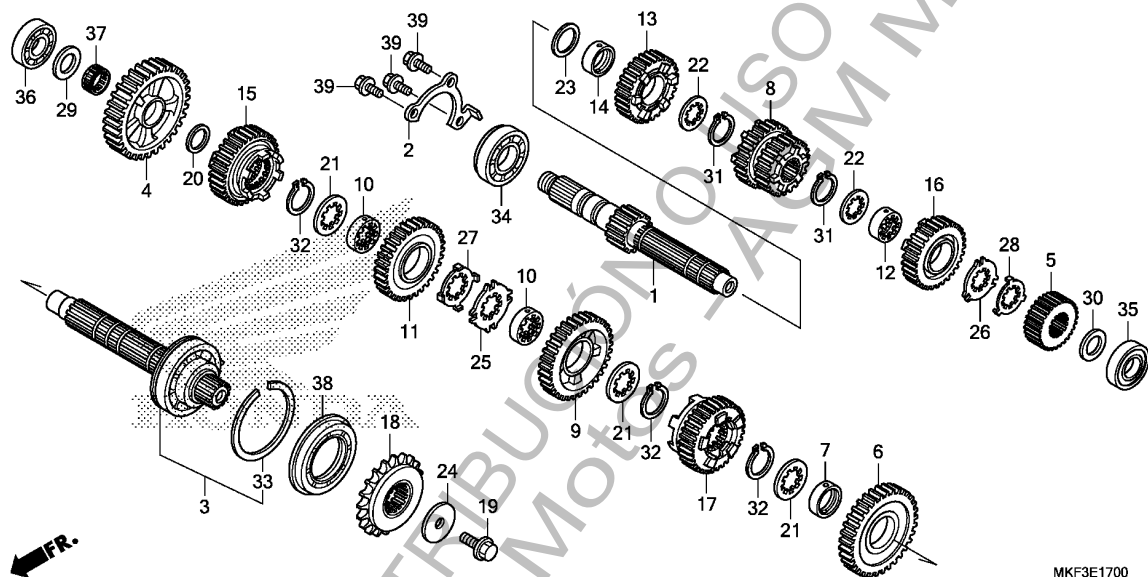
Ref. No.	L.O.N.	(Relative ref. Number) Description	F.R.T.
36	2101C8	BEARING, COUNTERSHAFT :RIGHT - .INCLUDES: Engine removal and installation	8.1
	2101C8C	.ABS add	0.5
	2101D4	BEARING, MAINSHAFT AND COUNTERSHAFT :ALL - .INCLUDES: Engine removal and installation	8.4
	2101D4D	.ABS add	0.5
38	2101G7	OIL SEAL, COUNTERSHAFT :LEFT - .INCLUDES: Engine removal and installation	8.1
	2101G7C	.ABS add	0.5

Ref. No.	Part No.	Description	Reqd. QTY								Serial No.	Parts catalogue code
			RR H	RR J	RA H	RA J	S1 H	S1 J	S2 H	S2 J		
6	23441-MKF-D40	GEAR, COUNTERSHAFT SECOND(32T)	1	1	1	1	1	1	1	-----	-----	2BR,2ED,2GS,2IN,2K0,2RU,2TH,2U,BR,ED,GS,KO,RU,TH,U
	23441-MFL-700	GEAR, COUNTERSHAFT SECOND(31T)	-	-	1	1	1	1	-	-	-	2CH,2FO,CH,FO
7	23442-MCJ-000	COLLAR, 30X9.5	1	1	1	1	1	1	1	-----	-----	2BR,2ED,2GS,2IN,2K0,2RU,2TH,2U,BR,ED,GS,KO,RU,TH,U
	23442-MS2-610	COLLAR, 30X11.2	-	-	1	1	1	1	-	-	-	2CH,2FO,CH,FO
8	23451-MKF-D40	GEAR, MAINSHAFT THIRD & FOURTH (22T/24T)	1	-	1	-	1	-	-	-----	5006003	2ED,2GS,2IN,2RU,2TH,2U,ED,GS,RU,TH,U
	23451-MKF-D70	1	-	1	-	1	-	-	5006004	-----	2ED,2GS,2IN,2RU,2TH,2U,ED,GS,RU,TH,U
			-	1	-	1	-	-	1	-----	-----	2BR,2ED,2GS,2IN,2K0,2RU,2TH,2U,BR,ED,GS,KO,RU,TH,U
	23451-MFL-700	GEAR, MAINSHAFT THIRD & FOURTH (24T/29T)	-	-	1	1	1	1	-	-	-----	2CH,2FO,CH,FO
	23451-MKF-D70	GEAR, MAINSHAFT THIRD & FOURTH (22T/24T)	-	-	1	-	-	-	-	-----	-----	2BR,2K0,KO
			-	-	-	-	1	-	-	-----	-----	2BR,2K0
			-	-	-	-	-	1	-	-----	-----	2BR,2ED,2GS,2IN,2K0,2RU,2TH,2U
9	23461-MKF-D40	GEAR, COUNTERSHAFT THIRD(33T)	1	-	1	-	1	-	-	5006003	-----	2ED,2GS,2IN,2RU,2TH,2U,ED,GS,RU,TH,U
	23461-MKF-D70	1	-	1	-	1	-	-	5006004	-----	2ED,2GS,2IN,2RU,2TH,2U,ED,GS,RU,TH,U
			-	1	-	1	-	-	1	-----	-----	2BR,2ED,2GS,2IN,2K0,2RU,2TH,2U,BR,ED,GS,KO,RU,TH,U
	23461-MFL-700	GEAR, COUNTERSHAFT THIRD(32T)	-	-	1	1	1	1	-	-----	-----	2CH,2FO,CH,FO
	23461-MKF-D70	GEAR, COUNTERSHAFT THIRD(33T)	-	-	1	-	-	-	-	-----	-----	2BR,2K0,KO
			-	-	-	-	1	-	-	-----	-----	2BR,2K0
			-	-	-	-	-	1	-	-----	-----	2BR,2ED,2GS,2IN,2K0,2RU,2TH,2U
10	23462-MAT-000	COLLAR, SPLINE, 30X11	2	2	2	2	2	2	2	-----	-----	
11	23481-MKF-D40	GEAR, COUNTERSHAFT FOURTH(32T)	1	-	1	-	1	-	-	-----	5006003	2ED,2GS,2IN,2RU,2TH,2U,ED,GS,RU,TH,U



E-17

TRANSMISSION

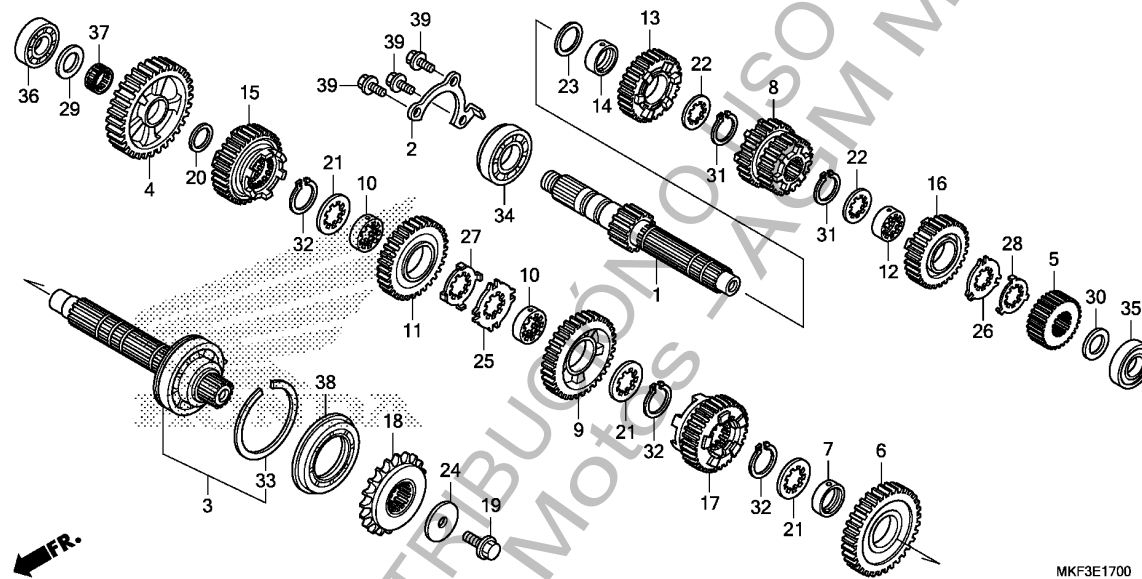


MKF3E1700

Ref. No.	Part No.	Description	Reqd. QTY								Serial No.	Parts catalogue code
			RR H	RR J	RA H	RA J	S1 H	S1 J	S2 H	S2 J		
11)	23481-MKF-D70	GEAR, COUNTERSHAFT FOURTH(32T)	1	-	1	-	1	-	-	-	5006004	----- 2ED,2GS,2IN,2RU,2TH,2U,ED,GS,RU,TH,U
	23481-MFL-700	GEAR, COUNTERSHAFT FOURTH(33T)	-	-	1	1	1	1	-	-	-----	----- 2CH,2FO,CH,FO
	23481-MKF-D70	GEAR, COUNTERSHAFT FOURTH(32T)	-	-	1	-	-	-	-	-	-----	----- 2BR,2KO,KO
			-	-	-	-	1	-	-	-	-----	----- 2BR,2KO
			-	-	-	-	-	1	-	-	-----	----- 2BR,2ED,2GS,2IN,2KO,2RU,2TH,2U
12	23482-MR7-000	COLLAR, SPLINE, 28X13.5	1	1	1	1	1	1	1	1	-----	----- 2BR,2ED,2GS,2IN,2KO,2RU,2TH,2U,BR,ED,GS,KO,RU
	23482-MBL-600	COLLAR, SPLINE, 28X11.5	-	-	1	1	1	1	-	-	-----	----- 2CH,2FO,CH,FO
13	23491-MKF-D40	GEAR, MAINSHAFT FIFTH(28T) ..	1	1	1	1	1	1	1	1	-----	----- 2BR,2ED,2GS,2IN,2KO,2RU,2TH,2U,BR,ED,GS,KO,RU
	23491-MFL-700	GEAR, MAINSHAFT FIFTH(30T) ..	-	-	1	1	1	1	-	-	-----	----- 2CH,2FO,CH,FO
14	23495-MM5-000	COLLAR, 28X13	1	1	1	1	1	1	1	1	-----	-----
15	23501-MKF-D40	GEAR, COUNTERSHAFT FIFTH(34T)	1	1	1	1	1	1	1	1	-----	----- 2BR,2ED,2GS,2IN,2KO,2RU,2TH,2U,BR,ED,GS,KO,RU
	23501-MFL-700	GEAR, COUNTERSHAFT FIFTH(31T)	-	-	1	1	1	1	-	-	-----	----- 2CH,2FO,CH,FO
16	23511-MKF-D40	GEAR, MAINSHAFT SIXTH(29T) ..	1	1	1	1	1	1	1	1	-----	----- 2BR,2ED,2GS,2IN,2KO,2RU,2TH,2U,BR,ED,GS,KO,RU
	23511-MFL-700	GEAR, MAINSHAFT SIXTH(31T) ..	-	-	1	1	1	1	-	-	-----	----- 2CH,2FO,CH,FO
17	23521-MKF-D40	GEAR, COUNTERSHAFT SIXTH(33T)	1	1	1	1	1	1	1	1	-----	----- 2BR,2ED,2GS,2IN,2KO,2RU,2TH,2U,BR,ED,GS,KO,RU
	23521-MFL-700	GEAR, COUNTERSHAFT SIXTH(30T)	-	-	1	1	1	1	-	-	-----	----- 2CH,2FO,CH,FO
18	23801-MEE-D00	SPROCKET COMP., DRIVE(16T) ..	1	1	1	1	1	1	1	1	-----	-----
19	90037-422-003	BOLT, SPECIAL, 10MM	1	1	1	1	1	1	1	1	-----	-----
20	90402-HA5-000	WASHER, THRUST, 24MM	1	1	1	1	1	1	1	1	-----	-----
21	90452-MAT-000	WASHER, SPLINE, 30X36X1.5 ...	3	3	3	3	3	3	3	3	-----	-----

E-17

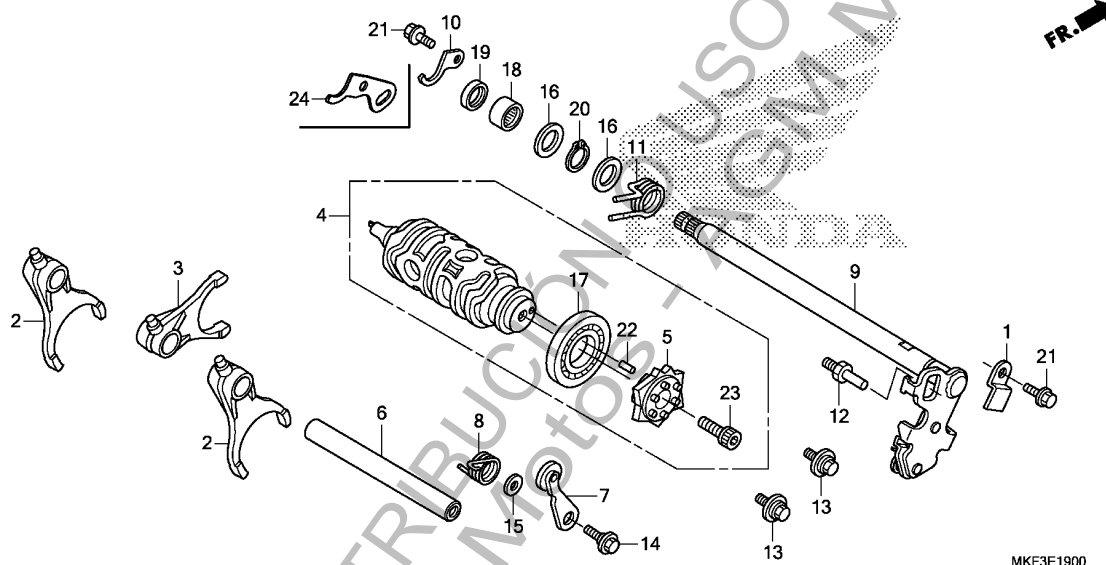
TRANSMISSION



Ref. No.	Part No.	Description	Reqd. QTY								Serial No.	Parts catalogue code	
			RR H	RR J	RA H	RA J	S1 H	S1 J	S2 H	S2 J			
22	90452-MR7-000	WASHER, SPLINE, 28X34X1.5 ...	2	2	2	2	2	2	2	2	2		
23	90458-729-920	WASHER, THRUST, 28MM	1	1	1	1	1	1	1	1	1		
24	90459-438-000	WASHER, 10.2MM	1	1	1	1	1	1	1	1	1		
25	90463-MAT-000	WASHER, SPLINE, 30MM	1	1	1	1	1	1	1	1	1		
26	90463-MCJ-000	WASHER, SPLINE, 28MM	1	1	1	1	1	1	1	1	1		
27	90464-MAT-000	WASHER, LOCK, 30MM	1	1	1	1	1	1	1	1	1		
28	90464-MCJ-000	WASHER, LOCK, 28MM	1	1	1	1	1	1	1	1	1		
29	90469-759-000	SHIM J, FINAL REDUCTION THIRD GEAR(2.0MM)	1	1	1	1	1	1	1	1	1		
30	90554-MEL-000	WASHER, THRUST, 20MM	1	1	1	1	1	1	1	1	1		
31	90603-MN4-000	CIRCLIP, 28MM	2	2	2	2	2	2	2	2	2		
32	90604-MM5-000	CIRCLIP, 30MM	3	3	3	3	3	3	3	3	3		
33	90605-MM5-000	RING, SNAP, 72MM	1	1	1	1	1	1	1	1	1		
34	91001-MFL-003	BEARING, RADIAL BALL, 28X62X16	1	1	1	1	1	1	1	1	1		
35	91002-MFL-003	BEARING, SPECIAL, 20X47X15.5	1	1	1	1	1	1	1	1	1		
36	91003-MFL-003	BEARING, SPECIAL, 20X52X15 ..	1	1	1	1	1	1	1	1	1		
37	91026-MEL-003	BEARING, NEEDLE, 24X28X10 ...	1	1	1	1	1	1	1	1	1		
38	91207-MAT-003	OIL SEAL, 45X72X8	1	1	1	1	1	1	1	1	1		
39	90037-RYX-010	BOLT, FLANGE, 6X14(10.9)	3	3	3	3	3	3	3	3	3		

E-19

GEARSHIFT DRUM



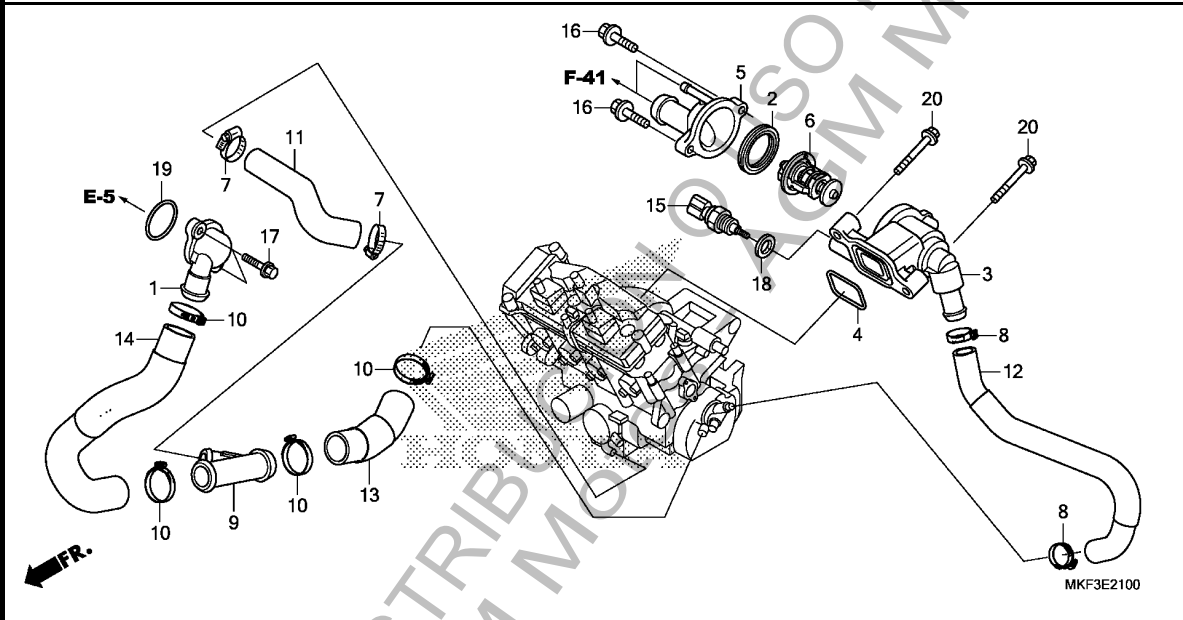
Ref. No.	L.O.N.	(Relative ref. Number) Description	F.R.T.
2		(3) FORK, GEARSHIFT	8.3
		.INCLUDES: Engine removal and installation .NOTE: Same time for two units or more	
	210112J	.ABS add	0.5
4	2101A9	DRUM, GEARSHIFT	8.5
		.INCLUDES: Engine removal and installation	
	2101A9J	.ABS add	0.5
5	2101B2	CENTER, GEARSHIFT DRUM	1.5
7		(8) STOPPER OR SPRING, SHIFT DRUM (11)	1.3
9		210122 SPINDLE, GEARSHIFT	1.3
19	1101F9	OIL SEAL, GEARSHIFT SPINDLE ..	1.3

MKF3E1900

Ref. No.	Part No.	Description	Reqd. QTY								Serial No.	Parts catalogue code
			RR H	RR J	RA H	RA J	S1 H	S1 J	S2 H	S2 J		
1	14623-MV1-000	PLATE, TENSIONER SETTING	1	1	1	1	1	1	1	1		
2	24211-MFL-000	FORK, GEARSHIFT	2	2	2	2	2	2	2	2		2BR,2ED,2GS,2IN,2K0,2RU,2TH,2U,BR,ED,GS,KO,RU TH,U
	24211-MFL-700	-	-	2	2	2	2	2	2		2CH,2FO,CH,FO
3	24212-MFL-000	FORK, CENTER GEARSHIFT	1	1	1	1	1	1	1	1		
4	24310-MKF-D40	DRUM COMP., GEARSHIFT	1	1	1	1	1	1	1	1		
5	24315-MW0-791	CENTER COMP., SHIFT DRUM	1	1	1	1	1	1	1	1		
6	24321-MFL-000	SHAFT, GEARSHIFT FORK	1	1	1	1	1	1	1	1		
7	24430-MFL-000	STOPPER COMP., GEARSHIFT DRUM	1	1	1	1	1	1	1	1		
8	24435-MEL-000	SPRING, GEARSHIFT DRUM STOPPER	1	1	1	1	1	1	1	1		
9	24610-MKF-D40	SPINDLE COMP., GEARSHIFT	1	1	1	1	1	1	1	1		
10	24612-MAL-600	PLATE, SPINDLE	1	1	1	1	-	-	-	-		
11	24651-MBB-000	SPRING, SHIFT RETURN	1	1	1	1	1	1	1	1		
12	24652-035-000	PIN, SHIFT RETURN SPRING	1	1	1	1	1	1	1	1		
13	90021-MM5-000	BOLT-WASHER, 6X12	2	2	2	2	2	2	2	2		
14	90022-MG8-000	PIVOT, SHIFT DRUM STOPPER ARM	1	1	1	1	1	1	1	1		
15	90417-360-000	WASHER, DRUM STOPPER	1	1	1	1	1	1	1	1		
16	90451-155-000	WASHER, 14MM	2	2	2	2	2	2	2	2		
17	91008-MFJ-D01	BEARING, SPECIAL BALL, 6500	1	1	1	1	1	1	1	1		
18	91106-MCF-003	BEARING, NEEDLE, 14X22X16	1	1	1	1	1	1	1	1		
19	91203-KA4-771	OIL SEAL, 14X22X5 (NOK)	1	1	1	1	1	1	1	1		
20	94510-14000	CIRCLIP, EXTERNAL, 14MM	1	1	1	1	1	1	1	1		
21	95701-06014-00	BOLT, FLANGE, 6X14	2	2	2	2	2	2	2	2		
22	96220-40080	ROLLER, 4X8	1	1	1	1	1	1	1	1		
23	96600-08020-10	BOLT, SOCKET, 8X20	1	1	1	1	1	1	1	1		
24	24612-MKF-D60	PLATE, SPINDLE	-	-	-	-	1	1	1	1		

E-21

THERMOSTAT



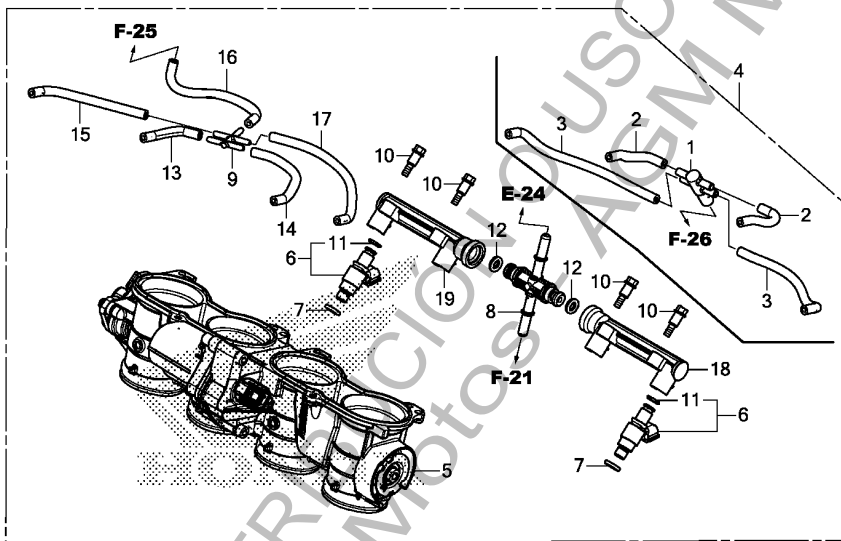
Ref. No.	L.O.N.	(Relative ref. Number) Description	F.R.T.
1		(19)	
1	114150	JOINT, WATER	0.8
3	114117	CASE, THERMOSTAT	1.3
5	1141B3	COVER, THERMOSTAT	1.2
6		(2)	
6	114116	THERMOSTAT	1.3
9	1151F1	JOINT, 3WAY HOSE :LOWER	0.8
11	1131A9	HOSE, OIL COOLER WATER :INLET	0.8
	1131E5	HOSE, OIL COOLER WATER :BOTH	0.9
12	1141B4	HOSE, WATER BYPASS	0.6
13	1141C2	HOSE, OUTLET WATER :REAR	0.6
14	1141C1	HOSE, OUTLET WATER :FRONT	0.8
	1141H5	HOSE, OUTLET WATER :BOTH	0.9
15	6171A9	SENSOR, WATER TEMP	1.3

Ref. No.	Part No.	Description	Reqd. QTY								Serial No.	Parts catalogue code
			RR H	RR J	RA H	RA J	S1 H	S1 J	S2 H	S2 J		
1	19060-MFL-000	JOINT, WATER	1	1	1	1	1	1	1	1		
2	19305-KV3-010	RUBBER, THERMOSTAT	1	1	1	1	1	1	1	1		
3	19310-MFL-305	CASE COMP., THERMOSTAT	1	1	1	1	1	1	1	1		
4	19312-MFG-D00	GASKET, THERMOSTAT CASE	1	1	1	1	1	1	1	1		
5	19315-MFL-000	COVER, THERMOSTAT	1	1	1	1	1	1	1	1		
6	19320-MKF-D41	THERMOSTAT	1	1	1	1	1	1	1	1		
7	19504-KY1-003	CLAMP, WATER HOSE, 25MM	2	2	2	2	2	2	2	2		
8	19512-MKF-D41	CLAMP, HOSE(D21)	2	2	2	2	2	2	2	2		
9	19514-MFJ-D00	JOINT, HOSE THREE-WAY	1	1	1	1	1	1	1	1		
10	19514-MKF-D41	CLAMP, HOSE(D29.8)	4	4	4	4	4	4	4	4		
11	19526-MFL-000	HOSE, OIL COOLER	1	1	1	1	1	1	1	1		
12	19531-MKF-D40	HOSE, BYPASS	1	1	1	1	1	1	1	1		
13	19541-MKF-D40	HOSE A, CYLINDER	1	1	1	1	1	1	1	1		
14	19542-MKF-D40	HOSE B, CYLINDER	1	1	1	1	1	1	1	1		
15	37870-KRJ-901	SENSOR ASSY., WATER TEMPERATURE	1	1	1	1	1	1	1	1		
16	90018-ZE1-000	BOLT, FLANGE, 6X23(CT200) ...	2	2	2	2	2	2	2	2		
17	90021-MKF-D40	BOLT, FLANGE, 6X20	2	2	2	2	2	2	2	2		
18	90454-MC7-000	WASHER, SPECIAL, 12MM	1	1	1	1	1	1	1	1		
19	91301-MFL-000	O-RING, 34X2	1	1	1	1	1	1	1	1		
20	95701-06035-00	BOLT, FLANGE, 6X35	2	2	2	2	2	2	2	2		



E-23

THROTTLE BODY



MKF3E2300A

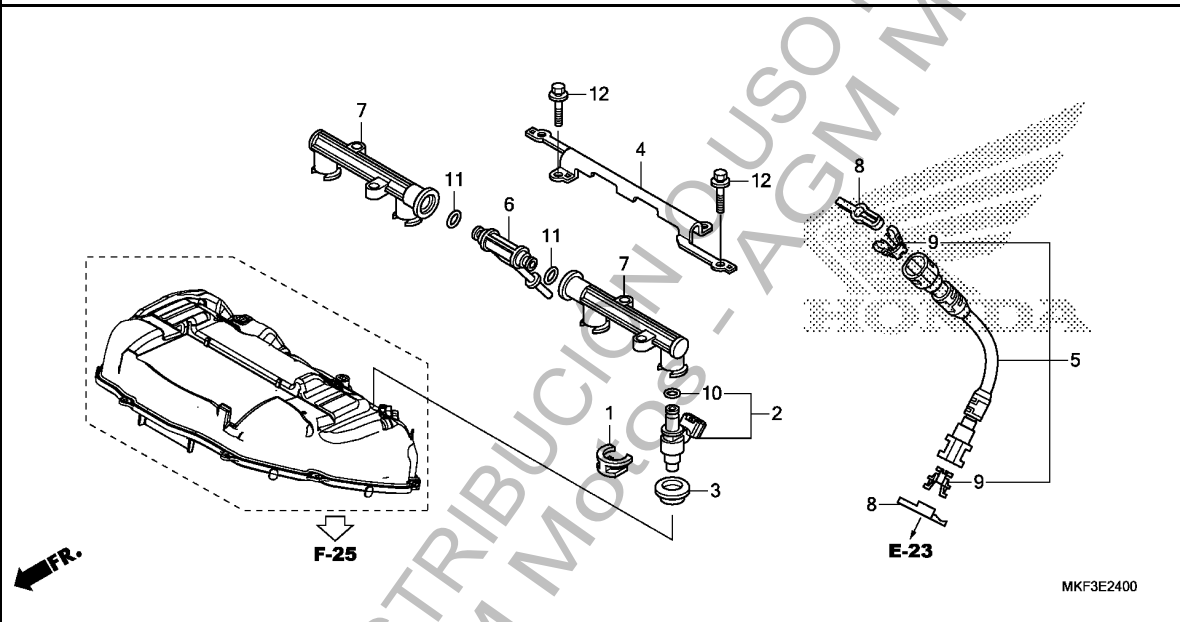
Ref. No.	L.O.N.	(Relative ref. Number) Description	F.R.T.
4	311132	BODY ASSY., THROTTLE	1.9
5	311130	BODY, THROTTLE	2.0
6		(7,11)	
	3111E1	INJECTOR, FUEL :PRIMARY	0.7
	3111E1E	.Replace 1 injector add	0.1
	3111V0	INJECTOR, FUEL :ALL PRIMARY ..	1.0
	3111B7	INJECTOR, FUEL :FOR 1 VEHICLE	1.6
8		(12,18,19)	
	3111D9	PIPE, FUEL :LOWER	0.6
	3111C8	PIPE, FUEL :BOTH	0.8

Ref. No.	Part No.	Description	Reqd. QTY								Serial No.	Parts catalogue code			
			RR H	RR J	RA H	RA J	S1 H	S1 J	S2 H	S2 J					
1	16180-ME5-761	T-JOINT	-	-	1	1	1	1	1	1	1	1	-----	-----	2BR,2CH,2ED,2FO,2KO,2TH,BR,CH,ED,FO,KO,TH
2	16196-MFL-771	TUBE	-	-	2	2	2	2	2	2	2	2	-----	-----	2BR,2CH,2ED,2FO,2KO,2TH,BR,CH,ED,FO,KO,TH
3	16197-MFL-771	TUBE	-	-	2	2	2	2	2	2	2	2	-----	-----	2BR,2CH,2ED,2FO,2KO,2TH,BR,CH,ED,FO,KO,TH
4	16400-MKF-U41	THROTTLE BODY ASSY.(K2D A) ..	1	1	1	1	1	1	1	1	-	-	-----	-----	2GS,2IN,2RU,2U,GS,RU,U
5	16400-MKF-D41	THROTTLE BODY ASSY.(K2A A) ..	-	-	1	1	1	1	1	1	1	1	-----	-----	2BR,2CH,2ED,2FO,2KO,2TH,BR,CH,ED,FO,KO,TH
	16401-MKF-U41	THROTTLE BODY ASSY.	1	1	1	1	1	1	1	1	-	-	-----	-----	2GS,2IN,2RU,2U,GS,RU,U
	16401-MKF-D41	-	-	1	1	1	1	1	1	1	1	-----	-----	2BR,2CH,2ED,2FO,2KO,2TH,BR,CH,ED,FO,KO,TH
6	16450-MFL-003	INJECTOR ASSY., FUEL	4	4	4	4	4	4	4	4	4	4			
7	16472-MCW-000	SEAL RING, INJECTOR	4	4	4	4	4	4	4	4	4	4			
8	16650-MFL-003	JOINT, FUEL	1	1	1	1	1	1	1	1	1	1			
9	17201-MCJ-003	JOINT, FIVE WAY	1	1	1	1	1	1	1	1	1	1			
10	90021-MGZ-D02	BOLT, SHOULDER	4	4	4	4	4	4	4	4	4	4			
11	91301-P7A-004	O-RING, 7.8X1.9	4	4	4	4	4	4	4	4	4	4			
12	91301-PLC-000	O-RING, 7.47X3.6	2	2	2	2	2	2	2	2	2	2			
13	95005-35050-20	TUBE, 3.5X50(95005-35001-20M)	1	1	1	1	1	1	1	1	1	1			
14	95005-35090-20	TUBE, 3.5X90(95005-35001-20M)	1	1	1	1	1	1	1	1	1	1			
15	95005-35110-20	TUBE, 3.5X110(95005-35001-20M)	1	1	1	1	1	1	1	1	1	1			
16	95005-35130-20	TUBE, 3.5X130(95005-35001-20M)	1	1	1	1	1	1	1	1	1	1			
17	95005-35160-20	TUBE, 3.5X160(95005-35001-20M)	1	1	1	1	1	1	1	1	1	1			
18	16610-MFL-003	PIPE COMP. A, FUEL	1	1	1	1	1	1	1	1	1	1			
19	16620-MFL-003	PIPE COMP. B, FUEL	1	1	1	1	1	1	1	1	1	1			

2

E-24

FUEL INJECTOR



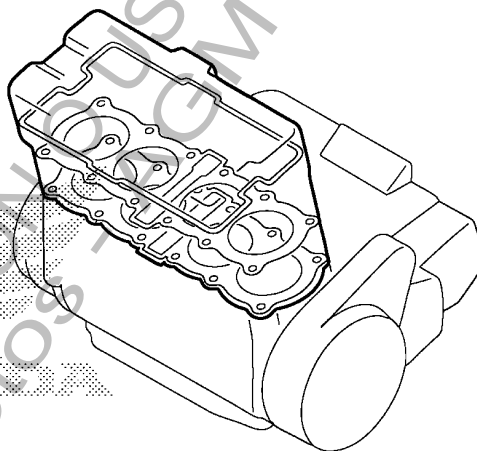
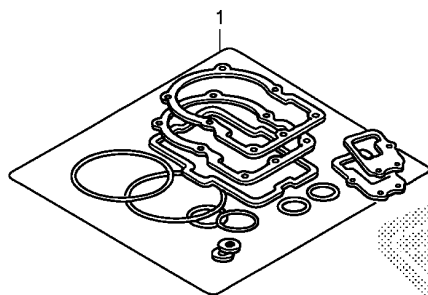
Ref. No.	L.O.N.	(Relative ref. Number) Description	F.R.T.
2		(10)	
		3111E0 INJECTOR, FUEL :SECONDARY	0.7
		3111E0E .Replace 1 injector add	0.1
		3111V3 INJECTOR, FUEL :ALL SECONDARY	1.0
		3111B7 INJECTOR, FUEL :FOR 1 VEHICLE	1.6
5		3101C3 HOSE, FUEL FEED :SECONDARY ...	0.5
6		(7,11)	
		3111D8 PIPE, FUEL :UPPER	0.6
		3111C8 PIPE, FUEL :BOTH	0.8

Ref. No.	Part No.	Description	Reqd. QTY								Serial No.	Parts catalogue code
			RR H	RR J	RA H	RA J	S1 H	S1 J	S2 H	S2 J		
1	16451-MFL-000	CLIP, INJECTOR	4	4	4	4	4	4	4	4		
2	16460-MFL-003	INJECTOR ASSY., FUEL	4	4	4	4	4	4	4	4		
3	16472-MFJ-D00	SEAL RING, INJECTOR	4	4	4	4	4	4	4	4		
4	16501-MFL-000	PLATE, INJECTOR	1	1	1	1	1	1	1	1		
5	16527-MFL-003	HOSE COMP. A, FUEL FEED	1	1	1	1	1	1	1	1		
6	16630-MFJ-D00	T-JOINT, FUEL	1	1	1	1	1	1	1	1		
7	16640-MFL-000	PIPE COMP., FUEL	2	2	2	2	2	2	2	2		
8	16719-MFJ-D00	DAMPER, CONNECTOR	2	2	2	2	2	2	2	2		
9	17711-SOX-931	RETAINER(BLUE GREEN)(TOKAI) ..	2	2	2	2	2	2	2	2		
10	91301-P7A-004	O-RING, 7.8X1.9	4	4	4	4	4	4	4	4		
11	91301-PLC-000	O-RING, 7.47X3.6	2	2	2	2	2	2	2	2		
12	93401-05020-00	BOLT-WASHER, 5X20	4	4	4	4	4	4	4	4		



EOP-1

GASKET KIT A



MKF3X0100

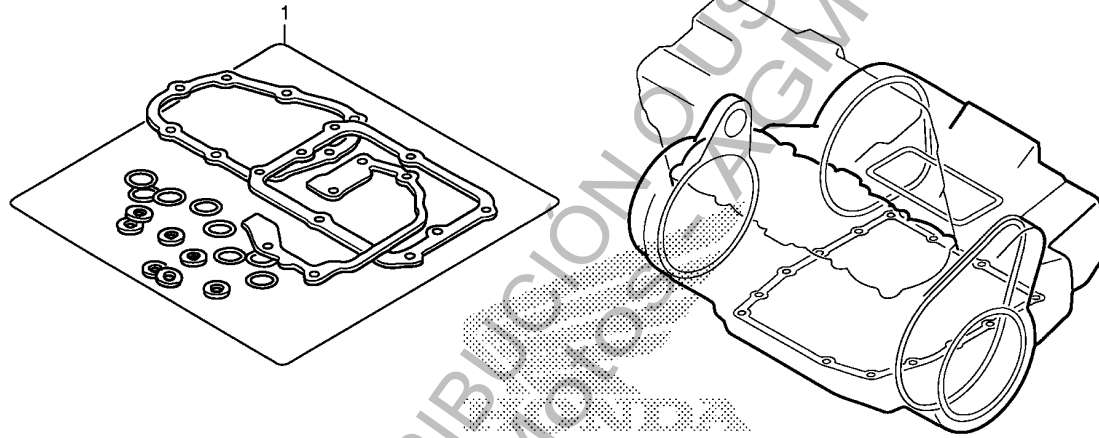
Ref. L.O.N. (Relative ref. Number) F.R.T.
No. Description

NO INFORMATION

Ref. No.	Part No.	Description	Reqd. QTY								Serial No.	Parts catalogue code		
			RR H	RR J	RA H	RA J	S1 H	S1 J	S2 H	S2 J				
1	12191-MFL-003	GASKET, CYLINDER	-	-	1	1	1	1	1	1	1	1	-----	2ED,2U,ED,U
	14525-MFA-D01	GASKET, TENSIONER HOLE	-	-	1	1	1	1	1	1	1	1	-----	2ED,2U,ED,U
	18291-MM5-860	GASKET, EX. PIPE	-	-	4	4	4	4	4	4	4	4	-----	2ED,2U,ED,U
	19305-KV3-010	RUBBER, THERMOSTAT	-	-	1	1	1	1	1	1	1	1	-----	2ED,2U,ED,U
	19312-MFG-D00	GASKET, THERMOSTAT CASE	-	-	1	1	1	1	1	1	1	1	-----	2ED,2U,ED,U
	90403-MFL-000	WASHER, SEALING, 24MM	-	-	1	1	1	1	1	1	1	1	-----	2ED,2U,ED,U
	90442-397-000	WASHER, SEALING, 6MM	-	-	1	1	1	1	1	1	1	1	-----	2ED,2U,ED,U
	90454-MC7-000	WASHER, SPECIAL, 12MM	-	-	1	1	1	1	1	1	1	1	-----	2ED,2U,ED,U
	90463-ML7-000	WASHER, SEALING, 6.5MM	-	-	8	8	8	8	8	8	8	8	-----	2ED,2U,ED,U
	90543-MV9-670	RUBBER, MOUNTING	-	-	4	4	4	4	4	4	4	4	-----	2ED,2U,ED,U
	91301-MEL-003	O-RING, 43.7X2.5	-	-	4	4	4	4	4	4	4	4	-----	2ED,2U,ED,U
	91301-MFL-000	O-RING, 34X2	-	-	1	1	1	1	1	1	1	1	-----	2ED,2U,ED,U
	91303-KF0-003	O-RING, 14.8X2.4 (ARAI)	-	-	1	1	1	1	1	1	1	1	-----	2ED,2U,ED,U
	06111-MFL-000	GASKET KIT A	-	-	1	1	1	1	1	-	-	-	-----	2ED,2U,ED,U
	12251-MFL-003	GASKET, CYLINDER HEAD	-	-	1	1	1	1	-	-	-	-	-----	2ED,2U,ED,U
	12391-MFL-000	GASKET, CYLINDER HEAD COVER	-	-	1	1	1	1	-	-	-	-	-----	2ED,2U,ED,U
	12395-MBW-003	GASKET, PLUG HOLE	-	-	4	4	4	4	-	-	-	-	-----	2ED,2U,ED,U
	06111-MKF-D70	GASKET KIT A	-	-	-	-	-	-	-	1	1	-	-----	
	12251-MKF-D71	GASKET, CYLINDER HEAD	-	-	-	-	-	-	-	1	1	-	-----	
	12391-MKF-D70	GASKET, CYLINDER HEAD COVER	-	-	-	-	-	-	-	1	1	-	-----	
	12395-MKF-D70	GASKET, PLUG HOLE	-	-	-	-	-	-	-	4	4	-	-----	

EOP-2

GASKET KIT B



MKF3X0200

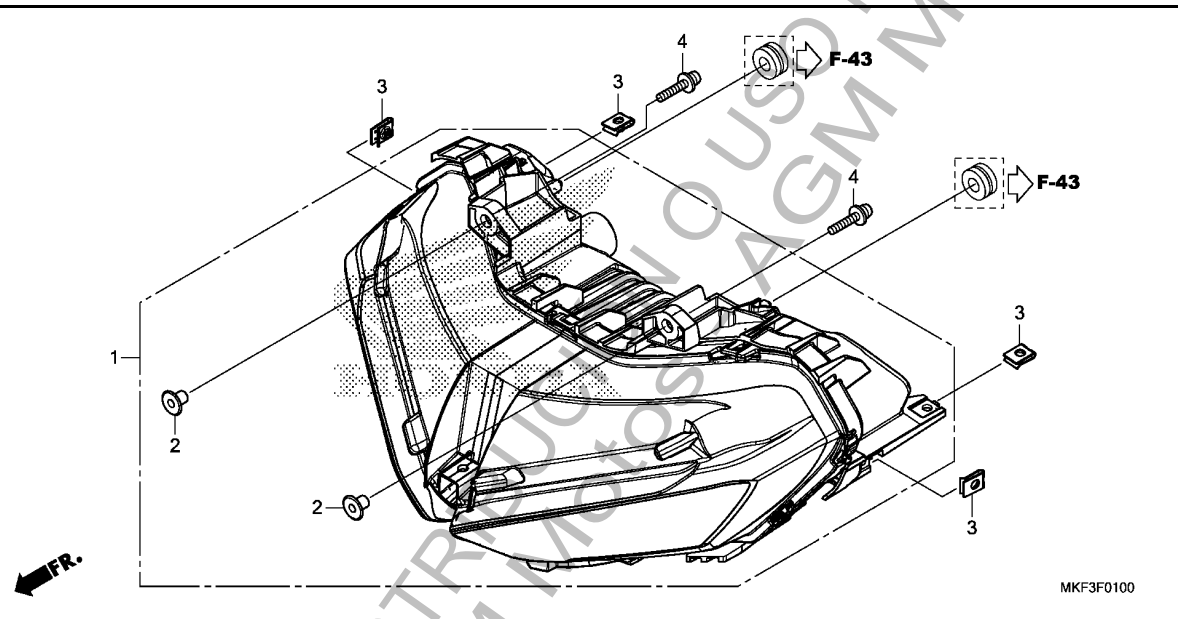
Ref. L.O.N. (Relative ref. Number) F.R.T.
No. Description

NO INFORMATION

Ref. No.	Part No.	Description	Reqd. QTY								Serial No.	Parts catalogue code		
			RR H	RR J	RA H	RA J	S1 H	S1 J	S2 H	S2 J				
1	06112-MKF-D41	GASKET KIT B	-	-	1	1	1	1	1	1	1	1	-----	2ED,2U,ED,U
	11522-MKF-D40	GASKET, ANGLE SENSOR HOLDER	-	-	1	1	1	1	1	1	1	1	-----	2ED,2U,ED,U
	15154-MAT-000	PACKING, OIL STRAINER	-	-	1	1	1	1	1	1	1	1	-----	2ED,2U,ED,U
	15433-MFJ-D01	RING, SEAL	-	-	2	2	2	2	2	2	2	2	-----	2ED,2U,ED,U
	19226-MFL-000	GASKET, WATER PUMP COVER	-	-	1	1	1	1	1	1	1	1	-----	2ED,2U,ED,U
	90402-MFJ-D01	WASHER, SEALING, 34.5MM	-	-	1	1	1	1	1	1	1	1	-----	2ED,2U,ED,U
	90443-MJ6-000	WASHER, NEUTRAL	-	-	2	2	2	2	2	2	2	2	-----	2ED,2U,ED,U
	90447-KE1-000	WASHER, SEALING, 7MM	-	-	1	1	1	1	1	1	1	1	-----	2ED,2U,ED,U
	90463-ML7-000	WASHER, SEALING, 6.5MM	-	-	3	3	3	3	3	3	3	3	-----	2ED,2U,ED,U
	91302-377-000	O-RING, 15X2.5	-	-	1	1	1	1	1	1	1	1	-----	2ED,2U,ED,U
	91302-MB0-013	O-RING, 32.95X2.62 (ARAI)	-	-	1	1	1	1	1	1	1	1	-----	2ED,2U,ED,U
	91303-377-000	O-RING, 13.8X2.5	-	-	1	1	1	1	1	1	1	1	-----	2ED,2U,ED,U
	91303-MJ0-003	O-RING, 6.3X2.3 (ARAI)	-	-	1	1	1	1	1	1	1	1	-----	2ED,2U,ED,U
	91306-MEL-003	O-RING, 21.9X1.8	-	-	1	1	1	1	1	1	1	1	-----	2ED,2U,ED,U
	91307-422-000	O-RING, 4.8X1.9	-	-	3	3	3	3	3	3	3	3	-----	2ED,2U,ED,U
	91307-KF0-003	O-RING, 18X3 (ARAI)	-	-	1	1	1	1	1	1	1	1	-----	2ED,2U,ED,U
	91309-425-003	O-RING, 24.4X3.1 (ARAI)	-	-	1	1	1	1	1	1	1	1	-----	2ED,2U,ED,U
	91310-MGE-D01	O-RING, 16.5X2.5	-	-	1	1	1	1	1	1	1	1	-----	2ED,2U,ED,U
	91354-MCT-003	O-RING, OIL COOLER	-	-	1	1	1	1	1	1	1	1	-----	2ED,2U,ED,U
	91356-425-005	O-RING, 29.7X2.4 (NOK)	-	-	1	1	1	1	1	1	1	1	-----	2ED,2U,ED,U
	94109-12000	WASHER, DRAIN PLUG, 12MM	-	-	1	1	1	1	1	1	1	1	-----	2ED,2U,ED,U

F-1

HEADLIGHT



Ref. No.	L.O.N.	(Relative ref. Number) Description	F.R.T.
----------	--------	------------------------------------	--------

1	6161A7	HEADLIGHT UNIT	0.9
---	--------	----------------	-----

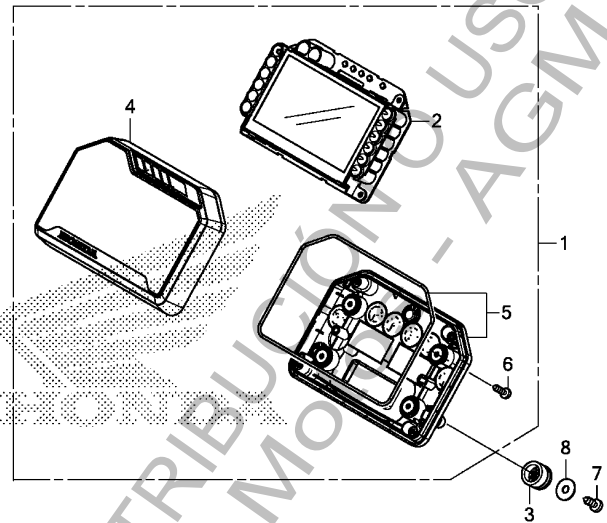
3

Ref. No.	Part No.	Description	Reqd. QTY								Serial No.	Parts catalogue code
			RR H	RR J	RA H	RA J	S1 H	S1 J	S2 H	S2 J		
1	33100-MKF-D41	HEADLIGHT ASSY.	1	1	1	1	1	1	1	1	-----	2BR,2ED,2FO,2GS,2IN,2KO,2RU,2TH,2U,BR,ED,FO,GS KO,RU,TH,U 2CH,CH
	33100-MKF-H11	-	-	1	1	1	-	-	-----		
2	33103-MV9-601	COLLAR, HEADLIGHT	2	2	2	2	2	2	2	2		
3	90677-KAN-961	NUT, CLIP, 5MM	4	4	4	4	4	4	4	4		
4	93894-05022-07	SCREW-WASHER, 5X22	2	2	2	2	2	2	2	2		

PROHIBIDO DISTRIBUIR
19-07-2019

F-2

METER



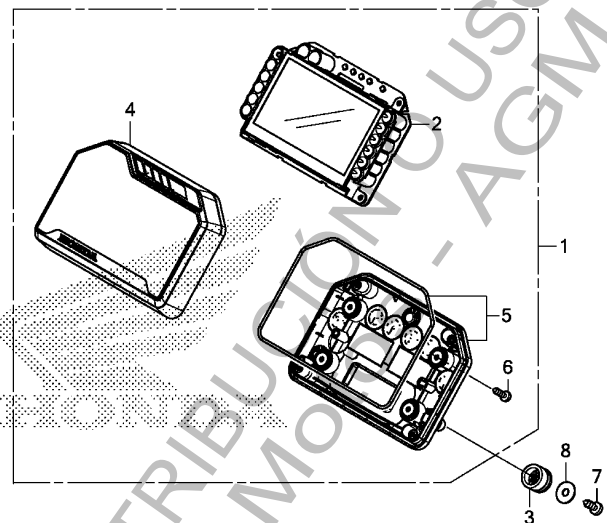
FR. →

Ref. No.	L.O.N.	(Relative ref. Number) Description	F.R.T.
1	8121A1	METER ASSY., COMBINATION	0.7
2	8121A2	METER, COMBINATION	0.8
4	8121B4	CASE, METER :UPPER	0.7
5	8121B5	CASE, METER :LOWER	0.7

Ref. No.	Part No.	Description	Reqd. QTY								Serial No.	Parts catalogue code		
			RR H	RR J	RA H	RA J	S1 H	S1 J	S2 H	S2 J				
1	37100-MKF-G01	METER ASSY., COMBINATION (KPH/MPH)	1	1	-	-	-	-	-	-	-	-	-	-
	37100-MKF-B41	METER ASSY., COMBINATION(KPH)	-	-	1	1	-	-	-	-	-	-	-	2BR,2IN,BR
	37100-MKF-H11	-	-	1	1	-	-	-	-	-	-	-	2CH,2FO,CH,FO
	37100-MKF-D41	METER ASSY., COMBINATION (KPH/MPH)	-	-	1	1	-	-	-	-	-	-	-	2ED,2GS,2RU,2U,ED,GS,RU,U
	37100-MKF-K11	METER ASSY., COMBINATION(KPH)	-	-	1	1	-	-	-	-	-	-	-	2KO,KO
	37100-MKF-T11	-	-	1	1	-	-	-	-	-	-	-	2TH,TH
	37100-MKF-D61	METER ASSY., COMBINATION (KPH/MPH)	-	-	-	-	1	1	1	1	-	-	-	2ED,2GS,2RU,2U
	37100-MKF-B61	METER ASSY., COMBINATION(KPH)	-	-	-	-	1	1	-	-	-	-	-	2BR,2IN
	37100-MKF-H61	-	-	-	-	1	1	-	-	-	-	-	2CH,2FO
	37100-MKF-K61	-	-	-	-	1	1	-	-	-	-	-	2KO
	37100-MKF-T61	-	-	-	-	1	1	-	-	-	-	-	2TH
2	37110-MKF-G01	METER COMP., LCD	1	1	-	-	-	-	-	-	-	-	-	-
	37110-MKF-B41	-	-	1	1	-	-	-	-	-	-	-	2BR,2IN,BR
	37110-MKF-H11	-	-	1	1	-	-	-	-	-	-	-	2CH,2FO,CH,FO
	37110-MKF-D41	-	-	1	1	-	-	-	-	-	-	-	2ED,2GS,2RU,2U,ED,GS,RU,U
	37110-MKF-K11	-	-	1	1	-	-	-	-	-	-	-	2KO,KO
	37110-MKF-T11	-	-	1	1	-	-	-	-	-	-	-	2TH,TH
	37110-MKF-D61	-	-	-	-	1	1	1	1	-	-	-	2ED,2GS,2RU,2U
	37110-MKF-B61	-	-	-	-	1	1	-	-	-	-	-	2BR,2IN
	37110-MKF-H61	-	-	-	-	1	1	-	-	-	-	-	2CH,2FO
	37110-MKF-K61	-	-	-	-	1	1	-	-	-	-	-	2KO
	37110-MKF-T61	-	-	-	-	1	1	-	-	-	-	-	2TH
3	37244-MM4-000	RUBBER, SPEEDOMETER MOUNTING	3	3	3	3	3	3	3	3	3	3	3	3
4	37610-MKF-G01	CASE ASSY., UPPER	1	1	-	-	-	-	-	-	-	-	-	-
	37610-MKF-D41	-	-	1	1	1	1	1	1	1	1	1	1
5	37620-MKF-D41	CASE ASSY., UNDER	1	1	1	1	1	1	1	1	1	1	1	1

F-2

METER



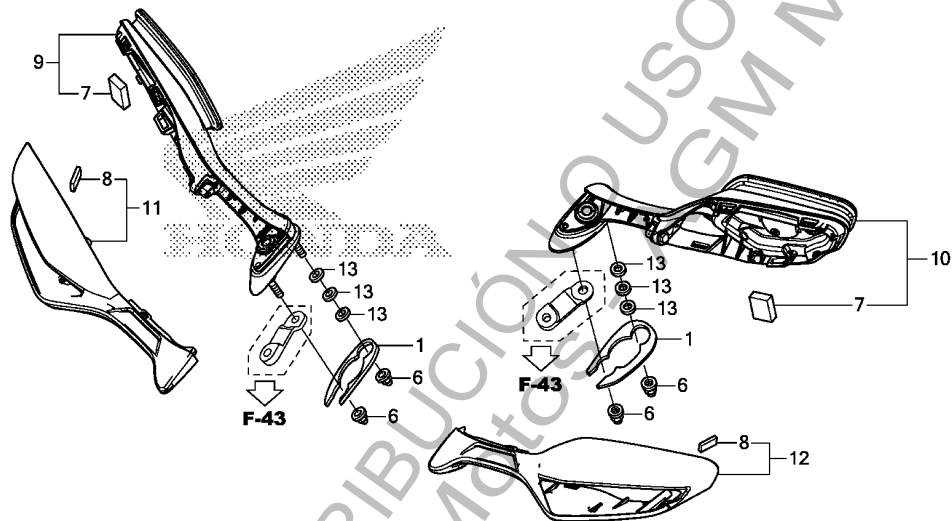
MKF3F0200

Ref. No.	Part No.	Description	Reqd. QTY								Serial No.	Parts catalogue code
			RR H	RR J	RA H	RA J	S1 H	S1 J	S2 H	S2 J		
6	93903-22420	SCREW, TAPPING, 3X16	8	8	8	8	8	8	8	8		
7	93913-25380	SCREW, TAPPING, 5X14 (P0)	3	3	3	3	3	3	3	3		
8	94103-05700	WASHER, PLAIN, 5MM	3	3	3	3	3	3	3	3		

3

F-3

MIRROR(1)



Ref. No.	L.O.N.	(Relative ref. Number) Description	F.R.T.
9	4131L0	MIRROR, BACK :RIGHT	0.1
10	4131K9	MIRROR, BACK :LEFT	0.1
	4131S3	MIRROR, BACK :BOTH	0.2
11	4131L2	COVER, MIRROR :RIGHT	0.2
12	4131L1	COVER, MIRROR :LEFT	0.2
	4131S4	COVER, MIRROR :BOTH	0.3

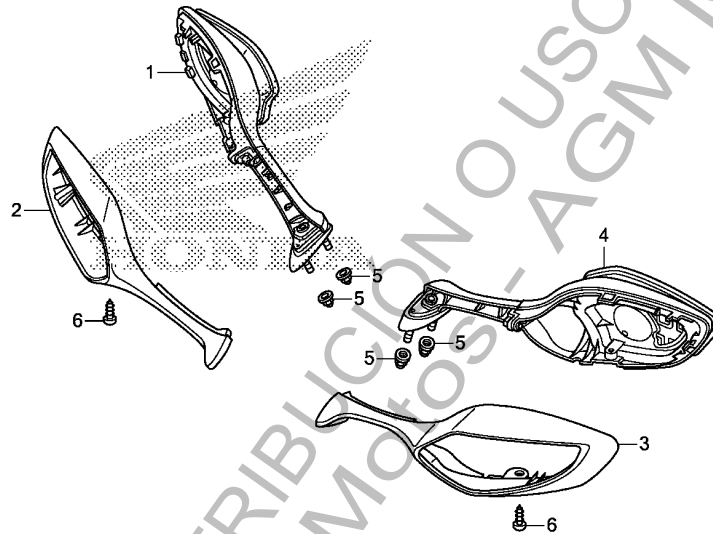
MKF3F0300A

Ref. No.	Part No.	Description	Reqd. QTY								Serial No.	Parts catalogue code
			RR H	RR J	RA H	RA J	S1 H	S1 J	S2 H	S2 J		
1	64241-MKF-N40	SPACER, BACK MIRROR	-	-	2	2	2	2	-	-	-----	2IN
6	90202-GCC-C50	NUT, CAP, 6MM	4	4	4	4	4	4	4	4	-----	2BR,2ED,2FO,2GS,2IN,2KO,2RU,2TH,2U,BR,ED,FO,GS KO,RU,TH,U
7	64353-MFL-000	MAT A, DUCT	2	2	2	2	2	2	2	2	-----	2BR,2ED,2FO,2GS,2IN,2KO,2RU,2TH,2U,BR,ED,FO,GS KO,RU,TH,U
8	80129-MEG-000	RUBBER, RR. FRAME	2	2	2	2	2	2	2	2	-----	2BR,2ED,2FO,2GS,2IN,2KO,2RU,2TH,2U,BR,ED,FO,GS KO,RU,TH,U
9	88100-MKF-D40	BODY SET, R. BACK MIRROR	1	1	1	1	1	1	1	1	-----	2BR,2ED,2FO,2GS,2IN,2KO,2RU,2TH,2U,BR,ED,FO,GS KO,RU,TH,U
10	88105-MKF-D40	BODY SET, L. BACK MIRROR	1	1	1	1	1	1	1	1	-----	2BR,2ED,2FO,2GS,2IN,2KO,2RU,2TH,2U,BR,ED,FO,GS KO,RU,TH,U
11	88111-MKF-D40	COVER ASSY., R. BACK MIRROR .	1	1	1	1	1	1	1	1	-----	2BR,2ED,2FO,2GS,2IN,2KO,2RU,2TH,2U,BR,ED,FO,GS KO,RU,TH,U
12	88116-MKF-D40	COVER ASSY., L. BACK MIRROR .	1	1	1	1	1	1	1	1	-----	2BR,2ED,2FO,2GS,2IN,2KO,2RU,2TH,2U,BR,ED,FO,GS KO,RU,TH,U
13	94101-06800	WASHER, PLAIN, 6MM	-	-	6	6	6	6	-	-	-----	2IN



F-3-1

MIRROR(2)



Ref. No.	L.O.N.	(Relative ref. Number) Description	F.R.T.
1	4131L0	MIRROR, BACK :RIGHT	0.1
2	4131L2	COVER, MIRROR :RIGHT	0.2
3	4131L1	COVER, MIRROR :LEFT	0.2
	4131S4	COVER, MIRROR :BOTH	0.3
4	4131K9	MIRROR, BACK :LEFT	0.1
	4131S3	MIRROR, BACK :BOTH	0.2

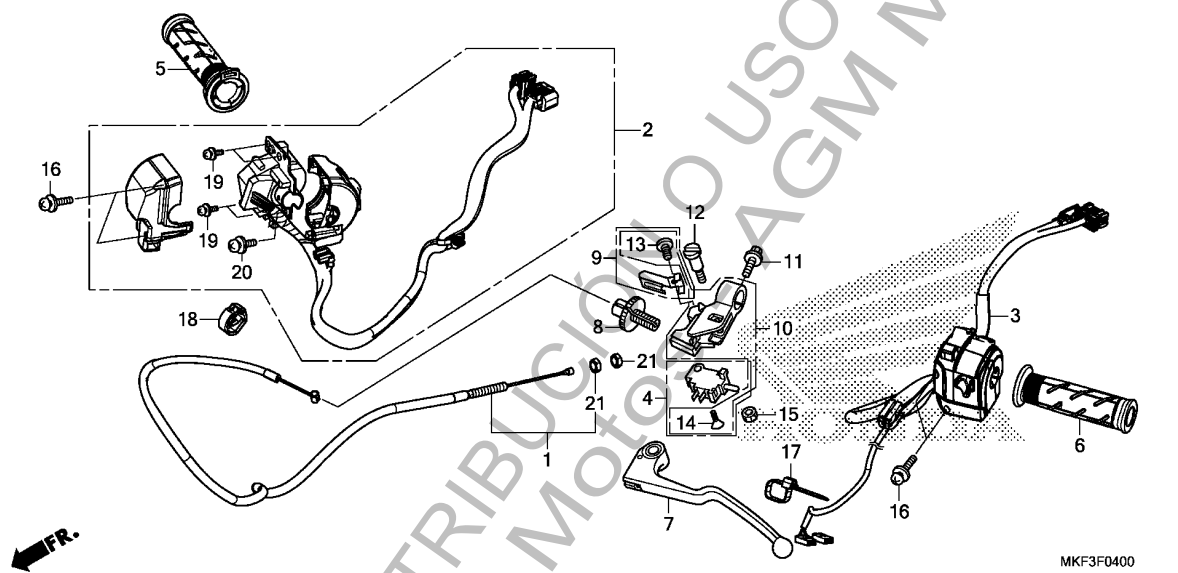
MKF3F0301

Ref. No.	Part No.	Description	Reqd. QTY								Serial No.	Parts catalogue code
			RR H	RR J	RA H	RA J	S1 H	S1 J	S2 H	S2 J		
1	88110-MKF-H41	MIRROR ASSY., R. BACK	-	-	1	1	1	1	-	-	-----	2CH,CH
2	88113-MFL-003	COVER, R. BACK MIRROR	-	-	1	1	1	1	-	-	-----	2CH,CH
3	88118-MFL-003	COVER, L. BACK MIRROR	-	-	1	1	1	1	-	-	-----	2CH,CH
4	88120-MKF-H41	MIRROR ASSY., L. BACK	-	-	1	1	1	1	-	-	-----	2CH,CH
5	90202-GCC-C50	NUT, CAP, 6MM	-	-	4	4	4	4	-	-	-----	2CH,CH
6	93913-25380	SCREW, TAPPING, 5X14(PO)	-	-	2	2	2	2	-	-	-----	2CH,CH

3

F-4

HANDLE LEVER/SWITCH/CABLE



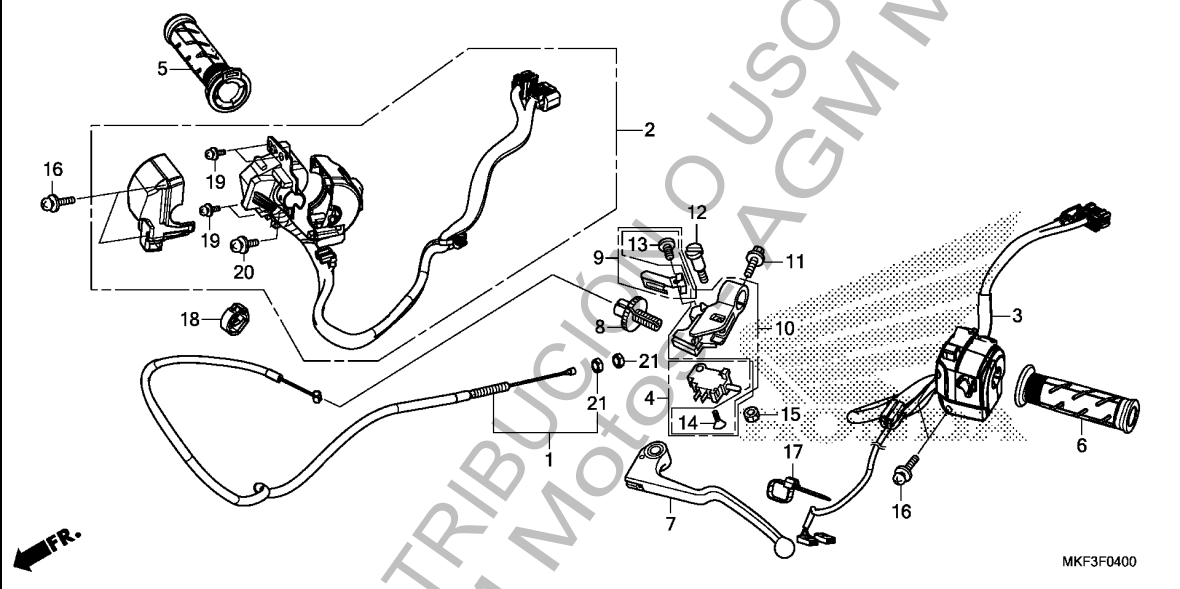
Ref. No.	L.O.N.	(Relative ref. Number) Description	F.R.T.
1	811115	CABLE, CLUTCH	0.4
	8111G3	CABLE, CLUTCH(A)	0.6
.NOTE: With right rear under cover			
2	615120	SWITCH, STARTER KILL	0.4
3	615118	SWITCH, WINKER	0.4
4	6151A9	SWITCH, CLUTCH	0.2
5	810150	GRIP, THROTTLE	0.2
6	8101C0	GRIP, HANDLE :LEFT	0.1
7	8101C6	LEVER, HANDLE :LEFT	0.1
	8101F5	LEVER, HANDLE :BOTH	0.2
10	8101C8	BRACKET, HANDLE LEVER :LEFT ..	0.4

Ref. No.	Part No.	Description	Reqd. QTY								Serial No.	Parts catalogue code
			RR H	RR J	RA H	RA J	S1 H	S1 J	S2 H	S2 J		
1	22870-MKF-D40	CABLE COMP., CLUTCH	1	1	1	1	1	1	1			
2	35135-MKF-D41	SWITCH UNIT, STARTER & ENGINE STOP	1	1	1	1	1	1	1			
3	35200-MKF-D41	SWITCH ASSY., WINKER	1	-	-	-	-	-	-			
	35200-MKF-D42	-	1	-	1	-	-	1	-----	-----	2BR,2ED,2FO,2GS,2IN,2KO,2RU,2TH,2U,BR,ED,FO,GS
	35200-MKF-H12	-	-	1	1	1	-	-	-----	-----	2CH,CH
	35200-MKF-D41	-	-	1	-	1	-	1	-----	-----	HK000229 2U,U
	35200-MKF-D42	-	-	1	-	1	-	-	-----	-----	HK000230 2U,U
	35200-MKF-D41	-	-	1	-	1	-	-	-----	-----	2FO,2IN,FO
	35200-MKF-D42	-	-	1	-	1	-	-	-----	-----	HK000001 2TH,TH
	35200-MKF-D42	-	-	1	-	1	-	-	-----	-----	HK000003 2GS,GS
	35200-MKF-D42	-	-	1	-	1	-	-	-----	-----	HK000002 2TH,TH
	35200-MKF-D41	-	-	1	-	1	-	-	-----	-----	HK000004 2GS,GS
	35200-MKF-D42	-	-	1	-	1	-	-	-----	-----	2BR,2KO,2RU,KO,RU
	35200-MKF-D41	-	-	1	-	1	-	-	-----	-----	HK002407 2ED,ED
	35200-MKF-D42	-	-	1	-	1	-	-	-----	-----	HK002408 2ED,ED
	35200-MKF-D41	-	-	-	1	-	-	-	-----	-----	2BR,2KO,2RU
	35200-MKF-D42	-	-	-	1	-	-	-	-----	-----	HK000898 2ED
	35200-MKF-D41	-	-	-	1	-	-	-	-----	-----	HK000899 2ED
	35200-MKF-D42	-	-	-	1	-	-	-	-----	-----	2BR,2ED,2FO,2GS,2IN,2KO,2RU,2TH,2U
	35200-MKF-D41	-	-	-	1	-	-	1	-----	-----	2ED
4	35335-MCJ-751	SWITCH SET, CLUTCH	1	1	1	1	1	1	1			
5	53140-MKF-D41	GRIP ASSY., THROTTLE	1	1	1	1	1	1	1			
6	53166-MY9-890	GRIP, L. HANDLE	1	1	1	1	1	1	1			
7	53182-MCJ-750	LEVER COMP., L. HANDLE	1	1	1	1	1	1	1			
8	53183-MCJ-750	BOLT, CABLE ADJUSTING	1	1	1	1	1	1	1			
9	53190-MCJ-751	SPRING SET, CLUTCH LEVER	1	1	1	1	1	1	1			



F-4

HANDLE LEVER/SWITCH/CABLE

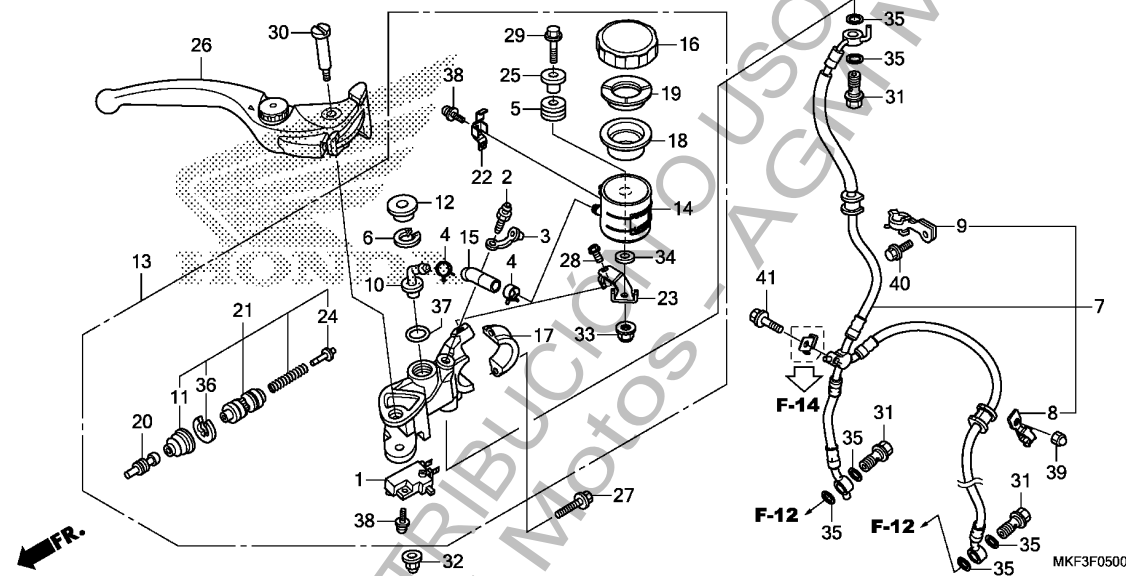


Ref. No.	Part No.	Description	Reqd. QTY								Serial No.	Parts catalogue code
			RR H	RR J	RA H	RA J	S1 H	S1 J	S2 H	S2 J		
10	53195-MCJ-751	BRACKET SET, CLUTCH LEVER ...	1	1	1	1	1	1	1	1		
11	90013-GHB-650	BOLT, FLANGE, 6X20	1	1	1	1	1	1	1	1		
12	90122-MCJ-750	BOLT, LEVER PIVOT	1	1	1	1	1	1	1	1		
13	90123-MCJ-751	SCREW, PAN, 4X10	1	1	1	1	1	1	1	1		
14	90124-MCJ-752	SCREW, FLAT, 3X16	1	1	1	1	1	1	1	1		
15	90301-MCJ-750	NUT, U, 6MM	1	1	1	1	1	1	1	1		
16	90508-MGE-D00	SCREW-WASHER, 5X25	4	4	4	4	4	4	4	4		
17	90650-KW3-000	BAND, WIRE	1	1	1	1	1	1	1	1		
18	90690-MEF-800	CLAMP, HARNESS	1	1	1	1	1	1	1	1		
19	93892-04008-07	SCREW-WASHER, 4X8	4	4	4	4	4	4	4	4		
20	93892-05016-07	SCREW-WASHER, 5X16	1	1	1	1	1	1	1	1		
21	94002-08000-0S	NUT, HEX., 8MM	2	2	2	2	2	2	2	2		

3

F-5

FRONT BRAKE MASTER CYLINDER(CBR1000RR)

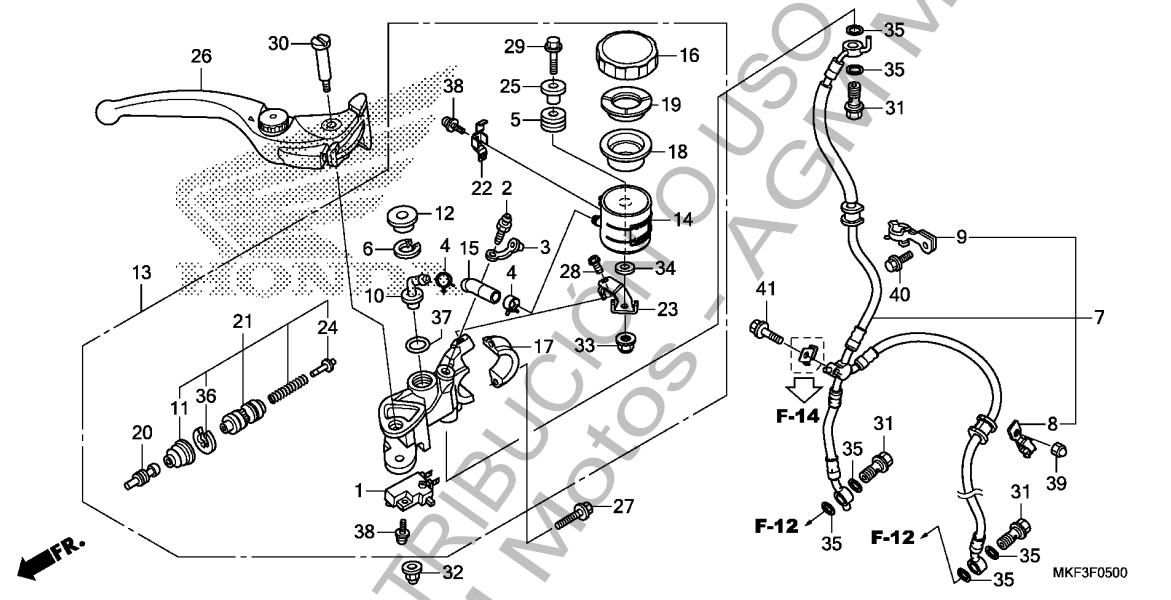


Ref. No.	L.O.N.	(Relative ref. Number) Description	F.R.T.
1	6151B2	SWITCH, FRONT STOP	0.2
7	7121A0	HOSE, FRONT BRAKE	0.5
13	712105	CYLINDER, FRONT BRAKE MASTER .INCLUDES: Bleed brakes	0.5
14	7121H4	CUP, FRONT MASTER CYLINDER OIL .INCLUDES: Bleed brakes	0.2
18	7121G6	DIAPHRAGM, FRONT BRAKE MASTER CYLINDER	0.1
21	7121G9	PISTON SET, FRONT BRAKE MASTER .INCLUDES: Bleed brakes	0.5
26	8101C7	LEVER, HANDLE :RIGHT	0.1
	8101F5	LEVER, HANDLE :BOTH	0.2

Ref. No.	Part No.	Description	Reqd. QTY								Serial No.	Parts catalogue code		
			RR H	RR J	RA H	RA J	S1 H	S1 J	S2 H	S2 J				
1	35340-MGS-D31	SWITCH ASSY., FR. STOP	1	1	-	-	-	-	-	-	-	-		
2	43352-568-003	SCREW, BLEEDER(NISSIN)	1	1	-	-	-	-	-	-	-	-		
3	43353-461-771	CAP, BLEEDER	1	1	-	-	-	-	-	-	-	-		
4	43514-KS6-701	CLAMP, MASTER CYLINDER OIL												
5	43516-MCJ-006	RUBBER, OIL CUP	1	1	-	-	-	-	-	-	-	-		
6	43517-KS6-701	CIRCLIP, RR. MASTER CYLINDER (FOR FR.)	1	1	-	-	-	-	-	-	-	-		
7	45125-MKF-A21	HOSE COMP., FR. BRAKE	1	1	-	-	-	-	-	-	-	-		
8	45158-MFL-D00	CLAMPER A, FR. BRAKE HOSE ...	1	1	-	-	-	-	-	-	-	-		
9	45159-MFL-000	CLAMPER B, FR. BRAKE HOSE ...	1	1	-	-	-	-	-	-	-	-		
10	45503-KV3-006	CONNECTOR, MASTER CYLINDER ..	1	1	-	-	-	-	-	-	-	-		
11	45504-MCF-006	BOOT COMP.	1	1	-	-	-	-	-	-	-	-		
12	45505-KV3-006	COVER, DUST	1	1	-	-	-	-	-	-	-	-		
13	45510-MKF-D41	CYLINDER SUB ASSY., FR. BRAKE MASTER(NISSIN)	1	1	-	-	-	-	-	-	-	-		
14	45511-MKF-D41	CUP COMP., OIL	1	1	-	-	-	-	-	-	-	-		
15	45512-MWO-006	HOSE, MASTER CYLINDER OIL ...	1	1	-	-	-	-	-	-	-	-		
16	45513-MEL-D21	CAP, OIL CUP	1	1	-	-	-	-	-	-	-	-		
17	45517-MFL-006	HOLDER, MASTER CYLINDER	1	1	-	-	-	-	-	-	-	-		
18	45520-300-000	DIAPHRAGM	1	1	-	-	-	-	-	-	-	-		
19	45521-MJ6-006	PLATE, DIAPHRAGM	1	1	-	-	-	-	-	-	-	-		
20	45525-MEL-016	ROD, PUSH	1	1	-	-	-	-	-	-	-	-		
21	45530-MEL-006	CYLINDER SET, MASTER	1	1	-	-	-	-	-	-	-	-		
22	45535-MR8-901	PLATE, STOP	1	1	-	-	-	-	-	-	-	-		

F-5

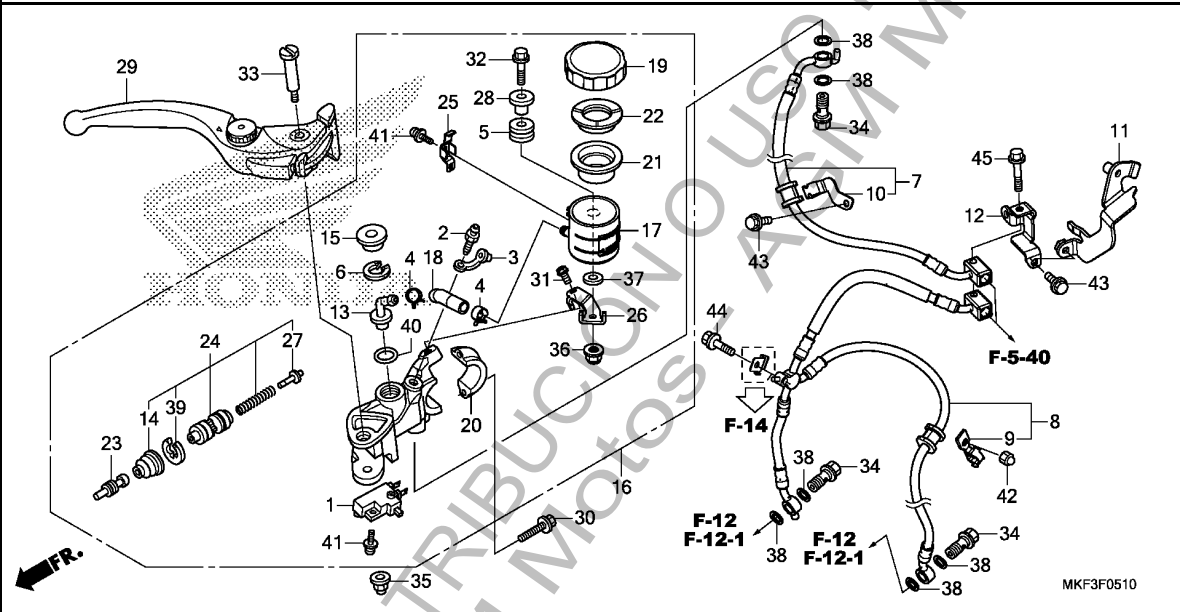
FRONT BRAKE MASTER CYLINDER(CBR1000RR)



Ref. No.	Part No.	Description	Reqd. QTY								Serial No.	Parts catalogue code
			RR H	RR J	RA H	RA J	S1 H	S1 J	S2 H	S2 J		
23	45550-MKF-D41	STAY, FR. BRAKE MASTER CYLINDER	1	1	-	-	-	-	-	-		
24	46140-MEL-006	GUIDE, SPRING	1	1	-	-	-	-	-	-		
25	50324-425-010	COLLAR, 6.3X13	1	1	-	-	-	-	-	-		
26	53170-MEL-006	LEVER ASSY., R. HANDLE	1	1	-	-	-	-	-	-		
27	90013-GHB-660	BOLT, FLANGE, 6X22	2	2	-	-	-	-	-	-		
28	90101-MKF-D40	BOLT, FLANGE, 6X12	1	1	-	-	-	-	-	-		
29	90102-MKF-D40	BOLT, FLANGE, 6X28	1	1	-	-	-	-	-	-		
30	90114-MCF-006	BOLT, HANDLE LEVER	1	1	-	-	-	-	-	-		
31	90145-MS9-612	BOLT, OIL, 10X22	3	3	-	-	-	-	-	-		
32	90201-415-000	NUT, CAP, 6MM	1	1	-	-	-	-	-	-		
33	90301-MG3-000	NUT, U, 6MM	1	1	-	-	-	-	-	-		
34	90473-147-000	WASHER, 6X16	1	1	-	-	-	-	-	-		
35	90545-300-000	WASHER, OIL BOLT	6	6	-	-	-	-	-	-		
36	90651-MCF-006	CIRCLIP	1	1	-	-	-	-	-	-		
37	91212-422-006	O-RING, 14.8X2.4	1	1	-	-	-	-	-	-		
38	93893-04012-17	SCREW-WASHER, 4X12	2	2	-	-	-	-	-	-		
39	94021-06070-0S	NUT, CAP, 6MM	1	1	-	-	-	-	-	-		
40	96001-06012-07	BOLT, FLANGE, 6X12	1	1	-	-	-	-	-	-		
41	96001-06018-07	BOLT, FLANGE, 6X18	1	1	-	-	-	-	-	-		

F-5-10

FRONT BRAKE MASTER CYLINDER(CBR1000RA/S1/S2)



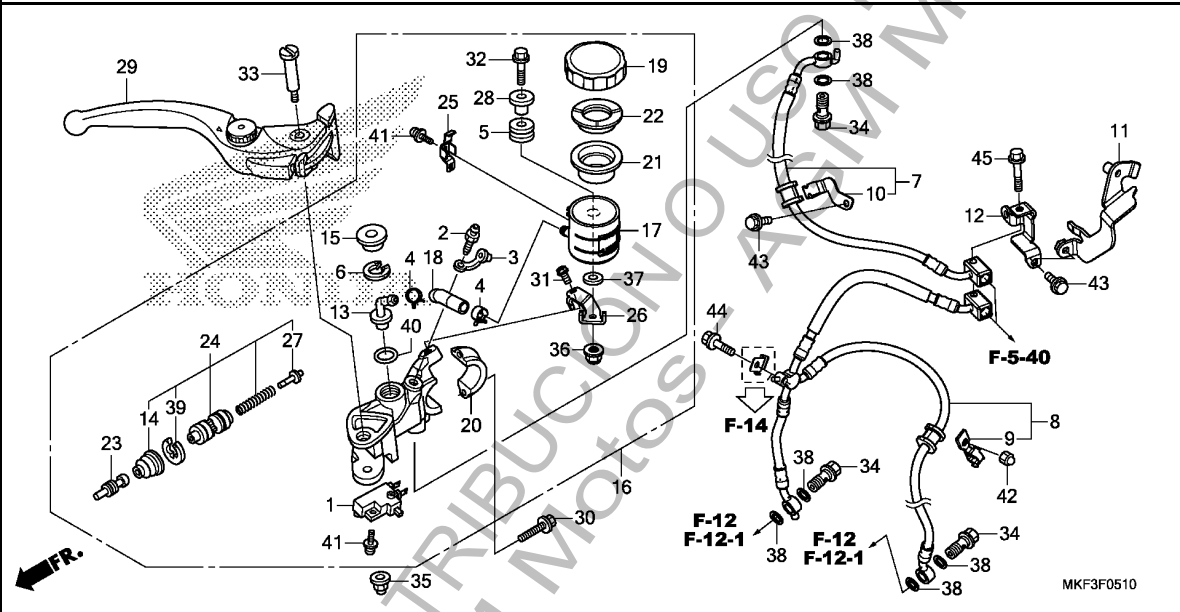
Ref. No.	L.O.N.	(Relative ref. Number) Description	F.R.T.
1	6151B2	SWITCH, FRONT STOP	0.2
7	712127	HOSE A, FRONT BRAKE	0.3
8	7121L5	HOSE D, FRONT BRAKE	0.4
16	712105	CYLINDER, FRONT BRAKE MASTER	0.5
17	7121H4	CUP, FRONT MASTER CYLINDER OIL	0.2
21	7121G6	DIAPHRAGM, FRONT BRAKE MASTER CYLINDER	0.1
24	7121G9	PISTON SET, FRONT BRAKE MASTER	0.5
29	8101C7	LEVER, HANDLE :RIGHT	0.1
	8101F5	LEVER, HANDLE :BOTH	0.2

Ref. No.	Part No.	Description	Reqd. QTY								Serial No.	Parts catalogue code
			RR H	RR J	RA H	RA J	S1 H	S1 J	S2 H	S2 J		
1	35340-MGS-D31	SWITCH ASSY., FR. STOP	-	-	1	1	1	1	1	1		
2	43352-568-003	SCREW, BLEEDER(NISSIN)	-	-	1	1	1	1	1	1		
3	43353-461-771	CAP, BLEEDER	-	-	1	1	1	1	1	1		
4	43514-KS6-701	CLAMP, MASTER CYLINDER OIL HOSE	-	-	2	2	2	2	2	2		
5	43516-MCJ-006	RUBBER, OIL CUP	-	-	1	1	1	1	1	1		
6	43517-KS6-701	CIRCLIP, RR. MASTER CYLINDER (FOR FR.)	-	-	1	1	1	1	1	1		
7	45124-MKF-D41	HOSE COMP. A, FR. BRAKE	-	-	1	1	1	1	1	1	-----	2BR,2ED,2FO,2GS,2IN,2KO,2RU,2TH,2U,BR,ED,FO,GS KO,RU,TH,U
	45124-MKF-H41	-	-	1	1	1	1	-	-	-----	2CH,CH
8	45127-MKF-D41	HOSE COMP. D, FR. BRAKE	-	-	1	1	-	-	-	-	-----	2BR,2ED,2FO,2GS,2IN,2KO,2RU,2TH,2U,BR,ED,FO,GS KO,RU,TH,U
	45127-MKF-H41	-	-	1	1	-	-	-	-	-----	2CH,CH
	45127-MKF-D61	-	-	-	1	1	1	1	1	-----	2BR,2ED,2FO,2GS,2IN,2KO,2RU,2TH,2U
	45127-MKF-H61	-	-	-	1	1	1	1	1	-----	2CH
9	45158-MFL-D00	CLAMPER A, FR. BRAKE HOSE	-	-	1	1	1	1	1	1		
10	45159-MFL-D00	CLAMPER B, FR. BRAKE HOSE	-	-	1	1	1	1	1	1		
11	45162-MFL-D00	STAY COMP. A, FR. BRAKE HOSE	-	-	1	1	1	1	1	1		
12	45163-MFL-D00	STAY B, FR. BRAKE HOSE	-	-	1	1	1	1	1	1		
13	45503-KV3-006	CONNECTOR, MASTER CYLINDER	-	-	1	1	1	1	1	1		
14	45504-MCF-006	BOOT COMP.	-	-	1	1	1	1	1	1		
15	45505-KV3-006	COVER, DUST	-	-	1	1	1	1	1	1		
16	45510-MKF-D41	CYLINDER SUB ASSY., FR. BRAKE MASTER(NISSIN)	-	-	1	1	1	1	1	1		
17	45511-MKF-D41	CUP COMP., OIL	-	-	1	1	1	1	1	1		



F-5-10

FRONT BRAKE MASTER CYLINDER(CBR1000RA/S1/S2)

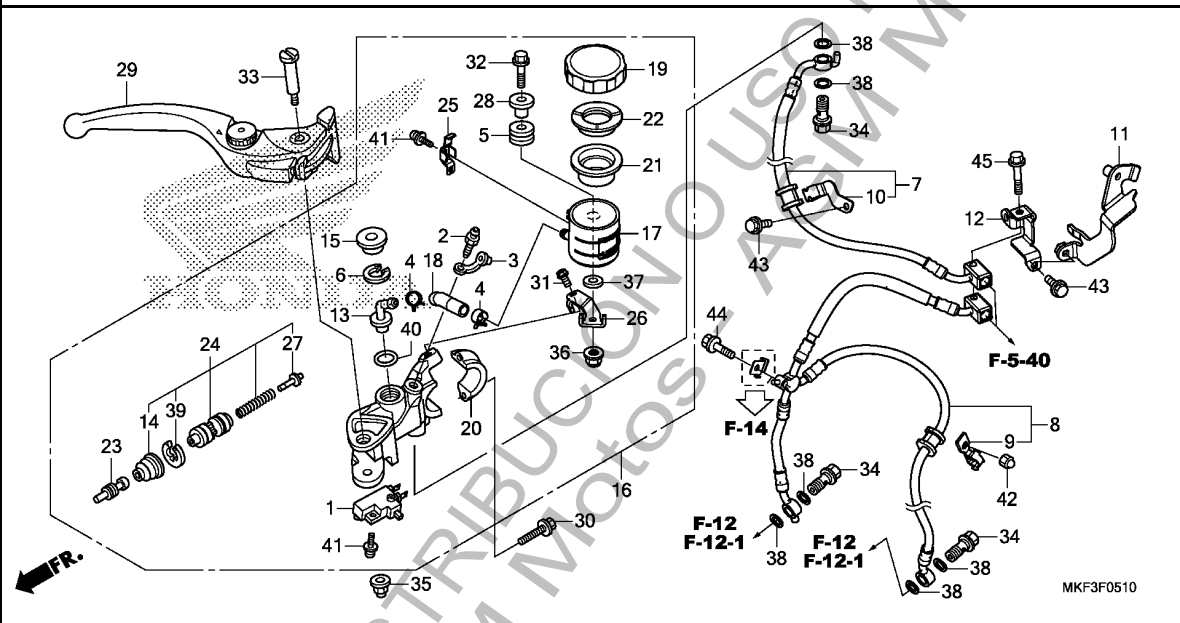


Ref. No.	Part No.	Description	Reqd. QTY								Serial No.	Parts catalogue code
			RR H	RR J	RA H	RA J	S1 H	S1 J	S2 H	S2 J		
18	45512-MW0-006	HOSE, MASTER CYLINDER OIL ...	-	-	1	1	1	1	1	1		
19	45513-MEL-D21	CAP, OIL CUP	-	-	1	1	1	1	1	1		
20	45517-MFL-006	HOLDER, MASTER CYLINDER	-	-	1	1	1	1	1	1		
21	45520-300-000	DIAPHRAGM	-	-	1	1	1	1	1	1		
22	45521-MJ6-006	PLATE, DIAPHRAGM	-	-	1	1	1	1	1	1		
23	45525-MEL-016	ROD, PUSH	-	-	1	1	1	1	1	1		
24	45530-MEL-006	CYLINDER SET, MASTER	-	-	1	1	1	1	1	1		
25	45535-MR8-901	PLATE, STOP	-	-	1	1	1	1	1	1		
26	45550-MKF-D41	STAY, FR. BRAKE MASTER CYLINDER	-	-	1	1	1	1	1	1		
27	46140-MEL-006	GUIDE, SPRING	-	-	1	1	1	1	1	1		
28	50324-425-010	COLLAR, 6.3X13	-	-	1	1	1	1	1	1		
29	53170-MEL-006	LEVER ASSY., R. HANDLE	-	-	1	1	1	1	1	1		
30	90013-GHB-660	BOLT, FLANGE, 6X22	-	-	2	2	2	2	2	2		
31	90101-MKF-D40	BOLT, FLANGE, 6X12	-	-	1	1	1	1	1	1		
32	90102-MKF-D40	BOLT, FLANGE, 6X28	-	-	1	1	1	1	1	1		
33	90114-MCF-006	BOLT, HANDLE LEVER	-	-	1	1	1	1	1	1		
34	90145-MS9-612	BOLT, OIL, 10X22	-	-	3	3	3	3	3	3		
35	90201-415-000	NUT, CAP, 6MM	-	-	1	1	1	1	1	1		
36	90301-MG3-000	NUT, U, 6MM	-	-	1	1	1	1	1	1		
37	90473-147-000	WASHER, 6X16	-	-	1	1	1	1	1	1		
38	90545-300-000	WASHER, OIL BOLT	-	-	6	6	6	6	6	6		
39	90651-MCF-006	CIRCLIP	-	-	1	1	1	1	1	1		
40	91212-422-006	O-RING, 14.8X2.4	-	-	1	1	1	1	1	1		

3

F-5-10

FRONT BRAKE MASTER CYLINDER(CBR1000RA/S1/S2)

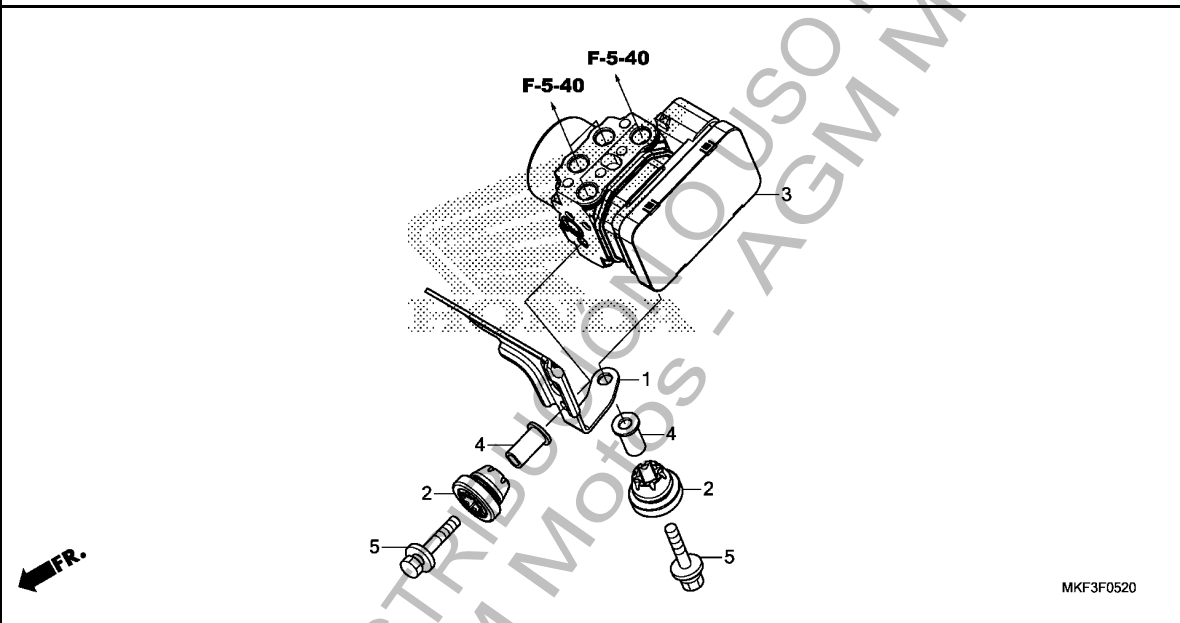


Ref. No.	Part No.	Description	Reqd. QTY								Serial No.	Parts catalogue code
			RR	RR	RA	RA	S1	S1	S2	S2		
			H	J	H	J	H	J	H	J		
41	93893-04012-17	SCREW-WASHER, 4X12	-	-	2	2	2	2	2	2		
42	94021-06070-0S	NUT, CAP, 6MM	-	-	1	1	1	1	1	1		
43	96001-06012-07	BOLT, FLANGE, 6X12	-	-	2	2	2	2	2	2		
44	96001-06018-07	BOLT, FLANGE, 6X18	-	-	1	1	1	1	1	1		
45	96001-06035-07	BOLT, FLANGE, 6X35	-	-	1	1	1	1	1	1		

PROHIBIDO SU DISTRIBUCION EN MOTOS
19-07-2019

F-5-20

ABS MODULATOR



Ref. No.	L.O.N.	(Relative ref. Number) Description	F.R.T.
3	7111H1	MODULATOR, ABSINCLUDES: Bleed brakes	1.1

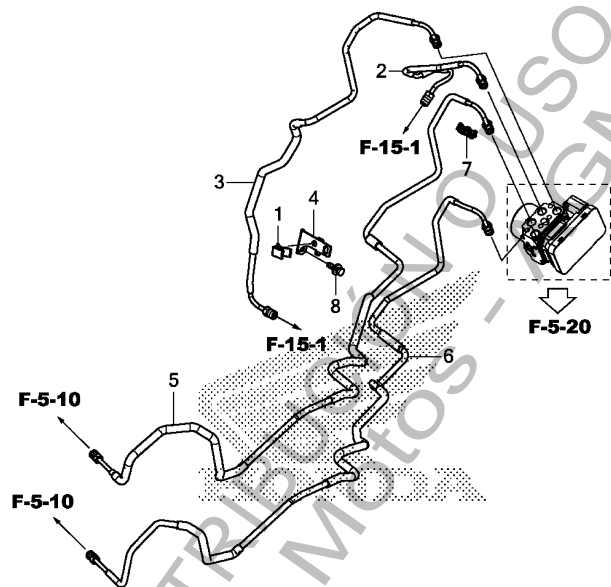
3

Ref. No.	Part No.	Description	Reqd. QTY								Serial No.	Parts catalogue code
			RR H	RR J	RA H	RA J	S1 H	S1 J	S2 H	S2 J		
1	50406-MKF-D40	STAY, INERTIAL MEASUREMENT UNIT	-	-	1	1	1	1	1	1		
2	57101-SJA-003	RUBBER, MOUNT	-	-	2	2	2	2	2	2		
3	57110-MKF-D41	MODULATOR ASSY.	-	-	1	1	-	-	-	-		
4	57110-MKF-D61	-	-	-	-	1	1	1	1		
4	57409-MFJ-A50	COLLAR, FR. POWER UNIT MOUNTING	-	-	2	2	2	2	2	2		
5	90124-MKF-D40	BOLT-WASHER, 6X32	-	-	2	2	2	2	2	2		

PROHIBIDO SU DISTRIBUCION - AGM MOTOS - 19-07-2019

F-5-40

BRAKE PIPE

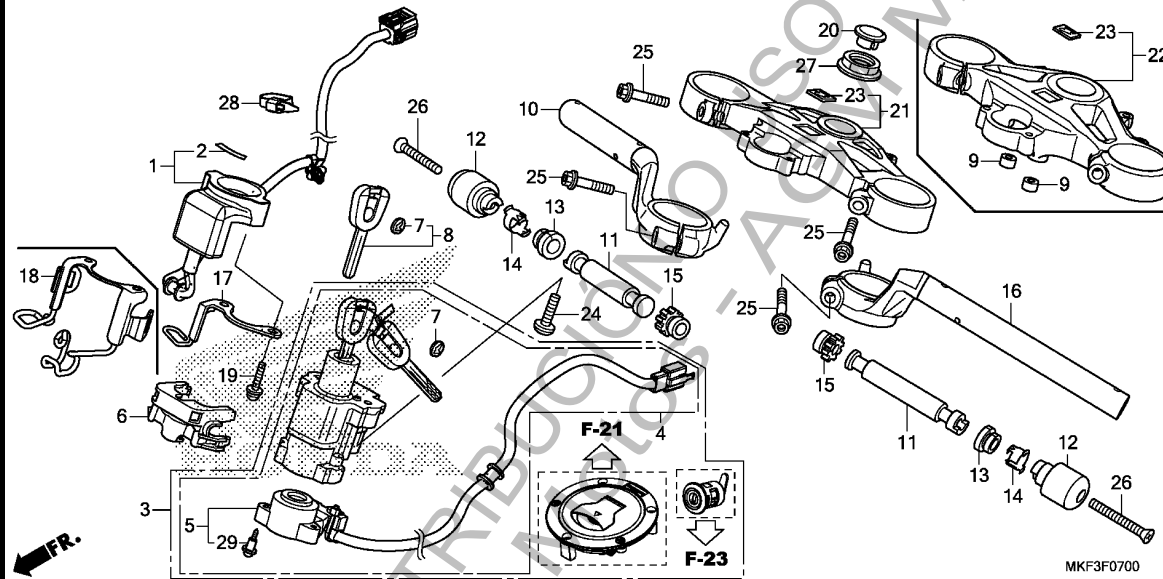


Ref. No.	L.O.N.	(Relative ref. Number) Description	F.R.T.
2	7121D8	PIPE B, REAR BRAKEINCLUDES: Bleed brakes	0.4
3	7121D9	PIPE C, REAR BRAKEINCLUDES: Bleed brakes	0.8
5	7121C8	PIPE B, FRONT BRAKEINCLUDES: Bleed brakes	3.1
6	7121C9	PIPE C, FRONT BRAKEINCLUDES: Bleed brakes	3.1

Ref. No.	Part No.	Description	Reqd. QTY								Serial No.	Parts catalogue code
			RR H	RR J	RA H	RA J	S1 H	S1 J	S2 H	S2 J		
1	17915-SL0-003	CLIP, THROTTLE WIRE	-	-	1	1	1	1	1	1		
2	43311-MKF-D40	PIPE COMP. B, RR. BRAKE	-	-	1	1	1	1	1	1		
3	43312-MKF-D40	PIPE COMP. C, RR. BRAKE	-	-	1	1	1	1	1	1		
4	43314-MKF-D40	STAY A, RR. BRAKE PIPE	-	-	1	1	1	1	1	1		
5	45125-MKF-D40	PIPE COMP. B, FR. BRAKE	-	-	1	1	1	1	1	1		
6	45126-MKF-D40	PIPE COMP. C, FR. BRAKE	-	-	1	1	1	1	1	1		
7	90661-MCA-003	CLAMP, BRAKE PIPE(6.8X2)	-	-	1	1	1	1	1	1		
8	93401-05012-08	BOLT-WASHER, 5X12	-	-	1	1	1	1	1	1		

F-7

HANDLE PIPE/TOP BRIDGE



Ref. No.	L.O.N.	(Relative ref. Number) Description	F.R.T.
1	6141A2	RECEIVER UNIT, IMMOBILIZER ...	0.6
3	6151A1	KEY SET	1.4
4	6151A5	SWITCH, COMBINATION & LOCKINCLUDES: HISS memorization	1.1
5	6151C2	BASE, CONTACT	0.6
10	8101B1	PIPE, STEERING HANDLE :RIGHT - (13,15)	0.6
11	8101D6	WEIGHT B, HANDLE :LEFT	0.2
	8101D7	WEIGHT B, HANDLE :RIGHT	0.3
	8101D8	WEIGHT B, HANDLE :BOTH	0.5
16	8101B0	PIPE, STEERING HANDLE :LEFT ..	0.7
	8101B2	PIPE, STEERING HANDLE :BOTH .. (22)	0.9
21	510110	BRIDGE, FORK TOP	0.7

3

Ref. No.	Part No.	Description	Reqd. QTY								Serial No.	Parts catalogue code
			RR	RR	RA	CBR1000		S1	S2	S2		
			H	J	H	RA	S1	S2	H	J		
1	30430-MKF-D41	RECEIVER UNIT	1	-	1	-	-	-	-	-	-	2GS,2TH,2U,GS,TH,U
	30430-MKF-D42	-	1	-	-	-	-	-	-	-	2CH,CH
	30430-MKF-H11	-	-	1	1	-	-	-	-	-	2FO,FO
	30430-MKF-W11	-	-	1	1	-	-	-	-	-	2IN
	30430-MKF-N41	-	-	1	1	-	-	-	-	-	2KO,KO
	30430-MKF-K11	-	-	1	1	-	-	-	-	-	2BR
	30430-MKF-D42	-	-	1	-	-	-	-	-	-	2ED,2RU,ED,RU
	30430-MKF-305	RECEIVER UNIT SET	-	-	1	-	-	-	-	-	-	2BR,2GS,2TH,2U,BR,GS,TH,U
	30430-MKF-D42	RECEIVER UNIT	-	-	-	1	-	-	-	-	-	2ED,2RU,ED,RU
	30430-MKF-325	RECEIVER UNIT SET	-	-	-	1	-	-	-	-	-	2CH
	30430-MKF-H61	RECEIVER UNIT	-	-	-	-	1	1	-	-	-	2FO
	30430-MKF-W61	-	-	-	-	1	1	-	-	-	2IN
	30430-MKF-N61	-	-	-	-	1	1	-	-	-	2KO
	30430-MKF-K61	-	-	-	-	1	1	-	-	-	2BR
	30430-MKF-D62	-	-	-	-	1	-	-	-	-	2ED,2RU
	30430-MKF-306	RECEIVER UNIT SET	-	-	-	-	1	-	-	-	-	2GS,2TH,2U
	30430-MKF-D61	RECEIVER UNIT	-	-	-	-	1	-	-	-	-	2BR,2GS,2TH,2U
	30430-MKF-D62	-	-	-	-	-	1	1	-	-	2ED,2RU
	30430-MKF-326	RECEIVER UNIT SET	-	-	-	-	-	1	1	-	-	2ED
	30430-MKF-316	-	-	-	-	-	-	1	-	-	
2	30432-MBW-E02	MARK, RECEIVER(HONDA LOCK) ..	1	1	1	1	1	1	1	1	1	
3	35010-MKF-D40	KEY SET	1	-	-	-	-	-	-	-	-	
	35010-MKF-D41	-	1	-	1	-	1	1	1	-	
	35010-MKF-D40	-	-	1	-	1	-	-	-	-	2FO,2IN,FO
		-	-	1	-	1	-	-	-	-	HK000001 2TH,TH
		-	-	1	-	1	-	-	-	-	HK000006 2U,U
	35010-MKF-D41	-	-	1	-	1	-	-	-	-	HK000002 2TH,TH
		-	-	1	-	1	-	-	-	-	HK000007 2U,U
		-	-	1	-	-	-	-	-	-	2BR,2CH,2ED,2KO,2RU,CH,ED,KO,RU

F-7

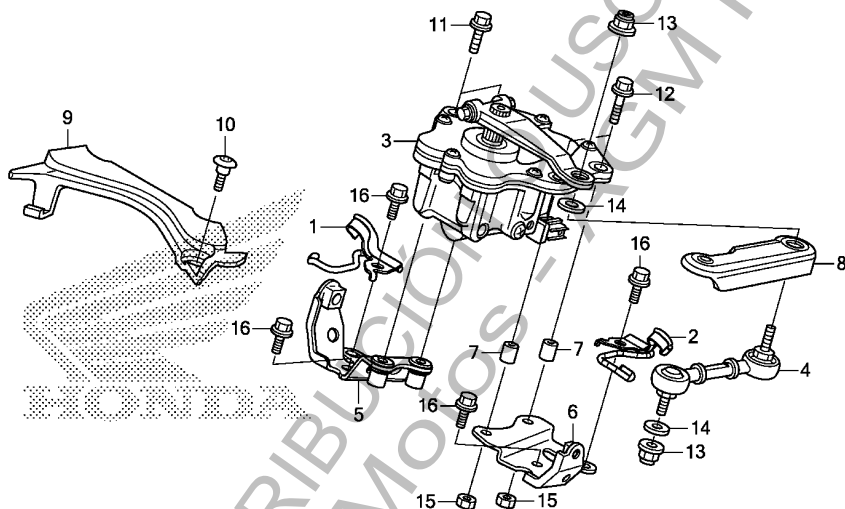
HANDLE PIPE/TOP BRIDGE

Ref. No.	Part No.	Description	Reqd. QTY								Serial No.	Parts catalogue code	
			RR H	RR J	RA H	RA J	S1 H	S1 J	S2 H	S2 J			
(3)	35010-MKF-D40	KEY SET	-	-	1	-	-	-	-	-	-----	HK000003	2GS,GS
	35010-MKF-D41	-	-	1	-	-	-	-	-	HK000004	-----	2GS,GS
			-	-	-	1	-	-	-	-	-----	-----	2BR,2CH,2ED,2GS,2KO,2RU
4	35100-MKF-D41	SWITCH ASSY., COMBINATION & LOCK	1	-	-	-	-	-	-	-			
	35100-MKF-D42	-	1	-	1	-	1	1	1			
	35100-MKF-D41	-	-	1	-	1	-	-	-	-----	-----	2FO,2IN,F0
			-	-	1	-	1	-	-	-	-----	-----	HK000001 2TH,TH
			-	-	1	-	1	-	-	-	-----	-----	HK000006 2U,U
	35100-MKF-D42	-	-	1	-	1	-	-	-	HK000002	-----	2TH,TH
			-	-	1	-	1	-	-	-	HK000007	-----	2U,U
			-	-	1	-	1	-	-	-	-----	-----	2BR,2CH,2ED,2KO,2RU,CH,ED,KO,RU
	35100-MKF-D41	-	-	1	-	-	-	-	-	-----	-----	HK000003 2GS,GS
	35100-MKF-D42	-	-	1	-	-	-	-	-	HK000004	-----	2GS,GS
			-	-	-	1	-	-	-	-	-----	-----	2BR,2CH,2ED,2GS,2KO,2RU
5	35101-MKF-D41	BASE COMP., CONTACT	1	1	1	1	1	1	1	1			
6	35105-MFJ-D01	GUIDE, CORD	1	1	1	1	-	-	-	-			
7	35113-MJK-N20	EMBLEM, KEY	4	4	4	4	4	4	4	4			
			(2)	(2)	(2)	(2)	(2)	(2)	(2)	(2)			
8	35121-MGP-D63	KEY, BLANK(IMMOBI)	(1)	(1)	(1)	(1)	(1)	(1)	(1)	(1)			
9	50615-MBL-610	COLLAR, STEP LOWER	-	-	-	-	2	2	2	2			
10	53100-MKF-D40	PIPE COMP., R. STEERING HANDLE	1	1	1	1	1	1	1	1			
11	53105-KV3-000	WEIGHT B, STEERING HANDLE ...	2	2	2	2	2	2	2	2			
12	53105-MEE-940	WEIGHT, STEERING HANDLE	2	2	2	2	2	2	2	2			
13	53107-MJ0-000	RUBBER B, HANDLE WEIGHT	2	2	2	2	2	2	2	2			
14	53108-MJ0-000	RING, HANDLE WEIGHT SNAP	2	2	2	2	2	2	2	2			
15	53109-MM5-000	RUBBER B, HANDLE WEIGHT	2	2	2	2	2	2	2	2			
16	53150-MKF-D40	PIPE COMP., L. STEERING HANDLE	1	1	1	1	1	1	1	1			
17	53191-MFL-000	STAY, CLUTCH CABLE	1	1	1	1	-	-	-	-			
18	53191-MKF-D60	STAY, CLUTCH & HARNESS	-	-	-	-	1	1	1	1			
19	53192-MFL-000	SCREW-WASHER, 5X25	2	2	2	2	2	2	2	2			
20	53232-MFL-010	CAP, STEERING NUT	1	1	1	1	-	-	-	-			
	53232-MCF-D31	-	-	-	-	1	1	1	1			
21	53300-MGP-D61	BRIDGE COMP., FORK TOP	1	1	1	1	-	-	-	-			
22	53300-MKF-D60	BRIDGE COMP., FORK TOP	-	-	-	-	1	1	1	1			
23	86150-KPG-901	EMBLEM, PRODUCT(MARUI)	1	1	1	1	1	1	1	1			
	86150-KPG-902	EMBLEM, PRODUCT(UEHARA)	1	1	1	1	1	1	1	1			
24	90107-MBG-000	BOLT, ONE-WAY, 8MM	2	2	2	2	-	-	-	-			
	90108-MCA-000	BOLT, ONE-WAY, 8X34	-	-	-	-	2	2	2	2			
25	90107-MGE-000	BOLT, FLANGE, 8X40	4	4	4	4	4	4	4	4			
26	90191-KT7-750	SCREW, OVAL, 6X60	2	2	2	2	2	2	2	2			
27	90304-MFL-000	NUT, STEERING STEM	1	1	1	1	1	1	1	1			
28	90650-KV6-003	BAND, WIRE, 95MM	1	1	1	1	1	1	1	1			
29	91059-KY2-711	SCREW, TAPPING, 3X16	3	3	3	3	3	3	3	3			



F-8

STEERING DAMPER



FR.

MKF3F0800

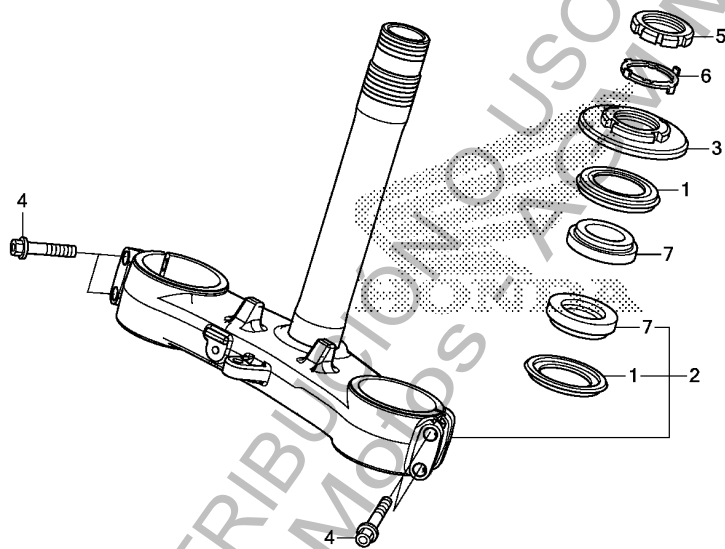
Ref. No.	L.O.N.	(Relative ref. Number) Description	F.R.T.
3	5101C4	DAMPER, STEERING	1.5

3

Ref. No.	Part No.	Description	Reqd. QTY								Serial No.	Parts catalogue code	
			RR H	RR J	RA H	RA J	S1 H	S1 J	S2 H	S2 J			
1	32123-MKF-D40	STAY, R. HARNESS	1	1	1	1	1	1	1	1	1		
2	32124-MKF-D40	STAY, L. HARNESS	1	1	1	1	1	1	1	1	1		
3	53700-MFL-013	DAMPER ASSY., STEERING	1	1	1	1	1	1	1	1	1		
4	53706-MFL-003	ARM COMP., SECOND	1	1	1	1	1	1	1	1	1		
5	53707-MKF-D40	STAY COMP., R. STEERING DAMPER	1	1	1	1	1	1	1	1	1		
6	53708-MFL-010	STAY COMP., L. STEERING DAMPER	1	1	1	1	1	1	1	1	1		
7	53709-MFL-000	COLLAR, STEERING DAMPER	2	2	2	2	2	2	2	2	2		
8	53711-MFL-000	COVER B, STEERING DAMPER	1	1	1	1	1	1	1	1	1		
9	53741-MFL-000	COVER, STEERING DAMPER	1	1	1	1	1	1	1	1	1		
10	90112-MEL-D20	BOLT, SPECIAL, 5X13	1	1	1	1	1	1	1	1	1		
11	90122-MFL-000	BOLT, FLANGE, 6X20	2	2	2	2	2	2	2	2	2		
12	90127-MFL-000	BOLT, FLANGE, 6X25	2	2	2	2	2	2	2	2	2		
13	90301-473-003	NUT, U, 6MM(FUSE RASHI)	2	2	2	2	2	2	2	2	2		
14	90443-MEL-000	WASHER, 6MM	2	2	2	2	2	2	2	2	2		
15	94001-06000-0S	NUT, HEX., 6MM	2	2	2	2	2	2	2	2	2		
16	96001-06016-00	BOLT, FLANGE, 6X16	4	4	4	4	4	4	4	4	4		

F-9

STEERING STEM



MKF3F0900

Ref. No.	L.O.N.	(Relative ref. Number) Description	F.R.T.
2	510100	STEM OR SHAFT ASSY., STEERING	1.7
	510100A	.Replace upper bearing add ... (1)	0.1
3	5101B2	THREAD, STEERING HEAD TOP (1)	0.5
7	5101B6	BEARING, HEAD PIPE :UPPER	1.7
	5101B7	BEARING, HEAD PIPE :LOWER	1.8
	5101C7	BEARING, HEAD PIPE :BOTH	1.9

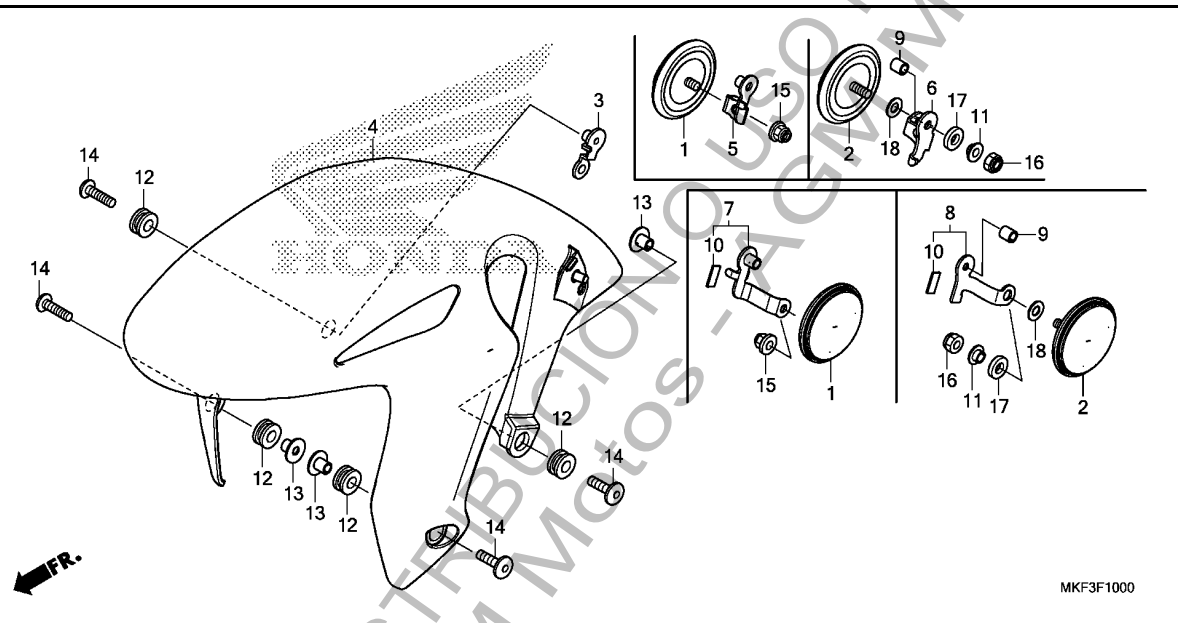
Ref. No.	Part No.	Description	Reqd. QTY								Serial No.	Parts catalogue code
			CBR1000									
			RR H	RR J	RA H	RA J	S1 H	S1 J	S2 H	S2 J		
1	53214-MR7-003	DUST SEAL, STEERING HEAD(ARAI)	2	2	2	2	2	2	2	2		
2	53219-MKF-D40	STEM SUB ASSY., STEERING	1	1	1	1	-	-	-	-		
	53219-MKF-D60	-	-	-	-	1	1	1	1		
3	53220-MFL-000	THREAD COMP., STEERING STEM	1	1	1	1	1	1	1	1		
4	90134-MEL-000	BOLT, 8X45	4	4	4	4	4	4	4	4		
5	90302-MFL-000	THREAD B, STEERING HEAD TOP	1	1	1	1	1	1	1	1		
6	90506-MR7-000	WASHER, STEERING STEM	1	1	1	1	1	1	1	1		
7	91016-MR7-003	BEARING, HEAD PIPE(NTN)	2	2	2	2	2	2	2	2		

3

PROHIBIDO DISTRIBUIR SIN AUTORIZACION DE USUARIOS Y MOTOR
19-07-2019

F-10

FRONT FENDER



Ref. No.	L.O.N.	(Relative ref. Number) Description	F.R.T.
----------	--------	------------------------------------	--------

4	4131B7	FENDER, FRONT	0.5
---	--------	---------------------	-----

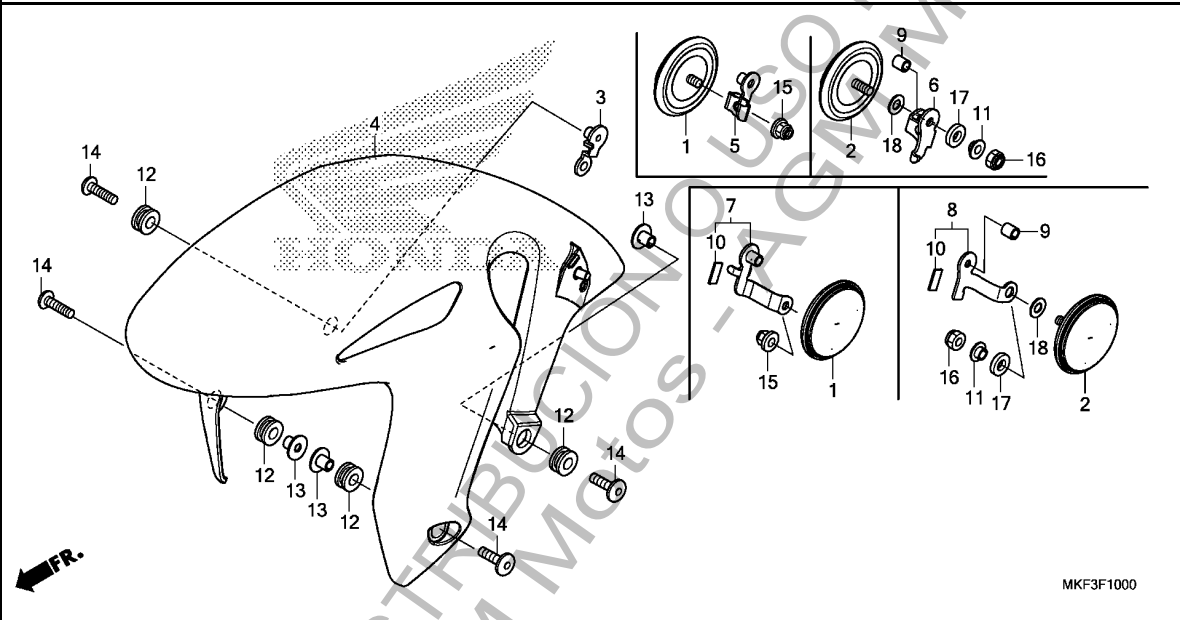
MKF3F1000

Ref. No.	Part No.	Description	Reqd. QTY								Serial No.	Parts catalogue code
			RR H	RR J	RA H	RA J	S1 H	S1 J	S2 H	S2 J		
1	33741-KAK-971	REFLECTOR, FR. REFLEX(AMBER)	2	2	2	2	-	-	-	-	-	2BR,2ED,2FO,2GS,2KO,2RU,2TH,2U,BR,ED,FO,GS,KO,RU,TH,U
	33741-KSH-901	-	-	2	2	-	-	-	-	-	2CH,CH
2	33741-KTG-U01	REFLECTOR, FR. REFLEX(AMBER)	-	-	-	-	2	2	2	2	-	2BR,2ED,2FO,2GS,2KO,2RU,2TH,2U
	33741-KSH-901	-	-	-	-	2	2	-	-	-	2CH
3	38518-MFL-D00	STAY, CORD CLAMPER	-	-	1	1	1	1	-	-	-	2IN
4	61100-MFL-000ZJ	FENDER COMP., FR.	-	-	-	-	-	-	-	-	-	-
	61100-MFL-000ZT	*R334*.....VICTORY RED *NHA86M* MAT BALLISTIC BLACK METALLIC	1	-	1	-	-	-	-	-	-	2BR,2CH,2ED,2FO,2GS,2IN,2KO,2RU,2TH,2U
	61100-MKF-D60ZB	*R380*.....GRAND PRIX RED *NHA86M* MAT BALLISTIC BLACK METALLIC	1	-	1	-	-	-	-	-	-	CH,ED,FO,GS,KO,RU,TH,U
	61100-MKF-D20ZA	*R334*.....VICTORY RED *NHA86M* MAT BALLISTIC BLACK METALLIC	-	1	-	1	-	-	-	-	-	2BR,2CH,2ED,2FO,2GS,2IN,2KO,2RU,2TH,2U
	61100-MKF-D60ZA	*R334*.....VICTORY RED *NHA86M* MAT BALLISTIC BLACK METALLIC	-	-	-	-	1	-	1	-	-	BR,CH,ED,FO,GS,KO,RU,TH,U
5	61101-MFL-690	STAY, R. FR. REFLECTOR	1	1	1	1	-	-	-	-	-	2BR,2CH,2ED,2FO,2GS,2KO,2RU,2TH,2U,BR,CH,ED,FO,GS,KO,RU,TH,U
6	61101-MKF-D60	STAY, R. FR. REFLECTOR	-	-	-	-	1	1	1	1	-	2BR,2CH,2ED,2FO,2GS,2KO,2RU,2TH,2U
7	61102-MGP-A80	STAY, L. FR. REFLECTOR	1	1	1	1	-	-	-	-	-	2BR,2CH,2ED,2FO,2GS,2KO,2RU,2TH,2U,BR,CH,ED,FO,GS,KO,RU,TH,U
8	61102-MKF-D60	STAY, L. FR. REFLECTOR	-	-	-	-	1	1	1	1	-	2BR,2CH,2ED,2FO,2GS,2KO,2RU,2TH,2U
9	61103-MFJ-A00	COLLAR, FR. REFLECTOR STAY ..	-	-	-	-	2	2	2	2	-	2BR,2CH,2ED,2FO,2GS,2KO,2RU,2TH,2U
10	64122-MFA-D00	RUBBER, PROTECTOR	1	1	1	1	1	1	1	1	-	2BR,2CH,2ED,2FO,2GS,2KO,2RU,2TH,2U,BR,CH,ED,FO,GS,KO,RU,TH,U
11	77103-MEE-000	COLLAR, SEAT SETTING	-	-	-	-	2	2	2	2	-	2BR,2CH,2ED,2FO,2GS,2KO,2RU,2TH,2U
12	80101-165-000	RUBBER, RR. FENDER CUSHION ..	4	4	4	4	4	4	4	4	-	-

3

F-10

FRONT FENDER



MKF3F1000

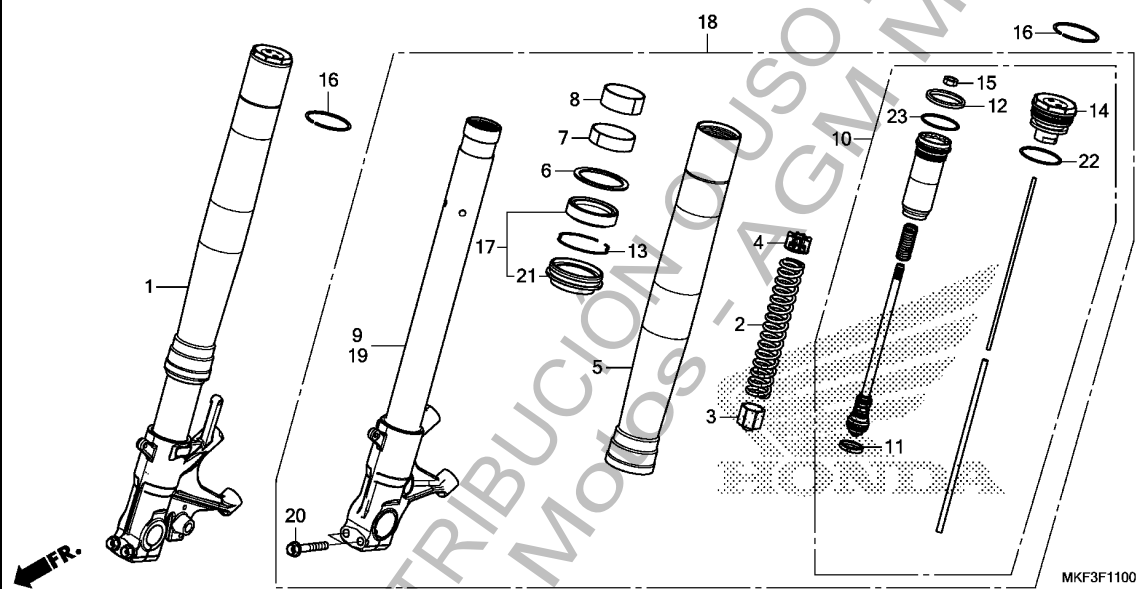
Ref. No.	Part No.	Description	Reqd. QTY								Serial No.	Parts catalogue code	
			RR H	RR J	RA H	RA J	S1 H	S1 J	S2 H	S2 J			
13	84706-163-670	COLLAR, TAILLIGHT MOUNTING ..	2	2	2	2	2	2	2	2	2	2	2BR,2CH,2ED,2FO,2GS,2KO,2RU,2TH,2U,BR,CH,ED,FO,GS,KO,RU,TH,U
14	90115-MFL-D20	SCREW, PAN, 6X20	-	-	3	3	3	3	-	-	-	-	2IN
15	90301-473-003	NUT, U, 6MM(FUSE RASHI)	2	2	2	2	-	-	-	-	-	-	2BR,2CH,2ED,2FO,2GS,2KO,2RU,2TH,2U,BR,CH,ED,FO,GS,KO,RU,TH,U
16	90301-782-000	NUT, U, 6MM	-	-	-	-	2	2	2	2	-	-	2BR,2CH,2ED,2FO,2GS,2KO,2RU,2TH,2U
17	90501-MCJ-000	RUBBER, WASHER	-	-	-	-	2	2	2	2	-	-	2BR,2CH,2ED,2FO,2GS,2KO,2RU,2TH,2U
18	94101-06000	WASHER, PLAIN, 6MM	-	-	-	-	2	2	2	2	-	-	2BR,2CH,2ED,2FO,2GS,2KO,2RU,2TH,2U

3

PROHIBIDO SU DISTRIBUCION EN MOTOCICLETAS
19-07-2019

F-11

FRONT FORK(CBR1000RR/RA)



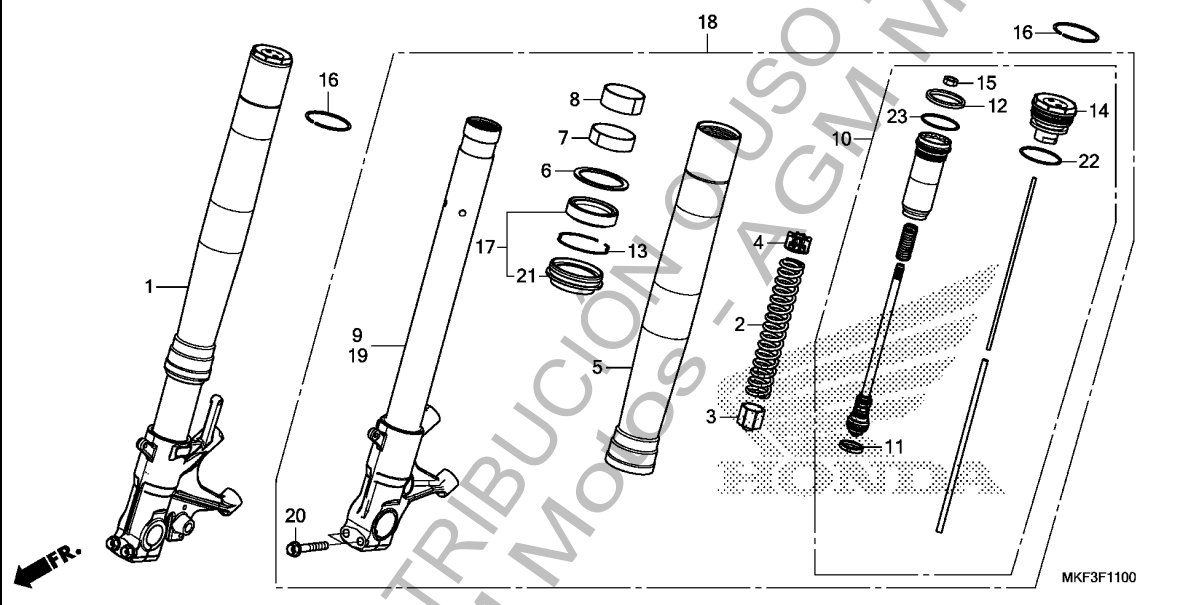
Ref. No.	L.O.N.	(Relative ref. Number) Description	F.R.T.
1	5111C3	FORK ASSY., FRONT :RIGHT	0.8
2	5111C5	SPRING, FRONT FORK :LEFT	1.1
	5111C6	SPRING, FRONT FORK :RIGHT	1.1
	5111C7	SPRING, FRONT FORK :BOTH	1.7
5	5111C8	TUBE, OUTER :LEFT	1.2
	5111C9	TUBE, OUTER :RIGHT	1.2
	5111D0	TUBE, OUTER :BOTH	1.9
9	5111D5	PIPE, SLIDE :RIGHT	1.2
10	(11,12,22,23)		
	5111D8	DAMPER, FRONT FORK :LEFT	1.1
	5111D9	DAMPER, FRONT FORK :RIGHT	1.1
	5111E0	DAMPER, FRONT FORK :BOTH	1.7
17	(6,7,8)		
	5111E7	SEAL SET, FRONT FORK :LEFT	1.2
	5111E8	SEAL SET, FRONT FORK :RIGHT	1.2
	5111E9	SEAL SET, FRONT FORK :BOTH	1.9
18	5111C2	FORK ASSY., FRONT :LEFT	0.8
	5111C4	FORK ASSY., FRONT :BOTH	1.1
19	5111D4	PIPE, SLIDE :LEFT	1.2
	5111D6	PIPE, SLIDE :BOTH	1.9

3

Ref. No.	Part No.	Description	Reqd. QTY								Serial No.	Parts catalogue code
			CBR1000									
			RR	RR	RA	RA	S1	S2	S2			
			H	J	H	J	H	J	H	J		
1	51400-MKF-D41	FORK ASSY., R. FR.(SHOWA)	1	1	1	1	-	-	-	-	2BR,2CH,2ED,2FO,2GS,2KO,2RU,2TH,2U	
	51400-MKF-D11	1	1	1	1	-	-	-	-	BR,CH,ED,FO,GS,KO,RU,TH,U	
	51400-MKF-305	-	-	1	1	-	-	-	-	2IN	
2	51401-MKF-D41	SPRING, FR. FORK	2	2	2	2	-	-	-	-		
3	51403-MGP-D01	COLLAR, SPRING	2	2	2	2	-	-	-	-		
4	51404-MGP-D01	COLLAR B, SPRING	2	2	2	2	-	-	-	-		
5	51410-MGP-M31	TUBE, OUTER	2	2	2	2	-	-	-	-	2BR,2CH,2ED,2FO,2GS,2IN,2KO,2RU,2TH,2U	
	51410-MGP-D01	2	2	2	2	-	-	-	-	BR,CH,ED,FO,GS,KO,RU,TH,U	
6	51412-MEL-003	RING, BACK UP	2	2	2	2	-	-	-	-		
7	51414-MFN-D01	BUSH, GUIDE	2	2	2	2	-	-	-	-		
8	51415-MGP-D01	BUSH, SLIDER	2	2	2	2	-	-	-	-		
9	51425-MGP-D71	PIPE COMP., R. SLIDE	1	1	1	1	-	-	-	-		
10	51430-MKF-D41	ROD COMP., PISTON	2	2	2	2	-	-	-	-		
11	51437-MGP-D01	RING, PISTON	2	2	2	2	-	-	-	-		
12	51438-MGP-D01	RING B, PISTON	2	2	2	2	-	-	-	-		
13	51447-KA4-711	RING, OIL SEAL STOPPER(SHOWA)	2	2	2	2	-	-	-	-		
14	51450-MGP-D61	BOLT COMP., FR. FORK	2	2	2	2	-	-	-	-		
15	51451-MGP-D01	NUT, HEX.	2	2	2	2	-	-	-	-		
16	51455-MW4-003	RING, STOPPER	2	2	2	2	-	-	-	-		
17	51490-MFL-003	SEAL SET, FR. FORK	2	2	2	2	-	-	-	-		
18	51500-MKF-D41	FORK ASSY., L. FR.(SHOWA)	1	1	1	1	-	-	-	-	2BR,2CH,2ED,2FO,2GS,2KO,2RU,2TH,2U	
	51500-MKF-D11	1	1	1	1	-	-	-	-	BR,CH,ED,FO,GS,KO,RU,TH,U	
	51500-MKF-305	-	-	1	1	-	-	-	-	2IN	
19	51525-MGP-D61	PIPE COMP., L. SLIDE	1	1	1	1	-	-	-	-		
20	90109-MR7-000	BOLT, FLANGE, 8X45	4	4	4	4	-	-	-	-		

F-11

FRONT FORK(CBR1000RR/RA)



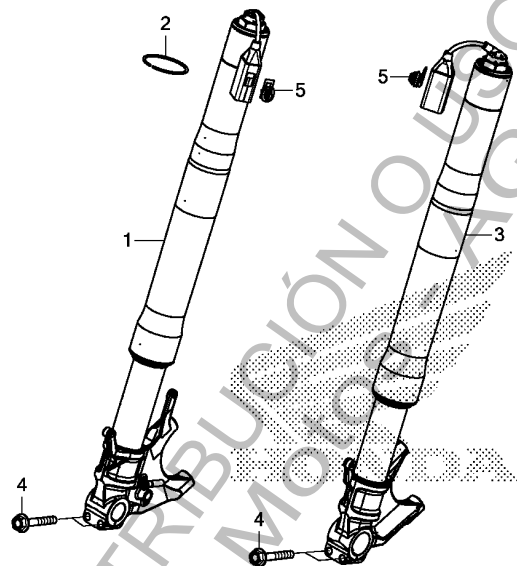
Ref. No.	Part No.	Description	Reqd. QTY								Serial No.	Parts catalogue code
			RR H	RR J	RA H	RA J	S1 H	S1 J	S2 H	S2 J		

21	91254-MEJ-013	SEAL, DUST	2	2	2	2	-	-	-	-		
22	91258-GF4-003	O-RING, 42.2X2.4	2	2	2	2	-	-	-	-		
23	91258-MGP-D01	O-RING, 39.5X1.8	2	2	2	2	-	-	-	-		

PROHIBIDO SU DISTRIBUCION A TERCEROS
 19-07-2019

F-11-1

FRONT FORK(CBR1000S1/S2)



FR.

MKF3F1101

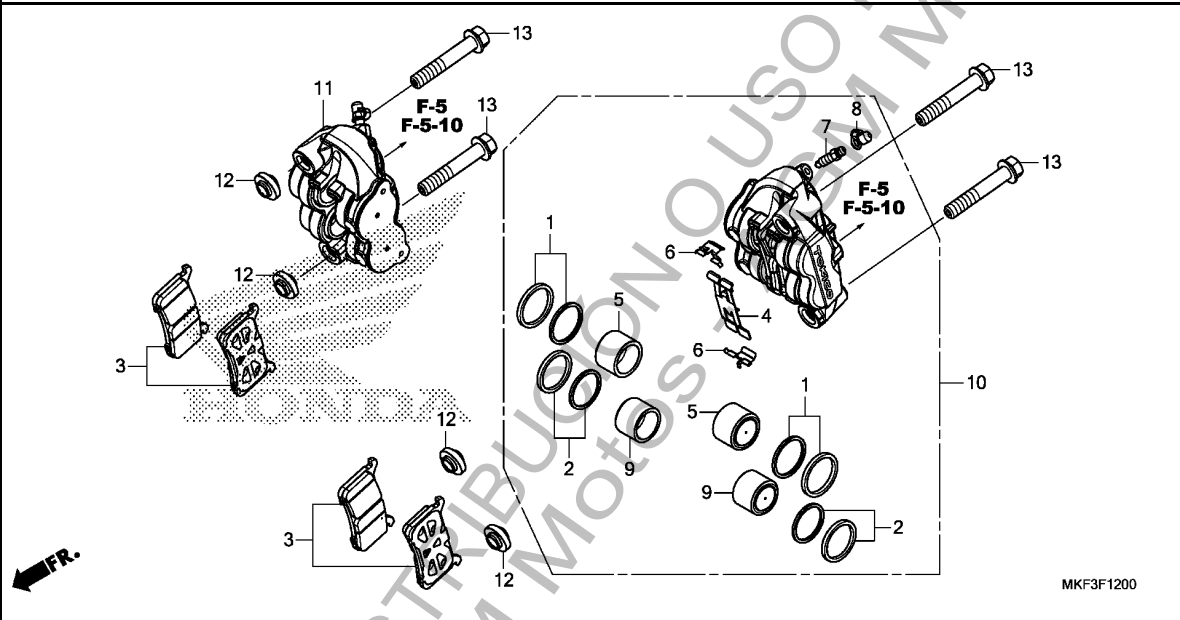
Ref. No.	L.O.N.	(Relative ref. Number) Description	F.R.T.
1	5111C3	FORK ASSY., FRONT :RIGHT	0.8
3	5111C2	FORK ASSY., FRONT :LEFT	0.8
	5111C4	FORK ASSY., FRONT :BOTH	1.1

3

Ref. No.	Part No.	Description	Reqd. QTY								Serial No.	Parts catalogue code
			RR H	RR J	RA H	RA J	S1 H	S1 J	S2 H	S2 J		
1	51400-MKF-D61	FORK ASSY., R. FR.(OHLINS) ..	-	-	-	-	1	-	1	-	-----	2ED,2FO,2GS,2K0,2RU,2TH,2U
	51400-MKF-D62	-	-	-	-	1	-	-	-	-----	2BR,2CH,2IN
2	51455-MW4-003	RING, STOPPER	-	-	-	-	-	1	-	1		
3	51500-MKF-D61	FORK ASSY., L. FR.(OHLINS) ..	-	-	-	-	1	-	1	-	-----	2ED,2FO,2GS,2K0,2RU,2TH,2U
	51500-MKF-D62	-	-	-	-	1	-	-	-	-----	2BR,2CH,2IN
4	90123-MKF-D60	BOLT, FLANGE, 8X35	-	-	-	-	4	4	4	4		
5	91535-TA0-003	CLIP, COUPLER(DARK BROWN) ...	-	-	-	-	2	2	2	2		

F-12

FRONT BRAKE CALIPER(CBR1000RR/RA)



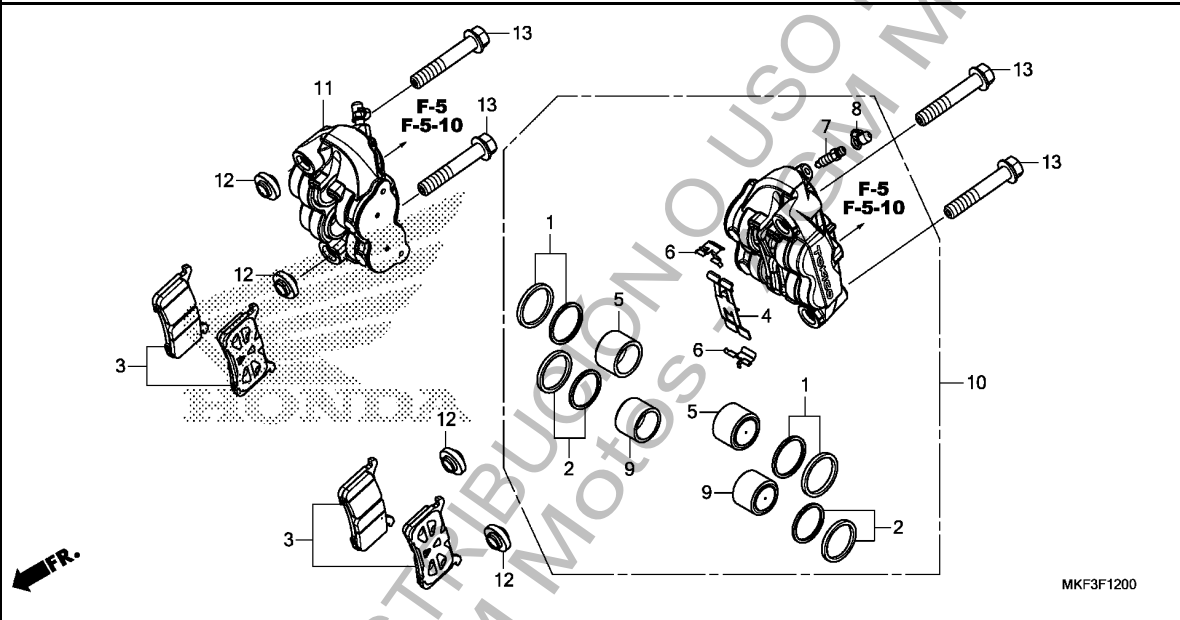
Ref. No.	L.O.N.	(Relative ref. Number) Description	F.R.T.
3	7111A0	SHOE(PAD) SET, BRAKE :LEFT FRONT	0.1
	7111A1	SHOE(PAD) SET, BRAKE :RIGHT FRONT	0.1
	7111A2	SHOE(PAD) SET, BRAKE :BOTH FRONT	0.2
5	(1,2,9)		
	7111D2	PISTON, FRONT BRAKE CALIPER :LEFT	0.6
		.INCLUDES: Bleed brakes .NOTE: Same time for two units or more	
	7111D3	PISTON, FRONT BRAKE CALIPER :RIGHT	0.6
		.INCLUDES: Bleed brakes .NOTE: Same time for two units or more	
	7111D4	PISTON, FRONT BRAKE CALIPER :BOTH	1.0
		.INCLUDES: Bleed brakes	
10	7111B5	CALIPER, FRONT BRAKE :LEFT	0.3
		.INCLUDES: Bleed brakes	
11	7111B6	CALIPER, FRONT BRAKE :RIGHT	0.3
		.INCLUDES: Bleed brakes	
+	7111B7	CALIPER, FRONT BRAKE :BOTH	0.4

Ref. No.	Part No.	Description	Reqd. QTY								Serial No.	Parts catalogue code
			CBR1000									
			RR H	RR J	RA H	RA J	S1 H	S1 J	S2 H	S2 J		
1	06451-MEL-003	SEAL SET, PISTON(32)	4	4	4	4	-	-	-	-		
2	06452-MEL-003	SEAL SET, PISTON(30)	4	4	4	4	-	-	-	-		
3	06455-MKF-D41	PAD SET, FR.	2	2	2	2	-	-	-	-		
4	45106-MJM-D31	SPRING, PAD	2	2	2	2	-	-	-	-		
5	45107-MFL-013	PISTON(32)	4	4	4	4	-	-	-	-		
6	45108-MJM-D31	RETAINER, PAD	4	4	4	4	-	-	-	-		
7	45111-MEL-013	SCREW, BLEEDER	2	2	2	2	-	-	-	-		
8	45112-MEL-003	CAP, BLEEDER	2	2	2	2	-	-	-	-		
9	45117-MFL-013	PISTON(30)	4	4	4	4	-	-	-	-		
10	45150-MJM-D31	CALIPER SUB ASSY., L. FR.	1	1	1	1	-	-	-	-		
11	45250-MJM-D31	CALIPER SUB ASSY., R. FR.	1	1	1	1	-	-	-	-		
12	51497-MEL-D20	SPACER, FR. FORK	4	4	4	4	-	-	-	-		
13	90131-MFL-D20	BOLT, FLANGE, 10X62	4	4	4	4	-	-	-	-		

3

F-12

FRONT BRAKE CALIPER(CBR1000RR/RA)

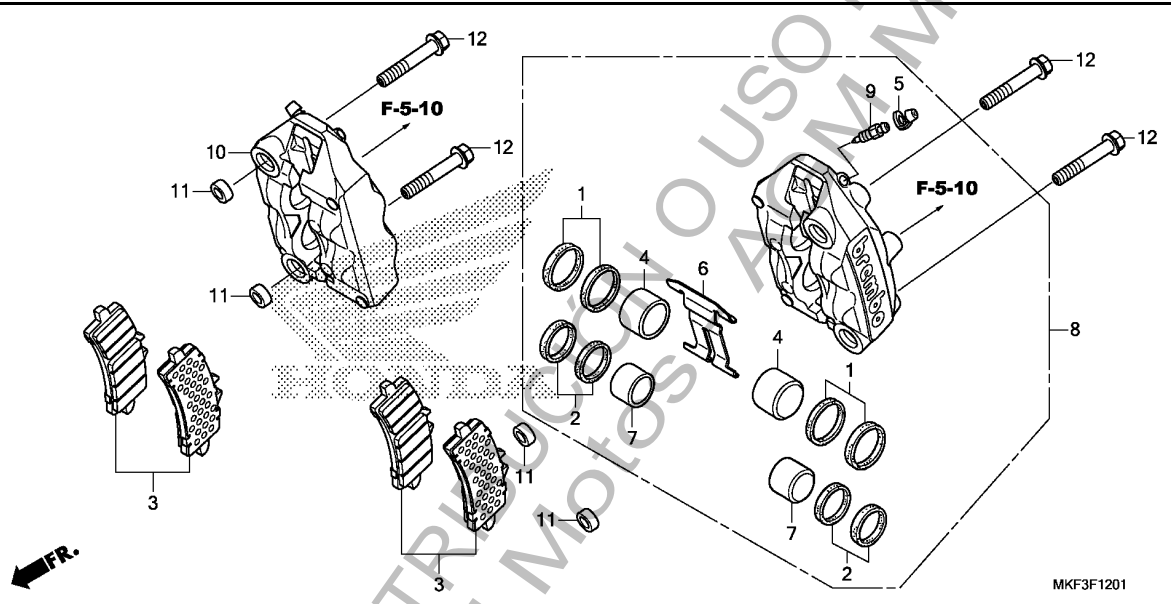


Ref. No.	L.O.N.	(Relative ref. Number) Description	F.R.T.
+11		.INCLUDES: Bleed brakes	

3

F-12-1

FRONT BRAKE CALIPER(CBR1000S1/S2)



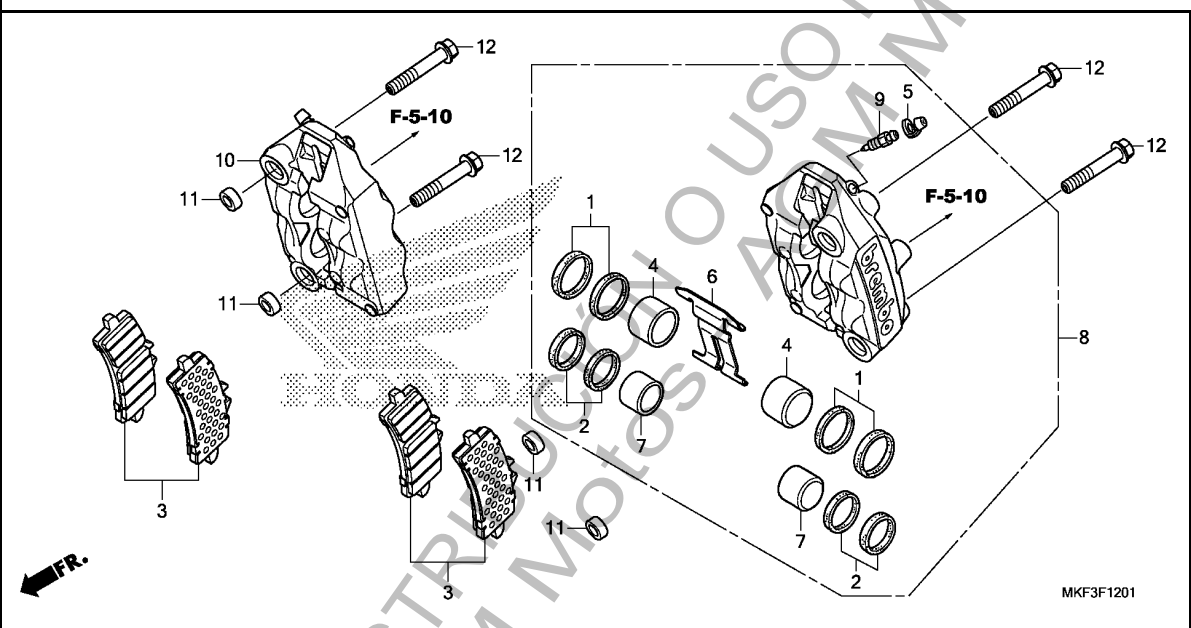
Ref. No.	L.O.N.	(Relative ref. Number) Description	F.R.T.
3	7111A0	SHOE(PAD) SET, BRAKE :LEFT FRONT	0.1
	7111A1	SHOE(PAD) SET, BRAKE :RIGHT FRONT	0.1
	7111A2	SHOE(PAD) SET, BRAKE :BOTH FRONT	0.2
4	7111D2	(1,2,7) PISTON, FRONT BRAKE CALIPER :LEFT	0.6
	7111D3	PISTON, FRONT BRAKE CALIPER :RIGHT	0.6
	7111D4	PISTON, FRONT BRAKE CALIPER :BOTH	1.0
8	7111B5	CALIPER, FRONT BRAKE :LEFT ...	0.3
10	7111B6	CALIPER, FRONT BRAKE :RIGHT ..	0.3
+	7111B7	CALIPER, FRONT BRAKE :BOTH ...	0.4

Ref. No.	Part No.	Description	Reqd. QTY								Serial No.	Parts catalogue code
			CBR1000									
			RR	RR	RA	RA	S1	S1	S2	S2		
			H	J	H	J	H	J	H	J		
1	06451-MGP-D81	SEAL SET, PISTON(32)	-	-	-	-	4	4	4	4		
2	06452-MGP-D81	SEAL SET, PISTON(30)	-	-	-	-	4	4	4	4		
3	06455-MKF-D61	PAD SET, FR.	-	-	-	-	2	2	2	2		
4	45107-MGP-D81	PISTON(32)	-	-	-	-	4	4	4	4		
5	45112-MGP-D81	CAP, BLEEDER	-	-	-	-	2	2	2	2		
6	45113-MGP-D81	SPRING, PAD	-	-	-	-	2	2	2	2		
7	45117-MGP-D81	PISTON(30)	-	-	-	-	4	4	4	4		
8	45150-MGP-D81	CALIPER SUB ASSY., L. FR. (BREMBO)	-	-	-	-	1	1	1	1		
9	45211-MGP-D81	SCREW, BLEEDER	-	-	-	-	2	2	2	2		
10	45250-MGP-D81	CALIPER SUB ASSY., R. FR. (BREMBO)	-	-	-	-	1	1	1	1		
11	51497-MEL-000	SPACER, FR. FORK	-	-	-	-	4	4	4	4		
12	90131-MFL-D20	BOLT, FLANGE, 10X62	-	-	-	-	4	4	4	4		



F-12-1

FRONT BRAKE CALIPER(CBR1000S1/S2)



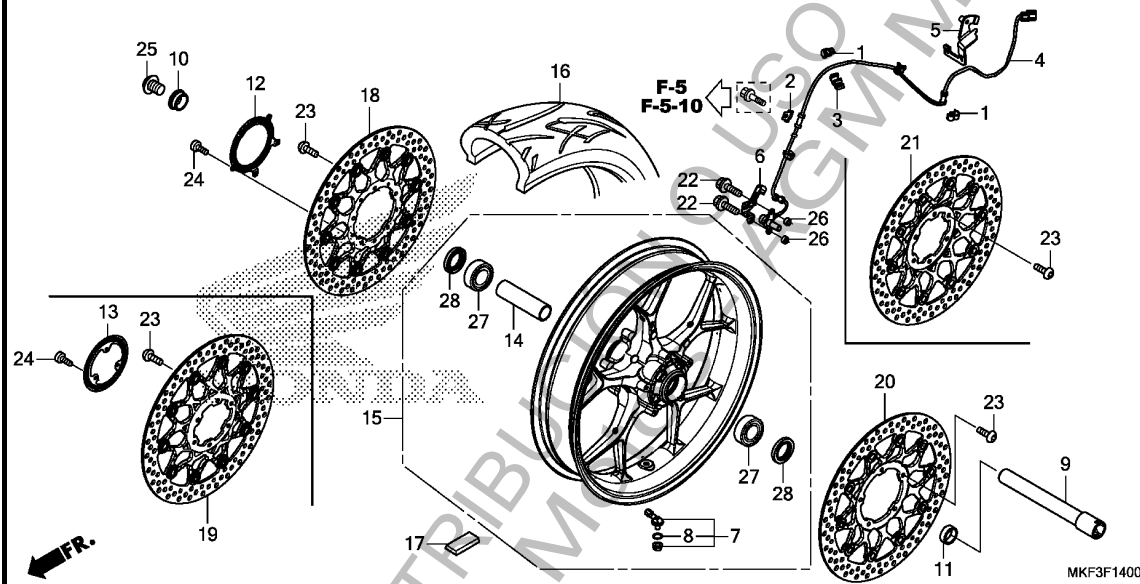
Ref. No.	L.O.N.	(Relative ref. Number) Description	F.R.T.
----------	--------	------------------------------------	--------

+10		.INCLUDES: Bleed brakes	
-----	--	-------------------------	--

3

F-14

FRONT WHEEL

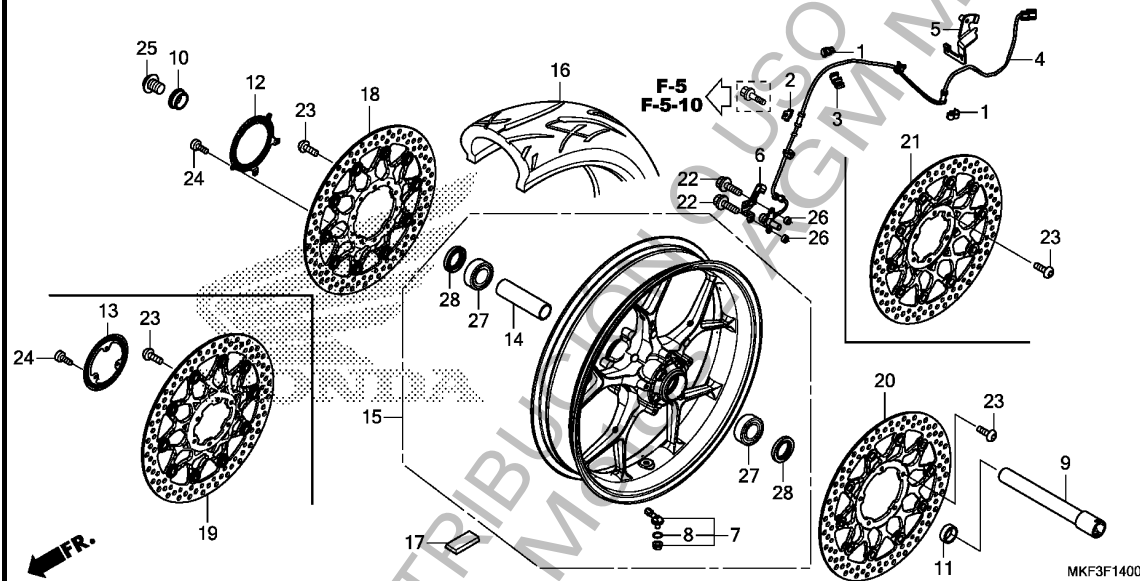


Ref. No.	L.O.N.	(Relative ref. Number) Description	F.R.T.
4	617196	SENSOR, WHEEL SPEED :FRONT (8)	0.4
7	7101K1	VALVE, CLAMP IN :FRONT .INCLUDES: Balance (28)	1.0
9	710151	AXLE, FRONT WHEEL (13)	0.4
12	7101B0	RING, PULSER :FRONT	0.5
15	7101D4	FRONT WHEEL .INCLUDES: Balance	1.1
16	710139	FRONT TIRE(ONE) .INCLUDES: Balance	1.0
17	7101A6	WEIGHT, BALANCE :FRONT (19)	0.7
18	7111D8	DISC, FRONT BRAKE :RIGHT (21)	0.5
20	7111D7	DISC, FRONT BRAKE :LEFT	0.5
	7111D9	DISC, FRONT BRAKE :BOTH	0.6
27	710115	BEARING, FRONT WHEEL(ONE)	0.6
	710115G	.Replace 1 bearing add	0.1

Ref. No.	Part No.	Description	Reqd. QTY								Serial No.	Parts catalogue code
			RR H	RR J	RA H	RA J	S1 H	S1 J	S2 H	S2 J		
1	11152-KS4-003	CLAMP, PIPE	-	-	2	2	2	2	2	2		
2	38514-MEJ-J00	CLAMPER B, SENSOR CORD	1	1	1	1	1	1	1	1		
3	38516-MGE-003	CLAMP, ABS CORD(D8.5)	1	1	-	-	-	-	-	-		
4	38520-MKF-A21	SENSOR, FR. WHEEL SPEED	1	1	-	-	-	-	-	-		
	38520-MFL-D01		-	-	1	1	-	-	-	-		
	38520-MKF-D61		-	-	-	-	1	1	1	1	-----	2BR,2CH,2ED,2FO,2GS,2KO,2RU,2TH,2U
	38520-MGP-D91		-	-	-	-	1	1	-	-	-----	2IN
5	38524-MKF-A20	STAY, FR. SENSOR CORD	1	1	-	-	-	-	-	-		
6	38525-MFJ-A50	GUIDE, FR. SENSOR CORD	1	1	1	1	-	-	-	-		
7	42755-MKA-D81	VALVE ASSY., CLAMP IN	1	1	1	1	1	1	1	1		
8	42758-MKA-D81	O-RING	1	1	1	1	1	1	1	1		
9	44301-MCJ-000	AXLE, FR. WHEEL	1	1	1	1	-	-	1	1		
	44301-MKF-D60		-	-	-	-	1	1	-	-		
10	44311-MFL-000	COLLAR, R. FR. WHEEL SIDE	1	1	1	1	1	1	1	1		
11	44312-MFL-000	COLLAR, L. FR. WHEEL SIDE	1	1	1	1	1	1	1	1		
12	44515-MKF-D40ZB	RING, FR. PULSER										
	TYPE2		1	1	1	1	1	1	-	-		
13	44515-MKF-D70	RING, FR. PULSER							-	1	1	
14	44620-MCJ-000	COLLAR, FR. WHEEL DISTANCE	1	1	1	1	1	1	1	1		
15	44650-MKF-D40ZD	WHEEL SUB ASSY., FR.										
	TYPE2		1	1	1	1	-	-	-	-		
	44650-MKF-D40ZB	*TYPE3*	-	-	-	-	1	1	-	-		
	44650-MKF-D70		-	-	-	-	-	-	1	1		
16	44711-MKF-D41	TIRE, FR.(120/70ZR17 M/C 58W) (BS)	1	1	1	1	-	-	-	-		

F-14

FRONT WHEEL

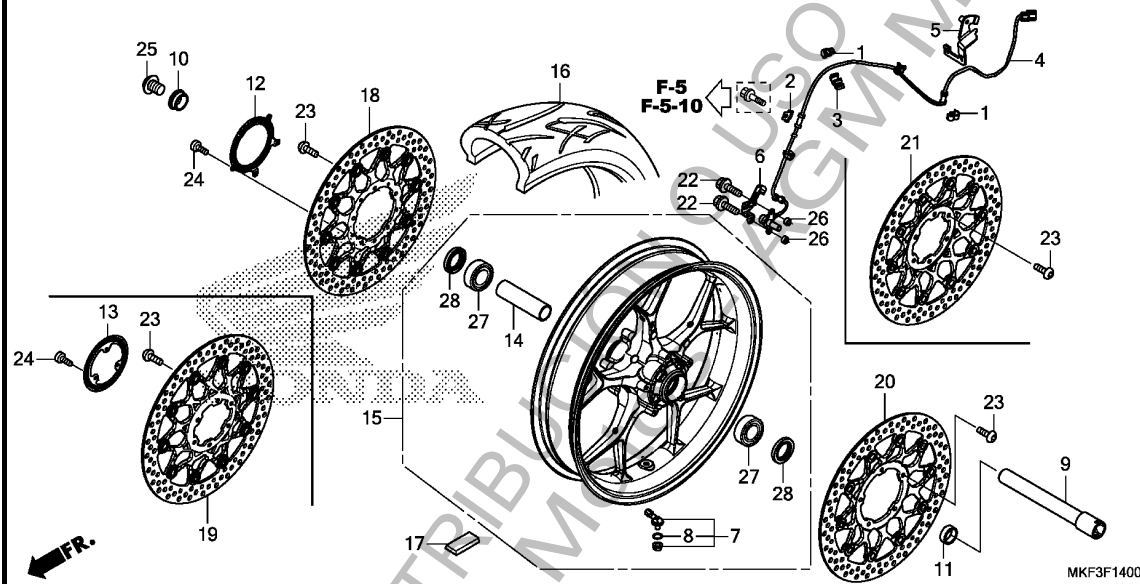


Ref. No.	Part No.	Description	Reqd. QTY								Serial No.	Parts catalogue code
			RR H	RR J	RA H	RA J	S1 H	S1 J	S2 H	S2 J		
16)	44711-MKF-D42	TIRE, FR. (120/70ZR17 M/C 58W) (DUN)	1	1	1	1	-	-	-	-	-	2BR,2ED,2FO,2GS,2IN,2KO,2RU,2TH,2U,BR,ED,FO,GS,KO,RU,TH,U
	44711-MGP-D83	TIRE, FR. (120/70ZR17 M/C 58W) (PIR)	-	-	-	-	1	1	1	1	-	2BR,2ED,2FO,2GS,2KO,2RU,2TH,2U
	44711-MKF-D61	TIRE, FR. (120/70ZR17 M/C 58W) (BS)	-	-	-	-	1	1	-	-	-	2BR,2ED,2FO,2GS,2IN,2KO,2RU,2TH,2U
	44711-MKF-D41	-	-	-	-	1	1	-	-	-	2CH
	44711-MKF-305	TIRE, FR. (120/70ZR17 M/C 58W) (PIR)	-	-	-	-	1	1	-	-	-	2IN
17	44721-MGH-H21	WEIGHT, BALANCE (10G)	N	N	N	N	-	-	-	-	-	
	44722-MGH-H21	WEIGHT, BALANCE (15G)	N	N	N	N	-	-	-	-	-	
	44723-MGH-H21	WEIGHT, BALANCE (20G)	N	N	N	N	-	-	-	-	-	
	44721-MGC-003	WEIGHT, BALANCE (10G)	-	-	-	-	N	N	-	-	-	
	44722-MGC-003	WEIGHT, BALANCE (15G)	-	-	-	-	N	N	-	-	-	
	44723-MGC-003	WEIGHT, BALANCE (20G)	-	-	-	-	N	N	-	-	-	
	44721-SEA-N02	WEIGHT, BALANCE (10G) (TOHO ZINC)	-	-	-	-	-	-	N	N	-	
	44722-SEA-N02	WEIGHT, BALANCE (20G) (TOHO ZINC)	-	-	-	-	-	-	N	N	-	
	44723-SEA-N02	WEIGHT, BALANCE (30G) (TOHO ZINC)	-	-	-	-	-	-	N	N	-	
	44726-SEA-N02	WEIGHT, BALANCE (5G) (TOHO ZINC)	-	-	-	-	-	-	N	N	-	
	44727-SEA-N02	WEIGHT, BALANCE (15G) (TOHO ZINC)	-	-	-	-	-	-	N	N	-	
	44728-SEA-N02	WEIGHT, BALANCE (25G) (TOHO ZINC)	-	-	-	-	-	-	N	N	-	
18	45120-MKF-D41	DISK COMP., R. FR. BRAKE	1	1	1	1	-	-	-	-	-	
	45120-MKF-D61	-	-	-	-	1	1	-	-	-	

3

F-14

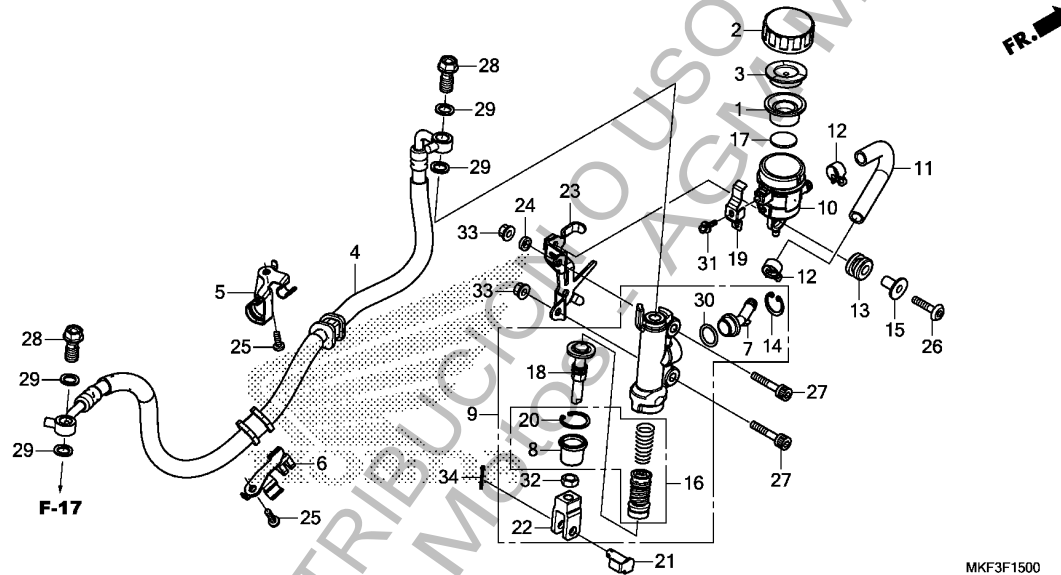
FRONT WHEEL



Ref. No.	Part No.	Description	Reqd. QTY								Serial No.	Parts catalogue code
			RR H	RR J	RA H	RA J	S1 H	S1 J	S2 H	S2 J		
19	45120-MKF-D71	DISK COMP., R. FR. BRAKE	-	-	-	-	-	-	1	1		
20	45220-MKF-D41	DISK COMP., L. FR. BRAKE	1	1	1	1	-	-	-	-		
	45220-MKF-D61	-	-	-	-	1	1	-	-		
21	45220-MKF-D71	DISK COMP., L. FR. BRAKE	-	-	-	-	-	-	1	1		
22	90013-GHB-620	BOLT, FLANGE, 6X14	2	2	2	2	-	-	-	-		
	90013-GHB-650	BOLT, FLANGE, 6X20	-	-	-	-	2	2	2	2		
23	90106-MFL-D20	BOLT, BRAKE DISK, 6X17	10	10	10	10	10	10	12	12		
24	90131-KFK-630	BOLT, TORX, 5X10	5	5	5	5	5	5	3	3		
25	90306-MFL-D00	BOLT, FR. AXLE	1	1	1	1	1	1	-	-		
	90306-MKF-D70	-	-	-	-	-	-	1	1		
26	90502-MGP-D90	COLLAR, SENSOR	-	-	-	-	2	2	2	2		
27	91052-MCF-003	BEARING, RADIAL BALL, 6005	2	2	2	2	2	2	2	2		
28	91253-MFL-003	DUST SEAL, 31X47X7	2	2	2	2	2	2	2	2		

F-15

REAR BRAKE MASTER CYLINDER(CBR1000RR)



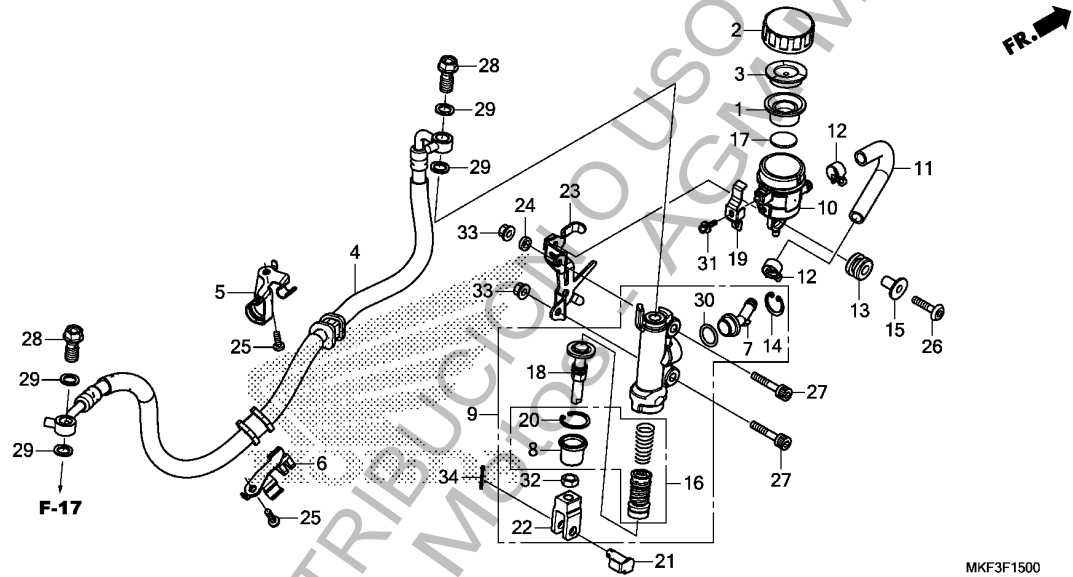
Ref. No.	L.O.N.	(Relative ref. Number) Description	F.R.T.
1	7121G7	DIAPHRAGM, REAR BRAKE MASTER CYLINDER	0.1
4	712130	HOSE, REAR BRAKE	0.4
		.INCLUDES: Bleed brakes	
9	712125	CYLINDER, REAR BRAKE MASTER ..	0.6
		.INCLUDES: Bleed brakes	
10	7121F6	CUP, REAR MASTER CYLINDER OIL ..	0.2
		.INCLUDES: Bleed brakes	
11	7121C2	HOSE, REAR MASTER CYLINDER OIL CUP	0.3
		.INCLUDES: Bleed brakes	
16	7121H0	PISTON SET, REAR BRAKE MASTER ..	0.6
		.INCLUDES: Bleed brakes	

MKF3F1500

Ref. No.	Part No.	Description	Reqd. QTY								Serial No.	Parts catalogue code
			CBR1000									
			RR	RR	RA	RA	S1	S1	S2	S2		
			H	J	H	J	H	J	H	J		
1	22888-MR7-006	DIAPHRAGM	1	1	-	-	-	-	-	-		
2	22889-MR7-006	CAP, CLUTCH OIL CUP	1	1	-	-	-	-	-	-		
3	22890-MR7-006	PLATE, DIAPHRAGM	1	1	-	-	-	-	-	-		
4	43310-MKF-A21	HOSE COMP., RR. BRAKE	1	1	-	-	-	-	-	-		
5	43317-MKF-D40	CLAMPER A, RR. BRAKE HOSE ...	1	1	-	-	-	-	-	-		
6	43318-MKF-D40	CLAMPER B, RR. BRAKE HOSE ...	1	1	-	-	-	-	-	-		
7	43503-MFL-006	CONNECTOR, MASTER CYLINDER ..	1	1	-	-	-	-	-	-		
8	43504-MB2-006	BOOT COMP.	1	1	-	-	-	-	-	-		
9	43510-MKF-D41	CYLINDER SUB ASSY., RR. BRAKE MASTER(NISSIN)	1	1	-	-	-	-	-	-		
10	43511-MFL-006	CUP COMP., OIL	1	1	-	-	-	-	-	-		
11	43512-MFL-006	HOSE, RR. MASTER CYLINDER ...	1	1	-	-	-	-	-	-		
12	43514-KS6-701	CLAMP, MASTER CYLINDER OIL HOSE	2	2	-	-	-	-	-	-		
13	43516-HA2-000	RUBBER, OIL CUP MOUNTING	1	1	-	-	-	-	-	-		
14	43517-KS6-701	CIRCLIP, RR. MASTER CYLINDER	1	1	-	-	-	-	-	-		
15	43517-MFL-880	COLLAR, 6.3X14	1	1	-	-	-	-	-	-		
16	43520-MB2-315	PISTON SET, MASTER CYLINDER (NISSIN)	1	1	-	-	-	-	-	-		
17	43523-MFL-006	FLOAT	1	1	-	-	-	-	-	-		
18	43530-MM5-006	ROD COMP., PUSH	1	1	-	-	-	-	-	-		
19	45535-MR8-901	PLATE, STOP	1	1	-	-	-	-	-	-		
20	46182-MEL-D21	CIRCLIP	1	1	-	-	-	-	-	-		
21	46503-MFL-000	PIN COMP., BRAKE ROD	1	1	-	-	-	-	-	-		
22	46504-MFL-000	JOINT, BRAKE ROD	1	1	-	-	-	-	-	-		

F-15

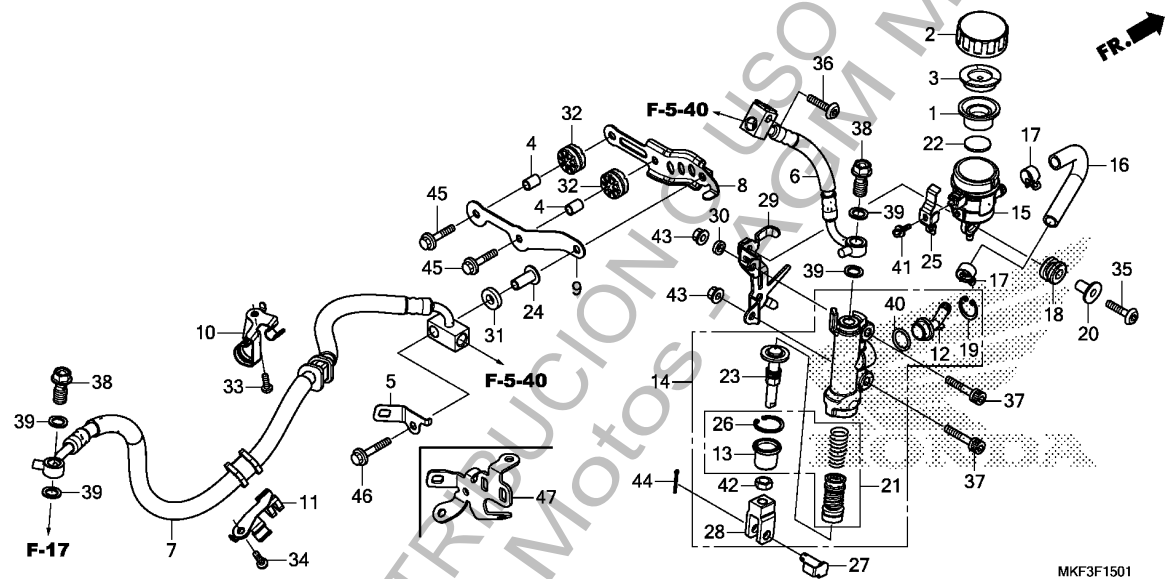
REAR BRAKE MASTER CYLINDER(CBR1000RR)



Ref. No.	Part No.	Description	Reqd. QTY								Serial No.	Parts catalogue code
			CBR1000									
			RR	RR	RA	RA	S1	S1	S2	S2		
			H	J	H	J	H	J	H	J		
23	50608-MKF-D40	STAY, RR. MASTER CUP	1	1	-	-	-	-	-	-		
24	50618-KE8-000	COLLAR, 6.5X11X3	1	1	-	-	-	-	-	-		
25	90113-K40-F00	SCREW, PAN, 5X15	2	2	-	-	-	-	-	-		
26	90115-KTB-000	BOLT, SPECIAL, 6X25	1	1	-	-	-	-	-	-		
27	90128-MFL-000	BOLT, SOCKET, 6X32	2	2	-	-	-	-	-	-		
28	90145-MS9-612	BOLT, OIL, 10X22	2	2	-	-	-	-	-	-		
29	90545-300-000	WASHER, OIL BOLT	4	4	-	-	-	-	-	-		
30	91212-422-006	O-RING, 14.8X2.4	1	1	-	-	-	-	-	-		
31	93893-04012-17	SCREW-WASHER, 4X12	1	1	-	-	-	-	-	-		
32	94002-08000-0S	NUT, HEX., 8MM	1	1	-	-	-	-	-	-		
33	94050-06000	NUT, FLANGE, 6MM	2	2	-	-	-	-	-	-		
34	94201-20150	PIN, SPLIT, 2.0X15	1	1	-	-	-	-	-	-		

F-15-1

REAR BRAKE MASTER CYLINDER(CBR1000RA/S1/S2)



Ref. No.	L.O.N.	(Relative ref. Number) Description	F.R.T.
1	7121G7	DIAPHRAGM, REAR BRAKE MASTER CYLINDER	0.1
6	712180	HOSE A, REAR BRAKE	0.3
7	7121B2	HOSE D, REAR BRAKE	0.4
14	712125	CYLINDER, REAR BRAKE MASTER ..	0.6
15	7121F6	CUP, REAR MASTER CYLINDER OIL ..	0.2
16	7121C2	HOSE, REAR MASTER CYLINDER OIL CUP	0.3
21	7121H0	PISTON SET, REAR BRAKE MASTER ..	0.6

3

Ref. No.	Part No.	Description	Reqd. QTY								Serial No.	Parts catalogue code
			RR H	RR J	RA H	RA J	S1 H	S1 J	S2 H	S2 J		
1	22888-MR7-006	DIAPHRAGM	-	-	1	1	1	1	1	1		
2	22889-MR7-006	CAP, CLUTCH OIL CUP	-	-	1	1	1	1	1	1		
3	22890-MR7-006	PLATE, DIAPHRAGM	-	-	1	1	1	1	1	1		
4	33603-053-650	COLLAR	-	-	2	2	2	2	2	2		
5	38514-MKF-D40	STAY, HARNESS CLIP	-	-	1	1	-	-	-	-		
6	43310-MKF-D41	HOSE COMP. A, RR. BRAKE	-	-	1	1	1	1	1	1	-----	2BR,2ED,2FO,2GS,2IN,2KO,2RU,2TH,2U,BR,ED,FO,GS KO,RU,TH,U
	43310-MKF-H41	-	-	1	1	1	1	-	-	-----	2CH,CH
7	43313-MKF-D41	HOSE COMP. D, RR. BRAKE	-	-	1	1	1	1	1	1	-----	2BR,2ED,2FO,2GS,2IN,2KO,2RU,2TH,2U,BR,ED,FO,GS KO,RU,TH,U
	43313-MKF-H41	-	-	1	1	1	1	-	-	-----	2CH,CH
8	43315-MKF-D40	STAY B, RR. BRAKE HOSE	-	-	1	1	1	1	1	1		
9	43316-MKF-D40	STAY C, RR. BRAKE HOSE	-	-	1	1	1	1	1	1		
10	43317-MKF-D40	CLAMPER A, RR. BRAKE HOSE ...	-	-	1	1	1	1	1	1		
11	43318-MKF-D40	CLAMPER B, RR. BRAKE HOSE ...	-	-	1	1	1	1	1	1		
12	43503-MFL-006	CONNECTOR, MASTER CYLINDER ..	-	-	1	1	1	1	1	1		
13	43504-MB2-006	BOOT COMP.	-	-	1	1	1	1	1	1		
14	43510-MKF-D41	CYLINDER SUB ASSY., RR. BRAKE MASTER(NISSIN)	-	-	1	1	1	1	1	1		
15	43511-MFL-006	CUP COMP., OIL	-	-	1	1	1	1	1	1		
16	43512-MFL-006	HOSE, RR. MASTER CYLINDER ...	-	-	1	1	1	1	1	1		
17	43514-KS6-701	CLAMP, MASTER CYLINDER OIL HOSE	-	-	2	2	2	2	2	2		
18	43516-HA2-000	RUBBER, OIL CUP MOUNTING	-	-	1	1	1	1	1	1		
19	43517-KS6-701	CIRCLIP, RR. MASTER CYLINDER	-	-	1	1	1	1	1	1		
20	43517-MFL-880	COLLAR, 6.3X14	-	-	1	1	1	1	1	1		

F-15-1

REAR BRAKE MASTER CYLINDER(CBR1000RA/S1/S2)

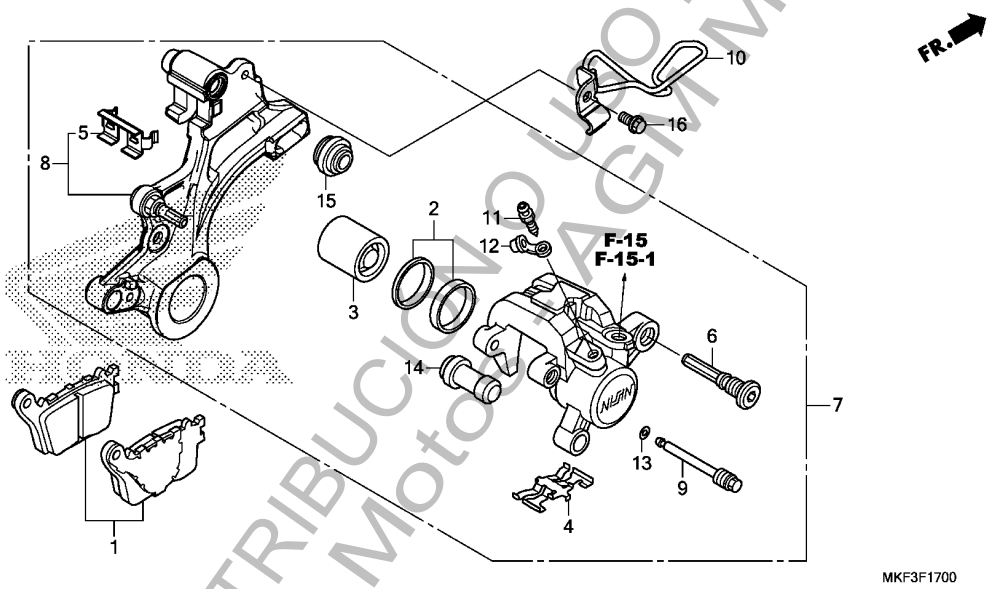
Ref. No.	Part No.	Description	Reqd. QTY								Serial No.	Parts catalogue code
			RR H	RR J	RA H	RA J	S1 H	S1 J	S2 H	S2 J		
21	43520-MB2-315	PISTON SET, MASTER CYLINDER (NISSIN)	-	-	1	1	1	1	1	1		
22	43523-MFL-006	FLOAT	-	-	1	1	1	1	1	1		
23	43530-MM5-006	ROD COMP., PUSH	-	-	1	1	1	1	1	1		
24	45129-MAE-000	COLLAR, FR. BRAKE HOSE (FOR RR.)	-	-	1	1	1	1	1	1		
25	45535-MR8-901	PLATE, STOP	-	-	1	1	1	1	1	1		
26	46182-MEL-D21	CIRCLIP	-	-	1	1	1	1	1	1		
27	46503-MFL-000	PIN COMP., BRAKE ROD	-	-	1	1	1	1	1	1		
28	46504-MFL-000	JOINT, BRAKE ROD	-	-	1	1	1	1	1	1		
29	50608-MKF-D40	STAY, RR. MASTER CUP	-	-	1	1	1	1	1	1		
30	50618-KE8-000	COLLAR, 6.5X11X3	-	-	1	1	1	1	1	1		
31	77218-GB2-720	RUBBER, SEAT HINGE	-	-	1	1	1	1	1	1		
32	84703-425-000	RUBBER, TAILLIGHT MOUNTING ..	-	-	2	2	2	2	2	2		
33	90113-K40-F00	SCREW, PAN, 5X15	-	-	1	1	-	-	-	-		
	90103-MKF-D60	SCREW, PAN, 5X20	-	-	-	-	1	1	1	1		
34	90113-K40-F00	SCREW, PAN, 5X15	-	-	1	1	1	1	1	1		
35	90115-KTB-000	BOLT, SPECIAL, 6X25	-	-	1	1	1	1	1	1		
36	90125-MKF-D40	BOLT, SPECIAL, 6X25	-	-	1	1	1	1	1	1		
37	90128-MFL-000	BOLT, SOCKET, 6X32	-	-	2	2	2	2	2	2		
38	90145-MS9-612	BOLT, OIL, 10X22	-	-	2	2	2	2	2	2		
39	90545-300-000	WASHER, OIL BOLT	-	-	4	4	4	4	4	4		
40	91212-422-006	O-RING, 14.8X2.4	-	-	1	1	1	1	1	1		
41	93893-04012-17	SCREW-WASHER, 4X12	-	-	1	1	1	1	1	1		
42	94002-08000-0S	NUT, HEX., 8MM	-	-	1	1	1	1	1	1		
43	94050-06000	NUT, FLANGE, 6MM	-	-	2	2	2	2	2	2		
44	94201-20150	PIN, SPLIT, 2.0X15	-	-	1	1	1	1	1	1		
45	96001-06025-07	BOLT, FLANGE, 6X25	-	-	2	2	2	2	2	2		
46	96001-06032-07	BOLT, FLANGE, 6X32	-	-	1	1	1	1	1	1		
47	38515-MKF-D60	STAY, RR. CUSHION CORD COUPLER	-	-	-	-	1	1	1	1		



PROHIBIDO SU USO EN MOTOS - AGNIMOTO
19-07-2019

F-17

REAR BRAKE CALIPER



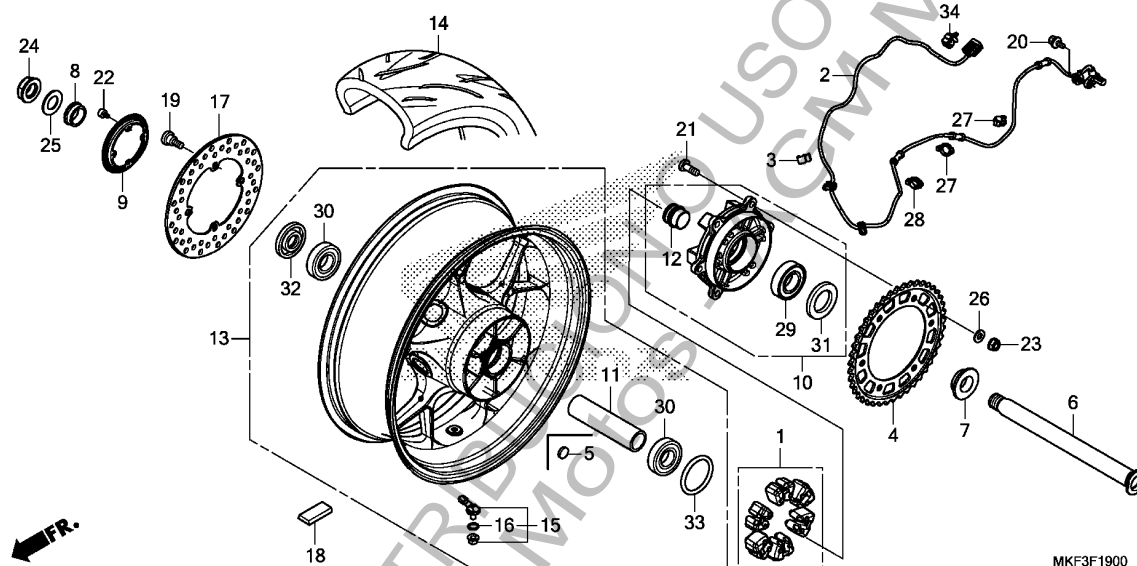
Ref. No.	L.O.N.	(Relative ref. Number) Description	F.R.T.
1	711140	SHOE(PAD) SET, BRAKE :REAR ... (2)	0.1
3	7111D5	PISTON, REAR BRAKE CALIPER ...	0.8
7	711155	CALIPER, REAR BRAKEINCLUDES: Bleed brakes	0.7
8	7111C1	BRACKET, REAR CALIPERINCLUDES: Bleed brakes	0.5

3

Ref. No.	Part No.	Description	Reqd. QTY								Serial No.	Parts catalogue code	
			RR H	RR J	RA H	RA J	S1 H	S1 J	S2 H	S2 J			
1	06435-MEL-D23	PAD SET, RR.	1	1	1	1	1	1	1	1	1		
2	06451-166-405	SEAL SET, PISTON	1	1	1	1	1	1	1	1	1		
3	43107-MEL-D21	PISTON	1	1	1	1	1	1	1	1	1		
4	43108-MEL-D21	SPRING, PAD	1	1	1	1	1	1	1	1	1		
5	43112-MEL-D21	RETAINER	1	1	1	1	1	1	1	1	1		
6	43131-KW3-006	BOLT, PIN	1	1	1	1	1	1	1	1	1		
7	43150-MKF-D41	CALIPER SUB ASSY., RR.(NISSIN)	1	1	1	1	-	-	-	-	-		
	43150-MKF-D61		-	-	-	-	1	1	1	1	1		
8	43190-MKF-D41	BRACKET SUB ASSY., RR.	1	1	1	1	1	1	1	1	1		
9	43215-KZ4-J41	PIN, HANGER	1	1	1	1	1	1	1	1	1		
10	43319-MKF-D40	GUIDE COMP., RR. BRAKE HOSE	1	1	1	1	1	1	1	1	1		
11	43352-568-003	SCREW, BLEEDER(NISSIN)	1	1	1	1	1	1	1	1	1		
12	43353-461-771	CAP, BLEEDER	1	1	1	1	1	1	1	1	1		
13	45111-MAJ-G41	RING, STOPPER	1	1	1	1	1	1	1	1	1		
14	45132-166-016	BOOT, PIN BUSH(NISSIN)	1	1	1	1	1	1	1	1	1		
15	45133-MA3-006	BOOT B	1	1	1	1	1	1	1	1	1		
16	90013-GHB-610	BOLT, FLANGE, 6X12	1	1	1	1	1	1	1	1	1		

F-19

REAR WHEEL



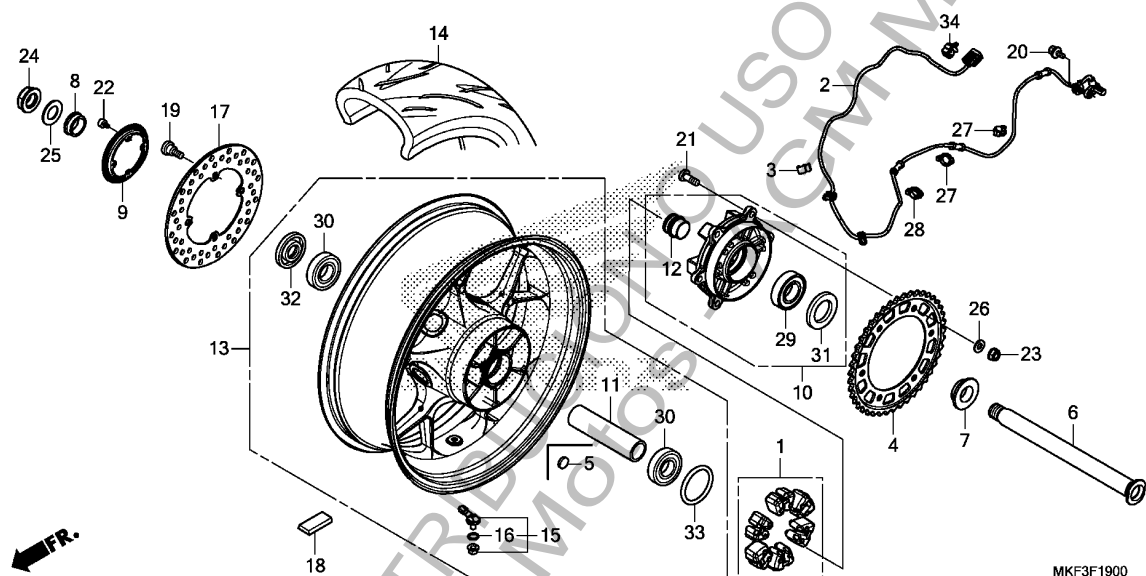
Ref. No.	L.O.N.	(Relative ref. Number) Description	F.R.T.
1		(33)	
1	710157	DAMPER, REAR WHEEL	0.4
2	617197	SENSOR, WHEEL SPEED :REAR	0.8
	617197E	.ABS add	0.8
4	7101A0	SPROCKET, FINAL DRIVEN	0.5
6		(31,32)	
	710160	AXLE, REAR WHEEL	0.4
9	7101B1	RING, PULSER :REAR	0.5
10	7101A4	FLANGE, FINAL DRIVEN	0.5
13	710118	REAR WHEEL	1.1
		.INCLUDES: Balance	
14	710142	REAR TIRE(ONE)	1.0
		.INCLUDES: Balance	
15		(16)	
	7101K2	VALVE, CLAMP IN :REAR	1.0
		.INCLUDES: Balance	
17	711145	DISC, REAR BRAKE	0.5
18	7101E1	WEIGHT, BALANCE :REAR	0.7
29	7101D1	BEARING, FINAL DRIVEN FLANGE ..	0.6
30	710133	BEARING, REAR WHEEL(ONE)	0.6
	710133G	.Replace 1 bearing add	0.1

Ref. No.	Part No.	Description	Reqd. QTY								Serial No.	Parts catalogue code
			RR H	RR J	RA H	RA J	S1 H	S1 J	S2 H	S2 J		
1	06410-MEL-D20	DAMPER SET, WHEEL	1	1	1	1	1	1	1	1		
2	38510-MKF-A21	SENSOR, RR. WHEEL SPEED	1	1	-	-	-	-	-	-		
	38510-MKF-D41	-	-	1	1	1	1	1	1		
3	38516-MGE-003	CLAMP, ABS CORD(D8.5)	-	-	1	1	1	1	1	1		
4	41201-MKF-D40	SPROCKET, FINAL DRIVEN(43T) ..	1	1	1	1	1	1	1	1	-----	2BR,2ED,2GS,2IN,2KO,2RU,2TH,2U,BR,ED,GS,KO,RU,TH,U
	41201-MFJ-D00	SPROCKET, FINAL DRIVEN(41T) ..	-	-	1	1	1	1	-	-	-----	2CH,2FO,CH,FO
5	41243-MKF-D70	CAP, HUB BOLT	-	-	-	-	-	-	12	12		
6	42301-MKF-D40	AXLE, RR. WHEEL	1	1	1	1	1	1	1	1		
7	42311-MKF-D40	COLLAR, RR. WHEEL SIDE	1	1	1	1	1	1	1	1		
8	42312-MKF-D40	COLLAR, RR. BRAKE SIDE	1	1	1	1	1	1	1	1		
9	42515-MKF-D40	RING, RR. PULSER	1	1	1	1	1	1	1	1		
10	42615-MKF-D40	FLANGE SUB ASSY., RR. DRIVEN	1	1	1	1	1	1	1	1		
11	42620-MKF-D40	COLLAR, RR. AXLE DISTANCE ...	1	1	1	1	1	1	1	1		
12	42625-MKF-D40	COLLAR B, RR. WHEEL DISTANCE	1	1	1	1	1	1	1	1		
13	42650-MKF-D40ZC	WHEEL SUB ASSY., RR.										
		TYPE2.....	1	1	1	1	-	-	-	-		
	42650-MKF-D40ZA	*TYPE3*.....	-	-	-	-	1	1	-	-		
	42650-MKF-D70	-	-	-	-	-	-	1	1		
14	42711-MKF-D41	TIRE, RR.(190/50ZR17 M/C 73W) (BS)	1	1	1	1	-	-	-	-		
	42711-MKF-D42	TIRE, RR.(190/50ZR17 M/C 73W) (DUN)	1	1	1	1	-	-	-	-	-----	2BR,2ED,2FO,2GS,2IN,2KO,2RU,2TH,2U,BR,ED,FO,GS,KO,RU,TH,U
	42711-MGP-D82	TIRE, RR.(190/50ZR17 M/C 73W) (PIR)	-	-	-	-	1	1	1	1	-----	2BR,2ED,2FO,2GS,2KO,2RU,2TH,2U



F-19

REAR WHEEL



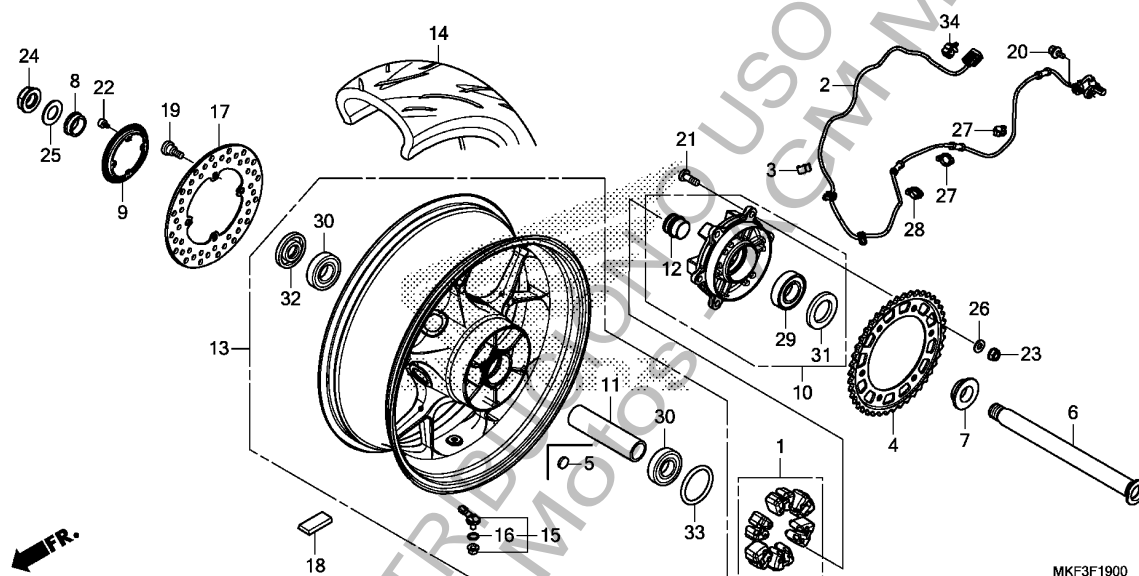
MKF3F1900

Ref. No.	Part No.	Description	Reqd. QTY								Serial No.	Parts catalogue code
			RR H	RR J	RA H	CBR1000 RA J	S1 H	S2 H	S2 J	S2 J		
14)	42711-MKF-D61	TIRE, RR. (190/50ZR17 M/C 73W) (BS)	-	-	-	-	1	1	-	-	-----	2BR,2ED,2FO,2GS,2IN,2K0,2RU,2TH,2U
	42711-MKF-D41	-	-	-	-	1	1	-	-	-----	2CH
	42711-MKF-305	TIRE, RR. (190/50ZR17 M/C 73W) (PIR)	-	-	-	-	1	1	-	-	-----	2IN
15	42755-MKA-D81	VALVE ASSY., CLAMP IN	1	1	1	1	1	1	1	1		
16	42758-MKA-D81	O-RING	1	1	1	1	1	1	1	1		
17	43251-MKF-D41	DISK, RR. BRAKE	1	1	1	1	1	1	1	1		
18	44721-MGH-H21	WEIGHT, BALANCE (10G)	N	N	N	N	-	-	-	-		
	44722-MGH-H21	WEIGHT, BALANCE (15G)	N	N	N	N	-	-	-	-		
	44723-MGH-H21	WEIGHT, BALANCE (20G)	N	N	N	N	-	-	-	-		
	44721-MGC-003	WEIGHT, BALANCE (10G)	-	-	-	-	N	N	-	-		
	44722-MGC-003	WEIGHT, BALANCE (15G)	-	-	-	-	N	N	-	-		
	44723-MGC-003	WEIGHT, BALANCE (20G)	-	-	-	-	N	N	-	-		
	44721-SEA-N02	WEIGHT, BALANCE (10G) (TOHO ZINC)	-	-	-	-	-	-	N	N		
	44722-SEA-N02	WEIGHT, BALANCE (20G) (TOHO ZINC)	-	-	-	-	-	-	N	N		
	44723-SEA-N02	WEIGHT, BALANCE (30G) (TOHO ZINC)	-	-	-	-	-	-	N	N		
	44726-SEA-N02	WEIGHT, BALANCE (5G) (TOHO ZINC)	-	-	-	-	-	-	N	N		
	44727-SEA-N02	WEIGHT, BALANCE (15G) (TOHO ZINC)	-	-	-	-	-	-	N	N		
	44728-SEA-N02	WEIGHT, BALANCE (25G) (TOHO ZINC)	-	-	-	-	-	-	N	N		
19	90105-MFL-D20	BOLT, BRAKE DISK, 8X24	4	4	4	4	4	4	4	4		
20	90117-MJP-G60	BOLT, FLANGE, 6X14	1	1	1	1	1	1	1	1		

3

F-19

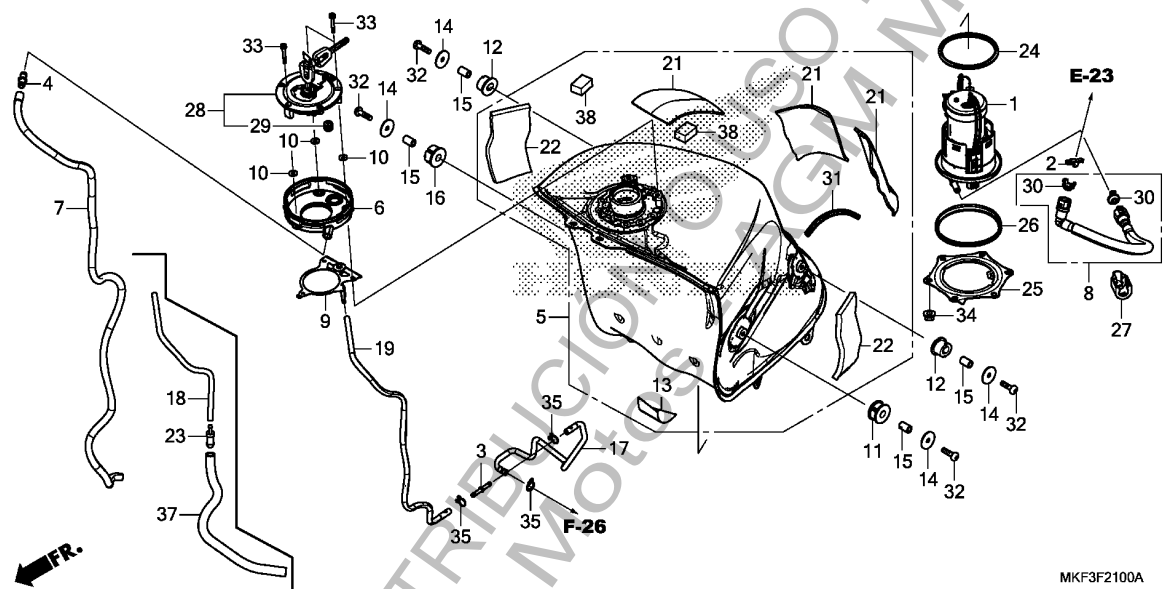
REAR WHEEL



Ref. No.	Part No.	Description	Reqd. QTY								Serial No.	Parts catalogue code
			RR H	RR J	RA H	RA J	S1 H	S1 J	S2 H	S2 J		
21	90121-MKF-D40	BOLT, 10X28.5	6	6	6	6	6	6	6	6		
22	90131-KFK-630	BOLT, TORX, 5X10	4	4	4	4	4	4	4	4		
23	90304-KAE-871	NUT, U, 10MM	6	6	6	6	6	6	6	6		
24	90305-MKF-D41	NUT, U, FLANGE, 24MM	1	1	1	1	1	1	1	1		
25	90501-MKF-D40	WASHER, 24.1X43X2.5	1	1	1	1	1	1	1	1		
26	90502-MCF-000	WASHER, 10MM	6	6	6	6	6	6	6	6		
27	90690-MCA-003	CLIP, CABLE, 14MM	2	2	2	2	2	2	2	2		
28	90690-MCA-003	CLIP, CABLE, 14MM	-	-	1	1	1	1	1	1		
29	91051-MKF-D41	BEARING, ANGULAR BALL, 31X63X16(FUJIKOSHI)	1	1	1	1	1	1	1	1		
30	91053-MFR-671	BEARING, RADIAL BALL, 60/28	2	2	2	2	2	2	2	2		
31	91251-MKF-D41	DUST SEAL, 40X63X7(NOK)	1	1	1	1	1	1	1	1		
32	91252-MKF-D41	DUST SEAL, 36X52X7(NOK)	1	1	1	1	1	1	1	1		
33	91352-MKF-D41	O-RING, 57X2(ARAI)	1	1	1	1	1	1	1	1		
34	90683-GEE-003	CLAMP, CABLE	1	1	-	-	-	-	-	-		

F-21

FUEL TANK/FUEL PUMP



Ref. No.	L.O.N.	(Relative ref. Number) Description	F.R.T.
1		(24,26) PUMP ASSY., FUEL	0.6
5	310120	TANK, FUEL	0.6
8	3101C2	HOSE, FUEL FEED :PRIMARY (29)	0.5
28	3101C1	LOCKING FUEL TANK CAP	0.1

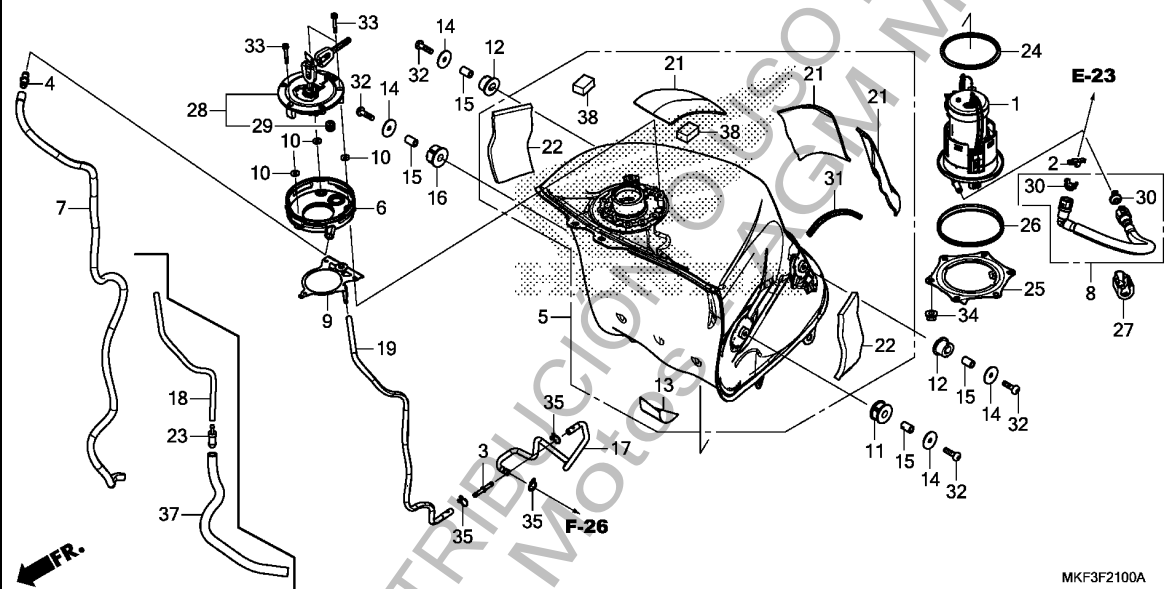
MKF3F2100A

Ref. No.	Part No.	Description	Reqd. QTY								Serial No.	Parts catalogue code
			RR H	RR J	RA H	RA J	S1 H	S1 J	S2 H	S2 J		
1	16700-MKF-D41	PUMP UNIT, FUEL	1	1	1	1	1	1	1	1		
2	16719-MFJ-D00	DAMPER, CONNECTOR	1	1	1	1	1	1	1	1		
3	16958-GJ6-000	JOINT, FUEL TUBE	-	-	1	1	1	1	1	1	-----	2BR,2CH,2ED,2FO,2KO,2TH,BR,CH,ED,FO,KO,TH
4	17359-419-670	JOINT, BREATHER TUBE	1	1	1	1	1	1	1	1		
5	17500-MKF-D40 17500-MKF-D60	TANK ASSY., FUEL	1	1	1	1	1	-	-	-		
6	17507-MKF-D40	TRAY, FUEL TANK	1	1	1	1	1	1	1	1		
7	17508-MKF-A20 17508-MKF-D40	TUBE, DRAIN	1	1	-	-	-	-	-	-		
8	17526-MFL-003	HOSE COMP. B, FUEL FEED	1	1	1	1	1	1	1	1		
9	17530-MKF-D40	PIPE COMP., BREATHER	1	1	1	1	1	1	1	1		
10	17532-MKF-D40	COLLAR, SETTING	3	3	3	3	3	3	3	3		
11	17533-MFL-000	RUBBER, L. FR. TANK MOUNTING	1	1	1	1	1	1	1	1		
12	17534-MFL-000	RUBBER, RR. TANK MOUNTING	2	2	2	2	2	2	2	2		
13	17535-KBH-300	FILM, SIDE COVER GUARD	1	1	1	1	1	1	1	1		
14	17535-MKF-D40	WASHER, TANK SETTING	4	4	4	4	4	4	4	4		
15	17536-MKF-D40	COLLAR, FUEL TANK SETTING	4	4	4	4	4	4	4	4		
16	17545-MFL-000	RUBBER, R. FR. TANK MOUNTING	1	1	1	1	1	1	1	1		
17	17556-MKF-D40	TUBE B, BREATHER	-	-	1	1	1	1	1	1	-----	2BR,2CH,2ED,2FO,2KO,2TH,BR,CH,ED,FO,KO,TH
18	17557-MKF-A20 17557-MKF-C40	TUBE A, BREATHER	1	1	-	-	-	-	-	-	-----	2GS,2IN,2RU,2U,GS,RU,U
19	17557-MKF-D40	TUBE A, BREATHER	-	-	1	1	1	1	1	1	-----	2BR,2CH,2ED,2FO,2KO,2TH,BR,CH,ED,FO,KO,TH
21	17558-MEE-940	CUSHION, FUEL TANK	3	3	3	3	3	3	3	3		
22	17558-MGP-D00	CUSHION, FUEL TANK	2	2	2	2	2	2	2	2		
23	17561-MEE-000	JOINT, BREATHER TUBE	1	1	1	1	1	1	1	1	-----	2GS,2IN,2RU,2U,GS,RU,U
24	17574-MFJ-D00	PACKING, FUEL PUMP	1	1	1	1	1	1	1	1		

3

F-21

FUEL TANK/FUEL PUMP

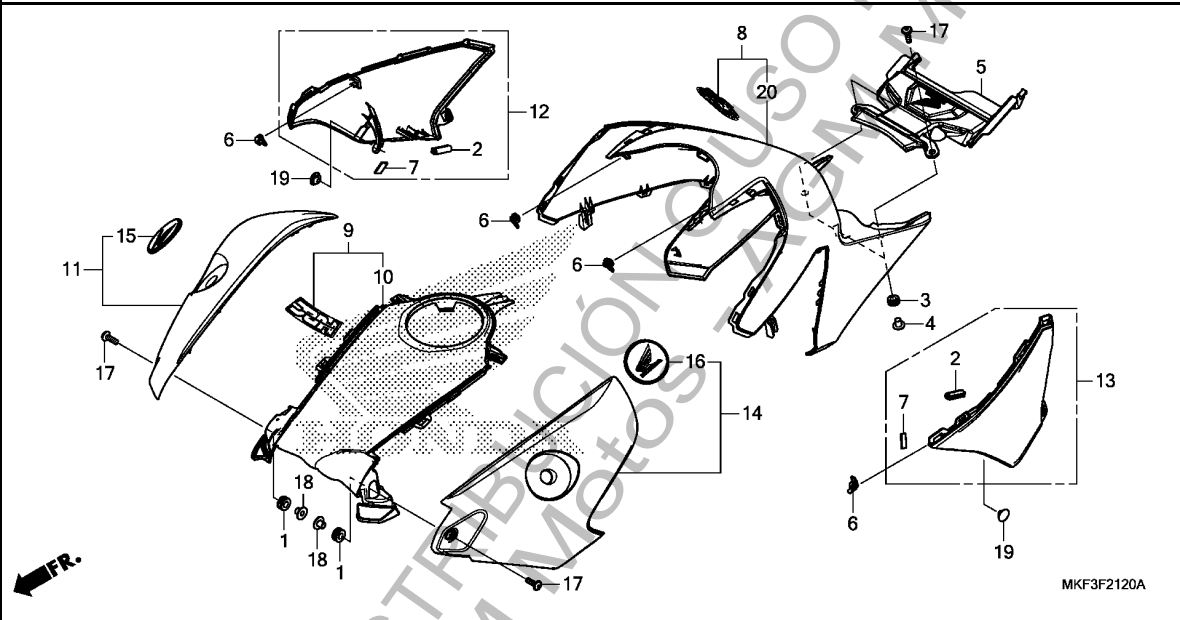


MKF3F2100A

Ref. No.	Part No.	Description	Reqd. QTY								Serial No.	Parts catalogue code
			RR H	RR J	RA H	RA J	S1 H	S1 J	S2 H	S2 J		
25	17575-MKF-D40	PLATE, FUEL PUMP SETTING	1	1	1	1	-	-	-	-		
	17575-MKF-D60	-	-	-	-	1	1	1	1		
26	17576-MFJ-D00	SEAL, OUTER	1	1	1	1	1	1	1	1		
27	17580-MFJ-D00	COVER, FUEL CONNECTOR	1	1	1	1	1	1	1	1		
28	17620-MGP-D63	CAP COMP., FUEL FILLER	1	-	-	-	-	-	-	-		
	17620-MGP-D64	-	1	-	1	-	1	1	1		
	17620-MGP-D63	-	-	1	-	1	-	-	-	2F0,2IN,F0	
		-	-	1	-	1	-	-	-	HK000001 2TH,TH	
		-	-	1	-	1	-	-	-	HK000006 2U,U	
	17620-MGP-D64	-	-	1	-	1	-	-	-	HK000002 2TH,TH	
		-	-	1	-	1	-	-	-	HK000007 2U,U	
		-	-	1	-	1	-	-	-	2BR,2CH,2ED,2KO,2RU,CH,ED,KO,RU	
	17620-MGP-D63	-	-	1	-	1	-	-	-	HK000003 2GS,GS	
	17620-MGP-D64	-	-	1	-	1	-	-	-	HK000004 2GS,GS	
		-	-	1	-	1	-	-	-	2BR,2CH,2ED,2GS,2KO,2RU	
29	17621-MGP-D61	SEAL, BREATHER	1	1	1	1	1	1	1	1		
30	17711-SOX-931	RETAINER(BLUE GREEN)(TOKAI)	2	2	2	2	2	2	2	2		
31	64122-MBB-300	RUBBER, PROTECTOR	1	1	1	1	1	1	1	1		
32	90107-MKF-D40	BOLT, SOCKET, 6X25	4	4	4	4	4	4	4	4		
33	90111-MKF-D40	BOLT, SOCKET, 4X29	3	3	3	3	3	3	3	3		
34	94050-06080	NUT, FLANGE, 6MM	6	6	6	6	-	-	-	-		
	90217-HW1-670	-	-	-	-	6	6	6	6		
35	95002-02080	CLIP, TUBE(B8)	-	-	3	3	3	3	3	3	2BR,2CH,2ED,2F0,2KO,2TH,BR,CH,ED,F0,KO,TH	
37	95005-75360-20	TUBE, 7.3X360(95005-75001-20M)	1	1	1	1	1	1	1	-	2GS,2IN,2RU,2U,GS,RU,U	
38	61313-GJ1-000	RUBBER	2	2	2	2	2	2	2	2		

F-21-20

SHELTER



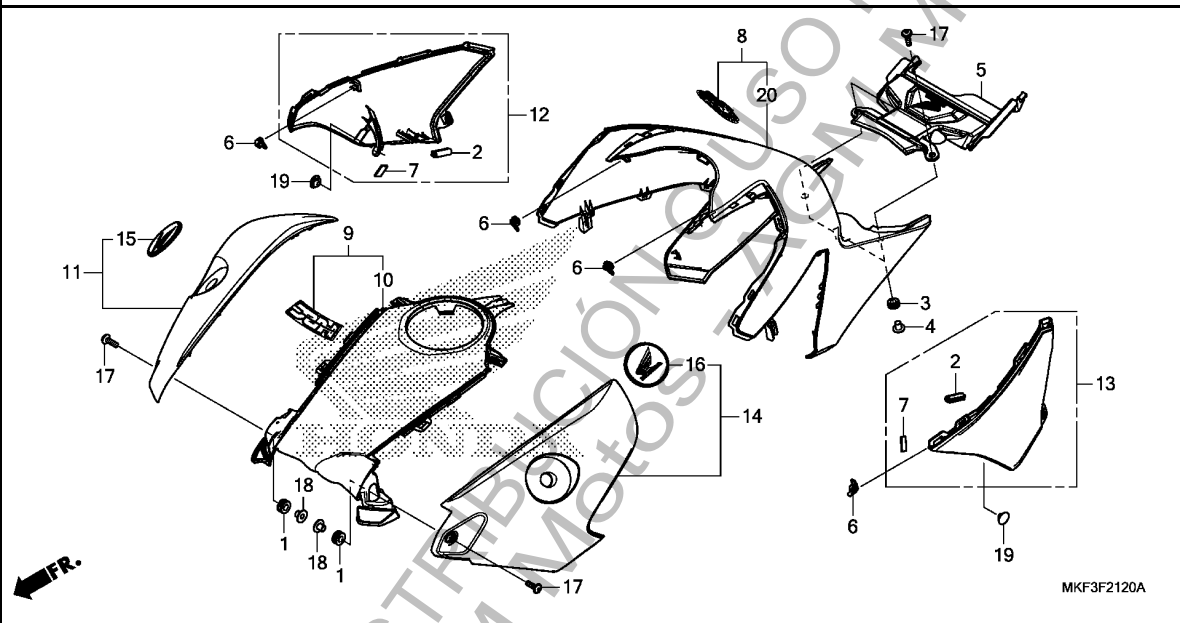
Ref. No.	L.O.N.	(Relative ref. Number) Description	F.R.T.
5	4111DP	COVER, IMU	0.1
8	(20)		
9	4131H5	SHELTER, TOP	0.4
	(10)		
	4131BJ	SHELTER, TOP :CENTER	0.2
11	4131BF	SHELTER, TOP :RIGHT	0.3
12	3121A7	COVER, AIR CLEANER CASE SIDE :RIGHT	0.2
13	3121A6	COVER, AIR CLEANER CASE SIDE :LEFT	0.2
	3121G0	COVER, AIR CLEANER CASE SIDE :BOTH	0.3
14	4131BG	SHELTER, TOP :LEFT	0.3
	4131BH	SHELTER, TOP :BOTH	0.4

3

Ref. No.	Part No.	Description	Reqd. QTY								Serial No.	Parts catalogue code
			RR H	RR J	RA H	RA J	S1 H	S1 J	S2 H	S2 J		
1	17227-GS3-000	RUBBER, AIR CLEANER MOUNTING	2	2	2	2	2	2	2	2		
2	17516-KCZ-000ZB	TRIM, FUEL TANK										
	NH1BLACK	2	2	2	2	2	2	2	2		
3	33181-MBB-000	RUBBER, POSITION LIGHT	2	2	2	2	2	2	2	2		
4	38117-MGZ-J00	COLLAR, HORN SETTING	2	2	2	2	2	2	2	2		
5	39965-MKF-A20	COVER, INERTIAL MEASUREMENT UNIT	1	1	-	-	-	-	-	-		
	39965-MKF-D40	-	-	1	1	1	1	1	1		
6	64213-MJN-A01	CLIP, TWIST	4	4	4	4	4	4	4	4		
7	80102-MJS-J70	RUBBER, RR. FENDER	2	2	2	2	2	2	2	2		
8	83150-MKF-D40ZD	SHELTER SET, RR. (WL)										
	TYPE1	1	-	1	-	-	-	-	-	2BR,2CH,2ED,2FO,2GS,2IN,2KO,2RU,2TH,2U	
	83150-MKF-D10ZB	*TYPE1*	1	-	1	-	-	-	-	-	CH,ED,FO,GS,KO,RU,TH,U	
	83150-MKF-D80ZB	*TYPE1*	-	1	-	1	-	-	-	-	2BR,2CH,2ED,2FO,2GS,2IN,2KO,2RU,2TH,2U	
	83150-MKF-D40ZC	*TYPE2*	-	-	-	-	1	-	-	-		
	83150-MKF-D80ZA	*TYPE2*	-	-	-	-	-	1	-	-		
	83150-MKF-D70ZB	*TYPE1*	-	-	-	-	-	-	1	-		
	83150-MKF-D90ZA	*TYPE1*	-	-	-	-	-	-	-	1		
9	83153-MKF-D60ZA	SHELTER SET, FR. (WL)										
	TYPE1	-	-	-	-	1	1	1	1		
10	83154-MKF-D40	SHELTER, FR.	1	1	1	1	-	-	-	-		
11	83160-MKF-D10ZB	SHELTER SET, R. SIDE(WL)										
	NHA86M										
	MAT BALLISTIC BLACK METALLIC	1	1	1	1	-	-	-	-	BR,CH,ED,FO,GS,KO,RU,TH,U	
	83160-MKF-D40ZD	*TYPE1*	1	-	1	-	-	-	-	-	2BR,2CH,2ED,2FO,2GS,2IN,2KO,2RU,2TH,2U	
	83160-MKF-D80ZB	*TYPE1*	-	1	-	1	-	-	-	-	2BR,2CH,2ED,2FO,2GS,2IN,2KO,2RU,2TH,2U	
	83160-MKF-D40ZC	*TYPE2*	-	-	-	-	1	-	-	-		

F-21-20

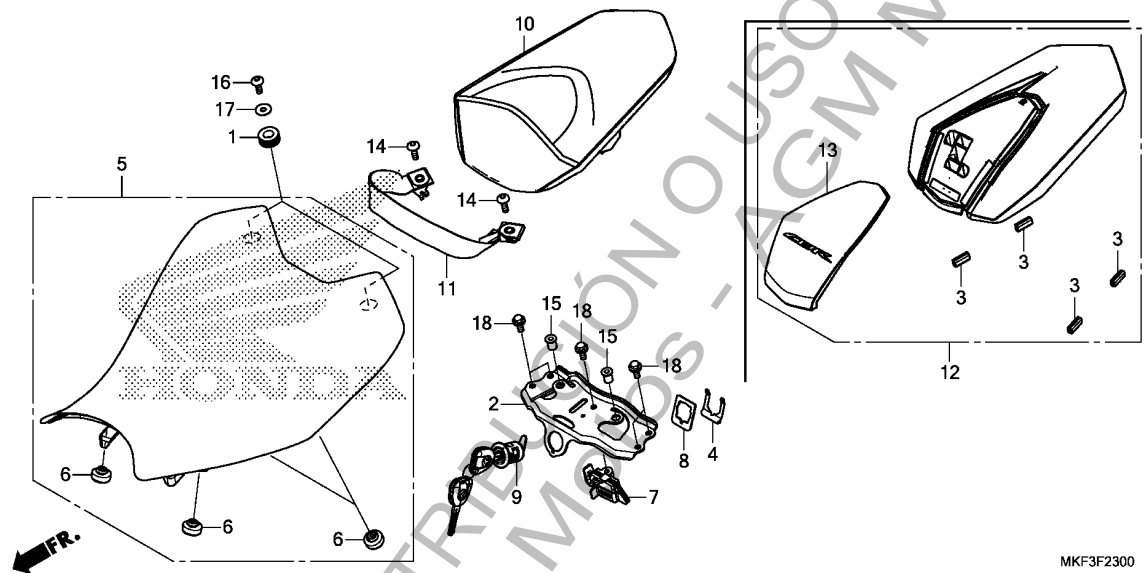
SHELTER



Ref. No.	Part No.	Description	Reqd. QTY								Serial No.	Parts catalogue code
			RR H	RR J	RA H	RA J	S1 H	S1 J	S2 H	S2 J		
11)	83160-MKF-D80ZA	SHELTER SET, R. SIDE(WL)	-	-	-	-	-	1	-	-		
		TYPE2	-	-	-	-	-	-	-	-		
	83160-MKF-D70ZA	*R334*.....VICTORY RED	-	-	-	-	-	-	1	-		
	83160-MKF-D90ZA	*TYPE1*	-	-	-	-	-	-	-	1		
12	83165-MKF-D40ZA	COVER, R. AIR CLEANER SIDE										
		NH1.....BLACK	1	1	1	1	1	1	1	1		
13	83166-MKF-D40ZA	COVER, L. AIR CLEANER SIDE										
		NH1.....BLACK	1	1	1	1	1	1	1	1		
14	83170-MKF-D10ZB	SHELTER SET, L. SIDE(WL)										
		NHA86M										
		MAT BALLISTIC BLACK METALLIC	1	1	1	1	-	-	-	-	-----	BR,CH,ED,FO,GS,KO,RU,TH,U
	83170-MKF-D40ZD	*TYPE1*	1	-	1	-	-	-	-	-	-----	2BR,2CH,2ED,2FO,2GS,2IN,2KO,2RU,2TH,2U
	83170-MKF-D80ZB	*TYPE1*	-	1	-	1	-	-	-	-	-----	2BR,2CH,2ED,2FO,2GS,2IN,2KO,2RU,2TH,2U
	83170-MKF-D40ZC	*TYPE2*	-	-	-	-	1	-	-	-		
	83170-MKF-D80ZA	*TYPE2*	-	-	-	-	-	1	-	-		
	83170-MKF-D70ZA	*R334*.....VICTORY RED	-	-	-	-	-	-	1	-		
	83170-MKF-D90ZA	*TYPE1*	-	-	-	-	-	-	-	1		
15	86211-MJK-N20	BADGE, R. PRODUCT	1	1	1	1	1	1	1	1		
16	86212-MJK-N20	BADGE, L. PRODUCT	1	1	1	1	1	1	1	1		
17	90115-MFL-D20	SCREW, PAN, 6X20	4	4	4	4	4	4	4	4		
18	90502-KGB-610	COLLAR, HEAD SIDE COVER	2	2	2	2	2	2	2	2		
19	90852-446-630	PLUG, HOLE	2	2	2	2	2	2	2	2		
20	83150-MKF-D20ZA	SHELTER, RR.										
		NHA86M										
		MAT BALLISTIC BLACK METALLIC	-	1	-	1	-	-	-	-	-----	BR,CH,ED,FO,GS,KO,RU,TH,U

F-23

SEAT



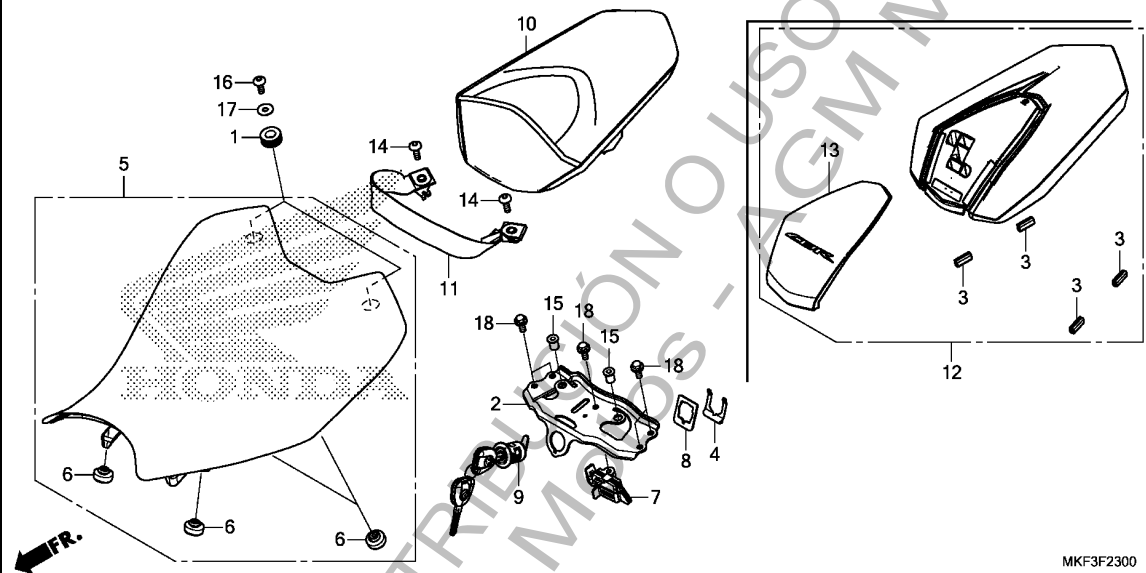
Ref. No.	L.O.N.	(Relative ref. Number) Description	F.R.T.
2	4101V2	PLATE, REAR CROSS	0.2
5	413150	SEAT	0.1
7	4131N5	HOOK, SEAT CATCH	0.2
9	4131F2	KEY, SEAT LOCK	0.2

3

Ref. No.	Part No.	Description	Reqd. QTY								Serial No.	Parts catalogue code	
			RR H	RR J	RA H	RA J	S1 H	S1 J	S2 H	S2 J			
1	17416-MEE-770	RUBBER, CANISTER BRACKET	2	2	2	2	2	2	2	2			
2	50217-MKF-D40	PLATE, CROSS UPPER	1	1	1	1	1	1	1	1			
3	64121-MER-D00	RUBBER, PROTECTOR	-	-	-	-	4	4	4	4			
4	75581-MGP-D60	PLATE, LOCK KEY SETTING	1	1	1	1	1	1	1	1			
5	77100-MKF-D41	SEAT ASSY., MAIN	1	1	1	1	1	1	1	1			
6	77207-MEL-000	RUBBER, SEAT CUSHION	4	4	4	4	4	4	4	4			
7	77220-MEE-D01	HOOK, SEAT CATCH	1	1	1	1	1	1	1	1			
8	77236-MGP-D60	WASHER, SEAT LOCK	1	1	1	1	1	1	1	1			
9	77239-MGP-D63	KEY, SEAT LOCK(WAVE)	1	-	-	-	-	-	-	-			
	77239-MGP-D64	-	1	-	1	-	1	1	1			
	77239-MGP-D63	-	-	1	-	1	-	-	-	-----	2F0,2IN,F0	
			-	-	1	-	1	-	-	-	-----	HK000001 2TH,TH	
			-	-	1	-	1	-	-	-	-----	HK000006 2U,U	
	77239-MGP-D64	-	-	1	-	1	-	-	-	HK000002	-----	2TH,TH
			-	-	1	-	1	-	-	-	HK000007	-----	2U,U
	77239-MGP-D63	-	-	1	-	-	-	-	-	-----	2BR,2CH,2ED,2KO,2RU,CH,ED,KO,RU	
	77239-MGP-D64	-	-	1	-	-	-	-	-	-----	HK000003 2GS,GS	
			-	-	1	-	-	-	-	-	-----	HK000004 2GS,GS	
			-	-	-	-	1	-	-	-	-----	2BR,2CH,2ED,2GS,2KO,2RU	
10	77300-MKF-D41	SEAT ASSY., PILLION	1	1	1	1	-	-	-	-			
11	77310-MKF-D40	BELT, SEAT	1	1	1	1	-	-	-	-			
12	77410-MKF-D60ZB	COWL ASSY., SINGLE SEAT	-	-	-	-	-	1	-	1			
		R334.....VICTORY RED	-	-	-	-	-	1	-	1			
		R380.....GRAND PRIX RED	-	-	-	-	-	-	1	-			
13	77413-MKF-D60	PAD, SINGLE SEAT	-	-	-	-	1	1	1	1			
14	90106-MFL-000	BOLT, SPECIAL, 6X17	2	2	2	2	-	-	-	-			
15	90111-KW3-003	NUT, COWL SETTING, 5MM	2	2	2	2	2	2	2	2			

F-23

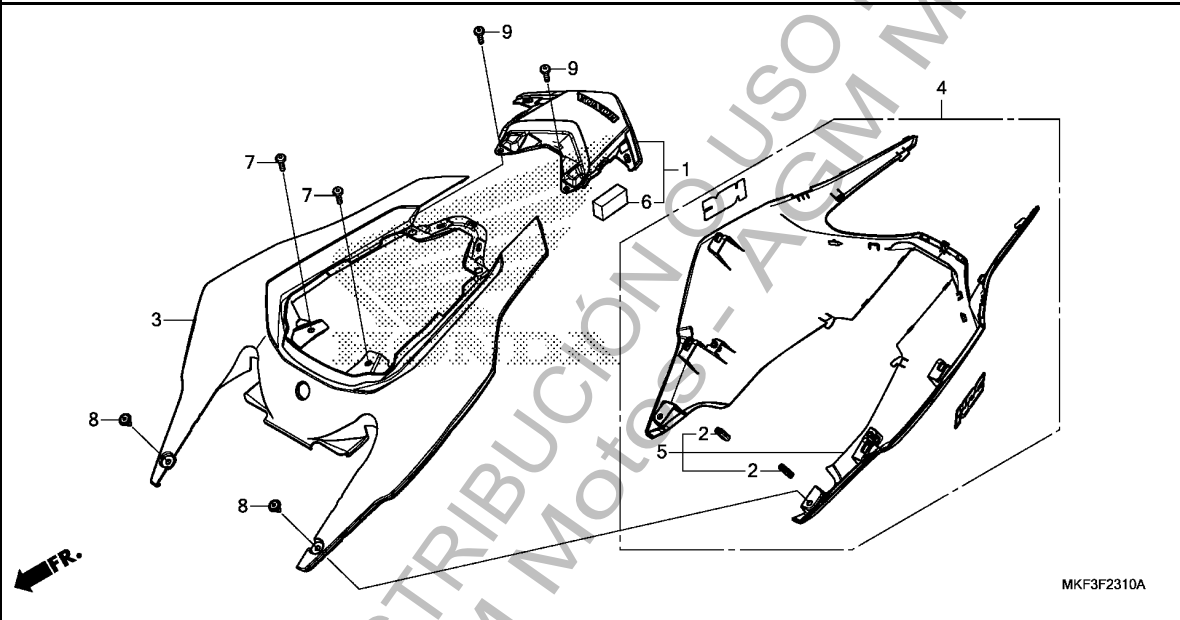
SEAT



Ref. No.	Part No.	Description	Reqd. QTY								Serial No.	Parts catalogue code
			RR H	RR J	RA H	RA J	S1 H	S1 J	S2 H	S2 J		
16	90118-MR1-000	SCREW, PAN, 6X14	2	2	2	2	2	2	2	2		
17	90525-428-900	WASHER, PLAIN, 6MM	2	2	2	2	2	2	2	2		
18	96300-06012-08	BOLT, FLANGE, 6X12	5	5	5	5	5	5	5	5		

F-23-10

REAR COWL



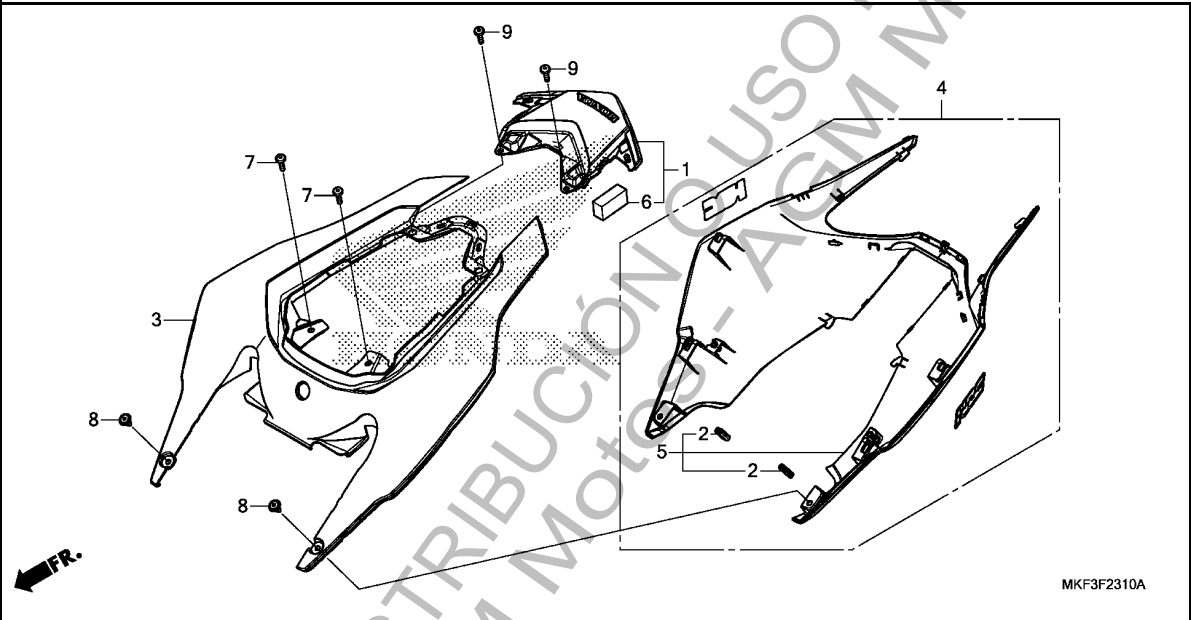
Ref. No.	L.O.N.	(Relative ref. Number) Description	F.R.T.
1	4111K7	COWL, REAR CENTER	0.2
3	411135	COWL, REAR	0.2
4		(5)	
	4111Y0	COWL, REAR LOWER	0.2

3

Ref. No.	Part No.	Description	Reqd. QTY								Serial No.	Parts catalogue code		
			RR H	RR J	RA H	RA J	S1 H	S1 J	S2 H	S2 J				
1	77210-MKF-D40ZA	COWL SET, RR. CENTER(WL)												
		TYPE2	1	1	1	1	-	-	-	-	-	-	-	BR,CH,ED,FO,GS,KO,RU,TH,U
	77210-MKF-D40ZB	*TYPE1*	1	-	1	-	1	-	1	-	-	-	-	2BR,2CH,2ED,2FO,2GS,2IN,2KO,2RU,2TH,2U
	77210-MKF-D80ZA	*TYPE1*	-	1	-	1	-	1	-	1	-	-	-	2BR,2CH,2ED,2FO,2GS,2IN,2KO,2RU,2TH,2U
2	77212-MFJ-D00	PROTECTOR, RUBBER	2	2	2	2	2	2	2	2	2	2	2	
3	77220-MKF-D40ZB	COWL SET, RR. UPPER(WL)												
		R334	1	-	1	-	-	-	-	-	-	-	-	2BR,2CH,2ED,2FO,2GS,2IN,2KO,2RU,2TH,2U
	77220-MKF-D10ZB	*NHA86M*												
		MAT BALLISTIC BLACK METALLIC	1	-	1	-	-	-	-	-	-	-	-	CH,ED,FO,GS,KO,RU,TH,U
	77220-MKF-D80ZB	*TYPE1*	-	1	-	1	-	-	-	-	-	-	-	2BR,2CH,2ED,2FO,2GS,2IN,2KO,2RU,2TH,2U
	77220-MKF-D20ZA	*NHA86M*												
		MAT BALLISTIC BLACK METALLIC	-	1	-	1	-	-	-	-	-	-	-	BR,CH,ED,FO,GS,KO,RU,TH,U
	77220-MKF-D60ZA	*R334*	-	-	-	-	1	-	-	-	-	-	-	
	77220-MKF-D80ZA	*TYPE2*	-	-	-	-	-	-	1	-	-	-	-	
	77220-MKF-D70ZA	*R334*	-	-	-	-	-	-	-	1	-	-	-	
	77220-MKF-D90ZA	*TYPE1*	-	-	-	-	-	-	-	-	1	-	-	
4	77230-MKF-D60ZA	COWL SET, RR. UNDER(WL)												
		R334	-	-	-	-	1	-	1	-	-	-	-	
	77230-MKF-D80ZA	*TYPE1*	-	-	-	-	-	1	-	1	-	-	-	
5	77231-MKF-D40ZA	COWL, RR. UNDER												
		R334	1	-	1	-	-	-	-	-	-	-	-	2BR,2CH,2ED,2FO,2GS,2IN,2KO,2RU,2TH,2U
	77231-MKF-D40ZC	*NHA86M*												
		MAT BALLISTIC BLACK METALLIC	1	-	1	-	-	-	-	-	-	-	-	CH,ED,FO,GS,KO,RU,TH,U
	77231-MKF-D30ZA	*R380*	-	1	-	1	-	-	-	-	-	-	-	2BR,2CH,2ED,2FO,2GS,2IN,2KO,2RU,2TH,2U
	77231-MKF-D20ZA	*NHA86M*												
		MAT BALLISTIC BLACK METALLIC	-	1	-	1	-	-	-	-	-	-	-	BR,CH,ED,FO,GS,KO,RU,TH,U
6	83605-MCS-G00	SEAL, RUBBER	1	1	1	1	1	1	1	1	1	1	1	
7	90117-MKF-D40	BOLT, SPECIAL, 5X14	2	2	2	2	2	2	2	2	2	2	2	

F-23-10

REAR COWL



Ref. No.	Part No.	Description	Reqd. QTY								Serial No.	Parts catalogue code
			RR H	RR J	RA H	RA J	S1 H	S1 J	S2 H	S2 J		

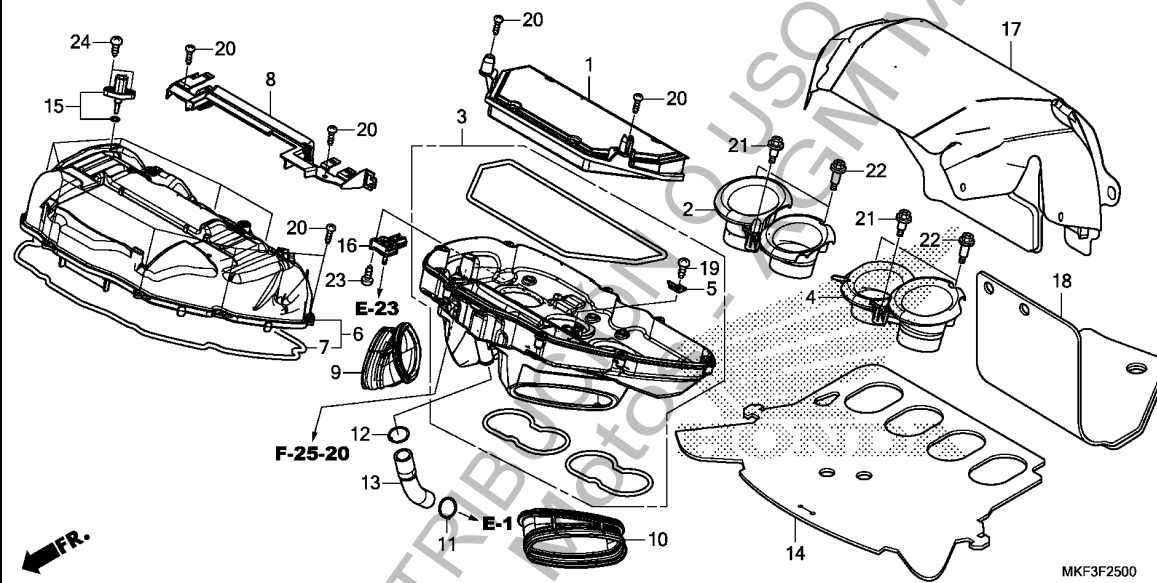
8	90683-GR1-003	CLIP, BODY COVER	2	2	2	2	2	2	2	2		
9	90116-MKF-D40	BOLT, SPECIAL, 5X16	2	2	2	2	2	2	2	2		

3

PROHIBIDO SU DISTRIBUCIÓN
 19-07-2019 AGM Motociclos - AGM Moto

F-25

AIR CLEANER



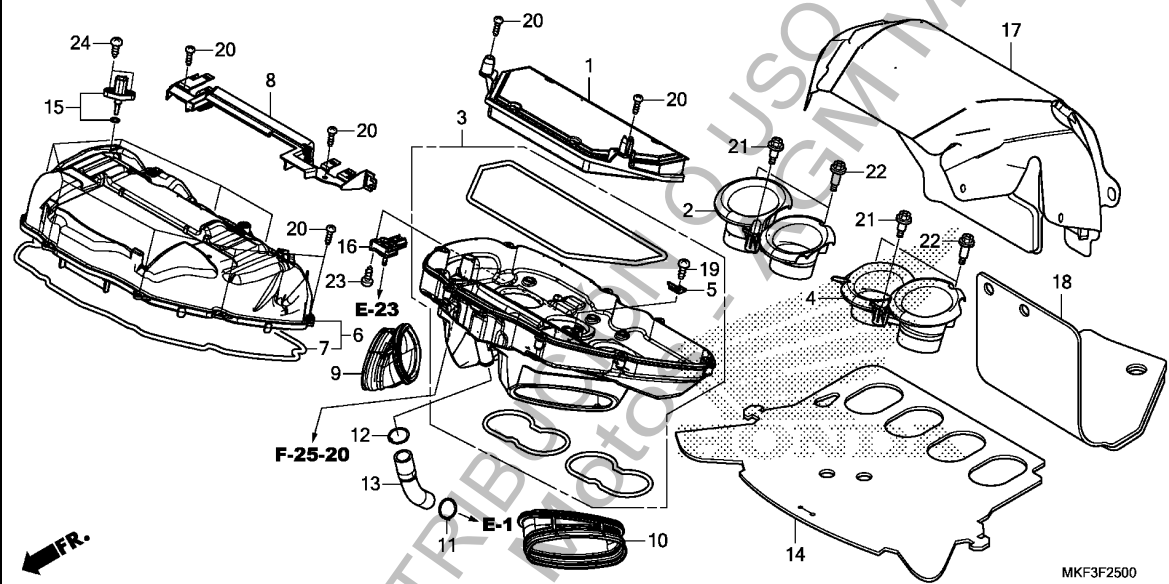
Ref. No.	L.O.N.	(Relative ref. Number) Description	F.R.T.
1	312105	ELEMENT, AIR CLEANER	0.4
2	3121C9	FUNNEL, AIR :RIGHT	0.9
3		(9,10)	
	3121D1	CASE, AIR CLEANER :LOWER	1.6
4	3121C8	FUNNEL, AIR :LEFT	0.9
	3121E2	FUNNEL, AIR :BOTH	0.9
6		(7)	
	312102	COVER, AIR CLEANER CASE	0.7
15	617120	SENSOR, AIR TEMP	0.3
16	617116	SENSOR, MAP	1.5

3

Ref. No.	Part No.	Description	Reqd. QTY								Serial No.	Parts catalogue code
			RR H	RR J	RA H	RA J	S1 H	S1 J	S2 H	S2 J		
1	17210-MKF-K40	ELEMENT, AIR CLEANER	1	1	1	1	1	1	-	-	-----	2BR,2CH,2FO,2GS,2IN,2KO,2RU,2TH,BR,CH,FO,GS,KO, RU,TH
	17210-MKF-D40	-----	-	-	1	1	1	1	1	1	-----	2ED,2U,ED,U
2	17215-MKF-D40	FUNNEL, R. AIR	1	1	1	1	1	1	1	1	-----	2BR,2ED,2GS,2IN,2KO,2RU,2U,BR,ED,GS,KO,RU,U
	17215-MKF-A20	-----	-	-	1	1	1	1	-	-	-----	2CH,2FO,2TH,CH,FO,TH
3	17220-MKF-D40	CASE COMP., AIR CLEANER LOWER	1	1	1	1	1	1	1	1	-----	
4	17225-MKF-D40	FUNNEL, L. AIR	1	1	1	1	1	1	1	1	-----	2BR,2ED,2GS,2IN,2KO,2RU,2U,BR,ED,GS,KO,RU,U
	17225-MKF-A20	-----	-	-	1	1	1	1	-	-	-----	2CH,2FO,2TH,CH,FO,TH
5	17227-MEE-000	RETAINER, AIR CLEANER ELEMENT	1	1	1	1	1	1	1	1	-----	
6	17230-MKF-D40	CASE COMP., AIR CLEANER UPPER	1	1	1	1	1	1	1	1	-----	
7	17232-MKF-D40	SEAL, AIR CLEANER	1	1	1	1	1	1	1	1	-----	
8	17239-MKF-D40	PLATE, PGM-FI UNIT SETTING	1	1	1	1	1	1	1	1	-----	
9	17255-MFL-010	JOINT, R. RAM DUCT	1	1	1	1	1	1	1	1	-----	
10	17265-MFL-010	JOINT, L. RAM DUCT	1	1	1	1	1	1	1	1	-----	
11	17366-MJ0-000	CLIP B, TUBE	1	1	1	1	1	1	1	1	-----	
12	17366-MKF-D40	CLIP, TUBE	1	1	1	1	1	1	1	1	-----	
13	17551-MKF-D40	TUBE, ENGINE BREATHER	1	1	1	1	1	1	1	1	-----	
14	19127-MFL-000	RUBBER, HEAT GUARD	1	1	1	1	1	1	1	1	-----	2BR,2ED,2GS,2IN,2KO,2RU,2U,BR,ED,GS,KO,RU,U
	19127-MGP-A00	-----	-	-	1	1	1	1	-	-	-----	2CH,2FO,2TH,CH,FO,TH
15	37880-KWW-C01	SENSOR ASSY., AIR TEMPERATURE	1	1	1	1	1	1	1	1	-----	
16	46401-TM8-A01	SENSOR A, MASTER POWER PRESSURE	1	1	1	1	1	1	1	1	-----	
17	64401-MKF-D40	MAT, AIR CLEANER	1	1	1	1	1	1	1	1	-----	
18	64402-MFL-J40	RUBBER COMP., RR. AIR CLEANER	-	-	1	1	1	1	-	-	-----	2CH,2FO,2TH,CH,FO,TH
19	90101-HW4-680	SCREW, TAPPING, 5X12(DELTA PT)	1	1	1	1	1	1	1	1	-----	
20	90105-MFJ-D00	SCREW, TAPPING, 4X18(DELTA PT)	12	12	12	12	12	12	12	12	-----	

F-25

AIR CLEANER

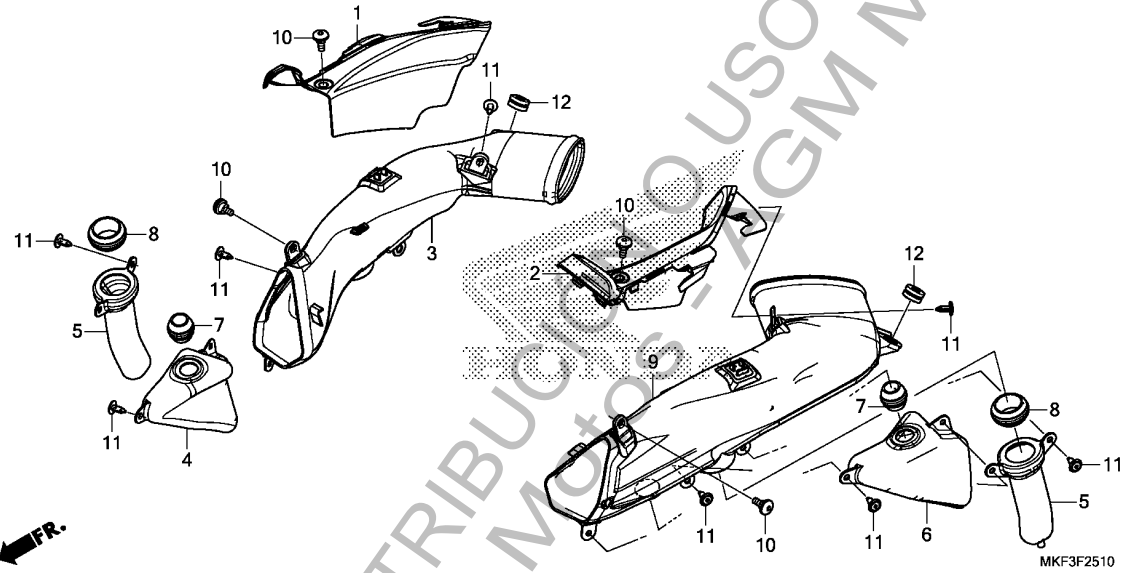


Ref. No.	Part No.	Description	Reqd. QTY								Serial No.	Parts catalogue code
			RR H	RR J	RA H	RA J	S1 H	S1 J	S2 H	S2 J		
21	91508-MGP-D00	SCREW, PAN, 5MM	2	2	2	2	2	2	2	2		
22	91508-MKF-D40	SCREW, PAN, 5MM	4	4	4	4	4	4	4	4		
23	93901-25420	SCREW, TAPPING, 5X20	1	1	1	1	1	1	1	1		
24	93903-254J0	SCREW, TAPPING, 5X20	2	2	2	2	2	2	2	2		

PROHIBIDO SU DISTRIBUCION SIN AUTORIZACION DE YAMAHA MOTOR CO. LTD.
19-07-2019

F-25-10

AIR INTAKE DUCT



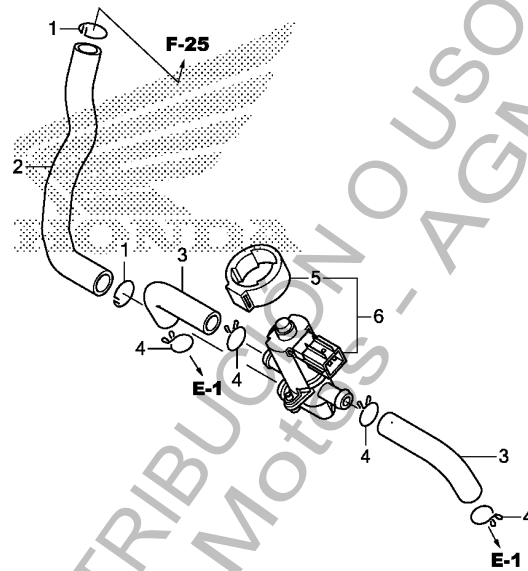
Ref. No.	L.O.N.	(Relative ref. Number) Description	F.R.T.
1	4111F1	COVER, AIR DUCT :RIGHT FRONT	0.3
2	4111F0	COVER, AIR DUCT :LEFT FRONT	0.3
	4111N6	COVER, AIR DUCT :BOTH FRONT	0.4
3	4111L1	DUCT, AIR :RIGHT	0.3
4		(5)	
	3121G2	DUCT, RESONATOR :RIGHT	0.3
6		(5)	
	3121G1	DUCT, RESONATOR :LEFT	0.3
	3121J4	DUCT, RESONATOR :BOTH	0.5
9	4111L0	DUCT, AIR :LEFT	0.3
	4111L2	DUCT, AIR :BOTH	0.5

3

Ref. No.	Part No.	Description	Reqd. QTY								Serial No.	Parts catalogue code
			RR H	RR J	RA H	RA J	S1 H	S1 J	S2 H	S2 J		
1	64230-MKF-D40	COVER, R. AIR DUCT	1	1	1	1	1	1	1	1		
2	64280-MKF-D40	COVER, L. AIR DUCT	1	1	1	1	1	1	1	1		
3	64330-MKF-D40	DUCT, R. AIR	1	1	1	1	1	1	1	1		
4	64340-MKF-D40	RESONATOR, R. AIR DUCT	1	1	1	1	1	1	1	1		
5	64341-MKF-D40	RESONATOR A, AIR DUCT	2	2	2	2	2	2	2	2		
6	64345-MKF-D40	RESONATOR, L. AIR DUCT	1	1	1	1	1	1	1	1		
7	64351-MKF-D40	TUBE A, RESONATOR	2	2	2	2	2	2	2	2		
8	64352-MKF-D40	TUBE B, RESONATOR	2	2	2	2	2	2	2	2		
9	64380-MKF-D42	DUCT, L. AIR	1	1	1	-	-	-	-	-		2BR,2CH,2FO,2GS,2IN,2KO,2RU,2TH,2U,CH,FO,GS,KO RU,TH,U
	64380-MKF-D40		-	-	1	-	-	-	-	-	HK001626	2ED,ED
	64380-MKF-D42		-	-	1	-	-	-	-	1	HK001627	2ED,ED
			-	-	-	1	-	-	-	-	2BR,2CH,2FO,2GS,2IN,2KO,2RU,2TH,2U	
	64380-MKF-D40		-	-	-	1	-	-	-	-	HK000740	2ED
	64380-MKF-D42		-	-	-	1	-	-	-	-	HK000741	2ED
10	90113-MGP-D00	SCREW, SPECIAL, 5X14	4	4	4	4	4	4	4	4		
11	90683-GR1-003	CLIP, BODY COVER	8	8	8	8	8	8	8	8		
12	90852-898-000	RUBBER, CONTROL BOX	2	2	2	2	2	2	2	2		

F-25-20

AIR INJECTION CONTROL VALVE



MKF3F2520

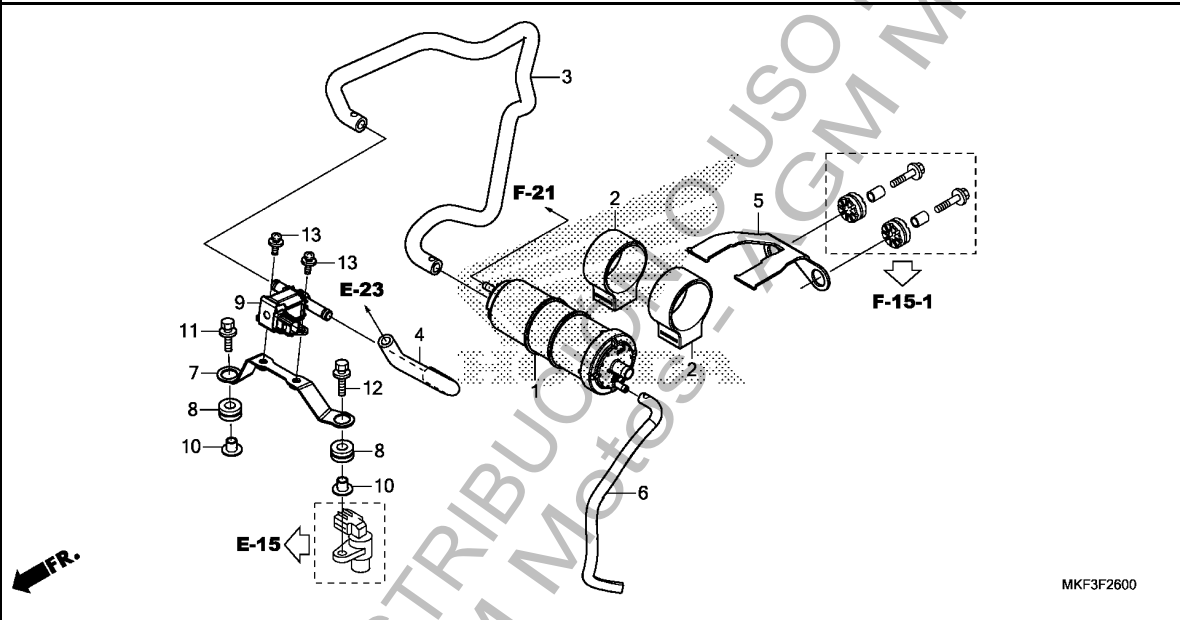
Ref. No.	L.O.N. (Relative ref. Number)	Description	F.R.T.
6	314130	VALVE, SECONDARY AIR CONTROL	1.6

Ref. No.	Part No.	Description	Reqd. QTY								Serial No.	Parts catalogue code
			RR H	RR J	RA H	RA J	S1 H	S1 J	S2 H	S2 J		
1	17366-MJ0-000	CLIP B, TUBE	2	2	2	2	2	2	2	2		
2	17461-MKF-D40	TUBE, AIR SUCTION UPPER	1	1	1	1	1	1	1	1		
3	17462-MFL-000	TUBE, AIR SUCTION	2	2	2	2	2	2	2	2		
4	17724-102-700	CLIP, SUB TANK HOSE	4	4	4	4	4	4	4	4		
5	36172-MCA-A61	SUSPENSION, SOLENOID VALVE ..	1	1	1	1	1	1	1	1		
6	36450-MCA-A62	VALVE ASSY., EX. AIR INJECTION	1	1	1	1	1	1	1	1	-----	2BR,2ED,2FO,2GS,2IN,2KO,2RU,2TH,2U,BR,ED,FO,GS
	36450-MGC-H01	-	-	1	1	1	1	-	-	-----	KO,RU,TH,U 2CH,CH

3

F-26

CANISTER



Ref. No.	L.O.N.	(Relative ref. Number) Description	F.R.T.
1	3141A4	CANISTER	0.3
9	3141A9	VALVE, PURGE CONTROL	0.6

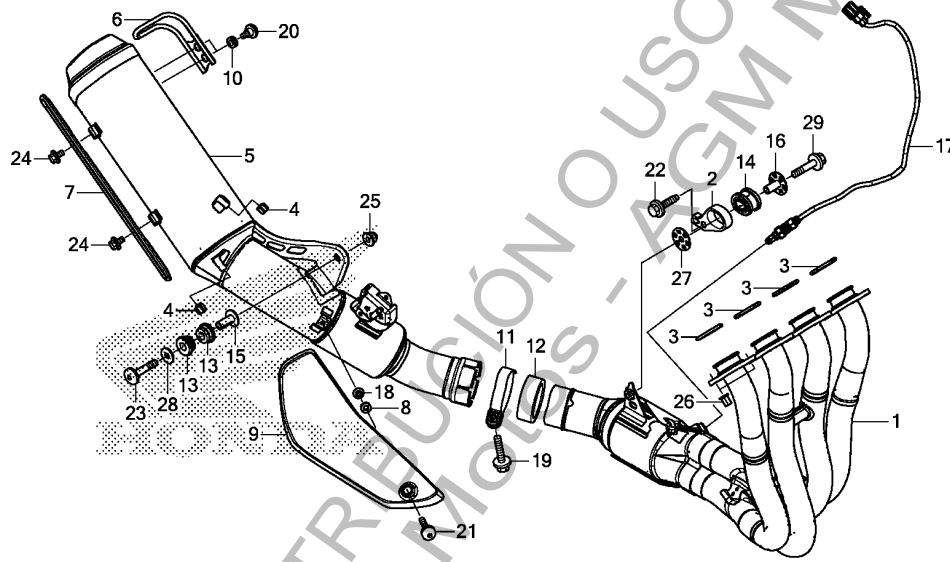
MKF3F2600

Ref. No.	Part No.	Description	Reqd. QTY								Serial No.	Parts catalogue code
			RR H	RR J	RA H	RA J	S1 H	S1 J	S2 H	S2 J		
1	17310-MKF-D41	CANISTER COMP.	-	-	1	1	1	1	1	1	1	2BR,2CH,2ED,2FO,2KO,2TH,BR,CH,ED,FO,KO,TH
2	17311-GFM-K00	RUBBER, CANISTER MOUNT	-	-	2	2	2	2	2	2	2	2BR,2CH,2ED,2FO,2KO,2TH,BR,CH,ED,FO,KO,TH
3	17412-MKF-D40	TUBE, CANISTER-PURGE CONTROL VALVE	-	-	1	1	1	1	1	1	1	2BR,2CH,2ED,2FO,2KO,2TH,BR,CH,ED,FO,KO,TH
4	17413-MKF-D40	TUBE, FIVE WAY-PURGE CONTROL VALVE	-	-	1	1	1	1	1	1	1	2BR,2CH,2ED,2FO,2KO,2TH,BR,CH,ED,FO,KO,TH
5	17432-MKF-D40	STAY, CANISTER	-	-	1	1	1	1	1	1	1	2BR,2CH,2ED,2FO,2KO,2TH,BR,CH,ED,FO,KO,TH
6	17434-MKF-D40	TUBE, CANISTER DRAIN	-	-	1	1	1	1	1	1	1	2BR,2CH,2ED,2FO,2KO,2TH,BR,CH,ED,FO,KO,TH
7	17445-MKF-D40	STAY, PURGE CONTROL VALVE	-	-	1	1	1	1	1	1	1	2BR,2CH,2ED,2FO,2KO,2TH,BR,CH,ED,FO,KO,TH
8	18320-196-000	RUBBER A, PROTECTOR	-	-	2	2	2	2	2	2	2	2BR,2CH,2ED,2FO,2KO,2TH,BR,CH,ED,FO,KO,TH
9	36162-KZL-931	VALVE, PURGE CONTROL SOLENOID	-	-	1	1	1	1	1	1	1	2BR,2CH,2ED,2FO,2KO,2TH,BR,CH,ED,FO,KO,TH
10	90522-KFO-000	COLLAR, SIDE COVER SETTING	-	-	2	2	2	2	2	2	2	2BR,2CH,2ED,2FO,2KO,2TH,BR,CH,ED,FO,KO,TH
11	93401-06020-00	BOLT-WASHER, 6X20	-	-	1	1	1	1	1	1	1	2BR,2CH,2ED,2FO,2KO,2TH,BR,CH,ED,FO,KO,TH
12	93401-06025-00	BOLT-WASHER, 6X25	-	-	1	1	1	1	1	1	1	2BR,2CH,2ED,2FO,2KO,2TH,BR,CH,ED,FO,KO,TH
13	93892-05010-08	SCREW-WASHER, 5X10	-	-	2	2	2	2	2	2	2	2BR,2CH,2ED,2FO,2KO,2TH,BR,CH,ED,FO,KO,TH

3

F-27

EXHAUST MUFFLER



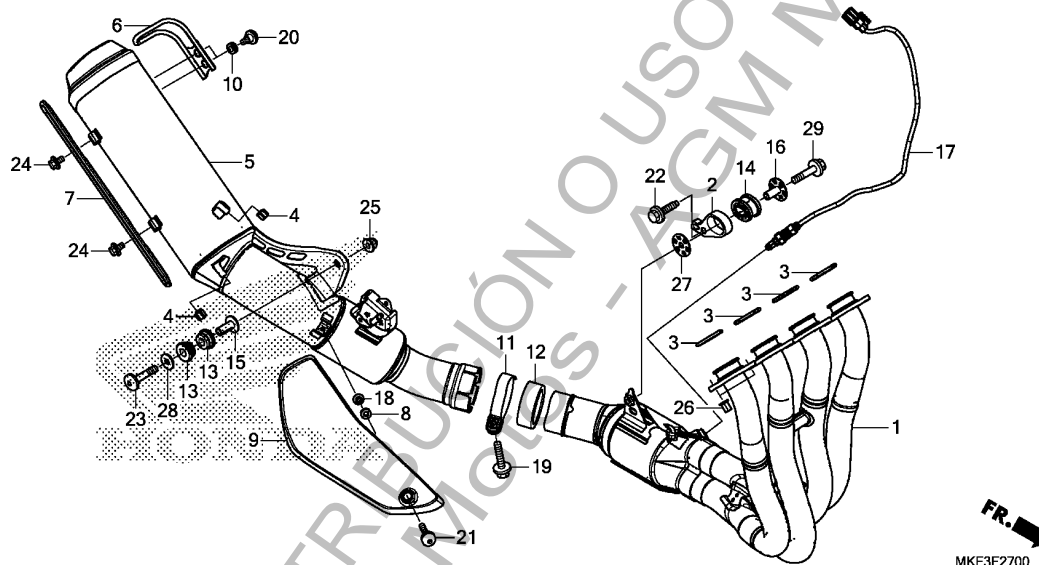
MKF3F2700

Ref. No.	L.O.N.	(Relative ref. Number) Description	F.R.T.
1	313110	PIPE, EXHAUST	1.7
3	3131B4	GASKET, EXHAUST PIPE	1.7
.NOTE: Same time for two units or more			
5	313120	MUFFLER	0.5
6	3131H1	GUARD, MUFFLER	0.1
7	313121	PROTECTOR, MUFFLER	0.1
9	4111X4	COVER, MUFFLER	0.1
12	3131C4	GASKET, MUFFLER	0.4
17	617121	SENSOR, OXYGEN	1.8

Ref. No.	Part No.	Description	Reqd. QTY								Serial No.	Parts catalogue code	
			RR H	RR J	RA H	RA J	S1 H	S1 J	S2 H	S2 J			
1	18150-MKF-D40	PIPE COMP., EX.	1	1	1	1	1	1	1	1	1	1	2BR,2ED,2GS,2IN,2K0,2RU,2U,BR,ED,GS,KO,RU,U
	18150-MKF-H40	-	-	1	1	1	1	-	-	-	-	2CH,2FO,2TH,CH,FO,TH
2	18155-MGP-D60	STAY, EX. PIPE	1	1	1	1	1	1	1	1	1	1	
3	18291-MM5-860	GASKET, EX. PIPE	4	4	4	4	4	4	4	4	4	4	
4	18293-MN0-000	RUBBER, PROTECTOR	2	2	2	2	2	2	2	2	2	2	
5	18310-MKF-D40	MUFFLER COMP., EX.	1	1	1	1	1	1	1	1	1	1	2BR,2ED,2GS,2IN,2K0,2RU,2U,BR,ED,GS,KO,RU,U
	18310-MKF-H40	-	-	1	1	1	1	-	-	-	-	2CH,CH
	18310-MKF-W40	-	-	1	1	1	1	-	-	-	-	2FO,FO
	18310-MKF-T40	-	-	1	1	1	1	-	-	-	-	2TH,TH
6	18320-MKF-W40	GUARD, MUFFLER	-	-	1	1	1	1	-	-	-	-	2FO,FO
7	18325-MKF-W40	GUARD, PROTECTOR	-	-	1	1	1	1	-	-	-	-	2FO,2TH,FO,TH
8	18345-MBT-610	RUBBER, PROTECTOR MOUNTING ..	1	1	1	1	1	1	1	1	1	1	
9	18350-MKF-D40	COVER, MUFFLER	1	1	1	1	1	1	1	1	1	1	
10	18357-MCG-000	RUBBER, PROTECTOR MOUNTING ..	-	-	2	2	2	2	-	-	-	-	2FO,FO
11	18371-MGP-D60	BAND, MUFFLER	1	1	1	1	1	1	1	1	1	1	
12	18391-MGP-D60	PACKING, MUFFLER	1	1	1	1	1	1	1	1	1	1	
13	18421-MFL-000	RUBBER, MUFFLER MOUNTING	2	2	2	2	2	2	2	2	2	2	
14	18422-MFJ-D10	RUBBER, EX. PIPE MOUNTING	1	1	1	1	1	1	1	1	1	1	
15	18422-MKF-D40	COLLAR, MUFFLER MOUNTING	1	1	1	1	1	1	1	1	1	1	
16	18423-MFJ-D00	COLLAR, EX. PIPE MOUNTING	1	1	1	1	1	1	1	1	1	1	
17	36531-MKF-D41	SENSOR, OXYGEN	1	1	1	1	1	1	1	1	1	1	
18	84706-MKF-D40	COLLAR, MUFFLER COVER	1	1	1	1	1	1	1	1	1	1	
19	90103-KCM-620	BOLT, FLANGE, 8X35	1	1	1	1	1	1	1	1	1	1	
20	90114-MCJ-000	SCREW, SPECIAL, 6X14	-	-	2	2	2	2	-	-	-	-	2FO,FO
21	90119-MGH-640	BOLT, SPECIAL, 6X14(SUS)	1	1	1	1	1	1	1	1	1	1	

F-27

EXHAUST MUFFLER

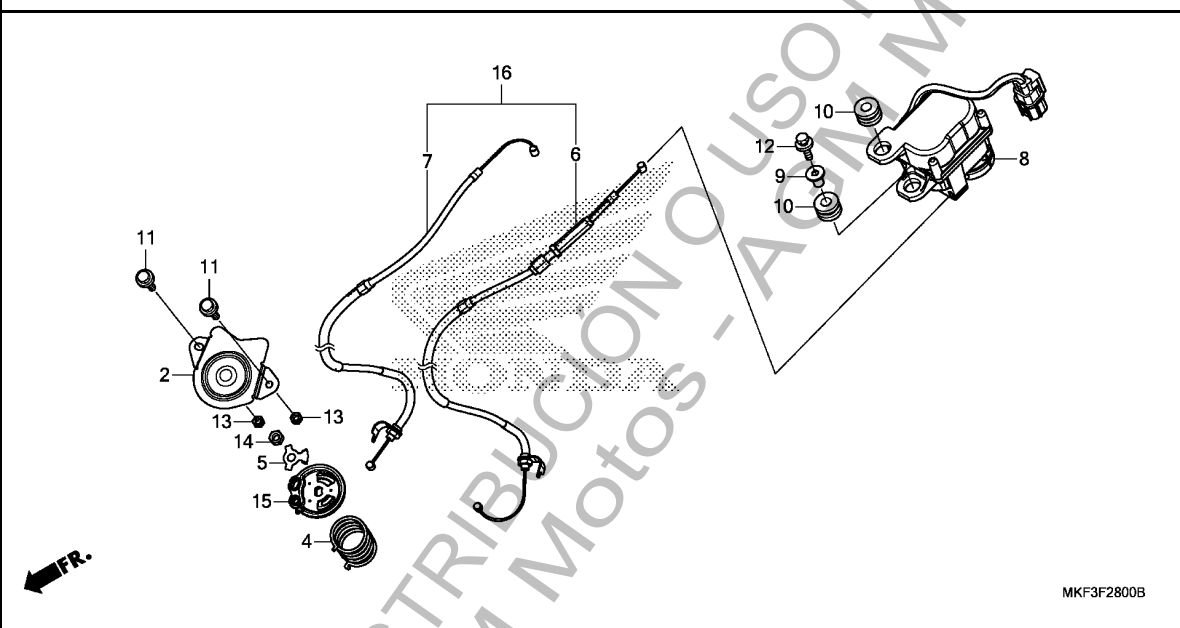


3

Ref. No.	Part No.	Description	Reqd. QTY								Serial No.	Parts catalogue code
			RR H	RR J	RA H	RA J	S1 H	S1 J	S2 H	S2 J		
22	90120-MGP-D60	BOLT, FLANGE GUIDE, 8X26	1	1	1	1	1	1	1	1		
23	90172-MFL-000	BOLT, SOCKET, 8X43	1	1	1	1	1	1	1	1		
24	90200-HW5-900	BOLT, FLANGE, 6X10(SUS)	-	-	2	2	2	2	-	-	-----	----- 2F0,2TH,F0,TH
25	90208-438-000	NUT, CAP, 8MM	1	1	1	1	1	1	1	1		
26	90304-MM5-000	NUT, FLANGE, 7MM	8	8	8	8	8	8	8	8		
27	90501-MFJ-D00	WASHER, 8.5X38	1	1	1	1	1	1	1	1		
28	90502-MKF-D40	WASHER, PLAIN, 8MM	1	1	1	1	1	1	1	1		
29	95701-08038-00	BOLT, FLANGE, 8X38	1	1	1	1	1	1	1	1		

F-28

SERVO MOTOR



Ref. No.	L.O.N.	(Relative ref. Number) Description	F.R.T.
2	3131E8	COVER, EXHAUST VALVE CABLE GUIDE (7,16)	0.3
6	8111D7	CABLE, EXHAUST VALVE .NOTE: Same time for two units .INCLUDES: Exhaust gas control valve cable adjustment	0.6
8	313119	MOTOR, EXHAUST BUTTERFLY VALVE SERVO .INCLUDES: Exhaust gas control valve cable adjustment	0.6
15	313118	GUIDE, EXHAUST VALVE CABLE ...	0.5

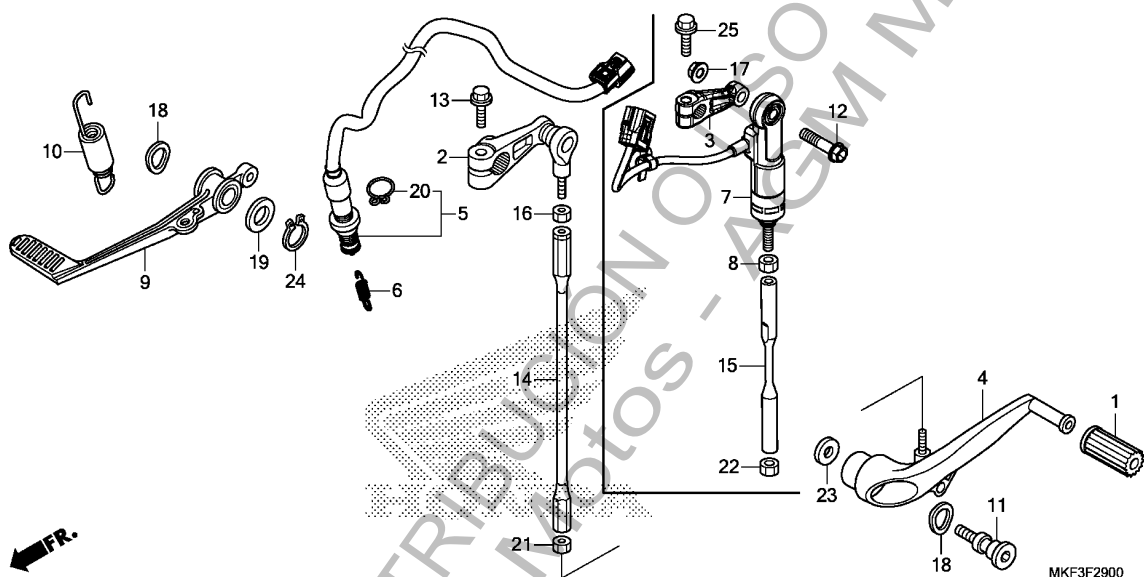
MKF3F2800B

Ref. No.	Part No.	Description	Reqd. QTY								Serial No.	Parts catalogue code
			RR H	RR J	RA H	RA J	S1 H	S1 J	S2 H	S2 J		
2	18184-MFJ-D00	COVER, VALVE GUIDE	1	1	1	1	1	1	1	1		
4	18186-MKF-D40	SPRING, RETURN	1	-	1	-	1	-	1	-	-----	2ED,2GS,2IN,2RU,2U,ED,GS,RU,U
	18186-MKF-D41		-	1	-	1	-	1	-	1	-----	2BR,2CH,2FO,2KO,2TH,CH,FO,KO,TH
			-	-	1	-	-	-	-	-	-----	2BR,2CH,2FO,2KO,2TH
5	18195-MKF-D40	WASHER, LOCK	1	1	1	1	1	1	1	1		
6	18910-MKF-D42	CABLE COMP. A, EX. VALVE	-	1	-	1	-	1	-	1		
7	18920-MKF-D42	CABLE COMP. B, EX. VALVE	-	1	-	1	-	1	-	1		
8	31420-MKF-D41	MOTOR ASSY., SERVO	1	1	1	1	1	1	1	1		
9	33718-GAS-900	COLLAR, TAILLIGHT MOUNTING	1	1	1	1	1	1	1	1		
10	77205-KM4-000	GROMMET, SEAT SETTING	2	2	2	2	2	2	2	2		
11	90002-ZG3-000	BOLT, FLANGE, 5X8	2	2	2	2	2	2	2	2		
12	93401-05025-08	BOLT-WASHER, 5X25	1	1	1	1	1	1	1	1		
13	94001-05490-0S	NUT, HEX., 5MM	2	2	2	2	2	2	2	2		
14	94001-06020-0S	NUT, HEX., 6MM	1	1	1	1	1	1	1	1		
15	18190-MKF-D40	GUIDE COMP., VALVE CABLE	1	1	1	1	1	1	1	1		
16	18900-MKF-305	CABLE SET, EX.	1	-	1	-	1	-	1	-		



F-29

PEDAL



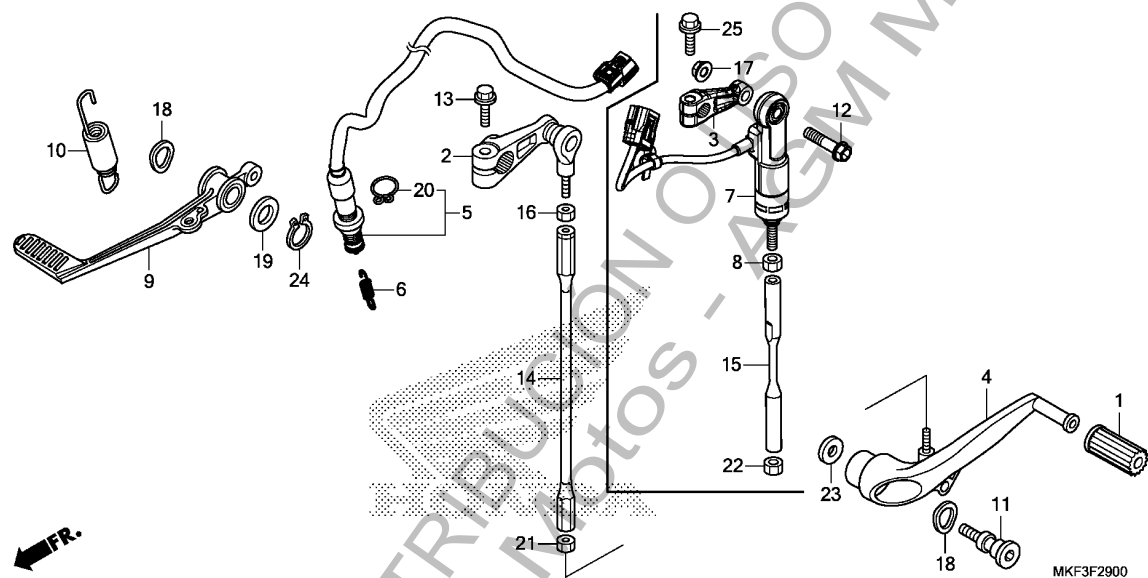
Ref. No.	L.O.N.	(Relative ref. Number) Description	F.R.T.
2	4101A2	ARM, GEAR CHANGE	0.1
3	4101AT	ARM, GEAR CHANGE(A)	0.3
4	4101A1	PEDAL, GEAR CHANGE	0.1
	4101Y8	PEDAL, GEAR CHANGE(A)	0.3
.NOTE: With stroke sensor			
5	6151B5	SWITCH, REAR STOP :PEDAL SIDE	0.4
	6151B5D	.ABS add	0.9
7	6171A0	SENSOR, STROKE	0.4
9	810160	PEDAL, REAR BRAKE	0.2
14	5101B5	ROD, CHANGE	0.1
15	5101K5	ROD, CHANGE(A)	0.3

3

Ref. No.	Part No.	Description	Reqd. QTY								Serial No.	Parts catalogue code
			RR H	RR J	RA H	RA J	S1 H	S1 J	S2 H	S2 J		
1	24705-MR7-000	RUBBER, GEAR CHANGE PEDAL ...	1	1	1	1	1	1	1	1		
2	24710-MFL-D20	ARM COMP., GEAR CHANGE	1	1	1	1	-	-	-	-		
3	24711-MKF-D60	ARM, GEAR CHANGE	-	-	-	-	1	1	1	1		
4	24720-MFL-D20	PEDAL COMP., GEAR CHANGE	1	1	1	1	1	1	1	1		
5	35350-MKF-D41	SWITCH ASSY., RR. STOP	1	1	1	1	1	1	1	1		
6	35357-MBR-000	SPRING, STOP SWITCH	1	1	1	1	1	1	1	1		
7	36390-MKF-D61	SENSOR ASSY., STROKE	-	-	-	-	1	1	1	1		
8	45423-KA4-700	NUT, HEX., 6MM (LEFT HAND THREAD)	-	-	-	-	1	1	1	1		
9	46500-MFL-D20	PEDAL COMP., RR. BRAKE	1	1	1	1	1	1	1	1		
10	46515-MBW-000	SPRING ASSY., BRAKE PEDAL ...	1	1	1	1	1	1	1	1		
11	90113-MCF-000	BOLT, CHANGE PIVOT	1	1	1	1	1	1	1	1		
12	90115-MKF-D60	BOLT, FLANGE, 7X30	-	-	-	-	1	1	1	1		
13	90161-GHB-650	BOLT, FLANGE, 6X20	1	1	1	1	-	-	-	-		
14	90165-MFL-D20	BAR, CHANGE	1	1	1	1	-	-	-	-		
15	90165-MKF-D60	BAR, CHANGE	-	-	-	-	1	1	1	1		
16	90201-700-000	NUT, GOVERNOR ARM FIXING (LEFT HAND THREAD)	1	1	1	1	-	-	-	-		
17	90202-KV3-000	NUT, FLANGE, 7MM	-	-	-	-	1	1	1	1		
18	90505-MBW-000	WASHER, CHANGE PEDAL WAVE ...	2	2	2	2	2	2	2	2		
19	90557-230-000	WASHER, 15.2X25	1	1	1	1	1	1	1	1		
20	90601-KAF-003	CLIP, SWITCH COVER	1	1	1	1	1	1	1	1		
21	94001-06020-0S	NUT, HEX., 6MM	1	1	1	1	-	-	-	-		
22	94002-06080-0S	NUT, HEX., 6MM	-	-	-	-	1	1	1	1		
23	94103-08700	WASHER, PLAIN, 8MM	1	1	1	1	1	1	1	1		

F-29

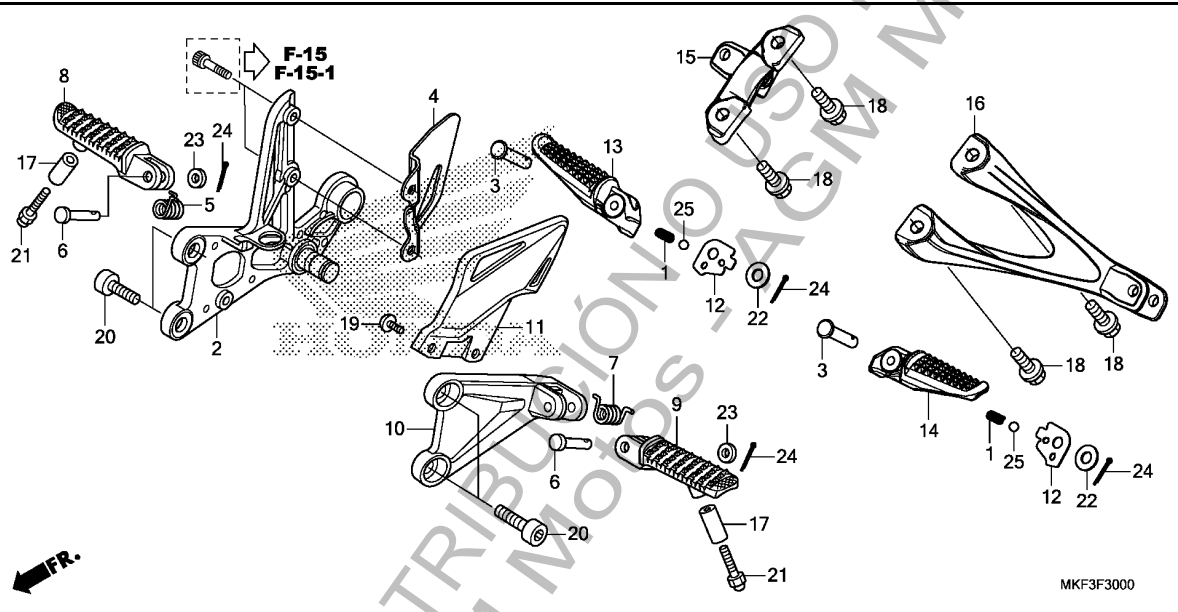
PEDAL



Ref. No.	Part No.	Description	Reqd. QTY								Serial No.	Parts catalogue code	
			RR H	RR J	RA H	RA J	S1 H	S1 J	S2 H	S2 J			
24	94511-15000	CIRCLIP, EXTERNAL, 15MM	1	1	1	1	1	1	1	1	1		
25	96300-06020-08	BOLT, FLANGE, 6X20	-	-	-	-	1	1	1	1	1		

F-30

STEP



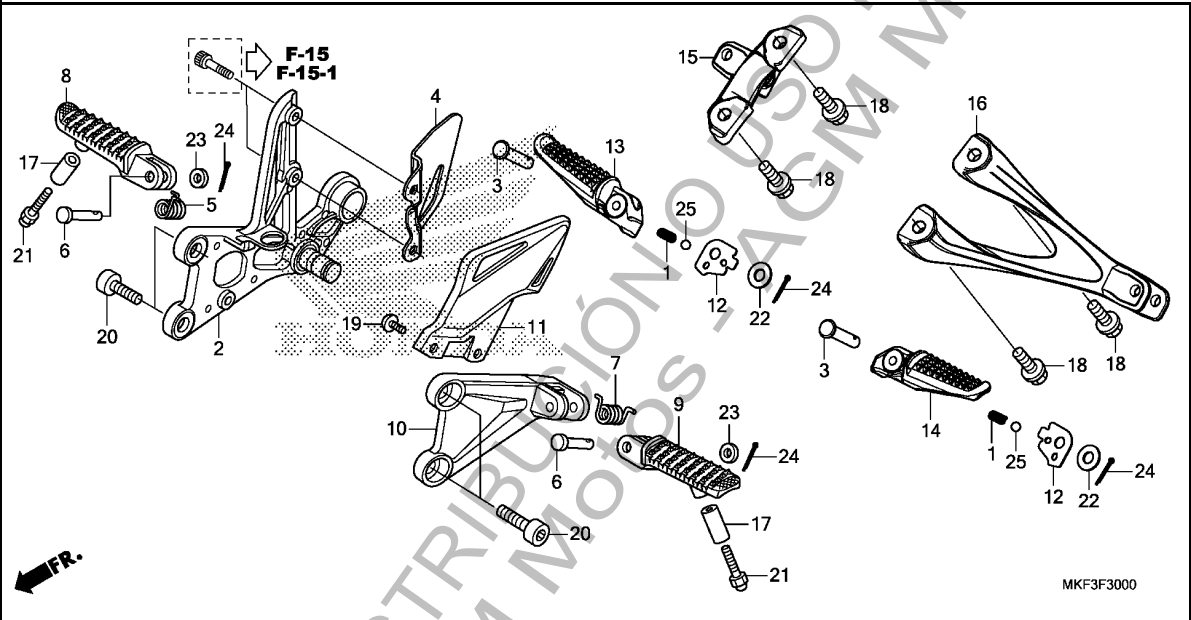
Ref. No.	L.O.N.	(Relative ref. Number) Description	F.R.T.
2	4101N2	HOLDER, STEP :RIGHT	0.4
4	4101Z2	GUARD, STEP :RIGHT	0.3
8	4101C6	BAR, MAIN STEP :RIGHT	0.1
9	4101C5	BAR, MAIN STEP :LEFT	0.1
	4101J1	BAR, MAIN STEP :BOTH	0.2
10	4101N1	HOLDER, STEP :LEFT	0.2
	4101N6	HOLDER, STEP :BOTH	0.6
11	4101Z1	GUARD, STEP :LEFT	0.1
	4101Z3	GUARD, STEP :BOTH	0.4
13	4101C8	BAR, PILLION STEP :RIGHT	0.1
14	4101C7	BAR, PILLION STEP :LEFT	0.1
	4101P4	BAR, PILLION STEP :BOTH	0.2
15	4101D0	BRACKET, PILLION STEP :RIGHT ..	0.2
16	4101C9	BRACKET, PILLION STEP :LEFT ..	0.2
	4101K4	BRACKET, PILLION STEP :BOTH ..	0.3

3

Ref. No.	Part No.	Description	Reqd. QTY								Serial No.	Parts catalogue code		
			RR H	RR J	RA H	RA J	S1 H	S1 J	S2 H	S2 J				
1	28333-300-000	SPRING, KICK STARTER STOPPER	2	2	2	2	-	-	-	-	-	-		
2	50600-MGP-D60	HOLDER, R. MAIN STEP	1	1	1	1	1	1	1	1	1	1		
3	50603-033-010	PIN, STEP BAR JOINT	2	2	2	2	-	-	-	-	-	-		
4	50607-MFL-000	GUARD, R. STEP	1	1	1	1	1	1	1	1	1	1		
5	50617-MCJ-750	SPRING, R. STEP RETURN	1	1	1	1	1	1	1	1	1	1		
6	50639-MFL-D20	PIN, STEP BAR	2	2	2	2	2	2	2	2	2	2		
7	50644-MCJ-750	SPRING, L. STEP RETURN	1	1	1	1	1	1	1	1	1	1		
8	50660-MEL-000	ARM, R. MAIN STEP	1	1	1	1	1	1	1	1	1	1		
9	50665-MEL-000	ARM, L. MAIN STEP	1	1	1	1	1	1	1	1	1	1		
10	50700-MGP-D60	HOLDER, L. MAIN STEP	1	1	1	1	1	1	1	1	1	1		
11	50707-MFL-000	GUARD, L. STEP	1	1	1	1	1	1	1	1	1	1		
12	50718-MN8-000	PLATE, PILLION STEP CLICK ...	2	2	2	2	-	-	-	-	-	-		
13	50720-MKF-D40	ARM, R. PILLION STEP	1	1	1	1	-	-	-	-	-	-		
14	50730-MKF-D40	ARM, L. PILLION STEP	1	1	1	1	-	-	-	-	-	-		
15	50750-MKF-D40ZA	HOLDER, R. PILLION STEP *NH461M*TEMPLE BLACK METALLIC	1	1	1	1	-	-	-	-	-	-		
16	50760-MKF-D40ZA	HOLDER, L. PILLION STEP *NH461M*TEMPLE BLACK METALLIC	1	1	1	1	-	-	-	-	-	-		
17	51486-MEL-000	COLLAR, STEP LOWER	2	2	2	2	2	2	2	2	2	2		
18	90105-MKF-D40	BOLT, FLANGE, 8X25	4	4	4	4	4	-	-	-	-	-		
19	90106-MAV-000	SCREW, PAN, 6X12	2	2	2	2	2	2	2	2	2	2		
20	90157-MFL-D20	BOLT, SOCKET, 8X22	4	4	4	4	4	4	4	4	4	4		
21	92501-06050-0A	BOLT, CAP, 6X50	2	2	2	2	2	2	2	2	2	2		
22	94101-08000	WASHER, PLAIN, 8MM	2	2	2	2	-	-	-	-	-	-		
23	94102-08000	WASHER, PLAIN, 8MM	2	2	2	2	2	2	2	2	2	2		

F-30

STEP



Ref. No.	Part No.	Description	Reqd. QTY								Serial No.	Parts catalogue code
			RR H	RR J	RA H	RA J	S1 H	S1 J	S2 H	S2 J		

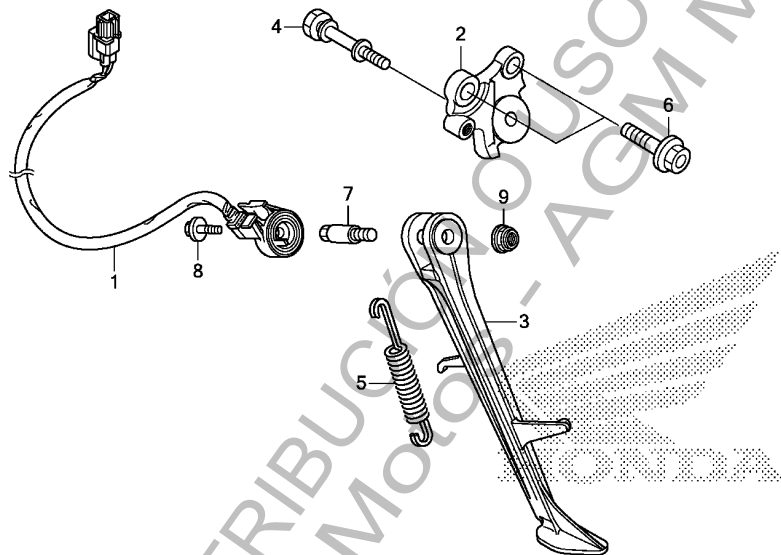
24	94201-20150	PIN, SPLIT, 2.0X15	4	4	4	4	2	2	2	2		
25	96211-08000	BALL, STEEL, #8(1/4)	2	2	2	2	-	-	-	-		

3

PROHIBIDO SU DISTRIBUCION AGRUACIONES
 19-07-2019

F-31

STAND



MKF3F3100

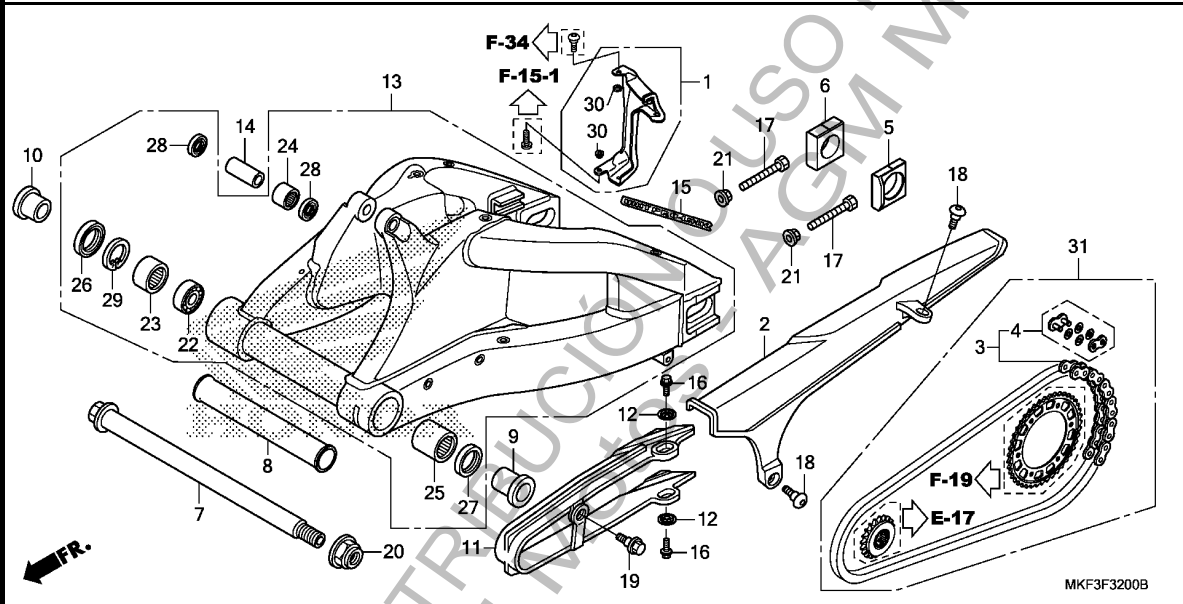
Ref. No.	L.O.N.	(Relative ref. Number) Description	F.R.T.
1	615195	SWITCH, SIDE STAND	0.3
2	410181	BRACKET, SIDE STAND	0.3
3	410180	BAR, SIDE STAND	0.2
5	410182	SPRING, SIDE STAND	0.1

3

Ref. No.	Part No.	Description	Reqd. QTY								Serial No.	Parts catalogue code
			CBR1000									
			RR	RR	RA	RA	S1	S1	S2	S2		
			H	J	H	J	H	J	H	J		
1	35700-MKF-D41	SWITCH ASSY., SIDE STAND	1	1	1	1	1	1	1	1		
2	50150-MFL-000	BRACKET COMP., SIDE STAND	1	1	1	1	1	1	1	1		
3	50530-MKF-D40	BAR, SIDE STAND	1	1	1	1	1	1	1	1		
4	50538-MFL-000	HOOK, SIDE STAND SPRING	1	1	1	1	1	1	1	1		
5	50540-MFL-000	SPRING, SIDE STAND	1	1	1	1	1	1	1	1		
6	90109-MKF-D40	BOLT, FLANGE, 10X29	2	2	2	2	2	2	2	2		
7	90118-MFL-000	BOLT, SIDE STAND PIVOT	1	1	1	1	1	1	1	1		
8	90147-MCE-950	BOLT, SPECIAL, 6X16	1	1	1	1	1	1	1	1		
9	90203-MF9-710	NUT, SIDE STAND	1	1	1	1	1	1	1	1		

F-32

SWINGARM

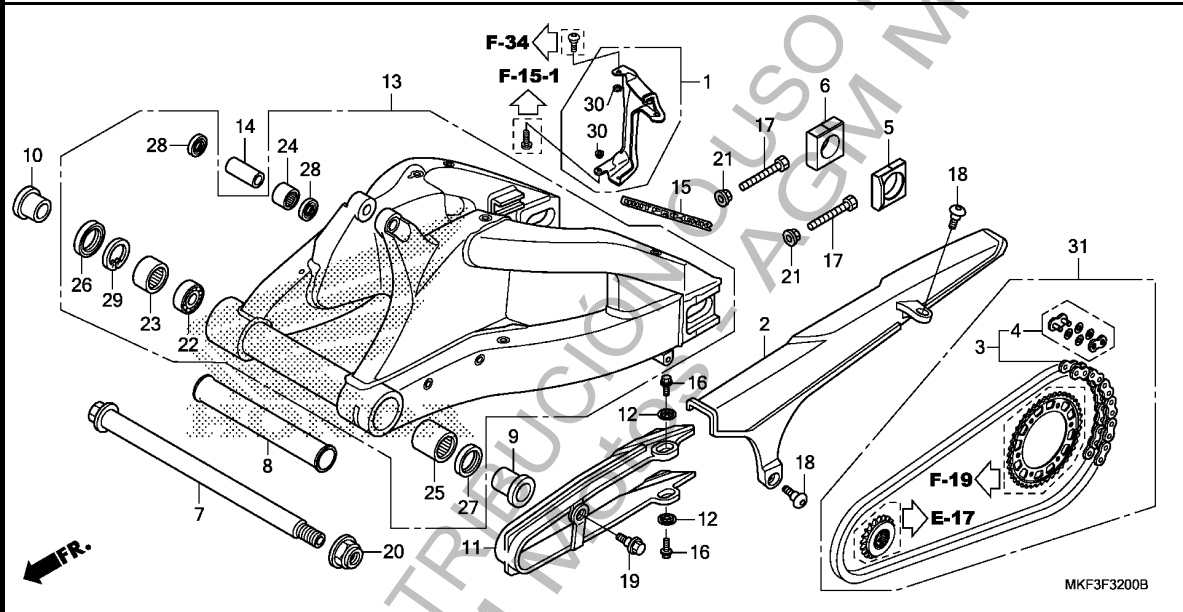


Ref. No.	L.O.N.	(Relative ref. Number) Description	F.R.T.
2	410195	CASE, DRIVE CHAIN	0.1
3	213165	CHAIN, DRIVE	0.5
11	4101E5	SLIDER, CHAIN	0.6
13	5121B0	SWINGARM ASSEMBLY	1.9
23		(22)	
	5121C9	BEARING, SWINGARM PIVOT :RIGHT .NOTE: Same time for two units	1.6
24	5121G9	BEARING, REAR CUSHION LINK PLATE	1.6
25	5121C8	BEARING, SWINGARM PIVOT :LEFT	1.8
	5121D0	BEARING, SWINGARM PIVOT :BOTH	1.8
31	2131G4	CHAIN KIT, DRIVE	1.3

Ref. No.	Part No.	Description	Reqd. QTY								Serial No.	Parts catalogue code
			RR H	RR J	RA H	RA J	S1 H	S1 J	S2 H	S2 J		
1	32118-MKF-D60	COVER, RR. CUSHION CORD	-	-	-	-	1	1	1	1		
2	40510-MFL-000	CASE, DRIVE CHAIN	1	1	1	1	1	1	1	1		
3	40540-MKF-D42	CHAIN, DRIVE(RK JAPAN) (RK525R0Z7-120LJFZ)										
4	40535-MKF-D42	(STANDARD LINK 116L) JOINT, DRIVE CHAIN(RK JAPAN)	1	1	1	1	1	1	1	1		
5	42305-MKF-D40	COLLAR, L. RR. AXLE	1	1	1	1	1	1	1	1		
6	42306-MKF-D40	COLLAR, R. RR. AXLE	1	1	1	1	1	1	1	1		
7	52101-MFL-000	BOLT, SWINGARM PIVOT	1	1	1	1	1	1	1	1		
8	52102-MKF-D40	COLLAR, RR. SWINGARM DISTANCE	1	1	1	1	1	1	1	1		
9	52143-MFL-000	COLLAR, L. PIVOT DISTANCE ...	1	1	1	1	1	1	1	1		
10	52144-MFL-000	COLLAR, R. PIVOT DISTANCE ...	1	1	1	1	1	1	1	1		
11	52170-MFL-010	SLIDER, CHAIN	1	1	1	1	1	1	1	1		
12	52171-MFJ-D00	WASHER, CHAIN SLIDER	2	2	2	2	2	2	2	2		
13	52200-MKF-D40	SWINGARM SUB ASSY.	1	1	1	1	-	-	-	-		
	52200-MKF-D60		-	-	-	-	1	1	1	1		
14	52463-MAL-G00	COLLAR, CUSHION CONNECTING ROD	1	1	1	1	1	1	1	1		
15	87121-MEL-D20	MARK(UNIT PROLINK)	1	1	1	1	-	-	-	-		
	87121-MEE-000		-	-	-	-	1	1	1	1		
16	90105-MY9-000	BOLT, FLANGE, 6X18	2	2	2	2	2	2	2	2		
17	90107-MFL-D20	BOLT, HEX., 8X50	2	2	2	2	2	2	2	2		
18	90116-MFL-D20	SCREW, SPECIAL, 6X16	2	2	2	2	2	2	2	2		
19	90130-MCJ-750	BOLT, CHAIN SLIDER	1	1	1	1	1	1	1	1		
20	90306-MFL-D31	NUT, U, 22MM	1	1	1	1	1	1	1	1		
21	90309-357-000	NUT, HEX., 8MM	2	2	2	2	2	2	2	2		

F-32

SWINGARM

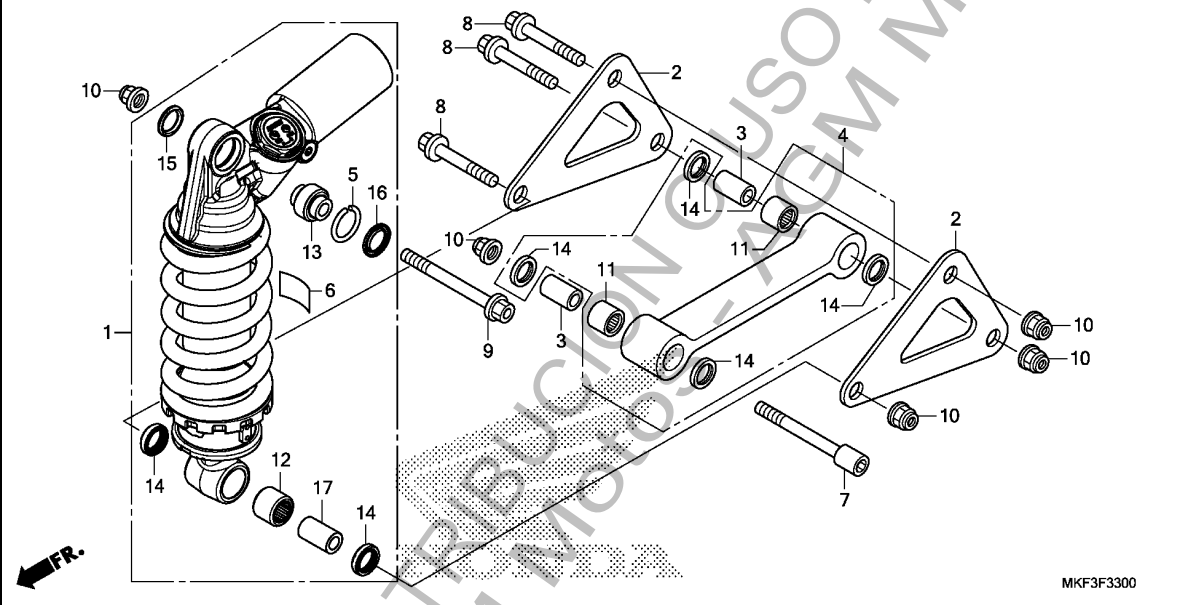


Ref. No.	Part No.	Description	Reqd. QTY								Serial No.	Parts catalogue code	
			RR H	RR J	RA H	RA J	S1 H	S1 J	S2 H	S2 J			
22	91053-MCJ-003	BEARING, RADIAL BALL, 6905 ..	1	1	1	1	1	1	1	1	1		
23	91053-MCJ-751	BEARING, NEEDLE, 32X42X20 ...	1	1	1	1	1	1	1	1	1		
24	91071-KV3-005	BEARING, NEEDLE(KOYO)	1	1	1	1	1	1	1	1	1		
25	91071-MCJ-003	BEARING, NEEDLE, 32X42X37 ...	1	1	1	1	1	1	1	1	1		
26	91252-MCF-003	DUST SEAL, 32X45X5	1	1	1	1	1	1	1	1	1		
27	91253-MCF-003	DUST SEAL, 32X42X6	1	1	1	1	1	1	1	1	1		
28	91262-KV3-831	DUST SEAL, 17X24X5 (ARAI)	2	2	2	2	2	2	2	2	2		
29	94520-45000	CIRCLIP, INTERNAL, 45MM	1	1	1	1	1	1	1	1	1		
30	64203-166-610	COLLAR, FAIRING STAY	-	-	-	-	2	2	2	2	2		
31	06406-MKF-D40	CHAIN KIT, DRIVE(525-16&43T) (STANDARD LINK 116L)	-	-	1	1	1	1	1	1	1	-----	2ED,ED

3

F-33

REAR CUSHION(CBR1000RR/RA)



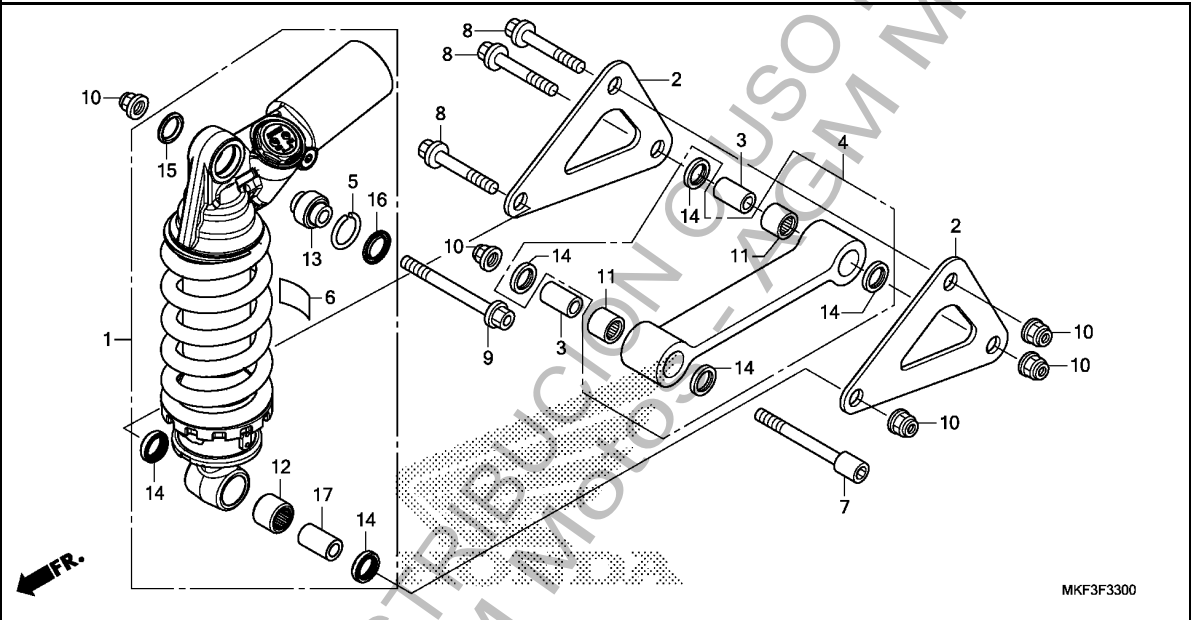
Ref. No.	L.O.N.	(Relative ref. Number) Description	F.R.T.
1	512115	CUSHION ASSY., REAR	0.7
2	5121C4	PLATE, REAR CUSHION LINK	0.7
.NOTE: Same time for two units			
4	512145	ROD, CUSHION CONNECTING	0.7
11	5121D4	BEARING, CUSHION CONNECTING ROD	0.9
	5121D4A	.Replace 1 bearing add (13)	0.1
12	5121D1	BEARING, REAR CUSHION	0.9
	5121D1A	.Replace 1 bearing add	0.1

Ref. No.	Part No.	Description	Reqd. QTY								Serial No.	Parts catalogue code
			CBR1000									
			RR	RR	RA	RA	S1	S2	S2			
			H	J	H	J	H	J	H	J		
1	52400-MKF-D41	CUSHION ASSY., RR. (SHOWA)	1	1	1	1	-	-	-	-	2ED,2FO,2GS,2RU,2U,ED,F0,GS,RU,U	
	52400-MKF-B41	-	-	1	1	-	-	-	-	2BR,BR	
	52400-MKF-H41	-	-	1	1	-	-	-	-	2CH,CH	
	52400-MKF-305	-	-	1	1	-	-	-	-	2IN	
	52400-MKF-K41	-	-	1	1	-	-	-	-	2KO,KO	
	52400-MKF-T41	-	-	1	1	-	-	-	-	2TH,TH	
2	52461-MFL-000	PLATE, CUSHION ARM	2	2	2	2	-	-	-	-		
3	52463-MAL-600	COLLAR, CUSHION CONNECTING ROD	2	2	2	2	-	-	-	-		
4	52475-MFL-000	ROD SUB ASSY., CUSHION CONNECTING	1	1	1	1	-	-	-	-		
5	52487-KA4-831	RING, STOPPER	1	1	1	1	-	-	-	-		
6	87516-MCA-G60	LABEL, RR. DAMPER (PICTOGRAPH)	1	1	1	1	-	-	-	-	2ED,2FO,2GS,2RU,2U,ED,F0,GS,RU,U	
	87516-KFC-900	LABEL, RR. DAMPER CAUTION (PORTUGUESE)	-	-	1	1	-	-	-	-	2BR,BR	
	87516-MJF-H10	LABEL, RR. DAMPER (CHINESE)	-	-	1	1	-	-	-	-	2CH,CH	
	87516-KZZ-L40	LABEL, RR. DAMPER (INDONESIAN)	-	-	1	1	-	-	-	-	2IN	
	87516-KFK-750	LABEL, RR. DAMPER (KOREAN)	-	-	1	1	-	-	-	-	2KO,KO	
	87516-MGS-T70	LABEL, RR. DAMPER (THAI)	-	-	1	1	-	-	-	-	2TH,TH	
7	90107-MFJ-D00	BOLT, SOCKET, 10X70	1	1	1	1	-	-	-	-		
8	90121-MFL-000	BOLT, FLANGE, 10X62	3	3	3	3	-	-	-	-		
9	90132-MEL-000	BOLT, FLANGE, 10X75	1	1	1	1	-	-	-	-		
10	90304-GE8-003	NUT, U, 10MM(FUSE RASHI)	5	5	5	5	-	-	-	-		
11	91071-KV3-005	BEARING, NEEDLE (KOYO)	2	2	2	2	-	-	-	-		
12	91072-KT7-003	BEARING, NEEDLE, 17X24X20 (NTN)	1	1	1	1	-	-	-	-		
13	91074-MBR-722	BEARING, SPHERICAL, 10	1	1	1	1	-	-	-	-		
14	91262-KV3-831	DUST SEAL, 17X24X5 (ARAI)	6	6	6	6	-	-	-	-		
15	91351-KZ3-731	DUST SEAL, RR. CUSHION PIVOT	1	1	1	1	-	-	-	-		



F-33

REAR CUSHION(CBR1000RR/RA)



Ref. No.	Part No.	Description	Reqd. QTY								Serial No.	Parts catalogue code
			RR H	RR J	RA H	RA J	S1 H	S1 J	S2 H	S2 J		

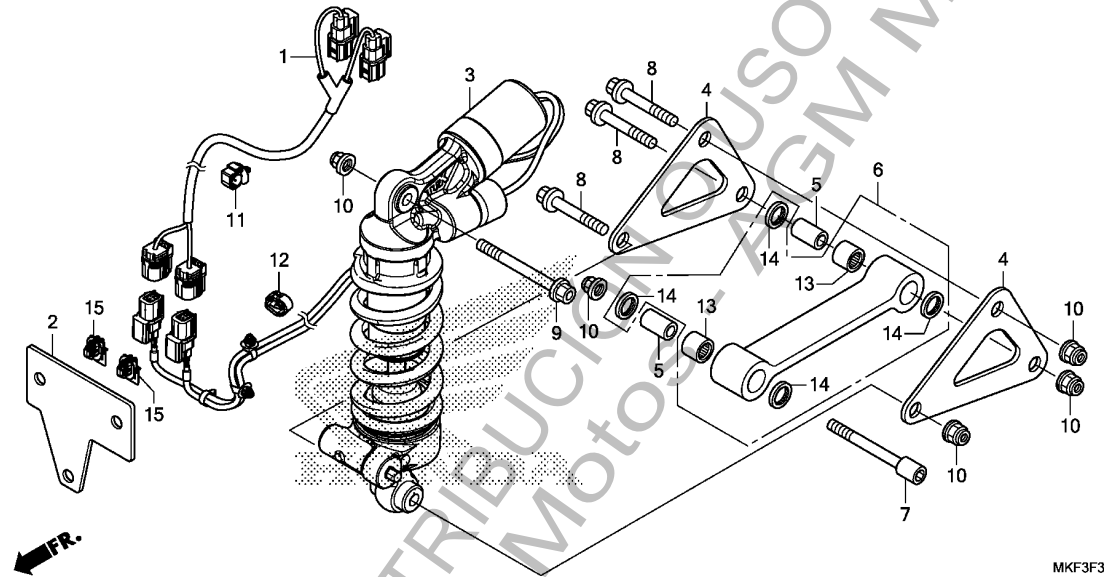
16	91351-MAC-671	DUST SEAL, 16X26X3	1	1	1	1	-	-	-	-		
17	52463-MAL-G00	COLLAR, CUSHION CONNECTING ROD	1	1	1	1	-	-	-	-		
	52463-MJC-A00	-	-	1	1	-	-	-	-	-----	2IN

3

PROHIBIDO SU DISTRIBUCION
19-07-2019

F-33-1

REAR CUSHION(CBR1000S1/S2)

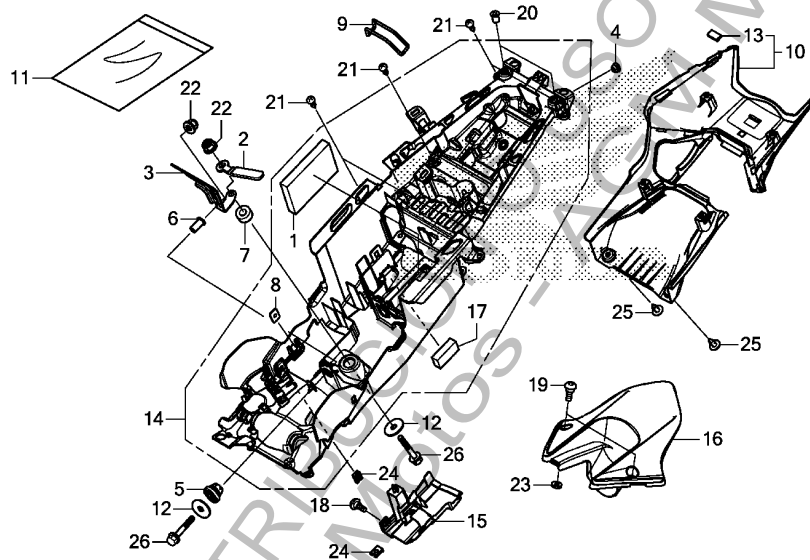


Ref. No.	L.O.N.	(Relative ref. Number) Description	F.R.T.
1	6111W9	SUB HARNESS, SUSPENSION	0.5
3	5121K7	CUSHION ASSY., REAR(A)	1.1
4	5121C4	PLATE, REAR CUSHION LINK	0.7
.NOTE: Same time for two units			
6	512145	ROD, CUSHION CONNECTING	0.7
13	5121D4	BEARING, CUSHION CONNECTING	0.9
		ROD	0.9
	5121D4A	.Replace 1 bearing add	0.1

Ref. No.	Part No.	Description	Reqd. QTY								Serial No.	Parts catalogue code
			CBR1000									
			RR	RR	RA	RA	S1	S1	S2	S2		
			H	J	H	J	H	J	H	J		
1	32109-MKF-D60	SUB HARNESS, RR. CUSHION	-	-	-	-	1	1	1	1		
2	32119-MKF-D60	RUBBER, COUPLER	-	-	-	-	1	1	1	1		
3	52430-MKF-D60	CUSHION ASSY., RR.(OHLINS)	-	-	-	-	1	-	1	-	----- 2ED,2FO,2GS,2KO,2RU,2TH,2U	
	52430-MKF-D61	-	-	-	-	1	-	-	-	----- 2BR,2CH,2IN	
4	52461-MFL-000	PLATE, CUSHION ARM	-	-	-	-	2	2	2	2		
5	52463-MAL-G00	COLLAR, CUSHION CONNECTING ROD	-	-	-	-	2	2	2	2		
6	52475-MGP-D80	ROD SUB ASSY., CUSHION CONNECTING	-	-	-	-	1	1	1	1		
7	90107-MFJ-D00	BOLT, SOCKET, 10X70	-	-	-	-	1	1	1	1		
8	90121-MFL-000	BOLT, FLANGE, 10X62	-	-	-	-	3	3	3	3		
9	90132-MEL-000	BOLT, FLANGE, 10X75	-	-	-	-	1	1	1	1		
10	90304-GE8-003	NUT, U, 10MM(FUSE RASHI)	-	-	-	-	5	5	5	5		
11	90683-GEE-003	CLAMP, CABLE	-	-	-	-	1	1	1	1		
12	90690-MEF-800	CLAMP, HARNESS	-	-	-	-	1	1	1	1		
13	91071-KV3-005	BEARING, NEEDLE(KOYO)	-	-	-	-	2	2	2	2		
14	91262-KV3-831	DUST SEAL, 17X24X5(ARAI)	-	-	-	-	4	4	4	4		
15	91535-TA0-003	CLIP, COUPLER(DARK BROWN)	-	-	-	-	2	2	2	2		

F-34

REAR FENDER



MKF3F3400

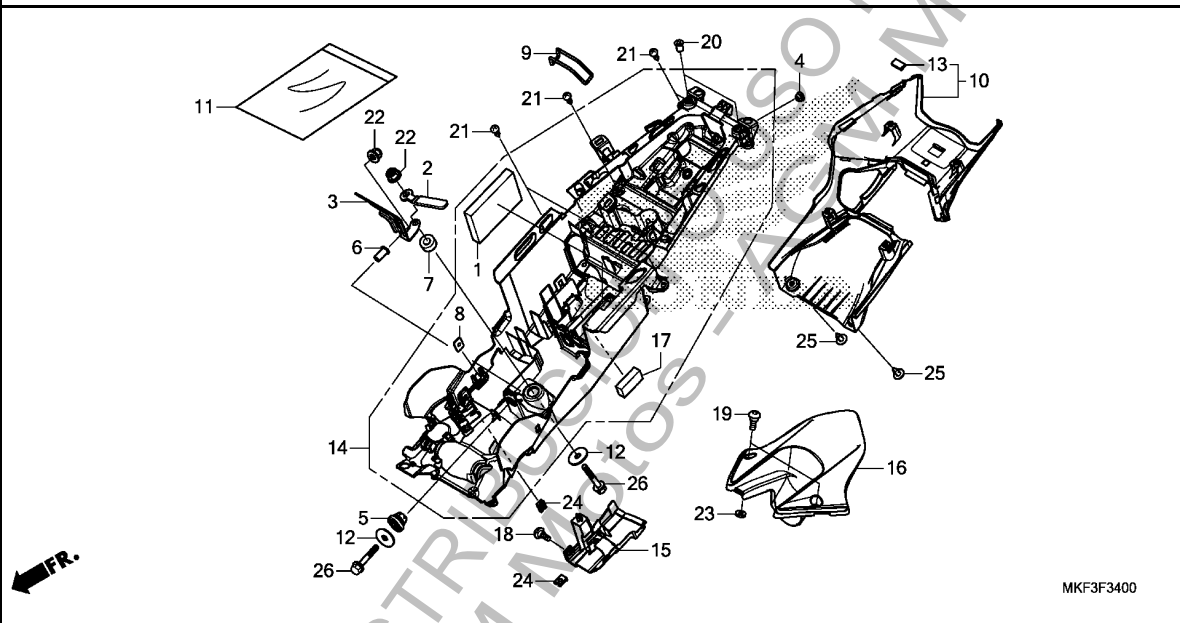
Ref. No.	L.O.N.	(Relative ref. Number) Description	F.R.T.
10	4111DN	COVER, REGULATOR	0.4
14	413110	FENDER B, REAR	1.2
	413110A	.ABS add	0.5
15	413185	COVER, MAINTENANCE	0.5
16	413111	FENDER C, REAR	0.1

3

Ref. No.	Part No.	Description	Reqd. QTY								Serial No.	Parts catalogue code
			RR H	RR J	RA H	RA J	S1 H	S1 J	S2 H	S2 J		
1	31515-MKF-D60	SPACER, BATTERY	-	-	-	-	1	1	1	1		
2	32901-MA1-000	CLIP, SUB CORD	1	1	-	-	-	-	-	-		
3	50406-MKF-D40	STAY, INERTIAL MEASUREMENT UNIT	1	1	-	-	-	-	-	-		
4	53125-174-670	PLUG, HANDLE UNDER COVER	1	1	1	1	1	1	1	1		
5	57101-SJA-003	RUBBER, MOUNT	1	1	-	-	-	-	-	-		
6	57409-MFJ-A50	COLLAR, FR. POWER UNIT MOUNTING	1	1	-	-	-	-	-	-		
7	57409-MKF-A20	COLLAR, INERTIAL MEASUREMENT UNIT	1	1	-	-	-	-	-	-		
8	61304-HB3-003	NUT, SPECIAL, 6MM	-	-	1	1	1	1	1	1		
9	64111-181-000	BAND, FR. NUMBER PLATE	1	1	1	1	1	1	1	1		
10	77240-MKF-D40	COVER, REGULATOR	1	1	1	1	1	1	1	1		
11	77251-GR1-000	BAG, SERVICE BOOK	1	1	1	1	1	1	1	1		
12	77302-KW7-900	WASHER, HEADLIGHT BRACKET MOUNTING	2	2	-	-	-	-	-	-		
13	80102-MJS-A90	RUBBER, RR. FENDER	1	1	1	1	1	1	1	1		
14	80105-MKF-A20	FENDER B, RR.	1	1	-	-	-	-	-	-		
	80105-MKF-D40	-	-	1	1	-	-	-	-		
	80105-MKF-D60	-	-	-	-	1	1	1	1		
15	80106-MKF-D40	COVER, SERVO MOTOR	1	1	1	1	1	1	1	1		
16	80120-MGP-D01	FENDER C, RR.	1	1	1	1	-	-	-	-		
	80120-MKF-D60	-	-	-	-	1	1	1	1		
17	83705-MKF-D40	MAT, RR. FENDER	1	1	1	1	1	1	1	1		
18	90102-MKA-D80	SCREW, SPECIAL, 5X14	1	1	1	1	1	1	1	1		
19	90106-KCR-000	SCREW, PAN, 5X19	2	2	2	2	2	2	2	2		

F-34

REAR FENDER

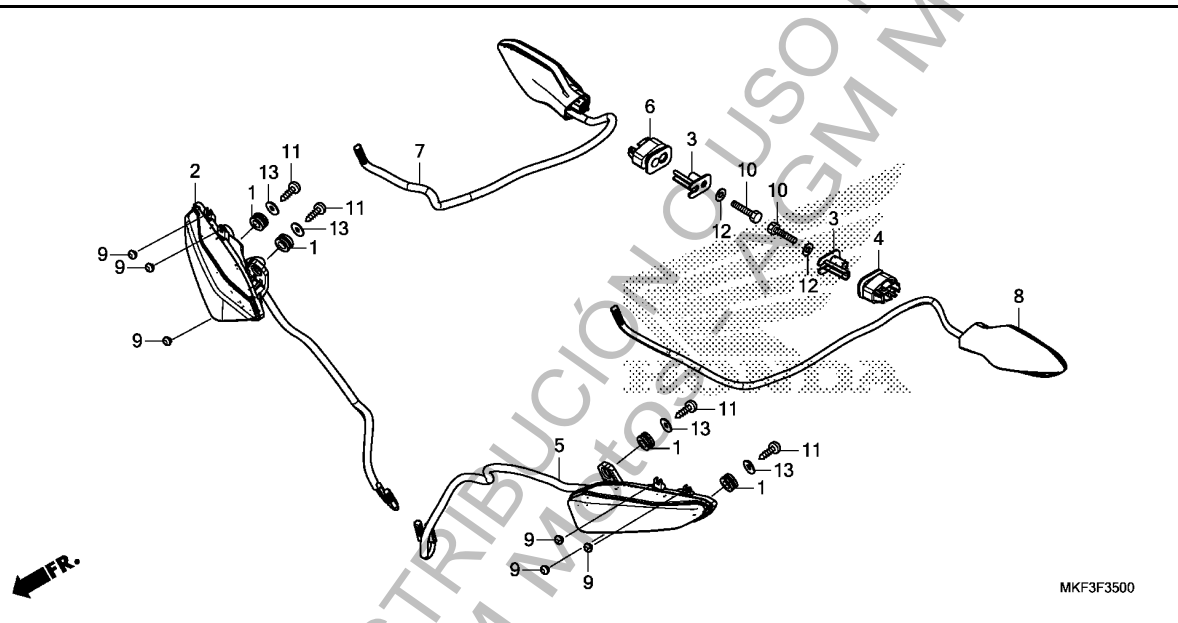


Ref. No.	Part No.	Description	Reqd. QTY								Serial No.	Parts catalogue code
			RR H	RR J	RA H	RA J	S1 H	S1 J	S2 H	S2 J		
20	90111-KW3-003	NUT, COWL SETTING, 5MM	2	2	2	2	2	2	2	2		
21	90114-MJK-N20	SCREW, TAPPING, 4X10	6	6	6	6	6	6	6	6		
22	90301-473-003	NUT, U, 6MM(FUSE RASHI)	2	2	-	-	-	-	-	-		
23	90503-MKF-D40	WASHER, 5X12.5X2.3	1	1	1	1	-	-	-	-		
24	90677-KAN-961	NUT, CLIP, 5MM	2	2	2	2	2	2	2	2		
25	90683-GR1-003	CLIP, BODY COVER	2	2	2	2	2	2	2	2		
26	96001-06032-07	BOLT, FLANGE, 6X32	2	2	-	-	-	-	-	-		

PROHIBIDO DISTRIBUIR SIN AUTORIZACION DE YAMAHA MOTOR CO. LTD.
19-07-2019

F-35

WINKER(1)



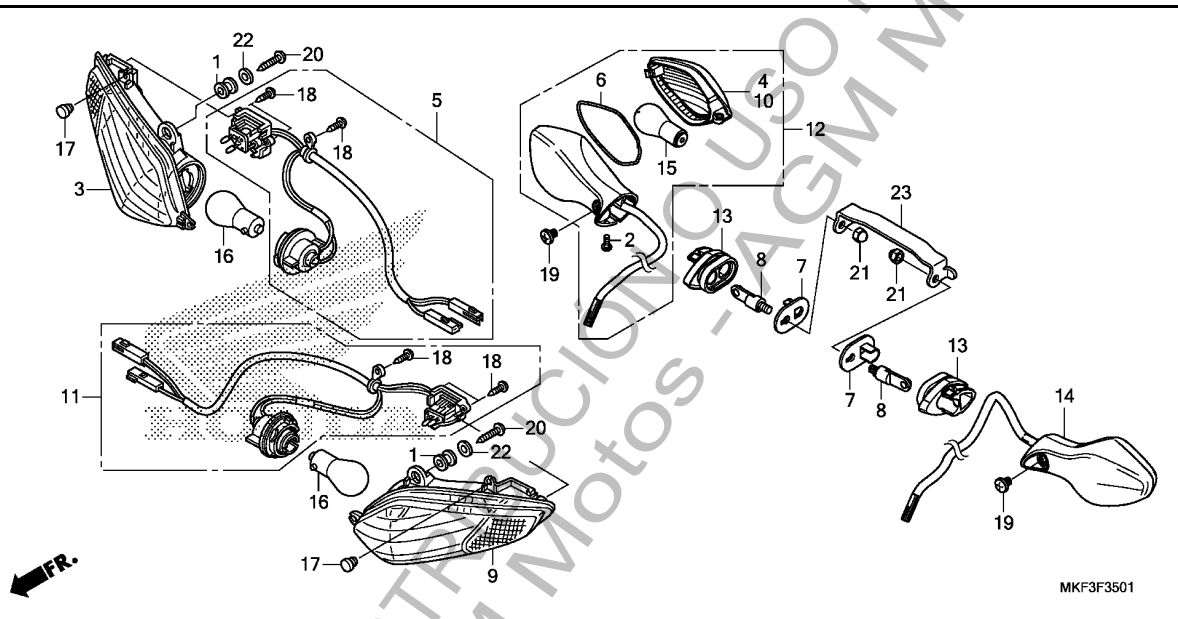
Ref. No.	L.O.N.	(Relative ref. Number) Description	F.R.T.
2	6161C4	WINKER :RIGHT FRONT	0.3
5	6161C3	WINKER :LEFT FRONT	0.3
	6161C5	WINKER :BOTH FRONT	0.5
7	6161C7	WINKER :RIGHT REAR	0.9
8	6161C6	WINKER :LEFT REAR	0.9
	6161C8	WINKER :BOTH REAR	1.0

3

Ref. No.	Part No.	Description	Reqd. QTY								Serial No.	Parts catalogue code	
			RR H	RR J	RA H	RA J	S1 H	S1 J	S2 H	S2 J			
1	19639-GBC-000	RUBBER, MOUNTING	4	4	4	4	4	4	4	4	-----	-----	2BR,2ED,2FO,2GS,2IN,2KO,2RU,2TH,2U,BR,ED,FO,GS KO,RU,TH,U
2	33400-MKF-D41	WINKER ASSY., R. FR.	1	1	1	1	1	1	1	1	-----	-----	2BR,2ED,2FO,2GS,2IN,2KO,2RU,2TH,2U,BR,ED,FO,GS KO,RU,TH,U
3	33411-MKF-D40	COLLAR, WINKER	2	2	2	2	2	2	2	2	-----	-----	2BR,2ED,2FO,2GS,2IN,2KO,2RU,2TH,2U,BR,ED,FO,GS KO,RU,TH,U
4	33412-MKF-D40	RUBBER, R. WINKER MOUNTING .. (L. RR.)	1	1	1	1	1	1	1	1	-----	-----	2BR,2ED,2FO,2GS,2IN,2KO,2RU,2TH,2U,BR,ED,FO,GS KO,RU,TH,U
5	33450-MKF-D41	WINKER ASSY., L. FR.	1	1	1	1	1	1	1	1	-----	-----	2BR,2ED,2FO,2GS,2IN,2KO,2RU,2TH,2U,BR,ED,FO,GS KO,RU,TH,U
6	33452-MKF-D40	RUBBER, L. WINKER MOUNTING .. (R. RR.)	1	1	1	1	1	1	1	1	-----	-----	2BR,2ED,2FO,2GS,2IN,2KO,2RU,2TH,2U,BR,ED,FO,GS KO,RU,TH,U
7	33600-MKF-D41	WINKER ASSY., R. RR.	1	1	1	1	1	1	1	1	-----	-----	2BR,2ED,2FO,2GS,2IN,2KO,2RU,2TH,2U,BR,ED,FO,GS KO,RU,TH,U
8	33650-MKF-D41	WINKER ASSY., L. RR.	1	1	1	1	1	1	1	1	-----	-----	2BR,2ED,2FO,2GS,2IN,2KO,2RU,2TH,2U,BR,ED,FO,GS KO,RU,TH,U
9	60107-752-000	RUBBER, FUEL LID STOPPER	6	6	6	6	6	6	6	6	-----	-----	2BR,2ED,2FO,2GS,2IN,2KO,2RU,2TH,2U,BR,ED,FO,GS KO,RU,TH,U
10	90123-MJR-670	BOLT, SPECIAL, 5X28	2	2	2	2	2	2	2	2	-----	-----	2BR,2ED,2FO,2GS,2IN,2KO,2RU,2TH,2U,BR,ED,FO,GS KO,RU,TH,U
11	93913-24420	SCREW, TAPPING, 4X16(PO)	4	4	4	4	4	4	4	4	-----	-----	2BR,2ED,2FO,2GS,2IN,2KO,2RU,2TH,2U,BR,ED,FO,GS KO,RU,TH,U
12	94101-05800	WASHER, PLAIN, 5MM	2	2	2	2	2	2	2	2	-----	-----	2BR,2ED,2FO,2GS,2IN,2KO,2RU,2TH,2U,BR,ED,FO,GS KO,RU,TH,U
13	94103-04800	WASHER, PLAIN, 4MM	4	4	4	4	4	4	4	4	-----	-----	2BR,2ED,2FO,2GS,2IN,2KO,2RU,2TH,2U,BR,ED,FO,GS KO,RU,TH,U

F-35-1

WINKER(2)



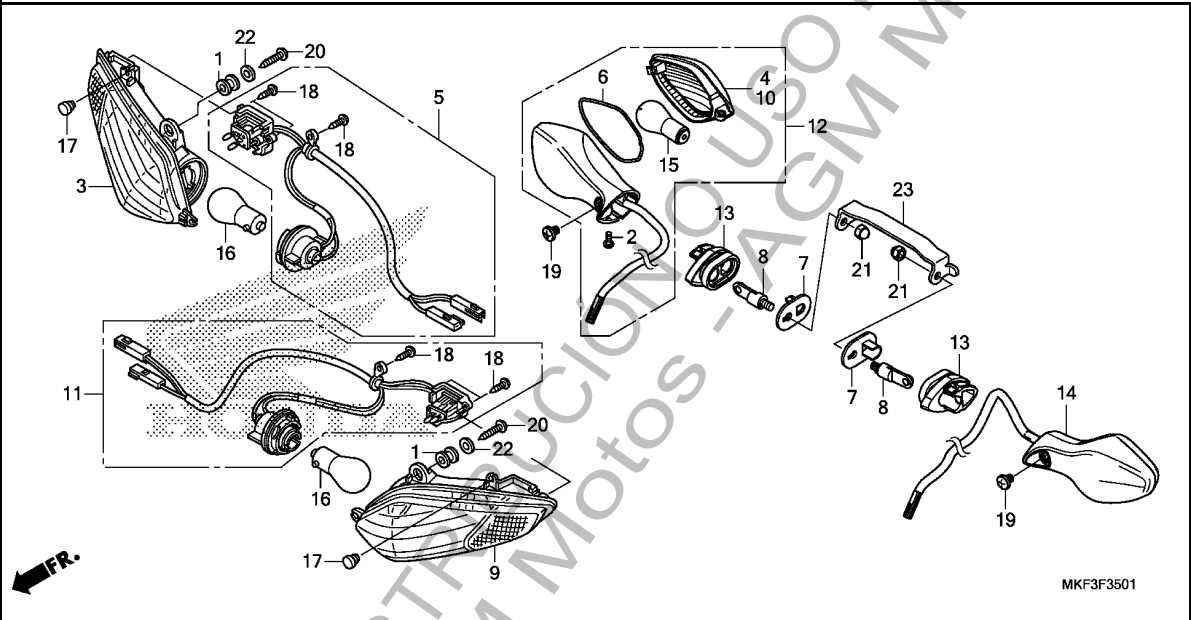
Ref. No.	L.O.N.	(Relative ref. Number) Description	F.R.T.
3	6161L4	LENS, FRONT WINKER :RIGHT	0.2
5	6161B6	SOCKET, WINKER :RIGHT FRONT ..	0.3
9	6161L3	LENS, FRONT WINKER :LEFT	0.2
	6161M6	LENS, FRONT WINKER :BOTH	0.3
11	6161B5	SOCKET, WINKER :LEFT FRONT ...	0.3
	6161B7	SOCKET, WINKER :BOTH FRONT ...	0.5
12	6161C7	WINKER :RIGHT REAR	0.9
14	6161C6	WINKER :LEFT REAR	0.9
	6161C8	WINKER :BOTH REAR	1.0
15		(4,6,10)	
	616139	BULB, WINKER :REAR	0.1
		.NOTE: Same time for two units	
16	616133	BULB, WINKER :FRONT	0.2
	616133G	.Replace 1 front winker bulb add	0.1
	616160	BULB, WINKER :FOR 1 VEHICLE ..	0.3

Ref. No.	Part No.	Description	Reqd. QTY								Serial No.	Parts catalogue code
			RR H	RR J	RA H	RA J	S1 H	S1 J	S2 H	S2 J		
1	18293-GN2-000	RUBBER, PROTECTOR PACKING ...	-	-	4	4	4	4	-	-	-----	2CH,CH
2	33402-MGS-D31	SCREW, SPECIAL, 4X10	-	-	2	2	2	2	-	-	-----	2CH,CH
3	33403-MFL-641	LENS COMP., R.	-	-	1	1	1	1	-	-	-----	2CH,CH
4	33404-MGS-D32	LENS COMP., R. WINKER (LEFT HAND SIDE)	-	-	1	1	1	1	-	-	-----	2CH,CH
5	33405-MFL-641	SOCKET COMP., R.	-	-	1	1	1	1	-	-	-----	2CH,CH
6	33405-MKA-D81	SEAL, GASKET	-	-	2	2	2	2	-	-	-----	2CH,CH
7	33411-MGZ-J00	PLATE, WINKER	-	-	2	2	2	2	-	-	-----	2CH,CH
8	33412-MGZ-J00	STAY, WINKER	-	-	2	2	2	2	-	-	-----	2CH,CH
9	33453-MFL-641	LENS COMP., L.	-	-	1	1	1	1	-	-	-----	2CH,CH
10	33454-MGS-D32	LENS COMP., L. WINKER (RIGHT HAND SIDE)	-	-	1	1	1	1	-	-	-----	2CH,CH
11	33455-MFL-641	SOCKET COMP., L.	-	-	1	1	1	1	-	-	-----	2CH,CH
12	33600-MKF-H11	LIGHT ASSY., R. RR. WINKER (12V 21W)	-	-	1	1	1	1	-	-	-----	2CH,CH
13	33613-MKF-H10	RUBBER, WINKER MOUNTING	-	-	2	2	2	2	-	-	-----	2CH,CH
14	33650-MKF-H11	LIGHT ASSY., L. RR. WINKER (12V 21W)	-	-	1	1	1	1	-	-	-----	2CH,CH
15	34904-MGZ-D01	BULB, WINKER(AMBER)(12V 21W) (PY21W)	-	-	2	2	2	2	-	-	-----	2CH,CH
16	34905-MEJ-671	BULB, WINKER(12V 21W)	-	-	2	2	2	2	-	-	-----	2CH,CH
17	60107-752-000	RUBBER, FUEL LID STOPPER	-	-	2	2	2	2	-	-	-----	2CH,CH
18	90101-MFL-641	SCREW, TAPPING, 3X12	-	-	6	6	6	6	-	-	-----	2CH,CH
19	90380-MGS-D30	SCREW, SPECIAL, 6X8	-	-	2	2	2	2	-	-	-----	2CH,CH
20	93913-24320	SCREW, TAPPING, 4X14	-	-	4	4	4	4	-	-	-----	2CH,CH



F-35-1

WINKER(2)



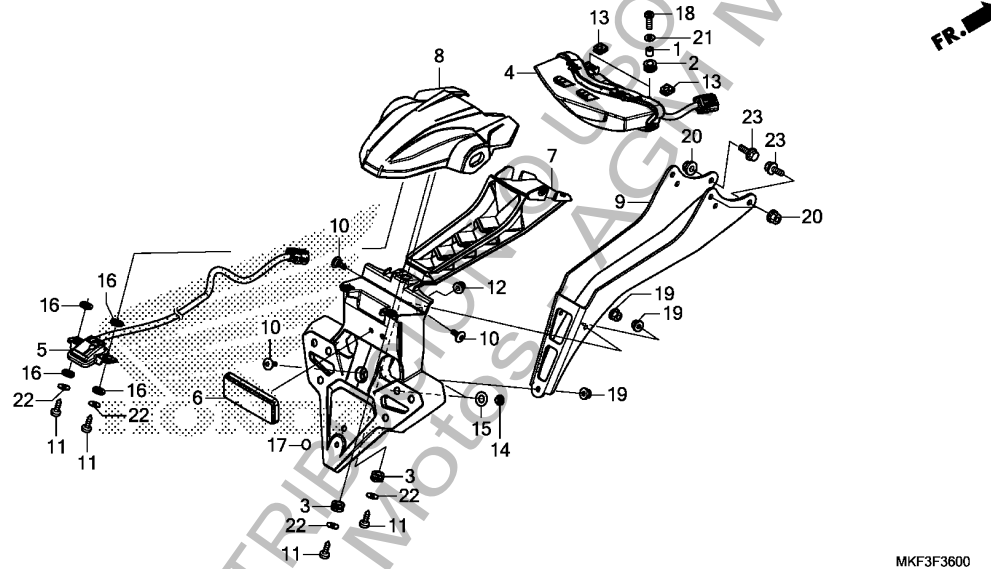
Ref. No.	Part No.	Description	Reqd. QTY								Serial No.	Parts catalogue code
			RR H	RR J	RA H	RA J	S1 H	S1 J	S2 H	S2 J		
21	94021-06070-0S	NUT, CAP, 6MM	-	-	2	2	2	2	-	-	-----	2CH,CH
22	94103-04800	WASHER, PLAIN, 4MM	-	-	4	4	4	4	-	-	-----	2CH,CH
23	80109-MKF-H40	STAY, RR. WINKER	-	-	1	1	1	1	-	-	-----	2CH,CH

3

PROHIBIDO SU DISTRIBUCION EN ARGENTINA
 19-07-2019

F-36

TAILLIGHT



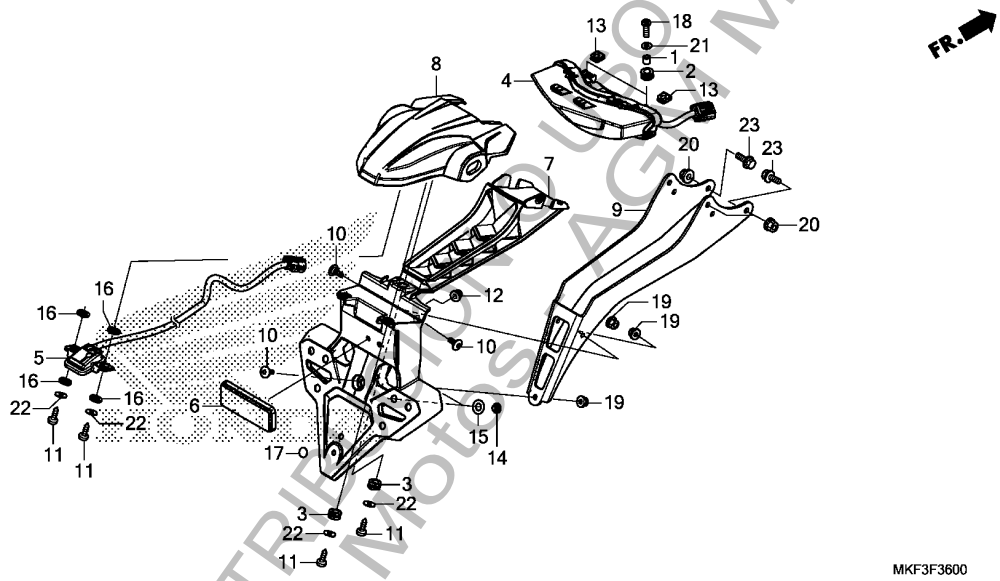
MKF3F3600

Ref. No.	L.O.N.	(Relative ref. Number) Description	F.R.T.
4	6161D5	TAILLIGHT UNIT	0.3
5	6161D8	LIGHT, LICENSE	0.9
7	413105	FENDER A, REAR	0.8
8	6161P5	COVER, LICENSE LIGHT	0.8
9	4131M7	STAY, REAR FENDER	0.8

Ref. No.	Part No.	Description	Reqd. QTY								Serial No.	Parts catalogue code
			RR H	RR J	RA H	RA J	S1 H	S1 J	S2 H	S2 J		
1	18295-GW0-920	COLLAR, 5MM	2	2	2	2	2	2	2	2		
2	19639-GBC-000	RUBBER, MOUNTING	2	2	2	2	2	2	2	2		
3	19639-GBL-000	RUBBER, MOUNTING	3	3	3	3	3	3	3	3		
4	33701-MKF-D41	TAILLIGHT UNIT	1	1	1	1	1	1	1	1	-----	2BR,2ED,2FO,2GS,2IN,2KO,2RU,2TH,2U,BR,ED,FO,GS KO,RU,TH,U
	33701-MKF-H11	-	-	1	1	1	1	-	-	-----	2CH,CH
5	33720-MKF-D41	LIGHT ASSY., LICENSE	1	1	1	1	1	1	1	1	-----	2BR,2ED,2FO,2GS,2IN,2KO,2RU,2TH,2U,BR,ED,FO,GS KO,RU,TH,U
	33720-MKF-H11	-	-	1	1	1	1	-	-	-----	2CH,CH
6	33741-MS6-921	REFLECTOR, REFLEX(STANLEY) ..	1	1	1	1	1	1	1	1	-----	2BR,2ED,2FO,2GS,2IN,2KO,2RU,2TH,2U,BR,ED,FO,GS KO,RU,TH,U
	33742-KVJ-911	REFLECTOR, RR. REFLEX	-	-	1	1	1	1	-	-	-----	2CH,CH
7	80100-MKF-D40	FENDER A, RR.	1	1	1	1	1	1	1	1	-----	2BR,2ED,2FO,2GS,2KO,2RU,2U,BR,ED,FO,GS,KO,RU,U
	80100-MKF-H40	-	-	1	1	1	1	-	-	-----	2CH,CH
	80100-MKF-A20	-	-	1	1	1	1	-	-	-----	2IN,2TH,TH
8	80107-MKF-D40	COVER, LICENSE LIGHT	1	1	1	1	1	1	1	1	-----	2BR,2ED,2FO,2GS,2IN,2KO,2RU,2TH,2U,BR,ED,FO,GS KO,RU,TH,U
	80107-MKF-H40	-	-	1	1	1	1	-	-	-----	2CH,CH
9	80115-MKF-D40	STAY, RR. FENDER A	1	1	1	1	1	1	1	1		
10	90102-MKA-D80	SCREW, SPECIAL, 5X14	3	3	3	3	3	3	3	3		
11	90112-MKA-D80	SCREW, TAPPING, 4X16	5	5	5	5	5	5	5	5		
12	90301-MG8-000	NUT, FLANGE, 5MM(FUSE RASHI) ..	1	1	1	1	1	1	1	1		
13	90312-MT3-000	NUT, CLIP, 5MM	2	2	2	2	2	2	2	2		
14	90402-GB0-900	WASHER, NUMBER BRACKET SETTING ..	-	-	2	2	2	2	-	-	-----	2TH,TH
15	90511-MCS-G50	WASHER, 9X17X1	-	-	2	2	2	2	-	-	-----	2TH,TH
16	90514-K33-D00	WASHER, RUBBER(6MM)	4	4	4	4	4	4	4	4		

F-36

TAILLIGHT



MKF3F3600

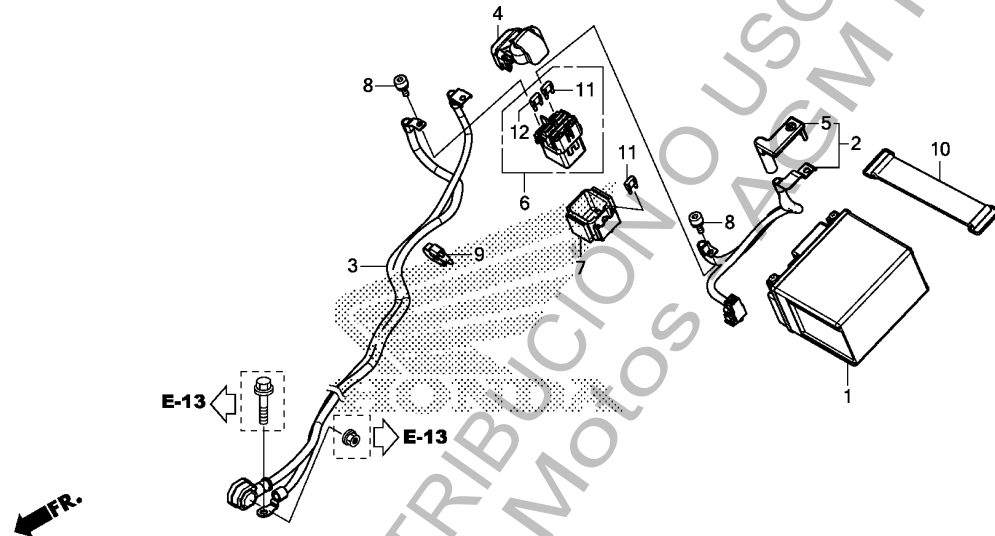
Ref. No.	Part No.	Description	Reqd. QTY								Serial No.	Parts catalogue code
			RR H	RR J	RA H	RA J	S1 H	S1 J	S2 H	S2 J		
17	90852-446-630	PLUG, HOLE	1	1	1	1	1	1	1	1		
18	93500-05016-0G	SCREW, PAN, 5X16	2	2	2	2	2	2	2	2		
19	94050-05070	NUT, FLANGE, 5MM	3	3	3	3	3	3	3	3		
20	94050-06000	NUT, FLANGE, 6MM	4	4	4	4	4	4	4	4		
21	94101-05000	WASHER, PLAIN, 5MM	2	2	2	2	2	2	2	2		
22	94103-04700	WASHER, PLAIN, 4MM	5	5	5	5	5	5	5	5		
23	96300-06016-00	BOLT, FLANGE, 6X16	4	4	4	4	4	4	4	4		

3

PROHIBIDO
19-07-2019

F-37

BATTERY

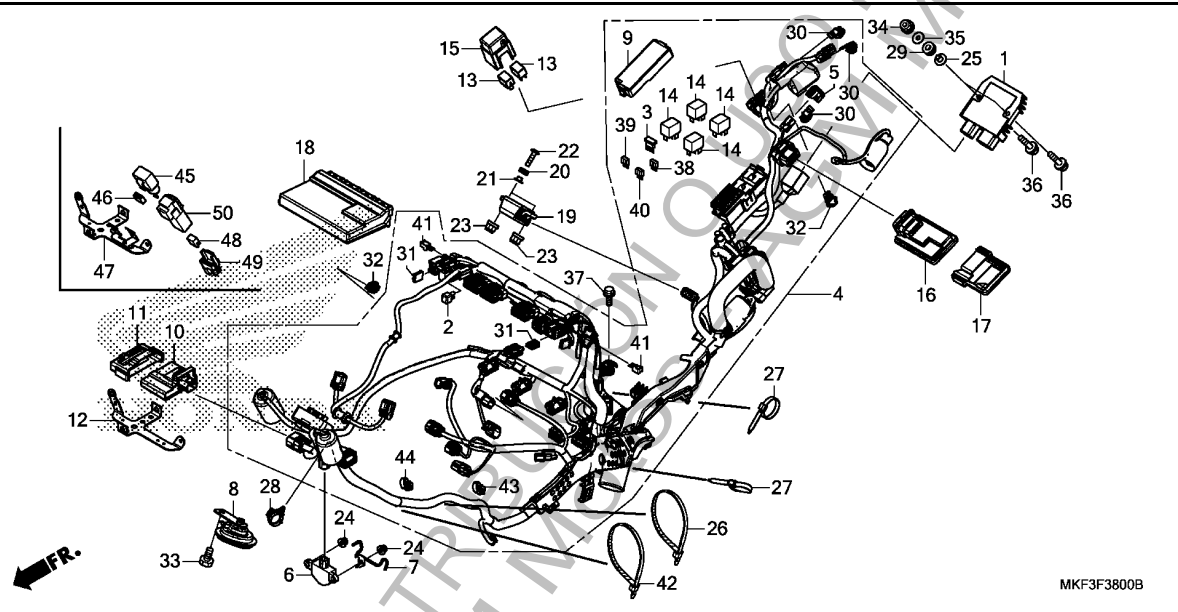


Ref. No.	L.O.N.	(Relative ref. Number) Description	F.R.T.
1	610100	BATTERY	0.2
2	610105	CABLE, POSITIVE BATTERY	0.2
3	6121E3	CABLE, STARTER & EARTH	0.7
	6121E3A	.ABS add	0.5
6	615113	SWITCH, STARTER MAGNETIC	0.2

Ref. No.	Part No.	Description	Reqd. QTY								Serial No.	Parts catalogue code
			RR H	RR J	RA H	RA J	S1 H	S1 J	S2 H	S2 J		
1	31500-MEY-D31	BATTERY (YTZ7S) (GS YUASA)	1	1	1	1	-	-	-	-	-	2ED,2F0,2GS,2RU,2U,ED,F0,GS,RU,U
	31500-MFL-B24	-	-	1	1	-	-	-	-	-	2BR,BR
	31500-MKF-H11	-	-	1	1	-	-	-	-	-	2CH,CH
	31500-MKF-N41	-	-	1	1	-	-	-	-	-	2IN
	31500-KFK-761	-	-	1	1	-	-	-	-	-	2K0,K0
	31500-MKF-T11	-	-	1	1	-	-	-	-	-	2TH,TH
	31500-MKF-D61	BATTERY (HY93) (ELIY POWER) ..	-	-	-	-	1	1	1	1	-	2BR,2ED,2F0,2GS,2IN,2K0,2RU,2TH,2U
	31500-MKF-H61	-	-	-	-	1	1	-	-	-	2CH
2	32401-MKF-A20	CABLE, STARTER BATTERY	1	1	-	-	-	-	-	-	-	
	32401-MKF-D40	-	-	1	1	-	-	-	-	-	
	32401-MKF-D60	-	-	-	-	1	1	1	1	-	
3	32405-MKF-D40	CABLE, STARTER & EARTH	1	1	1	1	-	-	-	-	-	
	32405-MKF-D60	-	-	-	-	1	1	1	1	-	
4	32406-MKF-D40	COVER, STARTER MAGNETIC SWITCH	1	1	1	1	1	1	1	1	1	
5	32411-MFL-000	COVER, BATTERY TERMINAL	1	1	1	1	1	1	1	1	1	
6	35850-MFT-641	SWITCH ASSY., STARTER MAGNETIC	1	1	1	1	1	1	1	1	1	
7	35856-MKF-D41	RUBBER, SHOCK	1	1	1	1	1	1	1	1	1	
8	90111-MR5-000	BOLT, SOCKET, 5X9	2	2	2	2	2	2	2	2	2	
9	90650-KV6-003	BAND, WIRE, 95MM	1	1	-	-	-	-	-	-	-	
10	95012-17001	BAND F, BATTERY (155MM)	1	1	1	1	1	1	1	1	1	
11	98200-41500	FUSE, MINI (15A)	2	2	2	2	2	2	2	2	2	
12	98200-43000	FUSE, MINI (30A)	1	1	1	1	1	1	1	1	1	

F-38

WIRE HARNESS



Ref. No.	L.O.N.	(Relative ref. Number) Description	F.R.T.
1	6131B2	RECTIFIER, REGULATE	0.7
2	613140	RESISTOR(FRAME OR ENGINE)	0.3
3	6131B4	DIODE, THREE WAY	0.2
4	611100	HARNESS, WIRE	2.5
	611100B	.ABS add	0.5
6	617125	SENSOR, BANK ANGLE	0.7
8	616169	HORN	0.2
10		(45)	
	6111C3	RELAY, WINKER	0.3
13		(14)	
	6111B6	RELAY, ENGINE STOP	0.2
	6111D9	RELAY, FAN CONTROL	0.3
	6111G1	RELAY, FUEL PUMP	0.2
	611155	RELAY, MAIN	0.2
	6111S4	RELAY, TBW	0.2
16	6181D9	CONTROL UNIT, SUSPENSION	0.5
18	618135	ENGINE CONTROL MODULE(ECM) ...	0.6
19	6171J3	INERTIA MEASUREMENT UNIT(IMU)	0.3
41	6131E0	DIODE	0.3
	6131E0A	.Replace 1 diode add	0.1

3

Ref. No.	Part No.	Description	Reqd. QTY								Serial No.	Parts catalogue code
			RR H	RR J	RA H	RA J	S1 H	S1 J	S2 H	S2 J		
1	31600-MJJ-D31	RECTIFIER ASSY., REGULATOR ..	1	1	1	1	1	1	1	1		
2	31700-GFZ-J01	RESISTOR COMP.	1	1	1	1	1	1	1	1		
3	31730-MAS-601	DIODE ASSY., THREE WAY (SUMITOMO)	1	1	1	1	1	1	1	1		
4	32100-MKF-G02	HARNESS, WIRE	1	1	-	-	-	-	-	-		
	32100-MKF-B42	-	-	1	1	-	-	-	-	2BR,2KO,BR,KO	
	32100-MKF-H12	-	-	1	1	-	-	-	-	2CH,CH	
	32100-MKF-G12	-	-	1	1	-	-	-	-	2GS,2IN,2RU,2U,GS,RU,U	
	32100-MKF-D42	-	-	1	-	-	-	-	-	2FO,2TH,FO,TH	
	32100-MKF-D40	-	-	1	-	-	-	-	-	HK001626 2ED,ED	
	32100-MKF-D42	-	-	1	-	-	-	-	-	HK001627 2ED,ED	
		-	-	1	-	-	-	-	-	2ED,2FO,2TH,ED,FO,TH	
	32100-MKF-G62	-	-	-	-	1	1	1	-	2GS,2IN,2RU,2U	
	32100-MKF-B62	-	-	-	-	1	1	-	-	2BR,2KO	
	32100-MKF-H62	-	-	-	-	1	1	-	-	2CH	
	32100-MKF-D62	-	-	-	-	1	-	-	-	2FO,2TH	
	32100-MKF-D60	-	-	-	-	1	-	-	-	HK000740 2ED	
	32100-MKF-D62	-	-	-	-	1	-	-	-	HK000741 2ED	
		-	-	-	-	-	-	-	-	2ED,2FO,2TH	
5	32606-K44-V01	CAP, DUMMY(WPC 4P 090 M)(RED)	1	1	1	1	1	1	1	1		
6	35160-MGS-D31	SENSOR ASSY., BANK ANGLE	1	1	1	1	1	1	1	1		
7	35165-MKF-D40	GUIDE, BANK ANGLE SENSOR	1	1	1	1	1	1	1	1		
8	38110-MFL-003	HORN COMP.(HIGH)	1	1	1	-	1	-	1	1		
	38110-MKF-H11	-	-	-	1	-	1	-	-	2CH,CH	
	38110-MFL-003	-	-	-	1	-	-	-	-	2BR,2ED,2FO,2GS,2IN,2KO,2RU,2TH,2U,BR,ED,FO,GS KO,RU,TH,U	
9	38252-MFJ-D01	COVER, UPPER	1	1	1	1	1	1	1	1		

F-38

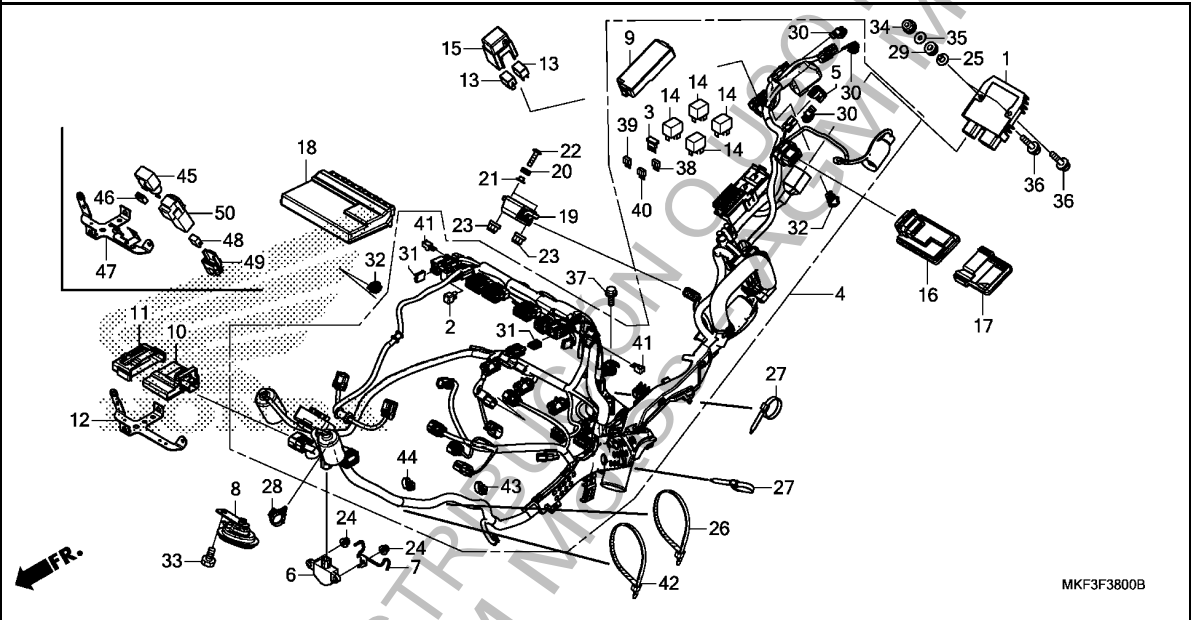
WIRE HARNESS

Ref. No.	Part No.	Description	Reqd. QTY										Serial No.	Parts catalogue code
			RR H	RR J	RA H	RA J	S1 H	S1 J	S2 H	S2 J				
10	38301-MKF-D41	RELAY COMP., WINKER(LED)	1	1	1	1	1	1	1	1	1	1	-----	2BR,2ED,2FO,2GS,2KO,2RU,2TH,2U,BR,ED,FO,GS,KO RU,TH,U
	38301-MKF-N61	-	-	1	1	1	1	-	-	-	-	-----	2IN
11	38306-MKF-D41	CUSHION, WINKER RELAY	1	1	1	1	1	1	1	1	1	1	-----	2BR,2ED,2FO,2GS,2IN,2KO,2RU,2TH,2U,BR,ED,FO,GS KO,RU,TH,U
12	38310-MKF-D40	STAY, WINKER RELAY	1	1	1	1	1	1	1	1	1	1	-----	2BR,2ED,2FO,2GS,2IN,2KO,2RU,2TH,2U,BR,ED,FO,GS KO,RU,TH,U
13	38501-KWN-901	RELAY COMP., POWER (MICRO ISO 4P)(OMRON)	2	2	2	2	2	2	2	2	2	2		
14	38501-MEL-003	RELAY ASSY., POWER (MICRO ISO 4P)	4	4	4	4	4	4	4	4	4	4		
15	38506-KZZ-900	COVER, RELAY(2P)	1	1	1	1	1	1	1	1	1	1		
16	38651-MKF-D61	CONTROL UNIT, SUSPENSION	-	-	-	-	1	1	1	1	1	1		
17	38656-MKF-D60	CUSION, SUSPENSION CONTROL UNIT	-	-	-	-	1	1	1	1	1	1		
18	38770-MKF-G01	PGM-FI UNIT	1	1	-	-	-	-	-	-	-	-		
	38770-MKF-B41	-	-	1	1	1	1	-	-	-	-	-----	2BR,BR
	38770-MKF-H11	-	-	1	1	1	1	-	-	-	-	-----	2CH,CH
	38770-MKF-D43	-	-	1	1	1	1	-	-	-	-	-----	2ED,ED
	38770-MKF-W11	-	-	1	1	1	1	-	-	-	-	-----	2FO,FO
	38770-MKF-G11	-	-	1	1	1	1	-	-	-	-	-----	2GS,GS
	38770-MKF-N61	-	-	1	1	1	1	-	-	-	-	-----	2IN
	38770-MKF-K11	-	-	1	1	1	1	-	-	-	-	-----	2KO,KO
	38770-MKF-U11	-	-	1	1	1	1	-	-	-	-	-----	2RU,2U,RU,U
	38770-MKF-T11	-	-	1	1	1	1	-	-	-	-	-----	2TH,TH
	38770-MKF-D72	-	-	-	-	-	-	1	1	-	-	-----	2ED
	38770-MKF-U72	-	-	-	-	-	-	1	1	-	-	-----	2U
19	39900-MKF-D40	SENSOR SET(2GYRO & 3G)	1	1	1	1	1	1	1	1	1	1		
20	39963-MKF-D41	RUBBER, SENSOR MOUNTING	2	2	2	2	2	2	2	2	2	2		
21	83119-MG9-000	COLLAR, LOCK SETTING	2	2	2	2	2	2	2	2	2	2		
22	90085-MBW-000	BOLT, SPECIAL, 6X25	2	2	2	2	2	2	2	2	2	2		
23	90301-473-003	NUT, U, 6MM(FUSE RASHI)	2	2	2	2	2	2	2	2	2	2		
24	90301-MG8-000	NUT, FLANGE, 5MM(FUSE RASHI)	2	2	2	2	2	2	2	2	2	2		
25	90502-GG2-000	COLLAR, RR. FENDER	2	2	2	2	2	2	2	2	2	2		
26	90650-MBY-000	BAND, HARNESS	1	1	1	1	1	1	1	1	1	1		
27	90651-KV6-003	BAND, WIRE, 165MM(BLACK)	2	2	2	2	2	2	2	2	2	2		
28	90652-HC4-003	CLAMP, HARNESS	1	1	1	1	1	1	1	1	1	1		
29	90852-898-000	RUBBER, CONTROL BOX	2	2	2	2	2	2	2	2	2	2		
30	91535-TA0-003	CLIP, COUPLER(DARK BROWN) ...	3	3	3	3	3	3	3	3	3	3		
31	91554-SM4-003	HOLDER, BRACKET(RED)	2	2	2	2	2	2	2	2	2	2		
32	91565-S0X-003	CLIP, COUPLER(DARK GREEN) ...	2	2	2	2	2	2	2	2	2	2		
33	92101-08014-0G	BOLT, HEX., 8X14	1	1	1	1	1	1	1	1	1	1		
34	94050-06070	NUT, FLANGE, 6MM	2	2	2	2	2	2	2	2	2	2		
35	94103-06700	WASHER, PLAIN, 6MM	2	2	2	2	2	2	2	2	2	2		
36	96001-06035-07	BOLT, FLANGE, 6X35	2	2	2	2	2	2	2	2	2	2		
37	96300-06014-00	BOLT, FLANGE, 6X14	1	1	1	1	1	1	1	1	1	1		
38	98200-41000	FUSE, MINI(10A)	8	8	9	9	9	9	9	9	9	9		
39	98200-42000	FUSE, MINI(20A)	3	3	3	3	3	3	3	3	3	3		
40	98200-43000	FUSE, MINI(30A)	1	1	3	3	3	3	3	3	3	3		
41	32146-S84-003	CONNECTOR, DIODE(2P)(3A)	2	2	2	2	2	2	2	2	2	2		



F-38

WIRE HARNESS



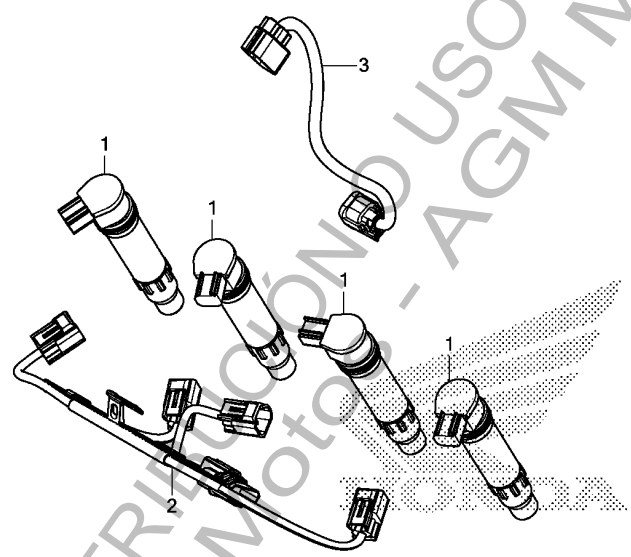
Ref. No.	Part No.	Description	Reqd. QTY								Serial No.	Parts catalogue code
			RR H	RR J	RA H	RA J	S1 H	S1 J	S2 H	S2 J		
42	90650-MBY-000	BAND, HARNESS	1	1	1	-	-	-	-	-	-	2BR,2CH,2FO,2GS,2IN,2KO,2RU,2TH,2U,CH,FO,GS,KO RU,TH,U 2ED,ED
			-	-	1	-	-	-	-	-	1	HK001627
			-	-	-	1	-	-	-	-	-	2BR,2CH,2FO,2GS,2IN,2KO,2RU,2TH,2U 2ED
			-	-	-	-	1	-	-	-	-	HK000741
43	91541-SOA-003	CLIP, HARNESS BAND(BLACK) (145MM)	1	1	1	1	1	1	1	1	1	
44	91541-SOA-003	CLIP, HARNESS BAND(BLACK) (145MM)	1	1	1	-	-	-	-	-	-	2BR,2CH,2FO,2GS,2IN,2KO,2RU,2TH,2U,CH,FO,GS,KO RU,TH,U 2ED,ED
			-	-	1	-	-	-	-	-	1	HK001627
			-	-	-	1	-	-	-	-	-	2BR,2CH,2FO,2GS,2IN,2KO,2RU,2TH,2U 2ED
			-	-	-	-	1	-	-	-	-	HK000741
45	38301-KTF-671	RELAY COMP., WINKER	-	-	1	1	1	1	-	-	-	2CH,CH
46	38306-KK4-000	SUSPENSION, WINKER RELAY (MITSUBA)	-	-	1	1	1	1	-	-	-	2CH,CH
47	38310-MKF-H10	STAY, WINKER RELAY	-	-	1	1	1	1	-	-	-	2CH,CH
48	38501-MCS-G01	RELAY COMP., POWER (MICRO ISO 4P)	-	-	1	1	1	1	-	-	-	2CH,CH
49	38506-MBW-G91	HOLDER, RELAY	-	-	1	1	1	1	-	-	-	2CH,CH
50	38506-MJM-D10	SUSPENSION, POWER RELAY	-	-	1	1	1	1	-	-	-	2CH,CH

3

PROHIBIDO SU DISTRIBUCION

F-38-10

SUB HARNESS



MKF3F3810

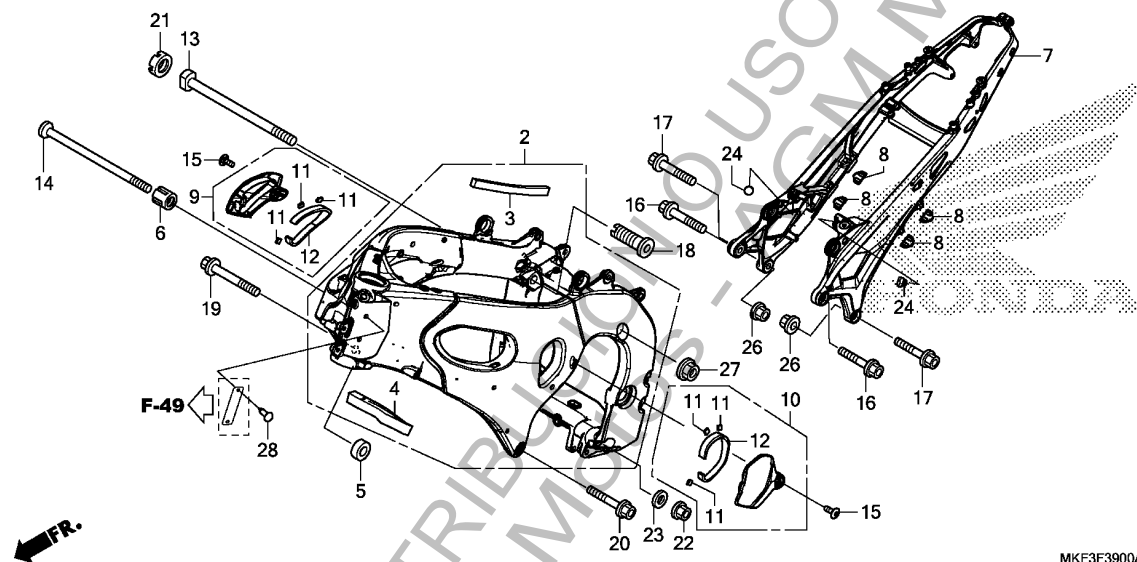
Ref. No.	L.O.N.	(Relative ref. Number) Description	F.R.T.
1	6141B8	COIL, DIRECT IGNITION	1.9
	6141B8A	.Replace 1 direct ignition coil add	0.2
	6141C0	COIL, DIRECT IGNITION :FOR 1 VEHICLE	2.5
2	611145	SUB HARNESS, IGNITION	1.7
3	6111E6	SUB HARNESS, THROTTLE BODY ...	1.5

Ref. No.	Part No.	Description	Reqd. QTY								Serial No.	Parts catalogue code
			RR H	RR J	RA H	RA J	S1 H	S1 J	S2 H	S2 J		
1	30700-MFL-003	CAP & COIL, IGNITION	4	4	4	4	4	4	-	-		
	30700-MJT-E01	-	-	-	-	-	-	4	4		
2	32102-MKF-D40	SUB HARNESS, IGNITION	1	1	1	1	1	1	1	1		
3	32104-MKF-D40	SUB HARNESS, THROTTLE BY WIRE	1	1	1	1	1	1	1	1		

PROHIBIDO SU USO PARA AGM MOTOR
 79-07-2019

F-39

FRAME BODY



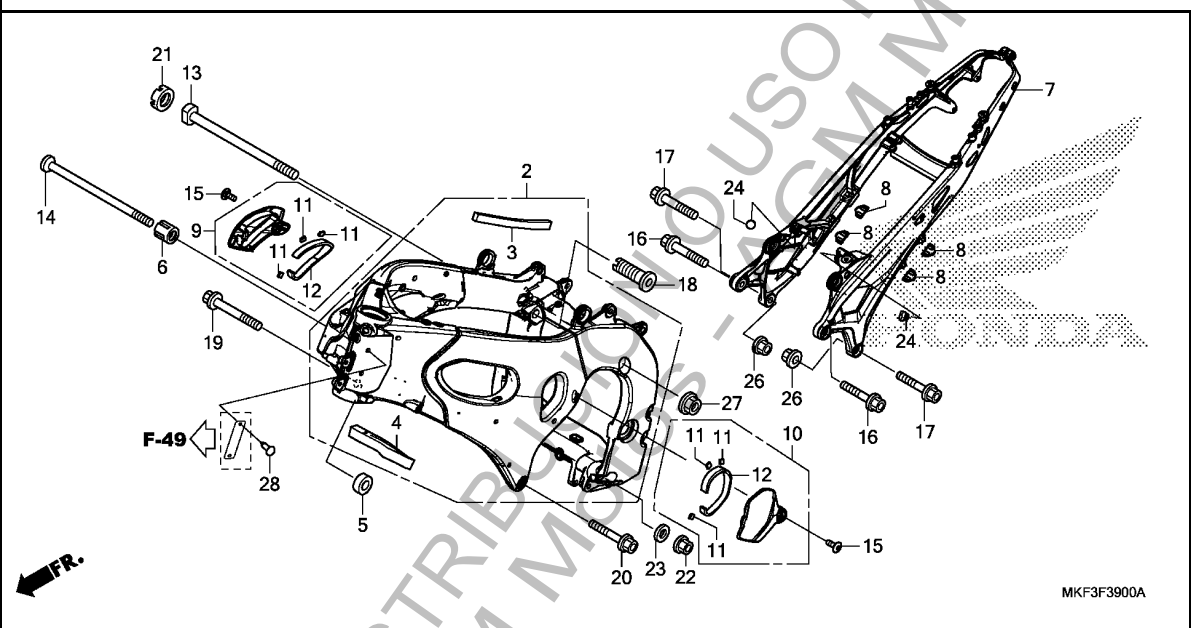
Ref. No.	L.O.N.	(Relative ref. Number) Description	F.R.T.
2	410100	BODY, FRAMEINCLUDES: Engine removal and installation	7.6
	410100B	.ABS add	0.5
7	410157	SEAT RAIL	1.7
	410157A	.ABS add	0.5
9	4111H9	COVER, SIDE :RIGHT	0.1
10	4111H8	COVER, SIDE :LEFT	0.1
	4111J0	COVER, SIDE :BOTH	0.1

MKF3F3900A

Ref. No.	Part No.	Description	Reqd. QTY								Serial No.	Parts catalogue code	
			RR H	RR J	RA H	RA J	S1 H	S1 J	S2 H	S2 J			
2	50010-MKF-A20ZA	BODY SET, FRAME											
		*NH461M*TEMPLE BLACK METALLIC	1	1	1	1	-	-	-	-	-	-	2GS,GS
	50010-MKF-B40ZA	*NH461M*TEMPLE BLACK METALLIC	-	-	1	1	-	-	-	-	-	-	2BR,2KO,BR,KO
	50010-MKF-H40ZA	*NH461M*TEMPLE BLACK METALLIC	-	-	1	1	-	-	-	-	-	-	2CH,CH
	50010-MKF-D40ZA	*NH461M*TEMPLE BLACK METALLIC	-	-	1	1	-	-	-	-	-	-	2ED,2FO,2IN,2RU,2TH,2U,ED,FO,RU,TH,U
	50010-MKF-D40ZB	*NH460M*OMEGA SILVER METALLIC	-	-	-	-	1	1	1	1	-	-	2ED,2FO,2IN,2RU,2TH,2U
	50010-MKF-B40ZB	*NH460M*OMEGA SILVER METALLIC	-	-	-	-	1	1	-	-	-	-	2BR,2KO
	50010-MKF-H40ZB	*NH460M*OMEGA SILVER METALLIC	-	-	-	-	1	1	-	-	-	-	2CH
	50010-MKF-A20ZB	*NH460M*OMEGA SILVER METALLIC	-	-	-	-	1	1	-	-	-	-	2GS
3	50132-MFJ-J00	MAT A, PIVOT BRACKET	1	1	1	1	1	1	1	1	1	1	
4	50133-MFJ-J00	MAT B, PIVOT BRACKET	1	1	1	1	1	1	1	1	1	1	
5	50193-MKF-D40	COLLAR A, ENGINE HANGER	1	1	1	1	1	1	1	1	1	1	
6	50194-MFL-000	COLLAR C, ENGINE HANGER	1	1	1	1	1	1	1	1	1	1	
7	50200-MKF-D40ZA	RAIL ASSY., SEAT											
		*NH461M*TEMPLE BLACK METALLIC	1	1	1	1	-	-	-	-	-	-	
	50200-MKF-D60ZA	*NH460M*OMEGA SILVER METALLIC	-	-	-	-	1	1	1	1	1	1	
8	50221-MKF-D60	COVER, SEAT RAIL	-	-	-	-	4	4	4	4	4	4	
9	83215-MKF-D40	COVER, R. FRAME SIDE	1	1	1	1	-	-	-	-	-	-	
	83215-MKF-D60ZA	*NHB73M*											
		MAT ALPHA SILVER METALLIC	-	-	-	-	1	1	1	1	1	1	
10	83265-MKF-D40	COVER, L. FRAME SIDE	1	1	1	1	-	-	-	-	-	-	
	83265-MKF-D60ZA	*NHB73M*											
		MAT ALPHA SILVER METALLIC	-	-	-	-	1	1	1	1	1	1	
11	83266-MKF-D40	RUBBER, PROTECTOR	6	6	6	6	6	6	6	6	6	6	
12	83640-MGE-700	URETHANE, R. HEAT GUARD	2	2	2	2	2	2	2	2	2	2	
13	90101-MFL-000	BOLT, SPECIAL, 12X261.5	1	1	1	1	1	1	1	1	1	1	
14	90102-MFL-000	BOLT, SPECIAL, 12X269.5	1	1	1	1	1	1	1	1	1	1	

F-39

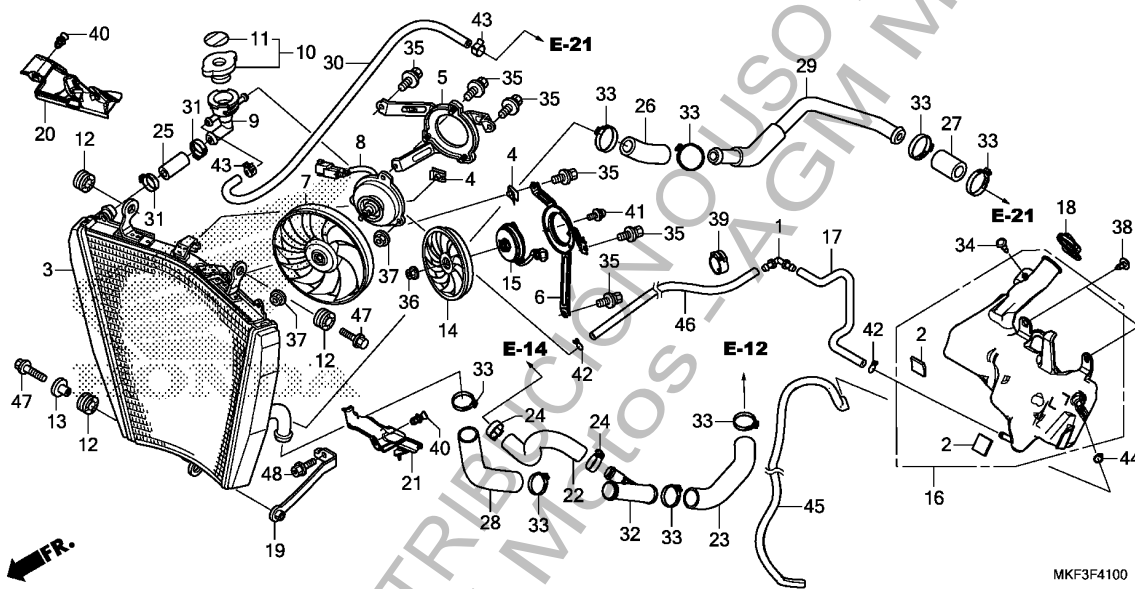
FRAME BODY



Ref. No.	Part No.	Description	Reqd. QTY								Serial No.	Parts catalogue code
			RR H	RR J	RA H	RA J	S1 H	S1 J	S2 H	S2 J		
15	90108-MKF-D40 90106-MBL-610	SCREW, SPECIAL, 6MM	2	2	2	2	-	-	-	-		
16	90109-MFL-000	BOLT, FLANGE, 10X29	2	2	2	2	2	2	2	2		
17	90110-MFL-000	BOLT, FLANGE, 10X33.5	2	2	2	2	2	2	2	2		
18	90152-MFL-000	BOLT, ADJUSTING, 20X1.0X49.5	1	1	1	1	1	1	1	1		
19	90163-MFL-D20	BOLT, FLANGE, 12X50	1	1	1	1	1	1	1	1		
20	90164-MFL-D20	BOLT, FLANGE, 12X45	1	1	1	1	1	1	1	1		
21	90303-MFJ-D00	NUT, LOCK, 20MM(P=1.0)	1	1	1	1	1	1	1	1		
22	90371-MFL-000	NUT, FLANGE, 12MM	1	1	1	1	1	1	1	1		
23	90439-SB2-010	WASHER, SPECIAL, 24X12X2.3	1	1	1	1	1	1	1	1		
24	90572-KV3-300	RUBBER, SEPARATOR MOUNTING	2	2	2	2	2	2	2	2		
26	94050-10000	NUT, FLANGE, 10MM	2	2	2	2	2	2	2	2		
27	94050-12000	NUT, FLANGE, 12MM	1	1	1	1	1	1	1	1		
28	90841-001-000	SCREW, RIVET, 1.8X5	-	-	2	2	2	2	2	2	-----	2ED,ED

F-41

RADIATOR



Ref. No.	L.O.N.	(Relative ref. Number) Description	F.R.T.
3	1151C3	RADIATOR	1.1
5	1151A0	SHROUD, RADIATOR :RIGHT	0.7
6	115126	SHROUD, RADIATOR :LEFT	0.7
	1151A5	SHROUD, RADIATOR :BOTH	0.9
7	1151H3	FAN, COOLING :RIGHT	0.7
8	1151A9	MOTOR, FAN :RIGHT	0.8
9	1151D4	NECK, FILLER	0.6
10	1151B8	CAP, RADIATOR	0.2
14	1151H2	FAN, COOLING :LEFT	0.7
	1151H4	FAN, COOLING :BOTH	0.9
15	1151A8	MOTOR, FAN :LEFT	0.8
	1151B0	MOTOR, FAN :BOTH	1.1
16	115110	TANK, RADIATOR RESERVE	1.5
17	1151E5	TUBE, RADIATOR RESERVE TANK ..	1.9
22	1131B0	HOSE, OIL COOLER WATER :OUTLET	0.8
	1131E5	HOSE, OIL COOLER WATER :BOTH ..	0.9
23	1151F5	HOSE A, RADIATOR	0.8
25	1151B9	HOSE, FILLER NECK	0.6
26	114130	HOSE A, WATER	0.8
27	1141C8	HOSE, THERMOBODY	1.2
28	1151A1	HOSE B, RADIATOR :LEFT	0.8
29	1141A2	PIPE, WATER :RIGHT	1.2
30	1151L5	TUBE, WATER BREATHER	1.1
32	1151F0	JOINT, 3WAY HOSE :UPPER	0.8
46	1151D6	TUBE, RADIATOR RESERVE	1.1

Ref. No.	Part No.	Description	Reqd. QTY								Serial No.	Parts catalogue code
			RR H	RR J	RA H	RA J	S1 H	S1 J	S2 H	S2 J		
1	17357-GE1-670	JOINT A, BREATHER	1	1	1	1	1	1	1	1		
2	17525-GBC-300	RUBBER, FUEL TANK	2	2	2	2	2	2	2	2		
3	19010-MKF-D41	RADIATOR COMP.	1	1	1	1	1	1	1	1		
4	19014-KEA-003	NUT, SETTING(6MM)	2	2	2	2	2	2	2	2		
5	19015-MFL-D21	SHROUD COMP., R.	1	1	1	1	1	1	1	1		
6	19016-MKF-D41	SHROUD COMP., L.	1	1	1	1	1	1	1	1		
7	19020-MFA-D01	FAN COMP., COOLING	1	1	1	1	1	1	1	1		
8	19030-MFL-D21	MOTOR ASSY., FAN	1	1	1	1	1	1	1	1		
9	19035-MFL-003	NECK, FILLER	1	1	1	1	1	1	1	1		
10	19037-MCA-G61	CAP COMP., RADIATOR	1	1	1	1	1	1	1	1		2ED,2GS,2RU,2U,ED,GS,RU,U
	19037-MCA-B31	-	-	1	1	1	1	-	-		2BR,BR
	19037-GEE-710	-	-	1	1	1	1	-	-		2CH,2FO,CH,FO
	19037-KVB-902	CAP COMP., RADIATOR(T.RAD) ..	-	-	1	1	1	1	-	-		2IN,2TH,TH
	19037-MCJ-K01	CAP COMP., RADIATOR	-	-	1	1	1	1	-	-		2KO,KO
11	19046-MCA-G61	LABEL, RADIATOR CAP(T.RAD) ..	1	1	1	1	1	1	1	1		2ED,2GS,2RU,2U,ED,GS,RU,U
	19055-MCA-B31	SEAL, RADIATOR CAP(PORTUGUESE)	-	-	1	1	1	1	-	-		2BR,BR
	19046-PAA-A00	LABEL, RADIATOR CAP	-	-	1	1	1	1	-	-		2CH,2FO,CH,FO
	19046-KVB-902	LABEL, RADIATOR CAP(T.RAD) ..	-	-	1	1	1	1	-	-		2IN,2TH,TH
	19055-MJF-H11	SEAL, RADIATOR CAP(CHINESE)	-	-	1	1	1	1	-	-		2KO,KO
		(KOREAN)	-	-	1	1	1	1	-	-		
12	19051-KA3-830	RUBBER, RADIATOR MOUNTING ...	3	3	3	3	3	3	3	3		
13	19052-MAC-680	COLLAR, RADIATOR MOUNTING ...	1	1	1	1	1	1	1	1		
14	19070-MFL-003	FAN COMP., COOLING	1	1	1	1	1	1	1	1		
15	19080-MKF-D41	MOTOR ASSY., FAN	1	1	1	1	1	1	1	1		
16	19101-MKF-D40	TANK, RADIATOR RESERVE	1	1	1	1	1	1	1	1		
17	19106-MFL-000	TUBE, RESERVE TANK	1	1	1	1	1	1	1	1		

3

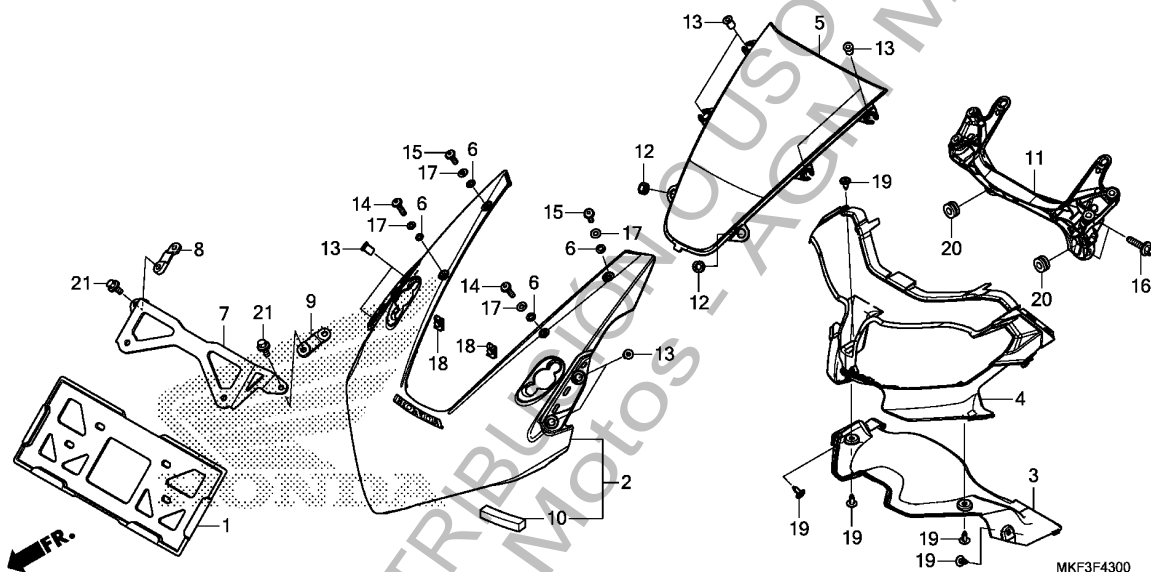
F-41

RADIATOR

Ref. No.	Part No.	Description	Reqd. QTY								Serial No.	Parts catalogue code
			RR H	RR J	RA H	RA J	S1 H	S1 J	S2 H	S2 J		
18	19109-KPC-640	CAP, RESERVE TANK	1	1	1	1	1	1	1	1		
19	19113-MFL-000	STAY, RADIATOR LOWER	1	1	1	1	1	1	1	1		
20	19128-MKF-D40	GUARD, R. RADIATOR	1	1	1	1	1	1	1	1		
21	19129-MKF-D40	GUARD, L. RADIATOR	1	1	1	1	1	1	1	1		
22	19502-MFL-000	HOSE, OIL COOLER	1	1	1	1	1	1	1	1		
23	19503-MKF-D40	HOSE A, RADIATOR	1	1	1	1	1	1	1	1		
24	19504-KY1-003	CLAMP, WATER HOSE, 25MM	2	2	2	2	2	2	2	2		
25	19504-MKF-D40	HOSE, FILLER NECK	1	1	1	1	1	1	1	1		
26	19505-MKF-D40	HOSE A, WATER	1	1	1	1	1	1	1	1		
27	19506-MKF-D40	HOSE, THERMOSTAT COVER	1	1	1	1	1	1	1	1		
28	19508-MKF-D40	HOSE B, L. RADIATOR	1	1	1	1	1	1	1	1		
29	19509-MKF-D40	PIPE, WATER	1	1	1	1	1	1	1	1		
30	19511-MFL-000	TUBE, WATER	1	1	1	1	1	1	1	1		
31	19511-MKF-D41	CLAMP, HOSE (D19)	2	2	2	2	2	2	2	2		
32	19514-MFJ-D00	JOINT, HOSE THREE-WAY	1	1	1	1	1	1	1	1		
33	19514-MKF-D41	CLAMP, HOSE (D29.8)	8	8	8	8	8	8	8	8		
34	90116-MCS-G00	RIVET, PUSH	1	1	1	1	1	1	1	1		
35	90120-GHB-601	BOLT-WASHER, 6X12	6	6	6	6	6	6	6	6		
36	90315-MFL-003	NUT, FLANGE, 3MM	1	1	1	1	1	1	1	1		
37	90315-MK3-003	NUT, SERRATE, 5MM	4	4	4	4	4	4	4	4		
38	90683-GR1-003	CLIP, BODY COVER	2	2	2	2	2	2	2	2		
39	90683-KJ2-003	CLIP, WIRE HARNESS	-	-	1	1	1	1	1	1		
40	91549-MW0-790ZA	CLIP, PANEL FIXING *NH1*.....BLACK	2	2	2	2	2	2	2	2		----- 2BR,2CH,2ED,2FO,2TH,BR,CH,ED,FO,TH
41	93891-04006-07	SCREW-WASHER, 4X6	3	3	3	3	3	3	3	3		
42	95002-02100	CLIP, TUBE (B10)	2	2	2	2	2	2	2	2		
43	95002-41250-08	CLAMP, TUBE (D12.5)	2	2	2	2	2	2	2	2		
44	95002-50000	CLIP, TUBE (C9)	1	1	1	1	1	1	1	1		
45	95005-50580-30	TUBE, 5X580 (95005-50001-30M)	1	1	1	1	1	1	1	1		
46	95005-55570-20	TUBE, 5.3X570 (95005-55001-20M)	1	1	1	1	1	1	1	1		
47	96001-06025-00	BOLT, FLANGE, 6X25	2	2	2	2	2	2	2	2		
48	96300-06016-00	BOLT, FLANGE, 6X16	1	1	1	1	1	1	1	1		

F-43

UPPER COWL



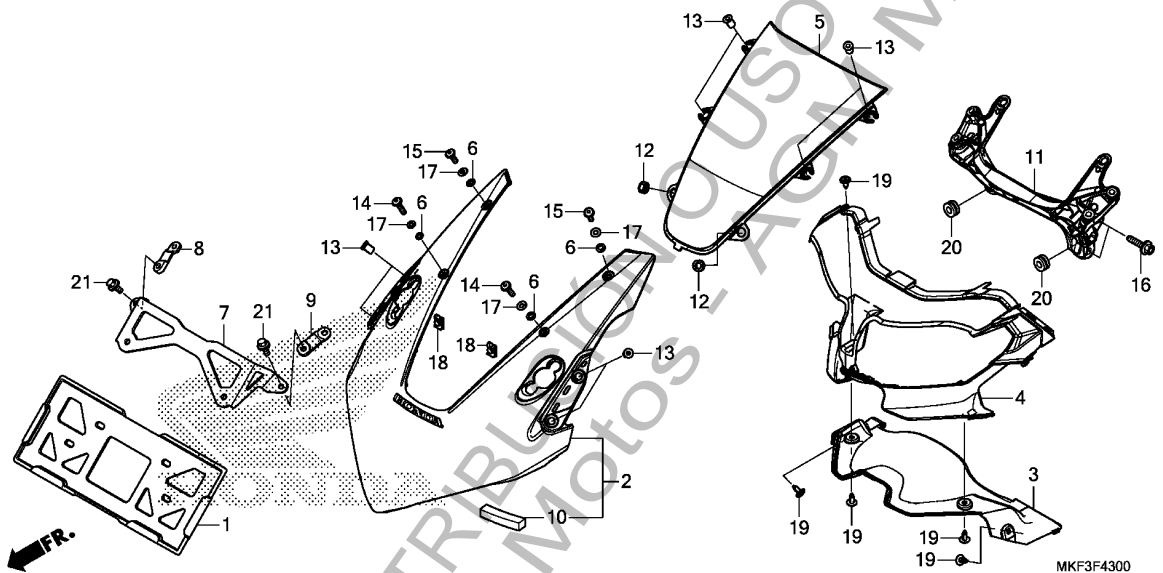
Ref. No.	L.O.N.	(Relative ref. Number) Description	F.R.T.
2	4111B4	COWL, UPPER	0.6
3	413130	COVER, FRONT LOWER	0.1
4	4111L3	COWL, FRONT CENTER	0.6
5	4111Y7	SCREEN, WIND	0.2
11	411105	STAY, FRONT COVER	0.6

3

Ref. No.	Part No.	Description	Reqd. QTY								Serial No.	Parts catalogue code
			RR H	RR J	RA H	RA J	S1 H	S1 J	S2 H	S2 J		
1	61316-KCJ-661	GUARD, NUMBER PLATE	-	-	1	1	1	1	-	-	-----	2IN
2	64105-MKF-D40ZC	COWL ASSY., FR. UPPER(WL) *R334*.....VICTORY RED	1	-	1	-	-	-	-	-	-----	2BR,2CH,2ED,2FO,2GS,2IN,2KO,2RU,2TH,2U
	64105-MKF-D10ZA	*NHA86M*										
	64105-MKF-D80ZB	MAT BALLISTIC BLACK METALLIC *TYPE1*.....	1	-	1	-	-	-	-	-	-----	CH,ED,FO,GS,KO,RU,TH,U
	64105-MKF-D20ZA	*NHA86M*										
	64105-MKF-D60ZA	MAT BALLISTIC BLACK METALLIC *R334*.....VICTORY RED	-	1	-	1	-	-	-	-	-----	BR,CH,ED,FO,GS,KO,RU,TH,U
	64105-MKF-D80ZA	*TYPE2*.....	-	-	-	-	-	1	-	-	-----	
	64105-MKF-D70ZA	*R334*.....VICTORY RED	-	-	-	-	-	-	1	-	-----	
	64105-MKF-D90ZA	*TYPE1*.....	-	-	-	-	-	-	-	1	-----	
3	64110-MKF-D40	COVER, FR. LOWER	1	1	1	1	1	1	1	1	-----	
4	64120-MKF-D40	COWL, FR. LOWER	1	1	1	1	1	1	1	1	-----	
5	64200-MKF-D40	WINDSCREEN	1	1	1	1	1	1	1	1	-----	
6	64205-166-610	WASHER, SCREEN SETTING	4	4	4	4	4	4	4	4	-----	
7	64231-MKF-N40	STAY, FR. NUMBER	-	-	1	1	1	1	-	-	-----	2IN
8	64232-MKF-N40	STAY, R. FR. NUMBER	-	-	1	1	1	1	-	-	-----	2IN
9	64233-MKF-N40	STAY, L. FR. NUMBER	-	-	1	1	1	1	-	-	-----	2IN
10	64364-MCS-G00	MAT B, HEAT GUARD	1	1	1	1	1	1	1	1	-----	
11	64501-MKF-D40	STAY, UPPER COWL	1	1	1	1	1	1	1	1	-----	2BR,2CH,2ED,2FO,2GS,2KO,2RU,2TH,2U,BR,CH,ED,FO,GS,KO,RU,TH,U
	64501-MKF-N40	-	-	1	1	1	1	-	-	-----	2IN
12	64535-MCJ-000	RUBBER, LOWER COWL	2	2	2	2	2	2	2	2	-----	
13	90111-KW3-003	NUT, COWL SETTING, 5MM	8	8	8	8	8	8	8	8	-----	
14	90116-MKF-D40	BOLT, SPECIAL, 5X16	2	2	2	2	2	2	2	2	-----	
15	90117-MKF-D40	BOLT, SPECIAL, 5X14	2	2	2	2	2	2	2	2	-----	

F-43

UPPER COWL

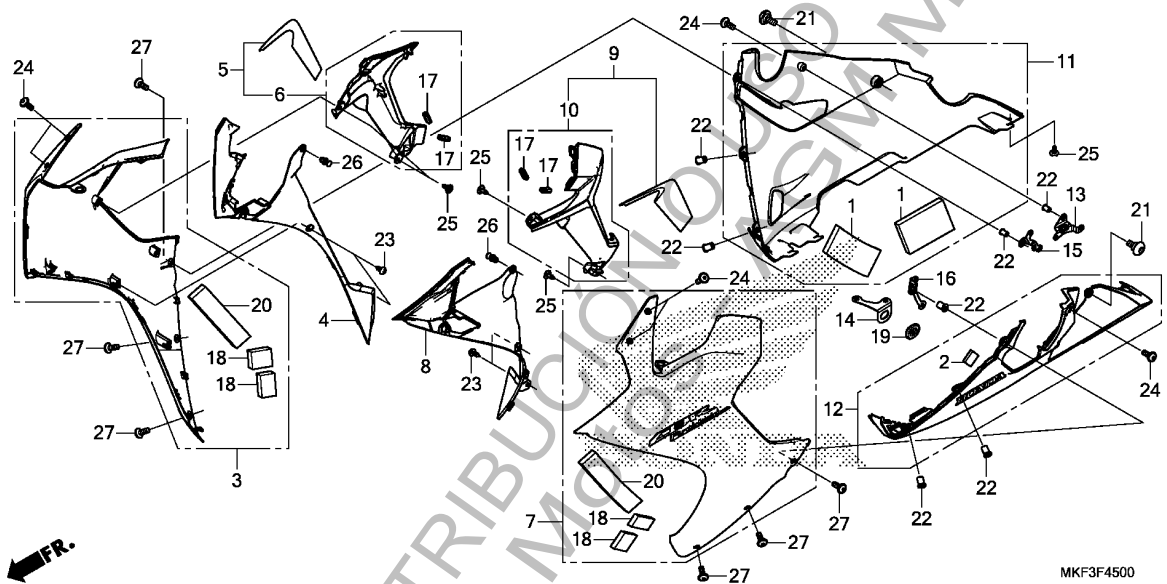


Ref. No.	Part No.	Description	Reqd. QTY								Serial No.	Parts catalogue code	
			RR H	RR J	RA H	RA J	S1 H	S1 J	S2 H	S2 J			
16	90120-MEE-000	BOLT, FLANGE, 8X28	2	2	2	2	2	2	2	2	2		
17	90504-964-000	WASHER, THRUST, 5MM	4	4	4	4	4	4	4	4	4		
18	90677-KAN-961	NUT, CLIP, 5MM	2	2	2	2	2	2	2	2	2		
19	90683-GR1-003	CLIP, BODY COVER	5	5	5	5	5	5	5	5	5		
20	90852-898-000	RUBBER, CONTROL BOX	2	2	2	2	2	2	2	2	2		
21	90161-GHB-600	BOLT, FLANGE, 6X10	-	-	2	2	2	2	2	-	-	-----	2IN

3

F-45

MIDDLE COWL



Ref. No.	L.O.N.	(Relative ref. Number) Description	F.R.T.
3	4111D4	COWL, MIDDLE :RIGHT	0.3
4	4111G8	COWL, INNER MIDDLE :RIGHT	0.3
5		(6)	
	4111BX	SHROUD :RIGHT	0.3
7	4111D3	COWL, MIDDLE :LEFT	0.3
	4111D5	COWL, MIDDLE :BOTH	0.5
8	4111G9	COWL, INNER MIDDLE :LEFT	0.3
	4111H0	COWL, INNER MIDDLE :BOTH	0.4
9		(10)	
	4111BW	SHROUD :LEFT	0.3
	4111BY	SHROUD :BOTH	0.4
11	4111D7	COWL, LOWER :RIGHT	0.2
12	4111D6	COWL, LOWER :LEFT	0.2
	4111H1	COWL, LOWER :BOTH	0.2

Ref. No.	Part No.	Description	Reqd. QTY								Serial No.	Parts catalogue code
			RR H	RR J	RA H	RA J	S1 H	S1 J	S2 H	S2 J		
1	17269-MZ5-920	MAT, CARBURETOR COVER	2	2	2	2	2	2	2	2		
2	17508-MN5-000	RUBBER, CUSHION	1	1	1	1	1	1	1	1		
3	64300-MKF-D40ZA	COWL SET, R. MIDDLE(WL)										
		R334.....VICTORY RED	1	-	1	-	-	-	-	-	-----	2BR,2ED,2FO,2GS,2IN,2KO,2RU,2U
	64300-MKF-D10ZB	*NHA86M*									-----	ED,FO,GS,KO,RU,U
	64305-MKF-D30ZA	COWL ASSY., R. MIDDLE(WL)										
		TYPE1.....	-	1	-	1	-	-	-	-	-----	2BR,2ED,2FO,2GS,2IN,2KO,2RU,2U
	64305-MKF-D20ZA	*NHA86M*									-----	BR,ED,FO,GS,KO,RU,U
	64300-MKF-J40ZA	COWL SET, R. MIDDLE(WL)										
		R334.....VICTORY RED	-	-	1	-	-	-	-	-	-----	2CH,2TH
	64300-MKF-J10ZA	*NHA86M*									-----	CH,TH
	64305-MKF-J30ZA	COWL ASSY., R. MIDDLE(WL)										
		TYPE1.....	-	-	-	1	-	-	-	-	-----	2CH,2TH
	64305-MKF-J20ZA	*NHA86M*									-----	CH,TH
	64305-MKF-D60ZA	*R334*.....VICTORY RED	-	-	-	-	1	-	-	-	-----	2BR,2ED,2FO,2GS,2IN,2KO,2RU,2U
	64305-MKF-J60ZA	*R334*.....VICTORY RED	-	-	-	-	1	-	-	-	-----	2CH,2TH
	64305-MKF-D80ZA	*TYPE1*.....	-	-	-	-	-	1	-	-	-----	2BR,2ED,2FO,2GS,2IN,2KO,2RU,2U
	64305-MKF-J80ZA	*TYPE1*.....	-	-	-	-	-	1	-	-	-----	2CH,2TH
	64305-MKF-D70ZA	*R334*.....VICTORY RED	-	-	-	-	-	-	1	-	-----	
	64305-MKF-D90ZA	*TYPE1*.....	-	-	-	-	-	-	-	1	-----	
4	64310-MKF-D40	COWL, R. INNER MIDDLE	1	1	1	1	1	1	1	1		
5	64315-MKF-D10ZA	SHROUD SET, R.(WL)										
		TYPE1.....	1	1	1	1	-	-	-	-	-----	BR,CH,ED,FO,GS,KO,RU,TH,U
6	64320-MKF-D40	SHROUD, R.	1	1	1	1	1	1	1	1	-----	2BR,2CH,2ED,2FO,2GS,2IN,2KO,2RU,2TH,2U

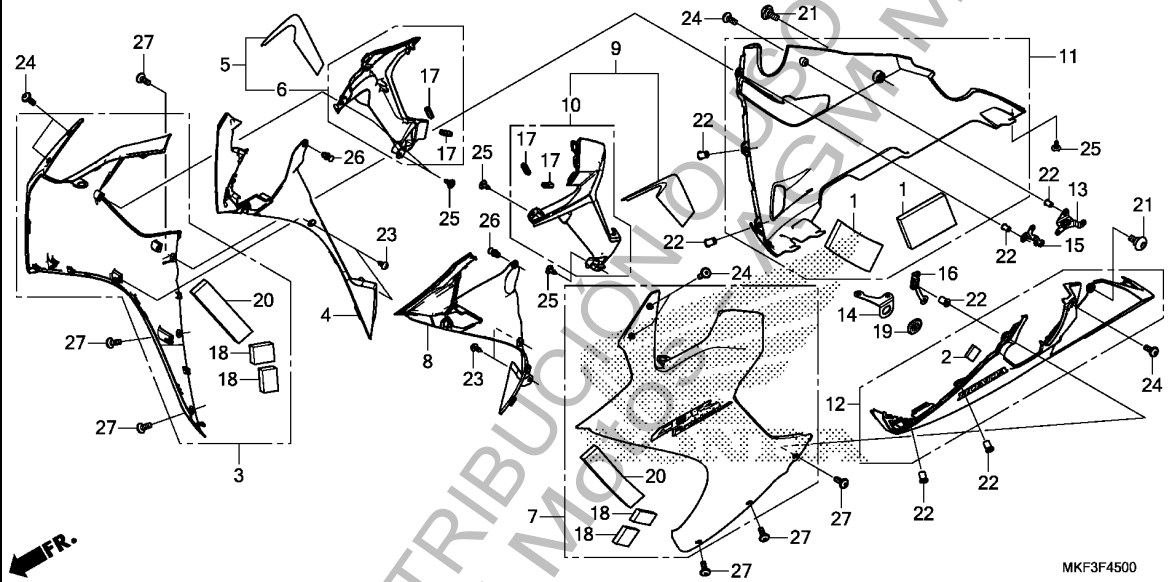
F-45

MIDDLE COWL

Ref. No.	Part No.	Description	Reqd. QTY										Serial No.	Parts catalogue code		
			RR H	RR J	RA H	RA J	S1 H	S1 J	S2 H	S2 J	CBR1000					
7	64350-MKF-D40ZA	COWL SET, L. MIDDLE(WL)														
		R334.....VICTORY RED	1	-	1	-	-	-	-	-	-	-	-	-	2BR,2ED,2FO,2GS,2IN,2KO,2RU,2U	
	64350-MKF-D10ZB	*NHA86M* MAT BALLISTIC BLACK METALLIC	1	-	1	-	-	-	-	-	-	-	-	-	ED,FO,GS,KO,RU,U	
	64355-MKF-D30ZA	COWL ASSY., L. MIDDLE(WL)														
		TYPE1.....	-	1	-	1	-	-	-	-	-	-	-	-	2BR,2ED,2FO,2GS,2IN,2KO,2RU,2U	
	64355-MKF-D20ZA	*NHA86M* MAT BALLISTIC BLACK METALLIC	-	1	-	1	-	-	-	-	-	-	-	-	BR,ED,FO,GS,KO,RU,U	
	64350-MKF-J40ZA	COWL SET, L. MIDDLE(WL)														
		R334.....VICTORY RED	-	-	1	-	-	-	-	-	-	-	-	-	2CH,2TH	
	64350-MKF-J10ZA	*NHA86M* MAT BALLISTIC BLACK METALLIC	-	-	1	-	-	-	-	-	-	-	-	-	CH,TH	
	64355-MKF-J30ZA	COWL ASSY., L. MIDDLE(WL)														
		TYPE1.....	-	-	-	1	-	-	-	-	-	-	-	-	2CH,2TH	
	64355-MKF-J20ZA	*NHA86M* MAT BALLISTIC BLACK METALLIC	-	-	-	1	-	-	-	-	-	-	-	-	CH,TH	
	64355-MKF-D60ZA	*R334*.....VICTORY RED	-	-	-	-	1	-	-	-	-	-	-	-	2BR,2ED,2FO,2GS,2IN,2KO,2RU,2U	
	64355-MKF-J60ZA	*R334*.....VICTORY RED	-	-	-	-	1	-	-	-	-	-	-	-	2CH,2TH	
	64355-MKF-D80ZA	*TYPE1*.....	-	-	-	-	-	1	-	-	-	-	-	-	2BR,2ED,2FO,2GS,2IN,2KO,2RU,2U	
	64355-MKF-J80ZA	*TYPE1*.....	-	-	-	-	-	1	-	-	-	-	-	-	2CH,2TH	
	64355-MKF-D70ZA	*R334*.....VICTORY RED	-	-	-	-	-	-	1	-	-	-	-	-		
	64355-MKF-D90ZA	*TYPE1*.....	-	-	-	-	-	-	-	1	-	-	-	-		
8	64360-MKF-D40	COWL, L. INNER MIDDLE	1	1	1	1	1	1	1	1	1	1	1	1		
9	64365-MKF-D10ZA	SHROUD SET, L.(WL)														
		TYPE1.....	1	1	1	1	-	-	-	-	-	-	-	-	BR,CH,ED,FO,GS,KO,RU,TH,U	
10	64370-MKF-D40	SHROUD, L.	1	1	1	1	1	1	1	1	1	1	1	1	2BR,2CH,2ED,2FO,2GS,2IN,2KO,2RU,2TH,2U	
11	64400-MKF-D40ZA	COWL SET, R. UNDER(WL)														
		R334.....VICTORY RED	1	-	1	-	-	-	-	-	-	-	-	-	2BR,2CH,2ED,2FO,2GS,2IN,2KO,2RU,2TH,2U	
	64400-MKF-D10ZA	*NHA86M* MAT BALLISTIC BLACK METALLIC	1	-	1	-	-	-	-	-	-	-	-	-	CH,ED,FO,GS,KO,RU,TH,U	
	64405-MKF-D30ZA	COWL ASSY., R. UNDER(WL)														
		TYPE1.....	-	1	-	1	-	-	-	-	-	-	-	-	2BR,2CH,2ED,2FO,2GS,2IN,2KO,2RU,2TH,2U	
	64405-MKF-D20ZA	*NHA86M* MAT BALLISTIC BLACK METALLIC	-	1	-	1	-	-	-	-	-	-	-	-	BR,CH,ED,FO,GS,KO,RU,TH,U	
	64405-MKF-D60ZA	*2TN100* ROSS WHITE/VICTORY RED	-	-	-	-	1	-	-	-	-	-	-	-		
	64405-MKF-D80ZA	*TYPE1*.....	-	-	-	-	-	1	-	-	-	-	-	-		
	64405-MKF-D70ZA	*2TN100* ROSS WHITE/VICTORY RED	-	-	-	-	-	-	1	-	-	-	-	-		
	64405-MKF-D90ZA	*TYPE1*.....	-	-	-	-	-	-	-	1	-	-	-	-		
12	64450-MKF-D40ZA	COWL SET, L. UNDER(WL)														
		R334.....VICTORY RED	1	-	1	-	-	-	-	-	-	-	-	-	2BR,2CH,2ED,2FO,2GS,2IN,2KO,2RU,2TH,2U	
	64450-MKF-D10ZA	*NHA86M* MAT BALLISTIC BLACK METALLIC	1	-	1	-	-	-	-	-	-	-	-	-	CH,ED,FO,GS,KO,RU,TH,U	
	64455-MKF-D30ZA	COWL ASSY., L. UNDER(WL)														
		TYPE1.....	-	1	-	1	-	-	-	-	-	-	-	-	2BR,2CH,2ED,2FO,2GS,2IN,2KO,2RU,2TH,2U	
	64455-MKF-D20ZA	*NHA86M* MAT BALLISTIC BLACK METALLIC	-	1	-	1	-	-	-	-	-	-	-	-	BR,CH,ED,FO,GS,KO,RU,TH,U	
	64455-MKF-D60ZA	*2TN100* ROSS WHITE/VICTORY RED	-	-	-	-	1	-	-	-	-	-	-	-		
	64455-MKF-D80ZA	*TYPE1*.....	-	-	-	-	-	1	-	-	-	-	-	-		
	64455-MKF-D70ZA	*2TN100* ROSS WHITE/VICTORY RED	-	-	-	-	-	-	1	-	-	-	-	-		
	64455-MKF-D90ZA	*TYPE1*.....	-	-	-	-	-	-	-	1	-	-	-	-		
13	64541-MKF-D40	STAY, R. UNDER COWL	1	1	1	1	1	1	1	1	1	1	1	1		
14	64542-MKF-D40	STAY, L. UNDER COWL	1	1	1	1	1	1	1	1	1	1	1	1		
15	64543-MKF-D40	STAY, R. MIDDLE COWL	1	1	1	1	1	1	1	1	1	1	1	1		

F-45

MIDDLE COWL

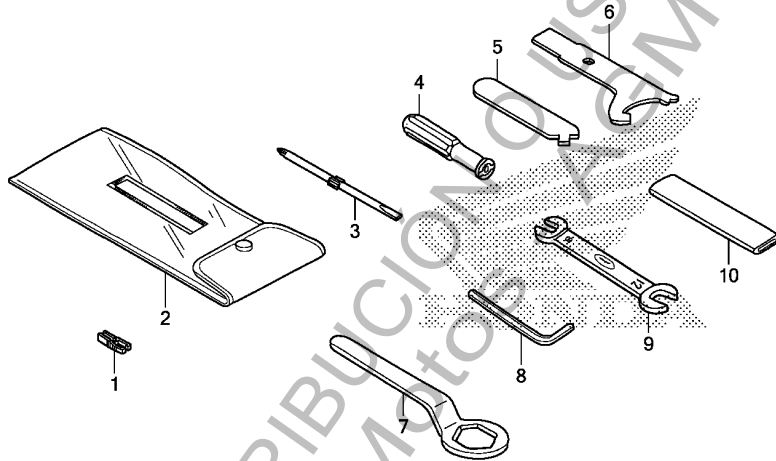


Ref. No.	Part No.	Description	Reqd. QTY								Serial No.	Parts catalogue code	
			RR H	RR J	RA H	RA J	S1 H	S1 J	S2 H	S2 J			
16	64544-MKF-D40	STAY, L. MIDDLE COWL	1	1	1	1	1	1	1	1	1		
17	77212-MFJ-D00	PROTECTOR, RUBBER	4	4	4	4	4	4	4	4	4		
18	83432-MJM-D60	MAT, COWL, 65X50X10	4	4	4	4	4	4	4	4	4		
19	83551-300-000	GROMMET, AIR CLEANER CASE ...	1	1	1	1	1	1	1	1	1		
20	83613-MR8-900	MAT, SIDE COVER	2	2	2	2	2	2	2	2	2		
21	90106-MCW-D00	SCREW, PAN, 6X14	2	2	2	2	2	2	2	2	2		
22	90111-KW3-003	NUT, COWL SETTING, 5MM	7	7	7	7	7	7	7	7	7		
23	90114-MJK-N20	SCREW, TAPPING, 4X10	4	4	4	4	4	4	4	4	4		
24	90117-MKF-D40	BOLT, SPECIAL, 5X14	6	6	6	6	6	6	6	6	6		
25	90683-GR1-003	CLIP, BODY COVER	5	5	5	5	5	5	5	5	5		
26	91549-MW0-790ZA	CLIP, PANEL FIXING *NH1*.....BLACK	2	2	2	2	2	2	2	2	2		
27	90116-MKF-D40	BOLT, SPECIAL, 5X16	6	6	6	6	6	6	6	6	6		

3

F-48

TOOLS



MKF3F4800

Ref. L.O.N. (Relative ref. Number) F.R.T.
No. Description

NO INFORMATION

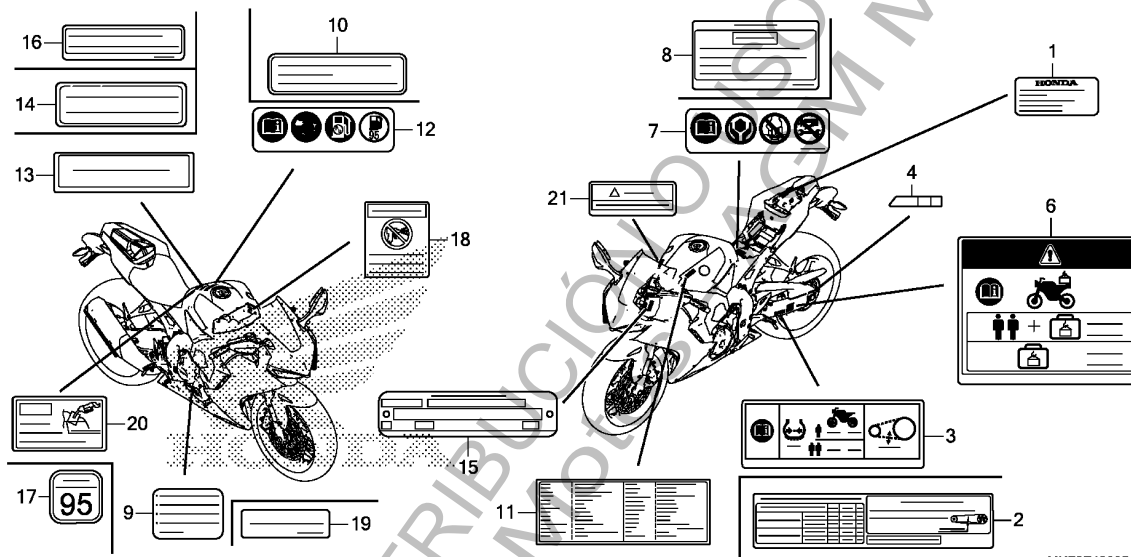
Ref. No.	Part No.	Description	Reqd. QTY								Serial No.	Parts catalogue code		
			RR H	RR J	RA H	RA J	S1 H	S1 J	S2 H	S2 J				
1	38235-S04-003	PULLER, MINI FUSE (SUMITOMO) ..	1	1	1	1	1	1	1	1	1	1		
2	89101-300-010	BAG, TOOL	1	1	1	1	1	1	1	1	1	1		
3	89102-538-000	DRIVER, SCREW (NO.2 + -)	1	1	1	1	1	1	1	1	1	1		
4	89103-538-000	GRIP	1	1	1	1	1	1	1	1	1	1		
5	89103-MGP-D00	ADJUSTER	1	1	1	1	1	-	-	-	-	-		
6	89202-KY1-700	SPANNER, PIN	1	1	1	1	-	-	-	-	-	-		
7	89218-MAZ-000	WRENCH, EYE, 32MM	-	-	-	-	1	1	1	1	1	1		
8	89221-429-000	WRENCH, HEX., 5MM	1	1	1	1	1	1	1	1	1	1		
9	99001-08120	SPANNER, 8X12	-	-	-	-	1	1	1	1	1	1		
10	99006-12000	HANDLE, EYE WRENCH, 12MM	1	1	1	1	-	-	-	-	-	-		

3

PROHIBIDO
19-07-2017

F-49

CAUTION LABEL



MKF3F4900D

Ref. L.O.N. (Relative ref. Number) F.R.T.
No. Description

NO INFORMATION

3

Ref. No.	Part No.	Description	Reqd. QTY								Serial No.	Parts catalogue code
			RR	RR	RA	RA	S1	S1	S2	S2		
			H	J	H	J	H	J	H	J		
1	87125-MKA-D80	LABEL, MANUFACTURER	-	-	1	1	1	1	1	1	-----	2ED,ED
2	87505-MKF-B40	LABEL, TIRE & DRIVE CHAIN (PORTUGUESE)	-	-	1	1	-	-	-	-	-----	2BR,BR
	87505-MKA-SJ0	LABEL, TIRE & DRIVE CHAIN (CHINESE)	-	-	1	1	-	-	-	-	-----	2CH,CH
	87505-MKF-N40	LABEL, TIRE & DRIVE CHAIN (INDONESIAN)	-	-	1	1	-	-	-	-	-----	2IN
	87505-MKA-HH0	LABEL, TIRE & DRIVE CHAIN (KOREAN)	-	-	1	1	-	-	-	-	-----	2KO,KO
	87505-MJE-T20	LABEL, TIRE & DRIVE CHAIN (THAI)	-	-	1	1	-	-	-	-	-----	2TH,TH
	87505-MKF-B60	LABEL, TIRE & DRIVE CHAIN (PORTUGUESE)	-	-	-	-	1	1	-	-	-----	2BR
	87505-MKF-H60	LABEL, TIRE & DRIVE CHAIN (CHINESE)	-	-	-	-	1	1	-	-	-----	2CH
	87505-MKF-N60	LABEL, TIRE & DRIVE CHAIN (INDONESIAN)	-	-	-	-	1	1	-	-	-----	2IN
	87505-MKF-K60	LABEL, TIRE & DRIVE CHAIN (KOREAN)	-	-	-	-	1	1	-	-	-----	2KO
	87505-MKF-T60	LABEL, TIRE & DRIVE CHAIN (THAI)	-	-	-	-	1	1	-	-	-----	2TH
3	87505-MKA-DG0	LABEL, TIRE & DRIVE CHAIN (PICTOGRAPH)	1	1	1	1	-	-	-	-	-----	2ED,2FO,2GS,2RU,2U,ED,FO,GS,RU,U
	87505-MKF-D60	-	-	-	-	1	1	1	1	-----	2ED,2FO,2GS,2RU,2U
4	87508-MJJ-D31	LABEL, CHAIN ADJUSTER	1	1	1	1	1	1	1	1	-----	
6	87512-MFL-D20	LABEL, ACCESSORIES & LOADING (PICTOGRAPH)	-	-	1	1	-	-	-	-	-----	2ED,ED
	87512-MGP-D81	-	-	-	-	1	1	1	1	-----	2ED

F-49

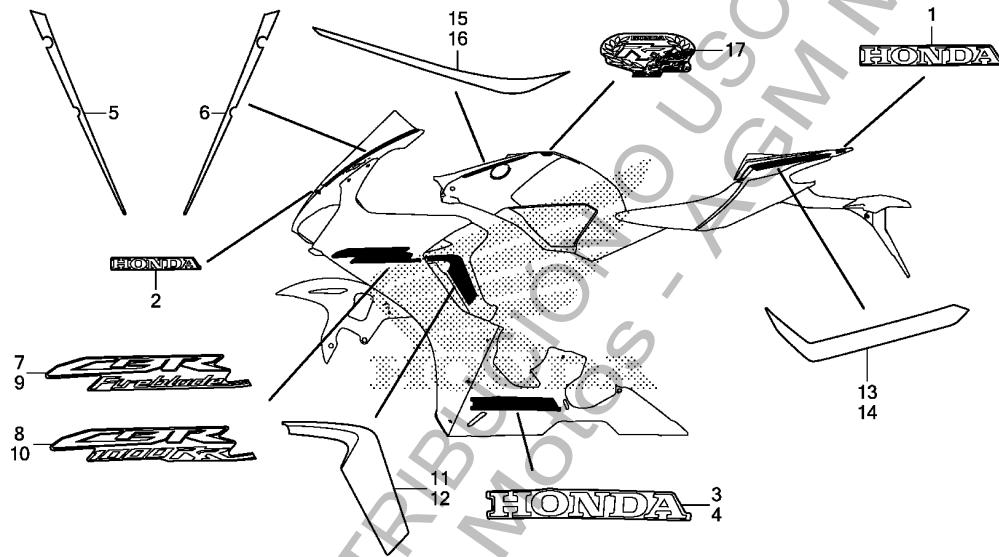
CAUTION LABEL

Ref. No.	Part No.	Description	Reqd. QTY										Serial No.	Parts catalogue code	
			RR H	RR J	RA H	RA J	S1 H	S1 J	S2 H	S2 J					
7	87513-MKF-D40	LABEL, INERTIAL MEASUREMENT UNIT(PICTOGRAPH)	1	1	1	1	1	1	1	1	1	1	1	-----	2ED,2FO,2GS,2RU,2U,ED,FO,GS,RU,U
8	87513-MKF-B40	LABEL, INERTIAL MEASUREMENT UNIT(PORTUGUESE)	-	-	1	1	1	1	-	-	-	-	-----	2BR,BR	
	87513-MKF-H40	LABEL, INERTIAL MEASUREMENT UNIT(CHINESE)	-	-	1	1	1	1	-	-	-	-	-----	2CH,CH	
	87513-MKF-N40	LABEL, INERTIAL MEASUREMENT UNIT	-	-	1	1	1	1	-	-	-	-	-----	2IN	
	87513-MKF-K40	-	-	1	1	1	1	-	-	-	-	-----	2KO,KO	
	87513-MKF-T40	-	-	1	1	1	1	-	-	-	-	-----	2TH,TH	
9	87541-MFL-000	LABEL, OIL CAPACITY	1	1	1	1	1	1	1	1	1	1	-----	2ED,2FO,2GS,2IN,2U,ED,FO,GS,U	
	87541-MFL-630	LABEL, OIL CAPACITY (PORTUGUESE)	-	-	1	1	1	1	-	-	-	-	-----	2BR,BR	
	87541-MFL-750	LABEL, OIL CAPACITY(KOREAN)	-	-	1	1	1	1	-	-	-	-	-----	2KO,KO	
	87541-MGH-R00	LABEL, OIL CAPACITY(RUSSIAN)	-	-	1	1	1	1	-	-	-	-	-----	2RU,RU	
	87541-MGE-T20	LABEL, OIL CAPACITY(THAI)	-	-	1	1	1	1	-	-	-	-	-----	2TH,TH	
10	87560-KCH-630	LABEL, DRIVE(PORTUGUESE)	-	-	1	1	1	1	-	-	-	-	-----	2BR,BR	
	87560-MGE-680	LABEL, DRIVE CAUTION(CHINESE)	-	-	1	1	1	1	-	-	-	-	-----	2CH,CH	
	87560-KVB-930	LABEL, DRIVE CAUTION (INDONESIAN)	-	-	1	1	1	1	-	-	-	-	-----	2IN	
	87560-MBR-871	LABEL, DRIVE CAUTION(KOREAN)	-	-	1	1	1	1	-	-	-	-	-----	2KO,KO	
	87560-KVB-900	LABEL, DRIVE CAUTION(THAI)	-	-	1	1	1	1	-	-	-	-	-----	2TH,TH	
11	87560-MKF-D40	LABEL, FRENCH TRANSLATION	-	-	1	1	1	1	1	1	1	1	-----	2ED,ED	
12	87586-MFL-D20	LABEL, FUEL & DRIVE (PICTOGRAPH)	1	-	1	-	-	-	-	-	-	-	-----	2FO,2GS,FO,GS	
	87586-MJC-D00	-	1	-	1	-	-	-	-	-	-	-----	2FO,2GS,FO,GS	
	87586-MKF-D40	-	-	1	1	-	-	-	-	-	-	-----	2ED,2RU,2U,ED,RU,U	
	87586-MKF-D60	-	-	-	-	1	1	1	1	1	1	-----	2ED,2RU,2U	
	87586-MGP-D80	-	-	-	-	1	-	-	-	-	-	-----	2FO,2GS	
	87586-MKB-R00	-	-	-	-	-	1	-	-	-	-	-----	2FO,2GS	
13	87586-MFL-B20	LABEL, PREMIUM FUEL RECOMMENDED(PORTUGUESE)	-	-	1	1	1	1	-	-	-	-	-----	2BR,BR	
	87586-MFL-A20	LABEL, PREMIUM FUEL RECOMMENDED	-	-	1	1	1	1	-	-	-	-	-----	2CH,CH	
	87586-MFL-K20	LABEL, PREMIUM FUEL RECOMMENDED(KOREAN)	-	-	1	1	1	1	-	-	-	-	-----	2KO,KO	
14	87700-KVG-900	LABEL, HELMET INFORMATION (THAI)	-	-	1	-	1	-	-	-	-	-	-----	2TH,TH	
	87700-KVG-901	-	-	-	1	-	1	-	-	-	-	-----	2TH,TH	
15	87501-MKA-P00	PLATE, REGISTERED NUMBER	-	-	1	1	1	1	1	1	1	1	-----	2ED,ED	
16	87586-MKF-N40	LABEL, FUEL RECOMMENDED (INDONESIAN)	-	-	1	1	1	1	-	-	-	-	-----	2IN	
17	87710-MGE-T20ZB	LABEL, GASOHOL(THAI) *TYPE1*	-	-	1	1	1	1	-	-	-	-	-----	2TH,TH	
18	87509-MGE-680	LABEL, AIR CLEANER ELEMENT NOTICE(CHINESE)	-	-	1	1	1	1	-	-	-	-	-----	2CH,CH	
	87509-KWW-A40	LABEL, AIR CLEANER ELEMENT NOTICE(INDONESIAN)	-	-	1	1	1	1	-	-	-	-	-----	2IN	
19	87541-MGE-680	LABEL, OIL CAPACITY(CHINESE)	-	-	1	1	1	1	-	-	-	-	-----	2CH,CH	
20	87562-MGE-680	LABEL, REFUEL CAUTION(CHINESE)	-	-	1	1	1	1	-	-	-	-	-----	2CH,CH	
21	87593-MKA-S80	LABEL, BRAKE FLUID(CHINA)	-	-	1	1	1	1	-	-	-	-	-----	2CH,CH	



F-50

MARK/STRIPE(1)



MKF3F5000A

Ref. L.O.N. (Relative ref. Number) F.R.T.
No. Description

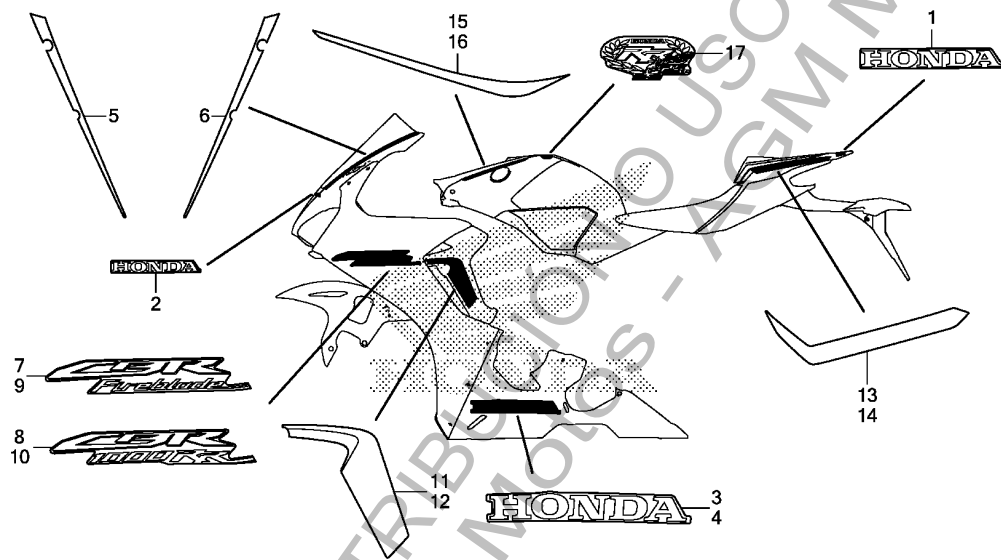
NO INFORMATION

3

Ref. No.	Part No.	Description	Reqd. QTY								Serial No.	Parts catalogue code
			RR H	RR J	RA H	RA J	S1 H	S1 J	S2 H	S2 J		
1	86101-MKF-D40ZA	MARK, HONDA (65MM) *TYPE2*	1	1	1	1	-	-	-	-	-----	BR,CH,ED,FO,GS,KO,RU,TH,U
2	86102-MKF-D10ZA	MARK, HONDA (65MM) *TYPE1*	1	-	1	-	-	-	-	-----	CH,ED,FO,GS,KO,RU,TH,U	
	86102-MKF-D20ZA	*TYPE1*	-	1	-	1	-	-	-	-----	BR,CH,ED,FO,GS,KO,RU,TH,U	
3	86103-MKF-D10ZA	MARK, HONDA (400MM) *TYPE1*	1	-	1	-	-	-	-	-----	CH,ED,FO,GS,KO,RU,TH,U	
	86103-MKF-D20ZA	(R. SIDE) *TYPE1*	-	1	-	1	-	-	-	-----	BR,CH,ED,FO,GS,KO,RU,TH,U	
4	86104-MKF-D10ZA	MARK, HONDA (280MM) *TYPE1*	1	-	1	-	-	-	-	-----	CH,ED,FO,GS,KO,RU,TH,U	
	86104-MKF-D20ZA	(L. SIDE) *TYPE1*	-	1	-	1	-	-	-	-----	BR,CH,ED,FO,GS,KO,RU,TH,U	
5	86642-MKF-D10ZA	STRIPE, R. FR. UPPER COWL *TYPE1*	1	-	1	-	-	-	-	-----	CH,ED,FO,GS,KO,RU,TH,U	
	86642-MKF-D20ZA	*TYPE1*	-	1	-	1	-	-	-	-----	BR,CH,ED,FO,GS,KO,RU,TH,U	
6	86643-MKF-D10ZA	STRIPE, L. FR. UPPER COWL *TYPE1*	1	-	1	-	-	-	-	-----	CH,ED,FO,GS,KO,RU,TH,U	
	86643-MKF-D20ZA	*TYPE1*	-	1	-	1	-	-	-	-----	BR,CH,ED,FO,GS,KO,RU,TH,U	
7	86645-MKF-D10ZA	STRIPE, R. MIDDLE COWL *TYPE1*	1	-	1	-	-	-	-	-----	ED,FO,GS,KO,RU,U	
	86645-MKF-D20ZA	*TYPE1*	-	1	-	1	-	-	-	-----	BR,ED,FO,GS,KO,RU,U	
8	86645-MKF-L00ZA	STRIPE, R. MIDDLE COWL *TYPE1*	-	-	1	-	-	-	-	-----	CH,TH	
	86645-MKF-LA0ZA	*TYPE1*	-	-	-	1	-	-	-	-----	CH,TH	

F-50

MARK/STRIPE(1)



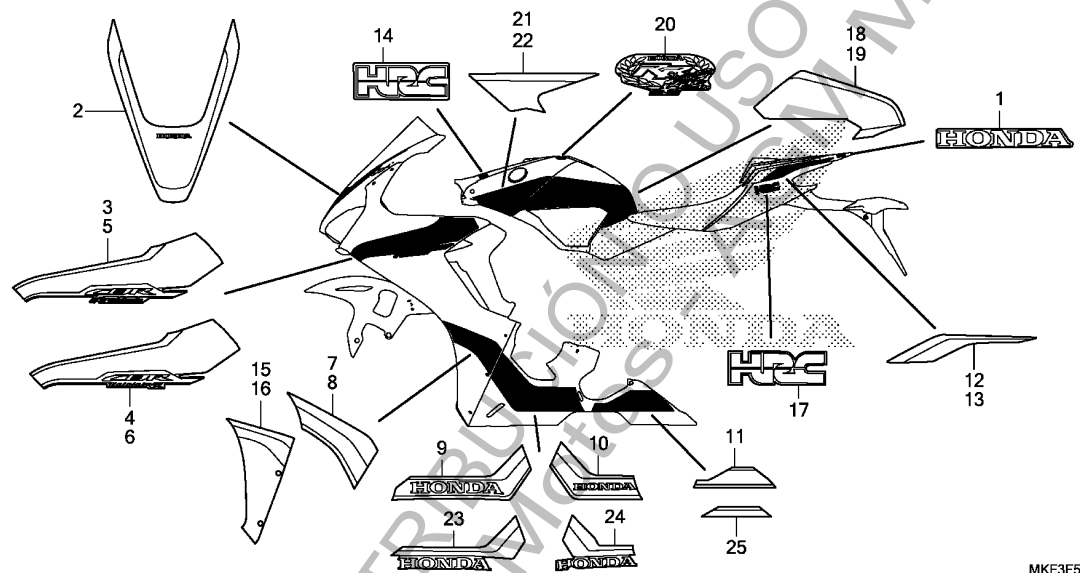
MKF3F5000A

Ref. No.	Part No.	Description	Reqd. QTY								Serial No.	Parts catalogue code	
			RR H	RR J	RA H	RA RA J	S1 H	S1 J	S2 H	S2 J			
9	86646-MKF-D10ZA	STRIPE, L. MIDDLE COWL											
		TYPE1	1	-	1	-	-	-	-	-	-	-	ED,FO,GS,KO,RU,U
	86646-MKF-D20ZA	*TYPE1*	-	1	-	1	-	-	-	-	-	-	BR,ED,FO,GS,KO,RU,U
10	86646-MKF-L00ZA	STRIPE, L. MIDDLE COWL											
		TYPE1	-	-	1	-	-	-	-	-	-	-	CH,TH
	86646-MKF-LA0ZA	*TYPE1*	-	-	-	1	-	-	-	-	-	-	CH,TH
11	86647-MKF-D10ZA	STRIPE, R. SHROUD											
		TYPE1	1	1	1	1	-	-	-	-	-	-	BR,CH,ED,FO,GS,KO,RU,TH,U
12	86648-MKF-D10ZA	STRIPE, L. SHROUD											
		TYPE1	1	1	1	1	-	-	-	-	-	-	BR,CH,ED,FO,GS,KO,RU,TH,U
13	86773-MKF-D10ZA	STRIPE, R. RR. COWL UPPER											
		TYPE1	1	-	1	-	-	-	-	-	-	-	CH,ED,FO,GS,KO,RU,TH,U
	86773-MKF-D20ZA	*TYPE1*	-	1	-	1	-	-	-	-	-	-	BR,CH,ED,FO,GS,KO,RU,TH,U
14	86774-MKF-D10ZA	STRIPE, L. RR. COWL UPPER											
		TYPE1	1	-	1	-	-	-	-	-	-	-	CH,ED,FO,GS,KO,RU,TH,U
	86774-MKF-D20ZA	*TYPE1*	-	1	-	1	-	-	-	-	-	-	BR,CH,ED,FO,GS,KO,RU,TH,U
15	86833-MKF-D10ZA	STRIPE, R. SIDE SHELTER											
		TYPE1	1	1	1	1	-	-	-	-	-	-	BR,CH,ED,FO,GS,KO,RU,TH,U
16	86834-MKF-D10ZA	STRIPE, L. SIDE SHELTER											
		TYPE1	1	1	1	1	-	-	-	-	-	-	BR,CH,ED,FO,GS,KO,RU,TH,U
17	86836-MKF-D40ZA	MARK(25TH ANNIVERSARY)											
		TYPE2	1	-	1	-	-	-	-	-	-	-	CH,ED,FO,GS,KO,RU,TH,U



F-50-1

MARK/STRIPE(2)



Ref. L.O.N. (Relative ref. Number) F.R.T.
 No. Description

NO INFORMATION

MKF3F5001A

Ref. No.	Part No.	Description	Reqd. QTY								Serial No.	Parts catalogue code
			RR H	RR J	RA H	RA J	S1 H	S1 J	S2 H	S2 J		
1	86101-MKF-D40ZB	MARK, HONDA (65MM)										
		TYPE1	1	-	1	-	1	-	1	-	-----	2BR,2CH,2ED,2FO,2GS,2IN,2KO,2RU,2TH,2U
	86101-MKF-D80ZA	*TYPE1*	-	1	-	1	-	1	-	1	-----	2BR,2CH,2ED,2FO,2GS,2IN,2KO,2RU,2TH,2U
2	86642-MKF-D40ZB	STRIPE, FR. UPPER COWL										
		TYPE1	1	-	1	-	-	-	-	-	-----	2BR,2CH,2ED,2FO,2GS,2IN,2KO,2RU,2TH,2U
	86642-MKF-D80ZB	*TYPE1*	-	1	-	1	-	-	-	-	-----	2BR,2CH,2ED,2FO,2GS,2IN,2KO,2RU,2TH,2U
	86642-MKF-D60ZA	*TYPE1*	-	-	-	-	1	-	-	-	-----	
	86642-MKF-D80ZA	*TYPE2*	-	-	-	-	-	1	-	-	-----	
	86642-MKF-D70ZA	*TYPE1*	-	-	-	-	-	-	1	-	-----	
	86642-MKF-D90ZA	*TYPE1*	-	-	-	-	-	-	-	1	-----	
3	86643-MKF-D40ZB	STRIPE A, R. MIDDLE COWL										
		TYPE1	1	-	1	-	-	-	-	-	-----	2BR,2ED,2FO,2GS,2IN,2KO,2RU,2U
	86643-MKF-D80ZB	*TYPE1*	-	1	-	1	-	-	-	-	-----	2BR,2ED,2FO,2GS,2IN,2KO,2RU,2U
	86643-MKF-D60ZA	*TYPE1*	-	-	-	-	1	-	-	-	-----	2BR,2ED,2FO,2GS,2IN,2KO,2RU,2U
	86643-MKF-D80ZA	*TYPE2*	-	-	-	-	-	1	-	-	-----	2BR,2ED,2FO,2GS,2IN,2KO,2RU,2U
	86643-MKF-D70ZA	*TYPE1*	-	-	-	-	-	-	1	-	-----	
	86643-MKF-D90ZA	*TYPE1*	-	-	-	-	-	-	-	1	-----	
4	86643-MKF-L20ZB	STRIPE A, R. MIDDLE COWL										
		TYPE1	-	-	1	-	-	-	-	-	-----	2CH,2TH
	86643-MKF-LE0ZB	*TYPE1*	-	-	-	1	-	-	-	-	-----	2CH,2TH
	86643-MKF-L60ZA	*TYPE1*	-	-	-	-	1	-	-	-	-----	2CH,2TH
	86643-MKF-LE0ZA	*TYPE2*	-	-	-	-	-	1	-	-	-----	2CH,2TH
5	86644-MKF-D40ZA	STRIPE A, L. MIDDLE COWL										
		TYPE1	1	-	1	-	-	-	-	-	-----	2BR,2ED,2FO,2GS,2IN,2KO,2RU,2U
	86644-MKF-D80ZB	*TYPE1*	-	1	-	1	-	-	-	-	-----	2BR,2ED,2FO,2GS,2IN,2KO,2RU,2U
	86644-MKF-D60ZA	*TYPE1*	-	-	-	-	1	-	-	-	-----	2BR,2ED,2FO,2GS,2IN,2KO,2RU,2U
	86644-MKF-D80ZA	*TYPE2*	-	-	-	-	-	1	-	-	-----	2BR,2ED,2FO,2GS,2IN,2KO,2RU,2U
	86644-MKF-D70ZA	*TYPE1*	-	-	-	-	-	-	1	-	-----	
	86644-MKF-D90ZA	*TYPE1*	-	-	-	-	-	-	-	1	-----	

3

F-50-1

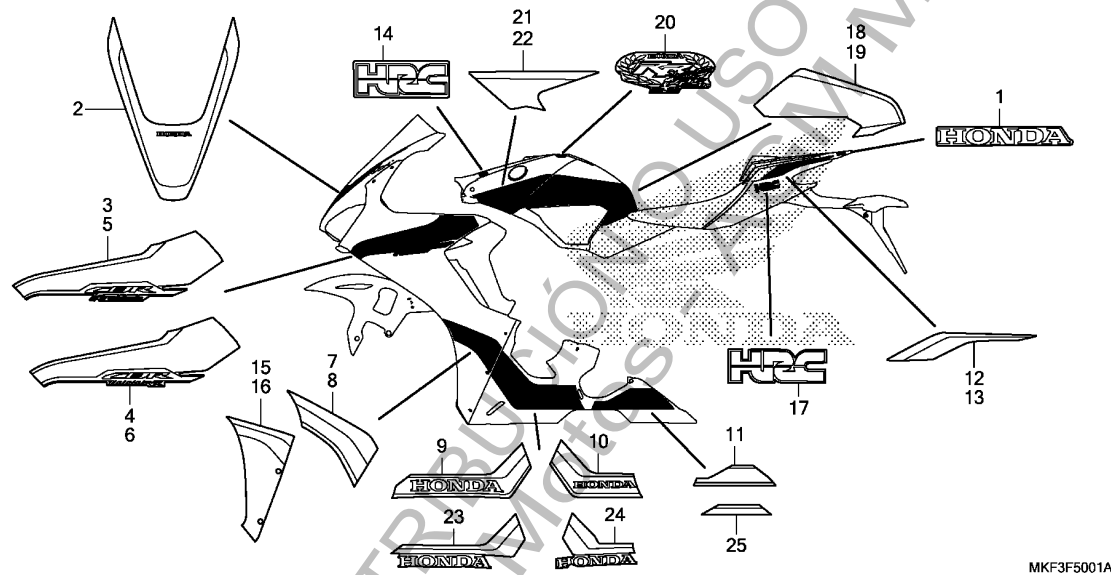
MARK/STRIPE(2)

Ref. No.	Part No.	Description	Reqd. QTY								Serial No.	Parts catalogue code	
			RR H	RR J	RA H	RA J	S1 H	S1 J	S2 H	S2 J			
6	86644-MKF-L20ZB	STRIPE A, L. MIDDLE COWL											
		TYPE1	-	-	1	-	-	-	-	-	-	-	2CH,2TH
	86644-MKF-LE0ZB	*TYPE1*	-	-	-	1	-	-	-	-	-	-	2CH,2TH
	86644-MKF-L60ZA	*TYPE1*	-	-	-	-	1	-	-	-	-	-	2CH,2TH
	86644-MKF-LE0ZA	*TYPE2*	-	-	-	-	-	1	-	-	-	-	2CH,2TH
7	86645-MKF-D40ZB	STRIPE B, R. MIDDLE COWL											
		TYPE1	1	-	1	-	-	-	-	-	-	-	2BR,2CH,2ED,2FO,2GS,2IN,2KO,2RU,2TH,2U
	86645-MKF-D30ZA	*TYPE1*	-	1	-	1	-	-	-	-	-	-	2BR,2CH,2ED,2FO,2GS,2IN,2KO,2RU,2TH,2U
8	86646-MKF-D40ZA	STRIPE B, L. MIDDLE COWL											
		TYPE1	1	-	1	-	-	-	-	-	-	-	2BR,2CH,2ED,2FO,2GS,2IN,2KO,2RU,2TH,2U
	86646-MKF-D30ZA	*TYPE1*	-	1	-	1	-	-	-	-	-	-	2BR,2CH,2ED,2FO,2GS,2IN,2KO,2RU,2TH,2U
9	86651-MKF-D40ZA	STRIPE, R. UNDER COWL											
		TYPE1	1	-	1	-	-	-	-	-	-	-	2BR,2CH,2ED,2FO,2GS,2IN,2KO,2RU,2TH,2U
	86651-MKF-D60ZA	*TYPE1*	-	-	-	-	1	-	-	-	-	-	
	86651-MKF-D70ZA	*TYPE1*	-	-	-	-	-	-	1	-	-	-	
10	86652-MKF-D40ZA	STRIPE A, L. UNDER COWL											
		TYPE1	1	-	1	-	-	-	-	-	-	-	2BR,2CH,2ED,2FO,2GS,2IN,2KO,2RU,2TH,2U
	86652-MKF-D60ZA	*TYPE1*	-	-	-	-	1	-	-	-	-	-	
	86652-MKF-D70ZA	*TYPE1*	-	-	-	-	-	-	1	-	-	-	
11	86653-MKF-D40ZA	STRIPE B, L. UNDER COWL											
		TYPE1	1	-	1	-	-	-	-	-	-	-	2BR,2CH,2ED,2FO,2GS,2IN,2KO,2RU,2TH,2U
	86653-MKF-D60ZA	*TYPE1*	-	-	-	-	1	-	-	-	-	-	
	86653-MKF-D70ZA	*TYPE1*	-	-	-	-	-	-	1	-	-	-	
12	86773-MKF-D40ZB	STRIPE, R. RR. COWL UPPER											
		TYPE1	1	-	1	-	-	-	-	-	-	-	2BR,2CH,2ED,2FO,2GS,2IN,2KO,2RU,2TH,2U
	86773-MKF-D80ZB	*TYPE1*	-	1	-	1	-	-	-	-	-	-	2BR,2CH,2ED,2FO,2GS,2IN,2KO,2RU,2TH,2U
	86773-MKF-D60ZA	*TYPE1*	-	-	-	-	1	-	-	-	-	-	
	86773-MKF-D80ZA	*TYPE2*	-	-	-	-	-	1	-	-	-	-	
	86773-MKF-D70ZA	*TYPE1*	-	-	-	-	-	-	1	-	-	-	
	86773-MKF-D90ZA	*TYPE1*	-	-	-	-	-	-	-	1	-	-	
13	86774-MKF-D40ZB	STRIPE, L. RR. COWL UPPER											
		TYPE1	1	-	1	-	-	-	-	-	-	-	2BR,2CH,2ED,2FO,2GS,2IN,2KO,2RU,2TH,2U
	86774-MKF-D80ZB	*TYPE1*	-	1	-	1	-	-	-	-	-	-	2BR,2CH,2ED,2FO,2GS,2IN,2KO,2RU,2TH,2U
	86774-MKF-D60ZA	*TYPE1*	-	-	-	-	1	-	-	-	-	-	
	86774-MKF-D80ZA	*TYPE2*	-	-	-	-	-	1	-	-	-	-	
	86774-MKF-D70ZA	*TYPE1*	-	-	-	-	-	-	1	-	-	-	
	86774-MKF-D90ZA	*TYPE1*	-	-	-	-	-	-	-	1	-	-	
14	86835-MKF-D60ZA	MARK, HRC (75MM)											
		TYPE1	-	-	-	-	1	1	1	1	-	-	
15	86645-MKF-D60ZA	STRIPE B, R. MIDDLE COWL											
		TYPE1	-	-	-	-	1	-	-	-	-	-	
	86645-MKF-D80ZA	*TYPE1*	-	-	-	-	-	1	-	-	-	-	
	86645-MKF-D70ZA	*TYPE1*	-	-	-	-	-	-	1	-	-	-	
	86645-MKF-D90ZA	*TYPE1*	-	-	-	-	-	-	-	1	-	-	
16	86646-MKF-D60ZA	STRIPE B, L. MIDDLE COWL											
		TYPE1	-	-	-	-	1	-	-	-	-	-	
	86646-MKF-D80ZA	*TYPE1*	-	-	-	-	-	1	-	-	-	-	
	86646-MKF-D70ZA	*TYPE1*	-	-	-	-	-	-	1	-	-	-	
	86646-MKF-D90ZA	*TYPE1*	-	-	-	-	-	-	-	1	-	-	
17	86775-MKF-D60ZA	MARK, HRC (85MM)											
		TYPE1	-	-	-	-	2	-	2	-	-	-	
	86775-MKF-D80ZA	*TYPE1*	-	-	-	-	-	2	-	2	-	-	
18	86831-MKF-D40ZB	STRIPE A, R. RR. SHELTER											
		TYPE1	1	-	1	-	-	-	-	-	-	-	2BR,2CH,2ED,2FO,2GS,2IN,2KO,2RU,2TH,2U
	86831-MKF-D80ZB	*TYPE1*	-	1	-	1	-	-	-	-	-	-	2BR,2CH,2ED,2FO,2GS,2IN,2KO,2RU,2TH,2U
	86831-MKF-D40ZA	*TYPE2*	-	-	-	-	1	-	-	-	-	-	



F-50-1

MARK/STRIPE(2)



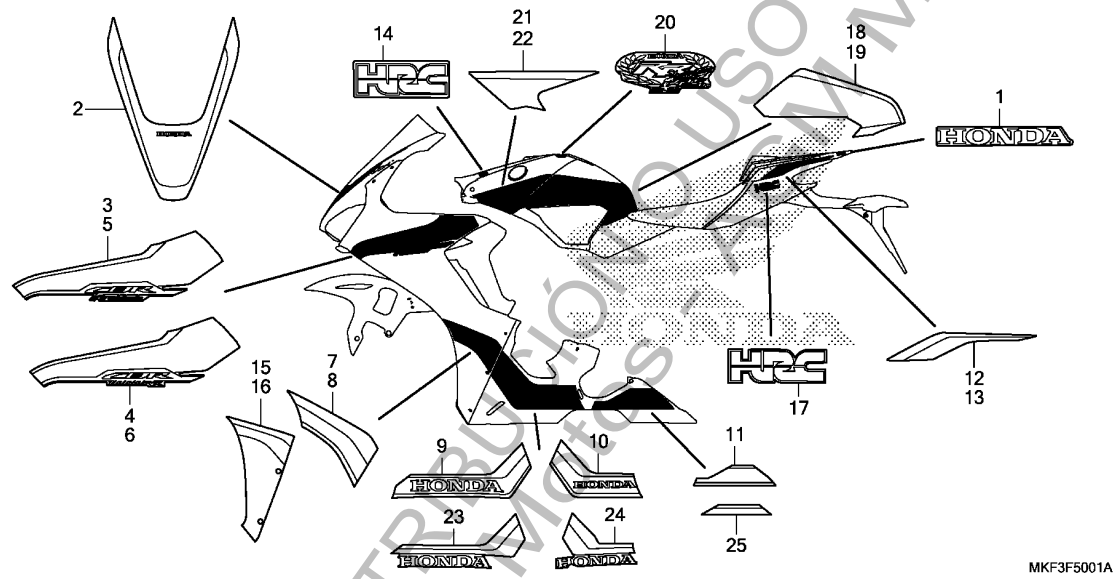
MKF3F5001A

Ref. No.	Part No.	Description	Reqd. QTY								Serial No.	Parts catalogue code
			RR H	RR J	RA H	RA J	S1 H	S1 J	S2 H	S2 J		
18)	86831-MKF-D80ZA	STRIPE A, R. RR. SHELTER	-	-	-	-	-	1	-	-		
		TYPE2	-	-	-	-	-	-	-	-		
	86831-MKF-D70ZA	*TYPE1*	-	-	-	-	-	-	1	-		
	86831-MKF-D90ZA	*TYPE1*	-	-	-	-	-	-	-	1		
19	86832-MKF-D40ZB	STRIPE A, L. RR. SHELTER										
		TYPE1	1	-	1	-	-	-	-	-	-----	2BR,2CH,2ED,2FO,2GS,2IN,2KO,2RU,2TH,2U
	86832-MKF-D80ZB	*TYPE1*	-	1	-	1	-	-	-	-	-----	2BR,2CH,2ED,2FO,2GS,2IN,2KO,2RU,2TH,2U
	86832-MKF-D40ZA	*TYPE2*	-	-	-	-	1	-	-	-		
	86832-MKF-D80ZA	*TYPE2*	-	-	-	-	-	1	-	-		
	86832-MKF-D70ZA	*TYPE1*	-	-	-	-	-	-	1	-		
	86832-MKF-D90ZA	*TYPE1*	-	-	-	-	-	-	-	1		
20	86836-MKF-D40ZB	MARK(25TH ANNIVERSARY)										
		TYPE1	1	-	1	-	1	-	1	-	-----	2BR,2CH,2ED,2FO,2GS,2IN,2KO,2RU,2TH,2U
21	86833-MKF-D40ZB	STRIPE, R. SIDE SHELTER										
		TYPE1	1	-	1	-	-	-	-	-	-----	2BR,2CH,2ED,2FO,2GS,2IN,2KO,2RU,2TH,2U
	86833-MKF-D80ZB	*TYPE1*	-	1	-	1	-	-	-	-	-----	2BR,2CH,2ED,2FO,2GS,2IN,2KO,2RU,2TH,2U
	86833-MKF-D40ZA	*TYPE2*	-	-	-	-	1	-	-	-		
	86833-MKF-D80ZA	*TYPE2*	-	-	-	-	-	1	-	-		
	86833-MKF-D70ZA	*TYPE1*	-	-	-	-	-	-	1	-		
	86833-MKF-D90ZA	*TYPE1*	-	-	-	-	-	-	-	1		
22	86834-MKF-D40ZB	STRIPE, L. SIDE SHELTER										
		TYPE1	1	-	1	-	-	-	-	-	-----	2BR,2CH,2ED,2FO,2GS,2IN,2KO,2RU,2TH,2U
	86834-MKF-D80ZB	*TYPE1*	-	1	-	1	-	-	-	-	-----	2BR,2CH,2ED,2FO,2GS,2IN,2KO,2RU,2TH,2U
	86834-MKF-D40ZA	*TYPE2*	-	-	-	-	1	-	-	-		
	86834-MKF-D80ZA	*TYPE2*	-	-	-	-	-	1	-	-		
	86834-MKF-D70ZA	*TYPE1*	-	-	-	-	-	-	1	-		
	86834-MKF-D90ZA	*TYPE1*	-	-	-	-	-	-	-	1		

3

F-50-1

MARK/STRIPE(2)



MKF3F5001A

Ref. No.	Part No.	Description	Reqd. QTY								Serial No.	Parts catalogue code		
			RR H	RR J	RA H	RA J	S1 H	S1 J	S2 H	S2 J				
23	86651-MKF-D30ZA	STRIPE, R, UNDER COWL	-	1	-	1	-	-	-	-	-	-----	-----	2BR,2CH,2ED,2FO,2GS,2IN,2K0,2RU,2TH,2U
	86651-MKF-D80ZA	*TYPE1*	-	-	-	-	-	1	-	-	-	-	-	
	86651-MKF-D90ZA	*TYPE1*	-	-	-	-	-	-	-	-	1	-	-	
24	86652-MKF-D30ZA	STRIPE A, L, UNDER COWL	-	1	-	1	-	-	-	-	-	-----	-----	2BR,2CH,2ED,2FO,2GS,2IN,2K0,2RU,2TH,2U
	86652-MKF-D80ZA	*TYPE1*	-	-	-	-	-	1	-	-	-	-	-	
	86652-MKF-D90ZA	*TYPE1*	-	-	-	-	-	-	-	-	1	-	-	
25	86653-MKF-D30ZA	STRIPE B, L, UNDER COWL	-	1	-	1	-	-	-	-	-	-----	-----	2BR,2CH,2ED,2FO,2GS,2IN,2K0,2RU,2TH,2U
	86653-MKF-D80ZA	*TYPE1*	-	-	-	-	-	1	-	-	-	-	-	
	86653-MKF-D90ZA	*TYPE1*	-	-	-	-	-	-	-	-	1	-	-	

PROHIBITED
19-07-20

PART NO. INDEX

Part Number	Page	Ref.	Part Number	Page	Ref.	Part Number	Page	Ref.	Part Number	Page	Ref.	Part Number	Page	Ref.	Part Number	Page	Ref.
18422-MFJ-D10	211	14	19509-MKF-D40	239	29	23441-MFL-700	151	6	30000			32100-MKF-D40	232	4	33701-MKF-H11	229	4
18422-MKF-D40	211	15	19511-MFL-000	239	30	23441-MKF-D40	151	6				32100-MKF-D42	232	4	33718-GAS-900	213	9
18423-MFJ-D00	211	16	19511-MKF-D41	239	31	23442-MCJ-000	151	7	30430-MKF-305	174	1	32100-MKF-D60	232	4	33720-MKF-D41	229	5
18601-MCJ-003	127	5	19512-MKF-D41	155	8	23442-MS2-610	151	7	30430-MKF-306	174	1	32100-MKF-D62	232	4	33720-MKF-H11	229	5
18900-MKF-305	213	16	19514-MFJ-D00	155	9	23451-MFL-700	151	8	30430-MKF-316	174	1	32100-MKF-G02	232	4	33741-KAK-971	178	1
18910-MKF-D42	213	6		239	32	23451-MKF-D40	151	8	30430-MKF-325	174	1	32100-MKF-G12	232	4	33741-KSH-901	178	1
18920-MKF-D42	213	7	19514-MKF-D41	155	10	23451-MKF-D70	151	8	30430-MKF-326	174	1	32100-MKF-G62	232	4			
				239	33	23461-MFL-700	151	9	30430-MKF-D41	174	1	32100-MKF-H12	232	4	33741-KTG-U01	178	2
19000			19526-MFL-000	155	11	23461-MKF-D40	151	9	30430-MKF-D42	174	1	32100-MKF-H62	232	4	33741-MS6-921	229	6
			19531-MKF-D40	155	12	23461-MKF-D70	151	9	30430-MKF-D61	174	1	32101-MKF-D40	147	31	33742-KVJ-911	229	6
19010-MKF-D41	238	3	19541-MKF-D40	155	13	23462-MAT-000	151	10	30430-MKF-D62	174	1	32102-MKF-D40	235	2			
19014-KEA-003	238	4	19542-MKF-D40	155	14	23481-MFL-700	152	11	30430-MKF-H11	174	1	32104-MKF-D40	235	3	34000		
19015-MFL-D21	238	5	19639-GBC-000	226	1	23481-MKF-D40	151	11	30430-MKF-H61	174	1	32106-MKF-D60	147	37			
19016-MKF-D41	238	6		229	2	23481-MKF-D70	152	11	30430-MKF-K11	174	1	32109-MKF-D60	223	1	34904-MGZ-D01	227	15
19020-MFA-D01	238	7	19639-GBL-000	229	3	23482-MBL-G00	152	12	30430-MKF-K61	174	1	32118-MKF-D60	219	1	34905-MEJ-671	227	16
19030-MFL-D21	238	8				23482-MR7-000	152	12	30430-MKF-N41	174	1	32119-MKF-D60	223	2			
19035-MFL-003	238	9	22000			23491-MFL-700	152	13	30430-MKF-N61	174	1	32120-MFL-760	135	3	35000		
19037-GEE-710	238	10				23491-MKF-D40	152	13	30430-MKF-N11	174	1	32123-MKF-D40	176	1			
19037-KVB-902	238	10	22100-MFL-880	137	2	23495-MM5-000	152	14	30430-MKF-W61	174	1	32124-MKF-D40	176	2	35010-MKF-D40	174	3
19037-MCA-B31	238	10	22110-MFL-880	137	2	23501-MFL-700	152	15	30432-MBW-E02	174	2	32146-S84-003	233	41			
19037-MCA-G61	238	10	22115-MFL-880	137	2	23501-MKF-D40	152	15	30700-MFL-003	235	1	32157-MFJ-D00	136	7	35010-MKF-D41	174	3
19037-MCJ-K01	238	10	22116-MEL-000	137	3	23511-MFL-700	152	16	30700-MJT-E01	235	1	32401-MKF-A20	231	2			
19046-KVB-902	238	11	22117-MFL-880	137	4	23511-MKF-D40	152	16				32401-MKF-D40	231	2	35100-MKF-D41	175	4
19046-MCA-G61	238	11	22118-MFL-880	137	4	23521-MFL-700	152	17	31000			32401-MKF-D60	231	2	35100-MKF-D42	175	4
19046-PAA-A00	238	11	22119-MFL-880	137	4	23521-MKF-D40	152	17	31110-MKF-D41	141	2	32405-MKF-D40	231	3	35101-MKF-D41	175	5
19051-KA3-830	238	12	22121-MKF-D41	137	5	23801-MEE-D00	152	18	31120-MKF-D41	141	3	32405-MKF-D60	231	3	35105-MFJ-D01	175	6
19052-MAC-680	238	13	22125-HP6-A00	137	6				31200-MKF-003	143	1	32406-MKF-D40	231	4	35113-MJK-N20	175	7
19055-MCA-B31	238	11	22210-MKF-D40	137	7	24000			31201-MEW-921	143	2	32411-MKF-000	231	5	35121-MGP-D63	175	8
19055-MJF-H11	238	11	22325-MJP-G51	137	8				31202-MEW-921	143	3	32606-K44-V01	232	5	35135-MKF-D41	165	2
19060-MFL-000	155	1	22350-MKF-D41	137	9	24211-MFL-000	154	2	31203-MEW-921	143	3	32901-MA1-000	224	2	35160-MGS-D31	232	6
19070-MFL-003	238	14	22361-MJP-G51	137	10	24211-MFL-700	154	2	31204-MEW-921	143	4				35165-MKF-D40	232	7
19080-MKF-D41	238	15	22401-MKF-D41	137	11	24212-MFL-000	154	3	31205-MFJ-D01	143	6	33000			35200-MKF-D41	165	3
19101-MKF-D40	238	16	22425-MKF-D41	137	12	24310-MKF-D40	154	4	31206-MEW-921	143	7				35200-MKF-D42	165	3
19106-MFL-000	238	17	22810-MKF-D40	136	4	24315-MW0-791	154	5	31207-HP5-601	143	8	33100-MKF-D41	160	1	35200-MKF-H12	165	3
19109-KPC-640	239	18	22815-MFL-000	136	5	24321-MFL-000	154	6	31208-MEW-921	143	9	33100-MKF-H11	160	1	35335-MCJ-751	165	4
19113-MFL-000	239	19	22821-MKF-D40	136	6	24430-MFL-000	154	7	31209-MEW-921	143	10	33103-MV9-601	160	2	35340-MGS-D31	167	1
19127-MFL-000	206	14	22847-MGP-D60	137	13	24435-MEL-000	154	8	31210-MEW-921	143	11	33181-MBB-000	200	3			
19127-MGP-A00	206	14	22870-MKF-D40	165	1	24610-MKF-D40	154	9	31420-MKF-D41	213	8	33402-MGS-D31	227	2	35350-MKF-D41	214	5
19128-MKF-D40	239	20	22888-MR7-006	190	1	24612-MAL-600	154	10	31500-KFK-761	231	1	33403-MFL-641	227	3	35357-MBR-000	214	6
19129-MKF-D40	239	21		192	1	24612-MKF-D60	154	24	31500-MEY-D31	231	1	33404-MGS-D32	227	4	35500-MJ4-024	146	10
19200-MFL-305	142	3	22889-MR7-006	190	2	24651-MBB-000	154	11	31500-MFL-B24	231	1	33405-MFL-641	227	5	35600-MKF-D41	147	38
19220-MFL-000	142	4		192	2	24652-035-000	154	12	31500-MKF-D61	231	1	33405-MKA-D81	227	6	35700-MKF-D41	218	1
19226-MFL-000	142	5	22890-MR7-006	190	3	24705-MR7-000	214	1	31500-MKF-H11	231	1	33411-MGZ-J00	227	7	35850-MFT-641	231	6
	159	1		192	3	24710-MFL-D20	214	2	31500-MKF-H61	231	1	33411-MKF-D40	226	3	35856-MKF-D41	231	7
19305-KV3-010	155	2				24711-MKF-D60	214	3	31500-MKF-N41	231	1	33412-MGZ-J00	227	8			
	158	1	23000			24720-MFL-D20	214	4	31500-MKF-T11	231	1	33412-MKF-D40	226	4	36000		
19310-MFL-305	155	3							31515-MKF-D60	224	1	33450-MKF-D41	226	5	36140-MFL-013	127	6
19312-MFG-D00	155	4	23211-MFL-700	150	1	28000			31600-MJJ-D31	232	1	33452-MKF-D40	226	6	36162-KZL-931	210	9
	158	1	23211-MKF-D40	150	1	28100-MKF-D40	139	1	31700-GFZ-J01	232	2	33453-MFL-641	227	9	36172-MCA-A61	209	5
19315-MFL-000	155	5	23211-MKF-D70	150	1	28102-ME9-000	139	2	31730-MAS-601	232	3	33454-MGS-D32	227	10	36390-MKF-D61	214	7
19320-MKF-D41	155	6	23212-MFL-000	150	2	28110-MFL-000	139	3	31911-MKF-D71	128	8	33455-MFL-641	227	11	36450-MCA-A62	209	6
19502-MFL-000	239	22	23220-MFL-000	150	3	28115-MKF-D40	139	4	31912-MFL-003	128	8	33600-MKF-H11	227	12	36450-MGC-H01	209	6
19503-MKF-D40	239	23	23220-MFL-700	150	3	28126-MEL-000	139	5	31922-MEL-003	128	8	33603-053-650	192	4	36531-MKF-D41	211	17
19504-KY1-003	155	7	23220-MKF-D70	150	3	28140-MKF-D40	139	6				33613-MKF-H10	227	13			
	239	24	23421-MFL-000	150	4	28333-300-000	216	1	32000			33650-MKF-D41	226	8			
19504-MKF-D40	239	25	23421-MKF-D40	150	4				32100-MKF-B42	232	4	33650-MKF-H11	227	14	37000		
19505-MKF-D40	239	26	23431-MFL-700	150	5				32100-MKF-B62	232	4	37100-MKF-B41	161	1			
19506-MKF-D40	239	27	23431-MKF-D40	150	5							37100-MKF-B61	161	1			
19508-MKF-D40	239	28	23431-MKF-D70	150	5												



PART NO. INDEX

Part Number	Page	Ref.	Part Number	Page	Ref.	Part Number	Page	Ref.	Part Number	Page	Ref.	Part Number	Page	Ref.
37100-MKF-D41	161	1	38520-MKF-A21	187	4	42755-MKA-D81	187	7	43517-MFL-880	190	15	45111-MEL-013	183	7
37100-MKF-D61	161	1	38520-MKF-D61	187	4		196	15		192	20	45112-MEL-003	183	8
37100-MKF-G01	161	1	38524-MKF-A20	187	5	42758-MKA-D81	187	8	43520-MB2-315	190	16	45112-MGP-D81	185	5
37100-MKF-H11	161	1	38525-MFJ-A50	187	6		196	16		193	21	45113-MGP-D81	185	6
37100-MKF-H61	161	1	38651-MKF-D61	233	16				43523-MFL-006	190	17	45117-MFL-013	183	9
37100-MKF-K11	161	1	38656-MKF-D60	233	17	43000				193	22	45117-MGP-D81	185	7
37100-MKF-K61	161	1	38770-MKF-B41	233	18				43530-MM5-006	190	18	45120-MKF-D41	188	18
37100-MKF-T11	161	1	38770-MKF-D43	233	18	43107-MEL-D21	194	3		193	23	45120-MKF-D61	188	18
37100-MKF-T61	161	1	38770-MKF-D72	233	18	43108-MEL-D21	194	4				45120-MKF-D71	189	19
37110-MKF-B41	161	2	38770-MKF-G01	233	18	43112-MEL-D21	194	5	44000			45124-MKF-D41	169	7
37110-MKF-B61	161	2	38770-MKF-G11	233	18	43131-KW3-006	194	6				45124-MKF-H41	169	7
37110-MKF-D41	161	2	38770-MKF-H11	233	18	43150-MKF-D41	194	7	44301-MCJ-000	187	9	45125-MKF-A21	167	7
37110-MKF-D61	161	2	38770-MKF-K11	233	18	43150-MKF-D61	194	7	44301-MKF-D60	187	9	45125-MKF-D40	173	5
37110-MKF-G01	161	2	38770-MKF-N61	233	18	43190-MKF-D41	194	8	44311-MFL-000	187	10	45126-MKF-D40	173	6
37110-MKF-H11	161	2	38770-MKF-T11	233	18	43215-KZ4-J41	194	9	44312-MFL-000	187	11	45127-MKF-D41	169	8
37110-MKF-H61	161	2	38770-MKF-U11	233	18	43251-MKF-D41	196	17	44515-MKF-D40ZB	187	12	45127-MKF-D61	169	8
37110-MKF-K11	161	2	38770-MKF-U72	233	18	43310-MKF-A21	190	4	44515-MKF-D70	187	13	45127-MKF-H41	169	8
37110-MKF-K61	161	2	38770-MKF-W11	233	18	43310-MKF-D41	192	6	44620-MCJ-000	187	14	45127-MKF-H61	169	8
37110-MKF-T11	161	2	38800-MKF-D41	146	11	43310-MKF-H41	192	6	44650-MKF-D40ZB	187	15	45129-MAE-000	193	24
37110-MKF-T61	161	2				43311-MKF-D40	173	2	44650-MKF-D40ZD	187	15	45132-166-016	194	14
37244-MM4-000	161	3	39000			43312-MKF-D40	173	3	44650-MKF-D70	187	15	45133-MA3-006	194	15
37610-MKF-D41	161	4				43313-MKF-D41	192	7	44711-MGP-D83	188	16	45150-MGP-D81	185	8
37610-MKF-G01	161	4	39900-MKF-D40	233	19	43313-MKF-H41	192	7	44711-MKF-305	188	16	45150-MJM-D31	183	10
37620-MKF-D41	161	5	39963-MKF-D41	233	20	43314-MKF-D40	173	4	44711-MKF-D41	187	16	45158-MFL-D00	167	8
37700-MFL-681	146	12	39965-MKF-A20	200	5	43315-MKF-D40	192	8		188	16	50010-MKF-A20ZA	236	2
37700-MFL-761	146	12	39965-MKF-D40	200	5	43316-MKF-D40	192	9	44711-MKF-D42	188	16	50010-MKF-A20ZB	236	2
37870-KRJ-901	155	15				43317-MKF-D40	192	10	44711-MKF-D61	188	16	50010-MKF-B40ZA	236	2
37880-KWW-C01	206	15	40000						44721-MGC-003	196	18	50010-MKF-B40ZB	236	2
						43318-MKF-D40	190	6		196	18	50010-MKF-D40ZA	236	2
									44721-MGH-H21	188	17	50010-MKF-D40ZB	236	2
38000			40510-MFL-000	219	2				44721-SEA-N02	188	17	50010-MKF-H40ZA	236	2
			40535-MKF-D42	219	4	43319-MKF-D40	194	10		196	18	50010-MKF-H40ZB	236	2
			40540-MKF-D42	219	3	43352-568-003	167	2	44721-MGC-003	196	18	50132-MFJ-J00	236	3
38110-MFL-003	232	8								196	18	50133-MFJ-J00	236	4
38110-MKF-H11	232	8								196	18	50150-MFL-000	218	2
38117-MGZ-J00	200	4	41000							196	18	50193-MKF-D40	236	5
38235-S04-003	245	1				43353-461-771	167	3		196	18	50194-MFL-000	236	6
38252-MFJ-D01	232	9	41201-MFJ-D00	195	4				44722-MGC-003	188	17	50200-MKF-D40ZA	236	7
38301-KTF-671	234	45	41201-MKF-D40	195	4					196	18	50200-MKF-D60ZA	236	7
38301-MKF-D41	233	10	41243-MKF-D70	195	5	43503-MFL-006	190	7	44722-SEA-N02	188	17	50217-MKF-D40	202	2
38301-MKF-N61	233	10								196	18	50221-MKF-D60	236	8
38306-KK4-000	234	46	42000			43504-MB2-006	190	8	44723-MGC-003	188	17	50324-425-010	168	25
38306-MKF-D41	233	11								196	18	50406-MKF-D40	172	1
38310-MKF-D40	233	12	42301-MKF-D40	195	6	43510-MKF-D41	190	9	44723-MGH-H21	188	17	50511-MKF-D41	167	14
38310-MKF-H10	234	47	42305-MKF-D40	219	5					196	18	50517-MKF-D40	218	3
38501-KWN-901	233	13	42306-MKF-D40	219	6	43511-MFL-006	190	10	44723-SEA-N02	188	17	50538-MFL-000	218	4
38501-MCS-G01	234	48	42311-MKF-D40	195	7					196	18	50540-MFL-000	218	5
38501-MEL-003	233	14	42312-MKF-D40	195	8	43512-MFL-006	190	11	44726-SEA-N02	188	17	50600-MGP-D60	216	2
38506-KZZ-900	233	15	42515-MKF-D40	195	9					196	18	50603-033-010	216	3
38506-MBW-G91	234	49	42615-MKF-D40	195	10	43514-KS6-701	167	4	44727-SEA-N02	188	17	50607-MFL-000	216	4
38506-MJM-D10	234	50	42620-MKF-D40	195	11					196	18	50608-MKF-D40	191	23
38510-MKF-A21	195	2	42625-MKF-D40	195	12				44728-SEA-N02	188	17		193	29
38510-MKF-D41	195	2	42650-MKF-D40ZA	195	13	43516-HA2-000	190	13		196	18	45517-MFL-006	170	20
38514-MEJ-J00	187	2	42650-MKF-D40ZC	195	13							45520-300-000	167	18
38514-MKF-D40	192	5	42650-MKF-D70	195	13				45000				170	21
38515-MKF-D60	193	47	42711-MGP-D82	195	14	43516-MCJ-006	167	5					167	19
38516-MGE-003	187	3	42711-MKF-305	196	14				45106-MJM-D31	183	4	45521-MJ6-006	167	19
	195	3	42711-MKF-D41	195	14	43517-KS6-701	167	6	45107-MFL-013	183	5	50617-MCJ-750	216	5
	178	3							45107-MGP-D81	185	4	50618-KE8-000	191	24
38518-MFL-D00	187	4	42711-MKF-D42	195	14				45108-MJM-D31	183	6	50639-MFL-D20	193	30
38520-MFL-D01	187	4	42711-MKF-D61	196	14				45111-MAJ-G41	194	13	50644-MCJ-750	216	7
38520-MGP-D91	187	4												

4

PART NO. INDEX

Part Number	Page Ref.	Part Number	Page Ref.	Part Number	Page Ref.	Part Number	Page Ref.	Part Number	Page Ref.	Part Number	Page Ref.
50660-MEL-000	216 8	52400-MKF-K41	221 1	224 6	64305-MKF-D80ZA	242 3	64543-MKF-D40	243 15	80105-MKF-A20	224 14	
50665-MEL-000	216 9	52400-MKF-T41	221 1	224 7	64305-MKF-D90ZA	242 3	64544-MKF-D40	244 16	80105-MKF-D40	224 14	
50700-MGP-D60	216 10	52430-MKF-D60	223 3		64305-MKF-J20ZA	242 3	64700-MKF-A20	136 8	80105-MKF-D60	224 14	
50707-MFL-000	216 11	52430-MKF-D61	223 3	60000	64305-MKF-J30ZA	242 3	64702-MKF-A20	136 9	80106-MKF-D40	224 15	
50718-MN8-000	216 12	52461-MFL-000	221 2		64305-MKF-J60ZA	242 3	64703-MFL-700	136 10	80107-MKF-D40	229 8	
50720-MKF-D40	216 13		223 4	60107-752-000	226 9	64305-MKF-J80ZA	242 3	64711-MKF-A20	136 11	80107-MKF-H40	229 8
50730-MKF-D40	216 14	52463-MAL-G00	219 14	227 17	64310-MKF-D40	242 4	64713-MFL-700	136 12	80109-MKF-H40	228 23	
50750-MKF-D40ZA	216 15		221 3		64315-MKF-D10ZA	242 5			80115-MKF-D40	229 9	
50760-MKF-D40ZA	216 16		222 17	61000	64320-MKF-D40	242 6	75000		80120-MGP-D01	224 16	
			223 5		64330-MKF-D40	208 3			80120-MKF-D60	224 16	
51000		52463-MJC-A00	222 17	61100-MFL-000ZJ	178 4	64340-MKF-D40	208 4	75581-MGP-D60	202 4	80129-MEG-000	163 8
		52475-MFL-000	221 4	61100-MFL-000ZT	178 4	64341-MKF-D40	208 5				
51400-MKF-305	180 1	52475-MGP-D80	223 6	61100-MKF-D20ZA	178 4	64345-MKF-D40	208 6	77000		83000	
51400-MKF-D11	180 1	52487-KA4-831	221 5	61100-MKF-D60ZA	178 4	64350-MKF-D10ZB	243 7				
51400-MKF-D41	180 1			61100-MKF-D60ZB	178 4	64350-MKF-D40ZA	243 7	77100-MKF-D41	202 5	83119-MG9-000	233 21
51400-MKF-D61	182 1	53000		61101-MFL-690	178 5	64351-MKF-D40	208 7	77103-MEE-000	178 11	83150-MKF-D10ZB	200 8
51400-MKF-D62	182 1			61101-MKF-D60	178 6	64351-MKF-D40	208 7	77205-KM4-000	213 10	83150-MKF-D20ZA	201 20
51401-MKF-D41	180 2	53100-MKF-D40	175 10	61102-MGP-A80	178 7	64352-MKF-D40	208 8	77207-MEL-000	202 6	83150-MKF-D40ZC	200 8
51403-MGP-D01	180 3	53105-KV3-000	175 11	61102-MKF-D60	178 8	64353-MFL-000	163 7	77210-MKF-D40ZA	204 1	83150-MKF-D40ZD	200 8
51404-MGP-D01	180 4	53105-MEE-940	175 12	61103-MFJ-A00	178 9	64355-MKF-D20ZA	243 7	77210-MKF-D40ZB	204 1	83150-MKF-D70ZB	200 8
51410-MGP-D01	180 5	53107-MJO-000	175 13	61107-MCR-D00	144 13	64355-MKF-D30ZA	243 7	77210-MKF-D80ZA	204 1	83150-MKF-D80ZA	200 8
51410-MGP-M31	180 5	53108-MJO-000	175 14	61304-HB3-003	224 8	64355-MKF-D60ZA	243 7	77212-MFJ-D00	204 2	83150-MKF-D80ZB	200 8
51412-MEL-003	180 6	53109-MM5-000	175 15	61313-GJ1-000	199 38	64355-MKF-D70ZA	243 7			83150-MKF-D90ZA	200 8
51414-MFN-D01	180 7	53125-174-670	224 4	61316-KCJ-661	240 1	64355-MKF-D80ZA	243 7	77218-GB2-720	193 31	83153-MKF-D60ZA	200 9
51415-MGP-D01	180 8	53140-MKF-D41	165 5			64355-MKF-D90ZA	243 7	77220-MEE-D01	202 7	83154-MKF-D40	200 10
51425-MGP-D71	180 9	53150-MKF-D40	175 16	64000		64355-MKF-D90ZA	243 7	77220-MKF-D10ZB	204 3	83160-MKF-D10ZB	200 11
51430-MKF-D41	180 10	53166-MY9-890	165 6	64105-MKF-D10ZA	240 2	64355-MKF-J20ZA	243 7	77220-MKF-D20ZA	204 3	83160-MKF-D40ZC	200 11
51437-MGP-D01	180 11	53170-MEL-006	168 26	64105-MKF-D20ZA	240 2	64355-MKF-J30ZA	243 7	77220-MKF-D40ZB	204 3	83160-MKF-D40ZD	200 11
51438-MGP-D01	180 12		170 29	64105-MKF-D40ZC	240 2	64355-MKF-J60ZA	243 7	77220-MKF-D60ZA	204 3	83160-MKF-D70ZA	201 11
51447-KA4-711	180 13	53182-MCJ-750	165 7	64105-MKF-D40ZC	240 2	64355-MKF-J80ZA	243 7	77220-MKF-D70ZA	204 3	83160-MKF-D80ZA	201 11
51450-MGP-D61	180 14	53183-MCJ-750	165 8	64105-MKF-D60ZA	240 2	64360-MKF-D40	243 8	77220-MKF-D80ZA	204 3	83160-MKF-D80ZB	200 11
51451-MGP-D01	180 15	53190-MCJ-751	165 9	64105-MKF-D70ZA	240 2	64364-MCS-G00	240 10	77220-MKF-D80ZB	204 3	83160-MKF-D90ZA	201 11
51455-MW4-003	180 16	53191-MFL-000	175 17	64105-MKF-D80ZA	240 2	64365-MKF-D10ZA	243 9	77220-MKF-D90ZA	204 3	83165-MKF-D40ZA	201 12
		53191-MKF-D60	175 18	64105-MKF-D80ZB	240 2	64370-MKF-D40	243 10	77230-MKF-D60ZA	204 4	83166-MKF-D40ZA	201 13
51486-MEL-000	216 17	53192-MFL-000	175 19	64105-MKF-D90ZA	240 2	64380-MKF-D40	208 9	77230-MKF-D80ZA	204 4	83170-MKF-D10ZB	201 14
51490-MFL-003	180 17	53195-MCJ-751	166 10	64110-MKF-D40	240 3	64380-MKF-D42	208 9	77231-MKF-D20ZA	204 5	83170-MKF-D40ZC	201 14
51497-MEL-000	185 11	53214-MR7-003	177 1	64111-181-000	224 9	64400-MKF-D10ZA	243 11	77231-MKF-D30ZA	204 5	83170-MKF-D40ZD	201 14
51497-MEL-D20	183 12	53219-MKF-D40	177 2	64120-MKF-D40	240 4	64400-MKF-D40ZA	243 11	77231-MKF-D40ZA	204 5	83170-MKF-D70ZA	201 14
51500-MKF-305	180 18	53219-MKF-D60	177 2	64121-MER-000	202 3	64401-MKF-D40	206 17	77231-MKF-D40ZC	204 5	83170-MKF-D80ZA	201 14
51500-MKF-D11	180 18	53220-MFL-000	177 3	64122-MBB-300	199 31	64402-MFL-J40	206 18	77236-MGP-D60	202 8	83170-MKF-D80ZB	201 14
51500-MKF-D41	180 18	53232-MCF-D31	175 20	64122-MFA-D00	178 10	64405-MKF-D20ZA	243 11	77239-MGP-D63	202 9	83170-MKF-D90ZA	201 14
51500-MKF-D61	182 3	53232-MFL-010	175 20	64200-MKF-D40	240 5	64405-MKF-D30ZA	243 11	77239-MGP-D64	202 9	83215-MKF-D40	236 9
51500-MKF-D62	182 3	53300-MGP-D61	175 21	64203-166-610	220 30	64405-MKF-D60ZA	243 11	77240-MKF-D40	224 10	83215-MKF-D60ZA	236 9
51525-MGP-D61	180 19	53300-MKF-D60	175 22	64205-166-610	240 6	64405-MKF-D70ZA	243 11	77251-GR1-000	224 11	83265-MKF-D40	236 10
		53700-MFL-013	176 3	64213-MJN-A01	200 6	64405-MKF-D80ZA	243 11	77300-MKF-D41	202 10	83265-MKF-D60ZA	236 10
52000		53706-MFL-003	176 4	64230-MKF-D40	208 1	64405-MKF-D90ZA	243 11	77302-KW7-900	224 12	83266-MKF-D40	236 11
		53707-MKF-D40	176 5	64231-MKF-N40	240 7	64450-MKF-D10ZA	243 12	77310-MKF-D40	202 11	83432-MJM-D60	244 18
52101-MFL-000	219 7	53708-MFL-010	176 6	64232-MKF-N40	240 8	64450-MKF-D40ZA	243 12	77410-MKF-D60ZB	202 12	83551-300-000	244 19
52102-MKF-D40	219 8	53709-MFL-000	176 7	64233-MKF-N40	240 9	64455-MKF-D20ZA	243 12	77410-MKF-D60ZD	202 12	83605-MCS-G00	204 6
52143-MFL-000	219 9	53711-MFL-000	176 8	64241-MKF-N40	163 1	64455-MKF-D30ZA	243 12	77413-MKF-D60	202 13	83613-MR8-900	244 20
52144-MFL-000	219 10	53741-MFL-000	176 9	64280-MKF-D40	208 2	64455-MKF-D60ZA	243 12			83640-MGE-700	236 12
52170-MFL-010	219 11			64300-MKF-D10ZB	242 3	64455-MKF-D70ZA	243 12	80000		83705-MKF-D40	224 17
52171-MFJ-D00	219 12	57000		64300-MKF-D40ZA	242 3	64455-MKF-D80ZA	243 12				
52200-MKF-D40	219 13			64300-MKF-J10ZA	242 3	64455-MKF-D90ZA	243 12	80100-MKF-A20	229 7	84000	
52200-MKF-D60	219 13	57101-SJA-003	172 2	64300-MKF-J40ZA	242 3	64501-MKF-D40	240 11	80100-MKF-D40	229 7		
52400-MKF-305	221 1		224 5	64305-MKF-D20ZA	242 3	64501-MKF-H40	240 11	80100-MKF-H40	229 7	84703-425-000	193 32
52400-MKF-B41	221 1	57110-MKF-D41	172 3	64305-MKF-D30ZA	242 3	64535-MCJ-000	240 12	80101-165-000	178 12	84706-163-670	179 13
52400-MKF-D41	221 1	57110-MKF-D61	172 3	64305-MKF-D60ZA	242 3	64541-MKF-D40	243 13	80102-MJS-A90	224 13	84706-MKF-D40	211 18
52400-MKF-H41	221 1	57409-MFJ-A50	172 4	64305-MKF-D70ZA	242 3	64542-MKF-D40	243 13				



PART NO. INDEX

Part Number	Page	Ref.	Part Number	Page	Ref.	Part Number	Page	Ref.	Part Number	Page	Ref.	Part Number	Page	Ref.	Part Number	Page	Ref.
86000			86646-MKF-D60ZA	251	16	86833-MKF-D70ZA	252	21	87560-MBR-871	247	10		146	15	90102-MKF-D40	168	29
86101-MKF-D40ZA	248	1	86646-MKF-D70ZA	251	16	86833-MKF-D80ZA	252	21	87560-MGE-680	247	10	90011-MFL-000	144	15		170	32
86101-MKF-D40ZB	250	1	86646-MKF-D80ZA	251	16	86833-MKF-D80ZB	252	21	87560-MKF-D40	247	11	90012-MEL-000	145	27	90103-KCM-620	211	19
86101-MKF-D80ZA	250	1	86646-MKF-D90ZA	251	16	86833-MKF-D90ZA	252	21	87562-MGE-680	247	20	90012-MFL-000	128	9	90103-MKF-D60	193	33
86102-MKF-D10ZA	248	2	86646-MKF-L00ZA	249	10	86834-MKF-D10ZA	249	16	87586-MFL-A20	247	13	90012-MKF-D40	147	40	90105-MFJ-D00	206	20
86102-MKF-D10ZA	248	2	86646-MKF-LA0ZA	249	10	86834-MKF-D40ZA	252	22	87586-MFL-B20	247	13	90013-GHB-610	194	16	90105-MFL-D20	196	19
86102-MKF-D20ZA	248	2	86647-MKF-D10ZA	249	11	86834-MKF-D40ZB	252	22	87586-MFL-D20	247	12	90013-GHB-620	189	22	90105-MKF-D40	216	18
86103-MKF-D10ZA	248	3	86648-MKF-D10ZA	249	12	86834-MKF-D70ZA	252	22	87586-MFL-K20	247	13	90013-GHB-650	166	11	90105-MY9-000	219	16
86103-MKF-D20ZA	248	3	86651-MKF-D30ZA	253	23	86834-MKF-D80ZA	252	22	87586-MGP-D80	247	12		189	22	90106-KCR-000	224	19
86104-MKF-D10ZA	248	4	86651-MKF-D40ZA	251	9	86834-MKF-D80ZB	252	22	87586-MJC-D00	247	12	90013-GHB-660	168	27	90106-MAV-000	216	19
86104-MKF-D20ZA	248	4	86651-MKF-D60ZA	251	9	86834-MKF-D90ZA	252	22	87586-MKB-R00	247	12		170	30	90106-MBL-610	237	15
86150-KPG-901	175	23	86651-MKF-D70ZA	251	9	86835-MKF-D60ZA	251	14	87586-MKF-D40	247	12	90013-MKF-D40	139	7	90106-MCW-D00	244	21
86150-KPG-902	175	23	86651-MKF-D80ZA	253	23	86836-MKF-D40ZA	249	17	87586-MKF-D60	247	12	90014-MFL-000	133	20	90106-MFL-000	202	14
86211-MJK-N20	201	15	86651-MKF-D90ZA	253	23	86836-MKF-D40ZB	252	20	87586-MKF-N40	247	16	90015-MFL-003	146	17	90106-MFL-D20	189	23
86212-MJK-N20	201	16	86652-MKF-D30ZA	253	24				87593-MKA-S80	247	21	90016-KT7-000	128	10	90107-MBG-000	175	24
86642-MKF-D10ZA	248	5	86652-MKF-D40ZA	251	10	87000			87700-KVG-900	247	14		12		90107-MFJ-D00	221	7
86642-MKF-D20ZA	248	5	86652-MKF-D60ZA	251	10				87700-KVG-901	247	14	90016-MFL-003	146	18		223	7
86642-MKF-D40ZB	250	2	86652-MKF-D70ZA	251	10	87121-MEE-000	219	15	87710-MGE-T20ZB	247	17	90017-MEL-000	146	19	90107-MFL-D20	219	17
86642-MKF-D80ZA	250	2	86652-MKF-D80ZA	253	24	87121-MEL-D20	219	15				90017-MFL-000	146	20	90107-MGE-000	175	25
86642-MKF-D70ZA	250	2	86652-MKF-D90ZA	253	24	87125-MKA-D80	246	1	88000			90018-425-000	128	10	90107-MKF-D40	199	32
86642-MKF-D80ZA	250	2	86653-MKF-D30ZA	253	25	87501-MKA-P00	247	15					11		90108-MCA-000	175	24
86642-MKF-D80ZB	250	2	86653-MKF-D40ZA	251	11	87505-MJE-T20	246	2	88100-MKF-D40	163	9	90018-ZE1-000	155	16	90108-MEL-000	134	15
86642-MKF-D90ZA	250	2	86653-MKF-D60ZA	251	11	87505-MKA-DG0	246	3	88105-MKF-D40	163	10	90019-MAT-000	146	21	90108-MKF-D40	237	15
86643-MKF-D10ZA	248	6	86653-MKF-D70ZA	251	11	87505-MKA-HH0	246	2	88110-MKF-H41	164	1	90019-MB0-000	144	16	90109-MFL-000	237	16
86643-MKF-D20ZA	248	6	86653-MKF-D80ZA	253	25	87505-MKA-SJ0	246	2	88111-MKF-D40	163	11	90019-MFA-D00	147	22	90109-MKF-D40	218	6
86643-MKF-D40ZB	250	3	86653-MKF-D90ZA	253	25	87505-MKF-B40	246	2	88113-MFL-003	164	2	90019-MGP-D60	144	17	90109-MR7-000	180	20
86643-MKF-D60ZA	250	3	86773-MKF-D10ZA	249	13	87505-MKF-B60	246	2	88116-MKF-D40	163	12	90021-MGZ-D02	156	10	90110-MFL-000	237	17
86643-MKF-D70ZA	250	3	86773-MKF-D20ZA	249	13	87505-MKF-D60	246	3	88118-MFL-003	164	3	90021-MKF-D40	155	17	90111-KW3-003	136	16
86643-MKF-D80ZA	250	3	86773-MKF-D40ZB	251	12	87505-MKF-H60	246	2	88120-MKF-H41	164	4		144	18		142	12
86643-MKF-D80ZB	250	3	86773-MKF-D60ZA	251	12	87505-MKF-K60	246	2					154	13		202	15
86643-MKF-D90ZA	250	3	86773-MKF-D70ZA	251	12	87505-MKF-N40	246	2	89000			90022-MFA-D00	149	18		225	20
86643-MKF-L20ZB	250	4	86773-MKF-D80ZA	251	12	87505-MKF-N60	246	2				90022-MFJ-D00	134	13		240	13
86643-MKF-L60ZA	250	4	86773-MKF-D80ZB	251	12	87505-MKF-T60	246	2	89101-300-010	245	2	90022-MG8-000	154	14		244	22
86643-MKF-LE0ZA	250	4	86773-MKF-D90ZA	251	12	87508-MJJ-D31	246	4	89102-538-000	245	3	90022-MKF-D40	142	8	90111-MKF-D40	199	33
86643-MKF-LE0ZB	250	4	86774-MKF-D10ZA	249	14	87509-KWJ-A40	247	18	89103-538-000	245	4	90023-MFL-000	128	13	90111-MR5-000	231	8
86644-MKF-D40ZA	250	5	86774-MKF-D20ZA	249	14	87509-MGE-680	247	18	89103-MGP-D00	245	5	90023-MV9-670	141	4	90112-MEL-D20	176	10
86644-MKF-D60ZA	250	5	86774-MKF-D40ZB	251	13	87512-MFL-D20	246	6	89202-KY1-700	245	6	90032-MFL-000	147	23	90112-MKA-D80	229	11
86644-MKF-D70ZA	250	5	86774-MKF-D60ZA	251	13	87512-MZZ-L40	246	6	89218-MAZ-000	245	7	90033-MFL-000	147	24	90113-K40-F00	191	25
86644-MKF-D80ZA	250	5	86774-MKF-D70ZA	251	13	87513-MKF-B40	247	8	89221-429-000	245	8		41			193	33
86644-MKF-D80ZB	250	5	86774-MKF-D80ZA	251	13	87513-MKF-D40	247	7				90034-MKF-D71	147	41		34	
86644-MKF-D90ZA	250	5	86774-MKF-D80ZB	251	13	87513-MKF-H40	247	8	90000			90035-MM5-000	128	14	90113-MCF-000	214	11
86644-MKF-L20ZB	251	6	86774-MKF-D90ZA	251	13	87513-MKF-K40	247	8				90037-422-003	152	19	90113-MGP-D00	208	10
86644-MKF-L60ZA	251	6	86775-MKF-D60ZA	251	17	87513-MKF-N40	247	8	90002-MCZ-000	149	17	90037-RYX-010	153	39	90114-MCF-006	168	30
86644-MKF-LE0ZA	251	6	86775-MKF-D80ZA	251	17	87513-MKF-T40	247	8	90002-MY5-850	127	7	90048-MFL-000	147	25		170	33
86644-MKF-LE0ZB	251	6	86831-MKF-D40ZA	251	18	87516-KFC-900	221	6	90002-ZG3-000	213	11	90050-MKF-D41	137	14	90114-MCJ-000	211	20
86645-MKF-D10ZA	248	7	86831-MKF-D40ZB	251	18	87516-KFJ-750	221	6	90003-HN2-000	142	6	90071-MB0-000	143	12	90114-MJK-N20	225	21
86645-MKF-D20ZA	248	7	86831-MKF-D70ZA	252	18	87516-KZZ-L40	221	6	90004-GHB-600	134	10	90071-MEL-000	128	15		244	23
86645-MKF-D30ZA	251	7	86831-MKF-D80ZA	252	18	87516-MCA-G60	221	6	90004-GHB-650	127	8	90082-HA0-000	134	14	90115-KTB-000	191	26
86645-MKF-D40ZB	251	7	86831-MKF-D80ZB	251	18	87516-MGS-T70	221	6	90004-MM5-000	146	13	90084-MKF-D40	136	14		193	35
86645-MKF-D60ZA	251	15	86831-MKF-D90ZA	252	18	87516-MJF-H10	221	6	90006-GHB-630	145	26	90085-MBW-000	233	22	90115-MFL-D20	179	14
86645-MKF-D70ZA	251	15	86832-MKF-D40ZA	252	19	87541-MFL-000	247	9	90006-GHB-670	135	4	90087-MKF-D40	136	15		201	17
86645-MKF-D80ZA	251	15	86832-MKF-D40ZB	252	19	87541-MFL-630	247	9	90006-GHB-690	142	7	90101-HW4-680	206	19	90115-MKF-D60	214	12
86645-MKF-D90ZA	251	15	86832-MKF-D70ZA	252	19	87541-MFL-750	247	9	90006-GHB-700	147	39	90101-MFL-000	236	13	90116-MCS-G00	239	34
86645-MKF-L00ZA	248	8	86832-MKF-D80ZA	252	19	87541-MGE-680	247	19	90006-MFN-D00	136	13	90101-MFL-641	227	18	90116-MFL-D20	219	18
86645-MKF-LA0ZA	248	8	86832-MKF-D80ZB	252	19	87541-MGE-T20	247	9				90101-MKF-D40	168	28	90116-MKF-D40	205	9
86646-MKF-D10ZA	249	9	86832-MKF-D90ZA	252	19	87541-MGH-R00	247	9	90006-MKF-D40	144	14		170	31		240	14
86646-MKF-D20ZA	249	9	86833-MKF-D10ZA	249	15	87560-KCH-630	247	10	90010-GHB-670	134	11	90102-MFL-000	236	14		244	27
86646-MKF-D30ZA	251	8	86833-MKF-D40ZA	252	21	87560-KVB-900	247	10	90010-MEL-000	146	14	90102-MKA-D80	224	18		196	20
86646-MKF-D40ZA	251	8	86833-MKF-D40ZB	252	21	87560-KVB-930	247	10	90011-MFJ-D00	134	12		229	10		136	17

PART NO. INDEX

Part Number	Page	Ref.	Part Number	Page	Ref.	Part Number	Page	Ref.	Part Number	Page	Ref.	Part Number	Page	Ref.	Part Number	Page	Ref.
90117-MKF-D40	204	7	90232-MFL-000	128	16	90456-MKF-D40	139	11	90677-KAN-961	160	3	91212-422-006	168	37	91549-MW0-790ZA	239	40
	240	15	90234-MFL-000	128	17	90457-MAT-000	149	19		225	24		170	40		244	26
	244	24	90301-473-003	176	13	90458-729-920	153	23		241	18		191	30	91554-SM4-003	233	31
90118-MFL-000	218	7		179	15	90458-MAT-000	149	20	90683-GEE-003	197	34		193	40	91565-SOX-003	233	32
90118-MJK-N20	136	18		225	22	90459-438-000	153	24		223	11	91251-MKF-D41	197	31			
90118-MR1-000	203	16		233	23	90463-MAT-000	153	25	90683-GR1-003	205	8	91252-MCF-003	220	26	92000		
90119-MGH-640	211	21	90301-782-000	179	16	90463-MCJ-000	153	26		208	11	91252-MKF-D41	197	32			
90120-GHB-601	239	35	90301-MCJ-750	166	15	90463-ML7-000	129	20		225	25	91253-MCF-003	220	27	92101-08014-0G	233	33
90120-MEE-000	241	16	90301-MG3-000	168	33		136	25		239	38	91253-MFL-003	189	28	92501-06050-0A	216	21
90120-MGP-D60	212	22		170	36		142	10		241	19	91254-MEJ-013	181	21			
90121-MFL-000	221	8	90301-MG8-000	229	12		147	27		244	25	91258-GF4-003	181	22	93000		
	223	8		233	24		158	1	90683-KJ2-003	239	39	91258-MGP-D01	181	23			
90121-MKF-D40	197	21	90302-MFL-000	177	5		159	1	90690-MCA-003	197	27	91262-KV3-831	220	28	93401-05012-08	173	8
90121-MV9-670	142	9	90303-MFJ-D00	237	21	90464-MAT-000	153	27		28			221	14	93401-05020-00	157	12
90122-MCJ-750	166	12	90304-GE8-003	221	10	90464-MCJ-000	153	28	90690-MEF-800	166	18		223	14	93401-05025-08	213	12
90122-MFL-000	176	11		223	10	90467-MKF-D40	141	6		223	12	91301-MEL-003	129	22	93401-06020-00	210	11
90123-MCJ-751	166	13	90304-KAE-871	197	23	90469-759-000	153	29	90701-HB6-010	149	21		158	1	93401-06025-00	210	12
90123-MJR-670	226	10	90304-MFL-000	175	27	90473-147-000	168	34	90701-MG3-000	129	21	91301-MFL-000	155	19	93500-05016-0G	230	18
90123-MKP-D60	182	4	90304-MM5-000	212	26		170	37	90701-MV9-670	135	5		158	1	93891-04006-07	239	41
90124-MCJ-752	166	14	90305-MKF-D41	197	24	90501-MCJ-000	179	17		136	19	91301-P7A-004	156	11	93892-04008-07	166	19
90124-MKF-D40	172	5	90306-MFL-D00	189	25	90501-MFJ-D00	212	27		147	28		157	10	93892-05010-08	210	13
90125-MKF-D40	193	36	90306-MFL-D31	219	20	90501-MKF-D40	197	25	90841-001-000	237	28	91301-PLC-000	156	12	93892-05012-08	143	15
90127-MFL-000	176	12	90306-MKF-D70	189	25	90502-GG2-000	233	25	90852-446-630	201	19		157	11	93892-05016-07	166	20
90128-MFL-000	191	27	90309-357-000	219	21	90502-KGB-610	201	18		230	17	91302-377-000	149	23	93893-04012-17	168	38
	193	37	90312-MT3-000	229	13	90502-MCF-000	197	26	90852-898-000	208	12		159	1		171	41
	193	37	90315-MFL-003	239	36	90502-MGP-D90	189	26		233	29	91302-MB0-013	142	11		191	31
90130-MCJ-750	219	19	90315-MK3-003	239	37	90502-MKF-D40	212	28		241	20		159	1		193	41
90131-KFK-630	189	24	90371-MFL-000	237	22	90503-MKF-D40	225	23	91000			91303-377-000	136	21	93894-05022-07	160	4
	197	22	90380-MGS-D30	227	19	90504-964-000	241	17					159	1	93901-25420	207	23
90131-MFL-D20	183	13	90401-MEE-000	139	8	90505-MBW-000	214	18				91303-KF0-003	127	10	93903-22420	162	6
	185	12	90401-MFL-000	134	16	90506-MR7-000	177	6	91001-MFL-003	153	34		158	1	93903-254J0	207	24
90132-MEL-000	221	9	90401-MKF-D40	145	29	90508-MGE-D00	166	16	91002-MFL-003	153	35	91303-MJ0-003	136	22	93913-24320	227	20
	223	9	90401-MS2-610	137	16	90511-MCS-G50	229	15	91003-MFL-003	153	36		159	1	93913-24420	226	11
90134-MEL-000	177	4	90402-GB0-900	229	14	90514-K33-D00	229	16	91008-MFJ-D01	154	17	91306-MEL-003	145	28	93913-25380	162	7
90145-MS9-612	168	31	90402-HA5-000	152	20	90522-KF0-000	210	10	91015-MEL-003	149	22		159	1		164	6
	170	34	90402-MFJ-D01	144	20	90525-428-900	203	17	91016-MEL-003	149	22	91307-422-000	147	30			
	191	28		159	1	90543-MV9-670	127	9	91016-MR7-003	177	7		159	1	94000		
	193	38	90403-MFL-000	129	18		158	1	91017-MEL-003	149	22	91307-KF0-003	136	23			
90147-MCE-950	218	8		158	1	90545-300-000	168	35	91026-MEL-003	153	37		159	1	94001-05490-0S	213	13
90152-MFL-000	237	18		141	5		170	38	91051-MKF-D41	197	29	91309-425-003	143	13	94001-06000-0S	176	15
90157-MFL-D20	216	20	90405-MCA-780	129	19		191	29	91052-MCF-003	189	27		159	1	94001-06020-0S	213	14
90161-GHB-600	241	21	90405-MFL-000	139	9		193	39	91053-MCJ-003	220	22	91310-MGE-D01	147	29		214	21
90161-GHB-650	214	13	90407-MFL-000	137	17	90554-MEL-000	153	30	91053-MCJ-751	220	23		159	1	94002-06080-0S	214	22
90163-MFL-D20	237	19	90408-KW1-900	134	17	90557-230-000	214	19	91053-MFR-671	197	30	91320-KE1-000	147	42	94002-08000-0S	166	21
90164-MFL-D20	237	20	90417-360-000	154	15	90572-KV3-300	237	24	91059-KY2-711	175	29	91320-MB0-000	143	14		191	32
90165-MFL-D20	214	14	90435-MEE-000	139	10	90601-KAF-003	214	20	91071-KV3-005	220	24	91351-KZ3-731	221	15		193	42
90165-MKF-D60	214	15	90439-SB2-010	237	23	90603-MN4-000	153	31		221	11	91351-MAC-671	222	16	94021-06070-0S	168	39
90172-MFL-000	212	23	90442-397-000	134	18	90604-MM5-000	153	32		223	13	91352-MKF-D41	197	33		171	42
90191-KT7-750	175	26		158	1	90605-MM5-000	153	33	91071-MCJ-003	220	25	91354-MCT-003	144	21		228	21
90200-HW5-900	212	24	90443-MEL-000	176	14	90650-KV6-003	175	28	91072-KT7-003	221	12		159	1	94050-04000	147	43
90201-415-000	168	32	90443-MJ6-000	147	44		231	9	91074-MBR-722	221	13	91356-425-005	136	24	94050-05070	230	19
	170	35		159	1	90650-KW3-000	166	17	91101-MFL-881	137	18		159	1	94050-06000	191	33
90201-700-000	214	16	90447-KE1-000	147	26	90650-MBY-000	233	26	91101-MJE-D02	139	12	91508-MGP-D00	207	21		193	43
90202-GCC-C50	163	6		159	1		234	42	91102-MFL-881	138	18	91508-MKF-D40	207	22		230	20
	164	5	90451-155-000	154	16	90651-KV6-003	233	27	91103-MFL-881	138	18	91535-TA0-003	182	5	94050-06070	233	34
90202-KV3-000	214	17	90452-MAT-000	152	21	90651-MCF-006	168	36	91106-MCF-003	154	18		223	15	94050-06080	199	34
90203-MF9-710	218	9	90452-MR7-000	153	22		170	39	91203-KA4-771	154	19		233	30	94050-10000	237	26
90208-438-000	212	25	90454-MC7-000	155	18	90652-HC4-003	233	28	91204-KK0-003	136	20	91541-S0A-003	234	43	94050-12000	237	27
90217-HW1-670	199	34		158	1	90661-MCA-003	173	7	91207-MAT-003	153	38		44		94101-05000	230	21
90231-MS2-610	137	15															

4

PART NO. INDEX

Part Number	Page	Ref.	Part Number	Page	Ref.	Part Number	Page	Ref.	Part Number	Page	Ref.	Part Number	Page	Ref.
94101-05800	226	12	96000											
94101-06000	179	18												
94101-06800	163	13	96001-06012-07	168	40									
94101-08000	216	22		171	43									
94102-08000	216	23	96001-06016-00	176	16									
94103-04700	230	22	96001-06018-07	168	41									
94103-04800	226	13		171	44									
	228	22	96001-06025-00	239	47									
94103-05700	162	8	96001-06025-07	193	45									
94103-06700	233	35	96001-06032-07	193	46									
94103-08700	214	23		225	26									
94109-12000	144	22	96001-06035-07	171	45									
	159	1		233	36									
94201-20150	191	34	96211-08000	217	25									
	193	44	96220-40080	154	22									
	217	24	96300-06012-08	203	18									
94301-08140	127	11	96300-06014-00	233	37									
	140	3	96300-06016-00	230	23									
	144	23		239	48									
94301-08200	129	21	96300-06020-08	215	25									
		23	96600-06025-10	141	8									
		24	96600-08020-10	154	23									
94301-10160	129	25												
94303-04065	149	24	98000											
94510-14000	154	20												
94511-15000	215	24	98200-41000	233	38									
94520-45000	220	29	98200-41500	231	11									
94520-63150	139	13	98200-42000	233	39									
			98200-43000	231	12									
95000				233	40									
95002-02080	199	35	99000											
95002-02100	239	42												
95002-41250-08	239	43	99001-08120	245	9									
95002-50000	239	44	99006-12000	245	10									
95005-35050-20	156	13												
95005-35090-20	156	14												
95005-35110-20	156	15												
95005-35130-20	156	16												
95005-35160-20	156	17												
95005-50580-30	239	45												
95005-55570-20	239	46												
95005-75360-20	199	37												
95012-17001	231	10												
95701-06010-00	135	6												
95701-06014-00	154	21												
95701-06016-00	141	7												
	144	24												
95701-06018-00	127	12												
	147	32												
95701-06035-00	155	20												
95701-06045-00	145	25												
95701-08038-00	212	29												
95701-08050-00	147	33												
95701-08055-07	147	34												
95701-08080-00	147	35												
95701-10060-00	147	36												
95801-06028-00	143	16												

PART NAME INDEX

Part name	Page	Ref.	Part name	Page	Ref.	Part name	Page	Ref.
[A]								
ADJUSTER	245	5	BEARING, NEEDLE, 17X24X20	221	12	BOLT, FLANGE, 6X10	212	24
ARM COMP., GEAR CHANGE	214	2	BEARING, NEEDLE, 24X28X10	153	37		241	21
ARM COMP., SECOND	176	4	BEARING, NEEDLE, 30X35X20	139	12	BOLT, FLANGE, 6X105	128	9
ARM, GEAR CHANGE	214	3	BEARING, NEEDLE, 32X42X20	220	23	BOLT, FLANGE, 6X12	168	28
ARM, L. MAIN STEP	216	9	BEARING, NEEDLE, 32X42X37	220	25		170	31
ARM, L. PILLION STEP	216	14	BEARING, RADIAL BALL, 28X62X16	153	34		171	43
ARM, R. MAIN STEP	216	8	BEARING, RADIAL BALL, 6005	189	27		194	16
ARM, R. PILLION STEP	216	13	BEARING, RADIAL BALL, 60/28	197	30		203	18
AXLE, FR. WHEEL	187	9	BEARING, RADIAL BALL, 6905	220	22	BOLT, FLANGE, 6X14	153	39
AXLE, RR. WHEEL	195	6	BEARING, SPECIAL BALL, 6500	154	17		154	21
			BEARING, SPECIAL, 20X47X15.5	153	35		189	22
			BEARING, SPECIAL, 20X52X15	153	36		196	20
			BEARING, SPHERICAL, 10	221	13		233	37
			BELT, SEAT	202	11	BOLT, FLANGE, 6X16	141	7
			BODY SET, FRAME	236	2		144	24
			BODY SET, L. BACK MIRROR	163	10		145	26
			BODY SET, R. BACK MIRROR	163	9		176	16
BADGE, L. PRODUCT	201	16	BOLT-WASHER, 5X12	173	8		230	23
BADGE, R. PRODUCT	201	15	BOLT-WASHER, 5X20	157	12		239	48
BAG, SERVICE BOOK	224	11	BOLT-WASHER, 5X25	213	12	BOLT, FLANGE, 6X18	127	12
BAG, TOOL	245	2	BOLT-WASHER, 6X12	144	18		147	32
BALL, STEEL, #8	217	25		154	13		149	17
BAND F, BATTERY	231	10	BOLT-WASHER, 6X20	239	35		168	41
BAND, FR. NUMBER PLATE	224	9	BOLT-WASHER, 6X25	210	12		171	44
BAND, HARNESS	233	26	BOLT-WASHER, 6X32	172	5		219	16
	234	42	BOLT COMP., FR. FORK	180	14	BOLT, FLANGE, 6X20	127	8
BAND, INSULATOR	128	7	BOLT, 10X28.5	197	21		144	15
BAND, MUFFLER	211	11	BOLT, 8X45	177	4		155	17
BAND, WIRE	166	17	BOLT, ADJUSTING, 20X1.0X49.5	237	18		166	11
BAND, WIRE, 165MM	233	27	BOLT, BRAKE DISK, 6X17	189	23		176	11
BAND, WIRE, 95MM	175	28	BOLT, BRAKE DISK, 8X24	196	19		189	22
	231	9	BOLT, CABLE ADJUSTING	165	8		214	13
BAR, CHANGE	214	14	BOLT, CAP, 6X50	216	21		215	25
		15	BOLT, CHAIN SLIDER	219	19	BOLT, FLANGE, 6X22	168	27
BAR, SIDE STAND	218	3	BOLT, CHANGE PIVOT	214	11		170	30
BASE COMP., CONTACT	175	5	BOLT, CONNECTING ROD	148	7	BOLT, FLANGE, 6X23	155	16
BASE, OIL PAN DRAIN	144	19	BOLT, DRAIN PLUG, 12MM	145	27	BOLT, FLANGE, 6X25	134	11
BATTERY	231	1	BOLT, FLANGE GUIDE, 8X26	212	22		135	4
BEARING A, CONNECTING ROD	148	8	BOLT, FLANGE KNOCK, 7X10.5	134	14		142	8
BEARING A, NEEDLE, 35X41X27.8	137	18	BOLT, FLANGE SOCKET, 6X16	128	15			9
BEARING B, CONNECTING ROD	148	8	BOLT, FLANGE, 10MM	141	4		176	12
BEARING B, CRANKSHAFT	148	10	BOLT, FLANGE, 10X25	139	7		193	45
BEARING B, NEEDLE, 18X27X23.8	149	22	BOLT, FLANGE, 10X29	218	6		239	47
BEARING B, NEEDLE, 35X41X27.8	138	18		237	16	BOLT, FLANGE, 6X28	136	13
BEARING C, CONNECTING ROD	148	8	BOLT, FLANGE, 10X33.5	237	17		140	2
BEARING C, CRANKSHAFT	148	10	BOLT, FLANGE, 10X60	147	36		143	16
BEARING C, NEEDLE, 18X27X23.8	149	22	BOLT, FLANGE, 10X62	183	13		144	14
BEARING C, NEEDLE, 35X41X27.8	138	18		185	12		168	29
BEARING D, CONNECTING ROD	148	8	BOLT, FLANGE, 10X75	221	9		170	32
BEARING D, CRANKSHAFT	148	10		223	8	BOLT, FLANGE, 6X30	142	6
BEARING D, NEEDLE, 18X27X23.8	149	22		223	9	BOLT, FLANGE, 6X32	142	7
BEARING D, NEEDLE, 35X41X27.8	138	18	BOLT, FLANGE, 10X75	221	9		193	46
BEARING E, CONNECTING ROD	148	8		223	9		225	26
BEARING E, CRANKSHAFT	148	10	BOLT, FLANGE, 12X45	237	20		147	39
BEARING F, CRANKSHAFT	149	10	BOLT, FLANGE, 12X50	237	19	BOLT, FLANGE, 6X35	155	20
BEARING, ANGULAR BALL, 31X63X16	197	29	BOLT, FLANGE, 5X8	213	11		171	45
BEARING, HEAD PIPE	177	7	BOLT, FLANGE, 6X10	134	10		233	36
BEARING, NEEDLE	220	24		135	6			
	221	11						
	223	13						
BEARING, NEEDLE, 14X22X16	154	18						



PART NAME INDEX

Part name	Page	Ref.	Part name	Page	Ref.	Part name	Page	Ref.
BOLT, FLANGE, 6X37	128	10	BOLT, SOCKET, 8X43	212	23	CALIPER SUB ASSY., L. FR.....	183	10
		12	BOLT, SPECIAL, 10MM	152	19		185	8
BOLT, FLANGE, 6X45	137	14	BOLT, SPECIAL, 12X261.5	236	13	CALIPER SUB ASSY., RR.....	194	7
	145	25	BOLT, SPECIAL, 12X269.5	236	14	CALIPER SUB ASSY., R. FR.....	183	11
BOLT, FLANGE, 6X48	128	10	BOLT, SPECIAL, 5X13	176	10		185	10
		11	BOLT, SPECIAL, 5X14	136	17	CAMSHAFT COMP., EX.....	130	4
BOLT, FLANGE, 7X30	214	12		204	7	CAMSHAFT COMP., IN.....	130	3
BOLT, FLANGE, 7X40	147	22		240	15	CANISTER COMP.....	210	1
BOLT, FLANGE, 7X50	146	20		244	24	CAP COMP., FUEL FILLER.....	199	28
BOLT, FLANGE, 7X60	146	19	BOLT, SPECIAL, 5X16	205	9	CAP COMP., RADIATOR.....	238	10
BOLT, FLANGE, 8X25	149	18		240	14	CAP & COIL, IGNITION.....	235	1
	216	18		244	27	CAP, 14MM.....	136	14
BOLT, FLANGE, 8X28	241	16	BOLT, SPECIAL, 5X28	226	10	CAP, 30MM.....	136	15
BOLT, FLANGE, 8X35	182	4	BOLT, SPECIAL, 6X14	211	21	CAP, BLEEDER.....	167	3
	211	19	BOLT, SPECIAL, 6X16	218	8		169	3
BOLT, FLANGE, 8X38	212	29	BOLT, SPECIAL, 6X17	202	14		183	8
BOLT, FLANGE, 8X40	175	25	BOLT, SPECIAL, 6X18	146	13		185	5
BOLT, FLANGE, 8X45	180	20	BOLT, SPECIAL, 6X25	191	26		194	12
BOLT, FLANGE, 8X50	147	33		193	35	CAP, CLUTCH OIL CUP.....	190	2
BOLT, FLANGE, 8X55	147	34		233	22		192	2
BOLT, FLANGE, 8X80	147	35	BOLT, STUD, 8X24	128	14	CAP, DUMMY.....	232	5
BOLT, FLANGE, 9X105	146	17	BOLT, STUD, 9X124	147	41	CAP, HUB BOLT.....	195	5
BOLT, FLANGE, 9X126	146	18	BOLT, STUD, 9X134	147	24	CAP, OIL CUP.....	167	16
BOLT, FR. AXLE	189	25		147	41		170	19
BOLT, HANDLE LEVER	168	30	BOLT, STUD, 9X145.5	147	23	CAP, OIL FILLER.....	136	2
	170	33	BOLT, SWINGARM PIVOT	219	7	CAP, RESERVE TANK.....	239	18
BOLT, HEAD COVER	127	7	BOLT, TERMINAL	143	7	CAP, STEERING NUT.....	175	20
BOLT, HEX., 8X14	233	33	BOLT, TORX, 5X10	189	24	CARTRIDGE, OIL FILTER.....	144	10
BOLT, HEX., 8X50	219	17		197	22	CASE ASSY., UNDER.....	161	5
BOLT, KNOCK, 6MM	134	12	BOLT, TORX, 6X32	134	15	CASE ASSY., UPPER.....	161	4
	146	15	BOOT B	194	15	CASE COMP., AIR CLEANER LOWER.....	206	3
	147	40	BOOT COMP.	167	11	CASE COMP., AIR CLEANER UPPER.....	206	6
BOLT, LEVER PIVOT	166	12		169	14	CASE COMP., THERMOSTAT.....	155	3
BOLT, OIL COOLER	144	17	BOOT, PIN BUSH	194	14	CASE, DRIVE CHAIN.....	219	2
BOLT, OIL, 10X22	168	31	BOSS, OIL FILTER	144	16	CENTER COMP., SHIFT DRUM.....	154	5
	170	34	BRACKET COMP., SIDE STAND	218	2	CENTER, CLUTCH.....	137	5
	191	28	BRACKET SET, CLUTCH LEVER	166	10	CHAIN KIT, DRIVE.....	220	31
	193	38	BRACKET SUB ASSY., RR.....	194	8	CHAIN, CAM.....	134	2
BOLT, ONE-WAY, 8MM	175	24	BRACKET, CONNECTOR	135	3	CHAIN, DRIVE.....	219	3
BOLT, ONE-WAY, 8X34	175	24	BRIDGE COMP., FORK TOP	175	21	CHAIN, OIL PUMP.....	144	5
BOLT, PIN	194	6		22	22	CIRCLIP.....	168	36
BOLT, SEALING, 20MM	146	4	BRUSH SET A, CARBON	143	2		170	39
BOLT, SEALING, 22MM	147	25	BRUSH SET B, CARBON	143	3	CIRCLIP, 28MM.....	190	20
BOLT, SEALING, 8MM	146	21	BULB, WINKER	227	16	CIRCLIP, 30MM.....	193	26
BOLT, SETTING	143	6		180	7	CIRCLIP, EXTERNAL, 14MM.....	153	31
BOLT, SHOULDER	156	10	BUSH, GUIDE	180	7	CIRCLIP, EXTERNAL, 15MM.....	153	32
BOLT, SIDE STAND PIVOT	218	7	BUSH, SLIDER	180	8	CIRCLIP, INTERNAL, 14MM.....	154	20
BOLT, SOCKET SPECIAL, 6X7.5 ..	133	20				CIRCLIP, INTERNAL, 15MM.....	215	24
BOLT, SOCKET, 10X70	221	7				CIRCLIP, INTERNAL, 45MM.....	220	29
	223	7				CIRCLIP, INTERNAL, 63MM.....	139	13
BOLT, SOCKET, 4X29	199	33				CIRCLIP, RR. MASTER CYLINDER..	167	6
BOLT, SOCKET, 5X9	231	8					169	6
BOLT, SOCKET, 6X25	141	8					190	14
	199	32					192	19
BOLT, SOCKET, 6X32	191	27					192	8
	193	37					167	8
BOLT, SOCKET, 8X12	146	14					169	9
BOLT, SOCKET, 8X20	154	23					190	5
BOLT, SOCKET, 8X22	216	20					192	10

PART NAME INDEX

Part name	Page	Ref.	Part name	Page	Ref.	Part name	Page	Ref.
CLAMPER B, FR. BRAKE HOSE ----	167	9	COLLAR A, ENGINE HANGER	236	5	COLLAR, STEERING DAMPER	176	7
	169	10	COLLAR B, RR. WHEEL DISTANCE ..	195	12	COLLAR, STEP LOWER	175	9
CLAMPER B, RR. BRAKE HOSE ----	190	6	COLLAR B, SPRING	180	4		216	17
	192	11	COLLAR C, ENGINE HANGER	236	6	COLLAR, TAILLIGHT MOUNTING ----	179	13
CLAMPER B, SENSOR CORD	187	2	COLLAR, 28X13	152	14		213	9
CLAMP, ABS CORD	187	3	COLLAR, 30X11.2	151	7	COLLAR, WINKER	226	3
	195	3	COLLAR, 30X9.5	151	7	CONNECTOR, DIODE	233	41
CLAMP, A.C. GENERATOR CORD ---	141	1	COLLAR, 5MM	229	1	CONNECTOR, MASTER CYLINDER ----	167	10
CLAMP, BRAKE PIPE	173	7	COLLAR, 6MM	134	9		169	13
CLAMP, CABLE	197	34	COLLAR, 6.3X13	168	25		190	7
	223	11		170	28		192	12
CLAMP, HARNESS	166	18	COLLAR, 6.3X14	190	15	CONTROL UNIT, SUSPENSION	233	16
	223	12		192	20	COOLER COMP., OIL	144	12
	233	28	COLLAR, 6.5X11X3	191	24	COTTER, VALVE	131	17
CLAMP, HOSE	155	8		193	30		18	
		10	COLLAR, CAM CHAIN TENSIONER ---	134	16	COUNTERSHAFT COMP.	150	3
		31	COLLAR, CUSHION CONNECTING ROD	219	14	COVER ASSY., CYLINDER HEAD ----	127	1
		33		221	3	COVER ASSY., L. BACK MIRROR ---	163	12
CLAMP, MASTER CYLINDER OIL				222	17	COVER ASSY., R. BACK MIRROR ---	163	11
HOSE	167	4		223	5	COVER B, STEERING DAMPER	176	8
	169	4	COLLAR, EX. PIPE MOUNTING	211	16	COVER COMP., R. CRANKCASE	136	1
	190	12	COLLAR, FAIRING STAY	220	30	COVER COMP., R. RR. UNDER	136	8
	192	17	COLLAR, FR. BRAKE HOSE	193	24	COVER COMP., WATER PUMP	142	4
CLAMP, PIPE	187	1	COLLAR, FR. FENDER	144	13	COVER, A.C. GENERATOR	140	1
CLAMP, TUBE	239	43	COLLAR, FR. POWER UNIT			COVER, BATTERY TERMINAL	231	5
CLAMP, WATER HOSE, 25MM	155	7		172	4	COVER, DUST	167	12
	239	24	MOUNTING	224	6		169	15
CLIP B, TUBE	206	11	COLLAR, FR. REFLECTOR STAY ----	178	9	COVER, FR. LOWER	240	3
	209	1	COLLAR, FR. WHEEL DISTANCE ----	187	14	COVER, FUEL CONNECTOR	199	27
CLIP, BODY COVER	205	8	COLLAR, FUEL TANK SETTING	198	15	COVER, INERTIAL MEASUREMENT		
	208	11	COLLAR, HEADLIGHT	160	2	UNIT	200	5
	225	25	COLLAR, HEAD SIDE COVER	201	18	COVER, LICENSE LIGHT	229	8
	239	38	COLLAR, HORN SETTING	200	4	COVER, L. AIR CLEANER SIDE ----	201	13
	241	19	COLLAR, INERTIAL MEASUREMENT			COVER, L. AIR DUCT	208	2
	244	25	UNIT	224	7	COVER, L. BACK MIRROR	164	3
CLIP, CABLE, 14MM	197	27	COLLAR, LOCK SETTING	233	21	COVER, L. FRAME SIDE	236	10
		28	COLLAR, L. FR. WHEEL SIDE	187	11	COVER, L. RR.	142	1
CLIP, COUPLER	182	5	COLLAR, L. PIVOT DISTANCE	219	9	COVER, MUFFLER	211	9
	223	15	COLLAR, L. RR. AXLE	219	5	COVER, REED VALVE	127	2
	233	30	COLLAR, MUFFLER COVER	211	18	COVER, REGULATOR	224	10
		32	COLLAR, MUFFLER MOUNTING	211	15	COVER, RELAY	233	15
CLIP, HARNESS BAND	234	43	COLLAR, OIL PUMP SPROCKET	137	3	COVER, RR. CUSHION CORD	219	1
		44	COLLAR, RADIATOR MOUNTING	238	13	COVER, R. AIR CLEANER SIDE	201	12
CLIP, INJECTOR	157	1	COLLAR, RR. AXLE DISTANCE	195	11	COVER, R. AIR DUCT	208	1
CLIP, PANEL FIXING	239	40	COLLAR, RR. BRAKE SIDE	195	8	COVER, R. BACK MIRROR	164	2
	244	26	COLLAR, RR. FENDER	233	25	COVER, R. FRAME SIDE	236	9
CLIP, PISTON PIN, 17MM	148	5	COLLAR, RR. SWINGARM DISTANCE -	219	8	COVER, SEAT RAIL	236	8
CLIP, SUB CORD	224	2	COLLAR, RR. WHEEL SIDE	195	7	COVER, SERVO MOTOR	224	15
CLIP, SUB TANK HOSE	209	4	COLLAR, R. FR. WHEEL SIDE	187	10	COVER, STARTER MAGNETIC SWITCH	231	4
CLIP, SWITCH COVER	214	20	COLLAR, R. PIVOT DISTANCE	219	10	COVER, STEERING DAMPER	176	9
CLIP, THROTTLE WIRE	173	1	COLLAR, R. RR. AXLE	219	6	COVER, THERMOSTAT	155	5
CLIP, TUBE	199	35	COLLAR, SEAT SETTING	178	11	COVER, UPPER	232	9
	206	12	COLLAR, SENSOR	189	26	COVER, VALVE GUIDE	213	2
	239	42	COLLAR, SETTING	198	10	COWL ASSY., FR. UPPER	240	2
		44	COLLAR, SIDE COVER SETTING	210	10	COWL ASSY., L. MIDDLE	243	7
CLIP, TWIST	200	6	COLLAR, SPLINE, 28X11.5	152	12	COWL ASSY., L. UNDER	243	12
CLIP, WIRE HARNESS	239	39	COLLAR, SPLINE, 28X13.5	152	12	COWL ASSY., R. MIDDLE	242	3
CLUTCH, ONE WAY	139	5	COLLAR, SPLINE, 30X11	151	10	COWL ASSY., R. UNDER	243	11
COLLAR	192	4	COLLAR, SPRING	180	3	COWL ASSY., SINGLE SEAT	202	12



PART NAME INDEX

Part name	Page	Ref.	Part name	Page	Ref.	Part name	Page	Ref.
COWL SET, L. MIDDLE	243	7	DOWEL PIN, 8X20	129	21	GASKET, ANGLE SENSOR HOLDER...	146	16
COWL SET, L. UNDER	243	12			23	GASKET, CYLINDER.....	159	1
COWL SET, RR. CENTER	204	1			24		135	2
COWL SET, RR. UNDER	204	4	DOWEL PIN, 8X24	129	21		158	1
COWL SET, RR. UPPER	204	3	DOWEL PIN, 8X7	147	42	GASKET, CYLINDER HEAD.....	128	4
COWL SET, R. MIDDLE	242	3	DRIVER, SCREW.....	245	3		158	1
COWL SET, R. UNDER	243	11	DRUM COMP., GEARSHIFT.....	154	4	GASKET, CYLINDER HEAD COVER...	127	4
COWL, FR. LOWER	240	4	DUCT, L. AIR.....	208	9		158	1
COWL, L. INNER MIDDLE	243	8	DUCT, R. AIR.....	208	3	GASKET, EX. PIPE.....	158	1
COWL, RR. UNDER	204	5	DUST SEAL, 16X26X3	222	16		211	3
COWL, R. INNER MIDDLE	242	4	DUST SEAL, 17X24X5	220	28	GASKET, PLUG HOLE.....	128	5
CRANKCASE SET	146	1		221	14		158	1
CRANKSHAFT	148	9	DUST SEAL, 31X47X7	189	28	GASKET, TENSIONER HOLE	134	5
CUP COMP., OIL	167	14	DUST SEAL, 32X42X6	220	27		155	4
	169	17	DUST SEAL, 32X45X5	220	26	GASKET, THERMOSTAT CASE.....	158	1
	190	10	DUST SEAL, 36X52X7	197	32		142	5
	192	15	DUST SEAL, 40X63X7	197	31	GASKET, WATER PUMP COVER.....	159	1
CUSHION ASSY., RR.	221	1	DUST SEAL, RR. CUSHION PIVOT ..	221	15	GAUGE, OIL LEVEL.....	136	3
	223	3	DUST SEAL, STEERING HEAD	177	1	GEAR COMP. A, STARTER		
CUSHION, FUEL TANK	198	21				REDUCTION	139	1
		22	[E]			GEAR COMP. B, STARTER		
CUSHION, WINKER RELAY	233	11	ELEMENT, AIR CLEANER	206	1	REDUCTION	139	6
CUSION, SUSPENSION CONTROL			EMBLEM, KEY	175	7	GEAR COMP., STARTING DRIVEN...	139	3
UNIT	233	17	EMBLEM, PRODUCT	175	23	GEAR, BALANCER.....	149	11
CYLINDER	135	1				GEAR, COUNTERSHAFT FIFTH.....	152	15
CYLINDER SET, MASTER	167	21	[F]			GEAR, COUNTERSHAFT FIRST.....	150	4
	170	24	FAN COMP., COOLING	238	7	GEAR, COUNTERSHAFT FOURTH.....	151	11
CYLINDER SUB ASSY., FR. BRAKE							152	11
MASTER	167	13	FENDER A, RR.	229	7	GEAR, COUNTERSHAFT SECOND.....	151	6
	169	16	FENDER B, RR.	224	14	GEAR, COUNTERSHAFT SIXTH.....	152	17
CYLINDER SUB ASSY., RR. BRAKE			FENDER COMP., FR.	178	4	GEAR, COUNTERSHAFT THIRD.....	151	9
MASTER	190	9	FENDER C, RR.	224	16	GEAR, MAINSHAFT FIFTH.....	152	13
	192	14	FILM, SIDE COVER GUARD	198	13	GEAR, MAINSHAFT SECOND.....	150	5
			FILTER SET, OIL	144	2	GEAR, MAINSHAFT SIXTH.....	152	16
[D]			FLANGE SUB ASSY., RR. DRIVEN ..	195	10	GEAR, MAINSHAFT THIRD & FOURTH	151	8
DAMPER ASSY., STEERING	176	3	FLOAT	190	17	GRIP.....	245	4
DAMPER SET, WHEEL	195	1	FLYWHEEL COMP.	141	2	GRIP ASSY., THROTTLE.....	165	5
DAMPER, CONNECTOR	157	8	FORK ASSY., L. FR.	180	18	GRIP, L. HANDLE.....	165	6
	198	2	FORK ASSY., R. FR.	182	3	GROMMET, AIR CLEANER CASE.....	244	19
DIAPHRAGM	167	18	FORK, CENTER GEARSHIFT	154	3	GROMMET, SEAT SETTING.....	213	10
	170	21	FORK, GEARSHIFT	154	2	GUARD, L. RADIATOR	239	21
	190	1	FUNNEL, L. AIR	206	4	GUARD, L. STEP.....	216	11
	192	1	FUNNEL, R. AIR	206	2	GUARD, MUFFLER.....	211	6
DIODE ASSY., THREE WAY	232	3	FUSE, MINI	231	11	GUARD, NUMBER PLATE.....	240	1
DISK COMP., L. FR. BRAKE	189	20				GUARD, PROTECTOR.....	211	7
		21	GASKET KIT A	158	1	GUARD, R. RADIATOR	239	20
DISK COMP., R. FR. BRAKE	188	18	GASKET KIT B	159	1	GUARD, R. STEP.....	216	4
	189	19				GUIDE A, CAM CHAIN.....	134	8
DISK SET, CLUTCH	137	7	[G]			GUIDE A, CLUTCH OUTER.....	137	4
DISK, RR. BRAKE	196	17				GUIDE B, CAM CHAIN.....	134	7
DOWEL PIN, 10X16	129	25				GUIDE B, CLUTCH OUTER.....	137	4
	135	5				GUIDE COMP., OIL PUMP CHAIN...	144	6
	136	19				GUIDE COMP., RR. BRAKE HOSE...	194	10
	147	28				GUIDE COMP., VALVE CABLE.....	213	15
DOWEL PIN, 8X14	127	11				GUIDE C, CLUTCH OUTER.....	137	4
	140	3				GUIDE, BANK ANGLE SENSOR.....	232	7
	144	23				GUIDE, CORD.....	175	6
						GUIDE, FR. SENSOR CORD.....	187	6

PART NAME INDEX

Part name	Page	Ref.	Part name	Page	Ref.	Part name	Page	Ref.
GUIDE, IN. VALVE	128	2	JOINT, BRAKE ROD	190	22	LIFTER, VALVE	130	8
GUIDE, SPRING	168	24		193	28	LIGHT ASSY., LICENSE	229	5
	170	27	JOINT, BREATHER TUBE	198	4	LIGHT ASSY., L. RR. WINKER	227	14
GUIDE, VALVE	128	3		239	23	LIGHT ASSY., R. RR. WINKER	227	12
[H]			JOINT, DRIVE CHAIN	219	4	[M]		
HANDLE, EYE WRENCH, 12MM	245	10	JOINT, FIVE WAY	156	9	MAINSHAFT	150	1
HARNESS, WIRE	232	4	JOINT, FUEL	156	8	MARK	219	15
HEADLIGHT ASSY.	160	1	JOINT, FUEL TUBE	198	3		249	17
HEAD ASSY., CYLINDER	128	1	JOINT, HOSE THREE-WAY	155	9		252	20
HOLDER, ANGLE SENSOR	146	9	JOINT, L. RAM DUCT	206	10	MARK, HONDA	248	1
HOLDER, BALANCER SHAFT	149	14	JOINT, R. RAM DUCT	206	9			2
HOLDER, BRACKET	233	31	JOINT, WATER	155	1			3
HOLDER, BRUSH	143	4	[K]					4
HOLDER, L. MAIN STEP	216	10	KEY SET	174	3	MARK, HRC	250	1
HOLDER, L. PILLION STEP	216	16		175	3		251	14
HOLDER, MASTER CYLINDER	167	17	KEY, BLANK	175	8			17
	170	20	KEY, SEAT LOCK	202	9	MARK, RECEIVER	174	2
HOLDER, RELAY	234	49	KEY, WOODRUFF, 25X14X4	149	21	MAT A, DUCT	163	7
HOLDER, R. MAIN STEP	216	2	[L]			MAT A, PIVOT BRACKET	236	3
HOLDER, R. PILLION STEP	216	15	LABEL, FUEL RECOMMENDED	247	16	MAT B, HEAT GUARD	240	10
HOOK, SEAT CATCH	202	7	LABEL, ACCESSORIES & LOADING ..	246	6	MAT B, PIVOT BRACKET	236	4
HOOK, SIDE STAND SPRING	218	4	LABEL, AIR CLEANER ELEMENT			MAT, AIR CLEANER	206	17
HORN COMP.	232	8		247	18	MAT, CARBURETOR COVER	242	1
HOSE A, CYLINDER	155	13	LABEL, BRAKE FLUID	247	21	MAT, COWL, 65X50X10	244	18
HOSE A, RADIATOR	239	23	LABEL, CHAIN ADJUSTER	246	4	MAT, RR. FENDER	224	17
HOSE A, WATER	239	26	LABEL, DRIVE	247	10	MAT, R. RR. UNDER COVER	136	9
HOSE B, CYLINDER	155	14	LABEL, DRIVE CAUTION	247	10	MAT, SIDE COVER	244	20
HOSE B, L. RADIATOR	239	28	LABEL, FRENCH TRANSLATION	247	11	METER ASSY., COMBINATION	161	1
HOSE COMP. A, FR. BRAKE	169	7	LABEL, FUEL & DRIVE	247	12	METER COMP., LCD	161	2
HOSE COMP. A, FUEL FEED	157	5	LABEL, GASOHOL	247	17	MIRROR ASSY., L. BACK	164	4
HOSE COMP. A, RR. BRAKE	192	6	LABEL, HELMET INFORMATION	247	14	MIRROR ASSY., R. BACK	164	1
HOSE COMP. B, FUEL FEED	198	8	LABEL, INERTIAL MEASUREMENT			MODULATOR ASSY.	172	3
HOSE COMP. D, FR. BRAKE	169	8		247	7	MOTOR ASSY., FAN	238	8
HOSE COMP. D, RR. BRAKE	192	7	UNIT	247	8			15
HOSE COMP., FR. BRAKE	167	7	LABEL, MANUFACTURER	246	1	MOTOR ASSY., SERVO	213	8
HOSE COMP., RR. BRAKE	190	4	LABEL, OIL CAPACITY	247	9	MOTOR ASSY., STARTER	143	1
HOSE, BYPASS	155	12		247	19	MUFFLER COMP., EX.	211	5
HOSE, FILLER NECK	239	25	LABEL, PREMIUM FUEL			[N]		
HOSE, MASTER CYLINDER OIL	167	15		247	13	NECK, FILLER	238	9
	170	18	LABEL, RADIATOR CAP	238	11	NUT-WASHER, 6MM	143	12
HOSE, OIL COOLER	155	11	LABEL, REFUEL CAUTION	247	20	NUT, CAP, 6MM	163	6
	239	22	LABEL, RR. DAMPER	221	6		164	5
HOSE, RR. MASTER CYLINDER	190	11	LABEL, RR. DAMPER CAUTION	221	6		168	32
	192	16	LABEL, TIRE & DRIVE CHAIN	246	2			39
HOSE, THERMOSTAT COVER	239	27			3			170
[I]			LENS COMP., L.	227	9			171
INJECTOR ASSY., FUEL	156	6	LENS COMP., L. WINKER	227	10	NUT, CAP, 8MM	212	25
	157	2	LENS COMP., R.	227	3	NUT, CLIP, 5MM	160	3
INSULATOR	143	9	LENS COMP., R. WINKER	227	4		225	24
INSULATOR COMP., THROTTLE BODY	128	6	LEVER ASSY., R. HANDLE	168	26		229	13
[J]				170	29		241	18
JOINT A, BREATHER	238	1	LEVER COMP., CLUTCH	136	4	NUT, COWL SETTING, 5MM	136	16
			LEVER COMP., L. HANDLE	165	7		142	12
			LIFTER ASSY., TENSIONER	134	4		202	15

PART NAME INDEX

Part name	Page	Ref.	Part name	Page	Ref.	Part name	Page	Ref.
NUT, COWL SETTING, 5MM	225	20	ORIFICE, 1MM	146	8	PAN COMP., OIL	144	1
	240	13	ORIFICE, 1.1MM	146	3	PEDAL COMP., GEAR CHANGE	214	4
	244	22	0-RING	187	8	PEDAL COMP., RR. BRAKE	214	9
NUT, FLANGE, 10MM	237	26		196	16	PGM-FI UNIT	233	18
NUT, FLANGE, 12MM	237	22	0-RING, 13.8X2.5	136	21	PIN COMP., BRAKE ROD	190	21
		27		159	1		193	27
NUT, FLANGE, 3MM	239	36	0-RING, 14.8X2.4	127	10	PIN C, DOWEL, 4X6.5	149	24
NUT, FLANGE, 4MM	147	43		158	1	PIN, 10X44	139	2
NUT, FLANGE, 5MM	229	12		168	37	PIN, CLUTCH LIFTER	137	13
	230	19		170	40	PIN, HANGER	194	9
	233	24		191	30	PIN, PISTON	148	4
NUT, FLANGE, 6MM	191	33		193	40	PIN, SHIFT RETURN SPRING	154	12
	193	43	0-RING, 15X2.5	149	23	PIN, SPLIT, 2.0X15	191	34
	199	34		159	1		193	44
	230	20	0-RING, 16.5X2.5	147	29		217	24
	233	34		159	1	PIN, STEP BAR	216	6
NUT, FLANGE, 7MM	212	26	0-RING, 18X3	136	23	PIN, STEP BAR JOINT	216	3
	214	17		159	1	PIPE COMP. A, FUEL	156	18
NUT, GOVERNOR ARM FIXING	214	16	0-RING, 21.9X1.8	145	28	PIPE COMP. B, FR. BRAKE	173	5
NUT, HEX.	180	15		159	1	PIPE COMP. B, FUEL	156	19
NUT, HEX., 5MM	213	13	0-RING, 24.4X3.1	143	13	PIPE COMP. B, RR. BRAKE	173	2
NUT, HEX., 6MM	176	15		159	1	PIPE COMP. C, FR. BRAKE	173	6
	213	14	0-RING, 29.7X2.4	136	24	PIPE COMP. C, RR. BRAKE	173	3
	214	8		159	1	PIPE COMP., BREATHER	198	9
	21	21	0-RING, 32.95X2.62	142	11	PIPE COMP., EX.	211	1
	22	22		159	1	PIPE COMP., FUEL	157	7
NUT, HEX., 8MM	166	21	0-RING, 34X2	155	19	PIPE COMP., L. OIL JET	146	6
	191	32		158	1	PIPE COMP., L. SLIDE	180	19
	193	42	0-RING, 39.5X1.8	181	23	PIPE COMP., L. STEERING HANDLE	175	16
	219	21	0-RING, 42.2X2.4	181	22	PIPE COMP., OIL	144	9
NUT, LOCK, 20MM	237	21	0-RING, 43.7X2.5	129	22	PIPE COMP., R. OIL JET	146	5
NUT, LOCK, 25MM	137	15		158	1	PIPE COMP., R. SLIDE	180	9
NUT, SERRATE, 5MM	239	37	0-RING, 4X2	143	14	PIPE COMP., R. STEERING HANDLE	175	10
NUT, SETTING	238	4	0-RING, 4.8X1.9	147	30	PIPE COMP., TRANSMISSION OIL		
NUT, SIDE STAND	218	9		159	1		146	7
NUT, SPECIAL CAP, 9MM	128	17	0-RING, 57X2	197	33	PIPE, WATER	239	29
NUT, SPECIAL, 6MM	224	8	0-RING, 6.3X2.3	136	22	PISTON	148	3
NUT, SPECIAL, 9MM	128	16		159	1		183	5
NUT, STEERING STEM	175	27	0-RING, 7.47X3.6	156	12			9
NUT, U, 10MM	197	23		157	11		185	4
	221	10	0-RING, 7.8X1.9	156	11			7
	223	10		157	10		194	3
NUT, U, 22MM	219	20	0-RING, OIL COOLER	144	21	PISTON SET, MASTER CYLINDER...	190	16
NUT, U, 6MM	166	15		159	1		193	21
	168	33	OUTER COMP. A, CLUTCH	137	2	PIVOT, CAM CHAIN TENSIONER	134	13
	170	36	OUTER COMP. B, CLUTCH	137	2	PIVOT, SHIFT DRUM STOPPER ARM ..	154	14
	176	13	OUTER COMP. C, CLUTCH	137	2	PLATE COMP., CLUTCH PRESSURE...	137	9
	179	15	OUTER, STARTING CLUTCH	139	4	PLATE COMP., DRIVE CHAIN GUIDE	142	2
	16					PLATE, BEARING SETTING	150	2
	225	22	[P]			PLATE, CROSS UPPER	202	2
	233	23	PACKING, FUEL PUMP	198	24	PLATE, CUSHION ARM	221	2
NUT, U, FLANGE, 24MM	197	24	PACKING, MUFFLER	211	12		223	4
			PACKING, OIL STRAINER	144	8	PLATE, DIAPHRAGM	167	19
[O]				159	1		170	22
OIL SEAL, 12X18X5	136	20	PAD SET, FR.	183	3		190	3
OIL SEAL, 14X22X5	154	19		185	3	PLATE, FUEL PUMP SETTING	199	25
OIL SEAL, 45X72X8	153	38	PAD SET, RR.	194	1	PLATE, INJECTOR	157	4
ORIFICE	146	2	PAD, SINGLE SEAT	202	13	PLATE, LOCK KEY SETTING	202	4

PART NAME INDEX

Part name	Page	Ref.	Part name	Page	Ref.	Part name	Page	Ref.
PLATE, PGM-FI UNIT SETTING ...	206	8	RING, HANDLE WEIGHT SNAP	175	14	RUBBER, OIL CUP MOUNTING.....	190	13
PLATE, PILLION STEP CLICK	216	12	RING, OIL SEAL STOPPER	180	13		192	18
PLATE, PORT	127	3	RING, PISTON	180	11	RUBBER, POSITION LIGHT	200	3
PLATE, REGISTERED NUMBER	247	15	RING, RR. PULSER	195	9	RUBBER, PROTECTOR	178	10
PLATE, SETTING	137	10	RING, SEAL	144	11		199	31
PLATE, SPINDLE	154	10		159	1		202	3
			RING, SNAP, 72MM	153	33		211	4
PLATE, STOP	167	22	RING, STOPPER	180	16	RUBBER, PROTECTOR MOUNTING....	236	11
	170	25		182	2		211	8
	190	19		194	13			10
	193	25		221	5	RUBBER, PROTECTOR PACKING.....	227	1
PLATE, TENSIONER SETTING	154	1	RIVET, PUSH	239	34	RUBBER, RADIATOR MOUNTING.....	238	12
PLATE, WINKER	227	7	ROD ASSY., CONNECTING	148	6	RUBBER, RR. FENDER	200	7
PLUG, HANDLE UNDER COVER	224	4	ROD COMP., PISTON	180	10		224	13
PLUG, HOLE	201	19	ROD COMP., PUSH	190	18	RUBBER, RR. FENDER CUSHION....	178	12
	230	17		193	23	RUBBER, RR. FRAME	163	8
PLUG, SPARK	128	8	ROD SET, CONNECTING	148	1	RUBBER, RR. TANK MOUNTING....	198	12
PROTECTOR, RUBBER	204	2	ROD SUB ASSY., CUSHION			RUBBER, R. FR. TANK MOUNTING..	198	16
	244	17	CONNECTING	221	4	RUBBER, R. WINKER MOUNTING....	226	4
PULLER, MINI FUSE	245	1		223	6	RUBBER, SEAT CUSHION	202	6
PULSER ASSY., CAM	127	6	ROD, PUSH	167	20	RUBBER, SEAT HINGE	193	31
PUMP ASSY., OIL	144	3		170	23	RUBBER, SENSOR MOUNTING.....	233	20
PUMP ASSY., WATER	142	3	ROLLER, 4X8	154	22	RUBBER, SEPARATOR MOUNTING....	237	24
PUMP UNIT, FUEL	198	1	ROTOR, CAM PULSE	130	5	RUBBER, SHOCK	231	7
			RUBBER	199	38	RUBBER, SPEEDOMETER MOUNTING..	161	3
[R]			RUBBER A, PROTECTOR	210	8	RUBBER, TAILLIGHT MOUNTING....	193	32
RADIATOR COMP.	238	3	RUBBER A, R. RR. UNDER COVER ..	136	10	RUBBER, THERMOSTAT	155	2
RAIL ASSY., SEAT	236	7	RUBBER B, HANDLE WEIGHT	175	13		158	1
RECEIVER UNIT	174	1			15	RUBBER, WASHER	179	17
RECEIVER UNIT SET	174	1	RUBBER COMP., RR. AIR CLEANER ..	206	18	RUBBER, WINKER MOUNTING.....	227	13
RECEIVER, CLUTCH CABLE	136	6	RUBBER, AIR CLEANER MOUNTING..	200	1			
RECTIFIER ASSY., REGULATOR ...	232	1	RUBBER, CANISTER BRACKET	202	1	[S]		
REFLECTOR, FR. REFLEX	178	1	RUBBER, CANISTER MOUNT	210	2	SCREW-WASHER, 4X12	168	38
		2	RUBBER, CONTROL BOX	208	12		171	41
REFLECTOR, REFLEX	229	6		233	29		191	31
REFLECTOR, RR. REFLEX	229	6	RUBBER, COUPLER	223	2		193	41
RELAY ASSY., POWER	233	14	RUBBER, CUSHION	242	2	SCREW-WASHER, 4X6	239	41
RELAY COMP., POWER	233	13	RUBBER, DAMPER	149	13	SCREW-WASHER, 4X8	166	19
	234	48	RUBBER, EX. PIPE MOUNTING	211	14	SCREW-WASHER, 5X10	210	13
RELAY COMP., WINKER	233	10	RUBBER, FUEL LID STOPPER	226	9	SCREW-WASHER, 5X12	143	15
	234	45		227	17	SCREW-WASHER, 5X16	166	20
RESISTOR COMP.	232	2	RUBBER, FUEL TANK	238	2	SCREW-WASHER, 5X22	160	4
RESONATOR A, AIR DUCT	208	5	RUBBER, GEAR CHANGE PEDAL	214	1	SCREW-WASHER, 5X25	166	16
RESONATOR, L. AIR DUCT	208	6	RUBBER, HEAT GUARD	206	14		175	19
RESONATOR, R. AIR DUCT	208	4	RUBBER, LOWER COWL	240	12	SCREW, BLEEDER	167	2
RETAINER	157	9	RUBBER, L. FR. TANK MOUNTING ..	198	11		169	2
	194	5	RUBBER, L. WINKER MOUNTING	226	6		183	7
	199	30	RUBBER, MOUNT	172	2		185	9
RETAINER, AIR CLEANER ELEMENT	206	5		224	5		194	11
RETAINER, PAD	183	6	RUBBER, MOUNTING	127	9	SCREW, FLAT, 3X16	166	14
RETAINER, VALVE SPRING	130	13		158	1	SCREW, OVAL, 6X60	175	26
		14		226	1	SCREW, PAN, 4X10	166	13
RING	143	8		229	2	SCREW, PAN, 5MM	207	21
RING B, PISTON	180	12			3		22	
RING SET, PISTON	148	2	RUBBER, MUFFLER MOUNTING	211	13	SCREW, PAN, 5X15	191	25
RING, BACK UP	180	6	RUBBER, OIL CUP	167	5		193	33
RING, FR. PULSER	187	12		169	5		34	
		13				SCREW, PAN, 5X16	230	18

PART NAME INDEX

Part name	Page	Ref.	Part name	Page	Ref.	Part name	Page	Ref.
SCREW, PAN, 5X19	224	19	SENSOR ASSY., WATER			SPRING, SHIFT RETURN	154	11
SCREW, PAN, 5X20	193	33	TEMPERATURE	155	15	SPRING, SIDE STAND	218	5
SCREW, PAN, 6X12	216	19	SENSOR A, MASTER POWER			SPRING, STOP SWITCH	214	6
SCREW, PAN, 6X14	203	16	PRESSURE	206	16	SPROCKET COMP., DRIVE	152	18
	244	21	SENSOR SET	233	19	SPROCKET, CAM	134	1
SCREW, PAN, 6X20	179	14	SENSOR, FR. WHEEL SPEED	187	4	SPROCKET, FINAL DRIVEN	195	4
	201	17	SENSOR, OXYGEN	211	17	SPROCKET, OIL PUMP DRIVE	137	1
SCREW, RIVET, 1.8X5	237	28	SENSOR, RR. WHEEL SPEED	195	2	SPROCKET, OIL PUMP DRIVEN	144	4
SCREW, SPECIAL, 4X10	227	2	SHAFT B, CAM CHAIN TENSIONER ..	128	13	SPROCKET, TIMING	149	16
SCREW, SPECIAL, 5X14	208	10	SHAFT COMP., BALANCER	149	15	STATOR COMP.	141	3
	224	18	SHAFT, GEARSHIFT FORK	154	6	STAY A, RR. BRAKE PIPE	173	4
	229	10	SHELTER SET, FR.	200	9	STAY B, FR. BRAKE HOSE	169	12
SCREW, SPECIAL, 6MM	237	15	SHELTER SET, L. SIDE	201	14	STAY B, RR. BRAKE HOSE	192	8
SCREW, SPECIAL, 6X14	136	18	SHELTER SET, RR.	200	8	STAY COMP. A, FR. BRAKE HOSE ..	169	11
	211	20	SHELTER SET, R. SIDE	200	11	STAY COMP., L. STEERING DAMPER	176	6
	219	18		201	11	STAY COMP., R. STEERING DAMPER	176	5
SCREW, SPECIAL, 6X16	227	19	SHELTER, FR.	200	10	STAY C, RR. BRAKE HOSE	192	9
SCREW, SPECIAL, 6X8	227	19	SHELTER, RR.	201	20	STAY C, R. RR. UNDER COVER	136	12
SCREW, TAPPING, 3X12	227	18	SHIM J, FINAL REDUCTION THIRD			STAY, CANISTER	210	5
SCREW, TAPPING, 3X16	162	6	GEAR	153	29	STAY, CLUTCH CABLE	175	17
	175	29	SHIM, TAPPET	131	19	STAY, CLUTCH & HARNESS	175	18
SCREW, TAPPING, 4X10	225	21		132	19	STAY, CORD CLAMPER	178	3
	244	23		133	19	STAY, EX. PIPE	211	2
SCREW, TAPPING, 4X14	227	20	SHROUD COMP., L.	238	6	STAY, FR. BRAKE MASTER		
SCREW, TAPPING, 4X16	226	11	SHROUD COMP., R.	238	5	CYLINDER	168	23
	229	11	SHROUD SET, L.	243	9		170	26
SCREW, TAPPING, 4X18	206	20	SHROUD SET, R.	242	5	STAY, FR. NUMBER	240	7
SCREW, TAPPING, 5X12	206	19	SHROUD, L.	243	10	STAY, FR. SENSOR CORD	187	5
SCREW, TAPPING, 5X14	162	7	SHROUD, R.	242	6	STAY, HARNESS CLIP	136	7
	164	6	SLIDER, CHAIN	219	11		192	5
SCREW, TAPPING, 5X20	207	23	SOCKET COMP., L.	227	11	STAY, INERTIAL MEASUREMENT		
	24	24	SOCKET COMP., R.	227	5	UNIT	172	1
SEAL RING, INJECTOR	156	7	SPACER, BACK MIRROR	163	1		224	3
	157	3	SPACER, BATTERY	224	1	STAY, L. FR. NUMBER	240	9
SEAL SET, FR. FORK	180	17	SPACER, FR. FORK	183	12	STAY, L. FR. REFLECTOR	178	7
SEAL SET, PISTON	183	1		185	11			8
	185	2	SPANNER, 8X12	245	9	STAY, L. HARNESS	176	2
		1	SPANNER, PIN	245	6	STAY, L. MIDDLE COWL	244	16
	194	2	SPINDLE COMP., GEARSHIFT	154	9	STAY, L. UNDER COWL	243	14
SEAL, AIR CLEANER	206	7	SPRING ASSY., BRAKE PEDAL	214	10	STAY, PURGE CONTROL VALVE	210	7
SEAL, BREATHER	199	29	SPRING SET, CLUTCH LEVER	165	9	STAY, RADIATOR LOWER	239	19
SEAL, DUST	181	21	SPRING, CARBON BRUSH	143	5	STAY, RR. CUSHION CORD COUPLER	193	47
SEAL, GASKET	227	6	SPRING, CLUTCH	137	11	STAY, RR. FENDER A	229	9
SEAL, OUTER	199	26	SPRING, CLUTCH LEVER	136	5	STAY, RR. MASTER CUP	191	23
SEAL, RADIATOR CAP	238	11	SPRING, EX. VALVE	130	11		193	29
SEAL, RUBBER	204	6	SPRING, EX. VALVE INNER	130	12	STAY, RR. WINKER	228	23
SEAL, VALVE STEM	130	1	SPRING, EX. VALVE OUTER	130	11	STAY, R. FR. NUMBER	240	8
		2	SPRING, FR. FORK	180	2	STAY, R. FR. REFLECTOR	178	5
SEAT ASSY., MAIN	202	5	SPRING, GEARSHIFT DRUM STOPPER	154	8			6
SEAT ASSY., PILLION	202	10	SPRING, IN. VALVE INNER	130	10	STAY, R. HARNESS	176	1
SEAT, CLUTCH SPRING	137	12	SPRING, IN. VALVE OUTER	130	9	STAY, R. MIDDLE COWL	243	15
SEAT, JUDDER SPRING	137	6	SPRING, KICK STARTER STOPPER ..	216	1	STAY, R. RR. UNDER COVER	136	11
SEAT, VALVE SPRING	130	15	SPRING, L. STEP RETURN	216	7	STAY, R. UNDER COWL	243	13
		16	SPRING, PAD	183	4	STAY, UPPER COWL	240	11
SENSOR ASSY., AIR TEMPERATURE	206	15		185	6	STAY, WINKER	227	8
SENSOR ASSY., ANGLE	146	11		194	4	STAY, WINKER RELAY	233	12
SENSOR ASSY., BANK ANGLE	232	6		213	4		234	47
SENSOR ASSY., SPEED	146	12	SPRING, RETURN	213	4	STEM SUB ASSY., STEERING	177	2
SENSOR ASSY., STROKE	214	7	SPRING, R. STEP RETURN	216	5	STOPPER COMP., GEARSHIFT DRUM	154	7

PART NAME INDEX

Part name	Page	Ref.	Part name	Page	Ref.	Part name	Page	Ref.
STOPPER, TERMINAL	143	10	[T]			VALVE, IN.	130	6
STRAINER COMP., OIL	144	7	TAILLIGHT UNIT	229	4	VALVE, PURGE CONTROL SOLENOID ..	210	9
STRIPE A, L. MIDDLE COWL	250	5	TANK ASSY., FUEL	198	5	[W]		
	251	6	TANK, RADIATOR RESERVE	238	16	WASHER	143	11
STRIPE A, L. RR. SHELTER	252	19	TENSIONER COMP. A, CAM CHAIN ..	134	3	WASHER A, BALANCER SIDE	149	19
STRIPE A, L. UNDER COWL	251	10	TENSIONER COMP. B, CAM CHAIN ..	134	6	WASHER B, BALANCER SIDE	149	20
	253	24	THERMOSTAT	155	6	WASHER, 10MM	197	26
STRIPE A, R. MIDDLE COWL	250	3	THREAD B, STEERING HEAD TOP ...	177	5	WASHER, 10X28X1	139	8
		4	THREAD COMP., STEERING STEM ...	177	3	WASHER, 10.2MM	153	24
STRIPE A, R. RR. SHELTER	251	18	THROTTLE BODY ASSY.	156	4	WASHER, 10.5X27	141	5
	252	18	TIRE, FR.	187	16	WASHER, 10.5X31.8	139	9
STRIPE B, L. MIDDLE COWL	251	8		188	16	WASHER, 14MM	154	16
		16	TIRE, RR.	195	14	WASHER, 15.2X25	214	19
STRIPE B, L. UNDER COWL	251	11		196	14	WASHER, 24.1X43X2.5	197	25
	253	25	T-JOINT	156	1	WASHER, 25.1X37X3.2	137	17
STRIPE B, R. MIDDLE COWL	251	7	T-JOINT, FUEL	157	6	WASHER, 5X12.5X2.3	225	23
		15	TRAY, FUEL TANK	198	6	WASHER, 6MM	134	17
STRIPE, FR. UPPER COWL	250	2	TRIM, FUEL TANK	200	2		141	6
STRIPE, L. FR. UPPER COWL	248	6	TUBE	156	2		145	29
STRIPE, L. MIDDLE COWL	249	9			3		176	14
		10	TUBE A, BREATHER	198	18	WASHER, 6X16	168	34
STRIPE, L. RR. COWL UPPER	249	14			19		170	37
	251	13	TUBE A, RESONATOR	208	7	WASHER, 8.5X38	212	27
STRIPE, L. SHROUD	249	12	TUBE B, BREATHER	198	17	WASHER, 9X17X1	229	15
STRIPE, L. SIDE SHELTER	249	16	TUBE B, RESONATOR	208	8	WASHER, CHAIN SLIDER	219	12
	252	22	TUBE, 3.5X110	156	15	WASHER, CHANGE PEDAL WAVE	214	18
STRIPE, R. FR. UPPER COWL	248	5	TUBE, 3.5X130	156	16	WASHER, DRAIN PLUG, 12MM	144	22
STRIPE, R. MIDDLE COWL	248	7	TUBE, 3.5X160	156	17		159	1
		8	TUBE, 3.5X50	156	13	WASHER, DRUM STOPPER	154	15
STRIPE, R. RR. COWL UPPER	249	13	TUBE, 3.5X90	156	14	WASHER, HEADLIGHT BRACKET		
	251	12	TUBE, 5X580	239	45	MOUNTING	224	12
STRIPE, R. SHROUD	249	11	TUBE, 5.3X570	239	46	WASHER, LOCK	213	5
STRIPE, R. SIDE SHELTER	249	15	TUBE, 7.3X360	199	37	WASHER, LOCK, 28MM	153	28
	252	21	TUBE, AIR SUCTION	209	3	WASHER, LOCK, 30MM	153	27
STRIPE, R. UNDER COWL	251	9	TUBE, AIR SUCTION UPPER	209	2	WASHER, NEUTRAL	147	44
	253	23	TUBE, CANISTER-PURGE CONTROL				159	1
SUB HARNESS, ENGINE	147	31	VALVE	210	3	WASHER, NUMBER BRACKET SETTING	229	14
SUB HARNESS, IGNITION	235	2	TUBE, CANISTER DRAIN	210	6	WASHER, OIL BOLT	168	35
SUB HARNESS, RR. CUSHION	223	1	TUBE, DRAIN	198	7		170	38
SUB HARNESS, SPINDLE	147	37	TUBE, ENGINE BREATHER	206	13		191	29
SUB HARNESS, THROTTLE BY WIRE	235	3	TUBE, FIVE WAY-PURGE CONTROL				193	39
SUSPENSION, POWER RELAY	234	50	VALVE	210	4	WASHER, PLAIN, 4MM	226	13
SUSPENSION, SOLENOID VALVE	209	5	TUBE, OUTER	180	5		228	22
SUSPENSION, WINKER RELAY	234	46	TUBE, RESERVE TANK	238	17		230	22
SWINGARM SUB ASSY.	219	13	TUBE, WATER	239	30	WASHER, PLAIN, 5MM	162	8
SWITCH ASSY., COMBINATION &			[U]				226	12
LOCK	175	4	URETHANE, R. HEAT GUARD	236	12		230	21
SWITCH ASSY., FR. STOP	167	1				WASHER, PLAIN, 6MM	163	13
	169	1	[V]				179	18
SWITCH ASSY., NEUTRAL	147	38	VALVE ASSY., CLAMP IN	187	7		203	17
SWITCH ASSY., OIL PRESSURE ...	146	10		196	15	WASHER, PLAIN, 8MM	212	28
SWITCH ASSY., RR. STOP	214	5	VALVE ASSY., EX. AIR INJECTION	209	6		214	23
SWITCH ASSY., SIDE STAND	218	1	VALVE COMP., REED	127	5	WASHER, PLAIN, 9MM	129	19
SWITCH ASSY., STARTER MAGNETIC	231	6	VALVE, EX.	130	7	WASHER, RUBBER	229	16
SWITCH ASSY., WINKER	165	3						
SWITCH SET, CLUTCH	165	4						
SWITCH UNIT, STARTER & ENGINE								
STOP	165	2						

PART NAME INDEX

Part name	Page	Ref.	Part name	Page	Ref.	Part name	Page	Ref.
WASHER, SCREEN SETTING	240	6						
WASHER, SEALING, 24MM	129	18						
	158	1						
WASHER, SEALING, 34.5MM	144	20						
	159	1						
WASHER, SEALING, 6MM	134	18						
	158	1						
WASHER, SEALING, 6.5MM	129	20						
	136	25						
	142	10						
	147	27						
	158	1						
	159	1						
WASHER, SEALING, 7MM	147	26						
	159	1						
WASHER, SEAT LOCK	202	8						
WASHER, SPECIAL, 12MM	155	18						
	158	1						
WASHER, SPECIAL, 24X12X2.3 ...	237	23						
WASHER, SPLINE, 28MM	153	26						
WASHER, SPLINE, 28X34X1.5	153	22						
WASHER, SPLINE, 30MM	153	25						
WASHER, SPLINE, 30X36X1.5	152	21						
WASHER, STEERING STEM	177	6						
WASHER, TANK SETTING	198	14						
WASHER, THRUST, 20MM	153	30						
WASHER, THRUST, 22.1X42X3	139	11						
WASHER, THRUST, 24MM	152	20						
WASHER, THRUST, 28MM	153	23						
WASHER, THRUST, 28.2X56X2	137	16						
WASHER, THRUST, 5MM	241	17						
WASHER, WAVE	139	10						
WEIGHT B, STEERING HANDLE	175	11						
WEIGHT, BALANCE	188	17						
	196	18						
WEIGHT, BALANCER	149	12						
WEIGHT, STEERING HANDLE	175	12						
WHEEL SUB ASSY., FR.	187	15						
WHEEL SUB ASSY., RR.	195	13						
WINDSCREEN	240	5						
WINKER ASSY., L. FR.	226	5						
WINKER ASSY., L. RR.	226	8						
WINKER ASSY., R. FR.	226	2						
WINKER ASSY., R. RR.	226	7						
WRENCH, EYE, 32MM	245	7						
WRENCH, HEX., 5MM	245	8						

PROHIBIDO SU DISTRIBUCIÓN O USO NO AUTORIZADO
19-07-2019 AGM Motos - AGM MOTOS S.R.L.

1 FOREWORD INDEX

2 ENGINE GROUP

3 FRAME GROUP

4 PART NUMBER INDEX

5 PART NAME INDEX

PROHIBIDO SU DISTRIBUCIÓN O USO NO AUTORIZADO
19-07-2019 AGM Motos - AGM MOTOC

HONDA
The Power of Dreams



PARTS CATALOGUE NEWS

Honda Motor Co., Ltd.
Service Division Service Information Dept.

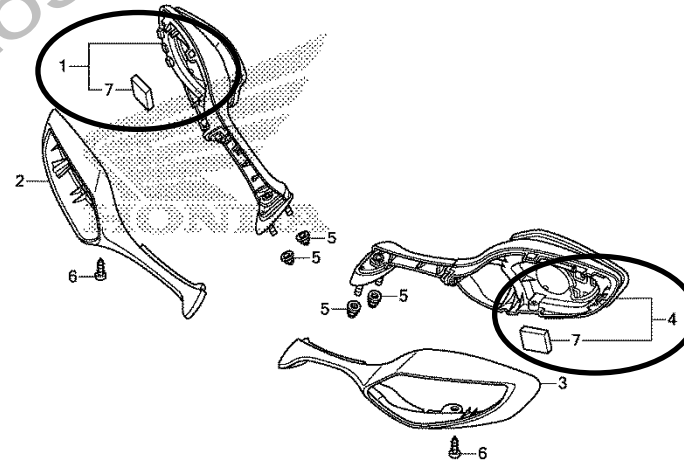
PARTS CATALOGUE - CORRECTED

Printed in Japan

CODE NO.	13MKFH02
PARTS CATALOGUE NEWS	CBR1000RR/RA CBR1000S1/S2 CBR1000RRH CBR1000RAH CBR1000S1H CBR1000S2H
NEWS NO.	001

Block No.	Ref. No.	Note	Part No.	Description	Reqd. QTY								Serial No.	Parts catalogue code
					RR H	RR J	RA H	RA J	S1 H	S1 J	S2 H	S2 J		

F-3-1 MIRROR (2)



MKF3F0301A

F-3-1	1	E	88110-MKF-H41	*PART NO. DELETION													
		A	88210-MKF-H40	MIRROR ASSY., R. BACK.....	-	-	1	1	1	1	-	-	-----	-----			2CH, CH

NOTE A:PART NO. CHANGE D:NEWLY PROVIDED E:PART NO. DELETION K:REQUIRED NO. CORRECTION L:APPLICATION SERIAL NO. CORRECTION
M:PART DESCRIPTION CORRECTION T:APPLICATION CORRECTION Z:REMARKS CHANGE

PARTS CATALOGUE NEWS

BOOKNo. :13MKFH02

Block No.	Ref. No.	Note	Part No.	Description	Reqd. QTY								Serial No.	Parts catalogue code
					RR H	RR J	RA H	CBR1000 RA J	S1 H	S1 J	S2 H	S2 J		
	4	E	88120-MKF-H41	*PART NO. DELETION										
		A	88220-MKF-H40	MIRROR ASSY., L. BACK.....	-	-	1	1	1	1	-	-	-----	2CH, CH
	7	D	11359-KSV-J10	MAT, L. FR. COVER.....	-	-	2	2	2	2	-	-	-----	2CH, CH

PROHIBIDO SU DISTRIBUCIÓN O USO NO AUTORIZADO
19-07-2019 AGM Motos - AGM MOTOS S.R.L.

NOTE A:PART NO. CHANGE D:NEWLY PROVIDED E:PART NO. DELETION K:REQUIRED NO. CORRECTION L:APPLICATION SERIAL NO. CORRECTION
M:PART DESCRIPTION CORRECTION T:APPLICATION CORRECTION Z:REMARKS CHANGE



PARTS CATALOGUE NEWS

Honda Motor Co., Ltd.
Service Division Service Information Dept.

PARTS CATALOGUE - CORRECTED

Printed in Japan

CODE NO.	13MKFH02
PARTS CATALOGUE NEWS	CBR1000RR/RA CBR1000S1/S2 CBR1000RRH CBR1000RAH CBR1000S1H CBR1000S2H
NEWS NO.	002

Block No.	Ref. No.	Note	Part No.	Description	Reqd. QTY								Serial No.	Parts catalogue code	
					RR H	RR J	RA H	CBR1000 RA J	S1 H	S1 J	S2 H	S2 J			
F-7	3		35010-MKF-D40	KEY SET.....	1										
								1						2IN	
								1					HK000001	2TH, TH	
								1					HK000005	2FO, FO	
								1					HK000006	2U, U	
								1					HK000003	2GS, GS	
		A	35010-MKF-D41		1		1		1	1				
								1					HK000002	2TH, TH	
								1					HK000006	2FO, FO	
								1					HK000007	2U, U	
								1					HK000004	2GS, GS	
									1					2BR, 2CH, 2ED, 2GS, 2K0, 2RU	
		4	35100-MKF-D41	SWITCH ASSY., COMBINATION & LOCK	1										
								1						2IN	
								1					HK000001	2TH, TH	

NOTE A:PART NO. CHANGE D:NEWLY PROVIDED E:PART NO. DELETION K:REQUIRED NO. CORRECTION L:APPLICATION SERIAL NO. CORRECTION
M:PART DESCRIPTION CORRECTION T:APPLICATION CORRECTION Z:REMARKS CHANGE

PARTS CATALOGUE NEWS

BOOKNo. : 13MKFH02

Block No.	Ref. No.	Note	Part No.	Description	Reqd. QTY								Serial No.	Parts catalogue code	
					RR H	RR J	RA H	CBR1000 RA J	S1 H	S1 J	S2 H	S2 J			
					-	-	1	-	1	-	-	-	-----	HK000005	2FO, FO
					-	-	1	-	1	-	-	-	-----	HK000006	2U, U
					-	-	1	-	-	-	-	-	-----	HK000003	2GS, GS
		A	35100-MKF-D42	-	1	-	1	-	1	1	1			
					-	-	1	-	1	-	-	-	-----	HK000002	2TH, TH
					-	-	1	-	1	-	-	-	-----	HK000006	2FO, FO
					-	-	1	-	1	-	-	-	-----	HK000007	2U, U
					-	-	1	-	-	-	-	-	-----	HK000004	2GS, GS
F-21	28		17620-MGP-D63	CAP COMP., FUEL FILLER.....	1	-	-	-	-	-	-	-			
					-	-	1	-	1	-	-	-	-----	-----	2IN
					-	-	1	-	1	-	-	-	-----	HK000001	2TH, TH
					-	-	1	-	1	-	-	-	-----	HK000005	2FO, FO
					-	-	1	-	1	-	-	-	-----	HK000006	2U, U
					-	-	1	-	-	-	-	-	-----	HK000003	2GS, GS
		A	17620-MGP-D64	-	1	-	1	-	1	1	1			
					-	-	1	-	1	-	-	-	-----	HK000002	2TH, TH
					-	-	1	-	1	-	-	-	-----	HK000006	2FO, FO
					-	-	1	-	1	-	-	-	-----	HK000007	2U, U
					-	-	1	-	-	-	-	-	-----	HK000004	2GS, GS
					-	-	-	-	1	-	-	-	-----	-----	2BR, 2CH, 2ED, 2GS, 2KO, 2RU
F-23	9		77239-MGP-D63	KEY, SEAT LOCK (WAVE).....	1	-	-	-	-	-	-	-			
					-	-	1	-	1	-	-	-	-----	-----	2IN
					-	-	1	-	1	-	-	-	-----	HK000001	2TH, TH
					-	-	1	-	1	-	-	-	-----	HK000005	2FO, FO

NOTE A:PART NO. CHANGE D:NEWLY PROVIDED E:PART NO. DELETION K:REQUIRED NO. CORRECTION L:APPLICATION SERIAL NO. CORRECTION
M:PART DESCRIPTION CORRECTION T:APPLICATION CORRECTION Z:REMARKS CHANGE

PARTS CATALOGUE NEWS

BOOKNo. : 13MKFH02

Block No.	Ref. No.	Note	Part No.	Description	Reqd. QTY								Serial No.	Parts catalogue code	
					RR H	RR J	RA H	CBR1000 RA J	S1 H	S1 J	S2 H	S2 J			
					-	-	1	-	1	-	-	-	-----	HK000006	2U, U
					-	-	1	-	-	-	-	-	-----	HK000003	2GS, GS
		A	77239-MGP-D64	-	1	-	1	-	1	1	1			
					-	-	1	-	1	-	-	-	HK000002	-----	2TH, TH
					-	-	1	-	1	-	-	-	HK000006	-----	2FO, FO
					-	-	1	-	1	-	-	-	HK000007	-----	2U, U
					-	-	1	-	-	-	-	-	HK000004	-----	2GS, GS
					-	-	-	-	1	-	-	-	-----	-----	2BR, 2CH, 2ED, 2GS, 2K0, 2RU

PROHIBIDO SU DISTRIBUCIÓN O USO NO AUTORIZADO
19-07-2019 AGM Motos - AGM MOTOS S.R.L.

NOTE A:PART NO. CHANGE D:NEWLY PROVIDED E:PART NO. DELETION K:REQUIRED NO. CORRECTION L:APPLICATION SERIAL NO. CORRECTION
M:PART DESCRIPTION CORRECTION T:APPLICATION CORRECTION Z:REMARKS CHANGE



PARTS CATALOGUE NEWS

Honda Motor Co., Ltd.
Service Division Service Information Dept.

PARTS CATALOGUE - CORRECTED

Printed in Japan

CODE NO.	13MKFH02
PARTS CATALOGUE NEWS	CBR1000RR/RA CBR1000S1/S2 CBR1000RR H/J CBR1000RA H/J CBR1000S1 H/J CBR1000S2 H/J
NEWS NO.	003

Block No.	Ref. No.	Note	Part No.	Description	Reqd. QTY								Serial No.	Parts catalogue code		
					RR H	RR J	RA H	CBR1000 RA J	S1 H	S1 J	S2 H	S2 J				
F-7	3	E	35010-MKF-D40	*PART NO. DELETION												
		E	35010-MKF-D41	*PART NO. DELETION												
	A	35010-MKF-D61	KEY SET.....	1	1	1	1	1	1	1	1					
	4	T	35100-MKF-D42	SWITCH ASSY., COMBINATION & LOCK	-	1	-	1	-	1	1	1				
					-	-	-	-	1	-	-	-			-----	2BR, 2CH, 2ED, 2GS, 2KO, 2RU
					-	-	1	-	-	-	-	-			-----	2BR, 2CH, 2ED, 2KO, 2RU, CH, ED, KO, RU
					-	-	1	-	1	-	-	-	HK000006	-----	2FO, FO	
			-	-	1	-	-	-	-	-	HK000004	-----	2GS, GS			
			-	-	1	-	1	-	-	-	HK000002	-----	2TH, TH			
			-	-	1	-	1	-	-	-	HK000007	-----	2U, U			

NOTE A:PART NO. CHANGE D:NEWLY PROVIDED E:PART NO. DELETION K:REQUIRED NO. CORRECTION L:APPLICATION SERIAL NO. CORRECTION
M:PART DESCRIPTION CORRECTION T:APPLICATION CORRECTION Z:REMARKS CHANGE

PARTS CATALOGUE NEWS

BOOKNo. :13MKFH02

Block No.	Ref. No.	Note	Part No.	Description	Reqd. QTY								Serial No.	Parts catalogue code	
					RR H	RR J	RA H	CBR1000 RA J	S1 H	S1 J	S2 H	S2 J			
F-21	5	E	17500-MKF-D40	*PART NO. DELETION											
		A	17500-MKF-D41	TANK ASSY., FUEL.....	1	1	1	1	-	-	-	-			
		E	17500-MKF-D60	*PART NO. DELETION											
		A	17500-MKF-D61	TANK ASSY., FUEL.....	-	-	-	-	1	1	1	1			
	28	E	17620-MKF-D63	*PART NO. DELETION											
		E	17620-MKF-D64	*PART NO. DELETION											
		D	17620-MKF-D61	CAP ASSY., FUEL FILLER.....	1	1	1	1	1	1	1	1			

PROHIBIDO SU DISTRIBUCIÓN O USO NO AUTORIZADO
 19-07-2019 AGM Motos - AGM MOTOS S.R.L.

NOTE A:PART NO. CHANGE D:NEWLY PROVIDED E:PART NO. DELETION K:REQUIRED NO. CORRECTION L:APPLICATION SERIAL NO. CORRECTION
 M:PART DESCRIPTION CORRECTION T:APPLICATION CORRECTION Z:REMARKS CHANGE



PARTS CATALOGUE NEWS

Honda Motor Co., Ltd.
Service Division Service Information Dept.

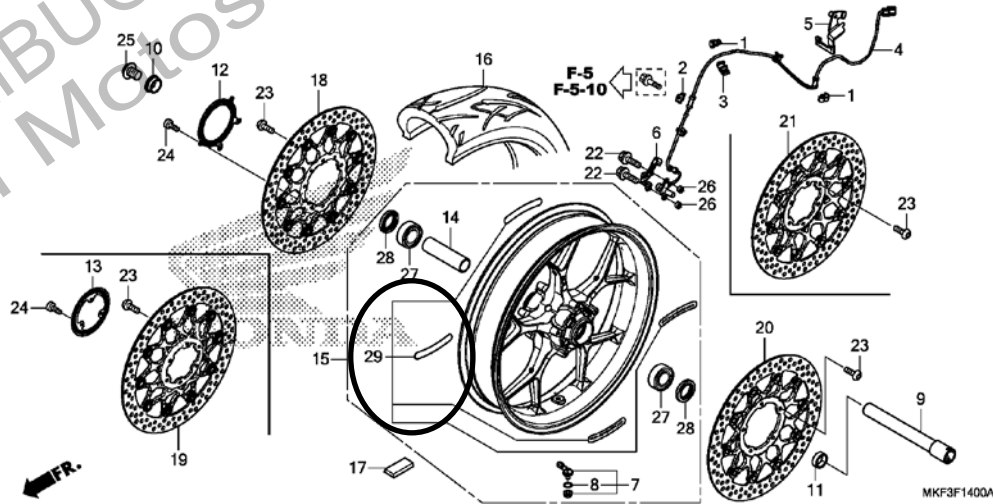
PARTS CATALOGUE - CORRECTED

Printed in Japan

CODE NO.	13MKFH02
PARTS CATALOGUE NEWS	CBR1000RR/RA CBR1000S1/S2 CBR1000RR H/J CBR1000RA H/J CBR1000S1 H/J CBR1000S2 H/J
NEWS NO.	004

Block No.	Ref. No.	Note	Part No.	Description	Reqd. QTY						Serial No.	Parts catalogue code
					RR H	RR J	RA H	CBR1000 RA J	S1 H	S1 J		

F-14 FRONT WHEEL



F-14	29	D	87142-MKF-D72	STICKER SET, MARCHESINI.....	-	-	-	-	-	-	1	1
------	----	---	---------------	------------------------------	---	---	---	---	---	---	---	---

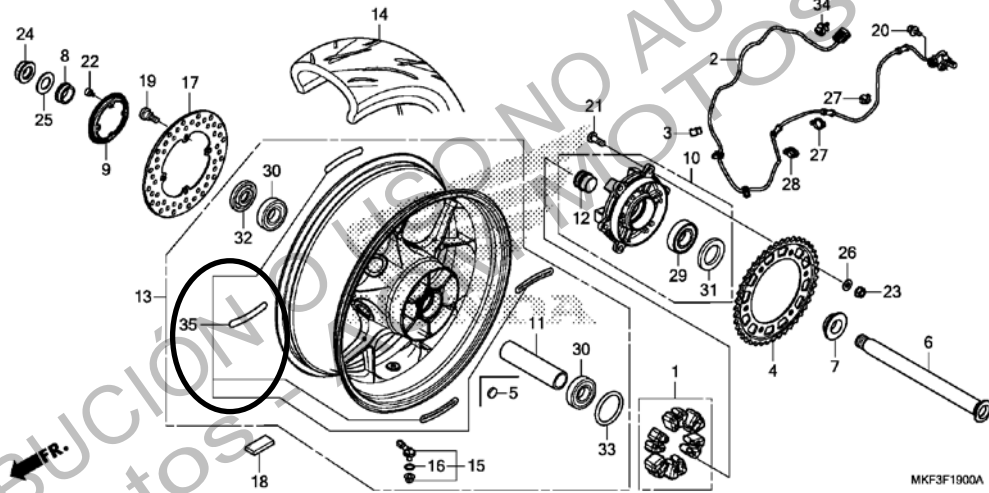
NOTE A:PART NO. CHANGE D:NEWLY PROVIDED E:PART NO. DELETION K:REQUIRED NO. CORRECTION L:APPLICATION SERIAL NO. CORRECTION
M:PART DESCRIPTION CORRECTION T:APPLICATION CORRECTION Z:REMARKS CHANGE

PARTS CATALOGUE NEWS

BOOKNo. : 13MKFH02

Block No.	Ref. No.	Note	Part No.	Description	Reqd. QTY								Serial No.	Parts catalogue code
					RR H	RR J	RA H	CBR1000 RA J	S1 H	S1 J	S2 H	S2 J		

F-19 REAR WHEEL



F-19	14	E	90101-KZ3-J50	*PART NO. DELETION												
		T	42711-MGP-D83	TIRE, RR. (190/50ZR17 M/C 73W) (PIR)	-	-	-	-	1	1	1	1	-----	-----	2BR, 2ED, 2FO, 2GS, 2KO, 2RU, 2TH, 2U	
		D	42711-MKF-315	-	-	-	-	1	1	-	-	-----	-----	2IN	
	35	D	87142-MKF-D72	STICKER SET, MARCHESINI.....	-	-	-	-	-	-	1	1				

NOTE A:PART NO. CHANGE D:NEWLY PROVIDED E:PART NO. DELETION K:REQUIRED NO. CORRECTION L:APPLICATION SERIAL NO. CORRECTION
M:PART DESCRIPTION CORRECTION T:APPLICATION CORRECTION Z:REMARKS CHANGE



PARTS CATALOGUE NEWS

Honda Motor Co., Ltd.
Service Division Service Information Dept.

PARTS CATALOGUE - CORRECTED

Printed in Japan

CODE NO.	13MKFH02
PARTS CATALOGUE NEWS	CBR1000RR/RA CBR1000S1/S2 CBR1000RR H/J CBR1000RA H/J CBR1000S1 H/J CBR1000S2 H/J
NEWS NO.	005

Block No.	Ref. No.	Note	Part No.	Description	Reqd. QTY								Serial No.	Parts catalogue code	
					RR H	RR J	RA H	RA J	CBR1000 S1 H	S1 J	S2 H	S2 J			
F-11-1	1	L	51400-MKF-D61	FORK ASSY., R. FR. (OHLINS).....	-	-	-	-	1	-	1	-	-	-	2ED, 2FO, 2GS, 2KO, 2RU, 2TH
			-	-	-	-	1	-	1	-	HK000376	2U			
	L	51400-MKF-D62	-	-	-	-	1	-	1	-	HK000377	2U		
		-	-	-	-	1	-	-	-	-	-	2BR, 2CH, 2IN			
	3	L	51500-MKF-D61	FORK ASSY., L. FR. (OHLINS).....	-	-	-	-	1	-	1	-	-	-	2ED, 2FO, 2GS, 2KO, 2RU, 2TH
			-	-	-	-	1	-	1	-	HK000376	2U			
L	51500-MKF-D62	-	-	-	-	1	-	1	-	HK000377	2U			
	-	-	-	-	1	-	-	-	-	-	2BR, 2CH, 2IN				
F-33-1	3	L	52430-MKF-D60	CUSHION ASSY., RR. (OHLINS)....	-	-	-	-	1	-	1	-	-	-	2ED, 2FO, 2GS, 2KO, 2RU, 2TH
			-	-	-	-	1	-	1	-	HK000376	2U			
	L	52430-MKF-D61	-	-	-	-	1	-	1	-	HK000377	2U		
		-	-	-	-	1	-	-	-	-	-	2BR, 2CH, 2IN			
-	-	-	-	-	-	-	-	1	-	1	-	-	-		

NOTE A:PART NO. CHANGE D:NEWLY PROVIDED E:PART NO. DELETION K:REQUIRED NO. CORRECTION L:APPLICATION SERIAL NO. CORRECTION
M:PART DESCRIPTION CORRECTION T:APPLICATION CORRECTION Z:REMARKS CHANGE