

Ceco Building Systems



THE TRUSTED EXPERT



THE TRUSTED EXPERT

Ceco is the brand chosen by builders throughout the United States for being the trusted expert in the design and fabrication of custom-engineered metal building solutions.

Since Ceco Building Systems' inception in 1947, our customers have been at the forefront of our business. Founder C.L. Mitchell had a dream of making the construction of buildings a more rewarding experience for customers. We uphold that dream today by building partnerships that last a lifetime.

It is important to us that we provide you with a team of knowledgeable experts as well as a robust selection of integrated product offerings. Our team has sophisticated capabilities in highly complex custom-engineered metal building design solutions. When you partner with Ceco, you have access to leading edge design tools and technology as well as products that perform in the harshest of environments while remaining aesthetically pleasing.

At Ceco, we make things happen. The quintessence of our business is our customers and your belief in us as a brand that has an uncompromising commitment to your success. We anticipate the needs of your business and respond with informed solutions. From management engagement to the involvement of the entire Ceco project team, we work collaboratively with our customers to get the job done.

For more than 70 years, our commitment to our customers and desire to continue to exceed your expectations have never wavered. Without our trusted partners, Ceco would not be the company it is today.

TABLE OF CONTENTS

EXPLORE THE MARKETS WE SERVE.....	4
ENGINEERED METAL BUILDING SYSTEMS.....	8
RIGID STRUCTURAL AND SECONDARY FRAMING SYSTEMS.....	9
LONG BAY® SYSTEM.....	10
BRACING.....	11
OUR PRODUCTS.....	14
METAL ROOF PANELS.....	15
SINGLE-SKIN METAL WALL PANELS.....	18
INSULATED METAL WALL PANELS.....	20

Hangar 19

Olaf Anderson - Fargo, ND

Products Used: Double-Lok®, SuperLok®, PBC, AVP



Descriptions and specifications contained herein were in effect at the time this publication was approved for printing. In a continuing effort to refine and improve products, Ceco reserves the right to discontinue products at any time or change specifications and/or designs without incurring obligation. To ensure you have the latest information available, please inquire or visit our website at www.cecobuildings.com.

EXPLORE THE MARKETS WE SERVE

Ceco serves a wide spectrum of industries and provides integrated product offerings for a diverse portfolio of high complexity projects. From expansive distribution centers and warehouses to multi-level storage facilities, Ceco has the capabilities to deliver a building solution that will exceed your expectations.

Agricultural

Metal agricultural buildings are sturdier and more durable than traditional post-frame buildings. Built to withstand harsh weather conditions and extreme temperatures, a metal building protects your farm equipment, grain and livestock.

Automotive

Whether you're in need of a new automotive commercial sales buildings or an auto repair shop, we design with appeal, space and layout in mind. Choose framing to support a column-free, open concept showroom or specify the need for a flexible layout for office spaces and multi-bay structures for a service center.

Aviation

Metal buildings are routinely used as airport hangars to accommodate varying sizes of aircraft for personal and commercial aviation storage. We have multiple options for design including wide-open clear span aircraft hangars, corporate hangars and more.

Community

When it comes to building a community space, such as a community center, library, place of worship, fellowship hall or pavilion, we have the expertise to provide solutions for your exact needs. Open interiors and high ceilings utilizing clear span and multi-span can be accounted for in the specifications of your building.

Distribution and Warehouse

Metal buildings are often the most economical, durable and cost-effective structures to house large uninterrupted spaces of square footage. We understand the height requirements for such massive spaces that will house large equipment and factor in loading docks and steel roll-up doors.

Educational

With educational buildings, we keep customizations in mind. We can design for all levels of education including auditoriums, cafeterias, classrooms, conference rooms, gymnasiums and plan for additions or renovations.



Kaufman Athletic Training Center
W-3 Construction – Washington, IA
Products Used: Double-Lok®



American Packaging

Building Innovation Group - Churchville, NY

Products Used: PBR, Architectural Insulated Metal Panel

Healthcare

Healthcare facilities can span many square feet, require several floor levels and consist of multiple individual office spaces. We provide several framing options to support the layout your building requires and can combine your metal building with exterior finishes like ACMs, IMPs and EIFS.

Manufacturing and Production

Our custom-designed manufacturing and production facilities are ideal for multiple applications, including assembly plants, factories, breweries, water treatment plants, power plants, manufacturing facilities and more. We can design for a clear span and multi-span concept for a column free floor space and can accommodate for additional requirements.

Office

Whether you need a single or multi-story building, we can meet your design needs and help maximize the potential of the space. Increase the visibility of your business by choosing to add architectural elements, single skin or insulated metal panels, finishes and colors to personalize your building.

Recreational

We can design to accommodate for a sports arena, athletic complex, hockey rink and more. From openly configured spaces to individual spaces, we can create a recreational center in varying lengths, widths, colors and features.

Retail and Restaurant

Maximize space for your inventory with a clear span frame and column free space for your retail floor. For restaurants, add elements like single skin or insulated panels and choose from numerous coloring and finishes to brand your building.

Storage

Our storage buildings are fully customizable for mini-storage buildings as well as boat and RV storage. If you are looking for temperature moderation, we can accommodate for a climate controlled environment.



CASE STUDY: **GREENHOUSE CHURCH**

Greenhouse Church contracted with Scherer Construction of North Florida, LLC., of Gainesville, Fla. to build their new worship facility. Greenhouse Church has four campuses throughout Gainesville, a campus in South Florida and an online global community church. The church's mission is to build a multi-generational, multi-cultural and multi-ethnic community while making an impact in the greater Gainesville community.

PROBLEM

Greenhouse Church needed a new building to replace its original facility where its church started in 1968. The main goal was to build a worship facility that would allow the church to house its growing congregation and continue serving the community. The current facility had been overcrowded for a number of years which impacted their ministry. A new facility would allow for more room for their growing congregation with a new 2,000 seat auditorium, a new youth building, an expanded children's ministry space and offices.

SOLUTION

Deemed the HUB, the new facility would be Greenhouse Church's first building project in almost 30 years. Ceco Builder Scherer Construction collaborated with D.L. Scarborough Enterprises of Gainesville, Fla. and Crosier Roofing of Gainesville, Fla. on the facility. There were several

reasons why a custom metal building was utilized. The goal was to have a move-in ready building by early the following year, therefore, metal would increase the speed of erection and keep the project on schedule. A custom metal building would also provide low maintenance, longevity and resiliency, which would allow for a favorable life cycle cost assessment compared to built-up or conventional construction materials which need repairs, maintenance and more frequent replacement. The economical solution would allow for the church to save costs, both short and long term. The maximization of space was another factor. Scherer Construction worked to create a long span, open space in the large sanctuary that would allow for the church's required seating capacity. Mezzanines were skewed to match the stage area and would ultimately be the mechanical platforms for church sound equipment.

Scherer Construction utilized 65,000+ sq. ft. of Ceco's Double-Lok® standing seam metal roof system in 24-gauge Galvalume. Although a small portion of the project was conventionally framed, Scherer built around it. For the church walls, 30,488 sq. ft. of Ceco's PBR panel in Galvalume was utilized. To create different aesthetics and break up the exterior canvas of the building, a mix of finish materials was also used, including EIFS over metal panels, horizontal 7.2 Panels in Signature® 300 Brownstone and vertical PBR panels in Galvalume. The building included a Skyliner high performance R-30 value insulation system which helped boast the facility's energy efficiency.

PROJECT SPECS

Location:

Gainesville, FL

Ceco Products:

Double-Lok®, PBR Wall Panel, 7.2 Panel

Colors:

Galvalume and Signature® 300 Brownstone

Square Footage:

70,000 sq. ft.

General Contractor & Architect:

Scherer Construction of North Florida LLC., Gainesville, FL

Steel Erector:

D.L. Scarborough Enterprises, Gainesville, FL

Roofing Contractor:

Crosier Roofing, Gainesville, FL



ENGINEERED METAL BUILDING SYSTEMS

Engineered metal buildings have long been a construction industry standard for versatility, ease of use, speed of delivery, quick erection, durability and low maintenance.

Ceco specializes in the custom design and engineering of a variety of metal building systems, and our extensive range of structural configurations are designed to meet your exact requirements.

We are inspired every day to create amazing buildings out of rigid steel that evoke the personality, the function and the aesthetic that one requires for a working environment. From the intricacies of design and coordination to ensuring the color of the wall panels reflects your desired message, there are many components that encompass your building.

This is a dialog that we fully participate in from beginning to end. You can expect transparency throughout the entire project, from the fine details to the finished project, as we partner with you to achieve your goals. Whether your primary concern is affordable space, rapid expansion or specialized features for a particular industry, we can guide you to the right building solutions.

Benefits:

- Resiliency
- Durability
- Design flexibility
- Low maintenance
- Speed of construction

City of Greenville

ProSteel - Clover, SC

Products Used: CFR Insulated Metal Panel, 7.2 Insul-Rib™ Insulated Metal Panel, Striated Insulated Metal Panel



RIGID STRUCTURAL SYSTEMS

Ceco has the expertise to design interiors with an open concept, accommodate lofty ceiling heights and factor in the ability to handle extreme loads. Whether you need a frame design that can house cranes, mezzanines or other custom requirements, we make it happen.

Rigid Frame Clear Span: 20' to 200' and wider building width, where column-free floor area is required.

Rigid Frame Multi-Span: 50' to 500' and wider, where interior columns do not impair function of building.

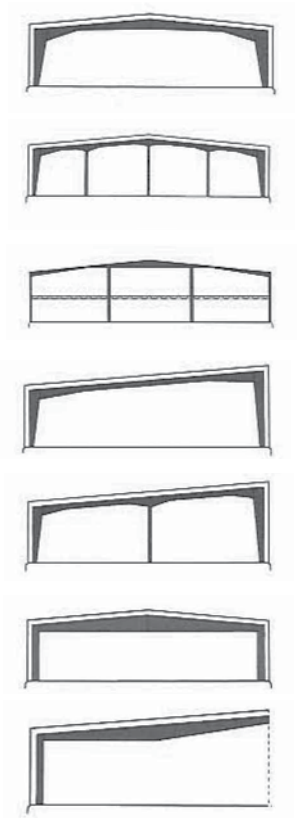
Mezzanines and Multi-story: Structural systems available.

Single-Slope Clear Span: 20' to 200' and wider, where column-free floor area and single-slope is required.

Single-Slope Multi-Span: 50' to 500' where interior columns do not impair function of building and single-slope is required.

Tapered Beam Straight Column: 15' to 70' used with short-span column-free interiors, where maximum clearance is required.

Lean-To: 10' to 60' an economical way to increase width of building.



SECONDARY FRAMING SYSTEMS

We carry a selection of secondary structural steel shapes roll-formed in multiple sizes and gauges. These essential components support roof and wall coverings, carry exterior loads and can be formed to fit specific project requirements.



Girts and Purlins:

- Depths: 8", 10" and 12"
- Gauges: 12-, 14- and 16-gauge thickness
- Galvanized
- Gray or red factory coated also available



Eave Struts:

- Depths: 8", 10" and 12"
- Gauges: 12- and 14-gauge thickness
- Specific to type and pitch
- Galvanized
- Gray or red factory coated also available

LONG BAY® SYSTEM

Ceco's Long Bay® System utilizes open web truss secondary-framing, delivering roof support and shortening the installation of mechanical and electrical systems. Compatible with multiple wall and roofing systems, it provides you with amplified flexibility in construction design. Long Bay® is also the perfect solution for manufacturing, distribution and large retail applications.

The single-source design, fabrication and schedule control eliminates inconsistencies and interruptions during the entire building design and erection process. Long Bay® requires less bridging, offers a substantial cost savings and increases the opportunity of speed to market.

Long Bay® is offered in bays from 40' and up to 70'. It is flexible in the design with less bridging, has the ability to bolt to the main frame and is stiffer and lighter than traditional bar joist. This open web purlin is fabricated of light-gauge cold-rolled steel with a 4" chord width and 5" seat depth.

Long Bay® can interface with load-bearing masonry or tilt-wall construction and offers a faster, more precise installation. Long Bay® is easy to handle, maneuver and erect with no warp or sweep.



Benefits:

- Offered in bays up to 70 feet
- Cost savings from reduced foundation costs and ease-of-erection
- Stable and easy clip attachment
- Less bridging - reduced footings and fewer interior columns
- Bolted end seat attachments

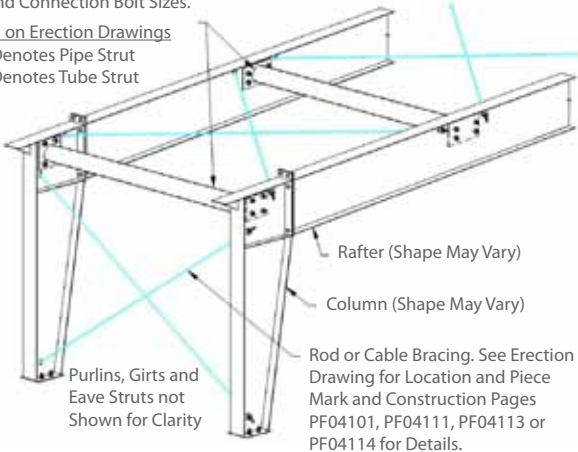


BRACING

Pipe or Tube Strut. See Erection Drawings for Location, Piece Mark and Connection Bolt Sizes.

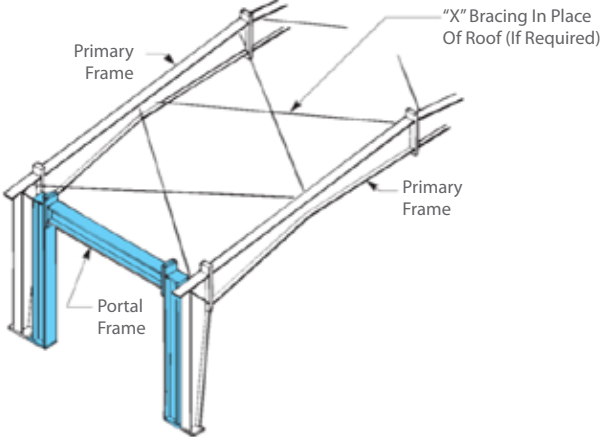
Symbol on Erection Drawings

- Denotes Pipe Strut
- Denotes Tube Strut



Rod/Cable "X" Bracing:

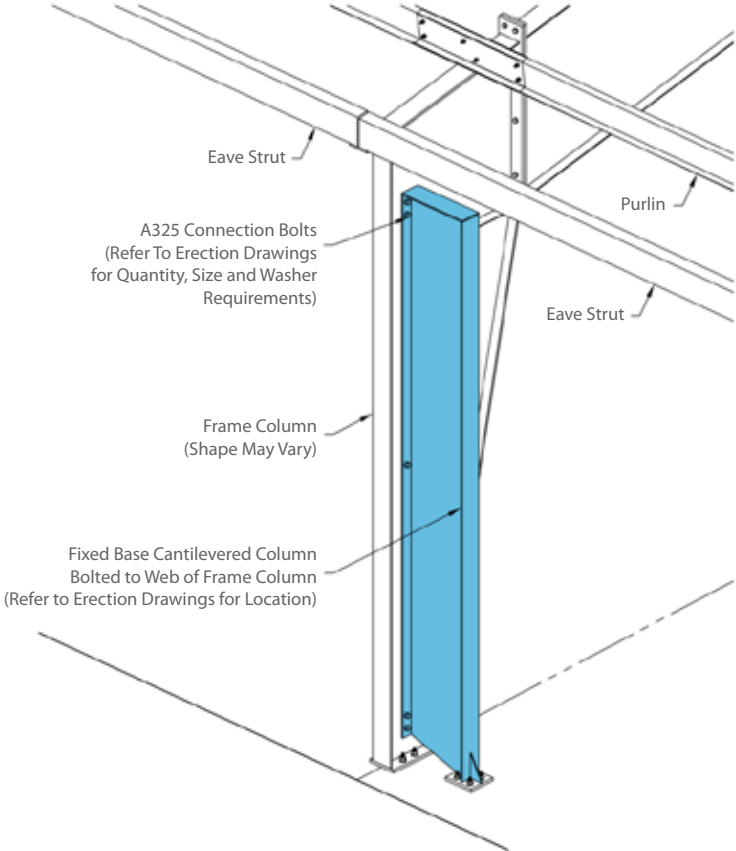
Helps plumb and align a building and can be used to resist longitudinal wind and seismic forces.



Portal Frame Bracing:

Consists of rigid frames in the sidewall located between primary frames. Designed to carry the entire longitudinal wind/seismic eave line load without sharing any of this load with any other bracing system.

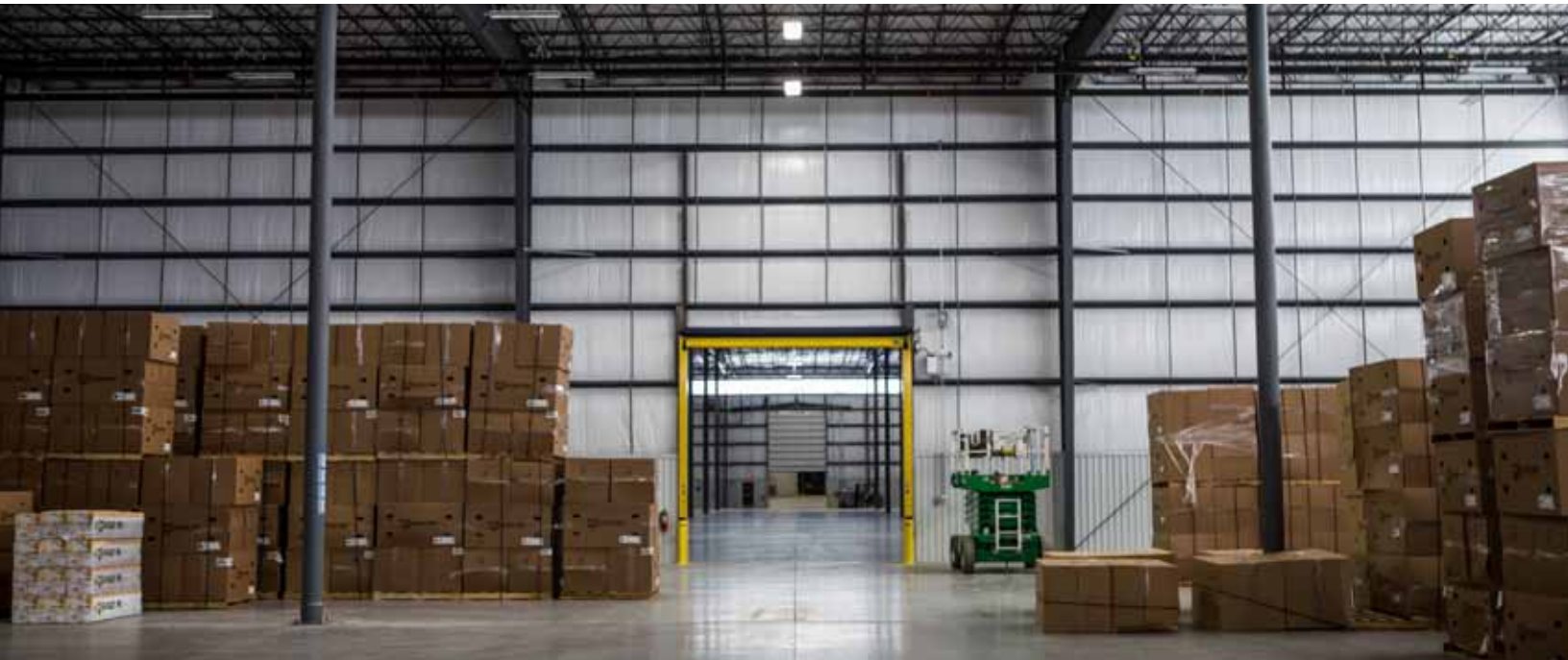
Ceco uses several different types of bracing. Bracing is used between structural members of metal buildings. Made up of rods, angles and cables, these components are essential within the plane of the roofing system and wall panels for load transfer. Bracing is a key element in creating a strong foundation to fight seismic, wind and crane thrusts.



Fixed Based Cantilever Column Bracing:

Consists of an independent fixed based column that is field bolted to the web of the primary frame column at a brace bay location, substituting for traditional "X" bracing on the sidewall.





CASE STUDY: **K-FLEX**

K-Flex USA of Youngsville, N.C., contracted with Focus Design Builders of Wake Forest, N.C., MB Erectors of Millbrook, Ala., SNW Steel Services of Ringgold, Va., and Architect McGahey Design of Garner, N.C., to expand their facility. K-Flex USA is a leading manufacturer of flexible elastomeric, closed cell insulation products. The project would expand and add on to K-Flex USA's already existing facility. The addition would include warehouse space and production space that would work alongside a connector building that would allow them to move product back and forth between the two facilities.

PROBLEM

The company was looking to expand their USA operations to meet growing demand for their product. K-Flex also wanted to maximize space in the warehouse. Therefore, the team would need to accommodate clear heights, column spacings and column sizes to allow for maximum storage space. K-Flex also wanted to reduce costs of lighting. Another requirement was the need for a large dock area. The current dock area was a smaller space that caused a problem when trucks would line up down the street causing issues with entering and exiting the property.

SOLUTION

Ceco Building Systems worked with Focus Design Builders on the K-Flex expansion project. The driving factors in choosing

to build with metal were cost efficiencies and time savings compared to conventional construction materials. Ultimately, choosing a metal building that met the demands of a tight schedule was the right solution for this project.

The building encompassed a rigid frame multi-span framing system that Focus Design Builders envisioned would give K-Flex USA the space it was looking for in its expansion. For the roofing system, 360,000+ sq. ft. of Ceco's Double-Lok® standing seam metal roof panels in Galvalume® were chosen. The roofing system also included a bar joist roof and 6" batt insulation. The product stored in the warehouse and the equipment used in the production area are sensitive to moisture, making the prolonged weathertightness of a standing-seam roof a must-have. For the building's walls,

118,000 sq. ft. of Ceco's PBR wall panel in Signature® 200 Light Stone were chosen. The interior wall system consisted of PBU wall panel liners in Signature® 200 Polar White, partition panels and a wall translucent panel band. Ceco also provided a band of translucent wall panels for daylighting to help in the reduction costs of lighting. Lastly, McGahey Design and Focus Design Builders delivered on providing a larger dock area allowing for more trucks to be loaded. The expansion nearly doubled its operations. Construction began in October of that year and completed in July the following year.

PROJECT SPECS

Location:
Youngsville, NC

Ceco Products:
Double-Lok®, PBR

Color:
Galvalume® and
Light Stone

Square Footage:
360,000 sq. ft.

General Contractor:
Focus Design Builders,
LLC., Wake Forest, NC

Roofing Contractor:
MB Erectors, Millbrook, AL
SNW Steel Services,
Ringgold, VA

Architect:
McGahey Design,
Garner, NC





JB Autosports

Schaus-Vorhies Contracting - Fairfield, IA

Products Used: CFR Insulated Metal Panel, CF Architectural Insulated Metal Panel, Mesa Insulated Metal Panel

OUR PRODUCTS

Ceco offers a total envelope solution. Along with framing systems, we offer several roofing systems, various wall panels, insulated panels and multiple accessories to choose from. We have the advanced tools and technologies to create a custom-designed building in your market.

We have a wide variety of both single-skin and insulated metal panel systems for both roof and wall applications. Choose from several standing seam panel systems, a ribbed panel system or insulated metal panels for your roof.

Ceco's single-skin metal wall panel systems blend aesthetics with the strength of a structural panel.

We also offer a variety of different insulated metal panels (IMPs) that include a number of benefits like enhanced energy performance and cost savings for your building.

METAL ROOF PANELS

Benefits:

- Superior resistance to air and moisture intrusion
- Retrofit options available
- Low maintenance, long life finishes
- Adaptable appearance that is compatible with many materials
- Quick erection and assembly
- Protection against weather conditions
- Energy efficient

The biggest investment in any building is the roof. No one likes to deal with costly roof repairs or the aftermath of leakage due to inferior roofing systems. The unsurpassed weathertightness, ease of installation, versatility and finish/color options available in metal roofing can support any architectural design.

Standing seam metal roof panels are tough, long-lasting, sleek looking and have fewer seams than traditional roofs. These panels function over purlins, architectural panels and solid deck. Our ribbed metal roof panel is easy to install, fortifies building envelopes and enhances the character of buildings. Sealed to each other at the side laps and to the substructure at all perimeter boundaries, our insulated metal roof panels provide superior weathertight performance and quick installation.

BATTENLOK® HS ROOF PANEL

BattenLok® HS is a standing seam panel roof system with a 2" tall vertical seam and a 55' maximum length. BattenLok® HS panels can span up to five feet on purlins.

Product Specification

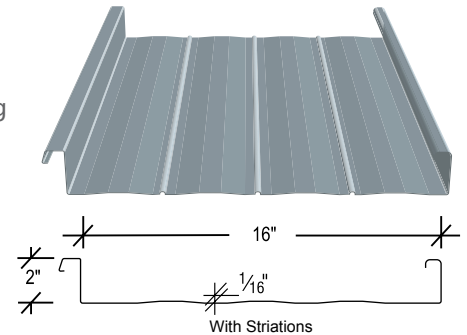
Panel

Attachment: Concealed Fastening Standing Seam System

Gauges: 24, 22

Facings: Smooth or Embossed; with striations or striations and pencil ribs

Coatings: Galvalume Plus®, Signature® 200, Signature® 300



Smart 72

Cal Valley Contractors - Bakersfield, CA

Products Used: BattenLok™, ShadowRib™, PBR

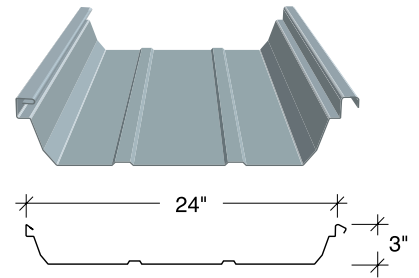
METAL ROOF PANELS

DOUBLE-LOK® ROOF PANEL

Double-Lok® metal roof panels feature mechanically field-seamed, trapezoidal leg standing seams and creates durable, weathertight building envelopes. Ideal for new and retrofit roofs.

Product Specification

- Panel**
Attachment: Concealed Fastening Standing Seam System
- Gauges:** 24, 22
Facings: Smooth (standard);
Embossed (optional)
- Coatings:** Galvalume Plus®, Signature®
200, Signature® 300

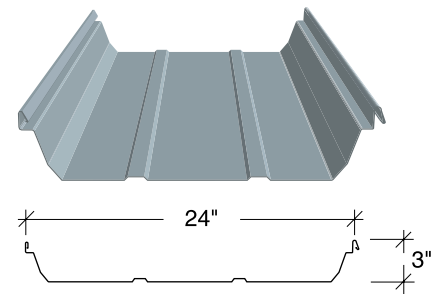


ULTRA-DEK® ROOF PANEL

Ultra-Dek® roof panels feature snap-together, trapezoidal leg standing seams. This roof system is commonly used for industrial, commercial and architectural applications and can be erected on various types of construction.

Product Specification

- Panel**
Attachment: Concealed Fastening Standing Seam System
- Gauges:** 24 (standard); 22, 26 (optional)
Facings: Smooth (standard);
Embossed (optional)
- Coatings:** Galvalume Plus®, Signature®
200, Signature® 300

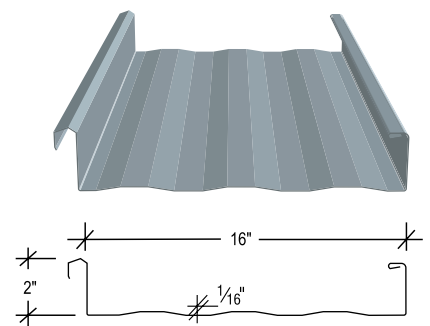


SUPERLOK® ROOF PANEL

SuperLok® is a field seamed metal roof panel with a 2-inch tall slim rib that combines aesthetics with strength. It is one of the highest rated standing seam roof systems in the industry.

Product Specification

- Panel**
Attachment: Concealed Fastening Standing Seam System
- Gauges:** 24 (standard); 26,
22 (optional)
Facings: Striated (standard);
Embossed Striated (optional)
- Coatings:** Galvalume Plus®, Signature®
200, Signature® 300



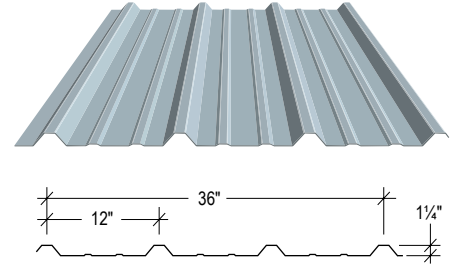
METAL ROOF PANELS

PBR ROOF PANEL

The PBR metal roof panel has a wind uplift rating and qualifies for UL 90 in multiple construction numbers. Frequently used for roof and wall systems, it has symmetrical, deep ribs and exposed fasteners.

Product Specification

- Panel**
- Attachment:** Exposed Fastening System
- Gauges:** 26, 24
- Facings:** Smooth (standard);
Embossed (optional)
- Coatings:** Galvalume Plus®, Signature® 200, Signature® 300

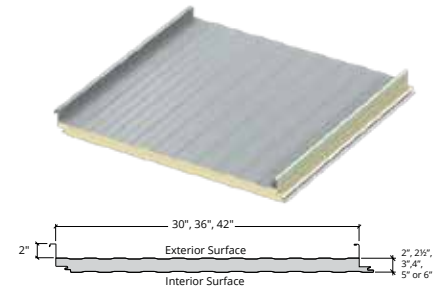


CFR INSULATED ROOF PANEL

The CFR insulated metal roof panel features an all-in-one composite panel design with a polyurethane core. This 2-inch high standing seam roof panel provides unrivaled weathertight performance and can be quickly and easily installed.

Product Specification

- Panel**
- Attachment:** Concealed Fastening System
- Gauges:** Exterior: 24, 22
Interior: 26, 24, 22
- Facings:** Exterior: Stucco embossed, Mesa profile between the seams
Interior: Stucco embossed, Mesa
- Coatings:** Galvalume Plus®, Signature® 200, Signature® 300

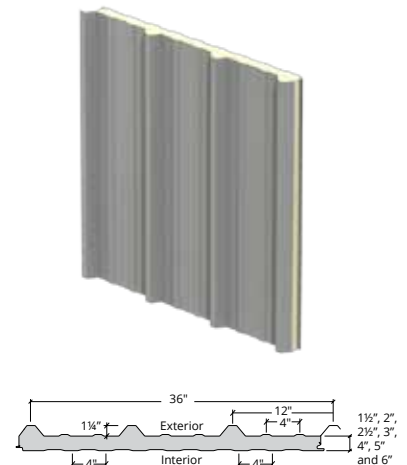


LS-36™ INSULATED ROOF PANEL

The LS-36™ insulated metal roof panel combines two single-skin metal panels and a foamed-in-place core. The panels are sealed to each other at the side laps and to the substructure at all perimeter boundaries.

Product Specification

- Panel**
- Attachment:** Exposed Fastening System
- Gauges:** Exterior: 26, 24, 22
Interior: 26, 24, 22
- Facings:** Exterior: Stucco embossed, Mesa between the ribs
Interior: Stucco embossed, Mesa
- Coatings:** Galvalume Plus®, Signature® 200, Signature® 300, Signature® 300 Metallic, Applied Finishes



SINGLE-SKIN METAL WALL PANELS

Single-skin metal wall panels offer versatility and an aesthetically attractive appearance. These panels have ribbed designs providing texture and definition to metal building systems. With a mix of both Exposed and Concealed Fastening Systems, these wall panels give you multiple options for your design.

Single-skin panels are useful across a variety of applications, including wall panels, liner panels, partition panels, soffit panels and façade panel faces. Our concealed fastening system panel can be applied over light gauge framing, purlins, girts, structural steel and joists.

Single-skin panels are used extensively across the industry for their ability to be used in multiple ways for a variety of projects. They can be installed vertically or horizontally and work well for the architectural, commercial, industrial and residential industries.

Benefits:

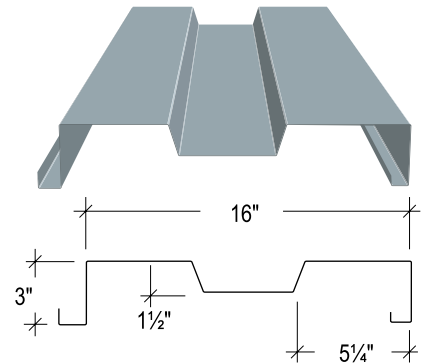
- Ribbed design adds texture
- Eliminates end laps
- Easy installation
- Cost effective
- Ideal for light applications
- Versatile

SHADOWRIB™ WALL PANEL

ShadowRib™ metal wall panels feature concealed fasteners and a fluted panel face to create distinctive shadow lines. With multiple attachment and coating options, ShadowRib™ may be applied over light-gauge framing, purlins, girts, structural steel and joists.

Product Specification

- Panel**
Attachment: Concealed Fastening System
Gauges: 24 and 22 (22-gauge minimum quantity may be required)
Facings: Smooth (standard); Embossed
Coatings: Galvalume Plus®, Signature® 200, Signature® 300



Central Arkansas Library Maintenance Shop
Hydco, Inc. - North Little Rock, AR
Products Used: Double-Lok®, ShadowRib™

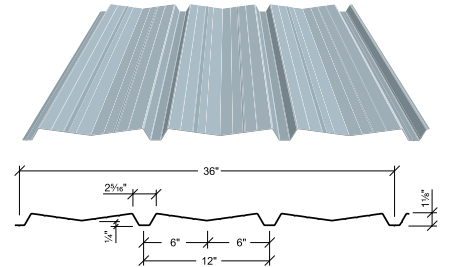
SINGLE-SKIN METAL WALL PANELS

AVP WALL PANEL

The AVP metal wall panel creates an attractive, smooth shadow line, providing improved aesthetics to the building design with its semi-concealed fasteners. This architectural panel allows for more insulation to be added.

Product Specification

- Panel**
- Attachment:** Exposed Fastening System
- Gauges:** 26, 24, 22
- Facings:** Smooth (standard); Embossed (optional)
- Coatings:** Galvalume Plus®, Signature® 200, Signature® 300

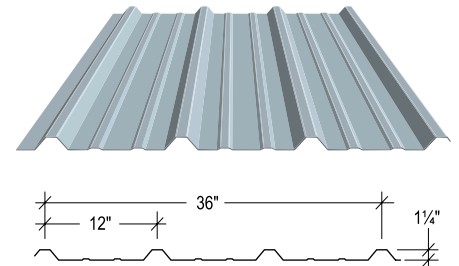


PBR WALL PANEL

The PBR metal wall panel has deep ribs and exposed fasteners to deliver shape and dimension to any structure. Comparable to the industry-standard R-panel, PBR can be used for both roof and wall applications.

Product Specification

- Panel**
- Attachment:** Exposed Fastening System
- Gauges:** 26, 24
- Facings:** Smooth (standard); Embossed (optional)
- Coatings:** Galvalume Plus®, Signature® 200, Signature® 300

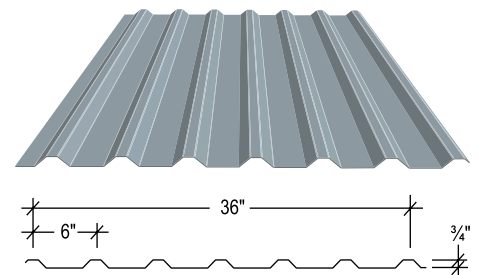


PBU WALL PANEL

The PBU metal wall panels were engineered to enhance its design flexibility and can be installed both horizontally and vertically with exposed fasteners. Nearly half the rib depth of the PBR panel, the PBU panel creates a contemporary and subtle pattern.

Product Specification

- Panel**
- Attachment:** Exposed Fastening System
- Gauges:** 26, 24
- Facings:** Smooth (standard); Embossed (optional)
- Coatings:** Galvalume Plus®, Signature® 200, Signature® 300



INSULATED METAL WALL PANELS

Profiled insulated metal panels (IMPs) combine the look of a conventional flat wall panel with superior thermal performance and achieve design and code compliance.

IMPs are superior for new and retrofit construction. These panels function for all types of architectural, commercial and industrial applications. The panels are lightly profiled with vertical striations of varying degrees, delivering a subtle pattern that appears virtually flat.

IMPs have excellent insulating capabilities, reduce operational expense and more. The metal and foam composite construction creates a strong rigid panel, increases the span capacity and reduces secondary structural steel components.

SANTA FE® INSULATED WALL PANEL

The Santa Fe® insulated metal wall panel has a flat exterior with a heavily embossed, stucco texture. It is an architect's solution to obtaining modern building performance.

Product Specification

Panel

Attachment: Concealed Fastening System

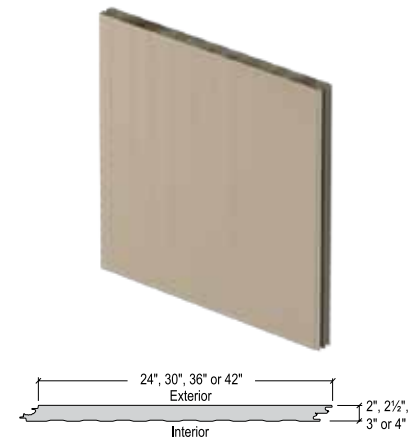
Gauges: Exterior: 24, 22
Interior: 26, 24, 22

Facings: Exterior: Aztec embossed
Interior: Stucco embossed,
Light Mesa

Coatings: Signature® 200, Signature®
300, Signature® 300 Metallic,
Applied Finishes

Benefits:

- Standard FM Approved Class 1 certification
- Lightweight and quick to install
- Double tongue-and-groove offset joints for concealed fastening
- Energy savings achieved with built-in thermal breaks



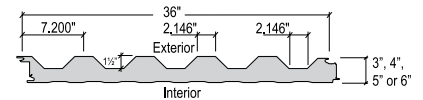
INSULATED METAL WALL PANELS

7.2 INSUL-RIB™ INSULATED WALL PANEL

The 7.2 Insul-Rib™ insulated metal wall panel features symmetrical ribs spaced 7.2 inches apart and a polyurethane foam core. This panel can be installed both vertically and horizontally.

Product Specification

- Panel**
- Attachment:** Concealed Fastening System
- Gauges:** Exterior: 26, 24, 22
Interior: 26, 24, 22
- Facings:** Exterior: Stucco embossed
Interior: Stucco
- Coatings:** Signature® 200, Signature® 300, Signature® 300 Metallic, Applied Finishes

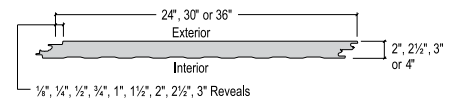


ARCHITECTURAL INSULATED WALL PANEL

The Architectural insulated metal wall panel features a stucco-embossed face with flushed seams. Ideal for high-profile architectural applications, these wall panels can be applied vertically or horizontally for a high-end appearance.

Product Specification

- Panel**
- Attachment:** Concealed Fastening System
- Gauges:** Exterior: 22
Interior: 26, 24, 22
- Facings:** Exterior: Stucco embossed
Interior: Stucco embossed
- Coatings:** Signature® 300, Signature® 300 Metallic

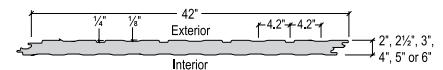


CF FLUTE INSULATED WALL PANEL

CF Flute insulated metal wall panels feature bold, vertical lines to create an industrial look with superior thermal performance. Ideal for cold-storage facilities, the exterior and interior faces are stucco-embossed.

Product Specification

- Panel**
- Attachment:** Concealed Fastening System
- Gauges:** Exterior: 22
Interior: 26, 24, 22
- Facings:** Exterior: Stucco embossed
Interior: Stucco embossed
- Coatings:** Signature® 200, Signature® 300, Signature® 300 Metallic, Applied Finishes



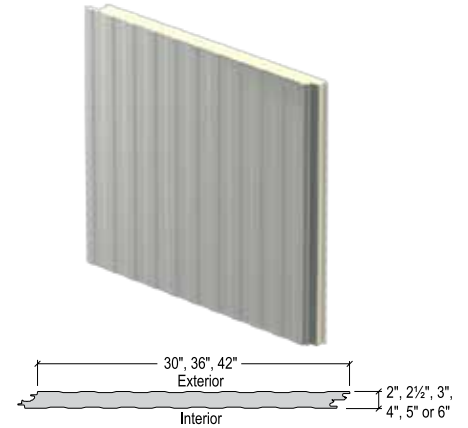
INSULATED METAL WALL PANELS

CF MESA, LIGHT MESA & PARTITION INSULATED WALL PANEL

The CF Mesa, Light Mesa and Partition insulated metal wall panels feature an identical interior and exterior faces and a lightly corrugated profile, ensuring symmetry throughout the building. The interior partition wall panels are 44 1/2" inches wide.

Product Specification

- Panel Attachment:** Concealed Fastening System
- Gauges:** Exterior: 26, 24, 22
Interior: 26, 24, 22
- Facings:** Exterior: Stucco embossed
Interior: Stucco embossed
- Coatings:** Signature® 200, Signature® 300, Signature® 300 Metallic, Applied Finishes

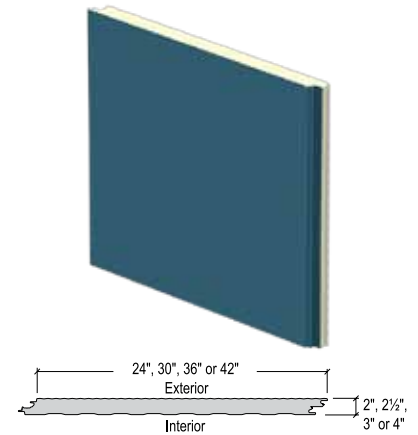


STRIATED INSULATED WALL PANEL

The Striated insulated metal wall panel combines the look of a conventional flat wall with the insulation benefits of a polyurethane core. The interior and exterior skins are stucco-embossed.

Product Specification

- Panel Attachment:** Concealed Fastening System
- Gauges:** Exterior: 26, 24, 22
Interior: 26, 24, 22
- Facings:** Exterior: Stucco embossed
Interior: Stucco embossed
- Coatings:** Signature® 200, Signature® 300, Signature® 300 Metallic, Applied Finishes

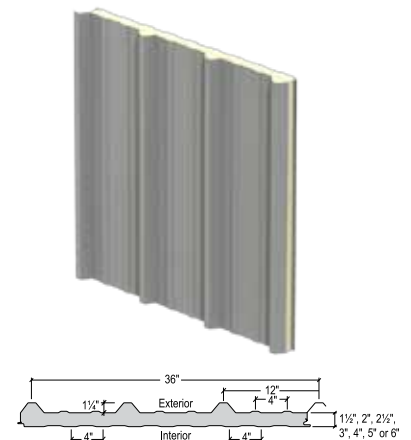


LS-36™ INSULATED WALL PANEL

The LS-36™ insulated metal wall panel combines a polyurethane foam core with superior R-value performance. The LS-36™ utilizes an overlapping, through-fastened attachment that is quick to install.

Product Specification

- Panel Attachment:** Exposed Fastening System
- Gauges:** Exterior: 26, 24, 22
Interior: 26, 24, 22
- Facings:** Exterior: Stucco embossed, Mesa between the ribs
Interior: Stucco embossed, Mesa Galvalume Plus®, Signature® 200, Signature® 300, Signature® 300 Metallic, Applied Finishes



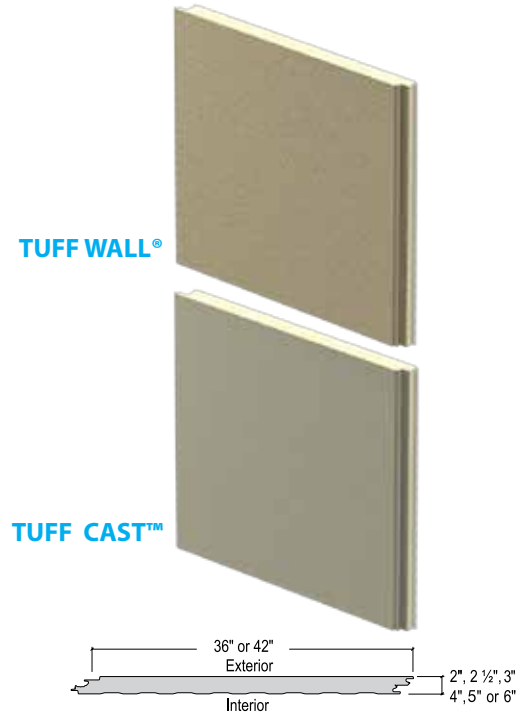
INSULATED METAL WALL PANELS

TUFF WALL® & TUFF-CAST™ INSULATED WALL PANEL

Tuff Wall® insulated metal wall panels deliver the masonry look of stucco with the building performance of an insulated metal panel. Tuff-Cast™ insulated metal wall panels are an attractive and energy-efficient alternative to pre-cast concrete.

Product Specification

- Panel Attachment:** Concealed Fastening System
- Gauges:** Exterior: 24, 22, Interior: 26, 24, 22
- Facings:** Exterior: Stucco embossed with Tuff Cote® finish system
- Coatings:** Applied Finishes



THERMALSAFE® INSULATED WALL PANEL

ThermalSafe® is a composite panel with a core made from non-combustible structural mineral wool boards. The insulated panel provides one-, two- and three-hour fire resistance ratings under the most demanding conditions.

Product Specification

- Panel Attachment:** Concealed Fastening System
- Gauges:** Exterior: 26, 24 Interior: 26, 24
- Facings:** Exterior: Stucco-embossed, Ultra Light Mesa Profile Interior: Ultra Light Mesa Profile
- Coatings:** Signature® 200, Signature® 300, Signature® 300 Metallic

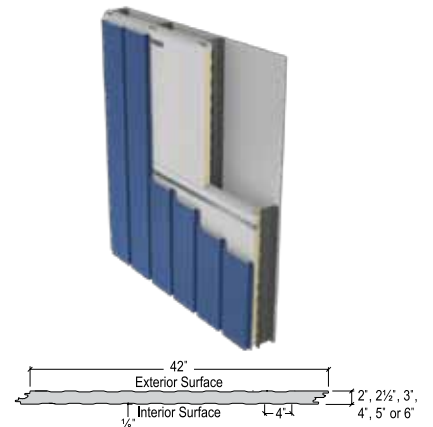


HPCI BARRIER™ INSULATED WALL PANEL

The HPCI Barrier™ insulated metal wall panel provides superior air, thermal, water and vapor protection in a single panel.

Product Specification

- Panel Attachment:** Concealed Fastening System, Tongue-and-Groove
- Gauges:** Exterior: 26, 24, 22 Interior: 26, 24, 22
- Facings:** Exterior: Stucco embossed Interior: Stucco embossed Lt. Mesa
- Coatings:** Signature® 200 Igloo White



Ceco Building Systems



www.cecobuildings.com | 1-800-474-CECO