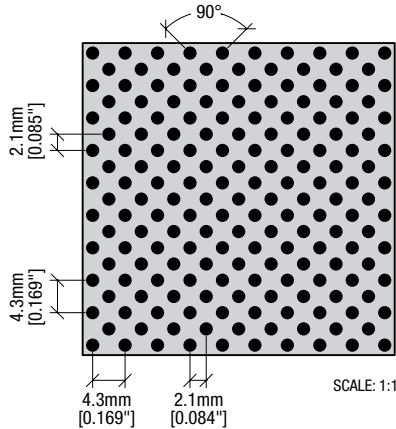
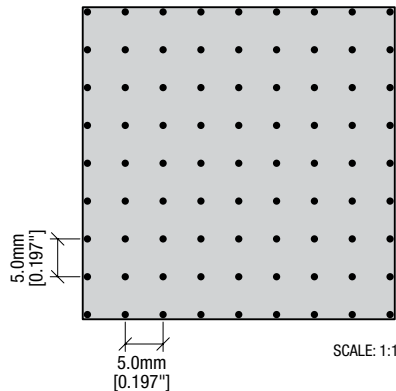


Standard Steel Perforation Options



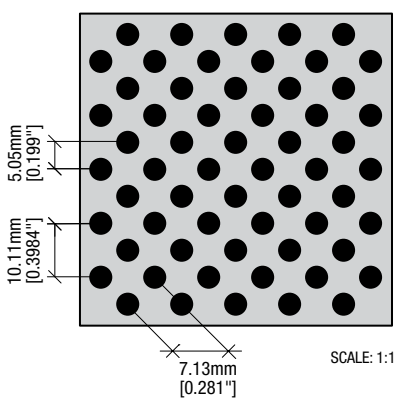
**M2**  
**Microperforated (Rd 1518)**  
 PATTERN TYPE:  
 Round-Diagonal  
 HOLE SIZE:  
 1.5mm [.059"]  
 % OPEN AREA:  
 18.4%

**Standard on:** MetalWorks Tegular, MetalWorks Vector®, MetalWorks Linear™, MetalWorks Plank, MetalWorks Canopies, MetalWorks infills for Metaphors Coffers, MetalWorks Wings



**M3**  
**Extra Microperforated (Rg 0701)**  
 PATTERN TYPE:  
 Round-Straight  
 HOLE SIZE:  
 0.7mm [.028"]  
 % OPEN AREA:  
 1.5%

**Standard on:** MetalWorks Tegular, MetalWorks Vector, MetalWorks Tin, MetalWorks Canopies, MetalWorks Tin infills for Metaphors Coffers

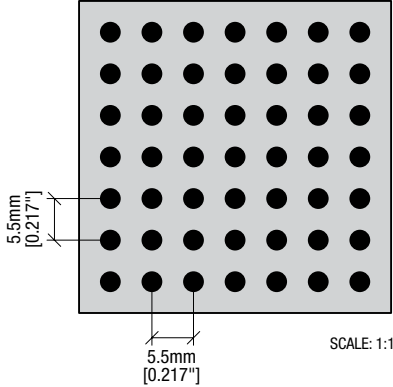


**P4**  
 PATTERN TYPE:  
 Round-Diagonal  
 HOLE SIZE:  
 2.76mm [.109"]  
 % OPEN AREA:  
 13.6%

**Standard on:** MetalWorks SecureLock™

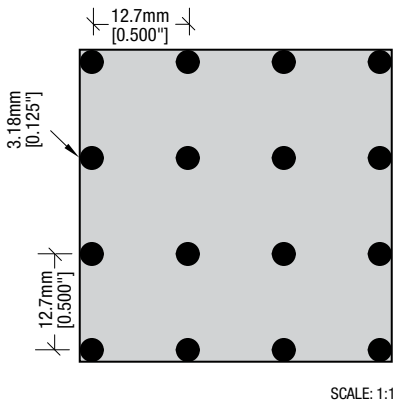
**METALWORKS™**  
 Ceilings Perforation Options

Standard Aluminum Perforation Options



**M10**  
 PATTERN TYPE:  
 Round-Straight  
 HOLE SIZE:  
 2.5mm [.098"]  
 % OPEN AREA:  
 13.6%

**Standard on:** MetalWorks Capz™, MetalWorks Concealed



**M14 (Rg 3205)**  
 PATTERN TYPE:  
 Round-Straight  
 HOLE SIZE:  
 3.18mm [.125"]  
 % OPEN AREA:  
 5%  
 MIN. UNPERF. BORDER:  
 5/16"

**Standard on:** MetalWorks Torsion Spring, MetalWorks Snap-in

* Key for Perforation Names (Example - Rg 0701):	
<b>R</b>	Hole shape (R = round / Q = square / L = oval/rectangle / T = trapezoid)
<b>g</b>	Pattern (g = straight / d = diagonal / v = staggered)
<b>07</b>	Diameter of hole size in mm (example 0.7 mm)
<b>01</b>	% open area

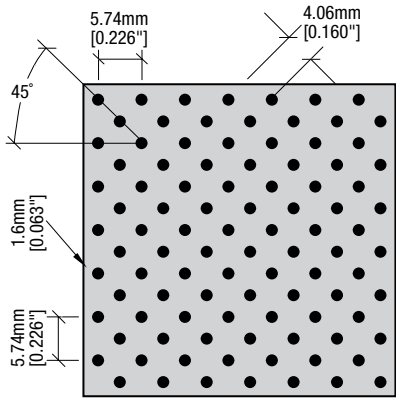
Visit [armstrong.com/walls](http://armstrong.com/walls) for information about custom metal walls perforations. For technical assistance with custom design options, contact Architectural Specialties at 1 877 ARMSTRONG, and select prompts 1-1-4.



Online tool that allows you to visually create MetalWorks™ and WoodWorks ceiling and wall swatches – color, perforation and pattern – watch as your swatch comes to life!  
[armstrong.com/swatchit](http://armstrong.com/swatchit)



Standard Aluminum Perforation Options

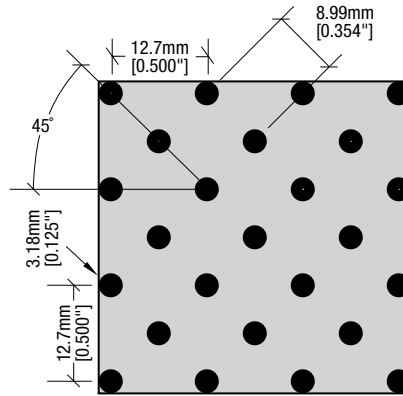


**M15\* (Rd 1612)**

PATTERN TYPE:  
Round-Diagonal  
HOLE SIZE:  
1.6mm [.063"]  
% OPEN AREA:  
12%  
MIN. UNPERF. BORDER:  
9/32"

SCALE: 1:1

**Standard on:** MetalWorks Torsion Spring, MetalWorks Snap-in, MetalWorks Tegular for TechZone™, MetalWorks Blades, MetalWorks 3D

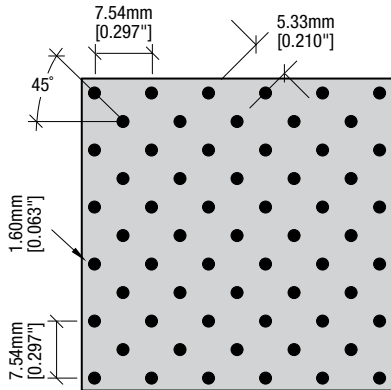


**M18 (Rd 3210)**

PATTERN TYPE:  
Round-Diagonal  
HOLE SIZE:  
3.2mm [.125"]  
% OPEN AREA:  
10%  
MIN. UNPERF. BORDER:  
5/16"

SCALE: 1:1

**Standard on:** MetalWorks Torsion Spring, MetalWorks Snap-in

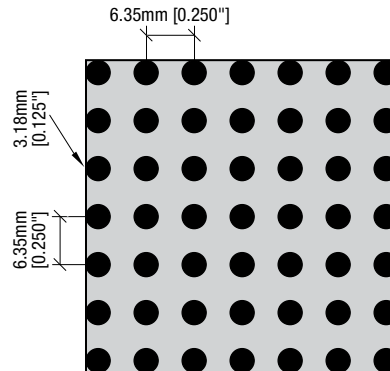


**M16 (Rd 1607)**

PATTERN TYPE:  
Round-Diagonal  
HOLE SIZE:  
1.6mm [.063"]  
% OPEN AREA:  
7%  
MIN. UNPERF. BORDER:  
9/32"

SCALE: 1:1

**Standard on:** MetalWorks Torsion Spring, MetalWorks Snap-in

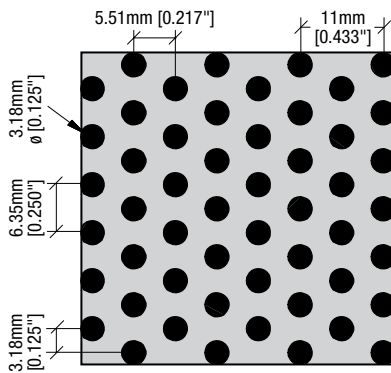


**M19 (Rg 3220)**

PATTERN TYPE:  
Round-Straight  
HOLE SIZE:  
3.2mm [.125"]  
% OPEN AREA:  
20%  
MIN. UNPERF. BORDER:  
5/16"

SCALE: 1:1

**Standard on:** MetalWorks Torsion Spring, MetalWorks Snap-in



**M17 (Rv 3223)**

PATTERN TYPE:  
Round-Staggered  
HOLE SIZE:  
3.2mm [.125"]  
% OPEN AREA:  
23%  
MIN. UNPERF. BORDER:  
5/16"

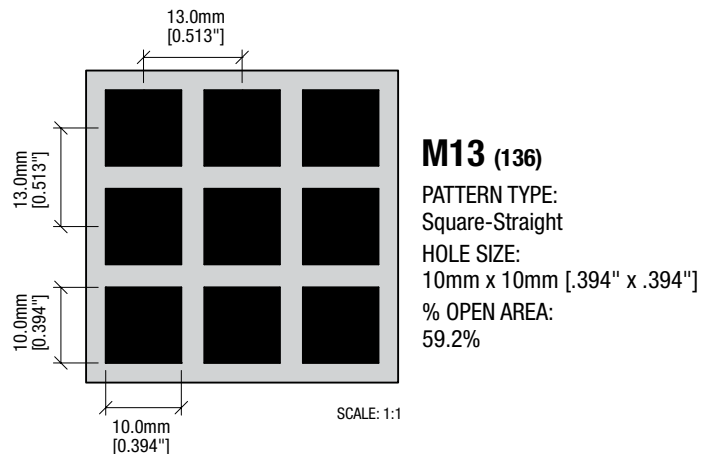
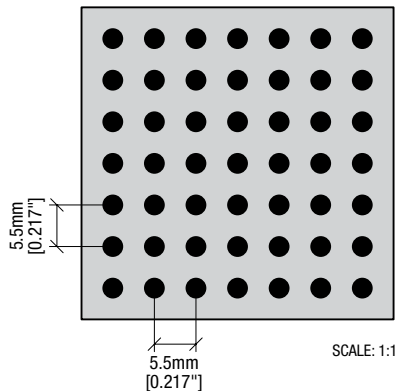
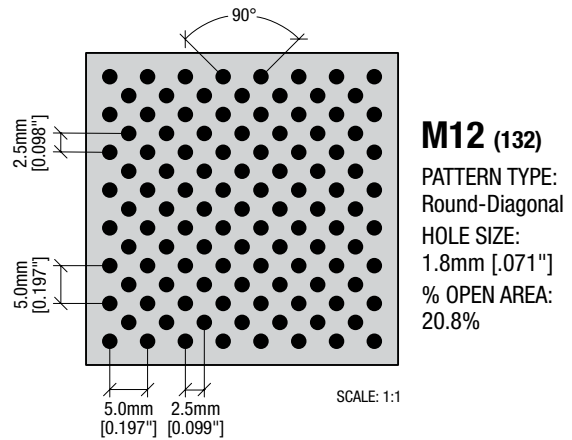
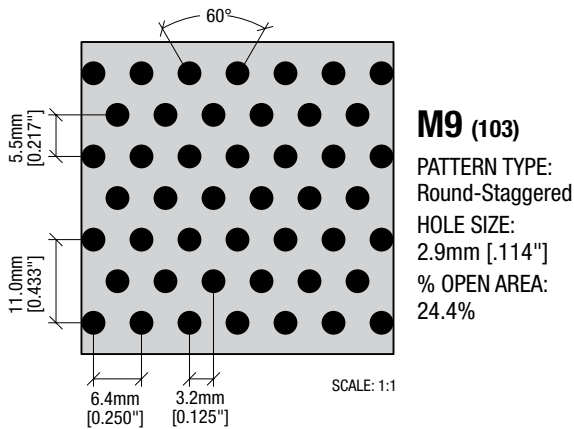
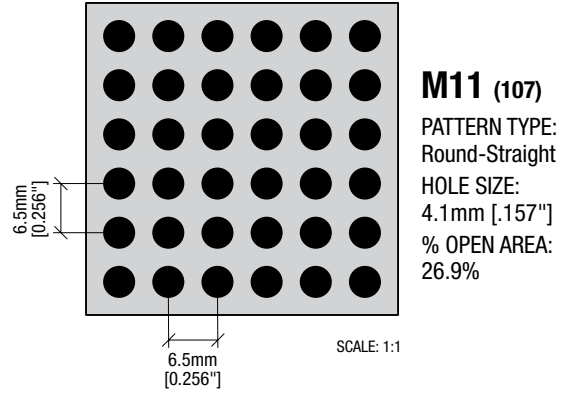
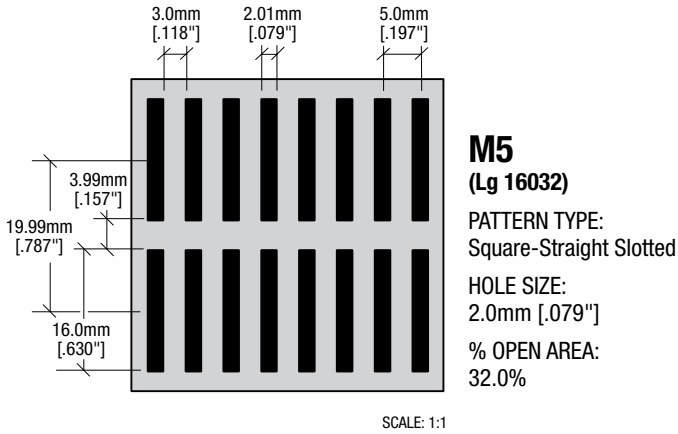
SCALE: 1:1

**Standard on:** MetalWorks Torsion Spring, MetalWorks Snap-in

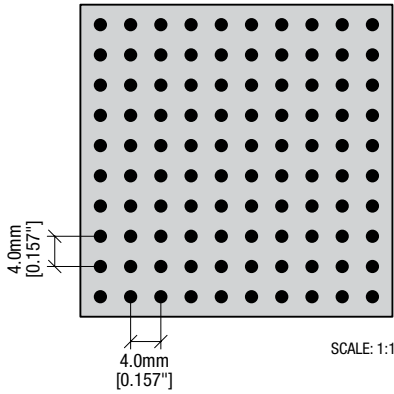
\*M20 designation is this perforation with Ceiltex finish applied on top. Standard on MetalWorks Torsion Spring only.

## Premium Steel Perforation Options

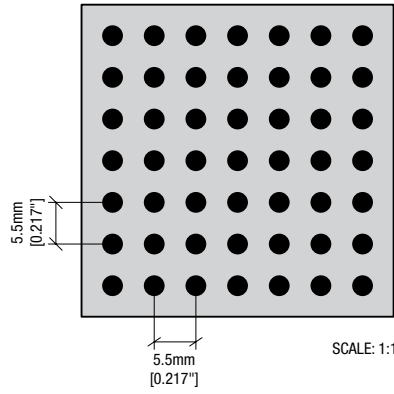
Premium perforations normally have longer lead times, minimum order quantities, and are priced between standard and custom choices. Available on 2' x 2' MetalWorks Tegular, Vector and Premium and Custom size panels.



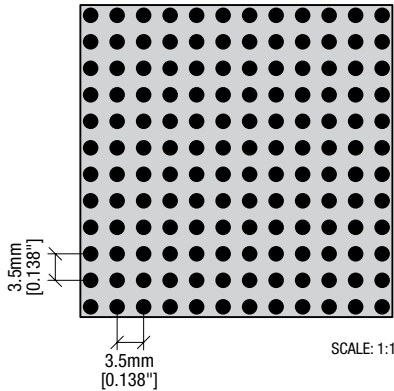
**Round-Straight**



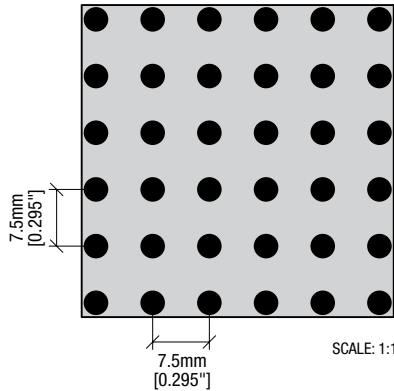
**Rg 1511**  
 PATTERN TYPE:  
 Round-Straight  
 HOLE SIZE:  
 1.5mm [.059"]  
 % OPEN AREA:  
 11.0%



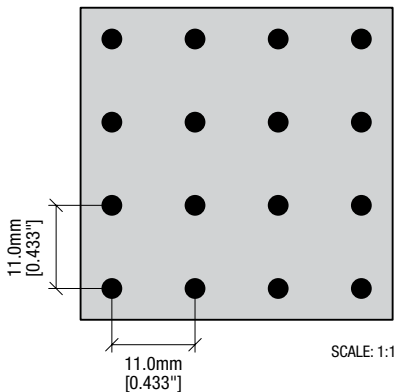
**Rg 2516**  
 PATTERN TYPE:  
 Round-Straight  
 HOLE SIZE:  
 2.5mm [.098"]  
 % OPEN AREA:  
 16.0%



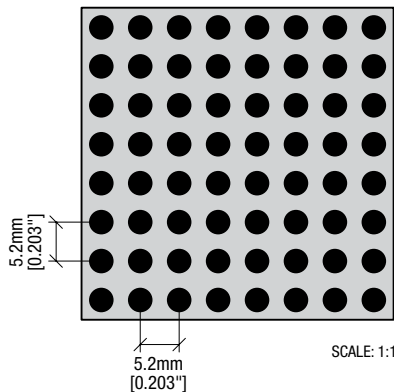
**Rg 1821**  
 PATTERN TYPE:  
 Round-Straight  
 HOLE SIZE:  
 1.8mm [.071"]  
 % OPEN AREA:  
 21.0%



**Rg 3013**  
 PATTERN TYPE:  
 Round-Straight  
 HOLE SIZE:  
 3.0mm [.118"]  
 % OPEN AREA:  
 13.0%

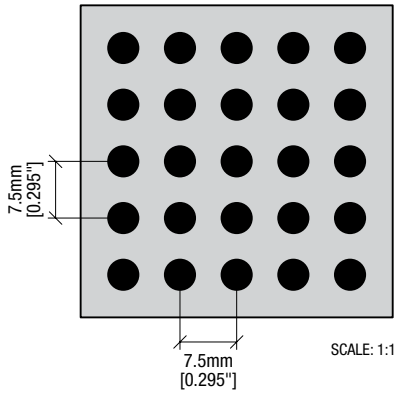


**Rg 2504**  
 PATTERN TYPE:  
 Round-Straight  
 HOLE SIZE:  
 2.5mm [.098"]  
 % OPEN AREA:  
 4.0%

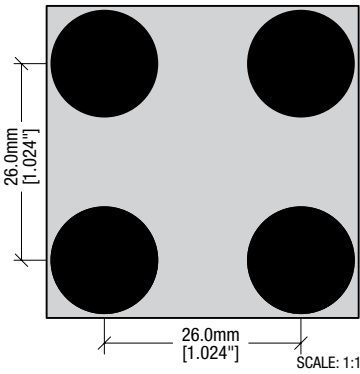


**Rg 3027**  
 PATTERN TYPE:  
 Round-Straight  
 HOLE SIZE:  
 3.0mm [.118"]  
 % OPEN AREA:  
 27.0%

\*For more information, contact Architectural Specialties at 1 877 ARMSTRONG, and select options 1-1-4.

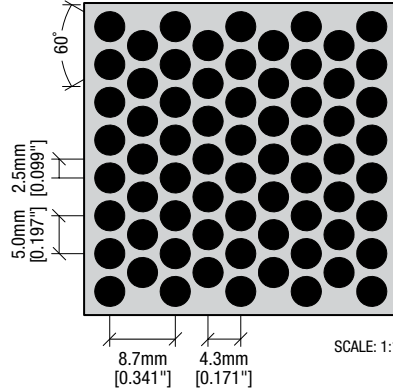


**Rg 4022**  
 PATTERN TYPE:  
 Round-Straight  
 HOLE SIZE:  
 4.0mm [.157"]  
 % OPEN AREA:  
 22.0%

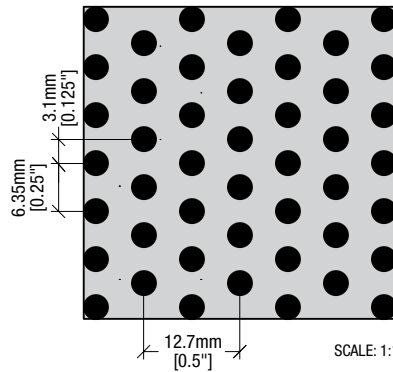


**Rg 14023**  
 PATTERN TYPE:  
 Round-Straight  
 HOLE SIZE:  
 14.0mm [.551"]  
 % OPEN AREA:  
 23.0%

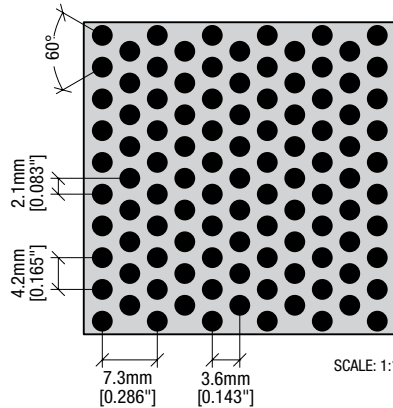
**Round-Staggered**



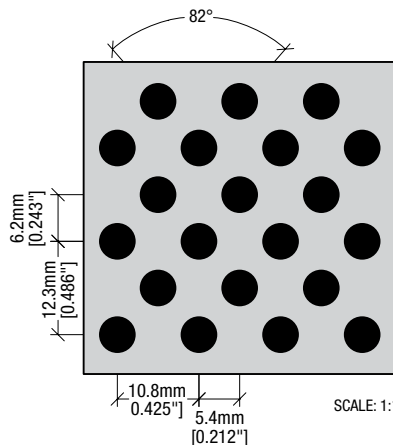
**M4 (Rv 4058)**  
 PATTERN TYPE:  
 Round-Staggered  
 HOLE SIZE:  
 4.0mm [.157"]  
 % OPEN AREA:  
 58%  
 MIN. UNPERF. BORDER:  
 5/16"



**SecureLock Plus (P5)**  
 PATTERN TYPE:  
 Round-Staggered  
 HOLE SIZE:  
 3.1mm [.125"]  
 % OPEN AREA:  
 22.7%

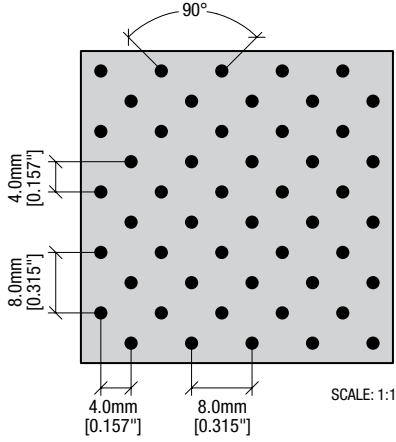


**Rv 2523**  
 PATTERN TYPE:  
 Round-Staggered  
 HOLE SIZE:  
 2.5mm [.098"]  
 % OPEN AREA:  
 23.0%

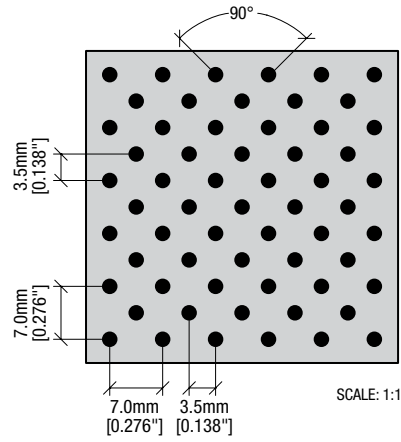


**Rv 4625**  
 PATTERN TYPE:  
 Round-Staggered  
 HOLE SIZE:  
 4.6mm [.181"]  
 % OPEN AREA:  
 25.0%

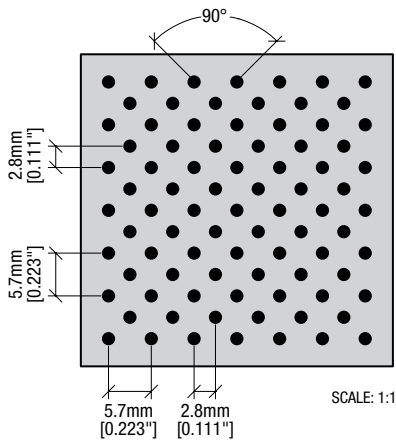
**Round-Diagonal**



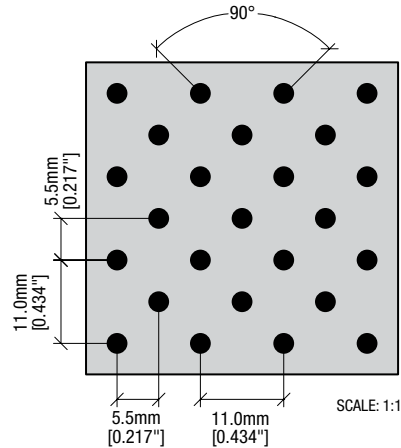
**Rd 1506**  
 PATTERN TYPE:  
 Round-Diagonal  
 HOLE SIZE:  
 1.5mm [.059"]  
 % OPEN AREA:  
 6.0%



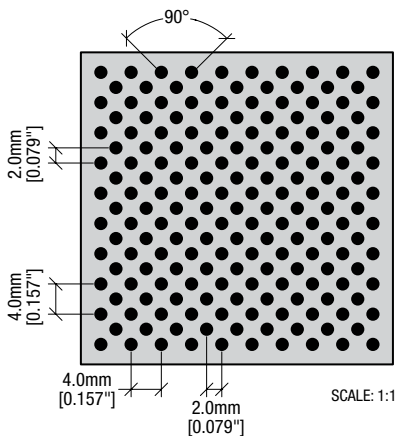
**Rd 1810**  
 PATTERN TYPE:  
 Round-Diagonal  
 HOLE SIZE:  
 1.8mm [.071"]  
 % OPEN AREA:  
 10.0%



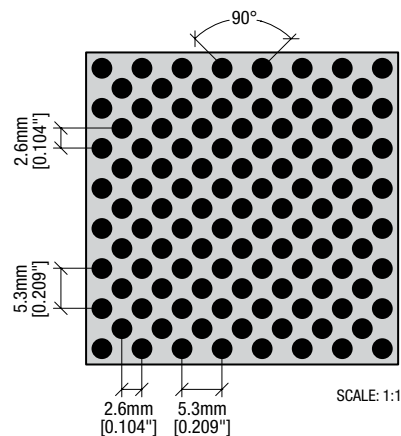
**Rd 1511**  
 PATTERN TYPE:  
 Round-Diagonal  
 HOLE SIZE:  
 1.5mm [.059"]  
 % OPEN AREA:  
 11.0%



**Rd 2508**  
 PATTERN TYPE:  
 Round-Diagonal  
 HOLE SIZE:  
 2.5mm [.098"]  
 % OPEN AREA:  
 8.0%

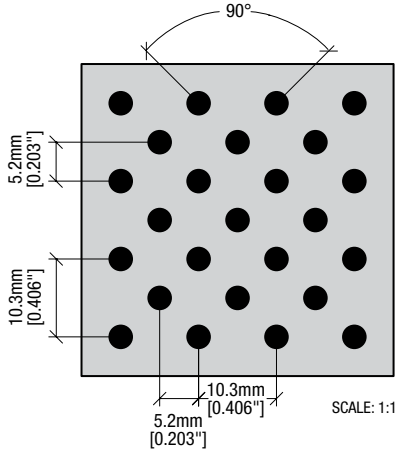


**Rd 1522**  
 PATTERN TYPE:  
 Round-Diagonal  
 HOLE SIZE:  
 1.5mm [.059"]  
 % OPEN AREA:  
 22.0%

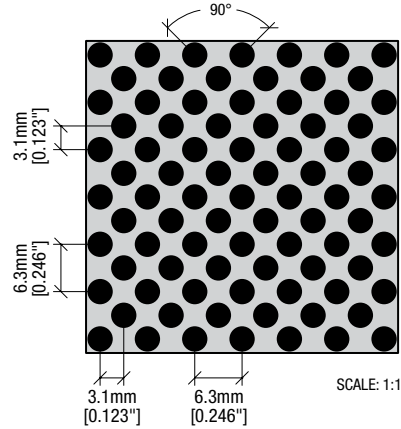


**Rd 2535**  
 PATTERN TYPE:  
 Round-Diagonal  
 HOLE SIZE:  
 2.5mm [.098"]  
 % OPEN AREA:  
 35.0%

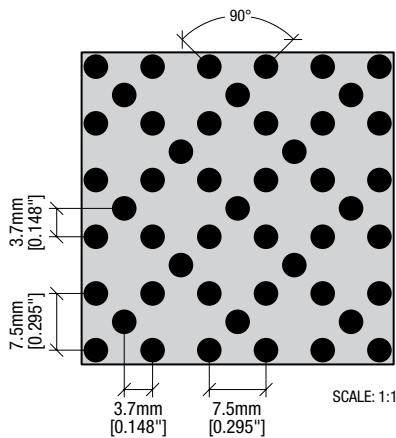
Custom Steel Perforation Options



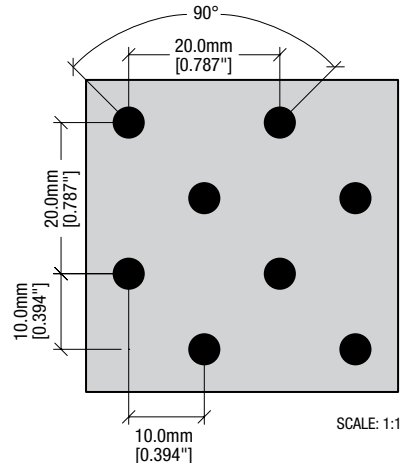
**Rd 3013**  
 PATTERN TYPE:  
 Round-Diagonal  
 HOLE SIZE:  
 3.0mm [.118"]  
 % OPEN AREA:  
 13.0%



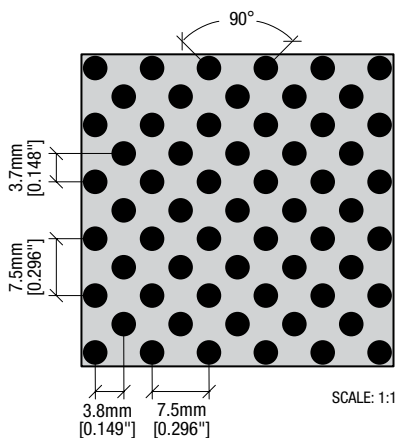
**Rd 3139**  
 PATTERN TYPE:  
 Round-Diagonal  
 HOLE SIZE:  
 3.1mm [.122"]  
 % OPEN AREA:  
 39.0%



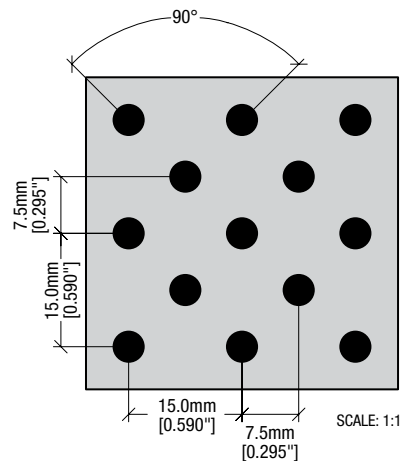
**Rd 3019**  
 PATTERN TYPE:  
 Round-Diagonal  
 HOLE SIZE:  
 3.0mm [.118"]  
 % OPEN AREA:  
 19.0%



**Rd 4006**  
 PATTERN TYPE:  
 Round-Diagonal  
 HOLE SIZE:  
 4.0mm [.157"]  
 % OPEN AREA:  
 6.0%



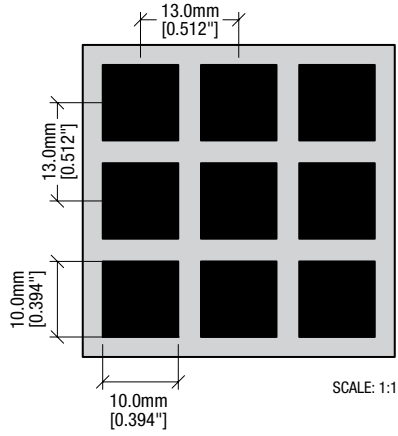
**Rd 3025**  
 PATTERN TYPE:  
 Round-Diagonal  
 HOLE SIZE:  
 3.0mm [.118"]  
 % OPEN AREA:  
 25.0%



**Rd 4011**  
 PATTERN TYPE:  
 Round-Diagonal  
 HOLE SIZE:  
 4.0mm [.157"]  
 % OPEN AREA:  
 11.0%

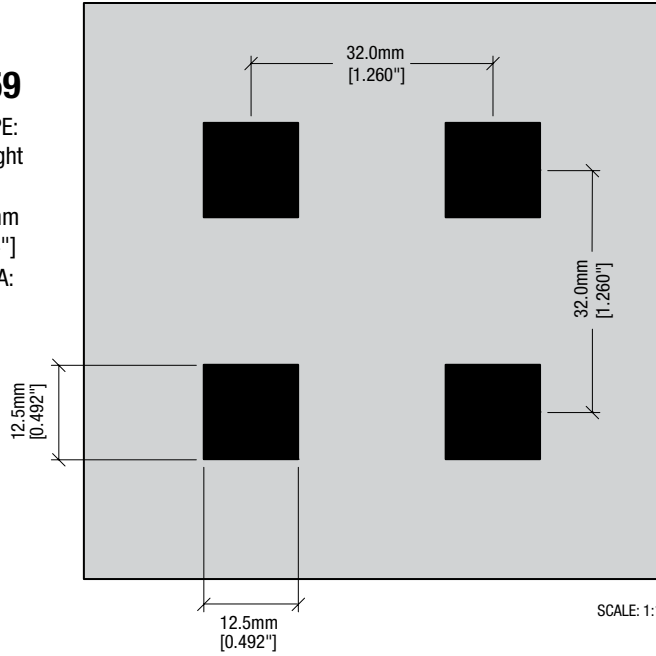
Custom Steel Perforation Options

**Square-Straight**



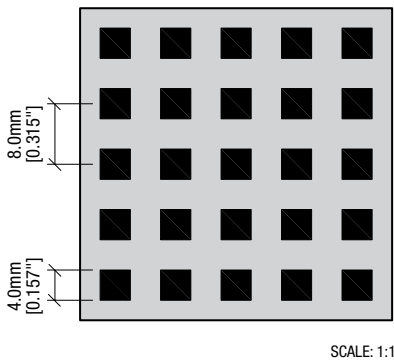
**Qg 10059**

PATTERN TYPE:  
Square-Straight  
HOLE SIZE:  
10mm x 10mm  
[.394" x .394"]  
% OPEN AREA:  
59.0%



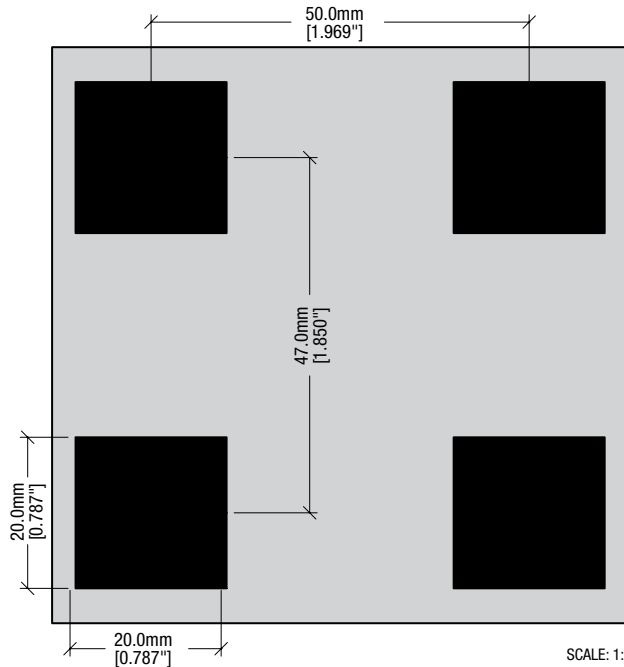
**Qg 12515**

PATTERN TYPE:  
Square-Straight  
HOLE SIZE:  
12.5mm x 12.5mm  
[.492" x .492"]  
% OPEN AREA:  
15.0%



**M6 (Qg 4025)**

PATTERN TYPE:  
Square-Straight  
HOLE SIZE:  
4.0mm x 4.0mm  
[.157" x .157"]  
% OPEN AREA:  
25.0%



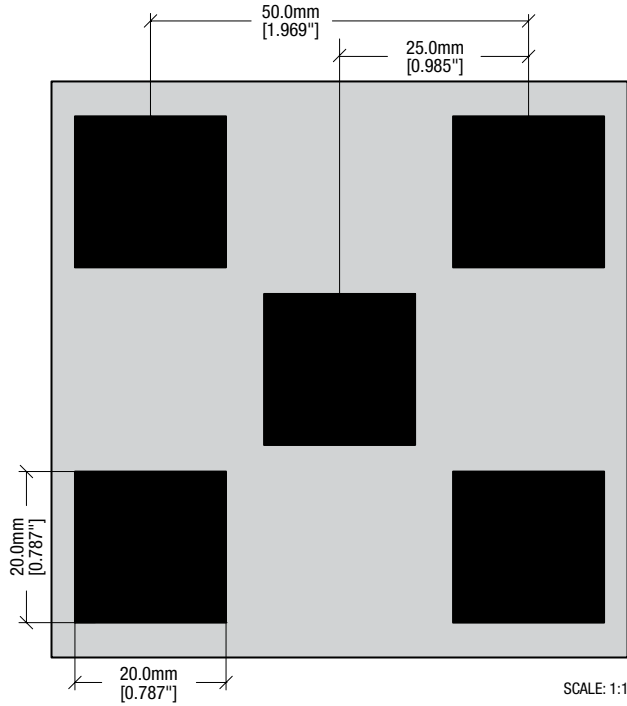
**Qg 20018**

PATTERN TYPE:  
Square-Straight  
HOLE SIZE:  
20mm x 20mm  
[.787" x .787"]  
% OPEN AREA:  
18.0%



Custom Steel Perforation Options

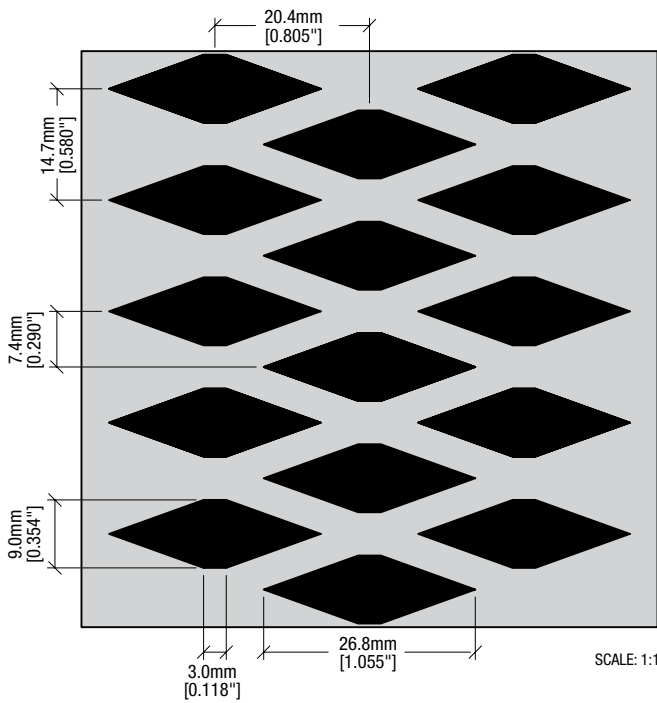
**Square-Diagonal**



**Qd 20034**

PATTERN TYPE:  
Square-Diagonal  
HOLE SIZE:  
20mm x 20mm  
[.787" x .787"]  
% OPEN AREA:  
34.0%

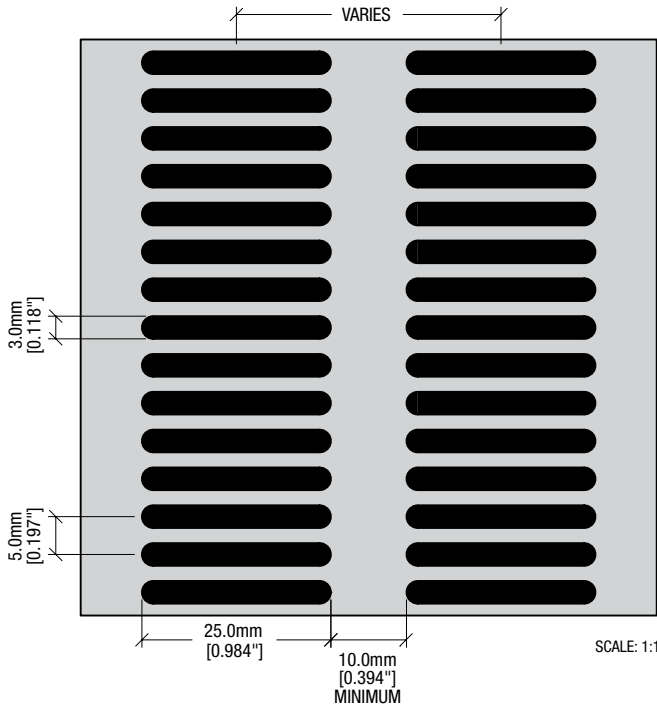
**Trapezoid-Staggered**



**Tv 26845**

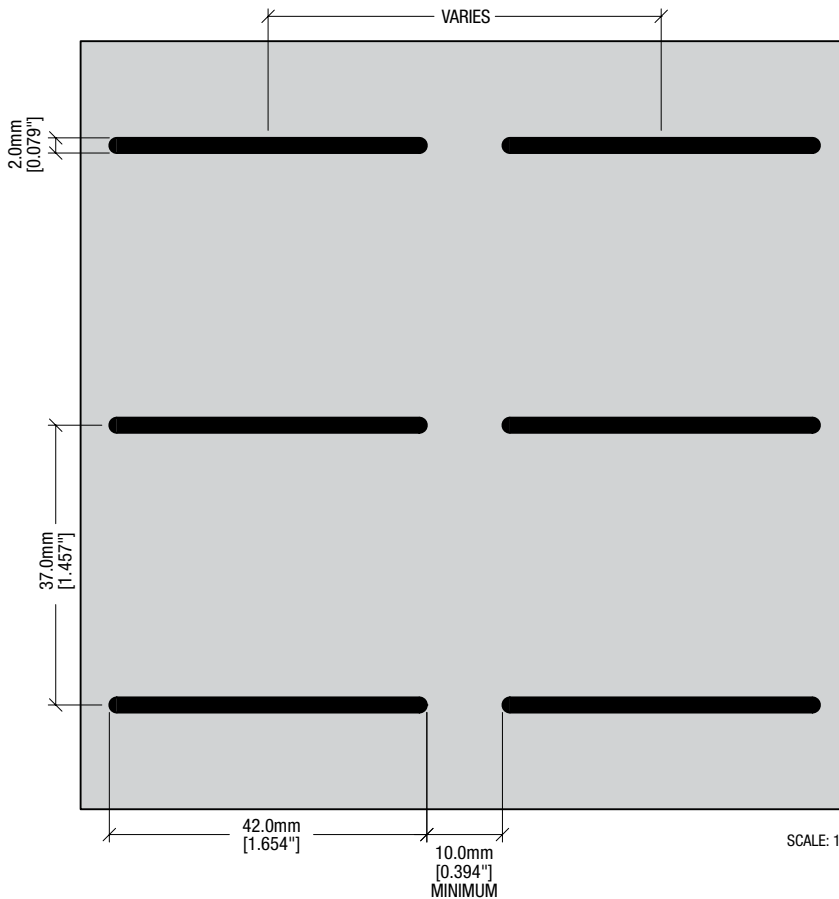
PATTERN TYPE:  
Trapezoid-Staggered  
HOLE SIZE:  
26.8mm x 9.0mm  
[1.102" x .354"]  
% OPEN AREA:  
45.0%

**Oval-Straight**



**Lg 25042**

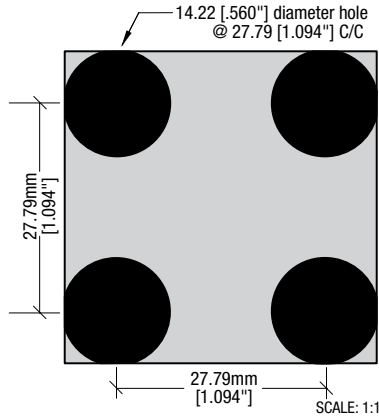
PATTERN TYPE:  
Oval-Straight  
HOLE SIZE:  
25mm x 3mm  
[.984" x .118"]  
% OPEN AREA:  
42.0% or Varies



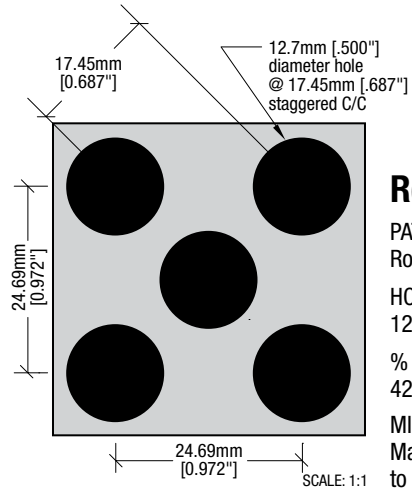
**Lg 42003**

PATTERN TYPE:  
Oval-Straight  
HOLE SIZE:  
42mm x 2mm  
[4.724" x .079"]  
% OPEN AREA:  
3.0% or Varies

Custom Aluminum Perforation Options



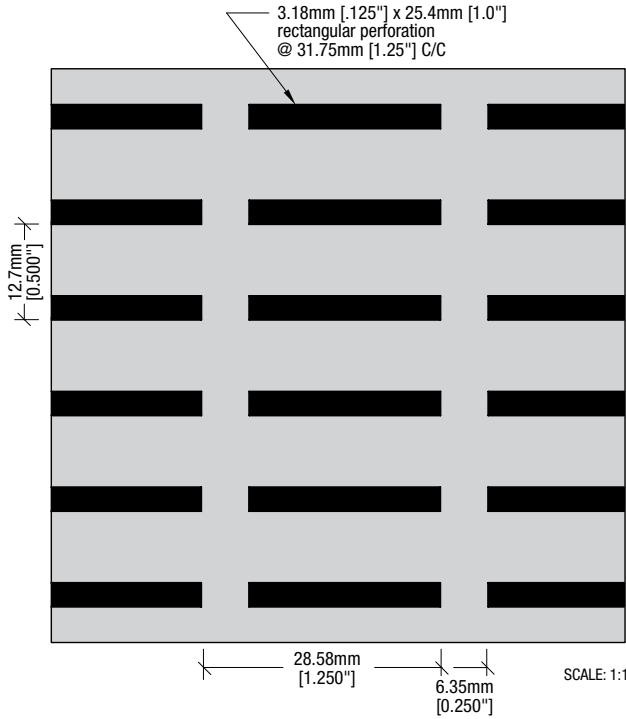
**Rg 1421**  
PATTERN TYPE:  
Round-Straight  
HOLE SIZE:  
14.224mm [.56"]  
% OPEN AREA:  
21%  
MIN. UNPERF. BORDER:  
May vary according  
to panel size.



**Rd 1242**  
PATTERN TYPE:  
Round-Diagonal  
HOLE SIZE:  
12.7mm [.50"]  
% OPEN AREA:  
42%  
MIN. UNPERF. BORDER:  
May vary according  
to panel size.

\*For more information, contact Architectural Specialties at 1 877 ARMSTRONG, and select options 1-1-4.

Custom Aluminum Perforation Options



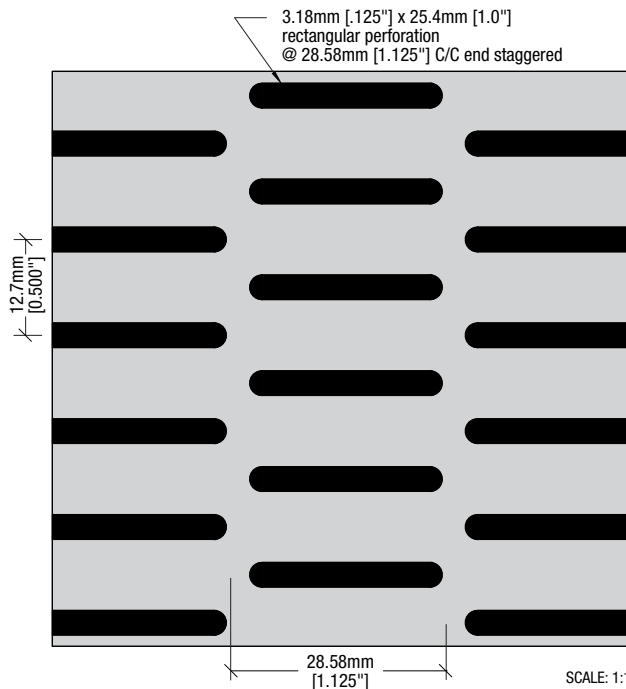
**Lg 25420**

PATTERN TYPE:  
Rectangle-Straight

HOLE SIZE:  
3.175mm x 25.4mm  
[.125" x 1"]

% OPEN AREA:  
20%

MIN. UNPERF. BORDER:  
May vary according  
to panel size.



**Lv 25422**

PATTERN TYPE:  
Oval-Staggered

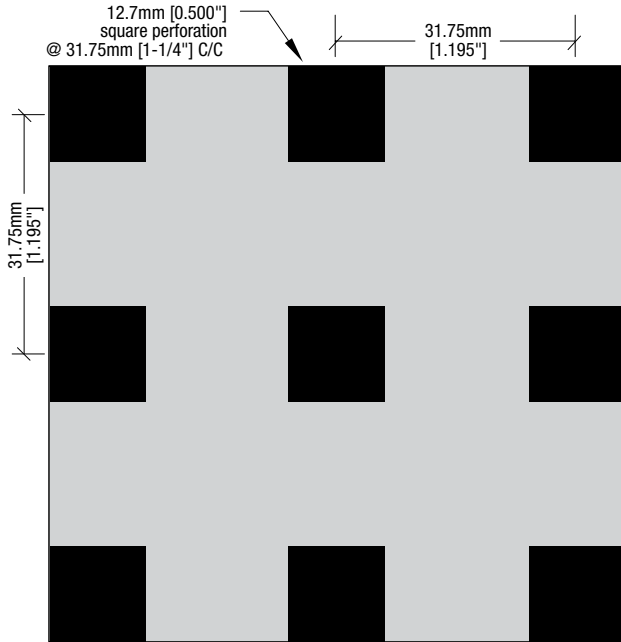
HOLE SIZE:  
3.175mm x 25.4mm  
[.125" x 1"]

% OPEN AREA:  
22%

MIN. UNPERF. BORDER:  
May vary according  
to panel size.

\*For more information, contact Architectural Specialties at  
1 877 ARMSTRONG, and select options 1-1-4.

Custom Aluminum Perforation Options



**Qg 1216**

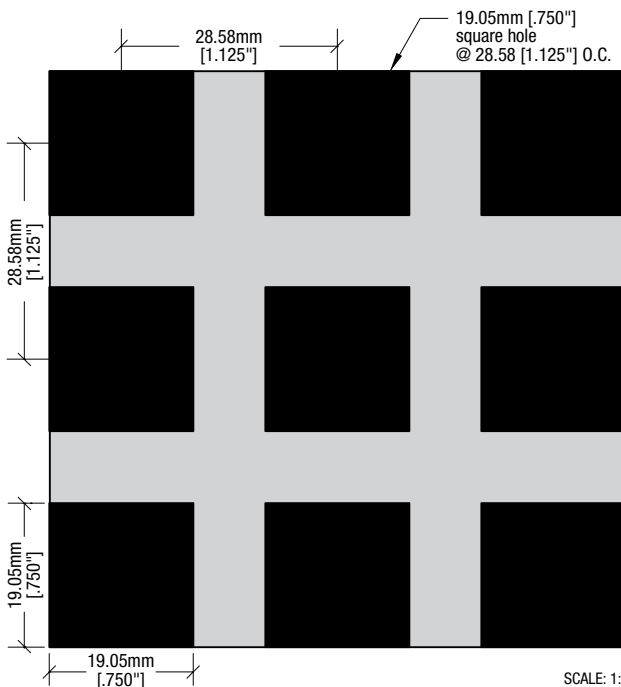
PATTERN TYPE:  
Square-Straight

HOLE SIZE:  
12.7mm [.50"]

% OPEN AREA:  
16%

MIN. UNPERF. BORDER:  
May vary according to panel size.

SCALE: 1:1



**Qg 1945**

PATTERN TYPE:  
Square-Straight

HOLE SIZE:  
19.04mm [.75"]

% OPEN AREA:  
45%

MIN. UNPERF. BORDER:  
May vary according to panel size.

SCALE: 1:1

