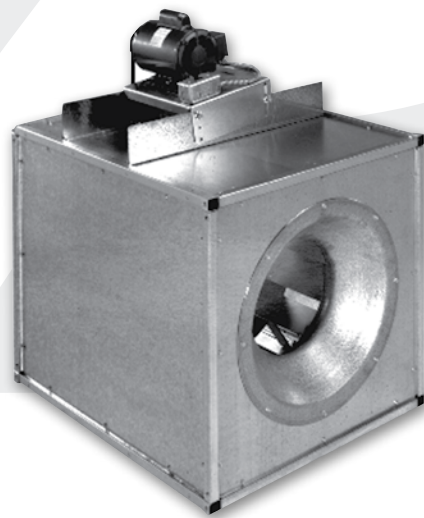




SX08



CENTREX INLINER

Model: SX
Centrifugal Inline Fans
Direct Drive and Belt Drive

MOVING YOUR WAY

› **Centrex Inliner**

Model: SX

Direct Drive

- Static pressure up to 1.75 in. wg.
- Flow capacity up to 3000 CFM

Standard Duty Belt Drive

- Static pressure up to 2.5 in. wg.
- Flow capacity up to 27,500 CFM

High Pressure Belt Drive

- Static pressure up to 3.5" in. wg.
- Flow capacity up to 9,200 CFM



Introduction.....2

Direct Drive Fan Data.....7

Belt Drive Fan Data.....9

Dimensional Information & Performance Data.....10

Engineering Specifications.....23

Limited Warranty.....IBC

› **AMCA Certification**

PennBarry certifies that the Centrex Inliner models shown herein are licensed to bear the AMCA seal. The ratings shown are based on tests and procedures performed in accordance with AMCA publications 211 and 311, and comply with the requirements of the AMCA Certified Ratings Program.



› **UL Certification**

Centrex Inliner fans carry the UL label, UL 705 (ZACT), listed under File #E28413. Check Underwriters Laboratories Re-Examination Service for specific units listed.



› **CSA Certifications**

Centrex Inliner exhausters are also certified by the Canadian Standard Association (File #LR13309)



PennBarry reserves the right to make changes at any time, without notice, to models, construction, specifications, options, availability, etc. This bulletin illustrates the appearance of PennBarry products at the time of publication. To view the latest updates, visit PennBarry at www.pennbarry.com.

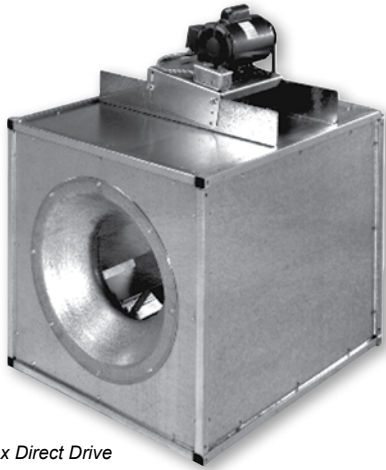
Introduction

Centrex Inliner

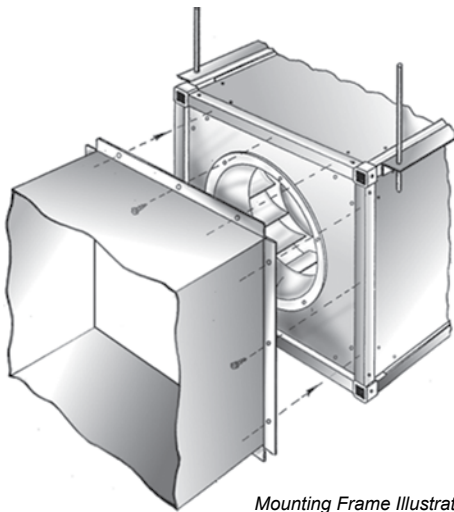


General Information

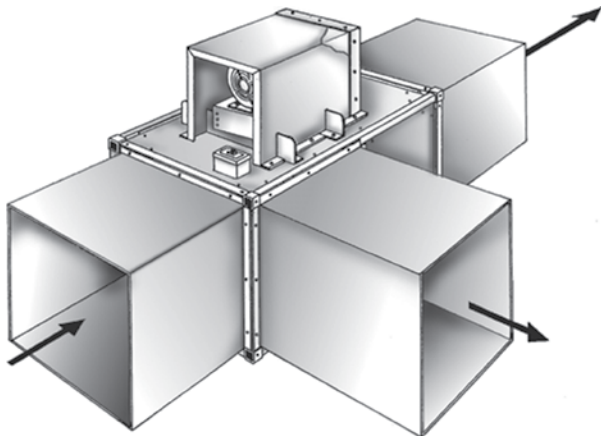
Centrifugal Inline Fans



Centrex Direct Drive



Mounting Frame Illustration



Side Duct Illustration

› Centrex Inliner

Centrex Inliner fans are widely used in square ducts as clean air boosters in both supply and exhaust systems where the installation of conventional blowers is impractical. Their compact design gives designers an excellent alternative to conventional blowers.

As an integral part of a ventilation system layout, Centrex Inliner fans can be installed either horizontally, vertically or at any angle determined by the duct work. Full-size removable panels enable easy access to the fan interior. Direct-drive motors are isolated from the airstream. Belt drive motors are mounted on the outside housing and can be positioned at any angle to avoid existing building obstructions. Optional motor covers are available as belt guards.

Centrex Inliner fans feature durable galvanized steel construction (aluminum is optional for selected belt drive models), which works in conjunction with a patented wheel design and deeply spun inlets to provide smoother flow through the ventilator. The centrifugal wheels are aluminum, non-overloading, backwardly inclined, robotically welded, and dynamically balanced.

› Centrex Inliner

Direct Drive

- Static pressure up to 1.75 in. wg.
- Flow capacity up to 3000 CFM

Standard Duty Belt Drive

- Static pressure up to 2.5 in. wg.
- Flow capacity up to 27,500 CFM

High Pressure Belt Drive

- Static pressure up to 3.5" in. wg.
- Flow capacity up to 9,200 CFM

C
e
n
t
r
e
x

I
n
l
i
n
e
r

› Silent Wheel (Direct Drive and SX100/120BC)

- Blades' highly curved leading edge provide unsurpassed low sound numbers with excellent air performance.
- Backplate and inlet are stamped for consistency, plus dynamic balancing assure smooth vibration-free operation.
- Riveted or riveted and welded construction ensure superior dependability over other wheel designs.

› Standard Duty, All Welded Wheel Standard Duty and High Pressure Belt Drive

- Blades are curved for improved air performance while increasing their strength and rigidity.
- Backplate and inlet are stamped for consistency. They include a perimeter rim which enhances strength and improves balancing.
- Wheel assembly is robotically welded to provide extremely durable and consistent performance.
- Wheel is dynamically balanced.

Balancing weights are mechanically attached to both the backplate and wheel inlet. This allows a precise placement of the weights anywhere within a full 360° range on two separate planes, without the possibility of detachment.

› Support Angles

Shipped loose with every unit, these heavy-gauge angles attach to long corner posts. They can also be used to install vibration isolator devices or to bolt the unit to a solid foundation.

› Reverse Venturi

Reverse venturi reduces turbulence and improves distribution of the air as it enters the wheel inlet and is "captured" by the blades.

› Self-Aligning Bearings

Heavy-duty bearings are sized for minimum L50 life in excess of 200,000 hours of operation. 100% factory tested, they are designed for air handling applications.

› Drive Belts

Pulleys are pre-set to the specified RPM. Cast iron variable pitch pulleys are adjustable, allowing for field balancing based on actual field conditions. All pulleys are sized for at least 150% of the driven horsepower.

› Aluminum Wheels

Centrex Inliner fans offer patented wheel designs. Carefully matched highly-tooled venturis enhance the performance of these backward inclined and non-overloading centrifugal wheels. Made of advanced aluminum alloys, the various wheel components provide superior strength and durability, as well as spark resistant construction.

› Internal Wiring

All models with ODP motors are wired to an appropriate external junction box. An appropriately sized disconnect switch is available. The initial electrical connection does not require the removal of any access panels.

› Sound Performance

Units deliver outstanding air performance with minimal noise.

› Structural Integrity

Corner post structural members are joined at their corners by an aluminum extrusion and then firmly locked in place to form a rigid framework.

› Unique Mounting Frame

Unique "fully flush" mounting frame allows installers to quickly fabricate "flanged" duct ends which can be easily secured with common sheet metal hardware. The duct is connected to a heavy-gauge corner post ensuring a substantial wall for the fastener threads and a rigid base to hold the shape of the ductwork.

› Three Removable Panels

Both side panels are removable for inspection, periodic maintenance, or optional discharge ducting. And, if required for cramped close-to-the-wall installations, once either side panel is removed, the bottom panel can then be removed.

› Benefits of Duct Arrangement

Because of the rigid corner post construction of the Inliner, three of the four panels can be removed; only the top motor mounting side is fixed. The removal of these panels is usually for inspection and normal maintenance.

However there is another, and often overlooked, benefit to having this type construction. Any of these three panels, or all of them, can be removed and replaced by a duct connection. This option allows ducting directly out of the sides or bottom of the unit.

- Eliminates the static pressure duct loss through duct fittings.
- Eliminates the cost of one or more field duct fittings.
- Possible with no performance penalty.

In some cases, just the space savings of transitioning directly from the unit can translate into a large savings by eliminating a lengthy "out of the way" run of duct.

› Minimum Duct Dimensions

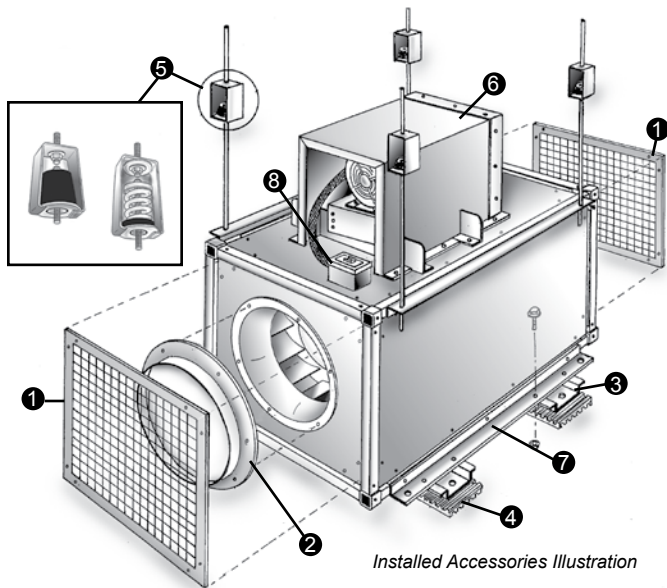
| Model | in. |
|----------------------------|-----|
| SX85 DD, SX95 DD, SX100 BC | 7 |
| SX125BC | 11 |
| SX115 DD, SX120BC, SX155BC | 12 |
| SX125BCH | 13 |
| SX205BCH | 14 |
| SX165BC, SX205BC | 16 |
| SX225BCH | 17 |
| SX275BC | 19 |
| SX225BC | 20 |
| SX335BC | 24 |
| SX420BC | 30 |

A side discharge duct may either be the full panel size, or smaller if desired. However, if not using a full panel, the duct opening must be installed at the inlet (wheel end) of the unit to avoid excessive "system effect" turbulence. In either case, the corner posts provide an effective surface for duct joints.

If this side ducting method is used, the typical straight through outlet may or may not be blocked, depending upon the application.

Options & Accessories

Centrifugal In-line Fans



› Fan Guards (1)

Both inlet and outlet guards are available whenever the unit is a termination point. Guards are highly recommended whenever the fan is mounted within seven feet of occupied space and/or otherwise unprotected ductwork. Each application must be reviewed for compliance with OSHA standards.

› Inlet Rings (2)

Structural angles formed as circles can be provided to connect unit to round duct systems.

› Support Channels (3)

A pair of formed channels can be used to mount the units horizontally to a solid base.

› Vibration Isolators (4)

A variety of isolation devices for floor mounting are available, including flex pads and rubber in shear or spring isolators. These can be used in conjunction with support angles (standard) or support channels (optional).

› Vibration Hangers (5)

To support installation from overhead structural members, these rubber in shear or spring type isolators attach to threaded rods provided by the installer. Vibration hangers are attached to the unit by support angles (standard) or support channels (optional).

› Motor Cover (6)

Normally provided as a belt guard.

› Support Angels (7)

These are provided as standard. It is not necessary to order as an accessory.

› Safety Disconnect Switch (8)

Safety disconnect switches are available to allow positive electrical shut-off and safety. Switches are factory mounted when factory wiring is requested. Wiring is only run from the motor to the junction box. (Factory wiring of explosion proof applications is not available.) A wide range of Nema rated enclosures with disconnect switches are available for indoor and explosion proof installations. Disconnects are to be field wired by a licensed electrician.

› AMCA B Construction

Belt drive models, up through SX205BC, are available with aluminum panels and corner posts.

› Backdraft Dampers

Backdraft dampers are available for either gravity or motorized operation (motor kit optional). Dampers feature square galvanized steel frame, multi-leaf, roll formed aluminum blades with nylon bearings.

› Finishes

Coatings such as Polyester Powder Coat, Epoxy Powder Coat, Phenolic Epoxy Powder Coat, and others are available. See the coatings brochure for details.

› Firestat Switch

Firestat switch automatically disconnects the unit when the temperature of the air being exhausted exceeds a preset rating.

› Time-Delay Switch (Direct Drive models only)

The Airminder Model AM12 switch is a UL listed and CSA certified time-delay relay that operates both the fan and room light to ventilate an area even after the occupants depart. In the "On" position, the Airminder turns the light and fan on immediately. In the "Off" position, the light goes off immediately and the fan is in operation for a period of time as preset from 1 to 60 minutes.

› Speed Controllers

The Lektrol™ controller allows adjustment in speed to a maximum of 50% reduction, which results in a very cost effective means for system balancing. The device can be located under the motor cover to prevent unauthorized tampering or on the wall for ease of operation by the building occupants. (Available on direct drive units with ODP motors and some select TE motors. See reference table under Motor Availability).



©PENNBARRY 2008

› Motor Selection

After choosing a fan model from the Direct Drive or Belt Drive Performance Data sections, it is important to review the motor availability charts in this section before specifying electric motors for your particular needs. Factors which influence the selection process are discussed below.

› Electric Power Considerations

First, determine the nature of the electric power feeding the motor. Is it single phase or three phase power? Next, determine the required line voltage. Is it 115V, 230V, 460V? If your HVAC application is in the U.S., the frequency of the alternating current will be 60 Hz. All of North America and most of Central and South America use 60 Hz as does Saudi Arabia. Most other countries in the world use 50 Hz.

› Environmental Considerations

Standard motors supplied with fans are called Open Drip Proof (ODP) motors. Other types of motors may be required to meet specific field conditions; high temperature (50°C) or Totally Enclosed (TE) are two examples. Hazardous environments require Explosion Proof motors. Standard Explosion Proof motors are rated for Class 1, Group D, Div. 1 and Class II, Groups F and G, Div. 1 applications. Motors for other classes and groups may also be available. Please consult your local PennBarry representative for information.

› Direct Drive Motor Ability

The following chart lists the various motor options available for each of the direct drive fan models. Once a fan model is selected, this chart can be used to determine if a suitable motor is available. (If not, another selection may have to be made from the fan performance charts). Look under the nominal RPM heading to determine which fans have 2-speed and 3-speed motors. PennBarry's FanSizer will ensure accurate selections.

› Direct Drive Motor Options

| Model | Nominal RPM | | | | 1 Phase | | | | | | | | | 3 Phase | | | | |
|-------------|-------------|--------|--------|--------|----------------|------------------|-----------------|-----------------|----------------|---------|--------------|-----------------|----------------|-----------------|-------|--------------|-----------------|--|
| | 1050 V | 1300 V | 1550 V | 1725 V | 115 Volts | | | 200 - 240 Volts | | | | | | 200 - 460 Volts | | | | |
| | | | | | Open Drip Roof | Totally Enclosed | Expl. Proof (4) | Open Drip Roof | Fully Enclosed | 50 hz | 50°C Ambient | Expl. Proof (4) | Open Drip Roof | Fully Enclosed | 50 hz | 50°C Ambient | Expl. Proof (4) | |
| SX085RC | | | | | - | yes | - | TE Motors Use | yes | yes | yes | - | TE Motors Use | - | - | - | - | |
| SX095V/S/RC | X | X | X | | yes | yes (1) | - | | yes (1) | yes (1) | yes (1) | - | | - | - | - | - | |
| SX095QC | | | | X | yes | yes | yes | | yes | yes | yes | yes (5) | | yes | yes | yes | yes (6) | |
| SX115V/S/RC | X | X | X | | yes | yes (1) | - | | yes (1) | yes (1) | yes (1) | - | | - | - | - | - | |
| SX115Q1C | | | | X (3) | yes | - | - | | - | - | - | - | | - | - | - | - | |
| SX115Q2C | | | | X | yes | yes | yes | | yes | yes | yes | yes (5) | | yes | yes | yes | yes (6) | |

Notes: (1) High speed only. (2) 200 - 240, 380, 415, 460 V (3) Nominal 1650 RPM (4) Cls. I, Grp. D, Div. I/Cl. II, Grp. F & G, Div. I. Not available with 50 Hz. (5) 230 V only. Not available in 200 or 208 V (6) 230 V and 460 V only.

! Caution: Hazardous environments require that fans be built for such service. (Care must be taken regarding the location of these fans in the duct run and surrounding environment). All belt drive inline fans, regardless of manufacturer, inherently leak. Additionally, the flat access panels supplied are not designed to provide air-tight service. Duct systems, except those fully welded, are not air-tight.

Motor Availability

› Lek-Trol™ Controller Options

The table below shows the availability of Lek-Trol controllers for direct drive models. There is a controller available for all size models. Not all totally enclosed motors are currently available with variable speed control.

› Lek-Trol™ Controller Chart

| Model | 60 Hz. | | | | | 50 Hz. | | |
|-------------|-----------------|------------------|-------|-------|-------|------------------|-------|-------|
| | Open Drip Proof | Totally Enclosed | | | | Totally Enclosed | | |
| | 115 V | 115 V | 200 V | 208 V | 230 V | 110 V | 220 V | 240 V |
| SX085RC | - | LT30 | LT35 | LT35 | LT35 | LT35 | LT35 | LT35 |
| SX095V/S/RC | LT30 | LT30 | LT35 | LT35 | LT35 | LT35 | LT35 | LT35 |
| SX095QC | LT45 | LT30 | LT35 | LT35 | LT35 | LT35 | LT35 | LT35 |
| SX115V/S/RC | LT50 | - | - | - | - | - | - | - |
| SX115Q1C | LT40 | - | - | - | - | - | - | - |
| SX115Q2C | LT40 | - | - | - | - | - | - | - |

Note: Lek-Trols indicated for multi-speed models are applicable only for the high speed. Do not use on low or medium speed for multi-speed models.

› Belt Drive Motor Ability

The chart below lists horsepower, voltages, and enclosure types. After selecting a model and horsepower that meets performance requirements, an engineer can verify that the desired voltage and enclosure are the same (or smaller) as the maximum NEMA motor frame shown for each model (see NEMA Motor Frame Size chart).

› Belt Drive Motor Ability Chart

| HP | Single Phase | | | | | 200V, 230V, 460V or 575V Three Phase | | | |
|-------|-----------------|-------|---------|-----------------|----------------|--------------------------------------|------|-----------------|----------------|
| | Open Drip Proof | | TE | Explosion Proof | 2 Speed 2 Wdg. | Open Drip Proof | TE | Explosion Proof | 2 Speed 2 Wdg. |
| | 115V | 230 V | 115/200 | | | | | | |
| 1/4 | 48 | 48 | 48 | 46/58 | 48 | 48 | 48 | 48 | - |
| 1/3 | 46/58 | 46/58 | 56 | 56 | 56 | 56 | 56 | 56 | - |
| 1/2 | 46/58 | 46/58 | 56 | 56 | 56 | 56 | 56 | 56 | 56 |
| 3/4 | 56 | 56 | 56 | 56 | 56 | 56 | 56 | 56 | 56 |
| 1 | 56 | 56 | 56 | 56 | 56 | 56 | 56 | 56 | 145T |
| 1 1/2 | 56 | 56 | 145T | 184T | - | 56 | 56 | 56 | 182T |
| 2 | 145T | 145T | 182T | 182T | - | 56/145T | 145T | 145T | 182T |
| 3 | 184T | 184T | 184T | 215T | - | 56/145T | 182T | 182T | 184T |
| 5 | 184T | 184T | 184T | - | - | 184T | 184T | 184T | 215T |
| 7 1/2 | - | - | - | - | - | 213T | 213T | 213T | 215T |
| 10 | - | - | - | - | - | 215T | 215T | 215T | 256T |

On horsepower less than 1 1/2, motor frame sizes may change due to variations in voltage, special features and motor manufacturer.

› NEMA Motor Size Frame Chart

| Model | Max Frame Size |
|------------|----------------|
| SX100BC | 213 T |
| SX120BC | 213 T |
| SX125B(H)C | 213 T |
| SX155BC | 213 T |
| SX165BC | 213 T |
| SX205B(H)C | 213 T |
| SX225B(H)C | 213 T |
| SX275BC | 215 T |
| SX335BC | 215 T |
| SX420BC | 215 T |

› NEMA Motor Size Frame

The chart to the left summarizes the largest allowable NEMA frame sizes for motors used on belt drive models.

Direct Drive Introduction

Centrex Inliner direct drive models (except size 085) are available with single and multi-speed motors. Multi-speed motors are designated V (1050 RPM), S (1300 RPM), and R (1550 RPM) (SX085R is an exception being a single speed motor). Q, Q1, Q2 (1725/1760 RPM) are single speed motors. A single Centrex Inliner fan may be suitable for several requirements by a simple wiring change. This feature provides flexibility for a variety of reasons, including energy savings, future expansion or unexpected field variations.

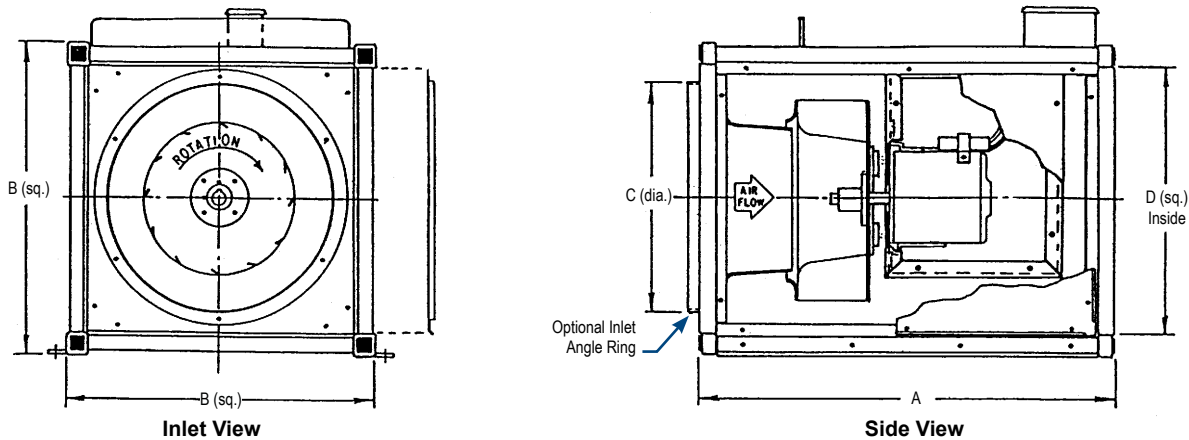
By using Lek-Trol variable speed controllers, the high speed flow rate of most models can be reduced by as much as 50%. Do not use on medium or low speed for multi-speed models.

When compared to belt drive models, Centrex Inliner direct drive fans require less maintenance, have a simpler construction, cost less, and are lighter in weight.

Centrex Inliner direct drive models are available in three sizes (085, 095, 115). Capacities range from below 500 CFM, with static pressures from 0" to above 1 1/2".

Performances in 50 Hz applications will be less than shown below; consult with local PennBarry representative.

Direct Drive Dimensional Data



Direct Drive Dimensional References

| Model No. | Galv. Side Panel | Galv. Venturi | A | B (sq.) | C (dia.) | D (sq.) | Est. Ship Weight |
|-----------------------------|------------------|---------------|--------|---------|----------|---------|------------------|
| SX085RC | 20 gauge | 18 gauge | 16 1/8 | 15 3/4 | 11 3/4 | 13 3/4 | 35 lbs |
| SX095VC, SC, RC, & QC | 20 gauge | 16 gauge | 24 1/8 | 15 3/4 | 11 3/4 | 13 3/4 | 50 lbs |
| SX115VC, SC, RC, Q1C, & Q2C | 20 gauge | 16 gauge | 27 1/4 | 21 3/4 | 14 1/2 | 19 3/4 | 70 lbs |

Fan Capacity - Cubic Feet Per Minute (CFM)

| Fan Model | Nominal | | | Tip Speed FPM | 0.125" SP | | 0.250" SP | | 0.375" SP | | 0.500" SP | | 0.625" SP | | 0.750" SP | | 1.000" SP | | 1.250" SP | | 1.500" SP | | 1.750" SP | |
|-----------|---------|-----------|------|---------------|-----------|-------|-----------|-------|-----------|-------|-----------|-------|-----------|-------|-----------|-------|-----------|-------|-----------|-------|-----------|-------|-----------|-------|
| | HP | Max Watts | RPM | | CFM | Sones | CFM | Sones | CFM | Sones | CFM | Sones | CFM | Sones | CFM | Sones | CFM | Sones | CFM | Sones | CFM | Sones | CFM | Sones |
| SX095VC | 1/20 | 125 | 1050 | 3221 | 429 | 2.7 | 308 | 3.2 | 247 | 3.8 | 199 | 4.2 | 157 | 4.7 | 118 | 5.1 | - | - | - | - | - | - | - | - |
| SX095SC | 1/12 | 164 | 1300 | 3988 | 633 | 5 | 528 | 4.8 | 433 | 5.2 | 366 | 5.6 | 314 | 5.9 | 260 | 6.3 | 152 | 7 | - | - | - | - | - | - |
| SX095RC | 1/6 | 212 | 1550 | 4755 | 849 | 7.9 | 775 | 7.5 | 698 | 7.4 | 616 | 7.5 | 546 | 7.7 | 476 | 7.9 | 333 | 8.3 | 162 | 8.8 | - | - | - | - |
| SX095QC | 1/4 | 338 | 1725 | 5292 | 1111 | 10.6 | 1061 | 10.1 | 1011 | 10 | 960 | 10 | 907 | 10 | 851 | 10.6 | 728 | 13 | 556 | 12.2 | 200 | 10.8 | - | - |
| SX115VC | 1/6 | 437 | 1050 | 3788 | 1299 | 5.4 | 1061 | 5.6 | 876 | 5.8 | 754 | 5.9 | 663 | 6.1 | 595 | 6.3 | 461 | 6.9 | 335 | 7.5 | 192 | 8.2 | - | - |
| SX115SC | 1/3 | 494 | 1300 | 4690 | 1566 | 6.9 | 1382 | 6.8 | 1201 | 6.7 | 1041 | 6.7 | 922 | 6.6 | 830 | 6.9 | 655 | 7.5 | 487 | 8 | 305 | 8.7 | 103 | 9.5 |
| SX115RC | 1/2 | 566 | 1550 | 5592 | 1919 | 8.3 | 1779 | 8.2 | 1619 | 8 | 1459 | 7.9 | 1307 | 7.8 | 1167 | 7.7 | 932 | 8.1 | 710 | 8.6 | 465 | 9.3 | 213 | 10 |
| SX115Q1C | 1/2 | 701 | 1650 | 5953 | 2216 | 12.1 | 2133 | 11.6 | 2042 | 11.4 | 1952 | 11.3 | 1863 | 11.1 | 1755 | 11 | 1512 | 10.6 | 1220 | 10.2 | 873 | 10.6 | 491 | 11.1 |
| SX115Q2C | 3/4 | 894 | 1725 | 6223 | 2764 | 15.2 | 2673 | 14 | 2571 | 13.8 | 2476 | 13.7 | 2383 | 13.5 | 2285 | 13.3 | 2075 | 13 | 1823 | 12.6 | 1447 | 12.1 | 956 | 12.3 |

Performance shown is for installation Type B: Free Inlet, Ducted Outlet. Speed (RPM) shown is nominal. Performance is based on actual speed of test. The sound ratings shown are for loudness values in fan sones at 5'0" (1.5m) in a hemispherical free field per AMCA Standard 301. Values shown are for Installation Type B: free inlet fan sone levels. Performance ratings do not include the effects of appurtenances in the airstream. For models shown on this page, the AMCA Certified Ratings Seal applies to air and sound.

Fan Curves

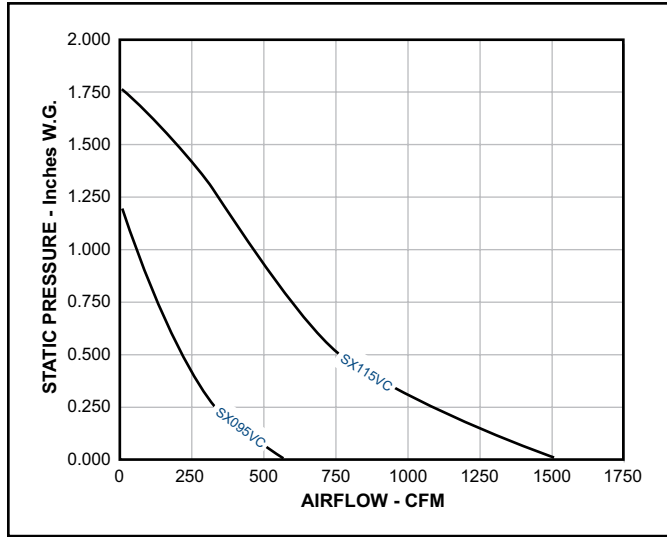
> Fan Curves

The fan curves illustrated here show the range of capacities available for direct drive units. Each graph shows the performance of several models at one particular nominal speed. Fan curves provide a quick method for selection of a fan unit based on design point requirements.

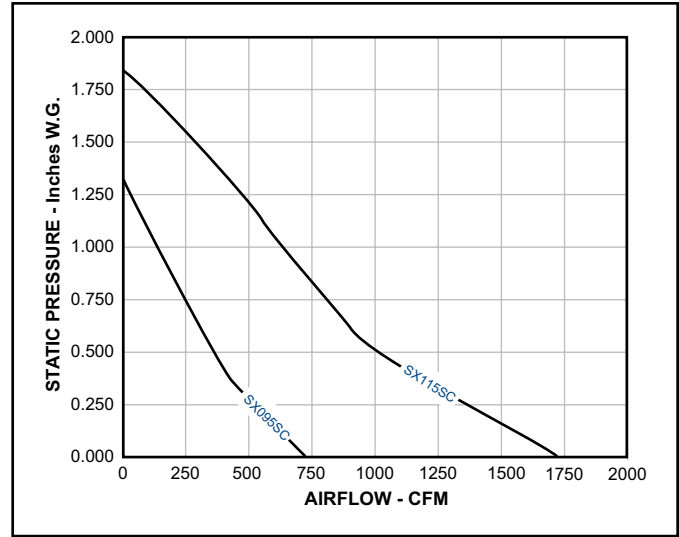
The direct drive performance chart on the previous page provides the tabular data (CFM and static pressure) used to plot the fan curves. In addition, horsepower, tip speed and sones are tabulated. Since sound is normally an important factor in the selection of a fan, an engineer will usually want to select the "slowest" unit which meets CFM and SP requirements.

Centrifugal Inline Fans

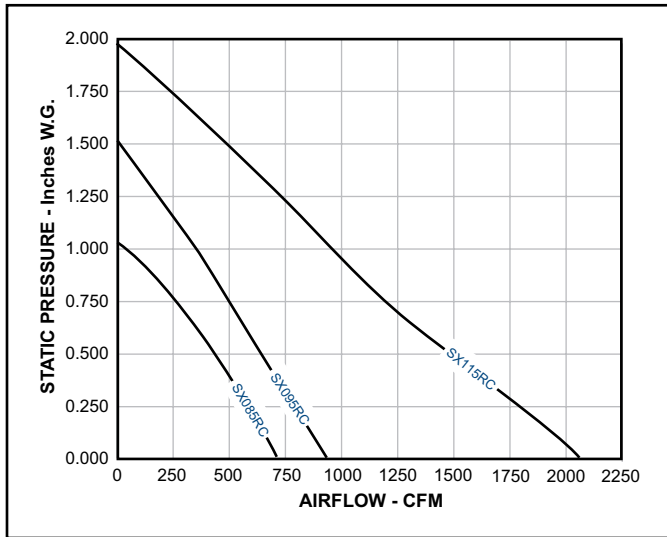
> Nominal 1050 RPM



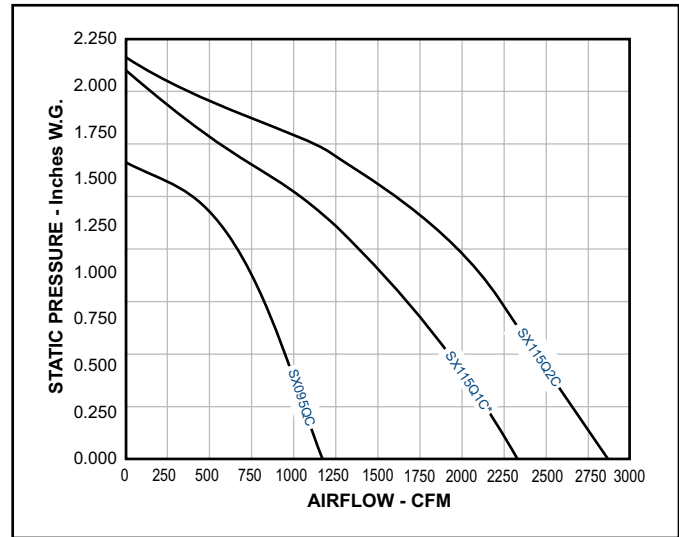
> Nominal 1300 RPM



> Nominal 1550 RPM



> Nominal 1550 RPM



Centrex Inliner

Performance Data and Belt Drive Losses

› Performance Data

The eleven belt drive models shown on the following pages have sizes and capacities ranging from below 400 CFM to above 27,000 CFM, with static pressures from 0" to above 3.5". All models are available in up to eight different horsepower sizes with a wide range of RPM. Two-speed motors are commonly used to increase this flexibility.

The data provided for each belt drive model includes:

- Performance Chart
- Fan Curve Graph
- Elevation drawing showing overall dimensions

Each curve graphically displays the range of capacities available for each model, in most cases beyond the specifics shown in the tabular data. The maximum performance afforded by each horsepower is indicated by dashed lines and the RPM is indicated by solid lines.

Some models have graphs that show both shaded and unshaded areas. Selection should be made from the unshaded area only. Shaded areas reflect unstable performance ("surge"), a characteristic typical of backwardly inclined wheels, and should be avoided. These unstable regions are not shown in the tabular data.

The highest RPM shown for a specific horsepower in the tabular data is the maximum speed that for any point along the performance curve, the BHP will not exceed the available horsepower.

It is important to note that while it is common industry-wide practice to exceed a "nominal" horsepower by using a motor's service factor, PennBarry uses a conservative portion of the service factor, allowing half to remain a true "safety" factor. PennBarry's software also factors an additional allowance for belt drive losses into the BHP calculations to ensure proper motor selection. This allowance is currently the most conservative in the industry.

Use the Motor Availability chart (see Motor Selection section) to select motor enclosures and voltages which can be installed in the fans.

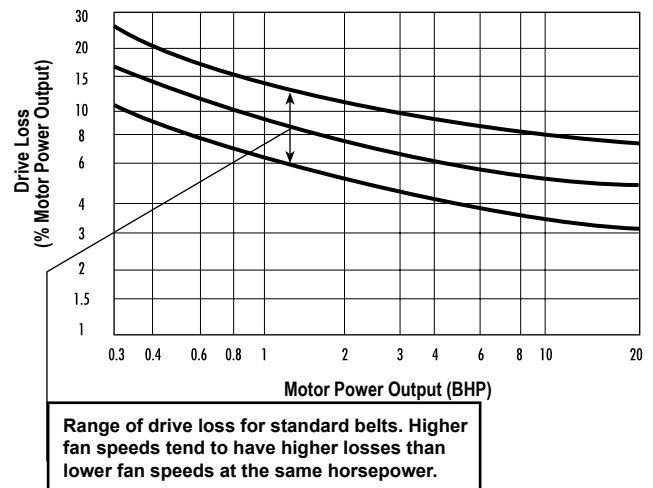
Note: Centrex Inliner fans are only one component of a total system. As such, performance is directly affected by the system. It is critical that system designers determine actual system losses to ensure that the actual flow is specified in the system range.

› Belt Drive Losses

The air performance tables shown in this catalog do include drive losses. When comparing the data found in our charts to data that does not include drive losses, the chart below will help estimate our equivalent brake horsepower (BHP).

The AMCA Review Committee has developed the chart shown below for the purpose of estimating belt drive losses. To calculate total BHP (including drive losses): Find the BHP of your operating point on the x-axis on the graph below. Follow the vertical line to the lines indicating the range of drive losses. Look at the y-axis on the left and find the drive loss percentage. Calculate the total BHP by adding the drive loss to the operating point BHP. For BHP's below 0.3, use 30%.

› Drive Loss Reference Chart



! For totally enclosed, explosion proof, multi-speed and all 1.0 Service Factor motors, fan BHP plus drive losses should not exceed motor rated HP.

Graph reprinted from AMCA publication 203, with the express written permission from the Air Movement and Control Association, Inc., 30 West University Drive, Arlington Heights, IL 60004-1983.

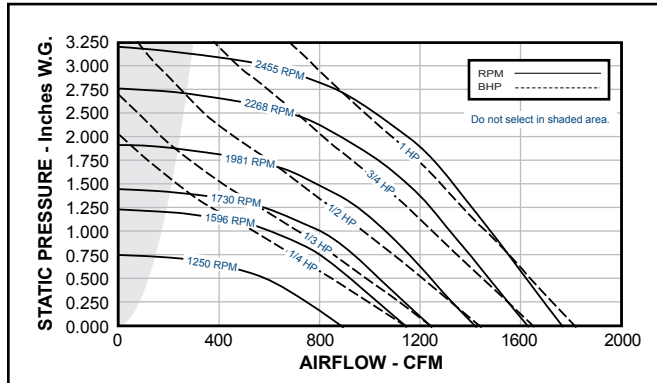
Dimensional Information & Performance Data

Centrex Inliner | Belt Drive

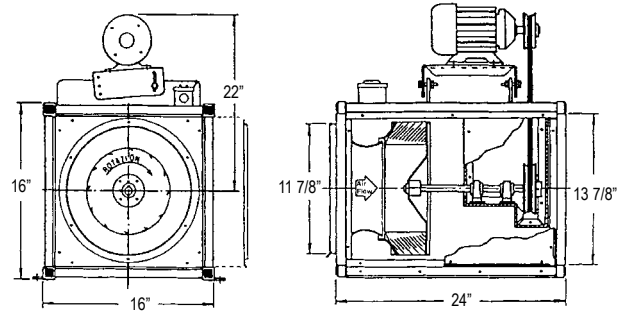


SX100BC

> SX100BC Fan Curves



> SX100BC Dimensional Data



| | | |
|------------------------------|------------------------------|---|
| Galv. Side Panel = 20 gauge | Alum. Corner Post = 0.064 in | Peak BHP = (RPM/2396) ³ |
| Alum. Side Panel = 0.051 in | Damper Size = 16 in (sq) | Max. RPM = 2840 (1 HP) |
| Galv. Corner Post = 16 gauge | Max. Mtr. Frame Size = 213T | Est. Ship. Wts. (galv/alum) = 63/43 lbs |

> SX100BC Performance Data

| HP | RPM | Tip Speed FPM | 0.250" SP | | 0.500" SP | | 0.750" SP | | 1.000" SP | | 1.250" SP | | 1.500" SP | | 1.750" SP | | 2.000" SP | | 2.250" SP | | 2.500" SP | | |
|------|------|---------------|-----------|------|-----------|------|-----------|------|-----------|------|-----------|------|-----------|------|-----------|------|-----------|------|-----------|------|-----------|------|---|
| | | | Sones | BHP | Sones | BHP | Sones | BHP | Sones | BHP | Sones | BHP | Sones | BHP | Sones | BHP | Sones | BHP | Sones | BHP | Sones | BHP | |
| 1/4 | 900 | 2820 | 460 | - | - | - | - | - | - | - | - | - | - | - | - | - | - | - | - | - | - | - | |
| | | | 4.2 | 0.05 | - | - | - | - | - | - | - | - | - | - | - | - | - | - | - | - | - | - | |
| | 1000 | 3133 | 554 | 201 | - | - | - | - | - | - | - | - | - | - | - | - | - | - | - | - | - | - | |
| | | | 5.2 | 0.07 | 5.3 | 0.05 | - | - | - | - | - | - | - | - | - | - | - | - | - | - | - | - | - |
| | 1100 | 3447 | 643 | 437 | - | - | - | - | - | - | - | - | - | - | - | - | - | - | - | - | - | - | - |
| | | | 6.2 | 0.09 | 6.3 | 0.09 | - | - | - | - | - | - | - | - | - | - | - | - | - | - | - | - | - |
| | 1200 | 3760 | 728 | 573 | - | - | - | - | - | - | - | - | - | - | - | - | - | - | - | - | - | - | - |
| | | | 7.4 | 0.12 | 7.5 | 0.13 | - | - | - | - | - | - | - | - | - | - | - | - | - | - | - | - | - |
| 1300 | 4073 | 811 | 678 | 460 | - | - | - | - | - | - | - | - | - | - | - | - | - | - | - | - | - | - | |
| | | 8.2 | 0.15 | 8.3 | 0.16 | 8.3 | 0.15 | - | - | - | - | - | - | - | - | - | - | - | - | - | - | - | |
| 1400 | 4387 | 892 | 772 | 614 | - | - | - | - | - | - | - | - | - | - | - | - | - | - | - | - | - | - | |
| | | 9.1 | 0.18 | 9.1 | 0.20 | 9.2 | 0.20 | - | - | - | - | - | - | - | - | - | - | - | - | - | - | - | |
| 1500 | 4700 | 972 | 861 | 737 | 530 | - | - | - | - | - | - | - | - | - | - | - | - | - | - | - | - | - | |
| | | 10.1 | 0.22 | 10.0 | 0.24 | 10.1 | 0.24 | 10.1 | 0.23 | - | - | - | - | - | - | - | - | - | - | - | - | - | |
| 1596 | 5001 | 1047 | 944 | 834 | 681 | 381 | - | - | - | - | - | - | - | - | - | - | - | - | - | - | - | - | |
| | | 11.0 | 0.27 | 10.7 | 0.28 | 10.7 | 0.29 | 10.8 | 0.29 | 10.8 | 0.23 | - | - | - | - | - | - | - | - | - | - | - | |
| 1/3 | 1625 | 5091 | 1070 | 968 | 863 | 720 | 480 | - | - | - | - | - | - | - | - | - | - | - | - | - | - | - | |
| | | | 11.2 | 0.28 | 10.9 | 0.30 | 10.9 | 0.31 | 11.0 | 0.31 | 11.0 | 0.26 | - | - | - | - | - | - | - | - | - | - | |
| | 1650 | 5170 | 1089 | 990 | 886 | 752 | 540 | - | - | - | - | - | - | - | - | - | - | - | - | - | - | - | |
| | | | 11.5 | 0.30 | 11.2 | 0.31 | 11.1 | 0.32 | 11.2 | 0.32 | 11.2 | 0.29 | - | - | - | - | - | - | - | - | - | - | - |
| | 1675 | 5248 | 1109 | 1011 | 909 | 783 | 589 | - | - | - | - | - | - | - | - | - | - | - | - | - | - | - | |
| | | | 11.7 | 0.31 | 11.4 | 0.32 | 11.4 | 0.34 | 11.4 | 0.34 | 11.4 | 0.31 | - | - | - | - | - | - | - | - | - | - | - |
| 1700 | 5326 | 1128 | 1032 | 932 | 814 | 629 | - | - | - | - | - | - | - | - | - | - | - | - | - | - | - | - | |
| | | 12.0 | 0.32 | 11.6 | 0.34 | 11.6 | 0.35 | 11.6 | 0.36 | 11.6 | 0.33 | - | - | - | - | - | - | - | - | - | - | - | |
| 1730 | 5420 | 1151 | 1057 | 959 | 849 | 677 | 339 | - | - | - | - | - | - | - | - | - | - | - | - | - | - | - | |
| | | 12.3 | 0.34 | 11.9 | 0.36 | 11.8 | 0.37 | 11.9 | 0.38 | 11.9 | 0.36 | 11.9 | 0.27 | - | - | - | - | - | - | - | - | - | |
| 1/2 | 1775 | 5561 | 1186 | 1094 | 999 | 895 | 747 | 512 | - | - | - | - | - | - | - | - | - | - | - | - | - | - | |
| | | | 12.8 | 0.37 | 12.3 | 0.38 | 12.2 | 0.40 | 12.3 | 0.41 | 12.3 | 0.40 | 12.3 | 0.34 | - | - | - | - | - | - | - | - | |
| | 1825 | 5718 | 1224 | 1135 | 1043 | 946 | 815 | 627 | - | - | - | - | - | - | - | - | - | - | - | - | - | - | |
| | | | 13.3 | 0.40 | 12.8 | 0.41 | 12.7 | 0.43 | 12.7 | 0.44 | 12.7 | 0.44 | 12.7 | 0.40 | - | - | - | - | - | - | - | - | |
| 1900 | 5953 | 1281 | 1197 | 1109 | 1019 | 909 | 749 | 497 | - | - | - | - | - | - | - | - | - | - | - | - | - | | |
| | | 14.1 | 0.45 | 13.7 | 0.46 | 13.4 | 0.48 | 13.4 | 0.49 | 13.4 | 0.50 | 13.4 | 0.48 | 13.4 | 0.40 | - | - | - | - | - | - | - | |
| 1981 | 6207 | 1342 | 1262 | 1178 | 1092 | 997 | 870 | 696 | 306 | - | - | - | - | - | - | - | - | - | - | - | - | | |
| | | 15.0 | 0.50 | 14.5 | 0.52 | 14.1 | 0.54 | 14.0 | 0.56 | 14.0 | 0.56 | 14.0 | 0.56 | 14.0 | 0.52 | 14.1 | 0.37 | - | - | - | - | - | |
| 3/4 | 2075 | 6501 | 1413 | 1137 | 1258 | 1176 | 1092 | 988 | 845 | 659 | - | - | - | - | - | - | - | - | - | - | - | - | |
| | | | 16.0 | 0.58 | 15.6 | 0.60 | 15.1 | 0.62 | 15.0 | 0.63 | 14.9 | 0.64 | 14.9 | 0.65 | 15.0 | 0.63 | 15.0 | 0.57 | - | - | - | - | |
| | 2150 | 6736 | 1470 | 1397 | 1321 | 1242 | 1163 | 1072 | 953 | 795 | 547 | - | - | - | - | - | - | - | - | - | - | - | |
| | | | 17.1 | 0.64 | 16.6 | 0.66 | 16.1 | 0.68 | 15.9 | 0.70 | 15.8 | 0.71 | 15.7 | 0.72 | 15.7 | 0.71 | 15.7 | 0.68 | 15.8 | 0.57 | - | - | - |
| | 2200 | 6893 | 1507 | 1437 | 1362 | 1286 | 1208 | 1123 | 1016 | 874 | 697 | - | - | - | - | - | - | - | - | - | - | - | |
| | | 17.9 | 0.69 | 17.4 | 0.71 | 16.8 | 0.73 | 16.6 | 0.75 | 16.4 | 0.76 | 16.3 | 0.77 | 16.3 | 0.77 | 16.3 | 0.74 | 16.2 | 0.68 | - | - | - | |
| 2268 | 7106 | 1558 | 1490 | 1418 | 1344 | 1269 | 1191 | 1100 | 980 | 824 | 583 | - | - | - | - | - | - | - | - | - | - | | |
| | | 18.9 | 0.75 | 18.5 | 0.77 | 17.9 | 0.79 | 17.5 | 0.81 | 17.3 | 0.83 | 17.2 | 0.84 | 17.2 | 0.85 | 17.1 | 0.83 | 17.0 | 0.79 | 17.0 | 0.68 | - | |
| 1 | 2325 | 7285 | 1601 | 1534 | 1464 | 1392 | 1320 | 1246 | 1161 | 1052 | 914 | 798 | - | - | - | - | - | - | - | - | - | - | |
| | | | 19.7 | 0.81 | 19.3 | 0.83 | 18.7 | 0.85 | 18.3 | 0.87 | 18.1 | 0.89 | 18.0 | 0.90 | 17.9 | 0.91 | 17.8 | 0.90 | 17.8 | 0.87 | 17.7 | 0.81 | |
| | 2350 | 7363 | 1620 | 1553 | 1484 | 1414 | 1342 | 1269 | 1186 | 1084 | 953 | 787 | - | - | - | - | - | - | - | - | - | - | |
| | | | 20.0 | 0.83 | 19.7 | 0.85 | 19.1 | 0.88 | 18.6 | 0.90 | 18.5 | 0.92 | 18.3 | 0.93 | 18.2 | 0.94 | 18.2 | 0.94 | 18.1 | 0.91 | 18.0 | 0.85 | |
| | 2375 | 7441 | 1639 | 1573 | 1505 | 1435 | 1364 | 1292 | 1212 | 1115 | 992 | 843 | - | - | - | - | - | - | - | - | - | - | |
| | | | 21.0 | 0.86 | 20.0 | 0.88 | 19.5 | 0.90 | 19.0 | 0.92 | 18.8 | 0.95 | 18.6 | 0.96 | 18.6 | 0.97 | 18.5 | 0.97 | 18.4 | 0.95 | 18.3 | 0.90 | |
| | 2425 | 7598 | 1676 | 1611 | 1545 | 1477 | 1407 | 1337 | 1262 | 1176 | 1064 | 923 | - | - | - | - | - | - | - | - | - | - | |
| | | | 21.0 | 0.91 | 21.0 | 0.94 | 20.0 | 0.96 | 19.7 | 0.98 | 19.5 | 1.00 | 19.3 | 1.02 | 19.2 | 1.03 | 19.1 | 1.04 | 19.1 | 1.02 | 18.9 | 0.98 | |
| 2455 | 7692 | 1699 | 1634 | 1569 | 1502 | 1433 | 1364 | 1292 | 1209 | 1102 | 970 | - | - | - | - | - | - | - | - | - | - | | |
| | | 22.0 | 0.95 | 21.0 | 0.97 | 21.0 | 0.99 | 20.0 | 1.01 | 19.9 | 1.04 | 19.7 | 1.06 | 19.6 | 1.07 | 19.5 | 1.08 | 19.4 | 1.06 | 19.3 | 1.03 | | |

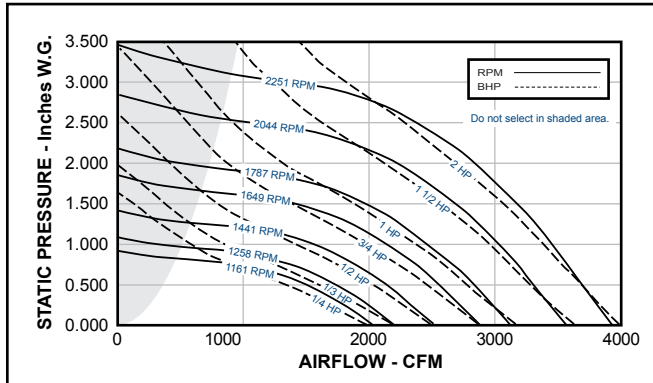
Performance shown is for installation type A - Free inlet, Free outlet. Power rating (BHP) does not include drive losses. Performance ratings do not include the effects of appurtenances in the airstream. The AMCA Certified Ratings Seal applies to air capacities only.

Centrifugal Inline Fans

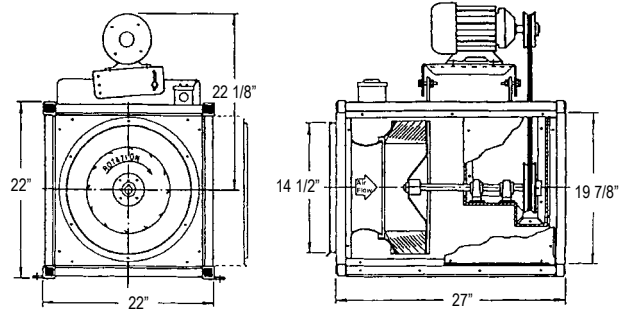
Centrex Inliner

©PENN BARRY 2008

> SX120BC Fan Curves



> SX120BC Dimensional Data



| | | |
|------------------------------|------------------------------|---|
| Galv. Side Panel = 20 gauge | Alum. Corner Post = 0.064 in | Peak BHP = (RPM/1743) ³ |
| Alum. Side Panel = 0.051 in | Damper Size = 22 in (sq) | Max. RPM = 2530 (2 HP) |
| Galv. Corner Post = 16 gauge | Max. Mtr. Frame Size = 213T | Est. Ship. Wts. (galv/alum) = 74/51 lbs |

> SX120BC Performance Data

| HP | RPM | Tip Speed FPM | 0.250" SP | | 0.500" SP | | 0.750" SP | | 1.000" SP | | 1.250" SP | | 1.500" SP | | 1.750" SP | | 2.000" SP | | 2.250" SP | | 2.500" SP | | | |
|-------|------|---------------|-----------|------|-----------|------|-----------|------|-----------|------|-----------|------|-----------|------|-----------|------|-----------|------|-----------|------|-----------|------|-------|------|
| | | | Sones | BHP | Sones | BHP | Sones | BHP | Sones | BHP | Sones | BHP | Sones | BHP | Sones | BHP | Sones | BHP | Sones | BHP | Sones | BHP | Sones | BHP |
| 1/4 | 775 | 2847 | 948 | | - | - | - | - | - | - | - | - | - | - | - | - | - | - | - | - | - | - | - | |
| | 925 | 3398 | 3.6 | 0.09 | - | - | - | - | - | - | - | - | - | - | - | - | - | - | - | - | - | - | - | |
| | | | 1309 | 645 | - | - | - | - | - | - | - | - | - | - | - | - | - | - | - | - | - | - | - | - |
| 1161 | 4265 | 1800 | 1507 | 989 | - | - | - | - | - | - | - | - | - | - | - | - | - | - | - | - | - | - | | |
| 1/3 | 1225 | 4500 | 1923 | 1660 | 1273 | - | - | - | - | - | - | - | - | - | - | - | - | - | - | - | - | - | - | |
| | 1258 | 4621 | 8.8 | 0.33 | 8.4 | 0.35 | 8.2 | 0.34 | - | - | - | - | - | - | - | - | - | - | - | - | - | - | - | |
| | | | 1986 | 1737 | 1384 | - | - | - | - | - | - | - | - | - | - | - | - | - | - | - | - | - | - | - |
| 1/2 | 1325 | 4867 | 2113 | 1890 | 1591 | 1045 | - | - | - | - | - | - | - | - | - | - | - | - | - | - | - | - | - | |
| | 1400 | 5153 | 9.6 | 0.42 | 9.2 | 0.43 | 8.9 | 0.44 | 9.0 | 0.38 | - | - | - | - | - | - | - | - | - | - | - | - | - | |
| | | | 2255 | 2053 | 1792 | 1420 | - | - | - | - | - | - | - | - | - | - | - | - | - | - | - | - | - | - |
| 1441 | 5293 | 2332 | 2140 | 1892 | 1560 | 167 | - | - | - | - | - | - | - | - | - | - | - | - | - | - | - | - | | |
| 3/4 | 1500 | 5510 | 2443 | 2264 | 2032 | 1747 | 1284 | - | - | - | - | - | - | - | - | - | - | - | - | - | - | - | - | |
| | 1575 | 5785 | 11.6 | 0.60 | 11.2 | 0.62 | 10.8 | 0.64 | 10.6 | 0.63 | 10.6 | 0.58 | - | - | - | - | - | - | - | - | - | - | - | |
| | | | 2583 | 2415 | 2206 | 1968 | 1621 | 788 | - | - | - | - | - | - | - | - | - | - | - | - | - | - | - | - |
| 1649 | 6057 | 2721 | 2559 | 2374 | 2148 | 1869 | 1439 | - | - | - | - | - | - | - | - | - | - | - | - | - | - | - | | |
| 1 | 1685 | 6190 | 2787 | 2628 | 2452 | 2235 | 1978 | 1609 | - | - | - | - | - | - | - | - | - | - | - | - | - | - | - | |
| | 1715 | 6300 | 13.7 | 0.84 | 13.4 | 0.87 | 13.1 | 0.89 | 12.7 | 0.90 | 12.4 | 0.90 | 12.5 | 0.85 | - | - | - | - | - | - | - | - | - | |
| | | | 2843 | 2686 | 2516 | 2307 | 2067 | 1740 | 1037 | - | - | - | - | - | - | - | - | - | - | - | - | - | - | - |
| | 1755 | 6447 | 2917 | 2763 | 2601 | 2400 | 2185 | 1877 | 1397 | - | - | - | - | - | - | - | - | - | - | - | - | - | - | |
| | 1787 | 6564 | 14.9 | 0.95 | 14.5 | 0.98 | 14.1 | 1.00 | 13.7 | 1.02 | 13.3 | 1.02 | 13.4 | 0.99 | 13.5 | 0.90 | - | - | - | - | - | - | - | - |
| 2976 | | | 2824 | 2668 | 2474 | 2264 | 1985 | 1582 | - | - | - | - | - | - | - | - | - | - | - | - | - | - | - | |
| 1 1/2 | 1825 | 6704 | 15.5 | 1.00 | 15.1 | 1.03 | 14.7 | 1.05 | 14.2 | 1.07 | 13.8 | 1.08 | 13.8 | 1.06 | 13.8 | 0.99 | 1761 | 1003 | - | - | - | - | - | |
| | 1875 | 6887 | 3045 | 2896 | 2748 | 2562 | 2357 | 2104 | 1761 | 1486 | - | - | - | - | - | - | - | - | - | - | - | - | - | |
| | | | 16.2 | 1.06 | 15.8 | 1.10 | 15.4 | 1.12 | 14.9 | 1.14 | 14.4 | 1.15 | 14.2 | 1.14 | 14.3 | 1.08 | 14.5 | 0.82 | - | - | - | - | - | |
| | 1925 | 7071 | 3137 | 2990 | 2852 | 2676 | 2478 | 2254 | 1957 | 1486 | - | - | - | - | - | - | - | - | - | - | - | - | - | |
| | 1975 | 7255 | 3228 | 3085 | 2951 | 2787 | 2597 | 2400 | 2126 | 1761 | 906 | - | - | - | - | - | - | - | - | - | - | - | - | - |
| 17.5 | | | 1.24 | 17.2 | 1.28 | 17.0 | 1.31 | 16.8 | 1.33 | 16.5 | 1.34 | 16.2 | 1.35 | 16.1 | 1.32 | 16.1 | 1.25 | 16.2 | 0.88 | - | - | - | - | |
| 2044 | 7508 | 3320 | 3179 | 3048 | 2894 | 2714 | 2523 | 2284 | 1991 | 1477 | - | - | - | - | - | - | - | - | - | - | - | - | | |
| 2 | 2075 | 7622 | 18.3 | 1.34 | 18.1 | 1.38 | 18.0 | 1.41 | 17.8 | 1.43 | 17.7 | 1.45 | 17.5 | 1.45 | 17.4 | 1.44 | 17.3 | 1.40 | 17.4 | 1.24 | - | - | - | |
| | | | 3446 | 3310 | 3181 | 3040 | 2873 | 2690 | 2490 | 2226 | 1878 | 1168 | - | - | - | - | - | - | - | - | - | - | - | |
| | 2125 | 7806 | 19.5 | 1.48 | 19.3 | 1.52 | 19.1 | 1.55 | 19.0 | 1.58 | 18.9 | 1.60 | 18.7 | 1.61 | 19.0 | 1.61 | 19.0 | 1.58 | 18.9 | 1.50 | 18.8 | 1.18 | - | |
| | | | 3502 | 3368 | 3241 | 3105 | 2943 | 2765 | 2581 | 2330 | 2024 | 1499 | - | - | - | - | - | - | - | - | - | - | - | |
| | 2175 | 7989 | 20.0 | 1.55 | 19.9 | 1.59 | 19.7 | 1.62 | 19.4 | 1.65 | 19.2 | 1.67 | 19.0 | 1.68 | 19.2 | 1.69 | 19.2 | 1.67 | 19.1 | 1.60 | 19.1 | 1.60 | 19.1 | 1.41 |
| | | | 3593 | 3462 | 3337 | 3210 | 3057 | 2883 | 2705 | 2483 | 2216 | 1839 | - | - | - | - | - | - | - | - | - | - | - | |
| | 2200 | 8081 | 21.0 | 1.66 | 21.0 | 1.70 | 21.0 | 1.74 | 20.0 | 1.77 | 20.0 | 1.79 | 19.7 | 1.81 | 19.6 | 1.81 | 19.6 | 1.80 | 19.6 | 1.75 | 19.6 | 1.64 | - | - |
| 3684 | | | 3556 | 3432 | 3314 | 3165 | 2999 | 2827 | 2632 | 2385 | 2076 | - | - | - | - | - | - | - | - | - | - | - | - | |
| 2225 | 8173 | 23.0 | 1.78 | 22.0 | 1.82 | 22.0 | 1.86 | 21.0 | 1.89 | 21.0 | 1.91 | 21.0 | 1.93 | 20.0 | 1.94 | 20.0 | 1.94 | 20.0 | 1.91 | 20.0 | 1.83 | - | - | |
| | | 3729 | 3602 | 3480 | 3363 | 3218 | 3057 | 2887 | 2706 | 2469 | 2192 | - | - | - | - | - | - | - | - | - | - | - | - | |
| 2251 | 8269 | 23.0 | 1.84 | 23.0 | 1.89 | 22.0 | 1.92 | 22.0 | 1.96 | 22.0 | 1.98 | 21.0 | 2.00 | 21.0 | 2.01 | 21.0 | 2.01 | 21.0 | 1.98 | 21.0 | 1.92 | - | - | |
| | | 3775 | 3649 | 3527 | 3412 | 3271 | 3115 | 2947 | 2777 | 2546 | 2285 | - | - | - | - | - | - | - | - | - | - | - | - | |
| | | 24.0 | 1.91 | 23.0 | 1.95 | 23.0 | 1.99 | 22.0 | 2.02 | 22.0 | 2.04 | 22.0 | 2.06 | 21.0 | 2.08 | 21.0 | 2.08 | 21.0 | 2.08 | 21.0 | 2.06 | 21.0 | 2.01 | - |
| 2251 | 8269 | 3822 | 3697 | 3577 | 3462 | 3326 | 3174 | 3009 | 2841 | 2624 | 2373 | - | - | - | - | - | - | - | - | - | - | - | - | |
| | | 24.0 | 1.97 | 24.0 | 2.02 | 23.0 | 2.05 | 23.0 | 2.09 | 22.0 | 2.11 | 22.0 | 2.13 | 22.0 | 2.15 | 21.0 | 2.15 | 21.0 | 2.15 | 21.0 | 2.14 | 21.0 | 2.09 | - |

Performance shown is for installation type A - Free inlet, Free outlet. Power rating (BHP) does not include drive losses. Performance ratings do not include the effects of appurtenances in the airstream. The AMCA Certified Ratings Seal applies to air capacities only.

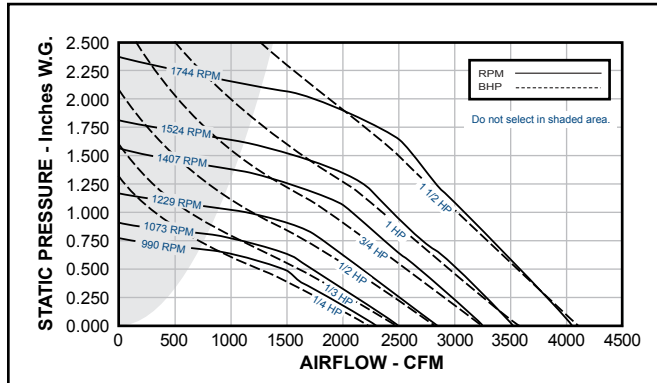
Dimensional Information & Performance Data

Centrex Inliner | Belt Drive

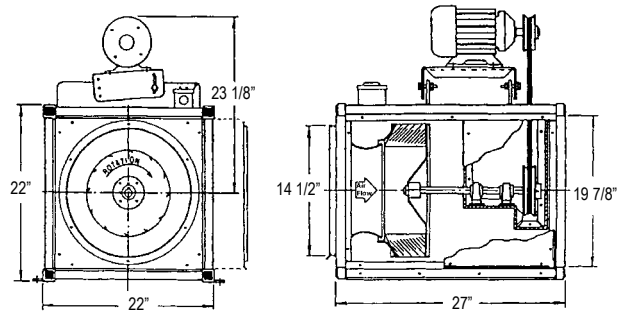


SX125BC

> SX125BC Fan Curves



> SX125BC Dimensional Data



| | | |
|------------------------------|------------------------------|---|
| Galv. Side Panel = 20 gauge | Alum. Corner Post = 0.064 in | Peak BHP = (RPM/1485) ³ |
| Alum. Side Panel = 0.051 in | Damper Size = 22 in (sq) | Max. RPM = 1835 (1 1/2 HP) |
| Galv. Corner Post = 16 gauge | Max. Mtr. Frame Size = 213T | Est. Ship. Wts. (galv/alum) = 90/62 lbs |

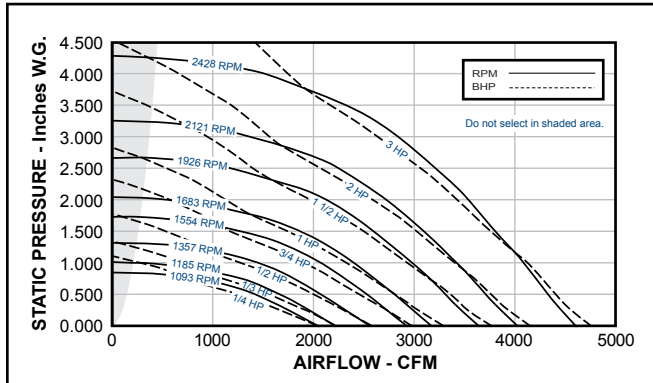
> SX125BC Performance Data

| HP | RPM | Tip Speed FPM | 0.250 SP " | | 0.500 SP " | | 0.750 SP " | | 1.000 SP " | | 1.250 SP " | | 1.500 SP " | | 1.750 SP " | | 2.000 SP " | | 2.250 SP " | | 2.500 SP " | |
|-------|------|---------------|------------|------|------------|------|------------|------|------------|------|------------|------|------------|------|------------|------|------------|------|------------|-----|------------|-----|
| | | | Sones | BHP | Sones | BHP | Sones | BHP | Sones | BHP | Sones | BHP | Sones | BHP | Sones | BHP | Sones | BHP | Sones | BHP | Sones | BHP |
| 1/4 | 915 | 3803 | 1687 | 1140 | - | - | - | - | - | - | - | - | - | - | - | - | - | - | - | - | - | - |
| | | | 8.6 | 0.23 | 8.2 | 0.22 | - | - | - | - | - | - | - | - | - | - | - | - | - | - | - | - |
| | 950 | 3948 | 1789 | 1310 | - | - | - | - | - | - | - | - | - | - | - | - | - | - | - | - | - | - |
| 1/3 | 1020 | 4239 | 1901 | 1462 | - | - | - | - | - | - | - | - | - | - | - | - | - | - | - | - | - | - |
| | | | 9.9 | 0.29 | 9.6 | 0.30 | - | - | - | - | - | - | - | - | - | - | - | - | - | - | - | - |
| | 1050 | 4364 | 1983 | 1559 | - | - | - | - | - | - | - | - | - | - | - | - | - | - | - | - | - | - |
| 1/2 | 1110 | 4613 | 2065 | 1647 | 894 | - | - | - | - | - | - | - | - | - | - | - | - | - | - | - | - | - |
| | | | 10.4 | 0.34 | 10.1 | 0.35 | 9.8 | 0.29 | - | - | - | - | - | - | - | - | - | - | - | - | - | - |
| | 1150 | 4779 | 2128 | 1714 | 1105 | - | - | - | - | - | - | - | - | - | - | - | - | - | - | - | - | - |
| 3/4 | 1265 | 5257 | 2228 | 1823 | 1337 | - | - | - | - | - | - | - | - | - | - | - | - | - | - | - | - | - |
| | | | 10.8 | 0.40 | 10.6 | 0.41 | 10.5 | 0.40 | - | - | - | - | - | - | - | - | - | - | - | - | - | - |
| | 1335 | 5548 | 2335 | 1941 | 1541 | - | - | - | - | - | - | - | - | - | - | - | - | - | - | - | - | - |
| 1 | 1435 | 5964 | 2442 | 2062 | 1715 | - | - | - | - | - | - | - | - | - | - | - | - | - | - | - | - | - |
| | | | 11.1 | 0.44 | 10.9 | 0.46 | 10.9 | 0.46 | - | - | - | - | - | - | - | - | - | - | - | - | - | - |
| | 1465 | 6089 | 2545 | 2184 | 1845 | 1194 | - | - | - | - | - | - | - | - | - | - | - | - | - | - | - | - |
| 1 1/2 | 1555 | 6463 | 2545 | 2184 | 1845 | 1194 | - | - | - | - | - | - | - | - | - | - | - | - | - | - | - | - |
| | | | 12.0 | 0.54 | 11.7 | 0.55 | 11.8 | 0.57 | 11.7 | 0.50 | - | - | - | - | - | - | - | - | - | - | - | - |
| | 1585 | 6587 | 2641 | 2300 | 1956 | 1449 | - | - | - | - | - | - | - | - | - | - | - | - | - | - | - | - |
| 1 1/2 | 1615 | 6712 | 2825 | 2505 | 2159 | 1813 | - | - | - | - | - | - | - | - | - | - | - | - | - | - | - | - |
| | | | 13.2 | 0.68 | 13.0 | 0.71 | 12.9 | 0.71 | 13.0 | 0.72 | - | - | - | - | - | - | - | - | - | - | - | - |
| | 1645 | 6837 | 2916 | 2605 | 2264 | 1967 | 1298 | - | - | - | - | - | - | - | - | - | - | - | - | - | - | - |
| 1 1/2 | 1675 | 6961 | 3012 | 3707 | 3273 | 2090 | 1573 | - | - | - | - | - | - | - | - | - | - | - | - | - | - | - |
| | | | 14.0 | 0.80 | 13.9 | 0.82 | 13.9 | 0.84 | 14.1 | 0.85 | 13.8 | 0.78 | - | - | - | - | - | - | - | - | - | - |
| | 1705 | 7086 | 3082 | 2784 | 2457 | 2182 | 1738 | - | - | - | - | - | - | - | - | - | - | - | - | - | - | - |
| 1 1/2 | 1744 | 7248 | 3156 | 2867 | 2549 | 2271 | 1896 | - | - | - | - | - | - | - | - | - | - | - | - | - | - | - |
| | | | 14.4 | 0.84 | 14.3 | 0.87 | 14.2 | 0.88 | 14.5 | 0.90 | 14.3 | 0.86 | - | - | - | - | - | - | - | - | - | - |
| | 1775 | 7411 | 3379 | 3111 | 2834 | 2534 | 2277 | 1807 | - | - | - | - | - | - | - | - | - | - | - | - | - | - |
| 1 1/2 | 1805 | 7541 | 3453 | 3192 | 2922 | 2623 | 2376 | 1976 | - | - | - | - | - | - | - | - | - | - | - | - | - | - |
| | | | 16.2 | 1.13 | 16.2 | 1.17 | 16.0 | 1.18 | 16.1 | 1.20 | 16.8 | 1.21 | 16.7 | 1.17 | - | - | - | - | - | - | - | - |
| | 1835 | 7671 | 3526 | 3273 | 3010 | 2712 | 2471 | 2127 | 1480 | - | - | - | - | - | - | - | - | - | - | - | - | - |
| 1 1/2 | 1865 | 7801 | 3600 | 3353 | 3097 | 2800 | 2560 | 2267 | 1732 | - | - | - | - | - | - | - | - | - | - | - | - | - |
| | | | 17.0 | 1.25 | 17.0 | 1.30 | 16.7 | 1.32 | 16.6 | 1.33 | 17.3 | 1.35 | 17.8 | 1.34 | 17.6 | 1.23 | - | - | - | - | - | - |
| | 1895 | 7931 | 3673 | 3433 | 3182 | 2892 | 2648 | 2399 | 1926 | - | - | - | - | - | - | - | - | - | - | - | - | - |
| 1 1/2 | 1925 | 8061 | 3747 | 3512 | 3265 | 2985 | 2735 | 2500 | 2096 | 1350 | - | - | - | - | - | - | - | - | - | - | - | - |
| | | | 17.4 | 1.32 | 17.4 | 1.37 | 17.2 | 1.39 | 16.9 | 1.41 | 17.6 | 1.42 | 18.4 | 1.43 | 18.2 | 1.34 | - | - | - | - | - | - |
| | 1955 | 8191 | 3842 | 3616 | 3373 | 3109 | 2849 | 2628 | 2296 | 1739 | - | - | - | - | - | - | - | - | - | - | - | - |
| 1 1/2 | 1985 | 8321 | 3842 | 3616 | 3373 | 3109 | 2849 | 2628 | 2296 | 1739 | - | - | - | - | - | - | - | - | - | - | - | - |
| | | | 18.4 | 1.49 | 18.4 | 1.54 | 18.2 | 1.57 | 17.8 | 1.58 | 18.2 | 1.60 | 19.2 | 1.61 | 19.6 | 1.58 | 19.4 | 1.43 | - | - | - | - |
| | 2015 | 8451 | 3926 | 3707 | 3464 | 3190 | 2930 | 2711 | 2487 | 2172 | 1858 | - | - | - | - | - | - | - | - | - | - | - |

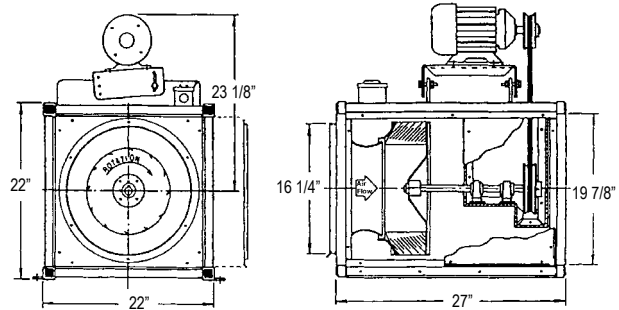
Performance shown is for installation type A - Free inlet, Free outlet. Power rating (BHP) does not include drive losses. Performance ratings do not include the effects of appurtenances in the airstream. The AMCA Certified Ratings Seal applies to air capacities only.

©PENN BARRY 2008

> SX125BHC Fan Curves



> SX125BHC Dimensional Data



| | | |
|------------------------------|------------------------------|---|
| Galv. Side Panel = 20 gauge | Alum. Corner Post = 0.064 in | Peak BHP = (RPM/1642) ³ |
| Alum. Side Panel = 0.051 in | Damper Size = 22 in (sq) | Max. RPM = 2725 (3 HP) |
| Galv. Corner Post = 16 gauge | Max. Mtr. Frame Size = 213T | Est. Ship. Wts. (galv/alum) = 90/62 lbs |

> SX125BHC Performance Data

| HP | RPM | Tip Speed FPM | 0.750" SP | | 1.000" SP | | 1.250" SP | | 1.500" SP | | 1.750" SP | | 2.000" SP | | 2.250" SP | | 2.500" SP | | 3.000" SP | | 3.500" SP | |
|-------|------|---------------|-----------|------|-----------|------|-----------|------|-----------|------|-----------|------|-----------|------|-----------|------|-----------|------|-----------|------|-----------|------|
| | | | Sones | BHP | Sones | BHP | Sones | BHP | Sones | BHP | Sones | BHP | Sones | BHP | Sones | BHP | Sones | BHP | Sones | BHP | Sones | BHP |
| 1/4 | 1093 | 4543 | 936 | | - | - | - | - | - | - | - | - | - | - | - | - | - | - | - | - | - | - |
| | | | 9.1 | 0.28 | - | - | - | - | - | - | - | - | - | - | - | - | - | - | - | - | - | - |
| 1/3 | 1100 | 4572 | 976 | | - | - | - | - | - | - | - | - | - | - | - | - | - | - | - | - | - | - |
| | | | 9.2 | 0.29 | - | - | - | - | - | - | - | - | - | - | - | - | - | - | - | - | - | - |
| 1/3 | 1185 | 4925 | 1340 | | 486 | | - | - | - | - | - | - | - | - | - | - | - | - | - | - | - | - |
| | | | 10.4 | 0.38 | 10.5 | 0.27 | - | - | - | - | - | - | - | - | - | - | - | - | - | - | - | - |
| 1/2 | 1275 | 5299 | 1616 | | 1154 | | - | - | - | - | - | - | - | - | - | - | - | - | - | - | - | - |
| | | | 11.7 | 0.49 | 11.8 | 0.45 | - | - | - | - | - | - | - | - | - | - | - | - | - | - | - | - |
| 1/2 | 1375 | 5640 | 1845 | | 1508 | | 870 | | - | - | - | - | - | - | - | - | - | - | - | - | - | - |
| | | | 12.5 | 0.56 | 12.6 | 0.56 | 13.0 | 0.48 | - | - | - | - | - | - | - | - | - | - | - | - | - | - |
| 3/4 | 1425 | 5922 | 2022 | | 1724 | | 1288 | | - | - | - | - | - | - | - | - | - | - | - | - | - | - |
| | | | 13.6 | 0.64 | 13.6 | 0.65 | 13.8 | 0.63 | - | - | - | - | - | - | - | - | - | - | - | - | - | - |
| 3/4 | 1475 | 6130 | 2142 | | 1874 | | 1524 | | 862 | | - | - | - | - | - | - | - | - | - | - | - | - |
| | | | 14.5 | 0.70 | 14.5 | 0.72 | 14.6 | 0.72 | 15.0 | 0.59 | - | - | - | - | - | - | - | - | - | - | - | - |
| 3/4 | 1554 | 6459 | 2329 | | 2095 | | 1806 | | 1371 | | - | - | - | - | - | - | - | - | - | - | - | - |
| | | | 15.8 | 0.82 | 15.8 | 0.83 | 15.9 | 0.85 | 16.0 | 0.81 | - | - | - | - | - | - | - | - | - | - | - | - |
| 1 | 1600 | 6650 | 2436 | | 2221 | | 1949 | | 1600 | | 985 | | - | - | - | - | - | - | - | - | - | - |
| | | | 16.4 | 0.89 | 16.5 | 0.91 | 16.6 | 0.92 | 16.7 | 0.91 | 17.1 | 0.77 | - | - | - | - | - | - | - | - | - | - |
| 1 | 1650 | 6858 | 2553 | | 2346 | | 2098 | | 1802 | | 1310 | | - | - | - | - | - | - | - | - | - | - |
| | | | 17.3 | 0.97 | 17.4 | 0.99 | 17.6 | 1.01 | 17.6 | 1.01 | 17.8 | 0.94 | - | - | - | - | - | - | - | - | - | - |
| 1 | 1683 | 6995 | 2629 | | 2425 | | 2191 | | 1918 | | 1506 | | 792 | | - | - | - | - | - | - | - | - |
| | | | 17.5 | 1.02 | 17.6 | 1.05 | 17.8 | 1.07 | 17.9 | 1.08 | 18.1 | 1.04 | 18.7 | 0.81 | - | - | - | - | - | - | - | - |
| 1 1/2 | 1775 | 7377 | 2839 | | 2644 | | 2446 | | 2203 | | 1919 | | 1471 | | 691 | | - | - | - | - | - | - |
| | | | 18.1 | 1.19 | 18.2 | 1.22 | 18.4 | 1.24 | 18.5 | 1.26 | 18.7 | 1.26 | 19.0 | 1.19 | 20.0 | 0.91 | - | - | - | - | - | - |
| 1 1/2 | 1825 | 7585 | 2952 | | 2761 | | 2575 | | 2348 | | 2095 | | 1746 | | 1196 | | - | - | - | - | - | - |
| | | | 18.6 | 1.29 | 18.7 | 1.32 | 18.8 | 1.34 | 19.0 | 1.36 | 19.1 | 1.37 | 19.4 | 1.34 | 20.0 | 1.18 | - | - | - | - | - | - |
| 1 1/2 | 1875 | 7793 | 3062 | | 2877 | | 2696 | | 2488 | | 2250 | | 1964 | | 1511 | | 790 | | - | - | - | - |
| | | | 19.1 | 1.39 | 19.2 | 1.43 | 19.3 | 1.45 | 19.5 | 1.47 | 19.6 | 1.49 | 19.8 | 1.48 | 20.0 | 1.39 | 21.0 | 1.09 | - | - | - | - |
| 1 1/2 | 1926 | 8005 | 3172 | | 2996 | | 2817 | | 2629 | | 2406 | | 2160 | | 1807 | | 1275 | | - | - | - | - |
| | | | 19.5 | 1.50 | 19.6 | 1.54 | 19.8 | 1.56 | 19.9 | 1.59 | 20.0 | 1.61 | 20.0 | 1.61 | 21.0 | 1.57 | 21.0 | 1.39 | - | - | - | - |
| 2 | 1965 | 7167 | 3257 | | 3084 | | 2910 | | 2735 | | 2519 | | 2283 | | 1984 | | 1520 | | - | - | - | - |
| | | | 19.8 | 1.58 | 19.9 | 1.63 | 20.0 | 1.66 | 20.0 | 1.68 | 20.0 | 1.70 | 21.0 | 1.71 | 21.0 | 1.69 | 21.0 | 1.58 | - | - | - | - |
| 2 | 2005 | 8333 | 3343 | | 3177 | | 3004 | | 2835 | | 2631 | | 2407 | | 2146 | | 1764 | | - | - | - | - |
| | | | 20.0 | 1.67 | 20.0 | 1.72 | 20.0 | 1.76 | 20.0 | 1.78 | 21.0 | 1.80 | 21.0 | 1.82 | 21.0 | 1.81 | 22.0 | 1.75 | - | - | - | - |
| 2 | 2045 | 8499 | 3429 | | 3268 | | 3097 | | 2931 | | 2742 | | 2530 | | 2298 | | 1973 | | 713 | | - | - |
| | | | 21.0 | 1.77 | 21.0 | 1.82 | 21.0 | 1.86 | 21.0 | 1.88 | 21.0 | 1.90 | 21.0 | 1.92 | 21.0 | 1.93 | 22.0 | 1.89 | 24.0 | 1.35 | - | - |
| 2 | 2090 | 8686 | 3524 | | 3370 | | 3202 | | 3039 | | 2866 | | 2662 | | 2440 | | 2172 | | 1252 | | - | - |
| | | | 21.0 | 1.88 | 21.0 | 1.94 | 21.0 | 1.98 | 22.0 | 2.00 | 22.0 | 2.03 | 22.0 | 2.05 | 22.0 | 2.06 | 22.0 | 2.05 | 23.0 | 1.70 | - | - |
| 2 | 2121 | 8815 | 3590 | | 3439 | | 3274 | | 3113 | | 2950 | | 2750 | | 2536 | | 2291 | | 1466 | | - | - |
| | | | 22.0 | 1.96 | 22.0 | 2.02 | 22.0 | 2.06 | 22.0 | 2.09 | 22.0 | 2.11 | 22.0 | 2.14 | 23.0 | 2.15 | 23.0 | 2.15 | 24.0 | 1.89 | - | - |
| 3 | 2200 | 9143 | 3757 | | 3611 | | 3457 | | 3299 | | 3145 | | 2970 | | 2776 | | 2562 | | 1952 | | - | - |
| | | | 23.0 | 2.17 | 23.0 | 2.23 | 23.0 | 2.28 | 23.0 | 2.32 | 24.0 | 2.34 | 24.0 | 2.37 | 24.0 | 2.39 | 24.0 | 2.40 | 24.0 | 2.31 | - | - |
| 3 | 2250 | 9351 | 3862 | | 3720 | | 3571 | | 3416 | | 3265 | | 3107 | | 2917 | | 2717 | | 2206 | | 1293 | |
| | | | 24.0 | 2.32 | 24.0 | 2.38 | 24.0 | 2.43 | 24.0 | 2.47 | 24.0 | 2.50 | 24.0 | 2.52 | 24.0 | 2.55 | 24.0 | 2.57 | 25.0 | 2.53 | 26.0 | 2.09 |
| 3 | 2300 | 9559 | 3965 | | 3827 | | 3685 | | 3532 | | 3384 | | 3236 | | 3057 | | 2870 | | 2420 | | 1639 | |
| | | | 24.0 | 2.47 | 24.0 | 2.53 | 24.0 | 2.59 | 25.0 | 2.63 | 24.0 | 2.66 | 25.0 | 2.69 | 25.0 | 2.71 | 25.0 | 2.74 | 25.0 | 2.73 | 25.0 | 2.45 |
| 3 | 2350 | 9797 | 4067 | | 3935 | | 3798 | | 3649 | | 3502 | | 3357 | | 3195 | | 3014 | | 2612 | | 1959 | |
| | | | 25.0 | 2.63 | 25.0 | 2.69 | 25.0 | 2.75 | 25.0 | 2.79 | 25.0 | 2.83 | 25.0 | 2.86 | 25.0 | 2.88 | 25.0 | 2.91 | 26.0 | 2.93 | 26.0 | 2.77 |
| 3 | 2400 | 9975 | 4169 | | 4041 | | 3908 | | 3764 | | 3619 | | 3478 | | 3332 | | 3155 | | 2776 | | 2242 | |
| | | | 26.0 | 2.80 | 26.0 | 2.85 | 26.0 | 2.92 | 26.0 | 2.96 | 26.0 | 3.01 | 26.0 | 3.03 | 26.0 | 3.06 | 26.0 | 3.09 | 26.0 | 3.12 | 26.0 | 3.04 |
| 3 | 2428 | 10091 | 4226 | | 4101 | | 3969 | | 3828 | | 3684 | | 3544 | | 3405 | | 3232 | | 2863 | | 2372 | |
| | | | 26.0 | 2.90 | 26.0 | 2.95 | 26.0 | 3.01 | 27.0 | 3.06 | 27.0 | 3.11 | 27.0 | 3.14 | 27.0 | 3.16 | 27.0 | 3.19 | 27.0 | 3.23 | 27.0 | 3.18 |

Performance shown is for installation type A - Free inlet, Free outlet. Power rating (BHP) does not include drive losses. Performance ratings do not include the effects of appurtenances in the airstream. The AMCA Certified Ratings Seal applies to air capacities only.

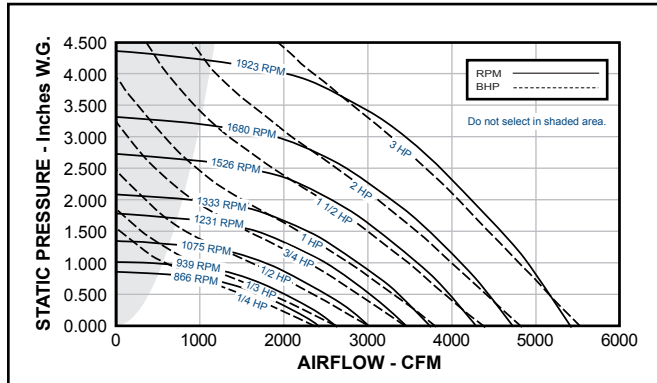
Dimensional Information & Performance Data

Centrex Inliner | Belt Drive

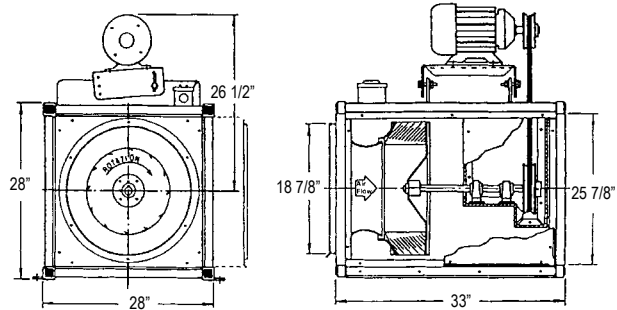


SX155BC

> SX155BC Fan Curves



> SX155BC Dimensional Data



| | | |
|------------------------------|------------------------------|--|
| Galv. Side Panel = 20 gauge | Alum. Corner Post = 0.064 in | Peak BHP = $(RPM/1301)^3$ |
| Alum. Side Panel = 0.051 in | Damper Size = 28 in (sq) | Max. RPM = 2150 (3 HP) |
| Galv. Corner Post = 16 gauge | Max. Mtr. Frame Size = 213T | Est. Ship. Wts. (galv/alum) = 137/94 lbs |

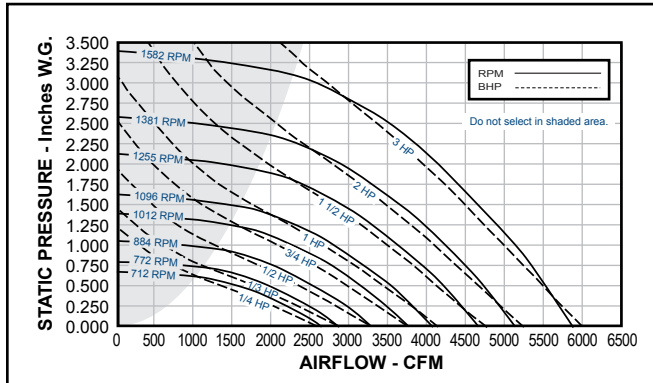
> SX155BC Performance Data

| HP | RPM | Tip Speed FPM | 0.250" SP | | 0.500" SP | | 0.750" SP | | 1.000" SP | | 1.250" SP | | 1.500" SP | | 1.750" SP | | 2.000" SP | | 2.250" SP | | 2.500" SP | |
|-------|------|---------------|-----------|------|-----------|------|-----------|------|-----------|------|-----------|------|-----------|------|-----------|------|-----------|------|-----------|------|-----------|------|
| | | | Sones | BHP | Sones | BHP | Sones | BHP | Sones | BHP | Sones | BHP | Sones | BHP | Sones | BHP | Sones | BHP | Sones | BHP | Sones | BHP |
| 1/4 | 750 | 3669 | 1766 | | 1232 | | - | | - | | - | | - | | - | | - | | - | | - | |
| | 866 | 4237 | 7.6 | 0.19 | 7.5 | 0.19 | - | | - | | - | | - | | - | | - | | - | | - | |
| 1/3 | 900 | 4403 | 2152 | | 1762 | | 1180 | | - | | - | | - | | - | | - | | - | | - | |
| | 939 | 4594 | 9.0 | 0.29 | 8.9 | 0.29 | 8.9 | 0.27 | - | | - | | - | | - | | - | | - | | - | |
| 1/2 | 1025 | 5015 | 2263 | | 1902 | | 1403 | | - | | - | | - | | - | | - | | - | | - | |
| | 1075 | 5259 | 9.3 | 0.32 | 9.3 | 0.33 | 9.3 | 0.32 | - | | - | | - | | - | | - | | - | | - | |
| 3/4 | 1150 | 5626 | 2389 | | 2053 | | 1621 | | 580 | | - | | - | | - | | - | | - | | - | |
| | 1231 | 6023 | 9.8 | 0.36 | 9.8 | 0.37 | 9.7 | 0.37 | 9.8 | 0.25 | - | | - | | - | | - | | - | | - | |
| 1 | 1256 | 6189 | 2663 | | 2375 | | 2004 | | 1531 | | - | | - | | - | | - | | - | | - | |
| | 1300 | 6360 | 10.7 | 0.47 | 10.7 | 0.49 | 10.7 | 0.48 | 10.7 | 0.47 | - | | - | | - | | - | | - | | - | |
| 1 1/2 | 1375 | 6727 | 2820 | | 2546 | | 2219 | | 1821 | | 1134 | | - | | - | | - | | - | | - | |
| | 1425 | 6972 | 11.3 | 0.54 | 11.3 | 0.56 | 11.2 | 0.56 | 11.3 | 0.55 | 11.4 | 0.47 | - | | - | | - | | - | | - | |
| 2 | 1526 | 7466 | 3052 | | 2797 | | 2515 | | 2168 | | 1737 | | 709 | | - | | - | | - | | - | |
| | 1575 | 7706 | 12.4 | 0.65 | 12.4 | 0.68 | 12.4 | 0.69 | 12.4 | 0.68 | 12.3 | 0.66 | 12.5 | 0.45 | - | | - | | - | | - | |
| 3 | 1625 | 7950 | 3296 | | 3064 | | 2821 | | 2519 | | 2179 | | 1713 | | - | | - | | - | | - | |
| | 1650 | 8073 | 13.6 | 0.79 | 13.6 | 0.82 | 13.5 | 0.85 | 13.5 | 0.84 | 13.4 | 0.83 | 13.4 | 0.79 | - | | - | | - | | - | |
| 4 | 1725 | 8440 | 3398 | | 3175 | | 2942 | | 2660 | | 2332 | | 1935 | | 1257 | | - | | - | | - | |
| | 1775 | 8684 | 13.9 | 0.86 | 13.9 | 0.89 | 13.9 | 0.92 | 13.9 | 0.91 | 13.9 | 0.90 | 13.9 | 0.88 | 13.9 | 0.75 | - | | - | | - | |
| 5 | 1825 | 8929 | 3502 | | 3288 | | 3062 | | 2796 | | 2486 | | 2140 | | 1629 | | - | | - | | - | |
| | 1875 | 9173 | 14.4 | 0.93 | 14.3 | 0.97 | 14.3 | 0.99 | 14.3 | 0.99 | 14.4 | 0.98 | 14.4 | 0.97 | 14.4 | 0.90 | - | | - | | - | |
| 6 | 1900 | 9296 | 3600 | | 3395 | | 3174 | | 2923 | | 2630 | | 2316 | | 1874 | | 937 | | - | | - | |
| | 1923 | 9408 | 14.9 | 1.00 | 14.8 | 1.04 | 14.8 | 1.06 | 14.8 | 1.07 | 14.9 | 1.06 | 14.9 | 1.05 | 14.9 | 1.01 | 15.0 | 0.75 | - | | - | |
| 7 | 2025 | 10015 | 3725 | | 3529 | | 3315 | | 3083 | | 2810 | | 2506 | | 2145 | | 1607 | | - | | - | |
| | 2075 | 10259 | 15.5 | 1.09 | 15.5 | 1.14 | 15.5 | 1.16 | 15.5 | 1.18 | 15.6 | 1.17 | 15.6 | 1.16 | 15.6 | 1.14 | 15.6 | 1.04 | - | | - | |
| 8 | 2125 | 10503 | 3873 | | 3688 | | 3481 | | 3271 | | 3016 | | 2728 | | 2425 | | 2003 | | 1249 | | - | |
| | 2175 | 10747 | 16.5 | 1.21 | 16.5 | 1.26 | 16.5 | 1.29 | 16.5 | 1.31 | 16.5 | 1.31 | 16.5 | 1.30 | 16.5 | 1.28 | 16.5 | 1.23 | 16.5 | 1.01 | - | |
| 9 | 2225 | 10991 | 4021 | | 3846 | | 3646 | | 3446 | | 3210 | | 2945 | | 2661 | | 2324 | | 1856 | | - | |
| | 2275 | 11235 | 17.6 | 1.34 | 17.5 | 1.39 | 17.5 | 1.42 | 17.5 | 1.45 | 17.5 | 1.45 | 17.5 | 1.44 | 17.5 | 1.43 | 17.4 | 1.41 | 17.4 | 1.32 | - | |
| 10 | 2325 | 11479 | 4171 | | 4006 | | 3813 | | 3620 | | 3405 | | 3163 | | 2888 | | 2607 | | 2223 | | 1675 | |
| | 2375 | 11723 | 18.7 | 1.48 | 18.7 | 1.54 | 18.6 | 1.57 | 18.5 | 1.60 | 18.5 | 1.61 | 18.4 | 1.60 | 18.4 | 1.59 | 18.4 | 1.58 | 18.3 | 1.53 | 18.2 | 1.38 |
| 11 | 2425 | 11967 | 4315 | | 4159 | | 3972 | | 3785 | | 3589 | | 3358 | | 3102 | | 2837 | | 2526 | | 2112 | |
| | 2475 | 12211 | 19.9 | 1.62 | 19.8 | 1.69 | 19.7 | 1.72 | 19.6 | 1.75 | 19.5 | 1.77 | 19.4 | 1.77 | 19.3 | 1.75 | 19.3 | 1.74 | 19.2 | 1.72 | 19.1 | 1.64 |
| 12 | 2525 | 12455 | 4389 | | 4236 | | 4053 | | 3869 | | 3683 | | 3455 | | 3210 | | 2949 | | 2663 | | 2287 | |
| | 2575 | 12700 | 20.0 | 1.70 | 20.0 | 1.77 | 20.0 | 1.80 | 20.0 | 1.83 | 20.0 | 1.86 | 20.0 | 1.85 | 19.9 | 1.84 | 19.8 | 1.83 | 19.7 | 1.81 | 19.6 | 1.75 |
| 13 | 2625 | 12944 | 4462 | | 4312 | | 4133 | | 3952 | | 3771 | | 3551 | | 3317 | | 3060 | | 2800 | | 2448 | |
| | 2675 | 13188 | 21.0 | 1.78 | 21.0 | 1.85 | 21.0 | 1.88 | 21.0 | 1.91 | 21.0 | 1.95 | 21.0 | 1.94 | 20.0 | 1.93 | 20.0 | 1.92 | 20.0 | 1.91 | 20.0 | 1.86 |
| 14 | 2725 | 13433 | 4535 | | 4388 | | 4213 | | 4035 | | 3856 | | 3647 | | 3423 | | 3170 | | 2916 | | 2604 | |
| | 2775 | 13677 | 22.0 | 1.86 | 21.0 | 1.93 | 21.0 | 1.97 | 21.0 | 2.00 | 21.0 | 2.03 | 21.0 | 2.03 | 21.0 | 2.03 | 21.0 | 2.01 | 21.0 | 2.00 | 20.0 | 1.97 |
| 15 | 2825 | 13921 | 4623 | | 4478 | | 4309 | | 4134 | | 3959 | | 3761 | | 3644 | | 3300 | | 3051 | | 2772 | |
| | 2875 | 14165 | 22.0 | 1.96 | 22.0 | 2.03 | 22.0 | 2.07 | 22.0 | 2.11 | 21.0 | 2.14 | 21.0 | 2.15 | 21.0 | 2.14 | 21.0 | 2.13 | 21.0 | 2.12 | 21.0 | 2.09 |
| 16 | 2925 | 14410 | 4755 | | 4613 | | 4463 | | 4282 | | 4111 | | 3931 | | 3720 | | 3494 | | 3252 | | 3009 | |
| | 2975 | 14654 | 22.0 | 2.12 | 22.0 | 2.19 | 22.0 | 2.24 | 22.0 | 2.27 | 22.0 | 2.31 | 22.0 | 2.33 | 22.0 | 2.32 | 22.0 | 2.31 | 22.0 | 2.30 | 22.0 | 2.29 |
| 17 | 3025 | 14898 | 4900 | | 4763 | | 4611 | | 4445 | | 4279 | | 4113 | | 3912 | | 3706 | | 3471 | | 3235 | |
| | 3075 | 15142 | 23.0 | 2.30 | 23.0 | 2.38 | 23.0 | 2.43 | 23.0 | 2.47 | 23.0 | 2.50 | 22.0 | 2.54 | 22.0 | 2.53 | 22.0 | 2.52 | 22.0 | 2.51 | 22.0 | 2.50 |
| 18 | 3125 | 15387 | 5046 | | 4913 | | 4769 | | 4607 | | 4446 | | 4284 | | 4102 | | 3902 | | 3686 | | 3457 | |
| | 3175 | 15631 | 24.0 | 2.50 | 23.0 | 2.58 | 23.0 | 2.64 | 23.0 | 2.67 | 23.0 | 2.71 | 23.0 | 2.75 | 23.0 | 2.76 | 23.0 | 2.75 | 23.0 | 2.74 | 23.0 | 2.72 |
| 19 | 3225 | 15875 | 5192 | | 5062 | | 4925 | | 4768 | | 4611 | | 4454 | | 4290 | | 4096 | | 3899 | | 3676 | |
| | 3275 | 16120 | 24.0 | 2.71 | 24.0 | 2.78 | 24.0 | 2.85 | 24.0 | 2.89 | 24.0 | 2.93 | 24.0 | 2.96 | 24.0 | 2.99 | 24.0 | 2.98 | 24.0 | 2.97 | 24.0 | 2.96 |
| 20 | 3325 | 16364 | 5264 | | 5136 | | 5004 | | 4848 | | 4693 | | 4538 | | 4383 | | 4191 | | 4000 | | 3784 | |
| | 3375 | 16608 | 25.0 | 2.81 | 24.0 | 2.89 | 24.0 | 2.96 | 24.0 | 3.00 | 24.0 | 3.04 | 24.0 | 3.08 | 24.0 | 3.12 | 24.0 | 3.11 | 24.0 | 3.10 | 24.0 | 3.08 |
| 21 | 3425 | 16853 | 5331 | | 5204 | | 5075 | | 4922 | | 4769 | | 4616 | | 4463 | | 4279 | | 4090 | | 3883 | |
| | 3475 | 17097 | 25.0 | 2.92 | 24.0 | 3.00 | 24.0 | 3.07 | 24.0 | 3.11 | 24.0 | 3.15 | 24.0 | 3.19 | 24.0 | 3.22 | 24.0 | 3.22 | 24.0 | 3.21 | 24.0 | 3.20 |

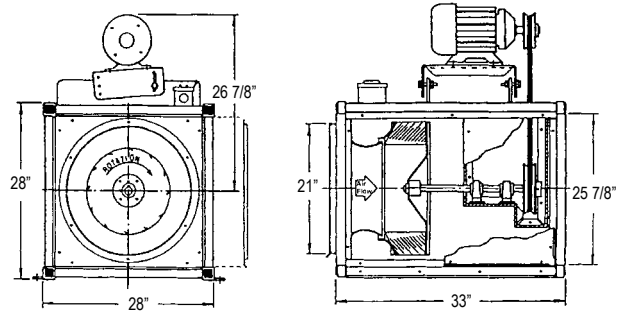
Performance shown is for installation type A - Free inlet, Free outlet. Power rating (BHP) does not include drive losses. Performance ratings do not include the effects of appurtenances in the airstream. The AMCA Certified Ratings Seal applies to air capacities only.

©PENN BARRY 2008

> SX165BC Fan Curves



> SX165BC Dimensional Data



| | | |
|------------------------------|------------------------------|--|
| Galv. Side Panel = 20 gauge | Alum. Corner Post = 0.064 in | Peak BHP = (RPM/1070) ³ |
| Alum. Side Panel = 0.051 in | Damper Size = 28 in (sq) | Max. RPM = 1680 (3 HP) |
| Galv. Corner Post = 16 gauge | Max. Mtr. Frame Size = 213T | Est. Ship. Wts. (galv/alum) = 144/99 lbs |

> SX165BC Performance Data

| HP | RPM | Tip Speed FPM | 0.250" SP | | 0.500" SP | | 0.750" SP | | 1.000" SP | | 1.250" SP | | 1.500" SP | | 1.750" SP | | 2.000" SP | | 2.250" SP | | 2.500" SP | | | |
|-------|------|---------------|-----------|------|-----------|------|-----------|------|-----------|------|-----------|------|-----------|------|-----------|------|-----------|------|-----------|------|-----------|------|-------|-----|
| | | | Sones | BHP | Sones | BHP | Sones | BHP | Sones | BHP | Sones | BHP | Sones | BHP | Sones | BHP | Sones | BHP | Sones | BHP | Sones | BHP | Sones | BHP |
| 1/4 | 660 | 3229 | 2043 | | - | | - | | - | | - | | - | | - | | - | | - | | - | | - | |
| | 712 | 3483 | 8.3 | 0.23 | - | | - | | - | | - | | - | | - | | - | | - | | - | | - | |
| 1/3 | 740 | 3620 | 2411 | | 1721 | | - | | - | | - | | - | | - | | - | | - | | - | | - | |
| | 772 | 3777 | 10.3 | 0.32 | 9.9 | 0.32 | - | | - | | - | | - | | - | | - | | - | | - | | - | |
| 1/2 | 830 | 4061 | 2555 | | 2002 | | - | | - | | - | | - | | - | | - | | - | | - | | - | |
| | 884 | 4325 | 10.6 | 0.36 | 10.1 | 0.37 | - | | - | | - | | - | | - | | - | | - | | - | | - | |
| 3/4 | 930 | 4550 | 2815 | | 2364 | | 1250 | | - | | - | | - | | - | | - | | - | | - | | - | |
| | 970 | 4745 | 11.1 | 0.44 | 10.5 | 0.47 | 10.1 | 0.37 | - | | - | | - | | - | | - | | - | | - | | - | |
| 1 | 1040 | 5088 | 3054 | | 2652 | | 1886 | | - | | - | | - | | - | | - | | - | | - | | - | |
| | 1070 | 5235 | 12.0 | 0.53 | 11.3 | 0.56 | 10.8 | 0.53 | - | | - | | - | | - | | - | | - | | - | | - | |
| 1 1/2 | 1140 | 5577 | 3255 | | 2873 | | 2326 | | - | | - | | - | | - | | - | | - | | - | | - | |
| | 1180 | 5773 | 12.8 | 0.61 | 12.0 | 0.65 | 11.4 | 0.64 | - | | - | | - | | - | | - | | - | | - | | - | |
| 2 | 1280 | 6262 | 3428 | | 3059 | | 2619 | | 1607 | | - | | - | | - | | - | | - | | - | | - | |
| | 1305 | 6384 | 13.3 | 0.69 | 12.6 | 0.73 | 11.8 | 0.74 | 11.6 | 0.62 | - | | - | | - | | - | | - | | - | | - | |
| 3 | 1420 | 6947 | 3609 | | 3251 | | 2870 | | 2087 | | - | | - | | - | | - | | - | | - | | - | |
| | 1460 | 7143 | 13.8 | 0.78 | 13.1 | 0.82 | 12.3 | 0.84 | 12.1 | 0.78 | - | | - | | - | | - | | - | | - | | - | |
| 4 | 1510 | 7387 | 3728 | | 3380 | | 3028 | | 2371 | | - | | - | | - | | - | | - | | - | | - | |
| | 1550 | 7583 | 14.4 | 0.85 | 13.6 | 0.88 | 12.8 | 0.92 | 12.5 | 0.88 | - | | - | | - | | - | | - | | - | | - | |
| 5 | 1582 | 7740 | 3856 | | 3516 | | 3183 | | 2653 | | 1590 | | - | | - | | - | | - | | - | | - | |
| | 1582 | 7740 | 14.9 | 0.92 | 14.2 | 0.96 | 13.5 | 1.00 | 13.0 | 0.97 | 12.8 | 0.78 | - | | - | | - | | - | | - | | - | |
| 6 | 1582 | 7740 | 3966 | | 3633 | | 3315 | | 2861 | | 1946 | | - | | - | | - | | - | | - | | - | |
| | 1582 | 7740 | 15.4 | 0.98 | 14.8 | 1.03 | 14.0 | 1.07 | 13.4 | 1.05 | 13.2 | 0.93 | - | | - | | - | | - | | - | | - | |
| 7 | 1582 | 7740 | 4152 | | 3831 | | 3524 | | 3148 | | 2422 | | - | | - | | - | | - | | - | | - | |
| | 1582 | 7740 | 16.3 | 1.10 | 15.7 | 1.15 | 15.0 | 1.19 | 14.2 | 1.20 | 14.1 | 1.13 | - | | - | | - | | - | | - | | - | |
| 8 | 1582 | 7740 | 4320 | | 4009 | | 3709 | | 3379 | | 2817 | | 1858 | | - | | - | | - | | - | | - | |
| | 1582 | 7740 | 17.3 | 1.22 | 16.6 | 1.27 | 16.0 | 1.31 | 15.2 | 1.34 | 14.9 | 1.29 | 14.6 | 1.09 | - | | - | | - | | - | | - | |
| 9 | 1582 | 7740 | 4485 | | 4186 | | 3893 | | 3597 | | 3165 | | 2352 | | - | | - | | - | | - | | - | |
| | 1582 | 7740 | 18.1 | 1.34 | 17.6 | 1.40 | 16.8 | 1.44 | 16.1 | 1.48 | 15.6 | 1.45 | 15.4 | 1.33 | - | | - | | - | | - | | - | |
| 10 | 1582 | 7740 | 4629 | | 4340 | | 4054 | | 3774 | | 3399 | | 2717 | | 1704 | | - | | - | | - | | - | |
| | 1582 | 7740 | 18.7 | 1.46 | 18.1 | 1.52 | 17.4 | 1.56 | 16.8 | 1.61 | 16.1 | 1.59 | 15.9 | 1.51 | 15.7 | 1.20 | - | | - | | - | | - | |
| 11 | 1582 | 7740 | 4731 | | 4450 | | 4168 | | 3898 | | 3553 | | 2965 | | 2082 | | - | | - | | - | | - | |
| | 1582 | 7740 | 19.1 | 1.54 | 18.6 | 1.60 | 17.9 | 1.65 | 17.3 | 1.70 | 16.5 | 1.70 | 16.3 | 1.64 | 16.1 | 1.42 | - | | - | | - | | - | |
| 12 | 1582 | 7740 | 4833 | | 4559 | | 4281 | | 4016 | | 3697 | | 3201 | | 2400 | | - | | - | | - | | - | |
| | 1582 | 7740 | 19.5 | 1.63 | 19.0 | 1.69 | 18.3 | 1.74 | 17.8 | 1.79 | 17.0 | 1.81 | 16.8 | 1.76 | 16.5 | 1.60 | - | | - | | - | | - | |
| 13 | 1582 | 7740 | 4936 | | 4667 | | 4394 | | 4132 | | 3839 | | 3417 | | 2670 | | - | | - | | - | | - | |
| | 1582 | 7740 | 19.9 | 1.72 | 19.5 | 1.79 | 18.8 | 1.83 | 18.3 | 1.89 | 17.6 | 1.92 | 17.2 | 1.88 | 17.0 | 1.75 | - | | - | | - | | - | |
| 14 | 1582 | 7740 | 5036 | | 4776 | | 4507 | | 4248 | | 3975 | | 3592 | | 2929 | | 2036 | | - | | - | | - | |
| | 1582 | 7740 | 20.0 | 1.82 | 19.9 | 1.89 | 19.3 | 1.93 | 18.8 | 1.99 | 18.1 | 2.03 | 17.6 | 2.00 | 17.4 | 1.90 | 17.1 | 1.60 | - | | - | | - | |
| 15 | 1582 | 7740 | 5142 | | 4888 | | 4623 | | 4368 | | 4108 | | 3762 | | 3188 | | 2397 | | - | | - | | - | |
| | 1582 | 7740 | 21.0 | 1.92 | 20.0 | 1.99 | 19.8 | 2.04 | 19.3 | 2.09 | 18.7 | 2.15 | 18.0 | 2.13 | 17.9 | 2.06 | 17.6 | 1.85 | - | | - | | - | |
| 16 | 1582 | 7740 | 5300 | | 5056 | | 4798 | | 4547 | | 4305 | | 3995 | | 3548 | | 2835 | | - | | - | | - | |
| | 1582 | 7740 | 21.0 | 2.09 | 21.0 | 2.16 | 21.0 | 2.21 | 20.0 | 2.26 | 19.5 | 2.33 | 18.8 | 2.32 | 18.5 | 2.27 | 18.3 | 2.13 | - | | - | | - | |
| 17 | 1582 | 7740 | 5461 | | 5227 | | 4976 | | 4730 | | 4494 | | 4222 | | 3855 | | 3248 | | 2480 | | - | | - | |
| | 1582 | 7740 | 22.0 | 2.26 | 22.0 | 2.34 | 21.0 | 2.40 | 21.0 | 2.45 | 20.0 | 2.51 | 19.6 | 2.54 | 19.2 | 2.50 | 19.0 | 2.40 | 18.8 | 2.16 | - | | - | |
| 18 | 1582 | 7740 | 5663 | | 5440 | | 5197 | | 4958 | | 4727 | | 4486 | | 4176 | | 3724 | | 3048 | | 2197 | | - | |
| | 1582 | 7740 | 23.0 | 2.50 | 23.0 | 2.58 | 22.0 | 2.65 | 22.0 | 2.69 | 21.0 | 2.75 | 21.0 | 2.81 | 20.0 | 2.79 | 19.9 | 2.73 | 19.7 | 2.57 | 19.4 | 2.18 | - | |
| 19 | 1582 | 7740 | 5824 | | 5609 | | 5372 | | 5138 | | 4911 | | 4688 | | 4408 | | 4047 | | 3459 | | 2752 | | - | |
| | 1582 | 7740 | 23.0 | 2.70 | 23.0 | 2.78 | 23.0 | 2.85 | 23.0 | 2.90 | 22.0 | 2.96 | 22.0 | 3.03 | 21.0 | 3.03 | 21.0 | 2.98 | 20.0 | 2.88 | 20.0 | 2.64 | - | |
| 20 | 1582 | 7740 | 5952 | | 5744 | | 5512 | | 5282 | | 5058 | | 4842 | | 4589 | | 4265 | | 3769 | | 3111 | | - | |
| | 1582 | 7740 | 24.0 | 2.87 | 24.0 | 2.95 | 23.0 | 3.02 | 23.0 | 3.07 | 23.0 | 3.13 | 22.0 | 3.20 | 22.0 | 3.23 | 21.0 | 3.19 | 21.0 | 3.12 | 21.0 | 2.93 | - | |

Performance shown is for installation type A - Free inlet, Free outlet. Power rating (BHP) does not include drive losses. Performance ratings do not include the effects of appurtenances in the airstream. The AMCA Certified Ratings Seal applies to air capacities only.

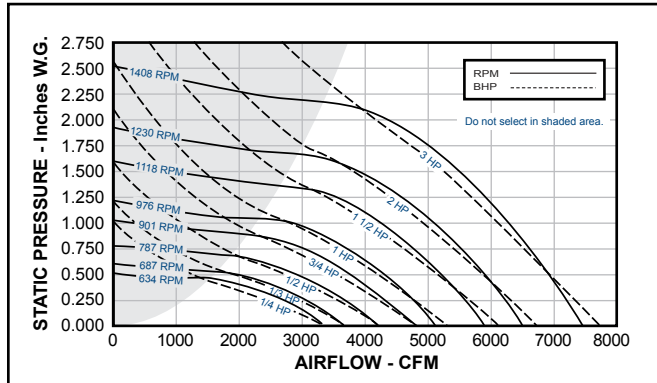
Dimensional Information & Performance Data

Centrex Inliner | Belt Drive

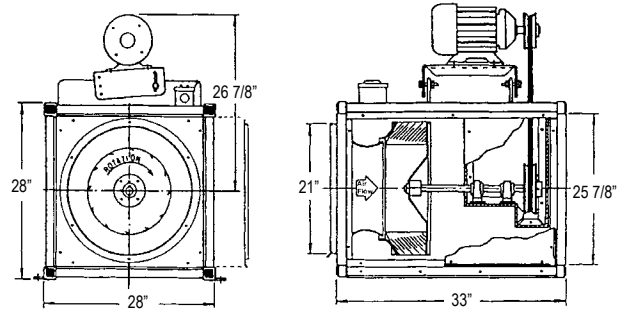


SX205BC

> SX205BC Fan Curves



> SX205BC Dimensional Data



| | | |
|------------------------------|------------------------------|---|
| Galv. Side Panel = 20 gauge | Alum. Corner Post = 0.064 in | Peak BHP = (RPM/953) ³ |
| Alum. Side Panel = 0.051 in | Damper Size = 28 in (sq) | Max. RPM = 1455 (3 HP) |
| Galv. Corner Post = 16 gauge | Max. Mtr. Frame Size = 213T | Est. Ship. Wts. (galv/alum) = 152/104 lbs |

> SX205BC Performance Data

| HP | RPM | Tip Speed FPM | 0.250" SP | | 0.500" SP | | 0.750" SP | | 1.000" SP | | 1.250" SP | | 1.500" SP | | 1.750" SP | | 2.000" SP | | 2.250" SP | | 2.500" SP | |
|-------|------|---------------|-----------|------|-----------|------|-----------|------|-----------|-----|-----------|-----|-----------|-----|-----------|-----|-----------|-----|-----------|-----|-----------|-----|
| | | | Sones | BHP | Sones | BHP | Sones | BHP | Sones | BHP | Sones | BHP | Sones | BHP | Sones | BHP | Sones | BHP | Sones | BHP | Sones | BHP |
| 1/4 | 550 | 2916 | 2062 | | - | | - | | - | | - | | - | | - | | - | | - | | - | |
| | 634 | 3361 | 4.9 | 0.19 | - | | - | | - | | - | | - | | - | | - | | - | | - | |
| 1/3 | 660 | 3499 | 2702 | | - | | - | | - | | - | | - | | - | | - | | - | | - | |
| | 687 | 3642 | 6.3 | 0.29 | - | | - | | - | | - | | - | | - | | - | | - | | - | |
| 1/2 | 720 | 3817 | 2875 | | 1925 | | - | | - | | - | | - | | - | | - | | - | | - | |
| | 755 | 4003 | 8.2 | 0.42 | 7.6 | 0.42 | - | | - | | - | | - | | - | | - | | - | | - | |
| 3/4 | 825 | 4374 | 3478 | | 2710 | | - | | - | | - | | - | | - | | - | | - | | - | |
| | 865 | 4586 | 9.2 | 0.48 | 8.3 | 0.50 | - | | - | | - | | - | | - | | - | | - | | - | |
| 1 | 925 | 4904 | 3676 | | 2995 | | - | | - | | - | | - | | - | | - | | - | | - | |
| | 950 | 5036 | 10.2 | 0.54 | 9.0 | 0.56 | - | | - | | - | | - | | - | | - | | - | | - | |
| 1 1/2 | 1010 | 5354 | 3809 | | 3306 | | - | | - | | - | | - | | - | | - | | - | | - | |
| | 1045 | 5540 | 11.5 | 0.61 | 9.7 | 0.65 | - | | - | | - | | - | | - | | - | | - | | - | |
| 2 | 1150 | 6027 | 4147 | | 3603 | | 2682 | | - | | - | | - | | - | | - | | - | | - | |
| | 1180 | 6256 | 12.4 | 0.70 | 10.3 | 0.75 | 10.2 | 0.72 | - | | - | | - | | - | | - | | - | | - | |
| 3 | 1265 | 6706 | 4358 | | 3851 | | 3074 | | - | | - | | - | | - | | - | | - | | - | |
| | 1300 | 6892 | 13.3 | 0.79 | 10.9 | 0.84 | 10.9 | 0.84 | - | | - | | - | | - | | - | | - | | - | |
| 3 | 1340 | 7104 | 4498 | | 4012 | | 3322 | | - | | - | | - | | - | | - | | - | | - | |
| | 1380 | 7316 | 14.0 | 0.85 | 11.5 | 0.90 | 11.3 | 0.91 | - | | - | | - | | - | | - | | - | | - | |
| 3 | 1408 | 7464 | 4642 | | 4174 | | 3549 | | - | | - | | - | | - | | - | | - | | - | |
| | | | 14.8 | 0.91 | 12.2 | 0.97 | 11.9 | 0.99 | - | | - | | - | | - | | - | | - | | - | |

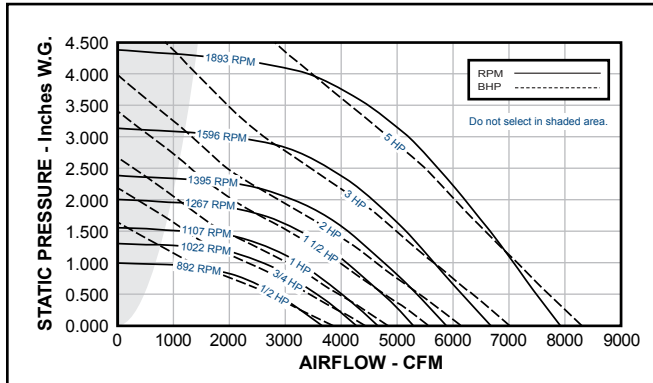
Performance shown is for installation type A - Free inlet, Free outlet. Power rating (BHP) does not include drive losses. Performance ratings do not include the effects of appurtenances in the airstream. The AMCA Certified Ratings Seal applies to air capacities only.

Centrifugal Inline Fans

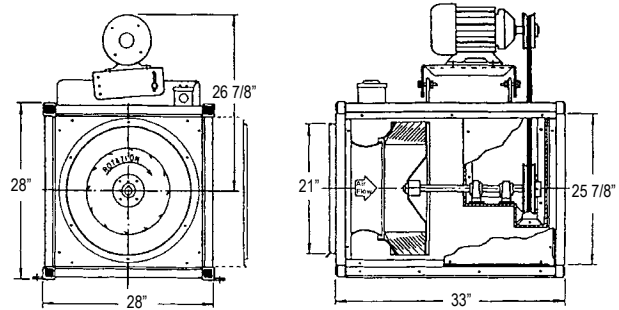
Centrex Inliner

©PENN BARRY 2008

› SX205BHC Fan Curves



› SX205BHC Dimensional Data



| | | |
|------------------------------|------------------------------|---|
| Galv. Side Panel = 20 gauge | Alum. Corner Post = 0.064 in | Peak BHP = (RPM/1083) ³ |
| Alum. Side Panel = 0.051 in | Damper Size = 28 in (sq) | Max. RPM = 2180 (3 HP) |
| Galv. Corner Post = 16 gauge | Max. Mtr. Frame Size = 213T | Est. Ship. Wts. (galv/alum) = 152/104 lbs |

› SX205BHC Performance Data

| HP | RPM | Tip Speed FPM | 0.250" SP | | 0.500" SP | | 0.750" SP | | 1.000" SP | | 1.250" SP | | 1.500" SP | | 1.750" SP | | 2.000" SP | | 2.250" SP | | 2.500" SP | | |
|-------|------|---------------|-----------|------|-----------|------|-----------|------|-----------|------|-----------|------|-----------|------|-----------|------|-----------|------|-----------|------|-----------|------|-------|
| | | | Sones | BHP | Sones | BHP | Sones | BHP | Sones | BHP | Sones | BHP | Sones | BHP | Sones | BHP | Sones | BHP | Sones | BHP | Sones | BHP | Sones |
| 1/2 | 800 | 4241 | 987 | - | - | - | - | - | - | - | - | - | - | - | - | - | - | - | - | - | - | - | - |
| | 892 | 4729 | 2204 | - | - | - | - | - | - | - | - | - | - | - | - | - | - | - | - | - | - | - | - |
| 3/4 | 975 | 5169 | 2793 | 2050 | - | - | - | - | - | - | - | - | - | - | - | - | - | - | - | - | - | - | - |
| | 1022 | 5418 | 3081 | 2483 | - | - | - | - | - | - | - | - | - | - | - | - | - | - | - | - | - | - | - |
| 1 | 1075 | 5699 | 3373 | 2886 | 2127 | - | - | - | - | - | - | - | - | - | - | - | - | - | - | - | - | - | - |
| | 1107 | 5869 | 3546 | 3106 | 2463 | - | - | - | - | - | - | - | - | - | - | - | - | - | - | - | - | - | - |
| 1 1/2 | 1175 | 6229 | 3909 | 3529 | 3024 | 2300 | - | - | - | - | - | - | - | - | - | - | - | - | - | - | - | - | - |
| | 1225 | 6494 | 4170 | 3806 | 3393 | 2810 | 1660 | - | - | - | - | - | - | - | - | - | - | - | - | - | - | - | - |
| 2 | 1267 | 6717 | 4383 | 4034 | 3658 | 3159 | 2458 | - | - | - | - | - | - | - | - | - | - | - | - | - | - | - | - |
| | 1300 | 6892 | 4546 | 4212 | 3862 | 3410 | 2822 | 1284 | - | - | - | - | - | - | - | - | - | - | - | - | - | - | - |
| 2 | 1340 | 7104 | 4741 | 4425 | 4092 | 3704 | 3187 | 2445 | - | - | - | - | - | - | - | - | - | - | - | - | - | - | - |
| | 1375 | 7289 | 4911 | 4609 | 4284 | 3926 | 3462 | 2857 | 1164 | - | - | - | - | - | - | - | - | - | - | - | - | - | - |
| 2 | 1395 | 7396 | 5008 | 4714 | 4394 | 4051 | 3614 | 3068 | 2079 | - | - | - | - | - | - | - | - | - | - | - | - | - | - |
| | 1440 | 7634 | 5224 | 4947 | 4637 | 4327 | 3952 | 3471 | 2828 | - | - | - | - | - | - | - | - | - | - | - | - | - | - |
| 3 | 1480 | 7846 | 5417 | 5145 | 4851 | 4549 | 4208 | 3778 | 3258 | 2401 | - | - | - | - | - | - | - | - | - | - | - | - | - |
| | 1525 | 8085 | 5632 | 5366 | 5089 | 4796 | 4489 | 4117 | 3663 | 3060 | - | - | - | - | - | - | - | - | - | - | - | - | - |
| 3 | 1550 | 8217 | 5752 | 5488 | 5220 | 4931 | 4643 | 4294 | 3856 | 3332 | - | - | - | - | - | - | - | - | - | - | - | - | - |
| | 1575 | 8350 | 5870 | 5609 | 5350 | 5066 | 4783 | 4453 | 4047 | 3570 | - | - | - | - | - | - | - | - | - | - | - | - | - |
| 3 | 1596 | 8461 | 5970 | 5711 | 5459 | 5179 | 4900 | 4585 | 4206 | 3759 | 1769 | - | - | - | - | - | - | - | - | - | - | - | - |
| | 1650 | 8747 | 6224 | 5971 | 5729 | 5466 | 5195 | 4920 | 4593 | 4188 | 3106 | - | - | - | - | - | - | - | - | - | - | - | - |
| 5 | 1700 | 9012 | 6458 | 6212 | 5975 | 5729 | 5466 | 5204 | 4908 | 4566 | 3673 | - | - | - | - | - | - | - | - | - | - | - | - |
| | 1750 | 9278 | 6689 | 6452 | 6219 | 5989 | 5733 | 5478 | 5218 | 4910 | 4132 | 2819 | - | - | - | - | - | - | - | - | - | - | - |
| 5 | 1800 | 9543 | 6915 | 6690 | 6461 | 6239 | 5998 | 5750 | 5502 | 5224 | 4531 | 3572 | - | - | - | - | - | - | - | - | - | - | - |
| | 1840 | 9755 | 7096 | 6880 | 6653 | 6436 | 6208 | 5965 | 5722 | 5472 | 4835 | 4008 | - | - | - | - | - | - | - | - | - | - | - |
| 5 | 1875 | 9940 | 7254 | 7045 | 6821 | 6608 | 6390 | 6151 | 5913 | 5676 | 5097 | 4327 | - | - | - | - | - | - | - | - | - | - | - |
| | 1893 | 10036 | 7334 | 7130 | 6908 | 6695 | 6483 | 6247 | 6011 | 5776 | 5226 | 4488 | - | - | - | - | - | - | - | - | - | - | - |
| | | | 29.0 | 4.72 | 29.0 | 4.86 | 29.0 | 4.98 | 29.0 | 5.09 | 29.0 | 5.19 | 29.0 | 5.22 | 29.0 | 5.25 | 29.0 | 5.32 | 29.0 | 5.38 | 29.0 | 5.37 | - |

Performance shown is for installation type A - Free inlet, Free outlet. Power rating (BHP) does not include drive losses. Performance ratings do not include the effects of appurtenances in the airstream. The AMCA Certified Ratings Seal applies to air capacities only.

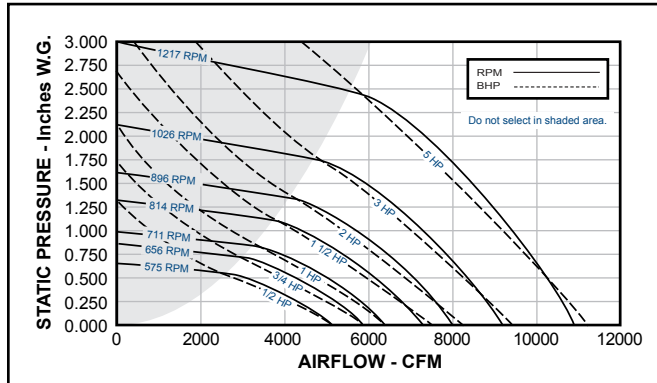
Dimensional Information & Performance Data

Centrex Inliner | Belt Drive

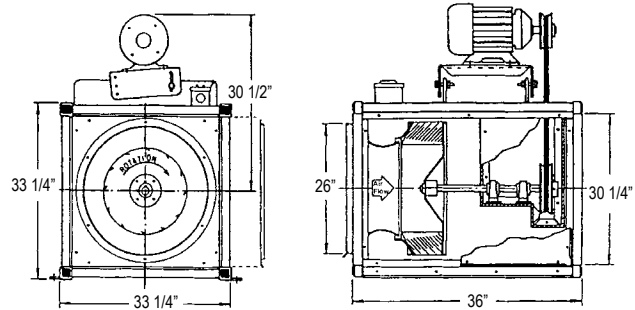


SX225BC

> SX225BC Fan Curves



> SX225BC Dimensional Data



| | | |
|------------------------------|------------------------------|-----------------------------------|
| Galv. Side Panel = 20 gauge | Alum. Corner Post = NA | Peak BHP = (RPM/704) ³ |
| Alum. Side Panel = NA | Damper Size = 33 1/4 in (sq) | Max. RPM = 1257 (3 HP) |
| Galv. Corner Post = 14 gauge | Max. Mtr. Frame Size = 213T | Est. Ship. Wt. = 245 lbs |

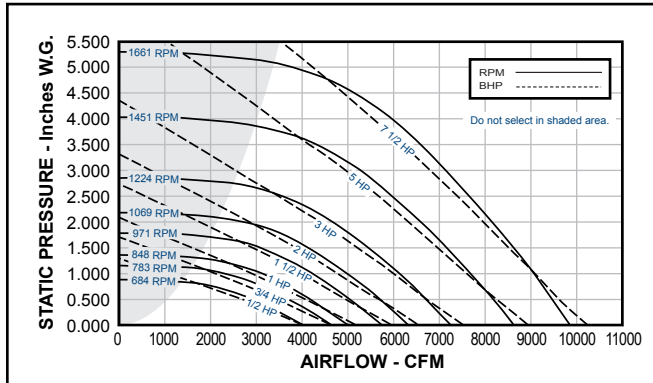
> SX225BC Performance Data

| HP | RPM | Tip Speed FPM | 0.250" SP | | 0.500" SP | | 0.750" SP | | 1.000" SP | | 1.250" SP | | 1.500" SP | | 1.750" SP | | 2.000" SP | | 2.250" SP | | 2.500" SP | |
|-------|------|---------------|-----------|-------|-----------|------|-----------|------|-----------|------|-----------|------|-----------|------|-----------|------|-----------|------|-----------|------|-----------|-----|
| | | | Sones | BHP | Sones | BHP | Sones | BHP | Sones | BHP | Sones | BHP | Sones | BHP | Sones | BHP | Sones | BHP | Sones | BHP | Sones | BHP |
| 1/2 | 525 | 3410 | 3831 | | - | - | - | - | - | - | - | - | - | - | - | - | - | - | - | - | - | - |
| | | | 6.8 | 0.43 | - | - | - | - | - | - | - | - | - | - | - | - | - | - | - | - | - | - |
| 1/2 | 573 | 3722 | 4382 | | 3145 | | - | - | - | - | - | - | - | - | - | - | - | - | - | - | - | - |
| | | | 8.1 | 0.55 | 7.8 | 0.55 | - | - | - | - | - | - | - | - | - | - | - | - | - | - | - | - |
| 3/4 | 615 | 3995 | 4839 | | 3802 | | - | - | - | - | - | - | - | - | - | - | - | - | - | - | - | - |
| | | | 9.9 | 0.67 | 8.7 | 0.69 | - | - | - | - | - | - | - | - | - | - | - | - | - | - | - | - |
| 3/4 | 656 | 4261 | 5266 | | 4343 | | - | - | - | - | - | - | - | - | - | - | - | - | - | - | - | - |
| | | | 10.6 | 0.81 | 9.6 | 0.84 | - | - | - | - | - | - | - | - | - | - | - | - | - | - | - | - |
| 1 | 670 | 4352 | 5407 | | 4518 | | 3182 | | - | - | - | - | - | - | - | - | - | - | - | - | - | - |
| | | | 10.9 | 0.86 | 9.8 | 0.90 | 9.9 | 0.84 | - | - | - | - | - | - | - | - | - | - | - | - | - | - |
| | 690 | 4482 | 5608 | | 4773 | | 3628 | | - | - | - | - | - | - | - | - | - | - | - | - | - | - |
| | | | 11.3 | 0.93 | 10.2 | 0.98 | 10.3 | 0.95 | - | - | - | - | - | - | - | - | - | - | - | - | - | - |
| 711 | 4618 | 5817 | | 5037 | | 4012 | | - | - | - | - | - | - | - | - | - | - | - | - | - | - | |
| | | 11.8 | 1.02 | 10.5 | 1.07 | 10.9 | 1.06 | - | - | - | - | - | - | - | - | - | - | - | - | - | - | - |
| 1 1/2 | 735 | 4774 | 6055 | | 5328 | | 4392 | | - | - | - | - | - | - | - | - | - | - | - | - | - | |
| | | | 12.6 | 1.12 | 11.3 | 1.18 | 11.6 | 1.18 | - | - | - | - | - | - | - | - | - | - | - | - | - | - |
| | 760 | 4937 | 6302 | | 5623 | | 4752 | | - | - | - | - | - | - | - | - | - | - | - | - | - | |
| | | | 13.7 | 1.23 | 12.4 | 1.29 | 12.4 | 1.31 | - | - | - | - | - | - | - | - | - | - | - | - | - | - |
| 785 | 5099 | 6548 | | 5910 | | 5086 | | 3949 | | - | - | - | - | - | - | - | - | - | - | - | - | |
| | | 15.0 | 1.35 | 13.8 | 1.42 | 13.1 | 1.44 | 12.9 | 1.38 | - | - | - | - | - | - | - | - | - | - | - | - | - |
| 814 | 5288 | 6830 | | 6239 | | 5451 | | 4512 | | - | - | - | - | - | - | - | - | - | - | - | - | |
| | | 15.5 | 1.50 | 14.6 | 1.58 | 13.7 | 1.61 | 13.8 | 1.58 | - | - | - | - | - | - | - | - | - | - | - | - | - |
| 2 | 830 | 5391 | 6983 | | 6419 | | 5654 | | 4784 | | - | - | - | - | - | - | - | - | - | - | - | |
| | | | 15.6 | 1.59 | 14.9 | 1.67 | 13.9 | 1.70 | 14.3 | 1.69 | - | - | - | - | - | - | - | - | - | - | - | - |
| | 850 | 5521 | 7174 | | 6635 | | 5908 | | 5091 | | - | - | - | - | - | - | - | - | - | - | - | |
| | | | 16.0 | 1.70 | 15.4 | 1.78 | 14.3 | 1.83 | 14.8 | 1.82 | - | - | - | - | - | - | - | - | - | - | - | - |
| 875 | 5684 | 7412 | | 6900 | | 6220 | | 5451 | | 4357 | | - | - | - | - | - | - | - | - | - | - | |
| | | 16.7 | 1.84 | 16.2 | 1.94 | 14.8 | 1.99 | 15.5 | 2.00 | 15.4 | 1.90 | - | - | - | - | - | - | - | - | - | - | |
| 896 | 5820 | 7611 | | 7121 | | 6475 | | 5734 | | 4789 | | - | - | - | - | - | - | - | - | - | - | |
| | | 17.3 | 1.97 | 17.0 | 2.07 | 15.5 | 2.13 | 16.1 | 2.15 | 16.0 | 2.08 | - | - | - | - | - | - | - | - | - | - | |
| 3 | 920 | 5976 | 7838 | | 7369 | | 6762 | | 6044 | | 5217 | | - | - | - | - | - | - | - | - | - | |
| | | | 18.3 | 2.13 | 18.0 | 2.23 | 16.6 | 2.30 | 16.5 | 2.32 | 16.7 | 2.29 | - | - | - | - | - | - | - | - | - | - |
| | 945 | 6183 | 8074 | | 7621 | | 7051 | | 6358 | | 5611 | | 4433 | | - | - | - | - | - | - | - | |
| | | | 19.3 | 2.30 | 19.0 | 2.41 | 17.8 | 2.48 | 17.1 | 2.51 | 17.4 | 2.50 | 17.3 | 2.33 | - | - | - | - | - | - | - | - |
| | 970 | 6301 | 8310 | | 7872 | | 7336 | | 6677 | | 5979 | | 5012 | | - | - | - | - | - | - | - | - |
| | | | 21.0 | 2.48 | 20.0 | 2.60 | 18.9 | 2.68 | 18.0 | 2.72 | 18.1 | 2.72 | 18.0 | 2.62 | - | - | - | - | - | - | - | - |
| 995 | 6463 | 8544 | | 8122 | | 7620 | | 6992 | | 6321 | | 5492 | | - | - | - | - | - | - | - | - | |
| | | 21.0 | 2.67 | 21.0 | 2.79 | 19.9 | 2.88 | 18.9 | 2.93 | 18.7 | 2.94 | 18.8 | 2.88 | - | - | - | - | - | - | - | - | |
| 1026 | 6665 | 8835 | | 8431 | | 7966 | | 7373 | | 6725 | | 6005 | | 4927 | | - | - | - | - | - | - | |
| | | 22.0 | 2.92 | 22.0 | 2.92 | 20.0 | 3.15 | 19.6 | 3.20 | 19.6 | 3.22 | 19.6 | 3.20 | 19.5 | 3.02 | - | - | - | - | - | - | |
| 5 | 1060 | 6886 | 9153 | | 8767 | | 8327 | | 7782 | | 7152 | | 6513 | | 5663 | | - | - | - | - | - | |
| | | | 22.0 | 3.21 | 22.0 | 3.35 | 21.0 | 3.45 | 20.0 | 3.52 | 20.0 | 3.55 | 21.0 | 3.55 | 20.0 | 3.45 | - | - | - | - | - | |
| | 1090 | 7080 | 9433 | | 9062 | | 8644 | | 8128 | | 7535 | | 6925 | | 6197 | | 5085 | | - | - | - | |
| | | | 23.0 | 3.48 | 23.0 | 3.63 | 22.0 | 3.74 | 21.0 | 3.81 | 21.0 | 3.85 | 21.0 | 3.87 | 21.0 | 3.81 | 21.0 | 3.57 | - | - | - | |
| | 1120 | 7275 | 9712 | | 9356 | | 8957 | | 8471 | | 7912 | | 7317 | | 6667 | | 5786 | | - | - | - | |
| | | | 24.0 | 3.77 | 23.0 | 3.92 | 23.0 | 4.04 | 22.0 | 4.12 | 22.0 | 4.17 | 22.0 | 4.19 | 22.0 | 4.17 | 22.0 | 4.03 | - | - | - | |
| | 1160 | 7535 | 10084 | | 9743 | | 9361 | | 8923 | | 8399 | | 7820 | | 7246 | | 6534 | | 5500 | | - | - |
| | | | 25.0 | 4.18 | 25.0 | 4.33 | 24.0 | 4.46 | 23.0 | 4.56 | 23.0 | 4.62 | 23.0 | 4.65 | 24.0 | 4.66 | 23.0 | 4.58 | 23.0 | 4.34 | - | - |
| | 1190 | 7730 | 10362 | | 10030 | | 9662 | | 9254 | | 8757 | | 8203 | | 7649 | | 7015 | | 6179 | | - | - |
| | | | 26.0 | 4.50 | 26.0 | 4.66 | 25.0 | 4.79 | 24.0 | 4.90 | 24.0 | 4.97 | 24.0 | 5.01 | 24.0 | 5.03 | 24.0 | 4.99 | 24.0 | 4.84 | - | - |
| 1217 | 7905 | 10612 | | 10287 | | 9932 | | 9541 | | 9068 | | 8543 | | 7995 | | 7422 | | 6698 | | 5631 | | |
| | | 27.0 | 4.81 | 27.0 | 4.97 | 26.0 | 5.11 | 25.0 | 5.23 | 25.0 | 5.30 | 25.0 | 5.36 | 25.0 | 5.38 | 25.0 | 5.37 | 25.0 | 5.26 | 25.0 | 4.95 | |

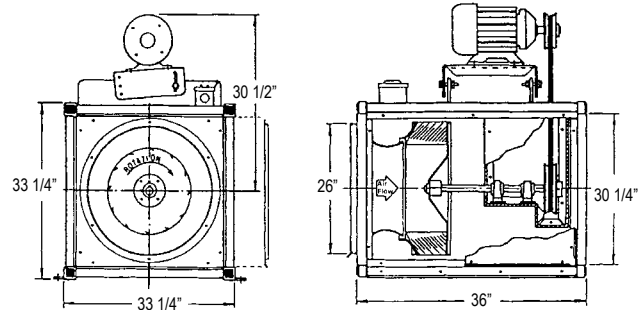
Performance shown is for installation type A - Free inlet, Free outlet. Power rating (BHP) does not include drive losses. Performance ratings do not include the effects of appurtenances in the airstream. The AMCA Certified Ratings Seal applies to air capacities only.

©PENN BARRY 2008

› SX225BHC Fan Curves



› SX225BHC Dimensional Data



| | | |
|------------------------------|-----------------------------|-----------------------------------|
| Galv. Side Panel = 20 gauge | Alum. Corner Post = NA | Peak BHP = (RPM/828) ³ |
| Alum. Side Panel = NA | Damper Size = 33 1/4 (sq) | Max. RPM = 1715 (7 1/2 HP) |
| Galv. Corner Post = 14 gauge | Max. Mtr. Frame Size = 213T | Est. Ship. Wt. = 245 lbs |

› SX225BHC Performance Data

| HP | RPM | Tip Speed FPM | 0.750" SP | | 1.000" SP | | 1.250" SP | | 1.500" | | 1.750" SP | | 2.000" SP | | 2.250" SP | | 2.500" SP | | 3.000" SP | | 3.500" SP | |
|-------|------|---------------|-----------|------|-----------|------|-----------|------|--------|------|-----------|------|-----------|------|-----------|------|-----------|------|-----------|------|-----------|-----|
| | | | Sones | BHP | Sones | BHP | Sones | BHP | Sones | BHP | Sones | BHP | Sones | BHP | Sones | BHP | Sones | BHP | Sones | BHP | Sones | BHP |
| 1 | 684 | 4443 | 2184 | - | - | - | - | - | - | - | - | - | - | - | - | - | - | - | - | - | - | - |
| | | | 9.0 | 0.55 | - | - | - | - | - | - | - | - | - | - | - | - | - | - | - | - | - | - |
| | 3/4 | 4709 | 2626 | - | - | - | - | - | - | - | - | - | - | - | - | - | - | - | - | - | - | - |
| 9.7 | | | 0.67 | - | - | - | - | - | - | - | - | - | - | - | - | - | - | - | - | - | - | - |
| 1 | 810 | 5262 | 3168 | 2429 | - | - | - | - | - | - | - | - | - | - | - | - | - | - | - | - | - | - |
| | | | 10.6 | 0.84 | 10.8 | 0.82 | - | - | - | - | - | - | - | - | - | - | - | - | - | - | - | - |
| | 848 | 5508 | 3401 | 2742 | - | - | - | - | - | - | - | - | - | - | - | - | - | - | - | - | - | - |
| 11.1 | | | 0.93 | 11.3 | 0.92 | - | - | - | - | - | - | - | - | - | - | - | - | - | - | - | - | - |
| 1 1/2 | 875 | 5684 | 3716 | 3139 | 2286 | - | - | - | - | - | - | - | - | - | - | - | - | - | - | - | - | - |
| | | | 11.9 | 1.07 | 12.0 | 1.07 | 12.2 | 1.00 | - | - | - | - | - | - | - | - | - | - | - | - | - | - |
| | 925 | 6009 | 3934 | 3391 | 2709 | - | - | - | - | - | - | - | - | - | - | - | - | - | - | - | - | - |
| 12.5 | | | 1.18 | 12.6 | 1.18 | 12.8 | 1.15 | - | - | - | - | - | - | - | - | - | - | - | - | - | - | - |
| 2 | 1000 | 6496 | 4318 | 3840 | 3274 | 2436 | - | - | - | - | - | - | - | - | - | - | - | - | - | - | - | - |
| | | | 13.7 | 1.38 | 13.6 | 1.39 | 13.8 | 1.39 | 14.1 | 1.29 | - | - | - | - | - | - | - | - | - | - | - | - |
| | 1035 | 6723 | 4665 | 4224 | 3724 | 3130 | 1919 | - | - | - | - | - | - | - | - | - | - | - | - | - | - | - |
| 14.6 | | | 1.58 | 14.6 | 1.61 | 14.7 | 1.61 | 14.9 | 1.58 | 15.3 | 1.32 | - | - | - | - | - | - | - | - | - | - | |
| 3 | 1110 | 7210 | 4874 | 4461 | 3992 | 3444 | 2647 | - | - | - | - | - | - | - | - | - | - | - | - | - | - | - |
| | | | 15.2 | 1.72 | 15.2 | 1.76 | 15.3 | 1.76 | 15.5 | 1.74 | 15.8 | 1.63 | - | - | - | - | - | - | - | - | - | - |
| | 1150 | 7470 | 5123 | 4733 | 4300 | 3811 | 3201 | - | - | - | - | - | - | - | - | - | - | - | - | - | - | - |
| 15.9 | | | 1.90 | 16.0 | 1.94 | 16.0 | 1.95 | 16.2 | 1.95 | 16.5 | 1.89 | - | - | - | - | - | - | - | - | - | - | |
| 5 | 1275 | 8282 | 5362 | 4993 | 4585 | 4129 | 3601 | 2829 | - | - | - | - | - | - | - | - | - | - | - | - | - | - |
| | | | 16.8 | 2.09 | 16.8 | 2.13 | 16.9 | 2.15 | 17.0 | 2.15 | 17.2 | 2.12 | 17.5 | 2.00 | - | - | - | - | - | - | - | |
| | 1325 | 8607 | 5648 | 5303 | 4923 | 4505 | 4039 | 3472 | 2485 | - | - | - | - | - | - | - | - | - | - | - | - | |
| 17.7 | | | 2.33 | 17.8 | 2.37 | 17.9 | 2.41 | 18.0 | 2.40 | 18.1 | 2.41 | 18.3 | 2.34 | 18.7 | 2.07 | - | - | - | - | | | |
| 7 1/2 | 1500 | 9744 | 5924 | 5595 | 5236 | 4847 | 4417 | 3927 | 3280 | - | - | - | - | - | - | - | - | - | - | - | - | |
| | | | 18.5 | 2.58 | 18.6 | 2.62 | 18.7 | 2.67 | 18.8 | 2.68 | 18.9 | 2.68 | 19.1 | 2.65 | 19.4 | 2.55 | - | - | - | - | | |
| | 1550 | 10068 | 6199 | 5879 | 5543 | 5180 | 4785 | 4352 | 3842 | 3057 | - | - | - | - | - | - | - | - | - | | | |
| 19.4 | | | 2.84 | 19.5 | 2.89 | 19.5 | 2.94 | 19.6 | 2.97 | 19.8 | 2.96 | 19.9 | 2.97 | 20.0 | 2.90 | 20.0 | 2.72 | - | - | | | |
| 9 | 1661 | 10789 | 6430 | 6119 | 5801 | 5458 | 5083 | 4672 | 4211 | 3641 | - | - | - | - | - | - | - | - | - | | | |
| | | | 20.0 | 3.08 | 20.0 | 3.14 | 20.0 | 3.18 | 20.0 | 3.23 | 20.0 | 3.22 | 21.0 | 3.23 | 21.0 | 3.19 | 21.0 | 3.11 | - | - | | |
| | 1610 | 10458 | 6775 | 6475 | 6178 | 5854 | 5509 | 5141 | 4737 | 4274 | 2676 | - | - | - | - | - | - | - | - | | | |
| 21.0 | | | 3.45 | 21.0 | 3.54 | 21.0 | 3.57 | 21.0 | 3.62 | 22.0 | 3.65 | 22.0 | 3.64 | 22.0 | 3.65 | 22.0 | 3.60 | 23.0 | 3.06 | | | |
| 11 | 1715 | 10824 | 7110 | 6821 | 6535 | 6235 | 5919 | 5573 | 5203 | 4809 | 3738 | - | - | - | - | - | - | - | | | | |
| | | | 22.0 | 3.85 | 22.0 | 3.95 | 23.0 | 3.99 | 23.0 | 4.04 | 23.0 | 4.10 | 23.0 | 4.09 | 23.0 | 4.09 | 23.0 | 4.09 | 24.0 | 3.88 | | |
| | 1775 | 11064 | 7442 | 7164 | 6887 | 6611 | 6306 | 5989 | 5654 | 5284 | 4446 | 2794 | - | - | - | - | - | - | | | | |
| 24.0 | | | 4.28 | 24.0 | 4.38 | 24.0 | 4.45 | 24.0 | 4.49 | 24.0 | 4.55 | 24.0 | 4.58 | 24.0 | 4.57 | 24.0 | 4.57 | 25.0 | 4.48 | | | |
| 13 | 1875 | 11664 | 7761 | 7504 | 7236 | 6970 | 6688 | 6394 | 6075 | 5744 | 4987 | 3930 | - | - | - | - | - | - | | | | |
| | | | 25.0 | 4.73 | 25.0 | 4.85 | 25.0 | 4.94 | 25.0 | 4.98 | 25.0 | 5.03 | 25.0 | 5.09 | 25.0 | 5.09 | 25.0 | 5.09 | 26.0 | 5.06 | | |
| | 1925 | 12096 | 7927 | 7680 | 7416 | 7155 | 6884 | 6595 | 6291 | 5974 | 5263 | 4347 | - | - | - | - | - | - | | | | |
| 26.0 | | | 4.98 | 26.0 | 5.10 | 26.0 | 5.21 | 26.0 | 5.25 | 26.0 | 5.29 | 26.0 | 5.36 | 26.0 | 5.38 | 26.0 | 5.37 | 26.0 | 5.37 | | | |
| 15 | 2025 | 12744 | 8237 | 8010 | 7754 | 7501 | 7248 | 6972 | 6692 | 6386 | 5730 | 4964 | - | - | - | - | - | - | | | | |
| | | | 26.0 | 5.47 | 27.0 | 5.61 | 27.0 | 5.72 | 27.0 | 5.78 | 27.0 | 5.82 | 27.0 | 5.88 | 27.0 | 5.95 | 27.0 | 5.94 | 28.0 | 5.94 | | |
| | 2075 | 13008 | 8553 | 8344 | 8097 | 7850 | 7606 | 7351 | 7080 | 6800 | 6191 | 5502 | - | - | - | - | - | - | | | | |
| 27.0 | | | 6.01 | 28.0 | 6.15 | 28.0 | 6.27 | 28.0 | 6.36 | 28.0 | 6.40 | 28.0 | 6.45 | 28.0 | 6.52 | 29.0 | 6.56 | 29.0 | 6.55 | | | |
| 17 | 2175 | 13344 | 8773 | 8576 | 8335 | 8093 | 7854 | 7613 | 7349 | 7085 | 6506 | 5859 | - | - | - | - | - | - | | | | |
| | | | 29.0 | 6.40 | 29.0 | 6.56 | 29.0 | 6.68 | 29.0 | 6.79 | 29.0 | 6.83 | 29.0 | 6.88 | 29.0 | 6.94 | 29.0 | 7.01 | 30.0 | 7.00 | | |
| | 2225 | 13608 | 8930 | 8736 | 8504 | 8266 | 8030 | 7795 | 7539 | 7279 | 6718 | 6094 | - | - | - | - | - | - | | | | |
| 29.0 | | | 6.69 | 30.0 | 6.85 | 30.0 | 6.98 | 30.0 | 7.10 | 30.0 | 7.15 | 30.0 | 7.19 | 30.0 | 7.26 | 30.0 | 7.33 | 30.0 | 7.34 | | | |
| 19 | 2325 | 14016 | 9087 | 8895 | 8673 | 8438 | 8206 | 7974 | 7728 | 7472 | 6927 | 6327 | - | - | - | - | - | - | | | | |
| | | | 30.0 | 6.99 | 30.0 | 7.16 | 30.0 | 7.29 | 30.0 | 7.41 | 30.0 | 7.48 | 30.0 | 7.52 | 31.0 | 7.58 | 31.0 | 7.65 | 31.0 | 7.69 | | |
| | 2375 | 14280 | 9249 | 9061 | 8848 | 8617 | 8387 | 8159 | 7924 | 7672 | 7144 | 6567 | - | - | - | - | - | - | | | | |
| 31.0 | | | 7.32 | 31.0 | 7.48 | 31.0 | 7.62 | 31.0 | 7.74 | 31.0 | 7.83 | 31.0 | 7.88 | 31.0 | 7.93 | 31.0 | 8.00 | 31.0 | 8.07 | | | |

Performance shown is for installation type A - Free inlet, Free outlet. Power rating (BHP) does not include drive losses. Performance ratings do not include the effects of appurtenances in the airstream. The AMCA Certified Ratings Seal applies to air capacities only.

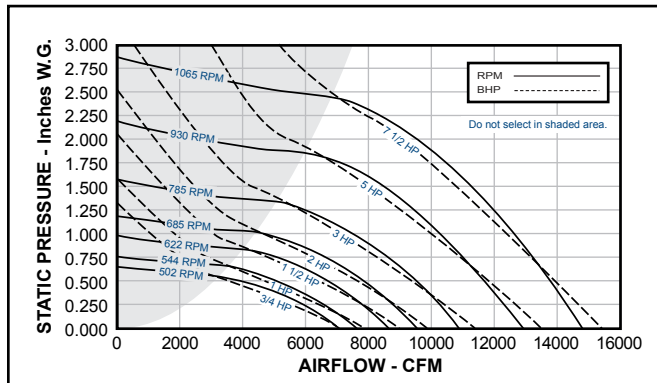
Dimensional Information & Performance Data

Centrex Inliner | Belt Drive

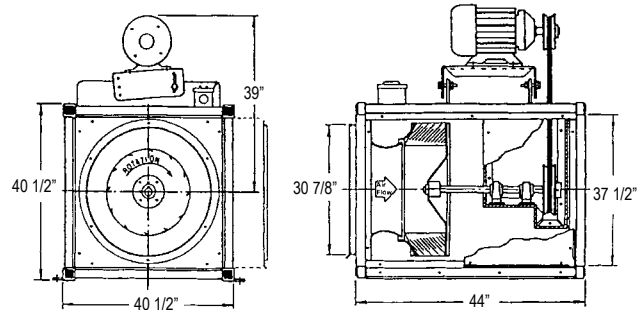


SX275BC

> SX275BC Fan Curves



> SX275BC Dimensional Data



| | | |
|------------------------------|------------------------------|-----------------------------------|
| Galv. Side Panel = 20 gauge | Alum. Corner Post = NA | Peak BHP = (RPM/531) ³ |
| Alum. Side Panel = NA | Damper Size = 40 1/2 in (sq) | Max. RPM = 1113 (7 1/2 HP) |
| Galv. Corner Post = 14 gauge | Max. Mtr. Frame Size = 215T | Est. Ship. Wt. = 415 lbs |

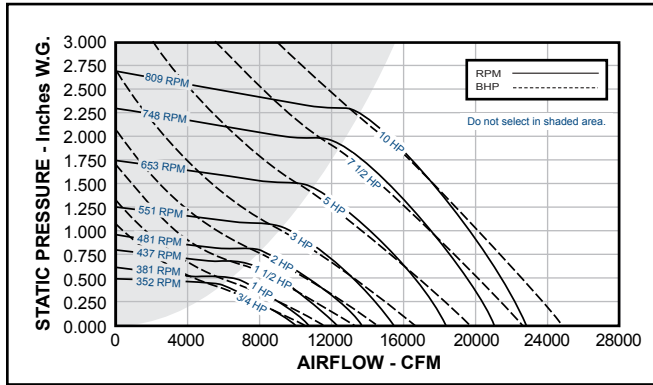
> SX275BC Performance Data

| HP | RPM | Tip Speed FPM | 0.250" SP | | 0.500" SP | | 0.750" SP | | 1.000" SP | | 1.250" SP | | 1.500" SP | | 1.750" SP | | 2.000" SP | | 2.250" SP | | 2.500" SP | | | |
|-------|------|---------------|-----------|------|-----------|------|-----------|------|-----------|------|-----------|------|-----------|------|-----------|------|-----------|------|-----------|------|-----------|------|-------|-----|
| | | | Sones | BHP | Sones | BHP | Sones | BHP | Sones | BHP | Sones | BHP | Sones | BHP | Sones | BHP | Sones | BHP | Sones | BHP | Sones | BHP | Sones | BHP |
| 3/4 | 400 | 3207 | 4486 | | - | | - | | - | | - | | - | | - | | - | | - | | - | | - | |
| | 502 | 4025 | 5.9 | 0.42 | - | | - | | - | | - | | - | | - | | - | | - | | - | | - | |
| 1 | 520 | 4169 | 6366 | 0.82 | 4943 | 8.5 | 0.84 | - | | - | | - | | - | | - | | - | | - | | - | | |
| | 544 | 4362 | 6678 | 0.90 | 5370 | 8.8 | 0.94 | - | | - | | - | | - | | - | | - | | - | | - | | |
| 1 1/2 | 570 | 4570 | 7090 | 1.02 | 5897 | 9.5 | 1.07 | - | | - | | - | | - | | - | | - | | - | | - | | |
| | 622 | 4987 | 7523 | 1.17 | 6430 | 10.6 | 1.22 | 10.0 | 1.20 | - | | - | | - | | - | | - | | - | | - | | |
| 2 | 635 | 5091 | 7928 | 1.31 | 6917 | 11.9 | 1.39 | 10.8 | 1.39 | - | | - | | - | | - | | - | | - | | - | | |
| | 665 | 5332 | 8363 | 1.49 | 7424 | 13.3 | 1.58 | 11.6 | 1.60 | - | | - | | - | | - | | - | | - | | - | | |
| 3 | 650 | 5211 | 8571 | 1.58 | 7666 | 14.9 | 1.68 | 11.8 | 1.71 | 11.8 | 1.60 | - | | - | | - | | - | | - | | - | | |
| | 685 | 5492 | 8810 | 1.68 | 7938 | 15.0 | 1.80 | 12.1 | 1.83 | 12.3 | 1.77 | - | | - | | - | | - | | - | | - | | |
| 5 | 710 | 5693 | 9049 | 1.80 | 8207 | 15.2 | 1.92 | 12.5 | 1.95 | 12.9 | 1.92 | - | | - | | - | | - | | - | | - | | |
| | 735 | 5893 | 9366 | 1.96 | 8563 | 15.5 | 2.09 | 12.9 | 2.13 | 13.6 | 2.12 | - | | - | | - | | - | | - | | - | | |
| 7 1/2 | 760 | 6093 | 9760 | 2.17 | 9004 | 16.0 | 2.31 | 13.8 | 2.36 | 14.4 | 2.39 | 14.2 | 2.24 | - | | - | | - | | - | | - | | |
| | 785 | 6294 | 10153 | 2.39 | 9437 | 16.9 | 2.54 | 14.8 | 2.62 | 14.7 | 2.65 | 15.3 | 2.58 | - | | - | | - | | - | | - | | |
| 7 | 815 | 6534 | 10544 | 2.63 | 9867 | 17.9 | 2.79 | 16.0 | 2.88 | 15.1 | 2.92 | 16.3 | 2.89 | - | | - | | - | | - | | - | | |
| | 840 | 6735 | 10933 | 2.89 | 10294 | 19.1 | 3.06 | 17.2 | 3.17 | 16.0 | 3.21 | 17.4 | 3.22 | 17.1 | 3.08 | - | | - | | - | | - | | |
| 7 1/2 | 870 | 6975 | 11398 | 3.22 | 10784 | 20.0 | 3.40 | 18.1 | 3.53 | 17.0 | 3.58 | 17.6 | 3.61 | 18.3 | 3.53 | - | | - | | - | | - | | |
| | 900 | 7216 | 11784 | 3.51 | 11189 | 21.0 | 3.70 | 18.8 | 3.85 | 17.7 | 3.91 | 17.8 | 3.94 | 19.3 | 3.91 | 19.0 | 3.71 | - | | - | | - | | |
| 7 1/2 | 950 | 7617 | 12247 | 3.88 | 11672 | 22.0 | 4.08 | 20.0 | 4.25 | 19.0 | 4.33 | 18.4 | 4.37 | 20.0 | 4.39 | 20.0 | 4.27 | - | | - | | - | | |
| | 1020 | 8178 | 12708 | 4.28 | 12153 | 23.0 | 4.49 | 22.0 | 4.67 | 21.0 | 4.78 | 19.9 | 4.82 | 21.0 | 4.86 | 22.0 | 4.80 | 21.0 | 4.59 | - | | - | | |
| 7 1/2 | 1045 | 8378 | 13168 | 4.71 | 12631 | 25.0 | 4.92 | 24.0 | 5.12 | 23.0 | 5.25 | 22.0 | 5.31 | 22.0 | 5.34 | 23.0 | 5.35 | 23.0 | 5.22 | - | | - | | |
| | 1065 | 8539 | 13473 | 5.01 | 12949 | 27.0 | 5.23 | 25.0 | 5.44 | 24.0 | 5.58 | 23.0 | 5.65 | 23.0 | 5.69 | 23.0 | 5.72 | 24.0 | 5.62 | 23.0 | 5.34 | - | | |
| 7 1/2 | 1045 | 8378 | 13779 | 5.32 | 13265 | 28.0 | 5.55 | 27.0 | 5.76 | 26.0 | 5.92 | 25.0 | 6.00 | 24.0 | 6.04 | 24.0 | 6.08 | 24.0 | 6.03 | 24.0 | 5.86 | - | | |
| | 1065 | 8539 | 14160 | 5.73 | 13660 | 30.0 | 5.97 | 28.0 | 6.19 | 27.0 | 6.37 | 26.0 | 6.47 | 25.0 | 6.51 | 25.0 | 6.55 | 25.0 | 6.56 | 25.0 | 6.42 | - | | |
| 7 1/2 | 1045 | 8378 | 14541 | 6.16 | 14053 | 30.0 | 6.41 | 29.0 | 6.63 | 28.0 | 6.82 | 27.0 | 6.95 | 26.0 | 7.00 | 26.0 | 7.04 | 26.0 | 7.08 | 27.0 | 6.99 | 26.0 | 6.80 | |
| | 1065 | 8539 | 14921 | 6.61 | 14445 | 31.0 | 6.87 | 30.0 | 7.09 | 29.0 | 7.30 | 28.0 | 7.45 | 27.0 | 7.51 | 27.0 | 7.56 | 27.0 | 7.60 | 27.0 | 7.58 | 27.0 | 7.42 | |
| 7 1/2 | 1045 | 8378 | 15224 | 6.98 | 14758 | 31.0 | 7.25 | 30.0 | 7.48 | 30.0 | 7.70 | 29.0 | 7.86 | 28.0 | 7.94 | 27.0 | 7.98 | 28.0 | 8.03 | 28.0 | 8.05 | 28.0 | 7.92 | |
| | 1065 | 8539 | 14287 | 7.09 | 14287 | 30.0 | 7.09 | 29.0 | 7.30 | 28.0 | 7.51 | 27.0 | 7.56 | 27.0 | 7.60 | 27.0 | 7.64 | 27.0 | 7.68 | 27.0 | 7.72 | 27.0 | 7.42 | |
| 7 1/2 | 1045 | 8378 | 14287 | 7.09 | 14287 | 30.0 | 7.09 | 29.0 | 7.30 | 28.0 | 7.51 | 27.0 | 7.56 | 27.0 | 7.60 | 27.0 | 7.64 | 27.0 | 7.68 | 27.0 | 7.72 | 27.0 | 7.42 | |
| | 1065 | 8539 | 13218 | 7.86 | 12630 | 29.0 | 7.86 | 28.0 | 8.03 | 28.0 | 8.03 | 28.0 | 8.03 | 28.0 | 8.03 | 28.0 | 8.03 | 28.0 | 8.03 | 28.0 | 8.03 | 28.0 | 7.92 | |

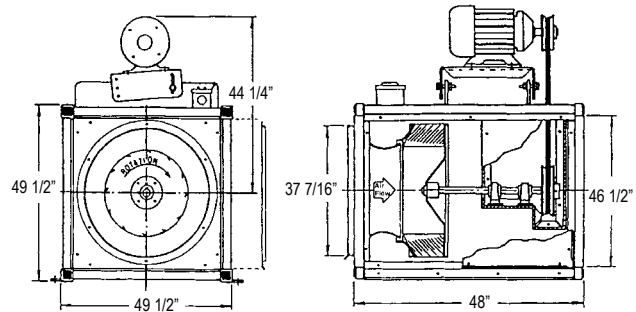
Performance shown is for installation type A - Free inlet, Free outlet. Power rating (BHP) does not include drive losses. Performance ratings do not include the effects of appurtenances in the airstream. The AMCA Certified Ratings Seal applies to air capacities only.

©PENN BARRY 2008

› SX335BC Fan Curves



› SX335BC Dimensional Data



| | | |
|------------------------------|-----------------------------|-----------------------------------|
| Galv. Side Panel = 20 gauge | Alum. Corner Post = NA | Peak BHP = (RPM/373) ³ |
| Alum. Side Panel = NA | Damper Size = 49 1/2 (sq) | Max. RPM = 810 (10 HP) |
| Galv. Corner Post = 14 gauge | Max. Mtr. Frame Size = 215T | Est. Ship. Wt. = 525 lbs |

› SX335BC Performance Data

| HP | RPM | Tip Speed FPM | 0.250" SP | | 0.500" SP | | 0.750" SP | | 1.000" SP | | 1.250" SP | | 1.500" SP | | 1.750" SP | | 2.000" SP | | 2.250" SP | | 2.500" SP | | |
|-------|-----|---------------|-----------|------|-----------|------|-----------|------|-----------|------|-----------|------|-----------|------|-----------|-------|-----------|-------|-----------|------|-----------|-----|-------|
| | | | Sones | BHP | Sones | BHP | Sones | BHP | Sones | BHP | Sones | BHP | Sones | BHP | Sones | BHP | Sones | BHP | Sones | BHP | Sones | BHP | Sones |
| 3/4 | 300 | 2921 | 5916 | | - | - | - | - | - | - | - | - | - | - | - | - | - | - | - | - | - | - | - |
| | | | 5.6 | 0.52 | - | - | - | - | - | - | - | - | - | - | - | - | - | - | - | - | - | - | - |
| | 352 | 3472 | 7923 | | - | - | - | - | - | - | - | - | - | - | - | - | - | - | - | - | - | - | - |
| | | | 7.6 | 0.80 | - | - | - | - | - | - | - | - | - | - | - | - | - | - | - | - | - | - | - |
| 1 | 370 | 3602 | 8559 | | - | - | - | - | - | - | - | - | - | - | - | - | - | - | - | - | - | - | - |
| | | | 8.2 | 0.91 | - | - | - | - | - | - | - | - | - | - | - | - | - | - | - | - | - | - | - |
| | 381 | 3709 | 8936 | | 6173 | | - | - | - | - | - | - | - | - | - | - | - | - | - | - | - | - | - |
| | | | 8.7 | 0.99 | 8.9 | 1.03 | - | - | - | - | - | - | - | - | - | - | - | - | - | - | - | - | - |
| 1 1/2 | 410 | 3992 | 9905 | | 7750 | | - | - | - | - | - | - | - | - | - | - | - | - | - | - | - | - | - |
| | | | 10.2 | 1.21 | 10.8 | 1.33 | - | - | - | - | - | - | - | - | - | - | - | - | - | - | - | - | - |
| | 437 | 4254 | 10782 | | 8877 | | - | - | - | - | - | - | - | - | - | - | - | - | - | - | - | - | - |
| | | | 11.9 | 1.44 | 11.6 | 1.58 | - | - | - | - | - | - | - | - | - | - | - | - | - | - | - | - | - |
| 2 | 460 | 4478 | 11514 | | 9788 | | - | - | - | - | - | - | - | - | - | - | - | - | - | - | - | - | - |
| | | | 13.8 | 1.66 | 12.6 | 1.82 | - | - | - | - | - | - | - | - | - | - | - | - | - | - | - | - | - |
| | 481 | 4683 | 12175 | | 10587 | | 8429 | | - | - | - | - | - | - | - | - | - | - | - | - | - | - | - |
| | | | 15.7 | 1.88 | 14.0 | 2.05 | 13.1 | 2.13 | - | - | - | - | - | - | - | - | - | - | - | - | - | - | - |
| 3 | 490 | 4770 | 12455 | | 10919 | | 8907 | | - | - | - | - | - | - | - | - | - | - | - | - | - | - | - |
| | | | 16.6 | 1.98 | 14.8 | 2.16 | 13.8 | 2.26 | - | - | - | - | - | - | - | - | - | - | - | - | - | - | - |
| | 510 | 4965 | 13073 | | 11640 | | 9836 | | - | - | - | - | - | - | - | - | - | - | - | - | - | - | - |
| | | | 18.3 | 2.21 | 16.1 | 2.41 | 14.8 | 2.54 | - | - | - | - | - | - | - | - | - | - | - | - | - | - | - |
| | 535 | 5209 | 13839 | | 12508 | | 10864 | | 8380 | | - | - | - | - | - | - | - | - | - | - | - | - | - |
| | | | 19.1 | 2.53 | 17.1 | 2.74 | 15.6 | 2.90 | 15.2 | 2.81 | - | - | - | - | - | - | - | - | - | - | - | - | - |
| | 551 | 5364 | 14327 | | 13048 | | 11502 | | 9495 | | - | - | - | - | - | - | - | - | - | - | - | - | - |
| | | | 19.8 | 2.75 | 17.9 | 2.97 | 16.2 | 3.14 | 15.9 | 3.18 | - | - | - | - | - | - | - | - | - | - | - | - | - |
| 5 | 575 | 5598 | 15055 | | 13849 | | 12436 | | 10730 | | - | - | - | - | - | - | - | - | - | - | - | - | - |
| | | | 21.0 | 3.11 | 19.4 | 3.34 | 17.7 | 3.53 | 17.0 | 3.66 | - | - | - | - | - | - | - | - | - | - | - | - | - |
| | 600 | 5841 | 15802 | | 14669 | | 13368 | | 11832 | | 9523 | | - | - | - | - | - | - | - | - | - | - | - |
| | | | 23.0 | 3.51 | 21.0 | 3.75 | 19.8 | 3.96 | 18.4 | 4.13 | 18.1 | 3.99 | - | - | - | - | - | - | - | - | - | - | - |
| | 625 | 6085 | 16535 | | 15471 | | 14270 | | 12832 | | 11097 | | - | - | - | - | - | - | - | - | - | - | - |
| | | | 26.0 | 3.94 | 24.0 | 4.20 | 22.0 | 4.43 | 20.0 | 4.60 | 19.8 | 4.67 | - | - | - | - | - | - | - | - | - | - | - |
| | 653 | 6357 | 17353 | | 16362 | | 15244 | | 13938 | | 12463 | | - | - | - | - | - | - | - | - | - | - | - |
| | | | 26.0 | 4.46 | 25.0 | 4.74 | 23.0 | 5.00 | 22.0 | 5.19 | 21.0 | 5.35 | - | - | - | - | - | - | - | - | - | - | - |
| 7 1/2 | 670 | 6523 | 17848 | | 16898 | | 15818 | | 14592 | | 13196 | | 11356 | | - | - | - | - | - | - | - | - | - |
| | | | 27.0 | 4.79 | 25.0 | 5.10 | 24.0 | 5.36 | 22.0 | 5.57 | 21.0 | 5.75 | 21.0 | 5.70 | - | - | - | - | - | - | - | - | - |
| | 690 | 6718 | 18429 | | 17522 | | 16488 | | 15333 | | 13998 | | 12440 | | - | - | - | - | - | - | - | - | - |
| | | | 28.0 | 5.22 | 26.0 | 5.53 | 25.0 | 5.80 | 24.0 | 6.04 | 22.0 | 6.21 | 22.0 | 6.31 | - | - | - | - | - | - | - | - | - |
| | 710 | 6912 | 19008 | | 18141 | | 17152 | | 16065 | | 14796 | | 13416 | | 11275 | | - | - | - | - | - | - | - |
| | | | 29.0 | 5.66 | 28.0 | 5.99 | 26.0 | 6.27 | 25.0 | 6.53 | 23.0 | 6.72 | 23.0 | 6.88 | 23.0 | 6.62 | - | - | - | - | - | - | - |
| | 730 | 7107 | 19586 | | 18757 | | 17809 | | 16769 | | 15580 | | 14287 | | 12621 | | - | - | - | - | - | - | - |
| | | | 30.0 | 6.13 | 29.0 | 6.48 | 28.0 | 6.77 | 26.0 | 7.04 | 25.0 | 7.25 | 24.0 | 7.44 | 24.0 | 7.41 | - | - | - | - | - | - | - |
| | 748 | 7282 | 20106 | | 19309 | | 18389 | | 17398 | | 16273 | | 15021 | | 13581 | | - | - | - | - | - | - | - |
| | | | 32.0 | 6.57 | 31.0 | 6.94 | 30.0 | 7.24 | 28.0 | 7.53 | 27.0 | 7.76 | 25.0 | 7.94 | 25.0 | 8.04 | - | - | - | - | - | - | - |
| 10 | 760 | 7399 | 20452 | | 19676 | | 18774 | | 17805 | | 16720 | | 15499 | | 14163 | | 12150 | | - | - | - | - | - |
| | | | 33.0 | 6.88 | 32.0 | 7.26 | 31.0 | 7.57 | 29.0 | 7.86 | 28.0 | 8.10 | 26.0 | 8.29 | 26.0 | 8.44 | 25.0 | 8.14 | - | - | - | - | - |
| | 775 | 7545 | 20884 | | 20133 | | 19253 | | 18311 | | 17273 | | 16097 | | 14849 | | 13189 | | - | - | - | - | - |
| | | | 34.0 | 7.28 | 33.0 | 7.67 | 32.0 | 7.99 | 31.0 | 8.28 | 30.0 | 8.54 | 28.0 | 8.74 | 27.0 | 8.94 | 26.0 | 8.83 | - | - | - | - | - |
| | 790 | 7691 | 21315 | | 20589 | | 19730 | | 18813 | | 17822 | | 16692 | | 15497 | | 14006 | | - | - | - | - | - |
| | | | 36.0 | 7.70 | 35.0 | 8.10 | 34.0 | 8.42 | 33.0 | 8.73 | 32.0 | 9.00 | 29.0 | 9.22 | 28.0 | 9.43 | 27.0 | 9.43 | - | - | - | - | - |
| | 800 | 7788 | 21602 | | 20893 | | 20046 | | 19147 | | 18180 | | 17080 | | 15906 | | 14537 | | - | - | - | - | - |
| | | | 37.0 | 7.98 | 36.0 | 8.39 | 35.0 | 8.72 | 34.0 | 9.03 | 33.0 | 9.32 | 31.0 | 9.55 | 29.0 | 9.75 | 28.0 | 9.84 | - | - | - | - | - |
| | 809 | 7876 | 21861 | | 21165 | | 20331 | | 19447 | | 18497 | | 17427 | | 16267 | | 14975 | | 13150 | | - | - | - |
| | | | 38.0 | 8.24 | 37.0 | 8.66 | 36.0 | 9.00 | 35.0 | 9.31 | 33.0 | 9.61 | 32.0 | 9.84 | 29.0 | 10.04 | 29.0 | 10.18 | 28.0 | 9.89 | - | - | - |

Performance shown is for installation type A - Free inlet, Free outlet. Power rating (BHP) does not include drive losses. Performance ratings do not include the effects of appurtenances in the airstream. The AMCA Certified Ratings Seal applies to air capacities only.

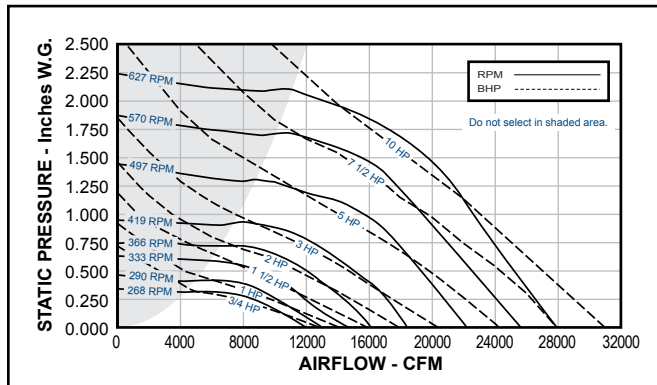
Dimensional Information & Performance Data

Centrex Inliner | Belt Drive

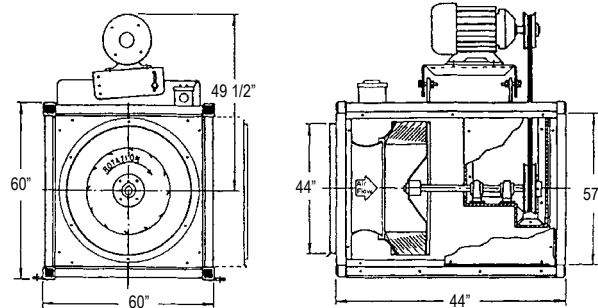


SX420BC

> SX420BC Fan Curves



> SX420BC Dimensional Data



| | | |
|------------------------------|------------------------------|-----------------------------------|
| Galv. Side Panel = 14 gauge | Alum. Corner Post = NA | Peak BHP = (RPM/284) ³ |
| Alum. Side Panel = NA | Damper Size = 61 1/2 in (sq) | Max. RPM = 694 (10 HP) |
| Galv. Corner Post = 14 gauge | Max. Mtr. Frame Size = 215T | Est. Ship. Wt. = 725 lbs |

> SX420BC Performance Data

| HP | RPM | Tip Speed FPM | 0.125" SP | | 0.250" SP | | 0.375" SP | | 0.500" SP | | 0.750" SP | | 1.250" SP | | 1.000" SP | | 1.500" SP | | 1.750" SP | | 2.000" SP | | | |
|-------|------|---------------|-----------|------|-----------|------|-----------|------|-----------|------|-----------|------|-----------|------|-----------|-------|-----------|-------|-----------|-------|-----------|-------|-------|-----|
| | | | Sones | BHP | Sones | BHP | Sones | BHP | Sones | BHP | Sones | BHP | Sones | BHP | Sones | BHP | Sones | BHP | Sones | BHP | Sones | BHP | Sones | BHP |
| 3/4 | 240 | 2757 | 9156 | | 7098 | | - | | - | | - | | - | | - | | - | | - | | - | | - | |
| | 268 | 3078 | 4.6 | 0.53 | 4.1 | 0.60 | - | - | - | - | - | - | - | - | - | - | - | - | - | - | - | - | - | |
| 1 | 290 | 3331 | 10639 | | 8921 | | 5642 | | - | | - | | - | | - | | - | | - | | - | | - | |
| | 310 | 3561 | 5.8 | 0.71 | 5.2 | 0.80 | 5.0 | 0.77 | - | - | - | - | - | - | - | - | - | - | - | - | - | - | - | |
| 1 1/2 | 330 | 3825 | 11762 | | 10212 | | 8349 | | - | | - | | - | | - | | - | | - | | - | | - | |
| | 333 | 3825 | 6.8 | 0.88 | 6.2 | 0.98 | 5.7 | 1.06 | - | - | - | - | - | - | - | - | - | - | - | - | - | - | - | |
| 2 | 345 | 3963 | 12735 | | 11346 | | 9823 | | 6603 | | - | | - | | - | | - | | - | | - | | - | |
| | 355 | 4078 | 8.1 | 1.05 | 7.4 | 1.17 | 6.8 | 1.28 | 6.7 | 1.20 | - | - | - | - | - | - | - | - | - | - | - | - | - | |
| 3 | 380 | 4356 | 14894 | | 13782 | | 12497 | | 11139 | | - | | - | | - | | - | | - | | - | | - | |
| | 395 | 4537 | 9.8 | 1.53 | 9.4 | 1.67 | 8.9 | 1.80 | 8.2 | 1.93 | - | - | - | - | - | - | - | - | - | - | - | - | - | |
| 5 | 440 | 5054 | 15417 | | 14363 | | 13129 | | 11833 | | - | | - | | - | | - | | - | | - | | - | |
| | 449 | 5113 | 10.4 | 1.66 | 10.0 | 1.82 | 9.6 | 1.95 | 8.8 | 2.09 | - | - | - | - | - | - | - | - | - | - | - | - | - | |
| 7 1/2 | 480 | 5513 | 16079 | | 15097 | | 13914 | | 12675 | | 8142 | | - | | - | | - | | - | | - | | - | |
| | 497 | 5709 | 11.1 | 1.85 | 11.0 | 2.01 | 10.5 | 2.15 | 9.8 | 2.29 | 9.2 | 2.21 | - | - | - | - | - | - | - | - | - | - | - | |
| 10 | 515 | 5916 | 16786 | | 15877 | | 14738 | | 13562 | | 10282 | | - | | - | | - | | - | | - | | - | |
| | 530 | 6088 | 12.1 | 2.06 | 12.0 | 2.24 | 11.6 | 2.38 | 10.9 | 2.53 | 10.0 | 2.62 | - | - | - | - | - | - | - | - | - | - | - | |
| 10 | 545 | 6260 | 17490 | | 16628 | | 15553 | | 14435 | | 11797 | | - | | - | | - | | - | | - | | - | |
| | 551 | 6331 | 12.9 | 2.29 | 13.1 | 2.48 | 12.8 | 2.63 | 12.2 | 2.78 | 10.8 | 3.00 | - | - | - | - | - | - | - | - | - | - | - | |
| 10 | 585 | 6720 | 17911 | | 17068 | | 16037 | | 14953 | | 12532 | | - | | - | | - | | - | | - | | - | |
| | 595 | 6834 | 13.4 | 2.44 | 13.7 | 2.63 | 13.6 | 2.79 | 13.2 | 2.94 | 11.4 | 3.19 | - | - | - | - | - | - | - | - | - | - | - | |
| 10 | 605 | 6949 | 18891 | | 18088 | | 17156 | | 16134 | | 13990 | | 9601 | | - | | - | | - | | - | | - | |
| | 615 | 7064 | 14.9 | 2.80 | 15.4 | 3.00 | 15.8 | 3.18 | 15.4 | 3.34 | 13.6 | 3.66 | 12.7 | 3.44 | - | - | - | - | - | - | - | - | - | |
| 10 | 627 | 7202 | 19822 | | 19053 | | 18208 | | 17231 | | 15201 | | 12332 | | - | | - | | - | | - | | - | |
| | 627 | 7202 | 16.2 | 3.18 | 16.8 | 3.39 | 17.5 | 3.58 | 17.0 | 3.75 | 15.4 | 4.09 | 13.9 | 4.19 | - | - | - | - | - | - | - | - | - | |
| 10 | 657 | 7202 | 20749 | | 20012 | | 19250 | | 18313 | | 16388 | | 14197 | | - | | - | | - | | - | | - | |
| | 657 | 7202 | 17.8 | 3.59 | 18.0 | 3.81 | 18.1 | 4.03 | 18.0 | 4.20 | 16.8 | 4.55 | 14.9 | 4.81 | - | - | - | - | - | - | - | - | - | |
| 10 | 6949 | 6949 | 21535 | | 20824 | | 20113 | | 19222 | | 17381 | | 15401 | | 11530 | | - | | - | | - | | - | |
| | 6949 | 6949 | 19.3 | 3.97 | 19.1 | 4.20 | 19.0 | 4.43 | 19.0 | 4.61 | 18.2 | 4.97 | 15.8 | 5.30 | 15.5 | 5.04 | - | - | - | - | - | - | - | |
| 10 | 7064 | 7064 | 22366 | | 21679 | | 20993 | | 20176 | | 18418 | | 16577 | | 13870 | | - | | - | | - | | - | |
| | 7064 | 7064 | 20.0 | 4.40 | 20.0 | 4.64 | 20.0 | 4.87 | 20.0 | 5.07 | 20.0 | 5.45 | 17.3 | 5.82 | 16.4 | 5.89 | - | - | - | - | - | - | - | |
| 10 | 7202 | 7202 | 23056 | | 22389 | | 21723 | | 20964 | | 19268 | | 17483 | | 15291 | | 10104 | | - | | - | | - | |
| | 7202 | 7202 | 21.0 | 4.78 | 21.0 | 5.03 | 21.0 | 5.27 | 21.0 | 5.49 | 21.0 | 5.87 | 18.8 | 6.26 | 17.1 | 6.47 | 17.1 | 5.77 | - | - | - | - | - | |
| 10 | 7202 | 7202 | 23746 | | 23098 | | 22449 | | 21747 | | 20097 | | 18377 | | 16468 | | 12713 | | - | | - | | - | |
| | 7202 | 7202 | 22.0 | 5.19 | 22.0 | 5.44 | 22.0 | 5.68 | 22.0 | 5.92 | 22.0 | 6.32 | 20.0 | 6.71 | 17.8 | 7.02 | 17.8 | 6.65 | - | - | - | - | - | |
| 10 | 7202 | 7202 | 24435 | | 23804 | | 23173 | | 22525 | | 20919 | | 19261 | | 17522 | | 14705 | | - | | - | | - | |
| | 7202 | 7202 | 24.0 | 5.61 | 23.0 | 5.87 | 23.0 | 6.12 | 23.0 | 6.37 | 24.0 | 6.78 | 22.0 | 7.19 | 18.9 | 7.57 | 18.5 | 7.50 | - | - | - | - | - | |
| 10 | 7202 | 7202 | 24894 | | 24274 | | 23653 | | 23033 | | 21463 | | 19844 | | 18181 | | 15816 | | - | | - | | - | |
| | 7202 | 7202 | 25.0 | 5.91 | 24.0 | 6.17 | 24.0 | 6.43 | 24.0 | 6.69 | 24.0 | 7.11 | 24.0 | 7.52 | 20.0 | 7.94 | 19.0 | 8.04 | - | - | - | - | - | |
| 10 | 7202 | 7202 | 25581 | | 24977 | | 24373 | | 23768 | | 22274 | | 20712 | | 19092 | | 17137 | | 13182 | | - | | - | |
| | 7202 | 7202 | 26.0 | 6.37 | 26.0 | 6.64 | 26.0 | 6.91 | 25.0 | 7.18 | 26.0 | 7.62 | 26.0 | 8.04 | 22.0 | 8.47 | 19.9 | 8.70 | 19.9 | 8.15 | - | - | - | |
| 10 | 7202 | 7202 | 26039 | | 25445 | | 24851 | | 24257 | | 22811 | | 21286 | | 19693 | | 17896 | | 14648 | | - | | - | |
| | 7202 | 7202 | 28.0 | 6.70 | 27.0 | 6.97 | 27.0 | 7.24 | 26.0 | 7.51 | 26.0 | 7.97 | 27.0 | 8.40 | 23.0 | 8.84 | 20.0 | 9.14 | 20.0 | 8.80 | - | - | - | |
| 10 | 7202 | 7202 | 26496 | | 25912 | | 25328 | | 24743 | | 23345 | | 21856 | | 20289 | | 18603 | | 15898 | | - | | - | |
| | 7202 | 7202 | 28.0 | 7.03 | 28.0 | 7.31 | 27.0 | 7.58 | 27.0 | 7.86 | 27.0 | 8.33 | 27.0 | 8.78 | 24.0 | 9.21 | 21.0 | 9.57 | 21.0 | 9.46 | - | - | - | |
| 10 | 7202 | 7202 | 26953 | | 26379 | | 25804 | | 25229 | | 23878 | | 22415 | | 20882 | | 19303 | | 17023 | | 12341 | | - | |
| | 7202 | 7202 | 29.0 | 7.38 | 29.0 | 7.66 | 28.0 | 7.94 | 28.0 | 8.22 | 27.0 | 8.71 | 28.0 | 9.16 | 25.0 | 9.60 | 22.0 | 10.02 | 21.0 | 10.1 | 21.0 | 9.20 | - | |
| 10 | 7202 | 7202 | 27502 | | 26938 | | 26374 | | 25810 | | 24513 | | 23079 | | 21587 | | 20075 | | 18083 | | 14343 | | - | |
| | 7202 | 7202 | 30.0 | 7.80 | 29.0 | 8.09 | 29.0 | 8.38 | 29.0 | 8.66 | 28.0 | 9.17 | 28.0 | 9.63 | 26.0 | 10.09 | 23.0 | 10.54 | 22.0 | 10.71 | 22.0 | 10.08 | - | |

Performance shown is for installation type A - Free inlet, Free outlet. Power rating (BHP) does not include drive losses. Performance ratings do not include the effects of appurtenances in the airstream. The AMCA Certified Ratings Seal applies to air capacities only.

©PENN BARRY 2008

› Model

SX = Centrifugal Fan

› Unit Size

| | | | | | | |
|-----|-----|-----|-----|-----|-----|-----|
| 085 | 100 | 120 | 155 | 205 | 275 | 420 |
| 095 | 115 | 125 | 165 | 225 | 335 | |

› Drive Type

D = Direct Drive
B = Belt Drive

› Motor Tap

QC = 1550 RPM
RC = 1300 RPM
SC = 1050 RPM
VC = 1650 RPM
Q1C = 1725 RPM
Q2C = 1725 RPM

› Motor Speed

1 = Single Speed
2 = 2S2W 1800/1200
3 = 2S1W 1800/900

› Horse Power

| | | | | |
|------|------|-----|-------|-------|
| 1/50 | 1/12 | 1/5 | 3/4 | 3 |
| 1/30 | 1/11 | 1/4 | 1 | 5 |
| 1/25 | 1/7 | 1/3 | 1 1/2 | 7 1/2 |
| 1/20 | 1/6 | 1/2 | 2 | 10 |

› Enclosure

0 = Open Drip Proof
T = Totally Enclosed
E = Explosion Proof
X = Special

› Voltage

| | | |
|----------|----------|-------------|
| A = 110V | G = 230V | N = 440V |
| B = 115V | H = 240V | P = 460V |
| C = 120V | J = 277V | Q = 480V |
| D = 200V | K = 380V | R = 575V |
| E = 208V | L = 400V | S = 600V |
| F = 220V | M = 415V | X = Special |

› Phase

1 = Single
3 = Three

› Cycle

5 = 50 Hz
6 = 60 Hz

› Efficiency

S = Standard
H = High Efficiency

› Paint / Coating

0 = None
F = Epoxy Powder Coat*
G = Epoxy Powder Coat with UV*
H = Hi-Temp Powder Coat*
J = Non-stick Powder Coat*
K = Phenolic Powder Coat*
L = Phenolic Powder Coat with UV*
N = Polyester Powder Coat
X = Special
** Not available with choice of color.*

› Color

0 = None
50 = Chrome Green
53 = Williamsburg Blue
55 = Pale Green
56 = Dove Gray
61 = White
63 = Oxford Beige
65 = Dover White
66 = Desert Tan
70 = Black
73 = Smoke Gray
77 = Brick Red
79 = Peppercorn
81 = Pale Brown
83 = Chocolate Brown
85 = Timeless Bronze
94 = Charcoal
X = Special

› Damper

0 = None
BDD = Gravity Backdraft Damper
X = Special

› Aluminum Housing

0 = None
A = Aluminum Housing

› Motor Cover

0 = None
M = Motor

› Inlet Angle Ring

0 = None
R = Ring

› Inlet Guard

0 = None
G = Guard

› Support Channel

0 = None
S = Support Channel

› Extended Lube Lines

0 = None
L = Extended Lube Lines

› Sound Insulation

0 = None
G = Gasket

› Vibration Isolation

0 = None
RF = Rub in Shear Floor
RH = Rub in Shear Hanger
SC = Supp. Chann w/ Rubber Floor
SF = Spring Floor
SH = Spring Hanger

› Thermal Overload Protection

0 = None
P = Thermal Overload Protection

› Disconnect Switch

0 = None
1 = Nema 1
3R = Nema 3R
4 = Nema 4
7 = Nema 7
9 = Nema 9

› Internal Wiring

0 = None
1 = Nema 1
3R = Nema 3R

› Transformer

0 = None
T = Transformer

› Speed Controller

0 = None
L = Loose
M = Mounted

› Firestat Switch

0 = None
F = Switch

› High Pressure Wheel

0 = None
H = High Pressure Wheel

Specifications

Centrifugal Inline Fans

› Direct Drive Fans

Direct drive Centrifugal Square Inline fan shall be Centrex Inliner SX, manufactured by PennBarry, Richardson, TX 75081. The housing shall utilize galvanized steel “corner post” framework and panels. Units shall be equipped with three removable access panels. Units shall be pre-wired to a junction box on the exterior and equipped with an electrical disconnect switch (not Explosion Proof). Two support angles shall be provided.

Statically and dynamically balanced backward inclined centrifugal wheels shall be aluminum, spark-resistant, nonoverloading, and matched to deeply spun venturis. Motors shall be continuous duty, permanently lubricated, multispeed (for applicable models), have thermal overload protection, mounted out of the main airstream (except Totally Enclosed), be easily accessible for service, and furnished at the specified voltage, phase, and enclosure. Each fan shall bear the AMCA Licensed Ratings Seal for Air and Sound Performance, and shall be UL and CSA listed.

› Belt Drive Fans

Belt driven Centrifugal Square Inline fan shall be Centrex Inliner SX, manufactured by PennBarry, Richardson, TX 75081. The housing shall utilize galvanized steel (aluminum optional some sizes) “corner post” framework and panels. Units shall be equipped with three removable access panels. Units shall be pre-wired to a junction box on the exterior and equipped with an electrical disconnect switch (not Explosion Proof). Two support angles shall be provided.

Statically and dynamically balanced backward inclined, centrifugal wheels shall be aluminum, spark-resistant, nonoverloading, and matched to deeply spun venturis. Motors shall be continuous duty, ball bearing design, permanently lubricated, mounted out of the main airstream, and furnished at the specified voltage, phase, and enclosure. Shafts shall be turned, ground and polished. Heavy duty ball bearings are rated for a minimum L50 life exceeding 200,000 hours. Pulleys shall be adjustable, cast iron, machined, keyed, securely attached, and sized for 150% of the horsepower at its rated maximum speed. Each fan shall bear the AMCA Licensed Ratings Seal for Air and Sound Performance, and shall be UL and CSA listed.

C
e
n
t
r
e
x

I
n
l
i
n
e
r

1-Year Limited Manufacturer Warranty

› Products Covered

PennBarry Fans and Ventilators (each, a “PennBarry Product”)

› One Year Limited Warranty For PennBarry Products

PennBarry warrants to the original commercial purchaser that the PennBarry Products will be free from defects in material and workmanship for a period of one (1) year from the date of shipment.

› Exclusive Remedy

PennBarry will, at its option, repair or replace (without removal or installation) the affected components of any defective PennBarry Product; repair or replace (without removal or installation) the entire defective PennBarry Product; or refund the invoice price of the PennBarry Product. In all cases, a reasonable time period must be allowed for warranty repairs to be completed.

› What You Must Do

In order to make a claim under these warranties:

- You must be the original commercial purchaser of the PennBarry Product.
- You must promptly notify us, within the warranty period, of any defect and provide us with any substantiation that we may reasonably request.
- The PennBarry Product must have been installed and maintained in accordance with good industry practice and any specific PennBarry recommendations.

› Exclusions

These warranties do not cover defects caused by:

- Improper design or operation of the system into which the PennBarry Product is incorporated.
- Improper installation.
- Accident, abuse or misuse.
- Unreasonable use (including any use for non-commercial purposes, failure to provide reasonable and necessary maintenance as specified by PennBarry, misapplication and operation in excess of stated performance characteristics).
- Components not manufactured by PennBarry.

› Limitations

- In all cases, PennBarry reserves the right to fully satisfy its obligations under the Limited Warranties by refunding the invoice price of the defective PennBarry Product (or, if the PennBarry Product has been discontinued, of the most nearly comparable current product).
- PennBarry reserves the right to furnish a substitute or replacement component or product in the event a PennBarry Product or any component of the product is discontinued or otherwise unavailable.
- PennBarry’s only obligation with respect to components not manufactured by PennBarry shall be to pass through the warranty made by the manufacturer of the defective component.

› General

The foregoing warranties are exclusive and in lieu of all other warranties except that of title, whether written, oral or implied, in fact or in law (including any warranty of merchantability or fitness for a particular purpose).

PennBarry hereby disclaims any liability for special, punitive, indirect, incidental or consequential damages, including without limitation lost profits or revenues, loss of use of equipment, cost of capital, cost of substitute products, facilities or services, downtime, shutdown or slowdown costs.

The remedies of the original commercial purchaser set forth herein are exclusive and the liability of PennBarry with respect to the PennBarry Products, whether in contract, tort, warranty, strict liability or other legal theory shall not exceed the invoice price charged by PennBarry to its customer for the affected PennBarry Product at the time the claim is made.

Inquiries regarding these warranties should be sent to: PennBarry, 1401 North Plano Road, Richardson, TX 75081

Other PennBarry Products

Centrifugal Products



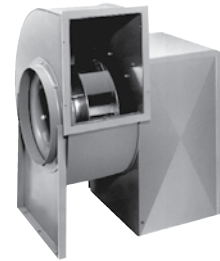
› **Domex**
Centrifugal
Roof Exhausters



› **Fumex Fatrap**
Kitchen Hood Centrifugal
Roof Exhausters



› **Zephyr**
Ceiling and Inline Fans



› **Dynamo**
Centrifugal Blowers



› **Centrex Inliner**
Centrifugal Inline Fan



› **LC Dynafan**
Low Contour Centrifugal
Roof Exhausters

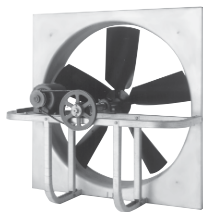


› **ESI**
Efficient Silent
Inline Fan



› **Fume Exhaust**
Curb Mounted
Centrifugal Fans

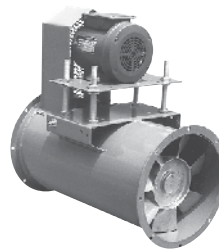
Axial / Gravity Products



› **Breezeway**
Propeller Wall Fan



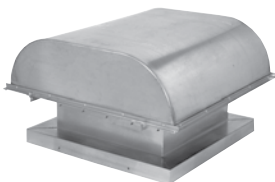
› **Hi-Ex**
Power Roof Ventilator



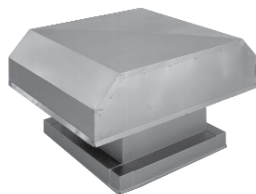
› **Tubeaxial**
Inline Fans



› **Vaneaxial**
Inline Fans



› **Powered Airette**
Axial Roof Ventilators



› **Airette**
Gravity Intake/Relief Hood



› **Domex Axial**
Axial Roof Ventilators



› **Axcentrix**
Bifurcator Fan

