

CHAIN AND BELT DRIVES

Table of Contents

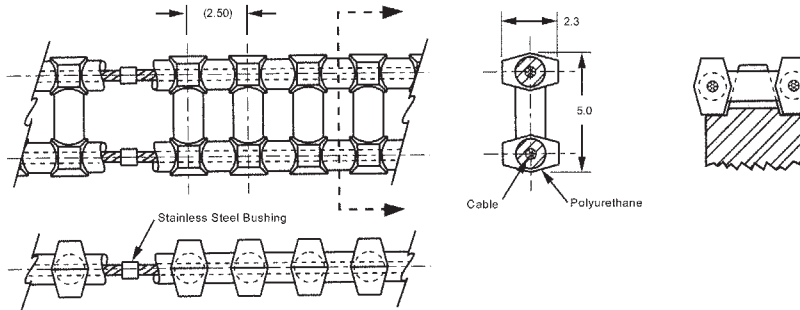
FLEX-E-GEAR® DRIVE CHAINS	
FLEX-E-GEAR DRIVE CHAIN - 2.50mm C.P.	MA 2
FLEX-E-GEAR DRIVE CHAIN - 2.54mm C.P.	MA 6
FLEX-E-GEAR DRIVE CHAIN - 3.325mm C.P.	MA 9
SPROCKET GEARS	
PIN HUB - 2.5mm	MA 3 - MA 5
HUBLESS - 2.5mm	MA 4
PIN HUB - 2.54mm	MA 7
HUBLESS - 2.54mm	MA 8
PIN HUB - 3.325mm	MA 10, MA 12
HUBLESS - 3.325mm	MA 11
FLEX-E-BELT® DRIVE BELTS	
FLEX-E-BELT DRIVE BELTS - 2.5mm	MA 13 - MA 14
FLEX-E-BELT DRIVE BELTS - 2.54mm	MA 17
FLEX-E-BELT DRIVE BELTS - 3.325mm	MA 20
BELT PULLEYS (E-Z ENTRY)	
HUBLESS - 2.5mm	MA 15
PIN HUB 2.5mm	MA 15 - MA 16
HUBLESS - 2.54mm	MA 18
PIN HUB - 2.54mm	MA 19
HUBLESS - 3.325mm	MA 21
PIN HUB - 3.325mm	MA 22
MIN-E-PITCH® CABLE CHAINS	
MIN-E-PITCH CABLE CHAIN - 4mm	MA 23
CHAIN SPROCKETS	
PIN HUB - 4mm	MA 24 - MA 28
HUBLESS - 4mm	MA 29
DUAL CHAINS	
MIN-E-PITCH - 4mm	MA 30
MIN-E-PITCH BELT	
MIN-E-PITCH BELT - 4mm C.P.	MA 31
DOUBLE SPROCKETS	
PIN HUB - 4mm C.P.	MA 32 - MA 34
HUBLESS - 4mm C.P.	MA 35
3-D BELT	
MIN-E-PITCH 3-D BELT - 4mm C.P.	MA 36
3-D PULLEYS	
PIN HUB - 4mm	MA 37 - MA 39
HUBLESS - 4mm	MA 40
IDLER - 4mm	MA 41 - MA 43
SUPPORT & GUIDE RAILS	MA 44
FLEX-E-PITCH® LINK CHAINS	MA 45 - MA 65
CABLE CHAINS	
FLEX-E-PITCH - 3.747 CIRCULAR PITCH	MA 45
FLEX-E-PITCH - 6.35 CIRCULAR PITCH	MA 51
FLEX-E-PITCH - 9.525 CIRCULAR PITCH	MA 56
FLEX-E-PITCH - 12.7 CIRCULAR PITCH	MA 59 - MA 60
CHAIN SPROCKETS	
PIN HUB - 3.747 CIRCULAR PITCH ..	MA 46, MA 48 - MA 50
PIN HUB - 6.35 CIRCULAR PITCH ..	MA 52, MA 54 - MA 55
PIN HUB - 9.525 CIRCULAR PITCH ..	MA 58
PIN HUB - 12.7 CIRCULAR PITCH ..	MA 62 - MA 64
HUBLESS - 3.747 CIRCULAR PITCH ..	MA 47
HUBLESS - 6.35 CIRCULAR PITCH ..	MA 53
HUBLESS - 9.525 CIRCULAR PITCH ..	MA 57
HUBLESS - 12.7 CIRCULAR PITCH ..	MA 61
FIELD SPLICE KIT (FLEX-E-PITCH)	MA 65
BELT TENSIONER	MA 66
ROW-L-ER CHAIN LINK	MA 67 - MA 88
TECHNICAL DATA	MA 67
LINK CHAINS	
ROW-L-ER - 3.75 CIRCULAR PITCH	MA 68
ROW-L-ER - 6.35 CIRCULAR PITCH	MA 75, MA 82
ROW-L-ER - 9.53 CIRCULAR PITCH	MA 85
ROW-L-ER - 12.7 CIRCULAR PITCH	MA 87
SPROCKETS	
PIN HUB - 3.75 CIRCULAR PITCH ..	MA 69, MA 71 - MA 73
PIN HUB - 6.35 CIRCULAR PITCH	MA 76,
MA 78 - MA 80, MA 83 - 84	
PIN HUB - 9.53 CIRCULAR PITCH	MA 86
PIN HUB - 12.7 CIRCULAR PITCH	MA 88
HUBLESS - 3.75 CIRCULAR PITCH	MA 70, MA 74
HUBLESS - 6.35 CIRCULAR PITCH	MA 77, MA 81
FLEX-E-GRIP	
Technical Data	MA 89 - MA 90
Timing Belts - 2mm	MA 91
Timing Belts - 5mm	MA 95
Timing Belts - 9.525mm	MA 99
Timing Pulleys - 2mm	MA 92 - MA 94
Timing Pulleys - 5mm	MA 96 - MA 98
Timing Pulley - 9.525mm	MA 100
MAX-M-DRIVE	
Technical Data	MA 101
Timing Belts - 2mm	MA 102
Timing Belts - 3mm	MA 103 - MA 104
Timing Belts - 5mm	MA 112 - MA 113
Timing Pulleys - 3mm	MA 105 - MA 111
Timing Pulleys - 5mm	MA 114 - MA 118
Timing Pulley Bar Stock	MA 119
60° V BELT	
V3M	MA 120
V5M	MA 121
V7M	MA 122
60° V PULLEYS	
3mm Bore	MA 123
5mm Bore	MA 123
8mm Bore	MA 123 - MA 124
10mm Bore	MA 124 - MA 125
12mm Bore	MA 125
POW-R-VEE BELTS	
Technical Data	MA 126 - MA 127
2V	MA 128 - MA 129
3V	MA 130
4V	MA 131
5V	MA 132
POW-R-VEE PULLEYS	
3V	MA 133 - MA 134
4V	MA 135
5V	MA 136
FIELD SPLICE KITS	MA 137

A

For inch options, please see our inch catalog.

GEAR DRIVE CHAINS

CIRCULAR PITCH	MATERIALS	BERG'S ® NAME	SPROCKET
2.50mm	Polyurethane (Blue) 0.5mm Dia. Stainless Steel Cable*	Flex-E-Gear®	Operates with 32B, GG33 and GGF33 series.



STOCK NO.	NO. OF PITCHES	LENGTH (Ref.)
32GCF-49-E	49	122.2
32GCF-52-E	52	129.7
32GCF-53-E	53	132.2
32GCF-64-E	64	159.6
32GCF-67-E	67	167.1
32GCF-75-E	75	187.0
32GCF-80-E	80	199.5
32GCF-95-E	95	236.9
32GCF-112-E	112	279.3
32GCF-126-E	126	314.2
32GCF-128-E	128	319.2
32GCF-144-E	144	359.1
32GCF-158-E	158	394.1
32GCF-176-E	176	438.9
32GCF-189-E	189	471.4
32GCF-208-E	208	518.8
32GCF-220-E	220	548.7
32GCF-240-E	240	598.6
32GCF-252-E	252	628.5
32GCF-272-E	272	678.4
32GCF-283-E	283	705.8
32GCF-304-E	304	758.2
32GCF-315-E	315	785.6
32GCF-336-E	336	838.0
32GCF-346-E	346	862.9
32GCF-377-E	377	940.2
32GCF-400-E	400	997.6
32GCF-408-E	408	1017.6
32GCF-432-E	432	1077.4
32GCF-440-E	440	1097.4
32GCF-464-E	464	1157.2
32GCF-471-E	471	1174.7
32GCF-480-E	480	1197.1
32GCF-512-E	512	1276.9
32GCF-544-E	544	1356.7
32GCF-592-E	592	1476.4
32GCF-608-E	608	1516.4

- For Field Splice Kit order 32GCF-7.
- * Available with Aramid Core. See page A-2 in inch catalog for alternative belt construction or reverse bending applications.
- ** Reduce operating load rating by 50% for field splices.

- Infinite Lengths
- Silent Drive
- Mass 12 Grams/Meter
- Positive Drive
- Zero Backlash
- No Lubrication
- 90A Durometer
- Ultimate Tensile Strength 130N 17N/PIN when belt is used in open loop configuration (without splice, no crimp bushing)
- Temperature Range +82°C to -26°C
- Recommended Operating Load 36N
- Recommended Max. Operating Speed 1.91 m/s

Other numbers of pitches available on request.

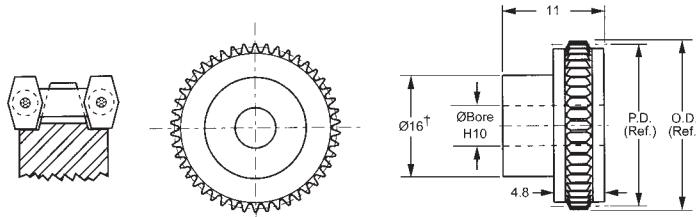
BULK LENGTH - NOT SPLICED	
STOCK NO.	LENGTH
32GCF-1.5M	1.5 M
32GCF-3.0M	3.0 M
32GCF-7.5M	7.5 M
32GCF-15.0M	15.0 M
32GCF-30.0M	30.0 M



SPROCKET GEARS

CIR. PITCH	BORE	STYLE	MATERIAL	BERG'S® NAME	CHAIN
2.50mm	Ø7	PIN HUB	ACETAL	Flex-E-Gear® Chain Drive	Operates with 32GCF Series

A

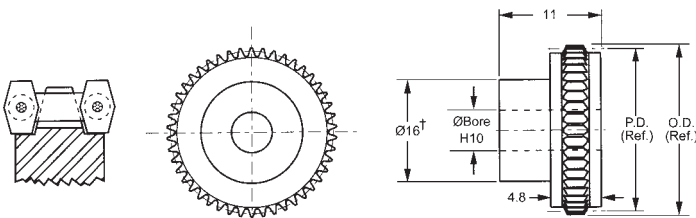


STOCK NO.	NO. OF TEETH	PITCH DIA.	OUTSIDE DIA.
32B107M-18	18†	14.29	15.88
32B107M-20	20†	15.88	17.47
32B107M-22	22†	17.46	19.05
32B107M-24	24†	19.05	20.64
32B107M-26	26	20.64	22.23
32B107M-28	28	22.23	23.82
32B107M-30	30	23.81	25.40
32B107M-32	32	25.40	26.99
32B107M-36	36	28.58	30.17
32B107M-40	40	31.75	33.34
32B107M-48	48	38.10	39.69
32B107M-56	56	44.45	46.04
32B107M-64	64	50.80	52.39
32B107M-72	72	57.15	58.74
32B107M-80	80	63.50	65.09



† Teeth runout on hub.
Other numbers of teeth available on request.

CIR. PITCH	BORE	STYLE	MATERIAL	BERG'S® NAME	CHAIN
2.50mm	Ø8	PIN HUB	ACETAL	Flex-E-Gear® Chain Drive	Operates with 32GCF Series



STOCK NO.	NO. OF TEETH	PITCH DIA.	OUTSIDE DIA.
32B108M-18	18†	14.29	15.88
32B108M-20	20†	15.88	17.47
32B108M-22	22†	17.46	19.05
32B108M-24	24†	19.05	20.64
32B108M-26	26	20.64	22.23
32B108M-28	28	22.23	23.82
32B108M-30	30	23.81	25.40
32B108M-32	32	25.40	26.99
32B108M-36	36	28.58	30.17
32B108M-40	40	31.75	33.34
32B108M-48	48	38.10	39.69
32B108M-56	56	44.45	46.04
32B108M-64	64	50.80	52.39
32B108M-72	72	57.15	58.74
32B108M-80	80	63.50	65.09

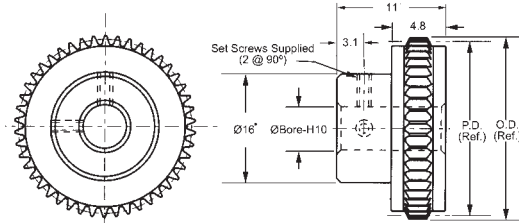


† Teeth runout on hub.
Other numbers of teeth available on request.

SPROCKET GEARS

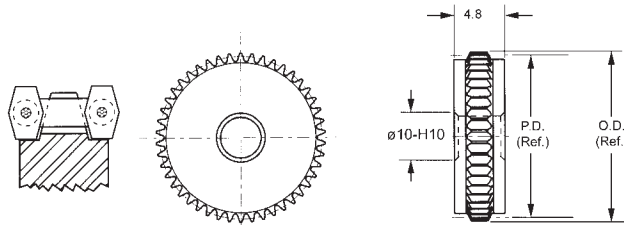
CIR. PITCH	BORE	STYLE	MATERIAL	BERG'S ® NAME	CHAIN
2.50mm	Ø4	PIN HUB	Aluminum per DIN 3.1355 Anodized	Flex-E-Gear® Chain Drive	Operates with 32GCF Series

STOCK NO.	NO. OF TEETH	PITCH DIA.	OUTSIDE DIA.
32B104-18	18*	14.29	15.88
32B104-20	20*	15.88	17.47
32B104-22	22*	17.46	19.05
32B104-24	24*	19.05	20.64
32B104-26	26	20.64	22.23
32B104-28	28	22.23	23.82
32B104-30	30	23.81	25.40
32B104-32	32	25.40	26.99
32B104-36	36	28.58	30.17
32B104-40	40	31.75	33.34
32B104-48	48	38.10	39.69
32B104-56	56	44.45	46.04
32B104-64	64	50.80	52.39
32B104-72	72	57.15	58.74
32B104-80	80	63.50	65.09
32B104-88	88	69.85	71.44
32B104-96	96	76.20	77.79
32B104-112	112	88.90	90.49
32B104-128	128	101.60	103.19



• For 18-24 teeth, hub diameter equals 11.9.
Other numbers of teeth available on request.
Teeth could be anodized.

CIR. PITCH	BORE	STYLE	MATERIAL	BERG'S ® NAME	CHAIN
2.50mm	Ø10	HUBLESS	Aluminum per DIN 3.1355 Anodized	Flex-E-Gear® Chain Drive	Operates with 32GCF Series



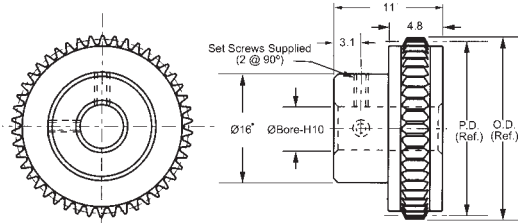
Other numbers of teeth available on request.
Teeth could be anodized.

STOCK NO.	NO. OF TEETH	PITCH DIA.	OUTSIDE DIA.
32A110-32	32	25.40	26.99
32A110-36	36	28.58	30.17
32A110-40	40	31.75	33.34
32A110-48	48	38.10	39.69
32A110-56	56	44.45	46.04
32A110-64	64	50.80	52.39
32A110-72	72	57.15	58.74
32A110-80	80	63.50	65.09
32A110-88	88	69.85	71.44
32A110-96	96	76.20	77.79
32A110-112	112	88.90	90.49
32A110-128	128	101.60	103.19

SPROCKET GEARS

CIR. PITCH	BORE	STYLE	MATERIAL	BERG'S ® NAME	CHAIN
2.50mm	Ø6	PIN HUB	Aluminum per DIN 3.1355 Anodized	Flex-E-Gear® Chain Drive	Operates with 32GCF Series

STOCK NO.	NO. OF TEETH	PITCH DIA.	OUTSIDE DIA.
32B106-18	18*	14.29	15.88
32B106-20	20*	15.88	17.47
32B106-22	22*	17.46	19.05
32B106-24	24*	19.05	20.64
32B106-26	26	20.64	22.23
32B106-28	28	22.23	23.82
32B106-30	30	23.81	25.40
32B106-32	32	25.40	26.99
32B106-36	36	28.58	30.17
32B106-40	40	31.75	33.34
32B106-48	48	38.10	39.69
32B106-56	56	44.45	46.04
32B106-64	64	50.80	52.39
32B106-72	72	57.15	58.74
32B106-80	80	63.50	65.09
32B106-88	88	69.85	71.44
32B106-96	96	76.20	77.79
32B106-112	112	88.90	90.49
32B106-128	128	101.60	103.19

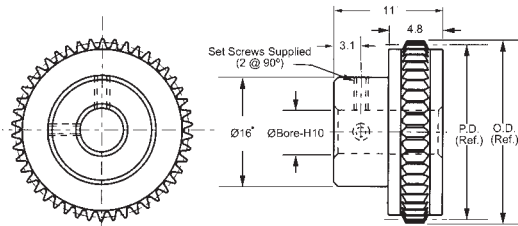


A

- For 18-24 teeth, hub diameter equals 11.9.
- Other numbers of teeth available on request.
- Teeth could be anodized.

CIR. PITCH	BORE	STYLE	MATERIAL	BERG'S ® NAME	CHAIN
2.50mm	Ø8	PIN HUB	Aluminum per DIN 3.1355 Anodized	Flex-E-Gear® Chain Drive	Operates with 32GCF Series

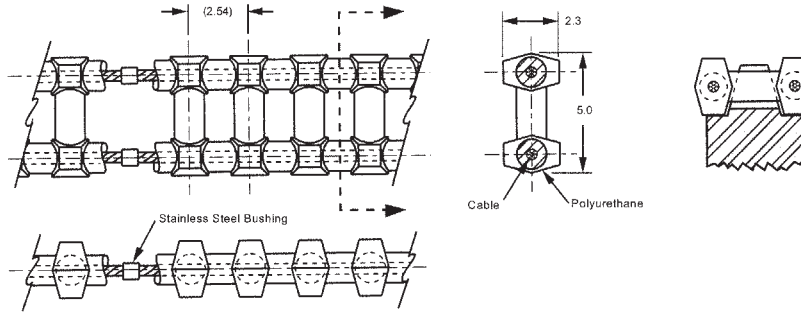
STOCK NO.	NO. OF TEETH	PITCH DIA.	OUTSIDE DIA.
32B108-18	18*	14.29	15.88
32B108-20	20*	15.88	17.47
32B108-22	22*	17.46	19.05
32B108-24	24*	19.05	20.64
32B108-26	26	20.64	22.23
32B108-28	28	22.23	23.82
32B108-30	30	23.81	25.40
32B108-32	32	25.40	26.99
32B108-36	36	28.58	30.17
32B108-40	40	31.75	33.34
32B108-48	48	38.10	39.69
32B108-56	56	44.45	46.04
32B108-64	64	50.80	52.39
32B108-72	72	57.15	58.74
32B108-80	80	63.50	65.09
32B108-88	88	69.85	71.44
32B108-96	96	76.20	77.79
32B108-112	112	88.90	90.49
32B108-128	128	101.60	103.19



- For 18-24 teeth, hub diameter equals 11.9.
- Other numbers of teeth available on request.
- Teeth could be anodized.

GEAR DRIVE CHAINS

CIRCULAR PITCH	MATERIAL	BERG'S ® NAME	SPROCKET
2.54mm	Polyurethane (Green) 0.5mm Dia. Stainless Steel Cable*	Flex-E-Gear®	Operates with 31A and 31B series.



STOCK NO.	NO. OF PITCHES	LENGTH (Ref.)
31GCF-45-E	45	114.3
31GCF-50-E	50	127.0
31GCF-55-E	55	139.7
31GCF-60-E	60	152.4
31GCF-65-E	65	165.1
31GCF-70-E	70	177.8
31GCF-75-E	75	190.5
31GCF-80-E	80	203.2
31GCF-85-E	85	215.9
31GCF-90-E	90	228.6
31GCF-95-E	95	241.3
31GCF-100-E	100	254.0
31GCF-105-E	105	266.7
31GCF-110-E	110	279.4
31GCF-115-E	115	292.1
31GCF-120-E	120	304.8
31GCF-125-E	125	317.5
31GCF-130-E	130	330.2
31GCF-135-E	135	342.9
31GCF-140-E	140	355.6
31GCF-150-E	150	381.0
31GCF-160-E	160	406.4
31GCF-170-E	170	431.8
31GCF-180-E	180	457.2
31GCF-190-E	190	482.6
31GCF-200-E	200	508.0
31GCF-210-E	210	533.4
31GCF-220-E	220	558.8
31GCF-230-E	230	584.2
31GCF-240-E	240	609.6
31GCF-250-E	250	635.0
31GCF-300-E	300	762.0
31GCF-360-E	360	914.4
31GCF-420-E	420	1066.8
31GCF-480-E	480	1219.2
31GCF-540-E	540	1371.6
31GCF-600-E	600	1524.0

- For Field Splice Kit order 32GCF-7.
- * Available with Aramid Core. See page A-2 in inch catalog for alternative belt construction or reverse bending applications.
- ** Reduce operating load rating by 50% for field splices.

- Infinite Lengths
- Silent Drive
- Mass 12 Grams/Meter
- Positive Drive
- Zero Backlash
- No Lubrication
- 90A Durometer
- Ultimate Tensile Strength 130N (15N/PIN) when belt is used in open loop configuration (without splice, no crimp bushing)
- Temperature Range +82°C to -26°C
- Recommended Operating Load 36N
- Recommended Max. Operating Speed 1.91 m/s

Other numbers of pitches available on request.

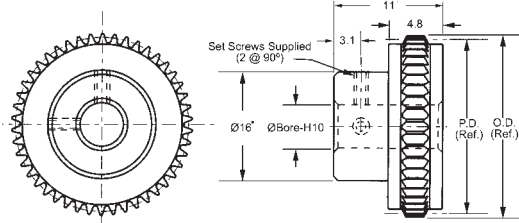
BULK LENGTH - NOT SPLICED	
STOCK NO.	LENGTH
31GCF-1.5M	1.5 M
31GCF-3.0M	3.0 M
31GCF-7.5M	7.5 M
31GCF-15.0M	15.0 M
31GCF-30.0M	30.0 M



SPROCKET GEARS

CIR. PITCH	BORE	STYLE	MATERIAL	BERG'S® NAME	CHAIN
2.54mm	Ø4	PIN HUB	Per DIN 3.1355 Aluminum Anodized	Flex-E-Gear® Chain Drive	Operates with 31GCF Series

STOCK NO.	NO. OF TEETH	PITCH DIA.	OUTSIDE DIA.
31B104-14	14*	11.32	12.94
31B104-16	16*	12.94	14.55
31B104-20	20*	16.17	17.79
31B104-22	22*	17.79	19.41
31B104-24	24	19.40	21.02
31B104-26	26	21.02	22.64
31B104-28	28	22.64	24.26
31B104-30	30	24.26	25.87
31B104-32	32	25.87	27.49
31B104-36	36	29.11	30.72
31B104-40	40	32.34	33.96
31B104-48	48	38.81	40.43
31B104-56	56	45.28	46.89
31B104-64	64	51.74	53.36
31B104-72	72	58.21	59.83
31B104-96	96	77.62	79.23
31B104-112	112	90.55	92.17

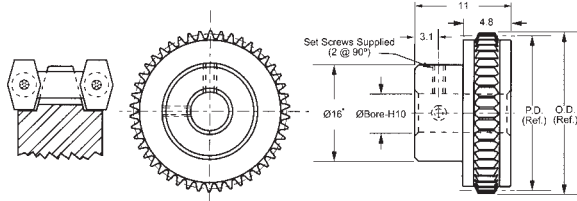


- For 14-22 teeth, hub diameter equals 8.9.
 - * Sprockets Ø12.7 P.D. and smaller are recommended for idler use only.
- Other numbers of teeth available on request.
Teeth could be anodized.

A

CIR. PITCH	BORE	STYLE	MATERIAL	BERG'S® NAME	CHAIN
2.54mm	Ø6	PIN HUB	Per DIN 3.1355 Aluminum Anodized	Flex-E-Gear® Chain Drive	Operates with 31GCF Series

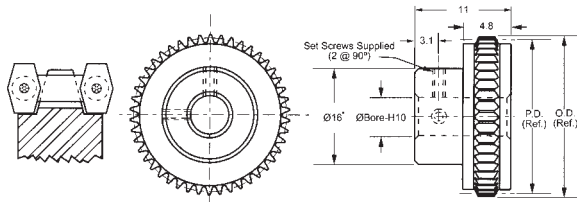
STOCK NO.	NO. OF TEETH	PITCH DIA.	OUTSIDE DIA.
31B106-20	20*	16.17	17.79
31B106-22	22*	17.79	19.41
31B106-24	24	19.40	21.02
31B106-26	26	21.02	22.64
31B106-28	28	22.64	24.26
31B106-30	30	24.26	25.87
31B106-32	32	25.87	27.49
31B106-36	36	29.11	30.72
31B106-40	40	32.34	33.96
31B106-48	48	38.81	40.43
31B106-56	56	45.28	46.89
31B106-64	64	51.74	53.36
31B106-72	72	58.21	59.83
31B106-96	96	77.62	79.23
31B106-112	112	90.55	92.17



- For 20-22 teeth, hub diameter equals 13.8. Other numbers of teeth available on request.
- Teeth could be anodized.

CIR. PITCH	BORE	STYLE	MATERIAL	BERG'S® NAME	CHAIN
2.54mm	Ø8	PIN HUB	Per DIN 3.1355 Aluminum Anodized	Flex-E-Gear® Chain Drive	Operates with 31GCF Series

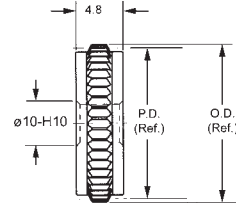
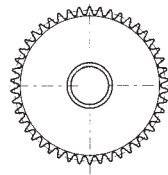
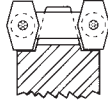
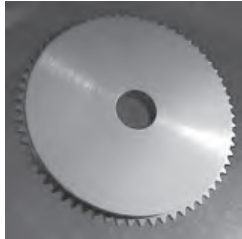
STOCK NO.	NO. OF TEETH	PITCH DIA.	OUTSIDE DIA.
31B108-20	20*	16.17	17.79
31B108-22	22*	17.79	19.41
31B108-24	24	19.40	21.02
31B108-26	26	21.02	22.64
31B108-28	28	22.64	24.26
31B108-30	30	24.26	25.87
31B108-32	32	25.87	27.49
31B108-36	36	29.11	30.72
31B108-40	40	32.34	33.96
31B108-48	48	38.81	40.43
31B108-56	56	45.28	46.89
31B108-64	64	51.74	53.36
31B108-72	72	58.21	59.83
31B108-96	96	77.62	79.23
31B108-112	112	90.55	92.17



- For 20-22 teeth, hub diameter equals 13.8. Other numbers of teeth available on request.
- Teeth could be anodized.

SPROCKET GEARS

CIR. PITCH	BORE	STYLE	MATERIAL	BERG'S ® NAME	CHAIN
2.54mm	Ø10	HUBLESS	Per DIN 3.1355 Aluminum Anodized	Flex-E-Gear® Chain Drive	Operates with 31GCF Series



STOCK NO.	NO. OF TEETH	PITCH DIA.	OUTSIDE DIA.
31A110-22	22	17.79	19.41
31A110-24	24	19.40	21.02
31A110-26	26	21.02	22.64
31A110-28	28	22.64	24.26
31A110-30	30	24.26	25.87
31A110-32	32	25.87	27.49
31A110-36	36	29.11	30.72
31A110-40	40	32.34	33.96
31A110-48	48	38.81	40.43
31A110-56	56	45.28	46.89
31A110-64	64	51.74	53.36
31A110-72	72	58.21	59.83
31A110-96	96	77.62	79.23
31A110-112	112	90.55	92.17

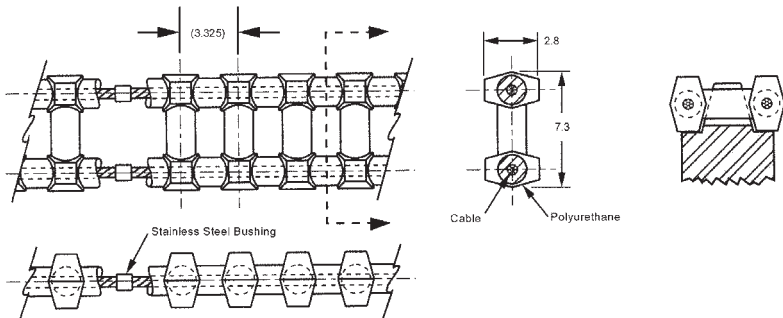
Other numbers of teeth available on request.

Teeth could be anodized.

GEAR DRIVE CHAINS

CIRCULAR PITCH	MATERIAL	BERG'S ® NAME	SPROCKET
3.325mm	Polyurethane (Red) 0.8mm Dia. Stainless Steel Cable*	Flex-E-Gear®	Operates with 24A and 24B series.

A



STOCK NO.	NO. OF PITCHES	LENGTH (Ref.)
24GCF-50-E	50	166.3
24GCF-52-E	52	172.9
24GCF-54-E	54	179.6
24GCF-56-E	56	186.2
24GCF-58-E	58	192.9
24GCF-60-E	60	199.5
24GCF-62-E	62	206.2
24GCF-64-E	64	212.8
24GCF-66-E	66	219.5
24GCF-68-E	68	226.1
24GCF-70-E	70	232.8
24GCF-75-E	75	249.4
24GCF-80-E	80	266.0
24GCF-85-E	85	282.6
24GCF-90-E	90	299.3
24GCF-95-E	95	315.9
24GCF-100-E	100	332.5
24GCF-105-E	105	349.1
24GCF-110-E	110	365.8
24GCF-115-E	115	382.4
24GCF-120-E	120	399.0
24GCF-130-E	130	432.3
24GCF-140-E	140	465.5
24GCF-150-E	150	498.8
24GCF-160-E	160	532.0
24GCF-170-E	170	565.3
24GCF-180-E	180	598.5
24GCF-190-E	190	631.8
24GCF-200-E	200	665.0
24GCF-220-E	220	731.5
24GCF-240-E	240	798.0
24GCF-260-E	260	864.5
24GCF-280-E	280	931.0
24GCF-300-E	300	997.5
24GCF-320-E	320	1064.0
24GCF-380-E	380	1263.5
24GCF-420-E	420	1396.5

- For Field Splice Kit order 24GCF-7.
- Available with Aramid Core. See page A-2 in inch catalog for alternative belt construction or reverse bending applications.
- ** Reduce operating load rating by 50% for field splices.

- Infinite Lengths
- Mass 13 Grams/Meter
- Positive Drive
- Zero Backlash
- No Lubrication
- Silent Drive
- Extra Strong
- 90A Durometer
- Ultimate Tensile Strength 440N (40 N/PIN)
- when belt is used in open loop configuration (without splice, no crimp bushing).
- Temperature Range +82°C to -26°C
- Recommended Operating Load 108N
- Recommended Max. Operating Speed 1.91 m/s

Other numbers of pitches available on request.

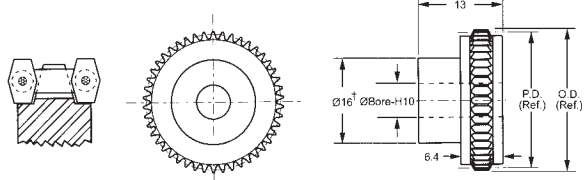
BULK LENGTH - NOT SPLICED	
STOCK NO.	LENGTH
24GCF-1.5M	1.5 M
24GCF-3.0M	3.0 M
24GCF-7.5M	7.5 M
24GCF-15.0M	15.0 M
24GCF-30.0M	30.0 M



SPROCKET GEARS

CIR. PITCH	BORE	STYLE	MATERIAL	BERG'S ® NAME	CHAIN
3.325mm	Ø7	PIN HUB	Delrin®	Flex-E-Gear® Chain Drive	Operates with 24GCF Series

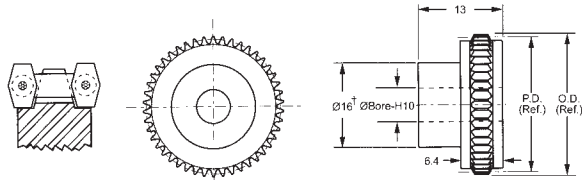
STOCK NO.	NO. OF TEETH	PITCH DIA.	OUTSIDE DIA.
24B107M-15	15†	15.86	17.97
24B107M-16	16†	16.91	19.03
24B107M-18	18	19.03	21.14
24B107M-20	20	21.14	23.26
24B107M-21	21	22.20	24.32
24B107M-24	24	25.37	27.49
24B107M-30	30	31.71	33.83
24B107M-36	36	38.06	40.17
24B107M-42	42	44.40	46.52
24B107M-48	48	50.74	52.86
24B107M-60	60	63.43	65.54



† Teeth runout on hub.
Other bore sizes and numbers of teeth available on request.

CIR. PITCH	BORE	STYLE	MATERIAL	BERG'S ® NAME	CHAIN
3.325mm	Ø8	PIN HUB	Delrin®	Flex-E-Gear® Chain Drive	Operates with 24GCF Series

STOCK NO.	NO. OF TEETH	PITCH DIA.	OUTSIDE DIA.
24B108M-15	15†	15.86	17.97
24B108M-16	16†	16.91	19.03
24B108M-18	18	19.03	21.14
24B108M-20	20	21.14	23.26
24B108M-21	21	22.20	24.32
24B108M-24	24	25.37	27.49
24B108M-30	30	31.71	33.83
24B108M-36	36	38.06	40.17
24B108M-42	42	44.40	46.52
24B108M-48	48	50.74	52.86
24B108M-60	60	63.43	65.54



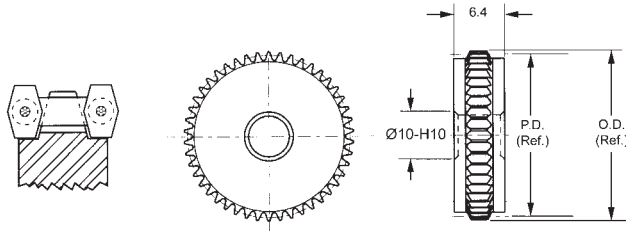
† Teeth runout on hub.
Other bore sizes and numbers of teeth available on request.



SPROCKET GEARS

CIR. PITCH	BORE	STYLE	MATERIAL	BERG'S ® NAME	CHAIN
3.325mm	Ø10	HUBLESS	ALUMINUM PER DIN 3.1355 - ANODIZED	Flex-E-Gear® Chain Drive	Operates with 24GCF Series

A



STOCK NO.	NO. OF TEETH	PITCH DIA.	OUTSIDE DIA.
24A110-15	15*	15.86*	17.97
24A110-16	16*	16.91*	19.03
24A110-18	18*	19.03*	21.14
24A110-20	20	21.14	23.26
24A110-21	21	22.20	24.32
24A110-24	24	25.37	27.49
24A110-30	30	31.71	33.83
24A110-36	36	38.06	40.17
24A110-42	42	44.40	46.52
24A110-48	48	50.74	52.86
24A110-60	60	63.43	65.54
24A110-72	72	76.11	78.23
24A110-96	96	101.49	103.60
24A110-120	120	126.86	128.97
24A110-144	144	152.23	154.35

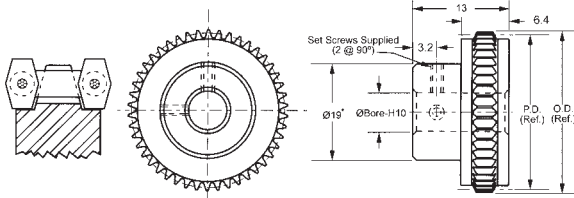


- Sprockets Ø19.0mm P.D. and smaller for idler use only. Other numbers of teeth available on request. Teeth could be anodized.

SPROCKET GEARS

CIR. PITCH	BORE	STYLE	MATERIAL	BERG'S ® NAME	CHAIN
3.325mm	Ø8	PIN HUB	Aluminum per DIN 3.1355 Anodized	Flex-E-Gear® Chain Drive	Operates with 24GCF Series

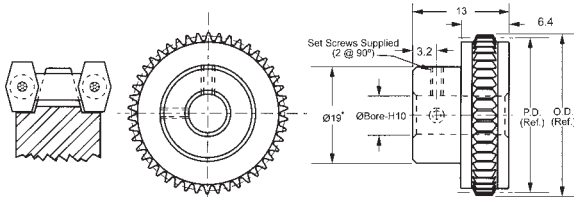
STOCK NO.	NO. OF TEETH	PITCH DIA.	OUTSIDE DIA.
24B108-15	15*	15.86*	17.97
24B108-16	16*	16.91*	19.03
24B108-18	18*	19.03*	21.14
24B108-20	20*	21.14	23.26
24B108-21	21	22.20	24.32
24B108-24	24	25.37	27.49
24B108-30	30	31.71	33.83
24B108-36	36	38.06	40.17
24B108-42	42	44.40	46.52
24B108-48	48	50.74	52.86
24B108-60	60	63.43	65.54
24B108-72	72	76.11	78.23
24B108-96	96	101.49	103.60
24B108-120	120	126.86	128.97
24B108-144	144	152.23	154.35



- For 15-20 teeth, hub diameter equals 12.9.
- * Sprockets Ø19.0mm P.D. and smaller for idler use only.
- Other numbers of teeth available on request.
- Teeth could be anodized.

CIR. PITCH	BORE	STYLE	MATERIAL	BERG'S ® NAME	CHAIN
3.325mm	Ø10	PIN HUB	Aluminum per DIN 3.1355 Anodized	Flex-E-Gear® Chain Drive	Operates with 24GCF Series

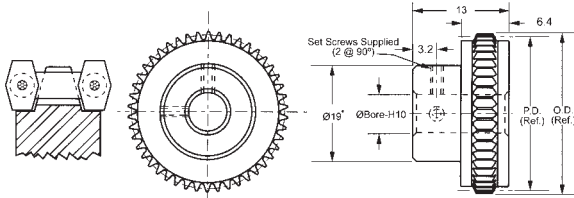
STOCK NO.	NO. OF TEETH	PITCH DIA.	OUTSIDE DIA.
24B110-18	18*	19.03*	21.14
24B110-20	20*	21.14	23.26
24B110-21	21	22.20	24.32
24B110-24	24	25.37	27.49
24B110-30	30	31.71	33.83
24B110-36	36	38.06	40.17
24B110-42	42	44.40	46.52
24B110-48	48	50.74	52.86
24B110-60	60	63.43	65.54
24B110-72	72	76.11	78.23
24B110-96	96	101.49	103.60
24B110-120	120	126.86	128.97
24B110-144	144	152.23	154.35



- For 18-20 teeth, hub diameter equals 16.2.
- * Sprockets Ø19.0mm P.D. and smaller for idler use only.
- Other numbers of teeth available on request.
- Teeth could be anodized.

CIR. PITCH	BORE	STYLE	MATERIAL	BERG'S ® NAME	CHAIN
3.325mm	Ø12	PIN HUB	Aluminum per DIN 3.1355 Anodized	Flex-E-Gear® Chain Drive	Operates with 24GCF Series

STOCK NO.	NO. OF TEETH	PITCH DIA.	OUTSIDE DIA.
24B112-18	18*	19.03*	21.14
24B112-20	20*	21.14	23.26
24B112-21	21	22.20	24.32
24B112-24	24	25.37	27.49
24B112-30	30	31.71	33.83
24B112-36	36	38.06	40.17
24B112-42	42	44.40	46.52
24B112-48	48	50.74	52.86
24B112-60	60	63.43	65.54
24B112-72	72	76.11	78.23
24B112-96	96	101.49	103.60
24B112-120	120	126.86	128.97
24B112-144	144	152.23	154.35

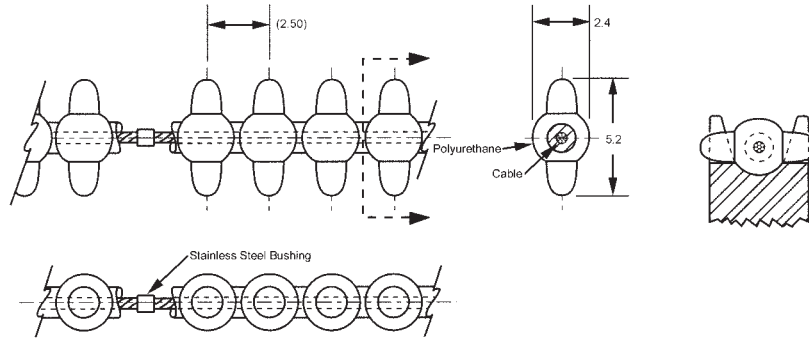


- For 18-20 teeth, hub diameter equals 16.2.
- * Sprockets Ø19.0mm P.D. and smaller for idler use only.
- Other numbers of teeth available on request.
- Teeth could be anodized.

GEAR DRIVE BELTS

CIRCULAR PITCH	MATERIALS	BERG'S® NAME	SPROCKET
2.5mm	Polyurethane (Blue) 0.8mm Dia. Stainless Steel Cable*	Flex-E-Belt®	Operates with 32C, 32D, GPS, GP32, GF32 and GC32 series.

A



STOCK NO.	NO. OF PITCHES	LENGTH (Ref.)
32GBF-49-E	49	122.2
32GBF-52-E	52	129.7
32GBF-53-E	53	132.2
32GBF-64-E	64	159.6
32GBF-67-E	67	167.1
32GBF-75-E	75	187.1
32GBF-80-E	80	199.5
32GBF-95-E	95	236.9
32GBF-112-E	112	279.3
32GBF-126-E	126	314.2
32GBF-128-E	128	319.2
32GBF-144-E	144	359.1
32GBF-158-E	158	394.1
32GBF-176-E	176	438.9
32GBF-189-E	189	471.4
32GBF-208-E	208	518.8
32GBF-220-E	220	548.7
32GBF-240-E	240	598.6
32GBF-252-E	252	628.5
32GBF-272-E	272	678.4
32GBF-283-E	283	705.8
32GBF-304-E	304	758.2
32GBF-315-E	315	785.6
32GBF-336-E	336	838.0
32GBF-346-E	346	862.9
32GBF-377-E	377	940.2
32GBF-400-E	400	997.6
32GBF-408-E	408	1017.6
32GBF-432-E	432	1077.4
32GBF-440-E	440	1097.4
32GBF-464-E	464	1157.2
32GBF-471-E	471	1174.7
32GBF-480-E	480	1197.1
32GBF-496-E	496	1237.0
32GBF-512-E	512	1276.9
32GBF-544-E	544	1356.7
32GBF-560-E	560	1396.6
32GBF-576-E	576	1436.5
32GBF-640-E	640	1596.2

- For Field Splice Kit order 32GBF-7.
- * Available with Aramid Core. See page A-2 in inch catalog for alternative belt construction or reverse bending applications.
- ** Reduce operating load rating by 50% for field splices.

Other numbers of pitches available on request.

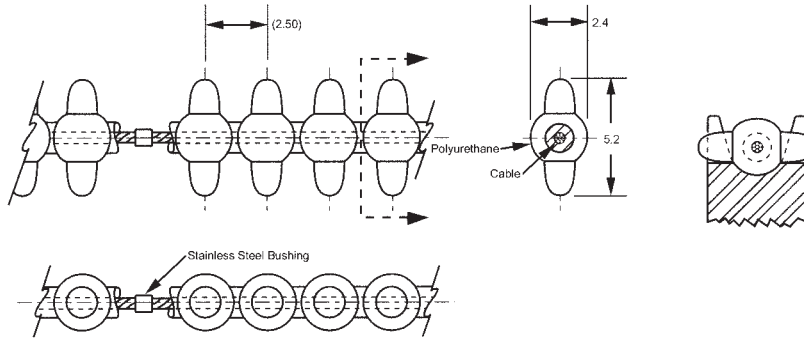
- Accommodates twists and turns
- Odd Angles
- Infinite Lengths
- Silent Drive
- Mass 10 grams/meter
- Positive Drive
- Zero Backlash
- No Lubrication
- 90A Durometer
- Ultimate Tensile Strength 222N -40N/PIN when belt is used in open loop configuration (without splice, no crimp bushing).
- Temperature Range +82°C to -26°C
- Recommended Operating Load 53N
- Recommended Max. Operating Speed 1.91 m/s

BULK FOOTAGE - NOT SPLICED	
STOCK NO.	LENGTH
32GBF-1.5M	1.5M
32GBF-3.0M	3.0M
32GBF-7.5M	7.5M
32GBF-15.0M	15.0M
32GBF-30.0M	30.0M



GEAR DRIVE BELTS

CIRCULAR PITCH	MATERIALS	BERG'S® NAME	SPROCKET
2.5mm	Polyurethane (Light Brown) 0.5mm Dia. Stainless Steel Cable*	Flex-E-Belt®	Operates with 32C, 32D, GPS, GP32, GF32 and GC32 series.



STOCK NO.	NO. OF PITCHES	LENGTH (Ref.)
33GBF-49-E	49	122.2
33GBF-52-E	52	129.7
33GBF-53-E	53	132.2
33GBF-64-E	64	159.6
33GBF-67-E	67	167.1
33GBF-75-E	75	187.1
33GBF-80-E	80	199.5
33GBF-95-E	95	236.9
33GBF-112-E	112	279.3
33GBF-126-E	126	314.2
33GBF-128-E	128	319.2
33GBF-144-E	144	359.1
33GBF-158-E	158	394.1
33GBF-176-E	176	438.9
33GBF-189-E	189	471.4
33GBF-208-E	208	518.8
33GBF-220-E	220	548.7
33GBF-240-E	240	598.6
33GBF-252-E	252	628.5
33GBF-272-E	272	678.4
33GBF-283-E	283	705.8
33GBF-304-E	304	758.2
33GBF-315-E	315	785.6
33GBF-336-E	336	838.0
33GBF-346-E	346	862.9
33GBF-377-E	377	940.2
33GBF-400-E	400	997.6
33GBF-408-E	408	1017.6
33GBF-432-E	432	1077.4
33GBF-440-E	440	1097.4
33GBF-464-E	464	1157.2
33GBF-471-E	471	1174.7
33GBF-480-E	480	1197.1
33GBF-496-E	496	1237.0
33GBF-512-E	512	1276.9
33GBF-544-E	544	1356.7
33GBF-560-E	560	1396.6
33GBF-576-E	576	1436.5
33GBF-640-E	640	1596.2

- For Field Splice Kit order 33GBF-7.
- * Available with Aramid Core. See page A-2 in inch catalog for alternative belt construction or reverse bending applications.
- ** Reduce operating load rating by 50% for field splice.

Other numbers of pitches available on request.

- Accommodates twists and turns
- Odd Angles
- Infinite Lengths
- Silent Drive
- Mass 10 Grams/Meter
- Positive Drive
- Zero Backlash
- No Lubrication
- 90A Durometer
- Ultimate Tensile Strength 89N - 31N/PIN when belt is used in open loop configuration (without splice, no crimp bushing).
- Temperature Range +82°C TO -26°C
- Recommended Operating Load 22N
- Recommended Max. Operating Speed 1.91 m/s

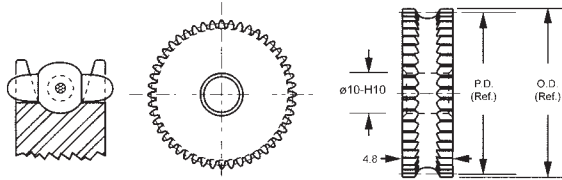
BULK FOOTAGE - NOT SPLICED	
STOCK NO.	LENGTH
33GBF-1.5M	1.5M
33GBF-3.0M	3.0M
33GBF-7.5M	7.5M
33GBF-15.0M	15.0M
33GBF-30.0M	30.0M



E-Z ENTRY BELT PULLEYS

CIR. PITCH	BORE	STYLE	MATERIAL	BERG'S ® NAME	BELT
2.5mm	Ø10	HUBLESS	Aluminum per DIN 3.1355 Anodized	Flex-E-Belt®	Operates with 32GBF or 33GBF Series

STOCK NO.	NO. OF TEETH	PITCH DIA.	OUTSIDE DIA.
32C110-20	20*	15.88	17.47
32C110-22	22*	17.46	19.05
32C110-24	24*	19.05	20.64
32C110-26	26	20.64	22.23
32C110-28	28	22.23	23.82
32C110-30	30	23.81	25.40
32C110-32	32	25.40	26.99
32C110-36	36	28.58	30.17
32C110-40	40	31.75	33.34
32C110-48	48	38.10	39.69
32C110-56	56	44.45	46.04
32C110-64	64	50.80	52.39
32C110-72	72	57.15	58.74
32C110-80	80	63.50	65.09
32C110-88	88	69.85	71.44
32C110-96	96	76.20	77.79
32C110-112	112	88.90	90.49
32C110-128	128	101.60	103.19



A

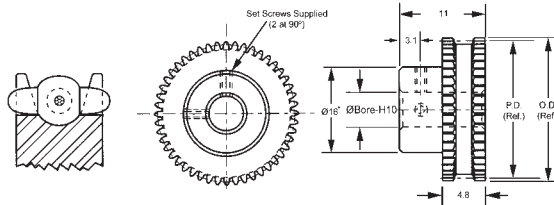


• May be used with 33GBF Belt as a drive gear.
When used with 32GBF belt, use as an idler only.
Other numbers of teeth available on request.

Teeth could be anodized.

CIR. PITCH	BORE	STYLE	MATERIAL	BERG'S ® NAME	BELT
2.5mm	Ø4	PIN HUB	Aluminum per DIN 3.1355 Anodized	Flex-E-Belt®	Operates with 32GBF or 33GBF Series

STOCK NO.	NO. OF TEETH	PITCH DIA.	OUTSIDE DIA.
32D104-16	16*	12.70	14.29
32D104-18	18*	14.29	15.88
32D104-20	20*	15.88	17.47
32D104-22	22*	17.46	19.05
32D104-24	24*	19.05	20.64
32D104-26	26	20.64	22.23
32D104-28	28	22.23	23.82
32D104-30	30	23.81	25.40
32D104-32	32	25.40	26.99
32D104-36	36	28.58	30.17
32D104-40	40	31.75	33.34
32D104-48	48	38.10	39.69
32D104-56	56	44.45	46.04
32D104-64	64	50.80	52.39
32D104-72	72	57.15	58.74
32D104-80	80	63.50	65.09
32D104-88	88	69.85	71.44
32D104-96	96	76.20	77.79
32D104-112	112	88.90	90.49
32D104-128	128	101.60	103.19



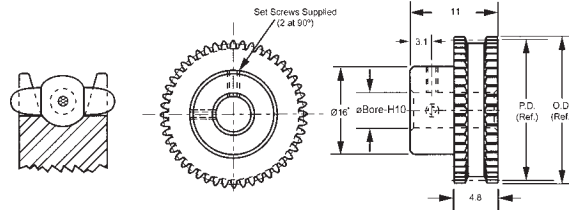
• For 16-22 teeth, hub diameter equals 10.4.
* May be used with 33GBF Belt as a drive gear.
When used with 32GBF belt, use as an idler only.
Other numbers of teeth available on request.

Teeth could be anodized.

E-Z ENTRY BELT PULLEYS

CIR. PITCH	BORE	STYLE	MATERIAL	BERG'S ® NAME	BELT
2.5mm	Ø6	PIN HUB	Aluminum per DIN 3.1355 Anodized	Flex-E-Belt®	Operates with 32GBF or 33GBF Series

STOCK NO.	NO. OF TEETH	PITCH DIA.	OUTSIDE DIA.
32D106-16	16*	12.70	14.29
32D106-18	18*	14.29	15.88
32D106-20	20*	15.88	17.47
32D106-22	22*	17.46	19.05
32D106-24	24*	19.05	20.64
32D106-26	26	20.64	22.23
32D106-28	28	22.23	23.82
32D106-30	30	23.81	25.40
32D106-32	32	25.40	26.99
32D106-36	36	28.58	30.17
32D106-40	40	31.75	33.34
32D106-48	48	38.10	39.69
32D106-56	56	44.45	46.04
32D106-64	64	50.80	52.39
32D106-72	72	57.15	58.74
32D106-80	80	63.50	65.09
32D106-88	88	69.85	71.44
32D106-96	96	76.20	77.79
32D106-112	112	88.90	90.49
32D106-128	128	101.60	103.19

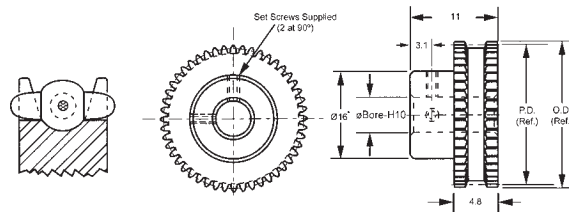


- For 16-22 teeth, hub diameter equals 10.4.
- * May be used with 33GBF Belt as a drive gear.
When used with 32GBF belt, use as an idler only.
Other numbers of teeth available on request.

Teeth could be anodized.

CIR. PITCH	BORE	STYLE	MATERIAL	BERG'S ® NAME	BELT
2.5mm	Ø8	PIN HUB	Aluminum per DIN 3.1355 Anodized	Flex-E-Belt®	Operates with 32GBF or 33GBF Series

STOCK NO.	NO. OF TEETH	PITCH DIA.	OUTSIDE DIA.
32D108-16	16*	12.70	14.29
32D108-18	18*	14.29	15.88
32D108-20	20*	15.88	17.47
32D108-22	22*	17.46	19.05
32D108-24	24*	19.05	20.64
32D108-26	26	20.64	22.23
32D108-28	28	22.23	23.82
32D108-30	30	23.81	25.40
32D108-32	32	25.40	26.99
32D108-36	36	28.58	30.17
32D108-40	40	31.75	33.34
32D108-48	48	38.10	39.69
32D108-56	56	44.45	46.04
32D108-64	64	50.80	52.39
32D108-72	72	57.15	58.74
32D108-80	80	63.50	65.09
32D108-88	88	69.85	71.44
32D108-96	96	76.20	77.79
32D108-112	112	88.90	90.49
32D108-128	128	101.60	103.19



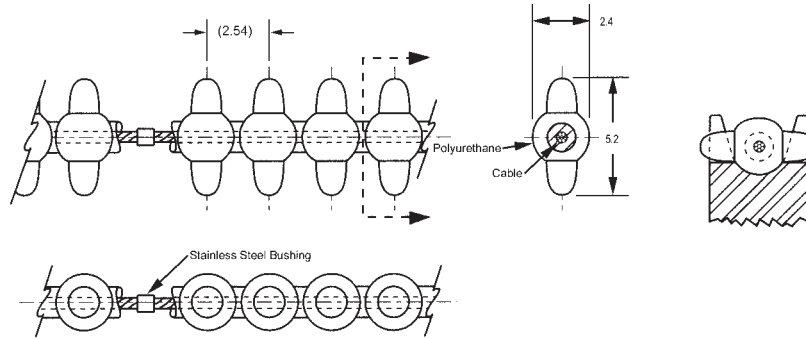
- For 16-22 teeth, hub diameter equals 10.4.
- * May be used with 33GBF Belt as a drive gear.
When used with 32GBF belt, use as an idler only.
Other numbers of teeth available on request.

Teeth could be anodized.

GEAR DRIVE BELTS

CIRCULAR PITCH	MATERIAL	BERG'S® NAME	PULLEY
2.54mm	Polyurethane (Red) 0.8mm Dia. Stainless Steel Cable*	Flex-E-Belt®	Operates with GP31 and GF31 series.

A



STOCK NO.	NO. OF PITCHES	LENGTH (Ref.)
31GBF-50-E	50	127.0
31GBF-52-E	52	132.1
31GBF-54-E	54	137.2
31GBF-56-E	56	142.2
31GBF-58-E	58	147.3
31GBF-60-E	60	152.4
31GBF-65-E	65	165.1
31GBF-70-E	70	177.8
31GBF-75-E	75	190.5
31GBF-80-E	80	203.2
31GBF-85-E	85	215.9
31GBF-90-E	90	228.6
31GBF-100-E	100	254.0
31GBF-110-E	110	279.4
31GBF-120-E	120	304.8
31GBF-130-E	130	330.2
31GBF-140-E	140	355.6
31GBF-150-E	150	381.0
31GBF-160-E	160	406.4
31GBF-170-E	170	431.8
31GBF-180-E	180	457.2
31GBF-190-E	190	482.6
31GBF-200-E	200	508.0
31GBF-210-E	210	533.4
31GBF-220-E	220	558.8
31GBF-230-E	230	584.2
31GBF-240-E	240	609.6
31GBF-250-E	250	635.0
31GBF-260-E	260	660.4
31GBF-270-E	270	685.8
31GBF-280-E	280	711.2
31GBF-300-E	300	762.0
31GBF-350-E	350	889.0
31GBF-400-E	400	1016.0
31GBF-480-E	480	1143.0
31GBF-500-E	500	1270.0
31GBF-800-E	800	2032.0

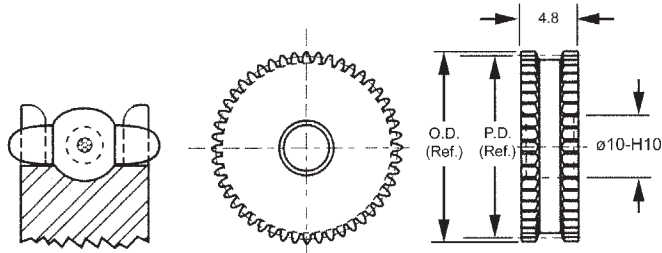
- For Field Splice Kit order 32GBF-7.
- * Available with Aramid Core. See page A-2 in inch catalog for alternative belt construction or reverse bending applications.
- ** Reduce operating load rating by 50% for field splices.
- Odd Angles
- Infinite Lengths
- Accommodates twists and turns
- Positive Drive
- Zero Backlash
- No Lubrication
- Mass 10 grams/meter
- 90A Durometer
- Ultimate Tensile Strength 222N - 40N/PIN
When belt is used in open loop configuration (without splice, no crimp bushing).
- Temperature Range +85°C to -26°C
- Recommended Operating Load 53N
- Recommended Max. Operating Speed 1.91 M/S

BULK FOOTAGE - NOT SPLICED	
STOCK NO.	LENGTH
31GBF-1.5M	1.5M
31GBF-3.0M	3.0M
31GBF-7.5M	7.5M
31GBF-15.0M	15.0M
31GBF-30.0M	30.0M



E-Z ENTRY BELT PULLEYS

CIR. PITCH	BORE	STYLE	MATERIAL	BERG'S ® NAME	BELT
2.54mm	Ø10	HUBLESS	Aluminum per DIN 3.1355 Anodized	Flex-E-Belt®	Operates with 31GBF Series



STOCK NO.	NO. OF TEETH	PITCH DIA.	OUTSIDE DIA.
31C110-24	24	19.40	21.02
31C110-26	26	21.02	22.64
31C110-28	28	22.64	24.26
31C110-30	30	24.26	25.87
31C110-32	32	25.87	27.49
31C110-36	36	29.11	30.72
31C110-40	40	32.34	33.96
31C110-48	48	38.81	40.43
31C110-56	56	45.28	46.89
31C110-64	64	51.74	53.36
31C110-72	72	58.21	59.83
31C110-80	80	64.68	66.30
31C110-88	88	71.15	72.77
31C110-96	96	77.62	79.23
31C110-112	112	90.55	92.17
31C110-128	128	103.48	105.11

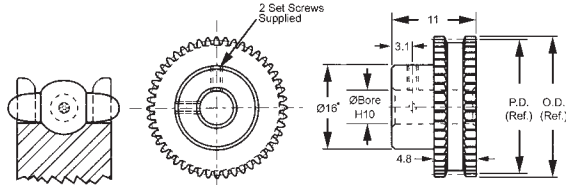


Teeth could be anodized.

E-Z ENTRY BELT PULLEYS

CIR. PITCH	BORE	STYLE	MATERIAL	BERG'S® NAME	BELT
2.54mm	Ø4	PIN HUB	Aluminum per DIN 3.1355 Anodized	Flex-E-Belt®	Operates with 31GBF Series

STOCK NO.	NO. OF TEETH	PITCH DIA.	OUTSIDE DIA.
31D104-20	20*	16.17	17.79
31D104-22	22*	17.79	19.41
31D104-24	24	19.40	21.02
31D104-26	26	21.02	22.64
31D104-28	28	22.64	24.26
31D104-30	30	24.26	25.87
31D104-32	32	25.87	27.49
31D104-36	36	29.11	30.72
31D104-40	40	32.34	33.96
31D104-48	48	38.81	40.43
31D104-56	56	45.28	46.89
31D104-64	64	51.74	53.36
31D104-72	72	58.21	59.83
31D104-80	80	64.68	66.30
31D104-88	88	71.15	72.77
31D104-96	96	77.62	79.23
31D104-112	112	90.55	92.17
31D104-128	128	103.48	105.11



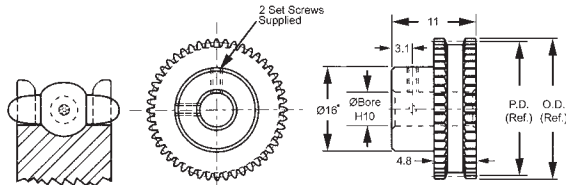
- For 20-22 teeth, hub diameter equals 13.9.
 - * Sprockets 19.0mm and smaller for idler use only.
- Other numbers of teeth are available on request.

Teeth could be anodized.

A

CIR. PITCH	BORE	STYLE	MATERIAL	BERG'S® NAME	BELT
2.54mm	Ø6	PIN HUB	Aluminum per DIN 3.1355 Anodized	Flex-E-Belt®	Operates with 31GBF Series

STOCK NO.	NO. OF TEETH	PITCH DIA.	OUTSIDE DIA.
31D106-20	20*	16.17	17.79
31D106-22	22*	17.79	19.41
31D106-24	24	19.40	21.02
31D106-26	26	21.02	22.64
31D106-28	28	22.64	24.26
31D106-30	30	24.26	25.87
31D106-32	32	25.87	27.49
31D106-36	36	29.11	30.72
31D106-40	40	32.34	33.96
31D106-48	48	38.81	40.43
31D106-56	56	45.28	46.89
31D106-64	64	51.74	53.36
31D106-72	72	58.21	59.83
31D106-80	80	64.68	66.30
31D106-88	88	71.15	72.77
31D106-96	96	77.62	79.23
31D106-112	112	90.55	92.17
31D106-128	128	103.48	105.11

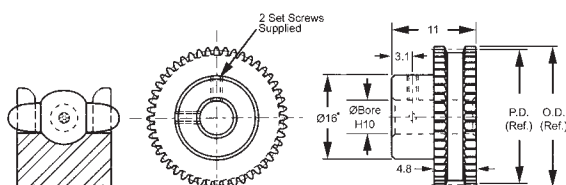


- For 20-22 teeth, hub diameter equals 13.9.
 - * Sprockets 19.0mm and smaller for idler use only.
- Other numbers of teeth are available on request.

Teeth could be anodized.

CIR. PITCH	BORE	STYLE	MATERIAL	BERG'S® NAME	BELT
2.54mm	Ø6	PIN HUB	Aluminum per DIN 3.1355 Anodized	Flex-E-Belt®	Operates with 31GBF Series

STOCK NO.	NO. OF TEETH	PITCH DIA.	OUTSIDE DIA.
31D108-20	20*	16.17	17.79
31D108-22	22*	17.79	19.41
31D108-24	24	19.40	21.02
31D108-26	26	21.02	22.64
31D108-28	28	22.64	24.26
31D108-30	30	24.26	25.87
31D108-32	32	25.87	27.49
31D108-36	36	29.11	30.72
31D108-40	40	32.34	33.96
31D108-48	48	38.81	40.43
31D108-56	56	45.28	46.89
31D108-64	64	51.74	53.36
31D108-72	72	58.21	59.83
31D108-80	80	64.68	66.30
31D108-88	88	71.15	72.77
31D108-96	96	77.62	79.23
31D108-112	112	90.55	92.17
31D108-128	128	103.48	105.11

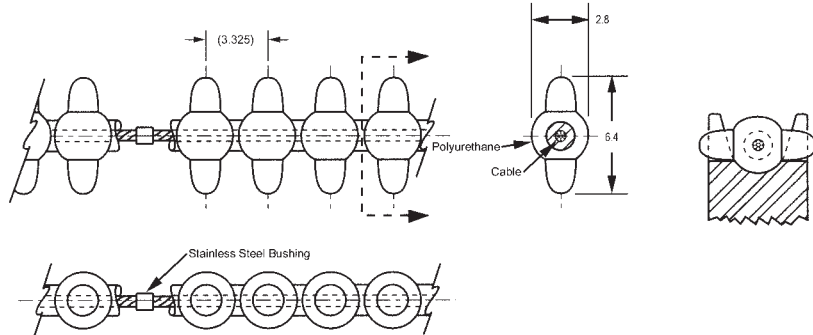


- For 20-22 teeth, hub diameter equals 13.9.
 - * Sprockets 19.0mm and smaller for idler use only.
- Other numbers of teeth are available on request.

Teeth could be anodized.

GEAR DRIVE BELTS

CIRCULAR PITCH	MATERIALS	BERG'S® NAME	PULLEY
3.325mm	Polyurethane (Red) 0.8mm Dia. Stainless Steel Cable	Flex-E-Belt®	Operates with 24C and 24D series.



STOCK NO.	NO. OF PITCHES	LENGTH (Ref.)
24GBF-50-E	50	166.3
24GBF-52-E	52	172.9
24GBF-54-E	54	179.6
24GBF-56-E	56	186.2
24GBF-58-E	58	192.9
24GBF-60-E	60	199.5
24GBF-62-E	62	206.2
24GBF-64-E	64	212.8
24GBF-66-E	66	219.5
24GBF-68-E	68	226.1
24GBF-70-E	70	232.8
24GBF-75-E	75	249.4
24GBF-80-E	80	266.0
24GBF-85-E	85	282.6
24GBF-90-E	90	299.3
24GBF-95-E	95	315.9
24GBF-100-E	100	332.5
24GBF-105-E	105	349.1
24GBF-110-E	110	365.8
24GBF-115-E	115	382.4
24GBF-120-E	120	399.0
24GBF-130-E	130	432.3
24GBF-140-E	140	465.5
24GBF-150-E	150	498.8
24GBF-160-E	160	532.0
24GBF-170-E	170	565.3
24GBF-180-E	180	598.5
24GBF-190-E	190	631.8
24GBF-200-E	200	665.0
24GBF-220-E	220	731.5
24GBF-240-E	240	798.0
24GBF-260-E	260	864.5
24GBF-280-E	280	931.0
24GBF-300-E	300	997.5
24GBF-320-E	320	1064.0
24GBF-360-E	360	1197.0
24GBF-420-E	420	1396.0

- For Field Splice Kit order 24GBF-7.
 - ** Reduce operating load rating by 50% for field splices.
 - Positive Drive
 - Accommodates twists and turns
 - Odd Angles
 - No Lubrication
 - Infinite Lengths
 - Zero Backlash
 - Mass 12 Grams/Meter
 - 90A Durometer
 - Ultimate Tensile Strength 222N - 40N/PIN
 - When belt is used in open loop configuration (without splice, no crimp bushing)
 - Recommended Operating Load 53N
 - Recommended Max. Operating Speed 1.91 M/S
 - Temperature Range +82°C to -26°C
- Other numbers of pitches available on request.

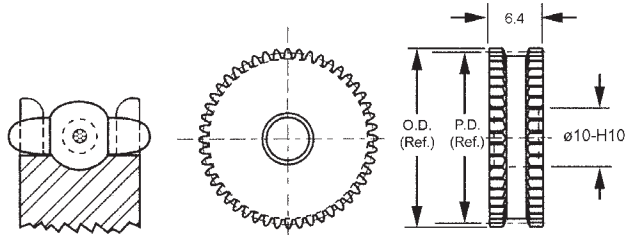
BULK FOOTAGE - NOT SPLICED	
STOCK NO.	LENGTH
24GBF-1.5M	1.5M
24GBF-3.0M	3.0M
24GBF-7.5M	7.5M
24GBF-15.0M	15.0M
24GBF-30.0M	30.0M



E-Z ENTRY BELT PULLEYS

CIR. PITCH	BORE	STYLE	MATERIAL	BERG'S ® NAME	BELT
3.325mm	Ø10	HUBLESS	Aluminum per DIN 3.1355 Anodized	Flex-E-Belt®	Operates with 24GBF Series

A



STOCK NO.	NO. OF TEETH	PITCH DIA.	OUTSIDE DIA.
24C110-15	15*	15.88	17.99
24C110-16	16*	16.93	19.05
24C110-18	18*	19.05	21.17
24C110-20	20	21.17	23.28
24C110-21	21	22.23	24.34
24C110-24	24	25.40	27.52
24C110-30	30	31.75	33.87
24C110-36	36	38.10	40.22
24C110-42	42	44.45	46.57
24C110-48	48	50.80	52.92
24C110-60	60	63.50	65.62
24C110-72	72	76.20	78.32
24C110-96	96	101.60	103.72
24C110-120	120	127.00	129.12
24C110-144	144	152.40	154.52

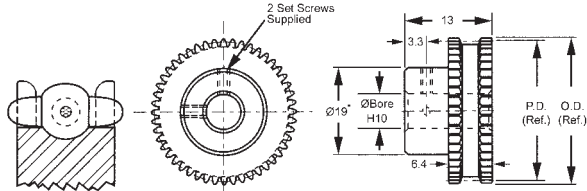


- Pulleys with 19.0 mm P.D. and smaller for idler use only.
Teeth could be anodized..

E-Z ENTRY BELT PULLEYS

CIR. PITCH	BORE	STYLE	MATERIAL	BERG'S ® NAME	BELT
3.325mm	Ø8	PIN HUB	Aluminum per DIN 3.1355 Anodized	Flex-E-Belt®	Operates with 24GBF Series

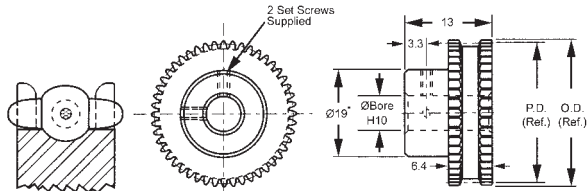
STOCK NO.	NO. OF TEETH	PITCH DIA.	OUTSIDE DIA.
24D108-15	15*	15.88	17.99
24D108-16	16*	16.93	19.05
24D108-18	18*	19.05	21.17
24D108-20	20	21.17	23.28
24D108-21	21	22.23	24.34
24D108-24	24	25.40	27.52
24D108-30	30	31.75	33.87
24D108-36	36	38.10	40.22
24D108-42	42	44.45	46.57
24D108-48	48	50.80	52.92
24D108-60	60	63.50	65.62
24D108-72	72	76.20	78.32
24D108-96	96	101.60	103.72
24D108-120	120	127.00	129.12
24D108-144	144	152.40	154.52



- For 15-18 teeth, hub diameter equals 13.1.
 - * Pulleys Ø19.0mm P.D. and smaller for idler use only.
- Teeth could be anodized.

CIR. PITCH	BORE	STYLE	MATERIAL	BERG'S ® NAME	BELT
3.325mm	Ø10	PIN HUB	Aluminum per DIN 3.1355 Anodized	Flex-E-Belt®	Operates with 24GBF Series

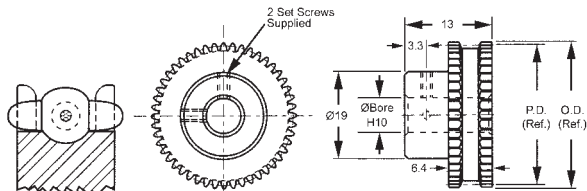
STOCK NO.	NO. OF TEETH	PITCH DIA.	OUTSIDE DIA.
24D110-18	18*	19.05	21.17
24D110-20	20	21.17	23.28
24D110-21	21	22.23	24.34
24D110-24	24	25.40	27.52
24D110-30	30	31.75	33.87
24D110-36	36	38.10	40.22
24D110-42	42	44.45	46.57
24D110-48	48	50.80	52.92
24D110-60	60	63.50	65.62
24D110-72	72	76.20	78.32
24D110-96	96	101.60	103.72
24D110-120	120	127.00	129.12
24D110-144	144	152.40	154.52



- For 18 teeth, hub diameter equals 16.3.
 - * Pulleys Ø19.0mm P.D. and smaller for idler use only.
- Teeth could be anodized.

CIR. PITCH	BORE	STYLE	MATERIAL	BERG'S ® NAME	BELT
3.325mm	Ø12	PIN HUB	Aluminum per DIN 3.1355 Anodized	Flex-E-Belt®	Operates with 24GBF Series

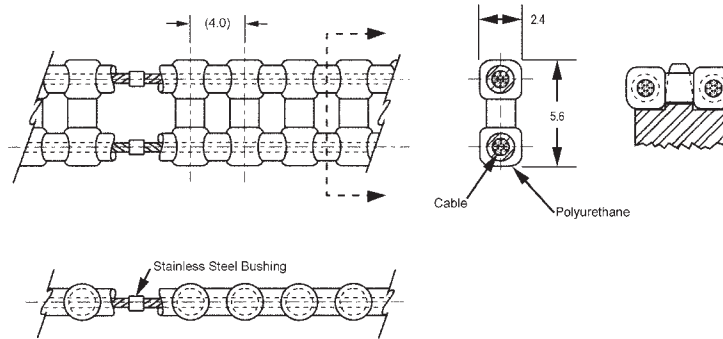
STOCK NO.	NO. OF TEETH	PITCH DIA.	OUTSIDE DIA.
24D112-20	20	21.17	23.28
24D112-21	21	22.23	24.34
24D112-24	24	25.40	27.52
24D112-30	30	31.75	33.87
24D112-36	36	38.10	40.22
24D112-42	42	44.45	46.57
24D112-48	48	50.80	52.92
24D112-60	60	63.50	65.62
24D112-72	72	76.20	78.32
24D112-96	96	101.60	103.72
24D112-120	120	127.00	129.12
24D112-144	144	152.40	154.52



Teeth could be anodized.

CABLE CHAINS

CIRCULAR PITCH	MATERIAL	BERG'S ® NAME	SPROCKET
4mm	Polyurethane (Red) 0.8mm Dia. Stainless Steel Cable*	Min-E-Pitch®	Operates with 3C, 3MP, 3MF, and 3MC series.



A

STOCK NO.	NO. OF PITCHES	LENGTH (Ref.)
3CCF-30-E	30	120.0
3CCF-35-E	35	140.0
3CCF-40-E	40	160.0
3CCF-45-E	45	180.0
3CCF-50-E	50	200.0
3CCF-55-E	55	220.0
3CCF-60-E	60	240.0
3CCF-70-E	70	280.0
3CCF-80-E	80	320.0
3CCF-90-E	90	360.0
3CCF-100-E	100	400.0
3CCF-110-E	110	440.0
3CCF-120-E	120	480.0
3CCF-130-E	130	520.0
3CCF-140-E	140	560.0
3CCF-150-E	150	600.0
3CCF-160-E	160	640.0
3CCF-170-E	170	680.0
3CCF-180-E	180	720.0
3CCF-190-E	190	760.0
3CCF-200-E	200	800.0
3CCF-210-E	210	840.0
3CCF-220-E	220	880.0
3CCF-230-E	230	920.0
3CCF-240-E	240	960.0
3CCF-250-E	250	1000.0
3CCF-260-E	260	1040.0
3CCF-270-E	270	1080.0
3CCF-280-E	280	1120.0
3CCF-290-E	290	1160.0
3CCF-300-E	300	1200.0
3CCF-310-E	310	1240.0
3CCF-320-E	320	1280.0
3CCF-330-E	330	1320.0
3CCF-340-E	340	1360.0
3CCF-350-E	350	1520.0
3CCF-370-E	370	1600.0
3CCF-400-E	400	1680.0
3CCF-440-E	440	1760.0

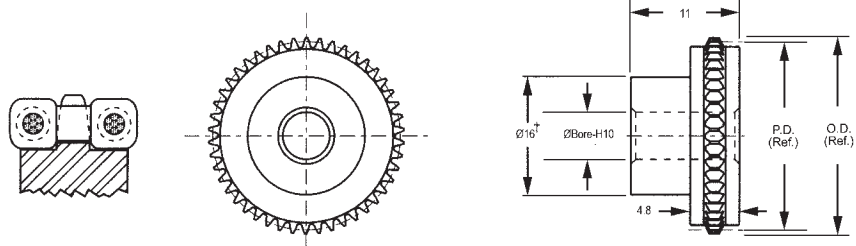
- For Field Splice Kit order 3CCR-7.
- * Available with Aramid Core. See page A-2 in inch catalog for alternative belt construction or reverse bending applications.
- ** Reduce Operating Load Rating by 50% for field splices.
- Infinite Lengths
- Silent Drive
- Mass 12 Grams/Meter
- Non-Magnetic
- Positive Drive
- Zero Backlash
- No Lubrication
- 90A Durometer
- Ultimate Tensile Strength 445N - 89N/PIN when belt is used in open loop configuration (without splice, no crimp bushings).
- Temperature Range +82°C to -26°C
- Recommended Operating Load 111N
- Recommended Max. Operating Speed 1.91 M/S
- Other numbers of pitches available on request.

BULK FOOTAGE - NOT SPLICED	
STOCK NO.	LENGTH
3CCF-1.5M	1.5M
3CCF-3.0M	3.0M
3CCF-7.5M	7.5M
3CCF-15.0M	15.0M
3CCF-30.0M	30.0M



CHAIN SPROCKETS

CIR. PITCH	BORE	STYLE	MATERIAL	BERG'S ® NAME	CHAIN
4mm	Ø7	PIN HUB	Polyacetal	Min-E-Pitch® Chain Drive	Operates with 3CCF Series



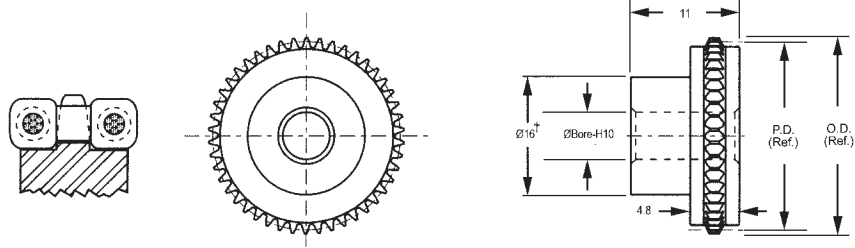
STOCK NO.	NO. OF TEETH	PITCH DIA.	OUTSIDE DIA.
3CC107M-13	13*†	16.49	18.07
3CC107M-14	14*†	17.76	19.34
3CC107M-15	15	19.03	20.61
3CC107M-16	16	20.29	21.87
3CC107M-18	18	22.83	24.41
3CC107M-20	20	25.37	26.95
3CC107M-22	22	27.90	29.48
3CC107M-24	24	30.44	32.02
3CC107M-26	26	32.98	34.56
3CC107M-28	28	35.51	37.09
3CC107M-30	30	38.05	39.63
3CC107M-32	32	40.59	42.17
3CC107M-35	35	44.39	45.97
3CC107M-36	36	45.66	47.24
3CC107M-40	40	50.74	52.32
3CC107M-45	45	57.08	58.66
3CC107M-50	50	63.42	64.00
3CC107M-55	55	69.76	71.34



† Teeth runout on hub.
 * Sprockets with Ø19.0mm P.D. and smaller are recommended for idler use only.
 Other numbers of teeth available on request.

CHAIN SPROCKETS

CIR. PITCH	BORE	STYLE	MATERIAL	BERG'S ® NAME	CHAIN
4mm	Ø8	PIN HUB	Polyacetal	Min-E-Pitch® Chain Drive	Operates with 3CCF Series



A

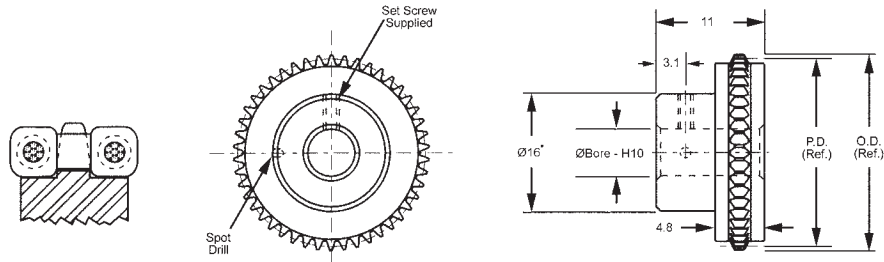
STOCK NO.	NO. OF TEETH	PITCH DIA.	OUTSIDE DIA.
3CC108M-13	13 [†]	16.49	18.07
3CC108M-14	14 [†]	17.76	19.34
3CC108M-15	15	19.03	20.61
3CC108M-16	16	20.29	21.87
3CC108M-18	18	22.83	24.41
3CC108M-20	20	25.37	26.95
3CC108M-22	22	27.90	29.48
3CC108M-24	24	30.44	32.02
3CC108M-26	26	32.98	34.56
3CC108M-28	28	35.51	37.09
3CC108M-30	30	38.05	39.63
3CC108M-32	32	40.59	42.17
3CC108M-35	35	44.39	45.97
3CC108M-36	36	45.66	47.24
3CC108M-40	40	50.74	52.32
3CC108M-45	45	57.08	58.66
3CC108M-50	50	63.42	64.00
3CC108M-55	55	69.76	71.34



† Teeth runout on hub.
 * Sprockets with Ø19.0mm P.D. and smaller are recommended for idler use only.
 Other numbers of teeth available on request.

CHAIN SPROCKETS

CIR. PITCH	BORE	STYLE	MATERIALS	BERG'S ® NAME	CHAIN
4mm	Ø4	PIN HUB	Aluminum per DIN 3.1355 Anodized	Min-E-Pitch® Chain Drive	Operates with 3CCF Series

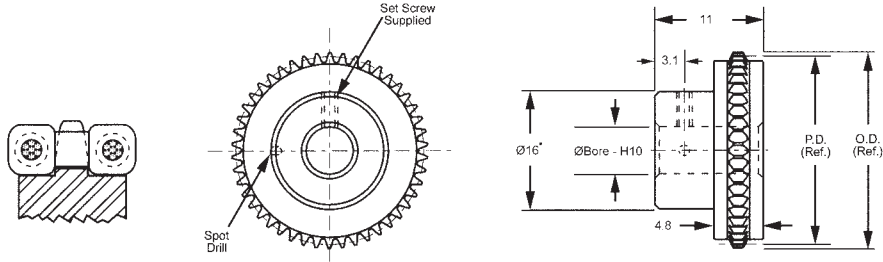


STOCK NO.	NO. OF TEETH	PITCH DIA.	OUTSIDE DIA.
3MP165A-13	13•	16.49	18.07
3MP165A-14	14•	17.76	19.34
3MP165A-15	15	19.03	20.61
3MP165A-16	16	20.29	21.87
3MP165A-17	17	21.56	23.14
3MP165A-18	18	22.83	24.41
3MP165A-19	19	24.10	25.68
3MP165A-20	20	25.37	26.95
3MP165A-22	22	27.90	29.48
3MP165A-24	24	30.44	32.02
3MP165A-25	26	31.71	33.29
3MP165A-26	26	32.98	34.56
3MP165A-28	28	35.51	37.09
3MP165A-30	30	38.05	39.63
3MP165A-32	32	40.59	42.17
3MP165A-35	35	44.39	45.97
3MP165A-36	36	45.66	47.24
3MP165A-40	40	50.74	52.32
3MP165A-45	45	57.08	58.66
3MP165A-50	50	63.42	65.00
3MP165A-55	55	69.76	71.34
3MP165A-60	60	76.10	77.68
3MP165A-65	65	82.45	84.02
3MP165A-70	70	88.79	90.37
3MP165A-75	75	95.13	96.71
3MP165A-80	80	101.47	103.05

- For 13-14 teeth, hub diameter equals 14.0.
- Other numbers of teeth are available upon request.
Stainless Steel equivalent available.
Teeth could be anodized.

CHAIN SPROCKETS

CIR. PITCH	BORE	STYLE	MATERIAL	BERG'S ® NAME	CHAIN
4mm	Ø6	PIN HUB	Aluminum per DIN 3.1355 Anodized	Min-E-Pitch® Chain Drive	Operates with 3CCF Series



A

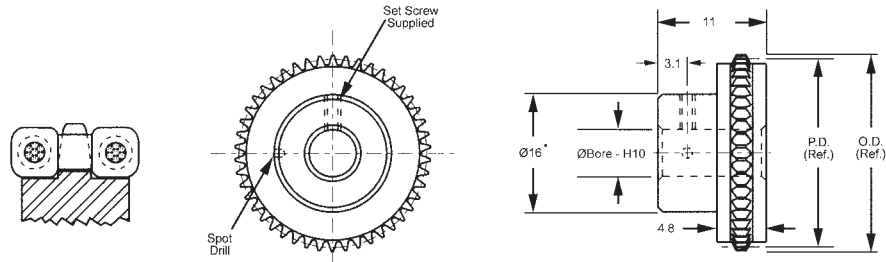
STOCK NO.	NO. OF TEETH	PITCH DIA.	OUTSIDE DIA.
3MP164A-13	13*	16.49	18.07
3MP164A-14	14*	17.76	19.34
3MP164A-15	15	19.03	20.61
3MP164A-16	16	20.29	21.87
3MP164A-17	17	21.56	23.14
3MP164A-18	18	22.83	24.41
3MP164A-19	19	24.10	25.68
3MP164A-20	20	25.37	26.95
3MP164A-22	22	27.90	29.48
3MP164A-24	24	30.44	32.02
3MP164A-25	26	31.71	33.29
3MP164A-26	26	32.98	34.56
3MP164A-28	28	35.51	37.09
3MP164A-30	30	38.05	39.63
3MP164A-32	32	40.59	42.17
3MP164A-35	35	44.39	45.97
3MP164A-36	36	45.66	47.24
3MP164A-40	40	50.74	52.32
3MP164A-45	45	57.08	58.66
3MP164A-50	50	63.42	65.00
3MP164A-55	55	69.76	71.34
3MP164A-60	60	76.10	77.68
3MP164A-65	65	82.45	84.02
3MP164A-70	70	88.79	90.37
3MP164A-75	75	95.13	96.71
3MP164A-80	80	101.47	103.05

• For 13-14 teeth, hub diameter equals 14.0.
Other numbers of teeth are available upon request.
Stainless Steel equivalent available.

Teeth could be anodized.

CHAIN SPROCKETS

CIR. PITCH	BORE	STYLE	MATERIAL	BERG'S ® NAME	CHAIN
4mm	Ø8	PIN HUB	Aluminum per DIN 3.1355 Anodized	Min-E-Pitch® Chain Drive	Operates with 3CCF Series



STOCK NO.	NO. OF TEETH	PITCH DIA.	OUTSIDE DIA.
3MP263A-13	13*	16.49	18.07
3MP263A-14	14*	17.76	19.34
3MP263A-15	15	19.03	20.61
3MP263A-16	16	20.29	21.87
3MP263A-17	17	21.56	23.14
3MP263A-18	18	22.83	24.41
3MP263A-19	19	24.10	25.68
3MP263A-20	20	25.37	26.95
3MP263A-22	22	27.90	29.48
3MP263A-24	24	30.44	32.02
3MP263A-25	25	31.71	33.29
3MP263A-26	26	32.98	34.56
3MP263A-28	28	35.51	37.09
3MP263A-30	30	38.05	39.63
3MP263A-32	32	40.59	42.17
3MP263A-35	35	44.39	45.97
3MP263A-36	36	45.66	47.24
3MP263A-40	40	50.74	52.32
3MP263A-45	45	57.08	58.66
3MP263A-50	50	63.42	65.00
3MP263A-55	55	69.76	71.34
3MP263A-60	60	76.10	77.68
3MP263A-65	65	82.45	84.02
3MP263A-70	70	88.79	90.37
3MP263A-75	75	95.13	96.71
3MP263A-80	80	101.47	103.05

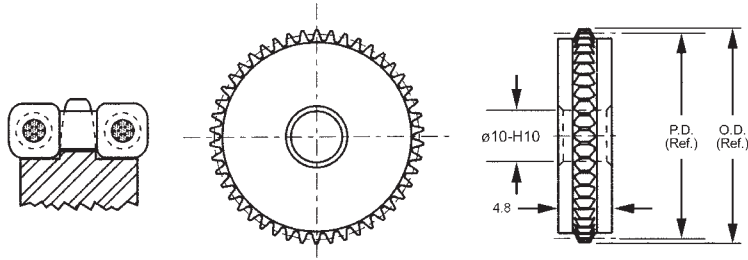
• For 13-14 teeth, hub diameter equals 14.0.
Other numbers of teeth are available upon request.
Stainless Steel equivalent available.

Teeth could be anodized.

CHAIN SPROCKETS

CIR. PITCH	BORE	STYLE	MATERIAL	BERG'S® NAME	CHAIN
4mm	Ø10	HUBLESS	Aluminum per DIN 3.1355 Anodized	Min-E-Pitch® Chain Drive	Operates with 3CCF Series

A



STOCK NO.	NO. OF TEETH	PITCH DIA.	OUTSIDE DIA.
3MF176A-14	14*	17.76	19.34
3MF176A-15	15	19.03	20.61
3MF176A-16	16	20.29	21.87
3MF176A-17	17	21.56	23.14
3MF176A-18	18	22.83	24.41
3MF176A-19	19	24.10	25.68
3MF176A-20	20	25.37	26.95
3MF176A-22	22	27.90	29.48
3MF176A-24	24	30.44	32.02
3MF176A-25	26	31.71	33.29
3MF176A-26	26	32.98	34.56
3MF176A-28	28	35.51	37.09
3MF176A-30	30	38.05	39.63
3MF176A-32	32	40.59	42.17
3MF176A-35	35	44.39	45.97
3MF176A-36	36	45.66	47.24
3MF176A-40	40	50.74	52.32
3MF176A-45	45	57.08	58.66
3MF176A-50	50	63.42	65.00
3MF176A-55	55	69.76	71.34
3MF176A-60	60	76.10	77.68
3MF176A-65	65	82.45	84.02
3MF176A-70	70	88.79	90.37
3MF176A-75	75	95.13	96.71
3MF176A-80	80	101.47	103.05

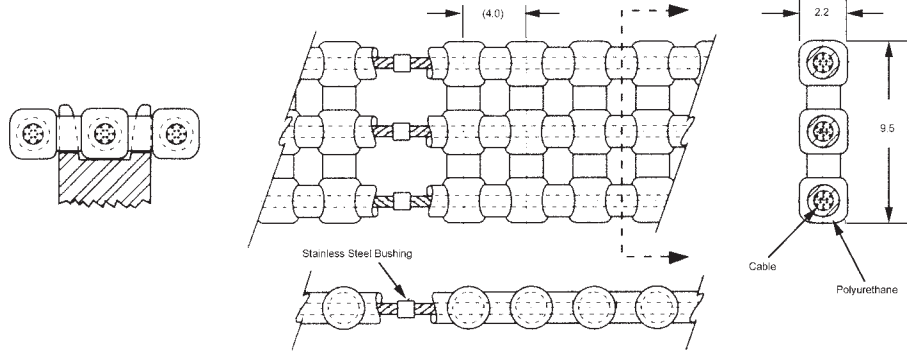


* Sprockets Ø19.0mm P.D. and smaller are recommended for idler use only.
Other numbers of teeth are available upon request.
Stainless Steel equivalent available.

Teeth could be anodized.

DUAL CHAINS

CIRCULAR PITCH	MATERIAL	BERG'S® NAME	SPROCKET
4mm	Polyurethane (Brown) 0.8mm Dia. Stainless Steel Cable*	Min-E-Pitch® Dual Chain	Operates with 3MDP, and 3MDF series.



STOCK NO.	NO. OF PITCHES	LENGTH (Ref.)
3DCF-30-E	30	120.0
3DCF-35-E	35	140.0
3DCF-40-E	40	160.0
3DCF-45-E	45	180.0
3DCF-50-E	50	200.0
3DCF-55-E	55	220.0
3DCF-60-E	60	240.0
3DCF-70-E	70	280.0
3DCF-80-E	80	320.0
3DCF-90-E	90	360.0
3DCF-100-E	100	400.0
3DCF-110-E	110	440.0
3DCF-120-E	120	480.0
3DCF-130-E	130	520.0
3DCF-140-E	140	560.0
3DCF-150-E	150	600.0
3DCF-160-E	160	640.0
3DCF-170-E	170	680.0
3DCF-180-E	180	720.0
3DCF-190-E	190	760.0
3DCF-200-E	200	800.0
3DCF-210-E	210	840.0
3DCF-220-E	220	880.0
3DCF-230-E	230	920.0
3DCF-240-E	240	960.0
3DCF-250-E	250	1000.0
3DCF-260-E	260	1040.0
3DCF-270-E	270	1080.0
3DCF-280-E	280	1120.0
3DCF-290-E	290	1160.0
3DCF-300-E	300	1200.0
3DCF-310-E	310	1240.0
3DCF-320-E	320	1280.0
3DCF-330-E	330	1320.0
3DCF-340-E	340	1360.0
3DCF-350-E	350	1520.0
3DCF-370-E	370	1600.0
3DCF-400-E	400	1680.0
3DCF-440-E	440	1760.0

* This series is not available with alternate core configuration.
 ** Reduce Operating Load Rating by 50% for field splices.

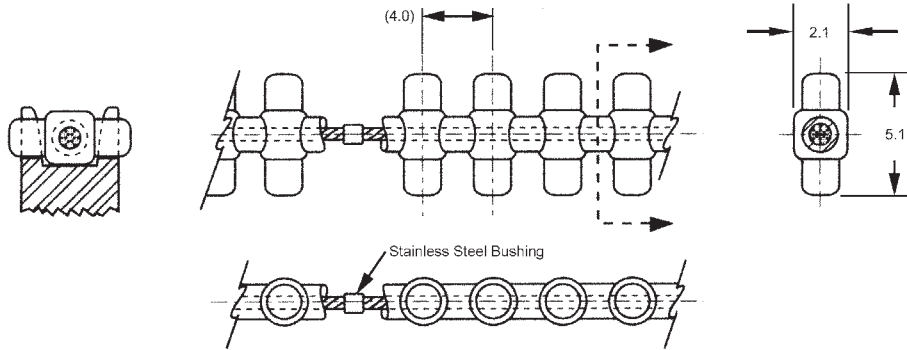
- For Field Splice Kit order 3CCR-7.
- Zero Backlash
- Mass 20 Grams/Meter
- Silent Drive
- No Lubrication
- Infinite Lengths
- 90A Durometer
- Positive Drive
- Non-Magnetic
- Ultimate Tensile Strength 533N - 133N/PIN
- When belt is used in open loop configuration (without splice, no crimp bushing)
- Temperature Range +82°C to -26°C
- Recommended Operating Load 133N
- Recommended Max. Operating Speed 1.91M/S

BULK FOOTAGE - NOT SPLICED	
STOCK NO.	LENGTH
3DCF-1.5M	1.5M
3DCF-3.0M	3.0M
3DCF-7.5M	7.5M
3DCF-15.0M	15.0M
3DCF-30.0M	30.0M



MIN-E-PITCH BELT

CIRCULAR PITCH	MATERIALS	BERG'S® NAME	SPROCKET
4mm	Polyurethane (Yellow) .8mm Dia. Stainless Steel Cable*	Min-E-Pitch® Belt Drive	Operates with 3MDP, and 3MDF series.



A

STOCK NO.	NO. OF PITCHES	LENGTH (Ref.)
3CBF-30-E	30	120.0
3CBF-35-E	35	140.0
3CBF-40-E	40	160.0
3CBF-45-E	45	180.0
3CBF-50-E	50	200.0
3CBF-55-E	55	220.0
3CBF-60-E	60	240.0
3CBF-70-E	70	280.0
3CBF-80-E	80	320.0
3CBF-90-E	90	360.0
3CBF-100-E	100	400.0
3CBF-110-E	110	440.0
3CBF-120-E	120	480.0
3CBF-130-E	130	520.0
3CBF-140-E	140	560.0
3CBF-150-E	150	600.0
3CBF-160-E	160	640.0
3CBF-170-E	170	680.0
3CBF-180-E	180	720.0
3CBF-190-E	190	760.0
3CBF-200-E	200	800.0
3CBF-210-E	210	840.0
3CBF-220-E	220	880.0
3CBF-230-E	230	920.0
3CBF-240-E	240	960.0
3CBF-250-E	250	1000.0
3CBF-260-E	260	1040.0
3CBF-270-E	270	1080.0
3CBF-280-E	280	1120.0
3CBF-290-E	290	1160.0
3CBF-300-E	300	1200.0
3CBF-310-E	310	1240.0
3CBF-320-E	320	1280.0
3CBF-330-E	330	1320.0
3CBF-340-E	340	1360.0
3CBF-350-E	350	1520.0
3CBF-370-E	370	1600.0
3CBF-400-E	400	1680.0
3CBF-440-E	440	1760.0

* This series is not available with alternate core configuration.
** Reduce Operating Load Rating by 50% for field splices.

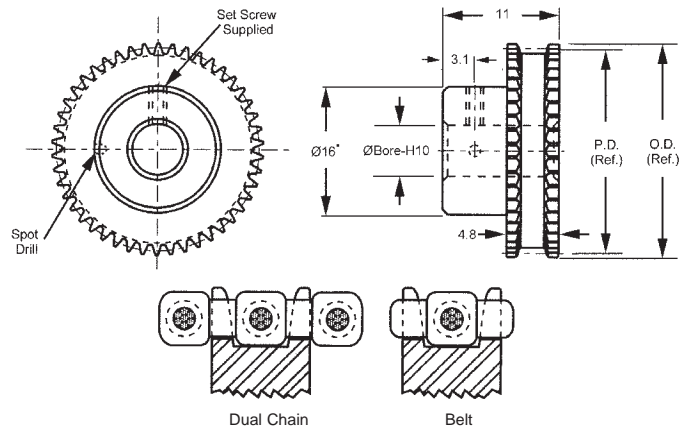
- For Field Splice Kit order 3CCR-7.
- Zero Backlash
- Odd Angles
- Silent Drive
- Infinite Lengths
- 90A Durometer
- No Lubrication
- Mass 11 Grams/Meter
- Positive Drive
- Ultimate Tensile Strength 222N - 40N/PIN
- When belt is used in open loop configuration (without splice, no crimp bushing)
- Temperature Range +82°C to -26°C
- Recommended Operating Load 53N
- Recommended Max. Operating Speed 1.91 M/S

BULK FOOTAGE - NOT SPLICED	
STOCK NO.	LENGTH
3CBF-1.5M	1.5M
3CBF-3.0M	3.0M
3CBF-7.5M	7.5M
3CBF-15.0M	15.0M
3CBF-30.0M	30.0M



DOUBLE SPROCKETS

CIR. PITCH	BORE	STYLE	MATERIALS	BERG'S ® NAME	BELT/CHAIN
4mm	Ø4	PIN HUB	Aluminum per DIN 3.1355 Anodized	Min-E-Pitch®	Operates with 3CBF & 3DCF Series



STOCK NO.	NO. OF TEETH	PITCH DIA.	OUTSIDE DIA.
3MDP165A-12	12*	15.33	16.79
3MDP165A-13	13*	16.49	18.06
3MDP165A-14	14*	17.76	19.33
3MDP165A-15	15*	19.02	20.57
3MDP165A-16	16	20.29	21.87
3MDP165A-17	17	21.56	23.11
3MDP165A-18	18	22.83	24.38
3MDP165A-19	19	24.10	25.65
3MDP165A-20	20	25.37	26.92
3MDP165A-22	22	27.90	29.46
3MDP165A-24	24	30.44	32.00
3MDP165A-25	25	31.71	33.27
3MDP165A-26	26	32.98	34.54
3MDP165A-28	28	35.51	37.08
3MDP165A-30	30	38.05	39.62
3MDP165A-32	32	40.59	42.16
3MDP165A-35	35	44.39	45.95
3MDP165A-36	36	45.66	47.22
3MDP165A-40	40	50.73	52.30
3MDP165A-45	45	57.08	58.65
3MDP165A-50	50	63.42	64.97
3MDP165A-55	55	69.76	71.32
3MDP165A-60	60	76.10	77.67
3MDP165A-65	65	82.44	84.00
3MDP165A-70	70	88.79	90.35
3MDP165A-75	75	95.13	96.70
3MDP165A-80	80	101.47	103.02

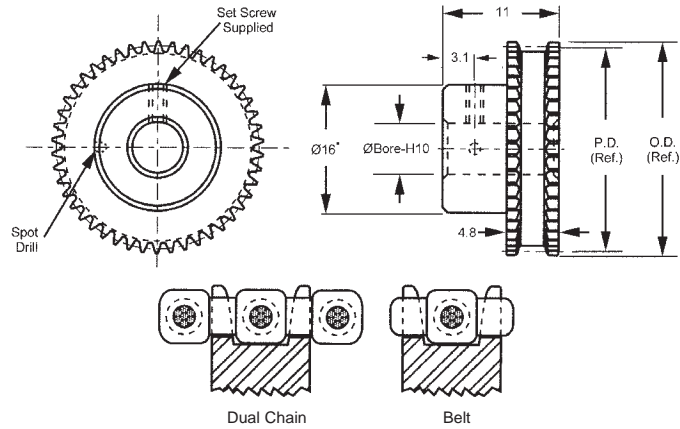


- * Sprockets with Ø19.0mm P.D. and smaller are recommended for idler use only.
- For 12-14 teeth, hub diameter equals 12.9. Other numbers of teeth are available on request. Stainless Steel equivalent available.

Teeth could be anodized.

DOUBLE SPROCKETS

CIR. PITCH	BORE	STYLE	MATERIALS	BERG'S ® NAME	BELT/CHAIN
4mm	Ø6	PIN HUB	Aluminum per DIN 3.1355 Anodized	Min-E-Pitch®	Operates with 3CBF & 3DCF Series



A

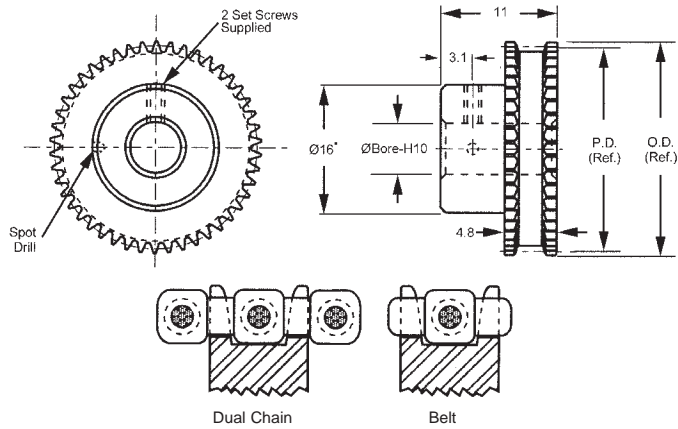
STOCK NO.	NO. OF TEETH	PITCH DIA.	OUTSIDE DIA.
3MDP164A-12	12*	15.33	16.79
3MDP164A-13	13*	16.49	18.06
3MDP164A-14	14*	17.76	19.33
3MDP164A-15	15*	19.02	20.57
3MDP164A-16	16	20.29	21.87
3MDP164A-17	17	21.56	23.11
3MDP164A-18	18	22.83	24.38
3MDP164A-19	19	24.10	25.65
3MDP164A-20	20	25.37	26.92
3MDP164A-22	22	27.90	29.46
3MDP164A-24	24	30.44	32.00
3MDP164A-25	25	31.71	33.27
3MDP164A-26	26	32.98	34.54
3MDP164A-28	28	35.51	37.08
3MDP164A-30	30	38.05	39.62
3MDP164A-32	32	40.59	42.16
3MDP164A-35	35	44.39	45.95
3MDP164A-36	36	45.66	47.22
3MDP164A-40	40	50.73	52.30
3MDP164A-45	45	57.08	58.65
3MDP164A-50	50	63.42	64.97
3MDP164A-55	55	69.76	71.32
3MDP164A-60	60	76.10	77.67
3MDP164A-65	65	82.44	84.00
3MDP164A-70	70	88.79	90.35
3MDP164A-75	75	95.13	96.70
3MDP164A-80	80	101.47	103.02



- * Sprockets with Ø19.0mm P.D. and smaller are recommended for idler use only.
 - For 12-14 teeth, hub diameter equals 12.9. Other numbers of teeth are available on request. Stainless Steel equivalent available.
- Teeth could be anodized.

DOUBLE SPROCKETS

CIR. PITCH	BORE	STYLE	MATERIALS	BERG'S ® NAME	BELT/CHAIN
4mm	Ø8	PIN HUB	Aluminum per DIN 3.1355 Anodized	Min-E-Pitch®	Operates with 3CBF & 3DCF Series



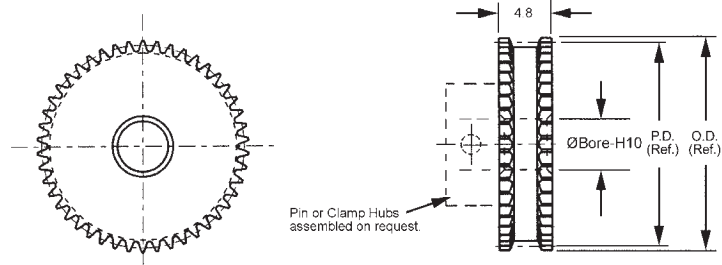
STOCK NO.	NO. OF TEETH	PITCH DIA.	OUTSIDE DIA.
3MDP263A-12	12*	15.33	16.79
3MDP263A-13	13*	16.49	18.06
3MDP263A-14	14*	17.76	19.33
3MDP263A-15	15*	19.02	20.57
3MDP263A-16	16	20.29	21.87
3MDP263A-17	17	21.56	23.11
3MDP263A-18	18	22.83	24.38
3MDP263A-19	19	24.10	25.65
3MDP263A-20	20	25.37	26.92
3MDP263A-22	22	27.90	29.46
3MDP263A-24	24	30.44	32.00
3MDP263A-25	25	31.71	33.27
3MDP263A-26	26	32.98	34.54
3MDP263A-28	28	35.51	37.08
3MDP263A-30	30	38.05	39.62
3MDP263A-32	32	40.59	42.16
3MDP263A-35	35	44.39	45.95
3MDP263A-36	36	45.66	47.22
3MDP263A-40	40	50.73	52.30
3MDP263A-45	45	57.08	58.65
3MDP263A-50	50	63.42	64.97
3MDP263A-55	55	69.76	71.32
3MDP263A-60	60	76.10	77.67
3MDP263A-65	65	82.44	84.00
3MDP263A-70	70	88.79	90.35
3MDP263A-75	75	95.13	96.70
3MDP263A-80	80	101.47	103.02



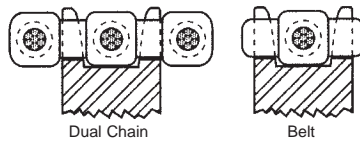
- * Sprockets with Ø19.0mm P.D. and smaller are recommended for idler use only.
 - For 12-14 teeth, hub diameter equals 12.9. Other numbers of teeth are available on request. Stainless Steel equivalent available.
- Teeth could be anodized.

DOUBLE SPROCKETS

CIR. PITCH	BORE	STYLE	MATERIAL	BERG'S ® NAME	BELT/CHAIN
4mm	Ø10	HUBLESS	Aluminum per DIN 3.1355 Anodized	Min-E-Pitch®	Operates with 3CBF & 3DCF Series



A



STOCK NO.	NO. OF TEETH	PITCH DIA.	OUTSIDE DIA.
3MDF176A-14	14*	17.76	19.33
3MDF176A-15	15*	19.02	20.57
3MDF176A-16	16	20.29	21.87
3MDF176A-17	17	21.56	23.11
3MDF176A-18	18	22.83	24.38
3MDF176A-19	19	24.10	25.65
3MDF176A-20	20	25.37	26.92
3MDF176A-22	22	27.90	29.46
3MDF176A-24	24	30.44	32.00
3MDF176A-25	25	31.71	33.27
3MDF176A-26	26	32.98	34.54
3MDF176A-28	28	35.51	37.08
3MDF176A-30	30	38.05	39.62
3MDF176A-32	32	40.59	42.16
3MDF176A-35	35	44.39	45.95
3MDF176A-36	36	45.66	47.22
3MDF176A-40	40	50.73	52.30
3MDF176A-45	45	57.08	58.65
3MDF176A-50	50	63.42	64.97
3MDF176A-55	55	69.76	71.32
3MDF176A-60	60	76.10	77.67
3MDF176A-65	65	82.44	84.00
3MDF176A-70	70	88.79	90.35
3MDF176A-75	75	95.13	96.70
3MDF176A-80	80	101.47	103.02

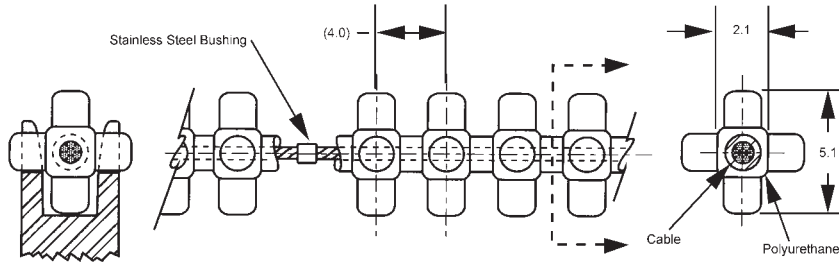


* Sprockets with Ø19.0mm P.D. and smaller are recommended for idler use only. Other numbers of teeth are available on request. Stainless Steel equivalent available.

Teeth could be anodized.

3-D BELT

CIRCULAR PITCH	MATERIALS	BERG'S ® NAME	PULLEY
4mm	Polyurethane (Green) .8mm Dia. Stainless Steel Cable*	Min-E-Pitch®	Operates with 3TDP, 3TF, and 3MTB series.



STOCK NO.	NO. OF PITCHES	LENGTH (Ref.)
3TDF-30-E	30	120.0
3TDF-35-E	36	144.0
3TDF-40-E	40	160.0
3TDF-45-E	46	184.0
3TDF-50-E	50	200.0
3TDF-55-E	56	224.0
3TDF-60-E	60	240.0
3TDF-70-E	70	280.0
3TDF-80-E	80	320.0
3TDF-90-E	90	360.0
3TDF-100-E	100	400.0
3TDF-110-E	110	440.0
3TDF-120-E	120	480.0
3TDF-130-E	130	520.0
3TDF-140-E	140	560.0
3TDF-150-E	150	600.0
3TDF-160-E	160	640.0
3TDF-170-E	170	680.0
3TDF-180-E	180	720.0
3TDF-190-E	190	760.0
3TDF-200-E	200	800.0
3TDF-210-E	210	840.0
3TDF-220-E	220	880.0
3TDF-230-E	230	920.0
3TDF-240-E	240	960.0
3TDF-250-E	250	1000.0
3TDF-260-E	260	1040.0
3TDF-270-E	270	1080.0
3TDF-280-E	280	1120.0
3TDF-290-E	290	1160.0
3TDF-300-E	300	1200.0
3TDF-310-E	310	1240.0
3TDF-320-E	320	1280.0
3TDF-330-E	330	1320.0
3TDF-340-E	340	1360.0
3TDF-350-E	350	1400.0
3TDF-370-E	360	1440.0
3TDF-400-E	400	1600.0
3TDF-440-E	440	1760.0

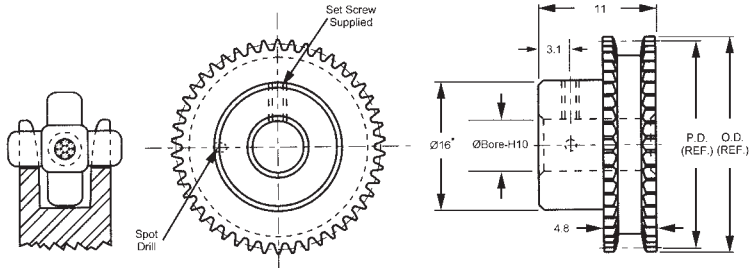
- For Field Splice Kit order 3CCR-7.
- * Available with Aramid Core. See page A-2 in inch catalog for alternate belt construction and reverse bending applications.
- ** Reduce Operating Load Rating by 50% for field splices.
- Three Dimensional Drive
- Zero Backlash
- Silent Drive
- Infinite Lengths
- 90A Durometer
- No Lubrication
- Mass 11 Grams/Meter
- Positive Drive
- Ultimate Tensile Strength 222N - 40N/PIN
When belt is used in open loop configuration (without splice, no crimp bushing).
- Temperature Range +82°C to -26°C
- Recommended Operating Load 53N
- Recommended Max. Operating Speed 1.91 M/S

BULK FOOTAGE - NOT SPLICED	
STOCK NO.	LENGTH
3TDF-1.5M	1.5M
3TDF-3.0M	3.0M
3TDF-7.5M	7.5M
3TDF-15.0M	15.0M
3TDF-30.0M	30.0M



3-D PULLEYS

CIR. PITCH	BORE	STYLE	MATERIALS	BERG'S ® NAME	BELT
4mm	Ø4	PIN HUB	Aluminum per DIN 3.1355 Anodized	Min-E-Pitch® Three D Drive	Operates with 3TDF Series



A

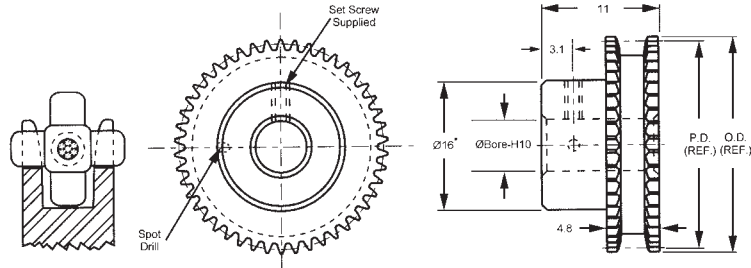
STOCK NO.	NO. OF TEETH	PITCH DIA.	OUTSIDE DIA.
3TDP165A-12	12*	15.22	16.80
3TDP165A-13	13*	16.49	18.07
3TDP165A-14	14*	17.76	19.34
3TDP165A-15	15*	19.03	20.61
3TDP165A-16	16*	20.29	21.87
3TDP165A-17	17	21.56	23.14
3TDP165A-18	18	22.83	24.41
3TDP165A-19	19	24.10	25.68
3TDP165A-20	20	25.37	26.95
3TDP165A-22	22	27.90	29.48
3TDP165A-24	24	30.44	32.02
3TDP165A-25	25	31.71	33.26
3TDP165A-26	26	32.98	34.56
3TDP165A-28	28	35.51	37.09
3TDP165A-30	30	38.05	39.63
3TDP165A-32	32	40.59	42.17
3TDP165A-35	35	44.39	45.97
3TDP165A-36	36	45.66	47.24
3TDP165A-40	40	50.47	52.32
3TDP165A-45	45	57.10	58.66
3TDP165A-50	50	63.42	65.00
3TDP165A-55	55	69.76	71.34
3TDP165A-60	60	76.10	77.68
3TDP165A-65	65	82.45	84.02
3TDP165A-70	70	88.79	90.37
3TDP165A-75	75	95.13	96.71
3TDP165A-80	80	101.47	103.05



- * Sprockets with Ø19.0mm P.D. and smaller are recommended for idler use only.
 - For 12-16 teeth, hub diameter equals 10.0.
- Other numbers of teeth are available on request.
Stainless Steel equivalent available.
Teeth could be anodized.

3-D PULLEYS

CIR. PITCH	BORE	STYLE	MATERIALS	BERG'S ® NAME	BELT
4mm	Ø6	PIN HUB	Aluminum per DIN 3.1355 Anodized	Min-E-Pitch® Three D Drive	Operates with 3TDF Series



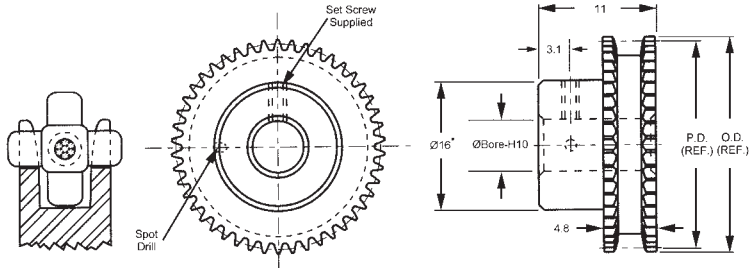
STOCK NO.	NO. OF TEETH	PITCH DIA.	OUTSIDE DIA.
3TDP164A-12	12*	15.22	16.80
3TDP164A-13	13*	16.49	18.07
3TDP164A-14	14*	17.76	19.34
3TDP164A-15	15*	19.03	20.61
3TDP164A-16	16*	20.29	21.87
3TDP164A-17	17	21.56	23.14
3TDP164A-18	18	22.83	24.41
3TDP164A-19	19	24.10	25.68
3TDP164A-20	20	25.37	26.95
3TDP164A-22	22	27.90	29.48
3TDP164A-24	24	30.44	32.02
3TDP164A-25	25	31.71	33.26
3TDP164A-26	26	32.98	34.56
3TDP164A-28	28	35.51	37.09
3TDP164A-30	30	38.05	39.63
3TDP164A-32	32	40.59	42.17
3TDP164A-35	35	44.39	45.97
3TDP164A-36	36	45.66	47.24
3TDP164A-40	40	50.47	52.32
3TDP164A-45	45	57.10	58.66
3TDP164A-50	50	63.42	65.00
3TDP164A-55	55	69.76	71.34
3TDP164A-60	60	76.10	77.68
3TDP164A-65	65	82.45	84.02
3TDP164A-70	70	88.79	90.37
3TDP164A-75	75	95.13	96.71
3TDP164A-80	80	101.47	103.05



- * Sprockets with Ø19.0mm P.D. and smaller are recommended for idler use only.
 - For 12-16 teeth, hub diameter equals 10.0.
- Other numbers of teeth are available on request.
Stainless Steel equivalent available.
Teeth could be anodized.

3-D PULLEYS

CIR. PITCH	BORE	STYLE	MATERIALS	BERG'S ® NAME	BELT
4mm	Ø8	PIN HUB	Aluminum per DIN 3.1355 Anodized	Min-E-Pitch® Three D Drive	Operates with 3TDF Series



A

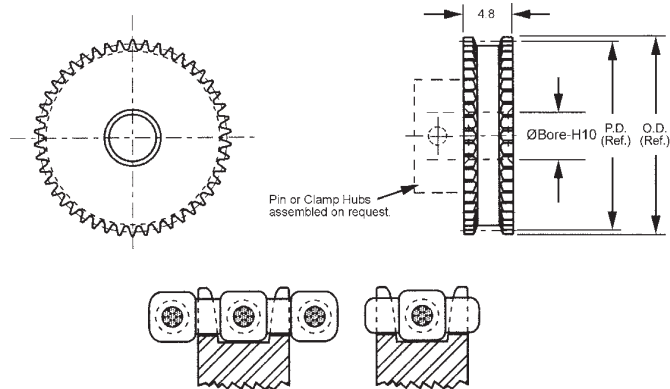
STOCK NO.	NO. OF TEETH	PITCH DIA.	OUTSIDE DIA.
3TDP263A-12	12*	15.22	16.80
3TDP263A-13	13*	16.49	18.07
3TDP263A-14	14*	17.76	19.34
3TDP263A-15	15*	19.03	20.61
3TDP263A-16	16*	20.29	21.87
3TDP263A-17	17	21.56	23.14
3TDP263A-18	18	22.83	24.41
3TDP263A-19	19	24.10	25.68
3TDP263A-20	20	25.37	26.95
3TDP263A-22	22	27.90	29.48
3TDP263A-24	24	30.44	32.02
3TDP263A-25	25	31.71	33.26
3TDP263A-26	26	32.98	34.56
3TDP263A-28	28	35.51	37.09
3TDP263A-30	30	38.05	39.63
3TDP263A-32	32	40.59	42.17
3TDP263A-35	35	44.39	45.97
3TDP263A-36	36	45.66	47.24
3TDP263A-40	40	50.47	52.32
3TDP263A-45	45	57.10	58.66
3TDP263A-50	50	63.42	65.00
3TDP263A-55	55	69.76	71.34
3TDP263A-60	60	76.10	77.68
3TDP263A-65	65	82.45	84.02
3TDP263A-70	70	88.79	90.37
3TDP263A-75	75	95.13	96.71
3TDP263A-80	80	101.47	103.05



- * Sprockets with Ø19.0mm P.D. and smaller are recommended for idler use only.
 - For 12-16 teeth, hub diameter equals 10.0. Other numbers of teeth are available on request. Stainless Steel equivalent available.
- Teeth could be anodized.

3-D PULLEYS

CIR. PITCH	BORE	STYLE	MATERIALS	BERG'S ® NAME	BELT
4mm	Ø10	HUBLESS	Aluminum per DIN 3.1355 Anodized	Min-E-Pitch® Three D Drive	Operates with 3TDF Series



STOCK NO.	NO. OF TEETH	PITCH DIA.	OUTSIDE DIA.
3MDF176A-12	12*	15.22	16.80
3MDF176A-13	13*	16.49	18.07
3MDF176A-14	14*	17.76	19.34
3MDF176A-15	15*	19.03	20.61
3MDF176A-16	16*	20.29	21.87
3MDF176A-17	17	21.56	23.14
3MDF176A-18	18	22.83	24.41
3MDF176A-19	19	24.10	25.68
3MDF176A-20	20	25.37	26.95
3MDF176A-22	22	27.90	29.48
3MDF176A-24	24	30.44	32.02
3MDF176A-25	25	31.71	33.26
3MDF176A-26	26	32.98	34.56
3MDF176A-28	28	35.51	37.09
3MDF176A-30	30	38.05	39.63
3MDF176A-32	32	40.59	42.17
3MDF176A-35	35	44.39	45.97
3MDF176A-36	36	45.66	47.24
3MDF176A-40	40	50.47	52.32
3MDF176A-45	45	57.10	58.66
3MDF176A-50	50	63.42	65.00
3MDF176A-55	55	69.76	71.34
3MDF176A-60	60	76.10	77.68
3MDF176A-65	65	82.45	84.02
3MDF176A-70	70	88.79	90.37
3MDF176A-75	75	95.13	96.71
3MDF176A-80	80	101.47	103.05

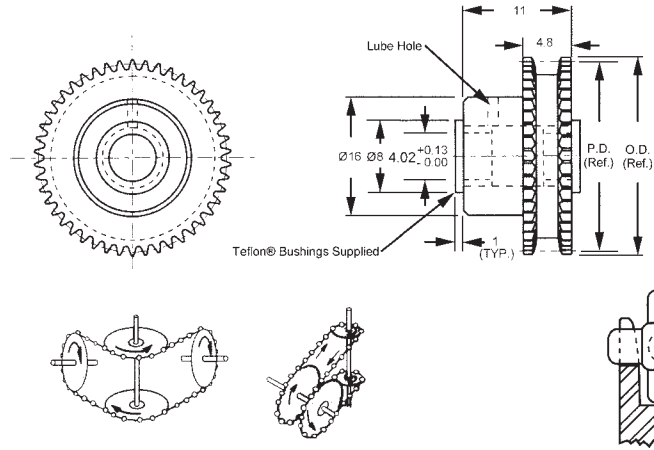


* Sprockets with Ø19.0mm P.D. and smaller are recommended for idler use only.
Other numbers of teeth are available on request.
Stainless Steel equivalent available.
Teeth could be anodized.

3-D PULLEYS

CIR. PITCH	BORE	STYLE	MATERIALS	BERG'S ® NAME	BELT
4mm	Ø4	IDLER	Aluminum Pulley w/Teflon® Bushings	Min-E-Pitch® Three D Drive	Operates with 3TDF Series

A

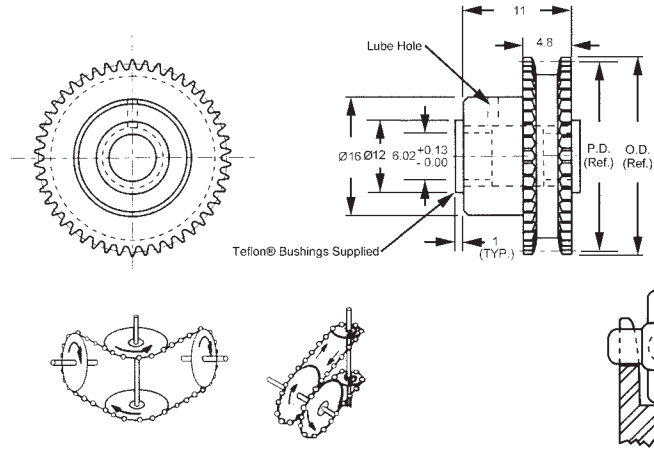


STOCK NO.	NO. OF TEETH	PITCH DIA.	OUTSIDE DIA.
3MTB163A-25	25	31.71	33.27
3MTB163A-26	26	32.98	34.54
3MTB163A-28	28	35.51	37.08
3MTB163A-30	30	38.05	39.62
3MTB163A-32	32	40.59	40.64
3MTB163A-34	34	43.13	44.70
3MTB163A-35	35	44.39	45.95
3MTB163A-36	36	45.66	47.22
3MTB163A-38	38	48.20	49.78
3MTB163A-40	40	50.74	52.30
3MTB163A-44	44	55.81	57.38
3MTB163A-45	45	57.08	58.65
3MTB163A-50	50	63.42	64.97
3MTB163A-55	55	69.75	71.12
3MTB163A-60	60	76.10	77.67
3MTB163A-65	65	82.45	84.02
3MTB163A-70	70	88.79	90.37
3MTB163A-75	75	95.13	96.70
3MTB163A-80	80	101.47	103.05

Other numbers of teeth are available on request.
Teeth could be anodized.

3-D PULLEYS

CIR. PITCH	BORE	STYLE	MATERIALS	BERG'S ® NAME	BELT
4mm	Ø6	IDLER	Aluminum Pulley w/Teflon® Bushings	Min-E-Pitch® Three D Drive	Operates with 3TDF Series



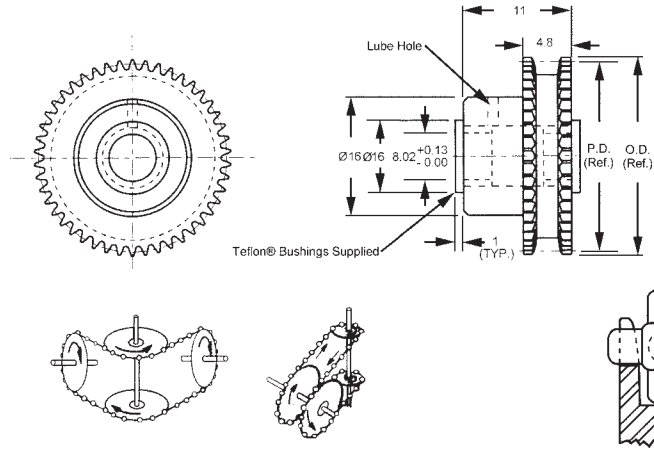
STOCK NO.	NO. OF TEETH	PITCH DIA.	OUTSIDE DIA.
3MTB183A-25	25	31.71	33.27
3MTB183A-26	26	32.98	34.54
3MTB183A-28	28	35.51	37.08
3MTB183A-30	30	38.05	39.62
3MTB183A-32	32	40.59	40.64
3MTB183A-34	34	43.13	44.70
3MTB183A-35	35	44.39	45.95
3MTB183A-36	36	45.66	47.22
3MTB183A-38	38	48.20	49.78
3MTB183A-40	40	50.74	52.30
3MTB183A-44	44	55.81	57.38
3MTB183A-45	45	57.08	58.65
3MTB183A-50	50	63.42	64.97
3MTB183A-55	55	69.75	71.12
3MTB183A-60	60	76.10	77.67
3MTB183A-65	65	82.45	84.02
3MTB183A-70	70	88.79	90.37
3MTB183A-75	75	95.13	96.70
3MTB183A-80	80	101.47	103.05

Other numbers of teeth are available on request.
Teeth could be anodized.

3-D PULLEYS

CIR. PITCH	BORE	STYLE	MATERIALS	BERG'S ® NAME	BELT
4mm	Ø8	IDLER	Aluminum Pulley w/Teflon® Bushings	Min-E-Pitch® Three D Drive	Operates with 3TDF Series

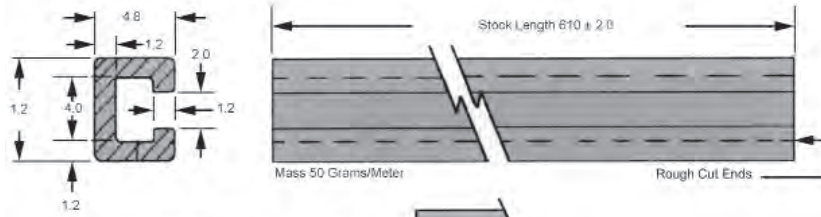
A



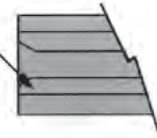
STOCK NO.	NO. OF TEETH	PITCH DIA.	OUTSIDE DIA.
3MTB293A-25	25	31.71	33.27
3MTB293A-26	26	32.98	34.54
3MTB293A-28	28	35.51	37.08
3MTB293A-30	30	38.05	39.62
3MTB293A-32	32	40.59	40.64
3MTB293A-34	34	43.13	44.70
3MTB293A-35	35	44.39	45.95
3MTB293A-36	36	45.66	47.22
3MTB293A-38	38	48.20	49.78
3MTB293A-40	40	50.74	52.30
3MTB293A-44	44	55.81	57.38
3MTB293A-45	45	57.08	58.65
3MTB293A-50	50	63.42	64.97
3MTB293A-55	55	69.75	71.12
3MTB293A-60	60	76.10	77.67
3MTB293A-65	65	82.45	84.02
3MTB293A-70	70	88.79	90.37
3MTB293A-75	75	95.13	96.70
3MTB293A-80	80	101.47	103.05

Other numbers of teeth are available on request.
Teeth could be anodized.

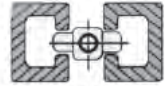
SUPPORT & GUIDE RAILS



After cutting guide to suit your application, always file and funnel ends for easy entrance.



APPLICATIONS:



Cable Belt Guides

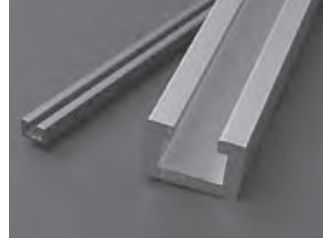


Cable Chain Guides



Three-D Guides

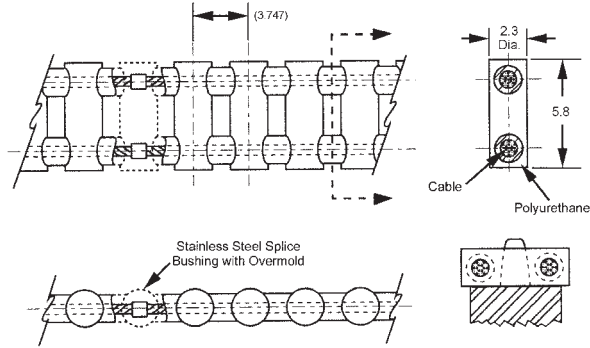
STOCK NO.
3CRR



CABLE CHAINS

CIRCULAR PITCH	PIN DIAMETER	MATERIAL	BERG'S ® NAME	SPROCKET
3.747mm	2.3mm	Polyurethane (Blue) 0.8mm Stainless Steel Cable*	Flex-E-Pitch®	Operates with 14LC, and 14LP series.

A



STOCK NO.	NO. OF PITCHES	LENGTH MM
14CCF-40-E	40	149.9
14CCF-50-E	50	187.4
14CCF-60-E	60	224.8
14CCF-70-E	70	262.3
14CCF-80-E	80	299.8
14CCF-90-E	90	337.2
14CCF-100-E	100	374.7
14CCF-110-E	110	412.2
14CCF-120-E	120	449.6
14CCF-130-E	130	487.1
14CCF-140-E	140	524.6
14CCF-150-E	150	562.1
14CCF-160-E	160	599.5
14CCF-170-E	170	637.0
14CCF-180-E	180	674.5
14CCF-190-E	190	711.9
14CCF-200-E	200	749.4
14CCF-210-E	210	786.9
14CCF-220-E	220	824.3
14CCF-230-E	230	861.8
14CCF-240-E	240	899.3
14CCF-250-E	250	936.8
14CCF-260-E	260	974.2
14CCF-270-E	270	1011.7
14CCF-280-E	280	1049.2
14CCF-290-E	290	1086.6
14CCF-300-E	300	1124.1
14CCF-310-E	310	1161.6
14CCF-320-E	320	1199.0
14CCF-330-E	330	1236.5
14CCF-340-E	340	1274.0
14CCF-370-E	370	1386.4
14CCF-390-E	390	1461.3

- For Field Splice Kit order 14CCF-7.
- * Available with Aramid Core construction. See page A-2 in inch catalog for alternate belt construction and reverse belt bending applications.
- ** Reduce Operating Load Rating by 50% for field splices.

Designed to replace standard metal roller chain systems:

- No multiple link joints to bind.
- Lubrication is never required.
- Easily modified to any length.
- Large selection of mating sprockets.
- Infinite Lengths
- Silent Drive
- Rust Proof
- 90A Durometer
- Non-Magnetic
- Positive Drive
- Mass 14 Grams/Meter
- Ultimate Tensile Strength 445N - 53N/ PIN - when belt is used in an open configuration (without splice, no crimp bushing)
- Temperature Range +82°C to -26°C
- Recommended Operating Load 111N
- Recommended Max. Operating Speed 1.91 m/s

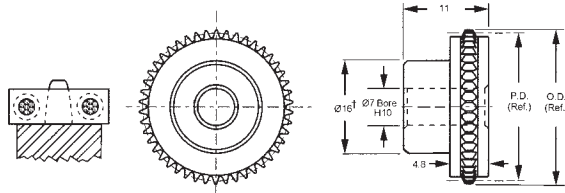
BULK FOOTAGE - NOT SPLICED	
STOCK NO.	LENGTH
14CCF-1.5M	1.5 M
14CCF-3.0M	3.0 M
14CCF-7.5M	7.5 M
14CCF-15.0M	15.0 M
14CCF-30.0M	30.0 M



CHAIN SPROCKETS

CIR. PITCH	BORE	STYLE	MATERIALS	BERG'S ® NAME	CHAIN
3.747mm	Ø7	PIN HUB	Acetal	Flex-E-Pitch®	Operates with 14CCF Series

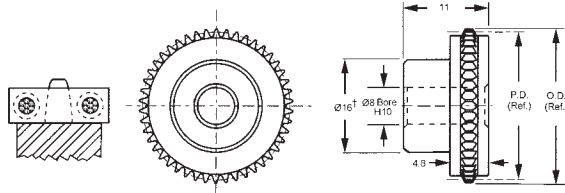
STOCK NO.	NO. OF TEETH	PITCH DIA.	OUTSIDE DIA.
14LC107M-14	14†	16.80	18.83
14LC107M-15	15†	18.00	20.03
14LC107M-16	16	19.20	21.23
14LC107M-18	18	21.60	23.63
14LC107M-20	20	24.00	26.03
14LC107M-22	22	26.40	28.43
14LC107M-24	24	28.80	30.83
14LC107M-26	26	31.20	33.23
14LC107M-30	30	35.99	38.03
14LC107M-32	32	38.39	40.42
14LC107M-36	36	43.19	45.23
14LC107M-40	40	47.99	50.03
14LC107M-42	42	50.39	52.42
14LC107M-44	44	52.79	54.83
14LC107M-45	45	53.99	56.02
14LC107M-50	50	59.99	62.02
14LC107M-60	60	71.99	74.02



† Teeth runout on hub.
 • Sprockets with Ø19.0mm P.D. and smaller are recommended for idler use only.
 Other numbers of teeth available on request.

CIR. PITCH	BORE	STYLE	MATERIALS	BERG'S ® NAME	CHAIN
3.747mm	Ø8	PIN HUB	Acetal	Flex-E-Pitch®	Operates with 14CCF Series

STOCK NO.	NO. OF TEETH	PITCH DIA.	OUTSIDE DIA.
14LC108M-14	14†	16.80	18.83
14LC108M-15	15†	18.00	20.03
14LC108M-16	16	19.20	21.23
14LC108M-18	18	21.60	23.63
14LC108M-20	20	24.00	26.03
14LC108M-22	22	26.40	28.43
14LC108M-24	24	28.80	30.83
14LC108M-26	26	31.20	33.23
14LC108M-30	30	35.99	38.03
14LC108M-32	32	38.39	40.42
14LC108M-36	36	43.19	45.23
14LC108M-40	40	47.99	50.03
14LC108M-42	42	50.39	52.42
14LC108M-44	44	52.79	54.83
14LC108M-45	45	53.99	56.02
14LC108M-50	50	59.99	62.02
14LC108M-60	60	71.99	74.02



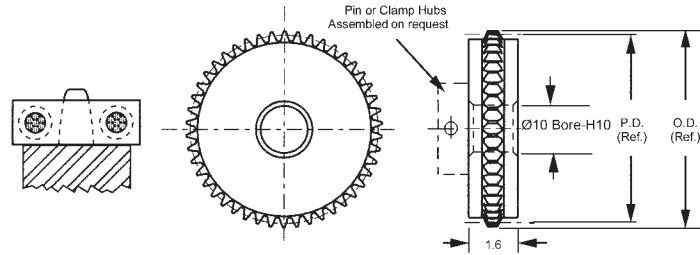
† Teeth runout on hub.
 • Sprockets with Ø19.0mm P.D. and smaller are recommended for idler use only.
 Other numbers of teeth available on request.



CHAIN SPROCKETS

CIR. PITCH	BORE	STYLE	MATERIALS	BERG'S ® NAME	CHAIN
3.747mm	Ø10	HUBLESS	Aluminum per DIN 3.1355 Anodized	Flex-E-Pitch®	Operates with 14CCF Series

A



STOCK NO.	NO. OF TEETH	PITCH DIA.	OUTSIDE DIA.
14LP176A-14	14*	16.80	18.82
14LP176A-15	15*	18.00	20.03
14LP176A-16	16	19.20	21.23
14LP176A-18	18	21.60	23.63
14LP176A-20	20	24.00	26.03
14LP176A-24	24	28.80	30.83
14LP176A-25	25	30.00	32.03
14LP176A-27	27	32.40	34.43
14LP176A-28	28	33.60	35.63
14LP176A-29	29	34.80	36.83
14LP176A-30	30	35.99	38.03
14LP176A-32	32	38.39	40.43
14LP176A-34	34	40.79	42.83
14LP176A-36	36	43.19	45.23
14LP176A-38	38	45.59	47.63
14LP176A-40	40	47.99	50.03
14LP176A-42	42	50.39	52.42
14LP176A-44	44	52.79	54.82
14LP176A-48	48	57.59	59.62
14LP176A-50	50	59.99	62.02
14LP176A-52	52	62.39	64.42
14LP176A-54	54	64.79	66.82
14LP176A-56	56	67.19	69.22
14LP176A-60	60	71.99	74.02
14LP176A-65	65	77.99	80.02
14LP176A-70	70	83.99	86.02
14LP176A-80	80	95.99	98.02



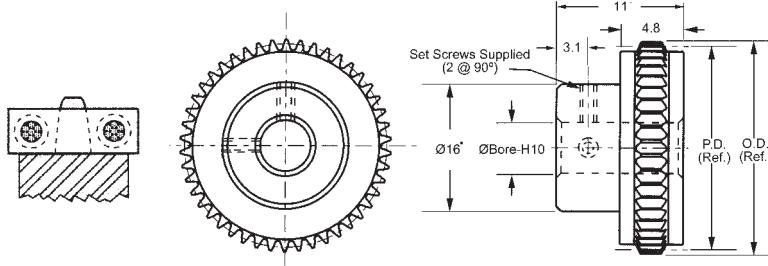
* Sprockets with Ø19.0mm P.D. and smaller are recommended for idler use only.

Other numbers of teeth available on request.

Teeth could be anodized.

CHAIN SPROCKETS

CIR. PITCH	BORE	STYLE	MATERIALS	BERG'S ® NAME	CHAIN
3.747mm	Ø4	PIN HUB	Aluminum per DIN 3.1355 Anodized	Flex-E-Pitch®	Operates with 14CCF Series



STOCK NO.	NO. OF TEETH	PITCH DIA.	OUTSIDE DIA.
14LC165A-13	13*	15.60	17.63
14LC165A-14	14*	16.80	18.82
14LC165A-15	15*	18.00	20.03
14LC165A-16	16	19.20	21.23
14LC165A-18	18	21.60	23.63
14LC165A-20	20	24.00	26.03
14LC165A-24	24	28.80	30.83
14LC165A-25	25	30.00	32.03
14LC165A-27	27	32.40	34.43
14LC165A-28	28	33.60	35.63
14LC165A-29	29	34.80	36.83
14LC165A-30	30	35.99	38.03
14LC165A-32	32	38.39	40.43
14LC165A-34	34	40.79	42.83
14LC165A-36	36	43.19	45.23
14LC165A-38	38	45.59	47.63
14LC165A-40	40	47.99	50.03
14LC165A-42	42	50.39	52.42
14LC165A-44	44	52.79	54.82
14LC165A-48	48	57.59	59.62
14LC165A-50	50	59.99	62.02
14LC165A-52	52	62.39	64.42
14LC165A-54	54	64.79	66.82
14LC165A-56	56	67.19	69.22
14LC165A-60	60	71.99	74.02
14LC165A-65	65	77.99	80.02
14LC165A-70	70	83.99	86.02
14LC165A-80	80	95.99	98.02

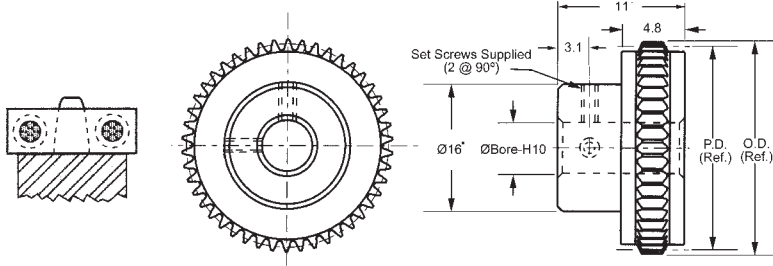


- For 13-15 teeth, hub diameter equals 13.3.
 - * Sprockets with Ø19.0mm P.D. and smaller are recommended for idler use only.
- Other numbers of teeth available on request.
Teeth could be anodized.

CHAIN SPROCKETS

CIR. PITCH	BORE	STYLE	MATERIALS	BERG'S ® NAME	CHAIN
3.747mm	Ø6	PIN HUB	Aluminum per DIN 3.1355 Anodized	Flex-E-Pitch®	Operates with 14CCF Series

A



STOCK NO.	NO. OF TEETH	PITCH DIA.	OUTSIDE DIA.
14LC164A-13	13*	15.60	17.63
14LC164A-14	14*	16.80	18.82
14LC164A-15	15*	18.00	20.03
14LC164A-16	16	19.20	21.23
14LC164A-18	18	21.60	23.63
14LC164A-20	20	24.00	26.03
14LC164A-24	24	28.80	30.83
14LC164A-25	25	30.00	32.03
14LC164A-27	27	32.40	34.43
14LC164A-28	28	33.60	35.63
14LC164A-29	29	34.80	36.83
14LC164A-30	30	35.99	38.03
14LC164A-32	32	38.39	40.43
14LC164A-34	34	40.79	42.83
14LC164A-36	36	43.19	45.23
14LC164A-38	38	45.59	47.63
14LC164A-40	40	47.99	50.03
14LC164A-42	42	50.39	52.42
14LC164A-44	44	52.79	54.82
14LC164A-48	48	57.59	59.62
14LC164A-50	50	59.99	62.02
14LC164A-52	52	62.39	64.42
14LC164A-54	54	64.79	66.82
14LC164A-56	56	67.19	69.22
14LC164A-60	60	71.99	74.02
14LC164A-65	65	77.99	80.02
14LC164A-70	70	83.99	86.02
14LC164A-80	80	95.99	98.02



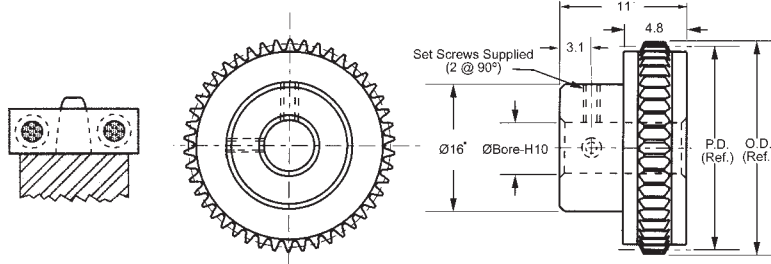
- For 13-15 teeth, hub diameter equals 13.3.
- * Sprockets with Ø19.0mm P.D. and smaller are recommended for idler use only.

Other numbers of teeth available on request.

Teeth could be anodized.

CHAIN SPROCKETS

CIR. PITCH	BORE	STYLE	MATERIALS	BERG'S ® NAME	CHAIN
3.747mm	Ø8	PIN HUB	Aluminum per DIN 3.1355 Anodized	Flex-E-Pitch®	Operates with 14CCF Series



STOCK NO.	NO. OF TEETH	PITCH DIA.	OUTSIDE DIA.
14LC263A-13	13*	15.60	17.63
14LC263A-14	14*	16.80	18.82
14LC263A-15	15*	18.00	20.03
14LC263A-16	16	19.20	21.23
14LC263A-18	18	21.60	23.63
14LC263A-20	20	24.00	26.03
14LC263A-24	24	28.80	30.83
14LC263A-25	25	30.00	32.03
14LC263A-27	27	32.40	34.43
14LC263A-28	28	33.60	35.63
14LC263A-29	29	34.80	36.83
14LC263A-30	30	35.99	38.03
14LC263A-32	32	38.39	40.43
14LC263A-34	34	40.79	42.83
14LC263A-36	36	43.19	45.23
14LC263A-38	38	45.59	47.63
14LC263A-40	40	47.99	50.03
14LC263A-42	42	50.39	52.42
14LC263A-44	44	52.79	54.82
14LC263A-48	48	57.59	59.62
14LC263A-50	50	59.99	62.02
14LC263A-52	52	62.39	64.42
14LC263A-54	54	64.79	66.82
14LC263A-56	56	67.19	69.22
14LC263A-60	60	71.99	74.02
14LC263A-65	65	77.99	80.02
14LC263A-70	70	83.99	86.02
14LC263A-80	80	95.99	98.02

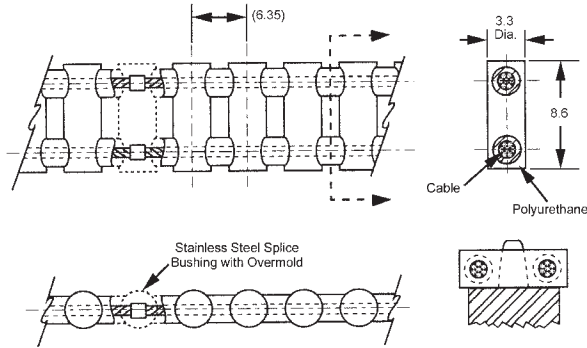


- For 13-15 teeth, hub diameter equals 13.3.
 - * Sprockets with Ø19.0mm P.D. and smaller are recommended for idler use only.
- Other numbers of teeth available on request.
Teeth could be anodized.

CABLE CHAINS

CIRCULAR PITCH	PIN DIAMETER	MATERIALS	BERG'S ® NAME	SPROCKET
6.35mm	3.3mm	Polyurethane (Yellow) 0.8mm Dia. Stainless Steel Cable*	Flex-E-Pitch®	Operates with 25CF, 25CP, and 25LC series.

A



STOCK NO.	NO. OF PITCHES	LENGTH MM
25CCF-40-E	40	254.0
25CCF-50-E	50	317.5
25CCF-60-E	60	381.0
25CCF-70-E	70	444.5
25CCF-80-E	80	508.0
25CCF-90-E	90	571.5
25CCF-100-E	100	635.0
25CCF-110-E	110	698.5
25CCF-120-E	120	762.0
25CCF-130-E	130	825.5
25CCF-140-E	140	889.0
25CCF-150-E	150	952.5
25CCF-160-E	160	1016.0
25CCF-170-E	170	1079.5
25CCF-180-E	180	1143.0
25CCF-190-E	190	1206.5
25CCF-200-E	200	1270.0
25CCF-210-E	210	1333.5
25CCF-220-E	220	1397.0
25CCF-230-E	230	1460.5
25CCF-240-E	240	1524.0
25CCF-250-E	250	1587.5
25CCF-260-E	260	1651.0
25CCF-270-E	270	1714.5
25CCF-280-E	280	1778.0
25CCF-290-E	290	1841.5
25CCF-300-E	300	1905.0
25CCF-310-E	310	1968.5
25CCF-320-E	320	2032.0
25CCF-330-E	330	2095.5
25CCF-370-E	370	2349.5
25CCF-380-E	380	2413.0
25CCF-390-E	390	2476.5

- For Field Splice Kit order 25CCF-7.
 - * Available with Aramid Core construction.
 - ** Reduce Operating Load Rating by 50% for field splices.
- Alternate belt construction and reverse belt bending applications available.

Designed to replace standard metal roller chain systems:

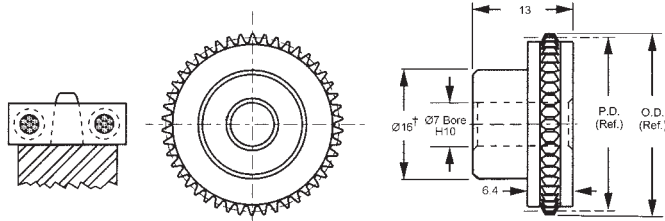
- No multiple link joints to bind.
- Lubrication is never required.
- Easily modified to any length.
- Large selection of mating sprockets.
- Infinite Lengths
- Silent Drive
- Rust Proof
- 90A Durometer
- Non-Magnetic
- Positive Drive
- Zero Backlash
- Mass 28 Grams/Meter
- Ultimate Tensile Strength 445N - (22 lbs./Pin) When belt is used in an open configuration (without splice, no crimp bushing)
- Temperature Range +82°C to -26°C
- Recommended Operating Load 111N
- Recommended Max. Operating Speed 1.91 m/s

BULK FOOTAGE - NOT SPLICED	
STOCK NO.	LENGTH
25CCF-1.5M	1.5 M
25CCF-3.0M	3.0 M
25CCF-7.5M	7.5 M
25CCF-15.0M	15.0 M
25CCF-30.0M	30.0 M



CHAIN SPROCKETS

CIR. PITCH	BORE	STYLE	MATERIALS	BERG'S ® NAME	CHAIN
6.35mm	Ø7	PIN HUB	ACETAL	Flex-E-Pitch®	Operates with 25CCF Series

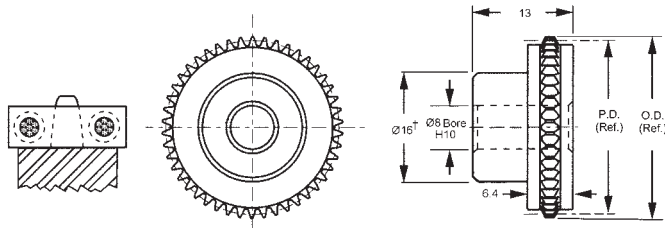


STOCK NO.	NO. OF TEETH	PITCH DIA.	OUTSIDE DIA.
25LC107M-9	9†	18.19	21.24
25LC107M-10	10	20.21	23.26
25LC107M-12	12	24.26	27.30
25LC107M-13	13	26.28	29.32
25LC107M-14	14	28.30	31.35
25LC107M-15	15	30.32	33.37
25LC107M-16	16	32.34	35.39
25LC107M-18	18	36.38	39.43
25LC107M-20	20	40.43	43.47
25LC107M-24	24	48.51	51.56
25LC107M-25	25	50.53	53.58
25LC107M-28	28	56.60	59.64
25LC107M-30	30	60.64	63.69
25LC107M-36	36	72.77	75.81



† Teeth runout on hub.
 * Sprockets with Ø19.0mm P.D. and smaller are recommended for idler use only.
 Other numbers of teeth available on request.

CIR. PITCH	BORE	STYLE	MATERIALS	BERG'S ® NAME	CHAIN
6.35mm	Ø8	PIN HUB	ACETAL	Flex-E-Pitch®	Operates with 25CCF Series



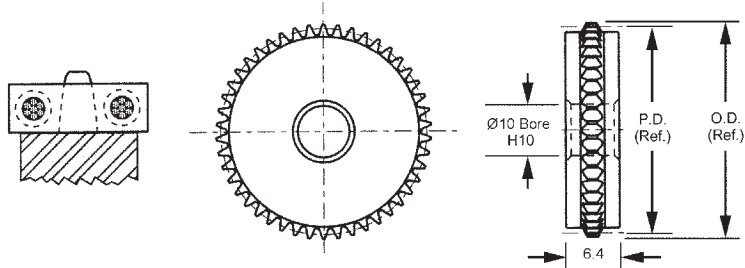
STOCK NO.	NO. OF TEETH	PITCH DIA.	OUTSIDE DIA.
25LC108M-9	9†	18.19	21.24
25LC108M-10	10	20.21	23.26
25LC108M-12	12	24.26	27.30
25LC108M-13	13	26.28	29.32
25LC108M-14	14	28.30	31.35
25LC108M-15	15	30.32	33.37
25LC108M-16	16	32.34	35.39
25LC108M-18	18	36.38	39.43
25LC108M-20	20	40.43	43.47
25LC108M-24	24	48.51	51.56
25LC108M-25	25	50.53	53.58
25LC108M-28	28	56.60	59.64
25LC108M-30	30	60.64	63.69
25LC108M-36	36	72.77	75.81



† Teeth runout on hub.
 * Sprockets with Ø19.0mm P.D. and smaller are recommended for idler use only.
 Other numbers of teeth available on request.

CHAIN SPROCKETS

CIR. PITCH	BORE	STYLE	MATERIALS	BERG'S ® NAME	CHAIN
6.35mm	Ø10	HUBLESS	Aluminum per DIN 3.1355 Anodized	Flex-E-Pitch®	Operates with 25CCF Series



A

STOCK NO.	NO. OF TEETH	PITCH DIA.	OUTSIDE DIA.
25CF177A-9	9*	18.19	21.24
25CF177A-10	10	20.21	23.26
25CF177A-12	12	24.26	27.30
25CF177A-13	13	28.28	29.32
25CF177A-14	14	28.30	31.35
25CF177A-15	15	30.32	33.37
25CF177A-16	16	32.34	35.39
25CF177A-18	18	36.38	39.43
25CF177A-20	20	40.43	43.47
25CF177A-24	24	48.51	51.56
25CF177A-25	25	50.53	53.58
25CF177A-28	28	56.60	59.64
25CF177A-30	30	60.64	63.69
25CF177A-36	36	72.77	75.81
25CF177A-40	40	80.85	83.90
25CF177A-48	48	97.02	100.07
25CF177A-60	60	121.28	124.32
25CF177A-72	72	145.53	148.58



* Sprockets with Ø19.0mm P.D. and smaller are recommended for idler use only.

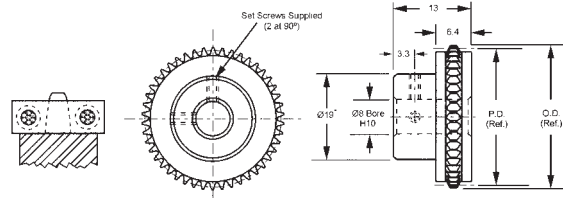
Other numbers of teeth available on request.

Teeth could be anodized.

CHAIN SPROCKETS

CIR. PITCH	BORE	STYLE	MATERIALS	BERG'S ® NAME	CHAIN
6.35mm	Ø8	PIN HUB	Aluminum per DIN 3.1355 Anodized	Flex-E-Pitch®	Operates with 25CCF Series

STOCK NO.	NO. OF TEETH	PITCH DIA.	OUTSIDE DIA.
25CP266A-9	9*	18.19	21.24
25CP266A-10	10*	20.21	23.26
25CP266A-12	12	24.26	27.30
25CP266A-13	13	28.28	29.32
25CP266A-14	14	28.30	31.35
25CP266A-15	15	30.32	33.37
25CP266A-16	16	32.34	35.39
25CP266A-18	18	36.38	39.43
25CP266A-20	20	40.43	43.47
25CP266A-24	24	48.51	51.56
25CP266A-25	25	50.53	53.58
25CP266A-28	28	56.60	59.64
25CP266A-30	30	60.64	63.69
25CP266A-36	36	72.77	75.81
25CP266A-40	40	80.85	83.90
25CP266A-48	48	97.02	100.07
25CP266A-60	60	121.28	124.32
25CP266A-72	72	145.53	148.58

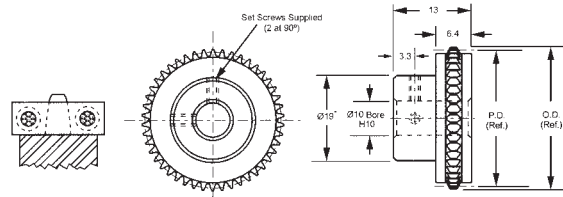


- For 9-10 teeth, hub diameter equals 14.5.
 - * Sprockets with Ø19.0mm P.D. and smaller are recommended for idler use only.
- Other numbers of teeth available on request.

Teeth could be anodized

CIR. PITCH	BORE	STYLE	MATERIALS	BERG'S ® NAME	CHAIN
6.35mm	Ø10	PIN HUB	Aluminum per DIN 3.1355 Anodized	Flex-E-Pitch®	Operates with 25CCF Series

STOCK NO.	NO. OF TEETH	PITCH DIA.	OUTSIDE DIA.
25CP167A-10	10*	20.21	23.26
25CP167A-12	12	24.26	27.30
25CP167A-13	13	28.28	29.32
25CP167A-14	14	28.30	31.35
25CP167A-15	15	30.32	33.37
25CP167A-16	16	32.34	35.39
25CP167A-18	18	36.38	39.43
25CP167A-20	20	40.43	43.47
25CP167A-24	24	48.51	51.56
25CP167A-25	25	50.53	53.58
25CP167A-28	28	56.60	59.64
25CP167A-30	30	60.64	63.69
25CP167A-36	36	72.77	75.81
25CP167A-40	40	80.85	83.90
25CP167A-48	48	97.02	100.07
25CP167A-60	60	121.28	124.32
25CP167A-72	72	145.53	148.58

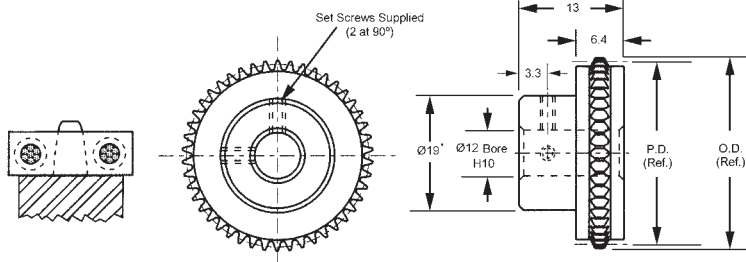


- For 10 teeth, hub diameter equals 16.9.
- Other numbers of teeth available on request.

Teeth could be anodized

CHAIN SPROCKETS

CIR. PITCH	BORE	STYLE	MATERIALS	BERG'S ® NAME	CHAIN
6.35mm	Ø12	PIN HUB	Aluminum per DIN 3.1355 Anodized	Flex-E-Pitch®	Operates with 25CCF Series



A

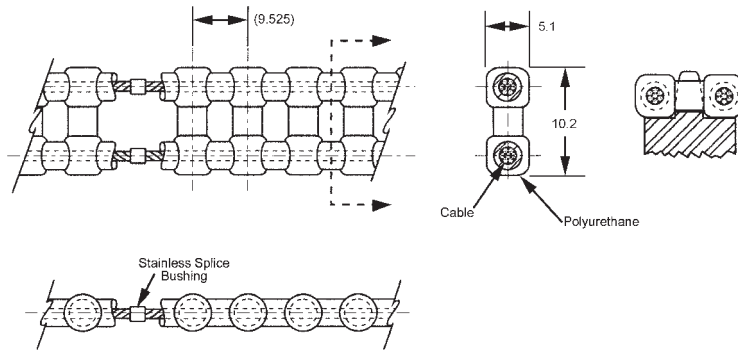
STOCK NO.	NO. OF TEETH	PITCH DIA.	OUTSIDE DIA.
25CP168A-10	10*	20.21	23.26
25CP168A-12	12	24.26	27.30
25CP168A-13	13	28.28	29.32
25CP168A-14	14	28.30	31.35
25CP168A-15	15	30.32	33.37
25CP168A-16	16	32.34	35.39
25CP168A-18	18	36.38	39.43
25CP168A-20	20	40.43	43.47
25CP168A-24	24	48.51	51.56
25CP168A-25	25	50.53	53.58
25CP168A-28	28	56.60	59.64
25CP168A-30	30	60.64	63.69
25CP168A-36	36	72.77	75.81
25CP168A-40	40	80.85	83.90
25CP168A-48	48	97.02	100.07
25CP168A-60	60	121.28	124.32
25CP168A-72	72	145.53	148.58



• For 10 teeth, hub diameter equals 16.9.
Other numbers of teeth available on request.
Teeth could be anodized

CABLE CHAINS

CIRCULAR PITCH	ROLL DIAMETER	MATERIALS	BERG'S ® NAME	SPROCKET
9.525mm	5.1mm	Polyurethane (Brown) 1.2mm Dia. Stainless Steel Cable*	Flex-E-Pitch®	Operates with 35LC, 35CF, and 35CP series.



STOCK NO.	NO. OF PITCHES	LENGTH (Ref.)
35CCF-40-E	40	381.0
35CCF-50-E	50	476.2
35CCF-60-E	60	571.5
35CCF-70-E	70	666.7
35CCF-80-E	80	762.0
35CCF-90-E	90	857.2
35CCF-100-E	100	952.5
35CCF-110-E	110	1047.7
35CCF-120-E	120	1143.0
35CCF-130-E	130	1238.2
35CCF-140-E	140	1333.5
35CCF-150-E	150	1428.7
35CCF-160-E	160	1524.0
35CCF-170-E	170	1617.2
35CCF-180-E	180	1714.5
35CCF-190-E	190	1809.7
35CCF-200-E	200	1905.0
35CCF-210-E	210	2000.2
35CCF-220-E	220	2095.5
35CCF-230-E	230	2190.7
35CCF-240-E	240	2286.0
35CCF-250-E	250	2381.2
35CCF-260-E	260	2476.5
35CCF-270-E	270	2571.7
35CCF-280-E	280	2667.0
35CCF-290-E	290	2762.2
35CCF-300-E	300	2857.5
35CCF-310-E	310	2952.7
35CCF-320-E	320	3048.0
35CCF-330-E	330	3143.2
35CCF-370-E	370	3429.0
35CCF-380-E	380	3524.2
35CCF-390-E	390	3714.7

- For Field Splice Kit order 7CCF-7.
 - * Available with Aramid Core construction.
 - ** Reduce Operating Load Rating by 50% for field splices.
- Alternate belt construction and reverse belt bending applications available.

Designed to replace standard metal roller chain systems:

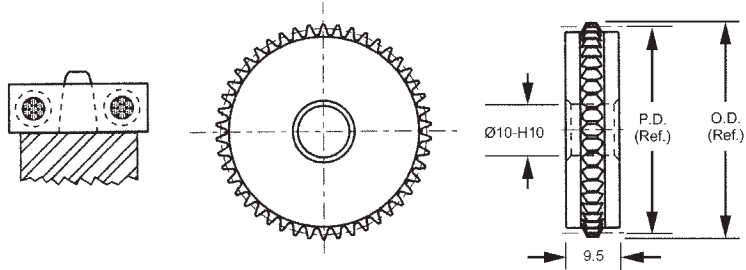
- No multiple link joints to bind.
- Lubrication is never required.
- Easily modified to any length.
- Large selection of mating sprockets.
- Infinite Lengths
- Silent Drive
- Rust Proof
- 90A Durometer
- Non-Magnetic
- Positive Drive
- Zero Backlash
- Mass 46.5 Grams/Meter
- Ultimate Tensile Strength 890N (222N/PIN)
When belt is used in open loop configuration
(without splice, no crimp bushing)
- Temperature Range +82°C to -26°C
- Recommended Operating Load 245N
- Recommended Max. Operating Speed 1.91 m/s

BULK FOOTAGE - NOT SPLICED	
STOCK NO.	LENGTH
35CCF-1.5M	1.5 M
35CCF-3.0M	3.0 M
35CCF-7.5M	7.5 M
35CCF-15.0M	15.0 M
35CCF-30.0M	30.0 M



CHAIN SPROCKETS

CIR. PITCH	BORE	STYLE	MATERIALS	BERG'S ® NAME	CHAIN
9.525mm	Ø10	HUBLESS	Aluminum per DIN 3.1355 Anodized	Flex-E-Pitch®	Operates with 35CCF Series



STOCK NO.	NO. OF TEETH	PITCH DIA.	OUTSIDE DIA.
35CF174A-8	8*	24.19	29.27
35CF174A-9	9*	27.22	32.30
35CF174A-10	10*	30.24	35.32
35CF174A-11	11*	33.27	38.35
35CF174A-12	12	36.29	41.37
35CF174A-14	14	42.34	47.42
35CF174A-15	15	45.36	50.44
35CF174A-16	16	48.39	53.47
35CF174A-18	18	54.43	59.51
35CF174A-20	20	60.48	65.56
35CF174A-24	24	72.58	77.66
35CF174A-25	25	75.60	80.68
35CF174A-30	30	90.72	95.80
35CF174A-32	32	96.77	101.85
35CF174A-36	36	108.87	113.95
35CF174A-40	40	120.96	126.04
35CF174A-48	48	145.16	150.24

* Sprockets with Ø35.0mm P.D. and smaller are recommended for idler use only.

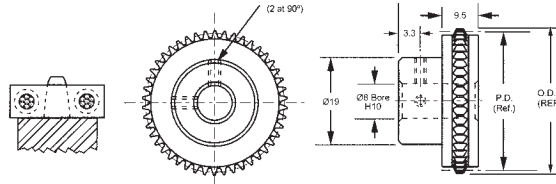
Other numbers of teeth available on request.

Teeth could be anodized.

CHAIN SPROCKETS

CIR. PITCH	BORE	STYLE	MATERIALS	BERG'S ® NAME	CHAIN
9.525mm	Ø8	PIN HUB	Aluminum per DIN 3.1355 Anodized	Flex-E-Pitch®	Operates with 35CCF Series

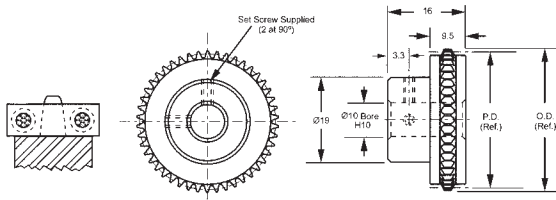
STOCK NO.	NO. OF TEETH	PITCH DIA.	OUTSIDE DIA.
35CP257A-8	8*	24.19	29.27
35CP257A-9	9*	27.22	32.30
35CP257A-10	10*	30.24	35.32
35CP257A-11	11*	33.27	38.35
35CP257A-12	12	36.29	41.37
35CP257A-14	14	42.34	47.42
35CP257A-15	15	45.36	50.44
35CP257A-16	16	48.39	53.47
35CP257A-18	18	54.43	59.51
35CP257A-20	20	60.48	65.56
35CP257A-24	24	72.58	77.66
35CP257A-25	25	75.60	80.68
35CP257A-30	30	90.72	95.80
35CP257A-32	32	96.77	101.85
35CP257A-36	36	108.87	113.95
35CP257A-40	40	120.96	126.04
35CP257A-48	48	145.16	150.24



* Sprockets with Ø35.0mm P.D. and smaller are recommended for idler use only. Other numbers of teeth available on request. Teeth could be anodized.

CIR. PITCH	BORE	STYLE	MATERIALS	BERG'S ® NAME	CHAIN
9.525mm	Ø10	PIN HUB	Aluminum per DIN 3.1355 Anodized	Flex-E-Pitch®	Operates with 35CCF Series

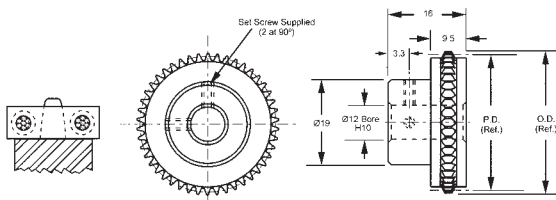
STOCK NO.	NO. OF TEETH	PITCH DIA.	OUTSIDE DIA.
35CP158A-8	8*	24.19	29.27
35CP158A-9	9*	27.22	32.30
35CP158A-10	10*	30.24	35.32
35CP158A-11	11*	33.27	38.35
35CP158A-12	12	36.29	41.37
35CP158A-14	14	42.34	47.42
35CP158A-15	15	45.36	50.44
35CP158A-16	16	48.39	53.47
35CP158A-18	18	54.43	59.51
35CP158A-20	20	60.48	65.56
35CP158A-24	24	72.58	77.66
35CP158A-25	25	75.60	80.68
35CP158A-30	30	90.72	95.80
35CP158A-32	32	96.77	101.85
35CP158A-36	36	108.87	113.95
35CP158A-40	40	120.96	126.04
35CP158A-48	48	145.16	150.24



* Sprockets with Ø35.0mm P.D. and smaller are recommended for idler use only. Other numbers of teeth available on request. Teeth could be anodized.

CIR. PITCH	BORE	STYLE	MATERIALS	BERG'S ® NAME	CHAIN
9.525mm	Ø12	PIN HUB	Aluminum per DIN 3.1355 Anodized	Flex-E-Pitch®	Operates with 35CCF Series

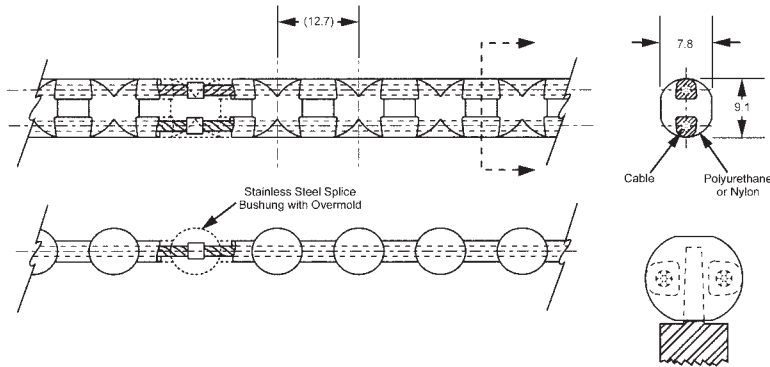
STOCK NO.	NO. OF TEETH	PITCH DIA.	OUTSIDE DIA.
35CP159A-8	8*	24.19	29.27
35CP159A-9	9*	27.22	32.30
35CP159A-10	10*	30.24	35.32
35CP159A-11	11*	33.27	38.35
35CP159A-12	12	36.29	41.37
35CP159A-14	14	42.34	47.42
35CP159A-15	15	45.36	50.44
35CP159A-16	16	48.39	53.47
35CP159A-18	18	54.43	59.51
35CP159A-20	20	60.48	65.56
35CP159A-24	24	72.58	77.66
35CP159A-25	25	75.60	80.68
35CP159A-30	30	90.72	95.80
35CP159A-32	32	96.77	101.85
35CP159A-36	36	108.87	113.95
35CP159A-40	40	120.96	126.04
35CP159A-48	48	145.16	150.24



* Sprockets with Ø35.0mm P.D. and smaller are recommended for idler use only. Other numbers of teeth available on request. Teeth could be anodized.

CHAIN CABLE

CIRCULAR PITCH	PIN DIAMETER	MATERIALS	BERG'S ® NAME	SPROCKET
12.7mm	7.8mm	Polyurethane (Red) 1.6mm Dia. Stainless Steel Cable*	Flex-E-Pitch®	Operates with 7CF, and 7CP series.



A

STOCK NO.	NO. OF PITCHES	LENGTH (Ref.)
7CCF-20-U	20	254.0
7CCF-22-U	22	279.4
7CCF-24-U	24	304.8
7CCF-26-U	26	330.2
7CCF-28-U	28	355.6
7CCF-30-U	30	381.0
7CCF-32-U	32	406.4
7CCF-34-U	34	431.8
7CCF-36-U	36	457.2
7CCF-38-U	38	482.6
7CCF-40-U	40	508.0
7CCF-42-U	42	533.4
7CCF-44-U	44	558.8
7CCF-46-U	46	584.2
7CCF-48-U	48	609.6
7CCF-50-U	50	635.0
7CCF-52-U	52	660.4
7CCF-54-U	54	685.8
7CCF-56-U	56	711.2
7CCF-60-U	60	762.0
7CCF-64-U	64	685.8
7CCF-68-U	68	863.6
7CCF-72-U	72	914.4
7CCF-76-U	76	965.2
7CCF-80-U	80	1016.0
7CCF-84-U	84	1066.8
7CCF-88-U	88	1117.6
7CCF-92-U	92	1168.4
7CCF-96-U	96	1219.2
7CCF-100-U	100	1270.0
7CCF-104-U	104	1320.8
7CCF-108-U	108	1371.6
7CCF-112-U	112	1422.4
7CCF-116-U	116	1473.2
7CCF-130-U	130	1651.0
7CCF-140-U	140	1778.0
7CCF-200-U	200	2540.0

- Aramid & Anti-Static alternate construction available. Aramid Core and/or Anti-Static Materials, and reverse belt bending applications available.

- For Field Splice Kit order 7CCF-7.
- Infinite Lengths
- Rust Proof
- Non Magnetic
- Zero Backlash
- No Lubrication Required
- Positive Drive
- Mass 111 Grams/Meter
- 90A Durometer
- Ultimate Tensile Strength 1335N (311N/Pin)
When belt is used in an open loop configuration (without splice, no crimp bushing)
- Temperature Range +82°C to -26°C
- Recommended Operating Load 334N
- Recommended Operating Speed 1.91m/s

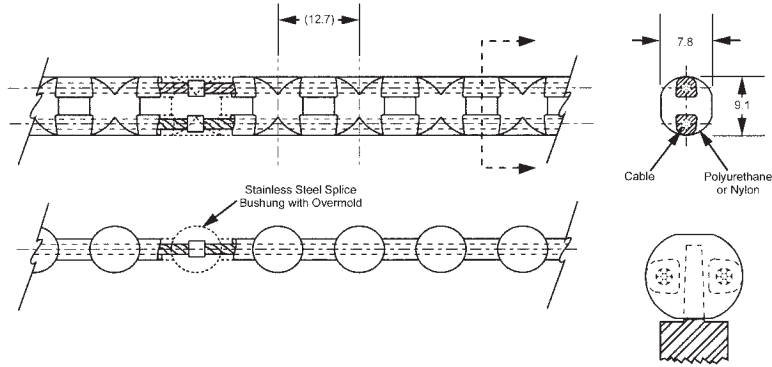
Other lengths available on request.

BULK FOOTAGE - NOT SPLICED	
STOCK NO.	LENGTH
7CCF-U-1.5M	1.5 M
7CCF-U-3.0M	3.0 M
7CCF-U-7.5M	7.5 M
7CCF-U-15.0M	15.0 M
7CCF-U-30.0M	30.0 M



CHAIN CABLE

CIRCULAR PITCH	ROLL DIAMETER	MATERIALS	BERG'S ® NAME	SPROCKET
12.7mm	7.8mm	Nylon (Green) 1.6mm Dia. Stainless Steel Cable*	Flex-E-Pitch®	Operates with 7CP, and 7CF series



STOCK NO.	NO. OF PITCHES	LENGTH (Ref.)
7CCF-20-N	20	254.0
7CCF-22-N	22	279.4
7CCF-24-N	24	304.8
7CCF-26-N	26	330.2
7CCF-28-N	28	355.6
7CCF-30-N	30	381.0
7CCF-32-N	32	406.4
7CCF-34-N	34	431.8
7CCF-36-N	36	457.2
7CCF-38-N	38	482.6
7CCF-40-N	40	508.0
7CCF-42-N	42	533.4
7CCF-44-N	44	558.8
7CCF-46-N	46	584.2
7CCF-48-N	48	609.6
7CCF-50-N	50	635.0
7CCF-52-N	52	660.4
7CCF-54-N	54	685.8
7CCF-56-N	56	711.2
7CCF-60-N	60	762.0
7CCF-64-N	64	685.8
7CCF-68-N	68	863.6
7CCF-72-N	72	914.4
7CCF-76-N	76	965.2
7CCF-80-N	80	1016.0
7CCF-84-N	84	1066.8
7CCF-88-N	88	1117.6
7CCF-92-N	92	1168.4
7CCF-96-N	96	1219.2
7CCF-100-N	100	1270.0
7CCF-104-N	104	1320.8
7CCF-108-N	108	1371.6
7CCF-112-N	112	1422.4
7CCF-116-N	116	1473.2
7CCF-130-N	130	1651.0
7CCF-140-N	140	1778.0
7CCF-200-N	200	2540.0

- Aramid & Anti-Static alternate construction available. Aramid Core and/or Anti-Static Materials, and reverse belt bending applications available.

- For Field Splice Kit order 7CCF-7.
- Infinite Lengths
- Rust Proof
- Non Magnetic
- Zero Backlash
- No Lubrication Required
- Positive Drive
- Mass 111 Grams/Meter
- 90A Durometer
- Ultimate Tensile Strength 1335N (311N/Pin)
When belt is used in an open loop configuration (without splice, no crimp bushing)
- Temperature Range +121°C to -40°C
- Recommended Operating Load 334N
- Recommended Operating Speed 1.91m/s

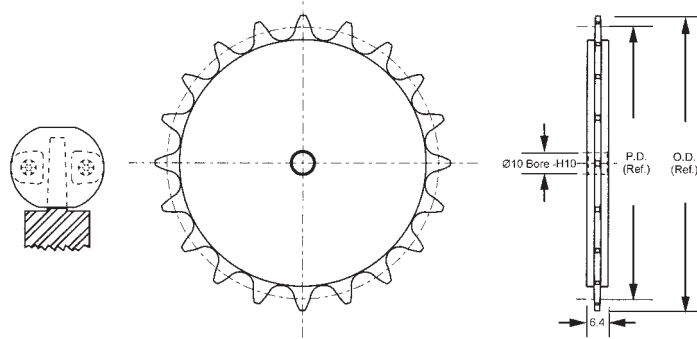
Other lengths available on request.

BULK FOOTAGE - NOT SPLICED	
STOCK NO.	LENGTH
7CCF-N-1.5M	1.5 M
7CCF-N-3.0M	3.0 M
7CCF-N-7.5M	7.5 M
7CCF-N-15.0M	15.0 M
7CCF-N-30.0M	30.0 M



CHAIN SPROCKETS

CIR. PITCH	BORE	STYLE	MATERIALS	BERG'S ® NAME	CHAIN
12.7mm	Ø10	HUBLESS	Aluminum per DIN 3.1355 Anodized	Flex-E-Pitch®	Operates with 7CCF Series



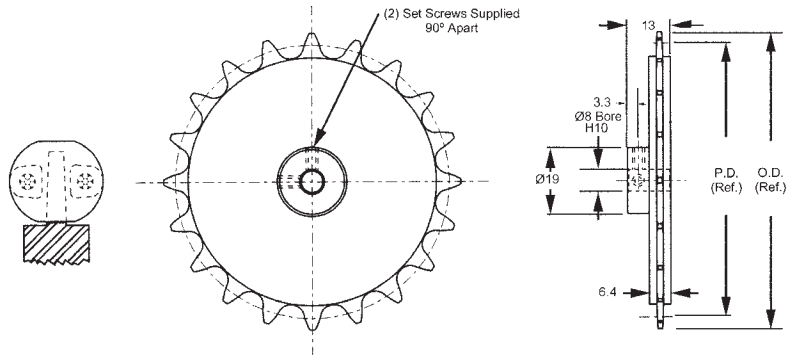
A

STOCK NO.	NO. OF TEETH	PITCH DIA.	OUTSIDE DIA.
7CF177A-8	8*	32.51	38.86
7CF177A-9	9*	36.58	42.93
7CF177A-10	10*	40.64	46.99
7CF177A-11	11*	44.70	51.05
7CF177A-12	12	48.77	55.12
7CF177A-13	13	52.83	59.18
7CF177A-14	14	56.90	63.25
7CF177A-15	15	60.96	67.31
7CF177A-16	16	65.02	71.37
7CF177A-18	18	73.15	79.50
7CF177A-20	20	81.28	87.63
7CF177A-22	22	89.41	95.76
7CF177A-24	24	97.54	103.89
7CF177A-25	25	101.60	107.95
7CF177A-28	28	113.79	120.14
7CF177A-30	30	121.92	128.27
7CF177A-32	32	130.05	136.40
7CF177A-34	34	138.18	144.53
7CF177A-36	36	146.30	152.65
7CF177A-38	38	154.43	160.78

* Sprockets with Ø45.0mm P.D. and smaller are recommended for idler use only.
Other numbers of teeth available on request.
Teeth could be anodized.

CHAIN SPROCKETS

CIR. PITCH	BORE	STYLE	MATERIALS	BERG'S ® NAME	CHAIN
12.7mm	Ø8	PIN HUB	Aluminum per DIN 3.1355 Anodized	Flex-E-Pitch®	Operates with 7CCF Series

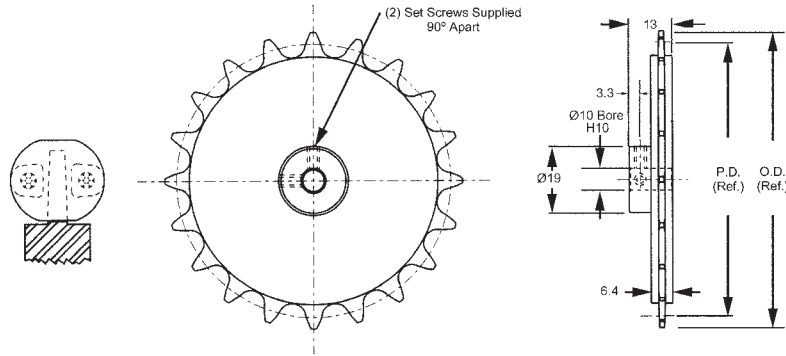


STOCK NO.	NO. OF TEETH	PITCH DIA.	OUTSIDE DIA.
7CP266A-8	8*	32.51	38.86
7CP266A-9	9*	36.58	42.93
7CP266A-10	10*	40.64	46.99
7CP266A-11	11*	44.70	51.05
7CP266A-12	12	48.77	55.12
7CP266A-13	13	52.83	59.18
7CP266A-14	14	56.90	63.25
7CP266A-15	15	60.96	67.31
7CP266A-16	16	65.02	71.37
7CP266A-18	18	73.15	79.50
7CP266A-20	20	81.28	87.63
7CP266A-22	22	89.41	95.76
7CP266A-24	24	97.54	103.89
7CP266A-25	25	101.60	107.95
7CP266A-28	28	113.79	120.14
7CP266A-30	30	121.92	128.27
7CP266A-32	32	130.05	136.40
7CP266A-34	34	138.18	144.53
7CP266A-36	36	146.30	152.65
7CP266A-38	38	154.43	160.78

* Sprockets with Ø45.0mm P.D. and smaller are recommended for idler use only.
Other numbers of teeth available on request.
Teeth could be anodized.

CHAIN SPROCKETS

CIR. PITCH	BORE	STYLE	MATERIALS	BERG'S ® NAME	CHAIN
12.7mm	Ø10	PIN HUB	Aluminum per DIN 3.1355 Anodized	Flex-E-Pitch®	Operates with 7CCF Series



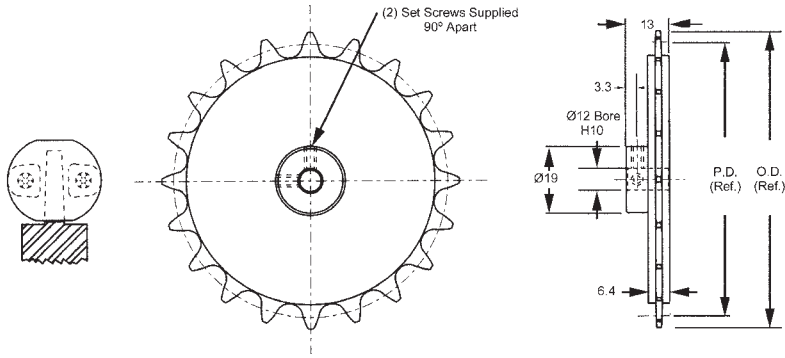
A

STOCK NO.	NO. OF TEETH	PITCH DIA.	OUTSIDE DIA.
7CP167A-8	8*	32.51	38.86
7CP167A-9	9*	36.58	42.93
7CP167A-10	10*	40.64	46.99
7CP167A-11	11*	44.70	51.05
7CP167A-12	12	48.77	55.12
7CP167A-13	13	52.83	59.18
7CP167A-14	14	56.90	63.25
7CP167A-15	15	60.96	67.31
7CP167A-16	16	65.02	71.37
7CP167A-18	18	73.15	79.50
7CP167A-20	20	81.28	87.63
7CP167A-22	22	89.41	95.76
7CP167A-24	24	97.54	103.89
7CP167A-25	25	101.60	107.95
7CP167A-28	28	113.79	120.14
7CP167A-30	30	121.92	128.27
7CP167A-32	32	130.05	136.40
7CP167A-34	34	138.18	144.53
7CP167A-36	36	146.30	152.65
7CP167A-38	38	154.43	160.78

* Sprockets with Ø45.0mm P.D. and smaller are recommended for idler use only.
Other numbers of teeth available on request.
Teeth could be anodized.

CHAIN SPROCKETS

CIR. PITCH	BORE	STYLE	MATERIALS	BERG'S ® NAME	CHAIN
12.7mm	Ø12	PIN HUB	Aluminum per DIN 3.1355 Anodized	Flex-E-Pitch®	Operates with 7CCF Series



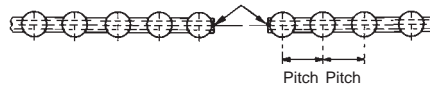
STOCK NO.	NO. OF TEETH	PITCH DIA.	OUTSIDE DIA.
7CP168A-8	8*	32.51	38.86
7CP168A-9	9*	36.58	42.93
7CP168A-10	10*	40.64	46.99
7CP168A-11	11*	44.70	51.05
7CP168A-12	12	48.77	55.12
7CP168A-13	13	52.83	59.18
7CP168A-14	14	56.90	63.25
7CP168A-15	15	60.96	67.31
7CP168A-16	16	65.02	71.37
7CP168A-18	18	73.15	79.50
7CP168A-20	20	81.28	87.63
7CP168A-22	22	89.41	95.76
7CP168A-24	24	97.54	103.89
7CP168A-25	25	101.60	107.95
7CP168A-28	28	113.79	120.14
7CP168A-30	30	121.92	128.27
7CP168A-32	32	130.05	136.40
7CP168A-34	34	138.18	144.53
7CP168A-36	36	146.30	152.65
7CP168A-38	38	154.43	160.78

* Sprockets with Ø45.0mm P.D. and smaller are recommended for idler use only.
Other numbers of teeth available on request.
Teeth could be anodized.

FIELD SPLICE KITS

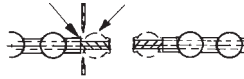
Splicing Procedures:

1. Cut "BERG" *FLEX-E-PITCH*® sharp and square as shown, using cutter, to desired number of pitches, plus one pitch.

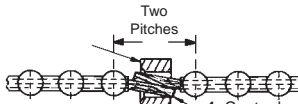


A

2. Cut plastic jacket (one pitch each side) lightly, with a sharp razor blade, as shown (all around). Caution: do not nick cable. Strip or twist off jacket carefully.

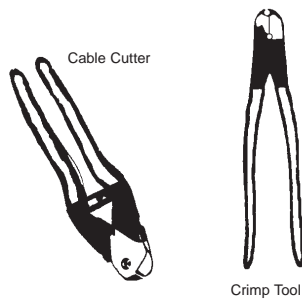
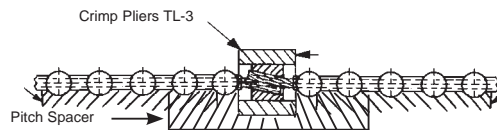


3. Slide stripped cable into oval splice bushing carefully. Caution: Do not fray cable. Feed cable into chamfered end of bushing last.

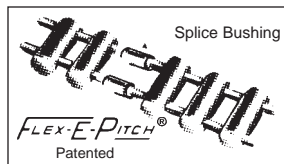


4. Center bushing and be certain chain is straight before crimping.

5. Position crimp tool over splice bushing and squeeze tightly for maximum splice strength.



CHAIN SERIES	STOCK NO.	FIELD SPLICE KIT AND ACCESSORIES
14CCF	14CCF-7	Complete Kit Consists of: Crimp tool, Pitch Spacer, Sample Chain Cable cutter, Bushings, Razor Blades & Instructions
25CCF	25CCF-7	
35CCF	35CCF-7	
7CCF	7CCF-7	
	TL-3 TL-7	Crimp Tool For 14CCF,25CCF,35CCF Crimp Tool 7CCF
	BU-032-S BU-046-S BU-062-S	Extra Splice Bushings for: 14CCF & 25CCF (0.8 Dia. Cable) 35CCF (1.2 Dia. Cable) 7CCF (1.6 Dia. Cable)
	TL-1	Cable Cutter for up to 1.2 Dia. Cable
	TL-2	Cable Cutter for 7CCF (1.6 Dia. Cable)
	TL-9	7CCF Pitch Space Fixture

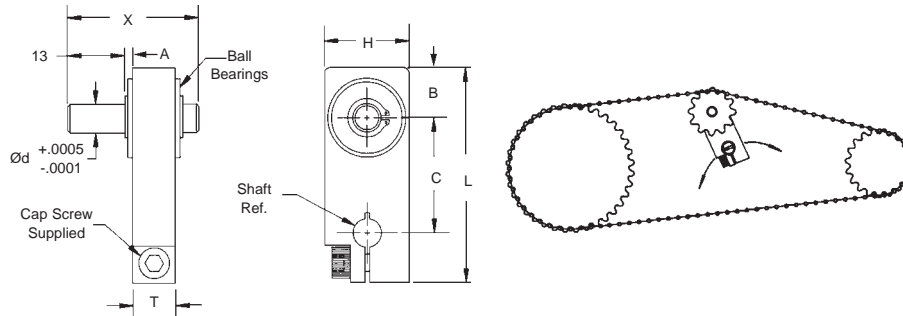


Field Splices Offer Only 50% of Catalog Rated Loads

BELT TENSIONER

MATERIALS

HOUSING - DIN 3.1355 Aluminum Black Anodized Shafting - DIN 1.4305 Stainless Steel



- Berg's Belt Tensioner installs quickly into existing or new belting systems. Its clamp style design allows for mounting on shoulder screws or shafts.
- Tension is easily adjusted by pivoting tensioner about mounting surface.
- The Belt Tensioner has been designed to handle most of Berg's Belt and Sprocket series as well as available similar products.

STOCK NO.	d	SHAFT REF.	X	L	T	H	C	A	B
TENS-1M	1.000	4.0	30.0	48	9.5	19	25	1.8	11.2
TENS-2M	6.000	6.0	30.0	48	9.5	19	25	1.8	11.2
TENS-3M	8.000	8.0	35.0	64	12.5	25	40	2.2	12.5

ROW-L-ER® CHAIN Technical Data

Operating Notes:

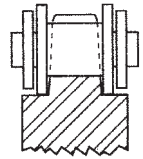
ROW-L-ER Chain offers no slippage due to the positive drive between chain and tooth. This series will also have negligible stretch, long life, and the ability to operate in many different hostile environments such as high temperature, high moisture, high dust or dirty areas, and corrosive atmospheres.

A

CIRCULAR PITCH	ROLLER DIAMETER	MATERIAL	SPROCKET
3.75mm	2.3mm	Stainless Steel, Non-Magnetic, Prestretched Single Strand	Operates with 14EM and 14SP series.

3.75 Pitch Series

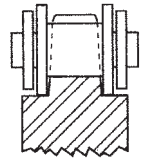
- Ultimate tensile 801N - Max operating load 89N
- Mass 52 gms/m



CIRCULAR PITCH	ROLLER DIAMETER	MATERIAL	SPROCKET
6.35mm	3.3mm	Stainless Steel, Mild Steel Single Strand, Delrin and Nylatron	Operates with 25EM and 25SP series.

6.35 Pitch Series

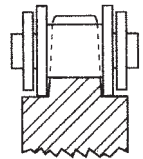
- Ultimate tensile 3113N, for Stainless Steel - Max. operating load 342N
3892N, for Mild Steel - Max. operating load 431N
280N, for Delrin - Max operating load 93N
290N for Nylatron - Max. operating load 98N
- Mass 133gms/m (Stainless and Mild Steel) - Must be lubricated



CIRCULAR PITCH	ROLLER DIAMETER	MATERIAL	SPROCKET
9.53mm	5.1mm	Delrin and Nylatron	Operates with 35EM and 35SP series.

9.53 Pitch Series

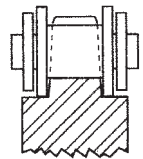
- Ultimate tensile 605N, for Delrin - Max. operating load 200N
605N, for Nylatron - Max. operating load 200N



CIRCULAR PITCH	ROLLER DIAMETER	MATERIAL	SPROCKET
12.7mm	7.9mm	Delrin and Nylatron	Operates with 40EM series.

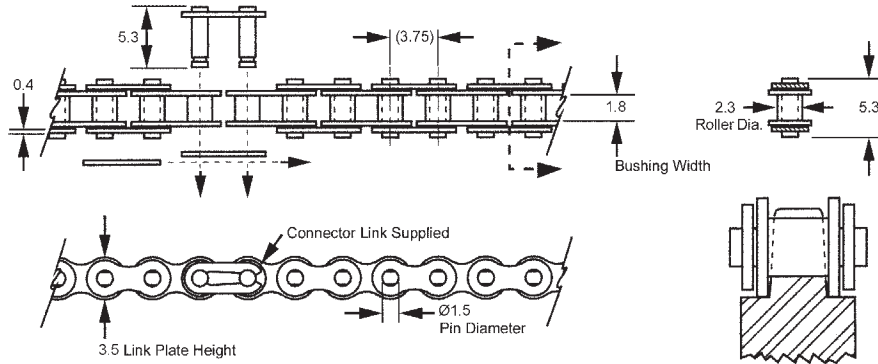
12.70 Pitch Series

- Ultimate tensile 779N, for Delrin - Max. operating load 258N
779N, for Nylatron - Max. operating load 258N



LINK CHAIN

CIRCULAR PITCH	ROLLER DIAMETER	BERG'S® NAME	MATERIAL	SPROCKET
3.75mm	2.3mm	ROW-L-ER®	Stainless Steel, Non-Magnetic, Prestretched Single Strand	Operates with 14EM and 14SP series.



STOCK NO.	NO. OF PITCHES	LENGTH MM
RC14SS-40	40	150.0
RC14SS-50	50	187.5
RC14SS-60	60	225.0
RC14SS-70	70	262.5
RC14SS-80	80	300.0
RC14SS-90	90	337.5
RC14SS-100	100	375.0
RC14SS-110	110	412.5
RC14SS-120	120	450.0
RC14SS-130	130	487.5
RC14SS-140	140	525.0
RC14SS-150	150	562.5
RC14SS-160	160	600.0
RC14SS-170	170	637.5
RC14SS-180	180	675.0
RC14SS-190	190	712.5
RC14SS-200	200	750.0
RC14SS-210	210	787.5
RC14SS-220	220	825.0
RC14SS-230	230	862.5
RC14SS-240	240	900.0
RC14SS-250	250	937.5
RC14SS-260	260	975.0
RC14SS-270	270	1012.5
RC14SS-280	280	1050.0
RC14SS-290	290	1087.5
RC14SS-300	300	1125.0
RC14SS-310	310	1162.5
RC14SS-320	320	1200.0
RC14SS-330	330	1237.5
RC14SS-340	340	1275.0
RC14SS-350	350	1312.5
RC14SS-360	360	1350.0
RC14SS-370	370	1387.5
RC14SS-380	380	1425.0
RC14SS-390	390	1462.5

* Maximum recommended operating load is for a slip fit connecting link, which is standard. A press fit connecting link is a special available on request.

Special lengths available on request (only even numbers of links).

Maximum recommended Operating Load = 89N

Ultimate Tensile Strength = 801N

52gms/m - Must be lubricated.

Use Connector Link Berg P/N RC14SS-CL.

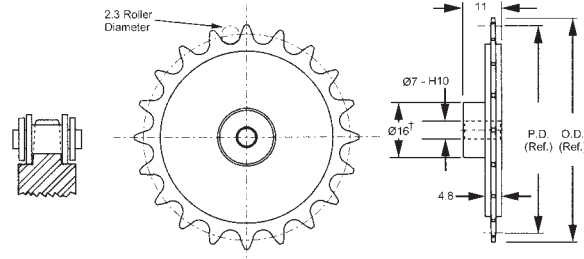


STOCK NO.	LENGTH
RC14SS-1.5M	1.5M
RC14SS-3.0M	3.0M
RC14SS-7.5M	7.5M
RC14SS-15.0M	15.0M
RC14SS-30.0M	30.0M

SPROCKETS

CIR. PITCH	BORE	STYLE	MATERIALS	BERG'S ® NAME	CHAIN
3.75mm	Ø7	PIN HUB	ACETAL	ROW-L-ER®	Operates with RC14SS Series

STOCK NO.	NO. OF TEETH	P. D.	O.D.
14EM107M-15	15†	18.02	19.33
14EM107M-16	16†	19.22	20.52
14EM107M-18	18	21.60	22.89
14EM107M-20	20	23.97	25.25
14EM107M-22	22	26.35	27.64
14EM107M-24	24	28.73	30.02
14EM107M-26	26	31.11	32.39
14EM107M-30	30	35.88	37.39
14EM107M-32	32	38.26	39.52
14EM107M-36	36	43.03	44.30
14EM107M-40	40	47.80	49.07
14EM107M-42	42	50.18	51.44
14EM107M-44	44	52.57	53.82
14EM107M-45	45	53.76	55.02
14EM107M-50	50	59.72	60.99
14EM107M-55	55	65.69	66.93
14EM107M-60	60	71.65	72.90

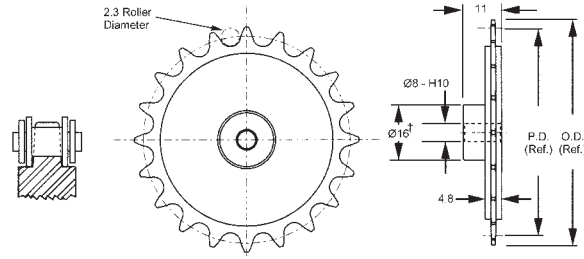


A

† Teeth runout on hub.
Other Bore sizes and other numbers of teeth are available on request.

CIR. PITCH	BORE	STYLE	MATERIALS	BERG'S ® NAME	CHAIN
3.75mm	Ø8	PIN HUB	ACETAL	ROW-L-ER®	Operates with RC14SS Series

STOCK NO.	NO. OF TEETH	P. D.	O.D.
14EM108M-15	15†	18.02	19.33
14EM108M-16	16†	19.22	20.52
14EM108M-18	18	21.60	22.89
14EM108M-20	20	23.97	25.25
14EM108M-22	22	26.35	27.64
14EM108M-24	24	28.73	30.02
14EM108M-26	26	31.11	32.39
14EM108M-30	30	35.88	37.39
14EM108M-32	32	38.26	39.52
14EM108M-36	36	43.03	44.30
14EM108M-40	40	47.80	49.07
14EM108M-42	42	50.18	51.44
14EM108M-44	44	52.57	53.82
14EM108M-45	45	53.76	55.02
14EM108M-50	50	59.72	60.99
14EM108M-55	55	65.69	66.93
14EM108M-60	60	71.65	72.90

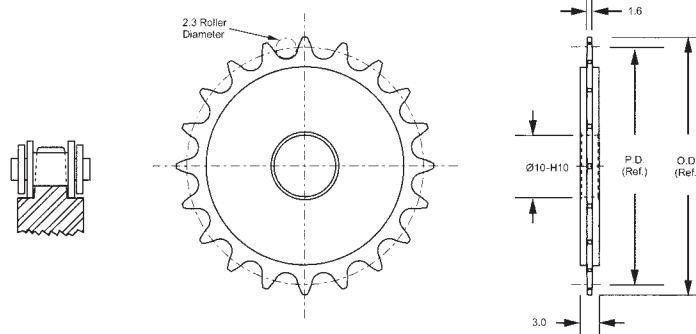


† Teeth runout on hub.
Other Bore sizes and other numbers of teeth are available on request.



SPROCKETS

CIR. PITCH	BORE	STYLE	MATERIALS	BERG'S ® NAME	CHAIN
3.75mm	Ø10	HUBLESS	Aluminum per DIN 3.1355 Anodized	ROW-L-ER®	Operates with RC14SS Series



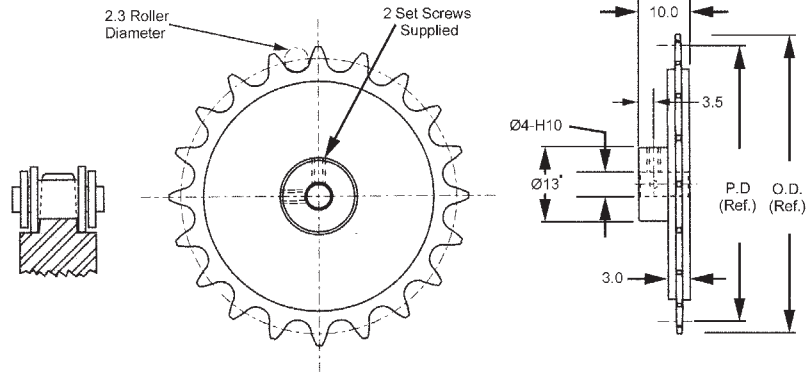
STOCK NO.	NO. OF TEETH	PITCH DIA.	OUTSIDE DIA.
14SP175A-16	16	19.22	20.52
14SP175A-17	17	20.41	21.72
14SP175A-18	18	21.60	22.89
14SP175A-19	19	22.78	24.08
14SP175A-20	20	23.97	25.27
14SP175A-21	21	25.16	26.47
14SP175A-22	22	26.35	27.63
14SP175A-23	23	27.54	28.83
14SP175A-24	24	28.73	30.02
14SP175A-25	25	29.92	31.22
14SP175A-26	26	31.11	32.41
14SP175A-27	27	32.30	33.58
14SP175A-28	28	33.49	34.77
14SP175A-29	29	34.68	35.97
14SP175A-30	30	35.88	37.16
14SP175A-31	31	37.07	38.35
14SP175A-32	32	38.26	39.55
14SP175A-33	33	39.45	40.75
14SP175A-34	34	40.64	41.91
14SP175A-35	35	41.83	43.12
14SP175A-36	36	43.03	44.30



Other Bore sizes and other numbers of teeth are available on request.
Teeth could be anodized.

SPROCKETS

CIR. PITCH	BORE	STYLE	MATERIALS	BERG'S ® NAME	CHAIN
3.75mm	Ø4	PIN HUB	Aluminum per DIN 3.1355 Anodized	ROW-L-ER®	Operates with RC14SS Series



A

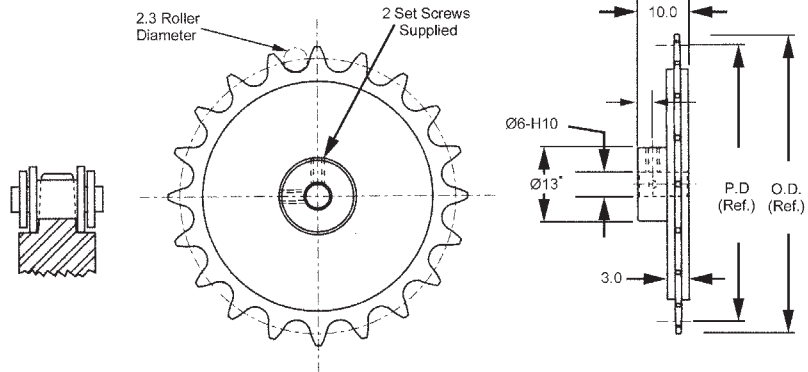
STOCK NO.	NO. OF TEETH	PITCH DIA.	OUTSIDE DIA.
14EM162A-10	10•	12.14	13.44
14EM162A-11	11•	13.31	14.63
14EM162A-12	12•	14.49	15.80
14EM162A-13	13•	15.67	16.97
14EM162A-14	14•	16.85	18.16
14EM162A-15	15	18.04	19.33
14EM162A-16	16	19.22	20.52
14EM162A-17	17	20.41	21.72
14EM162A-18	18	21.60	22.89
14EM162A-19	19	22.78	24.08
14EM162A-20	20	23.97	25.27
14EM162A-21	21	25.16	26.47
14EM162A-22	22	26.35	27.63
14EM162A-23	23	27.54	28.83
14EM162A-24	24	28.73	30.02
14EM162A-25	25	29.92	31.22
14EM162A-26	26	31.11	32.41
14EM162A-27	27	32.30	33.58
14EM162A-28	28	33.49	34.77
14EM162A-29	29	34.68	35.97
14EM162A-30	30	35.88	37.16
14EM162A-31	31	37.07	38.35
14EM162A-32	32	38.26	39.55
14EM162A-33	33	39.45	40.75
14EM162A-34	34	40.64	41.91
14EM162A-35	35	41.83	43.12
14EM162A-36	36	43.03	44.30



- For 10-14 teeth, hub diameter equals 7.1.
- Other Bore sizes and other numbers of teeth are available on request.
Teeth could be anodized.

SPROCKETS

CIR. PITCH	BORE	STYLE	MATERIALS	BERG'S ® NAME	CHAIN
3.75mm	Ø6	PIN HUB	Aluminum per DIN 3.1355 Anodized	ROW-L-ER®	Operates with RC14SS Series



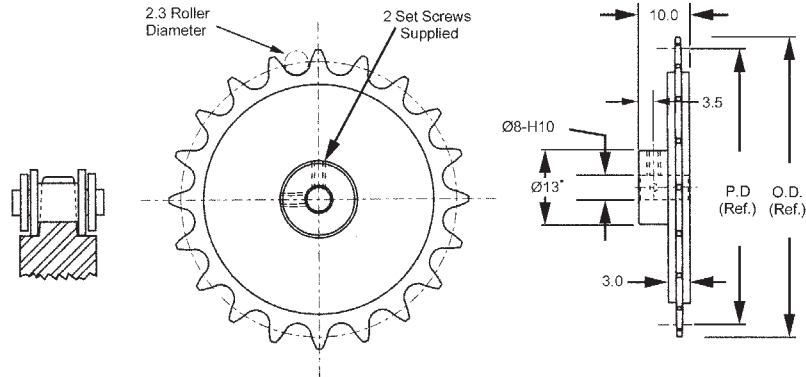
STOCK NO.	NO. OF TEETH	PITCH DIA.	OUTSIDE DIA.
14EM161A-13	13*	15.67	16.97
14EM161A-14	14*	16.85	18.16
14EM161A-15	15	18.04	19.33
14EM161A-16	16	19.22	20.52
14EM161A-17	17	20.41	21.72
14EM161A-18	18	21.60	22.89
14EM161A-19	19	22.78	24.08
14EM161A-20	20	23.97	25.27
14EM161A-21	21	25.16	26.47
14EM161A-22	22	26.35	27.63
14EM161A-23	23	27.54	28.83
14EM161A-24	24	28.73	30.02
14EM161A-25	25	29.92	31.22
14EM161A-26	26	31.11	32.41
14EM161A-27	27	32.30	33.58
14EM161A-28	28	33.49	34.77
14EM161A-29	29	34.68	35.97
14EM161A-30	30	35.88	37.16
14EM161A-31	31	37.07	38.35
14EM161A-32	32	38.26	39.55
14EM161A-33	33	39.45	40.75
14EM161A-34	34	40.64	41.91
14EM161A-35	35	41.83	43.12
14EM161A-36	36	43.03	44.30



- For 13-14 teeth, hub diameter equals 10.5.
- Other Bore sizes and other numbers of teeth are available on request.
Teeth could be anodized.

SPROCKETS

CIR. PITCH	BORE	STYLE	MATERIALS	BERG'S ® NAME	CHAIN
3.75mm	Ø8	PIN HUB	Aluminum per DIN 3.1355 Anodized	ROW-L-ER®	Operates with RC14SS Series



A

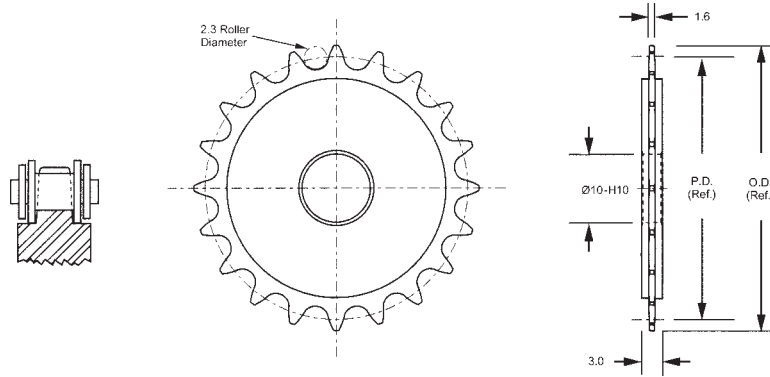
STOCK NO.	NO. OF TEETH	PITCH DIA.	OUTSIDE DIA.
14EM260A-13	13*	15.67	16.97
14EM260A-14	14*	16.85	18.16
14EM260A-15	15	18.04	19.33
14EM260A-16	16	19.22	20.52
14EM260A-17	17	20.41	21.72
14EM260A-18	18	21.60	22.89
14EM260A-19	19	22.78	24.08
14EM260A-20	20	23.97	25.27
14EM260A-21	21	25.16	26.47
14EM260A-22	22	26.35	27.63
14EM260A-23	23	27.54	28.83
14EM260A-24	24	28.73	30.02
14EM260A-25	25	29.92	31.22
14EM260A-26	26	31.11	32.41
14EM260A-27	27	32.30	33.58
14EM260A-28	28	33.49	34.77
14EM260A-29	29	34.68	35.97
14EM260A-30	30	35.88	37.16
14EM260A-31	31	37.07	38.35
14EM260A-32	32	38.26	39.55
14EM260A-33	33	39.45	40.75
14EM260A-34	34	40.64	41.91
14EM260A-35	35	41.83	43.12
14EM260A-36	36	43.03	44.30



- For 13-14 teeth, hub diameter equals 10.7.
- Other Bore sizes and other numbers of teeth are available on request.
Teeth could be anodized.

SPROCKETS

CIR. PITCH	BORE	STYLE	MATERIALS	BERG'S ® NAME	CHAIN
3.75mm	Ø10	HUBLESS	Aluminum DIN-3.1355 Anodized	ROW-L-ER®	Operates with RC14SS Series



STOCK NO.	NO. OF TEETH	PITCH DIA.	OUTSIDE DIA.
14SP175A-16	16	19.22	20.52
14SP175A-17	17	20.41	21.72
14SP175A-18	18	21.60	22.89
14SP175A-19	19	22.78	24.08
14SP175A-20	20	23.97	25.27
14SP175A-21	21	25.16	26.47
14SP175A-22	22	26.35	27.63
14SP175A-23	23	27.54	28.83
14SP175A-24	24	28.73	30.02
14SP175A-25	25	29.92	31.22
14SP175A-26	26	31.11	32.41
14SP175A-27	27	32.30	33.58
14SP175A-28	28	33.49	34.77
14SP175A-29	29	34.68	35.97
14SP175A-30	30	35.88	37.16
14SP175A-31	31	37.07	38.35
14SP175A-32	32	38.26	39.55
14SP175A-33	33	39.45	40.75
14SP175A-34	34	40.64	41.91
14SP175A-35	35	41.83	43.12
14SP175A-36	36	43.03	44.30

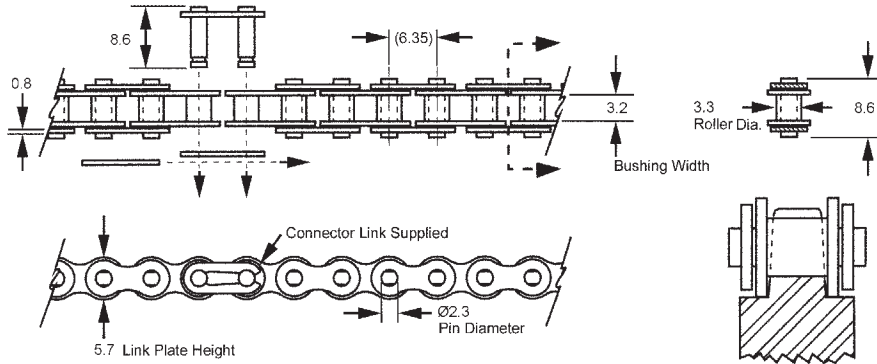


Other Bore sizes and other numbers of teeth are available on request.
Teeth could be anodized.

LINK CHAIN

CIRCULAR PITCH	ROLLER DIAMETER	BERG NAME	MATERIAL	SPROCKET
6.35mm	3.3mm	ROW-L-ER®	Stainless Steel or Mild Steel Single Strand	Operates with 25EM and 25SP series.

A



STAINLESS STEEL STOCK NO.	MILD STEEL STOCK NO.	NO. OF PITCHES	LENGTH MM
RC25SS-40	RC25-40	40	150.0
RC25SS-50	RC25-50	50	187.5
RC25SS-60	RC25-60	60	225.0
RC25SS-70	RC25-70	70	262.5
RC25SS-80	RC25-80	80	300.0
RC25SS-90	RC25-90	90	337.5
RC25SS-100	RC25-100	100	375.0
RC25SS-110	RC25-110	110	412.5
RC25SS-120	RC25-120	120	450.0
RC25SS-130	RC25-130	130	487.5
RC25SS-140	RC25-140	140	525.0
RC25SS-150	RC25-150	150	562.5
RC25SS-160	RC25-160	160	600.0
RC25SS-170	RC25-170	170	637.5
RC25SS-180	RC25-180	180	675.0
RC25SS-190	RC25-190	190	712.5
RC25SS-200	RC25-200	200	750.0
RC25SS-210	RC25-210	210	787.5
RC25SS-220	RC25-220	220	825.0
RC25SS-230	RC25-230	230	862.5
RC25SS-240	RC25-240	240	900.0
RC25SS-250	RC25-250	250	937.5
RC25SS-260	RC25-260	260	975.0
RC25SS-270	RC25-270	270	1012.5
RC25SS-280	RC25-280	280	1050.0

* Maximum recommended operating load is for a slip fit connecting link, which is standard. A press fit connecting link is a special available on request.

Special lengths available on request (only even numbers of links).

Max. recommended operating load =
342N for Stainless Steel
431N for Mild Steel

Ultimate Tensile Strength =
3113N - Stainless Steel
3892N - Mild Steel

133gms/m - Must be lubricated.

Use Connector Link Berg P/N RC25SS-CL for Stainless Steel, P/N RC25-CL for Mild Steel.

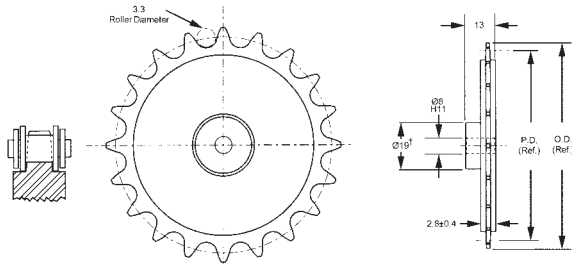


STAINLESS STEEL STOCK NO.	MILD STEEL STOCK NO.	LENGTH
RC25SS-1.5M	RC25-1.5M	1.5M
RC25SS-3.0M	RC25-3.0M	3.0M
RC25SS-7.5M	RC25-7.5M	7.5M
RC25SS-15.0M	RC25-15.0M	15.0M
RC25SS-30.0M	RC25-30.0M	30.0M

SPROCKETS

CIR. PITCH	BORE	STYLE	MATERIALS	BERG'S ® NAME	CHAIN
6.35mm	Ø8	PIN HUB	Cast Polyurethane Graphite Impregnated 70D Durometer	ROW-L-ER®	Operates with RC25 and RC25SS series

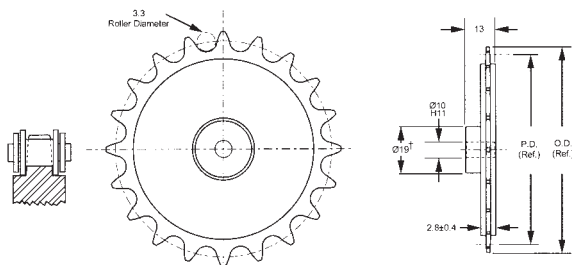
STOCK NO.	NO. OF TEETH	P. D.	O.D.
25EM266U-12	12†	24.53	27.51
25EM266U-13	13†	26.53	29.57
25EM266U-14	14†	28.54	31.62
25EM266U-15	15†	30.54	33.68
25EM266U-18	18	36.57	39.80
25EM266U-20	20	40.59	43.89
25EM266U-24	24	48.65	52.02
25EM266U-26	26	52.68	56.08
25EM266U-30	30	60.75	54.21
25EM266U-36	36	72.86	76.38



† Teeth runout on hub.
Other Bore sizes and other numbers of teeth are available on request.

CIR. PITCH	BORE	STYLE	MATERIALS	BERG'S ® NAME	CHAIN
6.35mm	Ø10	PIN HUB	Cast Polyurethane Graphite Impregnated 70D Durometer	ROW-L-ER®	Operates with RC25 and RC25SS series

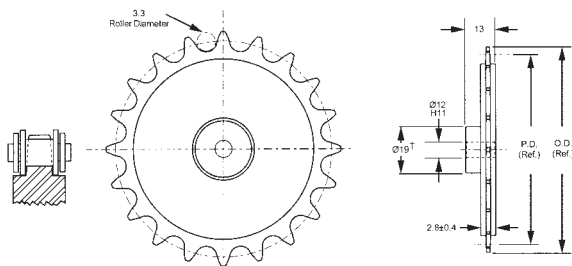
STOCK NO.	NO. OF TEETH	P. D.	O.D.
25EM167U-12	12†	24.53	27.51
25EM167U-13	13†	26.53	29.57
25EM167U-14	14†	28.54	31.62
25EM167U-15	15†	30.54	33.68
25EM167U-18	18	36.57	39.80
25EM167U-20	20	40.59	43.89
25EM167U-24	24	48.65	52.02
25EM167U-26	26	52.68	56.08
25EM167U-30	30	60.75	54.21
25EM167U-36	36	72.86	76.38



† Teeth runout on hub.
Other Bore sizes and other numbers of teeth are available on request.

CIR. PITCH	BORE	STYLE	MATERIALS	BERG'S ® NAME	CHAIN
6.35mm	Ø12	PIN HUB	Cast Polyurethane Graphite Impregnated 70D Durometer	ROW-L-ER®	Operates with RC25 and RC25SS series

STOCK NO.	NO. OF TEETH	P. D.	O.D.
25EM168U-13	13†	26.53	29.57
25EM168U-14	14†	28.54	31.62
25EM168U-15	15†	30.54	33.68
25EM168U-18	18	36.57	39.80
25EM168U-20	20	40.59	43.89
25EM168U-24	24	48.65	52.02
25EM168U-26	26	52.68	56.08
25EM168U-30	30	60.75	54.21
25EM168U-36	36	72.86	76.38

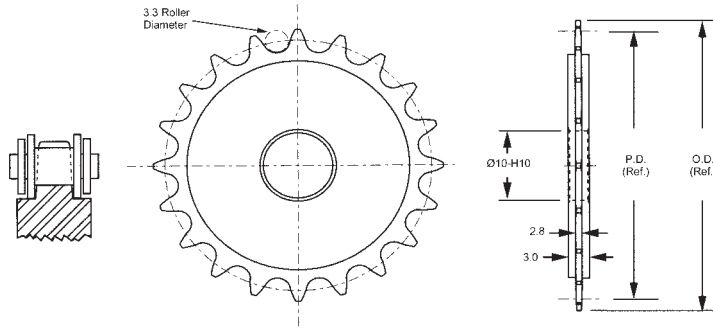


† Teeth runout on hub.
Other Bore sizes and other numbers of teeth are available on request.

SPROCKETS

CIR. PITCH	BORE	STYLE	MATERIALS	BERG'S® NAME	CHAIN
6.35mm	Ø10	HUBLESS	Aluminum per DIN 3.1355 Anodized	ROW-L-ER®	Operates with RC25 and RC25SS series

A



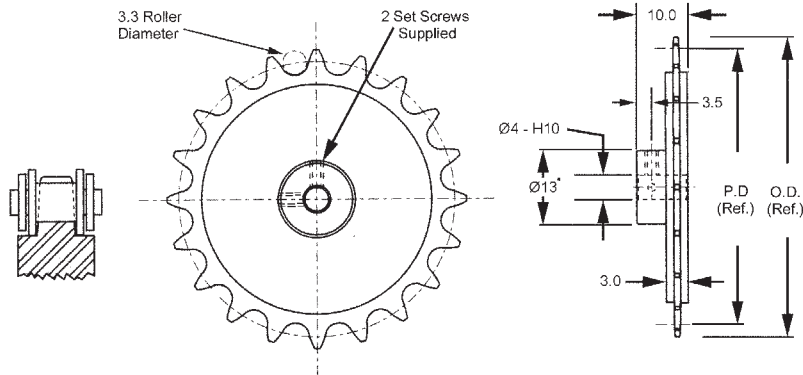
STOCK NO.	NO. OF TEETH	PITCH DIA.	OUTSIDE DIA.
25SP175A-9	9	18.57	21.23
25SP175A-10	10	20.55	23.34
25SP175A-11	11	22.54	25.43
25SP175A-12	12	24.53	27.51
25SP175A-13	13	26.53	29.57
25SP175A-14	14	28.54	31.62
25SP175A-15	15	30.54	33.68
25SP175A-16	16	32.55	35.71
25SP175A-18	18	36.57	39.80
25SP175A-20	20	40.59	43.89
25SP175A-21	21	42.61	45.92
25SP175A-22	22	44.62	47.96
25SP175A-24	24	48.65	52.02
25SP175A-25	25	50.66	54.05
25SP175A-26	26	52.68	56.08
25SP175A-28	28	56.71	60.15
25SP175A-30	30	60.75	64.21
25SP175A-32	32	64.78	68.28
25SP175A-36	36	72.86	76.38



Other Bore sizes and other numbers of teeth are available on request.
Teeth could be anodized.

SPROCKETS

CIR. PITCH	BORE	STYLE	MATERIALS	BERG'S® NAME	CHAIN
6.35mm	Ø4	PIN HUB	Aluminum per DIN 3.1355 Anodized	ROW-L-ER®	Operates with RC25 and RC25SS series



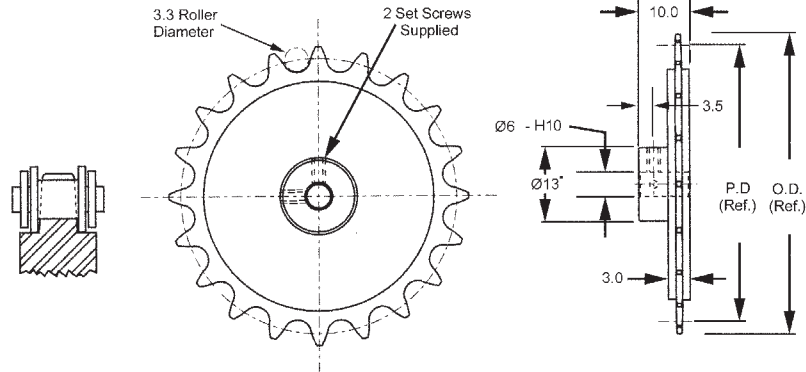
STOCK NO.	NO. OF TEETH	PITCH DIA.	OUTSIDE DIA.
25EM162A-9	9*	18.57	21.23
25EM162A-10	10	20.55	23.34
25EM162A-11	11	22.54	25.43
25EM162A-12	12	24.53	27.51
25EM162A-13	13	26.53	29.57
25EM162A-14	14	28.54	31.62
25EM162A-15	15	30.54	33.68
25EM162A-16	16	32.55	35.71
25EM162A-18	18	36.57	39.80
25EM162A-20	20	40.59	43.89
25EM162A-21	21	42.61	45.92
25EM162A-22	22	44.62	47.96
25EM162A-24	24	48.65	52.02
25EM162A-25	25	50.66	54.05
25EM162A-26	26	52.68	56.08
25EM162A-28	28	56.71	60.15
25EM162A-30	30	60.75	64.21
25EM162A-32	32	64.78	68.28
25EM162A-36	36	72.86	76.38



- For 9 teeth, hub diameter equals 11.7.
- Other Bore sizes and other numbers of teeth are available on request.
- Teeth could be anodized.

SPROCKETS

CIR. PITCH	BORE	STYLE	MATERIALS	BERG'S® NAME	CHAIN
6.35mm	Ø6	PIN HUB	Aluminum per DIN 3.1355 Anodized	ROW-L-ER®	Operates with RC25 and RC25SS series



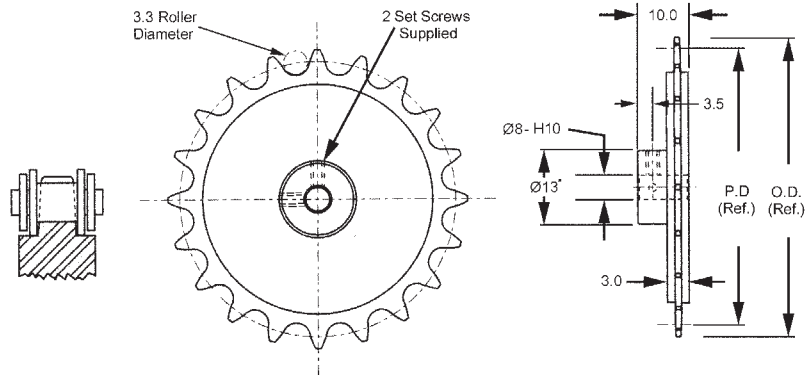
STOCK NO.	NO. OF TEETH	PITCH DIA.	OUTSIDE DIA.
25EM161A-9	9*	18.57	21.23
25EM161A-10	10	20.55	23.34
25EM161A-11	11	22.54	25.43
25EM161A-12	12	24.53	27.51
25EM161A-13	13	26.53	29.57
25EM161A-14	14	28.54	31.62
25EM161A-15	15	30.54	33.68
25EM161A-16	16	32.55	35.71
25EM161A-18	18	36.57	39.80
25EM161A-20	20	40.59	43.89
25EM161A-21	21	42.61	45.92
25EM161A-22	22	44.62	47.96
25EM161A-24	24	48.65	52.02
25EM161A-25	25	50.66	54.05
25EM161A-26	26	52.68	56.08
25EM161A-28	28	56.71	60.15
25EM161A-30	30	60.75	64.21
25EM161A-32	32	64.78	68.28
25EM161A-36	36	72.86	76.38



- For 9 teeth, hub diameter equals 11.7.
- Other Bore sizes and other numbers of teeth are available on request.
Teeth could be anodized.

SPROCKETS

CIR. PITCH	BORE	STYLE	MATERIALS	BERG'S® NAME	CHAIN
6.35mm	Ø8	PIN HUB	Aluminum per DIN 3.1355 Anodized	ROW-L-ER®	Operates with RC25 and RC25SS series



STOCK NO.	NO. OF TEETH	PITCH DIA.	OUTSIDE DIA.
25EM260A-9	9*	18.57	21.23
25EM260A-10	10	20.55	23.34
25EM260A-11	11	22.54	25.43
25EM260A-12	12	24.53	27.51
25EM260A-13	13	26.53	29.57
25EM260A-14	14	28.54	31.62
25EM260A-15	15	30.54	33.68
25EM260A-16	16	32.55	35.71
25EM260A-18	18	36.57	39.80
25EM260A-20	20	40.59	43.89
25EM260A-21	21	42.61	45.92
25EM260A-22	22	44.62	47.96
25EM260A-24	24	48.65	52.02
25EM260A-25	25	50.66	54.05
25EM260A-26	26	52.68	56.08
25EM260A-28	28	56.71	60.15
25EM260A-30	30	60.75	64.21
25EM260A-32	32	64.78	68.28
25EM260A-36	36	72.86	76.38

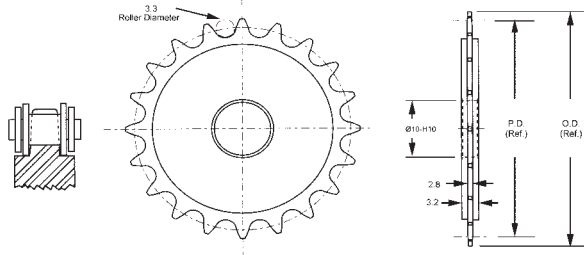


- For 9 teeth, hub diameter equals 11.7.
- Other Bore sizes and other numbers of teeth are available on request.
Teeth could be anodized.

SPROCKETS

CIR. PITCH	BORE	STYLE	MATERIALS	BERG'S® NAME	CHAIN
6.35mm	Ø10	HUBLESS	Stainless Steel DIN 1.4305	ROW-L-ER®	Operates with RC25 and RC25SS series

STOCK NO.	NO. OF TEETH	P. D.	O.D.
25SP110S-10	10	20.55	23.34
25SP110S-11	11	22.54	25.43
25SP110S-12	12	24.53	27.51
25SP110S-13	13	26.53	29.57
25SP110S-14	14	28.54	31.62
25SP110S-15	15	30.54	33.68
25SP110S-16	16	32.55	35.71
25SP110S-17	17	34.56	37.77
25SP110S-18	18	36.57	39.80
25SP110S-19	19	38.58	41.86
25SP110S-20	20	40.59	43.89
25SP110S-21	21	42.61	45.92
25SP110S-22	22	44.62	47.96
25SP110S-24	24	48.65	52.02
25SP110S-25	25	50.66	54.08
25SP110S-26	26	52.68	56.08
25SP110S-30	30	60.75	64.21
25SP110S-32	32	64.78	68.28
25SP110S-36	36	72.86	76.38

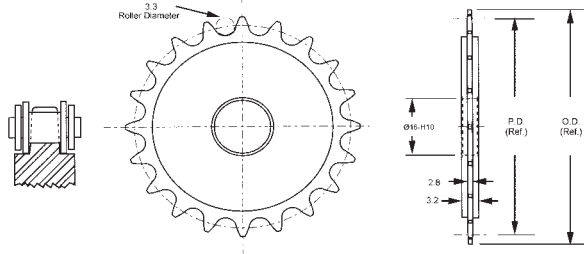


A

Other Bore sizes and other numbers of teeth are available on request.
Hubs assembled on request. Specify hub by stock number see index for page number.

CIR. PITCH	BORE	STYLE	MATERIALS	BERG'S® NAME	CHAIN
6.35mm	Ø16	HUBLESS	Stainless Steel DIN 1.4305	ROW-L-ER®	Operates with RC25 and RC25SS series

STOCK NO.	NO. OF TEETH	P. D.	O.D.
25SP116S-15	15	30.54	33.68
25SP116S-16	16	32.55	35.71
25SP116S-17	17	34.56	37.77
25SP116S-18	18	36.57	39.80
25SP116S-19	19	38.58	41.86
25SP116S-20	20	40.59	43.89
25SP116S-21	21	42.61	45.92
25SP116S-22	22	44.62	47.96
25SP116S-24	24	48.65	52.02
25SP116S-25	25	50.66	54.08
25SP116S-26	26	52.68	56.08
25SP116S-30	30	60.75	64.21
25SP116S-32	32	64.78	68.28
25SP116S-36	36	72.86	76.38



Other Bore sizes and other numbers of teeth are available on request.
Hubs assembled on request. Specify hub by stock number see index for page number.



LINK CHAIN

CIRCULAR PITCH	ROLLER DIAMETER	BERG NAME	MATERIAL	SPROCKET
6.35mm	3.3mm	ROW-L-ER®	Delrin and Nylatron	Operates with 25EM and 25SP series.



DELTRIN® STOCK NO.	NYLATRON® STOCK NO.	NO. OF PITCHES	LENGTH (MM)	PITCH	W	D	C	F	L	H
RC25D-40	RC25N-40	40	254.0							
RC25D-50	RC25N-50	50	317.5							
RC25D-60	RC25N-60	60	381.0							
RC25D-70	RC25N-70	70	444.5							
RC25D-80	RC25N-80	80	508.0							
RC25D-90	RC25N-90	90	571.5							
RC25D-100	RC25N-100	100	635.0							
RC25D-120	RC25N-120	120	762.0							
RC25D-130	RC25N-130	130	825.5							
RC25D-140	RC25N-140	140	889.0							
RC25D-150	RC25N-150	150	925.5							
RC25D-160	RC25N-160	160	1016.0	6.35	3.2	3.30	2.68	1.02	9.12	6.35
RC25D-170	RC25N-170	170	1079.5							
RC25D-180	RC25N-180	180	1143.0							
RC25D-190	RC25N-190	190	1206.5							
RC25D-200	RC25N-200	200	1270.0							
RC25D-210	RC25N-210	210	1333.5							
RC25D-220	RC25N-220	220	1397.0							
RC25D-230	RC25N-230	230	1460.5							
RC25D-240	RC25N-240	240	1524.0							
RC25D-250	RC25N-250	250	1587.5							
RC25D-260	RC25N-260	260	1651.0							
RC25D-270	RC25N-270	270	1714.5							
RC25D-280	RC25N-280	280	1778.0							

Chain Material Data:

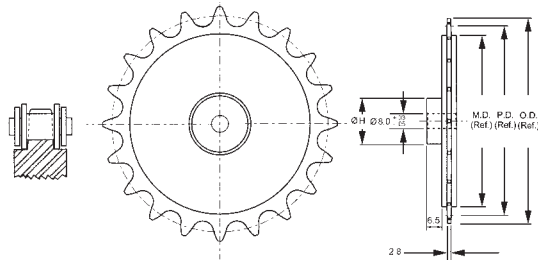
Chain Tensile Strength @ Break (N)	Delrin = 280	Nylatron GS = 289
Max. operating load (N)	Delrin = 93	Nylatron GS = 98
Tensile (KG/CM ²)	Delrin = 682	Nylatron GS = 963
Compressive (KG/CM ²)	Delrin = 1097	Nylatron GS = 879
Flexural (KG/CM ²)	Delrin = 956	Nylatron GS = 1195
Water Absorption %	Delrin = 0.25	Nylatron GS = 0.8
Chain Elongation % (ultimate)	Delrin = 9	Nylatron GS = 34
@ 75% Ultimate	Delrin = 5	Nylatron GS = 14

Other materials available upon request. Other lengths available upon request.

For material data on Polypropylene (RC25PP) and/or Kynar (RC25K) contact our technical support department.

SPROCKETS

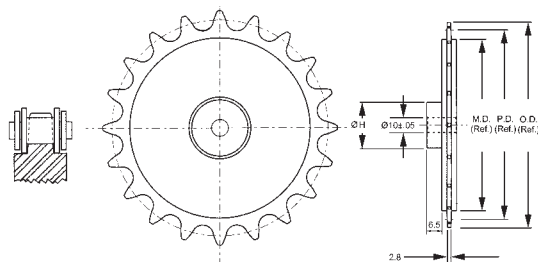
CIR. PITCH	BORE	STYLE	MATERIALS	BERG'S® NAME	CHAIN
6.35mm	Ø8.0	PIN HUB	Delrin®	ROW-L-ER®	Operates with RC25 and RC25SS series



A

STOCK NO.	NO. OF TEETH	OUTSIDE DIA. (O.D.)	PITCH DIA. (P.D.)	MINOR DIA. (M.D.)	HUB DIA. (H)	
25EM4EM-10	10	23.34	20.55	17.25	13.5	
25EM4EM-12	12	27.51	24.53	21.23	15.5	
25EM4EM-15	15	33.68	30.54	27.25		
25EM4EM-16	16	35.74	32.55	29.26		
25EM4EM-17	17	37.77	34.56	33.55		
25EM4EM-18	18	39.83	36.57	33.27		
25EM4EM-19	19	41.86	38.58	35.28		
25EM4EM-20	20	43.92	40.59	37.29		
25EM4EM-21	21	45.95	42.61	39.29		
25EM5EM-24	24	52.04	48.65	45.34		17.0
25EM5EM-25	25	54.08	50.66	47.37		
25EM5EM-30	30	64.24	60.75	57.45		

CIR. PITCH	BORE	STYLE	MATERIALS	BERG'S® NAME	CHAIN
6.35mm	Ø10.0	PIN HUB	Delrin®	ROW-L-ER®	Operates with RC25 and RC25SS series



STOCK NO.	NO. OF TEETH	OUTSIDE DIA. (O.D.)	PITCH DIA. (P.D.)	MINOR DIA. (M.D.)	+DIA. (H)
25EM6EM-32	32	68.28	64.78	61.49	17.0
25EM6EM-36	36	76.40	72.86	69.57	
25EM6EM-40	40	84.51	81.93	77.65	

SPROCKETS

CIR. PITCH	BORE	STYLE	MATERIALS	BERG'S® NAME	CHAIN
6.35mm	Ø8.0	PIN HUB	NYLATRON®	ROW-L-ER®	Operates with RC25 and RC25SS series

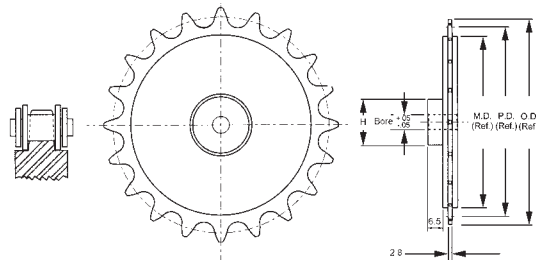
STOCK NO.	NO. OF TEETH	OUTSIDE DIA. (O.D.)	PITCH DIA. (P.D.)	MINOR DIA. (M.D.)	BORE +.05/- .05	HUB DIA. (H)	HUB PROJ. (P)
25EM4GSM-10	10	23.34	20.55	17.25	8.0	14.0	9.5
25EM4GSM-11	11	24.45	22.55	19.23		14.0	9.5
25EM5GSM-12	12	27.51	24.53	21.23		17.5	9.5
25EM5GSM-13	13	31.65	28.53	23.24		19.0	9.5
25EM5GSM-14	14	33.68	28.54	25.22		19.0	9.5
25EM5GSM-15	15	35.74	30.54	27.25		19.0	9.5
25EM5GSM-16	16	37.77	32.55	29.26		20.5	9.5
25EM5GSM-17	17	39.83	34.56	33.55		23.0	9.5

CIR. PITCH	BORE	STYLE	MATERIALS	BERG'S® NAME	CHAIN
6.35mm	Ø10.0	PIN HUB	NYLATRON®	ROW-L-ER®	Operates with RC25 and RC25SS series

STOCK NO.	NO. OF TEETH	OUTSIDE DIA. (O.D.)	PITCH DIA. (P.D.)	MINOR DIA. (M.D.)	BORE +.05/- .05	HUB DIA. (H)	HUB PROJ. (P)
25EM6GSM-18	18	39.83	36.57	33.27	10.0	25.5	9.5
25EM6GSM-19	19	41.86	38.58	35.28		27.0	9.5
25EM6GSM-20	20	43.92	40.59	37.29		29.5	9.5
25EM6GSM-21	21	45.95	42.61	39.29		29.5	9.5
25EM6GSM-22	22	47.98	44.62	41.33		29.5	9.5
25EM6GSM-24	24	52.04	48.65	45.34		32.5	9.5
25EM6GSM-26	26	56.11	52.68	49.38		32.5	9.5
25EM6GSM-27	27	60.17	56.70	53.42		32.5	9.5
25EM6GSM-30	30	64.40	60.75	57.45		31.0	9.5

CIR. PITCH	BORE	STYLE	MATERIALS	BERG'S® NAME	CHAIN
6.35mm	Ø16.0	PIN HUB	NYLATRON®	ROW-L-ER®	Operates with RC25 and RC25SS series

STOCK NO.	NO. OF TEETH	OUTSIDE DIA. (O.D.)	PITCH DIA. (P.D.)	MINOR DIA. (M.D.)	BORE +.05/- .05	HUB DIA. (H)	HUB PROJ. (P)
25EM8GSM-36	36	76.40	72.86	69.57	16.0	35.0	12.7
25EM8GSM-40	40	84.51	81.93	77.65		35.0	12.7
25EM8GSM-48	48	100.69	97.09	93.80		35.0	12.7
25EM8GSM-54	54	112.83	109.21	106.68		35.0	12.7
25EM8GSM-60	60	124.97	121.33	118.03		35.0	12.7



LINK CHAIN

CIRCULAR PITCH	ROLLER DIAMETER	BERG NAME	MATERIAL	SPROCKET
9.53mm	5.1mm	ROW-L-ER®	Delrin and Nylatron	Operates with 35EM and 35SP series.

A



DELTRIN® STOCK NO.	NYLATRON® STOCK NO.	NO. OF PITCHES	LENGTH (MM)	W	D	C	F	L	H
RC35D-40	RC35N-40	40	381.0						
RC35D-50	RC35N-50	50	476.3						
RC35D-60	RC35N-60	60	571.5						
RC35D-70	RC35N-70	70	666.8						
RC35D-80	RC35N-80	80	762.0						
RC35D-90	RC35N-90	90	857.3						
RC35D-100	RC35N-100	100	952.5						
RC35D-120	RC35N-120	120	1143.0						
RC35D-130	RC35N-130	130	1238.3						
RC35D-140	RC35N-140	140	1333.5	4.8	5.08	3.58	1.9	13.8	8.9
RC35D-150	RC35N-150	150	1428.8						
RC35D-160	RC35N-160	160	1524.0						
RC35D-170	RC35N-170	170	1619.3						
RC35D-180	RC35N-180	180	1714.5						
RC35D-190	RC35N-190	190	1809.8						
RC35D-200	RC35N-200	200	1905.0						
RC35D-210	RC35N-210	210	2000.3						
RC35D-220	RC35N-220	220	2095.5						
RC35D-230	RC35N-230	230	2190.3						

Chain Material Data:

Chain Tensile Strength @ Break (N)	Delrin = 605	Nylatron GS = 605
Max. operating load (N)	Delrin = 200	Nylatron GS = 200
Tensile (KG/CM ²)	Delrin = 682	Nylatron GS = 963
Chain Elongation % (ultimate)	Delrin = 6	Nylatron GS = 11
@ 75% Ultimate	Delrin = 5	Nylatron GS = 9
Compressive (KG/CM ²)	Delrin = 1097	Nylatron GS = 879
Flexural (KG/CM ²)	Delrin = 956	Nylatron GS = 1195
Water Absorption %	Delrin = 0.25	Nylatron GS = 0.8

Other materials available upon request. Other lengths available upon request.

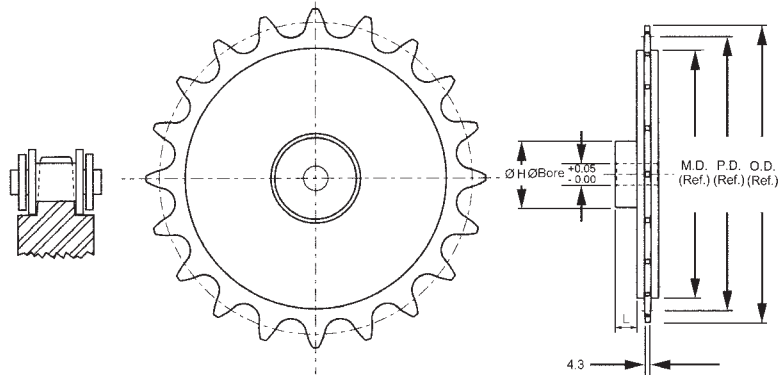
SPROCKETS

CIR. PITCH	STOCK BORE	STYLE	MATERIALS	BERG'S® NAME	CHAIN
9.53mm	Ø10	PIN HUB	FILLED NYLATRON® GS-51	ROW-L-ER®	Operates with RC35 and RC35SS series

STOCK NO.	NO. OF TEETH	OUTSIDE DIA. (O.D.)	PITCH DIA. (P.D.)	MINOR DIA. (M.D.)	L	HUB DIA. (H)	MAX. BORE
35EM6GSM-9	9	31.90	27.84	22.76	19	16.0	10
35EM6GSM-10	10	35.05	30.84	25.76		20.6	12
35EM6GSM-11	11	38.15	33.81	28.73		22.2	12

CIR. PITCH	BORE	STYLE	MATERIALS	BERG'S® NAME	CHAIN
9.53mm	Ø16	PIN HUB	FILLED NYLATRON® GS-51	ROW-L-ER®	Operates with RC35 and RC35SS series

STOCK NO.	NO. OF TEETH	OUTSIDE DIA. (O.D.)	PITCH DIA. (P.D.)	MINOR DIA. (M.D.)	L	HUB DIA. (H)	MAX. BORE
35EM8GSM-12	12	41.28	36.80	31.72	19.0	25.5	19
35EM8GSM-14	14	47.45	42.80	37.72	19.0	27.0	19
35EM8GSM-15	15	50.55	45.82	40.74	19.0	35.0	20
35EM8GSM-16	16	53.62	48.82	43.74	19.0	38.0	24
35EM8GSM-18	18	59.84	54.84	49.56	19.0	31.8	27
35EM8GSM-20	20	65.86	60.88	55.80	22.2	38.0	30
35EM8GSM-24	24	78.08	72.97	67.89	22.2	50.8	30
35EM8GSM-26	26	84.18	79.02	73.94	22.2	52.4	36.5
35EM8GSM-30	30	96.34	91.14	86.06	22.2	57.0	36.5
35EM8GSM-35	35	111.56	105.11	101.17	22.2	57.0	36.5
35EM10GSM-36	36	114.58	109.30	104.22	22.2	57.0	36.5
35EM10GSM-40	40	126.75	121.41	116.33	22.2	63.5	45
35EM10GSM-45	45	141.94	136.55	131.47	25.5	70.0	45



LINK CHAIN

CIRCULAR PITCH	ROLLER DIAMETER	BERG NAME	MATERIAL	SPROCKET
12.7mm	7.9mm	ROW-L-ER®	Delrin and Nylatron	Operates with 40EM series.



A

DELIRIN® STOCK NO.	NYLATRON® STOCK NO.	NO. OF PITCHES	LENGTH (MM)	PITCH	W	D	C	F	L	H
RC40D-40	RC40N-40	40	508.0	12.7	7.9	7.9	3.96	2.2	18.4	11.7
RC40D-50	RC40N-50	50	635.0							
RC40D-60	RC40N-60	60	762.0							
RC40D-70	RC40N-70	70	889.0							
RC40D-80	RC40N-80	80	1016.0							
RC40D-90	RC40N-90	90	1143.0							
RC40D-100	RC40N-100	100	1270.0							
RC40D-120	RC40N-120	120	1524.0							
RC40D-130	RC40N-130	130	1651.0							
RC40D-140	RC40N-140	140	1778.0							
RC40D-150	RC40N-150	150	1905.0							
RC40D-160	RC40N-160	160	2032.0							
RC40D-170	RC40N-170	170	2159.0							
RC40D-180	RC40N-180	180	2286.0							
RC40D-190	RC40N-190	190	2413.0							
RC40D-200	RC40N-200	200	2540.0							

Chain Material Data:

Chain Tensile Strength @ Break (N)	Delrin = 778	Nylatron GS = 769
Max. operating load (N)	Delrin = 258	Nylatron GS = 254
Tensile (KG/CM ²)	Delrin = 682	Nylatron GS = 963
Chain Elongation % (ultimate)	Delrin = 4	Nylatron GS = 9
@ 75% Ultimate	Delrin = 3	Nylatron GS = 7
Compressive (KG/CM ²)	Delrin = 1097	Nylatron GS = 879
Flexural (KG/CM ²)	Delrin = 956	Nylatron GS = 1195
Water Absorption %	Delrin = 0.25	Nylatron GS = 0.8

Other materials available upon request. Other lengths available upon request.

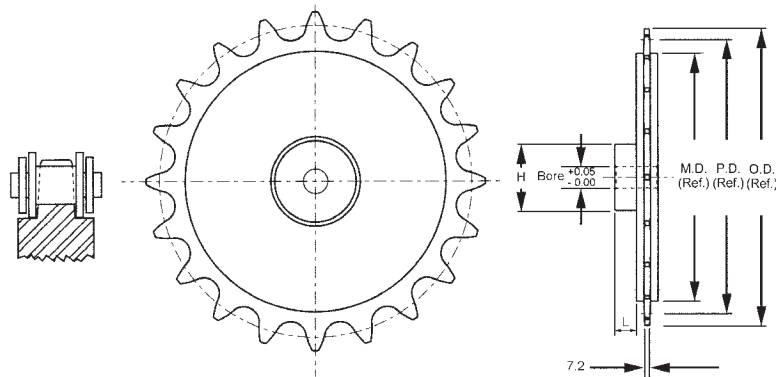
SPROCKETS

CIR. PITCH	STOCK BORE	STYLE	MATERIALS	BERG'S ® NAME	CHAIN
12.7mm	Ø16	PIN HUB	FILLED NYLATRON® GS-51	ROW-L-ER®	Operates with RC40D and RC40N series

STOCK NO.	NO. OF TEETH	OUTSIDE DIA. (O.D.)	PITCH DIA. (P.D.)	MINOR DIA. (M.D.)	L	HUB DIA. (H)	MAX. BORE
40EM8GSM-9	9	42.52	37.13	29.21	22.2	22.2	16
40EM8GSM-10	10	46.71	41.10	33.17	22.2	28.5	16
40EM8GSM-12	12	55.20	49.07	41.15	22.2	35.0	21.5
40EM8GSM-15	15	67.35	61.08	53.16	22.2	47.5	30
40EM10GSM-16	16	71.48	65.10	57.18	22.2	47.5	32
40EM10GSM-24	24	104.09	97.30	89.38	25.5	63.5	44.5

CIR. PITCH	STOCK BORE	STYLE	MATERIALS	BERG'S ® NAME	CHAIN
12.7MM	Ø19	PIN HUB	FILLED NYLATRON® GS-51	ROW-L-ER®	Operates with RC40D and RC40N series

STOCK NO.	NO. OF TEETH	OUTSIDE DIA. (O.D.)	PITCH DIA. (P.D.)	MINOR DIA. (M.D.)	L	HUB DIA. (H)	MAX. BORE
40EM10GSM-32	32	136.58	129.57	121.64	25.5	50.8	44.5



FLEX-E-GRIP TIMING BELTS TECHNICAL DATA

Features

- No Side Flanges Necessary
- Infinite Lengths
- Higher Load Capacities and Narrower Widths
- Positive Drives (Non-slip Engagement)
- No Lubrication
- Minimum Backlash
- High Mechanical Efficiency
- Extra Light Weight
- Silent Operation (No Side Flange Noise)
- Economical
- Wide Speed Range
- Broader Ratio Selection

Installation Notes

- (A) All Shafts Must Be Parallel
- (B) Use Adjustable Centers Wherever Possible
- (C) If Adjustable Centers are not Possible Use Idler Pulley Inside The Belt
- (D) Never Force Belt Over Pulleys
- (E) Avoid Reverse Bending (See Page A 2 in inch catalog)

4 Compact Width Sizes

2.073 Pitch (XXL) Miniature 3.2 Wide

Equal to or stronger than conventional Timing Belts up to 19.0 wide

5.080 Pitch (XL) Extra Light 6.4 Wide

Equal to or stronger than conventional Timing Belts up to 25.4 wide

9.525 Pitch (L) Light 12.7 Wide

Equal to or stronger than conventional Timing Belts up to 50.8 wide

12.700 Pitch (H) Heavy 19.0 Wide

Equal to or stronger than conventional Timing Belts up to 50.8 wide

Construction

Belts - Molded in Polyurethane to meet Acid, Chemical and Environmental Conditions.

Cable - Steel Preformed Aircraft Standard Cable of both 7x7 and 7x19 Construction.

Pulleys - Aluminum 2024 (bar) MIL QQ-Q-225/6 Cond. T4 Anodized

A

Operating Parameters

Minimum Pulley Diameters

SIZE	MAX. SPEED R.P.M.	MIN. NO. OF GROOVES	PITCH DIAMETER
2.073 D.P. 8TB-SERIES	1750	18	11.89
5.080 PITCH 20TB-SERIES	1750	11	17.78
9.525 PITCH 37TB-SERIES	1750	14	42.44
	1160	12	36.37
12.700 PITCH 50TB-SERIES	1750	18	72.77
	1160	16	65.13

Will Not Slip, Slide, Jump, Creep or Walk Off Timing Pulley

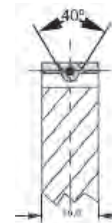
FLEX-E-GRIP TIMING BELTS TECHNICAL DATA

Technical Data and Comparison With Standard Timing Belts
 Miniature (MXL) 2.073 C.P. 3.2mm timing belts - equal to standard 15.9mm wide xxl belts Ultimate tensile

Berg 8 TB Series

Flex-E-Grip® XXL Timing Belts 3.2mm wide 89N ultimate tensile strength.

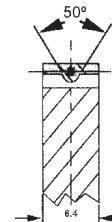
Conventional Belt	Tensile Strength
3.2mm WIDE	17N
4.8mm WIDE	26N
6.4mm WIDE	34N
15.9mm WIDE	89N



Berg 20TB Series

Flex-E-Grip® (XL) 5.080 C.P. 6.4mm timing belts - equal to standard 25.4mm wide XL belts.
 XL Timing Belts 6.4mm wide 222N ultimate tensile strength.

Conventional Belt	Tensile Strength
6.4mm WIDE	45N
12.7mm WIDE	55N
15.9mm WIDE	69N
19.0mm WIDE	99N
25.4mm WIDE	102N
63.5mm WIDE	182N



Berg 37TB Series

Flex-E-Grip® (L) 9.525 C.P. 12.7mm timing belts - equal to standard 50.8mm wide L belts.
 L Timing Belts 12.7mm wide 556N ultimate tensile strength.

Conventional Belt	Tensile Strength
9.5mm WIDE	71N
12.7mm WIDE	107N
5.9mm WIDE	138N
19.0mm WIDE	173N
25.4mm WIDE	245N
63.5mm WIDE	667N



Berg 50TB Series

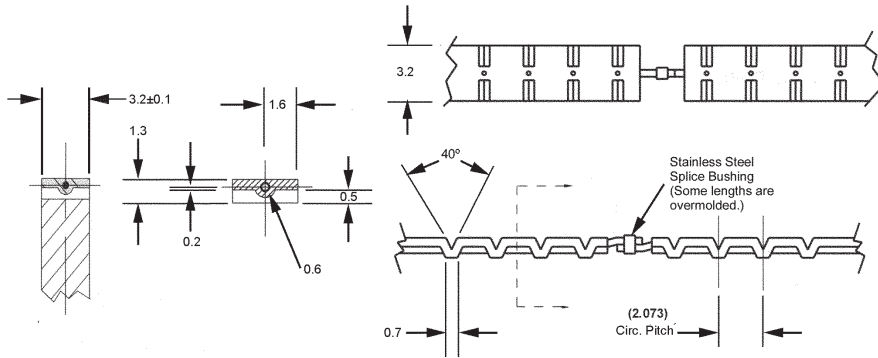
Flex-E-Grip® (H) 12.700 C.P. 19mm timing belts - equal to standard 50.8mm wide H belts.
 H Timing Belts 19mm wide 1335N ultimate tensile strength.

Conventional Belt	Tensile Strength
12.7mm WIDE	262N
15.9mm WIDE	356N
19.0mm WIDE	440N
25.4mm WIDE	623N
50.8mm WIDE	1335N



TIMING BELTS

CIRCULAR PITCH	BELT WIDTH	MATERIALS	BERG'S® NAME	PULLEY
2mm	3.2mm	Polyurethane (Black) 90A Duro 0.5mm Dia. Stainless Steel Cable*	Flex-E-Grip®	Operates with 8TP series



A

STOCK NO.	NO. OF PITCHES	LENGTH (Ref.)
8TB-24*	24	49.7
8TB-44	44	91.2
8TB-45	45	93.3
8TB-48	48	99.5
8TB-51	51	105.7
8TB-52	52	107.8
8TB-53	53	109.9
8TB-60	60	124.4
8TB-64	64	132.7
8TB-66	66	136.8
8TB-67	67	138.9
8TB-72	72	149.2
8TB-77	77	159.6
8TB-88	88	182.4
8TB-96	96	199.0
8TB-98	98	203.1
8TB-102	102	211.4
8TB-109	109	225.9
8TB-110	110	228.0
8TB-114	114	236.3
8TB-120	120	248.7
8TB-123	123	254.9
8TB-126	126	261.2
8TB-132	132	273.6
8TB-139	139	288.1
8TB-140	140	290.2
8TB-150	150	310.9
8TB-162	162	335.8
8TB-175	175	362.7
8TB-184	184	381.4
8TB-193	193	400.0
8TB-214	214	443.5
8TB-228	228	472.6
8TB-245	245	507.8
8TB-249	249	516.1
8TB-251	251	520.2
8TB-264	264	541.2

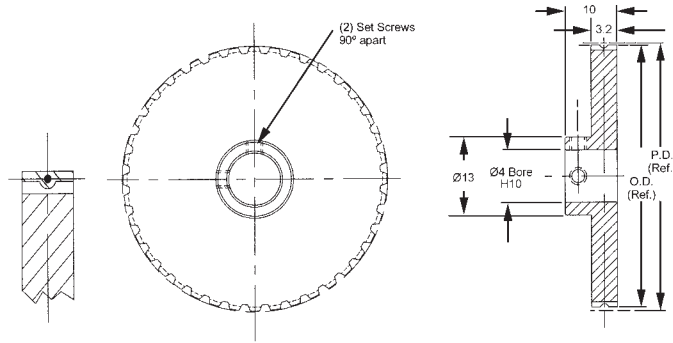
- No Flanges Required
 - Infinite Lengths
 - Silent Drive
 - No-Walk Feature
 - No Lubrication
 - Mass 4.7 Grams/Meter
 - Compact Design
 - Positive Drive
 - Light Weight
 - Extra Strong
 - Ultimate Tensile Strength 89N
 - Temperature Range +82°C to -26°C
 - Recommended Operating Load 22N.
 - Recommended Max. Operating Speed 1.91 m/s
 - For Field Splice Kit Order 8TB-7.
- * Splices are factory overmolded

BULK FOOTAGE - NOT SPLICED	
STOCK NO.	LENGTH
8TB-1.5M	1.5 METERS
8TB-3.0M	3.0 METERS
8TB-7.5M	7.5 METERS
8TB-15.0M	15.0 METERS
8TB-30.0M	30.0 METERS



TIMING PULLEYS

CIR. PITCH	BORE	STYLE	MATERIAL	BERG'S ® NAME	BELT
2mm	Ø4	PIN HUB	Aluminum DIN 3.1355 Anodized	Flex-E-Grip®	Operates with Flex-E-Grip Belt 8TB Series



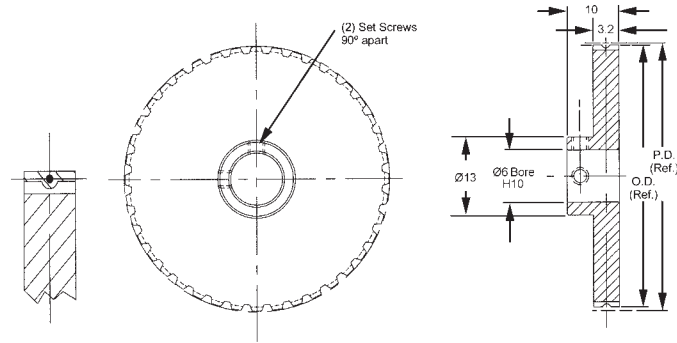
STOCK NO.	NO. OF TEETH	PITCH DIA.	OUTSIDE DIA.
8TP104-14	14*	9.24	8.86
8TP104-15	15*	9.90	9.53
8TP104-18	18*	11.88	11.51
8TP104-20	20	13.19	12.83
8TP104-24	24	15.83	15.47
8TP104-25	25	16.49	16.13
8TP104-28	28	18.47	18.11
8TP104-30	30	19.79	19.43
8TP104-32	32	21.11	20.75
8TP104-34	34	22.43	22.07
8TP104-36	36	23.75	23.39
8TP104-38	38	25.07	24.69
8TP104-40	40	26.39	26.01
8TP104-42	42	27.71	27.33
8TP104-44	44	29.03	28.65
8TP104-48	48	31.67	31.29
8TP104-50	50	32.99	32.61
8TP104-54	54	35.63	35.26
8TP104-60	60	39.58	39.22
8TP104-72	72	47.50	47.14
8TP104-75	75	49.48	49.12
8TP104-80	80	52.78	52.40
8TP104-84	84	55.42	55.04
8TP104-88	88	58.06	57.68
8TP104-90	90	59.38	59.00
8TP104-96	96	63.34	62.97
8TP104-98	98	64.65	64.29
8TP104-100	100	65.97	65.61
8TP104-120	120	79.17	78.79



- For 19 teeth or less, hub is equal to O.D.
 - * Pulleys Ø12.0mm and smaller for idler use only.
- Teeth could be anodized.

TIMING PULLEYS

CIR. PITCH	BORE	STYLE	MATERIAL	BERG'S ® NAME	BELT
2mm	Ø6	PIN HUB	Aluminum DIN 3.1355 Anodized	Flex-E-Grip®	Operates with Flex-E-Grip Belt 8TB Series



A

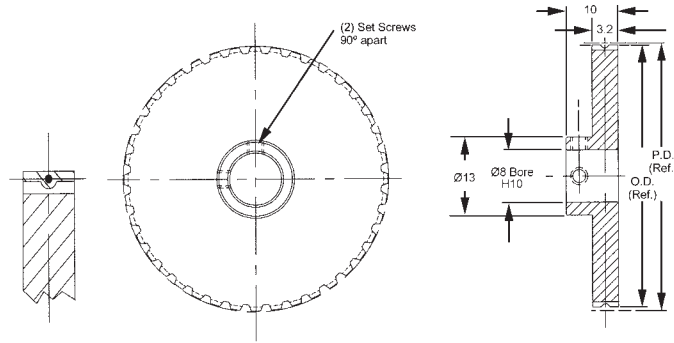
STOCK NO.	NO. OF TEETH	PITCH DIA.	OUTSIDE DIA.
8TP106-14	14*	9.24	8.86
8TP106-15	15*	9.90	9.53
8TP106-18	18*	11.88	11.51
8TP106-20	20	13.19	12.83
8TP106-24	24	15.83	15.47
8TP106-25	25	16.49	16.13
8TP106-28	28	18.47	18.11
8TP106-30	30	19.79	19.43
8TP106-32	32	21.11	20.75
8TP106-34	34	22.43	22.07
8TP106-36	36	23.75	23.39
8TP106-38	38	25.07	24.69
8TP106-40	40	26.39	26.01
8TP106-42	42	27.71	27.33
8TP106-44	44	29.03	28.65
8TP106-48	48	31.67	31.29
8TP106-50	50	32.99	32.61
8TP106-54	54	35.63	35.26
8TP106-60	60	39.58	39.22
8TP106-72	72	47.50	47.14
8TP106-75	75	49.48	49.12
8TP106-80	80	52.78	52.40
8TP106-84	84	55.42	55.04
8TP106-88	88	58.06	57.68
8TP106-90	90	59.38	59.00
8TP106-96	96	63.34	62.97
8TP106-98	98	64.65	64.29
8TP106-100	100	65.97	65.61
8TP106-120	120	79.17	78.79



- For 14-18 teeth, hub diameter equals 8.1.
 - * Pulleys Ø12.0mm and smaller for idler use only.
- Teeth could be anodized.

TIMING PULLEYS

CIR. PITCH	BORE	STYLE	MATERIAL	BERG'S ® NAME	BELT
2mm	Ø8	PIN HUB	Aluminum DIN 3.1355 Anodized	Flex-E-Grip®	Operates with Flex-E-Grip Belt 8TB Series



STOCK NO.	NO. OF TEETH	PITCH DIA.	OUTSIDE DIA.
8TP108-20	20*	13.19	12.83
8TP108-24	24	15.83	15.47
8TP108-25	25	16.49	16.13
8TP108-28	28	18.47	18.11
8TP108-30	30	19.79	19.43
8TP108-32	32	21.11	20.75
8TP108-34	34	22.43	22.07
8TP108-36	36	23.75	23.39
8TP108-38	38	25.07	24.69
8TP108-40	40	26.39	26.01
8TP108-42	42	27.71	27.33
8TP108-44	44	29.03	28.65
8TP108-48	48	31.67	31.29
8TP108-50	50	32.99	32.61
8TP108-54	54	35.63	35.26
8TP108-60	60	39.58	39.22
8TP108-72	72	47.50	47.14
8TP108-75	75	49.48	49.12
8TP108-80	80	52.78	52.40
8TP108-84	84	55.42	55.04
8TP108-88	88	58.06	57.68
8TP108-90	90	59.38	59.00
8TP108-96	96	63.34	62.97
8TP108-98	98	64.65	64.29
8TP108-100	100	65.97	65.61
8TP108-120	120	79.17	78.79

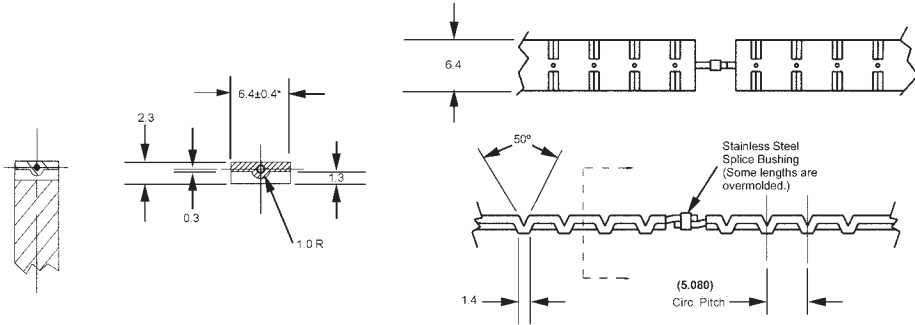


- For 20 teeth, hub diameter equals 12.1.
 - * Pulleys Ø12.0mm and smaller for idler use only.
- Teeth could be anodized.

TIMING BELTS

CIRCULAR PITCH	BELT WIDTH	MATERIALS	BERG'S® NAME	PULLEY
5mm	6.4mm	Polyurethane (Red) 90A Duro 0.8mm Dia. Stainless Steel Cable*	Flex-E-Pitch®	Operates with 20TP series

A



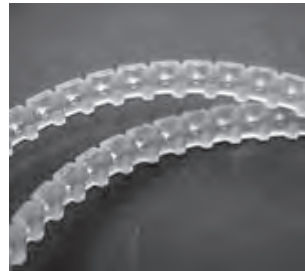
STOCK NO.	NO. OF PITCHES	LENGTH (Ref.)
20TB-10	10*	50.8
20TB-15	15*	76.2
20TB-20	20*	101.6
20TB-25	25	127.0
20TB-30	30	152.4
20TB-35	35	177.8
20TB-40	40	203.2
20TB-45	45	228.6
20TB-50	50	254.0
20TB-55	55	279.4
20TB-60	60	304.8
20TB-65	65	330.2
20TB-70	70	355.6
20TB-80	80	406.4
20TB-85	85	431.8
20TB-90	90	457.2
20TB-95	95	482.6
20TB-100	100	508.0
20TB-105	105	533.4
20TB-110	110	558.8
20TB-115	115	584.2
20TB-120	120	609.6
20TB-125	125	635.0
20TB-130	130	660.4
20TB-135	135	685.8
20TB-140	140	711.2
20TB-145	145	736.6
20TB-150	150	762.0
20TB-155	155	787.4
20TB-160	160	812.8
20TB-175	175	889.0
20TB-180	180	914.4
20TB-185	185	939.8
20TB-190	190	965.2
20TB-200	200	1016.0
20TB-210	210	1066.8

* Aramid Core. Alternate construction available.

- No Flanges Required
- Infinite Lengths
- Silent Drive
- No-Walk Feature
- No Lubrication
- Mass 9 Grams/Meter
- Compact Design
- Positive Drive
- Light Weight
- Extra Strong
- Ultimate Tensile Strength 222N
- Temperature Range +82°C to -26°C
- Recommended Operating Load 53N
- Recommended Max. Operating Speed 1.91 m/s
- For Field Splice Kit Order 20TB-7

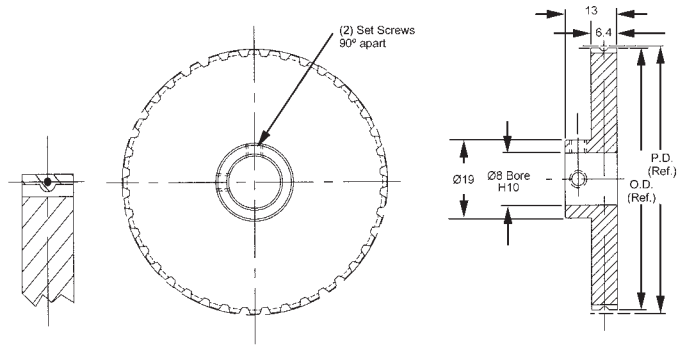
* Splices are factory overmolded

BULK FOOTAGE - NOT SPLICED	
STOCK NO.	LENGTH
20TB-1.5M	1.5 METERS
20TB-3.0M	3.0 METERS
20TB-7.5M	7.5 METERS
20TB-15.0M	15.0 METERS
20TB-30.0M	30.0 METERS



TIMING PULLEYS

CIR. PITCH	BORE	STYLE	MATERIAL	BERG'S ® NAME	BELT
5mm	Ø8	PIN HUB	Aluminum DIN 3.1355 Anodized	Flex-E-Grip®	Operates with Flex-E-Grip Belt 20TB Series



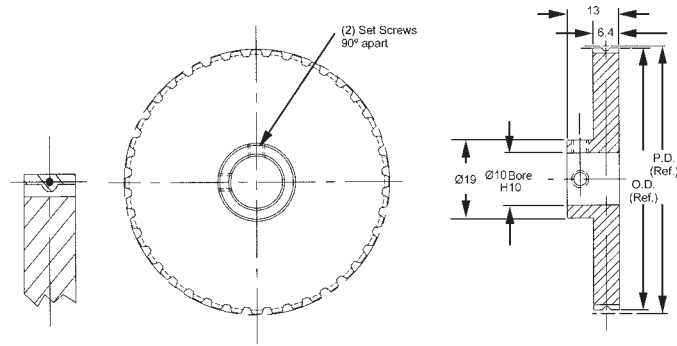
STOCK NO.	NO. OF TEETH	PITCH DIA.	OUTSIDE DIA.
20TP108-10	10*	16.17	15.65
20TP108-11	11*	17.79	17.27
20TP108-12	12*	19.40	18.87
20TP108-14	14	22.64	22.12
20TP108-15	15	24.26	23.72
20TP108-16	16	25.87	25.35
20TP108-17	17	27.49	26.97
20TP108-18	18	29.11	28.58
20TP108-19	19	30.72	30.20
20TP108-20	20	32.34	31.83
20TP108-21	21	33.96	33.43
20TP108-22	22	35.57	35.05
20TP108-23	23	37.19	36.68
20TP108-24	24	38.81	38.28
20TP108-25	25	40.43	39.90
20TP108-27	27	43.66	43.13
20TP108-28	28	45.28	44.75
20TP108-29	29	46.89	46.38
20TP108-30	30	48.51	47.98
20TP108-32	32	51.74	51.23
20TP108-36	36	58.21	57.68
20TP108-40	40	64.68	64.16
20TP108-42	42	67.91	67.39
20TP108-44	44	71.15	70.64
20TP108-45	45	72.77	72.24
20TP108-48	48	77.62	77.09
20TP108-50	50	80.85	80.34
20TP108-60	60	97.02	96.49
20TP108-72	72	116.43	115.90



- For 10-12 teeth, hub diameter equals 14.1.
 - * Pulleys Ø19.0mm and smaller for idler use only.
- Other numbers of teeth available upon request.
Teeth could be anodized.

TIMING PULLEYS

CIR. PITCH	BORE	STYLE	MATERIAL	BERG'S ® NAME	BELT
5mm	Ø10	PIN HUB	Aluminum DIN 3.1355 Anodized	Flex-E-Grip®	Operates with Flex-E-Grip® Belt 20TB Series



A

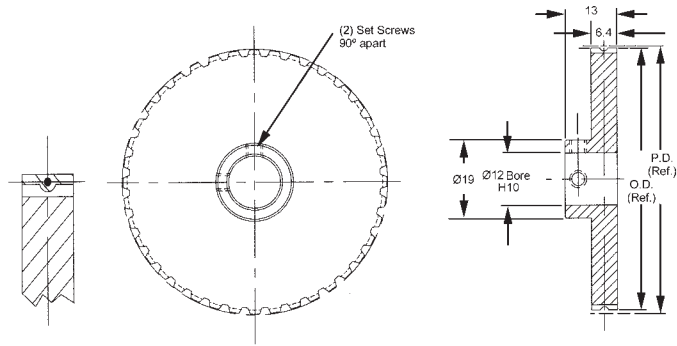
STOCK NO.	NO. OF TEETH	PITCH DIA.	OUTSIDE DIA.
20TP110-11	11*	17.79	17.27
20TP110-12	12*	19.40	18.87
20TP110-14	14	22.64	22.12
20TP110-15	15	24.26	23.72
20TP110-16	16	25.87	25.35
20TP110-17	17	27.49	26.97
20TP110-18	18	29.11	28.58
20TP110-19	19	30.72	30.20
20TP110-20	20	32.34	31.83
20TP110-21	21	33.96	33.43
20TP110-22	22	35.57	35.05
20TP110-23	23	37.19	36.68
20TP110-24	24	38.81	38.28
20TP110-25	25	40.43	39.90
20TP110-27	27	43.66	43.13
20TP110-28	28	45.28	44.75
20TP110-29	29	46.89	46.38
20TP110-30	30	48.51	47.98
20TP110-32	32	51.74	51.23
20TP110-36	36	58.21	57.68
20TP110-40	40	64.68	64.16
20TP110-42	42	67.91	67.39
20TP110-44	44	71.15	70.64
20TP110-45	45	72.77	72.24
20TP110-48	48	77.62	77.09
20TP110-50	50	80.85	80.34
20TP110-60	60	97.02	96.49
20TP110-72	72	116.43	115.90



- For 11-12 teeth, hub diameter equals 15.7.
 - * Pulleys Ø19.0mm and smaller for idler use only.
- Other numbers of teeth available upon request.
Teeth could be anodized.

TIMING PULLEYS

CIR. PITCH	BORE	STYLE	MATERIAL	BERG'S ® NAME	BELT
5mm	Ø12	PIN HUB	Aluminum DIN 3.1355 Anodized	Flex-E-Grip®	Operates with Flex-E-Grip Belt 20TB Series



STOCK NO.	NO. OF TEETH	PITCH DIA.	OUTSIDE DIA.
20TP112-12	12	19.40	18.87
20TP112-14	14	22.64	22.12
20TP112-15	15	24.26	23.72
20TP112-16	16	25.87	25.35
20TP112-17	17	27.49	26.97
20TP112-18	18	29.11	28.58
20TP112-19	19	30.72	30.20
20TP112-20	20	32.34	31.83
20TP112-21	21	33.96	33.43
20TP112-22	22	35.57	35.05
20TP112-23	23	37.19	36.68
20TP112-24	24	38.81	38.28
20TP112-25	25	40.43	39.90
20TP112-27	27	43.66	43.13
20TP112-28	28	45.28	44.75
20TP112-29	29	46.89	46.38
20TP112-30	30	48.51	47.98
20TP112-32	32	51.74	51.23
20TP112-36	36	58.21	57.68
20TP112-40	40	64.68	64.16
20TP112-42	42	67.91	67.39
20TP112-44	44	71.15	70.64
20TP112-45	45	72.77	72.24
20TP112-48	48	77.62	77.09
20TP112-50	50	80.85	80.34
20TP112-60	60	97.02	96.49
20TP112-72	72	116.43	115.90

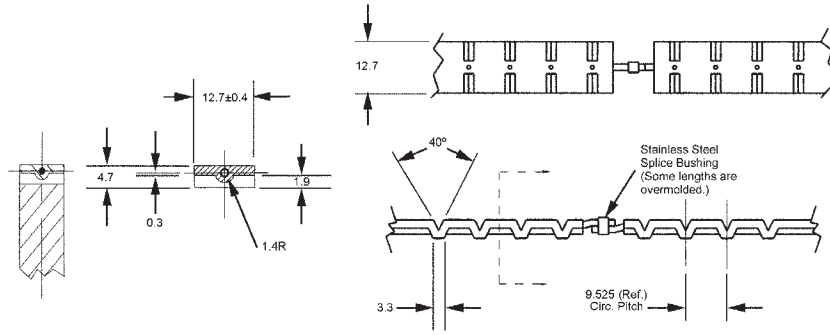


- For 12 teeth, hub diameter equals 17.4.
Other numbers of teeth available upon request.
Teeth could be anodized.

TIMING BELTS

CIRCULAR PITCH	BELT WIDTH	MATERIALS	BERG'S ® NAME	PULLEY
9.525mm	12.7mm	Polyurethane (Blue) 90A Duro 1.2mm Dia. Stainless Steel Cable*	Flex-E-Pitch®	Operates with 37TP series

A



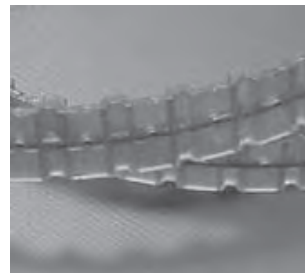
STOCK NO.	NO. OF PITCHES	LENGTH (Ref.)
37TB-20	20	190.5
37TB-22	22	209.5
37TB-24	24	228.6
37TB-26	26	247.6
37TB-28	28	266.7
37TB-30	30	285.7
37TB-33	33	314.3
37TB-36	36	342.9
37TB-40	40	381.0
37TB-45	45	428.6
37TB-50	50	476.2
37TB-56	56	533.4
37TB-60	60	571.5
37TB-64	64	609.6
37TB-68	68	647.7
37TB-72	72	685.8
37TB-80	80	765.0
37TB-86	86	819.1
37TB-92	92	876.3
37TB-98	98	933.4
37TB-100	100	952.5
37TB-104	104	990.6
37TB-108	108	1028.7
37TB-112	112	1066.8
37TB-116	116	1104.9
37TB-120	120	1143.0
37TB-124	124	1181.1
37TB-128	128	1219.2
37TB-132	132	1257.3
37TB-136	136	1295.4
37TB-140	140	1333.5
37TB-144	144	1371.6
37TB-148	148	1409.7
37TB-152	152	1447.8
37TB-156	156	1485.9
37TB-160	160	1524.0
37TB-176	176	1676.4

Aramid Core. Alternate construction available.

- No Flanges Required
- Infinite Lengths
- Silent Drive
- No-Walk Feature
- No Lubrication
- Mass 38 Grams/Meter
- Compact Design
- Positive Drive
- Light Weight
- Extra Strong
- Ultimate Tensile Strength 556N
- Temperature Range +82°C to -26°C
- Recommended Max. Operating Speed 1.91m/s
- For Field Splice Kit Order 37TB-7

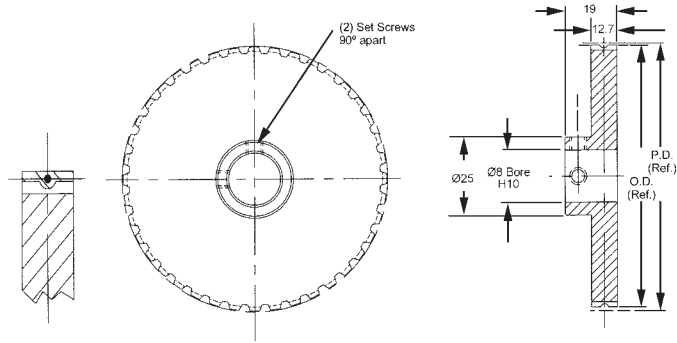
* Splices are factory overmolded

BULK FOOTAGE - NOT SPLICED	
STOCK NO.	LENGTH
37TB-1.5M	1.5 METERS
37TB-3.0M	3.0 METERS
37TB-7.5M	7.5 METERS
37TB-15.0M	15.0 METERS
37TB-30.0M	30.0 METERS



TIMING PULLEYS

CIR. PITCH	BORE	STYLE	MATERIAL	BERG'S ® NAME	BELT
9.525mm	Ø8	PIN HUB	Aluminum DIN 3.1355 Anodized	Flex-E-Grip®	Operates with Flex-E-Grip Belt 37TB Series



STOCK NO.	NO. OF TEETH	PITCH DIA.	OUTSIDE DIA.
37TP108-10	10*	30.32	29.57
37TP108-11	11*	33.35	32.59
37TP108-12	12	36.38	35.64
37TP108-13	13	39.42	38.66
37TP108-14	14	42.45	41.71
37TP108-15	15	45.48	44.73
37TP108-16	16	48.51	47.75
37TP108-17	17	51.54	50.80
37TP108-18	18	54.57	53.82
37TP108-19	19	57.61	56.87
37TP108-20	20	60.64	59.89
37TP108-21	21	63.67	62.92
37TP108-22	22	66.70	65.96
37TP108-24	24	72.77	72.01
37TP108-26	26	78.83	78.08
37TP108-28	28	84.89	84.15
37TP108-30	30	90.96	90.22
37TP108-32	32	97.02	96.27
37TP108-36	36	109.15	108.41



* Pulleys Ø35.0mm P.D. and smaller for idler use only.
Other numbers of teeth available upon request.

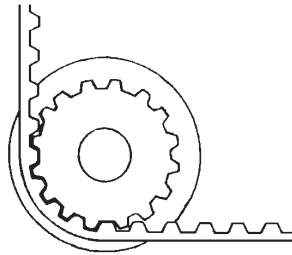
Teeth could be anodized.

Max-M-Drive® CABLE DRIVE CHAIN TECHNICAL DATA

Operating Notes

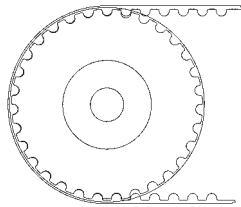
Timing Belts also known as Synchronous Belts are basically flat belts with evenly spaced or pitched grooves. These grooves when matched with the grooves in the pulleys provide a positive no-slip engagement. These belts will not stretch and require no lubrication.

A



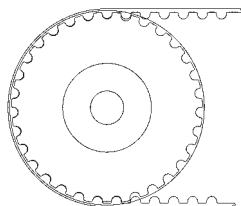
TB7 Series

- Trapezoidal Profile
- 2.03 Pitch
- Maximum Operating Speed 20,000 RPM
- Minimum Pulley Diameter 6.48 (10 grooves)
- Maximum Operating Tension 7N



TB3 Series

- HTD Profile
- 3mm Pitch
- Maximum Operating Tension 33N
- Maximum Operating Speed 20,000RPM
- Minimum Pulley Diameter 9.5mm (10 grooves)

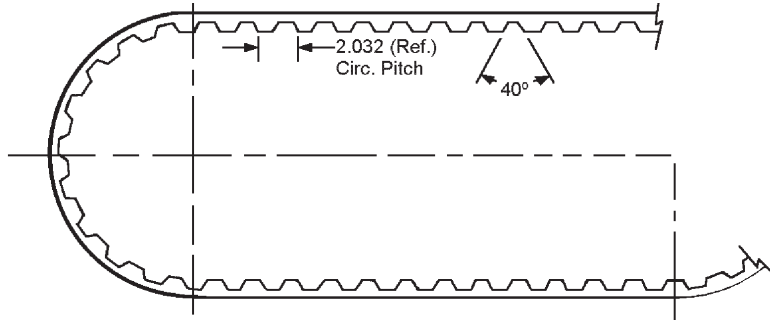


TB5 Series

- HTD Profile
- 5mm Pitch
- Maximum Operating Tension 145N
- Maximum Operating Speed 10,000RPM
- Minimum Pulley Diameter 17.5mm (11 grooves)

TIMING BELTS

CIRCULAR PITCH	BELT WIDTH	MATERIALS	BERG'S® NAME	PULLEY
2mm	3mm	Neoprene (Black) Fiberglass reinforced	Max-M-Drive®	Operates with TP7 Series



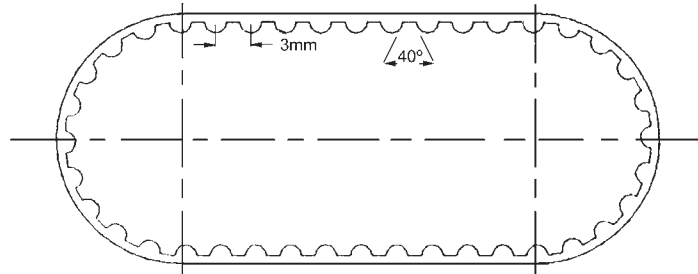
STOCK NO.	NO. OF GROOVES	LENGTH (Ref.)
TB7EF2-40	40	81.3
TB7EF2-42	42	85.3
TB7EF2-45	45	91.4
TB7EF2-50	50	101.6
TB7EF2-54	54	109.7
TB7EF2-55	55	111.8
TB7EF2-57	57	115.8
TB7EF2-60	60	121.9
TB7EF2-64	64	130.0
TB7EF2-67	67	136.1
TB7EF2-70	70	142.2
TB7EF2-73	73	148.3
TB7EF2-80	80	162.6
TB7EF2-90	90	182.9
TB7EF2-100	100	203.2
TB7EF2-105	105	213.4
TB7EF2-110	110	223.5
TB7EF2-120	120	243.8
TB7EF2-130	130	264.2
TB7EF2-150	150	304.8
TB7EF2-160	160	325.1
TB7EF2-170	170	345.4
TB7EF2-175	175	355.6
TB7EF2-190	190	386.1
TB7EF2-200	200	406.4
TB7EF2-225	225	457.2
TB7EF2-250	250	508.0
TB7EF2-300	300	609.6
TB7EF2-400	400	812.8

- High Ratios
- Allows use of small diameter pulleys
- High Speeds
- High Power Transmission
- Long Life
- Wear Resistant Nylon Facing
- Low Profile
- Quiet Operation
- Maximum speed up to 20,000 RPM
- Minimum pulley diameter 6.4 (10 grooves)
- Temperature Range +85°C to -34°C



TIMING BELTS

CIRCULAR PITCH	BELT WIDTH	MATERIALS	BERG'S® NAME	PULLEY
3mm (HTD)	6mm	Neoprene (Black) Fiberglass reinforced	Max-M-Drive®	Operates with TP3 Series



A

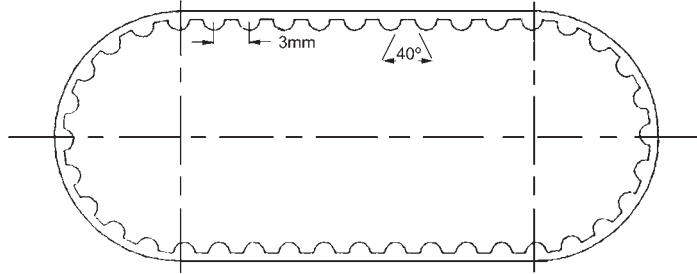
STOCK NO.	NO. OF GROOVES	LENGTH (Ref.)
TB3EF6M-48	48	144
TB3EF6M-49	49	147
TB3EF6M-50	50	150
TB3EF6M-53	53	159
TB3EF6M-59	59	177
TB3EF6M-67	67	201
TB3EF6M-70	70	210
TB3EF6M-71	71	213
TB3EF6M-75	75	225
TB3EF6M-84	84	252
TB3EF6M-85	85	255
TB3EF6M-88	88	264
TB3EF6M-89	89	267
TB3EF6M-92	92	276
TB3EF6M-95	95	285
TB3EF6M-96	96	288
TB3EF6M-99	99	297
TB3EF6M-100	100	300
TB3EF6M-104	104	312
TB3EF6M-106	106	318
TB3EF6M-111	111	333
TB3EF6M-113	113	339
TB3EF6M-119	119	357
TB3EF6M-121	121	363
TB3EF6M-128	128	384
TB3EF6M-130	130	390
TB3EF6M-140	140	420
TB3EF6M-149	149	447
TB3EF6M-153	153	459
TB3EF6M-158	158	474
TB3EF6M-162	162	486
TB3EF6M-163	163	489
TB3EF6M-171	171	513
TB3EF6M-179	179	537
TB3EF6M-188	188	564
TB3EF6M-211	211	633
TB3EF6M-237	237	711
TB3EF6M-294	294	882
TB3EF6M-315	315	945
TB3EF6M-369	369	1107
TB3EF6M-375	375	1125
TB3EF6M-415	415	1245
TB3EF6M-421	421	1263
TB3EF6M-500	500	1500

- High Ratios
- Allows use of small diameter pulleys
- High Speeds
- High Power Transmission
- Long Life
- Wear Resistant Nylon Facing
- Low Profile
- Quiet Operation
- Maximum speed up to 20,000 RPM
- Maximum Operating Tension 60N
- Minimum pulley diameter 9.5 (10 grooves)
- Temperature Range +85°C to -18°C



TIMING BELTS

CIRCULAR PITCH	BELT WIDTH	MATERIALS	BERG'S® NAME	PULLEY
3mm (HTD)	9mm	Neoprene (Black) Fiberglass reinforced	Max-M-Drive®	Operates with TP3 Series



STOCK NO.	NO. OF GROOVES	LENGTH (Ref.)
TB3EF9M-48	48	144
TB3EF9M-49	49	147
TB3EF9M-50	50	150
TB3EF9M-53	53	159
TB3EF9M-56	56	168
TB3EF9M-59	59	177
TB3EF9M-67	67	201
TB3EF9M-70	70	210
TB3EF9M-71	71	213
TB3EF9M-75	75	225
TB3EF9M-80	80	240
TB3EF9M-84	84	252
TB3EF9M-85	85	255
TB3EF9M-88	88	264
TB3EF9M-89	89	267
TB3EF9M-90	90	270
TB3EF9M-92	92	276
TB3EF9M-95	95	285
TB3EF9M-96	96	288
TB3EF9M-99	99	297
TB3EF9M-100	100	300
TB3EF9M-104	104	312
TB3EF9M-106	106	318
TB3EF9M-111	111	333
TB3EF9M-113	113	339
TB3EF9M-119	119	357
TB3EF9M-121	121	363
TB3EF9M-128	128	384
TB3EF9M-130	130	390
TB3EF9M-140	140	420
TB3EF9M-145	145	435
TB3EF9M-149	149	447
TB3EF9M-153	153	459
TB3EF9M-155	155	465
TB3EF9M-158	158	474
TB3EF9M-162	162	486
TB3EF9M-163	163	489
TB3EF9M-171	171	513
TB3EF9M-179	179	537
TB3EF9M-188	188	564
TB3EF9M-199	199	597
TB3EF9M-211	211	633
TB3EF9M-223	223	669
TB3EF9M-237	237	711
TB3EF9M-251	251	753
TB3EF9M-294	294	882
TB3EF9M-315	315	945
TB3EF9M-369	369	1107
TB3EF9M-375	375	1125
TB3EF9M-415	415	1245
TB3EF9M-421	421	1263
TB3EF9M-500	500	1500

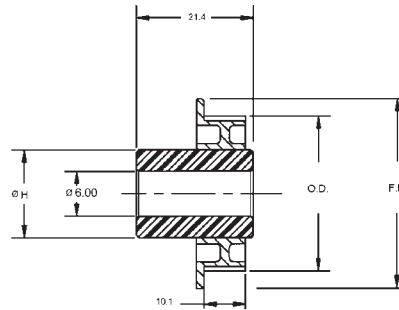
- High Ratios
- Allows use of small diameter pulleys
- High Speeds
- High Power Transmission
- Long Life
- Wear Resistant Nylon Facing
- Low Profile
- Quiet Operation
- Maximum speed up to 20,000 RPM
- Maximum Operating Tension 90N
- Minimum pulley diameter 9.5 (10 grooves)
- Temperature Range +85°C to -18°C



TIMING PULLEYS

CIRCULAR PITCH	STYLE	BELTWIDTH	BORE	MATERIALS	BERG'S ® NAME	BELT
3mm (HTD)	Single Flange Pin Hub	6mm to 9mm	6mm	10% Glass Filled Polycarbonate (Black) Hub = Aluminum	Max-M-Drive®	Operates with TB3 Series

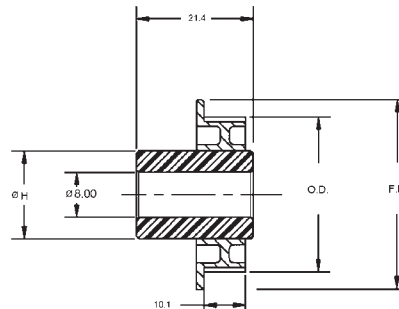
A



STOCK NO.	BORE +.04 -.00	NO. OF GROOVES	P.D.	O.D.	F.D.	ØH HUB DIA.
TP3P6U9M-24	6.00	24	22.92	22.16	25.9	19
TP3P6U9M-28		28	26.74	25.98	29.7	
TP3P6U9M-30		30	28.65	27.89	31.8	
TP3P6U9M-32		32	30.56	29.80	33.5	
TP3P6U9M-36		36	34.38	33.62	37.3	22
TP3P6U9M-40		40	38.20	37.44	41.1	
TP3P6U9M-48		48	45.84	45.07	48.8	
TP3P6U9M-50		50	47.7	46.98	50.8	

Other materials, bores and hub styles available on request.
Made solid without lightening grooves.

CIRCULAR PITCH	STYLE	BELTWIDTH	BORE	MATERIALS	BERG'S ® NAME	BELT
3mm (HTD)	Single Flange Pin Hub	6mm to 9mm	8mm	10% Glass Filled Polycarbonate (Black) Hub = Aluminum	Max-M-Drive®	Operates with TB3 Series

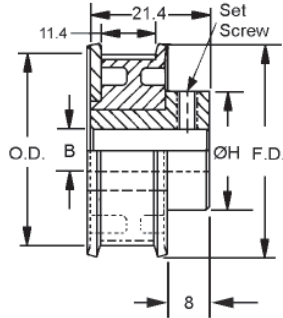


STOCK NO.	BORE +.04 -.00	NO. OF GROOVES	P.D.	O.D.	F.D.	ØH HUB DIA.
TP3P8U9M-60	8.00	60	57.30	56.53	60.2	22
TP3P8U9M-72		72	68.75	67.99	71.9	

Other materials, bores and hub styles available on request.
Made solid without lightening grooves available on request.

TIMING PULLEYS

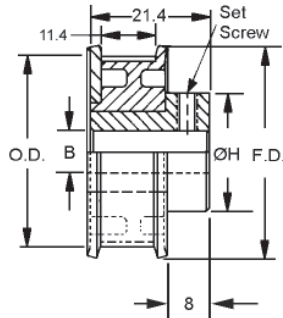
CIRCULAR PITCH	STYLE	BELTWIDTH	BORE	MATERIALS	BERG'S® NAME	BELT
3mm (HTD)	Double Flange Pin Hub	6mm to 9mm	4mm	10% Glass Filled Polycarbonate (Black)	Max-M-Drive®	Operates with TB3 Series



STOCK NO.	BORE +.04 -.00	NO. OF GROOVES	P.D.	O.D.	F.D.	HUB DIA.
TP3P4W9M-14	4.00	14	13.37	12.61	16.0	17.5
TP3P4W9M-15		15	14.32	13.56	20.0	
TP3P4W9M-16		16	15.28	14.52	18.0	

Other materials, bores and hub styles available on request.
Made solid without lightening grooves available on request.

CIRCULAR PITCH	STYLE	BELTWIDTH	BORE	MATERIALS	BERG'S® NAME	BELT
3mm (HTD)	Double Flange Pin Hub	6mm to 9mm	6.35mm	10% Glass Filled Polycarbonate (Black) Aluminum Insert	Max-M-Drive®	Operates with TB3 Series



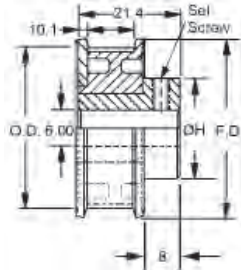
STOCK NO.	BORE +.04 -.00	NO. OF GROOVES	P.D.	O.D.	F.D.	HUB DIA.
TP3P4W9M-18	6.35	18	17.19	16.43	20.1	17.5
TP3P4W9M-20		20	19.10	18.34	22.6	
TP3P4W9M-22		22	21.01	20.25	23.9	

Other materials, bores and hub styles available on request.
Made solid without lightening grooves available on request.

TIMING PULLEYS

CIRCULAR PITCH	STYLE	BELTWIDTH	BORE	MATERIALS	BERG'S® NAME	BELT
3mm (HTD)	Double Flange Pin Hub	6mm to 9mm	6mm	10% Glass Filled Polycarbonate (Black) Aluminum Insert	Max-M-Drive®	Operates with TB3 Series

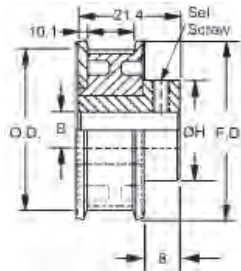
A



STOCK NO.	BORE +.04 -.00	NO. OF GROOVES	P.D.	O.D.	F.D.	HUB DIA.
TP3P6W9M-28	6.00	28	26.74	25.98	29.7	19
TP3P6W9M-30		30	28.65	27.89	31.8	
TP3P6W9M-32		32	30.56	29.80	33.5	
TP3P6W9M-36		36	34.38	33.62	37.3	22
TP3P6W9M-40		40	38.20	37.44	41.1	
TP3P6W9M-42		42	40.11	39.35	43.2	
TP3P6W9M-48		48	45.84	45.07	48.8	
TP3P6W9M-50	50	47.75	46.98	50.8		

Other materials, bores and hub styles available on request.
Made solid without lightening grooves.

CIRCULAR PITCH	STYLE	BELTWIDTH	BORE	MATERIALS	BERG'S® NAME	BELT
3mm (HTD)	Double Flange Pin Hub	6mm to 9mm	8mm	10% Glass Filled Polycarbonate (Black) Aluminum Insert	Max-M-Drive®	Operates with TB3 Series



STOCK NO.	BORE +.04 -.00	NO. OF GROOVES	P.D.	O.D.	F.D.	HUB DIA.
TP3P8W9M-60	8.00	60	57.30	56.53	60.2	22
TP3P8W9M-72		72	68.75	67.99	71.9	

Other materials, bores and hub styles available on request.
Made solid without lightening grooves.

TIMING PULLEYS

CIRCULAR PITCH	STYLE	BELTWIDTH	BORE	MATERIALS	BERG'S® NAME	BELT
3mm (HTD)	Double Flange Pin Hub	6mm to 9mm	3.00	Aluminum Alloy Din 3.1355 Anodized	Max-M-Drive®	Operates with Max-M-Drive® TB3 series.

STOCK NO.	NO. OF GROOVES	ØP.D.	ØF.D. ±0.4	A ±0.4	Ø H ±0.3	Ø B +.03/-0.00	ØO.D.
TP3A3W9M-10	10	9.5	12.8	17.3	12.8	3.0	8.8
TP3A3W9M-11	11	10.5	13.4	17.3	13.4	3.0	9.7

Other numbers of grooves, bores or hub styles available on request.
Supplied with 1 set screw.
Teeth could be anodized.

CIRCULAR PITCH	STYLE	BELTWIDTH	BORE	MATERIALS	BERG'S® NAME	BELT
3mm (HTD)	Double Flange Pin Hub	6mm to 9mm	4.00	Aluminum Alloy Din 3.1355 Anodized	Max-M-Drive®	Operates with Max-M-Drive® TB3 series.

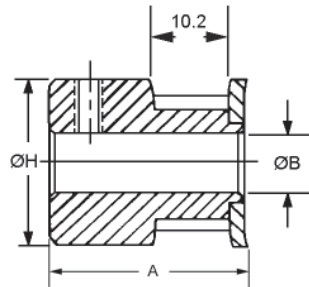
STOCK NO.	NO. OF GROOVES	ØP.D.	ØF.D. ±0.4	A ±0.4	Ø H ±0.3	Ø B +.03/-0.00	ØO.D.
TP3A4W9M-12	12	11.5	14.7	17.3	14.7	4.0	10.7

Other numbers of grooves, bores or hub styles available on request.
Supplied with 1 set screw.

CIRCULAR PITCH	STYLE	BELTWIDTH	BORE	MATERIALS	BERG'S® NAME	BELT
3mm (HTD)	Double Flange Pin Hub	6mm to 9mm	6.00	Aluminum Alloy Din 3.1355 Anodized	Max-M-Drive®	Operates with Max-M-Drive® TB3 series.

STOCK NO.	NO. OF GROOVES	ØP.D.	ØF.D. ±0.4	A ±0.4	Ø H ±0.3	Ø B +.03/-0.00	ØO.D.
TP3A6W9M-14	14	13.4	16.1	17.6	16.1	6.0	12.6
TP3A6W9M-15	15	14.3	17.4	17.6	17.4	6.0	13.6
TP3A6W9M-16	16	15.3	18.0	17.6	18.0	6.0	14.5

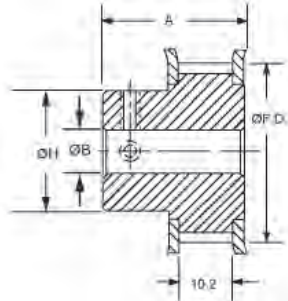
Other numbers of grooves, bores or hub styles available on request.
Supplied with 1 set screw.
Teeth could be anodized.



TIMING PULLEYS

CIRCULAR PITCH	STYLE	BELTWIDTH	BORE	MATERIALS	BERG'S® NAME	BELT
3mm (HTD)	Double Flange Pin Hub	6mm to 9mm	6.00	Aluminum Alloy Din 3.1355 Anodized	Max-M-Drive®	Operates with Max-M-Drive® TB3 series.

A



STOCK NO.	NO. OF GROOVES	ØP.D.	ØF.D. ±0.4	A ±0.4	Ø H ±0.3	Ø B +.03/- .00	ØO.D.
TP3A6W9M-18	18	17.2	20.1	20.8	11.2	6.0	16.4
TP3A6W9M-20	20	19.1	22.7	20.8	12.7	6.0	18.3
TP3A6W9M-22	22	21.0	24.0	20.8	14.3	6.0	20.2
TP3A6W9M-24	24	22.9	26.0	20.8	15.9	6.0	22.2
TP3A6W9M-28	28	26.7	29.8	20.8	17.8	6.0	26.0
TP3A6W9M-30	30	28.6	31.8	20.8	19.7	6.0	27.9
TP3A6W9M-32	32	30.6	33.6	20.8	21.6	6.0	29.8
TP3A6W9M-36	36	34.4	37.4	21.2	25.4	6.0	33.6
TP3A6W9M-40	40	38.2	41.3	21.2	29.2	6.0	37.4
TP3A6W9M-44	44	42.0	45.1	21.2	33.0	6.0	41.3

Other numbers of grooves, bores or hub styles available on request.

Supplied with 2 set screws.

Teeth could be anodized.

TIMING PULLEYS

CIRCULAR PITCH	STYLE	BELTWIDTH	BORE	MATERIALS	BERG'S® NAME	BELT
3mm (HTD)	Single Flange Pin Hub	6mm to 9mm	4.00	Polycarbonate Lexan® with Fiberglass Reinforcement 94 V-O UL Rated	Max-M-Drive®	Operates with Max-M-Drive® TB3 series.

STOCK NO.	NO. OF GROOVES	O.D.	P.D.	F.D.	B +.036/-.000	H
TP3L4U9M-17	17	15.4	16.2	22	4	17
TP3L4U9M-18	18	16.4	17.2	24		
TP3L4U9M-19	19	17.4	18.2	24		
TP3L4U9M-20	20	18.3	19.1	24		
TP3L4U9M-22	22	20.2	21.0	27		

CIRCULAR PITCH	STYLE	BELTWIDTH	BORE	MATERIALS	BERG'S® NAME	BELT
3mm (HTD)	Single Flange Pin Hub	6mm to 9mm	6.00	Polycarbonate Lexan® with Fiberglass Reinforcement 94 V-O UL Rated	Max-M-Drive®	Operates with Max-M-Drive® TB3 series.

STOCK NO.	NO. OF GROOVES	O.D.	P.D.	F.D.	B +.036/-.000	H
TP3L4U9M-25	25	23.1	23.9	30	6	19
TP3L6U9M-28	28	26.0	26.8	32		
TP3L6U9M-32	32	29.8	30.6	32		
TP3L6U9M-36	36	33.6	34.4	40	6	22
TP3L6U9M-40	40	37.4	38.2	45		
TP3L6U9M-48	48	45.0	45.8	51		

CIRCULAR PITCH	STYLE	BELTWIDTH	BORE	MATERIALS	BERG'S® NAME	BELT
3mm (HTD)	Single Flange Pin Hub	6mm to 9mm	8.00	Polycarbonate Lexan® with Fiberglass Reinforcement 94 V-O UL Rated	Max-M-Drive®	Operates with Max-M-Drive® TB3 series.



STOCK NO.	NO. OF GROOVES	O.D.	P.D.	F.D.	B +.036/-.000	H
TP3L8U9M-60	60	56.5	57.3	63	8	22
TP3L8U9M-72	72	68.0	68.8	74		
TP3L8U9M-80	80	75.6	76.4	84		

All flanges 1/16" thick.

One or two set screws are optional.

Lexan® Material Specs:

Tensile Strength (PSI) 16,000

Compressive Strength (PSI) 16,000

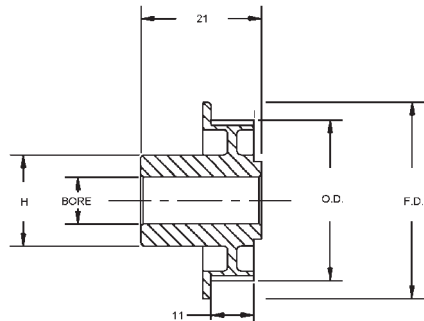
Flexural Strength (PSI) 19,000

Impact (ft.-lbs./in. notch) 2.0

Water Absorption (24 hrs.) Equilibrium 73% 0.29%

Examples of specials:

- a. Bores: D shaped, key slots, square or spline.
- b. Face widths other than standard.
- c. Hubless or hub diameters other than standard.
- d. Aluminum, brass or stainless steel inserts thru bore with pulley overmolded.
- e. Non-standard bores including metric bores are available upon request.



TIMING PULLEYS

CIRCULAR PITCH	STYLE	BELTWIDTH	BORE	MATERIALS	BERG'S ® NAME	BELT
3mm (HTD)	Double Flange Pin Hub	6mm to 9mm	4.00	Polycarbonate Lexan® with Fiberglass Reinforcement 94 V-O UL Rated	Max-M-Drive®	Operates with Max-M-Drive® TB3 series.

A

STOCK NO.	NO. OF GROOVES	O.D.	P.D.	F.D.	B +.036/-.000	H
TP3L4W9M-17	17	15.4	16.2	22	4	17
TP3L4W9M-18	18	16.4	17.2	24	4	17
TP3L4W9M-19	19	17.4	18.2	24	4	17
TP3L4W9M-20	20	18.3	19.1	24	4	17
TP3L4W9M-22	22	20.2	21.0	27	4	17

CIRCULAR PITCH	STYLE	BELTWIDTH	BORE	MATERIALS	BERG'S ® NAME	BELT
3mm (HTD)	Double Flange Pin Hub	6mm to 9mm	6.00	Polycarbonate Lexan® with Fiberglass Reinforcement 94 V-O UL Rated	Max-M-Drive®	Operates with Max-M-Drive® TB3 series.

STOCK NO.	NO. OF GROOVES	O.D.	P.D.	F.D.	B +.036/-.000	H
TP3L4W9M-25	25	23.1	23.9	30	6	19
TP3L6W9M-28	28	26.0	26.8	32	6	19
TP3L6W9M-32	32	29.8	30.6	32	6	19
TP3L6W9M-36	36	33.6	34.4	40	6	22
TP3L6W9M-48	48	45.0	45.8	51	6	22

CIRCULAR PITCH	STYLE	BELTWIDTH	BORE	MATERIALS	BERG'S ® NAME	BELT
3mm (HTD)	Double Flange Pin Hub	6mm to 9mm	8.00	Polycarbonate Lexan® with Fiberglass Reinforcement 94 V-O UL Rated	Max-M-Drive®	Operates with Max-M-Drive® TB3 series.



STOCK NO.	NO. OF GROOVES	O.D.	P.D.	F.D.	B +.036/-.000	H
TP3L8W9M-60	60	56.5	57.3	63	8	22
TP3L8W9M-72	72	68.0	68.8	74	8	22
TP3L8W9M-80	80	75.6	76.4	84	8	22

All flanges 1/16" thick.

One or two set screws are optional.

Lexan® Material Specs:

Tensile Strength (PSI) 16,000

Compressive Strength (PSI) 16,000

Flexural Strength (PSI) 19,000

Impact (ft.-lbs./in. notch) 2.0

Water Absorption (24 hrs.) Equilibrium 73% 0.29%

Examples of specials:

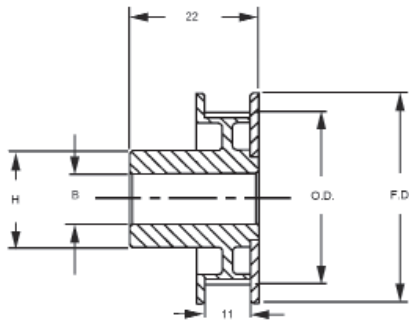
a. Bores: D shaped, key slots, square or spline.

b. Face widths other than standard.

c. Hubless or hub diameters other than standard.

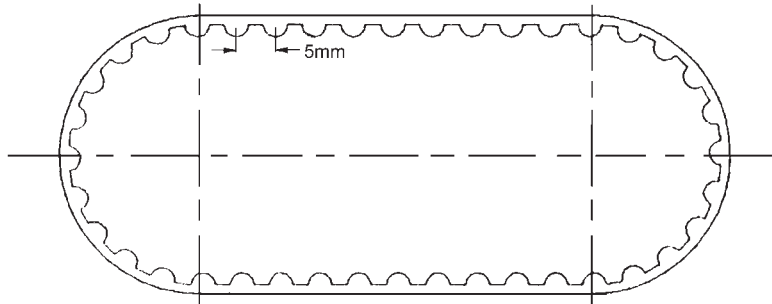
d. Aluminum, brass or stainless steel inserts thru bore with pulley overmolded.

e. Non-standard bores including metric bores are available upon request.



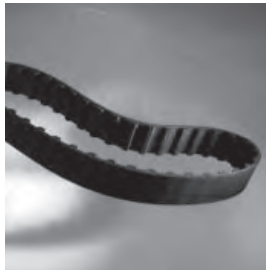
TIMING BELTS

CIRCULAR PITCH	BELT WIDTH	MATERIALS	BERG'S® NAME	PULLEY
5mm (HTD)	6mm	Neoprene (Black) Fiberglass reinforced	Max-M-Drive®	Operates with TP5 Series



STOCK NO.	NO. OF GROOVES	PITCH LENGTH
TB5EF6M-64	64	320
TB5EF6M-70	70	350
TB5EF6M-75	75	375
TB5EF6M-80	80	400
TB5EF6M-85	85	425
TB5EF6M-90	90	450
TB5EF6M-100	100	500
TB5EF6M-104	104	520
TB5EF6M-107	107	535
TB5EF6M-113	113	565
TB5EF6M-120	120	600
TB5EF6M-127	127	635
TB5EF6M-133	133	665
TB5EF6M-142	142	710
TB5EF6M-148	148	740
TB5EF6M-160	160	800
TB5EF6M-166	166	830
TB5EF6M-178	178	890
TB5EF6M-185	185	925
TB5EF6M-190	190	950
TB5EF6M-200	200	1000
TB5EF6M-210	210	1050
TB5EF6M-225	225	1125
TB5EF6M-254	254	1270
TB5EF6M-284	284	1420
TB5EF6M-319	319	1595
TB5EF6M-358	358	1790
TB5EF6M-360	360	1800
TB5EF6M-379	379	1895
TB5EF6M-400	400	2000
TB5EF6M-505	505	2525

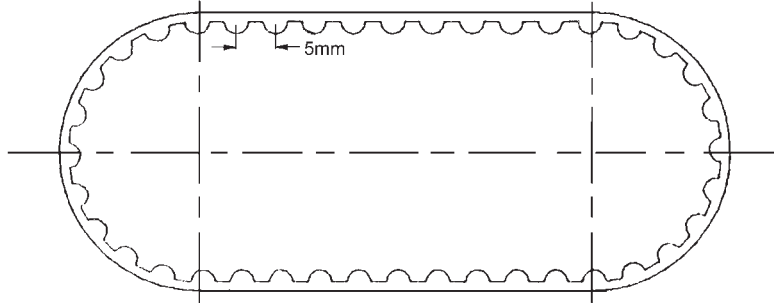
- Large Ratios
- Allows use of small diameter pulleys
- High Speeds
- High Power Transmission
- Long Life
- Wear resistant Nylon facing
- Low Profile
- Quiet operation
- Maximum speed up to 10,000 RPM
- Maximum operating tension 105N
- Minimum pulley diameter 17.5mm (11 grooves)
- Temperature Range +85°C to -34°C



TIMING BELTS

CIRCULAR PITCH	BELT WIDTH	MATERIALS	BERG'S® NAME	PULLEY
5mm (HTD)	9mm	Neoprene (Black) Fiberglass reinforced	Max-M-Drive®	Operates with TP5 Series

A



STOCK NO.	NO. OF GROOVES	PITCH LENGTH
TB5EF9M-33	33	165
TB5EF9M-37	37	185
TB5EF9M-40	40	200
TB5EF9M-45	45	225
TB5EF9M-52	52	260
TB5EF9M-54	54	270
TB5EF9M-55	55	275
TB5EF9M-56	56	280
TB5EF9M-60	60	300
TB5EF9M-64	64	320
TB5EF9M-65	65	325
TB5EF9M-66	66	330
TB5EF9M-68	68	340
TB5EF9M-70	70	350
TB5EF9M-72	72	360
TB5EF9M-75	75	375
TB5EF9M-80	80	400
TB5EF9M-85	85	425
TB5EF9M-90	90	450
TB5EF9M-100	100	500
TB5EF9M-104	104	520
TB5EF9M-107	107	535
TB5EF9M-113	113	565
TB5EF9M-120	120	600
TB5EF9M-127	127	635
TB5EF9M-133	133	665
TB5EF9M-142	142	710
TB5EF9M-148	148	740
TB5EF9M-160	160	800
TB5EF9M-166	166	830
TB5EF9M-178	178	890
TB5EF9M-185	185	925
TB5EF9M-190	190	950
TB5EF9M-200	200	1000
TB5EF9M-210	210	1050
TB5EF9M-225	225	1125
TB5EF9M-254	254	1270
TB5EF9M-284	284	1420
TB5EF9M-319	319	1595
TB5EF9M-358	358	1790
TB5EF9M-360	360	1800
TB5EF9M-379	379	1895
TB5EF9M-400	400	2000
TB5EF9M-505	505	2525

- Large Ratios
- Allows use of small diameter pulleys
- High Speeds
- High Power Transmission
- Long Life
- Wear resistant Nylon facing
- Low Profile
- Quiet operation
- Maximum speed up to 10,000 RPM
- Maximum operating tension 155N
- Minimum pulley diameter 17.5mm (11 grooves)
- Temperature Range +85°C to -34°C



TIMING PULLEYS

CIRCULAR PITCH	STYLE	BELTWIDTH	BORE	MATERIALS	BERG'S ® NAME	BELT
5mm (HTD)	Single Flange Pin Hub	6mm to 9mm	4.00	10% Glass filled Polycarbonate (Black) Hub = Aluminum	Max-M-Drive®	Operates with Max-M-Drive® TB5 series.

STOCK NO.	B +0.04	NO. OF GROOVES	P.D.	O.D.	F.D.	øH
TP5P4U0M-14	4.00	14	22.28	21.14	25.40	15

Other numbers of grooves, bores or hub styles available on request.

CIRCULAR PITCH	STYLE	BELTWIDTH	BORE	MATERIALS	BERG'S ® NAME	BELT
5mm (HTD)	Single Flange Pin Hub	6mm to 9mm	6.00	10% Glass filled Polycarbonate (Black) Hub = Aluminum	Max-M-Drive®	Operates with Max-M-Drive® TB5 series.

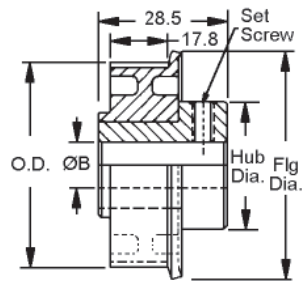
STOCK NO.	B +0.04	NO. OF GROOVES	P.D.	O.D.	F.D.	øH
TP5P6U0M-15	6.00	15	23.87	22.73	26.90	22
TP5P6U0M-16		16	25.41	24.32	27.70	
TP5P6U0M-18		18	28.65	27.50	31.80	
TP5P6U0M-19		19	30.24	29.10	33.30	32
TP5P6U0M-20		20	31.83	30.69	34.80	
TP5P6U0M-22		22	35.01	33.87	38.10	
TP5P6U0M-28	28	44.55	43.42	47.50		
TP5P6U0M-30	30	47.75	46.60	50.80		

Other numbers of grooves, bores or hub styles available on request.

CIRCULAR PITCH	STYLE	BELTWIDTH	BORE	MATERIALS	BERG'S ® NAME	BELT
5mm (HTD)	Single Flange Pin Hub	6mm to 9mm	8.00	10% Glass filled Polycarbonate (Black) Hub = Aluminum	Max-M-Drive®	Operates with Max-M-Drive® TB5 series.

STOCK NO.	B +0.04	NO. OF GROOVES	P.D.	O.D.	F.D.	øH
TP5P8U0M-40	8.00	40	63.66	62.52	67.60	32
TP5P8U0M-44		44	70.03	68.89	73.90	
TP5P8U0M-50		50	79.58	78.43	82.80	

Other numbers of grooves, bores or hub styles available on request.



TIMING PULLEYS

CIRCULAR PITCH	STYLE	BELTWIDTH	BORE	MATERIALS	BERG'S® NAME	BELT
5mm (HTD)	Double Flange Pin Hub	6mm to 9mm	4.00	10% Glass filled Polycarbonate (Black) Hub = Aluminum	Max-M-Drive®	Operates with Max-M-Drive® TB5 series.

STOCK NO.	B +0.04	NO. OF GROOVES	P.D.	O.D.	F.D.	øH
TP5P4W9M-14	4.00	14	22.28	21.14	25.40	15

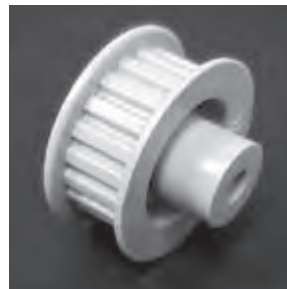
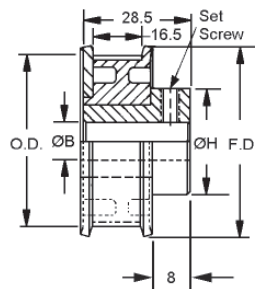
Other numbers of grooves, bores or hub styles available on request.

A

CIRCULAR PITCH	STYLE	BELTWIDTH	BORE	MATERIALS	BERG'S® NAME	BELT
5mm (HTD)	Double Flange Pin Hub	6mm to 9mm	6.00	10% Glass filled Polycarbonate (Black) Hub = Aluminum	Max-M-Drive®	Operates with Max-M-Drive® TB5 series.

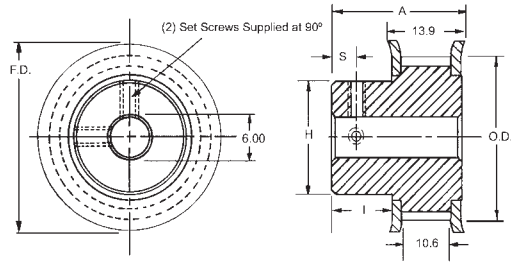
STOCK NO.	B +0.04	NO. OF GROOVES	P.D.	O.D.	F.D.	øH
TP5P6W9M-15	6.00	15	23.87	22.73	26.90	22
TP5P6W9M-16		16	25.46	24.32	27.70	
TP5P6W9M-18		18	28.65	27.50	31.80	
TP5P6W9M-19		19	30.24	29.10	33.30	32
TP5P6W9M-20		20	31.83	30.69	34.80	
TP5P6W9M-22		22	35.01	33.87	38.10	
TP5P6W9M-28		28	44.55	43.42	47.50	
TP5P6W9M-30		30	47.75	46.60	50.80	

Other numbers of grooves, bores or hub styles available on request.



TIMING PULLEYS

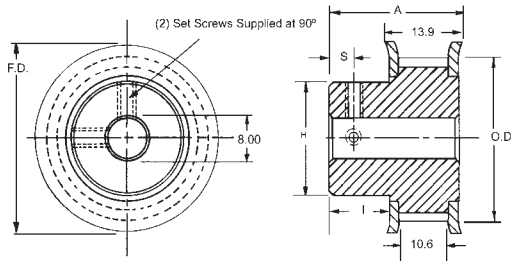
CIRCULAR PITCH	STYLE	BELTWIDTH	BORE	MATERIALS	BERG'S® NAME	BELT
5mm (HTD)	Double Flange Pin Hub	6mm to 9mm	6.00	Aluminum DIN 3.1355 Anodized	Max-M-Drive®	Operates with Max-M-Drive® TB5 series.



STOCK NO.	NO. OF GROOVES	P.D.	F.D.	A	H	BORE +0.04/-0.00	O.D.	I	S
TP5A6W9M-12	12*	19.1	22.2		11.1		18.0		
TP5A6W9M-13	13*	20.7	23.8		12.7		19.5		
TP5A6W9M-14	14	22.3	25.0	20.1	12.7	6.0	21.1	6.3	3.2
TP5A6W9M-15	15	23.9	27.0		14.3		22.7		
TP5A6W9M-16	16	25.5	27.8		15.9		24.3		

* One set screw supplied.
Other numbers of grooves, bores or hub styles available on request.
Teeth could be anodized.

CIRCULAR PITCH	STYLE	BELTWIDTH	BORE	MATERIALS	BERG'S® NAME	BELT
5mm (HTD)	Double Flange Pin Hub	6mm to 9mm	8.00	Aluminum DIN 3.1355 Anodized	Max-M-Drive®	Operates with Max-M-Drive® TB5 series.



STOCK NO.	NO. OF GROOVES	P.D.	F.D.	A	H	BORE +0.04/-0.00	O.D.	I	S
TP5A8W9M-18	18	28.6	31.8		17.5		27.5		
TP5A8W9M-20	20	31.8	34.9		20.6		30.7		
TP5A8W9M-22	22	35.0	38.1		23.8		33.9	6.3	3.2
TP5A8W9M-24	24	38.2	41.3	21.6	25.0	8.0	37.1		
TP5A8W9M-26	26	41.4	44.5		27.0		40.2		
TP5A8W9M-28	28	44.6	47.6		30.2		43.4	7.9	4.0
TP5A8W9M-30	30	47.7	50.8		30.2		46.6		

Other numbers of grooves, bores or hub styles available on request.
Teeth could be anodized.

TIMING PULLEYS

CIRCULAR PITCH	STYLE	BELTWIDTH	BORE	MATERIALS	BERG'S® NAME	BELT
5mm (HTD)	Single Flange Pin Hub	6mm to 9mm	4.00	Polycarbonate Lexan® with a fiberglass reinforced	Max-M-Drive®	Operates with Max-M-Drive® TB5 series.

STOCK NO.	NO. OF GROOVES	O.D.	P.D.	F.D.	B +.036/-.000	H
TP5L4U9M-11	11	16.4	17.5	22	4	17
TP5L4U9M-12	12	18.0	19.1	24		
TP5L4U9M-13	13	19.6	20.7	25		
TP5L4U9M-14	14	21.1	22.2	27		

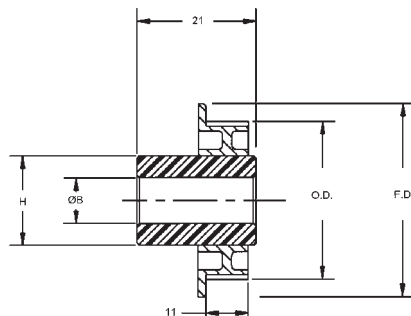
A

CIRCULAR PITCH	STYLE	BELTWIDTH	BORE	MATERIALS	BERG'S® NAME	BELT
5mm (HTD)	Single Flange Pin Hub	6mm to 9mm	6.00	Polycarbonate Lexan® with a fiberglass reinforced	Max-M-Drive®	Operates with Max-M-Drive® TB5 series.

STOCK NO.	NO. OF GROOVES	O.D.	P.D.	F.D.	B +.036/-.000	H
TP5L6U9M-15	15	22.7	23.8	30	6	19
TP5L6U9M-16	16	24.3	25.4	30		
TP5L6U9M-17	17	25.9	27.0	32		
TP5L6U9M-18	18	27.5	28.6	33		
TP5L6U9M-19	19	29.1	30.2	35		
TP5L6U9M-20	20	30.7	31.8	37		22
TP5L6U9M-22	22	33.9	35.0	40		
TP5L6U9M-25	27	38.7	39.8	45		
TP5L6U9M-28	28	43.4	44.5	50		
TP5L6U9M-29	29	45.0	46.1	51		
TP5L6U9M-30	30	46.6	47.7	53		

CIRCULAR PITCH	STYLE	BELTWIDTH	BORE	MATERIALS	BERG'S® NAME	BELT
5mm (HTD)	Single Flange Pin Hub	6mm to 9mm	8.00	Polycarbonate Lexan® with a fiberglass reinforced	Max-M-Drive®	Operates with Max-M-Drive® TB5 series.

STOCK NO.	NO. OF GROOVES	O.D.	P.D.	F.D.	B +.036/-.000	H
TP5L8U9M-40	40	62.5	63.6	69	8	22
TP5L8U9M-50	50	78.4	79.5	84		



TIMING PULLEYS

CIRCULAR PITCH	STYLE	BELTWIDTH	BORE	MATERIALS	BERG'S® NAME	BELT
5mm (HTD)	Double Flange Pin Hub	6mm to 9mm	4.00	Polycarbonate Lexan® with a fiberglass reinforced	Max-M-Drive®	Operates with Max-M-Drive® TB5 series.

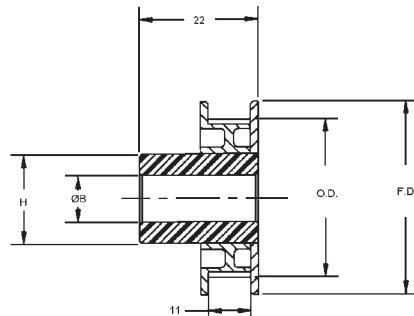
STOCK NO.	NO. OF GROOVES	O.D.	P.D.	F.D.	B +0.036/-0.000	H
TP5L4W9M-11	11	16.4	17.5	22	4	17
TP5L4W9M-12	12	18.0	19.1	24		
TP5L4W9M-13	13	19.6	20.7	25		
TP5L4W9M-14	14	21.1	22.2	27		

CIRCULAR PITCH	STYLE	BELTWIDTH	BORE	MATERIALS	BERG'S® NAME	BELT
5mm (HTD)	Double Flange Pin Hub	6mm to 9mm	6.00	Polycarbonate Lexan® with a fiberglass reinforced	Max-M-Drive®	Operates with Max-M-Drive® TB5 series.

STOCK NO.	NO. OF GROOVES	O.D.	P.D.	F.D.	B +0.036/-0.000	H
TP5L6W9M-15	15	22.7	23.8	30	6	19
TP5L6W9M-16	16	24.3	25.4	30		
TP5L6W9M-17	17	25.9	27.0	32		
TP5L6W9M-18	18	27.5	28.6	33		
TP5L6W9M-19	19	29.1	30.2	35		
TP5L6W9M-20	20	30.7	31.8	37		22
TP5L6W9M-22	22	33.9	35.0	40		
TP5L6W9M-25	27	38.7	39.8	45		
TP5L6W9M-28	28	43.4	44.5	50		
TP5L6W9M-29	29	45.0	46.1	51		
TP5L6W9M-30	30	46.6	47.7	53		

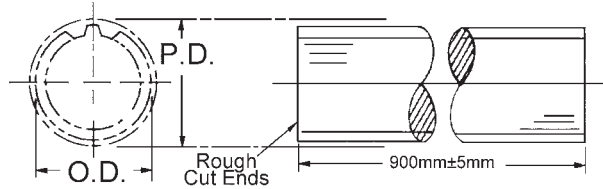
CIRCULAR PITCH	STYLE	BELTWIDTH	BORE	MATERIALS	BERG'S® NAME	BELT
5mm (HTD)	Double Flange Pin Hub	6mm to 9mm	8.00	Polycarbonate Lexan® with a fiberglass reinforced	Max-M-Drive®	Operates with Max-M-Drive® TB5 series.

STOCK NO.	NO. OF GROOVES	O.D.	P.D.	F.D.	B +0.036/-0.000	H
TP5L8W9M-40	40	62.5	63.6	69	8	22
TP5L8W9M-50	50	78.4	79.5	84		



TIMING PULLEY BAR STOCK

CIRCULAR PITCH	STYLE	MATERIAL	BERG'S ® NAME	BELT
2.032mm (MXL)	Barstock	6063-T6 Aluminum	Max-M-Drive®	Operates with TB7 series.



A

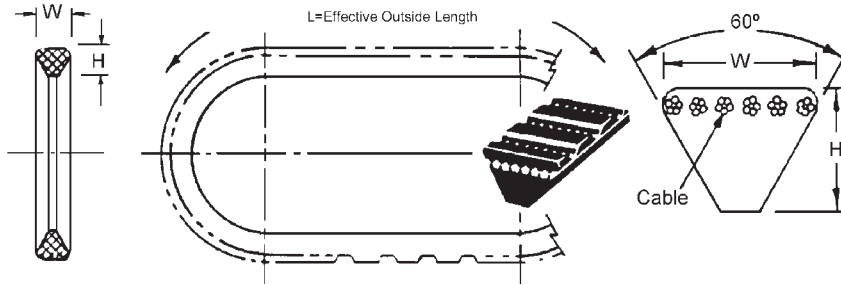
Material: 6063-T6 Aluminum
 Fabricate your own pulleys.
 W.M. Berg will fabricate custom orders, send us your print.
 Available in custom lengths.
 Teeth could be anodized.

2.032 CIRCULAR PITCH (MXL)

STOCK NO.	NO. OF GROOVES	P.D.	O.D.
PW7TA-10	10	6.48	5.97
PW7TA-12	12	7.77	7.26
PW7TA-14	14	9.07	8.56
PW7TA-20	20	12.93	12.42
PW7TA-28	28	18.11	17.60
PW7TA-30	30	19.41	18.90
PW7TA-34	34	22.00	21.49
PW7TA-36	36	23.29	22.78
PW7TA-38	38	25.04	24.08
PW7TA-40	40	25.88	25.37
PW7TA-42	42	27.18	26.67
PW7TA-44	44	28.45	27.94
PW7TA-45	45	29.11	28.60
PW7TA-50	50	32.33	31.83

60° V BELT

SERIES	WIDTH	HEIGHT	MATERIAL	BERG'S ® NAME	PULLEY
V3M	3mm	2.5mm	Polyurethane (Black)	V-Flex	Operates with V3M Series



STOCK NO.	L (CIR.)
V3M180	180
V3M185	185
V3M190	190
V3M195	195
V3M200	200
V3M206	206
V3M212	212
V3M218	218
V3M224	224
V3M230	230
V3M243	248
V3M250	250
V3M265	265
V3M280	280
V3M300	300
V3M315	315
V3M325	325
V3M345	345
V3M365	365
V3M400	400
V3M425	425
V3M450	450
V3M475	475
V3M500	500
V3M530	530
V3M560	560
V3M600	600
V3M650	650
V3M710	710
V3M750	750

RPM Of Faster Shaft	Horsepower Ratings for 5000-10,000 Hours Service Life Range											
	V3M Small Sheave Diameter											
	.67	.71	.75	.79	.83	.88	.93	.98	1.04	1.10	1.17	1.24
200	.016	.019	.022	.024	.027	.031	.035	.039	.043	.048	.056	.059
400	.028	.033	.038	.044	.049	.056	.063	.070	.079	.088	.098	.11
600	.039	.046	.053	.061	.068	.078	.088	.099	.11	.12	.14	.15
800	.048	.057	.067	.076	.086	.099	.11	.13	.14	.16	.18	.20
1000	.057	.068	.079	.091	.10	.12	.13	.15	.17	.19	.21	.23
2000	-	.11	.13	.15	.17	.20	.23	.26	.29	.33	.37	.41
3000	-	-	.17	.20	.23	.27	.31	.35	.39	.44	.50	.55
4000	-	-	-	.23	.27	.32	.37	.42	.48	.54	.61	.68
5000	-	-	-	-	.31	.37	.42	.48	.55	.62	.70	.79

SERVICE FACTORS

Typical Units	Service Factor
Office Machines	1.2
Machine Tools	1.4
Woodworking Machines	1.5
Washing Machine Tumblers & Agitators	1.3
Dry Cleaning Tumblers	1.3
Clothes Dryer Tumblers	1.3
Ironers	1.0
Fans	1.0
Pumps:	
Centrifugal	1.1
Gear	1.3
Reciprocating	1.5
Compressors:	
Reciprocating	1.5
Rotary	1.3
Generators:	
Smooth Load	1.3
Welders	1.5
Lawn Mowers	1.5
Snow Blowers	1.5

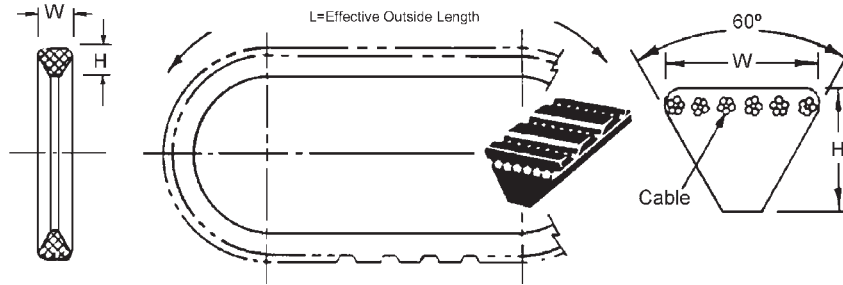
- Superior Horsepower Life on smaller Diameter Sheaves
- More Compact Drives
- Smoother Running
- Last three digits in the Stock No. represent length in Millimeter



Design Horsepower = (Service Factor) x (Horsepower Requirement)

60° V BELT

SERIES	WIDTH	HEIGHT	MATERIAL	BERG'S® NAME	PULLEY
V5M	5mm	3mm	Polyurethane (Black)	V-Flex	Operates with V5M Series



A

STOCK NO.	L (CIR.)
V5M280	280
V5M290	290
V5M300	300
V5M307	307
V5M315	315
V5M325	325
V5M335	335
V5M345	345
V5M375	375
V5M400	400
V5M425	425
V5M450	450
V5M475	475
V5M500	500
V5M530	530
V5M560	560
V5M580	580
V5M600	600
V5M650	650
V5M690	690
V5M750	750
V5M800	800
V5M850	850
V5M900	900
V5M950	950
V5M1000	1000
V5M1060	1060
V5M1250	1250
V5M1400	1400
V5M1500	1500

RPM Of Faster Shaft	Horsepower Ratings for 5000-10,000 Hours Service Life Range											
	V5M Small Sheave Diameter											
	1.04	1.10	1.17	1.24	1.32	1.40	1.48	1.57	1.67	1.77	1.87	1.97
200	.053	.061	.071	.081	.092	.10	.12	.13	.15	.16	.18	.20
400	.007	.11	.13	.14	.17	.19	.22	.24	.27	.30	.33	.36
600	.15	.16	.18	.21	.24	.27	.31	.34	.39	.43	.47	.52
800	.17	.20	.23	.27	.31	.35	.39	.44	.50	.55	.61	.66
1000	.20	.24	.28	.32	.37	.42	.47	.53	.60	.67	.74	.80
2000	.35	.41	.48	.56	.65	.74	.83	.94	1.06	1.18	1.30	1.42
3000	.46	.55	.65	.76	.88	1.01	1.14	1.28	1.45	1.61	1.78	1.95
4000	-	.66	.80	.93	1.08	1.24	1.40	1.59	1.79	2.00	2.22	2.43
5000	-	-	.92	1.08	1.26	1.45	1.64	1.86	2.11	2.36	2.61	2.87

SERVICE FACTORS

Typical Units	Service Factor
Office Machines	1.2
Machine Tools	1.4
Woodworking Machines	1.5
Washing Machine Tumblers & Agitators	1.3
Dry Cleaning Tumblers	1.3
Clothes Dryer Tumblers	1.3
Ironers	1.0
Fans	1.0
Pumps:	
Centrifugal	1.1
Gear	1.3
Reciprocating	1.5
Compressors:	
Reciprocating	1.5
Rotary	1.3
Generators:	
Smooth Load	1.3
Welders	1.5
Lawn Mowers	1.5
Snow Blowers	1.5

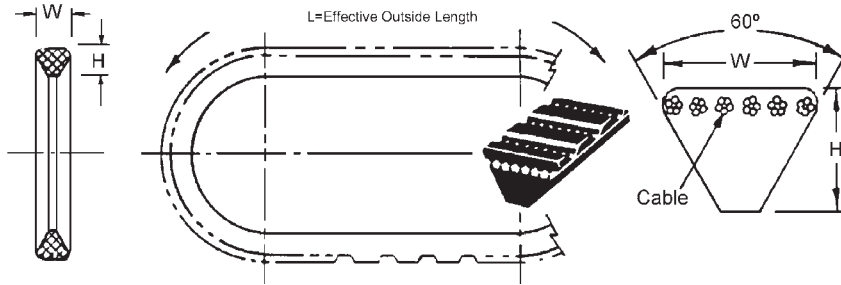
- Superior Horsepower Life on smaller Diameter Sheaves
- More Compact Drives
- Smoother Running
- Last three digits in the Stock No. represent length in Millimeter



Design Horsepower = (Service Factor) x (Horsepower Requirement)

60° V BELT

SERIES	WIDTH	HEIGHT	MATERIAL	BERG'S ® NAME	PULLEY
V7M	8mm	5.5mm	Polyurethane (Black)	V-Flex	Operates with V7M Series



STOCK NO.	L (CIR.)
V7M500	500
V7M515	515
V7M530	530
V7M545	545
V7M560	560
V7M580	580
V7M600	600
V7M615	615
V7M650	650
V7M690	690
V7M710	710
V7M750	750
V7M800	800
V7M850	850
V7M900	900
V7M950	950
V7M1000	1000
V7M1060	1060
V7M1120	1120
V7M1180	1180
V7M1250	1250
V7M1320	1320
V7M1400	1400
V7M1500	1500
V7M1600	1600
V7M1700	1700
V7M1800	1800
V7M1900	1900
V7M2000	2000
V7M2120	2120
V7M2300	2300

RPM Of Faster Shaft	Horsepower Ratings for 5000-10,000 Hours Service Life Range											
	V7M Small Sheave Diameter											
	1.67	1.77	1.87	1.97	2.08	2.20	2.34	2.48	2.64	2.80	2.95	3.15
200	.16	.19	.21	.24	.27	.30	.34	.38	.42	.47	.51	.57
400	.30	.34	.39	.44	.49	.55	.63	.70	.78	.87	.95	1.05
600	.42	.49	.56	.62	.70	.79	.89	1.00	1.12	1.24	1.35	1.50
800	.54	.62	.71	.80	.90	1.01	1.14	1.27	1.43	1.59	1.73	1.93
1000	.64	.75	.85	.96	1.08	1.22	1.38	1.54	1.73	1.91	2.09	2.33
2000	1.10	1.29	1.48	1.68	1.89	22.13	2.42	2.71	3.04	3.37	3.69	4.11
3000	1.47	1.73	2.00	2.27	2.57	2.91	3.30	3.71	4.17	4.64	5.08	5.67
4000	1.78	2.11	2.44	2.79	3.17	3.59	4.10	4.61	5.20	5.79	6.36	7.11
5000	2.03	2.43	2.83	3.24	3.70	4.21	4.82	5.43	6.14	6.86	7.53	8.43

SERVICE FACTORS

Typical Units	Service Factor
Office Machines	1.2
Machine Tools	1.4
Woodworking Machines	1.5
Washing Machine Tumblers & Agitators	1.3
Dry Cleaning Tumblers	1.3
Clothes Dryer Tumblers	1.3
Ironers	1.0
Fans	1.0
Pumps:	
Centrifugal	1.1
Gear	1.3
Reciprocating	1.5
Compressors:	
Reciprocating	1.5
Rotary	1.3
Generators:	
Smooth Load	1.3
Welders	1.5
Lawn Mowers	1.5
Snow Blowers	1.5

- Superior Horsepower Life on smaller Diameter Sheaves
- More Compact Drives
- Smoother Running
- Last three digits in the Stock No. represent length in Millimeter



Design Horsepower = (Service Factor) x (Horsepower Requirement)

60° V BELT PULLEYS

BORE	STYLE	MATERIAL	BERG'S ® NAME	BELT
Ø3	PIN HUB SINGLE GROOVE	DIN 1.4305 Stainless Steel	V-Flex	Operates with V3M Series

STOCK NO.	B	O.D.	F	H	L
V3M81S-1		17.0			
V3M81S-2		19.0			
V3M81S-3		21.0			
V3M81S-4	3	23.0	5	10	12
V3M81S-5		26.0			
V3M81S-6		29.0			
V3M81S-7		31.0			

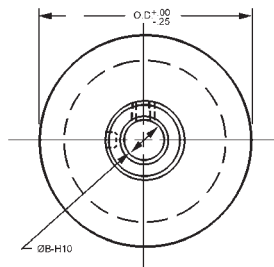
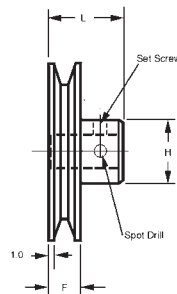
A

BORE	STYLE	MATERIAL	BERG'S ® NAME	BELT
Ø5	PIN HUB SINGLE GROOVE	DIN 1.4305 Stainless Steel	V-Flex	Operates with V3M Series

STOCK NO.	B	O.D.	F	H	L
V3M83S-1		17.0			
V3M83S-2		19.0			
V3M83S-3		21.0			
V3M83S-4	5	23.0	5	10	12
V3M83S-5		26.0			
V3M83S-6		29.0			
V3M83S-7		31.0			

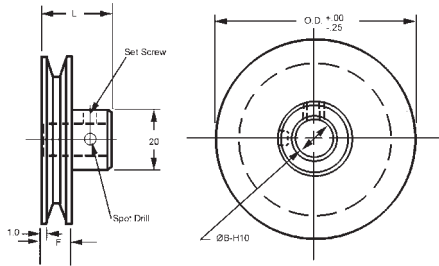
BORE	STYLE	MATERIAL	BERG'S ® NAME	BELT
Ø8	PIN HUB SINGLE GROOVE	DIN 1.4305 Stainless Steel	V-Flex	Operates with V3M Series

STOCK NO.	B	O.D.	F	H	L
V3M95S-1		17.0			
V3M95S-2		19.0			
V3M95S-3		20.0			
V3M95S-4		22.0			
V3M95S-5		23.0			
V3M95S-6		24.0			
V3M95S-7		26.0			
V3M95S-8	8	27.0	5	12	12
V3M95S-9		29.0			
V3M95S-10		31.0			
V3M95S-11		39.0			
V3M95S-12		50.0			
V3M95S-13		62.0			
V3M95S-14		80.0			
V3M95S-15		100.0			



60° V BELT PULLEYS

BORE	STYLE	MATERIAL	BERG'S ® NAME	BELT
Ø8	PIN HUB SINGLE GROOVE	DIN 1.4305 Stainless Steel	V-Flex	Operates with V5M Series

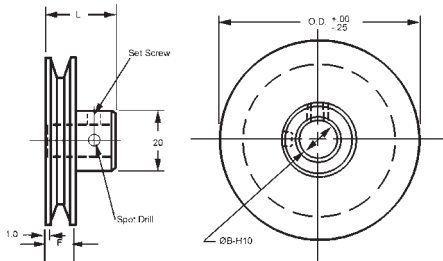


STOCK NO.	B	H	O.D.	F	L
V5M90S-1	8	20	26.42	7	16
V5M90S-2			27.94		
V5M90S-3			29.72		
V5M90S-4			31.50		
V5M90S-5			33.53		
V5M90S-6			35.56		
V5M90S-7			37.59		
V5M90S-8			39.88		
V5M90S-9			42.42		
V5M90S-10			44.96		
V5M90S-11			47.49		
V5M90S-12			50.03		
V5M90S-13			62.99		
V5M90S-14			80.01		
V5M90S-15			100.08		

Special sizes are available upon request.



BORE	STYLE	MATERIAL	BERG'S ® NAME	BELT
Ø10	PIN HUB SINGLE GROOVE	DIN 1.4305 Stainless Steel	V-Flex	Operates with V5M Series



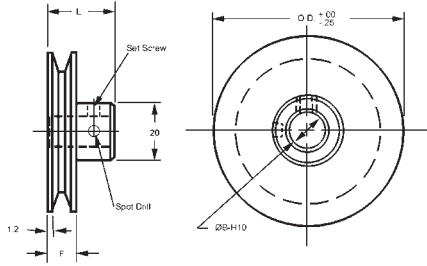
STOCK NO.	B	H	O.D.	F	L
V5M91S-1	10	20	26.42	7	16
V5M91S-2			27.94		
V5M91S-3			29.72		
V5M91S-4			31.50		
V5M91S-5			33.53		
V5M91S-6			35.56		
V5M91S-7			37.59		
V5M91S-8			39.88		
V5M91S-9			42.42		
V5M91S-10			44.96		
V5M91S-11			47.49		
V5M91S-12			50.03		
V5M91S-13			62.99		
V5M91S-14			80.01		
V5M91S-15			100.08		

Special sizes are available upon request.



60° V BELT PULLEYS

BORE	STYLE	MATERIAL	BERG'S ® NAME	BELT
Ø10	PIN HUB SINGLE GROOVE	DIN 1.4305 Stainless Steel	V-Flex	Operates with V7M Series



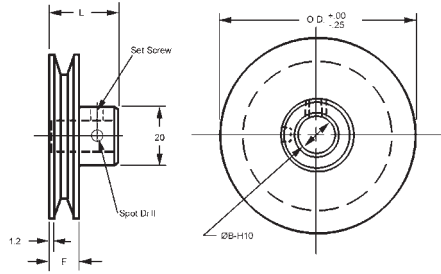
STOCK NO.	B	H	O.D.	F	L
V7M86S-1			42.42		
V7M86S-2			44.96		
V7M86S-3			47.50		
V7M86S-4			50.04		
V7M86S-5			52.83		
V7M86S-6			55.88		
V7M86S-7			59.44		
V7M86S-8	10	20	62.99	10	20
V7M86S-9			67.06		
V7M86S-10			71.12		
V7M86S-11			74.93		
V7M86S-12			80.01		
V7M86S-13			85.09		
V7M86S-14			92.46		
V7M86S-15			100.08		

A



Special sizes are available upon request.

BORE	STYLE	MATERIAL	BERG'S ® NAME	BELT
Ø12	PIN HUB SINGLE GROOVE	DIN 1.4305 Stainless Steel	V-Flex	Operates with V7M Series



STOCK NO.	B	H	O.D.	F	L
V7M88S-1			42.42		
V7M88S-2			44.96		
V7M88S-3			47.50		
V7M88S-4			50.04		
V7M88S-5			52.83		
V7M88S-6			55.88		
V7M88S-7			59.44		
V7M88S-8	12	20	62.99	10	20
V7M88S-9			67.06		
V7M88S-10			71.12		
V7M88S-11			74.93		
V7M88S-12			80.01		
V7M88S-13			85.09		
V7M88S-14			92.46		
V7M88S-15			100.08		

Special sizes are available upon request.



POW-R-VEE® BELTS

A New Concept in V-Belt Drives

Advantages

Cable Design



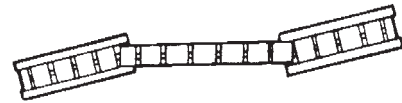
- Completely Non Corrosive
- Stainless Steel Cable Core Allows Maximum Strength.
- Lighter Weight
- Single Strand Cable Core Permits Complete Flexibility
- Power is Transferred Along The Pitch Line For Minimum Transmission Loss
- Can Be Spliced On Machine For Minimum Down Time
- Damaged Sections Can Be Replaced
- Infinite Lengths Are Available

Flexible Sidewall



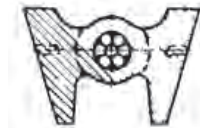
- Can Be Used With Pulleys Of Any Angle
- Inherent Locking Action Offers A More Positive, Non Slip Drive & Allows For Tension On The Belt & Pulleys

Flexible Design



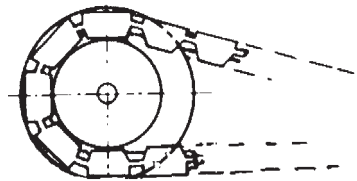
- Permits Odd Angle & Three Dimensional Drives
- Compensates For Misalignment
- Prevents "Turn Over" & "Lift Off"

Materials



- The Combination Of Engineered Plastics & Stainless Steel Cable Offers High Heat Resistance, Smoother Operation, Light Weight, Less Inertia & Vibration.
- Pow-R-Vee Can Be Molded In Any Color For Sales Appeal

Cog Design



- No Stretch Or Compression Of Belt- Results In Less Fatigue, Longer Life, More Flexibility
- Segmented, Cog Design Permits Smaller Pulley Diameters, Larger Ratios, More Compact Design and Most Importantly Provides Positive Gripping at All Times.

TECHNICAL DATA

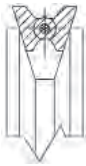
Operating Notes:

Due to the unique design of polyurethane molded over a stainless steel cable, this series offers high heat resistance, smooth operation, light weight, and less inertia. Because the design is cogged it allows for smaller pulley diameters and compensates for misalignment of pulleys by permitting an angle (7° maximum misalignment). The design also allows for the belt to be spliced to any length, (either in the field or at Berg) thus allowing belts to be replaced quickly.

A

2V Series

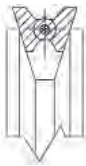
- Mass 20 Grams/Meter
- 0.8mm Diameter
- Stainless Steel Cable



- 90A Durometer Polyurethane (Brown)
- Ultimate Tensile Strength 222N
- Recommended Operating Load 53N
- Recommended Maximum Operating Speed 1.91 m/s
- Temperature Range +82°C to -26°C

3V Series

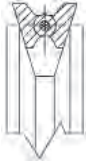
- Mass 55 Grams/Meter
- 1.2mm Diameter
- Stainless Steel Cable



- 90A Durometer Polyurethane (Brown)
- Ultimate Tensile Strength 555N
- Recommended Operating Load 133N
- Recommended Maximum Operating Speed 1.91m/s
- Temperature Range +82°C to -26°C

4V Series

- Mass 102 Grams/Meter
- 1.6mm Diameter
- Stainless Steel Cable



- 90A Durometer Polyurethane (Brown)
- Ultimate Tensile Strength 880N
- Recommended Operating Load 133N
- Recommended Maximum Operating Speed 1.91m/s
- Temperature Range +82°C to -26°C

5V Series

- Mass 130 Grams/Meter
- 2.0mm Diameter
- Stainless Steel Cable

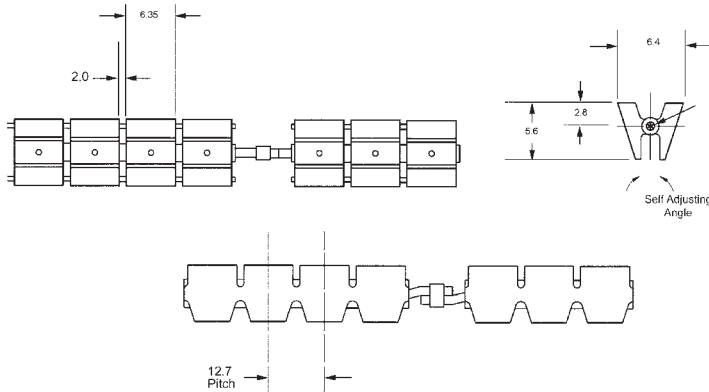


- 90A Durometer Polyurethane (Brown)
- Ultimate Tensile Strength 1550N
- Recommended Operating Load 378N
- Recommended Maximum Operating Speed 1.91m/s
- Temperature Range +82°C to -26°C



V-BELTS

SERIES	WIDTH	HEIGHT	MATERIAL	BERG'S® NAME	PULLEY
2V	6.4	5.6	Polyurethane (Brown) with 0.8mm Dia. Stainless Steel Cable	POW-R-VEE®	Operates with Pow-R-Vee 2V Series



- More sidewall contact
- Less slippage
- Greater power transmission
- Infinite length variations
- Extra strong
- Light weight
- Silent drive
- 90A Durometer
- Mass 20 Grams/Meter
- Ultimate Tensile Strength 222N
- Temperature Range +82°C to -26°C
- Recommended Operating Load 53N
- Recommended Max. Operating Speed 1.91 m/s
- For Field Splice Order 2V-7.

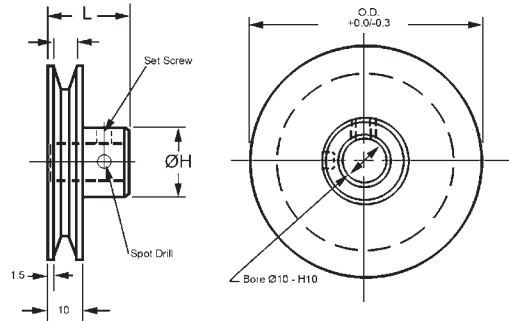


BULK FOOTAGE - NOT SPLICED	
STOCK NO.	LENGTH
2V-1.5M	1.5 Meters
2V-3.0M	3.0 Meters
2V-7.5m	7.5 Meters
2V-15.0M	15.0 Meters
2V-30.0M	30.0 Meters

STOCK NO.	LENGTH (Ref.)
2V-16	152.4
2V-18	171.5
2V-20	190.5
2V-22	209.6
2V-24	228.6
2V-26	247.7
2V-28	266.7
2V-30	285.6
2V-32	304.8
2V-34	323.9
2V-36	342.9
2V-38	362.0
2V-40	381.0
2V-42	400.1
2V-44	419.1
2V-46	438.2
2V-48	457.2
2V-50	476.3
2V-52	495.3
2V-54	514.4
2V-56	533.4
2V-58	552.5
2V-60	571.5
2V-62	590.6
2V-64	609.6
2V-66	628.7
2V-68	647.7
2V-70	666.8
2V-72	685.8
2V-74	704.9
2V-76	723.9
2V-78	743.0
2V-80	762.0
2V-82	781.1
2V-84	800.1
2V-86	819.2
2V-88	838.2
2V-90	857.3
2V-92	876.3
2V-94	895.4
2V-96	914.4
2V-98	933.5
2V-100	952.5
2V-102	971.6
2V-104	990.6
2V-106	1009.7
2V-108	1028.7
2V-110	1047.8
2V-112	1066.8
2V-114	1085.9
2V-116	1104.9
2V-118	1124.0
2V-120	1143.0
2V-122	1162.1
2V-124	1181.1
2V-126	1200.2
2V-128	1219.2
2V-130	1238.3
2V-132	1257.3
2V-134	1276.4
2V-136	1295.4
2V-140	1333.5

V-BELT PULLEYS

SERIES	BORE	MATERIAL	BERG'S® NAME	BELT
V2	Ø10	DIN 1.4303 Stainless Steel	Pow-R-Vee®	Operates with Pow-R-Vee 2V Series (6.4W X 5.6D)

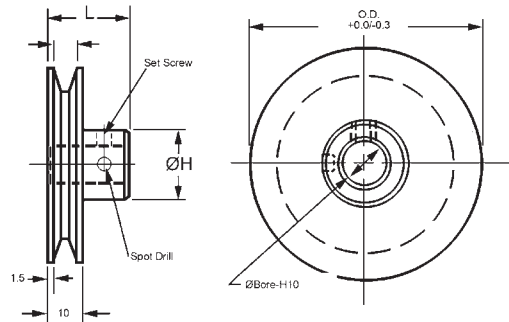


STOCK NO.	BORE	O.D.	H	L
V2M86S-1	10	42.5	20	20
V2M86S-2		45.0		
V2M86S-3		47.5		
V2M86S-4		50.0		
V2M86S-5		52.5		
V2M86S-6		56.0		
V2M86S-7		60.0		
V2M86S-8		63.0		
V2M86S-9		67.0		
V2M86S-10		71.0		
V2M86S-11		75.0		
V2M86S-12		80.0		
V2M86S-13		85.0		
V2M86S-14		92.5		
V2M86S-15		100.0		

Special sizes are available upon request.

A

SERIES	BORE	MATERIAL	BERG'S® NAME	BELT
V2	Ø12	DIN 1.4303 Stainless Steel	Pow-R-Vee®	Operates with Pow-R-Vee 2V Series (6.4W X 5.6D)



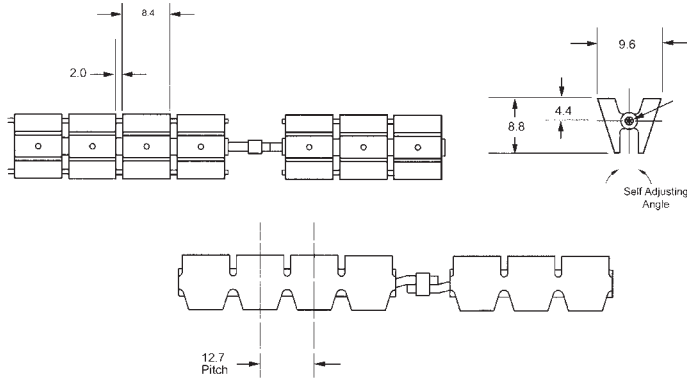
STOCK NO.	BORE	O.D.	H	L
V2M88S-1	12	42.5	20	20
V2M88S-2		45.0		
V2M88S-3		47.5		
V2M88S-4		50.0		
V2M88S-5		52.5		
V2M88S-6		56.0		
V2M88S-7		60.0		
V2M88S-8		63.0		
V2M88S-9		67.0		
V2M88S-10		71.0		
V2M88S-11		75.0		
V2M88S-12		80.0		
V2M88S-13		85.0		
V2M88S-14		92.5		
V2M88S-15		100.0		

Special sizes are available upon request.

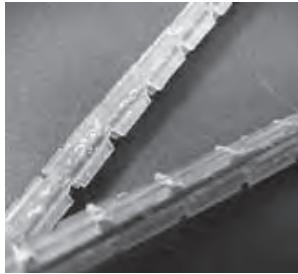


V-BELTS

SERIES	WIDTH	HEIGHT	MATERIAL	BERG'S ® NAME	PULLEY
3V	9.4	8.8	Polyurethane (Red) with 1.2 Dia. Stainless Steel Cable	POW-R-VEE®	Operates with Pow-R-Vee 3V Series



- More sidewall contact
- Less slippage
- Greater power transmission
- Infinite length variations
- Extra strong
- Silent drive
- 90A Durometer
- Mass 55 Gram/Meter
- Ultimate Tensile Strength 555N
- Temperature Range +82°C to -26°C
- Recommended Operating Load 133N
- Recommended Max. Operating Speed 1.91 m/s
- For Field Splice Kit Order 3V-7.

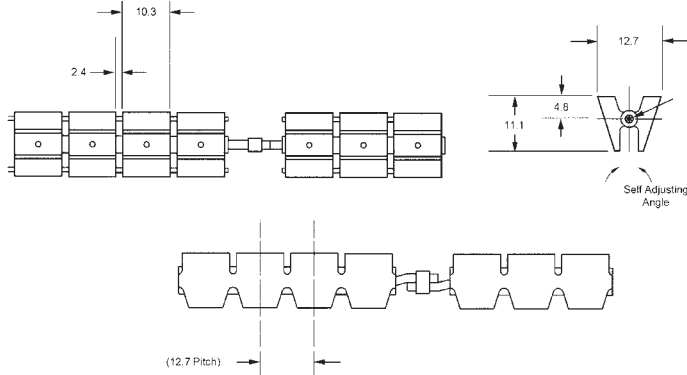


BULK FOOTAGE - NOT SPLICED	
STOCK NO.	LENGTH
3V-1.5M	1.5 Meters
3V-3.0M	3.0 Meters
3V-7.5M	7.5 Meters
3V-15.0M	15.0 Meters
3V-30.0M	30.0 Meters

STOCK NO.	LENGTH (Ref.)
3V-12	304.8
3V-13	330.2
3V-14	355.6
3V-15	381.0
3V-16	406.4
3V-17	431.8
3V-18	457.2
3V-19	482.6
3V-20	508.0
3V-21	533.4
3V-22	558.8
3V-23	584.2
3V-24	609.6
3V-25	635.0
3V-26	660.4
3V-27	685.8
3V-28	711.2
3V-29	736.6
3V-30	762.0
3V-31	787.4
3V-32	812.8
3V-33	838.2
3V-34	863.6
3V-35	889.0
3V-36	914.4
3V-37	939.8
3V-38	965.2
3V-39	990.6
3V-40	1016.0
3V-41	1041.4
3V-42	1066.8
3V-43	1092.2
3V-44	1117.6
3V-45	1143.0
3V-46	1168.4
3V-47	1193.8
3V-48	1219.2
3V-49	1244.6
3V-50	1270.0
3V-51	1295.4
3V-52	1320.8
3V-53	1346.2
3V-54	1371.6
3V-55	1397.0
3V-56	1422.4
3V-57	1447.8
3V-58	1473.2
3V-59	1498.6
3V-60	1524.0
3V-61	1549.4
3V-62	1574.8
3V-63	1600.2
3V-64	1625.6
3V-65	1651.0
3V-66	1676.4
3V-67	1701.8
3V-68	1727.2
3V-69	1752.6
3V-70	1778.0
3V-71	1803.4
3V-72	1828.8
3V-74	1879.6

V-BELTS

SERIES	WIDTH	HEIGHT	MATERIAL	BERG'S® NAME	PULLEY
V4	12.7	11.1	Polyurethane (Blue) with 1.6mm Dia. Stainless Steel Cable	POW-R-VEE®	Operates with Pow-R-Vee 4V Series



- More sidewall contact
- Less slippage
- Greater power transmission
- Infinite length variations
- Extra strong
- Silent drive
- 90A Durometer
- Mass 102 Grams/Meter
- Ultimate Tensile Strength 880N
- Temperature Range +82°C to -26°C
- Recommended Operating Load 133N
- Recommended Max. Operating Speed 1.91 m/s
- For Field Splice Order 4V-7.



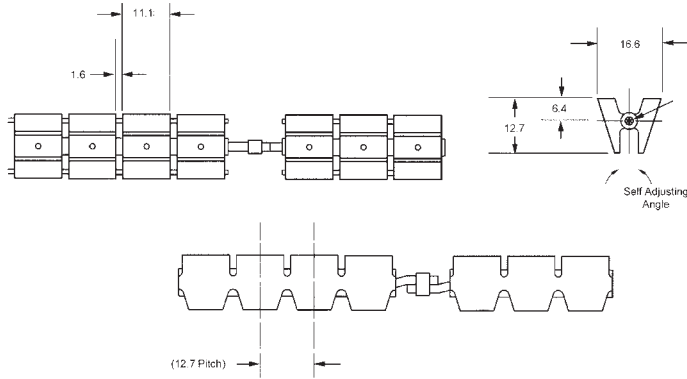
BULK FOOTAGE - NOT SPLICED	
STOCK NO.	LENGTH
4V-1.5M	1.5 Meters
4V-3.0M	3.0 Meters
4V-7.5M	7.5 Meters
4V-15.0M	15.0 Meters
4V-30.0M	30.0 Meters

STOCK NO.	LENGTH (Ref.)
4V-15	381.0
4V-16	406.4
4V-17	431.8
4V-18	457.2
4V-19	482.6
4V-20	508.0
4V-21	533.4
4V-22	558.8
4V-23	584.2
4V-24	609.6
4V-25	635.0
4V-26	660.4
4V-27	685.8
4V-28	711.2
4V-29	736.6
4V-30	762.0
4V-31	787.4
4V-32	812.8
4V-33	838.2
4V-34	863.6
4V-35	889.0
4V-36	914.4
4V-37	939.8
4V-38	965.2
4V-39	990.6
4V-40	1016.0
4V-41	1041.4
4V-42	1066.8
4V-43	1092.2
4V-44	1117.6
4V-45	1143.0
4V-46	1168.4
4V-47	1193.8
4V-48	1219.2
4V-49	1244.6
4V-50	1270.0
4V-51	1295.4
4V-52	1320.8
4V-53	1346.2
4V-54	1371.6
4V-55	1397.0
4V-56	1422.4
4V-57	1447.8
4V-58	1473.2
4V-59	1498.6
4V-60	1524.0
4V-61	1549.4
4V-62	1574.8
4V-63	1600.2
4V-64	1625.6
4V-65	1651.0
4V-66	1676.4
4V-67	1701.8
4V-68	1727.2
4V-69	1752.6
4V-70	1778.0
4V-72	1828.8
4V-74	1879.6
4V-76	1930.4
4V-78	1981.2
4V-80	2032.0
4V-82	2082.8
4V-84	2133.6
4V-86	2184.4
4V-88	2235.2
4V-90	2286.0
4V-92	2336.8
4V-96	2438.4

A

V-BELTS

SERIES	WIDTH	HEIGHT	MATERIAL	BERG'S® NAME	PULLEY
5V	16.6	12.7	Polyurethane (Yellow) with 2.0mm Dia. Stainless Steel Cable	POW-R-VEE®	Operates with Pow-R-Vee 5V Series



- More sidewall contact
- Less slippage
- Greater power transmission
- Infinite length variations
- Extra strong
- Silent drive
- 90A Durometer
- Mass 130 Grams/Meter
- Ultimate Tensile Strength 1550N
- Temperature Range +82°C to -26°C
- Recommended Operating Load 378N
- Recommended Max. Operating Speed 1.91 m/s
- For Field Splice Order 5V-7.

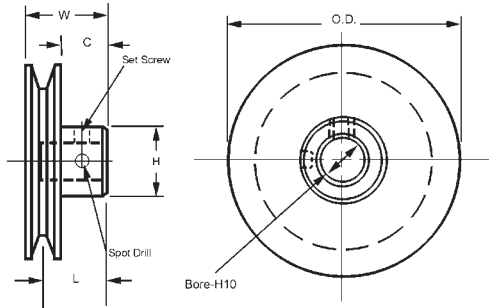


BULK FOOTAGE - NOT SPLICED	
STOCK NO.	LENGTH
5V-1.5M	1.5 Meters
5V-3.0M	3.0 Meters
5V-7.5M	7.5 Meters
5V-15.0M	15.0 Meters
5V-30.0M	30.0 Meters

STOCK NO.	LENGTH (Ref.)
5V-15	381.0
5V-16	406.4
5V-17	431.8
5V-18	457.2
5V-19	482.6
5V-20	508.0
5V-21	533.4
5V-22	558.8
5V-23	584.2
5V-24	609.6
5V-25	635.0
5V-26	660.4
5V-27	685.8
5V-28	711.2
5V-29	736.6
5V-30	762.0
5V-31	787.4
5V-32	812.8
5V-33	838.2
5V-34	863.6
5V-35	889.0
5V-36	914.4
5V-37	939.8
5V-38	965.2
5V-39	990.6
5V-40	1016.0
5V-41	1041.4
5V-42	1066.8
5V-43	1092.2
5V-44	1117.6
5V-45	1143.0
5V-46	1168.4
5V-47	1193.8
5V-48	1219.2
5V-49	1244.6
5V-50	1270.0
5V-51	1295.4
5V-52	1320.8
5V-53	1346.2
5V-54	1371.6
5V-55	1397.0
5V-56	1422.4
5V-57	1447.8
5V-58	1473.2
5V-59	1498.6
5V-60	1524.0
5V-61	1549.4
5V-62	1574.8
5V-63	1600.2
5V-64	1625.6
5V-65	1651.0
5V-66	1676.4
5V-67	1701.8
5V-68	1727.2
5V-69	1752.6
5V-70	1778.0
5V-72	1828.8
5V-74	1879.6
5V-76	1930.4
5V-78	1981.2
5V-80	2032.0
5V-82	2082.8
5V-84	2133.6
5V-86	2184.4
5V-88	2235.2
5V-90	2286.0
5V-92	2336.8
5V-96	2438.4

V-BELT PULLEYS

SERIES	BORE	MATERIAL	BERG'S® NAME	BELT
3V	Ø8	Zinc Alloy	Pow-R-Vee®	Operates with Pow-R-Vee 3V Series (10mmW X 9mmD)

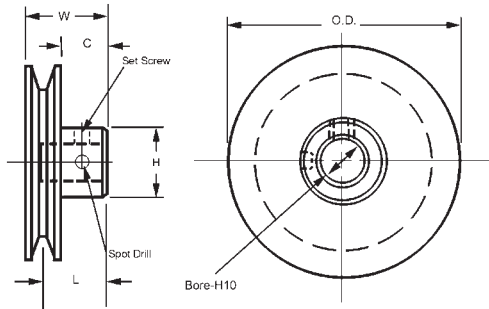


STOCK NO.	O.D.	W	C	L	H
V3-150-8M	38	25	13	22	24
V3-200-8M	51				25

All pulleys have set screws supplied.
Other bore sizes and keyways are available upon request.

A

SERIES	BORE	MATERIAL	BERG'S® NAME	BELT
3V	Ø10	Zinc Alloy	Pow-R-Vee®	Operates with Pow-R-Vee 3V Series (10mmW X 9mmD)



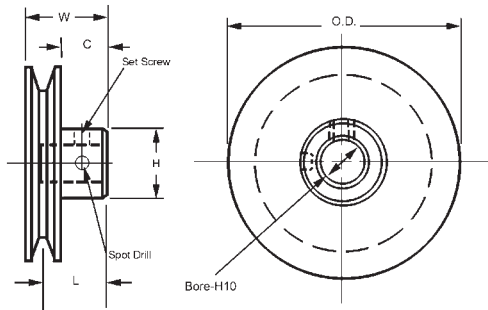
STOCK NO.	O.D.	W	C	L	H
V3-150-10M	38				24
V3-200-10M	51				25
V3-250-10M	64	25	13	22	29
V3-300-10M	76				29
V3-350-10M	89				29
V3-400-10M	102				29

All pulleys have set screws supplied.
Other bore sizes and keyways are available upon request.



V-BELT PULLEYS

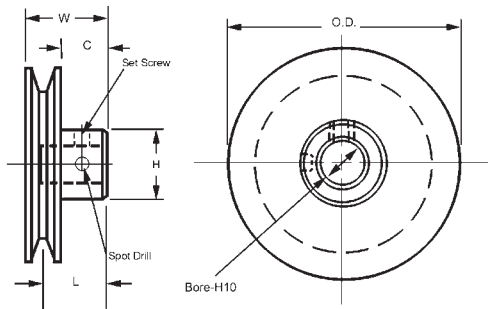
SERIES	BORE	MATERIAL	BERG'S® NAME	BELT
3V	Ø13	Zinc Alloy	Pow-R-Vee®	Operates with Pow-R-Vee 3V Series (10mmW X 9mmD)



STOCK NO.	O.D.	W	C	L	H
V3-150-13M	38	25	13	22	24
V3-200-13M	51				25
V3-250-13M	64				29
V3-300-13M	76				29
V3-350-13M	89				29
V3-400-13M	102				29

All pulleys have set screws supplied.
Other bore sizes and keyways are available upon request.

SERIES	BORE	MATERIAL	BERG'S® NAME	BELT
3V	Ø16	Zinc Alloy	Pow-R-Vee®	Operates with Pow-R-Vee 3V Series (10mmW X 9mmD)



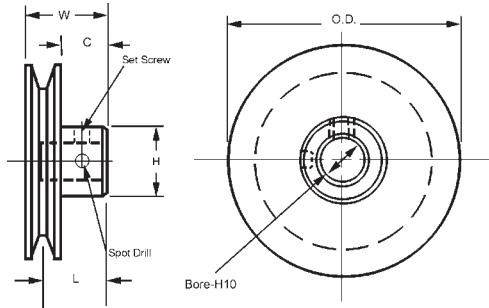
STOCK NO.	O.D.	W	C	L	H
V3-200-16M	51	25	13	22	24
V3-250-16M	64				25
V3-300-16M	76				29
V3-350-16M	89				29
V3-400-16M	102				29

All pulleys have set screws supplied.
Other bore sizes and keyways are available upon request.



V-BELT PULLEYS

SERIES	BORE	MATERIAL	BERG'S® NAME	BELT
4V	Ø10	Zinc Alloy	Pow-R-Vee®	Operates with Pow-R-Vee 4V Series (13mmW X 10mmD)

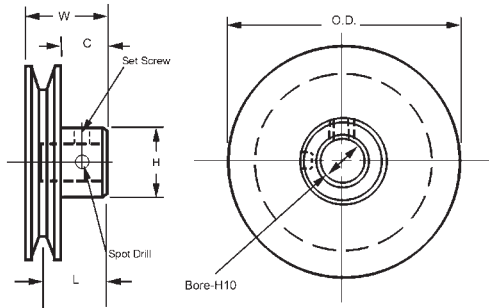


STOCK NO.	O.D.	W	C	L	H
V4-150-10M	38				22
V4-175-10M	44				27
V4-200-10M	51	29	13	25	29
V4-225-10M	57				29
V4-250-10M	64				29

All pulleys have set screws supplied.
Other bore sizes and keyways are available upon request.

A

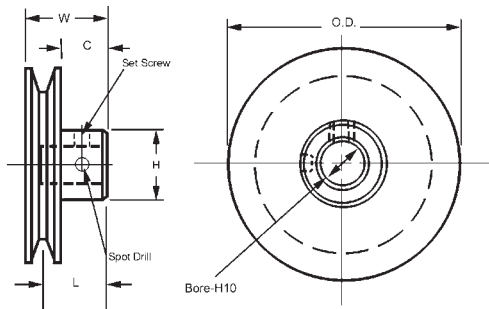
SERIES	BORE	MATERIAL	BERG'S® NAME	BELT
4V	Ø13	Zinc Alloy	Pow-R-Vee®	Operates with Pow-R-Vee 4V Series (13mmW X 10mmD)



STOCK NO.	O.D.	W	C	L	H
V4-150-13M	38	29	13	25	22
V4-175-13M	44	29	13	25	27
V4-200-13M	51	29	13	25	29
V4-225-13M	57	29	13	25	29
V4-250-13M	64	29	13	25	29
V4-300-13M	76	29	13	29	32
V4-325-13M	83	30	13	29	32
V4-350-13M	89	32	16	29	32
V4-400-13M	102	32	16	29	32
V4-500-13M	127	35	22	30	40
V4-600-13M	152	38	22	33	40
V4-700-13M	178	38	22	33	40
V4-800-13M	203	38	22	34	35
V4-900-13M	229	38	21	34	52
V4-1000-13M	254	38	21	34	52

All pulleys have set screws supplied.
Other bore sizes and keyways are available upon request.

SERIES	BORE	MATERIAL	BERG'S® NAME	BELT
4V	Ø16	Zinc Alloy	Pow-R-Vee®	Operates with Pow-R-Vee 4V Series (13mmW X 10mmD)

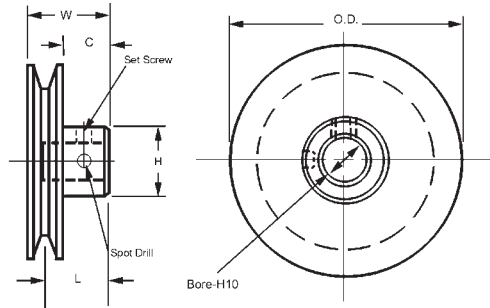


STOCK NO.	O.D.	W	C	L	H
V4-175-16M	44	29	13	25	22
V4-200-16M	51	29	13	25	27
V4-225-16M	57	29	13	25	29
V4-250-16M	64	29	13	25	29
V4-300-16M	76	29	13	29	32
V4-325-16M	83	30	13	29	32
V4-350-16M	89	32	16	29	32
V4-400-16M	102	32	16	29	32
V4-500-16M	127	35	22	30	40
V4-600-16M	152	38	22	33	40
V4-700-16M	178	38	22	33	40
V4-800-16M	203	38	22	34	35
V4-900-16M	229	38	21	34	52
V4-1000-16M	254	38	21	34	52

All pulleys have set screws supplied.
Other bore sizes and keyways are available upon request.

V-BELT PULLEYS

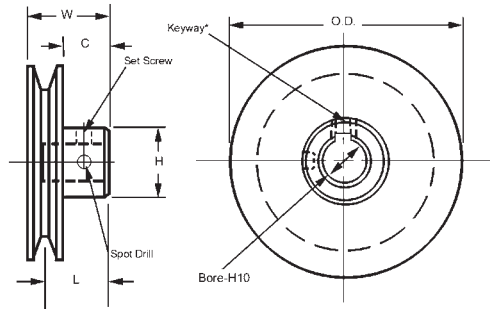
SERIES	BORE	MATERIAL	BERG'S® NAME	BELT
5V	Ø13	Die Cast Zinc Alloy	Pow-R-Vee®	Operates with Pow-R-Vee 5V Series (17mmW X 13mmD)



STOCK NO.	O.D.	W	C	L	H
V5-200-13M	51	32	13	29	29
V5-225-13M	57	32	10	25	29
V5-250-13M	64	32	10	25	32
V5-275-13M	70	32	13	25	32
V5-300-13M	76	37	16	29	32
V5-325-13M	83	32	13	29	32
V5-350-13M	89	35	16	29	32
V5-400-13M	102	35	16	29	33
V5-450-13M	114	35	16	29	33
V5-500-13M	127	40	19	33	35
V5-600-13M	152	41	19	35	52

All pulleys have set screws supplied.
Other bore sizes and keyways are available upon request.

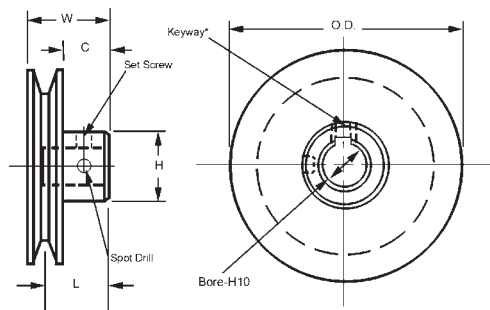
SERIES	BORE	MATERIAL	BERG'S® NAME	BELT
5V	Ø16	Die Cast Zinc Alloy	Pow-R-Vee®	Operates with Pow-R-Vee 5V Series (17mmW X 13mmD)



STOCK NO.	O.D.	W	C	L	H
V5-200-16M	51	32	13	29	29
V5-225-16M	57	32	10	25	29
V5-250-16M	64	32	10	25	32
V5-275-16M	70	32	13	25	32
V5-300-16M	76	37	16	29	32
V5-325-16M	83	32	13	29	32
V5-350-16M	89	35	16	29	32
V5-400-16M	102	35	16	29	33
V5-450-16M	114	35	16	29	33
V5-500-16M	127	40	19	33	35
V5-600-16M	152	41	19	35	52

* Ø16 Bore Pulleys have a 5mm x 2mm keyway.
All pulleys have set screws supplied.
Other bore sizes and keyways are available upon request.

SERIES	BORE	MATERIAL	BERG'S® NAME	BELT
5V	Ø19	Die Cast Zinc Alloy	Pow-R-Vee®	Operates with Pow-R-Vee 5V Series (17mmW X 13mmD)

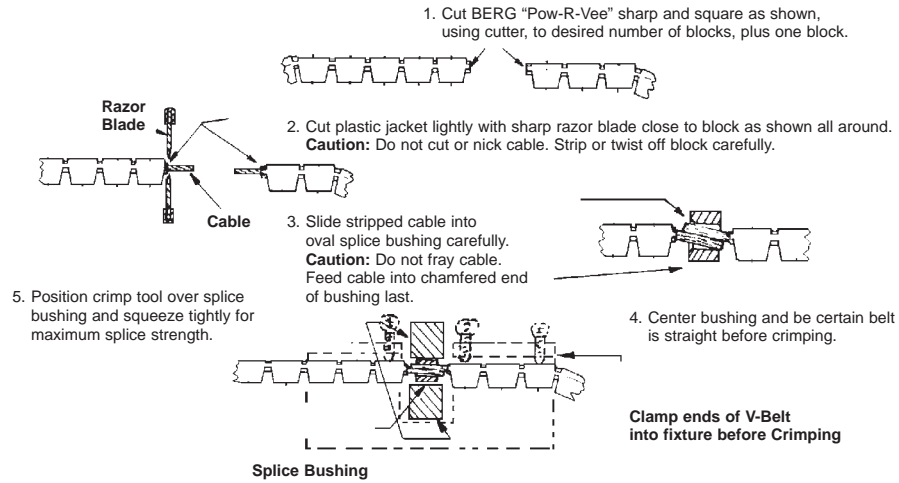


STOCK NO.	O.D.	W	C	L	H
V5-225-19M	57	32	10	25	29
V5-250-19M	64	32	10	25	32
V5-275-19M	70	32	13	25	32
V5-300-19M	76	37	16	29	32
V5-325-19M	83	32	13	29	32
V5-350-19M	89	35	16	29	32
V5-400-19M	102	35	16	29	33
V5-450-19M	114	35	16	29	33
V5-500-19M	127	40	19	33	35
V5-600-19M	152	41	19	35	52

* Ø16 Bore Pulleys have a 5mm x 2mm keyway.
All pulleys have set screws supplied.
Other bore sizes and keyways are available upon request.

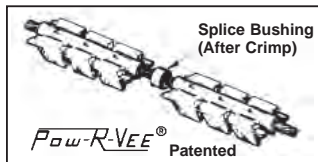
FIELD SPLICE KITS

Splicing Procedures



A

BELT SERIES	STOCK NUMBER	FIELD SPLICE KIT AND ACCESSORIES
2V 3V 4V 5V	2V-7 3V-7 4V-7 5V-7	Complete Kit Consists of: Crimp Tool, Crimp Fixture, Sample Belt, Cable Cutter, Bushings, Razor Blades & Instructions
	TL-3 TL-3 TL-6	Crimp Tool for 2V Crimp Tool for 3V Crimp Tool for 4V AND 5V
	BU-032-S BU-046-S BU-062-C BU-078-S	Extra Splice Bushings for: 2V (Ø 0.8 Dia. Cable) 3V (Ø 1.2 Dia. Cable) 4V (Ø 1.6 Dia. Cable) 5V (Ø 2.0 Dia. Cable)
	TL-1 TL-2	Cable Cutter for up to 1.2 Cable Cable Cutter for up to 2.0 Cable



Field Splices Offer Only 50% of Catalog Rated Loads

W. M. Berg, Inc. will factory splice to order any length belt at a nominal charge.



