

# AERONCA • CHAMPION • CITABRIA

## CONTENTS

Manuals .....	4
Control System .....	4
Engine.....	5
Fuel System.....	5
Frame.....	6
Landing Gear .....	6
Propellers.....	8
Struts .....	8
Tail Section.....	9
Windows • Windshields.....	10
Wings.....	10

Many parts can be correctly identified by the nomenclature listed in this section. However, we suggest that you also have the correct parts manual for positive identification.

## Manuals

Description	Part #	Price
Aeronca 7AC Service Manual.....	7ASM	\$21.24
Aeronca 7EC/FC Service Manual.....	7ESM	\$33.57
Aeronca 11AC Service Manual.....	11SM	\$21.92
Citabria Parts Manual, '64-'73.....	7EPM	\$43.38
Citabria Parts Manual, '74-'79.....	7CPM	\$24.59
Citabria Service Manual .....	7CSM	\$23.82
Citabria Owners Manual, pre-'75 .....	7EWM	\$23.98
Citabria Owners Manual, '75-'77.....	7CWM	\$17.13
Decathlon Parts Manual.....	8DPM	\$24.59
Decathlon Service Manual .....	8DSM	\$43.38
Decathlon Owners Manual.....	8DWM	\$19.11
Scout Parts Manual .....	8SPM	\$24.59
Scout Service Manual.....	8SSM	\$43.38
Scout Owners Manual .....	8SWM	\$13.70

Visit our website to browse our full line of Aeronca parts and supplies

## Control System

Description	Part #	Price
Rudder Pedal Return Spring.....	U1-769	\$24.15
Aeronca Pushrod .....	U1-2341	\$159.32
Torque Control Tube .....	U1-2383	\$119.75
Aeronca Shear Plate .....	U1-2394	\$9.17
Rudder Trim Fairlead Pulley.....	U1-2395	\$15.76
Aeronca Cable Fairlead .....	U1-2396	\$24.95
Rudder Pedal Bearing Tube .....	U1-2411	\$20.36
Rear Rudder Pedal Spring .....	U1-2568	\$52.98
Aileron Control Sector Guard.....	1-2573	\$7.76
Front Brake Cable Housing, Left .....	U1-2578	\$66.93
Bearing Block.....	U1-2599	\$87.11
Rudder Cable Pulley Bushing .....	U1-2636	\$24.39
Tail Surface Hinge Pin Bushing (1/4" ID).....	U1-3737	\$6.04
Tail Surface Hinge Pin Bushing (3/16" ID).....	U1-3737-1	\$5.07
Throttle Control Arm .....	U2-715	\$127.56
Control Stick Boot .....	U2-750	\$33.06
Aeronca/Citabria Torque Tube.....	U2-816	\$173.70
Champion Arm.....	U2-817	\$361.45
Rudder Pedal.....	U3-448	\$147.43

## Control Cables

- See website for aircraft applicability
- Cables are priced and sold individually



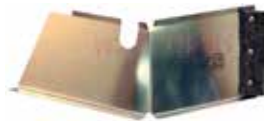
Description	Part #	Price
Throttle Control, 60.0" .....	U1-670-2	\$211.11
Throttle Control, 54 3/4" .....	U1-670-3	\$236.22
Short Aileron Cable, 35.5", Galvanized .....	U1-2397	\$48.18
Stainless Steel .....	U1-2397S	\$80.84
Long Rudder Cable, 168.69", Galvanized .....	U1-2364	\$124.40
Stainless Steel .....	U1-2364S	\$138.79
Short Rudder Cable, 28.75", Galvanized .....	U1-2280	\$112.18
Stainless Steel .....	U1-2280S	\$161.60
Aileron Control Cable, 104.03", Galvanized.....	U1-2339	\$95.89
Stainless Steel .....	U1-2339S	\$115.94
Brake Cable and Housing Assembly .....	1-2358	\$133.14
Brake Cable, 113.5", Galvanized .....	U1-2358-2	\$50.75
Stainless Steel .....	U1-2358-2S	\$86.56
Brake Cable Housing .....	U1-2578	\$66.93
Down Elevator Cable, 141.88", Galvanized .....	U2-686	\$153.21
Stainless Steel .....	U2-686S	\$196.02
Citabria Down Elevator Cable, 144 7/16", Galvanized .....	U2-1534	\$187.39
Stainless Steel .....	U2-1534S	\$182.17

Trim Cable, 172.13", Galvanized .....	U2-698 .....	<b>\$94.74</b>
Stainless Steel .....	U2-698S .....	<b>\$106.18</b>
Elevator Up Cable, Long Section: 122.38", Short Section: 19.0"		
Galvanized Steel .....	U3-471 .....	<b>\$372.90</b>
Stainless Steel .....	U3-471S .....	<b>\$362.61</b>
Rudder Cable, 182.875", Galvanized .....	U1-2496-2 .....	<b>\$61.38</b>
Rudder Cable, 184.1875", Galvanized .....	U1-2496-3 .....	<b>\$61.45</b>
Brake Cable, 72.0" .....	U2-776-2 .....	<b>\$100.56</b>
Aileron Cable, 103.75" .....	U2-777 .....	<b>\$84.12</b>
Trim Cable, 183 <sup>3</sup> / <sub>16</sub> ", Galvanized .....	U2-1905 .....	<b>\$84.18</b>
Stainless Steel .....	U2-1905S .....	<b>\$84.43</b>
Elevator Up Cable, Long Section: 134.3125", Short Section: 8.9375"		
Galvanized .....	U3-1072 .....	<b>\$370.20</b>
Stainless Steel .....	U3-1072S .....	<b>\$365.35</b>

## Engine

### Aeronca Baffles

Baffle, Crankcase (Champion)  
 • Aeronca 11B, 11C, 7DC  
 • FAA-PMA approved  
 U4-742.....**\$54.73**



Baffle (L-16 A/B)  
 • Applicability: Aeronca L-16-85  
 7-582.....**\$120.19**



Baffle (L-16 A/B)  
 7-583.....**\$120.19**



### All-Aluminum Cowling

• Applicability: Aeronca 7AC/11AC  
 Nose Cowl.....U4-576.....**\$2,126.46**  
 Fuselage Cowl (7AC only).....U7-466.....**\$914.15**  
 Top Cowl.....U7-473.....**\$501.08**  
 Bottom Cowl.....U7-472.....**\$429.50**



### Engine Mounts

**FAA-PMA APPROVED**

**Continental Engine**  
 7AC/11AC.....U4-585.....**\$815.18**  
 7EC/7FC.....U4-884.....**\$752.57**



**Lycoming Engine**  
 7ECA, 7GCAA, 7GCBC.....U4-1033.....**\$1,742.94**  
 7KCAB.....U4-1033-10.....**\$643.26**

### Citabria Air Induction Tube

**FAA-PMA APPROVED**



U7-1475-4.....**\$25.71**

### Exhaust System

**FAA-PMA APPROVED**

- Applicability: Aeronca 7AC/11AC
- Stacks are metalized – coated with pure aluminum sprayed at 6800°F for increased life of the stacks



Left Stack.....U7-485.....**\$411.75**  
 Right Stack.....U7-486.....**\$500.46**  
 Heat Muff.....U3-478/479.....**\$311.23**

### Carburetor Air Boxes

**FAA-PMA APPROVED**

- Applicability: Citabria, Decathlon, Scout
- Top of air box is NOT included

Citabria/Decathlon.....U3-1546.....**\$571.84**  
 Scout (shown).....U3-1546-1.....**\$593.61**



- Applicability: Aeronca 7AC, 11AC
- Air filter included

Carburetor Air Box  
 Includes Air Filter.....U4-601-1.....**\$861.99**  
 Air Filter Only.....U2-849.....**\$124.77**



### Air Filter

- Applicability: 1974 and later  
 7GCAA, 7GCAB, 7GCBC, 7ECA
- Supersedes part numbers P10-4145 and 0750038-4

Air filter.....P10-6150.....**\$166.69**



## Fuel System

### Gascolator Support

2-727.....**\$43.74**



### Fuel Gauge Cover

**FAA-PMA APPROVED**

For Citabria.....U3-1389.....**\$109.18**



## Fuel Vent Deflector

FAA-PMA  
APPROVED



- Applicability: Aeronca 7ECA, 7GCAA, 7GCBC, 7KCAB
- U3-1508.....\$79.26

## Frame

Description	Part #	Price
Eyelet Bushing (Short) .....	276D .....	\$0.48
Eyelet Bushing (Long) .....	581 .....	\$0.16
Strut and Landing Gear Fitting.....	1-2263 .....	\$29.08
Strut and Landing Gear Fitting.....	U1-2264 .....	\$44.34
Front Landing Gear Plate .....	1-2265 .....	\$1.99
Front Landing Gear Fitting.....	U1-2266 .....	\$44.05
Landing Gear Center Fitting .....	U1-2326 .....	\$39.73
Fairing.....	U1-9803 .....	\$14.25
Aeronca Window Strip.....	2-931-R .....	\$37.40
Aeronca Brace .....	2-950 .....	\$214.05
Auxiliary Bulkhead.....	2-2046 .....	\$13.40
Aeronca Retainer.....	4-611 .....	\$67.25
Aeronca Fairing Blank .....	4-1475-B .....	\$54.01
Aeronca Fuselage Bulkhead .....	U4-1541 .....	\$25.81
Aeronca Fuselage Cowl .....	U7-466 .....	\$914.15
Wrap-around Cowl		
7EC/FC, 7ECA .....	7-509-6 .....	\$1,042.88
1974 and later Citabria .....	U7-1472 .....	\$1,042.99

## Landing Gear

Description	Part #	Price
Oleo Spring Retainer.....	U1-316 .....	\$41.51
Oleo Piston.....	U1-318 .....	\$95.93
Packing Gland.....	U1-319 .....	\$40.98
Tailwheel Fitting.....	U1-555 .....	\$78.41
Tailwheel Pad.....	U1-557-1 .....	\$10.34
Tailwheel Pad.....	U1-557-2 .....	\$9.37
Oleo Housing.....	U1-2253 .....	\$174.69
Piston Rod.....	U1-2255 .....	\$130.43
Aeronca Landing Gear Lug.....	U1-2264 .....	\$44.34
Retainer .....	U1-2980 .....	\$31.52
Bushing.....	U1-2981 .....	\$14.58
Packing Gland .....	U1-2982 .....	\$56.28
Spacer .....	U1-2983 .....	\$51.12
Locknut .....	U1-2984 .....	\$73.08
Fitting .....	U1-8854 .....	\$103.13
'U' Bolt, Tail Spring .....	U1-10325 .....	\$67.20
'U' Bolt, Tail Spring .....	U1-10589 .....	\$96.16
L-16 Brake Assembly.....	2-941 .....	\$764.62

Piston Assembly.....	U2-952 .....	\$243.46
Citabria Taxi Spring .....	U2-953 .....	\$81.52
Oleo Cap.....	U2-956 .....	\$375.57
Tailwheel Steering Spring .....	U2-1525 .....	\$32.96
Taxi Spring (use with U3-1207) .....	U2-1655 .....	\$166.76
Wheel Pant Plate, Left.....	U2-1945-L .....	\$66.26
Right.....	U2-1945-R .....	\$66.26
Wheel Pant Bracket.....	U2-1961 .....	\$138.25
Oleo Spring (Citabria).....	U3-666 .....	\$45.36
Citabria Axle Strut.....	U4-1139 .....	\$938.70
7FC Nose Gear Cylinder .....	7-1-71 .....	\$85.56
Aeronca Oleo Case Frame.....	U7-436-10 .....	\$969.81
Axle Strut.....	U7-451 .....	\$1,029.76
Citabria Oleo Case Frame.....	U7-1004-10 .....	\$884.41

## Oleo Shock Strut

FAA-PMA  
APPROVED



Fits 7ECA, 7GCAA and 7GCBC			
with High Energy Taxi Spring.....	U3-1207 .....	\$1,219.88	
with Standard Spring .....	U3-665 .....	\$1,012.97	
Spring only, for U3-665 .....	U3-666 .....	\$45.36	
Fits 7AC and 11AC .....		U3-433-1 .....	\$1,151.27
Spring only, for U3-433-1 Assembly.....	U1-2256 .....	\$94.14	
Plug.....	U3-433-10 .....	\$12.47	
Pin .....	U3-433-20 .....	\$6.36	
Bushing .....	U3-433-22 .....	\$13.78	

## Tailwheel Springs

FAA-PMA  
APPROVED



<b>7AC and 11AC</b>		
Complete Set.....	U3-428 .....	\$182.10
Main Leaf .....	U3-428-1 .....	\$79.64
Middle Leaf.....	U3-428-2 .....	\$72.77
Top Leaf.....	U3-428-3 .....	\$41.28
<b>Citabria/Decathlon (Short)</b>		
Complete Set.....	U3-1543-S .....	\$204.33
Bottom Leaf, Short.....	U3-1543-1 .....	\$103.59
Middle Leaf, Short.....	U3-1543-2 .....	\$68.60
Top Leaf, Short .....	U3-1543-3 .....	\$51.50
<b>Scout (Long)</b>		
Complete Set.....	U3-1543-L .....	\$237.64
Bottom Leaf, Long.....	U3-1543-4 .....	\$107.66
Middle Leaf, Long.....	U3-1543-5 .....	\$69.16
Top Leaf, Long .....	U3-1543-6 .....	\$64.93

## Oleo Bushing

FAA-PMA  
APPROVED



For inside Oleo case.....	U1-2565 .....	\$54.60
---------------------------	---------------	---------

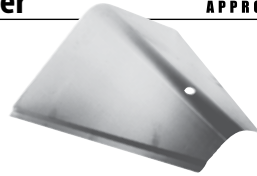
**Oleo Strut Packing**

For U3-433-1 assembly ..... U1-2119 ..... **\$24.35**



**Aluminum Landing Gear Cover**

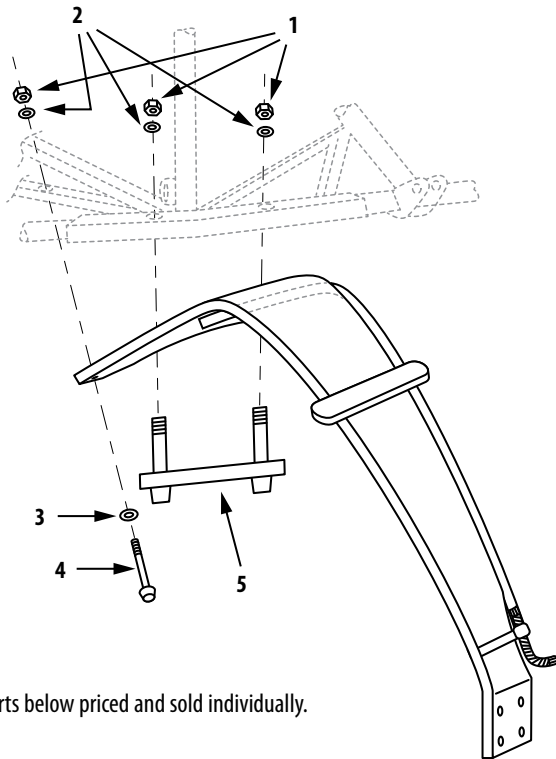
• Applicability: Aeronca 7EC, 7FC, 7ECA, 7GCAA, 7GCBC  
 • Aluminum fairing  
 U4-10000 ..... **\$62.75**



**FAA-PMA APPROVED**

**Landing Gear Attach Hardware**

**FAA-PMA APPROVED**



All parts below priced and sold individually.

**Citabria and Decathlon**

- 1) Nut (6 required) ..... SPS42FW720 ..... **\$18.90**
  - 2) Plain Washer (6 required) ..... MS20002-7 ..... **\$0.30**
  - 3) Countersunk Washer (2 required) ..... MS20002C7 ..... **\$0.20**
  - 4) Internal Wrenching Bolt (2 required) ..... MS20007-32 ..... **\$24.72**
  - 5) 'U' Bolt ..... U1-9805A ..... **\$221.90**
- Hardware Kit for Citabria/Decathlon (includes all hardware above except the 'U' Bolts) ..... ASK-1 ..... **\$195.75**

**Scout**

- 1) Nut (6 required) ..... SPS42FW720 ..... **\$18.90**
- 2) Plain Washer (6 required) ..... MS20002-7 ..... **\$0.30**
- 3) Countersunk Washer (2 required) ..... MS20002C7 ..... **\$0.20**
- 4) Internal Wrenching Bolt (2 required) ..... MS20007-28 ..... **\$24.60**
- 5) 'U' Bolt (new style) ..... U1-10376A ..... **\$180.03**

**Landing Gear 'U' Bolts**

**FAA-PMA APPROVED**

- Hardware required – see illustration below left
- Citabria/Decathlon ..... U1-9805A ..... **\$221.90**
- Scout (New Style) ..... U1-10376A ..... **\$180.03**



**Oleo Case Frame**

**FAA-PMA APPROVED**

- Uncovered
- 7AC and 11AC Series ..... U7-436-10 ..... **\$969.81**
- Early Citabria ..... U7-1004-10 ..... **\$884.41**



**Landing Gear Axle Assemblies**

**FAA-PMA APPROVED**

- Applicability: Aeronca and Citabria
- Early Citabria Axle Strut ..... U4-1139 ..... **\$938.70**
- Aeronca Axle Strut ..... U7-451 ..... **\$1,029.76**



**Aircraft Ski Springs**

**STC APPROVED**

- Atlee Dodge parts
- Applicability: Aeronca, Champion, Luscombe, Maule, Piper J-3 thru PA-22, Stinson, Taylorcraft
- Improves ski rigging tension in cold weather
- Use with tubular landing gear
- STC SA4624NM

- Gold Color ..... 2127 ..... **\$212.50**
- Silver Color ..... 2097 ..... **\$212.50**



**Shock Cords**

- Priced and sold individually
- High quality shock rings from Superior
- Manufactured from multiple rubber strands

- 15AC, S/N 1 to 329, Standard ..... U31322-000 ..... **\$49.50**
- Cold Weather ..... 1280-CW ..... **\$42.37**
- 15AC, S/N 330 and up, Standard ..... 1286 ..... **\$38.99**
- Heavy-Duty ..... 1286HD ..... **\$71.48**



# Propellers

Univair furnishes a bolt kit with each propeller purchase. Bolt kits can also be purchased separately from our website.

Propeller descriptions below show basic aircraft/engine model applicability. Check manufacturer's websites for exact applicability before purchasing, or contact our sales staff at 1-888-433-5433 and we can research it for you.

Please note that we do not stock all of the propellers listed. Non-stocked items may have up to a 6 week lead time.

## McCauley Aluminum Fixed-Pitch Propellers

7ECA, S7ECA, Continental O-200-A .....	ACM6948 .....	<b>\$5,345.60</b>
7GCAA, 7GCBC, S7GBC, 7KCAB, Lycoming O-320 .....	AGM7250 .....	<b>\$5,345.60</b>
7GCAA, 7GCBC, S7GBC, 7KCAB, Lycoming O-320 .....	AGM7254 .....	<b>\$5,505.97</b>
7ECA, 7GCBC, Lycoming O-235 .....	ALM7246 .....	<b>\$5,345.60</b>
7ECA, 7GCBC, Lycoming O-235 .....	CLM7250 .....	<b>\$5,345.60</b>
Bellanca 7 and 11 Series, Continental C-85 .....	CM7142 .....	<b>\$4,728.80</b>
7AC, S7AC, Continental A-65-8 .....	CM7143 .....	<b>\$4,870.66</b>
Bellanca 7 and 11 Series, Continental C-85 .....	CM7144 .....	<b>\$4,870.66</b>
Bellanca 7 and 11 Series, Continental C-85 .....	CM7146 .....	<b>\$4,728.80</b>
Bellanca 11BC, Continental C-85 .....	CM7148 .....	<b>\$4,728.80</b>
Bellanca 11BC, Continental C-85 .....	CM7150 .....	<b>\$4,728.80</b>
7CCM, S7CCM, S7EC, Continental C-90 .....	CM7341 .....	<b>\$4,728.80</b>
Bellanca 7 Series, Continental C-90 .....	CM7343 .....	<b>\$4,728.80</b>
Bellanca 7 Series, Continental C-90 .....	CM7345 .....	<b>\$4,728.80</b>
Aeronca SO-58B, Bellanca S11AC, Continental A-65 .....	CM7441 .....	<b>\$4,728.80</b>
O-58, 11AC, Continental A-65 .....	CM7443 .....	<b>\$4,870.66</b>
O-58B, 11AC, Continental A-65 .....	CM7445 .....	<b>\$4,728.80</b>
15AC Sedan, Continental C-145 .....	DM7653 .....	<b>\$5,345.60</b>
15AC Sedan, Franklin 6A4 .....	DM7654 .....	<b>\$5,505.97</b>
7GCA, 7GCB, 7KC, Lycoming O-320 .....	GM7452 .....	<b>\$6,125.90</b>
Champion 402, Continental O-200 .....	MCM6948 .....	<b>\$5,345.60</b>
15AC Sedan, Franklin 6A4 .....	DM7649 .....	<b>\$5,345.60</b>

## Sensenich Aluminum Propellers

7ECA, Lycoming O-235 .....	72CKS8-0-52 .....	<b>\$4,696.50</b>
S11AC, S65TC, SO-58D, S7AC, Continental C-65, A-65 .....	74CK-0-40 .....	<b>\$5,004.25</b>
65TAC, L3, O58, YO58, 7AC, Continental C-65 .....	74CK-0-44 .....	<b>\$4,950.90</b>
7AC, 11AC, 65TAC, L3, O58, YO58, Continental A-65 .....	74CK-0-46 .....	<b>\$4,950.90</b>
65TL, 65TLA, 65LB, 65TAL, Lycoming O-145 .....	74CK-2-36 .....	<b>\$4,950.90</b>
S11BC, S11CC, Continental C-85 .....	74CK-2-40 .....	<b>\$4,950.90</b>
Bellanca 7DC, Continental C-85 .....	74CK-2-42 .....	<b>\$4,950.90</b>
7BCM, 7DC, BC12D, 19, Continental C-85 .....	74CK-2-44 .....	<b>\$4,950.90</b>
11BC, 11CC, 7BCM, Continental C-85 .....	74CK-2-46 .....	<b>\$4,950.90</b>
Bellanca 7GC, Lycoming O-290 .....	74DM6-0-50 .....	<b>\$4,800.50</b>
7GCA, 7GCB, 7GCBA, Lycoming O-320 .....	74DM6-0-52 .....	<b>\$4,800.50</b>
7GC Series, 7HC, 7KC, Lycoming O-290, O-320 .....	74DM6-0-57 .....	<b>\$4,800.50</b>
7GCAA, 7GCBC, 7KCAB, Lycoming O-320, IO-320 .....	74DM6S8-1-52 .....	<b>\$4,864.50</b>
7GCAA, 7GCBC, 7KCAB, Lycoming O-320, IO-320 .....	74DM6S8-1-56 .....	<b>\$4,864.50</b>
Bellanca 7 Series, Continental C-90 .....	76AK-2-42 .....	<b>\$5,004.25</b>
Bellanca 7 Series, Continental C-90 .....	76AK-2-44 .....	<b>\$4,956.50</b>
Bellanca 7 Series, Continental C-90 .....	76AK-2-46 .....	<b>\$4,956.50</b>
Bellanca 7 Series, Continental C-90 .....	76AK-2-48 .....	<b>\$4,580.50</b>

## Sensenich Wood Propellers

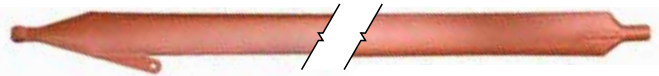
Aeronca 7EC, 7CCM, Continental C-90 .....	W72GK50-CUB .....	<b>\$3,125.00</b>
L3, 65, 7, 11 Series, Continental A-65 .....	W72CK42-SB .....	<b>\$2,465.00</b>
7EC, 7CCM, Continental C-90 .....	W72GK50-SB .....	<b>\$3,125.00</b>
L3, 65 Series, Lycoming O-145 .....	W70LY-34 .....	<b>\$2,995.00</b>
L3, 65 Series, Lycoming O-145 .....	W70LY36 .....	<b>\$2,995.00</b>
L3, 65, 7, 11 Series, Continental A-65 .....	W72CK42 .....	<b>\$2,430.00</b>
L3, 65, 7, 11 Series, Continental A-65 .....	W72CK44 .....	<b>\$2,430.00</b>
L3, 65 Series, Franklin 4AC .....	W72F44 .....	<b>\$3,460.00</b>
Aeronca 7, 11 Series, Continental C-85 .....	W72GK46 .....	<b>\$3,090.00</b>
Aeronca 7, 11 Series, Continental C-85 .....	W72GK48 .....	<b>\$3,090.00</b>
Aeronca 7EC, 7CCM, Continental C-90 .....	W72GK50 .....	<b>\$3,090.00</b>

# Struts

FAA-PMA  
APPROVED

## Lift Struts

- New, improved steel struts
- Sealed and oiled to prevent internal corrosion
- Struts will be shipped via freight only



7AC Front Strut .....	UA-1000-2S .....	<b>\$730.70</b>
Rear Strut .....	U5-268S .....	<b>\$582.22</b>
11AC Front Strut .....	UA-1000-4S .....	<b>\$755.11</b>
Rear Strut .....	UA-1000-1S .....	<b>\$578.83</b>
Decathlon Front Strut, Left* .....	U5-368-L .....	<b>\$1,075.87</b>
Front Strut, Right* .....	U5-368-R .....	<b>\$1,075.87</b>
Decathlon Rear Strut .....	U4-1535S .....	<b>\$602.43</b>
Scout Front Strut .....	U5-379 .....	<b>\$647.48</b>
Rear Strut .....	U5-382 .....	<b>\$603.19</b>
Aeronca 65CA and 65LB, Front Strut, Left .....	U4-255-L .....	<b>\$2,588.39</b>
Front Strut, Right .....	U4-255-R .....	<b>\$2,573.12</b>

\* These struts are made of aluminum and are not sealed

Heavy-Duty Front Strut .....	U5-392S .....	<b>\$762.43</b>
------------------------------	---------------	-----------------

- .049" wall tube
- Complies with AD 77-22-05
- Aeronca Models: 7AC, S7AC, 7BCM, 7CCM, 7DC, S7DC, S7CCM, S7EC, 7ACA
- Champion Models: 7EC, S7EC, 7FC, 7HC, 7JC, 7GC
- Citabria Models: 7ECA, 7GCA, 7GCB, 7KC, 7GCAA, 7GCBC, 7KCAB

Heavy-Duty Rear Strut .....	U5-268S .....	<b>\$582.22</b>
-----------------------------	---------------	-----------------

- Aeronca Models: 7AC, S7AC, 7BCM, 7CCM, 7DC, S7DC, S7CCM, S7EC
- Champion Models: 7EC, S7EC, 7FC, 7HC, 7JC, 7GC
- Citabria Models: 7ECA, 7GCA, 7GCB, 7KC, 7GCAA, 7GCBC, 7KCAB

WE ACCEPT



**Jury Struts**

**FAA-PMA  
APPROVED**

Aeronca/Citabria		
Jury Strut Spreader.....	U1-2286	<b>\$132.66</b>
Jury Strut, Front.....	U1-2314	<b>\$125.03</b>
Jury Strut, Rear.....	U1-2315	<b>\$109.18</b>
Aeronca 11AC Jury Strut.....	U1-2460	<b>\$126.55</b>
Decathlon		
Jury Strut Spreader.....	1-10106	<b>\$59.26</b>
Scout		
Jury Strut, Front.....	U1-10372	<b>\$83.99</b>
Jury Strut, Rear.....	U1-10358	<b>\$59.94</b>
Jury Strut Spreader.....	U1-10359	<b>\$44.53</b>

**Bellanca Cruisair Retract Struts**

**FAA-PMA  
APPROVED**

• Applicability: Bellanca  
Cruisair 14-13 and 14-13-2

Left .....U7577-L...**\$1,033.85**  
Right..... U7577-R...**\$1,033.85**



**Tail Section**

Description	Part #	Price
Block.....	U1-2322	<b>\$72.58</b>
Tail Surface Hinge Pin Bushing, 3/16 Inch ID.....	U1-3737-1	<b>\$5.07</b>
Dorsal Fin.....	7-792	<b>\$941.24</b>
Elevator Horn Cover.....	U3-456	<b>\$41.78</b>
Streamlined Tail Brace Wire.....	52-3002-259	<b>\$102.62</b>
Streamlined Tail Brace Wire.....	52-3002-270	<b>\$102.62</b>
Elevator Trim Tab.....	U4-562	<b>\$468.50</b>
Trim Tab Plate.....	U1-2552	<b>\$5.65</b>
Tail Surface Hinge Pin Bushing, 1/4 Inch ID.....	U1-3737	<b>\$6.04</b>
Citabria Rudder Rib.....	U4-1376-2	<b>\$28.06</b>
Tailwheel Pin.....	U3257	<b>\$9.29</b>

**Aeronca 7AC/11AC Tail Surfaces**

Elevator, Right.....	4-543	<b>\$1,182.68</b>
Elevator, Left.....	4-544	<b>\$889.31</b>
Rudder • FAA-PMA.....	U4-545	<b>\$785.62</b>



**Citabria Rudder**

**FAA-PMA  
APPROVED**

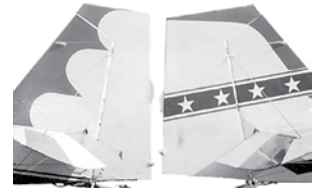
• Applicability: 7ECA, 7GCAA, 7GCBC, 7KCAB, 8KCAB  
Uncovered..... U4-1376..... **\$1,083.82**



**Citabria Large Rudder**

Gives you precision control for all aerobatic maneuvers. STC approved for the 7GCAA, 7GCBC and 7KCAB Citabria.

30-01 ..... **\$1,410.24**



**Stainless Steel Tail Brace Wires**

**FAA-PMA  
APPROVED**

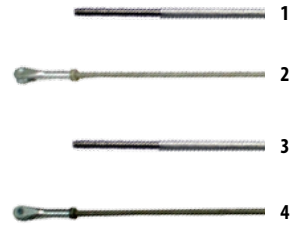
**7AC, 7EC, 7FC: Upper and Lower**

**Citabria, Decathlon, Scout: Lower**

1) Wire Only ..... U1-2340..... **\$52.54**  
2) Assembly ..... U3-1107-2..... **\$124.72**

**Citabria, Decathlon, Scout: Upper**

3) Wire Only ..... U2-1745-4..... **\$51.12**  
4) Assembly ..... U2-1746-4..... **\$112.70**



**Aeronca Strut Fork**

**FAA-PMA  
APPROVED**

U1-2543..... **\$83.23**



**Rudder Arm**

**FAA-PMA  
APPROVED**

U3-1619..... **\$162.68**



**Inspection Plate**

**FAA-PMA  
APPROVED**

- Ideal for replacing standard inspection plates that have a tendency to come off too easily
- 4 prongs
- Diameter: 4 7/8 inches

U3-639..... **\$42.10**



**Tail Wire Lug**

**FAA-PMA  
APPROVED**

U1-2357 ..... **\$15.98**



**Visit our website to browse our full line of Aeronca parts and supplies.**

**www.univair.com**

## Windows • Windshields

Prices below are for clear windows and windshields only. See our website for prices and availability of Solar Gray and Green tinted versions. Delivery time is 3 weeks from date of order.

### Aeronca Champion 7AC, 7BCM, 7DC, 7CCM, 7EC, 7FC

Windshield.....	7-468	<b>\$833.09</b>
Left Front Forward Sliding Window, Glass Only.....	3-572	<b>\$59.40</b>
Left Front Aft Sliding Window, Glass Only.....	3-573	<b>\$52.72</b>
Right Front Door Window.....	7-537	<b>\$74.25</b>
Left or Right Rear Window.....	7-463	<b>\$83.90</b>

### Aeronca Chief 11AC, 11ACS, 11BC and 11CC

Windshield.....	7-521	<b>\$372.74</b>
Left or Right Front Sliding Window.....	4-715	<b>\$57.17</b>
Left or Right Aft Sliding Window.....	4-714	<b>\$57.17</b>
Left or Right Rear Window.....	4-594	<b>\$65.34</b>

### Aeronca Sedan 15AC

Left Windshield Half.....	7-852-2	<b>\$309.62</b>
Right Windshield Half.....	7-852-3	<b>\$309.62</b>

### Bellanca Cruisair 14-13

Windshield.....	9892-6	<b>\$444.76</b>
-----------------	--------	-----------------

### Citabria 7ECA, 7GCAA, 7GCBC and 8GCBC Scout

Windshield.....	7-1264	<b>\$406.89</b>
Skylight.....	7-1286	<b>\$185.63</b>
Left Front Swinging Window.....	4-1487	<b>\$166.32</b>
Right Front Door Window.....	4-1446	<b>\$168.55</b>
Right Rear Window.....	7-1256-1R	<b>\$178.20</b>
Left Rear Window.....	7-1256-1L	<b>\$178.20</b>

### Decathlon 8KCAB

Windshield.....	7-1418	<b>\$437.33</b>
Skylight.....	7-1286	<b>\$185.63</b>
Left Front Window.....	4-1487	<b>\$166.32</b>
Right Front Door Window.....	4-1446	<b>\$168.55</b>
Right Rear Window.....	7-1256-1R	<b>\$178.20</b>
Left Rear Window.....	7-1256-1L	<b>\$178.20</b>

## Wings

Description	Part #	Price
Jury Strut.....	1-2459	<b>\$46.68</b>
Jury Strut Spreader.....	1-2461	<b>\$65.49</b>

Aileron Control Sector.....	3-463	<b>\$62.24</b>
Fairing Blank.....	4-1475-B	<b>\$54.01</b>
Wing Leading Edge Stiffener.....	4-1678-2	<b>\$48.83</b>
Stiffener Blank.....	5-173B	<b>\$54.60</b>
Butt Rib Repair.....	5-184-L	<b>\$58.54</b>
Butt Rib Repair.....	5-184-R	<b>\$58.54</b>
Scout Drag Wire.....	U1-10336-1	<b>\$69.07</b>
Wing Root Drag Wire Lug.....	U1-2299	<b>\$21.74</b>
Jury Spar Fitting, Left.....	U1-2319-L	<b>\$58.59</b>
Right.....	U1-2319-R	<b>\$58.59</b>
Jury Spar Fitting, Left.....	U1-2320-L	<b>\$49.80</b>
Right.....	U1-2320-R	<b>\$49.80</b>
Tail Brace Wire.....	U1-2340	<b>\$52.54</b>
Wing Drag Wire.....	U1-2527-1	<b>\$38.91</b>
Wing Drag Wire.....	U1-2527-6	<b>\$53.37</b>
Clevis Fork.....	U1-2543	<b>\$83.23</b>
Drag Wire.....	U1-2595-1	<b>\$112.17</b>
Drag Wire.....	U1-2595-2	<b>\$95.22</b>
Fairing.....	U1-9803	<b>\$14.25</b>
Decathlon Aileron Hinge, Left.....	U2-1973-L	<b>\$155.33</b>
Right.....	U2-1973-R	<b>\$155.33</b>
Aileron Hinge.....	U2-689	<b>\$185.98</b>
Wing Brace Tube.....	U2-697	<b>\$129.93</b>
Rib Stiffener.....	U2-699	<b>\$48.42</b>
Wing Fitting.....	U2-701	<b>\$161.60</b>
Wing Fitting.....	U2-703	<b>\$141.89</b>
Hinge Bracket.....	U2-709	<b>\$62.03</b>
Aileron Trailing Edge Channel.....	U2-852	<b>\$29.89</b>
Tail Brace Wire Assembly.....	U3-1107-2	<b>\$124.72</b>
Fuel Vent Deflector.....	U3-1508	<b>\$79.26</b>
Front Wing Gap Cover, Left.....	U3-451-L	<b>\$102.14</b>
Right.....	U3-451-R	<b>\$102.14</b>
Top Center Gap Cover.....	U3-452	<b>\$24.43</b>
Gap Cover, Left.....	U3-453-L	<b>\$25.41</b>
Right.....	U3-453-R	<b>\$25.41</b>
Gap Cover, Left.....	U3-454-L	<b>\$21.38</b>
Right.....	U3-454-R	<b>\$21.38</b>
Wing Gap Cover.....	U3-455	<b>\$20.35</b>
Wing Trailing Edge.....	U3-515	<b>\$187.39</b>
Inspection Plate.....	U3-639	<b>\$42.10</b>
Flap Spar.....	U4-1090	<b>\$162.85</b>
Wing Leading Edge Stiffener.....	U4-1519-1	<b>\$38.69</b>
Wing Leading Edge Stiffener.....	U4-1519-2	<b>\$38.69</b>
Wing Leading Edge Stiffener.....	U4-1678-1	<b>\$53.98</b>
Doubler.....	U4-576-2	<b>\$38.31</b>
Doubler.....	U4-576-3	<b>\$45.58</b>
Aileron Spar.....	U5-157	<b>\$82.49</b>
Aileron Balance, Left.....	U5-179-L	<b>\$95.91</b>
Right.....	U5-179-R	<b>\$95.91</b>

### Champion Wingtip Bow

FAA-PMA  
APPROVED

• Applicability: Aeronca 7AC, 11AC, 7EC, 7FC

Left.....	U7-440-L	<b>\$611.45</b>
Right.....	U7-440-R	<b>\$471.47</b>



**Flap, Uncovered**

**FAA-PMA  
APPROVED**

- Applicability: Aeronca 7GCBC, 8GCBC



Left Flap, Uncovered.....	U5-272-L.....	<b>\$1,579.89</b>
Right Flap, Uncovered.....	U5-272-R.....	<b>\$1,579.89</b>

**Aileron, Uncovered**

**FAA-PMA  
APPROVED**

- Applicability: Aeronca 7AC, 11AC, 7EC, 7FC, 7ECA, 7GCAA, 7GCBC, 7KCAB, 8GCBC



Left Aileron, Uncovered.....	U5-180-L.....	<b>\$1,258.43</b>
Right Aileron, Uncovered.....	U5-180-R.....	<b>\$1,258.43</b>

**Trailing Edges**

Trailing Edge.....	1-8826.....	<b>\$19.95</b>
Wing Trailing Edge, Inboard.....	2-1915.....	<b>\$32.25</b>
Aileron Trailing Edge.....	U3-542.....	<b>\$54.60</b>
Flap Trailing Edge.....	U3-1124.....	<b>\$44.23</b>
Aileron Bay Trailing Edge, Left.....	U5-175-L.....	<b>\$105.78</b>
Right.....	U5-175-R.....	<b>\$105.78</b>

**Leading Edge Skins**

Outer Tip Leading Edge Skin.....	U3-443.....	<b>\$27.05</b>
24.75" length.....	U4-548-12.....	<b>\$80.49</b>
30.375" length.....	U4-548-4.....	<b>\$43.84</b>
34" length.....	U4-548-16.....	<b>\$78.41</b>
36" length.....	U4-548-10.....	<b>\$73.61</b>
41" length.....	U4-548-3.....	<b>\$53.98</b>
47.625" length.....	U4-548-1.....	<b>\$75.55</b>
47.625" length.....	U4-548-14.....	<b>\$78.41</b>
49" length.....	U4-548-11.....	<b>\$90.97</b>
50.25" length.....	U4-548-2.....	<b>\$64.87</b>
64" length.....	U4-548-15.....	<b>\$78.41</b>
Leading Edge Skin, Left.....	U4-549-L.....	<b>\$79.91</b>
Right.....	U4-549-R.....	<b>\$79.91</b>
Leading Edge Skin, Left.....	4-1123-L.....	<b>\$44.23</b>
Right.....	4-1123-R.....	<b>\$44.23</b>
Flap Leading Edge, Left.....	U5-227-L.....	<b>\$38.30</b>
Right.....	U5-227-R.....	<b>\$38.30</b>

**Visit our website to browse our full line of Aeronca parts and supplies**

**Pitot Tube Assembly**

**FAA-PMA  
APPROVED**

- Applicability: Aeronca 7AC, 7BCM, 7CCM, 7DC, 11AC
- Approximately 23 inches long

Pitot Tube Assembly.....	U3-535.....	<b>\$359.72</b>
--------------------------	-------------	-----------------

**Wing Ribs**

**FAA-PMA  
APPROVED**

- Specify model and side when ordering



Main Aileron Rib.....	U3-445.....	<b>\$26.58</b>
Aileron End Rib.....	U3-446.....	<b>\$41.43</b>
Trailing Edge Rib, Left.....	2-851-L.....	<b>\$40.97</b>
Right.....	2-851-R.....	<b>\$40.97</b>
Nose Rib.....	5-183-2.....	<b>\$25.72</b>
Main Trailing Edge Rib.....	5-185-1.....	<b>\$14.33</b>
Citabria Flap Nose Rib, Left.....	2-1587-L.....	<b>\$15.23</b>
Right.....	2-1587-R.....	<b>\$15.23</b>
Decathlon Aileron Sector Rib, Left.....	U2-1978-L.....	<b>\$40.15</b>
Right.....	U2-1978-R.....	<b>\$40.15</b>
Champion/Citabria Trailing Edge Rib.....	U3-1183.....	<b>\$49.25</b>
Nose Rib.....	U3-1516.....	<b>\$45.05</b>
Citabria Tip Rib, Left.....	U4-1030-L.....	<b>\$277.22</b>
Right.....	U4-1030-R.....	<b>\$277.22</b>
Decathlon Trailing Edge Rib.....	U4-1527.....	<b>\$37.21</b>
Decathlon Nose Rib.....	U4-1528.....	<b>\$47.40</b>
Champion Full Rib.....	U5-142.....	<b>\$173.16</b>
Champion Tip Rib.....	U5-143.....	<b>\$116.13</b>
Aileron Bay Rib.....	U5-181.....	<b>\$143.53</b>
Flap Bay Rib.....	U5-274.....	<b>\$227.26</b>
Citabria Butt Rib, Left.....	U7-445-L.....	<b>\$143.59</b>
Right.....	U7-445-R.....	<b>\$143.59</b>

**Citabria 7GCBC and Scout**

Butt Rib, Left.....	U7-445-3L.....	<b>\$169.45</b>
Right.....	U7-445-3R.....	<b>\$169.45</b>

**Citabria 7GCBC only**

Outboard Tank Rib, Left.....	U7-445-7L.....	<b>\$185.80</b>
Right.....	U7-445-7R.....	<b>\$185.80</b>

**Citabria 7GCAA, 7KCAB and 7ECA**

Outboard Tank Rib, Left.....	U7-445-6L.....	<b>\$185.80</b>
Right.....	U7-445-6R.....	<b>\$185.80</b>
Butt Rib, Left.....	U7-791-L.....	<b>\$239.93</b>
Right.....	U7-791-R.....	<b>\$209.95</b>

**Wing Spar Fitting**

**FAA-PMA  
APPROVED**

- Complies with AD 47-30-01

U2-893.....	<b>\$202.09</b>
-------------	-----------------

