



Apple Cinema HD Display 23"  
LCD (ADC)

---

Updated 4 March 2005



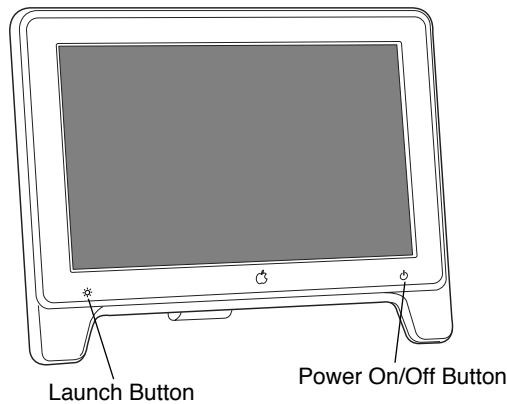
Take Apart  
Apple Cinema HD Display 23" LCD  
(ADC)



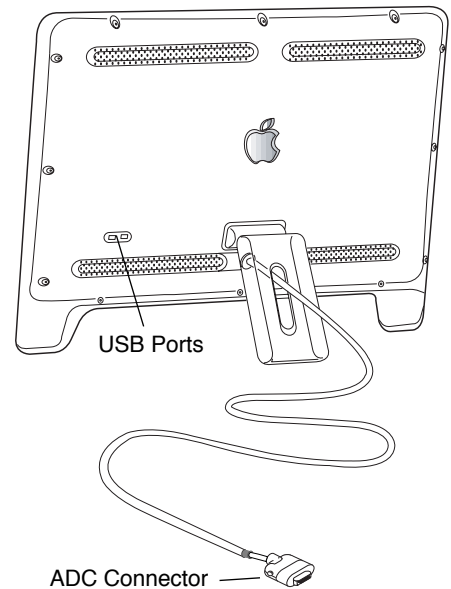
# General Information

## Overview

**Front View**



**Rear View**



**Note:**

The Launch Button brings up the Apple Display preferences window. The Power Button turns the display on and off.

## Tools

The following tools are recommended for the take apart procedures.

- Cotton gloves (922-1592)
- Hex key set, metric
- Phillips #1 screwdriver
- Phillips #0 jeweler's screwdriver (for backlight bulb trays)
- Volt meter (for troubleshooting)
- Black stick (nylon probe tool 922-5065) or other ESD-safe, non-marring tool
- ESD wriststrap and mat

---

## Before Working on the Display

**Warning:** There is a risk of electric shock, fire or other hazard, if the Inverter Board, ADC Cable, MLB to USB Socket Cable, and the LCD Display Module are not replaced with the correct Apple service part.

**Warning:** Unless otherwise instructed in the service procedures, to avoid the risk of electric shock, fire or other hazard, disconnect the ADC connector from the computer to ensure that the display is not receiving power during service.

### **Important:**

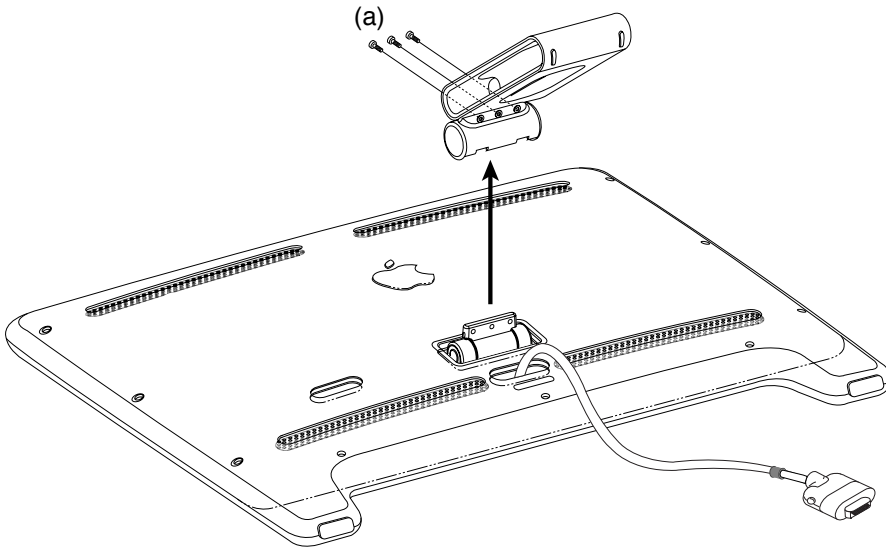
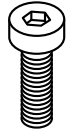
- The display LCD and the inside and outside of the case can scratch and retain fingerprints easily.
- Use clean soft cotton gloves when working on the display.
- Only rest the LCD screen and case parts on a soft clean surface.
- If available, place a protective film over the display to protect it from scratches or nicks.
- Remove all jewelry that could scratch or damage the display or plastic housing.
- Do not press on the LCD display panel or its edges as damage can result.
- Do not expose the display to high temperature or humidity.
- Do not expose the display to direct sunlight.
- Follow ESD safe procedures to avoid circuit damage. Use a grounded wrist strap.

# Procedure

## 1. FOOT REMOVAL

- 1) Remove three screws (a).
- 2) Remove the Foot.

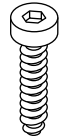
(a): 922-5600  
Hex key



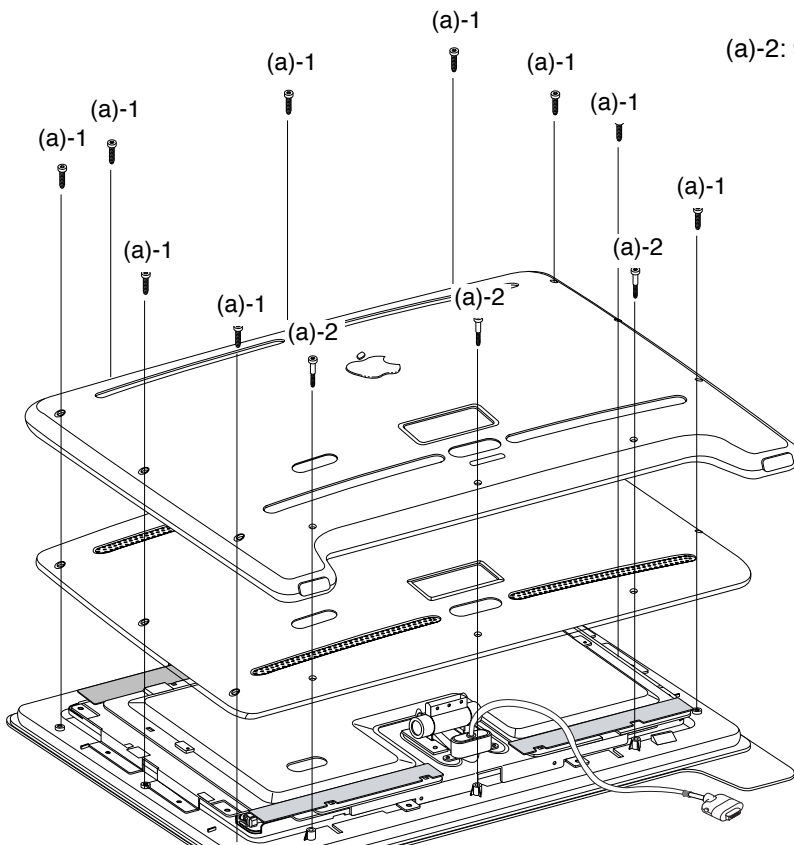
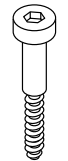
## 2. BACK COVER ASS'Y & REAR SHIELD REMOVAL

- 1) Remove twelve screws (a)-1 & (a)-2.
- 2) Remove rear cover.
- 3) Remove the rear shield.

(a)-1: 922-5601  
Hex key  
4.0 x 13.0



(a)-2: 922-5602  
Hex key  
3.0 x 20.0



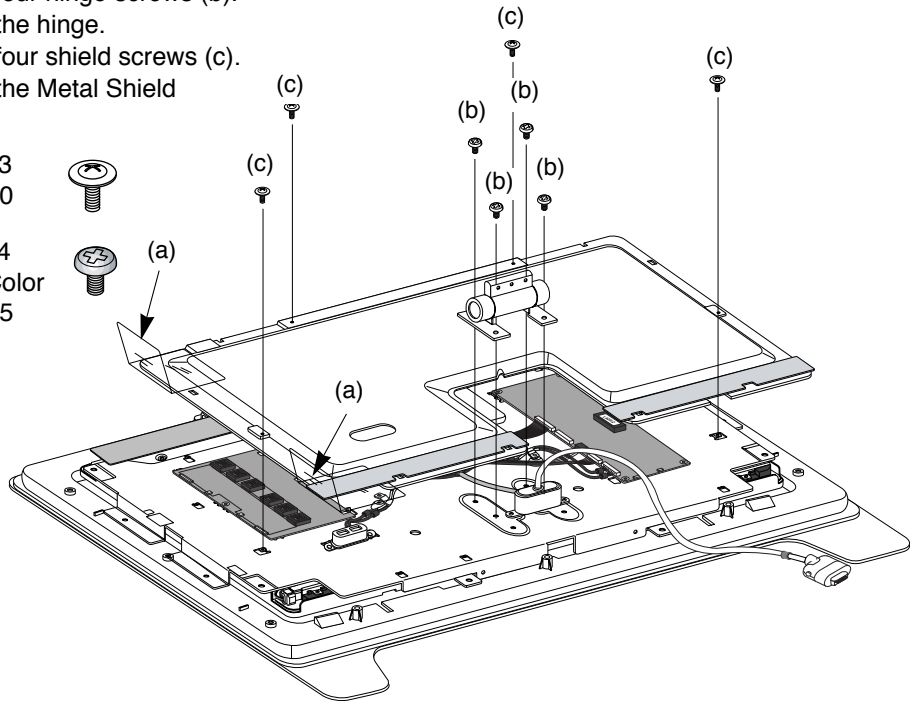
### 3. HINGE & EMI SHIELD REMOVAL

- 1) Remove two aluminum shielding tape (a), (part of shield tape kit 076-0978).
- 2) Remove four hinge screws (b).
- 3) Remove the hinge.
- 4) Remove four shield screws (c).
- 5) Remove the Metal Shield

(b): 922-5603  
3.0 x 6.0



(c): 922-5604  
Yellow Color  
3.5 x 5.5



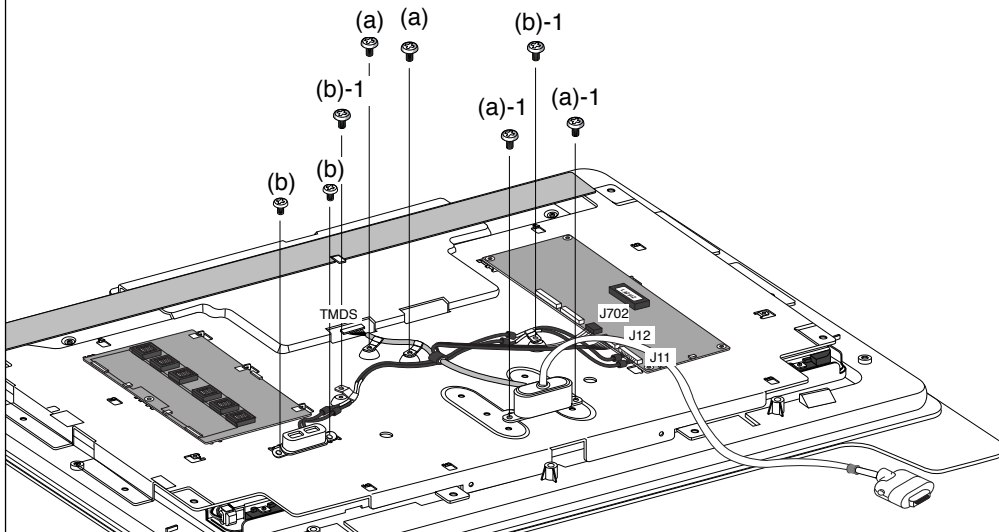
### 4. MAIN ADC CABLE & USB CONNECTOR REMOVAL

- 1) Remove four screws (a) & (a)-1.
- 2) Disconnect J12, J702, TMDS connector.
- 3) Remove main ADC cable.
- 4) Remove four screws (b) & (b)-1.
- 5) Disconnect J11 connector.
- 6) Remove the USB connector.

(a),(b)-1: 922-5604  
Yellow Color  
3.5 x 5.5



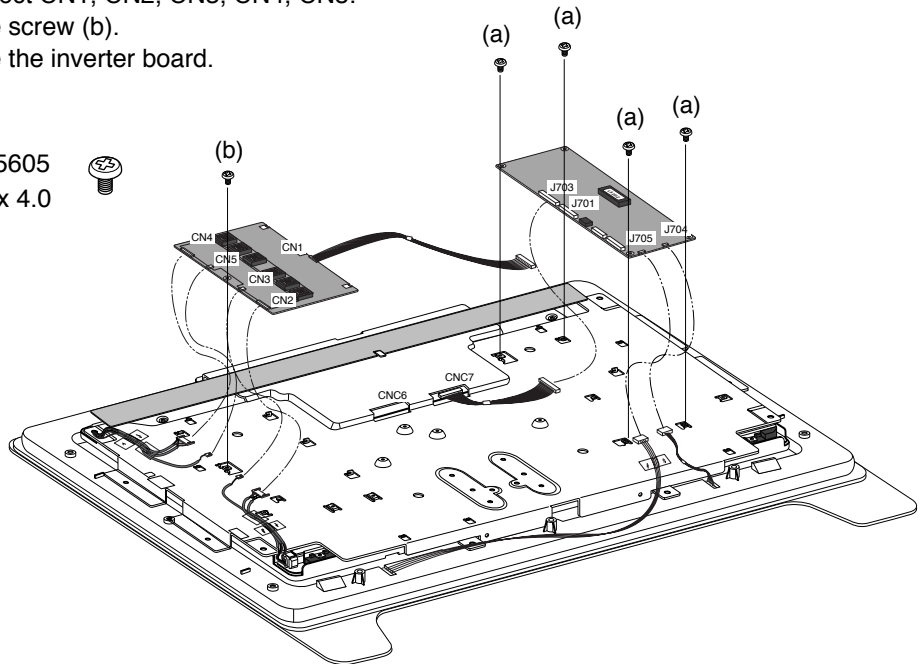
(a)-1,(b): 922-5603  
3.0 x 6.0



## 5. MAIN BOARD & INVERTER BOARD REMOVAL

- 1) Disconnect J703, J701, J705, J704.
- 2) Remove four screws (a).
- 3) Remove the main board.
- 4) Disconnect CN1, CN2, CN3, CN4, CN5.
- 5) Remove screw (b).
- 6) Remove the inverter board.

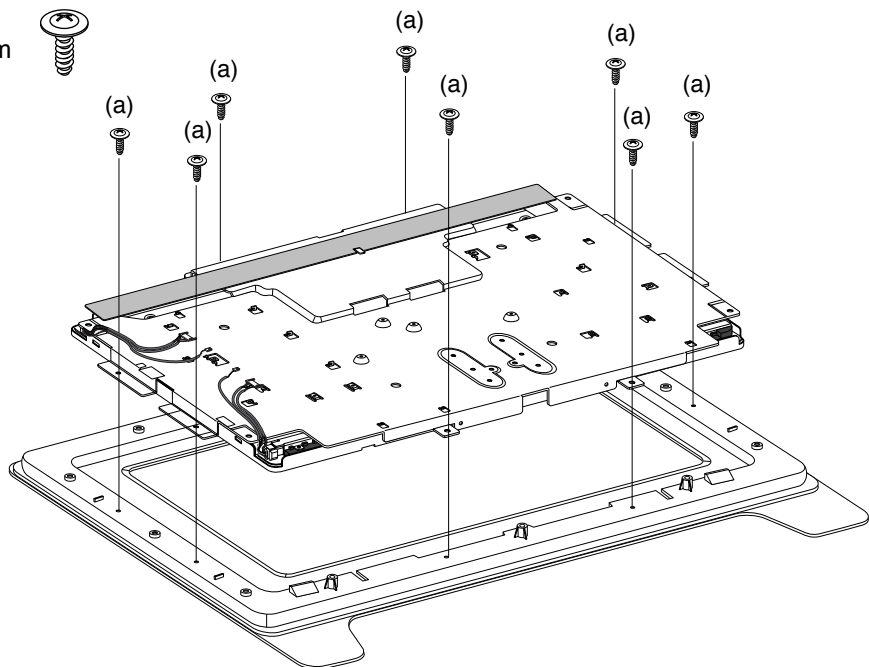
(a),(b): 922-5605  
3.0 x 4.0



## 6. DISPLAY PANEL & CHASSIS REMOVAL

- 1) Remove eight screws (a).
- 2) Remove the chassis with display panel.

(a): 922-4150  
3.0 x 8.0mm



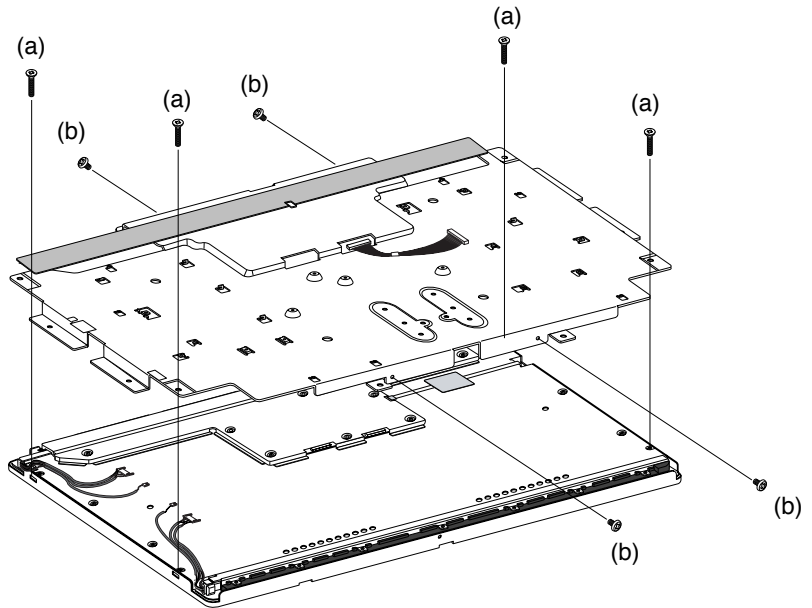
## 7. LCD DISPLAY REMOVAL

- 1) Remove four screws (a).
- 2) Remove four screws (b).
- 3) Remove the LCD display.

(a): 922-5607  
3.0 x 18.0

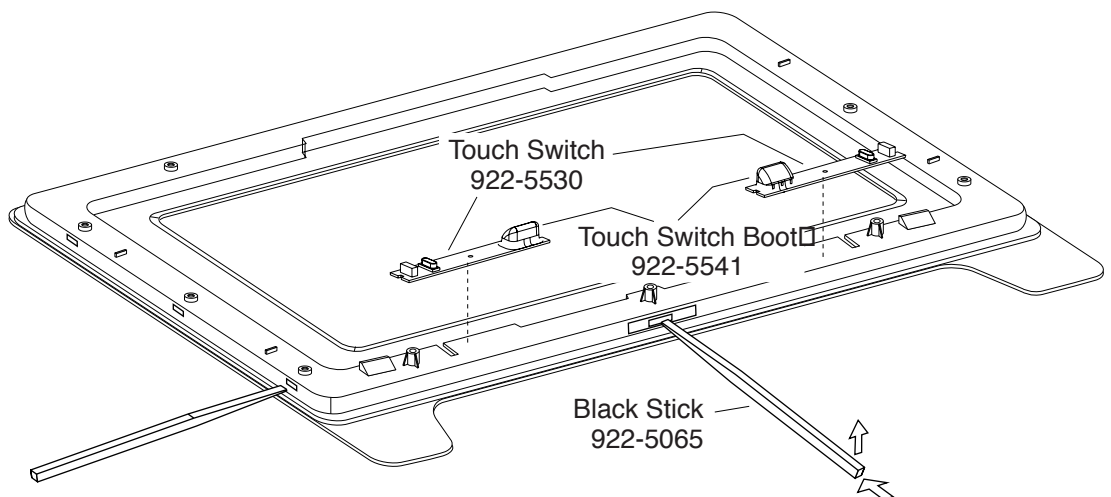


(b): 922-5605  
3.0 x 4.0



## 8. TOUCH SWITCH REPLACEMENT

- 1) Insert a black stick into slots along edge to pry off the inner bezel.
- 2) Remove touch switch securing screw, then remove touch switch.
- 3) Transfer screw and rubber boot to new switch install.









Troubleshooting  
Apple Cinema HD Display 23" LCD  
(ADC)



# Symptom Charts

## How to Use the Symptom Charts

The Symptom Charts included in this chapter will help you diagnose specific symptoms related to the product. Because cures are listed on the charts in the order of most likely solution, try the cures in the order presented. Verify whether or not the product continues to exhibit the symptom. If the symptom persists, try the next cure.

**Note:** If you have replaced a module, reinstall the original module before you proceed to the next cure.

**Note:** Referring to the Block Diagram in this manual may be helpful.

### Blank screen

This symptom may indicate a problem with the LCD panel, backlight bulbs, inverter, main board, or related cables or connectors.

1. Check ADC cable. Replace cable if damaged.
2. Check for bent pins in the ADC connector (note, it is normal for two of the pins to be slightly longer than the others). If pins are slightly bent, carefully straighten. If pins are severely bent, replace cable. Also, inspect or have the customer inspect the display port on the computer for broken pin dividers. If the display port is damaged it must be repaired before inserting the ADC connector.
3. Plug the display into a known-good computer with a known-good video card and ADC display port. Boot the computer and allow enough time to finish booting.
4. If the power button on the display is flashing, two short flashes then a long flash, in a delayed repeating pattern, this indicates trouble with either the inverter, backlight bulbs or related cables or connectors. With this in mind, continue with the troubleshooting steps to determine the problem.

- 
5. To check whether the LCD is working, press the launch button on the display which will bring up the Display Preferences window (if the screen is blank you will not see the window). Shine a bright light such as sunlight or a high intensity lamp (see Important note, below) into the screen and at the same time notice whether you can see a faint image of the Display Preferences window or other desktop items on the screen.
    - If desktop items can be seen, the LCD panel is working. The problem may be with the inverter or backlight bulbs or related cables or connectors. Continue with the troubleshooting steps.
    - If no desktop items can be seen, the problem may be with the LCD panel or the main board or related cables or connectors.

**Important:** Lights get very hot and can quickly damage the display; be extremely careful not to allow too much heat next to the screen or other parts of the display and do not allow the light fixture to touch the screen, or damage can result.

6. **Warning: The inverter board generates high voltage when the display is plugged in. Do not touch the inverter board components, pins or connectors, when the display is connected to the computer.**

Disconnect the display from the computer, then open the display and check for secure connections at TMDS, Panel Power, J703, J701, J702, J12, CN1, CN2, CN3, CN4 and CN5.

**Note:** Refer to the Block Diagram in this manual for connector locations.

7. Plug the display into a known-good computer, then boot the computer.
8. Verify +24-28V at input of J702. If not, replace ADC cable.
9. Verify +24-28V at pin 10 of J701. If not, replace the main board.
10. Verify +5V at pin 11 of J703. If not, replace the main board.
11. Verify +18V at pin 6 of J703. If not, replace the main board.

---

## Partially dim screen

This symptom indicates a problem with the inverter or backlight bulbs (on the side of the display that is dim), or related cables or connectors. This may be caused by the backlight bulbs or the inverter not working properly.

1. Plug the display into a known-good computer with a known-good video card and ADC display port. Boot the computer.
2. Notice whether the power button on the display is flashing, two short flashes then a long flash, in a delayed repeating pattern. This indicates trouble with either the inverter, backlight bulbs or related cables or connectors (this indicator may not always be exhibited). With this in mind, continue with the troubleshooting steps to determine the problem.
3. **Warning: The inverter board generates high voltage when the display is plugged in. Do not touch the inverter board components, pins or connectors, when the display is connected to the computer.**

Disconnect the display from the computer, then open the display and check for secure connections at CN1, CN2, CN3, CN4 and CN5.

**Note:** Refer to the Block Diagram in this manual for connector locations.

4. Replace inverter.
5. Replace LCD panel.

## Display remains dimly lit although computer is shut down

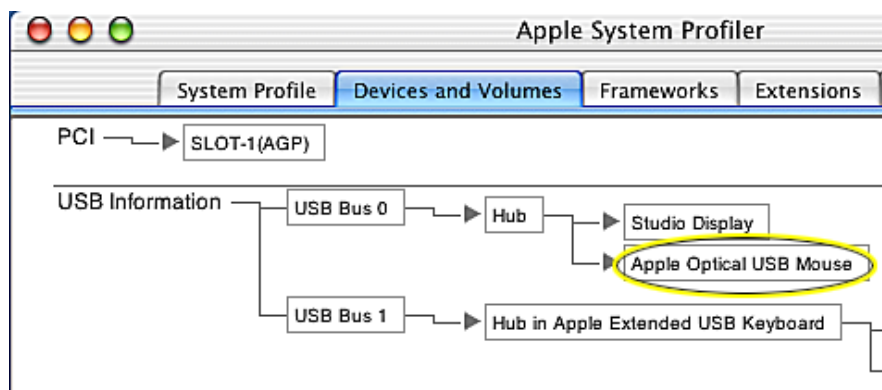
**Note:** A dimly lit display may be visible only in a dark room.

1. Shut down the computer and display.
2. Darken the room or drape a large dark cloth, such as a blanket, over the display to simulate a dark environment. Check for faint screen brightness.
3. If the display remains dimly lit, replace the inverter board.

## USB device not working

1. Check for bent pins in the ADC connector (note, it is normal for two of the pins to be slightly longer than the others). If pins are slightly bent, carefully straighten. If pins are severely bent, replace cable. Also, inspect or have the customer inspect the display port on the computer for broken pin dividers. If the display port is damaged it must be repaired before inserting the ADC connector.
2. Plug the display into a computer with a known-good ADC display port, then boot the computer. On the back of the display, connect a known-good USB device into one of the USB ports, then check Apple System Profiler to see if it is recognized. Check both USB ports.

**Note:** ⌘+R, refreshes the Apple System Profiler list when USB devices are changed.



- If the device is recognized, the customer's USB device may be the issue.
- If not, check the J11 and J12 USB connections and cables. If not that, replace the main board.

## Touch switch not working

1. Check J705 or J704 connections and cables.
2. Check J12 connection and cable.
3. Replace touch switch.
4. Replace main board.

---

## When displaying a single color over the screen area, the LCD panel shows one or more pixels that are not properly lit

Active-matrix LCD technology uses rows and columns of addressable locations (pixels) that render text and images on screen. Each pixel location has three separate subpixels (red, green, and blue) that allow the image to be rendered in full color. Each subpixel has a corresponding transistor responsible for turning the subpixel on or off.

There are typically millions of these subpixels on an LCD display. For example, the LCD panel used in the Apple Cinema HD display is made up of 2.3 million pixels and 6.9 million red, green, and blue subpixels. Occasionally, a transistor does not work perfectly, which may result in the affected subpixel being turned on (bright) or turned off (dark). With the millions of subpixels on a display, it is quite possible to have a low number of faulty transistors on an LCD. Therefore, a certain number of subpixel anomalies is considered acceptable. Rejecting all but perfect LCD panels would significantly increase the retail price for products using LCD displays. These factors apply to all manufacturers using LCD technology—not just Apple products.

To determine whether or not the display has an acceptable number of pixel anomalies, follow the steps below:

1. Set the display image to one of the following colors: all-white display, all-red display, all-green display, or all-blue display.

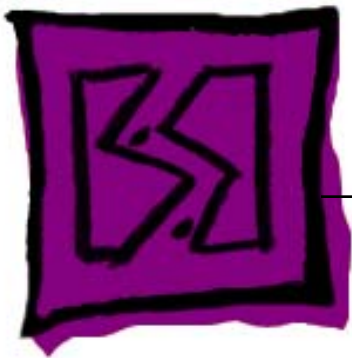
**Note:** Knowledge Base article 112125: Service Diagnostics Matrix, has the LCD Tester Diagnostic Utility that will generate these patterns on the screen.

2. Using a jeweler's loupe, pocket microscope, or other magnifying device, identify and count each subpixel anomaly:
  - Bright subpixel anomaly = subpixel that is always on
  - Dark subpixel anomaly = subpixel that is always off
3. **Important:** Check the number of subpixel anomalies with the following chart:

Acceptable Number of Subpixel Anomalies			Replace the Display		
Bright	Dark	Combination	Bright	Dark	Combination
up to 8	up to 10	up to 15	8 or more	11 or more	16 or more

4. If the number of subpixel anomalies exceeds the acceptable number listed in the chart, replace the display panel.
5. If the number of subpixel anomalies is acceptable, explain to the customer that the pixel anomalies are within specifications, and no repair is necessary.

**Important:** Do not release the specifications to customers. Instead, inform them that a certain number of subpixel anomalies is considered acceptable, and these factors apply to all manufacturers using LCD technology—not just Apple products.



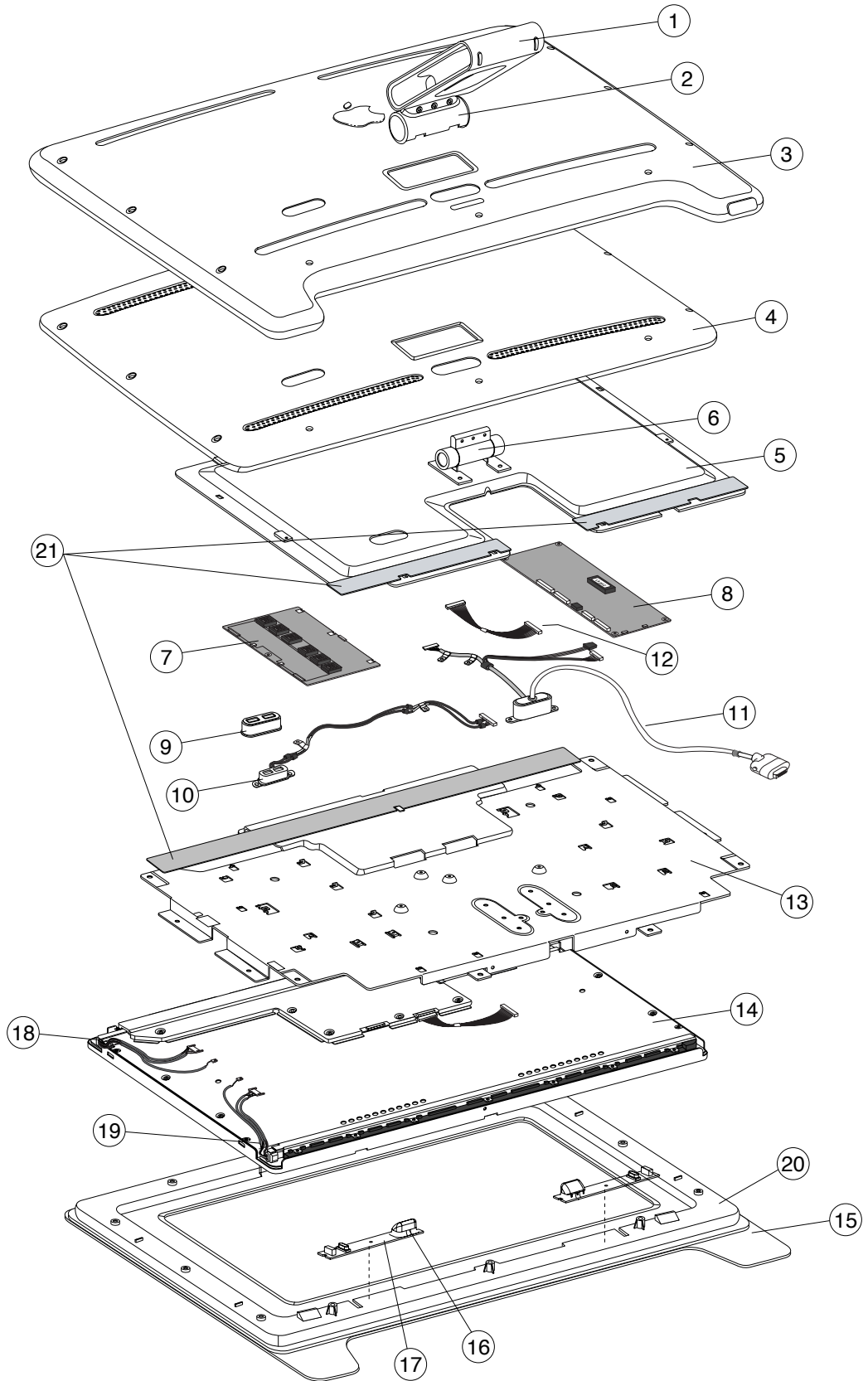
Views  
Apple Cinema HD Display 23" LCD  
(ADC)



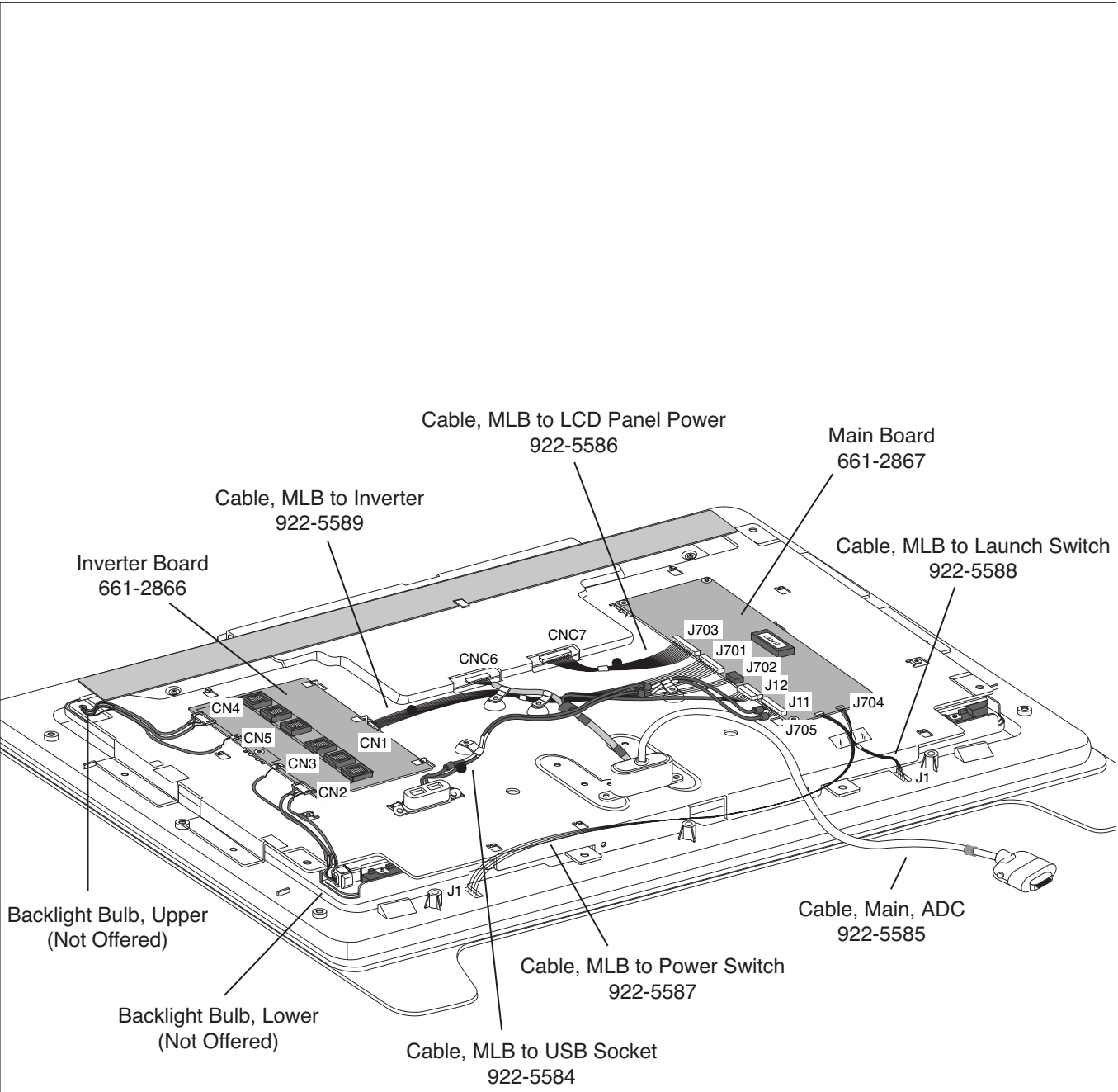
## Exploded View Parts List

Item	Part No.	Description	Qty. Used
1	922-5577	Foot Assembly	1
2	922-5578	Cap, Hinge	1
3	922-5576	Cover Assembly, Rear (with blank serial # label)	1
4	922-5707	Shield, Rear	1
5	922-5580	Shield, EMI, LCD (includes EMI sponges, not assembled)	1
6	922-5579	Hinge Assembly	1
7	661-2866	Board, Inverter	1
8	661-2867	Board, Main	1
9	922-5583	Cover, USB	1
10	922-5584	Cable, MLB to USB Socket	1
11	922-5585	Cable, Main, ADC	1
12	922-5586	Cable, MLB to LCD Panel Power	1
13	076-0976	Chassis	1
14	661-2769	Display, LCD, 23"	1
15	922-5574	Bezel Assembly, Front (does not include logo)	1
16	922-5541	Boot, Touch Switch	2
17	922-5530	Switch, Touch	2
18	(Not Offered)	Bulb, Backlight, Lower	1
19	(Not Offered)	Bulb, Backlight, Upper	1
20	922-5575	Bezel, Inner	1
21	076-0977	Vent Label Kit	1

# Exploded View



# Wiring Diagram



# Block Diagram

Internal - Rear View without Rear Cover

