



CLAMPS AND VISES

RATCHETING CLAMPS

C-CLAMPS

SPRING CLAMPS

PIPE CLAMPS

BAR CLAMPS

TOGGLE CLAMPS

METAL WORKING CLAMPS

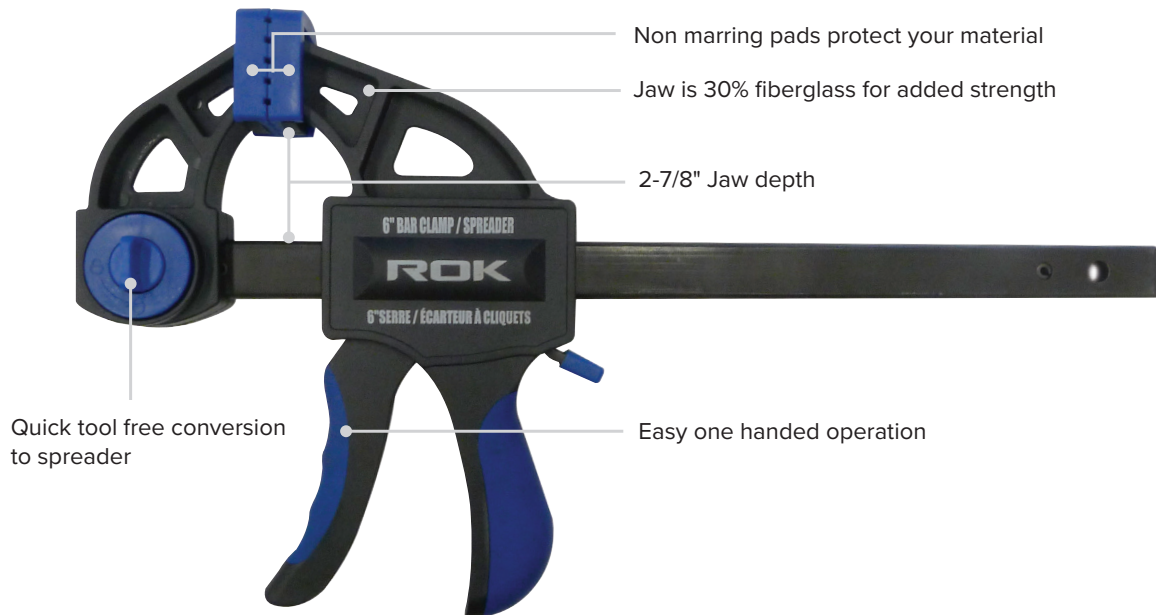
SPECIALTY CLAMPS

VICES/ANVILS

WOODWORKING VISES

DRILL PRESS VISES

CLAMPS AND VISES



RATCHETING CLAMP AND SPREADER

- Easy one handed operation
- Non-marring pads protect your material
- Jaw is 30% fiberglass for added strength
- Quick change knob allows for easy conversion to spreader

Item #	Size	Item #	Size
50473	6"	50476	24"
50474	12"	50477	36"
50475	18"		



RATCHETING CLAMP AND SPREADER

- Spring loaded quick ratchet with push-button release
- Reversing jaw with non-marring pad converts to spreader

Item #	Size	Item #	Size
50302	6"	50308	24"
50304	12"	50310	36"
50306	18"		



4 PC RATCHETING CLAMP AND SPREADER SET

- Easy one handed operation
- Non-marring pads protect your material
- Jaw is 30% fiberglass for added strength
- Quick change knob allows for easy conversion to spreader
- Includes: 2 x 4" mini bar clamp and 2 x 6" bar clamp

Item #
50479



4" MINI RATCHETING CLAMP

- Easy one handed operation
- Non-marring pads protect your material
- Jaw is 30% fiberglass for added strength
- Quick change knob allows for easy conversion to spreader
- Sold in 16 PC display box

Item #
50472



2 PC 4" MINI RATCHETING CLAMP

- Easy one handed operation
- Non-marring pads protect your material
- Jaw is 30% fiberglass for added strength
- Quick change knob allows for easy conversion to spreader

Item #
50471



2 PC 6-1/4" RATCHETING CLAMP

- 2-1/2" throat depth
- Metal ratchet mechanism to secure clamp
- Adjustable pads
- Quick release lever

Item #
50131



6" MINI RATCHETING CLAMP

- Spring loaded quick ratchet with push-button release
- Reversing jaw with non-marring pad converts to spreader

Item #
50421



RATCHETING CLAMP

- Ratcheting action for high clamping force
- Fiberglass reinforced nylon for added strength
- Sold in 12 PC display box

Item #	Size	Opening
50137	5"	1"
50138	7"	2"
50139	9"	3"



6 PC MINI SPRING CLAMP

- High strength nylon
- Pivoting V-groove pads for clamping oddly shaped pieces

Item #
50108



30 PC MINI SPRING CLAMP

- High-strength nylon
- Pivoting V-groove pads for clamping oddly shaped pieces
- Plastic storage case
- Includes: 26 PC 1" mini spring clamp, 4 PC 2" mini spring clamp
- Sold in 12 PC display box

Item #
50107



METAL SPRING CLAMP

- Steel construction for durability
- Powerful steel spring for stronger clamping pressure
- Vinyl coated handles and tips

Item #	Size	Opening x Depth
50100	4"	1-1/8" x 1-1/4"
50102	6"	2-1/8" x 2-1/8"
50103	9"	3" x 3"



4 PC SPRING CLAMP SET

- Includes: 2 x 4" and 2 x 6" spring clamps
- High-strength nylon
- Powerful steel spring for stronger clamping pressure
- Swivel pads
- Sold in 8 PC display box

Item #
50106



NYLON SPRING CLAMP

- High-strength nylon
- Powerful steel spring for stronger clamping pressure
- Pivoting V-groove pads for clamping oddly shaped pieces

Item #	Size	Opening x Depth
50112	2"	1-1/16" x 7/8"
50116	3"	1-3/16" x 1-1/8"
50118	4"	1-1/2" x 1-1/2"
50120	6"	2-3/8" x 2-1/2"
50122	9"	3-1/4" x 3-1/2"



COMFORT GRIP SPRING CLAMP DISPLAY BOX

- Ergonomic rubber grips for greater comfort
- High-strength nylon
- Powerful steel spring for stronger clamping pressure
- Pivoting V-groove pads for clamping oddly shaped pieces
- Sold in 48 PC display box - assorted colors

Item #	Size	Opening x Depth
50125	4"	1-1/2" x 1-3/4"
50127	6"	2-1/2" x 2-5/8"



COMFORT GRIP SPRING CLAMP

- Ergonomic rubber grips for greater comfort
- High-strength nylon
- Powerful steel spring for stronger clamping pressure
- Pivoting V-groove pads for clamping oddly shaped pieces

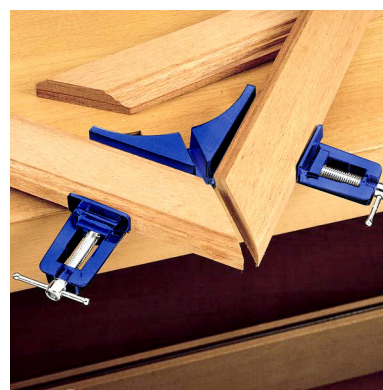
Item #	Size	Opening x Depth
50123	3"	1-1/4" x 1-1/4"
50124	4"	1-1/2" x 1-3/4"
50126	6"	2-1/2" x 2-5/8"
50128	9"	3.5" x 3"



FRAME CLAMP

- Exerts even pressure when clamping work pieces of various shapes and sizes
- 9.8' Nylon band
- Clamp odd-shapes with or without braces
- Use braces to clamp 45 miters
- Braces are recessed to protect mitered corners

Item #
50061



90° CORNER CLAMP

- Use to clamp mitered corners for gluing
- Aluminum alloy body
- 3" Opening

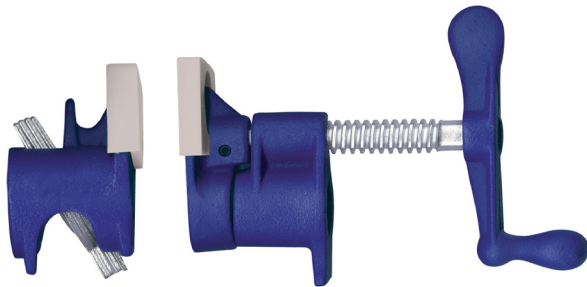
Item #
50029



WOODEN HANDSCREW CLAMP

- Clamps irregular shaped objects
- Hardwood jaws distribute pressure evenly
- Non-marring
- Heavy duty steel ferrules

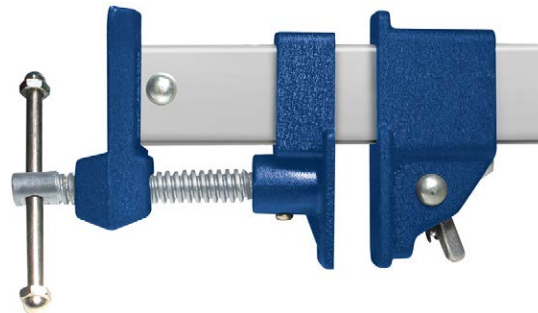
Item #	Size	Opening x Depth
50040	4"	2-1/4" x 2"
50042	6"	3" x 2-3/4"
50044	8"	4-1/8" x 4"
50046	10"	5-7/8" x 5"
50048	12"	8" x 6"



PIPE CLAMPS

- Multiple hardened disc clutch for easy adjustments
- 3 leaf spring
- Soft jaw pads are non-marring

Item #	Size
50149	1/2" (Use with 1/2" steel pipe to create any size clamp)
50150	3/4" (Use with 3/4" steel pipe to create any size clamp)



3/4" H-STYLE PIPE CLAMP

- Use with 3/4" steel pipe to create any size clamp
- Unique foot design elevates clamp from work surface and provides greater stability
- Multiple hardened disc clutch for easy adjustments
- 3 leaf spring
- Soft jaw pads are non-marring

Item #
50151

ALUMINUM BAR CLAMP

- Torsion box design combines rigidity with light weight
- Spring loaded quick action clamp head fits in positive detents

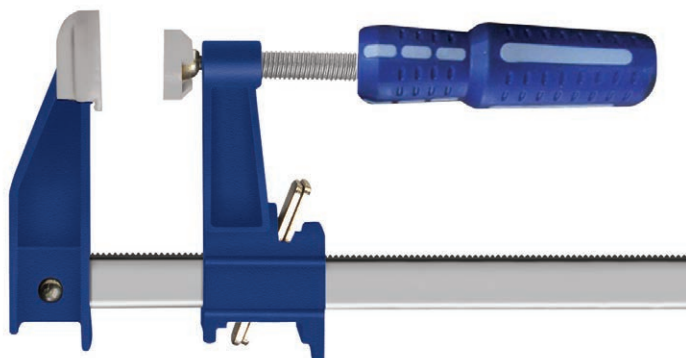
Item #	Size	Opening
50240	24"	19-3/4"
50242	36"	31-3/4"
50244	48"	43-3/4"
50246	60"	55-3/4"
50248	72"	67-3/4"



PIPE FOR 3/4" PIPE CLAMPS

- Use with 3/4" pipe clamps
- Mild steel
- Threaded one end

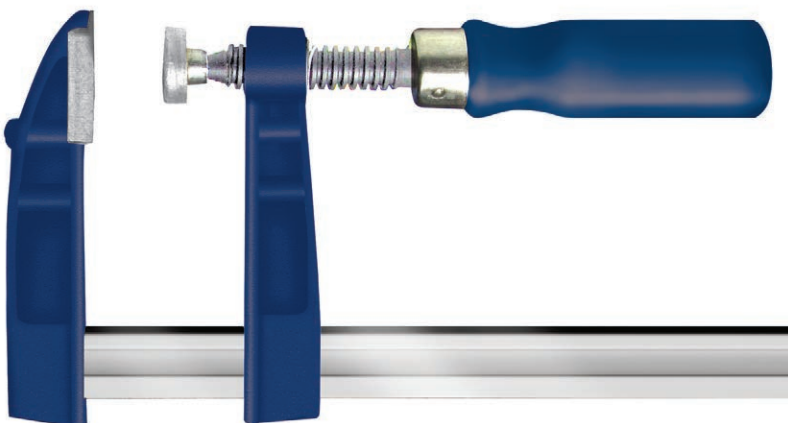
Item #	Size
50172	3/4" x 3'
50174	3/4" x 4'
50176	3/4" x 5'
50178	3/4" x 6'



QUICK RELEASE F-BAR CLAMP

- Spring-loaded quick release
- Positive locking serration
- Cast jaws
- Non-marring cap and swivel pad
- Soft grip non-slip handle
- 2-1/2" Throat depth

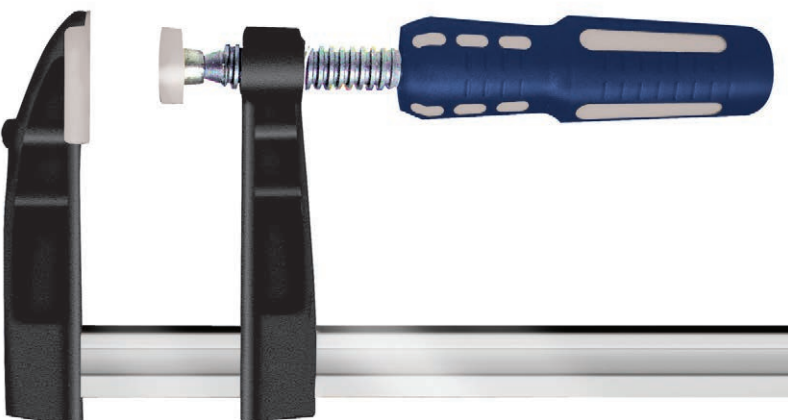
Item #	Size
50230	6"
50232	12"
50234	24"
50236	36"
50238	48"



F-BAR CLAMP

- Reinforced cast jaws
- Serrated edges on bar to prevent slipping
- I-Beam bar design to prevent buckling
- Non-marring cap and swivel pad
- Wooden handle

Item #	Size	Item #	Size
50200	2" x 4"	50212	3" x 16"
50222	4-1/2" x 48"	50214	3" x 20"
50224	4-1/2" x 60"	50216	4-1/2" x 24"
50202	2" x 6"	50218	4-1/2" x 32"
50208	3" x 8"	50220	4-1/2" x 40"
50210	3" x 12"		



HEAVY DUTY F-BAR CLAMP

- Meets German DIN standards
- Malleable cast iron jaws
- Serrated edges on bar to prevent slipping
- I-Beam bar design to prevent buckling
- Non-marring cap and swivel pad
- Soft grip non-slip handle

Item #	Size	Item #	Size
50329	2" x 6"	50338	3" x 24"
50330	2" x 8"	50339	4-1/2" x 24"
50332	3" x 8"	50341	4-1/2" x 36"
50334	3" x 12"	50342	4-1/2" x 48"
50336	3" x 16"		



2" X 8" F-BAR CLAMP

- Great for woodworking and general construction applications
- Plastic handle

Item #
50196



200 LB T-HANDLE VERTICAL TOGGLE CLAMPS

- All steel construction with an oil and stain resistant rubberized handle
- Rubberized hold-down foot secures your work piece without marring the surface
- Ideal for use in shop jigs
- Overall height: 3.1"
- Overall length: 2.6"
- Bar height: 1.38"
- Bar length: 2.28"
- Hold down bolt: small

Item #
50820

300 LB PUSH-PULL CLAMP

- All steel construction with an oil and stain resistant rubberized handle
- Ideal for use in shop jigs
- Overall height: 3.3"
- Overall length: 5.46"
- Bar height: 1.14"
- Bar length: 3.3"

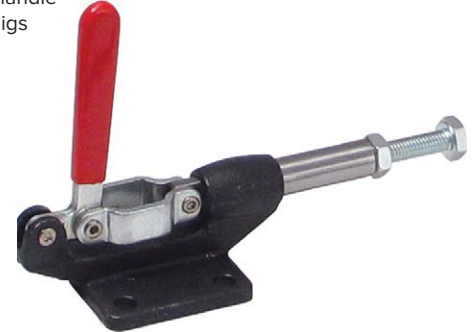
Item #
50844



500 LB PUSH-PULL CLAMP

- All steel construction with an oil and stain resistant rubberized handle
- Ideal for use in shop jigs
- Overall height: 4"
- Overall length: 4.49"
- Bar height: 1.25"
- Bar length: 2.8"

Item #
50845



VERTICAL TOGGLE CLAMPS

- All steel construction with an oil and stain resistant rubberized handle
- Rubberized hold-down foot secures your work piece without marring the surface
- Ideal for use in shop jigs

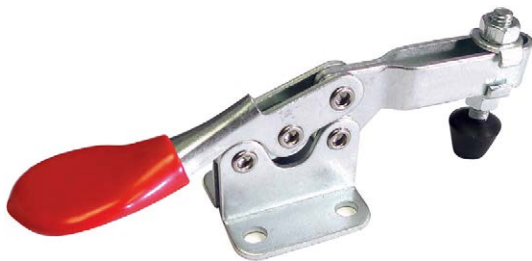


700 LB LATCH CLAMP

- All steel construction with an oil and stain resistant rubberized handle
- Ideal for use in shop jigs
- Overall height: 1.6"
- Overall length: adjustable
- Bar length: adjustable

Item #
50847

Item #	Overall Height	Overall Length	Bar Height	Bar Length	Hold Down Bolt
50825	3.75"	2.6"	1.38"	2.28"	Small
50827	5.5"	4.6"	1.8"	4.5"	Medium
50828	5.5"	5.5"	1.92"	5.33"	Medium
50829	8"	5.5"	2.3"	5.4"	Large



HORIZONTAL TOGGLE CLAMPS

- All steel construction with an oil and stain resistant rubberized handle
- Rubberized hold-down foot secures your work piece without marring the surface
- Ideal for use in shop jigs

Item #	Overall Height	Overall Length	Bar Height	Bar Length	Hold Down Bolt
50835	1.5"	5.5"	1.5"	2.6"	Small
50837	1.85"	7"	1.85"	3.3"	Medium
50839	2.56"	10.25"	2.56"	4.73"	Large



HOLD-DOWN BOLTS

- Flat cushion tip
- Complete with flanged washers and nuts

Item #	Size	Fits
50850	Small	50820, 50825, 50835
50853	Medium	50827, 50828, 50837
50855	Large	50829, 50839



2-1/2" 3-WAY C-CLAMP

- 2-1/2" opening and 2-1/2" depth of throat
- Cast iron construction
- Swivel pads
- Use for right angle clamping
- Excellent for applying edging

Item #
50020



C-CLAMPS

- Ideal for metal working and woodworking applications
- Cast iron construction for added durability
- Large swivel pad reduces marring on work surfaces and increases stability

Item #	Size	Opening x Depth
50001	1"	1" x 1"
50002	2"	2" x 1-1/4"
50003	3"	3" x 2"
50004	4"	4" x 2-1/2"
50005	5"	5" x 2-5/8"
50006	6"	6" x 2-3/4"
50008	8"	8" x 3-1/2"
50009	10"	10" x 3-1/2"



2-1/2" DEEP THROAT C-CLAMP

- Deep 4-1/2" throat with 2-1/2" opening
- Ideal for metal working and woodworking applications
- Cast iron construction for added durability
- Large swivel pad reduces marring on work surfaces and increases stability

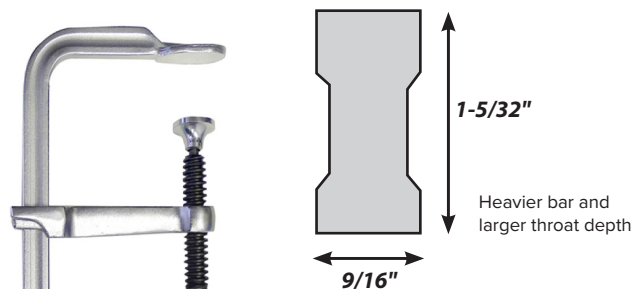
Item #
50022



3 PC C-CLAMP SET

- Ideal tool for wood and metal clamping applications
- Swivel pad design
- Includes 1", 2" & 3"

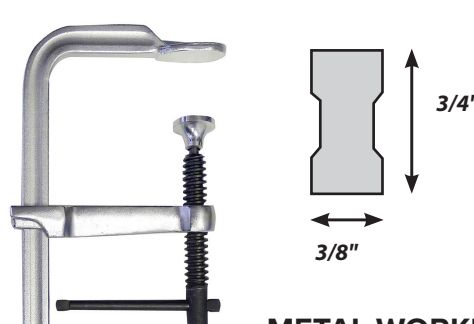
Item #
50032



HEAVY DUTY METAL WORKING CLAMP

- Drop forged steel body
- Swivel pad
- I-beam construction
- Heavy duty bar 9/16" x 1-5/32"

Item #	Size
50386	4-3/4" X 8"
50388	4-3/4" X 12"



METAL WORKING CLAMP

- Drop forged steel body
- Swivel pad
- I-beam construction
- 3/8" x 3/4" bar

Item #	Size
50380	4" x 8"
50382	4" x 12"



10" DRILL PRESS VISE-CLAMP

- Vise-clamp mounts to drill press table to hold work securely
- Thumb screw adjustment
- Easy locking and unlocking with quick release handle
- Swivel pad on hold down

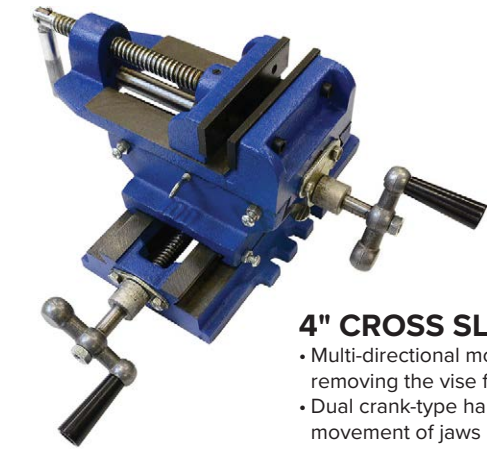
Item #
50252



DRILL PRESS VISE

- Cast-iron construction for maximum durability
- Precision ground base and slide
- Oblong holes for easy mounting
- Convenient pivot handle

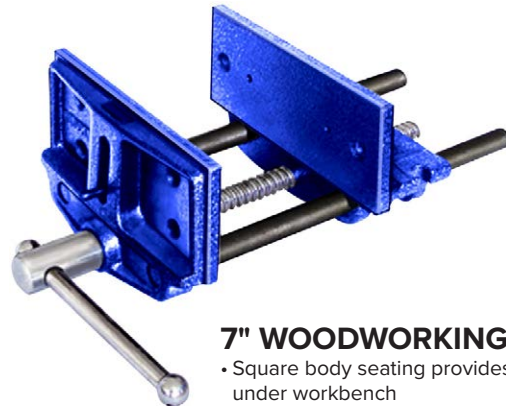
Item #	Size
58014	4"
58015	5"



4" CROSS SLIDE VISE

- Multi-directional movement without removing the vise from the drill
- Dual crank-type handles control movement of jaws in each direction
- Fast action threaded rod maintains accurate alignment
- Cast iron construction for maximum durability

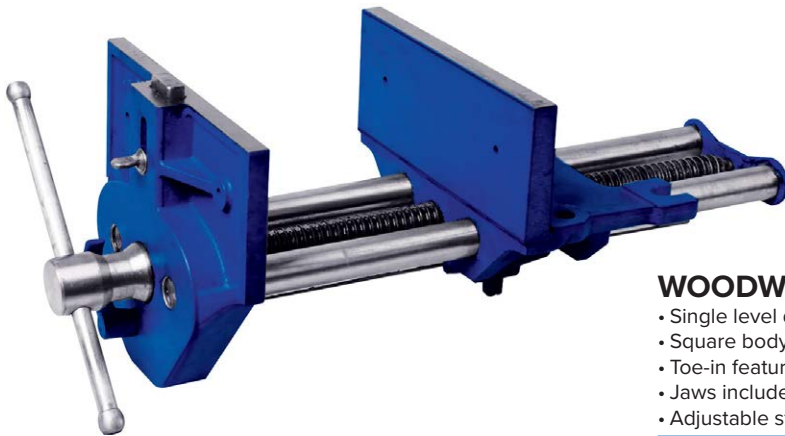
Item #
58020



7" WOODWORKING VISE

- Square body seating provides easy fit under workbench
- Toe-in feature provides even clamping pressure on work piece
- Jaws include provisions to install wooden cheeks
- Adjustable stop

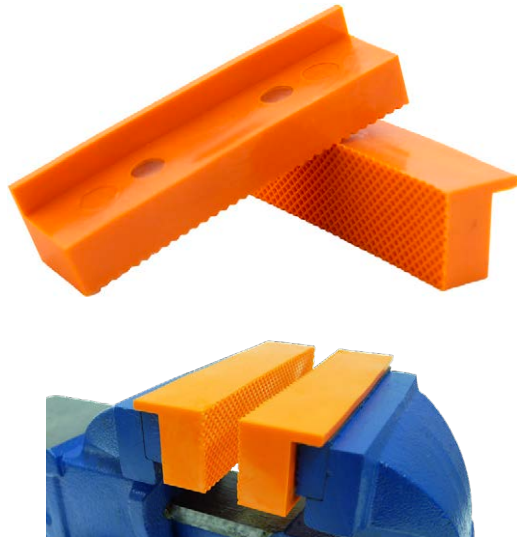
Item #
58030



WOODWORKING VISE - QUICK RELEASE

- Single level quick release for easy operation
- Square body seating provides easy fit under workbench
- Toe-in feature provides even clamping pressure on work piece
- Jaws include provisions to install wooden cheeks
- Adjustable stop

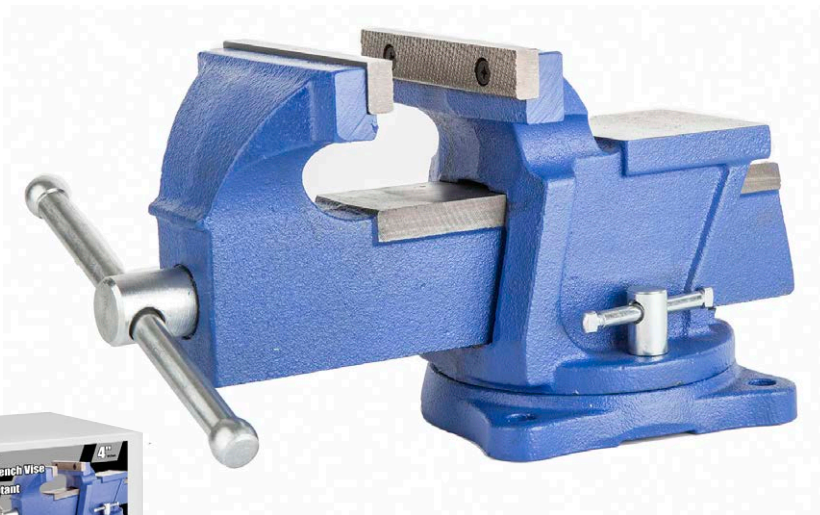
Item #	Size
58032	7"
58034	9"



2 PC MAGNETIC VISE JAW PAD

- Grip objects in vise without marring or scratching
- Embedded magnets allow you to quickly add or remove jaws
- Made from non-marring TPU material
- Great for jewelry makers, gunsmiths and hobbyists

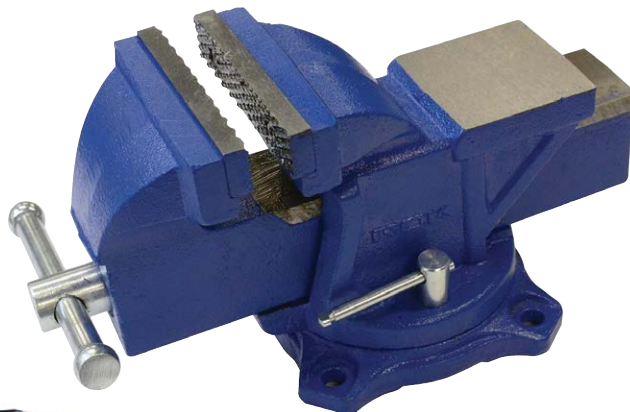
Item #	Size
58050	4-1/2"
58052	6"



4" SWIVEL BENCH VISE

- Precision cast body
- Swivel base
- Replaceable jaws
- Large anvil
- Max opening: 3"
- Throat depth: 2"
- Weight: 5.5 kg / 12 lb

Item #
58038



SWIVEL BENCH VISE

- Precision cast iron build for maximum durability
- Swivel base
- Fused steel handle
- Replaceable jaws with firm grip
- Large anvil

Item #	Size	Max Opening	Throat Depth	Weight
58040	4"	3"	2"	7 kg / 15.5 lb
58042	5"	3-7/8"	2-1/2"	13 kg / 28.5 lb
58044	6"	4-7/8"	3"	17 kg / 37.5 lb



HEAVY DUTY SWIVEL BENCH VISE

- Unbreakable steel construction
- 360° Swivel base
- Large polished anvil
- Steel pipe jaws

Item #	Size	Max Opening	Throat Depth
V001820	4"	7-1/4"	3-3/8"
V001880	5"	6-1/2"	3"
V001920	6"	4-3/4"	2-3/8"



5" MULTI PURPOSE BENCH VISE

- Precision cast iron build for maximum durability
- Jaw Rotates 360° for precise positioning and greater versatility
- Fused Steel Handle
- Replaceable Jaws with firm grip
- Large Anvil
- Max opening: 5"
- Throat depth: 2-5/8"
- Weight: 15 kg/33 lb

Item #
58045



ANVILS

- Precision cast iron build for maximum durability
- Flat face and smooth horn ideal for any metal forming application
- Smooth yet durable surface
- 4 base lugs for permanent fixing

Item #	Size	Face Size
58056	24 LB	3-1/2" x 6-1/2"
58058	55 LB	4" x 8-1/2"

MINI ANVILS

- Composed of forged steel with grey/silver hammered finish
- One horn and milled surface
- 4 mounting holes
- Great for jewelers, metalsmiths, and hobbyists

Item #	Size
44035	1 lb
44036	3 lb