

Vandal Location Vaportight

Vandal Location 15" x 4' Linear Vaportight LED Luminaire for Surface or Pendant Mounting

- **DLC Listed (Premium and Standard)**
- **High Lumen Packages, up to 30,000Lm Delivered**
- **Ambient operating temps as Low as -40C(-40F) and as High as +45C(+113F) (Temps Vary by Configuration. Verify in Energy Data Section)**
- **IP65 / IP66 / IP67**
- **1500 PSI hosedown**
- **UL 1598 Wet Location**
- **Marine grade 316 stainless steel latches & Mounting brackets**
- **Nema4X**
- **UL 5VA Rated (will not melt or burn)**
- **Polycarbonate Lens: Clear / Frosted**



To See All DLC Listings, Visit www.Kurtzon.com/DLC

DISCLAIMER: Although KURTZON has prepared the information contained in this document with all due care, KURTZON does not warrant or represent that the information is free from errors or omission. Whilst the information is considered to be true and correct at the date of publication, changes in circumstances after the time of publication may impact on the accuracy of the information. The information may change without notice and KURTZON is not in any way liable for the accuracy of any information printed and stored or in any way interpreted or used.

ORDERING GUIDE

Series	Lumen Package	CCT	Lens	Voltage	Controls	Mounting	Sensors	Options	
WL-SEG-1540						TPL			
1-SERIES	2 - LUMEN PACKAGE	3 - CCT	4 - LENS	5 - VOLTAGE		6 - CONTROLS	8 - SENSORS (Not Required)		
WL-SEG-1540	2LO: 2 Rows of Low Flux LED's 3LO: 3 Rows of Low Flux LED's 4LO: 4 Rows of Low Flux LED's 6LO: 6 Rows of Low Flux LED's 2HI: 2 Rows of High Flux LED's 3HI: 3 Rows of High Flux LED's	83 CRI: 830 = 3000K CCT 835 = 3500K CCT 840 = 4000K CCT 850 = 5000K CCT	CP: Clear Polycarbonate FP: Frost Polycarbonate	UNV: (120-277 Vac) HV: (347-480 Vac)	DIM1: 0-10V 1% DIM5: 0-10V 5% DALI: DALI 1% 2/ED: 2 Circuits LUTRON: (Specify Type) OTHER: (Must Specify)	OCC MW: Microwave Occ Sensor (Internal 32" MAX) OCC HB: Highbay Occ Sensor (End Mount 20'-40') OCC LB: Lowbay Occ Sensor (End Mount 8'-10') DL/OCC HB: Daylight & Highbay Occ Sensor (End Mount 40' MAX) DL/OCC LB: Daylight & Lowbay Occ Sensor (End Mount 8' MAX) OTHERS: Must Specify			
		90+ CRI: 935 = 3500K CCT 940 = 4000K CCT <i>Not available in "HI" lumen package</i>			7 - MOUNTING	9 - OPTIONS (Not Required)			
						V-Hook: Mounting Hooks FMB: Flex Mtg Bracket SCM: Single Conduit Stem DCM: Dual Conduit Stem TPL: Tamperproof Latches** ** must select	PXW: Program to Specified Wattage (Replace X with Watts) PXL: Program to Specified Lumens (Replace X with Lumens) 10kV: 10kV Surge Protection (one per specified circuit) 3WC: 3 Wire Cord (Must Provide Specs) WHIP: Installed Flex Whip (Must Provide Specs) EM10: 10W Integral Emergency Driver (Specify Voltage & Switching) FF: Fuse & Fuse Holder (One per Specified Circuit)		

Vandal Location Vaportight

Vandal Location 15" x 4' Linear Vaportight LED Luminaire for Surface or Pendant Mounting

SPECIFICATIONS

HOUSING: Injection molded, .125" thick Hole Free White Fiberglass body with sloped top Surface to prevent water accumulation. 5VA Flame Rating

LENS: Injection molded Heavy gauge Clear or Frosted Polycarbonate. Secured by Captive Stainless Steel cables.

REFLECTOR: Standard (92%) High Reflectance white 22 gauge metal. Formed wiring cover for rigidity. Removable without tools or screws.

GASKETS: One piece urethane extruded foam with smooth surface.

LATCHES: Twelve (12) 316 Stainless Steel over-center latches secure lens to housing. Latches are secured closed with #6 Tamperproof screws. Provided separate.

MOUNTING: Provided with (4) mounting brackets for suspending (cables by others). See mounting options for other configurations.

LEDS: Commercially available in a wide variety of Color Temperature (CCT), FLUX, and CRI. Highly efficient and consistent color maintained to 3 SDMC for color critical applications. B50/L70 and compliant with Zhaga recognized hole patterns. Consult factory for LED options or configurations not listed below.

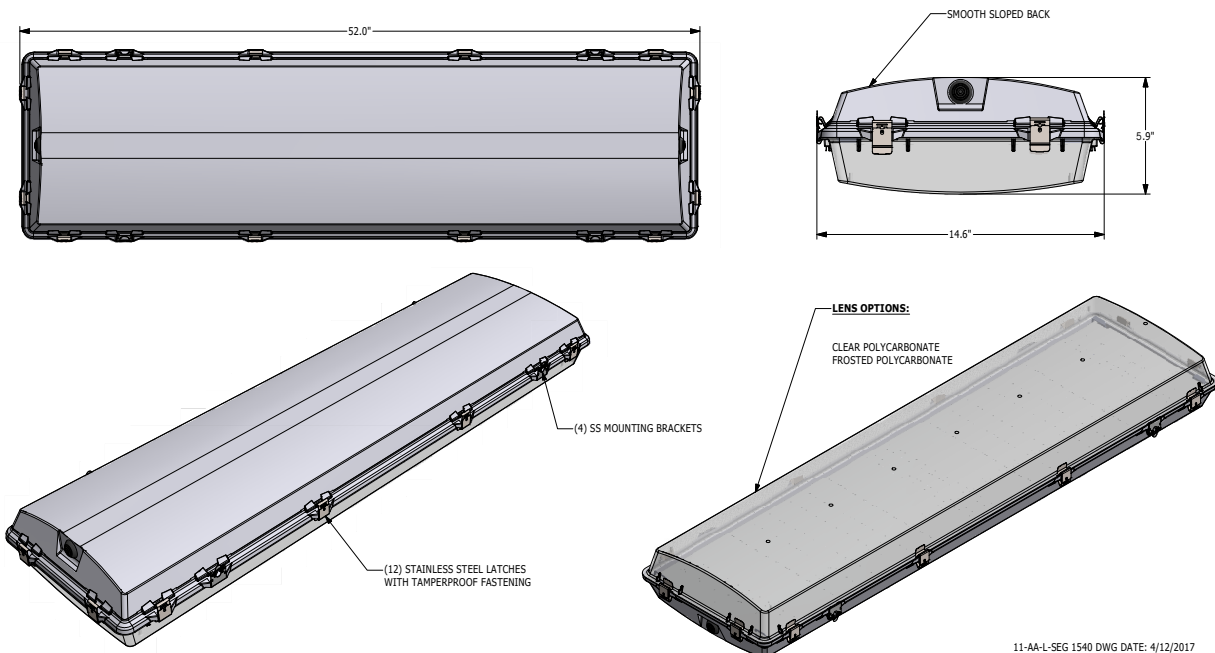
DRIVERS: Standard Universal Voltage Class 2 drivers are 0-10v Dimmable to 1% for most LED configurations. They come with at least 2.5Kv surge protection, have less than 10% THD at max load, Ballast Factor Greater than .95 and are programmable to match specific lumen or wattage requirements. Drivers with higher input voltage ratings are available, consult factory for driver specifications.

INSTALLATION: Two sealed 1/2 inch trade size conduit entry points located at each end. See options for pre-wired whips or cords.

LISTINGS: IP67 rated for dust and water ingress. Suitable for 1500 PSI high pressure hosedowns. UL listed per UL_1598 for wet locations. Nema 4x rated. Drivers and LEDs are covered by a 5 year warranty, the remaining fixture is covered by a 10 year warranty. DLC Premium and Standard qualified product configurations available.

PRODUCT DRAWINGS

SEG 1540 REFERENCE DIMENSIONS



Vandal Location Vaportight

Vandal Location 15" x 4' Linear Vaportight LED Luminaire for Surface or Pendant Mounting

ENERGY DATA

STD SEG 1540 (APPROX DELIVERED LUMENS)											
ENCLOSURE SIZE	LED PACKAGE	CRI	DIMMING SELECTION	CLEAR LENS			FROST LENS			AMBIENT TEMP	
				LUMENS ¹	WATTS ²	EFFICACY ³ (lm/W)	LUMENS ¹	WATTS ²	EFFICACY ³ (lm/W)	MINIMUM	MAXIMUM ⁴
1540	2 LO	83	0-10V 1%	7,724	55	140	6,720	55	122	-20°C (-4°F)	40°C (104°F)
1540	2 LO	83	0-10V 5%	7,724	55	140	6,720	55	122	-20°C (-4°F)	40°C (104°F)
1540	2 LO	90+	0-10V 1%	6,269	55	114	5,454	55	99	-20°C (-4°F)	40°C (104°F)
1540	2 LO	90+	0-10V 5%	6,269	55	114	5,454	55	99	-20°C (-4°F)	40°C (104°F)
1540	3 LO	83	0-10V 1%	11,500	80	144	10,005	80	125	-20°C (-4°F)	40°C (104°F)
1540	3 LO	83	0-10V 5%	11,500	80	144	10,005	80	125	-20°C (-4°F)	40°C (104°F)
1540	3 LO	90+	0-10V 1%	9,300	80	116	8,091	80	101	-20°C (-4°F)	40°C (104°F)
1540	3 LO	90+	0-10V 5%	9,300	80	116	8,091	80	101	-20°C (-4°F)	40°C (104°F)
1540	4 LO	83	0-10V 1%	15,400	110	140	13,398	110	122	-20°C (-4°F)	40°C (104°F)
1540	4 LO	83	0-10V 5%	15,400	110	140	13,398	110	122	-20°C (-4°F)	40°C (104°F)
1540	4 LO	90+	0-10V 1%	12,500	110	114	10,875	110	99	-20°C (-4°F)	40°C (104°F)
1540	4 LO	90+	0-10V 5%	12,500	110	114	10,875	110	99	-20°C (-4°F)	40°C (104°F)
1540	6 LO	83	0-10V 1%	22,280	160	139	19,384	160	121	-20°C (-4°F)	35°C (95°F)
1540	6 LO	83	0-10V 5%	22,280	160	139	19,384	160	121	-20°C (-4°F)	40°C (104°F)
1540	6 LO	90+	0-10V 1%	18,000	160	113	15,660	160	98	-20°C (-4°F)	35°C (95°F)
1540	6 LO	90+	0-10V 5%	18,000	160	113	15,660	160	98	-20°C (-4°F)	40°C (104°F)
1540	2 HI	83	0-10V 1%	17,830	139	128	16,350	139	118	-20°C (-4°F)	35°C (95°F)
1540	2 HI	83	0-10V 5%	20,310	152	134	17,600	152	116	-40°C (-40°F)	45°C (113°F)
1540	3 HI	83	0-10V 1%	27,000	208	130	23,490	208	113	-20°C (-4°F)	35°C (95°F)
1540	3 HI	83	0-10V 5%	29,620	227	130	25,990	227	114	-40°C (-40°F)	40°C (104°F)
1540	EM10 ⁵	NA	NA	1100-1390	4	NA	970-1210	4	NA	0°C (32°F)	35°C (95°F)

¹ DELIVERED LUMEN DATA IS EXTRAPOLATED FROM MEASURED DATA @ 25C WITH NO EXTRA OPTIONS. VARIANCES WILL OCCUR WHEN OPTIONS ARE CHOSEN

² WATTAGE IS MEASURED WITH 4000K SELECTION @ 120VAC AND Tambient = 25C. WATTAGES MAY VARY WITH ALTERNATE CONFIGURATIONS

³ EFFICACY CALCULATED USING 4000K CCT DATA.

⁴ TEMP RATING MAY VARY WITH SPECIFIED DRIVERS OR ANY NON STANDARD SELECTION

⁵ 90 MINUTE 10W EMERGENCY DRIVER; LUMENS CALCULATED BASED ON FIXTURE EFFICACY. (EX: 10W x 100lm/W = 1000lm Delivered)

PHOTOMETRICS

WL-SEG-1540-2HI830-FP-UNV-DIM1

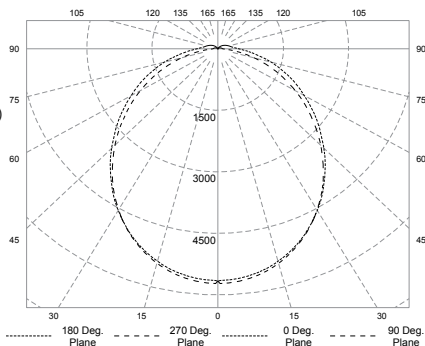
Report No: 11624894.01

Total Lumens: 16,350

Wattage: 138.7

Efficacy: 117.9 (Lumens Per Watt)

Fixture Size: 15"x4'



WL-SEG-1540-3HI830-FP-UNV-DIM5

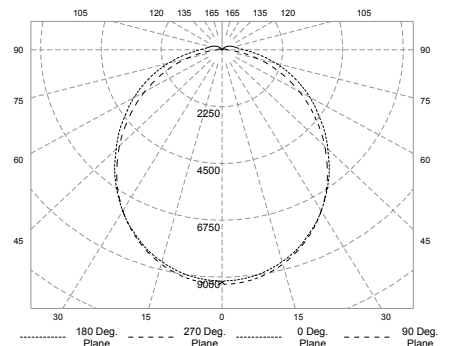
Report No: 11624894.07

Total Lumens: 25,990

Wattage: 226.6

Efficacy: 114.7 (Lumens Per Watt)

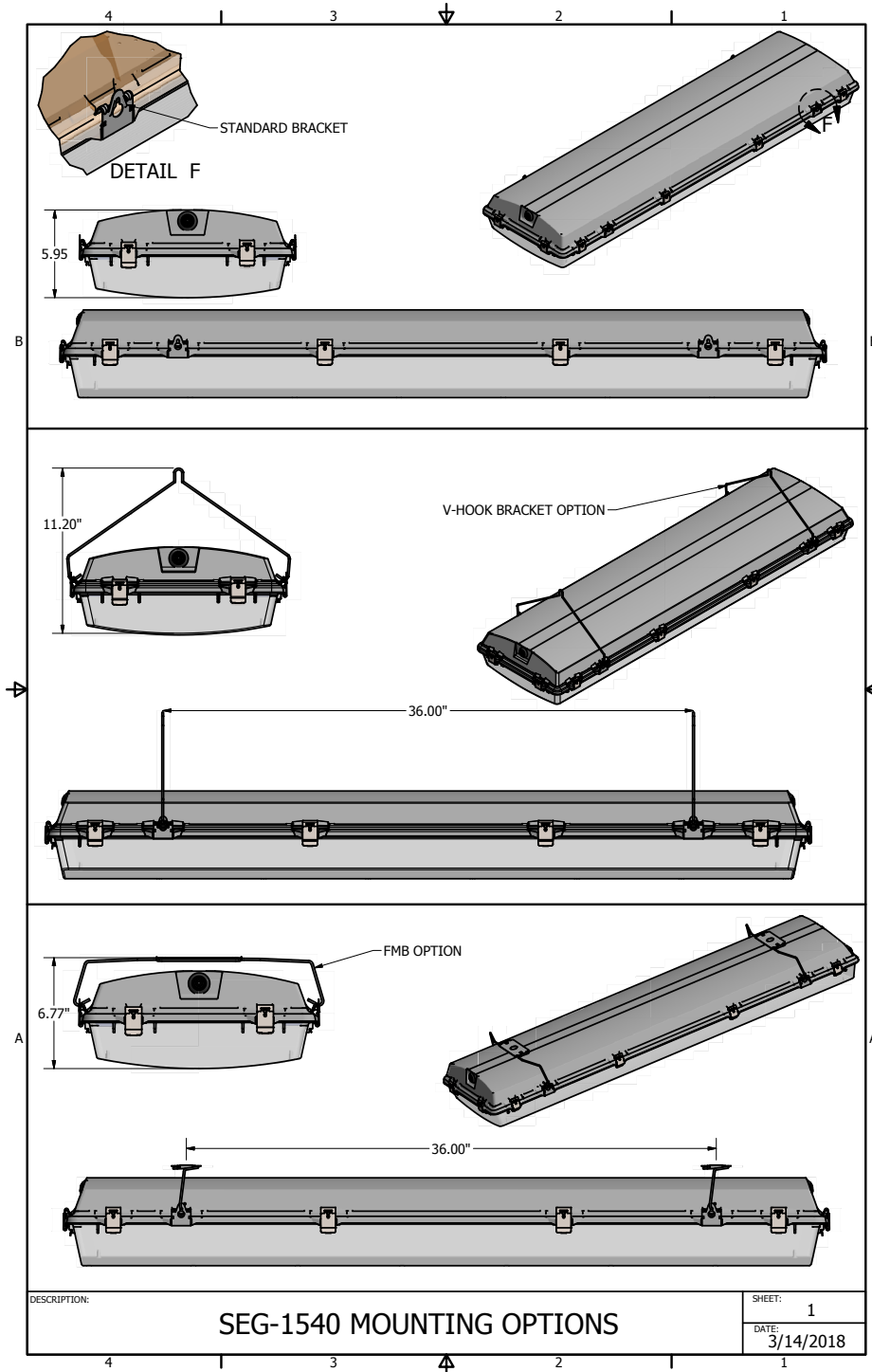
Fixture Size: 15"x4'



Vandal Location Vaportight

Vandal Location 15" x 4' Linear Vaportight LED Luminaire for Surface or Pendant Mounting

MOUNTING OPTIONS



Vandal Location Vaportight

Vandal Location 15" x 4' Linear Vaportight LED Luminaire for Surface or Pendant Mounting

MOUNTING OPTIONS

