

CLICK PLUS Option Slot Module Specifications

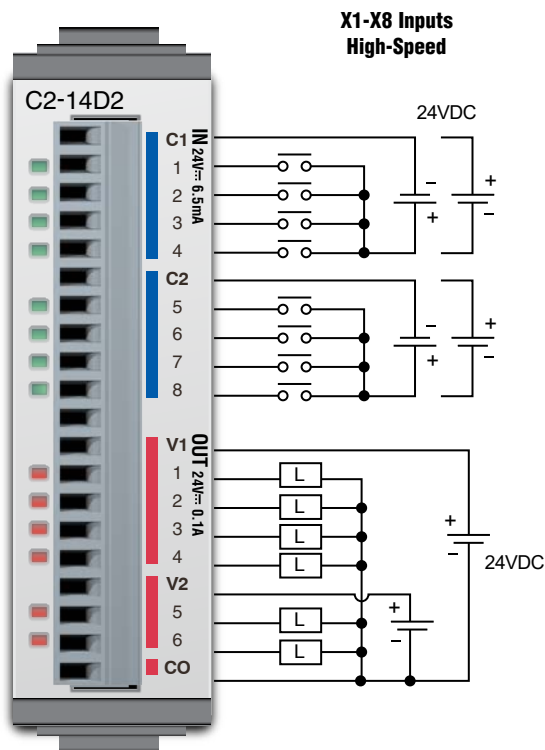
C2-14D2

\$54.00

8 DC Input/6 Sourcing DC Output Option Slot I/O Module

8-point 24VDC input, 6-point 24VDC sourcing output module, removable terminal block included (replacement AutomationDirect p/n [C0-16TB](#)).

Wiring Diagram



ZIPLink Pre-Wired PLC Connection Cables and Modules

ZL-RTB20 20-pin feed-through connector module



20-pin connector cable
 ZL-C0-CBL20 (0.5 m length)
 ZL-C0-CBL20-1 (1.0 m length)
 ZL-C0-CBL20-2 (2.0 m length)



Use this module and a CLICK PLUS CPU as a comparable replacement for the existing [C0-11DD2E-D](#) PLC.

I/O Specifications - Inputs	
Inputs per Module	8 (Sink/Source)
Operating Voltage Range	24VDC
Input Voltage Range	21.6–26.4 VDC
Input Current	Typ 6.5 mA @ 24VDC
Maximum Input Current	7.0 mA @ 26.4 VDC
Input Impedance	3.9 kΩ @ 24VDC
Input Frequency (Max)	X1-X8: 100kHz
ON Voltage Level	> 19VDC
OFF Voltage Level	< 2VDC
Minimum ON Current	4.5 mA
Maximum OFF Current	0.5 mA
OFF to ON Response	Typ 3μs Max 5μs
ON to OFF Response	Typ 1μs Max 3μs
Status Indicators	Logic Side (8 points, green LED)
Commons	2 (4 points/common) Isolated

I/O Specifications - Outputs	
Outputs per Module	6 (Source)
Operating Voltage Range	24VDC
Output Voltage Range	19.2–30 VDC
Maximum Output Current	0.1 A/point, 0.6 A/common
Minimum Output Current	0.2 mA
Maximum Leakage Current	0.1 mA @ 30VDC
On Voltage Drop	0.5 VDC @ 0.1 A
Maximum Inrush Current	150mA for 10ms
OFF to ON Response	<5μs (Duty 40–60%, Load current 20mA)
ON to OFF Response	<5μs (Duty 40–60%, Load current 20mA)
Status Indicators	Logic Side (6 points, red LED)
Commons	1 (6 points/common)

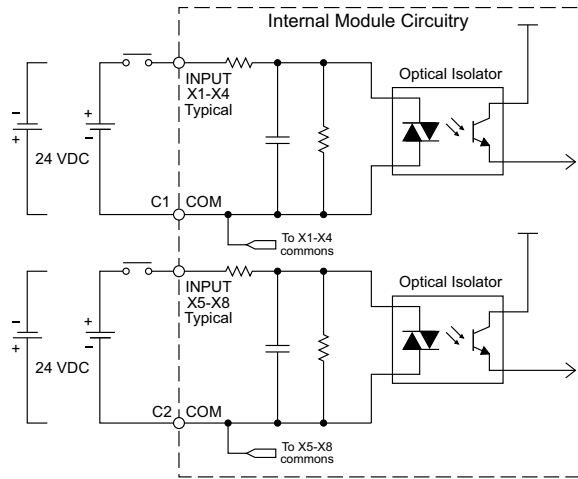
General Specifications	
Current Consumption at 24VDC	50mA max (All Points On)
Terminal Block Replacement Part No.	C0-16TB
Weight	47g

Maximum Number of High Speed Counters	
Up	6
Down	6
Up/Down	3
Pulse/Direction	4
Quadrature A-B	4
Quadrature A-B+Z	2

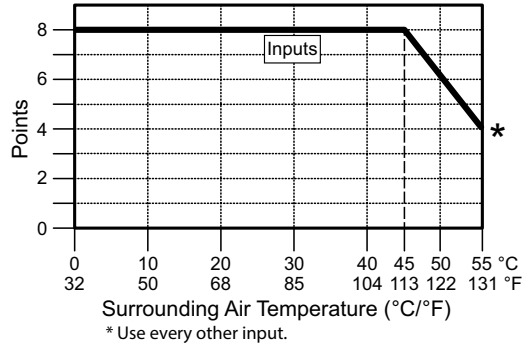
CLICK PLUS Option Slot Module Specifications

C2-14D2 (cont'd)

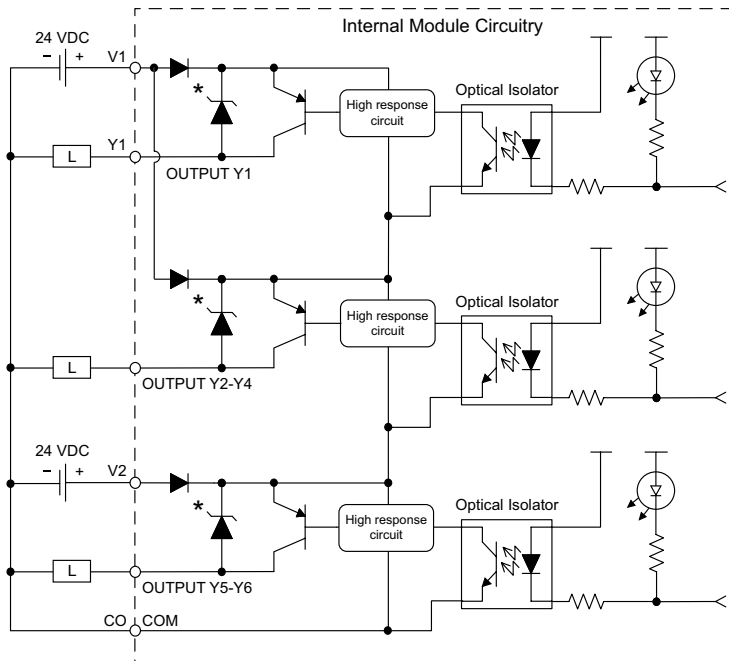
Equivalent Input Circuit



C2-14D2 Temperature Derating Chart

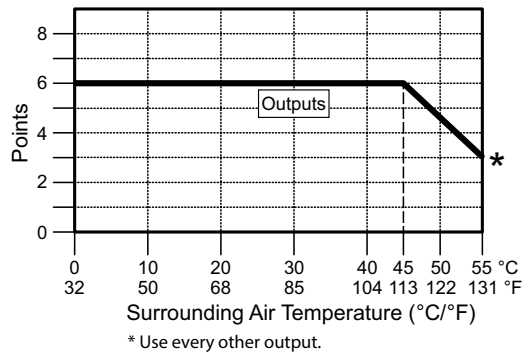


Equivalent Output Circuit



*Zener Diode Power Dissipation: 200 mW

C2-14D2 Temperature Derating Chart

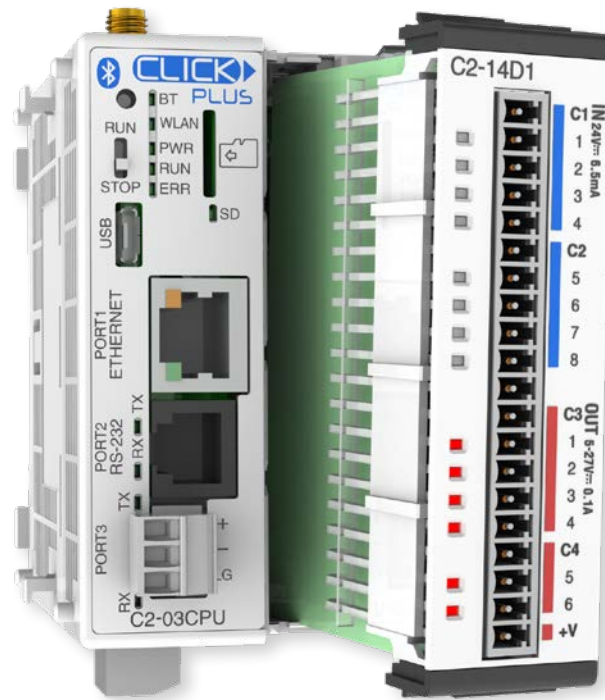


CLICK PLUS Option Slot Module Specifications

General Specifications For All CLICK PLUS Option Slot Modules

These general specifications apply to all CLICK PLUS Option Slot Modules. Please refer to the appropriate I/O temperature derating charts under the Option Slot module and Stackable I/O module specifications to determine best operating conditions based on the ambient temperature of your particular application.

Option Slot Module General Specifications	
Operating Temperature	32°F to 131°F (0°C to 55°C)
Storage Temperature	-4°F to 158°F (-20°C to 70°C) IEC 60068-2-1 (Test Ab, Cold) IEC 60068-2-2 (Test Bb, Dry Heat) IEC 60068-2-14 (Test Na, Thermal Shock)
Ambient Humidity	30% to 95% relative humidity (non-condensing)
Environmental Air	No corrosive gases. Environmental pollution level is 2 (UL840)
Environment	For Indoor Use Only
Vibration	IEC60068-2-6 (Test Fc) 5-9Hz:3.5mm amplitude, 9-150Hz 1.0G 10 sweep cycles per axis on each of 3 mutually perpendicular axes.
Shock	IEC60068-2-27 (Test Ea) 15G peak, 11ms duration, 3 shocks in each direction per axis, on 3 mutually perpendicular axes.
Noise Immunity	<EN61131-2> EN61000-4-2 (ESD) EN61000-4-3 (RFI) EN61000-4-4 (FTB) EN61000-4-6 (Conducted) EN61000-4-8 (Power frequency magnetic field immunity) <Local Test> Impulse Immunity : 1000V @ 1uS pulse
Emissions	EN55011 Class A (Radiated RF emission)
Agency Approvals	UL61010 (File No. E157382, E316037); CE (EN61131-2); CUL Canadian C22.2
Other	RoHS 2011/65/EU Amendment (EU)2015/863



CLICK PLUS PLC Specifications

CLICK PLUS PLC Hardware/Software Compatibility

The table below shows the minimum software and hardware versions required for the CLICK PLUS PLCs and Option Slot Modules. The CLICK PLUS PLC can also utilize the CLICK Stackable I/O Modules, as any software and hardware version compatible with CLICK PLUS is also compatible with the CLICK Stackable I/O Modules.

CLICK PLUS PLC Features Software Compatibility						
Device Type	Part Number	Minimum CLICK Software Version				
		Hardware	High-Speed Inputs	EtherNet/IP	PID, DHCP, DNS, SNTP, MQTT	
CLICK PLUS CPU	C2-01CPU	v3.00	v3.00	v3.00	v3.00	
	C2-02CPU			N/A		
	C2-03CPU			v3.00		
Option Slot I/O Modules	C2-14D1	v3.00	v3.00	N/A	N/A	
	C2-14D2					
	C2-14DR					
	C2-14AR	v3.00	N/A	N/A	N/A	
	C2-08D1-4VC		v3.00			v3.00
	C2-08D2-4VC					
	C2-08DR-4VC	v3.00	N/A	N/A	N/A	
	C2-08AR-4VC					
	C2-08D1-6C		v3.00			v3.00
	C2-08D2-6C					
	C2-08DR-6C	v3.00	N/A	N/A	N/A	
	C2-08AR-6C					
	C2-08D1-6V		v3.00			v3.00
	C2-08D2-6V					
	C2-08DR-6V	v3.00	v3.00	N/A	N/A	
C2-08AR-6V	N/A					



Wiring System for CLICK PLC Family

Wiring Solutions using the ZIPLink Wiring System

ZIPLinks eliminate the normally tedious process of wiring between devices by utilizing prewired cables and DIN rail mount connector modules. It's as simple as plugging in a cable connector at either end or terminating wires at only one end. Prewired cables keep installation clean and efficient, using half the space at a fraction of the cost of standard terminal blocks.

ZIPLinks are available in a variety of

styles to suit your needs, including feedthrough connector module. ZIPLinks are available for all Basic, Standard and Ethernet CLICK PLC units, select CLICK PLUS option slot modules, and most discrete and analog stackable I/O modules. Pre-printed I/O-specific adhesive label strips for quick marking of ZIPLink modules are provided with ZIPLink cables.



Solution 1: CLICK PLC, CLICK PLUS PLC with Option Slot Module, and Stackable I/O Modules to ZIPLink Connector Modules

When looking for quick and easy I/O-to-field termination, a ZIPLink connector module used in conjunction with a prewired ZIPLink cable, consisting of an I/O terminal block at one end and a multi-pin connector at the other end, is the best solution.

Solution 2: CLICK/CLICK PLUS PLC I/O to 3rd Party Devices

When wanting to connect PLC I/O (built-in, option slot module, or stackable) to another device within close proximity, no extra terminal blocks are necessary when using the ZIPLink Pigtail Cables. ZIPLink Pigtail Cables are prewired to an I/O terminal block with color-coded pigtail with soldered-tip wires on the other end.

Solution 3: GS Series and DuraPulse Drives Communication Cables

Need to communicate via Modbus RTU to a drive or a network of drives?

ZIPLink cables are available in a wide range of configurations for connecting to PLCs and SureServo, SureStep, Stellar Soft Starter and AC drives. Add a ZIPLink communications module to quickly and easily set up a multi-device network.

Solution 4: Serial Communications Cables

ZIPLink offers communications cables for use with CLICK PLCs and select CLICK PLUS PLCs that can also be used with other communications devices. Connections include a 6-pin RJ12 connector which can be used in conjunction with the RJ12 Feedthrough module.

Use the "CLICK PLC PLC Unit ZIPLink Selector" table and CLICK I/O ZIPLink selector tables located in this section:

1. Locate your PLC or I/O module.
2. Select a ZIPLink Module.
3. Select a corresponding ZIPLink Cable.

Use the I/O Modules to 3rd Party Devices selector tables located in the ZIPLink section:

1. Locate your PLC or I/O module.
2. Select a ZIPLink Pigtail Cable that is compatible with your 3rd party device



Use the Drives Communication selector tables located in the ZIPLink section:

1. Locate your Drive and type of communications.
2. Select a ZIPLink cable and other associated hardware.



Use the Serial Communications Cables selector table located in the ZIPLink section:

1. Locate your connector type
2. Select a cable.





Wiring System for CLICK PLC Family

CLICK PLC & CLICK PLUS Option Slot ZIPLink Selector					
PLC or Option Slot Module		ZIPLink			
CLICK PLC Unit	CLICK PLUS Option Slot Module	# of Terms	Component	Module Part No.	Cable Part No.
CO-00DD1-D	NA	20	Feedthrough	ZL-RTB20, ZL-RTB20-1	ZL-CO-CBL20 *
CO-00DD2-D	NA				
CO-00DR-D	NA				
CO-00AR-D	NA				
CO-01DD1-D	NA				
CO-01DD2-D	NA				
CO-01DR-D	NA				
CO-01AR-D	NA				
CO-02DD1-D	NA				
CO-02DD2-D	NA				
CO-02DR-D	NA	No ZIPLinks are available for CLICK Analog PLC units.			
CO-10DD1E-D	NA	20	Feedthrough	ZL-RTB20, ZL-RTB20-1	ZL-CO-CBL20 *
CO-10DD2E-D	NA				
CO-10DRE-D	NA				
CO-10ARE-D	NA				
CO-11DD1E-D	C2-14D1				
CO-11DD2E-D	C2-14D2				
CO-11DRE-D	C2-14DR				
CO-11ARE-D	C2-14AR				
CO-12DD1E-D	C2-08D1-4VC	No ZIPLinks are available for CLICK Ethernet Analog PLC units or CLICK PLUS Option Slot Modules with analog I/O.			
CO-12DD2E-D	C2-08D2-4VC				
CO-12DRE-D	C2-08DR-4VC				
CO-12ARE-D	C2-08AR-4VC				
CO-12DD1E-1-D	C2-08D1-6C				
CO-12DD2E-1-D	C2-08D2-6C				
CO-12DRE-1-D	C2-08DR-6C				
CO-12ARE-1-D	C2-08AR-6C				
CO-12DD1E-2-D	C2-08D1-6V				
CO-12DD2E-2-D	C2-08D2-6V				
CO-12DRE-2-D	C2-08DR-6V				
CO-12ARE-2-D	C2-08AR-6V				

Table Notes:

- * Select the cable length by replacing the * with: Blank = 0.5 m, -1 = 1.0 m, or -2 = 2.0 m.
- ¹ Note: The CO-04TRS relay output is derated not to exceed 2A per point maximum when used with the ZIPLink wiring system.
- ² Note: Fuses (5 x 20 mm) are not included. See Edison Electronic Fuse section for (5 x 20 mm) fuse. S500 and GMA electronic circuit protection for fast-acting maximum protection. S506 and GMC electronic circuit protection for time-delay performance. Ideal for inductive circuits. To ensure proper operation, do not exceed the voltage and current rating of ZIPLink module. ZL-RFU20 = 2A per circuit.

CLICK/CLICK PLUS PLC Discrete Input Module ZIPLink Selector				
I/O Module		ZIPLink		
Input Module	# of Terms	Component	Module Part No.	Cable Part No.
CO-08SIM	Not supported by ZIPLink			
CO-08ND3	11	Feedthrough	ZL-RTB20	ZL-CO-CBL11 *
CO-08ND3-1				
CO-08NE3				
CO-08NA				
CO-16ND3	20	Feedthrough	ZL-RTB20	ZL-CO-CBL20 *
		Sensor	ZL-LTB16-24-1	
CO-16NE3	20	Feedthrough	ZL-RTB20	ZL-CO-CBL20 *
		Sensor	ZL-LTB16-24-1	

CLICK/CLICK PLUS PLC Discrete Output Module ZIPLink Selector				
I/O Module		ZIPLink		
Output Module	# of Terms	Component	Module Part No.	Cable Part No.
CO-08TD1	11	Feedthrough	ZL-RTB20	ZL-CO-CBL11 *
CO-08TD2				
CO-08TR				
CO-08TR-3	Not supported by ZIPLink			
CO-08TA				
CO-16TD1	20	Feedthrough	ZL-RTB20	ZL-CO-CBL20*
		Fuse	ZL-RFU20 ²	
		Relay (sinking)	ZL-RRL16-24-1	
CO-16TD2	20	Feedthrough	ZL-RTB20	ZL-CO-CBL20*
		Fuse	ZL-RFU20 ²	
		Relay (sourcing)	ZL-RRL16-24-2	
CO-04TRS ¹	20	Feedthrough	ZL-RTB20	ZL-CO-CBL20*
CO-04TRS-10	Not supported by ZIPLink			

CLICK/CLICK PLUS PLC Combo I/O Module ZIPLink Selector				
I/O Module		ZIPLink		
Combo Module	# of Terms	Component	Module Part No.	Cable Part No.
CO-16CDD1	20	Feedthrough	ZL-RTB20	ZL-CO-CBL20 *
CO-16CDD2				
CO-08CDR	11	Feedthrough	ZL-RTB20	ZL-CO-CBL11 *

CLICK/CLICK PLUS PLC Analog I/O Module ZIPLink Selector				
I/O Module		ZIPLink		
Analog Module	# of Terms	Component	Module Part No.	Cable Part No.
CO-04AD-1	11	Feedthrough	ZL-RTB20	ZL-CO-CBL11 *
CO-04AD-2	11	Feedthrough	ZL-RTB20	ZL-CO-CBL11 *
CO-04RTD	20	No ZIPLinks are available for RTD and thermocouple modules.		
CO-04THM	11			
CO-04DA-1	11	Feedthrough	ZL-RTB20	ZL-CO-CBL11 *
CO-04DA-2	11	Feedthrough	ZL-RTB20	ZL-CO-CBL11 *
CO-4AD2DA-1	20	Feedthrough	ZL-RTB20	ZL-CO-CBL20 *
CO-4AD2DA-2	20	Feedthrough	ZL-RTB20	ZL-CO-CBL20 *

Accessories

C2-USER-M **\$0.00**

CLICK PLUS PLC Hardware User Manual

Manual covers all CLICK PLUS PLC and I/O module installation and wiring, specifications, error codes and troubleshooting guide. The CLICK PLUS PLC Hardware User Manual can be downloaded free at the *AutomationDirect* Web site; www.automationdirect.com



C0-USER-M **\$0.00**

CLICK PLC Hardware User Manual

Manual covers all CLICK PLC and I/O module installation and wiring, specifications, error codes and troubleshooting guide. The CLICK PLC Hardware User Manual can be downloaded free at the *AutomationDirect* Web site; www.automationdirect.com



C0-PGMSW **\$11.00**

Programming Software CD-ROM

The programming software can be downloaded free at the *AutomationDirect* Web site, or the CD can be purchased from the *AutomationDirect* online Web store. www.automationdirect.com



EA-MG-PGM-CBL **\$46.50**

PC to Panel Programming Cable Assembly for C-more Micro-Graphic Panels and CLICK/CLICK PLUS PLCs

The 6ft cable assembly connects a personal computer to any C-more Micro-Graphic panel, CLICK PLC, or select CLICK PLUS PLC for setup and programming.

Note: This cable assembly uses the PC's USB port and converts the signals to serial transmissions. The USB port supplies 5VDC to the Micro-Graphic panel for configuration operations.

Assembly includes standard USB A-type connector to B-type connector cable, custom converter, and a RS232C cable with RJ12 modular connector on each end.



USB-CBL-AMICB6 **\$3.75**

USB A to USB micro B Programming Cable Assembly (CLICK PLUS Only)

Programming Cable, USB A to USB micro B, 6ft. (1.83 m) length. For use with CLICK PLUS PLCs and most USB devices. The USB port supplies 5VDC to the CLICK PLUS CPU for programming.

D2-DSCBL **\$24.00**

Programming Cable for CLICK/CLICK PLUS and *Direct* LOGIC PLCs 12ft. (3.66 m) RS232 shielded PC programming cable for CLICK, select CLICK PLUS PLCs, DL05, DL06, DL105, DL205, D3-350, D4-450, D4-454, and Do-more H2 and T1H series CPUs. 9-pin D-shell female connector to an RJ12 6P6C connector.



Note: If your PC has a USB port but does not have a serial port, you must use programming cable [EA-MG-PGM-CBL](#) to connect to CLICK PLCs. For CLICK PLUS PLCs, you may also use [USB-CBL-AMICB6](#)

C0-3TB **\$7.75**

Spare 3-Pole Terminal Block

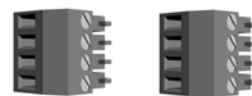
Replacement 3-pole terminal block for the 3-wire RS-485 Port 3 on CLICK Standard and Analog PLCs as well as the CLICK PLUS C2-03CPU. Sold in packs of 2.



C0-4TB **\$7.75**

Spare 24VDC Power Terminal Block

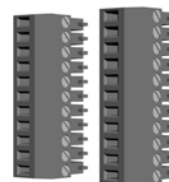
Replacement terminal block for the 24VDC supply power to the PLC. Sold in packs of 2.



C0-8TB **\$13.50**

Spare 8-Point I/O Terminal Block

Replacement terminal block for the 8-point I/O modules. Sold in packs of 2.



C0-8TB-1 **\$15.00**

Spare 13-Point I/O Terminal Block

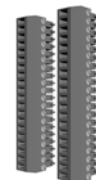
Replacement terminal block for the 8-point I/O relay modules. Sold in packs of 2.



C0-16TB **\$18.50**

Spare 16-Point I/O Terminal Block

Replacement terminal block for the 16-point I/O modules and PLC built-in I/O. Sold in packs of 2.



Accessories

SE-ANT250 \$42.50

Wi-Fi/Bluetooth Dome Antenna

2.4 GHz antenna, IP67, panel mount, 9.8ft (3m) cable length, for external mounting when CLICK PLUS PLC is installed in a metallic enclosure.



SE-ANT210 \$9.00

Wi-Fi/Bluetooth Whip Antenna

Whip/straight 2.4 GHz antenna, IP65, connector mount. Not recommended for installation in a metallic enclosure.



DN-EB35MN \$21.50

DINnectors End Bracket



C-more and C-more Micro Graphic Operator Interfaces



ZIPLink Wiring Systems



C2-FILL \$8.00

CPU Option Slot Cover

Snap-on cover for CLICK PLUS CPU Option Slot in applications without an Option Slot module present.



D2-BAT-1 \$5.75

Replacement battery for Standard, Analog, Ethernet Standard and Ethernet Analog PLC units.



D0-MC-BAT \$3.00

Replacement battery for CLICK PLUS PLC units.



DN-WS \$57.00

Wire Stripper



TW-SD-MSL-2 \$3.00

Insulated Slotted Screwdriver

0.4 x 2.5 x 80 mm slotted screwdriver for terminal blocks.

