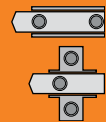

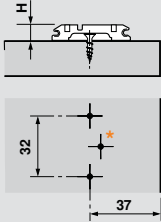


CLIP mounting plates



One piece wing mounting plate



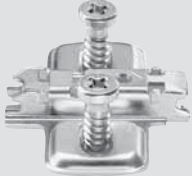


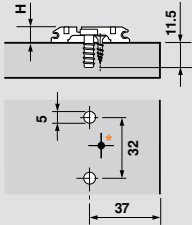
- Steel, nickel plated
- Attached with #6 x 5/8" wood screws
- Height adjustment ± 3 mm
- *Add additional wood screw if used with wide angled hinges

Wood screws 606N or 606P	(H) Height 0 173L6100	(H) Height 3 173L6130
------------------------------------	---------------------------------	---------------------------------

One piece wing mounting plate

CLIP plates

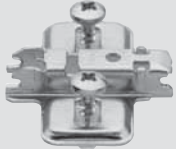


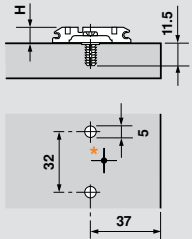


- Steel, nickel plated
- Attached with pre-mounted $\text{Ø}5$ mm system screws (668.1450.EH)
- Height adjustment ± 3 mm
- *Add additional wood screw if used with wide angled hinges

System screws Pre-mounted	(H) Height 0 173L8100	(H) Height 3 173L8130
-------------------------------------	---------------------------------	---------------------------------

EXPANDO mounting plate




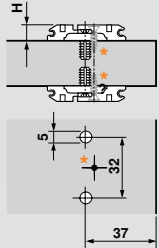


- Steel, nickel plated
- Attached with pre-mounted screws with EXPANDO dowels (618.1500)
- Height adjustment ± 2 mm
- *Add additional wood screw if used with wide angled hinges

EXPANDO dowels Pre-mounted screws	(H) Height 0 174E6100.01	(H) Height 3 174E6130.01
---	------------------------------------	------------------------------------

EXPANDO mounting plate (twin application)

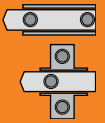





- Steel, nickel plated
- Attached with pre-mounted screws with EXPANDO dowels for twin application (618.1500)
- Height adjustment ± 2 mm
- *Additional wood screw required

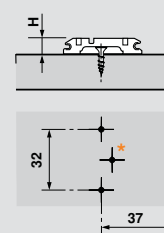
EXPANDO dowels Pre-mounted screws	(H) Height 0 174E610Z
---	---------------------------------

CLIP mounting plates



Cam mounting plate




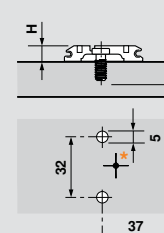


- Steel, nickel plated
- Attached with #6 x 5/8" wood screws
- Cam height adjustable ± 2 mm
- *Add additional wood screw if used with wide angled hinges

Wood screws 606N or 606P	(H) Height 0 173H7100	(H) Height 3 173H7130
------------------------------------	--------------------------	--------------------------

Cam mounting plate






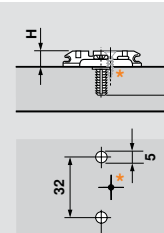
- Steel, nickel plated
- Attached with #7 x 9/16" wood screws or $\varnothing 5$ x 13 mm system screws
- Cam height adjustment ± 2 mm
- *Add additional wood screw if used with wide angled hinges

Wood screws or System screws 707N 661.1450.HG	(H) Height 0 173H9100	(H) Height 3 173H9130
--	--------------------------	--------------------------

CLIP plates

EXPANDO cam mounting plate




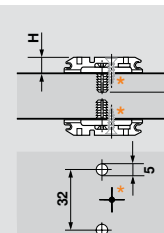


- Steel, nickel plated
- Attached with pre-mounted screws with EXPANDO dowels (618.1500)
- Cam height adjustment ± 2 mm
- *Add additional wood screw if used with wide angled hinges

EXPANDO dowels Pre-mounted screws	(H) Height 0 174H7100E	(H) Height 3 174H7130E
---	---------------------------	---------------------------

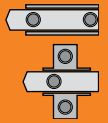
EXPANDO cam mounting plate (twin application)






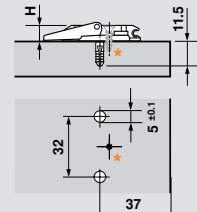
- Steel, nickel plated
- Attached with pre-mounted screws with EXPANDO dowels for twin application (618.1500)
- Cam height adjustment ± 2 mm
- *Additional wood screw required

EXPANDO dowels Pre-mounted screws	(H) Height 0 174H710ZE
---	---------------------------



INSERTA cam mounting plate




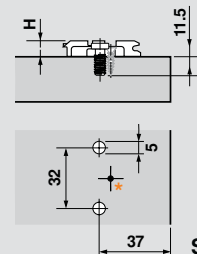


- Steel (closing lever – zinc die-cast, nickel plated)
- Tool-free assembly with self-anchoring feature
- Cam height adjustment ± 2 mm
- *Add additional wood screw if used with wide angle hinges

INSERTA dowels	(H) Height 0
Pre-mounted	174H7100I

One piece wing mounting plate




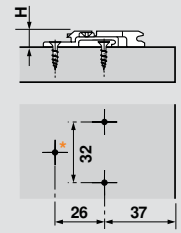


- Zinc die-cast, nickel plated
- Attached with pre-mounted $\text{\O}5$ mm system screws (668.1450.EH)
- Height adjustment ± 3 mm
- *Add additional wood screw if used with wide angle hinges

System screws	(H) Height 0	(H) Height 3	(H) Height 9
Pre-mounted	175L8100	175L8130	175L8190

Two piece wing mounting plate




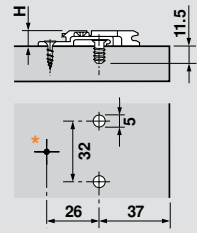


- Zinc die-cast, nickel plated
- Attached with #6 x 5/8" wood screws
- Height adjustment ± 2 mm
- *Add additional wood screw if used with wide angled hinges

Wood screws	(H) Height 0	(H) Height 3	(H) Height 9
606N or 606P	175H7100	175H7130	175H7190

Two piece wing mounting plate

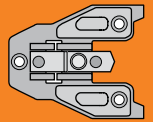




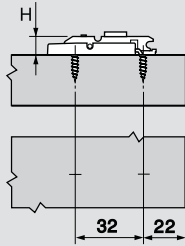
- Zinc die-cast, nickel plated
- Attached with #7 x 9/16" wood screws or $\text{\O}5$ x 13 mm system screws
- Height adjustment ± 2 mm
- *Add additional wood screw if used with wide angled hinges

Wood screws or System screws	(H) Height 0	(H) Height 3	(H) Height 6	(H) Height 9	(H) Height 18
707N 661.1300.HG	175H9100	175H9130	175H9160	175H9190	175H9190.22

CLIP in-line mounting and face frame adapter plates



22 mm setback screw-on cam in-line mounting plate

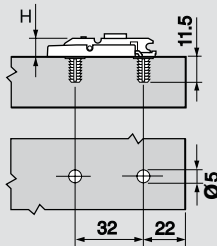
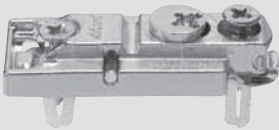


- Zinc die-cast, nickel plated
- Attached with #6 x 5/8" wood screws
- Cam height adjustment ± 2 mm
- Use of mounting plate template (page 77) recommended

Wood screws
606N or 606P

(H) Height 0
175H5400

22 mm setback EXPANDO cam in-line mounting plate



- Zinc die-cast, nickel plated
- Press-in assembly with pre-attached dowels
- Cam height adjustment ± 2 mm
- Use of mounting plate template (page 77) recommended

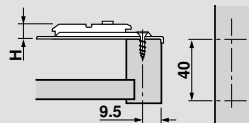
EXPANDO dowels
Pre-mounted screws

(H) Height 0
177H5400E

(H) Height 3
177H5430E

CLIP plates

Face frame cam adapter plate – center mount



- Steel, zinc die-cast and nickel plated
- Center mount 9.5 (3/8")
- Attached with #7 x 3/4" wood screws
- Cam height adjustment ± 2 mm
- Use of the PlateMate recommended (see page 78)

Wood screws
7074N

(H) Height 0
175H6000

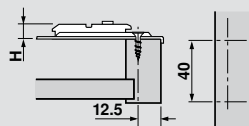
(H) Height 3
175H6030

(H) Height 4.5
175H6040

(H) Height 6
175H6060

* 175H6000 not for use with INSERTA hinges (use 175H6600)

Face frame cam adapter plate – off-center mount

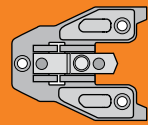


- Steel, zinc die-cast and nickel plated
- Attached with #7 x 3/4" wood screws
- For use with INSERTA hinge cups
- Off-center mount 12.5 (1/2")
- Cam height adjustment ± 2 mm
- Use of the PlateMate recommended (see page 78)

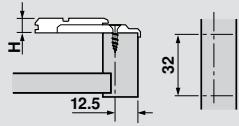
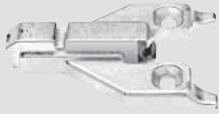
Wood screws
7074N

(H) Height 0
175H6600

CLIP face frame adapter plates



Face frame adapter plate – off-center mount



- Zinc die-cast, nickel plated
- Attached with #7 x 3/4" wood screws
- Off-center mount **12.5** (1/2")
- Height adjustment ± 2 mm
- Use of the PlateMate recommended (see page 78)

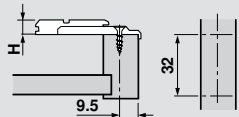
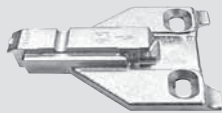
Wood screws
7074N

(H) Height 0
175L6600.22

(H) Height 3
175L6630.22

(H) Height 6
175L6660.22

Face frame adapter plate – center mount

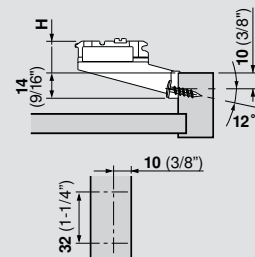
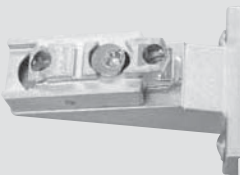


- Zinc die-cast, nickel plated
- Attached with #7 x 3/4" wood screws
- Center mount **9** (3/8")
- Height adjustment ± 2 mm
- Use of the PlateMate recommended (see page 78)

Wood screws
7074N

(H) Height 3
175L6030.21

Inset face frame cam adapter plate

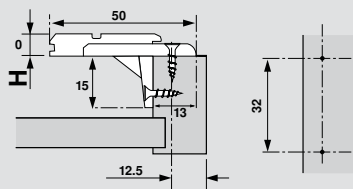


- Use with half-cranked hinges only
- Zinc die-cast, nickel plated
- Attached with #8 x 3/4" truss head screws
- Can be used on frames with applied bead molding
- Cam height adjustment ± 2 mm
- 170° hinges not recommended
- **Use of the PlateMate required (see page 78)**

Wood screws
834TH

(H) Height 9
175H5030.21

Face frame mounting plate with flange



- Recommended when using the 170° and Zero protrusion hinges on face frame cabinets
- Zinc die-cast, nickel plated
- Attached with #7 x 3/4" wood screws
- Off-center mount **12.5** (1/2")
- Height adjustment ± 2 mm
- Use of the PlateMate recommended (see page 78)

Wood screws
7074N

(H) Height 0
175L6600.24