



CMM710

10" CAPACITIVE TOUCH SCREEN
MULTIMEDIA MECHLESS RECEIVER

AM-FM, Bluetooth
USB Screen Mirroring
Front & Rear Camera Input
**INSTALLATION &
OWNER'S MANUAL**

USB MIRROR

 **Bluetooth®**

JENSEN®

FCC Compliance

This device complies with Part 15 of the FCC Rules. Operation is subject to the following two conditions:

- (1) this device may not cause harmful interference, and
- (2) this device must accept any interference received, including interference that may cause undesired operation.

Warning: Changes or modifications to this unit not expressly approved by the party responsible for compliance could void the user's authority to operate the equipment.

Note: This equipment has been tested and found to comply with the limits for a Class B digital device, pursuant to Part 15 of the FCC Rules. These limits are designed to provide reasonable protection against harmful interference in a residential installation. This equipment generates, uses and can radiate radio frequency energy and, if not installed and used in accordance with the instructions, may cause harmful interference to radio communications. However, there is no guarantee that interference will not occur in a particular installation. If this equipment does cause harmful interference to radio or television reception, which can be determined by turning the equipment off and on, the user is encouraged to try to correct the interference by one or more of the following measures:

- Reorient or relocate the receiving antenna.
- Increase the separation between the equipment and receiver.
- Connect the equipment into an outlet on a circuit different from that to which the receiver is connected.
- Consult the dealer or an experienced radio/TV technician for help.

Copyright and Trademark

The Bluetooth® word mark and logos are registered trademarks owned by Bluetooth SIG, Inc.

microSD Logo is a registered trademark of SD-3C, LLC.

Siri and Apple are registered trademarks owned by Apple, Inc.

Google Assistant and Android are trademarks owned by Google LLC.
Other trademarks and trade names are those of their respective owners.

Safety Notice

Video / movie playback will not operate while the vehicle is moving. This is a safety feature to prevent driver distraction. In-dash video / movie functions will only operate when vehicle is in Park and the parking brake is engaged. It is illegal in most jurisdictions for the driver to view video while the vehicle is in motion.



The **SAFETY NOTICE** is reminder to drive responsibly and safely while using your mobile phone device, or any APP's that are compatible with this unit.

it is highly recommended that your JENSEN CMM710 is installed by a professional installer or an authorized dealer.

This product is only for use in vehicles with 12VDC negative ground only.

To prevent damage or injury:

- Make sure to ground the unit securely to the vehicle chassis ground.
- Do not remove the top or bottom covers of the unit.
- Do not install the unit in a spot exposed to direct sunlight or excessive heat or the possibility of water splashing.
- Do not subject the unit to excessive shock.
- When replacing a fuse, only use a new one with the correct rating. Using a fuse with the wrong rating may cause the unit to malfunction.
- To prevent short circuits when replacing a fuse, disconnect the wiring harness first.
- Use only the provided hardware and wire harness.
- If you experience problems during installation, consult your nearest JENSEN dealer.
- If the unit malfunctions, reset the unit as described. If the problem still persists, consult your nearest JENSEN dealer or call tech assistance @ 1-888-921-4088.
- To clean the monitor, wipe only with a dry silicone cloth or soft cloth. Do not use a stiff cloth, or solvents such as paint thinner and alcohol. They can scratch the surface of the panel and/or remove the printing.
- When the temperature of the unit falls (as in winter), the liquid crystal inside the screen will become darker than usual. Normal brightness will return after the unit is in use for a while.
- When extending the ignition, battery or ground wiring, make sure to use automotive-grade wiring with an a minimum AWG 16 or more to prevent voltage drops.
- Do not touch the liquid crystal fluid if the LCD is damaged or broken. The liquid crystal fluid may be hazardous to your health or fatal. If the liquid crystal fluid from the LCD contacts your body or clothing, wash it off with soap immediately.

JENSEN

CMM710 INSTALLATION

Preparation

Please read and understand entire manual before installation.

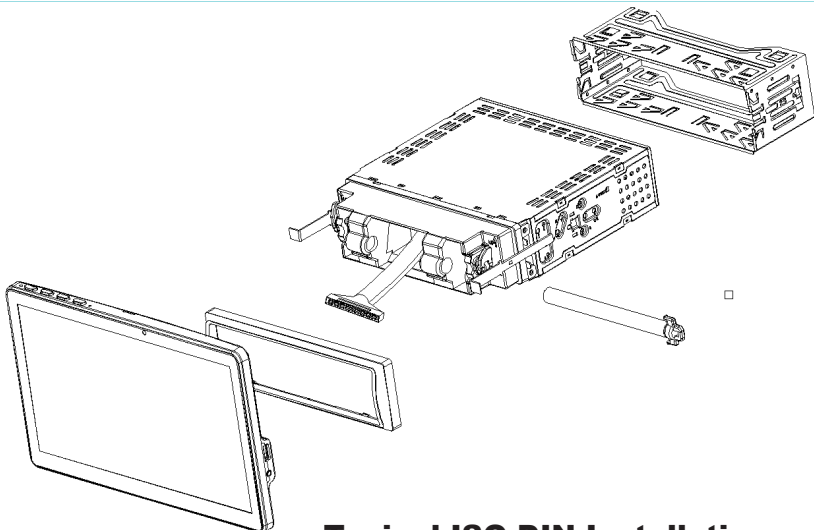
Consult a qualified technician for detailed instructions or installation assistance.

Before You Start

- Disconnect negative battery terminal.
- Avoid installing the unit where it would be subject to high temperatures, such as from direct sunlight, or where it would be subject to dust, dirt or excessive vibration.

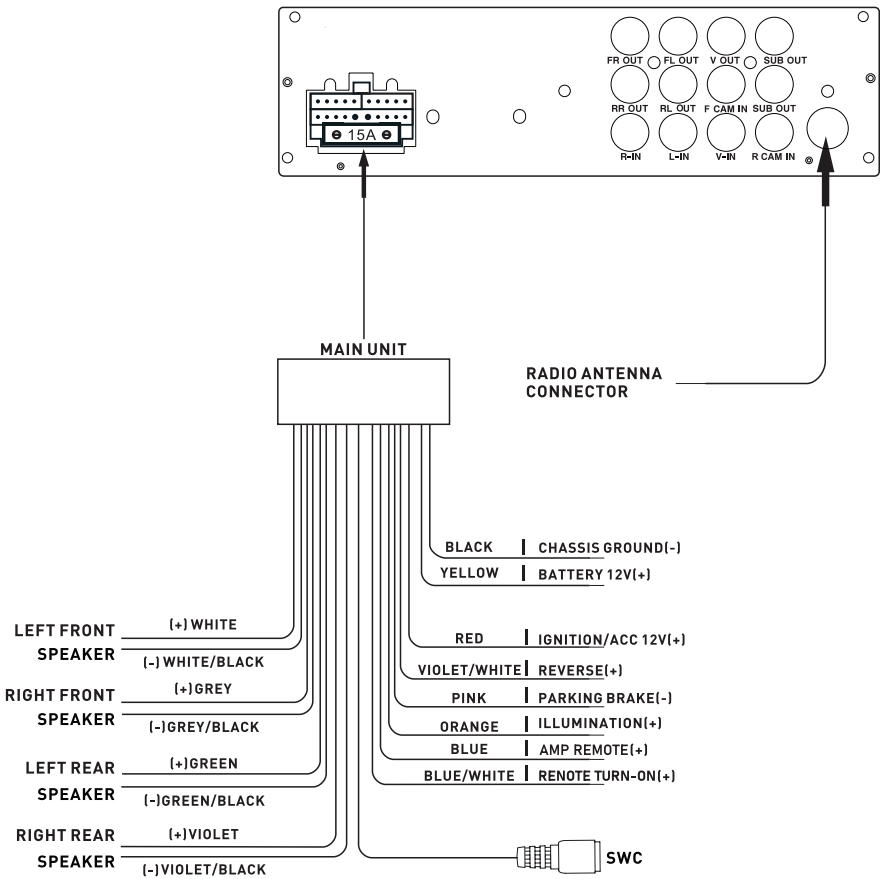
Getting Started

- Unpack unit from its protective packaging.
- Connect vehicle wiring harness and antenna to this receivers harness. See wiring instructions. Consult a qualified technician if you are unsure.
- Certain vehicles may require an installation dash kit and/or wiring harness adapter (sold separately).
- Reconnect battery negative terminal.
- Test for correct operation and secure back into dashboard.
- Snap trim ring into place if needed.



Typical ISO-DIN Installation

Input / Output Wiring Diagram



💡 Tips

When replacing a fuse, make sure to use the correct type and amperage. Using an incorrect fuse could cause damage. The unit uses (1) 15 amp ATC blade-type fuse located on the back of the unit.

Front / Rear camera inputs

Up to two cameras (not included) can be used. We recommend JENSEN Part # BUCAM200J for front camera and BUCAM300AJ or BUCAM400AJ for rear camera.

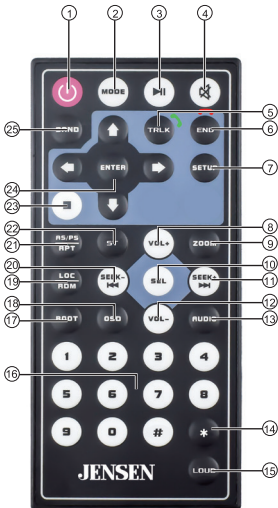
JENSEN

CMM710 OPERATION

Main Control Locations

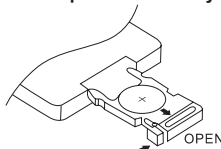


- | | | |
|-------------------|---------------|---------------------|
| ① Microphone | ④ Volume Up | ⑦ microSD Card Slot |
| ② Power / Mute | ⑤ Volume Down | ⑧ USB Slot |
| ③ Voice Assistant | ⑥ Reset | ⑨ Auxiliary Input |



- | | |
|-----------------|---------------------------|
| ① Power | ⑭ * Key |
| ② Mode | ⑮ Loudness |
| ③ Play / Pause | ⑯ Number Keys |
| ④ Mute | ⑰ Root |
| ⑤ Talk | ⑱ OSD (On Screen Display) |
| ⑥ End Call | ⑲ Local / Random |
| ⑦ Setup | ⑳ Tune/Track Down |
| ⑧ Volume Up | ㉑ AS/PS / Repeat |
| ⑨ Zoom | ㉒ Stop |
| ⑩ Select | ㉓ Enter |
| ⑪ Tune/Track Up | ㉔ Band |
| ⑫ Volume Down | |
| ⑬ Audio | |

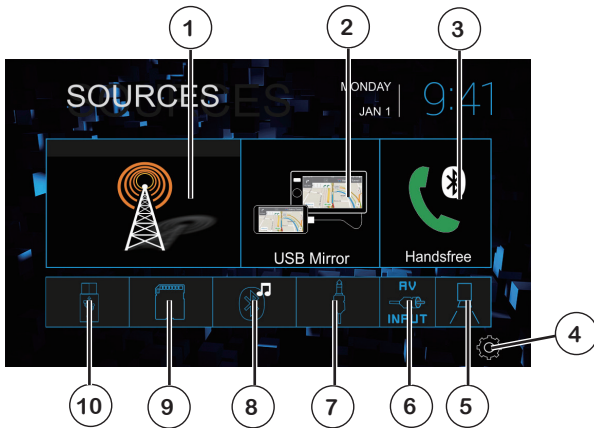
How to Replace the Battery



Use CR2025
Replacement Battery Only

Slide the tray out on back of the remote control, and insert battery with the (+) and minus (-) poles pointing in the proper direction.

Source Menu Operation



- Radio** ① Press to access Radio.
- USB Mirroring** ② Press to initiate USB mirroring.
- Bluetooth Phone** ③ Press to access Bluetooth phone.
- Settings** ④ Press to display and adjust system settings.
- Rear Camera** ⑤ Press to display the rear camera.
- AV Input** ⑥ Press to access AV input.
- Auxiliary Input** ⑦ Press to access auxiliary input.
- BT Music** ⑧ Press to access the Bluetooth music.
- microSD** ⑨ Press to access files on microSD card.
- USB** ⑩ Press to access files on USB device.

JENSEN

CMM710 OPERATION

On Screen Controls



Screen Brightness ①

Press up to two times to dim the screen. Press a third time to put the unit in standby mode (screen will go black). Press anywhere on the screen to return to normal screen operation.

Voice Assistant ②

Press to activate the voice assistant feature.

Audio ③

Press to access and adjust audio settings.

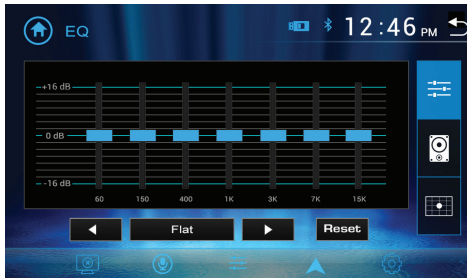
Navigation Hot Button ④

Press to directly access your phone's navigation app (refer to Navigation Hot Button section of the manual for setup instructions).

Settings ⑤

Press to display and adjust system settings.

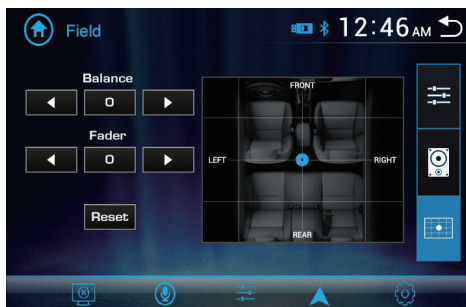
Select any of the preset EQ settings (Flat, Classic, Rock, Pop, Jazz, Beat or User) or use the touch screen to manually adjust EQ settings.



Select any of the preset Surround settings: Concert, Church, Passive, Wide, Live or None.



Adjust balance (8L to 8R) and fader (8F to 8R), or use the touch screen to manually adjust balance and fader settings.



Settings Menu

From the Main Menu, press the gear icon to access the Setup menu and adjust the following: General, Audio, Display and Bluetooth.



General:

- **OSD Language** - Select English.
- **Wallpaper** - Select from three different wallpaper options.
- **Radio Area** - Select Europe, USA, South America or Asia.
- **Time Setting** - Set the date (month, day, year) and time (hours, minutes, AM/PM and 12-hour or 24-hour clock).
- **Beep** - Enable or disable the audible beep.
- **Camera** - Enable or disable the rear camera input.
- **Version** - Press to display version numbers.
- **Restore Default** - Press to restore unit to default factory settings.

Audio:

- **Audio Settings** - Press to access and adjust audio settings.
- **Subwoofer** - Press to adjust subwoofer frequency and volume.
- **Loudness** - Enable or disable the loudness feature.

Display:

- **Aspect Ratio** - Select desired region (America, Europe or Latin).
- **Adjust** - Press to adjust screen brightness, contrast, hue, saturation and sharpness.
- **Panel** - Select from the following Backlight settings: Off, 10 seconds, 20 seconds or 30 seconds.

Bluetooth:

- **Bluetooth** - Turn Bluetooth signal on or off.
- **Auto Answer** - Turn auto answer feature on or off.



- | | |
|-----------------------------|--|
| Radio Operation | Select the Radio icon from the Main Menu screen. |
| Main Menu (1) | Press to return to Main Menu screen. |
| Mode Indicator (2) | Displays the current mode of operation. |
| Tune Down (3) | Press to tune to a lower frequency one step at a time. Press and hold to automatically tune to the last strong station. |
| Preset Stations (4) | Press any preset station stored in the current band to tune radio to saved frequency. To save presets, tune the radio to desired station, then press and hold the desired preset button to save the station. |
| Band (5) | Press to select between 2 AM and 3 FM bands. |
| Local Distance (6) | Press to toggle between local and distance tuning. |
| Stereo Mono (7) | Press to toggle between Stereo and Mono tuning. |
| AS PS (8) | Press to scan presets and listen to the first 10 seconds of each. Press again to stop scanning and listen to the station. Press and hold to automatically find and store the strongest stations as presets, |
| Tune Up (9) | Press to tune to a higher frequency one step at a time. Press and hold to automatically tune to the last strong station. |

USB/microSD Operation



USB/microSD Operation

To play MP3 files from a USB device or microSD card, insert a USB device or microSD card, and playback will begin automatically. To return to USB or microSD playback from another mode of operation, select the corresponding icon from the Main Menu.

- | | | |
|------------------|-----|---|
| Main Menu | (1) | Press to return to Main Menu screen. |
| Mode Indicator | (2) | Displays the current mode of operation. |
| File Information | (3) | Displays information about the current file. |
| Previous Track | (4) | Press to go back to the previous track. Press and hold to fast reverse the current track, then press PLAY / PAUSE to resume playback. |
| Play / Pause | (5) | Press to pause the current track, then press again to resume playback. |
| Next Track | (6) | Press to advance to the next track. Press and hold to fast forward the current track, then press PLAY / PAUSE to resume playback. |
| Folder Search | (7) | Press to access the directory of folders and files. Use the up/down arrows to scroll through the folder list, then press on the name of the desired folder to access it. Use the up/down arrows to scroll through the file list, then press on the name of the desired file to access it. |
| Random | (8) | Press to turn Random feature on or off. |
| Repeat | (9) | Select a Repeat option: All, One, Folder or Off. |

Media Compatibility

File Type		MP3		
File System	FAT	FAT 12	X	
		FAT 16/FAT 32	✓	
File Extension	.mp3/.MP3/.Mp3/.mP3		✓	
	.rmp/.m4a		X	
MPEG Format	MPEG 1		✓	
	MPEG 2		✓	
	MPEG 2.5		✓	
Sampling Frequency	MPEG 1		32/44.1/48kHz	
	MPEG 2		12/16/22.05/24kHz	
	MPEG 2.5		8/11.025/12kHz	
Bitrate	MPEG 1		32 ~ 320kbps	
	MPEG 2		8 ~ 160kbps	
	MPEG 2.5		8 ~ 160kbps	
Other Information	Directory Depth		Unlimited	
	File Name Length		32 bytes	
	Total File Number		2000 files	
	Total Folder Number		200 folders	
	File Number via Folder		2000 files	
	MP3 ID3 TAG	ver.1.x		✓
		ver.2.x		✓
Title, Artist, Album		✓		

Notes:

- It is not possible to view JPG files on the in-dash monitor while the vehicle is moving. This is a safety feature to prevent driver distraction.
- The JPG image viewer function will only operate when vehicle is in park and the parking brake is engaged.

Media Compatibility

The following types of files are not compatible:

- MP3 PRO format, MP3 playlists
- RMP format
- WAV format
- WMV format
- AAC, protected AAC, M4A format

Playback Order

MP3 playback sequence begins in the root folder. Any folders that do not include MP3/JPG files are skipped.

Compatible Recording Formats

ISO9660 standards:

- Maximum nested folder depth is 8 (including the root folder).
- Valid characters for folder/file names are letters A-Z (all caps), numbers 0-9, and “_” (underscore). Some characters may not be displayed correctly, depending on the character type.

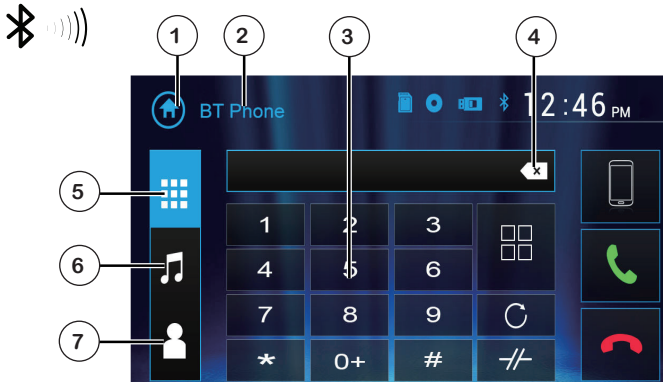
Notes

Some files may not play, depending on sampling rates and bit rates. For best results, use the following settings when ripping MP3 files: 128kbps or higher constant bit rate; 44.1kHz or higher sampling frequency.

JENSEN

CMM710 OPERATION

Bluetooth Operation



Preparation

Before using a Bluetooth device, it must be paired and connected. Make sure that Bluetooth is activated on your device before you begin the pairing process.

Pairing a New Device

The unit broadcasts the pairing signal constantly when no devices are currently connected. Complete the pairing sequence from your Bluetooth device. Refer to the owner's manual for your device for more details. The device name is "JENSEN CMM710". The unit can be in any mode of operation when pairing is performed. On certain phones, pairing may need to be done more than once.

Connecting a Paired Device

Most Bluetooth devices support the auto-connect feature and will connect automatically if the device is in range when the unit is powered-on. If your device was previously paired but does not connect, enter the Bluetooth setup menu and turn Auto Connect on.

Bluetooth Phone

To access the phone, select Bluetooth Phone from the Main Menu or from any operational mode.

Main Menu ①

Press to return to Main Menu screen.

Mode Indicator ②

Displays the current mode of operation.

Keypad ③

Use the keypad to dial a phone number.

Backspace ④

Press to backspace when using the keypad.

Keypad Display ⑤

Press to display the keypad.

Music Display ⑥

Press to display Bluetooth music.

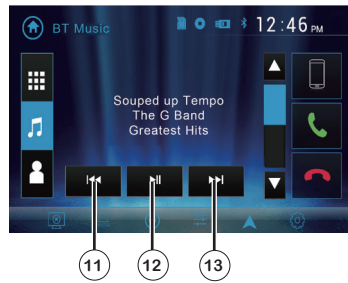
Contact Display ⑦

Press to display Contact list, then press desired contact to initiate a call.

JENSEN

CMM710 OPERATION

Bluetooth Operation



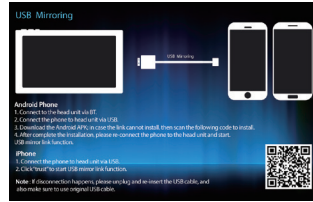
- | | |
|-------------------------------|---|
| Paired Device List (8) | Press to display a list of paired devices, and select desired device to connect. |
| Talk (9) | Press to connect a call to the number entered. |
| End Call (10) | Press to end a call. |
| Previous Track (11) | Press to go back to the previous track. |
| Play / Pause (12) | Press to pause the current track, then press again to resume playback. |
| Next Track (13) | Press to advance to the next track. |

JENSEN

CMM710 OPERATION

USB Mirroring

To set up USB Mirroring capabilities, select USB Mirroring from the main menu and follow the on-screen directions for connecting your Android or iPhone. Once completed, the unit will mirror phone display onto the unit's on-screen display. To return to the main menu, press the lower left corner of the screen to display and select the home button.



Note: Apple and Android operating system updates may cause your receiver to malfunction. This can usually be solved by doing a software/firmware update on the receiver. To see if your receiver has the latest firmware, contact customer service at 1-888-921-4088.

App Operation

The Jensen Smart app is the ultimate wireless remote control for your receiver. You can download the Jensen Smart app from the Apple App Store or Google Play Store and install it on your smartphone or tablet. Scan the following QR code to download the Jensen J-Link P1 application on your smartphone.



Navigation Hot Button

Once the Jensen Smart app is installed, press the Navi hot button to connect your receiver to your phone through the on-screen UI. Instantly stream audio from your favorite navigation apps on a connected smartphone through your car's receiver via Bluetooth.

Note: A smartphone with data is required to stream navigation.

Voice Assistant

Your receiver is designed with an easy access voice activation button to use Siri® or the Google Assistant™ via your car's Bluetooth. Interact with your smartphone assistant while you drive with only the push of a button!

Bluetooth should be paired between your smartphone and the receiver. Press the voice activation button, and the receiver will switch into Bluetooth mode. This will activate Siri® or Google Assistant™ on your smartphone. You will need to manually switch back to the previous or desired mode once this operation is terminated.

Rear Camera

Connect an optional rear camera to the Rear Camera inputs (Yellow RCA connector for video and Black RCA connector for audio). Refer to the wiring diagram for details.

Manual selection - Touch the REAR CAMERA icon from the Main Menu or from any operational mode (when enabled) to select camera mode. Touch the top left area on the screen to exit camera mode.

Note: The manual mode is for dedicated cameras that are ALWAYS on while driving, it is not meant for cameras that are connected to the vehicle's reverse light. The unit will automatically select camera mode when connected to the reverse lamp circuitry.

Note: External video output is not active when using the rear camera input.

Front Camera

Connect an optional front camera to the Front Camera inputs (Yellow RCA connector for video; there is no audio connection for a front camera. Refer to the wiring diagram for details.

To access the front camera, touch the CAMERA icon in the Main Menu. The unit displays rear camera by default.



Press the Front Camera icon in the top right corner to switch to front camera view.

Auxiliary Input

Connect an optional audio source into the auxiliary input on the right side of the front panel.

Select the auxiliary input icon from the Main Menu to listen to audio.

Adjust volume on the external audio source as needed (if connected to the headphone output of the device).

A/V Input

Connect an optional audio source into the rear A/V input.

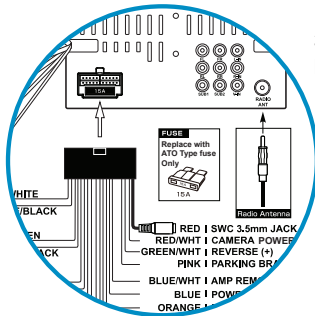
Select A/V Input from the Main Menu to listen to audio.

Adjust volume on the external audio source as needed (if connected to the headphone output of the device).

Steering Wheel Controls

A third-party adapter must be used in order for the CMM710 to be compatible with any OEM steering wheel controls.

The CMM710 has a built-in 3.5mm SWC interface that compatible with many popular 3rd party SWC control modules, such as PAC, METRA, and others.



3.5mm SWC port located on the rear of the unit, on the MAIN POWER I/O Harness

The following controls are available for most vehicles.

- Volume +
- Volume -
- Mute
- Seek / Track +
- Seek / Track -
- Band
- Mode
- BT Talk
- BT End Call

Note: Not all OE steering wheel functions may be supported by the CMM710

We recommend the PAC SWI-RC .

1. Set "Radio Select Switch". Set the SWI-RC to position 7 - "Pioneer/Other/Sony".
2. To program, use the Pioneer/Sony/Other radio function mapping order.
3. When programming the SWI-RC, if a function is not supported (or not desired), then the function MUST be skipped as per the PAC SWI-RC instructions.
4. The SWC function MUST be programmed in the correct order per the PAC SWI-RC radio function mapping order instructions.

Limited One Year Warranty

This warranty gives you specific legal rights. You may also have other rights which vary from state to state.

Namsung America Inc. warrants this product to the original purchaser to be free from defects in material and workmanship for a period of one year from the date of the original purchase.

Namsung America Inc. agrees, at our option, during the warranty period, to repair any defect in material or workmanship or to furnish an equal new, renewed or comparable product (whichever is deemed necessary) in exchange without charges, subject to verification of the defect or malfunction and proof of the date of purchase. Subsequent replacement products are warranted for the balance of the original warranty period.

Who is covered?

This warranty is extended to the original retail purchaser for products purchased from an authorized Dual dealer and used in the U.S.A.

What is covered?

This warranty covers all defects in material and workmanship in this product. The following are not covered: software, installation/removal costs, damage resulting from accident, misuse, abuse, neglect, product modification, improper installation, incorrect line voltage, unauthorized repair or failure to follow instructions supplied with the product, or damage occurring during return shipment of the product. Specific license conditions and copyright notices for the software can be found via www.jensenmobile.com

What to do?

1. Before you call for service, check the troubleshooting guide in your owner's manual. A slight adjustment of any custom controls may save you a service call.
2. If you require service during the warranty period, you must carefully pack the product (preferably in the original package) and ship it by prepaid transportation with a copy of the original receipt from the retailer to an authorized service center.
3. Please describe your problem in writing and include your name, a return UPS shipping address (P.O. Box not acceptable), and a daytime phone number with your shipment.
4. For more information and for the location of the nearest authorized service center please contact us by one of the following methods:

- Call us toll-free at 1-888-921-4088
- E-mail us at cs@dualav.com

Exclusion of Certain Damages: This warranty is exclusive and in lieu of any and all other warranties, expressed or implied, including without limitation the implied warranties of merchantability and fitness for a particular purpose and any obligation, liability, right, claim or remedy in contract or tort, whether or not arising from the company's negligence, actual or imputed. No person or representative is authorized to assume for the company any other liability in connection with the sale of this product. In no event shall the company be liable for indirect, incidental or consequential damages.

Troubleshooting

General		
PROBLEM	CAUSE	ACTION
Unit will not turn on (no power)	Red and/or Yellow wire not connected or incorrect voltage	Check connections for proper voltage (11~16VDC)
	Black wire not connected	Check ground connection
	Blown fuse on unit or vehicle	Replace fuse(s)
Unit has power (but no sound)	Speaker wires not connected	Check all connections, including speakers
	Speakers are blown	Replace speakers
	One or more speaker wires touching each other or touching chassis ground	Insulate all bare speaker wires from each other and chassis ground
Unit blows fuse(s)	Yellow or red wire touching chassis ground	Check for pinched or shorted wires
	Speaker wires touching chassis ground	Check for pinched or shorted wires
	Incorrect fuse rating	Use fuse with correct rating
Unit has audio (but no video)	Parking brake safety circuit not connected Parking brake not applied	Check connections at parking brake Apply parking brake as described in manual
	Video Playback Codec is not supported	See Media Codec Support section

Customer Support

1-888-921-4088

(Monday-Friday, 9AM-5PM EST)

Visit <https://www.jensenmobile.com>

For Your Records

Please keep your original sales receipt and be prepared to provide this receipt in the event you require service, as your original receipt is considered the best proof of purchase and indicates the date you purchased your JENSEN product.

Dealer Info

Dealer Name: _____

Dealer Phone: _____

Purchase Date: _____

Specifications

FM Tuner

US Tuning Range: 87.5MHz-107.9MHz
EU Tuning Range: 87.50MHz-108.00MHz
Usable Sensitivity: 8.5dBf
50dB Quieting Sensitivity: 10dBf
Stereo Separation@ 1kHz: 30dB
Frequency Response: 30Hz-13kHz

AM Tuner

Tuning Range: 530kHz-1710kHz
Usable Sensitivity: <42dBu
Frequency Response: 30Hz-2.2kHz

Bluetooth

Version: 4.1 + EDR
Profiles: HFP / A2DP / PBAP
Range: Up to 33ft / 10m

Monitor

Brightness: 500 nit
TFT Resolution: 1024x600
TFT Backlighting: LED
Touch Screen Type: Capacitive

General Specifications

Operation Voltage Input: 11~16VDC
USB 1 Charge Output: 2.1A
Speaker Nominal Impedance: 4~8 ohms
Line Output Voltage: 2 Volts RMS
Dimensions: 5" x 7" x 2" (126D x 178W x 50H mm)

Design and specifications subject to change without notice.



CEA-2006 Power Standard Specifications

(reference: 14.4VDC +/- 0.2V, 20Hz~20kHz)

Power Output: 16 Watts RMS x 4 channels at 4 ohms and $\leq 1\%$ THD+N
Signal to Noise Ratio: 80dBA (reference: 1 watt into 4 ohms)

CMM710

INSTALLATION & OWNER'S MANUAL



Customer Support

1-888-921-4088

(Monday-Friday, 9AM-5PM EST)

Visit <https://www.jensenmobile.com>

Designed and Engineered in USA

JENSEN[®]

Namsung America Inc.
©2020 Namsung America Inc.
All rights reserved.

All rights reserved. No part of this publication may be reproduced, distributed, or transmitted in any form or by any means, including photocopying, recording, or other electronic or mechanical methods, without the prior written permission of NAMSUNG AMERICA INC.

NSA0220-v01
Printed in China