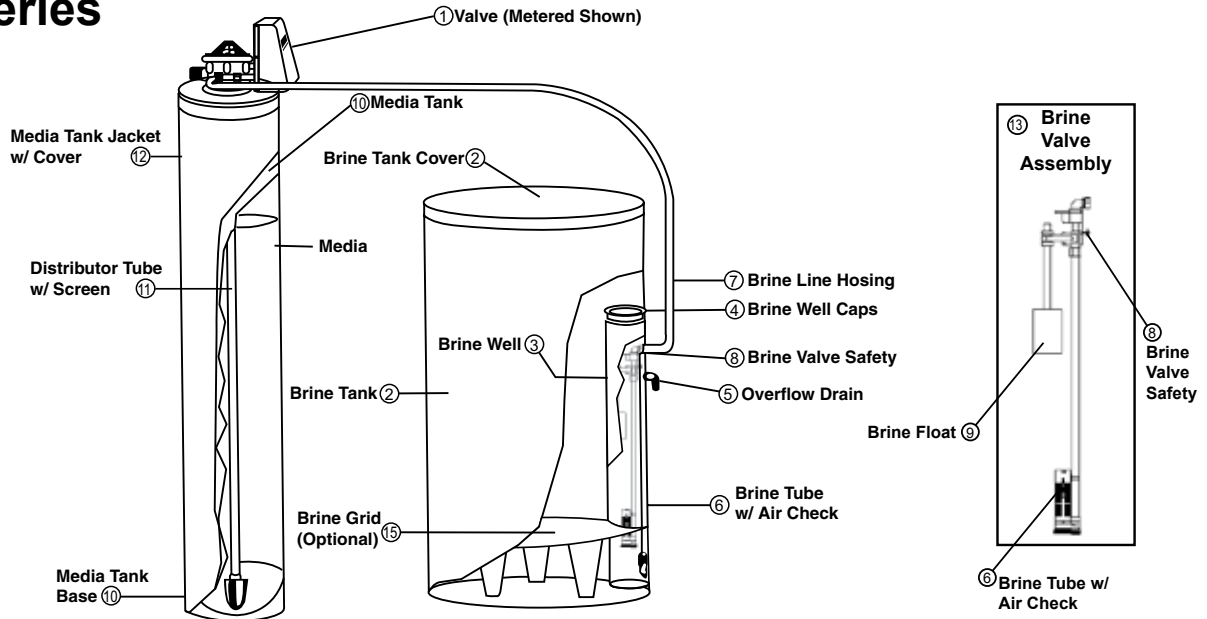


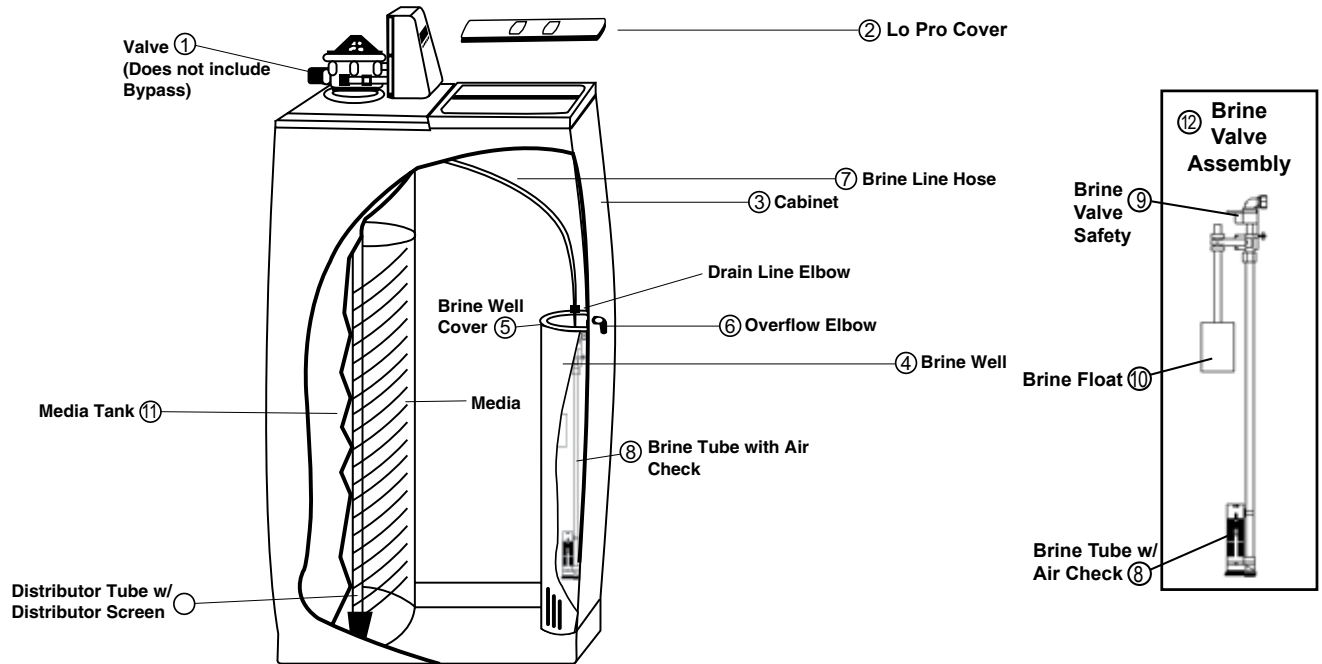
"C" Series



Parts Listing

Part Number	No.	Description			
Contact Factory	1	Valve Metered (Complete - Specify Model)			
B1209053	2	Brine Tank w/ Cover (Complete for CMP-22K, C-22-2 w/ grid)			
A2042065	2	Brine Tank w/ Cover (Complete w/ Grid for CMP-30K, 40K, 45K, CMP25 Combo, CMP45 Combo)			
A2042064	2	Brine Tank w/ Cover (Complete for w/ Grid for CMP-60K, C-60-2)			
A2042061	2	Brine Tank w/ Cover (Complete for CMP-22K, 30K, 40K, 45K, C-22-2, C-40-2, C-30-2, C-45-2, C-60-2)			
B1210033	2	Brine Tank w/ Cover (Complete for CMP-60K)			
A2071005	3	Brine Well			
A2072003	4	Brine Well Cap			
A2250003	5	Overflow Elbow			
A2118010	6	Brine Tube w/ Air Check			
B1227002	7	Brine Line Hose w/ Inserts			
A2005058	8	Brine Valve Safety			
A2107022	9	Brine Float			
A2126201	10	8 x 44 Media Tank - w/ Base	CMP-22K	C-22-2	
A2126203	10	9 x 48 Media Tank - w/ Base	CMP-30K	C-30-2	
A2126206	10	10 x 54 Media Tank - w/ Base	CMP-45K	C-45-2	
A2126208	10	12 x 52 Media Tank - w/ Base	CMP-60K	C-60-2	
A2126205	10	10 x 47 Media Tank - w/ Base	CMP-25 Combo & (CMP-40K & C-40-2 if built after 06/01/04)		
Contact Factory	--	Media (Specify Model)			
B1023056	11	Distributor Tube Assembly - Specify Model			
B1229004	11	Distributor Tube Assembly - for CMP-25 Combo			
B1024006	12	Media Tank Jacket	C-22-2	CMP-22K	8" Dia., Almond
B1024009	12	Media Tank Jacket w/ cover	C-30-2 & C-40-2	CMP-30K & CMP-40K	9" Dia., Almond
B1024015	12	Media Tank Jacket w/ cover	C-40-2 & C-45-2	CMP-45K & CMP-45K	10" Dia., Almond
B1024018	12	Media Tank Jacket w/ cover	C-60-2	CMP-60K	12" Dia., Almond
B1024015	12	Media Tank Jacket	CMP-25 Combo & (CMP-40K & C-40-2 if built after 06/01/04)		
B1180011	13	* Brine Valve Assembly - Complete - Includes #'s 6, 8, & 9			
A2354023	14	*1" Bypass - Does not include fitting kit (Not Shown)			
A2284002	15	*Grid Set-All (Optional)			
A2121013	16	Media Resin (must also purchase A21220080 garnet [30#].) (used only on CMP-25 Combo model)			
A2122008D	17	Garnet [30#] (used only on CMP-25 Combo model)			

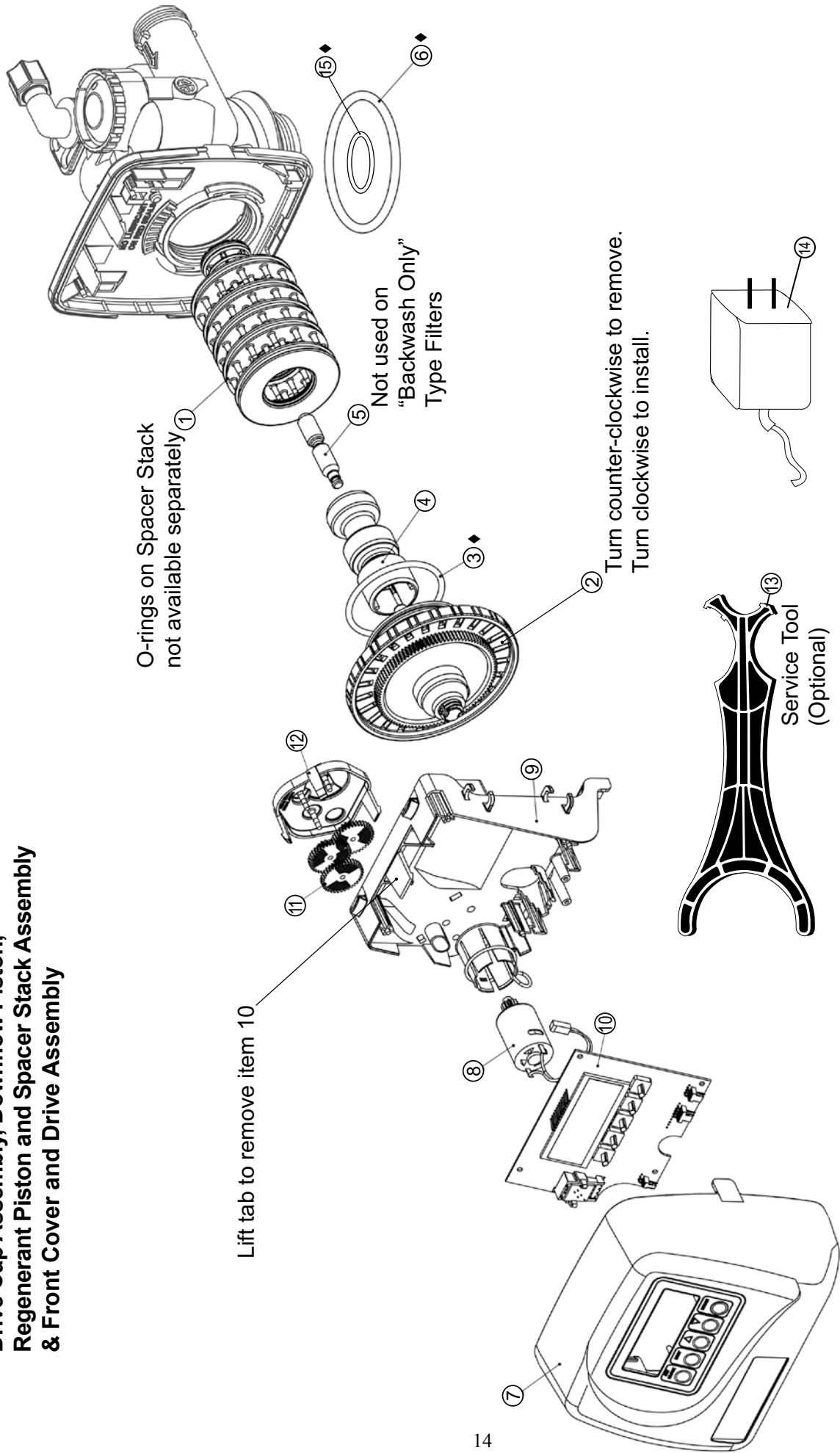
“C” Series



Parts Listing

Part Number	Control Number	No.	Description
Contact Factory		1	Valve Metered (Complete - Specify Model)
A2103030		2	Lo Pro Cover
A2274004		3	Cabinet w/ cover
A2071005		4	Brine Well
A2072003		5	Brine Well Cap
B1227002		6	Overflow Elbow
B1227003		7	Brine Line Hose w/ inserts
A2118010		8	Brine Tube w/ air check
A2005058		9	Brine Valve Safety
A2107023		10	Brine Float
A2255101		11	9 x 35 Media Tank w/o Base CMP-22KC C-22-C
A2255102		11	10 x 35 Media Tank w/o Base CMP-30KC C-30-C
Contact Factory		--	Media (Specify Model)
B1023050		--	Distributor Tube W/Distributor Screen (All)
B1180011		12	Brine Valve Assembly - Complete - includes #'s 8, 9, & 10
A2355023		13	*1" Bypass Does not include fitting kit (Not Shown)
B1021009		--	*Grid Set(Optional-Not Shown) CMP-30-KC C-30-C
B1021010		--	*Grid Set(Optional-Not Shown) CMP-22-KC C-30-C

**Drive Cap Assembly, Downflow Piston,
Regenerant Piston and Spacer Stack Assembly
& Front Cover and Drive Assembly**



◆ Part of Kit, O-ring (Item #51)



“CMP” & “C” Series Automatic Water Conditioners

Drive Cap Assembly, Downflow Piston, Upflow Piston, Regenerant Piston and Spacer Stack Assembly

Item No.	Part No.	Description	Quantity
1	A2466034	*Spacer Stack Assembly w/o o-rings	1
2	A2080077	Drive Cap Assembly	1
◆ 3	use item 16	O-Ring 228 (use Valve O-ring Kit)	1
▲ 4	A2309040	Piston Downflow Assembly	1
⊗ 5	A2438033	Regenerant Piston	1
◆ 6	use item 51	O-Ring 337 (use Valve O-ring Kit)	1
◆ 15	use item 51	O-Ring 215 (use Valve O-ring Kit)	1

▲ Item #4 identified with “DN” code.

⊗ Item #5 not used with Backwash Only filter applications.

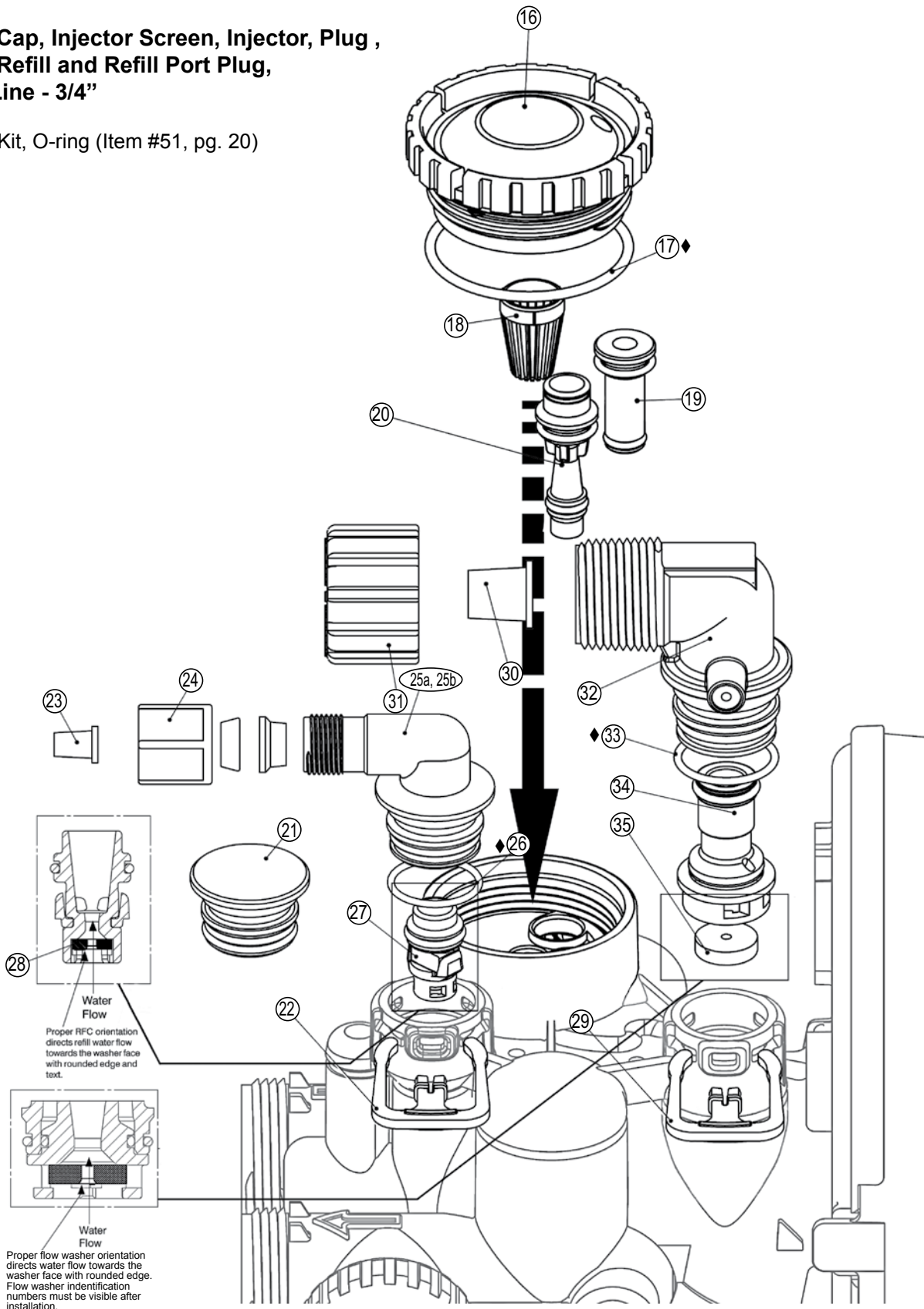
◆ See page 20 for Valve O-ring Kit.

Front Cover and Drive Assembly

Item No.	Part No.	Description	Quantity
7	A2103133	Front Cover ASSY	1
8	A2085050	Motor	1
9	A2328046	Drive Bracket & Spring Clip	1
10	A2341012	PC Board	1
11	A2393046	Drive Gear 12 x 36	3
12	A2103132	Drive Gear Cover	1
13	A2491086	Service Tool	1
14	A2242054	Transformer 110V - 12V	1

**Injector Cap, Injector Screen, Injector, Plug ,
O-Ring, Refill and Refill Port Plug,
& Drain Line - 3/4”**

◆ Part of Kit, O-ring (Item #51, pg. 20)



Injector Cap, Injector Screen, Injector, Plug and O-Ring

Item No.	Part No.	Description		Quantity
16	A2080079	Injector Cap		1
◆17	Use Item 51	O-Ring 135 (Use Valve O-ring Kit)		1
18	A2142016	Injector Screen		1
19	A2079059	Injector Assembly Z Plug	See note	1
20	A2079060	Injector Assembly A Black		
	A2079048	Injector Assembly B Brown		
	A2079046	Injector Assembly C Violet		
	A2079045	Injector Assembly D Red		
	A2079049	Injector Assembly E White		1
	A2079047	Injector Assembly F Blue		
	A2079050	Injector Assembly G Yellow		
	A2079055	Injector Assembly H Green		
	A2079062	Injector Assembly I Orange		
	A2079063	Injector Assembly J Light Blue		
A2079064	Injector Assembly K Light Green			

*The injector plug and the injector each contain one 011 (lower) and 013 (upper) o-ring.

Note: For downflow brine, injector is located in the down hole and injector plug in the up hole.
For a filter that only backwashes injector plugs are located in both holes.

Refill and Refill Port Plug

Drawing No.	Order No.	Description	Quantity
21	A2287059	Refill Port Plug Assembly	This part is required for backwash only systems
22	A2411015	Elbow Locking Clip	1
23	A2409016	Polytube insert 3/8	1
24	A2095071	Nut 3/8	1
25a	A2080078	Elbow Cap 3/8	(use w/ 3/8" tubing) 1
25b	A2129100	Elbow 1/2" with nut and insert	(use w/ 1/2" tubing) Option
◆26	Use Item 51	O-Ring 019 (Use Valve O-ring Kit)	1
27	A2104033	RFC Retainer Assembly*	1
28	A2253108	RFC Brine Refill Flow Washer	1

*Assembly includes RFC.

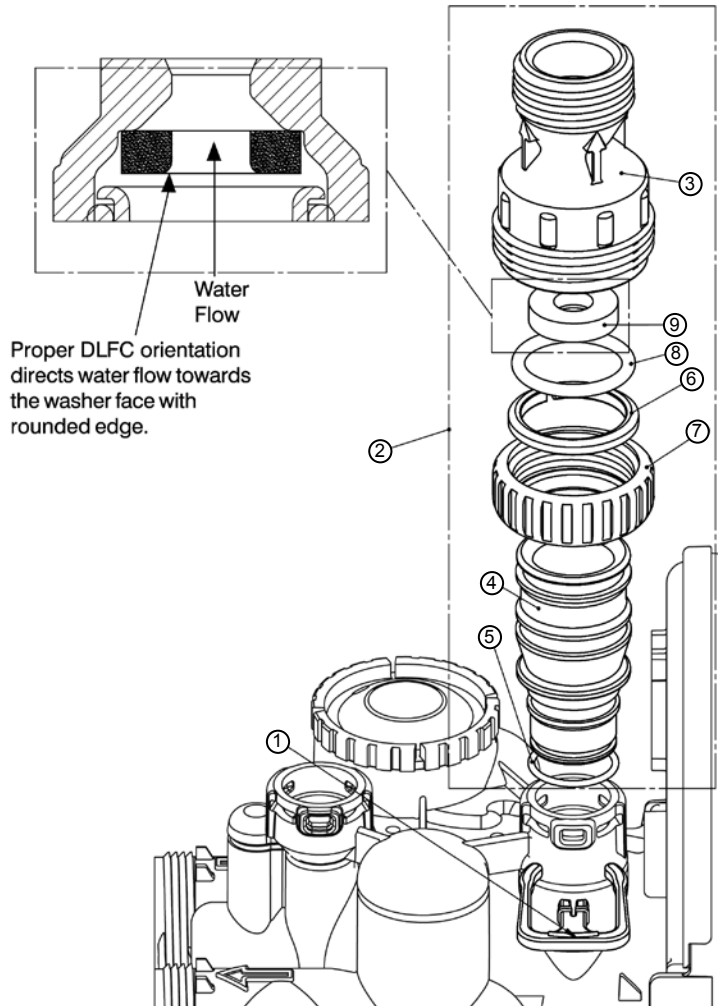
Drain Line - 3/4"

Drawing No.	Order No.	Description	Quantity
29	A2411015	Elbow Locking Clip	1
30	A2409013	Polytube insert 5/8	Option
31	A2095065	Nut 3/4 Drain Elbow	Option
32	A2099056	Drain Elbow 3/4 Male Assembly	1
◆33	Use Item 51	O-Ring 019 (Use Valve O-ring Kit)	1
34	A2104034	Drain Flow Washer Retainer Assembly	1
35	A2253114	Drain Flow Washer 0.7 gpm for 3/4	One DLFC must be used if 3/4 fitting is used
	A2253099	Drain Flow Washer 1.0 gpm for 3/4	
	A2253084	Drain Flow Washer 1.3 gpm for 3/4	
	A2253083	Drain Flow Washer 1.7 gpm for 3/4	
	A2253081	Drain Flow Washer 2.2 gpm for 3/4	
	A2253082	Drain Flow Washer 2.7 gpm for 3/4	
	A2253085	Drain Flow Washer 3.2 gpm for 3/4	
	A2253086	Drain Flow Washer 4.2 gpm for 3/4	
A2253087	Drain Flow Washer 5.3 gpm for 3/4		

Drain Line - 1”

Drawing No.	Order No.	Description	Quantity
1	A2411015	Elbow Locking Clip	1
2	A2099072	Drain FTG 1” Straight	1
3*	A2005075	Drain FTG Body 1”	1
4*	A2097040	Drain FTG Adapter 1”	1
5*	A2077179	O-Ring 019	1
6*	A2453012	Split Ring	1
7*	A2095069	Nut 1” Quick Connect	1
8*	A2077178	O-Ring 215	1
9	A2253117	DLFC 9.0 gpm for 1	One DLFC must be used if 1 fitting is used
	A2253118	DLFC 11.0 gpm for 1	
	A2253119	DLFC 13.0 gpm for 1	
	A2253120	DLFC 17.0 gpm for 1	
	A2253121	DLFC 20.0 gpm for 1	
	A2253122	DLFC 25.0 gpm for 1	

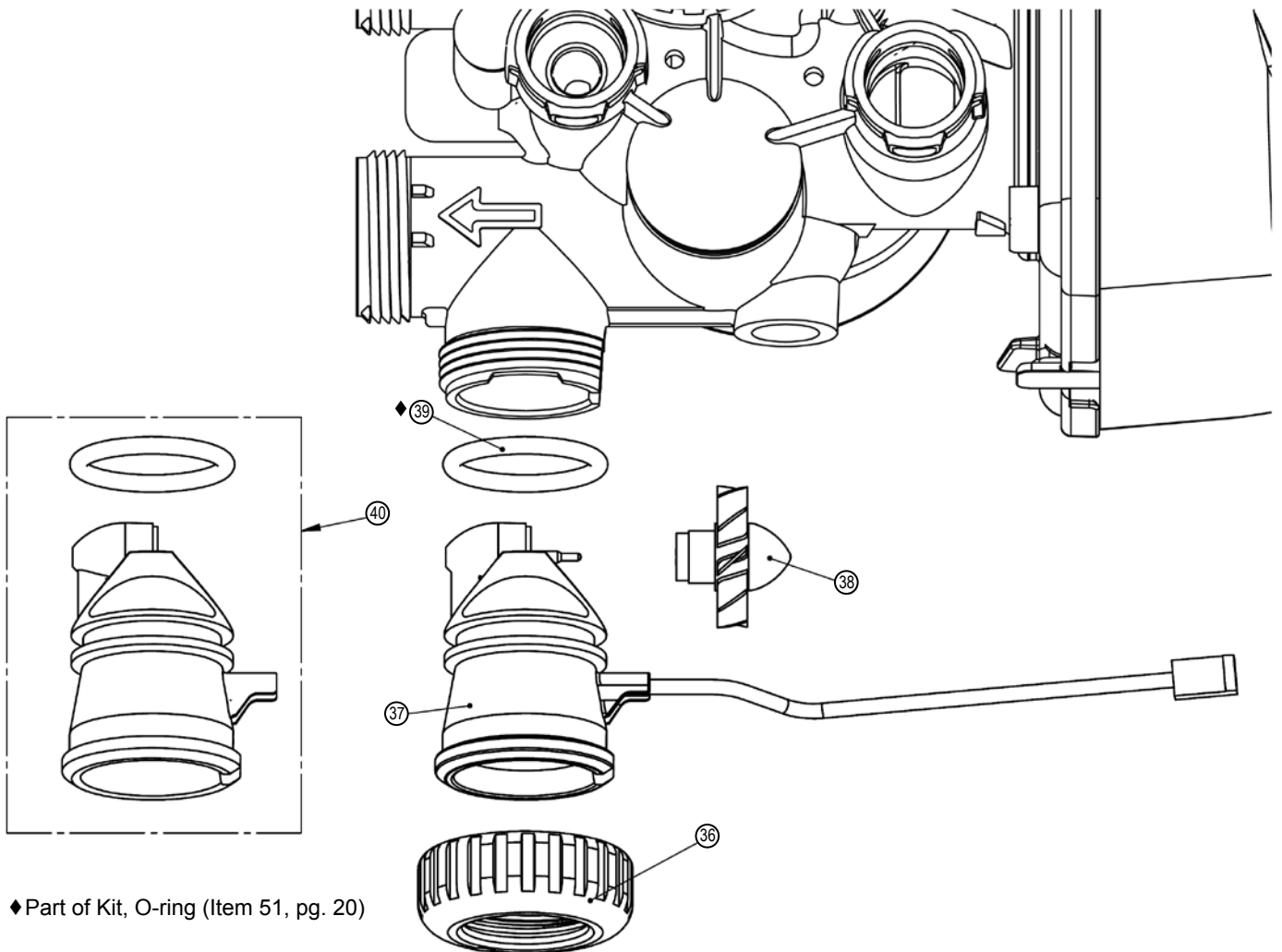
*Can be ordered as a set order number A2099072, description: Drain FTG 1 Straight.



Water Meter and Meter Plug

Item No.	Part No.	Description	Quantity
36	A2095069	Nut 1" Quick Connect	1
*37	A2360039	Meter Assembly	1
38	A2100027	Turbine Assembly	1
39	use item 51	O-Ring 215 (Use Valve O-ring Kit)	1
40	A2287077	Meter Plug Assembly (Time clock option)	1

*Item #37 includes Items #38 & #39.



Item No.	Part No.	Description	Quantity
41	A2095069	Nut 1" Quick Connect	2
42	A2453012	Split Ring	2
●43	use item 52	O-Ring 215 (Kit available - see Item #10)	2
44	A2607004	Bypass 1" Rotor	2
45	A2080090	Bypass Cap	2
46	A2395009	Bypass Handle	2
47	A2104036	Bypass Rotor Seal Retainer	2
●48	use item 52	O-Ring 135 (use Bypass Valve Kit)	2
●49	use item 52	O-Ring 112 (use Bypass Valve Kit)	2
●50	use item 52	O-Ring 214 (use Bypass Valve Kit)	2

●Part of Kit, O-ring By-Pass(Item 52)

◆ Valve O-ring Kit

51	B1213022	KIT O-ring (contains 1 each of 3, 6, 15, 17, 26, & 33)	1 per valve
----	----------	--	-------------

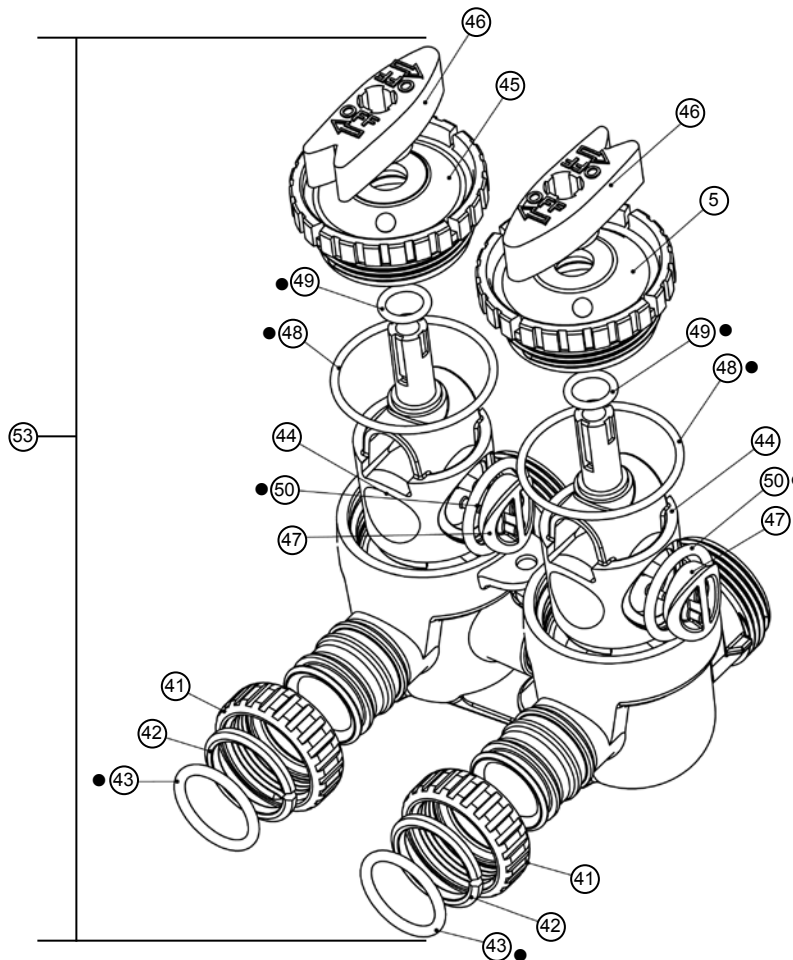
● Bypass Valve O-ring Kit

52	B1213021	KIT O-ring Bypass (Incl. 2 ea. of items 43,48,49,& 50)	1 per valve
----	----------	--	-------------

(Not Shown) Order No. A2412076, Description Bypass Vertical Adapter Assembly

Complete Assembly

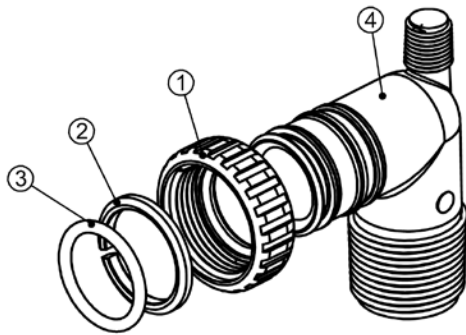
53	A23540231	Bypass Valve Complete / Less Connectors	1 per valve
----	-----------	---	-------------



Order No: **A2129080 (Optional)**

Description: **Fitting 1" PVC Male NPT Elbow Assembly**

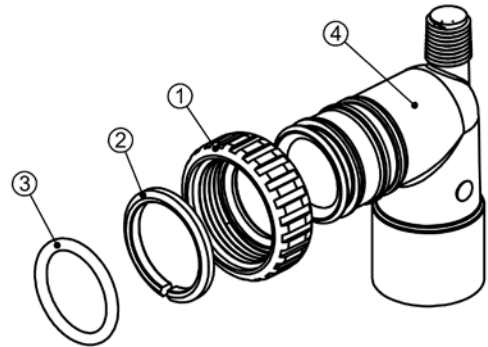
Drawing No.	Order No.	Description	Quantity
1	A2095069	Nut 1" Quick Connect	2
2	A2453012	Split Ring	2
3	A2077178	O-Ring 215	2
4	A2129101	Fitting 1" PVC Male NPT Elbow	2



Order No: **A2099054 (Optional)**

Description: **Fitting 3/4" & 1" PVC Solvent 90° Asy**

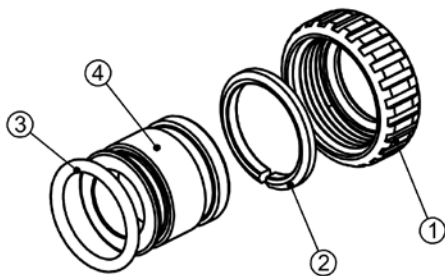
Drawing No.	Order No.	Description	Quantity
1	A2095069	Nut 1" Quick Connect	2
2	A2453012	Split Ring	2
3	A2077178	O-Ring 215	2
4	A2569008	Fitting 3/4" & 1" PVC Solvent 90	2



Order No: **A2435068 (Standard)**

Description: **Fitting 1" Brass Sweat Assembly**

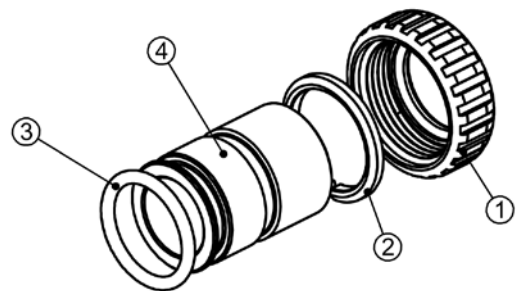
Drawing No.	Order No.	Description	Quantity
1	A2095069	Nut 1" Quick Connect	2
2	A2453012	Split Ring	2
3	A2077178	O-Ring 215	2
4	A2569006	Fitting 1" Brass Sweat	2



Order No: **A2435072 (Optional)**

Description: **Fitting 3/4" Brass Sweat Assembly**

Drawing No.	Order No.	Description	Quantity
1	A2095069	Nut 1" Quick Connect	2
2	A2453012	Split Ring	2
3	A2077178	O-Ring 215	2
4	A2569007	Fitting 3/4" Brass Sweat	2



Part No.	Description	Quantity
A2095069	Nut 1" Quick Connect	2
A2453012	Split Ring	2
A2077178	O-Ring 215	2
A2412076	Bypass Vertical Adapter Assembly	2