

**INTEGRITY**  
*PEARL OF THE SEA*

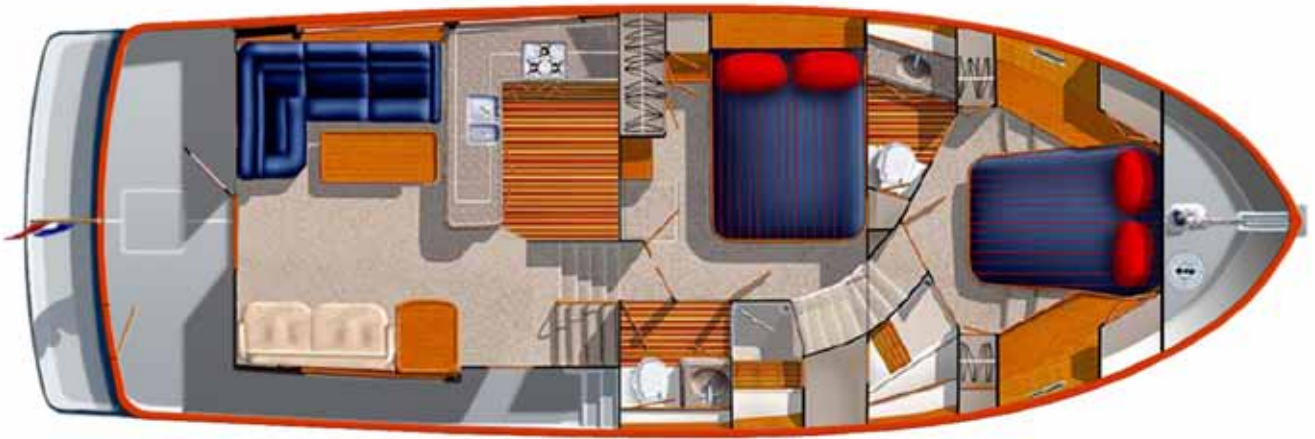
# Coastal Express 450



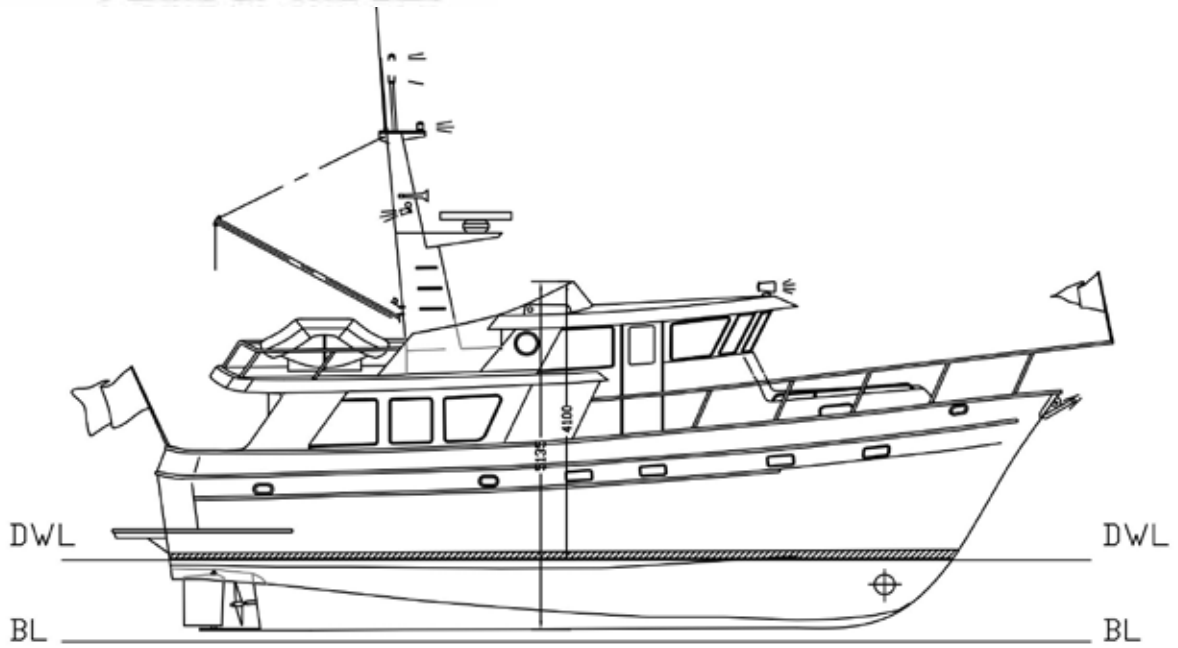
Import: Swanta-Yachting VOF Mozartlaan 15G 1217CM Hilversum The Netherlands  
[www.integritytrawlers.nl](http://www.integritytrawlers.nl) Email: [info@integritytrawlers.nl](mailto:info@integritytrawlers.nl) Tel. +31(0)627890535

# INTEGRITY

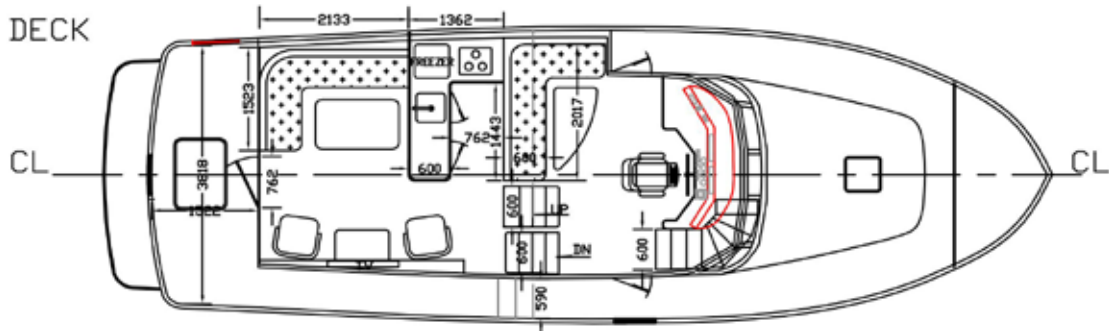
PEARL OF THE SEA



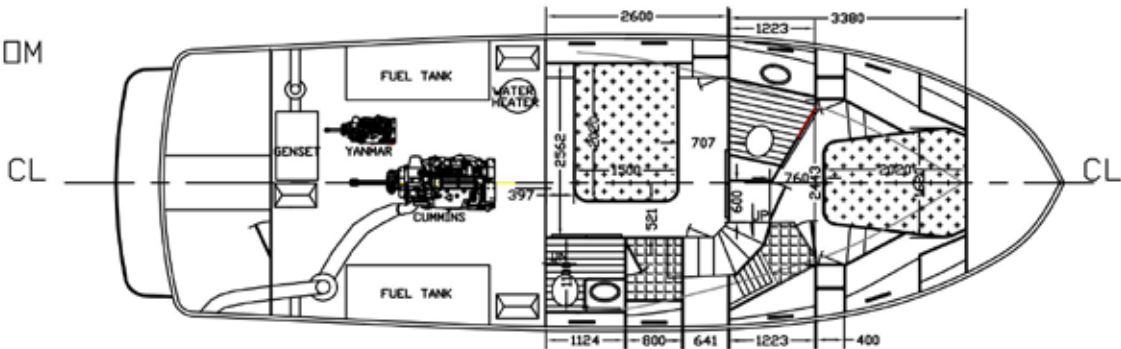
SIDE



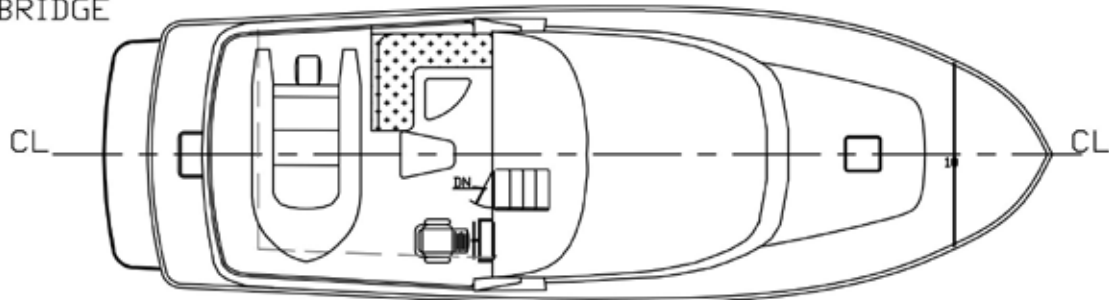
MAIN DECK



BOTTOM



FLY-BRIDGE



**PRINCIPAL DIMENSIONS**

<b>LOA</b>	13.6m <42'-8">
<b>LWL</b>	11.85m <38'-9">
<b>DRAFT</b>	1.21m <4'-3">
<b>BEAM</b>	4.34m <14'-3">





## Integrity 450 Coastal Express

### Principals and particulars

Length overall:(w.swimplatform)	44' 3"(13.50 m)
Length of water line:	38' 9"( 11.85m)
Beam O.A.:	14'-3" ( 4.35m)
Draught:	4'-3" (1.31 m)
Water Capacity:	250 GAL (950 L)
Fuel Capacity	450 GAL (1700 L)
Construction:	Hand laid fiberglass
Sleeping accommodation	6 - 8 persons

### Standard Equipment

#### Mechanical Equipment

Single **Yanmar 315 HP** diesel engine equipped with heat exchangers for fresh water cooling  
ZF 85A transmission

Wet Exhaust

Engine overheat & low oil pressure alarms.

Complete engine instrumentation at each control station.

**Racor** fuel filter system.

Fiberglass drip pan under engine.

316 S/S prop shaft.

**P.Y.I.** dripless shaft seal.

4 bladed propeller.

Rudder- fiberglass blade w/ s/s shaft

**SeaStar** hydraulic steering system

Engine room blowers & air intake vents.

Superior engine room sound proofing material.

Three 12vdc electric bilge pumps with float switches and manual/auto switching

Manual bilge pump.

Fuel manifold with dedicated supply, return and bypass valves

Fuel tanks with sumps, sight gauge and inspection ports

Water tank welded stainless steel with sight gauges

**Morse** engine throttle & gear box controls (individual).

Sea cocks on all thru hulls at or below water line.

**Raritan** 12Gal 220 VAC hot water heater

**Jabsco** 12Vdc pressurized constant pressure fresh water pump system

All thru hulls at or below water line are double s/s hose clamped



## Hardware

S/S Anchor platform with roller.

Bow & stern staffs.

Cleats-2 bow, 2 amidships, 2 aft with chocks or fair leads s/s.

Pilothouse windows

Pilothouse doors

Salon side door

Aft Salon door

Saloon windows-aluminum framed. Selected windows slide.

Forward saloon window No frame.

Stainless steel rub rails

Port lights - 8 in hull with screens (or equivalent).

Aluminum Radar mast with deck illumination lighting.

Aluminum Boom

Sliding door locks on saloon sliding doors with keys.

Horn electric.

Sliding hatch to boat deck.

FRP Swim platform.foldable

Deck rails 1.25" stainless steel.

Flybridge helm seat **Garelick** adjustable.

Transom gate with step plates, Aft with hinging door

Side gate starboard side

Windscreen wiper and washer

International navigation lights.

Main deck 12 vdc ceiling lights starboard and aft.

Interior handrail for stairs.

Accommodation Halogen ceiling lights.

Halogen Reading lights in cabins.

Engine room and lazarette overhead lighting

Cabin door locks etc.

Transom hot and cold fresh water shower

4 step folding s/s swim ladder

## Electrical System & Components

**Onan** diesel generator 4KW 220V AC 50Hz complete with sound shield, muffler & fresh water cooling & separate starting battery.

Three 150 AMP hour engine starting & lighting batteries in F.G. battery boxes

Customized Paneltronics (or equivalent) electrical panel utilizes USCG approved circuit **breakers** fitted with polarity indicator light, ship/shore switch, back lighting, integrated AC and DC volt/amp meters and concealed behind a lockable door.





Wiring to be color coded & numbered.  
Automatic battery charger  
Engine hour meter.  
Stereo speakers in each cabin.  
Electrical outlets to galley & each cabin.  
Ship to shore 30-amp dock side inlet fitting.  
Boom winch and cable

### **Flybridge**

Helm station fwd to starboard.  
“L” settee to port with fixed table.  
Vinyl cushions with foam & mesh backs  
All seating with ample storage under.  
Storage in flybridge brow and mast base  
Propane locker in flybridge brow or mast base  
Non-skid painted deck.  
26” s/s destroyer type steering wheel  
Clear Lexan windscreen.  
D.C outlet for accessory located adjacent to helm station.  
220volt AC outlet

### **Cockpit & side decks**

Settee dock box on port side fitted with cushion.  
Hinged hatch set to lazarette with gas stay and drainage channels  
Decks to be molded-in non-skid  
**Clear Lexan** windscreen.  
Caprails to be of fiberglass painted or gelcoated to an accent color to hull color.

### **Saloon**

Hi/Lo or yacht table optional.  
Bar with bottle storage.  
Plywood painted to accept carpeting.  
Hatch access to engine room with ladder. Gas stay fitted to hatch.  
Access doors starboard & aft.  
Overhead lights 12-volt dc Halogen.  
Headliner of white acoustic vinyl  
All furniture & bulkheads are golden Burmese teak.

### **Pilothouse**

26” Destroyer wheel  
Helm station centered



Overhead electronics console.  
L shaped dinette behind helm station converts to berth.  
Teak and holly sole.  
Chart storage cabinet.

## **Galley**

Teak galley unit.  
**Seaward Princess** Gas or Electric 3 burners stove with oven.  
**Xintex** propane control and alarm panel.  
Trash cabinet  
Stainless steel sink with cover & single lever faucet.  
**Weaco** CR-110 12VDC/220VAC refrigerator.  
Drawers and cabinets under counter.  
Overhead dish lockers.  
Exhaust blower.  
Overhead lights 12-volt dc Halogen  
Teak and holly sole

## **Master Stateroom**

Berth with drawers fitted under  
Wardrobe cedar lined with auto light.  
Painted plywood sole prepared ready for carpet  
Teak bulkheads & furniture.  
Mirror.(teak)  
Headliner of white acoustic vinyl.  
Halogen Reading lamps 12-volt dc.  
Halogen Overhead lights 12-volt dc.

## **Guest Cabin**

Tapered queen size bunk with drawers underneath.  
Wardrobe with auto light.  
Teak bulkheads.  
Teak & holly sole.  
Headlining white acoustic vinyl.  
Halogen Reading lamps 12-volt dc  
Halogen Overhead light 12-volt dc.

## **Heads**

Shower stall with glass door.  
Shower sole white Ceramic tiles with built in automatic drainage system



Bulkheads covered with white Formica

Vanity unit fitted with ceramic washbasin in white marble counter top.

Single lever shower & sink H & C water faucets.

220 volt AC outlets

Teak & holly sole.

Mirror.

**JABSCO** Designer series heads with household size bowls

Exhaust blower.

White Formica headliner.

Halogen Overhead lights 24 volt.

Fiberglass holding tank with Y-valve, **Jabsco** macerator pump, deck discharge outlet, **inspection** port to tank in engine room and remote "Full" display pane in head.

## **Miscellaneous**

Emergency tiller

Teak trim. Min 5 coats of varnish

Teak yacht name boards & hailing port boards.

Antifouling bottom paint

Owner's manual.

All drawers lock type.

Specs. Subject to change without notice. All measures & weights are approx.

Refer to dealer for international warranty.

## **Optional Equipment**

**Maxpower CT-100 12VDC Bowthruster**

**Quick** 1500 12Vdc electric windlass with up/down switches at each helm station and fore deck

Webasto heating 2x 5500 , or

Floorheating /Kabola

Mastervolt inverter 12/4000W-200A

S/s Bimini top frame with canvas

Teak main deck, teak flybridge

Teak and holly sole in saloon and cabins

Canvas cover flybridge seat

Canvas cover windshield instruments

Ratchie Compass

Corian galley counter top

Wooden Curtains

Deck wash salt water

Freezer



**Jabsco** Search light

Teak wheel rim (Lower station)

**Raymarine electronics package**

2XE140 display in pilothouse

1XE120 display in fly bridge

Raystar 125 GPS

Depth sounder

Ray 240 VHF in dual stations

Auto pilot in pilothouse

Auto pilothouse in fly bridge

VHF

Video cam



# INTEGRITY

PEARL OF THE SEA





# INTEGRITY

PEARL OF THE SEA



# INTEGRITY

PEARL OF THE SEA





# INTEGRITY

PEARL OF THE SEA



# INTEGRITY

PEARL OF THE SEA





# INTEGRITY

PEARL OF THE SEA



**INTEGRITY**  
PEARL OF THE SEA



The interior of the 450CE is spacious. The cabin in the front of the boat you reach via a beautiful staircase. The mastercabin is extra spacious and has its own ensuite shower and toilet. In the front is a separate shower and toilet. You will be surprised by the amount of storage space in the various cabins.

The pilothouse has a good 180 degree view and has a comfortable sitting area which can be transformed to a double bed. The kitchen is spacious and the saloon very comfortable with a nice L shape seating area. The flybridge with a second control area is reachable from the pilothouse and gives you the ultimate feeling of an outdoor living. The tender can have its place there and an electric winch helps you to disembark the tender. The professional equipped engine room is reachable from the lazaret through a hatch on the aftdeck. There is also ample space for a generator and other equipment

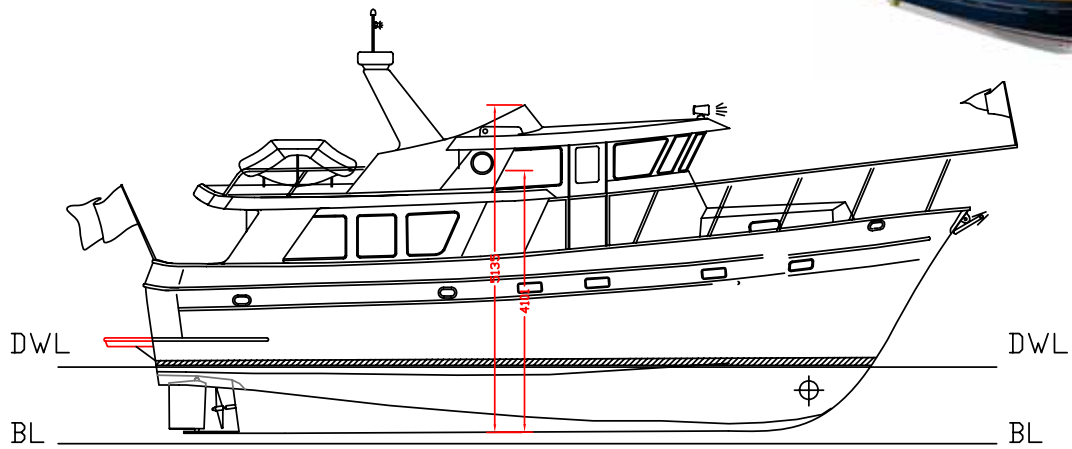
# INTEGRITY

PEARL OF THE SEA

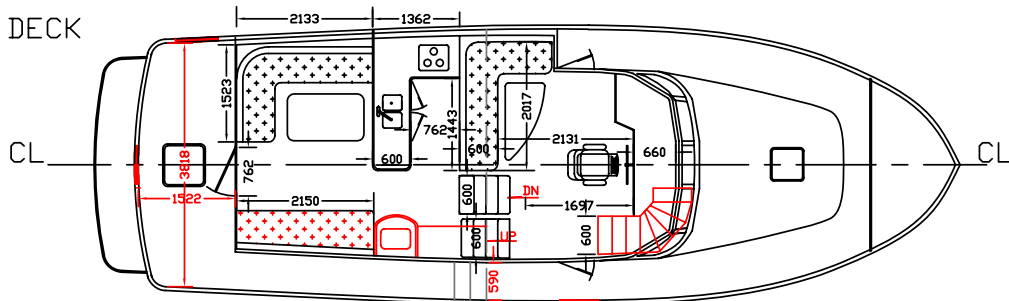




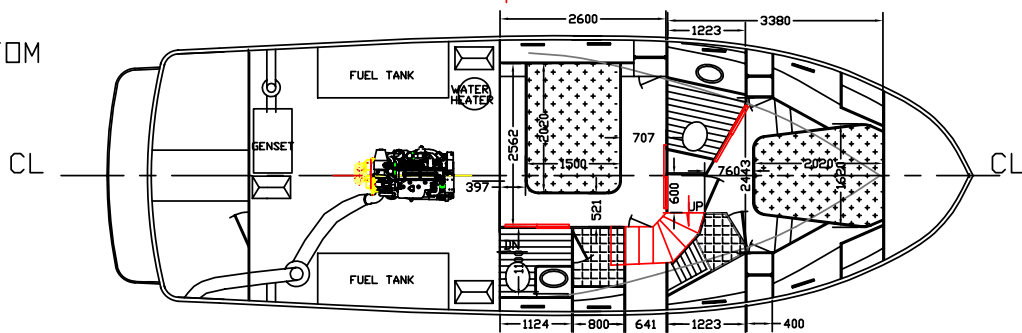
SIDE



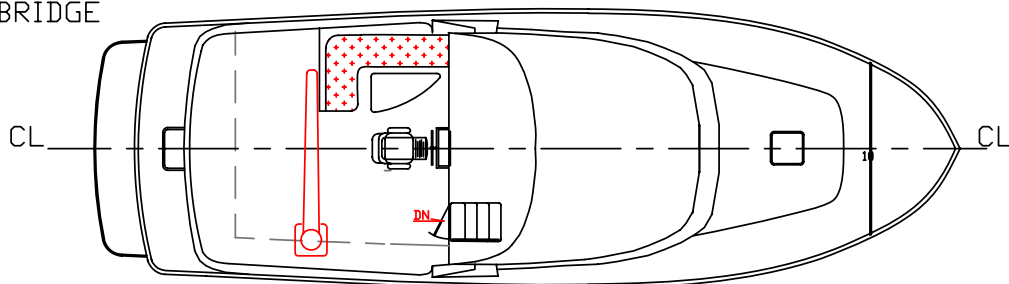
MAIN DECK



BOTTOM



FLY-BRIDGE



Also available with GRP Radararch and different interior layout. Mastercabin and guestcabin reachable via stairs in the pilothouse.



**INTEGRITY**  
PEARL OF THE SEA





550CE  
16.30m x 4.80m x 1.50m



650CE  
18.98m x 5.07m x 1.52m

Cruise in luxury and comfort,  
cruise Integrity Coastal express.

The ultimate in yachting