



Code 61 4-Bolt Flanges

O'Ring Boss

National Pipe Thread

Socket Weld Pipe

Socket Weld Tube

Butt Weld Pipe

Cover Plates

Union Plates

Gage Blocks

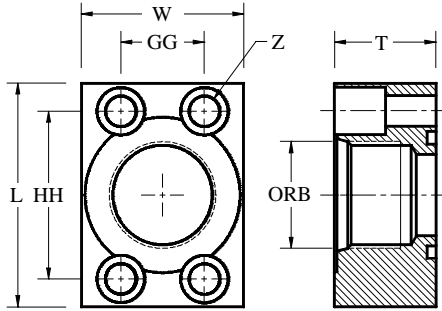
Transitions

Blanking Plates



O'Ring Boss (ORB) / Code 61 Flange

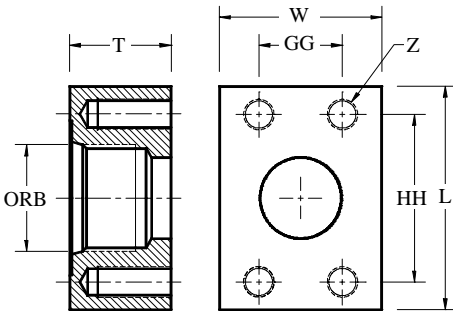
ORB / Code 61 O'Ring Face Flange



Socket Head Mounting Kit Supplied

Code 61 Part No.	ORB Size	Flange Size	Z	GG	HH	W	L	T
1203-08-08	#8 (3/4"-16)	1/2"	11/32	0.688	1.500	1.50	2.19	1.00
1203-12-12	#12 (1-1/16"-12)	3/4"	13/32	0.875	1.875	1.75	2.63	1.00
1203-12-16	#12 (1-1/16"-12)	1.00"	13/32	1.031	2.062	2.00	2.81	1.00
1203-16-16	#16 (1-5/16"-12)	1.00"	13/32	1.031	2.062	2.00	2.81	1.00
1203-16-20	#16 (1-5/16"-12)	1.25"	15/32	1.188	2.312	2.50	3.13	1.25
1203-20-20	#20 (1-5/8"-12)	1.25"	15/32	1.188	2.312	2.50	3.13	1.25
1203-20-24	#20 (1-5/8"-12)	1.50"	17/32	1.406	2.750	3.00	3.69	1.25
1203-24-24	#24 (1-7/8"-12)	1.50"	17/32	1.406	2.750	3.00	3.69	1.25
1203-24-32	#24 (1-7/8"-12)	2.00"	17/32	1.688	3.062	3.50	4.00	1.50
1203-32-32	#32 (2.50"-12)	2.00"	17/32	1.688	3.062	3.50	4.00	1.50
1203-32-40	#32 (2.50"-12)	2.50"	17/32	2.00	3.500	4.00	4.50	1.50

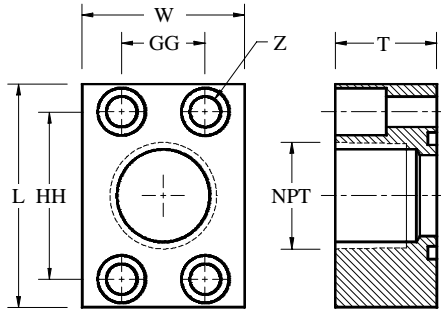
ORB / Code 61 Companion Face Flange



Code 61 Part No.	ORB Size	Flange Size	Z	GG	HH	W	L	T
1202-08-08	#8 (3/4"-16)	1/2"	5/16"-18	0.688	1.500	1.50	2.19	1.00
1202-12-12	#12 (1-1/16"-12)	3/4"	3/8"-16	0.875	1.875	1.75	2.63	1.00
1202-12-16	#12 (1-1/16"-12)	1.00"	3/8"-16	1.031	2.062	2.00	2.81	1.00
1202-16-16	#16 (1-5/16"-12)	1.00"	3/8"-16	1.031	2.062	2.00	2.81	1.00
1202-16-20	#16 (1-5/16"-12)	1.25"	7/16"-14	1.188	2.312	2.50	3.13	1.25
1202-20-20	#20 (1-5/8"-12)	1.25"	7/16"-14	1.188	2.312	2.50	3.13	1.25
1202-20-24	#20 (1-5/8"-12)	1.50"	1/2"-13	1.406	2.750	3.00	3.69	1.25
1202-24-24	#24 (1-7/8"-12)	1.50"	1/2"-13	1.406	2.750	3.00	3.69	1.25
1202-24-32	#24 (1-7/8"-12)	2.00"	1/2"-13	1.688	3.062	3.50	4.00	1.50
1202-32-32	#32 (2.50"-12)	2.00"	1/2"-13	1.688	3.062	3.50	4.00	1.50
1202-32-40	#32 (2.50"-12)	2.50"	1/2"-13	2.00	3.500	4.00	4.50	1.50

National Pipe Thread (NPT) / Code 61 Flange

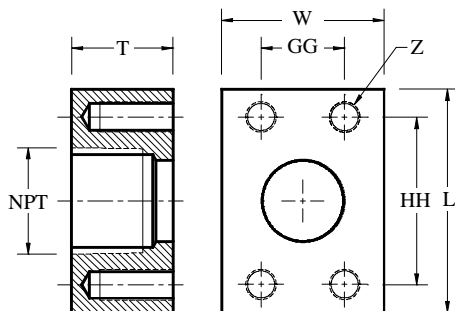
NPT / Code 61 O'Ring Face Flange



Socket Head Mounting Kit Supplied

Code 61 Part No.	NPT Size	Flange Size	Z	GG	HH	W	L	T
1201-08-08	1/2"-14	1/2"	11/32	0.688	1.500	1.50	2.19	1.00
1201-12-12	3/4"-14	3/4"	13/32	0.875	1.875	1.75	2.63	1.00
1201-12-16	3/4"-14	1.00"	13/32	1.031	2.062	2.00	2.81	1.00
1201-16-16	1"-11.5	1.00"	13/32	1.031	2.062	2.00	2.81	1.00
1201-16-20	1"-11.5	1.25"	15/32	1.188	2.312	2.50	3.13	1.25
1201-20-20	1.25"-11.5	1.25"	15/32	1.188	2.312	2.50	3.13	1.25
1201-20-24	1.25"-11.5	1.50"	17/32	1.406	2.750	3.00	3.69	1.25
1201-24-24	1.50"-11.5	1.50"	17/32	1.406	2.750	3.00	3.69	1.25
1201-24-32	1.50"-11.5	2.00"	17/32	1.688	3.062	3.50	4.00	1.50
1201-32-32	2.00"-11.5	2.00"	17/32	1.688	3.062	3.50	4.00	1.50
1201-32-40	2.00"-11.5	2.50"	17/32	2.000	3.500	4.00	4.50	1.50
1201-40-40	2.50"-8	2.50"	17/32	2.000	3.500	4.00	4.50	1.50
1201-40-48	2.50"-8	3.00"	21/32	2.438	4.188	5.00	5.31	1.50
1201-48-48	3.00"-8	3.00"	21/32	2.438	4.188	5.00	5.31	1.50
1201-48-56	3.00"-8	3.50"	21/32	2.750	4.750	5.00	6.00	1.50
1201-56-56	3.50"-8	3.50"	21/32	2.750	4.750	5.00	6.00	1.50
1201-56-64	3.50"-8	4.00"	21/32	3.062	5.125	6.00	6.38	1.50
1201-64-64	4.00"-8	4.00"	21/32	3.062	5.125	6.00	6.38	1.50

NPT / Code 61 Companion Face Flange

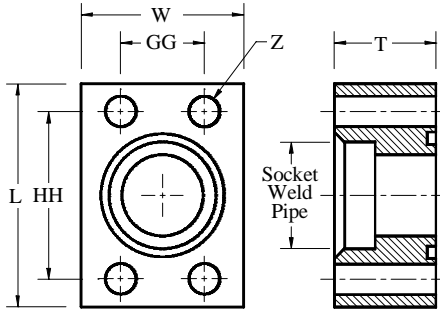


Code 61 Part No.	NPT Size	Flange Size	Z	GG	HH	W	L	T
1200-08-08	1/2"-14	1/2"	5/16"-18	0.688	1.500	1.50	2.19	1.00
1200-12-12	3/4"-14	3/4"	3/8"-16	0.875	1.875	1.75	2.63	1.00
1200-12-16	3/4"-14	1.00"	3/8"-16	1.031	2.062	2.00	2.81	1.00
1200-16-16	1"-11.5	1.00"	3/8"-16	1.031	2.062	2.00	2.81	1.00
1200-16-20	1"-11.5	1.25"	7/16"-14	1.188	2.312	2.50	3.13	1.25
1200-20-20	1.25"-11.5	1.25"	7/16"-14	1.188	2.312	2.50	3.13	1.25
1200-20-24	1.25"-11.5	1.50"	1/2"-13	1.406	2.750	3.00	3.69	1.25
1200-24-24	1.50"-11.5	1.50"	1/2"-13	1.406	2.750	3.00	3.69	1.25
1200-24-32	1.50"-11.5	2.00"	1/2"-13	1.688	3.062	3.50	4.00	1.50
1200-32-32	2.00"-11.5	2.00"	1/2"-13	1.688	3.062	3.50	4.00	1.50
1200-32-40	2.00"-11.5	2.50"	1/2"-13	2.000	3.500	4.00	4.50	1.50
1200-40-40	2.50"-8	2.50"	1/2"-13	2.000	3.500	4.00	4.50	1.50
1200-40-48	2.50"-8	3.00"	5/8"-11	2.438	4.188	5.00	5.31	1.50
1200-48-48	3.00"-8	3.00"	5/8"-11	2.438	4.188	5.00	5.31	1.50
1200-48-56	3.00"-8	3.50"	5/8"-11	2.750	4.750	5.00	6.00	1.50
1200-56-56	3.50"-8	3.50"	5/8"-11	2.750	4.750	5.00	6.00	1.50
1200-56-64	3.50"-8	4.00"	5/8"-11	3.062	5.125	6.00	6.38	1.50
1200-64-64	4.00"-8	4.00"	5/8"-11	3.062	5.125	6.00	6.38	1.50

Socket Weld Pipe (SWP) / Code 61 Flange

SWP / Code 61 O'Ring Face Flange

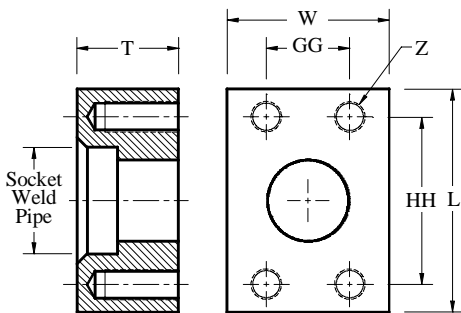
Code 61 Part No.	SWP Size	Flange Size	Z	GG	HH	W	L	T
1210-08-08	1/2" (0.845)	1/2"	11/32	0.688	1.500	1.50	2.19	1.00
1210-12-12	3/4" (1.055)	3/4"	13/32	0.875	1.875	1.75	2.63	1.00
1210-12-16	3/4" (1.055)	1.00"	13/32	1.031	2.062	2.00	2.81	1.00
1210-16-16	1.00" (1.320)	1.00"	13/32	1.031	2.062	2.00	2.81	1.00
1210-16-20	1.00" (1.320)	1.25"	15/32	1.188	2.312	2.50	3.13	1.25
1210-20-20	1.25" (1.670)	1.25"	15/32	1.188	2.312	2.50	3.13	1.25
1210-20-24	1.25" (1.670)	1.50"	17/32	1.406	2.750	3.00	3.69	1.25
1210-24-24	1.50" (1.910)	1.50"	17/32	1.406	2.750	3.00	3.69	1.25
1210-24-32	1.50" (1.910)	2.00"	17/32	1.688	3.062	3.50	4.00	1.50
1210-32-32	2.00" (2.385)	2.00"	17/32	1.688	3.062	3.50	4.00	1.50
1210-32-40	2.00" (2.385)	2.50"	17/32	2.000	3.500	4.00	4.50	1.50
1210-40-40	2.50" (2.888)	2.50"	17/32	2.000	3.500	4.00	4.50	1.50
1210-40-48	2.50" (2.888)	3.00"	21/32	2.438	4.188	5.00	5.31	1.50
1210-48-48	3.00" (3.510)	3.00"	21/32	2.438	4.188	5.00	5.31	1.50
1210-48-56	3.00" (3.510)	3.50"	21/32	2.750	4.750	5.00	6.00	1.50
1210-56-56	3.50" (4.010)	3.50"	21/32	2.750	4.750	5.00	6.00	1.50
1210-56-64	3.50" (4.010)	4.00"	21/32	3.062	5.125	6.00	6.38	1.50
1210-64-64	4.00" (4.510)	4.00"	21/32	3.062	5.125	6.00	6.38	1.50



Hex Head Mounting Kit Supplied

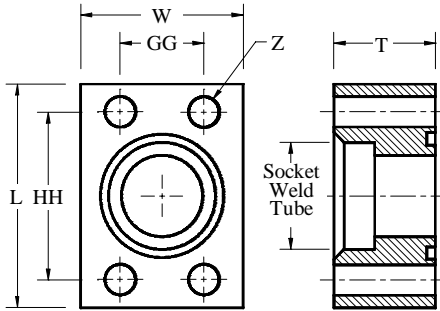
SWP / Code 61 Companion Face Flange

Code 61 Part No.	SWP Size	Flange Size	Z	GG	HH	W	L	T
1211-08-08	1/2" (0.845)	1/2"	5/16"-18	0.688	1.500	1.50	2.19	1.00
1211-12-12	3/4" (1.055)	3/4"	3/8"-16	0.875	1.875	1.75	2.63	1.00
1211-12-16	3/4" (1.055)	1.00"	3/8"-16	1.031	2.062	2.00	2.81	1.00
1211-16-16	1.00" (1.320)	1.00"	3/8"-16	1.031	2.062	2.00	2.81	1.00
1211-16-20	1.00" (1.320)	1.25"	7/16"-14	1.188	2.312	2.50	3.13	1.25
1211-20-20	1.25" (1.670)	1.25"	7/16"-14	1.188	2.312	2.50	3.13	1.25
1211-20-24	1.25" (1.670)	1.50"	1/2"-13	1.406	2.750	3.00	3.69	1.25
1211-24-24	1.50" (1.910)	1.50"	1/2"-13	1.406	2.750	3.00	3.69	1.25
1211-24-32	1.50" (1.910)	2.00"	1/2"-13	1.688	3.062	3.50	4.00	1.50
1211-32-32	2.00" (2.385)	2.00"	1/2"-13	1.688	3.062	3.50	4.00	1.50
1211-32-40	2.00" (2.385)	2.50"	1/2"-13	2.000	3.500	4.00	4.50	1.50
1211-40-40	2.50" (2.888)	2.50"	1/2"-13	2.000	3.500	4.00	4.50	1.50
1211-40-48	2.50" (2.888)	3.00"	5/8"-11	2.438	4.188	5.00	5.31	1.50
1211-48-48	3.00" (3.510)	3.00"	5/8"-11	2.438	4.188	5.00	5.31	1.50
1211-48-56	3.00" (3.510)	3.50"	5/8"-11	2.750	4.750	5.00	6.00	1.50
1211-56-56	3.50" (4.010)	3.50"	5/8"-11	2.750	4.750	5.00	6.00	1.50
1211-56-64	3.50" (4.010)	4.00"	5/8"-11	3.062	5.125	6.00	6.38	1.50
1211-64-64	4.00" (4.510)	4.00"	5/8"-11	3.062	5.125	6.00	6.38	1.50



Socket Weld Tube (SWT) / Code 61 Flange

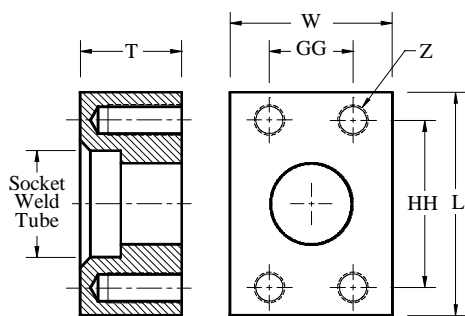
SWT / Code 61 O'Ring Face Flange



Hex Head Mounting Kit Supplied

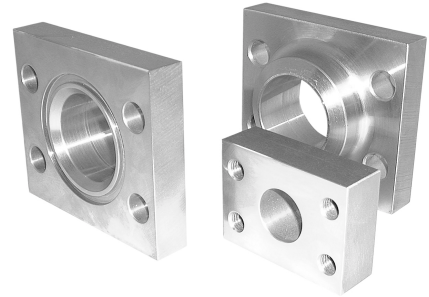
Code 61 Part No.	SWT Size	Flange Size	Z	GG	HH	W	L	T
1208-08-08	1/2" (0.505)	1/2"	11/32	0.688	1.500	1.50	2.19	1.00
1208-10-08	5/8" (0.630)	1/2"	11/32	0.688	1.500	1.50	2.19	1.00
1208-12-12	3/4" (0.755)	3/4"	13/32	0.875	1.875	1.75	2.63	1.00
1208-16-12	1.00" (1.005)	3/4"	13/32	0.875	1.875	1.75	2.63	1.00
1208-16-16	1.00" (1.005)	1.00"	13/32	1.031	2.062	2.00	2.81	1.00
1208-20-16	1.25" (1.255)	1.00"	13/32	1.031	2.062	2.00	2.81	1.00
1208-20-20	1.25" (1.255)	1.25"	15/32	1.188	2.312	2.50	3.13	1.25
1208-24-20	1.50" (1.510)	1.25"	15/32	1.188	2.312	2.50	3.13	1.25
1208-24-24	1.50" (1.510)	1.50"	17/32	1.406	2.750	3.00	3.69	1.25
1208-28-24	1.75" (1.760)	1.50"	17/32	1.406	2.750	3.00	3.69	1.25
1208-32-24	2.00" (2.010)	1.50"	17/32	1.406	2.750	3.00	3.69	1.25
1208-32-32	2.00" (2.010)	2.00"	17/32	1.688	3.062	3.50	4.00	1.50

SWT / Code 61 Companion Face Flange

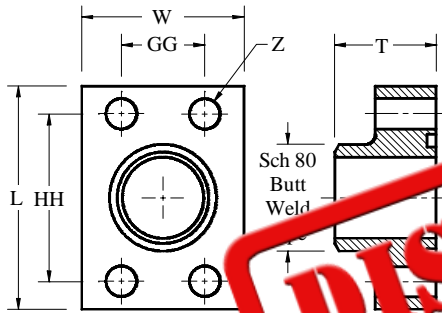


Code 61 Part No.	SWT Size	Flange Size	Z	GG	HH	W	L	T
1209-08-08	1/2" (0.505)	1/2"	5/16"-18	0.688	1.500	1.50	2.19	1.00
1209-10-08	5/8" (0.630)	1/2"	5/16"-18	0.688	1.500	1.50	2.19	1.00
1209-12-12	3/4" (0.755)	3/4"	3/8"-16	0.875	1.875	1.75	2.63	1.00
1209-16-12	1.00" (1.005)	3/4"	3/8"-16	0.875	1.875	1.75	2.63	1.00
1209-16-16	1.00" (1.005)	1.00"	3/8"-16	1.031	2.062	2.00	2.81	1.00
1209-20-16	1.25" (1.255)	1.00"	3/8"-16	1.031	2.062	2.00	2.81	1.00
1209-20-20	1.25" (1.255)	1.25"	7/16"-14	1.188	2.312	2.50	3.13	1.25
1209-24-20	1.50" (1.510)	1.25"	7/16"-14	1.188	2.312	2.50	3.13	1.25
1209-24-24	1.50" (1.510)	1.50"	1/2"-13	1.406	2.750	3.00	3.69	1.25
1209-28-24	1.75" (1.760)	1.50"	1/2"-13	1.406	2.750	3.00	3.69	1.25
1209-32-24	2.00" (2.010)	1.50"	1/2"-13	1.406	2.750	3.00	3.69	1.25
1209-32-32	2.00" (2.010)	2.00"	1/2"-13	1.688	3.062	3.50	4.00	1.50

Sch 80 Butt Weld Pipe (BWP) / Code 61 Flange



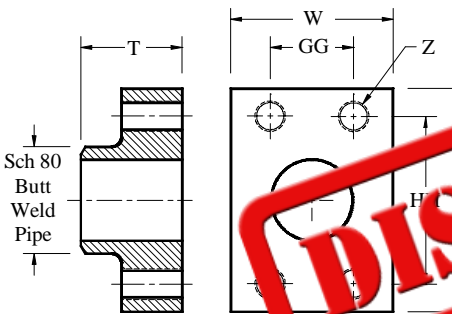
Sch 80 Butt Weld Pipe / Code 61 Hex Head Mounting Face Flange



Hex Head Mounting Face Flange

Code 61 Part No.	BWP Size	Flange Size	Z	GG	HH	W	L	T
2313-08-08	1/2" Sch 80	1/2"	5/8"-8	0.875	1.500	1.50	2.19	1.00
2313-12-12	3/4" Sch 80	3/4"	7/8"-11	1.125	1.750	1.75	2.63	1.00
2313-16-16	1.00" Sch 80	1.00"	1-13	1.375	2.062	2.00	2.81	1.00
2313-20-20	1.25" Sch 80	1.25"	1-13	1.625	2.312	2.50	3.13	1.25
2313-24-24	1.50" Sch 80	1.50"	1-13	1.875	2.562	3.00	3.69	1.25
2313-32-32	2.00" Sch 80	2.00"	1-13	2.375	3.062	3.50	4.00	1.50
2313-40-40	2.50" Sch 80	2.50"	1-13	2.875	3.562	4.00	4.50	1.50
2313-48-48	3.00" Sch 80	3.00"	1-13	3.375	4.062	5.00	5.31	1.50
2313-56-56	3.50" Sch 80	3.50"	1-13	3.875	4.562	5.00	6.00	1.50
2313-64-64	4.00" Sch 80	4.00"	1-13	4.375	5.062	6.00	6.38	1.50

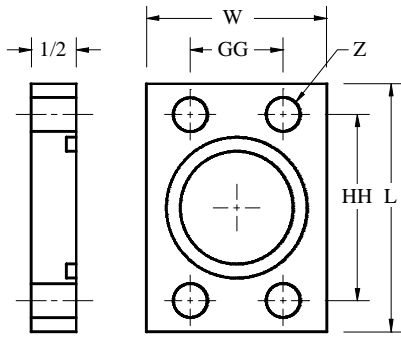
Sch 80 Butt Weld Pipe / Code 61 Common Face Flange



Code 61 Part No.	BWP Size	Flange Size	Z	GG	HH	W	L	T
2314-08-08	1/2" Sch 80	1/2"	5/8"-8	0.875	1.500	1.50	2.19	1.00
2314-12-12	3/4" Sch 80	3/4"	7/8"-11	1.125	1.750	1.75	2.63	1.00
2314-16-16	1.00" Sch 80	1.00"	1-13	1.375	2.062	2.00	2.81	1.00
2314-20-20	1.25" Sch 80	1.25"	1-13	1.625	2.312	2.50	3.13	1.25
2314-24-24	1.50" Sch 80	1.50"	1-13	1.875	2.562	3.00	3.69	1.25
2314-32-32	2.00" Sch 80	2.00"	1-13	2.375	3.062	3.50	4.00	1.50
2314-40-40	2.50" Sch 80	2.50"	1-13	2.875	3.562	4.00	4.50	1.50
2314-48-48	3.00" Sch 80	3.00"	5/8"-11	3.375	4.062	5.00	5.31	1.50
2314-56-56	3.50" Sch 80	3.50"	5/8"-11	3.875	4.562	5.00	6.00	1.50
2314-64-64	4.00" Sch 80	4.00"	5/8"-11	4.375	5.062	6.00	6.38	1.50

Code 61 Blanking & Cover Plates

Code 61 O'Ring Face Blanking Plates

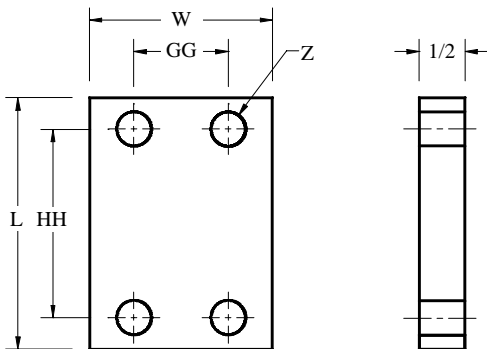


Hex Head Mounting Kit Supplied
c/w O'Ring

Code 61 Part No.	Flange Size	Z	GG	HH	W	L
3365-12	3/4"	13/32	0.875	1.875	1.75	2.63
3365-16	1.00"	13/32	1.031	2.062	2.00	2.81
3365-20	1.25"	15/32	1.188	2.312	2.50	3.13
3365-24	1.50"	17/32	1.406	2.750	3.00	3.69
3365-32	2.00"	17/32	1.688	3.062	3.50	4.00
3365-40	2.50"	17/32	2.000	3.500	4.00	4.50
3365-48	3.00"	21/32	2.438	4.188	5.00	5.31
3365-56	3.50"	21/32	2.750	4.750	5.00	6.00
3365-64	4.00"	21/32	3.062	5.125	6.00	6.38

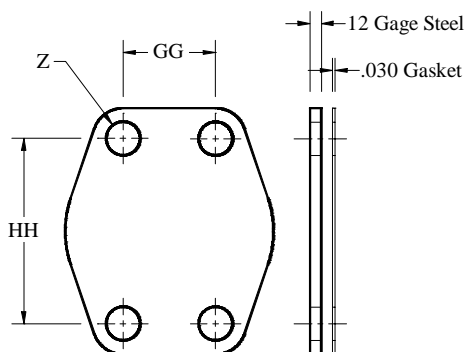
For O'Ring Head Style Blanking Plugs, See Part No. 1830-Size

Code 61 Flat Face Blanking Plates



Code 61 Part No.	Flange Size	Z	GG	HH	W	L
1205-12	3/4"	13/32	0.875	1.875	1.75	2.63
1205-16	1.00"	13/32	1.031	2.062	2.00	2.81
1205-20	1.25"	15/32	1.188	2.312	2.50	3.13
1205-24	1.50"	17/32	1.406	2.750	3.00	3.69
1205-32	2.00"	17/32	1.688	3.062	3.50	4.00
1205-40	2.50"	17/32	2.000	3.500	4.00	4.50
1205-48	3.00"	21/32	2.438	4.188	5.00	5.31
1205-56	3.50"	21/32	2.750	4.750	5.00	6.00
1205-64	4.00"	21/32	3.062	5.125	6.00	6.38

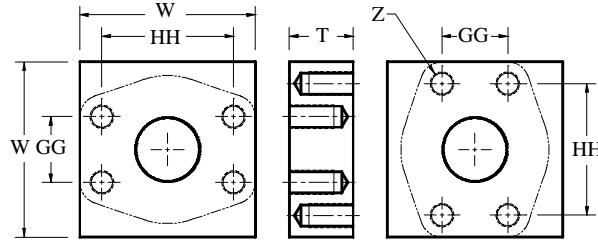
Code 61 Protective Cover Plates



Hex Head Mounting Kit Supplied

Code 61 Part No.	Flange Size	Z	GG	HH
3273-12	3/4"	13/32	0.875	1.875
3273-16	1.00"	13/32	1.031	2.062
3273-20	1.25"	15/32	1.188	2.312
3273-24	1.50"	17/32	1.406	2.750
3273-32	2.00"	17/32	1.688	3.062
3273-40	2.50"	17/32	2.000	3.500
3273-48	3.00"	21/32	2.438	4.188
3273-56	3.50"	21/32	2.750	4.750
3273-64	4.00"	21/32	3.062	5.125

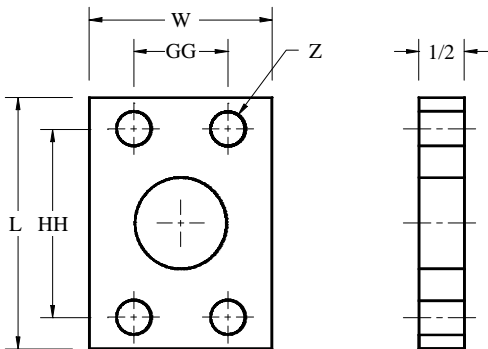
Code 61 Union Plates



Code 61 Companion Union Plates

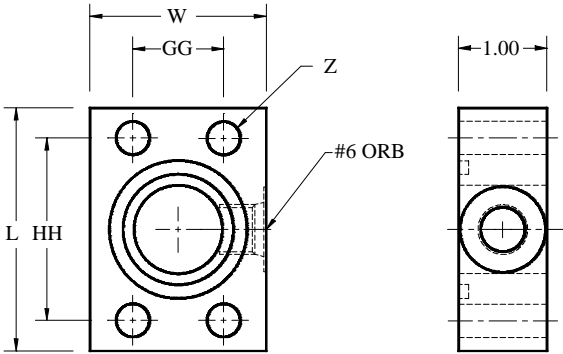
Code 61 Part No.	Flange Size	Z	GG	HH	W	T
3367-12-12	3/4"	3/8"-16	0.875	1.875	2.50	1.00
3367-16-16	1.00"	3/8"-16	1.031	2.062	2.75	1.00
3367-20-20	1.25"	7/16"-14	1.188	2.312	3.25	1.25
3367-24-24	1.50"	1/2"-13	1.406	2.750	3.75	1.50
3367-32-32	2.00"	1/2"-13	1.688	3.062	4.00	1.50
3367-40-40	2.50"	1/2"-13	2.000	3.500	4.50	1.50
3367-48-48	3.00"	5/8"-11	2.438	4.188	5.38	1.50
3367-56-56	3.50"	5/8"-11	2.750	4.750	6.00	1.50
3367-64-64	4.00"	5/8"-11	3.062	5.125	6.50	1.50

Code 61 Sandwich Union Plates



Code 61 Part No.	Flange Size	Z	GG	HH	W	L
1207-12	3/4"	13/32	0.875	1.875	1.75	2.63
1207-16	1.00"	13/32	1.031	2.062	2.00	2.81
1207-20	1.25"	15/32	1.188	2.312	2.50	3.13
1207-24	1.50"	17/32	1.406	2.750	3.00	3.69
1207-32	2.00"	17/32	1.688	3.062	3.50	4.00
1207-40	2.50"	17/32	2.000	3.500	4.00	4.50
1207-48	3.00"	21/32	2.438	4.188	5.00	5.31
1207-56	3.50"	21/32	2.750	4.750	5.00	6.00
1207-64	4.00"	21/32	3.062	5.125	6.00	6.38

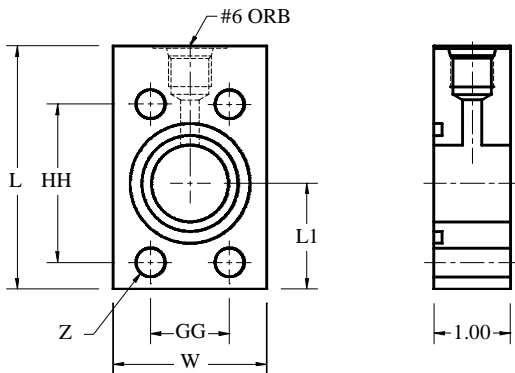
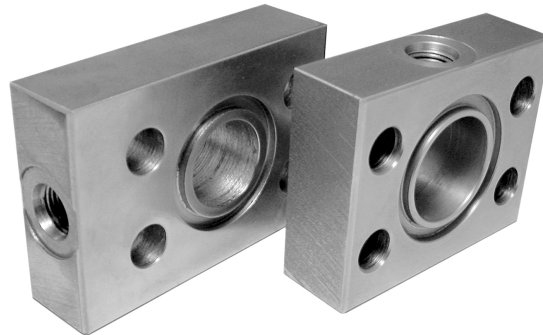
Code 61 Sandwich Style Gage Blocks



All sandwich style gage blocks come with #6 ORB side port and are 1.00" thick c/w O'Ring

Code 61 Sandwich Style Gage Blocks

Code 61 Part No.	Flange Size	Z	GG	HH	W	L
3046-12	3/4"	13/32	0.875	1.875	1.75	2.63
3046-16	1.00"	13/32	1.031	2.062	2.00	2.81
3046-20	1.25"	15/32	1.188	2.312	2.50	3.13
3046-24	1.50"	17/32	1.406	2.750	3.00	3.69
3046-32	2.00"	17/32	1.688	3.062	3.50	4.00
3046-40	2.50"	17/32	2.000	3.500	4.00	4.50
3046-48	3.00"	21/32	2.438	4.188	5.00	5.31
3046-56	3.50"	21/32	2.750	4.750	5.00	6.00
3046-64	4.00"	21/32	3.062	5.125	6.00	6.38

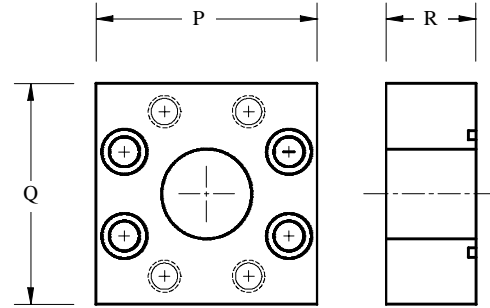
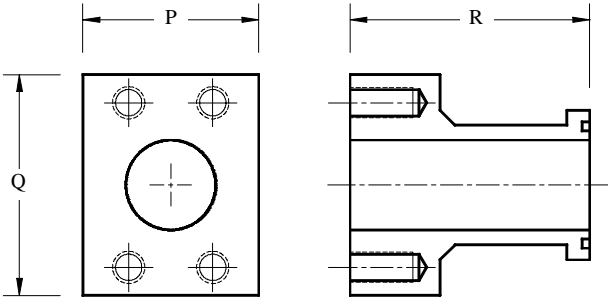


All sandwich style gage blocks come with #6 ORB side port and are 1.00" thick c/w O'Ring

Code 61 Sandwich Style Gage Blocks

Code 61 Part No.	Flange Size	Z	GG	HH	W	L	L1
3146-12	3/4"	13/32	0.875	1.875	1.75	3.13	1.28
3146-16	1.00"	13/32	1.031	2.062	2.00	3.19	1.38
3146-20	1.25"	15/32	1.188	2.312	2.50	3.50	1.56
3146-24	1.50"	17/32	1.406	2.750	3.00	3.69	1.84
3146-32	2.00"	17/32	1.688	3.062	3.50	4.00	2.00
3146-40	2.50"	17/32	2.000	3.500	4.00	4.50	2.25
3146-48	3.00"	21/32	2.438	4.188	5.00	5.31	2.66
3146-56	3.50"	21/32	2.750	4.750	5.00	6.00	3.00
3146-64	4.00"	21/32	3.062	5.125	6.00	6.38	3.19

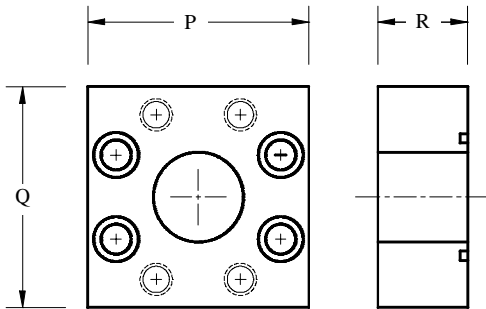
Code 61 Transition Flanges



Code 61 Step-Up Transition

Part No.	Code 61 Comp	Code 61 'O'Ring	P	Q	R
1816-12-08	3/4"	1/2"	1.75	2.56	2.88
1816-16-12	1.00"	3/4"	2.00	2.75	2.88
1816-20-16	1.25"	1.00"	2.50	3.12	3.00
1816-24-20	1.50"	1.25"	2.75	3.69	3.25
1816-32-24	2.00"	1.50"	3.50	4.00	3.63
1816-40-32	2.50"	2.00"	4.00	4.50	4.00
1816-48-40	3.00"	2.50"	5.00	5.31	4.50

Split Flange Kit Required for mounting
 See part number 1585-SIZE



Code 61 / Code 62 Transition

Part No.	Code 62 Comp	Code 61 'O'Ring	P	Q	R
1812-08-08	1/2"	1/2"	2.13	2.50	0.75
1812-12-12	3/4"	3/4"	2.63	3.00	0.75
1812-16-16	1.00"	1.00"	3.00	3.19	0.75
1812-20-20	1.25"	1.25"	3.13	4.00	1.00
1812-24-24	1.50"	1.50"	4.00	4.50	1.00
1812-32-32	2.00"	2.00"	4.00	5.25	1.50

Socket Head Mounting Kit Supplied

Code 61 Step-Down & Orientation Transitions

Part No.	Code 61 Comp	Code 61 'O'Ring	P	Q	R
1816-08-08	1/2"	1/2"	2.00	2.00	0.75
1816-08-12	1/2"	3/4"	3.00	2.13	0.75
1816-12-12	3/4"	3/4"	2.50	2.50	0.75
1816-12-16	3/4"	1.00"	3.00	2.56	0.75
1816-16-16	1.00"	1.00"	3.00	2.75	0.75
1816-12-20	3/4"	1.25"	3.13	2.50	1.00
1816-16-20	1.00"	1.25"	3.13	3.00	1.00
1816-20-20	1.25"	1.25"	3.13	3.00	1.00
1816-16-24	1.00"	1.50"	4.00	2.75	1.00
1816-20-24	1.25"	1.50"	4.00	3.13	1.00
1816-24-24	1.50"	1.50"	4.00	3.69	1.00
1816-20-32	1.25"	2.00"	4.00	3.13	1.50
1816-24-32	1.50"	2.00"	4.00	3.75	1.50
1816-32-32	2.00"	2.00"	4.00	4.00	1.50
1816-24-40	1.50"	2.50"	4.50	4.00	1.50
1816-32-40	2.00"	2.50"	4.50	4.00	1.50
1816-40-40	2.50"	2.50"	4.50	4.50	1.50
1816-32-48	2.00"	3.00"	5.50	4.00	1.50
1816-40-48	2.50"	3.00"	5.31	5.00	1.50
1816-48-48	3.00"	3.00"	5.50	5.31	1.50

Socket Head Mounting Kit Supplied

For Code 62 Transitions See Page 43-10