



AFTERMARKET PRODUCT LINE

EM / F / NE / NEK / NJ / NT / NTU / T

CATALOG

A decorative wavy line in red and teal colors, starting from the left and curving upwards and then downwards towards the right.

EMBRACO IN BRIEF

04

HIGH EFFICIENCY AND GREEN SOLUTIONS

05

PRODUCT RANGE

06

COMPRESSOR SELECTION

09

GENERAL DATA AND PERFORMANCE

14

EXTERNAL VIEWS AND WIRING DIAGRAMS

24

EMBRACO IN BRIEF



More than **11,500** employees



More than **400 professionals** in R&D



Production capacity of over **34 million** compressors per year



More than **400 million** products produced to date



More than **1,000** patents worldwide



Business conducted in more than **80 countries**



R&D laboratories on **4 continents**

EMBRACO specializes in cooling solutions and is the world leader in the hermetic compressor market. Our mission is to provide innovative solutions for a better quality of life, with a strong focus on technological excellence and sustainability.

Technological leadership, operational excellence and sustainability are key pillars in EMBRACO's organization that set us apart from other companies in the world market. Our products are preferred by major automakers and leading home appliance manufacturers; manufacturers of commercial refrigeration equipment specify our products in their design.

With global operations and production capacity exceeding 34 million units per year, Embraco offers solutions that are unique in their innovation and low energy consumption. Our factories and offices, located in the United States, Brazil (corporate headquarters), Mexico, China, Italy and Slovakia employ more than 11,500.

Embraco strives for energy efficiency in all of our processes and products. We build strong relationships with the communities in which we operate. We are the absolute leader in this regard, offering products that meet more restrictive international standards for energy consumption than our competitors.

As a worldwide leader, EMBRACO anticipates **market changes**, and in doing so, is in a state of permanent transformation. We continuously assess our processes in order to maintain our leadership within the industry and promote growth, without forgetting the pillars of our organization.



HIGH EFFICIENCY

Energy efficiency drives our product development. This means producing compressors that consume less energy and less raw material in manufacturing, while at the same time maintaining Embraco brand quality. Thus, we continually invest in research and development to create products that are increasingly more economical, quieter and environmentally friendly.

As a result of efforts to increase energy efficiency in our products, and to surpass our customers' highest expectations, we have developed Embraco Fullmotion – a compressor that varies the cooling capacity according to the need, providing a reduction in energy consumption by up to 40%.

We have a full product portfolio that offers compressors of the most diverse ranges of efficiency. We are a global benchmark in developing solutions that meet the most stringent international standards regarding energy consumption. With a commitment to seek continuous product and process improvement, each new generation of Embraco compressors is more efficient than the previous one.



GREEN SOLUTIONS

Embraco has always been committed to offering solutions to the market that go beyond the traditional. For example, we have been at the forefront in launching products compatible with the most environmentally advanced refrigerant gases. We were the first organization to produce compressors that use alternative fluid refrigerants, such as propane (R290), to replace CFCs. This natural refrigerant has important ecological advantages, since it does not contribute to ozone layer deterioration, nor to the greenhouse effect. Furthermore, its noise levels are low, while its efficiency rate gain and cooling capacity is quite high.



EMBRACO
VCC MODELS

HFO/PROPANE

Zero impact on the ozone layer.
Great ecological appeal.

CAPACITY AND EFFICIENCY RANGE

Capacity Range BTU/H

R-134a	LBP	340	EM	510	630	F	1190	950	NE	1706
	HBP	1480	EM	1775	2760	F	5300	1762	NEK	5960

BLEND	LBP	350	EM	635	756	F	1350			
	HBP				2791	F	5000			

R-404A	LBP							1212	NEK	2493
	HBP							4389	NEK	6855

R-22	LBP									
	HBP							4378	NE	6636

Efficiency Range BTU/Wh

R-134a	LBP	3.51	EM	4.45	3.74	F	4.33	3.73	NE	4.19
	HBP	8.62	EM	9.03	7.64	F	9.46	6.73	NEK	8.01

BLEND	LBP	4.12	EM	4.45	3.45	F	4.7			
	HBP				5.53	F	8.24			

R-404A	LBP							4.24	NEK	4.57
	HBP							3.86	NEK	4.72

R-22	LBP									
	HBP							6.87	NE	7.61

1595 **NT** 1595

LBP

R-134a

6401 **NT** 8414 9090 **NJ** 11130

HBP

LBP

BLEND

HBP

2628 **NT** 5710

4198 **NJ** 4502

LBP

R-404A

7332 **NT/NTU** 18318

HBP

LBP

R-22

7452 **T** 10400

11520 **NJ** 19366

HBP

4.25 **NT** 4.25

LBP

R-134a

7.54 **NT** 8.18 7.63 **NJ** 8.14

HBP

LBP

BLEND

HBP

4.03 **NT** 4.86

4.06 **NJ** 4.45

LBP

R-404A

6.03 **NT/NTU** 9.7

HBP

LBP

R-22

6.9 **T** 7.73

7.92 **NJ** 8.21

HBP

APPLICATIONS & TEST CONDITIONS

Applications

LBP

(Low Back Pressure)
Evaporating temperatures between -31°F and 14°F

Applications:
refrigerators, frozen food cabinets, frozen food display cases, display windows, etc.

L/M/HBP

(Low/Medium/High Back Pressure)
Evaporating temperatures between -31°F and 59°F

Applications:
ice makers, etc.

L/MBP

(Low/Medium Back Pressure)
Evaporating temperatures between -31°F and 23°F

Applications:
commercial display counters, and drinking fountains, etc.

M/HBP

(Medium Back Pressure)
Evaporating temperatures between 14°F and 32°F

Applications:
fresh food cabinets, bottle coolers, ice makers, dehumidifiers, walk-in coolers and freezers, etc.

HBP

(High Back Pressure)
Evaporating temperatures between 32°F and 59°F

Applications:
fresh food cabinets, dehumidifiers, etc.

Test Conditions

	Rating Point (°F)					
	ASHRAE			ARI		
	LBP	HBP32	HBP46	LBP	MBP	HBP
Evap.:	-10	45	45	-10	20	45
Cond.:	130	130	130	120	120	130
Liq.:	90	90	115	120	120	130
Amb.:	90	90	95	95	95	95
Suct.:	90	90	95	40	40	65

► Families

FAMILIES	LBP			MBP	HBP		M/HBP	L/M/HBP	
	R-134a	R-404A	Blend	R-404A	R-134a	R-22	R-22	R-134a	Blend
EM	×		×					×	
F								×	×
NE	×	×		×	×	×	×		
NJ		×			×	×	×		
NT		×		×	×				
T						×			

► Electrical Motor Starting Torque

DESCRIPTION	
LST	Low Starting Torque: LBP-MBP-HBP-AC applications with RSIR-RSCR-PSC electric motors. Execution suitable for systems with a capillary tube and with balanced pressures at start up.
HST	High Starting Torque: LBP-MBP-HBP applications with CSIR-CSR electric motors. Execution suitable for systems with expansion valve or capillary tube, with unbalanced pressures at start up.

IDENTIFICATION LABEL



- 1 - Compressor model
- 2 - Supply voltage
- 3 - Bill of materials code
- 4 - Serial number
- 5 - Agency approval marks
- 6 - Date code or production date
- 7 - Oil type and quantity
- 8 - Refrigerant type
- 9 - Current consumption (Rated Load Amperage, when applicable)
- 10 - Locked Rotor Amperage (when applicable)

NOMENCLATURE

EM

► **Compressor capacity in BTU/H – 60Hz – ASHRAE check point divided by 10**

► **Mechanical Kit**

S - Standard mechanical kit

► **Electrical Equipment**

P - PTC + Run Cap (optional)

R - Relay

C - PTC + Run Cap (mandatory)

S - PTC + Run Cap + Start Cap

V - PTC + Run Cap + Start Cap (optional)

X - Relay + Start Cap (mandatory)

LST

HST

EM I S 30 H H R

► **Compressor Family**
EM

► **Refrigerant Code**

□ - Blends

H - R-134a

► **Product Generation**

□ - Standard Generation

I - 1st Generation

T - 2nd Generation

U - 3rd Generation

Y - 4th Generation

Z - 5th Generation

X - 6th Generation

► **Efficiency Level**

N - Standard efficiency (LBP)

J - Intermediate efficiency (LBP)

E - Improved efficiency 1st generation (LBP)

S - Improved efficiency 2nd generation (LBP)

H - Standard efficiency (L/M/HBP)

D - Standard efficiency (HBP)

B - Standard efficiency (M/HBP)

NOMENCLATURE

F

Electrical System

- F - Relay / External Protector
- Relay / External Protector
- Start Cap (optional)

Refrigerant Code

- - Blends
- H - R-134a

Compressor Family

F

Application

B - L/M/HBP

F F I 12 H B X

Approximate compressor displacement in cm³ for FFC:
 approximate capacity in BTU/H – 60 Hz ASHRAE – Check point divided by 10

Efficiency Level

- - Standard efficiency
- I - Improved efficiency 1st generation
- U - Improved efficiency 2nd generation (for commercial refrigeration)
- C - Improved efficiency 3rd generation

Starting Characteristic

- K - LST (Low Starting Torque)
- X - HST (High Starting Torque)

NOMENCLATURE

NE NEK NT T NJ

► **Compressor Families**
NE / NEK / NT / T / NJ

► **Application Code**

1. LBP – LST
2. LBP – HST
3. M/HBP – LST
4. M/HBP – HST
5. M/HBP – LST
6. M/HBP – HST

► **Cooling Capacity**

The first digit is the number of zeros that must be added to the last two digits to obtain the cooling capacity (approx.) in kcal/h at 50 Hz.
E.g.: 144 = 440 kcal/h at 50 Hz.

NE K 6 215 Z V

► **Efficiency Level**

► **Refrigerant Code**

Z - ZX	R-134a
GK - GJ	R-404A
E - F - G	R-22

► **IPR Valve**

Available for some models

► Electrical Components

Type of Motor	STARTING DEVICE					CAPACITOR	
	Overload Protector	Current Relay	Voltage Relay	PTC	TSD	Start	Run
RSIR	×	×		×			
CSIR	×	×				×	
RSCR	×			×	×		×
PSC	×						×
CSR	×		×	*		×	×
3PHASE	×						
* Optional							

► Electrical Motor Types

DESCRIPTION	
RSIR	Resistive Start - Inductive Run: no start capacitor; no run capacitor.
RSCR	Resistive Start - Capacitive Run: no start capacitor; run capacitor is needed to improve the efficiency.
CSIR	Capacitive Start - Inductive Run: no run capacitor; start capacitor is needed to improve the torque.
CSR	Capacitive Start and Run - CSR version with capacitive run and start windings.
PSC	Permanent Split Capacitor - no starting device. Run capacitor is directly connected to the winding.

R-134a L/MBP 60Hz

MODEL	Displacement	HP	Voltage / Frequency	Motor Type	Rated Point - ASHRAE		Rated Point - ARI	
	in ³				-10°F / 130°F		-10°F / 120°F	
					Cooling	Efficiency	Cooling	Efficiency
					BTU/H	BTU/Wh	BTU/H	BTU/Wh
EMIS30HHR	0.18	1/10	115V/60Hz 1 ~	RSIR	340	3.75	279	3.07
EM45HHR	0.23	1/8	115V/60Hz 1 ~	RSIR	420	3.93	344	3.42
EMI55HER	0.28	1/6	115V/60Hz 1 ~	RSIR	510	4.45	420	3.87
EMI60HER	0.31	1/6	115V/60Hz 1 ~	RSIR	570	4.19	468	4.06
FF7.5HBK	0.42	1/5+	115V/60Hz 1 ~	RSIR	630	3.75	518	3.28
EMIS70HHR	0.36	1/5	115V/60Hz 1 ~	RSIR	700	4.68	574	4.50
FF8.5HBK	0.49	1/4	115V/60Hz 1 ~	RSIR/CSIR	740	3.74	607	3.28
FF10HBK	0.55	1/4+	115V/60Hz 1 ~	RSIR	840	3.75	688	3.28
FF10HBX	0.55	1/4+	115V/60Hz 1 ~	CSIR	840	3.88	691	3.44
FFI10HBX	0.55	1/3	115V/60Hz 1 ~	CSIR	1,065	4.33	873	3.78
FFI12HBX	0.68	1/3+	115V/60Hz 1 ~	CSIR	1,190	4.08	976	3.57

R-134a LBP 60Hz

MODEL	Displacement	HP	Voltage / Frequency	Motor Type	Rated Point - ASHRAE		Rated Point - ARI	
	in ³				-10°F / 130°F		-10°F / 120°F	
					Cooling	Efficiency	Cooling	Efficiency
					BTU/H	BTU/Wh	BTU/H	BTU/Wh
NE2121Z	0.57	1/4	115V/60Hz 1~	CSIR	950	3.73	781	3.25
NE2130Z	0.74	1/3	115V/60Hz 1~	CSIR	1,252	4.05	1,027	3.54
NE2134Z	0.87	1/2	115V/60Hz 1~	CSIR	1,450	4.19	1,189	3.66
NT2134Z	1.06	1/2	115V/60Hz 1~	CSIR	1,595	4.25	1,309	3.72
NEK2140Z	1.02	1/2	115V/60Hz 1~	CSIR	1,706	4.06	1,332	3.21

R-134a HBP 60Hz

MODEL	Displacement	HP	Voltage / Frequency	Motor Type	Rated Point - ASHRAE		Rated Point - ARI	
	in ³				45°F / 130°F		45°F / 130°F	
					Cooling	Efficiency	Cooling	Efficiency
					BTU/H	BTU/Wh	BTU/H	BTU/Wh
EMIS30HHR	0.18	1/10	115V/60Hz 1 ~	RSIR	1,480	9.03	1,173	7.20
EM45HHR	0.23	1/8	115V/60Hz 1 ~	RSIR	1,775	8.62	1,408	6.87
FF7.5HBK	0.42	1/5+	115V/60Hz 1 ~	RSIR	2,760	7.84	2,186	6.25
EMIS70HHR	0.36	1/5	115V/60Hz 1 ~	RSIR	2,870	9.44	2,267	7.34
FF8.5HBK	0.49	1/4	115V/60Hz 1 ~	RSIR/CSIR	3,135	7.70	2,483	6.14
FF10HBK	0.55	1/4+	115V/60Hz 1 ~	RSIR	3,530	7.64	2,796	6.09
FF10HBX	0.55	1/4+	115V/60Hz 1 ~	CSIR	3,650	7.87	2,842	6.27
FFI10HBX	0.55	1/3	115V/60Hz 1 ~	CSIR	4,400	9.46	3,485	7.53
FFI12HBX	0.68	1/3+	115V/60Hz 1 ~	CSIR	5,300	8.66	4,198	6.90

	Cooling Capacity / Evaporating Temperature °F - ASHRAE - BTU/H						Max Height	Weight	LRA	Cooling Type	Lubricant		Exp Device	Drawings		MODEL
	-31	-22	-13	-4	5	14					in.	lbs.		Oil Charge fl.oz.	Type / Viscosity	
	121	196	286	394	523	677	6.52	14.93			16.00	S		5.41	ISO22	
164	271	388	520	672	850	6.52	16.51	17.00	S/F	5.41	ISO22	C	DWG01	SM07	EM45HHR	
228	330	459	616	806	1,034	6.52	16.76	18.70	S/F	5.41	ISO22	C	DWG01	SM07	EMI55HER	
238	356	507	689	902	1,144	6.52	16.93	20.90	S/F	5.41	ISO22	C	DWG01	SM07	EMI60HER	
224	355	506	682	889	1,134	7.66	23.68	25.00	S/F	9.47	ISO22	C	DWG09	SM08	FF7.5HBK	
326	467	636	841	1,089	1,386	6.52	17.72	28.20	F	5.41	ISO10	C	DWG01	SM08	EMIS70HHR	
362	499	674	893	1,164	1,493	7.66	23.81	34.50	S/F	9.47	ISO22	C	DWG09	SM08	FF8.5HBK	
368	542	755	1,015	1,330	1,707	7.94	25.34	40.00	S/F	9.47	ISO22	C	DWG09	SM08	FF10HBK	
348	556	788	1,056	1,371	1,745	7.90	24.93	35.00	F	9.47	ISO22	C/V	DWG09	SM08	FF10HBX	
421	668	957	1,296	1,694	2,161	7.90	25.09	35.00	F	9.47	ISO22	C/V	DWG09	SM08	FF10HBX	
542	753	1,044	1,422	1,891	2,457	7.90	25.40	43.00	F	9.47	ISO22	C/V	DWG09	SM08	FF12HBX	

	Cooling Capacity / Evaporating Temperature °F - ASHRAE - BTU/H						Max Height	Weight	LRA	Cooling Type	Lubricant		Exp Device	Drawings		MODEL
	-31	-22	-13	-4	5	14					in.	lbs.		Oil Charge fl.oz.	Type / Viscosity	
	372	502	666	861	1,154	1,475	7.87	24.30			29.00	F		11.83	POE 22	
567	775	1,025	1,308	1,636	2,001	7.87	24.30	38.00	F	11.83	POE 22	C/V	DWG04	SM04	NE2130Z	
652	878	1,141	1,448	1,820	2,254	7.87	24.30	33.00	F	11.83	POE 22	C/V	DWG04	SM04	NE2134Z	
718	966	1,255	1,593	2,003	2,480	8.66	34.61	33.70	F	15.22	POE 22	C/V	DWG16	SM20	NT2134Z	
806	1,072	1,424	1,865	2,384	2,992	8.11	24.30	40.00	F	11.83	POE 22	C/V	DWG04	SM04	NEK2140Z	

	Cooling Capacity / Evaporating Temperature °F - ASHRAE - BTU/H							Max Height	Weight	LRA	Cooling Type	Lubricant		Exp Device	Drawings		MODEL
	-4	5	14	23	32	41	50					in.	lbs.		Oil Charge fl.oz.	Type / Viscosity	
	394	523	677	858	1,069	1,315	1,597	6.52	14.93			16.00	F		5.41	ISO22	
520	673	850	1,057	1,299	1,581	1,908	6.52	16.51	19.00	S/F	5.41	ISO22	C	DWG01	SM07	EM45HHR	
682	889	1,134	1,423	1,761	2,155	2,609	7.66	23.68	25.00	S/F	9.47	ISO22	C	DWG09	SM08	FF7.5HBK	
841	1,089	1,386	1,741	2,161	2,652	3,222	6.52	17.72	28.20	F	5.41	ISO10	C	DWG01	SM07	EMIS70HHR	
893	1,164	1,493	1,886	2,351	2,894	3,521	7.66	23.81	34.50	S/F	9.47	ISO22	C	DWG09	SM08	FF8.5HBK	
1,015	1,330	1,707	2,155	2,681	3,293	4,000	7.94	25.34	40.00	S/F	9.47	ISO22	C	DWG09	SM08	FF10HBK	
1,056	1,371	1,745	2,189	2,715	3,336	4,061	7.90	24.93	35.00	F	9.47	ISO22	C/V	DWG09	SM08	FF10HBX	
1,296	1,694	2,161	2,705	3,335	4,060	4,889	7.90	25.09	35.00	F	9.47	ISO22	C/V	DWG09	SM08	FF10HBX	
1,422	1,891	2,457	3,124	3,899	4,785	5,789	7.90	25.40	43.00	F	9.47	ISO22	C/V	DWG09	SM08	FF12HBX	

R-134a M/HBP 60Hz

MODEL	Displacement	HP	Voltage / Frequency	Motor Type	Rated Point - ASHRAE		Rated Point - ARI	
	in ³				45°F / 130°F		45°F / 130°F	
					Cooling	Efficiency	Cooling	Efficiency
					BTU/H	BTU/Wh	BTU/H	BTU/Wh
NEK6132Z	0.28	1/6	115V/60Hz 1~	CSIR	1,762	7.28	1,472	6.03
NEK6144Z	0.33	1/6	115V/60Hz 1~	CSIR	2,183	7.44	1,814	6.15
NEK6160Z	0.44	1/4	115V/60Hz 1~	CSIR	2,884	8.01	2,570	7.19
NEK6170Z	0.51	1/4	115V/60Hz 1~	CSIR	3,336	7.98	2,971	7.17
NEK6187Z	0.61	1/3 +	115V/60Hz 1~	CSIR	3,830	7.88	3,410	7.07
NEK6210Z	0.74	1/3	115V/60Hz 1~	CSIR	4,524	7.44	4,031	6.67
NEK6212Z	0.87	1/2	115V/60Hz 1~	CSIR	5,178	6.76	4,610	6.06
NEK6214Z	1.02	3/4 -	115V/60Hz 1~	CSR	5,960	6.99	5,309	6.27
NEK6214Z	1.02	3/4 -	208-230V/60Hz 1~	CSR	5,792	6.73	5,163	6.03
NT6215Z	1.06	1/2 +	115V/60Hz 1~	CSIR	6,626	8.18	5,903	7.34
NT6215Z	1.06	1/2 +	208-230V/60Hz 1~	CSIR	6,401	7.67	5,702	6.88
NT6217Z	1.24	3/4 +	115V/60Hz 1~	CSR	7,460	7.54	6,646	6.76
NT6217Z	1.24	3/4 +	208-230V/60Hz 1~	CSIR	7,579	7.74	6,755	6.94
NT6220Z	1.37	1	115V/60Hz 1~	CSR	8,414	7.83	7,489	6.76
NT6220Z	1.37	1	208-230V/60Hz 1~	CSIR	8,351	7.73	7,433	6.94
NJ6220Z	1.59	1	115V/60Hz 1~	CSIR	10,169	8.14	9,060	7.31
NJ6220Z	1.59	1	208-230V/60Hz 1~	CSIR	9,090	7.63	8,099	6.85
NJ6226Z	2.10	1 1/4	208-230V/60Hz 1~	CSR	11,130	7.70	9,916	6.91

R-404A / R-507 LBP 60Hz

MODEL	Displacement	HP	Voltage / Frequency	Motor Type	Rated Point - ASHRAE		Rated Point - ARI	
	in ³				-10°F / 130°F		-10°F / 120°F	
					Cooling	Efficiency	Cooling	Efficiency
					BTU/H	BTU/Wh	BTU/H	BTU/Wh
NEK2121GK	0.33	1/3	115V/60Hz 1~	CSIR	1,212	4.24	920	3.14
NEK2125GK	0.38	1/3 +	115V/60Hz 1~	CSIR	1,458	4.51	1,120	3.38
NEK2134GK	0.53	1/2	115V/60Hz 1~	CSIR	1,948	4.50	1,490	3.38
NEK2134GK	0.53	1/2	208-230V/60Hz 1~	CSIR	1,858	4.42	1,366	3.31
NEK2150GK	0.74	1/2 +	115V/60Hz 1~	CSIR	2,493	4.57	1,828	3.43
NEK2150GK	0.74	1/2+	208-230V/60Hz 1~	CSIR	2,361	4.03	1,809	3.15
NT2168GKV	0.88	3/4	115V/60Hz 1~	CSR	2,628	4.14	1,983	3.12
NT2168GKV	0.88	3/4	208-230V/60Hz 1~	CSR	2,694	4.35	2,088	3.53
NT2180GKV	1.25	1	115V/60Hz 1~	CSR	3,822	4.03	3,079	3.47
NT2180GKV	1.25	1	208-230V/60Hz 1~	CSR	3,962	4.50	2,917	3.38
NT2192GKV	1.37	1 1/4	115V/60Hz 1~	CSR	4,198	4.06	3,219	3.49
NT2192GKV	1.37	1 1/4	208-230V/60Hz 1~	CSR	4,306	4.89	3,246	3.57
NJ2192GK	1.59	1 1/4	115V/60Hz 1~	CSR	4,500	4.45	3,339	3.96
NJ2192GK	1.59	1 1/4	208-230V/60Hz 1~	CSR	4,502	4.45	3,313	3.28
NJ2212GK	2.10	1 1/2	115V/60Hz 1~	CSR	5,444	4.15	4,039	3.70
NJ2212GK	2.10	1 1/2	208-230V/60Hz 1~	CSR	5,911	5.12	4,386	4.56
NT2212GKV	1.70	1 1/2	115V/60Hz 1~	CSR	5,629	4.53	4,139	3.39
NT2212GKV	1.70	1 1/2	208-230V/60 Hz	CSR	5,710	4.86	4,198	3.52

	Cooling Capacity / Evaporating Temperature °F - ASHRAE - BTU/H						Max Height	Weight	LRA	Cooling Type	Lubricant		Exp Device	Drawings		MODEL
	5	14	23	32	41	50					Oil Charge fl.oz.	Type / Viscosity		External View	Wiring Diagram	
	in.	lbs.														
510	719	929	1,180	1,472	1,806	7.36	22.05	26.0	F	11.84	POE 22	C/V	DWG04	SM04	NEK6132Z	
650	914	1,173	1,476	1,828	2,225	7.36	22.27	26.0	F	11.84	POE 22	C/V	DWG04	SM04	NEK6144Z	
-	1,210	1,536	1,922	2,372	2,889	7.36	22.93	28.5	F	11.84	POE 22	C/V	DWG04	SM04	NEK6160Z	
-	1,446	1,798	2,237	2,746	3,327	7.36	22.93	28.5	F	11.84	POE 22	C/V	DWG04	SM04	NEK6170Z	
-	1,626	2,038	2,548	3,147	3,840	7.87	24.26	37.0	F	11.84	POE 22	C/V	DWG04	SM04	NEK6187Z	
-	1,963	2,465	3,057	3,735	4,503	7.87	24.26	37.0	F	11.84	POE 22	C/V	DWG04	SM04	NEK6210Z	
-	2,248	2,836	3,510	4,282	5,144	8.11	25.58	40.0	F	11.84	POE 22	C/V	DWG04	SM04	NEK6212Z	
-	2,555	3,237	4,031	4,927	5,923	8.11	25.58	48.0	F	11.84	POE 22	C/V	DWG04	SM06	NEK6214Z	
-	2,495	3,147	3,904	4,769	5,728	8.11	25.14	30.0	F	11.84	POE 22	C/V	DWG04	SM06	NEK6214Z	
-	3,050	3,915	4,915	6,051	7,321	8.15	36.38	44.0	F	15.22	POE 22	C/V	DWG16	SM20	NT6215Z	
-	2,941	3,705	4,601	5,627	6,781	8.15	37.49	20.8	F	15.22	POE 22	C/V	DWG16	SM20	NT6215Z	
-	3,552	4,507	5,582	6,781	8,100	8.66	38.59	45.0	F	15.22	POE 22	C/V	DWG16	SM21	NT6217Z	
-	3,413	4,331	5,399	6,612	7,976	8.15	38.59	31.0	F	15.22	POE 22	C/V	DWG16	SM20	NT6217Z	
-	3,654	4,463	5,742	7,409	9,705	8.70	37.48	N/A	F	15.22	POE 22	C/V	DWG16	SM21	NT6220Z	
-	4,082	5,121	6,324	7,691	9,220	8.70	37.92	N/A	F	15.22	POE 22	C/V	DWG16	SM20	NT6220Z	
-	3,417	4,556	5,803	7,171	8,677	10.43	43.66	72.0	F	25.36	POE 22	C/V	DWG18	SM28	NJ6220Z	
-	3,263	4,413	5,762	7,302	9,029	10.43	44.76	42.0	F	25.36	POE 22	C/V	DWG18	SM28	NJ6220Z	
-	4,331	5,736	7,339	9,130	11,112	9.96	43.88	40.0	F	25.36	POE 22	C/V	DWG18	SM17	NJ6226Z	

	Cooling Capacity / Evaporating Temperature °F - ASHRAE - BTU/H							Max Height	Weight	LRA	Cooling Type	Lubricant		Exp Device	Drawings		MODEL
	-40	-31	-22	-13	-4	5	14					Oil Charge fl.oz.	Type / Viscosity		External View	Wiring Diagram	
	in.	lbs.															
307	396	509	652	820	1,011	1,226	7.35	22.93	26.5	F	11.84	POE 22	C/V	DWG04	SM04	NEK2121GK	
379	488	625	789	980	1,195	1,434	7.35	22.93	26.5	F	11.84	POE 22	C/V	DWG04	SM04	NEK2125GK	
427	598	806	1,048	1,322	1,626	1,957	7.86	24.26	37.5	F	11.84	POE 22	C/V	DWG04	SM04	NEK2134GK	
420	570	762	990	1,257	1,561	1,892	8.10	25.58	20.0	F	11.84	POE 22	C/V	DWG04	SM04	NEK2134GK	
577	772	1,018	1,315	1,660	2,046	2,476	8.10	25.58	41.5	F	11.84	POE 22	C/V	DWG04	SM04	NEK2150GK	
550	749	987	1,290	1,635	2,020	2,449	8.10	25.57	20.0	F	11.84	POE 22	C/V	DWG04	SM04	NEK2150GK	
533	758	1,048	1,400	1,803	2,254	2,749	8.65	37.49	54.5	F	15.22	POE 22	C/V	DWG16	SM21	NT2168GKV	
482	714	1,025	1,434	1,861	2,339	2,862	8.65	36.82	29.0	F	15.22	POE 22	C/V	DWG16	SM21	NT2168GKV	
632	1,007	1,400	1,810	2,459	3,142	3,893	8.65	38.59	66.0	F	15.22	POE 22	C/V	DWG16	SM21	NT2180GKV	
680	1,093	1,557	2,083	2,671	3,323	4,044	9.20	38.59	40.0	F	15.22	POE 22	C/V	DWG16	SM21	NT2180GKV	
1,097	1,401	1,845	2,423	3,129	3,959	4,907	9.20	38.58	56.0	F	15.22	POE 22	C/V	DWG16	SM21	NT2192GKV	
703	1,165	1,734	2,411	3,194	4,085	5,083	9.20	39.68	40.0	F	15.22	POE 22	C/V	DWG16	SM21	NT2192GKV	
676	1,062	1,516	2,049	2,674	3,391	4,214	10.89	47.85	98.0	F	25.36	POE 22	C/V	DWG18	SM16	NJ2192GK	
283	806	1,383	2,012	2,701	3,449	4,252	10.89	48.07	40.0	F	25.36	POE 22	C/V	DWG18	SM16	NJ2192GK	
773	1,620	2,564	3,616	4,787	6,088	7,531	10.90	47.29	98.0	F	25.36	POE 22	C/V	DWG18	SM16	NJ2212GK	
831	1,794	2,831	3,974	5,258	6,715	8,379	10.90	47.99	46.0	F	25.36	POE 22	C/V	DWG18	SM16	NJ2212GK	
963	1,643	2,363	3,149	4,026	5,024	6,164	9.83	40.35	93.0	F	21.98	POE 22	C/V	DWG16	SM26	NT2212GKV	
1,255	1,816	2,508	3,330	4,281	5,362	6,573	9.83	40.35	45.0	F	21.98	POE 22	C/V	DWG16	SM26	NT2212GKV	

R-404A / R-507 M/HBP 60Hz

MODEL	Displacement	HP	Voltage / Frequency	Motor Type	Rated Point - ASHRAE		Rated Point - ARI	
					45°F / 130°F		20°F / 120°F	
	in ³				Cooling	Efficiency	Cooling	Efficiency
NEK6181GK	0.44	1/3 +	115V/60Hz 1~	CSIR	4,255	6.87	2,128	4.58
NEK6181GK	0.44	1/3 +	208-230V/60Hz 1~	CSIR	4,404	7.06	2,202	4.71
NEK6210GK	0.53	1/2	115V/60Hz 1~	CSIR	5,355	7.08	2,677	4.72
NEK6210GK	0.53	1/2	208-230V/60Hz 1~	CSIR	5,254	7.15	2,627	4.80
NEK6213GK	0.74	1/2 +	115V/60Hz 1~	CSIR	6,660	5.79	3,313	3.86
NEK6213GK	0.74	1/2 +	208-230V/60Hz 1~	CSIR	6,946	6.29	3,473	4.19
NT6217GKV	0.77	3/4	115V/60Hz 1~	CSIR	7,380	7.50	3,511	5.00
NT6217GKV	0.77	3/4	208-230V/60Hz 1~	CSIR	7,332	7.28	3,605	4.85
NT6220GKV	0.88	3/4	115V/60Hz 1~	CSR	8,464	7.30	4,261	4.87
NT6220GKV	0.88	3/4	208-230V/60Hz 1~	CSR	8,211	6.75	4,375	4.50
NT6222GKV	1.06	1	115V/60Hz 1~	CSR	10,376	7.26	5,241	4.58
NT6222GKV	1.06	1	208-230V/60Hz 1~	CSR	9,992	6.42	5,047	4.77
NT6224GKV	1.24	1	115V/60Hz 1~	CSR	12,326	7.85	6,163	5.24
NT6224GKV	1.24	1	208-230V/60Hz 1~	CSR	11,984	7.67	5,992	5.11
NJ9226GK	1.33	1+	208-230V/60Hz 1~	CSR	12,653	7.51	6,327	5.03
NT6226GKV	1.36	1+	115V/60Hz 1~	CSR	13,258	7.26	6,719	4.90
NT6226GKV	1.37	1+	208-230V/60Hz 1~	CSR	12,590	6.03	6,850	5.04
NTU6232GKV	1.24	1+	115V/60Hz 1~	CSR	N/A	N/A	7,127	5.99
NTU6232GKV	1.24	1 +	208-230V/60Hz 1~	CSR	N/A	N/A	7,127	5.90
NTU6234GKV	1.24	1+	115V/60Hz 1~	CSR	N/A	N/A	8,257	6.02
NTU6234GKV	1.44	1 1/4	208-230V/60Hz 1~	CSR	N/A	N/A	8,257	5.92
NJ9232GK	1.59	1 1/4	208-230V/60Hz 1~	CSR	16,053	8.19	8,027	5.49
NTU6238GKV	1.59	1 1/2	208-230V/60Hz 1~	CSR	N/A	N/A	9,379	5.94
NTU6240GKV	1.69	1 1/2	208-230V/60Hz 1~	CSR	N/A	N/A	9,759	5.84

NE/NEK



Easy Installation



High Cooling Capacity at Low Evaporating Temperatures



High Efficiency



Low Sound Level

	Cooling Capacity / Evaporating Temperature °F - ASHRAE - BTU/H							Max Height	Weight		LRA	Cooling Type	Lubricant		Exp Device	Drawings		MODEL
	-4	5	14	23	32	41	50		in.	lbs.			Oil Charge fl.oz.	Type / Viscosity		External View	Wiring Diagram	
	1,188	1,448	1,745	2,087	2,479	2,923	3,436	7.36	22.93	26.5	F	11.84	POE 22	C/V	DWG04	SM04	NEK6181GK	
1,281	1,455	1,728	2,090	2,527	3,026	3,579	7.36	22.93	17.5	F	11.84	POE 22	C/V	DWG04	SM04	NEK6181GK		
1,482	1,762	2,121	2,558	3,077	3,671	4,344	7.87	24.26	38.0	F	11.84	POE 22	C/V	DWG04	SM04	NEK6210GK		
1,783	2,197	2,707	3,315	4,021	4,827	5,734	8.15	25.35	23.0	F	11.84	POE 22	C/V	DWG04	SM04	NEK6210GK		
1,844	2,192	2,638	3,182	3,827	4,566	5,403	7.87	25.57	51.0	F	11.84	POE 22	C/V	DWG04	SM04	NEK6213GK		
1,923	2,286	2,751	3,318	3,992	4,763	5,635	7.87	25.57	30.0	F	11.84	POE 22	C/V	DWG04	SM04	NEK6213GK		
1,704	2,124	2,640	3,241	3,938	4,727	5,604	8.66	37.49	50.0	F	15.22	POE 22	C/V	DWG16	SM20	NT6217GKV		
1,731	2,182	2,701	3,296	3,965	4,706	5,519	8.66	37.49	27.0	F	15.22	POE 22	C/V	DWG16	SM20	NT6217GKV		
1,967	2,541	3,221	3,996	4,860	5,799	6,820	8.66	37.49	54.5	F	15.22	POE 22	C/V	DWG16	SM21	NT6220GKV		
2,083	2,633	3,261	3,979	4,781	5,679	6,684	8.66	37.26	26.5	F	15.22	POE 22	C/V	DWG16	SM21	NT6220GKV		
2,637	3,285	4,064	4,969	5,994	7,138	8,405	8.66	37.49	70.0	F	15.22	POE 22	C/V	DWG16	SM21	NT6222GKV		
2,568	3,210	3,982	4,867	5,833	6,871	7,961	8.66	37.93	33.7	F	15.22	POE 22	C/V	DWG16	SM21	NT6222GKV		
3,050	3,842	4,778	5,854	7,063	8,401	9,880	9.21	37.26	77.0	F	15.22	POE 22	C/V	DWG16	SM26	NT6224GKV		
3,040	3,845	4,754	5,772	6,909	8,169	9,576	8.66	37.04	36.0	F	15.22	POE 22	C/V	DWG16	SM26	NT6224GKV		
3,534	4,758	6,188	7,822	9,659	11,701	13,947	10.4	45.63	34.0	F	25.36	POE 22	C/V	DWG18	SM17	NJ9226GK		
3,313	4,054	5,013	6,185	7,575	9,180	11,000	9.21	38.59	77.0	F	15.22	POE 22	C/V	DWG16	SM26	NT6226GKV		
3,146	3,850	4,761	5,874	7,194	8,718	10,447	9.21	38.59	43.0	F	15.22	POE 22	C/V	DWG16	SM21	NT6226GKV		
3,242	4,205	5,289	6,510	7,884	N/A	N/A	9.84	40.32	93.0	F	21.98	POE 22	C/V	DWG19	SM26	NTU6232GKV		
3,145	4,184	5,331	6,513	7,780	N/A	N/A	9.84	39.91	46.0	F	21.98	POE 22	C/V	DWG19	SM26	NTU6232GKV		
3,846	4,872	6,047	7,389	8,918	N/A	N/A	9.84	40.52	81.0	F	21.98	POE 22	C/V	DWG19	SM26	NTU6234GKV		
4,996	6,250	7,640	9,170	10,843	N/A	N/A	9.84	39.91	46.0	F	21.98	POE 22	C/V	DWG19	SM26	NTU6234GKV		
4,470	5,934	7,687	9,731	12,064	14,687	17,600	10.9	47.40	47.0	F	25.36	POE 22	C/V	DWG19	SM26	NJ9232GK		
4,242	5,475	6,748	8,224	10,068	N/A	N/A	9.84	40.35	51.0	F	21.98	POE 22	C/V	DWG19	SM26	NTU6238GKV		
4,542	5,819	7,052	8,487	10,365	N/A	N/A	9.84	40.35	51.0	F	21.98	POE 22	C/V	DWG19	SM26	NTU6240GKV		

NT/NTU



Easy Installation



High Reliability and Proven Performance



High Efficiency



Low Sound and Vibration

BLEND L/MBP 60Hz

MODEL	Displacement	HP	Voltage / Frequency	Motor Type	Rated Point - ASHRAE		Rated Point - ARI	
	in ³				-10°F / 130°F		-10°F / 120°F	
					Cooling	Efficiency	Cooling	Efficiency
					BTU/H	BTU/Wh	BTU/H	BTU/Wh
EMI30ER	0.18	1/10	115V/60Hz 1 ~	RSIR	350	4.12	299	3.74
EMI45ER	0.23	1/8	115V/60Hz 1 ~	RSIR	485	4.37	412	3.96
EMI55ER	0.28	1/6	115V/60Hz 1 ~	RSIR	570	4.45	485	4.02
EM65NR	0.34	1/5	115V/60Hz 1 ~	RSIR	635	4.12	540	3.74
FFC60BK	0.37	1/5+	115V/60Hz 1 ~	RSIR	756	4.70	644	4.27
FF8.5BK	0.49	1/4	115V/60Hz 1 ~	RSIR/CSIR	850	3.81	723	3.46
FF10BK	0.55	1/4+	115V/60Hz 1 ~	RSIR	915	3.57	778	3.25
FF10BX	0.55	1/4+	115V/60Hz 1 ~	CSIR	915	3.45	780	3.15
FF11.5BK	0.68	1/3	115V/60Hz 1 ~	RSIR/CSIR	1,130	3.81	961	3.46
FFI12BX	0.68	1/3+	115V/60Hz 1 ~	CSIR	1,350	3.97	1,149	3.59

BLEND HBP 60Hz

MODEL	Displacement	HP	Voltage / Frequency	Motor Type	Rated Point - ASHRAE		Rated Point - ARI	
	in ³				45°F / 130°F		45°F / 130°F	
					Cooling	Efficiency	Cooling	Efficiency
					BTU/H	BTU/Wh	BTU/H	BTU/Wh
FFC60BK	0.36	1/5+	115V/60Hz 1 ~	RSIR	2,791	9.97	2,298	8.24
FF8.5BK	0.48	1/4	115V/60Hz 1 ~	RSIR/CSIR	3,080	7.08	2,537	5.87
FF10BK	0.55	1/4+	115V/60Hz 1 ~	RSIR	3,240	6.74	2,669	5.59
FF10BX	0.55	1/4+	115V/60Hz 1 ~	CSIR	3,200	6.67	2,635	5.53
FF11.5BK	0.68	1/3	115V/60Hz 1 ~	RSIR/CSIR	4,000	6.85	3,295	5.67
FFI12BX	0.68	1/3+	115V/60Hz 1 ~	CSIR	5,000	8.67	4,119	7.17

EM Series



Easy Installation



Small Size



Low Sound Level



High Reliability and Proven Performance

	Cooling Capacity / Evaporating Temperature °F - ASHRAE - BTU/H						Max Height	Weight	LRA	Cooling Type	Lubricant		Exp Device	Drawings		MODEL
	-31	-22	-13	-4	5	14					in.	lbs.		Oil Charge fl.oz.	Type / Viscosity	
	116	211	306	412	540	701	6.10	15.52	11.40	S	5.41	ISO32	C	DWG01	SM07	EMI30ER
	214	220	338	529	756	980	6.54	16.87	15.00	S	5.41	ISO32	C	DWG01	SM07	EMI45ER
	250	363	504	677	887	1,136	6.54	16.82	18.70	S/F	5.41	ISO32	C	DWG01	SM07	EMI55ER
	315	438	585	756	957	1,189	6.73	16.69	21.00	S	5.41	ISO32	C	DWG01	SM07	EM65NR
	-	-	-	-	-	-	7.68	24.01	23.20	S	9.47	ISO32	C	DWG09	SM08	FFC60BK
	445	600	777	986	1,235	1,532	7.72	23.64	33.00	S/F	9.47	ISO32	C	DWG09	SM08	FF8.5BK
	475	644	840	1,071	1,344	1,665	7.72	23.68	34.00	S/F	9.47	ISO32	C	DWG09	SM08	FF10BK
	465	635	831	1,060	1,328	1,644	7.70	23.46	32.00	S/F	9.47	ISO32	C/V	DWG09	SM08	FF10BX
	766	862	1,047	1,317	1,665	2,086	7.95	25.14	40.00	F	9.47	ISO32	C	DWG09	SM08	FF11.5BK
	970	1,066	1,282	1,609	2,040	2,566	7.91	25.16	43.00	F	9.47	ISO32	C/V	DWG09	SM08	FFI12BX

	Cooling Capacity / Evaporating Temperature °F - ASHRAE - BTU/H							Max Height	Weight	LRA	Cooling Type	Lubricant		Exp Device	Drawings		MODEL
	-4	5	14	23	32	41	50					in.	lbs.		60Hz	Oil Charge fl.oz.	
	-	-	-	-	-	-	-	7.66	24.01	23.20	S	9.47	ISO32	C	DWG09	SM08	FFC60BK
	986	1,235	1,532	1,886	2,304	2,795	3,368	7.70	23.64	33.00	S/F	9.47	ISO32	C	DWG09	SM08	FF8.5BK
	1,071	1,344	1,665	2,043	2,483	2,994	3,582	7.70	23.68	34.00	S/F	9.47	ISO32	C	DWG09	SM08	FF10BK
	1,066	1,469	1,651	2,102	2,451	3,145	3,522	7.70	23.46	22.00	S/F	9.47	ISO32	C/V	DWG09	SM08	FF10BX
	1,317	1,665	2,086	2,573	3,120	3,721	4,370	7.94	25.14	40.00	F	9.47	ISO32	C	DWG09	SM08	FF11.5BK
	1,609	2,040	2,566	3,177	3,865	4,621	5,437	7.90	25.16	43.00	F	9.47	ISO32	C/V	DWG09	SM08	FFI12BX

F Series



Easy Installation



Low, Medium and High Temperature Applications



High Reliability and Proven Performance



Low Sound and Vibration

R-22 HBP 60Hz

MODEL	Displacement	HP	Voltage / Frequency	Motor Type	Rated Point - ASHRAE		Rated Point - ARI	
	in ³				45°F / 130°F		45°F / 130°F	
					Cooling	Efficiency	Cooling	Efficiency
					BTU/H	BTU/Wh	BTU/H	BTU/Wh
NE6195E	0.49	1/2	115V/60 Hz 1 ~	CSIR	4,378	7.61	3,680	7.08
NE6210E	0.54	1/2	115V/60Hz 1~	CSIR	4,640	6.87	4,080	6.40
NE9213E	0.74	3/4	115V/60Hz 1~	CSR	6,543	7.34	5,780	6.83
NE9213E	0.74	3/4	208-230V/60Hz 1~	CSR	6,636	7.71	5,760	6.86
T6217E	0.88	3/4+	115V/60Hz 1~	CSIR	7,546	6.90	6,500	6.42
T6217E	0.88	3/4+	208-230V/60Hz 1~	CSIR	7,452	7.00	6,476	6.51
T6220E	1.06	1-	115V/60Hz 1~	CSR	9,068	7.73	7,990	7.20
T6220E	1.06	1-	208-230V/60Hz 1~	CSR	9,068	7.73	7,968	7.20
T6222E	1.24	1	115V/60Hz 1~	CSR	10,400	7.29	9,600	6.79
T6222E	1.24	1	208-230V/60Hz 1~	CSR	10,400	7.29	9,573	6.79
NJ7225F	1.32	1	208-230V/60Hz 1 ~	CSR	11,520	7.92	10,690	7.37
NJ9232E	1.60	1 1/4	208-230V/60Hz 1~	CSR	13,984	7.92	12,978	7.37
NJ7231F	1.59	1 1/4	208-230V/60Hz 1 ~	CSR	14,394	8.21	13,360	7.65
NJ7238E	1.99	1 1/2	230V/60Hz 1 ~	CSR	17,676	7.52	16,409	7.01
NJ7240F	2.10	1 1/2	208-230V/60Hz 1 ~	CSR	19,366	7.46	17,974	6.95

T Series



Easy Installation



High Reliability and Proven Performance

	Cooling Capacity / Evaporating Temperature °F - ASHRAE - BTU/H							Max. Height	Weight		LRA	Cooling Type	Lubricant		Exp Device	Drawings		MODEL
	-4	5	14	23	32	41	50		in.	lbs.			Oil Charge fl.oz.	Type / Viscosity		External View	Wiring Diagram	
-	1,609	2,076	2,640	3,299	4,054	4,904	7.87	22.70	29.00	F	11.83	ISO46	C/V	DWG04	SM04	NE6195E		
-	-	2,234	2,811	3,487	4,262	5,133	7.36	22.90	29.00	F	11.83	ISO46	C/V	DWG04	SM04	NE6210E		
-	-	3,200	4,020	4,976	6,069	7,295	8.11	25.80	36.00	F	11.83	ISO46	C/V	DWG04	SM06	NE9213E		
-	-	3,244	4,085	5,044	6,117	7,305	8.11	25.80	25.90	F	11.83	ISO46	C/V	DWG04	SM06	NE9213E		
-	-	3,133	4,286	5,546	6,905	8,360	8.70	35.50	55.00	F	18.60	ISO46	C/V	DWG21	SM10	T6217E		
-	-	3,133	4,295	5,556	6,915	8,375	8.70	36.16	55.00	F	18.60	ISO46	C/V	DWG21	SM10	T6217E		
-	-	-	4,529	6,267	8,166	10,228	8.70	34.80	72.00	F	18.60	ISO46	C/V	DWG21	SM12	T6220E		
-	-	-	4,529	6,267	8,166	10,228	8.70	34.20	30.00	F	18.60	ISO46	C/V	DWG21	SM12	T6220E		
-	-	-	6,335	7,787	9,545	11,618	8.70	36.80	71.00	F	18.60	ISO46	C/V	DWG21	SM12	T6222E		
-	-	-	6,335	7,787	8,521	11,618	8.70	36.80	34.00	F	18.60	ISO46	C/V	DWG21	SM12	T6222E		
-	-	-	-	8,115	10,405	13,203	10.43	42.55	30.00	F	25.36	ISO32	C/V	DWG18	SM17	NJ7225F		
-	-	5,813	6,240	8,951	10,956	13,319	10.91	48.70	47.00	F	25.36	ISO46	C/V	DWG09	SM17	NJ9232E		
-	-	-	-	11,033	13,411	16,084	10.43	44.75	37.00	F	25.36	ISO32	C/V	DWG18	SM17	NJ7231F		
-	-	-	-	13,481	16,410	19,972	10.43	48.72	51.00	F	25.36	ISO32	C/V	DWG18	SM17	NJ7238E		
-	-	-	-	14,569	17,901	21,638	10.43	48.50	50.00	F	25.36	ISO32	C/V	DWG18	SM17	NJ7240F		

NJ Series



Easy Installation



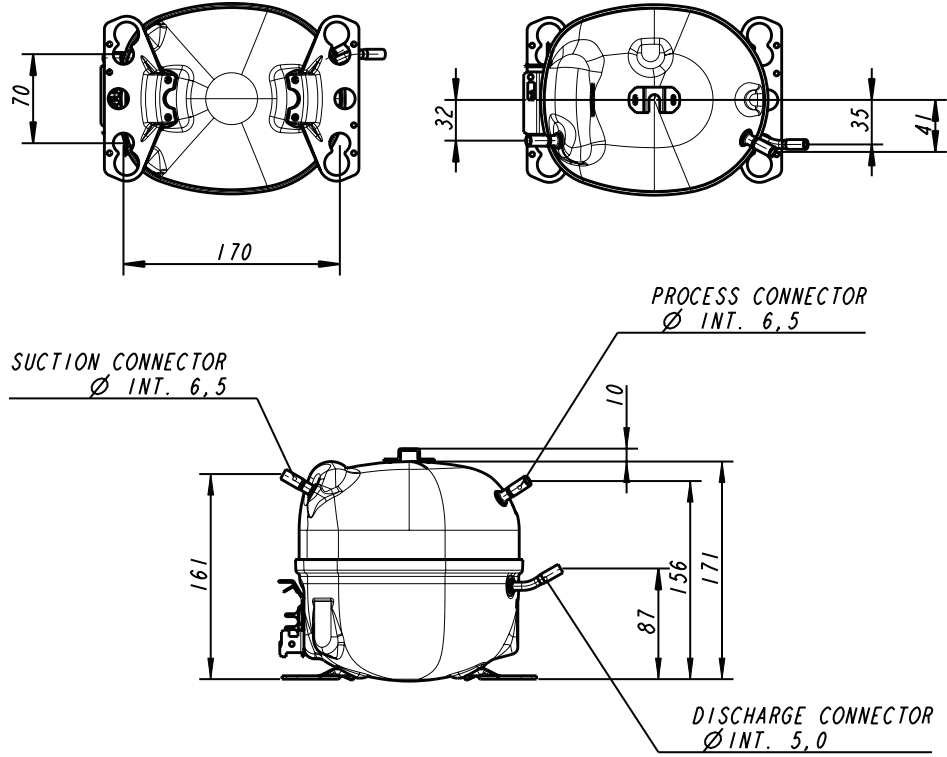
High Reliability and Proven Performance



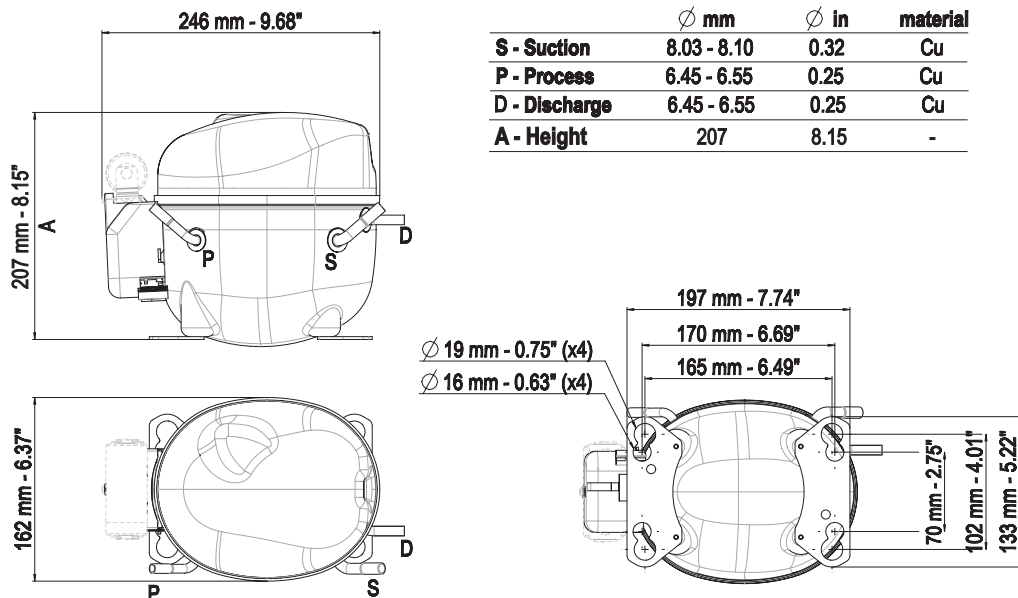
Low Sound and Vibration

EXTERNAL VIEWS

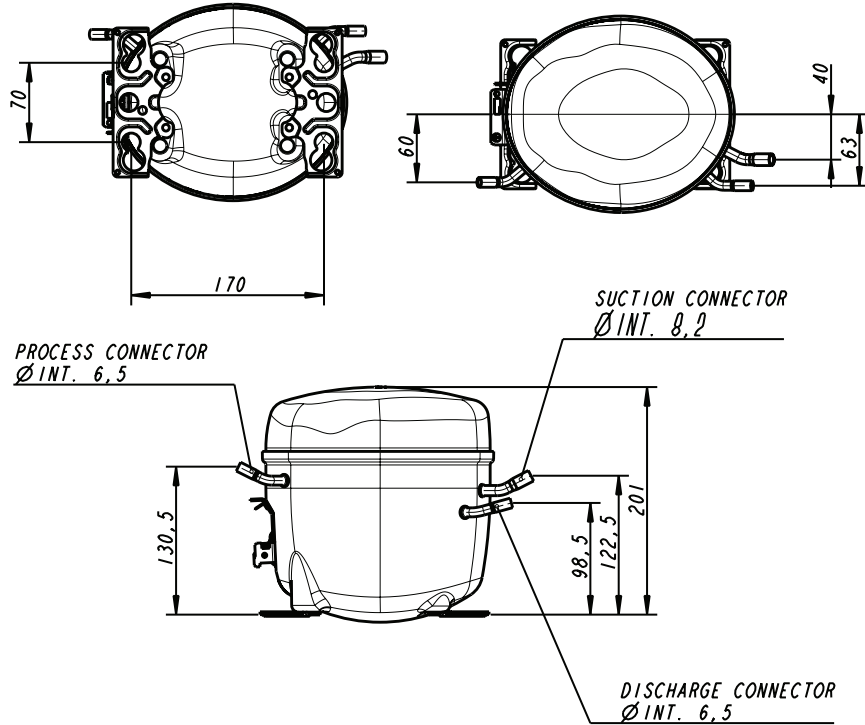
DWG01 - EM SERIES



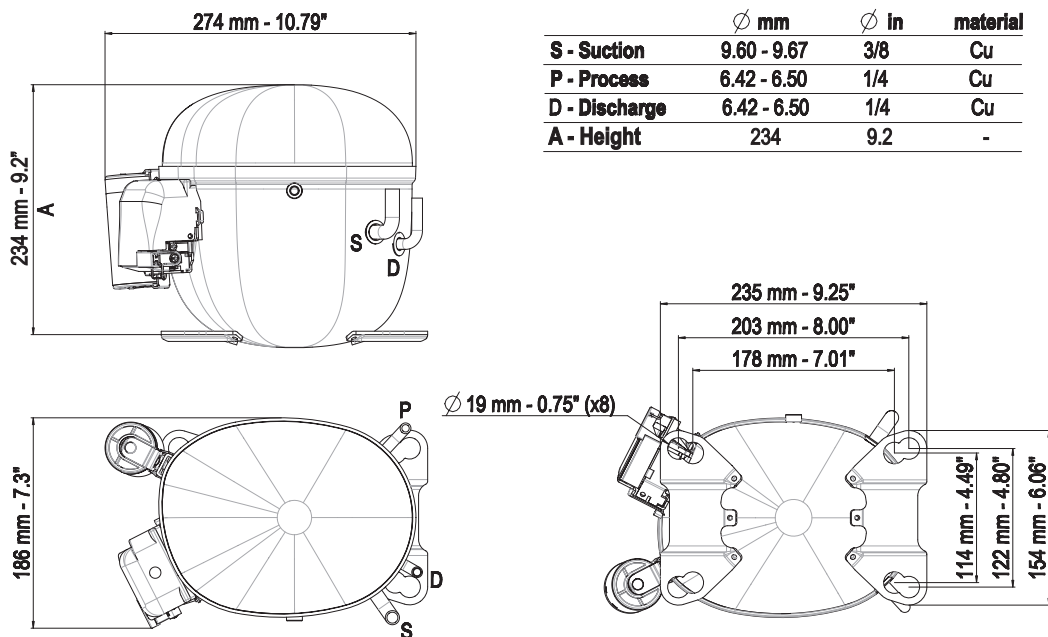
DWG04 - NE SERIES



DWG09 - F SERIES

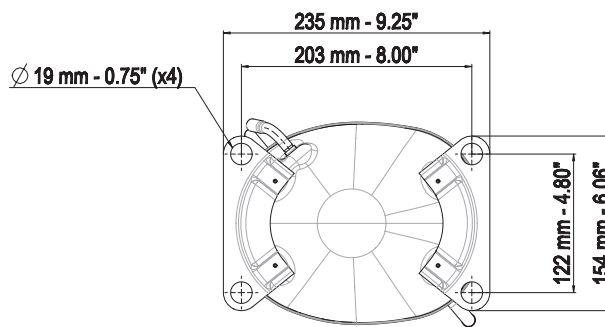
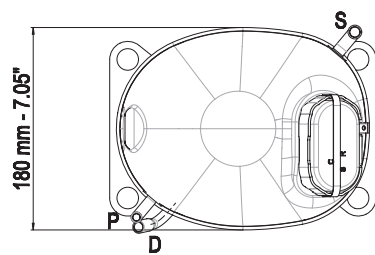
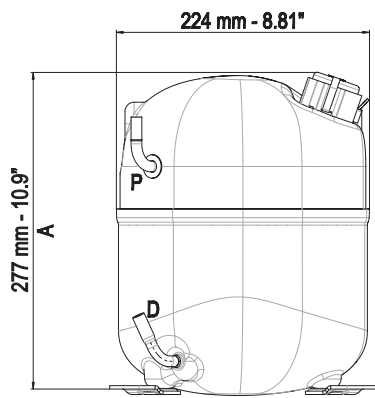


DWG16 - NT SERIES



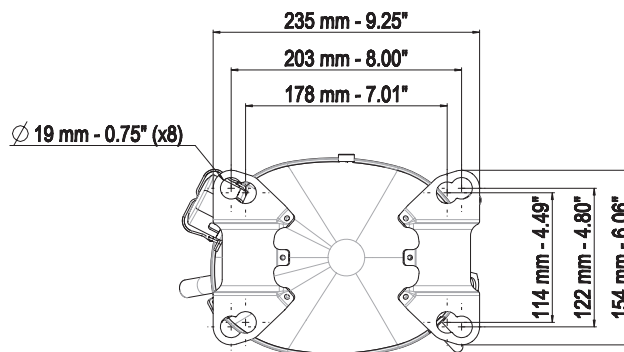
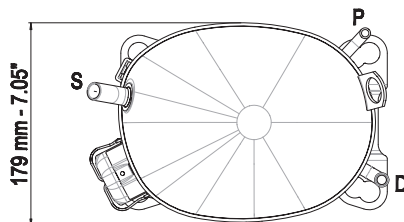
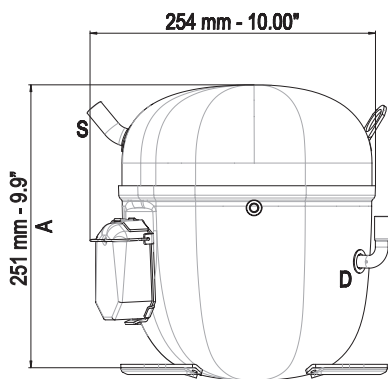
EXTERNAL VIEWS

DWG18 - NJ SERIES



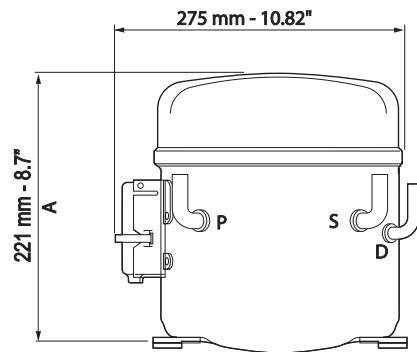
	∅ mm	∅ in	material
S - Suction	9.60 - 9.67	3/8	Cu
P - Process	12.77 - 12.85	1/2	Cu
P - Process	6.42 - 6.50	1/4	Cu
D - Discharge	6.42 - 6.50	1/4	Cu
D - Discharge	8.00 - 8.08	5/16	Cu
A - Height	277	10.9	-

DWG19 - NTU SERIES

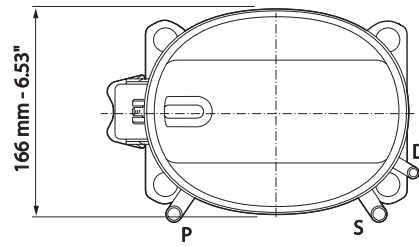
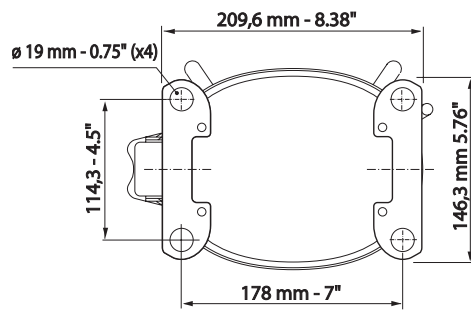


	∅ mm	∅ in	material
S - Suction	12.77 - 12.85	1/2	Cu
P - Process	6.42 - 6.50	1/4	Cu
D - Discharge	9.60 - 9.67	3/8	Cu
A - Height	251	9.9	-

DWG21 - T SERIES

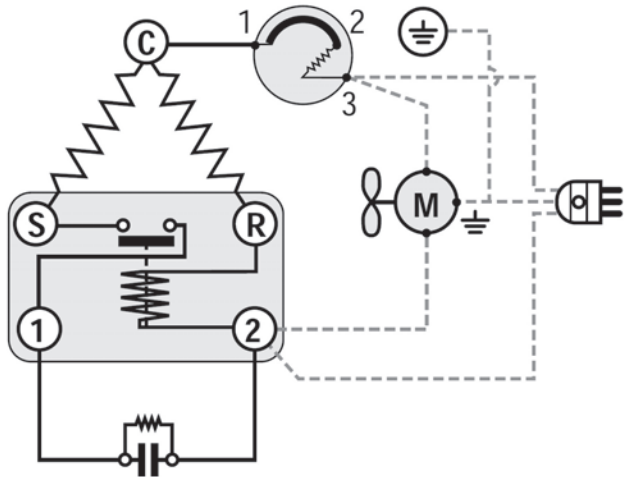


	∅ mm	∅ in	material
S - Suction	9.60 - 9.67	3/8	Cu
P - Process	9.60 - 9.67	3/8	Cu
D - Discharge	6.42 - 6.5	1/4	Cu
A - Height	221	8.7	-

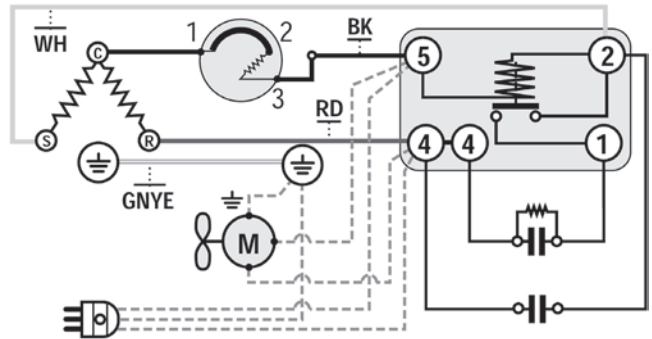


WIRING DIAGRAMS

SM04 - NE SERIES CSIR

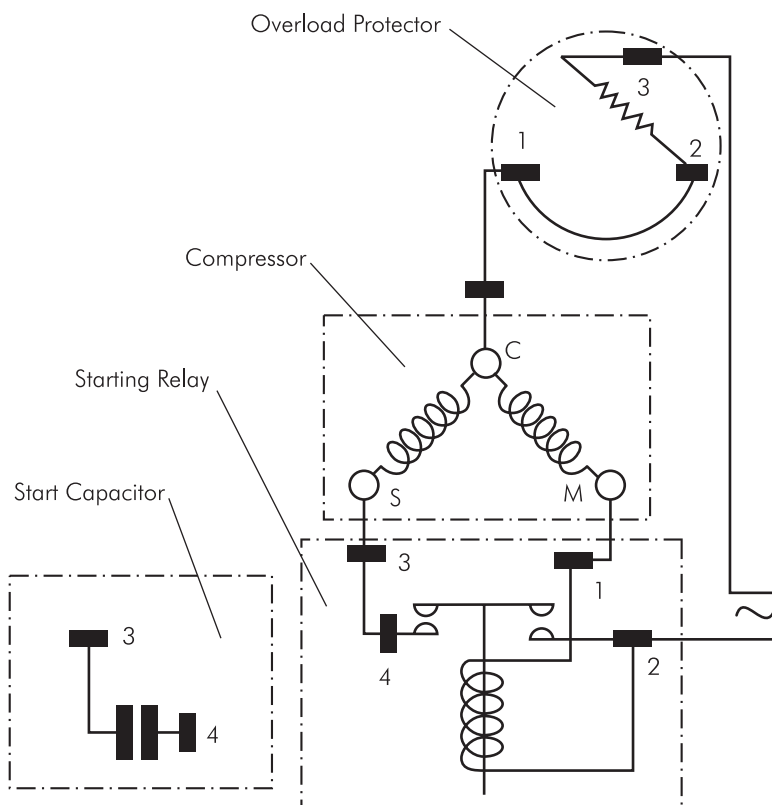


SM06 - NE SERIES CSR Box



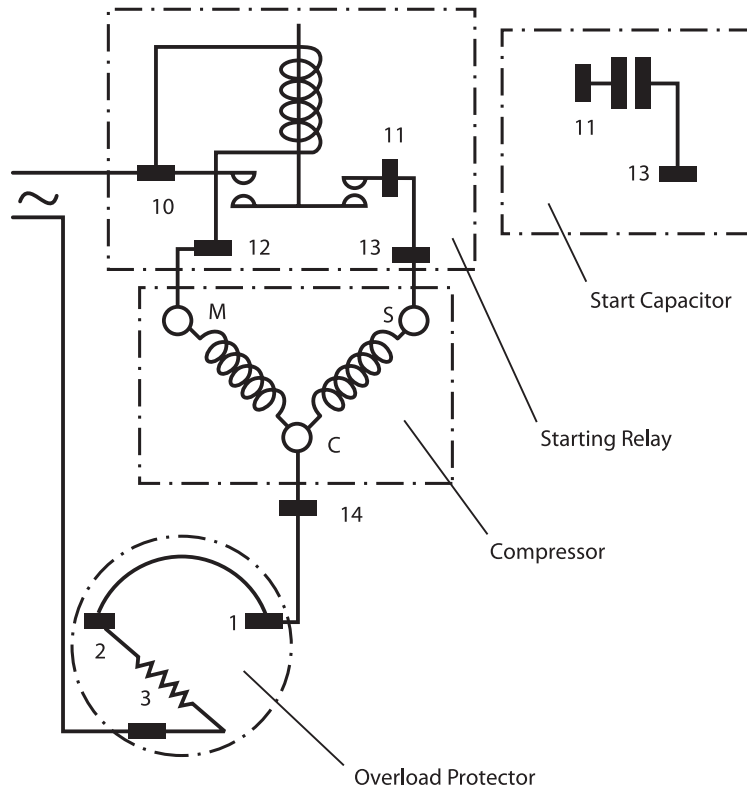
SM07 - EM Compressors

CSIR / RSIR

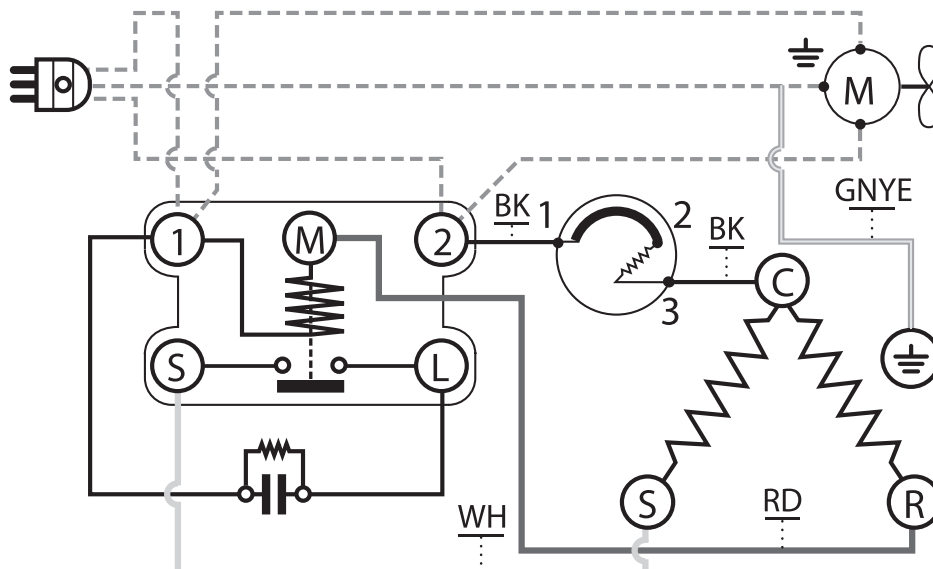


SM08 - F Compressors

CSIR / RSIR

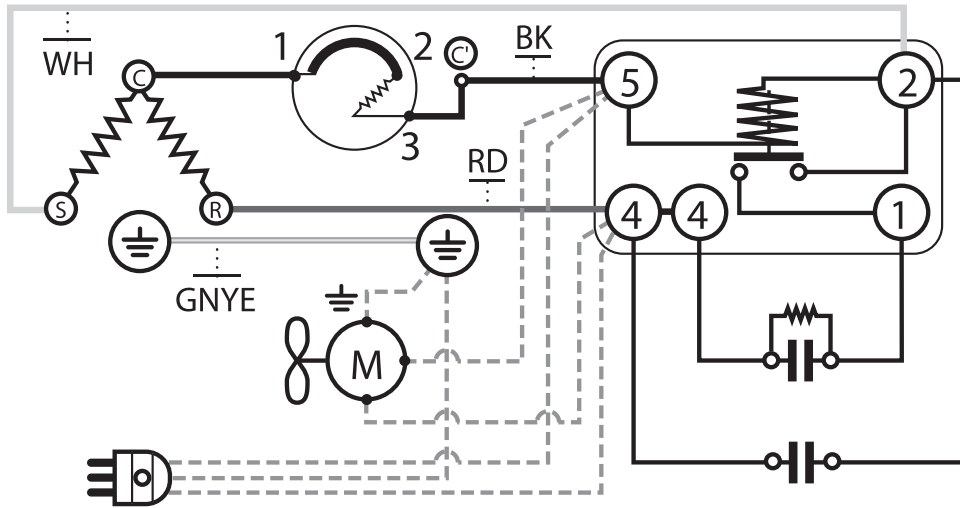


SM10 - T SERIES CSIR BOX

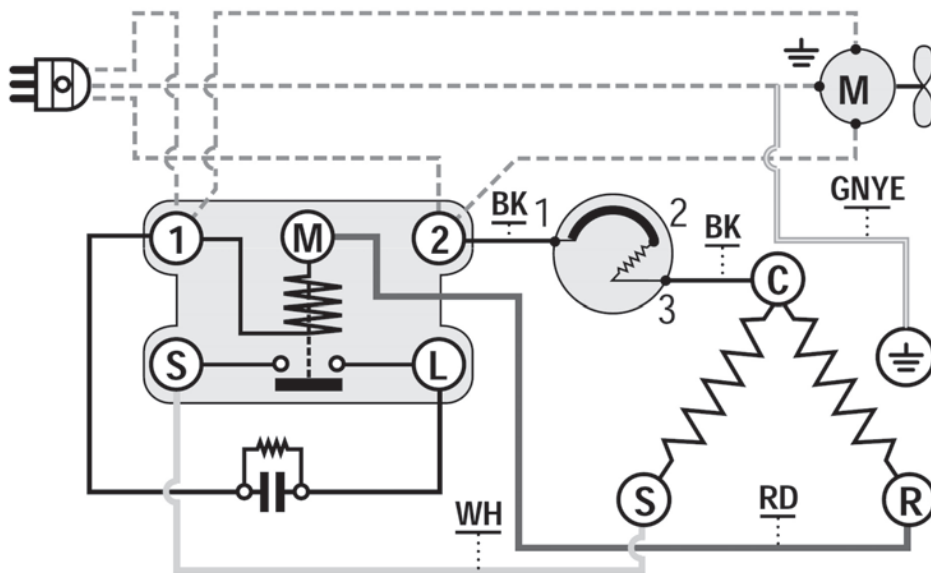


WIRING DIAGRAMS

SM12 - T SERIES CSR BOX

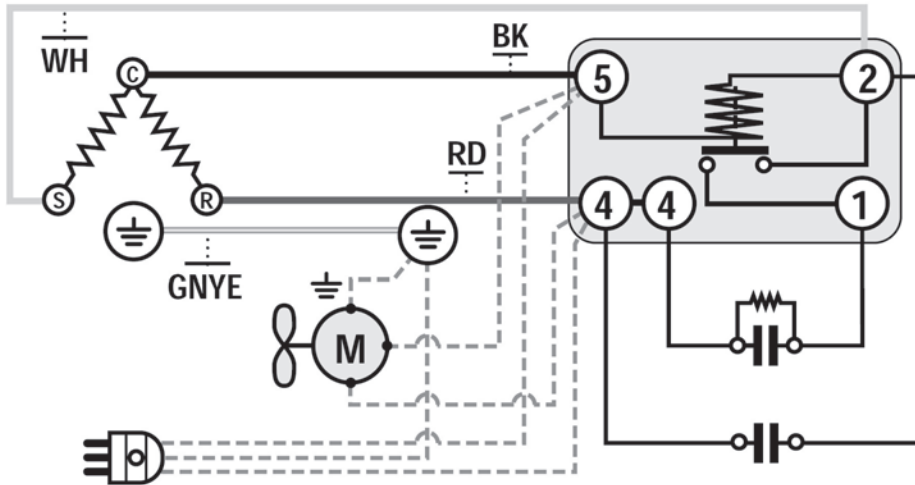


SM14 - NJ SERIES CSIR BOX



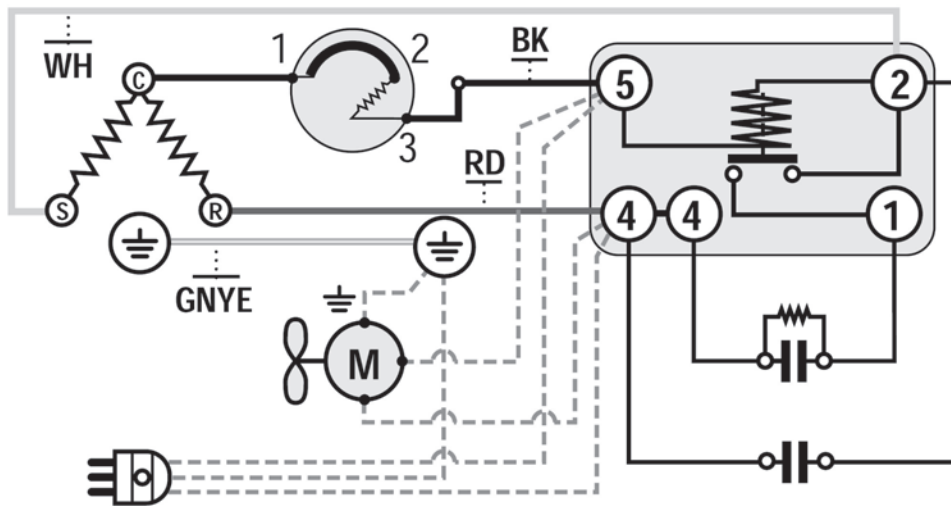
SM16 - NJ SERIES CSR BOX

(Internal Overload Protector)



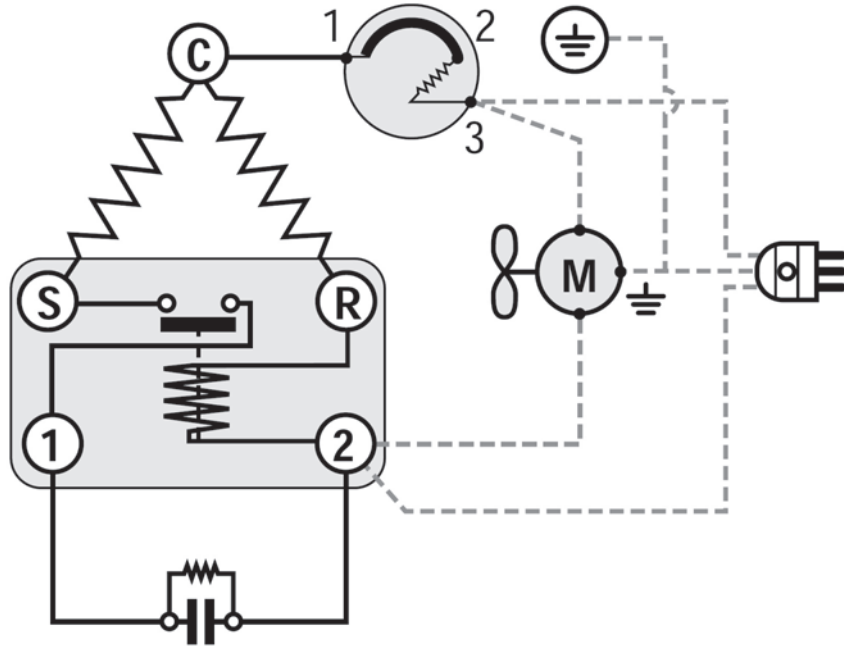
SM17 - NJ SERIES CSR BOX

(External Overload Protector)

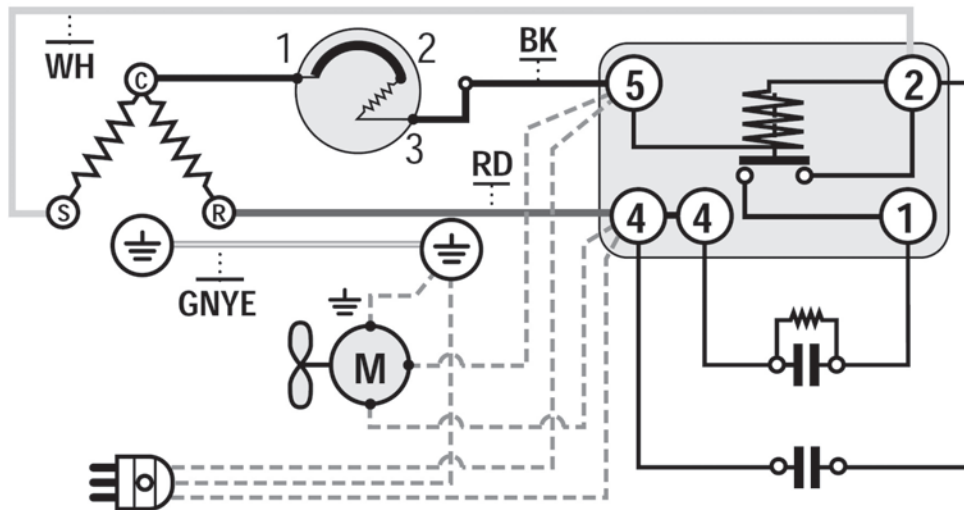


WIRING DIAGRAMS

SM20 - NT SERIES CSIR

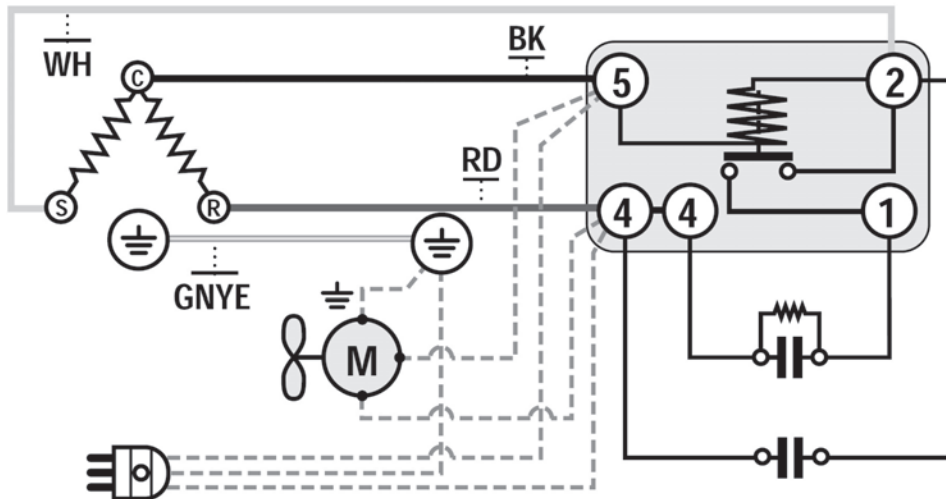


SM21 - NT SERIES CSR BOX

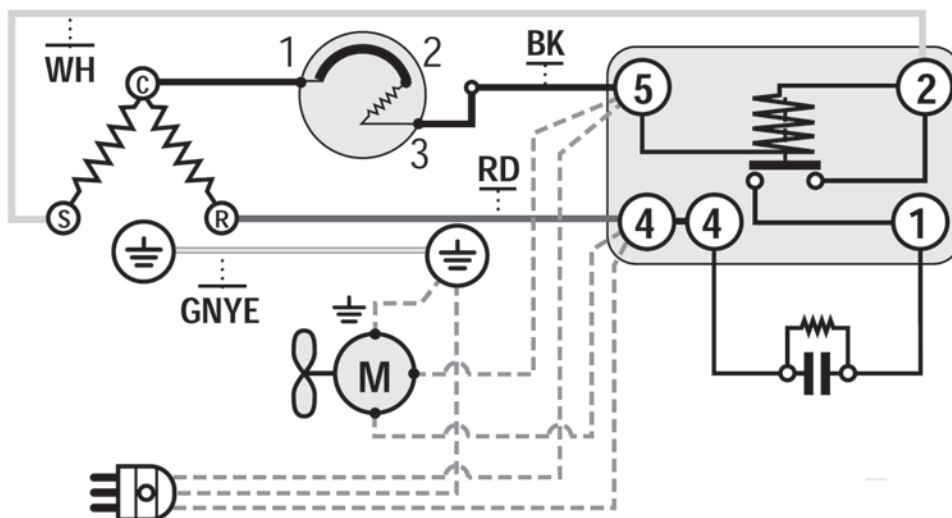


SM26 - NT SERIES CSR BOX

(Internal Overload Protector)



SM28 - NJ SERIES CSIR BOX



embraco



Scan to **download** our
Troubleshooting**App**



www.embraco.com/apps/troubleshooting



Subject to alteration without prior notice - Code AMN01EN - Date: November 2013 Version 03



2800 Vista Ridge Drive NE
Suwanee, GA 30024-3510
Customer Service Phone: (800) 548-9498
Customer Service Fax: (877) 631-9003
Technical Support Phone: (678) 804-1374
www.embraco.com