

Collectors' Pieces

FOR ENTHUSIASTS OF VINTAGE BMW MOTORCYCLES

Download Edition



Parts Diagrams

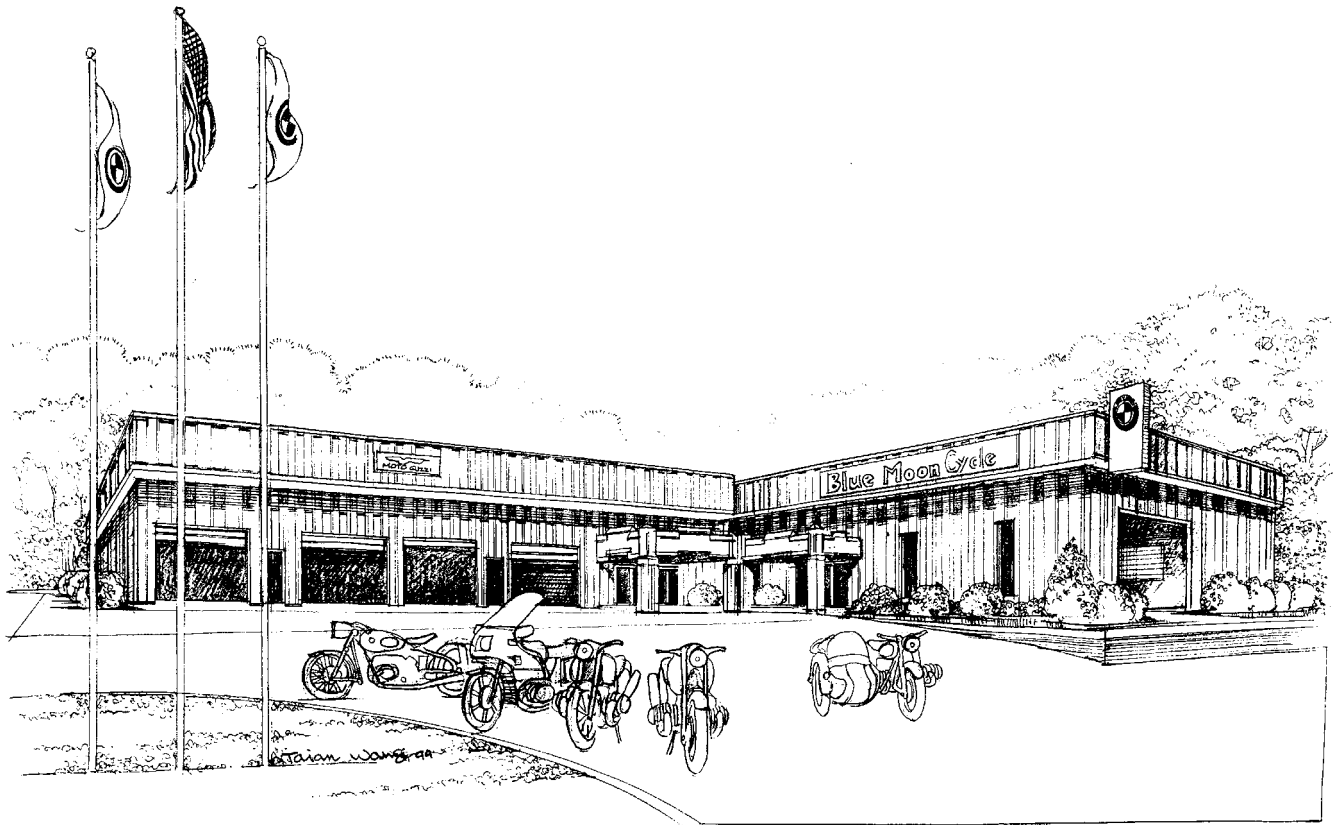
bestsellers

Gifts

EVERYTHING FOR YOUR R25, R26, R27, R50, R60, R69S!

752 West Peachtree Street • Norcross Georgia 30071 • 770.447.6945 • www.bluemooncycle.com

05/2002



INDEX

Introduction	2
Order Form	3
Blue Moon Cycle Services	4
Blue Moon Cycle Policies	5
Steib Sidecars and South Sport Premium Motorcycle Trailers.....	6
Gift Ideas	7
T-Shirts	10
Bestsellers.....	11
Class A—Exhaust System and Hardware	17
Class C—Driveshaft and Final Drive R51/2—R68	19
Class E—Electric/Instrumentation	21
Class F—Chassis R25—R51/3	26
Class G—Gearbox R24—R27	29
Class H—Gearbox R50—R69S	30
Class I—Gearbox R51/3—R68	33
Class J—Chassis, R26/27, R50—R69S	35
Class K—Driveshaft and Final Drive R25—R25/3	39
Class M—One Cylinder Engine R24—R27	41
Class N—Two Cylinder Engine, Gaskets	43
Class P—Drive Shaft, Final Drive, Suspension R26—R27, R50—R69S	45
Class R—Fork R51/3—R68	48
Class S—Earle’s Fork, Handlebar, Wheels, Rims, Spokes	50
Class V—Carburetor	54
Class W—Crankshaft, Timing, Lubrication, Clutch R51/2—R69S	57
Class Z—Steib Sidecars and Parts	62

All rights reserved. No part of this catalog may be reproduced or transmitted in any form or by any means, electronic or mechanical, including photocopying, recording or by any information storage and retrieval system without written permission from Blue Moon Cycle, Inc.

Evolution and revolution...

In the summer of '69, the year of my 16th birthday, I started visiting motorcycle shops. Chicago, particularly Cicero Avenue, was crowded with small, dark, greasy shops as well as big sparkling dealerships. You could still buy a new BSA, Norton, Triumph or Royal Enfield. The BMW dealership carried MV Agusta and the owner rode a new Munch Mammoth. You still saw an occasional used Indian at the Harley shop.



For some reason I was attracted to the clean round lines and lustrous chrome of the BSA. My paper route and dishwashing fortune went to buy a five-year-old Lightning. On the way home from the dealer, the head gasket blew. "Too bad", said the dealer. I didn't have the 90 bucks it would take to fix it, so I borrowed some tools and got my first lesson in motorcycle mechanics and customer relations. I never went back to the BSA shop.

A few years later, in the height of the chopper era, I decided I would attempt to ride my rigid-frame Harley to Idaho to see if Evel Knievel could make it over the Snake River Canyon. I made it; he didn't. Visiting Harley shops along the way was more of a necessity than a recreation, but I still appreciated the ambiance of the small town Midwest Harley dealers, many of which had been family-owned for generations. It was in one Montana Harley/BMW dealership that I felt my first attraction to BMW. They had a brand new 1974 R90S with beautiful silver smoke paint. I sat on that motorcycle and looked down and saw a clock. After vibrating 2,000 miles on that bone-jarring Harley I decided that my next motorcycle would be a BMW...smooth enough to have a clock! A year later I owned my R90S.

By this time motorcycles were more than an obsession; they would be my life's profession. For the last 25 years, now more than half my life, I have been fixing, restoring, buying and selling BMW motorcycles. I appreciate all the new technology and I know the modern motorcycles are the best ever, but in my heart I still love the old machines. I get a feeling of satisfaction, of having earned the privilege to ride the old motorcycles. Breakdowns and rebuilds create character in the owner as well as in the machine. Perhaps that's why I still run out of gas occasionally—there's nothing like pushing a 500 pound motorcycle that last half mile to make you appreciate the wonders of the internal combustion engine.

Motorcyclists as a whole are my kind of people. BMW owners in general are more experienced and more knowledgeable about their motorcycles. People own motorcycles for many reasons, but BMW owners tend to truly enjoy riding their bikes. Could it be the emotional bond between man and machine is a little stronger in the BMW world? What is it about the BMW that creates this kind of passion? I think it is the Purity of Design.

It is this same no-nonsense approach I try to apply to my business. I strive to be honest and fair with my customers and try to supply the best service possible. I do my best to help my customers enjoy motorcycles as much as I do.

Which brings me finally to this catalog. We've been excited about the concept for a long time, and I'd like to thank the people who helped make this catalog a long-awaited reality: Mark Baker, photographer; Katie Black, layout and editing; Eugen Seiwert, computer consulting; Thomas Thiel, data entry and translation; and Our Customers, for constantly asking, "When is the friggin' catalog going to be ready!?". It is with pleasure that we present this first edition Blue Moon Collectors' Pieces to you. I'd like to hear any comments you have so that our second edition may be even better. More than anything, thank you for your patronage and support.

—John Landstrom



Order Form

Blue Moon Cycle, Inc., 752 West Peachtree Street, Norcross, GA 30071
 (770) 447-6945 • (770) 447-5798 (fax) • <http://www.bluemooncycle.com>

Ordered By:	
Name	
Street	
City	State/ZIP
HomePhone	OfficePhone
Motorcycle Model	Year
Vin# (optional)	

Ship to Address (if different)	
Name	
Street	
City	State/ZIP

You may fax this order to (770) 447-5798

Part No.	Class	Description	Qty.	Unit Price	TOTAL

Payment Method					Subtotal	
Check*	C.O.D.	Visa	Mastercard	CVV2 _____	TAX	
Visa or MasterCard No. _____					(GA only - 6%)	
Exp. Date _____					Freight*	
Customer Signature _____					C.O.D. (\$5)	
(Required on all orders)					TOTAL	\$

**If paying by check, please fax or call to verify availability of parts and freight charges.*



SERVICES

Blue Moon Cycle is an authorized BMW Retail Center

You know that Blue Moon Cycle is a great source for vintage BMW parts, but you may not know that we are also an authorized BMW Retail Center. This means that you can order *any* BMW part or new motorcycle from us. If you're visiting the South, we can arrange delivery of a new motorcycle to you with special incentives for out-of-town buyers.

www.bluemooncycle.com

If you've never visited our site on the World Wide Web, check us out soon at <http://www.bluemooncycle.com>. You'll find photos of our current used bikes for sale (generally fifty or more!), seasonal new bike specials, parts on sale, employment opportunities, and an ever-expanding on-line catalog of parts. You may also e-mail us at bluemoon@bluemooncycle.com.

Blue Moon Cycle Rental Program

We rent late model BMW motorcycles. For up-to-date policies and prices, visit our web site or give us a call.

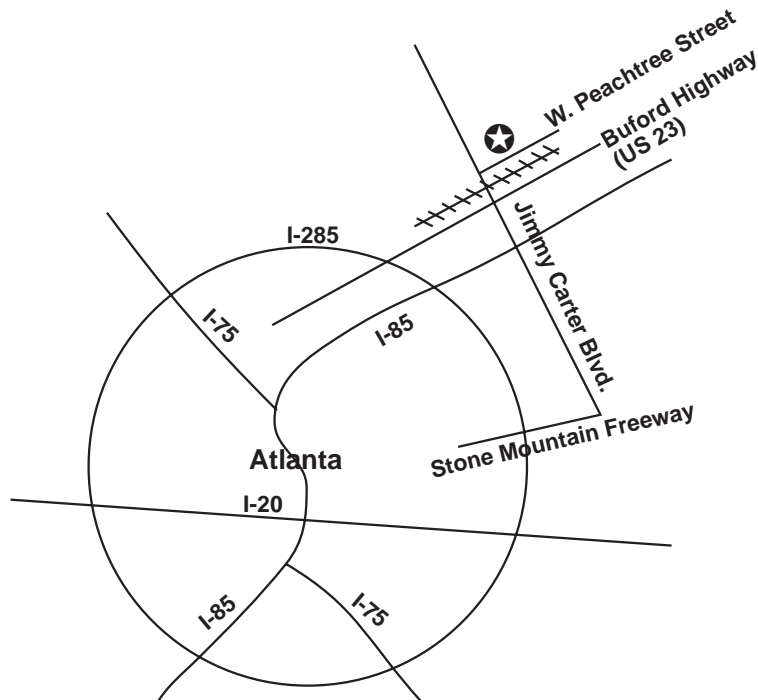
Full Service Facility

Blue Moon Cycle is a full service facility. In addition to general repair and maintenance to both old and new BMWs, we offer engine and drivetrain rebuilding and paintwork. Call us for more information on our wide range of services.



Come By and Visit

We're located in Norcross, Georgia, just north of Atlanta, at **752 West Peachtree Street, Norcross, Georgia, 30071**. To get here, exit I-85 at Jimmy Carter Boulevard, head west, travel about two miles, cross Buford Highway (US 23), go under the bridge, West Peachtree is your first right. We're the first building on the left.





Easy Ordering

We are open 9:00 A.M.–6:00 P.M. Tuesday–Friday and 10:00 A.M.–5:00 P.M. on Saturday. You may call us at (770) 447-6945 during these hours, or fax us at (770) 447-5798 24 hours a day, seven days a week. When ordering, please list your items by description and part number when possible and state the year and model of your BMW. Have your Visa or MasterCard number, expiration date and cvv2 code ready. Our phone lines may be occasionally busy. If you leave a name and phone number on the answering machine, we will call you back as promptly as possible. We make every effort to ship orders the same day they are received. Used part and late afternoon orders may not ship the same day.

Easy Payment

The simplest and fastest way to pay for your order is Visa or MasterCard. We charge nothing to your account until we ship your order. We also accept personal checks and COD orders. If you are a first time customer we may hold your personal check until it clears; this could delay your shipment.

Shipping

Our preferred method of shipping is UPS Ground. We will also ship UPS Red (next day), UPS Blue (2nd day), or UPS Orange (3rd day) upon request. Federal Express and the U.S. Postal Service are also options. When placing your order we can give you a close estimate of shipping charges.

Damage Claims

If your package appears to be damaged, once you pay the COD charge (if any), open your package in the presence of the carrier. Have them note any damage on their delivery record. If you find damaged merchandise after the delivery, call the carrier first and then notify us. All shipments are insured. It is the responsibility of the carrier to deliver the merchandise in the same good condition as it left our store. Your order was inspected and carefully packed before leaving Blue Moon Cycle. Do not return to us. The carrier must inspect the package and they will handle the claim. Keep the original carton and packing materials for the carrier to return the part. Do not return any merchandise which was not damaged.

Shortages

Compare your invoice and merchandise to assure you received all the merchandise for which you were billed. All shortages must be reported to us *within 3 days of receipt* of shipment. Use care when unpacking your merchandise to open any small boxes and unwrap all packing materials. Many small items are wrapped individually or put in small boxes to ensure their safe arrival.

Backorder

Your entire order may not have been in stock at the time of shipment. These items are indicated as “Ordered” on your invoice and will be shipped as soon as possible. You will be charged for the part and shipping cost when the item is shipped. Please call if you wish to cancel a backorder.

Parts Guarantee

Genuine BMW parts are unconditionally guaranteed for one year. All reproduction parts are guaranteed against defects in manufacturing and workmanship for a limited time upon your inspection. Liability of Blue Moon Cycle is limited to replacement of the defective part. No other warranty is expressed or implied. Please notify us within 15 days of receipt of any merchandise which is not satisfactory. We reserve the right to replace any part that is shipped incorrectly.

Returns

All returns must be accompanied by a copy of the invoice. Returns must be made within 15 days of receipt. Please specify the reason for returning and if the item is to be replaced or refunded. Returns may be charged a 15% restocking fee. Do not send COD. Freight must be prepaid on all returns. Be sure to properly pack and insure the returned merchandise.

Catalog Pricing

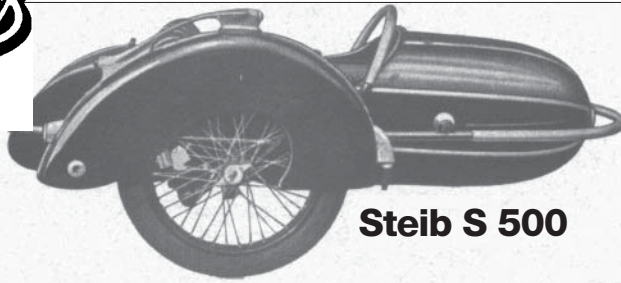
Prices are subject to change without notice due to worldwide fluctuations.

We appreciate your business!



Blue Moon is North America's Sidecar Specialist

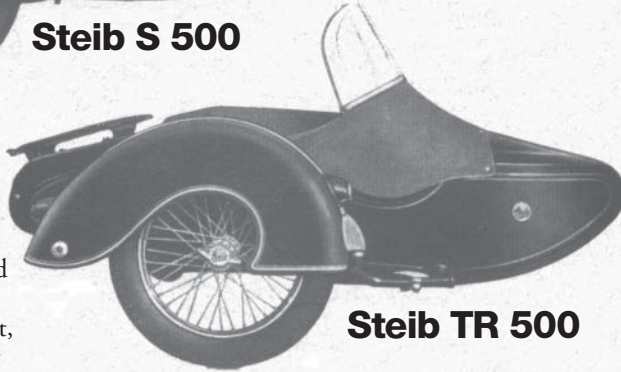
Today's Steibs are made from the best materials and built to the exact specifications of the original Steib blueprints. All new Steib parts will directly interchange with and fit on original Steib Sidecars. Steib bodies and fenders are manufactured with 1mm thick steel and meet Germany's strict TUV standards. All Steibs are designed to fit BMW mounting systems. For other brand cycles, special brackets are available.



Steib S 500

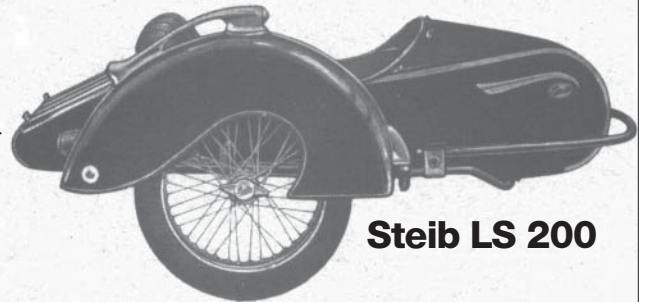
The S500 is Steib's sports model sidecar. Features include Cobra handle light, lockable trunk, plush interior in red or black with side panels and map case, coil spring body suspension and trailing arm wheel suspension, and polished front and top rail. Luggage rack, windscreen, and tonneau cover optional. **\$6,000.**

The TR500 is Steib's top-of-the-line touring model. Features include lockable trunk, front and rear lights, leaf spring supported body and torsion bar wheel suspension. Luggage rack, spare tire mount, windscreen and tonneau cover optional. **\$6,400.**



Steib TR 500

Steib's lightest sidecar is an ideal choice for smaller displacement motorcycles. It is also a popular choice for those desiring the sporty feel of a smaller, lighter rig. Features include plush interior in red or black, Cobra handle light, chrome bumper, and full body and wheel suspension. Windscreen and tonneau cover optional. **\$5,400.**

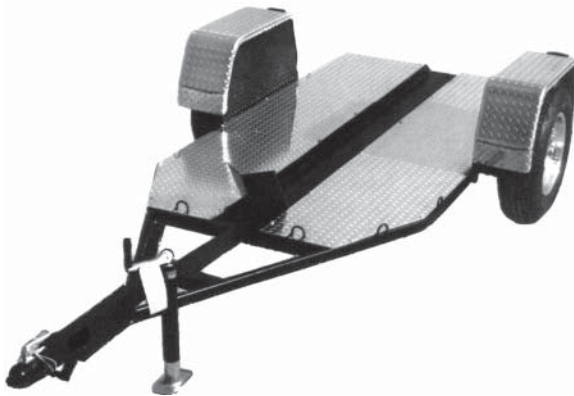


Steib LS 200

CHECK OUR WEB SITE, WWW.BLUEMOONCYCLE.COM, FOR CURRENTLY AVAILABLE USED SIDECARS.

SOUTH SPORT PREMIUM MOTORCYCLE TRAILERS

Blue Moon Cycle believes that these premium trailers from South Sport are the best we've found. Both models come equipped with high tech aluminum diamond plate for durability and good looks, and unique rubber torsion axle for maximum rebound and a smoother, softer ride. The aluminum diamond plate package includes mig-welded mainframe, 4-cord rubber torsion axle, swivel tongue jack, positive bearing lubrication system, 2" coupler, and safety chain.

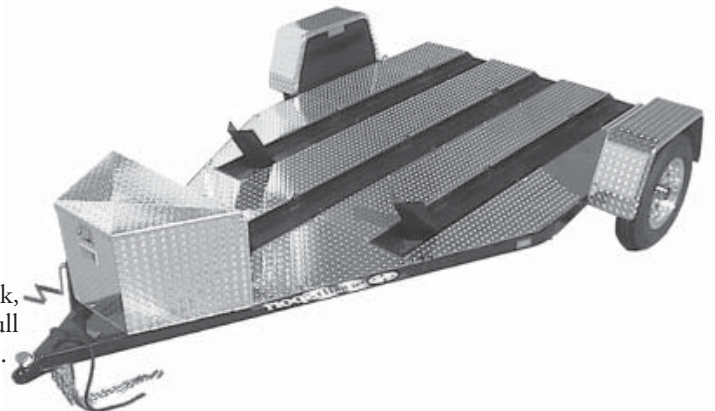


MTD-1 Single Deluxe

Features aluminum wheels with 14" tires, aluminum diamond plate deck, aluminum diamond plate fenders, painted metal fender backing, 48" (full width) slide out ramp, tie down hooks, 1650 pound capacity, single rail. **\$1,295.**

MTD-3 Triple Deluxe

Features aluminum wheels with 14" tires, aluminum diamond plate deck, aluminum diamond plate fenders, painted metal fender backing, 78" (full width) slide out ramp, tie down hooks, 2800 pound capacity, three rails. **\$1,995 (Box \$269 additional).**





Read any good books lately?

BMW Motorrad 1923–1939

BMW Motorrad 1949–1967 singles

BMW Motorrad 1950–1973

These are German text but are jammed full of rare photos, advertising art and cool diagrams. You don't have to read German to enjoy these books! **\$24.95 each**

Military Motorcycles

Lots of great photos of military bikes in action. Numerous countries and marques represented. **\$34.95**

How to Restore Your BMW

Roland Slabon gives thousands of tips and details regarding the purchase, care and restoration of classic BMWs. **\$29.95**

BMW Illustrated Buyer's Guide

This is the first book to own if you are considering the purchase of any BMW motorcycle. Lots of history and information. **\$17.95**

BMW Workshop Manual

Exact reprint of factory service technical manual. Available for R25, R26, R27, R51/2, R51/3, R67, R50–R69S. **\$35.–\$88.**

BMW Parts Book

Shows exploded view diagrams of entire motorcycle sub-assemblies. Includes part numbers for use as mechanical reference and for ease of ordering. Available for R25, R26, R27, R35, R51/2, R51/3, R67, R50–R69S. **\$29.–\$39.95.**

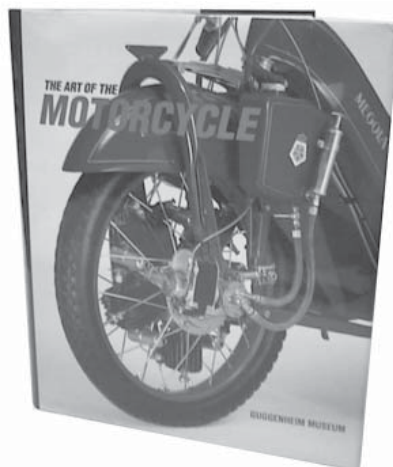
BMW Owner's Handbook

Check full of information for owning and maintaining your motorcycle. Exact reprint of factory original. Available for R25, R26, R27, R35, R51/2, R51/3, R67, R50–R69S. **\$19.–\$44.**

Art of the Motorcycle.

Guggenheim Museum Exhibition Catalog

Full color hard cover catalog of the popular Art of the Motorcycle exhibition at the Guggenheim Museum in New York City. Oversized display book contains over 425 pages. **\$65.**



Rare Find.

BMW 75th Anniversary Emblem

Act fast...we only have an extremely limited supply of these rare emblems! Comes complete with screwback pin on back and display case. **\$75.**



You can have it both ways.

R69S Speedometer Watch

If you love vintage Beemers, this is your must-have watch. The face is precisely modeled on the speedometer of the BMW R69S. The wristwatch, steel with leather band, can be easily converted to a pocket watch with included chain. **\$285.**



Wear one of each.

Tooled BMW Belt with Cast Buckle

A perennial favorite at the rallies...we always sell out. Available in black or brown belt with tooled BMW logos and with a large or small BMW insignia buckle. **\$32. narrow belt, small buckle / \$42. wide belt, big buckle (as pictured)**

Davida "Checked" Helmet

Blue Moon has been a Davida dealer since the early days. Davida "pudding bowl" helmets are the ultimate accessory for your vintage look. Available in a wide range of colors and styles; please call for details. **\$149.–\$179.**



Best of old & new.

Cruiser Pocket Watch

Whether cruising Main Street or speeding down the Autobahn, this vintage-look pocket watch is right at home. This genuine BMW watch will be a keepsake forever. **\$299.**



Hang your heart on your wall.

Tin Motorcycle Signs

BMW has taken historical motorcycle motifs and turned them into embossed and shaped tin paneling with a four-color painted and polished surface. Both signs measure 27.5" x 19.75".



Top Sign

Translates approximately to "High performance in sport; Top performance on a daily basis". \$55.

Bottom Sign

Translates approximately to "For the Highest Expectations". \$62.



Know where you're going and remember where you've been.

Cordura Map Case/Travel Log

This sturdy carrying case holds maps, pens, necessary cards and identification, and a travel log. \$16.95



Desk accessories.

BMW Miniatures

Start your own collection of BMW miniatures with the R32 (top) and the BMW Cruiser (bottom). Painted in original colors with chrome and transparent parts, and moving wheels. Many other BMW miniatures available.

\$52. (R32) / \$40. (R1200C)



Toys will be toys.

Tin Motorcycle Toys and R69S Jigsaw Puzzle

You can actually play with these toys! Wind 'em up or roll 'em back and watch 'em fly! Jigsaw puzzle comes in tin box and contains 300+ pieces plus a metal wrench.

Solo Wind-up \$19.99 / Police Dual Friction \$24.99 / Solo Rider Winner \$29.99 / Sidecar Wind-up \$19.95 (not shown) / R69S Jigsaw Puzzle \$15.95



Black never goes out of style.

Deerskin Leather Gloves

Classic soft, supple black leather deerskin gloves stay comfortable all day. \$35.

BMW Key Pouch

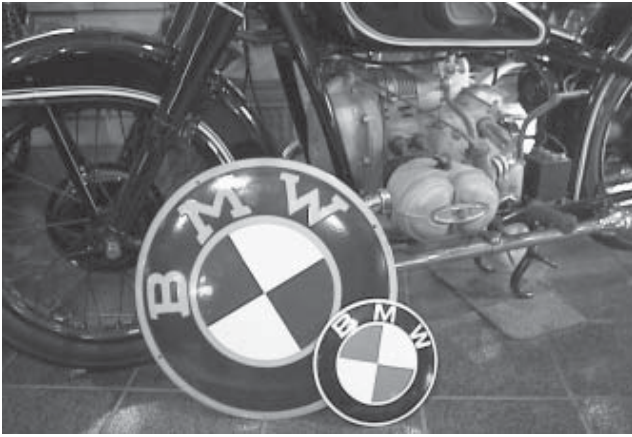
Black leather with zipper and chain inside with ring for keys. BMW emblem on outside. \$22.

A Harro-ing experience.

Harro Tankbag

The proper period accessory for the older BMW...long time favorite of touring riders. This heavy canvas bag features expandable 23 litre capacity, leather trim, map case, and foam bottom. Fits perfectly on the narrow or wide 1950-1990 BMW tank. Made in Germany by Harro, \$189.





Dress up your room.

BMW Serif and Sans Serif Porcelain Signs

These signs are authentic reproductions of the BMW vintage and sans serif logos. Vintage sign measures 24" diameter; sans serif logo measures 12".

\$149./Vintage; \$49./Sans Serif



Bottoms up.

Blue Moon Koozies

Available in blue, black, red, green, and purple. Sure to be a hit at any rally...get several! \$2.

“Sidecars are great 'girl-catchers'. Many girls who have been told by their mothers to never, never, never, get on a motorcycle will, without hesitation, jump into a sidecar.”
-Motorcycle Sex by Dr. Gregory W. Frazier, ©1994



Protect your tank in style.

1/2 Leather Tank Cover for Small and Large Tanks

Good looking and practical leather with green felt liner and nickel-plated buckles. Small tank cover (top) fits 4 gallon standard tank with toolbox access on side; large tank cover fits 6 gallon sport tank with toolbox access on top.

\$169./Large Tank Cover; \$129./Small Tank Cover



Vintage classic.

Belstaff Waxed Cotton Trailmaster Jacket

The original British riding jacket, waterproof black oil cloth with four patch pockets and belt. The more you wear this jacket, the better it looks! Pants available separately. Shown here with Davida helmet and goggles. \$199. jacket/\$149. pants



“Experience is what you get when you don't get what you want. Adventure is discomfort recounted at leisure. Motorcycles will lead one to both 'experience' and 'adventure'.”

-Gathering Speed-Tales of Motorcycles and Life by David A. Braun, ©1996



Sit yourself down.

BMW and Moto Guzzi Logo Stools

Perfect for the bar or playroom, these stools are commercial quality with rotating tops and chrome base. \$129. each



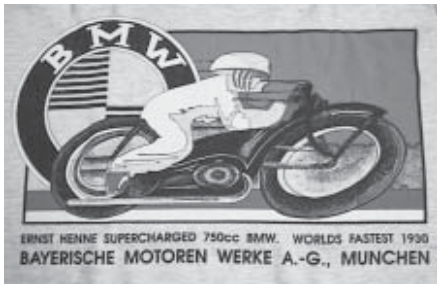
Wear your obsession proudly.

Blue Moon T-shirts

All of our T-shirts are heavy, 100% cotton, silk screened in multi-colors front and back. Available in Medium, Large, X-Large, and XX-Large.

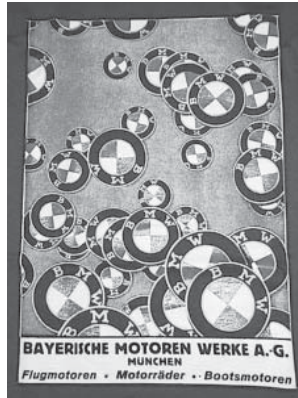
Short sleeve T-shirts \$18.

Long sleeve T-shirts \$20.



Ernst Henne Pre-War World Record Racer (top), Floating Vintage Emblems (right)

Ernst Henne on light grey shirt, Blue Moon logo on back; Floating Emblems on dark blue shirt (ss), tan shirt (ls), Blue Moon logo on backs.



1925 BMW #1 Racer (left), Blue Moon Logo (right)
BMW #1 racer on brick colored shirt; Blue Moon logo plus “Don’t ignore it—restore it” on back.



Schnellste Racer (left), BMW R1200C on Blue Moon logo (right)

Racer on maroon shirt, Blue Moon logo on back; R1200C on back of light grey shirt, R1200C logo on upper left front.



Walter Zeller
A bestseller! Walter Zeller on khaki shirt (ss), light green shirt (ls); Blue Moon logo on back. LS shirt has small Blue Moon logos running the length of one sleeve.

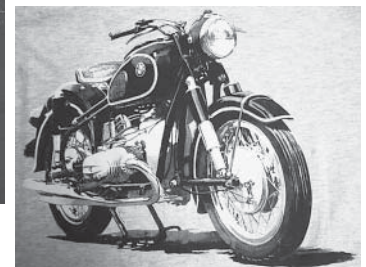


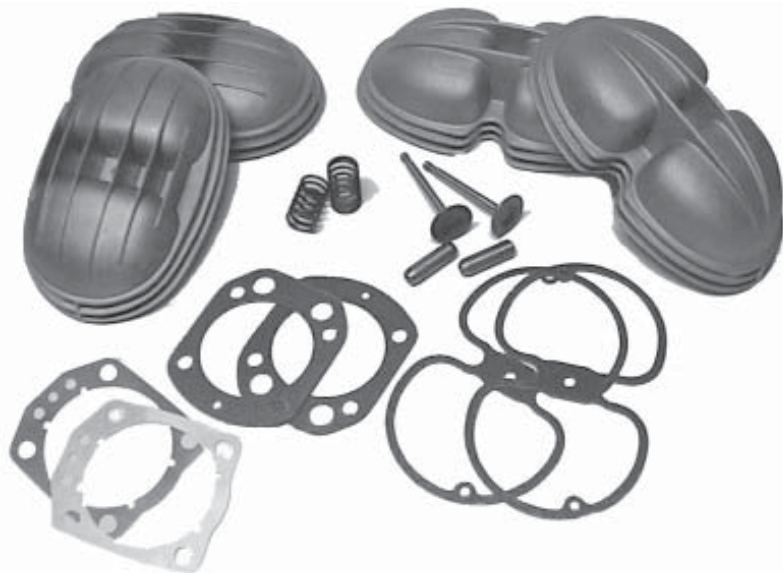
Vintage Boxer/Earle's Fork
Vintage in banner over line drawing of Boxer engine, line drawing of Earle's Fork on back, available on black or white shirt (ss), black only (ls).



24 World Records (left), R69S (right)

24 World Records on black or dark green shirt, Blue Moon logo on back; original R69S artwork on back on light grey shirt, Blue Moon Cycle “New and Old Classics” logo on upper left front.





Cover up.

Reproduction Valve Covers, R69S and R50-R60

Perfect casting, authentic appearance. We also sell gaskets individually or in sets.

To order, see page 43.

TIP: Gasket sealer should be used on base gaskets only. Head and valve cover gaskets go on DRY.



Get enlightened!

Headlight Components

We have everything for you to be the light at the end of the tunnel...complete headlights or any part...chrome guard, rim, lens, reflector shell, switch. Headlight chrome guard fits all 1950 BMWs-15s.

To order, see page 21.

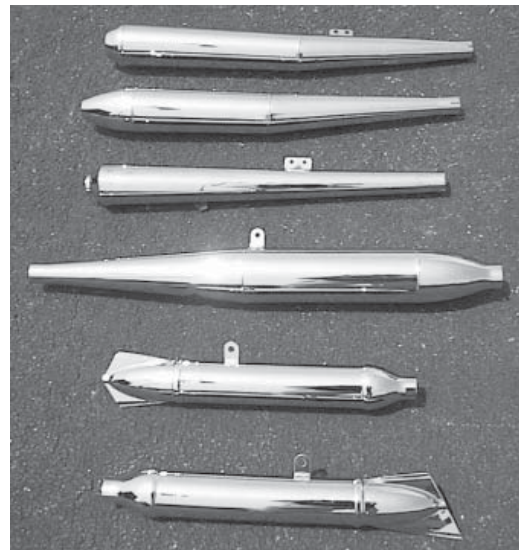


"I'll never forget him—the Leader of the Pack."

-Leader of the Pack by The Shangri-Las

©1964

"Riding on a motorcycle can make you feel joyous, powerful, peaceful, frightened, vulnerable, and back out to happy again, perhaps in the same ten miles. It is life compressed, its own answer to "Why?"
-The Perfect Vehicle by Melissa Holbrook Pierson ©1997



Silence is golden (mufflers are chrome).

Mufflers

We stock a variety of mufflers 1950 to present. Pictured above:

Top.....16, 17 repro muffler, \$94.95 ea.

2nd15 German repro muffler, \$499/pair

3rdHoske repro muffler, popular period accessory, 1955-1985, removable baffle—can be LOUD!, \$499/pair

4thR69S German repro muffler, \$499/pair

5thR51/3 Bird Tail German repro muffler, \$499/pair

Bottom ..R51/2 Fish Tail German repro muffler, \$499/pair.



Lighten up.

Taillights and Blinkers

Chrome tail light guard /2, \$59

Tail light /2, \$229.

Tail light (Eber) R25-R51/3, \$149.

Bar end blinkers (Hella), \$89/ea.

Flasher relay, \$35

Switch, Hella, \$92.95, Universal, \$19

“You know the great principle of mechanics—that you can’t get out of a machine more than you put into it, nor quite as much, as a matter of fact, for considerable is lost through friction.”

–Tom Swift and his Motorcycle by Victor Appleton, ©1910



Blow hard.

Reproduction Horns

6-volt black or 12-volt chrome goes beep!

To order, see page 22.

TIP: Sometimes original horns can be repaired by opening the horn and cleaning the contact points inside.

When reassembling, be sure to position the iron bar over the electromagnets.



Put the spark back in your riding life.

1/2 Electrics

We can supply original or updated components for your vintage BMW. Items pictured include Voltage Regulator (electronic)—1 year warranty; Bosch Spark Plugs; 6-volt Battery with Top; Rebuilt Generator Armatures; Brushes, Condensers (with wire); Points, new reproduction Centrifugal Advance Assembly.

To order, see page 21.

TIP: If your BMW starts when it’s cold, but is difficult to start when it’s hot, you may need a new coil.

TIP: Always lubricate your advance unit when you change your points.



What to do if your wiring is terminally ill.

1/2 Terminal Boards, Ignition Parts and Keys

We offer everything to fire your vintage Beemer right up...1950–1973 terminal boards, ignition switch parts, and black knob and pocket flat keys.

To order, see page 21.

TIP: The terminal board is held by four metal tangs. Carefully bend tangs using a small screwdriver and needlenosed pliers. You only get a couple of chances to bend the tang before it breaks off. Be careful!

**If you love your BMW motorcycle, consider joining one or more of the national BMW owners’ clubs:
BMW Motorcycle Owners of America
636-537-5511**

**BMW Riders Association International
407-984-7800**

**Vintage BMW Motorcycle Owners Ltd.
603-772-9799 (M–F, 7–9 p.m.)**

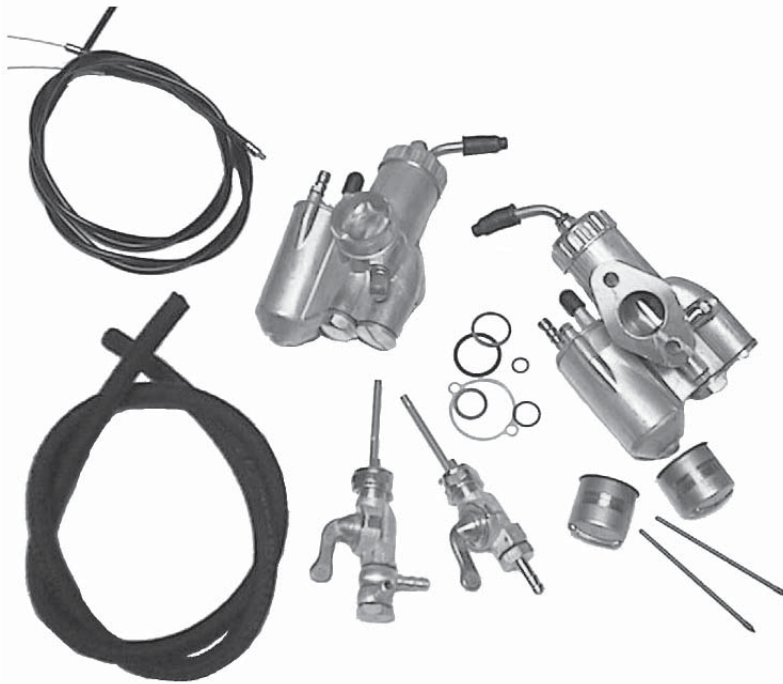


Lost your bearings?

Taper Roller Steering Head Bearing Set, R24–R69S

If your old bearings are worn, notched or detented, replace them. You’ll notice smoother steering and better handling. Keep them adjusted and they’ll last almost forever. \$69./pair

TIP: Steering head bearings can be easily installed using a brass drift and a light hammer. Be sure to readjust your new bearings at 500 miles.



Got gas?

Fuel Group

Karkoma petcocks, single or twin, Continental cloth braided fuel line, original Bing carburetors (rumor has it these won't be available much longer), carb gasket kit, floats, float needles...take your pick.

To order, see page 54.

TIP: Original Everbest petcocks are not intended to be rebuilt. If you wish to maintain originality, keep your old petcock for shows but replace it for safety and convenience.

"In the lives of most cyclists, parts are a driving force, a common currency, a lingua franca...Parts are a never-ending quest. They are the fever and the cure, the question and the answer, the reason for road trips that transcend time lines and even international boundaries."

-Rebuilding the Indian by Fred Haefele, ©1998



Replacement pistons.

Our reproduction pistons are manufactured to the highest standards. Sold in pairs with pins, rings, and clips.

To order, see page 43.



Make instrumental improvements.

Speedometers and Tachometers

There's no reason not to keep track of your speed and RPMs... we offer authentic reproduction BMW speedometers, tachometers, cables, bezels...whatever you need.

To order, see page 23.



Really old stuff...like new.

Pre-War Parts

Here's a sampling of our pre-war parts: Bosch clam shell tail light with license plate bracket; early Bosch coffee can headlight; R11 Bosch horn; R12 air filter assembly; R12 knee pads. If we don't have it, chances are great we can get it!

Call us for current pricing.

**“They worship their motorcycles, they bring them into their homes at night, they sleep in grease-caked beds, but their bikes are spotless.”
–Hell’s Angels by Hunter S. Thompson, ©1967**

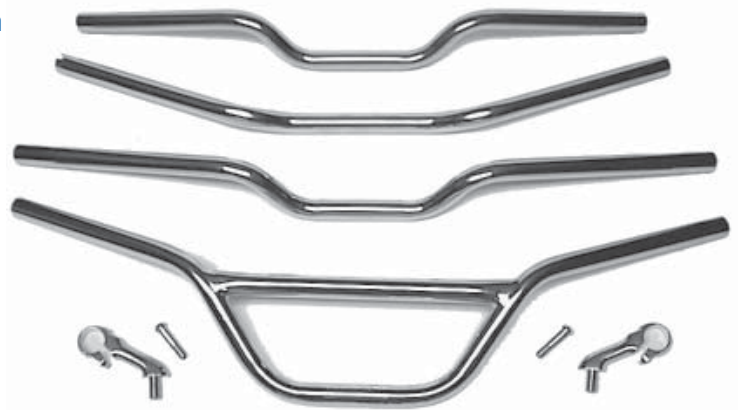


Stand up for yourself.

R50–R69S (top) and R51/3 (bottom) Center Stands

Sturdy repro center stands with durable gloss black finish. Nuts and bolts, springs sold separately.

To order, see page 35.



Get a handle on the issue.

Repro Handlebars

Our handlebars are German reproductions built to original specifications.

Top /2 low handlebar, \$59

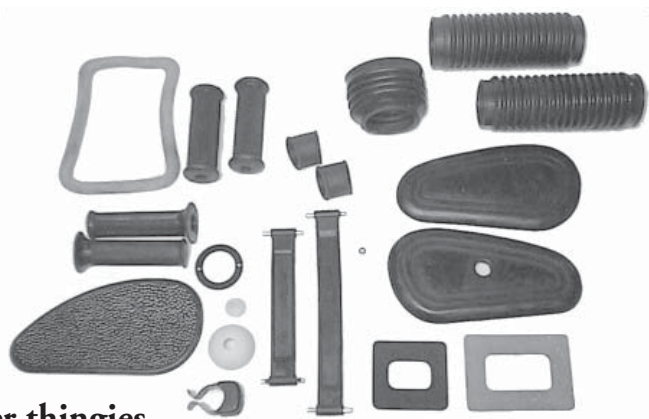
2nd R25–R51 low handlebar, \$59

3rd sidecar low extra wide handlebar, \$59

Bottom .. /2 USA handlebar, \$69

/5, /6 handlebar (not shown), \$79

TIP: Take special care when bending handlebar riser clamps. Feel free to call us for advice.



Rubber thingies.

We sell a complete kit of rubber parts to restore your BMW. Included in the kit are: Earles Fork pivot plugs (2), steering damping washers (2), Earles Fork top plugs (2), rubber gasket for red and green lens (1), speedometer gasket (1), headlight housing grommets (4), rubber grommets for hi/lo switch (1), Magura handlebar grips (2), foot peg rubbers (4), motor mount washers (2), gas tank mount washers (4), emblem gaskets (2), spark plug wire grommets (2), spark plug cap boots (2), speedometer cable boot (1), battery pad (1), battery strap (1), shifter rubber (1), rear fender plugs (4), tail light housing gasket (1). \$179.

TIP: Your 30+ year old German rubbers have probably deteriorated by now. Most of our new rubber contains Neoprene, which is more resistant to today’s harsh environment.



Hubcap heaven.

We’ve got your wheels covered! Pictured above are: wheel for Steib sidecar, painted hubcaps (all models available), stainless steel axles, R50–R69S, stainless or chrome spokes (all models), chrome hubcaps /2, chrome rims, stainless wheel seal nuts. We also offer wheel building service.

To order, see page 50.

TIP: Stainless steel parts should have anti-seize compound applied to threads to prevent galling.

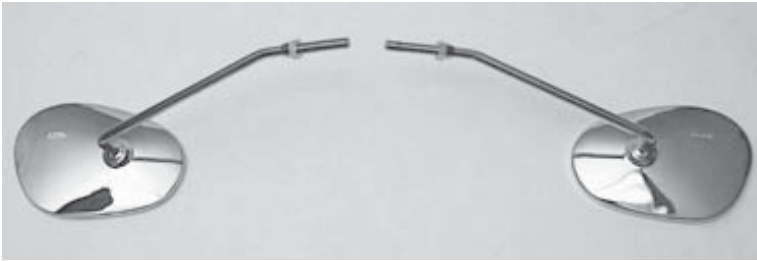


Badges of honor.

Enamel Tank Emblems

Clockwise: BMW pre-war serif \$45; Steib frame ID plate \$19; BMW frame ID plate \$19; R69S tail emblem \$69; BMW sans serif (1965–1969) \$29.95; emblem stainless steel trim rings \$19/pair; BMW serif (1950–1965) \$39. Not shown: emblem screws \$1 each; ID plate round head screws \$2 each.

TIP: Screw-on badges should be applied gently. When installing ceramic badges, do not overtighten screws. Overtightening can result in cracked porcelain.



Headlight mounted mirrors.

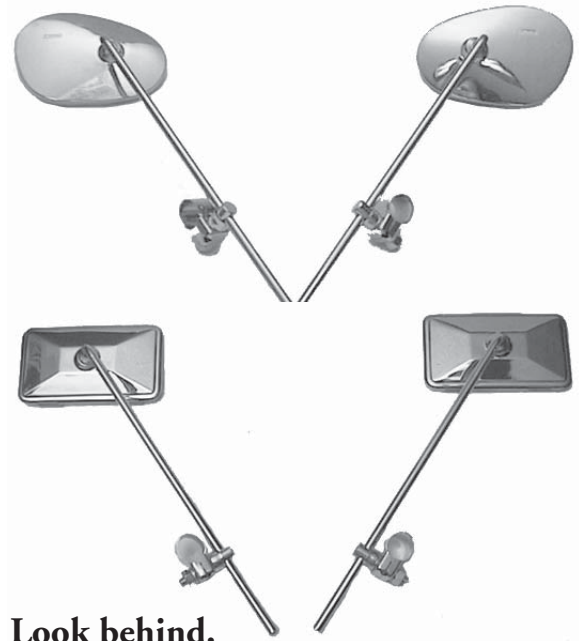
Our repro headlight mounted mirrors offer a sporty look and good visibility. Made in Germany to fit all vintage BMWs, they look especially good with low handlebars.

\$109. pair



The right tool for every job.

Cast iron exhaust nut wrench R69S and /5, /6, /7 \$49; wheel seal nut pin wrench \$59.95; pre-55 tire pump \$39.95; exhaust hook wrench R51, R50, R60 \$19, 36 x 41 mm box wrench \$19; generator puller bolt \$9.95; BMW shop rag \$9.95.



Look behind.

Bumm Clamp-On Mirrors

Imported from Germany, Bumm was an original supplier to BMW. In addition to the clamp-on styles shown, we offer other styles and applications. We can help you choose the proper mirrors for your vintage BMW.

\$39. each

TIP: If your mirror threads are stripped, we can fix them. Just give us a call.

We will support you.

Akip and Brown Side Stands

Akip side stand (top)—a popular German accessory from the 1950's, available again. Folds neatly under driver foot peg. Fits all BMWs 1939–1969. Brown side stand—the best way to keep your /5, /6, /7, or R65 upright. Strong and safe.

\$179./Akip; \$149./Brown

TIP: It is advised to never use any sidestand to support the motorcycle when kickstarting. This stresses the kickstand.



Please be seated.

Reproduction Seats

Original look, improved foam and fiberglass pan, heat embossed ribs retain stock appearance. Seat covers available separately. Fits all popular BMWs 1950–1990. Made in England. **\$359.**

Fly solo.

Police Solo Seat 15, 16, 17

Sporty and comfortable, made in England. A good reason to leave the old man or lady at home! **\$299.**



Ride in comfort.

Denfeld Pillion Pad 1950–1969

Sporty and comfortable, metal spring innerframe. Bolts to four pre-existing holes in rear fender. Goes great behind the Denfeld front solo seat. **\$595.**



Be a square.

Square Leather Saddlebags

These bags were offered as a BMW accessory in the 1950s–1970s. These authentic reproductions offer the original BMW look with locking lids and metal framework. Gloss

black finish. Brackets available for models R51, /2, /5, or attach to original Denfeld mounts. **\$649/pair**



Solo Seat, Pagusa or Denfeld

Left: mounting hardware for 1955–1969 twins; right: mounting hardware for pre-'55 models and R26–R27. To order, see page 36.

TIP: When installing a solo seat, make sure bracket does not contact gas tank. Add rubber spacers to tank mount to provide necessary clearance.



You can take her (or him) with you.

Denfeld or Pagusa Pillion Seats

Left: rack mounted pillion seat; right: fender mounted pillion seat. From **\$299.**

TIP: Pillion means "passenger" in the King's English. A pylon is a traffic cone. You don't normally carry traffic cones with you; you do carry passengers! Please call them pillions. And while we're on our soapbox, it's pronounced Den-feld, not Den-field. Whew. We feel better now.



Swing (without) your partner.

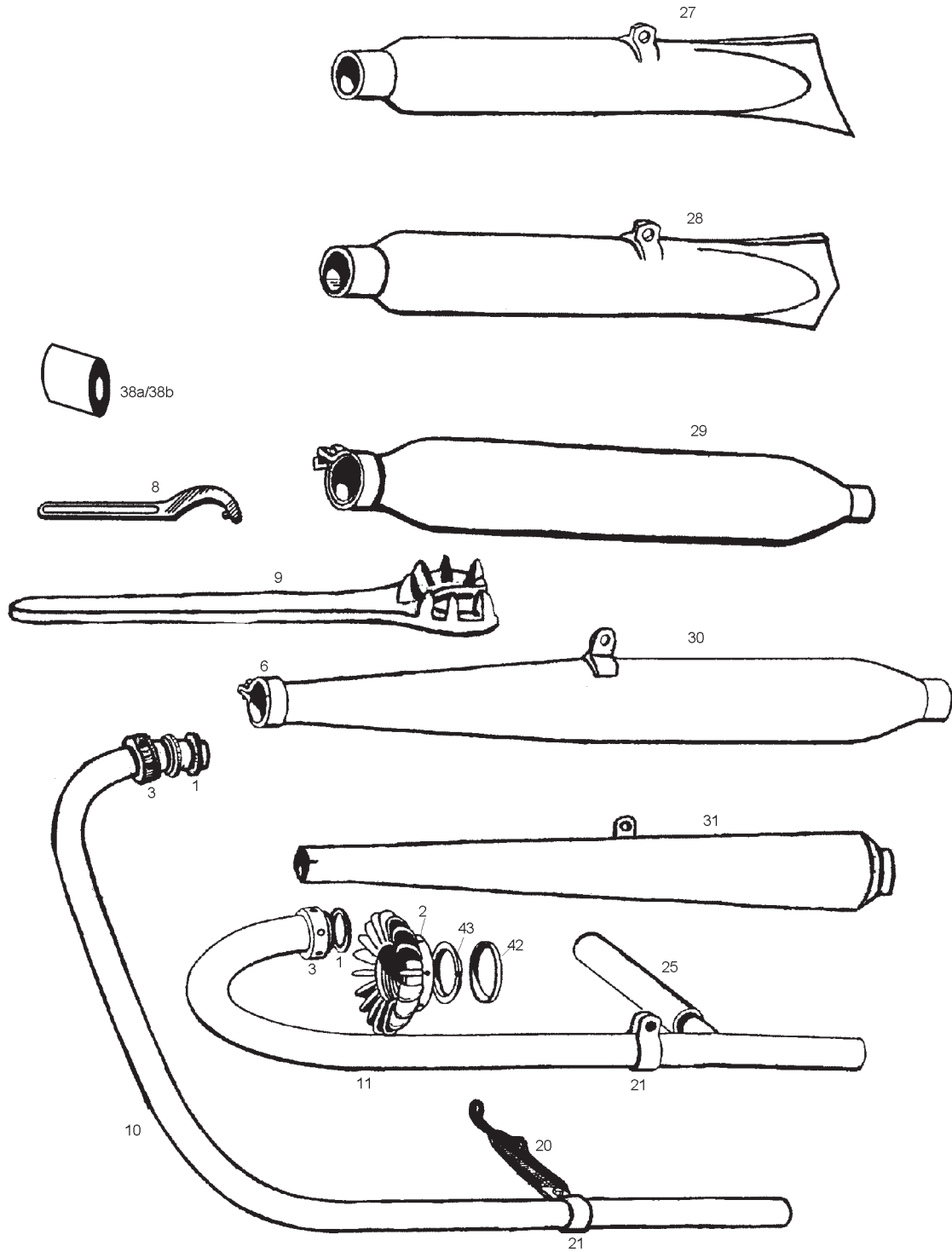
Authentic Leather Swinging Seat

This seat attaches to the back of any Denfeld or Pagusa solo seat, providing extra room for the rider to obtain a racing position. This seat was standard equipment on the legendary R68, but will fit all BMWs from the 1950s and 1960s. Features handsome top grain leather with white piping. Mounting hardware sold separately. Note that this seat is not designed to support a passenger. **\$690.**

CLASS A-EXHAUST SYSTEM AND HARDWARE

<i>Illus. No.</i>	<i>Part No.</i>	<i>Part Name</i>	<i>Price</i>
A001	07119963470R	Exhaust Gasket R24-R60/2	\$2.00
A002A	18114090111R	Exhaust Nut Cooling Fin /2	45.00
A002B	18114090110F	Exhaust Nut Finned R24-R27	45.95
A002C	18114090250R	Exhaust Nut R69S	49.00
A003A	18114090110R	Exhaust Nut Chrome R25-R60	20.00
A003B		Exhaust Nut R24-60 Stainless	38.00
A004B	18211335595	Exhaust Nut R65/Works On R69S	18.68
A007	18214090101	Exhaust Clamp R25/3 Stainless	14.50
A008	88886 HOOK	Tool Exhaust Wrench Hook R24-R60	19.00
A009	88886180000	Tool Exhaust Star large	49.00
A010B	1811490116	Exhaust Pipe R25/2	189.00
A010C	1811490118	Exhaust Pipe R25/3	195.00
A010D	18114090019R	Exhaust Pipe R26	195.00
A010E	18114090067R	Exhaust Pipe R27	179.00
A010F	12034	Exhaust Pipe R35 Pre-War	98.00
A011A	18114090048R	Exhaust Pipe Set /2 Incl.Crossover	349.00
A011B	20035	Exhaust Pipe Set R51/2/3-9/52 Incl.Crossover Straight Pipe	399.00
A011BA		Exhaust Pipe Set R5,R51 Pre-war Incl.Crossover	399.00
A011C	1811419035	Exhaust Pipe Set R51/3-R67/3 Incl.Crossover, From 9/52 On	399.00
A011D	18114913035	Exhaust Pipe Set R68 Straight Incl.Crossover	399.00
A011E	181141303	Exhaust Pipe Set R68 Bow	399.00
A011F	18114090073S	Exhaust Pipe Set R69S Incl.Crossover	349.00
A011H	40035	Exhaust Pipe Set R12 Pre-war	289.00
A020A	18214090142R	Exhaust Pipe Bracket R25/3 Blk	25.00
A020B	18214090143R	Exhaust Pipe Bracket R26 Blk	25.00
A020C	18214090141R	Exhaust Pipe Retain Bracket 27	12.95
A021A	18214090201CH	Exhaust Hanger R25/3 Chrome	12.50
A021B	18214090159R	Exhaust Hanger R26,R27 Chrome	14.95
A021C	18214090201ST	Exhaust Hanger /2 + R25/3	15.00
A025A	18114090248R	Exhaust Crossover R51/2-R69S Chrome	29.00
A025B	18114090248SS	Exhaust Crossover R51/2-R69S Stainless	35.00
A027A	18124090004FTG	Muffler R51/3 Fish Tail W/Gap Sold In Pair	499.00
A027B	18124090004FTO	Muffler R51/3 Fishtail Offset	499.00
A027C	18124090000R	Muffler R20-24 Fish Tail	219.00
A027E	18124090R35	Muffler R35 Pre-War Fish Tail	249.00
A028A	18124090004BTG	Muffler R51/3 Bird Tail W/Gap Sold In Pair	499.00
A028B	18124090004BTO	Muffler R51/3 Birdtail Offset Sold In Pair	499.00
A028C	18124090004R	Muffler R25/2 Bird Tail	229.00
A028D	181240R25/3	Muffler R25/3 Bird Tail	229.00
A029	18124090004T	Muffler R51-R68 Torp 1954 Pair	499.00
A029C	181240R25/3TORPEDO	Muffler R25/3 Torpedo	229.00
A030A	18124090006R	Muffler R26 R27	249.00
A030B	18124090087R	Muffler /2 Repro w/o Seam	499.00
A030BA	18124091087R	Muffler /2 Repro Pair w/ Seam	499.00
A030C	18124090089R	Muffler R69S Chrome Pair 100mm	499.00
A031	18124097035R	Muffler /2 Hoske Sport Pair	449.00
A038A	18214090144R	Rubber Muffler Support R27	19.00
A038B	16114080137R	Rubber Support Muffler R25/3,R26	3.25
A042	18114090254	Exhaust Thrust Ring R68,R69,R69S	7.07
A043	18114090258	Exhaust Clamp Ring R68,R69,R69S	15.32
A27D	18124	Muffler R25 Fish Tail	219.00

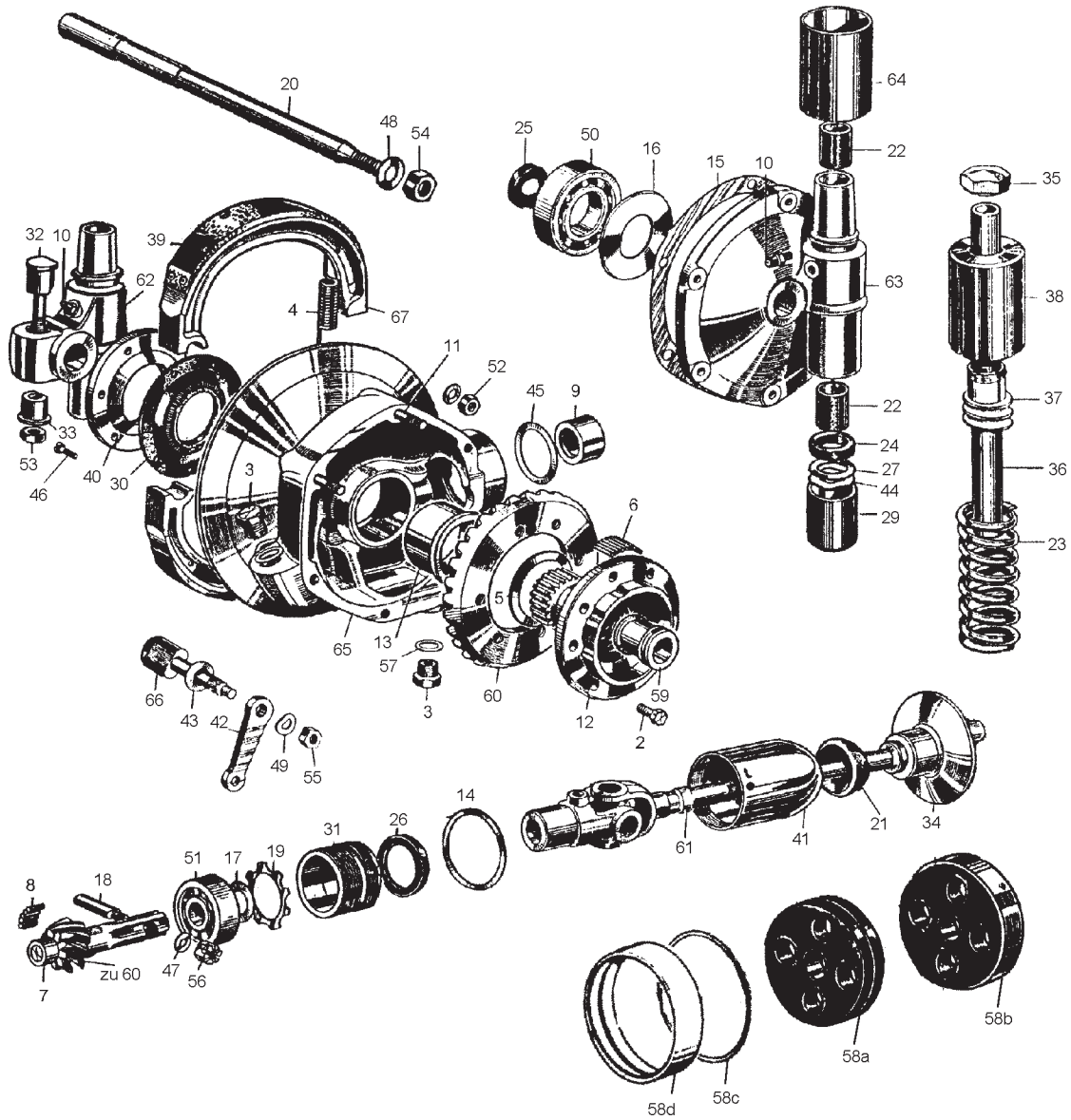
CLASS A-EXHAUST SYSTEM AND HARDWARE



CLASS C-DRIVESHAFT AND FINAL DRIVE R51/2-R68

<i>Illus. No.</i>	<i>Part No.</i>	<i>Part Name</i>	<i>Price</i>
C009	07113038298R	Bearing Drive Pinion R51/3-R68	46.17
C011	33123004323R	Final Drive Stud R51/2-R68	4.18
C012	331233004331	Final Drive Coupl Hub R51/3-R68	580.00
C013		Final Drive Bushing Big R51/3	32.48
C014	33123038196R	O-ring Drive Shaft Bell R51/2- R68	4.80
C015	33123004360R	Gasket Final Drive R51/2-R68	3.50
C018	26113038288R	Drive Shaft Pinion Bolt R51/2- R68	11.90
C020B	36313004365R	Axle R51/3-R68 Rear Stainless	113.68
C021A	26113038170White	Rubber Drive Shaft White R51	12.00
C021B	26113038170BL	Rubber Drive Shaft R51 Black	12.00
C022	33533054312R	Shock Bushing Rear R51/2-R68	20.88
C022A	33123054312R	Shock Rear Rod Bushing R51/2-R68	19.00
C023B	33533054026R	Spring Rear H Duty R51/3 R68	30.00
C024	33533054215R	Rubber Shock Bumper R51/2-R68	4.00
C026	33123038278R	Seal Drive Shaft R51/2-R68	13.92
C029	33123054234R	Shock Grease Retainer R51/2-R68 lower	19.00
C030	33123004370R	Seal Rear Drive R51/2-R68	30.00
C031	33123038281R	Final Drive Lock Ring R51/3-R68	49.00
C032A	33533004214R	Bolt Axle Pinch Rear R25-R68	32.48
C035A	33533054321R	Shock Top Nut R51-R68 Chrome	32.00
C035C	33123054320R	Shock Rear Top Cap R51\2 (Mush)	19.99
C036	33533054301R	Shock Rear Slider R25/3-51/3	48.72
C038	33123054246R	Shock Cover Rear upper Pre-55	39.00
C039B	34112060200Z	Brake Shoe Liner Set R51/3 Full Hub	79.00
C041	26113038270R	Drive Shaft Bell R51/3-R68 Alum. Polished	69.00
C050	07119981242R	Bearing Final Drive R51/2-R68, Big	26.27
C051	07119982467	Bearing Drive Shaft R51/2-R68 3304	67.86
C058A	26113038181R	Rubber Drive Coup R25, R51/3-R68	59.00
C058B	26113038183R	Rubber Drive Couple & Ring R51	109.00
C058C	33123038105R	Drive Shaft Coupl.Ring R51/2-R68, R26/27	8.00
C060A		Final Drive Gear Set R51/2-R68, 35:9 Solo	980.00
C064	3142154236U	Shock Cover lower-rear Pre-55 R51/2-R68	25.00
C068	3312303SET	Gasket Set Final Drive R51/2- R68 Complete	45.00
C39A	34112060201Z	Brake Shoe Liner Set R51/2-R68 Half Hub	59.00

CLASS C-DRIVESHAFT AND FINAL DRIVE R51/2-R68



CLASS E-ELECTRIC/INSTRUMENTATION

<i>Illus. No.</i>	<i>Part No.</i>	<i>Part Name</i>	<i>Price</i>
E006	12138004104R	Coil Repro R51/3-R69S Magneto.....	169.00
E008	12118004108U	Magneto Rotor R51/3-/2+R69S Used,Not R68,69.....	180.00
E009A	12118008112R	Ign.Advance Unit R24-R26.....	217.39
E009B	12118030147R	Ign.Advance Unit R27.....	355.00
E009C	12128004113R	Ign.Advance Unit R51/3-R69S.....	279.00
E010A	12128002171R	Ign Adv Spring 55-69, 11mm (Need 11mm + 9mm).....	4.50
E010B	12118030148R	Ign. Adv. Spring R27.....	4.80
E011A	12118030100R	Points R24-26.....	15.00
E011AA	07119932815	Washer Points R25-26 + Ign. Adv. Unit R25-26.....	0.21
E011B	12118030155R	Points R27.....	15.00
E011C	12128030160R	Points R51/2.....	16.90
E011D	12119058248R	Points R51/3-69S.....	15.00
E015	12318030106R	Condensor R24-69S w/ Wire.....	10.00
E017	12118030008R	Points Base Plate R24-R26.....	48.00
E018A	12118030132R	Points Base Plate R27.....	184.00
E018B	11110002128R	Gasket Points Plate R27.....	2.69
E018C	11110002123R	Gasket Points Cover R27.....	2.95
E026A	12318002202R	Gen Arm '55-'60 Exch.Only Small,Rebuilt \$100.00 Core Charge.....	250.00
E026A	12318002203R	Gen Arm '61-'69 Exch.Only Rebuilt \$ 100.00 Core Charge.....	250.00
E028A	12318002147R	Gen Brush Pair R24-R69S.....	9.95
E029	12311350786R	Generator Spring R24-R100.....	4.80
E033	12318002307U	Gen Resistor R51/3-R69S.....	13.60
E039A	12328008104R	Volt Regulator 6VElectr. R25- R27.....	159.00
E039AA	12320354758R	Volt Regulator 6V Electr. /2 Works On all Post-war 6volt.....	159.00
E039B	12321354758	Volt Regulator Orig. R51/3-R69S.....	542.50
E045A	12318002108R	Bolt Generator R25-26.....	6.20
E045B	12318002142R	Bolt Generator R27.....	6.20
E045C	12318036184R	Bolt Generator R51/3-R69S.....	6.20
E051A	07119976330	Spark Plug Bosch W240TI /2 _" R51/3-R60 Old + R24-27.....	11.88
E052	12128036124B	Spark Plug Wire Per Foot.....	0.50
E053	12128036160	Rubber Spark Plug Cap Boot.....	1.06
E054	12128036157	Spark Plug Cap Metal.....	8.57
E056A	12128036150R	Rubber Sparkplug Wire Grom /2.....	2.49
E056B	61138070106R	Rubber Grommet Ign/Gen. R25-R26.....	4.05
E057A	61131352095	Rubber Grommet Harness/Motor.....	1.73
E057E	61138070195R	Rubber Grommet Harness/Gen.R27.....	2.00
E058A	61211353608R	Battery 6V 12Ah W/Cover Pre-55.....	69.00
E058J	ML3 6P	Battery /2 w/ Top.....	49.00
E059A	61218042110R	Battery Pad Pre-55.....	5.00
E059B	61218042211R	Battery Pad /2.....	6.45
E059C	61218042111R	Battery Pad R26/27 (NLA).....	5.95
E060A	61128042138R	Battery Strap /2 + R25.....	12.95
E060B	61218042140R	Battery Strap R26/27.....	12.95
E060C	61128042R51	Battery Strap R51/2-R68 Rubber.....	10.50
E060D	61128042220R	Battery Strap Stainless R51/3.....	69.00
E061AA	62218042212R	Battery Tray /2 for 6V/16Ah Battery.....	30.49
E061B	62218042121R	Battery Tray R24-R25/3 Black Powder Coated.....	66.00
E065A	63128050012R	Headlight Bucket R25/2-R68.....	279.00
E065B	63128050035R	Headlight Bucket R26-R69S 51/3 '54-on, can be used for R25/3.....	249.00
E065C		Headlight Complete R25/2, R51/3-1954 w/o Speedometer.....	859.00
E065D	63128050031R	Headlight Complete R26-R69S, R51/3-1954 On, w/o Speedometer.....	859.00

CLASS E-ELECTRIC/INSTRUMENTATION CONTINUED

<i>Illus. No.</i>	<i>Part No.</i>	<i>Part Name</i>	<i>Price</i>
E066A	61328048116R	Key Ign. Plastic R25,R51/2-R68	22.97
E066B	61328048118R	Key Ign. Plastic R25/3-R75/5	13.56
E067	61328048119R	Key Ign. Pocket R25/3-R75/5	13.50
E068B	62148048127R	Lens Red-Green	27.90
E069	62140048128R	Rubber Gasket Red-Green Lens	3.95
E070	62148048129R	Bulb Socket Gen/Neutral /2	42.00
E071A	61318048149R	Headlight Switch R26-R69S Black Round	59.00
E071B	61318048183R	Turn Signal Switch R27-R69S Black Round	92.95
E071C	61318048ECO	Turn Signal Switch Economy	19.00
E071E	61318048152R	Switch Chrome Hi-Low /2 Repro	169.00
E071G	61138046126R	Rubber Grommet /2 Hi-Low Switch	4.00
E072A	32721230878	Turn Switch Base /2 /5 /6	15.64
E073A	61318048173R	Terminal Board R25/3-R75/5	199.00
E073B	61328048176R	Terminal Board R25-R68 R25, 25/2, R51/2/3, R67, R68 w/ Fuse Holder	192.95
E073C	6214848154F	Fuse Holder R25, R25/2, R51/2	29.00
E073D	62148048135R	Lens Red Generator R51 '50-'54	29.00
E073E		Lens Red R24 Hella Switch Ign Lock w/ 3 Screws	19.80
E074A	63128048179R	Headlight Bulb Holder /2	29.00
E075	63128048181R	Headlight Bulb Clip	1.70
E076	61328048185R	Ign.Cover Slide /2-/5	4.95
E077B	61328048189R	Ign.Switch Cover Chrome	22.50
E078	61328048191R	Ign.Cover Plate Spring	2.00
E079A	63128050128R	Headlight Chrome Rim R24-R69S	39.00
E081A	63128050154R	Headlight Lens R24-R69S	49.00
E081B	63121243541R	Headlight Lens H-4 /2/5 R65	28.05
E082	63221030126R	Rubber HI Lens Gasket /2-/5	4.00
E083	63121357468R	Headlight Lens Clip	1.10
E084A	63128050181R	Headlight Reflector R24-R69S	40.95
E084C	63128650145R	Headlight Socket 3 Pole Push H4 Bulb	8.90
E088	63128071754	Rubber Grommet Speedo Cable On Headlight	3.77
E089	61328048100R	Ign.Switch Ass. R25-R75/5 Complete	75.00
E089B	61328048110R	Ign.Switch R24 Complete Hella Incl. Bulbs	179.00
E090A	61118004035R	Wire Switch-turn Signal /2	15.95
E099	63121244378R	Headlight Washer Chrome	6.95
E100	61318050136R	Rubber Headlight Washer	1.99
E101	61138050138R	Rubber Headlight Bolt Spacer	3.75
E102A	63121356921R	Headlight Bolt Chrome/Stainless	7.50
E103A	07119978006R	Bulb Headlight 6V35/35W	10.35
E103AA	07119978006HW	Bulb Headlight 6V 45/40W	14.00
E103AB	63121356H4CON	Headlight Assembly H4 6Volt Incl.6V/35/35W	93.39
E103C	07119990006H4L	Bulb Headlight H4 6V 35/35W	19.00
E104	07119978270R	Bulb 6V 1, 2WSpeedo /2	2.79
E104A	07119978243R	Bulb 6V 2W Gen/Neu/Park /2	2.49
E106A	61338046030C	Horn 6V Chrome	39.00
E106AA	61338046030R	Horn 6 Volt Repro Black	39.00
E112A	61311353684R	Brake Switch Rear /2-On	17.50
E112B	61311357005R	Brake Switch Pre-55 Rear Pull	15.00
E112D	61311351249R	Rubber Brake Light Switch Rear	1.95
E116	63268054121R	Lens Tag R26-R69S	7.00
E117	63248054123R	Taillight Lens Gasket R26-R69S Big Taillight	3.95
E118	63248054125R	Taillight Chrome Rim R26-R69S	26.00

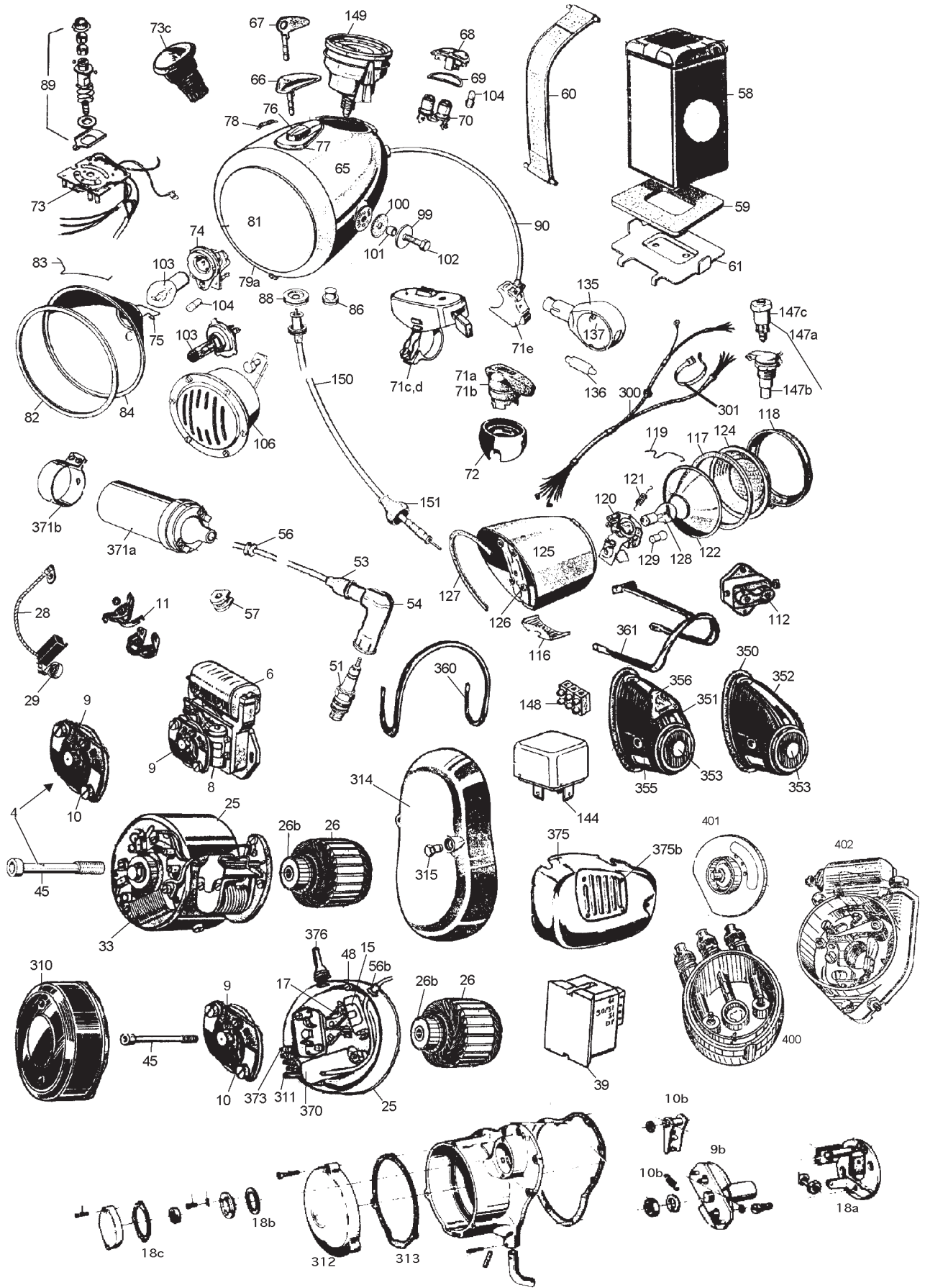
CLASS E-ELECTRIC/INSTRUMENTATION CONTINUED

<i>Illus. No.</i>	<i>Part No.</i>	<i>Part Name</i>	<i>Price</i>
E119	63248054127R	Taillight Lens Clip	1.50
E120	63248054130R	Taillight Bulb Holder R26-R69S	54.99
E121	63248054131R	Taillight Spring Chr Rim	2.50
E122	63248054133R	Taillight Reflector R26-R69S	29.00
E124	63248054135R	Taillight Lens R26-R69S	25.00
E125A	63268054111R	Taillight Assembly R26-R69S '58-'69	229.00
E125B	63248054118R	Taillight Housing R26-R69S Big Taillight.....	100.00
E127	63720043809R	Taillight Gasket /2 large Housing Gasket To Fender	4.00
E128A	07119978381R	Bulb 6V 20/5W Tail/Stop /2	4.00
E129A	07119978220R	Bulb 6V 5W Tag /2	3.00
E135B	63138054159R	Turn Signal Hella Each	89.00
E135C	63138054159R	Turn Signal Repro., Each	45.00
E136A	07119978302R	Bulb 6V 18W Hella Turn Signal	3.49
E137A	63138054160R	Turn Signal Lens Hella	14.95
E137B	63138054161R	Turn Signal Lens Screw Hella	0.25
E144A	61318048141R	Turn Signal Flasher 6VRepro	35.00
E148	07119977625R	Wire Terminal Block	3.00
E149B	62128080033R	Speedometer Km/h R26, 27 0-140 Km	199.00
E149JA		Speedometer R12 0-120km W=1.0 W/Red Line	304.35
E149JB		Speedometer R24, 35 0-120km	304.35
E149JC	62128080025R	Speedometer R50-R69S Mph W:1.23 Final Drive Ratio = 25/8 (NLA)	199.00
E149N	62138080150R	Tachometer R50-R69S Ratio 1:2 Oil Pump Driven	200.00
E149NA		Tachometer R50-R69S Ratio 1:4 Camshaft Driven	200.00
E149NB	62128080179R	Cable Tachometer R50-R69S From Oil Pump	25.00
E149X	62128080021R	Speedo Chrome Rim R24-R69S	29.95
E150A	62128080180R	Cable Speedo /2 R26/27	25.00
E150B	62128080175R	Cable Speedo R24, R25-R68	29.00
E151	61138080160	Rubber Speedo Cable Boot	4.16
E152	62128080115R	Speedo Gasket R24-R69S	2.50
E153	62128080084R	Speedometer Clamp R25-R69S.....	5.00
E154	62128082210R	Tachometer Nut R25-R69S big	1.80
E300A	61180664030R	Wire Harness R25-R26	89.00
E300B	61118066009R	Wire Harness R27	99.00
E300C	61118066035R	Wire Harness R50-R69S	85.00
E300E	6111866027U	Wire Harness R51/3-R68	99.00
E300F	61118190030R	Wire Harness Brake/Neutral R26-R69S	35.00
E310A	12310002116C	Generator Cover R24-26 Chrome	105.00
E310B	12310002116R	Generator Cover R24-26 Painted	85.00
E311A		Bolt Generator Cover R24-26	5.80
E312	12310002117R	Generator Cover R27	120.00
E313	11110002116R	Gasket Generator Cover R27	3.45
E314	11140002187R	Generator Cover R50-R69S Big '62 On Only w/ Flat Earles Fork Swingarm	229.00
E350	63248054108	Taillight Gasket Eber small	18.00
E351A	63248054108R	Taillight Eber Pre 55 w/ Brake Light	149.00
E351D	63268054111SM	Taillight R26,R50-R69 small	130.00
E352	63268054112R	Taillight Eber w/o Brake Light Complete	149.00
E353	63248054108RED	Taillight Lens Eber Pre-55 Red w/ Alum. Ring.....	25.00
E354A	07119978200R	Bulb 6V 5W Festune	3.00
E355	63268099810R	Lens Tag Eber Taillight	8.50
E356	63248078306	Brake Light Lens Eber Light.....	6.00
E357D	61210042179R	Battery Support Rubber R26, 27.....	3.80

CLASS E—ELECTRIC/INSTRUMENTATION CONTINUED

<i>Illus. No.</i>	<i>Part No.</i>	<i>Part Name</i>	<i>Price</i>
E360	63121NA1052	Headlight Chrome Guard R24–R75/5	31.95
E361	6324810521R	Taillight Chrome Guard R26–R69S	59.00
E370	12138030000R	Coil Singles R25–26	99.00
E371A	12138030025R	Coil Single R27	74.80
E373		Gen Terminal Board R24–R26.....	38.00
E373A	12318002143T	Gen Terminal Board R27	38.00
E375A	61218042162R	Battery Cover R26/27	189.00
E375B	61218042160R	Battery Cover R26/27 Protect. Incl. Rivets	44.00
E375C	61218042170R	Rubber Seal Battery Cover R26/27	6.29
E400	12128030168R	Distributor Cap R51/2	45.00
E401	12128030176R	Distributor Rotor R51/2	45.00
E402	12128030029R	Distributor R51/2 Base Plate w/ Points	60.00
E403	12128030164R	Distributor Gasket R51/2	3.90
E666	07119978006KIT	Bulb Kit R26, 27/R50–R69S.....	24.99

CLASS E-ELECTRIC/INSTRUMENTATION



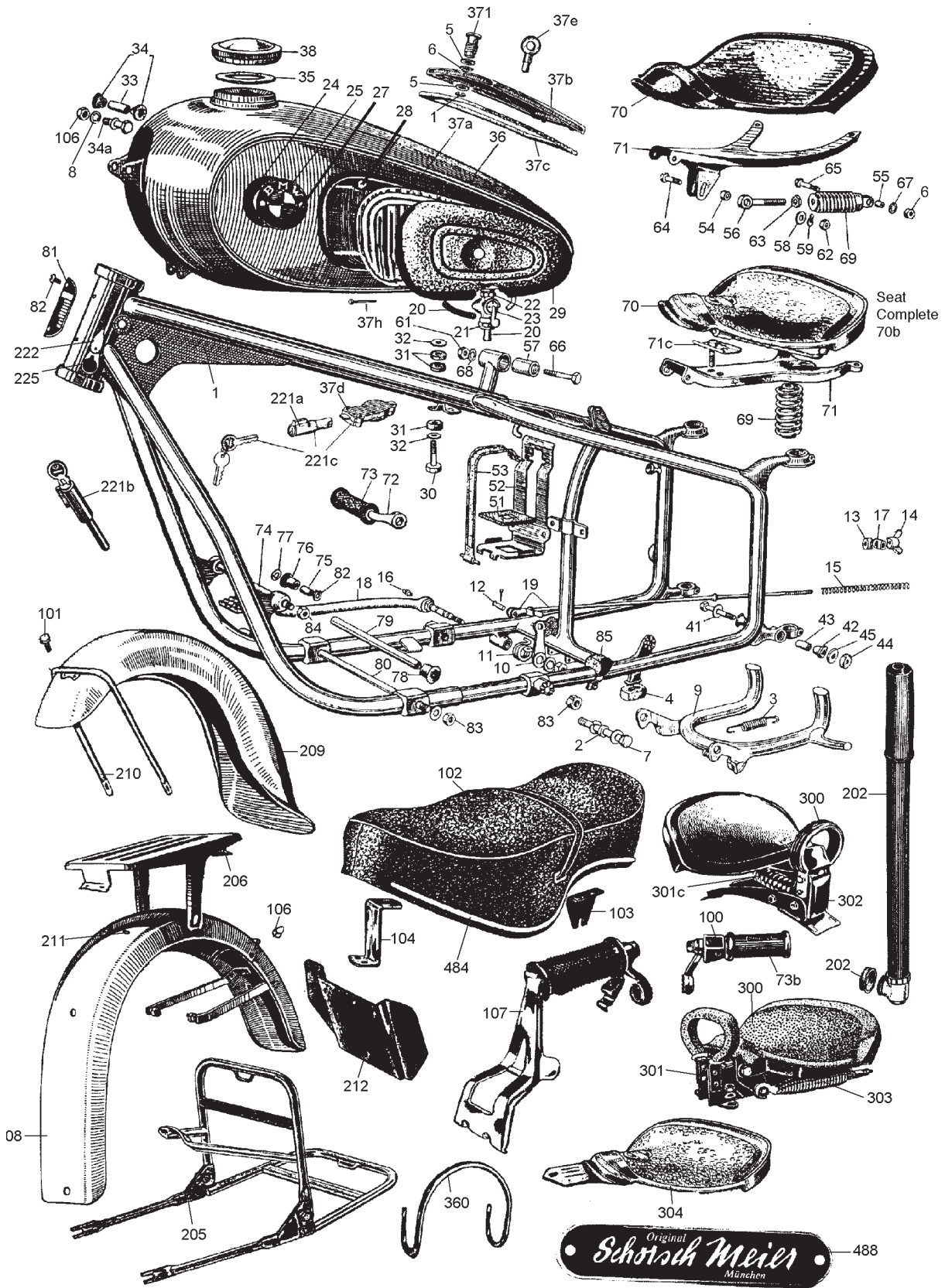
CLASS F-CHASSIS R25-R51/3

<i>Illus. No.</i>	<i>Part No.</i>	<i>Part Name</i>	<i>Price</i>
F003B	46524028216R	Spring Center Stand R51/2-R68	7.00
F003C		Spring Center Stand R25/2 Spring Leaf Type	40.60
F007C	46524028028SET	Center Stand Bolt R51/2-R68 Set w/ 2x washer, Cotter Pin	17.17
F009A	46524028017R	Center Stand R25/3	189.00
F009B	46524028028R	Center Stand 1950-55 2-cyl.	199.00
F009C	46524028004R	Center Stand R25	168.20
F011	35214044125R	Spring Brake Pedal R25-/3	14.95
F011A	35214044218R	Spring Brake Pedal R51/3-R68	12.18
F019D		Brake Connecting Rod R25-R25/2, Complete Stainless	81.20
F019E		Brake Connecting Rod R25/3, Complete Stainless	81.20
F019F		Brake Connecting Rod R51/3-R68 Complete Stainless	81.20
F020AA		Petcock Outlet Banjo Type 1 Incl. Bolt	14.50
F020BA	16124084176B	Petcock Outlet Banjo Type 2 Incl. Bolt	14.50
F023B	1680004	Petcock R25, 25/2 small Nut	49.00
F023D	1680001	Petcock R24 -male Connector	38.28
F023E	16121240512	Petcock Gasket Germa /5 On	9.09
F023H	1684025	Petcock Pre 55 Big Nut w/ Bowl	49.00
F024A	51146040110R	Rubber Emblem Gasket	2.49
F024B	51145096146TR	Emblem Trim Ring /2 Pair	19.00
F025D	51145100168R	Emblem R25-25/2	32.00
F025E	51144100169R	Emblem Serif Copper Pre 55	39.00
F027	07119901310R	Emblem Screws /2 4x10	1.00
F028A	16114080182F	Knee Pad Frame R25/3 Weld On, Set	49.00
F028B	16114080184SET	Knee Pad Frame R25/2, 51/3 Weld On, Set	49.00
F029B	16114080184R	Knee Pad R25+R51-R68 Pair	59.00
F029C	16114080182R	Knee Pad R25/3 Pair	49.00
F029E	16114080250R	Knee Pads R51/2 Pair	64.00
F037BA	16114080168R	Tool Box Lid R25, R51/3-R68 Hinge On Right Side	139.20
F057B	52517002141R	Seat Solo Bushing Rubber Front	19.99
F066	07119914364R	Seat Solo Bolt Front R51/3-R69S	2.00
F069C		Seat Solo Spring R25	48.72
F070B	52517003PAGUSA	Seat Solo Pre 55 Comp. Pagusa R25/2-R68	349.00
F070C	52517005DENFELD	Seat Top W/Frame Denfeld Pre-55	139.00
F070D	52517004PAGUSA	Seat Top W/Frame Pagusa Pre-55	139.00
F071B	52517002117R	Seat Solo Carrier R25	151.96
F071C	52517002164A	Seat Solo Pre 55 Bracket	12.00
F073A	46519034128R	Rubber Foot Peg R24-R69S, /5	10.95
F073B	46519034129	Rubber Foot Peg Fold. Oval /2	15.00
F074A		Motor Mount Bolt R25, R25/2 Stainless Incl. Nut	14.85
F075	11814034162R	Spacer Motor Mount Top R25/3-R26	6.73
F076	11814034166R	Rubber Motor Mount R26 small Also R25/3 Top	7.80
F078	11814034119R	Rubber Motor Mount R26 large Also R25/3 Bottom	7.80
F079A		Spacer Motor Mount Low R25/3-R26	11.60
F206B	46115096103R	Rack Painted R25	149.00
F206D	46115096100R	Rack Painted R25/3	159.00
F206E	46115096210R	Rack Painted R25/2, R51/2-3, R67, R68	169.00
F208B		Fender R25/3 Rear Painted	696.00
F208D		Fender R51/3-R68 Rear Painted	846.80
F209A		Fender R25-R25/2 Front Painted	603.20
F209C		Fender R51/3-R67/3 Front Paint	754.00
F210B	46615090115R	Fender Brace 19 inch	59.00

CLASS F-CHASSIS R25-R51/3 CONTINUED

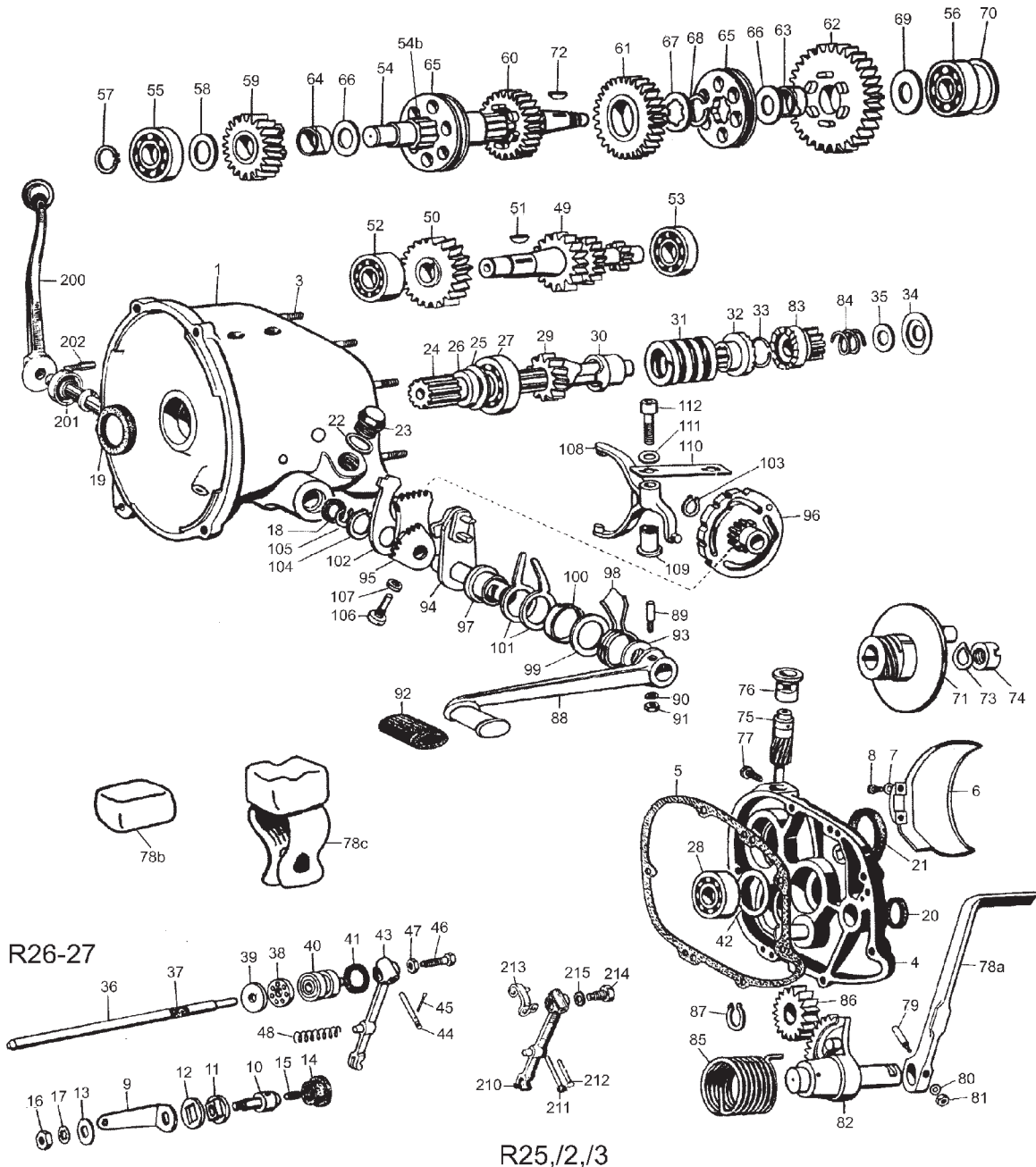
<i>Illus. No.</i>	<i>Part No.</i>	<i>Part Name</i>	<i>Price</i>
F210C ____	46615096117R ____	Fender Brace Front R51/2-R68	169.00
F211C ____	46615096260R ____	Fender Brace R68 Rear Chromed	108.00
F212 ____	46625096195R ____	Bracket License Plate early /2	29.00
F221B ____	32329016005R ____	Lock Fork Pre 55 R25, R25/2, R51/3	35.00
F480C ____	52517002007R ____	Seat Pad Denfeld /2 Black	595.00
F490 ____	52517002006R ____	Seat Pad R68/69 Leather (No Hardware)	690.00
F491 ____	52517002184SET ____	Seat Pad Mounts R68 Rear	139.00
F492 ____	52517002174SET ____	Seat Pad R68/69 Mounts Front	79.00
F493 ____	52517002186SET ____	Seat Pad Mounts R69 Rear	179.00

CLASS F-CHASSIS R25-R51/3



CLASS G-GEARBOX R24-R27

Illus. No.	Part No.	Part Name	Price
G005	23111006122R	Gasket Gearbox Cover R24-27	5.00
G006	23111012104R	Drive Shaft Cover R26/27	59.00
G036A	21521020167R	Clutch Push Rod R24-25/3	26.68
G036B	21521020168R	Clutch Push Rod R26/27	23.20
G040	21521020106R	Clutch Thrust Piece R24-R27	33.64
G071	23211030172R	Gearbox Output Flange R25-R27	190.00
G078C	23514034156R	Rubber Kick Bumper R24-R26	19.00
G112	07119966182R	Gearbox Shift Fork Bolt R25/3	3.25
G112A	07119919736R	Gearbox Shift Fork Bolt R24-R27	3.49
G201	23121006150R	Seal Hand Shifter R25-R25/2	6.73
G202B	23411066122R	Hand Shifter Pin R25-R25/2Stainless	13.34



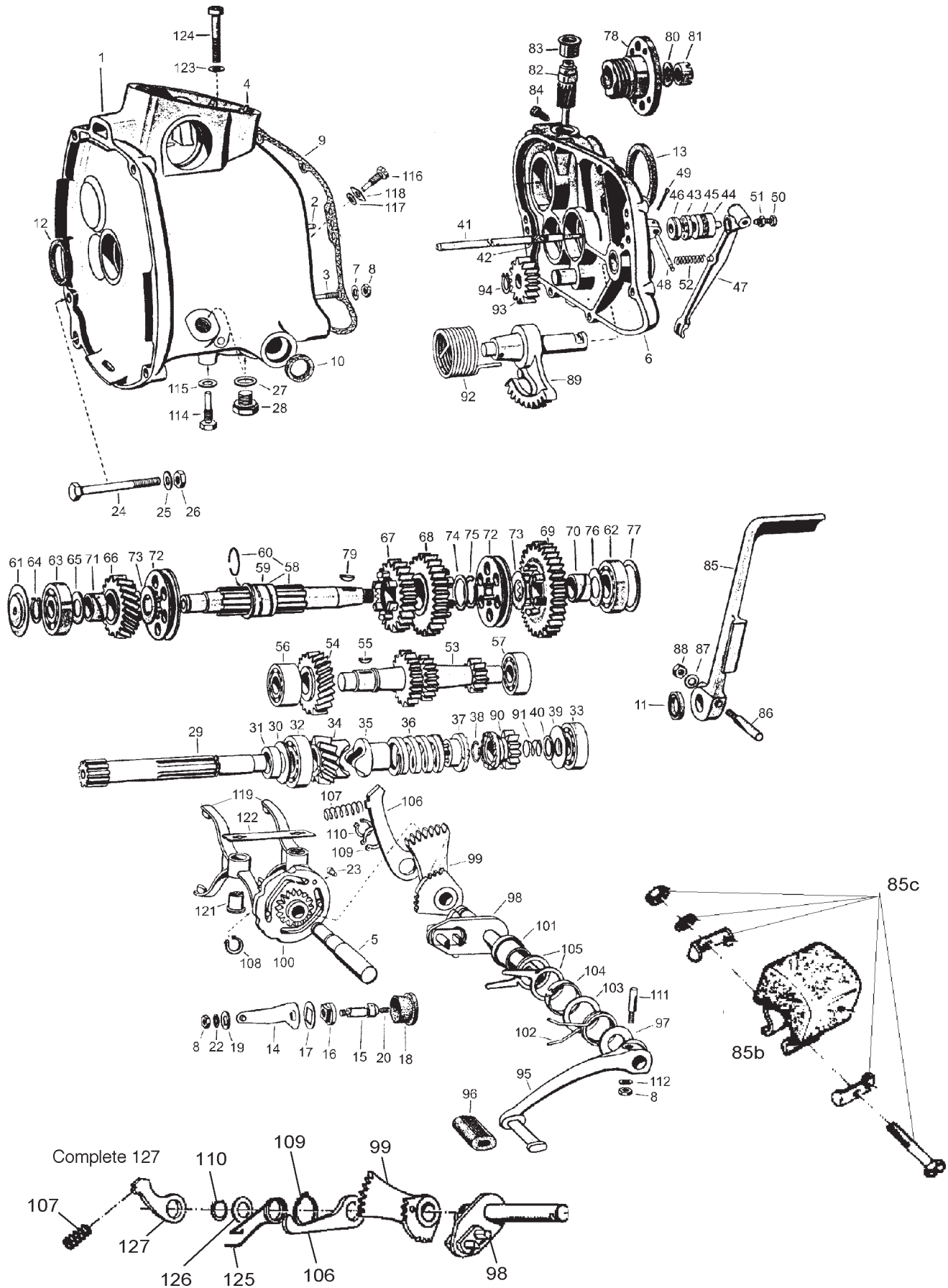
CLASS H-GEARBOX R50-R69S

<i>Illus. No.</i>	<i>Part No.</i>	<i>Part Name</i>	<i>Price</i>
H005	23311006142R	Gearbox Cam Plate Bolt R50-R69S	6.38
H009	23111338646R	Gasket Gearbox Cover 4-speed R50-R69S	4.95
H010	23111006124R	Seal Shifter R26/27, /2-74 15-24-7	7.90
H012	23113038513R	Seal Gearbox Input R24-27, /2 30-40-7	10.63
H013	23111006179R	Seal Gearbox R24-27+ /2 Output 36-54-7	13.13
H015	23311006158R	Neutral Switch Contact Bolt, R25/2-R27, R51/3-R69S	6.73
H016	23311006162R	Bushing Neutral Switch R51/3-R69S and 1-cylinder	1.00
H018	23111006174R	Rubber Neutral Switch Plug /2, all 2-cyl.	8.90
H020	07119905660	Neutral Switch Threaded Pin R24-27, R51/3-R68, R50-R69S	1.68
H027	07119963242R	Crush Washer R25-R69S	1.49
H032	07101468880R	Bearing Gearbox R24-69S 6204, Output Shaft Rear	13.00
H033	07119981408R	Bearing Gearbox /2 6302	16.00
H034	23221020245R	Gearbox Input Gear R50-R69S	162.40
H038	23211020148	Gearbox Lock Ring 1cyl.+R50-R69S Input Shaft	0.36
H041	21521080176R	Clutch Push Rod /2	26.00
H042	23211230440R	Clutch Push Rod Felt R25-R100 (Not R51/2-R68)	3.30
H043	23211230961R	Clutch Throwout Bearing 55-74 R24-27, R51/2-R68, R50-R69S, /5	59.00
H044	21521080150R	Clutch Thrust Piece R50-R69S	37.60
H045	21521020109R	Seal Clutch Throwout Piece R24-27, R51/2-R100	2.79
H046./5	23211230962R	Clutch Throw Out Washer /2 R24-27, R50-R69S, /5	18.95
H048A	21521020112R	Bolt Clutch Arm R26-R69S Stainless	9.95
H048B	21521020112OS	Bolt Clutch Arm R26-R69S +.5mm	10.65
H049	07119945180R	Cotter Pin Clutch Lever R26-R69S, 3x22mm	0.49
H050A	21521020116R	Clutch Arm Adj.Screw /2 6mm, R24-27, R51/3-R67	5.57
H050B	21511080112R	Clutch Arm Adj.Screw /2 8mm (Newer Type)	5.57
H051A	07119921076R	Nut Clutch Arm Screw 8mm Flat, R24-27 + /2	0.52
H052	21521080122R	Clutch Arm Spring R24-R69S	2.90
H053	23211040028R	Gearbox Countershaft R50/2-R69S '61-'69	452.40
H054	23221040108R	Gearbox /2 4th Gear Midd.Shaft Also R26,27 Output Shaft	232.00
H056	07101468914R	Bearing Gearbox Ctr Shaft 3203 3203 Front R24-27, R50-R69S	47.95
H059	23221030262R	Gearbox 2nd+3rd.Gear Bushing, R25-R69S	59.00
H063	07119981416R	Bearing Gearbox Output 6303 R24-27, R50-R69S Front 6303c	17.00
H068	23221030147R	Gearbox 2nd Gear R50/2-R69S NIa	225.00
H070	23221030259R	Gearbox 1st.Gear Bushing, R25-R27, R50-R69S	29.00
H071	23221030266R	Gearbox 4th Gear Bushing, R25-R27, R50-R69S	29.00
H072	23311030140R	Gearbox Sliding Claw R25-69S (Not for R51/3-R68)	112.82
H078A	23211030296R	Gearbox Output Flange /2 1:5 (w/ Slot)	161.00
H078B	23211030297R	Gearbox Output Flange /2 1:6 (No Slot)	161.00
H079	07119951461R	Woodruff Key Cam Gearbox Twins	2.00
H080	23211030168R	Washer Gearbox Output Flange /2	1.82
H081A	23211030120R	Nut Gearbox Output Flange 14mm R51/2-R69S	15.00
H081B	23211030122R	Nut Gearbox Output Flange 16mm R50/2-R69S	16.00
H082A	23221030165U	Speedo Drive Pinion 1-cyl.+ /2 Used	79.00
H083	23221030176U	Speedo Bushing Gearbox R26-R69S Used	7.50
H084B	23111030174R	Speedo Cable Screw R25-R69S, w/ Hole Stainless	9.16
H085A	23511056120R	Kick Starter Lever /2	149.99
H085C	23514034156SET	Rubber Kick Bumper Mount Set R24-27, R51/2-R69S	8.20
H086	23511056124R	Kick Pedal Pin /2 + Nut/Washer	12.90
H089	23511056274	Kickstarter Segm. R50-R69S Used w/ Spring good Condition	238.92
H092	23511056112R	Spring Kickstarter R24-27, + /2	9.05
H096	23411232116	Rubber Shifter 4-speed original	2.37

CLASS H-GEARBOX R50-R69S CONTINUED

<i>Illus. No.</i>	<i>Part No.</i>	<i>Part Name</i>	<i>Price</i>
H102	23311066150R	Shifter Return Spring, R24-27, R50-R69S	12.06
H104	23311066146R	Shifter Spring Ring R24-R69S (Not for R51/2-R68)	4.18
H105	23311066142R	Shift Mechanism Pawl R50-R69S	5.22
H111	23411066102R	Shifter Pin R24-27, R50-R100 Stainless	15.20
H119A	23311066206R	Shifting Fork R26-R69S	185.00
H121	23311230086R	Gearbox Shifting Fork Bushing, 1-cylinder, R50-R69S, /5	30.00
H124	07119919987R	Gearbox Shift Fork Bolt R50-R69S Socket Head 8x45mm	1.20
H125	23311066131R	Shifter Shank Spring R50/2-R69S	7.89
H127	23009090284R	Gasket Set Gearbox R50-R69S Incl.Seals	49.00

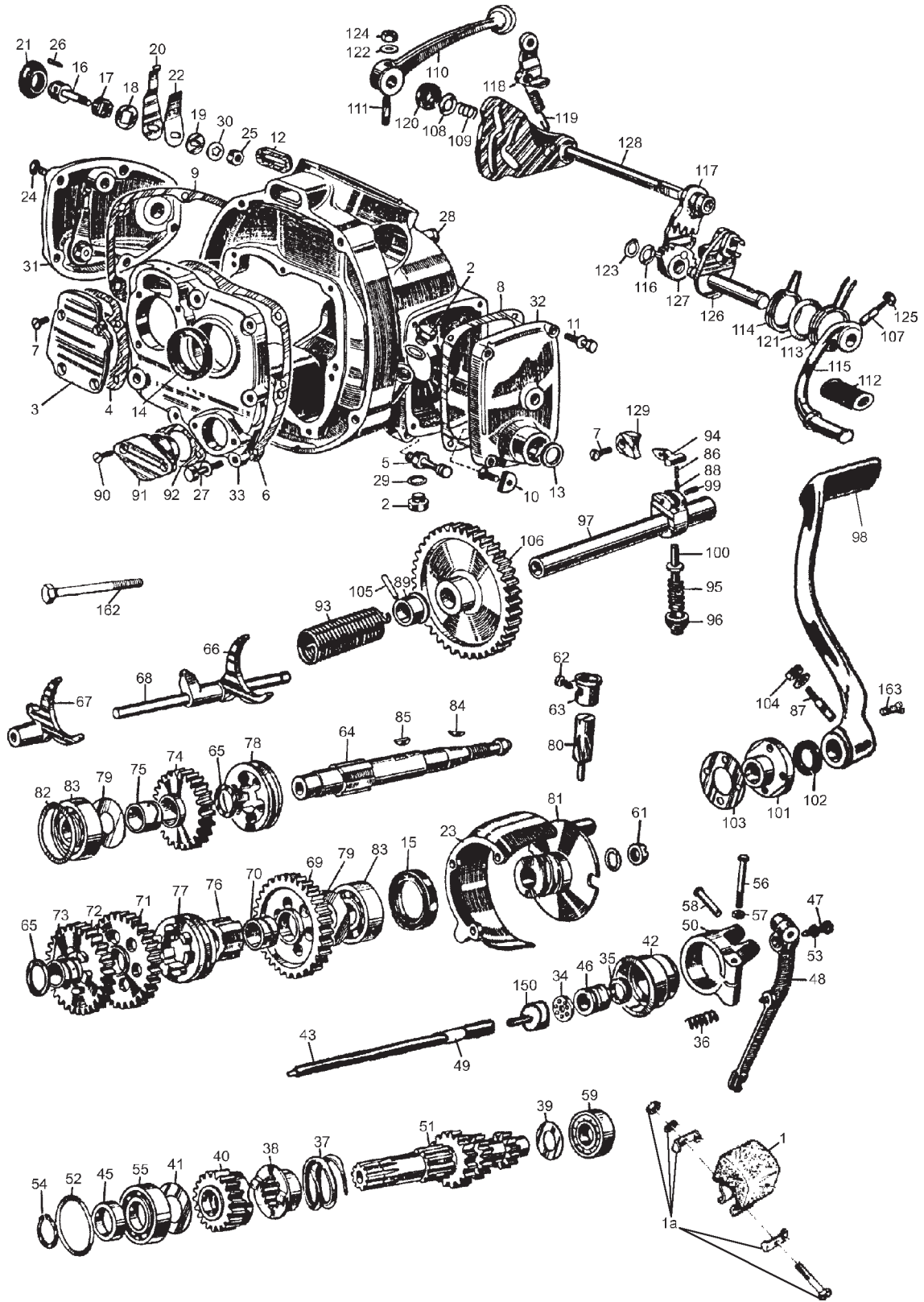
CLASS H-GEARBOX R50-R69S CONTINUED



CLASS I-GEARBOX R51/3-R68

<i>Illus. No.</i>	<i>Part No.</i>	<i>Part Name</i>	<i>Price</i>
I001	23514034257R	Rubber Kick Bumper /2	19.00
I004	23111006208R	Gasket Gearbox Flange Front, R51/2-R68	4.35
I006	23111006216R	Gasket Gearbox Cover, R51/2-R68	6.26
I009	23111006236R	Gasket Hand Shifter Cover, R51/2-R68	4.58
I011	23121012112R	Bolt Shifter Cover R51/3 Stainless	4.58
I013	23121206253R	Seal Shifter R51/3-R68 16-26-7	7.50
I014	23120006261R	Seal Gearbox Input R51/2-68 34-46-8	9.50
I015	23120030272R	Seal Gearbox Output R51/2-68 39-52-9	13.80
I043B	21521080173R	Clutch Push Rod R51/3-R68	29.00
I043C	21521080R51/3	Clutch Push Assembly R51/3	124.50
I046	21521020107R	Clutch Thrust Piece R51/3	37.50
I049	23211080156R	Clutch Push Rod Felt R51/2-R68	2.90
I058B	21219940445R	Bolt Clutch Arm R51/3-R68 Stainless	10.44
I070	23221030257R	Gearbox 1st Gear Bushing R51/2-R68	25.52
I073	23221030261R	Gearbox 2nd and 3rd Gear Bushing R51/2-R68	32.48
I075	23221030264R	Gearbox 4th Gear Bushing R51/2-R68	25.52
I077	23311030228R	Gearbox Sliding Claw R51/2-R68 1-2 Gear	91.64
I078	23311030232R	Gearbox Sliding Claw 3-4 Gear R51/3-R68	112.68
I087B	23511056204R	Kick Pedal Pin R51/2-R68 Stainless	15.00
I092		Gasket Kickstarter Cover R51/3	4.41
I094	23221056229R	Gearbox Kickstart Detent R51/2-R68	59.00
I103	11140002188R	Gasket Kickstarter Shaft R51/2-R68	4.95
I110	23221066229USED	Shifter Hand R51/2-R68 (if available used)	100.00
I113	23221066234R	Spring Shift Retainer R51/2-68	20.88
I114	23221066238R	Shifter Spring R51/3	20.88
I119	23221066258R	Spring Shifter Lock Mechanism R51/2-R68	9.86
I120	23121066225R	Seal Hand Shifter R51/3-R68 12-24-7	7.66
I161	11420039288S	Gasket Set Gearbox R51/2-R68 Paper Gaskets Only	39.00
I161B	11420039288RSET	Gasket Set Gearbox R51/2-R68 Complete w/ Paper Gaskets And Seals	72.00

CLASS I-GEARBOX R51/3-R68



CLASS J-CHASSIS, R26/27, R50-R69S

<i>Illus. No.</i>	<i>Part No.</i>	<i>Part Name</i>	<i>Price</i>
J001	07111058271R	Fastener Kit Stainless /2	179.00
J002A	46539024012R	Side Stand /2 Repro Complete 12mm	214.40
J002A	46539024014R	Side Stand /2 Repro Complete 14mm	215.64
J002B	46539024170R	Rubber Sidestand Bumper /2	6.95
J002D	46539024174R	Side Stand Spring /2 Stainless	9.00
J002E	46539024178R	Side Stand Pin /2 12mm	24.95
J002F	46539024179R	Side Stand Pin /2 14mm	26.19
J002G	46539024044R	Side Stand R27 Original Style Complete w/ Mounting Parts And Spring	239.00
J004A	46524028047R	Center Stand /2	209.00
J004B	46524028002R	Center Stand R26/27	159.00
J005A	46524028218R	Spring Center Stand /2	6.95
J005B	46524028118R	Spring Center Stand 25/3 + R26/27	7.90
J006	46524028135R	Rubber Center Stand Bumper /2	4.05
J007	07119914665R	Center Stand Bolt 1-cylinder	2.80
J007B	46524028220R	Center Stand Bolt /2	1.19
J009A	46524028130R	Center Stand Bushing 1-cyl.	8.19
J009B	46524028230R	Center Stand Bushing /2	8.95
J012A	35214044127R	Brake Lever Spring R26/27	19.50
J012B	35214044215R	Brake Lever Spring R50-R69S	6.95
J013C		Brake Lever Rear R50-R69S Repro	136.88
J014B	35214044229R	Brake Connecting Rod R50-R69S Complete, Stainless	79.00
J014D	35214044159R	Brake Connecting Rod R26/27 Complete, Stainless	70.00
J020	35214044226R	Brake Lever Link R50-R69S	34.95
J021	07119912507R	Bolt Brake Ankle Lever R26/ 27, /2 Hex 8x45x1	0.50
J022	35214044266R	Brake Link Bushing R50-R69S	4.50
J026	35214044262R	Brake Rod R50-R69S	21.80
J029A	07129934954R	Brake Connecting Rod Bolt 8mm R26/27, R50-R69S Stainless	7.50
J033	34214044137R	Brake Connecting Rod Spring Stainless	6.80
J034	34214044133R	Brake Connecting Rod Ring /2 Stainless	7.50
J036	34214044115R	Brake Wing Nut Rear /2	9.95
J037	WR-18950612	Fuel Line German Braided, sold by the foot	4.99
J038A	1680430A	Petcock Karcoma /2 Big Nut	59.00
J038B	1680008	Petcock Karkoma Single Outlet	49.00
J043A	16124084126R	Petcock Single Outlet Karkoma	3.90
J043B	16124084178R	Petcock Double Outlet Karkoma	10.90
J047	16114080189R	Knee Pad small /2 Pair	67.95
J047C	16114080183R	Knee Pad R26/27 Pair	64.00
J047D	16114080189SET	Knee Pad Frame R26-R69S Weld On Set	49.00
J047E	16114080187R	Knee Pad large /2 Pair Georg Meier Tank	95.00
J049A	16114080270R	Tool Box Side Lid R50-R69S, Black	100.00
J049B	16114080170R	Tool Box Lid R25/2, R51/3-R68 (Hinge On Bottom)	92.80
J049BA	16111231298	Tool Box Top Lid R69S, /5, /6 primed	59.14
J049C	16114080188R	Rubber Tool Box Lid Top Gasket	15.00
J049CA	16114080288R	Rubber Toolbox Side Gasket /2	5.00
J049D	16114080165R	Tool Box Lock Screw /2	7.00
J049E	16114080172R	Key Tool Box Top /2	9.00
J049G	32329016009R	Lock Tool Box /2 Key Type	59.00
J052	16114080178R	Bolt Tool Box Side Lid /2	5.90
J053B	51145100167R	Emblem Serif Repro	39.00
J053F	51144080181R	Emblem Plain /2 Repro	29.95

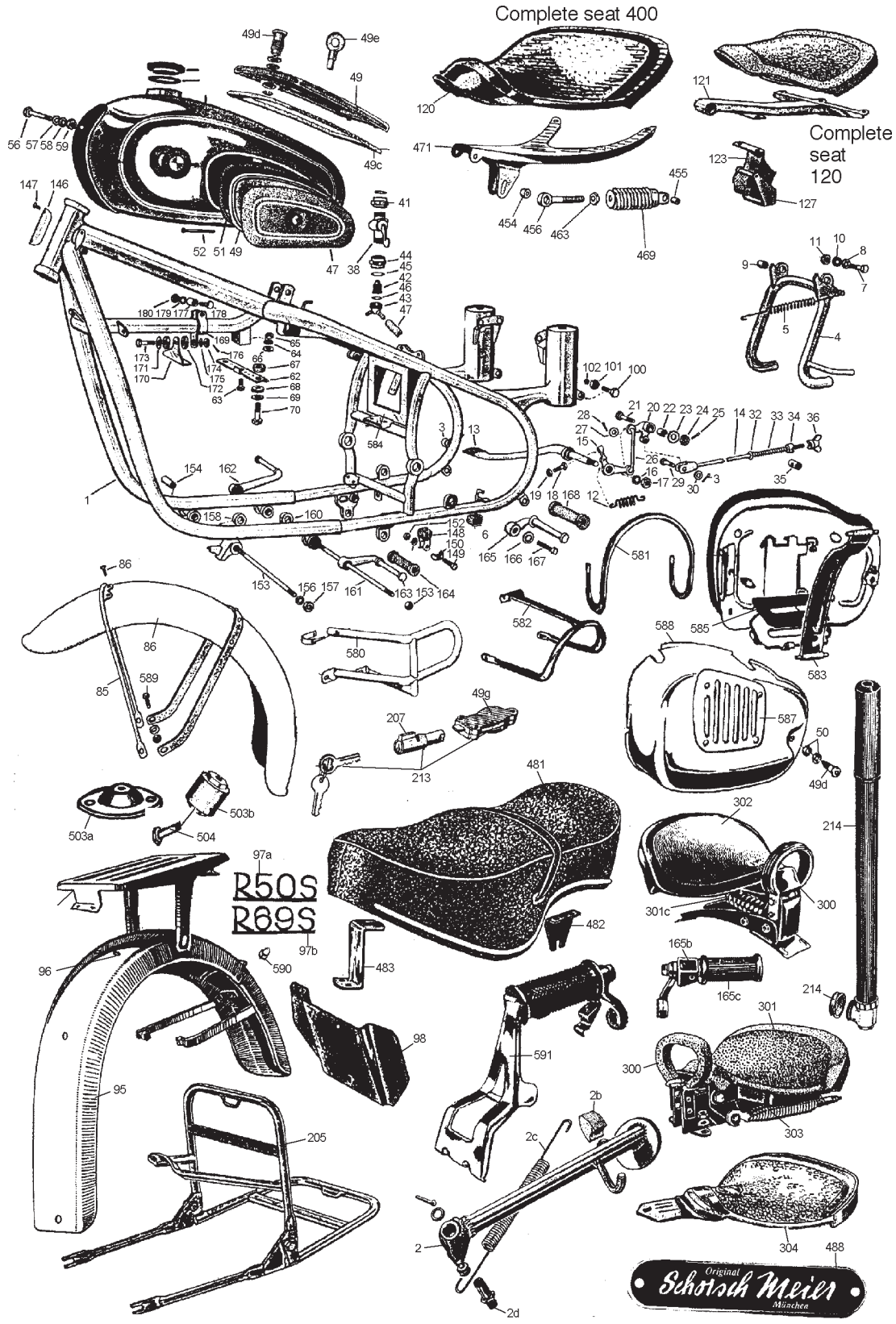
CLASS J-CHASSIS, R26/27, R50-R69S CONTINUED

<i>Illus. No.</i>	<i>Part No.</i>	<i>Part Name</i>	<i>Price</i>
J053G	51145PREWAR	Emblem 70mm Copper Serif	45.00
J056C	31352654108R	Tank Spacer R26 Front	5.80
J057	16114080137R	Rubber Tank Mount Front R25-R27 Cone Shaped	3.25
J060A	16114080126S	Gas Cap /2 Stainless w/ Lock	34.00
J060B	16114080126R	Gas Caps /2 Repro original Typ Incl. Gasket	30.00
J060C	16114080126H	Gas Cap /2 Hoske Style	19.95
J061	16111230263R	Gas Cap Gasket /2	4.00
J067	16114080248R	Rubber Gas Tank Mount /2	2.95
J070	07119914053R	Bolt Tank Mount Rear R25-R69S	1.51
J085	46615090116R	Fender Brace 18 Inch	59.00
J086	07119913220R	Bolt Fender Chrome R26-R69S	3.90
J095A		Fender R26/27 Rear Painted	754.00
J095B	46625096277R	Fender Rear /2 New	599.00
J096B	61710043536R	Rubber Fender Plug Rep. /2 8mm	1.00
J097A	51145096146R	Emblem R50S	103.00
J097B	51145096147R	Emblem R69S	69.00
J098A	51144034248R	Bracket License Plate /2 Late	29.00
J120A	52517002PAGUSA	Seat Solo /2 Complete Pagusa	349.00
J120AA	52517002DENFELD	Seat Solo /2 Complete Denfeld	349.00
J120B	52517004DENFELD	Seat Top w/ Frame Denfeld Black	169.00
J120C	52517004PAGUSA	Seat Top w/ Frame Pagusa Black	159.00
J120D	52517001DENFELD	Seat Rubber Denfeld Black	99.00
J120DA	52517001DENFELDW	Seat Rubber Denfeld White	113.68
J120E	52517001PAGUSA	Seat Rubber Pagusa Black	99.00
J121A	52517002166R	Seat Solo /2 Seat Carrier	119.00
J121B	52517002166A	Seat Solo /2 S-Bracket	12.95
J126A	52517002155R	Seat Solo /2 Silent Block	99.00
J127	52517002190R	Seat Solo /2 Spring Stop Piece	23.95
J146	46514000043R	ID Plate	19.00
J147	07119916604R	ID Plate Screw	2.00
J153A	11814034216R	Motor Bolt R51/3-R69S Front, Stainless	20.88
J153B		Motor Mount Bolt R25/3-R26, Stainless upper	37.12
J154	11814034224R	Bushing Motor Mount R51/3-R69S	11.60
J160	46514034227R	Spacer Motor Mount Bolt R51/3-R69S	7.59
J161A	46514034210R	Motor Bolt R51/3-R69S Rear, Stainless	20.88
J161B		Motor Mount Bolt 1-cyl. lower Stainless	22.62
J165A	46534034153R	Foot Peg Passenger R25-R27, /2 w/o Rubber	30.00
J165B	46534034150R	Foot Peg Passenger Folding, R25-R27, R50-R69S	39.00
J165BA	46534034150B	Foot Peg Z-bracket	15.08
J169	46514034278R	Motor Mount Clamp upper 2-cyl.	35.00
J172	16114080148R	Rubber Motor Mount R51/3-R69S upper Mount	3.79
J177	46514034274R	Spacer Motor Mount Clamp 2-cyl	5.22
J205	72609034144R	Rack Folding /2	169.00
J206A	46115096214F	Rack Painted R26/27	169.00
J206B	46115096214C	Rack Painted /2	179.00
J208	32329016101KIT	Lock Cover Kit Fork /2-/7	7.90
J214A	71119090070R	Tire Pump /2	33.95
J300A	52517006DENFELD	Seat Solo Passenger Grip Denfeld	59.00
J300C	52517007PAGUSA	Seat Solo Passenger Grip Pagusa	69.00
J301A	52530003PAGUSA	Seat Rack Mount Pagusa	299.00
J301B	52530003DENFELD	Seat Rack Mount Denfeld	349.00

CLASS J-CHASSIS, R26/27, R50-R69S CONTINUED

<i>Illus. No.</i>	<i>Part No.</i>	<i>Part Name</i>	<i>Price</i>
J301C		Seat Spring Passenger /2 1 Piece (for Fender Mount Seat)	48.72
J302A	52530002DENFELD	Seat Fender Mount Denfeld	319.00
J302B	52530002PAGUSA	Seat Fender Mount Pagusa	299.00
J303		Seat Spring Set Passenger /2 2 Springs, Rack Mount Seat	63.80
J400	52517003DENFELD	Seat Solo Pre-55 Comp. Denfeld R25/2-R68	349.00
J469B	52517002102R	Seat Solo Pre-55 Spring Comp. R25/2-R68	119.00
J471B	52517002164R	Seat Solo Pre-55 Seat Carrier R25/2-R27, R51/2-68	129.00
J480A	52517002160R	Seat Dual Denfeld /2 Narrow	569.00
J480B	52539034020R	Seat Dual Denfeld /2 Wide	799.00
J481	52517002160C	Seat Cover R26-R69S Narrow	89.00
J481A	52539034020C	Seat Cover Zelph /2 Wide	89.00
J482	52539034110R	Seat Mount Bench-seat R26-R69S Rear Side Latch	19.14
J483	52539034111R	Seat Mount Front 2-cyl. Z-shape	19.49
J484	52517034676R	Seat Trim Set R26-R69S Narrow (Incl. Screws)	49.00
J503A	11814034130R	Motor Mount upper R27	35.00
J503B	23714034131R	Motor Mount lower R27	29.00
J505	11814034126R	Motor Mount R27 Angle Bracket upper	30.88
J560	61218042168R	Rubber Bumper Battery Cover, R26/27	5.22
J580	71609024182R	Cyl. Protection Bars, /2 (2 piece)	259.00
J580A	71609024156R	Cyl. Protection Bar, /2 (1 Piece)	399.00
J588B	07119963108	Rubber Washer Battery Cover, R26/27	1.64
J590C	46625096122R	Nut Fender Brace Rear R50-R69S	4.95
J591	4653190240	Side Stand Akip	179.00
J880		Rubber Kit R50-R69S	179.00

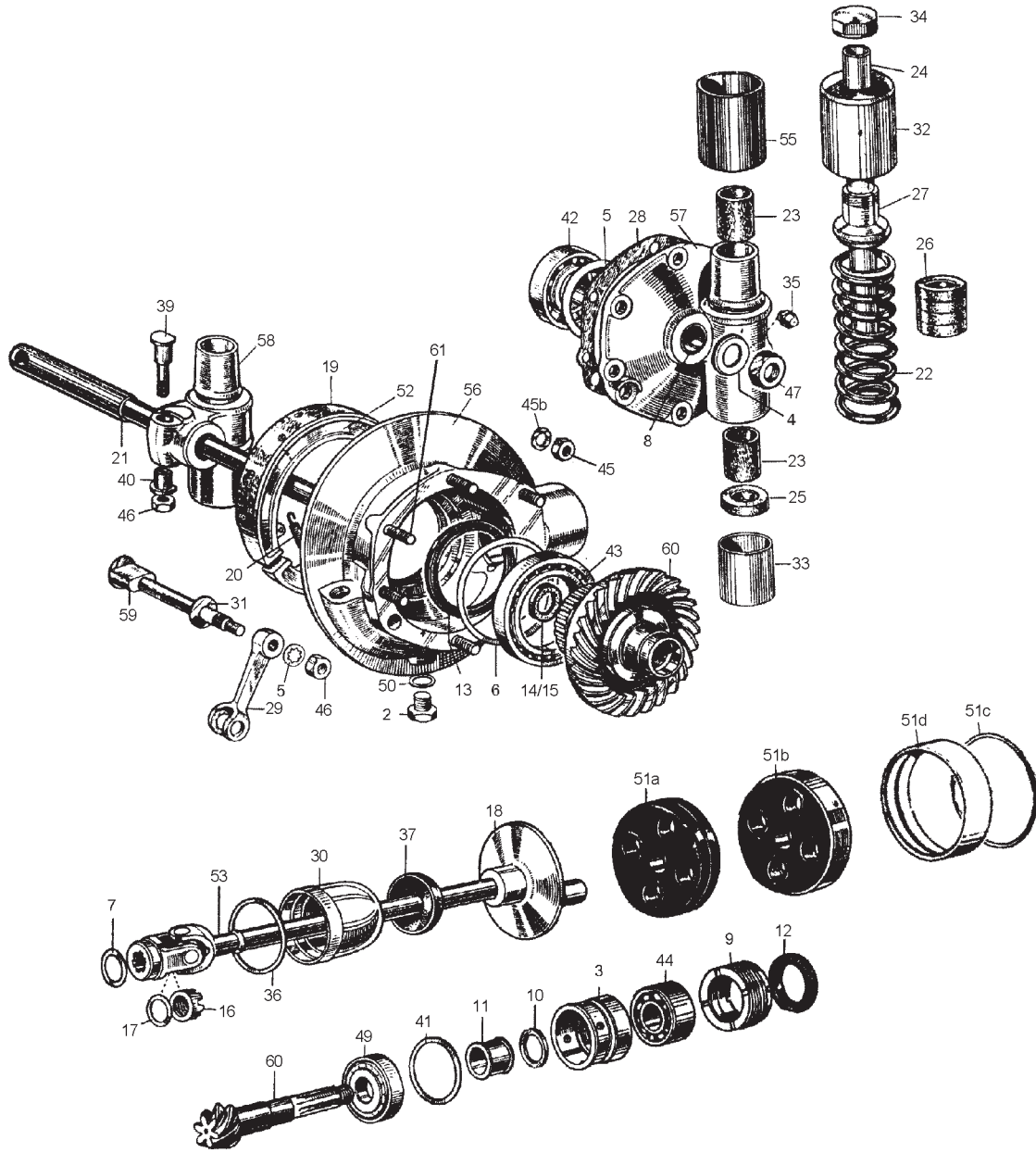
CLASS J-CHASSIS, R26/27, R50-R69S



CLASS K-DRIVESHAFT AND FINAL DRIVE R25-R25/3

<i>Illus. No.</i>	<i>Part No.</i>	<i>Part Name</i>	<i>Price</i>
K012	33123038172R	Seal Rear Drive Pinion R25/3	10.32
K013	11110013032R	Seal Rear Drive R25-R25/3	17.25
K014		Felt Ring Drive Pinion R25-R25/3	5.57
K019A	34112060130Z	Brake Shoe Liner Set R25, R25/2	59.00
K021		Axle R25-25/3 Rear Stainless	113.68
K022A		Spring Rear R25-25/2	29.00
K022B		Spring Rear R25/3	29.00
K023A		Shock Rear Rod Bushing R25	20.88
K023B	33533054103R	Shock Rear Rod Bushings R25/3	19.00
K025		Rubber Spacer Rear Shock R25/3	4.41
K028	33113004164R	Gasket Final Drive R25-25/3	4.41
K030A		Drive Shaft Bell R25,R25/2	69.00
K030B		Drive Shaft Bell R25/3	69.00
K032A		Shock Cover 25-25/2 Rear Upper	25.52
K032B	33530007847R	Shock Cover R25/3 Rear Upper	25.52
K033A		Shock Grease Retainer R25-25/2 Rear lower	20.88
K033B		Shock Grease Reatiner R25/3 Rear lower	20.88
K034A	33533054116R	Shock Top Cap R25/3 Rear, Stainless	39.00
K034B		Shock Top Cap R25/3 Rear Chrome	33.64
K034C		Shock Top Cap R25/2 Rear, Stainless	44.08
K036	33113038195R	O-ring Drive Shaft Bell, R25-25/3	5.90
K049		Bearing Drive Shaft Pinion, R25-25/3	75.40
K055A		Shock Cover R25-25/2 Rear lower Black	25.52
K055B		Shock Cover R25/3 Rear lower Black	25.52
K060A		Final Drive Set R25/3 S-c 24:5	899.00

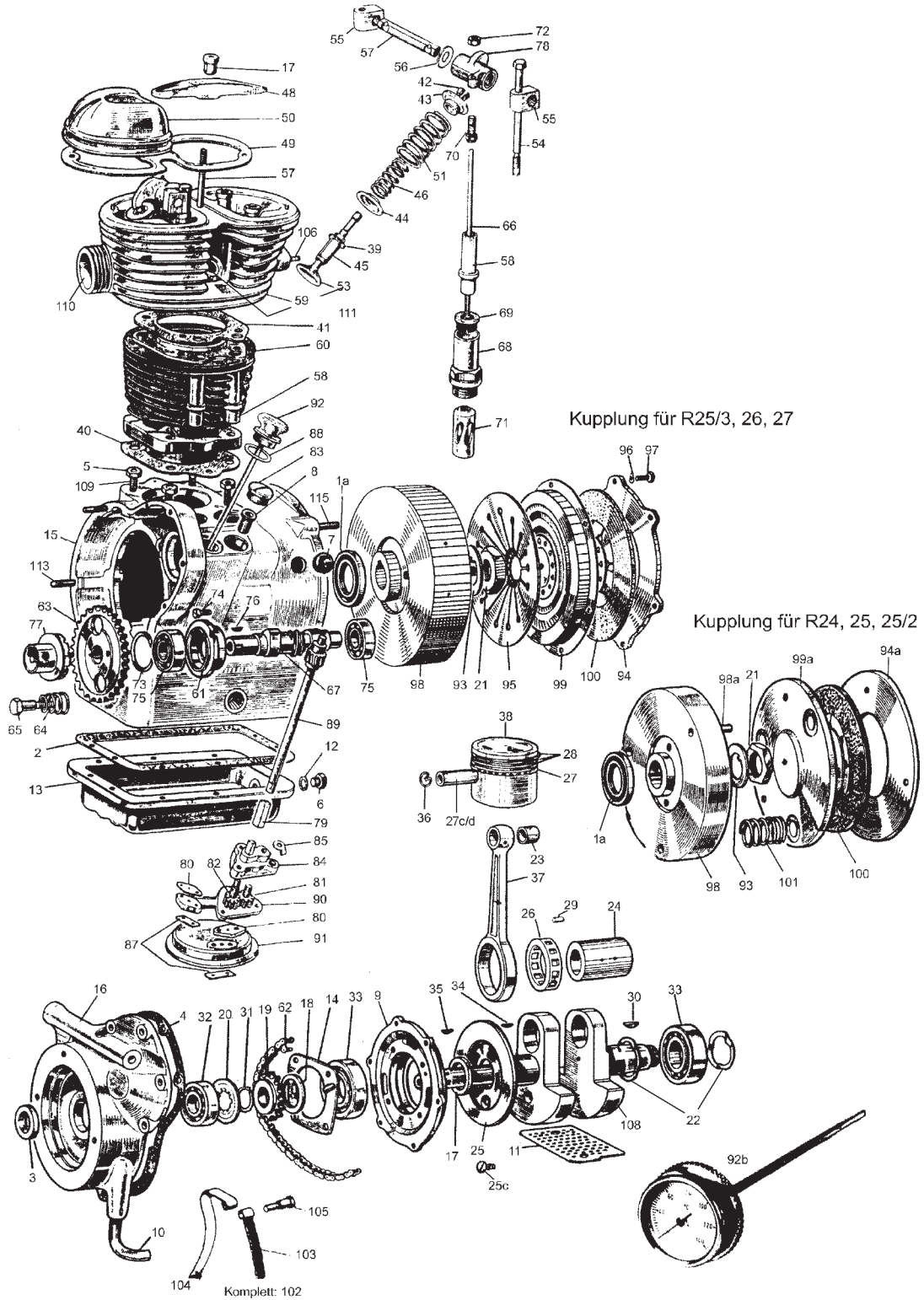
CLASS K-DRIVESHAFT AND FINAL DRIVE R25-R25/3



CLASS M-ONE CYLINDER ENGINE R24-R27

<i>Illus. No.</i>	<i>Part No.</i>	<i>Part Name</i>	<i>Price</i>
M001A	11140007100R	Seal Crank R24-R25/3 Rear	13.80
M002	11130007100R	Gasket Oil Pan Singles	4.50
M003A	11110002110R	Seal Crank 1-cyl.Front	20-37-10 7.80
M003B	11110002129R	Seal Cam R27	12-22-7 7.80
M004	11110002114R	Gasket Timing Case R24-R27	5.00
M013	11130007000R	Oil Pan Deep R25-27	109.00
M025A	11210016119R	Slinger Ring R27	29.99
M038A		Piston R24-25/2 68.0mm Std	199.00
M038A2C	11250012028R	Piston R24-25/2 68.5mm 1st	199.00
M038A3B	11250012049R	Piston R24-25/2 69.0mm 2nd	199.00
M038A4C		Piston R24-25/2 69.5mm 3rd	199.00
M038A5		Piston R24-25/2 70.0mm 4th	199.00
M038AA	11250912000R	Piston R25/3 68.0mm Std	199.00
M038AB	11250912008R	Piston R25/3 68.5mm 1st	199.00
M038AC	11250912009R	Piston R25/3 69.0mm 2nd	199.00
M038AD	11250912010R	Piston R25/3 69.5mm 3rd	199.00
M038AE		Piston R25/3 70.0mm 4th	199.00
M038B1	11250012110R	Piston R26 68.0mm Std	199.00
M038B2A	11250012115R	Piston R26 68.5mm 1st	199.00
M038B3	11250012120R	Piston R26 69.0mm 2nd	199.00
M038B4A	11250012120R3RD	Piston R26 69.5mm 3rd	199.00
M038B5A		Piston R26 79.0mm 4th	199.00
M038C1	11250012110R	Piston R27 68.0mm Std	199.00
M038C3	11251258468R	Piston R27 69.0mm 2nd	199.00
M038C4	11251258468A	Piston R27 69.5mm 3rd	199.00
M040A	11110010108R	Gasket Base R24-R27	3.90
M041A	11120010054R	Gasket Head R24-25-25\3	5.99
M062	11311261091R	Cam Chain Singles R24-27	19.95
M069	11110033114R	Seal Push Rod R24-R27	4.00
M100B	21210070000R	Clutch Plate R25/3, R26/27	81.95
M102	11311299922R	Cam Chain Tensioner Set R24-27, Incl. Spring, Tensioner, 2x bolt	27.00
M200A	11009090163	Gasket Set Engine R27	79.00

CLASS M-ONE CYLINDER ENGINE R24-R27

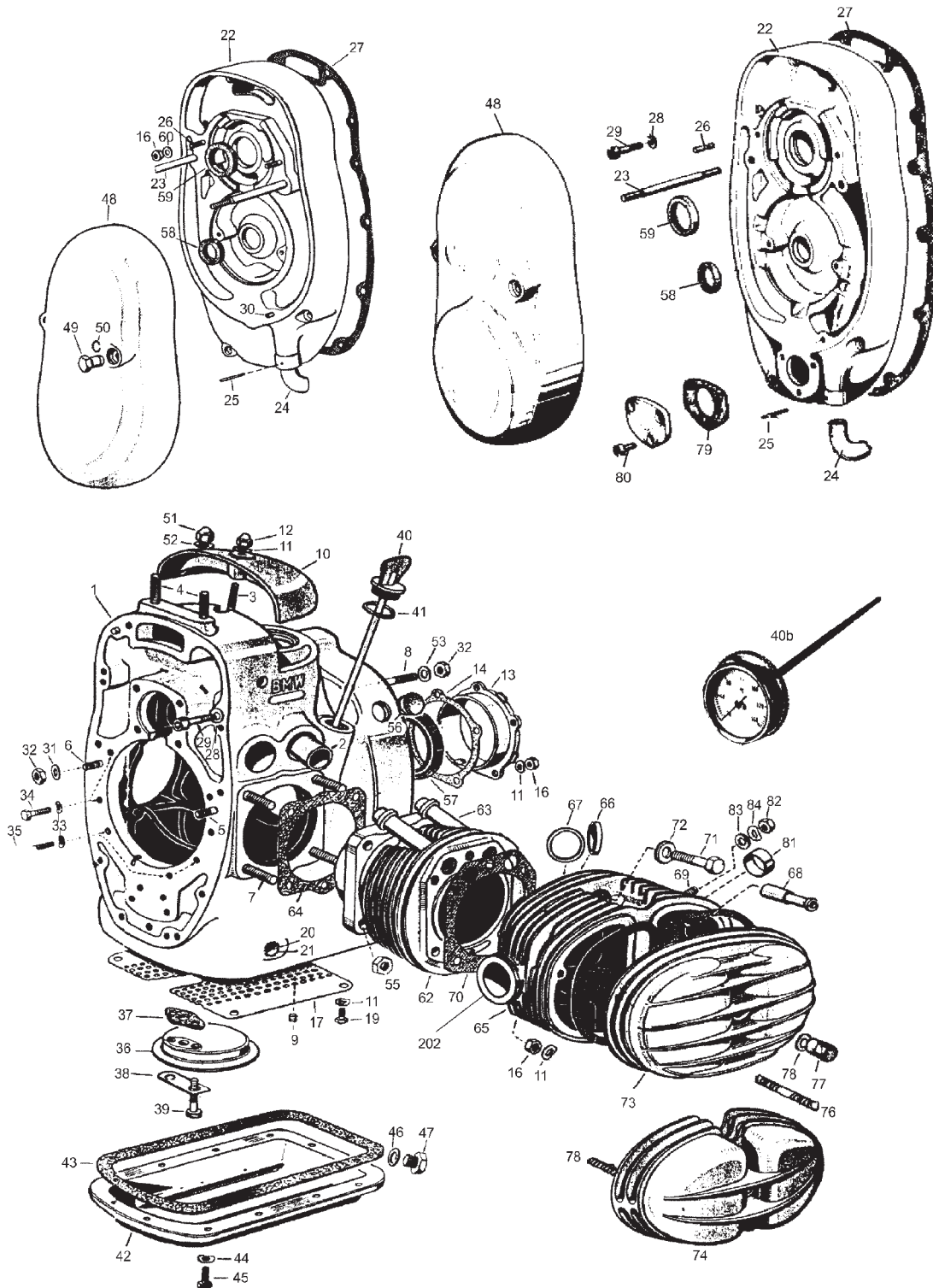


CLASS N-TWO CYLINDER ENGINE, GASKETS

<i>Illus. No.</i>	<i>Part No.</i>	<i>Part Name</i>	<i>Price</i>
N013A	11110001162R	Bearing Retainer Rear Main, R51/3-R68, R50, R60	150.00
N013B	11110001163R	Bearing Retainer Rear Main, R50/2-R69S	150.00
N014	11110001164R	Gasket Rear Main R51/3-R69S	3.44
N023A	11110001178R	Stud Generator Cover R51/3 M6/M6	9.95
N023B	11110001177R	Stud Generator Cover /2 M8/M6	19.95
N024A	11150002166R	Breather Pipe /2	19.90
N027A	11110002172R	Gasket Timing Cover R51/3-R69S	6.00
N027B	11110002164R	Gasket Timing Cover R51/2	6.00
N037	11410052135R	Gasket Oil Sump /2	1.89
N038	11410052130R	Oil Screen Lock Plate 2-cyl.	3.50
N040A	11430009127P	Dip Stick R50-R69S Polished	49.00
N040B	11431331056	Dip Stick /2 Thermal	75.00
N041	07119963420R	Dipstick Seal Ring R50-R69S	1.10
N042	11130007029R	Oil Pan Deep /2	149.00
N043A	11130007156R	Gasket Oil Pan R51/3-R69S	7.50
N043B	11130007150R	Gasket Oil Pan R51/2	9.69
N047	11131744329R	Drain Plug Magnetized 14 X 1.5	6.95
N049	11110002195R	Nut Timing Cover /2 Hex	9.95
N055C	11111263903R	Nut Cylinder Base 1 + 2 Cyl. Stainless	3.55
N056A	11111744327R	Rubber Timing Plug Black	2.49
N056B	11110001032R	Rubber Timing Plug White	3.00
N057A	11110001122R	Seal Rear Main R26/27 + R51-R69S 52-72-10	29.25
N057C	11110016220R	Seal Rear Main R51/2	15.00
N058A	23121338741R	Seal Crank R51/3-R60 Front 17-28-7 Early 17mm Crankshaft + Kickst. R24-27, /2	8.90
N058B	11140002197R	Seal Crank Front /2 20-32-7 Kick 51/3, Points/6	11.32
N059A	11141256562R	Seal Cam R51/3-R69S 25-35-7	12.52
N059B	11140002190R	Seal Cam R51/2 & Older 16-28-7	6.60
N059C	11140002199R	Seal Cam R68/69 28-40-7	10.99
N063	11110010153R	Push Rod Tube /2 & R69S Chrome	29.00
N063B	11110010153SS	Push Rod Tube R50-R69S Stainless	30.90
N064A	11110010161P	Gasket Base /2 Paper	3.95
N064B	11110010161R	Gasket Base /2 Std	4.89
N064C	11110010163R	Gasket Base /2 Low Octane	9.00
N064D	11110034112R	Gasket Base R51/2	4.50
N066B		Valve Seat Intake R69S +.2	25.00
N066C		Valve Seat Intake R25-60/2 +.2	45.00
N067A		Valve Seat Exhaust R69S +.2	45.00
N067B		Valve Seat Exhaust R25-R60 +.2	45.00
N069	11120021100R	Stud Cyl. Head/Carb R25-R69S	3.71
N070A	11120022118R	Gasket Head R26-R60/2 + R51/3	7.89
N070B	11120021148R	Gasket Head R51/2	6.00
N070C	11120022168R	Gasket Head R69-R69S	10.50
N073	11120023025R	Valve Cover /2, R51-R67	99.95
N074	11120023027R	Valve Cover R69S	165.00
N075A	11121338426R	Gasket Valve Cover /2-On	5.35
N075B	11120023152R	Gasket Valve Cover R69S	7.50
N076A	07119903372R	Valve Cover Center Stud R68-R69S	3.50
N076B	07119903354R	Valve Cover Center Stud /2	8.50
N076C	07119903380R	Valve Cover Center Stud R51/2	5.95
N077	11121744330	Nut Valve Cover Chrome	2.80
N078	07119903209R	Valve Cover Stud R51/3-R69S	2.95

CLASS N-TWO CYLINDER ENGINE, GASKETS CONTINUED

Illus. No.	Part No.	Part Name	Price
N079	11140002171R	Gasket Oil Pump Cover R50/2-R69S	3.19
N100A	11009090267	Gasket Set Engine /2 '61-'69 (No Carb, No Gearbox, No Air Filter)	119.00
N100B	11009090266	Gasket Set Engine R51/3-R67/3 (No Carb, No Gearbox, No Air Filter)	119.00
N100C	11009090272	Gasket Set Engine R69S (No Carb, No Gearbox, No Air Filter)	119.00
N100D	11009090268	Gasket Set Engine R50-R60 (1960) (No Carb, No Gearbox, No Air Filter)	119.00



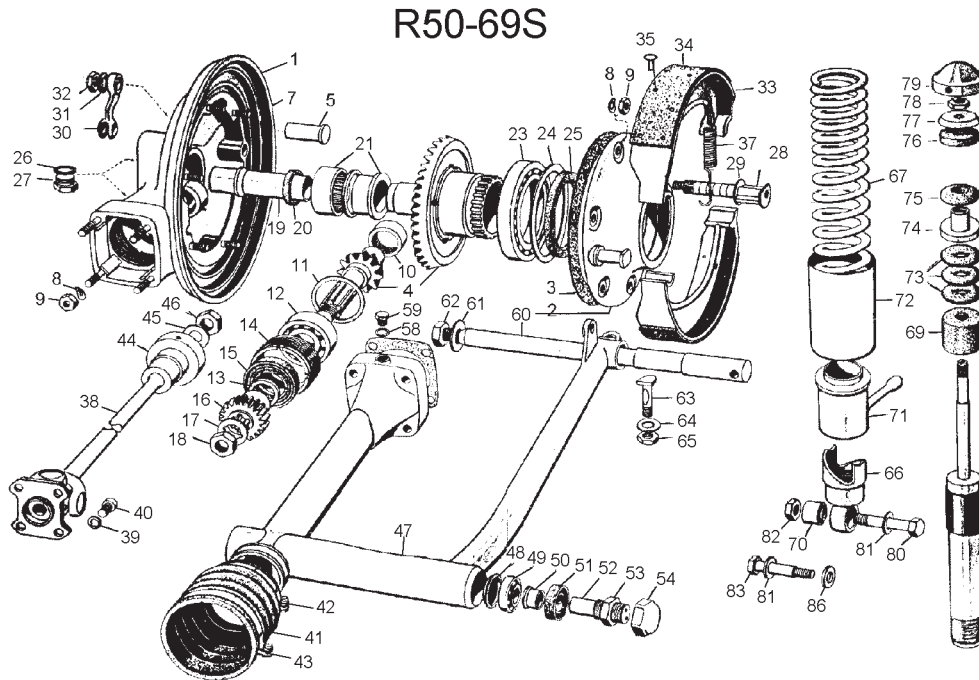
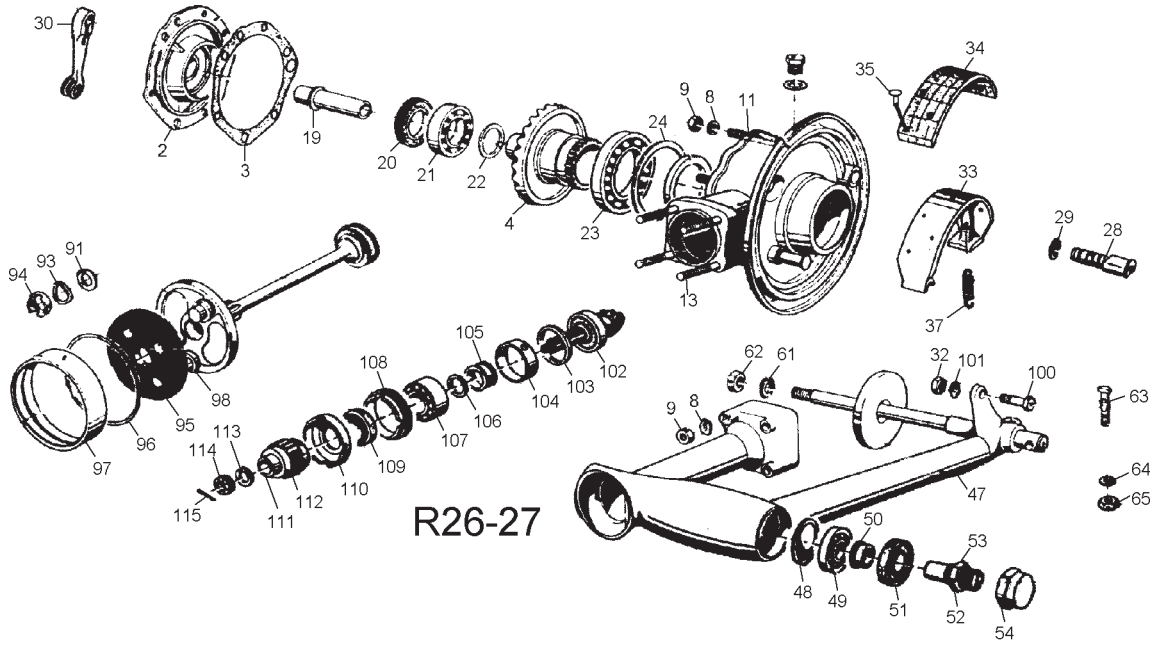
CLASS P-DRIVE SHAFT, FINAL DRIVE, SUSPENSION R26-27, R50-R69S

<i>Illus. No.</i>	<i>Part No.</i>	<i>Part Name</i>	<i>Price</i>
P003A	33113004162R	Gasket Final Drive R26/27	4.75
P003B	33113004320R	Gasket Final Drive /2	3.95
P004A	33123038188R	Final Drive Set R26/27 Solo 25:6	750.00
P004B		Final Drive Set R26/27 S-c 26:5	750.00
P004C	33123010185R	Final Drive Set S-c /2 27:7 Ring & Pinion	750.00
P004D	33123010181R	Final Drive Set S-c /2 26:6 Ring & Pinion	750.00
P004E		Final Drive Set R50/2 Solo 27:8	750.00
P004F	33123010172R	Final Drive Set R50-R69S Solo 25:8	849.00
P007	07119903503R	Stud Final Drive Housing	3.39
P010	33123038245R	Bearing Needle Pinion Gear /2 VIN# 555 006-On	121.25
P012	07119982468R	Bearing Drive Pinion /2 3304	79.00
P013	33123038248R	Drive Shaft Pinion Spacer /2	3.80
P013A	07119908634R	Swingarm Stud/Final Dr. R26/27	3.60
P013B	07119903530R	Swingarm Stud/Final Dr. R50-R69S	3.60
P014	33123038252R	Final Drive Lock Ring R50-R69S	48.00
P015	33123038257R	Seal Rear Drive 28-47-10pin/2 R50-R69S	12.90
P016	33123038260R	Drive Shaft Coupler Hub R50-R69S	165.00
P017	33123038264R	Drive Shaft Coupler Lock Plate, R50-R69S	7.17
P018	07119921630R	Nut Drive Shaft /2 14mm -'65	1.80
P020A	33123004188R	Seal Rear Drive Axle R26/27	18.90
P020B	33123004337R	Seal Rear Drive Axle R50-R69S, 30-42-7	8.90
P021A	33113038167R	Bearing Final Drive R25-27, outer	17.10
P021B	33121242738R	Bearing Needle Ring Gear /2	89.00
P023A	07119981751R	Bearing Final Drive R25-27, inner	50.50
P023B	071119981760	Bearing Rear Drive /2-7 6013	59.65
P025A	33113004140R	Seal Rear Drive R26/27	15.00
P025B	33123004343R	Seal Rear Drive /2-On, 65-85-10	15.95
P034A	34112060132Z	Brake Shoe Liner Set 25/3, R26/27	59.00
P034B	34112060235Z	Brake Shoe Liner Set /2 Bike	69.00
P037A	34112060134R	Spring Brake Shoe R25-R27	4.80
P037B	34112060237R	Spring Brake Shoe R51/3-69S, Rear And Front Lower	4.80
P040	26111242297	Drive Shaft Bolt /7	1.58
P041	26113038225R	Drive Shaft Boot /2	24.50
P042	07129952070R	Clamp Drive Shaft Boot /2 Small Swing Arm Side 50-70mm	2.55
P043	07129952090R	Clamp Drive Shaft Boot /2 Big Gearbox Side 70-90mm	2.99
P044B	33123038237R	Drive Shaft Coupling Bell /2, 1:5 / 14mm, Up To 1965	203.95
P044C	26113038238R	Drive Shaft Coupling Bell /2, 1:6 / 16mm, 1965-1969	160.00
P046B	07119921636R	Nut Drive Shaft /2 16mm '66-'69	4.80
P048	33171239812R	Grease Retainer R26-R100	2.05
P049	36311468748R	Bearing Wheel /5 On, 30203 Also Swing Arm Bearing /2 Front + Rear	33.95
P051	31412000331R	Seal Swing Arm '55 Thru '80 Front + Rear	8.00
P052	33533054171R	Swing Arm /2 On Pivot Pin NLA	52.87
P053	33533054174R	Swing Arm Pivot Pin Nut /2 R26-R100 NLA	3.65
P054	33533054172R	Swing Arm Cap R26-R69S	26.49
P055	33533054266R	Gasket Swing Arm /2	2.95
P059B	07119919216R	Drain Plug Swing Arm /2 Stainless	8.00
P060A	36313004158R	Axle Rear R26/27 Stainless	112.00
P060B	36313004368R	Axle Rear /2 Stainless	119.00
P063	33533054176R	Bolt Axle Pinch Rear /2 Stainless	19.95
P067A	33533054284R	Spring Rear /2 R26/27	30.00
P067B	33533054284HD	Spring Rear Heavy Duty /2	30.00

CLASS P-DRIVE SHAFT, FINAL DRIVE, SUSPENSION R26-27, R50-R69S CONT.

<i>Illus. No.</i>	<i>Part No.</i>	<i>Part Name</i>	<i>Price</i>
P068	33523054290	Shock R26-R69S Rear, Damper Only	134.14
P070B	33533054296R	Shock Bushing Rear /2	12.00
P071A	33533054194R	Shock Rear Adj.Sleeve R26-R69S	60.00
P072	33533054240R	Shock Cover Rear lower /2	29.00
P073	31412054528R	Rubber Spacer Rear Shock /2	3.49
P074	33533054201R	Shock Damper Stop Plate R26-R69S	14.27
P075	33533054204R	Rubber Shock Grommet R26-R69S	3.90
P076	33533054208R	Rubber Shock Grommet upper /2 NLA From Bmw	4.00
P077	33533054210R	Shock Rear Top Cover Plate /2, Also R26/27	7.90
P078	33523021615R	Nut Damper Rod R26/27, R50-R69S	1.00
P079	33533054212R	Shock Top Cap /2 Rear	35.00
P080	07119914625R	Bolt Shock Rear left R50-R69S Stainless	17.39
P083C	33533054225R	Shock Bolt R26/27 right Rear Stainless	8.50
P083D	33533054270R	Shock Bolt /2 right Rear Stainless	12.95
P092	26113038186R	Drive Shaft Flange R26/27	150.00
P094	26113038120R	Nut Drive Shaft R26/2, 18mm	18.56
P095	26113038476R	Rubber Drive Coupling R26/27	49.00
P097	26113038179R	Drive Shaft Coupl.Cover R51/2- R68,R26/27	29.00
P098	26113038127R	Rubber Drive Coupl-wash R26/27	3.90
P102	33123038150R	Bearing Final Drive R26/27 small/Rear	65.31
P107	07119982460R	Bearing Drive Shaft R25-27	63.67
P108	33123038130R	Final Drive Lock Ring R26/27 Drive Shaft Side	40.60
P109	26121030541R	Seal Final Drive R26/27 small, 25-40-8	8.90
P112	33123038146R	Drive Shaft Coupling Hub R26/27	63.80
P114	26113038142R	Nut Final Drive R26/27 Intake	9.28

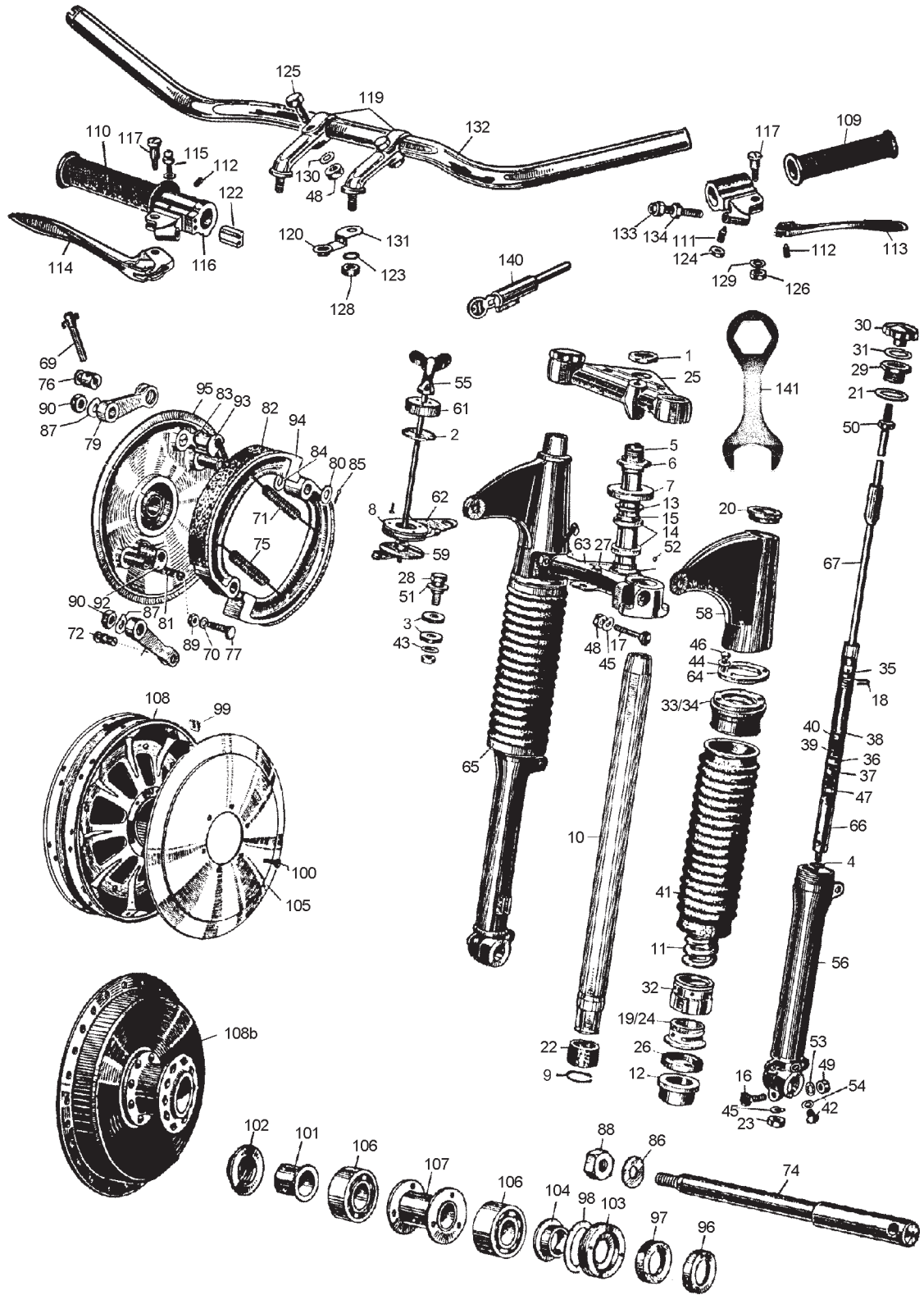
CLASS P-DRIVE SHAFT, FINAL DRIVE, SUSPENSION R26-27, R50-R69S



CLASS R-FORK R51/3-R68

<i>Illus. No.</i>	<i>Part No.</i>	<i>Part Name</i>	<i>Price</i>
R009	31422000400R	Cir Clip Fork Bushing R51/2-R68 lower	1.62
R010	31421000404Z	Fork Tube Pre-55 Pair R51/2-R68	295.00
R011	31412054250R	Spring R51/2-R68 Front	29.00
R012	31422000408R	Fork Slider Bushing R51/2-R68, upper Aluminium	30.00
R016	31412054262R	Bolt Axle Pinch R25-R68 Stainless	21.46
R020	31422054282R	Rubber Headlight Ear R51/2-R68	5.19
R022	31422000406R	Fork Slider Bushing R51/2-R68, lower Bronze	25.52
R026	31320000425R	Seal Fork R51/2-R68	19.00
R029	31422054256R	Fork Spring Retainer Nut R51/3-R68	32.48
R030	31422054258R	Fork Cap Alum. R51/3 Polished	39.00
R031	31422054260R	Fork Top Cap Gasket Ring R51/3- R68	2.44
R041	31421054292R	Fork Boot R51/3-68 (17 Rib)	25.00
R042	31429916651R	Fork Oil Drain Bolt R51/2-R68 M6x8	0.93
R055	31422000045R	Steering Damper Knob R25-R68 Chrome	59.74
R059	31412000450R	Steering Damper Thrust Plate R51/2-R68	41.95
R062	31412000447R	Steering Damper Plate R51/2/3	44.95
R065	07129952123R	Clamp Air Tube Screw Type '53-'60	3.00
R069	34112060121R	Brake Cable Adj Front Pre-55	17.29
R072B	34112060264R	Brake Cable Joint Bolt R51/3-R68 Stainless lower Brake Lever On Drum	12.64
R074A	36312060223R	Axle Front R51/3-R68 Stainless	133.40
R074B		Axle Front R51/2 Left Stainless	113.68
R076	34112060143R	Brake Cable Joint Bolt R25/3- R68 w/ Threaded Hole upper Lever On Drum	5.57
R101	36314038239R	Wheel Thrust Sleeve R51/3-R68 right, Also R51/2 left	13.92
R102	36314038240R	Wheel Thrust Sleeve Pre-55 Big R51/2-R68 right	16.24
R103	36314038270R	Wheel Bearing Nut R51/3-R68, w/ Felt	25.00
R104	36314038237R	Wheel Thrust Sleeve R51/3- R68 left	13.92
R105	36314938274R	Hub Cap R51/3	32.48
R106	07119981218R	Bearing Wheel R51/3-R68 Enclosed	18.56
R107	36314038223R	Wheel Bearing Spacer R51/2-R68	29.00
R113	32722072109R	Lever Clutch R25-R68	29.00
R114	32722072132R	Lever Brake R25-R68	29.00
R116A	32722072160R	Throttle Control R51/2-R68 Complete	199.00
R119	32712072301R	Handle Bar Riser Clamp R51/3 Stainless Chrome	96.00
R122	32722072392R	Throttle Slider R51-R68	29.00
R125A	32719912452R	Handle Bar Riser Bolt 51/2-R68 Stainless	5.57
R132A	32722072027R	Handle Bar R25-R51 Low	59.00
R502AS	36314038208R	Spoke Set Chrome R51/3-R68 Full Hub	119.00
R502FG	36314038202R	Spoke Set Chrome R51/2-R68 Half Hub	209.00

CLASS R-FORK R51/3-R68



CLASS S—EARLE'S FORK, HANDLEBAR, WHEELS, RIMS, SPOKES

<i>Illus. No.</i>	<i>Part No.</i>	<i>Part Name</i>	<i>Price</i>
S003	31412000293R	Bolt Axle Pinch Front R26–R69S, Earles Fork Only, Stainless	18.09
S006A	31412000320R	Fork Pivot Bolt /2	49.00
S006B	31412000321R	Fork Pivot Bolt /2 Stainless	89.00
S007	21521020136R	Fork Earls Spacer Washer inner	4.95
S008	363114687485R	Bearing Earles Fork R26/27+ /2	33.95
S009	31412000324R	Thrust Sleeve Fork + Swingarm /2	14.00
S012	31412000328R	Fork Pivot Bolt Nut /2 Stainless	29.95
S013	31412000334R	Rubber Fork Pivot Plug /2	6.50
S014	31412054200U	Shock Eye Earles Fork lower, R26–R69S	68.44
S015	31412002132R	Shock Cover Front lower /2	39.00
S016	31412002126R	Shock Cover Front upper /2 Blk	39.00
S017	31412054206R	Shock Eye upper R26–R69S Front	70.00
S019	31412054232	Shock R26–R69S Front, Damper Only	159.99
S020	31412054007R	Spring Front /2 Earles Fork	30.00
S021	31412054234R	Shock Bushing Front /2 + R27 rear	9.00
S023B	31412000345R	Fork Washer Chrome /2	6.50
S025A	31412000306R	Headlight Bracket left R26–R69S	79.00
S025C	31412000347R	Headlight Bracket Plate R26–R69S Earles Fork	2.90
S026A	31412000338R	Rubber Headlight Mount small /2	10.95
S026B	31412000336R	Rubber Headlight Mount large /2	19.00
S027B	31412000340R	Headlight Bracket Spacer Ring, R26–R69S Earles Fork	6.05
S029	31412000231R	Steering Damper Plate /2	39.00
S030A	31412000220R	Steering Damper Res. Plate, R26/27	33.64
S030B	31412000217R	Steering Damper Res. Plate, R50–R69 (Not S)	31.95
S031	31412000235SET	Steering Damper Plate Set /2, R25–R60 (Incl. Rivets)	15.00
S032	31412000295R	Steering Damper Bolt /2 Front	12.95
S035	31422000255R	Steering Damper Mount Bolt /2, R26/27, R51/2–R69S	12.00
S037	31422000257R	Rubber Steer Damper Washer /2, R26/27, R51/3–R60/2	2.99
S040A	31412000343R	Fork Bolt Earles Top Chrome /2	15.00
S041	31412000000T	Bearing Steering Head R24–R69S pair	69.00
S042	31412000299R	Rubber Fork Earls Top Plug R50–69S	2.50
S044	31412000184R	Steering Head Dust Cap R25–R69S	14.90
S045	31422000182R	Steering Bearing Adj. Nut R25–R69S	19.95
S047B	71119090123R	Tool wrench 36x41	19.00
S049	31412000001R	Steering Bearing Adapter /2 (Use for /5 Fork In /2 Frame)	60.00
S050	31422000110R	Steering Cap Chrome Cover /2	24.00
S051	31422000396R	Steering Damper Knob R26–R69S Chrome	134.00
S057B	34212060239R	Spring Brake R51/3–R69S, Front Upper	9.30
S057C	34112060277R	Brake Spring Eccentr. Bolt, R51/3–R69S	11.80
S060	36112060170R	Hub Cap R26/27 small Silver	18.00
S060A	36112060170RC	Hub Cap R26/27 small Chrome	29.00
S061A	36313060227R	Axle Front R26–R69S Stainless	119.00
S061B	36312060174R	Axle Reducing Bushing /2	35.00
S062B	07119922155R	Axle Nut M14x1.5 Stainless	4.60
S063B	36313004378R	Axle Washer Stainless	9.50
S069B	34112060182R	Brake Front Pivot Barrel /2	13.50
S070	34112060178R	Brake Front Adjustment Nut /2	4.00
S071	07119985010R	Bearing Wheel R50–R69S, 30204	30.00
S072A	36314038230TS	Wheel Thrust Sleeve /2 left (Ft Felt Type)	18.56
S072B	36314038243R	Wheel Thrust Sleeve /2 left (Seal Type)	17.80
S073	36314038230R	Seal Wheel /2 25-35-7 Also Cam Shaft R51/3–R69S	7.59

CLASS S—EARLE'S FORK, HANDLEBAR, WHEELS, RIMS, SPOKES CONTINUED

<i>Illus. No.</i>	<i>Part No.</i>	<i>Part Name</i>	<i>Price</i>
S074A	36314038271E	Wheel Seal Nut /2 Early w/ Felt	34.00
S074B	36314038271L	Wheel Seal Nut /2 Late w/ Seal	45.00
S076B	36314038241R	Wheel Thrust Sleeve /2 right	16.24
S077	36311468748R	Bearing Wheel R26/27	33.95
S078A	36314038127R	Wheel Bearing Spacer R25/3—R27 inner Tube	20.88
S078B	36314038225R	Wheel Bearing Spacer Tube /2 inner	29.00
S079A	36314038131R	Wheel Bearing Spacer R26/27 outer Tube	20.88
S079B	36314038229R	Wheel Bearing Spacer /2 outer Tube	28.77
S081B	36314038162R	Wheel Bearing Nut R26/27	25.00
S082A	36314038155R	Seal Wheel Felt R26/27, /5	3.30
S082B	36314038259R	Seal Wheel Felt /2	2.89
S083A	36314038157R	Seal Wheel Cap R26/27, /5	4.95
S083B	36314038255R	Seal Wheel Cup /2	5.90
S084	36314038267R	Seal Wheel Washer /2	3.05
S086A	36314038165C	Hub Cap R26/27 Big Chrome	32.48
S086B	36314038165R	Hub Cap R26/27 Big Silver	29.00
S086C	36314038275CHROM	Hub Cap /2 Chrome Plated	49.00
S086D	36314038275R	Hub Cap /2 Silver Painted	44.00
S089	36314038263R	Hub Cap Spring Washer	3.50
S090B	32712072189SC	Handle Bar Side Car	59.00
S090DA	32722072036R	Handle Bar /2 US	69.00
S090E	32712072189R	Handle Bar /2, Low	59.00
S091	32712072104R	Handle Bar Riser R25/3—R27 Chrome Stainless	95.95
S091B	32712072306R	Handle Bar Riser /2	89.00
S092A	32712072145R	Handle Bar Riser Bolt R25/3—R26 Chrome	25.29
S092B	32712072146R	Handle Bar Riser Bolt R27 Chrome	21.81
S092C	32712072288R	Handle Bar Riser D-bolt Chrome /2	17.90
S093A	32721230407R	Grip Magura Right—closed ends	11.95
S093B	32721230868R	Grip Magura Left—closed ends	11.95
S094A	32721230870OLD	Pivot Screw Control Lever Old Mushroom Type	5.00
S096A	32722072221R	Cable Adjuster /2 Brake-clutch R25—R69S	6.00
S096B	32721230876R	Cable Adjuster Clutch-brake /5	8.00
S102B	32722072253R	Lever Clutch Blade Type R26—R69	29.00
S102C	32722072226R	Lever Clutch Ball Type R26—R69S	29.00
S105A	32722072252BLAD	Lever Brake Blade Type R26—R69S	29.00
S105B	32722072252R	Lever Brake Ball Type R26—R69S	29.00
S107	32721232463R	Throttle Cam Disc /5—90S -'74	19.15
S107A	32722072265R	Throttle Cam Disc R26/27	79.50
S107B	32722072384R	Throttle Cam Disc R50—R69S	89.50
S109	32721232668R	Screw Throttle Cover R26—R100-'81	3.10
S110	32712072147R	Spacer Handlebar Riser R25/3—R26	5.80
S111	32712072194R	Rubber Handle Bar Mount R26 Also R25/3	5.00
S112	32721232929R	Wedge for Control	10.00
S116A	32731242495R	Rubber Throttle Boot upper Sin	6.95
S116B	32731230037	Rubber Throttle Cable Up-boot	3.07
S130	32329016007SET	Lock Set Tool Box, fork /2	89.00
S131	32329016007R	Lock Fork '55 Thru '74, R25/3—R100	25.00
S203	51160001039R	Mirror /2 Clamp On Square R/L	39.00
S204A	51160003039R	Mirror /2 Clamp On Oval left	39.00
S204B	51160003040R	Mirror /2 Clamp On Oval right	39.00
S205A	5116-0006	Mirror Clamp On Round Each	12.00

CLASS S—EARLE'S FORK, HANDLEBAR, WHEELS, RIMS, SPOKES CONTINUED

<i>Illus. No.</i>	<i>Part No.</i>	<i>Part Name</i>	<i>Price</i>
S205C	51162072296R	Mirror /2 left Oval Screw-in	39.00
S205D	51167060582HLL	Mirror Headlight left	54.50
S205E	51167060582HLR	Mirror Headlight right	54.50
S206A	2034000	Mirror Bar End Chrome left	15.95
S025B	31412000314R	Headlight Bracket right R26–R69S	79.00
S300A	13212072370S	Cable Set /2 Low Bar	45.00
S300B	1312072348S	Cable Set /2 High Bar	45.00
S300C	32322000000SET	Cable Set R51 R67 Simplex	49.00
S300D	32322000001SET	Cable Set R51 R67 Duplex	49.00
S301A	34112072235R	Cable Brake R24–27, R51–R68 Low	16.00
S301AA	34112072238R	Cable Brake R24–27, R51–R68 US +6"	18.00
S301B	34112072344R	Cable Brake /2 Low	15.00
S301C	34112072346R	Cable Brake /2 High +6"	15.00
S302A	13212072255R	Cable Throttle R25, R26/27 Low	12.00
S302AC	13212072256R	Cable Throttle R25, R26/27 High +6"	12.00
S302B	13212072254R	Cable Throttle R25/3 Low	12.00
S302BB	13212072258R	Cable Throttle R25/3 High +6"	12.00
S302C	13212072355R	Cable Throttle R51/2–R68 Low	13.00
S302CB	13212072356R	Cable Throttle R51/2–R68 High +6"	13.00
S302D	13212072370R	Cable Throttle /2 Low	12.00
S302DB	13212072348R	Cable Throttle /2 High +6"	12.00
S303A	21522072321R	Cable Clutch /2 Low	13.00
S303B	21522072322R	Cable Clutch /2 High +6"	13.00
S303B	21522072215R	Cable Clutch R26/27 Low (all Post-War BMWs)	13.00
S303B	21522072216R	Cable Clutch R26/27 US Bar (all Post-War BMWs)	13.00
S400D	36314038116R	Wheel Rim Chrome R25/3–R27, 36 Holes, Chrome	199.00
S400E	36314038217R	Wheel Rim Chrome /2 Repro, 40 Holes, for 140mm Spokes	249.00
S400R	36314038039R	Wheel R50–R69S Rebuilt, exchange only	495.00
S505D	36314038222SS	Spoke Set Stainless 18' 40pcs, 140mm R25/3–27, R50–R69S, /5–R100 Rear	92.95
S520	36314038173R	Spoke Plate	1.59
S601	K41-5507-10-S	Rim Strip	2.00
S616A	110-2925	Tire Me Block K, 4.00H 18	133.95

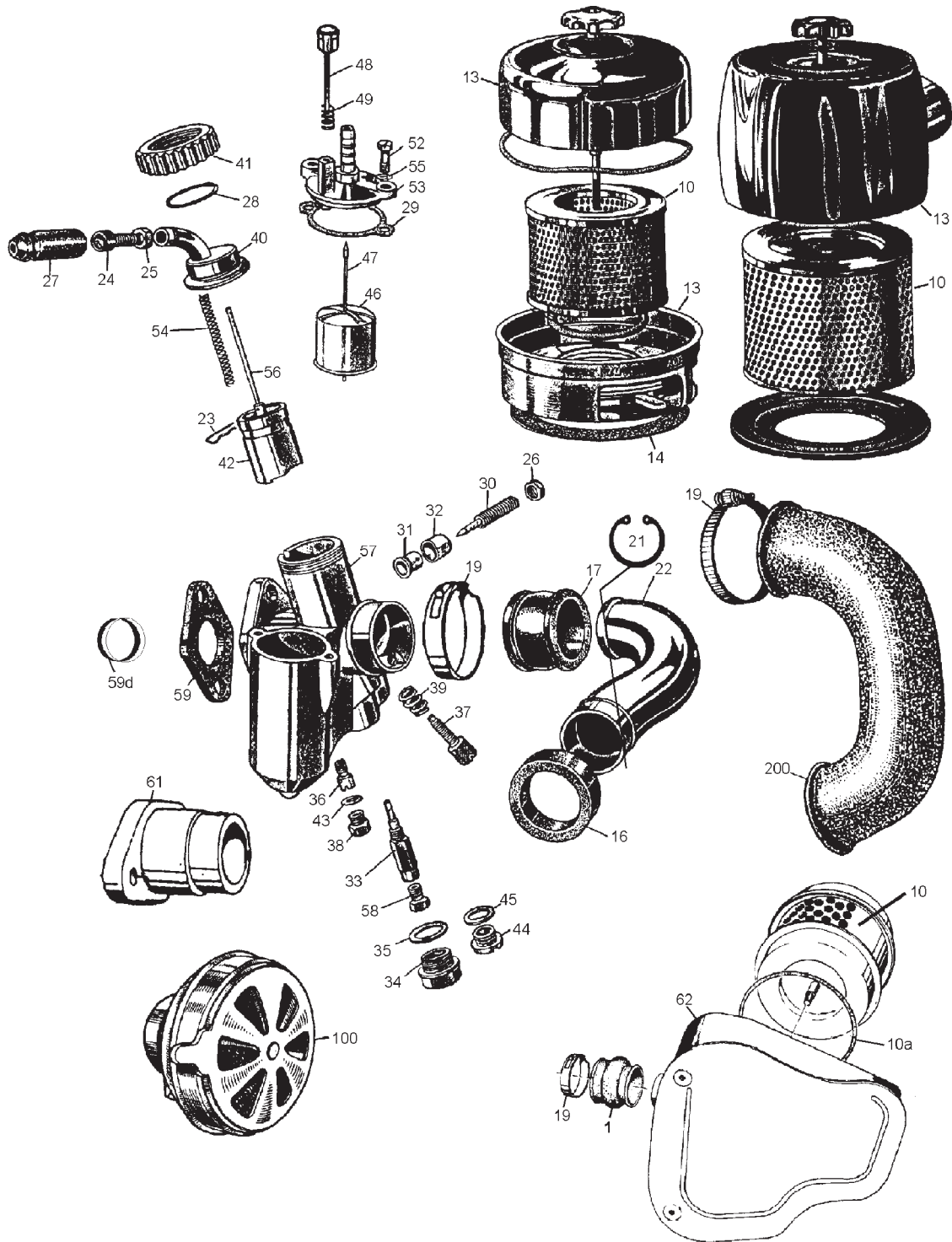
CLASS V-CARBURETOR

<i>Illus. No.</i>	<i>Part No.</i>	<i>Part Name</i>	<i>Price</i>
V001	13720042161R	Rubber Carb Boot R26/27	8.00
V010	13721250389R	Filter Air R27 /2 w/ Choke	19.95
V010A	13720043116R	O-ring Air Filter R26/27	2.40
V010B	13721250388R	Filter Air R69S	24.95
V013	13721250314C	Air Filter Housing R69S Chrome Incl.Screw Bottom, w/o Filter	319.00
V013A	13721250314R	Air Filter Housing R69S Painted Incl.Screw Bottom , w/o Filter	319.00
V014	13720043119R	Gasket Air Filter /2	5.00
V016A	11610042164R	Rubber Air Tube Bushing R51/3- R67	6.17
V016B	11610043163R	Rubber Air Tube Bushing /2	6.17
V016C	11610043165R	Rubber Air Tube Bushing R69S And R68	8.00
V017A	11610043161R	Rubber Carb Boot /2	9.35
V017B	13720042162R	Rubber Carb Boot R51-R67/3	8.85
V018	11610043162R	Rubber Carb Bushing R69S	6.80
V019A	13110043103R	Clamp Air Tube Spring Type R26/27, R51/3-R67, R50-60/2	9.95
V019B	13110043104R	Clamp Air Tube Screw Type R51- /2, 25-40mm	2.50
V021	11610043166R	Rubber Carb Tube Stop Ring R69S	0.90
V022B	11610043178R	Air Tube R69S Chrome left	130.00
V024A	13110039178R	Carb Throttle Adj. Screw R25-R69S	3.49
V025	13110039102R	Carb Throttle Adj. Screw Nut	0.65
V026	13110039184R	Carb Nut for Mix Screw /2	1.00
V027A	13110042111R	Rubber Throttle Cable Boot /2 big	2.95
V027B	13110042112R	Rubber Throttle Cable Boot small	2.00
V028A	13110042149R	Carb Top O-ring /2	2.90
V029A	13110042150R	Carb Gasket Float Chamber Top all Slide Carburetor	1.50
V030A	13110039182R	Carb Air Mix Screw R24 Short	5.57
V030B	13110039181R	Carb Air Mix Adjust. Screw /2	9.95
V031	13110039183R	Carb Air Mix Screw Sleeve /2	3.95
V032	13110039185R	Carb Air Mix Screw Cap /2	3.95
V033A	13110039123R	Carb Needle Jet 50S/R69, 1208 Also 51/3, R67	18.95
V033B	13110039124R	Carb Needle Jet R50/60/2, 1308	18.95
V033C	13110039224R	Carb Needle Jet, 1408	18.95
V033D		Carb Needle Jet, 1708	18.95
V033E	13110039129R	Carb Needle Jet R69S 2108	18.95
V034A	13110039197R	Carb Plug Needle Jet R69S (Not 25/3)	6.90
V034B		Carb Plug Needle Jet R25/3	6.50
V035	13110042130R	Carb Gasket Big Bottom Nut /2	0.85
V036	13110039137R	Carb Idle Jet /2 #35 w/ slot	8.00
V036	13110039138R	Carb Idle Jet /2 #40 w/ slot	8.00
V036	13110039139R	Carb Idle Jet /2 #45 w/ slot	8.00
V036	13110039140R	Carb Idle Jet /2 #55 w/ slot	8.00
V037A	13110039151R	Carb Slide Stop Screw R25, R51/3 22mm Carburetor	4.80
V037B	13110039282R	Carb Slide Stop Screw R26/27	4.80
V037C	13110039527R	Carb Slide Stop Screw R50-R69S, Also R25/3	4.90
V038	13110039196R	Carb Idle Jet Plug /2	8.19
V039A	13110039170R	Carb Slide Stop Screw Spring, R25-25/3, R51/3	1.80
V039B	13110039171R	Carb Slide Stop Screw Spring, R26-R69S	1.80
V042A	13110039117R	Carb Slide R25, R51/3, 22mm	27.96
V042B	13110039120R	Carb Slide R25/3-R60, 24mm Q=27.0mm	39.00
V042C	13110039200R	Carb Slide R26/27	27.96
V042D	13110039116R	Carb Slide R51/3-R69S, Q=29.5, ID# 656529-On	49.00

CLASS V-CARBURETOR CONTINUED

<i>Illus. No.</i>	<i>Part No.</i>	<i>Part Name</i>	<i>Price</i>
V044A	13110039195R	Carb Plug Screw 51/3-69S, 24mm	6.70
V044B	13110039198R	Carb Plug Screw R25, 51/6, 22mm Plug Size 16mm	5.10
V045	13110042135R	Carb Gasket Flat Bottom Nut 1/2 (Only 1/2 +R69S)	0.89
V046A	13110039187R	Carb Float 7g, 1/2	38.95
V046B	13110039186R	Carb Float 11g Singles	35.00
V047A	13111252178R	Carb Float Shaft Lever Type 1/2	3.50
V047B	13110039188R	Carb Float Needle 11 Gram Flt	6.90
V047C	13110039288R	Carb Float Needle 7gr, 1/2	8.95
V047D	13111251394R	Carb Float Needle Lever Top, 1/2	8.95
V047DA	13111252179R	Carb Float Shaft Washer Only for Lever Top Type	3.95
V052	13110039156R	Carb Float Chamber Screw R25-R69S	5.90
V053A	13110039158R	Carb Float Chamber Lid 1-cyl. Complete	21.46
V053B	13110039256R	Carb Float Chamber Lid 2-cyl., Complete Old Style	32.94
V053C	13111252176SET	Carb Float Chamber Lid 2-cyl., Complete New Style	79.00
V054A	13110039169R	Carb Slide Return Spring 22mm R25-1/3, R51/3	2.09
V054B	13110039167R	Carb Slide Return Spring R26/27	2.09
V054C	13110039168R	Carb Slide Return Spring 24mm 1/2, R50S, R69S	1.94
V057A	13110039004R	Carburetor R25, R25/2	379.00
V057B	13110039006R	Carburetor R25/3	369.00
V057C		Carburetor R26/27 Special (w/Detachable Float Chamber)	388.00
V057D	13110039077R	Carburetor 1/2 left	729.00
V057DA	13110039076R	Carburetor 1/2 right	729.00
V057E	13110039205R	Carburetor R51/2/3, R67 left	649.00
V057EA	13110039206R	Carburetor R51/2/3, R67 right	649.00
V057F	13110039057R	Carburetor R69S left, Also 50S	649.00
V057FA	13110039056R	Carburetor R69S right, Also 50S	649.00
V057G	13110039035R	Carburetor R68/69, left	435.00
V057GA	13110039034R	Carburetor R68/69, right	435.00
V058A	13110039239R	Carb Main Jet R50S/69S, #130 Hex Head	7.49
V059	13110042146R	Carb Manifold Gasket R25/51-1/2 (Not 26/27)	10.22
V059B	13110042145R	Carb Manifold R26/27	9.86
V059C	13110042147R	Carb Manifold Gasket R68-R69S	11.56
V059D	11610043168R	Carb Intake Bushing R69S	7.89
V061A	13110039103R	Carb Flange Joint R26/27 Long	49.00
V061B		Carb Flange Joint R26/27 (Short for Special Carburetor)	44.08
V062B	13728042172R	Air Filter Housing R26/27	92.00
V100A		Air Filter R25	60.90
V100B	13110043005R	Air Filter R25/3	82.00
V200B	11610043999R	Rubber Air Tube R25/3	20.00
V300A	13110039000R	Carb Gasket Kit R25-25/3	7.95
V300B	13110039001R	Carb Gasket Kit R26/27	7.90
V300C	13110042130A	Carb Gasket Kit 1/2 One Carb	7.95

CLASS V-CARBURETOR



CLASS W—CRANKSHAFT, TIMING, LUBRICATION, CLUTCH R51/2—R69S

<i>Illus. No.</i>	<i>Part No.</i>	<i>Part Name</i>	<i>Price</i>
W001	11210016039R	Crankshaft R50/Early Exchange Pin=17mm, Conrod=125mm, 1 Oil Slinger Hole.....	650.00
W001A	11210016060R	Crankshaft R50/2—On Exchange Pin 20mm, Conrod=125mm, 1 Oil Slinger Hole	650.00
W001B	11210016027R	Crankshaft R51/3—On Exchange	650.00
W001C	11210016045R	Crankshaft R60—On Exchange	860.00
W001D	11210016062R	Crankshaft R60/2—On Exchange Pin=20mm, Conrod=125mm, 2 Oil Slinger Holes ...	990.00
W001E	11210016032R	Crankshaft R67/3—On Exchange Pin=17mm, Conrod=130mm, 1 Oil Slinger Hole	650.00
W001F	11210016035R	Crankshaft R69—On Exchange Pin=17mm, Conrod=130mm, 2 Oil Slinger Hole	760.00
W001G	11210016066R	Crankshaft R69S—On Exchange Pin=20mm, Conrod=130mm, 2 Oil Slinger Holes	795.00
W006A	11240017027R	Con Rod Set R51/3 Complete	279.00
W006B	11240017029R	Con Rod Set R67 Complete	279.00
W006C	11240017701R50	Con Rod Set R50 Old Complete	279.00
W006D	11240017052R	Con Rod Set R50/2 Complete	279.00
W006E	11240017701R60/2	Con Rod Set R60/2 Complete	279.00
W006F	11240017032R60	Con Rod Set R60 Old Complete	279.00
W006GA	11240017032R69S	Con Rod Set R69S Complete	279.00
W007A	11240017102R	Bushing Wrist Pin R51/3—R67/2 18mm	15.00
W007B	11240017150R	Bushing Wrist Pin R50—R69S 20mm	15.00
W010A	11210016216R	Slinger Ring R50 R51/3	30.00
W010B	11210016217R	Slinger Ring R60 R67	30.00
W010C	11210016219R	Slinger Ring R50/2 R50S	30.00
W010D	11210016221R	Slinger Ring R69, R60/2, R69S	30.00
W010DA	11210016218R	Slinger Ring R68	30.00
W011	07119900106R	Slinger Ring Screw	1.00
W012A	07119981044R	Bearing Crank Front small 6004, R50/2—R69S	10.80
W012B	07101468911	Bearing Crank Front, R50—R69 (not /2)	17.00
W014A	07110016273R	Bearing 20207t Rear Main R69S	199.99
W015A	11210016268R	Spacer Crank Front R50/2—R69S	7.59
W017A	11210016212R	Spacer Crank Front/Rear R51/3—R67+ R50, 60 Old	5.80
W017B	11210016266R	Spacer Crank Rear R50/2—R69S	4.70
W018	11210016130R	Crank Wave Washer Rear R26—R69S	5.23
W019	11210016252R	Oil Splash Ring Crank 51/3—R69S	19.57
W020	11310016389R	Timing Gear Set R51/3—R69S, Made-to-Order	739.00
W020B		Timing Gear Camshaft R51/3—R69S w/o Number	120.00
W021	07119951480R	Woodruff Key Crank Gear Twins + Crank Rear R24—25/2	2.19
W022	07119934171R	Lock Ring Crank R51/3—R60 Old, R67, R68	0.85
W024	11210016132R	Woodruff Key Flywheel R25/3—R69S	3.50
W025	11210016225R	Flywheel Lock Plate /2	5.19
W026A	11220016228R	Bolt Flywheel R51/3—R67/3, 36mm Wrench	16.80
W026B	11220016251R	Bolt Flywheel R50—R69S, R68, 41mm Wrench	19.50
W030A	11110002156R	Crank Bearing Bushing R50/60	50.00
W033A1	11251258470R	Piston R50/2 68.0mm Std	399.00
W033A2	11251258473R	Piston R50/2 68.5mm 1st Over	399.00
W033A4	11251258477R	Piston R50/2 69.0mm 2nd Over	399.00
W033A6	11251258476A	Piston R50/2 69.5mm 3rd Over	399.00
W033A7	11251258476AA	Piston R50/2 70.0mm 4th Over	399.00
W033B	11250012249R	Piston R50S 68.0mm Std	399.00
W033B1	11250012252R	Piston R50S 68.5mm 1st Over	399.00
W033B2	11250012255R	Piston R50S 69.0mm 2nd Over	399.00
W033B3	11250012256R	Piston R50S 69.5mm 3rd Over	399.00
W033B4	11250012257R	Piston R50S 70.0mm 4th Over	399.00
W033C1	11251012051R	Piston R51/2/3 68.0mm Std	399.00

CLASS W—CRANKSHAFT, TIMING, LUBRICATION, CLUTCH R51/2—R69S CONT.

<i>Illus. No.</i>	<i>Part No.</i>	<i>Part Name</i>	<i>Price</i>
W033C2	11251012058R	Piston R51/2/3 68.5mm 1st Over	399.00
W033C3	11251012059R	Piston R51/2/3 69.0mm 2nd Over	399.00
W033C4	11251012059A	Piston R51/2/3 69.5mm 3rd Over	399.00
W033C5	11251012059AA	Piston R51/2/3 70.0mm 4th Over	399.00
W033D1	11250012227R	Piston R60 Old 72.0mm Std 20mm/130 Con Rod	399.00
W033D2	11250012230R	Piston R60 Old 72.5mm 1st Over 20mm/130mm Con Rod	399.00
W033D3	11250012233R	Piston R60 Old 73.0mm 2nd Over 20mm/130mm Con Rod	399.00
W033D4	11250012234R	Piston R60-62 73.5mm 3rd Over 20mm/130mm Con Rod	399.00
W033D5	11250012235R	Piston R60 Old 74.0mm 4th Over 20mm/130mm Con Rod	399.00
W033F4	11250012267R	Piston R60/2 72.0mm Std	399.00
W033F5	11250012272R	Piston R60/2 72.5mm 1st Over	399.00
W033F5	11250012275R	Piston R60/2 73.0mm 2nd Over	399.00
W033F6	11250012275A	Piston R60/2 73.5mm 3rd Over	399.00
W033F7	11250012275B	Piston R60/2 74.0mm 4th Over	399.00
W033G1	11250000638R	Piston R67-3 72.0mm Std	399.00
W033G2	11250000639R	Piston R67-3 72.5mm 1st Over	399.00
W033G3	11250000641R	Piston R67-3 73.0mm 2nd Over	399.00
W033G4	11250000641A	Piston R67-3 73.5mm 3rd Over	399.00
W033G5	11250000641B	Piston R67-3 74.0mm 4th Over	399.00
W033H0	11250012218R	Piston R68/69 72.0mm Std	399.00
W033H1	11250012221R	Piston R68/69 72.5mm 1st Over	399.00
W033H2	11250012224R	Piston R68/69 73.0mm 2nd Over	399.00
W033H3	11250012224A	Piston R68/69 73.5mm 3rd Over	399.00
W033H4	11250012224B	Piston R68/69 74.0mm 4th Over	399.00
W033I1	11250012276R	Piston R69S 72.0mm Std	399.00
W033I2	11250012279R	Piston R69S 72.5mm 1st Over	399.00
W033I3	11250012282R	Piston R69S 73.0mm 2nd Over	399.00
W033I4	11250012283R	Piston R69S 73.5mm 3rd Over	399.00
W034A	11251256482R	Ring Set R50 Std 68mm	34.95
W034A	11251256483R	Ring Set R50 1st Over 68.5mm	34.95
W034A	11251256484R	Ring Set R50 2nd Over 69.0mm	34.95
W034A	11251256484ZZ	Ring Set R50 3rd Over 69.5mm	34.95
W034B	11251256485R	Ring Set R60-R69S Std 72.0mm	34.95
W034B	11251256486R	Ring Set R60-R69S 1st Over 72.5mm	34.95
W034B	11251256487R	Ring Set R60-R69S 2nd Over 73.0mm	34.95
W034B	11251256487Z	Ring Set R60-R69S 3rd Over 73.5mm	34.95
W038A	07110014200R	Piston Pin Clip 18mm Each R51/2-67/3	2.10
W038B	07119933640R	Piston Pin Clip 20mm Each R50-69s	3.10
W038C	07119940822R	Piston Pin R51/2-R67/3 18mm	16.00
W038D	07119940823R	Piston Pin 20mm/600cc	23.50
W044A	11310031028R	Camshaft R51/3-R60/2	290.00
W044C	11310031030R	Camshaft R50S/69S	290.00
W044D		Camshaft R51/2	380.00
W044E	11310031029R	Camshaft R68/69	310.00
W045B	11150031171R	Breather Plate R50/2-R69S	160.00
W046B	11310031707R	Breather Plate Spring Washer R50S,69S	3.19
W049	11310030102R	Camshaft Spring Washer R24-R69S	3.80
W050	11310030104R	Bolt Cam Shaft R25-R69S	0.55
W051	07119981214R	Bearing Camshaft R51/3-R69S 6203, Also Gearbox Shaft Rear Single + /2	13.99
W056A	11320033127R	Cam Follower R23-27, 51/3-2	64.00
W056B	11320033128R	Cam Follower R23-27, 51/3-2 *1 1st Over .001'	64.00

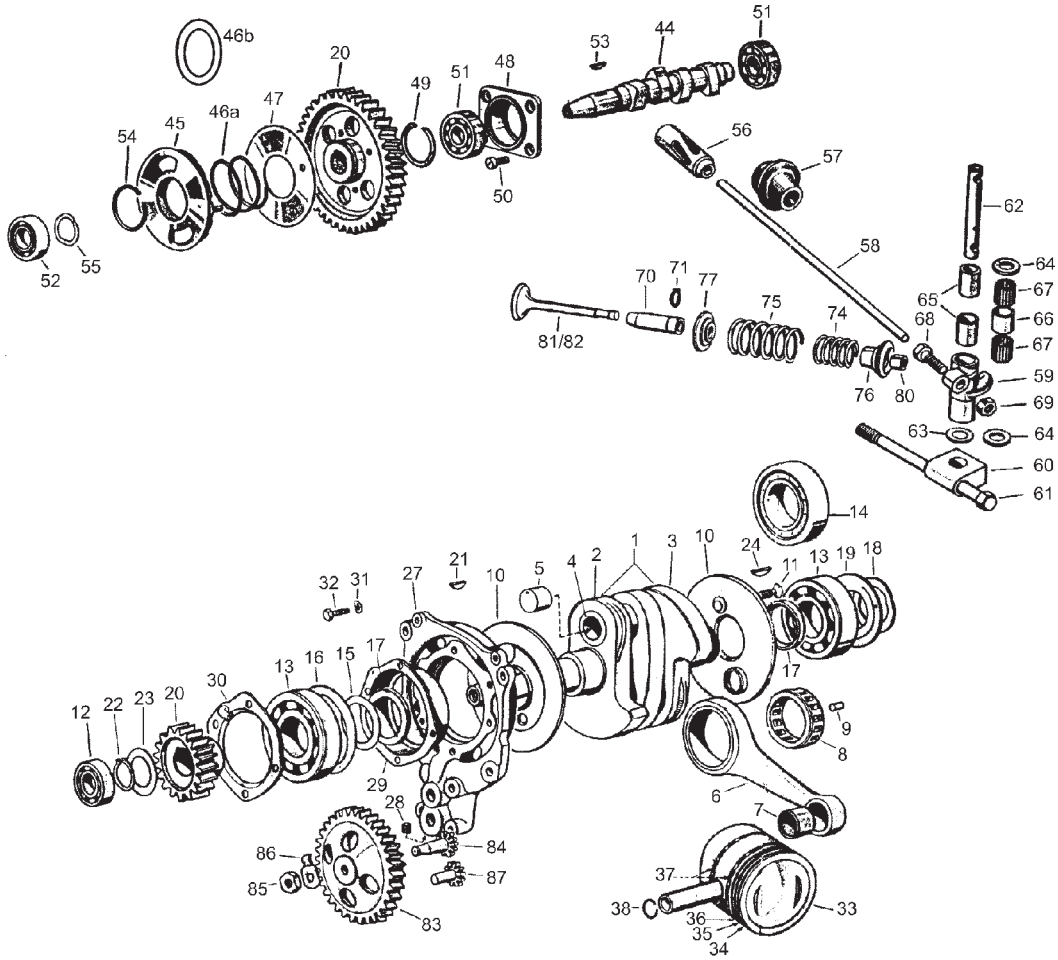
CLASS W—CRANKSHAFT, TIMING, LUBRICATION, CLUTCH R51/2—R69S CONT.

<i>Illus. No.</i>	<i>Part No.</i>	<i>Part Name</i>	<i>Price</i>
W056C	11320033129R	Cam Follower R23–27, 51/3–/2 *2 2nd Over .002'	64.00
W056D	11320033157R	Cam Follower R69S Std	63.00
W056E	11320033158R	Cam Follower R69S 1st Over	63.00
W056F	11320033159R	Cam Follower R69S 2nd Over	63.00
W057A	11110033163R	Seal Push Rod R51/3–R69S	7.25
W057B	11110040001R	Seal Push Rod R51/2	7.00
W058A	11320033170R	Push Rod R51/3, R50, R50/2	45.00
W058B	11320033174R	Push Rod R60,/2, R67	45.00
W058C	11320033004R	Push Rod R69S	48.00
W059B	11330034172R	Rocker Arm R68–R69S Int-lh/Ex-rh	90.00
W059C	11330034174R	Rocker Arm R68–R69S Int-rh/Ex-lh	90.00
W060A	11330034158R	Rocker Arm Support R68–R69S.....	36.50
W061A	11120021136R	Bolt Cyl.Head R25/2–R60/2	10.21
W061B	11120022109R	Bolt Cyl.Head R69, R69S	14.95
W062A	11330034150R	Rocker Arm Shaft R51/3, R50, R60	25.00
W062B	11330034180R	Rocker Arm Shaft R68–R69S	37.00
W063	11330034112R	Rocker Arm Shim R25/2–R60/2	3.99
W064	11330034162R	Rocker Arm Shim R69S	2.98
W065	11330034145R	Rocker Arm Bushing R50, R60	16.95
W066	11330034186R	Rocker Arm Spacer R69S.....	10.32
W068A	11330034176R	Valve Adj.Screw R51/3–R60/2	14.00
W068B	11331744328R	Valve Adj.Screw R68–R100	5.60
W069	11331744331R	Nut Valve Adjusting Screw	0.85
W070A	11120021814R	Valve Guide 7mm Std 13mm outer Diameter	19.00
W070B	11121338039R	Valve Guide 8mm Std outer Dia.14mm	19.95
W070C	11121338040R	Valve Guide 8mm 1st Over outer Dia.14.1mm	19.95
W070D	11121338040A	Valve Guide 8mm 2nd Over	19.95
W071A	11120021116R	Valve Guide Clip 7mm R25–R60.....	1.25
W071B	11121744332R	Valve Guide Clip 8mm	0.70
W074A	11340026110R	Valve Spring R24–R50S small	6.95
W075A	11340026118R	Valve Spring R24–R50S large	6.95
W075B	11341264176	Valve Spring /5–On (good for Conversion R68–R69S)	9.26
W076A	11340026180R	Valve Collar Short Coned	16.01
W076B	11340026132R	Valve Collar Long Coned	15.80
W076C	11340026832R	Valve Collar /2 rotating	26.00
W076D	11341256554R	Valve Collar /5–100RT upper for R68–R69S Conversion	5.70
W077A	11340026128R	Valve Shim R25–60/2 lower	5.57
W077B	11341338281	Valve Collar /5–100RT lower for R68–69S Conversion	24.54
W080A	11340026460R	Valve Keepers rotating 7mm	9.48
W080B	11340026824R	Valve Keepers nonrotating 7mm Short Cone	5.15
W080C	11340026824L	Valve Keeper Long Cone	4.80
W080D	11341710975	Valve Keeper rotating 8mm R69S, Also /5–/7, R100.....	0.75
W081A	11340026170R	Valve Intake /2 rotating	35.00
W081B	11340026101R	Valve Intake /2 nonrotating '60–On, small Cone On Shaft	39.00
W081C	11340026501R	Valve Intake R51+ 1cyl nonrotating Long Cone On Shaft –'60.....	39.00
W081D	11341256678R	Valve Intake rotating R69S 38mm, Also 60/5–/7	55.95
W082A	11341251472R	Valve Exhaust rotating /2	55.00
W082B	11340026171R	Valve Exhaust nonrotating /2 '60–On, small Cone On Shaft.....	50.00
W082C	11340026109R	Valve Exhaust R51+ 1cyl. nonrotating Long Cone	50.00
W082E	11341256679R	Valve Exhaust rotating R68–R69S, Also R60/5	51.95
W083A	11410052156R	Oil Pump Gear Big R50/2–R69S	127.60

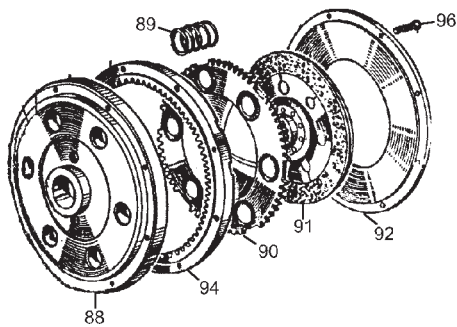
CLASS W—CRANKSHAFT, TIMING, LUBRICATION, CLUTCH R51/2—R69S CONT.

<i>Illus. No.</i>	<i>Part No.</i>	<i>Part Name</i>	<i>Price</i>
W083B	11410052154R	Oil Pump Gear Big R51/3—R60 Old	127.60
W084A		Oil Pump R51/3—R69S Complete 2x Gear, Lock Plate , Nut	150.80
W084B	11410052164R	Oil Pump Gear R51/3—R69S left Thread	121.80
W085	11410052167R	Oil Pump Gear Nut R51/3—R69S left Thread	3.80
W086	11410052168R	Oil Pump Lock Plate R51/3—R69S	3.80
W087	11410052171R	Oil Pump Meshing Gear 51/3—R69S	35.00
W088B	11220068037R	Flywheel R50—R60/2	398.00
W088C	11220068038R	Flywheel R69—R69S	398.00
W089A	21210070182R	Clutch Diaphragm Spring R50—R69S	69.00
W089B	21210070178R	Clutch Spring R51/2—R68 (6 pc.)	55.66
W090A	21210070166R	Clutch Pressure Plate R50—R69S, w/ 7mm Clutch Plate	135.00
W091A	21210070060R	Clutch Plate '55—'69, 9mm	84.00
W091BA	21210070025R	Clutch Plate Pre-55 Twins, 7mm On R50—R69S w/ Press.Plates 21 21 0 070 666	89.00
W092A	21210070157R	Clutch Pressure Ring R50/2—69S (Needs 7mm Clutch Plate)	105.15
W093	21210070511	Clutch Spacer R50—R69S	11.90
W096A	21210070155R	Clutch Screw Pre-70	2.50
W096B	21211231463	Bolt Clutch /5—'81	1.67
W096C	21219900120R	Clutch Screw R51/3—R68, 6mm	1.04

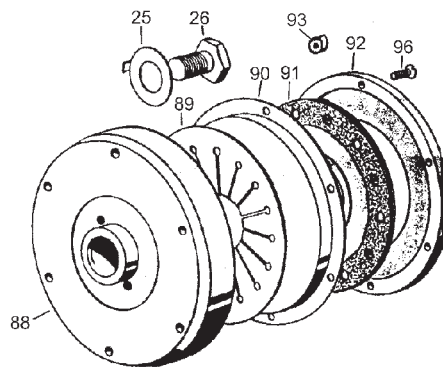
CLASS W-CRANKSHAFT, TIMING, LUBRICATION, CLUTCH R51/2-R69S



R51/2-69S



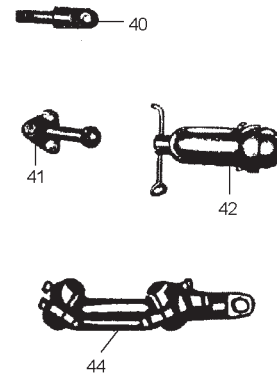
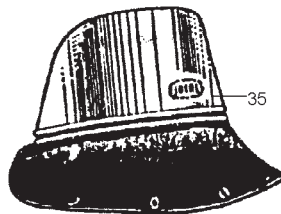
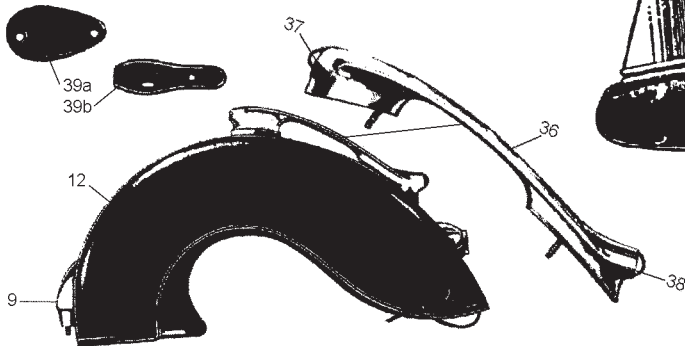
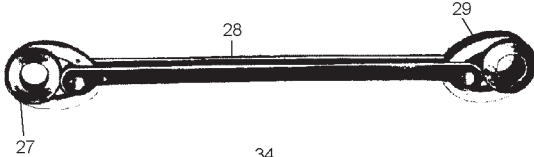
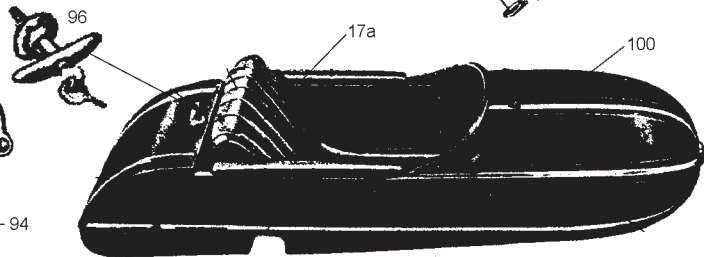
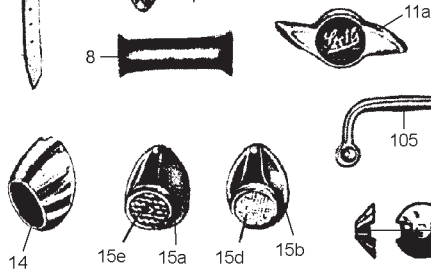
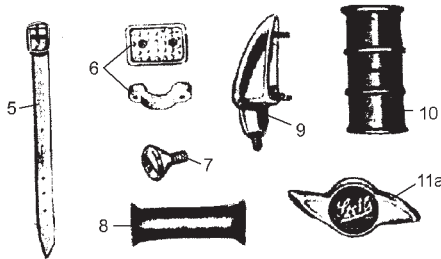
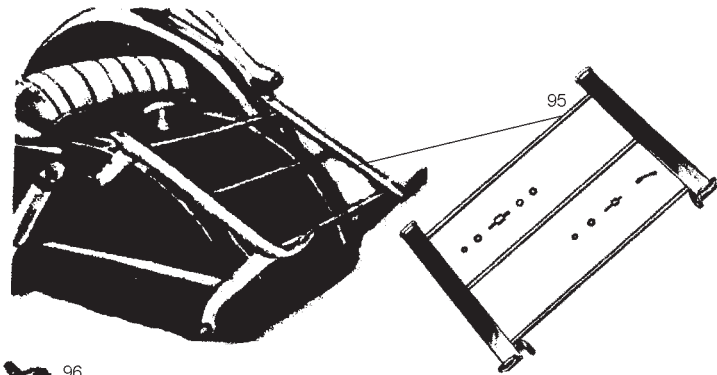
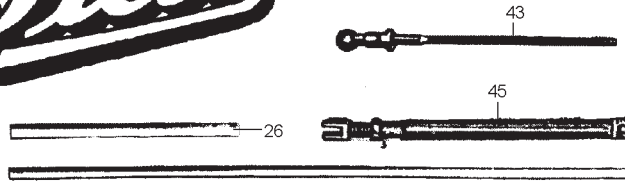
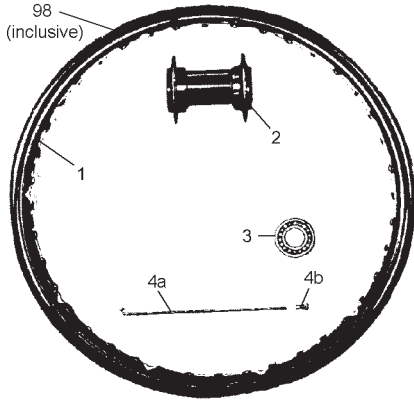
R50-69S



CLASS Z-STEIB SIDECARS AND PARTS

<i>Illus. No.</i>	<i>Part No.</i>	<i>Part Name</i>	<i>Price</i>
Z002	100120	Steib Wheel Hub Small	119.00
Z005	100149	Steib Leather Strap for Pin	9.00
Z007	100141	Steib Fender Mount Bolt	49.00
Z008	100131	Steib Fender Spacer Tube	20.00
Z009	100130	Steib Fender Mount Front Aluminum	65.00
Z011A	10027B	Steib Wheel Knock Off.....	40.00
Z012	100128	Fender S500, LS200, Steel	389.00
Z014	100132	Steib Bottom Fender Reflector	59.00
Z017A	10084B	Steib Seat S350, S500, LS200	249.00
Z017B	100100	Steib Seat TR500	390.00
Z026	100095	Steib Aluminum Body Trim, per meter	20.00
Z027	100044	Steib Suspension Bushing	19.00
Z029	100042	Steib Suspension Donut TR500, LS200	39.95
Z035	100013	Steib Windshield S350, S500	299.00
Z036	100133	Steib Cobra Handle Light	279.00
Z037	100134	Steib Cobra Light Lens White	15.00
Z038	100135	Steib Cobra Light Lens Red	18.95
Z039A	100136	Steib Cobra Handle Rubber Big	20.00
Z039B	100137	Steib Cobra Handle Rubber Small	14.00
Z040	100162	Steib Sidecar Eye Bolt	29.00
Z041	1007	Steib Mount Clamp On Ball R25-27	30.00
Z042	100146	Steib Ball Clamp Receiver	89.00
Z043	100161	Steib Sidecar Mount Ball Bolt	85.00
Z094	100080	Steib Body Support Cone	45.00
Z095	100098	Luggage Rack S500, S501	449.00
Z096	100087	Steib Trunk Handle	109.00
Z098	100117	Steib Wheel Complete	390.00
Z100	100083	Steib Body S500	1900.00
Z105	100105	Steib Grab Handle TR500	56.00
	100007	Steib Aluminum Trim Bolt.....	1.00
	100101	Steib Arm Rest TR500	15.00
	100213	Steib Brake Cylinder Wheel	165.00
	100104	Steib Carpet Set S500	79.00
	100194	Steib ID Plate S500	19.00
	10037A	Steib ID Plate LS200	19.00
	100064	Steib ID Plate TR500	19.00
	100888	Steib Sidecar Mount Set	143.00
	100074	Steib Tonnue Cover S350, S500	179.00
	100111	Steib Tonnue Cover TR500	175.00
	100112	Steib Windshield TR500	419.00

CLASS Z-STEIB SIDECARS AND PARTS





**This and a little
kick will get you
and your BMW
about anywhere.**



Just insert the key, kick the starter, and away you go!

No starting trouble with BMW's reliable waterproof magneto ignition.

BMW's fully enclosed drive-shaft, king-size disposable micro-airfilter and fuel filter with

watertrap keep the machine running smoothly.

BMW's excellent suspension system leaves rider and passenger fresh at the end of a full day's ride.

Get your kicks.

Graduate to BMW.



East: Butler & Smith, Inc.

160 West 83rd Street, New York 24, New York

West: Flanders Company

200 West Walnut Street, Pasadena, California

In Canada: Northwest Motors, Ltd., 2321 Keele Street, Toronto 15, Ontario