

COMPACT EXCAVATOR



JOHN DEERE

E18ZS



FORCE
THAT FITS



SMOOTH CONTROL

Load-sensing hydraulic system efficiently manages power for multiple functions, delivering smooth machine control with less effort.



EASY FIT

Variable-width undercarriage can be hydraulically retracted to access tight quarters where handwork was once required, then easily extended to provide a stable working platform.



DIG AND GO

Two-speed travel with automatic shifting provides faster transport speeds across large work areas or to the next job.



FIT IN **MORE WORK**

Featuring a zero-tail-swing design and retractable undercarriage, the ultra-capable yet compact E18ZS squeezes more work out of areas where you would normally need a shovel. Load-sensing hydraulics provide smooth control. Plus its two-speed travel with automatic shifting and small size make this excavator quick and maneuverable, so you can easily move on to the next job.



GET IN CLOSE

Zero-tail-swing design lets the operator rotate the machine in tight spaces without worrying about hitting walls or obstacles.



BUILT TOUGH

Boom cylinder is positioned above the boom where it's better protected from impact. Durable, tight-fitting steel bushings are easily interchangeable, further minimizing downtime.



SIMPLIFY SERVICE

Large door allows wide-open, ground-level access to daily checkpoints, for fast service. Grease fittings are also within easy reach.



E18ZS SPECIFICATIONS

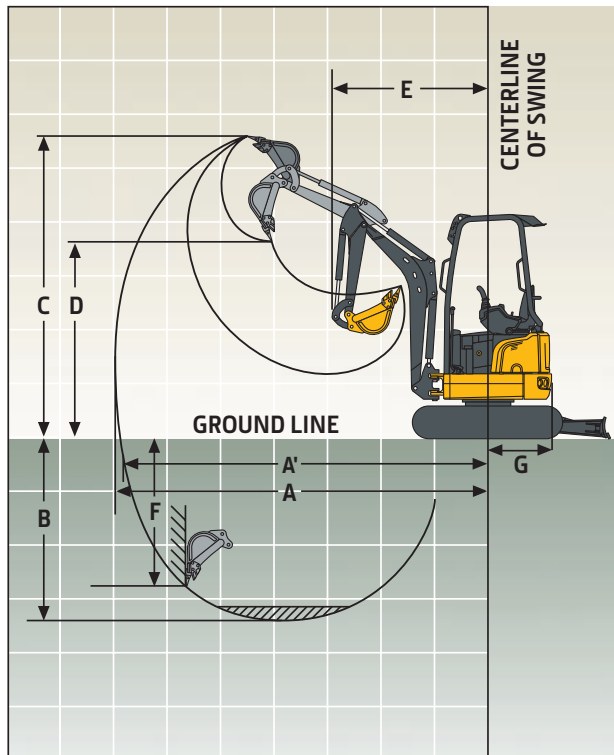
Engine		E18ZS	
Manufacturer and Model	Yanmar 3TNV76-SNSE 12		
Non-Road Emission Standard	EU Stage IIIA		
Gross Rated Power (ISO 14396)	13.8 kW at 2,200 rpm		
Maximum Gross Torque (SAE J1995 and ISO 3046)	65.8 Nm @ 1,600 ±100 rpm		
Cylinders	3		
Piston Displacement	1.116 L		
Cooling			
Pusher-type cooling fan			
Hydraulics			
Designed for high digging capacity, productivity, and operating precision, and excellent fuel economy; summation system, boom and swing priority, and boom and arm regeneration provide optimum performance			
Main Pump	Variable-displacement pump		
Maximum Discharge Flow	1 x 39.6 l/m (1 x 18 cc/rev at 100% efficiency)		
Pilot Pump	External pilot unit with safety valve and 2-speed control valve		
System Operating Pressure			
Circuits			
Implement	24.0 MPa		
Travel	24.0 MPa		
Swing	15.0 MPa		
Pilot	3.0 MPa		
Auxiliary	Preset to 24.0-MPa 1-way mode		
Controls	Hydraulic pilot controls with hydraulic-enable lever		
Powertrain			
Travel Motor	Axial piston motor		
Maximum Drawbar Pull	12.9 kN		
Travel Speeds			
High	4.5 km/h		
Low	2.6 km/h		
Cylinders			
	<i>Bore Diameter</i>	<i>Rod Diameter</i>	<i>Stroke</i>
Boom (2)	65 mm	32 mm	490 mm
Arm (1)	55 mm	30 mm	365 mm
Bucket (1)	55 mm	30 mm	344 mm
Swing System			
Motor	Gerotor		
Speed	9.5 rpm		
Torque	1828 Nm		
Undercarriage			
Includes lubricated rollers, idlers, track adjusters (with shock-absorbing spring), and greased and sealed track chain with rubber track			
Center Frame	X-leg type with forged swing-bearing support integrally welded with reinforced box-section track frames		
Track Frame	Pentagonal box type		
Number of Shoes (each side)	36		
Rollers (each side)			
Carrier	0		
Track	3		
Track Guides (each side)	2		
Shoe Width	230 mm		
Weight and Ground Pressure			
Standard configuration with 940-mm arm; 420-mm, 0.05-m ³ bucket; and rubber track			
Operating Weight	1836 kg		
Ground Pressure	29.4 kPa		
Counterweight	146 kg		
Electrical System			
Alternator Rating	55 amp		
Work Lights	3 front lights (2 on canopy, 1 on boom) and 1 rear light on canopy		

While general information, pictures, and descriptions are provided, some illustrations and text may include product options and accessories NOT AVAILABLE in all regions, and in some countries products and accessories may require modifications or additions to ensure compliance with the local regulations of those countries.

E18_{ZS} SPECIFICATIONS

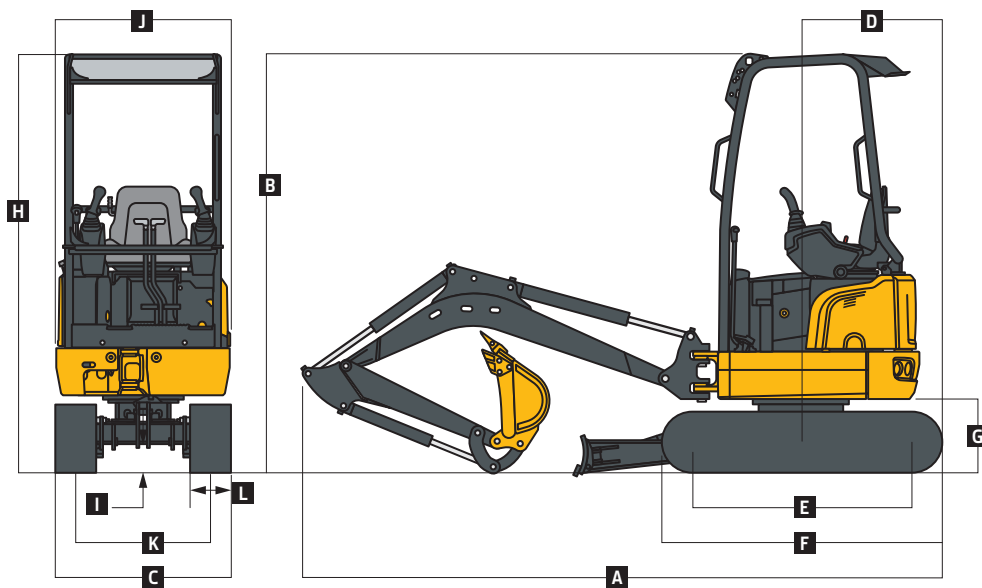


Serviceability		E18ZS
Refill Capacities (standard fill)		
Fuel Tank		22 L
Engine Coolant		3.5 L
Engine Oil		3.5 L
Travel Final Drive (each side)		0.33 L
Hydraulic System		21 L
Hydraulic Tank		11 L
Operating Dimensions		
Arm Length		940 mm
Tool Force		
Bucket		18.7 kN
Arm		9.1 kN
<i>Tooth</i>		
A Maximum Reach		3899 mm
A' Maximum Reach at Ground Level		3848 mm
B Maximum Digging Depth		2326 mm
C Maximum Cutting Height		3462 mm
D Maximum Loading Height		2436 mm
E Minimum Slew Radius		1372 mm
F Maximum Vertical Wall Digging Depth		1713 mm
G Tail-Swing Radius		660 mm



E18ZS

Machine Dimensions		E18ZS
Arm Length		940 mm
A	Overall Length	3584 mm
B	Overall Height	2362 mm
C Overall Width (over tracks)		
	Minimum	990 mm
	Maximum	1300 mm
D	Tail-Swing Radius	660 mm
E	Tumbler Distance	1223 mm
F	Overall Length of Crawler	1251 mm
G	Counterweight Clearance	448 mm
H	Overall Height (to top of cab)	2362 mm
I	Ground Clearance	156 mm
J	Overall Width of Upperstructure	980 mm
K	Track Gauge	760 mm
L	Shoe Width	230 mm



E18ZS Lift Capacities

Boldface type indicates stability-limited capacity; lightface type indicates hydraulically limited capacities, in kg. Ratings at bucket pivot with no bucket installed; machine equipped with 940-mm arm, no bucket, and rubber track, and situated on firm, uniform supporting surface. Total load includes weight of cables, hook, etc.; capacities are based on ISO 10567.

LOAD POINT HEIGHT	HORIZONTAL DISTANCE FROM CENTERLINE OF ROTATION												Maximum Reach		
	1.5 m			2.0 m			2.5 m			3.0 m					
	Blade Down	Telescopic Travel Gear Extended	Blade Atop	Blade Down	Telescopic Travel Gear Extended	Blade Atop	Blade Down	Telescopic Travel Gear Extended	Blade Atop	Blade Down	Telescopic Travel Gear Extended	Blade Atop	Blade Down	Telescopic Travel Gear Extended	Blade Atop
2.5 m							469	306	277				474	302	274
2.0 m							431	308	279				468	231	207
1.0 m				781	410	374	591	291	262	491	218	194	435	182	161
Ground Line				916	376	339	653	271	242	493	208	184	404	179	157
-1.0 m	1034	602	555	705	375	338	511	269	239				384	221	195
-1.5 m	614	614	567	540	383	346							386	293	262

While general information, pictures, and descriptions are provided, some illustrations and text may include product options and accessories NOT AVAILABLE in all regions, and in some countries products and accessories may require modifications or additions to ensure compliance with the local regulations of those countries.

Additional equipment

Key: ● Standard ▲ Optional or special See your John Deere dealer for further information.

E182S Engine
● Meets EU Stage IIIA emissions
● Engine coolant to -37 deg. C
● Engine preheater
● Fan guard
● Fuel/water separator
● Full-flow oil filter
● Isolation mounted
● Key start switch with electric fuel shutoff
● Single dry-type air filter
● Under-hood muffler
Hydraulic System
● Auxiliary function foot control
● Auxiliary hydraulic lines to end of boom
● Auxiliary return-flow selector valve
● Axial-piston swing motor
● Boom-swing foot control
● Open center with 1 variable-displacement pump and 1 fixed-gear pump
● Hydraulic pilot-operated controls for boom, arm, bucket, swing, boom swing, blade, travel, and auxiliary functions
● Mechanical swing brake
Undercarriage
● Hydraulic-adjustable variable width (990-1300 mm)
● Planetary final drive
● Propel motor shield
● 2-speed axial-piston propel motors
● Rubber track, 230 mm
● Steel track, 230 mm
Upperstructure
● 360-deg. rotation
● Counterweight, 146 kg
● Hinged service-access doors

E182S Upperstructure (continued)
● TOPS/FOPS (canopy)
● Vandal protection for service doors and fuel cap
● Zero-tail-swing configuration
Front Attachments
● Arm, 940 mm
● Backfill blade, 990-mm minimum to 1300-mm maximum
● Boom length, 1780 mm
Operator's Station
● Horn
● Hour meter
● Instrumentation lights
● Monitor system: Preheat indicator / Engine oil pressure warning light / Alternator charge warning light / Fuel gauge / Engine coolant warning light / Hour meter
● Work lights switch
● Propel levers and foldable pedals
● 2 travel speeds with automatic shifting
● Seat belt, 51 mm, retractable
● Seat fore/aft adjustment
● Vinyl seat (canopy only)
Electrical
● 12-volt accessory outlet
● Alternator, 55 amp
● Low-maintenance battery
● Blade-type multi-fused circuits
● Positive-terminal battery covers
Lights
● Work lights: Halogen / 2 mounted on operator's station / 1 mounted on boom
▲ LED beacon (strobe)



JOHN DEERE



While general information, pictures, and descriptions are provided, some illustrations and text may include product options and accessories NOT AVAILABLE in all regions, and in some countries products and accessories may require modifications or additions to ensure compliance with the local regulations of those countries.

JohnDeere.com