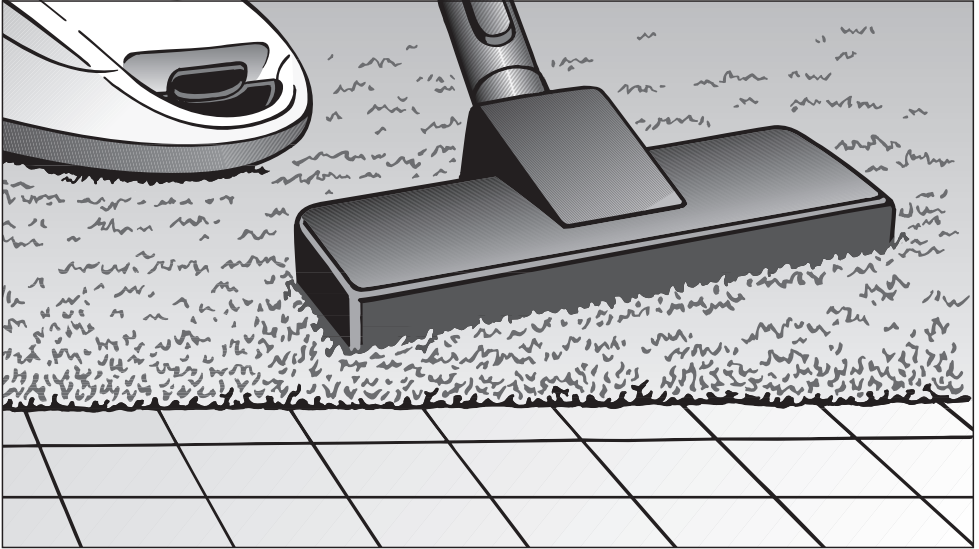


## Operating instructions



## Vacuum cleaner

To avoid the risk of accidents or damage to the vacuum cleaner, it is **essential** to read these instructions before using it for the first time.

These operating instructions apply to standard models SGJEO as well as to special edition models which are distinguished by names rather than numbers.

**HS15**

en - AU, NZ

M.-Nr. 10 039 290

# Contents

---

<b>Caring for the environment</b> . . . . .	3
<b>Description of the vacuum cleaner</b> . . . . .	4
<b>Warning and Safety instructions</b> . . . . .	6
<b>Preparing for use</b> . . . . .	11
<b>Using the accessories supplied</b> . . . . .	16
<b>Use</b> . . . . .	17
Mains connection cable . . . . .	17
Switching on and off . . . . .	17
Selecting the suction power . . . . .	18
Illuminating the working area . . . . .	19
<b>Setting down, transportation and storage</b> . . . . .	20
ParkSystem for pauses in vacuuming . . . . .	20
ParkSystem for storage . . . . .	21
<b>Maintenance and care</b> . . . . .	22
Purchasing new dustbags and filters . . . . .	22
Ordering the correct dustbags and filters . . . . .	22
When to change the dustbag . . . . .	23
Replacing the dustbag . . . . .	24
When to change the dust compartment filter (for motor protection) . . . . .	25
Correctly changing the dust compartment filter . . . . .	25
When to replace the HEPA AirClean 50 exhaust filter . . . . .	26
Correctly changing the HEPA AirClean 50 exhaust filter . . . . .	26
Replacing one type of exhaust filter with another . . . . .	28
Maintenance indicator with reset button . . . . .	28
Changing the battery in the LED handle . . . . .	29
When to change the thread lifters . . . . .	29
Correctly replacing the thread lifters . . . . .	29
<b>Cleaning and care</b> . . . . .	30
<b>Problem solving guide</b> . . . . .	31
<b>After sales service / Warranty / Electrical connection</b> . . . . .	32
<b>Optional accessories</b> . . . . .	33

## Disposal of packing material

The packing material protects the vacuum cleaner from transport damage. The transport and protective packing has been selected from materials which are environmentally friendly for disposal and can normally be recycled.

Rather than just throwing these materials away, please ensure they are offered for recycling. Sort packing materials for disposal according to the type of material (e.g. plastics or cardboard).

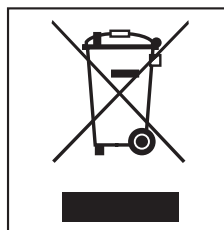
## Disposing of the dustbag and filters

These are made from environmentally friendly materials, and can be disposed of with the normal household waste, as long as they have been used exclusively for general household dust.

## Disposing of your old vacuum cleaner

Before disposing of your old vacuum cleaner, remove the dustbag and filters and dispose of them with the normal household waste.

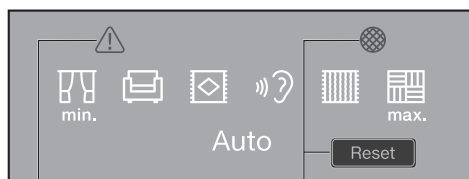
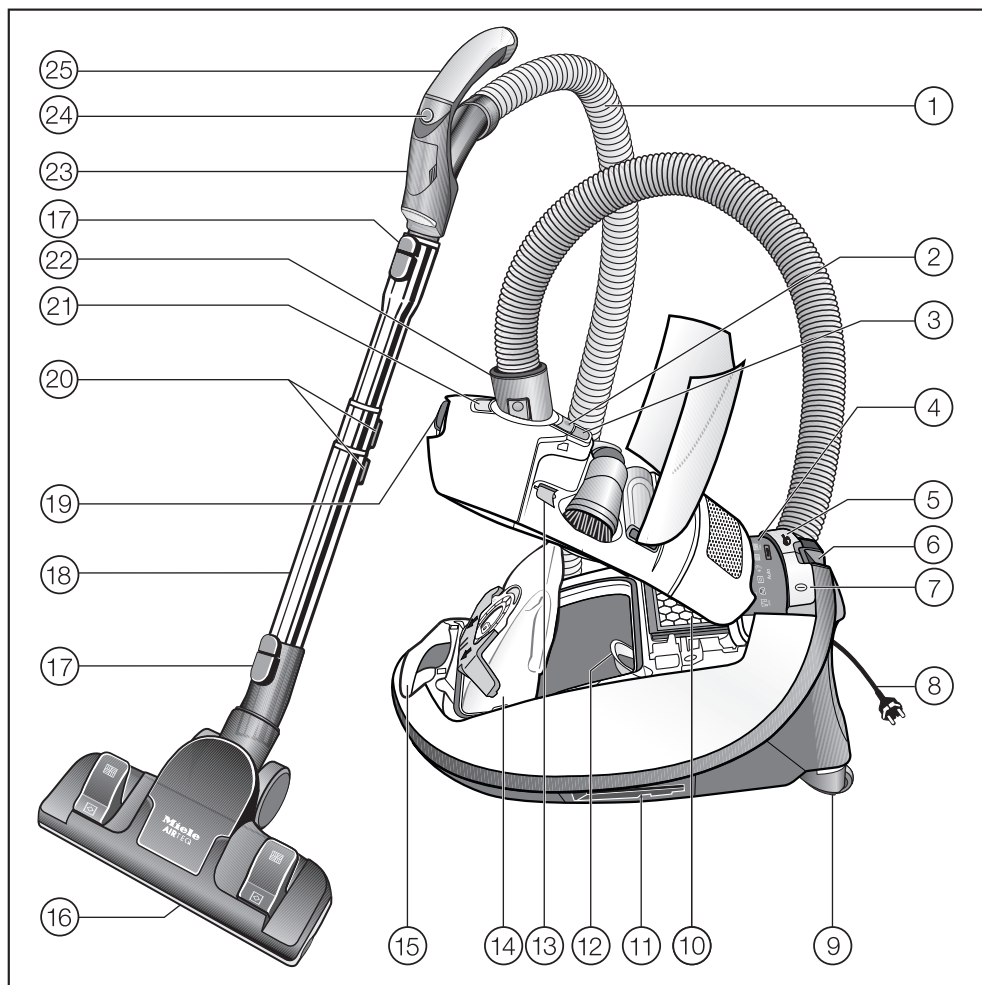
Electrical and electronic appliances often contain materials which, if handled or disposed of incorrectly, could be potentially hazardous to human health and to the environment. They are, however, essential for the correct functioning of your vacuum cleaner. Please do not dispose of your old vacuum cleaner with your household waste.



Please dispose of it at your local community waste collection / recycling centre.


Ensure that your old vacuum cleaner presents no danger to children while being stored for disposal.

# Description of the vacuum cleaner



# Description of the vacuum cleaner

---

- ① Suction hose
- ② Release button for accessories compartment
- ③ Dustbag change indicator
- ④ Display
- ⑤ Foot switch for automatic cable rewind
- ⑥ ParkSystem for pauses in vacuuming
- ⑦ On/Off foot control ①
- ⑧ Mains connection cable
- ⑨ Castors
- ⑩ HEPA AirClean 50 filter
- ⑪ Illuminated ParkSystem for storage (on either side of vacuum cleaner)
- ⑫ Dust compartment filter (for motor protection)
- ⑬ ElectroBrush socket cover holder
- ⑭ Original Miele dustbag
- ⑮ Carrying handle
- ⑯ AllTeQ or AirTeQ floorhead
- ⑰ Release button
- ⑱ Three-piece telescopic wand
- ⑲ Dust compartment release button
- ⑳ Slide controls for the telescopic wand
- ㉑ Socket for ElectroBrush
- ㉒ Hose connector
- ㉓ Battery compartment
- ㉔ On button for lighting
- ㉕ LED handle
- ㉖ Overheating warning light 
- ㉗ Exhaust filter change indicator with reset button

## Warning and Safety instructions

---

This vacuum cleaner complies with statutory safety requirements. Improper use can, however, lead to personal injury and damage to property.

To avoid the risk of accidents and damage to the vacuum cleaner, please read these instructions carefully before using it for the first time. They contain important information on its safety, operation and maintenance.

Keep these instructions in a safe place and ensure that new users are familiar with the content. Pass them on to any future owner.

Always disconnect the vacuum cleaner from the mains supply when you have finished using it, before changing over accessories, as well as for maintenance work and cleaning. Switch the vacuum cleaner off at the wall socket and unplug it.

### Correct application

- ▶ This vacuum cleaner is designed for domestic use and for use in similar environments by guests in hotel or motel rooms, bed & breakfasts and other typical living quarters. This does not include common/shared facilities or commercial facilities within hotels, motels or bed & breakfasts.
- ▶ This vacuum cleaner can be used for all normal cleaning of carpets, rugs and robust hard flooring.
- ▶ This vacuum cleaner is not suitable for outdoor use.
- ▶ The vacuum cleaner must only be used to vacuum dry floor surfaces. Do not use on people and animals. Any other usage, modification or alteration is not supported by the manufacturer and could be dangerous.

# Warning and Safety instructions

---

▶ This vacuum cleaner can only be used by people with reduced physical, sensory or mental capabilities, or lack of experience or knowledge, if they are supervised whilst using it or have been shown how to use it in a safe way and understand and recognise the consequences of incorrect operation.

## Safety with children

▶ Young children must not be allowed to use this appliance.

▶ Older children may only use the appliance when its operation has been clearly explained to them and they are able to use it safely, recognising the dangers of misuse.

▶ Cleaning of the vacuum cleaner may only be carried out by older children under the supervision of an adult.

▶ Please supervise children in the vicinity of the vacuum cleaner and do not let them play with it.

▶ Keep batteries out of the reach of children.

## Technical safety

▶ Before using the vacuum cleaner and its accessories, check for any visible signs of damage. Do not use a damaged appliance.

▶ Ensure that the connection data on the data plate of the vacuum cleaner (voltage and frequency) match the mains electricity supply exactly.

▶ The wall socket must be protected against short circuit by a delay fuse 16 A or 10 A.

▶ While the vacuum cleaner is under warranty, repairs should only be undertaken by a Miele authorised service technician. Otherwise the warranty will be invalidated.

## Warning and Safety instructions

---

▶ Do not pull or carry the vacuum cleaner by the cable, and be careful not to damage the cable when withdrawing the plug from the socket.

Keep the cable away from sharp edges and do not let it get squashed, for example, under a door.

Avoid running the vacuum cleaner over the cable. This could damage the cable, plug or socket.

The appliance must not be used if any of these have suffered damage.

▶ Do not use the vacuum cleaner if the cable is damaged. If the cable is damaged it must be replaced together with a complete cable rewind. For safety reasons this work must be done by a Miele authorised service technician.

▶ When vacuuming fine dust, e.g. sawdust, sand, plaster, flour, talcum powder etc., electrostatic charges build up naturally. Under certain conditions these charges will be released. To avoid the unpleasant effects of these discharges, a metal inlay has been incorporated into the underside of the handle. Please make sure that you keep your hand in constant contact with this metal strip during vacuuming.

▶ Do not let the vacuum cleaner get wet. Clean only with a dry cloth or slightly damp cloth when disconnected from the mains supply.

▶ Repairs should only be carried out by a Miele authorised service technician. Repairs and other work by unqualified persons can cause considerable danger to users.

### Correct use

▶ To avoid the risk of damage, do not use the vacuum cleaner without the dustbag, dust compartment filter and exhaust filter in place.



## Warning and Safety instructions

---

- ▶ The dust compartment cover will not close without a dustbag fitted. Do not force it.
- ▶ Do not vacuum up anything which has been burning e.g. cigarettes, ashes or coal, whether still glowing or apparently extinguished.
- ▶ Do not use the vacuum cleaner to vacuum up any water, liquid or damp dirt. Wait until any freshly cleaned or shampooed carpets or floor coverings are completely dry before attempting to vacuum.
- ▶ Do not use the vacuum cleaner to vacuum toner dust. Toner, such as that used in printers and photocopiers, can conduct electricity.
- ▶ Do not vacuum up any inflammable or combustible liquids or gases and do not vacuum in areas where such substances are stored.
- ▶ Floor attachments, accessories and tubes must not be used at head level to avoid the risk of injury, e.g. to eyes and ears.
- ▶ Important information on the handling of batteries:
  - Do not short circuit or recharge batteries or throw them into a fire.
  - Disposing of batteries: Remove the batteries from the LED handle and dispose of them in your recycling bin. Do not dispose of them with the normal household waste.

### Accessories

- ▶ To avoid the risk of injury when vacuuming with a Miele Turbobrush, do not touch the rotating roller brush.
- ▶ It is not advisable to vacuum directly with the handle, i.e. without an accessory attached as the rim could get damaged and you could hurt yourself on sharp edges.

## Warning and Safety instructions

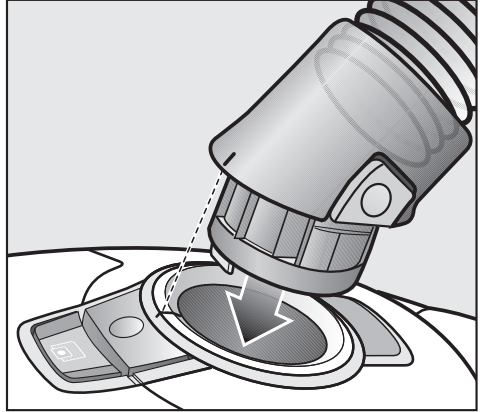
---

▶ Only use genuine dustbags, filters and accessories with the "Original Miele" logo on them. Otherwise the manufacturer cannot guarantee the safety of the product and the manufacturer's warranty will be invalidated.

Miele cannot be held liable for damage caused by incorrect use or operation or by non-compliance with these Warning and Safety instructions.

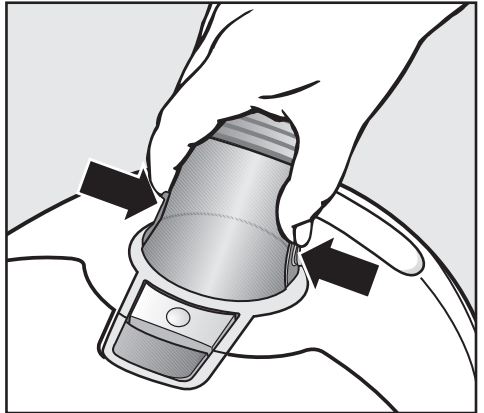
### Attaching the suction hose

- Insert the hose connector into the suction socket until it clicks into position. To do this, line up the guides on the two pieces.



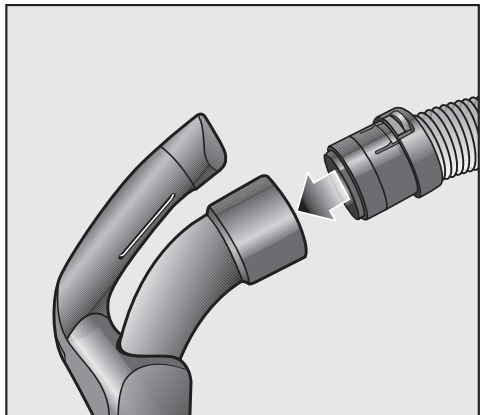
### Removing the suction hose

- Press the release buttons at the side of the hose connector, and lift the hose from the socket.



### Fitting together the suction hose and the handle

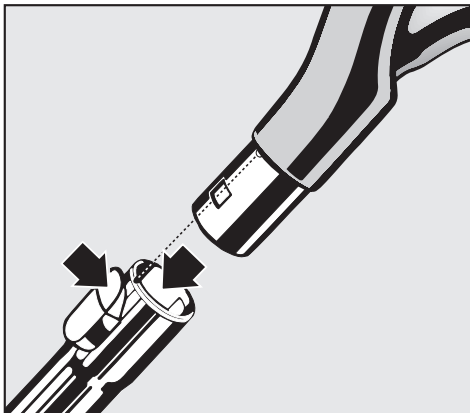
- Insert the other end of the suction hose into the handle until it clicks into position.



## Preparing for use

### Connecting the handle to the suction tube

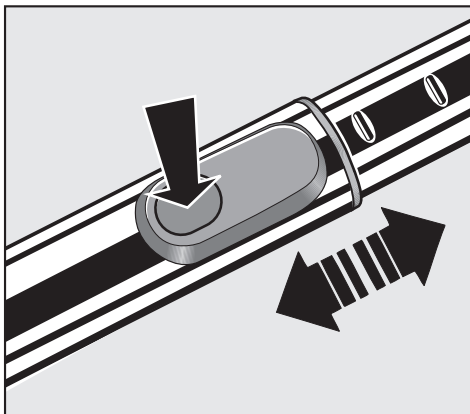
- Insert the handle into the suction tube until it clicks into position. To do this, line up the guides on the two pieces.
- Press the release button (arrow) if you want to separate the parts and pull the handle out of the suction tube with a slight twist.



### Adjusting the telescopic wand

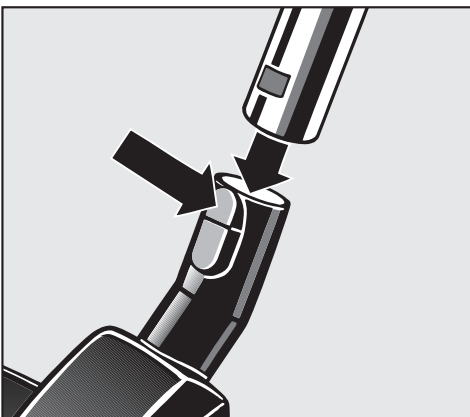
The telescopic wand is made of two parts with one part being fitted within the other. This enables height adjustments for comfortable vacuum cleaning.

- Press the telescopic wand release button (see arrow) to release the tubes and adjust to the required height.



### Fitting the standard floorhead

- Push the telescopic wand into the floorhead and turn it clockwise or anti-clockwise until it clicks into position.
- To release the floorhead from the telescopic wand, press the locking button (see arrow) and pull the telescopic wand away from the floorhead.



## Adjusting the standard floorhead

This floorhead can be used for all normal cleaning of carpets, rugs and robust hard flooring.

Miele offer a range of other floorheads, brushes and accessories for other types of flooring and special requirements (see "Optional accessories").

It is important to observe the flooring manufacturer's cleaning and care instructions.

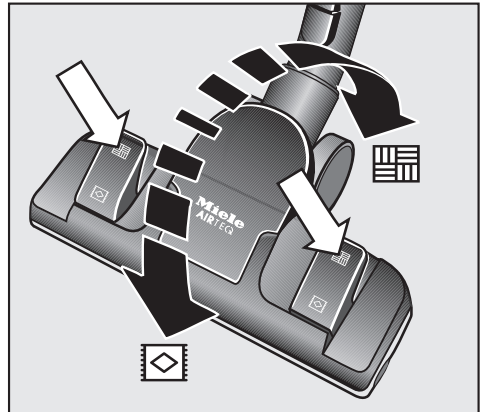
Vacuum carpets and rugs with the brushes retracted:

- Press the foot switch .

Clean hard flooring which is not susceptible to scratching, as well as flooring with gaps or deep crevices in it with the brushes protruding:

- Press the foot switch .

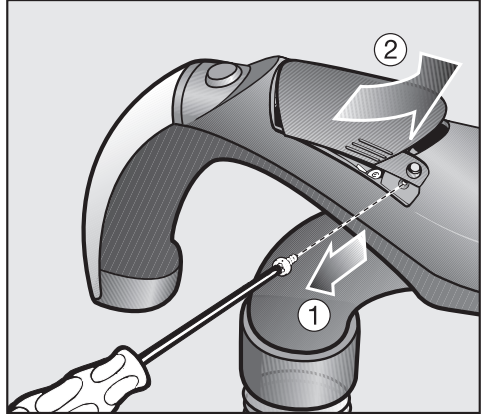
If you find that a great amount of effort is required to manoeuvre the AirTeQ floorhead, reduce the suction power to a suitable level (see "Adjusting the suction power").



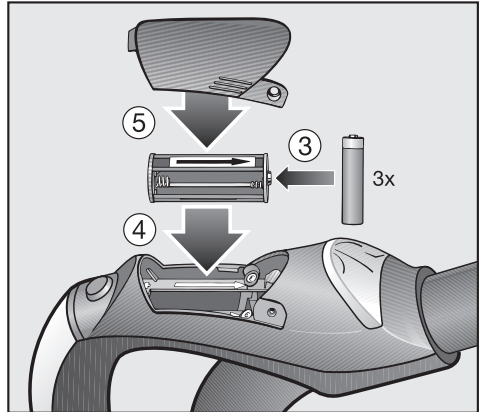
# Preparing for use

## Inserting batteries into the LED handle

- ① Undo the screws on the cover of the battery compartment.
- ② Press down on both sides of the cover and lift off.

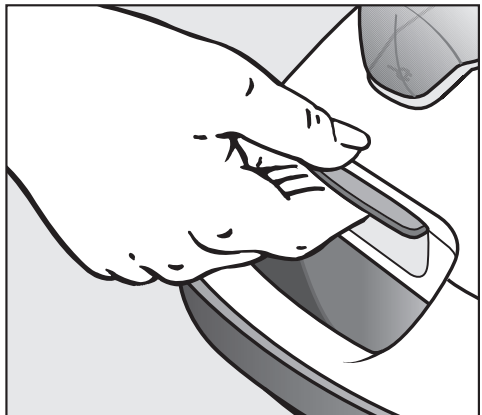


- ③ Take out the battery holder and insert the three batteries supplied, making sure the polarity is correct.
- ④ Replace the battery holder as shown in the diagram, making sure the arrows line up on the holder and the battery compartment.
- ⑤ Replace the cover of the battery compartment and tighten the screws.

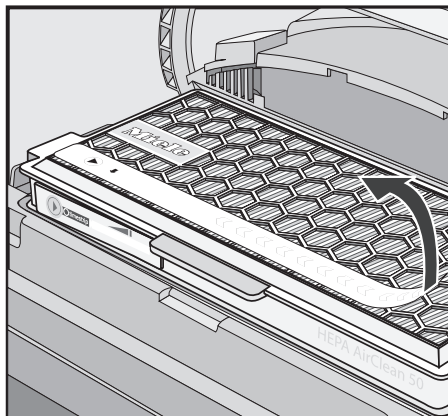


## Activating the exhaust filter change indicator

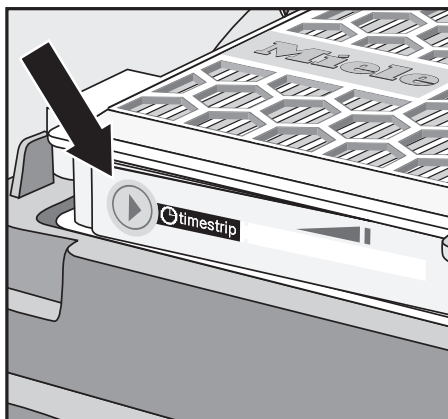
- Press the release button for the dust compartment lid and raise the lid as far as it will go.



- Remove the information strip.

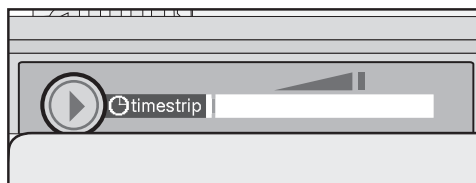


- Press the reset button ► for the exhaust filter change indicator.



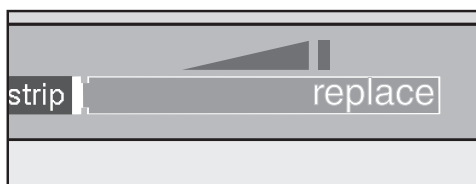
- A narrow red strip will appear on the left edge of the display field after 10 - 15 seconds.

- Close the dust compartment lid securely, making sure it clicks into position. Take care not to trap the dustbag when doing so.



## How the exhaust filter change indicator works

The exhaust filter change indicator shows the usage life of the exhaust filter. After approx. 50 operating hours, which equates to average use over one year, the red display field will be completely red.



## Using the accessories supplied

### ① Crevice nozzle

For cleaning in folds, crevices and corners.

### ② Dusting brush

For cleaning skirting boards, ornate, carved or delicate articles, etc. The head of the dusting brush can be swivelled to attain the best cleaning position.

### ③ Upholstery nozzle

For cleaning upholstery, mattresses, cushions, curtains, covers etc.

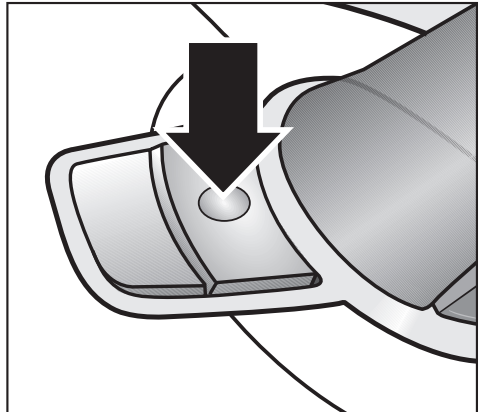


## Removing accessories

- Press the release button on the accessories compartment lid.


The lid will open.

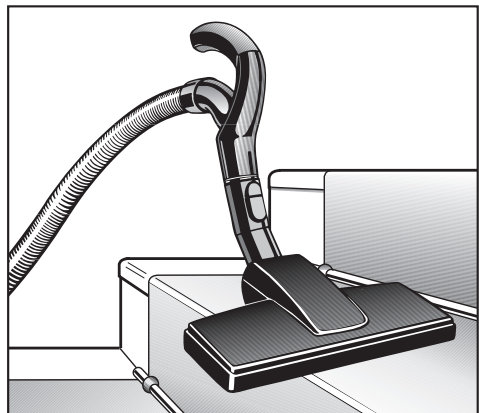
- Take out the accessory you require.
- Press down firmly on the compartment lid to close it.



## Floorhead

For general use and also for vacuuming stairs.

 For safety reasons when vacuuming stairs, it is best to start at the bottom of the stairs and move upwards.






## Mains connection cable

### Unwinding the cable

- Pull out the connection cable to the required length (max. cable length approx. 7.5 m).
- Plug the connection cable into a wall socket and switch on at the wall.

The ParkSystem lighting on either side of the vacuum cleaner will switch on.

The first time the vacuum cleaner is used, the lighting will switch on after approx. two minutes.

 If vacuuming for longer than 30 minutes, the connection cable must be pulled out to its fullest extent. Otherwise there is a danger of overheating.

### Rewinding the cable

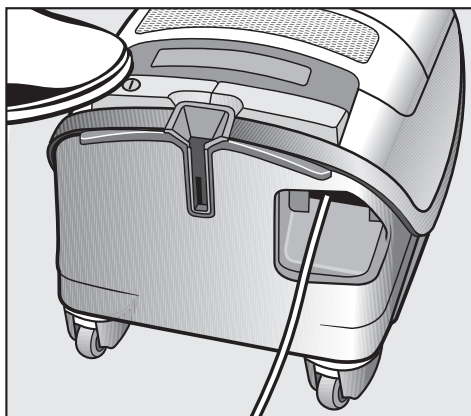
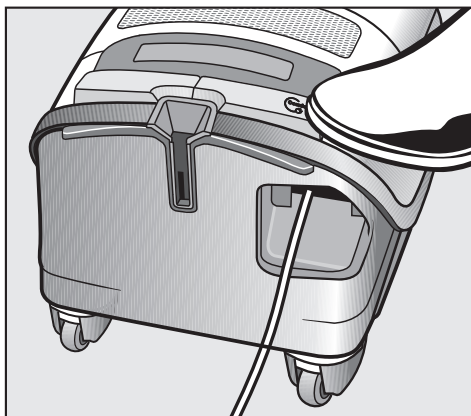
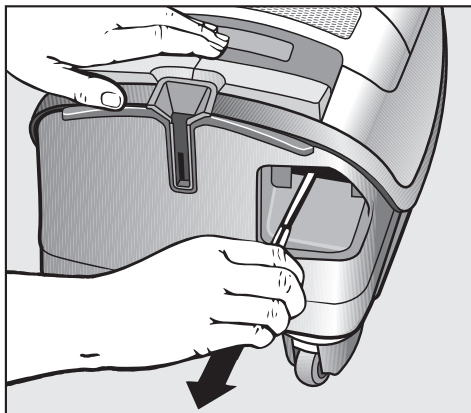
- Switch off at the wall socket and remove the plug.

After approx. 30 seconds, the ParkSystem lighting switches off automatically.

- Press the rewind foot control. The cable will rewind automatically.

### Switching on and off

- Step on the On/Off foot control .



# Use

---

## Selecting the suction power


The suction power can be regulated to suit the type of flooring. Reducing the suction power reduces the amount of effort required to manoeuvre the floorhead.

The symbols on the controls indicate the type of use the settings are suitable for.


The setting lights up yellow when selected.


 - Curtains, lightweight fabrics

 - Upholstery, cushions


 - High quality velour carpets, rugs and runners

Auto = automatic adjustment of the suction power according to the flooring

 Do not vacuum any light materials or curtains with the "Auto" power setting. These may be drawn into the vacuum cleaner and become damaged.

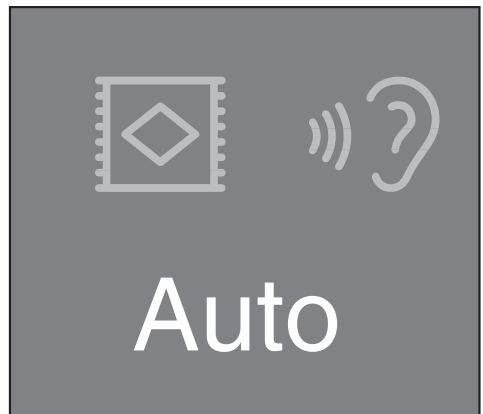
 - For daily energy-saving vacuuming with a low operating noise level

 - Loop-pile carpets and rugs

 - Hard flooring, and for intensive cleaning of carpets and rugs

If you find that a great amount of effort is required to manoeuvre the AirTeQ floorhead, reduce the suction power to a suitable level.

The first time the vacuum cleaner is used, it automatically switches on at the "Auto" power setting.

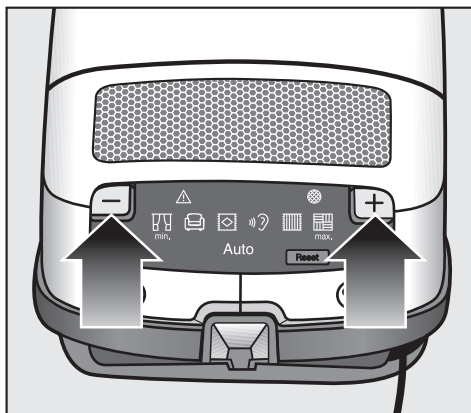



- Press the + control to select a higher setting.
- Press the - control to select a lower setting.

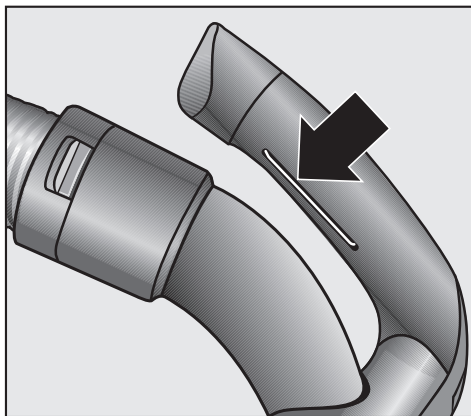
After that, the vacuum cleaner will switch on at the setting which was used previously.

## Vacuuming

- When vacuuming, pull the cleaner behind you on its wheels. You can stand it upright for vacuuming stairs and curtains etc.




 When vacuuming especially fine dust, e.g. sawdust, sand, flour, talcum powder etc., electrostatic charges build up naturally. Under certain conditions these charges will be released. To avoid the unpleasant effects of these discharges, a metal inlay has been incorporated into the underside of the handle. Please make sure that you keep your hand in constant contact with this metal strip during vacuuming.

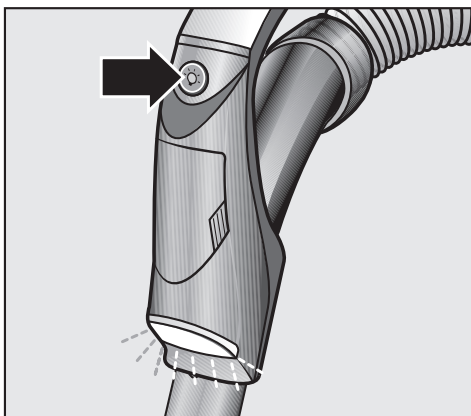


## Illuminating the working area

Your vacuum cleaner is equipped with an LED on the handle to illuminate the area in front of the vacuum cleaner.

- Press the  button on the LED handle.

After approx. 30 seconds, the LED switches off automatically.



# Setting down, transportation and storage

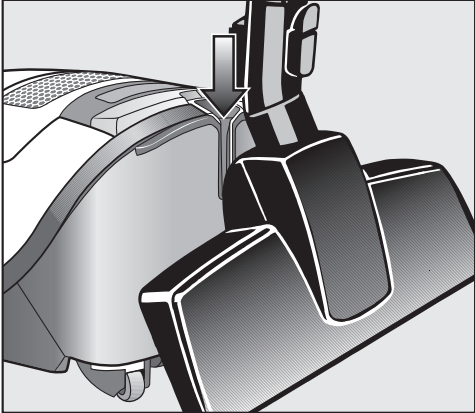
---

## ParkSystem for pauses in vacuuming

A parking system has been designed for conveniently parking the vacuum cleaner during pauses.

- Slot the floorhead into the parking attachment at the back of the vacuum cleaner.

If the vacuum cleaner is parked on a sloped surface, e.g. on a ramp, retract all parts of the telescopic wand completely.



## Switching on and off with the ParkSystem

The vacuum cleaner is automatically switched off when the floorhead is placed in the parking attachment. Lifting the floorhead out of the ParkSystem automatically switches the vacuum cleaner back on at the last selected power setting.

# Setting down, transportation and storage

## ParkSystem for storage

⚠ It is important to switch off the vacuum cleaner after each use. Switch off at the wall socket and remove the plug.

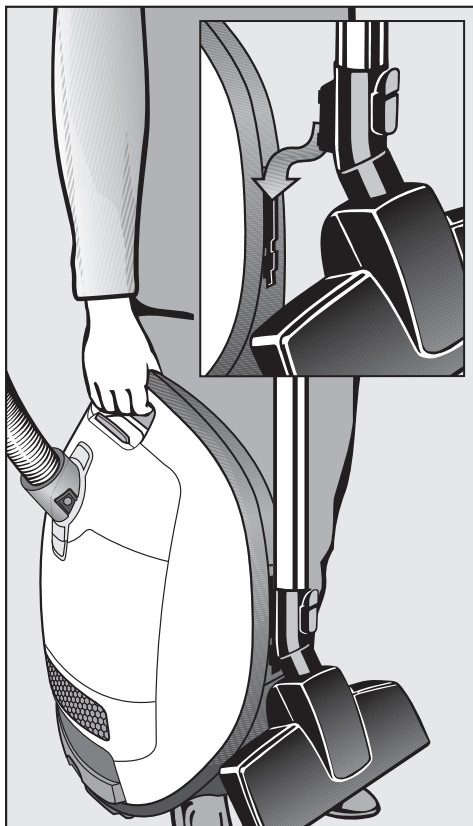
After approx. 30 seconds, the ParkSystem lighting switches off automatically.

- Stand the vacuum cleaner upright when it is not being used and during storage.


It is also helpful to retract the telescopic wand fully.

- Slot the floorhead downwards into the parking attachment on either side of the vacuum cleaner.

This makes the vacuum cleaner easier to carry or store.



## Maintenance and care


 Always disconnect the vacuum cleaner from the electrical supply for maintenance work and for cleaning. Switch off at the wall socket and remove the plug.

The Miele filter system consists of three filters which must be replaced from time to time to ensure that your vacuum cleaner performs efficiently.

- Dustbag
- Dust compartment filter (for motor protection)
- Exhaust filter

These will need to be replaced from time to time to ensure that your vacuum cleaner performs efficiently.

Only use Original Miele approved dustbags and filters. This ensures that your vacuum cleaner functions correctly and cleans hygienically.

 The use of non-genuine Miele dustbags, paper dustbags as well as dustbags with cardboard holders can cause serious damage to the vacuum cleaner and will invalidate your warranty.

## Purchasing new dustbags and filters

Original Miele dustbags can be ordered via the internet at [www.miele-shop.com](http://www.miele-shop.com) (depending on country), from Miele (see back cover for contact details) or from your Miele Vacuum Cleaner Specialist.



## Ordering the correct dustbags and filters

You can recognise genuine Miele dustbags type **G/N** and Miele filters by the "Original Miele" logo on the packaging or on the dustbags.

**ORIGINAL**  
**Miele**



An AirClean filter and a dust compartment filter are supplied with every packet of Miele dustbags. If you wish to purchase exhaust filters or dust compartment filters separately, please quote the model number of your vacuum cleaner when ordering to ensure you get the correct items. You can also order all accessories via the Miele website [www.miele-shop.com](http://www.miele-shop.com) (depending on country).

You can replace the exhaust filter fitted in the vacuum cleaner with one of the other Original Miele exhaust filters if you wish (see "Optional accessories").

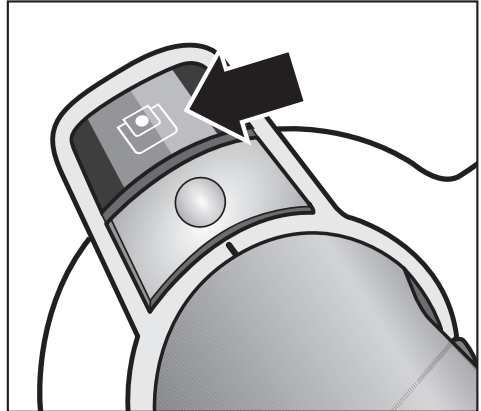
### When to change the dustbag

Change the dustbag when the colour marker in the dustbag change indicator fills the display, or sooner if it is no longer effective (see possible reasons for this below).

Miele dustbags are disposable. Dispose of full dustbags. Do not continue to use them once they are full as blocked pores reduce the efficiency of the vacuum cleaner.

### Checking the dustbag change indicator

- Attach the AllTeQ or AirTeQ floorhead. Do not use any of the other floorheads or attachments as they will cause the dustbag change indicator to give a false reading.
- Switch the vacuum cleaner on and select the highest power setting.
- Lift the floorhead off the floor a little. If the marker completely fills the dustbag change indicator, you should replace the dustbag with a new one.



### How the dustbag change indicator works

The dustbag change indicator is set for normal household dust. Normal household dust would contain a mixture of dust, hair, carpet fluff, threads, grit etc.

However, if the vacuum cleaner has been used to suck up fine dust, the pores of the dustbag will become blocked very quickly. This affects the air permeability of the bag, and the marker will indicate that the bag is "full" even when it is not. If this happens, you must still change the dustbag because suction power will be greatly reduced by blocked pores in the dustbag.

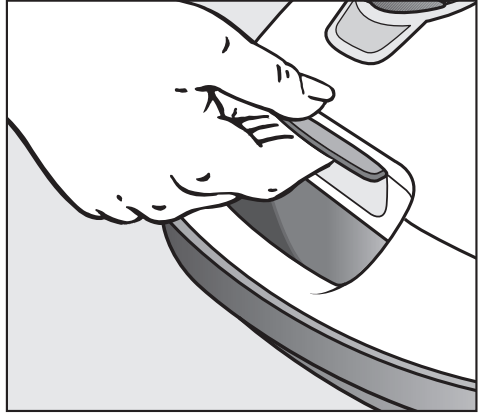
If, on the other hand, you have vacuumed up a large amount of hair and carpet fluff which typically contains a lot of air, the indicator may fail to react even though the bag is full. You should still change it!

## Maintenance and care

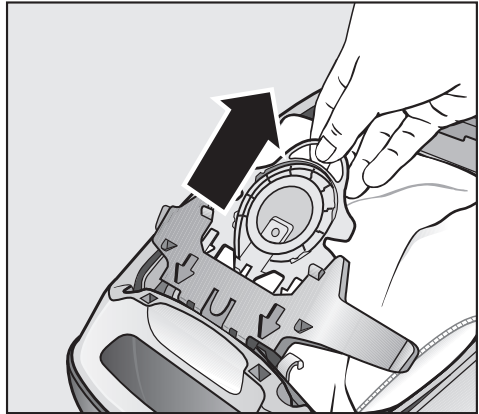
### Replacing the dustbag

- Press the release button for the dust compartment lid and raise the lid as far as it will go.

The dustbag has a closing flap which closes automatically when the dust compartment lid is raised to prevent any dust escaping.



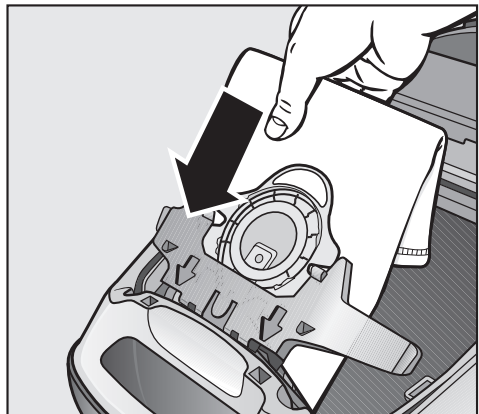
- Pull the dustbag out by the grip next to the self-closing flap on the collar.



- Fit the new dustbag into the **blue** holder as far as it will go. Leave it folded up when you take it out of the box.

- It should be unfolded in the dust compartment.

- Close the dust compartment lid securely, making sure it clicks into position. Take care not to trap the dustbag when doing so.



⚠ The lid will not close without a dustbag in place, or if the dustbag is incorrectly fitted. Do not use force!

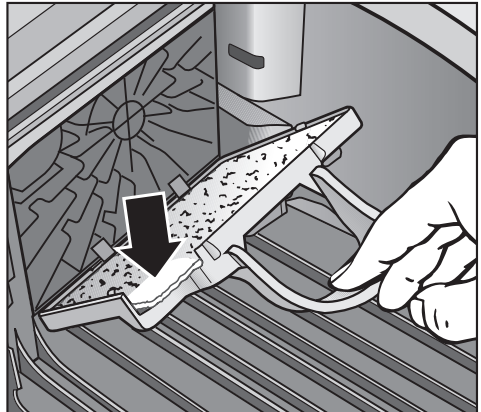


### When to change the dust compartment filter (for motor protection)

Replace this filter every time you start a new packet of dustbags. A dust compartment filter is supplied with every packet of Miele dustbags.

### Correctly changing the dust compartment filter

- Open the dust compartment lid.
- Pull the dustbag out by the grip next to the self-closing flap on the collar.
- Unclip the **blue filter frame** and remove the old filter. Hold by the clean, unsoiled section to remove it.
- Replace with a new dust compartment filter.
- Close the filter frame.
- Fit the new dustbag into the blue holder as far as it will go.
- Close the dust compartment lid securely, making sure it clicks into position. Take care not to trap the dustbag when doing so.



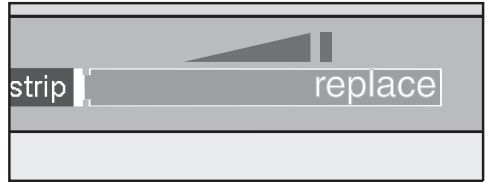
## Maintenance and care

### When to replace the HEPA AirClean 50 exhaust filter

Replace the HEPA AirClean 50 exhaust filter if the display for the exhaust filter change indicator is completely filled with red.

This occurs after approx. 50 hours of operation which is equivalent to about a year of average use. The vacuum cleaner can still be used. However, the suction power will be reduced as will the effectiveness of the filter if it is not replaced in good time.

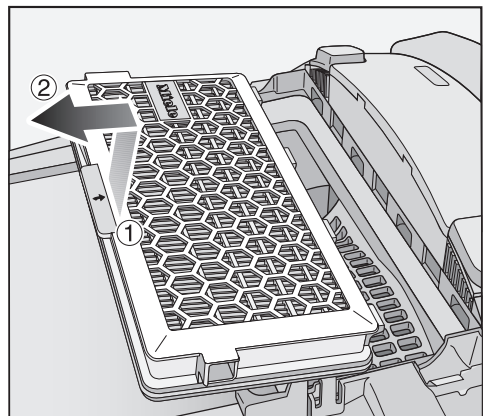
You can replace the HEPA AirClean 50 exhaust filter fitted in the vacuum cleaner with one of the other Miele exhaust filters if you wish (see "Replacing one type of exhaust filter with another").



### Correctly changing the HEPA AirClean 50 exhaust filter

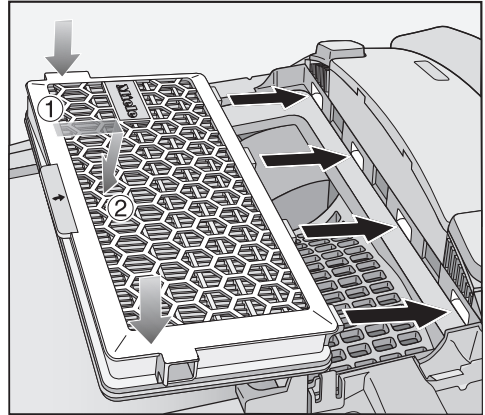
Do not use more than one exhaust filter at a time.

- Open the dust compartment lid.
- Lift the HEPA AirClean 50 exhaust filter and remove it.

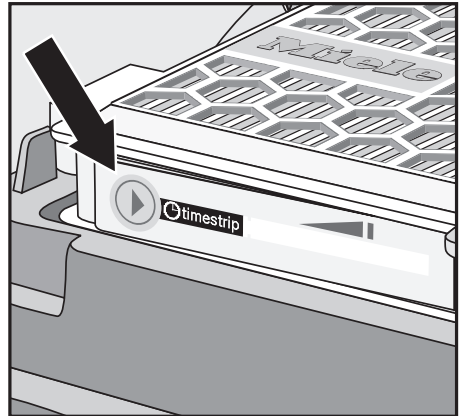


## Maintenance and care

- Insert a new exhaust filter making sure it goes in properly, then push it down into position.



- Press the exhaust filter change indicator ►.



- After approx. 10 - 15 seconds a thin red stripe will appear in the left-hand side of the display.

If you wish to use an AirClean filter, see "Replacing one type of exhaust filter with another".



- Close the dust compartment lid.

## Maintenance and care

### Replacing one type of exhaust filter with another

Do not use more than one exhaust filter at a time.

You can replace the HEPA AirClean 50 exhaust filter fitted in the vacuum cleaner with one of the other Miele exhaust filters if you wish.

- a AirClean
- b Active AirClean 50

#### When replacing a HEPA AirClean 50 filter with an AirClean filter, please note:

If you wish to replace the HEPA AirClean 50 filter with an AirClean filter, then it is essential that you also fit a filter grille (see "Optional accessories").

#### Maintenance indicator with reset button

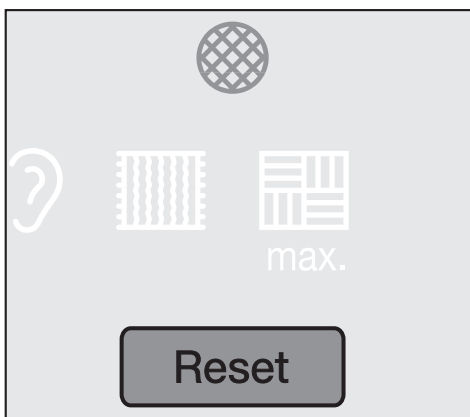
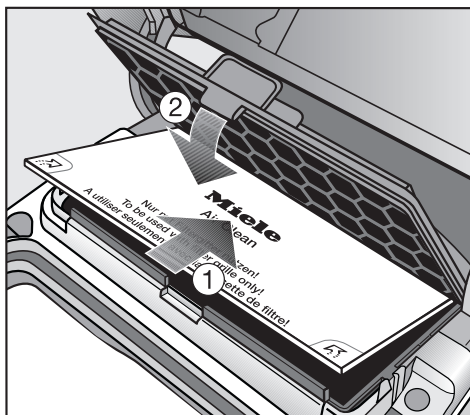
The indicator lights up after approx. 50 hours of operation, which is equivalent to about a year of average use. The level of soiling of the dust compartment filter and the exhaust filter must be checked at this point.

If the filters are replaced, the indicator must be reset. To do this the vacuum cleaner must be switched on.

- Press the reset button.

The maintenance indicator will go out and reset to zero.

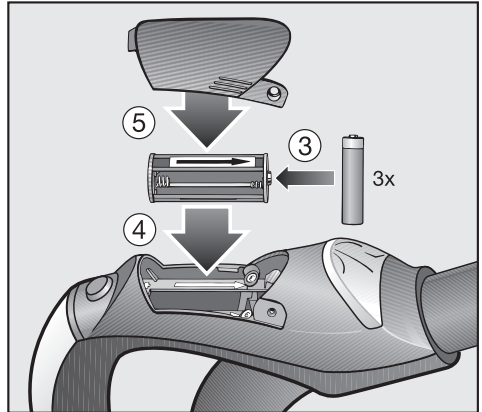
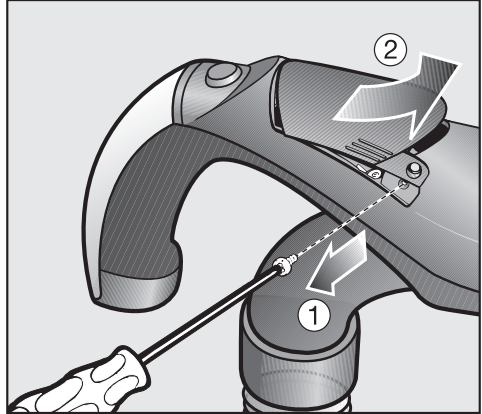
The indicator can only be reset by pressing the reset button after the light has come on. Pressing the button at any other time will have no effect.



## Changing the battery in the LED handle

Three 1.5 V (AAA) batteries are required.

- ① Undo the screws on the cover of the battery compartment.
- ② Press down on both sides of the cover and lift off.
- ③ Take out the battery holder and replace the three batteries, making sure the polarity is correct.
- ④ Refit the battery holder in the handle. Make sure the arrows line up on the holder and the battery compartment.
- ⑤ Replace the cover of the battery compartment and tighten the screws.



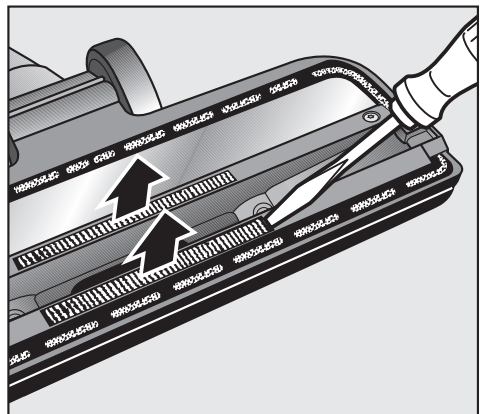
## When to change the thread lifters

The thread lifters on the suction inlet to the floorhead can be replaced. Check them from time to time and replace them if the pile has worn down.

## Correctly replacing the thread lifters


- Use a suitable screwdriver to remove the thread lifters from the slots.
- Fit new thread lifters.

Spare parts are available from Miele (see back cover for contact details).




# Cleaning and care

---

 Always disconnect the vacuum cleaner from the electricity supply for maintenance work and for cleaning. Switch off at the wall socket and remove the plug.


## Vacuum cleaner and accessories


Plastic components of the vacuum cleaner and its accessories can be cleaned with a dry or a slightly damp cloth, or with a proprietary cleaner suitable for plastic.


 Do not use abrasive cleaners, glass cleaners, all-purpose cleaners or cleaning agents containing oil.


## Dust compartment

The dust compartment can, if necessary, be cleaned using a **dry** duster, brush or, if available, a second vacuum cleaner to vacuum the dust out.

 Do not let the vacuum cleaner get wet. If moisture gets into the vacuum cleaner, there is a risk of electric shock.

**The vacuum cleaner switches off automatically, and the overheating warning light  comes on.**

A temperature limiter switch switches the vacuum cleaner off automatically if it gets too hot. The overheating warning light  will then come on to indicate that it has overheated.

This can occur if, for instance, large articles block the suction tube or when the filter bag is full or contains particles of fine dust. A heavily soiled exhaust or dust compartment filter can also be the cause for overheating. Switch off the vacuum cleaner using the On/Off switch . Switch off at the wall socket and remove the plug.

After removing the cause, wait for approximately 20 - 30 minutes to allow the vacuum cleaner to cool down. It can then be switched on again.



# After sales service / Warranty / Electrical connection

---

## After sales service

In the event of a fault that you cannot easily remedy, please contact Miele.

See back cover for Miele's contact details.

## Warranty

The manufacturer's warranty for this appliance is 2 years.

For information on the appliance warranty specific to your country please contact Miele. See end of booklet for contact details.

## Electrical connection

All work should be carried out by a suitably qualified and competent person in strict accordance with national and local safety regulations.

The voltage and rated load are given on the data plate located underneath the vacuum cleaner. Please ensure that these match the household mains supply. The fuse rating is quoted on the plug.

The vacuum cleaner is supplied with a cable and moulded plug ready for connection to a 230V/50Hz AC single phase supply.

Test Marks

Electrical safety  
RCM Mark

Electrically suppressed  
according to

AS/NZS CISPR 14.1



Certain models are supplied as standard with one or more of the following accessories.

It is important to observe the flooring manufacturer's cleaning and care instructions.

The following products and more can be ordered via the internet at (depending on country):



They can also be purchased from Miele.

### ElectroBrushes

#### ElectroBrush (SEB 216-3)

This ElectroBrush is particularly suitable for intensive vacuuming of carpets which are subject to hard wear. It is very effective at removing deep seated dirt and preventing areas of frequent use being trodden into a path.

### Floorheads / brushes

#### Classic Allergotec floorhead (SBDH 285-3)

The Classic Allergotec floorhead is designed specifically for the daily hygienic cleaning of all surfaces. The level of cleanliness of the floor is shown in a colour "traffic light" display when vacuuming.

#### TurboBrush (STB 205-3)

The TurboBrush is particularly suitable for vacuuming cut-pile carpeting.

#### Hard Floor Brush (SBB 235-3)

Special brush for cleaning hard floors (slate, stone and tiles).

#### Hard Floor Twister (SBB 300-3)

Specially designed with a double swivel joint for hard surfaces and small gaps.

### Other accessories

#### MicroSet (SMC 20)

This set is specially designed for cleaning small objects and difficult to reach areas (such as PC keyboards, stereo equipment, intricately carved furniture and ornaments, scale models etc).

#### Handheld Turbo Mini (STB 101)

Intended for vacuuming upholstery, mattresses, car seats and other areas inaccessible to the standard TurboBrush.

#### Radiator brush (SHB 20)

For cleaning radiators, narrow shelves and crevices.

#### Mattress nozzle (SMD 10)

For cleaning upholstery, mattresses, cushions, curtains, covers etc.

## Optional accessories

---

### **Flexible crevice nozzle, 30 cm (SFD 10)**

For cleaning in folds, crevices or corners.

### **Flexible crevice nozzle, 56 cm (SFD 20)**

For cleaning difficult to access areas.

### **Upholstery nozzle, 19 cm (SPD 10)**

Extra wide nozzle for vacuuming upholstery, mattresses and cushions.

### **Flexible hose extension (SFS 10)**

For extending the suction hose by approximately 1.5 m.

### **Hygiene cap with active charcoal**

This prevents dust and odours from escaping when the suction hose is removed for transportation or storage.

## **Filters**

### **Active AirClean 50 exhaust filter (SF-AA 50)**

Absorbs odours from the dirt in the dustbag.

### **Filter grille**

The filter grille is required if you wish to use an AirClean filter instead of an Active AirClean 50 filter or HEPA AirClean 50 filter.



**Miele Australia Pty. Ltd.**

ACN 005 635 398  
ABN 96 005 635 398

**Miele Center and Head Office Melbourne:**

1 Gilbert Park Drive  
Knoxfield, VIC 3180

**Miele Center and Office Melbourne:**

206-210 Coventry Street  
South Melbourne, VIC 3205

**Miele Center and Office Sydney:**

3 Skyline Place  
Frenchs Forest, NSW 2086

**Miele Center and Office Brisbane:**

39 Harvey Street North  
Eagle Farm, QLD 4009

**Miele Center and Office Adelaide:**

83-85 Sir Donald Bradman Drive  
Hilton, SA 5033

**Miele Center and Office Perth:**

205-207 Stirling Highway  
Claremont, WA 6010



[www.miele.com.au](http://www.miele.com.au)



[www.miele-shop.com](http://www.miele-shop.com)

**Miele**

**Miele New Zealand Limited**

IRD 98 463 631

**Head Office:**

Level 2, 10 College Hill  
Freemans Bay, Auckland 1011

**Miele Center Auckland:**

8 College Hill  
Freemans Bay, Auckland 1011

**Telephone:**

0800 4 MIELE (0800 464 353)

[www.miele.co.nz](http://www.miele.co.nz)

**Miele Global Headquarters**

**Germany**

**Miele & Cie. KG**

Carl-Miele-Straße 29  
33332 Gütersloh  
Federal Republic of Germany