



## **COMPONENTS AND PARTS MANUAL**

---

**FOR SERIAL NUMBER 6080-009**

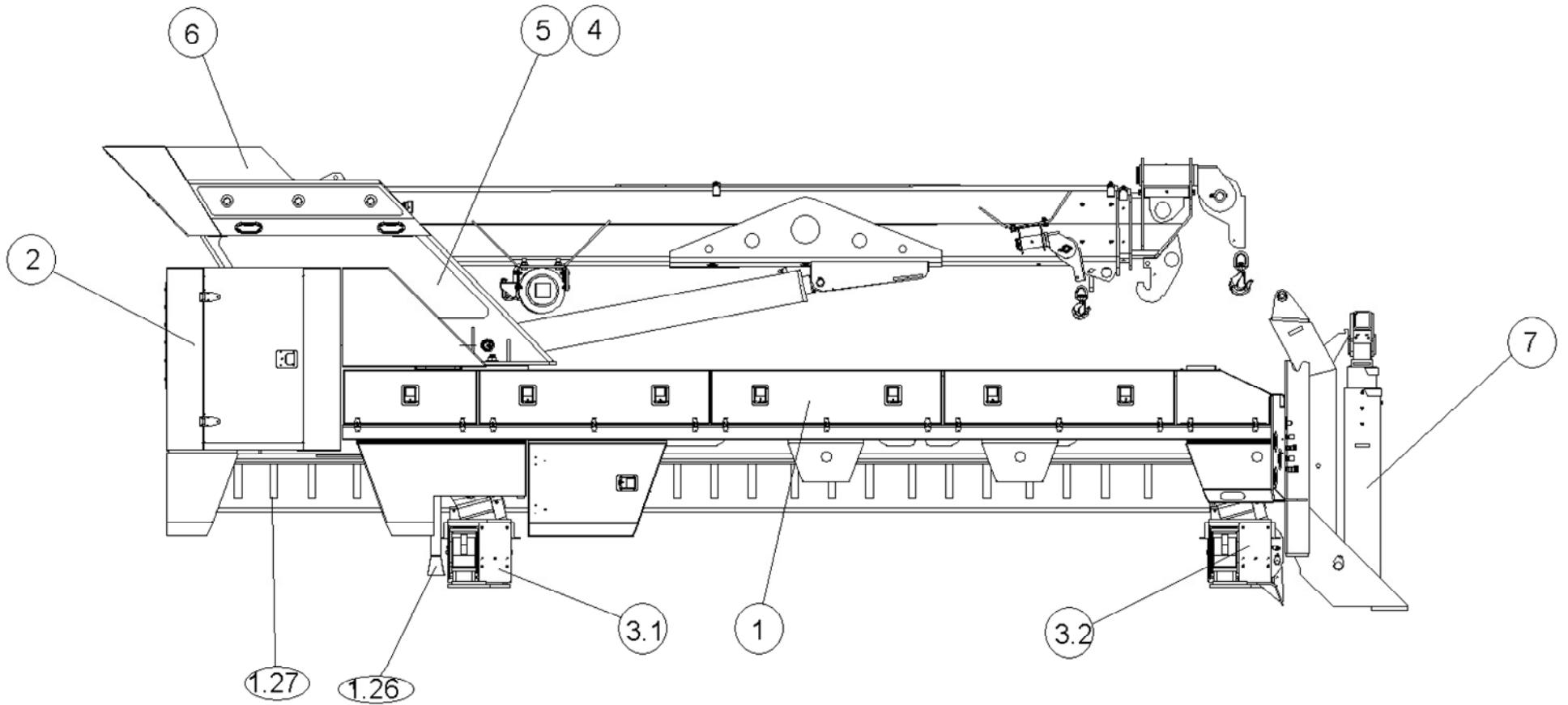
**2430 PRINCIPALE  
ST-PAUL-D'ABBOTSFORD (QC), CA  
JOE 1A0**

**TEL: (450) 379-5796  
FAX: (450) 379-5995**

**[SERVICES@INDUSTRIESNRC.COM](mailto:SERVICES@INDUSTRIESNRC.COM)  
[HTTP://WWW.NRC-INDUSTRIES.COM](http://WWW.NRC-INDUSTRIES.COM)**



## Visual Guide



**Balloons match the sections.**

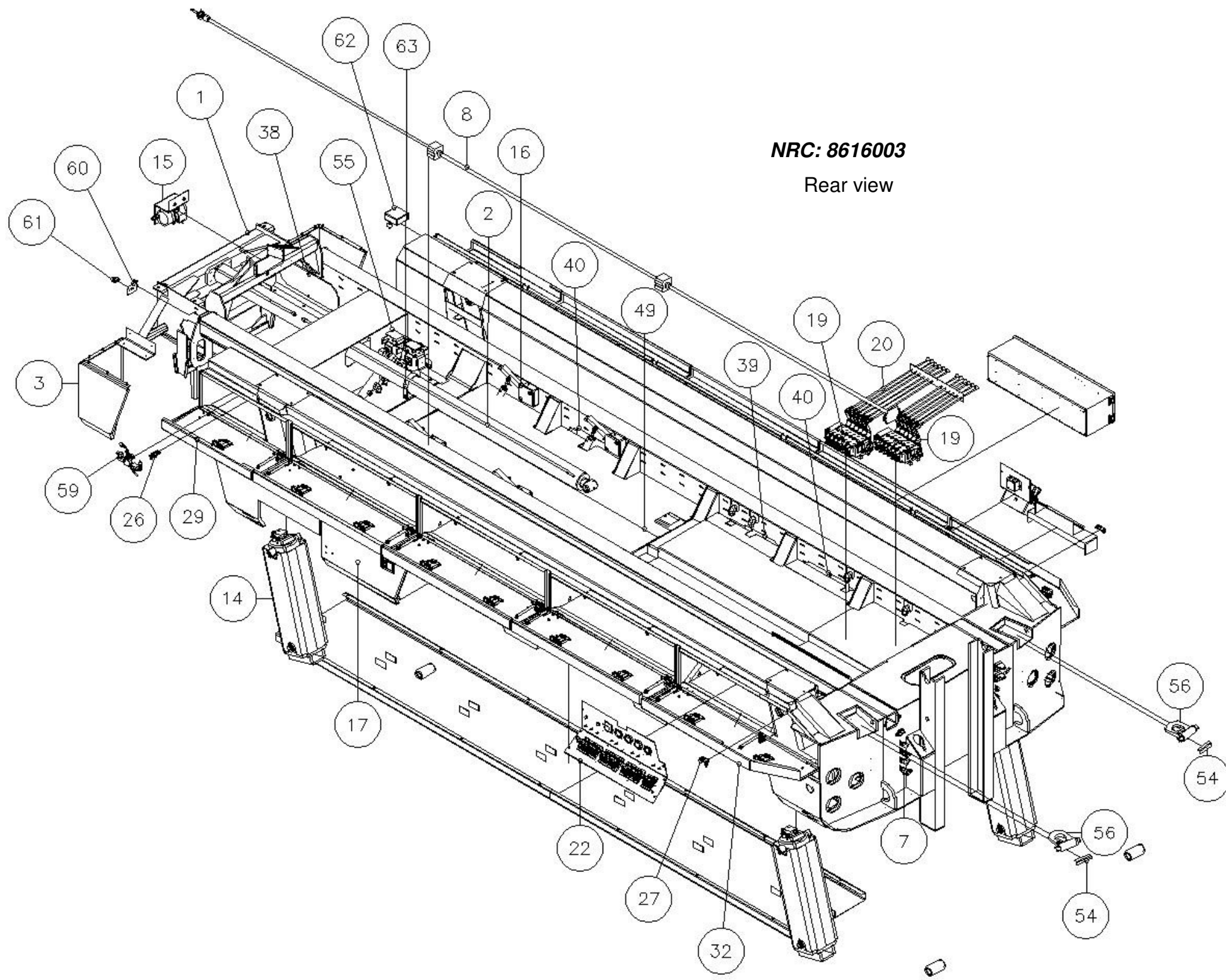
## Table of contents

<b>1. Frame assembly .....</b>	<b>1</b>
1.1. Bumper Step Furnishings (Aluminium Checker).....	3
1.2. Sliding Cover assembly.....	3
1.3. Lever and rod assembly.....	3
1.4. Control Board Left Assembly .....	4
1.5. Control Board Right Assembly.....	5
1.6. Electric box.....	6
1.7. Axle-lift Adaptor Support .....	7
1.8. Standard Adaptor.....	8
1.9. Gutter assembly .....	9
1.10. Leg cover.....	9
1.11. Rear doors.....	10
1.12. Center doors .....	11
1.13. Level box .....	11
1.14. Front doors.....	12
1.15. Side Tool Boxes .....	13
1.16. Striker Assembly .....	14
1.17. Rear Strikers .....	14
1.18. Emergency Pump Signal Ball valve assembly.....	15
1.19. Hydraulic & Pneumatic Couplings.....	15
1.20. Mud Flap and Covers.....	16
1.21. D-ring / Shackle.....	16
1.22. Rear step.....	17
1.23. Anti-twist Mechanism .....	17
1.24. Slide position sensor support assembly.....	18
1.25. Pad Box.....	18
1.26. Light support assembly (for tool box).....	19
1.27. Leg reinforcement .....	19
1.28. Mounting plate.....	19
1.29. Fenders and support assembly.....	20
<b>2. Front Tool Box and Oil Reservoir Assembly .....</b>	<b>21</b>
2.1. Oil Reservoir .....	21
<b>3. Outriggers assemblies.....</b>	<b>22</b>
3.1. Front outrigger assembly .....	23
3.2. Rear outrigger assembly.....	24
3.2.1. Outrigger's extension cylinder .....	25
3.3. Interior leg assembly .....	25
3.3.1. Leg cylinder .....	25
<b>4. Carriage assembly .....</b>	<b>26</b>
4.1. Carriage assembly .....	26
4.1.1. Hydraulic swivel.....	27
4.2. Carriage displacement cylinder.....	27
4.3. Carriage Lock.....	28
4.4. Proximity switch assembly .....	28
<b>5. Base &amp; Boom.....</b>	<b>29</b>
5.1. Base assembly.....	30
5.1.1. Tork hub bracket assembly .....	31
5.2. Boom assembly.....	32
5.2.1. Boom extension cylinder .....	34
5.2.2. Pulley's head assembly .....	35
5.3. Boom elevation cylinder.....	37
<b>6. Winch Cover .....</b>	<b>38</b>
<b>7. Axle lift .....</b>	<b>39</b>
7.1. Horizontal Axle-lift's section .....	40
7.1.1. Axle-lift's Extension Cylinder .....	41
7.2. Axle-lift's Fold up Cylinder.....	41





1. Frame assembly

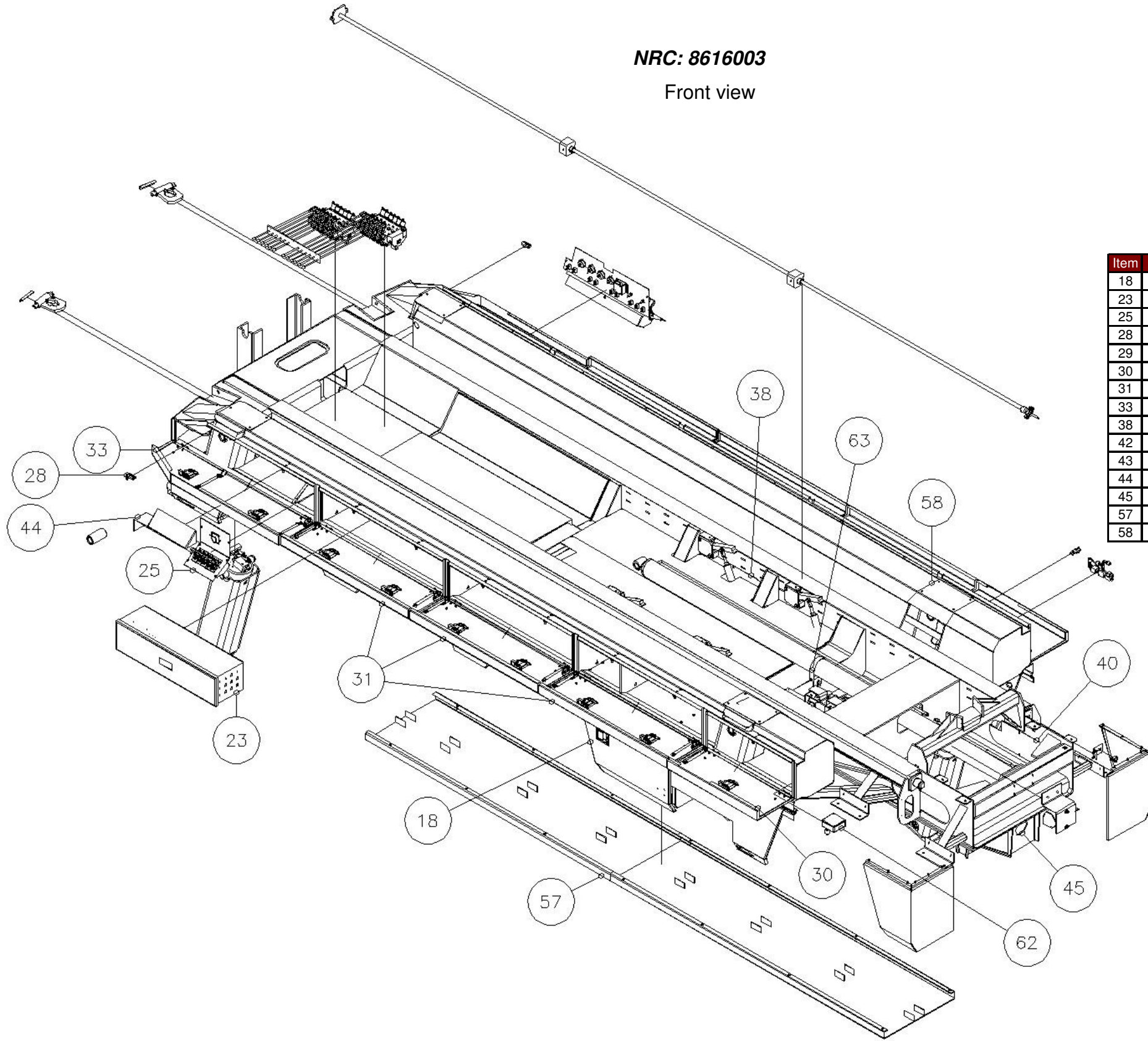


**NRC: 8616003**  
Rear view

Item	Qty	NRC code	Name	SUB SECTION	PAGE
1	1	8201053	FRAME ASSEMBLY	SECTION 1	1
2	1	8695068	SLIDING CYLINDER	NO SUB SECTION	-
3	1	8619039	FENDER AND SUPPORT ASSEMBLY	SECTION 1,28	19
7	1	8682005	HYD. AND PNEU. COUPLINGS	SECTION 1,18	14
8	1	8690034	ANTI-TWIST MECHANISM	SECTION 1,22	16
9	1	8101166	SLIDING CYLINDER COLLAR	NO SUB SECTION	-
10	1	0613211	CAP SCREW	NO SUB SECTION	-
11	2	0911401	FLAT WASHER	NO SUB SECTION	-
12	1	0823121	HEX NYLON NUT	NO SUB SECTION	-
14	4	8631002	JACK LEG ASSEMBLY	SECTION 3,3	26
15	1	8619050	SENSOR SUPPORT ASSEMBLY	SECTION 1,23	17
16	1	8690044	CARRIAGE LOCK SYSTEM	SECTION 4,2	29
17	1	8648005	LEFT TOOL BOX & DOOR ASSEMBLY	SECTION 2	20
19	2	3460045	6 SPOOLS VALVE	NO SUB SECTION	-
20	1	8619091	ASSEMBLY CONTROL ROD	SECTION 1,3	3
22	1	8619113	LEFT CONTROL BOARD ASSEMBLY	SECTION 1,4	4
26	16	8646026	STRIKER	SECTION 1,15	12
27	1	8646042	REAR STRIKER	SECTION 1,16	13
29	1	8646016	FRONT DOOR (LEFT)	SECTION 1,13	11
32	1	8646044	REAR DOOR (LEFT)	SECTION 1,11	9
39	1	8185144	HOLE COVER	NO SUB SECTION	-
40	1	8185145	HOLE COVER	NO SUB SECTION	-
49	1	8619110	SLIDING COVER ASSEMBLY	SECTION 1,2	3
54	2	8181594	D-RING / SHACKLE PROTECTOR	NO SUB SECTION	-
55	1	8682019	PRESSURE DISTRIBUTOR ASSEMBLY	NO SUB SECTION	-
56	2	8690057	D-RING / SHACKLE	SECTION 1,20	15
57	1	8619114	GUTTER ASSEMBLY	-	-
58	1	8631019	JACK LEG COVER ASSEMBLY	-	-
59	1	8682020	BALL VALVE ASSEMBLY	SECTION 1,17	14
60	1	8690073	POTENTIOMETER SUPPORT	-	-
61	1	8681002	SENSOR ROTARY SUPPORT	-	-
62	1	8680022	LEVEL BOX ASSEMBLY	-	-
63	1	8690077	SLIDE CYLINDER SUPPORT	-	-

**NRC: 8616003**

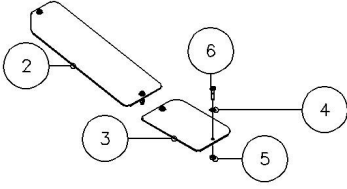
Front view



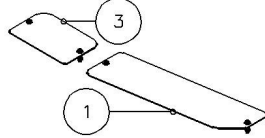
Item	Qty	NRC code	Name	SUB SECTION	PAGE
18	1	8648006	RIGHT TOOL BOX & DOOR ASSEMBLY	SECTION 2	20
23	1	8680013	MASTER ELECTRIC BOX	SECTION 1,6	6
25	1	8619092	RIGHT CONTROL BOARD ASSEMBLY	SECTION 1,5	5
28	1	8646046	REAR STRIKER (RIGHT)	SECTION 1,16	13
29	1	8646016	FRONT DOOR (LEFT)	SECTION 1,13	11
30	1	8646017	FRONT DOOR (RIGHT)	SECTION 1,13	11
31	6	8646043	SIDE DOOR	SECTION 1,12	10
33	1	8646045	REAR DOOR (RIGHT)	SECTION 1,11	9
38	5	8185124	HOLE COVER	NO SUB SECTION	-
42	16	0612421	CAP SCREW	NO SUB SECTION	-
43	16	0821121	HEX NYLON NUT	NO SUB SECTION	-
44	1	8209073	ROD PROTECTOR AND REMOTE SUPPORT ASSEMBLY	NO SUB SECTION	-
45	1	8203084	PUMP SUPPORT	NO SUB SECTION	-
57	1	8619114	GUTTER ASSEMBLY	SECTION 1,9	8
58	1	8631019	JACK LEG COVER ASSEMBLY	SECTION 3,3	26



**1.1. Bumper Step Furnishings (Aluminium Checker)**

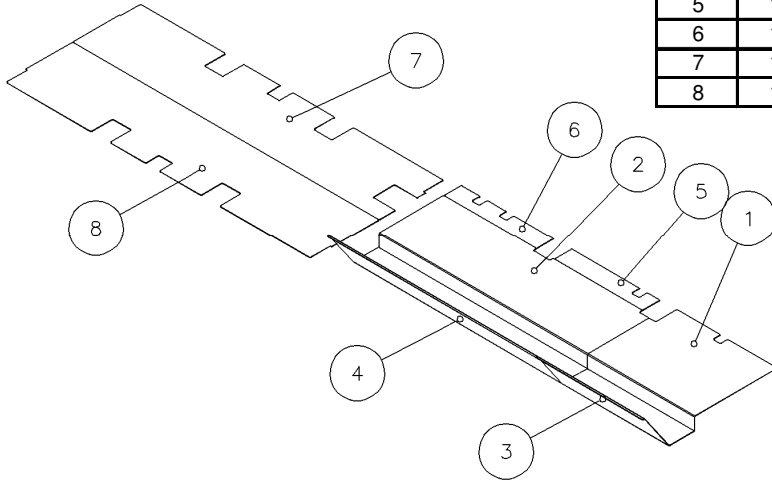


Item	Qty	NRC code	Name	Description
1	1	8181533	REAR STEP FURNITURE	RIGHT
2	1	8181534	REAR STEP FURNITURE	LEFT
3	2	8181532	REAR STEP FURNITURE	-
4	8	0911205	FLAT WASHER	1/4" (STAINLESS)
5	8	0821129	HEX NYLON NUT	1/4-20UNC (STAINLESS)
6	8	0612443	CAP SCREW	1/4-20UNC x 1 1/4" S/S



**NRC : 8668007**

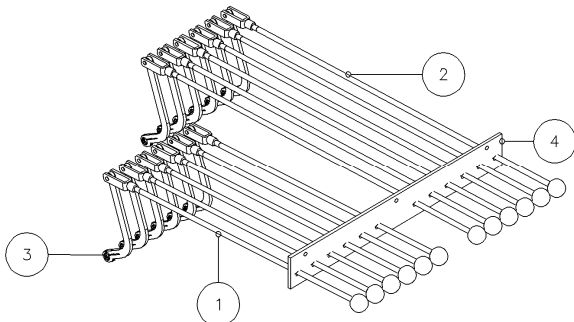
**1.2. Sliding Cover assembly**



Item	Qty	NRC code	Name
1	1	8181566	REAR RIGHT COVER
2	1	8181565	MIDDLE RIGHT COVER
3	1	8181568	REAR LEFT COVER
4	1	8181567	MIDDLE LEFT COVER
5	1	8181569	MIDDLE REAR COVER
6	1	8181570	MIDDLE FRONT COVER
7	1	8181571	FRONT RIGHT COVER
8	1	8181572	FRONT LEFT COVER

**NRC: 8619110**

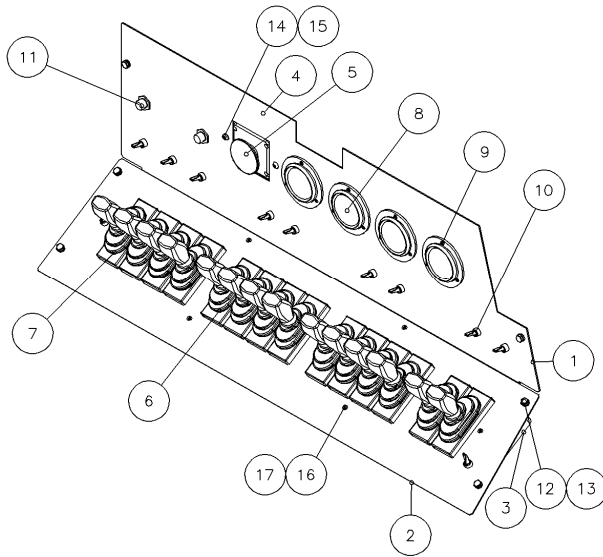
**1.3. Lever and rod assembly**



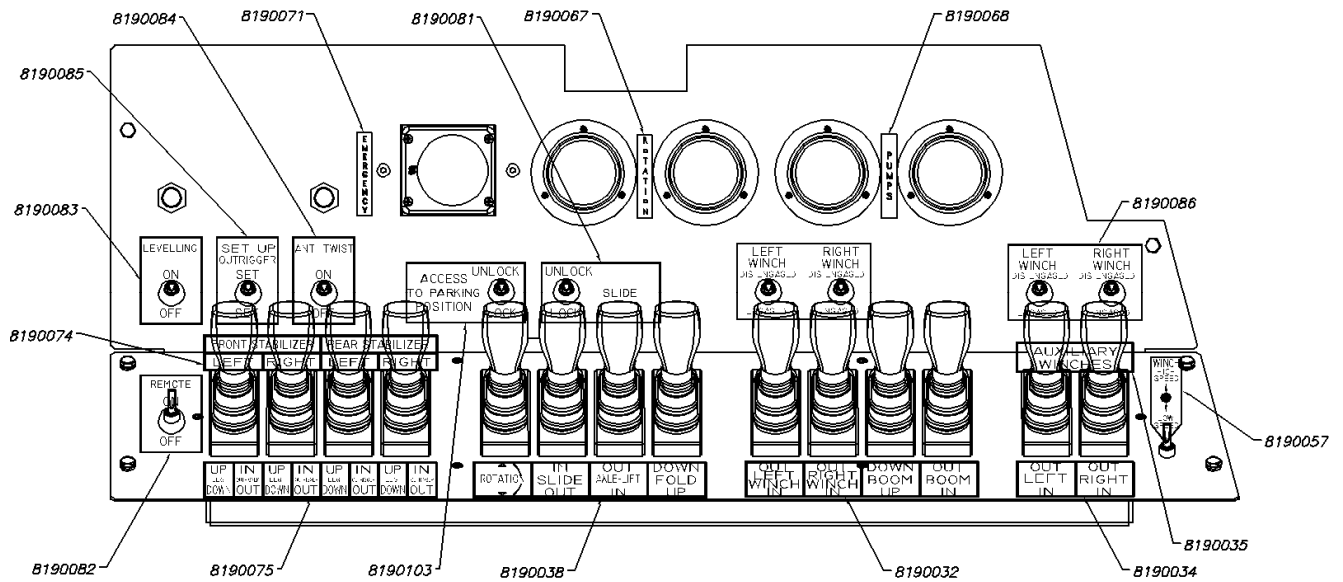
Item	Qty	NRC code	Name
1	6	8619089	CONTROL ROD
2	6	8619090	CONTROL ROD
3	12	8101781	VALVE LEVER
4	1	8185121	CONTROL ROD SUPPORT

**NRC: 8619091**

1.4. Control Board Left Assembly

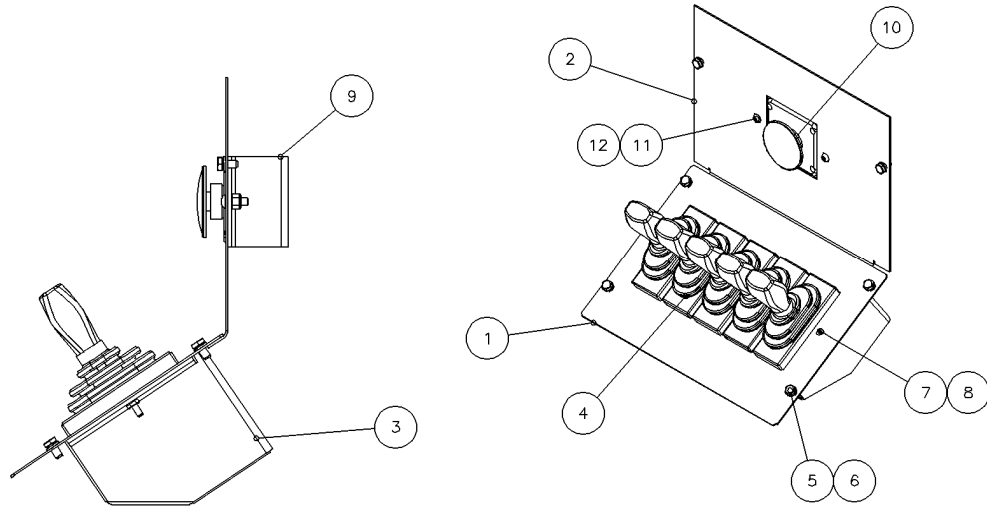


**NRC: 8619113**

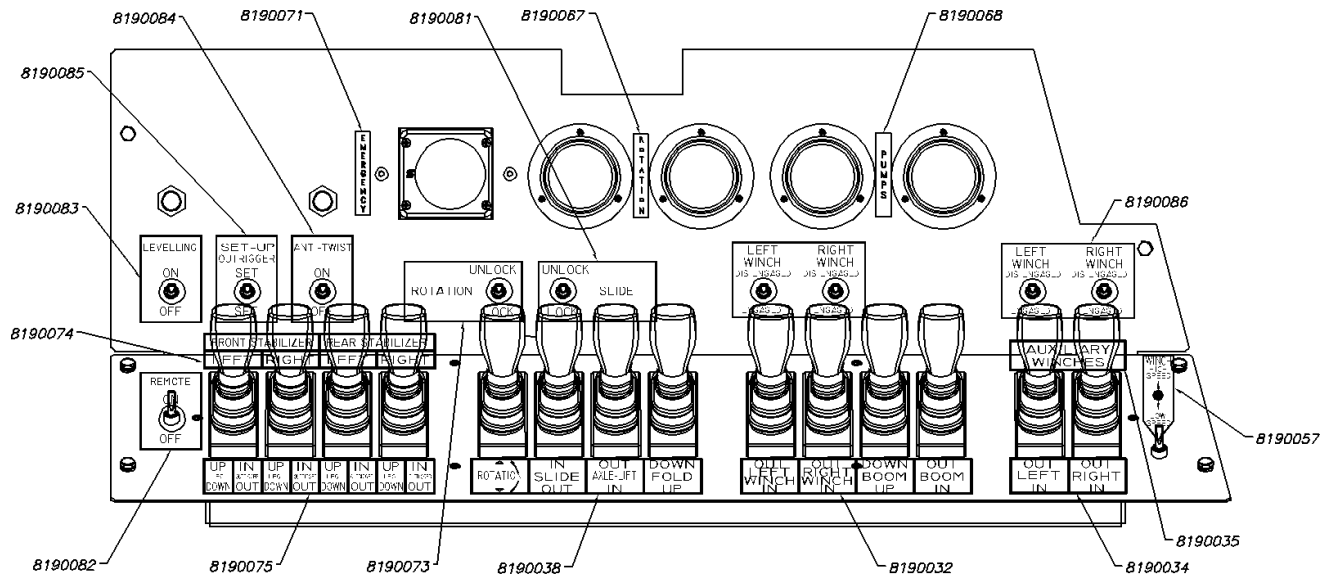


Item	Qty	NRC code	Name	Description
1	1	8181553	CONTROL BOARD (LEFT)	-
2	1	8181554	CONTROL BOARD (LEFT)	-
3	1	8205126	JOYSTICK BOX	-
4	1	8183130	BOX	-
5	1	2514007	EMERGENCY BUTTON	SC1-100
6	10	2574007	JOYSTICK	IQAN-LSL
7	4	2574023	DOUBLE FUNCTION JOYSTICK	IQAN-LSL-E1
8	4	1925002	PRESSURE GAGE	5000 PSI
9	12	0503203	POP RIVET	1/8"dia
10	11	2514003	TOGGLE SWITCH	LUMINOUS, EYE TERMINAL SCREW, 12V
11	2	2551005	LIGHT	RED 12 VOLTS
12	6	0612413	CAP SCREW	1/4-20 UNC x 1/2" S/S
13	6	0911215	SPRING LOCK WASHER	1/4" (STAINLESS)
14	2	0771670	MACHINE SCREW HEX SOCKET	1/4-20UNC X 3/4" INOX
15	2	0821129	HEX NYLON NUT	1/4-20UNC (STAINLESS)
16	6	0725521	HEX SOCKET CAP SCREW	10-32 UNF x 3/4" (STAINLESS)
17	6	0817229	HEX NYLON NUT	#10-32UNF (STAINLESS)

1.5. Control Board Right Assembly

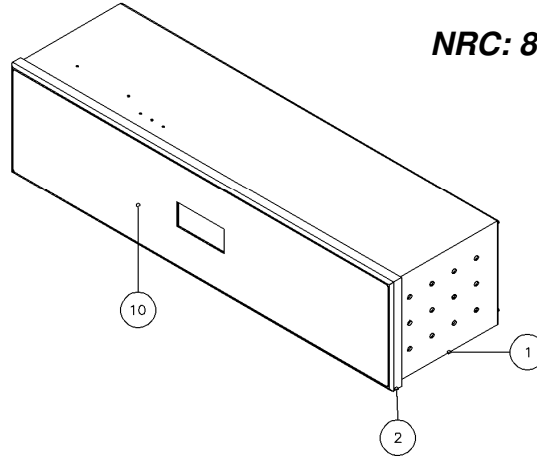
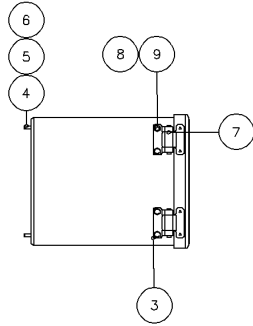


**NRC: 8619092**



Item	Qty	NRC code	Name	Description
1	1	8181555	CONTROL BOARD RIGHT	-
2	1	8181556	CONTROL BOARD DRIGHT	-
3	1	8205128	JOYSTICK BOX	-
4	5	2574023	DOUBLE FUNCTION JOYSTICK	IQAN-LSL-E1
5	6	0612413	CAP SCREW	1/4-20 UNC x 1/2" S/S
6	6	0911215	SPRING LOCK WASHER	1/4" (STAINLESS)
7	2	0725521	HEX SOCKET CAP SCREW	10-32 UNF x 3/4" (STAINLESS)
8	2	0817229	HEX NYLON NUT	#10-32UNF (STAINLESS)
9	1	8183130	BOX	-
10	1	2514007	EMERGENCY BUTTON	SC1-100
11	2	0771670	MACHINE SCREW HEX SOCKET	1/4-20UNC X 3/4" INOX
12	2	0821129	HEX NYLON NUT	1/4-20UNC (STAINLESS)

1.6. Electric box

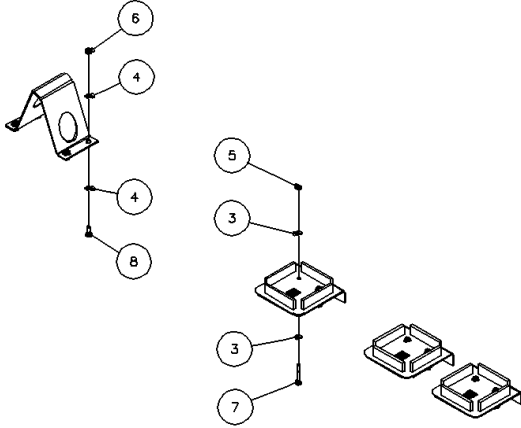
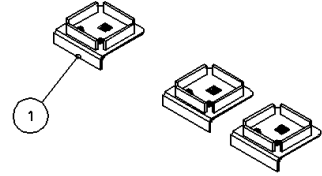
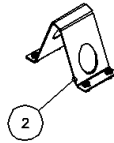


**NRC: 8680013**

Item	Qty	NRC code	Name	Description
1	1	8183154	ELECTRIC BOX	41" x 12" x 9 3/4"
2	1	8183155	COVER	41 1/2" x 10 1/4" x 1 1/8"
3	2	8183184	SPACER	2 5/16" x 5/8" x 1/8"
4	4	0911205	FLAT WASHER	1/4" (STAINLESS)
5	4	0911215	SPRING LOCK WASHER	1/4" (STAINLESS)
6	4	0612423	CAP SCREW	1/4-20UNC x 3/4" (STAINLESS)
7	2	0520003	HINGE	55mm DE LONG
8	4	0612433	CAP SCREW	1/4-20UNC x 1" (STAINLESS)
9	4	0821129	HEX NYLON NUT	1/4-20UNC (STAINLESS)
10	1	8181586	COVER S/S	40 13/16" x 9 9/16" x 18G.

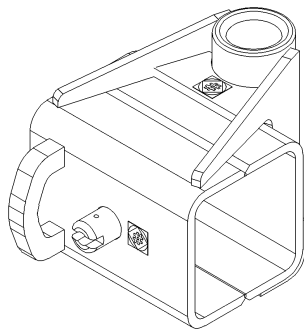
1.7. Axle-lift Adaptor Support

**NRC: 8619108**



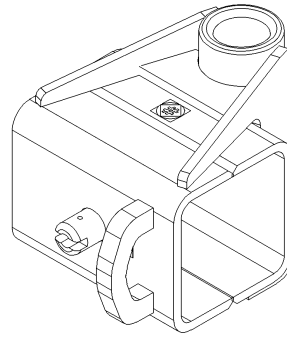
Item	Qty	NRC code	Name	Description
1	6	8242062	FORK HOLDER	-
2	2	8101731	FORK HOLDER	-
3	24	0911201	FLAT WASHER	1/4"
4	16	0911301	FLAT WASHER	5/16"
5	12	0821121	HEX NYLON NUT	1/4-20 UNC
6	8	0822121	HEX NYLON NUT	5/16-18 UNC
7	12	0612471	CAP SCREW	1/4-20 UNC x 2"
8	8	0612721	CAP SCREW	5/16-18 UNC x 3/4"

**1.8. Standard Adaptor**



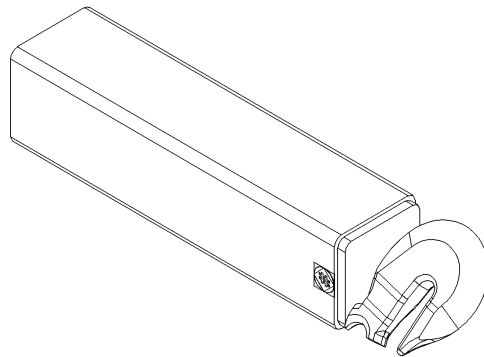
**NRC: 8242015**

Right swivel



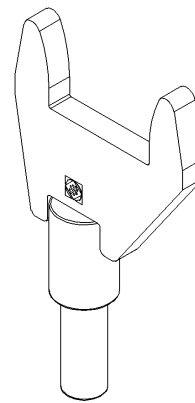
**NRC: 8242016**

Left swivel



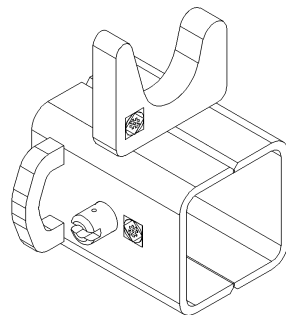
**NRC: 8242018**

Tow bar (2)



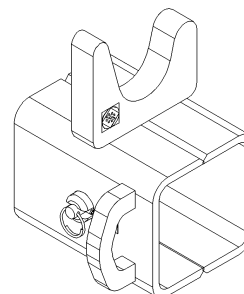
**NRC: 8242019**

Back axle (2)



**NRC 8242020**

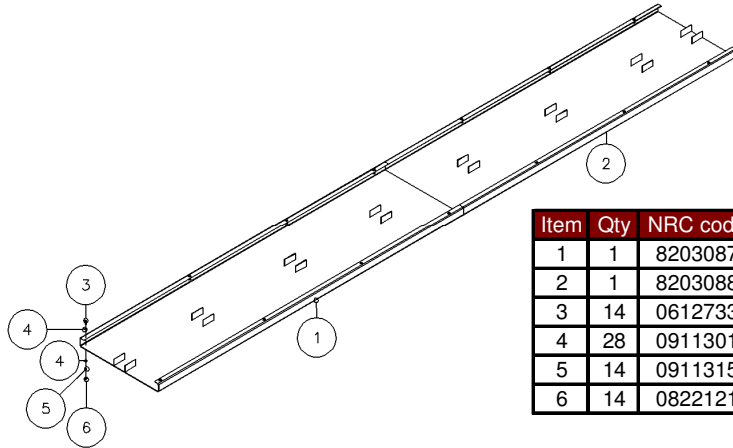
Right standard



**NRC 8242021**

Left standard

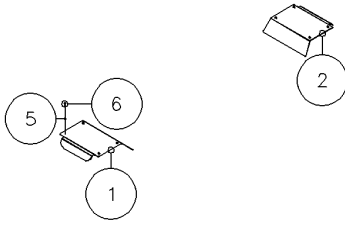
**1.9. Gutter assembly**



**NRC: 8619114**

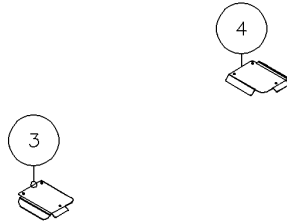
Item	Qty	NRC code	Name	Description
1	1	8203087	FRONT TUB	-
2	1	8203088	REAR TUB	-
3	14	0612733	CAP SCREW	5/16-18UNC x 1" (S/S)
4	28	0911301	FLAT WASHER	5/16"
5	14	0911315	SPRING LOCK WASHER	5/16" S/S
6	14	0822121	HEX NYLON NUT	5/16-18UNC

**1.10. Leg cover**

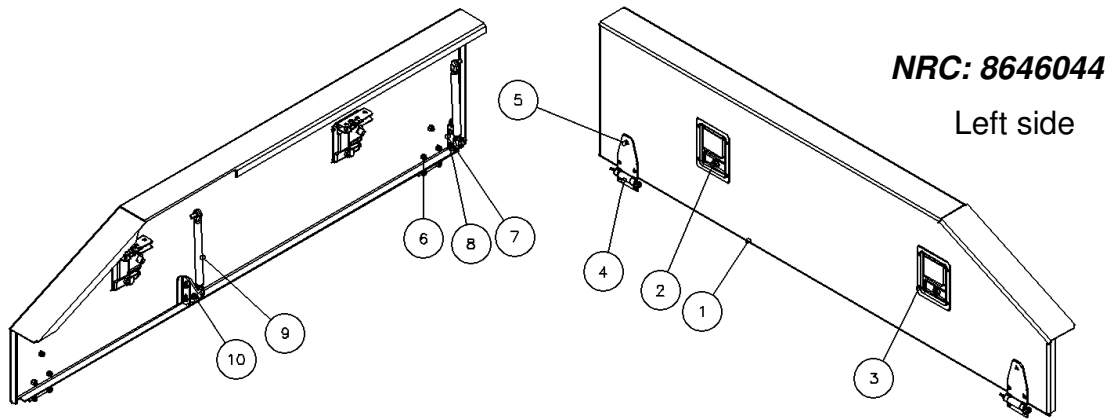


Item	Qty	NRC code	Name	Description
1	1	8183162	REAR LEFT LEG COVER	-
2	1	8183163	REAR RIGHT LEG COVER	-
3	1	8183164	FRONT LEFT LEG COVER	-
4	1	8183165	FRONT RIGHT LEG COVER	-
5	14	0911211	SPRING LOCK WASHER	1/4"
6	14	0771670	MACHINE SCREW HEX SOCKET	1/4-20UNC X 3/4" INOX

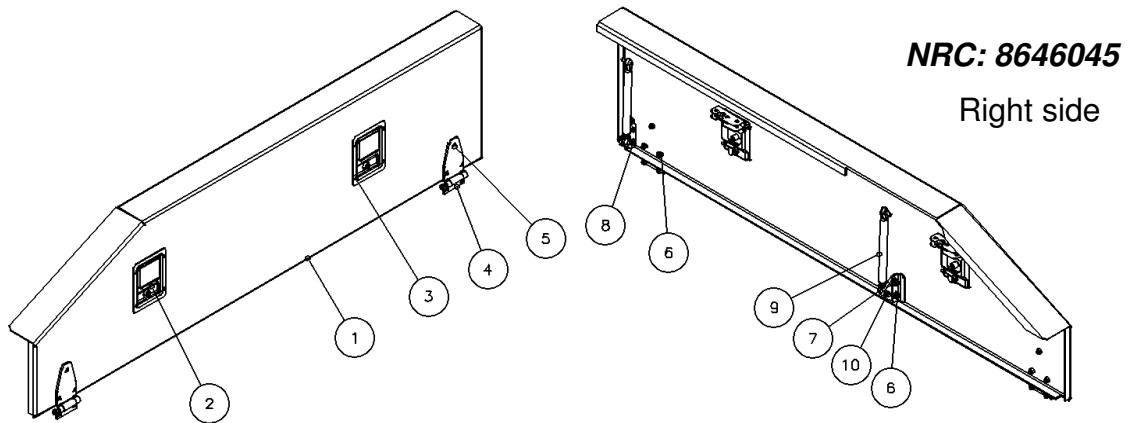
**NRC: 8631019**



1.11. Rear doors

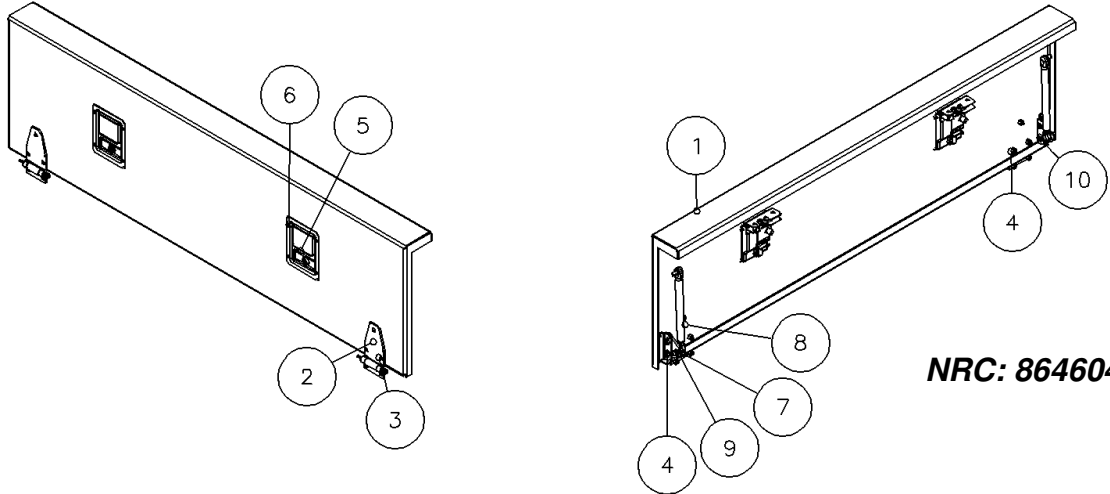


Item	Qty by door	NRC code	Name	Description
1	1	8207076	BACK DOOR	-
2	2	522107	DOOR LACTH	-
3	8	0503202-01	POP RIVET	3/16"DIA X .17 GRIP
4	2	520004	HINGE	-
5	10	771670	MACHINE SCREW HEX SOCKET	1/4-20UNC X 3/4" INOX
6	14	821129	HEX NYLON NUT	1/4-20UNC (STAINLESS)
7	2	8183041	GAZ CYLINDER ANCHOR	2 3/4" X 2 1/16" X 1/4"
8	4	612423	CAP SCREW	1/4-20UNC x 3/4" (STAINLESS)
9	2	8690053	GAZ CYLINDER ASSEMBLY	9 11/16" x 1 3/16" x 3/4"
10	2	822172	CAP NUT	5/16-18UNC



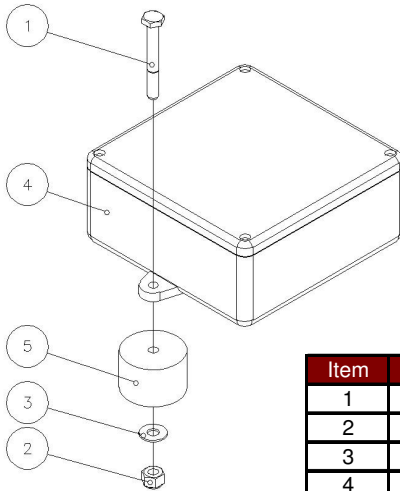


1.12. Center doors



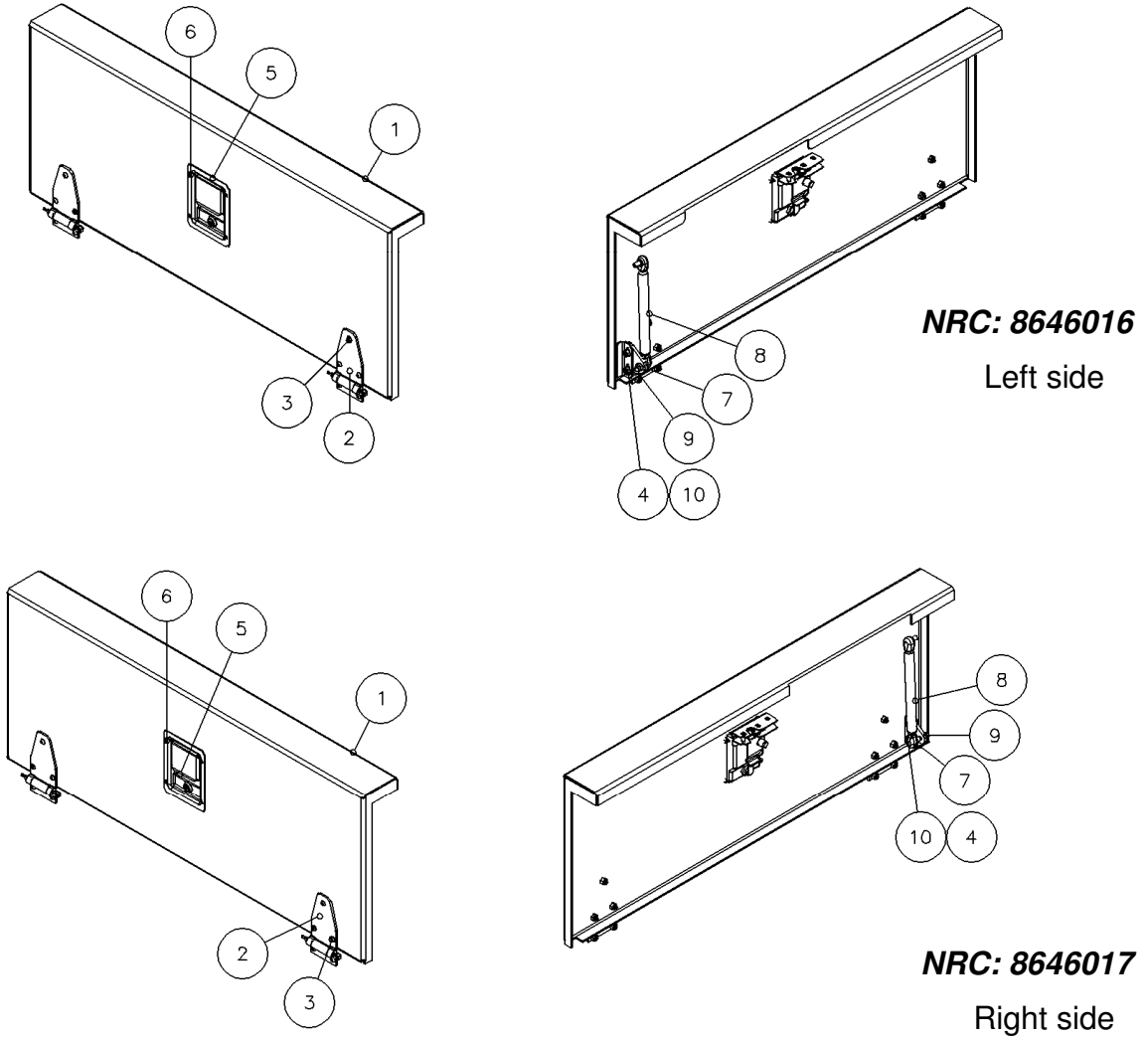
Item	Qty	NRC code	Name	Description
1	1	8207075	LATERAL DOOR	-
2	2	520004	HINGE	-
3	10	771670	MACHINE SCREW HEX SOCKET	1/4-20UNC X 3/4" INOX
4	14	821129	HEX NYLON NUT	1/4-20UNC (STAINLESS)
5	2	522107	DOOR LACTH	TYPE PALETTE
6	8	0503202-01	POP RIVET	3/16"DIA X .17 GRIP
7	2	8183041	GAZ CYLINDER ANCHOR	2 3/4" X 2 1/16" X 1/4"
8	2	8690053	GAZ CYLINDER ASSEMBLY	9 11/16" x 1 3/16" x 3/4"
9	2	822172	CAP NUT	5/16-18UNC
10	4	612423	CAP SCREW	1/4-20UNC x 3/4" (STAINLESS)

1.13. Level box



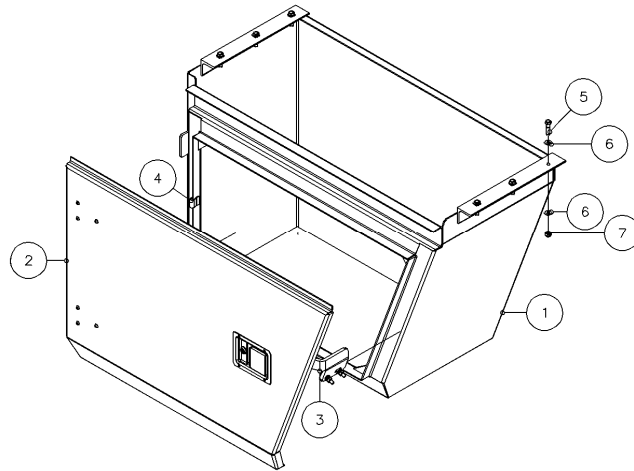
Item	Qty	NRC code	Name	Description
1	2	0612473	CAP SCREW	1/4-20UNC x 2" S/S
2	2	0821129	HEX NYLON NUT	1/4-20UNC (STAINLESS)
3	2	0911205	FLAT WASHER	1/4" (STAINLESS)
4	1	2581004	JUNCTION BOX	-

1.14. *Front doors*



Item	Qty	NRC code	Name	Description
1	1	8207058	FRONT DOOR	-
2	2	520004	HINGE	-
3	10	771670	MACHINE SCREW HEX SOCKET	1/4-20UNC X 3/4" INOX
4	12	821129	HEX NYLON NUT	1/4-20UNC (STAINLESS)
5	1	522107	DOOR LACTH	-
6	4	0503202-01	POP RIVET	%%C3/16" X .17 GRIP
7	1	8183041	GAZ CYLINDER ANCHOR	2 3/4" X 2 1/16" X 1/4"
8	1	8690053	GAZ CYLINDER ASSEMBLY	9 11/16" x 1 3/16" x 3/4"
9	1	822172	CAP NUT	5/16-18UNC
10	2	612423	CAP SCREW	1/4-20UNC x 3/4" (STAINLESS)

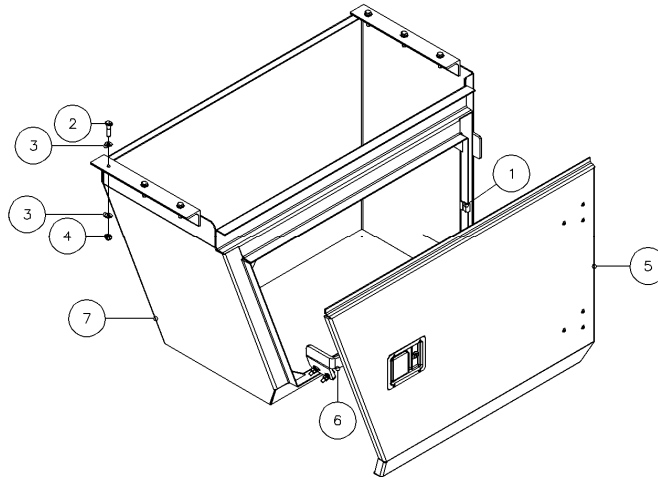
1.15. Side Tool Boxes



**NRC: 8648005**

Left side

Item	Qty	NRC code	Name	Description
1	1	8205115	LEFT SIDE TOOL BOX	-
2	1	8646027	LEFT SIDE TOOL BOX DOOR	-
3	1	8646029	DOOR LATCH	-
4	1	0514509-01	DOOR SEAL	-
5	6	0613053	HEX SCREW	3/8-16UNC x 1 1/2" (STAINLESS)
6	12	0911405	FLAT WASHER	3/8" (STAINLESS)
7	6	0823129	HEX NYLON NUT	3/8-16UNC (STAINLESS)

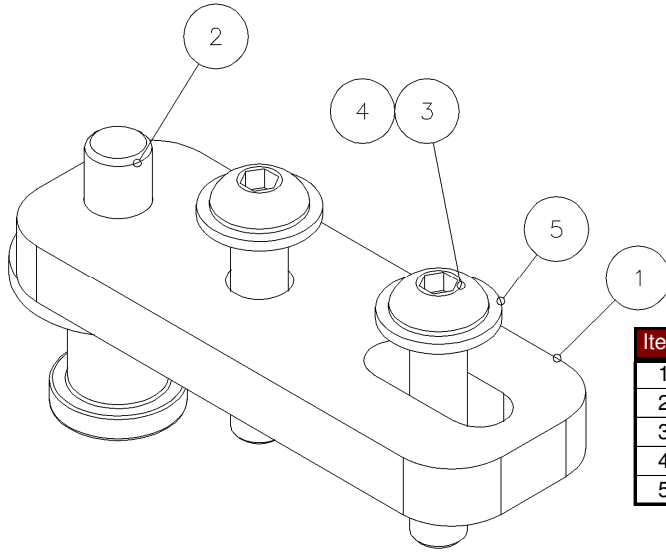


**NRC: 8648006**

Right side

Item	Qty	NRC code	Name	Description
1	1	0514509-01	DOOR SEAL	-
2	6	0613053	HEX SCREW	3/8-16UNC x 1 1/2" (STAINLESS)
3	12	0911405	FLAT WASHER	3/8" (STAINLESS)
4	6	0823129	HEX NYLON NU	3/8-16UNC (STAINLESS)
5	1	8646030	RIGHT SIDE TOOL BOX DOOR	-
6	1	8646028	DOOR LATCH	-
7	1	8205116	RIGHT SIDE TOOL BOX	-

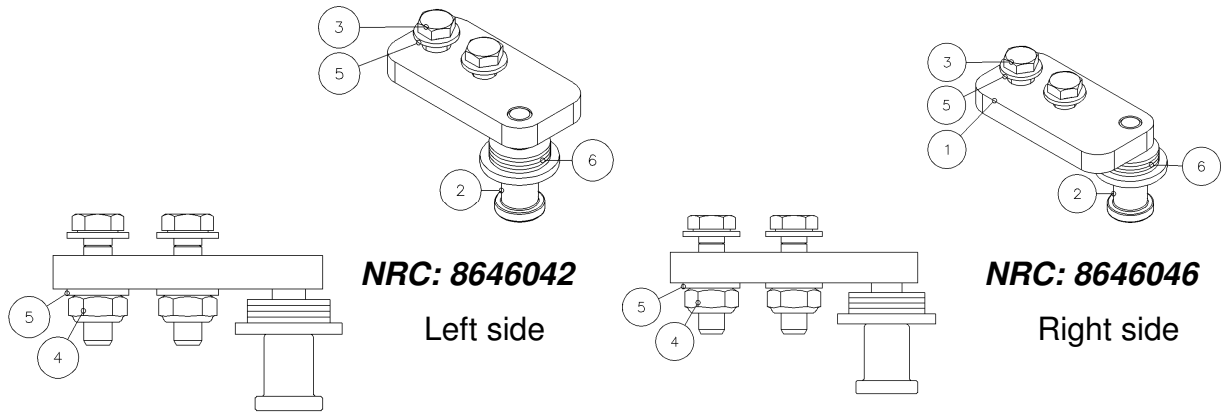
**1.16. Striker Assembly**



**NRC: 8646026**

Item	Qty	NRC code	Name	Description
1	1	8101732	ANCHOR	-
2	1	0522203	STRIKER ASS'Y	7/16-14 UNC
3	2	0692753	BUTTON HEAD	5/16-18 UNC x 1 1/2" S/S
4	2	0822129	HEX NYLON NUT	5/16-18 UNC S/S
5	4	0911305	FLAT WASHER	5/16" S/S

**1.17. Rear Strikers**



**NRC: 8646042**

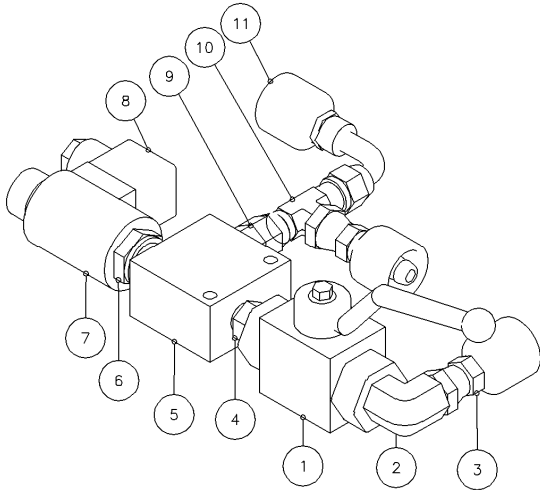
Left side

**NRC: 8646046**

Right side

Item	Qty	NRC code	Name	Description
1	1	8101815	STRIKER ANCHOR	-
2	1	522203	STRIKER	-
3	2	612743	CAP SCREW	5/16-18UNC x 1 1/4" (STAINLESS)
4	2	822129	HEX NYLON NUT	5/16-18UNC S/S
5	4	911305	FLAT WASHER	5/16" S/S
6	4	911503	FLAT WASHER	7/16"

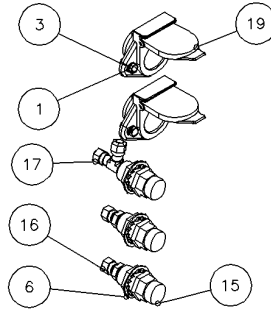
**1.18. Emergency Pump Signal Ball valve assembly**



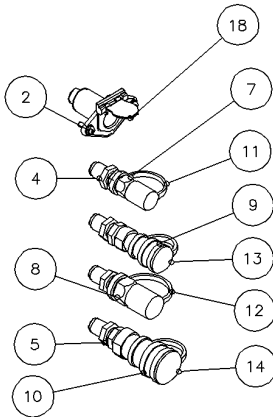
**NRC: 8682020**

Item	Qty	NRC code	Name	Description
1	1	1928405	BALL VALVE	3/8" NPT
2	1	1821522	HYD ADAPTER 90°	RHC-N6-J6
3	2	1730610	HYD FITTING	DROIT 6G-6FJX
4	1	1834409	HYD ADAPTER STRAIGHT	RHD-S6-N6
5	1	3460420	SOLENOID VALVE	2" x 2" x 1 3/16"
6	1	3460709	CONNECTOR	1 3/32" x 15/16" x 4 1/32"
7	1	3512007	12V SOLENOID	1 7/16" x 2" x 2 3/32"
8	1	2543811	SOLÉNOID CONNECTOR	1 3/32" x 2 1/16" x 1 1/32"
9	1	1834118	HYD ADAPTER STRAIGHT	RHD-S6-J6
10	1	1852406	HYD ADAPTER TEE	RHT-J6-J6-JFT6
11	1	1730613	HYD FITTING	6G-6FJX90S

**1.19. Hydraulic & Pneumatic Couplings**

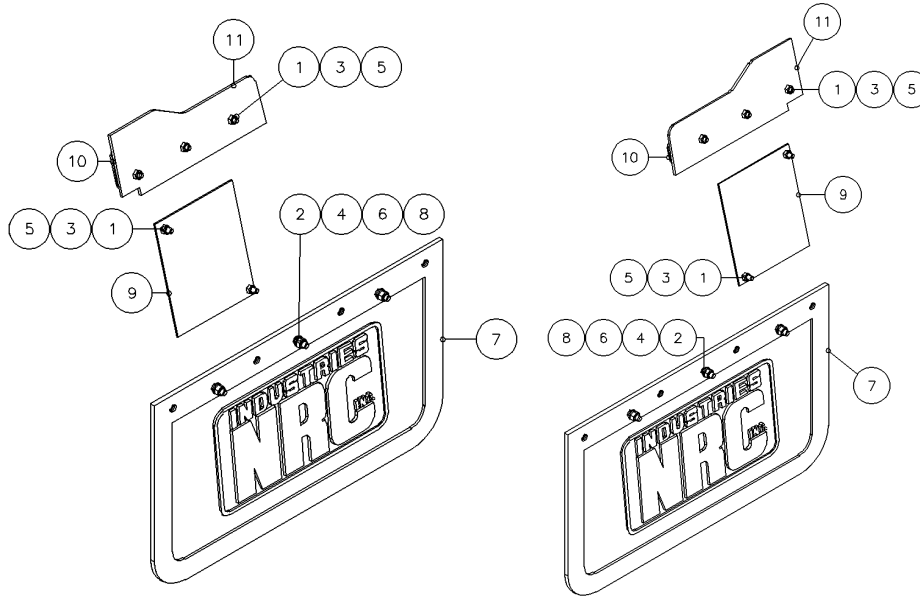


**NRC: 8682005**



Item	Qty	NRC code	Name	Description
1	4	0612423	CAP SCREW	1/4-20 UNC x 3/4" S/S
2	2	0771670	SCREW HEX SOCKET	1/4-20 UNC x 3/4" S/S
3	6	0911215	SPRING LOCK WASHER	1/4" S/S
4	2	1831608	HYD ADAPTER STRAIGHT	-
5	2	1831609	HYD ADAPTER STRAIGHT	-
6	3	1929001	TERMINAL BOLT	-
7	1	1941006	MALE COUPLING	3/8"
8	1	1941008	MALE COUPLING	1/2"
9	1	1941106	FEMALE COUPLING	3/8"
10	1	1941108	FEMALE COUPLING	1/2"
11	1	1941706	COUPLING CAP	3/8" MALE
12	1	1941708	COUPLING CAP	1/2" MALE
13	1	1941806	COUPLING CAP	3/8" FEMALE
14	1	1941808	COUPLING CAP	1/2" FEMALE
15	3	2211508	PNEUMATIC PLUG	-
16	2	2231522	PNEUMATIC ADAPTER STRAIGHT	-
17	1	2251414	PNEUMATIC ADAPTER "T"	-
18	1	2540002	ELECTRIC SOCKET	-
19	2	2540004	ELECTRIC SOCKET	-

1.20. *Mud Flap and Covers*

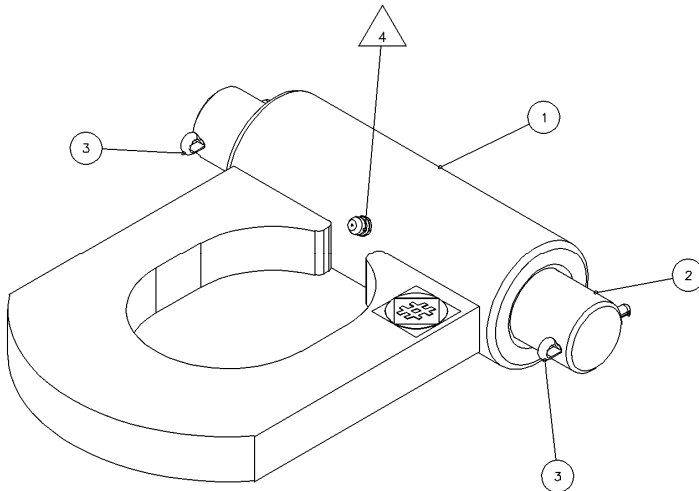


**NRC: 8690047** (Left side)

**NRC: 8690046** (Right side)

Item	Qty	NRC code	Name	Description
1	5	0612731	CAP SCREW	5/16-18UNC x 1"
2	3	0613051	CAP SCREW	3/8-16UNC x 1 1/2"
3	5	0822111	HEX NUT	5/16-18UNC
4	3	0823111	HEX NUT	3/8-16UNC
5	5	0911301	FLAT WASHER	5/16"
6	3	0911411	SPRING LOCK WASHER	3/8"
7	1	1312001-92	MUD FLAP	-
7	1	1312001-91	MUD FLAP	-
8	1	8101270	MUD FLAP PLATE	-
9	1	8103058	DOOR	-
10	1	8103419	WING PLATE	-
11	1	8187008	MUD FLAP	-

1.21. *D-ring / Shackle*



**NRC: 8690057**

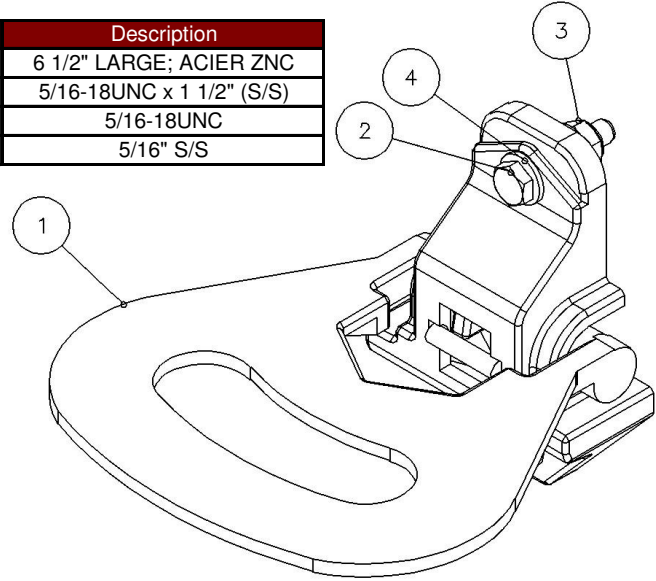
**NOTE: Triangle balloons show greasing point.**

Item	Qty	NRC code	Name	Description
1	1	8254003	ANCHOR HAND	SHORT
2	1	8133204	ANCHOR HAND PIN	-
3	2	0541142	COTTER PIN	3/16"DIA x 1 1/2"
4	1	1931203	ZERT	STRAIGHT 3/16" PRESS-FIT

1.22. Rear step

Item	Qty	NRC code	Name	Description
1	1	0522802	STEP HANDLE	6 1/2" LARGE; ACIER ZNC
2	2	0612753	CAP SCREW	5/16-18UNC x 1 1/2" (S/S)
3	2	0822121	HEX NYLON NUT	5/16-18UNC
4	4	0911305	FLAT WASHER	5/16" S/S

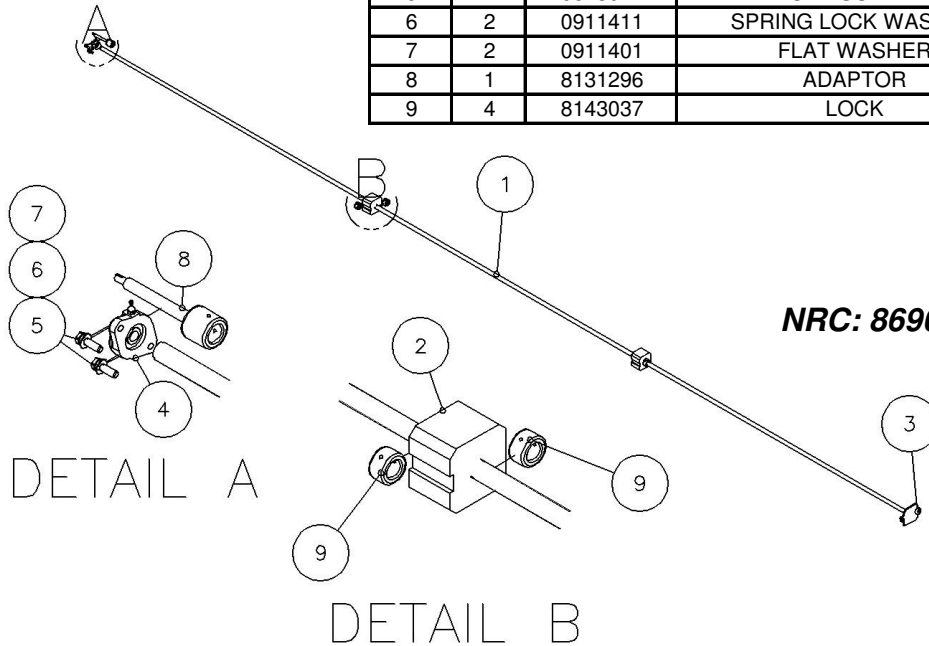
**NRC: 8690031**



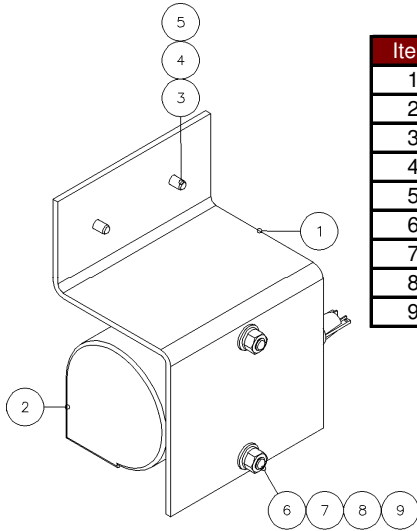
1.23. Anti-twist Mechanism

Item	Qty	NRC code	Name	Description
1	1	8273014	ANTI-TWIST MECHANISM	-
2	2	8185103	SUPPORT	-
3	2	0633033	HEX SOCKET CTSK CAP SCREW	3/8-16UNC X 1"
4	1	1466001	PILLOW BLOCK	5/8" DIA
5	2	0613041	CAP SCREW	3/8-16UNC x1 1/4"
6	2	0911411	SPRING LOCK WASHER	3/8"
7	2	0911401	FLAT WASHER	3/8"
8	1	8131296	ADAPTOR	1 3/4"DIA x 7"
9	4	8143037	LOCK	1" x 1 3/4" x 1"

**NRC: 8690034**



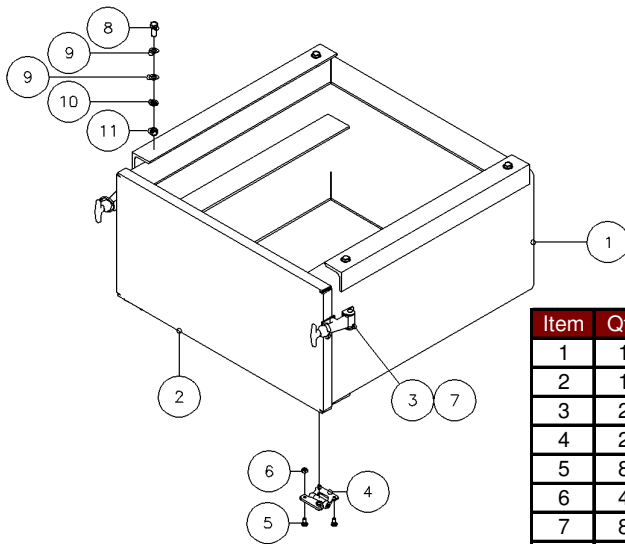
**1.24. Slide position sensor support assembly**



Item	Qty	NRC code	Name	Description
1	1	8183099	SUPPORT	-
2	1	2511012	CABLE SENSOR	-
3	2	0911405	FLAT WASHER	3/8" (STAINLESS)
4	2	0911415	SPRING LOCK WASHER	3/8" (S/S)
5	2	0613033	CAP SCREW	3/8-16UNC x 1" (S/S)
6	2	0911601	FLAT WASHER	1/2"
7	2	0911611	SPRING LOCK WASHER	1/2"
8	2	0825111	HEX NUT	1/2-13UNC
9	2	0613701	CAP SCREW	1/2-13UNC X 3"

**NRC: 8619050**

**1.25. Pad Box**

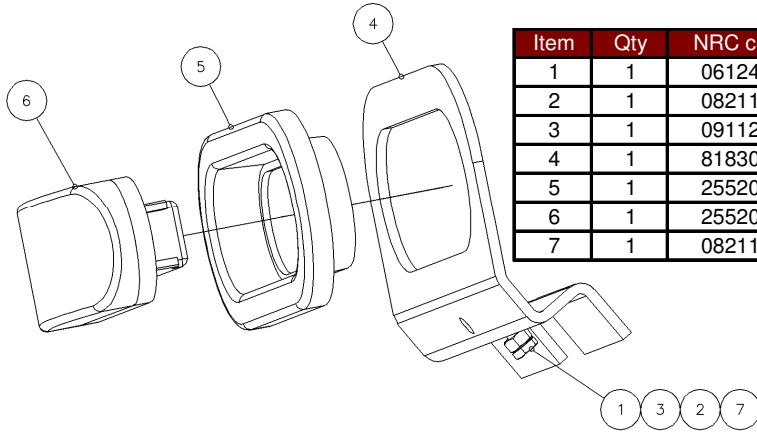


**NRC: 8666001**

Item	Qty	NRC code	Name	Description
1	1	8257011	PAD BOX	-
2	1	8183160	COVER	-
3	2	0522001	STRAP	-
4	2	0520003	HINGE	55mm
5	8	0612411	CAP SCREW	1/4-20 UNC x 1/2"
6	4	0821121	HEX NYLON NUT	1/4-20UNC
7	8	0503203	POP RIVET	1/8"DIA
8	4	0613031	CAP SCREW	3/8-16UNC x 1"
9	8	0911401	FLAT WASHER	3/8"
10	4	0911411	SPRING LOCK WASHER	3/8"
11	4	0823129	HEX NYLON NUT	3/8-16UNC (STAINLESS)



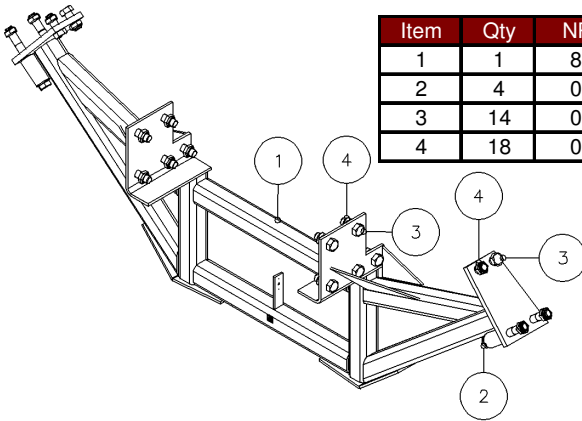
1.26. *Light support assembly (for tool box)*



Item	Qty	NRC code	Name	Description
1	1	0612433	CAP SCREW	1/4-20 UNC x 1" S/S
2	1	0821129	HEX NYLON NUT	1/4-20 UNC S/S
3	1	0911205	FLAT WASHER	1/4" S/S
4	1	8183024	ANCHOR	-
5	1	2552018	OVAL LIGHT GROMMET	-
6	1	2552006	BACK-UP LIGHT	-
7	1	0821111	HEX NUT	1/4-20 UNC

**NRC: 8619030**

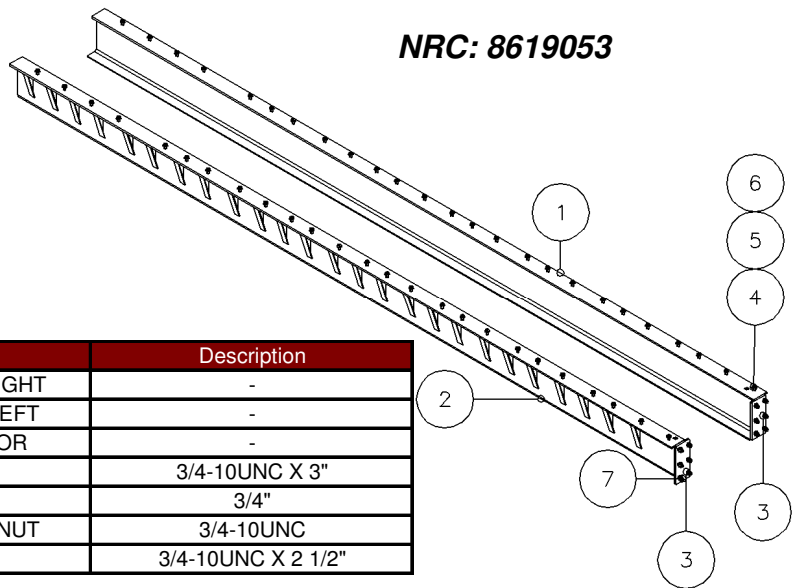
1.27. *Leg reinforcement*



Item	Qty	NRC code	Name	Description
1	1	8236055	LEG REINFORCEMENT	-
2	4	0615301	CAP SCREW	1-8UNC X 8 1/2"
3	14	0615152	CAP SCREW	1-8UNC X 2 1/2"
4	18	0830121	HEX NYLON NUT	1-8UNC

**NRC: 8619054**

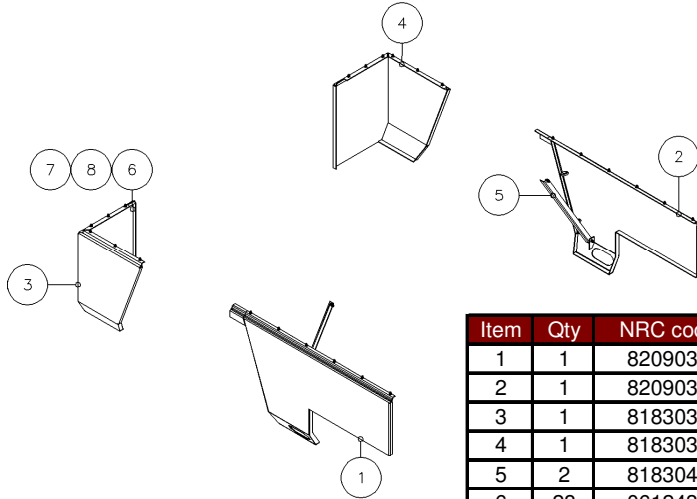
1.28. *Mounting plate*



**NRC: 8619053**

Item	Qty	NRC code	Name	Description
1	1	8259003	MOUNTING PLATE RIGHT	-
2	1	8259004	MOUNTING PLATE LEFT	-
3	2	8117043	END FRAME ANCHOR	-
4	50	0614591	CAP SCREW	3/4-10UNC X 3"
5	50	0911901	FLAT WASHER	3/4"
6	62	0828141	FLANGE HEX LOCK NUT	3/4-10UNC
7	12	0614572	CAP SCREW	3/4-10UNC X 2 1/2"

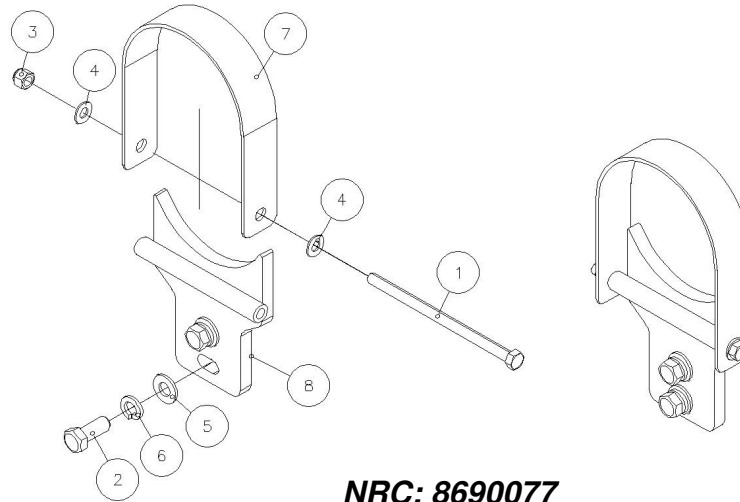
**1.29. Fenders and support assembly**



**NRC: 8619039**

Item	Qty	NRC code	Name	Description
1	1	8209034	SIDE FENDER	LEFT
2	1	8209035	SIDE FENDER	RIGHT
3	1	8183030	FRONT FENDER	LEFT
4	1	8183031	FRONT FENDER	RIGHT
5	2	8183045	FENDER STIFFNER	-
6	28	0612433	CAP SCREW	1/4-20UNC x 1" (STAINLESS)
7	56	0911205	FLAT WASHER	1/4" (STAINLESS)
8	28	0821129	HEX NYLON NUT	1/4-20UNC (STAINLESS)

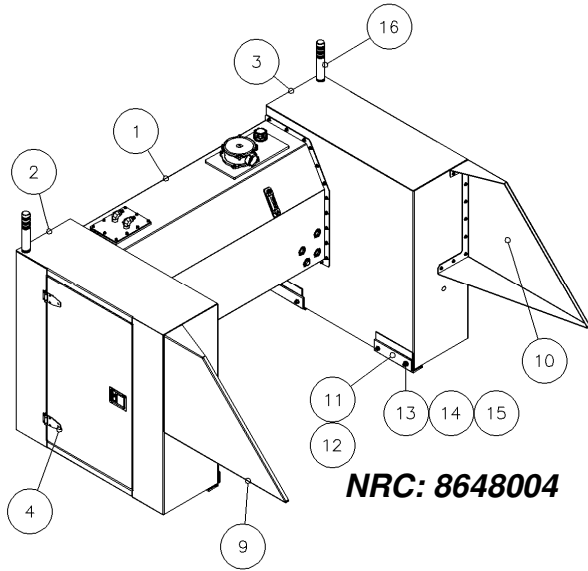
**1.30. Sliding Cylinder Support**



**NRC: 8690077**

Item	Qty	NRC code	Name	Description
1	1	0613201	HEXAGONAL BOLT	3/8-16UNC x 6 1/2"
2	2	0613631	HEX CAP SCREW	1/2-13UNC X 1 1/4"
3	1	0823121	HEX NYLON NUT	3/8-16UNC
4	2	0911401	FLAT WASHER	3/8"
5	2	0911601	FLAT WASHER	1/2"
6	2	0911611	SPRING LOCK WASHER	1/2"
7	1	8101166	SLIDING CYLINDER COLLAR	5 5/8" x 7" x 1 1/2"
8	1	8203097	CYLINDER BRACKET	-

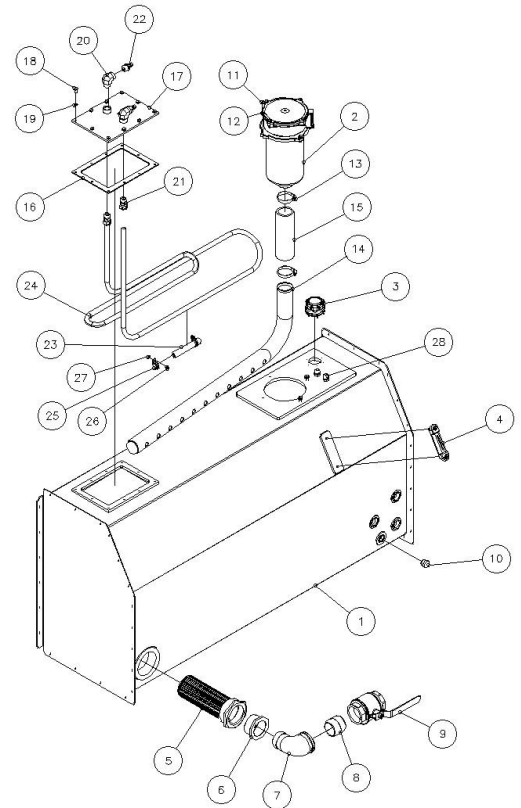
**Front Tool Box and Oil Reservoir Assembly**



Item	Qty	NRC code	Name	Description
1	1	8685010	OIL RESERVOIR	-
2	1	8205111	LEFT TOOL BOX	-
3	1	8205112	RIGHT TOOL BOX	-
4	1	8646073	TOOL BOX DOOR (LEFT)	-
5	1	8646074	TOOL BOX DOOR (RIGHT)	-
6	120	0911405	FLAT WASHER	3/8" (STAINLESS)
7	60	0823121	HEX NYLON NUT	3/8-16UNC
8	60	0613033	CAP SCREW	3/8-16UNC x 1" (S/S)
9	1	8183091	LEFT PANEL	-
10	1	8183092	RIGHT PANEL	-
11	8	8185116	TOOL BOX SHIM	-
12	8	8185117	TOOL BOX SHIM	-
13	16	0613663	CAP SCREW	1/2-13UNC X 2"
14	16	0825129	HEX NYLON NUT	1/2-13UNC
15	32	0911605	FLAT WASHER	1/2"
16	2	2552061	LIGHTS BAR INDICATOR	1 31/32 DIA x 10 17/32"

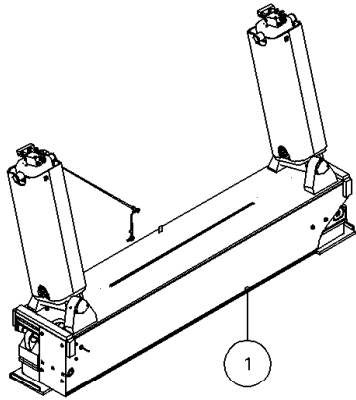
**1.31. Oil Reservoir**

Item	Qty	NRC code	Name	Description
1	1	8247017	OIL TANK	-
2	1	3480002	OIL FILTER	-
3	1	1923103-91	PRESSURE FILLER BREATHER CAP	-
4	1	1923501	OIL LEVEL INDICATOR	LVA-2-T-A
5	1	1923248	FRINGE	-
6	1	1632481	WATER HEX REDUCER	RED-M48-F40
7	1	1622400	WATER ELBOW 90D	REC-M40-F40
8	1	1630400	EXTERNAL PIPE NIPPLE	RED-M40-CLO
9	1	1928400	VALVE	2 1/2"
10	1	1811112	HYD PLUG	RHB-N12
11	4	0613031	CAP SCREW	3/8-16UNC x 1"
12	4	0911411	SPRING LOCK WASHER	3/8"
13	2	0511012	CLAMPING RING	-
14	1	8268007	OIL DIFFUSER	-
15	1	1714000-01	-	-
16	1	1262001	GASKET	-
17	1	8247016	OIL HEATER CAP	-
18	10	0612721	CAP SCREW	5/16-18UNC x 3/4"
19	10	0911311	SPRING LOCK WASHER	5/16"
20	2	1821226	HYD ADAPTER 90D	RHC-N12-NF12
21	2	2031572	PIPE ADAPTER STRAIGHT	RTD-N12-T12
22	2	2121026	HOSE FITTING	DROIT-12-12N
23	1	8187009	RUBBER COLLAR	6" X 1" DIA. X 1/8"
24	1	8149064	OIL HEATER PIPE	-
25	2	0511412	WIRE & TUBE CLIP	-
26	2	0612411	CAP SCREW	1/4-20 UNC x 1/2"
27	2	0821111	HEX NUT	1/4-20UNC
28	2	1831116	HYD ADAPTER STRAIGHT	RHD-N8-N8



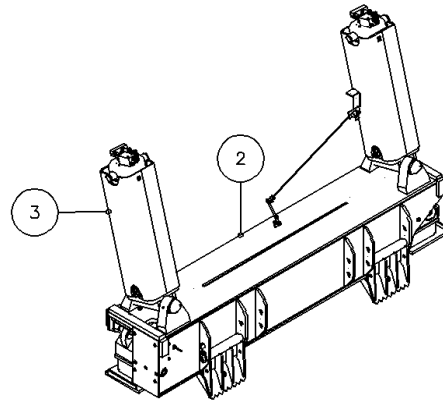
**NRC: 8685010**

## 2. Outriggers assemblies



**NRC: 8630015**

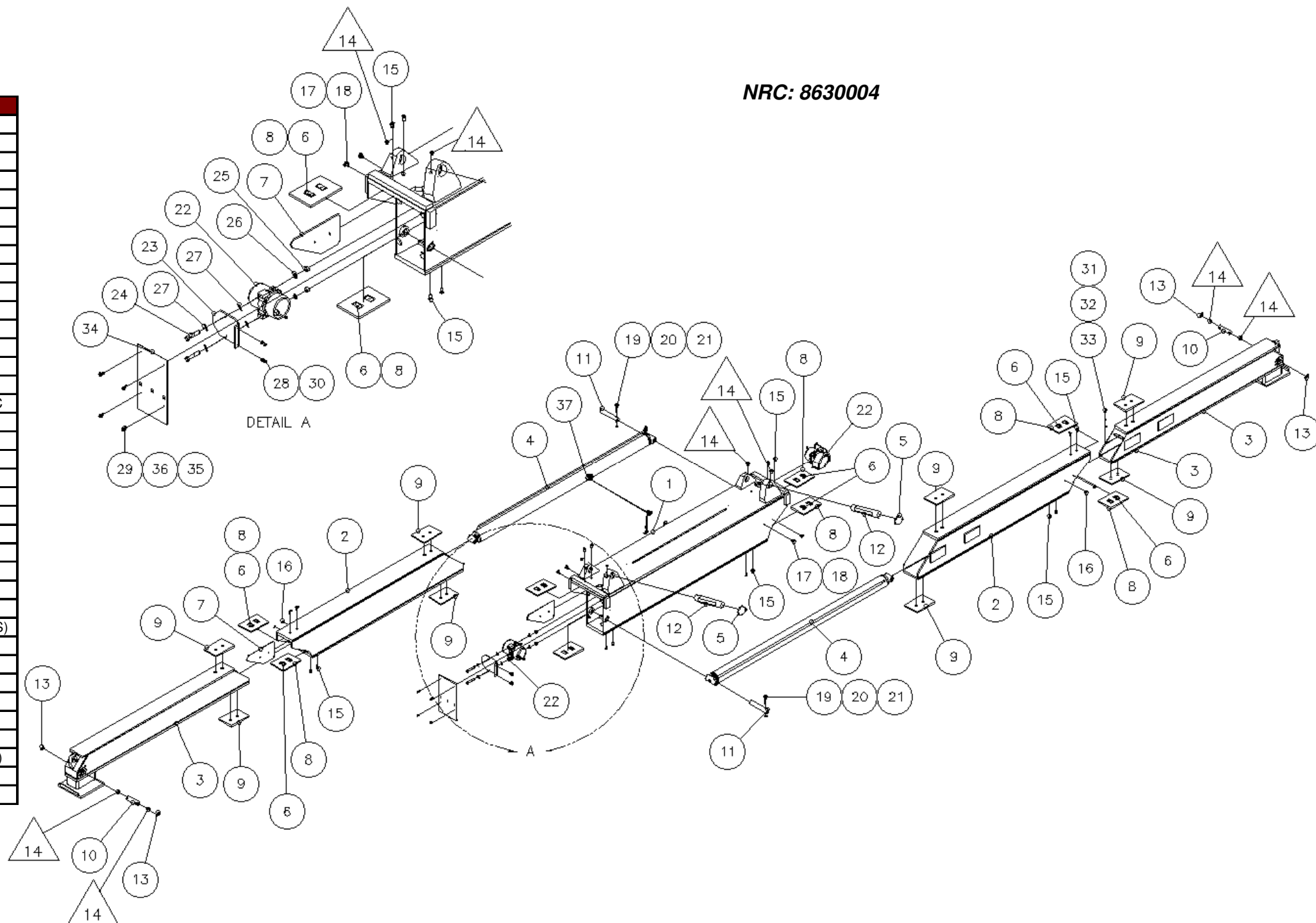
Item	Qty	NRC code	Name
1	1	8630004	FRONT OUTRIGGER
2	1	8630003	REAR OUTRIGGER
3	4	8631002	JACK LEG ASSEMBLY



2.1. Front outrigger assembly

Item	Qty	NRC code	Name	Description
1	1	8235011	OUTRIGGER BIG STRUCTURE	-
2	2	8235012	OUTRIGGER MEDIUM STRUCTURE	-
3	2	8235013	OUTRIGGER SMALL STRUCTURE	-
4	2	8695073	OUTRIGGER CYLINDER	-
5	2	8113053	ROD CAP	-
6	16	8101231	SLIDING PAD	-
7	4	8101251	SPACER	-
8	8	8185050	SLIDING PAD	-
9	8	8185051	SLIDING PAD	-
10	2	8133073	PIN	1 1/2"DIA x 5 3/4"
11	2	8133200	PIN	1 1/2"DIA x 8 7/8"
12	2	8133201	PIN	2 1/2"DIA x 14 5/8"
13	4	553150	INTERIOR SNAP RING	1 1/2" DIA
14	8	1931203	ZERT	-
15	16	633630	HEX SOCKET CAP SCREW	1/2-13UNC X 1 1/4"
16	4	0633610-002	HEX SOCKET CAP SCREW	1/2-13UNC X 5/8" MODIFIÉ NRC
17	4	613611	CAP SCREW	1/2-13UNC x 3/4"
18	4	911611	SPRING LOCK WASHER	1/2"
19	2	613111	CAP SCREW	3/8-16UNC x 3"
20	2	823111	HEX NUT	3/8-16UNC
21	2	911411	SPRING LOCK WASHER	3/8"
22	2	2511003	LINEAR ENCODER	100"
23	2	8183046	ENCODER ANCHOR	-
24	4	614321	CAP SCREW	5/8-11UNC X 3 1/2"
25	4	827111	HEX NUT	5/8-11UNC
26	4	911811	SPRING LOCK WASHER	5/8"
27	8	911801	FLAT WASHER	5/8"
28	4	612743	CAP SCREW	5/16-18UNC x 1 1/4" (STAINLESS)
29	12	911315	SPRING LOCK WASHER	5/16" S/S
30	4	822112	HEX NUT	5/16-18UNC
31	2	770489	CAP SCREW	#10-24UNC X 5/8"
32	2	911005	FLAT WASHER	#10 (STAINLESS)
33	2	817121	HEX NYLON NUT	#10-24UNC
34	2	8181479	OUTRIGGER CAP	-
35	8	612723	CAP SCREW	5/16-18UNC x 3/4" (STAINLESS)
36	8	911305	FLAT WASHER	5/16" S/S
37	1	8690043	HEIGHT INDICATOR	-

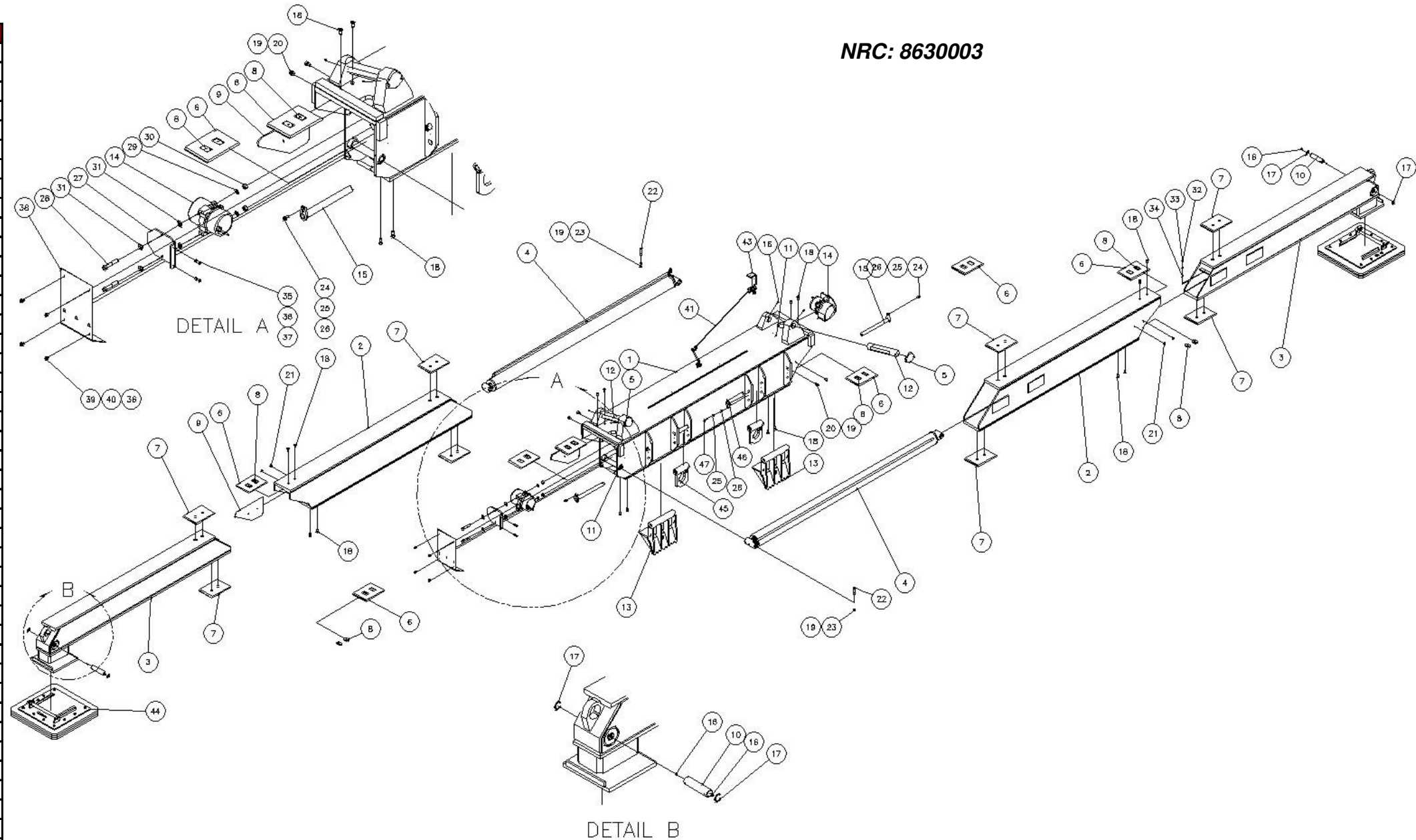
NRC: 8630004



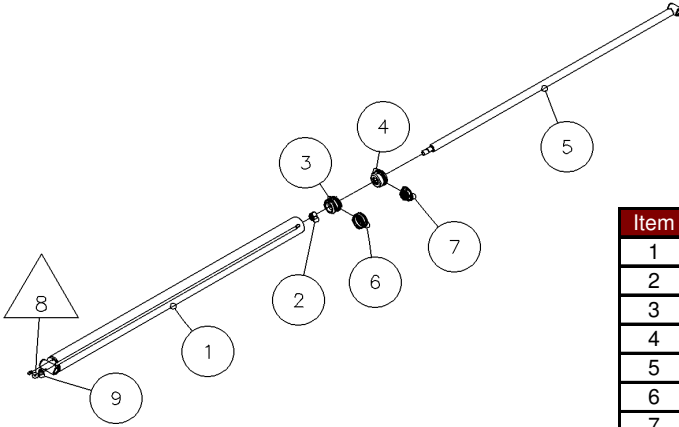
2.2. Rear outrigger assembly

Item	Qty	NRC code	Name	Description
1	1	8235010	OUTRIGGER STRUCTURE (BACK)	-
2	2	8235012	OUTRIGGER STRUCTURE	-
3	2	8235013	OUTRIGGER STRUCTURE	-
4	2	8695073	OUTRIGGER CYLINDER	-
5	2	8113053	ROD CAP	-
6	8	8185050	SLIDING PAD	-
7	8	8185051	SLIDING PAD	-
8	16	8101231	SLIDING PAD ANCHOR	-
9	4	8101251	OUTRIGGER SPACER	-
10	2	8133073	PIN	-
11	2	8133200	PIN	-
12	2	8133201	PIN	-
13	2	8244012	SPADES	-
14	2	2511003	CABLE SENSOR	100"
15	2	8270011	SPADES PIN	-
16	8	1931203	ZERT	STRAIGHT 3/16 PRESS-FIT
17	4	553150	INTERNAL SNAP RING	1 1/2" DIA
18	16	633630	HEX SOCKET CTSK CAP SCREW	1/2-13UNC X 1 1/4"
19	6	911611	SPRING LOCK WASHER	1/2"
20	4	613611	CAP SCREW	1/2-13UNC x 3/4"
21	4	633610-00	HEX SOCKET CAP SCREW	1/2-13UNC X 5/8" MODIFIÉ NRC
22	2	613111	CAP SCREW	3/8-16UNC x 3"
23	2	823111	HEX NUT	3/8-16UNC
24	2	613031	CAP SCREW	3/8-16UNC x 1"
25	4	911411	SPRING LOCK WASHER	3/8"
26	4	911401	FLAT WASHER	3/8"
27	2	8183046	SENSOR ANCHOR	9" x 6 3/8" x 1/4"
28	4	614321	CAP SCREW	5/8-11UNC X 3 1/2"
29	4	911811	SPRING LOCK WASHER	5/8"
30	4	827111	HEX NUT	5/8-11UNC
31	8	911801	FLAT WASHER	5/8"
32	2	770489	HEX CAP SCREW	#10-24UNC X 5/8"
33	2	911005	FLAT WASHER	#10 (STAINLESS)
34	2	817121	HEX NYLON NUT	#10-24UNC
35	4	612743	CAP SCREW	5/16-18UNC x 1 1/4" (STAINLESS)
36	12	911315	SPRING LOCK WASHER	5/16" S/S
37	4	822112	HEX NUT	5/16-18UNC
38	2	8181693	OUTRIGGER CAP	-
39	8	612723	CAP SCREW	5/16-18UNC x 3/4" (STAINLESS)
40	8	911305	FLAT WASHER	5/16" S/S
41	1	8690043	OUTRIGGER POSITION INDICATOR	-
43	1	8183283	INDICATOR POSITION BRACE	-
44	2	8690011	WOOD PAD	-
45	2	8254003	ANCHOR HAND	-
46	2	8270010	SHACKLE'S PIN	Ø1 1/4" x 7 11/16"
47	2	613051	CAP SCREW	3/8-16UNC x 1 1/2"

NRC: 8630003



2.2.1. Outrigger's extension cylinder

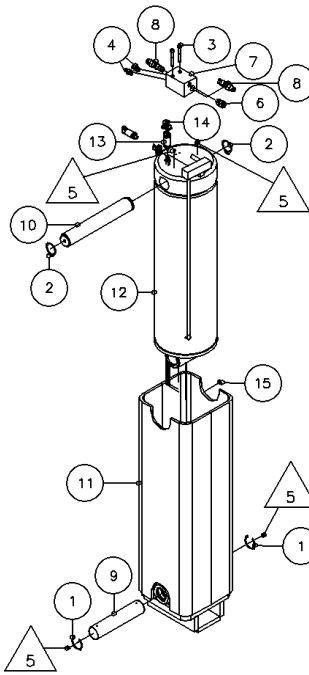


**NRC: 8695073**

Item	Qty	NRC code	Name	Description
1	1	8274072	CYLINDER TUBE	-
2	1	832220	HEX NYLON NUT	1 1/4-12UNF
3	1	8136027	PISTON	-
4	1	8135030	CYLINDER HEAD	-
5	1	8275060	CYLINDER SHAFT	-
6	1	1202020-02	PISTON SEAL KIT	-
7	1	1202020-01	HEAD SEAL KIT	-
8	1	1931203	ZERT	-
9	1	1822020	HYD ADAPTER 90°	-

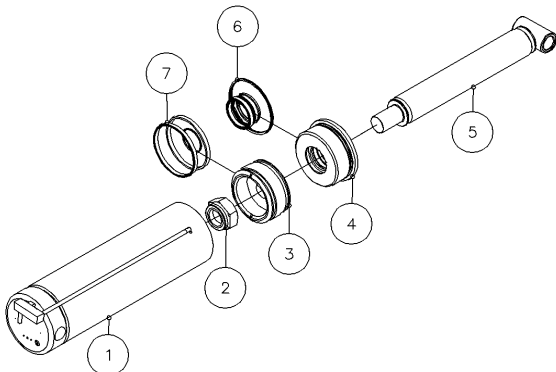
2.3. Interior leg assembly

**NRC: 8631002**



Item	Qty	NRC code	Name	Description
1	2	0553200	INTERNAL SNAP RING	2" DIA
2	2	0554200	EXTERNAL SNAP RING	2" DIA
3	2	0622790	HEX SOCKET CAP SCREW	5/16-18UNC X 2 1/2"
4	2	1834118	HYD ADAPTER STRAIGHT	-
5	4	1931203	ZERT	STRAIGHT 3/16" PRESS-FIT
6	1	2034134	PIPE ADAPTER STRAIGHT	-
7	1	3460405	SAFETY VALVE	-
8	2	3460702	CARTRIDGE	-
9	1	8133198	PIN	2"DIA x 9 7/16"
10	1	8133199	PIN	2"DIA x 13 1/8"
11	1	8236049	INTERIOR JACK	-
12	1	8695069	JACK CYLINDER	-
13	2	2511006	PRESSURE TRANSDUCERS	-
14	2	2543804	CONNECTOR	-
15	1	1811204	HYD PLUG	-

2.3.1. Leg cylinder

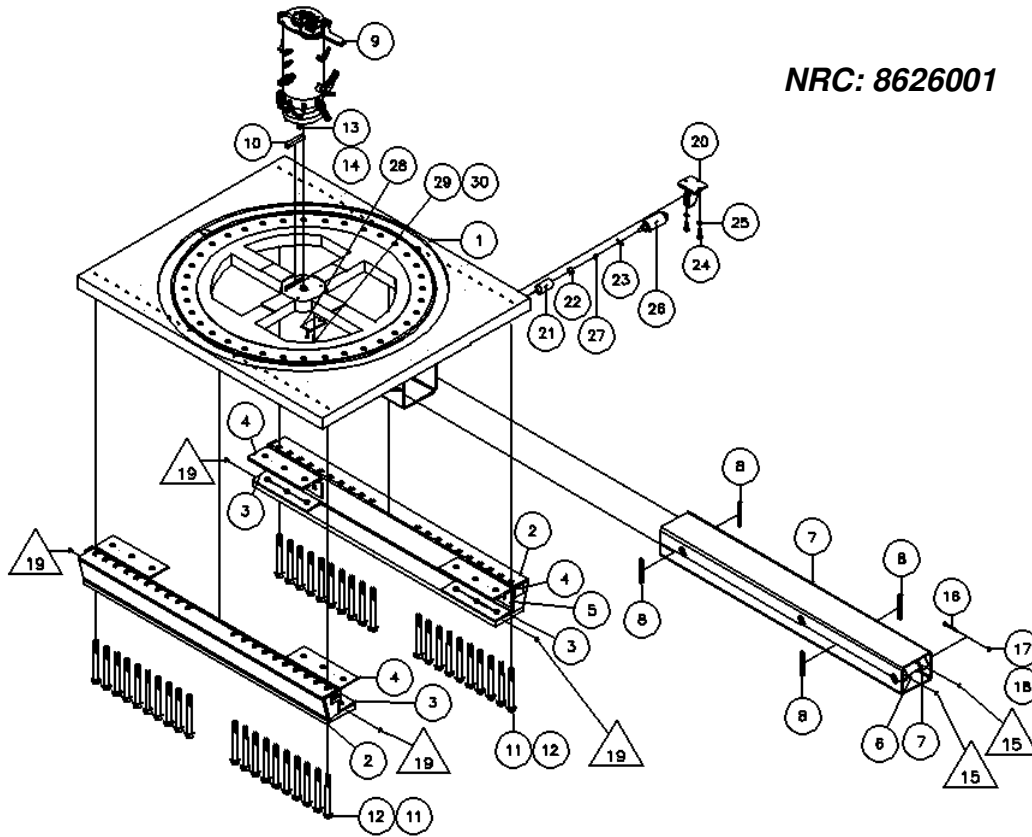


**NRC: 8695069**

Item	Qty	NRC code	Name
1	1	8274068	CYLINDER TUBE
2	1	838328	HEX NYLON
3	1	8136055	PISTON
4	1	8135057	CYLINDER HEAD
5	1	8275056	CYLINDER SHAFT
6	1	1202040-01	HEAD SEAL KIT
7	1	1202040-02	PISTON SEAL KIT

### 3. Carriage assembly

#### 3.1. Carriage assembly



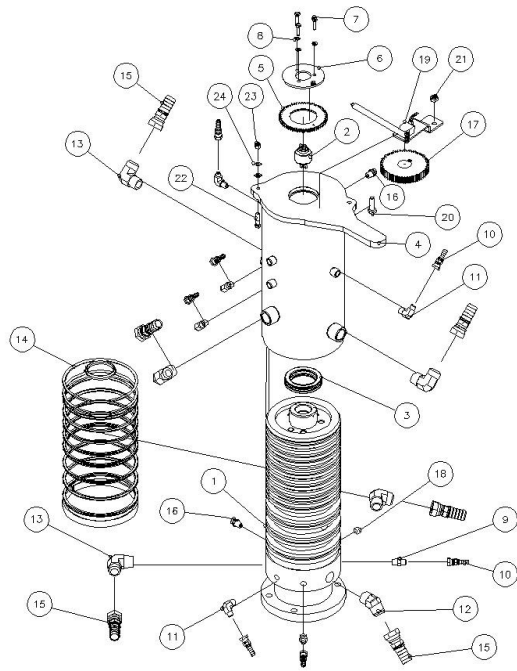
**NRC: 8626001**

Item	Qty	NRC code	Name	Description
1	1	8251007	SLIDING CARRIAGE	-
2	2	8252014	SLIDE CARRIER	-
3	4	8185095	SLIDING PAD	-
4	4	8185096	SLIDING PAD	-
5	4	8185097	SLIDING PAD	-
6	1	8133202	PIN	-
7	1	8251006	CYLINDER ANCHOR	BRAS COULISSANT
8	4	8168096	STOPPER	-
9	1	8690038	HYDRAULIC SWIVEL	-
10	1	8114026	LOCK	-
11	40	0615329	HEXAGONAL SCREW	1"DIA-14UNS x 10 LONG
12	40	0912103	FLAT WASHER	1" PLATED
13	4	0614571	CAP SCREW	3/4-10UNC X 2 1/2"
14	4	0911911	SPRING LOCK WASHER	3/4"
15	2	1931203	ZERT	-
16	1	0616131	HEX BOLT CAP SCREW	3/8DIA X 16UNC X 3 1/2"
17	1	0911415	SPRING LOCK WASHER	3/8" (S/S)
18	1	0823112	HEX NUT	3/8-16UNC
19	4	1931101	ZERT	STRAIGHT 1/8" NPT
20	2	8251008	AIR CYLINDER ANCHOR	-
21	2	8133219	PIN	2"DIA x 4"
22	2	8145017	INSIDE RING	1 1/4"DIA x 3/4"DIA x 1 3/32"
23	2	8145016	THREAD RING	1 1/2"DIA x 11/32"
24	4	0613651	HEX CAP SCREW	1/2-13UNC X 1 3/4"
25	4	0911611	SPRING LOCK WASHER	1/2"
26	2	3200004	PNEUMATIC CYLINDER	-
27	2	1441050	BEARINGS	-
28	1	8114029	HOSES SUPPORT	4 1/2" x 2 5/8" x 1/4"
29	2	0911211	SPRING LOCK WASHER	1/4"
30	2	0612441	CAP SCREW	1/4-20UNC x 1 1/4"



3.1.1. Hydraulic swivel

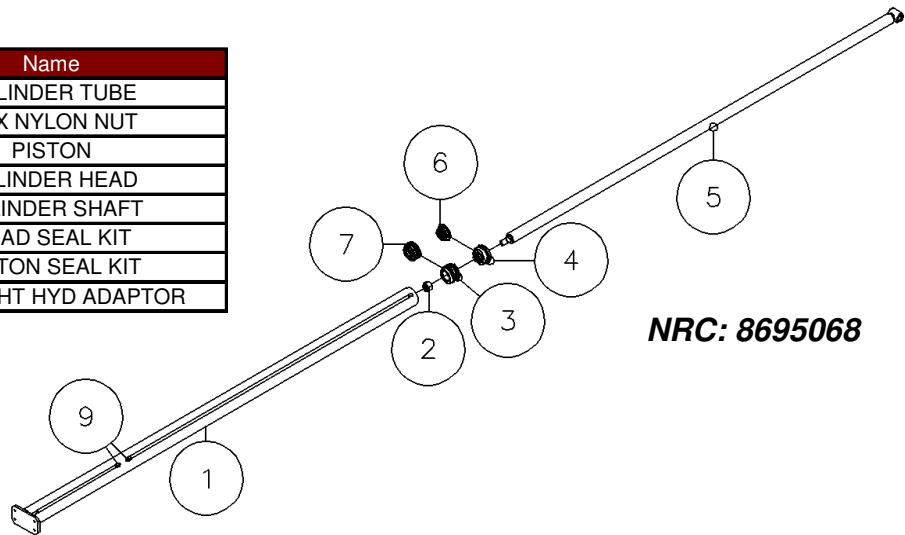
Item	Qty	NRC code	Name	Description
1	1	8138010	CENTER TURRET	-
2	1	2531006		8 CONTACTS
3	1	1417202	BEARING	-
4	1	8253003	WELDED SHELL	-
5	1	8185115	GEAR	-
6	1	8619055	TURRET CAT AND SCREWS	-
7	3	612741	CAP SCREW	5/16-18UNC x 1 1/4"
8	3	911311	SPRING LOCK WASHER	5/16"
9	2	1831224	HYD ADAPTER STRAIGHT	RHD-N6-J6
10	7	1750610	HYD HOSE	STRAIGHT-6-6JFT
11	5	1821522	HYD ADAPTER 90D	RHC-N6-J6
12	1	1841446	HYD ADAPTER 45D	RHK-N16-J16
13	5	1821556	HYD ADAPTER 90D	RHC-N16-J16
14	1	1202046	SEAL	-
15	6	1751610	HYD HOSE	STRAIGHT-16-16JFT
16	2	2231520	STRAIGHT PNEUM. FITTING	RPD-N6-T4
17	1	8690042	GEARS ASSEMBLY	60 DENTS x 5 1/8"
18	1	1811206	HYD PLUG	-
19	1	8619056	SUPPORT	-
20	1	613641	HEX CAP SCREW	1/2-13UNC X 1 1/2"
21	1	825121	HEX NYLON NUT	1/2-13UNC
22	1	613051	CAP SCREW	3/8-16UNC x 1 1/2"
23	1	823121	HEX NYLON NUT	3/8-16UNC
24	2	911401	FLAT WASHER	3/8"



**NRC: 8690038**

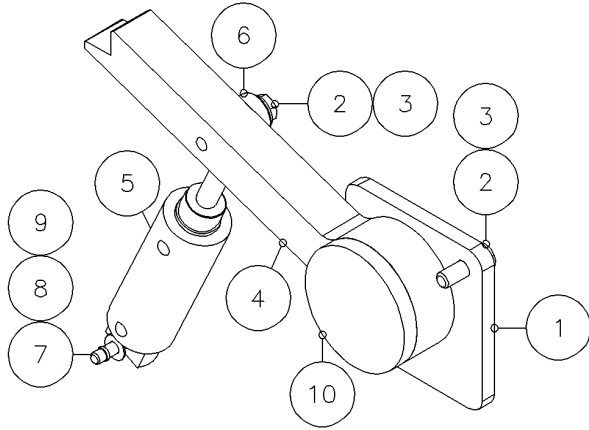
3.2. Carriage displacement cylinder

Item	Qty	NRC code	Name
1	1	8274067	CYLINDER TUBE
2	1	834220	HEX NYLON NUT
3	1	8136060	PISTON
4	1	8135061	CYLINDER HEAD
5	1	8275055	CYLINDER SHAFT
6	1	1202045-01	HEAD SEAL KIT
7	1	1202045-02	PISTON SEAL KIT
9	2	1831718	STRAIGHT HYD ADAPTOR



**NRC: 8695068**

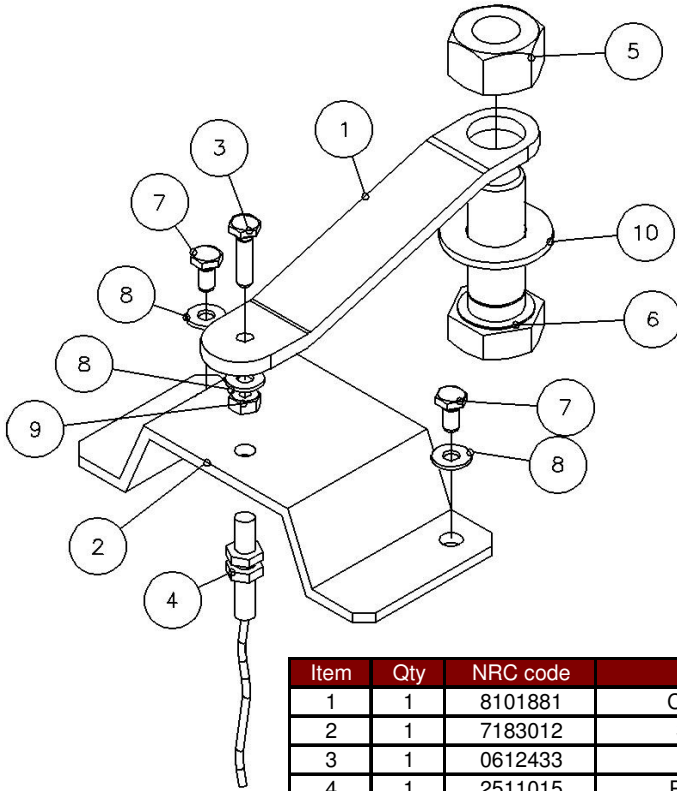
### 3.3. Carriage Lock



**NRC: 8690044**

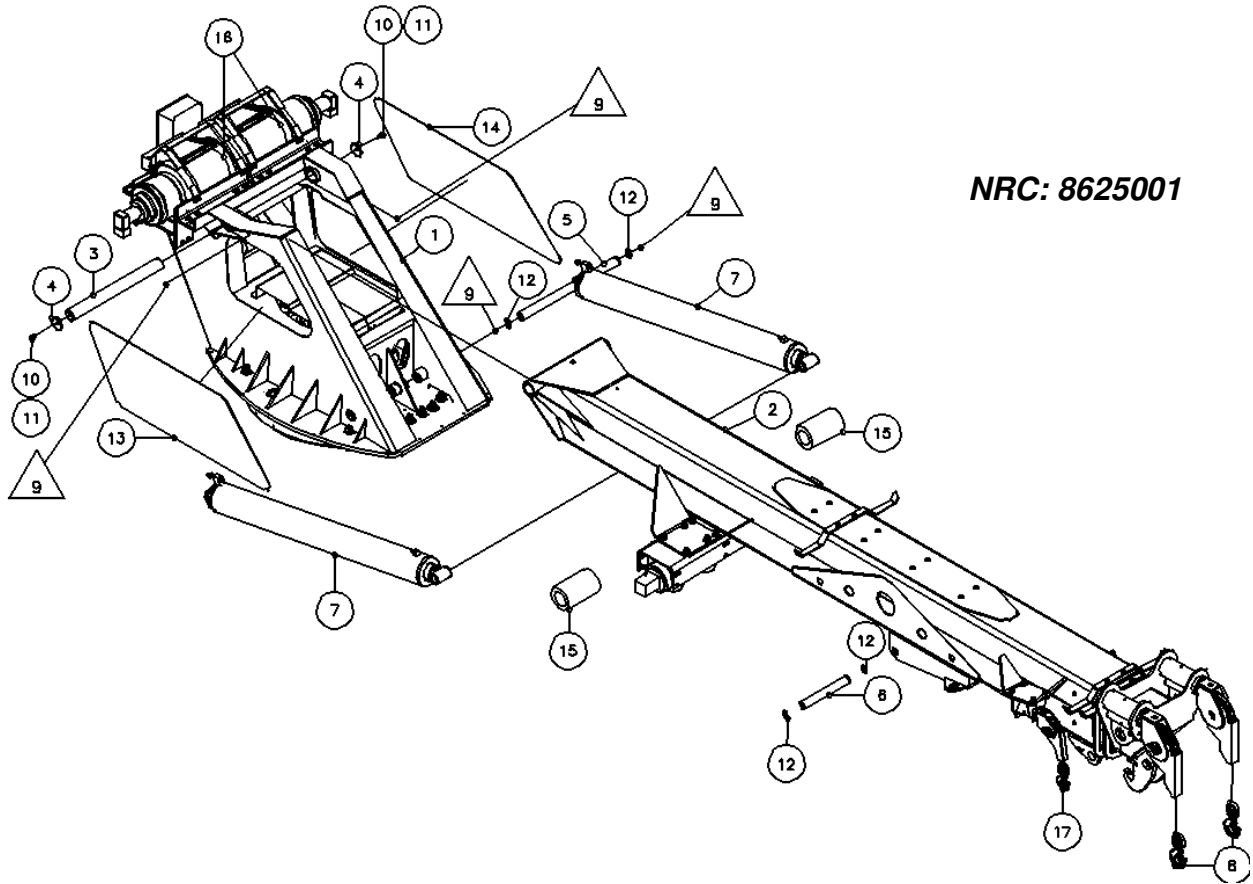
Item	Qty	NRC code	Name	Description
1	4	8101641	CAP	-
2	16	0911601	FLAT WASHER	1/2"
3	12	0613641	HEX CAP SCREW	1/2-13UNC X 1 1/2"
4	4	8101640	LOCK	-
5	4	3200005	PNEUMATIC CYLINDER	-
6	4	1441051	SPHERICAL FERRULE	-
7	4	0613091	CAP SCREW	3/8-16UNC x 2 1/2"
8	8	0911401	FLAT WASHER	3/8"
9	4	0823121	HEX NYLON NUT	3/8-16UNC
10	4	8101642	SPACER	-

### 3.4. Proximity switch assembly



Item	Qty	NRC code	Name	Description
1	1	8101881	CONTACT SUPPORT	-
2	1	7183012	SWITCH SUPPORT	-
3	1	0612433	CAP SCREW	1/4-20UNC x 1" (STAINLESS)
4	1	2511015	PROXIMITY SWITCH	872C-D3NP8-E2
5	1	0829111	HEX NUT	7/8-9UNC
6	1	0614871	CAP SCREW	7/8-9UNC X 2 1/2"
7	2	0612411	CAP SCREW	1/4-20 UNC x 1/2"
8	3	0911205	FLAT WASHER	1/4" (STAINLESS)
9	1	0821111	HEX NUT	1/4-20UNC
10	1	0912001	FLAT WASHER	7/8"

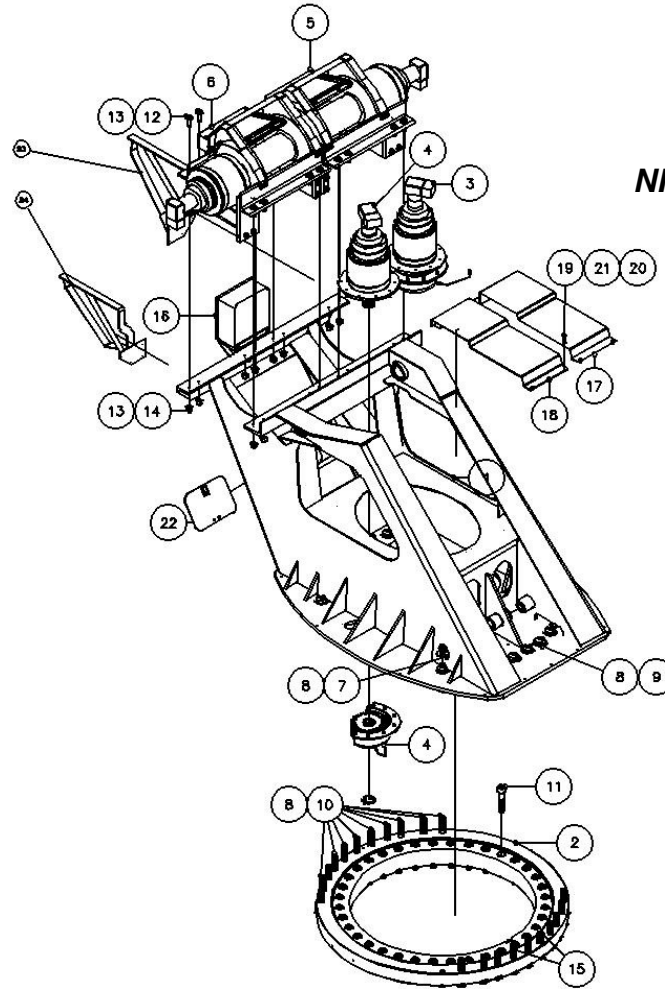
## 4. Base & Boom



**NRC: 8625001**

Item	Qty	NRC code	Name	Description
1	1	8620004	BASE-BEARING ASSEMBLY	-
2	1	8622003	BOOM ASSEMBLY	-
3	1	8133195	PIN	3 1/2"DIA x 37 1/4"
4	2	8111115	PIN LOCK	4 1/2"DIA x 7/16"
5	1	8133196	PIN	2 1/2"DIA x 40 1/8"
6	1	8133194	PIN	2 1/2"DIA x 19"
7	2	8695070	BOOM EXTENSION CYLINDER	8"DIAx 78 1/4"
8	2	1564328	SWIVEL HOIST HOOK, LATCH	11 TON
9	4	1931203	ZERT	STRAIGHT 3/16" PRESS-FIT
10	2	0614241	HEX CAP SCREW	5/8-11UNC X 1 1/2"
11	2	0911811	SPRING LOCK WASHER	5/8"
12	4	0554250	EXTERNAL SNAP RING	2 1/2" DIA
13	1	8185110	PLEXIGLASS	75 5/32" x 23 1/4" x 1/4"
14	1	8185111	PLEXIGLASS	75 5/32" x 23 1/4" x 1/4"
15	2	1531124-01	STEEL CABLE	9/16"DIA x 200'
16	2	1531136-01	STEEL CABLE	7/8"DIA x 200'
17	2	1564324	SWIVEL HOIST HOOK, LATCH	4 1/2 TONNES

4.1. Base assembly



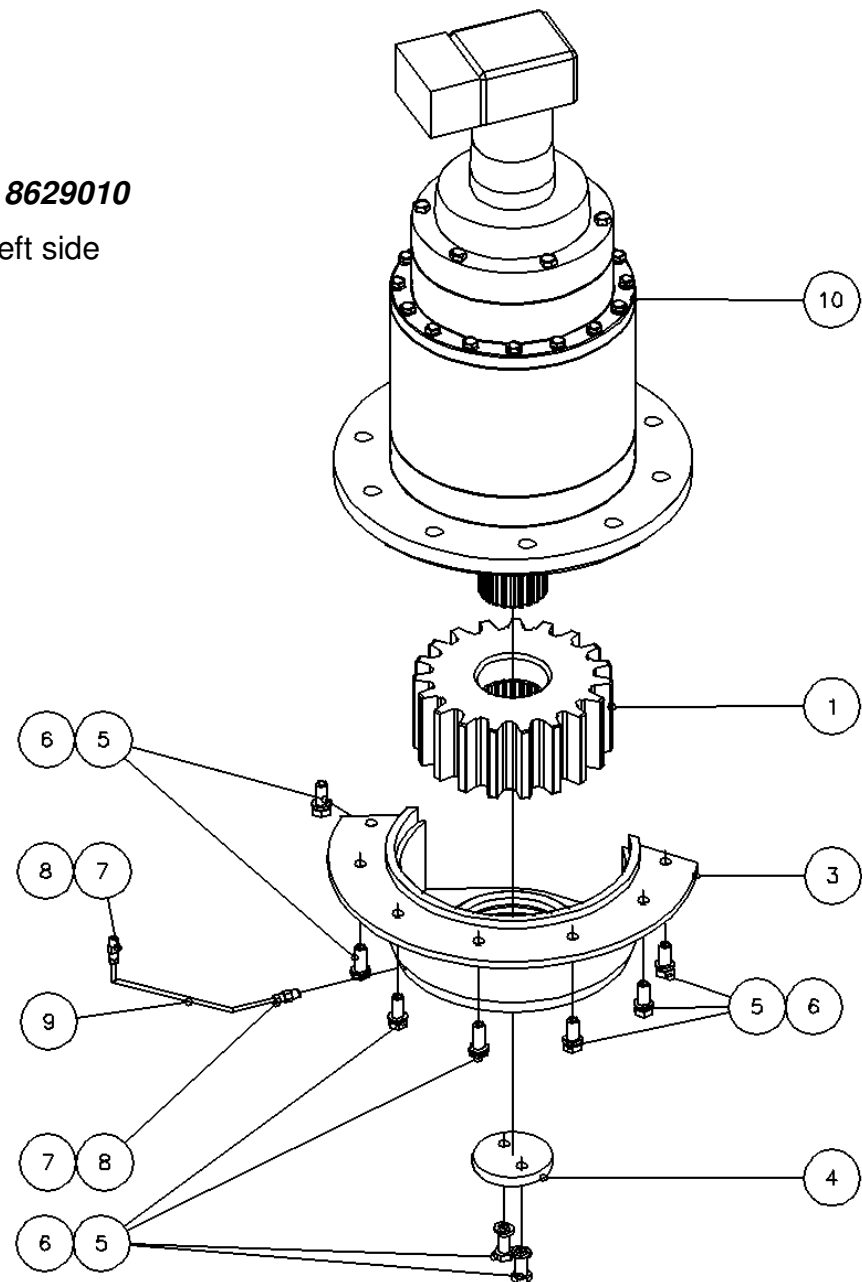
NRC: 8620004

Item	Qty	NRC code	Name	Description
1	1	8234017	BASE OF BOOM	-
2	1	1491002	CROWN BEARING	-
3	1	8628009	TORK HUB STAND	-
4	1	8628010	TORK HUB STAND	-
5	1	8692004	RIGHT WINCH	-
6	1	8692003	LEFT WINCH	-
7	11	616131	HEX SCREW	3/8"DIA-6UNC x 7" LONG (GRADE 8)
8	44	912403	FLAT WASHER	1 3/8" PLAQUÉ (F436)
9	22	833131	HEX LOCK NUT	1 3/8"-6 UNC ZINC
10	9	616151	HEX SCREW	1 3/8"DIA-6UNC x 8" LONG (GRADE 8)
11	36	626110	HEX SOCKET CAP SCREW	1 3/8"-6UNC X 6"
12	16	614871	CAP SCREW	7/8-9UNC X 2 1/2"
13	32	912003	FLAT WASHER	7/8" (F436)
14	16	829220	HEX NYLON NUT	7/8-9UNC
15	2	616121	HEXAGONAL CAP SCREW	%%C1 3/8"-6UNC x 6 1/2"
16	1	8680011	PANEL AND SUPPORT ASSEMBLY	-
17	1	8181522	LEFT SIDE TORK HUB COVER	-
18	1	8181523	RIGHT SIDE TORK HUB COVER	-
19	6	612421	CAP SCREW	1/4-20UNC x 3/4"
20	6	911211	SPRING LOCK WASHER	1/4"
21	6	911201	FLAT WASHER	1/4"
22	1	8620019	REAR DOOR ASSEMBLY	-
23	1	8238074	RIGHT WINCH COVER SUPPORT	-
24	1	8238075	LEFT WINCH COVER SUPPORT	-

4.1.1. Tork hub bracket assembly

**NRC: 8629010**

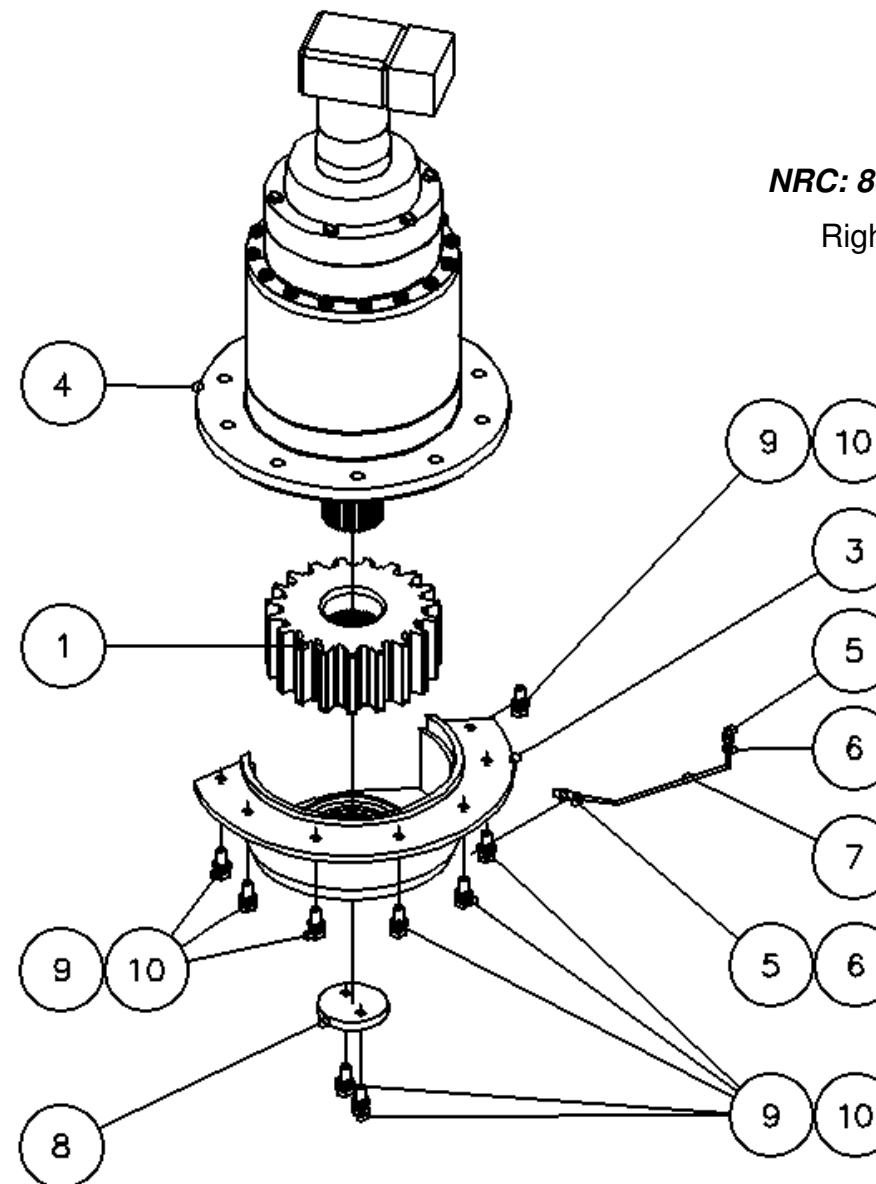
Left side



Item	Qty	NRC code	Name	Description
1	1	8138002	PINION	-
3	1	8234013	BRACKET	-
4	1	8101331	LOCK	-
5	9	0613631	HEX CAP SCREW	1/2-13 UNC x 1 1/4"
6	9	0911611	SPRING LOCK WASHER	1/2"
7	2	2231803	PNEUMATIC ADAPTER STRAIGHT	-
8	2	2231605	UNION	-
9	1	8149036	GREASE LINE	-
10	1	3450001-03	SWING DRIVE (TORK HUB)	-

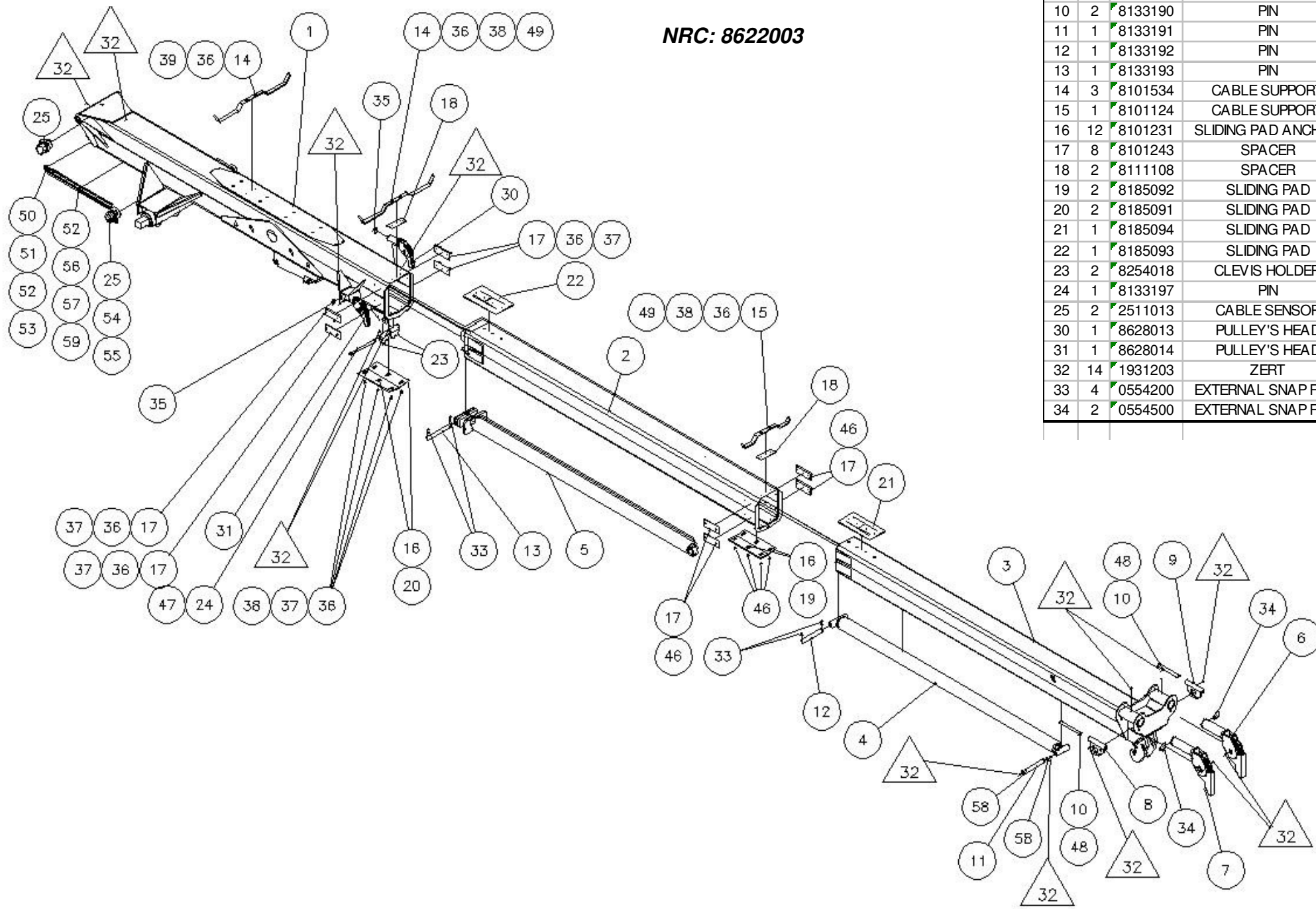
**NRC: 8628009**

Right side



Item	Qty	NRC code	Name	Description
1	1	8138002	PINION	-
3	1	8234012	BRACKET	-
4	1	3450001-03	SWING DRIVE (TORK HUB)	-
5	2	2231803	PNEUMATIC ADAPTER STRAIGHT	-
6	2	2231605	UNION	-
7	1	8149036	GREASE LINE	-
8	1	8101331	LOCK	-
9	9	911611	SPRING LOCK WASHER	1/2"
10	9	613631	HEX CAP SCREW	1/2-13UNC X 1 1/4"

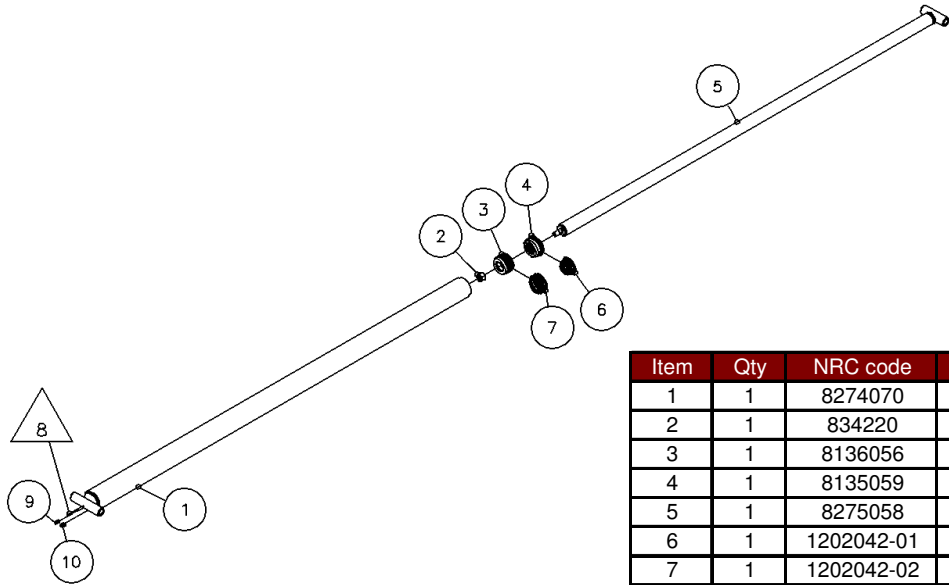
4.2. Boom assembly



Item	Qty	NRC code	Name	Item	Qty	NRC code	Name
1	1	8230040	BOOM FIRST SECTION	35	2	0554300	EXTERNAL SNAP RING
2	1	8230041	BOOM SECOND SECTION	36	20	0911611	SPRING LOCK WASHER
3	1	8230042	BOOM THIRD SECTION	37	12	0613611	CAP SCREW 1/2
4	1	8695071	ELONGATION CYLINDER	38	6	0613641	HEX CAP SCREW 1/2-
5	1	8695072	ELONGATION CYLINDER	39	2	0613631	HEX CAP SCREW 1/2-
6	1	8628011	PULLEY ASSEMBLY	46	14	0633610	HEX SOCKET CAP SCREW 1/2
7	1	8628012	PULLEY ASSEMBLY	47	2	0541243	CUTTER PIN %%
8	1	8254016	SHACKLE	48	4	0541252	CUTTER PIN 1/4
9	1	8254017	SHACKLE	49	4	0911601	FLAT WASHER
10	2	8133190	PIN	50	1	8690049	REAR GUIDING WHEEL 7 1/8"
11	1	8133191	PIN	51	2	0612431	CAP SCREW 1/
12	1	8133192	PIN	52	8	0911201	FLAT WASHER
13	1	8133193	PIN	53	2	0821121	HEX NYLON NUT
14	3	8101534	CABLE SUPPORT	54	2	0614301	CAP SCREW 5/16
15	1	8101124	CABLE SUPPORT	55	2	0827121	HEX NYLON NUT
16	12	8101231	SLIDING PAD ANCHOR	56	1	8181616	ENCODOR WIRE GARD
17	8	8101243	SPACER	57	6	0911211	SPRING LOCK WASHER
18	2	8111108	SPACER	58	2	0553200	INTERNAL SNAP RING
19	2	8185092	SLIDING PAD	59	6	0612411	CAP SCREW 1/4
20	2	8185091	SLIDING PAD	60	1	3420019-91	DP WINCH 20
21	1	8185094	SLIDING PAD	61	1	3420027-91	DP WINCH 20
22	1	8185093	SLIDING PAD				
23	2	8254018	CLEVIS HOLDER				
24	1	8133197	PIN				
25	2	2511013	CABLE SENSOR				
30	1	8628013	PULLEY'S HEAD				
31	1	8628014	PULLEY'S HEAD				
32	14	1931203	ZERT				
33	4	0554200	EXTERNAL SNAP RING				
34	2	0554500	EXTERNAL SNAP RING				

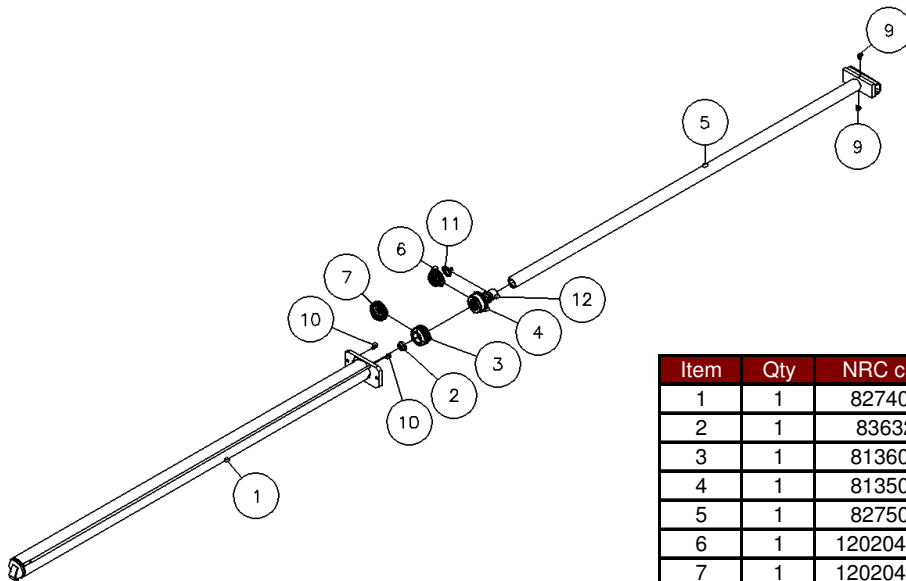


4.2.1. Boom extension cylinder



**NRC: 8695071**

Item	Qty	NRC code	Name
1	1	8274070	CYLINDER TUBE
2	1	834220	HEX NYLON NUT
3	1	8136056	PISTON
4	1	8135059	CYLINDER HEAD
5	1	8275058	CYLINDER SHAFT
6	1	1202042-01	HEAD SEAL KIT
7	1	1202042-02	PISTON SEAL KIT
8	1	1931203	ZERT
9	1	1831718	STRAIGHT HYD ADAPTOR
10	1	1831224	STRAIGHT HYD ADAPTOR



**NRC: 8695072**

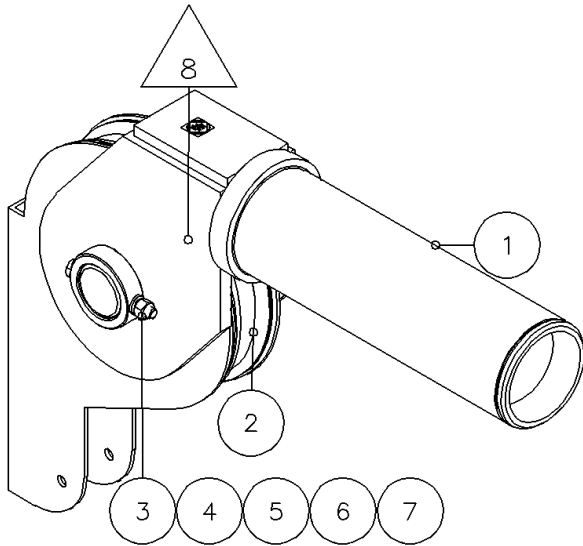
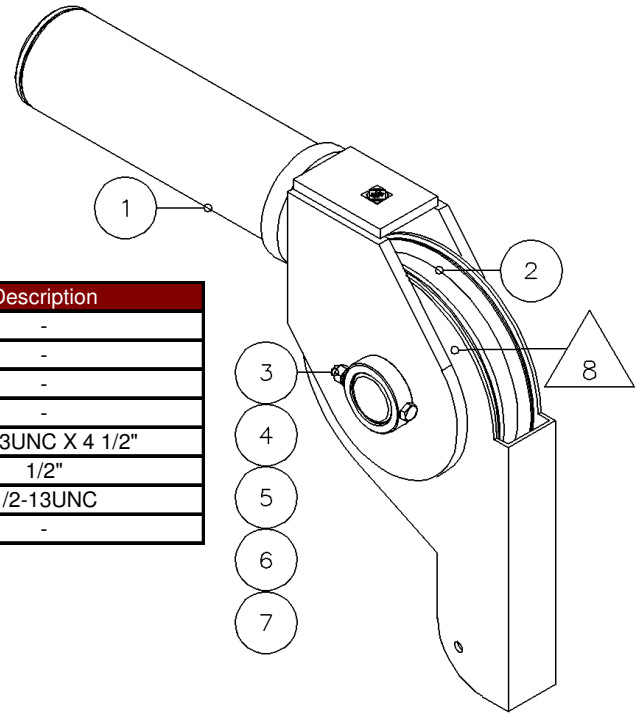
Item	Qty	NRC code	Name
1	1	8274071	CYLINDER TUBE
2	1	836328	HEX NYLON NUT
3	1	8136057	PISTON
4	1	8135060	CYLINDER HEAD
5	1	8275059	CYLINDER SHAFT
6	1	1202043-01	HEAD SEAL KIT
7	1	1202043-02	PISTON SEAL KIT
9	2	1821534	STRAIGHT HYD ADAPTOR
10	2	1831234	STRAIGHT HYD ADAPTOR
11	1	1202043-03	CYL. SHAFT ANCHOR'S SEAL KIT
12	1	8138033	CYLINDER SHAFT ANCHOR



4.2.2. Pulley's head assembly

**NRC: 8628012**  
**Left pulley head**

Item	Qty	NRC code	Name	Description
1	1	8255002	LEFT PULLEY HEAD ASSEMBLY	-
2	1	8690025	PULLEY AND BUSHING 12"	-
3	1	8111263	CABLE GUIDE	-
4	1	8133144	PULLEY PIN	-
5	1	613751	CAP SCREW	1/2-13UNC X 4 1/2"
6	1	911611	SPRING LOCK WASHER	1/2"
7	1	825111	HEX NUT	1/2-13UNC
8	1	1931203	ZERT	-



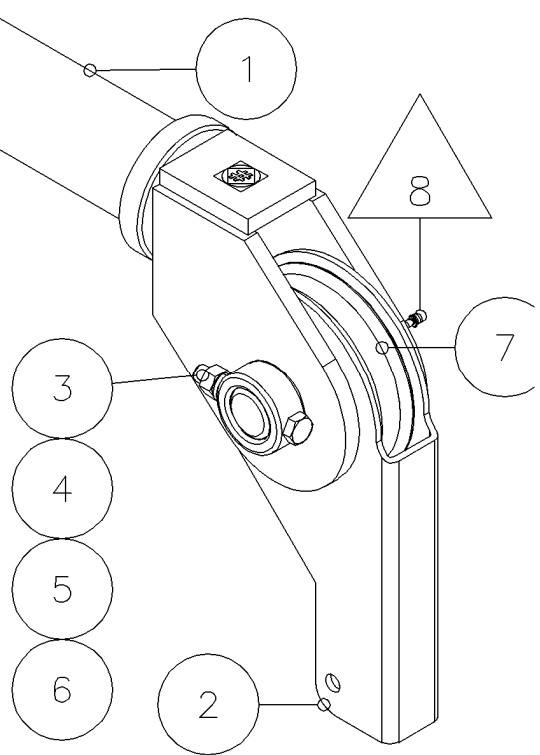
**NRC: 8628011**  
**Right pulley head**

Item	Qty	NRC code	Name	Description
1	1	8255001	RIGHT PULLEY HEAD ASSEMBLY	-
2	1	8690025	PULLEY AND BUSHING 12"	-
3	1	8111263	CABLE GUIDE	-
4	1	8133144	PULLEY PIN	-
5	1	613751	CAP SCREW	1/2-13UNC X 4 1/2"
6	1	911611	SPRING LOCK WASHER	1/2"
7	1	825111	HEX NUT	1/2-13UNC
8	1	1931203	ZERT	-

**NRC: 8628014**

**Left pulley head**

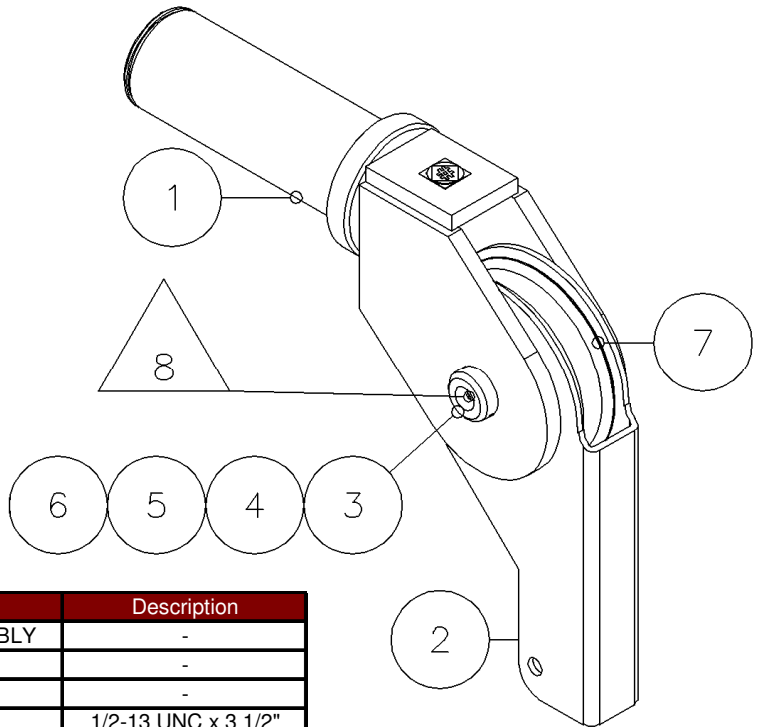
Item	Qty	NRC code	Name	Description
1	1	8255008	PULLEY HEAD ASSEMBLY	-
2	1	8111206	CABLE GUIDE	-
3	1	8133069	PULLEY PIN	-
4	1	825111	HEX NUT	1/2-13 UNC
5	1	911611	SPRING LOCK WASHER	1/2"
6	1	613721	CAP SCREW	1/2-13 UNC x 3 1/2"
7	1	8690028	PULLEY & BUSHING 6"	-
7-2	1	8145001	BRASS BUSHING	-
8	1	1931203	ZERT	-



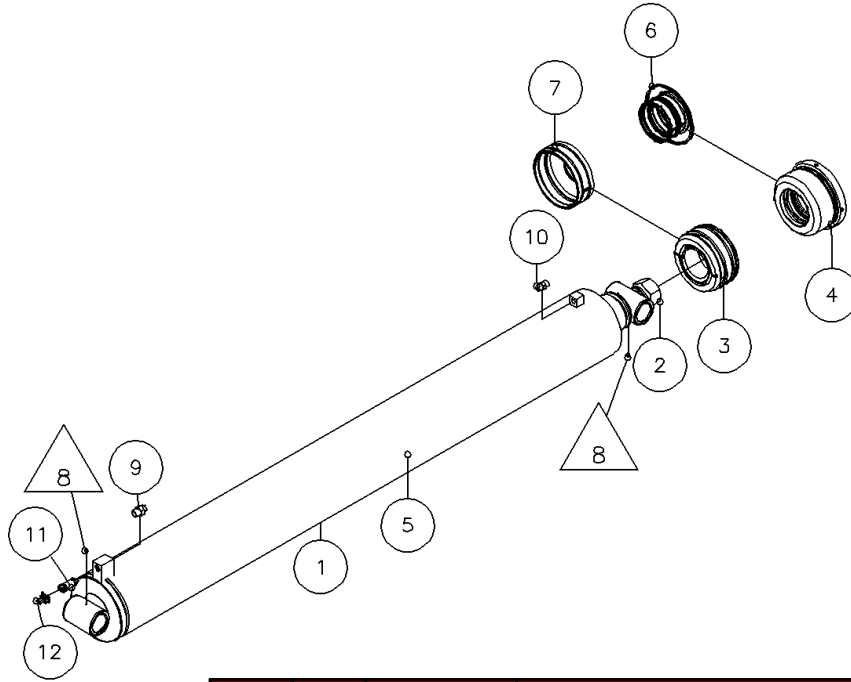
**NRC: 8628013**

**Right pulley head**

Item	Qty	NRC code	Name	Description
1	1	8255007	PULLEY HEAD ASSEMBLY	-
2	1	8111206	CABLE GUIDE	-
3	1	8133069	PULLEY PIN	-
4	1	0613721	CAP SCREW	1/2-13 UNC x 3 1/2"
5	1	0825111	HEX NUT	1/2-13 UNC
6	1	0911611	SPRING LOCK WASHER	1/2"
7	1	8690028	PULLEY & BUSHING 6"	-
7-2	1	8145001	BRASS BUSHING	-
8	1	1931203	ZERT	-



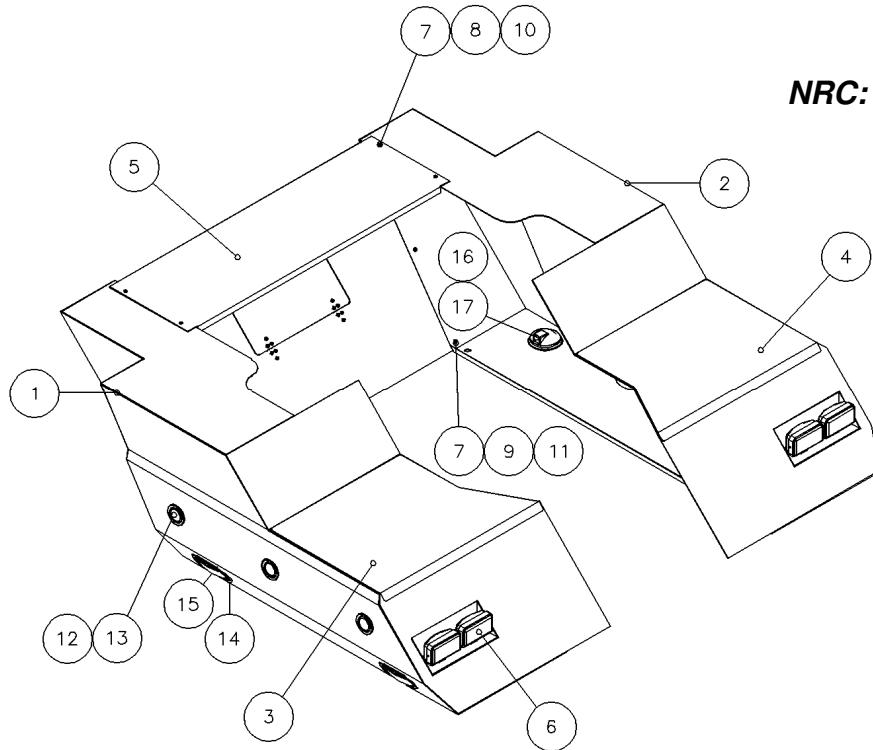
4.3. Boom elevation cylinder



**NRC: 8695070**

Item	Qty	NRC code	Name	Description
1	1	8274069	CYLINDER TUBE	-
2	1	0836327	HEX NYLON NUT	-
3	1	8136061	PISTON	-
4	1	8135058	CYLINDER HEAD	-
5	1	8275057	CYLINDER SHAFT	-
6	1	1202041-01	HEAD'S SEAL KIT	-
7	1	1202041-02	PISTON'S SEAL KIT	-
8	2	1931203	ZERT	STRAIGHT 3/16" PRESS-FIT
9	1	1831244	STRAIGHT HYD ADAPTOR	-
10	1	1831234	STRAIGHT HYD ADAPTOR	-
11	1	2511006	PRESSURE GAGE	-
12	1	2543804	CONNECTER	-

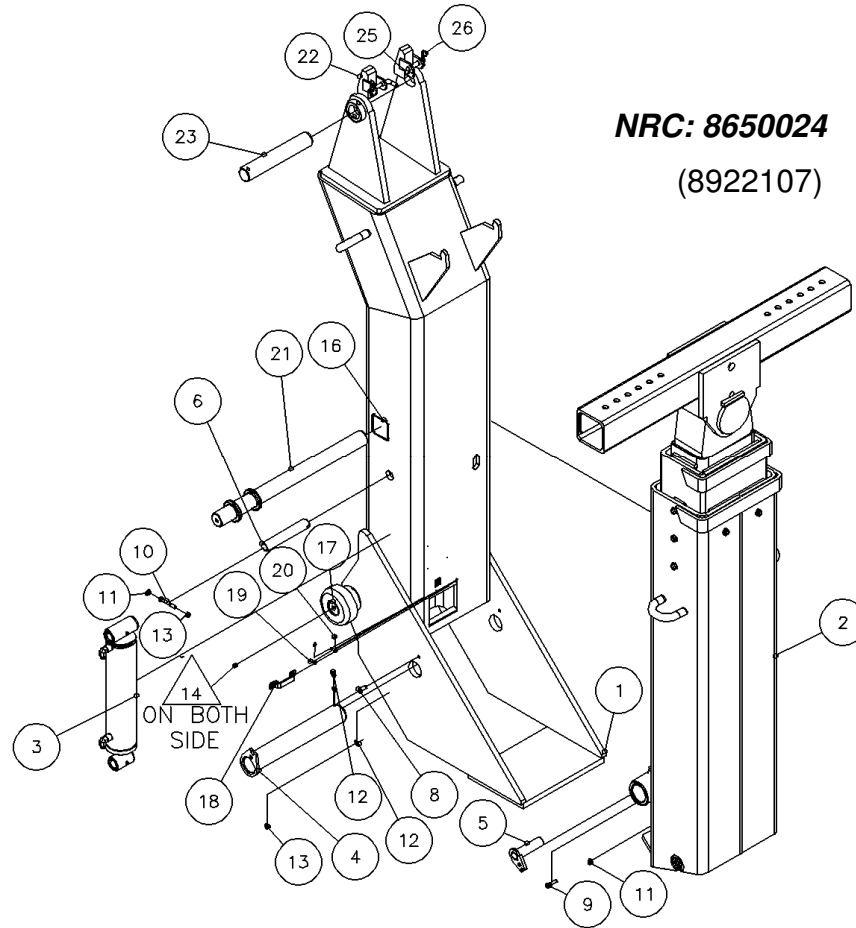
## 5. Winch Cover



**NRC: 8661003**

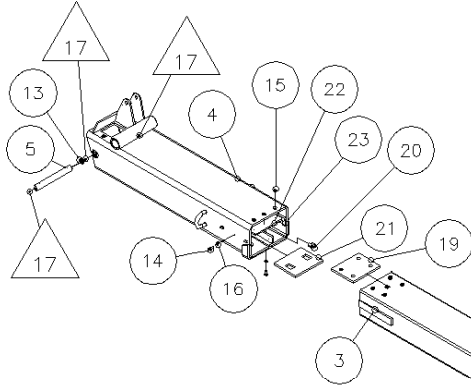
Item	Qty	NRC code	Name	Description
1	1	8238028	LEFT WINCH COVER	-
2	1	8238029	RIGHT WINCH COVER	-
3	1	8181387	WINCH COVER PROTECTOR	-
4	1	8181388	WINCH COVER PROTECTOR	-
5	1	8661004	WINCH COVER GARNITURE	-
6	4	2550003	FOG, WORK LIGHT KIT	-
7	10	0612423	CAP SCREW	1/4-20UNC x 3/4" (STAINLESS)
8	8	0911215	SPRING LOCK WASHER	1/4" (STAINLESS)
9	2	0911205	FLAT WASHER	1/4" (STAINLESS)
10	8	0821112	HEX NUT	1/4-20UNC (STAINLESS)
11	2	0821129	HEX NYLON NUT	1/4-20UNC (STAINLESS)
12	6	2552035	GROMMET	2 1/2"DIA x 7/8"
13	6	2552022	CLEARANCE MARKER LIGHT	YELLOW, 2 1/2" DIA
14	4	2552018	SEAL FOR OVAL LIGHT	RUBBER
15	4	2552006	BACK-UP LIGHT	6 1/2" LG
16	4	2552019	GROMMET	4 1/4"DIA x 7/8"
17	4	2552008	BACK-UP LIGHT	4 1/4"DIA

## 6. Axle lift

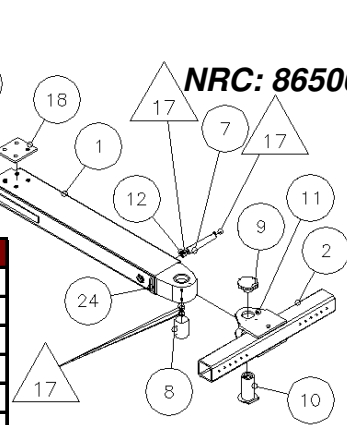


Item	Qty	NRC code	Name	Description
1	1	8213032	VERTICAL SECTION	-
2	1	8650009	HORIZONTAL SECTION	-
3	1	8695018	LEVER CYLINDER	-
4	1	8270008	HINGE PIN	-
5	1	8270001	PIN FOR LEVER CYLINDER	-
6	1	8133062	PIN	-
8	1	613033	CAP SCREW	3/8-16 UNC x 1"
9	1	613053	CAP SCREW	3/8-16 UNC x 1 1/2" S/S
10	1	613091	CAP SCREW	3/8-16 UNC x 2 1/2"
11	3	911415	SPRING LOCK WASHER	3/8"
12	2	911401	FLAT WASHER	3/8"
13	2	823111	HEX NUT	3/8-16 UNC
14	2	1931203	ZERT	-
17	2	8690023	ROLLER AND BUSHING ASS.	-
18	1	8154188	HYDRAULIC HOSE GUIDE	-
19	2	612421	CAP SCREW	1/4-20 UNC x 3/4"
20	2	911211	SPRING LOCK WASHER	-
21	1	8270006	PIN	-
22	2	8232018	AXLE-LIFT LOCK	-
23	1	8133126	AXLE-LIFT ANCHOR PIN	-
25	2	8133007	PIN	ø1/2" x 4 1/2"
26	2	542103	COTTER PIN	0.125" x 2 9/16" LG.

6.1. Horizontal Axle-lift's section



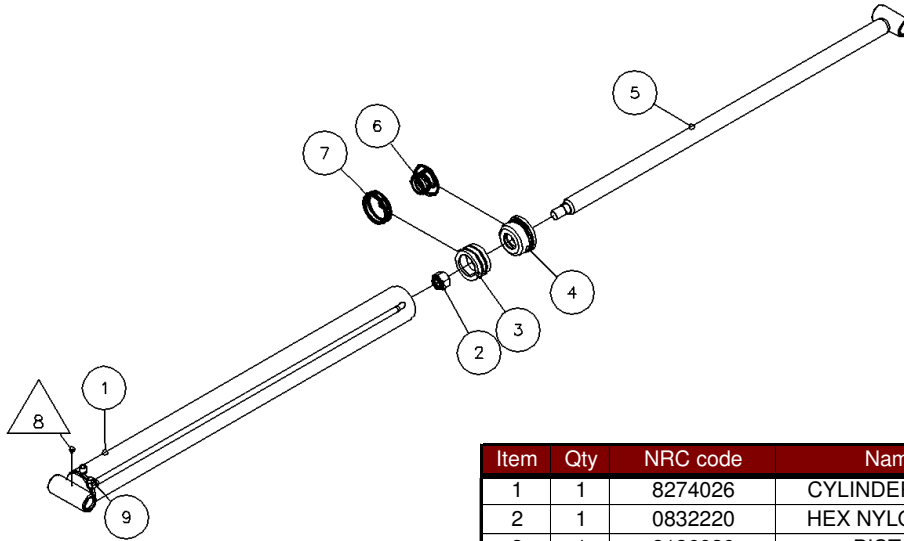
Item	Qty	NRC code	Name	Description
1	1	8213009	AXLE-LIFT SECTION	-
2	1	7210004	TOW-BAR	-
3	1	8213008	AXLE-LIFT SECTION	-
4	1	8231007	AXLE-LIFT SECTION	-
5	1	8213005	PIN	-
6	1	8695017	CYLINDER	-
7	1	8133084	PIN	-
8	1	8145009	BRASS BUSHING	-
9	1	8188001	BOLT FOR T-BAR PIN	-
10	1	8133158	TOW-BAR PIN	-
11	1	0623600	HEX SOCKET CAP SCREW	1/2"-13 UNC x 1/2"
12	2	0554150	EXTERNAL SNAP RING	1 1/2" DIA
13	2	0553150	INTERNAL SNAP RING	1 1/2" DIA
14	8	0613621	HEX CAP SCREW	1/2-13 UNC X 1"



**NRC: 8650009**

Item	Qty	NRC code	Name	Description
15	3	0633610	HEX SOCKET CAP SCREW	1/2-13 UNC X 3/4"
16	8	0911611	SPRING LOCK WASHER	1/2"
17	9	1931203	ZERT	STRAIGHT 3/16" PRESS-FIT
18	1	8185076	SLIP BAND	-
19	2	8185073	SLIP BAND	-
20	2	8101231	SLIP BAND ANCHOR	-
21	1	8185072	SLIP BAND	-
22	1	8101418	SPACER	-
23	2	8101419	SPACER	-
24	2	8168029	STOP PIN	-

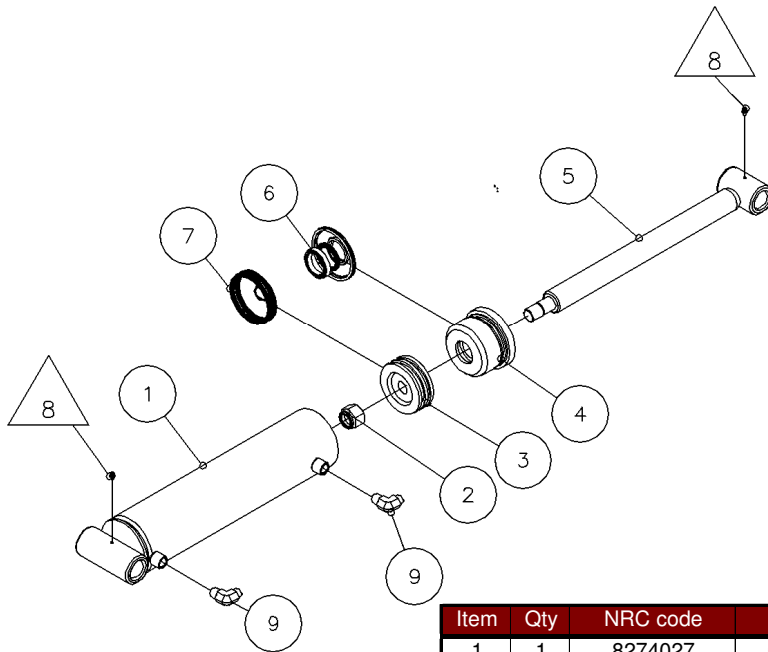
6.1.1. Axle-lift's Extension Cylinder



**NRC: 8695017**

Item	Qty	NRC code	Name	Description
1	1	8274026	CYLINDER TUBE	-
2	1	0832220	HEX NYLON NUT	1 1/4-12 UNF
3	1	8136030	PISTON	-
4	1	8135030	CYLINDER HEAD	-
5	1	8275023	CYLINDER SHAFT	-
6	1	1202028-01	HEAD SEAL KIT	-
7	1	1202028-02	PISTON SEAL KIT	-
8	1	1931203	ZERT	STRAIGHT 3/16" PRESS-FIT
9	1	1821410	HYD ADAPTER 90D	-

6.2. Axle-lift's Fold up Cylinder



**NRC: 8695018**

Item	Qty	NRC code	Name	Description
1	1	8274027	CYLINDER TUBE	-
2	1	0829220	HEX NYLON NUT	7/8-14UNF
3	1	8136022	PISTON	-
4	1	8135022	CYLINDER HEAD	-
5	1	8275024	CYLINDER SHAFT	-
6	1	1202008-01	HEAD SEAL KIT	-
7	1	1202008-02	PISTON SEAL KIT	-
8	2	1931203	ZERT	STRAIGHT 3/16" PRESS-FIT
9	2	1821522	HYD ADAPTER 90D	-