

COMPREHENSIVE SOLUTIONS FOR FABRICATORS

# Replacement Parts for Amada Machinery



mate.com

2011

Mate Tooling Lasts Longer

1295 Lund Boulevard, Anoka, Minnesota 55303 USA  
Call 800.328.4492 (763.421.0230) Fax 800.541.0285 (763.421.0285) [mate.com](http://mate.com)

# Replacement Parts for Amada Machinery

Mate Precision Tooling is the leading manufacturer of original and replacement tooling for Amada, Euromac, Finn-Power, LVD, Murata Wiedemann, Salvagnini, Stripit, Nisshinbo, Trumpf and other punch press machines. Mate Laser Technologies serves the CO<sub>2</sub> laser market with premium quality optics and nozzles.

Mate has been there from the beginning with products, service and solutions.

For the past five decades, Mate has led the tooling industry in quality, price, delivery and service. This dedication and expertise result in products that are long lasting, reliable and productive.

Mate's products and services are aimed at just one thing: helping customers manufacture sheet metal parts as productively and efficiently as possible. In fact, all Mate products are 100% unconditionally customer satisfaction guaranteed.

As part of our commitment to meeting the needs of the Amada punch press user, Mate has partnered with Alternative Parts Inc. to offer a comprehensive range of replacement parts for Amada machines.



3	Turret Parts: Die Holders and Hardware
4-5	Turret Parts: Keys and Lifters
6-7	New Style Clamp - Pneumatic Pega, Vipros, Aries 245, Laser and All Pneumatic Conversions
8-9	Pega Original Style Clamp - Pneumatic
10-11	Lyla, Coma, Vela - Thin Clamp - Pneumatic
12-13	Vela, Coma - Thick Clamp - Pneumatic
14-15	New Style Clamp - Hydraulic
16-17	Original Style Clamp - Hydraulic
18-19	Coma - Thick Clamp - Hydraulic
20-21	Coma, Vela, Lyla, Pega - Stubby Clamp
22-23	Laser Clamp - Apelio and Pulsar

**Phone:**

800.328.4492 763.421.0230

**Fax:**

800.541.0285 763.421.0285

**Order Online:**

[mate.com/store](http://mate.com/store)

**eMail:**

[orders@mate.com](mailto:orders@mate.com)

**Web:**

[mate.com/replacementamadaparts](http://mate.com/replacementamadaparts)



## Alternative Parts & Service

Your Original AMADA Alternative For Quality Replacement Parts & Service

Alternative Parts, Inc. is the manufacturer and distributor of replacement parts for Amada Machinery.

The company was founded to provide you with another source of obtaining parts for your equipment. Since inception, they have committed themselves to serving a growing customer base with the best quality parts at competitive prices. Their complete product line has been designed and manufactured to original OEM specifications. Without substituting quality, prices reflect a superior value equaling cost savings of 30% to 75%.

Within the contents of this catalog, you have a means of prolonging the life of your machine. Proper periodic maintenance coupled with the correct timing of replacing wearable parts is the combination needed to secure longevity for your equipment.

For more information on Alternative Parts Inc. 888.882.6001 visit [www.altparts.com](http://www.altparts.com).

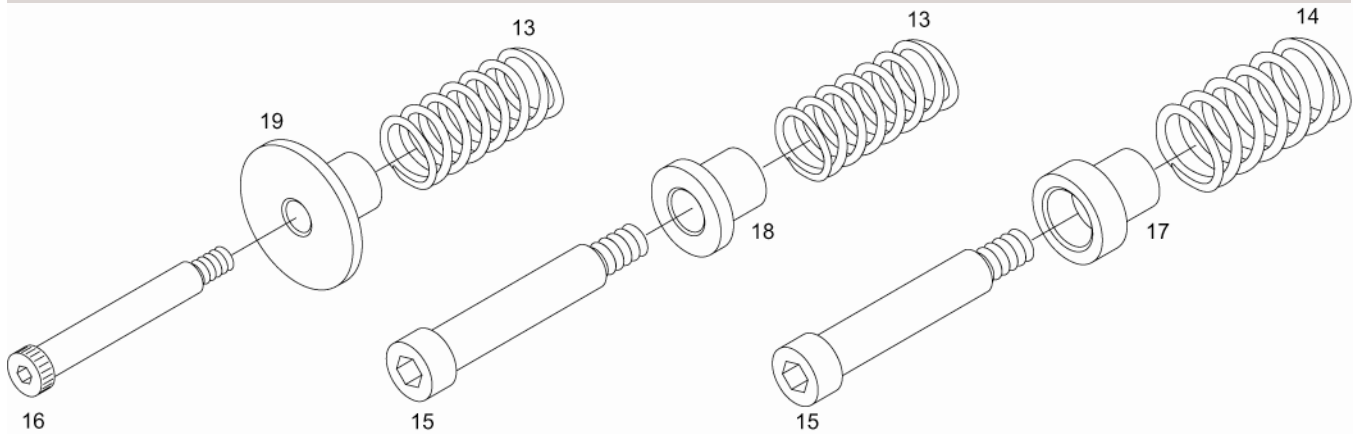
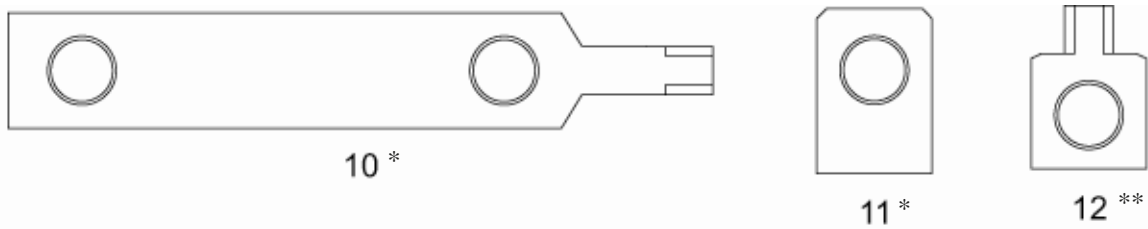
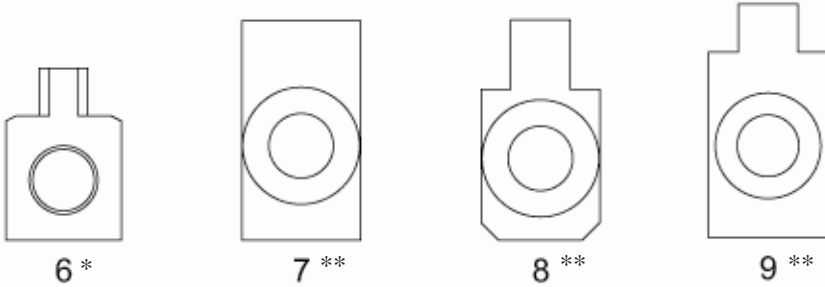
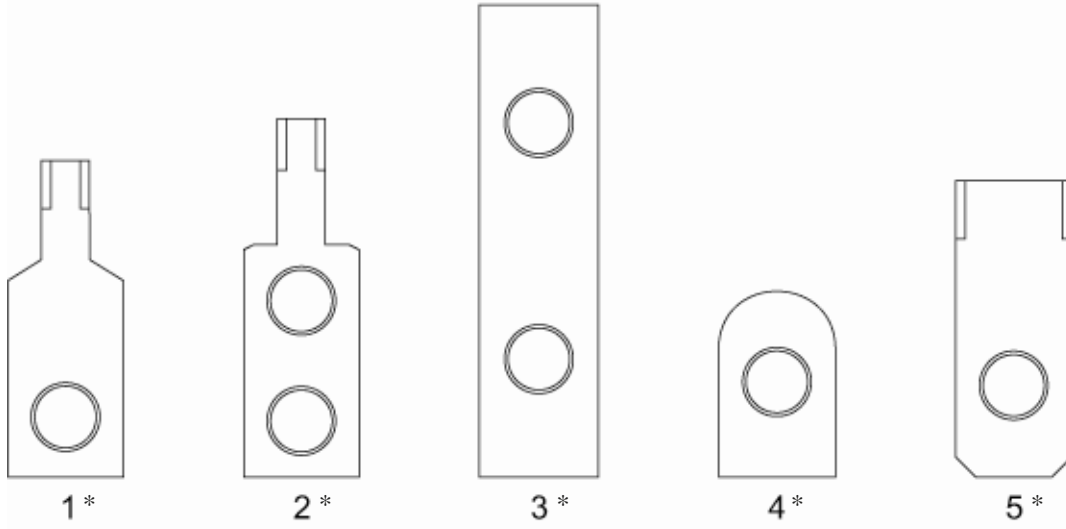


Dimensions in Inches (millimeters)

# Turret Parts: Die Holders and Hardware

Mate Part No.	Amada Part No.	API Part No.	Description
MATE00905	827106	A3512	1/2" A Station Die Holder And Spacer
MATE00906	827471	A3514a	1 1/4" B Station Die Holder For Upper, Lower And Block Center: 90°
MATE00907	827094	A3514b	1 1/4" B Station Die Holder For Upper, Lower And Block Left: 90°
MATE00908	827091	A3514c	1 1/4" B Station Die Holder For Upper, Lower And Block Right: 90°
MATE00909	827108	A3515a	1 1/4" B Station Die Holder And Spacer Center
MATE00910	827156	A3516a	1 1/4" B Station Die Holder And Spacer Left
MATE00911	827155	A3517a	1 1/4" B Station Die Holder And Spacer Right
MATE00912	802245A	A3518	1 1/4" B Station Die Holder For Auto Index
MATE00913	827114	A3521	2" C Station Die Holder And Spacer
MATE00914	827407	A3522	2" C Station Die Holder And Spacer
MATE00915	827162	A3524	3 1/2" D Station Die Holder And Spacer
MATE00916	827123	A3527	4 1/2" E Station Die Holder And Spacer
MATE00917	827107	A3560	1/2" A Station Die Spacer
MATE00918	827158	A3561	1 1/4" B Station Die Spacer Left
MATE00919	827157	A3561a	1 1/4" B Station Die Spacer Right
MATE00920	827111	A3561b	1 1/4" B Station Die Spacer Center
MATE00921	827115F	A3562	2" C Station Die Spacer
MATE00922	827163	A3563	3 1/2" D Station Die Spacer
MATE00923	827125	A3564	4 1/2" E Station Die Spacer
MATE00924	827471A	A3581a	1 1/4" B Station Die Holder For 90° Upper-Center
MATE00925	827472A	A3581b	1 1/4" B Station Die Holder For 90° Lower-Center
MATE00926	827473A	A3581c	1 1/4" B Station Die Holder For 90° Block-Center
MATE00927	N/A	A3581d	1 1/4" B Station Die Holder For Left
MATE00928	N/A	A3581e	1 1/4" B Station Die Holder For Right
MATE00929	827094A	A3581f	1 1/4" B Station Die Holder For 90° Upper-Left
MATE00930	827095A	A3581g	1 1/4" B Station Die Holder For 90° Lower-Left
MATE00931	827096	A3581h	1 1/4" B Station Die Holder For 90° Block-Left
MATE00932	827091A	A3581i	1 1/4" B Station Die Holder For 90° Upper-Right
MATE00933	827092A	A3581j	1 1/4" B Station Die Holder For 90° Lower-Right
MATE00934	827093	A3581k	1 1/4" B Station Die Holder For 90° Block-Right
MATE00935	M6	A3539	Spring Washer
MATE00936	D8 X 20	A3540	Dowel Pin
MATE00937	D10 X 24	A0966	Dowel Pin
MATE00938	M6 X 14	A3541	Set Screw 10 Piece Package
MATE00939	M8	A3542	Spring Washer
MATE00940	M6 X 20	A3543	Cap Screw 10 Piece Package
MATE00941	M6 X 25	A0834a	Cap Screw 10 Piece Package
MATE00942	C-3S	A3544	Free Stroke Bearing
MATE00943	827018	A3545	Spring Clip
MATE00944	M4 X 8	A3546	Pan Head Machine Screw 10 Piece Package
MATE00945	M4	A3547	Washer 10 Piece Package
MATE00946	M8	A3548	Washer 10 Piece Package
MATE00947	M10	A3549	Socket Cap Screw 10 Piece Package
MATE00948	M5 x 6	A0830	Set Screw 10 Piece Package
MATE00949	AW24	A3550	Washer
MATE00950	AN24	A3551	Crown Nut

# Turret Parts: Keys and Lifters



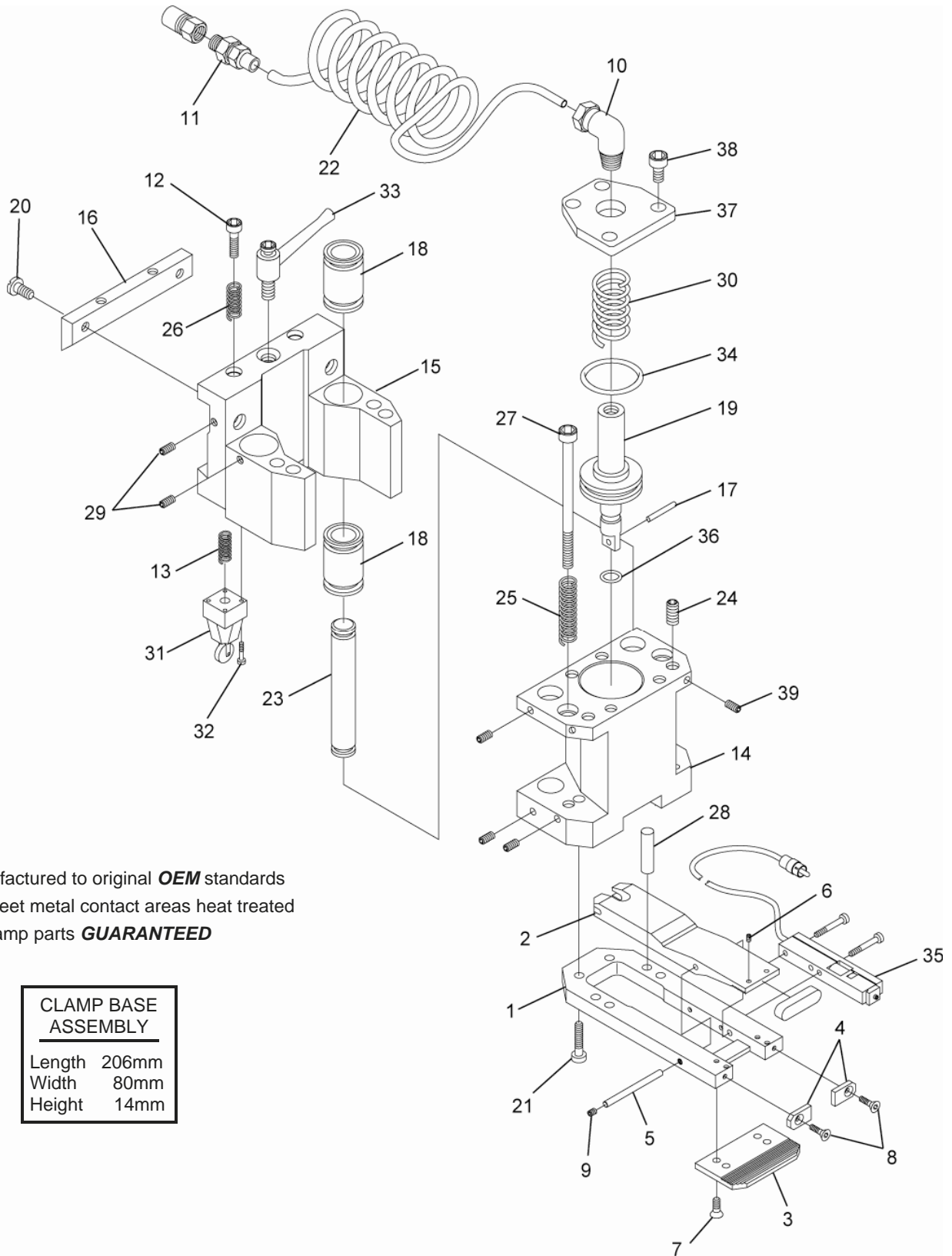
Dimensions in Inches (millimeters)

# Turret Parts: Keys and Lifters

Mate Drawing No.	Mate Part No.	Amada Part No.	API Part No.	Description
1	MATE00875	827263	A3117	1/2" A Station And 1 1/4" B Station Inner Guide Key
2	MATE00876	5501007	A3118	1/2" A Station And 1 1/4" B Station Outer Guide Key
3	MATE00877	5501050A	A3119	2" C Station Guide Key
4	MATE00878	5501010	A3120	3 1/2" D Station Guide Key
5	MATE00879	5501016A	A3121	4 1/2" E Station Guide Key
6	MATE00880	822420	A3122	Auto Index Guide Key
7	MATE00881	5500075	A3123	3 1/2" D Station Guide Key For Thin Turret
8	MATE00222	488034C	A3141	Die Key For Thick Turret
9	MATE00883	5500125	A3142	Guide Key For Thin Turret
10	MATE00884	5033504A	A3116	1/2" A Station And 1 1/4" B Station Guide Key For Octo
11	MATE00885	6532925	A3124	4 1/2" E Station Guide Key For Vipros Auto Index
12	MATE00886	828354	A3125	1/2" A Station Inner Guide Key For Vipros
13	MATE00887	827241	A3261	1/2" A Station, 1 1/4" B Station And 2" C Station Lifter Spring
14	MATE00888	827240	A3262	3 1/2" D Station And 4 1/2" E Station Lifter Spring
15	MATE00889	5501017C / 807123	A3345	1/2" A Station, 1 1/4" B Station, 2" C Station, 3 1/2" D Station And 4 1/2" E Station Shoulder Bolt For Thick Turret
16	MATE00890	807121	A3346	1/2" A Station, 1 1/4" B Station And 2" C Station Shoulder Bolt For Thin Turret
17	MATE00891	5501009	A3380	Lifter Ring
18	MATE00892	5500217	A3381	Lifter Ring
19	MATE00893	807122	A3382	Lifter Ring For Thin Turret
*	MATE00941		A034A	Screw
**	MATE00859		A0827	Screw

# New Style Clamp - Pneumatic Pega, Vipros\*, Aries 245, Laser and All Pneumatic Conversions

For machines up to 0.250(6.35)mm



- Manufactured to original **OEM** standards
- All sheet metal contact areas heat treated
- All clamp parts **GUARANTEED**

CLAMP BASE ASSEMBLY	
Length	206mm
Width	80mm
Height	14mm



Dimensions in Inches (millimeters)

\*Not compatible with VIPROS 255

# New Style Clamp - Pneumatic Pega, Vipros\*, Aries 245, Laser and All Pneumatic Conversions

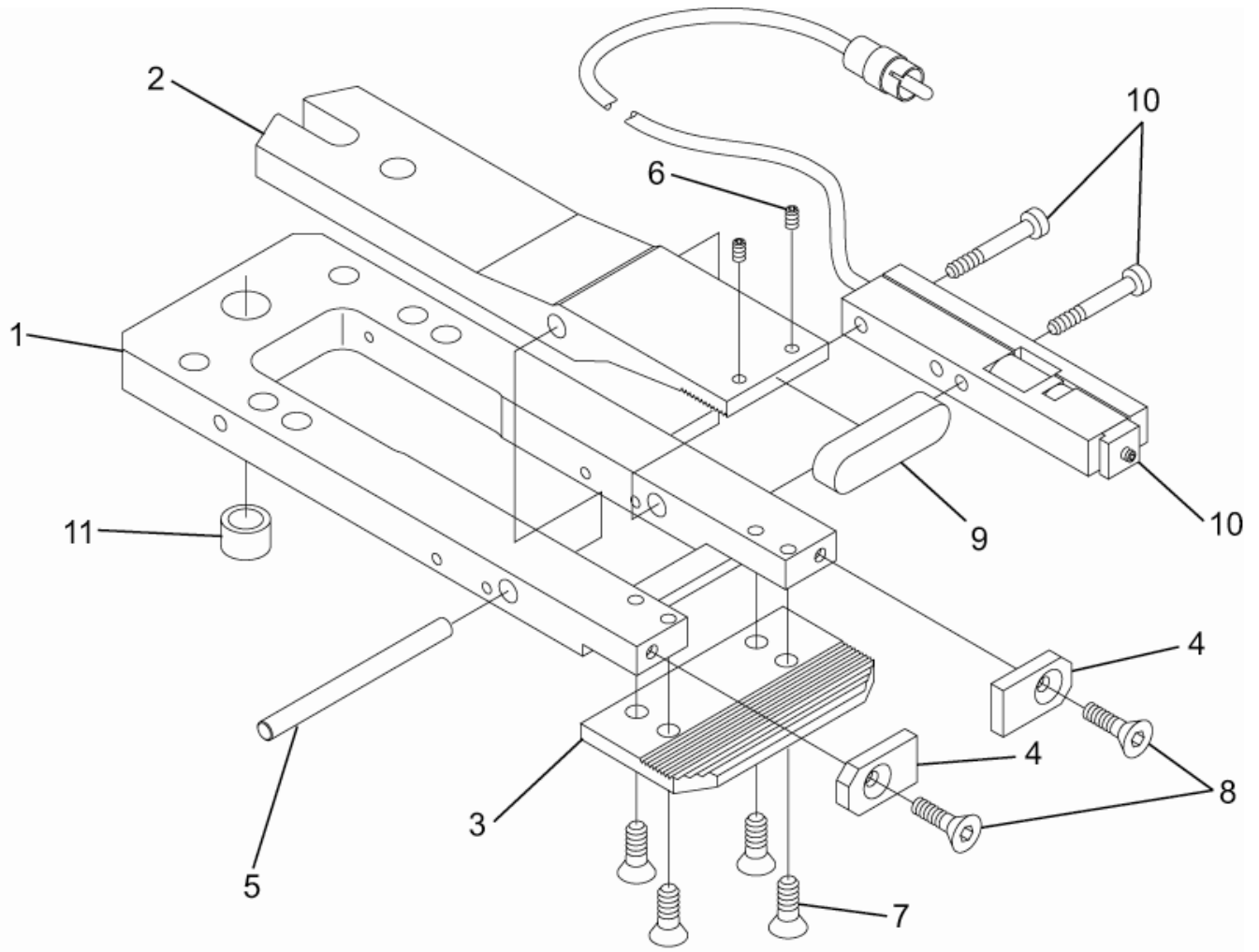
For machines up to 0.250(6.35)mm

Mate Drawing No.	Mate Part No.	Amada Part No.	API Part No.	Description
1-34	MATE00156	826180	A0101-CA	Workholder Assembly For Material Up To .250" Thick
1-9	MATE00157	826189	A0201-CBA	Workholder Jaw For Material Up To .250" Thick
1	MATE00159	826189	A0301-B	Pivot Arm For Material Up To .250" Thick
2	MATE00158	826182	A0401-CL	Upper Jaw For Material Up To .250" Thick
3	MATE00161	816025 / 826235	A0501-CP	Lower Jaw For Material Up To .250" And .500" Thick
4	MATE00160	816026	A0601-SP	Wear Plate For Material Up To .250" Thick
5	MATE00237	M6X60	A0794	Pivot Arm Straight Pin M6 X 60
6	MATE00948	M5 x 6	A0830	Set Screw 10 Piece Package
7	MATE00241	M5 x 12	A0831	Screw M5 X 12 For Lower Jaw 10 Piece Package
8	MATE00242	M4 x 10	A0832	Screw M4 X 10 For Wear Plate 10 Piece Package
9	MATE00776	N/A	A0835	Set Screw M8 X 8 For Pivot Arm Straight Pin
10	MATE00777	KQL06-02S	A4155	Coil Tubing Elbow For Air Cylinder
11	MATE00778	KQH06-02S	A4123	Coil Tubing Connector For Air Cylinder
12	MATE00779	N/A	A0887	Shoulder Bolt
13	MATE00780	N/A	A0891	Head Spring
14	MATE00812	N/A	A0874*	Body For Piston Side
15	MATE00813	N/A	A0879*	Body For Dove Tail Side
16	MATE00783	N/A	A0881	Dove Tail Bar
17	MATE00784	N/A	A0882	Retaining Pin For Air Cylinder
18	MATE00814	N/A	A0862*	Linear Bearing
19	MATE00805	N/A	A0620	Clamp Piston
20	MATE00787	N/A	A0875	Bolt For Dove Tail Bar
21	MATE00788	N/A	A0895	Pivot Arm Bolt
22	MATE00789	N/A	A0876	Coil Tubing For Air Cylinder
23	MATE00815	N/A	A0898*	Rod For Dove Tail Side
24	MATE00791	N/A	A0831B	Set Screw M6 X 8 For Piston Side
25	MATE00816	N/A	A0877	Spring For Piston Side
26	MATE00793	N/A	A0888	Spring For Dove Tail Side
27	MATE00817	N/A	A0839	Bolt For Piston Side
28	MATE00795	N/A	A0966	Pivot Arm Pin For Piston Side
29	MATE00796	N/A	A0889	Set Screw M6 X 6 For Dove Tail Side 10 Piece Package
30	MATE00818	74161330	A0846	Spring For Piston Side Amada 74161330
31	MATE00797	6WPH200-1	A0871	Head For Dove Tail Side
32	MATE00798	N/A	A0890	Head Bolt For Dove Tail Side 10 Piece Package
33	MATE00239	KR12 x 20	A0812	Lever 12mm For Dove Tail Side
34	MATE00819	P50A	A9237	Large O-Ring For Piston Amada P50A
35	MATE00247	8635270D	A0855A	Sheet Sensor For Auto Loader
36	MATE00820	P12	A9220	Small O-Ring For Piston Amada P12
37	MATE00821	74335901	A0878	Piston Cylinder Cover Amada 74335901
38	MATE00822	N/A	A0839q	Screw M6 X 16 For Piston Cylinder Cover 10 Piece Package
39	MATE00823	N/A	A0825	Cone Point Set Screw M4 X 6 For Piston Body 10 Piece Package
N/A	MATE00800	20SM	A0803	Female Coupler
N/A	MATE00801	20PF (1/4")	A0804	Male Coupler
N/A	MATE00238	KR10 x 20	A0811	Lever 10mm For Dove Tail Side
N/A	MATE00243	N/A	A0840	Shims .010" 10 Piece Package
N/A	MATE00244	N/A	A0841	Shims .003" 10 Piece Package
N/A	MATE00245	N/A	A0842	Shims .005" 10 Piece Package
N/A	MATE00802	6048241	A0844	Override Block For Vipros
N/A	MATE00803	74161389	A0845	Override Plunger For Vipros Assembly
N/A	MATE00248	74374415	A0856	Sheet Sensor With 4 Pin Plug Male
N/A	MATE00804	7930044	A0856a	Sheet Sensor With 4 Pin Plug Female Side





## Pega Original Style Clamp - Pneumatic



- Manufactured to original **OEM** standards
- All sheet metal contact areas heat treated
- All clamp parts **GUARANTEED**

### CLAMP BASE ASSEMBLY

Length	216mm
Width	80mm
Height	14mm



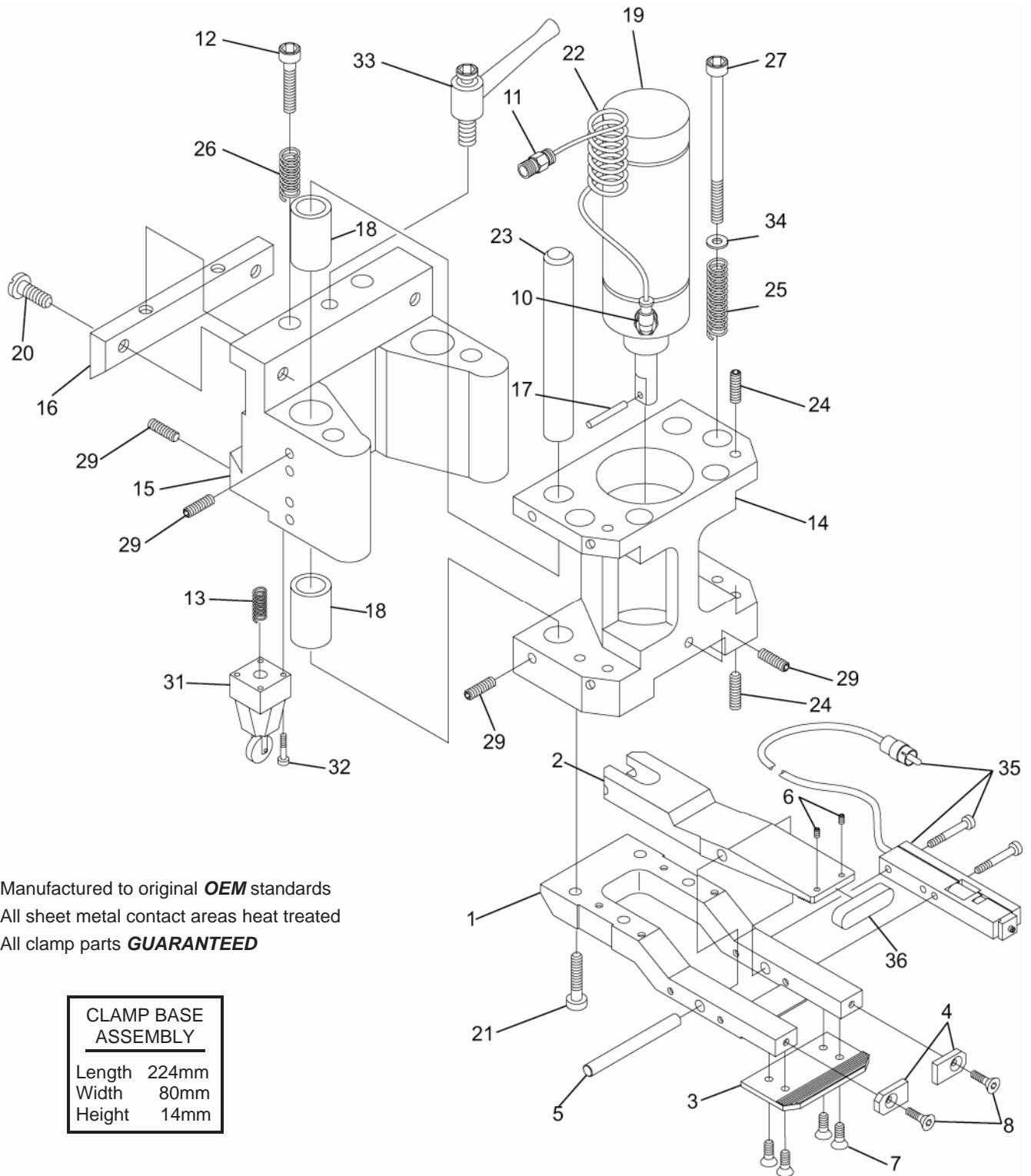
Dimensions in Inches (millimeters)



## Pega Original Style Clamp - Pneumatic

Mate Drawing No.	Mate Part No.	Amada Part No.	API Part No.	Description
1-8	MATE00231	816032	A0202-CBA	Jaw Assembly
1	MATE00232	816032	A0302-B	Pivot Arm
2	MATE00233	816028	A0402-CL	Upper Jaw
3	MATE00161	816025 / 826235	A0501-CP	Lower Jaw For Material Up To .250" And .500" Thick
4	MATE00160	816026	A0601-SP	Wear Plate For Material Up To .250" Thick
5	MATE00808	M6 X 80	A0795	Pivot Arm Straight Pin M6 X 80
6	MATE00240	M5 x 6	A0830	Set Screw M5 X 6 For Upper Jaw Tip 10 Piece Package
7	MATE00241	M5 x 12	A0831	Screw M5 X 12 For Lower Jaw 10 Piece Package
8	MATE00242	M4 x 10	A0832	Screw M4 X 10 For Wear Plate 10 Piece Package
9	MATE00246	N/A	A0850	Urethane Boot For Upper Jaw Tip
10	MATE00809	8635270D	A0853	Sheet Sensor For Auto Loader
11	MATE00810	N/A	A0843	Pivot Arm Bushing
N/A	MATE00800	20SM	A0803	Female Coupler
N/A	MATE00801	20PF (1/4")	A0804	Male Coupler
N/A	MATE00238	KR10 x 20	A0811	Lever 10mm For Dove Tail Side
N/A	MATE00239	KR12 x 20	A0812	Lever 12mm For Dove Tail Side
N/A	MATE00243	N/A	A0840	Shims .010" 10 Piece Package
N/A	MATE00244	N/A	A0841	Shims .003" 10 Piece Package
N/A	MATE00245	N/A	A0842	Shims .005" 10 Piece Package
N/A	MATE00248	74374415	A0856	Sheet Sensor With 4 Pin Plug Male
N/A	MATE00804	7930044	A0856A	Sheet Sensor With 4 Pin Plug Female Side
N/A	MATE00797	6WPH200-1	A0871	Head For Dove Tail Side
N/A	MATE00811	6 X 4	A4111	Vinyl Tubing 6 X 4mm / Foot
N/A	MATE00777	KQL06-02S	A4155	Coil Tubing Elbow For Air Cylinder

# Lyla, Coma, Vela - Thin Clamp - Pneumatic



- Manufactured to original **OEM** standards
- All sheet metal contact areas heat treated
- All clamp parts **GUARANTEED**

CLAMP BASE ASSEMBLY	
Length	224mm
Width	80mm
Height	14mm



Dimensions in Inches (millimeters)

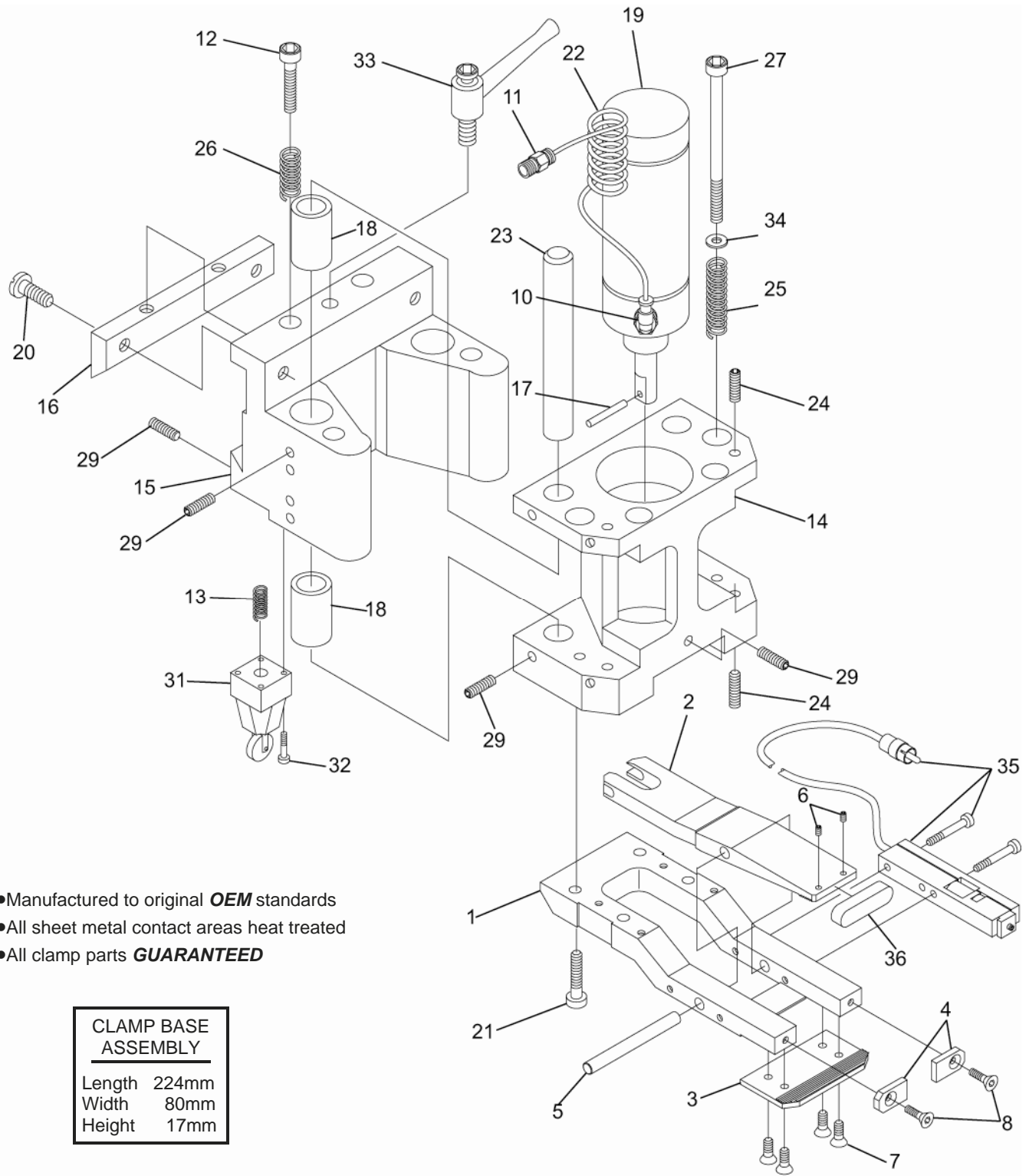
For materials up to 0.250(6.35) thick.

## Lyla, Coma, Vela - Thin Clamp - Pneumatic

Mate Drawing No.	Mate Part No.	Amada Part No.	API Part No.	Description
1-8	MATE00824	806067	A0205-CBA	Workholder Jaw Assembly
1-34	MATE00825	806060	A0105-CA	Workholder Assembly
1	MATE00826	806067	A0305-B	Pivot Arm
2	MATE00827	826194	A0405-CL	Upper Jaw
3	MATE00828	826076	A0504-CP	Lower Jaw
4	MATE00160	816026	A0601-SP	Wear Plate For Material Up To .250" Thick
5	MATE00808	M6 X 80	A0795	Pivot Arm Straight Pin M6 X 80
6	MATE00240	M5 x 6	A0830	Set Screw M5 X 6 For Upper Jaw Tip 10 Piece Package
7	MATE00241	M5 x 12	A0831	Screw M5 X 12 For Lower Jaw 10 Piece Package
8	MATE00242	M4 x 10	A0832	Screw M4 X 10 For Wear Plate 10 Piece Package
10	MATE00777	KQL06-02S	A4155	Coil Tubing Elbow For Air Cylinder
11	MATE00778	KQH06-02S	A4123	Coil Tubing Connector For Air Cylinder
12	MATE00779	N/A	A0887	Shoulder Bolt
13	MATE00780	N/A	A0891	Head Spring
14	MATE00830	N/A	A0872B	Workholder Body For Piston Side
15	MATE00782	N/A	A0880	Workholder Body For Dove Tail Side
16	MATE00783	N/A	A0881	Dove Tail Bar
17	MATE00784	N/A	A0882	Retaining Pin For Air Cylinder
18	MATE00785	N/A	A0869	Linear Bearing
19	MATE00786	N/A	A0870	Air Cylinder
20	MATE00787	N/A	A0875	Bolt For Dove Tail Bar
21	MATE00788	N/A	A0895	Pivot Arm Bolt
22	MATE00789	N/A	A0876	Coil Tubing For Air Cylinder
23	MATE00790	N/A	A0883	Rod For Piston Side
24	MATE00791	N/A	A0831B	Set Screw M6 X 8 For Piston Side
25	MATE00792	N/A	A0886	Spring For Piston Side
26	MATE00793	N/A	A0888	Spring For Dove Tail Side
27	MATE00794	N/A	A0884	Bolt For Piston Side
29	MATE00796	N/A	A0889	Set Screw M6 X 6 For Dove Tail Side 10 Piece Package
30	MATE00776	N/A	A0835	Set Screw M8 X 8 For Pivot Arm Straight Pin
31	MATE00797	FOR-WLD2	A0871	Head For Dove Tail Side
32	MATE00798	N/A	A0890	Head Bolt For Dove Tail Side 10 Piece Package
33	MATE00239	806075	A0812	Lever 12mm For Dove Tail Side
34	MATE00799	N/A	A0885	Bolt Washer For Piston Side 10 Piece Package
35	MATE00247	8635270-D	A0855A	Sheet Sensor For Auto Loader
36	MATE00246	N/A	A0850	Urethane Boot For Upper Jaw Tip
N/A	MATE00800	20SM	A0803	Female Coupler
N/A	MATE00801	20PF (1/4")	A0804	Male Coupler
N/A	MATE00243	N/A	A0840	Shims .010" 10 Piece Package
N/A	MATE00244	N/A	A0841	Shims .003" 10 Piece Package
N/A	MATE00245	N/A	A0842	Shims .005" 10 Piece Package
N/A	MATE00248	74374415	A0856	Sheet Sensor With 4 Pin Plug Male
N/A	MATE00804	7930044	A0856A	Sheet Sensor With 4 Pin Plug Female Side



# Vela, Coma - Thick Clamp - Pneumatic



- Manufactured to original **OEM** standards
- All sheet metal contact areas heat treated
- All clamp parts **GUARANTEED**

CLAMP BASE ASSEMBLY	
Length	224mm
Width	80mm
Height	17mm



Dimensions in Inches (millimeters)

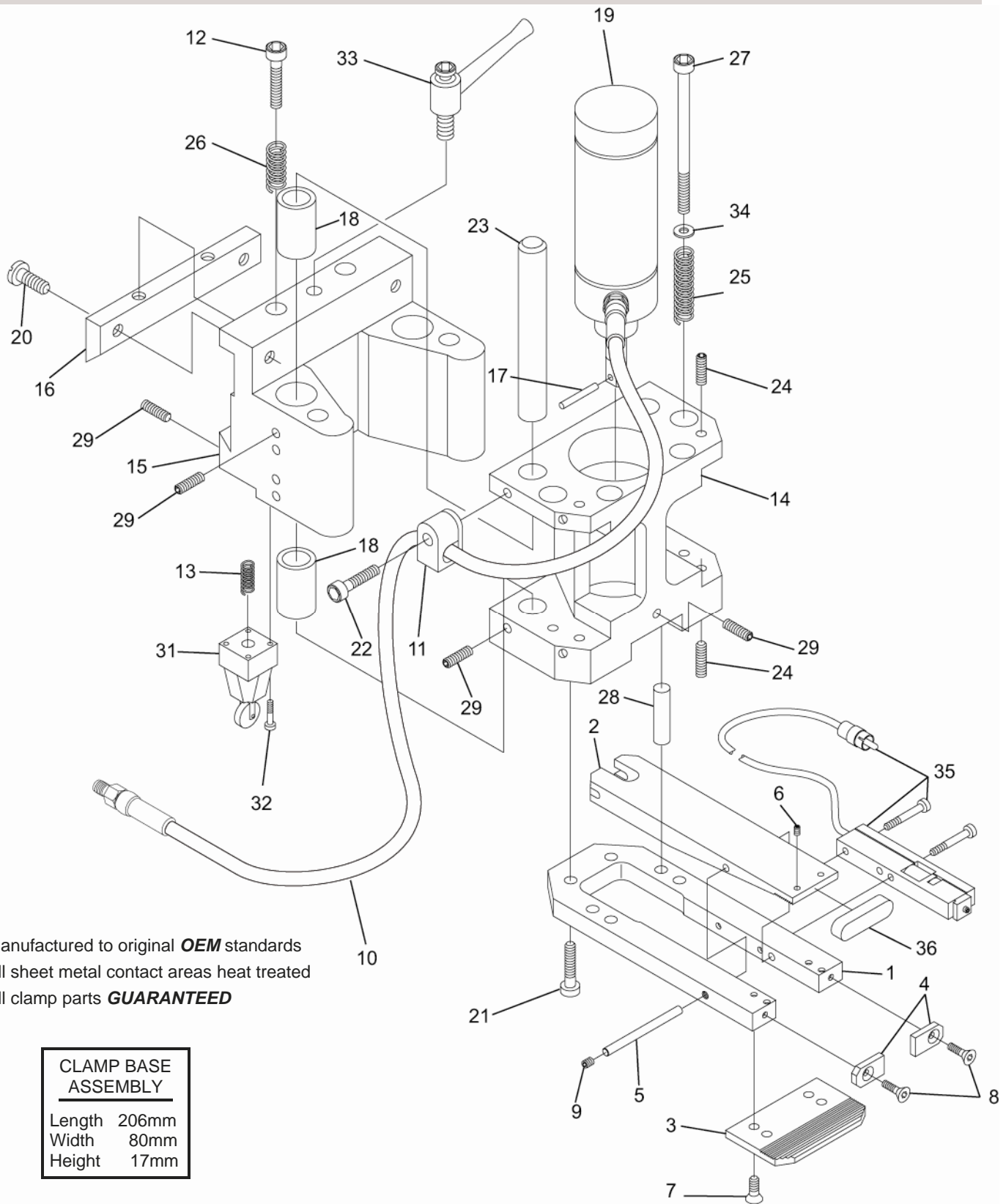
For materials up to 0.500(12.70) thick.

## Vela, Coma - Thick Clamp - Pneumatic

Mate Drawing No.	Mate Part No.	Amada Part No.	API Part No.	Description
1-8	MATE00831	826031	A0206-CBA	Workholder Jaw Assembly
1-34	MATE00832	826030B	A0106-CA	Workholder Assembly
1	MATE00833	826031	A0306-B	Pivot Arm
2	MATE00834	826032	A0406-CL	Upper Jaw
3	MATE00828	826076	A0504-CP	Lower Jaw
4	MATE00835	826092	A0603-SP	Wear Plate
5	MATE00808	M6 X 80	A0795	Pivot Arm Straight Pin M6 X 80
6	MATE00240	M5 x 6	A0830	Set Screw M5 X 6 For Upper Jaw Tip 10 Piece Package
7	MATE00241	M5 x 12	A0831	Screw M5 X 12 For Lower Jaw 10 Piece Package
8	MATE00242	M4 x 10	A0832	Screw M4 X 10 For Wear Plate 10 Piece Package
10	MATE00777	KQL06-02S	A4155	Coil Tubing Elbow For Air Cylinder
11	MATE00778	KQH06-02S	A4123	Coil Tubing Connector For Air Cylinder
12	MATE00779	N/A	A0887	Shoulder Bolt
13	MATE00780	N/A	A0891	Head Spring
14	MATE00830	N/A	A0872B	Workholder Body For Piston Side
15	MATE00782	N/A	A0880	Workholder Body For Dove Tail Side
16	MATE00783	N/A	A0881	Dove Tail Bar
17	MATE00784	N/A	A0882	Retaining Pin For Air Cylinder
18	MATE00785	N/A	A0869	Linear Bearing
19	MATE00786	N/A	A0870	Air Cylinder
20	MATE00787	N/A	A0875	Bolt For Dove Tail Bar
21	MATE00788	N/A	A0895	Pivot Arm Bolt
22	MATE00789	N/A	A0876	Coil Tubing For Air Cylinder
23	MATE00790	N/A	A0883	Rod For Piston Side
24	MATE00791	N/A	A0831B	Set Screw M6 X 8 For Piston Side
25	MATE00792	N/A	A0886	Spring For Piston Side
26	MATE00793	N/A	A0888	Spring For Dove Tail Side
27	MATE00794	N/A	A0884	Bolt For Piston Side
29	MATE00796	N/A	A0889	Set Screw M6 X 6 For Dove Tail Side 10 Piece Package
30	MATE00776	N/A	A0835	Set Screw M8 X 8 For Pivot Arm Straight Pin
31	MATE00797	FOR-WLD2	A0871	Head For Dove Tail Side
32	MATE00798	N/A	A0890	Head Bolt For Dove Tail Side 10 Piece Package
33	MATE00239	806075	A0812	Lever 12mm For Dove Tail Side
34	MATE00799	N/A	A0885	Bolt Washer For Piston Side 10 Piece Package
35	MATE00247	8635270-D	A0855A	Sheet Sensor For Auto Loader
36	MATE00246	N/A	A0850	Urethane Boot For Upper Jaw Tip
N/A	MATE00800	20SM	A0803	Female Coupler
N/A	MATE00801	20PF (1/4")	A0804	Male Coupler
N/A	MATE00243	N/A	A0840	Shims .010" 10 Piece Package
N/A	MATE00244	N/A	A0841	Shims .003" 10 Piece Package
N/A	MATE00245	N/A	A0842	Shims .005" 10 Piece Package
N/A	MATE00248	74374415	A0856	Sheet Sensor With 4 Pin Plug Male
N/A	MATE00804	7930044	A0856A	Sheet Sensor With 4 Pin Plug Female Side



# New Style Clamp - Hydraulic



- Manufactured to original **OEM** standards
- All sheet metal contact areas heat treated
- All clamp parts **GUARANTEED**

CLAMP BASE ASSEMBLY	
Length	206mm
Width	80mm
Height	17mm



Dimensions in Inches (millimeters)



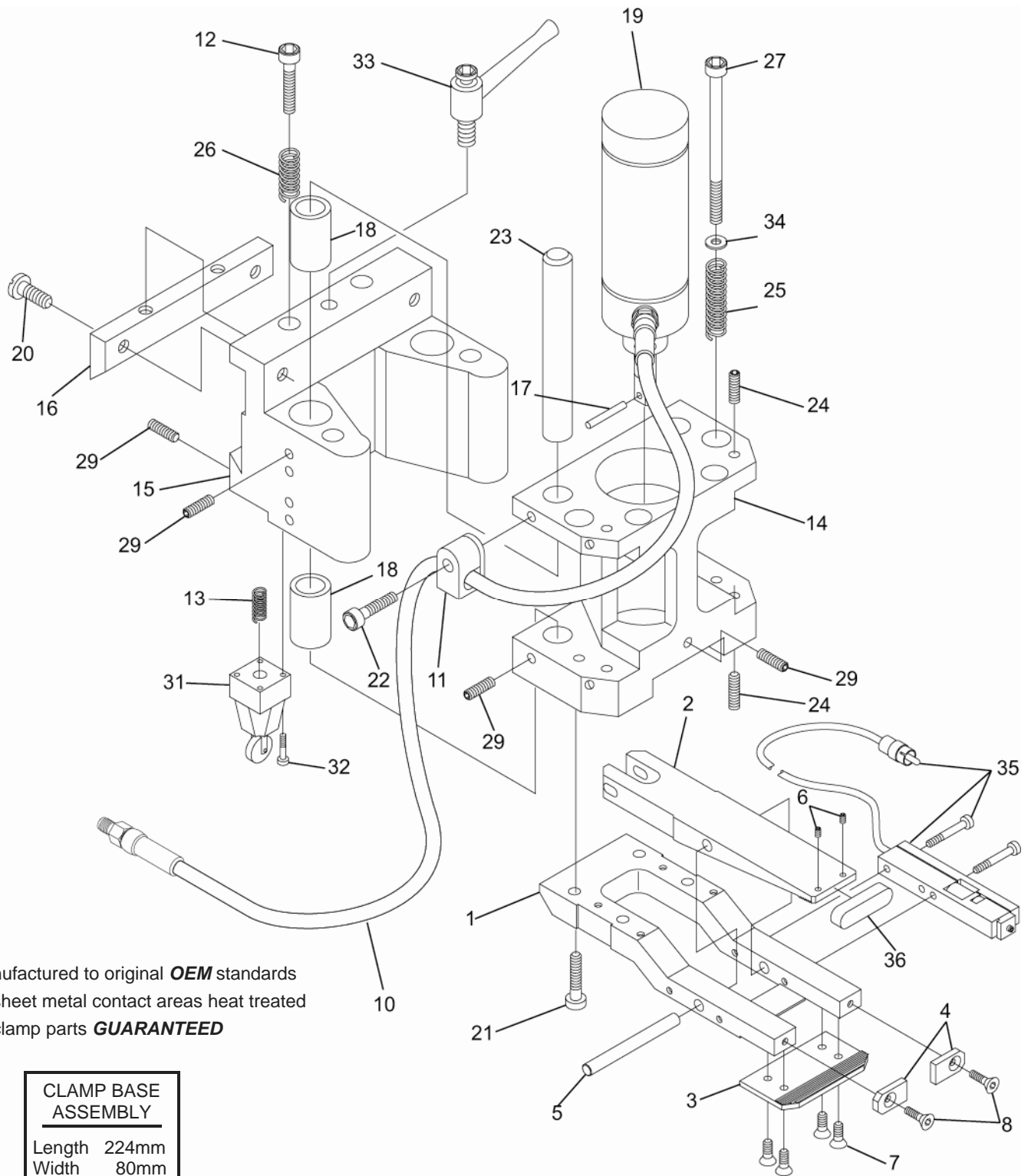
## New Style Clamp - Hydraulic

Mate Drawing No.	Mate Part No.	Amada Part No.	API Part No.	Description
1-9	MATE00254	826193	A0207-CBA	Jaw Assembly
1-34	MATE00836	826190	A0107-CA	Workholder Assembly
1	MATE00255	826193	A0307-B	Pivot Arm
2	MATE00256	826194	A0407-CL	Upper Jaw
3	MATE00161	826235	A0501-CP	Lower Jaw For Material Up To .250" And .500" Thick
4	MATE00160	816026	A0601-SP	Wear Plate For Material Up To .250" Thick
5	MATE00257	M8 X 60	A0796	Pivot Arm Straight Pin M8 X 60
6	MATE00240	M5 x 6	A0830	Set Screw M5 X 6 For Upper Jaw Tip 10 Piece Package
7	MATE00241	M5 x 12	A0831	Screw M5 X 12 For Lower Jaw 10 Piece Package
8	MATE00242	M4 x 10	A0832	Screw M4 X 10 For Wear Plate 10 Piece Package
9	MATE00837	N/A	A0836	Set Screw M10 X 12 For Pivot Arm Straight Pin
10	MATE00838	827577	A8227	Hydraulic Hose
11	MATE00839	N/A	A0896	Hose Clamp Holder
12	MATE00779	N/A	A0887	Shoulder Bolt
13	MATE00780	N/A	A0891	Head Spring
14	MATE00840	N/A	A0872A	Workholder Body For Piston Side
15	MATE00782	N/A	A0880	Workholder Body For Dove Tail Side
16	MATE00783	N/A	A0881	Dove Tail Bar
17	MATE00841	N/A	A0873i	Retaining Pin For Hydraulic Cylinder
18	MATE00785	N/A	A0869	Linear Bearing
19	MATE00842	N/A	A0873A	Hydraulic Cylinder
20	MATE00787	N/A	A0875	Bolt For Dove Tail Bar
21	MATE00788	N/A	A0895	Pivot Arm Bolt
22	MATE00843	N/A	A0834A	Screw For Hose Clamp Holder 10 Piece Package
23	MATE00790	N/A	A0883	Rod For Piston Side
24	MATE00791	N/A	A0831B	Set Screw M6 X 8 For Piston Side
25	MATE00792	N/A	A0886	Spring For Piston Side
26	MATE00793	N/A	A0888	Spring For Dove Tail Side
27	MATE00794	N/A	A0884	Bolt For Piston Side
29	MATE00796	N/A	A0889	Set Screw M6 X 6 For Dove Tail Side 10 Piece Package
31	MATE00797	6WPH200-1	A0871	Head For Dove Tail Side
32	MATE00798	N/A	A0890	Head Bolt For Dove Tail Side 10 Piece Package
33	MATE00239	KR12 x 20	A0812	Lever 12mm For Dove Tail Side
34	MATE00799	N/A	A0885	Bolt Washer For Piston Side 10 Piece Package
35	MATE00247	8635270-D	A0855A	Sheet Sensor For Auto Loader
36	MATE00246	N/A	A0850	Urethane Boot For Upper Jaw Tip
N/A	MATE00844	2HS (1/4")	A0805	Female Coupler
N/A	MATE00845	2HP (1/4")	A0806	Male Coupler
N/A	MATE00238	KR10 x 20	A0811	Lever 10mm For Dove Tail Side
N/A	MATE00243	N/A	A0840	Shims .010" 10 Piece Package
N/A	MATE00244	N/A	A0841	Shims .003" 10 Piece Package
N/A	MATE00245	N/A	A0842	Shims .005" 10 Piece Package
N/A	MATE00248	74374415	A0856	Sheet Sensor With 4 Pin Plug Male
N/A	MATE00804	7930044	A0856A	Sheet Sensor With 4 Pin Plug Female Side
N/A	MATE00846	74166005	A8200	Hydraulic Clamp Pump Unit





# Original Style Clamp - Hydraulic



- Manufactured to original **OEM** standards
- All sheet metal contact areas heat treated
- All clamp parts **GUARANTEED**

CLAMP BASE ASSEMBLY	
Length	224mm
Width	80mm
Height	17mm



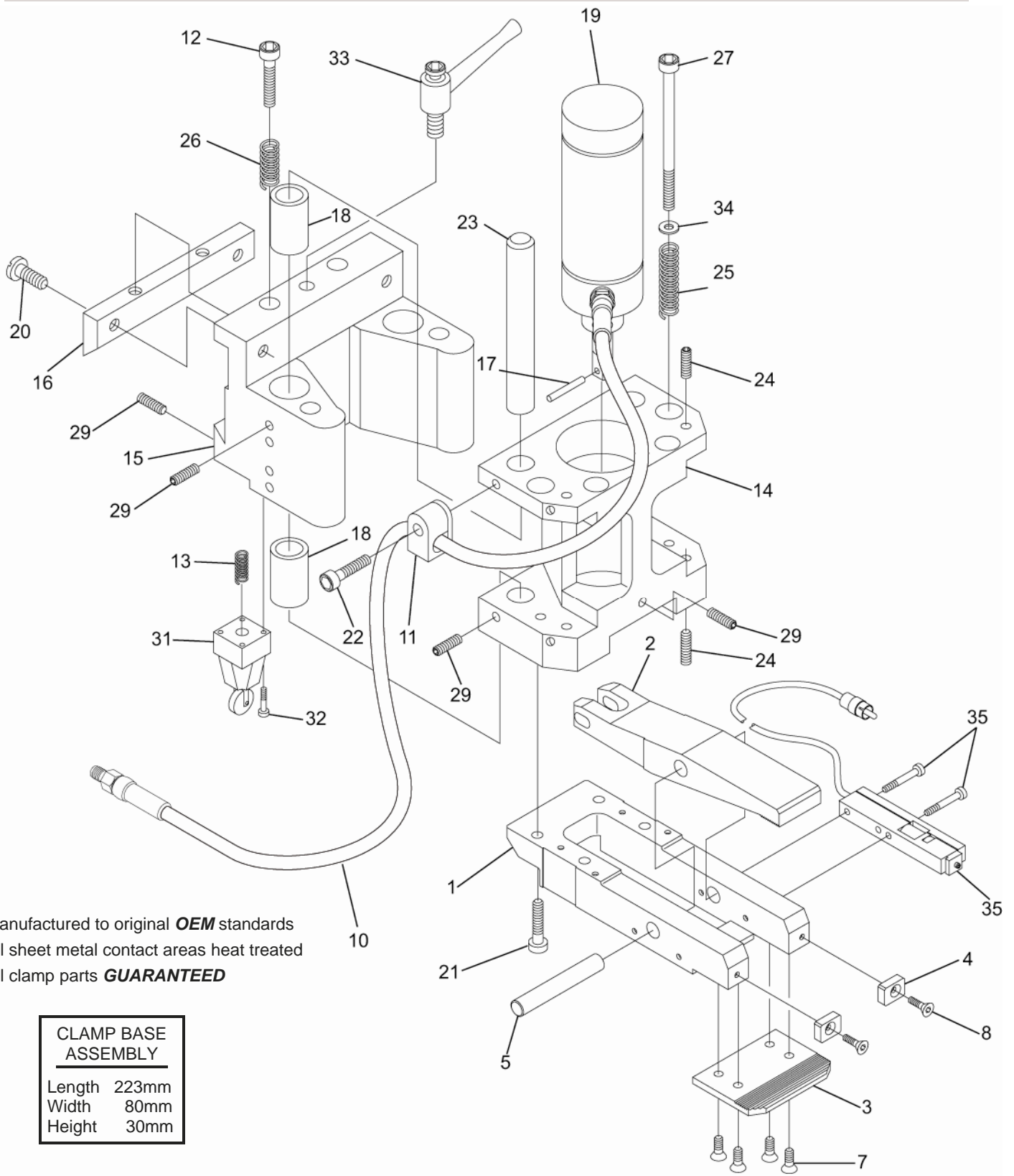
Dimensions in Inches (millimeters)

## Original Style Clamp - Hydraulic

Mate Drawing No.	Mate Part No.	Amada Part No.	API Part No.	Description
1-8	MATE00250	826074	A0208-CBA	Workholder Jaw Assembly
1-34	MATE00847	826070D	A0108-CA	Workholder Assembly
1	MATE00251	826074B	A0308-B	Pivot Arm
2	MATE00252	826075A	A0408-CL	Upper Jaw
3	MATE00253	826076	A0504-CP	Lower Jaw
4	MATE00835	826092	A0603-SP	Wear Plate
5	MATE00848	8 X 80	A0797	Pivot Arm Straight Pin M8 X 80
6	MATE00240	M5 x 6	A0830	Set Screw M5 X 6 For Upper Jaw Tip 10 Piece Package
7	MATE00241	M5 x 12	A0831	Screw M5 X 12 For Lower Jaw 10 Piece Package
8	MATE00242	M4 x 10	A0832	Screw M4 X 10 For Wear Plate 10 Piece Package
10	MATE00838	827577	A8227	Hydraulic Hose
11	MATE00839	N/A	A0896	Hose Clamp Holder
12	MATE00779	N/A	A0887	Shoulder Bolt
13	MATE00780	N/A	A0891	Head Spring
14	MATE00830	N/A	A0872B	Workholder Body For Piston Side
15	MATE00782	N/A	A0880	Workholder Body For Dove Tail Side
16	MATE00783	N/A	A0881	Dove Tail Bar
17	MATE00841	N/A	A0873i	Retaining Pin For Hydraulic Cylinder
18	MATE00785	N/A	A0869	Linear Bearing
19	MATE00842	N/A	A0873A	Hydraulic Cylinder
20	MATE00787	N/A	A0875	Bolt For Dove Tail Bar
21	MATE00788	N/A	A0895	Pivot Arm Bolt
22	MATE00843	N/A	A0834A	Screw For Hose Clamp Holder 10 Piece Package
23	MATE00790	N/A	A0883	Rod For Piston Side
24	MATE00791	N/A	A0831B	Set Screw M6 X 8 For Piston Side
25	MATE00792	N/A	A0886	Spring For Piston Side
26	MATE00793	N/A	A0888	Spring For Dove Tail Side
27	MATE00794	N/A	A0884	Bolt For Piston Side
29	MATE00796	N/A	A0889	Set Screw M6 X 6 For Dove Tail Side 10 Piece Package
31	MATE00797	6WPH200-1	A0871	Head For Dove Tail Side
32	MATE00798	N/A	A0890	Head Bolt For Dove Tail Side 10 Piece Package
33	MATE00239	KR12 x 20	A0812	Lever 12mm For Dove Tail Side
34	MATE00799	N/A	A0885	Bolt Washer For Piston Side 10 Piece Package
35	MATE00247	8635270-D	A0855A	Sheet Sensor For Auto Loader
36	MATE00246	N/A	A0850	Urethane Boot For Upper Jaw Tip
N/A	MATE00844	2HS (1/4")	A0805	Female Coupler
N/A	MATE00845	2HP (1/4")	A0806	Male Coupler
N/A	MATE00243	N/A	A0840	Shims .010" 10 Piece Package
N/A	MATE00244	N/A	A0841	Shims .003" 10 Piece Package
N/A	MATE00245	N/A	A0842	Shims .005" 10 Piece Package
N/A	MATE00248	74374415	A0856	Sheet Sensor With 4 Pin Plug Male
N/A	MATE00804	7930044	A0856A	Sheet Sensor With 4 Pin Plug Female Side
N/A	MATE00846	74166005	A8200	Hydraulic Clamp Pump Unit



# Coma - Thick Clamp - Hydraulic



- Manufactured to original **OEM** standards
- All sheet metal contact areas heat treated
- All clamp parts **GUARANTEED**

CLAMP BASE ASSEMBLY	
Length	223mm
Width	80mm
Height	30mm



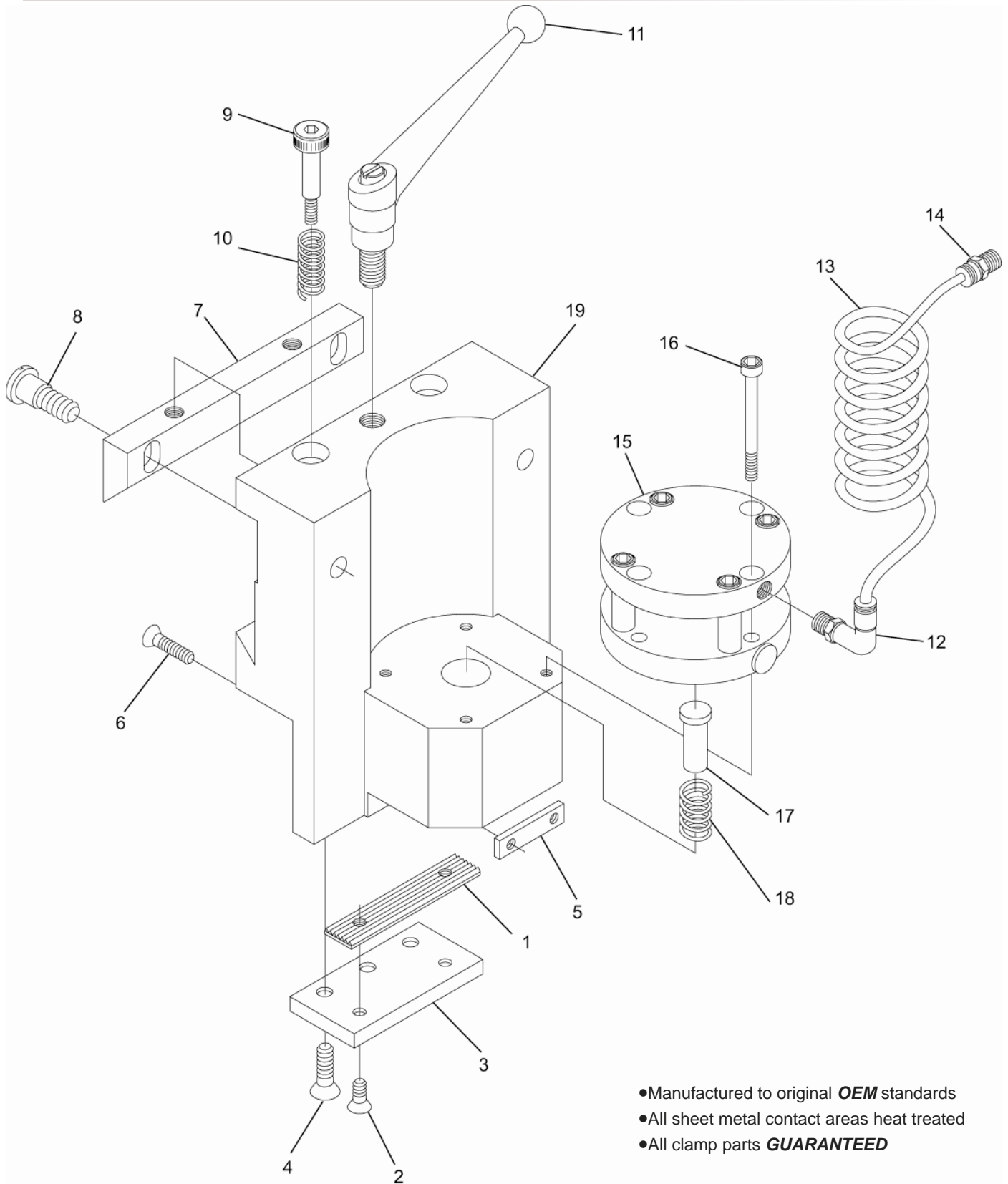
Dimensions in Inches (millimeters)

## Coma - Thick Clamp - Hydraulic

Mate Drawing No.	Mate Part No.	Amada Part No.	API Part No.	Description
1-8	MATE00249	826044	A0209-CBA	Workholder Jaw Assembly
1-34	MATE00849	826040	A0109-CA	Workholder Assembly
1	MATE00850	826044	A0309-B	Pivot Arm
2	MATE00851	826054	A0409-CL	Upper Jaw
3	MATE00852	826046	A0505-CP	Lower Jaw
4	MATE00853	826043	A0604-SP	Wear Plate
5	MATE00854	M13 X 80	A0798	Pivot Arm Straight Pin M13 X 80
7	MATE00855	M6 X 18	A0833	Screw M6 X 18 For Lower Jaw And Wear Plate 10 Piece Package
8	MATE00855	M6 X 18	A0833	Screw M6 X 18 For Lower Jaw And Wear Plate 10 Piece Package
10	MATE00838	827577	A8227	Hydraulic Hose
11	MATE00839	N/A	A0896	Hose Clamp Holder
12	MATE00779	N/A	A0887	Shoulder Bolt
13	MATE00780	N/A	A0891	Head Spring
14	MATE00830	N/A	A0872B	Workholder Body For Piston Side
15	MATE00782	N/A	A0880	Workholder Body For Dove Tail Side
16	MATE00783	N/A	A0881	Dove Tail Bar
17	MATE00841	N/A	A0873i	Retaining Pin For Hydraulic Cylinder
18	MATE00785	N/A	A0869	Linear Bearing
19	MATE00842	N/A	A0873A	Hydraulic Cylinder
20	MATE00787	N/A	A0875	Bolt For Dove Tail Bar
21	MATE00788	N/A	A0895	Pivot Arm Bolt
22	MATE00843	N/A	A0834A	Screw For Hose Clamp Holder 10 Piece Package
23	MATE00790	N/A	A0883	Rod For Piston Side
24	MATE00791	N/A	A0831B	Set Screw M6 X 8 For Piston Side
25	MATE00792	N/A	A0886	Spring For Piston Side
26	MATE00793	N/A	A0888	Spring For Dove Tail Side
27	MATE00794	N/A	A0884	Bolt For Piston Side
29	MATE00796	N/A	A0889	Set Screw M6 X 6 For Dove Tail Side 10 Piece Package
31	MATE00797	6WPH200-1	A0871	Head For Dove Tail Side
32	MATE00798	N/A	A0890	Head Bolt For Dove Tail Side 10 Piece Package
33	MATE00239	KR12 x 20	A0812	Lever 12mm For Dove Tail Side
34	MATE00799	N/A	A0885	Bolt Washer For Piston Side 10 Piece Package
35	MATE00247	8635270-D	A0855A	Sheet Sensor For Auto Loader
N/A	MATE00844	2HS (1/4")	A0805	Female Coupler
N/A	MATE00845	2HP (1/4")	A0806	Male Coupler
N/A	MATE00243	N/A	A0840	Shims .010" 10 Piece Package
N/A	MATE00244	N/A	A0841	Shims .003" 10 Piece Package
N/A	MATE00245	N/A	A0842	Shims .005" 10 Piece Package
N/A	MATE00248	74374415	A0856	Sheet Sensor With 4 Pin Plug Male
N/A	MATE00804	7930044	A0856A	Sheet Sensor With 4 Pin Plug Female Side
N/A	MATE00846	74166005	A8200	Hydraulic Clamp Pump Unit



# Coma, Vela, Lyla, Pega - Stubby Clamp



- Manufactured to original **OEM** standards
- All sheet metal contact areas heat treated
- All clamp parts **GUARANTEED**



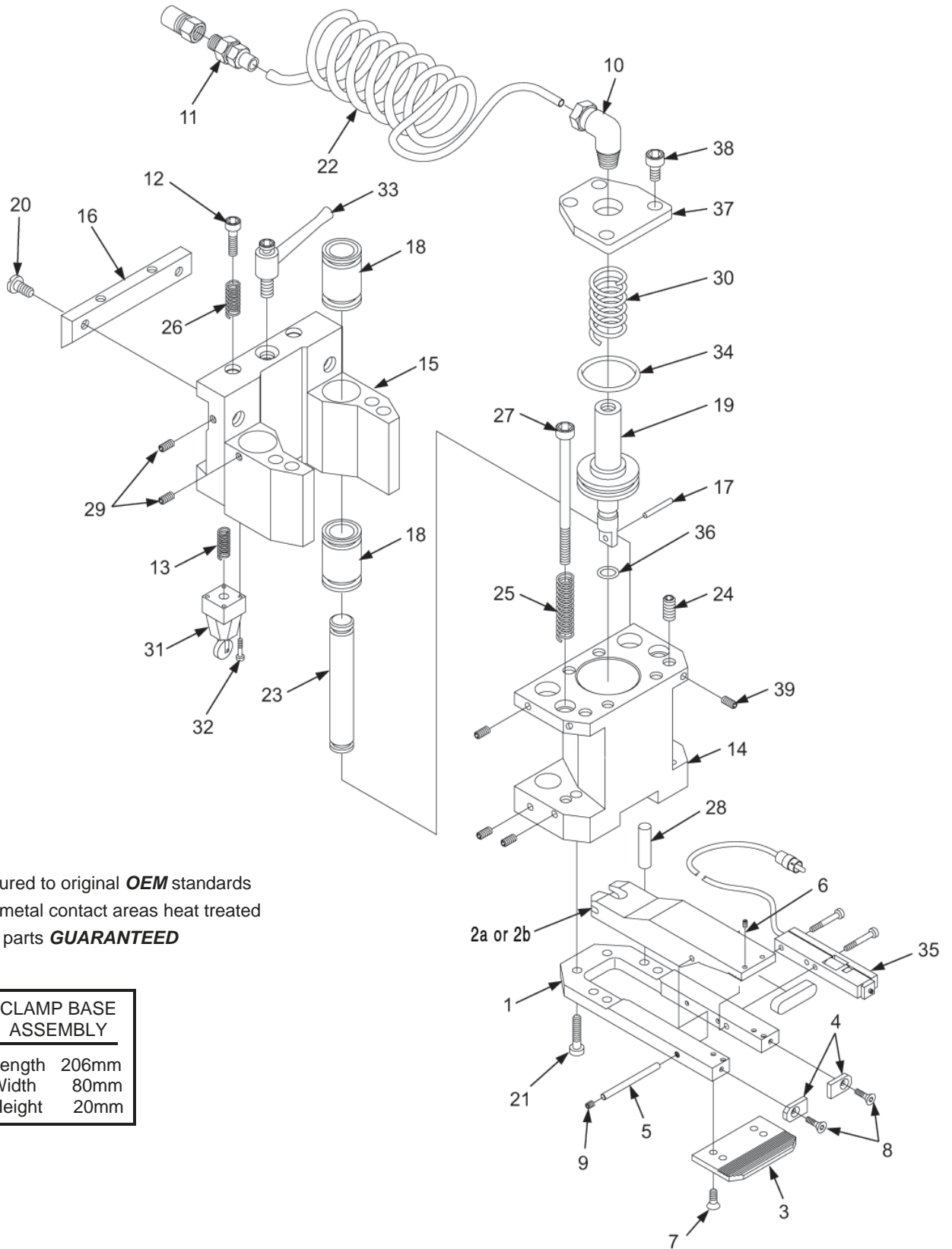
Dimensions in Inches (millimeters)

## Coma, Vela, Lyla, Pega - Stubby Clamp

Mate Drawing No.	Mate Part No.	Amada Part No.	API Part No.	Description
1-19	MATE00856	N/A	A0110-CAA	Complete Pneumatic Clamp Assembly
1	MATE00857	N/A	A0943	Lower Jaw
2	MATE00242	M4 x 10	A0832	Screw M4 X 10 For Wear Plate 10 Piece Package
3	MATE00858	N/A	A0942	Backup Plate
4	MATE00859	N/A	A0827	Screw M6 X 16 For Backup Plate
5	MATE00860	N/A	A0941	Wear Plate
6	MATE00861	N/A	A0937	Screw M5 X 20 For Dove Tail Bar 10 Piece Package
7	MATE00783	N/A	A0881	Dove Tail Bar
8	MATE00787	N/A	A0875	Bolt For Dove Tail Bar
9	MATE00779	N/A	A0887	Shoulder Bolt
10	MATE00793	N/A	A0888	Spring For Dove Tail Side
11	MATE00239	KR12 x 20	A0812	Lever 12mm For Dove Tail Side
12	MATE00862	N/A	A4153	Coil Tubing Elbow For Air Cylinder
13	MATE00789	N/A	A0876	Coil Tubing For Air Cylinder
14	MATE00778	KQH06-02S	A4123	Coil Tubing Connector For Air Cylinder
15	MATE00863	N/A	A0938	Air Cylinder
16	MATE00864	N/A	A0936	Screw M5 X 55 For Air Cylinder
17	MATE00865	N/A	A0940	Plunger Clamp
18	MATE00780	N/A	A0891	Head Spring
19	MATE00866	N/A	A0968	Lower Unit
N/A	MATE00800	20SM	A0803	Female Coupler
N/A	MATE00801	20PF (1/4")	A0804	Male Coupler



# Laser Clamp - Apelio and Pulsar



- Manufactured to original **OEM** standards
- All sheet metal contact areas heat treated
- All clamp parts **GUARANTEED**

CLAMP BASE ASSEMBLY	
Length	206mm
Width	80mm
Height	20mm



Dimensions in Inches (millimeters)



## Laser Clamp - Apelio and Pulsar

Mate Drawing No.	Mate Part No.	Amada Part No.	API Part No.	Description
1, 2a, 3-9	MATE00163	1662497	A0210-CBA	Workholder Jaw Assembly, 10mm Open Height
1, 2b, 3-9	MATE00867	71198458	A0212-CBA	Workholder Jaw Assembly, 13mm Open Height
1, 2a, 3-34	MATE00162	1662495	A0112-CA	Assembly, 10mm Open Height
1, 2b, 3-34	MATE00900	1662495	A0115-CA	Assembly, 13mm Open Height
1	MATE00165	1662497	A0310-B	Pivot Arm For Material Up To .500" Thick
2a	MATE00164	1662498	A0410-CL	Upper Jaw For Material Up To 10mm Thick
2b	MATE00870	71361309	A0411-CL	Upper Jaw For Material Up To 13mm Thick
3	MATE00161	1662499	A0501-CP	Lower Jaw For Material Up To .250" And .500" Thick
4	MATE00166	N/A	A0605-SP	Wear Plate For Material Up To .500" Thick
5	MATE00237	M6X60	A0794	Pivot Arm Straight Pin M6 X 60
6	MATE00240	M5 x 6	A0830	Set Screw M5 X 6 For Upper Jaw Tip 10 Piece Package
7	MATE00241	M5 x 12	A0831	Screw M5 X 12 For Lower Jaw 10 Piece Package
8	MATE00242	M4 x 10	A0832	Screw M4 X 10 For Wear Plate 10 Piece Package
9	MATE00776	N/A	A0835	Set Screw M8 x 8 For Pivot Arm Straight Pin
10	MATE00777	KQL06-02S	A4155	Coil Tubing Elbow For Air Cylinder
11	MATE00778	KQH06-02S	A4123	Coil Tubing Connector For Air Cylinder
12	MATE00779	N/A	A0887	Shoulder Bolt
13	MATE00780	N/A	A0891	Head Spring
14	MATE00781	N/A	A0872	Workholder Body For Piston Side
15	MATE00782	N/A	A0880	Workholder Body For Dove Tail Side
16	MATE00783	N/A	A0881	Dove Tail Bar
17	MATE00784	N/A	A0882	Retaining Pin For Air Cylinder
18	MATE00785	N/A	A0869	Linear Bearing
19	MATE00786	N/A	A0870	Air Cylinder
20	MATE00787	N/A	A0875	Bolt For Dove Tail Bar
21	MATE00788	N/A	A0895	Pivot Arm Bolt
22	MATE00789	N/A	A0876	Coil Tubing For Air Cylinder
23	MATE00790	N/A	A0883	Rod For Piston Side
24	MATE00791	N/A	A0831B	Set Screw M6 X 8 For Piston Side
25	MATE00792	N/A	A0886	Spring For Piston Side
26	MATE00793	N/A	A0888	Spring For Dove Tail Side
27	MATE00794	N/A	A0884	Bolt For Piston Side
28	MATE00795	N/A	A0966	Pivot Arm Pin For Piston Side
29	MATE00796	N/A	A0889	Set Screw M6 X 6 For Dove Tail Side 10 Piece Package
30	MATE00776	N/A	A0835	Set Screw M8 X 8 For Pivot Arm Straight Pin
31	MATE00797	6WPH200-1	A0871	Head For Dove Tail Side
32	MATE00798	N/A	A0890	Head Bolt For Dove Tail Side 10 Piece Package
33	MATE00239	KR12 x 20	A0812	Lever 12mm For Dove Tail Side
34	MATE00799	N/A	A0885	Bolt Washer For Piston Side 10 Piece Package
35	MATE00247	8635270-D	A0855A	Sheet Sensor For Auto Loader
36	MATE00246	N/A	A0850	Urethane Boot For Upper Jaw Tip
N/A	MATE00800	20SM	A0803	Female Coupler
N/A	MATE00801	20PF (1/4")	A0804	Male Coupler
N/A	MATE00243	N/A	A0840	Shims .010" 10 Piece Package
N/A	MATE00244	N/A	A0841	Shims .003" 10 Piece Package
N/A	MATE00245	N/A	A0842	Shims .005" 10 Piece Package
N/A	MATE00248	74374415	A0856	Sheet Sensor With 4 Pin Plug Male



**MATE**<sup>®</sup>  
**M**  
**PRECISION  
TOOLING**

[mate.com](http://mate.com)



The Mate Logo is a registered trademark of Mate Precision Tooling Inc.  
All trademarked names mentioned in this document are the property of their respective owners.

**Mate Tooling Lasts Longer**

1295 Lund Boulevard, Anoka, Minnesota 55303 USA  
Call 800.328.4492 (763.421.0230) Fax 800.541.0285 (763.421.0285) [mate.com](http://mate.com)