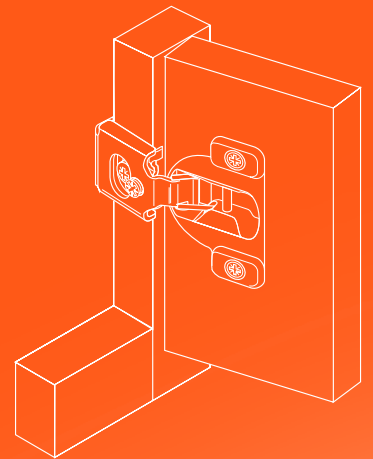
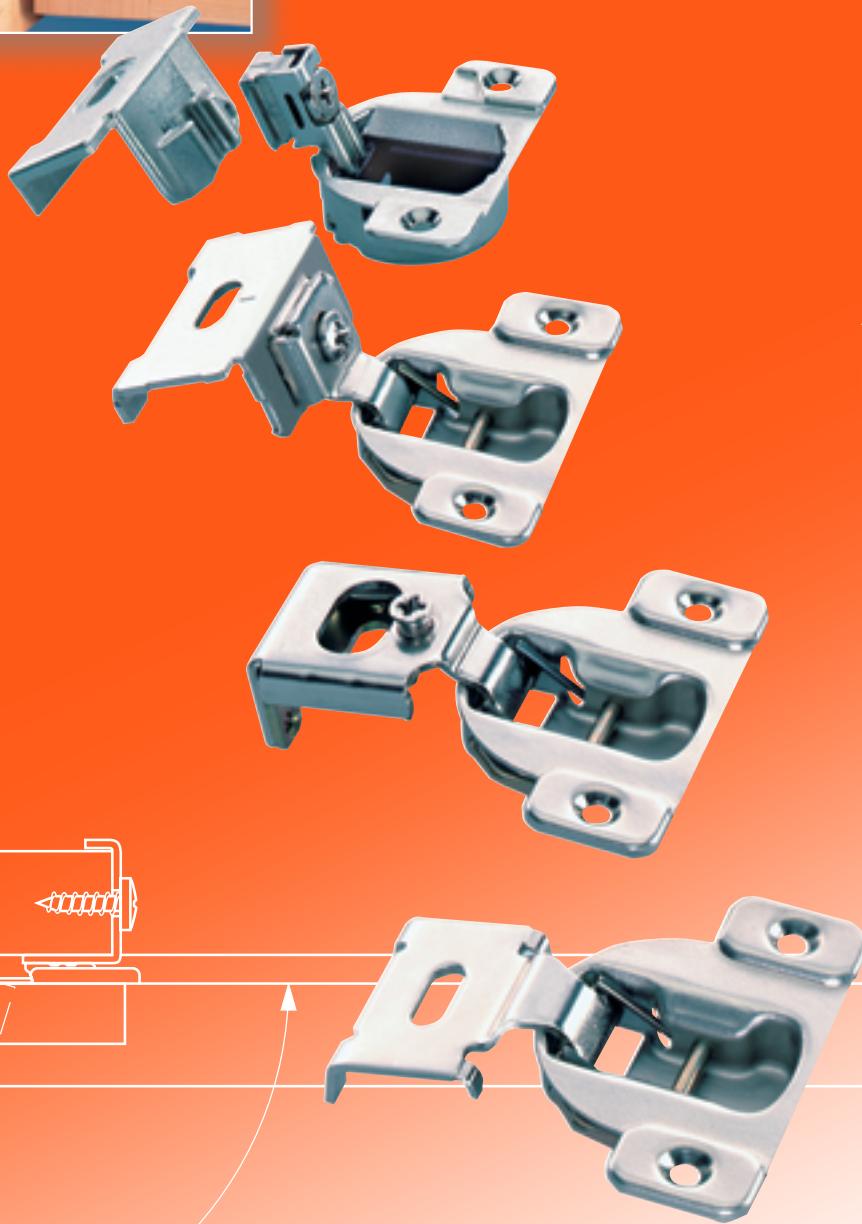


# Blum COMPACT Hinges



*Concealed Hinges For Frame Cabinets*



 **blum**<sup>®</sup>



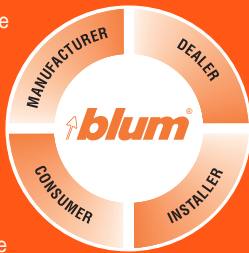
# A Leader In Functional Cabinet Hardware

Julius Blum, Inc. is a leading manufacturer of functional hardware for the cabinet and furniture industry specializing in concealed hinges and drawer runner systems. Virtually all of the hardware needed to assemble and make casegoods functional are available within the wide range of lifetime guaranteed Blum products.

Blum's manufacturing and distribution complex in Stanley, North Carolina supplies the North American markets through a network of more than 150 dependable distributors. Wholly owned by the Blum family, the company was formed in 1952 by Julius Blum and is headquartered in Hoechst, Austria.

## Global Customer Benefits

Product development at Blum considers all of the various customers who will come in contact with our products. With this "Global Customer Benefits" philosophy we strive to create advantages for all users from the cabinetmaker to the end consumer.



Julius Blum, Inc. is ISO 9001 certified which means that you are assured of consistent quality



in every Blum product. As with all Blum hardware, COMPACT concealed hinges are backed with a lifetime guarantee.

What's more they exceed

the requirements of ANSI-BHMA standards for cycle life, static load and self-closing performance. Contact your local Blum representative for more details.



## Blum's Hinge Program for Frame Cabinets

Designed specifically for the American frame cabinet, Blum's COMPACT hinge series provides advantages of quick installation and adjustment. They have a small profile and are available with various mounting options. All Blum hinges are nickel-plated and incorporate self-closing action which eliminates the need for additional hardware.

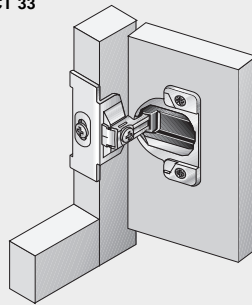
When it comes to functional cabinet hardware, Blum is a recognized leader of innovative products that are not only attractive and comfortable to use, but are built to last a lifetime.

## Table of Contents

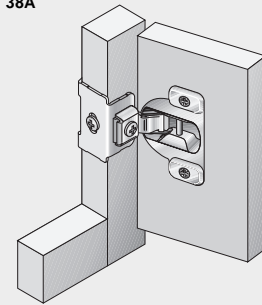
<b>Hinges For Frame Cabinets</b>	<b>3</b>
COMPACT 33 Hinges	4
COMPACT 38 Hinges	5
COMPACT 38M Hinges	6
COMPACT 38A And 39A Hinges	7
CLIP Hinges With Adapter Plate	8
CLIP Bi-fold Hinges	9
<b>Boring Templates &amp; Screws</b>	<b>10</b>
<b>Boring Machines &amp; Accessories</b>	<b>11</b>

## A Complete Range of Hinges for Frame Cabinets

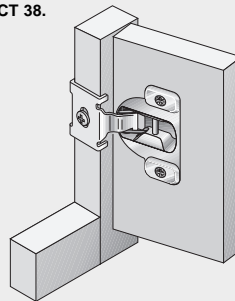
COMPACT 33



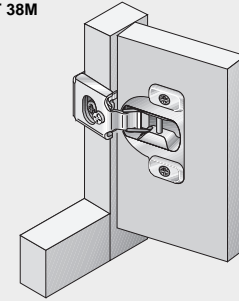
COMPACT 38A and 39A



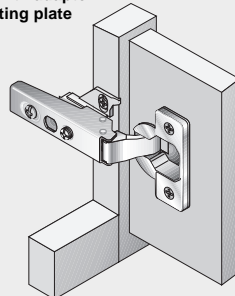
COMPACT 38.



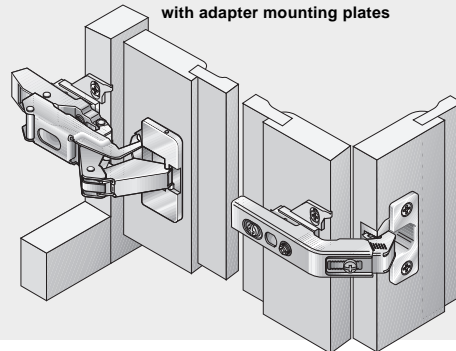
COMPACT 38M



CLIP with adapter mounting plate



CLIP 170° and Bi-fold with adapter mounting plates

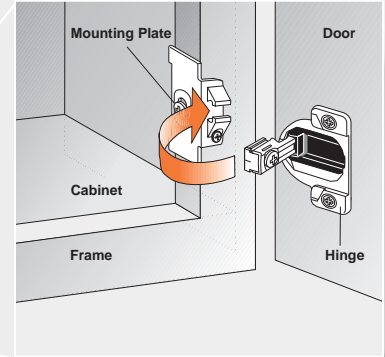
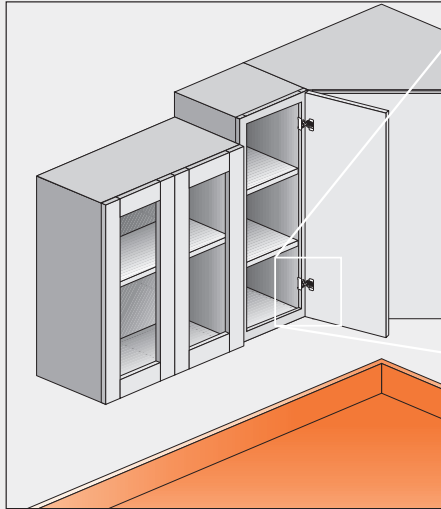


# Blum Concealed Hinges For Frame Cabinets

## The ideal solution for traditional face-frame cabinets

COMPACT hinges are specifically designed to offer makers of frame cabinets the advantages of concealed hinges. Various door overlays can be achieved with the two piece 33 series and the one piece 38., 38M, 38A and 39A series. COMPACT features self-closing action, height adjustment and are available with or without independent side-to-side adjustment.

Blum CLIP hinges can also be attached to frame cabinets using a face frame adapter mounting plate (see page 8).

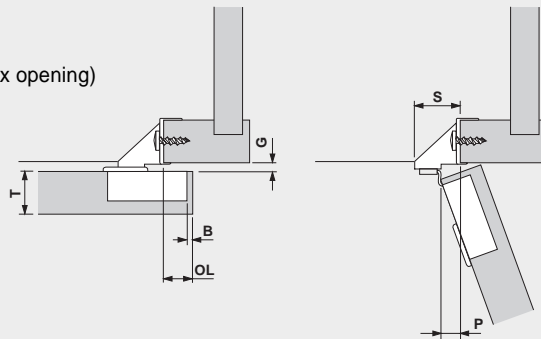


COMPACT 33 hinges are designed to slide-on to mounting plates. The cup boring pattern is the same as Blum's CLIP series. Hinges and mounting plates are nickel-plated die cast.

## General specifications

### Hinge dimension abbreviations

- B** = Boring distance
- G** = Door Gap
- OL** = Door overlay
- P** = Door protrusion (at max opening)
- S** = Arm side projection
- T** = Door thickness



### Hinges per door

There is no exact formula as door size and weight are the determining factors.

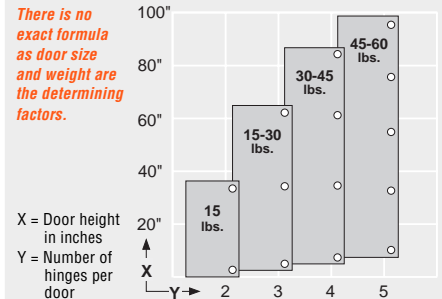
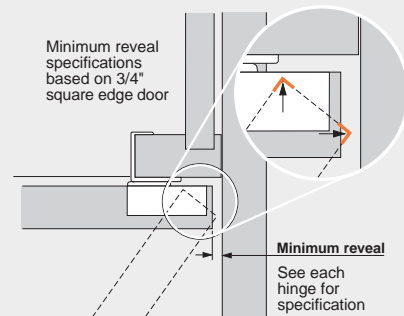


Chart can serve as a guide for 3/4" thick doors. For unusual applications (ex: doors with mirror applied) a trial is recommended.

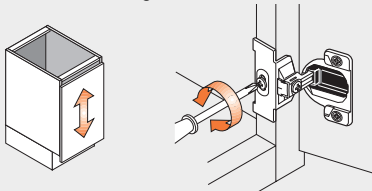
### Minimum Reveal/Door Edge Radius



### Height adjustment

Loosen screw(s) on all mounting plates, adjust door and retighten screws  $\pm 9/64"$ .

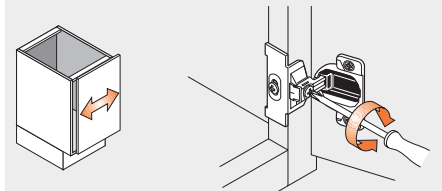
Height adjustments are possible on all COMPACT hinges.



### Independent side adjustment

Loosen screw on hinge arm and adjust door to desired position.

Side adjustments are possible on COMPACT 33, 38A, 38M and 39A hinges.



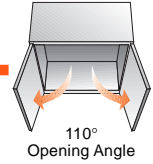
### Millimeter to inch equivalents

1	1.5	2	3	4	5	5.5	6	7	8	9	9.5	10	11	12	13	13.5	14	15	16	17	17.5	18	19	20	20.5	21	22	23	24	24.5	25.4
1/32	1/16	3/32	1/8	5/32	3/16	7/32	1/4	9/32	5/16	11/32	3/8	13/32	7/16	15/32	1/2	17/32	9/16	19/32	5/8	21/32	11/16	23/32	3/4	25/32	13/16	27/32	7/8	29/32	15/16	31/32	1

All dimensions in millimeters. (Inch equivalents as noted)

# Blum COMPACT 33 Hinges

The Most Versatile System Of Face Frame Hinges

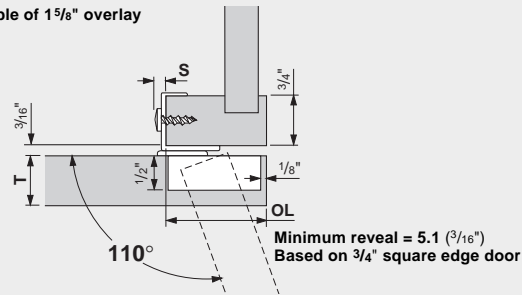


Hinge Cup Pattern	COMPACT 33 Hinge Specifications

COMPACT	Cup Mount	110° Opening Angle
<p>Self-close</p>	<b>Screw-on</b>	<b>33.3600</b>
	<b>Press-in</b>	<b>33.3630</b>

- 110° opening angle
- Two piece assembly
- Self-closing
- Zinc die cast and mounting plates
- Nickel plated
- 1/2" cup depth
- +/- 9/64" height adjustment
- 1/8" side adjustment

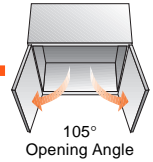
Example of 1 5/8" overlay



Attachment	Mounting Plate Type	Application	Installation Specifications	Overlay and Part No.																																												
<p>#6 Wood screws</p>	<b>Edge mount</b> <p>Zinc die cast</p>			<table border="1"> <thead> <tr> <th>S</th> <th>P</th> <th>Overlay (OL)</th> <th>Part No.</th> </tr> </thead> <tbody> <tr> <td>1 1/8"</td> <td>1/2"</td> <td>1/4"</td> <td>130.1100.24</td> </tr> <tr> <td>7/8"</td> <td>1/4"</td> <td>1/2"</td> <td>130.1100.23</td> </tr> <tr> <td>3/4"</td> <td>1/8"</td> <td>5/8"</td> <td>130.1100.26</td> </tr> <tr> <td>5/8"</td> <td>0</td> <td>3/4"</td> <td>130.1100.22</td> </tr> <tr> <td>3/8"</td> <td>0</td> <td>1"</td> <td>130.1110.02</td> </tr> <tr> <td>1/4"</td> <td>0</td> <td>1 1/8"</td> <td>130.1120.02</td> </tr> <tr> <td>1/8"</td> <td>0</td> <td>1 1/4"</td> <td>130.1130.02</td> </tr> <tr> <td>3/16"</td> <td>0</td> <td>1 3/8"*</td> <td>130.1140.02</td> </tr> <tr> <td>3/16"</td> <td>0</td> <td>1 1/2"*</td> <td>130.1150.02</td> </tr> <tr> <td>3/16"</td> <td>0</td> <td>1 5/8"*</td> <td>130.1160</td> </tr> </tbody> </table> <p>* An additional attachment screw is required on mounting plates with 1 3/8" to 1 5/8" overlay to insure stability. Install after height adjustments have been made.</p>	S	P	Overlay (OL)	Part No.	1 1/8"	1/2"	1/4"	130.1100.24	7/8"	1/4"	1/2"	130.1100.23	3/4"	1/8"	5/8"	130.1100.26	5/8"	0	3/4"	130.1100.22	3/8"	0	1"	130.1110.02	1/4"	0	1 1/8"	130.1120.02	1/8"	0	1 1/4"	130.1130.02	3/16"	0	1 3/8"*	130.1140.02	3/16"	0	1 1/2"*	130.1150.02	3/16"	0	1 5/8"*	130.1160
	S	P	Overlay (OL)	Part No.																																												
	1 1/8"	1/2"	1/4"	130.1100.24																																												
7/8"	1/4"	1/2"	130.1100.23																																													
3/4"	1/8"	5/8"	130.1100.26																																													
5/8"	0	3/4"	130.1100.22																																													
3/8"	0	1"	130.1110.02																																													
1/4"	0	1 1/8"	130.1120.02																																													
1/8"	0	1 1/4"	130.1130.02																																													
3/16"	0	1 3/8"*	130.1140.02																																													
3/16"	0	1 1/2"*	130.1150.02																																													
3/16"	0	1 5/8"*	130.1160																																													
<p>#10 Wood screw</p>	<b>Wrap around</b> <p>Zinc die cast</p>			<table border="1"> <thead> <tr> <th>S</th> <th>P</th> <th>Overlay (OL)</th> <th>Part No.</th> </tr> </thead> <tbody> <tr> <td>7/8"</td> <td>1/4"</td> <td>1/2"</td> <td>130.2100.23</td> </tr> <tr> <td>3/4"</td> <td>1/8"</td> <td>5/8"</td> <td>130.2100.26</td> </tr> <tr> <td>5/8"</td> <td>0</td> <td>3/4"</td> <td>130.2100.22</td> </tr> <tr> <td>3/8"</td> <td>0</td> <td>1"</td> <td>130.2110.02</td> </tr> <tr> <td>1/4"</td> <td>0</td> <td>1 1/8"</td> <td>130.2120.02</td> </tr> <tr> <td>3/16"</td> <td>0</td> <td>1 1/4"</td> <td>130.2130.23</td> </tr> <tr> <td>3/16"</td> <td>0</td> <td>1 3/8"*</td> <td>130.2140.02</td> </tr> <tr> <td>3/16"</td> <td>0</td> <td>1 1/2"*</td> <td>130.2150.02</td> </tr> <tr> <td>3/16"</td> <td>0</td> <td>1 5/8"*</td> <td>130.2160</td> </tr> </tbody> </table> <p>* An additional attachment screw is required on mounting plates with 1 3/8" to 1 5/8" overlay to insure stability. Install after height adjustments have been made.</p>	S	P	Overlay (OL)	Part No.	7/8"	1/4"	1/2"	130.2100.23	3/4"	1/8"	5/8"	130.2100.26	5/8"	0	3/4"	130.2100.22	3/8"	0	1"	130.2110.02	1/4"	0	1 1/8"	130.2120.02	3/16"	0	1 1/4"	130.2130.23	3/16"	0	1 3/8"*	130.2140.02	3/16"	0	1 1/2"*	130.2150.02	3/16"	0	1 5/8"*	130.2160				
	S	P	Overlay (OL)	Part No.																																												
	7/8"	1/4"	1/2"	130.2100.23																																												
3/4"	1/8"	5/8"	130.2100.26																																													
5/8"	0	3/4"	130.2100.22																																													
3/8"	0	1"	130.2110.02																																													
1/4"	0	1 1/8"	130.2120.02																																													
3/16"	0	1 1/4"	130.2130.23																																													
3/16"	0	1 3/8"*	130.2140.02																																													
3/16"	0	1 1/2"*	130.2150.02																																													
3/16"	0	1 5/8"*	130.2160																																													
<p>#6 Wood screws</p>	<b>Face mount</b> <p>Zinc die cast</p>			<p><b>Overlay (OL)</b> 1 3/8" or greater</p> <p><b>133.0240</b></p>																																												

# COMPACT 38 For Small Overlays

One Piece Design With Shallow Cups For Profile Doors



Hinge Cup Pattern	COMPACT 38. Hinge Specifications
	<p>Wrap around      Edge mount</p>

COMPACT	Cup Mount	Overlays Available					
		3/8"	7/16"	1/2"	9/16"	5/8"	3/4"
<p>Self-close</p>	Screw-on	<p>Wrap around mount</p>	38.3550.06	38.3550.07	38.3550.08		38.3550.10
	Press-in		37	38.3580.06	38.3580.07	38.3580.08	
	Screw-on	<p>Edge mount</p>			38.3550E08	38.3550E09	38.3550E12
	Press-in		37			38.3580E08	38.3580E09

- 105° opening angle
- Wrap around or edge mount
- Self-closing
- One piece assembly
- All stamped steel
- Nickel plated
- 7/16" cup depth
- +/- 9/64" height adjustment

Mount with #10 x 3/4" panhead screw, #1034

Minimum reveal = 7 (9/32")  
Based on 3/4" square edge door

OL	S	P
3/8"	3/8"	9/32"
7/16"	5/16"	3/16"
1/2"	1/4"	1/8"
9/16"	3/16"	3/32"
5/8"	1/8"	0
3/4"	1/8"	0

## Distance Spacer For Use With COMPACT 38 Hinges

- Decreases door overlay in 1/32" increments
- Zinc coated steel
- Can be stacked to achieve 1/16", 3/32", etc. overlay reduction

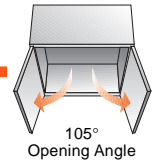
36.3515

Decrease overlay by adding spacers

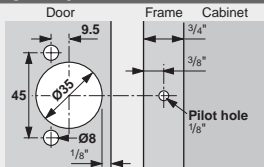
Overlay

# COMPACT 38M Hinges

One Piece Design With Adjustment For Small Overlays



## Hinge Cup Pattern



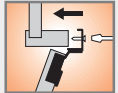
## COMPACT 38M Hinge Specifications



### COMPACT

### Cup Mount

### Overlays Available



Screw-on



3/8"

7/16"

1/2"

3/4"

38M3550.06

38M3550.07

38M3550.08

38M3550.12

Self-close

Press-in



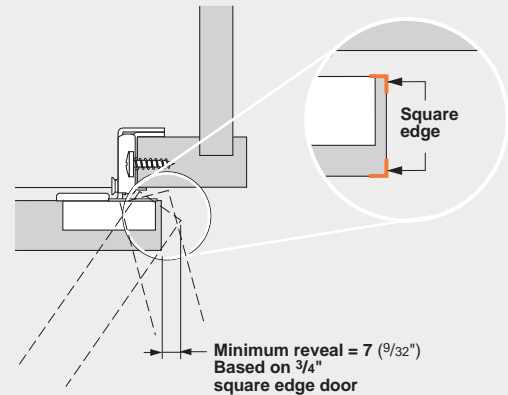
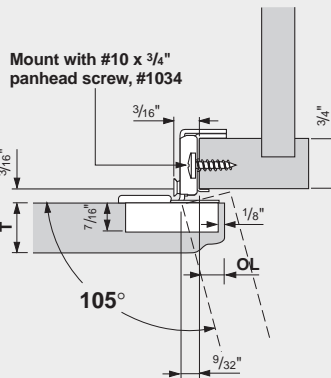
38M3580.06

38M3580.07

38M3580.08

38M3580.12

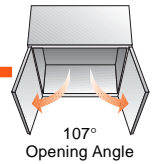
- 105° opening angle
- Wrap around mount
- One piece assembly
- Self-closing
- All stamped steel
- Nickel plated
- 7/16" cup depth
- +/- 1/8" height adjustment
- +/- 1/16" side adjustment



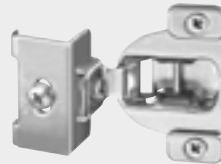
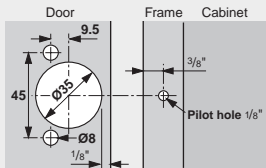
OL	S	P
3/8"	3/8"	9/32"
7/16"	3/8"	3/16"
1/2"	3/8"	5/32"
3/4"	3/8"	0





# COMPACT 38A and 39A Hinges

One Piece Design With Side Adjustment For Large Overlays



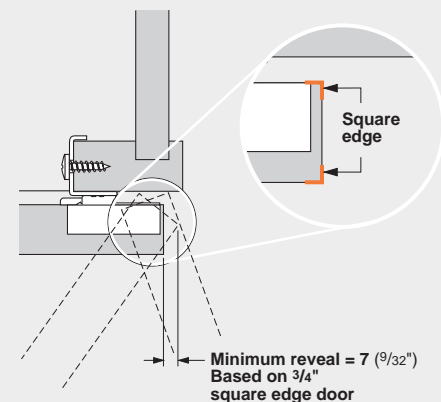
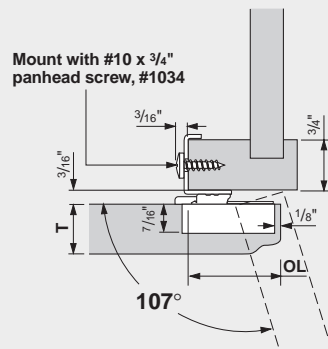
## Hinge Cup Pattern COMPACT 38A and 39A Hinge Specifications







COMPACT	Cup Mount	Overlays Available				
		1 1/4"	1 5/16"	1 3/8"	1 9/16"	
 Self-close	Screw-on 	38A 	38A3550.20	38A3550.21	38A3550.22	38A3550.25
	Press-in 		38A3580.20	38A3580.21	38A3580.22	38A3580.25

### 38A

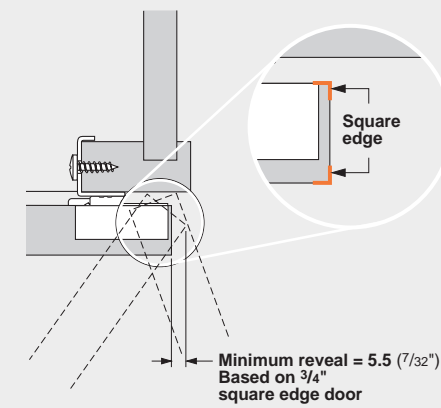
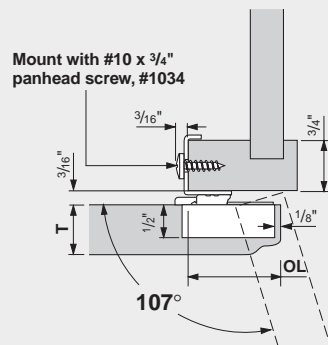
- 107° opening angle
- Wrap around mount
- One piece assembly (Hinge and mounting plate can be separated)
- Self-closing
- All stamped steel
- Nickel plated
- 7/16" cup depth
- +/- 9/64" height adjustment
- +/- 1/16" side adjustment



COMPACT	Cup Mount	Overlays Available				
		1 1/4"	1 5/16"	1 3/8"	1 9/16"	
 Self-close	Screw-on 	39A 	39A3550.20	39A3550.21	39A3550.22	39A3550.25
	Press-in 		39A3580.20	39A3580.21	39A3580.22	39A3580.25

### 39A

- 107° opening angle
- Wrap around mount
- One piece assembly (Hinge and mounting plate can be separated)
- Self-closing
- All stamped steel
- Nickel plated
- 1/2" cup depth
- +/- 1/8" height adjustment
- +/- 1/16" side adjustment



**Note:** The 39A Series hinge allows for a smaller minimum reveal on 3/4" square edge doors than does the 38A Series hinge.

# Blum CLIP Hinges

For Frame Cabinets Using An Adapter Mounting Plate

Boring Pattern	100°	110°	125°	170°

CLIP	Cup Mount					
	Screw-on		<b>71M2550</b>	<b>75M3550</b>	<b>75M5550</b>	<b>71.6550</b>
	Press-in		<b>71M2580</b>	<b>75M3580</b>	<b>75M5580</b>	<b>71.6580</b>
	Self-close INSERTA		<b>71M2590</b>	<b>75M3590</b>	<b>75M5590.21</b>	<b>71.6540.01</b>

Cover caps	Hinge Specifications
 For straight arms Black <b>90M2103</b>	
 For 170 series arms Black <b>80.6107</b>	

OL Overlay Table		Interior Clearance								
H Plate Ht.	B Bore Distance									
	3	4	5	6	P	S	P	S	P	S
0	14	15	16	17	9	20	10.5	20	12	22
3	11	12	13	14	12	23	13.5	23	15	25
6	8	9	10	11	15	26	16.5	26	18	28

OL Overlay Table		Interior Clearance								
H Plate Ht.	B Bore Distance									
	3	4	5	6	7	8	P	S	P	S
0	14	15	16	17	18	19	1.5	65		
3	11	12	13	14	15	16	4.5	68		
6	8	9	10	11	12	13	7.5	71		

Attachment	Adapter plate	Application	Installation Specifications	Height and Part No.
 #7 x 3/4" Wood screws	 Zinc die cast			 Height (H) 0 <b>175L6600.22</b> 3 <b>175L6630.22</b> 6 <b>175L6660.22</b>

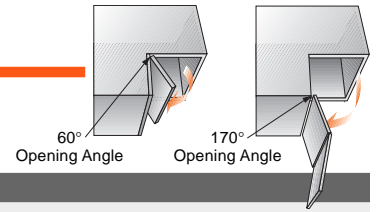
### Millimeter to inch equivalents

1	1.5	2	3	4	5	5.5	6	7	8	9	9.5	10	11	12	13	13.5	14	15	16	17	17.5	18	19	20	20.5	21	22	23	24	24.5	25.4
1/32	1/16	3/32	1/8	5/32	3/16	7/32	1/4	9/32	5/16	11/32	3/8	13/32	7/16	15/32	1/2	17/32	9/16	19/32	5/8	21/32	11/16	23/32	3/4	25/32	13/16	27/32	7/8	29/32	15/16	31/32	1



# Blum Bi-fold Hinges

For Inside Corner Cabinets



Boring Pattern		Hinge Specifications	
<b>CLIP</b>  <b>Self-close</b>	<b>Cup Mount</b> <b>Screw-on</b> <b>Press-in</b>	<b>79M8500</b>	<b>79M8530</b>

Cover cap	Inside Corner	With Flat Panel Doors
 <b>Black</b> <b>79M8103</b>		

### Calculating Door Sizes

The doors for a CLIP Bi-fold application can be of equal or unequal width. To calculate the door width (DW) of each door:

1. Add the Interior Width (IW) to the side panel width (W).
2. Subtract Door Thickness (T) and Reveal (R).
3. Subtract Gap (G), bumper thickness, from behind adjacent door.

Formula:  $DW = (IW + W) - T - R - G$

### Clearances

### With Profiled Doors

*On profile doors, the profile must be cut off on the inner edges for the Bi-fold hinge to function properly*

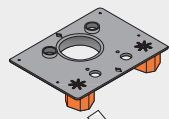
All dimensions in millimeters. (Inch equivalents as noted)



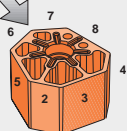
# Boring Templates & Screws

## Manual Boring Template for Hinges and Mounting Plates

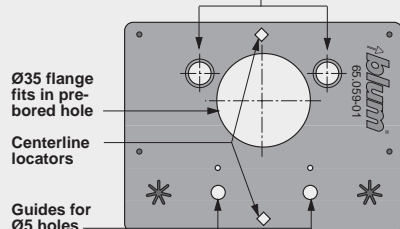
A simple device for manually drilling the two hinge locator holes and pilot holes for mounting plates.



Two rotating cams provide seven boring settings for hinge cups



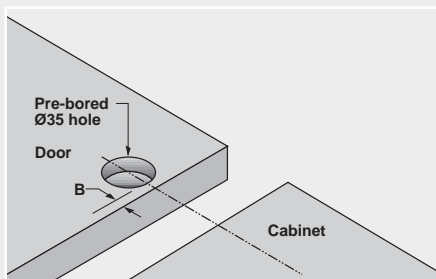
Guides for boring Ø8 holes



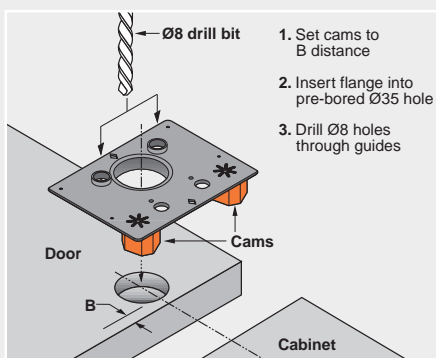
Boring Template

Part No.  
**65.0590**

Mark center lines

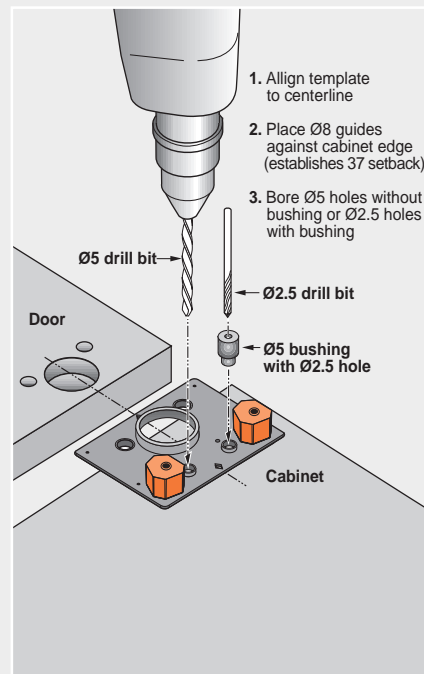


Bore Ø8 dowel holes in door



1. Set cams to B distance
2. Insert flange into pre-bored Ø35 hole
3. Drill Ø8 holes through guides

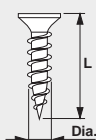
Bore cabinet for mounting plate



1. Align template to centerline
2. Place Ø8 guides against cabinet edge (establishes 37 setback)
3. Bore Ø5 holes without bushing or Ø2.5 holes with bushing

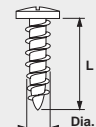
## Screws for Hinges and Mounting Plates

Wood screws



Diameter	Length	Head	Part No.
#6	13 (1/2")	#2 Phillips	6062N
#6	16 (5/8")	#2 Phillips	606N
#6	16 (5/8")	#2 POZI	606P
#6	19 (3/4")	#2 Phillips	6064N
#7	16 (5/8")	#2 Phillips	707N
#7	19 (3/4")	#2 Phillips	7074N

Panhead screws



Diameter	Length	Head	Part No.
#10	19 (3/4")	#2 Phillips	1034N

All dimensions in millimeters. (Inch equivalents as noted)

# Boring Machines And Accessories

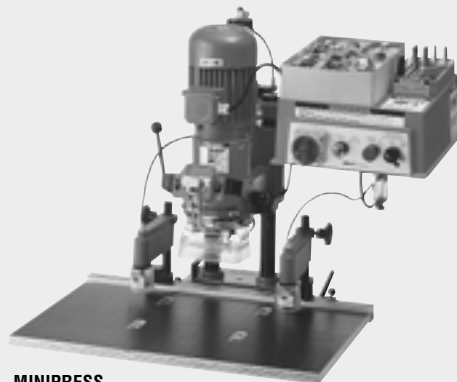
## Boring and Insertion Machines

### MINIPRESS

For boring and inserting Blum hardware. Includes 5 spindle drill head, adjustable fencing system, automatic hold-down clamps, 2 stops, tools and worktable.

220v / 3 phase  
220v / 1 phase

Part No.  
M51N1004\*US  
M51N1053\*US



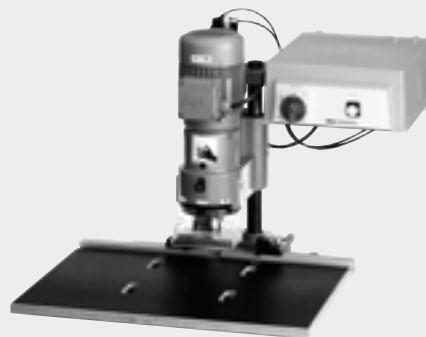
MINIPRESS

### MINIDRILL

For boring only. Includes adjustable fencing system, 2 stops, tools and worktable.

220v / 3 phase  
220v / 1 phase

Part No.  
M51N1004.50  
M51N1053.50



MINIDRILL

## Insertion Rams & Drill Bits

	Part No.
Ram-110°/125° hinges	MZM.0010
Ram-100° hinges & Thk. door	MZM.0011
Ram-170° hinges	MZM.0018
Ram-Bi-fold hinges	MZM.0021
Ram-COMPACT 33 hinges	MZM.0033
Ram-COMPACT 38/39 hinges	MZM.0037
Ø5mm drill bit (RH)	M01.ZB05.D2
Ø5mm drill bit (LH)	M01.ZB05.D3
Ø8mm drill bit (LH)	M01.ZB08.D3
Ø35mm drill bit (RH)	M01.ZB35.02



100° & Thk. Door  
Insertion ram



170°  
Insertion ram



Ø5mm



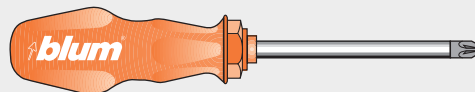
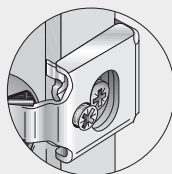
Ø8mm



Ø35mm

## POZI Screwdriver & Bits

A POZI screwdriver (different from Phillips) is the most crucial tool you can use to assure that full torque is applied to all Blum adjustment screws.



Hand screwdriver  
#2 POZI DRIVER

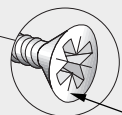
Part No.  
POZI DRIVER

1/4" Hex drive  
for power drivers  
Magnetic bit holder

Part No.  
BIT HOLDER

#2 x 1" - 1/4"  
POZI drive insert

Part No.  
POZI BIT #2x1



Tick marks

All dimensions in millimeters. (Inch equivalents as noted)

Subject to technical modifications without notice. Copyright 1998



---

*Information is also available on these other  
Blum products:*

- *Blum Angled Hinge Program*
- *Blum Assembly Fittings*
- *Blum Installation Machinery*
- *Concealed Hinges: INSERTA, CLIP and MODUL*
- *METABOX Drawer System*
- *POCKET DOOR Hardware*
- *STANDARD Drawer Runners*
- *SOLO Concealed Runners*
- *TANDEM Concealed Runners*
- *TANDEMBOX Drawer System*

*For your nearest distributor contact Blum at  
1-800-438-6788.*

---

*Julius Blum, Inc.  
7733 Old Plank Rd.  
Stanley, NC 28164*

*704-827-1345 Local phone*

*800-438-6788 Toll-free*

*704-827-0799 Fax*



*The ultimate hardware system* **blum**<sup>®</sup>