



CONCRETE BATCHING EQUIPMENT

PARTS CATALOG

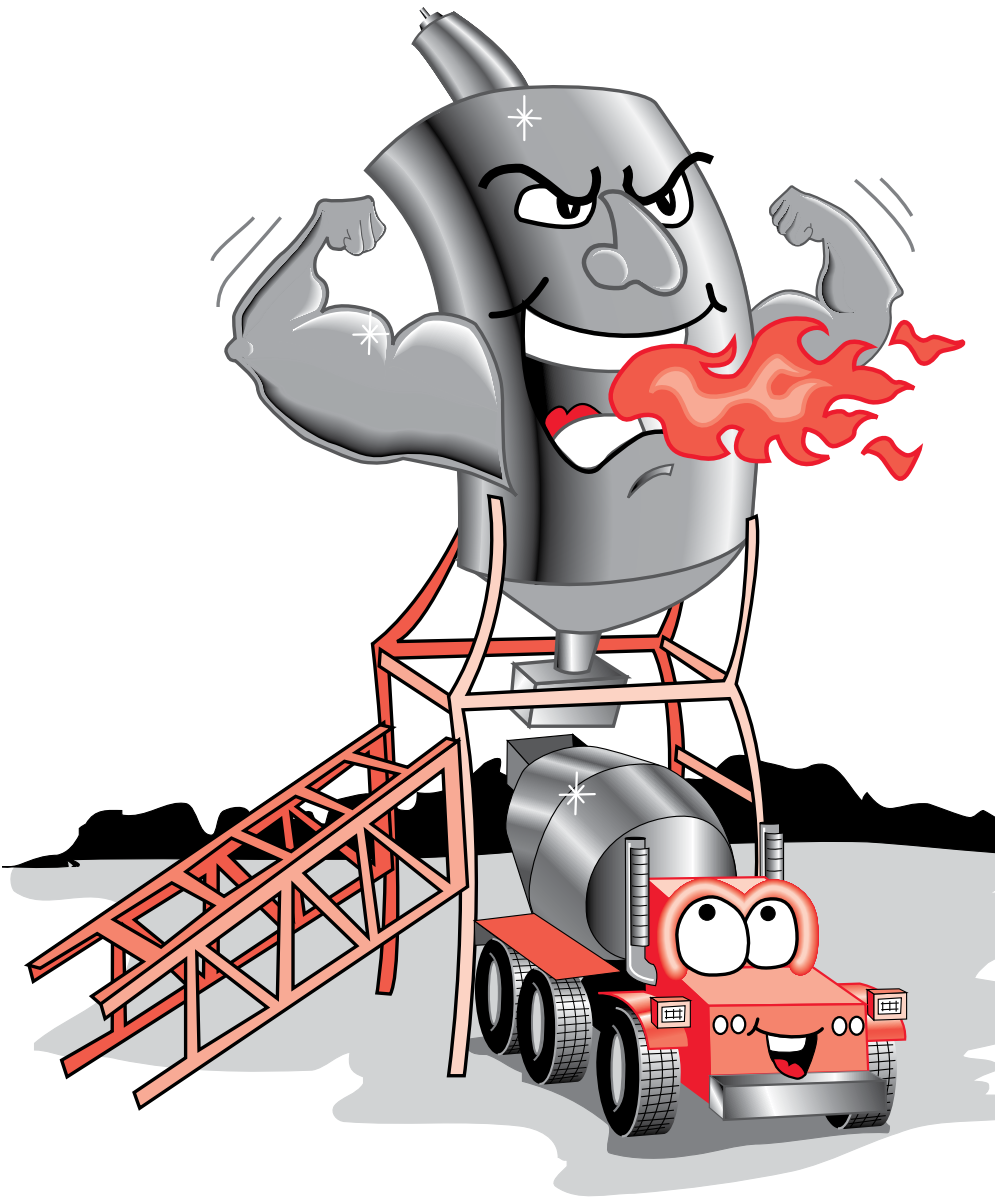
Replacement Parts For Vince Hagan, CON-E-CO, Erie Strayer, Stephens and other manufacturers



Concrete Producers Source Book



HAVING PRODUCTION PROBLEMS?



We'll Get Your Batch Plant Roaring Again.

SERVICE AND REPAIRS. With an over 57-year history of innovation in designing and manufacturing batch plants, The Vince Hagan Company is unmatched in knowledge and experience. Our factory-trained team of batch plant experts can be on your site or in your shop fast to service and repair any and all makes.

REFURBISHING OR MODERNIZING. The Vince Hagan Team can boost your efficiency and profitability by converting your batch plant from dry mix to central mix, from mechanical to digital or from manual to automated operation. We also add dust collection systems, reline the bins, install new gates and replace pneumatic air systems.

USED PLANT REPAIRS? If you've just purchased a used batch plant, let The Vince Hagan Team get it running as efficiently as your operation.

FIND OUT HOW FAST the Vince Hagan Batch Plant Service Team can be of service to your batch plant operation.

For Technical Assistance Call:

800.354.3238



CONCRETE BATCHING EQUIPMENT

330 Clay Rd, Bldg 458 • Sunnyvale, TX 75182
800.354.3238 • 214.330.4601 • Fax 972.203.2380

www.VinceHagan.com

PRODUCT INDEX

BATCH PLANT

Air Cylinders	9	
Air Valves	10, 11	
Batch Conveyor	See Conveyors	
Blower	Aeration	14, 15
Cement Auger	See Conveyors	
Control Meters	Bin Indicator	13
	Water	30
Electrical	Fuses	25
	Load Cell.	26
	Panels, Controllers	22
	Motors	22
	Relays	21
	Starters.....	28
	Switches	29
	Timers.....	21
Fabricated Steel	Gates, Bins, Chutes, Hoods, Elbows, etc.....	23
Valves	Butterfly.....	16
Vibrators	29
Water System	Counters, Meters, Transmitter, Board, etc.....	30

CONVEYORS

Auger (Screw Type)	Shaft, Hanger, Bearings, etc.	17
Troughing	Bearings.....	12
	Belt	13
	Idler, Pulley.....	18

DUST CONTROL

Silo Dust Collectors	Jet Pulse, Shaker	19
Blowers	15
Boots & Shrouds	15
Filter Bags	24
Collector Components, Gauges.....	20
Rotary Vane Feeder	20
Valves	20
Vent Hose	18
Ducting and Fittings	19

CENTRAL MIXERS

Shafts, Bearings, Housings, Blades, Arms, etc.....	27
--	-------	----

Hours and Features for Better Customer Service!

In Dallas or Outside of Domestic U.S.

Corporate Office 214.330.4601 • Fax 972.203.2380

Parts, Service, Engineering and Manufacturing Plant 972.203.9333

800.354.3238

Weekday Hours 7:00am to 5:00 pm

After Hours Parts Available

Visa, Mastercard and American Express Accepted

E-mail: parts@vincehagan.com

www.vincehagan.com

EXPEDITE YOUR ORDER



To expedite your order...

Complete the information, and have your model and serial numbers ready when you call us!



DALLAS, TEXAS

MODEL NO.

SERIAL NO.

DATE

UNIFORMITY RATING



MIXING TIME

30 Seconds

**4" - 6" Slump
General Use**

MIXING TIME

30 Seconds

**4" Slump or Less
Paving Use**



Certified by the Manufacturer to comply with the concrete plant mixer test procedures for measuring the within-batch uniformity of the plant mix concrete performance evaluation test of the plant mixer manufacturers division. Concrete Plant Manufacturers Bureau.



DALLAS, TEXAS USA

SERIAL NO.

MODEL NO.

DATE of MFG.

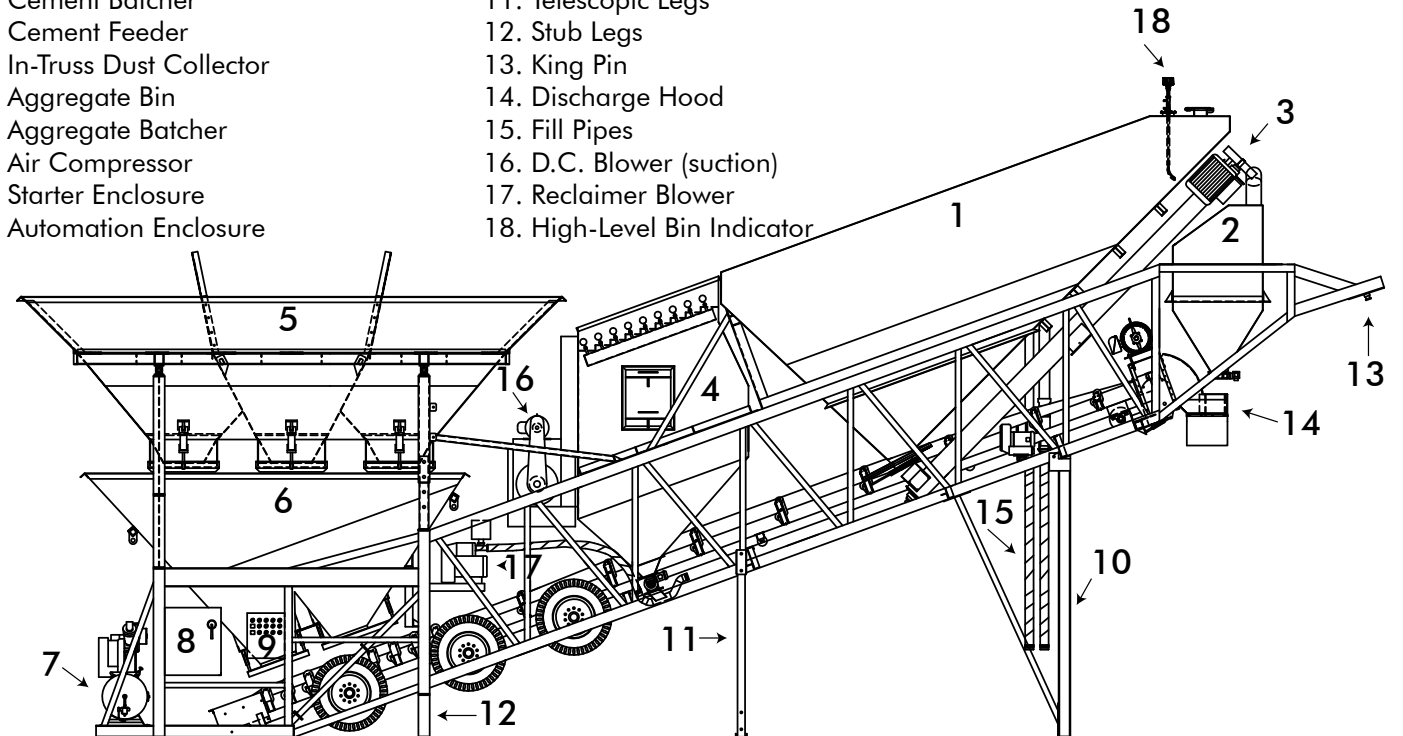


Aeration System – Mounting Kits, Nozzles, Pads	14
Actuators	7, 16
Air Cylinders – Repair Kits	9
Air Dryer/Regulator/Oiler/Filter Assy	11
Air Valves – Regulator, Repair Kits	10, 11
Bearings – Pillow Block, Take Up Units, Take Up Bearings	12
Belting – Fasteners	13
Belt Wiper	18
Bin Indicators.....	13
Blowers (Aeration) – Blower Parts	14, 15
Boots.....	15
Butterfly Valves.....	16
Cement Augers – Bearings, Hanger Shafts, Flighting, etc.	17
Cement Gate Conversion Kits.....	17
Conveyors – Troughing Idlers, Pulleys, Belt Wiper.....	18
Ducting	19
Dust Collectors – Filters, Control Valves, Gauges	19, 20
Electric Motors	22
Electrical Parts – Limit Switch, Relay, Timers, Control Panel, etc.	21, 22
Fabricated Parts – Gates, Discharge Hood, Elbows, Chutes, Bins, Gates, etc.	23
Fasteners.....	13
Filter Bags/Cartridges	24
Fuses.....	25
Hose– Return, Vent.....	18
Mixers (Central) – Shafts, Bearings, Housings, Blades, Arms, etc.....	27
Rotary Vane Feeder	20
Safety Relief Valve	12
Shrouds.....	15
Starters.....	28
Switches	29
Vent Hose.....	18
Vibrators	29
Water By-Pass Valve	30
Water System Parts – Counters, Meters, Rotor & Spindle, Valves	30



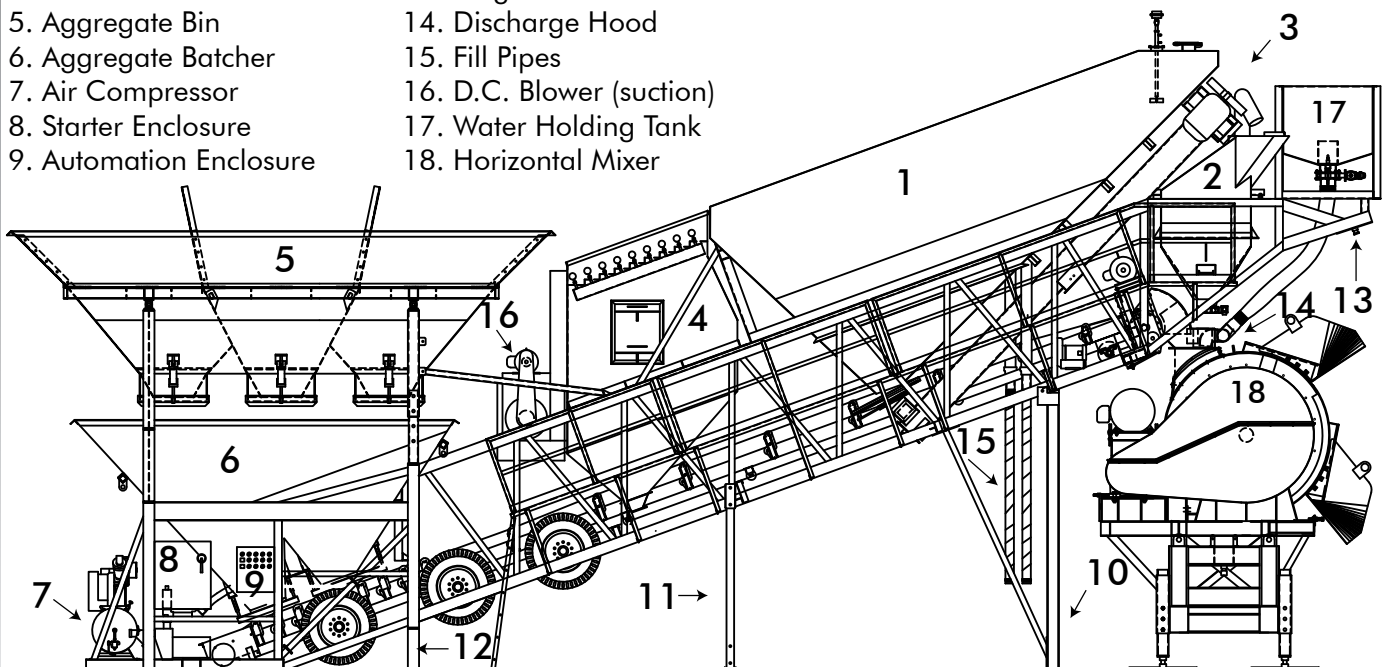
HT Plant

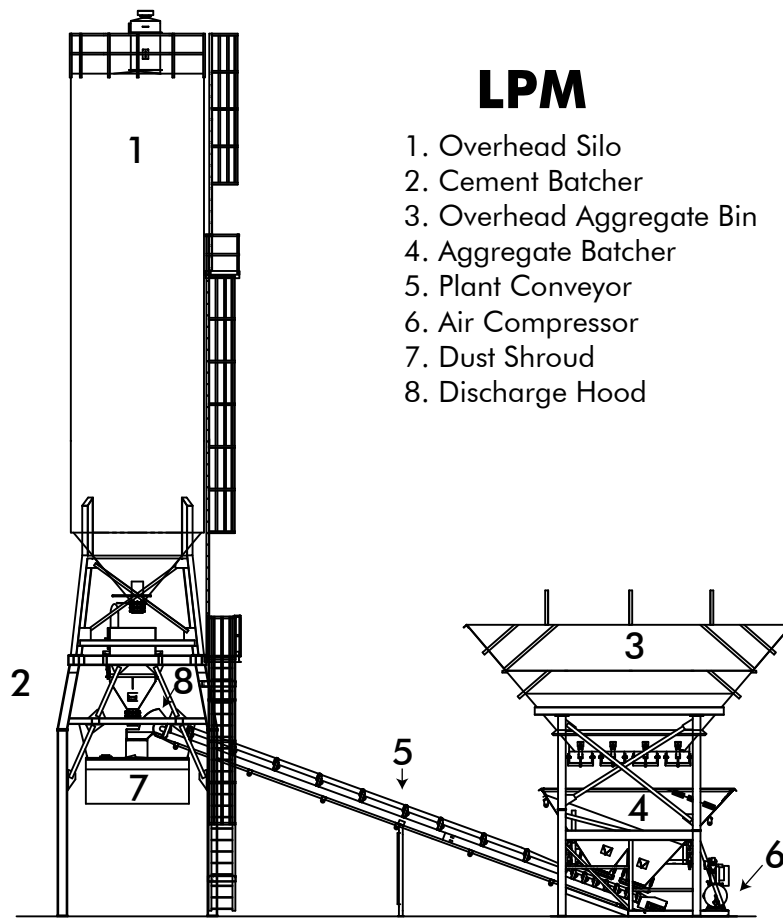
- | | |
|----------------------------|------------------------------|
| 1. In-Truss Silo | 10. Swing Legs |
| 2. Cement Batcher | 11. Telescopic Legs |
| 3. Cement Feeder | 12. Stub Legs |
| 4. In-Truss Dust Collector | 13. King Pin |
| 5. Aggregate Bin | 14. Discharge Hood |
| 6. Aggregate Batcher | 15. Fill Pipes |
| 7. Air Compressor | 16. D.C. Blower (suction) |
| 8. Starter Enclosure | 17. Reclaimer Blower |
| 9. Automation Enclosure | 18. High-Level Bin Indicator |



HT With HM10

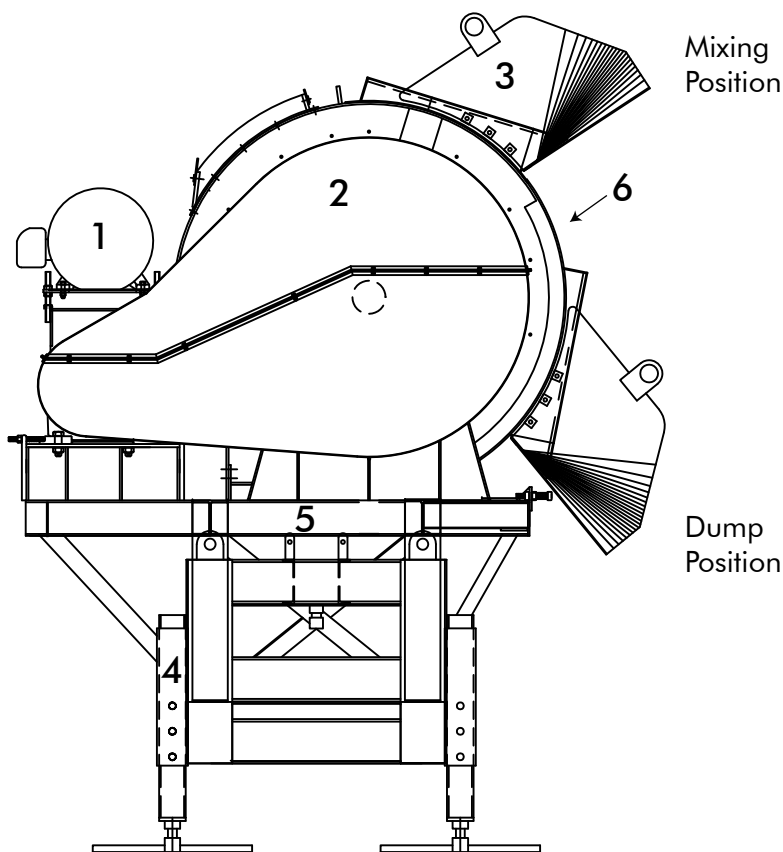
- | | |
|----------------------------|---------------------------|
| 1. In-Truss Silo | 10. Swing Legs |
| 2. Cement Batcher | 11. Telescopic Legs |
| 3. Cement Feeder | 12. Stub Legs |
| 4. In-Truss Dust Collector | 13. King Pin |
| 5. Aggregate Bin | 14. Discharge Hood |
| 6. Aggregate Batcher | 15. Fill Pipes |
| 7. Air Compressor | 16. D.C. Blower (suction) |
| 8. Starter Enclosure | 17. Water Holding Tank |
| 9. Automation Enclosure | 18. Horizontal Mixer |





LPM

1. Overhead Silo
2. Cement Batcher
3. Overhead Aggregate Bin
4. Aggregate Batcher
5. Plant Conveyor
6. Air Compressor
7. Dust Shroud
8. Discharge Hood



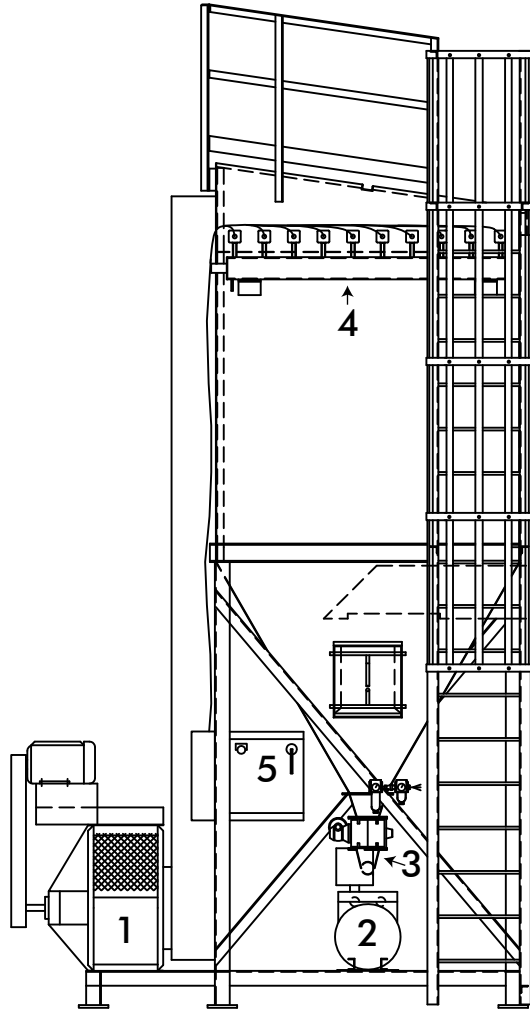
HM10

1. Electric Motor
2. Chain Guard
3. Dump Shute
4. Telescopic Legs
5. Trailer
6. Mixer Drum



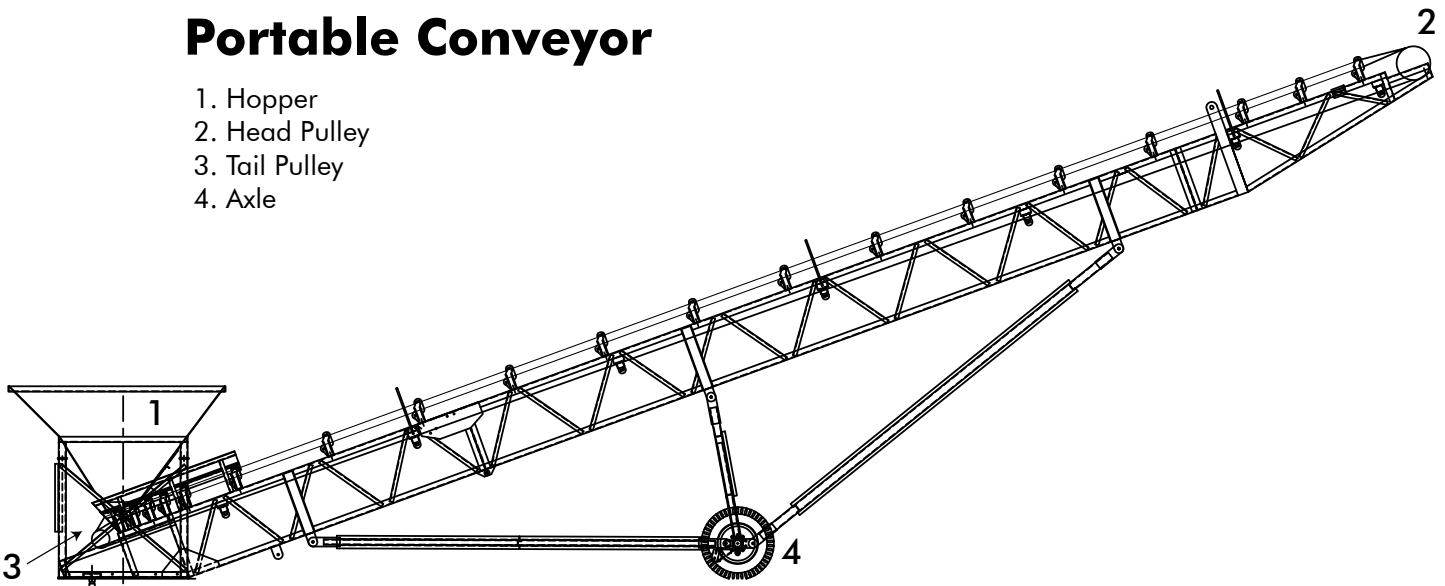
Dust Collector

- 1. Blower (Suction)
- 2. Blower (Reclaimer)
- 3. Vane Feeder
- 4. Manifold
- 5. Electrical Enclosure

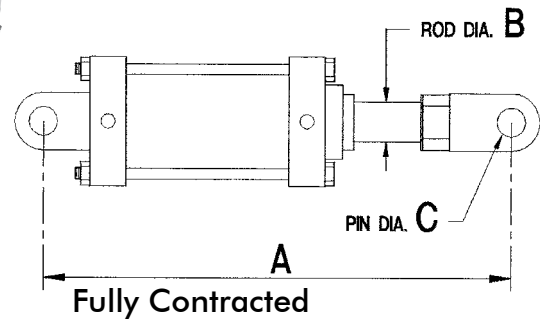
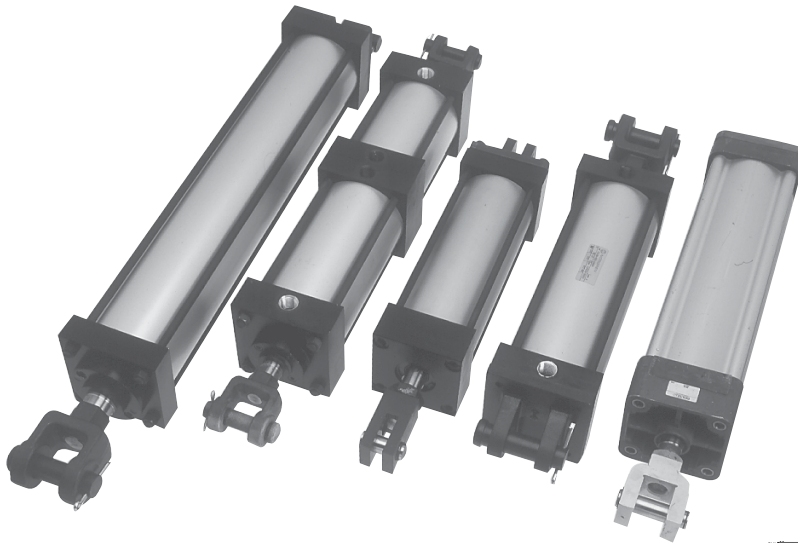


Portable Conveyor

- 1. Hopper
- 2. Head Pulley
- 3. Tail Pulley
- 4. Axle



AIR CYLINDERS

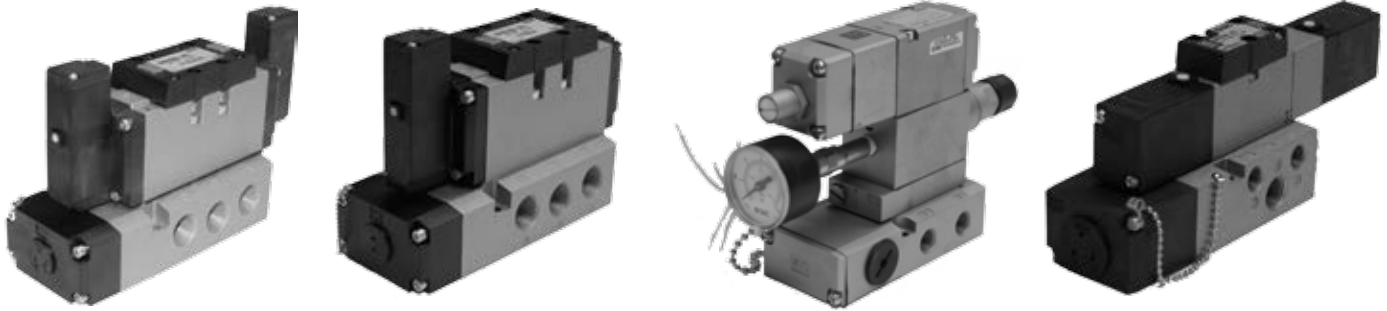


BASIC SIZE	PART NUMBER	A	B	C
2-1/2 x 6	02-0471	14-15/16"	3/4"	5/8"
2-1/2 x 8	02-3733	15-3/8"	5/8"	1/2"
3-1/4 x 6	02-3734	15-1/2"	1"	3/4"
3-1/4 x 10	02-2574	19-1/2"	1"	3/4"
3-1/4 x 12	02-3735	21-1/2"	1"	3/4"
3-1/4 x 14	02-3736	23-1/2"	1"	3/4"
3-1/2 x 8	02-0472	18-3/4"	1"	3/4"
4 x 4 / 4 x 6	02-3737	26-1/4"	1"	3/4"
4 x 8	02-2886	17-1/2"	1"	3/4"
4 x 10	02-0461	20-1/4"	1-3/8"	1"
4 x 10	02-3179	19-1/2"	1"	3/4"
4 x 12	02-2183	21-1/2"	1"	3/4"
4 x 14	02-3197	23-1/2"	1"	3/4"
4 x 20	02-0462	30-1/4"	1-3/8"	1"
5 x 8	02-3738	VARIES BY MANUFACTURER		
5 x 10	02-3739	VARIES BY MANUFACTURER		
5 x 16	02-3894	VARIES BY MANUFACTURER		

TECH NOTE: Replace seals on cylinder when:

1. Air leaks from the rod
2. Air leaks from the exhaust on the air valve after full extension

AIR VALVES



SMC VALVES	DOUBLE SOLENOID (AGGREGATES)	SINGLE SOLENOID	AERATION/ VIBRATORS	DOUBLE SOLENOID (CEMENT)
Value w/base	03-0384	03-1385	03-1386 (Aeration) 03-1387 (Vibrator)	03-1383
Valve only	03-1380	03-1381	03-1383	03-2591
Coil	03-2561	03-2561	03-3593	
Base Gasket	03-2562	03-2562	03-3869	
Repair Kit	03-2559	03-2560	03-2565	03-2564

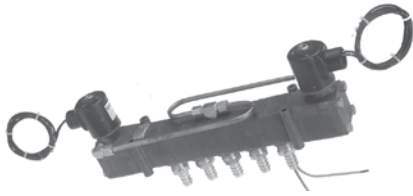
TECH NOTE: On SMC air valves with a base (5300, 5100 and 2300), keep pilot exhaust (PE) on the base clear.



03-1946	03-1945	03-1963
03-1947 (w/sub plate)	03-2163 (w/sub plate)	03-3186 (w/sub plate)
03-1958 (Repair Kit)	03-1957 (Repair Kit)	03-2810 (Repair Kit)

Replacement Coils	03-1960 (Coil) PME113DA
	03-1964 (Coil) PME111DA

AIR VALVES



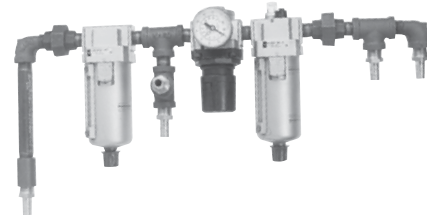
03-2077	03-1950	03-1951
03-2169 (Repair Kit)	03-2169 (Repair Kit)	
COIL REPAIR 03-2047	COIL REPAIR 03-2047	



03-2067	03-1954	03-2162
03-2169 (Repair Kit)	03-2169 (Repair Kit)	

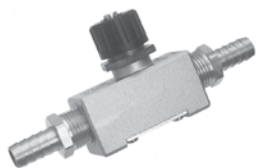


N1080AA 1/2" FRL Assembly

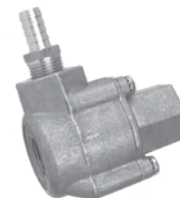


03-1952
03-2169 (Repair Kit)
COIL REPAIR 03-2047

	1/2" NPT	1" NPT
Filter	03-1375	03-1378
Lubricator	03-1376	03-2204
Regulator	03-1377	03-1379
Other Sizes Available		



In Line Flow Regulator
03-1374

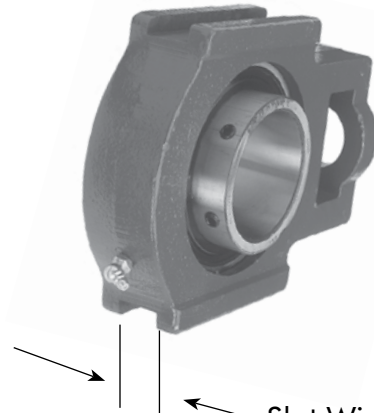


Quick Exhaust Valve
03-2095

BEARINGS



400 Series Side Mount



Slot Width

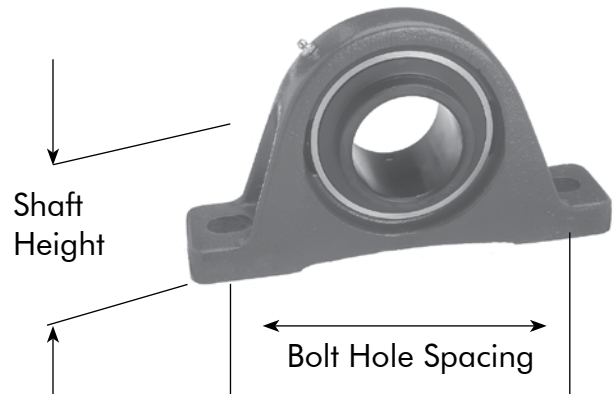
TAKE UP ASSY	SHAFT SIZE	BEARING ONLY	SLOT WIDTH
06-0702	1-3/4	06-0706	5/16
06-0702	1-15/16	06-0707	5/16
06-0703	2-3/16	06-0708	5/16
06-0704	2-7/16	06-0709	5/16



Dodge LD Series Top Mount



Emerson Top Mount



Shaft Height

Bolt Hole Spacing

TAKE UP FRAMES
06-2206
06-2800
06-2575
06-0700
06-0701
06-3744
06-3745
06-3746
06-3747

BEARING NO.	SHAFT SIZE	SHAFT HEIGHT	BOLT HOLE SPACING
06-3748	1-5/8	2-1/8	5-3/16 - 5-7/8
06-0690	1-3/4	2-1/8	5-3/16 - 5-7/8
06-0691	1-15/16	2-1/4	6 - 6-11/16
06-0692	2-3/16	2-1/2	6-3/8 - 7-7/16
06-0693	2-7/16	2-3/4	6-7/8 - 7-15/16
06-0694	2-15/16	3-1/4	8-1/2 - 9-1/2
06-0695	3-7/16		
06-0697 (exp)	3-15/16		
06-0698 (non)	3-15/16		

TECH NOTE: Use take-up frames to adjust the tension on the conveyor belt, not for tracking the belt.



BELT MATERIAL

24", 30", 36", 48" – 2 Ply – 220# Rubber Belt – To Required Length

24", 30", 36", 48" – 3 Ply – 330# Rubber Belt – To Required Length

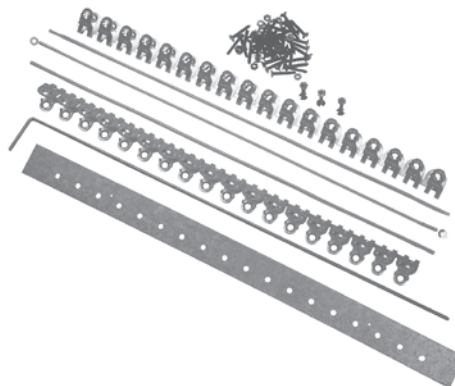
TYPE E FASTENER



E-140 3/16" to 7/16" Belt Thickness

E-190 5/16" to 9/16" Belt Thickness

COMPLETE BELT FASTENER KIT TEMPLATE



BELT WIDTH	TEMPLATE NO.	FASTENER NO.	COMPLETE BELT FASTENER KIT TEMPLATE AND FASTENER
24	05-1825	05-309	05-1845
30	05-1824	05-310	05-1846
36	05-1823	05-311	05-1847
48	05-0322	05-0319/05-0320	05-3749

Bin Indicators



04-5475



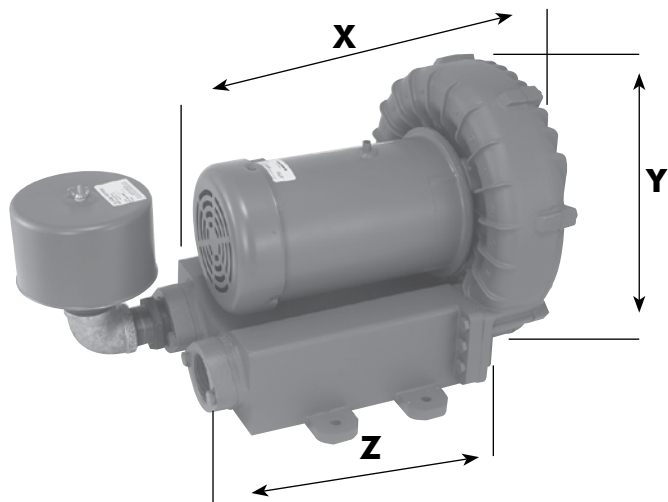
Safety Relief Valve
01-1156



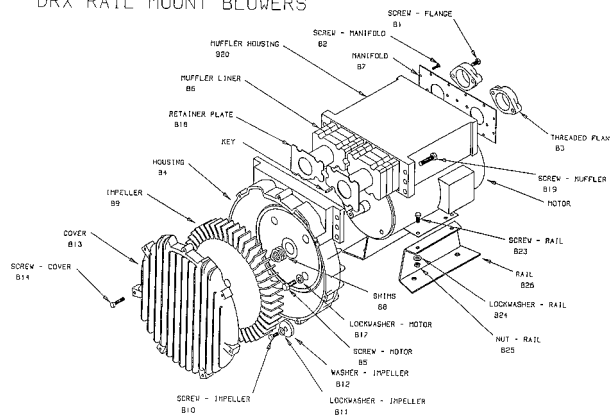
Horn & Light
Level Indicator
HTAL

4" Pinch Valve	01-3995
5" Pinch Valve	01-4249
Top Mount Bin Indicator 120V (Adjustable 3')	04-5475
Side Mount Bin Indicator 120V (Fixed)	04-5472
Motor 120V	04-5472-MOT
Scimitar Paddle	04-5473
Flex Shaft	04-5476
Horn	10-2002
Horn & Light Assy.	10-2001
Safety Relief Valve	01-1156

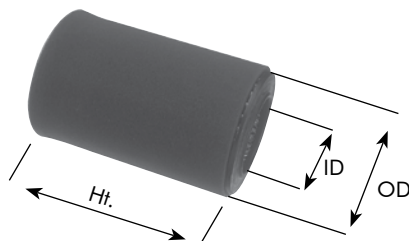
BLOWERS REGENERATIVE



ASSEMBLY DIAGRAM
DRX RAIL MOUNT BLOWERS



	5 H.P.	10 H.P.
Blower No.	03-1412	03-1425
Z	17.44	21.80
X	18.17	24.10
Y	16.00	18.60
Motor No.	30-2787	30-2614
Impeller	03-3752	03-3754
Filter	03-1418	03-1810
Relief Valve	03-1415	03-1415

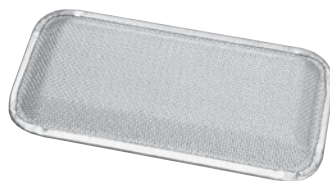


FILTER PT. NO.	I.D.	O.D.	HT.
03-1418 (5 HP)	3-5/8	5-7/8	4-3/4
03-1810 (10 HP)	3-5/8	5-7/8	9-1/2

AERATION COMPONENTS



Aeration Mounting Kit
03-1362



Aeration Pad
03-1361

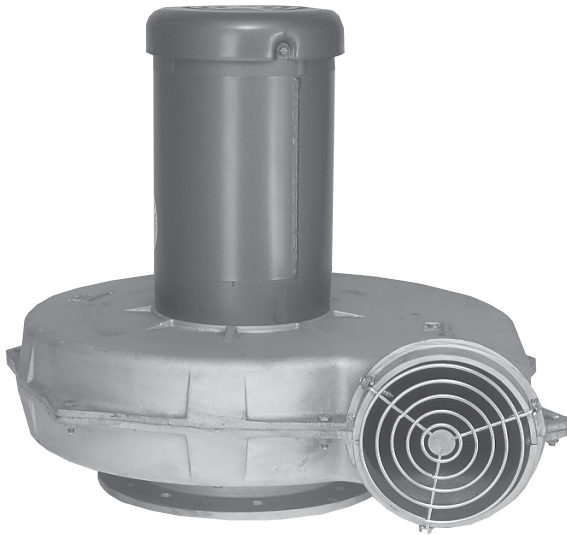


Aeration Nozzle
03-1363

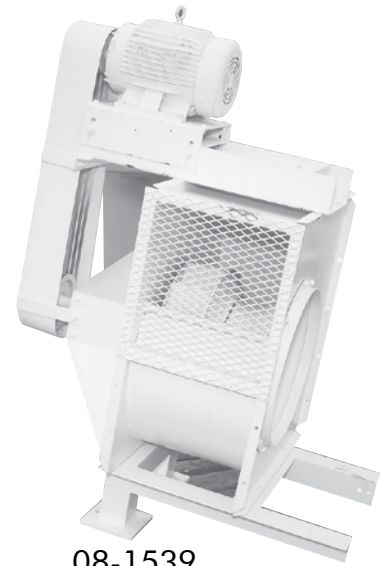


Aeration Nozzle
03-2266 (3/8")
03-3999 (3/4")

BLOWERS



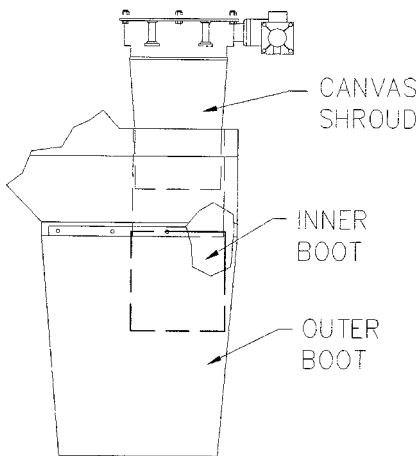
08-1549



08-1539

	PB12	16.5" CHI	20" CIN	20" CHI
Blower No.	08-1549	08-2782	08-1539	08-1538
Shaft	-----	N1107AA	08-1539-S	N1108AA
Bearing Bracket	-----	08-2786	-----	08-2786
Motor	30-0221	30-3756	30-0204	-----
Bearing	-----	06-0683	06-2795	06-2794
Wheel	08-1550 / 08-1551	08-1811	08-0305	08-0306

BOOTS & SHROUDS



PART NO.	USE	MATERIAL
N1034AA	Inner Discharge Shroud	Special
N1012AA	24" & 30" Discharge Boot (Plants w/no mixer)	Gum Rubber
N1013AA	36" & 48" Discharge Boot (Plants w/no mixer)	Gum Rubber
55-1567	8" Butterfly Valve Boot	Canvas
55-1563	10" Butterfly Valve Boot	Canvas
55-1565	Rotary Valves 7" & 10" Cement Feeder	Canvas
55-1566	12" Cement Feeders	Canvas
08-1518	Transit Mix Buggy Shroud - 182	Canvas
08-1519	Transit Mix Buggy Shroud - 156	Canvas
N1128AA	10" x 48"	Gum Rubber
N1129AA	8" x 48"	Gum Rubber
N769-11AA	30" Belt LP Plants Discharge Boot	Gum Rubber
N769-11BA	36" Belt LP Plants Discharge Boot	Gum Rubber
N1013BA	48" RM Adapter	Gum Rubber

BUTTERFLY VALVES



Fig. 100

SIZE	BUTTERFLY VALVE	VALVE WITH ACTUATOR/A/C	ACTUATOR	AIR CYLINDER	REPLACEMENT SEAT
2	01-0301-100	01-0305	01-2875-100		01-2050
3	01-0300-100	01-0304			01-2051
4	01-0299-100	01-0303	01-3777	02-2111	01-3761
5	01-3759-100	01-3760-100	01-3777	02-2111	01-3762
6	01-0298-100	01-0302-100	01-3777	02-2111	01-3763
8	01-1451-100	01-0293-100	01-3777	02-0470	01-3764
10	01-0296-100	01-0292-100		02-0470	01-2750



AR 1

SIZE	BUTTERFLY VALVE	VALVE WITH ACTUATOR/A/C	ACTUATOR	AIR CYLINDER	REPLACEMENT SEAT
2	01-0301	01-0305	01-2875		01-2050
3	01-0300	01-0304			01-2051
4	01-0299	01-0303	01-3777	02-2111	01-3761
5	01-3759	01-3760	01-3777	02-2111	01-3762
6	01-0298	01-0302	01-3777	02-2111	01-3763
8	01-1451	01-0293	01-3777	02-0470	01-3764
10	01-0296	01-0292		02-0470	01-2750



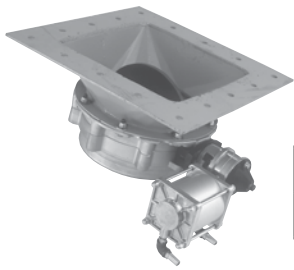
SIZE	DF BUTTERFLY VALVE	SF BUTTERFLY VALVE	ACTUATOR	REPLACEMENT SEAT
4	01-1426	01-1431	01-1436	01-1443
6	01-1427	01-1432	01-1436	01-1444
8	01-1428	01-1433	01-1436	01-1445
10	01-1429	01-1434	01-1436	01-1446
12	01-1430		01-1436	01-1447



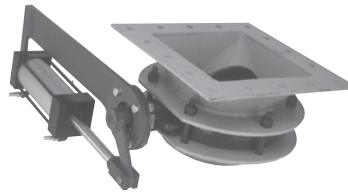
BRAY VALVES	VALVE	VALVE/ACTUATOR ASSEMBLY	ACTUATOR	REPLACEMENT SEAT
2"	01-2580	01-1439	01-2819	01-1448
3"	01-2581	01-1440	01-2819	01-1449
4"	01-3701	01-1438	01-3758	01-1450
6"	01-3979	01-3977	01-3978	01-4034
8"	01-0295	01-4147	01-1456	01-3703
10"	01-1455	01-3976	01-1456	01-4008
12"	01-4143	01-4146		



CEMENT GATE CONVERSION KITS



8	N1098AA
10	N1097AA



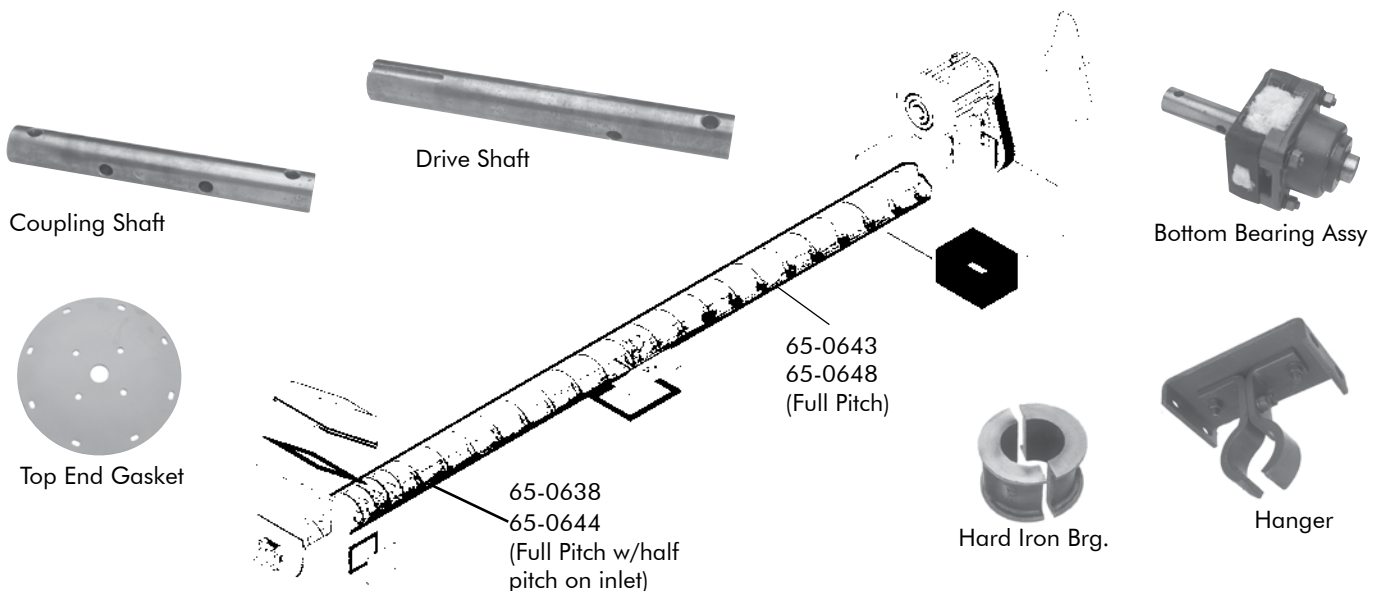
8	N1101AA
10	N1100AA

CEMENT AUGERS

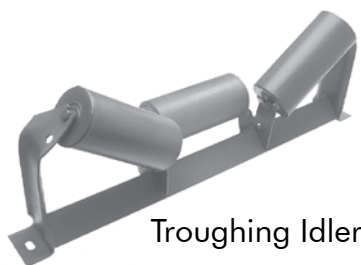


	7" AUGER	10" AUGER	12" AUGER
Hanger	65-0662	65-0663	65-0664
Hard Iron Brg.	06-0711	06-0711	06-0712
Coupling Shaft	N980AA	N980BA	N981BA
Drive Shaft	N980BA	N980BA	N981BA
Top Bearing	06-0684	06-0684	06-0686
Top Trough End	65-0668	65-0670	65-0672
Top End Gasket	N1070BA	N1071BA	N1072BA
Bott. Brg.	06-0685	06-0685	06-0687
Bott Brg. Assy	N1070AA	N1070AA	N1072AA
Bott Trough End	65-0667	65-0669	65-0671
Tail Shaft End	N980FA	N980FA	N981FA
Coupling Bolts	65-0660	65-0660	65-0661
Waste Pack	65-0676	06-0676	65-0676
Std. Flight	65-0642	65-0648	65-0653
Spec. Flight	65-0638	65-0644	65-0650
Bearing/Shaft Diameter	1-1/2"	1-1/2"	2"

TECH NOTE: Custom Flights Also Available To Your Spec's Up To 20" Diameter, 5' - 12'



TROUGHING CONVEYORS



Troughing Idler

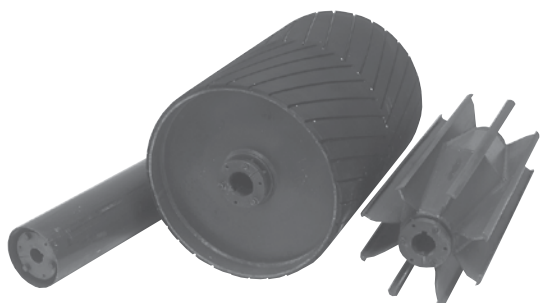
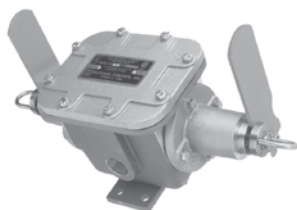


Return Idler

BELT SIZE	20" IDLER	35" IDLER	45" IDLER	RETURN IDLER	TROUGHING ROLLER
24"	25-0337	25-0338	25-3765	25-0352	25-1848
30"	25-0339	25-0340	25-3766	25-0353	25-1849
36"	25-0341	25-0432	25-3767	25-0354	25-0288
48"	25-0343	25-0344	25-0345	25-0355	25-0289

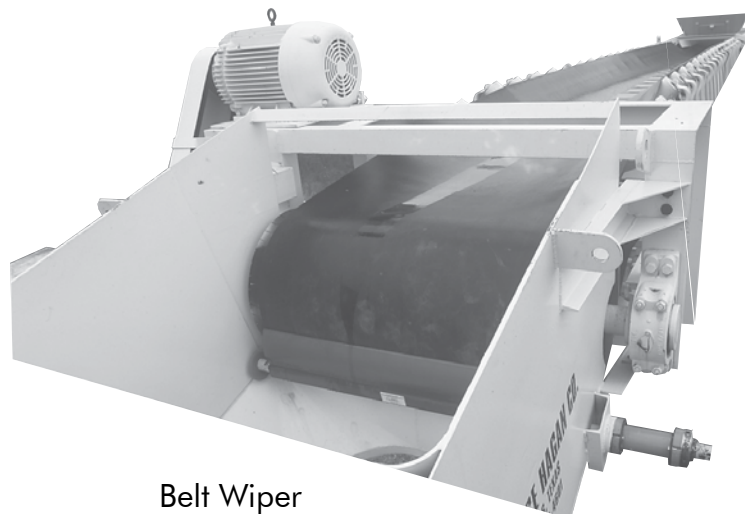
TECH NOTE: Individual Rollers Available

Conveyor Safety
Stop Switch
(Pull Cord)



Snub Pulley Head Pully Tail Pulley

SPECIFY WIDTH AND DIAMETER



Belt Wiper

HOSE



FLEXIBLE VENT HOSE

PART NO.	DIAMETER
08-3768	4"
08-1495	6"
08-1496	8"
08-1497	10"
08-1498	12"
08-1499	14"
08-3769	16"
08-3770	18"

DUCTING & FITTINGS



VARIOUS TYPES, SHAPES AND SIZES AVAILABLE.

Ducting, Elbows, Pipe couplings, Reducers, Fittings, etc.
4" Diameter through 18" Diameter

3" x 100' Shrink Seal Tape
08-1553

SILO TOP DUST COLLECTORS



VH-245 JP
Jet Pulse



ES-168B
Shaker Type
(Discontinued)



ES-268B
Shaker Type
(Discontinued)



Jet Pulse Cartridge
08-1522

DUST COLLECTOR	FILTER ELEMENT BAG/CARTRIDGE	QUANTITY
D0245B01	08-1522	7
ES-168 B	08-1525	14
ES-268 B	08-1526	20

DUST COLLECTOR COMPONENTS



Photohelic
Jet Pulse Control Gauge
08-1543



Filter
08-1544



Static Tip
08-1545



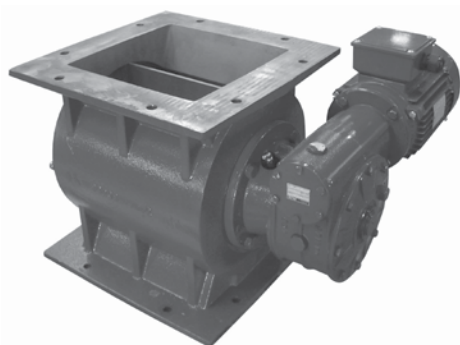
1/8" Solenoid
10-1820



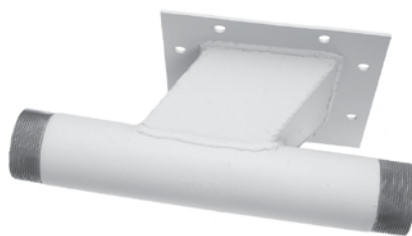
3/4" Diaphragm Valve
08-4659
08-4660 Repair Kit
08-2085 Repair Kit for 08-1530



Magnehelic
Pressured Differential
Gauge
08-1542



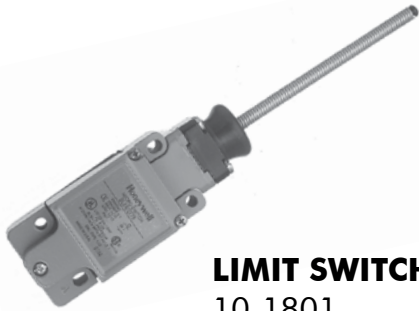
Rotary Vane Feeder 08-1535
Blade Tips 08-0218
Motor 30-0219 (Std) 3/4 HP
Motor 30-0218 (Metric) .56 HP



Feeder Venturi
D1094P07-VEN



3" Check Valve
08-4425



LIMIT SWITCH
10-1801
AGGREGATE GATES

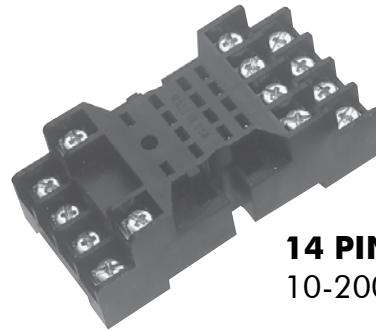


LIMIT SWITCH

LIMIT SWITCH
10-1802 (2 Pole)
10-1803 (4 Pole)
10-1804 (Roller)
10-1805 (Adj. Roller)
HORIZONTAL MIXER



RELAY
10-2043 14 Pin 12OV.
10-1980 14 Pin 24V.



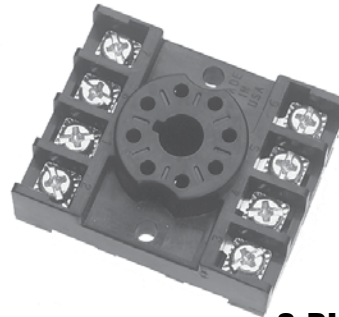
14 PIN RELAY SOCKET
10-2000



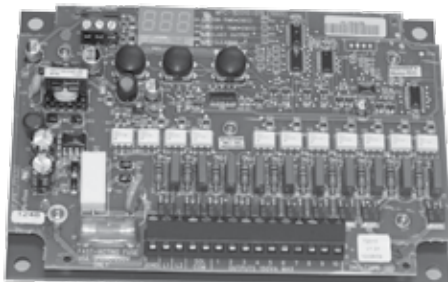
DELAY ON TIMER
10-2073

DELAY OFF TIMER
10-2075

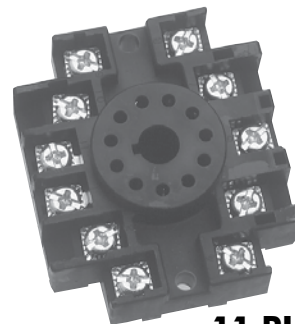
Available in several
timing ranges & voltages



8 PIN TIMER SOCKET
10-2138



10 PT. TIMER BOARD
10-1529



11 PIN TIMER SOCKET
10-2137

ELECTRICAL PARTS



RADIAL STACKING CONVEYOR VINCE HAGAN 4FMRRC REMOTE CONTROL/ MOTOR CONTROL CENTER



10-1844 (4 Function)
10-3481 (6 Function)

—10-3958
Standard Controller

Portable or can be mounted on loader

4 Functions:

- Belt Conv - On | Off
- Vibrator - On | Off
- Shuttle Travel - Right
- Shuttle Travel - Left

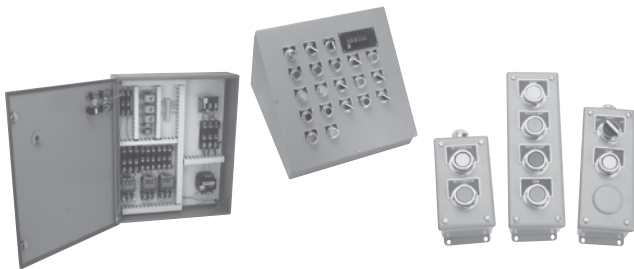
TRANSMITTER CONTROLLER



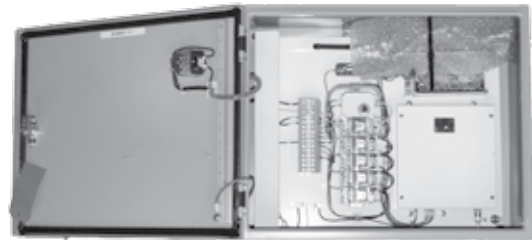
10-2223
Transmitter
10-3537 Antenna

10-2768
Receiver
10-3538
Receiver
Antenna

CUSTOM REMOTE CONTROL UNITS ALSO AVAILABLE – UP TO 16 FUNCTIONS



**CUSTOM MOTOR CONTROL PANELS
INCLUDING SLOPE TOP AND
PUSH BUTTON PANELS.**

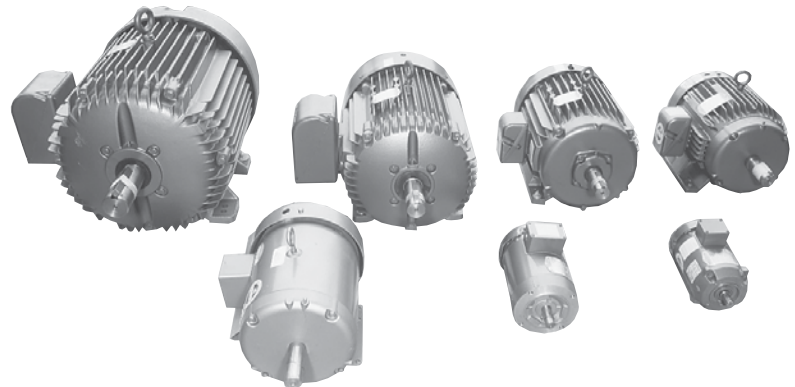


**New 4 function remote control
for existing radial stackers**

ELECTRIC MOTORS

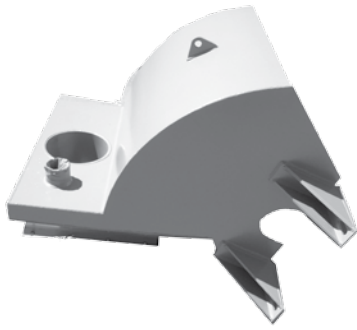


MOTOR NO.	H.P./SPEED
30-0220	1.5 x 3450
30-0221	2 x 3450
30-0222	2 x 1750
30-0223	3 x 3450
30-0209	10 x 1725
30-0208	10 x 3450
30-0204	15 x 1750
30-0206	15 x 3500
30-0205	20 x 1750
30-0210	30 x 1750
30-0213	50 x 1750
30-0214	60 x 1750
30-0215	75 x 1760
30-0217	125 x 1800



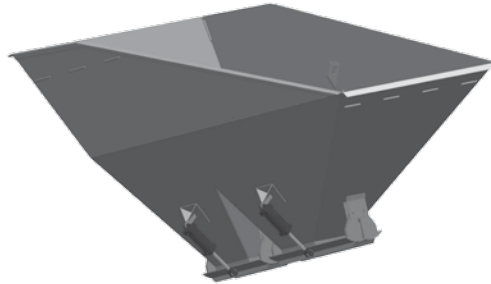
3/4 H.P. Through 150 H.P. Available
Various types and frames including popular
sizes shown here.

FABRICATED PARTS

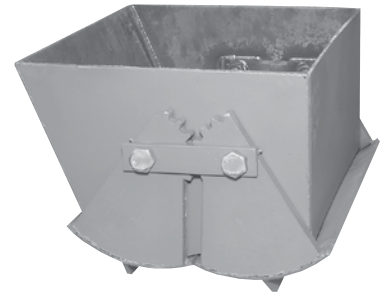


DISCHARGE HOOD

- N17 24" Belt Width
- N18 30" Belt Width
- N285 36" Belt Width
- N921 48" Belt Width



AGGREGATE WEIGH BATCHER



BIN & BATCHER GATES

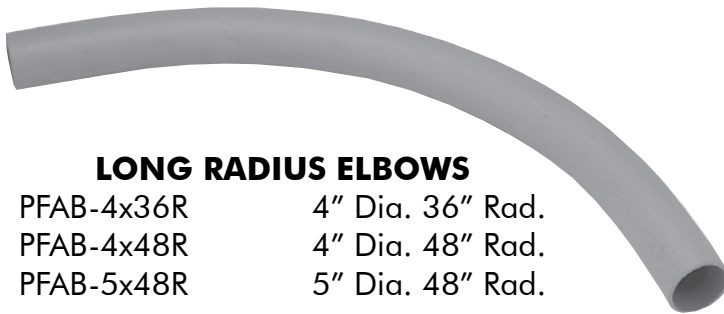
- N-101-A/N 101-B Bin Gate
- N26 X LENGTH Batcher Gate
- PFAB-6000 Gears Only



CUSTOM BINS

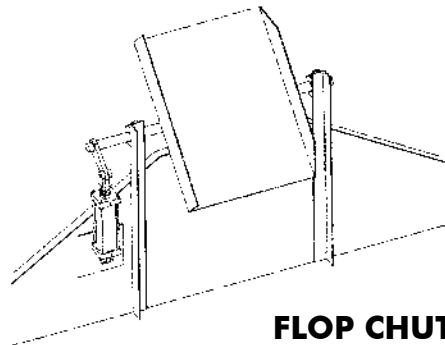


TURN HEAD DISCHARGE CHUTE



LONG RADIUS ELBOWS

- PFAB-4x36R 4" Dia. 36" Rad.
- PFAB-4x48R 4" Dia. 48" Rad.
- PFAB-5x48R 5" Dia. 48" Rad.



FLOP CHUTES



WATER BATCHER

DUST COLLECTOR FILTER BAGS



BASIC SIZE	PART NUMBER
4" x 38.5"	08-2091
4" x 42"	08-3771
4" x 79"	08-2615
4" x 84"	08-2725
5" x 48"	08-3772
6" x 42"	FB-642 D-GR
6" x 84"	08-1524
6.5" x 64"	08-1996
7" x 72"	08-2057
8" x 48"	08-2754
8" x 60"	08-2779
8" x 65"	08-2383
8" x 69"	08-1525
8" x 72"	08-2087
8" x 77"	08-1526
8" x 115"	FB-115 D
8" x 115"	08-1527

Custom Filters Available



SUPER SEAL

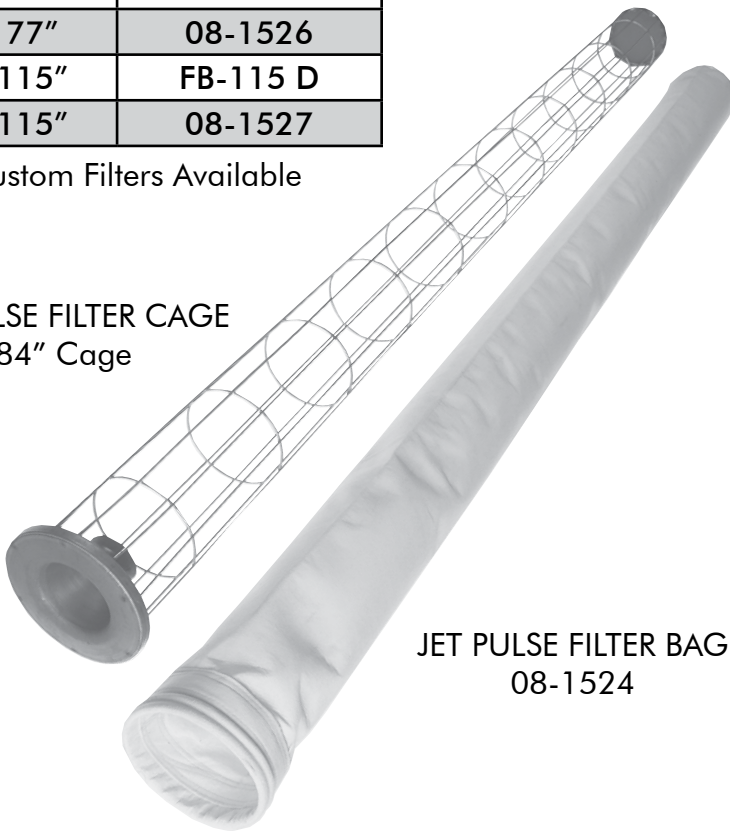


SNAP BAND



LOOP

JET PULSE FILTER CAGE
84" Cage



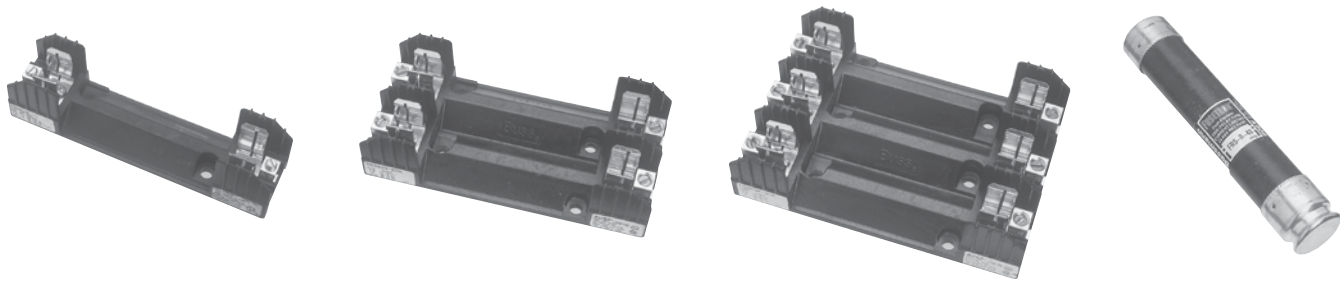
JET PULSE FILTER BAG
08-1524



SUPER SEAL GROMMET TOP

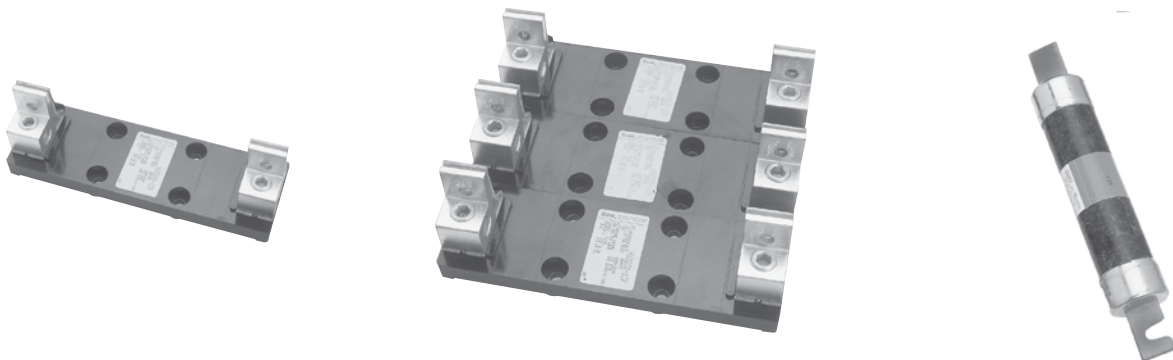
JET PULSE DUST COLLECTOR MODEL	NUMBER OF FILTER BAGS (08-1524)
VH700JP (free standing)	64
VH1083 (in truss)	99
VH1094 (free standing)	100
VH1203 (free standing)	110

FUSE BLOCKS - FUSES



230 VOLT FUSE BLOCKS	1 POLE	2 POLE	3 POLE	FUSE
30 AMP	10-2293	10-2294	10-2295	FRN-R1 Thru FRN-R60
60 AMP	10-2296	10-2297	10-2298	

460 VOLT FUSE BLOCKS	1 POLE	2 POLE	3 POLE	FUSE
30 AMP	10-2292	10-1693	10-1694	FRS-R1 Thru FRS-R60
60 AMP	10-2260	10-2263	10-1695	



230 VOLT FUSE BLOCKS	1 POLE	3 POLE	FUSE
100 AMP	10-2299	10-2299	FRN-R70 Thru FRN-R40
200 AMP	10-2300	R25200-3CR	
400 AMP	10-2301	R25400-3CR	

460 VOLT FUSE BLOCKS	1 POLE	3 POLE	FUSE
100 AMP	R60100-1CR	10-1696	FRS-R70 Thru FRS-R400
200 AMP	10-1697	R60200-3CR	
400 AMP	10-1698	R0400-3CR	

**CONTROL CIRCUIT FUSES
FNM-1 THRU FNM-30**

CIRCUIT BREAKERS ALSO AVAILABLE





Standard Features:

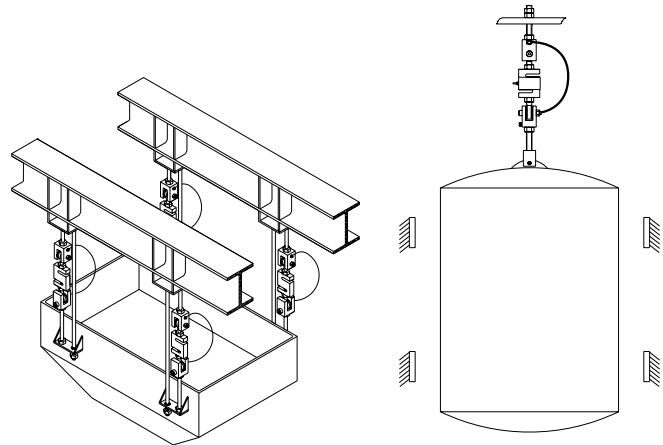
- Capacities per assembly: 100 lb-20,000 lb
- NTEP-certified RL20000 S-Beam load cell provides superior accuracy
- Clevis mounts with nylon insulating washers further isolate the load cell electrically
- Teflon®-lined rod end ball joints enhance movement for greater tolerance of eccentric loads*
- Load cell is completely isolated from stray currents minimizing electrical failures*
- Grounding strap provides alternative path to ground
- Provides correct loading even in difficult installations
- Lower overall length compared to other hardware assemblies

Options:

- Complete kit including mounts, load cells, NEMA 4X stainless steel junction box and load cell cable
- Assembly, less load cell

* Teflon® lining and isolation not available on 20,000 lb capacity

Typical Mounting Configurations:

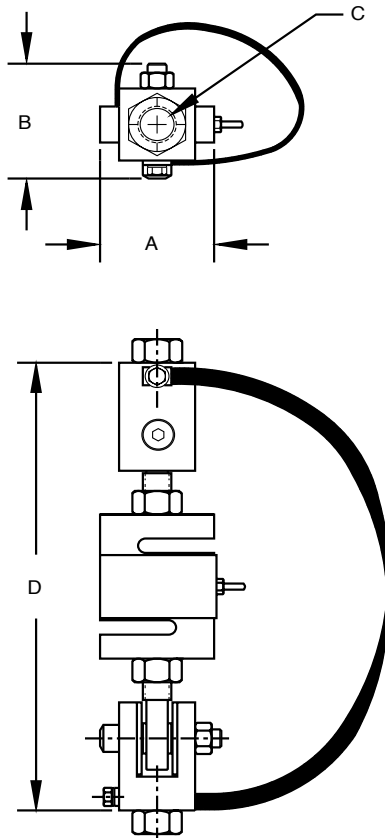


Multiple Cell

Single Cell

IMPORTANT: Always use safety chains or rods to protect tension-mounted vessels.

Dimensions/Capacities:

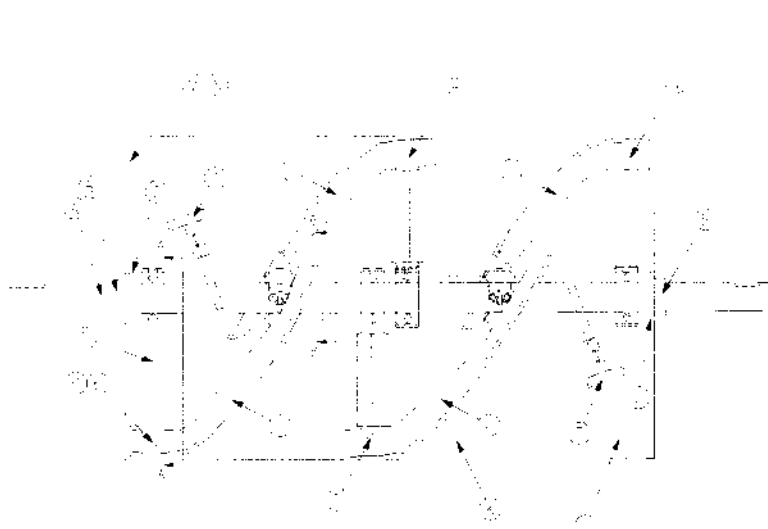


Load Cell Capacity	Dimensions - Inches (mm)			
	A	B	C	D
100 lb (45.4 kg)	2.00 (50.8)	1.81 (46.0)	3/8-16 NC	7.00 (177.8)
100 lb (45.4 kg)	2.00 (50.8)	1.81 (46.0)	1/2-13 NC	7.00 (177.8)
150 lb (68.0 kg)	2.00 (50.8)	1.81 (46.0)	3/8-16 NC	7.00 (177.8)
150 lb (68.0 kg)	2.00 (50.8)	1.81 (46.0)	1/2-13 NC	7.00 (177.8)
200 lb (90.7 kg)	2.00 (50.8)	1.81 (46.0)	3/8-16 NC	7.00 (177.8)
200 lb (90.7 kg)	2.00 (50.8)	1.81 (46.0)	1/2-13 NC	7.00 (177.8)
250 lb (113.4 kg)	2.00 (50.8)	1.81 (46.0)	3/8-16 NC	7.00 (177.8)
250 lb (113.4 kg)	2.00 (50.8)	1.81 (46.0)	1/2-13 NC	7.00 (177.8)
500 lb (226.8 kg)	2.68 (68.1)	2.68 (68.1)	1/2-13 NC	9.50 (241.3)
500 lb (226.8 kg)	2.68 (68.1)	2.68 (68.1)	5/8-11 NC	9.50 (241.3)
500 lb (226.8 kg)	2.68 (68.1)	2.68 (68.1)	3/4-10 NC	9.50 (241.3)
750 lb (340.2 kg)	2.68 (68.1)	2.68 (68.1)	1/2-13 NC	9.50 (241.3)
750 lb (340.2 kg)	2.68 (68.1)	2.68 (68.1)	5/8-11 NC	9.50 (241.3)
750 lb (340.2 kg)	2.68 (68.1)	2.68 (68.1)	3/4-10 NC	9.50 (241.3)
1000 lb (453.6 kg)	2.68 (68.1)	2.68 (68.1)	1/2-13 NC	9.50 (241.3)
1000 lb (453.6 kg)	2.68 (68.1)	2.68 (68.1)	5/8-11 NC	9.50 (241.3)
1000 lb (453.6 kg)	2.68 (68.1)	2.68 (68.1)	3/4-10 NC	9.50 (241.3)
1500 lb (680.4 kg)	2.68 (68.1)	2.68 (68.1)	1/2-13 NC	9.50 (241.3)
1500 lb (680.4 kg)	2.68 (68.1)	2.68 (68.1)	5/8-11 NC	9.50 (241.3)
1500 lb (680.4 kg)	2.68 (68.1)	2.68 (68.1)	3/4-10 NC	9.50 (241.3)
2000 lb (907.2 kg)	2.68 (68.1)	2.68 (68.1)	1/2-13 NC	9.50 (241.3)
2000 lb (907.2 kg)	2.68 (68.1)	2.68 (68.1)	5/8-11 NC	9.50 (241.3)
2000 lb (907.2 kg)	2.68 (68.1)	2.68 (68.1)	3/4-10 NC	9.50 (241.3)
2500 lb (1134.0 kg)	2.68 (68.1)	2.68 (68.1)	5/8-11 NC	9.50 (241.3)
2500 lb (1134.0 kg)	2.68 (68.1)	2.68 (68.1)	3/4-10 NC	9.50 (241.3)
3000 lb (1360.8 kg)	3.37 (85.6)	3.37 (85.6)	3/4-10 NC	12.25 (311.2)
5000 lb (2268.0 kg)	3.37 (85.6)	3.37 (85.6)	3/4-10 NC	12.25 (311.2)
5000 lb (2268.0 kg)	3.37 (85.6)	3.37 (85.6)	1-8 NC	12.25 (311.2)
10,000 lb (4535.9 kg)	3.37 (85.6)	3.37 (85.6)	1-8 NC	12.25 (311.2)
15,000 lb (6803.9 kg)	4.00 (101.6)	4.12 (104.6)	1 1/4-7 NC	18.00 (457.2)
20,000 lb (9071.9 kg)	5.00 (127.0)	4.12 (104.6)	1 1/2-6 NC	20.00 (508.0)

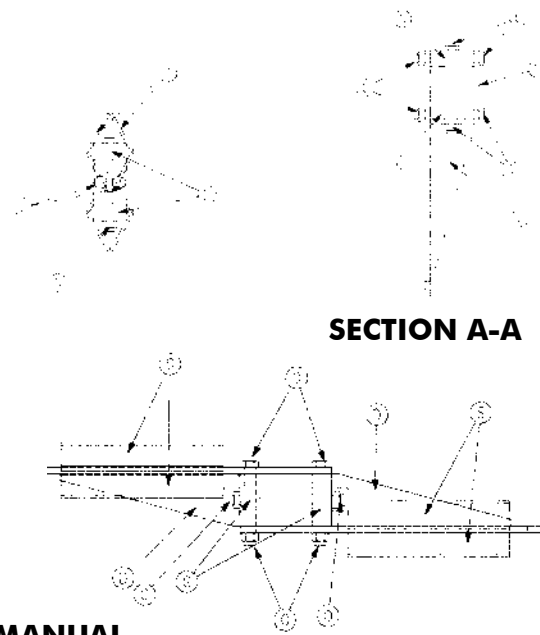


VINCE HAGAN HORIZONTAL SHAFT SPIRAL BLADE MIXER

	4.5 YARD	8 YARD	10 YARD
Shaft	X102-5	XB700	X626
Hardened Shaft	X102-5-Hard	X700B-Hard	X626-Hard
Split Bronze Brg.	HM45P001	HMCP-002	HMCP-002
Split Brg. Housing	HM45P002	HMCP-001	HMCP-001
Split SealKit	—	HMCP-022-KIT	HMCP-022-KIT
Solid Seal	55-1637	HMCP-003	HMCP-003
Seal Housing	X104-3	HMCP-004	HMCP-004
Liner-Drum	X101-5	X613-5	X613-5
Liner-End	X101A-2A	HMCP-500-2	HMCP-005-2
Liner-End At Shaft	X101A-2B	HMCP-005-1	HMCP-005-1
Caster w/Frame	06-0715	06-0716	06-0716
R.H. Blade	15-1573	15-1575	15-1571
L.H. Blade	15-1574	15-1576	15-1572
Blade Attach. Bolts	09-1625	09-1009/09-1010(2)	09-1009/09-1010(2)
Blade Arm	X102-2	X628-1	X628-1
Blade Arm Bushing	X90A	X628-WP	X628-WP
Blade Arm Block	X102-3	X628-2	X628-2
Blade Arm Spacer	X102-4	X628-3	X628-3
Blade Arm w/Stiffner	X102-Stiffener (only)	X628-1-5	X628-1-5
Blade Arm Deflector	X102-8	X628-4	X628-4
Screw Jack	09-1569	09-1568	09-1568
Drum Side Roller	06-0713	06-0713	06-0713



TYPICAL 10 YD. MIXERS



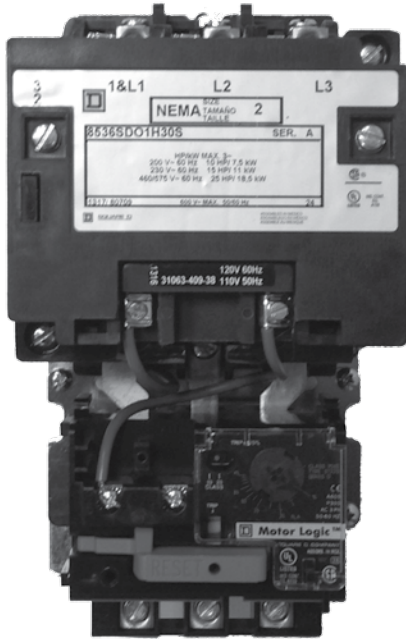
SECTION A-A

SECTION B-B

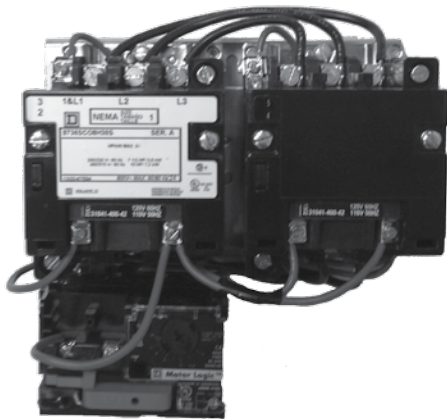
PARTS REFERENCED IN MIXER MANUAL



NON-REVERSING STARTERS



NEMA SIZE	MAX H.P. RATING		PART NUMBER
	230 V.	460 V.	
0	3	9	10-1747
1	9	27	10-1749
2	15	45	10-1751
3	30	90	10-1751
4	45	135	10-1752
5	90	270	10-1753



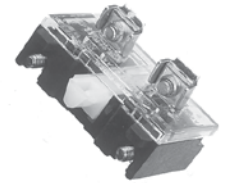
REVERSING STARTERS

NEMA SIZE	MAX H.P. RATING		PART NUMBER
	230 V.	460 V.	
2	3	9	10-1757
1	9	27	10-1759
2	15	45	10-1760
3	30	90	10-1761

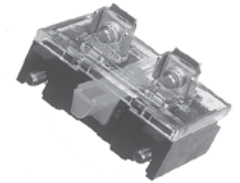
OPERATOR CONTROL SWITCHES



TYPE	PART NUMBER	POSITIONS
Key	10-1776	2
Push Button	10-1853	—
Selector	10-1777	2-Maintained
Selector	10-1822	3-Maintained
Selector	10-1784	3-Spring Return
Selector	10-2211	3-S.R./Maintained
Contact Block	10-1782	N.O.
Contact Block	10-1783	N.C.

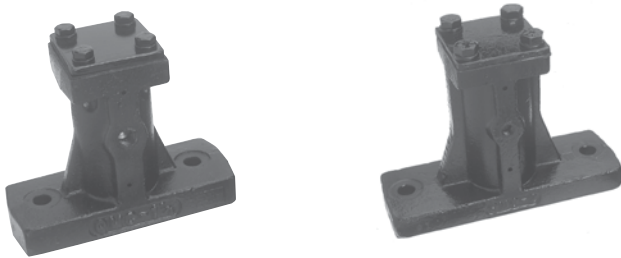


10-1782
No Contact



10-1783
N.C. Contact

VIBRATORS



PNEUMATIC PISTON TYPE

PART NUMBER	BOLT HOLE SPACING
96-0425	Discontinued
96-0426	Discontinued
96-4495	4-1/2"
96-4496	7-1/2"



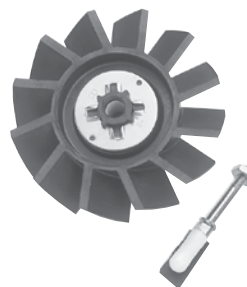
PNEUMATIC BALL TYPE

PART NUMBER	BOLT HOLE SPACING
96-0427	4"
96-0428	5-1/2"

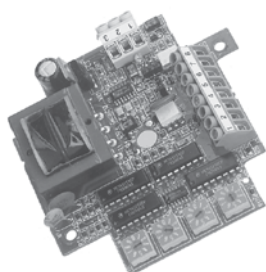
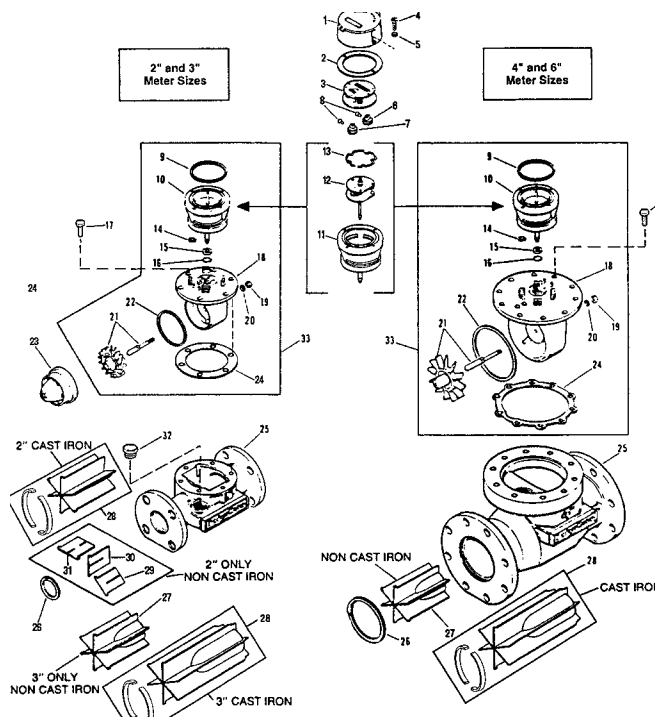
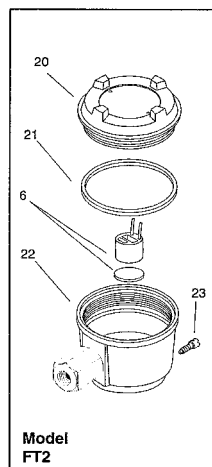
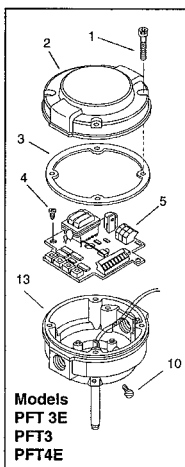
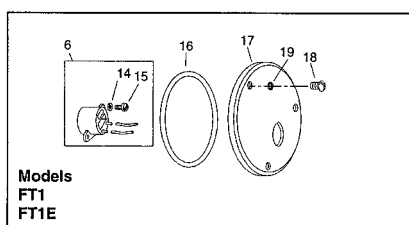
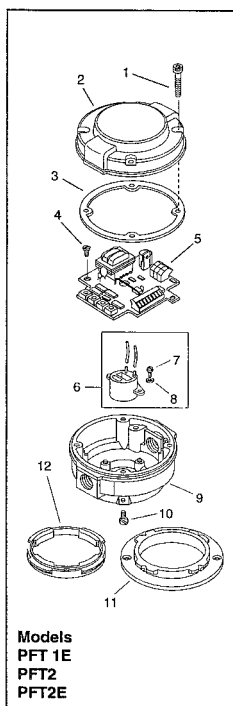


ELECTRIC VIBRATORS ALSO AVAILABLE IN SINGLE & THREE PHASE

WATER SYSTEM COMPONENTS



SIZE	PART NO.	ROTOR & SPINDLE REED TYPE	ROTOR & SPINDLE SCALABLE
2" Turbo Meter	97-1167	97-1188	97-1175
3" Turbo Meter	97-1168	97-1189	97-1176



Transmitter Board
97-1174



Water Counter
97-2052



Float Switch
97-1186

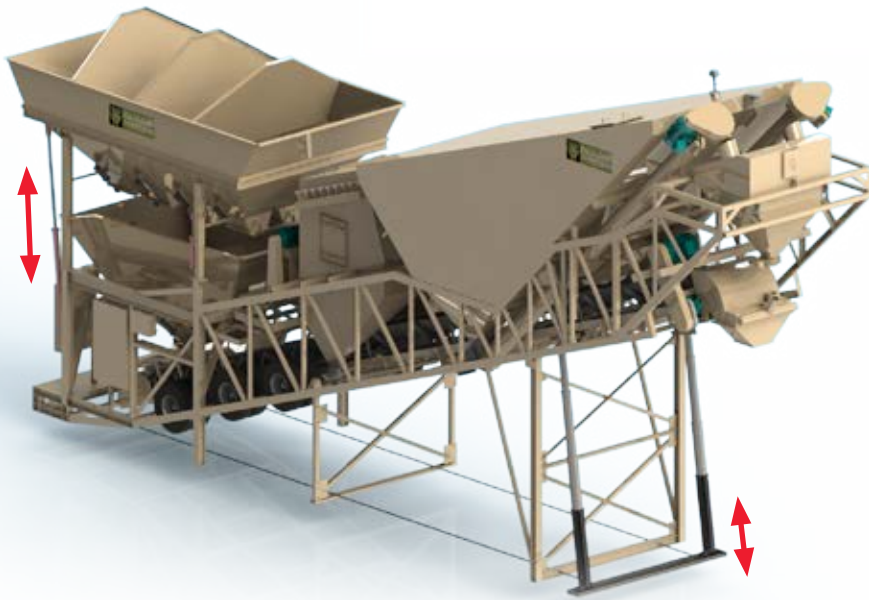
Water By-Pass Valve
97-1160 (3")
97-1161 (2")



Float Switch
97-4114

SILOS

Vince Hagan has a range of new or replacement silos that will meet all your batch plant needs. We fabricate **In-Truss Silos** and **Overhead Silos** as required. We also supply a variety of **Auxiliary Silos** to match the number of cementitious materials and production requirements of your plant.



RETROFIT YOUR EXISTING BATCH PLANT TO SELF ERECT

Consider the Dust Collection Recycle System

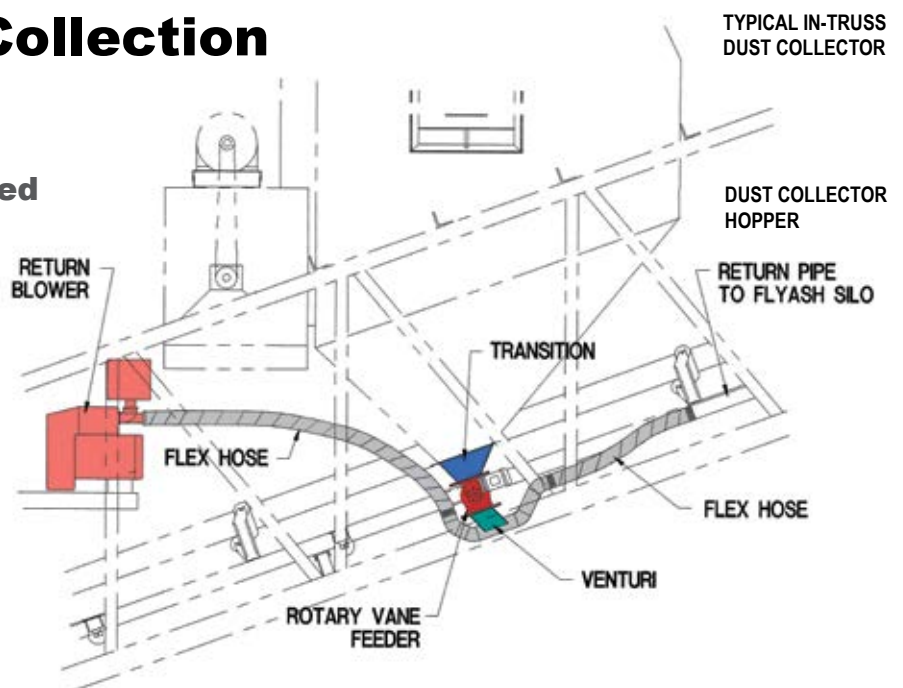
**Reclaim The Cement Accumulated
In Your Dust Collector!**

An Investment That:

- Pays For Itself
- Generates Profit
- Keeps the Environment Clean
- Eliminates Clean Up Costs

Available for:

- Free Standing Collectors
- In-Truss Collectors



VINCE HAGAN PATENTED
THE FIRST MOBILE BATCH PLANT



VINCE HAGAN

LEGACY OF INNOVATION

The Industry Leader in Concrete Batch Plants for Almost 60 Years

Since 1956, The Vince Hagan Company has led the Industry in innovation. It started with the first patented mobile concrete batch plant. The legacy continues today with not only the standard in mobile batch plants but also the patented horizontal spiral blade mixer which is also used for high speed RCC applications. At the Vince Hagan Company we don't just supply the batch plant. We supply the complete solution for the best concrete plant to meet your customer's highest demands.



TM-12 TILT MIXER



HORIZONTAL SHAFT MIXER



HT SERIES PLANT



DUST COLLECTION



MILLENNIUM SERIES



LP & LPC SERIES PLANT



LPM SERIES PLANT

VINCEHAGAN.COM
800-354-3238



330 CLAY ROAD, BUILDING 458 • SUNNYVALE, TX 75182 • 214.330.4601 • FAX 972.203.2380