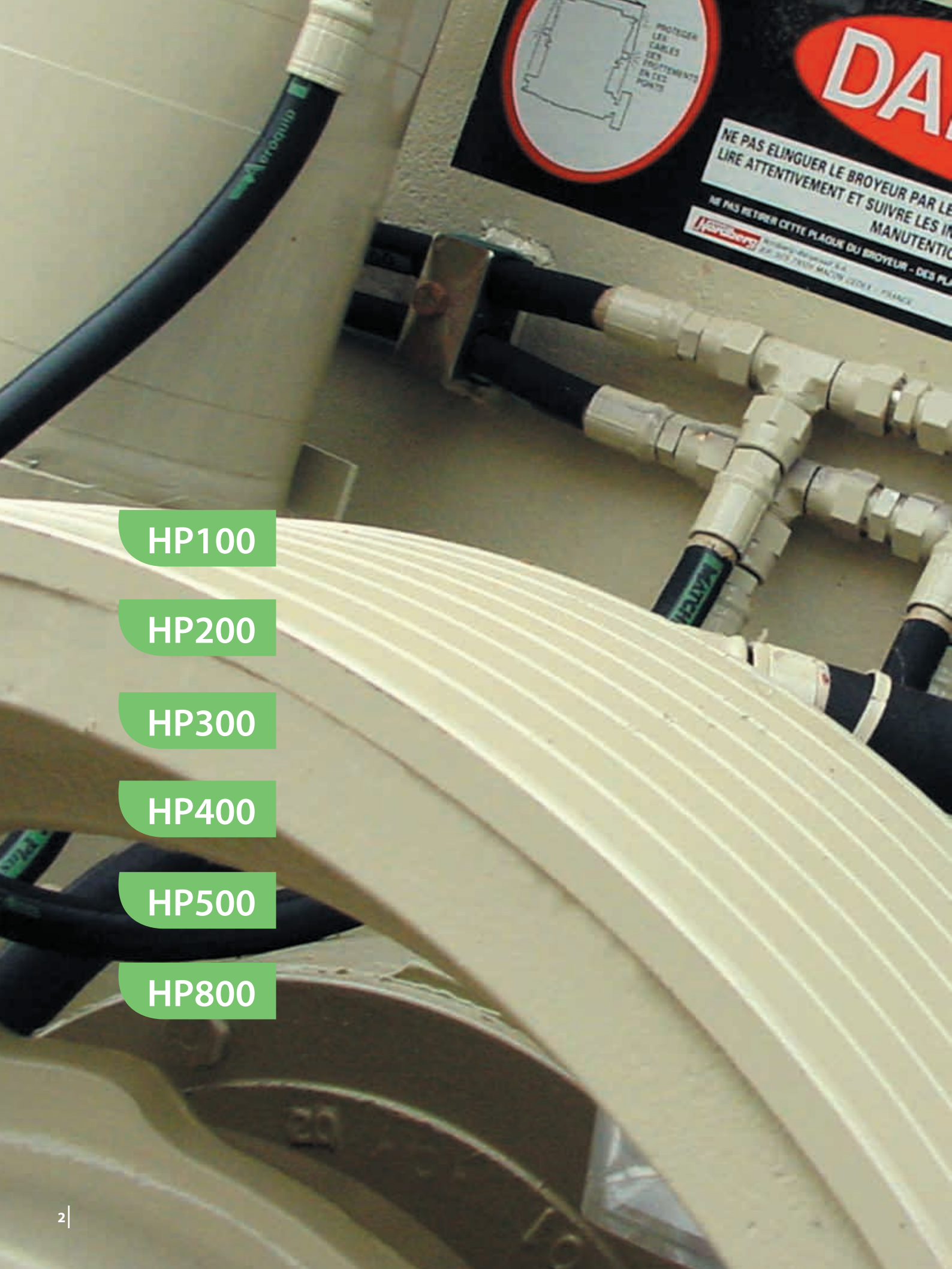


Cone Crushers

HP Series Cone Crushers





HP100

HP200

HP300

HP400

HP500

HP800



High Performance for Higher Profitability

HP (High Performance) Series cone crushers feature a unique combination of crusher speed, throw, and cavity design. This combination has proved revolutionary in providing higher capacity and superior product quality, and in providing a wider range of application suitability. From limestone to taconite, from ballast production to manufactured sand, and from small portable plants, HP cone crushers provide unbeatable performance in secondary, tertiary, and quaternary applications.

A history of quality

HP cone crushers are built on the success of our 70+ years of Symons cone experience, and 20+ years of Omnicone experience.

The Symons cone is well known for its rugged construction and application versatility. The Symons cone has set the standard in the mining industry, where 24-hour, high-reduction applications can destroy all but the most ruggedly built machine.

The Omnicone introduced many new innovations to reduce maintenance and operating costs, and to provide designed-in modern features such as hydraulic setting adjustment, tramp release, and cavity clearing.

The field-proven HP series combines the best of these technologies to provide the highest capacity, the best product shape, the highest on-spec yield, easy automation, and the greatest possible reliability and flexibility. All to help you achieve the highest possible levels of profitability.

For high productivity, low operating and wear costs, long service life, and high product yield with desired fines, there's no better choice than a cone crusher.

And Metso leads this market with its high-performance HP Series cone crushers for the aggregate and mining markets.



Mobile : The NW300HP is a highly mobile, closed-circuit crushing and screening plant. Ideal for contractors, it can transform your feed stock into three finished fractions.

Reach New Heights with Metso

Higher capacity

Thanks to the patented combination of higher speed and throw, which increases the machine's power rating and throughput capability, HP Series cone crushers have the highest capacities for their size in the industry.

HP technology allows you to use either fewer or smaller units to get the highest possible production out of the smallest possible space. Metso pioneered the HP technology, having developed it in 1989 through extensive pilot and full-size prototype testing. Metso has been awarded patents for these innovative efforts.



HP800 Cone Crusher.

Higher quality

The unique interparticle crushing action of HP Series cone crushers creates a higher value for your product by providing a more consistent gradation and a superior product shape (cubicity). The ability to operate at a fixed mechanical setting – instead of the head floating on a column of hydraulic oil – creates less setting drift and provides more stability throughout the circuit. The proven benefit of a threaded rotating bowl maintains a consistent setting around the entire circumference of the crushing chamber. Also, the use of a tramp release system with a fixed return point makes sure that the crusher setting is instantaneously maintained even after passing a piece of tramp iron. HP Series cone crushers also enable you to produce a finer product with fewer crushing stages, lowering your capital costs and saving energy.

Higher yield

By operating the HP cone crusher on the lower end of its speed range, the product gradation can be shifted to produce fewer fines and a higher percentage of on-spec product. The HP cone crusher creates a higher value product with less waste.



Stationary : One HP500, one HP300, two HP200 crushing "Amphibolite".





Features and Benefits

Less downtime

Dual-acting hydraulic tramp release cylinders mean the HP cone crushers can pass tramp iron that would stall many competitors' crushers. The large clearing stroke independent of liner wear reduces the effort required to clear a stalled crusher, reducing downtime and increasing operator confidence.

Hydraulic motors rotate the bowl for fine control setting adjustments that also rotate the bowl completely out of the adjustment ring threads for liner changeout, greatly simplifying liner change.

Advanced liner retention technology increase reliability: Bowl retaining wedges engage a self-tightening helix on the upper section of the bowl liner, while a self-tightening lock-bolt retains the mantle.

Easy to maintain

Bronze bushings used throughout provide superior load capability in the high-shock, dusty crushing environment. They're low-cost, and easy to replace in the field with normal tools. HP cone crushers are easy to disassemble. All components are accessible from the top or the side. The head and bowl can be removed without upsetting a bolted interference fit.

Low maintenance costs

High performance non-contacting labyrinth seals provide high reliability by keeping out dust without wearing out. Their simple design means fewer moving parts come into contact with the rock and dust.

Excellent wear protection of all crusher components – including replaceable head ball, mainframe seat liners, mainframe pin bushings, countershaft box frame ring, counterweight guard, mainframe liners, and the dead-bed feed hopper – keep maintenance costs to a minimum.

Application flexibility

HP cone crushers can be converted from the finest to the coarsest cavity simply by replacing the mantle, bowl liner, adapter ring, and wedge bolts.

Easy to operate

Using the hydraulic motor setting adjustment with the adjustment under load capability makes it easy to balance the crushing circuit and optimize crusher productivity. The addition of a hydraulic motor position transducer system to keep track of crusher setting is all that's required to connect the crusher to a plant DCS system for full automation applications.

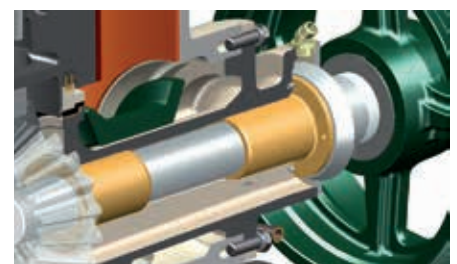


Release system

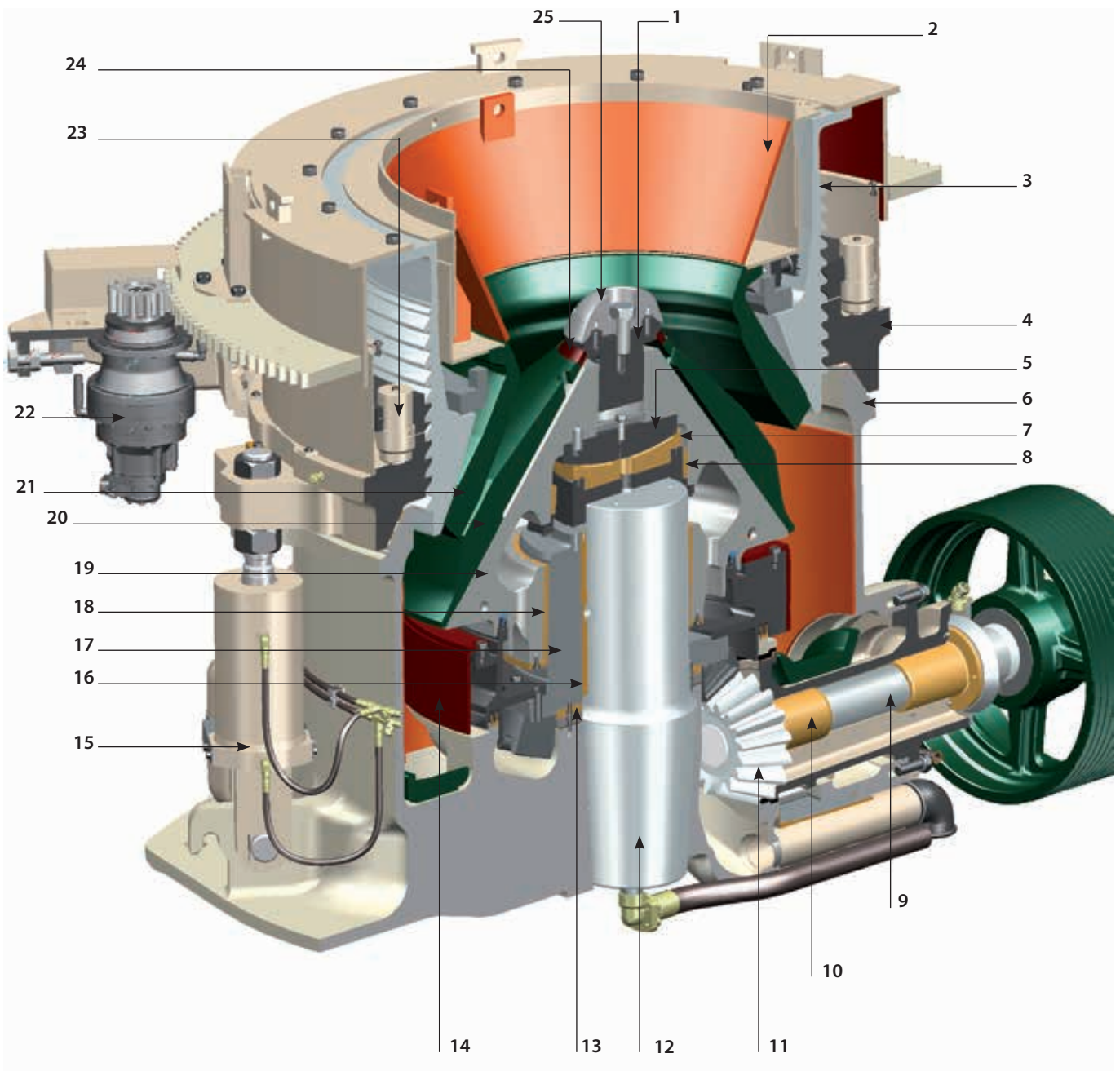
Hydraulic adjustment



Liners fixing



Sealing system



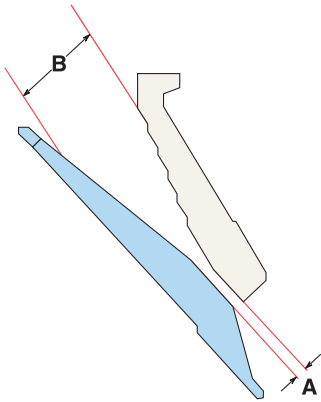
- | | | |
|------------------------|-------------------------------|---------------------------------|
| 1 - Locking bolt | 10 - Countershaft bushings | 18 - Lower head bushing |
| 2 - Feed bowl hopper | 11 - Gear and pinion | 19 - Head |
| 3 - Bowl | 12 - Main shaft | 20 - Mantle |
| 4 - Adjustment ring | 13 - Eccentric thrust bearing | 21 - Bowl liner |
| 5 - Head bowl | 14 - Counterweight guard | 22 - Hydraulic adjustment motor |
| 6 - Main frame | 15 - Tramp Release assembly | 23 - Clamping cylinders |
| 7 - Socket liner | 16 - Eccentric bushing | 24 - Torch ring |
| 8 - Upper head bushing | 17 - Eccentric | 25 - Cone feed plate |
| 9 - Countershaft | | |

SPECIFICATIONS



Weights - Complete Crusher and Assemblies

| Size | HP100 | HP200 | HP300 | HP400 | HP500 | HP800 |
|------------------------------------|------------------------|-------------------------|-------------------------|-------------------------|-------------------------|--------------------------|
| Crusher Complete | 5 400 kg 11 900 Lbs | 10 400 kg 22 960 Lbs | 15 810 kg 33 490 Lbs | 23 000 kg 50 600 Lbs | 33 150 kg 73 000 Lbs | 68 650 kg 151 200 Lbs |
| Bowl, Bowl Liner, Adj. Cap, Hopper | 1 320 kg 2 910 Lbs | 2 680 kg 5 915 Lbs | 3 525 kg 7 765 Lbs | 4 800 kg 10 575 Lbs | 7 200 kg 15 800 Lbs | 17 350 kg 38 220 Lbs |
| Head Mantle and Feed Plate | 600 kg 1 325 Lbs | 1 200 kg 2 650 Lbs | 2 060 kg 4 550 Lbs | 3 240 kg 7 130 Lbs | 5 120 kg 11 280 Lbs | 10 800 kg 23 790 Lbs |
| Maximum recommended Power | 90 kW 125 HP | 132 kW 200 HP | 200 kW 300 HP | 315 kW 400 HP | 355 kW 500 HP | 600 kW 800 HP |
| Countershaft Speed-rpm | 750-1200 | 750-1200 | 700-1200 | 700-1000 | 700-950 | 700-950 |



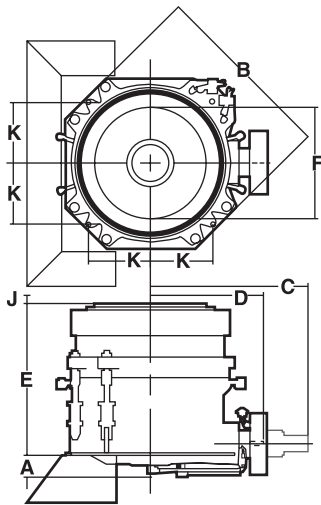
1 The minimum setting is that at which the crusher will operate without causing ring bounce. Depending on the crusher characteristics of the rock, this setting can change.

2 Feed opening "B" is at a minimum setting "A".

3 Maximum feed size vary from 80 to 100% of "B" depending on machine size and material.

Crusher Cavity Selection

| Crusher size | Cavity | Standard | | Short head | |
|--------------|--------------|----------------------|-------------------|----------------------|-------------------|
| | | Minimum Setting "A"1 | Feed Opening "B"2 | Minimum Setting "A"1 | Feed Opening "B"2 |
| HP100 | Extra Fine | | | 6 mm (0.24") | 14 mm (0.55") |
| | Fine | | | 9 mm (0.35") | 74 mm (2.91") |
| | Medium | | | 9 mm (0.35") | 72 mm (2.83") |
| | Coarse | | | 13 mm (0.51") | 100 mm (3.94") |
| | Extra Coarse | | | 17 mm (0.67") | 141 mm (5.55") |
| HP200 | Extra Fine | | | 6 mm (0.24") | 10 mm (0.39") |
| | Fine | 13 mm (0.52") | 95 mm (3.74") | 5 mm (0.20") | 23 mm (0.90") |
| | Medium | 17 mm (0.67") | 125 mm (4.92") | 6 mm (0.24") | 54 mm (2.13") |
| | Coarse | 19 mm (0.75") | 185 mm (7.28") | 10 mm (0.39") | 76 mm (2.99") |
| | Extra Coarse | | | | |
| HP300 | Extra Fine | | | 6 mm (0.24") | 25 mm (0.98") |
| | Fine | 13 mm (0.51") | 107 mm (4.21") | 6 mm (0.24") | 22 mm (0.87") |
| | Medium | 17 mm (0.67") | 150 mm (5.91") | 8 mm (0.31") | 53 mm (2.09") |
| | Coarse | 19 mm (0.75") | 211 mm (8.31") | 10 mm (0.39") | 77 mm (3.03") |
| | Extra Coarse | 25 mm (0.98") | 233 mm (9.17") | | |
| HP400 | Extra Fine | | | 6 mm (0.24") | 52 mm (2.05") |
| | Fine | 14 mm (0.55") | 111 mm (4.37") | 6 mm (0.24") | 51 mm (2.00") |
| | Medium | 20 mm (0.79") | 198 mm (7.80") | 8 mm (0.31") | 52 mm (2.05") |
| | Coarse | 25 mm (0.98") | 252 mm (9.92") | 10 mm (0.39") | 92 mm (3.62") |
| | Extra Coarse | 30 mm (1.18") | 299 mm (11.77") | | |
| HP500 | Extra Fine | | | 6 mm (0.24") | 53 mm (2.09") |
| | Fine | 16 mm (0.63") | 133 mm (5.24") | 8 mm (0.31") | 52 mm (2.05") |
| | Medium | 20 mm (0.79") | 204 mm (8.03") | 10 mm (0.39") | 57 mm (2.24") |
| | Coarse | 25 mm (0.98") | 286 mm (11.26") | 13 mm (0.51") | 95 mm (3.74") |
| | Extra Coarse | 30 mm (1.18") | 335 mm (13.19") | | |
| HP800 | Extra Fine | | | 5 mm (0.20") | 33 mm (1.30") |
| | Fine | 16 mm (0.63") | 219 mm (8.62") | 10 mm (0.39") | 92 mm (3.62") |
| | Medium | 25 mm (0.98") | 267 mm (10.51") | 13 mm (0.51") | 155 mm (6.10") |
| | Coarse | 32 mm (1.26") | 297 mm (11.69") | | |
| | Extra Coarse | 32 mm (1.26") | 353 mm (13.90") | | |



* 5'1/2 - **7'

| Clearance dimensions | | | | | | |
|--|-------------------------|-------------------------|------------------------|------------------------|------------------------|--|
| Size | HP100 | HP200 | HP300 | HP400 | HP500 | HP800 |
| A - To bottom of oil piping | 293 mm (11-9/16") | 297 mm (11-11/16") | 328 mm (12-15/16") | 240 mm (9-1/2") | 425 mm (16-3/4") | 722 mm (28-7/16") |
| B - Adjustment ring maximum diameters | 1 505 mm (59-1/4") | 1 952 mm (76-7/8") | 2 207 mm (86-7/8") | 2 370 mm (93-3/8") | 2 730 mm (107-1/2") | 3 702 mm (145-3/4") |
| C - Clearance required for removing countershaft assembly | 1 560 mm (61-7/16") | 1 840 mm (72-7/16") | 2 020 mm (79-1/2") | 2 470 mm (97-1/4") | 2 650 mm (104-3/8") | 3 450 mm (135-13/16") |
| D - To end of countershaft | 950 mm (37-3/8") | 1 160 mm (45-11/16") | 1 347 mm (53") | 1 645 mm (64-3/4") | 1 760 mm (69-1/4") | 2 225 mm (85-5/8") |
| E - Maximum height to top | 1 290 mm (50-13/16") | 1 630 mm (64-3/4") | 1 865 mm (73-7/16") | 2 055 mm (80-7/8") | 2 290 mm (90-1/8") | 3 538 mm (139-1/4") |
| F - Inside diameter of feed hopper | 694 mm (27-5/16") | 914 mm (36") | 1 078 mm (42-7/16") | 1 308 mm (51-1/2") | 1 535 mm (60-1/2") | 1 863 mm (73-3/8") |
| Clearance required for removing bowl assembly | 1 725 mm (67-15/16") | 2 140 mm (84-1/4") | 2 470 mm (97-1/4") | 2 650 mm (104-3/8") | 3 300 mm (29-7/8") | 4 854 mm (191-1/8") |
| Clearance required for removing head assembly | 1 700 mm (66-15/16") | 2 165 mm (84-1/4") | 2 455 mm (96-5/8") | 2 715 mm (106-3/8") | 3 165 mm (24-5/8") | 4 634 mm (171-3/4") |
| J - Additional upward travel of feed hopper during clearing stroke | 65 mm (2-9/16") | 70 mm (2-3/4") | 85 mm (3-3/8") | 150 mm (4-1/8") | 125 mm (4-15/16") | 159 mm (6-1/4") |
| K - Mounting hole location | NA | 545 mm (21-1/2") | 660 mm (26") | 830 mm (32-11/16") | 882 mm (34-3/4") | 1 130 mm* (44-1/2")* 1 245 mm** (49")** |
| Main frame discharge opening diameter | 970 mm (38-3/16") | 1 240 mm (48-13/16") | 1 470 mm (57-7/8") | 1 726 mm (68") | 2 040 mm (80-1/2") | 2 420 mm (95-1/4") |

| Product Gradation Table (% passing through square mesh depending on the setting) | | | | | | | | | | | | | |
|--|-------------|--------------|--------------|--------------|--------------|--------------|--------------|------------|----------------|----------------|----------------|----------------|------------|
| | 6 (1/4") | 8 (5/16") | 10 (3/8") | 13 (1/2") | 16 (5/8") | 19 (3/4") | 22 (7/8") | 25 (1") | 28 (1-1/8") | 32 (1-1/4") | 38 (1-1/2") | 45 (1-3/4") | 51 (2") |
| 100 (4") | 100 | 100 | 100 | 100 | 100 | 100 | 100 | 100 | 100 | 100 | 100 | 100 | 100 |
| 75 (3") | 100 | 100 | 100 | 100 | 100 | 100 | 100 | 100 | 100 | 100 | 100 | 100 | 98 |
| 63 (2-1/2") | 100 | 100 | 100 | 100 | 100 | 100 | 100 | 100 | 100 | 100 | 99 | 95 | 90 |
| 51 (2") | 100 | 100 | 100 | 100 | 100 | 100 | 100 | 100 | 99 | 98 | 92 | 82 | 68 |
| 38 (1-1/2") | 100 | 100 | 100 | 100 | 100 | 100 | 100 | 98 | 95 | 90 | 76 | 62 | 50 |
| 32 (1-1/4") | 100 | 100 | 100 | 100 | 100 | 100 | 95 | 90 | 79 | 69 | 52 | 42 | 36 |
| 25 (1") | 100 | 100 | 100 | 100 | 98 | 94 | 85 | 74 | 60 | 49 | 40 | 33 | 28 |
| 22 (7/8") | 100 | 100 | 100 | 100 | 95 | 88 | 76 | 63 | 51 | 42 | 34 | 28 | 25 |
| 19 (3/4") | 100 | 100 | 100 | 98 | 92 | 82 | 68 | 57 | 46 | 37 | 30 | 26 | 22 |
| 16 (5/8") | 100 | 100 | 99 | 92 | 80 | 69 | 55 | 46 | 36 | 29 | 24 | 20 | 18 |
| 13 (1/2") | 100 | 99 | 92 | 78 | 66 | 55 | 43 | 36 | 28 | 22 | 18 | 16 | 14 |
| 10 (3/8") | 100 | 93 | 81 | 66 | 55 | 45 | 34 | 30 | 23 | 18 | 15 | 13 | 11 |
| 8 (5/16") | 94 | 82 | 69 | 55 | 45 | 37 | 28 | 24 | 19 | 15 | 13 | 11 | 10 |
| 6 (1/4") | 82 | 67 | 55 | 43 | 36 | 29 | 22 | 19 | 16 | 12 | 9 | 8 | 7 |
| 4 (#5) | 65 | 49 | 40 | 32 | 26 | 21 | 16 | 14 | 11 | 9 | 7 | 6 | 5 |
| 2 (#8) | 40 | 28 | 23 | 17 | 13 | 11 | 8 | 7 | 6 | 4 | 3.5 | 3 | 2.5 |

Crusher Capacities¹

| Closed Setting | | | | | | | | | | | | | |
|----------------|---------------|----------------|-----------------|--------------------|--------------------|--------------------|--------------------|--------------------|--------------------|--------------------|---------------------|----------------------|----------------------|
| Size | Tone/ hour | 6 mm (1/4") | 8 mm (5/16") | 10 mm (3/8") | 13 mm (1/2") | 16 mm (5/8") | 19 mm (3/4") | 22 mm (7/8") | 25 mm (1") | 32 mm (1 1/4") | 38 mm (1 1/2") | 45 mm (1 3/4") | 51 mm (2") |
| HP100 | Mtph stph | 45-55 50-60 | 50-60 55-65 | 55-70 60-75 | 60-80 65-90 | 70-90 80-100 | 75-95 85-105 | 80-100 85-110 | 85-110 95-120 | 100-140 110-155 | | | |
| HP200 | Mtph stph | | | 90-120 100-130 | 120-150 130-165 | 140-180 155-200 | 150-190 165-210 | 160-200 175-220 | 170-220 185-240 | 190-235 210-260 | 210-250 230-275 | | |
| HP300 | Mtph stph | | | 115-140 125-155 | 150-185 165-205 | 180-220 200-240 | 200-240 220-265 | 220-260 240-285 | 230-280 255-310 | 250-320 275-355 | 300-380 330-420 | 350-440 385-485 | |
| HP400 | Mtph stph | | | 140-175 155-195 | 185-230 205-255 | 225-280 250-310 | 255-320 280-355 | 275-345 305-380 | 295-370 325-410 | 325-430 360-475 | 360-490 395-545 | 410-560 450-625 | 465-630 510-700 |
| HP500 | Mtph stph | | | 175-220 195-240 | 230-290 255-320 | 280-350 310-385 | 320-400 355-440 | 345-430 380-475 | 365-455 400-500 | 405-535 445-595 | 445-605 490-670 | 510-700 560-775 | 580-790 640-880 |
| HP800 | Mtph stph | | | 260-335 285-370 | 325-425 360-470 | 385-500 425-550 | 435-545 480-600 | 470-600 520-660 | 495-730 545-805 | 545-800 600-880 | 600-950 550-1045 | 690-1050 760-1155 | 785-1200 865-1320 |

¹ Represents capacity through crusher based "instantaneous" product sample.

Crusher Capacities

Cone crusher capacity charts are developed for use as an application tool to properly utilize the HP crusher's capabilities.

The capacity figures shown apply to material weighing 100 pounds per cubic foot or 1600 kg per cubic meter. The crusher is one component of the circuit. As such, its performance is in part dependent on the proper selection and operation of feeders, conveyors, screens, supporting structure, electric motors, drive component and surge bins. Where used, attention to the following factors will enhance crusher capacity and performance.

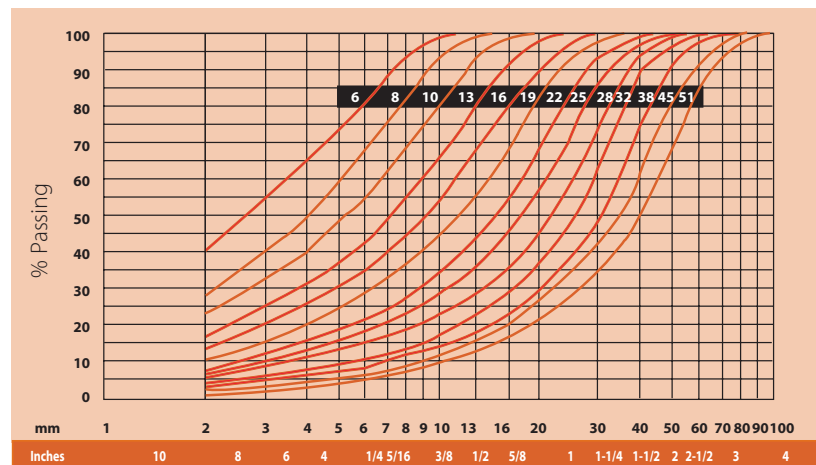
1. Proper selection of crushing chamber for material to be crushed.
2. A feed grading containing proper distribution of the particle size.
3. Controlled feed rate.
4. Proper feed distribution 360° around crushing chamber.
5. Discharge conveyor sized to carry maximum crusher capacity.
6. Properly sized scalping and closed circuit screens.
7. Automation controls.
8. Adequate crusher discharge area.

The following factors will detract from crusher capacity and performance.

1. Sticky material in crusher feed.

2. Fines in crusher feed (smaller than crusher setting) exceeding 10% of crusher capacity.
 3. Excessive feed moisture.
 4. Feed segregation in crusher cavity.
 5. Improper feed distribution around circumference of crusher cavity.
 6. Lack of feed control.
 7. Inefficient use of recommended connected horsepower.
 8. Insufficient conveyor capacity.
 9. Insufficient scalper and closed circuit screen capacities.
 10. Insufficient crusher discharge area.
 11. Extremely hard or tough material.
 12. Operation of crusher at less than recommended full load countershaft speed.
- For individual conditions, consult Metso.

Gradation Curves*



% passing through a square mesh depending on the setting

* The gradation and capacities shown are dependent on the feed gradation, the crushing chamber, the material density, the material cleanliness, its moisture and its crushability.



A world of difference

Before, during and after the sale, you can count on the experts at Metso to provide the best service and support in the world – all over the world. Whether you’re installing an entire customized system, a complete circuit, or simply replacing or updating a single piece of equipment, you can count on us to help you make sure it’s the right equipment for your precise needs.

In the design stage, we look at variables such as ore characteristics and properties, physical space limitations, size of ore body – even your financial situation – just to name a few. Once you make your purchase, you’ll be linked to Metso’ on-line computerized parts availability system, giving you immediate access to the right parts, in stock, and delivered promptly. If

you have questions, a trained service analyst is always standing by – over the phone or in person – ready to analyze your needs and recommend a complete, long-term, cost-effective solution.

We even offer training schools to help you get the most out of your system. Over the years, thousands of crushing professionals like you have benefited from the wide variety of seminars we offer. Do you have special training needs? Tell us – and we’ll create a unique training session just for your company.

HP Series cone crushers. A world of difference in technology, quality, performance, reliability, and support. To find out more, contact your nearest Metso office.



Metso's Mining and Construction crushing and screening equipment

Product families:

Unit crushers

- C series jaw crushers
- Primary gyratory crushers
- GP series cone crushers
- HP series cone crushers
- MP series cone crushers
- NP series horizontal impact crushers
- Barmac series vertical impact crushers

Unit screens

- DF series screens
- CVB series screens
- FS series screens
- TS series screens
- MF series screens
- RF series screens

Unit feeders

- TK series feeders
- VF series feeders
- LH.G series feeders
- VG series feeders
- PF series feeders
- HRBM series feeders

Mobile crushing and screening plants

- Lokotrack LT series track-mounted crushing plants
- Lokotrack ST series track-mounted screening plants
- Lokotrack CT and CW series track- and wheel-mounted conveyors
- NW series wheel-mounted crushing plants

Stationary crushing plants

- Complete plants for aggregate production
- Complete plants for recycling applications

Mining and Construction Technology main contacts

AUSTRALIA AND NEW ZEALAND

Metso Minerals (Australia) Ltd

1110 Hay Street
West Perth, WA 6005
Australia
Phone: +61 8 9420 5555
Fax: +61 8 9320 2500

CHINA

Metso Minerals (Beijing) Ltd

19/F, The Exchange Beijing, Tower 4,
No. 118 Jian Guo Lu Yi Chaoyang District
100022 Beijing,
China
Phone: +86 10 6566 6600
Fax: +86 10 6566 2583

EUROPE, MIDDLE EAST AND AFRICA

Metso Minerals España, S.A.

C/ Rivas N° 4
28032 Madrid
Spain
Phone: +34 91 825 5700
Fax: +34 91 825 5740

INDIA AND ASIA-PACIFIC

Metso Minerals (India) Pvt Ltd

1st Floor, DLF Building No. 10,
Tower A, DLF Cybercity
DLF Phase II,
Gurgaon 122002
India
Phone: +91 124 235 1541
Fax: +91 124 235 1601

NORTH AND CENTRAL AMERICA

Metso Minerals Industries Inc.

20965 Crossroads Circle
Waukesha, WI 53186
U.S.A.
Phone: +1 262 717 2500
Fax: +1 262 717 2504

RUSSIA AND OTHER CIS COUNTRIES

ZAO Metso Minerals (CIS)

V.O. Liniya, 70
199178 St. Petersburg
Russia
Phone: +7 812 740 3040
Fax: +7 812 740 5775

SOUTH AMERICA

Metso Minerals Indústria e Comércio Ltda

Avenida Independência, 2500 - Éden
18087-050 Sorocaba
Brazil
Phone: +55 15 2102 1300
Fax: +55 15 2102 1696

METSO'S MINING AND CONSTRUCTION TECHNOLOGY

Lokomonkatu 3, P.O. Box 306
FI-33101 Tampere
Finland
Phone: +358 20 484 142
Fax: +358 20 484 143



www.metso.com/miningandconstruction
minerals.info.csr@metso.com