

Congratulations on your new Diamond X Cabinet!

We hope you will enjoy your new cabinet for many years to come.

BEFORE YOU INSTALL

Please read the following advice on breakages and returns

Dear valued Diamond X cabinet owner,

We do ask you kindly to read these important notes.

1) Check your cabinet

Please check your product thoroughly for breaks, damages or defects that may have happened in transit **before** mounting to the wall or fixing to the base/feet (for tabletop versions). As soon as you have mounted the cabinet, your claim for damages will not be warranted. It's not that we want to be awkward, but as you can imagine, it's impossible to get the courier company to warrant our insurance claim after a customer or electrician has fitted the cabinet.

2) Do not install if damaged

Once the cabinet has been installed on the wall, we cannot accept returns (unless, of course, the cabinet develops a fault after that time). Please inspect and test your cabinet before installing it. If it does not meet your expectations, the cabinet may be sent back for a refund.

3) Returning a product

If you wish to return your product, please follow the instructions in your confirmation email. You will need to complete an online returns form to initiate the return. Full details may be found on the vendor's website. Alternatively, call customer services using the number on the website.

Contents

Important information	2
Electrician installation only.....	2
Electrocution warning	2
Installation	3
Positioning.....	3
Cabinet installation	4
Door adjustment.....	5
Shelf adjustment.....	5
Connecting to bathroom lights (Optional)	6
Operating instructions	6
Care and cleaning	8

Important information



Electrician installation only

This product should only be installed by a fully qualified electrician in accordance with the current IEE wiring regulations (UK) or the equivalent national wiring regulation outside of the UK. This light fitting is a Class I product and therefore must be earthed. Always switch off the electricity supply at the mains before and during installation of this product.



Electrocution warning

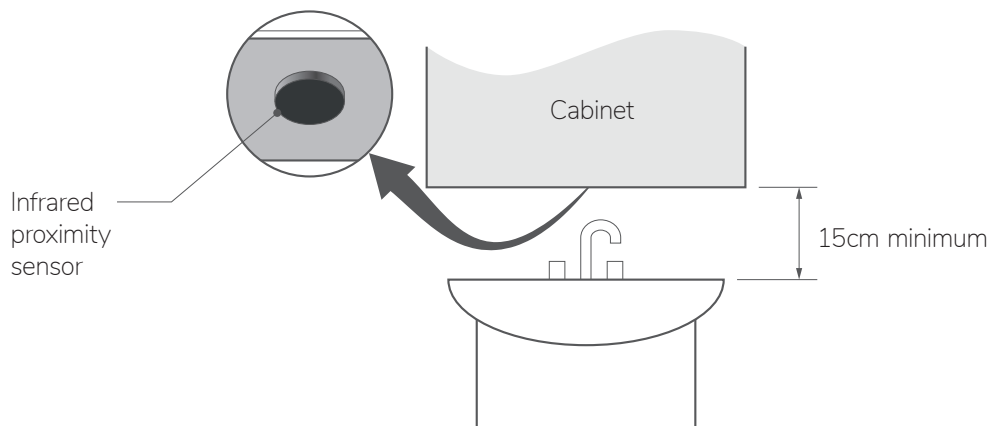
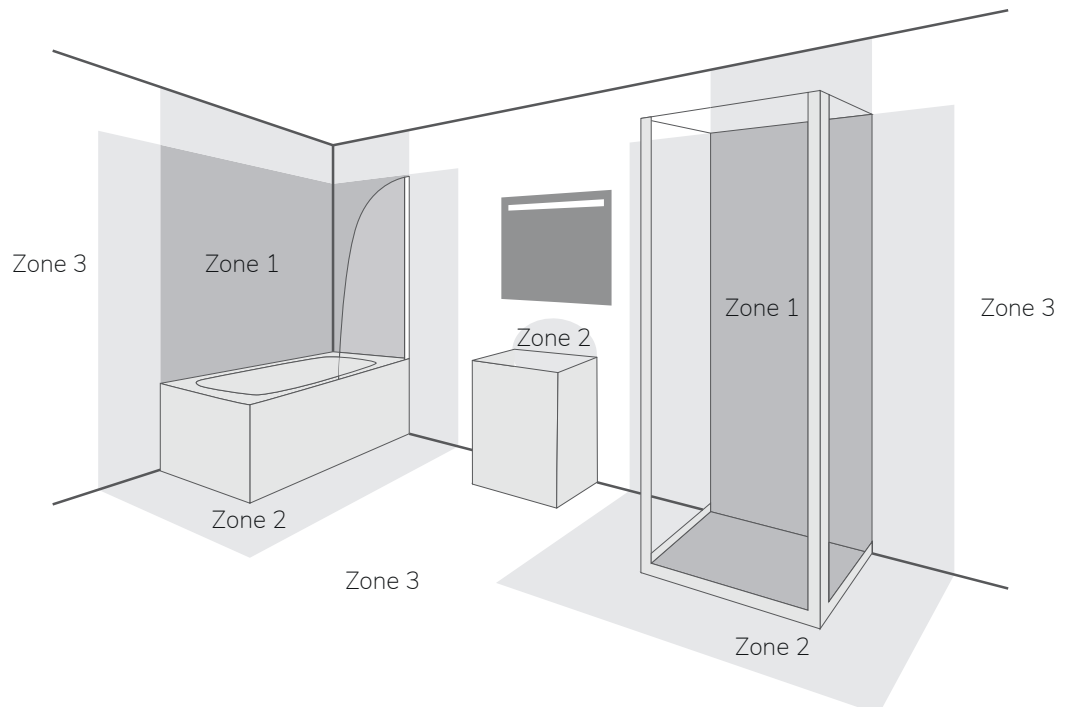
To avoid the risk of electrocution, please turn off the mains electricity supply before commencing installation.

CE RoHS IP44

Installation

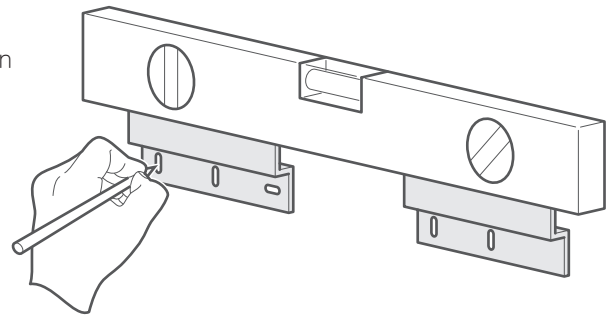
Positioning

This product is rated IP44 so can be fitted in bathroom zones 2 and 3. Position the cabinet in a suitable location with at least 15cm clearance between the infrared proximity sensor and the nearest surface and according to the zone diagram shown below, ensuring that the domestic electrical mains supply is within reach of the electrical entry point of the product.

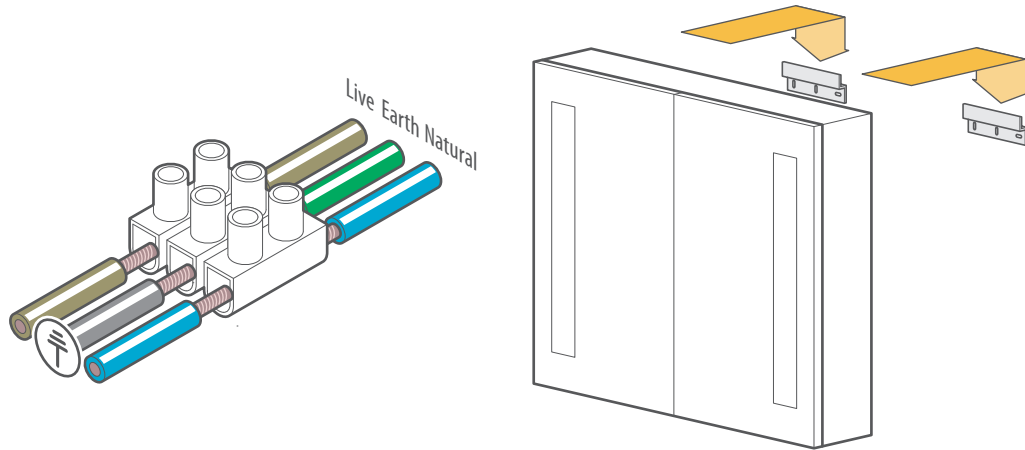


Cabinet installation

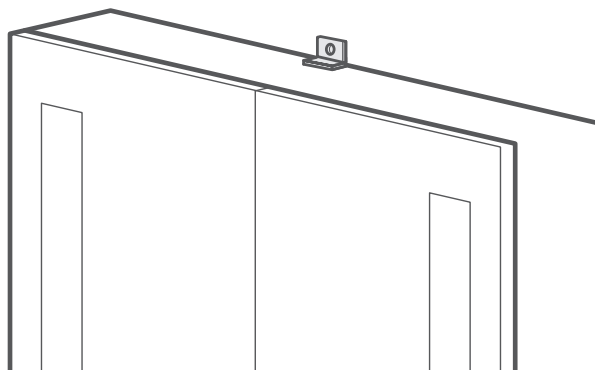
1. Using a spirit level make sure that the supplied mounting brackets are level and mark the position of the bracket mounting points. The spacing of the brackets will vary depending on the model you have chosen and can be found within the cabinets packaging.



2. Using an appropriate drill bit for your wall drill the mounting holes and fit wall plugs. The plugs supplied are suitable for brick walls only. Fitting to plaster walls is possible, but suitable fixings must be acquired by the customer. If in doubt please consult your local DIY store for advice.
3. Wire the cabinet to your mains supply (Electrician installation only).

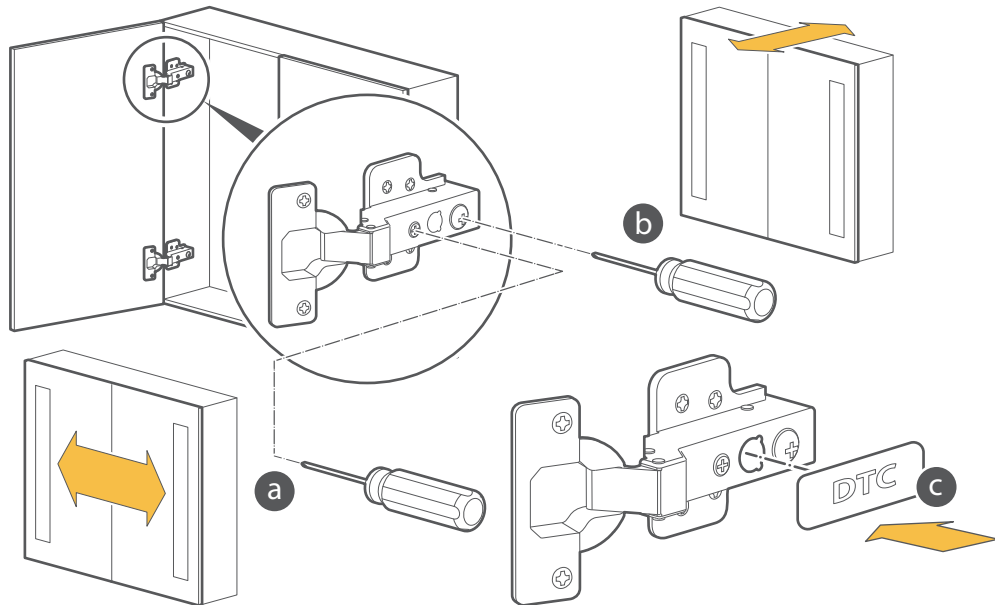


4. Hang the cabinet on the mounting brackets.
5. Screw the top stability bracket to the wall and the cabinet.



Door adjustment

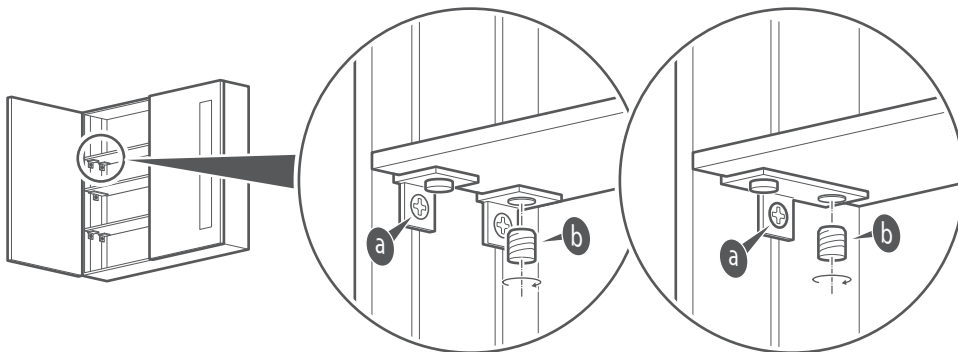
There are two adjustments that can be made a) will adjust the door left to right b) will adjust the gap between the door and the cabinet.



Once you have correctly adjusted the door(s) simply clip on the hinge cover c).

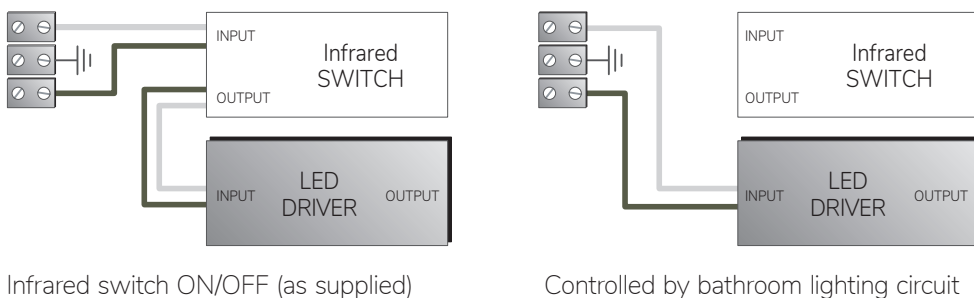
Shelf adjustment

Depending on your model there will be either four or two shelf brackets per shelf. Each type adjust in the same way. For height adjustment loosen the bracket screw a) and move the bracket to required height and re-tighten. Slot in your shelf and secure by screwing in the plastic grommets b).

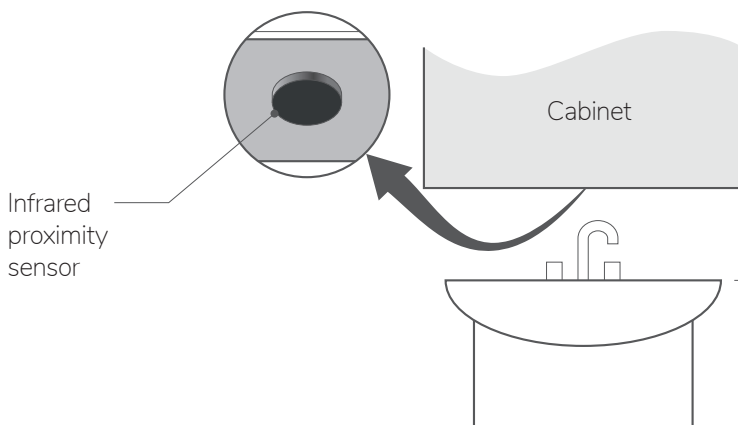


Connecting to bathroom lights (Optional)

If required, a qualified electrician can connect your cabinet to the bathroom lighting circuit so that the cabinet is operated using the same switch as the main bathroom lights. The following diagram shows how the infrared switch may be bypassed.



Operating instructions



1. Infrared sensor - Switching the front lights on and off

Our cabinets include an infrared proximity sensor to control the main cabinet lights (on the front). Wave your hand across the sensor, and it will power up the cabinet lights and demister pad. Repeat the action to turn them off again.

2. Shaver socket - Independently switched

Our shaver cabinets include a 240 Volt shaver socket to power electric shavers or toothbrushes. The shaver on/off rocker switch controls power to the shaver socket. The socket operates independently from the cabinet lights and demister pad.

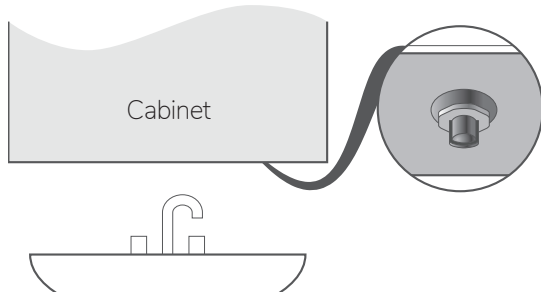
3. Additional Aura single-colour lighting (optional extra)

Single-colour and white ambient underlighting models use the infrared proximity sensor to operate underlighting. The main cabinet lights, demister pad and underlighting turn on and off together.

4. Additional Aura colour-change lighting (optional extra)

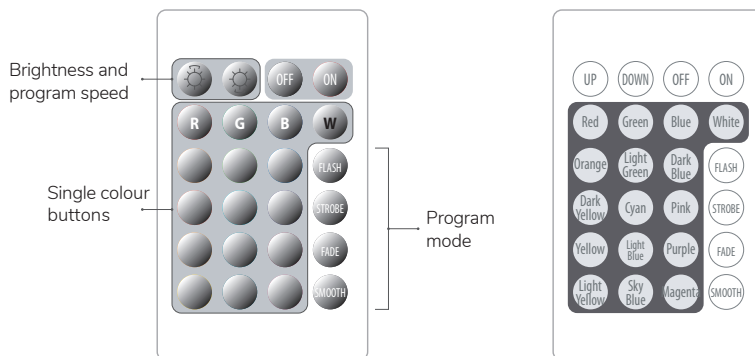
The Aura colour-change lighting system uses a remote control to operate single colours, dimming and lighting programs. The infrared proximity sensor controls power to the colour-change lighting system. However, it may be turned on and off independently using the remote control.

Point your remote towards the antenna located on the bottom of the cabinet frame and press the "ON" button. Select a static colour option from the keypad by pressing the appropriate colour button. You can also adjust the brightness by pressing the "UP" and "DOWN" buttons.



Four "MODE" buttons are used to access the lighting programs described in the following table. Point your remote towards the antenna (e) and select the required function and click once. The speed of the transitions can be increased or decreased by pressing the "UP" or "DOWN" buttons. Select a static colour option from the keypad by pressing the appropriate colour button to cancel the program.

MODE	DESCRIPTION
FLASH	Flashes between 7 colours
STROBE	Strobes the chosen single colour
FADE	Fades the single colour, on and off.
SMOOTH	Fades between red, green and blue.



Illuminated Cabinet Owner's Manual

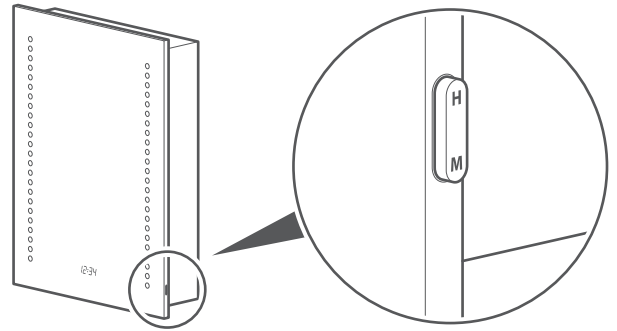
5. X-Audio Bluetooth (optional extra)

Turn on the shaver socket rocker switch to activate your cabinet's Bluetooth audio system. You will hear an activation tone coming from the speakers.

6. Digital clock (optional extra)

Cabinets are also available with a digital clock. To set the time on the clock use the buttons located on the edge of the cabinet door.

- a. Press and hold down the Hours button until the numbers on the clock start to flash.
- b. Press the Hours button until the correct Hours time is reached.
- c. Press and hold down the Hours button until the numbers on the clock start to flash.
- d. Press the Minutes button until the correct Hours time is reached.



Care and cleaning

Do not use abrasive materials to clean the cabinet as they will damage the finish.