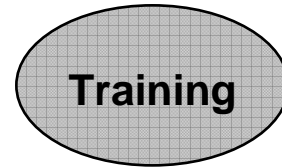
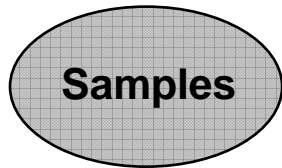
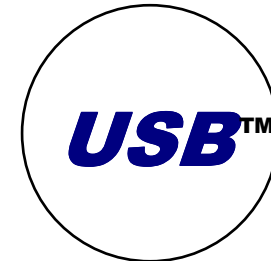
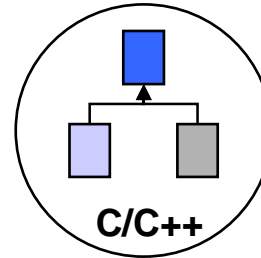
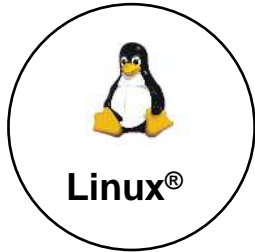


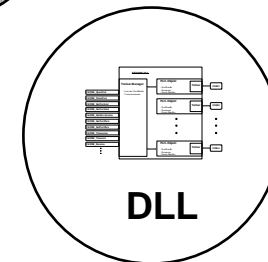
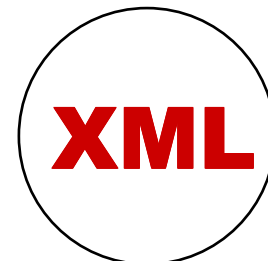
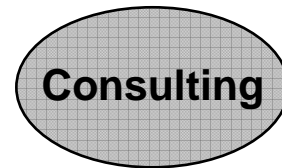
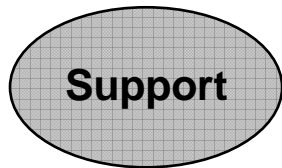
# Connecting Software to OBID<sup>®</sup>

OBID<sup>®</sup> Development Group

2010-02-11



**OBID *i-scan*<sup>®</sup>**  
**OBID<sup>®</sup> *classic-pro***  
**OBID *myAXXESS***



OBID and OBID i-scan are registered trademarks of FEIG ELECTRONIC GmbH

WebSphere is a registered trademark of International Business Machines Corporation in the United States and/or other countries

Microsoft, Windows, Windows Vista, BizTalk and Visual Studio are either registered trademarks or trademarks of Microsoft Corporation in the United States and/or other countries

Linux is a registered trademark of Linus Torvalds

Java is a trademark of Sun Microsystems, Inc. in the United States, other countries, or both

LabView is a trademark of National Instruments Corporation in the United States and other countries

Other product and company names may be the trademarks of their respective owners

## Software Drivers

### Standard Driver for OBID i-scan<sup>®</sup> HF and UHF

- Windows USB Kernel-Driver (shipped with Reader)
- Device Provider for Microsoft BizTalk RFID 2006 R2

### Standard Driver for OBID<sup>®</sup> *classic-pro*

- Windows PC/SC Kernel-Driver (shipped with Reader)

### Special Driver for OBID i-scan<sup>®</sup> HF and UHF

- Device Agent for IBM WebSphere Premises Server

## Software Development Kits (SDK)

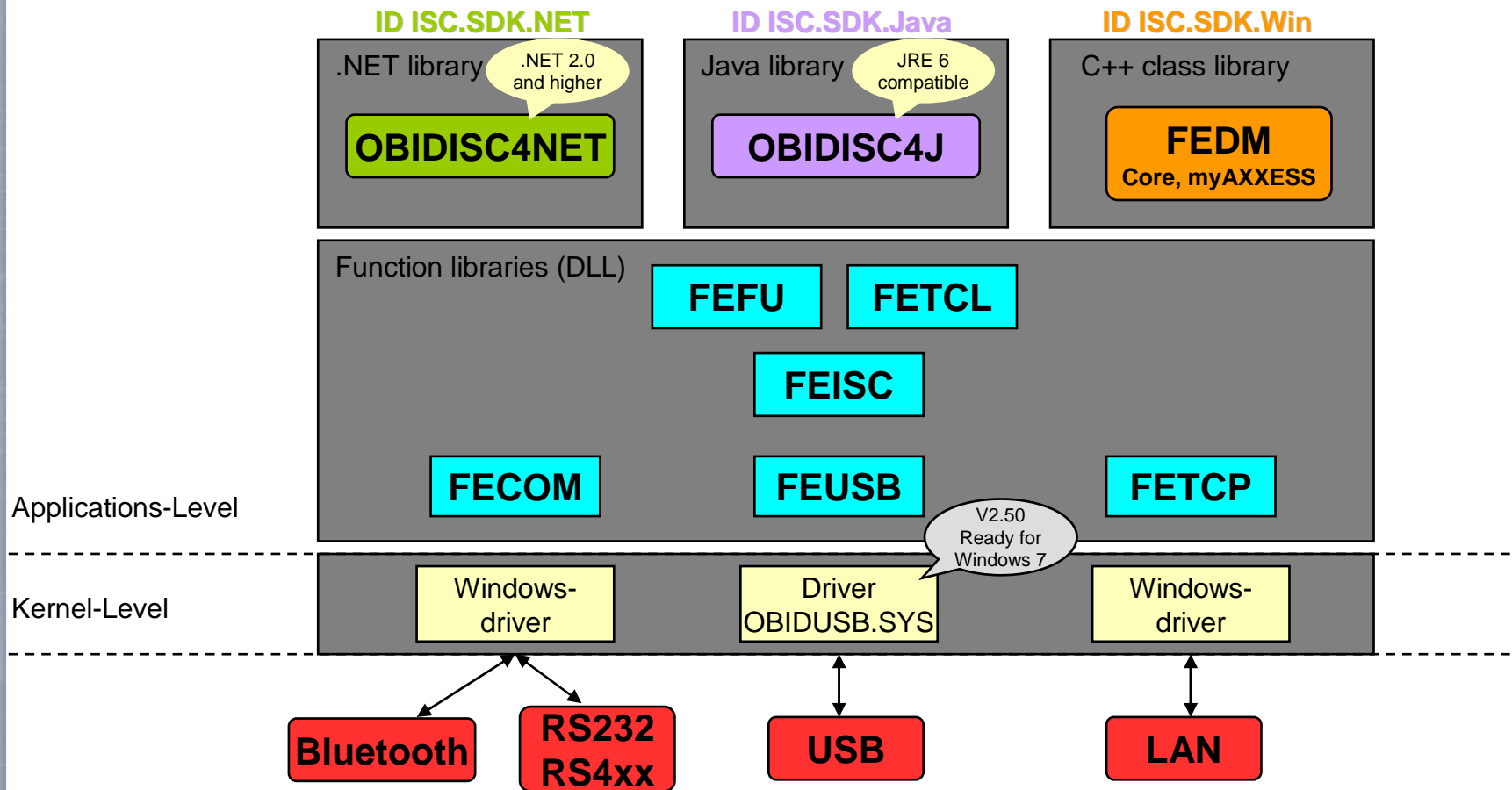
### Standard SDKs for OBID *i-scan*<sup>®</sup> HF and UHF and OBID<sup>®</sup> *classic-pro*

- ID ISC.SDK.Win (DLLs, C++ Class Library, Samples)
- ID ISC.SDK.Linux (SOs, C++ Class Library, Samples)
- ID ISC.SDK.NET (DLLs, .NET Class Library, Samples)
- ID ISC.SDK.Java (DLLs/SOs, Java Class Library, Samples)
- ID ISC.SDK.WinCE (DLLs , C++ Class Library, Samples)
- ID ISC.SDK.DRV.WinCE.USB (USB-Driver)

### SDKs for embedded Linux in Long-Range Reader ID ISC.LR/LRU2000

- ID ISC.SDK.ACC-LR-7U (SOs, C++ Class Library, Samples)
- ID ISC.SDK.ACC-LR-9U (SOs, C++ Class Library, Samples)

## Software Support for Windows 2000/XP/Vista/7 (32-Bit)



## Software Support for Windows CE

Development with Visual Studio 2005/2008

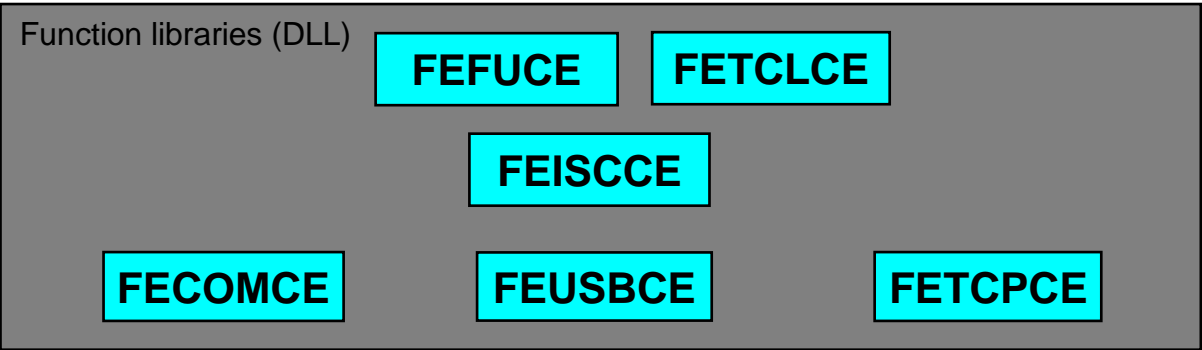
Mobile 5, Mobile 6  
Other platforms on request

ID ISC.SDK.WinCE

C++ class library

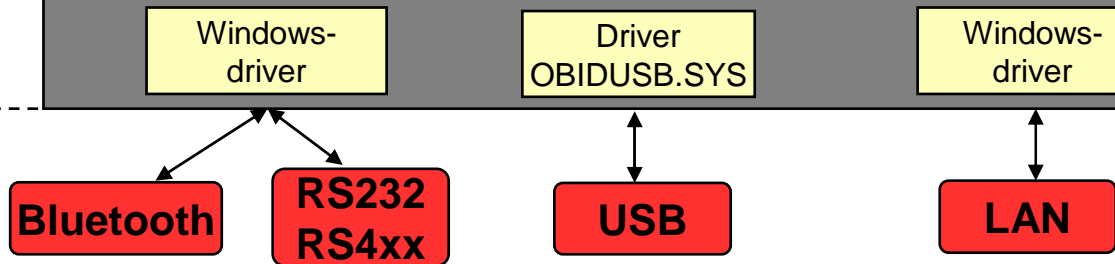
**FEDM**

No support of eMbedded Visual Basic



Applications-Level

Kernel-Level



## Software Support for Linux (32-Bit x86)

Other platforms on request

**ID ISC.SDK.Java**  
Java library JRE 6 compatible  
**OBIDISC4J**

**ID ISC.SDK.Linux**  
C++ class library  
**FEDM**  
Core, myAXCESS

Function libraries (SO)

**FECOM**

**FEFU**

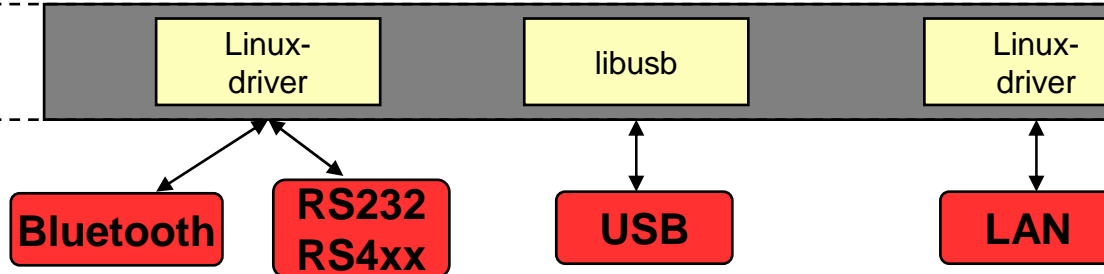
**FEISC**

**FEUSB**

**FETCP**

Applications-Level

Kernel-Level





# Software Support for Java

Linux and Windows in one SDK

ID ISC.SDK.Java

Java library JRE 6 compatible

OBIDISC4J

Function libraries (DLL/SO)

FEFU

FETCL

FEISC

FECOM

FEUSB

FETCP

Applications-Level

Kernel-Level

Kernel-driver

libusb /  
OBIDUSB.SYS V2.50  
Ready for  
Windows 7

Kernel-driver

Bluetooth

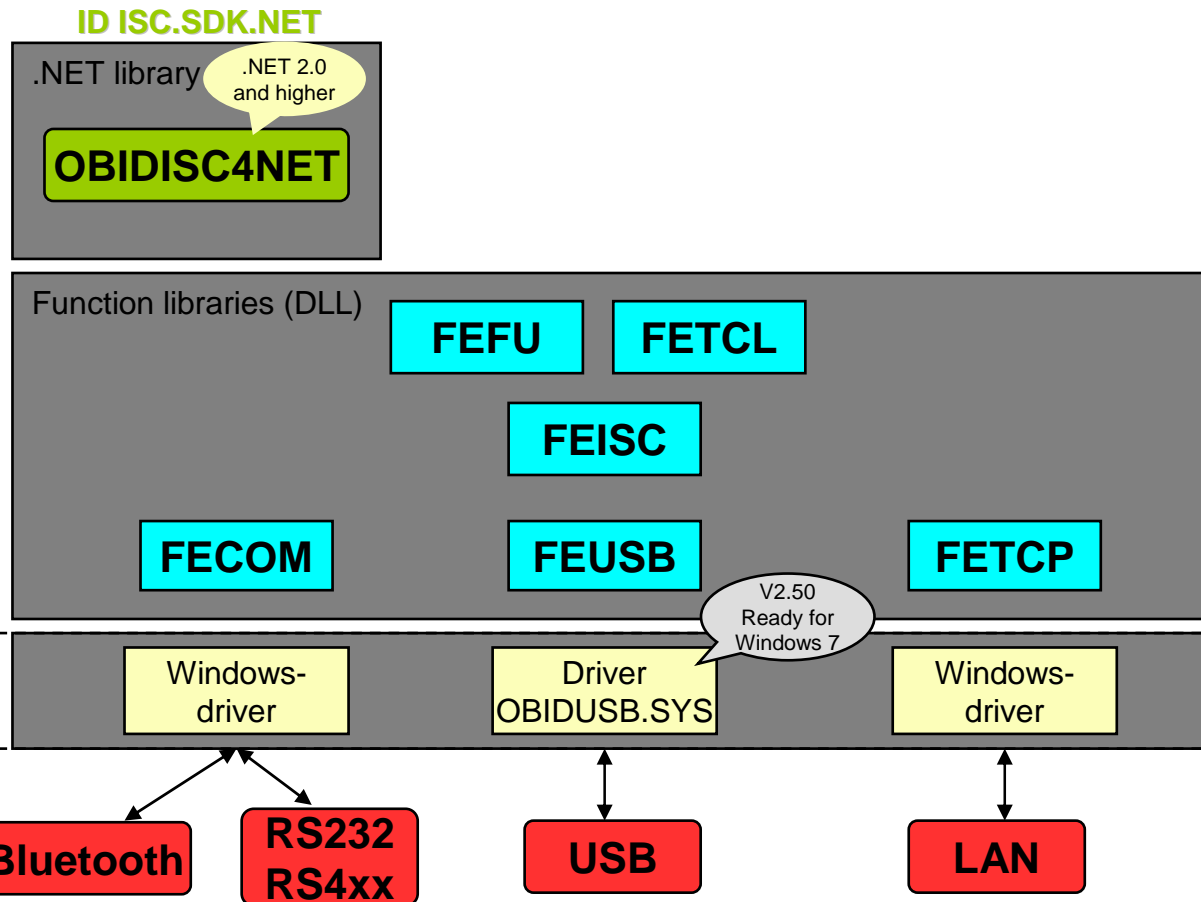
RS232  
RS4xx

USB

LAN

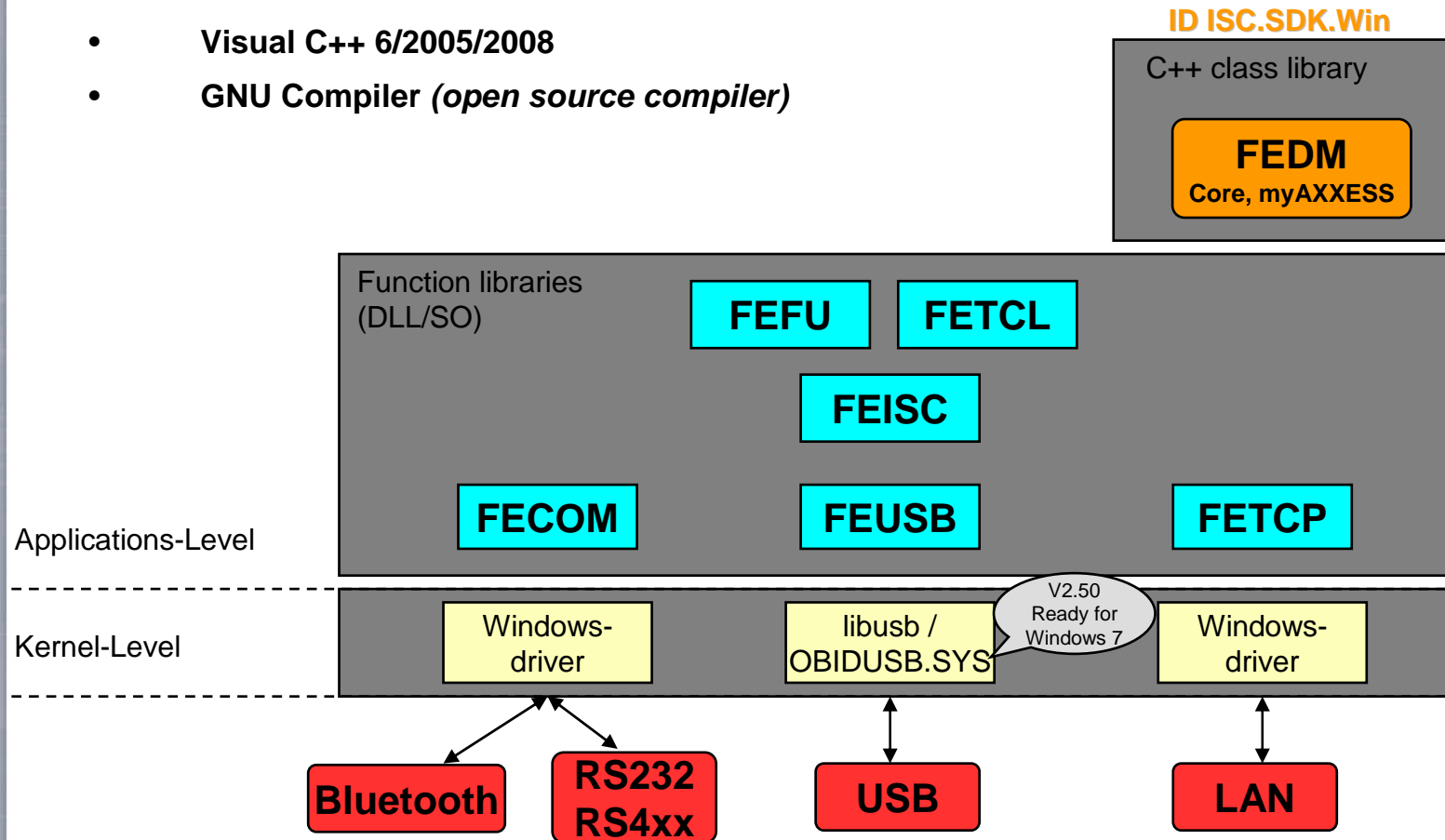
## Software Support for .NET

available for  
**Windows**  
(Not for Mobile  
Windows)



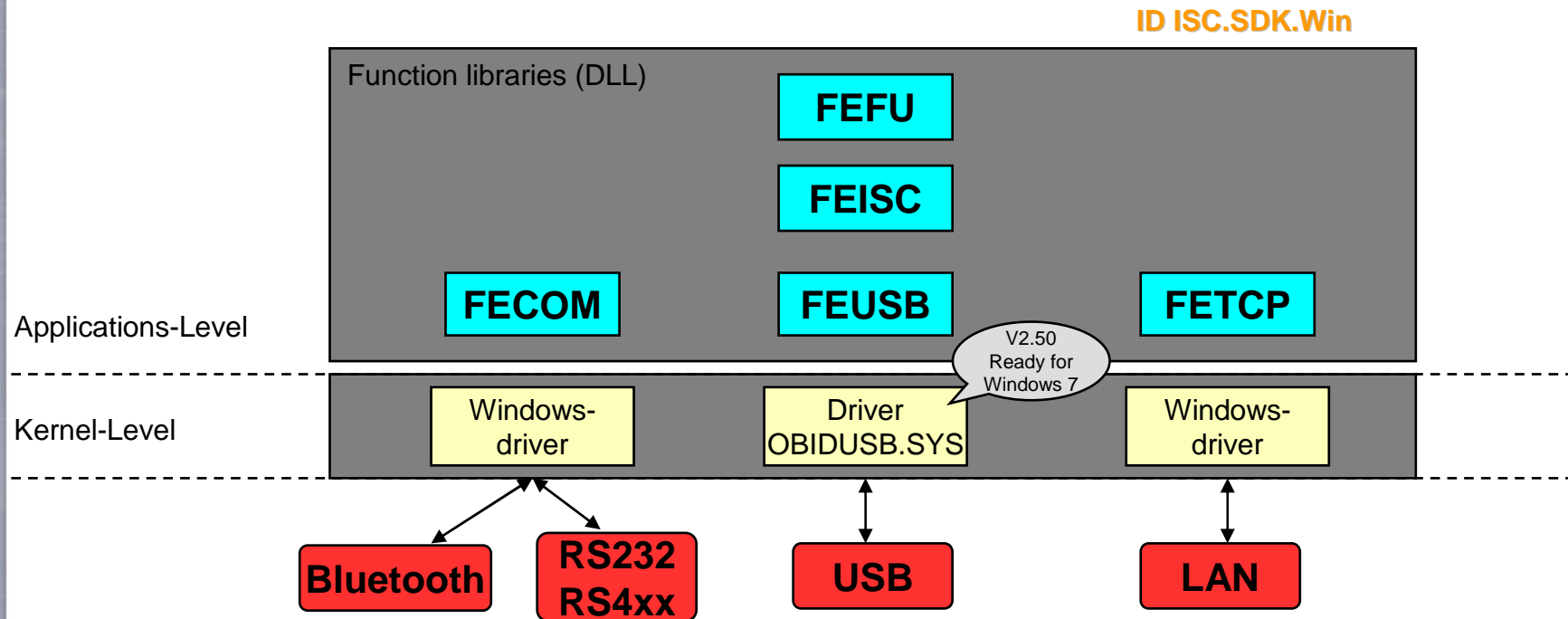
## Software Support for C/C++

- Visual C++ 6/2005/2008
- GNU Compiler (*open source compiler*)

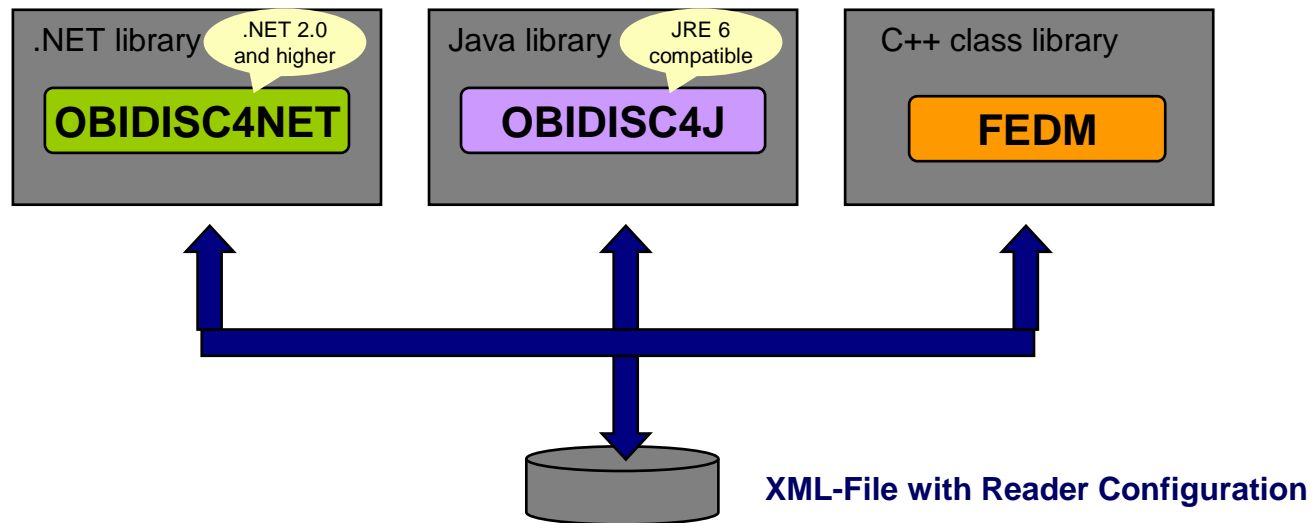


# Software Support for LabView and LabWindows CVI

*National Instruments*



## Integration of XML Technology



XML is independent of:

- Operating System
- Development Tool
- Programming Language

The Structure of the XML Reader Configuration file is public

Advantage of the XML Reader Configuration file:

- Exchange of Reader Configuration between Reader and Application (e.g. ISOStart)
- Display of Reader Configuration with Browser

## Source Code Samples of the SDKs

### Standard Samples demonstrate Reader's Operating Modes:

- **ISOHostSample** (SDK.Win, SDK.Linux, SDK.NET, SDK.Java)
- **BRMSample** (SDK.Win, SDK.Linux, SDK.NET, SDK.Java)
- **ScanSample** (SDK.Win, SDK.NET, SDK.Java)
- **NotificationSample** (SDK.Win, SDK.Linux, SDK.NET, SDK.Java)
- **myAXCESS\_Samples** (SDK.Win, SDK.Linux)

### Special Samples:

- **FUSample demonstrates HF/UHF Function Units** (SDK.NET, SDK.Java)
- **USBsample demonstrates use of FEUSB-DLL** (SDK.Win, SDK.Linux, SDK.NET, SDK.Java)

### Complex Applications:

- **MUXDemo for HF/UHF Multiplexer** (SDK.Win)
- **DATuningTool for HF Dynamic Antenna Tuner** (SDK.Win)

# Training, Consulting, Support

Software training as part of standard training

Manuals for every library

Support Address: [obid-support@feig.de](mailto:obid-support@feig.de)

Training application ISOStart / CPRStart

