

# On-Board Diagnostic II (OBD II) Diagnostic Link Connector (DLC) Location

## Introduction

The Diagnostic Link Connector (DLC) Chart was developed from vehicle manufacturer information.

All information may not be correct. If you find errors in this document, please notify Nology Engineering, Inc. at 760-591-0888.

## How to Decipher the Charts

Manufacturer and Individual Model Names

Individual columns for each model year 1996 -

Comments column provides more detail about numbered locations

Manufacturer	Model Year <small>Connector Location and Access (0=open, 1= covered)</small>					Comments/ Description
XYZ Inc.	1996	1997	1998	1999	2000	
Model X	7-0	7-0	-	-	7-0	passenger side, center console
Model Y	*6/7-1	*6/7-1	*6/7-1	*6/7-1	7-1	center console (vertical), *on vehicle centerline (96-99)
Model Z	*6/7-1	*6/7-1	*6/7-1	*6/7-1	7-1	center console (vertical), *on vehicle centerline (96-99)

Shaded cells indicate difficult to locate or access connectors (refer to alternate sources for more information on hard to locate/access connectors)

If multiple locations are used for a particular model, the asterisked "\*" location matches the detail in the "comments/description" column.

Two digit code for each model and each model year:  
 - 1st digit: location in vehicle (see DLC diagram)  
 - 2nd digit: access (i.e., is it covered?);  
 0 = not covered/open, 1 = covered  
 \*(Refer to the DLC Diagram for clarification on "covered")  
 - Dashes (-) represent a model year when a particular

## Multiple Brand Names

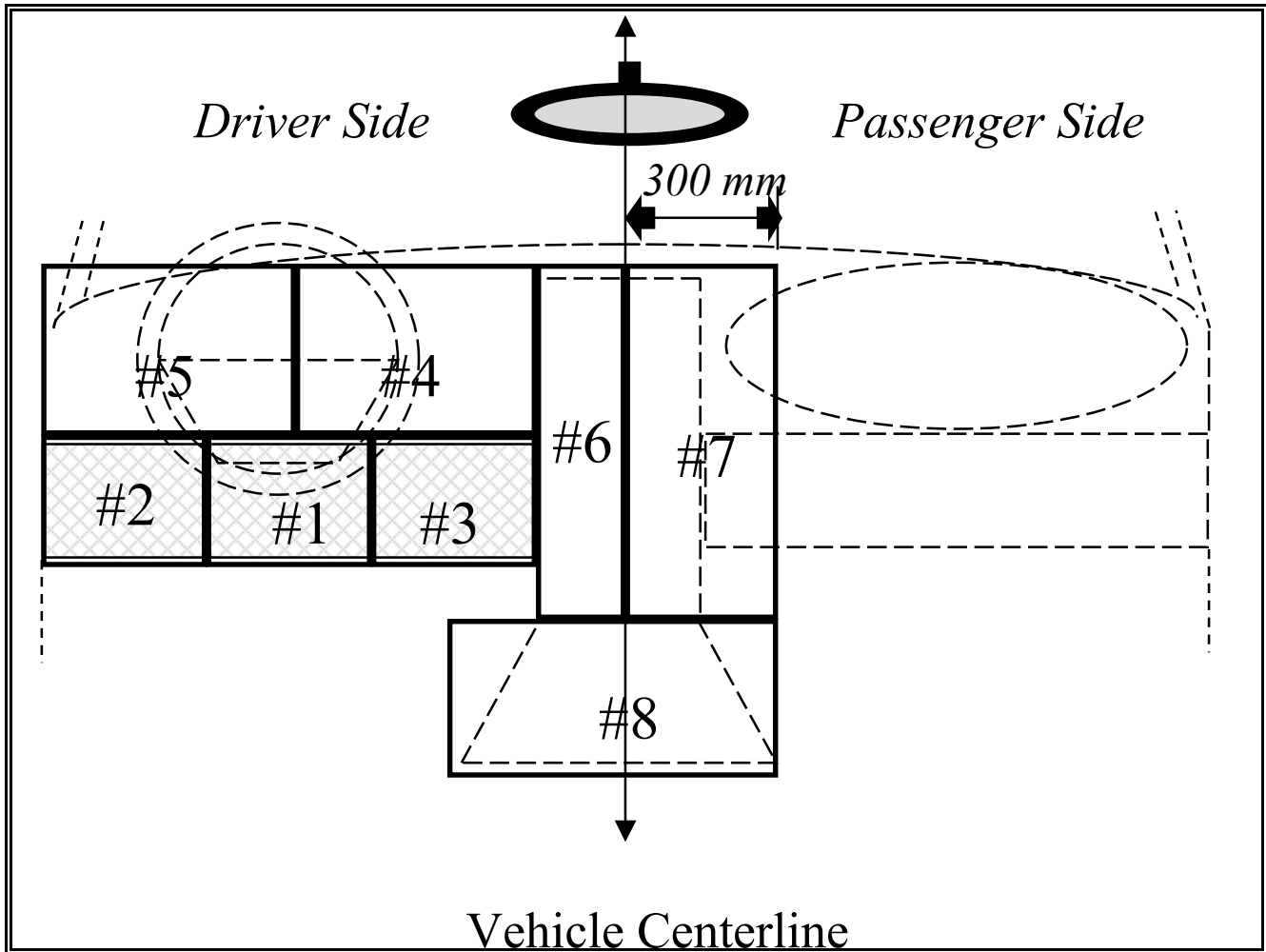
Some manufacturers produce/market more than two brand names of similar vehicles. In this case, all of the brands have been consolidated and listed together rather than individually. They are:

**Chrysler:** Chrysler, Dodge, Eagle, Plymouth, Jeep

**Ford:** Ford, Lincoln and Mercury:

**General Motors:** Buick, Cadillac, Chevy, GMC, Geo, Oldsmobile, Pontiac, Saturn.

## DLC Diagram



### Explanation of Diagram Numbered Locations

Location #	Description
1	Driver's side, underneath dashboard, in the area under the steering column, +/- 150 mm (i.e., +/- 6 inches on either side of the steering column)
2	Driver's side, underneath dashboard, between the driver-side door and steering column area
3	Driver's side, underneath dashboard, between the steering column area and the center console (also includes connectors on the driver side but connected to the center console)
4	Driver's side, dashboard instrument/gauge area, between the steering column and center console
5	Driver's side, dashboard instrument/gauge area, between the driver-side door and steering column
6	Center console, vertical surface (i.e., near radio and climate controls), left of vehicle centerline
6/7	Center console, vertical surface (i.e., near radio and climate controls), on vehicle centerline
7	Center console, vertical surface right of vehicle centerline or on passenger side of center console
8	Center console, horizontal surface (i.e., armrest, handbrake area), in front passenger area
9	Any location other than locations # 1-8 (i.e., rear passenger area, passenger side glove box, top of dashboard near windshield)

**\*Note:**

- Locations #1-3 represent preferable locations, Locations #4-8 represent allowable locations under SAE J1962
- Connectors in location # 6, #6/7, and #7 may be covered by ashtrays, covers, cup holders, coin holders, etc.

# DLC Diagram

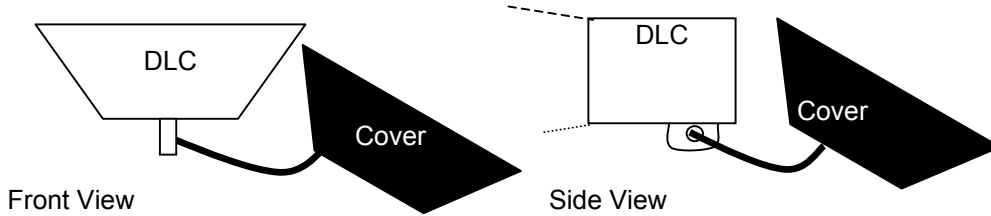
## Cover Types

Some manufacturers use covers to protect the integrity of the connector pins and/or to prevent impact with vehicle passengers in an accident. The following diagrams provide an example of some of the covers that manufacturers have used. This does not include ashtrays, coin holders, cup holders, the dashboard itself, or other similar items used to conceal the connector.

### *Protective Cover*

- small, soft-plastic cover used to enclose DLC pins; may or may not have embossed "OBD" or "OBD II"

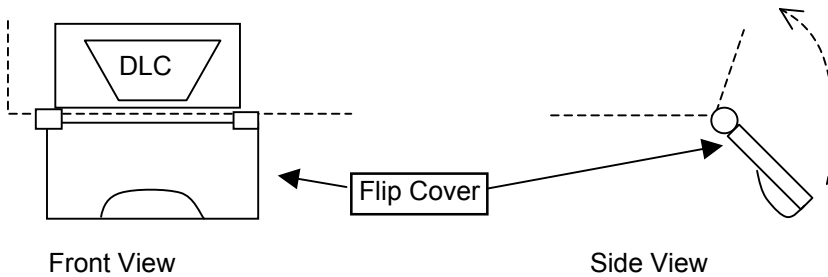
ex.



### *Flip/Hinged Cover*

- small, hinged hard-plastic cover; typically has an indentation or tab to help 'flip' it open

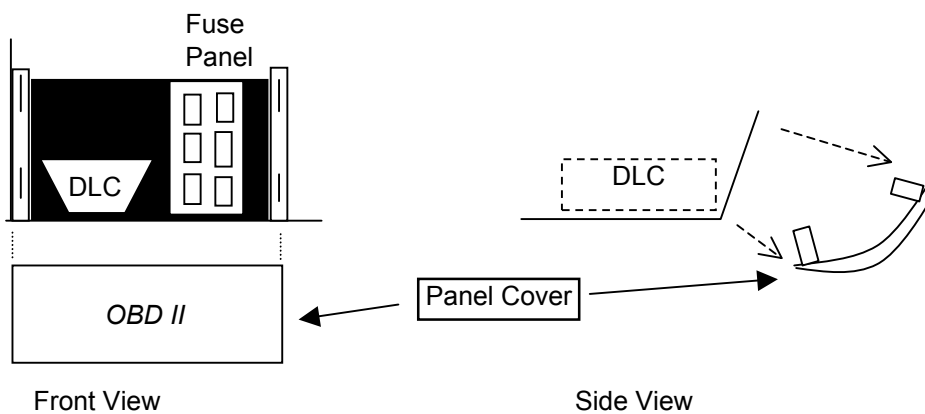
ex.



### *Fuse Panel or Panel Cover*

- Large, hard-plastic cover that is color keyed to the dashboard; may or may not have embossed "OBD" or OBD II, or a label

ex.



# OBD Connector Locations for Model Year 1996 - 2000 Vehicles

Manufacturer	Model Year					Comments/ Description
	Connector Location/Access (0=open, 1= covered)					

<i><b>Acura</b></i>	1996	1997	1998	1999	2000	
Integra	7-0	7-0	7-0	7-0	7-0	passenger side, center console
2.2 CL	*6/7-1	*6/7-1	*6/7-1	*6/7-1	7-1	center console (vertical), *on vehicle centerline (96-99)
2.3 CL	*6/7-1	*6/7-1	*6/7-1	*6/7-1	7-1	center console (vertical), *on vehicle centerline (96-99)
3.0 CL	*6/7-1	*6/7-1	*6/7-1	*6/7-1	7-1	center console (vertical), *on vehicle centerline (96-99)
3.5 RL	8-1	8-1	8-1	8-1	8-1	center console (horizontal)
2.5 TL	8-1	8-1	8-1	-	-	center console (horizontal)
3.2 TL	8-1	8-1	8-1	7-1	7-1	center console, behind ashtray (horizontal: 96-98, vertical: 99-00)
NSX	7-0	7-0	7-0	7-0	7-0	passenger side (footwell)

<i><b>Audi</b></i>	1996	1997	1998	1999	2000	
A4/A4 Avant	*9-1	*9-1	2-0	2-0	2-0	*center console (horizontal), next to ashtray in rear seat area
A6/A6 Avant	*9-1	*9-1	2-0	2-0	2-0	*center console (horizontal), next to ashtray in rear seat area
A6 Wagon	-	-	*9-1	2-0	2-0	*center console (horizontal), next to ashtray in rear seat area
A8	-	2-0	2-0	2-0	2-0	
Cabriolet	*9-1	*9-1	2-0	-	-	*center console (horizontal), next to ashtray in rear seat area
S4	-	-	-	-	2-0	
TT	-	-	-	-	2-0	

<i><b>Bentley</b></i>	1996	1997	1998	1999	2000	
Arnage		-	-	2-0	-	
Azure	*9-1	-	-	2-0	-	*in passenger side glove box, protective cover
Brooklands	-	9-1	-	-	-	in passenger side glove box, protective cover
Brooklands (LWB)	*9-1	-	-	-	-	*in passenger side glove box, protective cover
Brooklands R	-	-	9-1	-	-	in passenger side glove box, protective cover
Brooklands R Limousine	-	-	*9-1	2-0	-	*in passenger side glove box, protective cover
Continental R Continental SC	-	-	*9-1	2-0	-	*in passenger side glove box, protective cover
Continental T	-	*9-1	-	2-0	-	*in passenger side glove box, protective cover
Limousine	9-1	-	-	-	-	in passenger side glove box, protective cover
Turbo R Turbo RL	9-1	-	-	-	-	in passenger side glove box, protective cover
Turbo RT	-	-	9-1	-	-	in passenger side glove box, protective cover
Turbo RT (LWB)	*9-1	-	-	2-0	-	*in passenger side glove box, protective cover

# OBD Connector Locations for Model Year 1996 - 2000 Vehicles

Manufacturer	Model Years Connector Location/Access (0=open, 1= covered)	Comments/ Description
--------------	---	--------------------------

<b>BMW</b>	1996	1997	1998	1999	2000	
3-series	2-1	2-1	2-1	2-1	2-1	dual covers: panel cover w/ screw and protective cover labeled "OBD II"
5-series	2-1	2-1	2-1	2-1	2-1	dual covers: panel cover w/ screw and protective cover labeled "OBD II"
7-series	6-1	6-1	6-1	6-1	6-1	driver side, center console protective cover labeled "OBD II"
8-series	2-1	2-1	-	-	-	dual covers: panel cover w/ screw and protective cover labeled "OBD II"
X5	-	-	-	-	2-1	cover labeled "OBD II"
Z3/M-Roadster	7-1	7-1	7-1	7-1	7-1	passenger side, center console, protective cover labeled "OBD II"

<b>Chrysler/Dodge/Plymouth</b>	1996	1997	1998	1999	2000	
Chrysler Cirrus	2-0	2-0	2-0	2-0	2-0	
Chrysler Concorde	3-0	3-0	1-0	1-0	1-0	
Chrysler LHS	3-0	3-0	1-0	1-0	1-0	
Chrysler Sebring	1-0	1-0	1-0	1-0	1-0	
Chrysler Sebring Convertible	2-0	2-0	2-0	2-0	2-0	
Chrysler Town & Country	2-0	2-0	2-0	2-0	2-0	
Dodge Avenger	1-0	1-0	1-0	1-0	1-0	
Dodge Caravan	2-0	2-0	2-0	2-0	2-0	
Dodge Dakota	2-0	2-0	2-0	2-0	2-0	
Dodge Durango	-	-	2-0	2-0	2-0	
Dodge Intrepid	3-0	3-0	1-0	1-0	1-0	
Dodge Neon	2-0	2-0	2-0	2-0	2-0	
Dodge Ram Pick-Up	3-0	3-0	3-0	3-0	3-0	
Dodge Ram Van	1-0	1-0	1-0	1-0	1-0	
Dodge Stealth	3-0	-	-	-	-	
Dodge Stratus	2-0	2-0	2-0	2-0	2-0	
Dodge Viper	-	2-0	2-0	2-0	2-0	
Eagle Summit	2-0	-	-	-	-	
Eagle Summit Wagon	2-0	-	-	-	-	
Eagle Talon	1-0	1-0	1-0	1-0	1-0	
Eagle Vision	3-0	3-0	-	-	-	
Jeep Cherokee	1-0	1-0	1-0	1-0	1-0	
Jeep Grand Cherokee	1-0	1-0	1-0	2-0	2-0	
Jeep Wrangler	2-0	2-0	2-0	2-0	2-0	
Plymouth Breeze	2-0	2-0	2-0	2-0	2-0	
Plymouth Neon	2-0	2-0	2-0	2-0	2-0	
Plymouth Prowler	-	1-0	1-0	1-0	1-0	
Plymouth Voyager	2-0	2-0	2-0	2-0	2-0	

<b>Daewoo</b>	1996	1997	1998	1999	2000	
Lanos	-	-	6-0	6-0	-	
Leganza	-	-	2-1	2-1	-	behind fuse panel cover
Nubira	-	-	3-0	3-0	-	

<b>Ferrari</b>	1996	1997	1998	1999	2000	
F355 Berlinetta/GTS/Spider	3-0	3-0	3-0	3-0	-	all connectors are protected by the bottom of the dashboard
F355 F1 Berlinetta/GTS/Spider	-	-	3-0	3-0	-	
456 GT/GTA	-	3-0	3-0	-	-	
456 MGT/MGTA	-	-	-	3-0	3-0	
550 Maranello	-	1-0	1-0	1-0	1-0	
F131	-	-	-	3-0	3-0	

# OBD Connector Locations for Model Year 1996 - 2000 Vehicles

Manufacturer	Model Year Connector Location/Access (0=open, 1= covered)	Comments/ Description
--------------	--	--------------------------

<b>Ford/Lincoln/Mercury</b>	1996	1997	1998	1999	2000	
Ford Aerostar	3-1	3-1	-	-	-	protective cover
Ford Aspire	3-0	3-0	-	-	-	
Ford Bronco	7-1					protective cover
Ford Contour	2-0	2-0	2-0	2-0	2-0	
Ford Cougar	*7-1	*7-1	-	2-0	2-0	*protective cover
Ford Crown Victoria	3-0	3-0	3-0	3-0	3-0	
Ford Econoline	3-1	3-1	3-1	3-1	3-1	protective cover
Ford Escort	2-0	2-0	2-0	2-0	*2-1	*protective cover
Ford Excursion	-	-	-	-	3-1	protective cover
Ford Expedition	-	3-1	3-1	3-1	3-1	
Ford Explorer	2-1	2-1	2-1	2-1	2-1	protective cover
Ford F-Series Pick-Up	7-1	3-1	3-1	3-1	3-1	protective cover
Ford Focus	-	-	-	-	2-1	unmarked, removable panel and a small flip cover
Ford Mustang	3-0	3-0	3-0	3-0	3-0	
Ford Probe	3-0	3-0	-	-	-	
Ford Ranger	2-1	2-1	2-1	2-1	2-1	protective cover
Ford Taurus	2-0	2-0	2-0	2-0	2-0	
Ford Thunderbird	7-1	7-1	-	-	-	protective cover
Ford Windstar	*3-1	*3-1	*3-1	*3-1	3-0	*protective cover
Lincoln Continental	3-0	3-0	3-0	3-0	3-0	
Lincoln LS	-	-	-	-	3-0	
Lincoln Mark VIII	2-0	2-0	2-0	-	-	
Lincoln Navigator	-	-	3-1	3-1	3-1	protective cover
Lincoln Town Car	3-0	3-0	3-0	3-0	3-0	
Mercury Grand Marquis	3-0	3-0	3-0	3-0	3-0	
Mercury Mountaineer	2-1	2-1	2-1	2-1	2-1	protective cover
Mercury Mystique	2-0	2-0	2-0	2-0	2-0	
Mercury Sable	2-0	2-0	2-0	2-0	2-0	
Mercury Tracer	2-0	2-0	2-0	2-0	*2-1	*protective cover
Mercury Villager	2-0	2-0	2-0	2-0	2-0	

<b>General Motors</b>	1996	1997	1998	1999	2000	
Buick Century	1-0	1-0	1-0	1-0	1-0	
Buick LeSabre	1-0	1-0	1-0	1-0	1-0	
Buick Park Avenue	2-0	2-0	2-0	2-0	2-0	
Buick Regal	1-0	1-0	1-0	1-0	1-0	
Buick Riviera	2-0	2-0	2-0	2-0	-	
Buick Roadmaster	3-0	-	-	-	-	
Buick Skylark	2-0	2-0	2-0	-	-	
Cadillac Concours	2-0	2-0	2-0	2-0	2-0	
Cadillac Deville	2-0	2-0	2-0	2-0	2-0	
Cadillac El Dorado	2-0	2-0	-	-	-	
Cadillac Escalade	-	-	-	2-0	2-0	
Cadillac Fleetwood	3-0	-	-	-	-	
Cadillac Seville	2-0	2-0	2-0	2-0	2-0	
Chevy Astro	2-0	2-0	2-0	2-0	2-0	
Chevy Blazer	2-0	2-0	2-0	2-0	2-0	
Chevrolet Beretta	2-0	-	-	-	-	
Chevy C/K Pick-up	2-0	2-0	2-0	2-0	2-0	
Chevrolet Camaro	3-0	1-0	1-0	1-0	1-0	
Chevrolet Caprice	3-0	-	-	-	-	

# OBD Connector Locations for Model Year 1996 - 2000 Vehicles

Manufacturer	Model Year <small>Connector Location/Access (0=open, 1= covered)</small>					Comments/ Description
<b>General Motors (continued)</b>	<b>1996</b>	<b>1997</b>	<b>1998</b>	<b>1999</b>	<b>2000</b>	
Chevrolet Cavalier	1-0	1-0	1-0	1-0	1-0	
Chevrolet Corsica	2-0	-	-	-	-	
Chevrolet Corvette	1-0	1-0	1-0	1-0	1-0	
Chevrolet Impala	-	-	-	-	1-0	
Chevrolet Impala SS	3-0	-	-	-	-	
Chevy Express	2-0	2-0	2-0	2-0	2-0	
Chevy G-Van	1-0	-	-	-	-	
Chevrolet Lumina	1-0	1-0	1-0	1-0	1-0	
Chevy Lumina APV/Venture	2-0	2-0	2-0	2-0	2-0	
Chevrolet Malibu	2-0	2-0	2-0	2-0	2-0	
Chevrolet Monte Carlo	1-0	1-0	1-0	1-0	1-0	
Chevy S-10	2-0	2-0	2-0	2-0	2-0	
Chevy Sports Van	2-0	2-0	2-0	2-0	2-0	
Chevy Suburban	2-0	2-0	2-0	2-0	2-0	
Chevy Tahoe	2-0	2-0	2-0	2-0	2-0	
Chevy Van	2-0	2-0	2-0	2-0	2-0	
Geo Metro	1-0	1-0	1-0	1-0	1-0	
Geo Prizm	2-0	2-0	2-0	2-0	-	
Geo Tracker	1-0	1-0	1-0	1-0	1-0	
GMC Envoy	-	-	2-0	2-0	2-0	
GMC G-Van	1-0	-	-	-	-	
GMC Jimmy	2-0	2-0	2-0	2-0	2-0	
GMC Rally	2-0	2-0	2-0	2-0	2-0	
GMC Safari	2-0	2-0	2-0	2-0	2-0	
GMC Savana	2-0	2-0	2-0	2-0	2-0	
GMC Sierra	2-0	2-0	2-0	2-0	2-0	
GMC Silverado	-	-	-	2-0	2-0	
GMC Sonoma	2-0	2-0	2-0	2-0	2-0	
GMC Suburban	2-0	2-0	2-0	2-0	2-0	
GMC Vandura	2-0	2-0	2-0	2-0	2-0	
GMC Yukon	2-0	2-0	2-0	2-0	2-0	
Oldsmobile Achieva	2-0	2-0	2-0	-	-	
Oldsmobile Aurora	2-0	2-0	2-0	2-0	2-0	
Oldsmobile Bravada	2-0	2-0	2-0	2-0	2-0	
Oldsmobile Ciera	1-0	-	-	-	-	
Oldsmobile Cutlass	2-0	2-0	2-0	2-0	2-0	
Oldsmobile Cutlass Supreme	1-0	1-0	-	-	-	
Oldsmobile Eighty Eight	1-0	1-0	1-0	1-0	-	
Oldsmobile Intrigue	-	-	1-0	1-0	1-0	
Oldsmobile LSS	1-0	1-0	1-0	1-0	-	
Oldsmobile Ninety Eight	2-0	-	-	-	-	
Oldsmobile Regency	2-0	1-0	1-0	-	-	
Oldsmobile Silhouette	2-0	2-0	2-0	2-0	2-0	
Pontiac Bonneville	1-0	1-0	1-0	1-0	1-0	
Pontiac Firebird	3-0	1-0	1-0	1-0	1-0	
Pontiac Grand Am	2-0	2-0	2-0	2-0	2-0	
Pontiac Grand Prix	1-0	1-0	1-0	1-0	1-0	
Pontiac Montana	-	-	-	2-0	2-0	
Pontiac Sunfire	1-0	1-0	1-0	1-0	1-0	
Pontiac Trans Port	2-0	2-0	2-0	2-0	2-0	
Saturn	2-0	2-0	2-0	2-0	2-0	
Saturn L-series (LS/LW)	-	-	-	-	2-0	

# OBD Connector Locations for Model Year 1996 - 2000 Vehicles

Manufacturer	Model Years Connector Location/Access (0=open, 1= covered)					Comments/ Description
<b>Honda</b>						
<b>1996</b>	<b>1997</b>	<b>1998</b>	<b>1999</b>	<b>2000</b>		
Accord	*6/7-1	*6/7-1	2-0	2-0	2-0	center console (vertical), *on vehicle centerline, behind ashtray
Civic	2-0	2-0	2-0	2-0	2-0	
Civic GX (CNG)	-	2-0	2-0	2-0	2-0	
CRV	-	7-0	7-0	7-0	7-0	right side of center console
Del Sol	7-0	7-0	-	-	-	right side of center console
EV Plus	No connector - electric vehicles are not required to have an OBD II connector					
Insight (Hybrid)	-	-	-	-	*6/7-1	center console (vertical), *on vehicle centerline
Odyssey	7-0	7-0	7-0	-	-	right side of center console
Odyssey/Oasis	-	-	-	3-0	3-0	
Passport	2-0	2-0	2-0	2-0	-	
Prelude	*8-1	**7-1	**7-1	**7-1	**7-1	*under beverage/cup holder **right side of center console, panel cover
S2000	-	-	-	7-0	7-0	
<b>Hummer</b>						
<b>1996</b>	<b>1997</b>	<b>1998</b>	<b>1999</b>	<b>2000</b>		
all models	2-0	2-0	2-0	2-0	2-0	
<b>Hyundai</b>						
<b>1996</b>	<b>1997</b>	<b>1998</b>	<b>1999</b>	<b>2000</b>		
Accent	1-0	1-0	1-0	1-0	1-0	
Elantra	2-0	2-0	2-0	2-0	2-0	
Sonata	2-0	2-0	2-0	2-0	2-0	
Tiburon	2-0	2-0	2-0	2-0	2-0	
<b>Infiniti</b>						
<b>1996</b>	<b>1997</b>	<b>1998</b>	<b>1999</b>	<b>2000</b>		
All Models	2-0	2-0	2-0	2-0	2-0	
<b>Isuzu</b>						
<b>1996</b>	<b>1997</b>	<b>1998</b>	<b>1999</b>	<b>2000</b>		
Amigo	2-0	2-0	2-0	2-0	2-0	
Rodeo	2-0	2-0	2-0	2-0	2-0	
Trooper	2-1	2-1	2-1	2-1	2-1	protective cover
Vehi-Cross	2-1	2-1	2-1	2-1	2-1	protective cover
<b>Jaguar</b>						
<b>1996</b>	<b>1997</b>	<b>1998</b>	<b>1999</b>	<b>2000</b>		
S-Type	-	-	-	-	3-0	
XJ8	3-0	3-0	3-0	3-0	3-0	
XK8	-	2-0	2-0	2-0	2-0	
XJS	2-0	-	-	-	-	
<b>Kia</b>						
<b>1996</b>	<b>1997</b>	<b>1998</b>	<b>1999</b>	<b>2000</b>		
Sephia	3-0	3-0	3-0	3-0	3-0	
Sportage	3-0	3-0	3-0	3-0	3-0	



# OBD Connector Locations for Model Year 1996 - 2000 Vehicles

Manufacturer	Model Years					Comments/ Description
	Connector Location/Access (0=open, 1= covered)					
<b>Lamborghini</b>						
1996	1997	1998	1999	2000		
Diablo DB 132/144	3-0	3-0	3-0	3-0	3-0	
<b>Lexus</b>						
1996	1997	1998	1999	2000		
ES 300	*2-1	3-0	3-0	3-0	3-0	*behind fuse panel cover
GS 300	1-0	1-0	3-0	3-0	3-0	
GS 400	-	-	3-0	3-0	3-0	
LX 450	-	2-1	-	-	-	behind fuse panel cover
LX 470	-	-	3-0	3-0	3-0	
LS 400	2-1	2-1	2-1	2-1	2-1	protective cover
RX 300	-	-	-	2-1	2-1	
SC 300/400	2-1	2-1	2-1	2-1	2-1	
<b>Lotus</b>						
1996	1997	1998	1999	2000		
Espirit	-	9-0	9-0	9-0	9-0	in passenger footwell
<b>Mazda</b>						
1996	1997	1998	1999	2000		
626	3-0	3-0	2-0	2-0	2-0	
MX3	7-0	-	-	-	-	
MX5/Miata	3-0	3-0	-	2-0	2-0	
Millenia	3-0	3-0	3-0	3-0	3-0	
MPV	2-0	2-0	-	2-0	2-0	
MX6	3-0	3-0	-	-	-	
Protégé	2-0	2-0	2-0	2-0	2-0	
<b>Mercedes-Benz</b>						
1996	1997	1998	1999	2000		
S430	2-1	2-1	2-1	2-1	2-1	"flip" panel cover
S500	2-1	2-1	2-1	2-1	2-1	"flip" panel cover
all other models	1-1	1-1	1-1	1-1	1-1	"flip" panel cover
<b>Mitsubishi</b>						
1996	1997	1998	1999	2000		
3000 GT	3-0	3-0	3-0	3-0	-	
3000 GT Spyder	3-0	3-0	3-0	-	-	
Diamante	2-0	3-0	3-0	3-0	3-0	
Eclipse	1-0	1-0	1-0	1-0	3-0	
Eclipse Convertible	1-0	1-0	1-0	1-0	-	
Expo	2-1	-	-	-	-	behind fuse panel
Galant	3-0	3-0	3-0	3-0	3-0	
Mirage	2-0	3-0	3-0	3-0	3-0	
Montero	2-0	2-0	2-0	2-0	2-0	
Montero Sport	-	1-0	1-0	1-0	1-0	
Truck 2WD	2-0	-	-	-	-	
<b>Nissan</b>						
1996	1997	1998	1999	2000		
All Models	2-0	2-0	2-0	2-0	2-0	

# OBD Connector Locations for Model Year 1996 - 2000 Vehicles

Manufacturer	Model Years Connector Location/Access (0=open, 1= covered)	Comments/ Description
--------------	---	--------------------------

<b>Porsche</b>	1996	1997	1998	1999	2000	
All Models	3-1	-	-	2-0	2-0	
911	-	6-1	6-1	-	-	cover labeled "OBD"
Boxster	-	2-0	2-0	-	-	

<b>Rolls Royce</b>	1996	1997	1998	1999	2000	
Park Ward	9-1	-	9-1	-	-	in glove box, behind fuse panel, clip-on cover labeled OBD
Park Ward Limousine	*9-1	-	-	-	2-0	*in glove box, behind fuse panel, clip-on cover labeled OBD
Silver Dawn		*9-1				in glove box, behind fuse panel, clip-on cover labeled OBD
Silver Seraph	-	-	-	-	2-0	
Silver Spur	*9-1	*9-1	*9-1	2-0	-	*in glove box, behind fuse panel, clip-on cover labeled OBD
Silver Spur Limousine	9-1	-	-	-	-	in glove box, behind fuse panel, clip-on cover labeled OBD

<b>Rover</b>	1996	1997	1998	1999	2000	
Defender	-	6/7-1	-	-	-	center console (vertical), behind ashtray, on vehicle centerline
Discovery	7-1	7-1	7-1	7-1	-	passenger side
Discovery Series II	-	-	-	7-1	7-1	passenger side
Range Rover	7-1	7-1	7-1	7-1		passenger side

<b>Saab</b>	1996	1997	1998	1999	2000	
900	1-1	1-1	1-1	-	-	protective cover
9000	1-1	1-1	1-1	-	-	protective cover
9-3	-	-	-	1-1	1-1	protective cover
9-5	-	-	-	3-1	3-1	protective cover

<b>Subaru</b>	1996	1997	1998	1999	2000	
Forester	-	-	1-1	1-1	1-1	protective cover
Impreza	2-0	2-0	1-1	1-1	1-1	protective cover
Legacy	2-1	2-1	2-1	2-1	2-1	
SVX	1-0	1-0	-	-	-	

<b>Suzuki</b>	1996	1997	1998	1999	2000	
All models	1-0	1-0	1-0	1-0	1-0	

## OBD Connector Locations for Model Year 1996 - 2000 Vehicles

Manufacturer	Model Years Connector Location/Access (0=open, 1= covered)	Comments/ Description
--------------	---	--------------------------

<b>Toyota</b>	<b>1996</b>	<b>1997</b>	<b>1998</b>	<b>1999</b>	<b>2000</b>	
4Runner (2wd/4wd)	3-0	3-0	3-0	3-0	3-0	
Avalon	*2-1	*2-1	*2-1	*2-1	1-0	*behind fuse panel cover
Camry	*2-1	3-0	3-0	3-0	3-0	*behind coin box/tray
Camry Solara	-	-	-	1-0	1-0	
Celica	3-1	3-1	3-1	3-1	2-1	
Corolla	2-0	1-0	1-0	1-0	2-0	
Echo	-	-	-	-	2-1	behind fuse panel cover
Land Cruiser	*2-1	*2-1	3-0	3-0	3-0	*behind fuse panel cover
Paseo	2-1	2-1	2-1	2-1	-	behind fuse panel cover
Previa (2wd/4wd)	9-1	9-1	-	-	-	top of dashboard, behind fuse panel cover
Prius Hybrid	-	-	-	-	1-0	
RAV4 (2wd/4wd)	3-0	3-0	3-0	3-0	3-0	
Sienna	-	-	3-0	3-0	3-0	
Supra	2-1	2-1	2-1	-	-	
T100 (2wd/4wd)	3-0	3-0	3-0	-	-	
Tacoma (2wd/4wd)	3-0	3-0	3-0	3-0	3-0	
Tercel	2-1	2-1	2-1	2-1	-	behind fuse panel cover
Tundra (2wd/4wd)	-	-	-	-	3-0	

<b>Volkswagen</b>	<b>1996</b>	<b>1997</b>	<b>1998</b>	<b>1999</b>	<b>2000</b>	
Cabrio	*9-1	*9-1	*9-1	2-0	2-0	*center console (vertical), sliding cover *on dashboard,
Eurovan	*4-1	*4-1	*4-1	**4-0	2-0	plastic cover w/ engine symbol **For 99, no cover was used
Golf	*9-1	*9-1	*9-1	*9-1	2-0	*center console (vertical), sliding cover
Jetta	*9-1	*9-1	*9-1	*9-1	2-0	*center console (vertical), sliding cover
New Beetle	-	-	2-0	2-0	2-0	
Passat	*4-1	*4-1	2-0	2-0	2-0	*on dashboard, plastic cover w/ engine symbol

<b>Volvo</b>	<b>1996</b>	<b>1997</b>	<b>1998</b>	<b>1999</b>	<b>2000</b>	
850	8-1	8-1	-	-	-	center console (horizontal) under coin tray labeled "OBD II"
960	1-1	1-1	-	-	-	protective cover
S40/V40	-	-	1-1	1-1	1-1	protective cover
C70/S70/V70	-	-	8-1	8-1	8-1	center console (horizontal) storage bin, cover labeled "OBD II"
S80	-	-	1-1	1-1	1-1	protective cover