

DOOSAN

Construction Equipment

Wheel loader Attachments

General Purpose Bucket / Light Material Bucket /
V-Shape Rock Bucket / Hydraulic Quick Coupler / Pallet Fork /
Log & Lumber Grapple / Clearing Rake

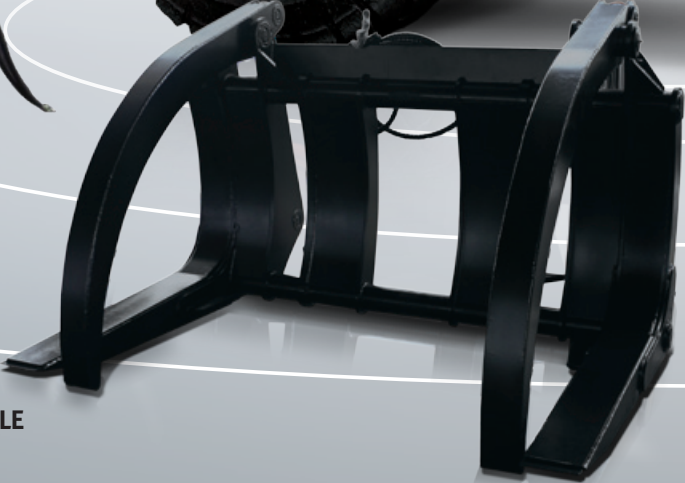


DOOSAN WHEEL LOADER ATTACHMENTS

GENERAL PURPOSE BUCKET



CLEARING RAKE



LOG & LUMBER GRAPPLE

DOOSAN WHEEL LOADER ATTACHMENTS USING THE 6 KINDS OF GOOD REASONS



ONE-STOP SHOP

One place for complete solutions :
(carrier + attachments + parts + service)



ENGINEERING APPROVED

Optimized for Wheel loader equipment high efficiency and performance, resulting in lower running and maintenance cost.



SERVICE

Broad coverage via the Wheel loader service network, fully supported by Wheel loader product specialists.



QUALITY

Products manufactured to highest standards.



WARRANTY

Avoid compatibility issues and operating differences from using Non-approved attachments.



PLUG & PLAY READINESS

Easy to install and operate.



PALLET FORK

HYDRAULIC QUICK COUPLER

LIGHT MATERIAL BUCKET

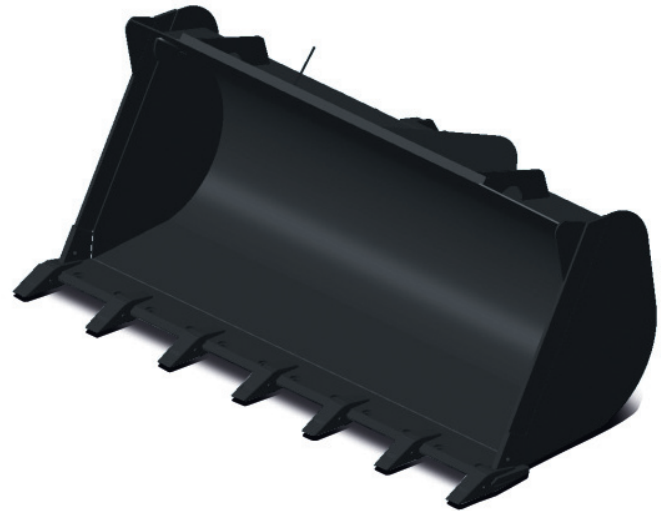
V-SHAPE ROCK BUCKET

Bucket

General Purpose Bucket

Pin-on Tooth type

Is the perfect bucket for daily using with a sloped bottom for maximum filling and material retention. Pin-on Tooth type is for General Excavating and Loading, of Natural ground and Construction materials.

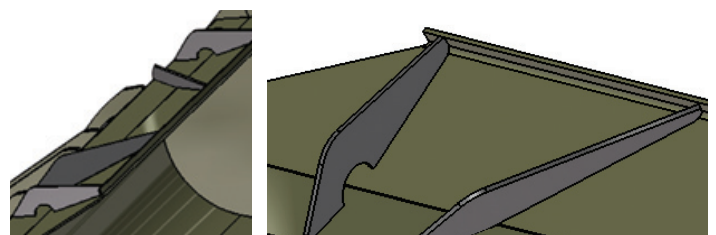
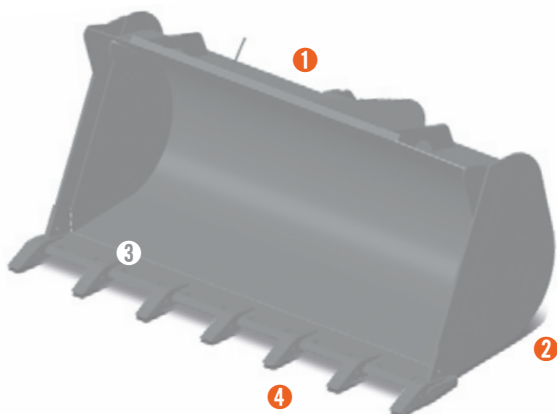


Feature & Benefits

- Prevent bucket upper part damage caused by loaded material, leading backward falling object to sideway to protect link & Lever
- Enforced structure without losing visibility
- Hole prevent soil from solidifying on the bucket
- High Intensity Carbon Steel on lower part
- Optimal structure to protect bucket body
- Reinforced carbon steel plate applied to bottom
- Optimize angle between tooth & Ground surface
- Economical (long lifetime of adopter just switch pin worn out)
- 2 piece type: easy & economical for blade change
- Blade pieces are compatible with each other



Shape Selection Guide



1 SPILL GUARD RIBS

- Prevent bucket upper part damage caused by loaded material, leading backward falling object to sideway to protect link & Lever
- Enforced structure without losing visibility
- Hole prevent soil from solidifying on the bucket

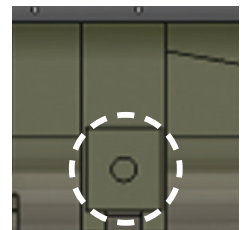
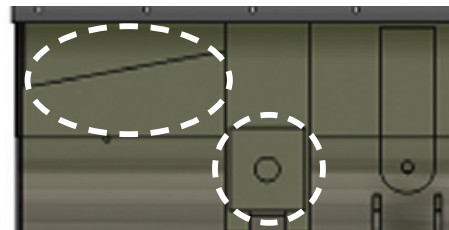
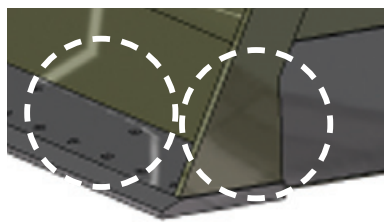
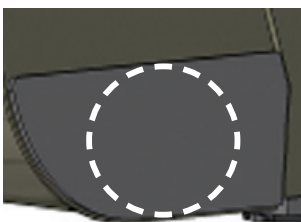
Blade type

Blade type is for Loading and Stockpiling, of Low density materials like Livestock Feed, Fertilizer, Snow, Sawdust.



Mono Tooth type

Mono Tooth type is One piece structure to preventing tooth tip from being separated and falling into crusher which may cause damage to crusher.



2 SIDE WEAR PLATE

- High Intensity Carbon Steel
- on lower part

3 WEAR PLATE TO EASY DAMAGED AREA

- High Intensity Carbon Steel on lower part

4 BOTTOM WEAR PLATE

- Optimal structure to protect bucket body
- Reinforced carbon steel plate applied to bottom

General Purpose Bucket

Technical Specifications

| Model Name | Carrier Compatibility | Capacity (m³) | Width (mm) | Bucket Linkage | Tooth Type / (GET Type) | Weight (kg) |
|----------------------------|-----------------------|---------------|------------|----------------|-------------------------|-------------|
| DLGP/200/1.9/Mono/DM | DL200 | 1.9 | 2,550 | DM | mono | 819 |
| DLGP/200A/2.0/Mono/DM | DL200A | 2 | 2,550 | DM | mono | 818 |
| DLGP/250/2.5/Mono/DM | DL250 / DL250A | 2.5 | 2,740 | DM | mono | 1,057 |
| DLGP/250A/3.0/Mono/DM | DL250A | 3 | 2,838 | DM | mono | 1,127 |
| DLGP/300/3.0/Adapter/DM | DL300 | 3 | 2,920 | DM | adapter | 1,496 |
| DLGP/300/3.0/Mono/DM | DL300 / DL300A | 3 | 2,920 | DM | mono | 1,170 |
| DLGP/300/2.7/Mono/DM | DL300 / DL300A | 2.7 | 2,920 | DM | mono | 1,435 |
| DLGP/300A/3.3/Mono/DM | DL300A | 3.3 | 2,920 | DM | mono | 1,490 |
| DLGP/420/3.9/Adapter/DM | DL420 / DL420A | 3.9 | 3,200 | DM | adapter | 2,048 |
| DLGP/420/3.9/Mono/DM | DL420 / DL420A | 3.9 | 3,200 | DM | mono | 2,001 |
| DLGP/420/3.7/Adapter/DM | DL420 / DL420A | 3.7 | 3,040 | DM | adapter | 1,880 |
| DLGP/420/4.3/Adapter/DM | DL420 / DL420A | 4.3 | 3,200 | DM | adapter | 2,135 |
| DLGP/420/4.0/Adapter/DM | DL420 / DL420A | 4 | 3,270 | DM | adapter | 2,069 |
| DLGP/420/4.0/WC Adapter/DM | DL420 / DL420A | 4 | 3,270 | DM | WC Welded/adapter | 2,079 |
| DLGP/420A/4.5/Mono/DM | DL420A | 4.5 | 3,354 | DM | mono | 2,329 |
| DLGP/550/5.4/Adapter/DM | DL550 | 5.4 | 3,404 | DM | adapter | 2,637 |
| DLGP/550/5.8/Adapter/DM | DL550 / DL550-3 | 5.8 | 3,404 | DM | adapter | 2,507 |
| DLGP/550/5.0/Mono/DM | DL550 / DL550-3 | 5 | 3,404 | DM | mono | 2,460 |
| DLGP/550/5.4/WC Adapter/DM | DL550 / DL550-3 | 5.4 | 3,404 | DM | WC Welded/adapter | 2,642 |
| DLGP/200/2.0/Blade/DM | DL200 | 2 | 2,550 | DM | EDGE | 876 |
| DLGP/200A/2.1/Blade/DM | DL200A | 2.1 | 2,550 | DM | EDGE | 876 |
| DLGP/250/2.6/Blade/DM | DL250 / DL250A | 2.6 | 2,740 | DM | EDGE | 1,173 |
| DLGP/250/2.6/Blade/DM | DL250 / DL250A | 2.6 | 2,550 | DM | EDGE | 1,148 |
| DLGP/250A/3.1/Blade/DM | DL250A | 3.1 | 2,838 | DM | EDGE | 1,260 |
| DLGP/300/3.2/Blade/DM | DL300 | 3.2 | 2,920 | DM | EDGE | 1,613 |
| DLGP/300/2.9/Blade/DM | DL300 / DL300A | 2.9 | 2,920 | DM | EDGE | 1,558 |
| DLGP/300/3.2/Blade122/DM | DL300 / DL300A | 3.2 | 2,920 | DM | EDGE | 1,610 |
| DLGP/420/3.9/Blade/DM | DL420 / DL420A | 3.9 | 3,040 | DM | EDGE | 1,996 |
| DLGP/420/4.5/Blade/DM | DL420 / DL420A | 4.5 | 3,200 | DM | EDGE | 2,242 |
| DLGP/420/4.1/Blade/DM | DL420 / DL420A | 4.1 | 3,200 | DM | EDGE | 2,149 |
| DLGP/420/4.2/Blade/DM | DL420 / DL420A | 4.2 | 3,270 | DM | EDGE | 2,182 |
| DLGP/420/4.2/WC Blade/DM | DL420 / DL420A | 4.2 | 3,270 | DM | EDGE (WC reinforced) | 2,139 |

| Model Name | Carrier Compatibility | Capacity (m³) | Width (mm) | Bucket Linkage | Tooth Type / (GET Type) | Weight (kg) |
|----------------------------|-----------------------|---------------|------------|----------------|-------------------------|-------------|
| DLGP/550/5.7/Blade/DM | DL550 / DL550-3 | 5.7 | 3,404 | DM | EDGE | 2,758 |
| DLGP/550/5.2/Blade/DM | DL550 / DL550-3 | 5.2 | 3,404 | DM | EDGE | 2,628 |
| DLGP/550/5.7/WC Blade/DM | DL550 / DL550-3 | 5.7 | 3,404 | DM | EDGE (WC reinforced) | 2,713 |
| DLGP/300/3.2/Seg. Blade/DM | DL300 | 3.2 | 2,920 | DM | SEG.EDGE | 1,652 |
| DLGP/420/4.1/Seg. Blade/DM | DL420 / DL420A | 4.1 | 3,200 | DM | SEG.EDGE | 2,230 |
| DLGP/550/5.1/Seg. Blade/DM | DL550 / DL550-3 | 5.1 | 3,404 | DM | SEG.EDGE | 2,709 |
| DLGP20-Q | DL200 / DL200A | 2 | 2,475 | QC | adapter | 779 |
| DLGP25-Q | DL250 / DL250A | 2.5 | 2,740 | QC | adapter | 1,050 |
| DLGP30-Q | DL300 / DL300A | 3 | 2,920 | QC | adapter | 1,350 |
| DLGP42-Q | DL420 / DL420A | 3.9 | 3,297 | QC | adapter | 2,080 |
| DLGP55-Q | DL550 / DL550-3 | 5.4 | 3,418 | QC | adapter | 2,652 |

Linkage type(Bucket Linkage) : DM=Direct mounting(Pin-on), QC=Quick coupler

Bucket

Light Material Bucket

Specially designed for efficiency in loading light, loosely packed materials, such as coal, mulch, hay, fertilizer and snow.



Buckets



Agriculture



General Construction



Recycling



QUICK COUPLER



Feature & Benefits

- Sloped-bottom design allows for maximum fill capabilities and material retention
- Thick bottoms for wear resistance
- Bolt-on edge as standard



Technical Specifications

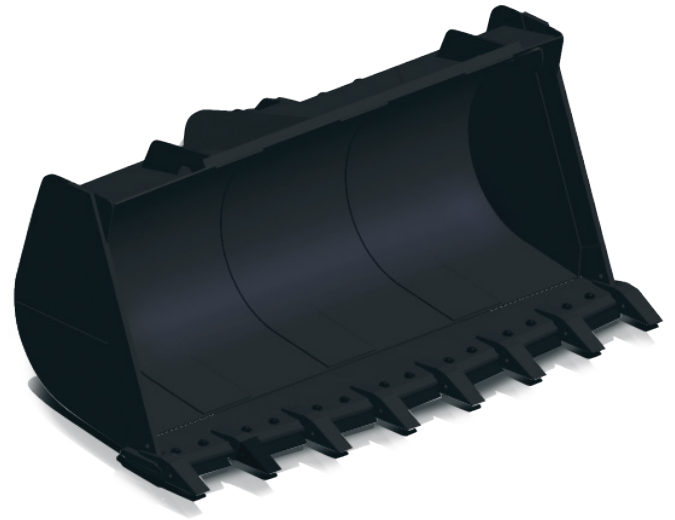
| Model Name | Carrier Compatibility | Capacity (m ³) | Width (mm) | Bucket Linkage | Weight (kg) |
|------------|-----------------------|----------------------------|------------|----------------|-------------|
| DLLM20-40Q | DL200 / DL200A | 4 | 2,740 | QC | 1,218 |
| DLLM25-30Q | DL250 / DL250A | 3 | 2,800 | QC | 1,300 |
| DLLM25-50Q | DL250 / DL250A | 5 | 2,900 | QC | 1,600 |
| DLLM30-35Q | DL300 / DL300A | 3.5 | 3,000 | QC | 1,480 |
| DLLM30-60Q | DL300 / DL300A | 6 | 3,174 | QC | 1,850 |
| DLLM42-70Q | DL420 / DL420A | 7 | 3,300 | QC | 2,760 |
| DLLM55-80Q | DL550 / DL550-3 | 8 | 3,455 | QC | 3,070 |
| DLLM55-85Q | DL550 / DL550-3 | 8.5 | 3,455 | QC | 2,652 |

Linkage type(Bucket Linkage) : DM=Direct mounting(Pin-on), QC=Quick coupler

Bucket

V-Shape Rock Bucket

Designed for face or bank loading in mining or quarry applications. The spade-edge rock bucket offers increased penetration in certain applications.



Feature & Benefits

- Increase number of ribs to reinforce bucket body
- Sole solidifying preventative hole for every ribs
- Used High intensity carbon steel
- 2 layer high intensity carbon steel on the front-bottom part
- Wide V shape structure is optimized for penetration and increase durability
- Highly extended structure maximize bucket capacity particularly quarry work
- Many holes to guarantee the visibility
- Enforced structure to protect bucket body
- Welded adapter to provide more durability



Technical Specifications

| Model Name | Carrier Compatibility | Capacity (m³) | Width (mm) | Bucket Linkage | Tooth Type / (GET Type) | Weight (kg) |
|------------|-----------------------|---------------|------------|----------------|-------------------------|-------------|
| DLVR42-35 | DL420 / DL420A | 3.5 | 3,230 | DM | adapter | 2,302 |
| DLVR55-45 | DL550 / DL550-3 | 4.5 | 3,442 | DM | adapter | 2,787 |
| DLVR42-39Q | DL420 / DL420A | 3.9 | 3,297 | QC | adapter | 2,720 |
| DLVR55-48Q | DL550 / DL550-3 | 4.8 | 3,418 | QC | adapter | 3,250 |
| DLVR55-54Q | DL550 / DL550-3 | 5.4 | 3,418 | QC | adapter | 2,652 |

Linkage type(Bucket Linkage) : DM=Direct mounting(Pin-on), QC=Quick coupler

Connecting Attachments

Hydraulic Quick Coupler

Doosan Hydraulic Quick Couplers allow you to increase the versatility of your excavators. Quick coupler will help you gain in productivity and efficiency with increased safety.



Agriculture



General Construction



Forestry



Heavy Construction



Recycling



Quarry & Mining



Demolition



Feature & Benefits

- Safety while connecting and removing attachments
- A robust design with few spare parts, reducing torsion stress and increasing coupler lifetime
- An engineering approved and tested solution by Doosan
- Fit up tested to ensure best fit, perfect compatibility and protection to the Doosan



Technical Specifications

| Model Name | Carrier Compatibility | Weight | Overall Length (mm) | Overall Width (mm) | Overall Height (mm) |
|------------|-----------------------|--------|---------------------|--------------------|---------------------|
| DLQC20 | DL200 / DL200A | 340 | 1,275 | 732 | 410 |
| DLQC25 | DL250 / DL250A | 390 | 1,319 | 745 | 440 |
| DLQC30 | DL300 / DL300A | 530 | 1,320 | 809 | 450 |
| DLQC42 | DL420 / DL420A | 760 | 1,465 | 875 | 550 |
| DLQC55 | DL550 / DL550-3 | 800 | 1,688 | 1,025 | 603 |

Material Handling Attachments

Pallet Fork

Commonly used on job sites to move pallets and to perform other material handling duties such as pipes, steel frames, concrete blocks. Operator visibility was tested and optimized to ensure safe, precise and fast control at ground level and up to truck bed height.



Feature & Benefits

- Heavy Duty Construction: Designed for construction use with fine static load ratings beyond loader lift capacities
- Open frame design and offset tines : Provides maximum visibility for picking up and placing materials
- Manual Adjustable Tines: Allows forks to be adjusted to required width depending on material to be moved or placed



Technical Specifications

| Model Name | Carrier Compatibility | Operating Width (mm) | Length (inch) | Weight (kg) | Linkage Type |
|------------|-----------------------|----------------------|---------------|-------------|--------------|
| DLPF20-48Q | DL200 / DL200A | 450~2,030 | 48" | 690 | QC |
| DLPF25-48Q | DL250 / DL250A | 450~2,030 | 48" | 965 | QC |
| DLPF30-48Q | DL300 / DL300A | 600~2,160 | 48" | 990 | QC |
| DLPF20-60Q | DL200 / DL200A | 450~2,030 | 60" | 735 | QC |
| DLPF25-60Q | DL250 / DL250A | 450~2,030 | 60" | 1,025 | QC |
| DLPF30-60Q | DL300 / DL300A | 600~2,160 | 60" | 1,050 | QC |
| DLPF42-60Q | DL420 / DL420A | 600~2,160 | 60" | 1,630 | QC |
| DLPF55-60Q | DL550 / DL550-3 | 600~2,160 | 60" | 2,180 | QC |
| DLPF25-72Q | DL250 / DL250A | 450~2,030 | 72" | 1,085 | QC |
| DLPF30-72Q | DL300 / DL300A | 600~2,160 | 72" | 1,110 | QC |
| DLPF42-72Q | DL420 / DL420A | 600~2,160 | 72" | 1,715 | QC |
| DLPF55-72Q | DL550 / DL550-3 | 600~2,160 | 72" | 2,260 | QC |
| DLPF55-78Q | DL550 / DL550-3 | 1,000~1,650 | 78" | 2,920 | QC |

| Model Name | Carrier Compatibility | Operating Width (mm) | Length (inch) | Weight (kg) | Linkage Type |
|------------|-----------------------|----------------------|---------------|-------------|--------------|
| DLPF20-48 | DL200 / DL200A | 450~2,030 | 48" | 690 | DM |
| DLPF25-48 | DL250 / DL250A | 450~2,030 | 48" | 965 | DM |
| DLPF30-48 | DL300 / DL300A | 600~2,160 | 48" | 990 | DM |
| DLPF20-60 | DL200 / DL200A | 450~2,030 | 60" | 735 | DM |
| DLPF25-60 | DL250 / DL250A | 450~2,030 | 60" | 1,025 | DM |
| DLPF30-60 | DL300 / DL300A | 600~2,160 | 60" | 1,050 | DM |
| DLPF42-60 | DL420 / DL420A | 600~2,160 | 60" | 1,630 | DM |
| DLPF55-60 | DL550 / DL550-3 | 600~2,160 | 60" | 2,180 | DM |
| DLPF25-72 | DL250 / DL250A | 450~2,030 | 72" | 1,085 | DM |
| DLPF30-72 | DL300 / DL300A | 600~2,160 | 72" | 1,110 | DM |
| DLPF42-72 | DL420 / DL420A | 600~2,160 | 72" | 1,715 | DM |
| DLPF55-72 | DL550 / DL550-3 | 600~2,160 | 72" | 2,260 | DM |
| DLPF55-78 | DL550 / DL550-3 | 1000~1,650 | 78" | 2,920 | DM |

Linkage type(Bucket Linkage) : DM=Direct mounting(Pin-on), QC=Quick coupler

Log & Lumber Grapple

General Purpose type

General purpose grapples is an all-round grapple for handling and sorting entire trees or for gripping single stems.



Feature & Benefits

- Maximum material retention and strength.
- Heat-treated pin and bushings



Technical Specifications

| Model Name | Carrier Compatibility | Height (mm) | Length (mm) | Width (mm) | Opened Height (mm) | Ø (mm) | Weight (kg) | Linkage Type |
|------------|-----------------------|-------------|-------------|------------|--------------------|--------|-------------|--------------|
| DLLG20-TQ | DL200 / DL200A | 1,558 | 1,331 | 2,100 | 1,555 | 850 | 1,620 | QC |
| DLLG25-TQ | DL250 / DL250A | 1,700 | 1,384 | 2,300 | 1,720 | 1,000 | 1,700 | QC |
| DLLG30-TQ | DL300 / DL300A | 1,866 | 1,412 | 2,500 | 1,890 | 1,000 | 1,850 | QC |
| DLLG42-TQ | DL420 / DL420A | 2,399 | 1,567 | 2,700 | 3,020 | 1,100 | 2,700 | QC |
| DLLG55-TQ | DL550 / DL550-3 | 2,530 | 1,730 | 2,990 | 3,020 | 1,200 | 3,100 | QC |
| DLLG20-GQ | DL200 / DL200A | 1,802 | 1,000 | 1,810 | 2,300 | 300 | 1,250 | QC |
| DLLG25-GQ | DL250 / DL250A | 2,200 | 1,320 | 1,850 | 2,410 | 315 | 1,500 | QC |
| DLLG30-GQ | DL300 / DL300A | 2,360 | 1,350 | 1,930 | 2,675 | 320 | 1,700 | QC |
| DLLG42-GQ | DL420 / DL420A | 2,450 | 1,430 | 1,950 | 2,730 | 400 | 2,250 | QC |
| DLLG55-GQ | DL550 / DL550-3 | 2,639 | 1,455 | 2,010 | 2,925 | 450 | 2,950 | QC |
| DLLG20-SQ | DL200 / DL200A | 2,000 | 1,020 | 1,550 | 2,300 | 1,200 | 1,250 | QC |
| DLLG25-SQ | DL250 / DL250A | 2,215 | 1,090 | 1,740 | 2,670 | 1,300 | 1,500 | QC |
| DLLG30-SQ | DL300 / DL300A | 2,590 | 1,160 | 2,500 | 3,050 | 1,300 | 1,700 | QC |
| DLLG42-SQ | DL420 / DL420A | 2,850 | 1,300 | 2,700 | 3,360 | 1,400 | 2,550 | QC |
| DLLG55-SQ | DL550 / DL550-3 | 3,085 | 1,435 | 2,990 | 3,660 | 1,500 | 2,950 | QC |

Linkage type(Bucket Linkage) : DM=Direct mounting(Pin-on), QC=Quick coupler

Tropical type

Tropical timber grapples are very wide with two separate clamping arms to hold large, heavy items securely. Principally intended for handling large diameter and high density tropical type timbers.



Sorting type

Sorting type grapple has relatively long and straight tines so the grapple can be easily filled when loading from stacks or sorting bunkers. Both the Unloading and the sorting grapple can be fitted with a hydraulic heel/kick out.



| Model Name | Carrier Compatibility | Height (mm) | Length (mm) | Width (mm) | Opened Height (mm) | Ø (mm) | Weight (kg) | Linkage Type |
|------------|-----------------------|-------------|-------------|------------|--------------------|--------|-------------|--------------|
| DLLG20-T | DL200 / DL200A | 1,558 | 1,331 | 2,100 | 1,555 | 850 | 1,620 | DM |
| DLLG25-T | DL250 / DL250A | 1,700 | 1,384 | 2,300 | 1,720 | 1,000 | 1,700 | DM |
| DLLG30-T | DL300 / DL300A | 1,866 | 1,412 | 2,500 | 1,890 | 1,000 | 1,850 | DM |
| DLLG42-T | DL420 / DL420A | 2,399 | 1,567 | 2,700 | 3,020 | 1,100 | 2,700 | DM |
| DLLG55-T | DL550 / DL550-3 | 2,530 | 1,730 | 2,990 | 3,020 | 1,200 | 3,100 | DM |
| DLLG20-G | DL200 / DL200A | 1,802 | 1,000 | 1,810 | 2,300 | 300 | 1,250 | DM |
| DLLG25-G | DL250 / DL250A | 2,200 | 1,320 | 1,850 | 2,410 | 315 | 1,500 | DM |
| DLLG30-G | DL300 / DL300A | 2,360 | 1,350 | 1,930 | 2,675 | 320 | 1,700 | DM |
| DLLG42-G | DL420 / DL420A | 2,450 | 1,430 | 1,950 | 2,730 | 400 | 2,250 | DM |
| DLLG55-G | DL550 / DL550-3 | 2,639 | 1,455 | 2,010 | 2,925 | 450 | 2,950 | DM |
| DLLG20-S | DL200 / DL200A | 2,000 | 1,020 | 1,550 | 2,300 | 1,200 | 1,250 | DM |
| DLLG25-S | DL250 / DL250A | 2,215 | 1,090 | 1,740 | 2,670 | 1,300 | 1,500 | DM |
| DLLG30-S | DL300 / DL300A | 2,590 | 1,160 | 2,500 | 3,050 | 1,300 | 1,700 | DM |
| DLLG42-S | DL420 / DL420A | 2,850 | 1,300 | 2,700 | 3,360 | 1,400 | 2,550 | DM |
| DLLG55-S | DL550 / DL550-3 | 3,085 | 1,435 | 2,990 | 3,660 | 1,500 | 2,950 | DM |

Linkage type(Bucket Linkage) : DM=Direct mounting(Pin-on), QC=Quick coupler

Material Handling Attachments

Clearing Rake

Designed for moving or clearing loose objects at quarry and also used in a narrow area such as container.



General
Construction



Quarry
& Mining



QUICK
COUPLER

Feature & Benefits

- Stable durability and strength
- Various length option



Technical Specifications

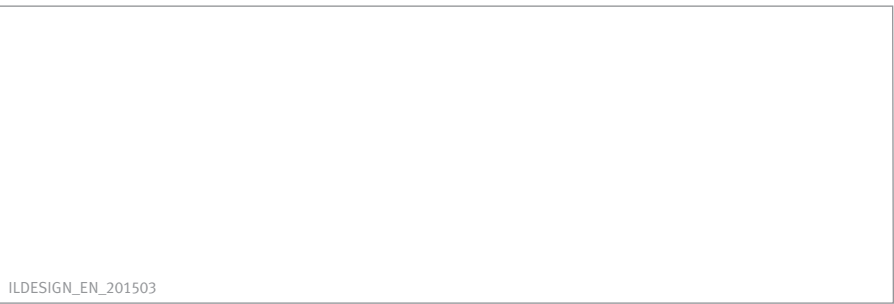
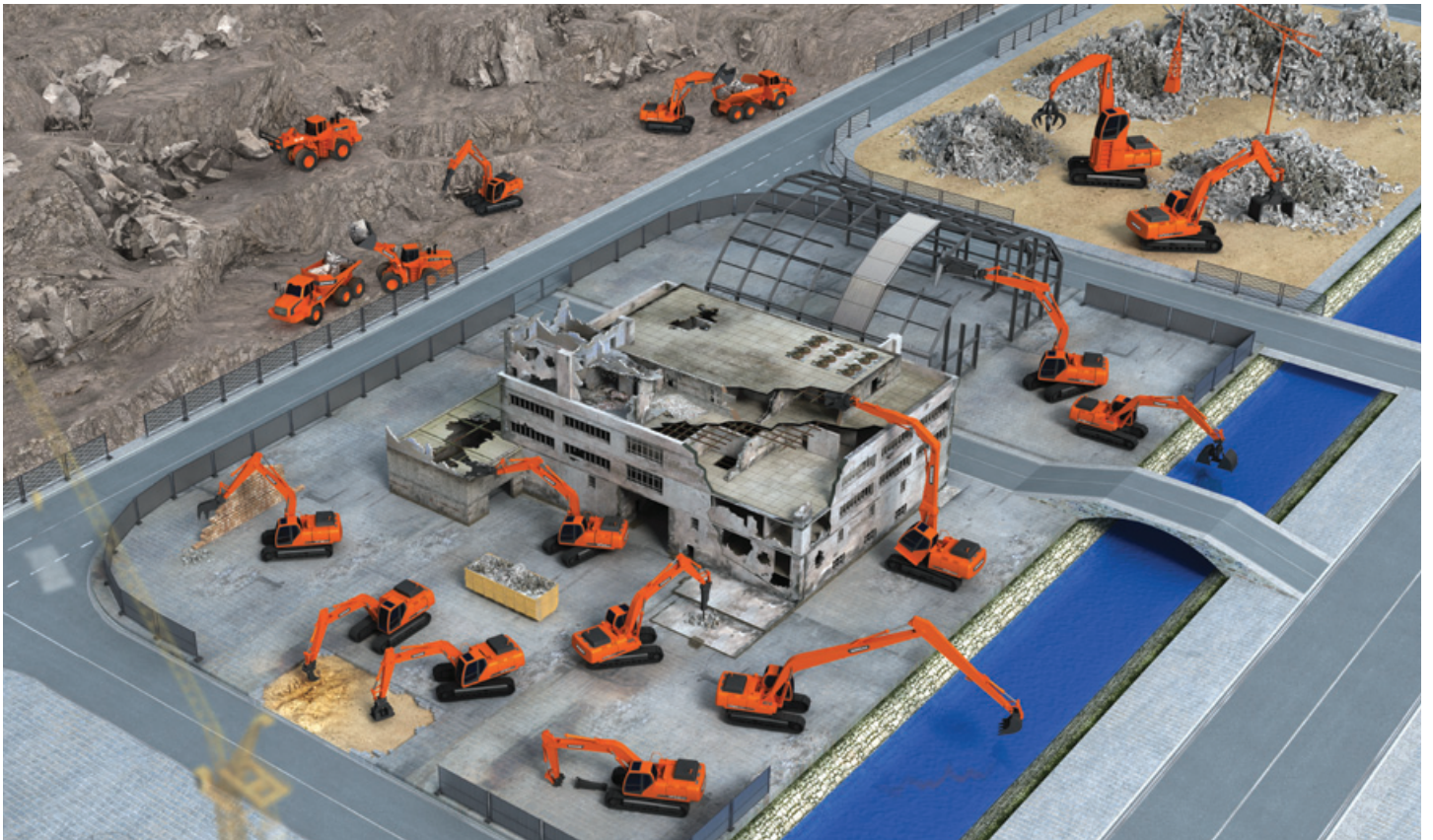
| Model Name | Carrier Compatibility | Length (mm) | Width (mm) | Height (mm) | Linkage Type | Weight (kg) |
|------------|-----------------------|-------------|------------|-------------|--------------|-------------|
| DLCR42-55Q | DL420 / DL420A | 5,500 | 1,250 | 1,350 | QC | 1,990 |
| DLCR55-55Q | DL550 / DL550-3 | 5,500 | 1,310 | 1,410 | QC | 2,400 |
| DLCR55-60Q | DL550 / DL550-3 | 6,000 | 1,310 | 1,410 | QC | 3,300 |

Linkage type(Bucket Linkage) : DM=Direct mounting(Pin-on), QC=Quick coupler



Wheel loader Attachments

DOOSAN



Doosan Infracore Korea Office (HQ)
 27/F, 275, Jangchungdan-ro, Jung-gu, Seoul, Korea
 Tel : 82 2 3398 8114

www.doosaninfracore.com/ce/