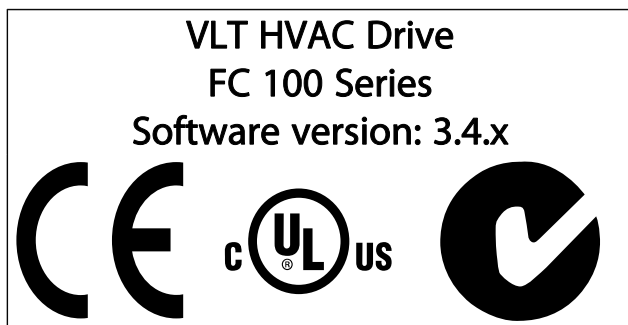


## Contents

<b>1 Introduction</b>	1-1
1.1.1 Copyright, Limitation of Liability and Revision Rights	1-2
<b>2 Safety</b>	2-1
2.1.2 High Voltage Warning	2-1
2.1.4 Before Commencing Repair Work	2-2
2.1.5 Special Conditions	2-2
2.1.7 Avoid Unintended Start	2-3
2.1.8 Safe Stop of the Adjustable Frequency Drive	2-3
2.1.9 IT Line Power	2-5
<b>3 Mechanical Installation</b>	3-1
3.1 Before Starting	3-1
3.2.2 Mechanical Dimensions	3-3
<b>4 Electrical Installation</b>	4-1
4.1 How to Connect	4-1
4.1.2 Electrical Installation and Control Cables	4-2
4.1.5 Line Power Wiring Overview	4-8
4.1.12 Motor Wiring Overview	4-15
4.1.20 DC Bus Connection	4-19
4.1.21 Brake Connection Option	4-21
4.1.22 Relay Connection	4-22
4.1.26 How to Test Motor and Direction of Rotation	4-26
<b>5 Commissioning and Application Examples</b>	5-1
5.1 Commissioning	5-1
5.1.1 Quick Menu Mode	5-1
5.1.5 Tips and Tricks	5-4
5.2 Application Examples	5-6
5.2.1 Start/Stop	5-6
5.2.2 Pulse Start/Stop	5-6
5.2.3 Automatic Motor Adaptation (AMA)	5-7
<b>6 How to Operate the Adjustable Frequency Drive</b>	6-1
6.1.2 How to Operate the Graphical LCP (GLCP)	6-1
6.1.3 How to Operate Numeric LCP (NLCP)	6-6
<b>7 How to Program the Adjustable Frequency Drive</b>	7-1
7.1 How to Program	7-1
7.1.1 Function Set-ups	7-1

7.2 Commonly Used Parameters - Explanations	7-7
7.3.2 0-** Operation and Display	7-38
7.3.3 1-** Load / Motor	7-40
7.3.4 2-** Brakes	7-41
7.3.5 3-** Reference / Ramps	7-42
7.3.6 4-** Limits / Warnings	7-43
7.3.7 5-** Digital In / Out	7-44
7.3.8 6-** Analog In / Out	7-45
7.3.9 8-** Communication and Options	7-46
7.3.10 9-** Profibus	7-47
7.3.11 10-** CAN Fieldbus	7-48
7.3.12 11-** LonWorks	7-48
7.3.13 13-** Smart Logic Controller	7-49
7.3.14 14-** Special Functions	7-50
7.3.15 15-** FC Information	7-51
7.3.16 16-** Data Readouts	7-53
7.3.17 18-** Info & Readouts	7-55
7.3.18 20-** FC Closed-loop	7-56
7.3.19 21-** Ext. Closed-loop	7-57
7.3.20 22-** Application Functions	7-59
7.3.21 23-** Time-based Functions	7-60
7.3.22 24-** Application Functions 2	7-61
7.3.23 25-** Cascade Controller	7-62
7.3.24 26-** Analog I / O Option MCB 109	7-63
<b>8 Troubleshooting</b>	<b>8-1</b>
8.1 Alarms and Warnings	8-1
8.1.1 Fault Messages	8-5
8.2 Acoustic Noise or Vibration	8-11
<b>9 Specifications</b>	<b>9-1</b>
9.1 General Specifications	9-1
9.2 Special Conditions	9-12
<b>10 Index</b>	<b>10-1</b>

## 1 Introduction



This guide can be used with all VLT HVAC Drive adjustable frequency drives with software version 3.4.x. The current software version number can be read from par. 15-43 *Software Version*.

### 1.1.1 Copyright, Limitation of Liability and Revision Rights

This publication contains information proprietary to Danfoss. By accepting and using this manual, the user agrees that the information contained herein will be used solely for operating equipment from Danfoss or equipment from other vendors provided that such equipment is intended for communication with Danfoss equipment over a serial communication link. This publication is protected under the copyright laws of Denmark and most other countries.

Danfoss does not warrant that a software program produced according to the guidelines provided in this manual will function properly in every physical, hardware or software environment.

Although Danfoss has tested and reviewed the documentation within this manual, Danfoss makes no warranty or representation, neither expressed nor implied, with respect to this documentation, including its quality, performance, or fitness for a particular purpose.

In no event shall Danfoss be liable for direct, indirect, special, incidental, or consequential damages arising out of the use, or the inability to use information contained in this manual, even if advised of the possibility of such damages. In particular, Danfoss is not responsible for any costs, including but not limited to those incurred as a result of lost profits or revenue, loss or damage of equipment, loss of computer programs, loss of data, the costs to substitute these, or any claims by third parties.

Danfoss reserves the right to revise this publication at any time and to make changes to its contents without prior notice or any obligation to notify former or present users of such revisions or changes.

### 1.1.2 Available Literature for VLT HVAC Drive

- Instruction Manual MG.11.Ax.yy provides the necessary information for getting the adjustable frequency drive up and running.
- Instruction Manual VLT HVAC Drive High Power, MG.11.Fx.yy
- Design Guide MG.11.Bx.yy contains all technical information about the adjustable frequency drive and customer design and applications.
- Programming Guide MG.11.Cx.yy provides information on how to program and includes complete parameter descriptions.
- Mounting Instruction, Analog I/O Option MCB 109, MI.38.Bx.yy
- Application Note, Temperature Derating Guide, MN.11.Ax.yy
- PC-based Configuration Tool MCT 10, MG.10.Ax.yy enables the user to configure the adjustable frequency drive from a Windows™-based PC environment.
- Danfoss VLT® Energy Box software at [www.danfoss.com/BusinessAreas/DrivesSolutions](http://www.danfoss.com/BusinessAreas/DrivesSolutions), then choose PC Software Download
- VLT HVAC Drive Drive Applications, MG.11.Tx.yy
- Instruction Manual VLT HVAC Drive Profibus, MG.33.Cx.yy
- Instruction Manual VLT HVAC Drive Device Net, MG.33.Dx.yy
- Instruction Manual VLT HVAC Drive BACnet, MG.11.Dx.yy
- Instruction Manual VLT HVAC Drive LonWorks, MG.11.Ex.yy
- Instruction Manual VLT HVAC Drive Metasys, MG.11.Gx.yy
- Instruction Manual VLT HVAC Drive FLN, MG.11.Zx.yy
- Output Filter Design Guide, MG.90.Nx.yy
- Brake Resistor Design Guide, MG.90.Ox.yy

x = Revision number

yy = Language code

Danfoss technical literature is available in print from your local Danfoss Sales Office or online at:  
[www.danfoss.com/BusinessAreas/DrivesSolutions/Documentations/Technical+Documentation.htm](http://www.danfoss.com/BusinessAreas/DrivesSolutions/Documentations/Technical+Documentation.htm)

## 1.1.3 Abbreviations and Standards

Abbreviations:	Terms:	SI units:	I-P units:
a	Acceleration	m/s <sup>2</sup>	ft/s <sup>2</sup>
AWG	American wire gauge		
Auto Tune	Automatic Motor Tuning		
°C	Celsius		
I	Current	A	Amp
I <sub>LIM</sub>	Current limit		
IT line power	Line power supply with star point in transformer floating to ground.		
Joule	Energy	J = N·m	ft-lb, Btu
°F	Fahrenheit		
FC	Adjustable Frequency Drive		
f	Frequency	Hz	Hz
kHz	Kilohertz	kHz	kHz
LCP	Local Control Panel		
mA	Milliampere		
ms	Millisecond		
min	Minute		
MCT	Motion Control Tool		
M-TYPE	Motor Type Dependent		
Nm	Newton meters		in-lbs
I <sub>M,N</sub>	Nominal motor current		
f <sub>M,N</sub>	Nominal motor frequency		
P <sub>M,N</sub>	Nominal motor power		
U <sub>M,N</sub>	Nominal motor voltage		
par.	Parameter		
PELV	Protective Extra Low Voltage		
Watt	Power	W	Btu/hr, hp
Pascal	Pressure	Pa = N/m <sup>2</sup>	psi, psf, ft of water
I <sub>INV</sub>	Rated Inverter Output Current		
RPM	Revolutions Per Minute		
SR	Size Related		
T	Temperature	C	F
t	Time	s	s, hr
T <sub>LIM</sub>	Torque limit		
U	Voltage	V	V

Table 1.1: Abbreviation and standards table

### 1.1.4 Adjustable Frequency Drive Identification

Below is an example of an identification label. This label is situated on the adjustable frequency drive and shows the type and the options with which the unit is equipped. See below for details of how to read the Type code string (T/C).



Figure 1.1: This example shows an identification label.

**NOTE!**

Please have T/C (type code) number and serial number ready before contacting Danfoss.

### 1.1.5 Type Code String low and medium power

1 2 3 4 5 6 7 8 9 10 11 12 13 14 15 16 17 18 19 20 21 22 23 24 25 26 27 28 29 30 31 32 33 34 35 36 37 38 39  
 F C - 0 P T H X X S X X X X A B C D

130BA052.14

Description	Pos	Possible choice
Product group & Adjustable Frequency Drive Series	1-6	FC 102
Power rating	8-10	1.5–125 hp [1.1–90 kW] (P1K1 - P90K)
Number of phases	11	Three phases (T)
AC line voltage	11-12	T 2: 200–240 VAC T 4: 380–480 VAC T 6: 525–600 VAC
Enclosure	13-15	E20: IP20 E21: IP 21/NEMA Type 1 E55: IP 55/NEMA Type 12 E66: IP66 P21: IP21/NEMA Type 1 w/backplate P55: IP55/NEMA Type 12 w/backplate
RFI filter	16-17	H1: RFI filter class A1/B H2: RFI filter class A2 H3: RFI filter class A1/B (reduced cable length) Hx: No RFI filter
Brake	18	X: No brake chopper included B: Brake chopper included T: Safe Stop U: Safe + brake
Display	19	G: Graphical Local Control Panel (GLCP) N: Numeric Local Control Panel (NLCP) X: No Local Control Panel
Coating PCB	20	X: No coated PCB C: Coated PCB
Line power option	21	X: No line power disconnect switch and load sharing 1: With line power disconnect switch (IP55 only) 8: Line power disconnect and load sharing D: Load Sharing See Chapter 8 for max. cable sizes.
Adaptation	22	X: Standard 0: European metric thread in cable entries.
Adaptation	23	Reserved
Software release	24-27	Current software
Software language	28	
A options	29-30	AX: No options A0: MCA 101 Profibus DP V1 A4: MCA 104 DeviceNet AG: MCA 108 Lonworks AJ: MCA 109 BACnet gateway
B options	31-32	BX: No option BK: MCB 101 General purpose I/O option BP: MCB 105 Relay option BO: MCB 109 Analog I/O option
C0 options MCO	33-34	CX: No options
C1 options	35	X: No options
C option software	36-37	XX: Standard software

Description	Pos	Possible choice
D options	38-39	DX: No option D0: DC backup

**Table 1.2: Type code description.**

The various options and accessories are described further in the VLT HVAC Drive *Design Guide*, MG.11.BX.YY.



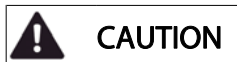
## 2 Safety

### 2.1.1 Symbols

Symbols used in this manual:

#### NOTE!

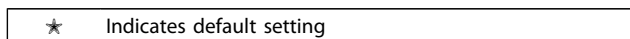
Indicates something to be noted by the reader.



Indicates a general warning.



Indicates a high-voltage warning.



### 2.1.2 High Voltage Warning



The voltage of the adjustable frequency drive and the MCO 101 option card is dangerous whenever it is connected to line power. Incorrect installation of the motor or adjustable frequency drive may cause death, serious injury or damage to the equipment. Consequently, it is essential to comply with the instructions in this manual as well as local and national rules and safety regulations.

### 2.1.3 Safety Note



The voltage of the adjustable frequency drive is dangerous whenever connected to line power. Incorrect installation of the motor, adjustable frequency drive or serial communication bus may cause death, serious personal injury or damage to the equipment. Consequently, the instructions in this manual, as well as national and local rules and safety regulations, must be complied with.

### Safety Regulations

1. The adjustable frequency drive must be disconnected from line power if repair work is to be carried out. Make sure that the line power supply has been disconnected and that the necessary time has passed before removing motor and line power plugs.
2. The [STOP/RESET] key on the LCP of the adjustable frequency drive does not disconnect the equipment from line power and is thus not to be used as a safety switch.
3. Correct protective grounding of the equipment must be established, the user must be protected against supply voltage, and the motor must be protected against overload in accordance with applicable national and local regulations.
4. The ground leakage currents are higher than 3.5 mA.
5. Protection against motor overload is set by par. 1-90 *Motor Thermal Protection*. If this function is desired, set par. 1-90 *Motor Thermal Protection* to data value [ETR trip] (default value) or data value [ETR warning]. Note: The function is initialized at 1.16 x rated motor current and rated motor frequency. For the North American market: The ETR functions provide class 20 motor overload protection in accordance with NEC.
6. Do not remove the plugs for the motor and line power supply while the adjustable frequency drive is connected to line power. Make sure that the line power supply has been disconnected and that the necessary time has passed before removing motor and line power plugs.
7. Please note that the adjustable frequency drive has more voltage inputs than L1, L2 and L3, when load sharing (linking of DC intermediate circuit) and external 24 V DC have been installed. Make sure that all voltage inputs have been disconnected and that the necessary time has passed before commencing repair work.

Installation at high altitudes



380–500 V, enclosure A, B and C: At altitudes above 6,561 ft , please contact Danfoss regarding PELV.  
 380–500 V, enclosure D, E and F: At altitudes above 9,842 ft , please contact Danfoss regarding PELV.  
 525–690 V: At altitudes above 6,561 ft [2 km], please contact Danfoss regarding PELV.



Warning against Unintended Start

1. The motor can be brought to a stop by means of digital commands, bus commands, references or a local stop, while the adjustable frequency drive is connected to line power. If personal safety considerations make it necessary to ensure that no unintended start occurs, these stop functions are not sufficient.
2. While parameters are being changed, the motor may start. Consequently, the stop key [STOP/RESET] must always be activated, after which data can be modified.
3. A motor that has been stopped may start if faults occur in the electronics of the adjustable frequency drive, or if a temporary overload or a fault in the supply line power or the motor connection ceases.



Touching the electrical parts may be fatal - even after the equipment has been disconnected from line power.

Also make sure that other voltage inputs have been disconnected, such as external 24 V DC, load sharing (linkage of DC intermediate circuit), as well as the motor connection for kinetic backup. Refer to the instruction manual for further safety guidelines.



The adjustable frequency drive DC link capacitors remain charged after power has been disconnected. To avoid an electrical shock hazard, disconnect the adjustable frequency drive from line power before carrying out maintenance. Wait at least as follows before doing service on the adjustable frequency drive:

Voltage (V)	Min. Waiting Time (Minutes)				
	4	15	20	30	40
200 - 240	1.5–5 hp [1.1–3.7 kW]	7.5–60 hp [5.5–45 kW]			
380 - 480	1.5–10 hp [1.1–7.5 kW]	15–125 hp [11–90 kW]	150–350 hp [110–250 kW]		450–1350 hp [315–1000 kW]
525 - 600	1.5–10 hp [1.1–7.5 kW]	15–125 hp [11–90 kW]			
525 - 690		15–125 hp [11–90 kW]	60–550 hp [45–400 kW]	600–1875 hp [450–1400 kW]	

Be aware that there may be high voltage on the DC link even when the LEDs are turned off.

2.1.4 Before Commencing Repair Work

1. Disconnect the adjustable frequency drive from line power.
2. Disconnect DC bus terminals 88 and 89
3. Wait at least the time mentioned above in the section General Warning.
4. Remove motor cable

2.1.5 Special Conditions

Electrical ratings:

The rating indicated on the nameplate of the adjustable frequency drive is based on a typical 3-phase line power supply within the specified voltage, current and temperature range, which are expected to be used in most applications.

The adjustable frequency drives also support other special applications, which affect the electrical ratings of the adjustable frequency drive.

Special conditions that affect the electrical ratings might be:

- Single phase applications.
- High temperature applications that require derating of the electrical ratings.
- Marine applications with more severe environmental conditions.

Other applications might also affect the electrical ratings.

Consult the relevant sections in this manual and in the VLT HVAC Drive *Design Guide*, MG.11.BX.YY for information about the electrical ratings.

**Installation requirements:**

The overall electrical safety of the adjustable frequency drive requires special installation considerations regarding:

- Fuses and circuit breakers for overcurrent and short-circuit protection
- Selection of power cables (line power, motor, brake, load sharing and relay)
- Grid configuration (grounded delta transformer leg, IT, TN, etc.)
- Safety of low-voltage ports (PELV conditions).

Consult the relevant clauses in these instructions and in the VLT HVAC Drive Design Guide for information about the installation requirements.

**2.1.6 Installation at High Altitudes (PELV)****Hazardous Voltage!**

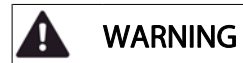
At altitudes above 6,562 feet [2 km], please contact Danfoss regarding PELV.

**Avoid unintended start**

**While the adjustable frequency drive is connected to line power, the motor can be started/stopped using digital commands, bus commands, references or via the LCP.**

- **Disconnect the adjustable frequency drive from line power whenever personal safety considerations make it necessary to avoid an unintended start.**
- **To avoid unintended start, always activate the [OFF] key before changing parameters.**
- **Unless terminal 37 is turned off, an electronic fault, temporary overload, a fault in the line power supply, or lost motor connection may cause a stopped motor to start.**

**Failure to follow recommendations could result in death or serious injury.**

**2.1.7 Avoid Unintended Start**

**While the adjustable frequency drive is connected to line power, the motor can be started/stopped using digital commands, bus commands, references or via the Local Control Panel.**

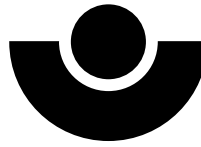
- **Disconnect the adjustable frequency drive from line power whenever personal safety considerations make it necessary to avoid an unintended start.**
- **To avoid unintended start, always activate the [OFF] key before changing parameters.**
- **Unless terminal 37 is turned off, an electronic fault, temporary overload, a fault in the line power supply, or lost motor connection may cause a stopped motor to start.**

**2.1.8 Safe Stop of the Adjustable Frequency Drive**

For versions equipped with a Safe Stop terminal 37 input, the adjustable frequency drive can perform the safety function *Safe Torque Off* (as defined by draft CD IEC 61800-5-2) or *Stop Category 0* (as defined in EN 60204-1).

It is designed and approved suitable for the requirements of Safety Category 3 in EN 954-1. This functionality is called Safe Stop. Prior to integration and use of Safe Stop in an installation, a thorough risk analysis on the installation must be carried out in order to determine whether the Safe Stop functionality and safety category are appropriate and sufficient. In order to install and use the safe stop function in accordance with the requirements of Safety Category 3 in EN 954-1, the related information and instructions of the VLT HVAC Drive *Design Guide* must be followed! The information and instructions of the Instruction Manual are not sufficient for a correct and safe use of the safe stop functionality!

Prüf- und Zertifizierungsstelle  
im BG-PRÜFZERT



BGIA  
Berufsgenossenschaftliches  
Institut für Arbeitsschutz  
  
Hauptverband der gewerblichen  
Berufsgenossenschaften

130BA491.10

Translation  
In any case, the German  
original shall prevail.

Type Test Certificate

05 06004

No. of certificate

Name and address of the  
holder of the certificate:  
(customer)  
Danfoss Drives A/S, Ulnaes 1  
Dk-6300 Graasten, Dänemark

Name and address of the  
manufacturer:  
Danfoss Drives A/S, Ulnaes 1  
Dk-6300 Graasten, Dänemark

Ref. of customer:

Ref. of Test and Certification Body:  
Apf/Köh VE-Nr. 2003 23220

Date of Issue:  
13.04.2005

Product designation: Frequency converter with integrated safety functions

Type: VLT®Automation Drive FC 302

Intended purpose: Implementation of safety function „Safe Stop”

Testing based on:  
EN 954-1, 1997-03  
DKE AK 226.03, 1998-06  
EN ISO 13849-2; 2003-12  
EN 61800-3, 2001-02,  
EN 61800-5-1, 2003-09,

Test certificate: No.: 2003 23220 from 13.04.2005

Remarks: The presented types of the frequency converter FC 302 meet the requirements laid down in the test bases.  
With correct wiring a category 3 according to DIN EN 954-1 is reached for the safety function.

The type tested complies with the provisions laid down in the directive 98/37/EC (machinery).

Further conditions are laid down in the Rules of Procedure for Testing and Certification of April 2004.

Head of certification body

.....  
(Prof. Dr. rer. nat. Dietmar Reinrt)

Certification officer

.....  
Dipl.-Ing. R. Apfeld)

PZB10E  
01.05



Postal address:  
53754 Sankt Augustin

Office:  
Alte Heerstraße 111  
53757 Sankt Augustin

Phone: 0 22 41/2 31-02  
Fax: 0 22 41/2 31-22 34

Figure 2.1: This certificate also covers FC 102 and FC 202.

### 2.1.9 IT Line Power



#### IT line power

Do not connect adjustable frequency drives with RFI filters to line power supplies with a voltage between phase and ground of more than 440 V for 400 V drives and 760 V for 690 V drives.

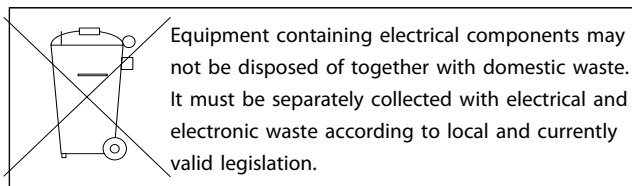
For 400 V IT line power and delta ground (grounded leg), AC line voltage may exceed 440 V between phase and ground.

For 690 V IT line power and delta ground (grounded leg), AC line voltage may exceed 760 V between phase and ground.

Failure to follow recommendations could result in death or serious injury.

Par. 14-50 *RFI 1* can be used to disconnect the internal RFI capacitors from the RFI filter to ground.

### 2.1.10 Disposal Instructions





## 3 Mechanical Installation

### 3.1 Before Starting

#### 3.1.1 Checklist

When unpacking the adjustable frequency drive, make sure that the unit is undamaged and complete. Use the following table to identify the packaging:

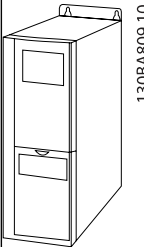
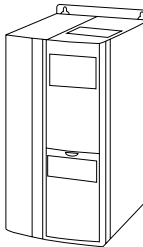
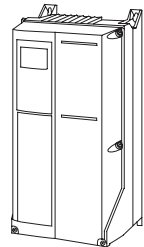
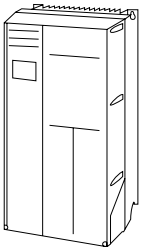
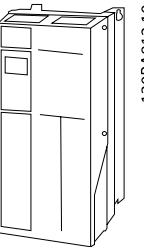
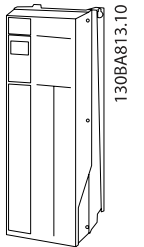
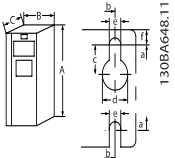
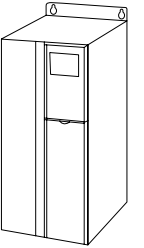
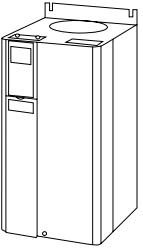
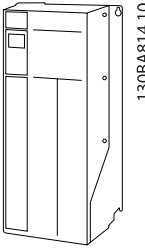
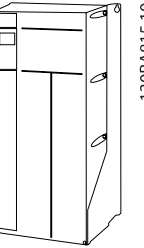
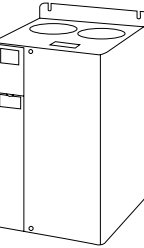
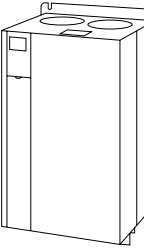
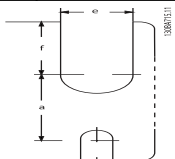
Enclosure type:	A2 (IP 20-21)	A3 (IP 20-21)	A4 (IP 55-66)	A5 (IP 55-66)	B1/B3 (IP 20-21-55-66)	B2/B4 (IP 20-21-55-66)	C1/C3 (IP 20-21-55-66)	C2*/C4 (IP 20-21-55-66)	
	 130BA295.10		 130BA288.10						
<b>Unit size (HP) (kW):</b>									
200–240 V	1.5–3 [1.1–2.2]	4–5 [3.0–3.7]	1.5–3 [1.1–2.2]	1.5–5 [1.1–3.7]–3.7]	7.5–15 [5.5–11]/ 7.5–15 [5.5–11]	20 [15]/ 20–25 [15–18.5]	25–40 [18.5–30]/ 30–40 [22–30]	37–45/ 37–45	
380–480 V	1.5–5 [1.1–4.0]	7.5–10 [5.5–7.5]	1.5–5 [1.1–4.0]	1.5–10 [1.1–7.5]	15–25 [11–18.5]/ 15–25 [11–18.5]	22–30/ 22–37	37–55/ 45–55	75–90/ 75–90	
525–600 V		1.5–10 [1.1–7.5]		1.5–10 [1.1–7.5]	15–25 [11–18.5]/ 15–25 [11–18.5]	22–30/ 22–37	37–55/ 45–55	75–90/ 75–90	

**Table 3.1: Unpacking table**

Please note that it is recommended to have a selection of screwdrivers (phillips or cross-thread screwdriver and torx), a side-cutter, drill and knife handy for unpacking and mounting the adjustable frequency drive. The packaging for these enclosures contains, as shown: Accessories bag(s), documentation and the unit. Depending on options fitted, there may be one or two bags and one or more booklets.

3.2.1 Mechanical Front Views

3

A2	A3	A4	A5	B1	B2
 130BA809.10	 130BA810.10	 130BB458.10	 130BA811.10	 130BA812.10	 130BA813.10
IP20/21*	IP20/21*	IP55/66	IP55/66	IP21/55/66	IP21/55/66
 Top and bottom mounting holes.					
B3	B4	C1	C2	C3	C4
 130BA826.10	 130BA827.10	 130BA814.10	 130BA815.10	 130BA828.10	 130BA829.10
IP20/21*	IP20/21*	IP21/55/66	IP21/55/66	IP20/21*	IP20/21*
 Top and bottom mounting holes. (B4+C3+C4 only)					
<p>Accessory bags containing necessary brackets, screws and connectors are included with the drives upon delivery.</p>					
<p>* IP21 can be established with a kit as described in the section: IP 21/ IP 4X/ TYPE 1 Enclosure Kit in the Design Guide.</p>					

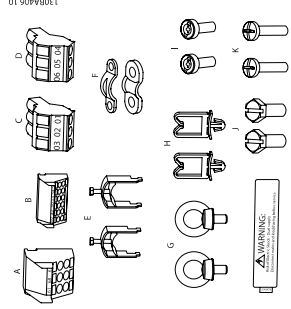
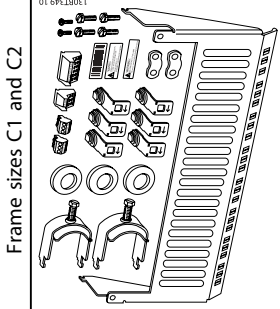
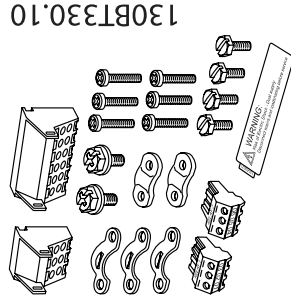
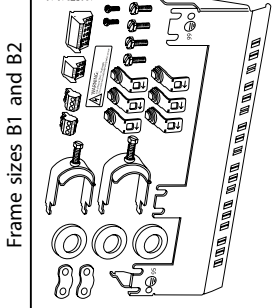
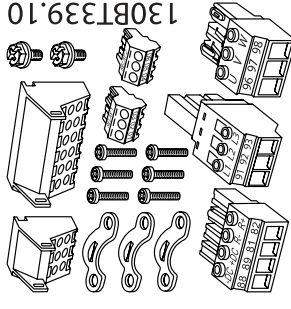
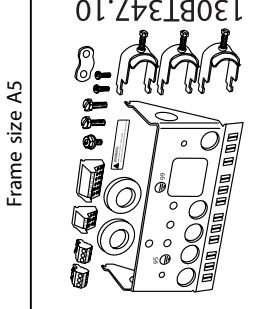
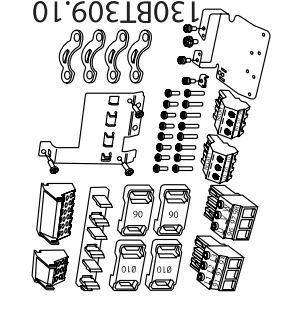
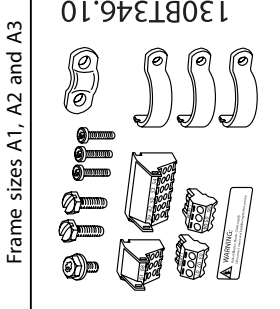


## 3.2.2 Mechanical Dimensions

Mechanical Dimensions								
Frame size (hp [kW]):	A2	A3		A4		A5	B1	
200–240 V	1.5–3 [1.1–2.2]	4–5 [3.0–3.7]		1.5–3 [1.1–2.2]		1.5–5 [1.1–3.7]–	7.5–15 [5.5–11]	
380–480 V	1.5–5 [1.1–4.0]–4.0]	7.5–10 [5.5–7.5]		1.5–5 [1.1–4.0]		3.7]	15–25 [11–18.5]	
525–600 V		1.5–10 [1.1–7.5]				1.5–10 [1.1–7.5]–	15–25 [11–18.5]	
						7.5]		
						1.5–10 [1.1–7.5]		
IP	20	21	20	21	55/66	55/66	21/55/66	
NEMA	Chassis	Type 1	Chassis	Type 1		Type 12	Type 1/12	
<b>Height (in/mm)</b>								
Enclosure	A**	246	372	246	372	390	420	480
..with de-coupling plate	A2	374	-	374	-	-	-	-
Backplate	A1	268	375	268	375	390	420	480
Distance between mount. holes	a	257	350	257	350	401	402	454
<b>Width (in/mm)</b>								
Enclosure	B	90	90	130	130	200	242	242
With one C option	B	130	130	170	170		242	242
Backplate	B	90	90	130	130	200	242	242
Distance between mount. holes	b	70	70	110	110	171	215	210
<b>Depth (in/mm)</b>								
Without option A/B	C	205	205	205	205	175	200	260
With option A/B	C*	220	220	220	220	175	200	260
<b>Screw holes (in/mm)</b>								
	c	0.31 [8.0]	0.31 [8.0]	0.31 [8.0]	0.31 [8.0]	0.32 [8.2]	0.32 [8.2]	12
Diameter ø	d	11	11	11	11	12	12	19
Diameter ø	e	0.22 [5.5]	0.22 [5.5]	0.22 [5.5]	0.22 [5.5]	0.26 [6.5]	0.26 [6.5]	9
	f	9	9	9	9	6	9	9
<b>Max weight (lb)(kg)</b>								
		10.8 [4.9]	11.7 [5.3]	14.6 [6.6]	15.4 [7.0]	21.4 [9.7]	14	23
* Depth of enclosure will vary with different options installed.								
** The free space requirements are above and below the bare enclosure height measurement A. See section <i>Mechanical Mounting</i> for further information.								

Mechanical Dimensions								
Frame size (hp [kW]):	B2	B3	B4	C1	C2	C3	C4	
200–240 V	15	7.5–15 [5.5–11]	20–25 [15–18.5]	25–40 [18.5–30]	37–45	22–30	37–45	
380–480 V	22–30	15–25 [11–18.5]	30–50 [22–37]	50–75 [37–55]	75–90	45–55	75–90	
525–600 V	22–30	15–25 [11–18.5]	30–50 [22–37]	50–75 [37–55]	75–90	45–55	75–90	
IP	21/55/66	20	20	21/55/66	21/55/66	20	20	
NEMA	Type 1/12	Chassis	Chassis	Type 1/12	Type 1/12	Chassis	Chassis	
Height (in/mm)								
Enclosure	A**	650	350	460	680	770	490	600
..with de-coupling plate	A2	-	419	595	-	-	630	800
Backplate	A1	650	399	520	680	770	550	660
Distance between mount. holes	a	624	380	495	648	739	521	631
Width (in/mm)								
Enclosure	B	242	165	231	308	370	308	370
With one C option	B	242	205	231	308	370	308	370
Backplate	B	242	165	231	308	370	308	370
Distance between mount. holes	b	210	140	200	272	334	270	330
Depth (in/mm)								
Without option A/B	C	260	248	242	310	335	333	333
With option A/B	C*	260	262	242	310	335	333	333
Screw holes (in/mm)								
	c	12	8	-	12	12	-	-
Diameter ø	d	19	12	-	19	19	-	-
Diameter ø	e	9	0.27 [6.8]	0.33 [8.5]	0.35 [9.0]	0.35 [9.0]	0.33 [8.5]	0.33 [8.5]
	f	9	0.31 [7.9]	15	0.39 [9.8]	0.39 [9.8]	17	17
Max weight (lb)(kg)								
		27	12	51.8 [23.5]	45	65	35	50
* Depth of enclosure will vary with different options installed.								
** The free space requirements are above and below the bare enclosure height measurement A. See section <i>Mechanical Mounting</i> for further information.								

3.2.3 Accessory Bags

<p>Accessory Bags: Find the following parts included in the adjustable frequency drive accessory bags</p>	 <p>130B1309.10</p>	 <p>130B1349.10</p>	<p>Frame sizes A1, A2 and A3</p> <p>Frame sizes C1 and C2</p>
	 <p>130B1330.10</p>	 <p>130B1348.10</p>	<p>Frame sizes B1 and B2</p> <p>Frame size C3</p>
	 <p>130B1339.10</p>	 <p>130B1347.10</p>	<p>Frame size A5</p> <p>Frame size B4</p>
	 <p>130B1309.10</p>	 <p>130B1346.10</p>	<p>Frame sizes A1, A2 and A3</p> <p>Frame size B3</p>
<p>1 + 2 only available in units with brake chopper. For DC link connection (load sharing) the connector 1 can be ordered separately (Code no. 130B1064)</p> <p>An eight-pole connector is included in accessory bag for FC 102 without Safe Stop.</p>			

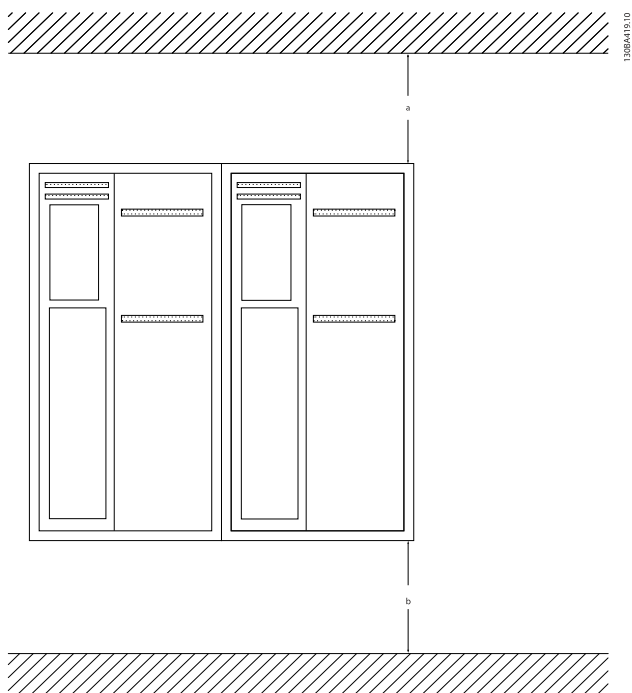
### 3.2.4 Mechanical Mounting

All IP20 enclosure sizes as well as IP21/ IP55 enclosure sizes except A2 and A3 allow side-by-side installation.

3

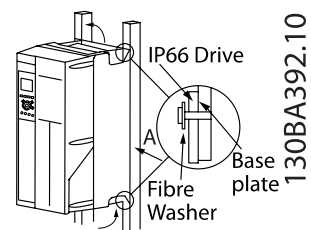
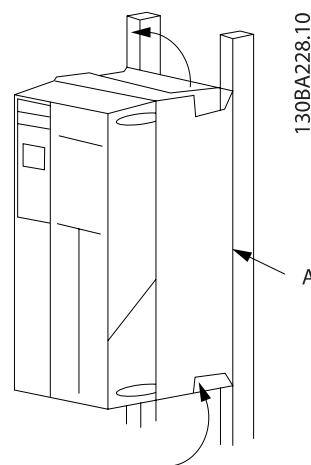
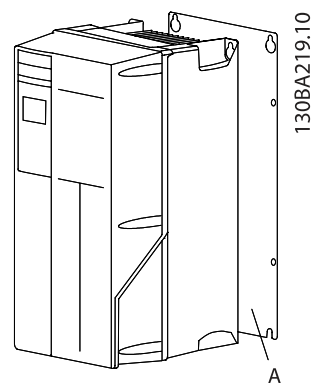
If the IP 21 Enclosure kit (130B1122 or 130B1123) is used on enclosure A2 or A3, there must be a minimum of 2 in [50 mm] of clearance between drives.

For optimal cooling conditions, allow a free air passage above and below the adjustable frequency drive. See table below.



Air passage for different enclosures												
Enclosure:	A2	A3	A4	A5	B1	B2	B3	B4	C1	C2	C3	C4
a (mm):	100	100	100	100	200	200	200	200	200	225	200	225
b (mm):	100	100	100	100	200	200	200	200	200	225	200	225

1. Drill holes in accordance with the measurements given.
2. You must provide screws suitable for the surface on which you want to mount the adjustable frequency drive. Re-tighten all four screws.



Mounting frame sizes A4, A5, B1, B2, B3, B4, C1, C2, C3 and C4 on a non-solid back wall, the adjustable frequency drive must be provided with a backplate A due to insufficient cooling air over the heatsink.

With heavier drives (B4, C3, C4), use a lift. First wall-mount the 2 lower bolts, then lift the drive onto the lower bolts. Finally, fasten the drive against the wall with the 2 top bolts.

### 3.2.5 Safety Requirements of Mechanical Installation



Pay attention to the requirements that apply to integration and the field mounting kit. Observe the information in the list to avoid serious injury or equipment damage, especially when installing large units.

#### CAUTION

The adjustable frequency drive is cooled by air circulation.

To protect the unit from overheating, it must be ensured that the ambient temperature *does not exceed the maximum temperature stated for the adjustable frequency drive*, and that the 24-hour average temperature *is not exceeded*. Locate the maximum temperature and 24-hour average in the paragraph *Derating for Ambient Temperature*.

If the ambient temperature is in the range of 113°–131°F [45°–55°C], derating of the adjustable frequency drive will become relevant, see *Derating for Ambient Temperature*.

The service life of the adjustable frequency drive is reduced if derating for ambient temperature is not taken into account.

### 3.2.6 Field Mounting

For field mounting the IP 21/IP 4X top/,TYPE 1 kits or IP 54/55 units are recommended.

### 3.2.7 Panel Through Mounting

A Panel Through Mount Kit is available for adjustable frequency drive series VLT HVAC Drive, VLT Aqua Drive and .

In order to increase heatsink cooling and reduce panel depth, the adjustable frequency drive may be mounted in a through panel. Furthermore, the built-in fan can then be removed.

The kit is available for enclosures A5 through C2.

#### NOTE!

**This kit cannot be used with cast front covers. IP21 plastic cover must be used instead.**

Information on ordering numbers is found in the *Design Guide*, section *Ordering Numbers*.

More detailed information is available in the *Panel Through Mount Kit instruction, MI.33.HX.YY*, where yy=language code.



## 4 Electrical Installation

### NOTE!

#### Cables General

All cabling must comply with national and local regulations on cable cross-sections and ambient temperature. Copper (140°/167°F [60°/75°C]) conductors are recommended.

### 4.1 How to Connect

#### 4.1.1 Cables General

### NOTE!

For the VLT HVAC Drive High Power series AC line input and motor connections, please see VLT HVAC Drive High Power Instruction Manual MG.11.FX.YY.

Details of terminal tightening torques.

Enclosure	Power (kW)			Torque (Nm)					
	200–240 V	380–480 V	525–600 V	Line power	Motor	DC connection	Brake	Ground	Relay
A2	1.5–4 [1.1–3.0]	1.5–5 [1.1–4.0]	1.5–5 [1.1–4.0]	1.8	1.8	1.8	1.8	3	0.6
A3	5 [3.7]	7.5–10 [5.5–7.5]	7.5–10 [5.5–7.5]	1.8	1.8	1.8	1.8	3	0.6
A4	1.5–3 [1.1–2.2]	1.5–5 [1.1–4]		1.8	1.8	1.8	1.8	3	0.6
A5	1.5–5 [1.1–3.7]	1.5–10 [1.1–7.5]	1.5–10 [1.1–7.5]	1.8	1.8	1.8	1.8	3	0.6
B1	7.5–15 [5.5–11]	15–25 [11–18.5]	15–25 [11–18.5]	1.8	1.8	1.5	1.5	3	0.6
B2	- 15	22 30	22 30	4.5 4.5 <sup>2)</sup>	4.5 4.5 <sup>2)</sup>	3.7 3.7	3.7 3.7	3 3	0.6 0.6
B3	7.5–15 [5.5–11]	15–25 [11–18.5]	15–25 [11–18.5]	1.8	1.8	1.8	1.8	3	0.6
B4	20–25 [15–18.5]	22 - 37	22 - 37	4.5	4.5	4.5	4.5	3	0.6
C1	25–40 [18.5–30]	37 - 55	37 - 55	10	10	10	10	3	0.6
C2	37 - 45	75 - 90	75 - 90	14/24 <sup>1)</sup>	14/24 <sup>1)</sup>	14	14	3	0.6
C3	22 - 30	45 - 55	45 - 55	10	10	10	10	3	0.6
C4	37 - 45	75 - 90	75 - 90	14/24 <sup>1)</sup>	14/24 <sup>1)</sup>	14	14	3	0.6
<b>High Power</b>									
Enclosure		380–480 V		Line power	Motor	DC connection	Brake	Ground	Relay
D1/D3		110-132		19	19	9.6	9.6	19	0.6
D2/D4		160-250		19	19	9.6	9.6	19	0.6
E1/E2		315-450		19	19	19	9.6	19	0.6
F1-F3 <sup>3)</sup>		500-710	710-900	19	19	19	9.6	19	0.6
F2-F4 <sup>3)</sup>		800-1000	1000-1400	19	19	19	9.6	19	0.6

Table 4.1: Tightening of terminals

1) For different cable dimensions x/y, where  $x \leq 0.147 \text{ in}^2$  [95 mm<sup>2</sup>] and  $y \geq 0.147 \text{ in}^2$  [95 mm<sup>2</sup>].

2) Cable dimensions above 25 hp [18.5 kW]  $\geq 0.0542 \text{ in}^2$  [35 mm<sup>2</sup>] and below 30 hp [22 kW]  $\leq 0.0155 \text{ in}^2$  [10 mm<sup>2</sup>].

3) For data on the F frame sizes consult FC 100 High Power Instruction Manual.

4.1.2 Electrical Installation and Control Cables

4

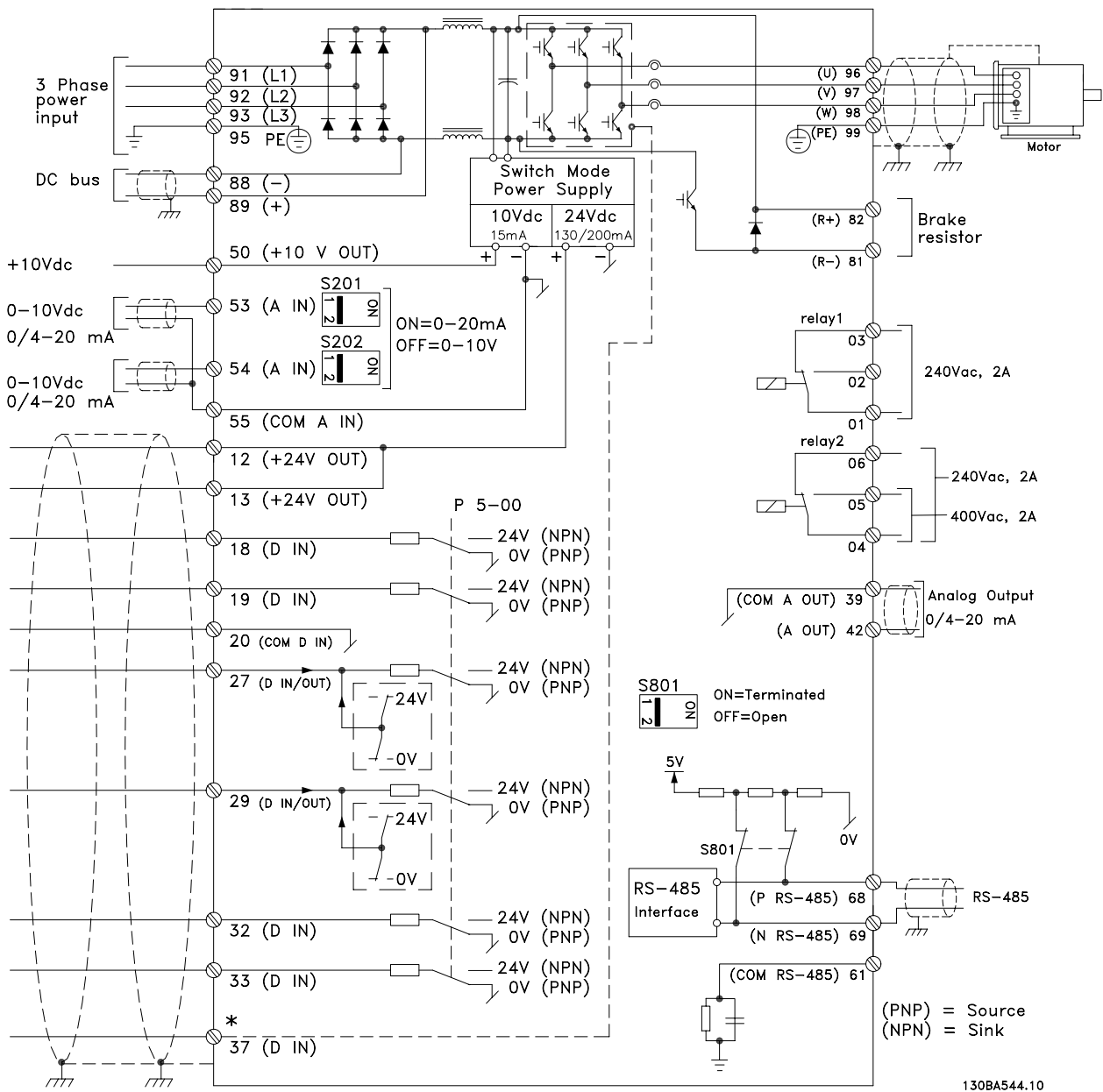


Figure 4.1: Diagram showing all electrical terminals. (Terminal 37 present for units with safe stop function only.)



Terminal number	Terminal description	Parameter number	Factory default
1+2+3	Terminal 1+2+3-Relay1	5-40	No operation
4+5+6	Terminal 4+5+6-Relay2	5-40	No operation
12	Terminal 12 Supply	-	+24 V DC
13	Terminal 13 Supply	-	+24 V DC
18	Terminal 18 Digital Input	5-10	Start
19	Terminal 19 Digital Input	5-11	No operation
20	Terminal 20	-	Common
27	Terminal 27 Digital Input/Output	5-12/5-30	Coast inverse
29	Terminal 29 Digital Input/Output	5-13/5-31	Jog
32	Terminal 32 Digital Input	5-14	No operation
33	Terminal 33 Digital Input	5-15	No operation
37	Terminal 37 Digital Input	-	Safe Stop
42	Terminal 42 Analog Output	6-50	Speed 0-HighLim
53	Terminal 53 Analog Input	3-15/6-1*/20-0*	Reference
54	Terminal 54 Analog Input	3-15/6-2*/20-0*	Feedback

**Table 4.2: Terminal connections**

Very long control cables and analog signals may, in rare cases and depending on the installation, result in 50/60 Hz ground loops due to noise from line power supply cables.

If this occurs, break the shield or insert a 100 nF capacitor between shield and chassis.

**NOTE!**

The common of digital / analog inputs and outputs should be connected to separate common terminals 20, 39, and 55. This will prevent ground current interference among groups. For example, it prevents switching on digital inputs from disturbing analog inputs.

**NOTE!**

Control cables must be shielded/armored.

### 4.1.3 Fuses

**Branch Circuit Protection**

In order to protect the installation against electrical and fire hazard, all branch circuits in an installation, switch gear, machines, etc., must be short-circuit and overcurrent protected according to the national/international regulations.


**WARNING**
**Short-circuit protection:**

The adjustable frequency drive must be protected against short-circuit to avoid electrical or fire hazard. Danfoss recommends using the fuses mentioned below to protect service personnel and equipment in case of an internal failure in the drive. The adjustable frequency drive provides full short-circuit protection in case of a short-circuit on the motor output.


**WARNING**
**Overcurrent protection**

Provide overload protection to avoid fire hazard due to overheating of the cables in the installation. Overcurrent protection must always be provided in accordance with national regulations. The adjustable frequency drive is equipped with internal overcurrent protection that can be used for upstream overload protection (UL applications excluded). See par. 4-18 *Current Limit* in the *VLT HVAC Drive Programming Guide*. Fuses must be designed for protection in a circuit capable of supplying a maximum of 100,000 A<sub>rms</sub> (symmetrical), 500 V/600 V maximum.

**Overcurrent protection**

If UL/cUL is not to be complied with, Danfoss recommends using the fuses mentioned in the table below, which will ensure compliance with EN50178.

In case of malfunction, not following the recommendation may result in unnecessary damage to the adjustable frequency drive.

## Non-UL compliance fuses

Adjustable frequency drive	Max. fuse size	Voltage	Type
<b>200–240 V - T2</b>			
1K1-1K5	16A <sup>1</sup>	200–240 V	type gG
2K2	25A <sup>1</sup>	200–240 V	type gG
3K0	25A <sup>1</sup>	200–240 V	type gG
3K7	35A <sup>1</sup>	200–240 V	type gG
5K5	50A <sup>1</sup>	200–240 V	type gG
7K5	63A <sup>1</sup>	200–240 V	type gG
11K	63A <sup>1</sup>	200–240 V	type gG
15K	80A <sup>1</sup>	200–240 V	type gG
18K5	125A <sup>1</sup>	200–240 V	type gG
22K	125A <sup>1</sup>	200–240 V	type gG
30K	160A <sup>1</sup>	200–240 V	type gG
37K	200A <sup>1</sup>	200–240 V	type aR
45K	250A <sup>1</sup>	200–240 V	type aR
<b>380–480 V - T4</b>			
1K1-1K5	10A <sup>1</sup>	380–500 V	type gG
2K2-3K0	16A <sup>1</sup>	380–500 V	type gG
4K0-5K5	25A <sup>1</sup>	380–500 V	type gG
7K5	35A <sup>1</sup>	380–500 V	type gG
11K–15K	63A <sup>1</sup>	380–500 V	type gG
18K	63A <sup>1</sup>	380–500 V	type gG
22K	63A <sup>1</sup>	380–500 V	type gG
30K	80A <sup>1</sup>	380–500 V	type gG
37K	100A <sup>1</sup>	380–500 V	type gG
45K	125A <sup>1</sup>	380–500 V	type gG
55K	160A <sup>1</sup>	380–500 V	type gG
75K	250A <sup>1</sup>	380–500 V	type aR
90K	250A <sup>1</sup>	380–500 V	type aR
1) Max. fuses - see national/international regulations to select an appropriate fuse size.			

Table 4.3: Non-UL fuses 200 V to 480 V

If UL/cUL is not to be complied with, we recommend using the following fuses, which will ensure compliance with EN50178:

Adjustable Frequency Drive	Voltage	Type
P110 - P250	380–480 V	type gG
P315 - P450	380–480 V	type gR

Table 4.4: Compliance with EN50178

## UL compliance fuses

Adjustable frequency drive	Bussmann	Bussmann	Bussmann	SIBA	Littel fuse	Ferraz-Shawmut	Ferraz-Shawmut
<b>200–240 V</b>							
kW	Type RK1	Type J	Type T	Type RK1	Type RK1	Type CC	Type RK1
K25-K37	KTN-R05	JKS-05	JJN-05	5017906-005	KLN-R005	ATM-R05	A2K-05R
K55-1K1	KTN-R10	JKS-10	JJN-10	5017906-010	KLN-R10	ATM-R10	A2K-10R
1K5	KTN-R15	JKS-15	JJN-15	5017906-015	KLN-R15	ATM-R15	A2K-15R
2K2	KTN-R20	JKS-20	JJN-20	5012406-020	KLN-R20	ATM-R20	A2K-20R
3K0	KTN-R25	JKS-25	JJN-25	5012406-025	KLN-R25	ATM-R25	A2K-25R
3K7	KTN-R30	JKS-30	JJN-30	5012406-030	KLN-R30	ATM-R30	A2K-30R
5K5	KTN-R50	JKS-50	JJN-50	5012406-050	KLN-R50	-	A2K-50R
7K5	KTN-R50	JKS-60	JJN-60	5012406-050	KLN-R60	-	A2K-50R
11K	KTN-R60	JKS-60	JJN-60	5014006-063	KLN-R60	A2K-60R	A2K-60R
15K	KTN-R80	JKS-80	JJN-80	5014006-080	KLN-R80	A2K-80R	A2K-80R
18K5	KTN-R125	JKS-150	JJN-125	2028220-125	KLN-R125	A2K-125R	A2K-125R
22K	KTN-R125	JKS-150	JJN-125	2028220-125	KLN-R125	A2K-125R	A2K-125R
30K	FWX-150	-	-	2028220-150	L25S-150	A25X-150	A25X-150
37K	FWX-200	-	-	2028220-200	L25S-200	A25X-200	A25X-200
45K	FWX-250	-	-	2028220-250	L25S-250	A25X-250	A25X-250

Table 4.5: UL fuses, 200–240 V

Adjustable frequency drive	Bussmann	Bussmann	Bussmann	SIBA	Littel fuse	Ferraz-Shawmut	Ferraz-Shawmut
<b>380–480 V, 525–600 V</b>							
kW	Type RK1	Type J	Type T	Type RK1	Type RK1	Type CC	Type RK1
K37-1K1	KTS-R6	JKS-6	JJS-6	5017906-006	KLS-R6	ATM-R6	A6K-6R
1K5-2K2	KTS-R10	JKS-10	JJS-10	5017906-010	KLS-R10	ATM-R10	A6K-10R
3K0	KTS-R15	JKS-15	JJS-15	5017906-016	KLS-R16	ATM-R16	A6K-16R
4K0	KTS-R20	JKS-20	JJS-20	5017906-020	KLS-R20	ATM-R20	A6K-20R
5K5	KTS-R25	JKS-25	JJS-25	5017906-025	KLS-R25	ATM-R25	A6K-25R
7K5	KTS-R30	JKS-30	JJS-30	5012406-032	KLS-R30	ATM-R30	A6K-30R
11K	KTS-R40	JKS-40	JJS-40	5014006-040	KLS-R40	-	A6K-40R
15K	KTS-R40	JKS-40	JJS-40	5014006-040	KLS-R40	-	A6K-40R
18K	KTS-R50	JKS-50	JJS-50	5014006-050	KLS-R50	-	A6K-50R
22K	KTS-R60	JKS-60	JJS-60	5014006-063	KLS-R60	-	A6K-60R
30K	KTS-R80	JKS-80	JJS-80	2028220-100	KLS-R80	-	A6K-80R
37K	KTS-R100	JKS-100	JJS-100	2028220-125	KLS-R100		A6K-100R
45K	KTS-R125	JKS-150	JJS-150	2028220-125	KLS-R125		A6K-125R
55K	KTS-R150	JKS-150	JJS-150	2028220-160	KLS-R150		A6K-150R
75K	FWH-220	-	-	2028220-200	L50S-225		A50-P225
90K	FWH-250	-	-	2028220-250	L50S-250		A50-P250

**Table 4.6: UL fuses, 380–600 V**

KTS fuses from Bussmann may substitute for KTN for 240 V adjustable frequency drives.

FWH fuses from Bussmann may substitute for FWX for 240 V adjustable frequency drives.

KLSR fuses from LITTEL FUSE may substitute for KLNR fuses for 240 V adjustable frequency drives.

L50S fuses from LITTEL FUSE may substitute for L50S fuses for 240 V adjustable frequency drives.

A6KR fuses from FERRAZ SHAWMUT may substitute for A2KR for 240 V adjustable frequency drives.

A50X fuses from FERRAZ SHAWMUT may substitute for A25X for 240 V adjustable frequency drives.

4.1.4 Grounding and IT Line Power

**! WARNING**

The ground connection cable cross-section must be at least 0.016 in<sup>2</sup> [10 mm<sup>2</sup>] or 2 rated line power wires terminated separately according to EN 50178 or IEC 61800-5-1 unless national regulations specify differently. Always comply with national and local regulations on cable cross-sections.

The line power is connected to the main disconnect switch if this is included.

**! CAUTION**

Make sure that the AC line voltage corresponds to the AC line voltage of the adjustable frequency drive nameplate.

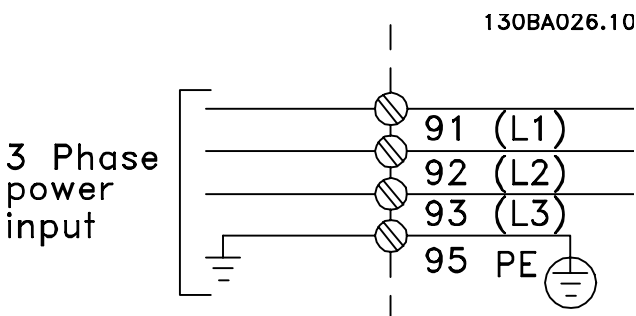


Figure 4.2: Terminals for line power and grounding.

**! WARNING**

**IT Line Power**

Do not connect 400 V adjustable frequency drives with RFI filters to line power supplies with a voltage between phase and ground of more than 440 V.

For IT line power and delta ground (grounded leg), AC line voltage may exceed 440 V between phase and ground.

## 4.1.5 Line Power Wiring Overview

4

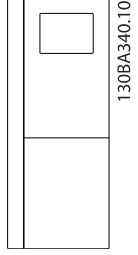
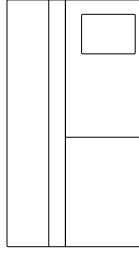
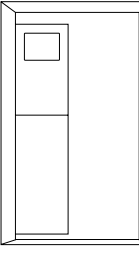
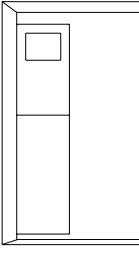
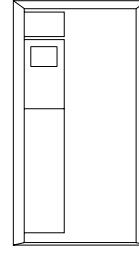
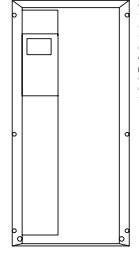
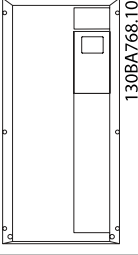
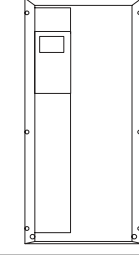
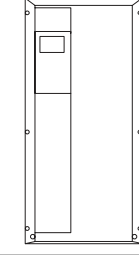
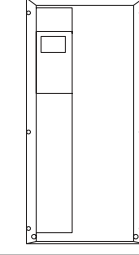
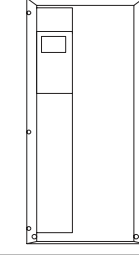
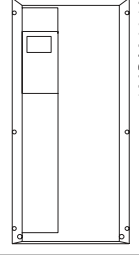
Enclosure:	A2 (IP 20/IP 21)	A3 (IP 20/IP 21)	A4 (IP 55/IP 66)	A5 (IP 55/IP 66)	B1 (IP 21/IP 55/IP 66)	B2 (IP 21/IP 55/IP 66)
						
Motor size:						
200–240 V	1.5–4 hp [1.1–3.0 kW] kW]	5 hp [3.7 kW]	1.5–3 hp [1.1–2.2 kW]	1.5–5 hp [1.1–3.7 kW]–3.7 kW]	7.5–15 hp [5.5–11 kW]	20 hp [15 kW]
380–480 V	1.5–5 hp [1.1–4.0 kW]–4.0 kW]	7.5–10 hp [5.5–7.5 kW]	1.5–5 hp [1.1–4 kW]	1.5–10 hp [1.1–7.5 kW]–7.5 kW]	15–25 hp [11–18.5 kW]	30–40 hp [22–30 kW]
525–600 V		1.5–10 hp [1.1–7.5 kW]		1.5–10 hp [1.1–7.5 kW]1–7.5 kW]	15–25 hp [11–18.5 kW]	30–40 hp [22–30 kW]
Enclosure:	B3 (IP 20)	B4 (IP 20)	C1 (IP 21/IP 55/66)	C2 (IP 21/IP 55/66)	C3 (IP 20)	C4 (IP20)
Goto:	<b>4.1.5</b>		<b>4.1.6</b>		<b>4.1.7</b>	
						
Motor size:						
200–240 V	7.5–15 hp [5.5–11 kW]	20–25 hp [15–18.5 kW]	25–40 hp [18.5–30 kW]	50–60 hp [37–45 kW]	30–40 hp [22–30 kW]	50–60 hp [37–45 kW]
380–480 V	15–25 hp [11–18.5 kW]	30–50 hp [22–37 kW]	50–75 hp [37–55 kW]	100–125 hp [75–90 kW]	60–75 hp [45–55 kW]	100–125 hp [75–90 kW]
525–600 V	15–25 hp [11–18.5 kW]	30–50 hp [22–37 kW]	50–75 hp [37–55 kW]	100–125 hp [75–90 kW]	60–75 hp [45–55 kW]	100–125 hp [75–90 kW]
Goto:		<b>4.1.8</b>			<b>4.1.9</b>	

Table 4.7: Line power wiring table.

4.1.6 AC line input connections for A2 and A3

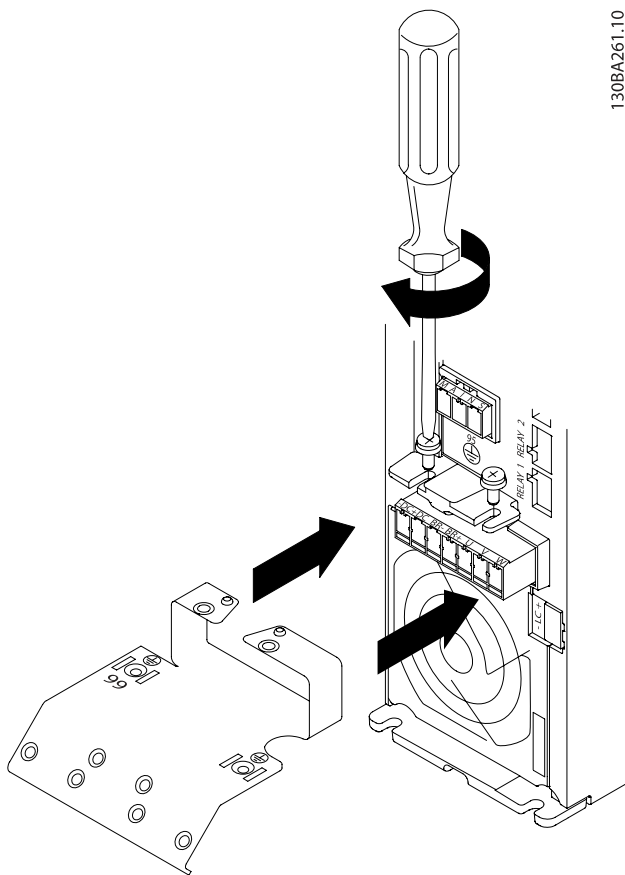


Figure 4.3: First mount the two screws on the mounting plate, slide it into place and tighten fully.

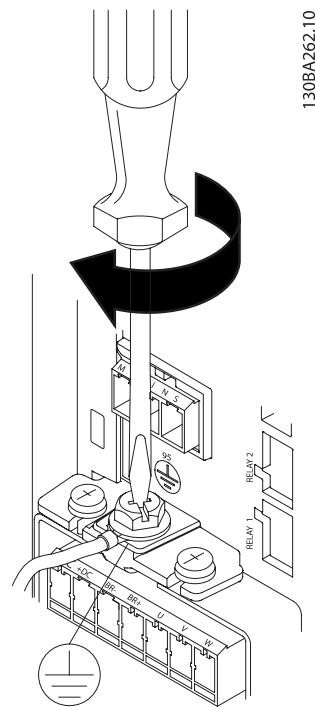


Figure 4.4: When mounting cables, first mount and tighten ground cable.

**! WARNING**

The ground connection cable cross-section must be at least 0.016 in<sup>2</sup> [10 mm<sup>2</sup>] or 2 rated line power wires terminated separately according to EN 50178/IEC 61800-5-1.

4

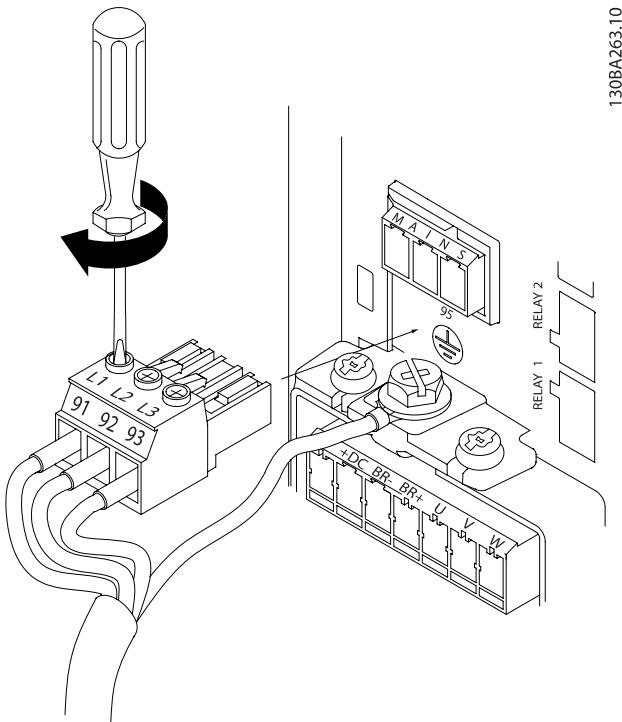


Figure 4.5: Then mount line power plug and tighten wires.

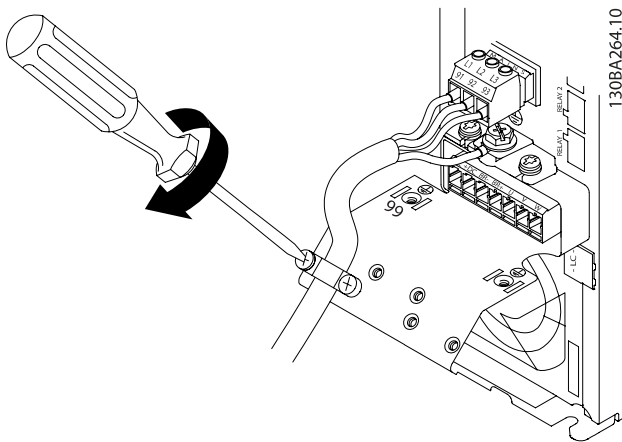


Figure 4.6: Finally, tighten support bracket on line power wires.

**NOTE!**  
With single phase A3, use L1 and L2 terminals.

4.1.7 AC line input connections for A4/A5

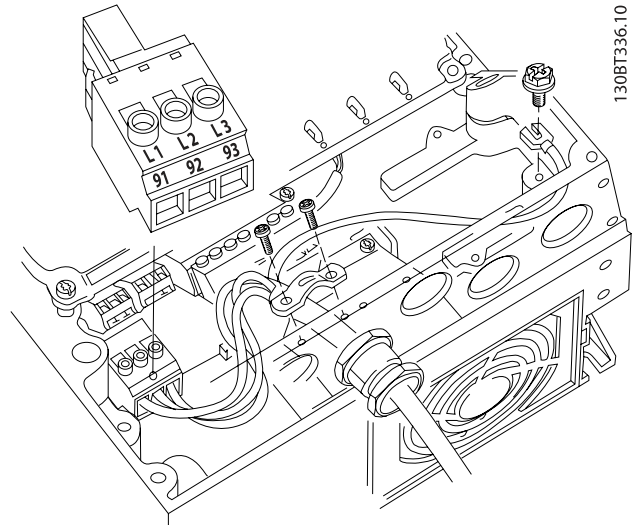


Figure 4.7: How to connect to line power and grounding without a line power disconnect switch. Note that a cable clamp is used.

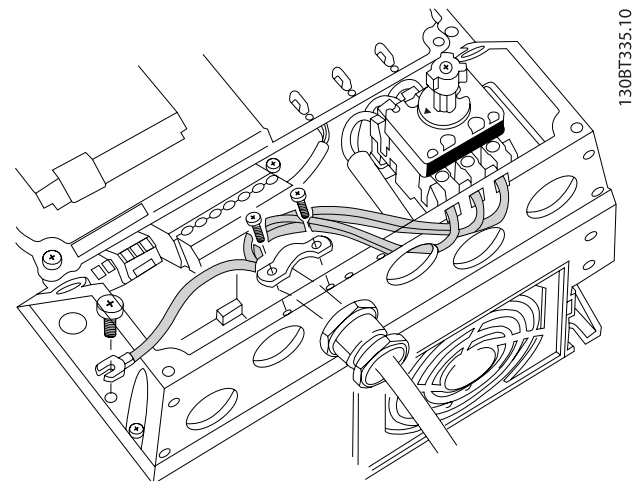


Figure 4.8: How to connect to line power and grounding with a line power disconnect switch.

**NOTE!**  
With single phase A5, use L1 and L2 terminals.



4.1.8 AC Line Input Connections for B1, B2 and B3

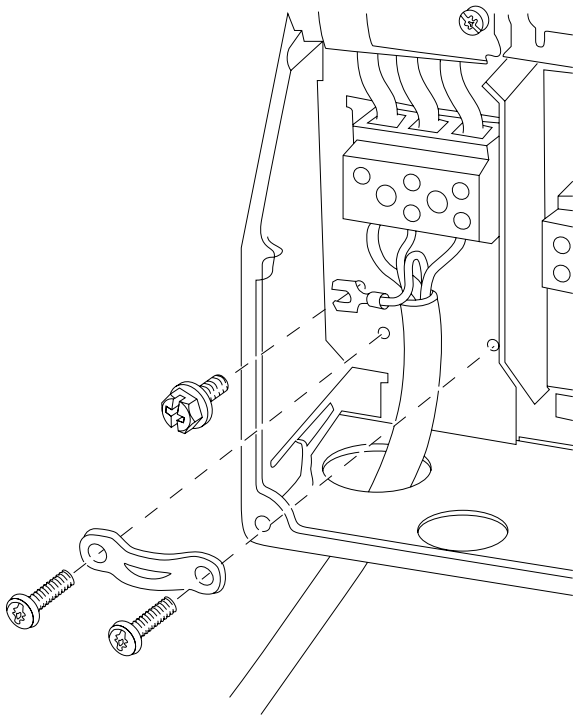


Figure 4.9: How to connect to line power and grounding for B1 and B2

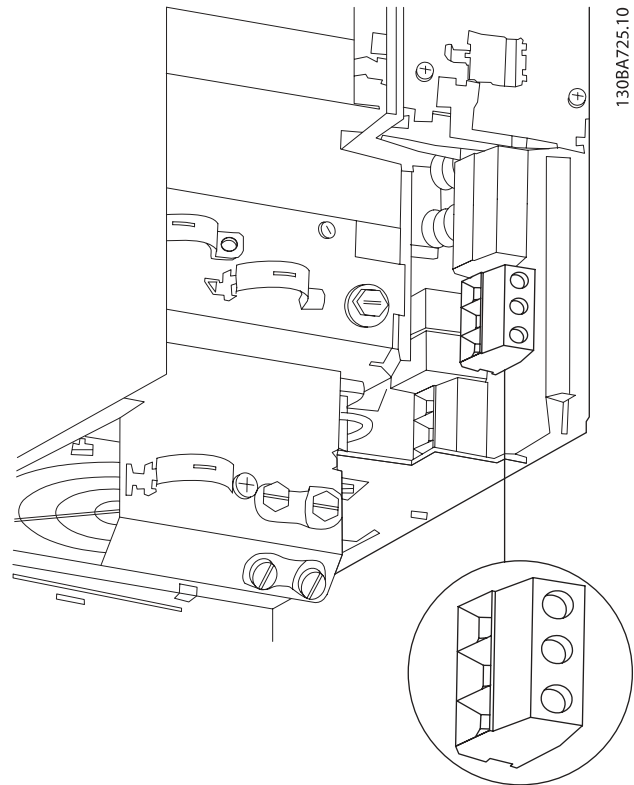


Figure 4.10: How to connect to line power and grounding for B3 without RFI.

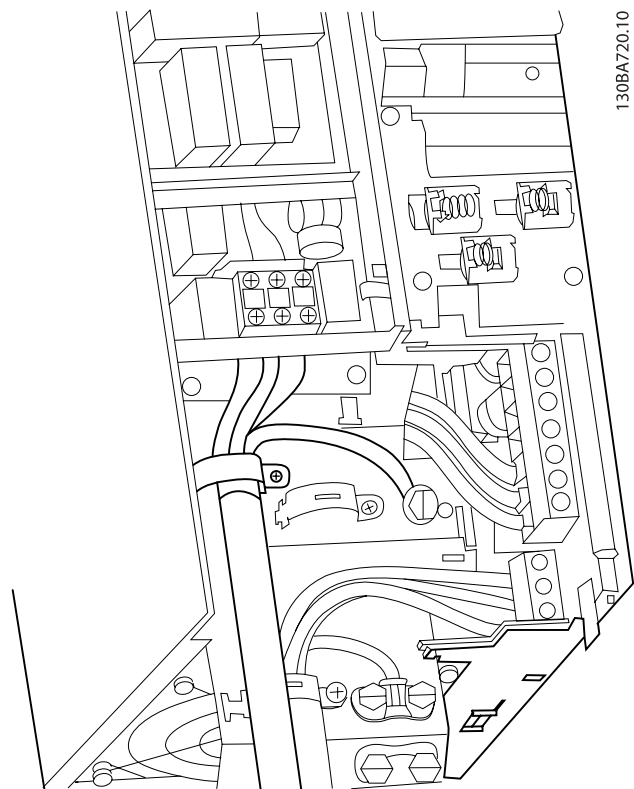


Figure 4.11: How to connect to line power and grounding for B3 with RFI.

**NOTE!**

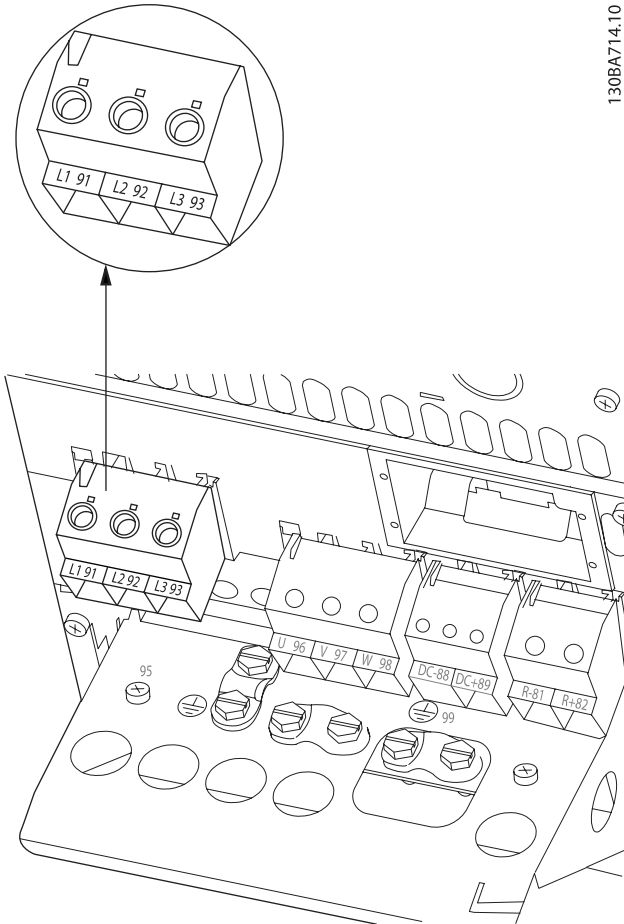
With single phase B1, use L1 and L2 terminals.

**NOTE!**

For correct cable dimensions, please see the section General Specifications at the back of this manual.

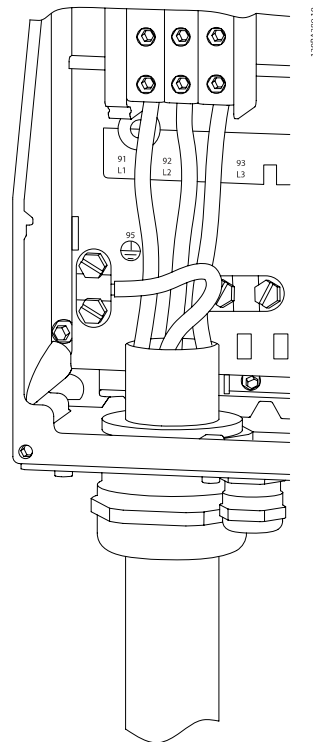
4.1.9 AC line input connections for B4, C1 and C2

4



130BA714.10

Figure 4.12: How to connect to line power and grounding for B4.



130BA589.10

Figure 4.13: How to connect to line power and grounding for C1 and C2.

4.1.10 AC line input connections for C3 and C4

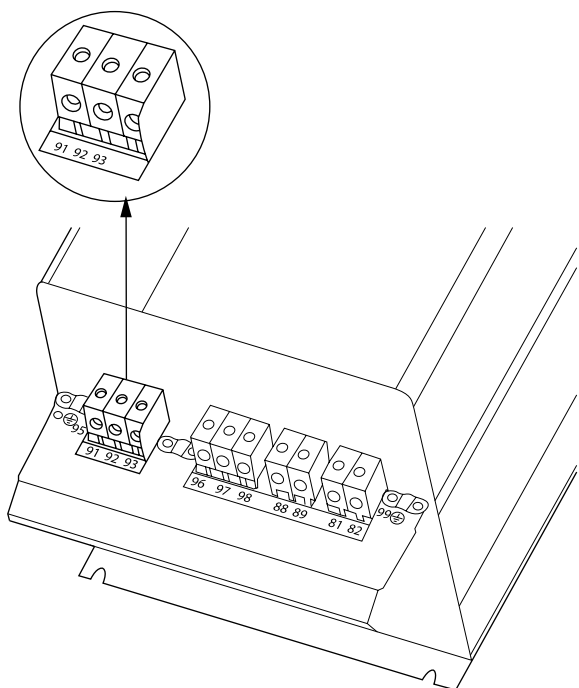


Figure 4.14: How to connect C3 to line power and grounding.

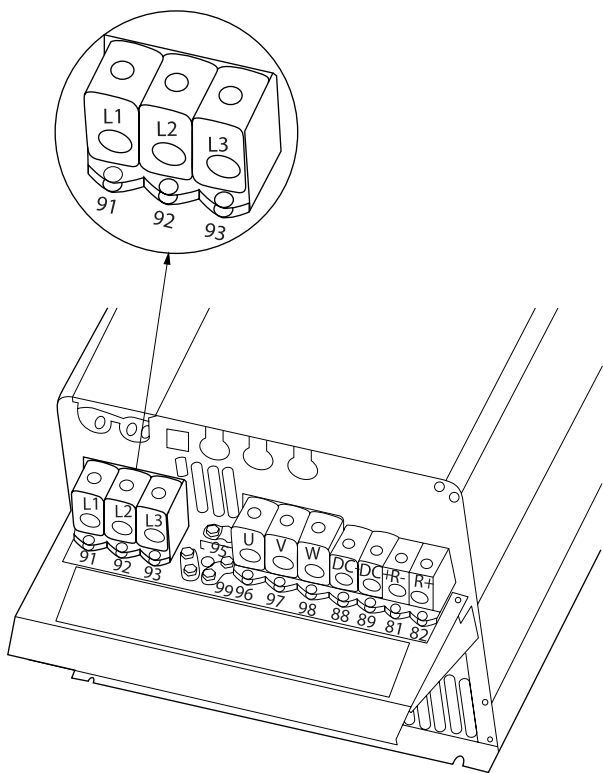


Figure 4.15: How to connect C4 to line power and grounding.

### 4.1.11 How to Connect Motor - Introduction

See section General Specifications for correct dimensioning of motor cable cross-section and length.

- Use a shielded/armored motor cable to comply with EMC emission specifications (or install the cable in a metal conduit).
- Keep the motor cable as short as possible to reduce the noise level and leakage currents.
- Connect the motor cable shield/armor to both the decoupling plate of the adjustable frequency drive and to the metal of the motor. (The same applies to both ends of the metal conduit if used instead of a shield.)
- Make the shield connections with the largest possible surface area (by using a cable clamp or an EMC cable connector). This is done by using the supplied installation devices in the adjustable frequency drive.
- Avoid terminating the shield by twisting the ends (pigtailed), as this will spoil high frequency shielding effects.
- If it is necessary to break the continuity of the shield to install a motor isolator or motor relay, the continuity must be maintained with the lowest possible HF impedance.

#### Cable length and cross-section

The adjustable frequency drive has been tested with a given length of cable and a given cross-section of that cable. If the cross-section is increased, the cable capacitance - and thus the leakage current - may increase, thereby requiring that the cable length is reduced accordingly.

#### Switching frequency

When adjustable frequency drives are used together with sine wave filters to reduce the acoustic noise from a motor, the switching frequency must be set according to the sine wave filter instructions in par. 14-01 *Switching Frequency*.

#### Precautions while using aluminum conductors

Aluminum conductors are not recommended for cable cross-sections less than 0.054 in<sup>2</sup> [35 mm<sup>2</sup>]. Terminals can accept aluminum conductors, but the conductor surface has to be clean, oxidation must be removed, and the area must be sealed by neutral acid-free Vaseline grease before the conductor is connected.

Furthermore, the terminal screw must be retightened after two days due to the softness of the aluminum. It is crucial to ensure that the connection makes a gas tight joint, otherwise the aluminum surface will oxidize again.

All types of three-phase asynchronous standard motors can be connected to the adjustable frequency drive. Normally, small motors are star-connected (230/400 V, D/Y). Large motors are delta-connected (400/690 V, D/Y). Refer to the motor nameplate for correct connection mode and voltage.

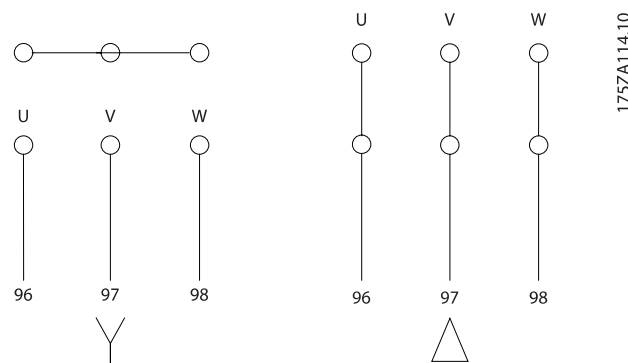


Figure 4.16: Terminals for motor connection

#### CAUTION

**In motors without phase insulation paper or other insulation reinforcement suitable for operation with the voltage supply (such as an adjustable frequency drive), fit a sine-wave filter on the output of the adjustable frequency drive. (Motors that comply with IEC 60034-17 do not require a sine-wave filter).**

No.	96	97	98	Motor voltage 0–100% of AC line voltage.
	U	V	W	3 cables out of motor
	U1	V1	W1	6 cables out of motor, Delta-connected
	W2	U2	V2	
	U1	V1	W1	6 cables out of motor, Star-connected U2, V2, W2 to be interconnected separately (optional terminal block)
No.	99			Ground connection
	PE			

Table 4.8: 3 and 6 cable motor connection.

## 4.1.12 Motor Wiring Overview

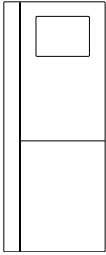
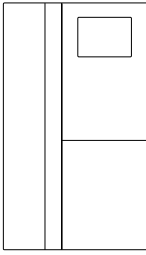
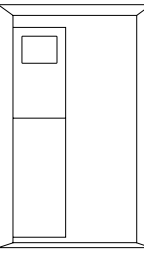
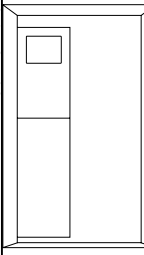
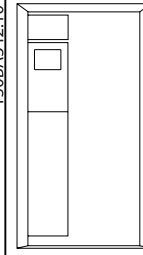
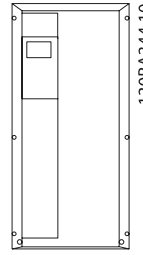
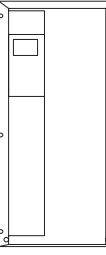
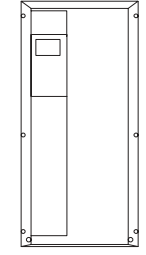
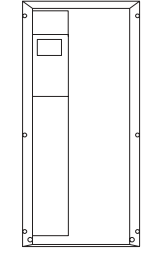
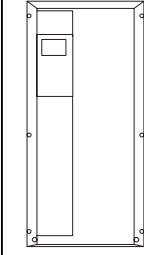
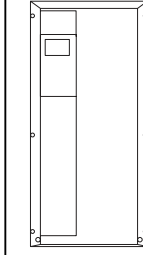
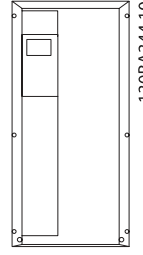
Enclosure:	A2 (IP 20/IP 21)	A3 (IP 20/IP 21)	A4 (IP 55/IP 66)	A5 (IP 55/IP 66)	B1 (IP 21/IP 55/ IP 66)	B2 (IP 21/IP 55/ IP 66)
						
<b>Motor size:</b>						
200–240 V	1.5–4 hp [1.1–3.0 kW] kW]	4 hp [3.7 kW]	1.5–3 hp [1.1–2.2 kW]	1.5–5 hp [1.1–3.7 kW]–3.7 kW]	7.5–15 hp [5.5–11 kW]	20 hp [15 kW]
380–480 V	1.5–5 hp [1.1–4.0 kW]–4.0 kW]	7.5–10 hp [5.5–7.5 kW]	1.5–5 hp [1.1–4 kW]	1.5–10 hp [1.1–7.5 kW]–7.5 kW]	15–25 hp [11–18.5 kW]	30–40 hp [22–30 kW]
525–600 V		1.5–10 hp [1.1–7.5 kW]		1.5–10 hp [1.1–7.5 kW]–7.5 kW]	15–25 hp [11–18.5 kW]	30–40 hp [22–30 kW]
<b>Goto:</b>	<b>4.1.12</b>		<b>4.1.13</b>		<b>4.1.14</b>	
Enclosure:	B3 (IP 20)	B4 (IP 20)	C1 (IP 21/IP 55/66)	C2 (IP 21/IP 55/66)	C3 (IP 20)	C4 (IP20)
						
<b>Motor size:</b>						
200–240 V	7.5–15 hp [5.5–11 kW]	20–25 hp [15–18.5 kW]	25–40 hp [18.5–30 kW]	50–60 hp [37–45 kW]	30–40 hp [22–30 kW]	50–60 hp [37–45 kW]
380–480 V	15–25 hp [11–18.5 kW]	30–50 hp [22–37 kW]	50–75 hp [37–55 kW]	100–125 hp [75–90 kW]	60–75 hp [45–55 kW]	100–125 hp [75–90 kW]
525–600 V	15–25 hp [11–18.5 kW]	30–50 hp [22–37 kW]	50–75 hp [37–55 kW]	100–125 hp [75–90 kW]	60–75 hp [45–55 kW]	100–125 hp [75–90 kW]
<b>Goto:</b>	<b>4.1.15</b>		<b>4.1.16</b>		<b>4.1.17</b>	

Table 4.9: Motor wiring table.

### 4.1.13 Motor Connection for A2 and A3

Follow these drawings step-by-step for connecting the motor to the adjustable frequency drive.

4

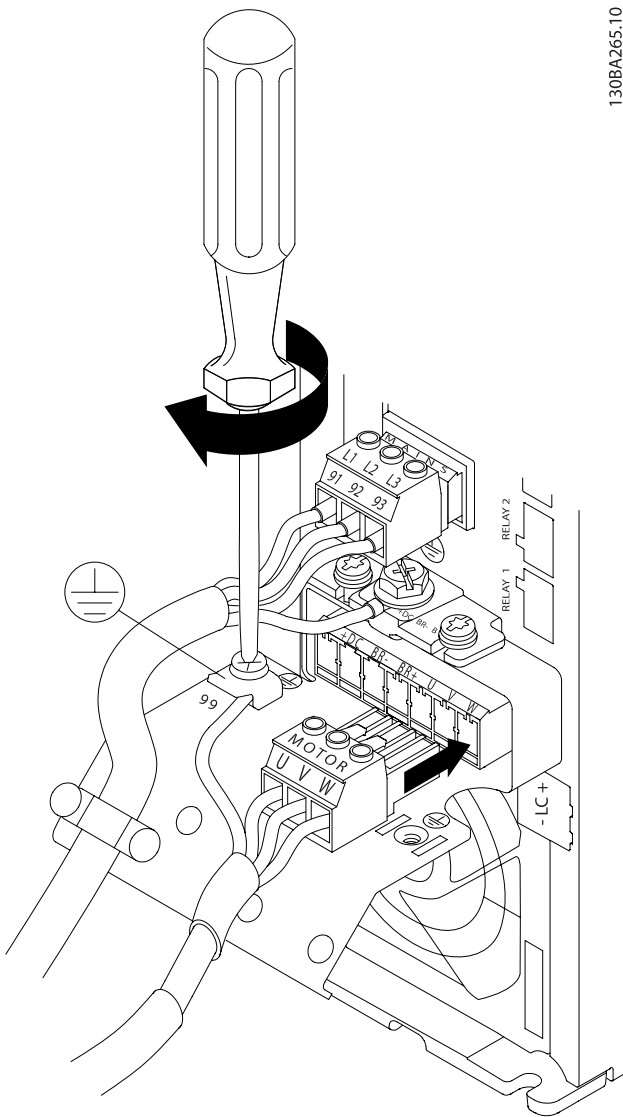


Figure 4.17: First terminate the motor ground, then place motor U, V and W wires in the plug and tighten them.

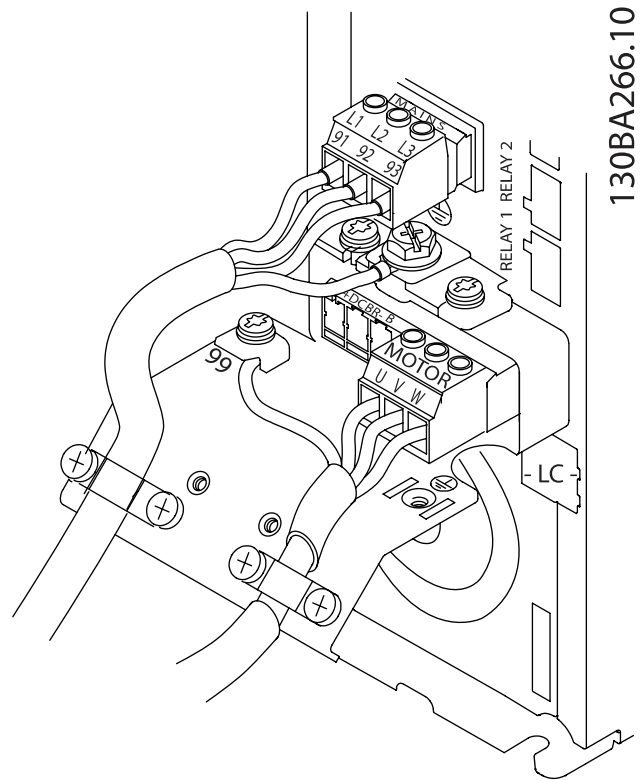
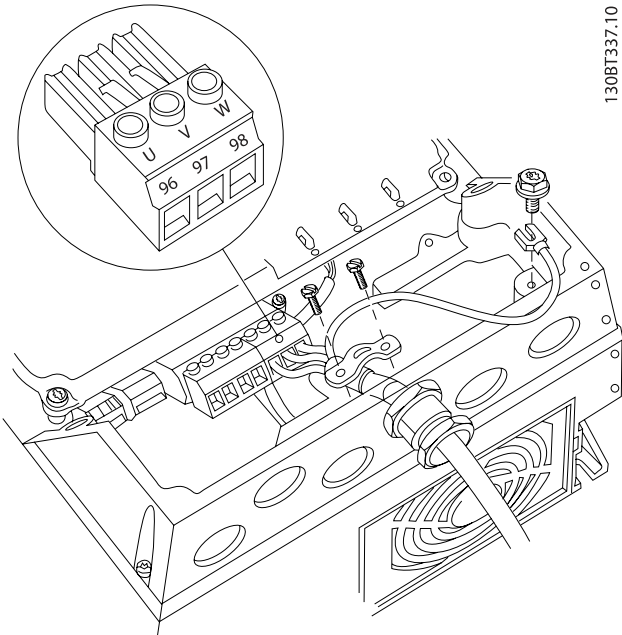


Figure 4.18: Mount cable clamp to ensure 360 degree connection between chassis and shield; ensure that the outer insulation of the motor cable is removed under the clamp.

4.1.14 Motor Connection for A4/A5

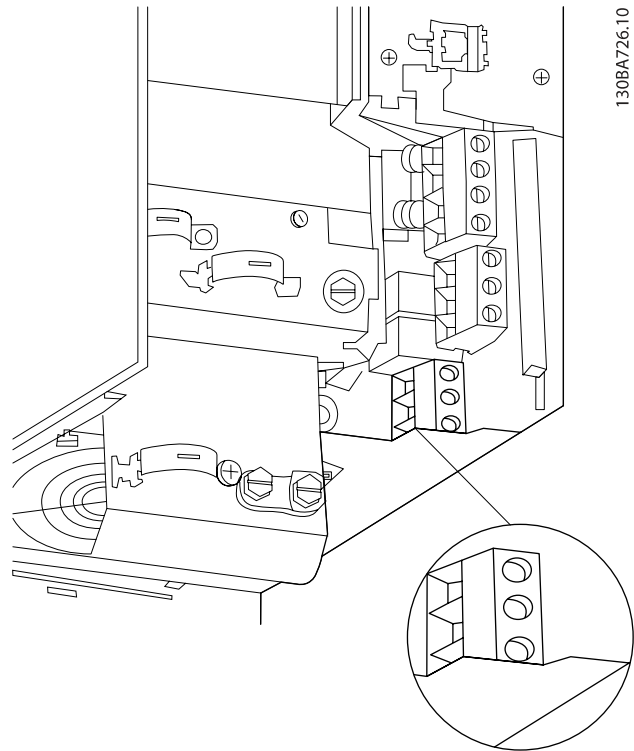


130BT337.10

Figure 4.19: First, terminate the motor ground, then insert the motor U, V and W wires in the terminal and tighten them. Please ensure that the outer insulation of the motor cable is removed under the EMC clamp.

the outer insulation of the motor cable is removed under the EMC clamp.

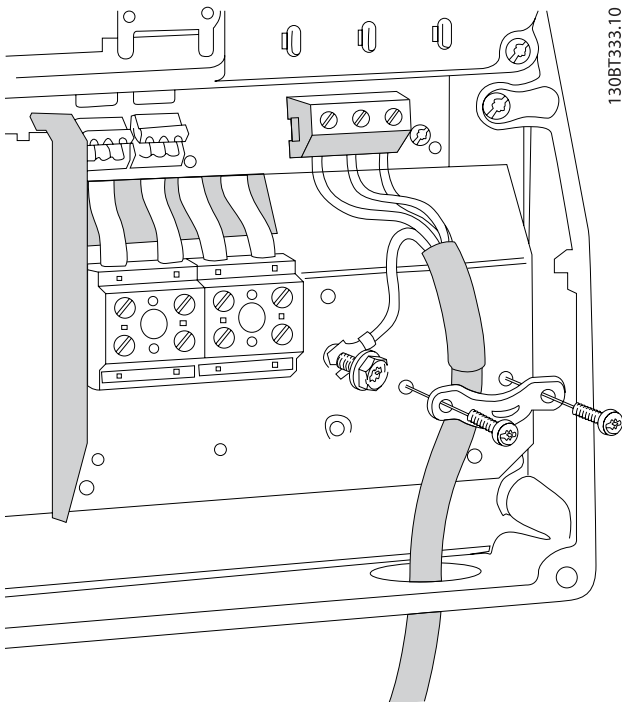
4.1.16 Motor Connection for B3 and B4



130BA726.10

4

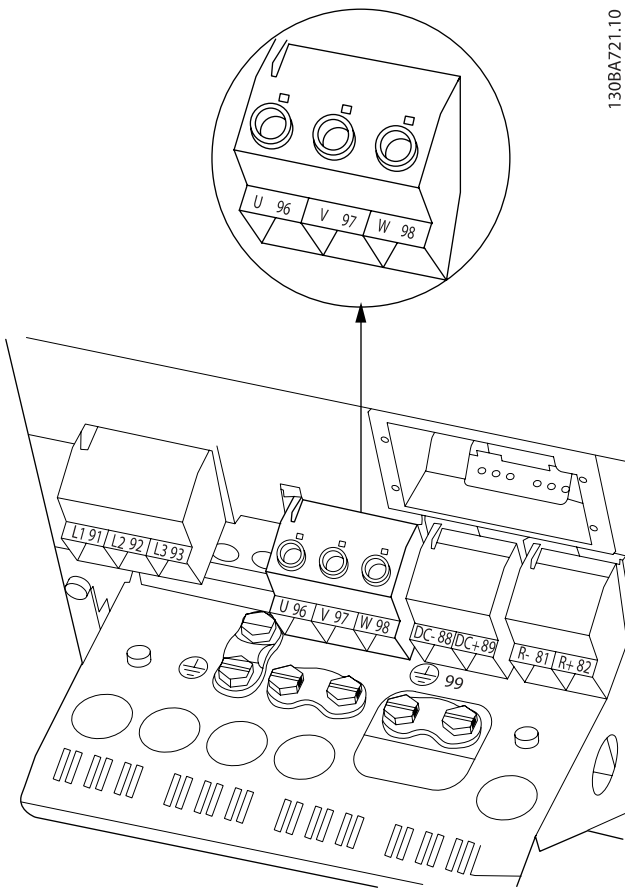
4.1.15 Motor Connection for B1 and B2



130BT333.10

First terminate the motor ground, then place motor U, V and W wires in the terminal and tighten them. Please ensure that the outer insulation of the motor cable is removed under the EMC clamp.

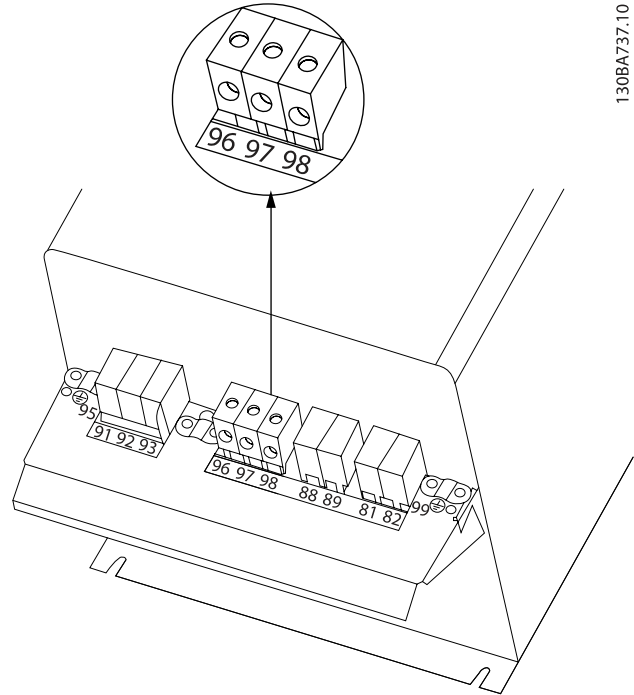
First terminate the motor ground, then place motor U, V and W wires in the terminal and tighten them. Please ensure that



130BA721.10

First terminate the motor ground, then place motor U, V and W wires in the terminal and tighten them. Please ensure that the outer insulation of the motor cable is removed under the EMC clamp.

4.1.18 Motor Connection for C3 and C4

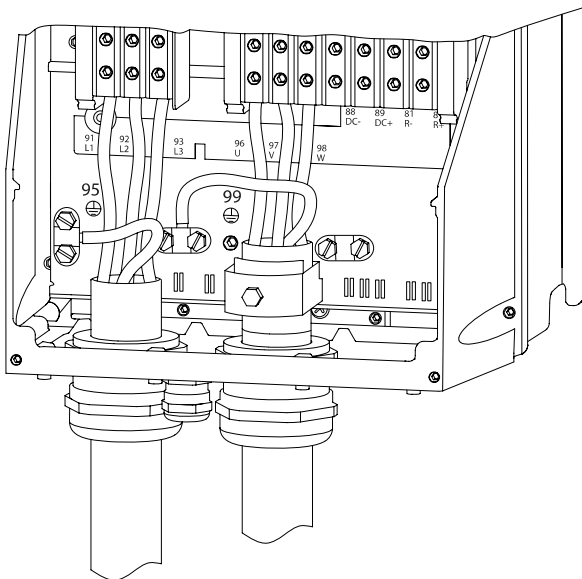


130BA737.10

First terminate the motor ground, then place motor U, V and W wires in the terminal and tighten them. Please ensure that the outer insulation of the motor cable is removed under the EMC clamp.

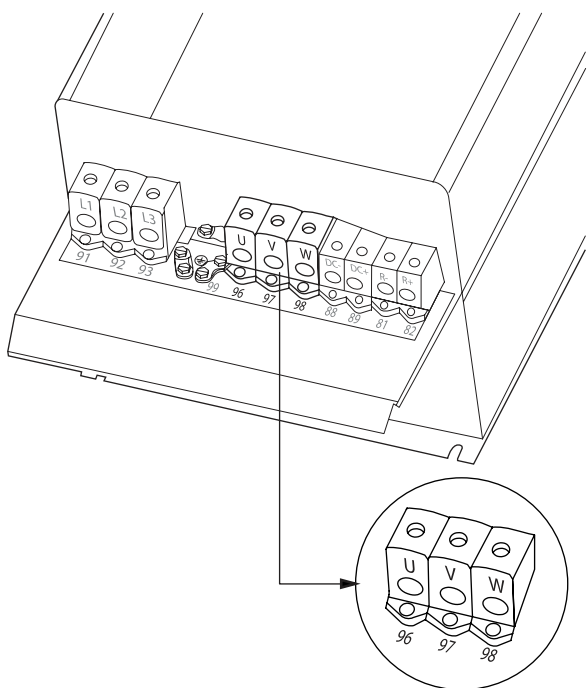
First terminate the motor ground, then place motor U, V and W wires into the appropriate terminals and tighten. Please ensure that the outer insulation of the motor cable is removed under the EMC clamp.

4.1.17 Motor Connection for C1 and C2



130BA390.10



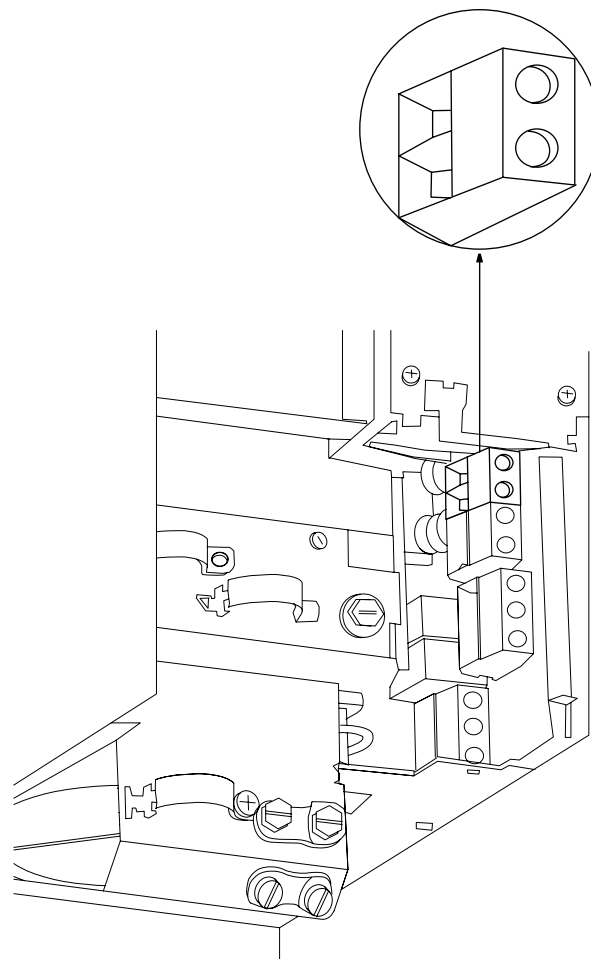


130BA740.10

#### 4.1.20 DC Bus Connection

The DC bus terminal is used for DC back-up, with the intermediate circuit being supplied from an external source.

Terminal number 88 and 89 are used.



130BA717.10

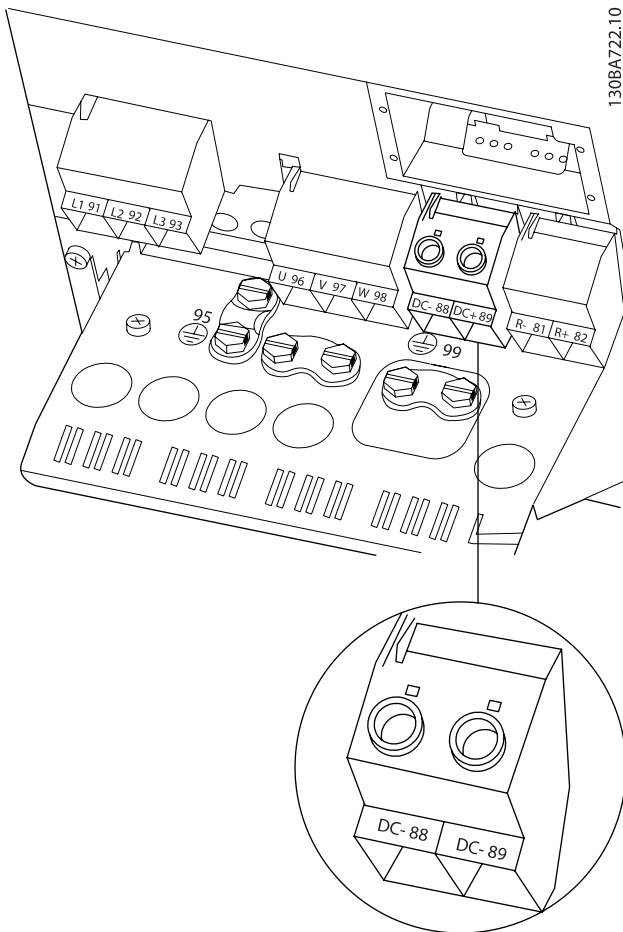
First terminate the motor ground, then place motor U, V and W wires into the appropriate terminals and tighten. Please ensure that the outer insulation of the motor cable is removed under the EMC clamp.

#### 4.1.19 Wiring Example and Testing

The following section describes how to terminate and access control wires. For an explanation of the function, programming and wiring of the control terminals, please see chapter *How to program the adjustable frequency drive*.

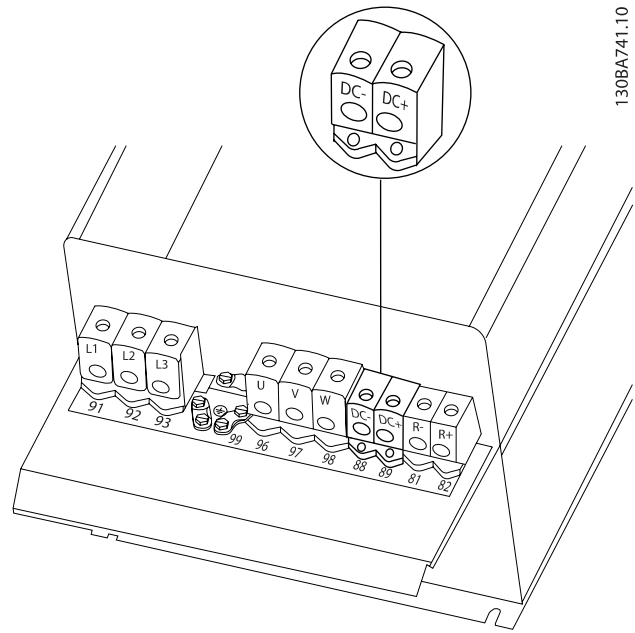
Figure 4.20: DC bus connections for enclosure B3.

4



130BA722.10

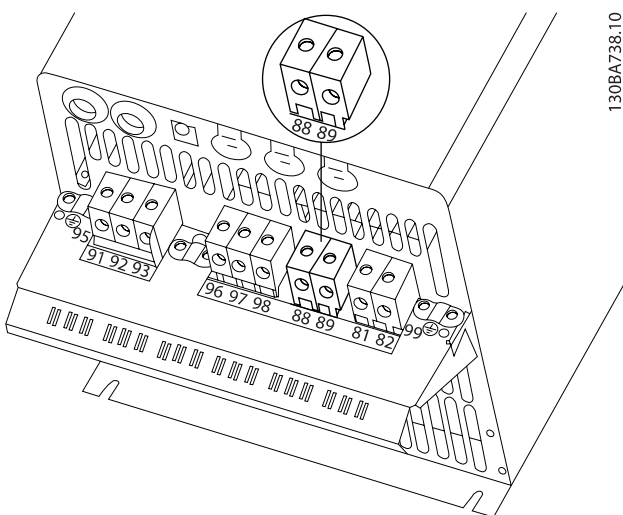
Figure 4.21: DC bus connections for enclosure B4.



130BA741.10

Figure 4.23: DC bus connections for enclosure C4.

Please contact Danfoss if you require further information.



130BA738.10

Figure 4.22: DC bus connections for enclosure C3.

### 4.1.21 Brake Connection Option

The connection cable to the brake resistor must be shielded/armored.

Brake resistor		
Terminal number	81	82
Terminals	R-	R+

**CAUTION**

Dynamic brake calls for extra equipment and safety considerations. For further information, please contact Danfoss.

1. Use cable clamps to connect the shield to the metal cabinet of the adjustable frequency drive and to the decoupling plate of the brake resistor.
2. Dimension the cross-section of the brake cable to match the brake current.

**WARNING**

Voltages up to 975 V DC (@ 600 V AC) may occur between the terminals.

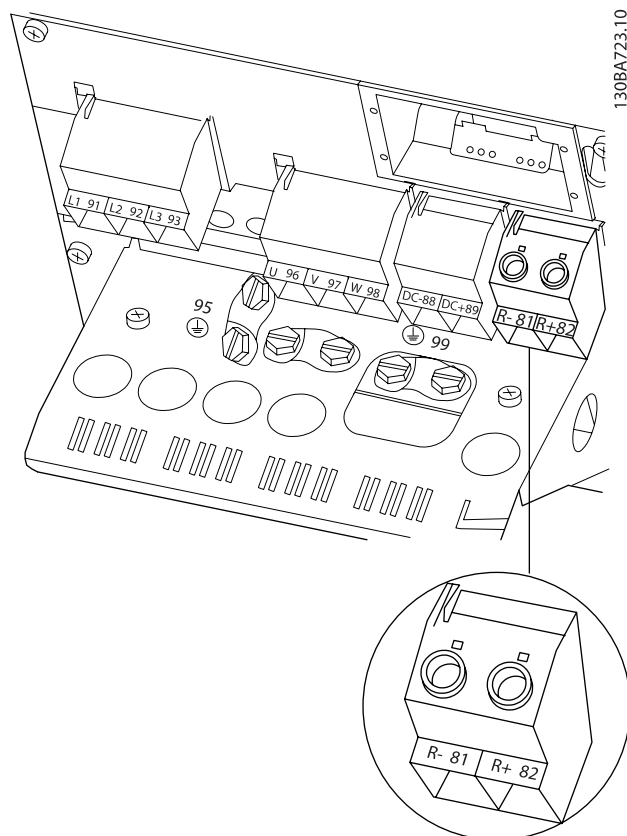


Figure 4.25: Brake connection terminal for B4.

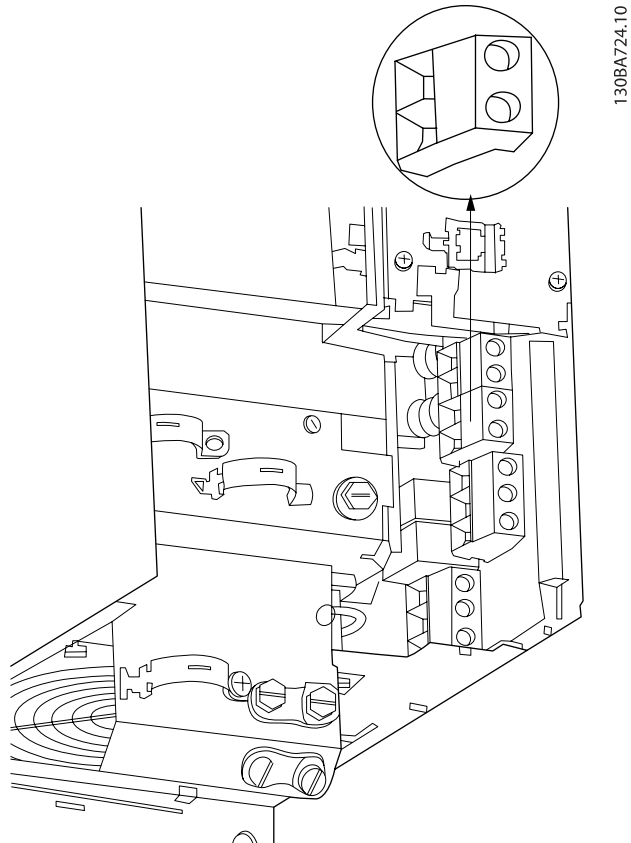


Figure 4.24: Brake connection terminal for B3.

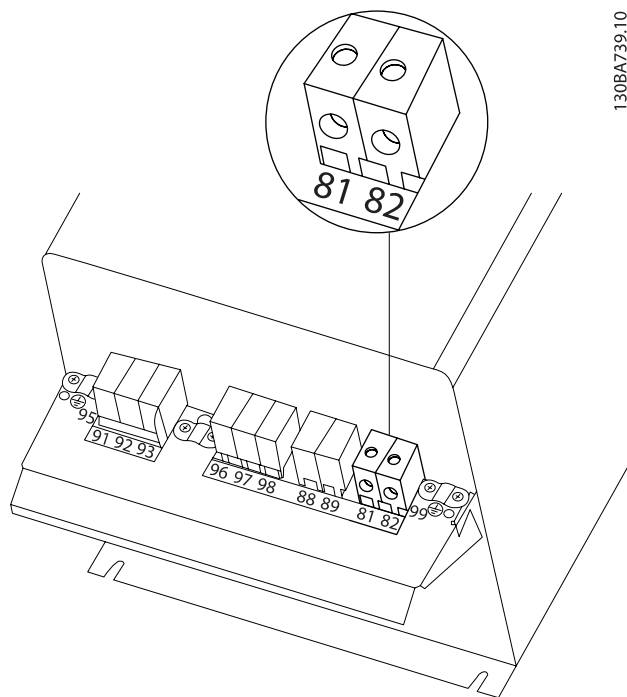
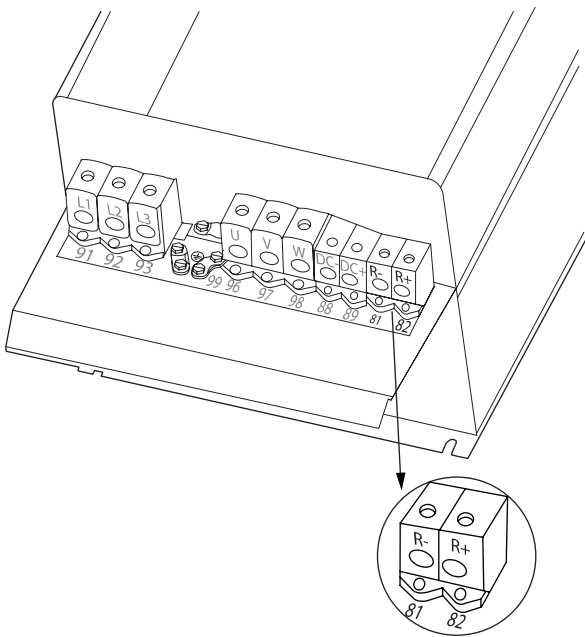


Figure 4.26: Brake connection terminal for C3.



130BA742.10

**CAUTION**

Place the brake resistor in an environment free of fire risk and ensure that no external objects can fall into the brake resistor through ventilation slots. Do not cover ventilation slots and grids.

4.1.22 Relay Connection

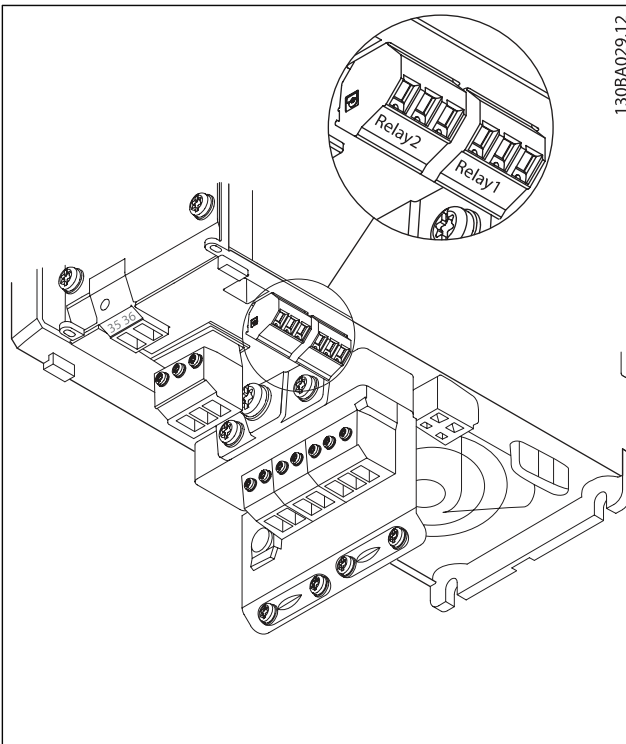
To set relay output, see par. group 5-4\* Relays.

No.	01 - 02	make (normally open)
	01 - 03	break (normally closed)
	04 - 05	make (normally open)
	04 - 06	break (normally closed)

Figure 4.27: Brake connection terminal for C4.

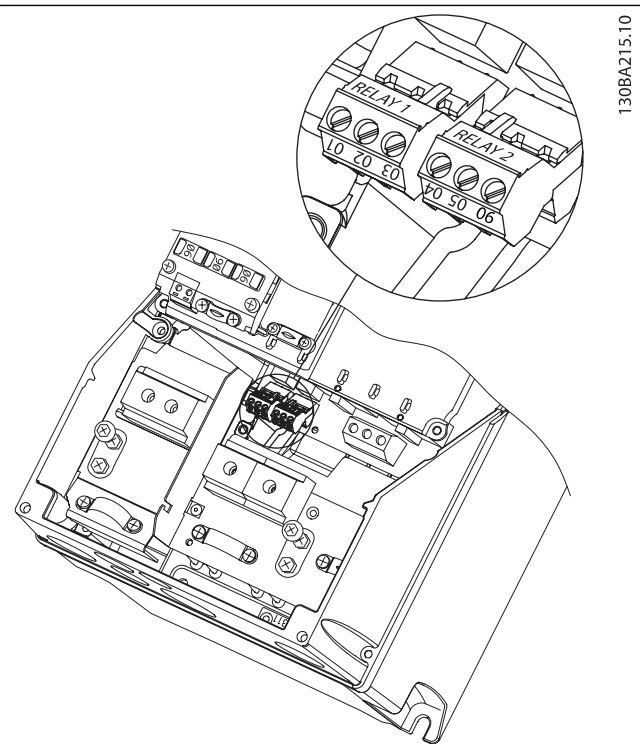
**WARNING**

If a short circuit in the brake IGBT occurs, prevent power dissipation in the brake resistor by using a line switch or contactor to disconnect the line power from the adjustable frequency drive. Only the adjustable frequency drive should control the contactor.



130BA029.12

Terminals for relay connection (A2 and A3 enclosures).



130BA215.10

Terminals for relay connection (A4, A5, B1 and B2 enclosures).

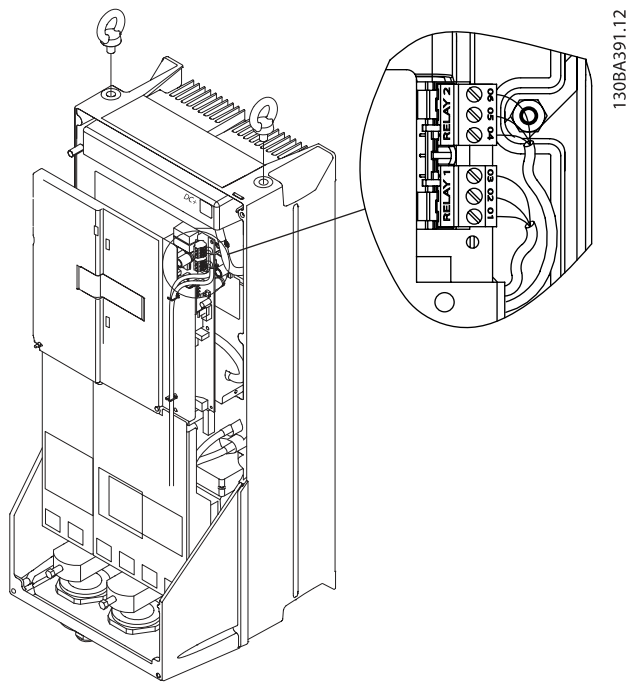


Figure 4.28: Terminals for relay connection (C1 and C2 enclosures). The relay connections are shown in the cut-out with relay plugs (from the accessory bag) fitted.

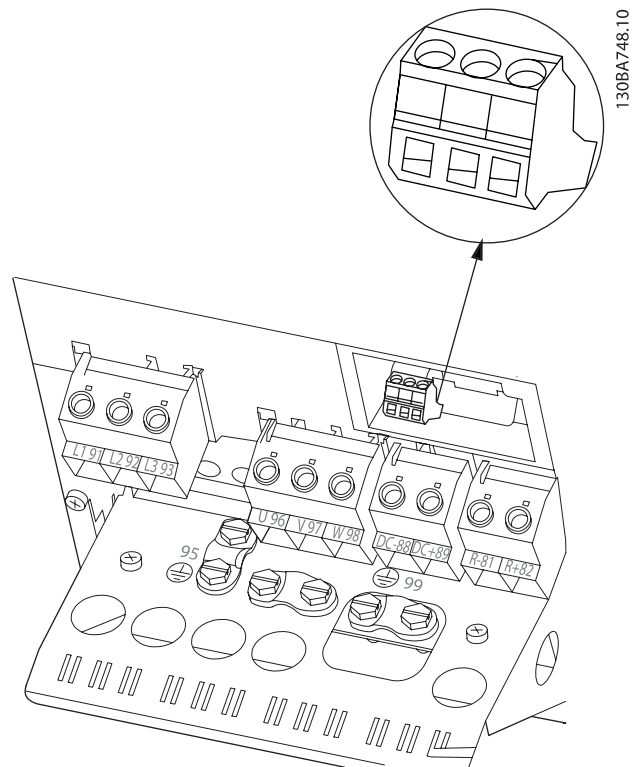


Figure 4.30: Terminals for relay connections for B4.

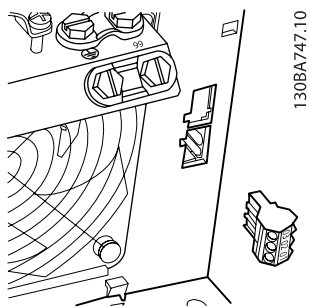


Figure 4.29: Terminals for relay connections for B3. Only one relay input is fitted from the factory. When the second relay is needed, remove the knock-out.

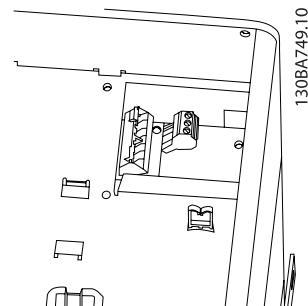


Figure 4.31: Terminals for relay connections for C3 and C4. Located in the upper right corner of the adjustable frequency drive.

### 4.1.23 Relay Output

#### Relay 1

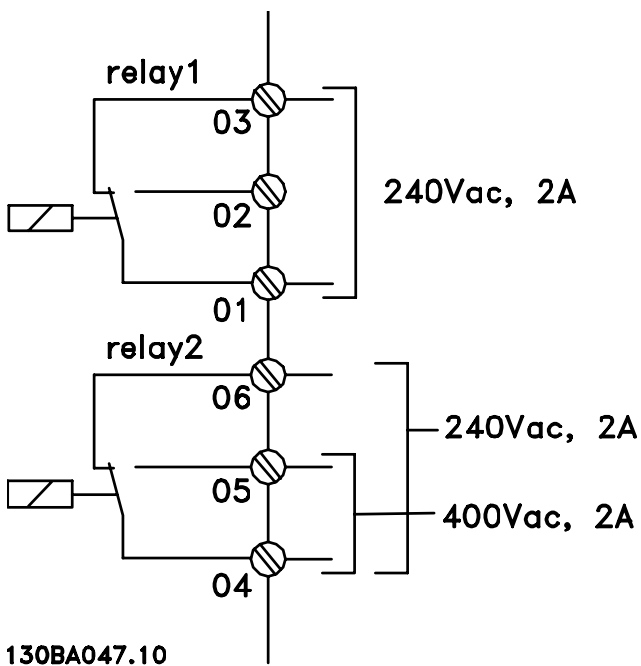
- Terminal 01: common
- Terminal 02: normal open 240 V AC
- Terminal 03: normal closed 240 V AC

#### Relay 2

- Terminal 04: common
- Terminal 05: normal open 400 V AC
- Terminal 06: normal closed 240 V AC

Relay 1 and relay 2 are programmed in par. 5-40 *Function Relay*, par. 5-41 *On Delay, Relay*, and par. 5-42 *Off Delay, Relay*.

Additional relay outputs by using option module MCB 105.



### 4.1.24 Access to Control Terminals

All terminals to the control cables are located underneath the terminal cover on the front of the adjustable frequency drive. Remove the terminal cover with a screwdriver.

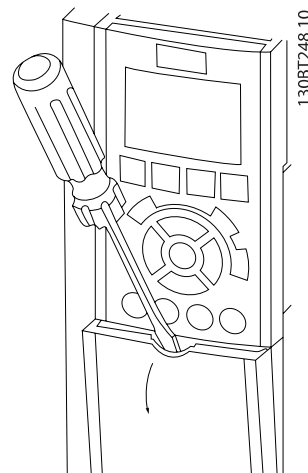


Figure 4.32: Access to control terminals for A2, A3, B3, B4, C3 and C4 enclosures

Remove front cover to access control terminals. When replacing the front cover, ensure proper fastening by applying a torque of 2 Nm.

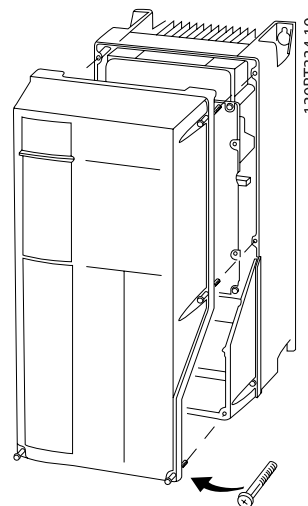
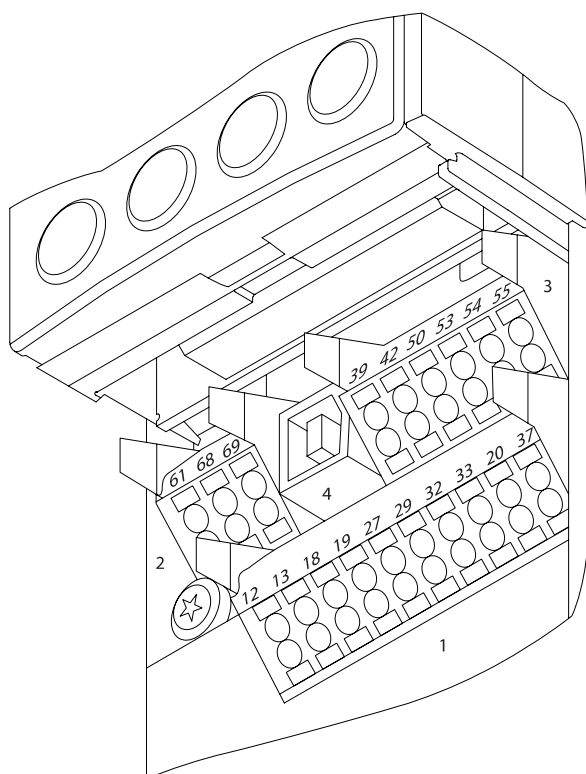


Figure 4.33: Access to control terminals for A4, A5, B1, B2, C1 and C2 enclosures

### 4.1.25 Control Terminals

**Drawing reference numbers:**

1. 10-pole plug digital I/O.
2. 3-pole plug RS-485 bus.
3. 6-pole analog I/O.
4. USB connection.



130BA012.11

Figure 4.34: Control terminals (all enclosures)

4.1.26 How to Test Motor and Direction of Rotation



Note that unintended motor start can occur; make sure no personnel or equipment is in danger!

4

Please follow these steps to test the motor connection and direction of rotation. Start with no power to the unit.

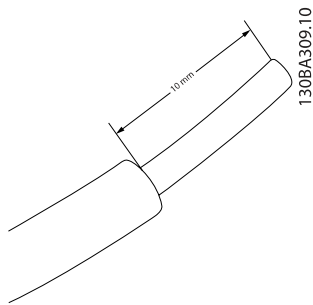


Figure 4.35:

Step 1: First, remove the insulation on both ends of a 1.97–2.76 in. [50–70 mm] piece of wire.

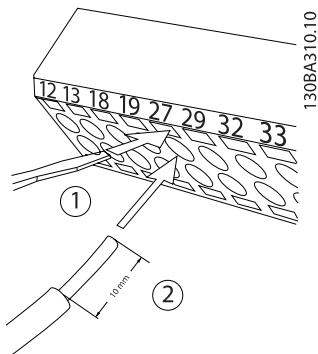


Figure 4.36:

Step 2: Insert one end in terminal 27 using a suitable terminal screwdriver. (Note: For units with the Safe Stop function, the existing jumper between terminal 12 and 37 should not be removed for the unit to be able to run!)

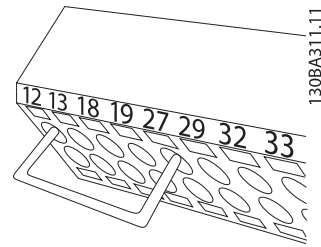


Figure 4.37:

Step 3: Insert the other end in terminal 12 or 13. (Note: For units with the Safe Stop function, the existing jumper between terminal 12 and 37 should not be removed for the unit to be able to run!)

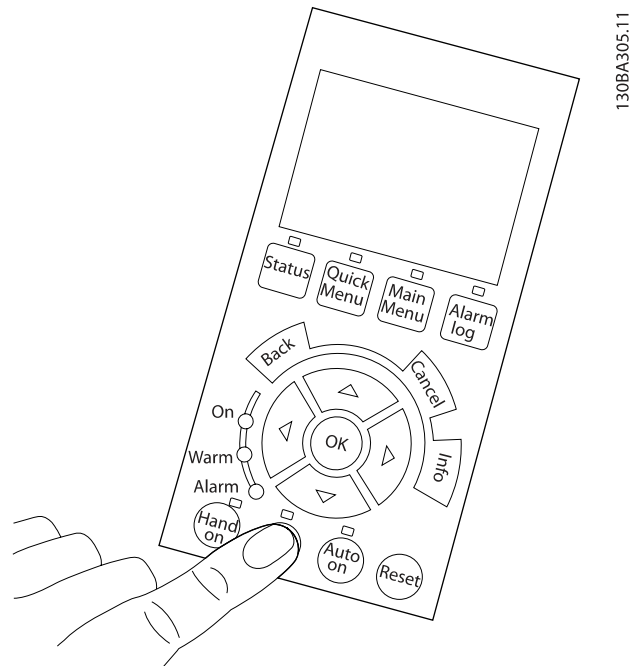
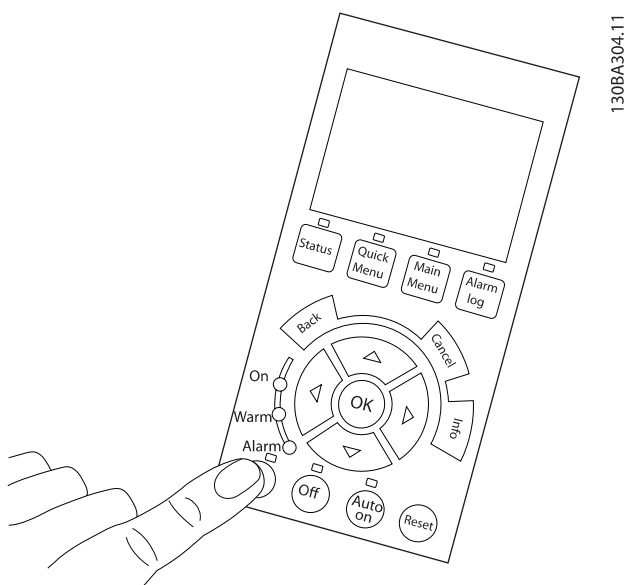


Figure 4.38:

Step 4: Power up the unit and press the [Off] button. In this state, the motor should not rotate. Press [Off] to stop the motor at any time. Note that the LED on the [OFF] button should be lit. If alarms or warnings are flashing, please see chapter 7 for more information.

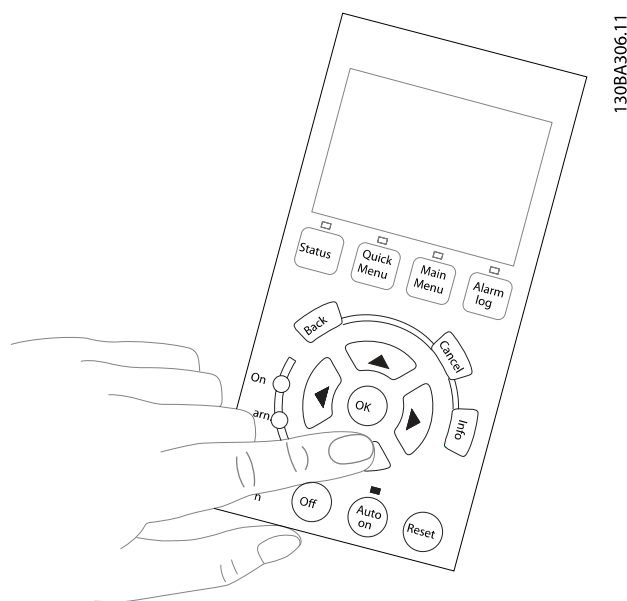




130BA304.11

Figure 4.39:

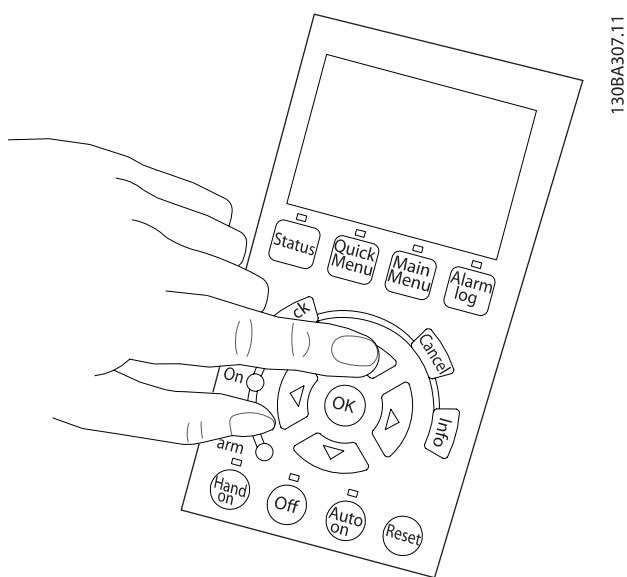
Step 5: After pressing the [Hand on] button, the LED above the button should be lit and the motor may rotate.



130BA306.11

Figure 4.41:

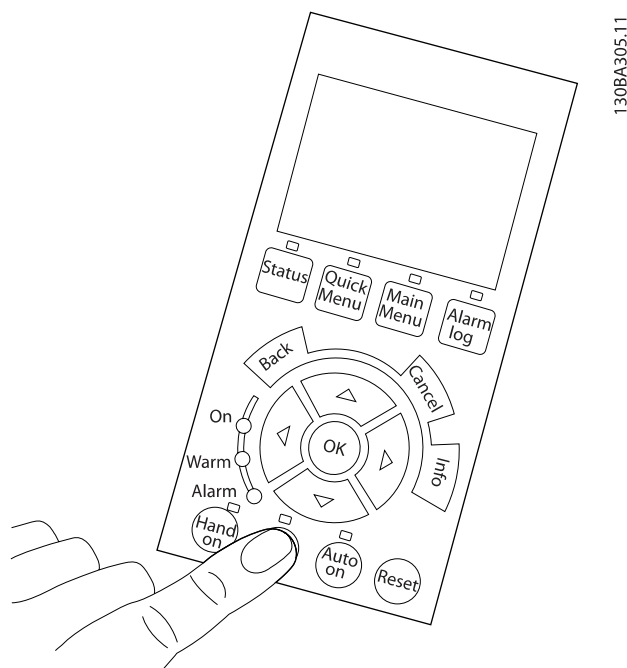
Step 7: To move the cursor, use the left ◀ and right ▶ arrow buttons. This enables speed changes by larger increments.



130BA307.11

Figure 4.40:

Step 6: The speed of the motor can be seen in the LCP. It can be adjusted by pushing the up ▲ and down ▼ arrow buttons.



130BA305.11

Figure 4.42:

Step 8: Press the [Off] button to stop the motor again.

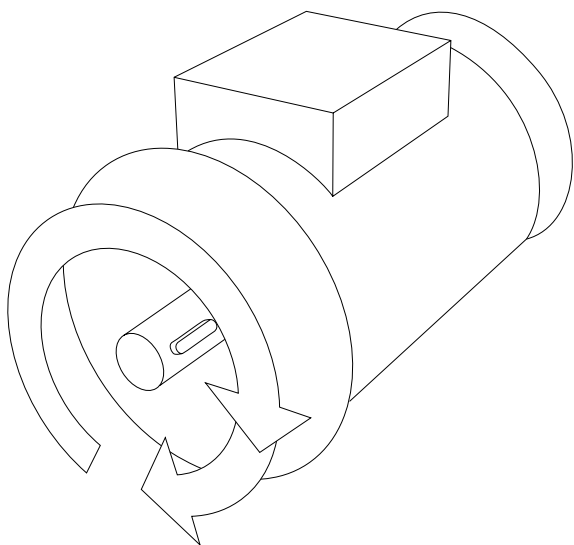


Figure 4.43:

Step 9: Change two motor wires if the desired rotation of direction is not achieved.



Remove line power from the adjustable frequency drive before changing motor wires.

130BA308.11

### 4.1.27 Switches S201, S202, and S801

Switches S201 (AI 53) and S202 (AI 54) are used to select a current (0–20 mA) or a voltage (0 to 10 V) configuration of the analog input terminals 53 and 54 respectively.

Switch S801 (BUS TER.) can be used to enable termination on the RS-485 port (terminals 68 and 69).

Please note that the switches may be covered by an option, if so equipped.

**Default setting:**

S201 (AI 53) = OFF (voltage input)

S202 (AI 54) = OFF (voltage input)

S801 (Bus termination) = OFF

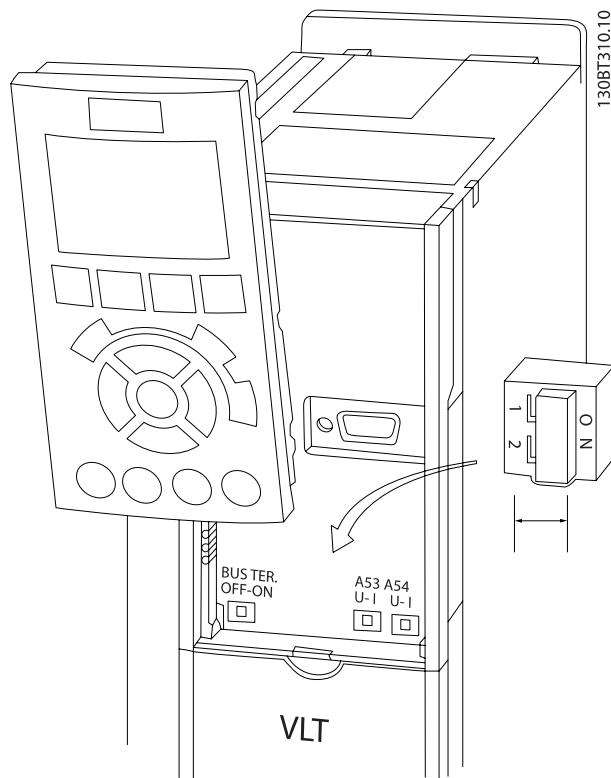


Figure 4.44: Switches location.

## 4.2 Final Optimization and Test

To optimize motor shaft performance and optimize the adjustable frequency drive for the connected motor and installation, please follow these steps. Ensure that the adjustable frequency drive and motor are connected and that power is applied to the adjustable frequency drive.

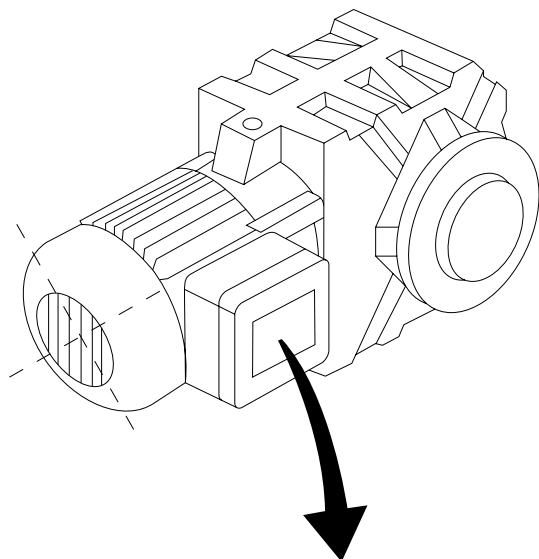


**Before power-up, ensure that connected equipment is ready for use.**

**Step 1:** Locate motor nameplate

### NOTE!

The motor is either star- (Y) or delta-connected (Δ). This information is located on the motor nameplate data.



130BT307.10

BAUER D-7 3734 ESLINGEN				
3~ MOTOR NR. 1827421 2003				
S/E005A9				
	1,5	KW		
n <sub>2</sub>	31,5	/MIN.	400	Y V
n <sub>1</sub>	1400	/MIN.	50	Hz
cos	0,80		3,6	A
1,7L				
B	IP 65		H1/1A	

Figure 4.45: Motor nameplate example

**Step 2:** Enter the motor nameplate data in the following parameter list.

To access the list, first press [QUICK MENU] key, then select "Q2 Quick Set-up".

1.	Par. 1-20 Motor Power [kW] Par. 1-21 Motor Power [HP]
2.	Par. 1-22 Motor Voltage
3.	Par. 1-23 Motor Frequency
4.	Par. 1-24 Motor Current
5.	Par. 1-25 Motor Nominal Speed

Table 4.10: Motor related parameters

**Step 3:** Activate Automatic Motor Adaptation (AMA) Activate Auto Tune

Performing AMA ensures best possible performance. AMA automatically takes measurements from the specific motor connected and compensates for installation variances.

1. Connect terminal 27 to terminal 12 or use [QUICK MENU] and "Q2 Quick Set-up" and set Terminal 27 par. 5-12 Terminal 27 Digital Input to No function [0]
2. Press [QUICK MENU], select "Q3 Function Set-ups", select "Q3-1 General Settings", select "Q3-10 Adv. Motor Settings" and scroll down to par. 1-29 Automatic Motor Adaptation (AMA) Automatic Motor Adaptation.
3. Press [OK] to activate the AMA par. 1-29 Automatic Motor Adaptation (AMA).
4. Choose between complete or reduced AMA. If sine-wave filter is mounted, run only reduced AMA, or remove sine-wave filter during AMA procedure.
5. Press [OK] key. Display should show "Press [Hand on] to start".
6. Press [Hand on] key. A progress bar indicates if AMA is in progress.

### Stop the AMA during operation

1. Press the [OFF] key - the adjustable frequency drive enters into alarm mode and the display shows that the AMA was terminated by the user.

### Successful AMA

1. The display shows "Press [OK] to finish AMA".
2. Press the [OK] key to exit the AMA state.

### Unsuccessful AMA

1. The adjustable frequency drive enters into alarm mode. A description of the alarm can be found in the *Troubleshooting* section.
2. "Report Value" in the [Alarm Log] shows the last measuring sequence carried out by the AMA before the adjustable frequency drive entered alarm mode. This number, along with the description of the alarm, will assist in troubleshooting. If contacting Danfoss Service, make sure to mention number and alarm description.

### NOTE!

**Unsuccessful AMA is often caused by incorrectly entered motor nameplate data or too big difference between the motor power size and the adjustable frequency drive power size.**

#### Step 4: Set speed limit and ramp time

Set up the desired limits for speed and ramp time.

Par. 3-02 <i>Minimum Reference</i>
------------------------------------

Par. 3-03 <i>Maximum Reference</i>
------------------------------------

Par. 4-11 <i>Motor Speed Low Limit [RPM]</i> or par. 4-12 <i>Motor Speed Low Limit [Hz]</i>
---

Par. 4-13 <i>Motor Speed High Limit [RPM]</i> or par. 4-14 <i>Motor Speed High Limit [Hz]</i>
---

Par. 3-41 <i>Ramp 1 Ramp-up Time</i> Ramp-up Time 1 [s]
---

Par. 3-42 <i>Ramp 1 Ramp-down Time</i> Ramp-down Time 1 [s]
---

See the section *How to program the adjustable frequency drive, Quick Menu Mode* for easy set-up of these parameters.

## 5 Commissioning and Application Examples

### 5.1 Commissioning

#### 5.1.1 Quick Menu Mode

##### Parameter Data

The graphical display (GLCP) provides access to all parameters listed under the quick menus. The numeric display (NLCP) only provides access to the quick set-up parameters. To set parameters using the [Quick Menu] button - enter or change parameter data or settings in accordance with the following procedure:

1. Press Quick Menu button
2. Use the [▲] and [▼] buttons to find the parameter you want to change
3. Press [OK]
4. Use [▲] and [▼] buttons to select the correct parameter setting
5. Press [OK]
6. To move to a different digit within a parameter setting, use the [◀] and [▶] buttons
7. Highlighted area indicates digit selected for change
8. Press [Cancel] button to disregard change, or press [OK] to accept change and enter the new setting

##### Example of changing parameter data

Assume parameter 22-60 is set to [Off]. However, you want to monitor the fan belt condition - non-broken or broken - according to the following procedure:

1. Press Quick Menu key
2. Choose Function Set-ups with the [▼] button
3. Press [OK]
4. Choose Application Settings with the [▼] button
5. Press [OK]
6. Press [OK] again for Fan Functions
7. Choose Broken Belt Function by pressing [OK]
8. With [▼] button, choose [2] Trip

The adjustable frequency drive will now trip if a broken fan belt is detected.

##### Select [My Personal Menu] to display personal parameters:

For example, an AHU or pump OEM may have pre-programmed personal parameters to be in My Personal Menu during factory commissioning to make on-site commissioning/fine tuning simpler. These parameters are selected in par. 0-25 *My Personal Menu*. Up to 20 different parameters can be programmed in this menu.

##### Select [Changes Made] to get information about:

- The last 10 changes. Use the up/down navigation keys to scroll between the last 10 changed parameters.
- The changes made since default setting.

##### Select [Loggings]:

to get information about the display line readouts. The information is shown as graphs.

Only display parameters selected in par. 0-20 *Display Line 1.1 Small* and par. 0-24 *Display Line 3 Large* can be viewed. It is possible to store up to 120 samples in the memory for later reference.

##### Quick Set-up

##### Efficient Parameter Set-up for VLT HVAC Drive Applications:

The parameters can easily be set up for the vast majority of the VLT HVAC Drive applications only by using the [Quick Set-up] option.

After pressing [Quick Menu], the different choices in the quick menu are listed. See also figure 6.1 below and tables Q3-1 to Q3-4 in the following *Function Set-ups* section.

##### Example of using the Quick Set-up option:

Assume you want to set the ramp-down time to 100 seconds:

1. Select [Quick Set-up]. The first par. 0-01 *Language* in Quick Set-up appears
2. Press [▼] repeatedly until par. 3-42 *Ramp 1 Ramp-down Time* appears with the default setting of 20 seconds.
3. Press [OK]
4. Use the [◀] button to highlight the third digit before the comma.
5. Change '0' to '1' by using the [▲] button.
6. Use the [▶] button to highlight the digit '2'.
7. Change '2' to '0' with the [▼] button.
8. Press [OK]

The new ramp-down time is now set to 100 seconds. It is recommended to do the set-up in the order listed.

**NOTE!**

A complete description of the function is found in the parameter sections of this manual.



130BP064.11  
Figure 5.1: Quick Menu view.

The Quick Set-up menu gives access to the 18 most important set-up parameters of the adjustable frequency drive. After programming, the adjustable frequency drive will, in most cases, be ready for operation. The 18 Quick Set-up parameters are shown in the table below. A complete description of the function is given in the parameter description sections of this manual.

Parameter	[Units]
Par. 0-01 Language	
Par. 1-20 Motor Power [kW]	[kW]
Par. 1-21 Motor Power [HP]	[HP]
Par. 1-22 Motor Voltage*	[V]
Par. 1-23 Motor Frequency	[Hz]
Par. 1-24 Motor Current	[A]
Par. 1-25 Motor Nominal Speed	[RPM]
Par. 1-28 Motor Rotation Check	[Hz]
Par. 3-41 Ramp 1 Ramp-up Time	[s]
Par. 3-42 Ramp 1 Ramp-down Time	[s]
Par. 4-11 Motor Speed Low Limit [RPM]	[RPM]
Par. 4-12 Motor Speed Low Limit [Hz]*	[Hz]
Par. 4-13 Motor Speed High Limit [RPM]	[RPM]
Par. 4-14 Motor Speed High Limit [Hz]*	[Hz]
Par. 3-19 Jog Speed [RPM]	[RPM]
Par. 3-11 Jog Speed [Hz]*	[Hz]
Par. 5-12 Terminal 27 Digital Input	
Par. 5-40 Function Relay**	

Table 5.1: Quick Set-up parameters

\*The display showing depends on choices made in par. 0-02 Motor Speed Unit and par. 0-03 Regional Settings. The default settings of par. 0-02 Motor Speed Unit and par. 0-03 Regional Settings depend on which region of the world the adjustable frequency drive is supplied to but can be re-programmed as required.

\*\* Par. 5-40 Function Relay, is an array, where one may choose between Relay1 [0] or Relay2 [1]. Standard setting is Relay1 [0] with the default choice Alarm [9].

See the parameter description in the section *Commonly Used Parameters*.

For a detailed information about settings and programming, please see the VLT HVAC Drive Programming Guide, MG. 11.CX.YY

x=version number

y=language

**NOTE!**

If [No Operation] is selected in par. 5-12 Terminal 27 Digital Input, no connection to +24 V on terminal 27 is necessary to enable start.

If [Coast Inverse] (factory default value) is selected in par. 5-12 Terminal 27 Digital Input, a connection to +24 V is necessary to enable start.

5.1.2 RS-485 Bus Connection

One or more adjustable frequency drives can be connected to a controller (or master) using the standard RS-485 interface. Terminal 68 is connected to the P signal (TX+, RX+), while terminal 69 is connected to the N signal (TX-,RX-).

If more than one adjustable frequency drive is connected to a master, use parallel connections.

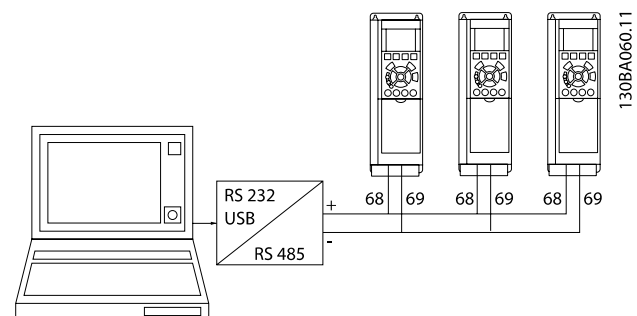


Figure 5.2: Connection example.

In order to avoid potential equalizing currents in the shield, ground the cable shield via terminal 61, which is connected to the frame via an RC link.

**Bus termination**

The RS-485 bus must be terminated by a resistor network at both ends. If the drive is the first or the last device in the RS-485 loop, set the switch S801 on the control card to ON. For more information, see the paragraph *Switches S201, S202, and S801*.

### 5.1.3 How to Connect a PC to the Adjustable Frequency Drive

To control or program the adjustable frequency drive from a PC, install the PC-based Configuration Tool MCT 10. The PC is connected via a standard (host/device) USB cable, or via the RS-485 interface as shown in the VLT HVAC Drive *Design Guide*, chapter *How to Install > Installation of misc. connections*.

#### NOTE!

The USB connection is galvanically isolated from the supply voltage (PELV) and other high-voltage terminals. The USB connection is connected to protection ground on the adjustable frequency drive. Use only an isolated laptop as PC connection to the USB connector on the adjustable frequency drive.

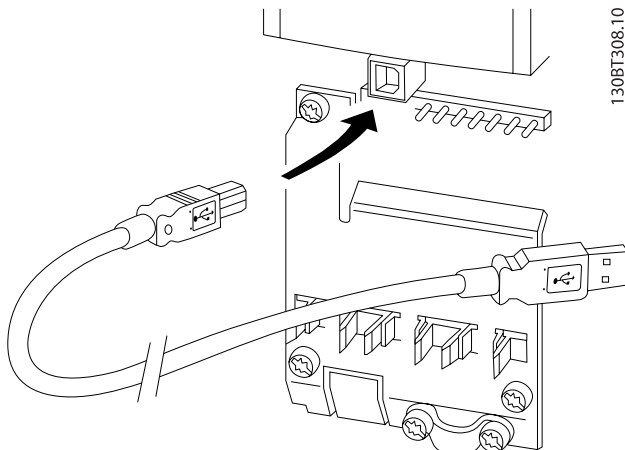


Figure 5.3: For control cable connections, see section on *Control Terminals*.

### 5.1.4 PC Software Tools

#### PC-based Configuration Tool MCT 10

All adjustable frequency drives are equipped with a serial communication port. Danfoss provides a PC tool for communication between PC and adjustable frequency drive, PC-based Configuration Tool MCT 10. Please check the section on *Available Literature* for detailed information on this tool.

#### MCT 10 set-up software

MCT 10 has been designed as an easy to use interactive tool for setting parameters in our adjustable frequency drives. The software can be downloaded from the Danfoss internet site <http://www.Danfoss.com/BusinessAreas/DrivesSolutions/Softwaredownload/DDPC+Software+Program.htm>.

The MCT 10 set-up software will be useful for:

- Planning a communication network off-line. MCT 10 contains a complete adjustable frequency drive database
- Commissioning adjustable frequency drives online.
- Saving settings for all adjustable frequency drives.
- Replacing an adjustable frequency drive in a network.
- Simple and accurate documentation of adjustable frequency drive settings after commissioning.
- Expanding an existing network
- Adjustable frequency drives developed in the future will be fully supported.

MCT 10 set-up software supports Profibus DP-V1 via a master class 2 connection. This makes it possible to access read/write parameters online in an adjustable frequency drive via the Profibus network. This will eliminate the need for an extra communication network.

#### Save adjustable frequency drive settings:

1. Connect a PC to the unit via USB com port. (NOTE: Use a PC, which is isolated from the line power, in conjunction with the USB port. Failure to do so may damage equipment.)
2. Open MCT 10 Set-up Software
3. Choose "Read from drive"
4. Choose "Save as"

All parameters are now stored on the PC.

**Load adjustable frequency drive settings:**


1. Connect a PC to the adjustable frequency drive via the USB com port
2. Open MCT 10 Set-up software
3. Choose "Open" – stored files will be shown
4. Open the appropriate file
5. Choose "Write to drive"

All parameter settings are now transferred to the adjustable frequency drive.

A separate manual for MCT 10 Set-up Software is available: *MG.10.Rx.yy*.

**The MCT 10 Set-up software modules**

The following modules are included in the software package:

	<b>MCT Set-up 10 Software</b>
	Setting parameters Copy to and from adjustable frequency drives Documentation and print out of parameter settings incl. diagrams
	<b>Ext. user interface</b>
	Preventive Maintenance Schedule Clock settings Timed Action Programming Smart Logic Controller Set-up

**Ordering number:**

Please order the CD containing MCT 10 Set-up Software using code number 130B1000.

MCT 10 can also be downloaded from the Danfoss website: [WWW.DANFOSS.COM](http://WWW.DANFOSS.COM), Business Area: Motion Controls.

**5.1.5 Tips and Tricks**

- For the majority of HVAC applications, the Quick Menu, Quick Set-up and Function Set-up provides the simplest and quickest access to all the typical parameters required.
- Whenever possible, performing an AMA will ensure best shaft performance
- The contrast of the display can be adjusted by pressing [Status] and [▲] for a darker display or by pressing [Status] and [▼] for a brighter display.
- Under [Quick Menu] and [Changes Made], all parameters that have been changed from the factory settings are displayed.
- Press and hold the [Main Menu] key for 3 seconds to access any parameter.
- For service purposes, it is recommended to copy all parameters to the LCP, see par. 0-50 *LCP Copy* for further information.

**5.1.6 Quick Transfer of Parameter Settings When Using GLCP**

Once the set-up of an adjustable frequency drive is complete, it is recommended to store (backup) the parameter settings in the GLCP or on a PC via MCT 10 Set-up Software Tool.



**Stop the motor before performing any of these operations,.**

**Data storage in LCP:**

1. Go to par. 0-50 *LCP Copy*
2. Press the [OK] key
3. Select "All to LCP"
4. Press the [OK] key

All parameter settings are now stored in the GLCP indicated by the progress bar. When 100% is reached, press [OK].

The GLCP can now be connected to another adjustable frequency drive and the parameter settings copied to this adjustable frequency drive.

**Data transfer from LCP to adjustable frequency drive:**

1. Go to par. 0-50 *LCP Copy*
2. Press the [OK] key
3. Select "All from LCP"
4. Press the [OK] key



The parameter settings stored in the GLCP are now transferred to the adjustable frequency drive indicated by the progress bar. When 100% is reached, press [OK].

### 5.1.7 Initialization to Default Settings

There are two ways to initialize the adjustable frequency drive to default: Recommended initialization and manual initialization.

Please be aware that they have different impacts according to the below description.

#### Recommended initialization (via par. 14-22 *Operation Mode*)

1. Select par. 14-22 *Operation Mode*
2. Press [OK]
3. Select "Initialization" (for NLCP select "2")
4. Press [OK]
5. Disconnect the power from the unit and wait for the display to turn off.
6. Reconnecting the power resets the adjustable frequency drive. Note that first start-up takes a few more seconds
7. Press [Reset]

Par. 14-22 *Operation Mode* initializes all except:  
 Par. 14-50 *RFI 1*  
 Par. 8-30 *Protocol*  
 Par. 8-31 *Address*  
 Par. 8-32 *Baud Rate*  
 Par. 8-35 *Minimum Response Delay*  
 Par. 8-36 *Max Response Delay*  
 Par. 8-37 *Maximum Inter-Char Delay*  
 Par. 15-00 *Operating Hours* to par. 15-05 *Over Volts*  
 Par. 15-20 *Historic Log: Event* to par. 15-22 *Historic Log: Time*  
 Par. 15-30 *Alarm Log: Error Code* to par. 15-32 *Alarm Log: Time*

#### NOTE!

Parameters selected in par. 0-25 *My Personal Menu* will remain present with the default factory setting.

#### Manual initialization

#### NOTE!

When carrying out manual initialization, serial communication, RFI filter settings and fault log settings are reset. Removes parameters selected in par. 0-25 *My Personal Menu*.

1. Disconnect from the line power and wait until the display turns off.
- 2a. Press [Status] - [Main Menu] - [OK] at the same time while powering up the Graphical LCP (GLCP)
- 2b. Press [Menu] while powering up for LCP 101, Numerical Display
3. Release the keys after 5 s
4. The adjustable frequency drive is now programmed according to default settings

This parameter initializes all except:

Par. 15-00 *Operating Hours*

Par. 15-03 *Power-ups*

Par. 15-04 *Over Temps*

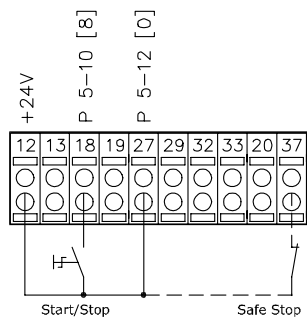
Par. 15-05 *Over Volts*

## 5.2 Application Examples

### 5.2.1 Start/Stop

Terminal 18 = start/stop par. 5-10 Terminal 18 Digital Input [8] Start  
 Terminal 27 = No operation par. 5-12 Terminal 27 Digital Input [0] No operation (Default coast inverse)

Par. 5-10 Terminal 18 Digital Input = Start (default)  
 Par. 5-12 Terminal 27 Digital Input = coast inverse (default)



130BA155.12

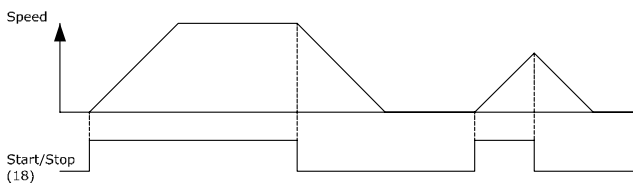
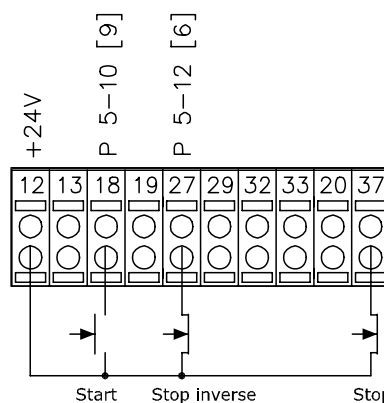


Figure 5.4: Terminal 37: Available only with Safe Stop Function!

### 5.2.2 Pulse Start/Stop

Terminal 18 = start/stop par. 5-10 Terminal 18 Digital Input [9] Latched start  
 Terminal 27 = Stop par. 5-12 Terminal 27 Digital Input [6] Stop inverse

Par. 5-10 Terminal 18 Digital Input = Latched start  
 Par. 5-12 Terminal 27 Digital Input = Stop inverse



130BA156.11

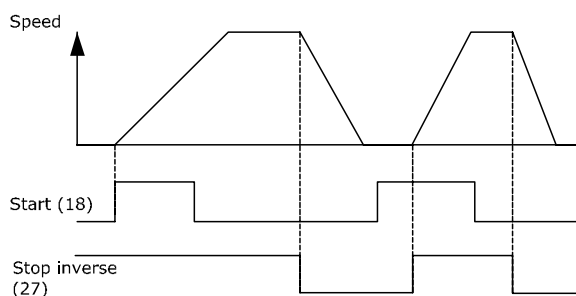


Figure 5.5: Terminal 37: Available only with Safe Stop Function!

### 5.2.3 Automatic Motor Adaptation (AMA)

AMA is an algorithm to measure the electrical motor parameters on a motor at standstill. This means that AMA itself does not supply any torque.

AMA is useful when commissioning systems and optimizing the adjustment of the adjustable frequency drive to the applied motor. This feature is particularly used where the default setting does not apply to the connected motor.

Par. 1-29 *Automatic Motor Adaptation (AMA)* allows a choice of complete AMA with determination of all electrical motor parameters or reduced AMA with determination of the stator resistance  $R_s$  only.

The duration of a total AMA varies from a few minutes on small motors to more than 15 minutes on large motors.

#### Limitations and preconditions:

- For the AMA to determine the motor parameters optimally, enter the correct motor nameplate data in par. 1-20 *Motor Power [kW]* to par. 1-28 *Motor Rotation Check*.
- For the best adjustment of the adjustable frequency drive, carry out AMA on a cold motor. Repeated AMA runs may lead to a heating of the motor, which results in an increase of the stator resistance,  $R_s$ . Normally, this is not critical.
- AMA can only be carried out if the rated motor current is minimum 35% of the rated output current of the adjustable frequency drive. AMA can be carried out on up to one oversize motor.
- It is possible to carry out a reduced AMA test with a sine-wave filter installed. Avoid carrying out a complete AMA with a sine-wave filter. If an overall setting is required, remove the sine-wave filter while running a total AMA. After completion of the AMA, reinsert the sine-wave filter.
- If motors are coupled in parallel, use only reduced AMA if any.
- Avoid running a complete AMA when using synchronous motors. If synchronous motors are applied, run a reduced AMA and manually set the extended motor data. The AMA function does not apply to permanent magnet motors.
- The adjustable frequency drive does not produce motor torque during an AMA. During an AMA, it is imperative that the application does not force the motor shaft to run, which is known to happen with, e.g., wind milling in ventilation systems. This disturbs the AMA function.



## 6 How to Operate the Adjustable Frequency Drive

### 6.1.1 Three Ways of Operating

The adjustable frequency drive can be operated in three ways:

1. Graphical Local Control Panel (GLCP), see 5.1.2
2. Numeric Local Control Panel (NLCP), see 5.1.3
3. RS-485 serial communication or USB, both for PC connection, see 5.1.4

If the adjustable frequency drive is fitted with a serial communication bus option, please refer to relevant documentation.

### 6.1.2 How to Operate the GraphicalLCP (GLCP)

The following instructions are valid for the GLCP (LCP 102).

The GLCP is divided into four functional groups:

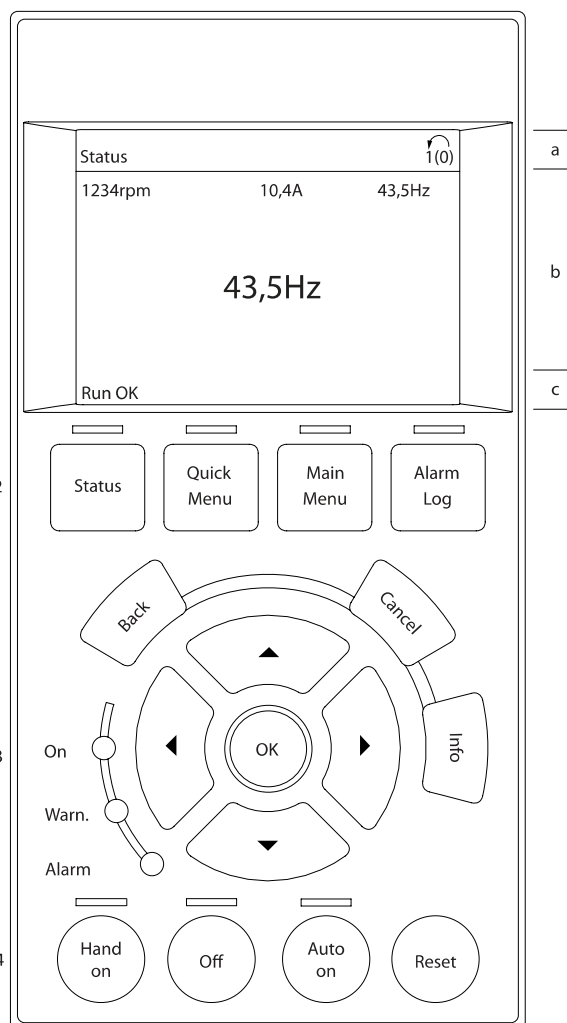
1. Graphical display with Status lines.
2. Menu keys and LEDs - selecting mode, changing parameters and switching between display functions.
3. Navigation keys and LEDs (LEDs).
4. Operation keys and LEDs.

#### Graphical display:

The LCD display is back lit with a total of 6 alpha-numeric lines. All data is displayed on the LCP which can show up to five operating variables while in [Status] mode.

#### Display lines:

- Status line:** Status messages displaying icons and graphics.
- Line 1-2:** Operator data lines displaying data and variables defined or chosen by the user. By pressing the [Status] key, up to one extra line can be added.
- Status line:** Status messages displaying text.



The display is divided into 3 sections:

The **top section** (a) shows the status when in status mode or up to 2 variables when not in status mode and in case of an alarm/warning.

The number of the Active Set-up (selected as the Active Set-up in par. 0-10 *Active Set-up*) is shown. When programming in another set-up than the Active Set-up, the number of the set-up being programmed appears to the right in brackets.

The **Middle section** (b) shows up to 5 variables with related unit, regardless of status. In the case of an alarm/warning, the warning is shown instead of the variables.

The **bottom section** (c) always shows the state of the adjustable frequency drive in status mode.

It is possible to toggle between three status read-out displays by pressing the [Status] key.  
 Operating variables with different formatting are shown in each status screen - see below.

Several values or measurements can be linked to each of the displayed operating variables. The values / measurements to be displayed can be defined via par. 0-20 *Display Line 1.1 Small*, par. 0-21 *Display Line 1.2 Small*, par. 0-22 *Display Line 1.3 Small*, par. 0-23 *Display Line 2 Large* and par. 0-24 *Display Line 3 Large*, which can be accessed via [QUICK MENU], "Q3 Function Set-ups", "Q3-1 General Settings", "Q3-13 Display Settings".

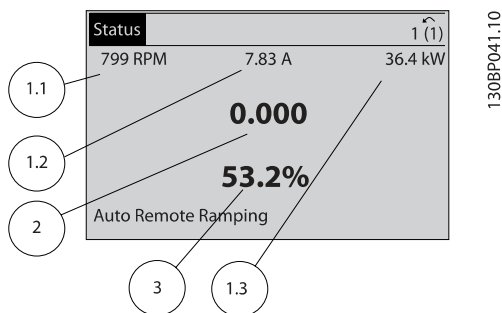
Each value/measurement readout parameter selected in par. 0-20 *Display Line 1.1 Small* to par. 0-24 *Display Line 3 Large* has its own scale and number of digits after a possible decimal point. Larger numeric values are displayed with few digits after the decimal point.

Ex.: Current readout  
 5.25 A; 15.2 A 105 A.

**Status display I:**

This readout state is standard after start-up or initialization. Use [INFO] to obtain information about the value/measurement linked to the displayed operating variables (1.1, 1.2, 1.3, 2, and 3).

See the operating variables shown in the display in this figure. 1.1, 1.2 and 1.3 are shown in small size. 2 and 3 are shown in medium size.

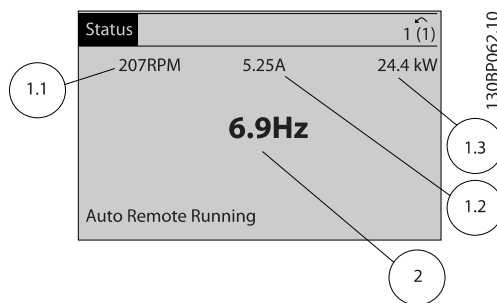


**Status display II:**

See the operating variables (1.1, 1.2, 1.3, and 2) shown in the display in this figure.

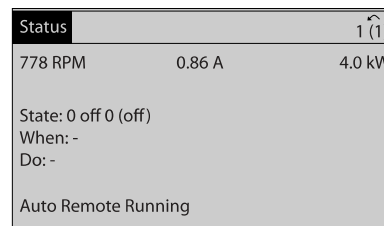
In the example, Speed, Motor current, Motor power and Frequency are selected as variables in the first and second lines.

1.1, 1.2 and 1.3 are shown in small size. 2 is shown in large size.



**Status display III:**

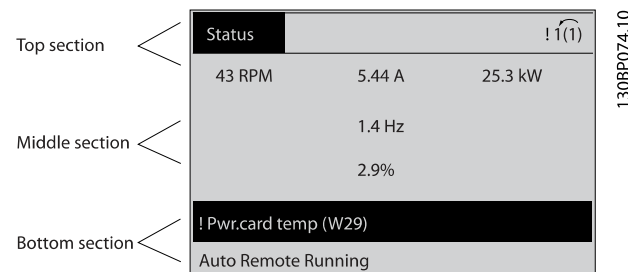
This state displays the event and action of the Smart Logic Control. For further information, see section *Smart Logic Control*.



**Display Contrast Adjustment**

Press [status] and [▲] for a darker display.

Press [status] and [▼] for a brighter display.

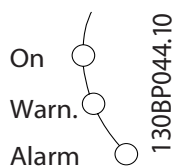


**LEDs:**

If certain threshold values are exceeded, the alarm and/or warning LED lights up. A status and alarm text appear on the control panel.

The On LED is activated when the adjustable frequency drive receives power from AC line voltage, a DC bus terminal, or an external 24 V supply. At the same time, the back light is on.

- Green LED/On: Control section is working.
- Yellow LED/Warn.: Indicates a warning.
- Flashing Red LED/Alarm: Indicates an alarm.



The Function Set-up provides quick and easy access to all parameters required for the majority of VLT HVAC Drive applications including most VAV and CAV supply and return fans, cooling tower fans, primary, secondary and condenser water pumps and other pump, fan and compressor applications. Among other features, it also includes parameters for selecting which variables to display on the LCP, digital preset speeds, scaling of analog references, closed-loop single zone and multi-zone applications and specific functions related to fans, pumps and compressors.

The Quick Menu parameters can be accessed immediately unless a password has been created via par. 0-60 *Main Menu Password*, par. 0-61 *Access to Main Menu w/o Password*, par. 0-65 *Personal Menu Password* or par. 0-66 *Access to Personal Menu w/o Password*.

It is possible to switch directly between Quick Menu mode and Main Menu mode.

**GLCP keys**

**Menu keys**

The menu keys are divided into functions. The keys below the display and LEDs are used for parameter set-up, including choice of display indication during normal operation.



**[Status]**

indicates the status of the adjustable frequency drive and/or the motor. Three different readouts can be chosen by pressing the [Status] key:

5 line readouts, 4 line readouts or Smart Logic Control.

Use **[Status]** for selecting the mode of display or for changing back to display mode from either the quick menu mode, the main menu mode or alarm mode. Also use the [Status] key to toggle single or double readout mode.

**[Quick Menu]**

allows quick set-up of the adjustable frequency drive. **The most common VLT HVAC Drive functions can be programmed here.**

The **[Quick Menu]** consists of:

- My Personal Menu
- Quick Set-up
- Function Set-up
- Changes Made
- Loggings

**[Main Menu]**

is used for programming all parameters. The Main Menu parameters can be accessed immediately unless a password has been created via par. 0-60 *Main Menu Password*, par. 0-61 *Access to Main Menu w/o Password*, par. 0-65 *Personal Menu Password* or par. 0-66 *Access to Personal Menu w/o Password*. For the majority of VLT HVAC Drive applications, it is not necessary to access the Main Menu parameters but instead the Quick Menu, Quick Set-up and Function Set-up provide the simplest and quickest access to parameters that are typically required.

It is possible to switch directly between Main Menu mode and Quick Menu mode.

A parameter shortcut can be carried out by pressing down the **[Main Menu]** key for 3 seconds. The parameter shortcut allows direct access to any parameter.

**[Alarm Log]**

displays an Alarm list of the five latest alarms (numbered A1-A5). To obtain additional details about an alarm, use the arrow keys to maneuver to the alarm number and press [OK]. Information is displayed about the condition of the adjustable frequency drive before it enters alarm mode.

The alarm log button on the LCP allows access to both alarm log and maintenance log.

**[Back]**

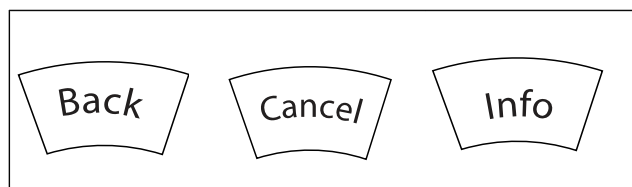
reverts to the previous step or layer in the navigation structure.

**[Cancel]**

last change or command will be cancelled as long as the display has not been changed.

**[Info]**

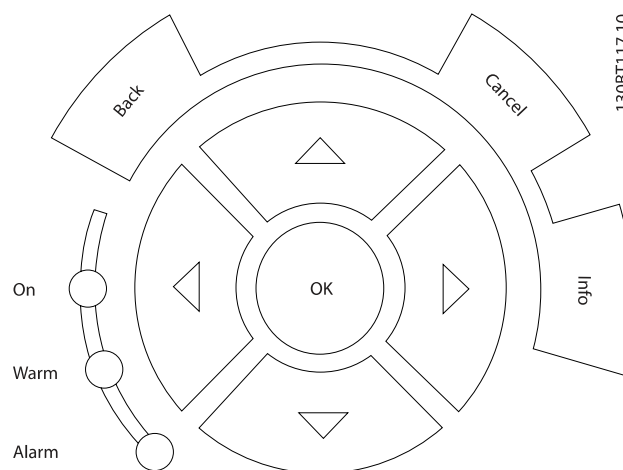
displays information about a command, parameter, or function in any display window. [Info] provides detailed information when needed. Exit Info mode by pressing either [Info], [Back], or [Cancel].



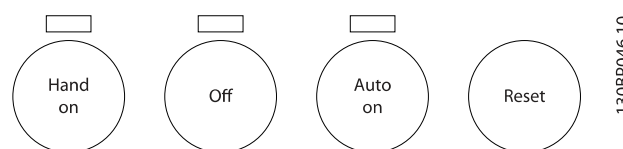
**Navigation Keys**

The four navigation arrows are used to navigate between the different choices available in **[Quick Menu]**, **[Main Menu]** and **[Alarm Log]**. Use the keys to move the cursor.

**[OK]** is used for choosing a parameter marked by the cursor and for enabling the change of a parameter.



**Operation Keys** for local control are found at the bottom of the control panel.



**[Hand On]**

enables control of the adjustable frequency drive via the GLCP. [Hand On] also starts the motor, and it is now possible to enter the motor speed data by means of the arrow keys. The key can be selected as Enable [1] or Disable [0] via par. 0-40 *[Hand on] Key on LCP*.

The following control signals will still be active when [Hand On] is activated:

- [Hand On] - [Off] - [Auto on]
- Reset
- Coasting stop inverse
- Reversing
- Set-up select lsb - Set-up select msb
- Stop command from serial communication
- Quick stop
- DC brake



**NOTE!**

External stop signals activated by means of control signals or a serial bus will override a "start" command via the LCP.

**[Off]**

stops the connected motor. The key can be selected as Enable [1] or Disable [0] via par. 0-41 *[Off] Key on LCP*. If no external stop function is selected and the [Off] key is inactive the motor can only be stopped by disconnecting the line power supply.

**[Auto on]**

enables the adjustable frequency drive to be controlled via the control terminals and/or serial communication. When a start signal is applied on the control terminals and/or the bus, the adjustable frequency drive will start. The key can be selected as Enable [1] or Disable [0] via par. 0-42 *[Auto on] Key on LCP*.

**NOTE!**

An active HAND-OFF-AUTO signal via the digital inputs has higher priority than the control keys [Hand on] – [Auto on].

**[Reset]**

is used for resetting the adjustable frequency drive after an alarm (trip). It can be selected as *Enable* [1] or *Disable* [0] via par. 0-43 *[Reset] Key on LCP*.

The parameter shortcut can be carried out by holding down the [Main Menu] key for 3 seconds. The parameter shortcut allows direct access to any parameter.

### 6.1.3 How to Operate Numeric LCP (NLCP)

The following instructions are valid for the NLCP (LCP 101).

The control panel is divided into four functional groups:

1. Numeric display.
2. Menu key and LEDs - changing parameters and switching between display functions.
3. Navigation keys and LEDs.
4. Operation keys and LEDs.

**NOTE!**

Parameter copy is not possible with Numeric Local Control Panel (LCP101).

Select one of the following modes:

**Status Mode:** Displays the status of the adjustable frequency drive or the motor.

If an alarm occurs, the NLCP automatically switches to status mode.

A number of alarms can be displayed.

**Quick Set-up or Main Menu Mode:** Display parameters and parameter settings.

6

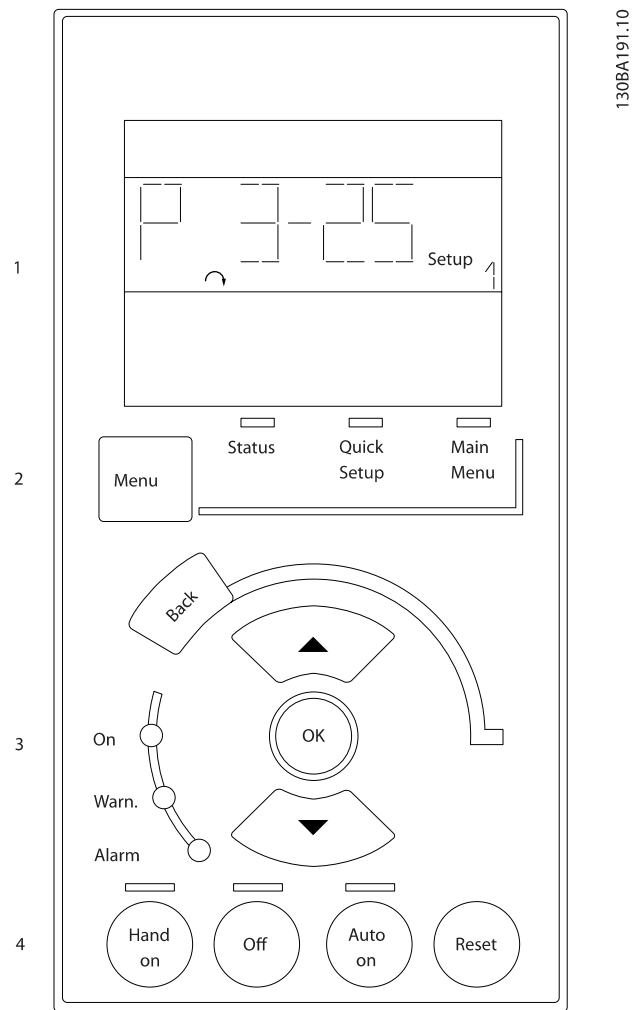


Figure 6.1: Numerical LCP (NLCP)



Figure 6.2: Status display example



Figure 6.3: Alarm display example

**LEDs:**

- Green LED/On: Indicates if control section is on.
- Yellow LED/Wrn.: Indicates a warning.
- Flashing red LED/Alarm: Indicates an alarm.

**Menu key**

Select one of the following modes:

- Status
- Quick Set-up
- Main Menu

**Main Menu**

is used for programming all parameters.

The parameters can be accessed immediately unless a password has been created via par. 0-60 *Main Menu Password*, par. 0-61 *Access to Main Menu w/o Password*, par. 0-65 *Personal Menu Password* or par. 0-66 *Access to Personal Menu w/o Password*.

**Quick Set-up** is used to set up the adjustable frequency drive using only the most essential parameters.

The parameter values can be changed using the up/down arrows when the value is flashing.

Select the main menu by pressing the [Menu] key a number of times until the main menu LED is lit.

Select the parameter group [xx-\_\_] and press [OK]

Select the parameter [\_\_-xx] and press [OK]

If the parameter is an array parameter, select the array number and press [OK]

Select the wanted data value and press [OK]

**Navigation keys**

**[Back]**

for stepping backwards

**Arrow [▲] [▼]**

keys are used for navigating between parameter groups, parameters and within parameters.

**[OK]**

is used for choosing a parameter marked by the cursor and for enabling the change of a parameter.

**Operation keys**

Keys for local control are found at the bottom of the control panel.

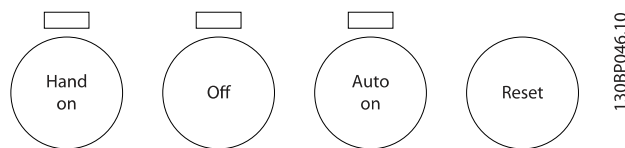


Figure 6.5: Operation keys of the numerical LCP (NLCP)

**[Hand on]**

enables control of the adjustable frequency drive via the LCP. [Hand on] also starts the motor and it is now possible to enter the motor speed data by means of the arrow keys. The key can be *Enabled* [1] or *Disabled* [0] via par. 0-40 *[Hand on] Key on LCP*.

External stop signals activated by means of control signals or a serial bus will override a 'start' command via the LCP.

**The following control signals will still be active when [Hand on] is activated:**

- [Hand on] - [Off] - [Auto on]
- Reset
- Coasting stop inverse
- Reversing
- Set-up select lsb - Set-up select msb
- Stop command from serial communication
- Quick stop
- DC brake

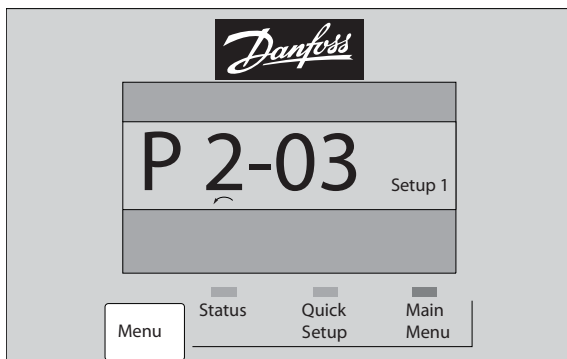


Figure 6.4: Display example

**[Off]**

stops the connected motor. The key can be *Enabled* [1] or *Disabled* [0] via par. 0-41 *[Off] Key on LCP*.

If no external stop function is selected and the [Off] key is inactive, the motor can be stopped by disconnecting the line power supply.

**[Auto on]**

enables the adjustable frequency drive to be controlled via the control terminals and/or serial communication. When a start signal is applied on the control terminals and/or the bus, the adjustable frequency drive will start. The key can be *Enabled* [1] or *Disabled* [0] via par. 0-42 *[Auto on] Key on LCP*.

**NOTE!**

An active **HAND-OFF-AUTO** signal via the digital inputs has higher priority than the control keys [Hand on] [Auto on].

**[Reset]**

is used for resetting the adjustable frequency drive after an alarm (trip). The key can be *Enabled* [1] or *Disabled* [0] via par. 0-43 *[Reset] Key on LCP*.

# 7 How to Program the Adjustable Frequency Drive

## 7.1 How to Program

### 7.1.1 Function Set-ups

The Function set-up provides quick and easy access to all parameters required for the majority of VLT HVAC Drive applications including most VAV and CAV supply and return fans, cooling tower fans, primary, secondary and condenser water pumps and other pump, fan and compressor applications.

#### How to access Function set-up - example

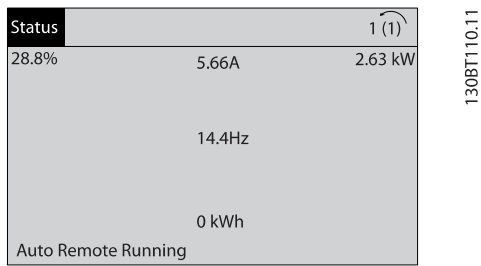


Figure 7.1: Step 1: Turn on the adjustable frequency drive (yellow LED lights)

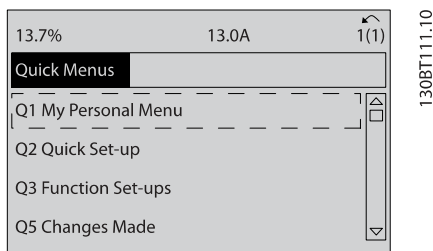


Figure 7.2: Step 2: Press the [Quick Menu] button (Quick Menu choices appear).

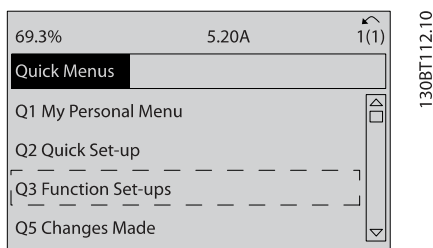


Figure 7.3: Step 3: Use the up/down navigation keys to scroll down to Function set-ups. Press [OK].

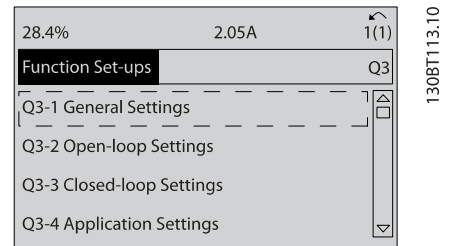


Figure 7.4: Step 4: Function set-ups choices appear. Choose Q3-1 General Settings. Press [OK].

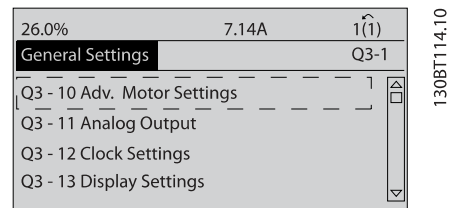


Figure 7.5: Step 5: Use the up/down navigation keys to scroll down to i.e., Q3-11 Analog Outputs. Press [OK].

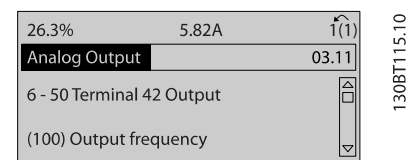


Figure 7.6: Step 6: Choose par. 6-50. Press [OK].

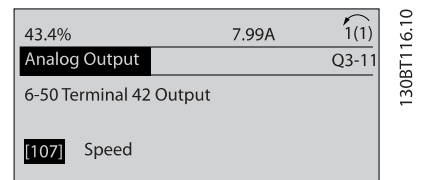


Figure 7.7: Step 7: Use the up/down navigation keys to select between the different choices. Press [OK].

**Function Set-ups parameters**

The Function Set-ups parameters are grouped in the following way:

Q3-1 General Settings			
Q3-10 Adv. Motor Settings	Q3-11 Analog Output	Q3-12 Clock Settings	Q3-13 Display Settings
Par. 1-90 <i>Motor Thermal Protection</i>	Par. 6-50 <i>Terminal 42 Output</i>	Par. 0-70 <i>Date and Time</i>	Par. 0-20 <i>Display Line 1.1 Small</i>
Par. 1-93 <i>Thermistor Source</i>	Par. 6-51 <i>Terminal 42 Output Min Scale</i>	Par. 0-71 <i>Date Format</i>	Par. 0-21 <i>Display Line 1.2 Small</i>
Par. 1-29 <i>Automatic Motor Adaptation (AMA)</i>	Par. 6-52 <i>Terminal 42 Output Max Scale</i>	Par. 0-72 <i>Time Format</i>	Par. 0-22 <i>Display Line 1.3 Small</i>
Par. 14-01 <i>Switching Frequency</i>		Par. 0-74 <i>DST/Summertime</i>	Par. 0-23 <i>Display Line 2 Large</i>
Par. 4-53 <i>Warning Speed High</i>		Par. 0-76 <i>DST/Summertime Start</i>	Par. 0-24 <i>Display Line 3 Large</i>
		Par. 0-77 <i>DST/Summertime End</i>	Par. 0-37 <i>Display Text 1</i>
			Par. 0-38 <i>Display Text 2</i>
			Par. 0-39 <i>Display Text 3</i>

Q3-2 Open-loop Settings	
Q3-20 Digital Reference	Q3-21 Analog Reference
Par. 3-02 <i>Minimum Reference</i>	Par. 3-02 <i>Minimum Reference</i>
Par. 3-03 <i>Maximum Reference</i>	Par. 3-03 <i>Maximum Reference</i>
Par. 3-10 <i>Preset Reference</i>	Par. 6-10 <i>Terminal 53 Low Voltage</i>
Par. 5-13 <i>Terminal 29 Digital Input</i>	Par. 6-11 <i>Terminal 53 High Voltage</i>
Par. 5-14 <i>Terminal 32 Digital Input</i>	Par. 6-12 <i>Terminal 53 Low Current</i>
Par. 5-15 <i>Terminal 33 Digital Input</i>	Par. 6-13 <i>Terminal 53 High Current</i>
	Par. 6-14 <i>Terminal 53 Low Ref./Feedb. Value</i>
	Par. 6-15 <i>Terminal 53 High Ref./Feedb. Value</i>

Q3-3 Closed-loop Settings		
Q3-30 Single Zone Int. Setpoint	Q3-31 Single Zone Ext. Setpoint	Q3-32 Multi Zone / Adv
Par. 1-00 Configuration Mode	Par. 1-00 Configuration Mode	Par. 1-00 Configuration Mode
Par. 20-12 Reference/Feedback Unit	Par. 20-12 Reference/Feedback Unit	Par. 3-15 Reference 1 Source
Par. 20-13 Minimum Reference/Feedb.	Par. 20-13 Minimum Reference/Feedb.	Par. 3-16 Reference 2 Source
Par. 20-14 Maximum Reference/Feedb.	Par. 20-14 Maximum Reference/Feedb.	Par. 20-00 Feedback 1 Source
Par. 6-22 Terminal 54 Low Current	Par. 6-10 Terminal 53 Low Voltage	Par. 20-01 Feedback 1 Conversion
Par. 6-24 Terminal 54 Low Ref./Feedb. Value	Par. 6-11 Terminal 53 High Voltage	Par. 20-02 Feedback 1 Source Unit
Par. 6-25 Terminal 54 High Ref./Feedb. Value	Par. 6-12 Terminal 53 Low Current	Par. 20-03 Feedback 2 Source
Par. 6-26 Terminal 54 Filter Time Constant	Par. 6-13 Terminal 53 High Current	Par. 20-04 Feedback 2 Conversion
Par. 6-27 Terminal 54 Live Zero	Par. 6-14 Terminal 53 Low Ref./Feedb. Value	Par. 20-05 Feedback 2 Source Unit
Par. 6-00 Live Zero Timeout Time	Par. 6-15 Terminal 53 High Ref./Feedb. Value	Par. 20-06 Feedback 3 Source
Par. 6-01 Live Zero Timeout Function	Par. 6-22 Terminal 54 Low Current	Par. 20-07 Feedback 3 Conversion
Par. 20-21 Setpoint 1	Par. 6-24 Terminal 54 Low Ref./Feedb. Value	Par. 20-08 Feedback 3 Source Unit
Par. 20-81 PID Normal/ Inverse Control	Par. 6-25 Terminal 54 High Ref./Feedb. Value	Par. 20-12 Reference/Feedback Unit
Par. 20-82 PID Start Speed [RPM]	Par. 6-26 Terminal 54 Filter Time Constant	Par. 20-13 Minimum Reference/Feedb.
Par. 20-83 PID Start Speed [Hz]	Par. 6-27 Terminal 54 Live Zero	Par. 20-14 Maximum Reference/Feedb.
Par. 20-93 PID Proportional Gain	Par. 6-00 Live Zero Timeout Time	Par. 6-10 Terminal 53 Low Voltage
Par. 20-94 PID Integral Time	Par. 6-01 Live Zero Timeout Function	Par. 6-11 Terminal 53 High Voltage
Par. 20-70 Closed-loop Type	Par. 20-81 PID Normal/ Inverse Control	Par. 6-12 Terminal 53 Low Current
Par. 20-71 PID Performance	Par. 20-82 PID Start Speed [RPM]	Par. 6-13 Terminal 53 High Current
Par. 20-72 PID Output Change	Par. 20-83 PID Start Speed [Hz]	Par. 6-14 Terminal 53 Low Ref./Feedb. Value
Par. 20-73 Minimum Feedback Level	Par. 20-93 PID Proportional Gain	Par. 6-15 Terminal 53 High Ref./Feedb. Value
Par. 20-74 Maximum Feedback Level	Par. 20-94 PID Integral Time	Par. 6-16 Terminal 53 Filter Time Constant
Par. 20-79 PID Autotuning	Par. 20-70 Closed-loop Type	Par. 6-17 Terminal 53 Live Zero
	Par. 20-71 PID Performance	Par. 6-20 Terminal 54 Low Voltage
	Par. 20-72 PID Output Change	Par. 6-21 Terminal 54 High Voltage
	Par. 20-73 Minimum Feedback Level	Par. 6-22 Terminal 54 Low Current
	Par. 20-74 Maximum Feedback Level	Par. 6-23 Terminal 54 High Current
	Par. 20-79 PID Autotuning	Par. 6-24 Terminal 54 Low Ref./Feedb. Value
		Par. 6-25 Terminal 54 High Ref./Feedb. Value
		Par. 6-26 Terminal 54 Filter Time Constant
		Par. 6-27 Terminal 54 Live Zero
		Par. 6-00 Live Zero Timeout Time
		Par. 6-01 Live Zero Timeout Function
		Par. 4-56 Warning Feedback Low
		Par. 4-57 Warning Feedback High
		Par. 20-20 Feedback Function
		Par. 20-21 Setpoint 1
		Par. 20-22 Setpoint 2
		Par. 20-81 PID Normal/ Inverse Control
		Par. 20-82 PID Start Speed [RPM]
		Par. 20-83 PID Start Speed [Hz]
		Par. 20-93 PID Proportional Gain
		Par. 20-94 PID Integral Time
		Par. 20-70 Closed-loop Type
		Par. 20-71 PID Performance
		Par. 20-72 PID Output Change
		Par. 20-73 Minimum Feedback Level
		Par. 20-74 Maximum Feedback Level
		Par. 20-79 PID Autotuning

Q3-4 Application Settings		
Q3-40 Fan Functions	Q3-41 Pump Functions	Q3-42 Compressor Functions
Par. 22-60 <i>Broken Belt Function</i>	Par. 22-20 <i>Low Power Auto Set-up</i>	Par. 1-03 <i>Torque Characteristics</i>
Par. 22-61 <i>Broken Belt Torque</i>	Par. 22-21 <i>Low Power Detection</i>	Par. 1-71 <i>Start Delay</i>
Par. 22-62 <i>Broken Belt Delay</i>	Par. 22-22 <i>Low Speed Detection</i>	Par. 22-75 <i>Short Cycle Protection</i>
Par. 4-64 <i>Semi-Auto Bypass Set-up</i>	Par. 22-23 <i>No-Flow Function</i>	Par. 22-76 <i>Interval between Starts</i>
Par. 1-03 <i>Torque Characteristics</i>	Par. 22-24 <i>No-Flow Delay</i>	Par. 22-77 <i>Minimum Run Time</i>
Par. 22-22 <i>Low Speed Detection</i>	Par. 22-40 <i>Minimum Run Time</i>	Par. 5-01 <i>Terminal 27 Mode</i>
Par. 22-23 <i>No-Flow Function</i>	Par. 22-41 <i>Minimum Sleep Time</i>	Par. 5-02 <i>Terminal 29 Mode</i>
Par. 22-24 <i>No-Flow Delay</i>	Par. 22-42 <i>Wake-up Speed [RPM]</i>	Par. 5-12 <i>Terminal 27 Digital Input</i>
Par. 22-40 <i>Minimum Run Time</i>	Par. 22-43 <i>Wake-up Speed [Hz]</i>	Par. 5-13 <i>Terminal 29 Digital Input</i>
Par. 22-41 <i>Minimum Sleep Time</i>	Par. 22-44 <i>Wake-up Ref./FB Difference</i>	Par. 5-40 <i>Function Relay</i>
Par. 22-42 <i>Wake-up Speed [RPM]</i>	Par. 22-45 <i>Setpoint Boost</i>	Par. 1-73 <i>Flying Start</i>
Par. 22-43 <i>Wake-up Speed [Hz]</i>	Par. 22-46 <i>Maximum Boost Time</i>	Par. 1-86 <i>Trip Speed Low [RPM]</i>
Par. 22-44 <i>Wake-up Ref./FB Difference</i>	Par. 22-26 <i>Dry Pump Function</i>	Par. 1-87 <i>Trip Speed Low [Hz]</i>
Par. 22-45 <i>Setpoint Boost</i>	Par. 22-27 <i>Dry Pump Delay</i>	
Par. 22-46 <i>Maximum Boost Time</i>	Par. 22-80 <i>Flow Compensation</i>	
Par. 2-10 <i>Brake Function</i>	Par. 22-81 <i>Square-linear Curve Approximation</i>	
Par. 2-16 <i>AC Brake Max. Current</i>	Par. 22-82 <i>Work Point Calculation</i>	
Par. 2-17 <i>Over-voltage Control</i>	Par. 22-83 <i>Speed at No-Flow [RPM]</i>	
Par. 1-73 <i>Flying Start</i>	Par. 22-84 <i>Speed at No-Flow [Hz]</i>	
Par. 1-71 <i>Start Delay</i>	Par. 22-85 <i>Speed at Design Point [RPM]</i>	
Par. 1-80 <i>Function at Stop</i>	Par. 22-86 <i>Speed at Design Point [Hz]</i>	
Par. 2-00 <i>DC Hold/Preheat Current</i>	Par. 22-87 <i>Pressure at No-Flow Speed</i>	
Par. 4-10 <i>Motor Speed Direction</i>	Par. 22-88 <i>Pressure at Rated Speed</i>	
	Par. 22-89 <i>Flow at Design Point</i>	
	Par. 22-90 <i>Flow at Rated Speed</i>	
	Par. 1-03 <i>Torque Characteristics</i>	
	Par. 1-73 <i>Flying Start</i>	

See also *VLT HVAC Drive Programming Guide* for a detailed description of the Function Set-ups parameter groups.



### 7.1.2 Main Menu Mode

Both the GLCP and NLCP provide access to the main menu mode. Select main menu mode by pressing the [Main Menu] key. Figure 6.2 shows the resulting readout, which appears on the display of the GLCP. Lines 2 through 5 on the display show a list of parameter groups which can be chosen by toggling the up and down buttons.

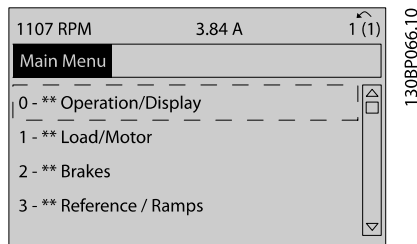


Figure 7.8: Display example.

Each parameter has a name and number which remain the same regardless of the programming mode. In main menu mode, the parameters are divided into groups. The first digit of the parameter number (from the left) indicates the parameter group number.

All parameters can be changed in the Main Menu. The configuration of the unit (par. 1-00 *Configuration Mode*) will determine other parameters available for programming. For example, selecting Closed-loop enables additional parameters related to closed-loop operation. Option cards added to the unit enable additional parameters associated with the option device.

### 7.1.3 Changing Data

1. Press the [Quick Menu] or [Main Menu] key.
2. Use [▲] and [▼] keys to find parameter group to edit.
3. Press [OK] key.
4. Use [▲] and [▼] keys to find parameter to edit.
5. Press [OK] key.
6. Use [▲] and [▼] keys to select correct parameter setting. Or, to move to digits within a number, use the keys. Cursor indicates digit selected to change. [▲] key increases the value, [▼] key decreases the value.
7. Press the [Cancel] key to disregard the change, or press the [OK] key to accept the change and enter the new setting.

### 7.1.4 Changing a Text Value

If the selected parameter is a text value, it can be changed by using the up/down navigation keys. The up key increases the value, and the down key decreases the value. Place the cursor on the value to be saved and press [OK].

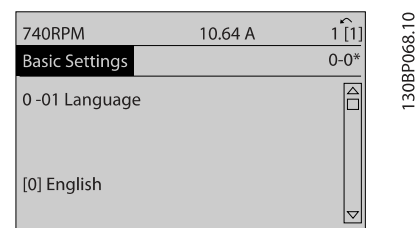


Figure 7.9: Display example.

### 7.1.5 Changing a Group of Numeric Data Values

If the chosen parameter represents a numeric data value, change the chosen data value by means of the [◀] and [▶] navigation keys as well as the up/down [▲] [▼] navigation keys. Use the [◀] and [▶] navigation keys to move the cursor horizontally.

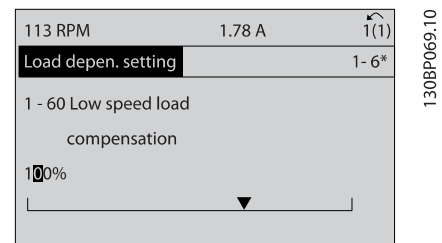


Figure 7.10: Display example.

Use the up/down navigation keys to change the data value. The up key increases the data value, while the down key reduces it. Place the cursor on the value to be saved and press [OK].

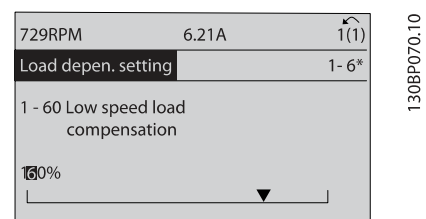


Figure 7.11: Display example.

### 7.1.6 Changing Data Values, Step-by-Step

Certain parameters can be changed step-by-step or by an infinite number of variables. This applies to par. 1-20 *Motor Power [kW]*, par. 1-22 *Motor Voltage* and par. 1-23 *Motor Frequency*.

The parameters are changed both as a group of numeric data values, and as numeric data values using an infinite number of variables.

### 7.1.7 Readout and Programming of Indexed Parameters

Parameters are indexed when placed in a rolling stack.

Par. 15-30 *Alarm Log: Error Code* to par. 15-32 *Alarm Log: Time* contain a fault log which can be read out. Choose a parameter, press [OK], and use the up/down navigation keys to scroll through the value log.

Use par. 3-10 *Preset Reference* as another example:

Choose the parameter, press [OK], and use the up/down navigation keys to scroll through the indexed values. To change the parameter value, select the indexed value and press [OK]. Change the value by using the up/down keys. Press [OK] to accept the new setting. Press [Cancel] to abort. Press [Back] to leave the parameter.

## 7.2 Commonly Used Parameters - Explanations

0-01 Language		
Option:	Function:	
		Defines the language to be used in the display.  The adjustable frequency drive can be delivered with 2 different language packages. English and German are included in both packages. English cannot be erased or manipulated.
[0] *	English	Part of Language packages 1 - 2
[1]	Deutsch	Part of Language packages 1 - 2
[2]	Francais	Part of Language package 1
[3]	Dansk	Part of Language package 1
[4]	Spanish	Part of Language package 1
[5]	Italiano	Part of Language package 1
[6]	Svenska	Part of Language package 1
[7]	Nederlands	Part of Language package 1
[10]	Chinese	Language package 2
[20]	Suomi	Part of Language package 1
[22]	English US	Part of Language package 1
[27]	Greek	Part of Language package 1
[28]	Bras.port	Part of Language package 1
[36]	Slovenian	Part of Language package 1
[39]	Korean	Part of Language package 2
[40]	Japanese	Part of Language package 2
[41]	Turkish	Part of Language package 1
[42]	Trad.Chinese	Part of Language package 2
[43]	Bulgarian	Part of Language package 1
[44]	Srpski	Part of Language package 1
[45]	Romanian	Part of Language package 1
[46]	Magyar	Part of Language package 1
[47]	Czech	Part of Language package 1
[48]	Polski	Part of Language package 1
[49]	Russian	Part of Language package 1
[50]	Thai	Part of Language package 2
[51]	Bahasa Indonesia	Part of Language package 2
[52]	Hrvatski	

0-20 Display Line 1.1 Small		
Option:	Function:	
		Select a variable for display in line 1, left position.
[0] *	None	No display value selected
[37]	Display Text 1	Enables an individual text string to be written, for display in the LCP or to be read via serial communication.
[38]	Display Text 2	Enables an individual text string to be written, for display in the LCP or to be read via serial communication.
[39]	Display Text 3	Enables an individual text string to be written, for display in the LCP or to be read via serial communication.
[89]	Date and Time Readout	Displays the current date and time.
[953]	Profibus Warning Word	Displays Profibus communication warnings.
[1005]	Readout Transmit Error Counter	View the number of CAN control transmission errors since the last power-up.
[1006]	Readout Receive Error Counter	View the number of CAN control receipt errors since the last power-up.
[1007]	Readout Bus Off Counter	View the number of Bus Off events since the last power-up.
[1013]	Warning Parameter	View a DeviceNet-specific warning word. One separate bit is assigned to every warning.
[1115]	LON Warning Word	Shows the LON-specific warnings.
[1117]	XIF Revision	Shows the version of the external interface file of the Neuron C chip on the LON option.
[1118]	LonWorks Revision	Shows the software version of the application program of the Neuron C chip on the LON option.
[1501]	Running Hours	View the number of running hours of the motor.
[1502]	kWh Counter	View the line power consumption in kWh.
[1600]	Control Word	View the control word sent from the adjustable frequency drive via the serial communication port in hex code.
[1601]	Reference [Unit]	Total reference (sum of digital/analog/preset/bus/freeze ref./catch up and slow-down) in selected unit.
[1602] *	Reference %	Total reference (sum of digital/analog/preset/bus/freeze ref./catch up and slow-down) in percent.

0-20 Display Line 1.1 Small		
Option:	Function:	
[1603]	Status Word	Present status word
[1605]	Main Actual Value [%]	View the two-byte word sent with the status word to the bus master reporting the main actual value.
[1609]	Custom Readout	View the user-defined readouts as defined in par. 0-30 <i>Custom Readout Unit</i> , par. 0-31 <i>Custom Readout Min Value</i> and par. 0-32 <i>Custom Readout Max Value</i> .
[1610]	Power [kW]	Actual power consumed by the motor in kW.
[1611]	Power [hp]	Actual power consumed by the motor in HP.
[1612]	Motor voltage	Voltage supplied to the motor.
[1613]	Frequency	Motor frequency, i.e., the output frequency from the adjustable frequency drive in Hz.
[1614]	Motor Current	Phase current of the motor measured as effective value.
[1615]	Frequency [%]	Motor frequency, i.e., the output frequency from the adjustable frequency drive in percent.
[1616]	Torque [Nm]	Present motor load as a percentage of the rated motor torque.
[1617]	Speed [RPM]	Motor speed reference. Actual speed will depend on slip compensation being used (compensation set in par. 1-62 <i>Slip Compensation</i> ). If not used, actual speed will be the value read in the display minus motor slip.
[1618]	Motor Thermal	Thermal load on the motor, calculated by the ETR function. See also parameter group 1-9* <i>Motor Temperature</i> .
[1622]	Torque [%]	Shows the actual torque produced, in percentage.
[1626]	Power Filtered [kW]	
[1627]	Power Filtered [hp]	
[1630]	DC Link Voltage	Intermediate circuit voltage in the adjustable frequency drive.
[1632]	Brake Energy /s	Present braking energy transferred to an external brake resistor. Stated as an instantaneous value.
[1633]	Brake Energy / 2 min	Braking energy transferred to an external brake resistor. The mean power is calculated continuously for the most recent 120 seconds.

0-20 Display Line 1.1 Small		
Option:	Function:	
[1634]	Heatsink Temp.	Present heatsink temperature of the adjustable frequency drive. The cut-out limit is 203° ± 9°F [95° ± 5°C]; cutting back in occurs at 158°F ± 9°F [70± 5°C].
[1635]	Inverter Thermal	Percentage load of the inverters
[1636]	Inv. Nom. Current	Nominal current of the adjustable frequency drive.
[1637]	Inv. Max. Current	Maximum current of the adjustable frequency drive.
[1638]	SL Controller State	State of the event executed by the control
[1639]	Control Card Temp.	Temperature of the control card.
[1643]	Timed Actions Status	
[1650]	External Reference	Sum of the external reference as a percentage, i.e., the sum of analog/pulse/bus.
[1652]	Feedback [Unit]	Reference value from programmed digital input(s).
[1653]	Digi Pot Reference	View the contribution of the digital potentiometer to the actual reference Feedback.
[1654]	Feedback 1 [Unit]	View the value of Feedback 1. See also par. 20-0*.
[1655]	Feedback 2 [Unit]	View the value of Feedback 2. See also par. 20-0*.
[1656]	Feedback 3 [Unit]	View the value of Feedback 3. See also par. 20-0*.
[1658]	PID Output [%]	Returns the Drive Closed Loop PID controller output value in percent.
[1660]	Digital Input	Displays the status of the digital inputs. Signal low = 0; Signal high = 1. Regarding order, see par. 16-60 <i>Digital Input</i> . Bit 0 is at the extreme right.
[1661]	Terminal 53 Switch Setting	Setting of input terminal 53. Current = 0; Voltage = 1.
[1662]	Analog Input 53	Actual value at input 53 either as a reference or protection value.
[1663]	Terminal 54 Switch Setting	Setting of input terminal 54. Current = 0; Voltage = 1.
[1664]	Analog Input 54	Actual value at input 54 either as reference or protection value.
[1665]	Analog Output 42 [mA]	Actual value at output 42 in mA. Use par. 6-50 <i>Terminal 42 Output</i> to select the variable to be represented by output 42.

0-20 Display Line 1.1 Small		
Option:	Function:	
[1666]	Digital Output [bin]	Binary value of all digital outputs.
[1667]	Pulse Input #29 [Hz]	Actual value of the frequency applied at terminal 29 as a pulse input.
[1668]	Pulse Input #33 [Hz]	Actual value of the frequency applied at terminal 33 as a pulse input.
[1669]	Pulse Output #27 [Hz]	Actual value of pulses applied to terminal 27 in digital output mode.
[1670]	Pulse Output #29 [Hz]	Actual value of pulses applied to terminal 29 in digital output mode.
[1671]	Relay Output [bin]	View the setting of all relays.
[1672]	Counter A	View the present value of Counter A.
[1673]	Counter B	View the present value of Counter B.
[1675]	Analog In X30/11	Actual value of the signal on input X30/11 (General Purpose I/O Card. Option)
[1676]	Analog In X30/12	Actual value of the signal on input X30/12 (General Purpose I/O Card. Optional)
[1677]	Analog Out X30/8 [mA]	Actual value at output X30/8 (General Purpose I/O Card. Optional) Use par. 6-60 <i>Terminal X30/8 Output</i> to select the variable to be shown.
[1680]	Fieldbus CTW 1	Control word (CTW) received from the bus master.
[1682]	Fieldbus REF 1	Main reference value sent with control word via the serial communications network, e.g., from the BMS, PLC or other master controller.
[1684]	Comm. Option Status	Extended serial communication option status word.
[1685]	FC Port CTW 1	Control word (CTW) received from the bus master.
[1686]	FC Port REF 1	Status word (STW) sent to the bus master.
[1690]	Alarm Word	One or more alarms in a Hex code (used for serial communications)
[1691]	Alarm word 2	One or more alarms in a Hex code (used for serial communications)
[1692]	Warning Word	One or more warnings in a Hex code (used for serial communications)
[1693]	Warning word 2	One or more warnings in a Hex code (used for serial communications)
[1694]	Ext. Status Word	One or more status conditions in a Hex code (used for serial communications)

0-20 Display Line 1.1 Small		
Option:	Function:	
[1695]	Ext. Status Word 2	One or more status conditions in a Hex code (used for serial communications)
[1696]	Maintenance Word	The bits reflect the status for the programmed preventive maintenance events in parameter group 23-1*
[1830]	Analog Input X42/1	Shows the value of the signal applied to terminal X42/1 on the Analog I/O card.
[1831]	Analog Input X42/3	Shows the value of the signal applied to terminal X42/3 on the Analog I/O card.
[1832]	Analog Input X42/5	Shows the value of the signal applied to terminal X42/5 on the Analog I/O card.
[1833]	Analog Out X42/7 [V]	Shows the value of the signal applied to terminal X42/7 on the Analog I/O card.
[1834]	Analog Out X42/9 [V]	Shows the value of the signal applied to terminal X42/9 on the Analog I/O card.
[1835]	Analog Out X42/11 [V]	Shows the value of the signal applied to terminal X42/11 on the Analog I/O card.
[1836]	Analog Input X48/2 [mA]	
[1837]	Temp. Input X48/4	
[1838]	Temp. Input X48/7	
[1839]	Temp. Input X48/10	
[1850]	Sensorless Readout [unit]	
[2117]	Ext. 1 Reference [Unit]	The value of the reference for extended Closed-loop Controller 1
[2118]	Ext. 1 Feedback [Unit]	The value of the feedback signal for extended Closed-loop Controller 1
[2119]	Ext. 1 Output [%]	The value of the output from extended Closed-loop Controller 1
[2137]	Ext. 2 Reference [Unit]	The value of the reference for extended Closed-loop Controller 2
[2138]	Ext. 2 Feedback [Unit]	The value of the feedback signal for extended Closed-loop Controller 2
[2139]	Ext. 2 Output [%]	The value of the output from extended Closed-loop Controller 2
[2157]	Ext. 3 Reference [Unit]	The value of the reference for extended Closed-loop Controller 3
[2158]	Ext. 3 Feedback [Unit]	The value of the feedback signal for extended Closed-loop Controller 3

0-20 Display Line 1.1 Small		
Option:	Function:	
[2159]	Ext. 3 Output [%]	The value of the output from extended Closed-loop Controller 3
[2230]	No-Flow Power	The calculated No-Flow Power for the actual operating speed
[2316]	Maintenance Text	
[2580]	Cascade Status	Status for the operation of the Cascade Controller
[2581]	Pump Status	Status for the operation of each individual pump controlled by the Cascade Controller
[3110]	Bypass Status Word	
[3111]	Bypass Running Hours	
[9913]	Idle time	
[9914]	Paramdb requests in queue	
[9920]	HS Temp. (PC1)	
[9921]	HS Temp. (PC2)	
[9922]	HS Temp. (PC3)	
[9923]	HS Temp. (PC4)	
[9924]	HS Temp. (PC5)	
[9925]	HS Temp. (PC6)	
[9926]	HS Temp. (PC7)	
[9927]	HS Temp. (PC8)	

**NOTE!**  
Please consult the VLT HVAC Drive *Programming Guide*, MG.11.CX.YY for detailed information.

0-21 Display Line 1.2 Small		
Select a variable for display in line 1, middle position.		
Option:	Function:	
[1614] *	Motor Current	The options are the same as those listed in par. 0-20 <i>Display Line 1.1 Small</i> .

0-22 Display Line 1.3 Small		
Select a variable for display in line 1, right position.		
Option:	Function:	
[1610] *	Power [kW]	The options are the same as those listed in par. 0-20 <i>Display Line 1.1 Small</i> .

0-23 Display Line 2 Large		
Select a variable for display in line 2.		
Option:	Function:	
[1613] *	Frequency	The options are the same as those listed in par. 0-20 <i>Display Line 1.1 Small</i> .

0-24 Display Line 3 Large		
Select a variable for display in line 3.		
Option:	Function:	
[1502] *	kWh Counter	The options are the same as those listed in par. 0-20 <i>Display Line 1.1 Small</i> .

0-37 Display Text 1		
Range:	Function:	
0 * [0 - 0]	In this parameter, it is possible to write an individual text string for display in the LCP or to be read via serial communication. If it is to be displayed permanently, select Display Text 1 in par. 0-20 <i>Display Line 1.1 Small</i> , par. 0-21 <i>Display Line 1.2 Small</i> , par. 0-22 <i>Display Line 1.3 Small</i> , par. 0-23 <i>Display Line 2 Large</i> or par. 0-24 <i>Display Line 3 Large</i> . Use the [▲] or [▼] buttons on the LCP to change a character. Use the [◀] and [▶] buttons to move the cursor. When a character is highlighted by the cursor, it can be changed. Use the [▲] or [▼] buttons on the LCP to change a character. A character can be inserted by placing the cursor between two characters and pressing [▲] or [▼].	

0-38 Display Text 2		
Range:	Function:	
0 * [0 - 0]	In this parameter, it is possible to write an individual text string for display in the LCP or to be read via serial communication. If to be displayed permanently select Display Text 2 in par. 0-20 <i>Display Line 1.1 Small</i> , par. 0-21 <i>Display Line 1.2 Small</i> , par. 0-22 <i>Display Line 1.3 Small</i> , par. 0-23 <i>Display Line 2 Large</i> or par. 0-24 <i>Display Line 3 Large</i> . Use the [▲] or [▼] buttons on the LCP to change a character. Use the [◀] and [▶] buttons to move the cursor. When a character is highlighted by the cursor, this character can be changed. A character can be inserted by placing the cursor between two characters and pressing [▲] or [▼].	

0-39 Display Text 3		
Range:	Function:	
0 * [0 - 0]	In this parameter, it is possible to write an individual text string for display in the LCP or to be read via serial communication. If it is to be displayed permanently, select Display Text 3 in par. 0-20 <i>Display Line 1.1 Small</i> , par. 0-21 <i>Display Line 1.2 Small</i> , par. 0-22 <i>Display Line 1.3 Small</i> , par. 0-23 <i>Display Line 2 Large</i> or par. 0-24 <i>Display Line 3 Large</i> . Use the [▲] or [▼] buttons on the LCP to change a character. Use the [◀] and [▶] buttons to move the cursor. When a character is highlighted by the cursor, this character can be changed. A character can be inserted by placing the cursor between two characters and pressing [▲] or [▼].	

0-70 Date and Time		
Range:	Function:	
Size related*	[0 - 0 ]	

0-71 Date Format		
Option:	Function:	
		Sets the date format to be used in the LCP.
[0] *	YYYY-MM-DD	
[1] *	DD-MM-YYYY	
[2]	MM/DD/YYYY	

0-72 Time Format		
Option:	Function:	
		Sets the time format to be used in the LCP.
[0] *	24 h	
[1]	12 h	

0-74 DST/Summertime		
Option:	Function:	
		Choose how Daylight Saving Time/Summertime should be handled. For manual DST/Summertime enter the start date and end date in par. 0-76 <i>DST/Summertime Start</i> and par. 0-77 <i>DST/Summertime End</i> .
[0] *	OFF	
[2]	Manual	

0-76 DST/Summertime Start		
Range:	Function:	
Size related*	[0 - 0 ]	

0-77 DST/Summertime End		
Range:	Function:	
Size related*	[0 - 0 ]	

1-00 Configuration Mode		
Option:	Function:	
[0] *	Open-loop	Motor speed is determined by applying a speed reference or by setting desired speed when in Hand Mode.  Open-loop is also used if the adjustable frequency drive is part of a closed-loop control system based on an external PID controller providing a speed reference signal as output.
[3]	Closed-loop	Motor speed will be determined by a reference from the built-in PID controller varying the motor speed as part of a closed-loop control process (e.g., constant pressure or flow). The PID controller must be configured in par. 20-** or via the function set-ups accessed by pressing the [Quick Menu] button.

**NOTE!**

This parameter cannot be changed when the motor is running.

**NOTE!**

When set for closed-loop, the commands reversing and start reversing will not reverse the direction of the motor.

1-03 Torque Characteristics		
Option:	Function:	
[0] *	Compressor torque	<i>Compressor</i> [0]: For speed control of screw and scroll compressors. Provides a voltage which is optimized for a constant torque load characteristic of the motor in the entire range down to 10 Hz.
[1]	Variable torque	<i>Variable Torque</i> [1]: For speed control of centrifugal pumps and fans. Also to be used when controlling more than one motor from the same adjustable frequency drive (e.g., multiple condenser fans or cooling tower fans). Provides a voltage which is optimized for a squared torque load characteristic of the motor.
[2]	Auto Energy Optim. CT	<i>Auto Energy Optimization Compressor</i> [2]: For optimum energy efficient speed control of screw and scroll compressors. Provides a voltage which is optimized for a constant torque load characteristic of the motor in the entire range down to 15Hz but in addition the AEO feature will adapt the voltage exactly to the current load situation, thereby reducing energy consumption and audible noise from the motor. To obtain optimal performance, the motor power factor cos phi must be set correctly. This value is set in par. 14-43 <i>Motor Cos-Phi</i> . The parameter has a default value which is automatically adjusted when the motor data is programmed. These settings will typically ensure optimum motor voltage but if the motor power factor cos phi requires tuning, an AMA function can be carried out using par. 1-29 <i>Automatic Motor Adaptation (AMA)</i> . It is very rarely necessary to adjust the motor power factor parameter manually.
[3] *	Auto Energy Optim. VT	<i>Auto Energy Optimization VT</i> [3]: For optimum energy efficient speed control of centrifugal pumps and fans. Provides a voltage which is optimized for a squared torque load characteristic of the motor, but in addition, the AEO feature will adapt the voltage exactly to the current load situation, thereby reducing energy consumption and audible noise from the motor. To obtain optimal performance, the motor power factor cos phi must be set correctly. This value is set in par. 14-43 <i>Motor Cos-Phi</i> . The parameter has a default value and is automatically adjusted when

1-03 Torque Characteristics		
Option:	Function:	
	the motor data is programmed. These settings will typically ensure optimum motor voltage but if the motor power factor $\cos \phi$ requires tuning, an AMA function can be carried out using par. 1-29 <i>Automatic Motor Adaptation (AMA)</i> . It is very rarely necessary to adjust the motor power factor parameter manually.	

1-20 Motor Power [kW]		
Range:	Function:	
Size related*	[0.09 - 3000.00 kW]	

1-21 Motor Power [HP]		
Range:	Function:	
Size related*	[0.09 - 3000.00 hp]	

1-22 Motor Voltage		
Range:	Function:	
Size related*	[10. - 1000. V]	

1-23 Motor Frequency		
Range:	Function:	
Size related*	[20 - 1000 Hz]	Select the motor frequency value from the motor nameplate data. For 87 Hz operation with 230/400 V motors, set the nameplate data for 230 V/50 Hz. Adapt par. 4-13 <i>Motor Speed High Limit [RPM]</i> and par. 3-03 <i>Maximum Reference</i> to the 87 Hz application.
Size related*	[20 - 1000 Hz]	

**NOTE!**  
This parameter cannot be adjusted while the motor is running.

1-24 Motor Current		
Range:	Function:	
Size related*	[0.10 - 10000.00 A]	

**NOTE!**  
This parameter cannot be adjusted while the motor is running.

1-25 Motor Nominal Speed		
Range:	Function:	
Size related*	[100 - 60000 RPM]	Enter the nominal motor speed value from the motor nameplate data. This data is used for calculating automatic motor compensations.
Size related*	[100 - 60000 RPM]	

**NOTE!**  
This parameter cannot be adjusted while the motor is running.

1-28 Motor Rotation Check		
Option:	Function:	
[0] *	OFF	Motor Rotation Check is not active.
[1]	Enabled	Motor Rotation Check is enabled. Once enabled, display shows: "Please Note! Motor may run in wrong direction".

Pressing [OK], [Back] or [Cancel] will dismiss the message and display a new message: "Press [Hand on] to start the motor. Press [Cancel] to abort". Pressing [Hand on] starts the motor at 5 Hz in forward direction and the display shows: "Motor is running. Check if motor rotation direction is correct. Press [Off] to stop the motor". Pressing [Off] stops the motor and resets par. 1-28 *Motor Rotation Check*. If motor rotation direction is incorrect, two motor phase cables should be interchanged. IMPORTANT:



**WARNING**  
Line power must be removed before disconnecting motor phase cables.

1-29 Automatic Motor Adaptation (AMA)		
Option:	Function:	
[0] *	Off	No function
[1]	Enable complete AMA	performs AMA of the stator resistance $R_s$ , the rotor resistance $R_r$ , the stator leakage reactance $X_1$ , the rotor leakage reactance $X_2$ and the main reactance $X_h$ .
[2]	Enable reduced AMA	Performs a reduced AMA of the stator resistance $R_s$ in the system only. Select this option if an LC filter is used between the adjustable frequency drive and the motor.

Activate the AMA function by pressing [Hand on] after selecting [1] or [2]. See also the item *Automatic Motor Adaptation* in the Design Guide. After a normal sequence, the display will read: "Press [OK] to finish AMA". After pressing the [OK] key, the adjustable frequency drive is ready for operation.



**NOTE!**

- For the best adaptation of the adjustable frequency drive, run AMA on a cold motor
- AMA cannot be performed while the motor is running.

**NOTE!**

Avoid generating external torque during AMA.

**NOTE!**

If one of the settings in par. 1-2\* Motor Data is changed, par. 1-30 Stator Resistance (Rs) to par. 1-39 Motor Poles, the advanced motor parameters, will return to the default setting.

This parameter cannot be adjusted while the motor is running.

**NOTE!**

Full AMA should be run without filter only while reduced AMA should be run with filter.

See section: *Application Examples > Automatic Motor Adaptation* in the Design Guide.

1-71 Start Delay		
Range:	Function:	
0.0 s* [0.0 - 120.0 s]	The function selected in par. 1-80 <i>Function at Stop</i> is active in the delay period. Enter the time delay required before commencing acceleration.	

1-73 Flying Start		
Option:	Function:	
	This function makes it possible to catch a motor that is spinning freely due to a line drop-out.  When par. 1-73 <i>Flying Start</i> is enabled, par. 1-71 <i>Start Delay</i> has no function. Search direction for flying start is linked to the setting in par. 4-10 <i>Motor Speed Direction</i> . <i>Clockwise</i> [0]: Flying start search in clockwise direction. If not successful, a DC brake is carried out. <i>Both Directions</i> [2]: The flying start will first make a search in the direction determined by the last reference (direction). If unable to find the speed, it will search in the other direction. If not successful, a DC brake will be activated in the time set in par. 2-02 <i>DC Braking Time</i> . Start will then take place from 0 Hz.	
[0] * Disabled	Select <i>Disable</i> [0] if this function is not required	
[1] Enabled	Select <i>Enable</i> [1] to enable the adjustable frequency drive to "catch" and control a spinning motor.	

1-80 Function at Stop		
Option:	Function:	
	Select the adjustable frequency drive function after a stop command or after the speed is ramped down to the settings in par. 1-81 <i>Min Speed for Function at Stop</i> [RPM].	
[0] * Coast	Leaves motor in free mode.	
[1] DC Hold/ Motor Preheat	Energizes motor with a DC holding current (see par. 2-00 <i>DC Hold/Preheat Current</i> ).	

1-86 Trip Speed Low [RPM]		
Range:	Function:	
Size related*	[0 - par. 4-13 RPM]	

**NOTE!**

This parameter is only available if par. 0-02 *Motor Speed Unit* is set to [RPM].

1-87 Trip Speed Low [Hz]		
Range:	Function:	
Size related*	[0.0 - par. 4-14 Hz]	

**NOTE!**

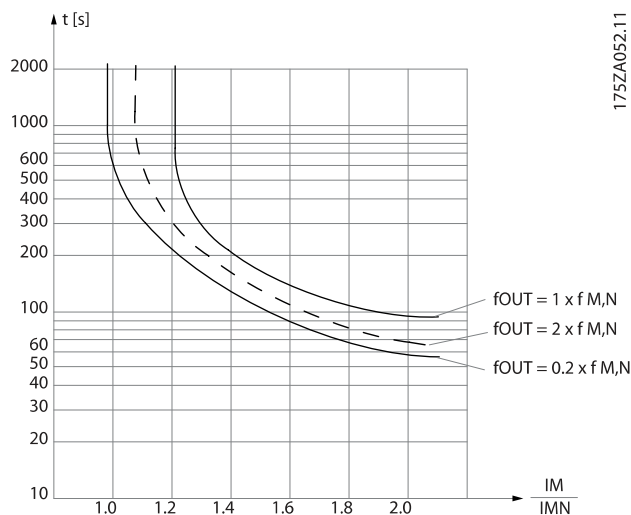
This parameter is only available if par. 0-02 *Motor Speed Unit* is set to [Hz].

1-90 Motor Thermal Protection		
Option:	Function:	
	The adjustable frequency drive determines the motor temperature for motor protection in two different ways: <ul style="list-style-type: none"> <li>• Via a thermistor sensor connected to one of the analog or digital inputs (par. 1-93 <i>Thermistor Source</i>).</li> <li>• Via calculation (ETR = Electronic Thermal Relay) of the thermal load, based on the actual load and time. The calculated thermal load is compared with the rated motor current <math>I_{M,N}</math> and the rated motor frequency <math>f_{M,N}</math>. The calculations estimate the need for a lower load at lower speed due to less cooling from the fan incorporated in the motor.</li> </ul>	
[0] * No protection	If the motor is continuously overloaded and no warning or trip of adjustable frequency drive is wanted.	
[1] Thermistor warning	Activates a warning when the connected thermistor in the motor reacts in the event of motor overtemperature.	
[2] Thermistor trip	Stops (trips) the adjustable frequency drive when the connected thermistor in the motor reacts in the event of motor overtemperature.	

7

1-90 Motor Thermal Protection		
Option:	Function:	
[3]	ETR warning 1	
[4] *	ETR trip 1	
[5]	ETR warning 2	
[6]	ETR trip 2	
[7]	ETR warning 3	
[8]	ETR trip 3	
[9]	ETR warning 4	
[10]	ETR trip 4	

ETR (Electronic Thermal Relay) functions 1-4 will calculate the load when the set-up where they were selected is active. For example, ETR-3 starts calculating when Set-up 3 is selected. For the North American market: The ETR functions provide class 20 motor overload protection in accordance with NEC.



**WARNING**

In order to maintain PELV, all connections made to the control terminals must be PELV, e.g., thermistor must be reinforced/ double-insulated.

**NOTE!**  
Danfoss recommends using 24 VDC as thermistor supply voltage.

1-93 Thermistor Source		
Option:	Function:	
[0] *	None	Select the input to which the thermistor (PTC sensor) should be connected. An analog input option [1] or [2] cannot be selected if the analog input is already in use as a reference source (selected in par. 3-15 <i>Reference 1 Source</i> , par. 3-16 <i>Reference 2 Source</i> or par. 3-17 <i>Reference 3 Source</i> ). When using MCB 112, choice [0] <i>None</i> must always be selected.
[1]	Analog input 53	
[2]	Analog input 54	
[3]	Digital input 18	
[4]	Digital input 19	
[5]	Digital input 32	
[6]	Digital input 33	

**NOTE!**  
This parameter cannot be adjusted while the motor is running.

**NOTE!**  
Digital input should be set to [0] *PNP - Active at 24V* in par. 5-00.

2-00 DC Hold/Preheat Current		
Range:	Function:	
50 %* %	[0 - 160.]	Enter a value for holding current as a percentage of the rated motor current $I_{M,N}$ set in par. 1-24 <i>Motor Current</i> . 100% DC holding current corresponds to $I_{M,N}$ . This parameter holds the motor (holding torque) or pre-heats the motor. This parameter is active if [1] DC hold/Preheat is selected in par. 1-80 <i>Function at Stop</i> .

**NOTE!**  
The maximum value depends on the rated motor current. Avoid 100% current for too long. It may damage the motor.

2-10 Brake Function		
Option:	Function:	
[0] *	Off	No brake resistor installed.
[1]	Resistor brake	Brake resistor incorporated in the system, for dissipation of surplus braking energy as heat. Connecting a brake resistor allows a higher DC link voltage during braking (generating operation). The resistor brake function is only active in adjustable frequency drives with an integral dynamic brake.
[2]	AC brake	AC Brake will only work in Compressor Torque mode in par. 1-03 <i>Torque Characteristics</i> .

2-16 AC Brake Max. Current		
Range:	Function:	
100.0 %*	[Application dependant]	

2-17 Over-voltage Control		
Option:	Function:	
		Over-voltage control (OVC) reduces the risk of the adjustable frequency drive tripping due to overvoltage on the DC link caused by generative power from the load.
[0]	Disabled	No OVC required.
[2] *	Enabled	Activates OVC.

### NOTE!

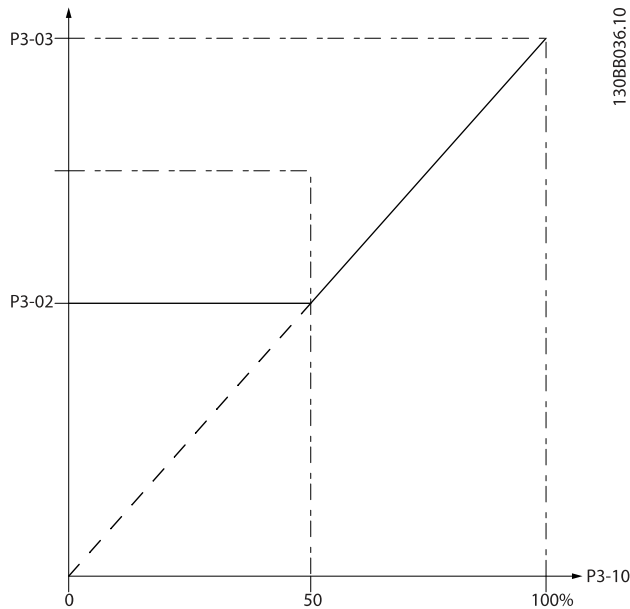
The ramp time is automatically adjusted to avoid tripping of the adjustable frequency drive.

3-02 Minimum Reference		
Range:	Function:	
Size related*	[-999999.999 - par. 3-03 ReferenceFeed-backUnit]	

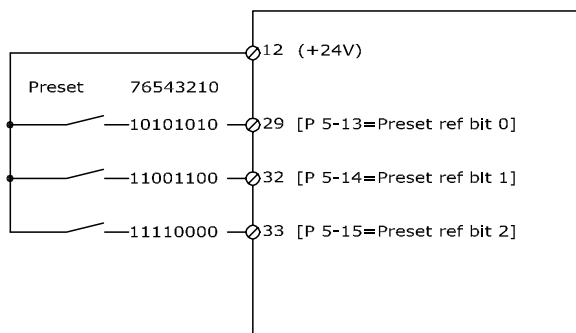
3-03 Maximum Reference		
Range:	Function:	
Size related*	[par. 3-02 - 999999.999 ReferenceFeed-backUnit]	

7

3-10 Preset Reference		
Array [8]		
Range:	Function:	
0.00 %*	[-100.00 - 100.00 %]	



130BA149.10



3-11 Jog Speed [Hz]		
Preset 76543210		
Range:	Function:	
Size related*	[0.0 - par. 4-14 Hz]	

3-15 Reference 1 Source		
Option:	Function:	
		Select the reference input to be used for the first reference signal. Par. 3-15 Reference 1 Source, par. 3-16 Reference 2 Source and par. 3-17 Reference 3 Source define up to three different reference signals. The sum of these reference signals defines the actual reference. This parameter cannot be adjusted while the motor is running.
[0]	No function	
[1] *	Analog input 53	
[2]	Analog input 54	
[7]	Pulse input 29	
[8]	Pulse input 33	
[20]	Digital pot.meter	
[21]	Analog input X30/11	
[22]	Analog input X30/12	
[23]	Analog Input X42/1	
[24]	Analog Input X42/3	
[25]	Analog Input X42/5	
[29]	Analog Input X48/2	
[30]	Ext. Closed-loop 1	
[31]	Ext. Closed-loop 2	
[32]	Ext. Closed-loop 3	

3-16 Reference 2 Source		
Option:	Function:	
		Select the reference input to be used for the second reference signal. par. 3-15 Reference 1 Source, par. 3-16 Reference 2 Source and par. 3-17 Reference 3 Source define up to three different reference signals. The sum of these reference signals defines the actual reference. This parameter cannot be adjusted while the motor is running.
[0]	No function	
[1]	Analog input 53	
[2]	Analog input 54	
[7]	Pulse input 29	
[8]	Pulse input 33	
[20] *	Digital pot.meter	
[21]	Analog input X30/11	
[22]	Analog input X30/12	
[23]	Analog Input X42/1	
[24]	Analog Input X42/3	
[25]	Analog Input X42/5	
[29]	Analog Input X48/2	
[30]	Ext. Closed-loop 1	
[31]	Ext. Closed-loop 2	

3-16 Reference 2 Source		
Option:	Function:	
[32]	Ext. Closed-loop 3	

3-19 Jog Speed [RPM]		
Range:	Function:	
Size related*	[0 - par. 4-13 RPM]	

3-41 Ramp 1 Ramp-up Time		
Range:	Function:	
Size related*	[1.00 - 3600.00 s]	

$$par.3 - 41 = \frac{tacc \times nnorm [par.1 - 25]}{ref[rpm]} [s]$$

3-42 Ramp 1 Ramp-down Time		
Range:	Function:	
Size related*	[1.00 - 3600.00 s]	

$$par.3 - 42 = \frac{tdec \times nnorm [par.1 - 25]}{ref[rpm]} [s]$$

4-10 Motor Speed Direction		
Option:	Function:	
		Selects the motor speed direction required. Use this parameter to prevent unwanted reversing.
[0]	Clockwise	Only operation in a clockwise direction will be allowed.
[2] *	Both directions	Operation in both a clockwise and counter-clockwise direction will be allowed.

**NOTE!**  
The setting in par. 4-10 *Motor Speed Direction* has impact on the Flying Start in par. 1-73 *Flying Start*.

4-11 Motor Speed Low Limit [RPM]		
Range:	Function:	
Size related*	[0 - par. 4-13 RPM]	

4-12 Motor Speed Low Limit [Hz]		
Range:	Function:	
Size related*	[0 - par. 4-14 Hz]	

4-13 Motor Speed High Limit [RPM]		
Range:	Function:	
Size related*	[par. 4-11 - 60000. RPM]	

**NOTE!**  
Max. output frequency cannot exceed 10% of the inverter switching frequency (par. 14-01 *Switching Frequency*).

**NOTE!**  
Any changes in par. 4-13 *Motor Speed High Limit [RPM]* will reset the value in par. 4-53 *Warning Speed High* to the same value as set in par. 4-13 *Motor Speed High Limit [RPM]*.

4-14 Motor Speed High Limit [Hz]		
Range:	Function:	
Size related*	[par. 4-12 - par. 4-19 Hz]	

**NOTE!**  
Max. output frequency cannot exceed 10% of the inverter switching frequency (par. 14-01 *Switching Frequency*).

4-53 Warning Speed High		
Range:	Function:	
Size related*	[par. 4-52 - par. 4-13 RPM]	

**NOTE!**  
Any changes in par. 4-13 *Motor Speed High Limit [RPM]* will reset the value in par. 4-53 *Warning Speed High* to the same value as set in par. 4-13 *Motor Speed High Limit [RPM]*.  
If a different value is needed in par. 4-53 *Warning Speed High*, it must be set after programming of par. 4-13 *Motor Speed High Limit [RPM]*

4-56 Warning Feedback Low		
Range:	Function:	
-999999.999 ProcessCtrlUnit*	[-999999.999 - par. 4-57 ProcessCtrlUnit]	Enter the lower feedback limit. When the feedback falls below this limit, the display reads Feedb Low. The signal outputs can be programmed to produce a status signal on terminal 27 or 29 and on relay output 01 or 02.

4-57 Warning Feedback High		
Range:	Function:	
999999.999 ProcessCtrlUnit*	[par. 4-56 - 999999.999 ProcessCtrlUnit]	Enter the upper feedback limit. When the feedback exceeds this limit, the display reads Feedb High. The signal outputs can be programmed to produce a status signal on terminal 27 or 29 and on relay output 01 or 02.

4-64 Semi-Auto Bypass Set-up		
Option:	Function:	
[0] *	OFF	No function
[1]	Enabled	Starts the semi-automatic bypass set-up and continue with the procedure described above.

5-01 Terminal 27 Mode		
Option:	Function:	
[0] *	Input	Defines terminal 27 as a digital input.
[1]	Output	Defines terminal 27 as a digital output.

Please note that this parameter cannot be adjusted while the motor is running.

5-02 Terminal 29 Mode		
Option:	Function:	
[0] *	Input	Defines terminal 29 as a digital input.
[1]	Output	Defines terminal 29 as a digital output.

This parameter cannot be adjusted while the motor is running.

5-12 Terminal 27 Digital Input		
Same options and functions as par. 5-1*, except for <i>Pulse input</i> .		
Option:	Function:	
[0] *	No operation	
[1]	Reset	
[2]	Coast inverse	
[3]	Coast and Reset Inv	
[5]	DC brake inverse	
[6]	Stop inverse	
[7]	External interlock	
[8]	Start	
[9]	Latched start	
[10]	Reverse	
[11]	Start reverse	
[14]	Jog	
[15]	Preset reference on	
[16]	Preset ref bit 0	
[17]	Preset ref bit 1	
[18]	Preset ref bit 2	
[19]	Freeze reference	
[20]	Freeze output	
[21]	Speed up	
[22]	Slow	
[23]	Set-up select bit 0	
[24]	Set-up select bit 1	
[34]	Ramp bit 0	
[36]	Mains failure inverse	
[37]	Fire Mode	
[52]	Run permissive	
[53]	Hand start	
[54]	Auto-start	
[55]	DigiPot increase	
[56]	DigiPot decrease	

5-12 Terminal 27 Digital Input		
Same options and functions as par. 5-1*, except for <i>Pulse input</i> .		
Option:	Function:	
[57]	DigiPot clear	
[62]	Reset Counter A	
[65]	Reset Counter B	
[66]	Sleep Mode	
[68]	Timed Actions Disabled	
[69]	Constant OFF Actions	
[70]	Constant ON Actions	
[78]	Reset Maint. Word	
[120]	Lead Pump Start	
[121]	Lead Pump Alternation	
[130]	Pump 1 Interlock	
[131]	Pump 2 Interlock	
[132]	Pump 3 Interlock	

5-13 Terminal 29 Digital Input		
Same options and functions as par. 5-1*.		
Option:	Function:	
[0]	No operation	
[1]	Reset	
[2]	Coast inverse	
[3]	Coast and Reset Inv	
[5]	DC brake inverse	
[6]	Stop inverse	
[7]	External interlock	
[8]	Start	
[9]	Latched start	
[10]	Reverse	
[11]	Start reverse	
[14] *	Jog	
[15]	Preset reference on	
[16]	Preset ref bit 0	
[17]	Preset ref bit 1	
[18]	Preset ref bit 2	
[19]	Freeze reference	
[20]	Freeze output	
[21]	Speed up	
[22]	Slow	
[23]	Set-up select bit 0	
[24]	Set-up select bit 1	
[30]	Counter input	
[32]	Pulse input	
[34]	Ramp bit 0	
[36]	Mains failure inverse	
[37]	Fire Mode	
[52]	Run permissive	
[53]	Hand start	
[54]	Auto-start	
[55]	DigiPot increase	
[56]	DigiPot decrease	
[57]	DigiPot clear	
[60]	Counter A (up)	

5-13 Terminal 29 Digital Input		
Same options and functions as par. 5-1*.		
Option:	Function:	
[61]	Counter A (down)	
[62]	Reset Counter A	
[63]	Counter B (up)	
[64]	Counter B (down)	
[65]	Reset Counter B	
[66]	Sleep Mode	
[68]	Timed Actions Disabled	
[69]	Constant OFF Actions	
[70]	Constant ON Actions	
[78]	Reset Maint. Word	
[120]	Lead Pump Start	
[121]	Lead Pump Alternation	
[130]	Pump 1 Interlock	
[131]	Pump 2 Interlock	
[132]	Pump 3 Interlock	

5-14 Terminal 32 Digital Input		
Option:	Function:	
[0] *	No Operation	Same options and functions as par. 5-1* <i>Digital Inputs, except for Pulse input.</i>

5-15 Terminal 33 Digital Input		
Option:	Function:	
[0] *	No Operation	Same options and functions as par. 5-1* <i>Digital Inputs.</i>

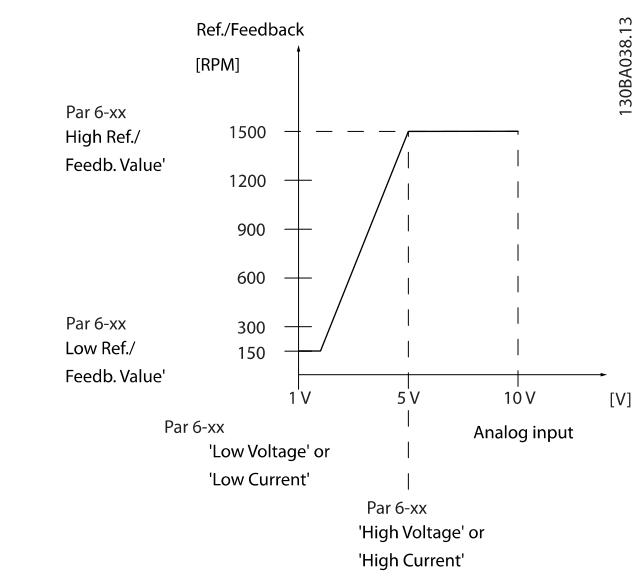
5-40 Function Relay		
Array [8] (Relay 1 [0], Relay 2 [1]) Option MCB 105: Relay 7 [6], Relay 8 [7] and Relay 9 [8]). Select options to define the function of the relays. The selection of each mechanical relay is realized in an array parameter.		
Option:	Function:	
[0] *	No operation	
[1]	Control ready	
[2]	Drive ready	
[3]	Drive rdy/rem ctrl	
[4]	Standby / no warning	
[5] *	Running	Default setting for relay 2.
[6]	Running / no warning	
[8]	Run on ref/no warn	
[9] *	Alarm	Default setting for relay 1.
[10]	Alarm or warning	
[11]	At torque limit	
[12]	Out of current range	
[13]	Below current, low	
[14]	Above current, high	
[15]	Out of speed range	
[16]	Below speed, low	
[17]	Above speed, high	

5-40 Function Relay		
Array [8] (Relay 1 [0], Relay 2 [1]) Option MCB 105: Relay 7 [6], Relay 8 [7] and Relay 9 [8]). Select options to define the function of the relays. The selection of each mechanical relay is realized in an array parameter.		
Option:	Function:	
[18]	Out of feedb. range	
[19]	Below feedback, low	
[20]	Above feedback, high	
[21]	Thermal warning	
[25]	Reverse	
[26]	Bus OK	
[27]	Torque limit stop	
[28]	Brake: No Brake War	
[29]	Brake ready, no fault	
[30]	Brake fault (IGBT)	
[35]	External Interlock	
[36]	Control word bit 11	
[37]	Control word bit 12	
[40]	Out of ref range	
[41]	Below reference, low	
[42]	Above ref, high	
[45]	Bus ctrl.	
[46]	Bus ctrl, 1 if timeout	
[47]	Bus ctrl, 0 if timeout	
[60]	Comparator 0	
[61]	Comparator 1	
[62]	Comparator 2	
[63]	Comparator 3	
[64]	Comparator 4	
[65]	Comparator 5	
[70]	Logic rule 0	
[71]	Logic rule 1	
[72]	Logic rule 2	
[73]	Logic rule 3	
[74]	Logic rule 4	
[75]	Logic rule 5	
[80]	SL digital output A	
[81]	SL digital output B	
[82]	SL digital output C	
[83]	SL digital output D	
[84]	SL digital output E	
[85]	SL digital output F	
[160]	No alarm	
[161]	Running reverse	
[165]	Local ref active	
[166]	Remote ref active	
[167]	Start command act.	
[168]	Hand mode	
[169]	Auto mode	
[180]	Clock Fault	
[181]	Prev. Maintenance	

7

5-40 Function Relay		
Array [8] (Relay 1 [0], Relay 2 [1]) Option MCB 105: Relay 7 [6], Relay 8 [7] and Relay 9 [8]). Select options to define the function of the relays. The selection of each mechanical relay is realized in an array parameter.		
Option:	Function:	
[190]	No-Flow	
[191]	Dry Pump	
[192]	End Of Curve	
[193]	Sleep Mode	
[194]	Broken Belt	
[195]	Bypass Valve Control	
[196]	Fire Mode	
[197]	Fire Mode was Act.	
[198]	Drive Bypass	
[211]	Cascade Pump 1	
[212]	Cascade Pump 2	
[213]	Cascade Pump 3	

6-01 Live Zero Timeout Function		
Option:	Function:	
	Select the timeout function. The function set in par. 6-01 <i>Live Zero Timeout Function</i> will be activated if the input signal on terminal 53 or 54 is below 50% of the value in par. 6-10 <i>Terminal 53 Low Voltage</i> , par. 6-12 <i>Terminal 53 Low Current</i> , par. 6-20 <i>Terminal 54 Low Voltage</i> or par. 6-22 <i>Terminal 54 Low Current</i> for a time period defined in par. 6-00 <i>Live Zero Timeout Time</i> . If several timeouts occur simultaneously, the adjustable frequency drive prioritizes the timeout functions as follows: <ol style="list-style-type: none"> <li>Par. 6-01 <i>Live Zero Timeout Function</i></li> <li>Par. 8-04 <i>Control Timeout Function</i></li> </ol> The output frequency of the adjustable frequency drive can be: <ul style="list-style-type: none"> <li>[1] frozen at the present value</li> <li>[2] overruled to stop</li> <li>[3] overruled to jog speed</li> <li>[4] overruled to max. speed</li> <li>[5] overruled to stop with subsequent trip</li> </ul>	
[0] *	Off	
[1]	Freeze output	
[2]	Stop	
[3]	Jogging	
[4]	Max. speed	
[5]	Stop and trip	



130BA038:13

6-02 Fire Mode Live Zero Timeout Function		
Option:	Function:	
	The function set in par. 6-01 <i>Live Zero Timeout Function</i> will be activated if the input signal on analog inputs is below 50% of the value defined in parameter group 6-1* to 6-6* "Terminal xx Low Current" or "Terminal xx Low Voltage" for a time period defined in par. 6-00 <i>Live Zero Timeout Time</i> .	
[0] *	Off	
[1]	Freeze output	
[2]	Stop	
[3]	Jogging	
[4]	Max. speed	

6-10 Terminal 53 Low Voltage		
Range:	Function:	
0.07 V*	[0.00 - par. 6-11 V]	Enter the low voltage value. This analog input scaling value should correspond to the low reference/feedback value set in par. 6-14 <i>Terminal 53 Low Ref./Feedb. Value</i> .

6-11 Terminal 53 High Voltage		
Range:	Function:	
10.00 V*	[par. 6-10 - 10.00 V]	Enter the high voltage value. This analog input scaling value should correspond to the high reference/feedback value set in par. 6-15 <i>Terminal 53 High Ref./Feedb. Value</i> .



6-12 Terminal 53 Low Current		
Range:		Function:
4.00 mA*	[0.00 - par. 6-13 mA]	Enter the low current value. This reference signal should correspond to the low reference/feedback value, set in par. 6-14 <i>Terminal 53 Low Ref./Feedb. Value</i> . The value must be set at >2 mA in order to activate the Live Zero Timeout Function in par. 6-01 <i>Live Zero Timeout Function</i> .

6-13 Terminal 53 High Current		
Range:		Function:
20.00 mA*	[par. 6-12 - 20.00 mA]	Enter the high current value corresponding to the high reference/feedback set in par. 6-15 <i>Terminal 53 High Ref./Feedb. Value</i> .

6-14 Terminal 53 Low Ref./Feedb. Value		
Range:		Function:
0.000 *	[-999999.999 - 999999.999 ]	Enter the analog input scaling value that corresponds to the low voltage/low current set in par. 6-10 <i>Terminal 53 Low Voltage</i> and par. 6-12 <i>Terminal 53 Low Current</i> .

6-15 Terminal 53 High Ref./Feedb. Value		
Range:		Function:
Size related*	[-999999.999 - 999999.999 ]	

6-16 Terminal 53 Filter Time Constant		
Range:		Function:
0.001 s*	[0.001 - 10.000 s]	Enter the time constant. This is a first-order digital low pass filter time constant for suppressing electrical noise in terminal 53. A high time constant value improves dampening but also increases the time delay through the filter. This parameter cannot be adjusted while the motor is running.

6-17 Terminal 53 Live Zero		
Option:		Function:
[0]	Disabled	
[1] *	Enabled	This parameter makes it possible to disable the Live Zero monitoring. For example, this is to be used if the analog outputs are used as part of a de-central I/O system (e.g., when not used as part of any adjustable frequency drive related control functions, but for feeding a building management system with data).

6-20 Terminal 54 Low Voltage		
Range:		Function:
0.07 V*	[0.00 - par. 6-21 V]	Enter the low voltage value. This analog input scaling value should correspond to the low reference/feedback value, set in par. 6-24 <i>Terminal 54 Low Ref./Feedb. Value</i> .

6-21 Terminal 54 High Voltage		
Range:		Function:
10.00 V*	[par. 6-20 - 10.00 V]	Enter the high voltage value. This analog input scaling value should correspond to the high reference/feedback value set in par. 6-25 <i>Terminal 54 High Ref./Feedb. Value</i> .

6-22 Terminal 54 Low Current		
Range:		Function:
4.00 mA*	[0.00 - par. 6-23 mA]	Enter the low current value. This reference signal should correspond to the low reference/feedback value, set in par. 6-24 <i>Terminal 54 Low Ref./Feedb. Value</i> . The value must be set at >2 mA in order to activate the Live Zero Timeout Function in par. 6-01 <i>Live Zero Timeout Function</i> .

6-23 Terminal 54 High Current		
Range:		Function:
20.00 mA*	[par. 6-22 - 20.00 mA]	Enter the high current value corresponding to the high reference/feedback value set in par. 6-25 <i>Terminal 54 High Ref./Feedb. Value</i> .

6-24 Terminal 54 Low Ref./Feedb. Value		
Range:		Function:
0.000 *	[-999999.999 - 999999.999 ]	Enter the analog input scaling value that corresponds to the low voltage/low current value set in par. 6-20 <i>Terminal 54 Low Voltage</i> and par. 6-22 <i>Terminal 54 Low Current</i> .

7

6-25 Terminal 54 High Ref./Feedb. Value		
Range:	Function:	
100.000 * [ -999999.999 - 999999.999 ]	Enter the analog input scaling value that corresponds to the high voltage/high current value set in par. 6-21 <i>Terminal 54 High Voltage</i> and par. 6-23 <i>Terminal 54 High Current</i> .	

6-26 Terminal 54 Filter Time Constant		
Range:	Function:	
0.001 s* [ 0.001 - 10.000 s ]	Enter the time constant. This is a first-order digital low pass filter time constant for suppressing electrical noise in terminal 54. A high time constant value improves dampening but also increases the time delay through the filter. This parameter cannot be adjusted while the motor is running.	

6-27 Terminal 54 Live Zero		
Option:	Function:	
	This parameter makes it possible to disable the Live Zero monitoring. For example, this to be used if the analog outputs are used as part of a de-central I/O system (e.g., when used not as part of any adjustable frequency drive related control functions, but for feeding a building management system with data).	
[0]	Disabled	
[1] *	Enabled	

6-50 Terminal 42 Output		
Option:	Function:	
	Select the function of Terminal 42 as an analog current output. A motor current of 20 mA corresponds to $I_{max}$ .	
[0] *	No operation	
[100]	Output freq. 0-100	0–100 Hz, (0–20 mA)
[101]	Reference Min-Max	Minimum reference - Maximum reference, (0–20 mA)
[102]	Feedback +200%	-200% to +200% of par. 20-14 <i>Maximum Reference/Feedb.</i> , (0–20 mA)
[103]	Motor cur. 0-I <sub>max</sub>	0 - Inverter Max. Current (par. 16-37 <i>Inv. Max. Current</i> ), (0–20 mA)
[104]	Torque 0-Tlim	0 - Torque limit (par. 4-16 <i>Torque Limit Motor Mode</i> ), (0–20 mA)
[105]	Torque 0-Tnom	0 - Motor rated torque, (0–20 mA)
[106]	Power 0-Pnom	0 - Motor rated power, (0–20 mA)

6-50 Terminal 42 Output		
Option:	Function:	
[107] *	Speed 0-HighLim	0 - Speed High Limit (par. 4-13 <i>Motor Speed High Limit [RPM]</i> and par. 4-14 <i>Motor Speed High Limit [Hz]</i> ), (0–20 mA)
[113]	Ext. Closed-loop 1	0–100%, (0–20 mA)
[114]	Ext. Closed-loop 2	0–100%, (0–20 mA)
[115]	Ext. Closed-loop 3	0–100%, (0–20 mA)
[130]	Out fr 0-100 4-20	0–100 Hz
[131]	Reference 4-20mA	Minimum Reference - Maximum Reference
[132]	Feedback 4-20mA	-200% to +200% of par. 20-14 <i>Maximum Reference/Feedb.</i>
[133]	Motor cur. 4-20mA	0 - Inverter Max. Current (par. 16-37 <i>Inv. Max. Current</i> )
[134]	Torq.0-lim 4-20mA	0 - Torque limit (par. 4-16 <i>Torque Limit Motor Mode</i> )
[135]	Torq.0-nom 4-20mA	0 - Motor rated torque
[136]	Power 4-20mA	0 - Motor rated power
[137]	Speed 4-20mA	0 - Speed High Limit (4-13 and 4-14)
[139]	Bus ctrl.	0–100%, (0–20 mA)
[140]	Bus ctrl. 4-20 mA	0 - 100%
[141]	Bus ctrl t.o.	0–100%, (0–20 mA)
[142]	Bus ctrl 4-20mA t.o.	0 - 100%
[143]	Ext. CL 1 4-20 mA	0 - 100%
[144]	Ext. CL 2 4-20 mA	0 - 100%
[145]	Ext. CL 3 4-20 mA	0 - 100%
[150]	Max Out Fr 4-20mA	

**NOTE!**

Values for setting the minimum reference are found in open-loop par. 3-02 *Minimum Reference* and for closed-loop par. 20-13 *Minimum Reference/Feedb.* - values for maximum reference for open-loop are found in par. 3-03 *Maximum Reference* and for closed-loop par. 20-14 *Maximum Reference/Feedb.*

6-51 Terminal 42 Output Min Scale		
Range:	Function:	
0.00 %*	[ 0.00 - 200.00 % ]	

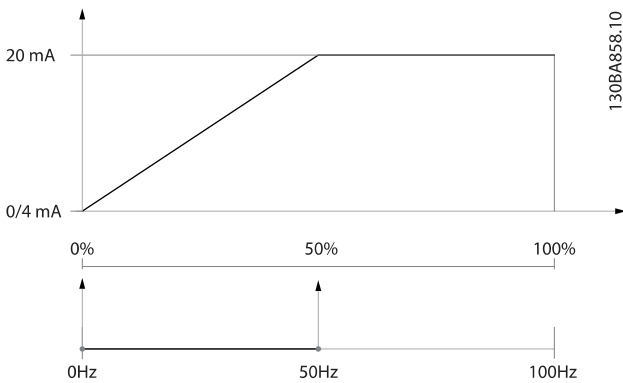
6-52 Terminal 42 Output Max Scale		
Range:	Function:	
100.00 %*	[ 0.00 - 200.00 % ]	

20 mA | *desired maximum current* × 100 %

i.e.  $10mA : \frac{20 mA}{10 mA} \times 100 \% = 200 \%$

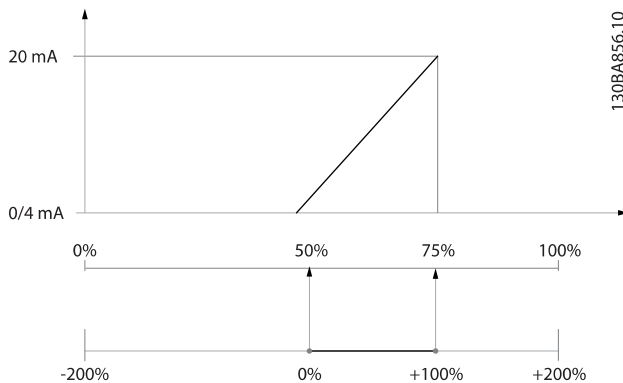
EXAMPLE 1:

Variable value= OUTPUT FREQUENCY, range = 0–100 Hz  
 Range needed for output = 0–50 Hz  
 Output signal 0 or 4 mA is needed at 0 Hz (0% of range) - set par. 6-51 Terminal 42 Output Min Scale to 0%  
 Output signal 20 mA is needed at 50 Hz (50% of range) - set par. 6-52 Terminal 42 Output Max Scale to 50%



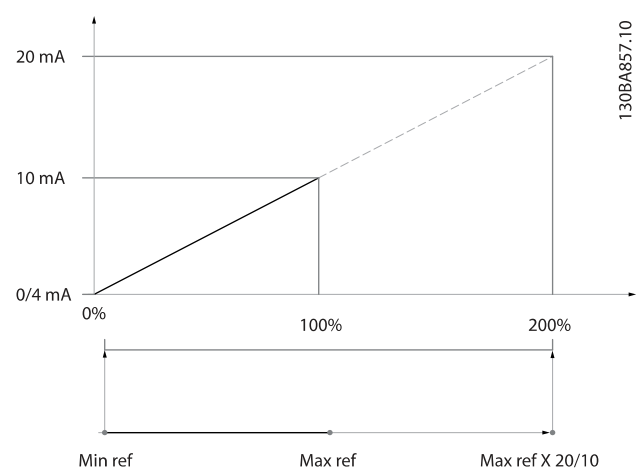
EXAMPLE 2:

Variable= FEEDBACK, range= -200% to +200%  
 Range needed for output= 0–100%  
 Output signal 0 or 4 mA is needed at 0% (50% of range) - set par. 6-51 Terminal 42 Output Min Scale to 50%  
 Output signal 20 mA is needed at 100% (75% of range) - set par. 6-52 Terminal 42 Output Max Scale to 75%



EXAMPLE 3:

Variable value= REFERENCE, range= Min ref - Max ref  
 Range needed for output= Min ref (0%) - Max ref (100%), 0–10 mA  
 Output signal 0 or 4 mA is needed at Min ref - set par. 6-51 Terminal 42 Output Min Scale to 0%  
 Output signal 10 mA is needed at Max ref (100% of range) - set par. 6-52 Terminal 42 Output Max Scale to 200% (20 mA / 10 mA x 100%=200%).



14-01 Switching Frequency		
Option:	Function:	
		Select the inverter switching frequency. Changing the switching frequency can help to reduce acoustic noise from the motor.  <b>NOTE!</b> The output frequency value of the adjustable frequency drive must never exceed 1/10 of the switching frequency. When the motor is running, adjust the switching frequency in par. 14-01 <i>Switching Frequency</i> until the motor is as noiseless as possible. See also par. 14-00 <i>Switching Pattern</i> and the section <i>Derating</i> .
[0]	1.0 kHz	
[1]	1.5 kHz	
[2]	2.0 kHz	
[3]	2.5 kHz	
[4]	3.0 kHz	
[5]	3.5 kHz	
[6]	4.0 kHz	
[7] *	5.0 kHz	
[8]	6.0 kHz	
[9]	7.0 kHz	
[10]	8.0 kHz	
[11]	10.0 kHz	
[12]	12.0 kHz	
[13]	14.0 kHz	
[14]	16.0 kHz	

20-00 Feedback 1 Source		
Option:	Function:	
		Up to three different feedback signals can be used to provide the feedback signal for the adjustable frequency drive's PID controller.  This parameter defines which input will be used as the source of the first feedback signal.  Analog input X30/11 and Analog input X30/12 refer to inputs on the optional general purpose I/O board.
[0]	No function	
[1]	Analog input 53	
[2] *	Analog input 54	
[3]	Pulse input 29	
[4]	Pulse input 33	
[7]	Analog input X30/11	
[8]	Analog input X30/12	
[9]	Analog Input X42/1	
[10]	Analog Input X42/3	
[11]	Analog Input X42/5	
[15]	Analog Input X48/2	
[100]	Bus feedback 1	

20-00 Feedback 1 Source		
Option:	Function:	
[101]	Bus feedback 2	
[102]	Bus feedback 3	
[104]	Sensorless Flow	Requires set up by MCT10 with sensorless specific plug in.
[105]	Sensorless Pressure	Requires set up by MCT10 with sensorless specific plug in.

**NOTE!**  
If a feedback is not used, its source must be set to *No Function* [0]. Par. 20-20 *Feedback Function* determines how the three possible feedbacks will be used by the PID controller.

20-01 Feedback 1 Conversion		
Option:	Function:	
		This parameter allows a conversion function to be applied to Feedback 1.
[0]	Linear	<i>Linear</i> [0] has no effect on the feedback.
[1]	Square root	<i>Square root</i> [1] is commonly used when a pressure sensor is used to provide flow feedback (( $flow \propto \sqrt{pressure}$ )).
[2]	Pressure to temperature	<i>Pressure to temperature</i> [2] is used in compressor applications to provide temperature feedback using a pressure sensor. The temperature of the refrigerant is calculated using the following formula: $Temperature = \frac{A2}{(\ln(Pe + 1) - A1)} - A3,$ where A1, A2 and A3 are refrigerant-specific constants. The refrigerant must be selected in par. 20-30 <i>Refrigerant</i> . Par. 20-21 <i>Setpoint 1</i> through par. 20-23 <i>Setpoint 3</i> allow the values of A1, A2 and A3 to be entered for a refrigerant that is not listed in par. 20-30 <i>Refrigerant</i> .
[3]	Pressure to flow	<i>Pressure to flow</i> is used in applications where the air flow in a duct is to be controlled. The feedback signal is represented by a dynamic pressure measurement (pitot tube). $Flow = Duct\ Area \times \sqrt{Dynamic\ Pressure}$ $\times Air\ Density\ Factor$ See also par. 20-34 <i>Duct 1 Area [m2]</i> through par. 20-38 <i>Air Density Factor [%]</i> for setting of duct area and air density.
[4]	Velocity to flow	<i>Velocity to flow</i> is used in applications where the air flow in a duct is to be controlled. The feedback signal is represented by an air velocity measurement. $Flow = Duct\ Area \times Air\ Velocity$ See also par. 20-34 <i>Duct 1 Area [m2]</i> through par. 20-37 <i>Duct 2 Area [in2]</i> for setting of duct area.

20-02 Feedback 1 Source Unit		
Option:	Function:	
		This parameter determines the unit that is used for this feedback source, prior to applying the feedback conversion of par. 20-01 <i>Feedback 1 Conversion</i> . This unit is not used by the PID controller.
[0] *		
[1]	%	
[5]	PPM	
[10]	min	
[11]	RPM	
[12]	PULSE/s	
[20]	liter / sec.	
[21]	liter / min	
[22]	liter / hr.	
[23]	m <sup>3</sup> / sec.	
[24]	m <sup>3</sup> /min	
[25]	m <sup>3</sup> / hr.	
[30]	kg / sec.	
[31]	kg/min	
[32]	kg / hr.	
[33]	ton / min	
[34]	ton / hr.	
[40]	m / sec.	
[41]	m/min	
[45]	m	
[60]	°C	
[70]	mbar	
[71]	bar	
[72]	Pa	
[73]	kPa	
[74]	m WG	
[75]	mm Hg	
[80]	kW	
[120]	GPM	
[121]	gal / sec.	
[122]	gal/min	
[123]	gal / hr.	
[124]	CFM	
[125]	ft <sup>3</sup> /s	
[126]	ft <sup>3</sup> /min	
[127]	ft <sup>3</sup> /h	
[130]	lbs / sec.	
[131]	lbs / min.	
[132]	lbs / hr.	
[140]	ft/s	
[141]	ft/min	
[145]	ft	
[160]	°F	
[170]	psi	
[171]	lb/in <sup>2</sup>	
[172]	in. wtr. gage	
[173]	ft WG	

20-02 Feedback 1 Source Unit		
Option:	Function:	
[174]	in Hg	
[180]	HP	

**NOTE!**

This parameter is only available when using pressure to temperature feedback conversion. If the choice Linear [0] is selected in par. 20-01 *Feedback 1 Conversion*, then the setting of any choice in par. 20-02 *Feedback 1 Source Unit* does not matter as conversion will be one-to-one.

20-03 Feedback 2 Source		
Option:	Function:	
		See par. 20-00 <i>Feedback 1 Source</i> for details.
[0] *	No function	
[1]	Analog input 53	
[2]	Analog input 54	
[3]	Pulse input 29	
[4]	Pulse input 33	
[7]	Analog input X30/11	
[8]	Analog input X30/12	
[9]	Analog Input X42/1	
[10]	Analog Input X42/3	
[11]	Analog Input X42/5	
[15]	Analog Input X48/2	
[100]	Bus feedback 1	
[101]	Bus feedback 2	
[102]	Bus feedback 3	

20-04 Feedback 2 Conversion		
Option:	Function:	
		See par. 20-01 <i>Feedback 1 Conversion</i> for details.
[0] *	Linear	
[1]	Square root	
[2]	Pressure to temperature	
[3]	Pressure to flow	
[4]	Velocity to flow	

20-05 Feedback 2 Source Unit		
Option:	Function:	
		See par. 20-02 <i>Feedback 1 Source Unit</i> for details.

20-06 Feedback 3 Source		
Option:	Function:	
		See par. 20-00 <i>Feedback 1 Source</i> for details.
[0] *	No function	
[1]	Analog input 53	
[2]	Analog input 54	
[3]	Pulse input 29	

20-06 Feedback 3 Source		
Option:	Function:	
[4]	Pulse input 33	
[7]	Analog input X30/11	
[8]	Analog input X30/12	
[9]	Analog Input X42/1	
[10]	Analog Input X42/3	
[11]	Analog Input X42/5	
[15]	Analog Input X48/2	
[100]	Bus feedback 1	
[101]	Bus feedback 2	
[102]	Bus feedback 3	

20-07 Feedback 3 Conversion		
Option:	Function:	
		See par. 20-01 <i>Feedback 1 Conversion</i> for details.
[0] *	Linear	
[1]	Square root	
[2]	Pressure to temperature	
[3]	Pressure to flow	
[4]	Velocity to flow	

20-08 Feedback 3 Source Unit		
Option:	Function:	
		See par. 20-02 <i>Feedback 1 Source Unit</i> for details.

20-12 Reference/Feedback Unit		
Option:	Function:	
		See par. 20-02 <i>Feedback 1 Source Unit</i> for details.

20-13 Minimum Reference/Feedb.		
Range:	Function:	
0.000 ProcessCtr- IUnit*	[-999999.999 - par. 20-14 ProcessCtrlU- nit]	Enter the desired minimum value for the remote reference when operating with par. 1-00 <i>Configuration Mode</i> set for Closed-loop [3] operation. Units are set in par. 20-12 <i>Reference/Feedback Unit</i> .  Minimum feedback will be -200% of either the value set in par. 20-13 <i>Minimum Reference/Feedb.</i> or in par. 20-14 <i>Maximum Reference/Feedb.</i> , which ever numeric value is the highest.

**NOTE!**  
If operating with par. 1-00 *Configuration Mode* set for Open-loop [0], par. 3-02 *Minimum Reference* must be used.

20-14 Maximum Reference/Feedb.		
Range:	Function:	
100.000 ProcessCtrlU- nit*	[par. 20-13 - 999999.999 ProcessCtrlUnit]	Enter the maximum reference/feedback for closed-loop operation. The setting determines the highest value obtainable by summing all reference sources for closed-loop operation. The setting determines 100% feedback in open-loop and closed-loop (total feedback range: -200% to +200%).

**NOTE!**  
If operating with par. 1-00 *Configuration Mode* set for Open-loop [0], par. 3-03 *Maximum Reference* must be used.

**NOTE!**  
The dynamics of the PID controller will depend on the value set in this parameter. Please see also par. 20-93 *PID Proportional Gain*.  
Par. 20-13 and par. 20-14 also determine the feedback range when using feedback for display readout with par. 1-00 *Configuration Mode* set for Open-loop [0]. Same condition as above.

20-20 Feedback Function		
Option:	Function:	
		This parameter determines how the three possible feedbacks will be used to control the output frequency of the adjustable frequency drive.
[0]	Sum	<i>Sum</i> [0] sets up the PID Controller to use the sum of Feedback 1, Feedback 2 and Feedback 3 as the feedback.  <b>NOTE!</b> <b>Any unused feedbacks must be set to No Function in par. 20-00 Feedback 1 Source, par. 20-03 Feedback 2 Source, or par. 20-06 Feedback 3 Source.</b>  The sum of Setpoint 1 and any other references that are enabled (see par. group 3-1*) will be used as the PID Controller's setpoint reference.
[1]	Difference	<i>Difference</i> [1] sets up the PID controller to use the difference between Feedback 1 and Feedback 2 as the feedback. Feedback 3 will not be used with this selection. Only Setpoint 1 will be used. The sum of Setpoint 1 and any other references that are enabled (see par. group 3-1*) will be used as the PID controller's setpoint reference.
[2]	Average	<i>Average</i> [2] sets up the PID Controller to use the average of Feedback 1, Feedback 2 and Feedback 3 as the feedback.

20-20 Feedback Function		
Option:	Function:	
		<p><b>NOTE!</b> Any unused feedbacks must be set to <i>No Function</i> in par. 20-00 <i>Feedback 1 Source</i>, par. 20-03 <i>Feedback 2 Source</i>, or par. 20-06 <i>Feedback 3 Source</i>. The sum of Setpoint 1 and any other references that are enabled (see par. group 3-1*) will be used as the PID Controller's setpoint reference.</p>
[3] *	Minimum	<p><i>Minimum</i> [3] sets up the PID controller to compare Feedback 1, Feedback 2 and Feedback 3 and use the lowest value as the feedback.</p> <p><b>NOTE!</b> Any unused feedbacks must be set to <i>No Function</i> in par. 20-00 <i>Feedback 1 Source</i>, par. 20-03 <i>Feedback 2 Source</i>, or par. 20-06 <i>Feedback 3 Source</i>. Only setpoint 1 will be used. The sum of Setpoint 1 and any other references that are enabled (see par. group 3-1*) will be used as the PID controller's setpoint reference.</p>
[4]	Maximum	<p><i>Maximum</i> [4] sets up the PID controller to compare Feedback 1, Feedback 2 and Feedback 3 and use the highest value as the feedback.</p> <p><b>NOTE!</b> Any unused feedbacks must be set to <i>No Function</i> in par. 20-00 <i>Feedback 1 Source</i>, par. 20-03 <i>Feedback 2 Source</i>, or par. 20-06 <i>Feedback 3 Source</i>.</p> <p>Only Setpoint 1 will be used. The sum of Setpoint 1 and any other references that are enabled (see par. group 3-1*) will be used as the PID controller's setpoint reference.</p>
[5]	Multi Setpoint Min	<p><i>Multi-setpoint minimum</i> [5] sets up the PID Controller to calculate the difference between Feedback 1 and Setpoint 1, Feedback 2 and Setpoint 2, and Feedback 3 and Setpoint 3. It will use the feedback/setpoint pair in which the feedback is the farthest below its corresponding setpoint reference. If all feedback signals are above their corresponding setpoints, the PID Controller will use the feedback/setpoint pair in which the difference between the feedback and setpoint is the least.</p>

20-20 Feedback Function		
Option:	Function:	
		<p><b>NOTE!</b> If only two feedback signals are used, the feedback that is not to be used must be set to <i>No Function</i> in par. 20-00 <i>Feedback 1 Source</i>, par. 20-03 <i>Feedback 2 Source</i> or par. 20-06 <i>Feedback 3 Source</i>. Note that each setpoint reference will be the sum of its respective parameter value (par. 20-21 <i>Setpoint 1</i>, par. 20-22 <i>Setpoint 2</i> and par. 20-23 <i>Setpoint 3</i>) and any other references that are enabled (see par. group 3-1*).</p>
[6]	Multi Setpoint Max	<p><i>Multi-setpoint maximum</i> [6] sets up the PID Controller to calculate the difference between Feedback 1 and Setpoint 1, Feedback 2 and Setpoint 2, and Feedback 3 and Setpoint 3. It will use the feedback/setpoint pair in which the feedback is farthest above its corresponding setpoint reference. If all feedback signals are below their corresponding setpoints, the PID Controller will use the feedback/setpoint pair in which the difference between the feedback and the setpoint reference is the least.</p> <p><b>NOTE!</b> If only two feedback signals are used, the feedback that is not to be used must be set to <i>No Function</i> in par. 20-00 <i>Feedback 1 Source</i>, par. 20-03 <i>Feedback 2 Source</i> or par. 20-06 <i>Feedback 3 Source</i>. Note that each setpoint reference will be the sum of its respective parameter value (par. 20-21 <i>Setpoint 1</i>, par. 20-22 <i>Setpoint 2</i> and par. 20-23 <i>Setpoint 3</i>) and any other references that are enabled (see parameter group 3-1*).</p>

**NOTE!**  
Any unused feedback must be set to "No function" in its Feedback Source parameter: Par. 20-00 *Feedback 1 Source*, par. 20-03 *Feedback 2 Source* or par. 20-06 *Feedback 3 Source*.

The feedback resulting from the function selected in par. 20-20 *Feedback Function* will be used by the PID controller to control the output frequency of the adjustable frequency drive. This feedback can also be shown on the adjustable frequency drive's display, be used to control an adjustable frequency drive's analog output, and be transmitted over various serial communication protocols.

The adjustable frequency drive can be configured to handle multi-zone applications. Two different multi-zone applications are supported:

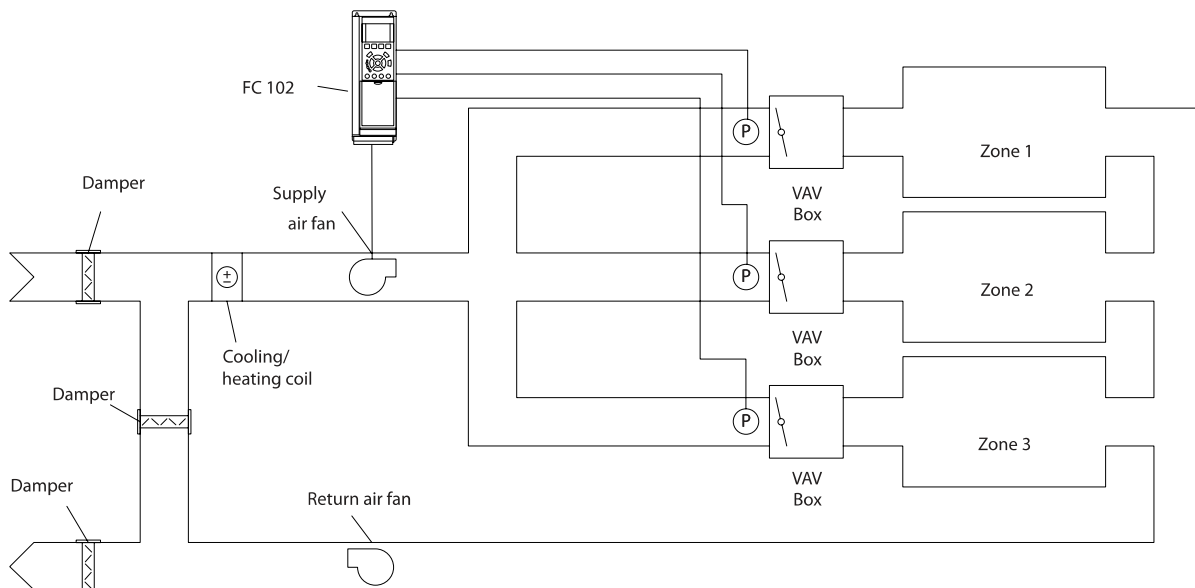
- Multi-zone, single setpoint
- Multi-zone, multi setpoint

The difference between the two is illustrated by the following examples:

**Example 1: Multi-zone, single setpoint**

In an office building, a VAV (variable air volume) VLT HVAC Drive system must ensure a minimum pressure at selected

VAV boxes. Due to the varying pressure losses in each duct, the pressure at each VAV box cannot be assumed to be the same. The minimum pressure required is the same for all VAV boxes. This control method can be set up by setting par. 20-20 *Feedback Function* to option [3], Minimum, and entering the desired pressure in par. 20-21 *Setpoint 1*. The PID controller will increase the speed of the fan if any one feedback is below the setpoint, and decrease the speed of the fan if all feedbacks are above the the setpoint.



**Example 2: Multi-zone, multi setpoint**

The previous example can be used to illustrate the use of multi-zone, multi-setpoint control. If the zones require different pressures for each VAV box, each setpoint may be specified in par. 20-21 *Setpoint 1*, par. 20-22 *Setpoint 2* and par. 20-23 *Setpoint 3*. By selecting *Multi-setpoint minimum*, [5], in par. 20-20 *Feedback Function*, the PID controller will increase the speed of the fan if any one of the feedbacks is below its setpoint and decrease the speed of the fan if all feedbacks are above their individual setpoints.



20-21 Setpoint 1		
Range:	Function:	
0.000 ProcessCtrlUnit*	[-999999.999 - 999999.999 ProcessCtrlUnit]	Setpoint 1 is used in closed-loop mode to enter a setpoint reference that is used by the adjustable frequency drive's PID controller. See the description of par. 20-20 <i>Feedback Function</i> .  <b>NOTE!</b> Setpoint reference entered here is added to any other references that are enabled (see par. group 3-1*).

20-22 Setpoint 2		
Range:	Function:	
0.000 ProcessCtrlUnit*	[-999999.999 - 999999.999 ProcessCtrlUnit]	Setpoint 2 is used in closed-loop mode to enter a setpoint reference that may be used by the adjustable frequency drive's PID controller. See the description of <i>Feedback Function</i> , par. 20-20 <i>Feedback Function</i> .

**NOTE!**  
The setpoint reference entered here is added to any other references that are enabled (see par. group 3-1\*).

20-70 Closed-loop Type		
Option:	Function:	
		This parameter defines the application response. The default mode should be sufficient for most applications. If the application response speed is known, it can be selected here. This will decrease the time needed for carrying out PID autotuning. The setting has no impact on the value of the tuned parameters and is used only for the autotuning sequence.
[0] *	Auto	
[1]	Fast Pressure	
[2]	Slow Pressure	
[3]	Fast Temperature	
[4]	Slow Temperature	

20-71 PID Performance		
Option:	Function:	
[0] *	Normal	Normal setting of this parameter will be suitable for pressure control in fan systems.
[1]	Fast	Fast setting would generally be used in pumping systems, where a faster control response is desirable.

20-72 PID Output Change		
Range:	Function:	
0.10 *	[0.01 - 0.50 ]	This parameter sets the magnitude of step change during autotuning. The value is a percentage of full speed. This means that if the maximum output frequency in par. 4-13 <i>Motor Speed High Limit [RPM]</i> /par. 4-14 <i>Motor Speed High Limit [Hz]</i> is set to 50 Hz, 0.10 is 10% of 50 Hz, which is 5 Hz. This parameter should be set to a value resulting in feedback changes of between 10% and 20% for best tuning accuracy.

20-73 Minimum Feedback Level		
Range:	Function:	
-999999.000 ProcessCtrlUnit*	[-999999.999 - par. 20-74 ProcessCtrlUnit]	The minimum allowable feedback level should be entered here in user units as defined in par. 20-12 <i>Reference/Feedback Unit</i> . If the level falls below par. 20-73 <i>Minimum Feedback Level</i> , autotuning is aborted and an error message will appear on the LCP.

20-74 Maximum Feedback Level		
Range:	Function:	
999999.000 ProcessCtrlUnit*	[par. 20-73 - 999999.999 ProcessCtrlUnit]	The maximum allowable feedback level should be entered here in user units as defined in par. 20-12 <i>Reference/Feedback Unit</i> . If the level rises above par. 20-74 <i>Maximum Feedback Level</i> , autotuning is aborted and an error message will appear on the LCP.

20-79 PID Autotuning		
Option:	Function:	
		This parameter starts the PID autotuning sequence. Once the autotuning has successfully completed and the settings have been accepted or rejected by the user, by pressing [OK] or [Cancel] buttons on the LCP at the end of tuning, this parameter is reset to [0] Disabled.
[0] *	Disabled	
[1]	Enabled	

20-81 PID Normal/ Inverse Control		
Option:	Function:	
[0] *	Normal	<i>Normal</i> [0] causes the adjustable frequency drive's output frequency to decrease when the feedback is greater than the setpoint reference. This is common for pressure-controlled supply fan and pump applications.
[1]	Inverse	<i>Inverse</i> [1] causes the adjustable frequency drive's output frequency to increase when the feedback is greater than the setpoint reference. This is common for temperature-controlled cooling applications, such as cooling towers.

20-82 PID Start Speed [RPM]		
Range:	Function:	
Size related*	[0 - par. 4-13 RPM]	

20-83 PID Start Speed [Hz]		
Range:	Function:	
Size related*	[0.0 - par. 4-14 Hz]	

20-93 PID Proportional Gain		
Range:	Function:	
0.50 *	[0.00 - 10.00 ]	

If (Error x Gain) jumps with a value equal to what is set in par. 20-14 *Maximum Reference/Feedb.* the PID controller will try to change the output speed equal to what is set in par. 4-13 *Motor Speed High Limit [RPM]* / par. 4-14 *Motor Speed High Limit [Hz]* but in practice of course limited by this setting. The proportional band (error causing output to change from 0–100%) can be calculated by means of the formula:

$$\left( \frac{1}{\text{Proportional Gain}} \right) \times (\text{Max Reference})$$

**NOTE!**

Always set the desired for par. 20-14 *Maximum Reference/Feedb.* before setting the values for the PID controller in parameter group 20-9\*.

20-94 PID Integral Time		
Range:	Function:	
20.00 s*	[0.01 - 10000.00 s]	Over time, the integrator accumulates a contribution to the output from the PID controller as long as there is a deviation between the reference/setpoint and feedback signals. The contribution is proportional to the size of the deviation. This ensures that the deviation (error) approaches zero. Quick response on any deviation is obtained when the integral time is set to a low value. Setting it too low, however, may cause the control to become unstable. The value set is the time needed for the integrator to add the same contribution as the proportional part for a certain deviation.

20-94 PID Integral Time		
Range:	Function:	
		If the value is set to 10,000, the controller will act as a pure proportional controller with a P-band based on the value set in par. 20-93 <i>PID Proportional Gain</i> . When no deviation is present, the output from the proportional controller will be 0.

22-20 Low Power Auto Set-up		
Start of auto set-up of power data for No-Flow Power tuning.		
Option:	Function:	
[0] *	OFF	
[1]	Enabled	When set for <i>Enabled</i> , an auto set-up sequence is activated, automatically setting speed to approx. 50% and 85% of rated motor speed (par. 4-13 <i>Motor Speed High Limit [RPM]</i> , par. 4-14 <i>Motor Speed High Limit [Hz]</i> ). At those two speeds, the power consumption is automatically measured and stored. Before enabling Auto Set-up: <ol style="list-style-type: none"> <li>1. Close valve(s) in order to create a no-flow condition</li> <li>2. The adjustable frequency drive must be set for open-loop (par. 1-00 <i>Configuration Mode</i>). Note that it is important also to set par. 1-03 <i>Torque Characteristics</i>.</li> </ol>

**NOTE!**

Auto set-up must be done when the system has reached normal operating temperature!

**NOTE!**

It is important that the par. 4-13 *Motor Speed High Limit [RPM]* or par. 4-14 *Motor Speed High Limit [Hz]* is set to the max. operational speed of the motor!

It is important to do the auto set-up before configuring the integrated PI controller as settings will be reset when changing from closed to open-loop in par. 1-00 *Configuration Mode*.

**NOTE!**

Carry out the tuning with the same settings in par. 1-03 *Torque Characteristics*, as for operation after the tuning.

22-21 Low Power Detection		
Option:	Function:	
[0] *	Disabled	
[1]	Enabled	If selecting Enabled, the low power detection commissioning must be carried out in order to set the parameters in group 22-3* for proper operation!

22-22 Low Speed Detection		
Option:	Function:	
[0] *	Disabled	
[1]	Enabled	Select Enabled for detecting when the motor operates with a speed as set in par. 4-11 <i>Motor Speed Low Limit [RPM]</i> or par. 4-12 <i>Motor Speed Low Limit [Hz]</i> .

22-23 No-Flow Function		
Common actions for Low Power Detection and Low Speed Detection (Individual selections not possible).		
Option:	Function:	
[0] *	OFF	
[1]	Sleep Mode	The drive will enter sleep mode and stop when a No Flow condition is detected. See parameter group 22-4* for programming options for sleep mode.
[2]	Warning	The drive will continue to run, but activate a No-Flow Warning [W92]. A drive digital output or a serial communication bus can communicate a warning to other equipment.
[3]	Alarm	The drive will stop running and activate a No-Flow Alarm [A 92]. A drive digital output or a serial communication bus can communicate an alarm to other equipment.

**NOTE!**

Do not set par. 14-20 *Reset Mode* to [13] Infinite auto reset when par. 22-23 *No-Flow Function* is set to [3] Alarm. Doing so will cause the drive to continuously cycle between running and stopping when a No Flow condition is detected.

**NOTE!**

If the drive is equipped with a constant speed bypass with an automatic bypass function that starts the bypass if the drive experiences a persistent alarm condition, be sure to disable the bypass' automatic bypass function, if [3] Alarm is selected as the No-Flow Function.

22-24 No-Flow Delay		
Range:	Function:	
10 s*	[1 - 600 s]	Set the time. Low Power/Low Speed must remain detected to activate signal for actions. If detection disappears before the timer runs out, the timer will be reset.

22-26 Dry Pump Function		
Select desired action for dry pump operation.		
Option:	Function:	
[0] *	OFF	
[1]	Warning	The drive will continue to run, but activate a dry pump warning [W93]. A drive digital

22-26 Dry Pump Function		
Select desired action for dry pump operation.		
Option:	Function:	
		output or a serial communication bus can communicate a warning to other equipment.
[2]	Alarm	The drive will stop running and activate a dry pump alarm [A93]. A drive digital output or a serial communication bus can communicate an alarm to other equipment.
[3]	Man. Reset Alarm	The drive will stop running and activate a dry pump alarm [A93]. A drive digital output or a serial communication bus can communicate an alarm to other equipment.

**NOTE!**

*Low Power Detection* must be Enabled (par. 22-21 *Low Power Detection*) and commissioned (using either parameter group 22-3\*, *No Flow Power Tuning*, or par. 22-20 *Low Power Auto Set-up*) in order to use Dry Pump Detection.

**NOTE!**

Do not set par. 14-20 *Reset Mode*, to [13] Infinite auto reset, when par. 22-26 *Dry Pump Function* is set to [2] Alarm. Doing so will cause the drive to continuously cycle between running and stopping when a dry pump condition is detected.

**NOTE!**

If the drive is equipped with a constant speed bypass with an automatic bypass function that starts the bypass if the drive experiences a persistent alarm condition, be sure to disable the bypass's automatic bypass function, if [2] Alarm or [3] Man. Reset Alarm is selected as the dry pump function.

22-27 Dry Pump Delay		
Range:	Function:	
10 s*	[0 - 600 s]	Defines for how long the Dry Pump condition must be active before activating Warning or Alarm

22-40 Minimum Run Time		
Range:	Function:	
10 s*	[0 - 600 s]	Set the desired minimum running time for the motor after a start command (digital input or bus) before entering sleep mode.

22-41 Minimum Sleep Time		
Range:	Function:	
10 s*	[0 - 600 s]	Set the desired minimum time for staying in sleep mode. This will override any wake-up conditions.

22-42 Wake-up Speed [RPM]		
Range:		Function:
Size related*	[par. 4-11 - par. 4-13 RPM]	

22-43 Wake-up Speed [Hz]		
Range:		Function:
Size related*	[par. 4-12 - par. 4-14 Hz]	

22-44 Wake-up Ref./FB Difference		
Range:		Function:
10 %*	[0 - 100 %]	Only to be used if par. 1-00 <i>Configuration Mode</i> is set for closed-loop and the integrated PI controller is used for controlling the pressure. Set the pressure drop allowed in percentage of setpoint for the pressure (Pset) before canceling the sleep mode.

**NOTE!**  
If used in application where the integrated PI controller is set for inverse control (e.g., cooling tower applications) in par. 20-71 *PID Performance*, the value set in par. 22-44 *Wake-up Ref./FB Difference* will automatically be added.

22-45 Setpoint Boost		
Range:		Function:
0 %*	[-100 - 100 %]	Only to be used if par. 1-00 <i>Configuration Mode</i> , is set for closed-loop and the integrated PI controller is used. For example, in systems with constant pressure control, it is advantageous to increase the system pressure before the motor is stopped. This will extend the time during which the motor is stopped and help to avoid frequent start/stop. Set the desired overpressure/temperature as a percentage of the setpoint for the pressure (Pset)/temperature before entering sleep mode. If set at 5%, the boost pressure will be Pset*1.05. The negative values can be used, for example, for cooling tower control, where a negative change is needed.

22-46 Maximum Boost Time		
Range:		Function:
60 s*	[0 - 600 s]	Only to be used if par. 1-00 <i>Configuration Mode</i> is set for closed-loop and the integrated PI controller is used for controlling the pressure. Set the maximum time for which boost mode will be allowed. If the set time is exceeded, sleep mode will be entered and will not wait for the set boost pressure to be reached.

22-60 Broken Belt Function		
Selects the action to be performed if the broken belt condition is detected.		
Option:		Function:
[0] *	OFF	
[1]	Warning	The drive will continue to run, but activate a Broken Belt Warning [W95]. A drive digital output or a serial communication bus can communicate a warning to other equipment.
[2]	Trip	The drive will stop running and activate a Broken Belt alarm [A 95]. A drive digital output or a serial communication bus can communicate an alarm to other equipment.

**NOTE!**  
Do not set par. 14-20 *Reset Mode* to [13] Infinite auto reset when par. 22-60 *Broken Belt Function* is set to [2] Trip. Doing so will cause the drive to continuously cycle between running and stopping when a broken belt condition is detected.

**NOTE!**  
If the drive is equipped with a constant speed bypass with an automatic bypass function that starts the bypass if the drive experiences a persistent alarm condition, be sure to disable the bypass' automatic bypass function, if [2] Trip is selected as the broken belt function.

22-61 Broken Belt Torque		
Range:		Function:
10 %*	[0 - 100 %]	Sets the broken belt torque as a percentage of the rated motor torque.

22-62 Broken Belt Delay		
Range:		Function:
10 s	[0 - 600 s]	Sets the time for which the broken belt conditions must be active before carrying out the action selected in par. 22-60 <i>Broken Belt Function</i> .

22-75 Short Cycle Protection		
Option:		Function:
[0] *	Disabled	Timer set in par. 22-76 <i>Interval between Starts</i> is disabled.
[1]	Enabled	Timer set in par. 22-76 <i>Interval between Starts</i> is enabled.

22-76 Interval between Starts		
Range:		Function:
Size related*	[par. 22-77 - 3600 s]	

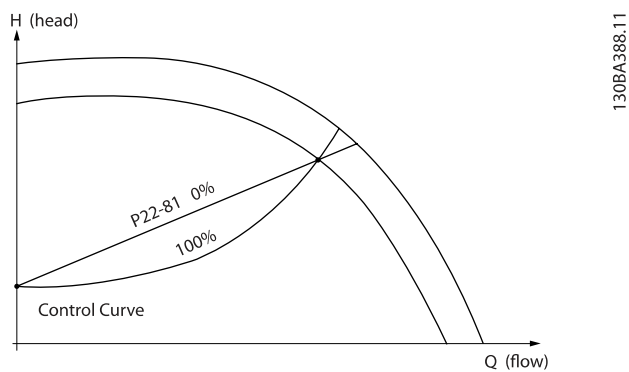
22-77 Minimum Run Time		
Range:	Function:	
0 s* [0 - par. 22-76 s]	Sets the time desired as minimum run time after a normal start command (Start/Jog/Freeze). Any normal stop command will be disregarded until the set time has expired. The timer will start counting following a normal start command (Start/Jog/Freeze).  The timer will be overridden by a Coast (Inverse) or an External Interlock command.	

**NOTE!**  
Does not work in cascade mode.

22-80 Flow Compensation		
Option:	Function:	
[0] * Disabled	[0] Disabled: Setpoint compensation not active.	
[1] Enabled	[1] Enabled: Setpoint compensation is active. Enabling this parameter allows the Flow Compensated Setpoint operation.	

22-81 Square-linear Curve Approximation		
Range:	Function:	
100 %* [0 - 100 %]	<b>Example 1:</b> Adjustment of this parameter allows the shape of the control curve to be adjusted. 0 = Linear 100% = Ideal shape (theoretical).	

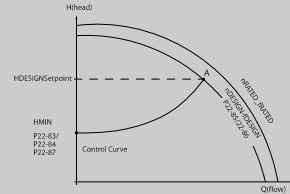
**NOTE!**  
Not visible when running in cascade.



130BA388.11

22-82 Work Point Calculation		
Option:	Function:	
[0]	Disabled	Disabled [0]: Work point calculation is not active. To be used if speed at design point is known (see table above).
[1]	Enabled	Enabled [1]: Work point calculation is active. Enabling this parameter allows the calculation of the unknown System Design Working Point at 50/60 Hz speed, from the input data set in par. 22-83 Speed at No-Flow [RPM] par. 22-84 Speed at No-Flow [Hz],

Example 1: Speed at system design working point is known:

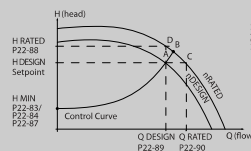


From the data sheet showing characteristics for the specific equipment at different speeds, simply reading across from the H<sub>DESIGN</sub> point and the Q<sub>DESIGN</sub> point allows us to find point A, which is the system design working point. The pump characteristics at this point should be identified and the associated speed programmed. Closing the valves and adjusting the speed until H<sub>MIN</sub> has been achieved allows the speed at the no flow point to be identified.

Adjustment of par. 22-81 Square-linear Curve Approximation then allows the shape of the control curve to be adjusted infinitely.

**Example 2:**

Speed at system design working point is not known: Where the speed at system design working point is unknown, another reference point on the control curve needs to be determined by means of the data sheet. By looking at the curve for the rated speed and plotting the design pressure (H<sub>DESIGN</sub>, Point C), the flow at that pressure Q<sub>RATED</sub> can be determined. Similarly, by plotting the design flow (Q<sub>DESIGN</sub>, Point D), the pressure H<sub>D</sub> at that flow can be determined. Knowing these two points on the pump curve, along with H<sub>MIN</sub> described above, allows the adjustable frequency drive to calculate the reference point B and thus to plot the control curve that will also include the system design working point A.



22-82 Work Point Calculation		
Option:	Function:	
	par. 22-87 Pressure at No-Flow Speed, par. 22-88 Pressure at Rated Speed, par. 22-89 Flow at Design Point and par. 22-90 Flow at Rated Speed.	

22-83 Speed at No-Flow [RPM]		
Range:	Function:	
Size related*	[0 - par. 22-85 RPM]	

22-84 Speed at No-Flow [Hz]		
Range:	Function:	
Size related*	[0.0 - par. 22-86 Hz]	

22-85 Speed at Design Point [RPM]		
Range:	Function:	
Size related*	[par. 22-83 - 60000. RPM]	

22-86 Speed at Design Point [Hz]		
Range:	Function:	
Size related*	[par. 22-84 - par. 4-19 Hz]	

22-87 Pressure at No-Flow Speed		
Range:	Function:	
0.000 *	[0.000 - par. 22-88 ]	Enter the pressure H <sub>MIN</sub> corresponding to Speed at No Flow in Reference/Feedback Units.

Please also see par. 22-82 *Work Point Calculation* point D.

22-88 Pressure at Rated Speed		
Range:	Function:	
999999.999 *	[par. 22-87 - 999999.999 ]	Enter the value corresponding to the Pressure at Rated Speed, in Reference/Feedback Units. This value can be defined using the pump datasheet.

Please also see par. 22-82 *Work Point Calculation* point A.

22-89 Flow at Design Point		
Range:	Function:	
0.000 *	[0.000 - 999999.999 ]	Enter the value corresponding to the Flow at Design Point. No units necessary.

Please also see par. 22-82 *Work Point Calculation* point C.

22-90 Flow at Rated Speed		
Range:	Function:	
0.000 *	[0.000 - 999999.999 ]	Enter the value corresponding to Flow at Rated Speed. This value can be defined using the pump datasheet.

### 7.3.1 Parameter Set-up

Group	Title	Function
0-	Operation and Display	Parameters used to program the fundamental functions of the adjustable frequency drive and the LCP including: selection of language; selection of which variables are displayed at each position in the display (e.g., static duct pressure or condenser water return temperature can be displayed with the setpoint in small digits in the top row and feedback in large digits in the center of the display); enabling/disabling of the LCP keys/buttons; passwords for the LCP; upload and download of commissioned parameters to/from the LCP and setting the built-in clock.
1-	Load / Motor	Parameters used to configure the adjustable frequency drive for the specific application and motor including: open-loop or closed-loop operation; type of application such as compressor, fan or centrifugal pump; motor nameplate data; auto-tuning of the drive to the motor for optimum performance; flying start (typically used for fan applications) and motor thermal protection.
2-	Brakes	Parameters used to configure braking functions of the adjustable frequency drive which although not common in many HVAC applications, can be useful on special fan applications. Parameters including: DC braking; dynamic/resistor braking and overvoltage control (which provides automatic adjustment of the deceleration rate (auto-ramping) to avoid tripping when decelerating large inertia fans)
3-	Reference / Ramps	Parameters used to program the minimum and maximum reference limits of speed (RPM/Hz) in open-loop or in actual units when operating in closed-loop); digital/preset references; jog speed; definition of the source of each reference (e.g., which analog input the reference signal is connected to); ramp-up and ramp-down times and digital potentiometer settings.
4-	Limits / Warnings	Parameters used to program limits and warnings of operation including: allowable motor direction; minimum and maximum motor speeds (e.g., in pump applications it is typical to program a minimum speed to approx 30–40% to ensure pump seals are adequately lubricated at all times, avoid cavitation and ensure adequate head is produced at all times to create flow); torque and current limits to protect the pump, fan or compressor driven by the motor; warnings for low/high current, speed, reference, and feedback; missing motor phase protection; speed bypass frequencies including semi-automatic set-up of these frequencies (e.g., to avoid resonance conditions on cooling towers and other fans).
5-	Digital In / Out	Parameters used to program the functions of all digital inputs, digital outputs, relay outputs, pulse inputs and pulse outputs for terminals on the control card and all option cards.
6-	Analog In / Out	Parameters used to program the functions associated with all analog inputs and analog outputs for the terminals on the control card and General Purpose I/O option (MCB 101) (note: NOT Analog I/O option MCB 109, see parameter group 26-00) including: analog input live zero timeout function (which for example can be used to command a cooling tower fan to operate at full speed if the condenser water return sensor fails); scaling of the analog input signals (for example, to match the analog input to the mA and pressure range of a static duct pressure sensor); filter time constant to filter out electrical noise on the analog signal which can sometimes occur when long cables are installed; function and scaling of the analog outputs (for example, to provide an analog output representing motor current or kW to an analog input of a DDC controller) and to configure the analog outputs to be controlled by the BMS via a high level interface (HLI) (e.g., to control a chilled water valve) including ability to define a default value of these outputs in the event of the HLI failing.
8-	Communication and Options	Parameters used for configuring and monitoring functions associated with the serial communications / high level interface to the adjustable frequency drive
9-	Profibus	Parameters only applicable when a Profibus option is installed.
10-	CAN Fieldbus	Parameters only applicable when a DeviceNet option is installed.
11-	LonWorks	Parameters only applicable when a Lonworks option is installed.

Group	Title	Function
13-	Smart Logic Controller	Parameters used to configure the built in Smart Logic Controller (SLC), which can be used for simple functions such as comparators (e.g., if running above xHz, activate output relay), timers (e.g., when a start signal is applied, first activate output relay to open supply air damper and wait x seconds before ramping up) or a more complex sequence of user defined actions executed by the SLC when the associated user defined event is evaluated as TRUE by the SLC. (For example, initiate an economizer mode in a simple AHU cooling application control scheme where there is no BMS. For such an application, the SLC can monitor the relative humidity of the outside air, and if it is below a defined value, the supply air temperature setpoint could be automatically increased. With the adjustable frequency drive monitoring the relative humidity of the outside air and supply air temperature via its analog inputs and controlling the chilled water valve via one of the extended PI(D) loops and an analog output, it would then modulate that valve to maintain a higher supply air temperature). The SLC can often replace the need for other external control equipment.
14-	Special Functions	Parameters used to configure special functions of the adjustable frequency drive including: setting of the switching frequency to reduce audible noise from the motor (sometimes required for fan applications); kinetic backup function (especially useful for critical applications in semi-conductor installations where performance under line power dip/line power loss is important); Line imbalance protection; automatic reset (to avoid the need for a manual reset of alarms); energy optimization parameters (which typically do not need changing but enable fine tuning of this automatic function (if necessary) ensuring the adjustable frequency drive and motor combination operate at their optimum efficiency at full and partial load conditions) and auto-derating functions (which enable the adjustable frequency drive to continue operation at reduced performance under extreme operating conditions ensuring maximum up time).
15-	FC Information	Parameters providing operating data and other drive information including: operating and running hour counters; kWh counter; resetting of the running and kWh counters; alarm/fault log (where the past 10 alarms are logged along with any associated value and time) and drive and option card identification parameters such as code number and software version.
16-	Data Readouts	Read only parameters which display the status/value of many operating variables which can be displayed on the LCP or viewed in this parameter group. These parameters can be particularly useful during commissioning when interfacing with a BMS via a high level interface.
18-	Info & Readouts	Read-only parameters which display the last 10 preventative maintenance log items, actions and time and the value of analog inputs and outputs on the Analog I/O option card which can be particularly useful during commissioning when interfacing with a BMS via a high level interface.
20-	FC Closed-loop	Parameters used to configure the closed-loop PI(D) controller which controls the speed of the pump, fan or compressor in closed-loop mode including: defining where each of the 3 possible feedback signals come from (e.g., which analog input or the BMS HLI); conversion factor for each of the feedback signals (e.g., where a pressure signal is used for indication of flow in an AHU or converting from pressure to temperature in a compressor application); engineering unit for the reference and feedback (e.g., Pa, kPa, m Wg, in Wg, bar, m3/s, m3/h, °C, °F, etc.); the function (e.g., sum, difference, average, minimum or maximum) used to calculate the resulting feedback for single zone applications or the control philosophy for multi-zone applications; programming of the setpoint(s) and manual or auto-tuning of the PI(D) loop.
21-	Extended Closed-loop	Parameters used to configure the 3 extended closed-loop PI(D) controllers which, for example, can be used to control external servos (e.g., chilled water valve to maintain supply air temperature in a VAV system) including: engineering unit for the reference and feedback of each controller (e.g., °C, °F, etc.); defining the range of the reference/setpoint for each controller; defining where each of the references/setpoints and feedback signals come from (e.g., which analog input or the BMS HLI); programming of the setpoint and manual or auto-tuning of the each of the PI(D) controllers.



Group	Title	Function
22-	Application Functions	Parameters used to monitor, protect and control pumps, fans and compressors including: no-flow detection and protection of pumps (including auto set-up of this function); dry pump protection; end of curve detection and protection of pumps; sleep mode (especially useful for cooling tower and booster pump sets); broken belt detection (typically used for fan applications to detect no air flow instead of using a $\Delta p$ switch installed across the fan); short cycle protection of compressors and pump flow compensation of setpoint (especially useful for secondary chilled water pump applications where the $\Delta p$ sensor has been installed close to the pump and not across the furthest most significant load(s) in the system; using this function can compensate for the sensor installation and help to realize maximum energy savings).
23-	Time-based Functions	Time based parameters including: those used to initiate daily or weekly actions based on the built-in real time clock (e.g., change of setpoint for night set back mode or start/stop of the pump/fan/compressor start/stop of a external equipment); preventative maintenance functions which can be based on running or operating hour time intervals or on specific dates and times; energy log (especially useful in retrofit applications or where information of the actual historical load (kW) on the pump/fan/compressor is of interest); trending (especially useful in retrofit or other applications where there is an interest to log operating power, current, frequency or speed of the pump/fan/compressor for analysis and a payback counter).
24-	Application Functions 2	Parameters used to set up fire mode and/or to control a bypass contactor/starter if designed into the system.
25-	Cascade Controller	Parameters used to configure and monitor the built-in pump cascade controller (typically used for pump booster sets).
26-	Analog I/O Option MCB 109	Parameters used to configure the Analog I/O option (MCB 109) including: definition of the analog input types (e.g., voltage, Pt1000 or Ni1000) and scaling and definition of the analog output functions and scaling.

**Table 7.1: Parameter Groups**

Parameter descriptions and selections are displayed on the graphic (GLCP) or numeric (NLCP) display. (See the relevant section for details.) Access the parameters by pressing the [Quick Menu] or [Main Menu] button on the control panel. The quick menu is used primarily for commissioning the unit at start-up by providing the parameters necessary to start operation. The main menu provides access to all the parameters for detailed application programming.

All digital input/output and analog input/output terminals are multifunctional. All terminals have factory default functions suitable for the majority of HVAC applications but if other special functions are required, they must be programmed as explained in parameter group 5 or 6.

## 7.3.2 0-\*\* Operation and Display

Par. No. #	Parameter description	Default value	4-set-up	Change during operation	Conversion index	Type
<b>0-0* Basic Settings</b>						
0-01	Language	[0] English	1 set-up	TRUE	-	Uint8
0-02	Motor Speed Unit	[1] Hz	2 set-ups	FALSE	-	Uint8
0-03	Regional Settings	[0] International	2 set-ups	FALSE	-	Uint8
0-04	Operating State at Power-up	[0] Resume	All set-ups	TRUE	-	Uint8
0-05	Local Mode Unit	[0] As Motor Speed Unit	2 set-ups	FALSE	-	Uint8
<b>0-1* Set-up Operations</b>						
0-10	Active Set-up	[1] Set-up 1	1 set-up	TRUE	-	Uint8
0-11	Programming Set-up	[9] Active Set-up	All set-ups	TRUE	-	Uint8
0-12	This Set-up Linked to	[0] Not linked	All set-ups	FALSE	-	Uint8
0-13	Readout: Linked Set-ups	0 N/A	All set-ups	FALSE	0	Uint16
0-14	Readout: Prog. Set-ups / Channel	0 N/A	All set-ups	TRUE	0	Int32
<b>0-2* LCP Display</b>						
0-20	Display Line 1.1 Small	1602	All set-ups	TRUE	-	Uint16
0-21	Display Line 1.2 Small	1614	All set-ups	TRUE	-	Uint16
0-22	Display Line 1.3 Small	1610	All set-ups	TRUE	-	Uint16
0-23	Display Line 2 Large	1613	All set-ups	TRUE	-	Uint16
0-24	Display Line 3 Large	1502	All set-ups	TRUE	-	Uint16
0-25	My Personal Menu	ExpressionLimit	1 set-up	TRUE	0	Uint16
<b>0-3* LCP Cust. Readout</b>						
0-30	Custom Readout Unit	[1] %	All set-ups	TRUE	-	Uint8
0-31	Custom Readout Min Value	ExpressionLimit	All set-ups	TRUE	-2	Int32
0-32	Custom Readout Max Value	100.00 CustomReadoutUnit	All set-ups	TRUE	-2	Int32
0-37	Display Text 1	0 N/A	1 set-up	TRUE	0	VisStr[25]
0-38	Display Text 2	0 N/A	1 set-up	TRUE	0	VisStr[25]
0-39	Display Text 3	0 N/A	1 set-up	TRUE	0	VisStr[25]
<b>0-4* LCP Keypad</b>						
0-40	[Hand on] Key on LCP	[1] Enabled	All set-ups	TRUE	-	Uint8
0-41	[Off] Key on LCP	[1] Enabled	All set-ups	TRUE	-	Uint8
0-42	[Auto on] Key on LCP	[1] Enabled	All set-ups	TRUE	-	Uint8
0-43	[Reset] Key on LCP	[1] Enabled	All set-ups	TRUE	-	Uint8
0-44	[Off/Reset] Key on LCP	[1] Enabled	All set-ups	TRUE	-	Uint8
0-45	[Drive Bypass] Key on LCP	[1] Enabled	All set-ups	TRUE	-	Uint8
<b>0-5* Copy/Save</b>						
0-50	LCP Copy	[0] No copy	All set-ups	FALSE	-	Uint8
0-51	Set-up Copy	[0] No copy	All set-ups	FALSE	-	Uint8
<b>0-6* Password</b>						
0-60	Main Menu Password	100 N/A	1 set-up	TRUE	0	Int16
0-61	Access to Main Menu w/o Password	[0] Full access	1 set-up	TRUE	-	Uint8
0-65	Personal Menu Password	200 N/A	1 set-up	TRUE	0	Int16
0-66	Access to Personal Menu w/o Password	[0] Full access	1 set-up	TRUE	-	Uint8

Par. No. #	Parameter description	Default value	4-set-up	Change during operation	Conversion index	Type
<b>0-7* Clock Settings</b>						
0-70	Date and Time	ExpressionLimit	All set-ups	TRUE	0	TimeOf-Day
0-71	Date Format	ExpressionLimit	1 set-up	TRUE	-	UInt8
0-72	Time Format	ExpressionLimit	1 set-up	TRUE	-	UInt8
0-74	DST/Summertime	[0] OFF	1 set-up	TRUE	-	UInt8
0-76	DST/Summertime Start	ExpressionLimit	1 set-up	TRUE	0	TimeOf-Day
0-77	DST/Summertime End	ExpressionLimit	1 set-up	TRUE	0	TimeOf-Day
0-79	Clock Fault	ExpressionLimit	1 set-up	TRUE	-	UInt8
0-81	Working Days	ExpressionLimit	1 set-up	TRUE	-	UInt8
0-82	Additional Working Days	ExpressionLimit	1 set-up	TRUE	0	TimeOf-Day
0-83	Additional Non-Working Days	ExpressionLimit	1 set-up	TRUE	0	TimeOf-Day
0-89	Date and Time Readout	0 N/A	All set-ups	TRUE	0	VisStr[25]

## 7.3.3 1-\*\* Load / Motor

Par. No. #	Parameter description	Default value	4-set-up	Change during operation	Conversion index	Type
<b>1-0* General Settings</b>						
1-00	Configuration Mode	ExpressionLimit	All set-ups	TRUE	-	Uint8
1-03	Torque Characteristics	[3] Auto Energy Optim. VT	All set-ups	TRUE	-	Uint8
1-06	Clockwise Direction	[0] Normal	All set-ups	FALSE	-	Uint8
<b>1-2* Motor Data</b>						
1-20	Motor Power [kW]	ExpressionLimit	All set-ups	FALSE	1	Uint32
1-21	Motor Power [HP]	ExpressionLimit	All set-ups	FALSE	-2	Uint32
1-22	Motor Voltage	ExpressionLimit	All set-ups	FALSE	0	Uint16
1-23	Motor Frequency	ExpressionLimit	All set-ups	FALSE	0	Uint16
1-24	Motor Current	ExpressionLimit	All set-ups	FALSE	-2	Uint32
1-25	Motor Nominal Speed	ExpressionLimit	All set-ups	FALSE	67	Uint16
1-28	Motor Rotation Check	[0] OFF	All set-ups	FALSE	-	Uint8
1-29	Automatic Motor Adaptation (AMA)	[0] Off	All set-ups	FALSE	-	Uint8
<b>1-3* Addl. Motor Data</b>						
1-30	Stator Resistance (Rs)	ExpressionLimit	All set-ups	FALSE	-4	Uint32
1-31	Rotor Resistance (Rr)	ExpressionLimit	All set-ups	FALSE	-4	Uint32
1-35	Main Reactance (Xh)	ExpressionLimit	All set-ups	FALSE	-4	Uint32
1-36	Iron Loss Resistance (Rfe)	ExpressionLimit	All set-ups	FALSE	-3	Uint32
1-39	Motor Poles	ExpressionLimit	All set-ups	FALSE	0	Uint8
<b>1-5* Load-Indep. Setting</b>						
1-50	Motor Magnetization at Zero Speed	100 %	All set-ups	TRUE	0	Uint16
1-51	Min Speed Normal Magnetizing [RPM]	ExpressionLimit	All set-ups	TRUE	67	Uint16
1-52	Min Speed Normal Magnetizing [Hz]	ExpressionLimit	All set-ups	TRUE	-1	Uint16
1-58	Flystart Test Pulses Current	30 %	All set-ups	FALSE	0	Uint16
1-59	Flystart Test Pulses Frequency	200 %	All set-ups	FALSE	0	Uint16
<b>1-6* Load-Depend. Settg.</b>						
1-60	Low Speed Load Compensation	100 %	All set-ups	TRUE	0	Int16
1-61	High Speed Load Compensation	100 %	All set-ups	TRUE	0	Int16
1-62	Slip Compensation	0 %	All set-ups	TRUE	0	Int16
1-63	Slip Compensation Time Constant	ExpressionLimit	All set-ups	TRUE	-2	Uint16
1-64	Resonance Dampening	100 %	All set-ups	TRUE	0	Uint16
1-65	Resonance Dampening Time Constant	5 ms	All set-ups	TRUE	-3	Uint8
<b>1-7* Start Adjustments</b>						
1-71	Start Delay	0.0 s	All set-ups	TRUE	-1	Uint16
1-73	Flying Start	[0] Disabled	All set-ups	TRUE	-	Uint8
1-77	Compressor Start Max Speed [RPM]	ExpressionLimit	All set-ups	TRUE	67	Uint16
1-78	Compressor Start Max Speed [Hz]	ExpressionLimit	All set-ups	TRUE	-1	Uint16
1-79	Compressor Start Max Time to Trip	5.0 s	All set-ups	TRUE	-1	Uint8
<b>1-8* Stop Adjustments</b>						
1-80	Function at Stop	[0] Coast	All set-ups	TRUE	-	Uint8
1-81	Min Speed for Function at Stop [RPM]	ExpressionLimit	All set-ups	TRUE	67	Uint16
1-82	Min Speed for Function at Stop [Hz]	ExpressionLimit	All set-ups	TRUE	-1	Uint16
1-86	Trip Speed Low [RPM]	ExpressionLimit	All set-ups	TRUE	67	Uint16
1-87	Trip Speed Low [Hz]	ExpressionLimit	All set-ups	TRUE	-1	Uint16
<b>1-9* Motor Temperature</b>						
1-90	Motor Thermal Protection	[4] ETR trip 1	All set-ups	TRUE	-	Uint8
1-91	Motor External Fan	[0] No	All set-ups	TRUE	-	Uint16
1-93	Thermistor Source	[0] None	All set-ups	TRUE	-	Uint8

## 7.3.4 2-\*\* Brakes

Par. No. #	Parameter description	Default value	4-set-up	Change during operation	Conversion index	Type
<b>2-0* DC Brake</b>						
2-00	DC Hold/Preheat Current	50 %	All set-ups	TRUE	0	Uint8
2-01	DC Brake Current	50 %	All set-ups	TRUE	0	Uint16
2-02	DC Braking Time	10.0 s	All set-ups	TRUE	-1	Uint16
2-03	DC Brake Cut-in Speed [RPM]	ExpressionLimit	All set-ups	TRUE	67	Uint16
2-04	DC Brake Cut-in Speed [Hz]	ExpressionLimit	All set-ups	TRUE	-1	Uint16
<b>2-1* Brake Energy Funct.</b>						
2-10	Brake Function	[0] Off	All set-ups	TRUE	-	Uint8
2-11	Brake Resistor (ohm)	ExpressionLimit	All set-ups	TRUE	-2	Uint32
2-12	Brake Power Limit (kW)	ExpressionLimit	All set-ups	TRUE	0	Uint32
2-13	Brake Power Monitoring	[0] Off	All set-ups	TRUE	-	Uint8
2-15	Brake Check	[0] Off	All set-ups	TRUE	-	Uint8
2-16	AC Brake Max. Current	ExpressionLimit	All set-ups	TRUE	-1	Uint32
2-17	Over-voltage Control	[2] Enabled	All set-ups	TRUE	-	Uint8

## 7.3.5 3-\*\* Reference / Ramps

Par. No. #	Parameter description	Default value	4-set-up	Change during operation	Conversion index	Type
<b>3-0* Reference Limits</b>						
3-02	Minimum Reference	ExpressionLimit	All set-ups	TRUE	-3	Int32
3-03	Maximum Reference	ExpressionLimit	All set-ups	TRUE	-3	Int32
3-04	Reference Function	ExpressionLimit	All set-ups	TRUE	-	UInt8
<b>3-1* References</b>						
3-10	Preset Reference	0.00 %	All set-ups	TRUE	-2	Int16
3-11	Jog Speed [Hz]	ExpressionLimit	All set-ups	TRUE	-1	UInt16
3-13	Reference Site	[0] Linked to Hand / Auto	All set-ups	TRUE	-	UInt8
3-14	Preset Relative Reference	0.00 %	All set-ups	TRUE	-2	Int32
3-15	Reference 1 Source	[1] Analog input 53	All set-ups	TRUE	-	UInt8
3-16	Reference 2 Source	[20] Digital pot.meter	All set-ups	TRUE	-	UInt8
3-17	Reference 3 Source	[0] No function	All set-ups	TRUE	-	UInt8
3-19	Jog Speed [RPM]	ExpressionLimit	All set-ups	TRUE	67	UInt16
<b>3-4* Ramp 1</b>						
3-41	Ramp 1 Ramp-up Time	ExpressionLimit	All set-ups	TRUE	-2	UInt32
3-42	Ramp 1 Ramp-down Time	ExpressionLimit	All set-ups	TRUE	-2	UInt32
<b>3-5* Ramp 2</b>						
3-51	Ramp 2 Ramp-up Time	ExpressionLimit	All set-ups	TRUE	-2	UInt32
3-52	Ramp 2 Ramp-down Time	ExpressionLimit	All set-ups	TRUE	-2	UInt32
<b>3-8* Other Ramps</b>						
3-80	Jog Ramp Time	ExpressionLimit	All set-ups	TRUE	-2	UInt32
3-81	Quick Stop Ramp Time	ExpressionLimit	2 set-ups	TRUE	-2	UInt32
3-82	Starting Ramp Up Time	ExpressionLimit	2 set-ups	TRUE	-2	UInt32
<b>3-9* Digital Pot. meter</b>						
3-90	Step Size	0.10 %	All set-ups	TRUE	-2	UInt16
3-91	Ramp Time	1.00 s	All set-ups	TRUE	-2	UInt32
3-92	Power Restore	[0] Off	All set-ups	TRUE	-	UInt8
3-93	Maximum Limit	100 %	All set-ups	TRUE	0	Int16
3-94	Minimum Limit	0 %	All set-ups	TRUE	0	Int16
3-95	Ramp Delay	ExpressionLimit	All set-ups	TRUE	-3	TimD

## 7.3.6 4-\*\* Limits / Warnings

Par. No. #	Parameter description	Default value	4-set-up	Change during operation	Conversion index	Type
<b>4-1* Motor Limits</b>						
4-10	Motor Speed Direction	[2] Both directions	All set-ups	FALSE	-	Uint8
4-11	Motor Speed Low Limit [RPM]	ExpressionLimit	All set-ups	TRUE	67	Uint16
4-12	Motor Speed Low Limit [Hz]	ExpressionLimit	All set-ups	TRUE	-1	Uint16
4-13	Motor Speed High Limit [RPM]	ExpressionLimit	All set-ups	TRUE	67	Uint16
4-14	Motor Speed High Limit [Hz]	ExpressionLimit	All set-ups	TRUE	-1	Uint16
4-16	Torque Limit Motor Mode	ExpressionLimit	All set-ups	TRUE	-1	Uint16
4-17	Torque Limit Generator Mode	100.0 %	All set-ups	TRUE	-1	Uint16
4-18	Current Limit	ExpressionLimit	All set-ups	TRUE	-1	Uint32
4-19	Max Output Frequency	ExpressionLimit	All set-ups	FALSE	-1	Uint16
<b>4-5* Adj. Warnings</b>						
4-50	Warning Current Low	0.00 A	All set-ups	TRUE	-2	Uint32
4-51	Warning Current High	Param. 1637	All set-ups	TRUE	-2	Uint32
4-52	Warning Speed Low	0 RPM	All set-ups	TRUE	67	Uint16
4-53	Warning Speed High	Param. 413	All set-ups	TRUE	67	Uint16
4-54	Warning Reference Low	-999999.999 N/A	All set-ups	TRUE	-3	Int32
4-55	Warning Reference High	999999.999 N/A	All set-ups	TRUE	-3	Int32
4-56	Warning Feedback Low	-999999.999 ProcessCtrlUnit	All set-ups	TRUE	-3	Int32
4-57	Warning Feedback High	999999.999 ProcessCtrlUnit	All set-ups	TRUE	-3	Int32
4-58	Missing Motor Phase Function	[2] Trip 1000 ms	All set-ups	TRUE	-	Uint8
<b>4-6* Speed Bypass</b>						
4-60	Bypass Speed From [RPM]	ExpressionLimit	All set-ups	TRUE	67	Uint16
4-61	Bypass Speed From [Hz]	ExpressionLimit	All set-ups	TRUE	-1	Uint16
4-62	Bypass Speed to [RPM]	ExpressionLimit	All set-ups	TRUE	67	Uint16
4-63	Bypass Speed To [Hz]	ExpressionLimit	All set-ups	TRUE	-1	Uint16
4-64	Semi-Auto Bypass Set-up	[0] OFF	All set-ups	FALSE	-	Uint8

## 7.3.7 5-\*\* Digital In / Out

Par. No. #	Parameter description	Default value	4-set-up	Change during operation	Conversion index	Type
<b>5-0* Digital I/O mode</b>						
5-00	Digital I/O Mode	[0] PNP - Active at 24 V	All set-ups	FALSE	-	Uint8
5-01	Terminal 27 Mode	[0] Input	All set-ups	TRUE	-	Uint8
5-02	Terminal 29 Mode	[0] Input	All set-ups	TRUE	-	Uint8
<b>5-1* Digital Inputs</b>						
5-10	Terminal 18 Digital Input	[8] Start	All set-ups	TRUE	-	Uint8
5-11	Terminal 19 Digital Input	[0] No operation	All set-ups	TRUE	-	Uint8
5-12	Terminal 27 Digital Input	ExpressionLimit	All set-ups	TRUE	-	Uint8
5-13	Terminal 29 Digital Input	[14] Jog	All set-ups	TRUE	-	Uint8
5-14	Terminal 32 Digital Input	[0] No operation	All set-ups	TRUE	-	Uint8
5-15	Terminal 33 Digital Input	[0] No operation	All set-ups	TRUE	-	Uint8
5-16	Terminal X30/2 Digital Input	[0] No operation	All set-ups	TRUE	-	Uint8
5-17	Terminal X30/3 Digital Input	[0] No operation	All set-ups	TRUE	-	Uint8
5-18	Terminal X30/4 Digital Input	[0] No operation	All set-ups	TRUE	-	Uint8
<b>5-3* Digital Outputs</b>						
5-30	Terminal 27 Digital Output	[0] No operation	All set-ups	TRUE	-	Uint8
5-31	Terminal 29 digital Output	[0] No operation	All set-ups	TRUE	-	Uint8
5-32	Term X30/6 Digi Out (MCB 101)	[0] No operation	All set-ups	TRUE	-	Uint8
5-33	Term X30/7 Digi Out (MCB 101)	[0] No operation	All set-ups	TRUE	-	Uint8
<b>5-4* Relays</b>						
5-40	Function Relay	ExpressionLimit	All set-ups	TRUE	-	Uint8
5-41	On Delay, Relay	0.01 s	All set-ups	TRUE	-2	Uint16
5-42	Off Delay, Relay	0.01 s	All set-ups	TRUE	-2	Uint16
<b>5-5* Pulse Input</b>						
5-50	Term. 29 Low Frequency	100 Hz	All set-ups	TRUE	0	Uint32
5-51	Term. 29 High Frequency	100 Hz	All set-ups	TRUE	0	Uint32
5-52	Term. 29 Low Ref./Feedb. Value	0.000 N/A	All set-ups	TRUE	-3	Int32
5-53	Term. 29 High Ref./Feedb. Value	100.000 N/A	All set-ups	TRUE	-3	Int32
5-54	Pulse Filter Time Constant #29	100 ms	All set-ups	FALSE	-3	Uint16
5-55	Term. 33 Low Frequency	100 Hz	All set-ups	TRUE	0	Uint32
5-56	Term. 33 High Frequency	100 Hz	All set-ups	TRUE	0	Uint32
5-57	Term. 33 Low Ref./Feedb. Value	0.000 N/A	All set-ups	TRUE	-3	Int32
5-58	Term. 33 High Ref./Feedb. Value	100.000 N/A	All set-ups	TRUE	-3	Int32
5-59	Pulse Filter Time Constant #33	100 ms	All set-ups	FALSE	-3	Uint16
<b>5-6* Pulse Output</b>						
5-60	Terminal 27 Pulse Output Variable	[0] No operation	All set-ups	TRUE	-	Uint8
5-62	Pulse Output Max Freq #27	5000 Hz	All set-ups	TRUE	0	Uint32
5-63	Terminal 29 Pulse Output Variable	[0] No operation	All set-ups	TRUE	-	Uint8
5-65	Pulse Output Max Freq #29	5000 Hz	All set-ups	TRUE	0	Uint32
5-66	Terminal X30/6 Pulse Output Variable	[0] No operation	All set-ups	TRUE	-	Uint8
5-68	Pulse Output Max Freq #X30/6	5000 Hz	All set-ups	TRUE	0	Uint32
<b>5-9* Bus Controlled</b>						
5-90	Digital & Relay Bus Control	0 N/A	All set-ups	TRUE	0	Uint32
5-93	Pulse Out #27 Bus Control	0.00 %	All set-ups	TRUE	-2	N2
5-94	Pulse Out #27 Timeout Preset	0.00 %	1 set-up	TRUE	-2	Uint16
5-95	Pulse Out #29 Bus Control	0.00 %	All set-ups	TRUE	-2	N2
5-96	Pulse Out #29 Timeout Preset	0.00 %	1 set-up	TRUE	-2	Uint16
5-97	Pulse Out #X30/6 Bus Control	0.00 %	All set-ups	TRUE	-2	N2
5-98	Pulse Out #X30/6 Timeout Preset	0.00 %	1 set-up	TRUE	-2	Uint16



## 7.3.8 6-\*\* Analog In / Out

Par. No. #	Parameter description	Default value	4-set-up	Change during operation	Conversion index	Type
<b>6-0* Analog I/O Mode</b>						
6-00	Live Zero Timeout Time	10 s	All set-ups	TRUE	0	Uint8
6-01	Live Zero Timeout Function	[0] Off	All set-ups	TRUE	-	Uint8
6-02	Fire Mode Live Zero Timeout Function	[0] Off	All set-ups	TRUE	-	Uint8
<b>6-1* Analog Input 53</b>						
6-10	Terminal 53 Low Voltage	0.07 V	All set-ups	TRUE	-2	Int16
6-11	Terminal 53 High Voltage	10.00 V	All set-ups	TRUE	-2	Int16
6-12	Terminal 53 Low Current	4.00 mA	All set-ups	TRUE	-5	Int16
6-13	Terminal 53 High Current	20.00 mA	All set-ups	TRUE	-5	Int16
6-14	Terminal 53 Low Ref./Feedb. Value	0.000 N/A	All set-ups	TRUE	-3	Int32
6-15	Terminal 53 High Ref./Feedb. Value	ExpressionLimit	All set-ups	TRUE	-3	Int32
6-16	Terminal 53 Filter Time Constant	0.001 s	All set-ups	TRUE	-3	Uint16
6-17	Terminal 53 Live Zero	[1] Enabled	All set-ups	TRUE	-	Uint8
<b>6-2* Analog Input 54</b>						
6-20	Terminal 54 Low Voltage	0.07 V	All set-ups	TRUE	-2	Int16
6-21	Terminal 54 High Voltage	10.00 V	All set-ups	TRUE	-2	Int16
6-22	Terminal 54 Low Current	4.00 mA	All set-ups	TRUE	-5	Int16
6-23	Terminal 54 High Current	20.00 mA	All set-ups	TRUE	-5	Int16
6-24	Terminal 54 Low Ref./Feedb. Value	0.000 N/A	All set-ups	TRUE	-3	Int32
6-25	Terminal 54 High Ref./Feedb. Value	100.000 N/A	All set-ups	TRUE	-3	Int32
6-26	Terminal 54 Filter Time Constant	0.001 s	All set-ups	TRUE	-3	Uint16
6-27	Terminal 54 Live Zero	[1] Enabled	All set-ups	TRUE	-	Uint8
<b>6-3* Analog Input X30/11</b>						
6-30	Terminal X30/11 Low Voltage	0.07 V	All set-ups	TRUE	-2	Int16
6-31	Terminal X30/11 High Voltage	10.00 V	All set-ups	TRUE	-2	Int16
6-34	Term. X30/11 Low Ref./Feedb. Value	0.000 N/A	All set-ups	TRUE	-3	Int32
6-35	Term. X30/11 High Ref./Feedb. Value	100.000 N/A	All set-ups	TRUE	-3	Int32
6-36	Term. X30/11 Filter Time Constant	0.001 s	All set-ups	TRUE	-3	Uint16
6-37	Term. X30/11 Live Zero	[1] Enabled	All set-ups	TRUE	-	Uint8
<b>6-4* Analog Input X30/12</b>						
6-40	Terminal X30/12 Low Voltage	0.07 V	All set-ups	TRUE	-2	Int16
6-41	Terminal X30/12 High Voltage	10.00 V	All set-ups	TRUE	-2	Int16
6-44	Term. X30/12 Low Ref./Feedb. Value	0.000 N/A	All set-ups	TRUE	-3	Int32
6-45	Term. X30/12 High Ref./Feedb. Value	100.000 N/A	All set-ups	TRUE	-3	Int32
6-46	Term. X30/12 Filter Time Constant	0.001 s	All set-ups	TRUE	-3	Uint16
6-47	Term. X30/12 Live Zero	[1] Enabled	All set-ups	TRUE	-	Uint8
<b>6-5* Analog Output 42</b>						
6-50	Terminal 42 Output	ExpressionLimit	All set-ups	TRUE	-	Uint8
6-51	Terminal 42 Output Min Scale	0.00 %	All set-ups	TRUE	-2	Int16
6-52	Terminal 42 Output Max Scale	100.00 %	All set-ups	TRUE	-2	Int16
6-53	Terminal 42 Output Bus Control	0.00 %	All set-ups	TRUE	-2	N2
6-54	Terminal 42 Output Timeout Preset	0.00 %	1 set-up	TRUE	-2	Uint16
<b>6-6* Analog Output X30/8</b>						
6-60	Terminal X30/8 Output	[0] No operation	All set-ups	TRUE	-	Uint8
6-61	Terminal X30/8 Min. Scale	0.00 %	All set-ups	TRUE	-2	Int16
6-62	Terminal X30/8 Max. Scale	100.00 %	All set-ups	TRUE	-2	Int16
6-63	Terminal X30/8 Output Bus Control	0.00 %	All set-ups	TRUE	-2	N2
6-64	Terminal X30/8 Output Timeout Preset	0.00 %	1 set-up	TRUE	-2	Uint16

## 7.3.9 8-\*\* Communication and Options

Par. No. #	Parameter description	Default value	4-set-up	Change during operation	Conversion index	Type
<b>8-0* General Settings</b>						
8-01	Control Site	ExpressionLimit	All set-ups	TRUE	-	Uint8
8-02	Control Source	ExpressionLimit	All set-ups	TRUE	-	Uint8
8-03	Control Timeout Time	ExpressionLimit	1 set-up	TRUE	-1	Uint32
8-04	Control Timeout Function	[0] Off	1 set-up	TRUE	-	Uint8
8-05	End-of-Timeout Function	[1] Resume set-up	1 set-up	TRUE	-	Uint8
8-06	Reset Control Timeout	[0] Do not reset	All set-ups	TRUE	-	Uint8
8-07	Diagnosis Trigger	[0] Disable	2 set-ups	TRUE	-	Uint8
8-08	Readout Filtering	ExpressionLimit	All set-ups	TRUE	-	Uint8
<b>8-1* Control Settings</b>						
8-10	Control Profile	[0] FC profile	All set-ups	TRUE	-	Uint8
8-13	Configurable Status Word STW	[1] Profile Default	All set-ups	TRUE	-	Uint8
<b>8-3* FC Port Settings</b>						
8-30	Protocol	ExpressionLimit	1 set-up	TRUE	-	Uint8
8-31	Address	ExpressionLimit	1 set-up	TRUE	0	Uint8
8-32	Baud Rate	ExpressionLimit	1 set-up	TRUE	-	Uint8
8-33	Parity / Stop Bits	ExpressionLimit	1 set-up	TRUE	-	Uint8
8-34	Estimated cycle time	0 ms	2 set-ups	TRUE	-3	Uint32
8-35	Minimum Response Delay	ExpressionLimit	1 set-up	TRUE	-3	Uint16
8-36	Maximum Response Delay	ExpressionLimit	1 set-up	TRUE	-3	Uint16
8-37	Maximum Inter-Char Delay	ExpressionLimit	1 set-up	TRUE	-5	Uint16
<b>8-4* FC MC protocol set</b>						
8-40	Telegram selection	[1] Standard telegram 1	2 set-ups	TRUE	-	Uint8
8-42	PCD write configuration	ExpressionLimit	All set-ups	TRUE	-	Uint16
8-43	PCD read configuration	ExpressionLimit	All set-ups	TRUE	-	Uint16
<b>8-5* Digital/Bus</b>						
8-50	Coasting Select	[3] Logic OR	All set-ups	TRUE	-	Uint8
8-52	DC Brake Select	[3] Logic OR	All set-ups	TRUE	-	Uint8
8-53	Start Select	[3] Logic OR	All set-ups	TRUE	-	Uint8
8-54	Reverse Select	ExpressionLimit	All set-ups	TRUE	-	Uint8
8-55	Set-up Select	[3] Logic OR	All set-ups	TRUE	-	Uint8
8-56	Preset Reference Select	[3] Logic OR	All set-ups	TRUE	-	Uint8
<b>8-7* BACnet</b>						
8-70	BACnet Device Instance	1 N/A	1 set-up	TRUE	0	Uint32
8-72	MS/TP Max Masters	127 N/A	1 set-up	TRUE	0	Uint8
8-73	MS/TP Max Info Frames	1 N/A	1 set-up	TRUE	0	Uint16
8-74	"I-Am" Service	[0] Send at power-up	1 set-up	TRUE	-	Uint8
8-75	Initialization Password	ExpressionLimit	1 set-up	TRUE	0	VisStr[20]
<b>8-8* FC Port Diagnostics</b>						
8-80	Bus Message Count	0 N/A	All set-ups	TRUE	0	Uint32
8-81	Bus Error Count	0 N/A	All set-ups	TRUE	0	Uint32
8-82	Slave Messages Rcvd	0 N/A	All set-ups	TRUE	0	Uint32
8-83	Slave Error Count	0 N/A	All set-ups	TRUE	0	Uint32
8-84	Slave Messages Sent	0 N/A	All set-ups	TRUE	0	Uint32
8-85	Slave Timeout Errors	0 N/A	All set-ups	TRUE	0	Uint32
8-89	Diagnostics Count	0 N/A	1 set-up	TRUE	0	Int32

Par. No. #	Parameter description	Default value	4-set-up	Change during operation	Conversion index	Type
<b>8-9* Bus Jog</b>						
8-90	Bus Jog 1 Speed	100 RPM	All set-ups	TRUE	67	Uint16
8-91	Bus Jog 2 Speed	200 RPM	All set-ups	TRUE	67	Uint16
8-94	Bus Feedback 1	0 N/A	1 set-up	TRUE	0	N2
8-95	Bus Feedback 2	0 N/A	1 set-up	TRUE	0	N2
8-96	Bus Feedback 3	0 N/A	1 set-up	TRUE	0	N2

### 7.3.10 9-\*\* Profibus

Par. No. #	Parameter description	Default value	4-set-up	Change during operation	Conversion index	Type
9-00	Setpoint	0 N/A	All set-ups	TRUE	0	Uint16
9-07	Actual Value	0 N/A	All set-ups	FALSE	0	Uint16
9-15	PCD Write Configuration	ExpressionLimit	2 set-ups	TRUE	-	Uint16
9-16	PCD Read Configuration	ExpressionLimit	2 set-ups	TRUE	-	Uint16
9-18	Node Address	126 N/A	1 set-up	TRUE	0	Uint8
9-22	Telegram Selection	[108] PPO 8	1 set-up	TRUE	-	Uint8
9-23	Parameters for Signals	0	All set-ups	TRUE	-	Uint16
9-27	Parameter Edit	[1] Enabled	2 set-ups	FALSE	-	Uint16
9-28	Process Control	[1] Enable cyclic master	2 set-ups	FALSE	-	Uint8
9-44	Fault Message Counter	0 N/A	All set-ups	TRUE	0	Uint16
9-45	Fault Code	0 N/A	All set-ups	TRUE	0	Uint16
9-47	Fault Number	0 N/A	All set-ups	TRUE	0	Uint16
9-52	Fault Situation Counter	0 N/A	All set-ups	TRUE	0	Uint16
9-53	Profibus Warning Word	0 N/A	All set-ups	TRUE	0	V2
9-63	Actual Baud Rate	[255] No baud rate found	All set-ups	TRUE	-	Uint8
9-64	Device Identification	0 N/A	All set-ups	TRUE	0	Uint16
9-65	Profile Number	0 N/A	All set-ups	TRUE	0	OctStr[2]
9-67	Control Word 1	0 N/A	All set-ups	TRUE	0	V2
9-68	Status Word 1	0 N/A	All set-ups	TRUE	0	V2
9-71	Profibus Save Data Values	[0] Off	All set-ups	TRUE	-	Uint8
9-72	ProfibusDriveReset	[0] No action	1 set-up	FALSE	-	Uint8
9-80	Defined Parameters (1)	0 N/A	All set-ups	FALSE	0	Uint16
9-81	Defined Parameters (2)	0 N/A	All set-ups	FALSE	0	Uint16
9-82	Defined Parameters (3)	0 N/A	All set-ups	FALSE	0	Uint16
9-83	Defined Parameters (4)	0 N/A	All set-ups	FALSE	0	Uint16
9-84	Defined Parameters (5)	0 N/A	All set-ups	FALSE	0	Uint16
9-90	Changed Parameters (1)	0 N/A	All set-ups	FALSE	0	Uint16
9-91	Changed Parameters (2)	0 N/A	All set-ups	FALSE	0	Uint16
9-92	Changed Parameters (3)	0 N/A	All set-ups	FALSE	0	Uint16
9-93	Changed Parameters (4)	0 N/A	All set-ups	FALSE	0	Uint16
9-94	Changed parameters (5)	0 N/A	All set-ups	FALSE	0	Uint16

## 7.3.11 10-\*\* CAN Fieldbus

Par. No. #	Parameter description	Default value	4-set-up	Change during operation	Conversion index	Type
<b>10-0* Common Settings</b>						
10-00	CAN Protocol	ExpressionLimit	2 set-ups	FALSE	-	UInt8
10-01	Baud Rate Select	ExpressionLimit	2 set-ups	TRUE	-	UInt8
10-02	MAC ID	ExpressionLimit	2 set-ups	TRUE	0	UInt8
10-05	Readout Transmit Error Counter	0 N/A	All set-ups	TRUE	0	UInt8
10-06	Readout Receive Error Counter	0 N/A	All set-ups	TRUE	0	UInt8
10-07	Readout Bus Off Counter	0 N/A	All set-ups	TRUE	0	UInt8
<b>10-1* DeviceNet</b>						
10-10	Process Data Type Selection	ExpressionLimit	All set-ups	TRUE	-	UInt8
10-11	Process Data Config Write	ExpressionLimit	2 set-ups	TRUE	-	UInt16
10-12	Process Data Config Read	ExpressionLimit	2 set-ups	TRUE	-	UInt16
10-13	Warning Parameter	0 N/A	All set-ups	TRUE	0	UInt16
10-14	Net Reference	[0] Off	2 set-ups	TRUE	-	UInt8
10-15	Net Control	[0] Off	2 set-ups	TRUE	-	UInt8
<b>10-2* COS Filters</b>						
10-20	COS Filter 1	0 N/A	All set-ups	FALSE	0	UInt16
10-21	COS Filter 2	0 N/A	All set-ups	FALSE	0	UInt16
10-22	COS Filter 3	0 N/A	All set-ups	FALSE	0	UInt16
10-23	COS Filter 4	0 N/A	All set-ups	FALSE	0	UInt16
<b>10-3* Parameter Access</b>						
10-30	Array Index	0 N/A	2 set-ups	TRUE	0	UInt8
10-31	Store Data Values	[0] Off	All set-ups	TRUE	-	UInt8
10-32	Devicenet Revision	0 N/A	All set-ups	TRUE	0	UInt16
10-33	Store Always	[0] Off	1 set-up	TRUE	-	UInt8
10-34	DeviceNet Product Code	120 N/A	1 set-up	TRUE	0	UInt16
10-39	Devicenet F Parameters	0 N/A	All set-ups	TRUE	0	UInt32

## 7.3.12 11-\*\* LonWorks

Par. No. #	Parameter description	Default value	4-set-up	Change during operation	Conversion index	Type
<b>11-0* LonWorks ID</b>						
11-00	Neuron ID	0 N/A	All set-ups	TRUE	0	OctStr[6]
<b>11-1* LON Functions</b>						
11-10	Drive Profile	[0] VSD profile	All set-ups	TRUE	-	UInt8
11-15	LON Warning Word	0 N/A	All set-ups	TRUE	0	UInt16
11-17	XIF Revision	0 N/A	All set-ups	TRUE	0	VisStr[5]
11-18	LonWorks Revision	0 N/A	All set-ups	TRUE	0	VisStr[5]
<b>11-2* LON Param. Access</b>						
11-21	Store Data Values	[0] Off	All set-ups	TRUE	-	UInt8

## 7.3.13 13-\*\* Smart Logic Controller

Par. No. #	Parameter description	Default value	4-set-up	Change during operation	Conversion index	Type
<b>13-0* SLC Settings</b>						
13-00	SL Controller Mode	ExpressionLimit	2 set-ups	TRUE	-	Uint8
13-01	Start Event	ExpressionLimit	2 set-ups	TRUE	-	Uint8
13-02	Stop Event	ExpressionLimit	2 set-ups	TRUE	-	Uint8
13-03	Reset SLC	[0] Do not reset SLC	All set-ups	TRUE	-	Uint8
<b>13-1* Comparators</b>						
13-10	Comparator Operand	ExpressionLimit	2 set-ups	TRUE	-	Uint8
13-11	Comparator Operator	ExpressionLimit	2 set-ups	TRUE	-	Uint8
13-12	Comparator Value	ExpressionLimit	2 set-ups	TRUE	-3	Int32
<b>13-2* Timers</b>						
13-20	SL Controller Timer	ExpressionLimit	1 set-up	TRUE	-3	TimD
<b>13-4* Logic Rules</b>						
13-40	Logic Rule Boolean 1	ExpressionLimit	2 set-ups	TRUE	-	Uint8
13-41	Logic Rule Operator 1	ExpressionLimit	2 set-ups	TRUE	-	Uint8
13-42	Logic Rule Boolean 2	ExpressionLimit	2 set-ups	TRUE	-	Uint8
13-43	Logic Rule Operator 2	ExpressionLimit	2 set-ups	TRUE	-	Uint8
13-44	Logic Rule Boolean 3	ExpressionLimit	2 set-ups	TRUE	-	Uint8
<b>13-5* States</b>						
13-51	SL Controller Event	ExpressionLimit	2 set-ups	TRUE	-	Uint8
13-52	SL Controller Action	ExpressionLimit	2 set-ups	TRUE	-	Uint8

## 7.3.14 14-\*\* Special Functions

Par. No. #	Parameter description	Default value	4-set-up	Change during operation	Conversion index	Type
<b>14-0* Inverter Switching</b>						
14-00	Switching Pattern	ExpressionLimit	All set-ups	TRUE	-	Uint8
14-01	Switching Frequency	ExpressionLimit	All set-ups	TRUE	-	Uint8
14-03	Overmodulation	[1] On	All set-ups	FALSE	-	Uint8
14-04	PWM Random	[0] Off	All set-ups	TRUE	-	Uint8
<b>14-1* Mains On/Off</b>						
14-10	Mains Failure	[0] No function	All set-ups	FALSE	-	Uint8
14-11	Mains Voltage at Mains Fault	ExpressionLimit	All set-ups	TRUE	0	Uint16
14-12	Function at Mains Imbalance	[0] Trip	All set-ups	TRUE	-	Uint8
<b>14-2* Reset Functions</b>						
14-20	Reset Mode	ExpressionLimit	All set-ups	TRUE	-	Uint8
14-21	Automatic Restart Time	10 s	All set-ups	TRUE	0	Uint16
14-22	Operation Mode	[0] Normal operation	All set-ups	TRUE	-	Uint8
14-23	Typecode Setting	ExpressionLimit	2 set-ups	FALSE	-	Uint8
14-25	Trip Delay at Torque Limit	60 s	All set-ups	TRUE	0	Uint8
14-26	Trip Delay at Inverter Fault	ExpressionLimit	All set-ups	TRUE	0	Uint8
14-28	Production Settings	[0] No action	All set-ups	TRUE	-	Uint8
14-29	Service Code	0 N/A	All set-ups	TRUE	0	Int32
<b>14-3* Current Limit Ctrl.</b>						
14-30	Current Lim Cont, Proportional Gain	100 %	All set-ups	FALSE	0	Uint16
14-31	Current Lim Contr, Integration Time	0.020 s	All set-ups	FALSE	-3	Uint16
14-32	Current Lim Ctrl, Filter Time	26.0 ms	All set-ups	TRUE	-4	Uint16
<b>14-4* Energy Optimizing</b>						
14-40	VT Level	66 %	All set-ups	FALSE	0	Uint8
14-41	AEO Minimum Magnetization	ExpressionLimit	All set-ups	TRUE	0	Uint8
14-42	Minimum AEO Frequency	10 Hz	All set-ups	TRUE	0	Uint8
14-43	Motor Cos-Phi	ExpressionLimit	All set-ups	TRUE	-2	Uint16
<b>14-5* Environment</b>						
14-50	RFI 1	[1] On	1 set-up	FALSE	-	Uint8
14-51	DC Link Compensation	[1] On	1 set-up	TRUE	-	Uint8
14-52	Fan Control	[0] Auto	All set-ups	TRUE	-	Uint8
14-53	Fan Monitor	[1] Warning	All set-ups	TRUE	-	Uint8
14-55	Output Filter	[0] No Filter	1 set-up	FALSE	-	Uint8
14-59	Actual Number of Inverter Units	ExpressionLimit	1 set-up	FALSE	0	Uint8
<b>14-6* Auto Derate</b>						
14-60	Function at Overtemperature	[0] Trip	All set-ups	TRUE	-	Uint8
14-61	Function at Inverter Overload	[0] Trip	All set-ups	TRUE	-	Uint8
14-62	Inv. Overload Derate Current	95 %	All set-ups	TRUE	0	Uint16

## 7.3.15 15-\*\* FC Information

Par. No. #	Parameter description	Default value	4-set-up	Change during operation	Conversion index	Type
<b>15-0* Operating Data</b>						
15-00	Operating Hours	0 h	All set-ups	FALSE	74	Uint32
15-01	Running Hours	0 h	All set-ups	FALSE	74	Uint32
15-02	kWh Counter	0 kWh	All set-ups	FALSE	75	Uint32
15-03	Power-ups	0 N/A	All set-ups	FALSE	0	Uint32
15-04	Over Temps	0 N/A	All set-ups	FALSE	0	Uint16
15-05	Over Volts	0 N/A	All set-ups	FALSE	0	Uint16
15-06	Reset kWh Counter	[0] Do not reset	All set-ups	TRUE	-	Uint8
15-07	Reset Running Hours Counter	[0] Do not reset	All set-ups	TRUE	-	Uint8
15-08	Number of Starts	0 N/A	All set-ups	FALSE	0	Uint32
<b>15-1* Data Log Settings</b>						
15-10	Logging Source	0	2 set-ups	TRUE	-	Uint16
15-11	Logging Interval	ExpressionLimit	2 set-ups	TRUE	-3	TimD
15-12	Trigger Event	[0] FALSE	1 set-up	TRUE	-	Uint8
15-13	Logging Mode	[0] Log always	2 set-ups	TRUE	-	Uint8
15-14	Samples Before Trigger	50 N/A	2 set-ups	TRUE	0	Uint8
<b>15-2* Historic Log</b>						
15-20	Historic Log: Event	0 N/A	All set-ups	FALSE	0	Uint8
15-21	Historic Log: Value	0 N/A	All set-ups	FALSE	0	Uint32
15-22	Historic Log: Time	0 ms	All set-ups	FALSE	-3	Uint32
15-23	Historic Log: Date and Time	ExpressionLimit	All set-ups	FALSE	0	TimeOfDay
<b>15-3* Alarm Log</b>						
15-30	Alarm Log: Error Code	0 N/A	All set-ups	FALSE	0	Uint8
15-31	Alarm Log: Value	0 N/A	All set-ups	FALSE	0	Int16
15-32	Alarm Log: Time	0 s	All set-ups	FALSE	0	Uint32
15-33	Alarm Log: Date and Time	ExpressionLimit	All set-ups	FALSE	0	TimeOfDay
<b>15-4* Drive Identification</b>						
15-40	FC Type	0 N/A	All set-ups	FALSE	0	VisStr[6]
15-41	Power Section	0 N/A	All set-ups	FALSE	0	VisStr[20]
15-42	Voltage	0 N/A	All set-ups	FALSE	0	VisStr[20]
15-43	Software Version	0 N/A	All set-ups	FALSE	0	VisStr[5]
15-44	Ordered Typecode String	0 N/A	All set-ups	FALSE	0	VisStr[40]
15-45	Actual Typecode String	0 N/A	All set-ups	FALSE	0	VisStr[40]
15-46	Adj Freq Dr Ordering No.	0 N/A	All set-ups	FALSE	0	VisStr[8]
15-47	Power Card Ordering No.	0 N/A	All set-ups	FALSE	0	VisStr[8]
15-48	LCP ID Num.	0 N/A	All set-ups	FALSE	0	VisStr[20]
15-49	SW ID Control Card	0 N/A	All set-ups	FALSE	0	VisStr[20]
15-50	SW ID Power Card	0 N/A	All set-ups	FALSE	0	VisStr[20]
15-51	Adj Freq Dr Serial No.	0 N/A	All set-ups	FALSE	0	VisStr[10]
15-53	Power Card Serial Number	0 N/A	All set-ups	FALSE	0	VisStr[19]
15-55	Vendor URL	0 N/A	All set-ups	FALSE	0	VisStr[40]
15-56	Vendor Name	0 N/A	All set-ups	FALSE	0	VisStr[40]

Par. No. #	Parameter description	Default value	4-set-up	Change during operation	Conversion index	Type
<b>15-6* Option Ident</b>						
15-60	Option Mounted	0 N/A	All set-ups	FALSE	0	VisStr[30]
15-61	Option SW Version	0 N/A	All set-ups	FALSE	0	VisStr[20]
15-62	Option Ordering No	0 N/A	All set-ups	FALSE	0	VisStr[8]
15-63	Option Serial No	0 N/A	All set-ups	FALSE	0	VisStr[18]
15-70	Option in Slot A	0 N/A	All set-ups	FALSE	0	VisStr[30]
15-71	Slot A Option SW Version	0 N/A	All set-ups	FALSE	0	VisStr[20]
15-72	Option in Slot B	0 N/A	All set-ups	FALSE	0	VisStr[30]
15-73	Slot B Option SW Version	0 N/A	All set-ups	FALSE	0	VisStr[20]
15-74	Option in Slot C0	0 N/A	All set-ups	FALSE	0	VisStr[30]
15-75	Slot C0 Option SW Version	0 N/A	All set-ups	FALSE	0	VisStr[20]
15-76	Option in Slot C1	0 N/A	All set-ups	FALSE	0	VisStr[30]
15-77	Slot C1 Option SW Version	0 N/A	All set-ups	FALSE	0	VisStr[20]
<b>15-9* Parameter Info</b>						
15-92	Defined Parameters	0 N/A	All set-ups	FALSE	0	Uint16
15-93	Modified Parameters	0 N/A	All set-ups	FALSE	0	Uint16
15-98	Drive Identification	0 N/A	All set-ups	FALSE	0	VisStr[40]
15-99	Parameter Metadata	0 N/A	All set-ups	FALSE	0	Uint16



## 7.3.16 16-\*\* Data Readouts

Par. No. #	Parameter description	Default value	4-set-up	Change during operation	Conversion index	Type
<b>16-0* General Status</b>						
16-00	Control Word	0 N/A	All set-ups	FALSE	0	V2
16-01	Reference [Unit]	0.000 ReferenceFeedbackUnit	All set-ups	FALSE	-3	Int32
16-02	Reference %	0.0 %	All set-ups	FALSE	-1	Int16
16-03	Status Word	0 N/A	All set-ups	FALSE	0	V2
16-05	Main Actual Value [%]	0.00 %	All set-ups	FALSE	-2	N2
16-09	Custom Readout	0.00 CustomReadoutUnit	All set-ups	FALSE	-2	Int32
<b>16-1* Motor Status</b>						
16-10	Power [kW]	0.00 kW	All set-ups	FALSE	1	Int32
16-11	Power [hp]	0.00 hp	All set-ups	FALSE	-2	Int32
16-12	Motor voltage	0.0 V	All set-ups	FALSE	-1	UInt16
16-13	Frequency	0.0 Hz	All set-ups	FALSE	-1	UInt16
16-14	Motor Current	0.00 A	All set-ups	FALSE	-2	Int32
16-15	Frequency [%]	0.00 %	All set-ups	FALSE	-2	N2
16-16	Torque [Nm]	0.0 Nm	All set-ups	FALSE	-1	Int32
16-17	Speed [RPM]	0 RPM	All set-ups	FALSE	67	Int32
16-18	Motor Thermal	0 %	All set-ups	FALSE	0	UInt8
16-22	Torque [%]	0 %	All set-ups	FALSE	0	Int16
16-26	Power Filtered [kW]	0.000 kW	All set-ups	FALSE	0	Int32
16-27	Power Filtered [hp]	0.000 hp	All set-ups	FALSE	-3	Int32
<b>16-3* Drive Status</b>						
16-30	DC Link Voltage	0 V	All set-ups	FALSE	0	UInt16
16-32	Brake Energy /s	0.000 kW	All set-ups	FALSE	0	UInt32
16-33	Brake Energy /2 min	0.000 kW	All set-ups	FALSE	0	UInt32
16-34	Heatsink Temp.	0 °C	All set-ups	FALSE	100	UInt8
16-35	Inverter Thermal	0 %	All set-ups	FALSE	0	UInt8
16-36	Inv. Nom. Current	ExpressionLimit	All set-ups	FALSE	-2	UInt32
16-37	Inv. Max. Current	ExpressionLimit	All set-ups	FALSE	-2	UInt32
16-38	SL Controller State	0 N/A	All set-ups	FALSE	0	UInt8
16-39	Control Card Temp.	0 °C	All set-ups	FALSE	100	UInt8
16-40	Logging Buffer Full	[0] No	All set-ups	TRUE	-	UInt8
16-43	Timed Actions Status	[0] Timed Actions Auto	All set-ups	TRUE	-	UInt8
16-49	Current Fault Source	0 N/A	All set-ups	TRUE	0	UInt8
<b>16-5* Ref. &amp; Feedb.</b>						
16-50	External Reference	0.0 N/A	All set-ups	FALSE	-1	Int16
16-52	Feedback [Unit]	0.000 ProcessCtrlUnit	All set-ups	FALSE	-3	Int32
16-53	Digi Pot Reference	0.00 N/A	All set-ups	FALSE	-2	Int16
16-54	Feedback 1 [Unit]	0.000 ProcessCtrlUnit	All set-ups	FALSE	-3	Int32
16-55	Feedback 2 [Unit]	0.000 ProcessCtrlUnit	All set-ups	FALSE	-3	Int32
16-56	Feedback 3 [Unit]	0.000 ProcessCtrlUnit	All set-ups	FALSE	-3	Int32
16-58	PID Output [%]	0.0 %	All set-ups	TRUE	-1	Int16

Par. No. #	Parameter description	Default value	4-set-up	Change during operation	Conversion index	Type
<b>16-6* Inputs &amp; Outputs</b>						
16-60	Digital Input	0 N/A	All set-ups	FALSE	0	Uint16
16-61	Terminal 53 Switch Setting	[0] Current	All set-ups	FALSE	-	Uint8
16-62	Analog Input 53	0.000 N/A	All set-ups	FALSE	-3	Int32
16-63	Terminal 54 Switch Setting	[0] Current	All set-ups	FALSE	-	Uint8
16-64	Analog Input 54	0.000 N/A	All set-ups	FALSE	-3	Int32
16-65	Analog Output 42 [mA]	0.000 N/A	All set-ups	FALSE	-3	Int16
16-66	Digital Output [bin]	0 N/A	All set-ups	FALSE	0	Int16
16-67	Pulse Input #29 [Hz]	0 N/A	All set-ups	FALSE	0	Int32
16-68	Pulse Input #33 [Hz]	0 N/A	All set-ups	FALSE	0	Int32
16-69	Pulse Output #27 [Hz]	0 N/A	All set-ups	FALSE	0	Int32
16-70	Pulse Output #29 [Hz]	0 N/A	All set-ups	FALSE	0	Int32
16-71	Relay Output [bin]	0 N/A	All set-ups	FALSE	0	Int16
16-72	Counter A	0 N/A	All set-ups	TRUE	0	Int32
16-73	Counter B	0 N/A	All set-ups	TRUE	0	Int32
16-75	Analog In X30/11	0.000 N/A	All set-ups	FALSE	-3	Int32
16-76	Analog In X30/12	0.000 N/A	All set-ups	FALSE	-3	Int32
16-77	Analog Out X30/8 [mA]	0.000 N/A	All set-ups	FALSE	-3	Int16
<b>16-8* Fieldbus &amp; FC Port</b>						
16-80	Fieldbus CTW 1	0 N/A	All set-ups	FALSE	0	V2
16-82	Fieldbus REF 1	0 N/A	All set-ups	FALSE	0	N2
16-84	Comm. Option Status	0 N/A	All set-ups	FALSE	0	V2
16-85	FC Port CTW 1	0 N/A	All set-ups	FALSE	0	V2
16-86	FC Port REF 1	0 N/A	All set-ups	FALSE	0	N2
<b>16-9* Diagnosis Readouts</b>						
16-90	Alarm Word	0 N/A	All set-ups	FALSE	0	Uint32
16-91	Alarm word 2	0 N/A	All set-ups	FALSE	0	Uint32
16-92	Warning Word	0 N/A	All set-ups	FALSE	0	Uint32
16-93	Warning word 2	0 N/A	All set-ups	FALSE	0	Uint32
16-94	Ext. Status Word	0 N/A	All set-ups	FALSE	0	Uint32
16-95	Ext. Status Word 2	0 N/A	All set-ups	FALSE	0	Uint32
16-96	Maintenance Word	0 N/A	All set-ups	FALSE	0	Uint32

## 7.3.17 18-\*\* Info &amp; Readouts

Par. No. #	Parameter description	Default value	4-set-up	Change during operation	Conversion index	Type
<b>18-0* Maintenance Log</b>						
18-00	Maintenance Log: Item	0 N/A	All set-ups	FALSE	0	Uint8
18-01	Maintenance Log: Action	0 N/A	All set-ups	FALSE	0	Uint8
18-02	Maintenance Log: Time	0 s	All set-ups	FALSE	0	Uint32
18-03	Maintenance Log: Date and Time	ExpressionLimit	All set-ups	FALSE	0	TimeOf-Day
<b>18-1* Fire Mode Log</b>						
18-10	Fire Mode Log: Event	0 N/A	All set-ups	FALSE	0	Uint8
18-11	Fire Mode Log: Time	0 s	All set-ups	FALSE	0	Uint32
18-12	Fire Mode Log: Date and Time	ExpressionLimit	All set-ups	FALSE	0	TimeOf-Day
<b>18-3* Inputs &amp; Outputs</b>						
18-30	Analog Input X42/1	0.000 N/A	All set-ups	FALSE	-3	Int32
18-31	Analog Input X42/3	0.000 N/A	All set-ups	FALSE	-3	Int32
18-32	Analog Input X42/5	0.000 N/A	All set-ups	FALSE	-3	Int32
18-33	Analog Out X42/7 [V]	0.000 N/A	All set-ups	FALSE	-3	Int16
18-34	Analog Out X42/9 [V]	0.000 N/A	All set-ups	FALSE	-3	Int16
18-35	Analog Out X42/11 [V]	0.000 N/A	All set-ups	FALSE	-3	Int16
18-36	Analog Input X48/2 [mA]	0.000 N/A	All set-ups	TRUE	-3	Int32
18-37	Temp. Input X48/4	0 N/A	All set-ups	TRUE	0	Int16
18-38	Temp. Input X48/7	0 N/A	All set-ups	TRUE	0	Int16
18-39	Temp. Input X48/10	0 N/A	All set-ups	TRUE	0	Int16
<b>18-5* Ref. &amp; Feedb.</b>						
18-50	Sensorless Readout [unit]	0.000 SensorlessUnit	All set-ups	FALSE	-3	Int32

## 7.3.18 20-\*\* FC Closed-loop

Par. No. #	Parameter description	Default value	4-set-up	Change during operation	Conversion index	Type
<b>20-0* Feedback</b>						
20-00	Feedback 1 Source	[2] Analog input 54	All set-ups	TRUE	-	Uint8
20-01	Feedback 1 Conversion	[0] Linear	All set-ups	FALSE	-	Uint8
20-02	Feedback 1 Source Unit	null	All set-ups	TRUE	-	Uint8
20-03	Feedback 2 Source	[0] No function	All set-ups	TRUE	-	Uint8
20-04	Feedback 2 Conversion	[0] Linear	All set-ups	FALSE	-	Uint8
20-05	Feedback 2 Source Unit	null	All set-ups	TRUE	-	Uint8
20-06	Feedback 3 Source	[0] No function	All set-ups	TRUE	-	Uint8
20-07	Feedback 3 Conversion	[0] Linear	All set-ups	FALSE	-	Uint8
20-08	Feedback 3 Source Unit	null	All set-ups	TRUE	-	Uint8
20-12	Reference/Feedback Unit	null	All set-ups	TRUE	-	Uint8
20-13	Minimum Reference/Feedb.	0.000 ProcessCtrlUnit	All set-ups	TRUE	-3	Int32
20-14	Maximum Reference/Feedb.	100.000 ProcessCtrlUnit	All set-ups	TRUE	-3	Int32
<b>20-2* Feedback/Setpoint</b>						
20-20	Feedback Function	[3] Minimum	All set-ups	TRUE	-	Uint8
20-21	Setpoint 1	0.000 ProcessCtrlUnit	All set-ups	TRUE	-3	Int32
20-22	Setpoint 2	0.000 ProcessCtrlUnit	All set-ups	TRUE	-3	Int32
20-23	Setpoint 3	0.000 ProcessCtrlUnit	All set-ups	TRUE	-3	Int32
<b>20-3* Feedback Adv. Conv</b>						
20-30	Refrigerant	[0] R22	All set-ups	TRUE	-	Uint8
20-31	User-defined Refrigerant A1	10.0000 N/A	All set-ups	TRUE	-4	Uint32
20-32	User-defined Refrigerant A2	-2250.00 N/A	All set-ups	TRUE	-2	Int32
20-33	User-defined Refrigerant A3	250.000 N/A	All set-ups	TRUE	-3	Uint32
<b>20-7* PID Auto tuning</b>						
20-70	Closed-loop Type	[0] Auto	2 set-ups	TRUE	-	Uint8
20-71	PID Performance	[0] Normal	2 set-ups	TRUE	-	Uint8
20-72	PID Output Change	0.10 N/A	2 set-ups	TRUE	-2	Uint16
20-73	Minimum Feedback Level	-999999.000 ProcessCtrlUnit	2 set-ups	TRUE	-3	Int32
20-74	Maximum Feedback Level	999999.000 ProcessCtrlUnit	2 set-ups	TRUE	-3	Int32
20-79	PID Auto-tuning	[0] Disabled	All set-ups	TRUE	-	Uint8
<b>20-8* PID Basic Settings</b>						
20-81	PID Normal/ Inverse Control	[0] Normal	All set-ups	TRUE	-	Uint8
20-82	PID Start Speed [RPM]	SR	All set-ups	TRUE	67	Uint16
20-83	PID Start Speed [Hz]	SR	All set-ups	TRUE	-1	Uint16
20-84	On Reference Bandwidth	5 %	All set-ups	TRUE	0	Uint8
<b>20-9* PID Controller</b>						
20-91	PID Anti Windup	[1] On	All set-ups	TRUE	-	Uint8
20-93	PID Proportional Gain	0.50 N/A	All set-ups	TRUE	-2	Uint16
20-94	PID Integral Time	20.00 s	All set-ups	TRUE	-2	Uint32
20-95	PID Differentiation Time	0.00 s	All set-ups	TRUE	-2	Uint16
20-96	PID Diff. Gain Limit	5.0 N/A	All set-ups	TRUE	-1	Uint16

## 7.3.19 21-\*\* Ext. Closed-loop

Par. No. #	Parameter description	Default value	4-set-up	Change during operation	Conversion index	Type
<b>21-0* Ext. CL Autotuning</b>						
21-00	Closed-loop Type	[0] Auto	2 set-ups	TRUE	-	Uint8
21-01	PID Performance	[0] Normal	2 set-ups	TRUE	-	Uint8
21-02	PID Output Change	0.10 N/A	2 set-ups	TRUE	-2	Uint16
21-03	Minimum Feedback Level	-999999.000 N/A	2 set-ups	TRUE	-3	Int32
21-04	Maximum Feedback Level	999999.000 N/A	2 set-ups	TRUE	-3	Int32
21-09	PID Autotuning	[0] Disabled	All set-ups	TRUE	-	Uint8
<b>21-1* Ext. CL 1 Ref./Fb.</b>						
21-10	Ext. 1 Ref./Feedback Unit	[1] %	All set-ups	TRUE	-	Uint8
21-11	Ext. 1 Minimum Reference	0.000 ExtPID1Unit	All set-ups	TRUE	-3	Int32
21-12	Ext. 1 Maximum Reference	100.000 ExtPID1Unit	All set-ups	TRUE	-3	Int32
21-13	Ext. 1 Reference Source	[0] No function	All set-ups	TRUE	-	Uint8
21-14	Ext. 1 Feedback Source	[0] No function	All set-ups	TRUE	-	Uint8
21-15	Ext. 1 Setpoint	0.000 ExtPID1Unit	All set-ups	TRUE	-3	Int32
21-17	Ext. 1 Reference [Unit]	0.000 ExtPID1Unit	All set-ups	TRUE	-3	Int32
21-18	Ext. 1 Feedback [Unit]	0.000 ExtPID1Unit	All set-ups	TRUE	-3	Int32
21-19	Ext. 1 Output [%]	0 %	All set-ups	TRUE	0	Int32
<b>21-2* Ext. CL 1 PID</b>						
21-20	Ext. 1 Normal/Inverse Control	[0] Normal	All set-ups	TRUE	-	Uint8
21-21	Ext. 1 Proportional Gain	0.01 N/A	All set-ups	TRUE	-2	Uint16
21-22	Ext. 1 Integral Time	10000.00 s	All set-ups	TRUE	-2	Uint32
21-23	Ext. 1 Differentiation Time	0.00 s	All set-ups	TRUE	-2	Uint16
21-24	Ext. 1 Dif. Gain Limit	5.0 N/A	All set-ups	TRUE	-1	Uint16
<b>21-3* Ext. CL 2 Ref./Fb.</b>						
21-30	Ext. 2 Ref./Feedback Unit	[1] %	All set-ups	TRUE	-	Uint8
21-31	Ext. 2 Minimum Reference	0.000 ExtPID2Unit	All set-ups	TRUE	-3	Int32
21-32	Ext. 2 Maximum Reference	100.000 ExtPID2Unit	All set-ups	TRUE	-3	Int32
21-33	Ext. 2 Reference Source	[0] No function	All set-ups	TRUE	-	Uint8
21-34	Ext. 2 Feedback Source	[0] No function	All set-ups	TRUE	-	Uint8
21-35	Ext. 2 Setpoint	0.000 ExtPID2Unit	All set-ups	TRUE	-3	Int32
21-37	Ext. 2 Reference [Unit]	0.000 ExtPID2Unit	All set-ups	TRUE	-3	Int32
21-38	Ext. 2 Feedback [Unit]	0.000 ExtPID2Unit	All set-ups	TRUE	-3	Int32
21-39	Ext. 2 Output [%]	0 %	All set-ups	TRUE	0	Int32
<b>21-4* Ext. CL 2 PID</b>						
21-40	Ext. 2 Normal/Inverse Control	[0] Normal	All set-ups	TRUE	-	Uint8
21-41	Ext. 2 Proportional Gain	0.01 N/A	All set-ups	TRUE	-2	Uint16
21-42	Ext. 2 Integral Time	10000.00 s	All set-ups	TRUE	-2	Uint32
21-43	Ext. 2 Differentiation Time	0.00 s	All set-ups	TRUE	-2	Uint16
21-44	Ext. 2 Dif. Gain Limit	5.0 N/A	All set-ups	TRUE	-1	Uint16

Par. No. #	Parameter description	Default value	4-set-up	Change during operation	Conversion index	Type
<b>21-5* Ext. CL 3 Ref./Fb.</b>						
21-50	Ext. 3 Ref./Feedback Unit	[1] %	All set-ups	TRUE	-	Uint8
21-51	Ext. 3 Minimum Reference	0.000 ExtPID3Unit	All set-ups	TRUE	-3	Int32
21-52	Ext. 3 Maximum Reference	100.000 ExtPID3Unit	All set-ups	TRUE	-3	Int32
21-53	Ext. 3 Reference Source	[0] No function	All set-ups	TRUE	-	Uint8
21-54	Ext. 3 Feedback Source	[0] No function	All set-ups	TRUE	-	Uint8
21-55	Ext. 3 Setpoint	0.000 ExtPID3Unit	All set-ups	TRUE	-3	Int32
21-57	Ext. 3 Reference [Unit]	0.000 ExtPID3Unit	All set-ups	TRUE	-3	Int32
21-58	Ext. 3 Feedback [Unit]	0.000 ExtPID3Unit	All set-ups	TRUE	-3	Int32
21-59	Ext. 3 Output [%]	0 %	All set-ups	TRUE	0	Int32
<b>21-6* Ext. CL 3 PID</b>						
21-60	Ext. 3 Normal/Inverse Control	[0] Normal	All set-ups	TRUE	-	Uint8
21-61	Ext. 3 Proportional Gain	0.01 N/A	All set-ups	TRUE	-2	Uint16
21-62	Ext. 3 Integral Time	10000.00 s	All set-ups	TRUE	-2	Uint32
21-63	Ext. 3 Differentiation Time	0.00 s	All set-ups	TRUE	-2	Uint16
21-64	Ext. 3 Dif. Gain Limit	5.0 N/A	All set-ups	TRUE	-1	Uint16

## 7.3.20 22-\*\* Application Functions

Par. No. #	Parameter description	Default value	4-set-up	Change during operation	Conversion index	Type
<b>22-0* Miscellaneous</b>						
22-00	External Interlock Delay	0 s	All set-ups	TRUE	0	Uint16
<b>22-2* No-Flow Detection</b>						
22-20	Low Power Auto Set-up	[0] Off	All set-ups	FALSE	-	Uint8
22-21	Low Power Detection	[0] Disabled	All set-ups	TRUE	-	Uint8
22-22	Low Speed Detection	[0] Disabled	All set-ups	TRUE	-	Uint8
22-23	No-Flow Function	[0] Off	All set-ups	TRUE	-	Uint8
22-24	No-Flow Delay	10 s	All set-ups	TRUE	0	Uint16
22-26	Dry Pump Function	[0] Off	All set-ups	TRUE	-	Uint8
22-27	Dry Pump Delay	10 s	All set-ups	TRUE	0	Uint16
<b>22-3* No-Flow Power Tuning</b>						
22-30	No-Flow Power	0.00 kW	All set-ups	TRUE	1	Uint32
22-31	Power Correction Factor	100 %	All set-ups	TRUE	0	Uint16
22-32	Low Speed [RPM]	SR	All set-ups	TRUE	67	Uint16
22-33	Low Speed [Hz]	SR	All set-ups	TRUE	-1	Uint16
22-34	Low Speed Power [kW]	SR	All set-ups	TRUE	1	Uint32
22-35	Low Speed Power [HP]	SR	All set-ups	TRUE	-2	Uint32
22-36	High Speed [RPM]	SR	All set-ups	TRUE	67	Uint16
22-37	High Speed [Hz]	SR	All set-ups	TRUE	-1	Uint16
22-38	High Speed Power [kW]	SR	All set-ups	TRUE	1	Uint32
22-39	High Speed Power [HP]	SR	All set-ups	TRUE	-2	Uint32
<b>22-4* Sleep Mode</b>						
22-40	Minimum Run Time	10 s	All set-ups	TRUE	0	Uint16
22-41	Minimum Sleep Time	10 s	All set-ups	TRUE	0	Uint16
22-42	Wake-up Speed [RPM]	SR	All set-ups	TRUE	67	Uint16
22-43	Wake-up Speed [Hz]	SR	All set-ups	TRUE	-1	Uint16
22-44	Wake-up Ref./FB Difference	10 %	All set-ups	TRUE	0	Int8
22-45	Setpoint Boost	0 %	All set-ups	TRUE	0	Int8
22-46	Maximum Boost Time	60 s	All set-ups	TRUE	0	Uint16
<b>22-5* End of Curve</b>						
22-50	End of Curve Function	[0] Off	All set-ups	TRUE	-	Uint8
22-51	End of Curve Delay	10 s	All set-ups	TRUE	0	Uint16
<b>22-6* Broken Belt Detection</b>						
22-60	Broken Belt Function	[0] Off	All set-ups	TRUE	-	Uint8
22-61	Broken Belt Torque	10 %	All set-ups	TRUE	0	Uint8
22-62	Broken Belt Delay	10 s	All set-ups	TRUE	0	Uint16
<b>22-7* Short Cycle Protection</b>						
22-75	Short Cycle Protection	[0] Disabled	All set-ups	TRUE	-	Uint8
22-76	Interval between Starts	start_to_start_min_on_time (P2277)	All set-ups	TRUE	0	Uint16
22-77	Minimum Run Time	0 s	All set-ups	TRUE	0	Uint16

## 7.3.21 23-\*\* Time-based Funtions

Par. No. #	Parameter description	Default value	4-set-up	Change during operation	Conversion index	Type
<b>23-0* Timed Actions</b>						
23-00	ON Time	ExpressionLimit	2 set-ups	TRUE	0	TimeOfDayWoDate
23-01	ON Action	[0] DISABLED	2 set-ups	TRUE	-	Uint8
23-02	OFF Time	ExpressionLimit	2 set-ups	TRUE	0	TimeOfDayWoDate
23-03	OFF Action	[1] No action	2 set-ups	TRUE	-	Uint8
23-04	Occurrence	[0] All days	2 set-ups	TRUE	-	Uint8
<b>23-0* Timed Actions Settings</b>						
23-08	Timed Actions Mode	[0] Timed Actions Auto	2 set-ups	TRUE	-	Uint8
23-09	Timed Actions Reactivation	[1] Enabled	2 set-ups	TRUE	-	Uint8
<b>23-1* Maintenance</b>						
23-10	Maintenance Item	[1] Motor bearings	1 set-up	TRUE	-	Uint8
23-11	Maintenance Action	[1] Lubricate	1 set-up	TRUE	-	Uint8
23-12	Maintenance Time Base	[0] Disabled	1 set-up	TRUE	-	Uint8
23-13	Maintenance Time Interval	1 h	1 set-up	TRUE	74	Uint32
23-14	Maintenance Date and Time	ExpressionLimit	1 set-up	TRUE	0	TimeOfDay
<b>23-1* Maintenance Reset</b>						
23-15	Reset Maintenance Word	[0] Do not reset	All set-ups	TRUE	-	Uint8
23-16	Maintenance Text	0 N/A	1 set-up	TRUE	0	VisStr[20]
<b>23-5* Energy Log</b>						
23-50	Energy Log Resolution	[5] Last 24 Hours	2 set-ups	TRUE	-	Uint8
23-51	Period Start	ExpressionLimit	2 set-ups	TRUE	0	TimeOfDay
23-53	Energy Log	0 N/A	All set-ups	TRUE	0	Uint32
23-54	Reset Energy Log	[0] Do not reset	All set-ups	TRUE	-	Uint8
<b>23-6* Trending</b>						
23-60	Trend Variable	[0] Power [kW]	2 set-ups	TRUE	-	Uint8
23-61	Continuous Bin Data	0 N/A	All set-ups	TRUE	0	Uint32
23-62	Timed Bin Data	0 N/A	All set-ups	TRUE	0	Uint32
23-63	Timed Period Start	ExpressionLimit	2 set-ups	TRUE	0	TimeOfDay
23-64	Timed Period Stop	ExpressionLimit	2 set-ups	TRUE	0	TimeOfDay
23-65	Minimum Bin Value	ExpressionLimit	2 set-ups	TRUE	0	Uint8
23-66	Reset Continuous Bin Data	[0] Do not reset	All set-ups	TRUE	-	Uint8
23-67	Reset Timed Bin Data	[0] Do not reset	All set-ups	TRUE	-	Uint8
<b>23-8* Payback Counter</b>						
23-80	Power Reference Factor	100 %	2 set-ups	TRUE	0	Uint8
23-81	Energy Cost	1.00 N/A	2 set-ups	TRUE	-2	Uint32
23-82	Investment	0 N/A	2 set-ups	TRUE	0	Uint32
23-83	Energy Savings	0 kWh	All set-ups	TRUE	75	Int32
23-84	Cost Savings	0 N/A	All set-ups	TRUE	0	Int32



## 7.3.22 24-\*\* Application Functions 2

Par. No. #	Parameter description	Default value	4-set-up	Change during operation	Conversion index	Type
<b>24-0* Fire Mode</b>						
24-00	Fire Mode Function	[0] Disabled	2 set-ups	TRUE	-	Uint8
24-01	Fire Mode Configuration	[0] Open-loop	All set-ups	TRUE	-	Uint8
24-02	Fire Mode Unit	ExpressionLimit	All set-ups	TRUE	-	Uint8
24-03	Fire Mode Min Reference	ExpressionLimit	All set-ups	TRUE	-3	Int32
24-04	Fire Mode Max Reference	ExpressionLimit	All set-ups	TRUE	-3	Int32
24-05	Fire Mode Preset Reference	0.00 %	All set-ups	TRUE	-2	Int16
24-06	Fire Mode Reference Source	[0] No function	All set-ups	TRUE	-	Uint8
24-07	Fire Mode Feedback Source	[0] No function	All set-ups	TRUE	-	Uint8
24-09	Fire Mode Alarm Handling	[1] Trip, Critical Alarms	2 set-ups	FALSE	-	Uint8
<b>24-1* Drive Bypass</b>						
24-10	Drive Bypass Function	[0] Disabled	2 set-ups	TRUE	-	Uint8
24-11	Drive Bypass Delay Time	0 s	2 set-ups	TRUE	0	Uint16
<b>24-9* Multi-Motor Funct.</b>						
24-90	Missing Motor Function	[0] Off	All set-ups	TRUE	-	Uint8
24-91	Missing Motor Coefficient 1	0.0000 N/A	All set-ups	TRUE	-4	Int32
24-92	Missing Motor Coefficient 2	0.0000 N/A	All set-ups	TRUE	-4	Int32
24-93	Missing Motor Coefficient 3	0.0000 N/A	All set-ups	TRUE	-4	Int32
24-94	Missing Motor Coefficient 4	0.000 N/A	All set-ups	TRUE	-3	Int32
24-95	Locked Rotor Function	[0] Off	All set-ups	TRUE	-	Uint8
24-96	Locked Rotor Coefficient 1	0.0000 N/A	All set-ups	TRUE	-4	Int32
24-97	Locked Rotor Coefficient 2	0.0000 N/A	All set-ups	TRUE	-4	Int32
24-98	Locked Rotor Coefficient 3	0.0000 N/A	All set-ups	TRUE	-4	Int32
24-99	Locked Rotor Coefficient 4	0.000 N/A	All set-ups	TRUE	-3	Int32

## 7.3.23 25-\*\* Cascade Controller

Par. No. #	Parameter description	Default value	4-set-up	Change during operation	Conversion index	Type
<b>25-0* System Settings</b>						
25-00	Cascade Controller	[0] Disabled	2 set-ups	FALSE	-	UInt8
25-02	Motor Start	[0] Direct on Line	2 set-ups	FALSE	-	UInt8
25-04	Pump Cycling	[0] Disabled	All set-ups	TRUE	-	UInt8
25-05	Fixed Lead Pump	[1] Yes	2 set-ups	FALSE	-	UInt8
25-06	Number Of Pumps	2 N/A	2 set-ups	FALSE	0	UInt8
<b>25-2* Bandwidth Settings</b>						
25-20	Staging Bandwidth	10 %	All set-ups	TRUE	0	UInt8
25-21	Override Bandwidth	100 %	All set-ups	TRUE	0	UInt8
25-22	Fixed Speed Bandwidth	Param. 2520	All set-ups	TRUE	0	UInt8
25-23	SBW Staging Delay	15 s	All set-ups	TRUE	0	UInt16
25-24	SBW De-staging Delay	15 s	All set-ups	TRUE	0	UInt16
25-25	OBW Time	10 s	All set-ups	TRUE	0	UInt16
25-26	Destage At No-Flow	[0] Disabled	All set-ups	TRUE	-	UInt8
25-27	Stage Function	[1] Enabled	All set-ups	TRUE	-	UInt8
25-28	Stage Function Time	15 s	All set-ups	TRUE	0	UInt16
25-29	Destage Function	[1] Enabled	All set-ups	TRUE	-	UInt8
25-30	Destage Function Time	15 s	All set-ups	TRUE	0	UInt16
<b>25-4* Staging Settings</b>						
25-40	Ramp-down Delay	10.0 s	All set-ups	TRUE	-1	UInt16
25-41	Ramp-up Delay	2.0 s	All set-ups	TRUE	-1	UInt16
25-42	Staging Threshold	ExpressionLimit	All set-ups	TRUE	0	UInt8
25-43	De-staging Threshold	ExpressionLimit	All set-ups	TRUE	0	UInt8
25-44	Staging Speed [RPM]	0 RPM	All set-ups	TRUE	67	UInt16
25-45	Staging Speed [Hz]	0.0 Hz	All set-ups	TRUE	-1	UInt16
25-46	De-staging Speed [RPM]	0 RPM	All set-ups	TRUE	67	UInt16
25-47	De-staging Speed [Hz]	0.0 Hz	All set-ups	TRUE	-1	UInt16
<b>25-5* Alternation Settings</b>						
25-50	Lead Pump Alternation	[0] OFF	All set-ups	TRUE	-	UInt8
25-51	Alternation Event	[0] External	All set-ups	TRUE	-	UInt8
25-52	Alternation Time Interval	24 h	All set-ups	TRUE	74	UInt16
25-53	Alternation Timer Value	0 N/A	All set-ups	TRUE	0	VisStr[7]
25-54	Alternation Predefined Time	ExpressionLimit	All set-ups	TRUE	0	TimeOfDayWo-Date
25-55	Alternate if Load < 50%	[1] Enabled	All set-ups	TRUE	-	UInt8
25-56	Staging Mode at Alternation	[0] Slow	All set-ups	TRUE	-	UInt8
25-58	Run Next Pump Delay	0.1 s	All set-ups	TRUE	-1	UInt16
25-59	Run-on Line Delay	0.5 s	All set-ups	TRUE	-1	UInt16
<b>25-8* Status</b>						
25-80	Cascade Status	0 N/A	All set-ups	TRUE	0	VisStr[25]
25-81	Pump Status	0 N/A	All set-ups	TRUE	0	VisStr[25]
25-82	Lead Pump	0 N/A	All set-ups	TRUE	0	UInt8
25-83	Relay Status	0 N/A	All set-ups	TRUE	0	VisStr[4]
25-84	Pump ON Time	0 h	All set-ups	TRUE	74	UInt32
25-85	Relay ON Time	0 h	All set-ups	TRUE	74	UInt32
25-86	Reset Relay Counters	[0] Do not reset	All set-ups	TRUE	-	UInt8
<b>25-9* Service</b>						
25-90	Pump Interlock	[0] Off	All set-ups	TRUE	-	UInt8
25-91	Manual Alternation	0 N/A	All set-ups	TRUE	0	UInt8

## 7.3.24 26-\*\* Analog I / O Option MCB 109

Par. No. #	Parameter description	Default value	4-set-up	Change during operation	Conversion index	Type
<b>26-0* Analog I/O Mode</b>						
26-00	Terminal X42/1 Mode	[1] Voltage	All set-ups	TRUE	-	Uint8
26-01	Terminal X42/3 Mode	[1] Voltage	All set-ups	TRUE	-	Uint8
26-02	Terminal X42/5 Mode	[1] Voltage	All set-ups	TRUE	-	Uint8
<b>26-1* Analog Input X42/1</b>						
26-10	Terminal X42/1 Low Voltage	0.07 V	All set-ups	TRUE	-2	Int16
26-11	Terminal X42/1 High Voltage	10.00 V	All set-ups	TRUE	-2	Int16
26-14	Term. X42/1 Low Ref./Feedb. Value	0.000 N/A	All set-ups	TRUE	-3	Int32
26-15	Term. X42/1 High Ref./Feedb. Value	100.000 N/A	All set-ups	TRUE	-3	Int32
26-16	Term. X42/1 Filter Time Constant	0.001 s	All set-ups	TRUE	-3	Uint16
26-17	Term. X42/1 Live Zero	[1] Enabled	All set-ups	TRUE	-	Uint8
<b>26-2* Analog Input X42/3</b>						
26-20	Terminal X42/3 Low Voltage	0.07 V	All set-ups	TRUE	-2	Int16
26-21	Terminal X42/3 High Voltage	10.00 V	All set-ups	TRUE	-2	Int16
26-24	Term. X42/3 Low Ref./Feedb. Value	0.000 N/A	All set-ups	TRUE	-3	Int32
26-25	Term. X42/3 High Ref./Feedb. Value	100.000 N/A	All set-ups	TRUE	-3	Int32
26-26	Term. X42/3 Filter Time Constant	0.001 s	All set-ups	TRUE	-3	Uint16
26-27	Term. X42/3 Live Zero	[1] Enabled	All set-ups	TRUE	-	Uint8
<b>26-3* Analog Input X42/5</b>						
26-30	Terminal X42/5 Low Voltage	0.07 V	All set-ups	TRUE	-2	Int16
26-31	Terminal X42/5 High Voltage	10.00 V	All set-ups	TRUE	-2	Int16
26-34	Term. X42/5 Low Ref./Feedb. Value	0.000 N/A	All set-ups	TRUE	-3	Int32
26-35	Term. X42/5 High Ref./Feedb. Value	100.000 N/A	All set-ups	TRUE	-3	Int32
26-36	Term. X42/5 Filter Time Constant	0.001 s	All set-ups	TRUE	-3	Uint16
26-37	Term. X42/5 Live Zero	[1] Enabled	All set-ups	TRUE	-	Uint8
<b>26-4* Analog Out X42/7</b>						
26-40	Terminal X42/7 Output	[0] No operation	All set-ups	TRUE	-	Uint8
26-41	Terminal X42/7 Min. Scale	0.00 %	All set-ups	TRUE	-2	Int16
26-42	Terminal X42/7 Max. Scale	100.00 %	All set-ups	TRUE	-2	Int16
26-43	Terminal X42/7 Bus Control	0.00 %	All set-ups	TRUE	-2	N2
26-44	Terminal X42/7 Timeout Preset	0.00 %	1 set-up	TRUE	-2	Uint16
<b>26-5* Analog Out X42/9</b>						
26-50	Terminal X42/9 Output	[0] No operation	All set-ups	TRUE	-	Uint8
26-51	Terminal X42/9 Min. Scale	0.00 %	All set-ups	TRUE	-2	Int16
26-52	Terminal X42/9 Max. Scale	100.00 %	All set-ups	TRUE	-2	Int16
26-53	Terminal X42/9 Bus Control	0.00 %	All set-ups	TRUE	-2	N2
26-54	Terminal X42/9 Timeout Preset	0.00 %	1 set-up	TRUE	-2	Uint16
<b>26-6* Analog Out X42/11</b>						
26-60	Terminal X42/11 Output	[0] No operation	All set-ups	TRUE	-	Uint8
26-61	Terminal X42/11 Min. Scale	0.00 %	All set-ups	TRUE	-2	Int16
26-62	Terminal X42/11 Max. Scale	100.00 %	All set-ups	TRUE	-2	Int16
26-63	Terminal X42/11 Bus Control	0.00 %	All set-ups	TRUE	-2	N2
26-64	Terminal X42/11 Timeout Preset	0.00 %	1 set-up	TRUE	-2	Uint16



## 8 Troubleshooting

### 8.1 Alarms and Warnings

A warning or an alarm is signaled by the relevant LED on the front of the adjustable frequency drive and indicated by a code on the display.

A warning remains active until its cause is no longer present. Under certain circumstances operation of the motor may still be continued. Warning messages may be critical, but are not necessarily so.

In the event of an alarm, the adjustable frequency drive will have tripped. Alarms must be reset to restart operation once their cause has been rectified.

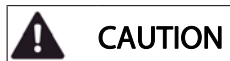
#### This may be done in four ways:

1. By using the [RESET] control button on the LCP.
2. Via a digital input with the "Reset" function.
3. Via serial communication/optional serial communication bus.
4. By resetting automatically using the [Auto Reset] function, which is a default setting for VLT HVAC Drive Drive, see par. 14-20 *Reset Mode* in the FC 100 **Programming Guide**

#### NOTE!

After a manual reset using the [RESET] button on the LCP, the [AUTO ON] or [HAND ON] button must be pressed to restart the motor.

If an alarm cannot be reset, the reason may be that its cause has not been rectified, or the alarm is trip-locked (see also table on following page).



#### CAUTION

Alarms that are trip-locked offer additional protection, means that the line power supply must be switched off before the alarm can be reset. After being switched back on, the adjustable frequency drive is no longer blocked and may be reset as described above, once the cause has been rectified.

Alarms that are not trip-locked can also be reset using the automatic reset function in par. 14-20 *Reset Mode* (Warning: automatic wake-up is possible!)

If a warning and alarm is marked against a code in the table on the following page, this means that either a warning occurs before an alarm, or it can be specified whether it is a warning or an alarm that is to be displayed for a given fault.

This is possible, for instance, in par. 1-90 *Motor Thermal Protection*. After an alarm or trip, the motor carries on coasting, and the alarm and warning flash on the adjustable frequency drive. Once the problem has been rectified, only the alarm continues flashing.

No.	Description	Warning	Alarm/ Trip	Alarm/Trip Lock	Parameter Reference
1	10 Volts low	X			
2	Live zero error	(X)	(X)		6-01
3	No motor	(X)			1-80
4	Mains phase loss	(X)	(X)	(X)	14-12
5	DC link voltage high	X			
6	DC link voltage low	X			
7	DC overvoltage	X	X		
8	DC undervoltage	X	X		
9	Inverter overloaded	X	X		
10	Motor ETR overtemperature	(X)	(X)		1-90
11	Motor thermistor overtemperature	(X)	(X)		1-90
12	Torque limit	X	X		
13	Overcurrent	X	X	X	
14	Ground fault	X	X	X	
15	Hardware mismatch		X	X	
16	Short Circuit		X	X	
17	Control word timeout	(X)	(X)		8-04
23	Internal Fan Fault	X			
24	External Fan Fault	X			14-53
25	Brake resistor short-circuited	X			
26	Brake resistor power limit	(X)	(X)		2-13
27	Brake chopper short-circuited	X	X		
28	Brake check	(X)	(X)		2-15
29	Drive overtemperature	X	X	X	
30	Motor phase U missing	(X)	(X)	(X)	4-58
31	Motor phase V missing	(X)	(X)	(X)	4-58
32	Motor phase W missing	(X)	(X)	(X)	4-58
33	Inrush fault		X	X	
34	Fieldbus communication fault	X	X		
35	Out of frequency range	X	X		
36	Mains failure	X	X		
37	Phase Imbalance	X	X		
38	Internal fault		X	X	
39	Heatsink sensor		X	X	
40	Overload of Digital Output Terminal 27	(X)			5-00, 5-01
41	Overload of Digital Output Terminal 29	(X)			5-00, 5-02
42	Overload of Digital Output On X30/6	(X)			5-32
42	Overload of Digital Output On X30/7	(X)			5-33
46	Pwr. card supply		X	X	
47	24 V supply low	X	X	X	
48	1.8 V supply low		X	X	
49	Speed limit	X	(X)		1-86
50	AMA calibration failed		X		
51	AMA check $U_{nom}$ and $I_{nom}$		X		
52	AMA low $I_{nom}$		X		
53	AMA motor too big		X		
54	AMA motor too small		X		
55	AMA Parameter out of range		X		
56	AMA interrupted by user		X		
57	AMA timeout		X		
58	AMA internal fault	X	X		
59	Current limit	X			

No.	Description	Warning	Alarm/ Trip	Alarm/Trip Lock	Parameter Reference
60	External Interlock	X			
62	Output Frequency at Maximum Limit	X			
64	Voltage Limit	X			
65	Control Board Overtemperature	X	X	X	
66	Heatsink Temperature Low	X			
67	Option Configuration has Changed		X		
69	Pwr. Card Temp		X	X	
70	Illegal FC configuration			X	
71	PTC 1 Safe Stop	X	X <sup>1)</sup>		
72	Dangerous Failure			X <sup>1)</sup>	
73	Safe Stop Auto Restart				
76	Power Unit Set-up	X			
79	Illegal PS config		X	X	
80	Drive Initialized to Default Value		X		
91	Analog input 54 wrong settings			X	
92	No-Flow	X	X		22-2*
93	Dry Pump	X	X		22-2*
94	End of Curve	X	X		22-5*
95	Broken Belt	X	X		22-6*
96	Start Delayed	X			22-7*
97	Stop Delayed	X			22-7*
98	Clock Fault	X			0-7*
201	Fire Mode Was Active				
202	Fire Mode Limits Exceeded				
203	Missing Motor				
204	Locked Rotor				
243	Brake IGBT	X	X		
244	Heatsink temp	X	X	X	
245	Heatsink sensor		X	X	
246	Pwr.card supply		X	X	
247	Pwr.card temp		X	X	
248	Illegal PS config		X	X	
250	New spare parts			X	
251	New Type Code		X	X	

**Table 8.1: Alarm/Warning code list**

(X) Dependent on parameter

1) Cannot be auto reset via par. 14-20 *Reset Mode*

A trip is the action when an alarm has appeared. The trip will coast the motor and can be reset by pressing the reset button or make a reset by a digital input (parameter group 5-1\* [1]). The original event that caused an alarm cannot damage the adjustable frequency drive or cause dangerous conditions. A trip lock is an action that occurs in conjunction with an alarm, which may cause damage to the adjustable frequency drive or

connected parts. A trip lock situation can only be reset by power cycling.

LED indication	
Warning	yellow
Alarm	flashing red
Trip locked	yellow and red

**Table 8.2: LED Indication**

Alarm Word and Extended Status Word					
Bit	Hex	Dec	Alarm Word	Warning Word	Extended Status Word
0	00000001	1	Brake Check	Brake Check	Ramping
1	00000002	2	Pwr. Card Temp	Pwr. Card Temp	AMA Running
2	00000004	4	Ground Fault	Ground Fault	Start CW/CCW
3	00000008	8	Ctrl.Card Temp	Ctrl.Card Temp	Slow Down
4	00000010	16	Ctrl. Word TO	Ctrl. Word TO	Catch Up
5	00000020	32	Overcurrent	Overcurrent	Feedback High
6	00000040	64	Torque Limit	Torque Limit	Feedback Low
7	00000080	128	Thrmstr Overld	Thrmstr Overld	Output Current High
8	00000100	256	Motor ETR Over	Motor ETR Over	Output Current Low
9	00000200	512	Inverter Overld.	Inverter Overld.	Output Freq High
10	00000400	1024	DC undervolt	DC undervolt	Output Freq Low
11	00000800	2048	DC overvolt	DC overvolt	Brake Check OK
12	00001000	4096	Short Circuit	DC Voltage Low	Braking Max
13	00002000	8192	Inrush Fault	DC Voltage High	Braking
14	00004000	16384	Mains phs. loss	Mains phs. loss	Out of Speed Range
15	00008000	32768	AMA Not OK	No Motor	OVC Active
16	00010000	65536	Live Zero Error	Live Zero Error	
17	00020000	131072	Internal Fault	10V low	
18	00040000	262144	Brake Overload	Brake Overload	
19	00080000	524288	U phase Loss	Brake Resistor	
20	00100000	1048576	V phase Loss	Brake IGBT	
21	00200000	2097152	W phase Loss	Speed Limit	
22	00400000	4194304	Fieldbus Fault	Fieldbus Fault	
23	00800000	8388608	24 V Supply Low	24V Supply Low	
24	01000000	16777216	Mains Failure	Mains Failure	
25	02000000	33554432	1.8V supply low	Current Limit	
26	04000000	67108864	Brake Resistor	Low Temp	
27	08000000	134217728	Brake IGBT	Voltage Limit	
28	10000000	268435456	Option Change	Unused	
29	20000000	536870912	Drive Initialized	Unused	
30	40000000	1073741824	Safe Stop	Unused	

**Table 8.3: Description of Alarm Word, Warning Word and Extended Status Word**

The alarm words, warning words and extended status words can be read out via serial bus or optional serial communication bus for diagnosis. See also par. 16-90 *Alarm Word*, par. 16-92 *Warning Word* and par. 16-94 *Ext. Status Word*.



## 8.1.1 Fault Messages

### WARNING 1, 10V low

The control card voltage is below 10 V from terminal 50. Remove some of the load from terminal 50, as the 10 V supply is overloaded. Max. 15 mA or minimum 590 Ω.

This condition can be caused by a short in a connected potentiometer or improper wiring of the potentiometer.

**Troubleshooting:** Remove the wiring from terminal 50. If the warning clears, the problem is with the customer wiring. If the warning does not clear, replace the control card.

### WARNING/ALARM 2, Live zero error

This warning or alarm will only appear if programmed by the user in par. 6-01 *Live Zero Timeout Function*. The signal on one of the analog inputs is less than 50% of the minimum value programmed for that input. This condition can be caused by broken wiring or faulty device sending the signal.

#### Troubleshooting:

Check connections on all the analog input terminals. Control card terminals 53 and 54 for signals, terminal 55 common. MCB 101 terminals 11 and 12 for signals, terminal 10 common. MCB 109 terminals 1, 3, 5 for signals, terminals 2, 4, 6 common).

Make sure that the drive programming and switch settings match the analog signal type.

Perform Input Terminal Signal Test.

### WARNING/ALARM 3, No motor

No motor has been connected to the output of the adjustable frequency drive. This warning or alarm will only appear if programmed by the user in par. 1-80 *Function at Stop*.

**Troubleshooting:** Check the connection between the drive and the motor.

**WARNING/ALARM 4, Mains phs. loss** A phase is missing on the supply side, or the mains voltage imbalance is too high. This message also appears for a fault in the input rectifier on the adjustable frequency drive. Options are programmed at par. 14-12 *Function at Mains Imbalance*.

**Troubleshooting:** Check the supply voltage and supply currents to the adjustable frequency drive.

### WARNING 5, DC link voltage high

The intermediate circuit voltage (DC) is higher than the high voltage warning limit. The limit is dependent on the drive voltage rating. The adjustable frequency drive is still active.

### WARNING 6, DC link voltage low

The intermediate circuit voltage (DC) is lower than the low voltage warning limit. The limit is dependent on the drive voltage rating. The adjustable frequency drive is still active.

### WARNING/ALARM 7, DC overvoltage

If the intermediate circuit voltage exceeds the limit, the adjustable frequency drive trips after a time.

#### Troubleshooting:

Connect a brake resistor

Extend the ramp time

Change the ramp type

Activate functions in par. 2-10 *Brake Function*

Increase par. 14-26 *Trip Delay at Inverter Fault*

### WARNING/ALARM 8, DC undervoltage

If the intermediate circuit voltage (DC) drops below the undervoltage limit, the adjustable frequency drive checks if a 24 V backup supply is connected. If no 24 V backup supply is connected, the adjustable frequency drive trips after a fixed time delay. The time delay varies with unit size.

#### Troubleshooting:

Make sure that the supply voltage matches the adjustable frequency drive voltage.

Perform Input voltage test

Perform soft charge and rectifier circuit test

### WARNING/ALARM 9, Inverter overloaded

The adjustable frequency drive is about to cut out because of an overload (current too high for too long). The counter for electronic, thermal inverter protection gives a warning at 98% and trips at 100%, while giving an alarm. The adjustable frequency drive *cannot* be reset until the counter is below 90%.

The fault is that the adjustable frequency drive is overloaded by more than 100% for too long.

#### Troubleshooting:

Come the output current shown on the LCP keypad with the drive rated current.

Come the output current shown on the LCP keypad with measured motor current.

Display the Thermal Drive Load on the keypad and monitor the value. When running above the drive continuous current rating, the counter should increase. When running below the drive continuous current rating, the counter should decrease.

NOTE: See the derating section in the Design Guide for more details if a high switching frequency is required.

**WARNING/ALARM 10, Motor overload temperature**

According to the electronic thermal protection (ETR), the motor is too hot. Select whether the adjustable frequency drive gives a warning or an alarm when the counter reaches 100% in par. 1-90 *Motor Thermal Protection*. The fault is that the motor is overloaded by more than 100% for too long.

**Troubleshooting:**

- Check if the motor is overheating.
- If the motor is mechanically overloaded
- That the motor par. 1-24 *Motor Current* is set correctly.
- Motor data in parameters 1-20 through 1-25 are set correctly.
- The setting in par. 1-91 *Motor External Fan*.
- Run AMA in par. 1-29 *Automatic Motor Adaptation (AMA)*.

**WARNING/ALARM 11, Motor thermistor overtemp**

The thermistor or the thermistor connection is disconnected. Select whether the adjustable frequency drive gives a warning or an alarm when the counter reaches 100% in par. 1-90 *Motor Thermal Protection*.

**Troubleshooting:**

- Check if the motor is overheating.
- Check if the motor is mechanically overloaded.
- Check that the thermistor is connected correctly between terminal 53 or 54 (analog voltage input) and terminal 50 (+10 V supply), or between terminal 18 or 19 (digital input PNP only) and terminal 50.
- If a KTY sensor is used, check for correct connection between terminal 54 and 55.
- If using a thermal switch or thermistor, check the programming of par. 1-93 *Thermistor Source* matches sensor wiring.
- If using a KTY sensor, check the programming of parameters 1-95, 1-96, and 1-97 match sensor wiring.

**WARNING/ALARM 12, Torque limit**

The torque is higher than the value in par. 4-16 *Torque Limit Motor Mode* or the torque is higher than the value in par. 4-17 *Torque Limit Generator Mode*. Par. 14-25 *Trip Delay at Torque Limit* can be used to change this from a warning only condition to a warning followed by an alarm.

**WARNING/ALARM 13, Overcurrent**

The inverter peak current limit (approx. 200% of the rated current) is exceeded. The warning lasts about 1.5 sec. Then the adjustable frequency drive trips and issues an alarm. If extended mechanical brake control is selected, trip can be reset externally.

**Troubleshooting:**

- This fault may be caused by shock loading or fast acceleration with high inertia loads.
- Turn off the adjustable frequency drive. Check if the motor shaft can be turned.
- Make sure that the motor size matches the adjustable frequency drive.
- Incorrect motor data in parameters 1-20 through 1-25.

**ALARM 14, Ground fault**

There is a discharge from the output phases to ground, either in the cable between the adjustable frequency drive and the motor or in the motor itself.

**Troubleshooting:**

- Turn off the adjustable frequency drive and remove the ground fault.
- Measure the resistance to ground of the motor leads and the motor with a megohmmeter to check for ground faults in the motor.
- Perform current sensor test.

**ALARM 15, Hardware mismatch**

A fitted option is not operational with the present control board hardware or software.

Record the value of the following parameters and contact your Danfoss supplier:

- Par. 15-40 *FC Type*
- Par. 15-41 *Power Section*
- Par. 15-42 *Voltage*
- Par. 15-43 *Software Version*
- Par. 15-45 *Actual Typecode String*
- Par. 15-49 *SW ID Control Card*
- Par. 15-50 *SW ID Power Card*
- Par. 15-60 *Option Mounted*
- Par. 15-61 *Option SW Version*

**ALARM 16, Short circuit**

There is short-circuiting in the motor or on the motor terminals.

Turn off the adjustable frequency drive and remove the short-circuit.

**WARNING/ALARM 17, Control word timeout**

There is no communication to the adjustable frequency drive. The warning will only be active when par. 8-04 *Control Timeout Function* is NOT set to OFF.

If par. 8-04 *Control Timeout Function* is set to *Stop* and *Trip*, a warning appears and the adjustable frequency drive ramps down until it trips, while giving an alarm.

**Troubleshooting:**

Check connections on the serial communication cable.

Increase par. 8-03 *Control Timeout Time*

Check the operation of the communication equipment.

Verify proper installation based on EMC requirements.

**WARNING 23, Internal fan fault**

The fan warning function is an extra protection function that checks if the fan is running / mounted. The fan warning can be disabled in par. 14-53 *Fan Monitor* ([0] Disabled).

For the D, E, and F Frame drives, the regulated voltage to the fans is monitored.

**Troubleshooting:**

Check fan resistance.

Check soft charge fuses.

**WARNING 24, External fan fault**

The fan warning function is an extra protection function that checks if the fan is running / mounted. The fan warning can be disabled in par. 14-53 *Fan Monitor* ([0] Disabled).

For the D, E, and F Frame drives, the regulated voltage to the fans is monitored.

**Troubleshooting:**

Check fan resistance.

Check soft charge fuses.

**WARNING 25, Brake resistor short circuit**

The brake resistor is monitored during operation. If it short circuits, the brake function is disconnected and the warning appears. The adjustable frequency drive still works, but without the brake function. Turn off the adjustable frequency drive and replace the brake resistor (see par. 2-15 *Brake Check*).

**WARNING/ALARM 26, Brake resistor power limit**

The power transmitted to the brake resistor is calculated: as a percentage, as a mean value over the last 120 seconds, on the basis of the resistance value of the brake resistor, and the intermediate circuit voltage. The warning is active when the dissipated braking energy is higher than 90%. If *Trip* [2] has been selected in par. 2-13 *Brake Power Monitoring*, the adjustable frequency drive cuts out and issues this alarm, when the dissipated braking energy is higher than 100%.

**WARNING/ALARM 27, Brake chopper fault**

The brake transistor is monitored during operation and if it short-circuits, the brake function disconnects and issues a warning. The adjustable frequency drive is still able to run, but since the brake transistor has short-circuited, substantial power is transmitted to the brake resistor, even if it is inactive. Turn off the adjustable frequency drive and remove the brake resistor.

This alarm/ warning could also occur should the brake resistor overheat. Terminal 104 to 106 are available as brake resistor. Klixon inputs, see section Brake Resistor Temperature Switch.

**WARNING/ALARM 28, Brake check failed**

Brake resistor fault: the brake resistor is not connected or not working.

Check par. 2-15 *Brake Check*.

**ALARM 29, Heatsink temp**

The maximum temperature of the heatsink has been exceeded. The temperature fault will not be reset until the temperature falls below a defined heatsink temperature. The trip and reset point are different based on the drive power size.

**Troubleshooting:**

Ambient temperature too high.

Too long motor cable.

Incorrect clearance above and below the drive.

Dirty heatsink.

Blocked air flow around the drive.

Damaged heatsink fan.

For the D, E, and F Frame drives, this alarm is based on the temperature measured by the heatsink sensor mounted inside the IGBT modules. For the F Frame drives, this alarm can also be caused by the thermal sensor in the rectifier module.

**Troubleshooting:**

- Check fan resistance.
- Check soft charge fuses.
- IGBT thermal sensor.

**ALARM 30, Motor phase U missing**

Motor phase U between the adjustable frequency drive and the motor is missing.

Turn off the adjustable frequency drive and check motor phase U.

**ALARM 31, Motor phase V missing**

Motor phase V between the adjustable frequency drive and the motor is missing.

Turn off the adjustable frequency drive and check motor phase V.

**ALARM 32, Motor phase W missing**

Motor phase W between the adjustable frequency drive and the motor is missing.

Turn off the adjustable frequency drive and check motor phase W.

**ALARM 33, Inrush fault**

Too many power-ups have occurred within a short time period. Let unit cool to operating temperature.

**WARNING/ALARM 34, Fieldbus communication fault**

The fieldbus on the communication option card is not working.

**WARNING/ALARM 35, Out of frequency range:**

This warning is active if the output frequency has reached the high limit (set in par. 4-53) or low limit (set in par. 4-52). In *Process Control, Closed-loop* (par. 1-00) this warning is displayed.

**WARNING/ALARM 36, Mains failure**

This warning/alarm is only active if the supply voltage to the adjustable frequency drive is lost and par. 14-10 *Mains Failure* is NOT set to OFF. Check the fuses to the adjustable frequency drive.

**ALARM 38, Internal fault**

It may be necessary to contact your Danfoss supplier. Some typical alarm messages:

0	Serial port cannot be initialized. Serious hardware failure
256-258	Power EEPROM data is defect or too old
512	Control board EEPROM data is defect or too old
513	Communication time out reading EEPROM data
514	Communication time out reading EEPROM data
515	Application Orientated Control cannot recognize the EEPROM data

516	Cannot write to the EEPROM because a write command is on progress
517	Write command is under time out
518	Failure in the EEPROM
519	Missing or invalid Barcode data in EEPROM
783	Parameter value outside of min/max limits
1024-1279	A CAN message that has to be sent, couldn't be sent
1281	Digital Signal Processor flash timeout
1282	Power micro software version mismatch
1283	Power EEPROM data version mismatch
1284	Cannot read Digital Signal Processor software version
1299	Option SW in slot A is too old
1300	Option SW in slot B is too old
1302	Option SW in slot C1 is too old
1315	Option SW in slot A is not supported (not allowed)
1316	Option SW in slot B is not supported (not allowed)
1318	Option SW in slot C1 is not supported (not allowed)
1379	Option A did not respond when calculating Platform Version.
1380	Option B did not respond when calculating Platform Version.
1536	An exception in the Application Orientated Control is registered. Debug information written in LCP
1792	DSP watchdog is active. Debugging of power part data Motor Orientated Control data not transferred correctly
2049	Power data restarted
2064-2072	H081x: option in slot x has restarted
2080-2088	H082x: option in slot x has issued a power-up wait
2096-2104	H083x: option in slot x has issued a legal power-up wait
2304	Could not read any data from power EEPROM
2305	Missing SW version from power unit
2314	Missing power unit data from power unit
2315	Missing SW version from power unit
2316	Missing io_statepage from power unit
2324	Power card configuration is determined to be incorrect at power-up
2330	Power size information between the power cards does not match
2561	No communication from DSP to ATACD
2562	No communication from ATACD to DSP (state running)
2816	Stack overflow Control board module
2817	Scheduler slow tasks
2818	Fast tasks
2819	Parameter thread
2820	LCP Stack overflow
2821	Serial port overflow
2822	USB port overflow
2836	cfListMempool too small
3072-5122	Parameter value is outside its limits

5123	Option in slot A: Hardware incompatible with Control board hardware
5124	Option in slot B: Hardware incompatible with Control board hardware
5125	Option in slot C0: Hardware incompatible with Control board hardware
5126	Option in slot C1: Hardware incompatible with Control board hardware
5376-623 1	Out of memory

**ALARM 39, Heatsink sensor**

No feedback from the heatsink temperature sensor.

The signal from the IGBT thermal sensor is not available on the power card. The problem could be on the power card, on the gate drive card, or the ribbon cable between the power card and gate drive card.

**WARNING 40, Overload of Digital Output Terminal 27**

Check the load connected to terminal 27 or remove short-circuit connection. Check par. 5-00 *Digital I/O Mode* and par. 5-01 *Terminal 27 Mode*.

**WARNING 41, Overload of Digital Output Terminal 29**

Check the load connected to terminal 29 or remove short-circuit connection. Check par. 5-00 *Digital I/O Mode* and par. 5-02 *Terminal 29 Mode*.

**WARNING 42, Overload of Digital Output on X30/6 or Overload of Digital Output on X30/7**

For X30/6, check the load connected to X30/6 or remove short-circuit connection. Check par. 5-32 *Term X30/6 Digi Out (MCB 101)*.

For X30/7, check the load connected to X30/7 or remove short-circuit connection. Check par. 5-33 *Term X30/7 Digi Out (MCB 101)*.

**ALARM 46, Power card supply**

The supply on the power card is out of range.

There are three power supplies generated by the switch mode power supply (SMPS) on the power card: 24 V, 5 V, +/-18 V. When powered with 24 VDC with the MCB 107 option, only the 24 V and 5 V supplies are monitored. When powered with three-phase AC line voltage, all three supplied are monitored.

**WARNING 47, 24 V supply low**

The 24 V DC is measured on the control card. The external V DC backup power supply may be overloaded, otherwise contact your Danfoss supplier.

**WARNING 48, 1.8 V supply low**

The 1.8 V DC supply used on the control card is outside of allowable limits. The power supply is measured on the control card.

**WARNING 49, Speed limit**

When the speed is not within the specified range in par. 4-11 and par. 4-13, the drive will show a warning. When the speed is below the specified limit in par. 1-86 *Trip Speed Low [RPM]* (except when starting or stopping), the drive will trip.

**ALARM 50, AMA calibration failed**

Contact your Danfoss supplier.

**ALARM 51, AMA check Unom and Inom**

The setting of the motor voltage, motor current, and motor power is presumably wrong. Check the settings.

**ALARM 52, AMA low Inom**

The motor current is too low. Check the settings.

**ALARM 53, AMA big motor**

The motor is too big for the AMA to be carried out.

**ALARM 54, AMA small motor**

The motor is too big for the AMA to be carried out.

**ALARM 55, AMA Parameter out of range**

The parameter values found from the motor are outside acceptable range.

**ALARM 56, AMA interrupted by user**

The AMA has been interrupted by the user.

**ALARM 57, AMA timeout**

Try to start the AMA again a number of times, until the AMA is carried out. Please note that repeated runs may heat the motor to a level where the resistances  $R_s$  and  $R_r$  are increased. In most cases, however, this is not critical.

**ALARM 58, AMA internal fault**

Contact your Danfoss supplier.

**WARNING 59, Current limit**

The current is higher than the value in par. 4-18 *Current Limit*.

**WARNING 60, External interlock**

External interlock has been activated. To resume normal operation, apply 24 V DC to the terminal programmed for external interlock and reset the adjustable frequency drive (via serial communication, digital I/O, or by pressing reset button on keypad).

**WARNING 62, Output frequency at maximum limit**

The output frequency is higher than the value set in par. 4-19 *Max Output Frequency*

**WARNING 64, Voltage limit**

The load and speed combination demands a motor voltage higher than the actual DC link voltage.

**WARNING/ALARM/TRIP 65, Control card overtemperature**

Control card overtemperature: The cutout temperature of the control card is 176°F [80°C].

**WARNING 66, Heatsink temperature low**

This warning is based on the temperature sensor in the IGBT module.

**Troubleshooting:**

The heatsink temperature measured as 32°F [0°C] could indicate that the temperature sensor is defective causing the fan speed to increase to the maximum. If the sensor wire between the IGBT and the gate drive card is disconnected, this warning would result. Also, check the IGBT thermal sensor.

**ALARM 67, Option module configuration has changed**

One or more options have either been added or removed since the last power-down.

**ALARM 68, Safe stop activated**

Safe stop has been activated. To resume normal operation, apply 24 V DC to terminal 37, then send a reset signal (via Bus, Digital I/O, or by pressing the reset key. See par. .

**ALARM 69, Power card temperature**

The temperature sensor on the power card is either too hot or too cold.

**Troubleshooting:**

Check the operation of the door fans.

Make sure that the filters for the door fans are not blocked.

Check that the connector plate is properly installed on IP 21 and IP 54 (NEMA 1 and NEMA 12) drives.

**ALARM 70, Illegal FC Configuration**

The current control board and power board combination is illegal.

**ALARM 72, Dangerous failure**

Safe stop with trip lock. Unexpected signal levels on safe stop and digital input from the MCB 112 PTC thermistor card.

**WARNING 73, Safe stop auto restart**

Safe stopped. Note that with automatic restart enabled, the motor may start when the fault is cleared.

**WARNING 76, Power Unit Set-up**

The required number of power units does not match the detected number of active power units.

**Troubleshooting:**

When replacing an F frame module, this will occur if the power specific data in the module power card does not match the rest of the drive. Please confirm the spare part and its power card are the correct part number.

**WARNING 77, Reduced power mode:**

This warning indicates that the drive is operating in reduced power mode (i.e., less than the allowed number of inverter sections). This warning will be generated on power cycle when the drive is set to run with fewer inverters and will remain on.

**ALARM 79, Illegal power section configuration**

The scaling card is the incorrect part number or not installed. Also MK102 connector on the power card could not be installed.

**ALARM 80, Drive initialized to default value**

Parameter settings are initialized to default settings after a manual reset.

**ALARM 91, Analog input 54 wrong settings**

Switch S202 has to be set in position OFF (voltage input) when a KTY sensor is connected to analog input terminal 54.

**ALARM 92, No-flow**

A no-load situation has been detected in the system. See parameter group 22-2.

**ALARM 93, Dry pump**

A no-flow situation and high speed indicates that the pump has run dry. See parameter group 22-2.

**ALARM 94, End of curve**

Feedback stays lower than the setpoint which may indicate leakage in the pipe system. See parameter group 22-5.

**ALARM 95, Broken belt**

Torque is below the torque level set for no load, indicating a broken belt. See parameter group 22-6.

**ALARM 96, Start delayed**

Motor start has been delayed due to short-cycle protection active. See parameter group 22-7.

**WARNING 97, Stop delayed**

Stopping the motor has been delayed due to short cycle protection is active. See parameter group 22-7.

**WARNING 98, Clock fault**

Clock Fault. Time is not set or RTC clock (if mounted) has failed. See parameter group 0-7.

**WARNING 201, Fire Mode Was Active**

Fire mode has been active.

**WARNING 202, Fire Mode Limits Exceeded**

Fire mode has suppressed one or more warranty voiding alarms.

**WARNING 203, Missing Motor**

A multi-motor underload situation was detected, this could be due to, for example, a missing motor.

**WARNING 204, Locked Rotor**

A multi-motor overload situation was detected, which could be due to, e.g., a locked rotor.

**ALARM 243, Brake IGBT**

This alarm is only for F Frame drives. It is equivalent to Alarm 27. The report value in the alarm log indicates which power module generated the alarm:

- 1 = left most inverter module.
- 2 = middle inverter module in F2 or F4 drive.
- 2 = right inverter module in F1 or F3 drive.
- 3 = right inverter module in F2 or F4 drive.
- 5 = rectifier module.

**ALARM 244, Heatsink temperature**

This alarm is only for F Frame drives. It is equivalent to Alarm 29. The report value in the alarm log indicates which power module generated the alarm:

- 1 = left most inverter module.
- 2 = middle inverter module in F2 or F4 drive.
- 2 = right inverter module in F1 or F3 drive.
- 3 = right inverter module in F2 or F4 drive.
- 5 = rectifier module.

**ALARM 245, Heatsink sensor**

This alarm is only for F Frame drives. It is equivalent to Alarm 39. The report value in the alarm log indicates which power module generated the alarm:

- 1 = left most inverter module.
- 2 = middle inverter module in F2 or F4 drive.
- 2 = right inverter module in F1 or F3 drive.
- 3 = right inverter module in F2 or F4 drive.
- 5 = rectifier module.

**ALARM 246, Power card supply**

This alarm is only for F Frame drives. It is equivalent to Alarm 46. The report value in the alarm log indicates which power module generated the alarm:

- 1 = left most inverter module.
- 2 = middle inverter module in F2 or F4 drive.
- 2 = right inverter module in F1 or F3 drive.
- 3 = right inverter module in F2 or F4 drive.
- 5 = rectifier module.

**ALARM 247, Power card temperature**

This alarm is only for F Frame drives. It is equivalent to Alarm 69. The report value in the alarm log indicates which power module generated the alarm:

- 1 = left most inverter module.
- 2 = middle inverter module in F2 or F4 drive.
- 2 = right inverter module in F1 or F3 drive.
- 3 = right inverter module in F2 or F4 drive.
- 5 = rectifier module.

**ALARM 248, Illegal power section configuration**

This alarm is only for F Frame drives. It is equivalent to Alarm 79. The report value in the alarm log indicates which power module generated the alarm:

- 1 = left most inverter module.
- 2 = middle inverter module in F2 or F4 drive.
- 2 = right inverter module in F1 or F3 drive.
- 3 = right inverter module in F2 or F4 drive.
- 5 = rectifier module.

**ALARM 250, New spare part**

The power or switch mode power supply has been exchanged. The adjustable frequency drive type code must be restored in the EEPROM. Select the correct type code in par. 14-23 *Typecode Setting* according to the label on the unit. Remember to select 'Save to EEPROM' to complete.

**ALARM 251, New type code**

The adjustable frequency drive has a new type code.

## 8.2 Acoustic Noise or Vibration

If the motor or the equipment driven by the motor, e.g., a fan blade, is making noise or vibrations at certain frequencies, try the following:

- Speed Bypass, parameter group 4-6\*
- Overmodulation, par. 14-03 *Overmodulation* set to off
- Switching pattern and frequency parameter group 14-0\*
- Resonance Dampening, par. 1-64 *Resonance Dampening*





## 9 Specifications

### 9.1 General Specifications

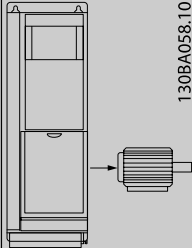
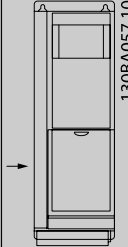
Line power supply 200–240 VAC - Normal overload 110% for 1 minute						
Adjustable frequency drive	P1K1	P1K5	P2K2	P3K0	P3K7	
Typical Shaft Output [kW]	1.1	1.5	2.2	3	3.7	
IP 20 / Chassis (A2+A3 may be converted to IP21 using a conversion kit. (Please see also items <i>Mechanical mounting</i> in the Instruction Manual and <i>IP 21/Type 1 Enclosure kit</i> in the Design Guide.))						
IP 20 / Chassis	A2	A2	A2	A3	A3	
IP 55 / NEMA 12	A4/A5	A4/A5	A4/A5	A5	A5	
IP 66 / NEMA 12	A5	A5	A5	A5	A5	
Typical Shaft Output [HP] at 208 V	1.5	2.0	2.9	4.0	4.9	
Output current						
 130BA058.10	Continuous (3 x 200–240 V) [A]	6.6	7.5	10.6	12.5	16.7
	Intermittent (3 x 200–240 V) [A]	7.3	8.3	11.7	13.8	18.4
	Continuous kVA (208 V AC) [kVA]	2.38	2.70	3.82	4.50	6.00
	Max. cable size: (line power, motor, brake) [mm <sup>2</sup> /AWG] <sup>2)</sup>	4/10				
	<b>Max. input current</b>					
 130BA057.10	Continuous (3 x 200–240 V) [A]	5.9	6.8	9.5	11.3	15.0
	Intermittent (3 x 200–240 V) [A]	6.5	7.5	10.5	12.4	16.5
	Max. pre-fuses <sup>1)</sup> [A]	20	20	20	32	32
	Environment					
	Estimated power loss at rated max. load [W] <sup>4)</sup>	63	82	116	155	185
	Weight enclosure IP20 [lb][kg]	10.8 [4.9]	10.8 [4.9]	10.8 [4.9]	14.6 [6.6]	14.6 [6.6]
	Weight enclosure IP21 [lb][kg]	12.1 [5.5]	12.1 [5.5]	12.1 [5.5]	16.5 [7.5]	16.5 [7.5]
	Weight enclosure IP55 [lb][kg]	21.4/29.8 [9.7/13.5]	21.4/29.8 [9.7/13.5]	21.4/29.8 [9.7/13.5]	29.8 [13.5]	29.8 [13.5]
	Weight enclosure IP 66 [lb][kg]	21.4/29.8 [9.7/13.5]	21.4/29.8 [9.7/13.5]	21.4/29.8 [9.7/13.5]	29.8 [13.5]	29.8 [13.5]
Efficiency <sup>3)</sup>	0.96	0.96	0.96	0.96	0.96	

Table 9.1: Line Power Supply 200–240 V AC

Line power supply 3 x 200–240 VAC - Normal overload 110% for 1 minute									
IP 20 / Chassis	B3			B4			C4		
(B3+4 and C3+4 may be converted to IP21 using a conversion kit. (Please see also items Mechanical mounting in the Instruction Manual and IP 21/Type 1 Enclosure kit in the Design Guide.))	B3	B3	B3	B4	B4	B4	C3	C3	C4
IP 21 / NEMA 1	B1	B1	B1	B2	B2	B2	C1	C1	C2
IP 55 / NEMA 12	B1	B1	B1	B2	B2	B2	C1	C1	C2
IP 66 / NEMA 12	B1	B1	B1	B2	B2	B2	C1	C1	C2
Adjustable frequency drive	P5K5	P7K5	P11K	P15K	P18K	P22K	P30K	P37K	P45K
Typical Shaft Output [kW]	5.5	7.5	11	15	25 [18.5]	22	30	37	45
Typical Shaft Output [HP] at 208 V	7.5	10	15	20	25	30	40	50	60
<b>Output current</b>									
Continuous (3 x 200–240 V) [A]	24.2	30.8	46.2	59.4	74.8	88.0	115	143	170
Intermittent (3 x 200–240 V) [A]	16/6			35/2		35/2	70/3/0	185/	kcmil350
Continuous (3 x 200–240 V) [A]	22.0	28.0	42.0	54.0	68.0	80.0	104.0	130.0	154.0
Intermittent (3 x 200–240 V) [A]	24.2	30.8	46.2	59.4	74.8	88.0	114.0	143.0	169.0
Max. pre-fuses <sup>1)</sup> [A]	63	63	63	80	125	125	160	200	250
Environment:									
Estimated power loss at rated max. load [W] <sup>4)</sup>	269	310	447	602	737	845	1140	1353	1636
Weight enclosure IP20 [lb][kg]	12	12	12	51.8 [23.5]	51.8 [23.5]	35	35	50	50
Weight enclosure IP21 [lb][kg]	23	23	23	27	45	45	45	65	65
Weight enclosure IP55 [lb][kg]	23	23	23	27	45	45	45	65	65
Weight enclosure IP 66 [lb][kg]	23	23	23	27	45	45	45	65	65
Efficiency <sup>3)</sup>	0.96	0.96	0.96	0.96	0.96	0.97	0.97	0.97	0.97
Intermittent (3 x 200–240 V) [A]	26.6	33.9	50.8	65.3	82.3	96.8	127	157	187
Continuous kVA (208 V AC) [kVA]	8.7	11.1	16.6	21.4	26.9	31.7	41.4	51.5	61.2
Max. cable size: (line power, motor, brake) [mm <sup>2</sup> /AWG] <sup>2)</sup>		10/7		35/2		50/1/0 (B4=35/2)		95/4/0	120/250 MCM

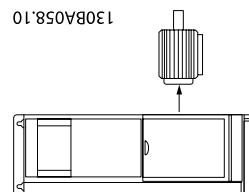


Table 9.2: Line Power Supply 3 x 200–240 V AC

Line Power Supply 3 x 380–480 V AC - Normal overload 110% for 1 minute																																																																																																													
Adjustable frequency drive	P1K1	P1K5	P2K2	P3K0	P4K0	P5K5	P7K5																																																																																																						
Typical Shaft Output [kW]	1.1	1.5	2.2	3	4	5.5	7.5																																																																																																						
Typical Shaft Output [HP] at 460 V	1.5	2.0	2.9	4.0	5.0	7.5	10																																																																																																						
IP 20 / Chassis	A2																																																																																																												
(A2+A3 may be converted to IP21 using a conversion kit. (Please see also items Mechanical mounting in the Instruction Manual and IP 21/Type 1 Enclosure kit in the Design Guide.))																																																																																																													
IP 55 / NEMA 12	A4/A5	A4/A5	A4/A5	A4/A5	A4/A5	A5	A5																																																																																																						
IP 66 / NEMA 12	A4/A5	A4/A5	A4/A5	A4/A5	A4/A5	A5	A5																																																																																																						
<b>Output current</b>																																																																																																													
	Continuous (3 x 380–440 V) [A]																																																																																																												
	Intermittent (3 x 380–440 V) [A]																																																																																																												
	Continuous (3 x 441–480 V) [A]																																																																																																												
	Intermittent (3 x 441–480 V) [A]																																																																																																												
	Continuous kVA (400 V AC) [kVA]																																																																																																												
	Continuous kVA (460 V AC) [kVA]																																																																																																												
Max. cable size: (line power, motor, brake) [[mm <sup>2</sup> / AWG] <sup>2</sup> 4/10																																																																																																													
<b>Max. input current</b>																																																																																																													
	Continuous (3 x 380–440 V) [A]																																																																																																												
	Intermittent (3 x 380–440 V) [A]																																																																																																												
	Continuous (3 x 441–480 V) [A]																																																																																																												
	Intermittent (3 x 441–480 V) [A]																																																																																																												
	Max. pre-fuses <sup>1)</sup> [A]																																																																																																												
	Environment																																																																																																												
	Estimated power loss at rated max. load [W] <sup>4)</sup>																																																																																																												
	Weight enclosure IP20 [lb][kg]																																																																																																												
	Weight enclosure IP 21 [lb][kg]																																																																																																												
	Weight enclosure IP 55 [lb][kg]																																																																																																												
Weight enclosure IP 66 [lb][kg]																																																																																																													
Efficiency <sup>3)</sup>																																																																																																													
<table border="1"> <tr> <td>2.7</td> <td>3.7</td> <td>5.0</td> <td>6.5</td> <td>9.0</td> <td>11.7</td> <td>14.4</td> <td></td> <td></td> <td></td> </tr> <tr> <td>3.0</td> <td>4.1</td> <td>5.5</td> <td>7.2</td> <td>9.9</td> <td>12.9</td> <td>15.8</td> <td></td> <td></td> <td></td> </tr> <tr> <td>2.7</td> <td>3.1</td> <td>4.3</td> <td>5.7</td> <td>7.4</td> <td>9.9</td> <td>13.0</td> <td></td> <td></td> <td></td> </tr> <tr> <td>3.0</td> <td>3.4</td> <td>4.7</td> <td>6.3</td> <td>8.1</td> <td>10.9</td> <td>14.3</td> <td></td> <td></td> <td></td> </tr> <tr> <td>10</td> <td>10</td> <td>20</td> <td>20</td> <td>20</td> <td>32</td> <td>32</td> <td></td> <td></td> <td></td> </tr> <tr> <td>58</td> <td>62</td> <td>88</td> <td>116</td> <td>124</td> <td>187</td> <td>255</td> <td></td> <td></td> <td></td> </tr> <tr> <td>10.6 [4.8]</td> <td>10.8 [4.9]</td> <td>10.8 [4.9]</td> <td>10.8 [4.9]</td> <td>10.8 [4.9]</td> <td>14.6 [6.6]</td> <td>14.6 [6.6]</td> <td></td> <td></td> <td></td> </tr> <tr> <td>21.4/29.8 [9.7/13.5]</td> <td>21.4/29.8 [9.7/13.5]</td> <td>21.4/29.8 [9.7/13.5]</td> <td>21.4/29.8 [9.7/13.5]</td> <td>21.4/29.8 [9.7/13.5]</td> <td>31.3 [14.2]</td> <td>31.3 [14.2]</td> <td></td> <td></td> <td></td> </tr> <tr> <td>21.4/29.8 [9.7/13.5]</td> <td>21.4/29.8 [9.7/13.5]</td> <td>21.4/29.8 [9.7/13.5]</td> <td>21.4/29.8 [9.7/13.5]</td> <td>21.4/29.8 [9.7/13.5]</td> <td>31.3 [14.2]</td> <td>31.3 [14.2]</td> <td></td> <td></td> <td></td> </tr> <tr> <td>0.96</td> <td>0.97</td> <td>0.97</td> <td>0.97</td> <td>0.97</td> <td>0.97</td> <td>0.97</td> <td></td> <td></td> <td></td> </tr> </table>										2.7	3.7	5.0	6.5	9.0	11.7	14.4				3.0	4.1	5.5	7.2	9.9	12.9	15.8				2.7	3.1	4.3	5.7	7.4	9.9	13.0				3.0	3.4	4.7	6.3	8.1	10.9	14.3				10	10	20	20	20	32	32				58	62	88	116	124	187	255				10.6 [4.8]	10.8 [4.9]	10.8 [4.9]	10.8 [4.9]	10.8 [4.9]	14.6 [6.6]	14.6 [6.6]				21.4/29.8 [9.7/13.5]	21.4/29.8 [9.7/13.5]	21.4/29.8 [9.7/13.5]	21.4/29.8 [9.7/13.5]	21.4/29.8 [9.7/13.5]	31.3 [14.2]	31.3 [14.2]				21.4/29.8 [9.7/13.5]	21.4/29.8 [9.7/13.5]	21.4/29.8 [9.7/13.5]	21.4/29.8 [9.7/13.5]	21.4/29.8 [9.7/13.5]	31.3 [14.2]	31.3 [14.2]				0.96	0.97	0.97	0.97	0.97	0.97	0.97			
2.7	3.7	5.0	6.5	9.0	11.7	14.4																																																																																																							
3.0	4.1	5.5	7.2	9.9	12.9	15.8																																																																																																							
2.7	3.1	4.3	5.7	7.4	9.9	13.0																																																																																																							
3.0	3.4	4.7	6.3	8.1	10.9	14.3																																																																																																							
10	10	20	20	20	32	32																																																																																																							
58	62	88	116	124	187	255																																																																																																							
10.6 [4.8]	10.8 [4.9]	10.8 [4.9]	10.8 [4.9]	10.8 [4.9]	14.6 [6.6]	14.6 [6.6]																																																																																																							
21.4/29.8 [9.7/13.5]	21.4/29.8 [9.7/13.5]	21.4/29.8 [9.7/13.5]	21.4/29.8 [9.7/13.5]	21.4/29.8 [9.7/13.5]	31.3 [14.2]	31.3 [14.2]																																																																																																							
21.4/29.8 [9.7/13.5]	21.4/29.8 [9.7/13.5]	21.4/29.8 [9.7/13.5]	21.4/29.8 [9.7/13.5]	21.4/29.8 [9.7/13.5]	31.3 [14.2]	31.3 [14.2]																																																																																																							
0.96	0.97	0.97	0.97	0.97	0.97	0.97																																																																																																							

Table 9.3: Line Power Supply 3 x 380–480 V AC

Line Power Supply 3 x 380–480 V AC - Normal overload 110% for 1 minute											
Adjustable frequency drive	P11K	P15K	P18K	P22K	P30K	P37K	P45K	P55K	P75K	P90K	
Typical Shaft Output [kW]	11	15	18.5	22	30	37	45	55	75	90	
Typical Shaft Output [HP] at 460 V	15	20	25	30	40	50	60	75	100	125	
IP 20 / Chassis (B3+4 and C3+4 may be converted to IP21 using a conversion kit (Please contact Danfoss))	B3	B3	B3	B4	B4	B4	C3	C3	C4	C4	
IP 21 / NEMA 1	B1	B1	B1	B2	B2	C1	C1	C1	C2	C2	
IP 55 / NEMA 12	B1	B1	B1	B2	B2	C1	C1	C1	C2	C2	
IP 66 / NEMA 12	B1	B1	B1	B2	B2	C1	C1	C1	C2	C2	
<b>Output current</b>											
Continuous (3 x 380–439 V) [A]	24	32	37.5	44	61	73	90	106	147	177	
Intermittent (3 x 380–439 V) [A]	26.4	35.2	41.3	48.4	67.1	80.3	99	117	162	195	
Continuous (3 x 440–480 V) [A]	21	27	34	40	52	65	80	105	130	160	
Intermittent (3 x 440–480 V) [A]	23.1	29.7	37.4	44	61.6	71.5	88	116	143	176	
Continuous kVA (400 V AC) [kVA]	16.6	22.2	26	30.5	42.3	50.6	62.4	73.4	102	123	
Continuous kVA 460 V AC [kVA]	16.7	21.5	27.1	31.9	41.4	51.8	63.7	83.7	104	128	
Max. cable size: (line power, motor, brake) [mm <sup>2</sup> / AWG] <sup>2)</sup>	10/7			35/2			50/1/0 (B4=35/2)			95/ 4/0	120/ MCM250
With line power disconnect switch included:	16/6			35/2			70/3/0			185/ kcmil350	
<b>Max. input current</b>											
Continuous (3 x 380–439 V) [A]	22	29	34	40	55	66	82	96	133	161	
Intermittent (3 x 380–439 V) [A]	24.2	31.9	37.4	44	60.5	72.6	90.2	106	146	177	
Continuous (3 x 440–480 V) [A]	19	25	31	36	47	59	73	95	118	145	
Intermittent (3 x 440–480 V) [A]	20.9	27.5	34.1	39.6	51.7	64.9	80.3	105	130	160	
Max. pre-fuses <sup>1)</sup> [A]	63	63	63	63	80	100	125	160	250	250	
Environment											
Estimated power loss at rated max. load [W] <sup>4)</sup>	278	392	465	525	698	739	843	1083	1384	1474	
Weight enclosure IP 20 [lb]/[kg]	12	12	12	51.8 [23.5]	51.8 [23.5]	51.8 [23.5]	35	35	50	50	
Weight enclosure IP 21 [lb]/[kg]	23	23	23	27	27	45	45	45	65	65	
Weight enclosure IP 55 [lb]/[kg]	23	23	23	27	27	45	45	45	65	65	
Weight enclosure IP 66 [lb]/[kg]	23	23	23	27	27	45	45	45	65	65	
Efficiency <sup>3)</sup>	0.98	0.98	0.98	0.98	0.98	0.98	0.98	0.98	0.98	0.99	

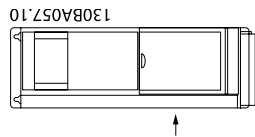
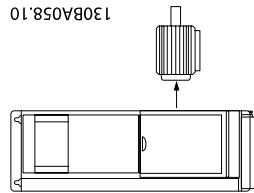


Table 9.4: Line Power Supply 3 x 380–480 V AC

Line power supply 3 x 525–600 VAC Normal overload 110% for 1 minute																		
Size:	P1K1	P1K5	P2K2	P3K0	P3K7	P4K0	P5K5	P7K5	P11K	P15K	P18K	P22K	P30K	P37K	P45K	P55K	P75K	P90K
Typical Shaft Output [kW]	1.5 [1.1]	2 [1.5]	3 [2.2]	3	5 [3.7]	4	7.5 [5.5]	10 [7.5]	11	15	25 [18.5]	22	30	37	45	55	75	90
IP 20 / Chassis	A3	A3	A3	A3	A2	A3	A3	A3	B3	B3	B3	B4	B4	B4	C3	C3	C4	C4
IP 21 / NEMA 1	A3	A3	A3	A3	A2	A3	A3	A3	B1	B1	B1	B2	B2	C1	C1	C1	C2	C2
IP 55 / NEMA 12	A5	A5	A5	A5	A5	A5	A5	A5	B1	B1	B1	B2	B2	C1	C1	C1	C2	C2
IP 66 / NEMA 12	A5	A5	A5	A5	A5	A5	A5	A5	B1	B1	B1	B2	B2	C1	C1	C1	C2	C2
<b>Output current</b>																		
Continuous (3 x 525–550 V) [A]	2.6	2.9	4.1	5.2	-	6.4	9.5	11.5	19	23	28	36	43	54	65	87	105	137
Intermittent (3 x 525–550 V) [A]	2.9	3.2	4.5	5.7	-	7.0	10.5	12.7	21	25	31	40	47	59	72	96	116	151
Continuous (3 x 525–600 V) [A]	2.4	2.7	3.9	4.9	-	6.1	9.0	11.0	18	22	27	34	41	52	62	83	100	131
Intermittent (3 x 525–600 V) [A]	2.6	3.0	4.3	5.4	-	6.7	9.9	12.1	20	24	30	37	45	57	68	91	110	144
Continuous kVA (525 V AC) [kVA]	2.5	2.8	3.9	5.0	-	6.1	9.0	11.0	18.1	21.9	26.7	34.3	41	51.4	61.9	82.9	100	130.5
Continuous kVA (575 V AC) [kVA]	2.4	2.7	3.9	4.9	-	6.1	9.0	11.0	17.9	21.9	26.9	33.9	40.8	51.8	61.7	82.7	99.6	130.5
Max. cable size, IP 21/55/66 (line power, motor, brake) [mm <sup>2</sup> ]/[AWG] <sup>2)</sup>				4/ 10					10/ 7			25/ 4		50/ 1/0		95/ 4/0	120/ MCM2 50	
Max. cable size, IP 20 (line power, motor, brake) [mm <sup>2</sup> ]/[AWG] <sup>2)</sup>				4/ 10					16/ 6			35/ 2		50/ 1/0		95/ 4/0	150/ MCM2 50 <sup>5)</sup>	
With line power disconnect switch included:				4/10					16/6			35/2		70/3/0		185/ kcmil 350		

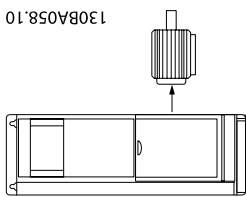


Table 9.5: <sup>5)</sup> With brake and load sharing 95/ 4/0

Line power supply 3 x 525–600 VAC Normal overload 110% for 1 minute - continued

Size:	P1K1	P1K5	P2K2	P3K0	P3K0 7	P4K0	P5K5	P7K5	P11K	P15K	P18K	P22K	P30K	P37K	P45K	P55K	P75K	P90K	
<b>Max. input current</b>																			
Continuous (3 x 525–600 V) [A]	2.4	2.7	4.1	5.2	-	5.8	8.6	10.4	17.2	20.9	25.4	32.7	39	49	59	78.9	95.3	124.3	
Intermittent (3 x 525–600 V) [A]	2.7	3.0	4.5	5.7	-	6.4	9.5	11.5	19	23	28	36	43	54	65	87	105	137	
Max. pre-fuses <sup>1)</sup> [A]	10	10	20	20	-	20	32	32	63	63	63	63	80	100	125	160	250	250	
Environment:																			
Estimated power loss at rated max. load [W] <sup>4)</sup>	50	65	92	122	-	145	195	261	300	400	475	525	700	750	850	1100	1400	1500	
Weight enclosure IP20 [lb][kg]	14.3 [6.5]	14.3 [6.5]	14.3 [6.5]	14.3 [6.5]	-	14.3 [6.5]	14.6 [6.6]	14.6 [6.6]	12	12	12	51.8 [23.5]	51.8 [23.5]	51.8 [23.5]	35	35	50	50	
Weight enclosure IP21/55 [lb][kg]	29.8 [13.5]	29.8 [13.5]	29.8 [13.5]	29.8 [13.5]	29.8 [13.5]	29.8 [13.5]	31.3 [14.2]	31.3 [14.2]	23	23	23	27	27	27	45	45	65	65	
Efficiency <sup>4)</sup>	0.97	0.97	0.97	0.97	-	0.97	0.97	0.97	0.98	0.98	0.98	0.98	0.98	0.98	0.98	0.98	0.98	0.98	



Table 9.6: <sup>5)</sup> With brake and load sharing 95/ 4/0

**Line power supply (L1, L2, L3):**

Supply voltage	200–240 V ±10%, 380–480 V ±10%, 525–690 V ±10%
----------------	--

*AC line voltage low / line drop-out:*

*During low AC line voltage or a line drop-out, the adjustable frequency drive continues until the intermediate circuit voltage drops below the minimum stop level, which corresponds typically to 15% below the adjustable frequency drive's lowest rated supply voltage. Power-up and full torque cannot be expected at AC line voltage lower than 10% below the adjustable frequency drive's lowest rated supply voltage.*

Supply frequency	50/60 Hz ±5%
------------------	--------------

Max. imbalance temporary between line phases	3.0% of rated supply voltage
--	------------------------------

True Power Factor ( )	≥ 0.9 nominal at rated load
-----------------------	-----------------------------

Displacement Power Factor (cos) near unity	(> 0.98)
--	----------

Switching on input supply L1, L2, L3 (power-ups) ≤ enclosure type A	maximum twice/min.
---	--------------------

Switching on input supply L1, L2, L3 (power-ups) ≥ enclosure type B, C	maximum once/min.
--	-------------------

Switching on input supply L1, L2, L3 (power-ups) ≥ enclosure type D, E, F	maximum once/2 min.
---	---------------------

Environment according to EN60664-1	overvoltage category III / pollution degree 2
------------------------------------	---

*The unit is suitable for use on a circuit capable of delivering not more than 100,000 RMS symmetrical Amperes, 480/600 V maximum.*

**Motor output (U, V, W):**

Output voltage	0–100% of supply voltage
----------------	--------------------------

Output frequency	0–1000 Hz*
------------------	------------

Switching on output	Unlimited
---------------------	-----------

Ramp times	1–3600 sec.
------------	-------------

*\* Dependent on power size.*

**Torque characteristics:**

Starting torque (Constant torque)	maximum 110% for 1 min.*
-----------------------------------	--------------------------

Starting torque	maximum 135% up to 0.5 sec.*
-----------------	------------------------------

Overload torque (Constant torque)	maximum 110% for 1 min.*
-----------------------------------	--------------------------

*\*Percentage relates to the adjustable frequency drive's nominal torque.*

**Cable lengths and cross-sections:**

Max. motor cable length, shielded/armored	VLT HVAC Drive: 492 ft [150 m]
---	--------------------------------

Max. motor cable length, unshielded/unarmored	VLT HVAC Drive: 984 ft [300 m]
---	--------------------------------

Max. cross-section to motor, line power, load sharing and brake *	
---	--

Maximum cross-section to control terminals, rigid wire	0.0023 in <sup>2</sup> [1.5 mm <sup>2</sup> ]/16 AWG (2 x 0.00112 <sup>2</sup> in [0.75 mm <sup>2</sup> ])
--	--

Maximum cross-section to control terminals, flexible cable	0.0016 in <sup>2</sup> [1 mm <sup>2</sup> ]/18 AWG
--	--

Maximum cross-section to control terminals, cable with enclosed core	0.0008 in <sup>2</sup> [0.5 mm <sup>2</sup> ]/20 AWG
--	--

Minimum cross-section to control terminals	0.039 in <sup>2</sup> [0.25 mm <sup>2</sup> ]
--	---

*\* See Line Power Supply tables for more information!*

**Digital inputs:**

Programmable digital inputs	4 (6)
-----------------------------	-------

Terminal number	18, 19, 27 <sup>1)</sup> , 29 <sup>1)</sup> , 32, 33,
-----------------	---

Logic	PNP or NPN
-------	------------

Voltage level	0–24 V DC
---------------	-----------

Voltage level, logic '0' PNP	< 5 V DC
------------------------------	----------

Voltage level, logic '1' PNP	> 10 V DC
------------------------------	-----------

Voltage level, logic '0' NPN	> 19 V DC
------------------------------	-----------

Voltage level, logic '1' NPN	< 14 V DC
------------------------------	-----------

Maximum voltage on input	28 V DC
--------------------------	---------

Input resistance, R <sub>i</sub>	approx. 4 kΩ
----------------------------------	--------------

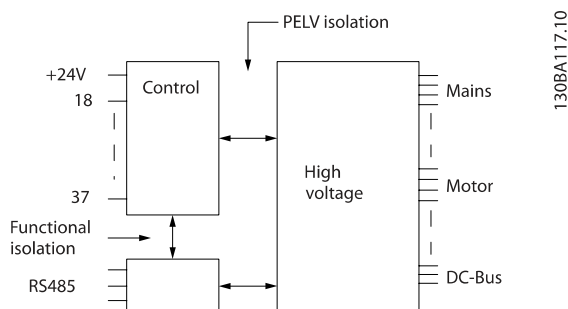
*All digital inputs are galvanically isolated from the supply voltage (PELV) and other high-voltage terminals.*

*1) Terminals 27 and 29 can also be programmed as output.*

Analog inputs:

Number of analog inputs	2
Terminal number	53, 54
Modes	Voltage or current
Mode select	Switch S201 and switch S202
Voltage mode	Switch S201/switch S202 = OFF (U)
Voltage level	: 0 to + 10 V (scaleable)
Input resistance, $R_i$	approx. 10 k $\Omega$
Max. voltage	$\pm$ 20 V
Current mode	Switch S201/switch S202 = ON (I)
Current level	0/4 to 20 mA (scaleable)
Input resistance, $R_i$	approx. 200 $\Omega$
Max. current	30 mA
Resolution for analog inputs	10 bit (+ sign)
Accuracy of analog inputs	Max. error 0.5% of full scale
Bandwidth	: 200 Hz

The analog inputs are galvanically isolated from the supply voltage (PELV) and other high-voltage terminals.



9

Pulse inputs:

Programmable pulse inputs	2
Terminal number pulse	29, 33
Max. frequency at terminal, 29, 33	110 kHz (push-pull driven)
Max. frequency at terminal, 29, 33	5 kHz (open collector)
Min. frequency at terminal 29, 33	4 Hz
Voltage level	see section on Digital input
Maximum voltage on input	28 V DC
Input resistance, $R_i$	approx. 4 k $\Omega$
Pulse input accuracy (0.1–1 kHz)	Max. error: 0.1% of full scale

Analog output:

Number of programmable analog outputs	1
Terminal number	42
Current range at analog output	0/4–20 mA
Max. resistor load to common at analog output	500 $\Omega$
Accuracy on analog output	Max. error: 0.8% of full scale
Resolution on analog output	8 bit

The analog output is galvanically isolated from the supply voltage (PELV) and other high-voltage terminals.

Control card, RS-485 serial communication:

Terminal number	68 (P,TX+, RX+), 69 (N,TX-, RX-)
Terminal number 61	Common for terminals 68 and 69

The RS-485 serial communication circuit is functionally seated from other central circuits and galvanically isolated from the supply voltage (PELV).



**Digital output:**

Programmable digital/pulse outputs	2
Terminal number	27, 29 <sup>1)</sup>
Voltage level at digital/frequency output	0–24 V
Max. output current (sink or source)	40 mA
Max. load at frequency output	1 kΩ
Max. capacitive load at frequency output	10 nF
Minimum output frequency at frequency output	0 Hz
Maximum output frequency at frequency output	32 kHz
Accuracy of frequency output	Max. error: 0.1% of full scale
Resolution of frequency outputs	12 bit

1) Terminal 27 and 29 can also be programmed as input.

The digital output is galvanically isolated from the supply voltage (PELV) and other high-voltage terminals.

**Control card, 24 V DC output:**

Terminal number	12, 13
Max. load	: 200 mA

The 24 V DC supply is galvanically isolated from the supply voltage (PELV), but has the same potential as the analog and digital inputs and outputs.

**Relay outputs:**

Programmable relay outputs	2
<b>Relay 01 Terminal number</b>	1-3 (break), 1-2 (make)
Max. terminal load (AC-1) <sup>1)</sup> on 1-3 (NC), 1-2 (NO) (Resistive load)	240 V AC, 2 A
Max. terminal load (AC-15) <sup>1)</sup> (Inductive load @ cosφ 0.4)	240 V AC, 0.2 A
Max. terminal load (DC-1) <sup>1)</sup> on 1-2 (NO), 1-3 (NC) (Resistive load)	60 V DC, 1 A
Max. terminal load (DC-13) <sup>1)</sup> (Inductive load)	24 V DC, 0.1 A
<b>Relay 02 Terminal number</b>	4-6 (break), 4-5 (make)
Max. terminal load (AC-1) <sup>1)</sup> on 4-5 (NO) (Resistive load) <sup>2)3)</sup>	400 V AC, 2 A
Max. terminal load (AC-15) <sup>1)</sup> on 4-5 (NO) (Inductive load @ cosφ 0.4)	240 V AC, 0.2 A
Max. terminal load (DC-1) <sup>1)</sup> on 4-5 (NO) (Resistive load)	80 V DC, 2 A
Max. terminal load (DC-13) <sup>1)</sup> on 4-5 (NO) (Inductive load)	24 V DC, 0.1 A
Max. terminal load (AC-1) <sup>1)</sup> on 4-6 (NC) (Resistive load)	240 V AC, 2 A
Max. terminal load (AC-15) <sup>1)</sup> on 4-6 (NC) (Inductive load @ cosφ 0.4)	240 V AC, 0.2 A
Max. terminal load (DC-1) <sup>1)</sup> on 4-6 (NC) (Resistive load)	50 V DC, 2 A
Max. terminal load (DC-13) <sup>1)</sup> on 4-6 (NC) (Inductive load)	24 V DC, 0.1 A
Min. terminal load on 1-3 (NC), 1-2 (NO), 4-6 (NC), 4-5 (NO)	24 V DC 10 mA, 24 V AC 20 mA
Environment according to EN 60664-1	overvoltage category III/pollution degree 2

1) IEC 60947 t 4 and 5

The relay contacts are galvanically isolated from the rest of the circuit by reinforced isolation (PELV).

2) Overvoltage Category II

3) UL applications 300 V AC 2 A

**Control card, 10 V DC output:**

Terminal number	50
Output voltage	10.5 V ±0.5 V
Max. load	25 mA

The 10 V DC supply is galvanically isolated from the supply voltage (PELV) and other high-voltage terminals.

**Control characteristics:**

Resolution of output frequency at 0–1000 Hz	: +/- 0.003 Hz
System response time (terminals 18, 19, 27, 29, 32, 33)	: ≤ 2 ms
Speed control range (open-loop)	1:100 of synchronous speed
Speed accuracy (open-loop)	30–4000 rpm: Maximum error of ±8 rpm

*All control characteristics are based on a 4-pole asynchronous motor*

**Surroundings:**

Enclosure type A	IP 20/Chassis, IP 21kit/Type 1, IP55/Type12, IP 66/Type12
Enclosure type B1/B2	IP 21/Type 1, IP55/Type12, IP 66/12
Enclosure type B3/B4	IP20/Chassis
Enclosure type C1/C2	IP 21/Type 1, IP55/Type 12, IP66/12
Enclosure type C3/C4	IP20/Chassis
Enclosure type D1/D2/E1	IP21/Type 1, IP54/Type12
Enclosure type D3/D4/E2	IP00/Chassis
Enclosure type F1/F3	IP21, 54/Type1, 12
Enclosure type F2/F4	IP21, 54/Type1, 12
Enclosure kit available ≤ enclosure type D	IP21/NEMA 1/IP 4x on top of enclosure
Vibration test enclosure A, B, C	1.0 g
Vibration test enclosure D, E, F	0.7 g
Relative humidity	5%–95% (IEC 721-3-3; Class 3K3 (non-condensing) during operation
Aggressive environment (IEC 60068-2-43) H <sub>2</sub> S test	class Kd
Test method according to IEC 60068-2-43 H <sub>2</sub> S (10 days)	
Ambient temperature (at 60 AVM switching mode)	
- with derating	max. 131°F [55°C] <sup>1)</sup>
- with full output power of typical EFF2 motors (up to 90% output current)	max. 122°F [50 °C] <sup>1)</sup>
- at full continuous FC output current	max. 113°F [45°C] <sup>1)</sup>

<sup>1)</sup> For more information on derating, see the Design Guide, section on Special Conditions.

Minimum ambient temperature during full-scale operation	32°F [0°C]
Minimum ambient temperature at reduced performance	14°F [- 10°C]
Temperature during storage/transport	-13°–+149°/158°F [-25°–+65°/70°C]
Maximum altitude above sea level without derating	3280 ft [1000 m]
Maximum altitude above sea level with derating	9842 ft [3000 m]

*Derating for high altitude, see section on special conditions.*

EMC standards, Emission	EN 61800-3, EN 61000-6-3/4, EN 55011, IEC 61800-3 EN 61800-3, EN 61000-6-1/2,
EMC standards, Immunity	EN 61000-4-2, EN 61000-4-3, EN 61000-4-4, EN 61000-4-5, EN 61000-4-6

*See section on special conditions!*

**Control card performance:**

Scan interval	: 5 ms
Control card, USB serial communication:	
USB standard	1.1 (Full speed)
USB plug	USB type B "device" plug

**CAUTION**

Connection to PC is carried out via a standard host/device USB cable.

The USB connection is galvanically isolated from the supply voltage (PELV) and other high-voltage terminals. The USB connection is not galvanically isolated from protection ground. Use only an isolated laptop/PC as the connection to the USB connector on the adjustable frequency drive or an isolated USB cable/drive.

**Protection and Features:**

---

- Electronic thermal motor protection against overload.
- Temperature monitoring of the heatsink ensures that the adjustable frequency drive trips if the temperature reaches  $203^{\circ}\text{F} \pm 9^{\circ}\text{F}$  [ $95^{\circ}\text{C} \pm 5^{\circ}\text{C}$ ]. An overload temperature cannot be reset until the temperature of the heatsink is below  $158^{\circ}\text{F} \pm 9^{\circ}\text{F}$  [ $70^{\circ}\text{C} \pm 5^{\circ}\text{C}$ ] (Guideline - these temperatures may vary for different power sizes, enclosures, etc.). The adjustable frequency drive has an auto derating function to avoid its heatsink reaching  $203^{\circ}\text{F}$  [ $95^{\circ}\text{C}$ ].
- The adjustable frequency drive is protected against short-circuits on motor terminals U, V, W.
- If a line phase is missing, the adjustable frequency drive trips or issues a warning (depending on the load).
- Monitoring of the intermediate circuit voltage ensures that the adjustable frequency drive trips if the intermediate circuit voltage is too low or too high.
- The adjustable frequency drive is protected against ground faults on motor terminals U, V, W.

## 9.2 Special Conditions

### 9.2.1 Purpose of Derating

Derating must be taken into account when using the adjustable frequency drive at low air pressure (heights), at low speeds, with long motor cables, cables with a large cross-section or at high ambient temperature. The required action is described in this section.

### 9.2.2 Derating for Ambient Temperature

90% adjustable frequency drive output current can be maintained up to max. 122°F [50°C] ambient temperature.

With a typical full load current of EFF 2 motors, full output shaft power can be maintained up to 122°F [50°C]. For more specific data and/or derating information for other motors or conditions, please contact Danfoss.

### 9.2.3 Automatic Adaptations to Ensure Performance

The adjustable frequency drive constantly checks for critical levels of internal temperature, load current, high voltage on the intermediate circuit and low motor speeds. As a response to a critical level, the adjustable frequency drive can adjust the switching frequency and / or change the switching pattern in order to ensure the performance of the adjustable frequency drive. The capability to automatically reduce the output current extends the acceptable operating conditions even further.

### 9.2.4 Derating for Low Air Pressure

The cooling capability of air is decreased at a lower air pressure.

At an altitude lower than 3,280 ft [1,000 m], no derating is necessary, but above 3,280 ft [1,000 m], the ambient temperature ( $T_{AMB}$ ) or max. output current ( $I_{out}$ ) should be derated in accordance with the diagram shown.

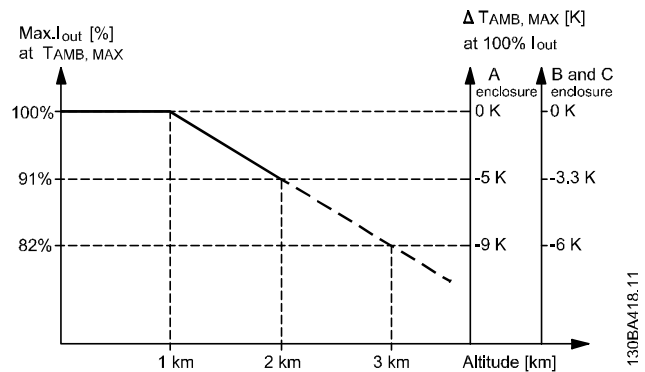
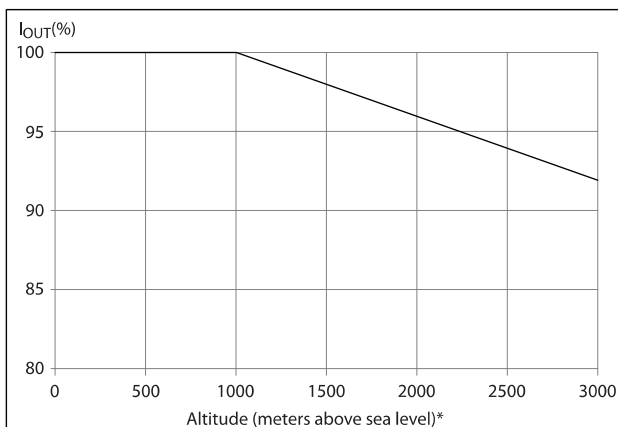
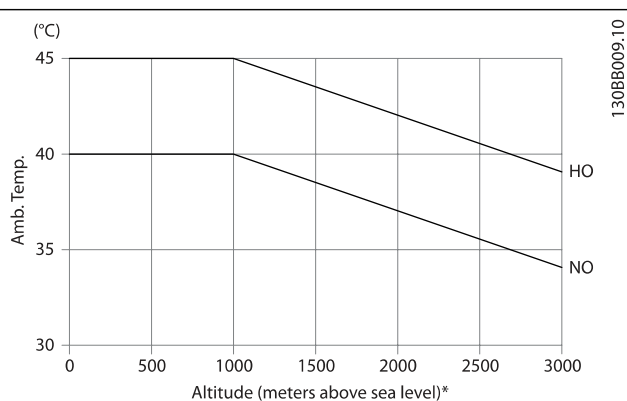


Figure 9.1: Derating of output current versus altitude at  $T_{AMB, MAX}$  for frame sizes A, B and C. At altitudes above 6,600 feet [2 km], please contact Danfoss regarding PELV.

An alternative is to lower the ambient temperature at high altitudes and thereby ensure 100% output current at high altitudes. As an example of how to read the graph, the situation at 6,600 ft [2 km] is elaborated. At a temperature of 113°F [45°C] ( $T_{AMB, MAX} - 3.3$  K), 91% of the rated output current is available. At a temperature of 107°F [41.7°C], 100% of the rated output current is available.



Derating of output current versus altitude at  $T_{AMB, MAX}$  for frame sizes D, E and F.



### 9.2.5 Derating for Running at Low Speed

When a motor is connected to an adjustable frequency drive, it is necessary to make sure that the cooling of the motor is adequate.

The level of heating depends on the load on the motor as well as the operating speed and time.

#### Constant torque applications (CT mode)

A problem may occur at low RPM values in constant torque applications. In a constant torque application, a motor may overheat at low speeds due to less cooling air from the motor integral fan.

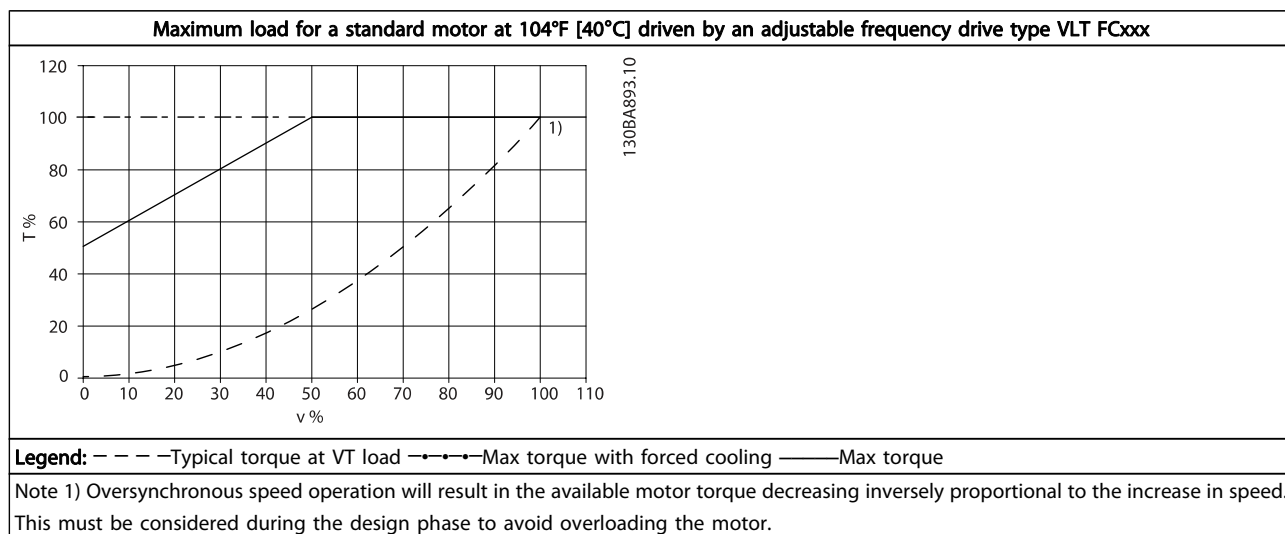
Therefore, if the motor is to be run continuously at an RPM value lower than half of the rated value, the motor must be supplied with additional air-cooling (or a motor designed for this type of operation may be used).

An alternative is to reduce the load level of the motor by choosing a larger motor. However, the design of the adjustable frequency drive limits the motor size.

#### Variable (quadratic) torque applications (VT)

In VT applications such as centrifugal pumps and fans, where the torque is proportional to the square of the speed and the power is proportional to the cube of the speed, there is no need for additional cooling or de-rating of the motor.

In the graphs shown below, the typical VT curve is below the maximum torque with de-rating and maximum torque with forced cooling at all speeds.





## Index

### A

Abbreviations And Standards	1-3
AC Brake Max. Current 2-16	7-15
AC line input connections for A2 and A3	4-9
AC Line Input Connections for B1, B2 and B3	4-11
AC line input connections for B4, C1 and C2	4-12
AC line input connections for C3 and C4	4-13
Access To Control Terminals	4-24
Accessory Bags	3-5
Adjustable Frequency Drive	4-29
Adjustable Frequency Drive Identification	1-4
Alarm/warning Code List	8-3
Alarms And Warnings	8-1
AMA	5-4, 5-7
Analog Inputs	9-8
Analog Output	9-8
Application Examples	5-6
Auto Energy Optimization Compressor	7-11
Auto Energy Optimization Vt	7-11
Auto Tune	4-29
Automatic Adaptations To Ensure Performance	9-12
Automatic Motor Adaptation	5-7
Automatic Motor Adaptation (ama)	4-29, 7-12
AWG	9-1

### B

Brake Connection Option	4-21
Brake Function 2-10	7-15
Branch Circuit Protection	4-3
Broken Belt Delay 22-62	7-32
Broken Belt Function 22-60	7-32
Broken Belt Torque 22-61	7-32

### C

Cable Lengths And Cross-sections	9-7
Caution	2-2
Changes Made	5-1
Changing A Group Of Numeric Data Values	7-5
Changing A Text Value	7-5
Changing Data	7-5
Changing Data Values	7-6
Changing Parameter Data	5-1
Checklist	3-1
Closed-loop Type 20-70	7-29
Coast Inverse	5-2
Coasting	6-4
Commissioning	5-1
Communication Option	8-8
Configuration Mode 1-00	7-11
Constant Torque Applications (ct Mode)	9-13
Control Cables	4-3
Control Card Performance	9-10
Control Card, 10 V Dc Output	9-9
Control Card, 24 V Dc Output	9-9
Control Card, Rs-485 Serial Communication:	9-8
Control Card, Usb Serial Communication:	9-10
Control Characteristics	9-10
Control Terminals	4-25
Cooling	7-13
Cooling Conditions	3-6
Copyright, Limitation Of Liability And Revision Rights	1-2

### D

Date And Time 0-70	7-11
Date Format 0-71	7-11
DC Bus Connection	4-19
DC Hold/Preheat Current 2-00	7-14
DC link	8-5
Default Settings	5-5
Derating For Ambient Temperature	9-12
Derating For Low Air Pressure	9-12
Derating For Running At Low Speed	9-13
Digital Inputs:	9-7
Digital Output	9-9
Display Line 1.1 Small 0-20	7-7
Display Text 1 0-37	7-10
Display Text 2 0-38	7-10
Display Text 3 0-39	7-10
Disposal Instructions	2-5
Dry Pump Delay 22-27	7-31
Dry Pump Function 22-26	7-31
DST/Summertime 0-74	7-11
DST/Summertime End 0-77	7-11
DST/Summertime Start 0-76	7-11

### E

Electrical Installation	4-2
Electrical Ratings	2-2
Electronic Waste	2-5
Example Of Changing Parameter Data	5-1

### F

Fault Messages	8-5
Feedback 1 Conversion 20-01	7-24
Feedback 1 Source 20-00	7-24
Feedback 1 Source Unit 20-02	7-25
Feedback 2 Conversion 20-04	7-25
Feedback 2 Source 20-03	7-25
Feedback 3 Conversion 20-07	7-26
Feedback 3 Source 20-06	7-25
Feedback Function 20-20	7-26
Final Optimization And Test	4-29
Fire Mode Live Zero Timeout Function 6-02	7-20
Flow At Design Point 22-89	7-34
Flow At Rated Speed 22-90	7-34
Flow Compensation 22-80	7-33
Flying Start 1-73	7-13
Function At Stop 1-80	7-13
Function Relay 5-40	7-19
Function Set-ups	7-1
Fuses	4-3

### G

General Specifications	9-7
General Warning	2-1
GLCP	5-4
Graphical Display	6-1
Grounding And It Line Power	4-7

### H

High Power Series Ac Line Input And Motor Connections	4-1
High-voltage Warning	2-1
How To Connect A Pc To The Adjustable Frequency Drive	5-3

How To Connect To Line Power And Grounding For B1 And B2 ..... 4-11

How To Operate The Graphical (glcp) ..... 6-1

**I**

Indexed Parameters ..... 7-6

Initialization ..... 5-5

Installation At High Altitudes ..... 2-2

Installation At High Altitudes (pelv) ..... 2-3

Interval Between Starts 22-76 ..... 7-32

**J**

[Jog Speed Hz] 3-11 ..... 7-16

[Jog Speed Rpm] 3-19 ..... 7-17

**K**

KTY sensor ..... 8-6

**L**

Language 0-01 ..... 7-7

Language Package 1 ..... 7-7

Language Package 2 ..... 7-7

LCP 102 ..... 6-1

LEDs ..... 6-1,6-3

Line Power Supply ..... 9-1,9-5

Line Power Wiring Overview ..... 4-8

Literature ..... 1-2

Live Zero Timeout Function 6-01 ..... 7-20

Loggings ..... 5-1

Low Power Auto Set-up 22-20 ..... 7-30

Low Power Detection 22-21 ..... 7-30

Low Speed Detection 22-22 ..... 7-31

**M**

Main Menu ..... 7-37

Main Menu Mode ..... 6-4

Main Reactance ..... 7-12

Maximum Boost Time 22-46 ..... 7-32

Maximum Feedback Level 20-74 ..... 7-29

Maximum Reference 3-03 ..... 7-15

Maximum Reference/feedb. 20-14 ..... 7-26

MCT 10 ..... 5-3

Mechanical Dimensions ..... 3-3

Mechanical Mounting ..... 3-6

Minimum Feedback Level 20-73 ..... 7-29

Minimum Reference 3-02 ..... 7-15

Minimum Reference/feedb. 20-13 ..... 7-26

Minimum Run Time 22-40 ..... 7-31,7-33

Minimum Sleep Time 22-41 ..... 7-31

Motor Connection For C3 And C4 ..... 4-18

Motor Current 1-24 ..... 7-12

Motor Frequency 1-23 ..... 7-12

Motor Nameplate ..... 4-29

Motor Nominal Speed 1-25 ..... 7-12

Motor Output ..... 9-7

Motor Parameters ..... 5-7

[Motor Power Hp] 1-21 ..... 7-12

[Motor Power Kw] 1-20 ..... 7-12

Motor Protection ..... 7-13,9-11

Motor Rotation Check 1-28 ..... 7-12

Motor Speed Direction 4-10 ..... 7-17

[Motor Speed High Limit Hz] 4-14 ..... 7-17

[Motor Speed High Limit Rpm] 4-13 ..... 7-17

[Motor Speed Low Limit Hz] 4-12 ..... 7-17

[Motor Speed Low Limit Rpm] 4-11 ..... 7-17

Motor Thermal Protection 1-90 ..... 7-13

Motor Voltage 1-22 ..... 7-12

Motor Wiring Overview ..... 4-15

**N**

Nameplate Data ..... 4-29

Nameplate Data. .... 4-29

NLCP ..... 6-6

No Operation ..... 5-2

No-flow Delay 22-24 ..... 7-31

No-flow Function 22-23 ..... 7-31

Non-ul Fuses 200 V To 480 V ..... 4-4

**O**

Output Performance (u, V, W) ..... 9-7

Overcurrent Protection ..... 4-3

Over-voltage Control 2-17 ..... 7-15

**P**

Panel Through Mounting ..... 3-7

Parameter Data ..... 5-1

Parameter Set-up ..... 7-35

PC Software Tools ..... 5-3

PELV ..... 2-3

PID Autotuning 20-79 ..... 7-29

PID Integral Time 20-94 ..... 7-30

PID Normal/ Inverse Control 20-81 ..... 7-30

PID Output Change 20-72 ..... 7-29

PID Performance 20-71 ..... 7-29

PID Proportional Gain 20-93 ..... 7-30

[PID Start Speed Hz] 20-83 ..... 7-30

[PID Start Speed RPM] 20-82 ..... 7-30

Preset Reference 3-10 ..... 7-16

Pressure At No-flow Speed 22-87 ..... 7-34

Pressure At Rated Speed 22-88 ..... 7-34

Profibus DP-V1 ..... 5-3

Protection And Features ..... 9-11

Pulse Inputs ..... 9-8

Pulse Start/stop ..... 5-6

**Q**

Quick Menu ..... 6-3,7-37

Quick Menu Mode ..... 6-3

Quick Transfer Of Parameter Settings When Using Glcp ..... 5-4

**R**

Ramp 1 Ramp-down Time 3-42 ..... 7-17

Ramp 1 Ramp-up Time 3-41 ..... 7-17

Reference 1 Source 3-15 ..... 7-16

Reference 2 Source 3-16 ..... 7-16

Relay Connection ..... 4-22

Relay Output ..... 4-24

Relay Outputs ..... 9-9

RS-485 Bus Connection ..... 5-2

**S**

Safe Stop Of The Adjustable Frequency Drive ..... 2-3

Safety Note ..... 2-1

Safety Regulations ..... 2-1

Safety Requirements Of Mechanical Installation ..... 3-7

Semi-auto Bypass Set-up 4-64 ..... 7-18



Serial Communication	9-10
Setpoint 1 20-21	7-29
Setpoint 2 20-22	7-29
Setpoint Boost 22-45	7-32
Shielded/armored	4-3
Short Cycle Protection 22-75	7-32
Side-by-side Installation	3-6
Sine-wave Filter	4-14
Software Version	1-1
[Speed At Design Point Hz] 22-86	7-34
[Speed At Design Point Rpm] 22-85	7-34
[Speed At No-flow Hz] 22-84	7-34
[Speed At No-flow Rpm] 22-83	7-34
Square-linear Curve Approximation 22-81	7-33
Start Delay 1-71	7-13
Start/stop	5-6
Stator Leakage Reactance	7-12
Status	6-3
Status Messages	6-1
Step-by-step	7-6
Surroundings:	9-10
Switches S201, S202, And S801	4-28
Switching Frequency 14-01	7-24

## T

Terminal 27 Digital Input 5-12	7-18
Terminal 27 Mode 5-01	7-18
Terminal 29 Digital Input 5-13	7-18
Terminal 29 Mode 5-02	7-18
Terminal 42 Output 6-50	7-22
Terminal 42 Output Max Scale 6-52	7-22
Terminal 42 Output Min Scale 6-51	7-22
Terminal 53 Filter Time Constant 6-16	7-21
Terminal 53 High Current 6-13	7-21
Terminal 53 High Ref./feedb. Value 6-15	7-21
Terminal 53 High Voltage 6-11	7-20
Terminal 53 Live Zero 6-17	7-21
Terminal 53 Low Current 6-12	7-21
Terminal 53 Low Ref./feedb. Value 6-14	7-21
Terminal 53 Low Voltage 6-10	7-20
Terminal 54 Filter Time Constant 6-26	7-22
Terminal 54 High Current 6-23	7-21
Terminal 54 High Ref./feedb. Value 6-25	7-22
Terminal 54 High Voltage 6-21	7-21
Terminal 54 Live Zero 6-27	7-22
Terminal 54 Low Current 6-22	7-21
Terminal 54 Low Ref./feedb. Value 6-24	7-21
Terminal 54 Low Voltage 6-20	7-21
Thermistor	7-13
Thermistor Source 1-93	7-14
Three Ways Of Operating	6-1
Tightening Of Terminals	4-1
Time Format 0-72	7-11
Torque Characteristics 1-03	7-11,9-7
[Trip Speed Low Hz] 1-87	7-13
[Trip Speed Low Rpm] 1-86	7-13
Type Code String (t/c)	1-4
Type Code String Low And Medium Power	1-5

## U

UL fuses, 200–240 V	4-5
USB connection	4-25

## V

Variable (quadratic) Torque Applications (vt)	
---	--

Voltage Level	9-7
---------------	-----

## W

Wake-up Ref./fb Difference 22-44	7-32
[Wake-up Speed Hz] 22-43	7-32
[Wake-up Speed Rpm] 22-42	7-32
Warning Against Unintended Start	2-2
Warning Feedback High 4-57	7-17
Warning Feedback Low 4-56	7-17
Warning Speed High 4-53	7-17
Wiring Example And Testing	4-19
Work Point Calculation 22-82	7-33