



RDJ10RF



RCR10/433

Wireless room temperature controller with 24-hour time switch and large LCD

RDJ10RF/SET

Programmable, for heating systems

- Operating modes: Automatic, Comfort, Energy Saving, and Frost Protection
- Large LCD
- Battery-powered: 2 x alkaline type AA batteries, 1.5 V
- RCR10/433 receiver

Use

The RDJ10RF is used to control the room temperature in heating or cooling systems.

Typical applications:

- Homes
- Residential buildings
- Schools
- Offices

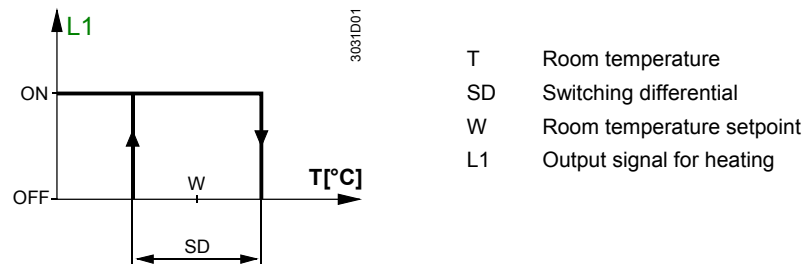
The controller is used together with the following equipment:

- Thermal valves or zone valves
- Combi boilers
- Gas or oil burners
- Fans
- Pumps

Functions

The controller acquires the room temperature with its integrated sensor.

Function diagram



Temperature sensor


The RDJ10RF provides room temperature control only.

Operating modes


The RDJ10RF provides the following modes: Automatic, Comfort, Energy Saving, and Frost Protection.

The changeover between the operating modes is made by moving the operating mode slider to the respective position.


Automatic mode

When Automatic mode is active, symbol  appears on the display. The RDJ10RF operates according to the selected 24-hour time program.

Comfort mode

When Comfort mode is active, symbol  appears on the display. The RDJ10RF controls to the temperature setpoint adjusted at T_{gear} . This setpoint can be readjusted by setting the programming slider to T_{gear} .

Energy Saving mode

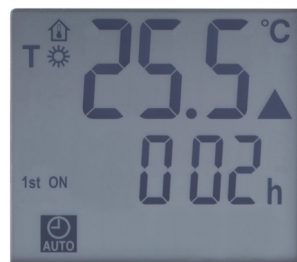
When Energy Saving mode is active, symbol  appears on the display. The RDJ10RF controls to the temperature setpoint adjusted at T_{C} . This setpoint can be readjusted by setting the programming slider to T_{C} .

Frost Protection

When Frost Protection is active, symbol  appears on the display. The RDJ10RF controls to the fixed temperature setpoint for frost protection.

Display

The digital display shows the actual room temperature and the comfort temperature setpoint. When the heating output is active, the triangle symbol appears.



Backup

When taking out the batteries, the setpoints and the information required for operating mode changeover are retained for max. 2 minutes.

Ordering

When ordering, please give name and product number: Room temperature controller RDJ10RF/SET.

Valves and actuators are to be ordered as separate items.

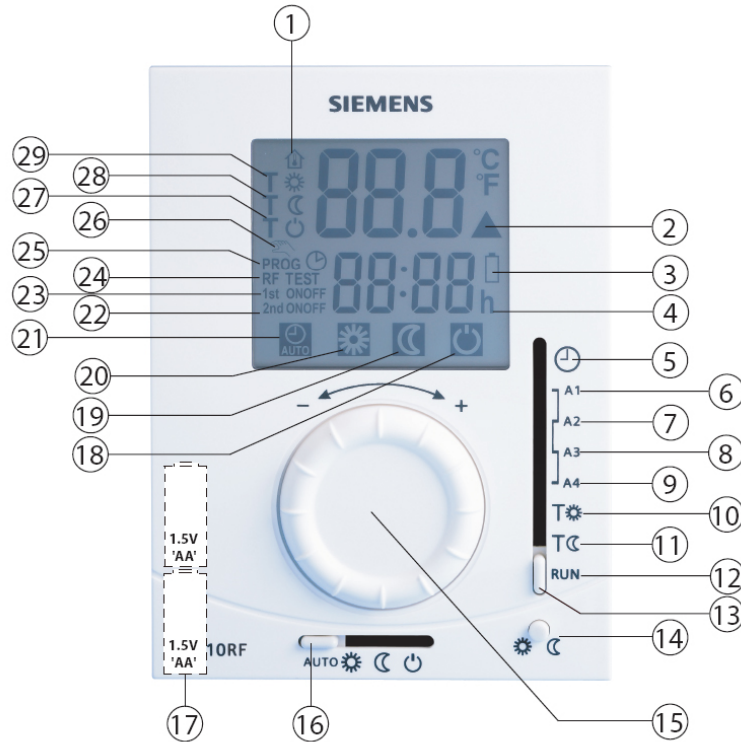
Equipment combinations

Type of unit	Product number	Data sheet
Electromotoric actuator	SFA21...	4863
Electrothermal actuator (for radiator valves)	STA21...	4877
Electrothermal actuator (for small valves 2.5 mm)	STP21...	4878
2- or 3-port zone valve	MXI/MVI421...	4867
Electromotoric actuator for zone valves V..146..	SUA21	4830
Electric actuator	SUA11/22	4832
Air damper actuator	GDB...	4624
Air damper actuator	GSD/GQD...	4606
Air damper actuator	GXD...	4622

The unit consists of 4 parts:







- Plastic housing with digital display accommodating the electronics, operating elements and built-in room temperatures sensor
- Baseplate (mounting base)
- Removable battery compartment
- Fold-out stand

The housing engages in the baseplate and snaps on. There is a reset button on the rear of the unit.



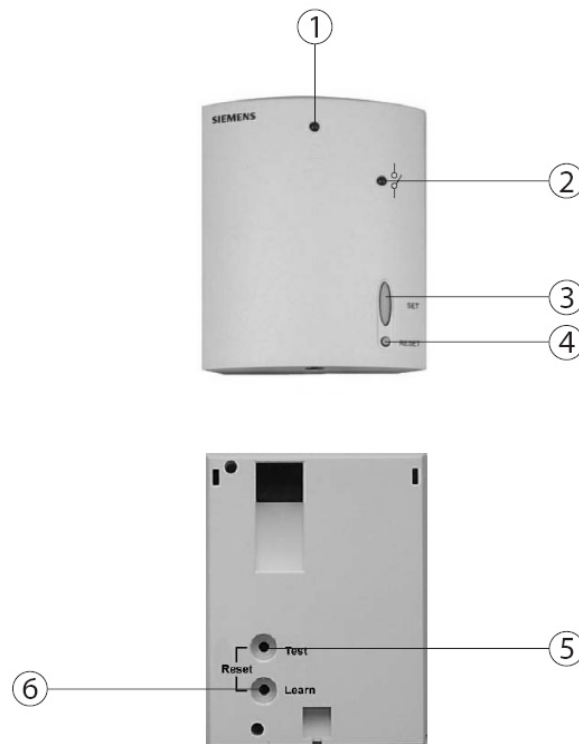
Key

- 1 Display of the room temperature in °C
- 2 Indicates a request for heat
- 3 Indicates low battery power; replace batteries
- 4 Time of day (00:00...23:59 format)
- 5 Time setting position
- 6 First switch ON time
- 7 First switch OFF time
- 8 Second switch ON time
- 9 Second switch OFF time
- 10 Comfort temperature setting
- 11 Energy saving temperature setting
- 12 RUN position
- 13 Programming slider
- 14 Advance button (override / presence button)
- 15 Temperature setting knob
- 16 Operating mode slider
- 17 Battery compartment
- 18 Frost Protection; the RDJ10RF controls to the fixed temperature setpoint for frost protection
- 19 Energy Saving mode; the RDJ10RF controls continuously to the energy saving temperature setpoint

- 20  Comfort mode; the RDJ10RF controls continuously to the comfort temperature setpoint
- 21  Automatic mode; the RDJ10RF operates according to the selected time and temperature program
- 22 Indicates second switch ON / OFF time
- 23 Indicates first switch ON / OFF time
- 24 RF
TEST Indicates RF signal test
- 25 Indicates that programming is taking place.
- 26  Setpoint is overridden temporarily until the next switching time
- 27  The RDJ10RF controls to the fixed frost protection temperature setpoint
- 28  The RDJ10RF controls to the adjusted energy saving temperature setpoint
- 29  The RDJ10RF controls to the adjusted comfort temperature setpoint

Mechanical design

The RCR10/433 receiver is located in a plastic housing with LEDs and buttons.



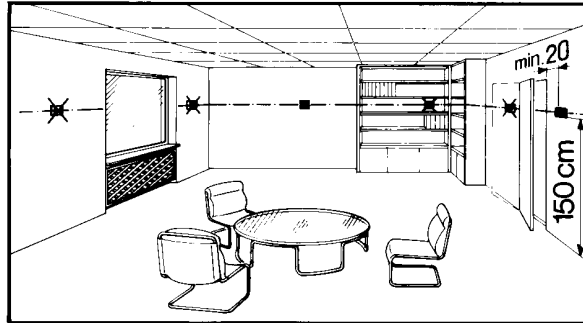
Key

- 1 LED signal indicator
- 2 LED relay indicator
- 3 SET button
- 4 RESET button
- 5 Test button
- 6 Learn button

Mount the room temperature controller in a location where the air temperature can be acquired as accurately as possible without getting adversely affected by direct solar radiation or other heat or refrigeration sources.

The controller can also be used in a portable manner. It features a fold-out stand allowing it to be placed on a horizontal surface such as a bedside table.

Mounting height is about 1.5 m above the floor.



The unit can be fitted to a recessed conduit box.

Mounting, installation and commissioning

When mounting the controller, fix the baseplate first. The receiver does not require any baseplate. Make the electrical connections and fit and secure the receiver (also refer to the separate mounting instructions).


Mount the controller on a flat wall and in compliance with local regulations.

If there are thermostatic radiator valves in the reference room, set them to their fully open position.

Maintenance

Controller and receiver are maintenance-free.

Change of batteries

If the battery symbol  appears, the batteries are almost exhausted and must be replaced.

Reset

To reset the controller, press both the Test and Learn buttons on the rear of the unit.




To reset the receiver, press the RESET button on the unit front.

All individual settings are then reset to their default values.

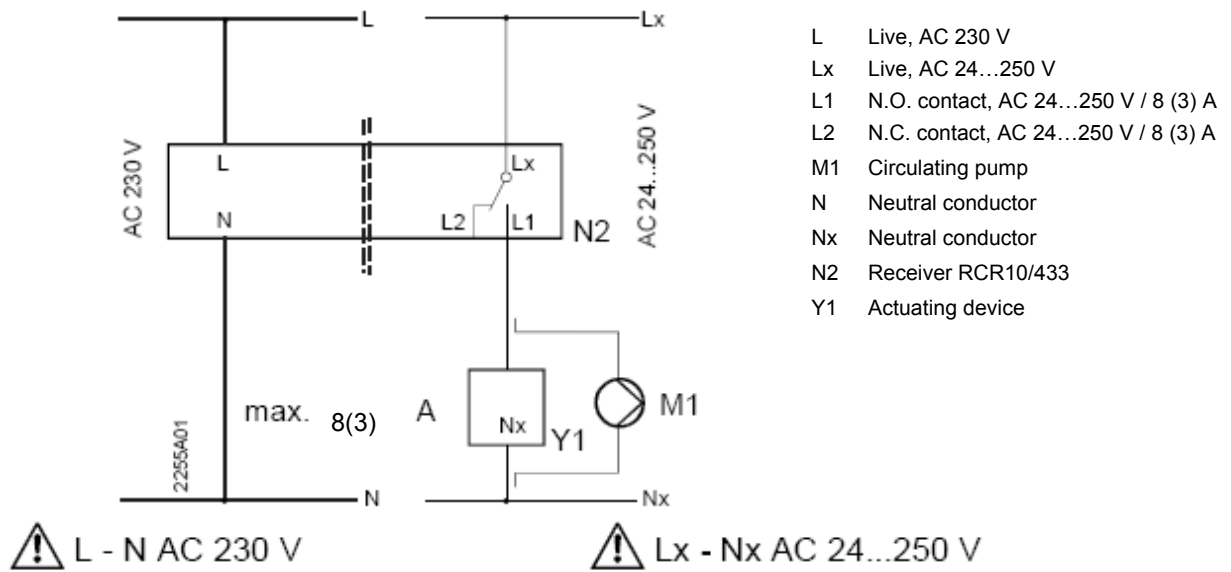
Technical data

Power supply	Operating voltage Battery life	DC 3 V (2 x 1.5 V AA alkaline batteries) >1 year (AA alkaline batteries)
Sensor inputs	Internal: Thermistor	10 kΩ ± 1% at 25 °C
Operational data	Switching differential SD Setpoint setting range Factory setting comfort setpoint Factory setting for energy saving mode Resolution of settings and displays Setpoints Actual value displays Display of time of day	1 K 5...30 °C (Comfort mode) 5...30 °C (Energy Saving mode) 5 °C (Frost Protection, fixed value) 20 °C 10 °C 0.5 °C 0.5 °C 1 min
Environmental conditions	Operation Climatic conditions Temperature Humidity Transport Climatic conditions Temperature Humidity Mechanical conditions Storage Climatic conditions Temperature Humidity	IEC 721-3-3 Class 3K5 0...+40 °C <90% r.h. IEC 721-3-2 Class 2K3 -25...+60 °C <95 % r. h. Class 2M2 IEC 721-3-1 Class 1K3 -10...+60 °C <90% r.h.
Standards	CE conformity to EMC directive Low-voltage directive Radio equipment C-tick conformity to Test standards and requirements Test standards for radio equipment Product safety Automatic electrical controls for household and similar use Information technology equipment - Safety - General Requirements Generic standards - Compliance to lower power electronic apparatus Electromagnetic compatibility and radio spectrum matters—Short range devices Electromagnetic compatibility and radio spectrum matters – EMC Safety class Pollution degree Degree of protection of housing	2004/108/EC 2006/95/EC 1999/5/EC EN 61000-6-3, AS/NZS 4251.1: 1999 AS/NZS 4268: 2003 EN 60 730-1 and EN 60 730-2-9 EN 60950-1 EN 50371-1 EN 300220-3 V1.1.1 EN 301489-3 V1.4.1 III as per EN 60950-1 2 IP20
General	Weight (including package) RDJ10RF/SET Color of housing front Housing material	515 g Signal-white RAL9003 ABS (LCD lens: PC)

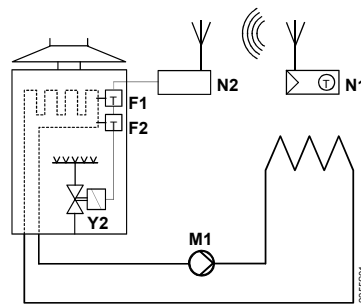
Receiver RCR10/433

General unit data	Operating voltage	AC 230 V +10/-15%
	Power	<10 VA
	Frequency	50...60 Hz
	Switching capacity of relays	
	Voltage	AC 24...250 V
	Current	8 (3) A
Outputs	Relay contacts	
 Switching outputs (LX, L1, L2)	Switching voltage	Max. AC 250 V Min. AC 24 V
	Switching current At 250 V	Max. 8 A res., 3 A ind. Min. 200 mA
	Contact life at AC 250 V At 5 A res.	Guide value: 1 x 10 ⁵ cycles
	Insulating strength	
	Between relay contacts and coil	AC 5,000 V
	Between relay contacts (same pole)	AC 2,500 V
Electrical connections	Connection terminals	Screw terminals
	For solid wires	2 x 1.5 mm ²
	For stranded wires	1 x 2.5 mm ² (min. 0.5 mm ²)
Environmental conditions	Operation	IEC 60 721-3
	Climatic conditions	Class 3K3
	Temperature	0...+45 °C
	Humidity	<85% r.h.
	Storage and transport	IEC 60 721-3
	Climatic conditions	Class 2K3
	Temperature	-25...+70 °C
	Humidity	<93% r.h.
	Mechanical conditions	Class 2M2
	Standards	 conformity
EMC directives		2004/108/EC
Low-voltage directives		2006/95/EC
Radio equipment		1999/5/EC
Product safety		
Automatic electrical controls for household and similar use		EN 60 730-1 and EN 60 730-2-9
Information technology equipment - Safety - General Requirements		EN 60950-1
Generic standards - Compliance to lower power electronic apparatus	EN 50371-1	
Electromagnetic compatibility and radio spectrum matters—Short range devices	EN 300220-3 V1.1.1	
Electromagnetic compatibility and radio spectrum matters – EMC	EN 301489-3 V1.4.1	
 approval in the following countries	All ECC countries, Norway, Iceland and Switzerland	
Safety class	II as per EN 60 730	
Degree of pollution	2	
Color	Unit front	Signal-white RAL 9003
	Base	Gray RAL 7035
	Dimensions	83x104x32 mm

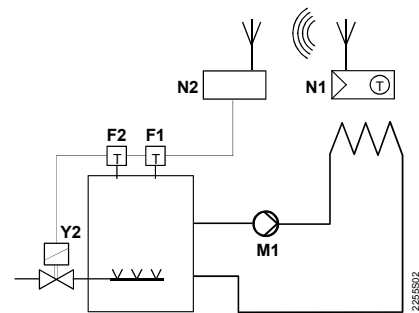
Connection diagram



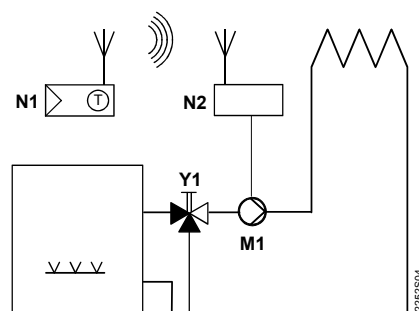
Application examples



Wireless room temperature controller with receiver control of a gas-fired wall-hung boiler



Wireless room temperature controller with receiver control of atmospheric gas burner



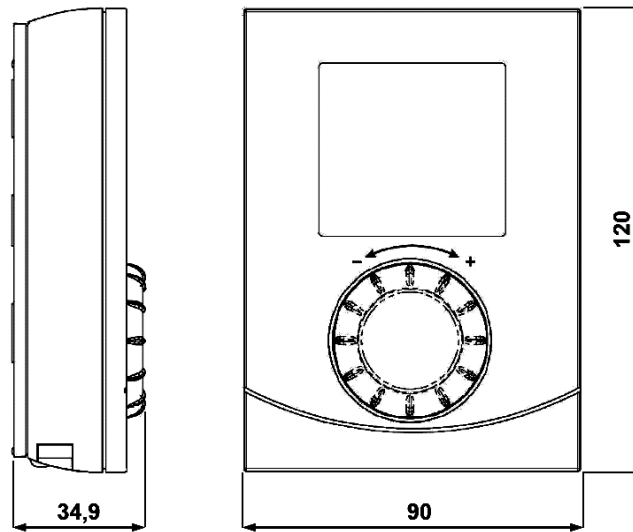
Wireless room temperature controller with receiver control of a heating circuit pump (precontrol by manual mixing valve)

F1 Thermal reset limit thermostat
 F2 Safety limit thermostat
 M1 Circulating pump

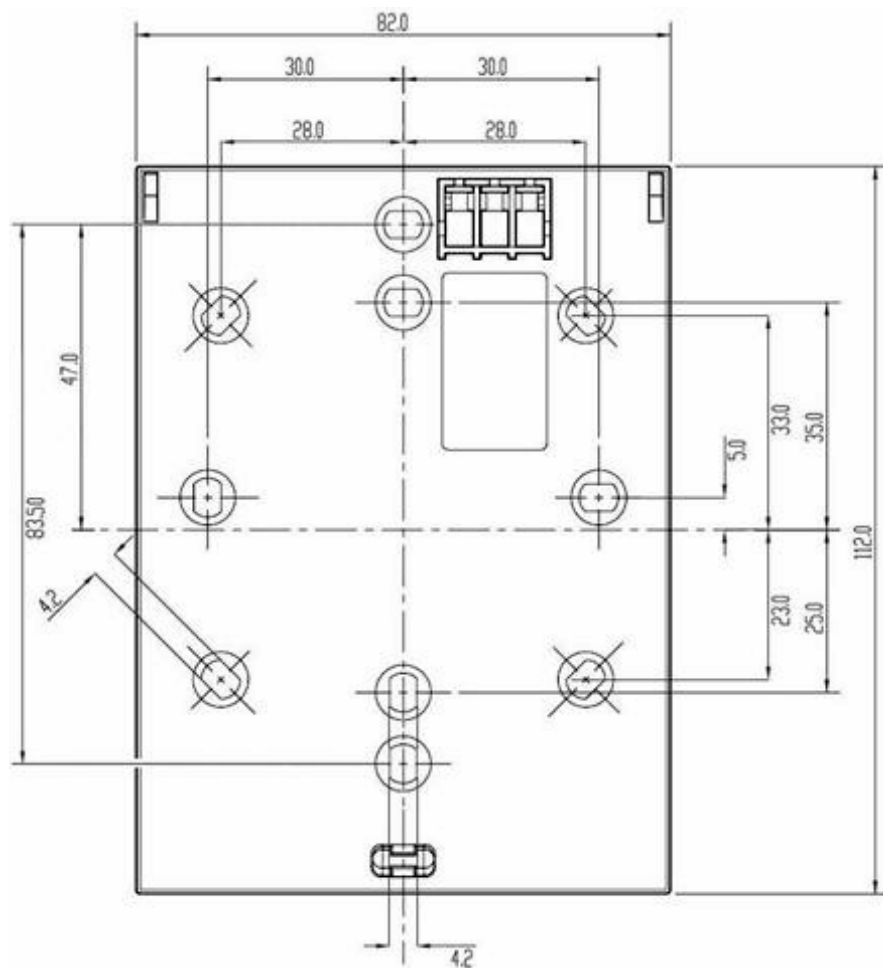
N1 Room temperature controller RDJ10RF
 N2 Receiver RCR10/433
 Y1 3-port valve with manual adjustment
 Y2 Magnetic valve

Dimensions

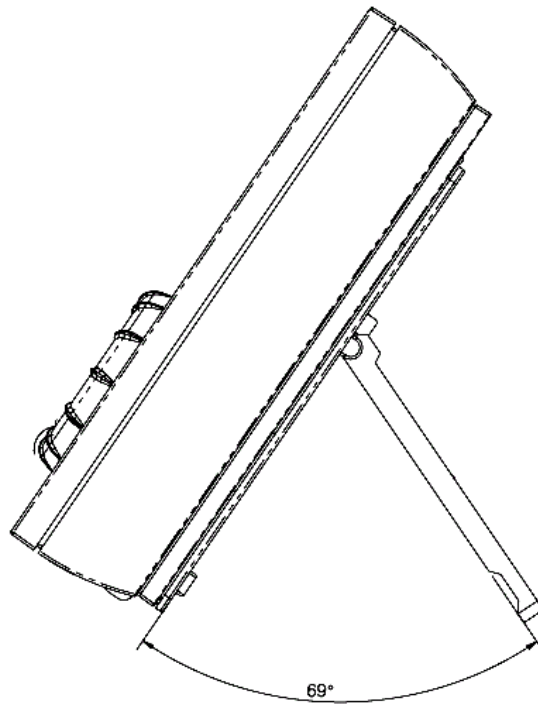
Room temperature controller



Baseplate



With fold-out stand



Receiver

