



# CONVENTIONAL FIRE ALARM SYSTEM



## TFP-404

4 Zone Conventional Fire Alarm Panel



TFP-404 supports 4 zones and maximum 32 Conventional detectors and manual call points. It is the first choice of professionals with its solid metal body design, easy installation, and high performance.

### GENERAL FEATURES

- EN 54-2 and EN 54-4 Certified
- Fully Monitorable 4 Zone Capacity
- Maximum 32 Conventional Detectors for Each Zone
- User-friendly, Easy to Manage Indicator Panel
- Separate Fire and Error LEDs for Each Zone
- Smart Battery Charging Feature Extending Battery Life
- Smart Start Feature that Prevents Direct Starting from the Battery
- Walk-through Test Function that can be Performed by a Single Person
- Disabling of Each Zone Individually
- Supervision for Siren Outputs and Zone Inputs Against Faulty Connections with EOL Resistances
- 2X 500mA Siren Outputs Allowing Maximum 50 Sounder Connection (if used Teknim TFS-3192 sounders)
- 24VDC 500mA External Supply Output with Automatic Fuse (AUX)
- 1X NC/NO Fire Relay (Button alarm, detector alarm, etc.)
- 1X NC/NO Error Relay (Energy failure, zone failure, battery failure etc.)
- Key Lock to Prevent Unauthorized Access
- Switch Mode Power Supply (SMPS) (27.6VDC SMPS 1.5Ah Automatic Fuse)

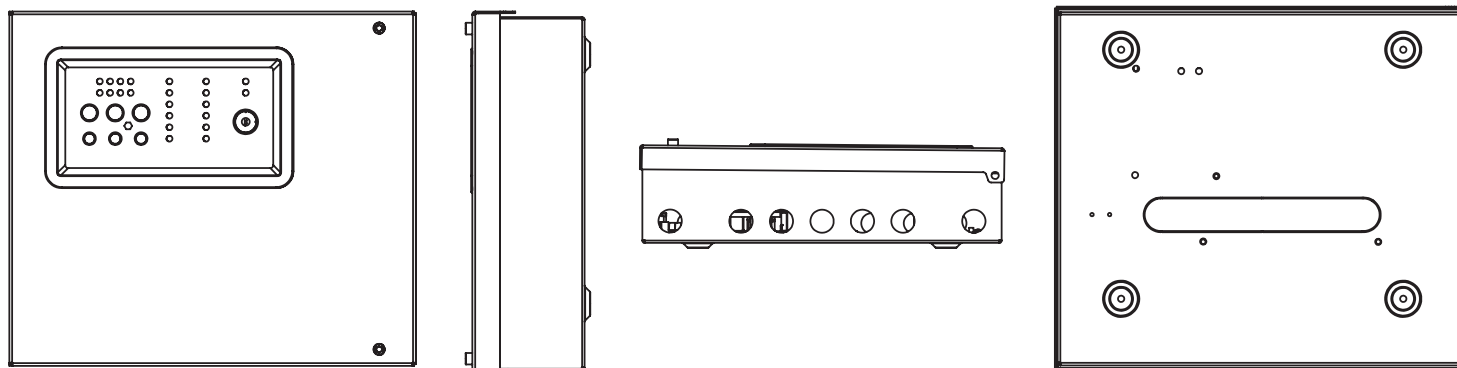


# TFP-404

4 Zone Conventional Fire Alarm Panel



General Specifications	TFP-404
Standard	EN54-2 / EN54-4
Zones	4
Maximum Numbers of Detectors	32
EOL	4K7 ohm, %5, 1/4W
Operating Voltage	230 / 110 VAC (+%10 / -%15)
Operating Frequency	50 / 60 Hz (±%5)
Power Fuse	2A
Backup Battery	2X 12V, 7Ah
Imin	75mA
I <sub>maxA</sub>	500 mA
I <sub>maxB</sub>	1,5 A
Number of Monitored Sounder Outputs	2X 500mA
Sounder EOL	4K7 ohm, %5, 1/4W
General Error Relay	1X NC/NO Dry Contact, 30V 2Ah
Fire Relay	1X NC/NO Dry Contact, 30V 2Ah
AUX	1X 24VDC 500mA
Dimensions (mm)	340 x 300 x 100 mm
Body material and color	Metal - Light Grey
Weight	4,4Kg (Without Battery)
Operating Temperature	-10°C ~ 55°C
Humidity	95% RH
Protection Class	IP30



## TFP-408

8 Zone Conventional Fire Alarm Panel



TFP-408 has 8 zones and maximum 32 Conventional fire detectors and manual call points can be connected to each zone. It is the first choice of professionals with its elegant metal body design, easy installation and high performance. The panel meets all technical values required under European Standards.

### GENERAL FEATURES

- Maximum 32 Conventional Detectors for Each Zone
- User-friendly, Easy to Manage Indicator Panel
- Separate Fire and Error LEDs for Each Zone
- Smart Battery Charging Feature Extending Battery Life
- Smart Start Feature that Prevents Direct Starting from the Battery
- Walk-through Test Function that can be Performed by a Single Person
- Disabling of Each Zone Individually
- Supervision for Siren Outputs and Zone Inputs Against Faulty Connections with EOL Resistances
- 2X 500mA Siren Outputs Allowing Maximum 50 Sounder Connection (if used Teknim TFS-3192 sounders)
- 24VDC 500mA External Supply Output with Automatic Fuse (AUX)
- 1X NC/NO Fire Relay (Button alarm, detector alarm, etc.)
- 1X NC/NO Error Relay (Energy failure, zone failure, battery failure etc.)
- Key Lock to Prevent Unauthorized Access
- Switch Mode Power Supply (SMPS) (27.6VDC SMPS 1.5Ah Automatic Fuse)

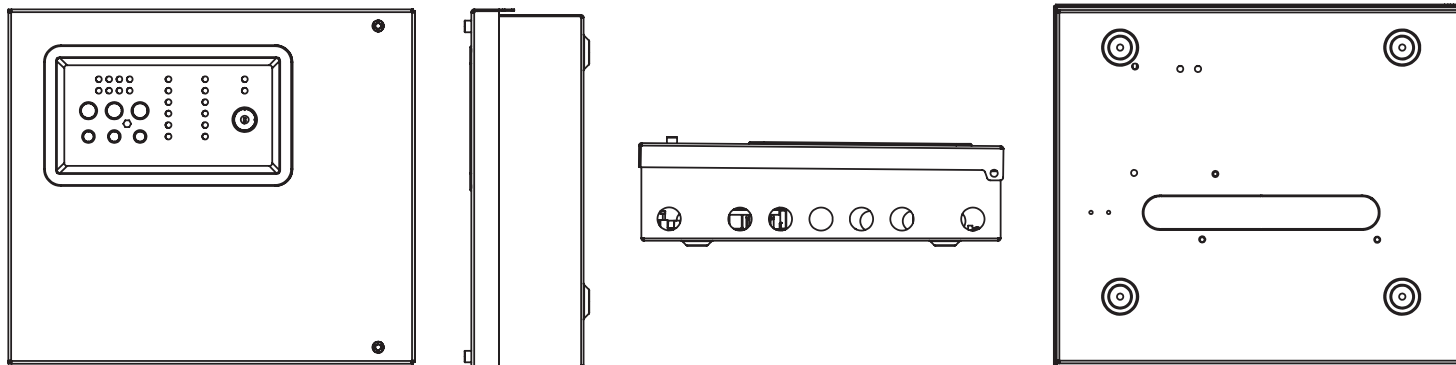


# TFP-408

8 Zone Conventional Fire Alarm Panel



General Specifications	TFP-408
Standard	EN54-2 / EN54-4
Zones	8
Maximum Numbers of Detectors	32
EOL	4K7 ohm, %5, 1/4W
Operating Voltage	230 / 110 VAC (+%10 / -%15)
Operating Frequency	50 / 60 Hz (±%5)
Power Fuse	2A
Backup Battery	2X 12V, 7Ah
Imin	75mA
I <sub>maxA</sub>	500 mA
I <sub>maxB</sub>	1,5 A
Number of Monitored Sounder Outputs	2X 500mA
Sounder EOL	4K7 OHM, %5, 1/4W
General Error Relay	1 X NC/NO Dry Contact, 30V, 2A
Fire Relay	1 X NC/NO Dry Contact, 30V, 2A
AUX	1X 24VDC 500mA
Dimensions (mm)	340 x 300 x 100 mm
Body material and color	Metal - Light Grey
Weight	4,4kg (Without Battery)
Operating Temperature	-10°C ~ 55°C
Humidity	95% RH
Protection Class	IP30



## TFD-3230

Conventional Optical Smoke Detector



TFD-3230 Conventional Optical Smoke Detector designed to provide maximum level of protection for small and medium sized places with its advanced optical sensing technology. Detector has a series of algorithms developed to minimize faulty detections and to provide pollution warning. Smoke chamber can be easily removed for cleaning in case of possible pollutions in excessively dusty environments.

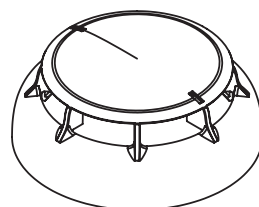
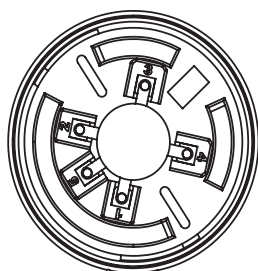
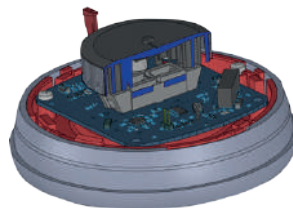
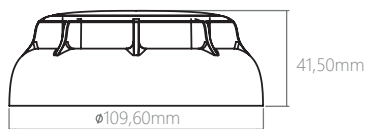
### GENERAL FEATURES

- EN54-7 Certified
- Detects Smoke Particles in the Environment via Light Scatter Principle
- Supports 2X LED Indicators Enables 360° view
- Two Different Colors of Indication by LEDs to Individually Display Error and Alarm Conditions (Blue/Red)
- Special Software Algorithms to Eliminate Sudden Dust, Smoke, etc. Which May Cause Faulty Alarms
- Supports Parallel Indicator Connection Terminals
- Easy to Clean Smoke Chamber
- Aesthetic and Elegant Design Fits any Environment
- Compatible with any Brand of Conventional Fire Panel

### Technical Specifications

### TFD-3230

Standard	EN54-7
Operating Type	Optical
Detection Level	0,15 dB/m
Power	18-30VDC
Average Consumption	30µA@24V
Alarm Consumption	50mA @24V (Limited with 470 Ω)
Indicator Current	10mA @24V (Limited with 2K2 Ω)
Starting Time	15sec.
Weight (Include Base / Not)	183gr / 125gr
Dimensions (mm)	Ø110, h:42 mm
Body Material and Color	ABS Plastic – White
Alarm Indicator LED	RED
Status LED	Blue
Operating Temperature	-10°C ~ 55°C
Humidity	95% RH
Protection Class	IP30



**TFD-3240**  
Conventional Heat Detector

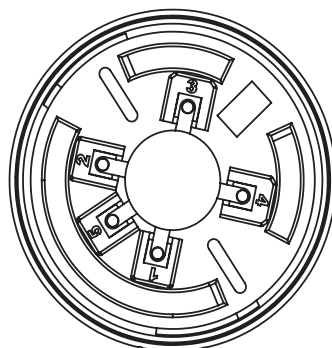
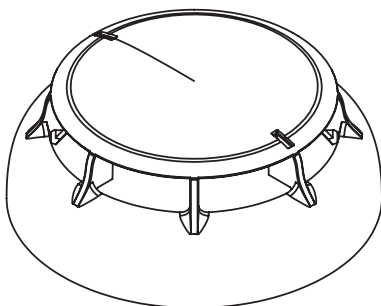
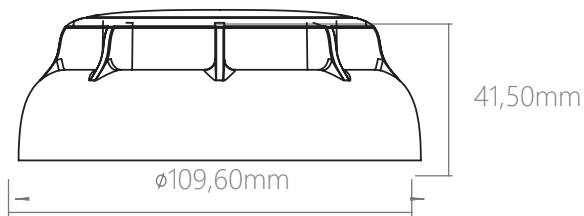


TFD-3240 Conventional heat detector uses two NTC for precise measurement of the environment to detect fire. Detector classified as A2S and will report an alarm at 55°C.

**GENERAL FEATURES**

- EN54-5 Certified
- Designed with 2 NTCs to Ensure More Accurate and Precise Temperature Measurement
- Classified as A2S
- Supports 2x LED Indicators Enables 360° view
- Two Different Colors of Indication by LEDs to Individually Display Error and Alarm Conditions (Blue/Red)
- Supports Parallel Indicator Connection Terminals
- Aesthetic and Elegant Design Fits any Environment
- Compatible with any Brand of Conventional Fire Panel

Technical Specifications	TFD-3240
Standard	EN54-5
Operating Type	A2S
Power	18-30VDC
Average Consumption	30µA@24V
Alarm Consumption	50mA@24V
Indicator Current	10mA@24V
Weight (Include Base / Not)	183gr / 125gr
Dimensions (mm)	Ø110, h:42 mm
Body Material and Color	ABS Plastic – White
Alarm Indicator LED	RED
Status LED	Blue
Operating Temperature	-10°C ~ 70°C
Humidity	95% RH
Protection Class	IP30



## TFD-3250

Conventional Multi Detector (Optical Smoke and Heat)



TFD-3250 Conventional Optical Smoke + Heat Detector uses optical and heat sensing technologies. Detector has a series of algorithms developed to minimize faulty detections.

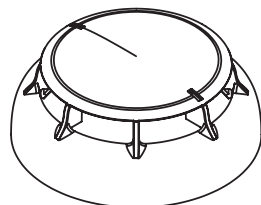
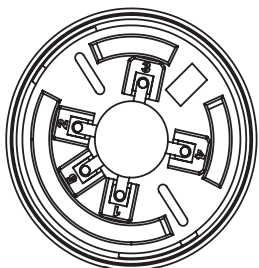
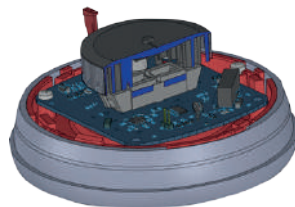
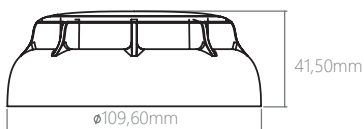
### GENERAL FEATURES

- EN54-7 and EN54-5 Certified
- Detects Smoke Particles in the Environment via Light Scatter Principle
- Detector Classified as A2S for Heat Detection
- Supports 2x LED Indicators Enables 360° view
- Two Different Colors of Indication by LEDs to Individually Display Error and Alarm Conditions (Blue/Red)
- Special Software Algorithms to Eliminate Sudden Dust, Smoke, etc. Which May Cause Faulty Alarms
- Supports Parallel Indicator Connection Terminals
- Easy to Clean Smoke Chamber
- Aesthetic and Elegant Design Fits any Environment
- Compatible with any Brand of Conventional Fire Panel

### Technical Specifications

### TFD-3250

Standard	EN54-5, EN54-7
Operating Type	Optical and Heat
Power	18V(min) – 30V(max)
Detection Level	0,15 dB/m A2S (Between 55°C-70°C)
Average Consumption	30µA@24V
Alarm Consumption	50mA@24V
Indicator Current	10mA@24V
Starting Time	15sec.
Weight (Include Base / Not)	183gr / 125gr
Dimensions (mm)	Ø110, h:42 mm
Body Material and Color	ABS Plastic – White
Alarm Indicator LED	RED
Status LED	Blue
Operating Temperature	-10°C ~ 70°C
Humidity	95% RH
Protection Class	IP30





## TSD-701

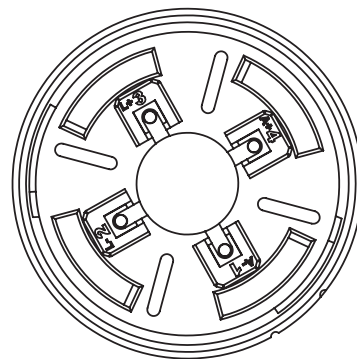
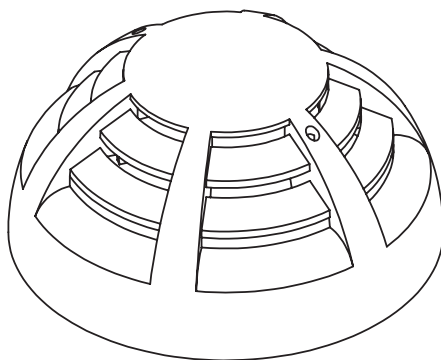
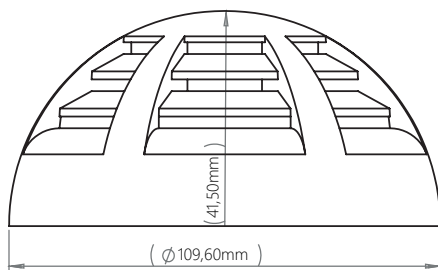
Conventional Natural Gas Detector



TSD-701 is a natural gas detector which can be connected to conventional fire alarm systems (NO) and Intruder alarm systems (NC) or to be used as a stand-alone device with 12-24V external power supply. It is equipped with 85dB on-board buzzer for audio warning, and with red/ yellow/ green colored led indicators for visual warning. TSD-701 natural gas detector is suitable for ceiling and wall installations. Detector also provides a test button on it to perform tests for all visual and audio warnings.

### GENERAL FEATURES

- TSE TS-EN 50194-1 Certified
- 85dB Alarm Sound Level
- TEST Button for Buzzer and LEDs
- 2x LED Indicators Enable 360° View from All Directions
- NO Relay for Fire Alarm Systems and NC Relay for Intruder Alarm Systems



### Technical Specifications

### TSD-701

Standard	TS-EN 50184-1
Operating Type	MQ5 Gas Sensor
Device Type	A
Detection Level	%10 LEL
Sound Indicator	Continuous: Gas Alarm Intermittent: Sensor Fault
Sound Level	≥85dB (at 1mt)
LED Indicator	Alarm: RED, Fault: Yellow Normal: Green
Test Button	Yes
Power	12-24VDC
Average Consumption	12VDC/100mA, 24VDC/50mA
Alarm Consumption	12VDC/100mA, 24VDC/50mA
Relay	NO for Fire Systems NC for Intruder Systems
Start Time	3 min.
Dimensions (mm)	Ø110 h:50
Body Material and Color	ABS Plastic – White
Operating Temperature	-10°C ~ 55°C
Humidity	95% RH
Protection Class	IPX2D

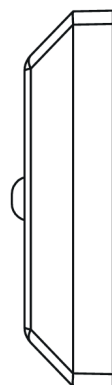
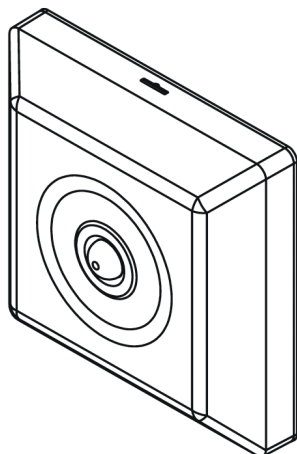
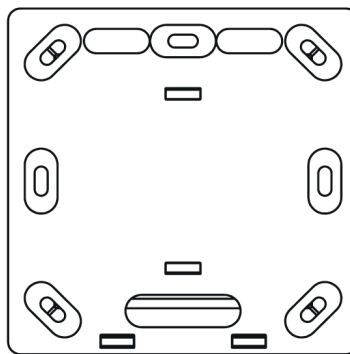
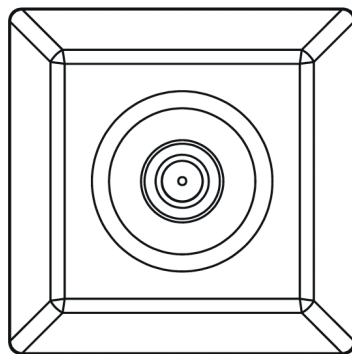
## TFA-3196

Conventional Remote Indicator



In cases where alarm LEDs are not visible due to installation of detectors on high ceilings, false ceilings, raised floor, restricted access rooms etc., this device is used as an additional indicator light. The big red LED in 10mm diameter can be seen even from high ceiling.

Technical Specifications	TFA-3196
LED	RED
Light	RED 150mcd
Power	10-32VDC .
Alarm Consumption	2,2mA@24VDC
Weight	42gr
Dimensions (mm)	85 x 85 x 21mm
Body Material and Color	ABS Plastic – White
Operating Temperature	-10°C ~ +85°C
Humidity	95% RH
Protection Class	IP30



## TFB-3165

Conventional Manual Call Point



TFB-3165 is designed to be used with all brands of conventional fire alarm systems and comply with EN54-11. Internal 470-ohm resistance allow ease of installation. It has resettable operation structure which can be reset by using a special plastic key. Suitable for flush and surface mounting. An optional transparent protection cover can be installed to avoid false alarms by accidental pressing.

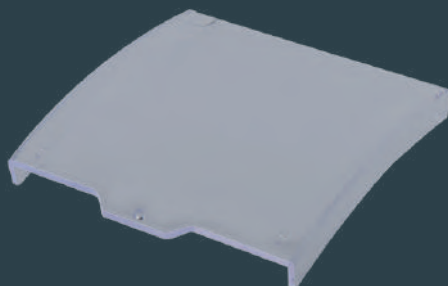
### GENERAL FEATURES

- EN 54-11 Certified
- Resettable
- NC/NO Selection
- Includes 470 Ohm Resistance, does not Require Additional Connection
- Optional Transparent Protection Cover can be Installed. Cover can be Sealed
- Suitable for Flush and Surface Mounting
- Compatible with All Conventional Fire Alarm Systems r

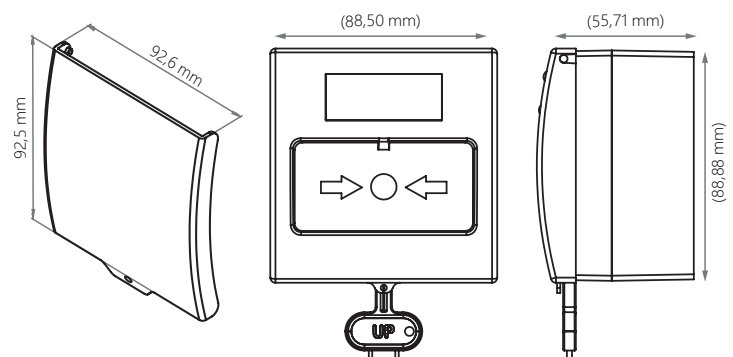
Technical Specifications	TFB-3165
Standard	EN 54-11
Operating Type	A Type Manual
Resettable	Yes
Relay	NC/NO/470 Ohm
Power	5-32VDC
Dimensions (mm)	86 x 55 x 88 mm
Weight	165gr
Body Material and Color	RAL3001 RED
Type of Fragile Element	Resettable Polycarbonate
Operating Temperature	-10°C ~ 60°C
Humidity	≤93% RH at +40°C
Protection Class	IP30

## TFA-0165

Transparent Protection Cover



The cover is made of robust polycarbonate transparent material. It is used to prevent accidental button activation.



## TFB-3165X

Conventional Emergency Call Points



Designed to be connected to any brand of conventional fire detection systems. Internal 470-ohm resistance allow ease of installation. It is suitable for flush and surface mounting. An optional transparent protective cover can be installed. It is easily resettable via special key.

### GENERAL FEATURES

- Resettable Type
- NC/NO Selection
- Includes 470 Ohm Resistance, does not Require Additional Connection
- Transparent Protection Cover can be Installed. Cover can be Sealed
- Suitable for Flush and Surface Mounting
- Compatible With all Conventional Fire and Theft Alarm Systems

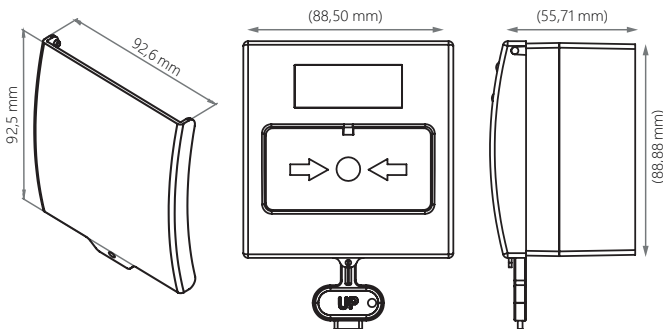
- **TFB-3165W**, Emergency Call Point – WHITE
- **TFB-3165B**, Emergency Stop Call Point - BLUE
- **TFB-3165Y**, Manual Release Button – YELLOW
- **TFB-3165G**, Emergency Exit Door Release Button – GREEN
- **TFB-3165O**, Discharge Button - ORANGE

### Technical Specifications

### TFB-3165X

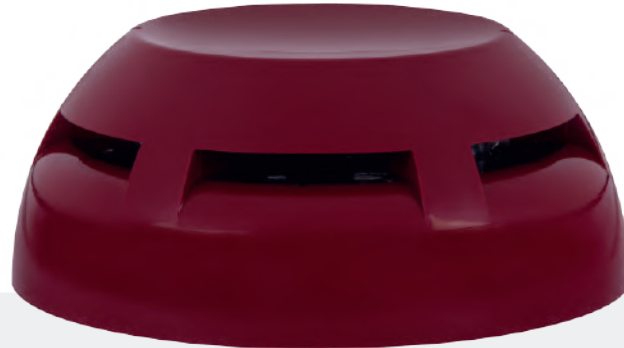
Operating Type	A Type Manual
Resettable	Yes
Relay	NC / NO / 470R
Power	5-30 VDC
Dimensions (mm)	165gr.
Weight	86x55x88mm
Color Codes	RAL 9010 White RAL 5002 BLUE RAL 1006 YELLOW RAL 6016 GREEN RAL2011 ORANGE
Type of Fragile Element	Resettable Polycarbonate
Operating Temperature	-10°C ~ 60°C
Humidity	≤93% RH at +40°C
Protection Class	IP30

The cover is made of robust poly-carbon transparent material. It is used to prevent accidental button activation.



## TFS-3191

Conventional Fire Alarm Sounder



Teknim TFS-3191 fire alarm sounder have aesthetic design and low power consumption and suitable for use with any brand of fire detection systems.

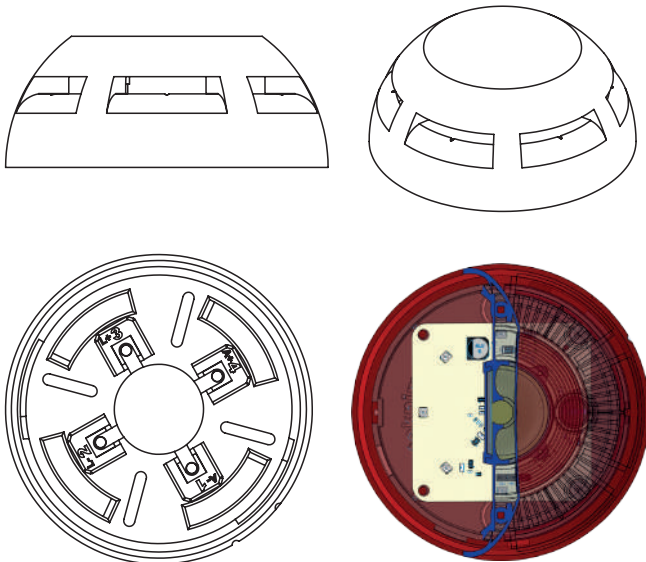
### GENERAL FEATURES

- EN54-3 Certified
- Suitable for flush and surface mounting
- 100dB high sound level
- IP21C protection class
- Red/White, transparent UL94 non-flammable poly carbonate plastic frame

### Technical Specifications

### TFS-3191

Standard	EN-54/3
Sound Level	100dB±2 dB - (24VDC at 1 mt)
Sounder	Piezzo Element with leak-proof sealant
Power	24-28VDC
Alarm Consumption	15mA
Dimensions (mm)	Ø110, h:55 mm
Body Material	Red, UL94 anti- flammable ABS plastic
Operating Temperature	-10°C ~ 55°C
Humidity	95% RH
Protection Class	IP21C



## TFS-3192R/W

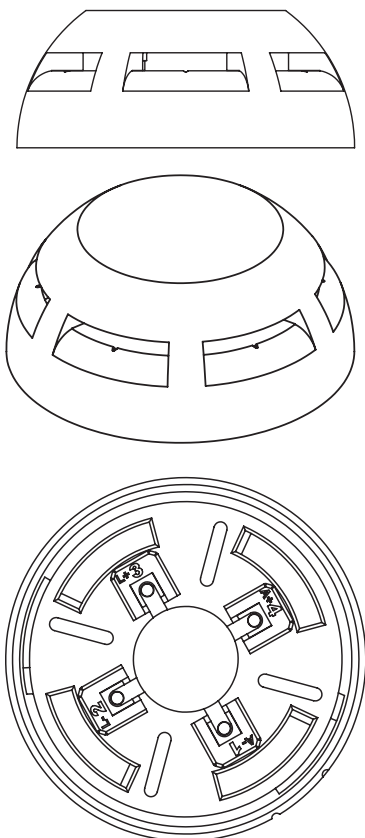
Conventional Fire Alarm Sounder with Flasher



Teknim TFS-3192 internal fire alarm sounder and flasher have aesthetic design and low power consumption and are suitable for use with any brand of fire detection systems.

### GENERAL FEATURES

- EN 54-3 and EN 54-23 Certified
- Suitable for flush and surface mounting
- 100dB high sound level
- IP21C protection class
- Red/White, transparent UL94 non-flammable poly carbonate plastic frame



### Technical Specifications

### TFS-3192W/R

Standard	EN-54/3 EN-54/23
Operating Type	Sound + Flasher
Sound Level	100dB±2 dB, (24VDC at 1 mt)
Coverage	W-2,4-4
Flasher	1 sec ON / 1 sec OFF
LED	RED/WHITE
LED Specifications	Wide angle 7x Bright LED
Sounder	Piezzo Element with leak-proof sealant
Power	24-28 VDC
Alarm Consumption	19mA.
Dimensions (mm)	Ø110, h:55 mm
Body Material	ABS Plastic
Operating Temperature	-20°C ~ 55°C
Humidity	95% RH
Protection Class	IP21C

**TFS-3193R/W**  
Conventional Fire Alarm Flasher

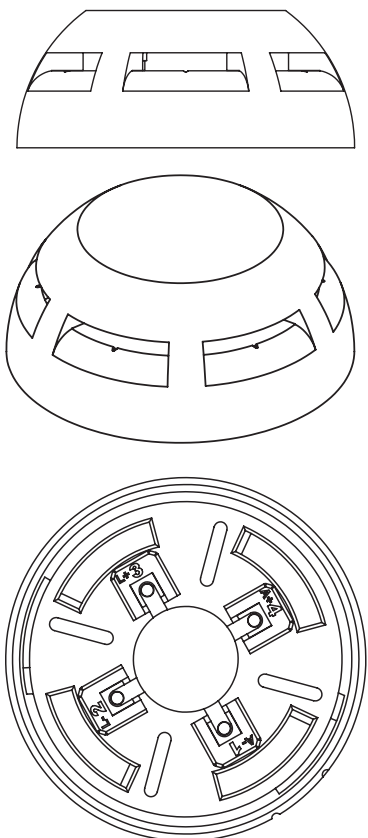


Teknim TFS-3193 internal fire alarm flasher has aesthetic design and low power consumption and are suitable for use with any brand of fire detection systems.

**GENERAL FEATURES**

- EN 54-23 Certified
- Suitable for flush and surface mounting
- IP21C protection class
- Red/White, transparent UL94 non-flammable poly carbonate plastic frame

Technical Specifications	TFS-3193W/R
Standard	EN-54/23
Operating Type	LED
Coverage	W-2,4-4
Flasher	1 sec ON / 1 sec OFF
LED	RED/WHITE
LED Specifications	Wide angle 7x Bright LED
Power	24-28VDC
Alarm Consumption	6mA
Dimensions (mm)	Ø110, h:55 mm
Body Material	UL94 anti- flammable ABS Plastic
Operating Temperature	-20°C ~ 55°C
Humidity	95% RH
Protection Class	IP21C



## VAS-740F

Conventional Outdoor Fire Alarm Sounder with Flasher

## TFS-5792

Conventional Outdoor Fire Alarm Sounder with Flasher



### VAS-740F

Conventional Outdoor Fire Alarm Sounder with Flasher

VAS-740F Sounder with flasher designed for any brand of conventional fire detection systems, suitable for use in external environments.

#### GENERAL SPECIFICATIONS

- 6X Super Bright LED / Flasher
- 110dB/24V - 100dB/12V

Technical Specifications	VAS-740F
Operating Type	Outdoor
Sound Level	110dB±5 dB (24VDC at 1 mt) , 100dB±5 dB (12VDC at 1 mt)
LED Specifications	Wide angle 6x Bright LED
Sounder	Piezzo Element with leak-proof sealant
Power	12-28VDC
Alarm Consumption	110mA@24V , 55mA@12V
Dimensions (mm)	215 x 300 x 60 mm
Body Material and Color	UL 94 anti-flammable ABS plastic - RED
Operating Temperature	-10°C ~ 55°C
Humidity	95% RH



### TFS-5792

Conventional Outdoor Fire Alarm Sounder with Flasher

TFS-5792 Sounder with flasher is a new designed for any brand of conventional fire detection systems, suitable for use in external environments.

#### GENERAL SPECIFICATIONS

- 6X Super Bright LED / Flasher
- 115dB/24V @1mt
- IP65 Protection

Technical Specifications	TFS-5792
Operating Type	Outdoor
Sound Level	115dB±3 dB (24VDC at 1 mt)
Sounder	Piezzo Element with leak-proof sealant
Power	24-28VDC
Alarm Consumption	285 mA ± %10 (@24VDC)
Dimensions (mm)	197 X 300 X 78 mm
Body Material and Color	UL 94 Polycarbonate - RED
Operating Temperature	-10°C ~ 65°C
Humidity	95% RH
Protection Class	IP65



## TFD-3940

Standalone Multi Detector  
with Battery Operated

## TFD-3945

Standalone Cigarette and Heat  
Detector with Battery Operated



TFD-3940 and TFD-3945 are battery operated detectors which can be used stand-alone in to detect fire alarm. While TFD-3940 supports multi sensing technology with optical and heat, TFD-3945 supports cigarette smoke and heat sensing technology.

It has onboard Buzzer with 60dB sound level and provides 8 years battery lifetime with 2pcs CR123A battery. Detectors can be program easily by the button on it with different type of detection options.

### GENERAL FEATURES

- Different Type of Detection Options
- 60dB Sound Level
- Supports 2x CR123A Battery
- Years Battery Lifetime with 2x Battery
- Test and Programming Button

Technical Specifications	TFD-3940/TFD-3945	
	Optical and Heat	Cigarette and Heat
Operating Type	Optical and Heat	Cigarette and Heat
Average Consumption	25µA (@3V)	
Alarm Consumption	20mA	
Battery	2X CR123A	
Battery Lifetime	8 Years	
Detection Level	0.075dB/m	
Heat Detection	A2S – A2R	
Buzzer Sound Level	60dB@1m	
Dimensions (mm)	Ø110, h:48 mm	
Body Material and Color	ABS Plastic – White	
Operating Temperature	-10°C ~ 70°C	
Humidity	95% RH	
Protection Class	IP30	

## TPU-8245

External Power Supply 24VDC 5Ah

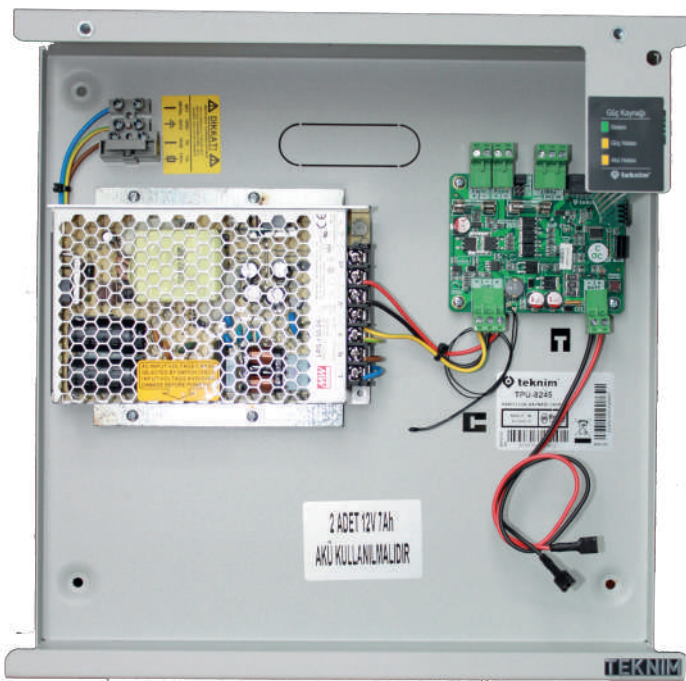


TPU-8245 is designed to use in systems where required external power supply by providing 24VDC 5Ah uninterrupted power with an intelligent battery charger unit and complies with EN54-4. Both input and outputs of devices are protected against short circuit and overload. The device allows to use 7Ah or 12Ah battery options.



### GENERAL FEATURES

- EN 54-4 Certified
- Selectable Single or Dual Output
- Supports 7Ah or 12Ah Backup Battery
- Dry Contact Relay Output for Error
- Led Indicators for Fault
- Intelligent Battery Charging with Temperature Compensation
- Wide Input Voltage Range, 110 to 240VAC
- Protection Against Short Circuit and Overload Conditions
- Fully Enclosed and Robust Metallic Case



### Technical Specifications

### TPU-8245

Standard	EN54-4
Smart Charge	Yes
Error Relay	Yes
Operating Voltage	110 / 240VAC
Operating Frequency	50 / 60 Hz
Output Voltage	20~24Vdc $\pm$ %2
Maximum Output Current	5Ah
Outputs (S1 Closed, S2 Open) (S1 Open, S2 Closed)	Output-1: 5,0Ah Output-2: 0,0Ah Output-1: 2,5Ah Output-2: 2,5Ah
Backup Battery	2X 12V, 7Ah
Charging Voltage	27,6V@ 20°C
Discharge cut-off	< 20V
Dimensions (mm)	310 x 102 x 300 mm
Body material and color	Metal RAL7305 Texture
Weight	3,25Kg (Without Battery)
Operating Temperature	-10°C ~ 55°C
Humidity	95% RH
Protection Class	IP30



TR6100 is a Beam detector used for fire detection particularly in large zones with high ceilings which are not suitable for standard detector mounting.

Internal Laser Pointer enables easy alignment of reflectors. It is very easy to install. It can be used with all fire detection panels

### GENERAL FEATURES

- LPCB Approved
- Flawless Alignment by Digital Guiding Screen and Laser Beam Marking
- Internal Failure Diagnosis
- Automatic Compensation in Case of Weakened Signals
- Due to Dust Accumulation, Displacement and Worn Transmitter
- Fire and Error Relay Outputs
- Includes Reflector Mirror
- Internal Distance Adjustment

Technical Specifications	TR6100
Standard	LPCB, EN54-12, BS 5839 Part 1:2002
Operating Type	Beam Detector
Detection Distance	0-100 meters
Detection Angle	±0.5° direction
Digital Screen Guide	Nixie Tube
Alignment	Laser Beam Marker
Power	20-28VDC
Average Consumption	23mA
Alarm Consumption	33mA
Reset Time	Less than 2sec.
Relay Output	NC - NO 2.0A; 30VDC
Weight (Include Base / Not)	130gr
Dimensions (mm)	191 x 127 x 92 mm
Body Material and Color	ABS Plastic – White
Alarm Indicator LED	RED: Fire Alarm Yellow: Fault Green: Alignment
Operating Temperature	-10°C ~ 50°C
Humidity	95% RH
Protection Class	IP30

**TXM-0504**  
GSM Dialer

**TXM-0508**  
GSM/GPRS Dialer



GSM/GPRS dialer is used to deliver alarm information from fire alarm panels to the users over GSM by voice call and SMS and can connect directly with the Alarm Receiving Centers to deliver alarm information via GPRS. It can also be used to remote start/stop of a product connected over PGM output via SMS. It can be used with all brand of fire alarm panels.

**GENERAL FEATURES**

- 15 Seconds Sound Recording
- GPRS Connection with ARC (TXM-0508)
- 2X Zone Inputs (Fire and Error)
- 1X PGM Output
- 8X Call and 8X SMS for Each Zone (TXM-0508)
- 1X Call and 3X SMS for Each Zone (TXM-0504)
- SMS Notification when Fault on ARC Connection or Fault on Control Panel Connection (TXM-0508)
- LEDs indicating Operation, Communication and Signal statuses

TXM Modules can be program via TXM Configuration software.

Technical Specifications	TXM-0504	TXM-0508
Power	10-24VDC	
Standby Consumption	120mA	
Alarm Consumption	500mA	
GSM Modem Frequency	850 / 900 / 1800 / 1900 Mhz	
GPRS	NO	Yes
Sound Recording Time	15sec	
Communication Format	SIA-DC-09	
Zone Inputs	2x NC/NO	
Outputs (PGM)	1	
Number of Users Call	1x Per Each Zone	8x Per Each Zone
Number of Users SMS	3x Per Each Zone	8x Per Each Zone
SMS Character	50	
Dimensions (mm)	150 x 110 x 35 mm	
Operating Temperature	-20°C ~ 55°C	
Humidity	95% RH	

