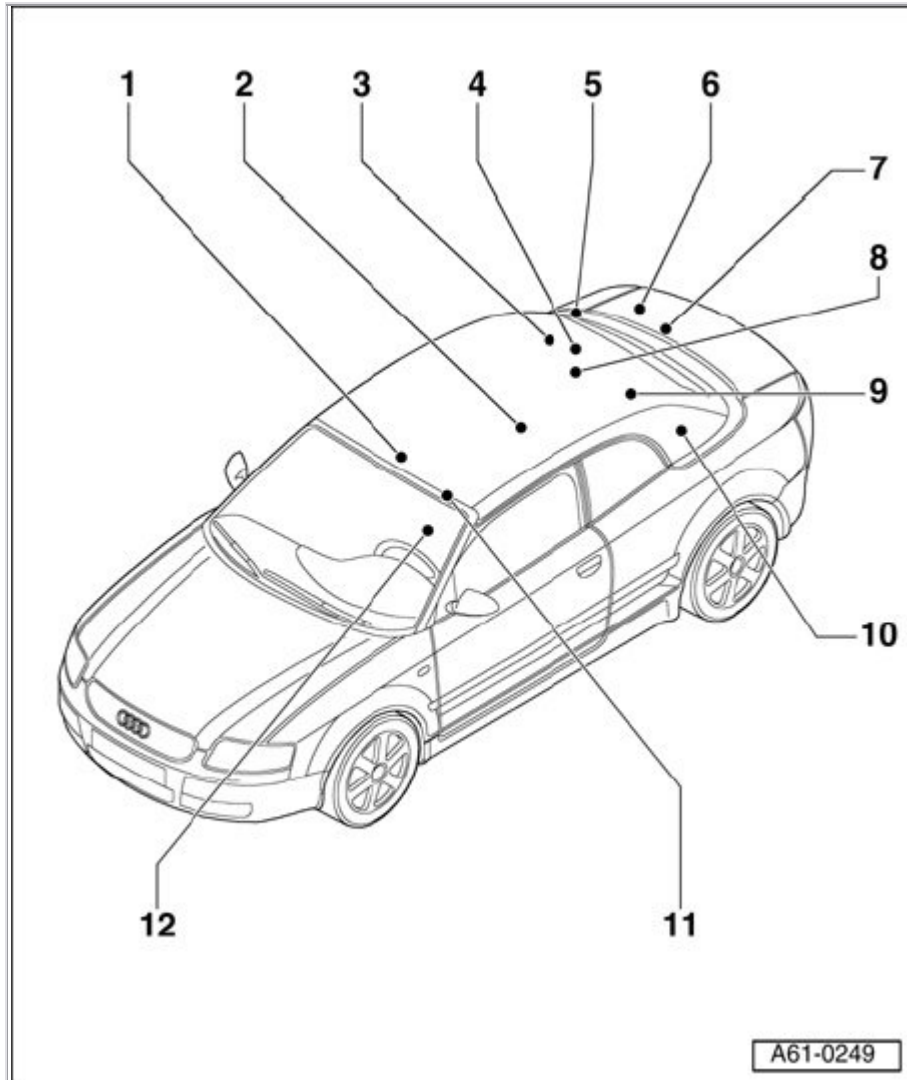


Convertible top operation electrical components-assembly overview

NOTE:

- When working on the convertible top electrical system, disconnect vehicle battery ground strap.
- All cable ties that are loosened or cut off when removing convertible top should be reinstated in the same places during installation.



1 - [Convertible top latch](#)

- Consists of:

- Convertible Top Locking Motor V223
 - Convertible Top Lock Switch (open) F294
 - Convertible Top Lock Switch (closed) F295
 - Tightening torque
- 2 - [Convertible Top Control Module](#) J256
- Tightening torque
- 3 - Convertible top position switch
- Consists of:
 - Convertible Top Open Position Switch F171
 - Convertible Top Closed Position Switch F202
- 4 - [Convertible Top Frame](#) Position Sensor G356
- Tightening torque.
- 5 - Compartment Cover Open Position Switch F201
- Tightening torque.
- 6 - Convertible top operation hydraulic unit
- Consists of:
 - Convertible Top Hydraulic Pump V118
 - Convertible Top Hydraulic Pump Relay J321
 - Convertible Top Hydraulic Pump Relay 2 J588
 - Power Convertible Top Valve 1 N272
 - Power Convertible Top Valve 2 N341
 - Power Convertible Top Valve 3 N342
- 7 - Convertible Top Compartment Enclosure Position Switch F292
- Removing.

8 - Compartment Cover Locked Right Switch 1 F200

9 - Convertible top compartment cover lock

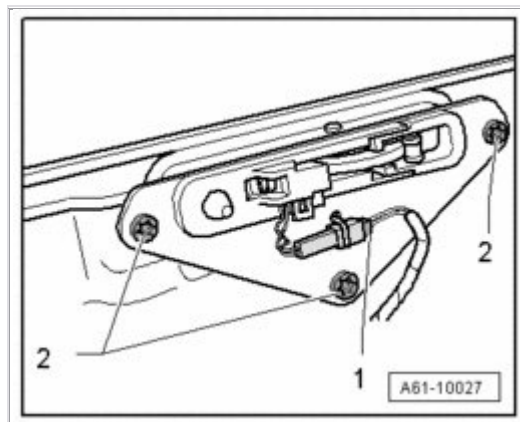
- Consists of:
- Convertible Top Compartment Latch Switch (unlock) F293
- Convertible Top Compartment Cover Locking Motor V222

10 - Left Convertible Top Compartment Cover Switch F290

11 - Convertible Top Front Lock Switch F172

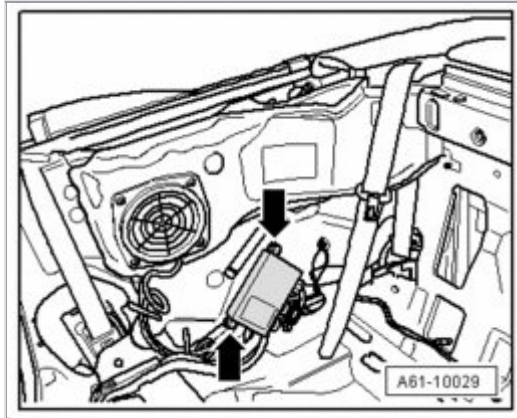
- Tightening torque

12 - Convertible Top Operation Switch E137



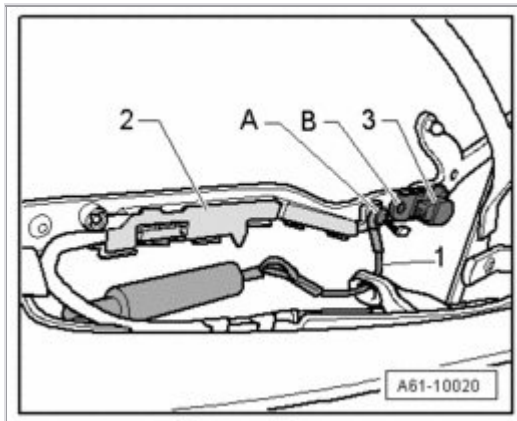
Convertible Top Front Lock Switch F172

2 - 10 Nm



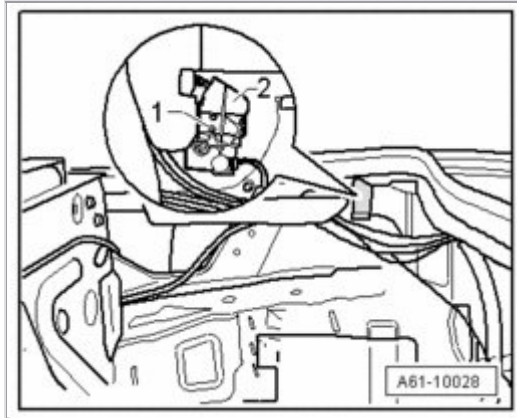
Convertible Top Control Module J256

Arrow - 2.5 Nm



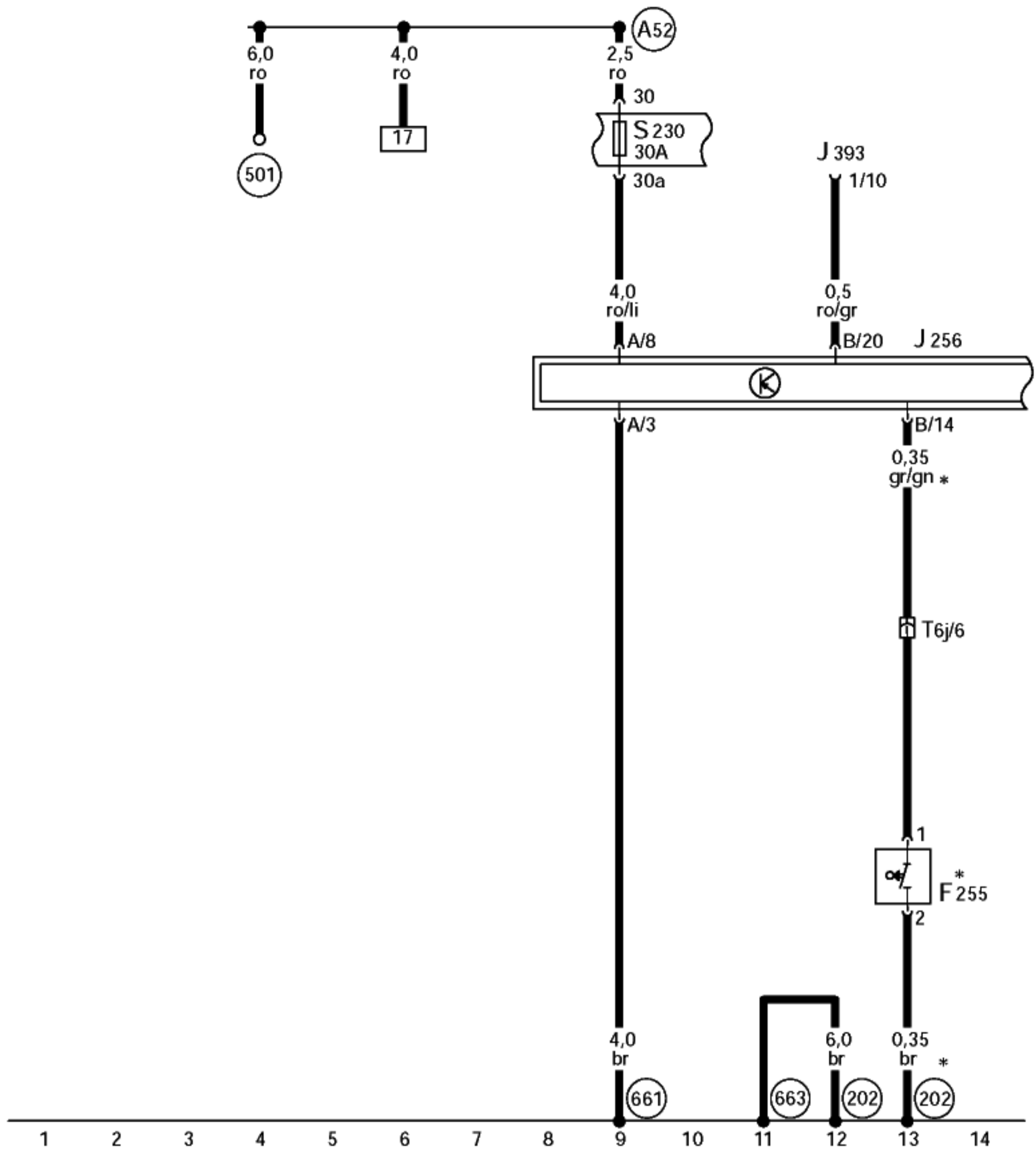
Convertible Top Frame Position Sensor G356

B - 1.5 Nm



Compartment Cover Open Position Switch F201
1 - 1.5 Nm

rs = pink
 ws = white
 sw = black
 ro = red
 br = brown
 gn = green
 bl = blue
 gr = grey
 li = lilac
 ge = yellow
 or = orange

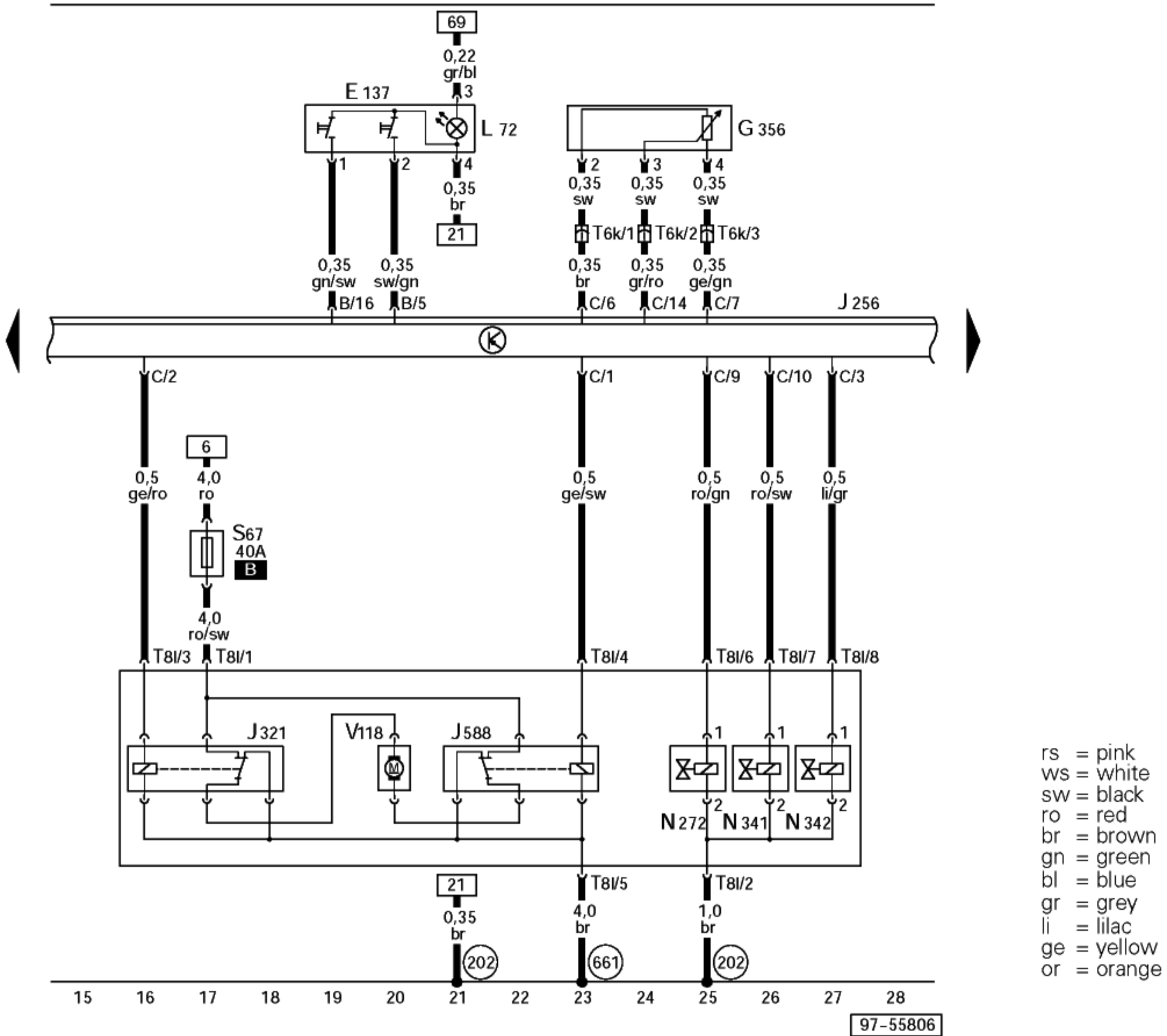


97-54779

F255 - Hardtop Detector Switch*
 J256 - Convertible Top Control Module
 J393 - Central control module for comfort system
 S230 - Fuse in fuse holder
 T6j - 6-Pin Connector, brown, behind right rear side panel trim

(501) - Threaded connection -2- (30) on the relay plate
 (202) - Ground connection, in convertible top wiring harness
 (661) - Ground Connection (on convertible top housing)
 (663) - Ground Connection side part rear right
 (A52) - Plus Connection 2 (30) (in instrument panel wiring harness)

* - Hardtop where applicable



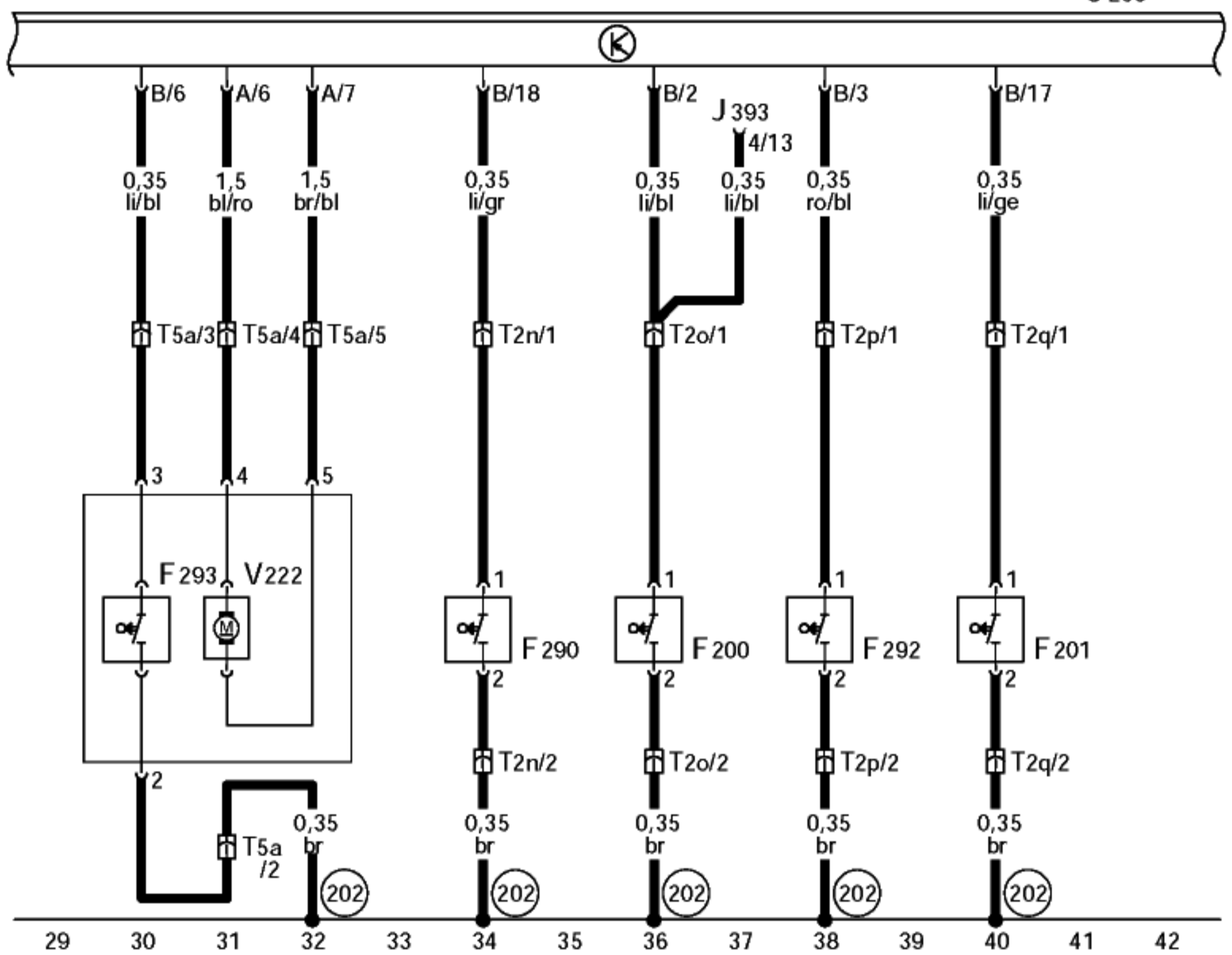
97-55806

- E137 - Convertible Top Operation Switch
- G356- Convertible Top Frame Position Sensor
- J256 - Convertible Top Control Module
- J321 - Convertible Top Hydraulic Pump Relay
- J588 - Convertible Top Hydraulic Pump Relay 2
- L72 - Convertible Top Switch Light
- N272- Power Convertible Top Valve -1-
- N341- Power Convertible Top Valve 2
- N342- Power Convertible Top Valve 3
- S67 - Convertible Top Fuse
- T6k - 6-Pin Connector, black, behind right rear side panel trim
- T8l - 8-Pin Connector, black, on hydraulic system
- V118 - Convertible Top Hydraulic Pump

- 202 - Ground connection, in convertible top wiring harness
- 661 - Ground Connection (on convertible top housing)

J 256

rs = pink
 ws = white
 sw = black
 ro = red
 br = brown
 gn = green
 bl = blue
 gr = grey
 li = lilac
 ge = yellow
 or = orange



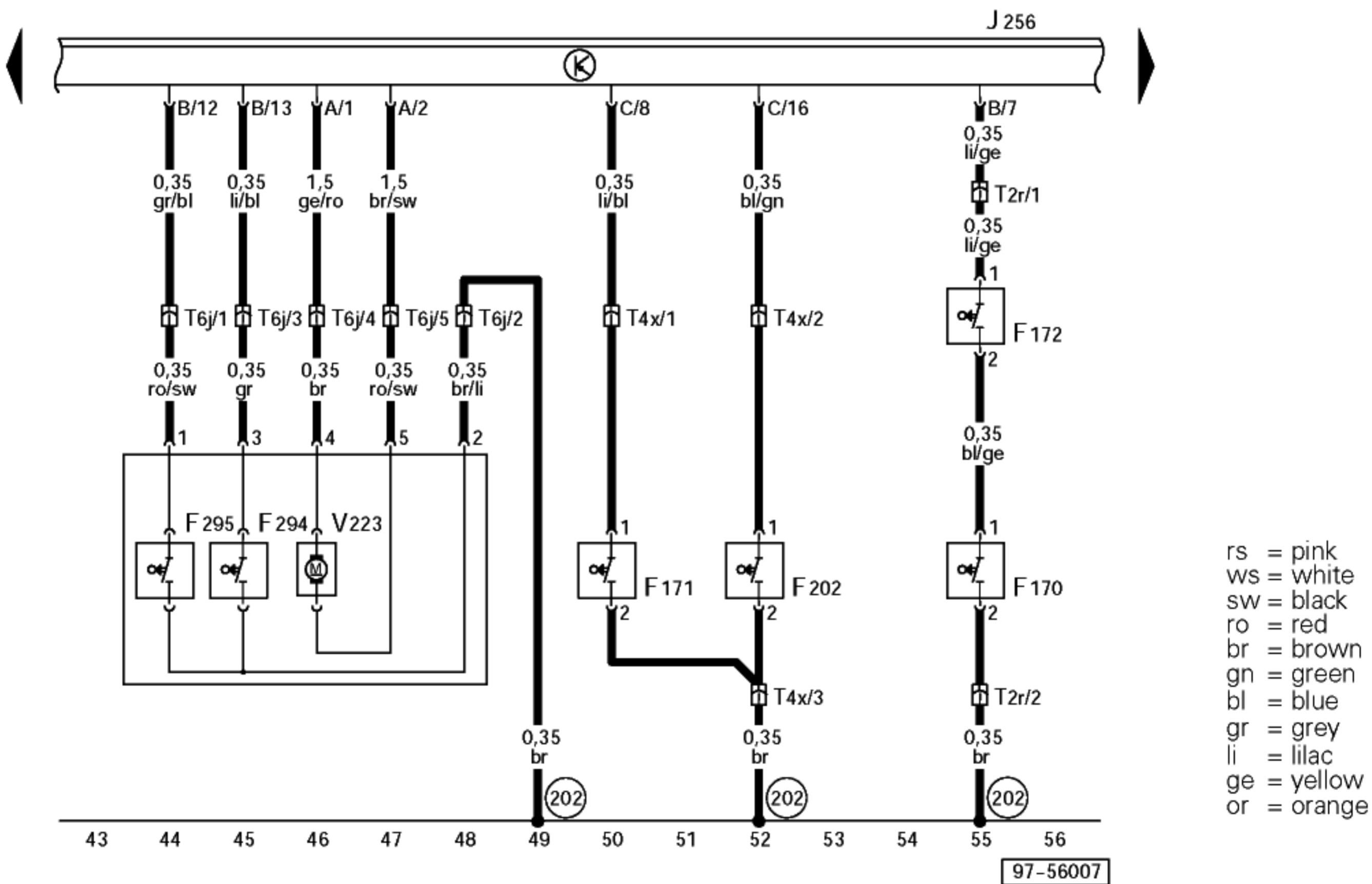
97-54781

- F200 - Compartment Cover Locked Right Switch 1
- F201 - Compartment Cover Open Position Switch
- F290 - Left Convertible Top Compartment Cover Switch
- F292 - Convertible Top Compartment Enclosure Position Switch
- F293 - Convertible Top Compartment Latch Switch (unlock)

- T2q - 2-Pin Connector, black, on Compartment Cover Open Position Switch
- T5a - 5-Pin Connector, black, on Locking System
- V222 - Convertible Top Compartment Cover Locking Motor

(202) - Ground connection, in convertible top wiring harness

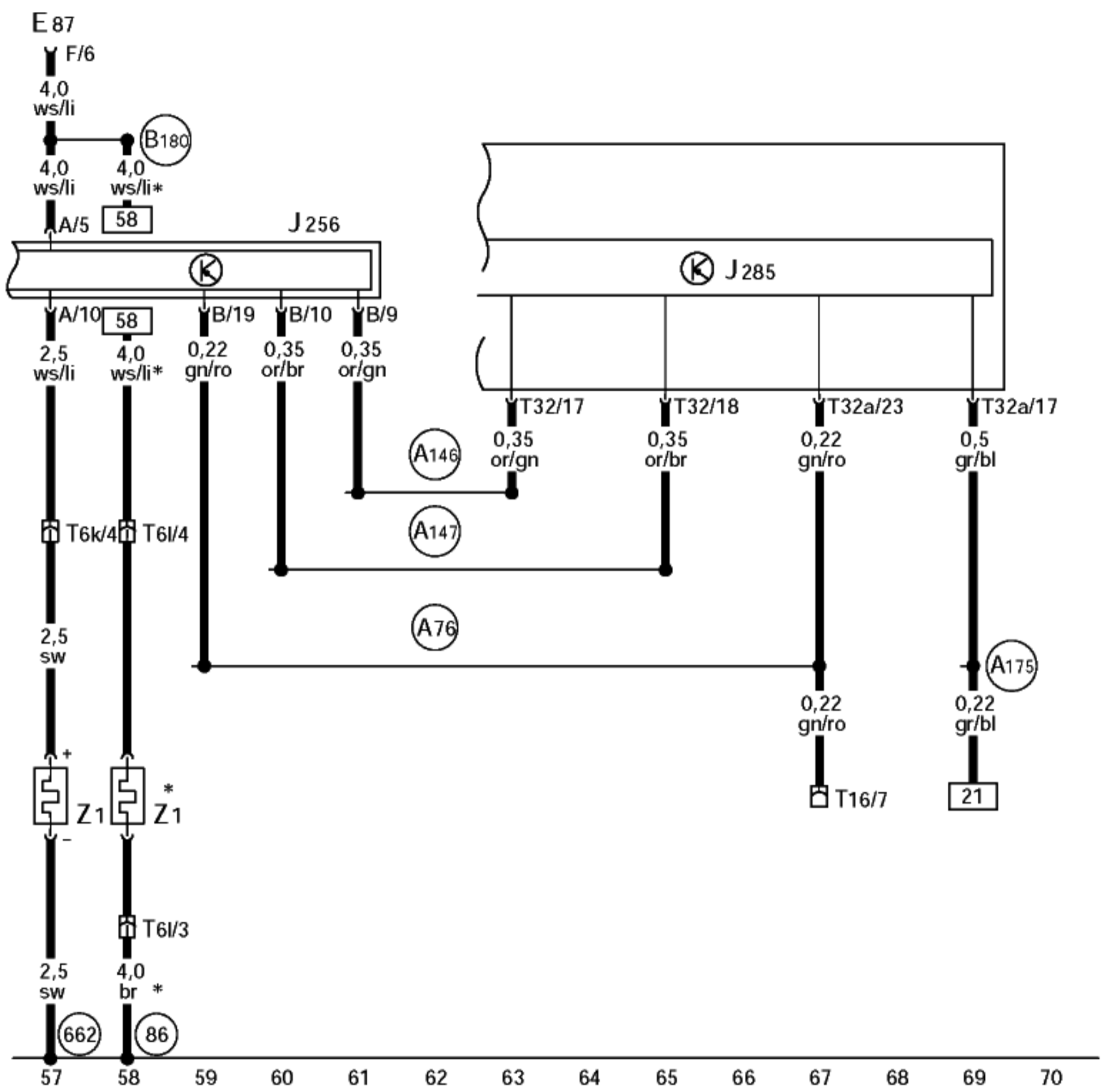
- J256 - Convertible Top Control Module
- J393 - Central control module for comfort system
- T2n - 2-Pin Connector, black, on left Convertible Top Compartment Cover Switch
- T2o - 2-Pin Connector, black, on Compartment Cover Locked Right Switch
- T2p - 2-Pin Connector, black, on Convertible Top Compartment Enclosure Position Switch



rs = pink
 ws = white
 sw = black
 ro = red
 br = brown
 gn = green
 bl = blue
 gr = grey
 li = lilac
 ge = yellow
 or = orange

- F170 - Convertible Top Right Lock Switch
- F171 - Convertible Top Open Position Switch
- F172 - Convertible Top Front Lock Switch
- F202 - Convertible Top Closed Position Switch
- F294 - Convertible Top Lock Switch (open)
- F295 - Convertible Top Lock Switch (closed)
- J256 - Convertible Top Control Module
- T2r - 2-Pin Connector, black, on Convertible Top Front Lock Switch
- T4x - 4-Pin Connector, black, behind right rear side panel trim
- T6j - 6-Pin Connector, brown, behind right rear side panel trim
- V223 - Convertible Top Locking Motor

(202) - Ground connection, in convertible top wiring harness



rs = pink
 ws = white
 sw = black
 ro = red
 br = brown
 gn = green
 bl = blue
 gr = grey
 li = lilac
 ge = yellow
 or = orange

97-55808

- J256 - Convertible Top Control Module
- J285 - Control module with indicator unit in instrument panel insert
- T6l - 6-Pin Connector, black, for hardtop
- T6k - 6-Pin Connector, black, behind right rear side panel trim
- T16 - 16-Pin Data Link Connector (DLC), black, under instrument panel, left
- T32 - 32-Pin Connector, blue, on instrument panel insert
- T32a - 32-Pin Connector, green, on instrument panel insert
- Z1 - Heated rear window

- (86) - Ground connection -1-, in rear wiring harness
- (662) - Ground Connection side part rear left
- (B180) - Connection (heated rear window), in passenger compartment wiring harness
- (A76) - Connector (K-diagnosis wire), in instrument panel wiring harness
- (A146) - Comfort System High-bus Connection, (in instrument panel wiring harness)
- (A147) - Comfort System Low-bus Connection, (in instrument panel wiring harness)
- (A175) - Connection (58s), (in instrument panel wiring harness)
- * - Hardtop where applicable

61 07 10

2010940/4

Oct. 9, 2007

Supersedes Technical Service Bulletin Group 61 number 07-07 dated April 10, 2007 to correct header data.

Model(s)	Year	VIN Range	Vehicle-Specific Equipment
A4, S4 Cabriolet	2003	000001 – 999999	Not Applicable
A4, S4 Cabriolet	2004	000001 – 999999	
A4, S4 Cabriolet	2005	000001 – 999999	
A4 Cabriolet	2006	000001 – 001644	
S4 Cabriolet	2006	900000 – 900101	

Vehicle Information

Convertible top inoperative

Condition

During opening sequence, tension bow has fallen out of range and top operation ceases. DTC 2000 (Switch position incorrect signal) will be stored in the Convertible Top Control Unit. This condition is more common when the vehicle is on an incline with the front of the vehicle elevated, such as when parked in a sloped driveway.

DTC 2000 will be the only fault present for this bulletin to apply. If there are any other faults in the convertible top control unit, these malfunctions must be corrected first. Only after these are corrected and the above condition is still present, accompanied by DTC 2000, should you continue.

Only technicians who have successfully completed Self Study Program 991203 - The Audi A4 Cabriolet and course number 991202 - Audi A4 Cabriolet Introduction are permitted to service the A4 Cabriolet. If you have not completed these prerequisites, do not continue with this bulletin. Have the case dispatched to a qualified A4 Cabriolet technician.

Technical Background

During the opening phase of the convertible top run, the front lock lifts from the windshield and the tension bow lifts to a vertical position to allow clearance for the convertible top box lid to open. The lid is then unlatched. During the unlatching of the

top box lid and at the point when the tension bow is vertical, the opening strategy calls for the hydraulic pump to shut off momentarily. During this "off period" the tension bow is not under pressure and can slowly drift backwards before the top box lid can unlatch completely. Within this time period, the tension bow may have exceeded its plausible operating range. This will cause the top operation to cease. DTC 2000 (Switch position incorrect signal) is stored.

Production Solution

Optimized Convertible Top Operation [Control Module](#) beginning with software 9.0, part number 8H0 959 255B.

Service

1. Address the Convertible Top Operation [Control Module](#) and check the control module part number. If the vehicle is already equipped with Convertible Top Operation Control Module 8H0 959 255B, this Technical Service Bulletin does not apply. Any malfunction in the convertible top system with this part number module installed will likely not be related to the subject matter contained in this Technical Service Bulletin. Carry out the appropriate diagnosis and repair relevant to the failure according to the information in ElsaWeb.
2. Should the top operation fail under the conditions outlined in the Condition, do not clear fault memory. Diagnose as follows:
 - a. Check battery and charging system condition by performing a test with the Midtronics tester. Print results.
 - b. Check and adjust, if necessary, the convertible top box lid and puller tabs according to the specifications in ElsaWeb.
 - c. If the top is currently not operating, fully open and fully close the top manually. Power operation should resume.
 - d. Perform the Guided Fault Finding test plan completely for DTC 2000, checking all five top positions (test of import conv. top positions w. spec. values). Save and print this diagnosis log.
 - e. If the VIN of the subject vehicle is after VIN 8H_5K009649 for A4 Cabriolet and after VIN 8H_5K901294 for S4 Cabriolet, please also save and print measuring value blocks 6 and 7 to the test plan protocol.
3. If all four of these conditions are met:
 - ^ Battery tests good.
 - ^ All other top components are without malfunction.
 - ^ Convertible top box lid and puller tabs are correctly adjusted.
 - ^ All five top positions tested reveal that all switch positions in measuring value block 1 are as specified (no switch implausibility found).

Continue with diagnosis as follows:

- a. Connect the diagnostic tester and address 26-Convertible Top Operation [Control Module](#). View MVB 1, field 4. This is the value for Convertible Top Frame Position Sensor G356.
- b. Move the top into position 4 from test of import conv. top positions w. spec. values. This position has the tensioning bow up and the cover closed.
- c. Turn the key off. MVB 1 will stay live. The tensioning bow can now be moved freely.
- d. With the tensioning bow held to its uppermost position note the value for G356 in field 4. Write this value down.
- e. At this time note the switch positions in field 2, specifically position 6 (3rd from left). This character will read 1 with the tensioning bow in its uppermost position. Slowly move the tensioning bow down while observing position 6. When this character changes to 0 note the G356 value in field 4 and write this value down.
- f. Subtract these two values. If the difference is less than 22, replace Convertible Top Frame Position Sensor G356 (8H0 959 613) with the improved version, which is identified with a yellow dot.
- g. After installation, perform J256-adaptation-Convertible top frame position sensor in Guided Fault Finding.

Warranty

When procedure applies to vehicles within the New Vehicle Limited Warranty, use the following:			
Claim Type:	W2		
Part Identifier:	6164		
Damage Code:	6164 40 002 2		
Labor Operations:	27 06 01 00	Battery check	20 TU
	61 64 19 00	Convertible top micro switch remove and reinstall	40 TU
Diagnostic Time:	Diagnostic time reimbursement follows guidelines printed in Section 2.2 of the <i>Audi Warranty Policies and Procedures Manual</i>		
Claim Comment:	As per TSB #2010940/4		
All warranty claims submitted for payment must be in accordance with the Audi Warranty Policies and Procedures Manual. Claims are subject to review or audit by Audi Warranty.			

Replaced Convertible Top Frame Position Sensors requested by the Warranty Test Center must have a copy of the Guided Fault Finding diagnosis protocol attached. Requested sensors that have Guided Fault Finding diagnosis protocol that does not support this symptom as described in this Technical Service Bulletin or is not attached to the requested sensor will be denied.

Required Parts and Tools

Description	Part No:
Convertible Top Frame Position Sensor	8H0 959 613

All part and service references provided in this TSB are subject to change and/or removal. Always check with your Parts Dept. and service manuals for the latest information.